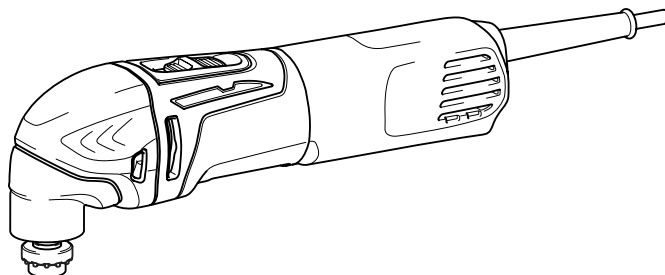
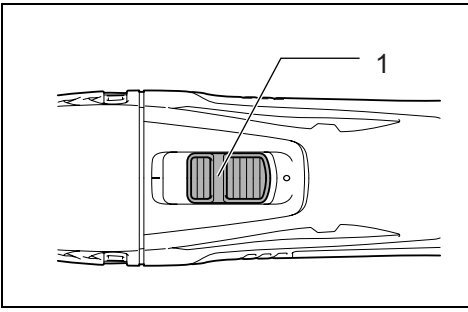




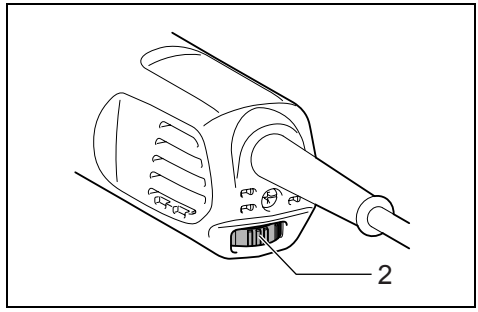
GB	Multi Tool	Instruction Manual
F	Outil Multi-Fonctions	Manuel d'instructions
D	Multifunktions-Werkzeug	Betriebsanleitung
I	Utensile multifunzione	Istruzioni per l'uso
NL	Multi-gereedschap	Gebruiksaanwijzing
E	Multitool	Manual de instrucciones
P	Multicortadora Oscilante	Manual de instruções
DK	Multimaskine	Brugsanvisning
GR	Εργαλείο πολλαπλών χρήσεων	Οδηγίες χρήσεως
TR	Çok Fonksiyonlu Alet	Kullanma kılavuzu

TM3000C

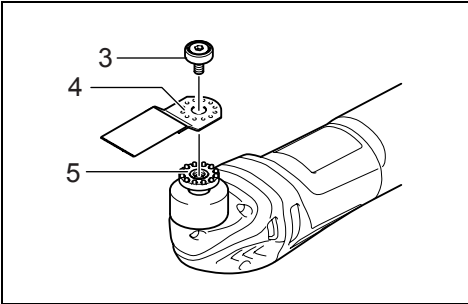




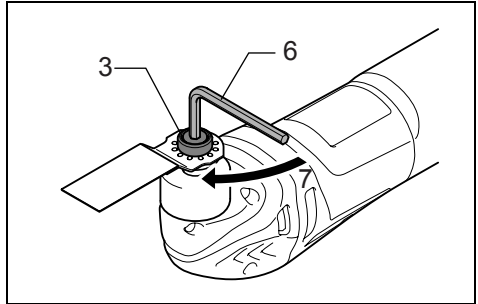
1 012768



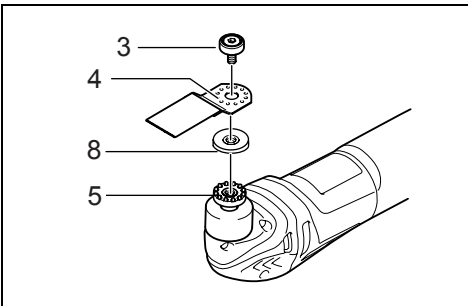
2 012852



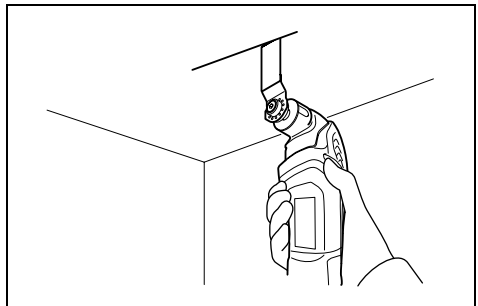
3 012888



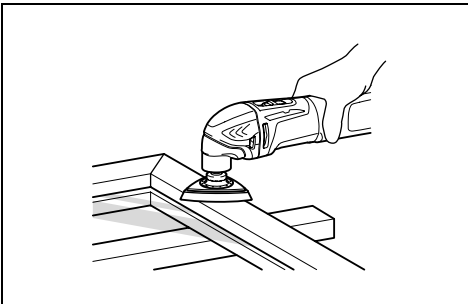
4 012851



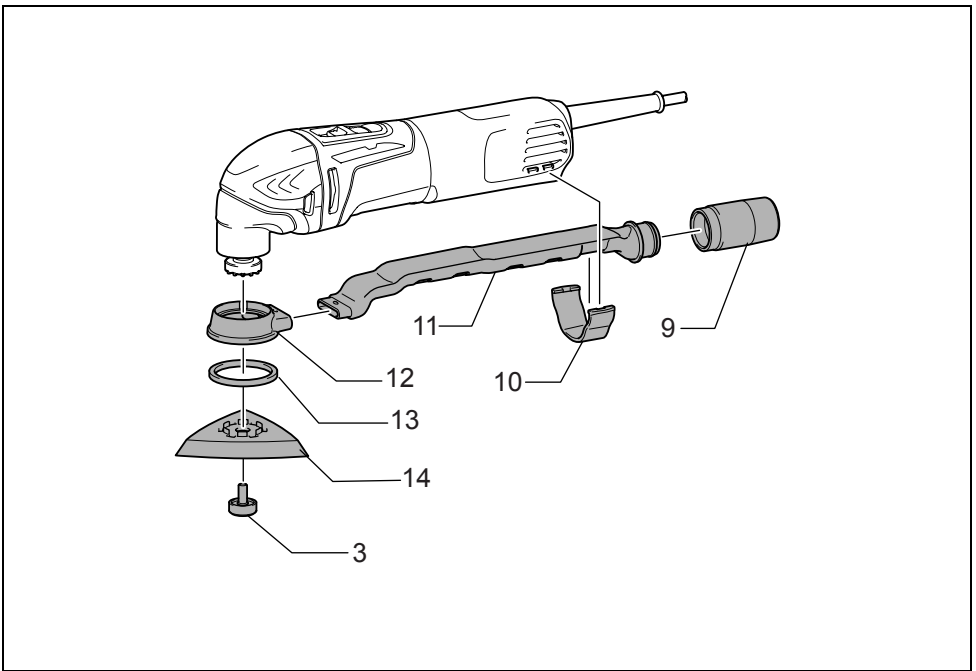
5 012850



6 012889

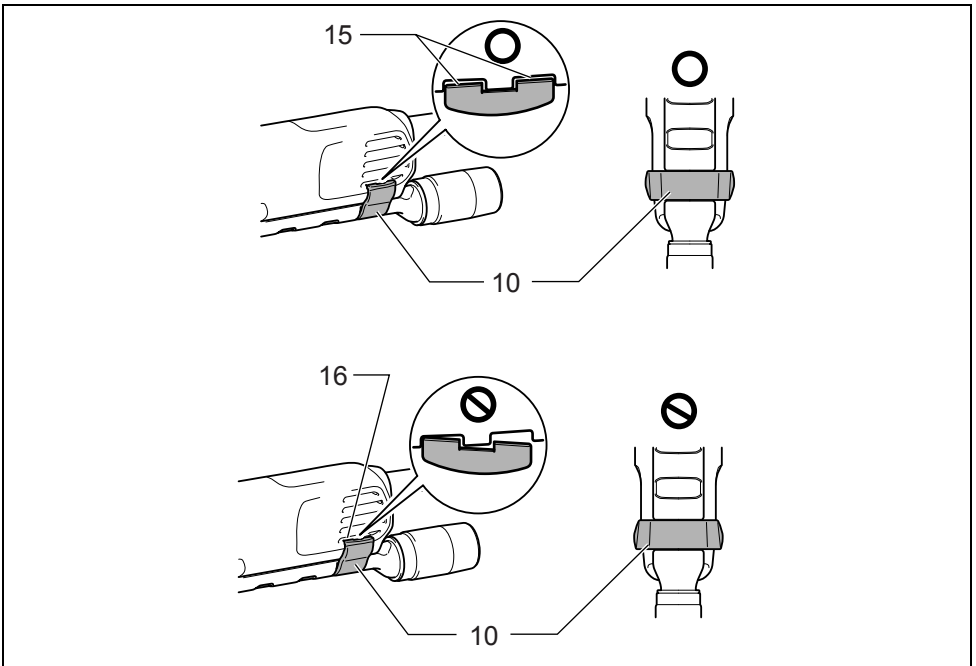


7 012853



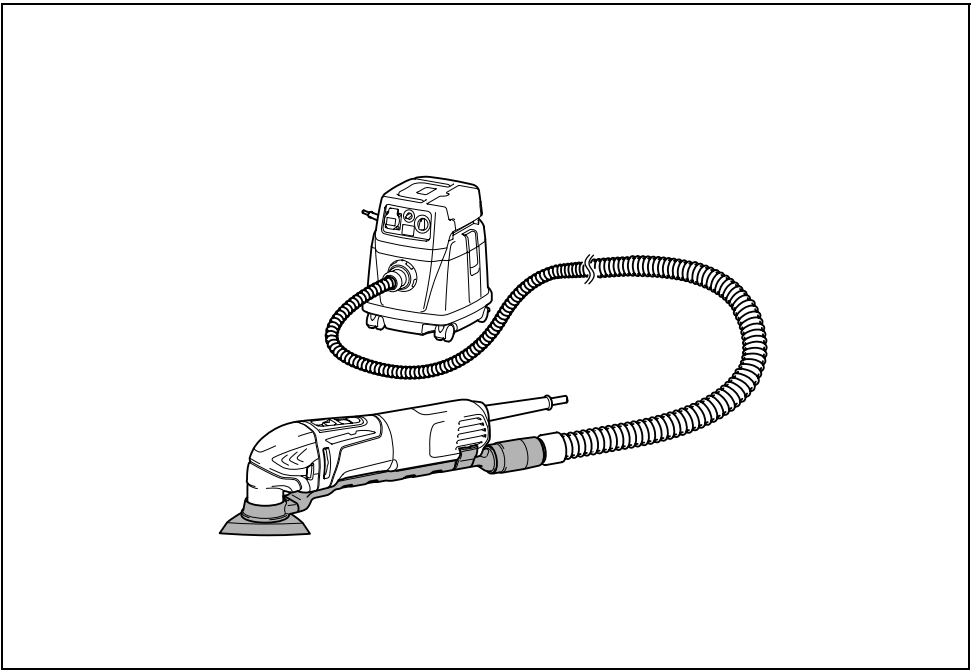
8

012854



9

013052



10

012855

Explanation of general view

1 Slide switch	7 Tighten	13 Felt ring
2 Dial	8 Adapter	14 Pad
3 Application tool installation bolt	9 Joint	15 Protrusions
4 Holes in the application tool	10 Nozzle band	16 Holes
5 Protrusions of the tool flange	11 Dust nozzle	
6 Hex wrench	12 Dust attachment	

SPECIFICATIONS

Model	TM3000C
Oscillation per minute	6,000 – 20,000 (min ⁻¹)
Oscillation angle, left/right	1.6° (3.2° total)
Overall length	275 mm
Net weight	1.4 kg – 1.5 kg
Safety class	□/II

GEB142-1

- Due to our continuing program of research and development, the specifications herein are subject to change without notice.
- Specifications may differ from country to country.
- The weight may differ depending on the attachment(s). The lightest and heaviest combination, according to EPTA-Procedure 01/2014, are shown in the table.

ENE080-1

Intended use

The tool is intended for sawing and cutting wood, plastic, gypsum, non-ferrous metals, and fastening elements (e. g. unhardened nails and staples). It is also intended for working soft wall tiles, as well as dry sanding and scraping of small surfaces. It is especially for working close to edge and flush cutting.

ENF002-2

Power supply

The tool should be connected only to a power supply of the same voltage as indicated on the nameplate, and can only be operated on single-phase AC supply. They are double-insulated and can, therefore, also be used from sockets without earth wire.

GEA010-2

General power tool safety warnings

⚠ WARNING: Read all safety warnings, instructions, illustrations and specifications provided with this power tool. Failure to follow all instructions listed below may result in electric shock, fire and/or serious injury.

Save all warnings and instructions for future reference.

The term "power tool" in the warnings refers to your mains-operated (corded) power tool or battery-operated (cordless) power tool.

MULTI TOOL SAFETY WARNINGS

- 1. This power tool is intended to function for sawing, cutting, grinding and sanding. Read all safety warnings, instructions, illustrations and specifications provided with this power tool.** Failure to follow all instructions listed below may result in electric shock, fire and/or serious injury.
- 2. Hold the power tool by insulated gripping surfaces, when performing an operation where the cutting accessory may contact hidden wiring or its own cord.** Cutting accessory contacting a "live" wire may make exposed metal parts of the power tool "live" and could give the operator an electric shock.
- 3. Use clamps or another practical way to secure and support the workpiece to a stable platform.** Holding the work by hand or against your body leaves it unstable and may lead to loss of control.
- 4. Position the cord clear of the spinning accessory.** If you lose control, the cord may be cut or snagged and your hand or arm may be pulled into the spinning accessory.
- 5. Always use safety glasses or goggles. Ordinary eye or sun glasses are NOT safety glasses.**
- 6. Avoid cutting nails. Inspect workpiece for any nails and remove them before operation.**
- 7. Hold the tool firmly.**
- 8. Make sure the application tool is not contacting the workpiece before the switch is turned on.**
- 9. Keep hands away from moving parts.**
- 10. Do not leave the tool running. Operate the tool only when hand-held.**
- 11. Always switch off and wait for the blade to come to a complete stop before removing the blade from the workpiece.**
- 12. Do not touch the application tool or the workpiece immediately after operation; they may be extremely hot and could burn your skin.**
- 13. Do not operate the tool at no-load unnecessarily.**
- 14. Always use the correct dust mask/respirator for the material and application you are working with.**

15. Some material contains chemicals which may be toxic. Take caution to prevent dust inhalation and skin contact. Follow material supplier safety data.
16. This tool has not been waterproofed, so do not use water on the workpiece surface.
17. Ventilate your work area adequately when you perform sanding operations.
18. Use of this tool to sand some products, e.g. leaded paint surfaces, wood and metals could expose user and bystanders to dust containing hazardous substances. Use appropriate respiratory protection.
19. Be sure that there are no cracks or breakage on the pad before use. Cracks or breakage may cause a personal injury.
20. Do not use accessories which are not specifically designed and recommended by the tool manufacturer. Just because the accessory can be attached to your power tool, it does not assure safe operation.
21. **Wear personal protective equipment. Depending on application, use face shield, safety goggles or safety glasses. As appropriate, wear hearing protectors, gloves and workshop apron capable of stopping small abrasive or workpiece fragments.** The eye protection must be capable of stopping flying debris generated by various operations. The dust mask or respirator must be capable of filtrating particles generated by your operation. Prolonged exposure to high intensity noise may cause hearing loss.
22. **Keep bystanders a safe distance away from work area. Anyone entering the work area must wear personal protective equipment.** Fragments of workpiece or of a broken accessory may fly away and cause injury beyond immediate area of operation.
23. **Never lay the power tool down until the accessory has come to a complete stop.** The spinning accessory may grab the surface and pull the power tool out of your control.
24. **Do not run the power tool while carrying it at your side.** Accidental contact with the accessory could snag your clothing, pulling the accessory into your body.
25. **Do not operate the power tool near flammable materials.** Sparks could ignite these materials.
26. **Do not use accessories that require liquid coolants.** Using water or other liquid coolants may result in electrocution or shock.
27. **Always be sure that the tool is switched off and unplugged before carrying out any work on the tool.**
28. **If working place is extremely hot and humid, or badly polluted by conductive dust, use a short-circuit breaker (30 mA) to assure operator safety.**
29. **Always be sure you have a firm footing. Be sure no one is below when using the tool in high locations.**

SAVE THESE INSTRUCTIONS.

⚠ WARNING:

DO NOT let comfort or familiarity with product (gained from repeated use) replace strict adherence to safety rules for the subject product. MISUSE or failure to follow the safety rules stated in this instruction manual may cause serious personal injury.

FUNCTIONAL DESCRIPTION

⚠ WARNING:

- Always be sure that the tool is switched off and unplugged before adjusting or checking function on the tool. Failure to switch off and unplug the tool may result in serious personal injury from accidental start-up.

Switch action (Fig. 1)

⚠ CAUTION:

- Before plugging in the tool, always check to see that the tool is switched off.

To start the tool, slide the slide switch toward the "I (ON)" position.

To stop the tool, slide the slide switch toward the "O (OFF)" position.

Adjusting the orbital stroke rate (Fig. 2)

The orbital stroke rate is adjustable. To change the orbital stroke rate, turn the dial between 1 and 5. The higher the number is, the higher the orbital stroke rate is. Preset the dial to the number suitable for your workpiece.

NOTE:

- The dial cannot be turned directly from 1 to 5 or from 5 to 1. Forcing the dial may damage the tool. When changing the dial direction, always turn the dial moving it through each intermediate number.

Constant speed control

Electronic speed control for obtaining constant speed. Possible to get fine finish, because the orbital stroke rate is kept constant even under load condition.

ASSEMBLY

⚠ CAUTION:

- Always be sure that the tool is switched off and unplugged before carrying out any work on the tool.

Installing or removing application tool (optional accessory) (Fig. 3, 4 & 5)

⚠ WARNING:

- Do not install application tool upside down. Installing application tool upside down may damage the tool and cause serious personal injury.
- Install attachment tool in the correct direction according to your work. Application tool can be installed at an angle of every 30 degree.

Put an application tool (optional accessory) on the tool flange so that the protrusions of the tool flange fit in the holes in the application tool and secure the application tool by tightening the bolt firmly with the hex wrench.

When using sanding application tool, mount the application tool on the sanding pad so that it matches the sanding pad direction.

The sanding pad has a hook and loop type fitting system which allows easy and rapid fitting of a sanding paper.

As sanding papers have holes for dust extraction, mount a sanding paper so that the holes in a sanding paper match those in the sanding pad.

To remove a sanding paper, raise its end and peel it off. Loosen and remove the application tool installation bolt using a hex wrench and then take off the application tool. When using application tools with a different type of installation section, use a correct adapter (optional accessory).

OPERATION

WARNING:

- Before starting the tool and during operation, keep your hand and face away from the application tool.

CAUTION:

- Do not apply excessive load to the tool which may cause a motor lock and stop the tool.

Cutting, sawing and scraping (Fig. 6)

CAUTION:

- Do not move on the tool forcibly in the direction (eg. towards either side) of tool application with no cutting edge. It may damage the tool.

Put the application tool on the workpiece.

And then move the tool forward so that the application tool movement does not slow down.

NOTE:

- Forcing or excessive pressure on the tool may reduce efficiency.
- Before cutting operation, it is recommended to preset the orbital stroke rate 3 – 5.

Sanding (Fig. 7)

CAUTION:

- Do not reuse a sanding paper used for sanding metal to sand wood.
- Do not use a worn sanding paper or sanding paper without grit.

Apply a sanding paper on the workpiece.

NOTE:

- Using a test material sample to try is recommendable to determine a correct orbital stroke rate suitable for your work.
- Use a sanding paper with the same grit until sanding the whole workpiece is completed. Replacing a sanding paper with different grit sanding paper may not get a fine finish.

Dust extraction attachment (optional accessory) (Fig. 8, 9 & 10)

- Install joint, dust nozzle and dust attachment.
- Install the nozzle band on the tool so that its protrusions fit in the holes in the tool to secure it.
- Put the felt ring and the sanding pad on the dust attachment and then secure them with the application tool installation bolt.

When you wish to perform cleaner operation, connect a vacuum cleaner to your tool. Connect a hose of vacuum cleaner to the dust extraction attachment (optional accessory).

MAINTENANCE

CAUTION:

- Always be sure that the tool is switched off and unplugged before attempting to perform inspection or maintenance.

- Never use gasoline, benzine, thinner, alcohol or the like. Discoloration, deformation or cracks may result.

To maintain product SAFETY and RELIABILITY, repairs, carbon brush inspection and replacement, any other maintenance or adjustment should be performed by Makita Authorized Service Centers, always using Makita replacement parts.

OPTIONAL ACCESSORIES

CAUTION:

- These accessories or attachments are recommended for use with your Makita tool specified in this manual. The use of any other accessories or attachments might present a risk of injury to persons. Only use accessory or attachment for its stated purpose.

If you need any assistance for more details regarding these accessories, ask your local Makita Service Center.

- Segment saw blade
- Round saw blade
- Plunge cut saw blade
- Scraper (rigid)
- Scraper (flexible)
- Serrated seg blade
- General joint cutter
- HM remover
- HM seg saw blade
- HM sanding plate
- Diamond seg saw blade
- Sanding pad
- Adapter
- Abrasive paper delta (red / white / black)
- Fleece delta (medium / coarse / without grit)
- Polishing felt delta
- Hex wrench
- Dust extraction attachment

NOTE:

- Some items in the list may be included in the tool package as standard accessories. They may differ from country to country.

EN905-1

Noise

The typical A-weighted noise level determined according to EN62841:

Work mode: Sanding

Sound pressure level (L_{pA}): 74 dB (A)

Uncertainty (K): 3 dB (A)

The noise level under working may exceed 80 dB (A).

Work mode: Cutting with plunge cut saw blade

Sound pressure level (L_{pA}): 78 dB (A)

Uncertainty (K): 3 dB (A)

The noise level under working may exceed 80 dB (A).

Work mode: Cutting with segmental saw blade

Sound pressure level (L_{pA}): 76 dB (A)

Uncertainty (K): 3 dB (A)

The noise level under working may exceed 80 dB (A).

Work mode: Scraping

Sound pressure level (L_{pA}): 77 dB (A)

Uncertainty (K): 3 dB (A)

The noise level under working may exceed 80 dB (A).

Wear ear protection

Vibration

The vibration total value (tri-axial vector sum) determined according to EN62841:

Work mode: Sanding

Vibration emission (a_h): 2.5 m/s² or less
 Uncertainty (K): 1.5 m/s²

Work mode: Cutting with plunge cut saw blade

Vibration emission (a_h): 6.5 m/s²
 Uncertainty (K): 1.5 m/s²

Work mode: Cutting with segmental saw blade

Vibration emission (a_h): 3.0 m/s²
 Uncertainty (K): 1.5 m/s²

Work mode: Scraping

Vibration emission (a_h): 5.5 m/s²
 Uncertainty (K): 1.5 m/s²

ENG901-1

- The declared vibration emission value has been measured in accordance with the standard test method and may be used for comparing one tool with another.
- The declared vibration emission value may also be used in a preliminary assessment of exposure.

 **WARNING:**

- The vibration emission during actual use of the power tool can differ from the declared emission value depending on the ways in which the tool is used.
- Be sure to identify safety measures to protect the operator that are based on an estimation of exposure in the actual conditions of use (taking account of all parts of the operating cycle such as the times when the tool is switched off and when it is running idle in addition to the trigger time).

EC DECLARATION OF CONFORMITY**For European countries only**

The EC declaration of conformity is included as Annex A to this instruction manual.

Descriptif

1 Interrupteur à glissière	5 Parties saillantes du flasque de l'outil	11 Raccord à poussières
2 Cadran	6 Clé hexagonale	12 Fixation de raccord à poussières
3 Boulon de fixation pour accessoire d'application	7 Serrer	13 Anneau de feutre
4 Orifices de l'accessoire d'application	8 Adaptateur	14 Patin de ponçage
	9 Raccord	15 Parties saillantes
	10 Collier de raccord	16 Orifices

SPÉCIFICATIONS

Modèle	TM3000C
Oscillations par minute	6 000 – 20 000 (min ⁻¹)
Angle d'oscillation, gauche/droite	1,6° (total 3,2°)
Longueur totale	275 mm
Poids net	1,4 kg – 1,5 kg
Catégorie de sécurité	☐/II

- Étant donné l'évolution constante de notre programme de recherche et de développement, les spécifications contenues dans ce manuel sont sujettes à modification sans préavis.
- Les spécifications peuvent varier suivant les pays.
- Le poids peut être différent selon les accessoires. Les associations la plus légère et la plus lourde, conformément à la procédure EPTA-01/2014, sont indiquées dans le tableau.

Le terme « outil électrique » dans les avertissements fait référence à l'outil électrique alimenté par le secteur (avec cordon d'alimentation) ou à l'outil électrique fonctionnant sur batterie (sans cordon d'alimentation).

GE142-1

CONSIGNES DE SÉCURITÉ POUR OUTIL MULTI-FONCTIONS

1. **Cet outil électrique est conçu pour le sciage, la coupe, le meulage et le ponçage. Veuillez consulter tous les avertissements, instructions, illustrations et spécifications qui accompagnent cet outil électrique.** Il y a risque de choc électrique, d'incendie ou de blessure grave si les instructions ne sont pas toutes respectées.
2. **Saisissez l'outil électrique par ses surfaces de poigne isolées lorsque vous effectuez des travaux au cours desquels l'accessoire tranchant peut entrer en contact avec des fils cachés ou avec le cordon d'alimentation de l'outil.** Le contact de l'accessoire tranchant avec un fil sous tension peut également mettre sous tension les parties métalliques exposées de l'outil électrique, causant ainsi un choc électrique chez l'utilisateur.
3. **Utilisez des dispositifs de serrage ou autres moyens pratiques pour fixer et soutenir la pièce sur une surface stable.** La pièce sera instable et vous risquez d'en perdre la maîtrise si vous la tenez dans vos mains ou l'appuyez contre votre corps.
4. **Éloignez le cordon d'alimentation de l'accessoire en rotation.** En cas de perte de maîtrise, le cordon d'alimentation risquerait d'être coupé ou accroché, entraînant du même coup votre main ou votre bras vers l'accessoire en rotation.
5. **Portez toujours des lunettes de sécurité ou des lunettes à coques. Les lunettes ordinaires et les lunettes de soleil NE sont PAS des lunettes de sécurité.**
6. **Évitez de couper les clous. Avant de commencer le travail, inspectez la pièce et retirez tous les clous.**
7. **Tenez l'outil fermement.**

ENE080-1

Utilisations

L'outil est conçu pour scier et couper dans le bois, le plastique, le gypse et les métaux non ferreux, ainsi que pour fixer des éléments (tels qu'agrafes et clous en acier non trempé). Il est aussi conçu pour les travaux sur carrelage mural souple, ainsi que pour le ponçage à sec et le raclage de petites surfaces. Il convient tout particulièrement pour le travail près des bords de la pièce et pour les coupes à ras.

ENF002-2

Alimentation

L'outil ne devra être raccordé qu'à une alimentation de la même tension que celle qui figure sur la plaque signalétique, et il ne pourra fonctionner que sur un courant secteur monophasé. Réalisé avec une double isolation, il peut de ce fait être alimenté sans mise à la terre.

GEA010-2

Consignes de sécurité générales pour outils électriques

⚠ AVERTISSEMENT : Veuillez lire les consignes de sécurité, instructions, illustrations et spécifications qui accompagnent cet outil électrique. Le non-respect de toutes les instructions indiquées ci-dessous peut entraîner une électrocution, un incendie et/ou de graves blessures.

Conservez toutes les mises en garde et instructions pour référence ultérieure.

8. Assurez-vous que l'accessoire d'application n'est pas en contact avec la pièce avant de faire démarrer l'outil.
9. Gardez les mains éloignées des pièces en mouvement.
10. Ne vous éloignez pas en laissant l'outil tourner. Ne le faites fonctionner que lorsque vous l'avez bien en main.
11. Éteignez-le toujours et attendez l'arrêt complet de la lame avant de la retirer de la pièce.
12. Ne touchez ni l'accessoire d'application ni la pièce immédiatement après l'exécution du travail ; ils peuvent être extrêmement chauds et vous brûler la peau.
13. Ne faites pas tourner l'outil à vide inutilement.
14. Portez toujours un masque antipoussières ou un respirateur adapté au matériau travaillé et à l'application utilisée.
15. Certains matériaux contiennent des produits chimiques qui peuvent être toxiques. Prenez les précautions nécessaires pour éviter que la poussière dégagée lors du travail ne soit inhalée ou n'entre en contact avec la peau. Suivez les consignes de sécurité du fournisseur du matériau.
16. Cet outil n'est pas étanche à l'eau ; n'utilisez pas d'eau sur la surface de la pièce.
17. Aérez bien la zone de travail lorsque vous effectuez un travail de ponçage.
18. L'utilisation de cet outil pour poncer certains matériaux tels que métaux, bois et autres surfaces revêtues d'une peinture contenant du plomb peut exposer l'utilisateur et les personnes présentes à des poussières qui contiennent des substances dangereuses. Portez une protection respiratoire adéquate.
19. Avant l'utilisation, vérifiez l'absence de fissures ou de bris sur le patin de ponçage. Les fissures et bris comportent un risque de blessure corporelle.
20. N'utilisez pas d'accessoires non conçus spécifiquement pour le travail à effectuer et non recommandés par le fabricant de l'outil. Le fait qu'un accessoire puisse être fixé à l'outil électrique ne signifie pas qu'il fonctionnera sans danger.
21. Portez des dispositifs de protection personnelle. Suivant le travail à effectuer, portez un écran facial, des lunettes à coques ou des lunettes de sécurité. Au besoin, portez des protections d'oreilles, des gants de travail et un tablier de travail capable de bloquer les petites projections abrasives ou les fragments de pièce. Le dispositif de protection des yeux doit pouvoir bloquer les débris éjectés lors des diverses opérations. Le masque antipoussières ou le respirateur doit pouvoir filtrer les particules générées pendant l'exécution du travail. L'exposition prolongée à un bruit de grande intensité peut affecter l'ouïe.
22. Ne laissez pas les curieux trop approcher de la zone de travail. Toute personne pénétrant dans la zone de travail doit porter des dispositifs de protection personnelle. Des fragments de la pièce ou d'un accessoire cassé peuvent être éjectés et causer une blessure au-delà de la zone immédiate de travail.
23. Ne déposez jamais l'outil électrique avant que l'accessoire n'ait complètement cessé de tourner. L'accessoire en rotation peut accrocher la surface de la pièce et entraîner du même coup une perte de maîtrise de l'outil.
24. Ne laissez pas l'outil tourner pendant que vous le transportez sur le côté. L'accessoire risquerait d'accrocher accidentellement vos vêtements et d'être attiré du même coup vers votre corps.
25. N'utilisez pas l'outil électrique près de matériaux inflammables. Les étincelles peuvent enflammer ces matériaux.
26. N'utilisez pas d'accessoires pour lesquels un liquide de refroidissement est nécessaire. L'utilisation d'eau ou autre liquide de refroidissement peut causer une électrocution ou un choc électrique.
27. Avant d'effectuer toute intervention sur l'outil, assurez-vous toujours qu'il est hors tension et débranché.
28. Si la zone de travail est extrêmement chaude et humide, ou si elle est très polluée par des poussières conductrices, utilisez un coupe-circuit (30 mA) pour assurer votre protection.
29. Assurez-vous toujours de travailler en position stable. Lorsque vous utilisez l'outil dans un endroit élevé, assurez-vous qu'il n'y a personne en bas.

CONSERVEZ CES INSTRUCTIONS.

⚠ AVERTISSEMENT :

NE vous laissez PAS tromper (au fil d'une utilisation répétée) par un sentiment d'aisance et de familiarité avec le produit, en négligeant le respect rigoureux des consignes de sécurité qui accompagnent le produit en question. La MAUVAISE UTILISATION de l'outil ou l'ignorance des consignes de sécurité indiquées dans ce manuel d'instructions peut entraîner une blessure grave.

DESCRIPTION DU FONCTIONNEMENT

⚠ AVERTISSEMENT :

• Assurez-vous toujours que l'outil est hors tension et débranché avant de l'ajuster ou de vérifier son fonctionnement. Si vous ne mettez pas l'interrupteur en position d'arrêt et ne débranchez pas l'outil, son démarrage accidentel peut entraîner une grave blessure.

Interrupteur (Fig. 1)

⚠ ATTENTION :

• Avant de brancher l'outil, assurez-vous toujours que son interrupteur est en position d'arrêt.

Pour démarrer l'outil, faites glisser l'interrupteur à glissière sur la position « I (ON) ».

Pour arrêter l'outil, faites glisser l'interrupteur à glissière sur la position « O (OFF) ».

Réglage du taux de frappe orbitale (Fig. 2)

Le taux de frappe orbitale est réglable. Pour modifier le taux de frappe orbitale, tournez le cadran sur une valeur de 1 à 5. Plus le numéro est élevé, plus le taux de frappe orbitale sera élevé. Réglez à l'avance le cadran sur le numéro qui convient à la pièce à travailler.

NOTE :

- Il n'est pas possible de tourner le cadran d'un seul coup de 1 à 5 ou de 5 à 1. Forcer le cadran peut abîmer l'outil. Lorsque vous tournez le cadran en sens opposé, faites-le toujours en arrêtant sur chaque numéro intermédiaire.

Commande de vitesse constante

Commande électronique de la vitesse pour l'obtention d'une vitesse constante. Cela permet d'obtenir une belle finition, car le taux de frappe orbitale demeure constant même sous une lourde charge de travail.

ASSEMBLAGE

⚠ ATTENTION :

- Avant d'effectuer toute intervention sur l'outil, assurez-vous toujours qu'il est hors tension et débranché.

Pose ou retrait de l'accessoire d'application (accessoire en option) (Fig. 3, 4 et 5)

⚠ AVERTISSEMENT :

- Ne posez pas l'accessoire d'application à l'envers. En posant l'accessoire d'application à l'envers, vous risquez d'abîmer l'outil et de vous blesser grièvement.
- Posez le dispositif de fixation dans le sens qui convient au travail à effectuer. La position de pose de l'accessoire d'application est modifiable par pas de 30 degrés.

Posez l'accessoire d'application (accessoire en option) sur le flasque de l'outil de sorte que les parties saillantes du flasque pénètrent dans les orifices de l'accessoire d'application, et fixez ce dernier en serrant fermement le boulon à l'aide de la clé hexagonale.

Quand vous utilisez l'accessoire d'application de ponçage, montez-le sur le patin de ponçage en tenant compte du sens du ponçage.

Le patin de ponçage étant doté d'un dispositif à crochet et boucle, cela permet de poser le papier abrasif facilement et rapidement.

Le papier abrasif est doté d'orifices pour l'extraction des poussières ; posez-le de sorte que ces orifices s'alignent sur ceux du patin de ponçage.

Pour retirer le papier abrasif, soulevez-le par une extrémité et tirez pour le détacher. Desserrez et retirez le boulon de fixation pour accessoire d'application, à l'aide d'une clé hexagonale, puis retirez l'accessoire d'application.

Avec les accessoires d'application dont la section de pose est d'un type différent, utilisez un adaptateur adéquat (accessoire en option).

UTILISATION

⚠ AVERTISSEMENT :

- Avant le démarrage et pendant l'utilisation de l'outil, gardez les mains et le visage à l'écart de l'accessoire d'application.

⚠ ATTENTION :

- N'appliquez pas une charge excessive sur l'outil, car le moteur risque de se verrouiller et d'arrêter l'outil.

Coupe, sciage et raclage (Fig. 6)

⚠ ATTENTION :

- Ne forcez pas l'outil à se déplacer dans le sens (p. ex. vers la gauche ou la droite) où l'accessoire utilisé n'a pas de tranchant. Vous risqueriez d'abîmer l'outil.

Mettez l'accessoire d'application sur la pièce à travailler. Déplacez ensuite l'outil vers l'avant à une vitesse telle que l'accessoire d'application ne ralentisse pas.

NOTE :

- Le travail risque d'être moins efficace si vous forcez l'outil ou lui appliquez une pression excessive.
- Avant d'effectuer la coupe, il est recommandé de régler le taux de frappe orbitale sur une valeur de 3 à 5.

Ponçage (Fig. 7)

⚠ ATTENTION :

- Ne réutilisez pas, sur le bois, un papier abrasif préalablement utilisé pour poncer le métal.
- N'utilisez pas un papier abrasif usé ou sans grain.

Appliquez un papier abrasif sur la pièce à travailler.

NOTE :

- Il est préférable de vérifier le taux de frappe orbitale adéquat sur un échantillon du matériau avant de commencer le travail sur la pièce elle-même.
- Utilisez un papier abrasif du même grain pendant toute la durée du ponçage de la pièce. Vous risquez de ne pas obtenir une belle finition si, en cours de travail, vous remplacez le papier abrasif par un autre de grain différent.

Fixation d'extracteur de poussières (accessoire en option) (Fig. 8, 9 et 10)

- Posez le raccord, le raccord à poussières et la fixation de raccord à poussières.
- Posez le collier de raccord sur l'outil de sorte que ses parties saillantes pénètrent dans les orifices de l'outil.
- Mettez l'anneau de feutre et le patin de ponçage sur la fixation de raccord à poussières, puis fixez-les à l'aide du boulon de fixation pour accessoire d'application.

Pour un travail plus propre, raccordez un aspirateur à votre outil. Raccordez le tuyau d'un aspirateur à la fixation d'extracteur de poussières (accessoire en option).

ENTRETIEN

⚠ ATTENTION :

- Assurez-vous toujours que l'outil est hors tension et débranché avant d'y effectuer tout travail d'inspection ou d'entretien.
- N'utilisez jamais d'essence, benzine, diluant, alcool ou autre produit similaire. Cela risquerait de provoquer la décoloration, la déformation ou la fissuration de l'outil.

Pour maintenir la SÉCURITÉ et la FIABILITÉ du produit, les réparations, l'inspection et le remplacement des charbons, et tout autre travail d'entretien ou de réglage doivent être effectués dans un centre de service Makita agréé, exclusivement avec des pièces de rechange Makita.

ACCESSOIRES EN OPTION

⚠ ATTENTION :

- Ces accessoires ou pièces complémentaires sont recommandés pour l'utilisation avec l'outil Makita spécifié dans ce mode d'emploi. L'utilisation de tout autre accessoire ou pièce complémentaire peut comporter un risque de blessure. N'utilisez les accessoires ou pièces qu'aux fins auxquelles ils ont été conçus.

Si vous désirez obtenir plus de détails concernant ces accessoires, veuillez contacter le centre de service après-vente Makita le plus près.

- Lame de scie segmentaire
- Lame de scie circulaire
- Lame de scie pour coupe en plongée
- Racleur (rigide)
- Racleur (flexible)
- Lame partiellement dentée
- Coupe-joint ordinaire
- Détachant HM
- Lame de scie segmentaire HM
- Plateau ponceur HM
- Lame de scie segmentaire diamantée
- Patin de ponçage
- Adaptateur
- Papier abrasif Delta (rouge / blanc / noir)
- Molleton Delta (grain moyen / grain grossier / sans grain)
- Feutre de polissage Delta
- Clé hexagonale
- Fixation d'extracteur de poussières

NOTE :

- Il se peut que certains éléments de la liste soient compris dans l'emballage de l'outil en tant qu'accessoires standard. Ils peuvent varier d'un pays à l'autre.

ENG905-1

Bruit

Niveau de bruit pondéré A typique, déterminé selon EN62841 :

Mode de travail : ponçage

Niveau de pression sonore (L_{pA}) : 74 dB (A)

Incertitude (K) : 3 dB (A)

Le niveau de bruit en fonctionnement peut dépasser 80 dB (A).

Mode de travail : coupe avec une lame de scie pour coupe en plongée

Niveau de pression sonore (L_{pA}) : 78 dB (A)

Incertitude (K) : 3 dB (A)

Le niveau de bruit en fonctionnement peut dépasser 80 dB (A).

Mode de travail : coupe avec une lame de scie segmentaire

Niveau de pression sonore (L_{pA}) : 76 dB (A)

Incertitude (K) : 3 dB (A)

Le niveau de bruit en fonctionnement peut dépasser 80 dB (A).

Mode de travail : raclage

Niveau de pression sonore (L_{pA}) : 77 dB (A)

Incertitude (K) : 3 dB (A)

Le niveau de bruit en fonctionnement peut dépasser 80 dB (A).

Porter des protecteurs anti-bruit

Vibrations

Valeur totale de vibrations (somme de vecteur triaxial) déterminée selon EN62841 :

Mode de travail : ponçage

Émission de vibrations (a_{rh}) : 2,5 m/s² ou moins

Incertitude (K) : 1,5 m/s²

Mode de travail : coupe avec une lame de scie pour coupe en plongée

Émission de vibrations (a_{rh}) : 6,5 m/s²

Incertitude (K) : 1,5 m/s²

Mode de travail : coupe avec une lame de scie segmentaire

Émission de vibrations (a_{rh}) : 3,0 m/s²

Incertitude (K) : 1,5 m/s²

Mode de travail : raclage

Émission de vibrations (a_{rh}) : 5,5 m/s²

Incertitude (K) : 1,5 m/s²

ENG901-1

- La valeur d'émission de vibrations déclarée a été mesurée conformément à la méthode de test standard et peut être utilisée pour comparer les outils entre eux.
- La valeur d'émission de vibrations déclarée peut aussi être utilisée pour l'évaluation préliminaire de l'exposition.

AVERTISSEMENT :

- L'émission de vibrations lors de l'usage réel de l'outil électrique peut être différente de la valeur d'émission déclarée, suivant la façon dont l'outil est utilisé.
- Les mesures de sécurité à prendre pour protéger l'utilisateur doivent être basées sur une estimation de l'exposition dans des conditions réelles d'utilisation (en tenant compte de toutes les composantes du cycle d'utilisation, comme par exemple le moment de sa mise hors tension, lorsqu'il tourne à vide et le moment de son déclenchement).

DÉCLARATION DE CONFORMITÉ CE

Pour les pays d'Europe uniquement

La déclaration de conformité CE est fournie en Annexe A à ce mode d'emploi.

Übersicht

1 Schiebeschalter	5 Vorsprünge des Werkzeugflansches	11 Absaugstutzen
2 Einstellrad	6 Inbusschlüssel	12 Staubabsaugaufsatz
3 Anwendungswerkzeug-Montageschraube	7 Anziehen	13 Filzring
4 Löcher im Anwendungswerkzeug	8 Adapter	14 Kissen
	9 Verbindungsmuffe	15 Vorsprünge
	10 Absaugstutzenband	16 Löcher

TECHNISCHE DATEN

Modell	TM3000C
Schwingungen pro Minute	6 000 – 20 000 (min ⁻¹)
Pendelwinkel, links/rechts	1,6° (3,2° gesamt)
Gesamtlänge	275 mm
Nettogewicht	1,4 kg – 1,5 kg
Sicherheitsklasse	□/II

- Wir behalten uns vor, Änderungen im Zuge der Entwicklung und des technischen Fortschritts ohne vorherige Ankündigung vorzunehmen.
- Die technischen Daten können von Land zu Land abweichen.
- Das Gewicht kann je nach dem Aufsatz bzw. den Aufsätzen unterschiedlich sein. Die leichteste und die schwerste Kombination nach dem EPTA-Verfahren 01/2014 sind in der Tabelle angegeben.

ENE080-1

Vorgesehene Verwendung

Das Werkzeug ist zum Sägen und Schneiden von Holz, Kunststoff, Gips, Nicht-Eisen-Metallen und Befestigungselementen (z. B. ungehärtete Nägel und Heftklammern) vorgesehen. Es eignet sich auch zur Bearbeitung von weichen Wandfliesen sowie zum Trockenschleifen und Abschaben von kleinen Oberflächen. Besonders gut eignet es sich für Arbeiten in Kantennähe und bündiges Schneiden.

ENF002-2

Netzanschluss

Die Maschine sollte nur an eine Stromquelle angeschlossen werden, deren Spannung mit der Angabe auf dem Typenschild übereinstimmt, und kann nur mit Einphasen-Wechselstrom betrieben werden. Diese sind doppelt schutzisoliert und können daher auch an Steckdosen ohne Erdleiter verwendet werden.

GEA010-2

Allgemeine Sicherheitswarnungen für Elektrowerkzeuge

⚠️ WARNUNG: Lesen Sie alle mit diesem Elektrowerkzeug gelieferten Sicherheitswarnungen, Anweisungen, Abbildungen und technischen Daten durch. Eine Missachtung der unten aufgeführten Anweisungen kann zu einem elektrischen Schlag, Brand und/oder schweren Verletzungen führen.

Bewahren Sie alle Warnungen und Anweisungen für spätere Bezugnahme auf.

Der Ausdruck „Elektrowerkzeug“ in den Warnhinweisen bezieht sich auf Ihr mit Netzstrom (mit Kabel) oder Akku (ohne Kabel) betriebenes Elektrowerkzeug.

GEB142-1

SICHERHEITSWARNUNGEN FÜR MULTIFUNKTIONS-WERKZEUG

1. **Dieses Elektrowerkzeug ist zum Sägen, Schneiden, Schleifen und Schmirgeln vorgesehen. Lesen Sie alle mit diesem Elektrowerkzeug gelieferten Sicherheitswarnungen, Anweisungen, Abbildungen und technischen Daten durch.** Eine Missachtung der unten aufgeführten Anweisungen kann zu einem elektrischen Schlag, Brand und/oder schweren Verletzungen führen.
2. **Halten Sie das Elektrowerkzeug an den isolierten Griffflächen, wenn Sie Arbeiten ausführen, bei denen die Gefahr besteht, dass das Schneidwerkzeug verborgene Kabel oder das eigene Kabel kontaktiert werden.** Bei Kontakt mit einem Strom führenden Kabel können die freiliegenden Metallteile des Elektrowerkzeugs ebenfalls Strom führend werden, so dass der Benutzer einen elektrischen Schlag erleiden kann.
3. **Verwenden Sie Klemmen oder eine andere praktische Methode, um das Werkstück auf einer stabilen Unterlage zu sichern und abzustützen.** Wenn Sie das Werkstück nur von Hand oder gegen Ihren Körper halten, befindet es sich in einer instabilen Lage, die zum Verlust der Kontrolle führen kann.
4. **Halten Sie das Kabel vom rotierenden Zubehörteil fern.** Falls Sie die Kontrolle verlieren, kann das Kabel durchgetrennt oder erfasst werden, so dass Ihre Hand oder Ihr Arm in das rotierende Zubehörteil hineingezogen wird.
5. **Tragen Sie stets eine Sicherheits- oder Schutzbrille. Eine gewöhnliche Brille oder Sonnenbrille ist KEIN Ersatz für eine Schutzbrille.**

6. Vermeiden Sie das Schneiden von Nägeln. Untersuchen Sie das Werkstück auf etwaige Nägel, und entfernen Sie diese vor der Arbeit.
 7. Halten Sie die Maschine mit festem Griff.
 8. Vergewissern Sie sich vor dem Einschalten der Maschine, dass das Anwendungswerkzeug nicht das Werkstück berührt.
 9. Halten Sie die Hände von beweglichen Teilen fern.
 10. Lassen Sie die Maschine nicht unbeaufsichtigt laufen. Benutzen Sie die Maschine nur mit Handhaltung.
 11. Schalten Sie die Maschine stets aus, und warten Sie, bis das Sägeblatt zum vollständigen Stillstand kommt, bevor Sie das Sägeblatt aus dem Werkstück entfernen.
 12. Vermeiden Sie eine Berührung des Anwendungswerkzeugs oder des Werkstücks unmittelbar nach der Bearbeitung, weil die Teile noch sehr heiß sind und Hautverbrennungen verursachen können.
 13. Lassen Sie die Maschine nicht unnötig im Leerlauf laufen.
 14. Verwenden Sie stets die korrekte Staubschutz- oder Atemmaske für das jeweilige Material und die Anwendung.
 15. Manche Materialien können giftige Chemikalien enthalten. Treffen Sie Vorsichtsmaßnahmen, um das Einatmen von Arbeitsstaub und Hautkontakt zu verhüten. Befolgen Sie die Sicherheitsdaten des Materialherstellers.
 16. Benetzen Sie die Werkstückoberfläche nicht mit Wasser, weil diese Maschine nicht wasserdicht ist.
 17. Sorgen Sie für angemessene Belüftung des Arbeitsbereichs während der Durchführung von Schleifarbeiten.
 18. Der Gebrauch dieser Maschine zum Schleifen bestimmter Produkte, z. B. Bleilack-Oberflächen, Holz und Metalle, kann den Benutzer und Umstehende Staub aussetzen, der gefährliche Substanzen enthält. Verwenden Sie einen geeigneten Atemschutz.
 19. Vergewissern Sie sich vor dem Gebrauch, dass der Schleifkissen keine Risse oder Brüche aufweist. Risse oder Brüche können Verletzungen verursachen.
 20. Verwenden Sie kein Zubehör, das nicht speziell vom Werkzeughersteller vorgesehen ist und empfohlen wird. Die bloße Tatsache, dass ein Zubehörteil an Ihrem Elektrowerkzeug angebracht werden kann, gewährleistet noch keinen sicheren Betrieb.
 21. Tragen Sie Schutzausrüstung. Benutzen Sie je nach der Arbeit einen Gesichtsschutz bzw. eine Sicherheits- oder Schutzbrille. Tragen Sie bei Bedarf, Ohrenschützer, Handschuhe und eine Arbeitsschürze, die in der Lage ist, kleine Schleifpartikel oder Werkstücksplitter abzuwehren. Der Augenschutz muss in der Lage sein, den bei verschiedenen Arbeiten anfallenden Flugstaub abzuwehren. Die Staubmaske oder Atemschutzmaske muss in der Lage sein, durch die Arbeit erzeugte Partikel herauszufiltern. Lang anhaltende Lärmbelastung kann zu Gehörschäden führen.
 22. Halten Sie Umstehende in sicherem Abstand vom Arbeitsbereich. Jeder, der den Arbeitsbereich betritt, muss Schutzausrüstung tragen. Bruchstücke des Werkstücks oder eines beschädigten Zubehörs können weggeschleudert werden und Verletzungen über den unmittelbaren Arbeitsbereich hinaus verursachen.
 23. Legen Sie das Elektrowerkzeug erst ab, nachdem das Zubehörteil zum vollständigen Stillstand gekommen ist. Anderenfalls kann das rotierende Zubehörteil die Oberfläche erfassen und das Elektrowerkzeug aus Ihren Händen reißen.
 24. Lassen Sie das Elektrowerkzeug nicht laufen, während Sie es an Ihrer Seite tragen. Das Zubehörteil könnte sonst bei versehentlichem Kontakt Ihre Kleidung erfassen und auf Ihren Körper zu gezogen werden.
 25. Betreiben Sie das Elektrowerkzeug nicht in der Nähe von brennbaren Materialien. Funken könnten diese Materialien entzünden.
 26. Verwenden Sie keine Zubehörteile, die Kühlflüssigkeiten erfordern. Die Verwendung von Wasser oder anderen Kühlflüssigkeiten kann zu einem Stromtod oder Stromschlag.
 27. Vergewissern Sie sich vor der Ausführung von Arbeiten an der Maschine stets, dass sie ausgeschaltet und vom Stromnetz getrennt ist.
 28. Falls der Arbeitsplatz sehr heiß, feucht oder durch leitfähigen Staub stark verschmutzt ist, verwenden Sie einen Kurzschlusschalter (30 mA) zum Schutz des Bedieners.
 29. Achten Sie stets auf sicheren Stand. Vergewissern Sie sich bei Einsatz der Maschine an hochgelegenen Arbeitsplätzen, dass sich keine Personen darunter aufhalten.
- BEWAHREN SIE DIESE HINWEISE SORGFÄLTIG AUF.**
- ⚠ WARNUNG:**
Lassen Sie sich NICHT durch Bequemlichkeit oder Vertrautheit mit dem Produkt (durch wiederholten Gebrauch erworben) von der strikten Einhaltung der Sicherheitsregeln für das vorliegende Produkt abhalten. MISSBRAUCH oder Missachtung der Sicherheitsvorschriften in dieser Anleitung können schwere Verletzungen verursachen.
- FUNKTIONSBESCHREIBUNG**
- ⚠ WARNUNG:**
- Vergewissern Sie sich vor jeder Einstellung oder Funktionsprüfung der Maschine stets, dass sie ausgeschaltet und vom Stromnetz getrennt ist. Wird die Maschine nicht ausgeschaltet und vom Stromnetz getrennt, kann es zu schweren Verletzungen durch versehentliches Anlaufen kommen.
- Schalterfunktion (Abb. 1)**
- ⚠ VORSICHT:**
- Vergewissern Sie sich vor dem Anschließen der Maschine an das Stromnetz stets, dass die Maschine ausgeschaltet ist.
- Zum Einschalten der Maschine den Schiebeschalter auf die Position „I (EIN)“ schieben.
Zum Ausschalten der Maschine den Schiebeschalter auf die Position „O (AUS)“ schieben.

Einstellen der Pendelhubzahl (Abb. 2)

Die Pendelhubzahl ist einstellbar. Um die Pendelhubzahl zu ändern, drehen Sie das Einstellrad zwischen 1 und 5. Je höher die Zahl ist, desto höher ist die Pendelhubzahl. Stellen Sie das Einstellrad vor der Arbeit auf die für Ihr Werkstück geeignete Zahl ein.

HINWEIS:

- Das Einstellrad kann nicht direkt von 1 auf 5 oder von 5 auf 1 gedreht werden. Gewaltiges Weiterdrehen des Einstellrads kann zu einer Beschädigung der Maschine führen. Wenn Sie die Drehrichtung des Einstellrads ändern, drehen Sie es immer über alle Zwischenstellungen.

Konstantdrehzahlregelung

Elektronische Drehzahlregelung zur Aufrechterhaltung einer konstanten Drehzahl. Feine Oberflächengüte wird ermöglicht, weil die Pendelhubzahl selbst unter Belastung konstant gehalten wird.

MONTAGE

⚠ VORSICHT:

- Vergewissern Sie sich vor der Ausführung von Arbeiten an der Maschine stets, dass sie ausgeschaltet und vom Stromnetz getrennt ist.

Montieren und Demontieren des Anwendungswerkzeugs (Sonderzubehör) (Abb. 3, 4 u. 5)

⚠ WARNUNG:

- Montieren Sie das Anwendungswerkzeug nicht verkehrt herum. Wird ein Anwendungswerkzeug verkehrt herum montiert, kann dies zu einer Beschädigung der Maschine und zu schweren Verletzungen führen.
- Montieren Sie das Anwendungswerkzeug in der korrekten Richtung entsprechend der anstehenden Arbeit. Das Anwendungswerkzeug kann in Positionen montiert werden, die jeweils um 30 Grad versetzt sind.

Setzen Sie das Anwendungswerkzeug (Sonderzubehör) auf den Werkzeugflansch, so dass die Vorsprünge des Werkzeugflansches in die Löcher des Anwendungswerkzeugs passen, und sichern Sie das Anwendungswerkzeug, indem Sie die Schraube mit dem Inbusschlüssel festziehen.

Wenn Sie ein Anwendungswerkzeug für Schmirgeln verwenden, montieren Sie das Anwendungswerkzeug so am Schleifkissen, dass es mit der Richtung des Schleifkissens übereinstimmt.

Das Schleifkissen weist ein Klettverschluss-Passsystem auf, das bequemes und schnelles Anbringen von Schleifpapier gestattet.

Da Schleifpapier Löcher für die Staubabsaugung aufweist, montieren Sie das Schleifpapier so, dass sich seine Löcher mit denen im Schleifkissen decken.

Zum Entfernen des Schleifpapiers seine Kante anheben, und das Papier ablösen. Lösen und Entfernen Sie die Montageschraube des Anwendungswerkzeugs mit einem Inbusschlüssel, und nehmen Sie dann das Anwendungswerkzeug ab.

Wenn Sie Anwendungswerkzeuge mit einer anderen Art von Installationsteil benutzen, wählen Sie einen korrekten Adapter (Sonderzubehör) aus.

BETRIEB

⚠ WARNUNG:

- Halten Sie Hände und Gesicht vor dem Starten der Maschine und während des Betriebs vom Anwendungswerkzeug fern.

⚠ VORSICHT:

- Üben Sie keinen übermäßigen Druck auf die Maschine aus, weil dies zu Blockieren des Motors und Stehenbleiben der Maschine führen kann.

Schneiden, Sägen und Schaben (Abb. 6)

⚠ VORSICHT:

- Bewegen Sie die Maschine nicht gewaltsam in die Richtung der Anwendung (z. B. nach beiden Seiten) ohne Schneidkante. Dadurch kann die Maschine beschädigt werden.

Setzen Sie das Anwendungswerkzeug auf das Werkstück.

Schieben Sie dann die Maschine vorwärts, so dass sich die Bewegung des Anwendungswerkzeugs nicht verlangsamt.

HINWEIS:

- Gewaltiges Verschieben oder übermäßiger Druck auf die Maschine können die Arbeitsleistung verringern.
- Vor Beginn von Schneidarbeiten ist es empfehlenswert, die Pendelhubzahl auf 3 – 5 vorzustellen.

Schmirgeln (Abb. 7)

⚠ VORSICHT:

- Verwenden Sie Schleifpapier, das zum Schleifen von Metall verwendet wurde, nicht zum Schleifen von Holz.
- Verwenden Sie kein abgenutztes Schleifpapier oder Schleifpapier ohne Körnung.

Bringen Sie das Schleifpapier mit dem Werkstück in Kontakt.

HINWEIS:

- Eine Schleifprobe an einem Testmaterial ist empfehlenswert, um die für Ihre Arbeit geeignete Pendelhubzahl zu ermitteln.
- Verwenden Sie Schleifpapier mit derselben Körnung, bis das Schmirgeln des ganzen Werkstücks beendet ist. Wird die Körnung des Schleifpapiers während der Arbeit geändert, erhält man u. U. keine feine Oberflächengüte.

Staubabsaugaufsatz (Sonderzubehör) (Abb. 8, 9 u. 10)

- Montieren Sie Verbindungsmuffe, Absaugstutzen und Staubabsaugaufsatz.
- Montieren Sie das Absaugstutzenband so an der Maschine, dass seine Vorsprünge in den Löchern der Maschine sitzen, um es zu sichern.
- Bringen Sie den Filzring und das Schleifkissen am Staubabsaugaufsatz an, und sichern Sie dann die Teile mit der Anwendungswerkzeug-Montageschraube.

Um größere Sauberkeit bei der Arbeit zu erzielen, kann ein Staubsauger an die Maschine angeschlossen werden. Schließen Sie den Schlauch des Staubsaugers an den Staubabsaugaufsatz (Sonderzubehör) an.

⚠ VORSICHT:

- Denken Sie vor der Durchführung von Überprüfungen oder Wartungsarbeiten stets daran, die Maschine auszuschalten und vom Stromnetz zu trennen.
- Verwenden Sie auf keinen Fall Benzin, Benzol, Verdünnern, Alkohol oder dergleichen. Solche Mittel können Verfärbung, Verformung oder Rissbildung verursachen.

Um die SICHERHEIT und ZUVERLÄSSIGKEIT dieses Produkts aufrechtzuerhalten, sollten Reparaturen, Überprüfung und Austausch der Kohlebürsten und andere Wartungs- oder Einstellarbeiten nur von Makita-Kundendienstzentren unter ausschließlicher Verwendung von Makita-Originalersatzteilen ausgeführt werden.

SONDERZUBEHÖR

⚠ VORSICHT:

- Die folgenden Zubehörteile oder Vorrichtungen werden für den Einsatz mit der in dieser Anleitung beschriebenen Makita-Maschine empfohlen. Die Verwendung anderer Zubehörteile oder Vorrichtungen kann eine Verletzungsgefahr darstellen. Verwenden Sie Zubehörteile oder Vorrichtungen nur für ihren vorgesehenen Zweck.

Wenn Sie weitere Einzelheiten bezüglich dieser Zubehörteile benötigen, wenden Sie sich bitte an Ihre Makita-Kundendienststelle.

- Segment-Sägeblatt
- Rund-Sägeblatt
- Tauchschnitt-Sägeblatt
- Schaber (starr)
- Schaber (flexibel)
- Kerbverzahntes Segment-Sägeblatt
- Allgemeiner Fugenschneider
- HM-Entferner
- HM-Segment-Sägeblatt
- HM-Schleifscheibe
- Diamantsegment-Sägeblatt
- Schleifkissen
- Adapter
- Schleifpapier Delta (rot / weiß / schwarz)
- Vlies Delta (mittel / grob / ohne Körnung)
- Polierfilz Delta
- Inbusschlüssel
- Staubabsaugaufsatz

HINWEIS:

- Manche Teile in der Liste können als Standardzubehör im Werkzeugsatz enthalten sein. Sie können von Land zu Land unterschiedlich sein.

Geräusch

Typischer A-bewerteter Geräuschpegel ermittelt gemäß EN62841:

Arbeitsmodus: Schleifen

Schalldruckpegel (L_{pA}): 74 dB (A)

Ungewissheit (K): 3 dB (A)

Der Lärmpegel kann während des Betriebs 80 dB (A) überschreiten.

Arbeitsmodus: Schneiden mit Tauchschnitt-Sägeblatt

Schalldruckpegel (L_{pA}): 78 dB (A)

Ungewissheit (K): 3 dB (A)

Der Lärmpegel kann während des Betriebs 80 dB (A) überschreiten.

Arbeitsmodus: Schneiden mit Segment-Sägeblatt

Schalldruckpegel (L_{pA}): 76 dB (A)

Ungewissheit (K): 3 dB (A)

Der Lärmpegel kann während des Betriebs 80 dB (A) überschreiten.

Arbeitsmodus: Schaben

Schalldruckpegel (L_{pA}): 77 dB (A)

Ungewissheit (K): 3 dB (A)

Der Lärmpegel kann während des Betriebs 80 dB (A) überschreiten.

Gehörschutz tragen

Vibration

Vibrationsgesamt看wert (Drei-Achsen-Vektorsumme) ermittelt gemäß EN62841:

Arbeitsmodus: Schleifen

Vibrationsemission (a_{h1}): 2,5 m/s² oder weniger

Ungewissheit (K): 1,5 m/s²

Arbeitsmodus: Schneiden mit Tauchschnitt-Sägeblatt

Vibrationsemission (a_{h1}): 6,5 m/s²

Ungewissheit (K): 1,5 m/s²

Arbeitsmodus: Schneiden mit Segment-Sägeblatt

Vibrationsemission (a_{h1}): 3,0 m/s²

Ungewissheit (K): 1,5 m/s²

Arbeitsmodus: Schaben

Vibrationsemission (a_{h1}): 5,5 m/s²

Ungewissheit (K): 1,5 m/s²

- Der angegebene Vibrationsemissionswert wurde im Einklang mit der Standardprüfmethode gemessen und kann für den Vergleich zwischen Maschinen herangezogen werden.
- Der angegebene Vibrationsemissionswert kann auch für eine Vorbewertung des Gefährdungsgrads verwendet werden.

⚠ WARNUNG:

- Die Vibrationsemission während der tatsächlichen Benutzung des Elektrowerkzeugs kann je nach der Benutzungsweise der Maschine vom angegebenen Emissionswert abweichen.
- Identifizieren Sie Sicherheitsmaßnahmen zum Schutz des Benutzers anhand einer Schätzung des Gefährdungsgrads unter den tatsächlichen Benutzungsbedingungen (unter Berücksichtigung aller Phasen des Arbeitszyklus, wie z. B. Ausschalt- und Leerlaufzeiten der Maschine zusätzlich zur Betriebszeit).

EG-KONFORMITÄTSERKLÄRUNG

Nur für europäische Länder

Die EG-Konformitätserklärung ist als Anhang A in dieser Bedienungsanleitung enthalten.

Visione generale

1 Interruttore laterale	6 Chiave esagonale	12 Accessorio polvere
2 Ghiera	7 Stringere	13 Anello di feltro
3 Bullone di installazione attrezzo applicativo	8 Adattatore	14 Platorello
4 Fori attrezzo applicativo	9 Giunto	15 Sporgenze
5 Sporgenze fiangia utensile	10 Bandella bocchetta	16 Fori
	11 Bocchetta polvere	

DATI TECNICI

Modello	TM3000C
Oscillazioni al minuto	6.000 – 20.000 (min ⁻¹)
Angolo di oscillazione, sinistro/destro	1,6° (totale di 3,2°)
Lunghezza totale	275 mm
Peso netto	1,4 kg – 1,5 kg
Classe di sicurezza	□ /II

GEB142-1

- Per il nostro programma di ricerca e sviluppo continui, i dati tecnici sono soggetti a modifiche senza preavviso.
- I dati tecnici potrebbero differire a seconda del paese di destinazione del modello.
- Il peso può variare a seconda dell'accessorio o degli accessori. La combinazione più leggera e quella più pesante, in base alla Procedura EPTA 01/2014, sono indicate nella tabella.

ENE080-1

Utilizzo previsto

Questo utensile è progettato per segare e tagliare il legno, plastica, gesso, metalli non ferrosi, e per fissare elementi (per es., chiodi e graffette non induriti). Esso è progettato anche per la lavorazione delle piastrelle morbide per pareti, come pure per la carteggiatura a secco e la scrostatura di piccole superfici. È progettato soprattutto per la lavorazione vicino ai bordi e il taglio a raso.

ENF002-2

Alimentazione

Questo utensile deve essere collegato soltanto a una fonte di alimentazione con la stessa tensione indicata sulla targhetta del nome, e può funzionare soltanto con la corrente alternata monofase. Esso ha un doppio isolamento, per cui può essere usato anche con le prese di corrente sprovviste della messa a terra.

GEA010-2

Avvertenze generali relative alla sicurezza dell'utensile elettrico

⚠ AVVERTIMENTO: Leggere tutte le avvertenze di sicurezza, le istruzioni, le illustrazioni e i dati tecnici forniti con il presente utensile elettrico. La mancata osservanza di tutte le istruzioni elencate di seguito potrebbe risultare in scosse elettriche, incendi e/o gravi lesioni personali.

Conservare tutte le avvertenze e le istruzioni come riferimento futuro.

Il termine "utensile elettrico" nelle avvertenze si riferisce sia all'utensile elettrico (cablato) nel funzionamento alimentato da rete elettrica che all'utensile elettrico (a batteria) nel funzionamento alimentato a batteria.

AVVERTIMENTI PER LA SICUREZZA PER L'UTENSILE MULTIFUNZIONE

1. **Questo utensile elettrico è progettato per la segatura, il taglio, la smerigliatura e la carteggiatura. Leggere tutti gli avvertimenti per la sicurezza, le istruzioni, le illustrazioni e i dati tecnici forniti con questo utensile elettrico.** Se non si seguono le istruzioni elencate sotto, c'è pericolo di scosse elettriche, incendio e/o gravi incidenti.
2. **Tenere l'utensile elettrico per superfici di presa isolate quando si esegue una operazione dove l'accessorio di taglio potrebbe fare contatto con fili elettrici nascosti o con il suo stesso cavo elettrico.** L'accessorio di taglio che fa contatto con un filo elettrico "sotto tensione" potrebbe mettere "sotto tensione" le parti metalliche esposte dell'utensile elettrico e dare una scossa all'operatore.
3. **Usare morse o altri dispositivi pratici per fissare e supportare il pezzo su una piattaforma stabile.** Se si tiene il pezzo a mano o contro il proprio corpo lo si rende instabile e potrebbe causare una perdita di controllo.
4. **Posizionare il cavo discosto dall'accessorio che gira.** In caso di perdita di controllo, il cavo potrebbe venire tagliato o impigliato, e la mano o il braccio dell'operatore potrebbe essere attirato nell'accessorio che gira.
5. **Usare sempre occhiali di sicurezza o di protezione.** I comuni occhiali o gli occhiali da sole **NON** sono occhiali di sicurezza.
6. **Evitare di tagliare i chiodi. Accertarsi che nel pezzo non ci siano chiodi, e rimuoverli prima di cominciare il lavoro.**
7. **Tenere saldamente l'utensile.**
8. **Accertarsi che l'attrezzo applicativo non faccia contatto con il pezzo prima di azionare l'interruttore.**
9. **Tenere sempre le mani lontane dalle parti in movimento.**

10. Non lasciare l'utensile mentre sta funzionando. Far funzionare l'utensile soltanto tenendolo in mano.
11. Spegnerne sempre l'utensile e aspettare che la lama si sia arrestata completamente prima di rimuoverla dal pezzo.
12. Non toccare l'attrezzo applicativo o il pezzo immediatamente dopo una operazione. Essi potrebbero essere estremamente caldi e causare bruciature sulla pelle.
13. Non far funzionare inutilmente l'utensile senza carico.
14. Usare sempre la mascherina/respiratore corretti per il materiale e l'applicativo con cui si lavora.
15. Alcuni materiali contengono sostanze chimiche che potrebbero essere tossiche. Fare attenzione per evitare di inspirare la polvere e il contatto con la pelle. Seguire i dati per la sicurezza del fornitore del materiale.
16. Questo utensile non è stato impermeabilizzato, per cui non si deve usare acqua sulla superficie del pezzo.
17. Ventilare adeguatamente l'area di lavoro quando si eseguono le operazioni di carteggiatura.
18. L'utilizzo di questo prodotto per smerigliare alcuni prodotti, per es., le superfici piombate verniciate, il legno e i metalli, potrebbe esporre l'operatore e gli astanti a polvere contenente sostanze pericolose. Usare una protezione appropriata per la respirazione.
19. Accertarsi che non ci siano crepe o rotture sul platello prima dell'uso. Le crepe o rotture possono causare un incidente.
20. Non usare accessori che non sono specificamente progettati e consigliati dal produttore dell'utensile. Il solo fatto che un accessorio possa essere attaccato all'utensile elettrico non ne assicura l'utilizzo sicuro.
21. **Indossare una attrezzatura di protezione. A seconda dell'applicazione, usare una visiera, occhiali di sicurezza o occhiali di protezione. Indossare protezioni per le orecchie, guanti e un grembiule di lavoro in grado di arrestare piccoli frammenti abrasivi o del pezzo.** La protezione per gli occhi deve essere in grado di arrestare i frammenti volanti generati dalle varie operazioni. La mascherina o respiratore antipolvere deve essere in grado di filtrare le particelle generate durante il lavoro. L'esposizione prolungata al rumore ad alta intensità potrebbe causare la perdita dell'udito.
22. **Tenere gli astanti lontani a una distanza di sicurezza dall'area di lavoro. Chiunque entri nell'area di lavoro deve indossare una attrezzatura personale di sicurezza.** I frammenti del pezzo o di un accessorio rotto potrebbero volare via e causare un incidente oltre l'area immediata del lavoro.
23. **Non si deve mai posare l'utensile elettrico finché l'accessorio non si è arrestato completamente.** L'accessorio che gira potrebbe far presa sulla superficie e tirare l'utensile elettrico fuori dal controllo dell'operatore.
24. **L'operatore non deve far funzionare l'utensile elettrico mentre lo trasporta sul proprio fianco.** Il contatto accidentale con l'accessorio potrebbe far presa sul vestiario ed essere attirato nel corpo.
25. **Non far funzionare l'utensile elettrico vicino a materiali infiammabili.** Le scintille potrebbero infiammare tali materiali.
26. **Non usare accessori che richiedono refrigeranti liquidi.** L'utilizzo di acqua o di altri refrigeranti liquidi potrebbe causare elettrocuzione o scosse elettriche.
27. **Accertarsi sempre che l'utensile sia spento e staccato dalla presa di corrente prima di un qualsiasi intervento su di esso.**
28. **Se si deve lavorare in un luogo estremamente caldo e umido, o molto contaminato da polvere conduttiva, è necessario usare un interruttore di corto circuito (30 mA) per garantire la sicurezza dell'operatore.**
29. **Accertarsi che i piedi siano appoggiati saldamente. Accertarsi che non ci siano persone sotto quando si usa l'utensile in luoghi alti.**

CONSERVARE QUESTE ISTRUZIONI.



AVVERTIMENTO:

NON lasciare che la comodità o la familiarità d'utilizzo con il prodotto (acquisita con l'uso ripetuto) sostituisca la stretta osservanza delle norme di sicurezza. L'utilizzo SBAGLIATO o la mancata osservanza delle norme di sicurezza di questo manuale di istruzioni potrebbero causare lesioni serie.

DESCRIZIONE FUNZIONALE



AVVERTIMENTO:

- Accertarsi sempre che l'utensile sia spento e staccato dalla presa di corrente prima di regolarlo o di controllarne il funzionamento. Se non si spegne e non si stacca l'utensile dalla presa di corrente, c'è pericolo di un grave incidente per il suo avviamento accidentale.

Funzionamento dell'interruttore (Fig. 1)



ATTENZIONE:

- Prima di collegare l'utensile alla presa di corrente, accertarsi sempre che sia spento.

Per avviare l'utensile, spingere l'interruttore laterale verso la posizione "I (ON)".

Per arrestare l'utensile, spingere l'interruttore laterale verso la posizione "O (OFF)".

Regolazione della velocità di corsa orbitale (Fig. 2)

La velocità di corsa orbitale è regolabile. Per cambiare la velocità di corsa orbitale, girare la ghiera tra 1 e 5. La velocità di corsa orbitale è tanto più alta quanto più alto è il numero. Predisporre la ghiera sul numero adatto al pezzo.

NOTA:

- La ghiera non può essere girata direttamente da 1 a 5 o da 5 a 1. Forzando la ghiera si potrebbe danneggiare l'utensile. Quando si cambia la direzione della ghiera, girare sempre la ghiera spostandola tra ciascun numero intermedio.

Controllo costante della velocità

Controllo elettronico della velocità per ottenere una velocità costante. Si può ottenere una rifinitura fine, perché la velocità di corsa orbitale viene mantenuta costante anche in condizioni di carico.

MONTAGGIO

⚠ ATTENZIONE:

- Accertarsi sempre che l'utensile sia spento e staccato dalla presa di corrente prima di un qualsiasi intervento su di esso.

Installazione o rimozione dell'attrezzo applicativo (accessorio opzionale) (Fig. 3, 4 e 5)

⚠ AVVERTIMENTO:

- Non installare l'attrezzo applicativo capovolto. Installando l'attrezzo applicativo capovolto si potrebbe danneggiare l'utensile e potrebbe causare una grave incidente.
- Installare l'attrezzo applicativo nella direzione corretta secondo il lavoro. L'attrezzo applicativo può essere installato ad angoli di 30 gradi ciascuno.

Mettere l'attrezzo applicativo (accessorio opzionale) sulla flangia dell'utensile, in modo che le sporgenze della flangia entrino nei fori dell'attrezzo applicativo, e fissare l'attrezzo applicativo stringendo saldamente il bullone con la chiave esagonale.

Per usare l'attrezzo applicativo di carteggiatura, montarlo sul platorello di carteggiatura in modo corrispondente alla direzione del platorello di carteggiatura.

Il platorello di carteggiatura ha un sistema di montaggio del tipo ad aggancio e anello che permette il facile e rapido montaggio della carta vetrata.

Poiché le carte vetrata hanno fori per l'estrazione della polvere, montare la carta vetrata in modo che i suoi fori si trovino su quelli del platorello di carteggiatura.

Per rimuovere una carta vetrata, sollevare la sua estremità e staccarla via. Allentare e rimuovere il bullone di installazione dell'attrezzo applicativo usando una chiave esagonale, e rimuovere poi l'attrezzo applicativo.

Se si usano accessori applicativi con una sezione di installazione di tipo diverso, usare un adattatore corretto (accessorio opzionale).

FUNZIONAMENTO

⚠ AVVERTIMENTO:

- Prima di avviare l'utensile e durante il lavoro, tenere le mani e il viso lontani dall'attrezzo applicativo.

⚠ ATTENZIONE:

- Non applicare un carico eccessivo sull'utensile, perché ciò potrebbe causare il blocco del motore e arrestare l'utensile.

Taglio, segatura e scrostatura (Fig. 6)

⚠ ATTENZIONE:

- Non spingere con forza l'utensile nella direzione di applicazione del medesimo (ad esempio lateralmente) senza bordo di taglio. Si potrebbe danneggiare l'utensile.

Mettere l'attrezzo applicativo sul pezzo.

Muovere poi in avanti l'utensile in modo che il movimento dell'attrezzo applicativo non rallenti.

NOTA:

- Una forzatura o una pressione eccessiva sull'utensile potrebbero ridurne l'efficienza.
- Prima di una operazione di taglio, si consiglia di predisporre la velocità di corsa orbitale a 3 - 5.

Carteggiatura (Fig. 7)

⚠ ATTENZIONE:

- Per la carteggiatura del legno non si deve riusare una carta vetrata usata per la carteggiatura dei metalli.
- Non usare una carta vetrata usurata, o una carta vetrata senza graniglia.

Adoperare la carta vetrata sul pezzo.

NOTA:

- Si consiglia di usare un campione di materiale di prova per determinare la velocità di corsa orbitale corretta adatta al lavoro.
- Usare una carta vetrata con la stessa graniglia fino al completamento della carteggiatura del pezzo. Se si sostituisce la carta vetrata con un'altra avente una graniglia diversa si potrebbe non ottenere una buona rifinitura.

Accessorio di estrazione polvere (accessorio opzionale) (Fig. 8, 9 e 10)

- Installare il giunto, la bocchetta e l'accessorio polvere.
- Installare la bandella bocchetta sull'utensile, in modo che le sue sporgenze entrino nei fori dell'utensile per fissarla.
- Montare l'anello di feltro e il platorello di carteggiatura sull'accessorio polvere, e fissarli poi con il bullone di installazione degli attrezzi applicativi.

Se si desidera eseguire delle operazioni più pulite, collegare un aspiratore all'utensile. Collegare il tubo flessibile dell'aspiratore all'accessorio di estrazione polvere (accessorio opzionale).

MANUTENZIONE

⚠ ATTENZIONE:

- Accertarsi sempre che l'utensile sia spento e staccato dalla presa di corrente prima dell'ispezione o della manutenzione.
- Mai usare benzina, benzene, solventi, alcol e altre sostanze simili. Potrebbero causare scolorimenti, deformazioni o crepe.

Per preservare la SICUREZZA e l'AFFIDABILITÀ del prodotto, le riparazioni, l'ispezione e la sostituzione della spazzola di carbone o qualsiasi altra manutenzione e regolazione devono essere eseguite da un Centro Assistenza Makita autorizzato usando sempre ricambi Makita.

ACCESSORI OPZIONALI

⚠ ATTENZIONE:

- Questi accessori o attrezzi sono consigliati per l'uso con l'utensile Makita specificato in questo manuale. L'impiego di altri accessori o attrezzi può costituire un rischio di lesioni alle persone. Usare gli accessori soltanto per il loro scopo prefissato.

Per ottenere maggiori dettagli su questi accessori o attrezzi, rivolgersi a un Centro Assistenza Makita locale.

- Lama sega a segmenti
- Lama sega rotonda
- Lama sega di taglio con perforazione
- Raschietto (rigido)
- Raschietto (flessibile)
- Lama a segmenti a denti di sega
- Troncatrice generale giunti
- Sverniciatore HM
- Lama sega a segmenti HM

- Piastra di carteggiatura HM
- Lama sega a segmenti diamantata
- Platorello di carteggiatura
- Adattatore
- Triangolo carta abrasiva (rosso / bianco / nero)
- Triangolo vello (medio / ruvido / senza graniglia)
- Triangolo feltro di lucidatura
- Chiave esagonale
- Accessorio di estrazione polvere

NOTA:

• Alcuni articoli nella lista potrebbero essere inclusi nell'imballo dell'utensile come accessori standard. Essi potrebbero differire da Paese a Paese.

ENG905-1

Rumore

Il tipico livello di rumore pesato A determinato secondo EN62841:

Modalità operativa: carteggiatura

Livello pressione sonora (L_{pA}): 74 dB (A)

Incertezza (K): 3 dB (A)

Il livello di rumore durante il lavoro potrebbe superare gli 80 dB (A).

Modalità operativa: taglio con la lama sega di perforazione

Livello pressione sonora (L_{pA}): 78 dB (A)

Incertezza (K): 3 dB (A)

Il livello di rumore durante il lavoro potrebbe superare gli 80 dB (A).

Modalità operativa: taglio con la lama sega a settori

Livello pressione sonora (L_{pA}): 76 dB (A)

Incertezza (K): 3 dB (A)

Il livello di rumore durante il lavoro potrebbe superare gli 80 dB (A).

Modalità operativa: disincrostazione

Livello pressione sonora (L_{pA}): 77 dB (A)

Incertezza (K): 3 dB (A)

Il livello di rumore durante il lavoro potrebbe superare gli 80 dB (A).

Indossare i paraorecchi

ENG900-1

Vibrazione

Il valore totale di vibrazione (somma vettore triassiale) determinato secondo EN62841:

Modalità operativa: carteggiatura

Emissione di vibrazione (a_h): 2,5 m/s² o meno

Incertezza (K): 1,5 m/s²

Modalità operativa: taglio con la lama sega di perforazione

Emissione di vibrazione (a_h): 6,5 m/s²

Incertezza (K): 1,5 m/s²

Modalità operativa: taglio con la lama sega a settori

Emissione di vibrazione (a_h): 3,0 m/s²

Incertezza (K): 1,5 m/s²

Modalità operativa: disincrostazione

Emissione di vibrazione (a_h): 5,5 m/s²

Incertezza (K): 1,5 m/s²

- Il valore di emissione delle vibrazioni dichiarato è stato misurato conformemente al metodo di test standard, e può essere usato per paragonare un utensile con un altro.
- Il valore di emissione delle vibrazioni dichiarato può anche essere usato per paragonare un utensile con un altro.

⚠ AVVERTIMENTO:

- L'emissione delle vibrazioni durante l'uso reale dell'utensile elettrico può differire dal valore di emissione dichiarato a seconda dei modi in cui viene usato l'utensile.
- Identificare le misure di sicurezza per la protezione dell'operatore basate sulla stima dell'esposizione nelle condizioni reali d'utilizzo (tenendo presente tutte le parti del ciclo operativo, come le volte in cui l'utensile viene spento e quando gira a vuoto, oltre al tempo di funzionamento).

DICHIARAZIONE DI CONFORMITÀ CE

Solo per i paesi europei

La dichiarazione di conformità CE è inclusa come Allegato A al presente manuale di istruzioni.

Verklaring van algemene gegevens

1 Stroomschakelaar	7 Vastdraaien	13 Viltten ring
2 Instelknop	8 Adapter	14 Schuurblok
3 Werktuigmontagebout	9 Verbindingsstuk	15 Nokken
4 Openingen in het werktuig	10 Mondstukkleem	16 Openingen
5 Nokken van de werktuigflens	11 Stofmondstuk	
6 Zeskant-inbussleutel	12 Stofzuigaansluitstuk	

TECHNISCHE GEGEVENS

Model	TM3000C
Oscillaties per minuut	6 000 – 20 000 (min ⁻¹)
Uitslaghoek links/rechts	1,6° (totaal 3,2°)
Totale lengte	275 mm
Nettogewicht	1,4 kg – 1,5 kg
Veiligheidsklasse	□ /II

- In verband met ononderbroken research en ontwikkeling behouden wij ons het recht voor bovenstaande technische gegevens te wijzigen zonder voorafgaande kennisgeving.
- De technische gegevens kunnen van land tot land verschillen.
- Het gewicht kan verschillen, afhankelijk van de hulpstukken. De lichtste en zwaarste combinatie, overeenkomstig de EPTA-procedure 01/2014, worden aangegeven in de tabel.

ENE080-1

Doeleinden van gebruik

Dit gereedschap is bestemd voor het zagen en snijden in hout, plastic, gipsplaten, lichte metalen en sommige montagematerialen (zoals zachte spijkers en nieten). Het is tevens bestemd voor het werken met zachte wandtegels en het droog schuren en afkrabben van kleine oppervlakken. Het is bij uitstek geschikt voor werken langs randen en voor egaal bijsnijden.

ENF002-2

Stroomvoorziening

Het gereedschap mag alleen worden aangesloten op een stroombron van hetzelfde voltage als aangegeven op de naamplaat, en kan alleen op enkel-fase wisselstroom worden gebruikt. Het gereedschap is dubbel-geïsoleerd en kan derhalve ook op een niet-geaard stopcontact worden aangesloten.

GEA010-2

Algemene veiligheidswaarschuwingen voor elektrisch gereedschap

⚠ WAARSCHUWING: Lees alle veiligheidswaarschuwingen, aanwijzingen, afbeeldingen en technische gegevens behorend bij dit elektrische gereedschap aandachtig door. Als u niet alle onderstaande aanwijzingen naleeft, kan dat resulteren in brand, elektrische schokken en/of ernstig letsel.

Bewaar alle waarschuwingen en instructies om in de toekomst te kunnen raadplegen.

De term “elektrisch gereedschap” in de veiligheidsvoorschriften duidt op gereedschappen die op stroom van het lichtnet werken (met snoer) of gereedschappen met een accu (snoerloos).

GEB142-1

VEILIGHEIDSVOORSCHRIFTEN VOOR HET MULTI-GEREEDSCHAP

1. Dit elektrisch gereedschap is bestemd voor zagen, snijden, slijpen en polijsten. Lees alle veiligheidsvoorschriften, aanwijzingen, afbeeldingen en technische specificaties behorend bij dit gereedschap aandachtig door. Als u niet alle onderstaande aanwijzingen naleeft, kan dat resulteren in brand, elektrische schokken en/of ernstig letsel.
2. Houd elektrisch gereedschap vast aan de geïsoleerde handgrepen, wanneer u werkt op plaatsen waar het snijwerktuig met verborgen bedrading of met zijn eigen snoer in aanraking kan komen. Als een draad die onder stroom staat wordt ingesneden, kunnen de metalen delen van het gereedschap ook onder stroom komen te staan en dan kunt u een gevaarlijke schok krijgen.
3. Gebruik klemmen of dergelijke voorzieningen om uw werkstuk aan een stabiele ondergrond vast te klemmen. Een werkstuk dat u in de hand houdt of tegen uw lichaam aan drukt, kan al te vrijelijk bewegen en onhoudbaar worden.
4. Zorg dat het snoer uit de buurt blijft van het draaiend werktuig. Als u de controle verliest over het gereedschap, kan het snoer worden doorgesneden of bekneld raken en kan uw hand of arm tegen het ronddraaiende werktuig worden aangetrokken.
5. Draag altijd een veiligheidsbril, stofbril of -masker. Een gewone bril of zonnebril biedt NIET de nodige veiligheid.
6. Zorg dat u niet in spijkers snijdt. Controleer uw werkstuk vooraf op de aanwezigheid van spijkers en verwijder die.
7. Houd het gereedschap stevig vast.

8. Let vooral op dat het werktuig bij inschakelen nog niet in aanraking komt met uw werkstuk.
9. Kom met uw handen niet te dicht bij bewegende onderdelen.
10. Laat het gereedschap niet ingeschakeld achter. Schakel het gereedschap alleen in wanneer u het stevig vasthoudt.
11. Schakel eerst het gereedschap uit en wacht tot het werktuig volledig tot stilstand is gekomen, voordat u het gereedschap van het werkstuk haalt.
12. Raak het werktuig of het bewerkte deel van uw werkstuk niet onmiddellijk na het werk aan; deze delen kunnen bijzonder heet worden en u zou zich kunnen branden.
13. Laat het gereedschap niet onnodig lang draaien in onbelaste toestand.
14. Gebruik altijd het juiste stofmasker of ademhalingsapparaat voor het materiaal en de toepassing waar u aan werkt.
15. Bepaalde materialen kunnen giftige chemicaliën bevatten. Vermijd dan het contact met uw huid en zorg dat u geen stof inademt. Volg de veiligheidsvoorschriften van de fabrikant van het materiaal.
16. Dit gereedschap is niet waterdicht, dus zorg dat er geen water op de oppervlakken van uw werkstuk komt.
17. Zorg voor voldoende ventilatie bij het schuren van werkstukken.
18. Bij gebruik van dit gereedschap voor het schuren van bepaalde materialen, zoals loodhoudende verf, hout en metalen kunt u zelf en omstanders worden blootgesteld aan stof met schadelijke bestanddelen. Gebruik een geschikt stofmasker of ademhalingsapparaat.
19. Controleer of er geen barsten of scheuren in het schuurblok zijn voordat u gaat werken. Barsten of breuken zouden kunnen leiden tot lichamelijk letsel.
20. Gebruik geen accessoires die niet specifiek ontworpen en goedgekeurd zijn door de fabrikant van dit gereedschap. Ook al past een accessoire wel op uw elektrisch gereedschap, dan nog staat dit niet altijd garant voor een veilige werking.
21. Draag beschermende kleding en dergelijke. Afhankelijk van de toepassing dient u ook een gezichtsmasker, veiligheidsbril of stofmasker te dragen. Draag naar vereist ook oorbeschermers, werkhandschoenen en een werkschoort dat bescherming biedt tegen rondvliegende spaanders of scherp gruis. Een afdoende oogbescherming moet in staat zijn om tijdens het werk rondvliegende spaanders of scherp gruis tegen te houden. Het stofmasker of ademhalingsapparaat moet alle vrijkomende deeltjes uit de lucht die u inademt te filteren. Langdurige blootstelling aan hard lawaai kan uw gehoor aantasten.
22. Houd omstanders op veilige afstand tijdens het gebruik van elektrisch gereedschap. Iedereen die uw werkterrein betreedt, moet beschermende kleding dragen. Er zouden splinters van uw werkstuk of van een afgebroken accessoire kunnen rondvliegen, met kans op verwondingen, ook buiten uw onmiddellijke werkomgeving.
23. Leg het gereedschap altijd pas neer nadat het werktuig volledig tot stilstand is gekomen. Als het werktuig nog draait, kan het de ondergrond aangrijpen en het gereedschap uit uw handen trekken.
24. Loop niet met het gereedschap terwijl het nog draait. Als het werktuig tegen uw kleding aan zou komen, kan de draaibeweging het tegen uw lichaam aan trekken, met kans op letsel.
25. Gebruik het gereedschap niet in de buurt van licht ontvlambare materialen. Als er vonken overspringen, zou er brand kunnen ontstaan.
26. Gebruik geen accessoires waarvoor koeling met vloeistof vereist is. Het gebruik van water of een andere koelvloeistof kan leiden tot een elektrische schok, met gevaar voor elektrocutie.
27. Zorg altijd dat het gereedschap is uitgeschakeld en de stekker uit het stopcontact is verwijderd alvorens enig werk aan het gereedschap uit te voeren.
28. Als uw werkplaats bijzonder heet en vochtig is, of erg verontreinigd door elektrisch geleidend stof, gebruikt u een kortsluitstroomonderbreker (30 mA) in het belang van uw veiligheid.
29. Zorg ook altijd dat u stevig op een solide bodem staat. Let bij het werken op hoge plaatsen op dat er zich niemand recht onder u bevindt.

BEWAAR DEZE VOORSCHRIFTEN.

⚠ WAARSCHUWING:

Laat u NIET misleiden door een vals gevoel van comfort en bekendheid met het gereedschap (na veelvuldig gebruik) en neem alle veiligheidsvoorschriften van het betreffende gereedschap altijd strikt in acht. **VERKEERD GEBRUIK** of het niet naleven van de veiligheidsvoorschriften in deze gebruiksaanwijzing kan leiden tot ernstige verwondingen.

BESCHRIJVING VAN DE FUNCTIES

⚠ WAARSCHUWING:

• Zorg altijd dat het gereedschap is uitgeschakeld en de stekker uit het stopcontact is verwijderd alvorens de functies op het gereedschap te controleren of af te stellen. Als u nalaat het gereedschap uit te schakelen en de stekker los te trekken, kan dat leiden tot ernstig persoonlijk letsel als het gereedschap per ongeluk wordt gestart.

Schakelaarwerking (Fig. 1)

⚠ LET OP:

• Controleer altijd eerst of het gereedschap is uitgeschakeld, voordat u de stekker in het stopcontact steekt.

Om het gereedschap te starten, schuift u de stroomschakelaar in de "I (ON)" stand.

Om het gereedschap te stoppen, schuift u de stroomschakelaar in de "O (OFF)" stand.

Instellen van het draaislagtempo (Fig. 2)

Het draaislagtempo is instelbaar. Om het draaislagtempo in te stellen, draait u de instelknop in een stand van 1 tot 5. Hoe hoger de cijferwaarde, des te hoger het draaislagtempo. Stel de instelknop in op een cijferwaarde die geschikt is voor uw werkstuk.

OPMERKING:

- De instelknop kan niet direct worden teruggedraaid van 1 naar 5 of doorgedraaid van 5 naar 1. Als u de instelknop forceert, wordt het gereedschap beschadigd. Wanneer u de stand van de instelknop verandert, draait u deze door alle tussenliggende nummers heen.

Constante snelheidsregeling

Elektronische snelheidsregeling voor het aanhouden van een constante snelheid. U kunt een goede afwerking verkrijgen omdat het draaislagtempo ook onder belaste omstandigheden constant wordt gehouden.

INEENZETTEN

⚠ LET OP:

- Zorg altijd dat het gereedschap is uitgeschakeld en de stekker uit het stopcontact is verwijderd alvorens enig werk aan het gereedschap uit te voeren.

Aanbrengen en verwijderen van werktuigen (optioneel accessoire) (Fig. 3, 4 en 5)

⚠ WAARSCHUWING:

- Pas op dat u het werktuig niet ondersteboven aanbrengt. Als u het werktuig ondersteboven plaatst, kan dat het werktuig beschadigen en soms zelfs ernstig letsel veroorzaken.
- Monteer het werktuig in de juiste richting, die het best voldoet voor uw werkstuk. Het werktuig kan worden gemonteerd in enkele standen, met 30 graden er tussen.

Plaats een werktuig (optioneel accessoire) op de werktuigflens, zodat de nokken van de werktuigflens precies in de openingen van het werktuig vallen, en zet dan het werktuig vast door de bout stevig aan te draaien met de zeskant-inbussleutel.

Bij gebruik van het schuurwerktuig, brengt u het werktuig zo op het schuurblok aan dat het overeenkomt met de richting van het schuurblok.

Het schuurblok heeft een bevestigingsvlak met klittenband, zodat u het schuurpapier er snel en gemakkelijk op kunt bevestigen.

In het schuurpapier zijn openingen voor afzuigen van het stof, dus zorgt u bij het aanbrengen dat die gaten samenvallen met de openingen in het schuurblok.

Om het schuurpapier te verwijderen, trekt u het uiteinde omhoog en pelt u het los. Draai de werktuigmontagebout met een zeskant-inbussleutel los, verwijder de bout en dan het werktuig.

Voor gebruik van werktuigen met een afwijkend aansluitstuk maakt u gebruik van een geschikte aansluitadapter (optioneel accessoire).

BEDIENING

⚠ WAARSCHUWING:

- Kom vóór en tijdens het werken met het gereedschap niet met uw handen of uw gezicht in de buurt van het werktuig.

⚠ LET OP:

- Zorg dat het werktuig niet al te zwaar belast wordt, want daardoor kan de motor van het gereedschap blokkeren en afslaan.

Snijden, zagen en schuren (Fig. 6)

⚠ LET OP:

- Beweeg het gereedschap niet met kracht in een richting (zijwaarts bijvoorbeeld) waarin het werktuig geen snijvlak heeft. Dat zou het gereedschap kunnen beschadigen.

Plaats het werktuig op uw werkstuk.

Beweeg dan het gereedschap naar voren, zodanig dat dit de beweging van het werktuig niet vertraagt.

OPMERKING:

- Als u het forceert of te veel druk uitoefent op het gereedschap, wordt de werking minder doeltreffend.
- Vóór het snijden is het aanbevolen het draaislagtempo in te stellen op 3 – 5.

Polijsten (Fig. 7)

⚠ LET OP:

- Schuurpapier dat al voor metaal is gebruikt mag u niet meer voor hout gebruiken.
- Gebruik geen versleten schuurpapier of schuurpapier zonder korrel.

Plaats het schuurpapier tegen uw werkstuk aan.

OPMERKING:

- Het is aanbevolen even proef te draaien met wat testmateriaal, om vooraf het juiste draaislagtempo voor uw werkstuk te bepalen.
- Blijf schuurpapier van dezelfde korrelgrootte gebruiken totdat uw hele werkstuk volledig is geschuurd. Als u het schuurpapier tussentijds vervangt door een fijnere of grovere gradatie, kunt u soms geen goede afwerking verkrijgen.

Stofzuigaansluitstuk (optioneel accessoire)

(Fig. 8, 9 en 10)

- Monteer het verbindingsstuk, het stofmondstuk en het stofzuigaansluitstuk.
- Monteer de mondstukken zodanig op het gereedschap dat de nokken in de sleuven van het gereedschap passen, om het vast te zetten.
- Plaats de vilten ring en het schuurblok op het stofzuigaansluitstuk en zet ze dan vast met de werktuigmontagebout.

Wanneer u stofvrij wilt werken, kunt u een stofzuiger op uw gereedschap aansluiten. Sluit de slang van de stofzuiger aan op het stofzuigaansluitstuk (optioneel accessoire).

ONDERHOUD

⚠ LET OP:

- Zorg altijd dat het gereedschap is uitgeschakeld en de stekker uit het stopcontact is verwijderd alvorens te beginnen met inspectie of onderhoud.
- Gebruik nooit benzine, wasbenzine, thinner, alcohol en dergelijke. Hierdoor kunnen verkleuring, vervormingen en barsten worden veroorzaakt.

Om de VEILIGHEID en BETROUWBAARHEID van het gereedschap te handhaven, dienen alle reparaties, inspectie en vervanging van de koolborstels, en alle andere onderhoudswerkzaamheden of afstellingen te worden uitgevoerd bij een erkend Makita servicecentrum, en altijd met gebruik van originele Makita vervangingsonderdelen.

OPTIONELE ACCESSOIRES

⚠ LET OP:

- Deze accessoires of hulpstukken worden aanbevolen voor gebruik met het Makita gereedschap dat in deze gebruiksaanwijzing is beschreven. Bij gebruik van andere accessoires of hulpstukken bestaat er gevaar voor persoonlijke verwonding. Gebruik de accessoires of hulpstukken uitsluitend voor hun bestemde doel.

Raadpleeg het dichtstbijzijnde Makita servicecentrum voor verder advies of bijzonderheden omtrent deze accessoires.

- Segmentzaagblad
- Rond zaagblad
- Zaagblad voor diepe insnede
- Schraper (onbuigzaam)
- Schraper (buigzaam)
- Gekarteld segmentzaagblad
- Universeel voegenmes
- HM verwijderaar
- HM segmentzaagblad
- HM schuurplaat
- Diamant-segmentzaagblad
- Schuurblok
- Adapter
- Schuurpapier-delta (rood / wit / zwart)
- Kunstvacht-delta (midden / grof / zonder korrel)
- Polijstviit-delta
- Zeskant-inbussleutel
- Stofzuigaansluitstuk

OPMERKING:

- Sommige onderdelen in deze lijst kunnen bij het gereedschap zijn meegeleverd als standaard-accessoires. Deze kunnen van land tot land verschillen.

ENG905-1

Geluidsniveau

De typisch, A-gewogen geluidsniveaus vastgesteld volgens EN62841:

Toepassing: schuren

Geluidsdrukniveau (L_{pA}): 74 dB (A)
 Onnauwkeurigheid (K): 3 dB (A)

Tijdens het werken kan het geluidsniveau 80 dB (A) overschrijden.

Toepassing: snijden met het zaagblad voor diepe insnede

Geluidsdrukniveau (L_{pA}): 78 dB (A)
 Onnauwkeurigheid (K): 3 dB (A)

Tijdens het werken kan het geluidsniveau 80 dB (A) overschrijden.

Toepassing: snijden met het segmentzaagblad

Geluidsdrukniveau (L_{pA}): 76 dB (A)
 Onnauwkeurigheid (K): 3 dB (A)

Tijdens het werken kan het geluidsniveau 80 dB (A) overschrijden.

Toepassing: afschrappen

Geluidsdrukniveau (L_{pA}): 77 dB (A)
 Onnauwkeurigheid (K): 3 dB (A)

Tijdens het werken kan het geluidsniveau 80 dB (A) overschrijden.

Draag oorbeschermers

Trilling

De totaalwaarde van de trillingen (triaxiale vectorsom) vastgesteld volgens EN62841:

Toepassing: schuren

Trillingsemmissie (a_{h1}): 2,5 m/s² of lager
 Onnauwkeurigheid (K): 1,5 m/s²

Toepassing: snijden met het zaagblad voor diepe insnede

Trillingsemmissie (a_{h1}): 6,5 m/s²
 Onnauwkeurigheid (K): 1,5 m/s²

Toepassing: snijden met het segmentzaagblad

Trillingsemmissie (a_{h1}): 3,0 m/s²
 Onnauwkeurigheid (K): 1,5 m/s²

Toepassing: afschrappen

Trillingsemmissie (a_{h1}): 5,5 m/s²
 Onnauwkeurigheid (K): 1,5 m/s²

ENG901-1

- De opgegeven trillingsemmissiewaarde is gemeten volgens de standaardtestmethode en kan worden gebruikt om dit gereedschap te vergelijken met andere gereedschappen.
- De opgegeven trillingsemmissiewaarde kan ook worden gebruikt voor een beoordeling vooraf van de blootstelling.

⚠ WAARSCHUWING:

- De trillingsemmissie tijdens het gebruik van het elektrisch gereedschap in de praktijk kan verschillen van de opgegeven trillingsemmissiewaarde afhankelijk van de manier waarop het gereedschap wordt gebruikt.
- Zorg ervoor dat veiligheidsmaatregelen worden getroffen ter bescherming van de operator die zijn gebaseerd op een schatting van de blootstelling onder praktijkomstandigheden (rekening houdend met alle fasen van de bedrijfscyclus, zoals de tijdsduur gedurende welke het gereedschap is uitgeschakeld en stationair draait, naast de ingeschakelde tijdsduur).

EG-VERKLARING VAN CONFORMITEIT

Aleen voor Europese landen

De EG-verklaring van conformiteit is bijgesloten als Aanhangsel A bij deze gebruiksaanwijzing.

Explicación de los dibujos

1 Interruptor deslizable	5 Protuberancias de la brida de la herramienta	11 Boquilla de recogida de polvo
2 Dial	6 Llave hexagonal	12 Accesorio para recogida de polvo
3 Perno de instalación de la herramienta de trabajo	7 Apretar	13 Anillo de fieltro
4 Agujeros en la herramienta de trabajo	8 Adaptador	14 Plato
	9 Junta	15 Protuberancias
	10 Banda para boquilla	16 Agujeros

ESPECIFICACIONES

Modelo	TM3000C
Oscilaciones por minuto	6.000 – 20.000 (min ⁻¹)
Ángulo de oscilación, izquierda/derecha	1,6° (3,2° total)
Longitud total	275 mm
Peso neto	1,4 kg – 1,5 kg
Clase de seguridad	□ / II

- Debido a un programa continuo de investigación y desarrollo, las especificaciones aquí dadas están sujetas a cambios sin previo aviso.
- Las especificaciones pueden ser diferentes de país a país.
- El peso puede variar dependiendo del accesorio(s). La combinación menos pesada y la más pesada, de acuerdo con el procedimiento EPTA 01/2014, se muestran en la tabla.

ENE080-1

Uso previsto

La herramienta ha sido prevista para serrar y cortar madera, plástico, yeso, metales no ferrosos, y elementos de sujeción (por ejemplo, clavos y grapas no endurecidos). También ha sido prevista para trabajos en azulejos blandos, así como para lijar en seco y raspar superficies pequeñas. Es especialmente indicada para trabajar cerca de bordes y cortar a ras.

ENF002-2

Alimentación

La herramienta solamente debe ser conectada a una fuente de alimentación de la misma tensión que la indicada en la placa de características, y solamente puede ser utilizada con corriente alterna monofásica. La herramienta está doblemente aislada y, por consiguiente, también se puede utilizar con tomas de corriente sin conductor de puesta a tierra.

GEA010-2

Advertencias de seguridad para herramientas eléctricas en general

⚠ ADVERTENCIA: Lea todas las advertencias de seguridad, instrucciones, ilustraciones y especificaciones provistas con esta herramienta eléctrica. Si no sigue todas las instrucciones indicadas abajo podrá resultar en una descarga eléctrica, un incendio y/o heridas graves.

Guarde todas las advertencias e instrucciones para futuras referencias.

El término “herramienta eléctrica” en las advertencias se refiere a su herramienta eléctrica de funcionamiento con conexión a la red eléctrica (con cable) o herramienta eléctrica de funcionamiento a batería (sin cable).

GEB142-1

ADVERTENCIAS DE SEGURIDAD PARA LA MULTITOOL

- 1. Esta herramienta eléctrica ha sido prevista para serrar, cortar, amolar y lijar. Lea todas las advertencias de seguridad, instrucciones, ilustraciones y especificaciones previstas con esta herramienta eléctrica.** Si no sigue todas las instrucciones indicadas a continuación, podrá ocasionar una descarga eléctrica, un incendio y/o heridas graves.
- 2. Cuando realice una operación en la que el accesorio de corte pueda entrar en contacto con cableado oculto o con el propio cable, sujete la herramienta eléctrica por las superficies de aislamiento aisladas.** El contacto del accesorio de corte con un cable con corriente hará que la corriente circule por las partes metálicas expuestas de la herramienta eléctrica y podrá soltar una descarga eléctrica al operario.
- 3. Utilice mordazas u otros medios de sujeción prácticos para sujetar y apoyar la pieza de trabajo en una plataforma estable.** Sujetada con la mano o contra su cuerpo, la pieza de trabajo estará inestable y podrá ocasionar la pérdida del control.
- 4. Posicione el cable alejado del accesorio giratorio.** Si pierde el control, el cable podrá ser cortado o enredarse y tirar de su mano o brazo hacia el accesorio giratorio.
- 5. Utilice siempre gafas de seguridad o gafas de protección. Las gafas normales o de sol NO sirven para proteger los ojos.**
- 6. Evite cortar clavos. Inspeccione la pieza de trabajo para ver si tiene algún clavo y quitelos antes de iniciar la operación.**
- 7. Sujete la herramienta firmemente.**

8. Asegúrese de que la herramienta de trabajo no esté haciendo contacto con la pieza de trabajo antes de activar el interruptor.
9. Mantenga las manos alejadas de las partes en movimiento.
10. No deje la herramienta en marcha. Tenga en marcha la herramienta solamente cuando la tenga en la mano.
11. Apague siempre la herramienta y espere hasta que la hoja se haya parado completamente antes de retirar la hoja de la pieza de trabajo.
12. No toque la herramienta de trabajo ni la pieza de trabajo inmediatamente después de la operación; estarán muy calientes y podrán quemarle la piel.
13. No utilice la herramienta en vacío innecesariamente.
14. Utilice siempre la mascarilla contra el polvo/respirador correcto para el material con que esté trabajando y la aplicación que realice.
15. Algunos materiales contienen sustancias químicas que podrán ser tóxicas. Tenga precaución para evitar la inhalación de polvo y el contacto con la piel. Siga los datos de seguridad del abastecedor del material.
16. Esta herramienta no es a prueba de agua, por lo que no deberá utilizar agua en la superficie de la pieza de trabajo.
17. Ventile debidamente su área de trabajo cuando realice operaciones de lijado.
18. La utilización de esta herramienta para lijar algunos productos, por ejemplo, superficies pintadas con pintura a base de plomo, madera y metales, podrá exponer al usuario y a los transeúntes a polvo que contenga sustancias peligrosas. Utilice protección respiratoria apropiada.
19. Asegúrese de que no haya grietas o roturas en el plato antes de utilizarlo. Las grietas y roturas pueden ocasionar heridas personales.
20. No utilice accesorios que no estén específicamente diseñados y recomendados por el fabricante de la herramienta. Solamente porque el accesorio pueda ser instalado en su herramienta eléctrica, no quiere decir que su operación sea segura.
21. Póngase equipo de protección personal. En función de la aplicación, utilice pantalla facial, gafas de protección o gafas de seguridad. Según corresponda, póngase protectores auditivos, guantes y delantal de taller que pueda detener los pequeños fragmentos abrasivos o de pieza de trabajo. La protección de los ojos deberá ser capaz de detener los restos que salen volando generados en las diferentes operaciones. La mascarilla contra el polvo o respirador deberá ser capaz de filtrar las partículas generadas en su operación. La exposición prolongada a ruido de alta intensidad podrá ocasionar pérdida auditiva.
22. Mantenga a los curiosos a una distancia segura alejados del área de trabajo. Cualquier persona que entre en el área de trabajo deberá usar equipo de protección personal. Los fragmentos de la pieza de trabajo o de un accesorio roto pueden salir volando y ocasionar heridas más allá del área de operación inmediata.
23. No deje nunca la herramienta eléctrica hasta que el accesorio se haya detenido completamente. El accesorio giratorio puede agarrarse en la superficie y tirar de la herramienta eléctrica dejándola fuera de control.
24. No tenga la herramienta eléctrica encendida mientras la lleva en su costado. Un contacto accidental con el accesorio podría enganchar sus ropas, y arrastrar el accesorio hacia su cuerpo.
25. No utilice la herramienta eléctrica cerca de materiales inflamables. Las chispas pueden prender estos materiales.
26. No utilice accesorios que requieran refrigerantes líquidos. La utilización de agua u otros refrigerantes líquidos puede resultar en electrocución o descarga eléctrica.
27. Asegúrese siempre de que la herramienta esté apagada y desenchufada antes de realizar cualquier trabajo en ella.
28. Si el lugar de trabajo es muy caluroso y húmedo, o si está muy contaminado con polvo conductor, utilice un ruptor de cortocircuito (30 mA) para garantizar la seguridad del operario.
29. Asegúrese siempre de que tiene suelo firme. Asegúrese de que no haya nadie debajo cuando utilice la herramienta en lugares altos.

GUARDE ESTAS INSTRUCCIONES.

⚠ ADVERTENCIA:

NO deje que la comodidad o familiaridad con el producto (a base de utilizarlo repetidamente) sustituya la estricta observancia de las normas de seguridad para el producto en cuestión. El MAL USO o el no seguir las normas de seguridad establecidas en este manual de instrucciones podrá ocasionar graves heridas personales.

DESCRIPCIÓN DEL FUNCIONAMIENTO

⚠ ADVERTENCIA:

- Asegúrese siempre de que la herramienta esté apagada y desenchufada antes de ajustar o comprobar cualquier función de la herramienta. Si no apaga y desenchufa la herramienta podrá sufrir graves heridas personales a causa de una puesta en marcha accidental.

Accionamiento del interruptor (Fig. 1)

⚠ PRECAUCIÓN:

- Antes de enchufar la herramienta, compruebe siempre para asegurarse de que está apagada.

Para poner en marcha la herramienta, deslice el interruptor deslizable hacia la posición "I (ON)".

Para detener la herramienta, deslice el interruptor deslizable hacia la posición "O (OFF)".

Ajuste del rango de la carrera orbital (Fig. 2)

El rango de la carrera orbital se puede ajustar. Para cambiar el rango de la carrera orbital, gire el dial entre 1 y 5. Cuanto más alto sea el número, mayor será el rango de la carrera orbital. Preajuste el dial en el número apropiado para su pieza de trabajo.

NOTA:

- El dial no se puede girar directamente del 1 al 5 ni del 5 al 1. Si fuerza el dial podrá dañar la herramienta. Cuando cambie la dirección del dial, gire siempre el dial moviéndolo a través de cada número intermedio.

Control constante de la velocidad

Control de velocidad electrónico para mantener la velocidad constante. Se puede lograr un acabado fino, porque el rango de la carrera orbital se mantiene constante incluso en condición de carga.

MONTAJE

PRECAUCIÓN:

- Asegúrese siempre de que la herramienta esté apagada y desenchufada antes de realizar cualquier trabajo en ella.

Instalación o desmontaje de la herramienta de trabajo (accesorio opcional) (Fig. 3, 4 y 5)

ADVERTENCIA:

- No instale la herramienta de trabajo al revés. Si instala la herramienta de trabajo al revés podrá dañar la herramienta y ocasionar heridas personales graves.
- Instale la herramienta de trabajo en la dirección correcta de acuerdo con su tarea. La herramienta de trabajo se puede instalar en un ángulo de cada 30 grados.

Ponga la herramienta de trabajo (accesorio opcional) en la brida de la herramienta de forma que las protuberancias de la brida en la herramienta encajen en los agujeros en la herramienta de trabajo y sujete la herramienta de trabajo apretando los pernos firmemente con la llave hexagonal.

Cuando utilice la herramienta de trabajo de lijar, monte la herramienta de trabajo en el plato para lijar de forma que coincida con la dirección del plato para lijar.

El plato para lijar tiene un sistema de fijación de tipo gancho y lazo que permite una colocación fácil y rápida del papel de lijar.

Como los papeles de lijar tienen agujeros para la extracción del polvo, monte el papel de lijar de forma que los agujeros en el papel de lijar coincidan con los del plato para lijar.

Para quitar el papel de lijar, levante el borde del mismo y despréndalo. Afloje y retire el perno de instalación de la herramienta de trabajo utilizando una llave hexagonal y después quite la herramienta de trabajo.

Cuando utilice herramientas de trabajo con una sección de instalación de tipo diferente, utilice un adaptador correcto (accesorio opcional).

OPERACIÓN

ADVERTENCIA:

- Antes de poner en marcha la herramienta y durante la operación, mantenga sus manos y cara alejadas de la herramienta de trabajo.

PRECAUCIÓN:

- No aplique una carga excesiva a la herramienta ya que podrá ocasionar el bloqueo del motor y que se detenga la herramienta.

Cortar, serrar y raspar (Fig. 6)

PRECAUCIÓN:

- No mueva la herramienta a la fuerza en la dirección de aplicación de la misma (por ejemplo, hacia los lados) sin el borde de corte. Podría dañar la herramienta.

Ponga la herramienta de trabajo sobre la pieza de trabajo.

Y después mueva la herramienta hacia adelante de forma que el movimiento de la herramienta de trabajo no se reduzca.

NOTA:

- Si ejerce fuerza o presión excesiva en la herramienta podrá reducir la eficacia.
- Antes de realizar la operación de corte, se recomienda preajustar el rango de la carrera orbital entre 3 y 5.

Lijado (Fig. 7)

PRECAUCIÓN:

- No vuelva a utilizar un papel de lijar usado para lijar metal o madera.
- No utilice un papel de lijar gastado o papel de lijar sin gránulos.

Aplique un papel de lijar sobre la pieza de trabajo.

NOTA:

- Se recomienda utilizar una muestra de material para probar a fin de determinar un rango de carrera orbital correcto apropiado para su tarea.
- Utilice un papel de lijar con el mismo gránulo hasta completar el lijado de toda la pieza de trabajo. Si reemplaza un papel de lijar con papel de lijar de gránulo diferente podrá no obtener un acabado fino.

Accesorio de extracción de polvo (accesorio opcional) (Fig. 8, 9 y 10)

- Instale la junta, la boquilla de recogida de polvo y el accesorio para recogida de polvo.
- Instale la banda para boquilla en la herramienta de forma que sus protuberancias encajen en los agujeros de la herramienta para sujetarla.
- Ponga el anillo de fieltro y el plato para lijar en el accesorio para recogida de polvo y después sujételos con el perno de instalación de la herramienta de trabajo.

Cuando desee realizar operaciones más limpias, conecte un aspirador a su herramienta. Conecte una manguera del aspirador al accesorio de extracción de polvo (accesorio opcional).

MANTENIMIENTO

PRECAUCIÓN:

- Asegúrese siempre de que la herramienta esté apagada y desenchufada antes de intentar realizar una inspección o mantenimiento.
- No utilice nunca gasolina, bencina, disolvente, alcohol o similares. Podría producir descoloración, deformación o grietas.

Para mantener la SEGURIDAD y FIABILIDAD del producto, las reparaciones, la inspección y sustitución de la escobilla de carbón, y cualquier otro mantenimiento o ajuste deberán ser realizados en Centros de Servicios Autorizados por Makita, empleando siempre piezas de repuesto de Makita.

ACCESORIOS OPCIONALES

PRECAUCIÓN:

• Estos accesorios o aditamentos están recomendados para su uso con la herramienta Makita especificada en este manual. El uso de cualquier otro accesorio o aditamento puede suponer un riesgo de lesiones personales. Utilice el accesorio o aditamento exclusivamente para su uso declarado.

Si necesita información más detallada sobre estos accesorios, consulte con su centro local de servicio de Makita.

- Hoja de sierra segmentada
- Hoja de sierra redonda
- Hoja sierra de corte por inmersión
- Raspador (rígido)
- Raspador (flexible)
- Hoja segmentada serrada
- Cortadora de juntas general
- Removedor HM
- Hoja de sierra segmentada HM
- Placa de lijar HM
- Hoja de sierra segmentada de diamante
- Plato para lijar
- Adaptador
- Papel abrasivo delta (rojo / blanco / negro)
- Delta de lana (medio / basta / sin gránulo)
- Delta de fieltro para pulir
- Llave hexagonal
- Accesorio de extracción de polvo

NOTA:

• Algunos elementos de la lista podrán estar incluidos en el paquete de la herramienta como accesorios estándar. Pueden variar de un país a otro.

ENG905-1

Ruido

El nivel de ruido A-ponderado típico determinado de acuerdo con la norma EN62841:

Modo tarea: lijado

Nivel de presión sonora (L_{pA}): 74 dB (A)

Incerteza (K): 3 dB (A)

El nivel de ruido en condiciones de trabajo puede que sobrepase los 80 dB (A).

Modo tarea: corte con hoja de sierra de corte por inmersión

Nivel de presión sonora (L_{pA}): 78 dB (A)

Incerteza (K): 3 dB (A)

El nivel de ruido en condiciones de trabajo puede que sobrepase los 80 dB (A).

Modo tarea: corte con hoja de sierra segmentada

Nivel de presión sonora (L_{pA}): 76 dB (A)

Incerteza (K): 3 dB (A)

El nivel de ruido en condiciones de trabajo puede que sobrepase los 80 dB (A).

Modo tarea: raspar

Nivel de presión sonora (L_{pA}): 77 dB (A)

Incerteza (K): 3 dB (A)

El nivel de ruido en condiciones de trabajo puede que sobrepase los 80 dB (A).

Póngase protectores en los oídos

Vibración

El valor total de la vibración (suma de vectores triaxiales) determinado de acuerdo con la norma EN62841:

Modo tarea: lijado

Emisión de vibración (a_{h1}): 2,5 m/s² o menos

Incerteza (K): 1,5 m/s²

Modo tarea: corte con hoja de sierra de corte por inmersión

Emisión de vibración (a_{h1}): 6,5 m/s²

Incerteza (K): 1,5 m/s²

Modo tarea: corte con hoja de sierra segmentada

Emisión de vibración (a_{h1}): 3,0 m/s²

Incerteza (K): 1,5 m/s²

Modo tarea: raspar

Emisión de vibración (a_{h1}): 5,5 m/s²

Incerteza (K): 1,5 m/s²

ENG901-1

- El valor de emisión de vibración declarado ha sido medido de acuerdo con el método de prueba estándar y se puede utilizar para comparar una herramienta con otra.
- El valor de emisión de vibración declarado también se puede utilizar en una valoración preliminar de exposición.

ADVERTENCIA:

- La emisión de vibración durante la utilización real de la herramienta eléctrica puede variar del valor de emisión declarado dependiendo de las formas en las que la herramienta sea utilizada.
- Asegúrese de identificar medidas de seguridad para proteger al operario que estén basadas en una estimación de la exposición en las condiciones reales de utilización (teniendo en cuenta todas las partes del ciclo operativo tal como las veces cuando la herramienta está apagada y cuando está funcionando en vacío además del tiempo de gatillo).

DECLARACIÓN CE DE CONFORMIDAD

Sólo para países europeos

La declaración CE de conformidad está incluida como Anexo A de este manual de instrucciones.

Explicação geral

1 Interruptor deslizante	5 Saliências da flange da ferramenta	11 Bocal para poeira
2 Mostrador	6 Chave hexagonal	12 Acoplamento para poeira
3 Parafuso de instalação da ferramenta de aplicação	7 Apertar	13 Arruela de feltro
4 Orifícios na ferramenta de aplicação	8 Adaptador	14 Patim
	9 Junta	15 Saliências
	10 Cinta do bocal	16 Orifícios

ESPECIFICAÇÕES

Modelo	TM3000C
Oscilação por minuto	6.000 – 20.000 (min ⁻¹)
Ângulo de oscilação, esquerdo/direito	1,6° (3,2° total)
Comprimento total	275 mm
Peso líquido	1,4 kg – 1,5 kg
Classe de segurança	□/II

- Devido ao nosso programa contínuo de pesquisa e desenvolvimento, as características indicadas neste documento estão sujeitas a alterações sem aviso prévio.
- As especificações podem variar de país para país.
- O peso pode diferir dependendo do(s) acessório(s). A combinação mais leve e mais pesada, de acordo com o Procedimento 01/2014 da EPTA (European Power Tool Association), são apresentadas na tabela.

ENE080-1

Utilização a que se destina

A ferramenta serve para serrar e cortar madeira, plástico, gesso, metais não ferrosos e apertar componentes (por exemplo, pregos e agrafos não endurecidos). Serve também para trabalhar em azulejos de parede macios, assim como lixagem a seco e raspagem de pequenas superfícies. Especialmente para trabalhar próximo de extremidades e corte rente.

ENE002-2

Alimentação

A ferramenta só deve ser ligada a uma fonte de alimentação com a mesma voltagem da indicada na placa de características, e só funciona com alimentação CA monofásica. Tem um sistema de isolamento duplo e pode, por isso, utilizar também tomadas sem ligação à terra.

GEA010-2

Avisos gerais de segurança para ferramentas eléctricas

⚠ AVISO: Leia todos os avisos de segurança, instruções, ilustrações e especificações fornecidos com esta ferramenta eléctrica. O não cumprimento de todas as instruções indicadas em baixo pode resultar em choque eléctrico, incêndio e/ou ferimentos graves.

Guarde todos os avisos e instruções para futuras referências.

O termo “ferramenta eléctrica” nos avisos refere-se às ferramentas eléctricas ligadas à corrente eléctrica (com cabo) ou às ferramentas eléctricas operadas por meio de bateria (sem cabo).

AVISOS DE SEGURANÇA PARA A MULTICORTADORA OSCILANTE

1. **Esta ferramenta eléctrica serve para serrar, cortar, esmerilar e lixar. Leia todos os avisos de segurança, instruções, ilustrações e especificações fornecidos com esta ferramenta eléctrica.** O desrespeito de todas as instruções abaixo pode resultar em choque eléctrico, incêndio e/ou ferimento grave.
2. **Segure a ferramenta eléctrica pelas superfícies de aderência isoladas, quando executar uma operação em que o acessório de corte possa entrar em contacto com fios ocultos ou o seu próprio fio.** O acessório de corte que entra em contacto com um fio “vivo” pode tornar as partes metálicas expostas da ferramenta eléctrica “vivos” e causar choque eléctrico ao operador.
3. **Use grampos ou outra forma prática de fixar e apoiar a peça de trabalho a uma plataforma estável.** Segurar no trabalho com a mão ou contra o corpo deixa-o instável e pode conduzir à perda de controlo.
4. **Posicione o fio afastado do acessório giratório.** Se perder controlo, o fio pode ser cortado ou prender-se e a sua mão ou braço pode ser puxado para o acessório giratório.
5. **Use sempre óculos de segurança ou óculos de protecção.** Óculos normais ou de sol **NÃO** são óculos de segurança.
6. **Evite cortar pregos.** Inspeccione a peça de trabalho para ver se existem pregos e retire-os antes da operação.
7. **Segure a ferramenta firmemente.**
8. **Certifique-se de que a ferramenta de aplicação não está em contacto com a peça de trabalho antes do interruptor ser ligado.**
9. **Mantenha as mãos afastadas das partes em movimento.**
10. **Não deixe a ferramenta a funcionar. Opere a ferramenta apenas quando a estiver a agarrar.**

GEB142-1

11. Desligue sempre e espere que lâmina pare completamente antes de retirar a lâmina da peça de trabalho.
12. Não toque na ferramenta de aplicação ou na peça de trabalho imediatamente após a operação; podem estar extremamente quentes e queimar a sua pele.
13. Não opere a ferramenta desnecessariamente sem carga.
14. Use sempre a máscara/respirador anti-poeira correcto para o material e aplicação em que esteja a trabalhar.
15. Alguns materiais contêm químicos que podem ser tóxicos. Tome cuidado para evitar a inalação de poeira e o contacto com a pele. Siga os dados de segurança do fornecedor do material.
16. Esta ferramenta não foi impermeabilizada, por isso não use água na superfície da peça de trabalho.
17. Ventile adequadamente a sua área de trabalho quando executar operações de lixagem.
18. O uso desta ferramenta para lixar alguns produtos, por exemplo superfícies de tinta com chumbo, madeira e metais pode expor o utilizador e pessoas presentes a poeira contendo substâncias perigosas. Use protecção respiratória adequada.
19. Certifique-se de que não existem fendas ou fissuras no patim antes de utilizar. As fendas ou fissuras podem provocar ferimentos corporais.
20. Não use acessórios que não sejam especificamente concebidos e recomendados pelo fabricante da ferramenta. Somente porque o acessório pode ser acoplado à sua ferramenta eléctrica, isso não assegura a operação segura.
21. Use equipamento de protecção individual. Dependendo da aplicação, use viseira, óculos de protecção ou óculos de segurança. Conforme necessário, use protectores para os ouvidos, luvas e avental de oficina capaz de impedir pequenos fragmentos abrasivos ou fragmentos da peça de trabalho. A protecção para os olhos deve ser capaz de impedir a projecção de detritos gerados por várias operações. A máscara ou respirador anti-poeira deve ser capaz de filtrar as partículas geradas pela sua operação. A exposição prolongada a ruído de alta intensidade pode causar perda auditiva.
22. Mantenha as pessoas presentes afastadas da área de trabalho a uma distância segura. Qualquer pessoa que entre na área de trabalho deve usar equipamento de protecção individual. Os fragmentos da peça de trabalho ou de um acessório partido podem projectar-se e provocar ferimento para além da área imediata de operação.
23. Nunca pause a ferramenta eléctrica até o acessório parar por completo. O acessório giratório pode agarrar a superfície e tirar a ferramenta eléctrica do seu controlo.
24. Não deixe a ferramenta eléctrica a funcionar enquanto a transporta ao seu lado. O contacto accidental com o acessório pode prender-se ao seu vestuário, puxando o acessório para o seu corpo.
25. Não opere a ferramenta eléctrica próximo de materiais inflamáveis. As faíscas podem incendiar esses materiais.
26. Não use acessórios que precisem de refrigerantes líquidos. O uso de água ou outros refrigerantes líquidos pode resultar em electrocussão ou choque.
27. Certifique-se sempre de que a ferramenta está desligada e a ficha retirada da tomada antes de executar qualquer trabalho na ferramenta.
28. Se o local de trabalho estiver extremamente quente e frio, ou seriamente poluído por poeira condutora, use um disjuntor (30 mA) para assegurar a segurança do operador.
29. Certifique-se sempre que possui uma base firme. Certifique-se de que ninguém está por baixo quando usa a ferramenta em locais elevados.

GUARDE ESTAS INSTRUÇÕES.



AVISO:

NÃO permita que conforto ou familiaridade com o produto (adquirido com o uso repetido) substitua a aderência estrita às regras de segurança da ferramenta. **MÁ INTERPRETAÇÃO** ou não seguimento das regras de segurança estabelecidas neste manual de instruções pode causar danos pessoais sérios.

DESCRIÇÃO FUNCIONAL



AVISO:

• Certifique-se sempre de que a ferramenta está desligada e a ficha retirada da tomada antes de regular ou verificar o funcionamento da ferramenta. Ao não desligar e remover a ferramenta da ficha pode resultar em lesão pessoal grave devido ao arranque accidental.

Acção do interruptor (Fig. 1)



PRECAUÇÃO:

• Antes de ligar a ferramenta à ficha, verifique sempre para ver se a ferramenta está desligada.

Para iniciar a ferramenta, deslize o interruptor deslizante para a posição "I (ON)".

Para parar a ferramenta, deslize o interruptor deslizante para a posição "O (OFF)".

Ajustar o ritmo de curso orbital (Fig. 2)

O ritmo de curso orbital é ajustável. Para mudar o ritmo de curso orbital, rode o mostrador entre 1 e 5. Quanto mais elevado o número, mais elevado é o ritmo de curso orbital. Programe o mostrador para o número adequado para a sua peça de trabalho.

NOTA:

• O mostrador não pode ser rodado directamente de 1 até 5 ou de 5 até 1. Forçar o mostrador pode danificar a ferramenta. Quando mudar a direcção do mostrador, rode-o sempre deslocando-o através de cada número intermédio.

Controlo da velocidade constante

Controlo electrónico da velocidade para obter velocidade constante. Possível obter bom acabamento, porque o ritmo de curso orbital é mantido constante mesmo em condição de carga.

ASSEMBLAGEM

⚠️ PRECAUÇÃO:

- Certifique-se sempre de que a ferramenta está desligada e a ficha retirada da tomada antes de executar qualquer trabalho na ferramenta.

Instalar ou retirar a ferramenta de aplicação (acessório opcional) (Fig. 3, 4 e 5)

⚠️ AVISO:

- Não instale a ferramenta de aplicação ao contrário. Ao instalar a ferramenta de aplicação ao contrário pode danificar a ferramenta e causar ferimentos corporais graves.
- Instale o acessório da ferramenta na direcção correcta de acordo com o seu trabalho. A ferramenta de aplicação pode ser instalada a cada ângulo de 30 graus.

Coloque uma ferramenta de aplicação (acessório opcional) na flange da ferramenta para que as saliências da flange da ferramenta encaixem nos orifícios na ferramenta de aplicação e fixe esta apertando o parafuso com firmeza usando a chave hexagonal.

Quando usar ferramenta de aplicação de lixa, monte a ferramenta de aplicação no patim de lixagem para que corresponda à direcção do patim de lixagem.

O patim de lixagem tem um sistema de encaixe tipo gancho e aro que permite a instalação fácil e rápida de uma lixa.

Como as lixas têm orifícios para extracção de poeira, monte uma lixa para que os orifícios nela correspondam aos do patim de lixagem.

Para retirar uma lixa, levante a sua extremidade e descole-a. Desaperte e retire o parafuso de instalação da ferramenta de aplicação usando uma chave hexagonal e depois retire a ferramenta de aplicação.

Quando usar ferramentas de aplicação com um tipo diferente de secção de instalação, use um adaptador correcto (acessório opcional).

OPERAÇÃO

⚠️ AVISO:

- Antes de iniciar a ferramenta e durante a operação, mantenha a sua mão e rosto afastados da ferramenta de aplicação.

⚠️ PRECAUÇÃO:

- Não aplique carga excessiva à ferramenta que pode causar um bloqueamento do motor e parar a ferramenta.

Cortar, serrar e raspar (Fig. 6)

⚠️ PRECAUÇÃO:

- Não desloque a ferramenta fazendo força na direcção (ex. para qualquer lado) da aplicação de ferramenta sem bordo cortante. Pode danificar a ferramenta.

Coloque a ferramenta de aplicação na peça de trabalho. Em seguida, desloque a ferramenta para a frente para que o movimento da ferramenta de aplicação não abrande.

NOTA:

- Ao forçar ou usar pressão excessiva na ferramenta pode reduzir a eficácia.
- Antes da operação de corte, recomenda-se que programe o ritmo de curso orbital 3 – 5.

Lixar (Fig. 7)

⚠️ PRECAUÇÃO:

- Não reutilize uma lixa usada para lixagem de metal para lixar madeira.
- Não use uma lixa gasta ou lixa sem grão.

Aplique a lixa na peça de trabalho.

NOTA:

- Recomenda-se o uso de uma amostra de material para determinar um ritmo de curso orbital correcto para o seu trabalho.
- Use uma lixa com o mesmo grão até estar concluída a lixagem de toda a peça de trabalho. Substituir uma lixa por lixa com grão diferente pode não dar um bom acabamento.

Acessório de extracção de poeira (acessório opcional) (Fig. 8, 9 e 10)

- Instale a junta, bocal para poeira e acoplamento para poeira.
- Instale a cinta do bocal na ferramenta para que as suas saliências encaixem nos orifícios da ferramenta para a fixar.
- Coloque a arruela de feltro e a lixa no acoplamento para poeira e depois fixe-as com o parafuso de instalação da ferramenta de aplicação.

Quando desejar executar uma operação mais limpa, ligue um aspirador à ferramenta. Ligue um tubo do aspirador ao acessório de extracção de poeira (acessório opcional).

MANUTENÇÃO

⚠️ PRECAUÇÃO:

- Certifique-se sempre de que a ferramenta está desligada e a ficha retirada da tomada antes de executar qualquer inspecção ou manutenção.
- Nunca utilize gasolina, benzina, diluente, álcool ou produtos semelhantes. Pode ocorrer a descoloração, deformação ou rachaduras.

Para manter a SEGURANÇA e FIABILIDADE do produto, as reparações, a inspecção e substituição da escova de carvão, qualquer outra operação de manutenção ou ajuste, devem ser efectuados pelos centros de assistência autorizados da Makita, utilizando sempre peças de substituição Makita.

ACESSÓRIOS OPCIONAIS

⚠️ PRECAUÇÃO:

- Estes acessórios ou peças são recomendados para utilização com a ferramenta Makita especificada neste manual. A utilização de outros acessórios ou peças pode ser perigosa para as pessoas. Utilize apenas acessórios ou peças para os fins indicados.

Se precisar de ajuda para obter mais informações relativos a estes acessórios, entre em contacto com o centro de assistência Makita local.

- Lâmina de serra segmentada
- Lâmina circular de serra
- Lâmina de serra de corte penetrante
- Raspador (rígido)
- Raspador (flexível)
- Lâmina segmentada serrilhada
- Máquina de serragem de juntas
- Decapante HM
- Lâmina de serra segmentada HM

- Placa de lixagem HM
- Lâmina de serra segmentada diamante
- Patim de lixagem
- Adaptador
- Lixa abrasiva delta (vermelha / branca / preta)
- Velo delta (médio / grosseiro / sem grão)
- Feltro de polimento delta
- Chave hexagonal
- Acessório de extracção de poeira

NOTA:

- Alguns itens da lista podem estar incluídos na embalagem da ferramenta como acessórios padrão. Eles podem variar de país para país.

ENG905-1

Ruído

A característica do nível de ruído A determinado de acordo com EN62841:

Modo de funcionamento: lixagem

Nível de pressão de som (L_{pA}): 74 dB (A)

Variabilidade (K): 3 dB (A)

O nível de ruído durante o trabalho pode exceder 80 dB (A).

Modo de funcionamento: corte com lâmina de serra de corte penetrante

Nível de pressão de som (L_{pA}): 78 dB (A)

Variabilidade (K): 3 dB (A)

O nível de ruído durante o trabalho pode exceder 80 dB (A).

Modo de funcionamento: corte com lâmina de serra segmentada

Nível de pressão de som (L_{pA}): 76 dB (A)

Variabilidade (K): 3 dB (A)

O nível de ruído durante o trabalho pode exceder 80 dB (A).

Modo de funcionamento: raspagem

Nível de pressão de som (L_{pA}): 77 dB (A)

Variabilidade (K): 3 dB (A)

O nível de ruído durante o trabalho pode exceder 80 dB (A).

Utilize protectores para os ouvidos

ENG900-1

Vibração

O valor total da vibração (soma vectorial tri-axial) determinado de acordo com EN62841:

Modo de funcionamento: lixagem

Emissão de vibração (a_{hv}): 2,5 m/s² ou inferior

Variabilidade (K): 1,5 m/s²

Modo de funcionamento: corte com lâmina de serra de corte penetrante

Emissão de vibração (a_{hv}): 6,5 m/s²

Variabilidade (K): 1,5 m/s²

Modo de funcionamento: corte com lâmina de serra segmentada

Emissão de vibração (a_{hv}): 3,0 m/s²

Variabilidade (K): 1,5 m/s²

Modo de funcionamento: raspagem

Emissão de vibração (a_{hv}): 5,5 m/s²

Variabilidade (K): 1,5 m/s²

- O valor da emissão de vibração indicado foi medido de acordo com o método de teste padrão e pode ser utilizado para comparar duas ferramentas.
- O valor da emissão de vibração indicado pode também ser utilizado na avaliação preliminar da exposição.

⚠ AVISO:

- A emissão de vibração durante a utilização real da ferramenta eléctrica pode diferir do valor de emissão indicado, dependendo das formas como a ferramenta é utilizada.
- Certifique-se de identificar as medidas de segurança para protecção do operador que sejam baseadas em uma estimativa de exposição em condições reais de utilização (considerando todas as partes do ciclo de operação, tal como quando a ferramenta está desligada e quando está a funcionar em marcha lenta além do tempo de accionamento).

DECLARAÇÃO DE CONFORMIDADE CE

Apenas para países europeus

A declaração de conformidade da CE está incluída no Anexo A deste manual de instruções.

Illustrationsoversigt

1 Skydeknap	6 Sekskantnøgle	12 Støvtilbehør
2 Drejeskive	7 Stram	13 Filtring
3 Installationsbolt til anvendelsesværktøj	8 Adapter	14 Pude
4 Huller i anvendelsesværktøj	9 Sammenføjningsdel	15 Fremspring
5 Fremspring på værktøjsflange	10 Mundstykkeband	16 Huller
	11 Støvmundstykke	

SPECIFIKATIONER

Model	TM3000C
Svingning pr. minut	6 000 – 20 000 (min ⁻¹)
Oscillationsvinkel, venstre/højre	1,6° (3,2° i alt)
Længde i alt	275 mm
Nettovægt	1,4 kg – 1,5 kg
Sikkerhedsklasse	□/II

- På grund af vores kontinuerlige forskningsprogrammer og udvikling, kan hosstående specifikationer blive ændret uden varsel.
- Specifikationer kan variere fra land til land.
- Vægten kan variere afhængigt af tilbehøret. Den letteste og tungeste kombination, i henhold til EPTA-Procedure 01/2014, er vist i tabellen.

ENE080-1

Tilsigtet anvendelse

Maskinen er beregnet til savning og skæring af træ, plastic, gips, ikke-jernholdigt metal og fastgøringslementer (d.v.s. uhardede søm og hæfteklammer). Den er også beregnet til arbejde på bløde fliser såvel som slibning og afskrabning af mindre flader. Den er specielt beregnet til at arbejde tæt på kanter og til lige skæring.

ENF002-2

Strømforsyning

Maskinen må kun tilsluttes en strømforsyning med samme spænding som angivet på typeskiltet og kan kun anvendes på enfaset vekselstrømforsyning. De er dobbeltisolerede og kan derfor også tilsluttes kontakter uden jordledning.

GEA010-2

Almindelige sikkerhedsregler for el-værktøj

⚠ ADVARSEL: Læs alle de sikkerhedsadvarsler, instruktioner, illustrationer og specifikationer, der følger med denne maskine. Forsømmelse af at overholde alle nedenstående instruktioner kan medføre elektrisk stød, brand og/eller alvorlig personskade.

Gem alle advarsler og instruktioner til fremtidig reference.

Ordet "el-værktøj" i advarslerne henviser til det netfornærede (netledning) el-værktøj eller batteriforsynede (akku) el-værktøj.

GEB142-1

SIKKERHEDSREGLER FOR MULTIMASKINE

1. Dette el-værktøj er beregnet til at foretage savning, skæring, slibning og pudsnings. Læs alle de sikkerhedsforskrifter, illustrationer og specifikationer, som følger med dette el-værktøj. Forsømmelse af at overholde alle de herunder angivne instruktioner, kan føre til elektrisk stød, brand og/eller alvorlig tilskadekomst.
2. Hold el-værktøjet i dets isolerede grebflader, når der udføres et arbejde, hvor skæretilbehøret kan komme i kontakt med skjulte ledninger eller dets egen ledning. Skæretilbehør, som kommer i kontakt med en "strømførende" ledning, kan gøre elværktøjets ikke-isolerede metaldele "strømførende", hvilket kan give operatøren elektrisk stød.
3. Anvend klamper eller en anden praktisk måde til at fastgøre og understøtte arbejdsemnet til en stabil platform. Hvis De holder arbejdsemnet i hånden eller mod kroppen, blive det ustabil, og De kan miste herredømmet over det.
4. Anbring ledningen på god afstand af det roterende tilbehør. Hvis De mister herredømmet over maskinen, kan ledningen blive skåret over eller sætte sig fast og Deres arm eller hånd kan blive trukket ind i det roterende skæretilbehør.
5. Anvend altid sikkerhedsbriller eller beskyttelsesbriller. Almindelige briller og solbriller er IKKE sikkerhedsbriller.
6. Undgå at skære i søm. Inspicér arbejdsemnet for søm og fjern dem, inden arbejdet påbegyndes.
7. Hold godt fast i maskinen.
8. Sørg for, at anvendelsesværktøjet ikke er i kontakt med arbejdsemnet, inden der tændes for det med afbryderen.
9. Hold hænderne væk fra bevægende dele.
10. Lad ikke maskinen køre i tomgang. Anvend kun maskinen håndholdt.
11. Sluk altid for maskinen og vent til klingens er helt standset, inden klingens fjernes fra arbejdsemnet.
12. Rør ikke ved anvendelsesværktøjet eller arbejdsemnet umiddelbart efter brugen. Disse kan være meget varme og De kan brænde Dem.

13. Anvend ikke maskinen unødvendigt i ubelastet tilstand.
14. Anvend altid den korrekte støvmaske/respirator til det materiale og anvendelsesværktøj, De arbejder med.
15. Nogle materialer indeholder kemikalier, som kan være giftige. Vær påpasselig med at forhindre inhalering af støv og hudkontakt. Følg materialeleverandørens sikkerhedsdata.
16. Denne maskine er ikke vandfastbehandlet, så brug ikke vand på arbejdsemnets overflade.
17. Sørg for tilstrækkelig ventilation på arbejdsområdet, når slibning udføres.
18. Anvendelse af denne maskine til at slibe nogle produkter, f.eks. flader, der er malet med blyholdig maling, træ og metal, kan udsætte brugeren og omkringstående for støv, der indeholder farlige substanser. Anvend passende beskyttelse mod indånding.
19. Kontroller, at der ikke er revner eller brud på puden inden brugen. Revner eller brud kan medføre tilskadekomst.
20. Anvend ikke tilbehør, som ikke er specielt designet og anbefalet af fabrikanten af maskinen. Bare fordi en tilbehørsdel kan monteres på Deres el-værktøj, betyder det ikke, at en sikker anvendelse er en selvfølge.
21. Brug personligt beskyttelsesudstyr. Brug, afhængigt af anvendelsen, ansigtsskjold, beskyttelsesbriller eller sikkerhedsbriller. Brug passende høreværn, handsker og arbejdsforklæde, som er i stand til at stoppe mindre skarpe dele eller fragmenter fra arbejdsemnet. Øjenbeskyttelsen skal kunne stoppe flyvende dele, der frembringes af forskellige operationer. Støvmasken eller respiratoren skal kunne filtrere partikler, som frembringes under arbejdet. Længere tids udsættelse for højintensiv støj kan føre til høretab.
22. Hold omkringstående personer på sikker afstand af arbejdsområdet. Enhver person, der kommer ind i arbejdsområdet, skal bære personligt beskyttelsesudstyr. Fragmenter af arbejdsemnet eller fra en brækket tilbehørsdel kan slynges ud og være årsag til tilskadekomst uden for selve arbejdsområdet.
23. Læg aldrig maskinen fra Dem, før tilbehørsdelen er helt standset. Det roterende tilbehør kan gribe fat i overfladen og trække el-værktøjet ud af Deres herredømme.
24. Kør ikke el-værktøjet, mens De bærer det ved siden. Utilsigtet kontakt med tilbehøret kan klemme det fast i tøj, hvorved det kan blive trukket ind mod kroppen.
25. Brug ikke el-værktøjet i nærheden af brændbare materialer. Gnister kan antænde disse materialer.
26. Brug ikke tilbehør, der kræver flydende kølemidler. Anvendelse af vand eller flydende kølemidler kan resultere i et dødeligt elektrisk støv eller stød.
27. Sørg altid for at værktøjet er slukket og netstikket trukket ud, inden der foretages noget arbejde på selve værktøjet.

28. Hvis der er ekstrem varme og luftfugtighed på arbejdsstedet eller det er stærkt forurenet af ledende støv, skal en kortslutningsafbryder (30 mA) anvendes til at sikre operatørens sikkerhed.
29. Vær altid sikker på, at De har et godt fodfæste. Vær sikker på, at der ikke befinder sig nogen nederunder, når maskinen anvendes i højden.

GEM DENNE BRUGSANVISNING.

⚠ ADVARSEL:

LAD IKKE bekvemmelighed eller kendskab til produktet (opnået gennem gentagen brug) forhindre, at sikkerhedsforskrifterne for produktet nøje overholdes. MISBRUG eller forsømmelse af at følge de i denne brugsvejledning givne sikkerhedsforskrifter kan føre til, at De kommer alvorligt til skade.

FUNKTIONSBESKRIVELSE

⚠ ADVARSEL:

- Sørg altid for, at der er slukket for værktøjet og at den er taget ud af forbindelse, inden værktøjets funktion justeres eller kontrolleres. Forsømmelse af at slukke for maskinen og tage den ud af forbindelse kan resultere i alvorlig tilskadekomst forårsaget af utilsigtet start.

Afbryderanvendelse (Fig. 1)

⚠ FORSIGTIG:

- Kontroller altid, inden maskinen sættes i forbindelse, at der er slukket for den.

For at starte maskinen, skal man skyde skydeknappen mod stilling "I (ON)".

For at stoppe maskinen, skal man skyde skydeknappen mod stilling "O (OFF)".

Indstilling af omløbslagintensiteten (Fig. 2)

Omløbslagintensiteten er justerbar. For at ændre omløbslagintensiteten, skal man dreje drejeskiven mellem 1 og 5. Jo højere tallet er, desto højere er omløbslagintensiteten. Forindstil drejeskiven på det tal, der er egnet til arbejdsemnet.

BEMÆRK:

- Drejeskiven kan drejes direkte fra 1 til 5 eller fra 5 til 1. Drejning med magt kan beskadige maskinen. Når drejeskivens retning ændres, skal man altid dreje drejeskiven via hvert mellemtal.

Konstant hastighedskontrol

Elektronisk hastighedskontrol til opnåelse af en konstant hastighed Det er muligt at opnå en fin finish, da omløbslagintensiteten holdes konstant, selv i belastet stand.

SAMLING

⚠ FORSIGTIG:

- Sørg altid for at værktøjet er slukket og netstikket trukket ud, inden der foretages noget arbejde på selve værktøjet.

Montering og aftagning af anvendelsesværktøjet (ekstraudstyr) (Fig. 3, 4 og 5)

⚠ ADVARSEL:

- Monter ikke anvendelsesværktøjet omvendt. Montering af anvendelsesværktøjet omvendt kan beskadige maskinen og føre til alvorlig tilskadekomst.
- Monter tilbehørsværktøjet i den rigtige retning i overensstemmelse med arbejdet. Anvendelsesværktøjet kan monteres i en vinkel for hver 30 grader.

Anbring et anvendelsesværktøj (ekstraudstyr) på værktøjsflangen, så fremspringene på værktøjsflangen passer ind i hullerne på anvendelsesværktøjet ved at man strammer bolten godt til med sekskantnøglen.

Når anvendelsesværktøjet til sandpapirslibning anvendes, skal man montere anvendelsesværktøjet på slibepuden, så det passer til slibepudens retning.

Slibepuden har et tilpasningssystem med en krog og en løkke, som muliggør nem og hurtig påsætning af sandpapir.

Da sandpapir har huller til støvudtrækning, skal man montere sandpapiret således, at dets huller passer til dem i slibepuden.

For at fjerne sandpapiret, skal man løfte dets ender og trække det af. Løsn og fjern installationsbolten til anvendelsesværktøjet med en sekskantnøgle, og fjern derefter anvendelsesværktøjet.

Når der anvendes applikationsværktøj med en anden type monteringsdel, skal en korrekt adapter anvendes (ekstraudstyr).

BETJENING

⚠ ADVARSEL:

- Inden maskinen startes og under brugen, skal De holde hænder og ansigt væk fra anvendelsesværktøjet.

⚠ FORSIGTIG:

- Udøv ikke for kraftigt tryk på maskinen, da det kan bevirke, at motoren låses og maskinen stopper.

Skæring, savning og afskrabning (Fig. 6)

⚠ FORSIGTIG:

- Bevæg ikke maskinen med magt i retningen af (d.v.s. mod hver side) af maskin anvendelsen uden nogen skærekant. Dette kan beskadige maskinen.

Anbring anvendelsesværktøjet på arbejdsemnet.

Bevæg derefter maskinen fremad, så anvendelsesværktøjets bevægelse ikke bliver langsommere.

BEMÆRK:

- Tvang eller ekstremt tryk på maskinen kan føre til nedsat effektivitet.
- Det anbefales, inden der skæres, at forindstille omløbslagintensiteten 3 – 5.

Slibning (Fig. 7)

⚠ FORSIGTIG:

- Genbrug ikke sandpapir, der har været anvendt til slibning af metal, til slibning af træ.
- Brug ikke slidt sandpapir eller sandpapir uden slibekorn.

Sæt et stykke sandpapir på arbejdsemnet.

BEMÆRK:

- Det anbefales at anvende en testmaterialeprøve til at bestemme en korrekt omløbslagintensitet, der er egnet til Deres arbejde.
- Brug sandpapir med samme slibekorn, indtil slibning af hele arbejdsemnet er fuldført. Hvis et stykke sandpapir erstattes af et stykke sandpapir med en anden type slibekorn, er det ikke sikkert, at en fin finish kan opnås.

Støvudtrækningstilbehør (ekstraudstyr) (Fig. 8, 9 og 10)

- Monter sammenføjningsdel, støvmundstykke og støvtilbehør.
- Monter støvmundstykkebandet på maskinen, så dets fremspring passer ind i hullerne i maskinen, for at fastgøre det.
- Anbring filtringen og slibepuden på støvtilbehøret og fastgør dem derefter med installationsbolten til anvendelsesværktøjet.

Hvis De ønsker en renere udførelse, skal De slutte en støvsuger til maskinen. Slut støvsugerslangen til støvudtrækningstilbehøret (ekstraudstyr).

VEDLIGEHOLDELSE

⚠ FORSIGTIG:

- Kontroller altid, at værktøjet er slået fra, og at netstikket er trukket ud, inden der udføres eftersyn eller vedligeholdelse.
- Anvend aldrig benzin, rensebenzin, fortynder, alkohol og lignende. Resultatet kan blive misfarvning, deformationer eller revner.

For at opretholde produktets SIKKERHED og PÅLIDELIGHED bør reparation, inspektion og udskiftning af kul, samt anden vedligeholdelse og justering kun udføres af et autoriseret Makita service-center eller værksted med anvendelse af originale Makita udskiftningsdele.

EKSTRAUDSTYR

⚠ FORSIGTIG:

- Det følgende tilbehør og ekstraudstyr er anbefalet til brug med Deres Makita maskine, der er beskrevet i denne brugsanvisning. Anvendelse af andet tilbehør eller ekstraudstyr kan udgøre en risiko for personskade. Anvend kun tilbehør og ekstraudstyr til det beskrevne formål.

Hvis De har behov for yderligere detaljer om dette tilbehør, bedes De kontakte Deres lokale Makita Service Center.

- Segment-savklinge
- Rund savklinge
- Indstikssavklinge
- Skraber (stiv)
- Skraber (fleksibel)
- Takket segmentklinge
- Almindelig sammenføjningssskærer
- HM fjerner
- HM segmentsavklinge
- HM slibepude
- Diamantsegmentsavklinge
- Slibepude
- Adapter
- Slibepapirdelta (rød / hvid / sort)
- Fleece-delta (medium / grov / uden slibekorn)
- Polerfiltdelta

- Sekskantnøgle
- Støvdutrækningstilbehør

BEMÆRK:

- Nogle ting på denne liste kan være inkluderet i værktøjspakken som standardtilbehør. Det kan være forskelligt fra land til land.

ENG905-1

Lyd

Det typiske A-vægtede støjniveau bestemt i overensstemmelse med EN62841:

Arbejdsindstilling: slibning

Lydtryksniveau (L_{pA}): 74 dB (A)

Usikkerhed (K): 3 dB (A)

Støjniveauet under arbejde kan overstige 80 dB (A).

Arbejdsindstilling: skæring med indstikssavklinge

Lydtryksniveau (L_{pA}): 78 dB (A)

Usikkerhed (K): 3 dB (A)

Støjniveauet under arbejde kan overstige 80 dB (A).

Arbejdsindstilling: skæring med segment-savklinge

Lydtryksniveau (L_{pA}): 76 dB (A)

Usikkerhed (K): 3 dB (A)

Støjniveauet under arbejde kan overstige 80 dB (A).

Arbejdsindstilling: afskrabning

Lydtryksniveau (L_{pA}): 77 dB (A)

Usikkerhed (K): 3 dB (A)

Støjniveauet under arbejde kan overstige 80 dB (A).

Bær hørevern

ENG900-1

Vibration

Vibrations totalværdi (tre-aksial vektorsum) bestemt i overensstemmelse med EN62841:

Arbejdsindstilling: slibning

Vibrationsafgivelse (a_n): 2,5 m/s² eller mindre

Usikkerhed (K): 1,5 m/s²

Arbejdsindstilling: skæring med indstikssavklinge

Vibrationsafgivelse (a_n): 6,5 m/s²

Usikkerhed (K): 1,5 m/s²

Arbejdsindstilling: skæring med segment-savklinge

Vibrationsafgivelse (a_n): 3,0 m/s²

Usikkerhed (K): 1,5 m/s²

Arbejdsindstilling: afskrabning

Vibrationsafgivelse (a_n): 5,5 m/s²

Usikkerhed (K): 1,5 m/s²

ENG901-1

- Den angivne vibrationsemissionsværdi er blevet målt i overensstemmelse med standardtestmetoden og kan anvendes til at sammenligne en maskine med en anden.
- Den angivne vibrationsemissionsværdi kan også anvendes i en preliminær eksponeringsvurdering.

⚠ ADVARSEL:

- Vibrationsemissionen under den faktiske anvendelse af maskinen kan være forskellig fra den erklærede emissionsværdi, afhængigt af den måde, hvorpå maskinen anvendes.
- Sørg for at identificere de sikkerhedsforskrifter til beskyttelse af operatøren, som er baseret på en vurdering af eksponering under de faktiske brugsforhold (med hensyntagen til alle dele i brugscyklen, som f.eks. de gange, hvor maskinen er slukket og når den kører i tomgang i tilgift til afbrydertiden).

EF-KONFORMITETSERKLÆRING

Kun for lande i Europa

EF-konformitetserklæringen er inkluderet som Tillæg A til denne instruktionsvejledning.

Περιγραφή γενικής άποψης

1 Κυλιόμενος διακόπτης	6 Εξαγωνικό κλειδί	13 Δακτύλιος τσόχας
2 Καντράν	7 Σφίξτε	14 Βάση
3 Μπουλόνι τοποθέτησης εργαλείου εφαρμογής	8 Προσαρμογέας	15 Προεξοχές
4 Οπές στο εργαλείο εφαρμογής	9 Ένωση	16 Οπές
5 Προεξοχές στη φλάντζα εργαλείου	10 Ζώνη ακροφυσίου	
	11 Ακροφύσιο σκόνης	
	12 Προσάρτημα σκόνης	

ΤΕΧΝΙΚΑ ΧΑΡΑΚΤΗΡΙΣΤΙΚΑ

Μοντέλο	TM3000C
Ταλάντωση ανά λεπτό	6.000 – 20.000 (λεπ ⁻¹)
Γωνία ταλάντωσης, αριστερά/δεξιά	1,6° (3,2° συνολική)
Συνολικό μήκος	275 χιλ.
Καθαρό βάρος	1,4 χγρ. – 1,5 χγρ.
Κατηγορία ασφάλειας	□/II

- Λόγω του συνεχιζόμενου προγράμματος έρευνας και ανάπτυξης, οι παρούσες προδιαγραφές υπόκεινται σε αλλαγή χωρίς προειδοποίηση.
- Τα τεχνικά χαρακτηριστικά μπορεί να διαφέρουν από χώρα σε χώρα.
- Το βάρος μπορεί να διαφέρει ανάλογα με το(α) εξάρτημα(τα). Ο ελαφρύτερος και βαρύτερος συνδυασμός, σύμφωνα με τη διαδικασία ΕΡΤΑ 01/2014, παρουσιάζονται στον πίνακα.

Στις προειδοποιήσεις, ο όρος “ηλεκτρικό εργαλείο” αναφέρεται σε ηλεκτρικό εργαλείο που τροφοδοτείται από την κύρια παροχή ηλεκτρικού ρεύματος (με ηλεκτρικό καλώδιο) ή σε ηλεκτρικό εργαλείο που τροφοδοτείται από μπαταρία (χωρίς ηλεκτρικό καλώδιο).

GEB142-1

ΠΡΟΕΙΔΟΠΟΙΗΣΕΙΣ ΓΙΑ ΤΗΝ ΑΣΦΑΛΕΙΑ ΤΟΥ ΕΡΓΑΛΕΙΟΥ ΠΟΛΛΑΠΛΩΝ ΧΡΗΣΕΩΝ

Προοριζόμενη χρήση

Το εργαλείο προορίζεται για το πριόνισμα και την κοπή ξύλου, πλαστικού, γύψου, μη σιδηρούχων μετάλλων και συνδέσμων (π.χ. μη σκληρυμένα καρφιά και συρραπτικά). Επίσης προορίζεται για την επεξεργασία μαλακών πλακακιών τοίχου, καθώς και την ξηρή λείανση και ξύσιμο μικρών επιφανειών. Προορίζεται ειδικά για την εργασία κοντά σε κοπές άκρων και ευθυγραμμισμένες κοπές.

ENE080-1

1. Αυτό το ηλεκτρικό εργαλείο προορίζεται για πριόνισμα, κοπή, τρόχισμα και λείανση. Διαβάστε όλες τις προειδοποιήσεις ασφαλείας, οδηγίες, απεικονίσεις και προδιαγραφές που συνοδεύουν το παρόν ηλεκτρικό εργαλείο. Η μη τήρηση όλων των οδηγιών που αναγράφονται κατωτέρω ενδέχεται να καταλήξει σε ηλεκτροπληξία, πυρκαγιά ή/και σοβαρό τραυματισμό.
2. Να κρατάτε το ηλεκτρικό εργαλείο από τις λαβές με μόνωση όταν εκτελείτε εργασίες κατά τις οποίες το εξάρτημα κοπής μπορεί να έρθει σε επαφή με κρυμμένα καλώδια ή με το ίδιο του το καλώδιο. Σε περίπτωση επαφής του εξαρτήματος κοπής με ηλεκτροφόρο καλώδιο, μπορεί τα εκτεθειμένα μεταλλικά εξαρτήματα του ηλεκτρικού εργαλείου να καταστούν τα ίδια ηλεκτροφόρα και να προκαλέσουν ηλεκτροπληξία στο χειριστή.
3. Να κρατάτε το ηλεκτρικό εργαλείο από τον άλλο πρακτικό μέσο για να ασφαλίσετε και να στηρίξετε το τεμάχιο εργασίας σε μια σταθερή πλατφόρμα. Αν κρατάτε το τεμάχιο εργασίας με το χέρι σας ή πάνω στο σώμα σας, θα είναι ασταθές και μπορεί να χάσετε τον έλεγχο.
4. Τοποθετήστε το καλώδιο τροφοδοσίας μακριά από το περιστρεφόμενο εξάρτημα. Αν χάσετε τον έλεγχο, το καλώδιο τροφοδοσίας ενδέχεται να κοπεί ή να εμπλακεί και το χέρι ή ο βραχίονάς σας ενδέχεται να τραβηχτεί προς το περιστρεφόμενο εξάρτημα.

ENF002-2

Ρευματοδότηση

Το εργαλείο πρέπει να συνδέεται μόνο σε παροχή ρεύματος της ίδιας τάσης με αυτή που αναγράφεται στην πινακίδα ονομαστικών τιμών και μπορεί να λειτουργήσει μόνο με εναλλασσόμενο μονοφασικό ρεύμα. Τα εργαλεία αυτά έχουν διπλή μόνωση και, κατά συνέπεια, μπορούν να συνδεθούν σε πρίζες χωρίς σύρμα γείωσης.

GEA010-2

Γενικές προειδοποιήσεις ασφαλείας για το ηλεκτρικό εργαλείο

⚠️ ΠΡΟΕΙΔΟΠΟΙΗΣΗ: Διαβάστε όλες τις προειδοποιήσεις ασφαλείας, οδηγίες, εικονογραφίες και προδιαγραφές που παρέχονται με αυτό το ηλεκτρικό εργαλείο. Η μη τήρηση όλων των οδηγιών που αναγράφονται κατωτέρω μπορεί να καταλήξει σε ηλεκτροπληξία, πυρκαγιά ή/και σοβαρό τραυματισμό.

Φυλάξτε όλες τις προειδοποιήσεις και τις οδηγίες για μελλοντική παραπομπή.

5. Να χρησιμοποιείτε πάντοτε γυαλιά ασφάλειας ή προστατευτικά ματιών. Τα συνηθισμένα γυαλιά και τα γυαλιά ηλίου ΔΕΝ αποτελούν γυαλιά ασφάλειας.
6. Να αποφεύγετε την κοπή καρφιών. Να ελέγχετε το τεμάχιο εργασίας για τυχόν καρφιά και να τα αφαιρείτε πριν από τη λειτουργία.
7. Κρατήστε το εργαλείο σταθερά.
8. Να βεβαιώνετε ότι το εργαλείο εφαρμογής δεν ακουμπάει το τεμάχιο εργασίας πριν ενεργοποιείτε το διακόπτη λειτουργίας.
9. Μην πλησιάζετε τα χέρια σας σε κινούμενα μέρη.
10. Μην αφήνετε το εργαλείο σε λειτουργία. Το εργαλείο πρέπει να βρίσκεται σε λειτουργία μόνο όταν το κρατάτε.
11. Πάντοτε να σβήνετε το εργαλείο και να περιμένετε να σταματήσει να κινείται εντελώς η λάμα πριν τη βγάξετε από το τεμάχιο εργασίας.
12. Μην αγγίζετε το εργαλείο εφαρμογής ή το τεμάχιο εργασίας αμέσως μετά τη λειτουργία του εργαλείου. Μπορεί να είναι εξαιρετικά θερμά και να προκληθεί έγκυαμα στο δέρμα σας.
13. Μη θέτετε το εργαλείο σε λειτουργία χωρίς φόρτο, αν αυτό δεν είναι απαραίτητο.
14. Να χρησιμοποιείτε πάντοτε προσώπιδα κατά της σκόνης ή αναπνευστήρα που είναι κατάλληλος για το υλικό και την εφαρμογή σας.
15. Μερικά υλικά περιέχουν χημικά που μπορεί να είναι τοξικά. Προσέχετε ώστε να αποφεύγετε την εισπνοή σκόνης και την επαφή με το δέρμα. Ακολουθείτε τα δεδομένα ασφάλειας υλικού που παρέχονται από τον προμηθευτή.
16. Το εργαλείο αυτό δεν είναι αδιάβροχο, γι' αυτό μη χρησιμοποιείτε νερό στην επιφάνεια του τεμαχίου εργασίας.
17. Να αερίζετε το χώρο εργασίας επαρκώς όταν εκτελείτε εργασίες λείανσης.
18. Η χρήση του εργαλείου αυτού για τη λείανση ορισμένων προϊόντων, π.χ. επιφάνειες βαμμένες με χρώμα που περιέχει μόλυβδο, ξύλο και μέταλλα, μπορεί να εκθέσει το χρήστη και τους παρευρισκόμενους σε σκόνη που περιέχει επικίνδυνες ουσίες. Να χρησιμοποιείτε κατάλληλη αναπνευστική προστασία.
19. Πριν από τη χρήση, να βεβαιώνετε ότι δεν υπάρχουν ρωγμές ή σπασίματα στη βάση. Οι ρωγμές ή τα σπασίματα μπορεί να προκαλέσουν σοβαρό προσωπικό τραυματισμό.
20. Μη χρησιμοποιείτε εξαρτήματα που δεν έχουν σχεδιαστεί ειδικά για το εργαλείο και που δεν συνιστώνται ειδικά από τον κατασκευαστή του εργαλείου. Η χρήση ενός εξαρτήματος απλά και μόνο επειδή δύναται να προσαρμοστεί στο ηλεκτρικό εργαλείο, δεν διασφαλίζει την ασφαλή λειτουργία του.
21. Να φοράτε ατομικό εξοπλισμό προστασίας. Ανάλογα με την εφαρμογή, να χρησιμοποιείτε προσωπίδα προστασίας, προστατευτικά γυαλιά-προσωπίδες ή γυαλιά ασφάλειας. Όταν απαιτείται, να φοράτε προστατευτικά ακοής, γάντια και ποδιά συνεργείου ικανά να παρέχουν προστασία από τα εκτινασόμενα μικρά θραύσματα του λειαντικού μέσου ή του τεμαχίου εργασίας. Τα προστατευτικά ματιών πρέπει να είναι ικανά να σταματήσουν τυχόν εκτινασόμενα θραύσματα που δημιουργούνται κατά την εκτέλεση διαφόρων εργασιών. Η μάσκα σκόνης ή η αναπνευστική συσκευή πρέπει να είναι ικανές να φιλτράρουν τα σωματίδια που δημιουργούνται κατά την εκτέλεση των εργασιών σας. Η παρατεταμένη έκθεση σε θόρυβο υψηλής έντασης ενδέχεται να προκαλέσει απώλεια ακοής.
22. Φροντίστε ώστε οι παρευρισκόμενοι να βρίσκονται σε ασφαλή απόσταση από τη θέση εργασίας. Οποιοσδήποτε εισέρχεται στο χώρο εργασίας πρέπει να φορά εξοπλισμό ατομικής προστασίας. Θραύσματα του τεμαχίου εργασίας ή ενός εξαρτήματος που έχει υποστεί θραύση ενδέχεται να εκτιναχθούν και να προκαλέσουν τραυματισμό πέραν των ορίων του άμεσου χώρου εκτέλεσης εργασιών.
23. Μην αφήνετε το ηλεκτρικό καλώδιο κάτω, πριν σταματήσετε πλήρως ή περιστροφή του εξαρτήματος. Το περιστρεφόμενο εξάρτημα ενδέχεται να εμπλακεί στην επιφάνεια εργασίας και να τραβήξει το ηλεκτρικό εργαλείο εκτός ελέγχου.
24. Μην θέσετε το ηλεκτρικό εργαλείο σε λειτουργία, κατά τη μεταφορά του στο πλάι σας. Τυχόν επαφή με το εξάρτημα θα μπορούσε να προκαλέσει την εμπλοκή του στο ρουχισμό και επαφή με το σώμα σας.
25. Μην χειρίζεστε το ηλεκτρικό εργαλείο κοντά σε εύφλεκτα υλικά. Οι σπινθήρες ενδέχεται να προκαλέσουν ανάφλεξη αυτών των υλικών.
26. Μην χρησιμοποιείτε εξαρτήματα που απαιτούν υγρά ψυκτικά. Η χρήση νερού ή άλλων υγρών ψυκτικών ενδέχεται να καταλήξει σε ηλεκτροπληξία ή σοκ.
27. Πάντοτε βεβαιώνετε ότι το εργαλείο είναι σβηστό και αποσυνδεδεμένο από το ρεύμα πριν εκτελέσετε οποιαδήποτε εργασία στο εργαλείο.
28. Αν το περιβάλλον εργασίας είναι πολύ ζεστό και υγρό ή αν υπάρχει υπερβολική αγωγήμη σκόνη, να χρησιμοποιείτε ασφάλεια βραχυκυκλώματος (30 mA) για να εξασφαλίσετε την ασφάλεια του χειριστή.
29. Να βεβαιώνετε πάντοτε ότι στέκεστε σταθερά. Όταν χρησιμοποιείτε το εργαλείο σε υψηλές τοποθεσίες, να βεβαιώνετε ότι δεν βρίσκεται κανένας από κάτω.

ΦΥΛΑΞΤΕ ΤΙΣ ΟΔΗΓΙΕΣ ΑΥΤΕΣ.

⚠️ ΠΡΟΕΙΔΟΠΟΙΗΣΗ:

ΜΗΝ επιτρέψετε το βαθμό άνεσης ή εξοικείωσης με το προϊόν (λόγω επανειλημμένης χρήσης) να αντικαταστήσει την αυστηρή τήρηση των κανόνων ασφαλείας του παρόντος εργαλείου. ΚΑΚΗ ΧΡΗΣΗ ή αμέλεια να ακολουθήσετε τους κανόνες ασφαλείας που διατυπώνονται σ'αυτό το εγχειρίδιο οδηγιών μπορεί να προκαλέσει σοβαρό προσωπικό τραυματισμό.

ΠΕΡΙΓΡΑΦΗ ΛΕΙΤΟΥΡΓΙΑΣ

⚠️ ΠΡΟΕΙΔΟΠΟΙΗΣΗ:

- Πάντοτε βεβαιώνεστε ότι το εργαλείο είναι σβηστό και αποσυνδεδεμένο από το ρεύμα πριν ρυθμίσετε ή ελέγξετε κάποια λειτουργία στο εργαλείο. Αν δεν σβήσετε το εργαλείο και δεν το αποσυνδέσετε από το ηλεκτρικό ρεύμα, μπορεί να προκληθεί σοβαρός προσωπικός τραυματισμός από την τυχαία εκκίνηση.

Λειτουργία διακόπτη (Εικ. 1)

⚠️ ΠΡΟΣΟΧΗ:

- Πριν συνδέετε το εργαλείο, να ελέγχετε πάντα αν αυτό είναι σβηστό.

Για να ξεκινήσετε τη λειτουργία του εργαλείου, ολισθήστε τον κυλιόμενο διακόπτη στη θέση "Ι (ΕΝΕΡΓΟ)".

Για να σταματήσετε το εργαλείο, σύρετε τον κυλιόμενο διακόπτη προς τη θέση "Ο (ΑΝΕΝΕΡΓΟ)".

Ρύθμιση του ρυθμού τροχιακής διαδρομής

(Εικ. 2)

Είναι δυνατό να ρυθμίσετε το ρυθμό τροχιακής διαδρομής. Για να αλλάξετε το ρυθμό τροχιακής διαδρομής, περιστρέψτε το καντράν μεταξύ 1 και 5. Όσο υψηλότερος είναι ο αριθμός, τόσο υψηλότερος είναι ο ρυθμός τροχιακής διαδρομής. Προρυθμίστε το καντράν στον αριθμό που είναι κατάλληλος για το τεμάχιο εργασίας σας.

ΠΑΡΑΤΗΡΗΣΗ:

- Δεν είναι δυνατό να περιστρέψετε το καντράν απευθείας από το 1 στο 5 ή από το 5 στο 1. Αν περιστρέψετε το καντράν με βία, μπορεί να προκληθεί ζημιά στο εργαλείο. Όταν αλλάζετε την κατεύθυνση του καντράν, να περιστρέψετε πάντα το καντράν μετακινώντας το σε κάθε ενδιάμεσο αριθμό.

Ρύθμιση σταθερής ταχύτητας

Ηλεκτρονική ρύθμιση ταχύτητας για επίτευξη σταθερής ταχύτητας. Μπορείτε να έχετε ένα κομψό αποτέλεσμα επειδή ο ρυθμός τροχιακής διαδρομής διατηρείται σταθερός ακόμα κι όταν το εργαλείο υποβάλλεται σε φόρτο.

ΣΥΝΑΡΜΟΛΟΓΗΣΗ

⚠️ ΠΡΟΣΟΧΗ:

- Πάντοτε βεβαιώνεστε ότι το εργαλείο είναι σβηστό και αποσυνδεδεμένο από το ρεύμα πριν εκτελέσετε οποιαδήποτε εργασία στο εργαλείο.

Τοποθέτηση ή αφαίρεση του εργαλείου εφαρμογής (προαιρετικό εξάρτημα)

(Εικ. 3, 4 και 5)

⚠️ ΠΡΟΕΙΔΟΠΟΙΗΣΗ:

- Μην τοποθετείτε το εργαλείο εφαρμογής ανάποδα. Αν τοποθετήσετε το εργαλείο εφαρμογής ανάποδα, μπορεί να προκληθεί ζημιά στο εργαλείο και να προκληθεί σοβαρός προσωπικός τραυματισμός.
- Τοποθετήστε το εργαλείο προσαρτήματος στη σωστή κατεύθυνση, ανάλογα με την εργασία σας. Μπορείτε να τοποθετήσετε το εργαλείο εφαρμογής σε γωνία σε κάθε 30 μοίρες.

Τοποθετήστε ένα εργαλείο εφαρμογής (προαιρετικό εξάρτημα) στη φλάντζα εργαλείου ώστε οι προεξοχές στη φλάντζα εργαλείου να ταιριάζουν στις οπές στο εργαλείο εφαρμογής και ασφαλίστε το εργαλείο εφαρμογής σφίγγοντας το μπουλόνι σταθερά με το εξαγωνικό κλειδί.

Όταν χρησιμοποιείτε το εργαλείο εφαρμογής λείανσης, προσαρτήστε το εργαλείο εφαρμογής στη βάση λείανσης ώστε να ταιριάζει με την κατεύθυνση της βάσης λείανσης. Η βάση λείανσης έχει σύστημα προσαρτήσης τύπου άγκιστρου και βρόχου, το οποίο επιτρέπει την εύκολη και ταχεία προσαρτήση ενός γυαλόχαρτου.

Επειδή τα γυαλόχαρτα έχουν οπές για την εξαγωγή της σκόνης, τοποθετήστε ένα γυαλόχαρτο ώστε οι οπές στο γυαλόχαρτο να ταιριάζουν με αυτές στη βάση λείανσης.

Για να αφαιρέσετε το γυαλόχαρτο, σηκώστε το άκρο του και αφαιρέστε το. Χαλαρώστε και αφαιρέστε το μπουλόνι τοποθέτησης εργαλείου εφαρμογής χρησιμοποιώντας εξαγωνικό κλειδί και μετά βγάλετε το εργαλείο εφαρμογής. Όταν χρησιμοποιείτε εργαλεία εφαρμογής με διαφορετικό τύπο τμήματος εγκατάστασης, χρησιμοποιήστε σωστό προσαρμογέα (προαιρετικό εξάρτημα).

ΛΕΙΤΟΥΡΓΙΑ

⚠️ ΠΡΟΕΙΔΟΠΟΙΗΣΗ:

- Πριν ξεκινήσετε το εργαλείο και κατά τη διάρκεια της λειτουργίας, κρατήστε τα χέρια και το πρόσωπό σας μακριά από το εργαλείο εφαρμογής.

⚠️ ΠΡΟΣΟΧΗ:

- Μην εφαρμόζετε υπερβολικό φορτίο στο εργαλείο, γεγονός που μπορεί να προκαλέσει το κλειδίωμα του μοτέρ και τη διακοπή του εργαλείου.

Κοπή, πρίονισμα και ξύσιμο (Εικ. 6)

⚠️ ΠΡΟΣΟΧΗ:

- Μην μετακινείτε το εργαλείο με βία προς την κατεύθυνση (π.χ. προς οποιαδήποτε πλευρά) της εφαρμογής εργαλείου χωρίς άκρο κοπής. Μπορεί να προκληθεί ζημιά στο εργαλείο.

Τοποθετήστε το εργαλείο εφαρμογής στο τεμάχιο εργασίας.

Μετά, μετακινήστε το εργαλείο προς τα μπροστά ώστε η κίνηση του εργαλείου εφαρμογής να μην επιβραδύνεται.

ΠΑΡΑΤΗΡΗΣΗ:

- Η βία ή υπερβολική πίεση στο εργαλείο μπορεί να μειώσει την αποδοτικότητα του.
- Πριν την εργασία κοπής, συστήνεται να προκαθορίσετε το ρυθμό τροχιακής διαδρομής σε 3 – 5.

Λείανση (Εικ. 7)

⚠️ ΠΡΟΣΟΧΗ:

- Μην επαναχρησιμοποιείτε για τη λείανση ξύλου κάποιο γυαλόχαρτο που έχετε χρησιμοποιήσει για τη λείανση μετάλλου.
- Μην χρησιμοποιείτε φθαρμένο γυαλόχαρτο ή γυαλόχαρτο χωρίς κόκκους.

Εφαρμόστε το γυαλόχαρτο στο τεμάχιο εργασίας.

ΠΑΡΑΤΗΡΗΣΗ:

- Συνιστάται η χρήση ενός δείγματος δοκιμαστικού υλικού για να καθοριστεί ένας σωστός ρυθμός τροχιακής διαδρομής που είναι κατάλληλος για την εργασία σας.
- Χρησιμοποιήστε γυαλόχαρτο με τον ίδιο κόκκους μέχρι να ολοκληρωθεί η λείανση ολόκληρου του τεμαχίου εργασίας. Αν αντικαταστήσετε ένα γυαλόχαρτο με γυαλόχαρτο διαφορετικού κόκκου, μπορεί να μην έχετε ομοιόμορφο τελείωμα.

Προσάρτημα εξαγωγής σκόνης (προαιρετικό εξάρτημα) (Εικ. 8, 9 και 10)

- Τοποθετήστε την ένωση, το στόμιο σκόνης και το εξάρτημα σκόνης.
- Τοποθετήστε τη ζώνη ακροφυσίου στο εργαλείο ώστε οι προεξοχές να ταιριάζουν στις οπές στο εργαλείο, για να το ασφαλίσετε.
- Τοποθετήστε το δακτύλιο τσόχας και τη βάση λείανσης στο προσάρτημα σκόνης και μετά ασφαλίστε τα με το μπουλόνι τοποθέτησης εργαλείου εφαρμογής.

Όταν θέλετε να εκτελέσετε καθαρότερες εργασίες, συνδέστε ηλεκτρική σκούπα στο εργαλείο σας. Συνδέστε τον εύκαμπτο σωλήνα της ηλεκτρικής σκούπας με το προσάρτημα εξαγωγής σκόνης (προαιρετικό εξάρτημα).

ΣΥΝΤΗΡΗΣΗ

⚠ ΠΡΟΣΟΧΗ:

- Πάντοτε βεβαιώνετε ότι το εργαλείο είναι σβηστό και αποσυνδεδεμένο από το ρεύμα πριν επιχειρήσετε να εκτελέσετε επιθεώρηση ή συντήρηση.
- Μην χρησιμοποιείτε ποτέ βενζίνη, πετρελαϊκό αιθέρα, διαλυτικό, αλκοόλη ή παρόμοιες ουσίες. Ενδέχεται να προκληθεί αποχρωματισμός παραμόρφωση ή ρωγμές.

Για να διατηρήσετε την ΑΣΦΑΛΕΙΑ και ΑΞΙΟΠΙΣΤΙΑ του προϊόντος, επισκευές, έλεγχος και αντικατάσταση των ψηκτρών άνθρακα, καθώς και οποιαδήποτε άλλη συντήρηση ή ρύθμιση πρέπει να εκτελούνται από Κέντρα Εξυπηρέτησης Εργοστασίου ή από Εξουσιοδοτημένα από την Makita Κέντρα, πάντοτε χρησιμοποιώντας ανταλλακτικά της Makita.

ΠΡΟΑΙΡΕΤΙΚΑ ΕΞΑΡΤΗΜΑΤΑ

⚠ ΠΡΟΣΟΧΗ:

- Αυτά τα ανταλλακτικά ή προσαρτήματα συνιστώνται για χρήση με το εργαλείο σας της Makita που περιγράφεται στο εγχειρίδιο αυτό. Η χρήση οποιδήποτε άλλων ανταλλακτικών ή προσαρτημάτων μπορεί να παρουσιάσουν κίνδυνο τραυματισμού σε άτομα. Χρησιμοποιήστε ανταλλακτικά ή προσαρτήματα μόνο για τον καθορισμένο σκοπό.

Εάν χρειάζεστε βοήθεια ή περισσότερες λεπτομέρειες σε σχέση με αυτά τα ανταλλακτικά, ρωτήστε το τοπικό σας Κέντρο Εξυπηρέτησης της Makita.

- Τμηματική λάμα πριονιού
- Στρογγυλή λάμα πριονιού
- Λάμα πριονιού βαθιάς κοπής
- Ξύστρα (άκαμπτη)
- Ξύστρα (εύκαμπτη)
- Οδοντωτή λάμα
- Γενικός κόπτης ενώσεων
- Αφαιρετής ΗΜ
- Λάμα πριονιού ΗΜ
- Πλάκα λείανσης ΗΜ
- Διαμαντένια λάμα πριονιού
- Βάση λείανσης
- Προσαρμογέας
- Δέλτα λειαντικού χαρτιού (κόκκινο / λευκό / μαύρο)
- Δέλτα φλις (μεσαίων κόκκων / χονδρόκοκκο / χωρίς κόκκους)
- Δέλτα λειαντικής τσόχας
- Εξαγωνικό κλειδί
- Προσάρτημα εξαγωγής σκόνης

ΠΑΡΑΤΗΡΗΣΗ:

- Μερικά στοιχεία στη λίστα μπορεί να συμπεριλαμβάνονται στη συσκευασία εργαλείου ως στάνταρ εξαρτήματα. Μπορεί να διαφέρουν ανάλογα με τη χώρα.

ENG905-1

Θόρυβος

Το τυπικό Α επίπεδο μετρημένου θορύβου καθορίζεται σύμφωνα με το EN62841:

Είδος εργασίας: λείανση

Στάθμη πίεσης ήχου (L_{pA}): 74 dB (A)

Αβεβαιότητα (K): 3 dB (A)

Η ένταση ήχου υπο συνθήκες εργασίας μπορεί να υπερβεί τα 80 dB (A).

Είδος εργασίας: κοπή με λάμα πριονιού βαθιάς κοπής

Στάθμη πίεσης ήχου (L_{pA}): 78 dB (A)

Αβεβαιότητα (K): 3 dB (A)

Η ένταση ήχου υπο συνθήκες εργασίας μπορεί να υπερβεί τα 80 dB (A).

Είδος εργασίας: κοπή με τμηματική λάμα πριονιού

Στάθμη πίεσης ήχου (L_{pA}): 76 dB (A)

Αβεβαιότητα (K): 3 dB (A)

Η ένταση ήχου υπο συνθήκες εργασίας μπορεί να υπερβεί τα 80 dB (A).

Είδος εργασίας: ξύσιμο

Στάθμη πίεσης ήχου (L_{pA}): 77 dB (A)

Αβεβαιότητα (K): 3 dB (A)

Η ένταση ήχου υπο συνθήκες εργασίας μπορεί να υπερβεί τα 80 dB (A).

Φοράτε ωτοασπίδες

ENG900-1

Κραδασμός

Η ολική τιμή δόνησης (άθροισμα τρι-αξονικού διανύσματος) καθορίζεται σύμφωνα με το EN62841:

Είδος εργασίας: λείανση

Εκπομπή δόνησης (a_{h1}): 2,5 m/s² ή λιγότερο

Αβεβαιότητα (K): 1,5 m/s²

Είδος εργασίας: κοπή με λάμα πριονιού βαθιάς κοπής

Εκπομπή δόνησης (a_{h1}): 6,5 m/s²

Αβεβαιότητα (K): 1,5 m/s²

Είδος εργασίας: κοπή με τμηματική λάμα πριονιού

Εκπομπή δόνησης (a_{h1}): 3,0 m/s²

Αβεβαιότητα (K): 1,5 m/s²

Είδος εργασίας: ξύσιμο

Εκπομπή δόνησης (a_{h1}): 5,5 m/s²

Αβεβαιότητα (K): 1,5 m/s²

ENG901-1

- Η δηλωμένη τιμή εκπομπής κραδασμών έχει μετρηθεί σύμφωνα με την πρότυπη μέθοδο δοκιμής και μπορεί να χρησιμοποιηθεί για τη σύγκριση ενός εργαλείου με άλλο.
- Η δηλωμένη τιμή εκπομπής κραδασμών μπορεί να χρησιμοποιηθεί και στην προκαταρκτική αξιολόγηση έκθεσης.

ΠΡΟΕΙΔΟΠΟΙΗΣΗ:

- Η εκπομπή κραδασμών κατά τη χρήση του ηλεκτρικού εργαλείου σε πραγματικές συνθήκες μπορεί να διαφέρει από τη δηλωμένη τιμή εκπομπής ανάλογα με τον τρόπο χρήσης του εργαλείου.
- Φροντίστε να λάβετε τα κατάλληλα μέτρα προστασίας του χειριστή βάσει υπολογισμού της έκθεσης σε πραγματικές συνθήκες χρήσης (λαμβάνοντας υπόψη όλες τις συνιστώσες του κύκλου λειτουργίας όπως τους χρόνους που το εργαλείο είναι εκτός λειτουργίας και όταν βρίσκεται σε αδρανή λειτουργία πέραν του χρόνου ενεργοποίησης).

ΔΗΛΩΣΗ ΣΥΜΜΟΡΦΩΣΗΣ ΕΚ

Για τις ευρωπαϊκές χώρες μόνο

Η δήλωση συμμόρφωσης ΕΚ περιλαμβάνεται ως Παράρτημα Α σε αυτό το εγχειρίδιο οδηγιών.

Genel görünüşün açıklanması

1 Sürgülü anahtar	7 Sıkıştır	13 Keçe halka
2 Kadran	8 Adaptör	14 Ped
3 Uygulama aleti montaj civatası	9 Bağlantı parçası	15 Çıkıntılıları
4 Uygulama aletindeki delikler	10 Toz toplama başlığı kelepçesi	16 Delikler
5 Alet flanşının çıkıntılıları	11 Toz toplama başlığı	
6 Altıgen anahtar	12 Toz haznesi bağlantısı	

ÖZELLİKLER

Model	TM3000C
Dakikadaki salınım sayısı	6.000 – 20.000 (dak ⁻¹)
Salınım açısı, sol/sağ	1,6° (3,2° toplam)
Toplam uzunluk	275 mm
Net ağırlık	1,4 kg – 1,5 kg
Emniyet sınıfı	□/II

GEB142-1

- Sürekli yapılan araştırma ve geliştirmelerden dolayı, burada belirtilen özellikler önceden bildirilmeksizin değiştirilebilir.
- Özellikler ülkeden ülkeye değişebilir.
- Ağırlık, aksesuar(lar)a bağlı olarak değişebilir. EPTA-Prosedürü 01/2014 uyarınca, en hafif ve en ağır kombinasyonlar tabloda verilmiştir.

ENE080-1

Kullanım amacı

Bu alet tahta, plastik, alçı, içinde demir olmayan metaller ve bağlantı elemanlarını (örn. sertleştirilmemiş çivi ve zimbalar) testerelemek ve kesmek için tasarlanmıştır. Ayrıca yumuşak duvar seramikleri ile çalışmak ve küçük yüzeylerin kuru zımparalanması ve raspalanması işlerinde kullanılmak için de kullanılır. Özellikle kenarlara yakın çalışırken ve flush-kesimler için uygundur.

ENF002-2

Güç kaynağı

Makinenin, yalnızca isim levhasında belirtilenle aynı voltajlı güç kaynağına bağlanması gerekir ve yalnızca tek fazlı AC güç kaynağıyla çalıştırılabilir. Çifte yalıtımlıdır ve bu sebeple topraklamasız prizlerle de kullanılabilirler.

GEA010-2

Genel elektrikli alet güvenliği uyarıları

⚠ UYARI: Bu elektrikli aletle birlikte sunulan tüm güvenlik uyarılarını, talimatları, çizimleri ve teknik özellikleri okuyun. Aşağıda verilen talimatlara uyulmaması elektrik şoku, yangın ve/veya ciddi yaralanmalar ile sonuçlanabilir.

Tüm uyarıları ve talimatları ilerde başvurmak için saklayın.

Uyarılardaki "elektrikli alet" terimi ile ya prizden çalışan (kordonlu) elektrikli aletiniz ya da kendi aküsü ile çalışan (kordonsuz) elektrikli aletiniz kastedilmektedir.

ÇOK FONKSİYONLU ALET İÇİN GÜVENLİK UYARILARI

1. **Bu alet; testereleme, kesme, taşlama ve zımparalama için kullanılır. Bu elektrikli aletle birlikte sunulan tüm güvenlik uyarılarını, çizimleri ve teknik özellikleri okuyun.** Aşağıda verilen talimatlara uyulmaması elektrik şoku, yangın ve/veya ciddi yaralanmalar ile sonuçlanabilir.
2. **Kesci aksesuarın görünmeyen kabloları ya da aletin kendi kordonuna temas etme olasılığı bulunan yerlerde çalışırken elektrikli aleti yalıtımlı kavrama yüzeylerinden tutun.** Kesci aksesuarın "akımlı" bir telle temas etmesi elektrikli aletin yalıtımsız metal kısımlarını "akımlı" hale getirebilir ve kullanıcıyı elektrik şokuna maruz bırakabilir.
3. **İş parçasını düz bir platform üzerine sabitlemek için klemp kullanın ya da başka bir pratik yol bulun.** İş parçasını elle tutmak ya da vücudunuzla desteklemek sabit durmamasına ve kontrolü kaybetmenize neden olabilir.
4. **Kabloyu dönen aksesuardan uzağa yerleştirin.** Kontrolü kaybederseniz kablo kesilebilir, takılabilir ve eliniz ya da kolunuz dönen aksesuarın içine çekilebilir.
5. **Her zaman koruyucu gözlük kullanın. Normal gözlük ya da güneş gözlükleri koruyucu gözlüklerin yerine GEÇMEZ.**
6. **Çivileri kesmeyin. İşlemden önce iş parçasının üzerinde çivi olup olmadığını kontrol edin ve varsa hepsini çıkarın.**
7. **Makineyi sıkıca tutun.**
8. **Anahtar açılmadan önce uygulama aletinin iş parçasına temas etmediğinden emin olun.**
9. **Ellerinizi hareketli parçalardan uzak tutun.**
10. **Makineyi çalışır durumda bırakmayın. Makineyi sadece elinizde iken çalıştırın.**
11. **Bıçağı iş parçasından çıkarmadan önce daima anahtarı kapatın ve bıçağın tamamen durmasını bekleyin.**

12. Uygulama aletine veya iş parçasına işlemden hemen sonra ellemeyin; bunlar çok sıcak olup cildinizi yakabilir.
13. Aleti gereksiz yere yüksüz çalıştırmayın.
14. Çalıştığınız malzemeye ve uygulamaya uygun toz maskesi/respiratör kullanın.
15. Bazı malzemeler zehirli olabilen kimyasallar içerirler. Toz yutmayı ve cilt temasını önlemek için tedbir alın. Malzeme sağlayıcısının güvenlik bilgilerine uyun.
16. Bu alet su geçirmez değildir, çalışma parçasının yüzeyinde su kullanmayın.
17. Zımparalama işlemi sırasında çalışma alanının yeterince havalandırılmasını sağlayın.
18. Bu aletin bazı ürünleri, örneğin kurşun içeren boyalarla boyanmış yüzeyleri, tahta ve metalleri zımparalamak için kullanılması, kullanıcının tehlikeli maddeler içeren tozlara maruz kalmasına neden olabilir. Uygun bir maske kullanın.
19. Kullanmadan önce ped üzerinde çatlak ya da kırık olmadığından emin olun. Çatlak ya da kırık yaralanmaya neden olabilir.
20. Aletin üreticisi tarafından tasarlanmamış ya da tavsiye edilmemiş aksesuarları kullanmayın. Aksesuarın aletinize takılabiliyor olması güvenli kullanımın sağlanması için tek başına yeterli değildir.
21. Kişisel koruyucu donanım kullanın. Uygulamaya göre, yüz siperi veya koruyucu gözlük takın. Uygun durumlarda; kulak koruyucu, eldiven ve küçük aşındırıcı parçalar ile iş parçasının parçacıklarını engelleyebilecek nitelikte önlük giyin. Koruma gözlüğü, çeşitli işlemler sırasında sıçrayan parçacıkları engelleyebilecek nitelikte olmalıdır. Toz maskesi veya respiratör, işlem sırasında oluşan parçacıkları filtre edebilecek nitelikte olmalıdır. Uzun süre yüksek şiddetli gürültüye maruz kalmak işitme kaybına neden olabilir.
22. Etrafınızdaki kişilerin iş sahasından güvenli bir uzaklıkta durmasını sağlayın. İş sahasına giren herkes kişisel koruyucu ekipmanlar giymelidir. İş parçasının veya kırık bir aksesuarın parçaları sıçrayabilir ve iş sahasının yakınındaki kişileri yaralayabilir.
23. Aksesuar tamamen durmadan elektrikli aleti asla yere bırakmayın. Dönen aksesuar yüzeye takılarak aletin kontrolünüzden çıkmasına neden olabilir.
24. Elektrikli aleti yanınızda taşırken çalıştırmayın. Aksesuara istem dışı temas edilmesi sonucu kıyafetiniz takılarak vücudunuzu aksesuara doğru çekebilir.
25. Elektrikli aleti alev alabilecek malzemelerin yakınında kullanmayın. Kıvılcıklar bu malzemeleri ateşleyebilir.
26. Sıvı soğutucu gerektiren aksesuarları kullanmayın. Su veya başka sıvı soğutucular kullanılması elektrik çarpmasına veya şoka neden olabilir.
27. Alet üzerinde herhangi bir iş yapmadan önce aletin kapalı ve fişinin çekili olduğundan daima emin olun.
28. Çalışma yüzeyi aşırı dercede sıcak ve nemliyse ya da iletken tozlarla kötü bir şekilde kirlenmişse, kullanıcının güvenliğini sağlamak için bir kısa devre kesici (30 mA) kullanın.

29. Her zaman yere sağlam basın. Makineyi yüksekte kullandığınızda, altında kimsenin olmadığından emin olun.

BU TALİMATLARI SAKLAYIN.

⚠ UYARI:

Ürünü kullanırken (defalarca kullanın kazanılan) rahatlık ve tanıdıklık duygusunun ilgili ürünün güvenlik kurallarına sıkı sıkıya bağlı kalmanın yerine geçmesine İZİN VERMEYİN. YANLIŞ KULLANIM veya bu kılavuzda belirtilen emniyet kurallarına uymama ciddi yaralanmaya neden olabilir.

İŞLEVSEL AÇIKLAMALAR

⚠ UYARI:

• Alet üzerinde ayarlama ya da işleyiş kontrolü yapmadan önce aletin kapalı ve fişinin çekili olduğundan daima emin olun. Aletin kapatılmaması ve fişten çekilmemesi istemsiz olarak aletin başlatılması sonucu ciddi kişisel yaralanmalara neden olabilir.

Anahtar işlemi (Şek. 1)

⚠ DİKKAT:

• Aleti fişe takmadan önce, aletin kapalı olduğundan emin olmak için mutlaka kontrol edin.

Aleti başlatmak için, sürgülü anahtarı "I (AÇIK)" konumuna getirin.

Aleti durdurmak için, sürgülü anahtarı "O (KAPALI)" konumuna getirin.

Orbital darbe hızını ayarlanması (Şek. 2)

Orbital darbe hızı ayarlanabilir. Orbital darbe hızını değiştirmek için, kadranı 1 ilâ 5 arasında bir rakama getirin. Sayı arttıkça, orbital darbe hızı da artar. Kadranı çalıştığınız iş parçasına uygun olan rakama ayarlayın.

NOT:

• Kadran 1'den 5'ya ya da 5'dan 1'e doğrudan çevrilemez. Kadranı zorlamak alete zarar verebilir. Kadranın yönünü değiştirirken kadranı aradaki sayıların her birine getirerek çevirmelisiniz.

Sabit hız kontrolü

Sabit bir hız elde etmek için elektronik hız kontrolü. Orbital darbe hızı az yük koşullarında bile sabit kaldığından daha iyi bir finiş elde etme imkanı sunar.

MONTAJ

⚠ DİKKAT:

• Alet üzerinde herhangi bir iş yapmadan önce aletin kapalı ve fişinin çekili olduğundan daima emin olun.

Uygulama aletinin (isteğe bağlı aksesuarın) takılması veya çıkarılması (Şek. 3, 4 ve 5)

⚠ UYARI:

• Uygulama aleti baş aşağı takmayın. Uygulama aletinin baş aşağı takılması ciddi yaralanmalara ve alete zarar gelmesine neden olabilir.

• Ek parçayı çalıştığınız işe göre doğru yönde takın. Uygulama aleti 30 derecelik açılarla takılabilir.

Uygulama aletini (isteğe bağlı aksesuar), alet flanşının çıkıntılarını uygulama aletindeki deliklere oturacak şekilde alet flanşının üstüne koyun ve altıgen anahtarla civatayı iyice sıkılayarak uygulama aletini sabitleyin.

Zımpara uygulama aletini kullanırken, uygulama aletini zımpara pedinin yönüne uygun şekilde zımpara pedinin üzerine monte edin.

Zımpara pedinde bir kanca ve halka türü bağlantı sistemi mevcuttur ve bu da zımpara kağıdının hızlı ve kolay bir şekilde yerleştirilmesini sağlar.

Zımpara kağıtları toz çekme için deliklere sahiptir, zımpara kağıdını zımpara pedi üzerindeki delikler zımpara kağıdındakilerle üst üste gelecek şekilde yerleştirin.

Bir zımpara kağıdını çıkarmak için, ucunu kaldırın ve sökün çıkarın. Altıgen bir anahtarla uygulama aleti montaj civatasını gevşetin ve sökün, ardından uygulama aletini çıkarın.

Farklı bir montaj türüne sahip olan uygulama aletlerini kullanacağınız zaman doğru bir adaptör (isteğe bağlı aksesuar) kullanın.

KULLANIM

⚠ UYARI:

• Aleti kullanmaya başlamadan önce ve çalışma sırasında, elinizi ve yüzünüzü uygulama aletinden uzak tutun.

⚠ DİKKAT:

• Alete aşırı güç uygulamayın, aksi takdirde motor kilitlenebilir ve alet durabilir.

Kesme, testereleme ve raspalama (Şek. 6)

⚠ DİKKAT:

• Aleti, kesici kenarı olmayan uygulama aletlerinin yönünde (her iki tarafı doğrultusunda) zorlayarak hareket ettirmeyin. Böyle yapmak alete zarar verebilir.

Uygulama aletini iş parçasının üzerine yerleştirin.

Daha sonra, uygulama aletinin hareketi yavaşlamayacak şekilde aleti ileri doğru hareket ettirin.

NOT:

- Aleti zorlama veya alet üzerinde aşırı basınç uygulama verimi azaltabilir.
- Kesim işleminden önce orbital darbe hızının 3 ilâ 5 arasında bir değere ayarlanması tavsiye edilir.

Zımparalama (Şek. 7)

⚠ DİKKAT:

- Metal zımparalamak için kullanılmış bir zımpara kağıdını tahta zımparalamak için tekrar kullanmayın.
- Aşınmış bir zımparalama kağıdını veya zımpara tanecikleri olmayan bir zımpara kağıdını kullanmayın.

Zımpara kağıdını iş parçasının üzerine uygulayın.

NOT:

- Çalıştığınız işe uygun doğru bir orbital darbe hızı belirlemek için bir test materyali numunesi kullanarak deneme yapmanız tavsiye edilir.
- İş parçasının tamamının zımparalanması tamamlanana kadar aynı tip zımpara taneciklerine sahip bir zımpara kağıdı kullanın. Farklı tip zımpara taneciklerine sahip bir zımpara kağıdı ile değiştirmek iyi bir sonuç sağlamamasına neden olabilir.

Toz çekme parçası (isteğe bağlı aksesuar)

(Şek. 8, 9 ve 10)

- Bağlantı parçasını, toz toplama başlığını ve toz ek parçasını takın.
- Toz toplama başlığı kelepçesini aletin üzerine yerleştirin ve sabitlenmesi için çıkıntılarını alet üzerindeki deliğe oturtun.

- Keçe halkayı ve zımpara pedini toz ek parçasının üzerine takın ve uygulama aleti montaj civatası ile sabitleyin.

Daha temiz çalışmak isterseniz makinenize bir elektrikli süpürge bağlayın. Elektrikli süpürge hortumunu toz çekme ek parçasına (isteğe bağlı aksesuar) bağlayın.

BAKIM

⚠ DİKKAT:

- Muayene ya da bakım yapmadan önce aletin kapalı ve fişinin çekili olduğundan daima emin olun.
- Benzin, tiner, alkol ve benzeri maddeleri kesinlikle kullanmayın. Renk değişimi, deformasyon veya çatlaklar oluşabilir.

Aleti EMNİYETLİ ve ÇALIŞMAYA HAZIR durumda tutmak için onarımlar, karbon fırça muayenesi ve değiştirilmesi, başka her türlü bakım ve ayarlamalar daima Makita yedek parçaları kullanılarak Makita yetkili servis merkezleri tarafından yapılmalıdır.

İSTEĞE BAĞLI AKSESUARLAR

⚠ DİKKAT:

- Bu aksesuarlar ve ek parçalar bu el kitabında belirtilen Makita aletiniz ile kullanılmak için tavsiye edilmektedir. Herhangi başka bir aksesuar ya da ek parça kullanılması insanlar için bir yaralanma riski getirebilir. Aksesuarları ya da ek parçaları yalnızca belirtilmiş olan kullanım amaçlarına uygun olarak kullanın.

Bu aksesuarlarla ilgili daha fazla bilgiye ihtiyaç duyarsanız bulunduğunuz yerdeki Makita Servis Merkezi başvurun.

- Segment testere bıçağı
- Yuvarlak testere bıçağı
- Dalma testere bıçağı
- Raspa (sert)
- Raspa (esnek)
- Dişli segment bıçağı
- Derz makinesi
- HM çıkartıcı
- HM segment testere bıçağı
- HM zımpara plakası
- Elmas segment testere bıçağı
- Zımpara pedi
- Adaptör
- Üçgen zımpara (kırmızı / beyaz / siyah)
- Üçgen zımpara kaplaması (orta / kalın / taneciksiz)
- Üçgen zımparalar için polisaj keçesi
- Altıgen anahtar
- Toz çekme ek parçası

NOT:

- Listedeki bazı parçalar standart aksesuar olarak ürün paketinin içine dahil edilmiş olabilir. Aksesuarlar ülkeden ülkeye farklılık gösterebilir.

Gürültü

EN62841 uyarınca hesaplanan tipik A-ağırlıklı gürültü düzeyi:

Çalışma modu: zımparalama

Ses basınç seviyesi (L_{pA}): 74 dB (A)

Belirsizlik (K): 3 dB (A)

İşlem sırasında gürültü seviyesi 80 dB (A)'yi geçebilir.

Çalışma modu: dalma testere bıçağı ile kesme

Ses basınç seviyesi (L_{pA}): 78 dB (A)

Belirsizlik (K): 3 dB (A)

İşlem sırasında gürültü seviyesi 80 dB (A)'yi geçebilir.

Çalışma modu: segmental testere bıçağı ile kesme

Ses basınç seviyesi (L_{pA}): 76 dB (A)

Belirsizlik (K): 3 dB (A)

İşlem sırasında gürültü seviyesi 80 dB (A)'yi geçebilir.

Çalışma modu: raspalama

Ses basınç seviyesi (L_{pA}): 77 dB (A)

Belirsizlik (K): 3 dB (A)

İşlem sırasında gürültü seviyesi 80 dB (A)'yi geçebilir.

Kulak koruyucusu takın

ENG900-1

Titreşim

EN62841 standardına göre hesaplanan titreşim toplam değeri (üç eksenli vektör toplamı):

Çalışma modu: zımparalama

Titreşim emisyonu (a_h): 2,5 m/s²den az

Belirsizlik (K): 1,5 m/s²

Çalışma modu: dalma testere bıçağı ile kesme

Titreşim emisyonu (a_h): 6,5 m/s²

Belirsizlik (K): 1,5 m/s²

Çalışma modu: segmental testere bıçağı ile kesme

Titreşim emisyonu (a_h): 3,0 m/s²

Belirsizlik (K): 1,5 m/s²

Çalışma modu: raspalama

Titreşim emisyonu (a_h): 5,5 m/s²

Belirsizlik (K): 1,5 m/s²

ENG901-1

- Beyan edilen titreşim emisyon değeri standart test yöntemine uygun şekilde ölçülmüştür ve bir aleti bir başkasıyla karşılaştırmak için kullanılabilir.
- Beyan edilen titreşim emisyon değeri bir ön maruz kalma değerlendirmesi olarak da kullanılabilir.

⚠ UYARI:

- Bu elektrikli aletin gerçek kullanımı sırasındaki titreşim emisyonu aletin kullanım biçimlerine bağlı olarak beyan edilen emisyon değerinden farklı olabilir.
- Gerçek kullanım koşullarındaki maruz kalmanın bir tahmini hesaplaması temelinde operatörü koruyacak güvenlik önlemlerini mutlaka belirleyin (çalışma döngüsü içerisinde aletin kapalı olduğu ve aktif durumda olmasının yanı sıra boşta çalıştığı zamanlar gibi, bütün zaman dilimleri göz önünde bulundurularak değerlendirilmelidir).

AT UYGUNLUK BEYANI**Sadece Avrupa ülkeleri için**

AT uygunluk beyanı bu kullanım kılavuzuna Ek A olarak eklenmiştir.

Makita Europe N.V. Jan-Baptist Vinkstraat 2,
3070 Kortenberg, Belgium

Makita Corporation 3-11-8, Sumiyoshi-cho,
Anjo, Aichi 446-8502 Japan