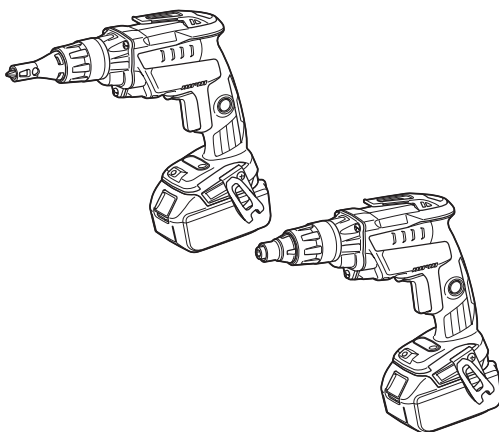




EN	Cordless Screwdriver	INSTRUCTION MANUAL	4
FR	Visseuse sans Fil	MANUEL D'INSTRUCTIONS	9
DE	Akku-Schrauber	BETRIEBSANLEITUNG	14
IT	Avvitatore a batteria	ISTRUZIONI PER L'USO	19
NL	Accuschroefmachine	GEBRUIKSAANWIJZING	24
ES	A tornillador Inalámbrico	MANUAL DE INSTRUCCIONES	29
PT	Parafusadeira a Bateria	MANUAL DE INSTRUÇÕES	34
DA	Akku skruetrækker	BRUGSANVISNING	39
EL	Ασύρματο κατσαβίδι	ΕΓΧΕΙΡΙΔΙΟ ΟΔΗΓΙΩΝ	44
TR	Akülü Tornavida	KULLANMA KILAVUZU	49

DFS250
DFS251



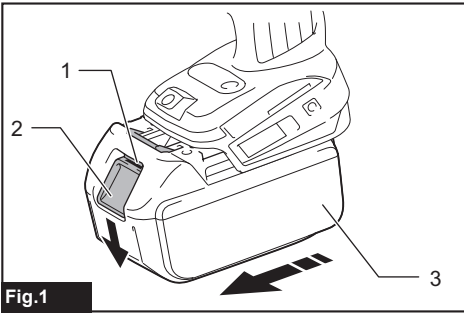


Fig.1

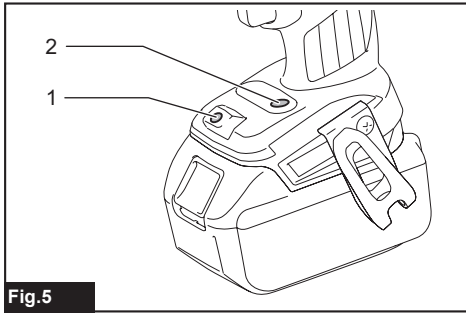


Fig.5

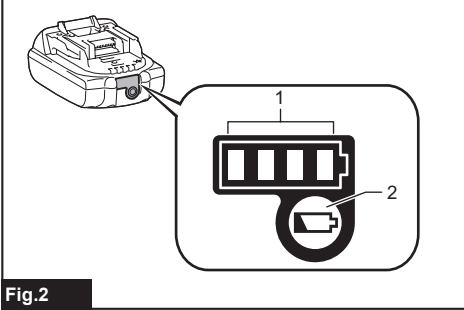


Fig.2

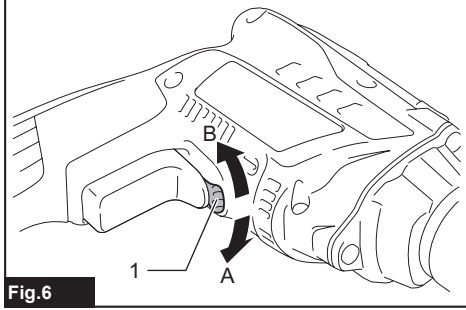


Fig.6

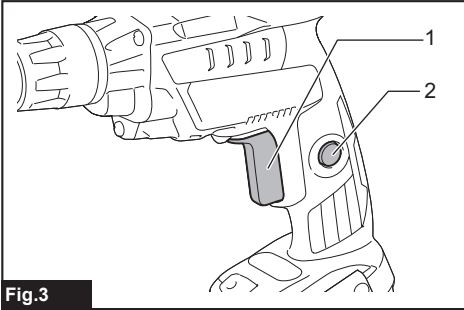


Fig.3

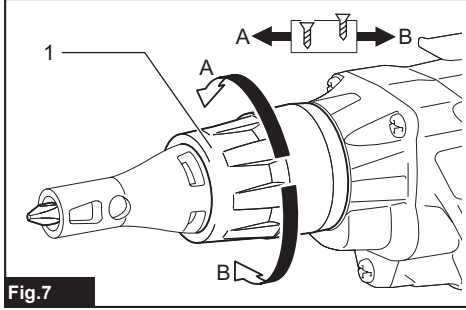


Fig.7

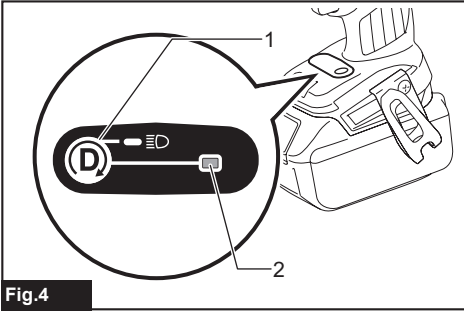


Fig.4

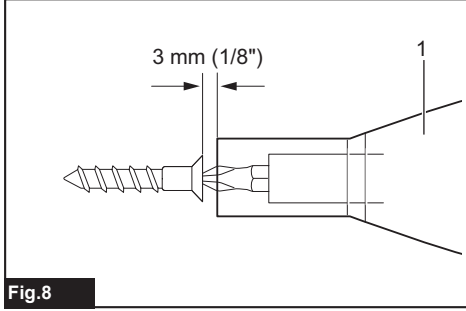


Fig.8

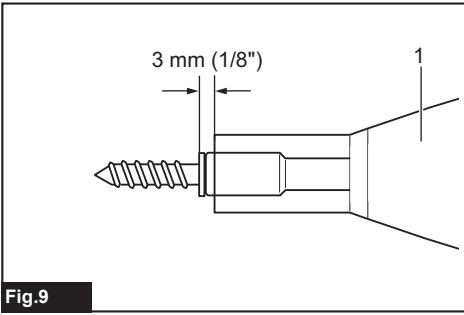


Fig.9

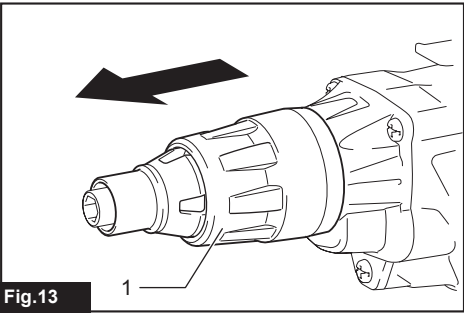


Fig.13

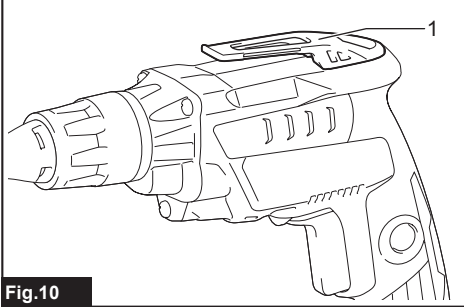


Fig.10

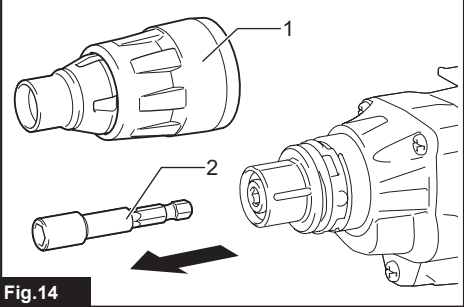


Fig.14

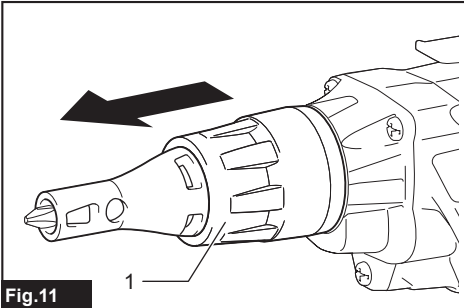


Fig.11

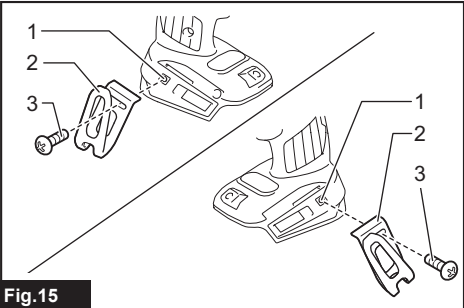


Fig.15

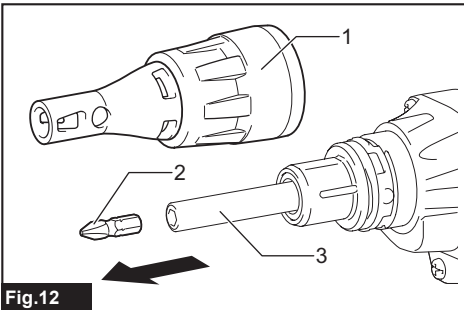


Fig.12

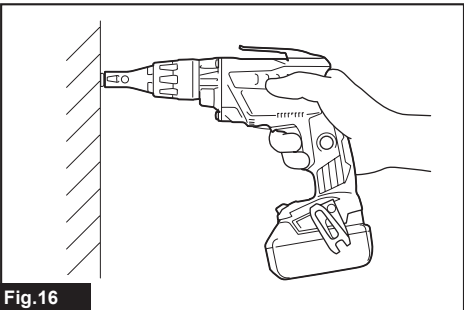


Fig.16

SPECIFICATIONS

Model:		DFS250		DFS251	
Fastening capacities	Self drilling screw	6 mm			
	Drywall screw	5 mm			
No load speed (RPM)		0 - 2,500 min ⁻¹			
Overall length	With short locator	223 mm	-		
	With long locator	239 mm	-		
Overall length		-		217 mm	
Rated voltage		D.C. 18 V			
Standard battery cartridge		BL1815 / BL1815N / BL1820 / BL1820B	BL1830 / BL1830B / BL1840 / BL1840B / BL1850 / BL1850B / BL1860B	BL1815 / BL1815N / BL1820 / BL1820B	BL1830 / BL1830B / BL1840 / BL1840B / BL1850 / BL1850B / BL1860B
Charger		DC18RC / DC18RD / DC18SE / DC18SF / DC18SD			
Net weight		1.6 kg	1.8 kg	1.5 kg	1.8 kg

- Due to our continuing program of research and development, the specifications herein are subject to change without notice.
- Specifications and battery cartridge may differ from country to country.
- Weight, with battery cartridge, according to EPTA-Procedure 01/2003

Intended use

The tool is intended for screw driving in wood, metal and plastic.

Noise

The typical A-weighted noise level determined according to EN62841:

Model DFS250

Sound pressure level (L_{pA}): 72 dB(A)

Uncertainty (K): 3 dB(A)

Model DFS251

Sound pressure level (L_{pA}): 72 dB(A)

Uncertainty (K): 3 dB(A)

The noise level under working may exceed 80 dB (A).

⚠ WARNING: Wear ear protection.

Vibration

The vibration total value (tri-axial vector sum) determined according to EN62841:

Model DFS250

Work mode: screwdriving without impact

Vibration emission (a_{hv}): 2.5 m/s² or less

Uncertainty (K): 1.5 m/s²

Model DFS251

Work mode: screwdriving without impact

Vibration emission (a_{hv}): 2.5 m/s² or less

Uncertainty (K): 1.5 m/s²

NOTE: The declared vibration emission value has been measured in accordance with the standard test method and may be used for comparing one tool with another.

NOTE: The declared vibration emission value may also be used in a preliminary assessment of exposure.

⚠ WARNING: The vibration emission during actual use of the power tool can differ from the declared emission value depending on the ways in which the tool is used.

⚠ WARNING: Be sure to identify safety measures to protect the operator that are based on an estimation of exposure in the actual conditions of use (taking account of all parts of the operating cycle such as the times when the tool is switched off and when it is running idle in addition to the trigger time).

EC Declaration of Conformity

For European countries only

The EC declaration of conformity is included as Annex A to this instruction manual.

SAFETY WARNINGS

General power tool safety warnings

⚠️WARNING: Read all safety warnings, instructions, illustrations and specifications provided with this power tool. Failure to follow all instructions listed below may result in electric shock, fire and/or serious injury.

Save all warnings and instructions for future reference.

The term "power tool" in the warnings refers to your mains-operated (corded) power tool or battery-operated (cordless) power tool.

Cordless screwdriver safety warnings

1. Hold the power tool by insulated gripping surfaces, when performing an operation where the fastener may contact hidden wiring. Fasteners contacting a "live" wire may make exposed metal parts of the power tool "live" and could give the operator an electric shock.
2. Always be sure you have a firm footing. Be sure no one is below when using the tool in high locations.
3. Hold the tool firmly.
4. Keep hands away from rotating parts.
5. Do not touch the bit or the workpiece immediately after operation; they may be extremely hot and could burn your skin.
6. Always secure workpiece in a vise or similar hold-down device.

SAVE THESE INSTRUCTIONS.

⚠️WARNING: DO NOT let comfort or familiarity with product (gained from repeated use) replace strict adherence to safety rules for the subject product.

MISUSE or failure to follow the safety rules stated in this instruction manual may cause serious personal injury.

Important safety instructions for battery cartridge

1. Before using battery cartridge, read all instructions and cautionary markings on (1) battery charger, (2) battery, and (3) product using battery.
2. Do not disassemble battery cartridge.
3. If operating time has become excessively shorter, stop operating immediately. It may result in a risk of overheating, possible burns and even an explosion.
4. If electrolyte gets into your eyes, rinse them out with clear water and seek medical attention right away. It may result in loss of your eyesight.

5. Do not short the battery cartridge:
 - (1) Do not touch the terminals with any conductive material.
 - (2) Avoid storing battery cartridge in a container with other metal objects such as nails, coins, etc.
 - (3) Do not expose battery cartridge to water or rain.

A battery short can cause a large current flow, overheating, possible burns and even a breakdown.
6. Do not store the tool and battery cartridge in locations where the temperature may reach or exceed 50 °C (122 °F).
7. Do not incinerate the battery cartridge even if it is severely damaged or is completely worn out. The battery cartridge can explode in a fire.
8. Be careful not to drop or strike battery.
9. Do not use a damaged battery.
10. The contained lithium-ion batteries are subject to the Dangerous Goods Legislation requirements.

For commercial transports e.g. by third parties, forwarding agents, special requirement on packaging and labeling must be observed. For preparation of the item being shipped, consulting an expert for hazardous material is required. Please also observe possibly more detailed national regulations.
Tape or mask off open contacts and pack up the battery in such a manner that it cannot move around in the packaging.
11. Follow your local regulations relating to disposal of battery.

SAVE THESE INSTRUCTIONS.

⚠️CAUTION: Only use genuine Makita batteries. Use of non-genuine Makita batteries, or batteries that have been altered, may result in the battery bursting causing fires, personal injury and damage. It will also void the Makita warranty for the Makita tool and charger.

Tips for maintaining maximum battery life

1. Charge the battery cartridge before completely discharged. Always stop tool operation and charge the battery cartridge when you notice less tool power.
2. Never recharge a fully charged battery cartridge. Overcharging shortens the battery service life.
3. Charge the battery cartridge with room temperature at 10 °C - 40 °C (50 °F - 104 °F). Let a hot battery cartridge cool down before charging it.
4. Charge the battery cartridge if you do not use it for a long period (more than six months).

FUNCTIONAL DESCRIPTION

CAUTION: Always be sure that the tool is switched off and the battery cartridge is removed before adjusting or checking function on the tool.

Installing or removing battery cartridge

CAUTION: Always switch off the tool before installing or removing of the battery cartridge.

CAUTION: Hold the tool and the battery cartridge firmly when installing or removing battery cartridge. Failure to hold the tool and the battery cartridge firmly may cause them to slip off your hands and result in damage to the tool and battery cartridge and a personal injury.

► Fig.1: 1. Red indicator 2. Button 3. Battery cartridge

To remove the battery cartridge, slide it from the tool while sliding the button on the front of the cartridge.

To install the battery cartridge, align the tongue on the battery cartridge with the groove in the housing and slip it into place. Insert it all the way until it locks in place with a little click. If you can see the red indicator on the upper side of the button, it is not locked completely.

CAUTION: Always install the battery cartridge fully until the red indicator cannot be seen. If not, it may accidentally fall out of the tool, causing injury to you or someone around you.

CAUTION: Do not install the battery cartridge forcibly. If the cartridge does not slide in easily, it is not being inserted correctly.

Indicating the remaining battery capacity

Only for battery cartridges with the indicator

► Fig.2: 1. Indicator lamps 2. Check button

Press the check button on the battery cartridge to indicate the remaining battery capacity. The indicator lamps light up for few seconds.

Indicator lamps			Remaining capacity
Lighted	Off	Blinking	
■	□	◐	75% to 100%
■ ■ ■ ■			
■ ■ ■	□		50% to 75%
■ ■	□ □		25% to 50%
■	□ □ □		0% to 25%
◐	□ □ □		Charge the battery.

Indicator lamps			Remaining capacity
Lighted	Off	Blinking	
■	□	◐	The battery may have malfunctioned.
■ ■ □ □	↑ ↓		
□ □	■ ■		

NOTE: Depending on the conditions of use and the ambient temperature, the indication may differ slightly from the actual capacity.

Tool / battery protection system

The tool is equipped with a tool/battery protection system. This system automatically cuts off power to the motor to extend tool and battery life. The tool will automatically stop during operation if the tool or battery is placed under one of the following conditions:

Overload protection

When the battery is operated in a manner that causes it to draw an abnormally high current, the tool automatically stops without any indication. In this situation, turn the tool off and stop the application that caused the tool to become overloaded. Then turn the tool on to restart.

Overheat protection

When the tool or battery is overheated, the tool stops automatically and the lamp blinks. In this case, let the tool and battery cool before turning the tool on again.

Overdischarge protection

When the battery capacity is not enough, the tool stops automatically. In this case, remove the battery from the tool and charge the battery.

Switch action

WARNING: Before installing the battery cartridge into the tool, always check to see that the switch trigger actuates properly and returns to the "OFF" position when released.

► Fig.3: 1. Switch trigger 2. Lock button

To start the tool, simply pull the switch trigger. Tool speed is increased by increasing pressure on the switch trigger. Release the switch trigger to stop.

For continuous operation, pull the switch trigger, push in the lock button and then release the switch trigger. To stop the tool from the locked position, pull the switch trigger fully, then release it.

CAUTION: Switch can be locked in "ON" position for ease of operator comfort during extended use. Apply caution when locking tool in "ON" position and maintain firm grasp on tool.

NOTE: Even with the switch on and motor running, the driver bit does not rotate. Push the tool forward to engage the clutch.

NOTE: The tool automatically stops if the motor keeps rotating for about 6 minutes.

Push drive mode

► **Fig.4:** 1. Button 2. Mode indicator

This tool has push drive mode. In this mode, the tool cuts off power to the motor to save the battery power at idle. To select push drive mode, pull the trigger slightly, then release it and quickly press the button. The mode indicator will then light up.

Once push drive is activated, pull the switch trigger and then push the lock button. Apply pressure to the driver bit and the motor will start rotating. Further pressure engages the clutch and the driver bit will start rotating. In push drive mode, the motor and the driver bit will only rotate by applying pressure.

NOTE: If the tool does not run for about 8 hours in push drive mode with the trigger locked on, tool is shutdown. In such a case, release and pull the trigger again for restarting.

Lighting up the front lamp

CAUTION: Do not look in the light or see the source of light directly.

► **Fig.5:** 1. Lamp 2. Button

To turn on the lamp, slightly pull the switch trigger, and then release it. The lamp goes out approximately 10 seconds after releasing the switch trigger.

To keep turning off the light, slightly pull the switch trigger, then release it, and then press the button for a few seconds. To turn on the light, perform the same operation again.

In push drive mode with the switch trigger locked, the lamp goes out approximately one minute after the motor stops.

NOTE: While pulling the switch trigger, the lamp status cannot be changed.

NOTE: For approximately 10 seconds after releasing the switch trigger, the lamp status can be changed.

NOTE: Use a dry cloth to wipe the dirt off the lens of the lamp. Be careful not to scratch the lens of lamp, or it may lower the illumination.

Reversing switch action

► **Fig.6:** 1. Reversing switch lever

CAUTION: Always check the direction of rotation before operation.

CAUTION: Use the reversing switch only after the tool comes to a complete stop. Changing the direction of rotation before the tool stops may damage the tool.

CAUTION: When not operating the tool, always set the reversing switch lever to the neutral position.

This tool has a reversing switch to change the direction of rotation. Move the reversing switch lever to the position ⇐ (A side) for clockwise rotation or to the position ⇒ (B side) for counterclockwise rotation. When the reversing switch lever is in the neutral position, the switch trigger cannot be pulled.

Depth adjustment

► **Fig.7:** 1. Locator

The depth can be adjusted by turning the locator. Turn it in "B" direction for less depth and in "A" direction for more depth. One full turn of the locator equals 2 mm (1/16") change in depth.

For DFS250

► **Fig.8:** 1. Locator

For DFS251

► **Fig.9:** 1. Locator

Adjust the locator so that the distance between the tip of the locator and the screw head is approximately 3 mm (1/8") as shown in the figures. Drive a trial screw into your material or a piece of duplicate material. If the depth is still not suitable for the screw, continue adjusting until you obtain the proper depth setting.

Hook

CAUTION: Always remove the battery when hanging the tool with the hook.

CAUTION: Never hook the tool at high location or on potentially unstable surface.

► **Fig.10:** 1. Hook

The hook is convenient for temporarily hanging the tool.

ASSEMBLY

CAUTION: Always be sure that the tool is switched off and the battery cartridge is removed before carrying out any work on the tool.

Installing or removing driver bit/ socket bit

For DFS250

► **Fig.11:** 1. Locator

► **Fig.12:** 1. Locator 2. Driver bit 3. Magnetic bit holder

To remove the driver bit, pull the locator, and then grasp the bit with a pair of pliers and pull the bit out of the magnetic bit holder. To install the driver bit, push it firmly into the magnetic bit holder. Then install the locator by pushing it firmly back.

For DFS251

► Fig.13: 1. Locator

► Fig.14: 1. Locator 2. Socket bit

To remove the socket bit, pull the locator, and then pull the socket bit. To install the socket bit, push it firmly into the sleeve. Then install the locator by pushing it firmly back.

Hook

► Fig.15: 1. Groove 2. Hook 3. Screw

The hook is convenient for temporarily hanging the tool. This can be installed on either side of the tool.

To install the hook, insert it into a groove in the tool housing on either side and then secure it with a screw.

To remove, loosen the screw and then take it out.

OPERATION

Screwdriving operation

► Fig.16

Fit the screw on the point of the bit and place the point of the screw on the surface of the workpiece to be fastened. Apply pressure to the tool and start it. Withdraw the tool as soon as the clutch cuts in. Then release the switch trigger.

CAUTION: When fitting the screw onto the point of the bit, be careful not to push in on the screw. If the screw is pushed in, the clutch will engage and the screw will rotate suddenly. This could damage a workpiece or cause an injury.

CAUTION: Make sure that the bit is inserted straight in the screw head, or the screw and/or bit may be damaged.

MAINTENANCE

CAUTION: Always be sure that the tool is switched off and the battery cartridge is removed before attempting to perform inspection or maintenance.

NOTICE: Never use gasoline, benzine, thinner, alcohol or the like. Discoloration, deformation or cracks may result.

To maintain product SAFETY and RELIABILITY, repairs, any other maintenance or adjustment should be performed by Makita Authorized or Factory Service Centers, always using Makita replacement parts.

OPTIONAL ACCESSORIES

CAUTION: These accessories or attachments are recommended for use with your Makita tool specified in this manual. The use of any other accessories or attachments might present a risk of injury to persons. Only use accessory or attachment for its stated purpose.

If you need any assistance for more details regarding these accessories, ask your local Makita Service Center.

- Driver bits
- Magnetic bit holder
- Socket bits
- Makita genuine battery and charger
- Plastic carrying case

NOTE: Some items in the list may be included in the tool package as standard accessories. They may differ from country to country.

SPÉCIFICATIONS

Modèle :		DFS250		DFS251	
Capacités de serrage	Vis autoforante	6 mm			
	Vis à cloison sèche	5 mm			
Vitesse à vide (tr/min)		0 à 2 500 min ⁻¹			
Longueur totale	Avec positionneur court	223 mm	-		
	Avec positionneur long	239 mm	-		
Longueur totale		-	217 mm		
Tension nominale		18 V CC			
Batterie standard		BL1815 / BL1815N / BL1820 / BL1820B	BL1830 / BL1830B / BL1840 / BL1840B / BL1850 / BL1850B / BL1860B	BL1815 / BL1815N / BL1820 / BL1820B	BL1830 / BL1830B / BL1840 / BL1840B / BL1850 / BL1850B / BL1860B
Chargeur		DC18RC / DC18RD / DC18SE / DC18SF / DC18SD			
Poids net		1,6 kg	1,8 kg	1,5 kg	1,8 kg

- Étant donné l'évolution constante de notre programme de recherche et de développement, les spécifications contenues dans ce manuel sont sujettes à modification sans préavis.
- Les spécifications et la batterie peuvent être différentes suivant les pays.
- Poids, avec la batterie, conformément à la procédure EPTA-01/2003

Utilisations

L'outil est conçu pour serrer des vis dans le bois, le métal et le plastique.

Bruit

Niveau de bruit pondéré A typique, déterminé selon EN62841 :

Modèle DFS250

Niveau de pression sonore (L_{pA}) : 72 dB (A)

Incertitude (K) : 3 dB (A)

Modèle DFS251

Niveau de pression sonore (L_{pA}) : 72 dB (A)

Incertitude (K) : 3 dB (A)

Le niveau de bruit en fonctionnement peut dépasser 80 dB (A).

AVERTISSEMENT : Portez un serre-tête antibruit.

Vibrations

Valeur totale de vibrations (somme de vecteur triaxial) déterminée selon EN62841 :

Modèle DFS250

Mode de travail : vissage sans impact

Émission de vibrations (a_{h1}) : 2,5 m/s² ou moins

Incertitude (K) : 1,5 m/s²

Modèle DFS251

Mode de travail : vissage sans impact

Émission de vibrations (a_{h1}) : 2,5 m/s² ou moins

Incertitude (K) : 1,5 m/s²

NOTE : La valeur d'émission de vibrations déclarée a été mesurée conformément à la méthode de test standard et peut être utilisée pour comparer les outils entre eux.

NOTE : La valeur d'émission de vibrations déclarée peut aussi être utilisée pour l'évaluation préliminaire de l'exposition.

AVERTISSEMENT : L'émission de vibrations lors de l'usage réel de l'outil électrique peut être différente de la valeur d'émission déclarée, suivant la façon dont l'outil est utilisé.

AVERTISSEMENT : Les mesures de sécurité à prendre pour protéger l'utilisateur doivent être basées sur une estimation de l'exposition dans des conditions réelles d'utilisation (en tenant compte de toutes les composantes du cycle d'utilisation, comme par exemple le moment de sa mise hors tension, lorsqu'il tourne à vide et le moment de son déclenchement).

Déclaration de conformité CE

Pour les pays européens uniquement

La déclaration de conformité CE est fournie en Annexe A à ce mode d'emploi.

CONSIGNES DE SÉCURITÉ

Consignes de sécurité générales pour outils électriques

⚠️ AVERTISSEMENT : Veuillez lire les consignes de sécurité, instructions, illustrations et spécifications qui accompagnent cet outil électrique. Le non-respect de toutes les instructions indiquées ci-dessous peut entraîner une électrocution, un incendie et/ou de graves blessures.

Conservez toutes les mises en garde et instructions pour référence ultérieure.

Le terme « outil électrique » dans les avertissements fait référence à l'outil électrique alimenté par le secteur (avec cordon d'alimentation) ou à l'outil électrique fonctionnant sur batterie (sans cordon d'alimentation).

Consignes de sécurité pour visseuse sans fil

1. **Tenez l'outil électrique par des surfaces de prise isolées lorsque vous effectuez une tâche au cours de laquelle l'élément de fixation peut entrer en contact avec des fils cachés.** Le contact des éléments de fixation avec un fil sous tension peut transmettre du courant dans les pièces métalliques exposées de l'outil électrique et électrocuter l'opérateur.
2. **Assurez-vous toujours d'avoir une bonne assise.** Veillez à ce que personne ne se trouve en dessous de vous quand vous utilisez l'outil en hauteur.
3. **Tenez l'outil fermement.**
4. **Gardez vos mains à l'écart des pièces en rotation.**
5. **Ne touchez pas l'embout ou la pièce immédiatement après l'exécution du travail ; ils peuvent être extrêmement chauds et vous brûler la peau.**
6. **Immobilisez toujours la pièce dans un étau ou un dispositif de retenue similaire.**

CONSERVEZ CES INSTRUCTIONS.

⚠️ AVERTISSEMENT : NE vous laissez PAS tromper (au fil d'une utilisation répétée) par un sentiment d'aisance et de familiarité avec le produit, en négligeant le respect rigoureux des consignes de sécurité qui accompagnent le produit en question.

La MAUVAISE UTILISATION de l'outil ou l'ignorance des consignes de sécurité indiquées dans ce mode d'emploi peut entraîner de graves blessures.

Consignes de sécurité importantes pour la batterie

1. **Avant d'utiliser la batterie, lisez toutes les instructions et précautions relatives (1) au chargeur de batterie, (2) à la batterie, et (3) au produit utilisant la batterie.**
2. **Ne démontez pas la batterie.**
3. **Cessez immédiatement l'utilisation si le temps de fonctionnement devient excessivement court. Il y a risque de surchauffe, de brûlures, voire d'explosion.**
4. **Si l'électrolyte pénètre dans vos yeux, rincez-les à l'eau claire et consultez immédiatement un médecin. Il y a risque de perte de la vue.**
5. **Ne court-circuitez pas la batterie :**
 - (1) **Ne touchez les bornes avec aucun matériau conducteur.**
 - (2) **Évitez de ranger la batterie dans un conteneur avec d'autres objets métalliques, par exemple des clous, des pièces de monnaie, etc.**
 - (3) **N'exposez pas la batterie à l'eau ou à la pluie.**

Un court-circuit de la batterie peut provoquer une intensité de courant élevée, une surchauffe, parfois des brûlures et même une panne.

6. **Ne rangez pas l'outil et la batterie dans un endroit où la température risque d'atteindre ou de dépasser 50 °C.**
7. **Ne jetez pas la batterie au feu même si elle est sérieusement endommagée ou complètement épuisée. La batterie peut exploser au contact du feu.**
8. **Évitez de laisser tomber ou de cogner la batterie.**
9. **N'utilisez pas la batterie si elle est endommagée.**
10. **Les batteries au lithium-ion contenues sont soumises aux exigences de la législation sur les marchandises dangereuses.**

Lors du transport commercial par des tierces parties ou des transitaires par exemple, des exigences spécifiques en matière d'étiquetage et d'emballage doivent être respectées. Pour la préparation de l'article expédié, il est nécessaire de consulter un expert en matériau dangereux. Veuillez également respecter les réglementations nationales susceptibles d'être plus détaillées.

Recouvrez les contacts exposés avec du ruban adhésif ou du ruban de masquage et emballez la batterie de telle sorte qu'elle ne puisse pas bouger dans l'emballage.
11. **Suivez les réglementations locales en matière de mise au rebut des batteries.**

CONSERVEZ CES INSTRUCTIONS.

⚠️ ATTENTION : N'utilisez que des batteries **Makita d'origine**. L'utilisation de batteries de marque autre que Makita ou de batteries modifiées peut provoquer l'explosion des batteries, ce qui présente un risque d'incendie, de dommages matériels et corporels. Cela annulera également la garantie Makita pour l'outil et le chargeur Makita.

Conseils pour assurer la durée de vie optimale de la batterie

1. Chargez la batterie avant qu'elle ne soit complètement déchargée. Arrêtez toujours l'outil et rechargez la batterie quand vous remarquez que la puissance de l'outil diminue.
2. Ne rechargez jamais une batterie complètement chargée. La surcharge réduit la durée de service de la batterie.
3. Chargez la batterie à une température ambiante comprise entre 10 °C et 40 °C. Avant de charger une batterie chaude, laissez-la refroidir.
4. Rechargez la batterie si elle est restée inutilisée pendant une période prolongée (plus de six mois).

DESCRIPTION DU FONCTIONNEMENT

⚠ ATTENTION : Assurez-vous toujours que l'outil est hors tension et que sa batterie est retirée avant de l'ajuster ou de vérifier son fonctionnement.

Insertion ou retrait de la batterie

⚠ ATTENTION : Éteignez toujours l'outil avant de mettre en place ou de retirer la batterie.

⚠ ATTENTION : Tenez fermement l'outil et la batterie lors de la mise en place ou du retrait de la batterie. Si vous ne tenez pas fermement l'outil et la batterie, ils peuvent vous glisser des mains, et s'abîmer ou vous blesser.

► Fig.1: 1. Voyant rouge 2. Bouton 3. Batterie

Pour retirer la batterie, faites-la glisser hors de l'outil tout en faisant glisser le bouton à l'avant de la batterie.

Pour mettre en place la batterie, alignez la languette sur la batterie avec la rainure sur le compartiment et insérez-la. Insérez-la à fond jusqu'à ce qu'un léger déclic se fasse entendre. Si le voyant rouge sur le dessus du bouton est visible, cela signifie qu'elle n'est pas bien verrouillée.

⚠ ATTENTION : Insérez toujours complètement la batterie jusqu'à ce que le voyant rouge ne soit plus visible. Sinon, elle pourrait tomber accidentellement de l'outil, au risque de vous blesser ou de blesser quelqu'un se trouvant près de vous.

⚠ ATTENTION : N'insérez pas la batterie de force. Si elle ne glisse pas facilement, c'est que vous ne l'insérez pas correctement.

Indication de la charge restante de la batterie

Uniquement pour les batteries avec voyant lumineux

► Fig.2: 1. Témoins 2. Bouton de vérification

Appuyez sur le bouton de vérification sur la batterie pour indiquer la charge restante de la batterie. Les témoins s'allument pendant quelques secondes.

Témoins			Charge restante
Allumé	Éteint	Clignotant	
■ ■ ■ ■			75 % à 100 %
■ ■ ■ □			50 % à 75 %
■ ■ □ □			25 % à 50 %
■ □ □ □			0 % à 25 %
◐ □ □ □			Chargez la batterie.
■ ■ □ □			Anomalie possible de la batterie.
□ □ ■ ■			

NOTE : Selon les conditions d'utilisation et la température ambiante, l'indication peut être légèrement différente de la capacité réelle.

Système de protection de l'outil/la batterie

L'outil est équipé d'un système de protection de l'outil/la batterie. Ce système coupe automatiquement l'alimentation vers le moteur pour prolonger la durée de vie de l'outil et de la batterie. Si l'outil ou la batterie se trouve dans l'une des situations suivantes, l'outil cessera automatiquement de fonctionner.

Protection contre la surcharge

Lorsque la batterie est utilisée d'une manière provoquant un appel de courant anormalement élevé, l'outil s'arrête automatiquement sans indication. Dans ce cas, éteignez l'outil et arrêtez la tâche ayant provoqué la surcharge de l'outil. Puis rallumez l'outil pour reprendre la tâche.

Protection contre la surchauffe

En cas de surchauffe de l'outil ou de la batterie, l'outil s'arrête automatiquement et la lampe clignote. Dans ce cas, laissez l'outil et la batterie refroidir avant de rallumer l'outil.

Protection contre la décharge totale de la batterie

Lorsque la charge de la batterie est insuffisante, l'outil s'arrête automatiquement. Dans ce cas, retirez la batterie de l'outil et chargez-la.

Fonctionnement de la gâchette

⚠ AVERTISSEMENT : Avant d'insérer la batterie dans l'outil, vérifiez toujours que la gâchette fonctionne bien et revient en position d'arrêt lorsque vous la relâchez.

► Fig.3: 1. Gâchette 2. Bouton de sécurité

Il suffit d'enclencher la gâchette pour démarrer l'outil. La vitesse de l'outil augmente à mesure que l'on accroît la pression exercée sur la gâchette. Pour l'arrêter, relâchez la gâchette.

Pour un fonctionnement continu, enclenchez la gâchette et poussez le bouton de verrouillage, puis relâchez la gâchette. Pour arrêter l'outil sur la position verrouillée, enclenchez à fond la gâchette puis relâchez-la.

⚠ ATTENTION : L'interrupteur peut être verrouillé sur la position « Marche » pour améliorer le confort de l'utilisateur pendant une utilisation prolongée. Soyez prudent lorsque vous verrouillez l'outil sur la position « Marche » et tenez-le fermement.

NOTE : Même si l'interrupteur est placé sur marche et que le moteur tourne, l'embout de vissage ne tourne pas. Poussez l'outil vers l'avant pour engager l'embrayage.

NOTE : L'outil s'arrête automatiquement si le moteur continue de tourner pendant 6 minutes environ.

Mode d'entraînement par pression

► Fig.4: 1. Bouton 2. Témoin de mode

Cet outil comporte un mode d'entraînement par pression. Dans ce mode, l'outil coupe l'alimentation vers le moteur pour économiser la batterie au ralenti.

Pour sélectionner le mode d'entraînement par pression, enclenchez légèrement la gâchette, puis relâchez-la et appuyez rapidement sur le bouton. Le témoin de mode s'allume alors.

Une fois l'entraînement par pression activé, enclenchez la gâchette, puis appuyez sur le bouton de verrouillage. Exercez une pression sur l'embout de vissage et le moteur commence à tourner. Une pression supplémentaire engage l'embrayage et l'embout de vissage commence à tourner. En mode d'entraînement par pression, le moteur et l'embout de vissage ne tournent que si une pression est exercée.

NOTE : Si l'outil ne fonctionne pas pendant 8 heures environ en mode d'entraînement par pression avec la gâchette verrouillée, l'outil est mis hors tension. Dans ce cas, relâchez la gâchette et enclenchez-la à nouveau pour redémarrer.

Allumage de la lampe avant

⚠ ATTENTION : Évitez de regarder directement le faisceau lumineux ou sa source.

► Fig.5: 1. Lampe 2. Bouton

Pour allumer la lampe, enclenchez légèrement la gâchette, puis relâchez-la. La lampe s'éteint environ 10 secondes après avoir relâché la gâchette.

Pour maintenir la lampe éteinte, enclenchez légèrement la gâchette, puis relâchez-la, et ensuite appuyez sur le bouton pendant quelques secondes. Pour rallumer la lampe, répétez la même opération.

En mode d'entraînement par pression avec la gâchette verrouillée, la lampe s'éteint environ une minute après l'arrêt du moteur.

NOTE : Il n'est pas possible d'activer ou de désactiver la lampe pendant que la gâchette est enclenchée.

NOTE : Il est possible d'activer ou de désactiver la lampe pendant environ 10 secondes après avoir relâché la gâchette.

NOTE : Retirez la saleté sur la lentille de la lampe avec un chiffon sec. Prenez soin de ne pas érafler la lentille de la lampe sous peine de diminuer son éclairage.

Fonctionnement de l'inverseur

► Fig.6: 1. Levier de l'inverseur

⚠ ATTENTION : Vérifiez toujours le sens de rotation avant d'utiliser l'outil.

⚠ ATTENTION : N'utilisez l'inverseur qu'une fois que l'outil est complètement arrêté. Si vous changez le sens de rotation avant l'arrêt de l'outil, vous risquez de l'endommager.

⚠ ATTENTION : Lorsque vous n'utilisez pas l'outil, placez toujours le levier de l'inverseur en position neutre.

Cet outil est équipé d'un inverseur permettant de modifier le sens de la rotation. Placez le levier de l'inverseur sur la position \leftarrow (côté A) pour une rotation dans le sens des aiguilles d'une montre ou sur la position \rightarrow (côté B) pour une rotation dans le sens inverse des aiguilles d'une montre.

La gâchette ne peut pas être enclenchée si le levier de l'inverseur se trouve en position neutre.

Réglage de la profondeur

► Fig.7: 1. Positionneur

La profondeur peut être réglée en tournant le positionneur. Tournez-le dans le sens « B » pour réduire la profondeur et dans le sens « A » pour l'augmenter. Une rotation complète du positionneur correspond à une modification de 2 mm de la profondeur.

Pour le DFS250

► Fig.8: 1. Positionneur

Pour le DFS251

► Fig.9: 1. Positionneur

Réglez le positionneur de sorte que la distance entre le bout du positionneur et la tête de la vis soit d'environ 3 mm, comme illustré sur les figures. Serrez une vis d'essai dans votre matériau ou dans une pièce du même matériau. Si la profondeur n'est toujours pas adéquate pour la vis, poursuivez le réglage jusqu'à ce que vous obteniez la profondeur appropriée.

Crochet

⚠ ATTENTION : Retirez toujours la batterie lorsque l'outil est suspendu par son crochet.

⚠ ATTENTION : N'accrochez jamais l'outil à un endroit élevé ou potentiellement instable.

► **Fig.10:** 1. Crochet

Le crochet est pratique pour suspendre provisoirement l'outil.

ASSEMBLAGE

⚠ ATTENTION : Assurez-vous toujours que l'outil est hors tension et que sa batterie est retirée avant d'effectuer toute tâche dessus.

Installation ou retrait de l'embout de vissage/embout à douille

Pour le DFS250

► **Fig.11:** 1. Positionneur

► **Fig.12:** 1. Positionneur 2. Embout de vissage 3. Porte-embout magnétique

Pour retirer l'embout de vissage, tirez sur le positionneur, puis saisissez l'embout avec une pince et retirez-le du porte-embout magnétique. Pour installer l'embout de vissage, poussez-le fermement dans le porte-embout magnétique. Installez ensuite le positionneur en le poussant fermement pour le remettre en place.

Pour le DFS251

► **Fig.13:** 1. Positionneur

► **Fig.14:** 1. Positionneur 2. Embout à douille

Pour retirer l'embout à douille, tirez sur le positionneur, puis tirez sur l'embout à douille. Pour installer l'embout à douille, poussez-le fermement dans le manchon. Installez ensuite le positionneur en le poussant fermement pour le remettre en place.

Crochet

► **Fig.15:** 1. Rainure 2. Crochet 3. Vis

Le crochet est pratique pour suspendre provisoirement l'outil. Il s'installe d'un côté comme de l'autre de l'outil. Pour installer le crochet, insérez-le dans une rainure du carter de l'outil sur l'un des deux côtés, puis fixez-le avec une vis. Pour le retirer, desserrez la vis et enlevez-le.

UTILISATION

Vissage

► **Fig.16**

Mettez la vis en place sur l'extrémité de l'embout et placez la pointe de la vis sur la surface de la pièce à visser. Exercez une pression sur l'outil et mettez-le en marche. Retirez l'outil aussitôt que l'embrayage s'active. Puis relâchez la gâchette.

⚠ ATTENTION : Lorsque vous mettez la vis en place sur l'extrémité de l'embout, faites attention de ne pas pousser sur la vis. Si la vis est poussée, l'embrayage s'engagera et la vis se mettra soudainement à tourner. Vous risquez alors d'endommager la pièce ou de vous blesser.

⚠ ATTENTION : Assurez-vous que l'embout est inséré bien droit dans la tête de vis sous peine d'endommager la vis et/ou l'embout.

ENTRETIEN

⚠ ATTENTION : Assurez-vous toujours que l'outil est hors tension et que la batterie est retirée avant d'effectuer tout travail d'inspection ou d'entretien.

REMARQUE : N'utilisez jamais d'essence, benzène, diluant, alcool ou autre produit similaire. Cela risquerait de provoquer la décoloration, la déformation ou la fissuration de l'outil.

Pour assurer la SÉCURITÉ et la FIABILITÉ du produit, toute réparation, tout travail d'entretien ou de réglage doivent être effectués par un centre d'entretien Makita agréé, avec des pièces de rechange Makita.

ACCESSOIRES EN OPTION

⚠ ATTENTION : Ces accessoires ou pièces complémentaires sont recommandés pour l'utilisation avec l'outil Makita spécifié dans ce mode d'emploi. L'utilisation de tout autre accessoire ou pièce complémentaire peut comporter un risque de blessure. N'utilisez les accessoires ou pièces complémentaires qu'aux fins auxquelles ils ont été conçus.

Pour obtenir plus de détails sur ces accessoires, contactez votre centre d'entretien local Makita.

- Embouts de vissage
- Porte-embout magnétique
- Embouts à douille
- Batterie et chargeur Makita d'origine
- Étui de transport en plastique

NOTE : Il se peut que certains éléments de la liste soient compris dans l'emballage de l'outil en tant qu'accessoires standard. Ils peuvent varier d'un pays à l'autre.

TECHNISCHE DATEN

Modell:		DFS250		DFS251	
Anzugskapazitäten	Bohrschraube	6 mm			
	Gipskartonplatten-schraube	5 mm			
Leerlaufdrehzahl (U/min)		0 - 2.500 min ⁻¹			
Gesamtlänge	Mit kurzem Zentrierring	223 mm		-	
	Mit langem Zentrierring	239 mm		-	
Gesamtlänge		-		217 mm	
Nennspannung		18 V Gleichstrom			
Standard-Akku		BL1815 / BL1815N / BL1820 / BL1820B	BL1830 / BL1830B / BL1840 / BL1840B / BL1850 / BL1850B / BL1860B	BL1815 / BL1815N / BL1820 / BL1820B	BL1830 / BL1830B / BL1840 / BL1840B / BL1850 / BL1850B / BL1860B
Ladegerät		DC18RC / DC18RD / DC18SE / DC18SF / DC18SD			
Nettogewicht		1,6 kg	1,8 kg	1,5 kg	1,8 kg

- Wir behalten uns vor, Änderungen der technischen Daten im Zuge der Entwicklung und des technischen Fortschritts ohne vorherige Ankündigung vorzunehmen.
- Die technischen Daten und der Akku können von Land zu Land unterschiedlich sein.
- Gewicht mit Akku nach EPTA-Verfahren 01/2003

Vorgesehene Verwendung

Das Werkzeug ist für das Eindrehen von Schrauben in Holz, Metall und Kunststoff vorgesehen.

Geräusch

Typischer A-bewerteter Geräuschpegel ermittelt gemäß EN62841:

Modell DFS250

Schalldruckpegel (L_{pA}): 72 dB (A)
Messunsicherheit (K): 3 dB (A)

Modell DFS251

Schalldruckpegel (L_{pA}): 72 dB (A)
Messunsicherheit (K): 3 dB (A)

Der Geräuschpegel kann während des Betriebs 80 dB (A) überschreiten.

⚠️ WARNUNG: Einen Gehörschutz tragen.

Schwingungen

Schwingungsgesamtwert (Drei-Achsen-Vektorsumme) ermittelt gemäß EN62841:

Modell DFS250

Arbeitsmodus: Schraubbetrieb ohne Schlag
Schwingungsemission (a_n): 2,5 m/s² oder weniger
Messunsicherheit (K): 1,5 m/s²

Modell DFS251

Arbeitsmodus: Schraubbetrieb ohne Schlag
Schwingungsemission (a_n): 2,5 m/s² oder weniger
Messunsicherheit (K): 1,5 m/s²

HINWEIS: Der angegebene Schwingungsemissionswert wurde im Einklang mit der Standardprüfmethode gemessen und kann für den Vergleich zwischen Werkzeugen herangezogen werden.

HINWEIS: Der angegebene Schwingungsemissionswert kann auch für eine Vorbewertung des Gefährdungsgrads verwendet werden.

⚠️ WARNUNG: Die Schwingungsemission während der tatsächlichen Benutzung des Elektrowerkzeugs kann je nach der Benutzungsweise des Werkzeugs vom angegebenen Emissionswert abweichen.

⚠️ WARNUNG: Identifizieren Sie Sicherheitsmaßnahmen zum Schutz des Benutzers anhand einer Schätzung des Gefährdungsgrads unter den tatsächlichen Benutzungsbedingungen (unter Berücksichtigung aller Phasen des Arbeitszyklus, wie z. B. Ausschalt- und Leerlaufzeiten des Werkzeugs zusätzlich zur Betriebszeit).

EG-Konformitätserklärung

Nur für europäische Länder

Die EG-Konformitätserklärung ist als Anhang A in dieser Bedienungsanleitung enthalten.

SICHERHEITSWARNUNGEN

Allgemeine Sicherheitswarnungen für Elektrowerkzeuge

⚠️ WARNUNG: Lesen Sie alle mit diesem Elektrowerkzeug gelieferten Sicherheitswarnungen, Anweisungen, Abbildungen und technischen Daten durch. Eine Missachtung der unten aufgeführten Anweisungen kann zu einem elektrischen Schlag, Brand und/oder schweren Verletzungen führen.

Bewahren Sie alle Warnungen und Anweisungen für spätere Bezugnahme auf.

Der Ausdruck „Elektrowerkzeug“ in den Warnhinweisen bezieht sich auf Ihr mit Netzstrom (mit Kabel) oder Akku (ohne Kabel) betriebenes Elektrowerkzeug.

Sicherheitswarnungen für Akku-Schrauber

1. Halten Sie das Elektrowerkzeug nur an den isolierten Griffflächen, wenn Sie Arbeiten ausführen, bei denen die Gefahr besteht, dass das Befestigungselement verborgene Kabel kontaktiert. Bei Kontakt mit einem Strom führenden Kabel können die freiliegenden Metallteile des Elektrowerkzeugs ebenfalls Strom führend werden, so dass der Benutzer einen elektrischen Schlag erleiden kann.
2. Achten Sie stets auf sicheren Stand. Vergewissern Sie sich bei Einsatz des Werkzeugs an hochgelegenen Arbeitsplätzen, dass sich keine Personen darunter aufhalten.
3. Halten Sie das Werkzeug mit festem Griff.
4. Halten Sie Ihre Hände von rotierenden Teilen fern.
5. Vermeiden Sie eine Berührung des Einsatzes oder des Werkstücks unmittelbar nach der Bearbeitung, weil die Teile noch sehr heiß sind und Hautverbrennungen verursachen können.
6. Spannen Sie Werkstücke stets in einen Schraubstock oder eine ähnliche Aufspannvorrichtung ein.

DIESE ANWEISUNGEN AUFBEWAHREN.

⚠️ WARNUNG: Lassen Sie sich NICHT durch Bequemlichkeit oder Vertrautheit mit dem Produkt (durch wiederholten Gebrauch erworben) von der strikten Einhaltung der Sicherheitsregeln für das vorliegende Produkt abhalten.

MISSBRAUCH oder Missachtung der Sicherheitsvorschriften in dieser Anleitung können schwere Verletzungen verursachen.

Wichtige Sicherheitsanweisungen für Akku

1. Lesen Sie vor der Benutzung des Akkus alle Anweisungen und Warnhinweise, die an (1) Ladegerät, (2) Akku und (3) Akkuwerkzeug angebracht sind.
2. Unterlassen Sie ein Zerlegen des Akkus.
3. Falls die Betriebszeit beträchtlich kürzer geworden ist, stellen Sie den Betrieb sofort ein. Anderenfalls besteht die Gefahr von Überhitzung, möglichen Verbrennungen und sogar einer Explosion.
4. Falls Elektrolyt in Ihre Augen gelangt, waschen Sie sie mit sauberem Wasser aus, und begeben Sie sich unverzüglich in ärztliche Behandlung. Anderenfalls können Sie Ihre Sehkraft verlieren.
5. Der Akku darf nicht kurzgeschlossen werden:
 - (1) Die Kontakte dürfen nicht mit leitfähigem Material berührt werden.
 - (2) Lagern Sie den Akku nicht in einem Behälter zusammen mit anderen Metallgegenständen, wie z. B. Nägel, Münzen usw.
 - (3) Setzen Sie den Akku weder Wasser noch Regen aus.

Ein Kurzschluss des Akkus verursacht starken Stromfluss, der Überhitzung, mögliche Verbrennungen und einen Defekt zur Folge haben kann.

6. Lagern Sie das Werkzeug und den Akku nicht an Orten, an denen die Temperatur 50 °C erreichen oder überschreiten kann.
7. Versuchen Sie niemals, den Akku zu verbrennen, selbst wenn er stark beschädigt oder vollkommen verbraucht ist. Der Akku kann im Feuer explodieren.
8. Achten Sie darauf, dass der Akku nicht fallen gelassen oder Stößen ausgesetzt wird.
9. Benutzen Sie keine beschädigten Akkus.
10. Die enthaltenen Lithium-Ionen-Akkus unterliegen den Anforderungen der Gefahrgut-Gesetzgebung. Für kommerzielle Transporte, z. B. durch Dritte oder Spediteure, müssen besondere Anforderungen zu Verpackung und Etikettierung beachtet werden. Zur Vorbereitung des zu transportierenden Artikels ist eine Beratung durch einen Experten für Gefahrgut erforderlich. Bitte beachten Sie möglicherweise ausführlichere nationale Vorschriften. Überkleben oder verdecken Sie offene Kontakte, und verpacken Sie den Akku so, dass er sich in der Verpackung nicht umher bewegen kann.
11. Befolgen Sie die örtlichen Bestimmungen bezüglich der Entsorgung von Akkus.

DIESE ANWEISUNGEN AUFBEWAHREN.

⚠️ VORSICHT: Verwenden Sie nur Original-Makita-Akkus. Die Verwendung von Nicht-Original-Makita-Akkus oder von Akkus, die abgeändert worden sind, kann zum Bersten des Akkus und daraus resultierenden Bränden, Personenschäden und Beschädigung führen. Außerdem wird dadurch die Makita-Garantie für das Makita-Werkzeug und -Ladegerät ungültig.

Hinweise zur Aufrechterhaltung der maximalen Akku-Nutzungsdauer

1. Laden Sie den Akku, bevor er vollkommen erschöpft ist. Schalten Sie das Werkzeug stets aus, und laden Sie den Akku, wenn Sie ein Nachlassen der Werkzeugleistung feststellen.
2. Unterlassen Sie erneutes Laden eines voll aufgeladenen Akkus. Überladen führt zu einer Verkürzung der Nutzungsdauer des Akkus.
3. Laden Sie den Akku bei Raumtemperatur zwischen 10 – 40 °C. Lassen Sie einen heißen Akku abkühlen, bevor Sie ihn laden.
4. Der Akku muss geladen werden, wenn er lange Zeit (länger als sechs Monate) nicht benutzt wird.

FUNKTIONSBESCHREIBUNG

⚠ VORSICHT: Vergewissern Sie sich vor der Durchführung von Einstellungen oder Funktionsprüfungen des Werkzeugs stets, dass das Werkzeug ausgeschaltet und der Akku abgenommen ist.

Anbringen und Abnehmen des Akkus

⚠ VORSICHT: Schalten Sie das Werkzeug stets aus, bevor Sie den Akku anbringen oder abnehmen.

⚠ VORSICHT: Halten Sie das Werkzeug und den Akku beim Anbringen oder Abnehmen des Akkus sicher fest. Wenn Sie das Werkzeug und den Akku nicht sicher festhalten, können sie Ihnen aus der Hand rutschen, was zu einer Beschädigung des Werkzeugs und des Akkus und zu Körperverletzungen führen kann.

► **Abb.1:** 1. Rote Anzeige 2. Knopf 3. Akku

Ziehen Sie den Akku zum Abnehmen vom Werkzeug ab, während Sie den Knopf an der Vorderseite des Akkus verschieben.

Richten Sie zum Anbringen des Akkus dessen Führungsfeder auf die Nut im Gehäuse aus, und schieben Sie den Akku hinein. Schieben Sie ihn vollständig ein, bis er mit einem hörbaren Klicken einrastet. Falls die rote Anzeige an der Oberseite des Knopfes sichtbar ist, ist der Akku nicht vollständig verriegelt.

⚠ VORSICHT: Schieben Sie den Akku stets bis zum Anschlag ein, bis die rote Anzeige nicht mehr sichtbar ist. Anderenfalls kann er aus dem Werkzeug herausfallen und Sie oder umstehende Personen verletzen.

⚠ VORSICHT: Unterlassen Sie Gewaltanwendung beim Anbringen des Akkus. Falls der Akku nicht reibungslos hineingleitet, ist er nicht richtig ausgerichtet.

Anzeigen der Akku-Restkapazität

Nur für Akkus mit Anzeige

► **Abb.2:** 1. Anzeigelampen 2. Prüftaste

Drücken Sie die Prüftaste am Akku, um die Akku-Restkapazität anzuzeigen. Die Anzeigelampen leuchten wenige Sekunden lang auf.

Anzeigelampen			Restkapazität
Erleuchtet	Aus	Blinkend	
■ ■ ■ ■	□ □ □ □	◐ ◐ ◐ ◐	75 % bis 100 %
■ ■ ■ □	□ □ □ □	□ □ □ □	50% bis 75%
■ ■ □ □	□ □ □ □	□ □ □ □	25% bis 50%
■ □ □ □	□ □ □ □	□ □ □ □	0% bis 25%
◐ □ □ □	□ □ □ □	□ □ □ □	Den Akku aufladen.
■ ■ □ □	□ □ □ □	□ □ □ □	Möglicherweise liegt eine Funktionsstörung im Akku vor.

HINWEIS: Abhängig von den Benutzungsbedingungen und der Umgebungstemperatur kann die Anzeige geringfügig von der tatsächlichen Kapazität abweichen.

Werkzeug/Akku-Schutzsystem

Das Werkzeug ist mit einem Werkzeug/Akku-Schutzsystem ausgestattet. Dieses System schaltet die Stromversorgung des Motors automatisch ab, um die Lebensdauer von Werkzeug und Akku zu verlängern. Das Werkzeug bleibt während des Betriebs automatisch stehen, wenn das Werkzeug oder der Akku einer der folgenden Bedingungen unterliegt:

Überlastschutz

Wird der Akku auf eine Weise benutzt, die eine ungewöhnlich hohe Stromaufnahme bewirkt, bleibt das Werkzeug ohne jegliche Anzeige automatisch stehen. Schalten Sie in dieser Situation das Werkzeug aus, und brechen Sie die Arbeit ab, die eine Überlastung des Werkzeugs verursacht hat. Schalten Sie dann das Werkzeug wieder ein, um es neu zu starten.

Überhitzungsschutz

Wenn das Werkzeug oder der Akku überhitzt wird, bleibt das Werkzeug automatisch stehen, und die Lampe beginnt zu blinken. Lassen Sie das Werkzeug und den Akku in diesem Fall abkühlen, bevor Sie das Werkzeug wieder einschalten.

Überentladungsschutz

Wenn die Akkukapazität unzureichend wird, bleibt das Werkzeug automatisch stehen. Nehmen Sie in diesem Fall den Akku vom Werkzeug ab, und laden Sie ihn auf.

Schalterfunktion

⚠️ WARNUNG: Vergewissern Sie sich vor dem Einsetzen des Akkus in das Werkzeug stets, dass der Ein-Aus-Schalter ordnungsgemäß funktioniert und beim Loslassen in die AUS-Stellung zurückkehrt.

► **Abb.3:** 1. Ein-Aus-Schalter 2. Einschaltsperrknopf

Drücken Sie zum Einschalten des Werkzeugs einfach den Ein-Aus-Schalter. Die Drehzahl erhöht sich durch verstärkte Druckausübung auf den Ein-Aus-Schalter. Lassen Sie den Ein-Aus-Schalter zum Anhalten los.

Für Dauerbetrieb den Ein-Aus-Schalter betätigen, den Arretierknopf hineindrücken, und dann den Ein-Aus-Schalter loslassen. Zum Ausrasten der Sperre den Ein-Aus-Schalter bis zum Anschlag hineindrücken und dann loslassen.

⚠️ VORSICHT: Der Schalter kann zur Arbeitserleichterung bei längerem Einsatz in der „EIN“-Stellung verriegelt werden. Lassen Sie Vorsicht walten, wenn Sie den Schalter in der „EIN“-Stellung verriegeln, und halten Sie das Werkzeug mit festem Griff.

HINWEIS: Der Schraubendrehereinsatz dreht sich selbst bei betätigtem Schalter und laufendem Motor nicht. Drücken Sie das Werkzeug nach vorn, um die Kupplung einzurücken.

HINWEIS: Falls der Motor etwa 6 Minuten lang ununterbrochen läuft, bleibt das Werkzeug automatisch stehen.

Push-Drive-Modus

► **Abb.4:** 1. Knopf 2. Betriebsart-Anzeige

Dieses Werkzeug verfügt über einen Push-Drive-Modus. In diesem Modus schaltet das Werkzeug die Stromversorgung des Motors ab, um den Akku bei Leerlauf zu schonen.

Um den Push-Drive-Modus zu wählen, den Auslöser leicht betätigen, dann loslassen und schnell den Knopf drücken. Daraufhin leuchtet die Betriebsart-Anzeige auf. Nach der Aktivierung des Push-Drive-Modus den Auslöseschalter betätigen, und dann den Arretierknopf hineindrücken. Wenn Sie Druck auf den Schraubendrehereinsatz ausüben, läuft der Motor an. Bei stärkerer Druckausübung rückt die Kupplung ein, und der Schraubendrehereinsatz beginnt sich zu drehen. Im Push-Drive-Modus drehen sich Motor und Schraubendrehereinsatz nur durch Druckausübung.

HINWEIS: Wird das Werkzeug im Push-Drive-Modus bei arretiertem Auslöser etwa 8 Stunden lang nicht benutzt, wird es ausgeschaltet. In einem solchen Fall den Auslöser loslassen und für Neustart erneut betätigen.

Einschalten der Frontlampe

⚠️ VORSICHT: Blicken Sie nicht direkt in die Lampe oder die Lichtquelle.

► **Abb.5:** 1. Lampe 2. Knopf

Um die Lampe einzuschalten, den Auslöseschalter leicht betätigen und dann loslassen. Die Lampe erlischt ungefähr 10 Sekunden nach dem Loslassen des Auslöseschalters.

Um die Lampe ausgeschaltet zu lassen, den Auslöseschalter leicht betätigen, dann loslassen und den Knopf wenige Sekunden lang drücken. Um die Lampe einzuschalten, führen Sie den gleichen Vorgang erneut durch. Im Push-Drive-Modus bei arretiertem Auslöseschalter erlischt die Lampe ungefähr eine Minute nach dem Anhalten des Motors.

HINWEIS: Während der Betätigung des Ein-Aus-Schalters kann der Lampenstatus nicht geändert werden.

HINWEIS: Der Lampenstatus kann für etwa 10 Sekunden nach dem Loslassen des Ein-Aus-Schalters geändert werden.

HINWEIS: Wischen Sie Schmutz auf der Lampenlinse mit einem trockenen Tuch ab. Achten Sie sorgfältig darauf, dass Sie die Lampenlinse nicht verkratzen, weil sich sonst die Lichtstärke verringert.

Funktion des Drehrichtungsumschalters

► **Abb.6:** 1. Drehrichtungsumschalthebel

⚠️ VORSICHT: Prüfen Sie stets die Drehrichtung, bevor Sie mit der Arbeit beginnen.

⚠️ VORSICHT: Betätigen Sie den Drehrichtungsumschalter erst, nachdem das Werkzeug völlig zum Stillstand gekommen ist. Durch Umschalten der Drehrichtung bei noch laufendem Werkzeug kann das Werkzeug beschädigt werden.

⚠️ VORSICHT: Stellen Sie den Drehrichtungsumschalthebel stets auf die Neutralstellung, wenn Sie das Werkzeug nicht benutzen.

Dieses Werkzeug besitzt einen Drehrichtungsumschalter. Stellen Sie den Drehrichtungsumschalthebel für Drehung im Uhrzeigersinn auf die Position ↶ (Seite A) oder für Drehung gegen den Uhrzeigersinn auf die Position ↷ (Seite B). In der Neutralstellung des Drehrichtungsumschalthebels kann der Auslöseschalter nicht betätigt werden.

Tiefeneinstellung

► **Abb.7:** 1. Zentrierring

Die Tiefe kann durch Drehen des Zentrierrings eingestellt werden. Drehen Sie ihn für geringere Tiefe in Richtung „B“, und für größere Tiefe in Richtung „A“. Eine volle Umdrehung des Zentrierrings entspricht einer Tiefenänderung von 2 mm.

Für DFS250

► **Abb.8:** 1. Zentrierring

Für DFS251

► **Abb.9:** 1. Zentrierring

Stellen Sie den Zentrierring so ein, dass der Abstand zwischen der Spitze des Zentrierrings und dem Schraubenkopf ungefähr 3 mm beträgt, wie in den Abbildungen gezeigt. Drehen Sie eine Probeschraube in Ihr Material oder ein Stück des gleichen Materials ein. Falls die Tiefe noch immer nicht für die Schraube geeignet ist, setzen Sie die Einstellung fort, bis die korrekte Tiefeneinstellung erreicht ist.

Haken

⚠ VORSICHT: Nehmen Sie stets den Akku ab, wenn Sie das Werkzeug am Aufhänger aufhängen.

⚠ VORSICHT: Hängen Sie das Werkzeug auf keinen Fall an hoch gelegenen Stellen oder an einer potentiell instabilen Fläche auf.

► **Abb.10:** 1. Haken

Der Aufhänger ist praktisch, um das Werkzeug vorübergehend aufzuhängen.

MONTAGE

⚠ VORSICHT: Vergewissern Sie sich vor der Ausführung von Arbeiten am Werkzeug stets, dass das Werkzeug ausgeschaltet und der Akku abgenommen ist.

Montage und Demontage von Schraubendrehereinsatz/ Steckschlüsseinsatz

Für DFS250

► **Abb.11:** 1. Zentrierring

► **Abb.12:** 1. Zentrierring 2. Schraubendrehereinsatz 3. Magnetischer Einsatzhalter

Um den Schraubendrehereinsatz zu entfernen, den Zentrierring ziehen, und dann den Einsatz mit einer Zange fassen und aus dem magnetischen Einsatzhalter herausziehen. Um den Schraubendrehereinsatz anzubringen, schieben Sie ihn fest in den magnetischen Einsatzhalter ein. Montieren Sie dann den Zentrierring, indem Sie ihn fest zurückschieben.

Für DFS251

► **Abb.13:** 1. Zentrierring

► **Abb.14:** 1. Zentrierring 2. Steckschlüsseinsatz

Um den Steckschlüsseinsatz zu entfernen, ziehen Sie zunächst den Zentrierring und dann den Steckschlüsseinsatz. Um den Steckschlüsseinsatz anzubringen, schieben Sie ihn fest in die Werkzeugaufnahme ein. Montieren Sie dann den Zentrierring, indem Sie ihn fest zurückschieben.

Aufhänger

► **Abb.15:** 1. Nut 2. Aufhänger 3. Schraube

Der Aufhänger ist praktisch, um das Werkzeug vorübergehend aufzuhängen. Dieser kann auf beiden Seiten des Werkzeugs angebracht werden.

Um den Aufhänger anzubringen, führen Sie ihn in die Nut entweder auf der linken oder rechten Seite des Werkzeuggehäuses ein, und sichern Sie ihn dann mit einer Schraube. Um ihn zu entfernen, lösen Sie die Schraube, und nehmen Sie dann ihn heraus.

BETRIEB

Schraubbetrieb

► **Abb.16**

Setzen Sie die Schraube auf die Einsatzspitze, und platzieren Sie die Schraubenspitze auf die Oberfläche des zu befestigenden Werkstücks. Schalten Sie das Werkzeug ein, während Sie Druck ausüben. Ziehen Sie das Werkzeug zurück, sobald die Kupplung einrückt, und lassen Sie dann den Auslöseschalter los.

⚠ VORSICHT: Wenn Sie die Schraube auf die Einsatzspitze setzen, achten Sie darauf, die Schraube nicht anzudrücken. Wird die Schraube angedrückt, rückt die Kupplung ein, so dass die Schraube sich plötzlich dreht. Dies könnte das Werkstück beschädigen oder eine Verletzung verursachen.

⚠ VORSICHT: Achten Sie darauf, dass der Einsatz gerade in den Schraubenkopf eingeführt wird, um eine Beschädigung von Schraube und/oder Einsatz zu vermeiden.

WARTUNG

⚠ VORSICHT: Vergewissern Sie sich vor der Durchführung von Inspektions- oder Wartungsarbeiten stets, dass das Werkzeug ausgeschaltet und der Akku abgenommen ist.

ANMERKUNG: Verwenden Sie auf keinen Fall Benzin, Waschbenzin, Verdünnern, Alkohol oder dergleichen. Solche Mittel können Verfärbung, Verformung oder Rissbildung verursachen.

Um die SICHERHEIT und ZUVERLÄSSIGKEIT dieses Produkts zu gewährleisten, sollten Reparaturen und andere Wartungs- oder Einstellarbeiten nur von Makita-Vertragswerkstätten oder Makita-Kundendienstzentren unter ausschließlicher Verwendung von Makita-Originalersatzteilen ausgeführt werden.

SONDERZUBEHÖR

⚠ VORSICHT: Die folgenden Zubehörteile oder Vorrichtungen werden für den Einsatz mit dem in dieser Anleitung beschriebenen Makita-Werkzeug empfohlen. Die Verwendung anderer Zubehörteile oder Vorrichtungen kann eine Verletzungsgefahr darstellen. Verwenden Sie Zubehörteile oder Vorrichtungen nur für ihren vorgesehenen Zweck.

Wenn Sie weitere Einzelheiten bezüglich dieser Zubehörteile benötigen, wenden Sie sich bitte an Ihre Makita-Kundendienststelle.

- Schraubendrehereinsätze
- Magnetischer Einsatzhalter
- Steckschlüsseinsätze
- Original-Makita-Akku und -Ladegerät
- Plastikoffen

HINWEIS: Manche Teile in der Liste können als Standardzubehör im Werkzeugsatz enthalten sein. Sie können von Land zu Land unterschiedlich sein.

DATI TECNICI

Modello:		DFS250		DFS251	
Capacità di avvیتamento	Vite autoforante	6 mm			
	Vite per cartongesso	5 mm			
Velocità a vuoto (giri/min)		0 - 2.500 min ⁻¹			
Lunghezza complessiva	Con posizionatore corto	223 mm		-	
	Con posizionatore lungo	239 mm		-	
Lunghezza complessiva		-		217 mm	
Tensione nominale		18 V CC		18 V C.C.	
Cartuccia della batteria standard		BL1815 / BL1815N / BL1820 / BL1820B	BL1830 / BL1830B / BL1840 / BL1840B / BL1850 / BL1850B / BL1860B	BL1815 / BL1815N / BL1820 / BL1820B	BL1830 / BL1830B / BL1840 / BL1840B / BL1850 / BL1850B / BL1860B
Caricabatterie		DC18RC / DC18RD / DC18SE / DC18SF / DC18SD			
Peso netto		1,6 kg	1,8 kg	1,5 kg	1,8 kg

- A causa del nostro programma continuativo di ricerca e sviluppo, i dati tecnici sono soggetti a modifiche senza preavviso.
- I dati tecnici e la cartuccia della batteria potrebbero differire da nazione a nazione.
- Peso, con cartuccia della batteria, secondo la Procedura EPTA 01/2003

Utilizzo previsto

Questo utensile è destinato all'avvitamento di viti nel legno, nel metallo e nella plastica.

Rumore

Livello tipico di rumore pesato A determinato in base allo standard EN62841:

Modello DFS250

Livello di pressione sonora (L_{pA}): 72 dB (A)
Incertezza (K): 3 dB (A)

Modello DFS251

Livello di pressione sonora (L_{pA}): 72 dB (A)
Incertezza (K): 3 dB (A)

Il livello del rumore nelle condizioni di lavoro può superare gli 80 dB (A).

AVVERTIMENTO: Indossare protezioni per le orecchie.

Vibrazioni

Valore totale delle vibrazioni (somma vettoriale triassiale) determinato in base allo standard EN62841:

Modello DFS250

Modalità di lavoro: avvítamento senza impatto
Emissione di vibrazioni (a_h): 2,5 m/s² o inferiore
Incertezza (K): 1,5 m/s²

Modello DFS251

Modalità di lavoro: avvítamento senza impatto
Emissione di vibrazioni (a_h): 2,5 m/s² o inferiore
Incertezza (K): 1,5 m/s²

NOTA: Il valore di emissione delle vibrazioni dichiarato è stato misurato in conformità al metodo standard di verifica, e può essere utilizzato per confrontare un utensile con un altro.

NOTA: Il valore di emissione delle vibrazioni dichiarato può venire utilizzato anche per una valutazione preliminare dell'esposizione.

AVVERTIMENTO: L'emissione delle vibrazioni durante l'utilizzo effettivo dell'utensile elettrico può variare rispetto al valore di emissione dichiarato, a seconda dei modi in cui viene utilizzato l'utensile.

AVVERTIMENTO: Accertarsi di identificare le misure di sicurezza per la protezione dell'operatore basate sulla stima dell'esposizione nelle condizioni effettive di utilizzo (tenendo presente tutte le parti del ciclo operativo, ad esempio le volte in cui l'utensile viene spento e quando gira a vuoto, oltre al tempo di attivazione).

Dichiarazione di conformità CE

Solo per i paesi europei

La dichiarazione di conformità CE è inclusa nell'Allegato A al presente manuale di istruzioni.

AVVERTENZE DI SICUREZZA

Avvertenze generali relative alla sicurezza dell'utensile elettrico

⚠AVVERTIMENTO: Leggere tutte le avvertenze di sicurezza, le istruzioni, le illustrazioni e i dati tecnici forniti con il presente utensile elettrico. La mancata osservanza di tutte le istruzioni elencate di seguito potrebbe risultare in scosse elettriche, incendi e/o gravi lesioni personali.

Conservare tutte le avvertenze e le istruzioni come riferimento futuro.

Il termine "utensile elettrico" nelle avvertenze si riferisce sia all'utensile elettrico (cablato) nel funzionamento alimentato da rete elettrica che all'utensile elettrico (a batteria) nel funzionamento alimentato a batteria.

Avvertenze di sicurezza relative all'avvitatore a batteria

1. **Mantenere l'utensile per le superfici di impugnatura isolate, quando si intende eseguire un'operazione in cui l'elemento di fissaggio potrebbe entrare in contatto con cablaggi nascosti.** Gli elementi di fissaggio che entrino in contatto con un filo elettrico sotto tensione potrebbero mettere sotto tensione le parti metalliche esposte dell'utensile elettrico, e potrebbero dare una scossa elettrica all'operatore.
2. **Accertarsi sempre di appoggiare i piedi saldamente.** Quando si intende utilizzare l'utensile in posizioni elevate, accertarsi sempre che non sia presente alcuna persona sotto di sé.
3. **Tenere saldamente l'utensile.**
4. **Tenere le mani lontane dalle parti rotanti.**
5. **Non toccare la punta o il pezzo in lavorazione subito dopo l'uso; la loro temperatura potrebbe essere estremamente elevata e potrebbero causare ustioni.**
6. **Fissare sempre il pezzo in lavorazione in una morsa o in un dispositivo di fissaggio simile.**

CONSERVARE LE PRESENTI ISTRUZIONI.

⚠AVVERTIMENTO: NON lasciare che la comodità o la familiarità d'uso con il prodotto (acquisita con l'uso ripetuto) sostituiscano la stretta osservanza delle norme di sicurezza.

L'USO IMPROPRIO o la mancata osservanza delle norme di sicurezza riportate nel presente manuale di istruzioni potrebbero causare lesioni personali gravi.

Istruzioni di sicurezza importanti per la cartuccia della batteria

1. **Prima di utilizzare la cartuccia della batteria, leggere tutte le istruzioni e le avvertenze riportate (1) sul caricabatteria, (2) sulla batteria e (3) sul prodotto che utilizza la batteria.**
2. **Non smontare la cartuccia della batteria.**
3. **Qualora il tempo di utilizzo si riduca eccessivamente, interrompere immediatamente l'utilizzo dell'utensile. In caso contrario, si può incorrere nel rischio di surriscaldamento, possibili ustioni e persino un'esplosione.**
4. **Qualora l'elettrolita entri in contatto con gli occhi, sciacquarli con acqua pulita e richiedere immediatamente assistenza medica. Questa eventualità può risultare nella perdita della vista.**
5. **Non cortocircuitare la cartuccia della batteria:**
 - (1) **Non toccare i terminali con alcun materiale conduttivo.**
 - (2) **Evitare di conservare la cartuccia della batteria in un contenitore insieme ad altri oggetti metallici quali chiodi, monete, e così via.**
 - (3) **Non esporre la cartuccia della batteria all'acqua o alla pioggia.**

Un cortocircuito della batteria può causare un grande flusso di corrente, un surriscaldamento, possibili ustioni e persino un guasto.

6. **Non conservare l'utensile e la cartuccia della batteria in ubicazioni in cui la temperatura possa raggiungere o superare i 50°C.**
7. **Non incenerire la cartuccia della batteria anche qualora sia gravemente danneggiata o completamente esaurita. La cartuccia della batteria può esplodere se a contatto con il fuoco.**
8. **Fare attenzione a non far cadere e a non colpire la batteria.**
9. **Non utilizzare una batteria danneggiata.**
10. **Le batterie a ioni di litio contenute sono soggette ai requisiti del regolamento sul trasporto di merci pericolose (Dangerous Goods Legislation).** Per trasporti commerciali, ad esempio da parte di terzi o spedizionieri, è necessario osservare dei requisiti speciali sull'imballaggio e sull'etichetta. Per la preparazione dell'articolo da spedire, è richiesta la consulenza di un esperto in materiali pericolosi. Attenersi anche alle normative nazionali, che potrebbero essere più dettagliate. Nastrire o coprire i contatti aperti e imballare la batteria in modo tale che non si possa muovere liberamente all'interno dell'imballaggio.
11. **Attenersi alle normative locali relative allo smaltimento della batteria.**

CONSERVARE LE PRESENTI ISTRUZIONI.

⚠ATTENZIONE: Utilizzare solo batterie originali Makita. L'utilizzo di batterie Makita non originali, o di batterie che siano state alterate, potrebbe risultare nello scoppio della batteria, causando incendi, lesioni personali e danni. Inoltre, ciò potrebbe invalidare la garanzia Makita per l'utensile e il caricabatterie Makita.

Suggerimenti per preservare la durata massima della batteria

1. Caricare la cartuccia della batteria prima che si scarichi completamente. Smettere sempre di utilizzare l'utensile e caricare la cartuccia della batteria quando si nota che la potenza dell'utensile è diminuita.
2. Non ricaricare mai una cartuccia della batteria completamente carica. La sovraccarica riduce la vita utile della batteria.
3. Caricare la cartuccia della batteria a una temperatura ambiente compresa tra 10°C e 40°C. Lasciar raffreddare una cartuccia della batteria prima di caricarla.
4. Caricare la cartuccia della batteria se non la si è utilizzata per un periodo di tempo prolungato (più di sei mesi).

DESCRIZIONE DELLE FUNZIONI

⚠ATTENZIONE: Accertarsi sempre che l'utensile sia spento e che la cartuccia della batteria sia stata rimossa prima di regolare o di controllare il funzionamento dell'utensile.

Installazione o rimozione della cartuccia della batteria

⚠ATTENZIONE: Spegnerne sempre l'utensile prima di installare o rimuovere la cartuccia della batteria.

⚠ATTENZIONE: Mantenere saldamente lo strumento e la batteria quando si intende installare o rimuovere la cartuccia della batteria. Qualora non si mantengano saldamente lo strumento e la cartuccia della batteria, questi ultimi potrebbero scivolare dalle mani, con la possibilità di causare un danneggiamento dello strumento e della cartuccia della batteria, nonché una lesione personale.

► **Fig.1:** 1. Indicatore rosso 2. Pulsante 3. Cartuccia della batteria

Per rimuovere la cartuccia della batteria, farla scorrere via dall'utensile mentre si fa scorrere allo stesso tempo il pulsante sulla parte anteriore della cartuccia.

Per installare la cartuccia della batteria, allineare l'appendice della batteria con la scanalatura nell'alloggiamento e farla scivolare in sede. Inserirla completamente fino al suo blocco in sede con un leggero scatto. Se è possibile vedere l'indicatore rosso sul lato superiore del pulsante, la batteria non è bloccata completamente.

⚠ATTENZIONE: Installare sempre fino in fondo la cartuccia della batteria, fino a quando l'indicatore rosso non è più visibile. In caso contrario, la batteria potrebbe cadere accidentalmente dall'utensile, causando lesioni personali all'operatore o a chi gli è vicino.

⚠ATTENZIONE: Non installare forzatamente la cartuccia della batteria. Qualora la batteria non si inserisca scorrendo agevolmente, vuol dire che non viene inserita correttamente.

Indicazione della carica residua della batteria

Solo per cartucce delle batterie dotate di indicatore

► **Fig.2:** 1. Indicatori luminosi 2. Pulsante di controllo

Premere il pulsante di controllo sulla cartuccia della batteria per indicare la carica residua della batteria. Gli indicatori luminosi si illuminano per alcuni secondi.

Indicatori luminosi			Carica residua
■ Illuminato	□ Spento	◐ Lampeggiante	
■ ■ ■ ■			Dal 75% al 100%
■ ■ ■ □			Dal 50% al 75%
■ ■ □ □			Dal 25% al 50%
■ □ □ □			Dallo 0% al 25%
◐ □ □ □			Caricare la batteria.
■ ■ □ □			La batteria potrebbe essersi guastata.
□ □ ■ ■			

NOTA: A seconda delle condizioni d'uso e della temperatura ambiente, l'indicazione potrebbe variare leggermente rispetto alla carica effettiva.

Sistema di protezione strumento/batteria

L'utensile è dotato di un sistema di protezione dell'utensile stesso e della batteria. Tale sistema interrompe automaticamente l'alimentazione al motore per prolungare la vita utile dell'utensile e della batteria. L'utensile si arresta automaticamente durante il funzionamento, qualora l'utensile o la batteria vengano a trovarsi in una delle condizioni seguenti:

Protezione dal sovraccarico

Quando la batteria viene utilizzata in modo tale da causare un assorbimento di corrente elevato in modo anormale, l'utensile si arresta automaticamente senza alcuna indicazione. In questa situazione, spegnere l'utensile e interrompere l'applicazione che ha fatto sovraccaricare l'utensile. Quindi, accendere l'utensile per ricominciare.

Protezione dal surriscaldamento

Quando l'utensile o la batteria sono surriscaldati, l'utensile si arresta automaticamente e la lampada lampeggia. In tal caso, lasciar raffreddare l'utensile e la batteria prima di riaccendere l'utensile.

Protezione dalla sovraccarica

Quando la carica della batteria non è sufficiente, l'utensile si arresta automaticamente. In tal caso, rimuovere la batteria dall'utensile e caricarla.

Funzionamento dell'interruttore

⚠AVVERTIMENTO: Prima di inserire la cartuccia della batteria nell'utensile, controllare sempre che l'interruttore a grilletto funzioni correttamente e torni sulla posizione "OFF" quando viene rilasciato.

► Fig.3: 1. Interruttore a grilletto 2. Pulsante di sblocco

Per avviare l'utensile, è sufficiente premere l'interruttore a grilletto. La velocità dell'utensile viene aumentata incrementando la pressione sull'interruttore a grilletto. Rilasciare l'interruttore a grilletto per arrestare l'utensile.

Per il funzionamento continuo, premere l'interruttore a grilletto, far rientrare il pulsante di blocco premendolo, quindi rilasciare l'interruttore a grilletto. Per arrestare l'utensile dalla posizione bloccata, premere a fondo l'interruttore a grilletto, quindi rilasciarlo.

⚠ATTENZIONE: È possibile bloccare l'interruttore sulla posizione "ON" (accensione) per la comodità dell'operatore durante l'utilizzo prolungato. Fare attenzione quando si intende bloccare l'utensile nella posizione "ON" (accensione) e mantenere una salda presa sull'utensile.

NOTA: Anche con l'interruttore attivato e il motore in funzione, la punta per avvitatore non gira. Per innestare la frizione, spingere l'utensile in avanti.

NOTA: L'utensile si arresta automaticamente qualora il motore giri continuativamente per circa 6 minuti.

Modalità di trasmissione a spinta

► Fig.4: 1. Pulsante 2. Indicatore della modalità

Questo utensile dispone di una modalità di trasmissione a spinta. In questa modalità, l'utensile interrompe l'alimentazione al motore quando gira a vuoto, per risparmiare l'energia della batteria.

Per selezionare la modalità di trasmissione a spinta, premere leggermente il grilletto, quindi rilasciarlo e premere rapidamente il pulsante. L'indicatore di modalità, quindi, si illumina. Una volta che la trasmissione a spinta è stata attivata, premere l'interruttore a grilletto e quindi premere il pulsante di blocco. Applicare pressione alla punta per avvitatore, e il motore inizia a girare. L'incremento della pressione innesta la frizione, e la punta per avvitatore inizia a girare. Nella modalità di trasmissione a spinta, il motore e la punta per avvitatore girano solo quando viene applicata pressione.

NOTA: Qualora l'utensile resti inutilizzato per circa 8 ore in modalità di trasmissione a spinta con il grilletto bloccato, l'utensile si spegne. In tal caso, rilasciare e premere di nuovo il grilletto per riavviarlo.

Accensione della lampadina anteriore

⚠ATTENZIONE: Non osservare né guardare direttamente la fonte di luce.

► Fig.5: 1. Lampada 2. Pulsante

Per accendere la lampada, premere leggermente l'interruttore a grilletto, quindi rilasciarlo. La lampada si spegne circa 10 secondi dopo aver rilasciato l'interruttore a grilletto.

Per mantenere spenta la luce, premere leggermente l'interruttore a grilletto, poi rilasciarlo, quindi premere il pulsante per alcuni secondi. Per accendere la luce, effettuare di nuovo la stessa operazione.

In modalità di trasmissione a spinta con l'interruttore a grilletto bloccato, la lampada si spegne circa un minuto dopo l'arresto del motore.

NOTA: Non è possibile cambiare lo stato della lampadina mentre si tiene premuto l'interruttore a grilletto.

NOTA: È possibile cambiare lo stato della lampadina circa 10 secondi dopo aver rilasciato l'interruttore a grilletto.

NOTA: Per pulire la sporcizia dalla lente della lampadina, utilizzare un panno asciutto. Fare attenzione a non graffiare la lente della lampadina, altrimenti si potrebbe ridurre l'illuminazione.

Uso del commutatore di inversione della rotazione

► Fig.6: 1. Leva del commutatore di inversione della rotazione

⚠ATTENZIONE: Controllare sempre la direzione di rotazione prima dell'uso.

⚠ATTENZIONE: Utilizzare il commutatore di inversione della rotazione solo dopo l'arresto completo dell'utensile. Qualora si cambi la direzione di rotazione prima dell'arresto dell'utensile, si potrebbe danneggiare quest'ultimo.

⚠ATTENZIONE: Quando l'utensile non è in uso, impostare sempre la leva del commutatore di inversione della rotazione sulla posizione centrale.

Questo utensile dispone di un commutatore di inversione per cambiare la direzione di rotazione. Spostare la leva del commutatore di inversione della rotazione sulla posizione ↶ (lato A) per la rotazione in senso orario o sulla posizione ↷ (lato B) per la rotazione in senso antiorario.

Quando la leva del commutatore di inversione della rotazione è in posizione intermedia, non è possibile premere l'interruttore a grilletto.

Regolazione della profondità

► Fig.7: 1. Posizionatore

È possibile regolare la profondità ruotando il posizionatore. Ruotarlo nella direzione "B" per una minore profondità e nella direzione "A" per una maggiore profondità. Un giro completo del posizionatore equivale a una variazione della profondità pari a 2 mm.

Per il modello DFS250

► Fig.8: 1. Posizionatore

Per il modello DFS251

► Fig.9: 1. Posizionatore

Regolare il posizionatore in modo che la distanza tra la punta del posizionatore e la testa della vite sia pari a circa 3 mm, come indicato nelle figure. Avvitare una vite di prova nel materiale utilizzato o in un pezzo di materiale identico. Qualora la profondità non sia ancora idonea alla vite, continuare a effettuare la regolazione fino a ottenere l'impostazione corretta della profondità.

Gancio

⚠ATTENZIONE: Rimuovere sempre la batteria quando si intende appendere l'utensile con il gancio.

⚠ATTENZIONE: Non agganciare mai l'utensile in ubicazioni elevate o su superfici potenzialmente instabili.

► **Fig.10:** 1. Gancio

Il gancio è pratico per appendere temporaneamente l'utensile.

ASSEMBLAGGIO

⚠ATTENZIONE: Accertarsi sempre che l'utensile sia spento e che la cartuccia della batteria sia stata rimossa, prima di effettuare qualsiasi intervento sull'utensile.

Installazione o rimozione della punta per avvitatore o della punta a bussola

Per il modello DFS250

► **Fig.11:** 1. Posizionatore

► **Fig.12:** 1. Posizionatore 2. Punta per avvitatore 3. Portapunta magnetico

Per rimuovere la punta per avvitatore, tirare il posizionatore, quindi afferrare la punta con un paio di pinze ed estrarre la punta dal portapunta magnetico. Per installare la punta per avvitatore, spingerla saldamente nel portapunta magnetico. Quindi, installare il posizionatore spingendolo saldamente all'indietro.

Per il modello DFS251

► **Fig.13:** 1. Posizionatore

► **Fig.14:** 1. Posizionatore 2. Punta a bussola

Per rimuovere la punta a bussola, tirare il posizionatore, quindi tirare la punta a bussola. Per installare la punta a bussola, spingerla saldamente nel manicotto. Quindi, installare il posizionatore spingendolo saldamente all'indietro.

Gancio

► **Fig.15:** 1. Scanalatura 2. Gancio 3. Vite

Il gancio è pratico per appendere temporaneamente l'utensile. Può venire installato su entrambi i lati dell'utensile.

Per installare il gancio, inserirlo in una delle scanalature presenti su entrambi i lati dell'alloggiamento dell'utensile, quindi fissarlo con una vite. Per rimuoverlo, allentare la vite e quindi estrarlo.

FUNZIONAMENTO

Operazione di avvita mento

► **Fig.16**

Applicare la vite sull'estremità della punta, quindi posizionare la punta della vite sulla superficie del pezzo in lavorazione da fissare. Applicare pressione all'utensile e avviarlo. Ritirare l'utensile non appena si innesta la frizione. Quindi, rilasciare l'interruttore a grilletto.

⚠ATTENZIONE: Quando si applica la vite sull'estremità della punta, fare attenzione a non spingere all'interno la vite. Qualora la vite venga spinta all'interno, la frizione si innesta e la vite inizia improvvisamente a girare. Ciò potrebbe danneggiare un pezzo in lavorazione e/o causare una lesione personale.

⚠ATTENZIONE: Accertarsi che la punta sia inserita dritta nella testa della vite; in caso contrario, la vite e/o la punta potrebbero venire danneggiate.

MANUTENZIONE

⚠ATTENZIONE: Accertarsi sempre che l'utensile sia spento e che la cartuccia della batteria sia stata rimossa prima di tentare di eseguire interventi di ispezione o manutenzione.

AVVISO: Non utilizzare mai benzina, benzene, solventi, alcol o altre sostanze simili. In caso contrario, si potrebbero causare scolorimenti, deformazioni o crepe.

Per preservare la SICUREZZA e l'AFFIDABILITÀ del prodotto, le riparazioni e qualsiasi altro intervento di manutenzione e di regolazione devono essere eseguiti da un centro di assistenza autorizzato Makita, utilizzando sempre ricambi Makita.

ACCESSORI OPZIONALI

⚠ATTENZIONE: Questi accessori o componenti aggiuntivi sono consigliati per l'uso con l'utensile Makita specificato nel presente manuale. L'impiego di altri accessori o componenti aggiuntivi può costituire un rischio di lesioni alle persone. Utilizzare gli accessori o i componenti aggiuntivi solo per il loro scopo prefissato.

Per ottenere ulteriori dettagli relativamente a questi accessori, rivolgersi a un centro di assistenza Makita.

- Punte per avvitatore
- Portapunta magnetico
- Punte a bussola
- Batteria e caricabatterie originali Makita
- Custodia da trasporto in plastica

NOTA: Alcuni articoli nell'elenco potrebbero essere inclusi nell'imballaggio dell'utensile come accessori standard. Tali articoli potrebbero variare da nazione a nazione.

TECHNISCHE GEGEVENS

Model:		DFS250		DFS251	
Aandraaicapaciteit	Zelftappende schroef	6 mm			
	Gipsplaatschroef	5 mm			
Nullasttoerental (tpm)		0 - 2.500 min ⁻¹			
Totale lengte	Met korte opzetkop	223 mm		-	
	Met lange opzetkop	239 mm		-	
Totale lengte		-		217 mm	
Nominale spanning		18 V gelijkspanning			
Standaardaccu		BL1815 / BL1815N / BL1820 / BL1820B	BL1830 / BL1830B / BL1840 / BL1840B / BL1850 / BL1850B / BL1860B	BL1815 / BL1815N / BL1820 / BL1820B	BL1830 / BL1830B / BL1840 / BL1840B / BL1850 / BL1850B / BL1860B
Lader		DC18RC / DC18RD / DC18SE / DC18SF / DC18SD			
Nettogewicht		1,6 kg	1,8 kg	1,5 kg	1,8 kg

- In verband met ononderbroken research en ontwikkeling, behouden wij ons het recht voor de bovenstaande technische gegevens zonder voorafgaande kennisgeving te wijzigen.
- De technische gegevens van de accu kunnen van land tot land verschillen.
- Gewicht, inclusief accu, volgens de EPTA-procedure 01/2003

Gebruiksdoeleinden

Het gereedschap is bedoeld voor het vastdraaien van schroeven in hout, metaal en kunststof.

Geluidsniveau

De typische, A-gewogen geluidsniveaus zijn gemeten volgens EN62841:

Model DFS250

Geluidsdrukniveau (L_{pA}): 72 dB (A)

Onzekerheid (K): 3 dB (A)

Model DFS251

Geluidsdrukniveau (L_{pA}): 72 dB (A)

Onzekerheid (K): 3 dB (A)

Het geluidsniveau kan tijdens gebruik hoger worden dan 80 dB (A).

WAARSCHUWING: Draag gehoorbescherming.

Trilling

De totale trillingswaarde (triaxiale vectorsom) zoals vastgesteld volgens EN62841:

Model DFS250

Gebruikstoepassing: schroeven aandraaien zonder slagwerking

Trillingsemmissie (a_h): 2,5 m/s² of lager

Onzekerheid (K): 1,5 m/s²

Model DFS251

Gebruikstoepassing: schroeven aandraaien zonder slagwerking

Trillingsemmissie (a_h): 2,5 m/s² of lager

Onzekerheid (K): 1,5 m/s²

OPMERKING: De opgegeven trillingsemmissiewaarde is gemeten volgens de standaardtestmethode en kan worden gebruikt om dit gereedschap te vergelijken met andere gereedschappen.

OPMERKING: De opgegeven trillingsemmissiewaarde kan ook worden gebruikt voor een beoordeling vooraf van de blootstelling.

WAARSCHUWING: De trillingsemmissie tijdens het gebruik van het elektrisch gereedschap in de praktijk kan verschillen van de opgegeven trillingsemmissiewaarde afhankelijk van de manier waarop het gereedschap wordt gebruikt.

WAARSCHUWING: Zorg ervoor dat veiligheidsmaatregelen worden getroffen ter bescherming van de operator die zijn gebaseerd op een schatting van de blootstelling onder praktijkomstandigheden (rekening houdend met alle fasen van de bedrijfscyclus, zoals de tijdsduur gedurende welke het gereedschap is uitgeschakeld en stationair draait, naast de ingeschakelde tijdsduur).

EG-verklaring van conformiteit

Alleen voor Europese landen

De EG-verklaring van conformiteit is bijgevoegd als Bijlage A bij deze gebruiksaanwijzing.

VEILIGHEIDSWAARSCHUWINGEN

Algemene veiligheidswaarschuwingen voor elektrisch gereedschap

⚠ WAARSCHUWING: Lees alle veiligheids-
waarschuwingen, aanwijzingen, afbeeldingen en
technische gegevens behorend bij dit elektrische
gereedschap aandachtig door. Als u niet alle onder-
staande aanwijzingen naleeft, kan dat resulteren in
brand, elektrische schokken en/of ernstig letsel.

Bewaar alle waarschuwingen en instructies om in de toekomst te kunnen raadplegen.

De term "elektrisch gereedschap" in de veiligheidsvoor-
schriften duidt op gereedschappen die op stroom van
het lichtnet werken (met snoer) of gereedschappen met
een accu (snoerloos).

Veiligheidswaarschuwingen voor een accuschroefmachine

1. Houd elektrisch gereedschap alleen vast aan de geïsoleerde handgrepen, wanneer u werkt op plaatsen waar het bevestigingsmateriaal met verborgen bedrading in aanraking kan komen. Als een draad die onder stroom staat wordt beschadigd, kunnen de metalen delen van het gereedschap ook onder stroom komen te staan en kunt u een gevaarlijke elektrische schok krijgen.
2. Zorg ook altijd dat u stevig op een solide bodem staat. Controleer dat er niemand onder u staat wanneer u het gereedschap op een hoge plaats gebruikt.
3. Houd het gereedschap stevig vast.
4. Houd uw handen uit de buurt van draaiende delen.
5. Raak direct na uw werk het bit of het werkstuk niet aan; ze kunnen erg heet zijn en u zou zich kunnen branden.
6. Zet het werkstuk altijd vast in een bankschroef of soortgelijke klemvoorziening.

BEWAAR DEZE VOORSCHRIFTEN.

⚠ WAARSCHUWING: Laat u NIET misleiden door een vals gevoel van comfort en bekendheid met het gereedschap (na veelvuldig gebruik) en neem alle veiligheidsvoorschriften van het betreffende gereedschap altijd strikt in acht.

VERKEERD GEBRUIK of het niet naleven van de veiligheidsvoorschriften in deze gebruiksaanwijzing kan leiden tot ernstige verwondingen.

Belangrijke veiligheidsinstructies voor een accu

1. Lees alle voorschriften en waarschuwingen op (1) de acculader, (2) de accu, en (3) het product waarvoor de accu wordt gebruikt, alvorens de accu in gebruik te nemen.
2. Neem de accu niet uit elkaar.
3. Als de gebruikstijd van een opgeladen accu aanzienlijk korter is geworden, moet u het gebruik ervan onmiddellijk stopzetten. Voortgezet gebruik kan oververhitting, brandwonden en zelfs een ontploffing veroorzaken.
4. Als elektrolyt in uw ogen is terechtgekomen, spoelt u uw ogen met schoon water en roept u onmiddellijk de hulp van een dokter in. Elektrolyt in de ogen kan blindheid veroorzaken.
5. Voorkom kortsluiting van de accu:
 - (1) Raak de accuklemmen nooit aan met een geleidend materiaal.
 - (2) Bewaar de accu niet in een bak waarin andere metalen voorwerpen zoals spijkers, munten e.d. worden bewaard.
 - (3) Stel de accu niet bloot aan water of regen. Kortsluiting van de accu kan oorzaak zijn van een grote stroomafgifte, oververhitting, brandwonden, en zelfs defecten.
6. Bewaar het gereedschap en de accu niet op plaatsen waar de temperatuur kan oplopen tot 50°C of hoger.
7. Werp de accu nooit in het vuur, ook niet wanneer hij zwaar beschadigd of volledig versleten is. De accu kan ontploffen in het vuur.
8. Wees voorzichtig dat u de accu niet laat vallen en hem niet blootstelt aan schokken of stoten.
9. Gebruik nooit een beschadigde accu.
10. De bijgeleverde lithium-ionbatterijen zijn onderhevig aan de vereisten in de wetgeving omtrent gevaarlijke stoffen.
Voor commercieel transport en dergelijke door derden en transporteurs moeten speciale vereisten ten aanzien van verpakking en etikettering worden nageleefd.
Als voorbereiding van het artikel dat wordt getransporteerd is het noodzakelijk een expert op het gebied van gevaarlijke stoffen te raadplegen. Houd u tevens aan mogelijk strengere nationale regelgeving.
Blootliggende contactpunten moeten worden afgedekt met tape en de accu moet zodanig worden verpakt dat deze niet kan bewegen in de verpakking.
11. Volg bij het weggoien van de accu de plaatselijke voorschriften.

BEWAAR DEZE INSTRUCTIES.

⚠ LET OP: Gebruik uitsluitend originele Makita accu's. Het gebruik van niet-originele accu's, of accu's die zijn gewijzigd, kan ertoe leiden dat de accu ontploft en brand, persoonlijk letsel en schade veroorzaakt. Ook vervalt daarmee de garantie van Makita op het gereedschap en de lader van Makita.

Tips voor een maximale levensduur van de accu

1. Laad de accu op voordat hij volledig ontladen is. Stop het gebruik van het gereedschap en laad de accu op telkens wanneer u vaststelt dat het vermogen van het gereedschap is afgenomen.
2. Laad een volledig opgeladen accu nooit opnieuw op. Te lang opladen verkort de levensduur van de accu.
3. Laad de accu op bij een omgevingstemperatuur tussen 10°C en 40°C. Laat een warme accu afkoelen alvorens hem op te laden.
4. Laad de accu op als u deze gedurende een lange tijd (meer dan zes maanden) niet gaat gebruiken.

BESCHRIJVING VAN DE FUNCTIES

⚠ LET OP: Zorg altijd dat het gereedschap is uitgeschakeld en de accu ervan is verwijderd alvorens de functies op het gereedschap af te stellen of te controleren.

De accu aanbrengen en verwijderen

⚠ LET OP: Schakel het gereedschap altijd uit voordat u de accu aanbrengt of verwijdert.

⚠ LET OP: Houd het gereedschap en de accu stevig vast tijdens het aanbrengen of verwijderen van de accu. Als u het gereedschap en de accu niet stevig vasthoudt, kunnen deze uit uw handen glijpen en het gereedschap of de accu beschadigen, of kan persoonlijk letsel worden veroorzaakt.

► Fig.1: 1. Rood deel 2. Knop 3. Accu

Om de accu te verwijderen verschuift u de knop aan de voorkant van de accu en schuift u tegelijkertijd de accu uit het gereedschap.

Om de accu aan te brengen lijnt u de lip op de accu uit met de groef in de behuizing en duwt u de accu op zijn plaats. Steek de accu zo ver mogelijk in het gereedschap tot u een klikgeluid hoort. Als u het rode deel aan de bovenkant van de knop kunt zien, is de accu niet goed aangebracht.

⚠ LET OP: Breng de accu altijd helemaal aan totdat het rode deel niet meer zichtbaar is. Als u dit niet doet, kan de accu per ongeluk uit het gereedschap vallen en u of anderen in uw omgeving verwonden.

⚠ LET OP: Breng de accu niet met kracht aan. Als de accu niet gemakkelijk in het gereedschap kan worden geschoven, wordt deze niet goed aangebracht.

De resterende acculading controleren

Alleen voor accu's met indicatorlampjes

► Fig.2: 1. Indicatorlampjes 2. Testknop

Druk op de testknop op de accu om de resterende acculading te zien. De indicatorlampjes branden gedurende enkele seconden.

Indicatorlampjes			Resterende acculading
Brandt	Uit	Knippert	
■ ■ ■ ■			75% tot 100%
■ ■ ■ □			50% tot 75%
■ ■ □ □			25% tot 50%
■ □ □ □			0% tot 25%
▣ □ □ □			Laad de accu op.
■ ■ □ □			Er kan een storing zijn opgetreden in de accu.
□ □ ■ ■			

OPMERKING: Afhankelijk van de gebruiksomstandigheden en de omgevingstemperatuur, is het mogelijk dat de aangegeven acculading verschilt van de werkelijke acculading.

Gereedschap-/accubeveiligingssysteem

Het gereedschap is voorzien van een gereedschap-/accubeveiligingssysteem. Dit systeem schakelt automatisch de voeding naar de motor uit om de levensduur van het gereedschap en de accu te verlengen. Het gereedschap kan tijdens het gebruik automatisch stoppen als het gereedschap of de accu aan één van de volgende omstandigheden wordt blootgesteld:

Overbelastingsbeveiliging

Als de accu wordt gebruikt op een manier die ertoe leidt dat een abnormaal hoge stroomsterkte wordt getrokken, stopt het gereedschap automatisch zonder enige aanduiding. In dat geval schakelt u het gereedschap uit en stopt u met het gebruik dat er toe leidde dat het gereedschap overbelast raakte. Schakel vervolgens het gereedschap in om weer te starten.

Oververhittingsbeveiliging

Wanneer het gereedschap of de accu oververhit is, stopt het gereedschap automatisch en knippert de lamp. In dat geval laat u het gereedschap en de accu afkoelen, voordat u het gereedschap opnieuw inschakelt.

Beveiliging tegen te ver ontladen

Als de acculading onvoldoende is, stopt het gereedschap automatisch. In dit geval verwijderd u de accu vanaf het gereedschap en laadt u de accu op.

De trekkerschakelaar gebruiken

⚠ WAARSCHUWING: Alvorens de accu in het gereedschap te plaatsen, moet u altijd controleren of de trekkerschakelaar goed werkt en bij het loslaten terugkeert naar de stand "OFF".

► Fig.3: 1. Trekkerschakelaar 2. Uit-vergrendelknop

Om het gereedschap te starten, knijpt u gewoon de trekkerschakelaar in. Hoe harder u de trekkerschakelaar inknijpt, hoe sneller het gereedschap draait. Laat de trekkerschakelaar los om het gereedschap te stoppen.

Voor ononderbroken gebruik, knijpt u de trekkerschakelaar in, drukt u de vergrendelknop in en laat u vervolgens de trekkerschakelaar los. Om het gereedschap vanuit de vergrendelde stand te stoppen, knijpt u de trekkerschakelaar helemaal in en laat u deze vervolgens los.

⚠ LET OP: De schakelaar kan worden vergrendeld in de aan-stand ten behoeve van het gebruikersgemak bij langdurig gebruik. Wees voorzichtig wanneer het gereedschap in de aan-stand is vergrendeld en houd het gereedschap stevig vast.

OPMERKING: Zelfs als de schakelaar is ingeschakeld en de motor draait, draait het schroefbit niet. Duw het gereedschap naar voren om de koppeling te laten aangrijpen.

OPMERKING: Het gereedschap stopt automatisch als de motor ongeveer 6 minuten lang blijft draaien.

Duw-aandraaistand

► Fig.4: 1. Knop 2. Indicatorlampje

Dit gereedschap heeft een duw-aandraaistand. In deze stand schakelt het gereedschap bij stationair draaien de stroom naar de motor uit om de accu te sparen.

Om de duw-aandraaistand in te schakelen, drukt u de trekkerschakelaar licht in en laat u die los, om direct daarna de knop in te drukken. Het indicatorlampje gaat dan branden.

Wanneer de duw-aandraaistand is ingeschakeld, knijpt u de trekkerschakelaar in en drukt u vervolgens op de vergrendelknop. Oefen druk uit op het schroefbit, zodat de motor gaat draaien. Bij verhogen van de druk grijpt de koppeling aan en gaat het schroefbit draaien. In de duw-aandraaistand gaan de motor en het schroefbit alleen draaien wanneer er druk op wordt uitgeoefend.

OPMERKING: Als het gereedschap ongeveer 8 uur lang niet gebruikt wordt in de duw-aandraaistand en met de trekkerschakelaar aan-vergrendeld, wordt het gereedschap uitgeschakeld. In dat geval laat u de trekkerschakelaar los en knijpt u hem opnieuw in om weer te starten.

De lamp op de voorkant gebruiken

⚠ LET OP: Kijk niet direct in het lamplicht of in de lichtbron.

► Fig.5: 1. Lamp 2. Knop

Om de lamp in te schakelen, knijpt u de trekkerschakelaar iets in en laat u hem weer los. De lamp gaat ongeveer 10 seconden nadat u de trekkerschakelaar hebt losgelaten weer uit.

Om de lamp uit te laten gaan, knijpt u de trekkerschakelaar iets in en laat u hem weer los, en houdt u de knop gedurende enkele seconden ingedrukt. Om de lamp in te schakelen, voert u dezelfde bediening nogmaals uit. In de duw-aandraaistand met de trekkerschakelaar aan-vergrendeld gaat de lamp ongeveer één minuut nadat de motor stopt uit.

OPMERKING: U kunt de lampstatus niet omschakelen, zolang de trekkerschakelaar wordt ingeknepen.

OPMERKING: Ongeveer 10 seconden na het loslaten van de trekkerschakelaar kunt u de lampstatus omschakelen.

OPMERKING: Gebruik een droge doek om vuil van de lens van de lamp af te vegen. Wees voorzichtig dat u de lens van de lamp niet bekrast omdat dan de verlichting minder wordt.

De omkeerschakelaar bedienen

► Fig.6: 1. Omkeerschakelaar

⚠ LET OP: Controleer altijd de draairichting alvorens het gereedschap te starten.

⚠ LET OP: Verander de stand van de omkeerschakelaar alleen nadat het gereedschap volledig tot stilstand is gekomen. Als u de draairichting verandert terwijl het gereedschap nog draait, kan het gereedschap beschadigd raken.

⚠ LET OP: Zet de omkeerschakelaar altijd in de neutrale stand wanneer u het gereedschap niet gebruikt.

Dit gereedschap heeft een omkeerschakelaar voor het veranderen van de draairichting. Zet de omkeerschakelaar in de stand \leftarrow (A-kant) voor de draairichting rechtsom, of in de stand \rightarrow (B-kant) voor de draairichting linksom.

Wanneer de omkeerschakelaar in de middenstand staat, kunt u de trekkerschakelaar niet inknijpen.

Diepte-instelling

► Fig.7: 1. Opzetkop

U kunt de schroefdiepte instellen door de opzetkop te draaien. Draai deze in de richting "B" voor minder diep inschroeven of in de richting "A" voor dieper inschroeven. Eén volledige omwenteling van de opzetkop staat gelijk aan 2 mm verschil in diepte.

Voor DFS250

► Fig.8: 1. Opzetkop

Voor DFS251

► Fig.9: 1. Opzetkop

Verstel de opzetkop zodanig dat de afstand tussen de punt van de opzetkop en de schroefkop ongeveer 3 mm bedraagt, zoals aangegeven in de afbeeldingen. Draai als proef een testschroef in uw materiaal of een soortgelijk stuk materiaal. Als de diepte nog niet geschikt is voor de schroef, past u de instelling aan tot u de juiste diepte krijgt.

Haak

⚠ LET OP: Verwijder altijd eerst de accu, voordat u het gereedschap aan de haak ophangt.

⚠ LET OP: Hang het gereedschap niet op aan de haak op een hoge plaats of op een mogelijk instabiele ondergrond.

► **Fig.10:** 1. Haak

De haak is handig om het gereedschap tijdelijk aan op te hangen.

MONTAGE

⚠ LET OP: Zorg altijd dat het gereedschap is uitgeschakeld en de accu ervan is verwijderd alvorens enig werk aan het gereedschap uit te voeren.

Aanbrengen of verwijderen van het schroefbit of de schroefkop

Voor DFS250

► **Fig.11:** 1. Opzetkop

► **Fig.12:** 1. Opzetkop 2. Schroefbit 3. Magnetische bithouder

Om het schroefbit te verwijderen, trekt u de opzetkop eraf en pakt u vervolgens het schroefbit vast met een tang en trekt u het bit uit de magnetische bithouder. Om het schroefbit aan te brengen, duwt u hem stevig in de magnetische bithouder. Vervolgens plaatst u de opzetkop door die stevig erop te duwen.

Voor DFS251

► **Fig.13:** 1. Opzetkop

► **Fig.14:** 1. Opzetkop 2. Dopbit

Op het dopbit te verwijderen, trekt u de opzetkop eraf en trekt u vervolgens het dopbit eraf. Om het dopbit aan te brengen, duwt u hem stevig in de bus. Vervolgens plaatst u de opzetkop door die stevig erop te duwen.

Haak

► **Fig.15:** 1. Groef 2. Haak 3. Schroef

De haak is handig om het gereedschap tijdelijk aan op te hangen. Deze kan aan beide kanten van het gereedschap worden aangebracht.

U brengt de haak aan door deze in een groef in de behuizing van het gereedschap te steken en vast te zetten met een schroef. Om te verwijderen, draait u de schroef los en haalt u hem van het gereedschap af.

BEDIENING

Gebruik als schroevendraaier

► **Fig.16**

Plaats de schroef op de punt van het bit en plaats de punt van de schroef op de plaats van het werkstuk waar u deze wilt inschroeven. Oefen druk uit op het gereedschap en start het. Trek het gereedschap terug zodra de slipkoppeling doordraait. Laat vervolgens de trekkerschakelaar los.

⚠ LET OP: Wees voorzichtig wanneer u de schroef op de punt van het bit plaatst, om de schroef niet te hard aan te duwen. Als u de schroef te hard aandrukt, schakelt de koppeling in en zal de schroef plotseling gaan draaien. Dit kan uw werkstuk beschadigen of letsel veroorzaken.

⚠ LET OP: Zorg ervoor dat het bit recht op de schroefkop staat omdat anders de schroef en/of het bit kunnen worden beschadigd.

ONDERHOUD

⚠ LET OP: Zorg altijd dat het gereedschap is uitgeschakeld en de accu ervan is verwijderd alvorens te beginnen met onderhoud of inspectie.

KENNISGEVING: Gebruik nooit benzine, wasbenzine, thinner, alcohol en dergelijke. Hierdoor kunnen verkleuring, vervormingen en barsten worden veroorzaakt.

Om de VEILIGHEID en BETROUWBAARHEID van het gereedschap te handhaven, dienen alle reparaties, onderhoud of afstellingen te worden uitgevoerd bij een erkend Makita-servicecentrum of de Makita-fabriek, en altijd met gebruik van Makita-vervangingsonderdelen.

OPTIONELE ACCESSOIRES

⚠ LET OP: Deze accessoires of hulpstukken worden aanbevolen voor gebruik met het Makita gereedschap dat in deze gebruiksaanwijzing is beschreven. Bij gebruik van andere accessoires of hulpstukken bestaat het gevaar van persoonlijke letsel. Gebruik de accessoires of hulpstukken uitsluitend voor hun bestemde doel.

Went u meer bijzonderheden over deze accessoires, neem dan contact op met het plaatselijke Makita-servicecentrum.

- Schroefbits
- Magnetische bithouder
- Dopbits
- Originële Makita accu's en acculaders
- Kunststof koffer

OPMERKING: Sommige items op de lijst kunnen zijn inbegrepen in de doos van het gereedschap als standaard toebehoren. Deze kunnen van land tot land verschillen.

ESPECIFICACIONES

Modelo:		DFS250		DFS251	
Capacidades de apriete	Tornillo autorroscante	6 mm			
	Tornillo para yeso	5 mm			
Velocidad sin carga (RPM)		0 - 2.500 min ⁻¹			
Longitud total	Con localizador corto	223 mm		-	
	Con localizador largo	239 mm		-	
Longitud total		-		217 mm	
Tensión nominal		CC 18 V			
Cartucho de batería estándar		BL1815 / BL1815N / BL1820 / BL1820B	BL1830 / BL1830B / BL1840 / BL1840B / BL1850 / BL1850B / BL1860B	BL1815 / BL1815N / BL1820 / BL1820B	BL1830 / BL1830B / BL1840 / BL1840B / BL1850 / BL1850B / BL1860B
Cargador		DC18RC / DC18RD / DC18SE / DC18SF / DC18SD			
Peso neto		1,6 kg	1,8 kg	1,5 kg	1,8 kg

- Debido a nuestro continuado programa de investigación y desarrollo, las especificaciones aquí dadas están sujetas a cambios sin previo aviso.
- Las especificaciones y el cartucho de batería pueden diferir de país a país.
- Peso, con cartucho de batería, de acuerdo con el procedimiento EPTA 01/2003

Uso previsto

La herramienta ha sido prevista para atornillar en madera, metal y plástico.

Ruido

El nivel de ruido A-ponderado típico determinado de acuerdo con la norma EN62841:

Modelo DFS250

Nivel de presión sonora (L_{pA}): 72 dB (A)

Error (K): 3 dB (A)

Modelo DFS251

Nivel de presión sonora (L_{pA}): 72 dB (A)

Error (K): 3 dB (A)

El nivel de ruido en situación de trabajo puede exceder 80 dB (A).

⚠ ADVERTENCIA: Póngase protectores para oídos.

Vibración

El valor total de la vibración (suma de vectores triaxiales) determinado de acuerdo con la norma EN62841:

Modelo DFS250

Modo de trabajo: atornillado sin impacto

Emisión de vibración (a_n): 2,5 m/s² o menos

Error (K): 1,5 m/s²

Modelo DFS251

Modo de trabajo: atornillado sin impacto

Emisión de vibración (a_n): 2,5 m/s² o menos

Error (K): 1,5 m/s²

NOTA: El valor de emisión de vibración declarado ha sido medido de acuerdo con el método de prueba estándar y se puede utilizar para comparar una herramienta con otra.

NOTA: El valor de emisión de vibración declarado también se puede utilizar en una valoración preliminar de exposición.

⚠ ADVERTENCIA: La emisión de vibración durante la utilización real de la herramienta eléctrica puede variar del valor de emisión declarado dependiendo de las formas en las que la herramienta sea utilizada.

⚠ ADVERTENCIA: Asegúrese de identificar medidas de seguridad para proteger al operario que estén basadas en una estimación de la exposición en las condiciones reales de utilización (teniendo en cuenta todas las partes del ciclo operativo como las veces cuando la herramienta está apagada y cuando está funcionando en vacío además del tiempo de gatillo).

Declaración CE de conformidad

Para países europeos solamente

La declaración CE de conformidad está incluida como Anexo A de esta manual de instrucciones.

ADVERTENCIAS DE SEGURIDAD

Advertencias de seguridad para herramientas eléctricas en general

⚠️ ADVERTENCIA: Lea todas las advertencias de seguridad, instrucciones, ilustraciones y especificaciones provistas con esta herramienta eléctrica. Si no sigue todas las instrucciones indicadas abajo podrá resultar en una descarga eléctrica, un incendio y/o heridas graves.

Guarde todas las advertencias e instrucciones para futuras referencias.

El término "herramienta eléctrica" en las advertencias se refiere a su herramienta eléctrica de funcionamiento con conexión a la red eléctrica (con cable) o herramienta eléctrica de funcionamiento a batería (sin cable).

Advertencias de seguridad para el atornillador inalámbrico

1. Cuando realice una operación en la que el fijador pueda entrar en contacto con cableado oculto, sujete la herramienta eléctrica por las superficies de aislamiento aisladas. El contacto del fijador con un cable con corriente hará que la corriente circule por las partes metálicas expuestas de la herramienta eléctrica y podrá soltar una descarga eléctrica al operario.
2. Asegúrese siempre de que tiene suelo firme. Asegúrese de que no haya nadie debajo cuando utilice la herramienta en lugares altos.
3. Sujete la herramienta firmemente.
4. Mantenga las manos alejadas de las partes giratorias.
5. No toque la punta de atornillar o la pieza de trabajo inmediatamente después de la operación; podrán estar muy calientes y quemarle la piel.
6. Sujete siempre la pieza de trabajo en un tornillo de banco o dispositivo de sujeción similar.

GUARDE ESTAS INSTRUCCIONES.

⚠️ ADVERTENCIA: NO deje que la comodidad o familiaridad con el producto (a base de utilizarlo repetidamente) sustituya la estricta observancia de las normas de seguridad para el producto en cuestión.

El MAL USO o el no seguir las normas de seguridad establecidas en este manual de instrucciones podrá ocasionar graves heridas personales.

Instrucciones de seguridad importantes para el cartucho de batería

1. Antes de utilizar el cartucho de batería, lea todas las instrucciones e indicaciones de precaución sobre (1) el cargador de baterías, (2) la batería, y (3) el producto con el que se utiliza la batería.
2. No desarme el cartucho de batería.
3. Si el tiempo de uso se acorta demasiado, cese la operación inmediatamente. Podría resultar en un riesgo de recalentamiento, posibles quemaduras e incluso una explosión.
4. Si entra electrólito en sus ojos, aclárelos con agua limpia y acuda a un médico inmediatamente. Existe el riesgo de poder perder la vista.
5. No cortocircuite el cartucho de batería:
 - (1) No toque los terminales con ningún material conductor.
 - (2) Evite guardar el cartucho de batería en un cajón junto con otros objetos metálicos, como clavos, monedas, etc.
 - (3) No exponga el cartucho de batería al agua ni a la lluvia.

Un cortocircuito en la batería puede producir una gran circulación de corriente, un recalentamiento, posibles quemaduras e incluso una rotura de la misma.

6. No guarde la herramienta y el cartucho de batería en lugares donde la temperatura pueda alcanzar o exceder los 50 °C.
7. Nunca incinere el cartucho de batería incluso en el caso de que esté dañado seriamente o ya no sirva en absoluto. El cartucho de batería puede explotar si se tira al fuego.
8. Tenga cuidado de no dejar caer ni golpear el cartucho de batería.
9. No utilice una batería dañada.
10. Las baterías de litio-ion contenidas están sujetas a los requisitos de la Legislación para Materiales Peligrosos.

Para transportes comerciales, p.ej., por terceras personas y agentes de transportes, se deberán observar requisitos especiales para el empaquetado y etiquetado.

Para la preparación del artículo que se va a enviar, se requiere consultar con un experto en materiales peligrosos. Por favor, observe también la posibilidad de reglamentos nacionales más detallados.

Cubra con cinta aislante o enmascare los contactos expuestos y empaquete la batería de tal manera que no se pueda mover alrededor dentro del embalaje.
11. Siga los reglamentos locales referentes al desecho de la batería.

GUARDE ESTAS INSTRUCCIONES.

⚠️ PRECAUCIÓN: Utilice solamente baterías genuinas de Makita. La utilización de baterías no genuinas de Makita, o baterías que han sido alteradas, puede resultar en una explosión de la batería ocasionando incendios, heridas personales y daños. También anulará la garantía de Makita para la herramienta y el cargador de Makita.

Consejos para alargar al máximo la vida de servicio de la batería

1. Cargue el cartucho de batería antes de que se descargue completamente. Detenga siempre la operación y cargue el cartucho de batería cuando note menos potencia en la herramienta.
2. No cargue nunca un cartucho de batería que esté completamente cargado. La sobrecarga acortará la vida de servicio de la batería.
3. Cargue el cartucho de batería a temperatura ambiente de 10 °C - 40 °C. Si un cartucho de batería está caliente, déjelo enfriar antes de cargarlo.
4. Cargue el cartucho de batería si no lo utiliza durante un periodo de tiempo prolongado (más de seis meses).

DESCRIPCIÓN DEL FUNCIONAMIENTO

⚠ PRECAUCIÓN: Asegúrese siempre de que la herramienta está apagada y el cartucho de batería retirado antes de realizar cualquier ajuste o comprobación en la herramienta.

Instalación o extracción del cartucho de batería

⚠ PRECAUCIÓN: Apague siempre la herramienta antes de instalar o retirar el cartucho de batería.

⚠ PRECAUCIÓN: Sujete la herramienta y el cartucho de batería firmemente cuando instale o retire el cartucho de batería. Si no sujeta la herramienta y el cartucho de batería firmemente podrán caérsele de las manos y resultar en daños a la herramienta y al cartucho de batería y heridas personales.

► **Fig.1:** 1. Indicador rojo 2. Botón 3. Cartucho de batería

Para retirar el cartucho de batería, deslícelo de la herramienta mientras desliza el botón de la parte frontal del cartucho.

Para instalar el cartucho de batería, alinee la lengüeta del cartucho de batería con la ranura de la carcasa y deslícelo hasta que encaje en su sitio. Insértelo a tope hasta que se bloquee en su sitio produciendo un pequeño chasquido. Si puede ver el indicador rojo en el lado superior del botón, no estará bloqueado completamente.

⚠ PRECAUCIÓN: Instale siempre el cartucho de batería completamente hasta que no pueda verse el indicador rojo. En caso contrario, podrá caerse accidentalmente de la herramienta y ocasionarle heridas a usted o a alguien que esté cerca de usted.

⚠ PRECAUCIÓN: No instale el cartucho de batería empleando fuerza. Si el cartucho no se desliza al interior fácilmente, será porque no está siendo insertado correctamente.

Modo de indicar la capacidad de batería restante

Solamente para cartuchos de batería con el indicador

► **Fig.2:** 1. Lámparas indicadoras 2. Botón de comprobación

Presione el botón de comprobación en el cartucho de batería para indicar la capacidad de batería restante. Las lámparas indicadoras se iluminan durante unos pocos segundos.

Lámparas indicadoras			Capacidad restante
Iluminada	Apagada	Parpadeando	
■	□	◐	75% a 100%
■	■	■	
■	■	□	
■	■	□	
■	□	□	50% a 75%
■	□	□	25% a 50%
■	□	□	0% a 25%
◐	□	□	Cargue la batería.
■	■	□	Puede que la batería no esté funcionando bien.
□	□	■	

NOTA: Dependiendo de las condiciones de utilización y de la temperatura ambiente, la indicación podrá variar ligeramente de la capacidad real.

Sistema de protección de la herramienta / batería

La herramienta está equipada con un sistema de protección de la herramienta/batería. Este sistema corta automáticamente la alimentación al motor para alargar la vida de servicio de la herramienta y la batería. La herramienta se detendrá automáticamente durante la operación si la herramienta o la batería es puesta en una de las condiciones siguientes:

Protección contra sobrecarga

Cuando la batería sea operada de manera que le haga extraer una corriente anormalmente alta, la herramienta se detendrá automáticamente sin ninguna indicación. En esta situación, apague la herramienta y detenga la aplicación que ocasiona la sobrecarga de la herramienta. Después encienda la herramienta para volver a empezar.

Protección contra el recalentamiento

Cuando la herramienta o la batería se recalienta, la herramienta se detiene automáticamente y la lámpara parpadea. En este caso, deje que la herramienta y la batería se enfrien antes de encender la herramienta otra vez.

Protección contra descarga excesiva

Cuando la capacidad de batería no es suficiente, la herramienta se detiene automáticamente. En este caso, retire la batería de la herramienta y cargue la batería.

Accionamiento del interruptor

⚠️ ADVERTENCIA: Antes de insertar el cartucho de batería en la herramienta, compruebe siempre para cerciorarse de que el gatillo interruptor se acciona debidamente y que vuelve a la posición "OFF" cuando lo suelta.

► **Fig.3:** 1. Gatillo interruptor 2. Botón de desbloqueo

Para poner en marcha la herramienta, simplemente apriete el gatillo interruptor. La velocidad de la herramienta aumenta incrementando la presión en el gatillo interruptor. Suelte el gatillo interruptor para parar.

Para una operación continua, apriete el gatillo interruptor, empuje hacia dentro el botón de bloqueo y después suelte el gatillo interruptor. Para parar la herramienta desde la posición bloqueada, apriete el gatillo interruptor completamente, después suéltelo.

⚠️ PRECAUCIÓN: El interruptor puede ser bloqueado en posición "encendida" para mayor comodidad del operario durante una utilización prolongada. Tenga precaución cuando bloquee la herramienta en posición "encendida" y mantenga la herramienta firmemente empuñada.

NOTA: Incluso con el interruptor activado y el motor en marcha, la punta de atornillar no gira. Empuje la herramienta hacia adelante para embragar el embrague.

NOTA: La herramienta se parará automáticamente si el motor se mantiene girando durante unos 6 minutos.

Modo de accionamiento por presión

► **Fig.4:** 1. Botón 2. Indicador de modo

Esta herramienta tiene un modo de accionamiento por presión. En este modo, la herramienta corta la alimentación al motor para ahorrar energía de la batería a ralentí. Para seleccionar el modo de accionamiento por presión, apriete el gatillo ligeramente, después suéltelo y rápidamente presione el botón. El indicador de modo se ilumina. Una vez que esté activado el accionamiento por presión, apriete el gatillo interruptor y después presione el botón de bloqueo. Aplique presión a la punta de atornillar y el motor comenzará a girar. A más presión se embraga el embrague y la punta de atornillar comienza a girar. En modo de accionamiento por presión, el motor y la punta de atornillar solamente girarán aplicando presión.

NOTA: Si en modo de accionamiento por presión con el gatillo bloqueado en activado la herramienta no se pone en marcha durante unas 8 horas, la herramienta se apagará. En tal caso, suelte el gatillo y apríetelo otra vez para volver a empezar.

Encendido de la lámpara delantera

⚠️ PRECAUCIÓN: No mire a la luz ni vea la fuente de luz directamente.

► **Fig.5:** 1. Lámpara 2. Botón

Para encender la lámpara, apriete el gatillo interruptor ligeramente, y después suéltelo. La lámpara se apagará aproximadamente 10 segundos después de soltar el gatillo interruptor.

Para seguir apagando la luz, apriete el gatillo interruptor ligeramente, después suéltelo, y después presione el botón durante unos pocos segundos. Para encender la luz, realice la misma operación otra vez.

En modo de accionamiento por presión con el gatillo interruptor bloqueado, la lámpara se apaga aproximadamente un minuto después de pararse el motor.

NOTA: Mientras aprieta el gatillo interruptor, no podrá cambiar el estado de la lámpara.

NOTA: Durante aproximadamente 10 segundos después de soltar el gatillo interruptor, se puede cambiar el estado de la lámpara.

NOTA: Utilice un paño seco para quitar la suciedad de la lente de la lámpara. Tenga cuidado de no rayar la lente de la lámpara, porque podrá disminuir la iluminación.

Accionamiento del interruptor inversor

► **Fig.6:** 1. Palanca del interruptor inversor

⚠️ PRECAUCIÓN: Confirme siempre la dirección de giro antes de la operación.

⚠️ PRECAUCIÓN: Utilice el interruptor inversor solamente después de que la herramienta se haya parado completamente. Si cambia la dirección de giro antes de que la herramienta se haya parado podrá dañarla.

⚠️ PRECAUCIÓN: Cuando no esté utilizando la herramienta, ponga siempre la palanca del interruptor inversor en la posición neutral.

Esta herramienta tiene un interruptor inversor para cambiar la dirección de giro. Mueva la palanca del interruptor inversor a la posición ↶ (lado A) para giro hacia la derecha o a la posición ↷ (lado B) para giro hacia la izquierda.

Cuando la palanca del interruptor inversor está en la posición neutral, el gatillo interruptor no se puede apretar.

Ajuste de la profundidad

► **Fig.7:** 1. Localizador

La profundidad se puede ajustar girando el localizador. Gírelo en la dirección "B" para menos profundidad y en la dirección "A" para más profundidad. Una vuelta completa del localizador equivale a un cambio de profundidad de 2 mm.

Para DFS250

► **Fig.8:** 1. Localizador

Para DFS251

► **Fig.9:** 1. Localizador

Ajuste el localizador de forma que la distancia entre la punta del localizador y la cabeza del tornillo sea de aproximadamente 3 mm como se muestra en las figuras. Atornille un tornillo de prueba en su material o en una pieza de material duplicada. Si la profundidad todavía no es apropiada para el tornillo, continúe ajustando hasta que obtenga el ajuste de profundidad apropiado.

Gancho

⚠ PRECAUCIÓN: Retire siempre la batería cuando cuelgue la herramienta con el gancho.

⚠ PRECAUCIÓN: No cuelgue nunca la herramienta en un lugar alto o superficie potencialmente inestable.

► **Fig.10:** 1. Gancho

El gancho resulta útil para colgar la herramienta temporalmente.

MONTAJE

⚠ PRECAUCIÓN: Asegúrese siempre de que la herramienta está apagada y el cartucho de batería retirado antes de realizar cualquier trabajo en la herramienta.

Instalación o desmontaje de la punta de atornillar/punta de tubo

Para DFS250

► **Fig.11:** 1. Localizador

► **Fig.12:** 1. Localizador 2. Punta de atornillar
3. Portapuntas de atornillar magnético

Para retirar la punta de atornillar, tire del localizador, y después agarre la punta de atornillar con unos alicates y extraiga la punta de atornillar del portapuntas de atornillar magnético. Para instalar la punta de atornillar, empujela firmemente al interior del portapuntas de atornillar magnético. Después instale el localizador empujándolo firmemente hacia atrás.

Para DFS251

► **Fig.13:** 1. Localizador

► **Fig.14:** 1. Localizador 2. Llave de tubo

Para retirar la llave de tubo, tire del localizador, y después tire de la llave de tubo. Para instalar la llave de tubo, empujela firmemente al interior del casquillo. Después instale el localizador empujándolo firmemente hacia atrás.

Gancho

► **Fig.15:** 1. Ranura 2. Gancho 3. Tornillo

El gancho resulta útil para colgar la herramienta temporalmente. Se puede instalar en cualquiera de los lados de la herramienta.

Para instalar el gancho, insértelo en una ranura de cualquiera de los lados de la carcasa de la herramienta y después sujételo con un tornillo. Para retirarlo, afloje el tornillo y después sáquelo.

OPERACIÓN

Operación de atornillado

► **Fig.16**

Encaje el tornillo en la punta de la punta de atornillar y ponga la punta del tornillo sobre la superficie de la pieza de trabajo que va a sujetar. Aplique presión a la herramienta y póngala en marcha. Retire la herramienta tan pronto como el embrague se accione. Después suelte el gatillo interruptor.

⚠ PRECAUCIÓN: Cuando encaje el tornillo en la punta de la punta de atornillar, tenga cuidado de no empujar hacia adentro el tornillo. Si empuja hacia adentro el tornillo, el embrague se embragará y el tornillo comenzará a girar repentinamente. Esto podrá dañar una pieza de trabajo o causar heridas.

⚠ PRECAUCIÓN: Asegúrese de que la punta de atornillar está insertada en línea recta en la cabeza del tornillo, o el tornillo y/o la punta de atornillar se podrán dañar.

MANTENIMIENTO

⚠ PRECAUCIÓN: Asegúrese siempre de que la herramienta está apagada y de que el cartucho de batería está retirado antes de intentar hacer una inspección o mantenimiento.

AVISO: No utilice nunca gasolina, bencina, disolvente, alcohol o similares. Podría producir descoloración, deformación o grietas.

Para mantener la SEGURIDAD y FIABILIDAD del producto, las reparaciones, y cualquier otra tarea de mantenimiento o ajuste deberán ser realizadas en centros de servicio o de fábrica autorizados por Makita, empleando siempre repuestos Makita.

ACCESORIOS OPCIONALES

⚠ PRECAUCIÓN: Estos accesorios o aditamentos están recomendados para su uso con la herramienta Makita especificada en este manual. El uso de cualquier otro accesorio o aditamento puede suponer un riesgo de heridas personales. Utilice el accesorio o aditamento solamente con la finalidad indicada para el mismo.

Si necesita cualquier ayuda para más detalles en relación con estos accesorios, pregunte al centro de servicio Makita local.

- Puntas de atornillar
- Portapuntas de atornillar magnético
- Llaves de tubo
- Batería y cargador genuinos de Makita
- Maletín de transporte de plástico

NOTA: Algunos elementos de la lista podrán estar incluidos en el paquete de la herramienta como accesorios estándar. Pueden variar de un país a otro.

ESPECIFICAÇÕES

Modelo:		DFS250	DFS251
Capacidades de aperto	Parafuso autoperfurante	6 mm	
	Parafuso para placa de reboco	5 mm	
Velocidade sem carga (RPM)		0 - 2.500 min ⁻¹	
Comprimento geral	Com localizador curto	223 mm	-
	Com localizador comprido	239 mm	-
Comprimento geral		-	217 mm
Tensão nominal		CC 18 V	
Bateria padrão		BL1815 / BL1815N / BL1820 / BL1820B	BL1830 / BL1830B / BL1840 / BL1840B / BL1850 / BL1850B / BL1860B
Carregador		DC18RC / DC18RD / DC18SE / DC18SF / DC18SD	
Peso líquido		1,6 kg	1,8 kg

- Devido a um programa contínuo de pesquisa e desenvolvimento, estas especificações estão sujeitas a alteração sem aviso prévio.
- As especificações e a bateria podem variar de país para país.
- Peso, com a bateria, de acordo com o Procedimento 01/2003 da EPTA (European Power Tool Association)

Utilização a que se destina

A ferramenta destina-se ao aparafusamento em madeira, metal e plástico.

Ruído

A característica do nível de ruído A determinado de acordo com a EN62841:

Modelo DFS250

Nível de pressão acústica (L_{pA}): 72 dB (A)

Variabilidade (K): 3 dB (A)

Modelo DFS251

Nível de pressão acústica (L_{pA}): 72 dB (A)

Variabilidade (K): 3 dB (A)

O nível de ruído durante o funcionamento pode exceder 80 dB (A).

AVISO: Utilize protetores auriculares.

Vibração

Valor total da vibração (soma vetorial tri-axial) determinado de acordo com a EN62841:

Modelo DFS250

Modo de trabalho: aparafusamento sem impacto

Emissão de vibração (a_{hv}): 2,5 m/s² ou menos

Variabilidade (K): 1,5 m/s²

Modelo DFS251

Modo de trabalho: aparafusamento sem impacto

Emissão de vibração (a_{hv}): 2,5 m/s² ou menos

Variabilidade (K): 1,5 m/s²

NOTA: O valor da emissão de vibração indicado foi medido de acordo com o método de teste padrão e pode ser utilizado para comparar duas ferramentas.

NOTA: O valor da emissão de vibração indicado pode também ser utilizado na avaliação preliminar da exposição.

AVISO: A emissão de vibração durante a utilização real da ferramenta elétrica pode diferir do valor de emissão indicado, dependendo das formas como a ferramenta é utilizada.

AVISO: Certifique-se de identificar as medidas de segurança para proteção do operador que sejam baseadas em uma estimativa de exposição em condições reais de utilização (considerando todas as partes do ciclo de operação, tal como quando a ferramenta está desligada e quando está a funcionar em marcha lenta além do tempo de acionamento).

Declaração de conformidade da CE

Apenas para os países europeus

A declaração de conformidade da CE está incluída como Anexo A neste manual de instruções.

AVISOS DE SEGURANÇA

Avisos gerais de segurança para ferramentas elétricas

⚠️ AVISO: Leia todos os avisos de segurança, instruções, ilustrações e especificações fornecidos com esta ferramenta elétrica. O não cumprimento de todas as instruções indicadas em baixo pode resultar em choque elétrico, incêndio e/ou ferimentos graves.

Guarde todos os avisos e instruções para futuras referências.

O termo "ferramenta elétrica" nos avisos refere-se às ferramentas elétricas ligadas à corrente elétrica (com cabo) ou às ferramentas elétricas operadas por meio de bateria (sem cabo).

Avisos de segurança da parafusadeira a bateria

1. **Segure na ferramenta elétrica através das superfícies de aderência isoladas quando realizar uma operação na qual o fixador possa estabelecer contacto com os fios escondidos.** Os fixadores que estabelecem contacto com um fio sob tensão poderão colocar peças metálicas expostas da ferramenta elétrica sob tensão e podem causar um choque elétrico no operador.
2. **Assegure sempre uma posição firme.** Certifique-se de que ninguém se encontra sob locais elevados quando utiliza a ferramenta nestes locais.
3. **Segure a ferramenta com firmeza.**
4. **Mantenha as mãos afastadas de peças rotativas.**
5. **Não toque na broca ou na peça de trabalho imediatamente após a operação; estas podem estar extremamente quentes e podem queimar a sua pele.**
6. **Fixe sempre a peça de trabalho num torno ou num dispositivo de retenção similar.**

GUARDE ESTAS INSTRUÇÕES.

⚠️ AVISO: NÃO permita que o conforto ou a familiaridade com o produto (adquirido com o uso repetido) substitua a adesão estrita às regras de segurança da ferramenta.

A MÁ INTERPRETAÇÃO ou o não seguimento das regras de segurança estabelecidas neste manual de instruções pode causar danos pessoais graves.

Instruções de segurança importantes para a bateria

1. **Antes de utilizar a bateria, leia todas as instruções e etiquetas de precaução no (1) carregador de bateria (2) bateria e (3) produto que utiliza a bateria.**
2. **Não abra a bateria.**

3. **Se o tempo de funcionamento se tornar excessivamente curto, pare o funcionamento imediatamente.** Pode resultar em sobreaquecimento, possíveis queimaduras e mesmo explosão.
4. **Se entrar eletrólito nos seus olhos, lave-os com água e consulte imediatamente um médico.** Pode resultar em perda de visão.
5. **Não coloque a bateria em curto-circuito:**
 - (1) **Não toque nos terminais com qualquer material condutor.**
 - (2) **Evite guardar a bateria juntamente com outros objetos metálicos tais como pregos, moedas, etc.**
 - (3) **Não exponha a bateria à água ou chuva.** Um curto-circuito pode ocasionar um enorme fluxo de corrente, sobreaquecimento, possíveis queimaduras e mesmo estragar-se.
6. **Não guarde a ferramenta e a bateria em locais onde a temperatura pode atingir ou exceder 50°C.**
7. **Não queime a bateria mesmo que esteja estragada ou completamente gasta.** A bateria pode explodir no fogo.
8. **Tenha cuidado para não deixar cair ou dar pancadas na bateria.**
9. **Não utilize uma bateria danificada.**
10. **As baterias de íões de lítio contidas na ferramenta são sujeitas aos requisitos da DGL (Dangerous Goods Legislation - Legislação de bens perigosos).** Para o transporte comercial, por exemplo, por terceiros ou agentes de expedição, têm de ser observados os requisitos referentes à embalagem e etiquetagem. Para preparação do artigo a ser expedido, é necessário consultar um perito em materiais perigosos. Tenha ainda em conta a possibilidade de existirem regulamentos nacionais mais detalhados. Coloque fita-cola ou tape os contactos abertos e embale a bateria de tal forma que não possa mover-se dentro da embalagem.
11. **Siga os regulamentos locais relacionados com a eliminação de baterias.**

GUARDE ESTAS INSTRUÇÕES.

⚠️ PRECAUÇÃO: Utilize apenas baterias genuínas da Makita. A utilização de baterias não genuínas da Makita ou de baterias que foram alteradas, pode resultar no reben-tamento da bateria provocando incêndios, ferimentos pessoais e danos. Além disso, anulará da garantia da Makita no que se refere à ferramenta e ao carregador Makita.

Conselhos para manter a máxima vida útil da bateria

1. **Carregue a bateria antes que esteja completamente descarregada.** Pare sempre o funcionamento da ferramenta e carregue a bateria quando notar menos poder na ferramenta.
2. **Nunca carregue uma bateria completamente carregada.** Carregamento excessivo diminui a vida útil da bateria.
3. **Carregue a bateria à temperatura ambiente de 10°C – 40°C.** Deixe que uma bateria quente arrefeça antes de a carregar.
4. **Carregue a bateria se não a utilizar durante um longo período de tempo (mais de seis meses).**

DESCRIÇÃO FUNCIONAL

⚠️ PRECAUÇÃO: Certifique-se sempre de que a ferramenta está desligada e a bateria foi retirada antes de regular ou verificar qualquer função na ferramenta.

Instalação ou remoção da bateria

⚠️ PRECAUÇÃO: Desligue sempre a ferramenta antes de colocar ou retirar a bateria.

⚠️ PRECAUÇÃO: Segure firmemente a ferramenta e a bateria quando instalar ou remover a bateria. Se não segurar firmemente a ferramenta e a bateria pode fazer com que escorreguem das suas mãos resultando em danos na ferramenta e na bateria e ferimentos pessoais.

► Fig.1: 1. Indicador vermelho 2. Botão 3. Bateria

Para retirar a bateria, deslize-a para fora da ferramenta enquanto desliza o botão na frente da bateria.

Para instalar a bateria, alinhe a lingueta da bateria com a ranhura no compartimento e deslize-a no lugar. Empurre-a até o fim para que a mesma encaixe no lugar com um clique. Se puder ver a parte vermelha no lado superior do botão, significa que não está completamente bloqueada.

⚠️ PRECAUÇÃO: Instale sempre a bateria até ao fim, até deixar de ver o indicador vermelho.

Caso contrário, a bateria poderá cair da ferramenta acidentalmente e provocar ferimentos em si mesmo ou em alguém próximo.

⚠️ PRECAUÇÃO: Não instale a bateria à força. Se a bateria não deslizar facilmente é porque não foi colocada corretamente.

Indicação da capacidade restante da bateria

Apenas para baterias com indicador

► Fig.2: 1. Luzes indicadoras 2. Botão de verificação

Prima o botão de verificação na bateria para indicar a capacidade restante da bateria. As luzes indicadoras acendem durante alguns segundos.

Luzes indicadoras			Capacidade restante
Aceso	Apagado	A piscar	
■	□	◐	75% a 100%
■	■	□	
■	■	□	50% a 75%
■	□	□	
■	□	□	25% a 50%
■	□	□	
■	□	□	0% a 25%
■	□	□	
◐	□	□	Carregar a bateria.

Luzes indicadoras			Capacidade restante
Aceso	Apagado	A piscar	
■	□	◐	A bateria pode estar avariada.
■	■	□	
□	□	■	

NOTA: Dependendo das condições de utilização e da temperatura ambiente, a indicação pode ser ligeiramente diferente da capacidade real.

Sistema de proteção da ferramenta/bateria

A ferramenta está equipada com um sistema de proteção da ferramenta/bateria. Este sistema corta automaticamente a corrente para o motor para aumentar a vida da ferramenta e da bateria. A ferramenta para automaticamente durante o funcionamento se a ferramenta ou bateria for colocada mediante uma das seguintes condições:

Proteção contra sobrecarga

Quando a bateria é operada de forma a puxar uma corrente anormalmente elevada, a ferramenta para automaticamente sem qualquer indicação. Nesse caso, desligue a ferramenta e pare a operação que provocou a sobrecarga da ferramenta. Em seguida, volte a ligar a ferramenta para a reiniciar.

Proteção contra sobreaquecimento

Quando a ferramenta ou a bateria estiver sobreaquecida, a ferramenta para automaticamente e a lâmpada pisca. Neste caso, deixe a ferramenta e a bateria arrefecerem antes de ligar novamente a ferramenta.

Proteção contra descarga excessiva

Quando a capacidade da bateria não é suficiente, a ferramenta para automaticamente. Neste caso, retire a bateria da ferramenta e carregue-a.

Ação do interruptor

⚠️ AVISO: Antes de colocar a bateria na ferramenta, verifique sempre se o gatilho do interruptor funciona corretamente e volta para a posição "OFF" quando libertado.

► Fig.3: 1. Gatilho 2. Botão de desbloqueio

Para iniciar a ferramenta, carregue simplesmente no gatilho. A velocidade da ferramenta aumenta quando aumenta a pressão no gatilho. Liberte o gatilho para parar.

Para funcionamento contínuo, puxe o gatilho, empurre o botão de bloqueio para dentro e solte o gatilho. Para parar a ferramenta a partir da posição de bloqueada, puxe o gatilho até ao fim e solte-o.

⚠️ PRECAUÇÃO: O interruptor pode ser bloqueado na posição “ligado” para facilidade e conforto de utilização durante a utilização prolongada. Tome todo cuidado quando bloquear a ferramenta na posição “ligado” e mantenha a ferramenta firme e bem segura.

NOTA: Mesmo com o interruptor ligado e o motor em funcionamento, a broca de aparafusar não roda. Empurre a ferramenta para a frente para engatar a embreagem.

NOTA: A ferramenta para automaticamente se o motor continuar a rodar durante cerca 6 minutos.

Modo de impulso por tração

► **Fig.4:** 1. Botão 2. Indicador de modo

Esta ferramenta possui o modo de impulso por tração. Neste modo, a ferramenta desliga a alimentação do motor para poupar a energia da bateria em marcha lenta.

Para selecionar o modo de impulso por tração, puxe o gatilho ligeiramente e, de seguida, solte-o e prima rapidamente o botão. O indicador de modo irá acender. Assim que o impulso por tração for ativado, puxe o gatilho do interruptor e, de seguida, prima o botão de bloqueio. Aplique pressão na broca de aparafusar e o motor começará a rodar. O aumento de pressão engata a embreagem e a broca de aparafusar começará a rodar. No modo de impulso por tração, o motor e a broca de aparafusar apenas rodarão ao aplicar pressão.

NOTA: Se a ferramenta não funcionar há cerca de 8 horas no modo de impulso por tração com o gatilho bloqueado, a ferramenta é desligada. Nesse caso, solte e puxe o gatilho novamente para reiniciar a ferramenta.

Acender a lâmpada da frente

⚠️ PRECAUÇÃO: Não olhe para a luz ou para a fonte de iluminação diretamente.

► **Fig.5:** 1. Lâmpada 2. Botão

Para ligar a lâmpada, puxe ligeiramente o gatilho do interruptor e solte-o, de seguida. A lâmpada apaga aproximadamente 10 segundos após soltar o gatilho do interruptor. Para continuar a desligar a luz, puxe ligeiramente o gatilho do interruptor e solte-o, de seguida e prima o botão durante alguns segundos. Para ligar a luz, realize o mesmo procedimento novamente. No modo de impulso por tração com o gatilho do interruptor bloqueado, a lâmpada desliga aproximadamente um minuto após o motor parar.

NOTA: Enquanto puxa o gatilho, o estado da lâmpada não pode ser alterado.

NOTA: Durante aproximadamente 10 segundos após soltar o gatilho, o estado da lâmpada pode ser alterado.

NOTA: Utilize um pano seco para limpar a sujidade da lente da lâmpada. Tenha cuidado para não riscar a lente da lâmpada ou a iluminação pode ficar enfraquecida.

Ação do interruptor de inversão

► **Fig.6:** 1. Alavanca do interruptor de inversão

⚠️ PRECAUÇÃO: Verifique sempre a direção de rotação antes da operação.

⚠️ PRECAUÇÃO: Só utilize o interruptor de inversão depois de a ferramenta estar completamente parada. Mudar a direção de rotação antes de a ferramenta parar pode estragar a ferramenta.

⚠️ PRECAUÇÃO: Quando não estiver a utilizar a ferramenta, coloque sempre a alavanca do interruptor de inversão na posição neutra.

Esta ferramenta possui um interruptor reversível para modificar o sentido de rotação. Mova a alavanca do interruptor de inversão para a posição ← (lado A) para rotação para a direita ou para a posição → (lado B) para a rotação para a esquerda. Quando a alavanca do interruptor de inversão estiver na posição neutra, o gatilho do interruptor não pode ser premido.

Ajuste da profundidade

► **Fig.7:** 1. Localizador

A profundidade pode ser ajustada ao rodar o localizador. Rode-o no sentido “B” para menos profundidade e no sentido “A” para mais profundidade. Uma volta completa do localizador equivale a 2 mm de mudança na profundidade.

Para DFS250

► **Fig.8:** 1. Localizador

Para DFS215

► **Fig.9:** 1. Localizador

Ajuste o localizador de modo a que a distância entre a ponta do localizador e a cabeça do parafuso seja aproximadamente 3 mm conforme indicado nas figuras. Aperte um parafuso de teste no seu material ou num pedaço de material duplicado. Se a profundidade ainda não for adequada para o parafuso, continue a ajustá-la até obter a definição de profundidade apropriada.

Gancho

⚠️ PRECAUÇÃO: Remova sempre a bateria quando pendurar a ferramenta com o gancho.

⚠️ PRECAUÇÃO: Nunca pendure a ferramenta num local elevado ou numa superfície potencialmente instável.

► **Fig.10:** 1. Gancho

O gancho é conveniente para pendurar a ferramenta temporariamente.

MONTAGEM

⚠️ PRECAUÇÃO: Certifique-se sempre de que a ferramenta está desligada e a bateria retirada antes de executar qualquer trabalho na ferramenta.

Instalar ou retirar a broca de aparafusar/broca de contacto

Para DFS250

- ▶ Fig.11: 1. Localizador
- ▶ Fig.12: 1. Localizador 2. Broca de aparafusar 3. Porta-brocas magnético

Para remover a broca de aparafusar, empurre o localizador e, de seguida, agarre a broca com um alicate e extraia a broca do porta-brocas magnético. Para instalar a broca de aparafusar, empurre-a firmemente para dentro do porta-brocas magnético. De seguida, instale o localizador empurrando-o firmemente para trás.

Para DFS251

- ▶ Fig.13: 1. Localizador
- ▶ Fig.14: 1. Localizador 2. Ponteira de soquete

Para remover a ponteira de soquete, puxe o localizador e puxe a ponteira de soquete, de seguida. Para instalar a ponteira de soquete, empurre-a firmemente para dentro da manga. De seguida, instale o localizador empurrando-o firmemente para trás.

Gancho

- ▶ Fig.15: 1. Ranhura 2. Gancho 3. Parafuso

O gancho é conveniente para pendurar a ferramenta temporariamente. Este pode ser instalado em ambos os lados da ferramenta.

Para instalar o gancho, insira-o numa ranhura no compartimento da ferramenta em qualquer um dos lados e fixe-o com um parafuso. Para removê-lo, solte o parafuso e, de seguida, remova-o.

OPERAÇÃO

Operação de aparafusamento

- ▶ Fig.16

Encaixe o parafuso na ponta da broca e coloque a ponta do parafuso na superfície da peça de trabalho a apertar. Aplique pressão na ferramenta e efetue o respetivo arranque. Retire a ferramenta assim que a embreagem entrar. De seguida, solte o gatilho do interruptor.

⚠PRECAUÇÃO: Quando colocar o parafuso na ponta da broca, tenha cuidado para não empurrar o parafuso para dentro. Se o parafuso for empurrado para dentro, a embreagem engatará e o parafuso rodará subitamente. Isso pode causar danos numa peça de trabalho ou causar uma lesão.

⚠PRECAUÇÃO: Certifique-se de que a broca é inserida diretamente na cabeça do parafuso, caso contrário, o parafuso e/ou a broca poderão ser danificados.

MANUTENÇÃO

⚠PRECAUÇÃO: Certifique-se sempre de que a ferramenta se encontra desligada e de que a bateria foi retirada antes de executar qualquer inspeção ou manutenção.

OBSERVAÇÃO: Nunca utilize gasolina, benzina, diluente, álcool ou produtos semelhantes. Pode ocorrer a descoloração, deformação ou rachaduras.

Para manter a SEGURANÇA e a FIABILIDADE do produto, as reparações e qualquer outra manutenção ou ajuste devem ser levados a cabo pelos centros de assistência Makita autorizados ou pelos centros de assistência de fábrica, utilizando sempre peças de substituição Makita.

ACESSÓRIOS OPCIONAIS

⚠PRECAUÇÃO: Estes acessórios ou peças são recomendados para utilização com a ferramenta Makita especificada neste manual. A utilização de outros acessórios ou peças pode ser perigosa para as pessoas. Utilize apenas acessórios ou peças para os fins indicados.

Se necessitar de informações adicionais relativas a estes acessórios, solicite-as ao seu centro de assistência Makita.

- Brocas de aparafusar
- Porta-brocas magnético
- Ponteiras de soquete
- Bateria e carregador genuínos da Makita
- Mala de transporte em plástico

NOTA: Alguns itens da lista podem estar incluídos na embalagem da ferramenta como acessórios padrão. Eles podem variar de país para país.

SPECIFIKATIONER

Model:		DFS250		DFS251	
Strammingskapaciteter	Selvborende skrue	6 mm			
	Gipsskrue	5 mm			
Hastighed uden belastning (omdrejninger pr. minut)		0 - 2.500 min ⁻¹			
Samlet længde	Med kort positionsindikator	223 mm	-		
	Med lang positionsindikator	239 mm	-		
Samlet længde		-	217 mm		
Mærkespænding		DC 18 V			
Standard-akku		BL1815 / BL1815N / BL1820 / BL1820B	BL1830 / BL1830B / BL1840 / BL1840B / BL1850 / BL1850B / BL1860B	BL1815 / BL1815N / BL1820 / BL1820B	BL1830 / BL1830B / BL1840 / BL1840B / BL1850 / BL1850B / BL1860B
Oplader		DC18RC / DC18RD / DC18SE / DC18SF / DC18SD			
Nettovægt		1,6 kg	1,8 kg	1,5 kg	1,8 kg

- På grund af vores kontinuerlige forsknings- og udviklingsprogrammer kan hosstændige specifikationer blive ændret uden varsel.
- Specifikationer og akku kan variere fra land til land.
- Vægt inklusive akku, i henhold til EPTA-Procedure 01/2003

Tilsigtet anvendelse

Maskinen er beregnet til at skrue skruer i træ, metal og plastik.

Lyd

Det typiske A-vægtede støjniveau bestemt i overensstemmelse med EN62841:

Model DFS250

Lydtryksniveau (L_{pA}): 72 dB (A)

Usikkerhed (K): 3 dB (A)

Model DFS251

Lydtryksniveau (L_{pA}): 72 dB (A)

Usikkerhed (K): 3 dB (A)

Støjniveauet under arbejdet kan overskride 80 dB (A).

ADVARSEL: Bær høreværn.

Vibration

Vibrationens totalværdi (tre-aksial vektorsum) bestemt i overensstemmelse med EN62841:

Model DFS250

Arbejdstilstand: skruing uden slag

Vibrationsemission (a_h): 2,5 m/s² eller mindre

Usikkerhed (K): 1,5 m/s²

Model DFS251

Arbejdstilstand: skruing uden slag

Vibrationsemission (a_h): 2,5 m/s² eller mindre

Usikkerhed (K): 1,5 m/s²

BEMÆRK: Den angivne vibrationsemissionsværdier blevet målt i overensstemmelse med standardtestmetoden og kan anvendes til at sammenligne et værktøj med et andet.

BEMÆRK: Den angivne vibrationsemissionsværdien kan også anvendes i en præliminær eksponeringsvurdering.

ADVARSEL: Vibrationsemissionen under den faktiske anvendelse af værktøjet kan være forskellig fra den erklærede emissionsværdi, afhængigt af den måde, hvorpå værktøjet anvendes.

ADVARSEL: Sørg for at identificere de sikkerhedsforskrifter til beskyttelse af operatøren, som er baseret på en vurdering af eksponering under de faktiske brugsforhold (med hensyntagen til alle dele i brugscyklussen, f.eks. de gange, hvor værktøjet er slukket, og når det kører i tomgang i tilgift til afbrydertiden).

EU-overensstemmelseserklæring

Kun for lande i Europa

EU-overensstemmelseserklæringen er inkluderet som Bilag A i denne brugsanvisning.

SIKKERHEDSADVARSLER

Almindelige sikkerhedsregler for el-værktøj

⚠ ADVARSEL: Læs alle de sikkerhedsadvarsler, instruktioner, illustrationer og specifikationer, der følger med denne maskine. Forsømmelse af at overholde alle nedenstående instruktioner kan medføre elektrisk stød, brand og/eller alvorlig personskade.

Gem alle advarsler og instruktioner til fremtidig reference.

Ordet "el-værktøj" i advarslerne henviser til det netforsynede (netledning) el-værktøj eller batteriforsynede (akku) el-værktøj.

Sikkerhedsadvarsler for akku skruetrækker

1. Hold maskinen i de isolerede gribeplader, når der udføres et arbejde, hvor fastgørelsesmidlet kan komme i kontakt med skjulte ledninger. Fastgørelsesmidler, der kommer i kontakt med en strømførende ledning, kan bevirke, at udsatte metaldele på maskinen bliver strømførende, hvorved operatøren kan få elektrisk stød.
2. **Sørg altid for, at du har et godt fodfæste. Sørg for, at der ikke befinder sig nogen under dig, når maskinen anvendes på højtliggende steder.**
3. Hold godt fast i maskinen.
4. Hold hænderne på afstand af roterende dele.
5. Rør ikke ved bitten eller arbejdsemnet umiddelbart efter anvendelse. De kan begge være meget varme og forårsage forbrænding af huden.
6. Fastgør altid arbejdsemnet i en skruestik eller lignende udstyr til fastgørelse.

GEM DENNE BRUGSANVISNING.

⚠ ADVARSEL: LAD IKKE bekvemmelighed eller kendskab til produktet (opnået gennem gentagen brug) forhindre, at sikkerhedsforskrifterne for produktet nøje overholdes.

MISBRUG eller forsømmelse af at følge de i denne brugsvejledning givne sikkerhedsforskrifter kan føre til, at De kommer alvorligt til skade.

Vigtige sikkerhedsinstruktioner for akkuen

1. Læs alle instruktioner og advarselmærkater på (1) akku-opladeren, (2) akkuen og (3) produktet, som anvender akku.
2. Lad være med at skille akkuen ad.
3. Hold straks op med anvendelsen, hvis brugstiden er blevet stærkt afkortet. Fortsat anvendelse kan resultere i risiko for overophedning, forbrændinger og endog eksplosion.

4. Hvis De har fået elektrolytvæske i øjnene, skal De straks skylle den ud med rent vand og derefter øjeblikkeligt søge lægehjælp. I modsat fald kan De miste synet.
5. Vær påpasselig med ikke at komme til at kortslutte akkuen:
 - (1) Rør ikke ved terminalerne med noget ledende materiale.
 - (2) Undgå at opbevare akkuen i en beholder sammen med andre genstande af metal, for eksempel søm, mønter og lignende.
 - (3) Udsæt ikke akkuen for vand eller regn. Kortslutning af akkuen kan forårsage en kraftig øgning af strømmen, overophedning, mulige forbrændinger og endog værktøjstop.
6. Opbevar ikke værktøjet og akkuen på et sted, hvor temperaturen kan nå eller overstige 50 °C.
7. Lad være med at brænde akkuen, selv ikke i tilfælde, hvor den har lidt alvorlig skade eller er fuldstændig udtjent. Akkuen kan eksplodere, hvis man forsøger at brænde den.
8. Lad være med at brænde akkuen eller udsætte den for stød.
9. Anvend ikke en beskadiget akku.
10. De indbyggede litium-ion-batterier er underlagt lovkrav vedrørende farligt gods. Ved kommerciel transport, f.eks. af tredjeparts transportselskaber, skal særlige krav til forpakning og mærkning overholdes. Ved forberedelse af udstyret til forsendelse skal du kontakte en ekspert i farligt gods. Overhold også eventuel mere detaljeret national lovgivning. Tape eller tildæk åbne kontakter, og pak batteriet på en måde, så det ikke kan flytte sig rundt i pakningen.
11. Følg de lokale love vedrørende bortskaffelsen af batterier.

GEM DENNE BRUGSANVISNING.

⚠ FORSIGTIG: Brug kun originale batterier fra Makita. Brug af uoriginale Makita-batterier, eller batterier som er blevet ændret, kan muligvis medføre brud på batteriet, hvilket kan forårsage brand, personskade eller beskadigelse. Det ugyldiggør også Makita-garantien for Makita-maskinen og opladeren.

Tips til opnåelse af maksimal akku-levetid

1. Oplad akkuen, inden den er helt afladet. Stop altid værktøjet, og oplad akkuen, hvis De bemærker, at værktøjeffekten er aftagende.
2. Genoplad aldrig en fuldt opladet akku. Overopladning vil afkorte akkuens levetid.
3. Oplad akkuen ved stuetemperatur ved 10 °C - 40 °C. Lad altid en varm akku få tid til at køle af, inden den oplades.
4. Oplad akkuen, hvis De ikke skal bruge den i længere tid (mere end seks måneder).

FUNKTIONSBESKRIVELSE

⚠️FORSIGTIG: Sørg altid for at maskinen er slukket, og at akkuen er taget ud, før der udføres justering eller kontrol af funktioner på maskinen.

Isætning eller fjernelse af akkuen

⚠️FORSIGTIG: Sluk altid for værktøjet, før De monterer eller fjerner akkuen.

⚠️FORSIGTIG: Hold værktøjet og akkuen fast ved montering eller fjernelse af akkuen. Hvis De ikke holder værktøjet og akkuen fast, kan de glide ud af hænderne på Dem og forårsage beskadigelse af værktøjet og akkuen eller personskade.

► Fig.1: 1. Rød indikator 2. Knap 3. Akku

Akkuen fjernes ved, at De trækker den ud af værktøjet, idet De skyder knappen på forsiden af akkuen i stilling.

Akkuen monteres ved, at De sætter tungen på akkuen ud for noten i kabinettet og lader den glide på plads. Sæt den hele vejen ind, så den låses på plads med et lille klik. Hvis den røde indikator på oversiden af knappen er synlig, betyder det, at den ikke er tilstrækkeligt låst.

⚠️FORSIGTIG: Monter altid akkuen helt, indtil den røde indikator ikke længere er synlig. Hvis dette ikke gøres, kan den falde ud af værktøjet ved et uheld, hvorved De selv eller personer i nærheden kan komme til skade.

⚠️FORSIGTIG: Brug ikke magt ved montering af akkuen. Hvis akkuen ikke glider på plads uden problemer, betyder det, at den ikke sættes i på korrekt vis.

Indikation af den resterende batteriladning

Kun til akkuer med indikatoren

► Fig.2: 1. Indikatorlamper 2. Kontrolknap

Tryk på kontrolknappen på akkuen for at få vist den resterende batteriladning. Indikatorlampen lyser i nogle sekunder.

Indikatorlamper			Resterende ladning
Tændt	Slukket	Blinker	
■	□	◻	75% til 100%
■ ■ ■ ■			
■ ■ ■ ■	□		50% til 75%
■ ■ ■ □	□		25% til 50%
■ ■ □ □	□		0% til 25%
◻	□ □ □ □		Genoplad batteriet.
■ ■ □ □	□ □		Der er muligvis fejl i batteriet.
□ □ ■ ■			

BEMÆRK: Afhængigt af brugsforholdene og den omgivende temperatur kan indikationen afvige en smule fra den faktiske ladning.

Beskyttelsessystem til værktøj/batteri

Maskinen er udstyret med et beskyttelsessystem til maskinen/batteriet. Dette system afbryder automatisk strømmen til motoren for at forlænge maskinens og batteriets levetid. Maskinen stopper automatisk under brugen, hvis maskinen eller batteriet udsættes for et af følgende forhold:

Overbelastningsbeskyttelse

Hvis batteriet bruges på en måde, der får det til at trække en unormalt høj strøm, stopper maskinen automatisk uden indikation. Sluk i så fald for maskinen, og stop den anvendelse, der medførte overbelastningen af maskinen. Tænd derefter for maskinen for at starte igen.

Beskyttelse mod overophedning

Hvis maskinen eller batteriet er overophedet, stopper maskinen automatisk, og lampen blinker. Lad i så fald maskinen og batteriet køle ned, før der tændes for maskinen igen.

Beskyttelse mod overafledning

Når batteriladningen er utilstrækkelig, stopper maskinen automatisk. Tag i så fald akkuen ud af maskinen, og oplad akkuen.

Afbryderbetjening

⚠️ADVARSEL: Inden akkuen sættes i maskinen, bør De altid kontrollere, at afbryderknappen fungerer korrekt, og returnerer til "OFF"-positionen, når den slippes.

► Fig.3: 1. Afbryderknap 2. Lås fra-knap

For at starte maskinen trykkes der blot på afbryderknappen. Maskinens hastighed øges ved at øge trykket på afbryderknappen. Slip afbryderknappen for at stoppe.

For kontinuerlig brug skal du trykke på afbryderknappen, trykke låseknappen ind og derefter slippe afbryderknappen. For at stoppe maskinen fra låst position skal du trykke afbryderknappen helt ind og derefter slippe den.

⚠️FORSIGTIG: Afbryderen kan låses i "TIL"-positionen af hensyn til operatørens komfort ved længerevarende brug. Vær forsigtig, når maskinen låses i "TIL"-positionen, og hold godt fast i maskinen.

BEMÆRK: Selvom der er tændt på kontakten, og motoren kører, roterer skruebitten ikke. Skub maskinen fremad for at aktivere koblingen.

BEMÆRK: Maskinen stopper automatisk, hvis motoren bliver ved med at rotere i cirka 6 minutter.

Trykdrevtilstand

► Fig.4: 1. Knap 2. Tilstandsindikator

Maskinen har en trykdrevtilstand. I denne tilstand afbryder maskinen strømmen til motoren for at spare på batteristrømmen i tomgang.

Du vælger trykdrevtilstand ved at trykke let på afbryderen og derefter slippe den og hurtigt trykke på knappen. Tilstandsindikatoren lyser derefter.

Når trykdrev er aktiveret, skal du trykke på afbryderknappen og derefter trykke på låseknappen. Når der anvendes tryk på skruebitten, begynder motoren at rotere. Et større tryk aktiverer koblingen, og skruebitten begynder at rotere. I trykdrevtilstand roterer motoren og skruebitten kun, når der anvendes tryk på dem.

BEMÆRK: Hvis maskinen ikke kører i cirka 8 timer i trykdrevtilstand, mens afbryderen er låst, slukkes der for maskinen. I så fald skal du frigive afbryderen og trykke på den igen for at genstarte.

Tænding af lampen foran

⚠FORSIGTIG: Kig aldrig direkte på lyskilden. Lad ikke lyset falde i Deres øjne.

► Fig.5: 1. Lampe 2. Knap

Tryk let på afbryderknappen, og slip den igen for at tænde lampen. Lampen slukkes, cirka 10 sekunder efter at afbryderknappen er sluppet.

For at holde lampen slukket skal du trykke let på afbryderknappen og derefter slippe den igen og derefter trykke på knappen i nogle få sekunder. Udfør den samme handling igen for at tænde lampen.

I trykdrevtilstand, hvor afbryderknappen er låst, slukkes der for lampen, cirka et minut efter at motoren stopper.

BEMÆRK: Lampestatus kan ikke ændres, når De trykker på afbryderknappen.

BEMÆRK: Lampestatus kan ændres i omkring 10 sekunder, efter at afbryderknappen er sluppet.

BEMÆRK: Brug en tør klud til at tørre snavset af lampens linse. Pas på ikke at ridse lampens linse, da dette muligvis kan dæmpe belysningen.

Omløbsvælgerbetjening

► Fig.6: 1. Omløbsvælger

⚠FORSIGTIG: Kontrollér altid omløbsretningen, inden arbejdet påbegyndes.

⚠FORSIGTIG: Flyt kun omløbsvælgeren, når maskinen er helt standset. Hvis omløbsretningen ændres, inden maskinen er helt stoppet, kan det beskadige maskinen.

⚠FORSIGTIG: Sæt altid omløbsvælgeren i neutral stilling, når maskinen ikke anvendes.

Maskinen har en omløbsvælger til at ændre rotationsretningen. Flyt omløbsvælgeren til position \leftarrow (A-siden) for rotation i retningen med uret eller til position \rightarrow (B-siden) for rotation i retningen mod uret. Når omløbsvælgeren er i neutral stilling, kan afbryderknappen ikke trykkes ind.

Dybdejustering

► Fig.7: 1. Positionsindikator

Dybden kan justeres ved at dreje på positionsindikatoren. Drej den i retningen "B" for mindre dybde og i retningen "A" for større dybde. En fuld omdrejning på positionsindikatoren svarer til en dybdeændring på 2 mm.

For DFS250

► Fig.8: 1. Positionsindikator

For DFS251

► Fig.9: 1. Positionsindikator

Juster positionsindikatoren, så afstanden mellem spidsen af positionsindikatoren og skruehovedet er cirka 3 mm som vist i figurerne. Skru en prøveskruer i materialet eller i et stykke lignende materiale. Hvis dybden ikke er passende for skruen, skal du fortsætte justeringen, indtil du kommer frem til den passende dybdeindstilling.

Krog

⚠FORSIGTIG: Tag altid batteriet ud, når du hænger maskinen på krogen.

⚠FORSIGTIG: Hæng aldrig maskinen på et højt sted eller på en potentielt ustabil overflade.

► Fig.10: 1. Krog

Kroge er praktisk til midlertidig ophængning af maskinen.

MONTERING

⚠FORSIGTIG: Sørg altid for at maskinen er slukket, og at akkuen er taget ud, før der udføres noget arbejde på maskinen.

Montering og afmontering af skruebit/top

For DFS250

► Fig.11: 1. Positionsindikator

► Fig.12: 1. Positionsindikator 2. Skruebit 3. Magnetisk bitholder

For at tage skruebitten ud skal du trække i positionsindikatoren og derefter tage fat i bittens med en tang og trække bittens ud af den magnetiske bitholder. For at montere skruebitten skal du trykke den fast ind i den magnetiske bitholder. Monter derefter positionsindikatoren ved at trykke den fast bagud.

For DFS251

► Fig.13: 1. Positionsindikator

► Fig.14: 1. Positionsindikator 2. Muffebit

For at fjerne muffebittens skal du trække i positionsindikatoren og derefter trække i muffebittens. For at montere muffebittens skal du trykke den fast ind i muffen. Monter derefter positionsindikatoren ved at trykke den fast bagud.

Krog

► **Fig.15:** 1. Rille 2. Krog 3. Skrue

Krogen er praktisk til midlertidig ophængning af maskinen. Den kan monteres i begge sider af maskinen. Krogen monteres ved at indsætte den i en rille i maskinhuset på en af siderne og derefter fastgøre den med en skrue. Den fjernes ved at løsne skruen og tage den ud.

ANVENDELSE

Brug som skruetrækker

► **Fig.16**

Fastgør skruen på spidsen af bitten, og sæt spidsen af skruen mod overfladen på det arbejdsområde, der skal fastgøres. Anvend tryk på maskinen, og start den. Træk maskinen tilbage, så snart koblingen aktiveres. Slip derefter afbryderknappen.

⚠FORSIGTIG: Når skruen fastgøres på spidsen af bitten, skal du være forsigtig med ikke at trykke ind på skruen. Hvis der trykkes ind på skruen, aktiveres koblingen, og maskinen begynder pludselig at rotere. Dette kan beskadige et arbejdsområde eller medføre personskade.

⚠FORSIGTIG: Sørg for, at bitten sættes lige ned i skruerhovedet. I modsat fald kan skruen og/eller bitten blive beskadiget.

VEDLIGEHOLDELSE

⚠FORSIGTIG: Vær altid sikker på, at værktøjet er slukket, og at akkuen er taget ud, inden De begynder at udføre inspektion eller vedligeholdelse.

BEMÆRKNING: Anvend aldrig benzin, rensbenzin, fortynder, alkohol og lignende. Det kan medføre misfarvning, deformation eller revner.

For at opretholde produktets SIKKERHED og PALIDELIGHED må reparation, vedligeholdelse eller justering kun udføres af et autoriseret Makita servicecenter eller fabrikkens servicecenter med anvendelse af Makita reservedele.

EKSTRAUDSTYR

⚠FORSIGTIG: Det følgende tilbehør og ekstraudstyr er anbefalet til brug med Deres Makita maskine, der er beskrevet i denne brugsanvisning. Anvendelse af andet tilbehør eller ekstraudstyr kan udgøre en risiko for personskade. Anvend kun tilbehør og ekstraudstyr til det beskrevne formål.

Hvis De behøver hjælp ved valg af tilbehør eller ønsker yderligere informationer, bedes De kontakte Deres lokale Makita servicecenter.

- Skruebits
- Magnetisk bitholder
- Muffebits
- Original Makita-akku og oplader
- Plastikbæretaske

BEMÆRK: Nogle ting på denne liste kan være inkluderet i værktøjss pakken som standardtilbehør. Det kan være forskellige fra land til land.

ΠΡΟΔΙΑΓΡΑΦΕΣ

Μοντέλο:		DFS250		DFS251	
Ικανότητες στερέωσης	Βίδα αυτόματου τρυπανίσματος	6 mm			
	Βίδα για γυψοσανίδες	5 mm			
Ταχύτητα χωρίς φορτίο (ΣΑΛ)		0 - 2.500 min ⁻¹			
Συνολικό μήκος	Με κοντό εντοπιστή	223 mm	-		
	Με μακρύ εντοπιστή	239 mm	-		
Συνολικό μήκος		-	217 mm		
Ονομαστική τάση		D.C. 18 V			
Στάνταρ κασέτα μπαταριών		BL1815 / BL1815N / BL1820 / BL1820B	BL1830 / BL1830B / BL1840 / BL1840B / BL1850 / BL1850B / BL1860B	BL1815 / BL1815N / BL1820 / BL1820B	BL1830 / BL1830B / BL1840 / BL1840B / BL1850 / BL1850B / BL1860B
Φορτιστής		DC18RC / DC18RD / DC18SE / DC18SF / DC18SD			
Καθαρό βάρος		1,6 kg	1,8 kg	1,5 kg	1,8 kg

- Λόγω του συνεχιζόμενου προγράμματος έρευνας και ανάπτυξης, οι προδιαγραφές αυτές υπόκεινται σε αλλαγές χωρίς προειδοποίηση.
- Οι προδιαγραφές και η κασέτα μπαταριών μπορεί να διαφέρουν ανάλογα με τη χώρα.
- Βάρος, με κασέτα μπαταριών, σύμφωνα με τη διαδικασία EPTA 01/2003

Προοριζόμενη χρήση

Το εργαλείο προορίζεται για βίδωμα σε ξύλο, μέταλλο και πλαστικό.

Θόρυβος

Το τυπικό Α επίπεδο καταμετρημένου θορύβου καθορίζεται σύμφωνα με το EN62841:

Μοντέλο DFS250

Στάθμη ηχητικής πίεσης (L_{pA}): 72 dB (A)

Αβεβαιότητα (K): 3 dB (A)

Μοντέλο DFS251

Στάθμη ηχητικής πίεσης (L_{pA}): 72 dB (A)

Αβεβαιότητα (K): 3 dB (A)

Η ένταση θορύβου υπό συνθήκες εργασίας μπορεί να υπερβεί τα 80 dB (A).

ΠΡΟΕΙΔΟΠΟΙΗΣΗ: Να φοράτε ωτοασπίδες.

Κραδασμός

Η ολική τιμή δόνησης (άθροισμα τρι-αξονικού διανύσματος) καθορίζεται σύμφωνα με το EN62841:

Μοντέλο DFS250

Είδος εργασίας: βίδωμα χωρίς κρούση

Εκπομπή δόνησης (a_{h1}): 2,5 m/s² ή λιγότερο

Αβεβαιότητα (K): 1,5 m/s²

Μοντέλο DFS251

Είδος εργασίας: βίδωμα χωρίς κρούση

Εκπομπή δόνησης (a_{h1}): 2,5 m/s² ή λιγότερο

Αβεβαιότητα (K): 1,5 m/s²

ΠΑΡΑΤΗΡΗΣΗ: Η δηλωμένη τιμή εκπομπής κραδασμών έχει μετρηθεί σύμφωνα με την πρότυπη μέθοδο δοκιμής και μπορεί να χρησιμοποιηθεί για τη σύγκριση ενός εργαλείου με άλλο.

ΠΑΡΑΤΗΡΗΣΗ: Η δηλωμένη τιμή εκπομπής κραδασμών μπορεί να χρησιμοποιηθεί και στην προκαταρκτική αξιολόγηση έκθεσης.

ΠΡΟΕΙΔΟΠΟΙΗΣΗ: Η εκπομπή κραδασμών κατά τη χρήση του ηλεκτρικού εργαλείου σε πραγματικές συνθήκες μπορεί να διαφέρει από τη δηλωμένη τιμή εκπομπής ανάλογα με τον τρόπο χρήσης του εργαλείου.

ΠΡΟΕΙΔΟΠΟΙΗΣΗ: Φροντίστε να λάβετε τα κατάλληλα μέτρα προστασίας του χειριστή βάσει ενός υπολογισμού της έκθεσης σε πραγματικές συνθήκες χρήσης (λαμβάνοντας υπόψη όλες τις συνιστώσες του κύκλου λειτουργίας όπως τους χρόνους που το εργαλείο είναι εκτός λειτουργίας και όταν βρίσκεται σε αδρανή λειτουργία πέραν του χρόνου ενεργοποίησης).

Δήλωση συμμόρφωσης ΕΚ

Μόνο για χώρες της Ευρώπης

Η δήλωση συμμόρφωσης ΕΚ περιλαμβάνεται ως Παράρτημα Α στο παρόν εγχειρίδιο οδηγιών.

ΠΡΟΕΙΔΟΠΟΙΗΣΕΙΣ ΑΣΦΑΛΕΙΑΣ

Γενικές προειδοποιήσεις ασφαλείας για το ηλεκτρικό εργαλείο

▲ΠΡΟΕΙΔΟΠΟΙΗΣΗ: Διαβάστε όλες τις προειδοποιήσεις ασφαλείας, οδηγίες, εικονογραφίες και προδιαγραφές που παρέχονται με αυτό το ηλεκτρικό εργαλείο. Η μη τήρηση όλων των οδηγιών που αναγράφονται κατωτέρω μπορεί να καταλήξει σε ηλεκτροπληξία, πυρκαγιά ή/και σοβαρό τραυματισμό.

Φυλάξτε όλες τις προειδοποιήσεις και τις οδηγίες για μελλοντική παραπομπή.

Στις προειδοποιήσεις, ο όρος «ηλεκτρικό εργαλείο» αναφέρεται σε ηλεκτρικό εργαλείο που τροφοδοτείται από την κύρια παροχή ηλεκτρικού ρεύματος (με ηλεκτρικό καλώδιο) ή σε ηλεκτρικό εργαλείο που τροφοδοτείται από μπαταρία (χωρίς ηλεκτρικό καλώδιο).

Προειδοποιήσεις ασφαλείας για το ασύρματο κατασβίδι

1. Να κρατάτε το ηλεκτρικό εργαλείο από τις λαβές με μόνωση όταν εκτελείτε εργασίες κατά τις οποίες ο συνδετήρας μπορεί να έρθει σε επαφή με κρυμμένα καλώδια. Αν ο συνδετήρας έρθει σε επαφή με κάποιο ηλεκτροφόρο καλώδιο, μπορεί να εκτεθειμένα μεταλλικά μέρη του ηλεκτρικού εργαλείου να γίνουν κι αυτά ηλεκτροφόρα και να προκληθεί ηλεκτροπληξία στο χειριστή.
2. Να φροντίζετε πάντα να στέκεστε σταθερά. Βεβαιωθείτε ότι δεν υπάρχει άτομο ακριβώς από κάτω, όταν χρησιμοποιείτε το ηλεκτρικό εργαλείο σε υψηλά σημεία.
3. Να κρατάτε το εργαλείο σταθερά.
4. Να διατηρείτε τα χέρια σας μακριά από τα περιστρεφόμενα μέρη.
5. Μην αγγίζετε τη μύτη ή το τεμάχιο εργασίας αμέσως μετά τη λειτουργία του εργαλείου. Μπορεί να είναι εξαιρετικά θερμά και να προκληθεί έγκαυμα στο δέρμα σας.
6. Να ασφαρίζετε πάντα τα τεμάχια εργασίας σε μέγνηνη ή παρόμοια διάταξη συγκράτησης.

ΦΥΛΑΞΤΕ ΤΙΣ ΟΔΗΓΙΕΣ ΑΥΤΕΣ.

▲ΠΡΟΕΙΔΟΠΟΙΗΣΗ: ΜΗΝ επιτρέψετε στην άνεση ή στην εξοικείωσή σας με το προϊόν (που αποκτήθηκε από επανειλημμένη χρήση) να αντικαταστήσει την αυστηρή τήρηση των κανόνων ασφαλείας του παρόντος εργαλείου.

Η ΛΑΝΘΑΣΜΕΝΗ ΧΡΗΣΗ ή η αμέλεια να ακολουθήσετε τους κανόνες ασφαλείας που διατυπώνονται στο παρόν εγχειρίδιο οδηγιών μπορεί να προκαλέσει σοβαρό προσωπικό τραυματισμό.

Σημαντικές οδηγίες ασφαλείας για κασέτα μπαταριών

1. Πριν χρησιμοποιήσετε την κασέτα μπαταριών, διαβάστε όλες τις οδηγίες και σημειώσεις προφύλαξης (1) στον φορτιστή μπαταριών, (2) στην μπαταρία και (3) στο προϊόν που χρησιμοποιεί την μπαταρία.
2. Μην αποσυναρμολογήσετε την κασέτα μπαταριών.
3. Εάν ο χρόνος λειτουργίας έχει γίνει υπερβολικά βραχύς, σταματήστε τη λειτουργία αμέσως. Αλλιώς, μπορεί να έχει ως αποτέλεσμα κίνδυνο υπερθέρμανσης, πιθανά εγκαύματα ή ακόμη και έκρηξη.
4. Εάν ηλεκτρολύτης μπει στα μάτια σας, ξεπλύνετε τα με καθαρό νερό και ζητήστε ιατρική φροντίδα αμέσως. Αλλιώς, μπορεί να έχει ως αποτέλεσμα απώλεια της όρασής σας.
5. Μην βραχυκυκλώνετε την κασέτα μπαταριών:
 - (1) Μην αγγίζετε τους πόλους με οτιδήποτε αγώγιμο υλικό.
 - (2) Αποφεύγετε να αποθηκεύετε την κασέτα μπαταριών μέσα σε ένα δοχείο μαζί με άλλα μεταλλικά αντικείμενα όπως καρφιά, νομίσματα, κλπ.
 - (3) Μην εκθέτετε την κασέτα μπαταριών στο νερό ή στη βροχή.Ένα βραχυκύκλωμα μπαταρίας μπορεί να προκαλέσει μεγάλη ροή ρεύματος, υπερθέρμανση, πιθανά εγκαύματα ακόμη και σοβαρή βλάβη.
6. Μην αποθηκεύετε το εργαλείο και την κασέτα μπαταριών σε τοποθεσίες όπου η θερμοκρασία μπορεί να φτάσει ή να ξεπεράσει τους 50°C.
7. Μην καίτε την κασέτα μπαταριών ακόμη και εάν έχει σοβαρή ζημιά ή είναι εντελώς φθαρμένη. Η κασέτα μπαταριών μπορεί να εκραγεί στη φωτιά.
8. Προσέχετε να μη ρίξετε κάτω ούτε να χτυπήσετε την μπαταρία.
9. Μην χρησιμοποιείτε μπαταρία που έχει υποστεί ζημια.
10. Οι μπαταρίες ιόντων λιθίου που περιέχονται υπόκεινται στις απαιτήσεις της νομοθεσίας για επικίνδυνα αγαθά. Για εμπορικές μεταφορές, για παράδειγμα από τρίτα μέρη, πρέπει να τηρούνται οι διαμεταφορές, οι ειδικές απαιτήσεις στη συσκευασία και η επισήμανση. Για προετοιμασία του στοιχείου που αποστέλλεται, είναι απαραίτητο να συμβουλευτείτε έναν ειδικό για επικίνδυνα υλικά. Επίσης, τηρήστε τους πιθανούς, πιο αναλυτικούς εθνικούς κανονισμούς. Καλύψτε με αυτοκόλλητη ταινία ή κρύψτε τις ανοικτές επαφές και συσκευάστε την μπαταρία με τρόπο που να μην μπορεί να μετακινείται μέσα στη συσκευασία.
11. Τηρήστε τους τοπικούς κανονισμούς που σχετίζονται με τη διάθεση της μπαταρίας.

ΦΥΛΑΞΤΕ ΤΙΣ ΟΔΗΓΙΕΣ ΑΥΤΕΣ.

▲ΠΡΟΣΟΧΗ: Να χρησιμοποιείτε μόνο γνήσιες μπαταρίες της Makita. Η χρήση μη γνήσιων μπαταριών Makita, ή μπαταριών που έχουν τροποποιηθεί, μπορεί να έχει ως αποτέλεσμα τη ρήξη της μπαταρίας, προκαλώντας πυρκαγιά, προσωπικό τραυματισμό και βλάβη. Επίσης, θα ακυρωθεί η εγγύηση της Makita για το εργαλείο και φορτιστή Makita.

Συμβουλές για τη διατήρηση της μέγιστης ζωής μπαταρίας

1. Φορτίζετε την κασέτα μπαταριών πριν από την πλήρη αποφόρτισή της. Πάντοτε να σταματάτε τη λειτουργία του εργαλείου και να φορτίζετε την κασέτα μπαταριών όταν παρατηρήτε μειωμένη ισχύ εργαλείου.
2. Ποτέ μην επαναφορτίζετε μια πλήρως φορτισμένη κασέτα μπαταριών. Η υπερφόρτιση μειώνει την ωφέλιμη ζωή της μπαταρίας.
3. Να φορτίζετε την κασέτα μπαταριών σε θερμοκρασία δωματίου, δηλαδή στους 10°C έως 40°C. Αφήστε μια θερμή κασέτα μπαταριών να κρυώσει πριν την φορτίσετε.
4. Να φορτίζετε την κασέτα μπαταριών εάν δεν τη χρησιμοποιείτε για μεγάλη χρονική περίοδο (περισσότερο από έξι μήνες).

ΠΕΡΙΓΡΑΦΗ ΛΕΙΤΟΥΡΓΙΑΣ

▲ ΠΡΟΣΟΧΗ: Να φροντίζετε πάντα για την απενεργοποίηση του εργαλείου και την αφαίρεση της κασέτας μπαταρίας, πριν από οποιαδήποτε ρύθμιση ή έλεγχο της λειτουργίας του.

Τοποθέτηση ή αφαίρεση της κασέτας μπαταριών

▲ ΠΡΟΣΟΧΗ: Να σβήνετε πάντα το εργαλείο πριν τοποθετήσετε ή αφαιρέσετε την κασέτα μπαταριών.

▲ ΠΡΟΣΟΧΗ: Κρατήστε το εργαλείο και την κασέτα μπαταριών σταθερά κατά την τοποθέτηση ή αφαίρεση της κασέτας μπαταριών. Εάν δεν κρατάτε το εργαλείο και την κασέτα μπαταριών σταθερά μπορεί να γλιστρήσουν από τα χέρια σας και να προκληθεί βλάβη στο εργαλείο και την κασέτα μπαταριών και προσωπικός τραυματισμός.

► **Εικ.1:** 1. Κόκκινη ένδειξη 2. Κουμπί 3. Κασέτα μπαταριών

Για να αφαιρέσετε την κασέτα μπαταριών, ολισθήστε την από το εργαλείο ενώ σύρετε το κουμπί στο μπροστινό μέρος της κασέτας.

Για να τοποθετήσετε την κασέτα μπαταριών, ευθυγραμμίστε τη γλώσσα στην κασέτα μπαταριών με την αύλακα στην υποδοχή και ολισθήστε τη στη θέση της. Να την τοποθετείτε πλήρως μέχρι να ασφαλίσει στη θέση της, γεγονός που υποδεικνύεται με ένα χαρακτηριστικό ήχο. Εάν μπορείτε να δείτε την κόκκινη ένδειξη στην επάνω πλευρά του κουμμπίου, δεν έχει κλειδώσει τελείως.

▲ ΠΡΟΣΟΧΗ: Να τοποθετείτε πάντα την κασέτα μπαταριών πλήρως μέχρι να μη βλέπετε την κόκκινη ένδειξη. Εάν δεν ασφαλιστεί, μπορεί να πέσει από το εργαλείο τυχαία, προκαλώντας σωματική βλάβη σε εσάς ή κάποιον άλλο γύρω σας.

▲ ΠΡΟΣΟΧΗ: Μην τοποθετείτε την κασέτα μπαταριών με βία. Εάν η κασέτα δεν ολισθαίνει με ευκολία, τότε δεν έχει τοποθετηθεί κατάλληλα.

Εμφάνιση υπολειπόμενης χωρητικότητας μπαταρίας

Μόνο για κασέτες μπαταρίας με την ενδεικτική λυχνία

► **Εικ.2:** 1. Ενδεικτικές λυχνίες 2. Κουμπί ελέγχου

Πιέστε το κουμπί ελέγχου στην κασέτα μπαταριών για να υποδείξετε την υπολειπόμενη χωρητικότητα μπαταρίας. Οι ενδεικτικές λυχνίες ανάβουν για λίγα δευτερόλεπτα.

Ενδεικτικές λυχνίες			Υπολειπόμενη χωρητικότητα
Αναμμένες	Σβηστές	Αναβοσβήνουν	
			75% έως 100%
			50% έως 75%
			25% έως 50%
			0% έως 25%
			Φορτίστε την μπαταρία.
			Μπορεί να προκύψει δυσλειτουργία στην μπαταρία.

ΠΑΡΑΤΗΡΗΣΗ: Ανάλογα με τις συνθήκες χρήσης και τη θερμοκρασία περιβάλλοντος, η ένδειξη μπορεί να διαφέρει λίγο από την πραγματική χωρητικότητα.

Σύστημα προστασίας εργαλείου/ μπαταρίας

Το εργαλείο είναι εξοπλισμένο με σύστημα προστασίας εργαλείου/μπαταρίας. Αυτό το σύστημα αποκόπτει αυτόματα την ισχύ προς το μοτέρ για να παραταθεί η διάρκεια λειτουργίας του εργαλείου και της μπαταρίας. Το εργαλείο σταματάει αυτόματα κατά τη διάρκεια της λειτουργίας εάν το εργαλείο ή η μπαταρία βρεθούν κάτω από τις παρακάτω συνθήκες:

Προστασία υπερφόρτωσης

Όταν η μπαταρία λειτουργεί με τρόπο ώστε να αναγκάζεται να καταναλώνει ασυνήθιστα υψηλό ρεύμα, το εργαλείο σταματάει αυτόματα χωρίς καμία ένδειξη. Σε αυτή την κατάσταση, σβήστε το εργαλείο και διακόψτε την εφαρμογή που προκαλεί την υπερφόρτωση του εργαλείου. Μετά, ενεργοποιήστε το εργαλείο για επανεκκίνηση.

Προστασία υπερθέρμανσης

Όταν το εργαλείο ή η μπαταρία υπερθερμανθεί, η λειτουργία του εργαλείου σταματάει αυτόματα και η λάμπα αναβοσβήνει. Σε αυτή την περίπτωση, αφήστε το εργαλείο και την μπαταρία να ψυχθούν πριν ενεργοποιηθεί ξανά το εργαλείο.

Προστασία υπερβολικής αποφόρτισης

Όταν η φόρτιση μπαταρίας δεν είναι αρκετή, το εργαλείο σταματάει αυτόματα. Σε αυτή την περίπτωση, βγάλτε την μπαταρία από το εργαλείο και φορτίστε την μπαταρία.

Δράση διακόπτη

ΠΡΟΕΙΔΟΠΟΙΗΣΗ: Πριν βάλετε την κασέτα μπαταρίας μέσα στο εργαλείο, να ελέγχετε πάντα να δείτε αν η σκανδάλη διακόπτης ενεργοποιείται κανονικά και επιστρέφει στη θέση «OFF» όταν ελευθερώνεται.

► **Εικ.3:** 1. Σκανδάλη διακόπτης 2. Κουμπί απασφάλισης

Για να ξεκινήσετε το εργαλείο, απλώς τραβήξτε τη σκανδάλη διακόπτη. Η ταχύτητα του εργαλείου αυξάνει αν αυξήσετε την πίεση στη σκανδάλη διακόπτη. Ελευθερώστε τη σκανδάλη διακόπτη για να σταματήσει.

Για συνεχόμενη λειτουργία, τραβήξτε τη σκανδάλη διακόπτη, πατήστε το κουμπί ασφάλισης και μετά αφήστε τη σκανδάλη διακόπτη. Για να σταματήσετε το εργαλείο από την κλειδωμένη θέση, τραβήξτε πλήρως τη σκανδάλη διακόπτη και κατόπιν αφήστε την.

ΠΡΟΣΟΧΗ: Ο διακόπτης μπορεί να ασφαλιστεί στη θέση «ENERG» προς διευκόλυνση του χειριστή στη διάρκεια παρατεταμένης χρήσης. Να είστε προσεκτικοί όταν ασφαρίζετε το εργαλείο στη θέση «ENERG» και να κρατάτε το εργαλείο σταθερά.

ΠΑΡΑΤΗΡΗΣΗ: Ακόμη κι αν ο διακόπτης είναι ανοικτός και το μοτέρ λειτουργεί, η μύτη βιδώματος δεν περιστρέφεται. Ωθήστε το εργαλείο προς τα μπροστά για να δεσμεύσετε το συμπλέκτη.

ΠΑΡΑΤΗΡΗΣΗ: Το εργαλείο σταματά αυτόματα αν το μοτέρ συνεχίζει να περιστρέφεται για περίπου 6 λεπτά.

Τρόπος λειτουργίας κίνησης με ώθηση

► **Εικ.4:** 1. Κουμπί 2. Ένδειξη τρόπου λειτουργίας

Αυτό το εργαλείο διαθέτει τρόπο λειτουργίας κίνησης με ώθηση. Σε αυτό το τρόπο λειτουργίας, το εργαλείο αποκόπτεται την ισχύ προς το μοτέρ για να εξοικονομηθεί η ισχύς μπαταρίας στο ρελαντί.

Για να επιλέξετε τον τρόπο λειτουργίας κίνησης με ώθηση, τραβήξτε λίγο τη σκανδάλη και μετά αφήστε την και πατήστε γρήγορα το κουμπί. Μετά, θα ανάψει η ένδειξη τρόπου λειτουργίας.

Μόλις ενεργοποιηθεί η κίνηση με ώθηση, τραβήξτε τη σκανδάλη διακόπτη και μετά πατήστε το κουμπί κλειδώματος. Όταν ασκήσετε πίεση στη μύτη βιδώματος, το μοτέρ θα αρχίσει να περιστρέφεται. Αν ασκήσετε πειρατέρω πίεση, ο συμπλέκτης δεσμεύεται και η μύτη βιδώματος θα αρχίσει να περιστρέφεται. Σε τρόπο λειτουργίας κίνησης με ώθηση, το μοτέρ και η μύτη βιδώματος θα περιστρέφονται μόνο όταν ασκείται πίεση.

ΠΑΡΑΤΗΡΗΣΗ: Αν το εργαλείο δεν λειτουργεί για περίπου 8 ώρες σε τρόπο λειτουργίας κίνησης με ώθηση, με τη σκανδάλη κλειδωμένη, γίνεται διακοπή της λειτουργίας του εργαλείου. Σε μια τέτοια περίπτωση, αφήστε και τραβήξτε ξανά τη σκανδάλη για επανεκκίνηση.

Αναμμα της μπροστινής λάμπας

ΠΡΟΣΟΧΗ: Μην κοιτάζετε κατευθείαν μέσα στο φως ή στην πηγή φωτός.

► **Εικ.5:** 1. Λάμπα 2. Κουμπί

Για να ανάψετε τη λάμπα, τραβήξτε λίγο τη σκανδάλη διακόπτη και μετά αφήστε τη. Η λάμπα σβήνει περίπου 10 δευτερόλεπτα αφού αφήσετε τη σκανδάλη διακόπτη. Για να συνεχίσετε να σβήνετε τη λάμπα, τραβήξτε λίγο τη σκανδάλη διακόπτη, μετά αφήστε την και μετά πατήστε το κουμπί για λίγα δευτερόλεπτα. Για να ανάψετε τη λάμπα, πραγματοποιήστε ξανά την ίδια λειτουργία. Σε τρόπο λειτουργίας κίνησης με ώθηση, με κλειδωμένη τη σκανδάλη διακόπτη, η λάμπα σβήνει περίπου ένα λεπτό μετά τη διακοπή του μοτέρ.

ΠΑΡΑΤΗΡΗΣΗ: Όταν τραβήξετε τη σκανδάλη διακόπτη, δεν είναι δυνατό να αλλαχθεί η κατάσταση λυχνίας.

ΠΑΡΑΤΗΡΗΣΗ: Η κατάσταση λυχνίας μπορεί να αλλαχθεί για περίπου 10 δευτερόλεπτα μετά την απελευθέρωση της σκανδάλης διακόπτη.

ΠΑΡΑΤΗΡΗΣΗ: Χρησιμοποιήστε ένα στεγνό πανί για να σκουπίσετε τη σκόνη από το φακό της λάμπας. Προσέχετε να μη γρατζουνίσετε το φακό της λάμπας, επειδή μπορεί να μειωθεί η ένταση του φωτισμού.

Δράση διακόπτη αντιστροφής

► **Εικ.6:** 1. Μοχλός διακόπτης αντιστροφής

ΠΡΟΣΟΧΗ: Να ελέγχετε πάντα τη διεύθυνση περιστροφής πριν από τη λειτουργία.

ΠΡΟΣΟΧΗ: Να χρησιμοποιείτε τον διακόπτη αντιστροφής μόνο αφού το εργαλείο σταματήσει εντελώς. Η αλλαγή της διεύθυνσης περιστροφής πριν σταματήσει το εργαλείο μπορεί να προκαλέσει ζημιά στο εργαλείο.

ΠΡΟΣΟΧΗ: Όταν δεν χρησιμοποιείτε το εργαλείο, να βάζετε πάντα το μοχλό διακόπτη αντιστροφής στην ουδέτερη θέση.

Αυτό το εργαλείο έχει ένα διακόπτη αντιστροφής για να αλλάξει τη διεύθυνση περιστροφής. Μετακινήστε το μοχλό διακόπτη αντιστροφής στη θέση \curvearrowright (πλευρά Α) για δεξιόστροφη περιστροφή ή στη θέση \curvearrowleft (πλευρά Β) για αριστερόστροφη περιστροφή. Όταν ο μοχλός διακόπτη αντιστροφής είναι στην ουδέτερη θέση, η σκανδάλη διακόπτης δεν μπορεί να τραβηχθεί.

Ρύθμιση βάθους

► **Εικ.7:** 1. Εντοπιστής

Το βάθος μπορεί να ρυθμιστεί αν περιστρέψετε τον εντοπιστή. Στρέψτε το προς την κατεύθυνση «B» για λιγότερο βάθος και προς την κατεύθυνση «A» για περισσότερο βάθος. Μία πλήρης στροφή του εντοπιστή ισούται με αλλαγή 2 mm σε βάθος.

Για DFS250

► **Εικ.8:** 1. Εντοπιστής

Για DFS251

► **Εικ.9:** 1. Εντοπιστής

Ρυθμίστε τον εντοπιστή ώστε η απόσταση μεταξύ της μύτης του εντοπιστή και της κεφαλής βίδας να είναι περίπου 3 mm όπως απεικονίζεται στις εικόνες. Βιδώστε μια δοκιμαστική βίδα στο υλικό σας ή σε ένα κομμάτι πανομοιότυπου υλικού. Αν το βάθος ακόμη δεν είναι κατάλληλο για τη βίδα, συνεχίστε να το προσαρμόζετε μέχρι να έχετε το σωστό βάθος.

Γάντζος

▲ ΠΡΟΣΟΧΗ: Να αφαιρείτε πάντοτε την μπαταρία όταν κρεμάτε το εργαλείο με το γάντζο.

▲ ΠΡΟΣΟΧΗ: Μην κρεμάτε ποτέ το εργαλείο σε υψηλές τοποθεσίες ή σε πιθανώς ασταθείς επιφάνειες.

► **Εικ.10:** 1. Γάντζος

Ο γάντζος είναι βολικός για το προσωρινό κρέμασμα του εργαλείου.

ΣΥΝΑΡΜΟΛΟΓΗΣΗ

▲ ΠΡΟΣΟΧΗ: Να βεβαιώνετε πάντα ότι το εργαλείο είναι σβηστό και η κασέτα μπαταρίας έχει αφαιρεθεί πριν εκτελέσετε κάποια εργασία στο εργαλείο.

Τοποθέτηση ή αφαίρεση της μύτης βιδώματος/προέκτασης μύτης

Για DFS250

► **Εικ.11:** 1. Εντοπιστής

► **Εικ.12:** 1. Εντοπιστής 2. Μύτη βιδώματος
3. Μαγνητικό στήριγμα μύτης

Για να βγάλετε τη μύτη βιδώματος, τραβήξτε τον εντοπιστή και μετά πιάστε τη μύτη με νάβλια και τραβήξτε τη μύτη από το μαγνητικό στήριγμα μύτης. Για να τοποθετήσετε τη μύτη βιδώματος, ωθήστε τη σταθερά στο μαγνητικό στήριγμα μύτης. Μετά, τοποθετήστε τον εντοπιστή ωθώντας το σταθερά προς τα πίσω.

Για DFS251

► **Εικ.13:** 1. Εντοπιστής

► **Εικ.14:** 1. Εντοπιστής 2. Μύτη με υποδοχή

Για να βγάλετε τη μύτη με υποδοχή, τραβήξτε τον εντοπιστή και μετά τραβήξτε τη μύτη με υποδοχή. Για να τοποθετήσετε τη μύτη με υποδοχή, ωθήστε τη σταθερά στο χιτώνιο. Μετά, τοποθετήστε τον εντοπιστή ωθώντας το σταθερά προς τα πίσω.

Γάντζος

► **Εικ.15:** 1. Αυλάκωση 2. Γάντζος 3. Βίδα

Ο γάντζος είναι βολικός για το προσωρινό κρέμασμα του εργαλείου. Μπορεί να τοποθετηθεί σε οποιαδήποτε πλευρά του εργαλείου.

Για να τοποθετήσετε το γάντζο, βάλτε τον σε μια αυλάκωση στο περιβλήμα του εργαλείου σε οποιαδήποτε πλευρά και μετά ασφαλίστε τον με μια βίδα. Για να τον αφαιρέσετε, χαλαρώστε τη βίδα και μετά αφαιρέστε τον.

ΛΕΙΤΟΥΡΓΙΑ

Λειτουργία βιδώματος

► **Εικ.16**

Τοποθετήστε τη βίδα στο άκρο της μύτης και τοποθετήστε το άκρο της βίδας στην επιφάνεια του τεμαχίου εργασίας που θα στερεώσετε. Ασκήστε πίεση στο εργαλείο και ξεκινήστε το. Αποσύρετε το εργαλείο μόλις εμπλακεί ο συμπλέκτης. Μετά, αφήστε τη σκανδάλη διακόπτη.

▲ ΠΡΟΣΟΧΗ: Όταν τοποθετείτε τη βίδα στο άκρο της μύτης, προσέχετε να μην ωθήσετε τη βίδα προς τα μέσα. Αν ωθήσετε τη βίδα προς τα μέσα, ο συμπλέκτης θα εμπλακεί και η βίδα θα περιστραφεί ξαφνικά. Αυτό μπορεί να προκαλέσει ζημιά στο τεμάχιο εργασίας ή να προκαλέσει τραυματισμό.

▲ ΠΡΟΣΟΧΗ: Βεβαιωθείτε ότι τοποθετήσατε τη μύτη απευθείας στην κεφαλή της βίδας. Διαφορετικά, μπορεί να προκληθεί ζημιά στη βίδα ή/και στη μύτη.

ΣΥΝΤΗΡΗΣΗ

▲ ΠΡΟΣΟΧΗ: Πριν την εκτέλεση εργασιών επιθεώρησης ή συντήρησης, πάντοτε να βεβαιώνετε ότι η συσκευή απενεργοποιήθηκε και η κασέτα μπαταριών έχει αφαιρεθεί.

ΕΙΔΟΠΟΙΗΣΗ: Μην χρησιμοποιείτε ποτέ βενζίνη, πετρελαϊκό αιθέρα, διαλυτικό, αλκοόλη ή παρόμοιες ουσίες. Μπορεί να προκληθεί αποχρωματισμός, παραμόρφωση ή ρωγμές.

Για τη διατήρηση της ΑΣΦΑΛΕΙΑΣ και ΑΞΙΟΠΙΣΤΙΑΣ του προϊόντος, οι επισκευές και οποιαδήποτε άλλη εργασία συντήρησης ή ρύθμισης πρέπει να εκτελούνται από εξουσιοδοτημένα ή εργοστασιακά κέντρα εξυπηρέτησης της Makita, χρησιμοποιώντας πάντοτε ανταλλακτικά της Makita.

ΠΡΟΑΙΡΕΤΙΚΑ ΕΞΑΡΤΗΜΑΤΑ

▲ ΠΡΟΣΟΧΗ: Αυτά τα εξαρτήματα ή προσαρτήματα συνιστώνται για χρήση με το εργαλείο Makita που περιγράφτηκε στις οδηγίες αυτές. Η χρήση οποιωνδήποτε άλλων εξαρτημάτων ή προσαρτημάτων μπορεί να προκαλέσει κίνδυνο τραυματισμού σε άτομα. Να χρησιμοποιείτε τα εξαρτήματα ή προσαρτήματα μόνο για την χρήση που προορίζονται.

Εάν χρειάζεστε οποιαδήποτε βοήθεια για περισσότερες πληροφορίες σε σχέση με αυτά τα εξαρτήματα, απευθυνθείτε στο τοπικό σας κέντρο εξυπηρέτησης Makita.

- Μύτες βιδώματος
- Μαγνητικό στήριγμα μύτης
- Μύτες με υποδοχή
- Γνήσια μπαταρία και φορτιστής της Makita
- Πλαστική θήκη μεταφοράς

ΠΑΡΑΤΗΡΗΣΗ: Μερικά στοιχεία στη λίστα μπορεί να συμπεριλαμβάνονται στη συσκευασία εργαλείου ως στάνταρ εξαρτήματα. Μπορεί να διαφέρουν ανάλογα με τη χώρα.

TEKNİK ÖZELLİKLER

Model:		DFS250		DFS251	
Sıkma kapasiteleri	Matkap uçlu vida	6 mm			
	Alçıpan vida	5 mm			
Yüksüz hız (dev/dak)		0 - 2.500 min ⁻¹			
Tam uzunluk	Kısa konumlandırıcı ile	223 mm	-		
	Uzun konumlandırıcı ile	239 mm	-		
Tam uzunluk		-	217 mm		
Nominal voltaj		D.C. 18 V			
Standart batarya kartuşu		BL1815 / BL1815N / BL1820 / BL1820B	BL1830 / BL1830B / BL1840 / BL1840B / BL1850 / BL1850B / BL1860B	BL1815 / BL1815N / BL1820 / BL1820B	BL1830 / BL1830B / BL1840 / BL1840B / BL1850 / BL1850B / BL1860B
Şarj aleti		DC18RC / DC18RD / DC18SE / DC18SF / DC18SD			
Net ağırlık		1,6 kg	1,8 kg	1,5 kg	1,8 kg

- Sürekli yapılan araştırma ve geliştirmelerden dolayı, burada belirtilen özellikler önceden bildirilmeksizin değiştirilebilir.
- Özellikler ve batarya kartuşu ülkeden ülkeye değişebilir.
- EPTA-Prosedürü 01/2003 uyarınca batarya kartuşu ile birlikte ağırlık

Kullanım amacı

Bu alet ahşap, metal ve plastik malzemede vidalama işlemleri için kullanılması amaçlanmıştır.

Gürültü

Tipik A-ağırlıklı gürültü düzeyi (EN62841 standardına göre belirlenen):

Model DFS250

Ses basınç seviyesi (L_{PA}): 72 dB (A)

Belirsizlik (K): 3 dB (A)

Model DFS251

Ses basınç seviyesi (L_{PA}): 72 dB (A)

Belirsizlik (K): 3 dB (A)

İşlem sırasında gürültü seviyesi 80 dB (A)'yi geçebilir.

UYARI: Kulak koruyucuları takın.

Titreşim

Titreşim toplam değeri (üç eksenli vektör toplamı) (EN62841 standardına göre hesaplanan):

Model DFS250

Çalışma modu: darbesiz vidalama

Titreşim emisyonu (a_n): 2,5 m/s² den az

Belirsizlik (K) : 1,5 m/s²

Model DFS251

Çalışma modu: darbesiz vidalama

Titreşim emisyonu (a_n): 2,5 m/s² den az

Belirsizlik (K) : 1,5 m/s²

NOT: Beyan edilen titreşim emisyon değeri standart test yöntemine uygun şekilde ölçülmüştür ve bir alet bir başkasıyla karşılaştırmak için kullanılabilir.

NOT: Beyan edilen titreşim emisyon değeri bir ön maruz kalma değerlendirmesi olarak da kullanılabilir.

UYARI: Bu elektrikli aletin gerçek kullanımı sırasındaki titreşim emisyonu aletin kullanım biçimlerine bağlı olarak beyan edilen emisyon değerinden farklı olabilir.

UYARI: Gerçek kullanım koşullarındaki maruz kalmanın bir tahmini hesaplaması temelinde operatörü koruyacak güvenlik önlemlerini mutlaka belirleyin (çalışma döngüsü içerisinde aletin kapalı olduğu ve aktif durumda olmasının yanı sıra boşta çalıştığı zamanlar gibi, bütün zaman dilimleri göz önünde bulundurularak değerlendirilmelidir).

EC Uygunluk Beyanı

Sadece Avrupa ülkeleri için

EC uygunluk beyanı bu kullanım kılavuzuna Ek A olarak eklenmiştir.

GÜVENLİK UYARILARI

Genel elektrikli alet güvenliği uyarıları

⚠UYARI: Bu elektrikli aletle birlikte sunulan tüm güvenlik uyarılarını, talimatları, çizimleri ve teknik özellikleri okuyun. Aşağıda verilen talimatlara uyulmaması elektrik şoku, yangın ve/veya ciddi yaralanmalar ile sonuçlanabilir.

Tüm uyarıları ve talimatları ile-ride başvurmak için saklayın.

Uyarılardaki "elektrikli alet" terimi ile ya prizden çalışan (kordonlu) elektrikli aletiniz ya da kendi aküsü ile çalışan (kordsuz) elektrikli aletiniz kastedilmektedir.

Akülü tornavida güvenlik uyarıları

1. **Tespit elemanının görünmeyen kablolarla temas etme olasılığı bulunan yerlerde çalışırken elektrikli aleti yalıtımlı kavrama yüzeylerinden tutun.** Tespit elemanlarının "akımlı" bir tele temas etmesi, elektrikli aletin yalıtımsız metal kısımlarını "akımlı" hale getirebilir ve kullanıcıyı elektrik şokuna maruz bırakabilir.
2. **Her zaman yere sağlam basın.** Aleti yüksekte kullandığınızda, altında kimse olmadığını emin olun.
3. **Aleti sıkıca tutun.**
4. **Ellerinizi dönen parçalardan uzak tutun.**
5. **Kullanılan ucu veya iş parçasını işlem den hemen sonra ellemeyin; bunlar çok sıcak olup derinizi yakabilir.**
6. **İş parçalarını daima bir mengene ya da benzer sıkıştırma aygıtlarıyla sabitleyin.**

BU TALİMATLARI SAKLAYIN.

⚠UYARI: Ürünü kullanırken (defalarca kullanınca kazanılan) rahatlık ve tanıdıklık duygusunun ilgili ürünün güvenlik kurallarına sıkı sıkıya bağlı kalmanın yerine geçmesine İZİN VERMEYİN.

YANLIŞ KULLANIM veya bu kullanma kılavuzunda belirtilen emniyet kurallarına uymama ciddi yaralanmaya neden olabilir.

Batarya kartuşu hakkında önemli güvenlik talimatları

1. **Batarya kartuşunu kullanmadan önce, tüm talimatları ve (1) batarya kartuşu, (2) batarya ve (3) ürün üzerindeki tüm uyarı işaretlerini okuyun.**
2. **Batarya kartuşunu demonte etmeyin.**
3. **Çalışma süresi aşırı derecede kısalmışsa kullanmayı derhal bırakın. Aşırı ısınma, yanma riski hatta patlamaya neden olabilir.**
4. **Gözünüze elektrolit kaçarsa, gözlerinizi temiz suyla durulayın ve hemen tıbbi yardım alın. Görme kaybına yol açabilir.**

5. **Batarya kartuşuna kısa devre yaptırmayın:**
 - (1) **Terminallere herhangi bir iletken madde deędirmeyin.**
 - (2) **Batarya kartuşunu çiviler, madeni paralar, vb. gibi başka metal nesnelere aynı kaba koymaktan kaçının.**
 - (3) **Batarya kartuşunu yağmura ya da suya maruz bırakmayın.****Kısa devre, büyük bir akım akışına, aşırı ısınmaya, olası yangınlara hatta bataryanın bozulmasına yol açabilir.**
6. **Aleti ve batarya kartuşunu sıcaklığın 50°C ya da daha yükseğe ulaştığı yerlerde saklamayın.**
7. **Aşırı derecede hasar görmüş ya da tamamen kullanılamaz durumda olsa bile batarya kartuşunu yakmayın. Batarya kartuşu ateşe atılırsa patlayabilir.**
8. **Bataryayı düşürmemeye ve çarpmamaya dikkat edin.**
9. **Hasarlı bataryayı kullanmayın.**
10. **Aletin içerdığı lityum-iyon bataryalar Tehlikeli Eşyalar Yönetmeliğinin gereksinimlerine tabidir.**

Ticari nakliye işlemleri için, örneğin üçüncü taraf, nakliye acenteleri tarafından yapılan nakliyelerde, paketlenme ve etiketleme gereksinimlerine uyulmalıdır.

Nakliyesi yapılacak ürünün hazırlanması için, tehlikeli maddeler konusunda uzman bir kişiye danışın. Lütfen muhtemelen daha ayrıntılı olan ulusal yönetmeliklere de uyun. Açık kontakları bantlayın ya da maskeleyin ve bataryayı paketin içinde hareket etmeyecek şekilde paketleyin.

11. **Bataryanın elden çıkarılması ile ilgili yerel düzenlemelere uyunuz.**

BU TALİMATLARI MUHAFAZA EDİNİZ.

⚠DİKKAT: Sadece orijinal Makita bataryalarını kullanın. Orijinal olmayan Makita bataryaları ya da üzerine deęişiklik yapılmış bataryaların kullanımı bataryanın patlamasına ve sonuç olarak yangın, kişisel yaralanma ve hasara neden olabilir. Ayrıca Makita aleti ve şarj aletinin Makita tarafından sunulan garantisi de geçersiz olur.

Maksimum batarya ömrü için ipuçları

1. **Batarya kartuşunu tamamen boşalmadan önce şarj edin. Aletin gücünün zayıflamaya başladığını fark ettiğinizde aleti durdurun ve batarya kartuşunu şarj edin.**
2. **Tam dolu bir batarya kartuşunu asla yeniden şarj etmeyin. Aşırı şarj etme bataryanın hizmet ömrünü kısaltır.**
3. **Batarya kartuşunu 10°C - 40°C oda sıcaklığında şarj edin. Sıcak bir batarya kartuşunu şarj etmeden önce soğumasını bekleyin.**
4. **Uzun bir süre (altı aydan daha fazla) kullanmadığımız durumlarda batarya kartuşunu şarj edin.**

İŞLEVSEL NİTELİKLER

⚠️ DİKKAT: Alet üzerinde ayarlama veya işleyiş kontrolü yapmadan önce aletin kapalı ve batarya kartuşunun ayrılmış olduğundan daima emin olun.

Batarya kartuşunun takılması ve çıkarılması

⚠️ DİKKAT: Batarya kartuşunu takmadan ya da çıkarmadan önce aleti daima kapatın.

⚠️ DİKKAT: Batarya kartuşunu takarken veya çıkarırken aleti ve batarya kartuşunu sıkıca tutun. Aletin ve batarya kartuşunun sıkıca tutulmaması bunların düşürülmesine sebep olabilir ve alet ve batarya kartuşunun zarar görmesine ya da ciddi yaralanmasına yol açabilir.

► **Şek.1:** 1. Kırmızı gösterge 2. Düğme 3. Batarya kartuşu

Batarya kartuşunu çıkarmak için, kartuşun ön tarafındaki düğmeyi kaydırarak kartuşu aletten çıkarın.

Batarya kartuşunu takmak için, batarya kartuşu üzerindeki dili yuvanın çentiği ile hizalayın ve yerine oturtun. Hafif bir tık sesi duyulana kadar itip yerine tam oturmasını sağlayın. Düğmenin üst tarafındaki kırmızı gösterge görünüyorsa tam yerine kilitlenmemiş demektir.

⚠️ DİKKAT: Batarya kartuşunu daima kırmızı gösterge görünmeyecek şekilde tam olarak takın. Yerine tam oturmazsa, aletten yanlışlıkla düşebilir, sizin ya da çevrenizdeki kişilerin yaralanmasına neden olabilir.

⚠️ DİKKAT: Batarya kartuşunu zorlayarak takmayın. Kartuş kolay bir şekilde kaymıyorsa doğru yerleştirilmemiş demektir.

Kalan batarya kapasitesinin gösterilmesi

Sadece göstergeli batarya kartuşları için

► **Şek.2:** 1. Gösterge lambaları 2. Kontrol düğmesi

Kalan batarya kapasitesini göstermesi için batarya kartuşu üzerindeki kontrol düğmesine basın. Gösterge lambaları birkaç saniye yanar.

Gösterge lambaları			Kalan kapasite
Yanıyor	Kapalı	Yanıp sönmüyor	
■	□	▣	
■ ■ ■ ■			%75 ila %100
■ ■ ■ □			%50 ila %75
■ ■ □ □			%25 ila %50
■ □ □ □			%0 ila %25

Gösterge lambaları			Kalan kapasite
Yanıyor	Kapalı	Yanıp sönmüyor	
■	□	▣	Bataryayı şarj edin.
■ ■ □ □			Batarya arızalanmış olabilir.

NOT: Kullanım koşullarına ve ortam sıcaklığına bağlı olarak, gösterilen değer gerçek kapasiteden biraz farklılık gösterebilir.

Alet/batarya koruma sistemi

Bu alet bir alet/batarya koruma sistemi ile donatılmıştır. Bu sistem motora giden gücü otomatik olarak keserek uzun alet ve batarya ömrü sağlar. Alet veya batarya için aşağıdaki durumlardan biri söz konusu olduğunda aletin işleyişi otomatik olarak durur:

Aşırı yük koruması

Batarya, anormal derecede yüksek akım çekmesine neden olacak şekilde kullanıldığında, alet hiçbir belirti vermeden otomatik olarak durur. Bu durumda, aleti kapatın ve aletin aşırı yüklenmesine neden olan uygulamayı durdurun. Daha sonra aleti yeniden başlaması için çalıştırın.

Aşırı ısınma koruması

Alet veya batarya aşırı ısındığında otomatik olarak durur ve lamba yanıp söner. Bu durumda, yeniden çalıştırmadan önce aletin ve bataryanın soğumasını bekleyin.

Aşırı deşarj koruması

Batarya kapasitesi yeterli olmadığında, alet otomatik olarak durur. Bu durumda, bataryayı aletten çıkarın ve bataryayı tekrar şarj edin.

Anahtar işlemleri

⚠️ UYARI: Batarya kartuşunu alete takmadan önce anahtar tetiğinin doğru çalıştığından ve bırakıldığına "OFF" (kapalı) konumuna döndüğünden emin olun.

► **Şek.3:** 1. Anahtar tetik 2. Güvenlik kilidi düğmesi

Aleti çalıştırmak için, sadece anahtar tetiği çekin. Aletin çalışma hızı anahtar tetik üstüne daha fazla baskı yapılarak artırılır. Durdurmak için anahtar tetiği serbest bırakın.

Sürekli çalıştırma için, anahtar tetiği çekin, kilitleme düğmesini itin ve ardından anahtar tetiği serbest bırakın. Aleti kilitli pozisyonundan çıkarmak için, anahtar tetiği tamamen çekip sonra serbest bırakın.

⚠DİKKAT: Uzun süreli kullanım sırasında kullanıcının rahatı için anahtar “ON” (açık) konumunda kilitlenebilir. Anahtar “ON” (açık) konumunda kilitleyken dikkatli olun ve aleti sıkı kavrayın.

NOT: Anahtar açık ve motor çalışıyor olsa bile, tornavida ucu dönmmez. Kavramanın devreye girmesi için aleti ileri doğru itin.

NOT: Motor yaklaşık 6 dakika dönmeye devam ederse alet otomatik olarak durur.

İterek çalıştırma modu

► **Şek.4:** 1. Düğme 2. Mod göstergesi

Bu alet iterek çalıştırma modu ile donatılmıştır. Bu modda, sistem motora giden gücü keserek rölantide batarya tasarrufu sağlar.

İterek çalıştırma modunu seçmek için, tetiği hafifçe çekin, bırakın ve hemen düğmeye basın. Mod göstergesinin ışığı yanar.

İterek çalıştırma modu etkinleştirildiğinde, anahtar tetiği çekin ve kilitleme düğmesini tekrar itin. Tornavida ucuna bastırdığımızda motor dönmeye başlar. Biraz daha bastırdığımızda kavrama devreye girer ve tornavida ucu dönmeye başlar. İterek çalıştırma modunda, motor ve tornavida ucu ancak baskı uygulandığında döner.

NOT: İterek çalıştırma modunda, tetik kilidi açık olduğunda, alet yaklaşık 8 saat boyunca çalıştırılmazsa, alet kapatılır. Bu durumda, yeniden başlatmak için tetiği yeniden çekin.

Ön lambanın yakılması

⚠DİKKAT: Işığa bakmayın ya da ışık kaynağını doğrudan görmeyin.

► **Şek.5:** 1. Lamba 2. Düğme

Lambayı açmak için, anahtar tetiği hafifçe çekip bırakın. Lamba, anahtar tetik serbest bırakıldıktan yaklaşık 10 saniye sonra söner.

Lambayı kapalı durumda tutmak için, anahtar tetiği hafifçe çekin ve bırakın ve ardından düğmeye bir kaç saniye boyunca basın. Lambayı açmak için, aynı işlemi bir kez daha gerçekleştirin.

İterek çalıştırma modunda, anahtar tetik kilittli olduğunda, motor durduktan yaklaşık bir dakika sonra lamba kapanır.

NOT: Anahtar tetik çekilirken, lamba durumu değiştirilemez.

NOT: Anahtar tetik serbest bırakıldıktan yaklaşık 10 saniye sonra lamba durumu değiştirilebilir.

NOT: Lamba lensini temizlemek için kuru bir bez kullanın. Aydınlatmayı azaltacağı için lamba lensinin çizilmemesine dikkat edin.

Ters dönüş mandalı işlemi

► **Şek.6:** 1. Ters dönüş mandalı anahtarı

⚠DİKKAT: Kullanmadan önce dönüş yönünü daima kontrol edin.

⚠DİKKAT: Ters döndürme anahtarını sadece alet tamamen durduktan sonra kullanın. Dönüş yönünün alet durmadan önce değiştirilmesi alete zarar verebilir.

⚠DİKKAT: Aleti kullanmadığınız zaman, ters döndürme anahtarını daima nötr konumuna ayarlayın.

Bu aletin dönme yönünü değiştirmek için ters dönüş mandalı vardır. Saat yönüne dönüş için, ters dönüş mandalını ↺ konumuna (A tarafı), saat yönünün tersine dönüş için de ↻ konumuna (B tarafı) getirin. Ters dönüş mandalı nötr konumdayken, anahtar tetik çekilemez.

Derinlik ayarı

► **Şek.7:** 1. Konumlandırıcı

Derinlik, konumlandırıcı döndürülerek ayarlanabilir. Daha az derinlik için “B” yönüne, daha fazla derinlik için “A” yönüne döndürün. Konumlandırıcının bir tam dönüşü derinlikte 2 mm’lik değişikliğe karşılık gelir.

DFS250 için

► **Şek.8:** 1. Konumlandırıcı

DFS251 için

► **Şek.9:** 1. Konumlandırıcı

Konumlandırıcıyı, şekillerde gösterildiği gibi, konumlandırıcının ucu ile vida başı arasında yaklaşık 3 mm mesafe olacak şekilde ayarlayın. Malzemenize ya da çift kat bir malzeme parçasına deneme amaçlı bir vida vidalayın. Derinlik vida için hala uygun değilse, uygun derinlik ayarını elde edene kadar ayarlamaya devam edin.

Kanca

⚠DİKKAT: Aleti kanca ile asarken bataryayı daima çıkarın.

⚠DİKKAT: Aleti yüksek ya da dengesi bozulabilecek bir yüzeye asla asmayın.

► **Şek.10:** 1. Kanca

Kanca, aletin geçici bir süre asılması için kullanışlıdır.

MONTAJ

⚠DİKKAT: Alet üzerinde herhangi bir iş yapmadan önce aletin kapalı ve batarya kartuşunun ayrılmış olduğundan daima emin olun.

Tornavida ucunun/lokma ucunun takılması ya da çıkarılması

DFS250 için

- **Şek.11:** 1. Konumlandırıcı
- **Şek.12:** 1. Konumlandırıcı 2. Tornavida ucu
3. Manyetik uç tutucu

Tornavida ucunu çıkarmak için, konumlandırıcıyı çekin ve ardından bir kargaburun pense ile ucu kavrayın ve manyetik uç tutucudan çekip çıkarın. Tornavida ucunu takmak için, manyetik uç tutucunun içine doğru iyice itin. Ardından sıkı bir şekilde geriye çekerek konumlandırıcıyı takın.

DFS251 için

- **Şek.13:** 1. Konumlandırıcı
- **Şek.14:** 1. Konumlandırıcı 2. Lokma ucu

Lokma ucunu çıkarmak için, konumlandırıcıyı çekin ve ardından lokma ucunu çekin. Lokma ucunu takmak için, lokma ucunu manşonun içine doğru iyice itin. Ardından sıkı bir şekilde geriye çekerek konumlandırıcıyı takın.

Kanca

- **Şek.15:** 1. Oluk 2. Kanca 3. Vida

Kanca, aletin geçici bir süre asılması için kullanışlıdır. Bu kanca, aletin her iki yanına da takılabilir. Kancayı takmanın yüzeyine yerleştiren, onu alet gövdesinin her iki yanındaki oluklardan birine geçirin ve sonra bir vida ile sabitleyin. Çıkarmak için, vidayı gevşetin ve sonra dışarı çekip alın.

KULLANIM

Vidalama işlemi

- **Şek.16**

Vidayı uç parçasının ucuna, vidanın ucunu ise sabitleyecek iş parçasının yüzeyine yerleştirin. Alete bastırarak çalıştırın. Kavrama devreye girer girmez aleti çekin. Ardından anahtar tetiği bırakın.

⚠DİKKAT: Vidayı uç parçasının ucuna yerleştirirken, vidayı itirmemeye dikkat edin. Vida itirilirse, kavrama devreye girer ve vida aniden dönmeye başlar. Bu da iş parçasına zarar verebilir ya da yaralanmalara yol açabilir.

⚠DİKKAT: Ucu vida başına düzgün olarak girdiğinden emin olun, aksi takdirde vida ve/veya uç hasar görebilir.

BAKIM

⚠DİKKAT: Muayene ya da bakım yapmadan önce aletin kapalı ve batarya kartuşunun çıkartılmış olduğundan daima emin olun.

ÖNEMLİ NOT: Benzin, tiner, alkol ve benzeri maddeleri kesinlikle kullanmayın. Renk değişimi, deformasyon veya çatlaklar oluşabilir.

Aleti EMNİYETLİ ve ÇALIŞMAYA HAZIR durumda tutmak için onarımlar, başka her türlü bakım ve ayarlamalar daima Makita yedek parçaları kullanılarak Makita yetkili servis merkezleri veya Fabrikanın Servis Merkezleri tarafından yapılmalıdır.

İSTEĞE BAĞLI AKSESUARLAR

⚠DİKKAT: Bu aksesuarlar ve ek parçalar bu el kitabında belirtilen Makita aletiniz ile kullanılmak için tavsiye edilmektedir. Herhangi başka bir aksesuar ya da ek parça kullanılması insanlar için bir yaralanma riski getirebilir. Aksesuarları ya da ek parçaları yalnızca belirtilmiş olan kullanım amaçlarına uygun olarak kullanın.

Bu aksesuarlarla ilgili daha fazla bilgiye ihtiyaç duyar-sanız bulunduğunuz yerdeki yetkili Makita servisine başvurun.

- Tornavida uçları
- Manyetik uç tutucu
- Lokma uçları
- Orijinal Makita batarya ve şarj aleti
- Plastik taşıma çantası

NOT: Listedeki parçaların bazıları alet paketi içerisinde standart aksesuar olarak dahil edilmiş olabilir. Bunlar ülkeden ülkeye farklılık gösterebilir.

Makita Europe N.V. Jan-Baptist Vinkstraat 2,
3070 Kortenberg, Belgium

Makita Corporation 3-11-8, Sumiyoshi-cho,
Anjo, Aichi 446-8502 Japan

www.makita.com

885536-995 EN, FR, DE, IT, NL, ES, PT, DA, EL, TR 20160718
