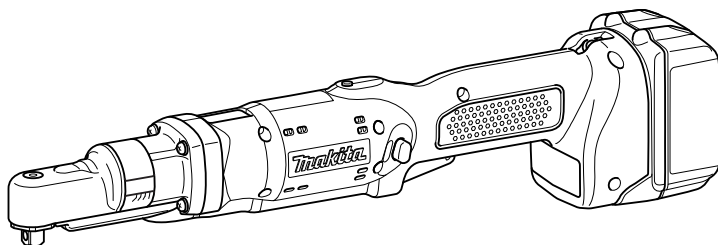
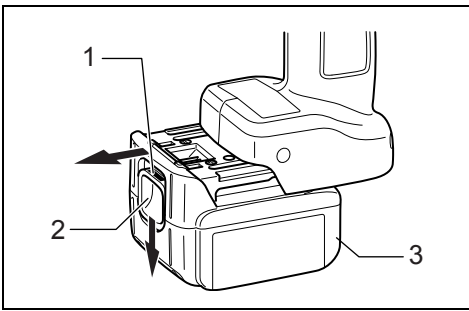




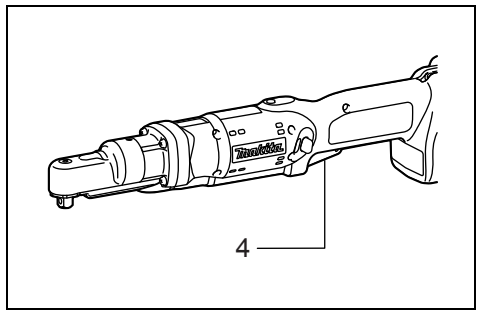
<b>GB</b>	<b>Cordless Angle Screwdriver</b>	<b>Instruction Manual</b>
<b>F</b>	<b>Visseuse Industrielle à Renvoi d'Angle</b>	<b>Manuel d'instructions</b>
<b>D</b>	<b>Akku-Winkelschrauber</b>	<b>Betriebsanleitung</b>
<b>I</b>	<b>Avvitatore ad angolo a batteria</b>	<b>Istruzioni per l'uso</b>
<b>NL</b>	<b>Accu haakse schroevendraaier</b>	<b>Gebruiksaanwijzing</b>
<b>E</b>	<b>Atornillador Angular Inalámbrico</b>	<b>Manual de instrucciones</b>
<b>P</b>	<b>Parafusadeira Angular a Bateria</b>	<b>Manual de instruções</b>
<b>DK</b>	<b>Akku-vinkelskrueetrækker</b>	<b>Brugsanvisning</b>
<b>GR</b>	<b>Ασύρματο γωνιακό κατσαβίδι</b>	<b>Οδηγίες χρήσεως</b>

**DFL201F**  
**DFL301F**  
**DFL402F**

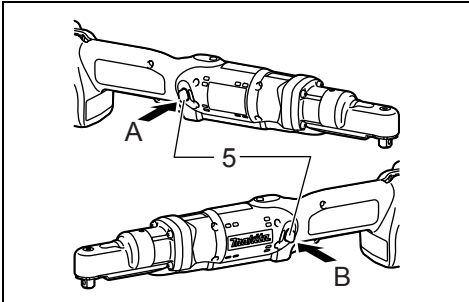




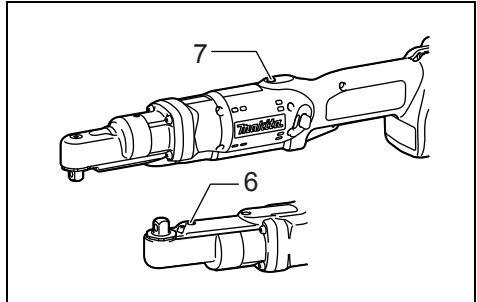
**1** 007918



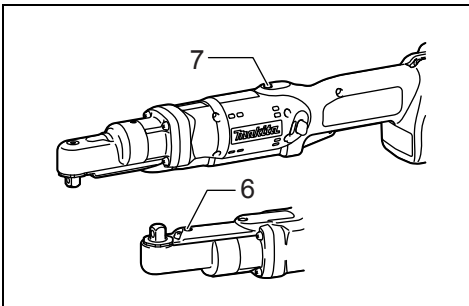
**2** 011034



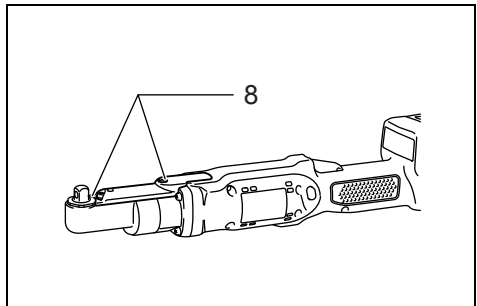
**3** 011035



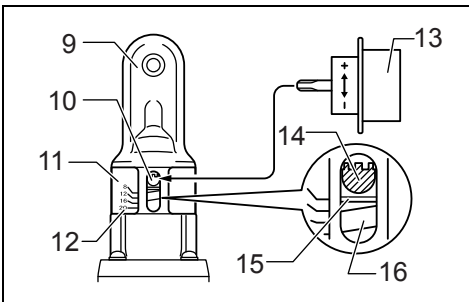
**4** 011036



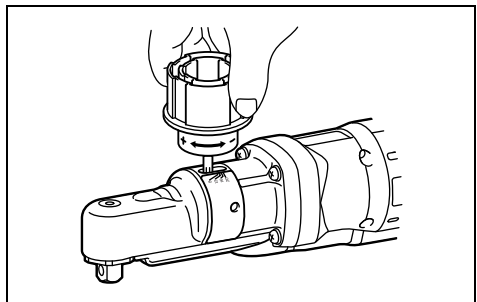
**5** 011036



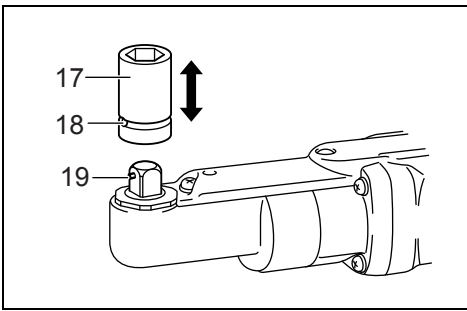
**6** 011037



**7** 011038

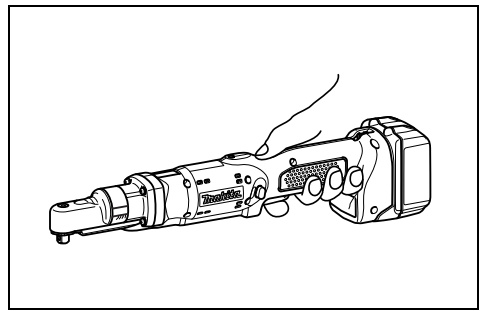


**8** 011039



9

011040



10

011041

**Explanation of general view**

- |                          |                         |                       |
|--------------------------|-------------------------|-----------------------|
| 1 Red part               | 8 Screws                | 15 Yellow line        |
| 2 Button                 | 9 Angle head            | 16 Compression spring |
| 3 Battery cartridge      | 10 Adjust ring          | 17 Socket             |
| 4 Switch trigger         | 11 Ring                 | 18 Hole               |
| 5 Reversing switch lever | 12 Scale                | 19 Pin                |
| 6 Lamp                   | 13 Adjust grip          |                       |
| 7 LED indicator          | 14 Hole for adjust grip |                       |

**SPECIFICATIONS**

Model		DFL201F	DFL301F	DFL402F
Fastening torque	Hard joint	8 – 20 N•m	16 – 30 N•m	25 – 40 N•m
	Soft joint	8 – 20 N•m	16 – 30 N•m	25 – 40 N•m
Square drive		9.5 mm	9.5 mm	9.5 mm
No load speed (min <sup>-1</sup> )		360	260	200
Dimensions (L x W x H)		429 mm x 72 mm x 98 mm	477 mm x 72 mm x 98 mm	477 mm x 72 mm x 98 mm
Net weight		1.7 kg	2.0 kg	2.0 kg
Rated voltage		D.C. 14.4 V		

- Due to our continuing program of research and development, the specifications herein are subject to change without notice.
- Specifications and battery cartridge may differ from country to country.
- Weight, with battery cartridge, according to EPTA-Procedure 01/2003

**Intended use**

The tool is intended for screw driving in wood, metal and plastic.

ENE033-1

GEA010-1

**General Power Tool Safety Warnings**

**⚠ WARNING** Read all safety warnings and all instructions. Failure to follow the warnings and instructions may result in electric shock, fire and/or serious injury.

**Save all warnings and instructions for future reference.**

GEB050-2

**CORDLESS SCREWDRIVER SAFETY WARNINGS**

1. **Hold power tool by insulated gripping surfaces, when performing an operation where the fastener may contact hidden wiring.** Fasteners contacting a “live” wire may make exposed metal parts of the power tool “live” and could give the operator an electric shock.
2. **Always be sure you have a firm footing. Be sure no one is below when using the tool in high locations.**
3. **Hold the tool firmly.**
4. **Keep hands away from rotating parts.**

5. **Do not touch the bit or the workpiece immediately after operation; they may be extremely hot and could burn your skin.**

**SAVE THESE INSTRUCTIONS.**

**⚠ WARNING:**

**DO NOT** let comfort or familiarity with product (gained from repeated use) replace strict adherence to safety rules for the subject product. **MISUSE** or failure to follow the safety rules stated in this instruction manual may cause serious personal injury.

ENC007-6

**IMPORTANT SAFETY INSTRUCTIONS**

**FOR BATTERY CARTRIDGE**

1. **Before using battery cartridge, read all instructions and cautionary markings on (1) battery charger, (2) battery, and (3) product using battery.**
2. **Do not disassemble battery cartridge.**
3. **If operating time has become excessively shorter, stop operating immediately. It may result in a risk of overheating, possible burns and even an explosion.**
4. **If electrolyte gets into your eyes, rinse them out with clear water and seek medical attention right away. It may result in loss of your eyesight.**
5. **Do not short the battery cartridge:**
  - (1) **Do not touch the terminals with any conductive material.**
  - (2) **Avoid storing battery cartridge in a container with other metal objects such as nails, coins, etc.**
  - (3) **Do not expose battery cartridge to water or rain.**

A battery short can cause a large current flow, overheating, possible burns and even a breakdown.

6. Do not store the tool and battery cartridge in locations where the temperature may reach or exceed 50°C (122°F).
7. Do not incinerate the battery cartridge even if it is severely damaged or is completely worn out. The battery cartridge can explode in a fire.
8. Be careful not to drop or strike battery.
9. Do not use a damaged battery.

## SAVE THESE INSTRUCTIONS.

### Tips for maintaining maximum battery life

1. Charge the battery cartridge before completely discharged.  
Always stop tool operation and charge the battery cartridge when you notice less tool power.
2. Never recharge a fully charged battery cartridge. Overcharging shortens the battery service life.
3. Charge the battery cartridge with room temperature at 10°C – 40°C (50°F – 104°F). Let a hot battery cartridge cool down before charging it.

## FUNCTIONAL DESCRIPTION

### CAUTION:

- Always be sure that the tool is switched off and the battery cartridge is removed before adjusting or checking function on the tool.

### Installing or removing battery cartridge (Fig. 1)

- Always switch off the tool before insertion or removal of the battery cartridge.
- To remove the battery cartridge, withdraw it from the tool while sliding the button on the front of the cartridge.
- To insert the battery cartridge, align the tongue on the battery cartridge with the groove in the housing and slip it into place. Always insert it all the way until it locks in place with a little click. If you can see the red part on the upper side of the button, it is not locked completely. Insert it fully until the red part cannot be seen. If not, it may accidentally fall out of the tool, causing injury to you or someone around you.
- Do not use force when inserting the battery cartridge. If the cartridge does not slide in easily, it is not being inserted correctly.

### Switch action (Fig. 2)

#### CAUTION:

- Before inserting the battery cartridge into the tool, always check to see that the switch trigger actuates properly and returns to the “OFF” position when released.

To start the tool, simply pull the switch trigger. Release the switch trigger to stop.

### Reversing switch action (Fig. 3)

#### CAUTION:

- Always check the direction of rotation before operation.
- Use the reversing switch only after the tool comes to a complete stop. Changing the direction of rotation before the tool stops may damage the tool.
- When not operating the tool, always set the reversing switch lever to the neutral position.

This tool has a reversing switch to change the direction of rotation. Depress the reversing switch lever from the A side for clockwise rotation or from the B side for counterclockwise rotation.

When the reversing switch lever is in the neutral position, the switch trigger cannot be pulled.

### Lighting up the lamps (Fig. 4)

#### CAUTION:

- Do not look in the light or see the source of light directly.

Pull the switch trigger to light up the lamp. The lamp keeps on lighting while the switch trigger is being pulled. The light automatically goes out 10 seconds after the switch trigger is released.

#### NOTE:

- Use a dry cloth to wipe the dirt off the lens of lamp. Be careful not to scratch the lens of lamp, or it may lower the illumination.

## LED indicator / Beeper (Fig. 5)

LED indicator / Beeper on the tool shows the following functions.

Status of the LED indicator/beeper		Function	Status	Action to be taken
LED indicator	Beeper			
Lights up in Green → Red → Blue → White in order.	A series of very short beeps	Check LED, light and beeper (when pulling switch trigger for the first time after installing a battery cartridge into the tool).	Make sure that green, red, blue, white LED lights up and beeper beeps properly.	—
Lights up in green for approximately one second.	—	Auto-stop fastening	This function works when the tool has reached the preset fastening torque and normal tightening has been completed. This helps overtightening to be avoided.	—
Blinks in purple slowly.	A series of long beeps	Warning for battery cartridge capacity	This indicates the appropriate time to replace the battery cartridge when the battery power becomes low.	Replace the battery with fully charged one.
Lights up in purple.	A long beep	Checking the remaining battery capacity, Autostop	This function works when the battery power is almost used up. At this time, tool stops immediately.	Replace the battery with fully charged one.
Lights up in red and green alternatively.	A series of short beeps	Anti-reset of controller	This function works when an abnormal drop of the battery voltage occurs for some reason, and the tool stops.	Replace the battery with fully charged one.
		Failure of motor	This function works when motor fails.	Take it to a Makita Authorized Service centers.
Blinks in red quickly.	A series of short beeps	Overheat	This function works when the temperature of the controller or motor goes up very highly, and the tool stops.	Remove the battery cartridge immediately and cool the tool down.
Blinks in red and yellow alternatively.	A long beep	Warning against insufficient fastening	Fastening is incomplete when switch trigger of tool is released before clutch activation.	—
		Double-hitting detection	This function works when a screw is refastened after fastening.	—

011001

## Adjusting the fastening torque

When you wish to drive machine screws, wood screws, hex bolts, etc. with the predetermined torque, adjust the fastening torque as follows.

1. First remove the battery cartridge from the tool.
2. Loosen and remove the screw that secures ring. (Loosen the two screws that secure ring only for DFL201F) (Fig. 6)
3. Rotate the ring in the front of the tool by hand so that a hole can be seen below the ring.
4. Place the battery cartridge in place and pull the switch trigger. Release it so that the adjust ring rotates and the hole becomes visible as illustrated (Fig. 7). And then remove the battery cartridge.
5. Use an optional adjust grip to adjust the fastening torque. Insert the pin of the adjust grip into the hole in the front of the tool. And then, turn the adjust grip counterclockwise to set a greater fastening torque, and clockwise to set a smaller fastening torque. (Fig. 8)
6. Align the edge of the adjust ring with your desired number on the fastening torque scale.
7. Insert the battery cartridge and be sure that a fastening torque has been set up by using a fastening torque tester.
8. Rotate the ring so that the hole for adjust grip is covered, hold and then secure the ring with screw.

### NOTE:

- Numbers on the fastening torque scale is a guideline to set up your desired fastening torque.

## ASSEMBLY

### ⚠ CAUTION:

- Always be sure that the tool is switched off and the battery cartridge is removed before carrying out any work on the tool.

### Selecting correct socket

There are different types of sockets for some models depending on applications. Choose and install a correct socket for your application.

### Installing or removing socket (Fig. 9)

To install the socket, push it onto the square drive of the tool with one hand by depressing a pin on the square drive with another hand until it locks into place. To remove the socket, simply pull it off depressing the pin on the square drive.

## OPERATION

Hold the tool firmly and place the socket over the bolt or nut. Then switch the tool on. When the clutch cuts in, the motor will stop automatically. Then release the switch trigger. (Fig. 10)

### NOTE:

- Hold the tool with its square drive pointed straight at the bolt or nut, or the bolt or nut will be damaged.

## Limits of fastening capacity

Use the tool within the range of the revolution angle up to 360°. If you use the tool beyond the upper limit of this range, the clutch does not work. And the tool cannot deliver enough fastening torque (LED indicator blinks in purple slowly or lights up in purple).

### NOTE:

- The revolution angle means the angle which a screw/bolt revolves when the tool attains to 100% from 50% of desired torque.
- Use of a low temperature conditioned battery cartridge may sometimes give warning for battery cartridge capacity by warning lamp and beeper which makes the tool stop immediately. In this case, the fastening capacity may be inferior to the specification on this manual even if a charged battery cartridge is used.

## MAINTENANCE

### ⚠ CAUTION:

- Always be sure that the tool is switched off and the battery cartridge is removed before attempting to perform inspection or maintenance.
- Never use gasoline, benzine, thinner, alcohol or the like. Discoloration, deformation or cracks may result.

To maintain product SAFETY and RELIABILITY, repairs, any other maintenance or adjustment should be performed by Makita Authorized Service Centres, always using Makita replacement parts.

## OPTIONAL ACCESSORIES

### ⚠ CAUTION:

- These accessories or attachments are recommended for use with your Makita tool specified in this manual. The use of any other accessories or attachments might present a risk of injury to persons. Only use accessory or attachment for its stated purpose.

If you need any assistance for more details regarding these accessories, ask your local Makita Service Center.

- Makita genuine battery and charger
- Adjust grip
- Protector
- Angle head set (For Model DFL201F only)

### NOTE:

- Some items in the list may be included in the tool package as standard accessories. They may differ from country to country.

**Noise**

The typical A-weighted noise level determined according to EN60745:

**Model DFL201F, DFL402F**

Sound pressure level ( $L_{pA}$ ): 72 dB (A)

Uncertainty (K): 3 dB (A)

The noise level under working may exceed 80 dB (A).

**Model DFL301F**

Sound pressure level ( $L_{pA}$ ): 74 dB (A)

Uncertainty (K): 3 dB (A)

The noise level under working may exceed 80 dB (A).

**Wear ear protection**

ENG900-1

**Vibration**

The vibration total value (tri-axial vector sum) determined according to EN60745:

Work mode: screwdriving without impact

Vibration emission ( $a_{11}$ ): 2.5 m/s<sup>2</sup> or less

Uncertainty (K): 1.5 m/s<sup>2</sup>

ENG901-1

- The declared vibration emission value has been measured in accordance with the standard test method and may be used for comparing one tool with another.
- The declared vibration emission value may also be used in a preliminary assessment of exposure.

**⚠ WARNING:**

- The vibration emission during actual use of the power tool can differ from the declared emission value depending on the ways in which the tool is used.
- Be sure to identify safety measures to protect the operator that are based on an estimation of exposure in the actual conditions of use (taking account of all parts of the operating cycle such as the times when the tool is switched off and when it is running idle in addition to the trigger time).

**For European countries only****EC Declaration of Conformity**

**We Makita Corporation as the responsible manufacturer declare that the following Makita machine(s):**

Designation of Machine:

Cordless Angle Screwdriver

Model No./ Type: DFL201F, DFL301F, DFL402F

are of series production and

**Conforms to the following European Directives:**

2006/42/EC

And are manufactured in accordance with the following standards or standardised documents:

EN60745

The technical documentation is kept by our authorized representative in Europe who is:

Makita International Europe Ltd.

Michigan Drive, Tongwell,

Milton Keynes, MK15 8JD, England

26.3.2010



Tomoyasu Kato  
Director

Makita Corporation  
3-11-8, Sumiyoshi-cho,  
Anjo, Aichi, JAPAN



**Descriptif**

1	Partie rouge	9	Tête angulaire	16	Ressort de compression
2	Bouton	10	Bague de réglage	17	Douille
3	Batterie	11	Bague	18	Orifice
4	Gâchette	12	Échelle	19	Broche
5	Levier inverseur	13	Poignée de réglage		
6	Lampe	14	Orifice pour la poignée de réglage		
7	Témoin DEL				
8	Vis	15	Ligne jaune		

**SPÉCIFICATIONS**

Modèle		DFL201F	DFL301F	DFL402F
Couple de serrage	Joint rigide	8 – 20 N•m	16 – 30 N•m	25 – 40 N•m
	Joint souple	8 – 20 N•m	16 – 30 N•m	25 – 40 N•m
Carré conducteur		9,5 mm	9,5 mm	9,5 mm
Vitesse à vide (min <sup>-1</sup> )		360	260	200
Dimensions (L x L x H)		429 mm x 72 mm x 98 mm	477 mm x 72 mm x 98 mm	477 mm x 72 mm x 98 mm
Poids net		1,7 kg	2,0 kg	2,0 kg
Tension nominale		14,4 V CC		

- Étant donné l'évolution constante de notre programme de recherche et de développement, les spécifications contenues dans ce manuel sont sujettes à modification sans préavis.
- Les spécifications et la batterie peuvent être différentes suivant les pays.
- Poids, avec la batterie, conformément à la procédure EPTA-01/2003

ENE033-1

**Utilisation prévue**

L'outil est prévu pour le vissage dans le bois, le métal et le plastique.

GEA010-1

**Consignes de sécurité générales pour outils électriques**

**⚠ MISE EN GARDE** Veuillez lire toutes les mises en garde et toutes les instructions. Il y a risque de choc électrique, d'incendie et/ou de blessure grave si les mises en garde et les instructions ne sont pas respectées.

**Conservez toutes les mises en garde et instructions pour référence ultérieure.**

GEB050-2

**CONSIGNES DE SÉCURITÉ POUR LA VISSSEUSE SANS FIL**

1. **Saisissez l'outil électrique par ses surfaces de poigne isolées lorsque vous effectuez une opération au cours de laquelle la visseuse peut entrer en contact avec des fils cachés.** Le contact avec un fil sous tension mettra les parties métalliques exposées de la visseuse sous tension, causant ainsi un choc électrique chez l'utilisateur.
2. **Veillez à toujours avoir un bon équilibre. Vérifiez qu'il n'y a personne dessous quand vous utilisez l'outil en hauteur.**
3. **Tenez l'outil fermement.**

4. **N'approchez pas les mains des pièces en mouvement.**
5. **Ne touchez ni la vis ni son support immédiatement après un vissage. Ils peuvent être extrêmement chauds et risquer de vous brûler.**

**CONSERVEZ CES INSTRUCTIONS.**

**⚠ AVERTISSEMENT :**

**NE vous laissez PAS tromper (au fil d'une utilisation répétée) par un sentiment d'aisance et de familiarité avec le produit, en négligeant le respect rigoureux des consignes de sécurité qui accompagnent le produit en question. LA MAUVAISE UTILISATION de l'outil ou l'ignorance des consignes de sécurité du présent manuel d'instructions peuvent entraîner une grave blessure.**

## CONSIGNES DE SÉCURITÉ IMPORTANTES

### POUR LA BATTERIE

1. Avant d'utiliser la batterie, lisez toutes les instructions et précautions relatives (1) au chargeur de batterie, (2) à la batterie, et (3) à l'outil utilisant la batterie.
2. Ne démontez pas la batterie.
3. Cessez immédiatement l'utilisation si le temps de fonctionnement devient excessivement court. Il y a risque de surchauffe, de brûlures, voire d'explosion.
4. Si l'électrolyte pénètre dans vos yeux, rincez-les à l'eau claire et consultez immédiatement un médecin. Il y a risque de perte de la vue.
5. Ne court-circuitez pas la batterie :
  - (1) Ne touchez les bornes avec aucun matériau conducteur.
  - (2) Évitez de ranger la batterie dans un conteneur avec d'autres objets métalliques, par exemple des clous, des pièces de monnaie, etc.
  - (3) N'exposez pas la batterie à l'eau ou à la pluie. Un court-circuit de la batterie pourrait provoquer un fort courant, une surchauffe, parfois des brûlures et même une panne.
6. Ne rangez pas l'outil ou la batterie dans des endroits où la température risque d'atteindre ou de dépasser 50°C.
7. Ne jetez pas la batterie au feu même si elle est sérieusement endommagée ou complètement épuisée. La batterie peut exploser au contact du feu.
8. Prenez garde d'échapper ou de heurter la batterie.
9. N'utilisez pas la batterie si elle est abîmée.

### CONSERVEZ CES INSTRUCTIONS.

#### Conseils pour assurer la durée de vie optimale de la batterie

1. Rechargez la batterie avant qu'elle ne soit complètement déchargée. Arrêtez toujours l'outil et rechargez la batterie quand vous remarquez que la puissance de l'outil diminue.
2. Ne rechargez jamais une batterie complètement chargée. La surcharge réduit la durée de service de la batterie.
3. Chargez la batterie alors que la température de la pièce se trouve entre 10°C et 40°C. Avant de charger une batterie chaude, laissez-la refroidir.

#### ⚠ ATTENTION :

- Assurez-vous toujours que l'outil est hors tension et que sa batterie est retirée avant de l'ajuster ou de vérifier son fonctionnement.

#### Installation et retrait de la batterie (Fig. 1)

- Mettez toujours l'outil hors tension avant d'insérer ou de retirer la batterie.
- Pour retirer la batterie, sortez-la de l'outil tout en faisant glisser le bouton de l'avant de la batterie.
- Pour insérer la batterie, alignez sa languette sur l'entaille à l'intérieur du carter, puis glissez la batterie en place. Insérez-la toujours bien à fond, jusqu'à ce qu'elle se verrouille en émettant un léger bruit sec. Si vous pouvez voir la partie rouge de la face supérieure du bouton, la batterie n'est pas parfaitement verrouillée. Insérez-la à fond, jusqu'à ce que la partie rouge ne soit plus visible. Sinon, elle risque de tomber accidentellement de l'outil, en vous blessant ou en blessant une personne qui se trouve près de vous.
- Ne forcez jamais quand vous introduisez la batterie. Si la batterie ne glisse pas aisément, c'est qu'elle n'est pas insérée correctement.

#### Interrupteur (Fig. 2)

#### ⚠ ATTENTION :

- Avant d'insérer la batterie dans l'outil, vérifiez toujours que la gâchette fonctionne bien et revient en position d'arrêt lorsque relâchée.

Pour mettre l'outil en marche, appuyez simplement sur la gâchette. Pour l'arrêter, relâchez la gâchette.

#### Fonctionnement de l'inverseur (Fig. 3)

#### ⚠ ATTENTION :

- Avant d'utiliser l'outil, vérifiez toujours le sens de rotation.
- N'activez l'inverseur qu'une fois l'outil parfaitement arrêté. Vous risqueriez d'endommager l'outil en changeant le sens de rotation avant que l'outil ne soit arrêté.
- Lorsque vous n'utilisez pas l'outil, placez toujours le levier inverseur en position neutre.

Cet outil est muni d'un inverseur pour changer le sens de rotation. Enfoncez le levier inverseur du côté A pour une rotation dans le sens des aiguilles d'une montre, ou du côté B pour une rotation en sens inverse.

La pression sur la gâchette n'est pas possible lorsque le levier inverseur se trouve en position neutre.

#### Allumage de la lampe (Fig. 4)

#### ⚠ ATTENTION :

- Ne regardez pas directement la lumière ou la source de lumière.

Appuyez sur la gâchette pour allumer la lampe. La lampe demeure allumée tant que la pression sur la gâchette est maintenue. Lorsque vous relâchez la gâchette, la lumière s'éteint au bout de 10 secondes.

#### NOTE :

- Utilisez un chiffon sec pour essuyer les saletés qui recouvrent la lentille de la lampe. Prenez garde de rayer la lentille de la lampe, sinon sa capacité d'éclairage sera affectée.

## Témoin DEL / Avertisseur sonore (Fig. 5)

Le témoin DEL / l'avertisseur sonore de l'outil indique les fonctions suivantes.

État du témoin DEL/ avertisseur sonore		Fonction	État	Mesure à prendre
Témoin DEL	Avertisseur sonore			
S'allume dans l'ordre suivant : vert → rouge → bleu → blanc.	Série de très courts signaux sonores	Vérifiez le bon fonctionnement du témoin DEL, de la lumière et de l'avertisseur sonore (la première fois que vous appuyez sur la gâchette après l'insertion d'une batterie dans l'outil).	Assurez-vous que les témoins DEL vert, rouge, bleu et blanc s'allument et que l'avertisseur sonore sonne correctement.	—
S'allume en vert pendant environ 1 seconde.	—	Serrage à arrêt automatique	Cette fonction s'active lorsque l'outil a atteint le couple de serrage préréglé et que le serrage s'est effectué normalement. Cela permet d'éviter un serrage excessif.	—
Clignote lentement en violet.	Série de longs signaux sonores	Avertissement : niveau de charge de la batterie	Indique qu'il est temps de remplacer la batterie, sa puissance ayant diminué.	Remplacez la batterie par une autre complètement chargée.
S'allume en violet.	Long signal sonore	Vérification du niveau de charge de la batterie et arrêt automatique	Cette fonction s'active lorsque la batterie est presque complètement épuisée. L'outil s'arrête alors immédiatement.	Remplacez la batterie par une autre complètement chargée.
S'allume alternativement en rouge et en vert.	Série de courts signaux sonores	Anti-réinitialisation du contrôleur	Cette fonction s'active lorsqu'une baisse anormale de tension survient sur la batterie pour une raison quelconque, et l'outil s'arrête.	Remplacez la batterie par une autre complètement chargée.
		Panne du moteur	Cette fonction s'active en cas de panne du moteur.	Apportez-le dans un centre de service après-vente Makita agréé.
Clignote rapidement en rouge.	Série de courts signaux sonores	Surchauffe	Cette fonction s'active si la température du contrôleur ou du moteur augmente jusqu'à un niveau élevé et l'outil s'arrête.	Retirez immédiatement la batterie et laissez refroidir l'outil.
Clignote alternativement en rouge et en jaune.	Long signal sonore	Avertissement de serrage insuffisant	Le serrage sera insuffisant si vous relâchez la gâchette de l'outil avant l'activation de l'embrayage.	—
		Détection de double frappe	Cette fonction s'active lorsqu'une vis est resserrée après le serrage.	—

011001

## Réglage du couple de serrage

Pour serrer des vis de mécanique, des vis à bois, des boulons hexagonaux, etc., avec un couple de serrage donné, procédez au réglage du couple de serrage de la façon suivante.

1. Retirez d'abord la batterie de l'outil.
2. Desserrez et retirez la vis qui retient l'anneau. (Desserrez deux vis qui retiennent l'anneau uniquement pour le DFL201F) (Fig. 6)
3. Tournez manuellement la bague à l'avant de l'outil de sorte que l'orifice soit visible sous la bague.
4. Mettez la batterie en place et appuyez sur la gâchette. Relâchez la pour que la bague de réglage tourne et que l'orifice devienne visible, tel qu'illustré (Fig. 7). Retirez ensuite la batterie.
5. Utilisez la poignée de réglage en option pour régler le couple de serrage. Insérez la broche de la poignée de réglage dans l'orifice à l'avant de l'outil. Tournez ensuite la poignée de réglage dans le sens des aiguilles d'une montre pour augmenter le couple de serrage, et dans le sens inverse pour le réduire. (Fig. 8)
6. Alignez le bord de la bague de réglage sur le numéro désiré sur l'échelle du couple de serrage.
7. Insérez la batterie et assurez-vous que le couple de serrage est bien réglé, au moyen d'un testeur de couple de serrage.
8. Faites tourner la bague de sorte que l'orifice de la poignée de réglage soit recouvert ; maintenez la bague en place et fixez-la à l'aide de la vis.

### NOTE :

- Les numéros inscrits sur l'échelle du couple de serrage permettent d'effectuer un réglage approximatif sur le couple de serrage désiré.

## ASSEMBLAGE

### ⚠ ATTENTION :

- Assurez-vous toujours que l'outil est hors tension et que sa batterie est retirée avant d'effectuer tout travail dessus.

### Sélection de la bonne douille

Pour certains modèles il existe différents types de douilles, suivant le travail à effectuer. Veuillez choisir et installer une douille qui convient au travail à effectuer.

### Installation et retrait de la douille (Fig. 9)

Pour installer la douille, poussez-la dans le carré conducteur de l'outil à l'aide d'une main tout en appuyant de l'autre main sur la broche du carré conducteur jusqu'à ce que la douille se verrouille en place. Pour retirer la douille, tirez simplement dessus en appuyant sur la broche du carré conducteur.

## UTILISATION

Saisissez fermement l'outil et placez la douille sur le boulon ou l'écrou. Mettez ensuite l'outil en marche. Lorsque l'embrayage s'active, le moteur s'arrête automatiquement. Relâchez ensuite la gâchette. (Fig. 10)

### NOTE :

- Tenez l'outil en pointant le carré conducteur bien droit sur le boulon ou l'écrou pour éviter d'endommager le boulon ou l'écrou.

## Limites de la capacité de serrage

Utilisez l'outil à l'intérieur de sa plage d'angle de rotation, qui s'étend jusqu'à 360°. Si vous utilisez l'outil en dépassant la limite supérieure de cette plage, l'embrayage ne s'active pas. De plus, l'outil ne peut pas fournir un couple de serrage suffisant (le témoin DEL clignote lentement ou s'allume en violet).

### NOTE :

- L'angle de rotation fait référence à l'angle sur lequel une vis ou un boulon tourne lorsque l'outil passe de 50% à 100% du couple désiré.
- Lors de l'utilisation de la batterie à basse température, il arrive parfois qu'un témoin d'avertissement et un avertisseur sonore signalent que la batterie est faible et que l'outil doit être arrêté. Dans ce cas, il se peut que la capacité de serrage soit inférieure à celle spécifiée dans ce manuel, même si vous utilisez une batterie chargée.

## ENTRETIEN

### ⚠ ATTENTION :

- Assurez-vous toujours que l'outil est hors tension et que la batterie est retirée avant d'y effectuer tout travail d'inspection ou d'entretien.
- N'utilisez jamais d'essence, benzine, diluant, alcool ou autre produit similaire. Cela risquerait de provoquer la décoloration, la déformation ou la fissuration de l'outil.

Pour maintenir la SÉCURITÉ et la FIABILITÉ du produit, les réparations, travaux d'entretien et autres réglages doivent être effectués dans un centre de service Makita agréé exclusivement avec des pièces de rechange Makita.

## ACCESSOIRES EN OPTION

### ⚠ ATTENTION :

- Ces accessoires ou pièces complémentaires sont recommandés pour l'utilisation avec l'outil Makita spécifié dans ce mode d'emploi. L'utilisation de tout autre accessoire ou pièce complémentaire peut comporter un risque de blessure. N'utilisez les accessoires ou pièces qu'aux fins auxquelles ils ont été conçus.

Si vous désirez obtenir plus de détails concernant ces accessoires, veuillez contacter le centre de service après-vente Makita le plus près.

- Batterie et chargeur Makita authentiques
- Poignée de réglage
- Protecteur
- Ensemble de tête angulaire (Pour modèle DFL201F uniquement)

### NOTE :

- Il se peut que certains éléments de la liste soient compris dans l'emballage de l'outil en tant qu'accessoires standard. Ils peuvent varier d'un pays à l'autre.

**Bruit**

Niveau de bruit pondéré A typique, déterminé selon EN60745 :

**Modèle DFL201F, DFL402F**

Niveau de pression sonore ( $L_{pA}$ ) : 72 dB (A)

Incertitude (K) : 3 dB (A)

Le niveau de bruit en fonctionnement peut dépasser 80 dB (A).

**Modèle DFL301F**

Niveau de pression sonore ( $L_{pA}$ ) : 74 dB (A)

Incertitude (K) : 3 dB (A)

Le niveau de bruit en fonctionnement peut dépasser 80 dB (A).

**Porter des protecteurs anti-bruit**

ENG900-1

**Vibrations**

Valeur totale de vibrations (somme de vecteur triaxial) déterminée selon EN60745 :

Mode de travail : vissage sans impact

Émission de vibrations ( $a_h$ ) : 2,5 m/s<sup>2</sup> ou moins

Incertitude (K) : 1,5 m/s<sup>2</sup>

ENG901-1

- La valeur d'émission de vibrations déclarée a été mesurée conformément à la méthode de test standard et peut être utilisée pour comparer les outils entre eux.
- La valeur d'émission de vibrations déclarée peut aussi être utilisée pour l'évaluation préliminaire de l'exposition.

**⚠ AVERTISSEMENT :**

- L'émission de vibrations lors de l'usage réel de l'outil électrique peut être différente de la valeur d'émission déclarée, suivant la façon dont l'outil est utilisé.
- Les mesures de sécurité à prendre pour protéger l'utilisateur doivent être basées sur une estimation de l'exposition dans des conditions réelles d'utilisation (en tenant compte de toutes les composantes du cycle d'utilisation, comme par exemple le moment de sa mise hors tension, lorsqu'il tourne à vide et le moment de son déclenchement).

**Pour les pays d'Europe uniquement****Déclaration de conformité CE**

**Makita Corporation, en tant que fabricant responsable, déclare que la ou les machines suivantes :**

Désignation de la machine :

Visseuse Industrielle à Renvoi d'Angle

N° de modèle / Type : DFL201F, DFL301F, DFL402F

sont produites en série et

**sont conformes aux Directives européennes suivantes :**

2006/42/CE

et qu'elles sont fabriquées conformément aux normes ou documents normalisés suivants :

EN60745

La documentation technique est conservée par notre représentant agréé en Europe, à savoir :

Makita International Europe Ltd.

Michigan Drive, Tongwell,

Milton Keynes, MK15 8JD, Angleterre

26.3.2010



Tomoyasu Kato  
Directeur

Makita Corporation  
3-11-8, Sumiyoshi-cho,  
Anjo, Aichi, JAPAN

**Übersicht**

- |                              |                           |                   |
|------------------------------|---------------------------|-------------------|
| 1 Roter Teil                 | 8 Schrauben               | 15 Gelbe Linie    |
| 2 Knopf                      | 9 Winkelkopf              | 16 Druckfeder     |
| 3 Akku                       | 10 Einstellring           | 17 Steckschlüssel |
| 4 Ein-Aus-Schalter           | 11 Ring                   | 18 Loch           |
| 5 Drehrichtungsumschalthebel | 12 Skala                  | 19 Stift          |
| 6 Lampe                      | 13 Einstellgriff          |                   |
| 7 LED-Anzeige                | 14 Loch für Einstellgriff |                   |

**TECHNISCHE DATEN**

Modell		DFL201F	DFL301F	DFL402F
Anzugsmoment	Hartverbindung	8 – 20 N•m	16 – 30 N•m	25 – 40 N•m
	Weichverbindung	8 – 20 N•m	16 – 30 N•m	25 – 40 N•m
Vierkanttrieb		9,5 mm	9,5 mm	9,5 mm
Leerlaufdrehzahl (min <sup>-1</sup> )		360	260	200
Abmessungen (L x B x H)		429 mm x 72 mm x 98 mm	477 mm x 72 mm x 98 mm	477 mm x 72 mm x 98 mm
Nettogewicht		1,7 kg	2,0 kg	2,0 kg
Nennspannung		DC 14,4 V		

- Wir behalten uns vor, Änderungen im Zuge der Entwicklung und des technischen Fortschritts ohne vorherige Ankündigung vorzunehmen.
- Die technischen Daten und der Akku können von Land zu Land unterschiedlich sein.
- Gewicht mit Akku nach EPTA-Verfahren 01/2003

ENE033-1

**Vorgesehene Verwendung**

Die Maschine ist für das Eindrehen von Schrauben in Holz, Metall und Kunststoff vorgesehen.

GEA010-1

**Allgemeine Sicherheitswarnungen für Elektrowerkzeuge**

**⚠️ WARNUNG** Lesen Sie alle Sicherheitswarnungen und Anweisungen durch. Eine Missachtung der unten aufgeführten Warnungen und Anweisungen kann zu einem elektrischen Schlag, Brand und/oder schweren Verletzungen führen.

Bewahren Sie alle Warnungen und Anweisungen für spätere Bezugnahme auf.

GEB050-2

**SICHERHEITSWARNUNGEN FÜR AKKU-SCHRAUBER**

- Halten Sie das Elektrowerkzeug nur an den isolierten Griffflächen, wenn Sie Arbeiten ausführen, bei denen die Gefahr besteht, dass das Befestigungselement verborgene Kabel kontaktiert. Bei Kontakt mit einem Strom führenden Kabel können die freiliegenden Metallteile des Elektrowerkzeugs ebenfalls Strom führend werden, so dass der Benutzer einen elektrischen Schlag erleiden kann.

- Sorgen Sie für sicheren Stand und halten Sie jederzeit Gleichgewicht. Stellen Sie sicher, dass sich bei Einsatz der Maschine an hochgelegenen Arbeitsplätzen keine Personen darunter aufhalten.
- Halten Sie die Maschine sicher fest.
- Halten Sie die Hände von rotierenden Teilen fern.
- Das Einsatzwerkzeug oder das bearbeitete Werkstück nicht unmittelbar nach Beendigung der Arbeit berühren. Sie können sehr heiß sein und Verbrennungen verursachen.

**BEWAHREN SIE DIESE HINWEISE SORGFÄLTIG AUF.**

**⚠️ WARNUNG:** Lassen Sie sich NICHT durch Bequemlichkeit oder Vertrautheit mit dem Produkt (durch wiederholten Gebrauch erworben) von der strikten Einhaltung der Sicherheitsregeln für das vorliegende Produkt abhalten. MISSBRAUCH oder Missachtung der Sicherheitsvorschriften in dieser Anleitung können schwere Verletzungen verursachen.

## WICHTIGE SICHERHEITSVORSCHRIFTEN

### FÜR AKKU

1. Lesen Sie vor der Benutzung des Akkus alle Anweisungen und Warnhinweise, die an (1) Ladegerät, (2) Akku und (3) Akkuwerkzeug angebracht sind.
2. Unterlassen Sie ein Zerlegen des Akkus.
3. Falls die Betriebszeit beträchtlich kürzer geworden ist, stellen Sie den Betrieb sofort ein. Anderenfalls besteht die Gefahr von Überhitzung, möglichen Verbrennungen und sogar einer Explosion.
4. Falls Elektrolyt in Ihre Augen gelangt, waschen Sie sie mit sauberem Wasser aus, und begeben Sie sich unverzüglich in ärztliche Behandlung. Anderenfalls können Sie Ihre Sehkraft verlieren.
5. Der Akku darf nicht kurzgeschlossen werden:
  - (1) Die Kontakte dürfen nicht mit leitfähigem Material berührt werden.
  - (2) Lagern Sie den Akku nicht in einem Behälter zusammen mit anderen Metallgegenständen, wie z.B. Nägel, Münzen usw.
  - (3) Setzen Sie den Akku weder Wasser noch Regen aus.  
Ein Kurzschluss des Akkus verursacht starken Stromfluss, der Überhitzung, Verbrennungen und einen Defekt zur Folge haben kann.
6. Lagern Sie Maschine und Akku nicht an Orten, an denen die Temperatur 50°C erreichen oder überschreiten kann.
7. Versuchen Sie niemals, den Akku zu verbrennen, selbst wenn er stark beschädigt oder vollkommen verbraucht ist. Der Akku kann im Feuer explodieren.
8. Achten Sie darauf, dass der Akku nicht fallen gelassen oder Stößen ausgesetzt wird.
9. Keinen beschädigten Akku benutzen.

### BEWAHREN SIE DIESE HINWEISE SORGFÄLTIG AUF.

#### Hinweise zur Aufrechterhaltung der maximalen Akku-Nutzungsdauer

1. Laden Sie den Akku, bevor er vollkommen erschöpft ist.  
Schalten Sie die Maschine stets aus, und laden Sie den Akku, wenn Sie ein Nachlassen der Maschinenleistung feststellen.
2. Unterlassen Sie das erneute Laden eines voll aufgeladenen Akkus. Überladen führt zu einer Verkürzung der Nutzungsdauer des Akkus.
3. Laden Sie den Akku bei Raumtemperatur zwischen 10°C – 40°C. Lassen Sie einen heißen Akku abkühlen, bevor Sie ihn laden.

### FUNKTIONSBESCHREIBUNG

#### ⚠ VORSICHT:

- Vergewissern Sie sich vor der Durchführung von Einstellungen oder Funktionsprüfungen der Maschine stets, dass die Maschine ausgeschaltet und der Akku abgenommen ist.

### Anbringen und Abnehmen des Akkus (Abb. 1)

- Schalten Sie die Maschine stets aus, bevor Sie den Akku anbringen oder abnehmen.
- Ziehen Sie den Akku zum Abnehmen von der Maschine ab, während Sie den Entriegelungsknopf an der Vorderseite verschieben.
- Richten Sie zum Einsetzen des Akkus dessen Führungsfeder auf die Nut im Maschinengehäuse aus, und schieben Sie den Akku hinein. Schieben Sie den Akku stets vollständig ein, bis er mit einem hörbaren Klicken einrastet. Wenn der rote Teil an der Oberseite des Knopfes sichtbar ist, ist der Akku nicht richtig eingerastet. Schieben Sie den Akku vollständig ein, bis der rote Teil verschwindet. Anderenfalls kann er aus der Maschine herausfallen und Sie oder umstehende Personen verletzen.
- Wenden Sie beim Einsetzen des Akkus keine Gewalt an. Falls der Akku nicht reibungslos hineingleitet, ist er nicht richtig ausgerichtet.

### Schalterfunktion (Abb. 2)

#### ⚠ VORSICHT:

- Vergewissern Sie sich vor dem Einsetzen des Akkus in die Maschine stets, dass der Ein-Aus-Schalter ordnungsgemäß funktioniert und beim Loslassen in die AUS-Stellung zurückkehrt.

Zum Einschalten der Maschine drücken Sie einfach den Ein-Aus-Schalter. Zum Ausschalten lassen Sie den Ein-Aus-Schalter los.

### Drehrichtungsumschalterfunktion (Abb. 3)

#### ⚠ VORSICHT:

- Prüfen Sie stets die Drehrichtung, bevor Sie mit der Arbeit beginnen.
- Betätigen Sie den Drehrichtungsumschalter erst, nachdem die Maschine völlig zum Stillstand gekommen ist. Durch Umschalten der Drehrichtung bei noch laufender Maschine kann die Maschine beschädigt werden.
- Wenn Sie die Maschine nicht benutzen, stellen Sie den Drehrichtungsumschalter stets auf die Neutralstellung.

Diese Maschine besitzt einen Drehrichtungsumschalter. Drücken Sie auf die Seite A des Drehrichtungsumschalters für Rechtsdrehung, und auf die Seite B für Linksdrehung.

In der Neutralstellung des Drehrichtungsumschalters ist der Ein-Aus-Schalter verriegelt.

### Aufleuchten der Lampen (Abb. 4)

#### ⚠ VORSICHT:

- Blicken Sie nicht direkt in das Licht oder die Lichtquelle.

Betätigen Sie den Ein-Aus-Schalter, um die Lampe einzuschalten. Die Lampe bleibt erleuchtet, solange der Ein-Aus-Schalter gedrückt gehalten wird. Die Lampe erlischt etwa 10 Sekunden nach dem Loslassen des Ein-Aus-Schalters automatisch.

#### HINWEIS:

- Wischen Sie Schmutz auf der Lampenlinse mit einem trockenen Tuch ab. Achten Sie sorgfältig darauf, dass Sie die Lampenlinse nicht verkratzen, weil sich sonst die Lichtstärke verringert.

## LED-Anzeige / Pieptongeber (Abb. 5)

LED-Anzeige / Pieptongeber an der Maschine zeigen die folgenden Funktionen an.

Zustand von LED-Anzeige/Pieptongeber		Funktion	Zustand	Maßnahme
LED-Anzeige	Pieptongeber			
Leuchtet der Reihe nach in Grün → Rot → Blau → Weiß auf.	Eine Folge sehr kurzer Pieptöne	Überprüfung von LED, Leuchte und Pieptongeber (bei der ersten Betätigung des Ein-Aus-Schalters nach dem Einsetzen eines Akkus in die Maschine).	Sicherstellen, dass die grüne, rote, blaue, weiße LED aufleuchtet und der Pieptongeber ordnungsgemäß ertönt.	—
Leuchtet etwa eine Sekunde lang in Grün auf.	—	Anzugs-Abschaltautomatik	Diese Funktion wird aktiviert, wenn die Maschine das vorgegebene Anzugsmoment erreicht hat und der normale Anzugsvorgang beendet ist, um Überdrehen zu verhindern.	—
Blinkt langsam in Violett.	Eine Folge langer Pieptöne	Warnung für Akkukapazität	Zeigt die angemessene Zeit zum Auswechseln des Akkus an, wenn die Akkuleistung nachlässt.	Den Akku durch einen voll aufgeladenen ersetzen.
Leuchtet in Violett auf.	Langer Piepton	Überprüfen der Akku-Restkapazität, Abschaltautomatik	Diese Funktion wird aktiviert, wenn der Akku nahezu erschöpft ist. Dabei bleibt die Maschine unverzüglich stehen.	Den Akku durch einen voll aufgeladenen ersetzen.
Leuchtet abwechselnd in Rot und Grün auf.	Eine Folge kurzer Pieptöne	Anti-Rücksetzung der Steuerung	Diese Funktion wird aktiviert, wenn aus irgendeinem Grund ein ungewöhnlicher Akkuspannungsabfall auftritt und die Maschine anhält.	Den Akku durch einen voll aufgeladenen ersetzen.
		Motorausfall	Diese Funktion wird bei einem Motorausfall wirksam.	Bringen Sie die Maschine zu einem autorisierten Makita-Kundendienstzentrum.
Blinkt schnell in Rot.	Eine Folge kurzer Pieptöne	Überhitzen	Diese Funktion ist wirksam, wenn die Temperatur des Steuergerätes oder Motors auf einen hohen Wert steigt und die Maschine stehen bleibt.	Den Akku sofort abnehmen, und die Maschine abkühlen lassen.
Blinkt abwechselnd in Rot und Gelb.	Langer Piepton	Warnung vor unzureichender Befestigung	Die Befestigung wird beendet, wenn der Ein-Aus-Schalter der Maschine vor der Kupplungsaktivierung losgelassen wird.	—
		Doppelanzugserkennung	Diese Funktion wird wirksam, wenn eine bereits angezogene Schraube erneut angezogen wird.	—

011001



## Einstellen des Anzugsmoments

Wenn Sie Maschinenschrauben, Holzschrauben, Sechskantschrauben usw. mit vorgegebenem Drehmoment anziehen wollen, stellen Sie das Anzugsmoment wie folgt ein.

1. Nehmen Sie zuerst den Akku von der Maschine ab.
2. Lösen und entfernen Sie die Schraube, die den Ring sichert.  
(Nur für DFL201F die zwei Schrauben lösen, die den Ring sichert) (**Abb. 6**)
3. Drehen Sie den Ring am Vorderende der Maschine von Hand, so dass ein Loch unter dem Ring sichtbar wird.
4. Bringen Sie den Akku an, und drücken Sie den Ein-Aus-Schalter. Lassen Sie den Schalter los, so dass der Einstellring sich dreht und das Loch sichtbar wird, wie in der Abbildung dargestellt (**Abb. 7**). Nehmen Sie dann den Akku ab.
5. Benutzen Sie den gesonderten Einstellknopf zur Einstellung des Anzugsmoments. Führen Sie den Stift des Einstellknopfes in das Loch an der Vorderseite der Maschine ein. Drehen Sie dann den Einstellknopf im Uhrzeigersinn, um das Anzugsmoment zu erhöhen, oder entgegen dem Uhrzeigersinn, um das Anzugsmoment zu verringern. (**Abb. 8**)
6. Richten Sie die Kante des Einstellrings auf die gewünschte Zahl der Anzugsmomentskala aus.
7. Setzen Sie den Akku ein, und vergewissern Sie sich mit Hilfe eines Anzugsmomentprüfers, dass das korrekte Anzugsmoment eingestellt worden ist.
8. Drehen Sie den Ring so, dass das Loch für den Einstellgriff verdeckt ist. Halten Sie dann den Ring fest, und sichern Sie ihn mit der Schraube.

### HINWEIS:

- Die Nummern auf der Anzugsmomentskala dienen lediglich als Anhaltspunkte für die Einstellung des gewünschten Anzugsmoments.

## MONTAGE

### ⚠ VORSICHT:

- Vergewissern Sie sich vor der Ausführung von Arbeiten an der Maschine stets, dass die Maschine ausgeschaltet und der Akku abgenommen ist.

### Wahl des korrekten Steckschlüsseleinsatzes

Je nach Anwendung sind für manche Modelle unterschiedliche Steckschlüsseleinsätze erhältlich. Wählen und installieren Sie den korrekten Steckschlüsseleinsatz für Ihre Anwendung.

### Anbringen und Abnehmen des Steckschlüsseleinsatzes (**Abb. 9**)

Drücken Sie den Stift am Antriebsvierkant mit der einen Hand hinein, und schieben Sie den Steckschlüsseleinsatz zum Anbringen mit der anderen Hand auf den Antriebsvierkant der Maschine, bis er einrastet. Zum Abnehmen ziehen Sie den Steckschlüsseleinsatz einfach ab, während Sie den Stift am Antriebsvierkant hineindrücken.

## BETRIEB

Halten Sie die Maschine mit festem Griff, und setzen Sie den Steckschlüsseleinsatz auf die Schraube oder Mutter. Schalten Sie dann die Maschine ein. Wenn die Kupplung ausrückt, bleibt der Motor automatisch stehen. Lassen Sie dann den Ein-Aus-Schalter los. (**Abb. 10**)

### HINWEIS:

- Halten Sie die Maschine so, dass sein Vierkantantrieb gerade auf die Schraube oder Mutter gerichtet ist, weil andernfalls die Schraube oder Mutter beschädigt wird.

### Grenzen der Anzugskapazität

Benutzen Sie die Maschine innerhalb des Drehwinkelbereichs von bis zu 360°. Wird die Maschine oberhalb der Obergrenze dieses Bereichs benutzt, funktioniert die Kupplung nicht. Außerdem kann die Maschine kein ausreichendes Anzugsmoment entwickeln (LED blinkt langsam in Violett oder leuchtet in Violett auf).

### HINWEIS:

- Unter dem Drehwinkel versteht man den Winkel, um den sich eine Schraube dreht, wenn die Maschine 50 bis 100% des gewünschten Drehmoments erreicht.
- Bei Verwendung eines an niedrige Temperaturen angepassten Akkus kann manchmal eine Akkukapazitätswarnung durch Warnlampe und Pieptongebber ausgelöst werden, wodurch die Maschine sofort angehalten wird. In diesem Fall kann die Anzugskapazität unter der Spezifikation in dieser Anleitung liegen, selbst wenn ein voll aufgeladener Akku verwendet wird.

## WARTUNG

### ⚠ VORSICHT:

- Vergewissern Sie sich vor der Durchführung von Inspektions- oder Wartungsarbeiten stets, dass die Maschine ausgeschaltet und der Akku abgenommen ist.
- Verwenden Sie auf keinen Fall Benzin, Benzol, Verdünner, Alkohol oder dergleichen. Solche Mittel können Verfärbung, Verformung oder Rissbildung verursachen.

Um die SICHERHEIT und ZUVERLÄSSIGKEIT dieses Produkts zu gewährleisten, sollten Reparaturen und andere Wartungs- oder Einstellarbeiten nur von Makita-Kundendienstzentren unter ausschließlicher Verwendung von Makita-Originalersatzteilen ausgeführt werden.

**⚠ VORSICHT:**

- Die folgenden Zubehörteile oder Vorrichtungen werden für den Einsatz mit der in dieser Anleitung beschriebenen Makita-Maschine empfohlen. Die Verwendung anderer Zubehörteile oder Vorrichtungen kann eine Verletzungsgefahr darstellen. Verwenden Sie Zubehörteile oder Vorrichtungen nur für ihren vorgesehenen Zweck.

Wenn Sie weitere Einzelheiten bezüglich dieser Zubehörteile benötigen, wenden Sie sich bitte an Ihre Makita-Kundendienststelle.

- Original-Makita-Akku und -Ladegerät
- Einstellgriff
- Schutzkappe
- Winkelkopfsatz (Nur für Modell DFL201F)

**HINWEIS:**

- Manche Teile in der Liste können als Standardzubehör im Werkzeugsatz enthalten sein. Sie können von Land zu Land unterschiedlich sein.

ENG905-1

**Geräusch**

Typischer A-bewerteter Geräuschpegel ermittelt gemäß EN60745:

**Modell DFL201F, DFL402F**

Schalldruckpegel ( $L_{pA}$ ): 72 dB (A)  
Ungewissheit (K): 3 dB (A)

Der Lärmpegel kann während des Betriebs 80 dB (A) überschreiten.

**Modell DFL301F**

Schalldruckpegel ( $L_{pA}$ ): 74 dB (A)  
Ungewissheit (K): 3 dB (A)

Der Lärmpegel kann während des Betriebs 80 dB (A) überschreiten.

**Gehörschutz tragen**

ENG900-1

**Vibration**

Vibrationsgesamtwert (Drei-Achsen-Vektorsumme) ermittelt gemäß EN60745:

Arbeitsmodus: Schraubetrieb ohne Schlag  
Vibrationsemission ( $a_h$ ): 2,5 m/s<sup>2</sup> oder weniger  
Ungewissheit (K): 1,5 m/s<sup>2</sup>

ENG901-1

- Der angegebene Vibrationsemissionswert wurde im Einklang mit der Standardprüfmethode gemessen und kann für den Vergleich zwischen Maschinen herangezogen werden.
- Der angegebene Vibrationsemissionswert kann auch für eine Vorbewertung des Gefährdungsgrads verwendet werden.

**⚠ WARNUNG:**

- Die Vibrationsemission während der tatsächlichen Benutzung des Elektrowerkzeugs kann je nach der Benutzungsweise der Maschine vom angegebenen Emissionswert abweichen.
- Identifizieren Sie Sicherheitsmaßnahmen zum Schutz des Benutzers anhand einer Schätzung des Gefährdungsgrads unter den tatsächlichen Benutzungsbedingungen (unter Berücksichtigung aller Phasen des Arbeitszyklus, wie z. B. Ausschalt- und Leerlaufzeiten der Maschine zusätzlich zur Betriebszeit).

Nur für europäische Länder

**EG-Übereinstimmungserklärung**

**Wir, die Firma Makita als verantwortlicher Hersteller, erklären, dass die folgende(n) Makita-Maschine(n):**

Bezeichnung der Maschine:  
Akku-Winkelschrauber  
Modell-Nr./ Typ: DFL201F, DFL301F, DFL402F  
der Serienproduktion entstammen und  
**den folgenden europäischen Richtlinien entsprechen:**

2006/42/EG

und gemäß den folgenden Standards oder standardisierten Dokumenten hergestellt werden:

EN60745

Die technische Dokumentation befindet sich im Bestand unserer autorisierten Vertretung in Europa, nämlich:

Makita International Europe Ltd.  
Michigan Drive, Tongwell,  
Milton Keynes, MK15 8JD, England

26.3.2010



Tomoyasu Kato  
Direktor

Makita Corporation  
3-11-8, Sumiyoshi-cho,  
Anjo, Aichi, JAPAN

**Visione generale**

- |                                   |                                    |                          |
|-----------------------------------|------------------------------------|--------------------------|
| 1 Parte rossa                     | 9 Testa angolare                   | 16 Molla di compressione |
| 2 Bottone                         | 10 Anello di regolazione           | 17 Bussola               |
| 3 Cartuccia della batteria        | 11 Anello                          | 18 Foro                  |
| 4 Grilletto dell'interruttore     | 12 Scala                           | 19 Perno                 |
| 5 Leva interruttore di inversione | 13 Impugnatura di regolazione      |                          |
| 6 Lampadina                       | 14 Foro impugnatura di regolazione |                          |
| 7 Indicatore a LED                | 15 Linea gialla                    |                          |
| 8 Viti                            |                                    |                          |

**DATI TECNICI**

Modello		DFL201F	DFL301F	DFL402F
Coppia di serraggio	Giunto duro	8 – 20 N•m	16 – 30 N•m	25 – 40 N•m
	Giunto morbido	8 – 20 N•m	16 – 30 N•m	25 – 40 N•m
Cacciavite quadrato		9,5 mm	9,5 mm	9,5 mm
Velocità senza carico (min <sup>-1</sup> )		360	260	200
Dimensioni (L x L x A)		429 mm x 72 mm x 98 mm	477 mm x 72 mm x 98 mm	477 mm x 72 mm x 98 mm
Peso netto		1,7 kg	2,0 kg	2,0 kg
Tensione nominale		C.c. 14,4 V		

- Per il nostro programma di ricerca e sviluppo continui, i dati tecnici sono soggetti a modifiche senza preavviso.
- I dati tecnici e la cartuccia batteria potrebbero differire da paese a paese.
- Peso, con batteria, secondo la Procedura EPTA 01/2003

**Utilizzo prefissato**

L'utensile serve ad avvitare nel legno, metallo e plastica.

ENE033-1

**Avvertimenti generali per la sicurezza dell'utensile elettrico**

**⚠ AVVERTIMENTO** Leggere tutti gli avvertimenti per la sicurezza e le istruzioni. La mancata osservanza degli avvertimenti e delle istruzioni può causare scosse elettriche, incendio e/o gravi incidenti.

GEA010-1

**Conservare tutti gli avvertimenti e le istruzioni per riferimenti futuri.**

GE050-2

**AVVERTIMENTI DI SICUREZZA L'AVVITATORE A BATTERIA**

1. Tenere l'utensile per le superfici isolate quando si esegue una operazione in cui i dispositivi di chiusura potrebbero fare contatto con fili elettrici nascosti. I dispositivi di chiusura che fanno contatto con un filo elettrico "sotto tensione" potrebbero mettere "sotto tensione" le parti metalliche esposte dell'utensile dando una scossa all'operatore.
2. Appoggiare sempre saldamente i piedi a terra. Accertarsi che non ci sia nessuno sotto quando si lavora su un posto alto.
3. Tenere saldamente l'utensile.
4. Tenere le mani lontane dalle parti rotanti.

5. Non toccare la punta oppure il pezzo sotto lavorazione subito dopo la foratura, potrebbero essere estremamente caldi e causare ustioni alla pelle.

**CONSERVATE QUESTE ISTRUZIONI.**

**⚠ AVVERTIMENTO:**

NON lasciare che comodità o la familiarità d'utilizzo con il prodotto (acquisita con l'uso ripetuto) sostituisca la stretta osservanza delle norme di sicurezza. L'utilizzo SBAGLIATO o la mancata osservanza delle norme di sicurezza di questo manuale di istruzioni potrebbero causare serie lesioni personali.

ENC007-6

**ISTRUZIONI IMPORTANTI DI SICUREZZA**

**PER LA CARTUCCIA DELLA BATTERIA**

1. Prima di usare la cartuccia della batteria, leggere tutte le istruzioni e le avvertenze sul (1) caricabatteria, sulla (2) batteria e sul (3) prodotto che utilizza la batteria.
2. Non smontare la cartuccia della batteria.
3. Se il tempo di utilizzo è diventato molto corto, smettere immediatamente di usare l'utensile. Può risultare un rischio di surriscaldamento, possibili ustioni e addirittura un'esplosione.
4. Se l'elettrolita va negli occhi, risciacquarli con acqua pulita e rivolgersi immediatamente ad un medico. Può risultare la perdita della vista.
5. Non cortocircuitare la cartuccia della batteria:
  - (1) Non toccare i terminali con qualche metallo conduttivo.
  - (2) Evitare di conservare la cartuccia della batteria in un contenitore con altri oggetti metallici come i chiodi, le monete, ecc.

(3) Non esporre la cartuccia della batteria all'acqua o alla pioggia.

Un cortocircuito della batteria può causare un grande flusso di corrente, il surriscaldamento, possibili ustioni e addirittura un guasto.

6. Non conservare l'utensile e la cartuccia della batteria in luoghi in cui la temperatura può raggiungere o superare i 50°C.
7. Non incenerire la cartuccia della batteria anche se è gravemente danneggiata o è completamente esaurita. La cartuccia della batteria può esplodere e provocare un incendio.
8. Fare attenzione a non lasciar cadere o a colpire la batteria.
9. Non usare una batteria danneggiata.

## CONSERVARE QUESTE ISTRUZIONI.

### Suggerimenti per mantenere la durata massima della batteria

1. Caricare la cartuccia della batteria prima che si scarichi completamente.  
Smettere sempre di usare l'utensile e caricare la cartuccia della batteria quando si nota che la potenza dell'utensile è diminuita.
2. Non ricaricare mai una cartuccia della batteria completamente carica. La sovraccarica riduce la durata della batteria.
3. Caricare la cartuccia della batteria con la temperatura ambiente da 10°C a 40°C. Lasciar raffreddare una cartuccia della batteria calda prima di caricarla.

## DESCRIZIONE FUNZIONALE

### ⚠ ATTENZIONE:

- Accertarsi sempre che l'utensile sia spento e che la batteria sia stata rimossa prima di regolare o di controllare il funzionamento dell'utensile.

### Installazione o rimozione della batteria (Fig. 1)

- Spegnerne sempre l'utensile prima di inserire o di rimuovere la batteria.
- Per rimuovere la batteria, estrarla dall'utensile spingendo il bottone sulla parte anteriore della batteria.
- Per inserire la batteria, allineare la linguetta della batteria con la scanalatura dell'alloggiamento e spingerla in posizione. Inserirla sempre completamente finché si blocca in posizione con un piccolo scatto. Se la parte rossa sul lato superiore del bottone è visibile, vuol dire che essa non è fissata completamente. Inserirla completamente finché la parte rossa non è più visibile. In caso contrario, potrebbe cadere accidentalmente fuori dall'utensile causando lesioni all'operatore o a chi gli è vicino.
- Non usare forza per inserire la batteria. Se essa non entra facilmente, vuol dire che non viene inserita correttamente.

### Azionamento dell'interruttore (Fig. 2)

### ⚠ ATTENZIONE:

- Prima di inserire la batteria nell'utensile, controllare sempre che il grilletto dell'interruttore funzioni correttamente e che torni sulla posizione "OFF" quando viene rilasciato.

Per avviare l'utensile, schiacciare semplicemente il grilletto dell'interruttore. Rilasciare il grilletto dell'interruttore per fermarlo.

### Azionamento dell'interruttore di inversione (Fig. 3)

### ⚠ ATTENZIONE:

- Controllare sempre la direzione di rotazione prima dell'utilizzo.
- Usare la leva interruttore di inversione soltanto dopo che l'utensile si è arrestato completamente. Cambiando la direzione di rotazione prima dell'arresto dell'utensile, lo si potrebbe danneggiare.
- Quando non si usa l'utensile, regolare sempre la leva interruttore di inversione sulla posizione neutra.

Questo utensile è dotato di un interruttore di inversione per cambiare la direzione di rotazione. Schiacciare la leva interruttore di inversione dal lato A per la rotazione in senso orario, e dal lato B per la rotazione in senso antiorario.

Quando la leva interruttore di inversione è sulla posizione neutra, il grilletto dell'interruttore non può essere schiacciato.

### Accensione della lampadina (Fig. 4)

### ⚠ ATTENZIONE:

- Non guardare direttamente la lampadina o la sorgente della luce.

Schiacciare il grilletto dell'interruttore per accendere la lampadina. La lampadina rimane accesa mentre il grilletto dell'interruttore è schiacciato. La lampadina si spegne automaticamente 10 secondi dopo che il grilletto dell'interruttore è stato rilasciato.

### NOTA:

- Usare un panno asciutto per pulire la lente della lampadina. Fare attenzione a non graffiare la lente della lampadina, perché ciò potrebbe ridurre l'illuminazione.

**Indicatore a LED/cicalino (Fig. 5)**

L'indicatore a LED/cicalino sull'utensile mostra le funzioni seguenti.

Stato indicatore a LED/ cicalino		Funzione	Stato	Azione necessaria
Indicatore a LED	Cicalino			
Si accende in verde → rosso → blu → bianco in successione.	Una serie di suoni molto brevi	Controllare il LED, la spia e il cicalino (quando si schiaccia il grilletto dell'interruttore per la prima volta dopo l'installazione cartuccia della batteria nell'utensile).	Accertarsi che il LED verde, rosso, blu e bianco si accenda e che il cicalino suoni correttamente.	—
Si accende in verde per circa un secondo.	—	Serraggio con arresto automatico	Questa funzione si attiva quando l'utensile ha raggiunto la coppia di serraggio prerogolata e il serraggio normale è stato completato. Ciò aiuta ad evitare il serraggio eccessivo.	—
Lampeggia lentamente in viola.	Una serie di suoni lunghi	Avvertimento della capacità della batteria	Indica il tempo appropriato di sostituzione della batteria quando diventa debole.	Sostituire la batteria con una completamente carica.
Si accende in viola.	Un suono lungo	Controllo della capacità restante della batteria, arresto automatico	Questa funzione si attiva quando la batteria è quasi completamente scarica. L'utensile si arresta allora immediatamente.	Sostituire la batteria con una completamente carica.
Si accende in alternativamente in rosso e verde.	Una serie di suoni brevi	Antiripristino del controllore	Questa funzione si attiva quando per un qualche motivo si verifica un calo anormale di tensione della batteria e l'utensile si arresta.	Sostituire la batteria con una completamente carica.
		Guasto del motore	Questa funzione si attiva quando si verifica un guasto del motore.	Portare l'utensile in un Centro Assistenza Makita autorizzato.
Lampeggia velocemente in rosso.	Una serie di suoni brevi	Surriscaldamento	Questa funzione opera se la temperatura del controllore o del motore sale ad un alto livello, e l'utensile si arresta.	Rimuovere immediatamente la batteria e raffreddare l'utensile.
Lampeggia alternativamente in rosso e giallo.	Un suono lungo	Avvertimento per un serraggio insufficiente	Il serraggio non è completo quando si rilascia l'interruttore dell'utensile prima dell'attivazione della frizione.	—
		Rilevamento del doppio avvvitamento	Questa funzione si attiva quando si avvita di nuovo una vite dopo che è già stata avvitata.	—

011001

## Regolazione della coppia di serraggio

Per avvitare le viti comuni, viti per legno, bulloni esagonali, ecc., regolare la coppia di serraggio come segue.

1. Rimuovere per prima cosa la cartuccia della batteria dall'utensile.
2. Allentare e rimuovere le viti che fissa l'anello.  
(Allentare le due viti che fissano l'anello soltanto con il modello DFL201F) (Fig. 6)
3. Ruotare a mano l'anello sulla parte anteriore dell'utensile in modo da scoprire il foro sotto l'anello.
4. Rimettere a posto la cartuccia della batteria e schiacciare il grilletto dell'interruttore. Rilasciarlo in modo che l'anello di regolazione ruoti e che il foro diventi visibile, come illustrato (Fig. 7). Rimuovere poi la cartuccia della batteria.
5. Usare una impugnatura di regolazione opzionale per regolare la coppia di serraggio. Inserire il perno dell'impugnatura di regolazione nel foro sulla parte anteriore dell'utensile. Girare poi l'impugnatura di regolazione in senso orario per regolare una coppia di serraggio maggiore, e in senso antiorario per una coppia di serraggio minore. (Fig. 8)
6. Allineare il bordo dell'anello di regolazione con il numero desiderato sulla scala della coppia di serraggio.
7. Inserire la cartuccia della batteria e accertarsi che sia stata regolata una coppia di serraggio usando un tester della coppia di serraggio.
8. Ruotare l'anello in modo che il foro di regolazione dell'impugnatura sia coperto, tenere fermo l'anello e fissarlo poi con la vite.

### NOTA:

- I numeri sulla scala della coppia di serraggio sono una guida per regolare la coppia di serraggio desiderata.

## MONTAGGIO

### ⚠ ATTENZIONE:

- Accertarsi sempre che l'utensile sia spento e che la cartuccia della batteria sia stata rimossa prima di qualsiasi intervento sull'utensile.

### Selezione della bussola corretta

Per alcuni modelli ci sono tipi diversi di bussole, a seconda dell'applicazione. Scegliere e installare la bussola adatta all'applicazione.

### Installazione o rimozione della bussola (Fig. 9)

Per installare la bussola, spingerla con una mano sul cacciavite quadrato dell'utensile schiacciando con l'altra mano il perno sul rotore quadrato finché non si blocca in posizione. Per rimuovere la bussola, tirarla semplicemente via schiacciando il perno sul cacciavite quadrato.

## FUNZIONAMENTO

Tenere saldamente l'utensile e mettere la bussola sopra il bullone o dado. Accendere poi l'utensile. Quando la frizione interviene, il motore si arresta automaticamente. Rilasciare allora il grilletto dell'interruttore. (Fig. 10)

### NOTA:

- Tenere l'utensile con il suo cacciavite quadrato puntato dritto sul bullone o dado, perché altrimenti si potrebbe danneggiare il bullone o il dado.

## Limiti della capacità di serraggio

Usare l'utensile entro una gamma dell'angolo di rotazione fino a 360°. Se si usa l'utensile oltre il limite superiore di questa gamma, la frizione non funziona. L'utensile inoltre non può sviluppare una coppia di serraggio sufficiente (l'indicatore a LED lampeggia lentamente in viola o si accende in viola).

### NOTA:

- Per angolo di rivoluzione si intende l'angolo di rotazione della vite/bullone quando l'utensile raggiunge il 100% dal 50% della coppia desiderata.
- L'impiego di una cartuccia della batteria condizionata a bassa temperatura potrebbe a volte dare un avvertimento di capacità della cartuccia della batteria con una spia e un cicalino che causa l'arresto immediato dell'utensile. In tal caso, la capacità di serraggio potrebbe essere inferiore alle specifiche in questo manuale, anche se si usa una cartuccia della batteria carica.

## MANUTENZIONE

### ⚠ ATTENZIONE:

- Accertarsi sempre che l'utensile sia spento e che la cartuccia della batteria sia stata rimossa prima dell'intervento di ispezione o manutenzione.
- Mai usare benzina, benzene, solventi, alcol e altre sostanze simili. Potrebbero causare scolorimenti, deformazioni o crepe.

Per preservare la sicurezza e l'affidabilità del prodotto, le riparazioni, la manutenzione o la regolazione devono essere eseguite da un Centro Assistenza Makita autorizzato usando sempre ricambi Makita.

## ACCESSORI OPZIONALI

### ⚠ ATTENZIONE:

- Per l'utensile specificato in questo manuale, si consigliano questi accessori o ricambi. L'utilizzo di altri accessori o ricambi può costituire un pericolo. Usare soltanto gli accessori o ricambi specificati per il loro utilizzo.

Per maggiori dettagli e l'assistenza, rivolgersi al Centro Assistenza Makita locale.

- Batteria e carica genuini Makita
- Impugnatura di regolazione
- Protettore
- Gruppo testa angolare (Solo modello DFL201F)

### NOTA:

- Alcuni articoli nella lista potrebbero essere inclusi nell'imballo dell'utensile come accessori standard. Essi potrebbero differire da paese a paese.

## Rumore

Il tipico livello di rumore pesato A determinato secondo EN60745:

### Modello DFL201F, DFL402F

Livello pressione sonora ( $L_{pA}$ ): 72 dB (A)

Incertezza (K): 3 dB (A)

Il livello di rumore durante il lavoro potrebbe superare gli 80 dB (A).

### Modello DFL301F

Livello pressione sonora ( $L_{pA}$ ): 74 dB (A)

Incertezza (K): 3 dB (A)

Il livello di rumore durante il lavoro potrebbe superare gli 80 dB (A).

## Indossare i paraorecchi

ENG900-1

## Vibrazione

Il valore totale di vibrazione (somma vettore triassiale) determinato secondo EN60745:

Modalità operativa: avvitamento senza impatto

Emissione di vibrazione ( $a_n$ ): 2,5 m/s<sup>2</sup> o meno

Incertezza (K): 1,5 m/s<sup>2</sup>

ENG901-1

- Il valore di emissione delle vibrazioni dichiarato è stato misurato conformemente al metodo di test standard, e può essere usato per paragonare un utensile con un altro.
- Il valore di emissione delle vibrazioni dichiarato può anche essere usato per una valutazione preliminare dell'esposizione.

## AVVERTIMENTO:

- L'emissione delle vibrazioni durante l'uso reale dell'utensile elettrico può differire dal valore di emissione dichiarato a seconda dei modi in cui viene usato l'utensile.
- Identificare le misure di sicurezza per la protezione dell'operatore basate sulla stima dell'esposizione nelle condizioni reali d'utilizzo (tenendo presente tutte le parti del ciclo operativo, come le volte in cui l'utensile viene spento e quando gira a vuoto, oltre al tempo di funzionamento).

## Modello per l'Europa soltanto

### Dichiarazione CE di conformità

**Noi della Makita Corporation, come produttori responsabili, dichiariamo che le macchine Makita seguenti:**

Designazione della macchina:

Avvitatore ad angolo a batteria

Modello No./Tipo: DFL201F, DFL301F, DFL402F

sono una produzione di serie e

**conformi alle direttive europee seguenti:**

2006/42/CE

E sono fabbricate conformemente ai seguenti standard o documenti standardizzati:

EN60745

La documentazione tecnica è tenuta dal nostro rappresentante autorizzato in Europa, che è:

Makita International Europe Ltd.

Michigan Drive, Tongwell,

Milton Keynes, MK15 8JD, England

26.3.2010



Tomoyasu Kato  
Amministratore  
Makita Corporation  
3-11-8, Sumiyoshi-cho,  
Anjo, Aichi, JAPAN

**Verklaring van algemene gegevens**

1 Rood gedeelte	9 Haakse kop	16 Drukveer
2 Knop	10 Instelring	17 Sok
3 Accu	11 Ring	18 Opening
4 Aan/uit trekschakelaar	12 Schaal	19 Pen
5 Omkeerschakelaar	13 Instelgreep	
6 Lampje	14 Bevestigingsgat voor instelgreep	
7 LED-indicator	15 Gele streep	
8 Schroeven		

**TECHNISCHE GEGEVENS**

Model		DFL201F	DFL301F	DFL402F
Aandraaikoppel	Harde verbinding	8 – 20 N•m	16 – 30 N•m	25 – 40 N•m
	Zachte verbinding	8 – 20 N•m	16 – 30 N•m	25 – 40 N•m
Vierkant		9,5 mm	9,5 mm	9,5 mm
Toerental onbelast (min <sup>-1</sup> )		360	260	200
Afmetingen (L x B x H)		429 mm x 72 mm x 98 mm	477 mm x 72 mm x 98 mm	477 mm x 72 mm x 98 mm
Netto gewicht		1,7 kg	2,0 kg	2,0 kg
Nominale spanning		D.C. 14,4 V		

- In verband met ononderbroken research en ontwikkeling behouden wij ons het recht voor bovenstaande technische gegevens te wijzigen zonder voorafgaande kennisgeving.
- De technische gegevens de accu kunnen van land tot land verschillen.
- Gewicht, inclusief accu, volgens de EPTA-procedure 01/2003

ENE033-1

**Doeleinden van gebruik**

Dit gereedschap is bedoeld voor het indraaien van schroeven in hout, metaal en plastic.

GEA010-1

**Algemene veiligheidswaarschuwingen voor elektrisch gereedschap**

**⚠ WAARSCHUWING!** Lees alle veiligheidswaarschuwingen en alle instructies. Het niet volgen van de waarschuwingen en instructies kan leiden tot elektrische schokken, brand en/of ernstig letsel.

**Bewaar alle waarschuwingen en instructies om in de toekomst te kunnen raadplegen.**

GEB050-2

**VEILIGHEIDSWAARSCHUWINGEN VOOR ACCU SCHROEVENDRAAIER**

1. Houd elektrisch gereedschap vast bij het geïsoleerde oppervlak van de handgrepen wanneer u werkt op plaatsen waar het bevestigingsmateriaal in aanraking kan komen met verborgen bedrading. Wanneer bevestigingsmaterialen in aanraking komen met onder spanning staande draden, zullen de niet-geïsoleerde metalen delen van het gereedschap onder spanning komen te staan zodat de gebruiker een elektrische schok kan krijgen.
2. Zorg er altijd voor dat u stevige steun voor de voeten hebt. Zorg ervoor dat niemand zich onder het gereedschap bevindt wanneer u dit op hoge plaatsen gebruikt.
3. Houd het gereedschap goed vast.
4. Houd uw handen uit de buurt van draaiende onderdelen.
5. Raak onmiddellijk na het inschroeven de bit niet aan, aangezien deze ontzettend heet kan zijn en brandwonden kan veroorzaken.

**BEWAAR DEZE VOORSCHRIFTEN.**

**⚠ WAARSCHUWING:**

Laat u NIET misleiden door een vals gevoel van comfort en bekendheid met het gereedschap (na veelvuldig gebruik) en neem alle veiligheidsvoorschriften van het betreffende gereedschap altijd strikt in acht. VERKEERD GEBRUIK of het niet naleven van de veiligheidsvoorschriften in deze gebruiksaanwijzing kan leiden tot ernstige persoonlijke verwonding.



## BELANGRIJKE VEILIGHEIDSVORSCHRIFTEN

### VOOR ACCU

1. Lees alle voorschriften en waarschuwingen op (1) de acculader, (2) de accu, en (3) het product waarvoor de accu wordt gebruikt, aandachtig door alvorens de acculader in gebruik te nemen.
2. Neem de accu niet uit elkaar.
3. Als de gebruikstijd van een opgeladen accu aanzienlijk korter is geworden, moet u het gebruik ervan onmiddellijk stopzetten. Voortgezet gebruik kan oververhitting, brandwonden en zelfs een ontploffing veroorzaken.
4. Als er elektrolyt in uw ogen is terechtgekomen, spoel dan uw ogen met schoon water en roep onmiddellijk de hulp van een dokter in. Elektrolyt in de ogen kan blindheid veroorzaken.
5. Voorkom kortsluiting van de accu:
  - (1) Raak de accuklemmen nooit aan met een geleidend materiaal.
  - (2) Bewaar de accu niet in een bak waarin andere metalen voorwerpen zoals spijkers, munten e.d. worden bewaard.
  - (3) Stel de accu niet bloot aan water of regen. Kortsluiting van de accu kan oorzaak zijn van een grote stroomafgifte, oververhitting, brandwonden, en zelfs defecten.
6. Bewaar het gereedschap en de accu niet op plaatsen waar de temperatuur kan oplopen tot 50°C of hoger.
7. Werp de accu nooit in het vuur, ook niet wanneer hij zwaar beschadigd of volledig versleten is. De accu kan namelijk ontploffen in het vuur.
8. Wees voorzichtig dat u de accu niet laat vallen en hem niet blootstelt aan schokken of stoten.
9. Gebruik nooit een beschadigde accu.

### Bewaar deze voorschriften.

#### Tips voor een maximale levensduur van de accu

1. Laad de accu op voordat hij volledig ontladen is. Stop het gebruik van het gereedschap en laad de accu op telkens wanneer u vaststelt dat het vermogen van het gereedschap is afgenomen.
2. Laad een volledig opgeladen accu nooit opnieuw op. Als u de accu te veel oplaadt, zal hij minder lang meegaan.
3. Laad de accu op bij een kamertemperatuur tussen 10°C en 40°C. Laat een warme accu afkoelen alvorens hem op te laden.

### Beschrijving van de functies

#### ⚠ LET OP:

- Zorg altijd dat het gereedschap is uitgeschakeld en de accu ervan is verwijderd alvorens de functies op het gereedschap af te stellen of te controleren.

### Installeren of verwijderen van de accu (Fig. 1)

- Schakel het gereedschap altijd uit alvorens de accu te installeren of te verwijderen.
- Om de accu te verwijderen, haalt u deze uit het gereedschap terwijl u de knop op de voorkant van de accu verschuift.
- Om de accu te installeren, doet u de tong op de accu overeenkomen met de groef in het huis van het gereedschap, en dan schuift u de accu erin. Schuif de accu zo ver mogelijk erin totdat deze op zijn plaats vastklikt. Als het rode gedeelte op de bovenkant van de knop nog zichtbaar is, zit de accu niet volledig erin. Schuif hem volledig erin totdat het rode gedeelte niet meer zichtbaar is. Als u dit niet doet, kan de accu per ongeluk eruit vallen en uzelf of andere personen in uw omgeving verwonden.
- Als de accu moeilijk in de houder gaat, moet u niet proberen om hem met geweld erin te duwen. Als de accu er niet gemakkelijk ingaat, betekent dit dat u hem niet op de juiste wijze erin steekt.

### Werking van de trekschakelaar (Fig. 2)

#### ⚠ LET OP:

- Alvorens de accu in het gereedschap te plaatsen, moet u altijd controleren of de aan/uit trekschakelaar juist werkt en bij het loslaten naar de "OFF" positie terugkeert.

Om het gereedschap te starten drukt u gewoon de aan/uit trekschakelaar in. Laat de aan/uit trekschakelaar los om het gereedschap te stoppen.

### Werking van de omkeerschakelaar (Fig. 3)

#### ⚠ LET OP:

- Controleer altijd de draairichting alvorens het gereedschap te gebruiken.
- Verander de stand van de omkeerschakelaar alleen nadat het gereedschap volledig tot stilstand is gekomen. Indien u de draairichting verandert terwijl de schroefbit nog draait, kan het gereedschap beschadigd raken.
- Zet de omkeerschakelaar altijd in de neutrale stand wanneer het gereedschap niet wordt gebruikt.

Dit gereedschap heeft een omkeerschakelaar voor het veranderen van de draairichting. Druk de omkeerschakelaar in vanaf zijde A voor rechtse draairichting, en vanaf zijde B voor linkse draairichting.

Wanneer de omkeerschakelaar in de neutrale stand staat, kan de aan/uit trekschakelaar niet worden ingedrukt.

### Aanzetten van de lamp (Fig. 4)

#### ⚠ LET OP:

- Kijk niet direct in het licht van de lamp.

Druk de aan/uit trekschakelaar in om de lamp aan te zetten. De lamp blijft branden zolang als u de aan/uit trekschakelaar ingedrukt houdt. De lamp gaat automatisch uit 10 seconden na het loslaten van de aan/uit trekschakelaar.

#### OPMERKING:

- Gebruik een droge doek om vuil op de lamplens eraf te vegen. Pas op dat u geen krassen maakt op de lamplens, omdat de verlichtingssterkte daardoor kan verminderen.

### LED-indicator/Pieptoon (Fig. 5)

De LED-indicator/Pieptoon van het gereedschap geven de volgende functies aan.

Status van LED-indicator/ pieptoon		Functie	Status	Te nemen maatregel
LED-indicator	Pieptoon			
Brandt achter-eenvolgens Groen → Rood → Blauw → Wit.	Een reeks zeer korte pieptonen	Controleer LED, de kleur en de pieptoon (wanneer u de aan/uit trekschakelaar voor het eerst intrekt nadat u een accu in het gereedschap hebt gestoken).	Controleer dat de LED groen, rood, blauw en wit brandt en de pieptoon klinkt.	—
Brandt groen gedurende ongeveer 1 seconde.	—	Automatisch stoppen met aandraaien	Deze functie treedt in werking wanneer het vooraf ingestelde aandraaikoppel is bereikt en de schroef volledig is aangedraaid. Hierdoor wordt voorkomen dat de schroef te vast wordt aangedraaid.	—
Knippert langzaam paars.	Een reeks lange pieptonen	Waarschuwing voor accucapaciteit	Toont de geschikte tijd voor het vervangen van de accu wanneer de accuspanning zwak geworden is.	Vervang de accu door een volledig opgeladen accu.
Brandt paars.	Een lange pieptoon	Controleren van de resterende accuspanning en automatisch stoppen	Deze functie treedt in werking wanneer de accu bijna leeg is. Het gereedschap stopt dan onmiddellijk.	Vervang de accu door een volledig opgeladen accu.
Brandt beurtelings in rood en groen.	Een reeks korte pieptonen	Neutraliseren van het regelmechanisme	Wanneer een abnormale verlaging van de accuspanning om een of andere reden optreedt, treedt deze functie in werking en zal het gereedschap stoppen.	Vervang de accu door een volledig opgeladen accu.
		Storing in de motor.	Deze functie treedt in werking wanneer de motor defect is.	Ga met het gereedschap naar een erkend Makita-servicecentrum.
Knippert snel in rood.	Een reeks korte pieptonen	Oververhitting	Deze functie treedt in werking wanneer de temperatuur van het regelmechanisme of van de motor te hoog wordt en de motor stopt.	Haal de accu onmiddellijk eruit en laat het gereedschap afkoelen.
Knippert beurtelings rood en geel.	Een lange pieptoon	Waarschuwing voor onvoldoende bevestigen.	Het bevestigen gebeurt onvoldoende wanneer de aan/uit trekschakelaar van het gereedschap wordt losgelaten voordat de koppeling in werking treedt.	—
		Dubbeltellingdetectie	Deze functie treedt in werking wanneer een schroef opnieuw wordt vastgezet na reeds te zijn bevestigd.	—

011001

## Instellen van het aandraaikoppel

Wanneer u kolomschroeven, houtschroeven, zeskante bouten e.d. met een gespecificeerd aandraaikoppel wilt aandraaien, moet u het aandraaikoppel als volgt instellen.

1. Haal de accu uit het gereedschap.
2. Draai de bevestigingsschroef van de ring los en verwijder de schroef.  
(Alleen voor model DFL201F: Draai de twee schroeven los waarmee de ring is vastgezet.) (Fig. 6)
3. Draai met de hand de ring op de voorkant van het gereedschap zodat het gat onder de ring zichtbaar wordt.
4. Installeer de accu en druk de aan/uit trekschakelaar in. Laat de aan/uit trekschakelaar los zodat de instelling draait en het gat zichtbaar wordt zoals afgebeeld (Fig. 7). Haal daarna de accu eruit.
5. Gebruik de los verkrijgbare instelgreep om het aandraaikoppel in te stellen. Steek de pen van de instelgreep in het gat op de voorkant van het gereedschap. Draai daarna de instelgreep naar rechts om een groter aandraaikoppel in te stellen, of naar links om een kleiner aandraaikoppel in te stellen. (Fig. 8)
6. Doe de rand van de afstelling overeenkomen met het gewenste cijfer op de aandraaikoppelschaal.
7. Installeer de accu en gebruik een aandraaikoppeltestapparaat om te controleren of het aandraaikoppel is ingesteld.
8. Draai de ring zodanig dat het bevestigingsgat voor de instelgreep is afgedekt. Houd de bevestigingsring op zijn plaats en zet deze vast met de schroef.

### OPMERKING:

- De cijfers op de aandraaikoppelschaal dienen als een leidraad voor het instellen van het gewenste aandraaikoppel.

## INNEENZETTEN

### ⚠ LET OP:

- Controleer altijd of het gereedschap is uitgeschakeld en de accu ervan is verwijderd alvorens enig werk aan het gereedschap uit te voeren.

### Selecteren van de juiste sok

Bij sommige modellen zijn er verschillende soorten sokken beschikbaar voor diverse toepassingen. Selecteer en monteer de sok die geschikt is voor uw toepassing.

### Installeren of verwijderen van de sok (Fig. 9)

Om de sok te installeren, duwt u met de ene hand de sok op de vierkante aandrijfkop van het gereedschap terwijl u met de andere hand de pen op de vierkante aandrijfkop indrukt, totdat de sok op zijn plaats vergrendelt. Om de sok te verwijderen, trekt u deze gewoon eraf terwijl u de pen op de vierkante aandrijfkop ingedrukt houdt.

## BEDIENING

Houd het gereedschap stevig vast en plaats de sok over de bout of moer. Schakel vervolgens het gereedschap in. Wanneer de koppeling ingrijpt, zal de motor automatisch stoppen. Laat daarna de aan/uit trekschakelaar los. (Fig. 10)

### OPMERKING:

- Houd het gereedschap met zijn vierkante aandrijving recht op de bout of moer geplaatst, omdat de bout of moer anders beschadigd kan raken.

### Toelaatbare aandraaicapaciteiten

Gebruik het gereedschap binnen het bereik van de draaiingshoek tot maximaal 360°. Als u het gereedschap gebruikt boven de bovengrens van dit bereik, werkt de koppeling niet. Het gereedschap kan tevens niet voldoende aandraaikoppel leveren (LED-indicator knippert langzaam paars of brandt paars).

### OPMERKING:

- De draaiingshoek is de hoek waarbij een schroef/bout draait wanneer het gereedschap tussen 50% en 100% van het gewenste koppel bereikt.
- Bij gebruik van een accu op lage temperatuur, kunnen het waarschuwinglampje en de zoemer soms een waarschuwing voor te laag accuvermogen geven zodat het gereedschap onmiddellijk zal stoppen. In dit geval kan de aandraaicapaciteit lager zijn dan is gespecificeerd in deze handleiding, ook wanneer een opgeladen accu wordt gebruikt.

## ONDERHOUD

### ⚠ LET OP:

- Zorg altijd dat het gereedschap is uitgeschakeld en de accu ervan is verwijderd alvorens te beginnen met onderhoud of inspectie.
- Gebruik nooit benzine, wasbenzine, thinner, alcohol en dergelijke. Hierdoor het verkleuring, vervormingen en barsten worden veroorzaakt.

Om de VEILIGHEID en BETROUWBAARHEID van het product te handhaven, dienen alle reparaties en alle andere onderhoudswerkzaamheden of afstellingen te worden uitgevoerd door een erkend Makita Servicecentrum, en dat uitsluitend met gebruik van Makita vervangingsonderdelen.

## OPTIONELE ACCESSOIRES

### ⚠ LET OP:

- Deze accessoires of hulpstukken worden aanbevolen voor gebruik met het Makita gereedschap dat in deze gebruiksaanwijzing is beschreven. Bij gebruik van andere accessoires of hulpstukken bestaat er gevaar voor persoonlijke verwonding. Gebruik de accessoires of hulpstukken uitsluitend voor hun bestemd doel.

Wenst u meer bijzonderheden over deze accessoires, neem dan contact op met het plaatselijke Makita servicecentrum.

- Originele Makita accu en acculader
- Instelgreep
- Beschermkap
- Haakse kopmontage (Alleen voor model DFL201F)

### OPMERKING:

- Sommige onderdelen in deze lijst kunnen bij het gereedschap zijn meegeleverd als standaard-accessoires. Deze kunnen van land tot land verschillen.

**Geluidsniveau**

De typisch, A-gewogen geluidsniveaus vastgesteld volgens EN60745:

**Model DFL201F, DFL402F**

Geluidsdrukniveau ( $L_{pA}$ ): 72 dB (A)

Onnauwkeurigheid (K): 3 dB (A)

Tijdens het werken kan het geluidsniveau 80 dB (A) overschrijden.

**Model DFL301F**

Geluidsdrukniveau ( $L_{pA}$ ): 74 dB (A)

Onnauwkeurigheid (K): 3 dB (A)

Tijdens het werken kan het geluidsniveau 80 dB (A) overschrijden.

**Draag oorbeschermers**

ENG900-1

**Trilling**

De totaalwaarde van de trillingen (triaxiale vectorsom) vastgesteld volgens EN60745:

Toepassing: schroeven zonder slag

Trillingsemmissie ( $a_h$ ): 2,5 m/s<sup>2</sup> of lager

Onnauwkeurigheid (K): 1,5 m/s<sup>2</sup>

ENG901-1

- De opgegeven trillingsemmissiewaarde is gemeten volgens de standaardtestmethode en kan worden gebruikt om dit gereedschap te vergelijken met andere gereedschappen.
- De opgegeven trillingsemmissiewaarde kan ook worden gebruikt voor een beoordeling vooraf van de blootstelling.

**⚠ WAARSCHUWING:**

- De trillingsemmissie tijdens het gebruik van het elektrisch gereedschap in de praktijk kan verschillen van de opgegeven trillingsemmissiewaarde afhankelijk van de manier waarop het gereedschap wordt gebruikt.
- Zorg ervoor dat veiligheidsmaatregelen worden getroffen ter bescherming van de operator die zijn gebaseerd op een schatting van de blootstelling onder praktijkomstandigheden (rekening houdend met alle fasen van de bedrijfscyclus, zoals de tijdsduur gedurende welke het gereedschap is uitgeschakeld en stationair draait, naast de ingeschakelde tijdsduur).

**Alleen voor Europese landen****EU-Verklaring van Conformiteit**

**Wij, Makita Corporation, als de verantwoordelijke fabrikant, verklaren dat de volgende Makita-machine(s):**

Aanduiding van de machine:

Accu haakse schroevendraaier

Modelnr./Type: DFL201F, DFL301F, DFL402F

in serie zijn geproduceerd en

**Voldoen aan de volgende Europese richtlijnen:**

2006/42/EU

En zijn gefabriceerd in overeenstemming met de volgende normen of genormaliseerde documenten:

EN60745

De technische documentatie wordt bewaard door onze erkende vertegenwoordiger in Europa, te weten:

Makita International Europe Ltd.

Michigan Drive, Tongwell,

Milton Keynes, MK15 8JD, Engeland

26.3.2010



Tomoyasu Kato

Directeur

Makita Corporation

3-11-8, Sumiyoshi-cho,

Anjo, Aichi, JAPAN

**Explicación de los dibujos**

- |  |                      |                                    |
|--|----------------------|------------------------------------|
| 1 Parte roja                           | 7 Indicador de LED   | 14 Orificio para asidero de ajuste |
| 2 Botón                                | 8 Tornillos          | 15 Línea amarilla                  |
| 3 Cartucho de batería                  | 9 Cabezal angular    | 16 Resorte de compresión           |
| 4 Gatillo interruptor                  | 10 Anillo de ajuste  | 17 Llave de tubo                   |
| 5 Palanca del interruptor de inversión | 11 Anillo            | 18 Orificio                        |
| 6 Lámpara                              | 12 Escala            | 19 Pasador                         |
|  | 13 Asidero de ajuste |                                    |

**ESPECIFICACIONES**

Modelo	DFL201F	DFL301F	DFL402F	
Par de apriete	Unión dura	8 – 20 N•m	16 – 30 N•m	25 – 40 N•m
	Unión blanda	8 – 20 N•m	16 – 30 N•m	25 – 40 N•m
Accionador cuadrado	9,5 mm	9,5 mm	9,5 mm	
Velocidad en vacío (min <sup>-1</sup> )	360	260	200	
Dimensiones (La. x An. x Al.)	429 mm x 72 mm x 98 mm	477 mm x 72 mm x 98 mm	477 mm x 72 mm x 98 mm	
Peso neto	1,7 kg	2,0 kg	2,0 kg	
Tensión nominal	CC 14,4 V			

- Debido a un programa continuo de investigación y desarrollo, las especificaciones aquí dadas están sujetas a cambios sin previo aviso.
- Las especificaciones y el cartucho de batería pueden diferir de país a país.
- Peso, con el cartucho de batería, de acuerdo con el procedimiento EPTA 01/2003

ENE033-1

**Uso previsto**

La herramienta ha sido prevista par atornillar en madera, metal y plástico.

GEA010-1

**Advertencias de seguridad generales para herramientas eléctricas**

**⚠ ¡ADVERTENCIA!** Lea todas las advertencias de seguridad y todas las instrucciones. Si no sigue todas las advertencias e instrucciones podrá ocasionar una descarga eléctrica, un incendio y/o heridas graves.

Guarde todas las advertencias e instrucciones para futuras referencias.

GEB050-2

**ADVERTENCIAS DE SEGURIDAD PARA EL ATORNILLADOR INALÁMBRICO**

- Quando realice una operación en la que el atornillador pueda entrar en contacto con cableado oculto, sujete la herramienta eléctrica por las superficies de asimiento aisladas. El contacto del atornillador con un cable con corriente hará que la corriente circule por las partes metálicas expuestas de la herramienta eléctrica y podrá soltar una descarga eléctrica al operario.
- Asegúrese siempre de que pisa sobre suelo firme.  
Asegúrese de que no haya nadie debajo cuando utilice la herramienta en un lugar alto.
- Sujete firmemente la herramienta.

- Mantenga las manos alejadas de partes giratorias.
- No toque la punta ni la pieza de trabajo inmediatamente después de la operación, porque pueden estar muy calientes y podrían producirle quemaduras.

**GUARDE ESTAS INSTRUCCIONES.**

**⚠ ADVERTENCIA:**

NO deje que la comodidad o familiaridad con el producto (a base de utilizarlo repetidamente) sustituya la estricta observancia de las normas de seguridad para el producto en cuestión. El MAL USO o el no seguir las normas de seguridad establecidas en este manual de instrucciones podrá ocasionar graves heridas personales.

ENC007-6

**INSTRUCCIONES DE SEGURIDAD IMPORTANTES**

**PARA EL CARTUCHO DE BATERÍA**

- Antes de utilizar el cartucho de batería, lea todas las instrucciones e indicaciones de precaución sobre (1) el cargador de baterías, (2) la batería, y (3) el producto con el que se utiliza la batería.
- No desarme el cartucho de batería.
- Si el tiempo de uso del cartucho de batería se acorta demasiado, deje de usarlo inmediatamente. Podría resultar en un riesgo de recalentamiento, posibles quemaduras e incluso una explosión.
- Si entra electrólito en sus ojos, aclárelos con agua limpia y vea a un médico inmediatamente. Existe el riesgo de poder perder la vista.
- No cortocircuite el cartucho de batería:  
(1) No toque los terminales con ningún material conductor.

(2) Evite guardar el cartucho de batería en un cajón junto con otros objetos metálicos, tales como clavos, monedas, etc.

(3) No exponga el cartucho de batería al agua ni a la lluvia.

Un cortocircuito en la batería puede producir una gran circulación de corriente, un recalentamiento, posibles quemaduras e incluso una rotura de la misma.

6. No guarde la herramienta ni el cartucho de batería en lugares donde la temperatura pueda alcanzar o exceder los 50°C.

7. Nunca incinere el cartucho de batería incluso en el caso de que esté dañado seriamente o ya no sirva en absoluto.

El cartucho de batería puede explotar si se tira al fuego.

8. Tenga cuidado de no dejar caer ni golpear el cartucho de batería.

9. No utilice una batería dañada.

## GUARDE ESTAS INSTRUCCIONES.

### Consejos para alargar al máximo la vida de servicio de la batería

1. Cargue el cartucho de batería antes de que se descargue completamente.

Pare siempre la operación y cargue el cartucho de batería cuando note menos potencia en la herramienta.

2. No cargue nunca un cartucho de batería que esté completamente cargado.  
La sobrecarga acortará la vida de servicio de la batería.

3. Cargue el cartucho de batería a temperatura ambiente de 10°C – 40°C. Si un cartucho de batería está caliente, déjelo enfriar antes de cargarlo.

## DESCRIPCIÓN DEL FUNCIONAMIENTO

### ⚠ PRECAUCIÓN:

Asegúrese siempre de que la herramienta esté apagada y el cartucho de batería extraído antes de realizar cualquier ajuste o comprobación en la herramienta.

### Instalación y desmontaje del cartucho de batería (Fig. 1)

• Apague siempre la herramienta antes de insertar o extraer el cartucho de batería.

• Para extraer el cartucho de batería, sáquelo de la herramienta mientras desliza el botón que hay en la parte delantera del cartucho.

• Para insertar el cartucho de batería, alinee la lengüeta del cartucho de batería con la acanaladura en el alojamiento y deslicelo hasta que encaje en posición. Insértelo siempre a tope hasta que se bloquee produciendo un pequeño clic. Si puede ver la parte roja del lado superior del botón, no estará bloqueado completamente. Insértelo totalmente hasta que no pueda verse la parte roja. En caso contrario, podrá caerse accidentalmente de la herramienta y causarle heridas a usted o a alguien cerca de usted.

• No emplee fuerza para insertar el cartucho de batería. Si no entra deslizándose suavemente, será porque no está siendo insertado correctamente.

### Accionamiento del interruptor (Fig. 2)

#### ⚠ PRECAUCIÓN:

• Antes de insertar el cartucho de batería en la herramienta, compruebe siempre para ver si el gatillo interruptor se acciona correctamente y regresa a la posición "OFF" cuando lo suelta.

Para poner en marcha la herramienta, simplemente apriete el gatillo interruptor. Suelte el gatillo interruptor para pararla.

### Accionamiento del interruptor de inversión (Fig. 3)

#### ⚠ PRECAUCIÓN:

• Confirme siempre la dirección de giro antes de la operación.

• Utilice el interruptor de inversión solamente después de que la herramienta se haya parado completamente. Si cambia la dirección de giro antes de que la herramienta se haya parado podrá dañarla.

• Cuando no esté utilizando la herramienta, ponga siempre la palanca del interruptor de inversión en la posición neutral.

Esta herramienta tiene un interruptor de inversión para cambiar la dirección de rotación. Baje la palanca del interruptor de inversión del lado A para giro hacia la derecha o del lado B para giro hacia la izquierda.

Cuando la palanca del interruptor de inversión esté en la posición neutral, no se podrá apretar el gatillo interruptor.

### Encendido de las lámparas (Fig. 4)

#### ⚠ PRECAUCIÓN:

• No mire a la luz ni vea la fuente de luz directamente.

Apriete el gatillo interruptor para encender la lámpara. La lámpara se mantendrá encendida mientras esté apretado el gatillo interruptor. La luz se apagará automáticamente 10 segundos después de soltar el gatillo interruptor.

#### NOTA:

• Utilice un paño seco para limpiar la suciedad de la lente de la lámpara. Tenga cuidado de no rayar la lente de la lámpara, porque podrá reducirse la iluminación.

### Indicador de LED / Zumbador (Fig. 5)

El indicador de LED / Zumbador de la herramienta muestra las siguientes funciones.

Estado del indicador de LED/ zumbador		Función	Estado	Acción a tomar
Indicador de LED	Zumbador			
Se ilumina en verde → rojo → azul → blanco en este orden.	Una serie de pitidos muy cortos	Compruebe el LED, la iluminación y el zumbador (cuando apriete el gatillo interruptor por primera vez después de instalar un cartucho de batería en la herramienta).	Asegúrese de que los LED verde, rojo, azul y blanco se iluminan y el zumbador emite los pitidos debidamente.	—
Se ilumina en verde durante un segundo aproximadamente.	—	Parada automática del apriete	Esta función se accionará cuando la herramienta haya alcanzado el par de apriete predeterminado y se haya completado el apriete normal. Esto ayuda a evitar un apriete excesivo.	—
Parpadea en púrpura lentamente.	Una serie de pitidos largos	Aviso sobre la carga del cartucho de batería	Esto indica el tiempo apropiado para reemplazar el cartucho de batería cuando la batería ya tiene poca potencia.	Reemplace la batería con una completamente cargada.
Se ilumina en púrpura.	Un pitido largo	Comprobación de la carga restante de la batería, parada automática	Esta función se accionará cuando la batería esté casi descargada. En este momento, la herramienta se parará inmediatamente.	Reemplace la batería con una completamente cargada.
Se ilumina en rojo y verde alternativamente.	Una serie de pitidos cortos	Antirreposición del controlador	Esta función se accionará cuando se produzca una caída anormal de la tensión de la batería por alguna razón, y la herramienta se parará.	Reemplace la batería con una completamente cargada.
		Fallo del motor	Esta función se activa cuando falla el motor.	Lleve la herramienta a un centros de servicio autorizado de Makita.
Parpadea en rojo rápidamente.	Una serie de pitidos cortos	Recalentamiento	Esta función se activa si la temperatura del controlador o del motor alcanza un nivel alto y la herramienta se para.	Extraiga el cartucho de batería inmediatamente y deje que la herramienta se enfríe.
Parpadea en rojo y amarillo alternativamente.	Un pitido largo	Aviso contra apriete insuficiente	El apriete será incompleto cuando el gatillo interruptor de la herramienta se libere antes de activarse el embrague.	—
		Detección de doble golpe	Esta función se activa cuando se vuelve a apretar un tornillo después de haberlo apretado.	—

011001

## Ajuste del par de apriete

Cuando desee apretar tornillos de máquinas, tornillos para madera, pernos hexagonales, etc., con el par de apriete predeterminado, ajuste el par de apriete de la forma siguiente.

1. Primero extraiga el cartucho de batería de la herramienta.
2. Afloje o quite el tornillo que sujeta al anillo. (Afloje dos tornillos que sujetan al anillo solamente para DFL201F) (Fig. 6)
3. Gire el anillo de la parte delantera de la herramienta a mano de forma que se pueda ver el orificio debajo del anillo.
4. Inserte el cartucho de batería en la herramienta y apriete el gatillo interruptor. Suéltelo de forma que el anillo de ajuste gire y el orificio quede visible como se muestra en la ilustración (Fig. 7). Y después extraiga el cartucho de batería.
5. Utilice el asidero de ajuste opcional para ajustar el par de apriete. Inserte el pasador del asidero de ajuste en el orificio de la parte delantera de la herramienta. Y después, gire el asidero de ajuste hacia la derecha para fijar un par de apriete mayor, y hacia la izquierda para fijar un par de apriete menor. (Fig. 8)
6. Alinee el borde del anillo de ajuste con el número que desee de la escala de torsión de apriete.
7. Inserte el cartucho de batería y asegúrese de que se ha fijado un par de apriete utilizando un comprobador de par de apriete.
8. Gire el anillo de forma que el orificio para asidero de ajuste quede cubierto, sujete y después fije el anillo con el tornillo.

### NOTA:

- Los números de la escala de par de apriete son una guía para fijar su par de apriete deseado.

## MONTAJE

### ⚠ PRECAUCIÓN:

- Asegúrese siempre de que la herramienta esté apagada y el cartucho de batería extraído antes de realizar cualquier trabajo en la herramienta.

### Selección de la llave de tubo correcta

Para algunos modelos hay diferentes tipos de llaves de tubo según las aplicaciones. Elija e instale la llave de tubo correcta para su aplicación.

### Instalación o desmontaje de la llave de tubo (Fig. 9)

Para instalar la llave de tubo, empújela contra el accionador cuadrado de la herramienta con una mano bajando el pasador del accionador cuadrado con la otra mano hasta que se bloquee en su sitio. Para desmontar la llave de tubo, simplemente sáquela presionando el pasador del accionador cuadrado.

## OPERACIÓN

Sujete la herramienta firmemente y ponga la llave de tubo sobre el perno o tuerca. Después encienda la herramienta. Cuando el embrague se accione, el motor se parará automáticamente. Después suelte el gatillo interruptor. (Fig. 10)

### NOTA:

- Sujete la herramienta con su accionador cuadrado apuntando el línea recta al perno o tuerca, o el perno o tuerca se dañará.

### Límites de la capacidad de apriete

Utilice la herramienta dentro del rango del ángulo de giro de hasta 360°. Si utiliza la herramienta por encima del límite superior de este rango, no funcionará el embrague. Y la herramienta no podrá desarrollar suficiente par de apriete (el indicador de LED parpadea en púrpura lentamente o se ilumina en púrpura).

### NOTA:

- El ángulo de rotación se refiere al ángulo al que gira un tornillo o perno cuando la herramienta desarrolla del 50% al 100% del par de apriete deseado.
- La utilización de un cartucho condicionado por bajas temperaturas podrá dar algunas veces aviso sobre la capacidad del cartucho de batería mediante la lámpara de aviso y pitido que hará que la herramienta se pare automáticamente. En este caso, la capacidad de apriete podrá ser inferior a la especificación indicada en este manual incluso si se utiliza un cartucho de batería cargado.

## MANTENIMIENTO

### ⚠ PRECAUCIÓN:

- Asegúrese siempre de que la herramienta esté apagada y de que el cartucho de baterías está quitado antes de intentar hacer una inspección o mantenimiento.
- No utilice nunca gasolina, bencina, disolvente, alcohol o similares. Podría producir descolocación, deformación o grietas.

Para mantener la SEGURIDAD y la FIABILIDAD del producto, las reparaciones y cualquier otro mantenimiento o ajuste deberán ser realizados por los centros de servicio autorizado de Makita, siempre con piezas de repuesto de Makita.

## ACCESORIOS OPCIONALES

### ⚠ PRECAUCIÓN:

- Estos accesorios o acoplamientos están recomendados para utilizar con su herramienta Makita especificada en este manual. El empleo de cualesquiera otros accesorios o acoplamientos conllevará un riesgo de sufrir heridas personales. Utilice los accesorios o acoplamientos solamente para su fin establecido.

Si necesita cualquier ayuda para más detalles en relación con estos accesorios, pregunte a su centro de servicio Makita local.

- Batería y cargador genuino de Makita
- Asidero de ajuste
- Protector
- Conjunto de cabezal angular (Para modelo DFL201F solamente)

### NOTA:

- Algunos elementos de la lista podrán estar incluidos en el paquete de la herramienta como accesorios estándar. Pueden variar de un país a otro.



**Ruido**

El nivel de ruido A-ponderado típico determinado de acuerdo con la norma EN60745:

**Modelo DFL201F, DFL402F**

Nivel de presión sonora ( $L_{pA}$ ): 72 dB (A)

Error (K): 3 dB (A)

El nivel de ruido en condiciones de trabajo puede que sobrepase los 80 dB (A).

**Modelo DFL301F**

Nivel de presión sonora ( $L_{pA}$ ): 74 dB (A)

Error (K): 3 dB (A)

El nivel de ruido en condiciones de trabajo puede que sobrepase los 80 dB (A).

**Póngase protectores en los oídos**

ENG900-1

**Vibración**

El valor total de la vibración (suma de vectores triaxiales) determinado de acuerdo con la norma EN60745:

Modo tarea: atornillado sin impacto

Emisión de vibración ( $a_h$ ): 2,5 m/s<sup>2</sup> o menos

Error (K): 1,5 m/s<sup>2</sup>

ENG901-1

- El valor de emisión de vibración declarado ha sido medido de acuerdo con el método de prueba estándar y se puede utilizar para comparar una herramienta con otra.
- El valor de emisión de vibración declarado también se puede utilizar en una valoración preliminar de exposición.

**⚠ ADVERTENCIA:**

- La emisión de vibración durante la utilización real de la herramienta eléctrica puede variar del valor de emisión declarado dependiendo de las formas en las que la herramienta sea utilizada.
- Asegúrese de identificar medidas de seguridad para proteger al operario que estén basadas en una estimación de la exposición en las condiciones reales de utilización (teniendo en cuenta todas las partes del ciclo operativo tal como las veces cuando la herramienta está apagada y cuando está funcionando en vacío además del tiempo de gatillo).

**Para países europeos solamente****Declaración de conformidad CE****Makita Corporation como fabricante responsable declara que la(s) siguiente(s) máquina(s) de Makita:**

Designación de máquina:

Atornillador Angular Inalámbrico

Modelo N°/Tipo: DFL201F, DFL301F, DFL402F

son producidas en serie y

**Cumplen con las directivas europeas siguientes:**

2006/42/CE

Y que están fabricadas de acuerdo con las normas o documentos normalizados siguientes:

EN60745

Los documentos técnicos los guarda nuestro representante autorizado en Europa cuya persona es:

Makita International Europe Ltd.

Michigan Drive, Tongwell,

Milton Keynes, MK15 8JD, Inglaterra

26.3.2010



Tomoyasu Kato

Director

Makita Corporation

3-11-8, Sumiyoshi-cho,

Anjo, Aichi, JAPAN

**Explicação geral**

1 Parte vermelha	8 Parafusos	15 Linha amarela
2 Botão	9 Cabeça angular	16 Mola de compressão
3 Bateria	10 Anel de ajuste	17 Conector
4 Interruptor de gatilho	11 Anel	18 Orifício
5 Interruptor de inversão	12 Escala	19 Pino
6 Lâmpada	13 Punho de ajuste	
7 Indicador LED	14 Orifício para o punho de ajuste	

**ESPECIFICAÇÕES**

Modelo	DFL201F	DFL301F	DFL402F	
Tensão de aperto	Junta dura	8 – 20 N•m	16 – 30 N•m	25 – 40 N•m
	Junta mole	8 – 20 N•m	16 – 30 N•m	25 – 40 N•m
Cubo de transmissão	9,5 mm	9,5 mm	9,5 mm	
Sem velocidade de carga (min <sup>-1</sup> )	360	260	200	
Dimensões (C x L x A)	429 mm x 72 mm x 98 mm	477 mm x 72 mm x 98 mm	477 mm x 72 mm x 98 mm	
Peso	1,7 kg	2,0 kg	2,0 kg	
Voltagem nominal	C.C. 14,4 V			

- Devido a um programa contínuo de pesquisa e desenvolvimento, estas especificações podem ser alteradas sem aviso prévio.
- As especificações e a bateria podem variar de país para país.
- Peso, com a bateria, de acordo com o Procedimento 01/2003 da EPTA (European Power Tool Association)

ENE033-1

**Utilização a que se destina**

A ferramenta destina-se a aparafusar em madeira, metal e plástico.

GEA010-1

**Avisos gerais de segurança para ferramentas eléctricas**

**⚠ AVISO! Leia todas os avisos de segurança e todas as instruções.** O não cumprimento de todos os avisos e instruções pode originar choque eléctrico, incêndio e/ou ferimentos graves.

**Guarde todos os avisos e instruções para futuras referências.**

GE050-2

**AVISOS DE SEGURANÇA PARA A PARAFUSADEIRA A BATERIA**

1. **Agarre na ferramenta eléctrica pelas partes isoladas quando executa uma operação em que o parafuso possa entrar em contacto com fios ocultos.** O contacto do parafuso com um fio "ligado" poderá carregar as partes metálicas da ferramenta e causar choque eléctrico no operador.
2. **Mantenha-se sempre em equilíbrio. Certifique-se de que ninguém está por baixo quando utiliza a máquina em locais altos.**
3. **Pegue na máquina firmemente.**
4. **Mantenha as mãos afastadas das partes rotativas.**

5. **Não toque na broca ou na superfície de trabalho imediatamente depois da operação; podem estar extremamente quentes e provocar queimaduras.**

**GUARDE ESTAS INSTRUÇÕES.**

**⚠ AVISO:**

**NÃO permita que conforto ou familiaridade com o produto (adquirido com o uso repetido) substitua a aderência estrita às regras de segurança da ferramenta. MÁ UTILIZAÇÃO ou não cumprimento das regras de segurança indicadas neste manual de instruções pode causar danos pessoais graves.**

ENC007-6

**IMPORTANTES INSTRUÇÕES DE SEGURANÇA**

**PARA A BATERIA**

1. **Antes de utilizar a bateria, leia todas as instruções e etiquetas de precaução no (1) carregador de bateria (2) bateria e (3) produto que utiliza a bateria.**
2. **Não abra a bateria.**
3. **Se o tempo de funcionamento se tornar excessivamente curto, pare o funcionamento imediatamente. Pode resultar em sobreaquecimento, possíveis queimaduras e mesmo explosão.**
4. **Se entrar electrolito nos seus olhos, lave-os com água e consulte imediatamente um médico. Pode resultar em perda de visão.**
5. **Não corte-circuite a bateria:**
  - (1) Não toque nos terminais com qualquer material condutor.
  - (2) Evite guardar a bateria juntamente com outros objectos metálicos tais como pregos, moedas, etc.

(3) Não exponha a bateria à água ou chuva.

Um curto-circuito pode ocasionar um enorme fluxo de corrente, sobreaquecimento, possíveis queimaduras e mesmo estragar-se.

6. Não guarde a ferramenta e a bateria em locais onde a temperatura pode atingir ou exceder 50°C.
7. Não queime a bateria mesmo que esteja estragada ou completamente gasta. A bateria pode explodir no fogo.
8. Tenha cuidado para não deixar cair ou dar pancadas na bateria.
9. Não utilize uma bateria danificada.

## GUARDE ESTAS INSTRUÇÕES.

Conselhos para manter a máxima vida útil da bateria

1. Carregue a bateria antes que esteja completamente descarregada. Pare sempre o funcionamento da ferramenta e carregue a bateria quando notar menos poder na ferramenta.
2. Nunca carregue uma bateria completamente carregada. Carregamento excessivo diminui a vida útil da bateria.
3. Carregue a bateria à temperatura ambiente de 10°C – 40°C. Deixe que uma bateria quente arrefeça antes de a carregar.

## DESCRIÇÃO FUNCIONAL

### ⚠ PRECAUÇÃO:

- Certifique-se sempre de que a ferramenta está desligada e a bateria retirada antes de regular ou verificar qualquer função na ferramenta.

### Instalar ou retirar a bateria (Fig. 1)

- Desligue sempre a ferramenta antes de instalar ou retirar a bateria.
- Para retirar a bateria, desprenda-a da ferramenta fazendo deslizar o botão existente na parte da frente da bateria.
- Para instalar a bateria, alinhe a lingueta da bateria com a ranhura existente na ferramenta e empurre-a para dentro. Empurre sempre a bateria bem até ao fundo; a bateria encaixa com um estalido. Se a zona vermelha da parte superior do botão estiver visível, isso significa que a bateria não está bem encaixada. Empurre-a bem até deixar de ver a parte vermelha. Se não ficar bem encaixada a bateria pode desprender-se acidentalmente da ferramenta e feri-lo a si ou as pessoas que estejam perto.
- Não introduza a bateria à força. Se a bateria não entrar facilmente, isso significa que não está a instalá-la correctamente.

### Interruptor de ligação (Fig. 2)

#### ⚠ PRECAUÇÃO:

- Antes de instalar a bateria na ferramenta, verifique sempre se o interruptor de gatilho está a funcionar correctamente e se volta à posição “OFF” quando o soltar.

Para começar a utilizar a ferramenta basta pressionar o interruptor de gatilho. Para parar solte o gatilho.

### Interruptor de inversão (Fig. 3)

#### ⚠ PRECAUÇÃO:

- Antes de utilizar a ferramenta verifique sempre a direcção da rotação.
- Utilize apenas o interruptor de inversão depois da ferramenta ter parado completamente. Se alterar a direcção de rotação antes da ferramenta parar, pode danificar a ferramenta.
- Quando não estiver a utilizar a ferramenta, coloque sempre o manípulo do interruptor de inversão na posição neutra.

Esta ferramenta tem um interruptor de inversão para alterar a direcção da rotação. Carregue no lado A do manípulo do interruptor de inversão para fazer a rotação para a direita e no lado B para fazer a rotação para a esquerda.

Quando o interruptor de inversão estiver na posição neutra, não consegue accionar o interruptor de gatilho.

### Acender as lâmpadas (Fig. 4)

#### ⚠ PRECAUÇÃO:

- Não olhe para a luz ou para a fonte de luz directamente.

Puxe o interruptor de gatilho para fazer acender a lâmpada. A lâmpada mantém-se acesa enquanto estiver a carregar no interruptor de gatilho.

A luz apaga-se automaticamente 10 segundos depois de soltar o interruptor de gatilho.

#### NOTA:

- Utilize um pano seco para limpar a sujidade da lente da lâmpada. Tenha cuidado para não riscar a lente da lâmpada pois pode reduzir a luz da mesma.

**Indicador LED/Sinal sonoro (Fig. 5)**

Indicador LED/Sinal sonoro na ferramenta que mostra as seguintes funções.

Estado do indicador LED/ Sinal sonoro		Função	Estado	Acção a executar
Indicador LED	Sinal sonoro			
Acende-se com uma luz verde → vermelha → azul → branca, nessa ordem.	Uma série de sinais sonoros muito curtos.	Verificação do indicador LED, luz e sinal sonoro (ao carregar no gatilho pela primeira vez depois de instalar a bateria na ferramenta).	Verifique se as luzes LED verde, vermelha, azul e branca se acendem e se o sinal sonoro soa correctamente.	—
Acende-se com uma luz verde durante cerca de um segundo.	—	Paragem automática da tensão de aperto	Esta função funciona quando a ferramenta atingir a tensão de aperto pré-regulada e o aperto normal estiver concluído. Isto impede que aperte demais.	—
Pisca lentamente com uma luz púrpura.	Uma série de sinais sonoros longos	Aviso relativo à carga da bateria	Indica a altura em que deve substituir a bateria quando a carga está baixa.	Substitua a bateria por uma completamente carregada.
Acende-se com uma luz púrpura.	Um sinal sonoro longo	Verificação da capacidade restante da bateria, paragem automática	Esta função funciona quando a carga da bateria estiver quase no fim. Nessa altura, a ferramenta pára imediatamente.	Substitua a bateria por uma completamente carregada.
Acende-se com uma luz vermelha e verde alternadamente.	Uma série de sinais sonoros curtos	Contra-regulação do controlador	Esta função funciona quando, por qualquer razão, ocorre uma diminuição anormal da voltagem da bateria e a ferramenta pára.	Substitua a bateria por uma completamente carregada.
		Falha do motor	Esta função é accionada quando o motor falha.	Leve a um centro de autorizada assistência Makita.
Pisca rapidamente com uma luz vermelha.	Uma série de sinais sonoros curtos	Sobreaquecimento	Esta função é activada se a temperatura do controlador ou motor aumentar para um alto nível e a ferramenta pára.	Retire imediatamente a bateria e deixe a ferramenta arrefecer.
Pisca com uma luz vermelha e amarela alternadamente.	Um sinal sonoro longo	Aviso de aperto insuficiente	O aperto não é concluído se soltar o gatilho da ferramenta antes da embraiagem engatar.	—
		Detecção de duplo impacto	Esta função é activada quando um parafuso é reapertado outra vez depois de ser apertado.	—

011001

## Regular a tensão de aperto

Quando quiser aparafusar parafusos de máquina, parafusos para madeira, parafusos sextavados; etc. com a tensão de aperto predeterminada, regule esta última da forma seguinte.

1. Primeiro retire a bateria da ferramenta.
2. Solte e retire o parafuso que prende o anel.  
(Soltar os dois parafusos que prendem o anel só para a DFL201F) (Fig. 6)
3. Rode o anel existente na parte da frente da ferramenta à mão, para que o orifício existente por baixo do anel fique visível.
4. Coloque a bateria no lugar e pressione o interruptor de gatilho. Solte-o de forma que o anel de ajuste rode e o orifício fique visível, como ilustrado (Fig. 7). Depois retire a bateria.
5. Utilize um punho de ajuste adicional para ajustar a tensão de aperto. Introduza o pino do punho de ajuste no orifício na parte da frente da ferramenta. Depois, rode o punho de ajuste para a direita para regular uma tensão de aperto maior e para a esquerda para regular uma tensão de aperto menor. (Fig. 8)
6. Alinhe a extremidade do anel de regulação com o número desejado na escala no binário de aperto.
7. Introduza a bateria e verifique se regulou a tensão de aperto utilizando um verificador da tensão de aperto.
8. Rode o anel de forma que o orifício do punho de ajuste fique coberto, segure e prenda o anel com o parafuso.

### NOTA:

- Os números da escala da tensão de aperto servem de guia para regular a tensão de aperto desejada.

## ASSEMBLAGEM

### ⚠ PRECAUÇÃO:

- Certifique-se sempre de que a ferramenta está desligada e a bateria retirada antes de executar qualquer manutenção na ferramenta.

### Seleção do conector correcto

Há diferentes tipos de conectores para alguns modelos dependendo das aplicações. Escolha e instale o conector correcto para a sua aplicação.

### Instalar ou retirar o conector (Fig. 9)

Para instalar o conector, empurre-o para o cubo de transmissão da ferramenta com uma mão e carregando num pino do cubo de transmissão com a outra mão até o encaixar no lugar. Para retirar o conector, basta puxá-lo carregando no pino do cubo de transmissão.

## FUNCIONAMENTO

Agarre na ferramenta firmemente e coloque o conector sobre o perno ou porca. Em seguida ligue a ferramenta. Quando a embraiagem engata, o motor pára automaticamente. Nessa altura solte o interruptor de gatilho. (Fig. 10)

### NOTA:

- Agarre na ferramenta com o cubo de transmissão apontado direito para o perno ou porca, ou o perno ou a porca ficarão estragados.

## Limites da capacidade de tensão de aperto

Utilize a ferramenta dentro dos limites do ângulo de rotação, até 360°. Se utilizar a ferramenta para além do limite superior, a embraiagem não funciona. E a ferramenta não pode fornecer uma tensão de aperto suficiente (o indicador LED pisca lentamente com uma luz púrpura ou acende-se com uma luz púrpura).

### NOTA:

- O ângulo de rotação é o ângulo a que o parafuso/perno roda quando a ferramenta atinge os 100% de 50% da tensão de aperto desejada.
- Por vezes, se utilizar uma bateria carregada a uma temperatura baixa, pode activar o indicador luminoso e o sinal sonoro de aviso relativos à capacidade da bateria fazendo com que a ferramenta pare imediatamente. Se isso acontecer, a capacidade de tensão de aperto pode ser inferior à indicada nas especificações deste manual, mesmo que esteja a utilizar uma bateria carregada.

## MANUTENÇÃO

### ⚠ PRECAUÇÃO:

- Certifique-se sempre de que a ferramenta se encontra desligada e de que a bateria foi retirada antes de executar qualquer inspeção ou manutenção.
- Nunca utilize gasolina, benzina, diluente, álcool ou produtos semelhantes. Pode ocorrer a descoloração, deformação ou rachaduras.

Para manter a SEGURANÇA e FIABILIDADE, as reparações e outras acções de manutenção ou ajustes devem ser executados pelos centros de assistência autorizados da Makita, utilizando sempre peças de substituição Makita.

## ACESSÓRIOS OPCIONAIS

### ⚠ PRECAUÇÃO:

- Estes acessórios ou acoplamentos são os recomendados para uso na ferramenta MAKITA especificada neste manual. A utilização de quaisquer outros acessórios ou acoplamento poderá ser perigosa para o operador. Os acessórios ou acoplamentos devem ser utilizados de maneira adequada e apenas para os fins a que se destinam.

No caso de necessitar assistência para mais detalhes sobre estes acessórios, consulte o centro de assistência Makita local.

- Bateria e carregador genuíno Makita
- Punho de ajuste
- Protector
- Conjunto de cabeça angular (Só para modelo DFL201F)

### NOTA:

- Alguns itens da lista podem estar incluídos na embalagem da ferramenta como acessórios padrão. Eles podem variar de país para país.

**Ruído**

A característica do nível de ruído A determinado de acordo com EN60745:

**Modelo DFL201F, DFL402F**

Nível de pressão de som ( $L_{pA}$ ): 72 dB (A)

Variabilidade (K): 3 dB (A)

O nível de ruído durante o trabalho pode exceder 80 dB (A).

**Modelo DFL301F**

Nível de pressão de som ( $L_{pA}$ ): 74 dB (A)

Variabilidade (K): 3 dB (A)

O nível de ruído durante o trabalho pode exceder 80 dB (A).

**Utilize protectores para os ouvidos**

ENG900-1

**Vibração**

O valor total da vibração (soma vectorial tri-axial) determinado de acordo com EN60745:

Modo de funcionamento: perfuração sem impacto

Emissão de vibração ( $a_h$ ): 2,5 m/s<sup>2</sup> ou inferior

Variabilidade (K): 1,5 m/s<sup>2</sup>

ENG901-1

- O valor da emissão de vibração indicado foi medido de acordo com o método de teste padrão e pode ser utilizado para comparar duas ferramentas.
- O valor da emissão de vibração indicado pode também ser utilizado na avaliação preliminar da exposição.

**⚠ AVISO:**

- A emissão de vibração durante a utilização real da ferramenta eléctrica pode diferir do valor de emissão indicado, dependendo das formas como a ferramenta é utilizada.
- Certifique-se de identificar as medidas de segurança para protecção do operador que sejam baseadas em uma estimativa de exposição em condições reais de utilização (considerando todas as partes do ciclo de operação, tal como quando a ferramenta está desligada e quando está a funcionar em marcha lenta além do tempo de accionamento).

**Só para países Europeus****Declaração de conformidade CE**

**Nós, a Makita Corporation, fabricante responsável, declaramos que a(s) seguinte(s) ferramenta(s) Makita:**

Designação da ferramenta:

Parafusadeira Angular a Bateria

Modelos n°/Tipo: DFL201F, DFL301F, DFL402F

são de produção de série e

**Em conformidade com as seguintes directivas europeias:**

2006/42/EC

E estão fabricados de acordo com as seguintes normas ou documentos normativos:

EN60745

A documentação técnica é mantida pelo nosso representante autorizado na Europa:

Makita International Europe Ltd.

Michigan Drive, Tongwell,

Milton Keynes, MK15 8JD, Inglaterra

26.3.2010



Tomoyasu Kato  
Director

Makita Corporation  
3-11-8, Sumiyoshi-cho,  
Anjo, Aichi, JAPAN

**Illustrationsoversigt**

1 Rød del	8 Skruer	15 Gul linje
2 Knap	9 Vinkelhoved	16 Trykfjeder
3 Akku	10 Justeringsring	17 Top
4 Afbryder	11 Ring	18 Hul
5 Omløbsvælger	12 Skala	19 Stift
6 Lampe	13 Justeringshåndtag	
7 LED indikator	14 Hul til justeringshåndtag	

**SPECIFIKATIONER**

Model		DFL201F	DFL301F	DFL402F
Drejningsmoment	Kraftig iskruning	8 – 20 N•m	16 – 30 N•m	25 – 40 N•m
	Let iskruning	8 – 20 N•m	16 – 30 N•m	25 – 40 N•m
Firkantdrev		9,5 mm	9,5 mm	9,5 mm
Omdrejninger ubelastet (min <sup>-1</sup> )		360	260	200
Mål (L x B x H)		429 mm x 72 mm x 98 mm	477 mm x 72 mm x 98 mm	477 mm x 72 mm x 98 mm
Vægt		1,7 kg	2,0 kg	2,0 kg
Spænding		D.C. 14,4 V		

- På grund af vores kontinuerlige forskningsprogrammer og udvikling, kan hosstående specifikationer blive ændret uden varsel.
- Specifikationer og akku kan variere fra land til land.
- Vægt inklusive akku, i henhold til EPTA-Procedure 01/2003

ENE033-1

**Tilsigtet anvendelse**

Denne maskine er beregnet til skruning i træ, metal og plasticmaterialer.

GEA010-1

**Almindelige sikkerhedsregler for el-værktøj**

**⚠ ADVARSEL! Læs alle sikkerhedsadvarsler og alle sikkerhedsinstruktioner.** Hvis nedenstående advarsler og instruktioner ikke overholdes, kan resultatet blive elektrisk stød, brand og/eller alvorlig personskade.

**Gem alle advarsler og instruktioner til fremtidig reference.**

GEB050-2

**SIKERHEDSFORSKRIFTER FOR AKKU SKRUETRÆKKER**

1. Hold kun maskinen i de isolerede grebflader, når De udfører arbejde, hvor fastgøringsanordningen kan komme i kontakt med skjulte ledninger. Fastgørelsesanordninger, som kommer i kontakt med en strømførende ledning kan gøre uafdækkede metaldele på maskinen strømførende og give operatøren stød.
2. Sørg for, at De altid har sikkert fodfæste. Ved brug af maskinen i større højde bør De sikre Dem, at der ikke står personer nedenunder arbejdsområdet.
3. Hold godt fast på maskinen.
4. Hold hænderne væk fra roterende dele.

5. Berør ikke værktøjet eller emnet umiddelbart efter brug. Disse dele kan være ekstremt varme og forårsage forbrændinger ved berøring.

**GEM DISSE FORSKRIFTER.**

**⚠ ADVARSEL:**

LAD IKKE bekvemmelighed eller kendskab til produktet (opnået gennem gentagen brug) forhindre, at sikkerhedsforskrifterne for produktet nøje overholdes. MISBRUG eller forsømmelse af overholdelse af sikkerhedsforskrifterne i denne brugsvejledning kan resultere i alvorlig personskade.

ENC007-6

**VIGTIGE SIKKERHEDSFORSKRIFTER**

**FOR AKKU**

1. Læs alle instruktioner og advarselmærkater på (1) akku opladeren, (2) akku og (3) produktet, som anvender akku.
2. Lad være med at skille akkuen ad.
3. Hold straks op med at anvende opladeren, hvis brugstiden er blevet stærkt afkortet. Fortsat anvendelse kan resultere i risiko for overophedning, forbrændinger og endog eksplosion.
4. Hvis du har fået elektrolytvæske i øjnene, skal du straks skylle den ud med rent vand og derefter øjeblikkeligt søge lægehjælp. I modsat fald kan resultatet blive, at du mister synet.
5. Vær påpasselig med ikke at komme til at kortslutte akkuen:
  - (1) Rør ikke ved terminalerne med noget ledende materiale.
  - (2) Undgå at opbevare akkuen i en beholder sammen med andre genstande af metal, som for eksempel søm, mønter og lignende.

(3) Udsæt ikke akkuen for vand eller regn. Kortslutning af akkuen kan være årsag til en kraftig øgning af strømmen, overophedning, mulige forbrændinger og endog maskinstop.

6. Opbevar ikke maskinen og akkuen på et sted, hvor temperaturen kan nå eller overstige 50°C.
7. Lad være med at brænde akkuen, selv ikke i tilfælde, hvor det har lidt alvorlig skade eller er fuldstændig udtjent. Akkuen kan eksplodere, hvis man forsøger at brænde den.
8. Lad være med at brænde akkuen eller udsætte den for stød.
9. Anvend ikke en beskadiget akku.

## GEM DISSE FORSKRIFTER.

### Tips til opnåelse af maksimal akku-levetid

1. Oplad altid akkuen, inden den er helt afladet. Stop altid maskinen og oplad akkuen, hvis det bemærkes, at maskineffekten er dalende.
2. Genoplad aldrig en fuldt opladet akku. Overopladning vil afkorte akkuens levetid.
3. Oplad akkuen ved stuetemperatur ved 10°C – 40°C. Lad altid en varm akku få tid til at køle af, inden den oplades.

## FUNKTIONSBESKRIVELSE

### ⚠ FORSIGTIG:

- Sørg altid for at maskinen er slukket, og at akkuen er taget ud, før der udføres justering eller kontrol af funktioner på maskinen.

### Isætning og udtagning af akku (Fig. 1)

- Sluk altid for maskinen, før akkuen sættes i eller tages ud.
- For at fjerne akkuen skydes knappen på forsiden af akkuen til siden, mens akkuen trækkes ud af maskinen.
- Isæt akkuen ved at rette dens tunge ind efter rillen i huset. Skyde derefter akkuen helt ind, til den låser på plads med et klik. Hvis De kan se den røde del på den øvre del af knappen, er akkuen ikke låst korrekt. Skyd den helt ind, indtil den røde del ikke kan ses. Hvis akkuen ikke sættes i på denne måde, kan den ved et uheld falde ud af maskinen, og eventuelt forvolde personskaade på Dem selv eller personer i nærheden.
- Brug aldrig magt, når akkuen sættes i. Hvis ikke akkuen glider i uden besvær, er det fordi, at den vender forkert.

### Afbryderbetjening (Fig. 2)

#### ⚠ FORSIGTIG:

- Inden akkuen sættes i maskinen, bør De altid kontrollere, at afbryderen fungerer korrekt og returnerer til "OFF" positionen, når den slippes.

For at starte maskinen trykkes der blot på afbryderen. Slip afbryderen for at stoppe.

### Omløbsvælger (Fig. 3)

#### ⚠ FORSIGTIG:

- Kontroller altid omløbsretningen, inden arbejdet påbegyndes.
- Flyt kun omløbsvælgeren, når maskinen er helt standset. Hvis omløbsretningen ændres, inden maskinen er helt stoppet, kan det beskadige maskinen.
- Sæt altid omløbsvælgeren i neutral stilling, når maskinen ikke anvendes.

Denne maskinen har en omløbsvælger til at skifte omløbsretning. Skub omløbsvælgeren ind fra A-siden for omdrejning med uret, og fra B-siden for omdrejning mod uret.

Når omløbsvælgeren er i neutral stilling, kan afbryderen ikke trykkes ind.

### Tænd af lamperne (Fig. 4)

#### ⚠ FORSIGTIG:

- Kig aldrig direkte på lyskilden. Lad ikke lyset falde i Deres øjne.

Tryk afbryderen ind for at tænde lampen. Lampen bliver ved med at lyse, så længe afbryderen holdes inde. Lyser slukker automatisk efter 10 sekunder, når afbryderen slippes.

#### BEMÆRK:

- Anvend en tør klud til at tørre snavs af lampens linse. Undgå at ridse lampens linse, da det kan nedsætte lysstyrken.



**LED-indikator/bipper (Fig. 5)**

LED-indikatoren/bipperen på maskinen viser følgende funktioner.

Status på LED indikator/Bipper		Funktion	Status	Handling der skal udføres
LED indikator	Bipper			
Lyser grønt → rødt → blåt → hvidt i rækkefølge.	En serie af meget korte biplyde	Kontroller LED-indikatoren, lyset og bipperen (når du trykker afbryderen ind for første gang, efter at akkuen er sat i maskinen).	Kontroller, at de grønne, røde, blå og hvide LED-indikatorer lyser og bipper korrekt.	—
Lyser grønt i cirka et sekund.	—	Automatisk stop af fastspænding	Denne funktion aktiveres, når maskinen har nået det forindstillede drejningsmoment, og normal fastspænding er fuldført. Dette hjælper til at undgå overiskruining.	—
Blinker langsomt i violet.	En serie af lange biplyde	Advarsel vedrørende akkukapacitet	Dette angiver det passende tidspunkt for udskiftning af akkuen, når der ikke længere er meget strøm tilbage på akkuen.	Udskift akkuen med en fuldt opladet.
Lyser violet.	En lang biplyd	Kontrol af tilbageværende akkukapacitet, automatisk stop.	Denne funktion aktiveres, når strømmen er næsten opbrugt. Maskinen stopper øjeblikkeligt.	Udskift akkuen med en fuldt opladet.
Lyser skiftevis rødt og grønt.	En serie af korte biplyde	Anti-nulstilling af kontrolanordning	Denne funktion aktiveres, når et unormalt fald i akkuspænding indtræffer af en eller anden grund og maskinen stopper.	Udskift akkuen med en fuldt opladet.
		Motorsammenbrud	Denne funktion fungerer, hvis motoren bryder sammen.	Indlevér maskinen til et autoriseret Makita-servicecenter.
Blinker hurtigt rødt.	En serie af korte biplyde	Overophedning	Denne funktion aktiveres, hvis temperaturen i kontrolenheden eller motoren når et højt niveau, og maskinen stopper.	Udtag øjeblikkeligt akkuen og lad den afkøle.
Blinker skiftevis i rødt og gult.	En lang biplyd	Advarsel om utilstrækkelig fastgøring	Fastgøringen er utilstrækkelig, hvis afbryderen udløses, inden aktivering af koblingen.	—
		Detektering af dobbeltslag	Denne funktion fungerer, når en skrue fastgøres igen efter den første fastgøring.	—

011001

## Justering af drejningsmoment

Når De ønsker at iskrue maskinskruer, træskruer, sekskantbolte, osv. med et forindstillet drejningsmoment, justeres drejningsmomentet som følger.

1. Tag første akkuen ud af maskinen.
2. Løsn og fjern den skrue, der holder ringen. (Løsn de to skruer, som fastholder ringen udelukkende for DFL201F) (Fig. 6)
3. Drej ringen forrest på maskinen med hånden, indtil der ses et hul under ringen.
4. Sæt akkuen i, og tryk på afbryderen. Løsn dem, så justeringsringen drejer og hullet bliver synligt som vist på illustrationen (Fig. 7). Tag derefter akkuen ud.
5. Anvend et justeringshåndtag (ekstraudstyr) til at indstille drejningsmomentet. Før stiftene på justeringshåndtaget ind i hullet forrest på maskinen. Drej derefter justeringshåndtaget med uret for at indstille et højere drejningsmoment, og mod uret for at indstille et mindre drejningsmoment. (Fig. 8)
6. Juster kanten af justeringsringen med det ønskede tal på drejningsmomentskalaen.
7. Sæt akkuen i, og benyt en momentnøgle til at kontrollere, at det korrekte drejningsmoment er blevet indstillet.
8. Drej ringen, så hullet til justeringshåndtaget er dækket, hold og fastgør derefter ringen med skruen.

### BEMÆRK:

- Tallene på skalaen for drejningsmoment er ment som vejledende til hjælp ved indstilling af det ønskede drejningsmoment.

## SAMLING

### ⚠ FORSIGTIG:

- Sørg altid for at maskinen er slukket, og at akkuen er taget ud, før der udføres noget arbejde på maskinen.

### Valg af korrekt top

Til nogle modeller findes der forskellige typer toppe, afhængigt af anvendelsen. Vælg og monter den top, der passer til din anvendelse.

### Montering og afmontering af top (Fig. 9)

Toppen monteres ved at man, mens man med den ene hånd trykker stiftene på den firkantede kraftoverføring ind, sætter toppen på den firkantede kraftoverføring på maskinen, indtil toppen låser på plads. Toppen afmonteres ved at man ganske enkelt trækker den af, mens man holder stiftene på den firkantede kraftoverføring inde.

## BETJENING

Hold maskinen fast, og sæt toppen over boltene eller møtrikken. Tænd for maskinen. Motoren stopper automatisk, når koblingen slår til. Slip derefter afbryderen. (Fig. 10)

### BEMÆRK:

- Hold maskinen, så firkantdrevet vender direkte mod boltene eller møtrikken. I modsat fald kan boltene eller møtrikken blive beskadiget.

## Grænser for fastspændingskapacitet

Anvend maskinen inden for området af omdrejningsvinklen op til 360°. Hvis maskinen anvendes over den øvre grænse for dette område, vil koblingen ikke fungere. Og maskinen kan ikke levere et tilstrækkeligt tilspændingsmoment (LED-indikatoren blinker langsomt i violet eller lyser i violet).

### BEMÆRK:

- Omdrejningsvinkel henviser til den vinkel (afstand), som en skrue/bolt drejer, når maskinen opnår 100% til 50% af det ønskede drejningsmoment.
- Anvendelse af en akku med en meget lav temperatur kan sommetider udløse en advarsel om lav akkukapacitet gennem aktiveret advarselslampe og biplyd, hvilket får maskinen til at stoppe øjeblikkeligt. I dette tilfælde kan fastspændingskapaciteten være mindre end specifikationen i dette brugsanvisning, selv hvis en opladet akku anvendes.

## VEDLIGEHOLDELSE

### ⚠ FORSIGTIG:

- Sørg altid for at maskinen er slukket, og at akkuen er taget ud før der gennemføres noget arbejde på selve maskinen.
- Anvend aldrig benzin, rensbenzin, fortynder, alkohol og lignende. Resultatet kan blive misfarvning, deformation eller revner.

For at opretholde produktets SIKKERHED og PALIDELIGHED bør reparationer, anden vedligeholdelse eller justeringer altid udføres af et Makita Service Center, idet der altid bør anvendes Makita reservedele.

## EKSTRAUDSTYR

### ⚠ FORSIGTIG:

- Dette udstyr og tilbehør bør anvendes sammen med Deres Makita maskine, sådan som det er beskrevet i denne vejledning. Anvendelse af andet udstyr eller tilbehør kan medføre personskaade. Tilbehøret bør kun anvendes til det, det er beregnet til.

Hvis De behøver assistance eller yderligere detaljer om dette tilbehør, bedes De kontakte Deres lokale Makita servicecenter.

- Original Makita-akku og oplader
- Justeringshåndtag
- Beskyttelseshætte
- Vinkelhovedsæt (Kun for model DFL201F)

### BEMÆRK:

- Nogle ting på denne liste kan være inkluderet i værktøjsspakken som standardtilbehør. Det kan være forskelligt fra land til land.

**Lyd**

Det typiske A-vægtede støjniveau bestemt i overensstemmelse med EN60745:

**Model DFL201F, DFL402F**

Lydtryksniveau ( $L_{pA}$ ): 72 dB (A)

Usikkerhed (K): 3 dB (A)

Støjniveauet under arbejde kan overstige 80 dB (A).

**Model DFL301F**

Lydtryksniveau ( $L_{pA}$ ): 74 dB (A)

Usikkerhed (K): 3 dB (A)

Støjniveauet under arbejde kan overstige 80 dB (A).

**Bær høreværn**

ENG900-1

**Vibration**

Vibrations totalværdi (tre-aksial vektorsum) bestemt i overensstemmelse med EN60745:

Arbejdsindstilling: iskruning uden slag

Vibrationsafgivelse ( $a_h$ ): 2,5 m/s<sup>2</sup> eller mindre

Usikkerhed (K): 1,5 m/s<sup>2</sup>

ENG901-1

- Den angivne vibrationsemissionsværdi er blevet målt i overensstemmelse med standardtestmetoden og kan anvendes til at sammenligne en maskine med en anden.
- Den angivne vibrationsemissionsværdi kan også anvendes i en preliminær eksponeringsvurdering.

**⚠ ADVARSEL:**

- Vibrationsemissionen under den faktiske anvendelse af maskinen kan være forskellig fra den erklærede emissionsværdi, afhængigt af den måde, hvorpå maskinen anvendes.
- Sørg for at identificere de sikkerhedsforskrifter til beskyttelse af operatøren, som er baseret på en vurdering af eksponering under de faktiske brugsforhold (med hensyntagen til alle dele i brugscyklen, som f.eks. de gange, hvor maskinen er slukket og når den kører i tomgang i tilgift til afbyrdertiden).

**Kun for lande i Europa****EU-konformitetserklæring**

**Vi, Makita Corporation, erklærer, som den ansvarlige fabrikant, at den (de) følgende Makita maskine(r):**

Maskinens betegnelse:

Akku-vinkelskruestrækker

Model nr./Type: DFL201F, DFL301F, DFL402F

er af serieproduktion og

**opfylder betingelserne i de følgende EU-direktiver:**

2006/42/EU

og er fremstillet i overensstemmelse med de følgende standarder eller standardiserede dokumenter:

EN60745

Den tekniske dokumentation opbevares af vores autoriserede repræsentant i Europa, som er:

Makita International Europe Ltd.

Michigan Drive, Tongwell,

Milton Keynes, MK15 8JD, England

26.3.2010



Tomoyasu Kato

Direktør

Makita Corporation

3-11-8, Sumiyoshi-cho,

Anjo, Aichi, JAPAN

**Περιγραφή γενικής άποψης**

1 Κόκκινο τμήμα	8 Βίδες	15 Κίτρινη γραμμή
2 Κομπούτι	9 Γωνιακή κεφαλή	16 Ελατήριο συμπίεσης
3 Κασέτα μπαταρίας	10 Δακτύλιος ρύθμισης	17 Υποδοχή
4 Σκανδάλη διακόπτης	11 Δακτύλιος	18 Οπή
5 Μοχλός διακόπτη αντιστροφής	12 Κλίμακα	19 Πείρος
6 Λαμπάκι	13 Προσαρμοστική λαβή	
7 Ένδειξη LED	14 Οπή για προσαρμοστική λαβή	

**ΤΕΧΝΙΚΑ ΧΑΡΑΚΤΗΡΙΣΤΙΚΑ**

Μοντέλο	DFL201F	DFL301F	DFL402F	
Ροπή στερέωσης	Σκληρός σύνδεσμος	8 – 20 N*m	16 – 30 N*m	25 – 40 N*m
	Μαλακός σύνδεσμος	8 – 20 N*m	16 – 30 N*m	25 – 40 N*m
Τετραγωνικός οδηγός	9,5 χιλ	9,5 χιλ	9,5 χιλ	
Ταχύτητα χωρίς φορτίο (λεπ <sup>-1</sup> )	360	260	200	
Διαστάσεις (Μ x Π x Υ)	429 χιλ x 72 χιλ x 98 χιλ	477 χιλ x 72 χιλ x 98 χιλ	477 χιλ x 72 χιλ x 98 χιλ	
Καθαρό βάρος	1,7 χγρ	2,0 χγρ	2,0 χγρ	
Καθορισμένο βολτάζ	D.C. 14,4 V			

- Λόγω του συνεχιζόμενου προγράμματος έρευνας και ανάπτυξης, οι παρούσες προδιαγραφές υπόκεινται σε αλλαγή χωρίς προειδοποίηση.
- Τα τεχνικά χαρακτηριστικά και η κασέτα μπαταρίας μπορεί να διαφέρουν από χώρα σε χώρα.
- Βάρος, με κασέτα μπαταρίας, σύμφωνα με τη διαδικασία ΕΡΤΑ 01/2003

ENE033-1

**Προοριζόμενη χρήση**

Αυτό το εργαλείο προορίζεται για βίδωμα σε ξύλο, μέταλλο και πλαστικό.

GEA010-1

**Γενικές προειδοποιήσεις ασφαλείας για το ηλεκτρικό εργαλείο**

**⚠️ ΠΡΟΕΙΔΟΠΟΙΗΣΗ Διαβάστε όλες τις προειδοποιήσεις ασφαλείας και όλες τις οδηγίες.** Η μη τήρηση των προειδοποιήσεων και οδηγιών ενδέχεται να καταλήξει σε ηλεκτροπληξία, πυρκαγιά ή/και σοβαρό τραυματισμό.

**Φυλάξτε όλες τις προειδοποιήσεις και τις οδηγίες για μελλοντική παραπομπή.**

GEB050-2

**ΑΣΥΡΜΑΤΟ ΚΑΤΣΑΒΙΔΙ — ΠΡΟΕΙΔΟΠΟΙΗΣΕΙΣ ΑΣΦΑΛΕΙΑΣ**

1. Να κρατάτε το ηλεκτρικό εργαλείο από τις λαβές με μόνωση όταν εκτελείτε εργασίες κατά τις οποίες ο σύνδεσμος μπορεί να έρθει σε επαφή με κρυμμένα καλώδια. Αν ο σύνδεσμος έρθει σε επαφή με κάποιο ηλεκτροφόρο καλώδιο, μπορεί τα εκτεθειμένα μεταλλικά μέρη του ηλεκτρικού εργαλείου να γίνουν κι αυτά ηλεκτροφόρα και να προκληθεί ηλεκτροπληξία στο χειριστή.
2. Πάντοτε βεβαιώνετε ότι πατάτε γερά. Βεβαιώνετε ότι κανείς δεν είναι από κάτω, όταν χρησιμοποιείτε το μηχάνημα σε ψηλά μέρη.
3. Κρατάτε το μηχάνημα σταθερά.

4. Κρατάτε τα χέρια σας μακριά από τα περιστρεφόμενα μέρη.
5. Μην αγγίζετε την αιχμή ή το αντικείμενο εργασίας αμέσως μετά τη λειτουργία, γιατί μπορεί να είναι εξαιρετικά θερμά και να σας προκαλέσουν εγκαύματα.

**ΦΥΛΑΞΤΕ ΤΙΣ ΟΔΗΓΙΕΣ ΑΥΤΕΣ.**

**⚠️ ΠΡΟΕΙΔΟΠΟΙΗΣΗ:**

**ΜΗΝ επιτρέψετε το βαθμό άνεσης ή εξοικείωσης με το προϊόν (λόγω επανειλημμένης χρήσης) να αντικαταστήσει την αυστηρή τήρηση των κανόνων ασφαλείας του παρόντος εργαλείου. ΚΑΚΗ ΧΡΗΣΗ ή αμέλεια να ακολουθήσετε τους κανόνες ασφαλείας που περιγράφονται σ' αυτό το εγχειρίδιο οδηγιών μπορεί να προκαλέσει σοβαρό προσωπικό τραυματισμό.**

ENC007-6

**ΣΗΜΑΝΤΙΚΕΣ ΟΔΗΓΙΕΣ ΑΣΦΑΛΕΙΑΣ**

**ΓΙΑ ΚΑΣΕΤΑ ΜΠΑΤΑΡΙΑΣ**

1. Πριν χρησιμοποιήσετε την κασέτα μπαταρίας, διαβάστε όλες τις οδηγίες και σημειώσεις προφύλαξης (1) στον φορτιστή μπαταρίας, (2) στην μπαταρία και (3) στο προϊόν που χρησιμοποιείτε την μπαταρία.
2. Μην αποσυναρμολογήσετε την κασέτα μπαταρίας.
3. Εάν ο χρόνος λειτουργίας έχει γίνει υπερβολικά βραχύς, σταματήστε την λειτουργία αμέσως. Αλλιώς, μπορεί να έχει ως αποτέλεσμα κίνδυνο υπερθέρμανσης, πιθανά εγκαύματα ή ακόμη και έκρηξη.
4. Εάν ηλεκτρολύεται η μπαταρία, μην στα μάτια σας, ξεπλύνετε τα με καθαρό νερό και ζητήστε ιατρική φροντίδα αμέσως. Αλλιώς, μπορεί να έχει ως αποτέλεσμα απώλεια της όρασης σας.

5. **Μη βραχυκυκλώνετε την κασέτα μπαταρίας:**
  - (1) Μην αγγίζετε τους πόλους με σιδήπυτε αγώγιμο υλικό.
  - (2) Αποφεύγετε να αποθηκεύετε την κασέτα μπαταρίας μέσα σε ένα δοχείο μαζί με άλλα μεταλλικά αντικείμενα όπως καρφιά, νομίσματα, κλπ.
  - (3) Μην εκθέτετε την κασέτα μπαταρίας στο νερό ή στη βροχή.  
Ένα βραχυκύκλωμα μπαταρίας μπορεί να προκαλέσει μεγάλη ροή ρεύματος, υπερθέρμανση, πιθανά εγκαύματα ακόμη και σοβαρή βλάβη.
6. Μην αποθηκεύετε το εργαλείο και την κασέτα μπαταρίας σε τοποθεσίες όπου η θερμοκρασία μπορεί να φτάσει ή να ξεπεράσει τους 50°C.
7. Μην καίτε την κασέτα μπαταρίας ακόμη και εάν έχει σοβαρή ζημιά ή είναι εντελώς φθαρμένη. Η κασέτα μπαταρίας μπορεί να εκραγεί στην φωτιά.
8. Προσέχετε να μη ρίξετε κάτω ή χτυπήσετε την μπαταρία.
9. Μην χρησιμοποιείτε μπαταρία που έχει υποστεί ζημιά.

## ΦΥΛΑΞΤΕ ΤΙΣ ΟΔΗΓΙΕΣ ΑΥΤΕΣ.

### Συμβουλές για διατήρηση μέγιστης ζωής μπαταρίας

1. Φορτίζετε την κασέτα μπαταρίας πριν από την πλήρη αποφόρτιση της. Πάντοτε σταματάτε την λειτουργία του εργαλείου και φορτίζετε την κασέτα μπαταρίας όταν παρατηρείτε μειωμένη ισχύ εργαλείου.
2. Ποτέ μην επαναφορτίζετε μία πλήρως φορτισμένη κασέτα μπαταρίας. Υπερφόρτιση μειώνει την ωφέλιμη ζωή της μπαταρίας.
3. Φορτίζετε την κασέτα μπαταρίας σε θερμοκρασία δωματίου 10°C – 40°C. Αφήστε μία θερμή κασέτα μπαταρίας να κρυώσει πριν την φορτίσετε.

## ΠΕΡΙΓΡΑΦΗ ΛΕΙΤΟΥΡΓΙΑΣ

### ⚠ ΠΡΟΣΟΧΗ:

- Πάντοτε βεβαιώνεστε ότι το εργαλείο είναι σβηστό και η κασέτα μπαταρίας έχει αφαιρεθεί πριν ρυθμίσετε ή ελέγξετε κάποια λειτουργία στο εργαλείο.

### Τοποθέτηση ή αφαίρεση της κασέτας μπαταρίας (Εικ. 1)

- Πάντοτε σβήνετε το εργαλείο πριν την τοποθέτηση ή αφαίρεση της μπαταρίας.
- Για να αφαιρέσετε την κασέτα μπαταρίας, τραβήχτε την από το εργαλείο ενώ σύρετε το κουμπί στο εμπρόσθιο μέρος της κασέτας.
- Για να τοποθετήσετε την κασέτα μπαταρίας, ευθυγραμμίστε την γλώσσα στην κασέτα μπαταρίας με την εγκοπή στο περίβλημα και σύρετε την στη θέση της. Πάντοτε εισάγετε την εντελώς μέσα μέχρι να κλειδώσει στη θέση της με ένα μικρό κλικ. Εάν το κόκκινο τμήμα στο επάνω μέρος του κουμπιού είναι ορατό δεν έχει κλειδώσει καλά. Εισάγετε την κασέτα εντελώς μέχρι το κόκκινο τμήμα να μην είναι ορατό. Αλλιώς, μπορεί τυχαίως να πέσει έξω από το εργαλείο και να προκαλέσει τραυματισμό σε σας ή σε κάποιον άλλον γύρω σας.

- Μη χρησιμοποιείτε δύναμη όταν τοποθετείτε την κασέτα μπαταρίας. Εάν η κασέτα δεν γλιστράει μέσα με ευκολία, δεν είναι τοποθετημένη σωστά.

## Λειτουργία διακόπτη (Εικ. 2)

### ⚠ ΠΡΟΣΟΧΗ:

- Πριν βάλετε την κασέτα μπαταρίας μέσα στο εργαλείο, πάντοτε ελέγχετε να δείτε ότι η σκανδάλη διακόπτης ενεργοποιείται κανονικά και επιστρέφει στη θέση "OFF" όταν ελευθερώνεται.

Για να ξεκινήσετε το εργαλείο, απλώς τραβήχτε την σκανδάλη διακόπτη. Ελευθερώστε την σκανδάλη διακόπτη για να σταματήσει.

## Λειτουργία διακόπτη αντιστροφής (Εικ. 3)

### ⚠ ΠΡΟΣΟΧΗ:

- Πάντοτε ελέγχετε την διεύθυνση περιστροφής πριν την λειτουργία.
- Χρησιμοποιείτε τον διακόπτη αντιστροφής μόνο όταν το εργαλείο σταματά εντελώς. Αλλάζοντας την διεύθυνση περιστροφής πριν σταματήσει το εργαλείο θα προκαλέσετε ζημιά στο εργαλείο.
- Όταν δεν λειτουργείτε το εργαλείο, πάντοτε τοποθετείτε τον μοχλό του διακόπτη αντιστροφής στην ουδέτερη θέση.

Αυτό το εργαλείο έχει ένα διακόπτη αντιστροφής για να αλλάζει την φορά περιστροφής. Πατήστε το μοχλό του διακόπτη αντιστροφής από την πλευρά Α για δεξιόστροφη περιστροφή ή από την πλευρά Β για αριστερόστροφη περιστροφή.

Όταν ο μοχλός του διακόπτη αντιστροφής βρίσκεται στην ουδέτερη θέση, ο διακόπτης αντιστροφής δεν μπορεί να τραβηχθεί.

## Ανάβοντας τα λαμπάκια (Εικ. 4)

### ⚠ ΠΡΟΣΟΧΗ:

- Μη κοιτάτε το φως ή την πηγή του φωτός απευθείας.

Τραβήχτε την σκανδάλη διακόπτη για να ανάψετε το λαμπάκι. Το λαμπάκι συνεχίζει να είναι αναμμένο ενώ η σκανδάλη είναι τραβηγμένη. Το λαμπάκι σβήνει αυτόματα σε 10 δευτερόλεπτα αφού η σκανδάλη διακόπτης έχει ελευθερωθεί.

### ΣΗΜΕΙΩΣΗ:

- Χρησιμοποιείτε ένα ξηρό ύφασμα για να σκουπίσετε τους ρύπους από τους φακούς στα λαμπάκια. Προσέχετε να μη γρατσουνίσετε τους φακούς στα λαμπάκια διαφορετικά θα μειωθεί ο φωτισμός.

## Ένδειξη LED / Βομβητής (Εικ. 5)

Ένδειξη LED / Ο βομβητής στο εργαλείο δείχνει τις ακόλουθες λειτουργίες.

Κατάσταση της ένδειξης LED / βομβητή		Λειτουργία	Κατάσταση	Απαιτούμενη ενέργεια
Ένδειξη LED	Βομβητής			
Ανάβει Πράσινο → Κόκκινο → Μπλε → Λευκό με αυτήν τη σειρά.	Μία σειρά από πολύ βραχεία μπιπ	Ελέγξτε το LED, τη λυχνία φωτισμού και το βομβητή (όταν πιέσετε τη σκανδάλη διακόπτη για πρώτη φορά, μετά από την τοποθέτηση μιας κασέτας μπαταρίας στο εργαλείο).	Βεβαιωθείτε ότι το LED ανάβει πράσινο, κόκκινο, μπλε, λευκό και ότι ο βομβητής ηχεί κανονικά.	—
Ανάβει πράσινο για περίπου ένα δευτερόλεπτο.	—	Στερέωση με αυτόματο σταμάτημα	Αυτή η λειτουργία ενεργοποιείται όταν το εργαλείο έχει φτάσει την προρυθμισμένη ροπή στερέωσης και η κανονική σύσφιξη έχει συμπληρωθεί. Αυτό βοηθάει στο να αποφεύγεται η υπερβολική σύσφιξη.	—
Αναβοσβήνει μωβ αργά.	Μία σειρά μακρών μπιπ	Προειδοποίηση για κατάσταση φόρτισης κασέτας	Αυτό υποδεικνύει τον κατάλληλο χρόνο να αντικαταστήσετε την κασέτα μπαταρίας όταν η ισχύς μπαταρίας έχει πέσει.	Αντικαταστήστε την μπαταρία με μία άλλη πλήρως φορτισμένη.
Ανάβει μωβ.	Ένα μακρύ μπιπ	Ένδειξη της κατάστασης φόρτισης της μπαταρίας, αυτόματο σταμάτημα	Αυτή η λειτουργία ενεργοποιείται όταν η ισχύς της μπαταρίας είναι σχεδόν εξαντλημένη. Σε αυτήν την περίπτωση, το εργαλείο σταματά αμέσως.	Αντικαταστήστε την μπαταρία με μία άλλη πλήρως φορτισμένη.
Ανάβει εναλλάξ σε πράσινο και κόκκινο.	Μία σειρά βραχέων μπιπ	Αντι-επαναρύθμιση του ελεγκτή	Αυτή η λειτουργία ενεργοποιείται όταν συμβεί μία απότομη πτώση της τάσης της μπαταρίας για κάποιο λόγο και το εργαλείο σταματά.	Αντικαταστήστε την μπαταρία με μία άλλη πλήρως φορτισμένη.
		Αστοχία ηλεκτροκινητήρα	Αυτή η λειτουργία ενεργοποιείται όταν παρουσιαστεί αστοχία του ηλεκτροκινητήρα.	Πηγαίνετε το σε ένα εξουσιοδοτημένο κέντρο εξυπηρέτησης της Makita.
Αναβοσβήνει γρήγορα σε κόκκινο.	Μία σειρά βραχέων μπιπ	Υπερθέρμανση	Αυτή η λειτουργία ενεργοποιείται εάν η θερμοκρασία του ελεγκτή ή του κινητήρα ανέβει σε υψηλό επίπεδο και το εργαλείο σταματάσει.	Αφαιρέστε την κασέτα μπαταρίας αμέσως και ψύξτε το εργαλείο.
Αναβοσβήνει εναλλάξ σε κόκκινο και κίτρινο.	Ένα μακρύ μπιπ	Προειδοποίηση ανεπαρκούς σύσφιξης	Η σύσφιξη δεν είναι πλήρης όταν η σκανδάλη ενεργοποίησης ελευθερώνεται πριν από την ενεργοποίηση του συμπλέκτη.	—
		Ανίχνευση διπλού κτυπήματος	Αυτή η λειτουργία ενεργοποιείται όταν επιχειρείται εκ νέου σύσφιξη μιας βίδας που έχει ήδη σφίχτεί.	—

011001

## Ρύθμιση της ροπής στερέωσης

Όταν επιθυμείτε να βιδώσετε μηχανοβίδες, ξυλόβιδες, εξαγωνικά μπουλόνια, κλπ. με την προκαθορισμένη ροπή, ρυθμίστε την ροπή στερέωσης ως ακολούθως.

1. Πρώτα αφαιρέστε την κασέτα μπαταρίας από το εργαλείο.
2. Χαλαρώστε και αφαιρέστε την βίδα που ασφαλίζει τον δακτύλιο.  
(Χαλαρώστε τις δύο βίδες που ασφαλίζουν τον δακτύλιο μόνο για DFL201F) **(Εικ. 6)**
3. Περιστρέψτε τον δακτύλιο στο εμπρόσθιο μέρος του εργαλείου με το χέρι ώστε να δείτε μία οπή κάτω από το δακτύλιο.
4. Τοποθετήστε την κασέτα μπαταρίας στη θέση της και τραβήχτε την σκανδάλη διακόπτη. Ελευθερώστε την ώστε ο δακτύλιος ρύθμισης να περιστραφεί και να εμφανιστεί η οπή, όπως υποδεικνύεται στην εικόνα **(Εικ. 7)**. Τότε αφαιρέστε την κασέτα μπαταρίας.
5. Χρησιμοποιήστε μία προαιρετική λαβή για να ρυθμίσετε τη ροπή στερέωσης. Βάλτε τον πείρο της ρυθμιστικής λαβής μέσα στην οπή στο εμπρόσθιο μέρος του εργαλείου. Και τότε γυρίστε την ρυθμιστική λαβή δεξιόστροφα για να ρυθμίσετε σε μικρότερη ροπή στερέωσης. **(Εικ. 8)**
6. Ευθυγραμμίστε την άκρη του δακτυλίου ρύθμισης με τον επιθυμητό σας αριθμό στην κλίμακα ροπής στερέωσης.
7. Βάλτε την κασέτα μπαταρίας και βεβαιωθείτε ότι μία ροπή στερέωσης έχει ρυθμιστεί χρησιμοποιώντας ένα μετρητή ροπής στερέωσης.
8. Περιστρέψτε το δακτύλιο ώστε η οπή για τη λαβή ρύθμισης να καλυφθεί, κρατήστε το δακτύλιο και στη συνέχεια ασφαλίστε τον με τη βίδα.

## ΣΗΜΕΙΩΣΗ:

- Οι αριθμοί στην κλίμακα της ροπής στερέωσης είναι ένας οδηγός για να ρυθμίσετε την επιθυμητή σας ροπή στερέωσης.

## ΣΥΝΑΡΜΟΛΟΓΗΣΗ

### ⚠ ΠΡΟΣΟΧΗ:

- Πάντοτε βεβαιώνετε ότι το εργαλείο είναι σβηστό και η κασέτα μπαταρίας έχει αφαιρεθεί πριν εκτελέσετε κάποια εργασία στο εργαλείο.

## Επιλογή σωστής υποδοχής

Υπάρχουν διαφορετικοί τύποι υποδοχών για μερικά μοντέλα ανάλογα με τις εφαρμογές. Επιλέξτε και τοποθετήστε την σωστή υποδοχή για την εφαρμογή σας.

## Τοποθέτηση ή αφαίρεση της υποδοχής (Εικ. 9)

Για να τοποθετήσετε την υποδοχή, στρώχτε την στον τετράγωνο οδηγό του εργαλείου με το ένα χέρι πιέζοντας τον πείρο στον τετράγωνο οδηγό με το άλλο χέρι μέχρι να κλειδώσει στη θέση της. Για να αφαιρέσετε την υποδοχή, απλώς τραβήχτε την έξω πιέζοντας τον πείρο στον τετράγωνο οδηγό.

## ΛΕΙΤΟΥΡΓΙΑ

Κρατάτε το εργαλείο σταθερά και τοποθετήστε την υποδοχή πάνω από το μπουλόνι ή το παξιμάδι. Μετά ανάψτε το εργαλείο. Όταν ο συμπλέκτης εμπλακεί, ο κινητήρας θα σταματήσει αυτόματα. Τότε ελευθερώστε την σκανδάλη διακόπτη. **(Εικ. 10)**

## ΣΗΜΕΙΩΣΗ:

- Κρατάτε το εργαλείο με τον τετράγωνο οδηγό διευθυνόμενο ίσια προς το μπουλόνι ή παξιμάδι, αλλιώς το μπουλόνι ή το παξιμάδι θα πάθουν ζημιά.

## Όρια ικανότητας στερέωσης

Χρησιμοποιήστε το εργαλείο εντός του εύρους της γωνίας περιστροφής έως 360°. Εάν χρησιμοποιήσετε το εργαλείο πέραν του άνω ορίου του συγκεκριμένου εύρους, ο συμπλέκτης δεν λειτουργεί. Επομένως το εργαλείο αδυνατεί να παρέχει επαρκή ροπή σύσφιξης (η ενδεικτική λυχνία LED αναβοσβήνει μωβ αργά ή ανάβει μωβ).

## ΣΗΜΕΙΩΣΗ:

- Η γωνία περιστροφής είναι η γωνία την οποία μία βίδα/μπουλόνι διαγράφει όταν το εργαλείο φθάνει στο 100% από το 50% της επιθυμητής ροπής.
- Η χρήση μίας κασέτας μπαταρίας ευρισκόμενης σε χαμηλή θερμοκρασία μπορεί κάποιες φορές να ενεργοποιήσει το λαμπάκι προειδοποίησης και τον βομβητή για ανεπάρκεια φόρτισης μπαταρίας που αναγκάζουν το εργαλείο να σταματήσει αμέσως. Σε αυτήν την περίπτωση, η ικανότητα σύσφιξης ενδέχεται να είναι κατώτερη των προδιαγραφών του παρόντος εγχειριδίου ακόμη και αν χρησιμοποιηθεί κασέτα φορτισμένης μπαταρίας.

## ΣΥΝΤΗΡΗΣΗ

### ⚠ ΠΡΟΣΟΧΗ:

- Πριν την εκτέλεση εργασιών με τη συσκευή διαβεβαιώνετε πάντοτε, για το ότι η συσκευή σβήστηκε με απομακρυσμένο το συσσωρευτή.
- Μην χρησιμοποιείτε ποτέ βενζίνη, πετρελαϊκό αιθέρα, διαλυτικό, αλκοόλη ή παρόμοιες ουσίες. Ενδέχεται να προκληθεί αποχρωματισμός, παραμόρφωση ή ρωγμές.

Για την διατήρηση της ΑΣΦΑΛΕΙΑΣ και ΑΞΙΟΠΙΣΤΙΑΣ του προϊόντος, επισκευές, οποιαδήποτε άλλη συντήρηση ή ρύθμιση πρέπει να εκτελούνται από τα εξουσιοδοτημένα κέντρα εξυπηρέτησης της Makita, με χρήση πάντοτε ανταλλακτικών Makita.

## ΠΡΟΑΙΡΕΤΙΚΑ ΕΞΑΡΤΗΜΑΤΑ

### ⚠ ΠΡΟΣΟΧΗ:

- Αυτά τα ανταλλακτικά ή προσαρτήματα συνιστώνται για χρήση με το εργαλείο σας της Makita που περιγράφεται στο εγχειρίδιο αυτό. Η χρήση οτιδήποτε άλλων ανταλλακτικών ή προσαρτημάτων μπορεί να παρουσιάσουν κίνδυνο τραυματισμού σε άτομα.

Εάν χρειάζεστε βοήθεια ή περισσότερες λεπτομέρειες σε σχέση με αυτά τα ανταλλακτικά, ρωτήστε το τοπικό σας κέντρο εξυπηρέτησης της Makita.

- Γνήσια μπαταρία και φορτιστής Makita
- Λαβή ρύθμισης
- Προστατευτικό
- Σύνολο γωνιακής κεφαλής (Μόνο για μοντέλο DFL201F)

## ΠΑΡΑΤΗΡΗΣΗ:

- Μερικά στοιχεία στη λίστα μπορεί να συμπεριλαμβάνονται στη συσκευασία εργαλείου ως στάνταρ εξαρτήματα. Μπορεί να διαφέρουν ανάλογα με τη χώρα.

**Θόρυβος**

Το τυπικό Α επίπεδο μετρημένου θορύβου καθορίζεται σύμφωνα με το EN60745:

**Μοντέλο DFL201F, DFL402F**

Στάθμη πίεσης ήχου ( $L_{pA}$ ): 72 dB (A)

Αβεβαιότητα (K): 3 dB (A)

Η ένταση ήχου υπο συνθήκες εργασίας μπορεί να υπερβεί τα 80 dB (A).

**Μοντέλο DFL301F**

Στάθμη πίεσης ήχου ( $L_{pA}$ ): 74 dB (A)

Αβεβαιότητα (K): 3 dB (A)

Η ένταση ήχου υπο συνθήκες εργασίας μπορεί να υπερβεί τα 80 dB (A).

**Φοράτε ωτοασπίδες**

ENG900-1

**Κραδασμός**

Η ολική τιμή δόνησης (άθροισμα τρι-αξονικού διανύσματος) καθορίζεται σύμφωνα με το EN60745:

Είδος εργασίας: βίδωμα χωρίς κρούση

Εκπομπή δόνησης ( $a_h$ ): 2,5 m/s<sup>2</sup> ή λιγότερο

Αβεβαιότητα (K): 1,5 m/s<sup>2</sup>

ENG901-1

- Η δηλωμένη τιμή εκπομπής κραδασμών έχει μετρηθεί σύμφωνα με την πρότυπη μέθοδο δοκιμής και μπορεί να χρησιμοποιηθεί για τη σύγκριση ενός εργαλείου με άλλο.
- Η δηλωμένη τιμή εκπομπής κραδασμών μπορεί να χρησιμοποιηθεί και στην προκαταρκτική αξιολόγηση έκθεσης.

**⚠ ΠΡΟΕΙΔΟΠΟΙΗΣΗ:**

- Η εκπομπή κραδασμών κατά τη χρήση του ηλεκτρικού εργαλείου σε πραγματικές συνθήκες μπορεί να διαφέρει από τη δηλωμένη τιμή εκπομπής ανάλογα με τον τρόπο χρήσης του εργαλείου.
- Φροντίστε να λάβετε τα κατάλληλα μέτρα προστασίας του χειριστή βάσει υπολογισμού της έκθεσης σε πραγματικές συνθήκες χρήσης (λαμβάνοντας υπόψη όλες τις συνιστώσες του κύκλου λειτουργίας όπως τους χρόνους που το εργαλείο είναι εκτός λειτουργίας και όταν βρίσκεται σε αδρανή λειτουργία πέραν του χρόνου ενεργοποίησης).

**Μόνο για χώρες της Ευρώπης****Δήλωση Συμμόρφωσης ΕΚ**

**Η Makita Corporation, ως ο υπεύθυνος κατασκευαστής, δηλώνει ότι το/τα ακόλουθο(α) μηχάνημα(τα) της Makita:**

Χαρακτηρισμός μηχανήματος:

Ασύρματο γωνιακό καταβίδι

Αρ. μοντέλου/ Τύπος: DFL201F, DFL301F, DFL402F

είναι εν σειρά παραγωγή και

**συμμορφώνονται με τις ακόλουθες Ευρωπαϊκές Οδηγίες:**

2006/42/ΕΚ

και κατασκευάζονται σύμφωνα με τα ακόλουθα πρότυπα ή έγγραφα τυποποίησης:

EN60745

Η τεχνική τεκμηρίωση φυλάσσεται από τον εξουσιοδοτημένο εκπρόσωπό μας στην Ευρώπη, δηλαδή τη:

Makita International Europe Ltd.

Michigan Drive, Tongwell,

Milton Keynes, MK15 8JD, England (Αγγλία)

26.3.2010



Tomoyasu Kato

Διευθυντής

Makita Corporation

3-11-8, Sumiyoshi-cho,

Anjo, Aichi, JAPAN

**Makita Corporation**

Anjo, Aichi, Japan