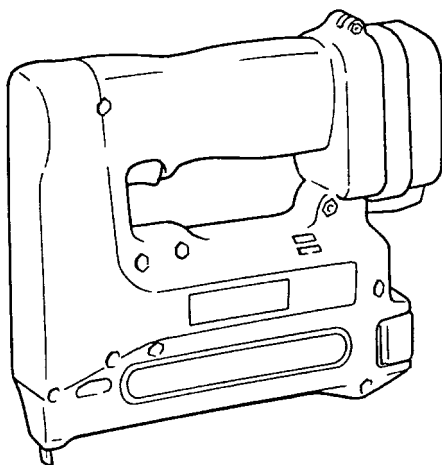


GB	Cordless Stapler	Instruction Manual
F	Agrafeuse sans fil	Manuel d'instructions
D	Akku-Tacker	Betriebsanleitung
I	Graffatrice a batteria	Istruzioni per l'uso
NL	Snoerloze nietmachine	Gebruiksaanwijzing
E	Grapadora a bateria	Manual de instrucciones
P	Agrafadora a bateria	Manual de instruções
DK	Akku hæftepistol	Brugsanvisning
S	Sladdlös häftapparat	Bruksanvisning
N	Batteridrevet stiftemaskin	Bruksanvisning
SF	Akkukäyttöinen nitoja	Käyttöohje
GR	Φορητό ζυρραπτικό	Οδηγίες χρήσεως

T221D **T221DW**

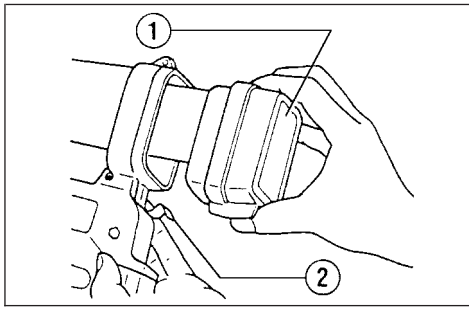


T221DW

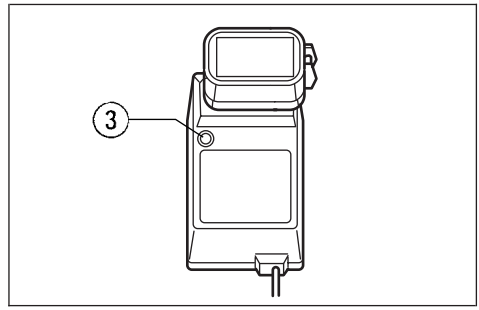
With battery charger
Avec chargeur
Mit Ladegerät
Con carica batteria

Met acculader
Con cargador de batería
Com carregador de bateria
Med akku-ladeaggregat

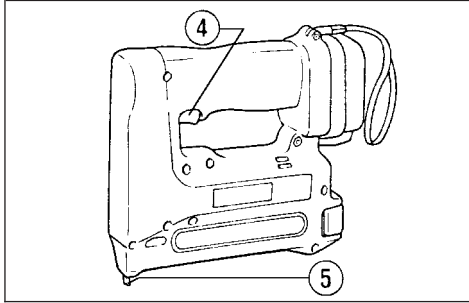
Inkl. batteriladdar
Med batterilader
Akkulataaja
Με φορτιστής μπαταρίας



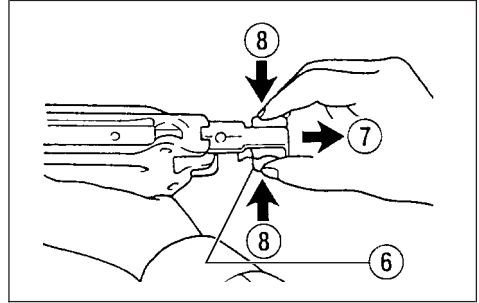
1



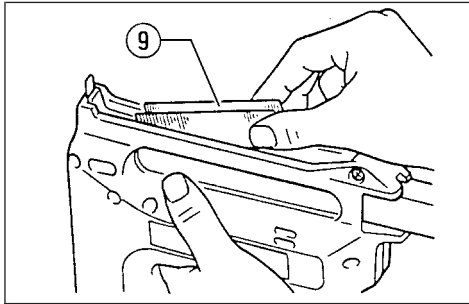
2



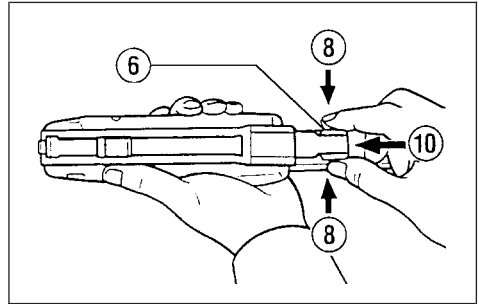
3



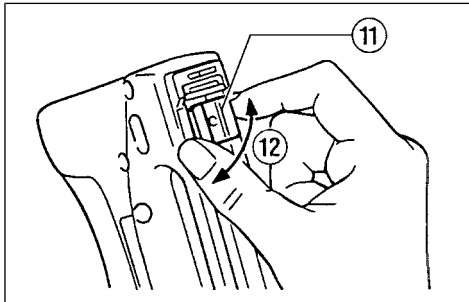
4



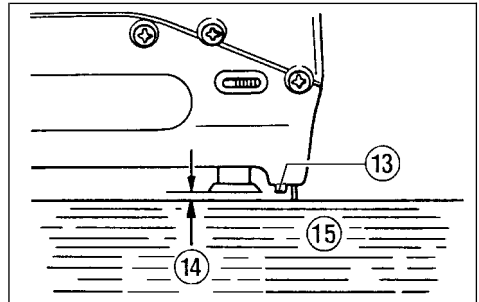
5



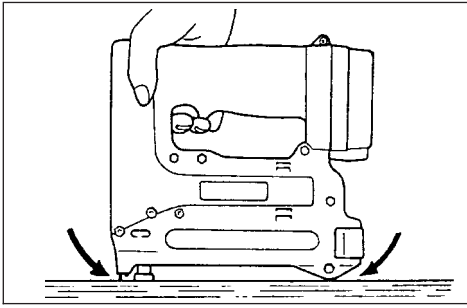
6



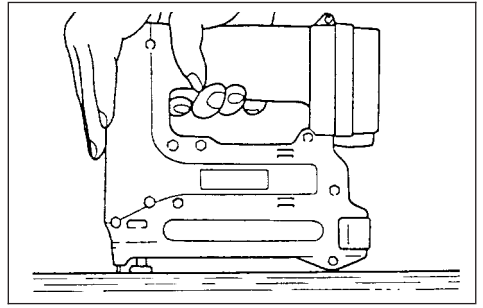
7



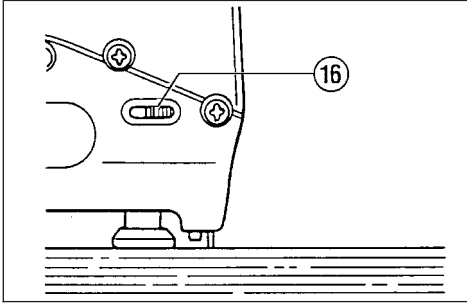
8



9



10



11

- ① Battery cartridge
- ② Set plate
- ③ Charging light
- ④ Trigger
- ⑤ Safety lever
- ⑥ Plate spring

- ⑦ Slide backward
- ⑧ Press
- ⑨ Staples
- ⑩ Push
- ⑪ Nut

- ⑫ Turn
- ⑬ Machine end (A)
- ⑭ Less than 2 mm
- ⑮ Material
- ⑯ Sight window

SPECIFICATIONS

Model	T221D/T221DW
Staple width	10 mm
Applicable staples length	10, 13, 16, 19, 22 mm
Staple magazine capacity	100 pcs.
Dimensions (L x W x H)	199 x 58 x 193 mm
Net weight	1.7 kg
Rated voltage	D.C. 9.6 V

- Due to our continuing program of research and development, the specifications herein are subject to change without notice.
- Note: Specifications may differ from country to country.

Safety hints

For your own safety, please refer to the enclosed safety instructions.

IMPORTANT SAFETY INSTRUCTIONS FOR CHARGER & BATTERY CARTRIDGE

1. **SAVE THESE INSTRUCTIONS** — This manual contains important safety and operating instructions for battery charger.
2. Before using battery charger, read all instructions and cautionary markings on (1) battery charger, (2) battery, and (3) product using battery.
3. **CAUTION** — To reduce risk of injury, charge only MAKITA type rechargeable batteries. Other types of batteries may burst causing personal injury and damage.
4. Do not expose charger to rain or snow.
5. Use of an attachment not recommended or sold by the battery charger manufacturer may result in a risk of fire, electric shock, or injury to persons.
6. To reduce risk of damage to electric plug and cord, pull by plug rather than cord when disconnecting charger.
7. Make sure cord is located so that it will not be stepped on, tripped over, or otherwise subjected to damage or stress.
8. Do not operate charger with damaged cord or plug — replace them immediately.
9. Do not operate charger if it has received a sharp blow, been dropped, or otherwise damaged in any way; take it to a qualified serviceman.

10. Do not disassemble charger or battery cartridge; take it to a qualified serviceman when service or repair is required. Incorrect reassembly may result in a risk of electric shock or fire.
11. To reduce risk of electric shock, unplug charger from outlet before attempting any maintenance or cleaning. Turning off controls will not reduce this risk.

ADDITIONAL SAFETY RULES FOR CHARGER & BATTERY CARTRIDGE

1. Do not charge battery cartridge when temperature is BELOW 10°C (50°F) or ABOVE 40°C (104°F).
2. Do not attempt to use a step-up transformer, an engine generator or DC power receptacle.
3. Do not allow anything to cover or clog the charger vents.
4. Always cover the battery terminals with the battery cover when the battery cartridge is not used.
5. Do not short the battery cartridge:
 - (1) Do not touch the terminals with any conductive material.
 - (2) Avoid storing battery cartridge in a container with other metal objects such as nails, coins, etc.
 - (3) Do not expose battery cartridge to water or rain.

A battery short can cause a large current flow, overheating, possible burns and even a breakdown.
6. Do not store the machine and battery cartridge in locations where the temperature may reach or exceed 50°C (122°F).
7. Do not incinerate the battery cartridge even if it is severely damaged or is completely worn out. The battery cartridge can explode in a fire.
8. Be careful not to drop, shake or strike battery.
9. Do not charge inside a box or container of any kind. The battery must be placed in a well ventilated area during charging.

ADDITIONAL SAFETY RULES FOR MACHINE

1. Always wear safety goggles or safety glasses with side shield, and a full face shield when needed.
2. Do not point the ejection port at anyone in the vicinity (especially his face). Keep hands and feet away from the ejection port area.
3. Always remove the battery cartridge before loading the staples, adjustment, inspection, maintenance or after operation is over.
4. Make sure no one is nearby before operation. Never attempt to drive staples from both the inside and outside of wall at the same time. Staples may rip through and/or fly off, presenting a grave danger.
5. Watch your footing and maintain your balance with the machine. Make sure there is no one below when working in high locations.
6. Check walls, ceilings, floors, roofing and the like carefully to avoid possible electrical shock, gas leakage, explosions, etc. caused by stapling into live wires, conduits or gas pipes.
7. Use only staples specified in this manual. The use of any other staples may cause malfunction of the machine.
8. Do not tamper with the machine or attempt to use it for other than driving staples.
9. Do not operate the machine without staples. It shortens the service life of the machine.
10. Stop driving operations immediately if you notice something wrong or out of the ordinary with the machine.
11. Never staple into any materials which may allow the staple to puncture and fly through as a projectile.
12. Never actuate the switch trigger and safety lever at the same time until you are prepared to staple workpieces. Allow the workpiece to depress the safety lever. Never defeat its purpose by securing the safety lever back or by depressing it by hand.
13. Never tamper with the safety lever. Check the safety lever frequently for proper operations.

SAVE THESE INSTRUCTIONS.

OPERATING INSTRUCTIONS

Installing or removing battery cartridge (Fig. 1)

- Always switch off the machine before insertion or removal of the battery cartridge.
- To remove the battery cartridge, pull out the set plate on the machine and grasp both sides of the cartridge while withdrawing it from the machine.
- To insert the battery cartridge, align the tongue on the battery cartridge with the groove in the housing and slip it into place. Snap the set plate back into place. Be sure to close the set plate fully before using the machine.

- Do not use force when inserting the battery cartridge. If the cartridge does not slide in easily, it is not being inserted correctly.

Charging (Fig. 2)

1. Plug the battery charger into your power source.
2. Insert the battery cartridge so that the plus and minus terminals on the battery cartridge are on the same sides as their respective markings on the battery charger. Insert the cartridge fully into the port so that it rests on the charger port floor.
3. When the battery cartridge is inserted, the charging light color will flash in red color and charging will begin.
4. When charging is completed, the charging light goes out. The charging time is as follows:
Battery 7000, 7100, 7120, 9000, 9100, 9100A, 9120: approx. 60 minutes.
5. If you leave the battery cartridge in the charger after the charging cycle is complete, the charger will switch into its "trickle charge (maintenance charge)" mode.
6. After charging, remove the battery cartridge from the charger and unplug the charger from the power source.

Battery type	Capacity (mAh)	Number of cells
9100	1,300	8

CAUTION:

- The battery charger is for charging Makita battery cartridge. Never use it for other purposes or for other manufacturer's batteries.
- When you charge a new battery cartridge or a battery cartridge which has not been used for a long period of time, it may not accept a full charge. This is a normal condition and does not indicate a problem. You can recharge the battery cartridge fully after discharging it completely and recharging a couple of times.
- When you charge a battery cartridge from a just-operated machine or a battery cartridge which has been left in a location exposed to direct sunlight or heat for a long time, let it cool off. Then re-insert it and try to charge it once more.
- When you charge a new battery cartridge or a battery cartridge which has not been used for a long period, sometimes the charging light will go out soon. If this occurs, remove the battery cartridge and re-insert it. If the charging light goes out within one minute even after repeating this procedure a couple of times, the battery cartridge is dead. Replace it with a new one.

Trickle charge (Maintenance charge)

If you leave the battery cartridge in the charger to prevent spontaneous discharging after full charge, the charger will switch into its "trickle charge (maintenance charge)" mode and keep the battery cartridge fresh and fully charged.

Tips for maintaining maximum battery life

1. Charge the battery cartridge before completely discharged.
Always stop machine operation and charge the battery cartridge when you notice less machine power.
2. Never recharge a fully charged battery cartridge. Overcharging shortens the battery service life.
3. Charge the battery cartridge with room temperature at 10°C – 40°C (50°F – 104°F).
Let a hot battery cartridge cool down before charging it.

Safety system (Fig. 3)

Make sure all safety systems are in working order before operation. The machine must not operate if only the trigger is pulled or if only the safety lever is pressed against the wood. It must work only when both actions are performed. Test for possible faulty operation with a machine unloaded and pointed well away from yourself or any bystanders.

NOTE:

There is a possibility that the machine may operate for an instant when only the trigger is pulled. This does not indicate a problem. If this occurs, point the machine well away from yourself or any bystanders. Release and pull the trigger again to make sure the safety systems are in working order.

Loading staples (Fig. 4, 5 & 6)

Important:

Always remove the battery cartridge before loading the staples into the machine.

Press the plate spring on the rear of the sub-magazine and slide the sub-magazine backward.

Load staples into the main magazine with staple ends facing up as illustrated in Fig. 5. Slide the sub-magazine forward.

To secure the sub-magazine in place, push the sub-magazine while pressing the plate spring on the rear of the sub-magazine.

CAUTION:

- Always secure the sub-magazine in place, or the staples can drop out and cause problems.
- With the magazine loaded, if the machine is held downward and the sub-magazine is opened, the staples can fall out and present a danger to anyone or anything below. Keep this in mind especially when working in high locations.

Depth adjustment (Fig. 7 & 8)

If the staples are driven too deep or too shallow, adjust the driving depth by turning the nut on the bottom of the machine. For deeper driving of staples, turn the nut clockwise. For shallower driving, turn the nut counterclockwise. Please note the nut must be turned in increments of 180° (1/2 turn) so that the groove on the nut runs parallel to the magazine.

NOTE:

If the distance between the machine end (A) and the material to be fastened is more than 2 mm, the machine will not operate because the safety lever is not pressed enough to operate the machine.

Driving staples (Fig. 9 & 10)

Place the machine on the material to be fastened so that the front and the rear of the machine contact the material flat. Do not tip the machine to the right or left side. Hold the machine firmly against the material. Then pull the trigger to drive the staples.

If the staples are driven too shallow, press the machine head as shown in Fig. 10 and drive the staples.

If the staples are still driven too shallow, adjust the driving depth by turning the nut clockwise. Refer to "Depth adjustment".

CAUTION:

Do not operate the machine without staples. It shortens the service life of the machine.

If the machine becomes jammed, do as follows. First, remove the battery cartridge. Open the sub-magazine and remove the stuck staple using a screwdriver or the like.

Sight window (Fig. 11)

There is a convenient sight window on the left side of the machine (when viewing the machine from the front). Use this sight window to check if there are staples in the magazine. When staples are not visible through the window, load staples into the magazine.

Staples

- Handle the staples and their box carefully. If the staples have been handled roughly, they may be bent out of shape, causing poor staple feed or jamming.
- Avoid storing the staples in a very humid or hot place or place exposed to direct sunlight.
- Do not attempt to use staples that appear to be damaged, bent, rusty or corroded.

MAINTENANCE

CAUTION:

Always be sure that the machine is switched off and the battery cartridge is removed before carrying out any work on the machine.

To maintain product safety and reliability, repairs, maintenance or adjustment should be carried out by a Makita Authorized Service Center.

GUARANTEE

We guarantee Makita machines in accordance with statutory/country-specific regulations. Damage attributable to normal wear and tear, overload or improper handling will be excluded from the guarantee. In case of complaint, please send the machine, undismantled, with the enclosed GUARANTEE CERTIFICATE, to your dealer or the Makita Service Center.

- | | | |
|-----------------------|---------------------------|-------------------------|
| ① Batterie | ⑦ Tirer pour ouvrir | ⑫ Réglage de la hauteur |
| ② Capot arrière | ⑧ Presser sur les 2 faces | ⑬ Talon avant |
| ③ Voyant lumineux | ⑨ Barrette d'agrafes | ⑭ Ne pas dépasser 2 mm |
| ④ Gâchette | ⑩ Pousser pour fermer | ⑮ Support |
| ⑤ Palpeur de sécurité | ⑪ Molette carrée | ⑯ Fenêtre |
| ⑥ Ressort | | |

SPECIFICATIONS

Modèle	T221D/T221DW
Largeur d'agrafe	10 mm
Hauteurs d'agrafe compatibles	10, 13, 16, 19, 22 mm
Contenance du magasin d'agrafes	100 unités
Dimensions (L x l x H)	199 x 58 x 193 mm
Poids net	1,7 kg
Tension nominale	9,6 V D.C.

- Etant donné l'évolution constante de notre programme de recherche et de développement, les spécifications contenues dans ce manuel sont sujettes à modification sans préavis.
- Note : Les spécifications peuvent varier suivant les pays.

Consignes de sécurité

Pour votre propre sécurité, reportez-vous aux consignes de sécurité qui accompagnent l'outil.

PRECAUTIONS TRES IMPORTANTES POUR LE CHARGEUR ET LA BATTERIE

1. **SUIVEZ CES INSTRUCTIONS** — Ce manuel contient d'importantes instructions relatives à la sécurité et au fonctionnement du chargeur.
2. Avant de vous servir du chargeur, lisez toutes les instructions et précautions relatives (1) au chargeur, (2) à la batterie, et (3) à l'outil utilisant la batterie.
3. **ATTENTION** — Pour éliminer tout risque, ne chargez que des batteries rechargeables MAKITA. Tout autre type de batterie peut éclater, causant dommages ou blessures.
4. N'exposez pas le chargeur à la pluie ou à la neige.
5. L'utilisation d'un accessoire non recommandé ni vendu par le fabricant du chargeur peut entraîner un risque d'incendie, de décharge électrique ou de blessure.
6. Pour ne pas risquer d'endommager le câble ou la prise, débranchez en tenant la prise plutôt que le câble.
7. Placez le câble de telle manière qu'il ne puisse être ni piétiné ni arraché. Veillez également à ce qu'il ne puisse pas entraîner de chûtes.
8. N'utilisez pas le chargeur si le câble ou la prise sont en mauvais état — en ce cas, changez ceux-ci immédiatement.

9. N'utilisez pas le chargeur après qu'il ait reçu un choc, soit tombé à terre ou se trouve endommagé en quelque façon ; portez-le d'abord chez un réparateur qualifié.
10. Ne démontez ni le chargeur ni la batterie ; portez-les chez un réparateur qualifié quand une réparation devient nécessaire. Un mauvais remontage peut entraîner une décharge électrique ou un incendie.
11. Afin de réduire les risques de décharge, débranchez le chargeur avant tout entretien ou nettoyage. Seule cette mesure constitue une précaution suffisante.

PRECAUTIONS SUPPLEMENTAIRES POUR LE CHARGEUR ET LA BATTERIE

1. N'utilisez pas le chargeur si la température ambiante est inférieure à 10° ou supérieure à 40°.
2. Le chargeur livré avec cette machine doit être branché directement sur une alimentation secteur monophasée alternatif 230 V, 50 Hz. L'alimentation par un courant différent modifié par un transformateur ou un redresseur est à proscrire, de même que le branchement sur un groupe électrogène.
3. Ne laissez rien recouvrir ou obturer les ouvertures du chargeur.
4. Lorsque vous ne vous servez pas de votre batterie, protégez-en toujours les bornes avec le capuchon en vinyl.
5. Ne court-circuitez pas la batterie :
 - (1) Ne touchez pas les bornes avec un matériau conducteur.
 - (2) Evitez de ranger la batterie parmi d'autres objets métalliques, par exemple des clous, des pièces de monnaie, etc.
 - (3) N'exposez pas la batterie à l'eau ni à la pluie.
 Un court-circuit de la batterie pourrait provoquer un fort courant, une surchauffe, parfois des blessures et même une panne.
6. Ne rangez pas votre outil ou votre batterie dans des endroits où la température risque de dépasser 50°.
7. Ne jetez pas la batterie au feu même si elle est sévèrement endommagée ou complètement hors d'usage, car elle risque d'exploser.
8. Veillez à ne pas faire tomber, secouer ni heurter la batterie.

- N'effectuez pas la recharge à l'intérieur d'une boîte ou d'un conteneur de quelque sorte que ce soit. La batterie devra se trouver dans un endroit bien ventilé pendant la recharge.

Protection de l'environnement (Pour la Suisse uniquement)

Afin de préserver l'environnement, rappez la batterie usagée aux postes de ramassage officiel.



- Vous ne devez jamais maintenir le palpeur de sécurité enfoncé alors que vous actionnez l'interrupteur : vous risquez l'éjection d'agrafes qui vont se comporter comme des projectiles. Ce palpeur ne doit jamais être bloqué en position enfoncé : il doit jouer librement et ne remonter que lorsqu'il est en appui sur le matériau support.
- Surveillez l'état du palpeur de sécurité, et vérifiez régulièrement qu'il joue librement sur toute sa longueur de course.

CONSERVEZ CES INSTRUCTIONS.

PRECAUTIONS SUPPLEMENTAIRES POUR L'OUTIL

- Portez toujours des lunettes protectrices ou de sûreté avec protection latérale; si nécessaire, portez un masque complet.
- Ne dirigez pas l'orifice d'éjection vers une personne se trouvant à proximité (surtout vers son visage). Gardez les mains et les pieds à l'écart de la zone d'éjection.
- Retirez toujours la batterie avant d'introduire des agrafes ou toute opération de réglage, inspection ou entretien, ainsi qu'une fois l'agrafage terminé.
- Assurez-vous, avant de travailler, que personne ne se trouve à proximité. Ne tentez jamais d'enfoncer des agrafes en même temps depuis l'intérieur et l'extérieur d'une paroi. Les agrafes peuvent se tordre ou s'éjecter en l'air et causer des blessures.
- Attention à vos pieds! Gardez votre équilibre et votre contrôle de l'outil. Si vous travaillez en hauteur, assurez-vous qu'il n'y a personne dessous.
- Vérifiez avec soin parois, plafonds, sols, etc. toitures, afin d'éviter une éventuelle secousse électrique, une fuite de gaz, une explosion, etc entraînée par un agrafage dans un câble électrique ou une conduite.
- N'utilisez que les agrafes spécifiées dans ce manuel. Tout autre type peut entraîner un fonctionnement défectueux.
- Utilisez votre outil pour ce qui est son usage normal; ne l'utilisez pas pour poser autre chose que des agrafes.
- Ne faites pas fonctionner cet outil sans agrafes; vous réduiriez sa durée de service.
- Dès que vous remarquez quoi que ce soit de défectueux ou d'anormal avec cet outil, cessez immédiatement de vous en servir.
- N'agrafez jamais dans un matériau qui se laisserait traverser par les agrafes avec le risque qu'elles soient projetées de l'autre côté.

MODE D'EMPLOI

Insérer et enlever la batterie (Fig. 1)

- Débrancher toujours le moteur avant d'insérer ou d'enlever la batterie. (mettre l'interrupteur sur Neutre)
- Pour enlever la batterie, dégagez le capot arrière à pleine main et retirez la batterie de l'outil en la tenant.
- Pour insérer la batterie, placez-la dans la poignée et rebloquez le capot arrière. Veillez à le remettre correctement en place avant d'utiliser l'outil, faute de quoi pourraient survenir une déperdition accidentelle de courant ou une chute, dangereuse, de la batterie sur le sol.
- Ne forcez jamais quand vous introduisez la batterie. Si la batterie n'entre pas aisément, c'est que vous ne l'insérez pas correctement.

Recharge (Fig. 2)

- Branchez le chargeur dans une prise secteur.
- Introduisez la batterie de façon que les bornes positive et négative soient du même côté que leurs indications respectives sur le chargeur lui-même. Enfoncez la batterie à fond dans l'orifice du chargeur de façon qu'elle repose bien à plat sur le fond de l'orifice.
- Lorsque la batterie est insérée, le témoin de charge clignote en rouge et la recharge commence.
- Lorsque la recharge est terminée, le témoin de charge s'éteint. Le temps de charge est le suivant :
Batteries 7000, 7100, 7120, 9000, 9100, 9100A et 9120 ; environ 60 minutes.
- Si vous laissez la batterie dans le chargeur une fois la charge terminée, le chargeur passera en mode de "charge de compensation (charge d'entretien)".
- Une fois la recharge terminée, retirez la batterie du chargeur et débranchez le chargeur de la source d'alimentation.

Type de batterie	Capacité (mAh)	Nombre d'éléments
9100	1 300	8

ATTENTION :

- Le chargeur est conçu pour la recharge des batteries Makita. Ne l'utilisez jamais à d'autres usages ni pour des batteries d'autres marques.
- Quand vous chargez une batterie neuve ou une batterie qui n'a pas été utilisée pendant longtemps, il se peut qu'elle ne se recharge pas complètement. Ceci est normal. Vous pourrez recharger la batterie complètement après l'avoir déchargée complètement deux ou trois fois de suite.
- Lorsque vous rechargez la batterie d'un appareil qui vient tout juste d'être utilisé ou une batterie qui a été laissée exposée aux rayons directs du soleil ou à une source de chaleur pour une longue période, laissez-la refroidir. Réinsérez-la ensuite et rechargez-la.
- Lorsque vous chargez une batterie neuve ou rechargez une batterie qui est restée inutilisée pendant une longue période, le témoin de charge s'éteindra parfois rapidement. Dans ce cas, retirez la batterie et réinsérez-la. Si le témoin de charge persiste à s'éteindre après moins d'une minute même après que vous ayez répété cette opération quelques fois, la batterie est morte. Remplacez-la par une nouvelle batterie.

Charge de compensation (charge d'entretien)

Si vous laissez la batterie dans le chargeur pour éviter toute décharge spontanée après une recharge complète, le chargeur passe en mode de "charge de compensation (charge d'entretien)" pour maintenir la batterie fraîche et rechargée à plein.

Conseils pour obtenir la durée de service maximale de la batterie

1. Rechargez la batterie avant qu'elle ne soit complètement déchargée.
Arrêtez toujours l'outil et rechargez la batterie quand vous remarquez que la puissance de l'outil diminue.
2. Ne rechargez jamais une batterie complètement chargée.
Une surcharge réduira la durée de service de la batterie.
3. Rechargez la batterie à une température ambiante comprise entre 10°C et 40°C.
Si la batterie est chaude, laissez-la refroidir avant de la recharger.

Système de sécurité (Fig. 3)

Assurez-vous que les systèmes de sécurité sont bien en état de fonctionner avant toute opération. L'outil ne saurait fonctionner si on actionne seulement l'interrupteur, ou si on enfonce seulement le palpeur de sécurité. contre le bois: il ne fonctionne que lorsque ces deux actions sont effectuées simultanément. Faites un essai avec votre outil vide en le dirigeant bien à l'écart de vous-même ou de toute autre personne.

NOTE :

Il se peut que l'outil se mette en route un instant alors que seule la gâchette est déprimée. Ce n'est pas une anomalie. Si cela se produit, veillez à ce que personne ne se trouve dans l'axe de sortie des agrafes. Relâchez et enfoncez à nouveau la gâchette pour vous assurer que les systèmes de sécurité sont en état de fonctionner.

Pour introduire les agrafes (Fig. 4, 5 et 6)

Important :

Avant d'introduire les agrafes dans l'outil, retirez toujours la batterie.

Pressez sur le ressort à l'arrière du tiroir et faites glisser celui-ci en arrière.

Introduisez les agrafes dans le magasin, l'extrémité des agrafes tournée vers le haut comme en Fig. 5. Ramener le tiroir vers l'avant.

Pour verrouiller le tiroir, poussez-le tout en pressant la lame-ressort située à l'arrière.

ATTENTION :

- Verrouillez toujours le tiroir, sinon les agrafes risquent de sortir de l'outil et vous causer des difficultés.
- Une fois le magasin garni, si l'outil est tenu vers le bas et que le tiroir s'ouvre, les agrafes peuvent tomber et présenter un danger pour les personnes ou les choses se trouvant dessous. Gardez cette idée à l'esprit lorsque vous travaillez dans des endroits élevés.

Réglage de la profondeur (Fig. 7 et 8)

Si les agrafes sont enfoncées trop ou pas assez profondément, réglez la profondeur d'enfoncement en tournant la molette carrée sur le fond de l'outil. Pour enfoncer plus profond, tournez cet écrou vers la droite; pour enfoncer moins profond, tournez-le vers la gauche. Vous noterez que la molette doit être tournée par demi-tours (180°) pour que sa rainure se retrouve toujours dans l'axe longitudinal de l'outil.

NOTE :

Si la distance entre l'extrémité de l'outil (A) et le matériau àagrafer est supérieure à 2 mm, l'outil ne peut fonctionner, pour la raison que le palpeur de sécurité ne se trouve pas suffisamment enfoncé pour permettre le fonctionnement de la machine.

Pouragrafer (Fig. 9 et 10)

Placez l'outil sur le matériau àagrafer de façon que l'avant et l'arrière soient en appui sur ce support. Ne l'inclinez pas vers la droite ou la gauche et tenez-le fermement contre le matériau. Actionnez ensuite la gâchette pour enfoncer les agrafes.

Si les agrafes ne sont pas enfoncées assez profondément, appuyez sur la tête de l'outil, comme en Fig. 10, et enfoncez à nouveau.

Si les agrafes restent insuffisamment enfoncées, réglez la profondeur d'enfoncement en tournant la molette carrée vers la droite. Référez-vous à la section "Réglage de la profondeur".

ATTENTION :

Ne faites pas fonctionner l'outil s'il ne contient pas d'agrafes ; cela réduirait sa durée de service.

Si l'outil se coince, procédez comme suit : d'abord, retirez la batterie. Ouvrez ensuite le tiroir et retirez l'agrafe coincée à l'aide d'un tournevis, etc.

Regard (Fig. 11)

Une fenêtre a été placée commodément sur le côté gauche de l'outil (en regardant celui-ci depuis l'avant). Servez-vous-en pour vérifier les agrafes restant dans le chargeur. Dès que vous ne voyez plus d'agrafes, rechargez l'outil.

Agrafes

- Maniez avec soin les agrafes et leur emballage. Si elles ont été maniées sans précaution, elles peuvent se recourber, ce qui entraîne une alimentation défectueuse ou le blocage de l'outil.
- Evitez de conserver les agrafes dans un endroit très humide ou trop chaud, exposé à l'ensoleillement direct.
- Ne tentez pas d'utiliser des agrafes qui paraissent endommagées, recourbées, rouillées ou abîmées.

ENTRETIEN**ATTENTION :**

Assurez-vous toujours que la machine est hors tension et que la batterie a été enlevée avant d'effectuer tout travail sur la machine.

Pour maintenir la sécurité et la fiabilité du produit, les réparations, l'entretien ou les réglages doivent être effectués par le Centre d'Entretien Makita.

GARANTIE

Les outils Makita sont garantis en accord avec les règlements et les lois de chaque pays. Les dommages imputables à une usure par détérioration naturelle, une surcharge ou une manipulation incorrecte ne sont pas couverts par la garantie. En cas de réclamation, envoyer l'outil, sans le démonter et avec le CERTIFICAT DE GARANTIE inclus, à son revendeur ou à un centre de réparation Makita.

- | | | |
|-----------------------------|-------------------|------------------|
| ① Akku | ⑦ Ziehen | ⑫ Drehung |
| ② Verschlußklammer | ⑧ Drücken | ⑬ Klammerspitze |
| ③ Ladekontrollleuchte | ⑨ Klammern | ⑭ Distanz < 2 mm |
| ④ Schalter | ⑩ Schieben | ⑮ Werkstück |
| ⑤ Sicherheitseinschaltsperr | ⑪ Tiefenbegrenzer | ⑯ Sichtfenster |
| ⑥ Feder | | |

TECHNISCHE DATEN

Modell	T221D/T221DW
Klammernbreite	10 mm
Klammernlänge	10, 13, 16, 19, 22 mm
Magazin-Kapazität	100 Stck.
Abmessungen (L x B x H)	199 x 58 x 193 mm
Gewicht	1,7 kg
Nennspannung	9,6 V

- Wir behalten uns vor, Änderungen im Zuge der Entwicklung und des technischen Fortschritts ohne vorherige Ankündigung vorzunehmen.
- Hinweis: Die technischen Daten können von Land zu Land abweichen.

Sicherheitshinweise

Lesen und beachten Sie diese Hinweise, bevor Sie das Gerät benutzen.

WICHTIGE SICHERHEITSHINWEISE

- 1. DIESE ANWEISUNGEN GUT AUFBEWAHREN** — Diese Betriebsanleitung enthält wichtige Sicherheits- und Gebrauchsanweisungen für Ladegeräte.
- 2. Lesen Sie vor der Benutzung des Ladegerätes alle Anweisungen und Warnhinweise, die auf (1) dem Ladegerät, (2) Akku und (3) Akku-Gerät angebracht sind.**
- 3. VORSICHT** — Um die Verletzungsgefahr zu reduzieren, dürfen nur Makita-Akkus verwendet werden. Andere Akku-Typen können plätzen und Verletzungen oder Sachschäden verursachen.
- 4. Setzen Sie Ladegerät und Akku weder Regen noch Schnee aus.**
- 5. Die Verwendung von Zubehör, das nicht vom Ladegerät-Hersteller empfohlen oder verkauft wird, kann Feuer, elektrische Schläge oder Verletzungen verursachen.**
- 6. Um Beschädigung des Netzsteckers und Netzkabels zu vermeiden, ziehen Sie beim Trennen des Ladegerätes vom Stromnetz nicht an der Netzanschlußleitung, sondern nur am Netzstecker.**
- 7. Verlegen Sie die Netzanschlußleitung so, daß niemand darauf tritt, darüber stolpert oder sonstigen Belastungen ausgesetzt wird.**
- 8. Betreiben Sie das Ladegerät nicht mit einer beschädigten Netzanschlußleitung oder Stecker — beschädigte Teile sind unverzüglich auszuwechseln.**
- 9. Betreiben Sie das Ladegerät nicht, wenn es starken Erschütterungen ausgesetzt, fallen gelassen oder sonstwie beschädigt wurde. Bringen Sie es in diesem Fall zu einem qualifizierten Kundendiensttechniker.**
- 10. Versuchen Sie nicht, das Ladegerät oder den Akku zu zerlegen, sondern bringen Sie es zu einem qualifizierten Kundendiensttechniker, wenn Wartungs- oder Reparaturarbeiten erforderlich sind. Falscher Zusammenbau kann die Ursache für elektrische Schläge oder Feuer sein.**
- 11. Um die Gefahr von elektrischen Schlägen auszuschließen, müssen Sie das Ladegerät stets vom Stromnetz trennen, bevor Sie mit Wartungs- oder Reinigungsarbeiten beginnen.**

ZUSÄTZLICHE SICHERHEITSGELN FÜR LADEGERÄT UND AKKU

- 1. Laden Sie den Akku nicht bei Temperaturen unter 10°C oder über 40°C.**
- 2. Schließen Sie das Ladegerät nicht an einen Spartransformator, Generator oder eine Gleichstrom-Steckdose an.**
- 3. Achten Sie darauf, daß die Lüftungsöffnungen des Ladegerätes durch nichts verdeckt oder verstopft werden.**
- 4. Die Kontakte des Akkus außerhalb der Maschine oder des Ladegerätes mit der Kontaktschutzhaube abdecken, um einen Kurzschluß durch metallische Überbrückung zu verhindern.**
- 5. Der Akku darf nicht kurzgeschlossen werden:**
 - (1) Die Kontakte dürfen nicht mit leitfähigem Material berührt werden.**
 - (2) Lagern Sie den Akku nicht in einem Behälter zusammen mit anderen Metallgegenständen, wie z. B. Nägel, Schrauben, Münzen, usw.**
 - (3) Setzen Sie den Akku weder Regen noch Wasser aus.**

Ein Kurzschluß des Akkus verursacht starken Stromfluß und dadurch als Folge Überhitzung, die Verbrennungen sowie ein Verschmelzen des Akkus herbeiführen können.
- 6. Lagern Sie Werkzeug und Akku nicht an Orten, an denen die Temperatur 50°C erreicht oder übersteigt.**
- 7. Versuchen Sie niemals, den Akku zu verbrennen, selbst wenn er stark beschädigt oder vollkommen verbraucht ist. Der Akku kann im Feuer explodieren.**

8. Achten Sie darauf, daß der Akku nicht fallen gelassen, Erschütterungen oder Stößen ausgesetzt wird.
9. Laden Sie den Akku niemals innerhalb eines Kartons oder eines geschlossenen Behälters. Der Akku darf nur an einem gut belüfteten Ort geladen werden.

Umweltschutz

Das Gerät ist mit einem Nickel-Cadmium-Akku ausgerüstet. Um eine umweltgerechte Entsorgung zu gewährleisten, bitten wir Sie, folgende Punkte zu beachten:

- Gemäß Europäischer Batterierichtlinie 91/157/EWG und nationaler Gesetzgebung (Batterieverordnung) muß der verbrauchte Akku bei einer öffentlichen Sammelstelle, bei Ihrem Makita Kundendienst oder Ihrem Fachhändler zum Recycling abgegeben werden.
- Werfen Sie den verbrauchten Akku nicht in den Hausmüll, ins Feuer oder ins Wasser.

(Nur für die Schweiz)

- Ihr Beitrag zum Umweltschutz: Bringen Sie bitte die gebrauchte Batterie an eine offizielle Sammelstelle zurück.



ZUSÄTZLICHE SICHERHEITSBESTIMMUNGEN

1. Tragen Sie immer einen Augen- oder Gesichtsschutz.
2. Richten Sie die Auswurföffnung niemals auf Personen in ihrer Umgebung oder auf ihren eigenen Körper.
3. Entfernen Sie vor Arbeiten an der Maschine den Akku.
4. Vergewissern Sie sich, daß niemand in unmittelbarer Nähe ist, wenn Sie die Arbeit mit der Maschine beginnen. Durch gleichzeitiges Arbeiten an Vorder- und Rückseite eines Werkstücks entsteht erhöhte Unfallgefahr — die Klammern können durchschlagen!
5. Sorgen Sie für sicheren Stand und halten Sie jederzeit Gleichgewicht. Stellen Sie sicher, daß sich bei Einsatz der Maschine an hochgelegenen Arbeitsplätzen keine Personen darunter aufhalten.
6. Prüfen Sie Wände, Fußböden oder andere Stellen sorgfältig, um einen elektrischen Schlag, Gas- bzw. Wasseraustritt, verursacht durch versehentliches Heften im stromführende Leitungen, Gas- bzw. Wasserrohre, zu vermeiden.
7. Verwenden Sie nur die von Makita freigegebenen Klammern. Ungeeignete Klammern verursachen Betriebsstörungen.

8. Die Maschine ist nur zur Verarbeitung von Klammern geeignet. Jede andere Verwendung ist mißbräuchlich und kann zu Unfällen führen.
9. Betrieben Sie die Maschine nicht ohne Klammern. Die Lebensdauer ihrer Maschine wird verkürzt.
10. Bei Wahrnehmung abnormaler Vorkommnisse Maschine sofort abschalten.
11. Dünne Werkstücke, die ein Durchschlagen der Klammern ermöglichen, dürfen nicht bearbeitet werden.
12. Betätigen Sie den Schalter und die Sicherheitseinschaltsperrung erst bei korrekter Positionierung der Maschine. Der Betätigen der Sicherheitseinschaltsperrung nur durch Gegen- druck auf das Werkstück zugelassen. Die Sicherheitseinschaltsperrung darf weder von Hand betätigt noch in entsicherter Stellung arretiert werden.
13. Die einwandfreie Funktion der Sicherheitseinschaltsperrung ist kontinuierlich zu prüfen.

BEWAHREN SIE DIESE HINWEISE SORGFÄLTIG AUF.

BEDIENUNGSHINWEISE

Ein- und Ausbau des Akkus (Abb. 1)

- Schalten Sie vor dem Ein- bzw. Ausbau des Akkus immer die Maschine ab.
- Um den Akku herauszunehmen, die Verschlussklammer öffnen und den Akku aus der Maschine ziehen.
- Zum Einsetzen des Akkus die Erhebung am Akku-Gehäuse in die Nut im Maschinengehäuse ausrichten und den Akku hineinschieben. Dann die Verschlussklammer wieder schließen. Vergewissern Sie sich vor Inbetriebnahme der Maschine, daß die Verschlussklammer sicher eingerastet ist, um zu verhindern, daß der Akku herausfällt.
- Beim Einsetzen des Akkus keine Gewalt anwenden. Der Akku muß leicht in die Maschine einzuführen sein.

Laden (Abb. 2)

1. Schließen Sie das Ladegerät an eine Stromquelle an.
2. Setzen Sie den Akku so ein, daß sich Plus- und Minuspol auf der gleichen Seite wie die entsprechenden Markierungen am Ladegerät befinden. Führen Sie den Akku bis zum Anschlag in die Öffnung des Ladegerätes ein.
3. Sobald der Akku eingesetzt wird, blinkt die Ladekontrolllampe in Rot, und der Ladevorgang beginnt.
4. Wenn der Ladevorgang beendet ist, erlischt die Ladekontrolllampe. Die Ladezeit ist wie folgt: Akku 7000, 7100, 7120, 9000, 9100, 9100A, 9120: ca. 60 Minuten
5. Wird der Akku nach Abschluß des Ladevorgangs im Ladegerät belassen, schaltet das Ladegerät in den Erhaltungslademodus.

6. Nach dem Laden den Akku vom Ladegerät abnehmen und das Ladegerät von der Stromquelle trennen.

Akku	Leistung (mAh)	Anzahl der Zellen
9100	1 300	8

VORSICHT:

- Das Ladegerät ist ausschließlich zum Laden von Makita-Akkus vorgesehen. Verwenden Sie es auf keinen Fall für einen anderen Zweck oder zum Laden von Akkus anderer Fabrikate.
- Wenn Sie einen neuen oder längere Zeit unbenutzten Akku laden, wird möglicherweise keine volle Ladung erzielt. Dies ist normal und stellt kein Anzeichen für eine Störung dar. Der Akku läßt sich vollkommen aufladen, nachdem er ein paarmal vollständig entladen und wieder aufgeladen worden ist.
- Wenn Sie einen Akku laden, der von einer kurz zuvor benutzten Maschine abgenommen wurde, oder der längere Zeit direkter Sonnenbestrahlung oder Wärme ausgesetzt war, lassen Sie ihn erst abkühlen. Setzen Sie ihn dann wieder ein, und beginnen Sie erneut mit dem Ladevorgang.
- Wenn Sie einen neuen oder längere Zeit unbenutzten Akku laden, erlischt die Ladekontrolllampe manchmal sofort. Nehmen Sie in diesem Fall den Akku ab, und setzen Sie ihn erneut ein. Falls die Ladekontrolllampe selbst nach mehrmaliger Wiederholung dieses Vorgangs innerhalb einer Minute erlischt, ist der Akku tot. Ersetzen Sie ihn durch einen neuen.

Erhaltungsladung

Wird der Akku im Ladegerät gelassen, um Selbstentladung nach einer vollen Ladung zu vermeiden, schaltet das Ladegerät auf den Erhaltungslademodus um, so daß der Akku frisch und voll geladen bleibt.

Tips zur Erhaltung der maximalen Akkulebensdauer

1. Laden Sie den Akku, bevor er vollkommen entladen ist.
Schalten Sie stets die Maschine aus und laden Sie den Akku, wenn Sie ein Nachlassen der Maschinelistung bemerken.
2. Unterlassen Sie erneutes Laden eines voll geladenen Akkus.
Überladen verkürzt die Lebensdauer des Akkus.
3. Laden Sie den Akku bei Raumtemperatur (10°C bis 40°C).
Lassen Sie einen heißen Akku vor dem Laden abkühlen.

Sicherheitseinrichtungen (Abb. 3)

Vergewissern Sie sich vor Arbeitsbeginn, daß die Sicherheitseinrichtungen einwandfrei funktionieren. Die Maschine darf bei alleiniger Betätigung des Schalters oder der Sicherheitseinschaltsperrle keine Klammernauslösung bewirken. Eine Auslösung darf nur erfolgen, wenn beide Schaltvorrichtungen gleichzeitig betätigt werden. Prüfen Sie evtl. Fehlermöglichkeiten bei ungeladener Maschine und mit Sicherheitsabstand zu Personen. Die Auswurföffnung dabei nicht auf den eigenen Körper halten und niemals mit dem Finger die Sicherheitseinschaltsperrle betätigen.

HINWEIS:

Bei Betätigung des Schalters kann die Maschine kurz anlaufen. Diese ist kein Maschinenfehler! Halten Sie jedoch die Maschine von sich und Personen in ihrer Umgebung fern. Den Schalter loslassen und wieder drücken, um zu kontrollieren, ob die Sicherheitseinrichtungen funktionieren.

Laden des Magazins (Abb. 4, 5 u. 6)

Entfernen Sie immer den Akku, bevor Sie Klammern in die Maschine laden.

Drücken Sie die Feder am Magazinschlitten und ziehen diesen nach hinten heraus.

Laden Sie das Magazin, wie in **Abb. 5** gezeigt, mit nach oben gerichteten Spitzen.

Zur Sicherung des Magazinschlittens die Feder zusammendrücken und den Magazinschlitten bis zum Anschlag in die Magazinkammer schieben.

VORSICHT:

- Der Magazinschlitten muß immer in der Magazinkammer arretiert sein, da andernfalls Klammern herausfallen und Verletzungen verursachen können.
- Wenn das Magazin geladen ist und die Maschine bei noch geöffnetem Magazinschlitten nach unten gehalten wird, können Klammern herauffallen, Personen verletzen und Schäden verursachen. Dies gilt insbesondere bei Einsatz der Maschine an hochgelegenen Arbeitsplätzen.

Tiefeneinstellung (Abb. 7 u. 8)

Die Einschlagtiefe der Klammern kann durch Drehen des Tiefenbegrenzers variiert werden. Drehen Sie für tiefere Einschlagtiefe im Uhrzeigersinn. Für geringere Einschlagtiefe drehen Sie den Tiefenbegrenzer gegen den Uhrzeigersinn. Achten Sie darauf, daß der Tiefenbegrenzer in Abschnitten von 180° (halbe Drehung) gedreht werden muß, damit die Nut des Tiefenbegrenzers parallel zum Magazin weist.

HINWEIS:

Wenn die Kammerspitze (A) mehr als 2 mm vom Werkstück entfernt ist, kann die Maschine nicht arbeiten, da die Sicherheitseinschaltsperrle keine Klammernauslösung ermöglicht.

Betrieb (Abb. 9 u. 10)

Setzen Sie die Maschine mit der vorderen und hinteren Gerätesohle gleichmäßig auf der Werkstück. Verkanten Sie die Maschine nicht nach links oder rechts. Drücken Sie die Maschine fest gegen das Werkstück. Betätigen Sie den Schalter zum Einschlagen der Klammern.

Bei ungenügender Einschlagtiefe drücken Sie fest auf den Maschinenkopf, wie in **Abb. 10** gezeigt. Sollte diese Maßnahme nicht ausreichen, verändern Sie die Einstellung des Tiefenbegrenzers wie im Kapitel "Tiefeneinstellung" beschrieben.

VORSICHT:

Betreiben Sie die Maschine nicht ohne Klammern. Die Lebensdauer Ihrer Maschine wird verkürzt.

Bei Störungen des Klammertransports entfernen Sie zuerst den Akku aus der Maschine. Öffnen Sie den Magazinschlitten und entfernen Sie die festgeklammten Klammern mit einem Schraubdreher oder ähnlichem.

Sichtfenster (Abb. 11)

An der linken Seite der Maschine (von vorne gesehen) befindet sich ein Sichtfenster für die Kontrolle des Klammervorrates.

Klammern

- Behandeln Sie die Klammern und Verpackungschachtel sorgfältig. Verbogene Klammern können zu Störungen des Klammertransports führen.
- Vermeiden Sie die Aufbewahrung von Klammern an feuchten oder extrem heißen bzw. direkt dem Sonnenlicht ausgesetzten Orten.
- Klammern, die beschädigt, verbogen, verrostet oder korrodiert sind, dürfen nicht mehr verwendet werden.

WARTUNG

VORSICHT:

Vergewissern Sie sich vor Ausführung von Arbeiten am Gerät grundsätzlich, daß das Gerät abgeschaltet und der Akku herausgenommen ist.

Zur Gewährleistung der Produktsicherheit und -zuverlässigkeit sind Reparaturen, Wartungsarbeiten und Einstellungen von einer Makita-Service-Station auszuführen.

GARANTIE

Für Makita-Elektrowerkzeuge gewähren wir Garantie gemäß den gesetzlichen/länderspezifischen Bestimmungen. Von der Garantie ausgeschlossen sind Schäden, die auf gebrauchsbedingten Verschleiß, Überlastung oder unsachgemäße Behandlung zurückzuführen sind. Bei Beanstandungen senden Sie bitte das unzerlegte Gerät zusammen mit dem beigefügten GARANTIESCHEIN an Ihren Händler oder die Makita-Kundendienstzentrale.

- | | | |
|--------------------------|--------------------------|-------------------------------|
| ① Capsula delle batterie | ⑦ Far scivolare indietro | ⑫ Girare |
| ② Piastra di inserione | ⑧ Esercitare pressione | ⑬ Estremità dell'utensile (A) |
| ③ Luce spia de carica | ⑨ Graffe | ⑭ Meno di 2 mm |
| ④ Grilletto | ⑩ Spingere | ⑮ Materiale |
| ⑤ Leva di sicurezza | ⑪ Pomello | ⑯ Finestra laterale |
| ⑥ Molla a piastra | | |

DATI TECNICI

Modello	T221D/T221DW
Larghezza graffe	10 mm
Lunghezza utile graffe	10, 13, 16, 19, 22 mm
Capacità cartuccia graffe	100 pezzi
Dimensioni (L x A x P)	199 x 58 x 193 mm
Peso netto	1,7 kg
Tensione nominale	9,6 V DC

- Per il nostro programma di ricerca e sviluppo continui, i dati tecnici sono soggetti a modifiche senza preavviso.
- Nota: I dati tecnici potrebbero differire a seconda del paese di destinazione del modello.

Consigli per la sicurezza

Per la vostra sicurezza, riferitevi alle accluse istruzioni per la sicurezza.

ISTRUZIONI DI SICUREZZA IMPORTANTI PER CARICATORI E BATTERIE A CARTUCCIA

1. **RISPETTARE QUESTE ISTRUZIONI** — Questo manuale contiene importanti regole di sicurezza e di lavorazione per il caricatore delle batterie.
2. Prima di usare il caricatore delle batterie, leggere tutte le istruzioni e precauzioni scritte (1) sul caricatore delle batterie (2) sulle batterie e (3) utensili che usano le batterie.
3. **ATTENZIONE** — Per ridurre il rischio di ferirsi, caricare solamente batterie ricaricabili della Makita. Altri tipi di batterie possono scoppiare causando danni e ferite alle persone.
4. Non esporre il caricatore alla pioggia oppure alla neve.
5. L'uso di un attacco non raccomandato o non venduto dal costruttore del caricatore di batterie può diventare la causa d'incendio, di scosse elettriche, oppure di ferite alle persone.
6. Per ridurre il rischio di danneggiare il cavo elettrico o la spina, quando si vuole staccare il cavo dalla presa sul muro non tirare per il cavo ma prendere direttamente la spina in mano.
7. Assicurarsi che il cavo è posato in modo da non essere pestato, attorcigliato oppure messo in condizioni di essere danneggiato oppure stirato.
8. Non mettere in operazione il caricatore delle batterie con un cavo o una spina in cattive condizioni. Sostituire immediatamente.

9. Non mettere in operazione un caricatore quando ha ricevuto una botta, quando è stato fatto cadere, oppure è stato danneggiato in una maniera qualsiasi. Portatelo subito ad un negozio di fiducia per le riparazioni del caso.
10. Non smontare il caricatore o le batterie a cartuccia. Portatelo da un negozio di fiducia se è necessario fare qualche riparazione. Un rimontaggio sbagliato può causare scosse elettriche oppure un incendio.
11. Per ridurre il rischio di scosse elettriche, staccare il caricatore dalla presa di corrente prima di tentare qualsiasi lavoro di manutenzione oppure di pulizia. Il rischio non sarebbe ridotto col solo distacco dell'interruttore.

ULTERIORI REGOLE DI SICUREZZA PER CARICATORI E BATTERIE A CARTUCCIA

1. Non caricare le batterie a cartuccia quando la temperatura è sotto i 10° oppure sopra i 40°.
2. Non tentare di usare un trasformatore per aumentare la tensione, un generatore oppure qualsiasi sorgente di corrente diretta (DC).
3. Non lasciar coprire oppure intasare le aperture del caricatore.
4. Quando la capsula delle batterie non si usa, coprite sempre i poli della batteria con la copribatteria.
5. Non cortocircuitare la cartuccia batteria:
 - (1) Non toccare i terminali con un materiale conduttivo.
 - (2) Evitare di conservare la cartuccia batteria in un contenitore insieme con altri oggetti metallici, come chiodi, monete, ecc.
 - (3) Non esporre la cartuccia batteria all'acqua o alla pioggia.
 Un cortocircuito della batteria può causare un grande flusso di corrente, surriscaldamento, possibili bruciature ed anche un guasto.
6. Non immagazzinare l'utensile e le batterie a cartuccia in luoghi dove la temperatura può raggiungere oppure superare i 50°.
7. Non buttare nel fuoco le batterie a cartuccia anche se sono estremamente danneggiate oppure completamente fuori uso. Le batterie potrebbero esplodere nel fuoco.
8. Stare attenti a non far cadere, agitare o sbattere la batteria.

- Non caricare la batteria dentro una scatola o un qualsiasi altro contenitore. Durante la carica, la batteria deve trovarsi in un luogo ben ventilato.

(Per la Svizzera soltanto) Protezione dell'ambiente

La Vostra contribuzione per la protezione dell'ambiente:
Porta la batteria al collettivo ufficiale.



ULTERIORI REGOLE DI SICUREZZA PER L'UTENSILE

- Usate sempre occhiali di protezione o occhiali di sicurezza con ripari ai lati. Quando è necessario usate una maschera per riparare tutta la faccia.
- Non voltate la graffatrice verso qualsiasi persona vicina (specialmente verso la faccia). Tenete le mani e i piedi fuori dalla zona di espulsione.
- Rimuovete sempre le cartucce della batteria prima di caricare la graffatrice, regolarla, ispezionarla o ripararla.
- Assicuratevi che non c'è nessuno vicino prima di cominciare la lavorazione. Non tentate mai di inserire le graffe dal lato interno ed esterno di un muro allo stesso tempo. Le graffe potrebbero perforare il muro e volare dall'altra parte con grave pericolo.
- Quando usate l'utensile tenete i piedi al sicuro e bilanciatevi bene. Assicuratevi che non c'è nessuno sotto quando lavorate in posizioni alte.
- Controllate con cura i muri, i soffitti, i pavimenti e luoghi simili per evitare possibili scosse elettriche, fughe di gas, esplosioni, etc. causate da graffe su fili portanti corrente, condotte e tubi di gas.
- Usate solamente graffe specificate in questo manuale. L'uso di graffe non indicate in questo manuale possono essere la causa di malfunzionamento dell'utensile.
- Non manomettete l'utensile e non cercate di usarlo per lavori che non siano di graffatura.
- Non operate l'utensile quando non ci sono graffe. Il farlo accorcia la vita dell'utensile.
- Fermate l'utensile immediatamente se notate qualcosa di strano o fuori dell'ordinario nel funzionamento dello utensile.
- Non piazzate mai graffe su materiale dove potrebbero fare un buco e volare dall'altra parte come proiettili.

- Non ponete mai in funzione l'interruttore e la leva di sicurezza allo stesso tempo finché non siete pronti per la lavorazione. Permettete che il materiale sotto lavorazione eserciti pressione sulla leva di sicurezza. Non impedito il movimento del materiale sotto lavorazione fissando la leva di sicurezza o schiacciandola a mano.

- Non usate male la leva di sicurezza. Controllate sovente la leva che funzioni bene.

CONSERVATE QUESTE ISTRUZIONI.

ISTRUZIONI PER L'USO

Inserzione e rimozione della cartuccia (Fig. 1)

- Spegnerne sempre l'utensile prima della inserzione o della rimozione della cartuccia delle batterie.
- Per rimuovere la cartuccia batteria, tirar fuori la piastrina di fissaggio sull'utensile ed estrarre la cartuccia prendendola per entrambi i lati.
- Per inserire la cartuccia della batteria, inserirla nel loculo e riportare nella sua posizione di chiusura la piastra prima di iniziare la lavorazione. Assicurarsi della chiusura ermetica prima di iniziare la lavorazione. Il non assicurarsi di questo può causare la caduta in terra della cartuccia o il suo smarrimento.
- Non mettere molta pressione quando si inseriscono le batterie a cartuccia. Quando le batterie non entrano bene vuol dire che non sono inserite bene.

Carica (Fig. 2)

- Collegare la carica batteria alla presa di corrente.
- Inserire la cartuccia batteria in modo che i suoi terminali più e meno siano allineati con i rispettivi segni sulla carica batteria. Inserire completamente la cartuccia batteria nel ricettacolo in modo che rimanga adagiata nel caricatore.
- Quando la cartuccia batteria è inserita, il colore della spia di carica lampeggia in rosso e la carica comincia.
- Al termine della carica, la spia di carica scompare. Il tempo di carica è il seguente:
Batteria 7000, 7100, 7120, 9000, 9100, 9100A, 9120: circa 60 minuti
- Se si lascia la cartuccia batteria nel caricatore dopo il completamento del ciclo di carica, il caricatore si dispone nella modalità di "carica centellinare (carica di manutenzione)".
- Dopo la carica togliere la cartuccia batteria dal caricatore e staccare il caricatore dalla presa di corrente.

Tipo di batteria	Capacità (mAh)	Numero di celle
9100	1.300	8

ATTENZIONE:

- La carica batteria serve a caricare la cartuccia batteria Makita. Mai usarlo per altri scopi o per caricare batterie di altre marche.

- Quando si carica una nuova cartuccia batteria o una cartuccia batteria che non è stata usata per un lungo periodo di tempo, essa potrebbe non accettare una carica completa. Ciò è normale e non indica un problema. La cartuccia batteria può essere caricata del tutto dopo che è stata scaricata completamente e ricaricata un paio di volte.
- Quando si carica una cartuccia batteria di un utensile appena usato o una cartuccia batteria che è stata lasciata in una posizione esposta alla luce diretta del sole o al calore per un lungo periodo di tempo, lasciarla raffreddare. Poi reinserirla e cercare di caricarla ancora una volta.
- Quando si carica una cartuccia batteria nuova o una cartuccia batteria che non è stata usata per un lungo periodo di tempo, talvolta la spia di carica scompare subito. Se ciò si verifica, togliere la cartuccia batteria e reinserirla. Se la spia di carica scompare entro un minuto anche dopo aver ripetuto questa procedura un paio di volte, la cartuccia è fuori uso. Sostituirla con una nuova.

Carica centellinare (carica di manutenzione)

Se si lasciano le cartucce batteria nel caricatore per evitare che si scarichino da sole dopo una carica completa, il caricatore si dispone nel modo di “carica centellinare (carica di manutenzione)” e mantiene le cartucce batteria completamente cariche.

Suggerimenti per prolungare al massimo la vita della cartuccia batteria

1. Caricare la cartuccia batteria prima che si scarichi completamente.
Smettere sempre di usare l'utensile e caricare la cartuccia batteria quando si nota una diminuzione di potenza dell'utensile.
2. Non si deve mai caricare una cartuccia batteria completamente carica.
La carica eccessiva riduce la vita di servizio della cartuccia batteria.
3. Caricare la cartuccia batteria ad una temperatura ambiente compresa tra i 10°C e i 40°C.
Aspettare che una cartuccia batteria calda si raffreddi prima di caricarla.

Sistema di sicurezza (Fig. 3)

Prima di cominciare la lavorazione assicuratevi che tutti i sistemi di sicurezza funzionino bene. L'utensile non deve funzionare se si schiaccia solamente il grilletto dello interruttore oppure se solamente si esercita pressione sulla leva con il materiale sotto lavorazione. Deve mettersi in funzione solamente quando si esercitano tutte e due le azioni allo stesso tempo. Provate l'utensile quando non è carico e tenendolo puntato verso dove c'è nessuno.

NOTA:

C'è la possibilità che l'utensile possa funzionare per un istante quando si schiaccia solamente il grilletto. Questo non crea problemi. Quando questo avviene puntate l'utensile verso il vuoto. Lasciate andare e schiacciate il grilletto dinuovo per assicurarvi che il sistema di sicurezza funziona bene.

Carica delle graffe (Fig. 4, 5 e 6)

Importante:

Prima di caricare le graffe sempre staccate la cartuccia delle batterie dall'utensile.

Esercitate pressione sulla molla a piastra sul retro del caricatore e fate scivolare il caricatore indietro.

Caricate le graffe nel caricatore con la punta volta verso l'alto come mostrato nella Fig. 5. Fate scivolare il caricatore in avanti.

Per piazzare il caricatore al suo posto, spingete il caricatore esercitando pressione sulla molla piastra sulla parte posteriore del caricatore.

ATTENZIONE:

- Assicuratevi sempre che il caricatore è al suo posto, se no le graffe possono cadere fuori causando problemi.
- Quando il caricatore è pieno, se aprite il caricatore tenendolo volto verso il basso, le graffe possono cadere e essere di pericolo alle persone sotto. Ricordatevi di questo specialmente quando lavorate in posizioni alte.

Regolazione della profondità (Fig. 7 e 8)

Per evitare di spingere le graffe troppo in profondità o troppo in superficie, regolate la profondità facendo girare il pomello sul fondo dell'utensile. Fate girare il pomello nel senso orario per ottenere una profondità maggiore, e nel senso antiorario per una profondità minore. Notate che il pomello deve essere fatto girare mezzo giro in modo che la scanalatura sul pomello viene a trovarsi in parallelo con il caricatore.

NOTA:

Se la distanza tra l'estremità dell'utensile (A) e il materiale da graffiare e più di 2 mm. l'utensile non funziona perchè la leva di sicurezza non viene schiacciata sufficientemente da permettere il funzionamento dello utensile.

Inserimento delle graffe (Fig. 9 e 10)

Piazzate l'utensile sul materiale da graffiare in modo che la parte anteriore e posteriore dell'utensile vengano a contatto con la parte piana del materiale. Non inclinate l'utensile a destra o a sinistra. Tenete l'utensile forte contro il materiale quindi schiacciate il grilletto per graffiare.

Se le graffe non hanno profondità, esercitate pressione sulla testa dell'utensile come mostrato nella Fig. 10 e graffate.

Se nonostante questo le graffe non arrivano alla profondità desiderata, regolate la profondità facendo girare il pomello nel senso orario. Riferitevi alla “regolazione della profondità”.

ATTENZIONE:

Non fate funzionare l'utensile quando il caricatore è vuoto. Questo accorcia la vita dell'utensile.

Se l'utensile si intasa eseguite la seguente operazione: prima di tutto rimuovete la cartuccia delle batterie. Aprite il caricatore e rimuovete la graffa intasta usando un cacciavite o attrezzo simile.

Finestra laterale (Fig. 11)

Sul lato sinistro dell'utensile c'è una comoda finestrella (guardando l'utensile da davanti). Usatela per controllare se ci sono graffe nella cartuccia. Se non vedete graffe attraverso la finestrella, caricatele nella cartuccia.

Graffe

- Tenete con cura le graffe e la loro scatola. Se non le trattate bene possono piegarsi, essere fuori di posto causando intasamenti.
- Evitate di porre le graffe in luoghi umidi o troppo caldi, e sponendole al calore del sole direttamente.
- Non tentate di usare graffe danneggiate, arrugginite, piegate.

MANUTENZIONE

ATTENZIONE:

Prima di effettuare ogni tipo di lavoro sulla macchina, assicuratevi sempre che essa sia spenta e che la batteria sia rimossa.

Per mantenere la sicurezza e l'affidabilità del prodotto, le riparazioni, la manutenzione o le regolazioni dovrebbero essere eseguite da un centro di assistenza Makita autorizzato.

GARANZIA

Garantiamo che gli utensili Makita sono in conformità con le leggi ed i regolamenti specifici del paese. Danni attribuibili al normale consumo, a rotture, a sovraccarichi o a utilizzazione erranea, sono esclusi dalla garanzia. In caso di reclamo inviate l'utensile, senza smontarlo, assieme al CERTIFICATO DI GARANZIA in dotazione, al rivenditore o al Centro di Servizio Makita.

- | | | |
|---------------------|------------------------|-------------------|
| ① Batterij | ⑦ Naar achter schuiven | ⑫ Omdraaien |
| ② Sluitplaat | ⑧ Indrukken | ⑬ Uiteinde (A) |
| ③ Oplaadlampje | ⑨ Nietjes | ⑭ Minder dan 2 mm |
| ④ Trekschakelaar | ⑩ Naar voren drukken | ⑮ Materiaal |
| ⑤ Veiligheidshendel | ⑪ Moer | ⑯ Controleglasje |
| ⑥ Veerplaat | | |

TECHNISCHE GEGEVENS

Model	T221D/T221DW
Niet-breedte	10 mm
Bruikbare niet-lengte	10, 13, 16, 19, 22 mm
Capaciteit van magazijn	100 st.
Afmetingen (L x B x H)	199 x 58 x 193 mm
Netto gewicht	1,7 kg
Nominale spanning	DC 9,6 V

- In verband met ononderbroken research en ontwikkeling behouden wij ons het recht voor bovenstaande technische gegevens te wijzigen zonder voorafgaande kennisgeving.
- Opmerking: De technische gegevens kunnen van land tot land verschillen.

Veiligheidswenken

Voor uw veiligheid dient u de bijgevoegde veiligheidsvoorschriften nauwkeurig op te volgen.

BELANGRIJKE

VEILIGHEIDSVOORSCHRIFTEN VOOR GEBRUIK VAN DE BATTERIJLADER EN HET BATTERIJPAK

1. **BEWAAR DEZE VOORSCHRIFTEN** — In deze gebruiksaanwijzing staan belangrijke veiligheids- en bedieningsvoorschriften betreffende de batterijlader (snellader).
2. Lees alle voorschriften en waarschuwingen betreffende (1) de batterijlader, (2) het batterijpak en (3) het gereedschap aandachtig door alvorens de batterijlader in gebruik te nemen.
3. **LET OP** — Om het gevaar voor ongelukken te verminderen, dient u met de snellader uitsluitend **MAKITA** oplaadbare batterijen te laden. Batterijen van andere merken kunnen gaan barsten en hierdoor verwondingen of schade veroorzaken.
4. Stel de batterijlader niet bloot aan regen of sneeuw.
5. Het gebruik van accessoires die niet door de fabrikant van de batterijlader worden verkocht of aanbevolen, kan brandgevaar, elektrische schok of verwondingen veroorzaken.
6. Om de stekker en het netsnoer niet te beschadigen, trekt u het netsnoer uit het stopcontact door de stekker vast te pakken.
7. Let op dat het snoer zodanig op de grond ligt, dat niemand erop kan stappen of erover kan struikelen en dat er niets op het snoer geplaatst wordt.

8. Gebruik in geen geval de batterijlader als het netsnoer of de stekker beschadigd is. Vervang deze onmiddellijk.
9. Gebruik de batterijlader ook niet als deze gevallen is, aan een zware stoot heeft blootgestaan, of als u vermoedt dat hij beschadigd is. Laat in deze gevallen de batterijlader eerst nakijken.
10. Haal de batterijlader of het batterijpak niet uit elkaar; laat eventuele servicebeurten of reparaties uitsluitend vakkundig uitvoeren. Het onjuist opnieuw in elkaar zetten kan namelijk elektrische schok of brandgevaar opleveren.
11. Om gevaar voor elektrische schok te verminderen, trekt u de stekker uit het stopcontact alvorens de batterijlader te reinigen of een onderhoudsbeurt te geven. Door de batterijlader alleen maar uit te schakelen, vermindert u dit gevaar niet.

BIJGEVOEGDE

VEILIGHEIDSVOORSCHRIFTEN VOOR GEBRUIK VAN DE BATTERIJLADER EN HET BATTERIJPAK

1. Laad het batterijpak niet op als de temperatuur **LAGER** is dan 10°C of **HOGER** dan 40°C.
 2. Gebruik voor het laden nooit een step-up transformator, een dynamo of een gelijkstroombron.
 3. Zorg dat de ventilatiegaten van de batterijlader niet afgesloten worden of verstopt raken.
 4. Bedek altijd de polen van de accu met het accudeksel wanneer u de accu niet gebruikt.
 5. Voorkom kortsluiting van het batterijpak:
 - (1) Raak de aansluitklemmen nooit aan met geleidend materiaal.
 - (2) Bewaar het batterijpak niet op een plaats waar ook andere metalen voorwerpen zoals spijkers, munten e.d. worden bewaard.
 - (3) Stel het batterijpak niet bloot aan water of regen.
- Kortsluiting van het batterijpak kan leiden tot een grote stroomafgifte, oververhitting, brandwonden of zelfs tot defecten.
6. Bewaar de batterijlader en het batterijpak niet in plaatsen waar de temperatuur tot 50°C of hoger kan oplopen.
 7. Werp zwaar beschadigde of volledig uitgeputte batterijpakken niet in het vuur, omdat een gevaarlijke explosie er het gevolg van kan zijn.

8. Wees voorzichtig dat u het batterijpak niet laat vallen en het niet aan schokken of stoten blootstelt.
9. Laad het batterijpak niet op in een kist, een container e.d. Om het batterijpak op te laden, dient u dit in een goed geventileerde ruimte te plaatsen.

BIJGEVOEGDE VEILIGHEIDSVOORSCHRIFTEN VOOR DE MACHINE

1. Gebruik altijd een aan de zijkanten afgeschermde veiligheidsbril, en indien nodig een volledige gezichtsbescherming.
2. Richt de uitwerpopening nooit op iemand in uw omgeving (speciaal het gezicht). Houd uw handen en voeten flink uit de buurt van de uitwerpopening.
3. Verwijder altijd de accu alvorens de nietjes te laden, bijstellingen en inspecties te verrichten, onderhoudsbeurten te geven, of als u met het werk klaar bent.
4. Controleer alvorens te beginnen dat niemand in de buurt is. Probeer nooit de nietjes van beide kanten van de wand in te drijven. De nietjes kunnen er door heen schieten of uitgestoten worden, hetgeen hoogst gevaarlijk is.
5. Zorg ervoor dat u op vaste grond staat en met de machine in handen in evenwicht bent. Wanneer u op hooggelegen plaatsen werkt, zorg dan dat beneden niemand aanwezig is.
6. Controleer zorgvuldig of er in de muur, plafond, vloer, afdekking en dergelijke onder spanning staande elektrische draden, leidingen of gaspijpen aanwezig zijn. U dient te voorkomen dat er nietjes ingedreven worden, hetgeen een elektrische schok, gaslekkage, explosie of iets dergelijks kan veroorzaken.
7. Gebruik uitsluitend de in deze gebruiksaanwijzing voorgeschreven nietjes, aangezien anders storingen kunnen optreden.
8. Probeer geen wijzigingen aan te brengen of de machine voor andere doeleinden te gebruiken.
9. Stel de machine nooit in werking zonder nietjes, aangezien anders de gebruiksduur kan worden verkort.
10. Stop onmiddellijk de machine, wanneer u merkt dat er iets niet in orde is of iets ongevoons optreedt.
11. Drijf geen nietjes in materiaal waar de nietjes er doorheen kunnen schieten.
12. Stel nooit de trekschakelaar en de veiligheidshendel gelijktijdig in werking, tenzij u met het eigenlijke werk wilt beginnen. Laat alleen het werkstuk de nodige druk op de veiligheidshendel uitoefenen. De functie van de veiligheidshendel wordt ongedaan gemaakt, wanneer de hendel in de ingedrukte stand wordt vastgezet of met de hand wordt ingedrukt.

13. Breng geen wijzigingen aan de veiligheidshendel. Controleer de veiligheidshendel dikwijls op mankementen.

BEWAAR DEZE VOORSCHRIFTEN.

BEDIENINGSVOORSCHRIFTEN

Plaatsen en uithalen van batterij (Fig. 1)

- Schakel de machine altijd uit voordat een batterij geplaatst of verwijderd wordt.
- Om het batterijpak te verwijderen, trek eerst de sluitplaat uit de machine, pak dan het batterijpak aan beide zijden vast en verwijder het uit de machine.
- Voor het plaatsen van de batterij zorgt u ervoor dat de rug op de batterij in de groef van het batterijkompartment komt, waarna u de batterij naar binnen schuift. Klap alvorens het gereedschap te gebruiken de stelplaat oftewel deksel weer dicht, controleer of de stelplaat goed vast geklemd zit en niet gemakkelijk opengaat.
- Als het batterijpak moeilijk in de houder komt, probeer het dan niet met geweld in te duwen. Indien het batterijpak er niet gemakkelijk ingaat, dan houdt u het verkeerd.

Opladen (Fig. 2)

1. Sluit de oplader aan op een stopcontact.
2. Plaats de batterij in de oplader zodat de plus en min klemmen van de batterij overeenkomen met de plus en min markeringen op de oplader. Schuif de batterij zo ver mogelijk in de opening, zodat deze op de bodem van de laderopening rust.
3. Eens de batterij erin zit, zal het oplaadlampje rood knipperen en zal het opladen beginnen.
4. Nadat het opladen is voltooid, zal het oplaadlampje uitgaan. De oplaadtijd is als volgt: Batterij 7000, 7100, 7120, 9000, 9100, 9100A, 9120: ca. 60 minuten
5. Indien u de batterij in de oplader laat zitten nadat het opladen is voltooid, zal de oplader overschakelen naar de "bijladen (handhaven van de lading)" stand.
6. Verwijder de batterij van de oplader en trek de stekker van de oplader uit het stopcontact nadat het opladen is voltooid.

Accu-model	Capaciteit (mAh)	Aantal cellen
9100	1 300	8

LET OP:

- De oplader is uitsluitend bestemd voor het laden van Makita batterijen. Gebruik deze nooit voor andere doeleinden of voor het laden van batterijen van andere fabrikanten.
- Een nieuwe batterij of een batterij die gedurende lange tijd niet werd gebruikt, kan soms niet volledig worden geladen. Dit is normaal en wijst niet op een defect. Nadat de batterij een paar keer volledig is ontladen en herladen, kunt u deze weer volledig laden.

- Wanneer u de batterij van een zojuist gebruikt gereedschap wilt laden, of een batterij die voor langere tijd aan direct zonlicht of hitte werd blootgesteld, moet u deze eerst laten afkoelen. Steek daarna de batterij erin en laad hem op.
- Bij het laden van een nieuwe batterij of een batterij die gedurende lange tijd niet werd gebruikt, gebeurt het soms dat het oplaadlampje na korte tijd uitgaat. Neem in zo'n geval de batterij eruit en steek deze weer erin. Indien het oplaadlampje binnen één minuut uitgaat zelfs nadat deze procedure een paar malen werd herhaald, is de batterij versleten. Vervang deze door een nieuwe.

Bijladen (Handhaven van de lading)

Wanneer u een volledig opgeladen batterij in de oplader laat zitten om spontaan ontladen te voorkomen, zal de oplader overschakelen naar de "Bijladen (Handhaven van de lading)" stand waardoor de batterij vers en in volledig opgeladen toestand wordt gehouden.

Wenken om een maximale levensduur van de batterij te handhaven

1. Laad de batterij op alvorens deze volledig is ontladen.
Stop het gebruik van het gereedschap en laad de batterij op telkens wanneer u vaststelt dat het vermogen van het gereedschap verminderd is.
2. Laad een volledig opgeladen batterij nooit opnieuw op.
Wanneer u de batterij te veel oplaadt, zal deze minder lang meegaan.
3. Laad de batterij op bij een kamertemperatuur tussen 10°C en 40°C.
Laat een warme batterij afkoelen alvorens deze op te laden.

Veiligheidssysteem (Fig. 3)

Controleer of het veiligheidssysteem in orde is, alvorens de machine in werking te stellen. De machine mag niet in bedrijf worden gesteld, wanneer alleen de trekschakelaar wordt ingedrukt, of alleen de veiligheidshendel tegen het werkstuk wordt gedrukt. De machine dient alleen in werking te worden gesteld, wanneer beide handelingen worden verricht. Veiligheidshalve dient u een proefje te nemen met de machine (deze mag dan niet geladen worden) ver van u of van eventuele omstanders af gericht.

OPMERKING:

De mogelijkheid bestaat dat de machine een ogenblikje in werking treedt, wanneer alleen op de trek-schakelaar wordt gedrukt. Dit is echter geen defect. Wanneer dit gebeurt, richt dan de machine ver van u of van de omstanders af en laat de trekschakelaar los. Druk daarna weer op de schakelaar om te controleren of het veiligheidssysteem in orde is.

Laden van nietjes (Fig. 4, 5 en 6)

Belangrijk:

Verwijder altijd de accu alvorens nietjes in de machine te laden.

Druk de plaatveer op de achterkant in en schuif de beugel naar achter.

Laad de nietjes in het magazijn met de uiteinden naar boven, zoals afgebeeld in Fig. 5. Schuif de beugel naar voren.

Voor het vastzetten van de beugel, drukt u deze naar voren terwijl u daarbij de veerplaat op de achterkant indrukt.

LET OP:

- Zet de beugel altijd vast, aangezien de nietjes anders eruit kunnen vallen en moeilijkheden kunnen veroorzaken.
- Wanneer het magazijn is geladen en u houdt de machine naar beneden gericht met loszittende beugel, dan kunnen de nietjes eruit vallen en gevaar opleveren voor de aanwezigen beneden. Denk hier speciaal aan, wanneer u op hooggelegen plaatsen werkt.

Diepte-instelling (Fig. 7 en 8)

Ingeval de nietjes te diep of niet diep genoeg worden ingedreven, dient de diepteinstelmoer op de bodem van de machine te worden bijgesteld. Draai de moer naar rechts om voor dieper indrijven van de nietjes en naar links voor minder diep indrijven van de nietjes. Gelieve op te merken dat de moer telkens een halve slag (180°) dient te worden omgedraaid, zodat de groef op de moer parallel blijft lopen met het magazijn.

OPMERKING:

Wanneer de afstand tussen het uiteinde van de machine (A) en het vast te hechten materiaal meer dan 2 mm bedraagt, kan de machine niet in werking worden gesteld, aangezien de veiligheidshendel dan niet voldoende wordt ingedrukt.

Indrijven van de nietjes (Fig. 9 en 10)

Plaats de machine zodanig op het vast te hechten materiaal, dat ze vlak op het materiaal rust. Zorg dat de machine niet naar rechts of naar links helt. Houd de machine stevig tegen het materiaal aangedrukt en druk vervolgens de trekschakelaar in voor het indrijven van de nietjes.

Wanneer de nietjes niet diep genoeg worden ingedreven dient u op de voorkant van de machine te drukken, zoals in Fig. 10 is afgebeeld, om vervolgens de nietjes in te drijven.

Leidt dit nog niet tot het gewenste resultaat, dan dient de instelmoer naar rechts te worden omgedraaid. Zie "Diepteinstelling".

LET OP:

Stel de machine niet in werking zonder nietjes. Dit verkort de gebruiksduur van de machine.

Raakt een nietje klem, doe dan als volgt. Verwijder eerst de accu. Schuif de beugel naar achter en verwijder het klemgeraakte nietje met een schroevendraaier of iets dergelijks.

Controleglasje (Fig. 11)

Op de linker zijkant van de machine (gezien vanaf de voorkant van de machine) is een controlevenstertje aangebracht. Kijk in dit venstertje om te controleren of er nog nietjes in het magazijn zitten. Indien er door dit venstertje geen nietjes zichtbaar zijn, dient u nietjes in het magazijn te plaatsen.

Nietjes

- Wees voorzichtig met de nietjes en de verpakking, aangezien de nietjes anders verbogen worden, hetgeen vastklemmen of slechte toevoer van de nietjes ten gevolge kan hebben.
- Bewaar de nietjes niet op vochtige of hete plaatsen en stel ze niet bloot aan direct zonlicht.
- Gebruik geen nietjes die beschadigt, verbogen, verroest of gecorrodeerd zijn.

ONDERHOUD

LET OP:

Controleer altijd of de machine is uitgeschakeld en de accu is losgekoppeld vooraleer onderhoud uit te voeren aan de machine.

Opdat het gereedschap veilig en betrouwbaar blijft, dienen alle reparaties, onderhoud of afstellingen te worden uitgevoerd bij een erkend Makita service centrum.

GARANTIE

Wij garanderen dat Makita machines voldoen aan de wettelijke voorschriften van uw land. Uitgesloten van de garantie zijn beschadigingen veroorzaakt door normale slijtage, overbelasting of misbruik. In geval van klachten wordt u verzocht de machine, ongedemonteerd, op te sturen naar uw handelaar of Makita service centrum, samen met het bijgesloten GARANTIEBEWIJS.

- | | | |
|------------------------|----------------------|-------------------------------|
| ① Cartucho de baterías | ⑦ Correr hacia atrás | ⑫ Girar |
| ② Cierre de Batería | ⑧ Apretar | ⑬ Punta de la herramienta (A) |
| ③ Luz de carga | ⑨ Grapas | ⑭ Menos de 2 mm |
| ④ Disparador | ⑩ Empujar | ⑮ Material |
| ⑤ Palanca de seguridad | ⑪ Tuerca | ⑯ Mirilla |

ESPECIFICACIONES

Modelo	T221D/T221DW
Anchura de grapas	10 mm
Longitud de grapas aplicable	10, 13, 16, 19, 22 mm
Capacidad del carro de grapas	100 piezas
Dimensiones (La x An x Al)	199 x 58 x 193 mm
Peso neto	1,7 kg
Tensión nominal	CC 9,6 V

- Debido a un programa continuo de investigación y desarrollo, las especificaciones aquí dadas están sujetas a cambios sin previo aviso.
- Nota: Las especificaciones pueden ser diferentes de país a país.

Sugerencias de seguridad

Para su propia seguridad, consulte las instrucciones de seguridad incluidas.

INSTRUCCIONES DE SEGURIDAD IMPORTANTES PARA EL CARGADOR Y EL CARTUCHO DE BATERIAS

1. **GUARDE ESTAS INSTRUCCIONES** — Este manual contiene instrucciones de operación y de seguridad importantes para el cargador de baterías.
2. Antes de utilizar el cargador de baterías, lea todas las instrucciones y las indicaciones de precaución (1) del cargador de baterías, (2) de las baterías, y (3) del producto con el que se utilizan baterías.
3. **PRECAUCIÓN** — Para reducir el peligro de que se produzcan heridas personales, cargue solamente las baterías recargables del tipo MAKITA. Otros tipos de baterías pueden quemarse pudiendo provocar heridas personales y daños.
4. No exponga el cargador a la lluvia o al agua.
5. La utilización de un acoplamiento no recomendado o no vendido por un fabricante de cargadores de baterías podría provocar un incendio, una descarga eléctrica o heridas personales.
6. Para reducir el peligro de que el enchufe y el cable reciban daños, tire del enchufe y no del cable cuando desconecte el cargador.
7. Asegúrese de que el cable esté localizado de manera que no se tropiece con él ni se pise, y que no esté sujeto a tirones ni otro tipo de daños.

8. No opere el cargador que tenga el cable o el enchufe dañados; reemplácelos inmediatamente.
9. No opere el cargador en el caso de que haya recibido un golpe, se haya caído o esté defectuoso; llévelo a un lugar donde se le pueda practicar un servicio de mantenimiento cualificado.
10. No desmonte el cargador o el cartucho de baterías; cuando se requiera la reparación llévelo a un lugar donde se le pueda practicar un servicio de mantenimiento cualificado. Un montaje incorrecto podría producir un incendio o una descarga eléctrica.
11. Para reducir el peligro de que se produzca una descarga eléctrica, desenchufe el cargador de la toma de alimentación antes de efectuar el servicio de mantenimiento o la limpieza. El desconectar los controles no reducirá este peligro.

NORMAS DE SEGURIDAD ADICIONALES PARA EL CARGADOR Y EL CARTUCHO DE BATERIAS

1. No cargue el cartucho de baterías cuando la temperatura esté por DEBAJO de los 10°C o por ENCIMA de los 40°C.
2. No utilice un transformador elevador de tensión, un generador con motor o un receptáculo de alimentación de CC.
3. No cubra ni obstruya las rejillas de ventilación del cargador con ningún objeto.
4. Cubra siempre los bornes de la batería con la tapa correspondiente cuando no se esté usando el cartucho de baterías.
5. No cortocircuite el cartucho de baterías:
 - (1) No toque los terminales con ningún material conductor.
 - (2) Evite guardar el cartucho de baterías en un recipiente que contenga otros objetos de metal tales como clavos, monedas, etc.
 - (3) No exponga el cartucho de baterías al agua o a la lluvia.
 Un cortocircuito en las baterías puede producir una gran circulación de corriente, un sobrecalentamiento, posibles quemaduras o incluso una rotura.
6. No almacene la herramienta ni el cartucho de baterías en lugares donde la temperatura pueda alcanzar o exceder los 50°C.

7. Nunca queme el cartucho de baterías incluso en el caso de que esté dañado seriamente, ni cuando esté gastado. El cartucho de baterías podrá explotar cuando se tire al fuego.
8. Tenga cuidado para no dejar caer, sacudir o golpear la batería.
9. No la cargue en el interior de una caja o recipiente de cualquier clase. La batería deberá ponerse en un lugar bien ventilado durante la carga.

NORMAS DE SEGURIDAD ADICIONALES PARA LA HERRAMIENTA

1. Póngase siempre gafas o anteojos de seguridad que tengan protección lateral y, de haber necesidad, también algo que proteja toda la cara.
2. No apunte el orificio de salida hacia otros que estén cerca (sobre todo si apuntando a la cara). Mantenga las manos y los pies separados del área del orificio de salida de las grapas.
3. Quite siempre el cartucho de baterías antes de cargar grapas, regular, revisar o prestar algún servicio a la grapadora o después de haberla usado.
4. Asegúrese de que no haya nadie cerca antes de hacerla funcionar. Nunca intente clavar grapas de la parte interna y externa de una pared al mismo tiempo. Las grapas podrían traspasar la pared y/o saltar por el aire siendo de grave peligro.
5. Fíjese dónde pisa y manténgase en equilibrio al usar la herramienta. Asegúrese de que no haya nadie debajo de usted cuando trabaje en lugares elevados.
6. Revise bien las paredes, el cielo raso, el techado y otros lugares por el estilo a fin de prevenir posibles sacudidas eléctricas, pérdidas de gas, explosiones ect. por clavar las grapas en cables con corriente, conductos o tubos del gas.
7. Use solamente las grapas especificadas en este manual. El usar otras grapas puede causar deficiencias en el funcionamiento de la herramienta.
8. No manipule indebidamente la herramienta ni intente usarla para otros fines fuera del de clavar grapas.
9. No haga funcionar la herramienta sin grapas. Acabaría por acortar la duración de servicio de la herramienta.
10. De notar algo extraño o no común en la herramienta, deje de clavar inmediatamente.
11. Nunca clave grapas en un material en el que las grapas puedan pinchar o volar por el aire como un proyectil.

12. Nunca haga funcionar el interruptor disparador y la palanca de seguridad al mismo tiempo sino cuando esté listo para clavar las grapas en las piezas. Deje que la pieza en la que trabaja haga presión contra la palanca de seguridad. Nunca impida esta finalidad bloqueando la palanca de seguridad o apretándola con la mano.
13. No toque la palanca de seguridad sin necesidad. Revísela a menudo para ver si funciona como corresponde.

GUARDE ESTAS INSTRUCCIONES.

INTRUCCIONES PARA EL FUNCIONAMIENTO

Insalación o extracción del cartucho de la batería (Fig. 1)

- Antes de insertar o de extraer el cartucho de la batería, asegúrese siempre de desconectar la herramienta.
- Para extraer el cartucho de la batería, tire hacia afuera del cierre de batería de la herramienta y sujete ambos lados del cartucho mientras lo saca de la herramienta.
- Para insertar el cartucho de la batería, alínee la lengüeta del cartucho con la ranura de la caja y deslícelo hasta que quede instalado en su lugar. Vuelva a colocar el cierre de batería. Asegúrese de que el cierre de batería esté completamente cerrado antes de utilizar la herramienta.
- No fuerce la introducción del cartucho de la batería. Si el cartucho no se desliza hacia adentro fácilmente, quiere decir que no está siendo insertado correctamente.

Carga (Fig. 2)

1. Enchufe el cargador de batería en una toma de corriente.
2. Inserte el cartucho de batería en el cargador de forma que los bornes positivo y negativo del cartucho de batería concuerden con las marcas respectivas del cargador de batería. Meta el cartucho completamente en el alojamiento del cargador de forma que apoye en el fondo del mismo.
3. Cuando se inserte el cartucho de batería, la luz de carga parpadeará en color rojo y comenzará la carga.
4. Cuando termine la carga, la luz de carga se apagará. El tiempo de carga es el siguiente: Batería 7000, 7100, 7120, 9000, 9100, 9100A y 9120: 60 minutos aproximadamente
5. Si deja el cartucho de batería en el cargador después de haberse completado el ciclo de carga, el cargador cambiará a su modo de "carga lenta (carga de mantenimiento)".
6. Después de terminar de cargar el cartucho de batería, retírelo del cargador y desenchufe el cargador de la fuente de alimentación.

Tipo de batería	Capacidad (mAh)	Número de elementos
9100	1.300	8

PRECAUCIÓN:

- El cargador de batería es para cargar cartuchos de batería Makita. No lo utilice nunca con otros fines ni para cargar baterías de otros fabricantes.
- Cuando cargue un cartucho de batería nuevo o uno que no haya utilizado durante largo tiempo, tal vez no admita una carga completa. Esto es una condición normal y no denota ningún tipo de problema. El cartucho de batería podrá cargarse completamente después de repetir unas cuantas veces la operación de descargarlo completamente y volverlo a cargar.
- Cuando cargue un cartucho de batería de una máquina que acabe de ser utilizada o un cartucho de batería que haya sido dejado expuesto a la luz solar directa o al calor durante mucho tiempo, deje que éste se enfríe. Luego vuelva a insertarlo y cárguelo una vez más.
- Cuando cargue un cartucho de batería nuevo o uno que no haya sido utilizado durante mucho tiempo, la luz de carga se apagará pronto algunas veces. Si ocurre esto, retire el cartucho de batería y vuelva a insertarlo. Si la luz de carga se apaga en menos de un minuto a pesar de repetir este procedimiento un par de veces, el cartucho de batería estará agotado. Sustitúyalo por otro nuevo.

Carga continua y lenta (carga de mantenimiento)

Si deja el cartucho de batería en el cargador para evitar que se descargue espontáneamente después de haberlo cargado completamente, el cargador se cambiará a su modo de "carga continua y lenta (carga de mantenimiento)" y mantendrá el cartucho de batería fresco y completamente cargado.

Consejos para alargar al máximo la vida de servicio de la batería

1. Cargue el cartucho de batería antes de que se descargue completamente.
Pare la herramienta y cargue el cartucho de batería siempre que note que se debilita la potencia de la herramienta.
2. Nunca cargue un cartucho de batería que esté completamente cargado.
El exceso de carga acorta la vida de servicio de la batería.
3. Cargue el cartucho de batería a una temperatura ambiente de 10°C – 40°C.
Deje que el cartucho de batería se enfríe antes de cargarlo.

Sistema de seguridad (Fig. 3)

Asegúrese de que todos los sistemas de seguridad estén funcionando como corresponde antes de hacer funcionar la herramienta. La herramienta no deberá funcionar cuando se apriete solamente el disparador o solamente la palanca de seguridad contra la madera. Deberá funcionar únicamente cuando se lleven a cabo ambas acciones. Haga una prueba contra posibles fallos de funcionamiento con la herramienta descargada y apuntando bien lejos de usted y de cualquier persona que pudiese haber cerca.

NOTA:

Es posible que la herramienta funcione por unos instantes apretando solamente el disparador. Esto no implica ningún problema. De ocurrir, apunte la herramienta bien lejos de usted y de quien pueda haber cerca. Suelte y vuelva a apretar el disparador para asegurarse de que los sistemas de seguridad estén funcionando como es debido.

Cómo cargar las grapas (Fig. 4, 5 y 6)

Importante:

Quite siempre el cartucho de baterías antes de meter las grapas en la herramienta.

Apriete el resorte del carro en la parte trasera del estuche secundario y haga correr el carro hacia atrás.

Cargue las grapas en el estuche principal con las puntas de las mismas mirando hacia arriba, como se ilustra en la **Fig. 5**. Haga correr el carro hacia adelante.

Para sujetar el carro en su lugar, empújelo mientras aprieta el resorte en la parte trasera del mismo.

PRECAUCIÓN:

- Coloque siempre el resorte del carro su debido lugar; de no hacerlo, las grapas se podrían caer y causar problemas.
- Una vez cargado el estuche, si se tiene la herramienta apuntando hacia abajo y se abre el carro, las grapas podrían caerse siendo un peligro para quienquiera o cualquier cosa que hubiera debajo. Convendrá tener esto en mente especialmente cuando se trabaje en lugares elevados.

Ajuste de la profundidad (Fig. 7 y 8)

En caso de que las grapas se claven demasiado hondo o, al contrario, demasiado poco, regule la profundidad de engrapado girando la tuerca que hay en el fondo de la herramienta. Para clavar las grapas más hondo, gire la tuerca hacia la derecha. Para clavarlas a menos profundidad, gire la tuerca hacia la izquierda. Recuerde que la tuerca habrá que girarla en pasos de 180 grados (medio giro) de manera que la ranura de la tuerca quede paralela al estuche.

NOTA:

En caso de que la distancia entre la punta de la herramienta (A) y el material a ser sujetado sea de más de 2 mm, la grapadora no funcionará debido a que la palanca de seguridad no resultará suficientemente apretada como para hacer funcionar la herramienta.

Para clavar las grapas (Fig. 9 y 10)

Coloque la herramienta sobre el material en el que habrán de clavarse las grapas de manera tal que tanto la parte delantera como la trasera de la herramienta quede en contacto plano con el material. No ladee la herramienta hacia la derecha o hacia la izquierda. Sujete la herramienta bien fuerte contra el material. Luego apriete el disparador para clavar las grapas.

En caso de que las grapas no entren hondo, apriete la parte delantera de la herramienta como se ilustra en la **Fig. 10** y clave las grapas.

En caso de que aún así las grapas no penetran hondo, regule la profundidad de engrapado girando la tuerca hacia la derecha. Vea "Ajuste de la profundidad".

PRECAUCIÓN:

No haga funcionar la herramienta sin grapas. Acabaría por acortar la duración de servicio de la herramienta.

En caso de que la herramienta se atorase, proceda como sigue. Primero, saque el cartucho de baterías. Abra el estuche secundario y saque las grapas bloqueadas usando un destornillador o algo por el estilo.

Mirilla (Fig. 11)

En el lado izquierdo de la herramienta (mirándola desde la parte delantera), hay practicada una mirilla. Utilice esta mirilla para comprobar si hay grapas en el estuche. Cuando no se vean las grapas por la mirilla, meta grapas en el estuche.

Grapas

- Manipule las grapas y la caja que las contiene con cuidado. De no manipularlas con el debido cuidado, pueden deformarse dificultando el aprovisionamiento de las grapas o haciendo que se atoren.
- Evite conservar las grapas en lugares excesivamente húmedos o demasiado calientes o expuestos a los rayos directos del sol.
- Nunca intente usar grapas que aparenten estar estropeadas, torcidas, oxidadas o corriodas.

MANTENIMIENTO

PRECAUCIÓN:

Asegúrese siempre de que la herramienta está apagada y de que el cartucho de baterías está quitado antes de realizar cualquier trabajo en la herramienta.

Para mantener la seguridad y fiabilidad del producto, las reparaciones, el mantenimiento y los ajustes deberán ser realizados por un Centro de Servicio Autorizado de Makita.

GARANTÍA

Las herramientas de Makita quedan garantizadas en conformidad con las regulaciones específicas de las leyes vigentes/países. Los daños imputables a desgaste y roturas normales, a sobrecarga o a un manejo indebido de las herramientas quedan excluidos de la garantía. En caso de reclamación, se ruega enviar la herramienta, sin desmontarla y con el CERTIFICADO DE GARANTÍA adjunto, al distribuidor de la localidad o al Centro de Servicio Makita.

- | | | |
|--------------------------|---------------------|---------------------------------|
| ① Bateria | ⑦ Deslize para trás | ⑬ Extremidade da ferramenta (A) |
| ② Suporte da bateria | ⑧ Pressione | ⑭ Menos de 2 mm |
| ③ Luz de carga | ⑨ Agrafos | ⑮ Superfície de trabalho |
| ④ Gatilho | ⑩ Empurre | ⑯ Óculo |
| ⑤ Corrediça de segurança | ⑪ Porca | |
| ⑥ Trinco de pressão | ⑫ Rode | |

ESPECIFICAÇÕES

Modelo	T221D/T221DW
Largura do agrafó	10 mm
Comprimento dos agrafos utilizáveis	10, 13, 16, 19, 22 mm
Capacidade do carregador de agrafos	100 unidades
Dimensões (C x L x A)	199 x 58 x 193 mm
Peso líquido	1,7 kg
Voltagem nominal	9,6 V C.C

- Devido a um programa contínuo de pesquisa e desenvolvimento, estas especificações podem ser alteradas sem aviso prévio.
- Nota: As especificações podem variar de país para país.

Conselhos de segurança

Para sua segurança, leia as instruções anexas.

INSTRUÇÕES DE SEGURANÇA IMPORTANTES PARA O CARREGADOR E BATERIA

1. **GUARDE ESTAS INSTRUÇÕES** — Este manual contém importantes normas de segurança e de funcionamento para o carregador da bateria.
2. Antes de utilizar o carregador da bateria leia todas as instruções e recomendações do (1) carregador da bateria, (2) bateria e (3) da ferramenta.
3. **PRECAUÇÃO** — Para reduzir o risco de acidente, carregue só baterias recarregáveis da MAKITA. Outros tipos de baterias podem explodir causando danos pessoais.
4. Não exponha o carregador à chuva ou à neve.
5. A utilização de qualquer acessório não recomendado ou vendido pelo fabricante do carregador da bateria pode provocar um incêndio, choque eléctrico ou danos pessoais.
6. Para não danificar a ficha e o cabo, quando desligar o carregador puxe apenas pela ficha.
7. Verifique se o está colocado em local onde não tropece nele nem o pise, e também onde não fique sujeito a puxões ou outros tipos de danos.
8. Não ligue à corrente um carregador que tenha o cabo ou a ficha danificados. Substitua-os imediatamente.
9. Não utilize um carregador que tenha levado uma pancada, tenha caído ou esteja danificado; leve-o a um serviço de assistência oficial.

10. Não desmonte o carregador ou a bateria; quando for necessária uma reparação leve-os a um serviço de assistência oficial. Uma montagem incorrecta poderá provocar um incêndio ou choque eléctrico.

11. Para prevenir o risco de apanhar um choque eléctrico desligue o carregador da tomada de corrente antes de efectuar qualquer trabalho de manutenção ou de limpeza. Se apenas desligar o carregador e não retirar a ficha da tomada não evitará o perigo de um choque eléctrico.

REGRAS DE SEGURANÇA ADICIONAIS PARA O CARREGADOR E A BATERIA

1. Não carregue a bateria quando a temperatura for INFERIOR a 10°C ou SUPERIOR a 40°C.
2. Não use um transformador, gerador ou acumulador de corrente contínua.
3. Não tape nem obstrua a ventilação do carregador.
4. Cubra sempre os terminais da bateria com a respectiva tampa quando não estiver a utilizá-la.
5. Não provoque um curto-circuito na bateria:
 - (1) Não toque nos terminais com materiais condutores.
 - (2) Não guarde a bateria em local onde existam outros objectos de metal tais como pregos, moedas, etc.
 - (3) Não molhe a bateria nem a exponha à chuva.

Um curto-circuito da bateria pode provocar uma sobrecarga de corrente, um aquecimento excessivo e possíveis queimaduras ou avarias.

6. Não guarde a ferramenta nem a bateria em locais onde a temperatura possa atingir ou ultrapassar os 50°C.
7. Não queime as baterias mesmo que estejam muito danificadas ou gastas. Podem explodir em contacto com o fogo.
8. Tenha cuidado em não deixar cair, agitar ou dar uma pancada na bateria.
9. Não carregue a bateria dentro de uma caixa ou de qualquer outro recipiente. Deverá ser colocada em local bem ventilado durante a operação de carga.

REGRAS DE SEGURANÇA ADICIONAIS PARA A FERRAMENTA

1. Use sempre óculos de protecção ou óculos com protector lateral e uma máscara completa para a cara quando necessário.
2. Não aponte o orifício de ejeção dos agrafos a ninguém na sua proximidade (especialmente à cara). Mantenha as mãos e os pés afastados do orifício de ejeção dos agrafos.
3. Retire sempre a bateria antes de carregar agrafos, fazer ajustes, verificações, manutenção ou quando acabar o trabalho.
4. Certifique-se de que não está ninguém perto antes da operação. Nunca tente colocar agrafos tanto do lado interior como exterior de uma parede ao mesmo tempo. Os agrafos podem soltar-se e/ou saltar representando um grave perigo.
5. Assegure-se de que tem os pés bem assentes e mantenha a ferramenta equilibrada. Certifique-se de que não está ninguém por baixo quando trabalhar em locais altos.
6. Inspeccione as paredes, chão, tecto etc para prevenir um possível choque eléctrico, fuga de gás, explosão, etc. causados por agrafar fios vivos, condutas ou tubos de gás.
7. Utilize só os agrafos indicados neste manual. A utilização de outros agrafos pode causar mau funcionamento da ferramenta.
8. Não modifique a ferramenta nem tente utilizá-la para outro fim que não seja agrafar.
9. Não ligue a ferramenta sem agrafos. Diminui o seu tempo de vida útil.
10. Pare imediatamente a operação de agrafar se notar qualquer anomalia com a ferramenta.
11. Nunca agrafe materiais que os agrafos possam atravessar e serem projectados.
12. Nunca accione o gatilho e a corredeira de segurança ao mesmo tempo antes de estar preparado para agrafar. Deixe que seja a superfície de trabalho a pressionar a pressionar a corredeira de segurança.
13. Nunca modifique a corredeira de segurança. Verifique frequentemente se a corredeira de segurança funciona adequadamente.

GUARDE ESTAS INSTRUÇÕES.

INSTRUÇÕES DE FUNCIONAMENTO

Instalação ou extracção da bateria (Fig. 1)

- Desligue sempre a ferramenta antes de instalar ou extrair a bateria.
- Para extrair a bateria, retire o suporte da bateria e segure-a pelos lados para retirá-la da ferramenta.
- Para colocar a bateria, alinhe a saliência da bateria com a ranhura no corpo da ferramenta e deslize-a até ficar encaixada. Volte a colocar o suporte da bateria. Verifique se está bem fechado antes de utilizar a ferramenta.
- Não force a bateria ao introduzi-la. Se não entrar com facilidade é porque não está a fazê-lo de modo correcto.

Carga (Fig. 2)

1. Ligue o carregador à fonte de alimentação.
2. Coloque a bateria de modo que os terminais mais e menos na bateria estejam do mesmo lado do que as respectivas marcas no carregador. Coloque a bateria completamente no carregador de modo a que esteja bem assente na superfície do carregador.
3. Quando coloca a bateria, a luz de carga pisca em vermelho e o carregamento começa.
4. Quando o carregamento termina, a luz de carga apaga-se. O tempo de carregamento é o seguinte:
Bateria 7000, 7100, 7120, 9000, 9100, 9100A, 9120: Aprox. 60 minutos
5. Se deixar a bateria no carregador depois do ciclo de carregamento acabar, o carregador mudará para o modo de "carregamento gota a gota" (carregamento de manutenção)
6. Depois do carregamento, retire a bateria do carregador e desligue o carregador da fonte de alimentação.

Tipo de bateria	Capacidade (mAh)	Número de células
9100	1.300	8

PRECAUÇÃO:

- O carregador é para carregar baterias da Makita. Nunca o utilize para outros fins ou para baterias de outro produtor.
- Quando carrega uma bateria nova ou uma bateria que não foi utilizada durante um longo período de tempo, pode não aceitar uma carga completa. Isto é uma condição normal e não indica um problema. Pode voltar a carregar completamente a bateria depois de a descarregar completamente e a voltar a carregar algumas vezes.
- Quando carrega uma bateria de uma máquina que acabou de funcionar ou uma bateria que foi deixada exposta à luz solar directa ou calor durante um longo período de tempo, deixe-a arrefecer. Em seguida volte a colocar a bateria e tente mais uma vez carregá-la.

- Quando carrega uma bateria nova ou que não foi utilizada durante um longo período de tempo, algumas vezes a luz de carga apaga-se passado pouco tempo. Se isto acontecer, retire a bateria e volta a colocá-la. Se a luz de carga se apagar no espaço de um minuto, mesmo depois de repetir esta operação várias vezes, a bateria está gasta. Substitua-a por uma nova.

Carregamento gota a gota (carregamento de manutenção)

Se deixar a bateria no carregador para evitar descarga espontânea depois de completamente carregada, o carregador mudará para o modo de “carregamento gota a gota (carregamento de manutenção)” e manterá a bateria fresca e completamente carregada.

Conselhos para manter a máxima vida útil da bateria

1. Carregue a bateria antes de completamente descarregada.
Páre sempre a operação e carregue a bateria quando notar diminuição de potência da ferramenta.
2. Nunca recarregue uma bateria completamente carregada.
Sobrecarregamento diminui a vida útil da bateria.
3. Carregue a bateria à temperatura ambiente de 10°C – 40°C.
Se a bateria estiver quente deixe-a arrefecer antes de a carregar.

Sistema de segurança (Fig. 3)

Certifique-se de que todos os dispositivos de segurança estão a funcionar correctamente antes da operação. A ferramenta não deve funcionar se apenas se carregar no gatilho ou se só a corrediça de segurança for pressionada contra a madeira. Só deverá funcionar quando as duas acções forem executadas. Faça um teste possível falha de operação com a ferramenta para detectar qualquer descarregada e dirigida para bem longe de si ou de alguém na sua proximidade.

NOTA:

Há possibilidade da ferramenta funcionar durante uns momentos quando só o gatilho for pressionado. Isto não significa uma deficiência. Se tal acontecer, aponte a ferramenta para bem longe de si ou de alguém na sua proximidade. Solte e carregue no gatilho outra vez para ter a certeza que os dispositivos de segurança estão a funcionar.

Carregar os agrafos (Fig. 4, 5 e 6)

Importante:

Retire sempre a bateria antes de carregar os agrafos na ferramenta.

Pressione o trinco de pressão na parte posterior do sub-carregador e deslize-o para trás.

Coloque os agrafos no carregador principal com a extremidade do agrafado virada para cima como indicado na Fig. 5. Deslize o sub-carregador para a frente.

Para prender o sub-carregador no lugar, empurre-o enquanto pressiona o trinco de pressão na parte posterior do sub-carregador.

PRECAUÇÃO:

- Prenda sempre o sub-carregador, pois os agrafos podem cair e causar danos.
- Com o carregador carregado, se virar a ferramenta e o sub-carregador estiver aberto, os agrafos podem cair e causar sérios danos pessoais e materiais. Lembre-se disto especialmente quando trabalhar em locais altos.

Regulação da profundidade (Fig. 7 e 8)

Se os agrafos ficarem muito ou pouco fundos, regule a profundidade rodando a porca na parte debaixo da ferramenta. Para colocar os agrafos mais fundos, rode a porca para a direita. Note que a porca deve ser rodada em aumentos de 180° (meia-volta) para que a ranhura na porca corra paralela ao carregador.

NOTA:

Se a distância entre a extremidade da ferramenta (A) e a superfície a ser agrafada for superior a 2 mm, a ferramenta não funcionará porque a corrediça de segurança não estará suficientemente pressionada para a fazer funcionar.

Agrafar (Fig. 9 e 10)

Coloque a ferramenta sobre a superfície a ser agrafada, de modo que as partes frontal e posterior da ferramenta toquem a superfície de trabalho. Não incline a ferramenta para os lados. Segure-a firmemente contra a superfície de trabalho. Em seguida carregue no gatilho para agrafar.

Se os agrafos estiverem pouco fundos, pressione o topo da ferramenta como indicado na Fig. 10 e agrafe.

Se os agrafos ainda estiverem pouco fundos, regule a profundidade rodando a porca para direita. Consulte a “Regulação da profundidade”.

PRECAUÇÃO:

Não ligue a ferramenta sem agrafos. Diminui o seu tempo de vida útil.

Se a ferramenta ficar encravada, proceda como se segue. Primeiro retire a bateria. Abra o sub-carregador e retire o agrafado encravado com uma chave de fendas ou qualquer objecto semelhante.

Óculo (Fig. 11)

Existe óculo muito conveniente no lado esquerdo da ferramenta (quando olhar a ferramenta de frente). Utilize este óculo para verificar se há agrafos no carregador. Quando não estiverem visíveis no óculo, coloque agrafos no carregador.

Agrafos

- Manuseie os agrafos e a caixa dos agrafos cuidadosamente. Se os agrafos não forem tratados com cuidado, podem danificar-se, ficando mal agrafados ou encravados.
- Evite guardar os agrafos num local muito húmido ou quente ou colocá-los expostos a luz solar directa.
- Não tente utilizar agrafos que possam estar danificados, torcidos, oxidados ou corroidos.

MANUTENÇÃO

PRECAUÇÃO:

Certifique-se sempre de que a ferramenta se encontra desligada e de que a bateria foi retirada antes de efectuar qualquer trabalho na ferramenta.

Para salvaguardar a segurança e a fiabilidade do produto, as reparações, manutenção e afinações deverão ser sempre efectuadas por um Centro de Assistência Oficial MAKITA.

GARANTIA

Garantimos as ferramentas Makita de acordo com as regulamentações específicas do país. Estão excluídos da garantia os danos causados pelo desgaste normal, sobrecarga ou utilização inadequada da ferramenta. Em caso de reclamação, queira por favor enviar a ferramenta, sem a desmontar, juntamente com o CERTIFICADO DE GARANTIA anexo, ao seu distribuidor ou ao Serviço de Assistência da Makita.

- ① Akku
- ② Låsebøjle
- ③ Ladelampe
- ④ Afbryderkontakt
- ⑤ Sikkerhedstrykfod
- ⑥ Fladfjeder

- ⑦ Skub bagud
- ⑧ Tryk
- ⑨ Klammer
- ⑩ Skub
- ⑪ Møtrik

- ⑫ Drej
- ⑬ Maskinende (A)
- ⑭ Mindre end 2 mm
- ⑮ Materiale
- ⑯ Kontrolvindue

SPECIFIKATIONER

Model	T221D/T221DW
Klammebredden	10 mm
Anvendelig klammelængde	10, 13, 16, 19, 22 mm
Klamme magasin kapacitet	100 stk.
Mål (L x B x H)	199 x 58 x 193 mm
Vægt	1,7 kg
Spænding	9,6 V

- Ret til tekniske ændringer forbeholdes.
- Bemærk: Data kan variere fra land til land.

Sikkerhedsbestemmelser

Af sikkerhedsgrunde bør De sætte Dem ind i de medfølgende Sikkerhedsforskrifter.

VIGTIGE SIKKERHEDSFORSKRIFTER FOR OPLADER OG AKKU

1. **GEM DISSE FORSKRIFTER** — Denne brugsanvisning indeholder vigtige sikkerhedsforskrifter og betjeningsvejledninger.
2. **Før brug** bør De læse alle instruktioner og advarselsskiltninger vedrørende (1) oplader, (2) akku og (3) maskine.
3. **ADVARSEL** — opladeren må kun bruges til opladning af originale genopladelige Makita akku-typer. Andre akku-typer kan sprænges og forårsage personskade eller ødelæggelser.
4. Udsæt ikke opladeren for regn eller sne.
5. Brug af tilbehør, der ikke er anbefalet eller solgt af Makita, kan medføre risiko for elektrisk stød, brand eller personskade.
6. For at minimere risikoen for skade på ledning og netstik, skal De altid trække i netstikket og ikke i ledningen, når opladeren tages ud af stikkontakten.
7. Sørg for at netledningen er placeret således, at man ikke træder på den, falder over den eller på anden måde kan beskadige den.
8. Brug aldrig opladeren hvis ledningen eller stikket er beskadiget — udskift omgående delene.
9. Brug aldrig opladeren hvis den har fået et voldsomt slag, er blevet tabt eller på anden måde er beskadiget.

10. Skil aldrig opladeren eller akkuen ad. Kontakt en kvalificeret reparatør når reparation eller vedligeholdelse er påkrævet. Forkert samling kan medføre risiko for elektrisk stød eller brand.

11. For at undgå risiko for elektrisk stød skal opladeren altid tages ud af stikkontakten, før denne rengøres eller vedligeholdes. Denne risiko fjernes ikke ved blot at slukke for opladeren.

YDERLIGERE SIKKERHEDSFORSKRIFTER FOR OPLADER OG AKKU

1. Oplad ikke akkuen når temperaturen er UNDER 10°C eller OVER 40°C.
2. Brug aldrig en transformator, generator eller jævnstrømsforsyning til opladning.
3. Sørg for at opladerens ventilationsåbninger ikke tildækkes.
4. Sæt altid beskyttelsesdækslet over akkuens poler, når den ikke er i brug.
5. Kortslut aldrig akkuen:
 - (1) Rør ikke polerne med noget ledende materiale.
 - (2) Opbevar ikke akkuen sammen med genstande af metal, som f. eks. søm og skruer.
 - (3) Udsæt aldrig akkuen eller opladeren for vand eller regn.
 En kortslutning af akkuen forårsager en voldsom strømudladning, der kan medføre overophedning, brand eller ødelæggelse af maskinen.
6. Opbevar ikke akkuen eller maskinen på steder hvor temperaturen kan komme over 50°C.
7. Akkuen indeholder cadmium og er dermed miljøaffald, den må ikke bortskaffes med almindeligt husholdningsaffald. Den må ikke brændes, da den kan eksplodere i åben ild. Akkuen skal, når den er udtjent, deponeres for genbrug. Spørg forhandleren om de gældende regler.
8. Udsæt ikke akkuen for slag eller andre voldsomme fysiske påvirkninger.
9. Oplad ikke akkuen i en kasse eller anden form for beholder. Akkuen skal oplades på et sted med god ventilation.

YDERLIGERE SIKKERHEDSFORSKRIFTER FOR MASKINEN

1. Brug altid beskyttelsesbriller eller sikkerhedsbriller med sideskærm, og fuld beskyttelsesmaske om nødvendigt.
2. Ret ikke udkastningsåbningen mod nogen i nærheden (især ikke vedkommendes ansigt). Hold også hænder og fødder væk fra udkastningsåbningen.
3. Fjern altid akkuen før der sættes klammer i, justeres, foretages eftersyn og vedligeholdelse, eller efter anvendelse.
4. Forvis Dem inden anvendelse om, at ingen er i nærheden. Forsøg aldrig at slå klammer i fra både indvendig og udvendig på samme tid. Klammerne kan slynges igennem og/eller rive sig løs, og forvolde alvorlig skade.
5. Sørg for at have et sikkert fodfæste og en god balance med maskinen. Ved brug af maskinen i større højder bør Dem sikre Dem, at der ikke står personer nedenunder arbejdsområdet.
6. Kontroller arbejdsområdet for el-, gas-, vand- og andre installationer, der kan udgøre en fare, hvis de rammes af klammer. Hold kun maskinen på de isolerede greb.
7. Anvend kun de klammer, der er specificeret i denne instruktion. Anvendes der andre klammer, kan det beskadige maskinen.
8. Forsøg ikke at ændre maskinen eller anvende den til andre formål end at slå klammer i.
9. Anvend ikke maskinen uden klammer. Det formindsker maskinens brugstid.
10. Stop anvendelsen øjeblikkeligt, hvis De bemærker noget usædvanligt ved maskinen.
11. Slå ikke klammer i løst eller porøst materiale, hvor klammen kan flyve igennem som et projektil og forårsage skade.
12. Indtil De er parat til at slå i arbejdsområdet, må afbryderkontakten og sikkerhedstrykfoden aldrig aktiveres samtidig. Lad emnet trykke sikkerhedstrykfoden ned. Forsøg aldrig at holde sikkerhedstrykfoden tilbage eller holde den nede med hånden.
13. Forsøg aldrig at ændre sikkerhedstrykfoden. Kontroller med jævne mellemrum at sikkerhedstrykfoden fungerer korrekt.

GEM DISSE FORSKRIFTER.

ANVENDELSE

Isætning eller udtagning af akku (Fig. 1)

- For at fjerne akkuen vippes låsebøjlen ud og akkuen trækkes ud af maskinen.
- For at sætte en ny akku i, placeres denne så fjeren på akkuen passer med noten i åbningen på maskinen. Akkuen skubbes helt i bund og låsebøjlen vippes på plads. Kontrollér altid, at låsebøjlen er helt lukket før maskinen tages i brug.
- Brug aldrig magt når akkuen sættes i. Hvis ikke akkuen glider i uden besvær, er det fordi den vender forkert.

Opladning (Fig. 2)

1. Forbind laderen med strømforsyningen.
2. Isæt akkuen, således at plus- og minuspolerne på akkuen er på samme side som de tilsvarende symboler på laderen. Sæt akkuen helt ind i åbningen, således at den hviler på gulvet i laderens åbning.
3. Når akkuen er sat i, blinker ladelampen rødt og opladning begynder.
4. Når opladningen er færdig, slukker ladelampen. Opladetiden er som følger:
Akku 7000, 7100, 7120, 9000, 9100, 9100A, 9120: cirka 60 minutter
5. Hvis De efterlader akkuen i opladeren, efter at opladecyklus er afsluttet, skifter opladeren til funktionen "kompensationsladning (vedligeholdelsesladning)".
6. Fjern akkuen fra opladeren efter afsluttet opladning, og afbryd opladeren fra strømforsyningen.

Akku-type	Kapacitet (mAh)	Antal celler
9100	1 300	8

BEMÆRK:

- Laderen er beregnet til opladning af Makita akkuer. Brug den aldrig til andre formål eller til opladning af akkuer af andet fabrikat.
- Ved opladning af en ny akku eller en akku, der ikke har været brugt længe, kan det ske, at akkuen ikke oplades helt. Dette er normalt, og er ikke tegn på noget problem. Akkuen vil atter kunne oplades helt, når den har været henholdsvis afladet fuldstændigt og opladet nogle gange.
- Hvis De forsøger at oplade en akku, der lige er taget af en netop anvendt maskine, eller en akku, der har været efterladt på et sted, hvor den har været udsat for solens direkte stråler eller varme i lang tid, skal akkuen have lov at køle af. Sæt den derefter i igen, og forsøg opladning igen.
- Når De oplader en ny akku, eller en akku, der ikke har været i brug i lang tid, vil ladelampen sommetider slukkes meget hurtigt. Hvis dette forekommer, skal De tage akkuen ud og dernæst sætte den i igen. Hvis ladelampen slukkes indenfor et minut, selv efter at denne procedure er gentaget nogle gange, er akkuen død. Udskift den med en ny.

Kompensationsladning (vedligeholdelsesladning)

Hvis De efterlade akkuen i opladeren for at forebygge spontan afladning efter en fuld opladning, skifter opladeren til dens "kompensationsladning (vedligeholdelsesladning)" funktion, og holder derved akkuen frisk og fuldt opladet.

Tips til sikring af maksimal akku-levetid

1. Oplad akkuen, før den er fuldt afladet.
Stop altid med at bruge maskinen, og oplad akkuen, når De bemærker reduceret maskinkraft.
2. Oplad aldrig en fuldt opladet akku.
Over-oplading forkorter akkuens levetid.
3. Oplad akkuen ved en rumtemperatur på 10°C – 40°C.
Lad en varm akku køle, før den oplades.

Sikkerhed (Fig. 3)

Forvis Dem om, at alle sikkerhedsfunktioner virker korrekt før maskinen tages i brug. Maskinen må ikke kunne slå klammer i, hvis kun sikkerhedsstrykfoden påvirkes. Den må kun kunne bruges, når begge dele er påvirket samtidigt. Foretag en prøve med maskinen ubelastet og vendt væk fra personer for at kontrollere at sikkerhedsstrykfoden virker korrekt.

BEMÆRK:

Det er muligt, at maskinen går i gang et kort øjeblik, når afbryderen påvirkes. Dette har ingen betydning. Hvis det sker, skal De dog kontrollere maskinens sikkerhedsfunktioner som ovenfor beskrevet.

Isætning af klammer (Fig. 4, 5 og 6)

Vigtigt:

Fjern altid akkuen før der sættes klammer i maskinen.

Tryk fladfjederen på den bagerste del af undermagasinet ind og skub undermagasinet tilbage.

Sæt klammer i hovedmagasinet med klammeenderne vendende opad, som vist i **Fig. 5**. Skub undermagasinet fremad.

For at holde undermagasinet på plads trykkes på undermagasinet samtidig med at fladfjederen presses ned.

FORSIGTIG:

- Sørg altid for at undermagasinet er holdt på plads, ellers kan klammerne falde ud og forvolde skade.
- Hvis maskinen holdes nedad og undermagasinet åbnes mens magasinet er fyldt, kan klammerne falde ud og være til skade for personer eller ting nedenunder arbejdsområdet. Det bør De især være opmærksom på, når De arbejder i større højder.

Dybdeindstilling (Fig. 7 og 8)

Hvis klammerne slår for dybt eller for overfladisk ind, kan indslagsdybden justeres ved at dreje møtrikken på bunden af maskinen. For et dybere klammeindslag drejes møtrikken med uret. For et mere overfladisk klammeindslag drejes møtrikken mod uret. Vær opmærksom på, at møtrikken skal drejes i trin på 180° (1/2 omgang) således at noten på møtrikken er parallel med magasinet.

BEMÆRK:

Hvis afstanden mellem maskinens bund (A) og materialet, der skal fæstnes, er mere end 2 mm, vil maskinen ikke gå igang fordi sikkerhedsstrykfoden ikke bliver presset nok ind til at anvende maskinen.

Klammeindslag (Fig. 9 og 10)

Sæt maskinen på materialet, der skal fæstnes, så både den forreste og bagerste del af maskinen står plant på materialet. Vip ikke maskinen til højre eller venstre. Hold maskinen solidt presset mod materialet. Tryk derefter afbryderkontakten ind for at slå klammerne ind.

Hvis klammerne slås for overfladisk ind, skal maskinhovedet trykkes ind, som vist på **Fig. 10**, derefter kan klammerne igen slås ind.

Hvis klammerne stadig slås for overfladisk ind, skal indslagsdybden justeres ved at dreje møtrikken med uret. Se under "Dybdeindstilling".

FORSIGTIG:

Anvend ikke maskinen uden klammer. Det formindsker maskinens brugstid.

Hvis maskinen sætter sig fast, gør som følger. Fjern først akkuen. Åbn undermagasinet og fjern klammerne, der har sat sig fast, med en skruetrækker eller lignende.

Kontrolvindue (Fig. 11)

Der er et bekvemt kontrolvindue på maskinens venstre side (når man ser maskinen forfra). Brug dette vindue til at kontrollere, om der er klammer i magasinet. Hvis De ikke kan se klammerne gennem vinduet, er det tid til at sætte klammer i magasinet.

Klammer

- Vær forsigtig med klammerne og deres æske. Hvis klammerne har været udsat hårdhændet behandling, kan de være blevet bøjet, hvilket kan medføre dårlig klammetilførsel eller at klammerne sætter sig fast.
- Opbevar ikke klammerne på et meget fugtigt eller varmt sted. Udsæt dem heller ikke for direkte sollys.
- Forsøg ikke at anvende klammer, der er ødelagte, bøjede, rustne eller ætsede.

VEDLIGEHOLDELSE

FORSIGTIG:

Sørg altid for at maskinen er slukket, og at akkuen er taget ud før der gennemføres noget arbejde på selve maskinen.

For at opretholde produktets sikkerhed og pålidelighed, må istandsættelse, vedligeholdelse eller justering kun udføres af et autoriseret Makita service center.

GARANTI

Makita yder garanti på maskinen i overensstemmelse med de lovmæssige krav, gældende i Deres land. Undtaget fra garantien er skader, der er forårsaget af brugsbetinget slid, overlast eller ukorrekt anvendelse. Hvis der er fejl ved maskinen, bedes De sende det komplette værktøj sammen med vedlagte GARANTIBEVIS til Deres forhandler eller et Makita Service Center.

① Kraftkassett	⑦ Skjut bakåt	⑫ Vrid
② Kassettspärr	⑧ Tryck ihop	⑭ Maskinens ända (A)
③ Laddlampa	⑨ Häftklammer	⑭ Mindre än 2 mm
④ Strömställare	⑩ Tryck in	⑮ Material
⑤ Säkerhetsspärr	⑪ Mutter	⑯ Kontrollfönster
⑥ Bladfjäder		

TEKNISKA DATA

Modell	T221D/T221DW
Ryggbredd klammer	10 mm
Benlängd klammer	10, 13, 16, 19, 22 mm
Magasinetns kapacitet (antal klammer)	100 st.
Storlek (L x B x H)	199 x 58 x 193 mm
Nettovikt	1,7 kg
Märkspänning	9,6 V DC

- På grund av det kontinuerliga programmet för forskning och utveckling, kan här angivna tekniska data ändras utan föregående meddelande.
- Observera! Tekniska data kan variera i olika länder.

Säkerhetstips

För din egen säkerhets skull, bör du läsa igenom de medföljande säkerhetsföreskrifterna.

SÄKERHETSFÖRESKRIFTER

Vid användning av elmaskiner bör en del grundläggande regler följas — främst för att undvika risken för elektriska olycksfall, övriga personskador och brand — men även för att elmaskinen ska fungera på ett tillfredsställande sätt. Läs därför noggrant igenom anvisningarna nedan — även om delar av dessa kanske ej är tillämpliga för just den maskintyp du valt.

1. Håll arbetsytan fri från föremål, som inte har med själva arbetet att göra.
2. Förvara maskin och laddare torrt samt undvik användning under fuktiga och våta förhållanden. Använd ej maskinen i närheten av lättantändliga vätskor eller i omgivningar, där antändbara gaser kan förekomma.
3. Låt ej barn uppehålla sig för nära arbetsstället och lämna aldrig maskinen utan tillsyn. Tänk på att en batteridrivna maskin alltid är startklar!
4. Försök aldrig hålla fast mindre arbetsstycken med handen utan använd skruvstycke eller annan fastspänningsanordning. Fingerskador undviks och arbetsresultatet blir bättre.
5. Tänk på att ett roterande verktyg mycket snabbt kan fånga upp och slita till i lösa klädesflikar, slips, halssmycken, hårslingor etc. Glöm inte att ta bort montageyklar efter fastsättning av ett verktyg (t.ex. chucknyckel).
6. Använd ALLTID skyddsglasögon.
7. Håll verktygen i gott skick. Skadade eller förslitna sådana kan ge upphov till obalans, vibrationer, överbelastning av motorn samt dåligt arbetsresultat.

8. Undvik överbelastning av maskinen. Ett hörbart tecken på detta är att varvet går ner kraftigt. Strömmen ökar då onormalt samtidigt som kylningen försämras. Fortsatt överbelastning kan då resultera i bränd motorlindning. Orsaken till överbelastning är vanligtvis för hård press på maskinen eller användning av verktyg som är för stora, utslitna eller ej alls avsedda för maskintypen i fråga.
9. Kontrollera maskinen och laddaren regelbundet med avseende på skador och slitage. Laddarens sladd och stickpropp bör ägnas speciell uppmärksamhet. Vid ev. fel skall maskinen lämnas in till auktoriserad Makita-verkstad för åtgärd. Uppgift om närmaste verkstad kan erhållas hos inköpsstället eller vid hänvändelse till ESSVE PRODUKTER AB i Sollentuna tel. 08 – 623 61 50.
10. Låna inte ut maskinen till någon, innan du förvässat dig om att denne kan hantera den på rätt sätt. Lämna med den här bruksanvisningen och instruera noggrant.

WARNING! Tänk på att den här maskinen, till skillnad från strömanslutna, alltid är startklar.

TILLÄGGSANVISNINGAR FÖR KRAFTKASSETT OCH LADDARE

1. I denna laddare, DC9700, kan Makitas kraftkassett 7000 (7,2 V), 9000 (9,6 V) och 9100 (9,6 V) laddas. Den medföljande kraftkassetten 9100 kan även laddas via Makitas 12 V laddare DC9112 och DC9012. Laddaren och kraftkassetten får ej användas i kombinationer med liknade produkter av annat fabrikat.
2. Laddaren skall anslutas till 230 V nätspänning (växelspänning). Anslutning får inte ske till motordrivna elverk eller spänningsomvandlare — även om dessa anges lämna 230 V växelspanning.
3. Laddning får ej ske vid temperaturer under 10° eller över 40°.
4. Förvara ej maskinen med sin kraftkassett på sådana ställen som har, eller kan tänkas uppnå en temperaturer uppemot 50° (inte så ovanligt i en bil en solig och het sommardag).
5. Vid laddning av fler än en kraftkassett måste minst 15 minuter förflyta mellan varje laddning, så att elektronikkomponenterna i laddaren hinner svalna.
6. Ventilationsöppningarna i laddarens hölje får ej blockeras. Observera att även bottenstycket har öppningar.

7. Kontaktblecken på kraftkassetten måste skyddas från metallföremål. Vid en ev. kortslutning kan mycket höga strömmar uppträda och dessa kan förstöra såväl laddare som kraftkassetten och i värsta fall förorsaka brand. Lägg t.ex. aldrig kraftkassetten i en verktygsväska.
8. Förbrukad kraftkassetten skall lämnas in till särskilt uppsamlingsställe för batterier eller till auktoriserad Makita-verkstad. Anledningen till att kraftkassetterna skall tillvaratas under kontrollerade former är dels att battericellerna innehåller den miljöfarliga tungmetallen kadmium och dels att viss explosionsrisk föreligger vid förbränning.
12. Aktivera aldrig strömbrytarknappen och säkerhetsspärren samtidigt innan du är färdig att påbörja arbetet. Låt säkerhetsspärren tryckas in av trycket mot arbetsstycket. Motverka aldrig säkerhetsspärrens funktion genom att fästa den i det bakre läget eller genom att trycka in den för hand.
13. Mixtra aldrig med säkerhetsspärren. Gör täta kontroller av säkerhetsspärrens funktion för säker drift.

SPARA DESSA ANVISNINGAR.

BRUKSANVISNING

Laddning och hantering av kraftkassetten (Fig. 1)

- Kassetten laddas upp via batteriladdaren DC9700 för 230 Volt eller DC9112 avsedd för 12 Volt likström från t.ex. ett bilbatteri.
- Om kraftkassetten ej skall användas under en längre period, bör den förvaras svalt – laddad eller oladdad är betydelselöst. Om kassetten under en lång tid varit oladdad, kan det däremot inträffa att den ej förmår ta emot full laddning med en gång. Detta är dock normalt och full uppladdning är åter möjlig efter ett par fullständiga ur- och uppladdningar.

Laddningsaggregat (Fig. 2)

1. Sett batteriladerens stöpsel inn i stikkontakten.
2. Sett i batteripakken slik at pluss- og minuspolene på batteripakken vender samme vei som respektive poler på batteriladeren. Sett batteripakken helt inn i kammeret slik at den hviler mot bunnen.
3. Når batteriet settes inn, vil ladelampen blinke rødt og ladingen begynne.
4. Når ladingen er ferdig, slukker ladelampen. Ladetiden er som følger:
Batteri 7000, 7100, 7120, 9000, 9100, 9100A, 9120: ca. 60 minutter.
5. Hvis batteriet blir stående i laderen etter at oppladingscyklusen er ferdig, vil laderen gå over i "drypplading (vedlikeholdslading)" modus.
6. Etter ladingen fjernes batteriet fra laderen og laderens stöpsel koples fra stikkontakten.

Batterityp	Kapacitet (mAh)	Antal celler
9100	1 300	8

FÖRSIKTIGHET!

- Batteriladeren er til lading av Makita batteripakke. Den må aldri brukes til andre formål eller til batterier av andre fabrikat.
- Når du lader opp et nytt batteri eller et batteri som ikke har vært brukt på en lang stund, kan det være vanskelig å lade det helt opp. Dette er normalt og ikke tegn på noe galt. Batteriet kan lades helt opp etter at det har vært ladet opp og ut noen ganger.

Anm. Vid leverans är kraftkassetten oladdad. Följ laddningsinstruktionerna längre fram i detta häfte.

TILLÄGGSANVISNINGAR

1. Använd alltid skyddsglasögon med sidoskydd, eller heltäckande ansiktsskydd vid behov.
2. Rikta inte utdrivningsöppningen mot någon i närheten (i synnerhet inte mot ansiktet). Håll händer och fötter på avstånd från området runt utdrivningsöppningen.
3. Tag alltid bort batteripaketet innan häftklamrar laddas, vid justeringar, kontroll, underhåll eller efter avslutad drift.
4. Se till att ingen finns i närheten före drift. Försök aldrig att skjuta häftklamrar från både insidan och utsidan av en vägg på samma gång. Häftklamrarna kan skära igenom och/eller flyga iväg, vilket kan medföra stor fara.
5. Se upp så att du inte tappar fotfästet, och upprätthåll balansen med maskinen. Se till att det inte finns någon under dig vid arbete på hög höjd.
6. Kontrollera noggrant väggar, innertak, golv, takläggning och liknande för att undvika risken för elektriska stötar, gasläckage, explosioner etc. som kan orsakas av att häftklamrar drivs in i strömförande ledningar, rör eller gasledningar.
7. Använd endast häftklamrar enligt de specifikationer som återgivits i denna bruksanvisning. Om andra häftklamrar används kan det leda till driftstörningar hos maskinen.
8. Mixtra inte med maskinen, och försök inte använda den till annat än att driva fast häftklamrar med.
9. Använd inte maskinen utan häftklamrar. Detta förkortar maskinens livslängd.
10. Avbryt genast driften om du uppmärksammar något fel på, eller ovanligt med maskinen.
11. Driv inte häftklamrar i sådana material som de kan punktera och flyga igenom som en projektil.

- När du lader upp ett batteri från ett verktyg som nettopp har varit i bruk eller ett batteri som har legat i solen eller har varit utsatt för värme en lång stund, må det avkyles först. Sett det in på nytt och pröv igen.
- När du lader upp ett nytt batteri eller ett batteri som inte har varit i bruk på en lång stund, kan det förekomma att ladelampen slukker raskt. Hvis dette skjer, tar du ut batteriet og setter det inn på nytt. Hvis ladelampen slukker innen ett minutt selv om denne prosedyren gjentas et par ganger, er batteriet utgått. Skift det ut med et nytt.

Drypladning (vedlikeholdsledning)

Hvis du lar batteriet stå i laderen for å forhindre utlading etter full opplading, vil laderen gå over i "drypladningsmodus" (vedlikeholdsledning) og holde batteriet i oppladet stand.

Noen tips for å vedlikeholde batteriets maksimale levetid

1. Lad batteriet opp før det blir helt utladet.
Stans maskinen og lad opp batteriet så snart du merker at maskineffekten begynner å synke.
2. Lad aldri opp et helt oppladet batteri.
Overopplading vil redusere verktøyets levetid.
3. Lad batteriet opp under romtemperatur på 10°C – 40°C.
Et varmt batteri bør avkyles før det lades opp.

Sikkerhetssystem (Fig. 3)

Se till att alla säkerhetssystem fungerar felfritt före drift. Maskinen får inte gå igång om endast strömställaren trycks in, eller om endast säkerhetsspärren trycks mot träet. Den får gå igång endast när båda funktionerna utförs. Provkör med en obelastad maskin, riktad iväg från dig själv och andra personer i din närhet, för att upptäcka eventuella felaktigheter.

OBSERVERA!

Det kan hända att maskinen kan fungera för ett ögonblick när endast strömbrytaren trycks in. Detta tyder inte på att något är fel. Om det inträffar så rikta maskinen iväg från dig själv och andra personer i din närhet. Släpp och tryck in strömbrytaren igen för att kontrollera att säkerhetssystemen fungerar felfritt.

Laddning av klammer (Fig. 4, 5 och 6)

Viktigt!

Tag alltid bort batteripaketet före laddning av klammer i maskinen.

Tryck ihop bladfjäders på bakre delen av innermagasinet och skjut det bakåt.

Ladda häftklammarna i huvudmagasinet med klamrar-nas ändar riktade uppåt såsom visas i **Fig. 5**. Skjut innermagasinet framåt.

Tryck ihop bladfjäders på bakre delen av innermagasinet samtidigt som du trycker in det för att säkra det i läge.

FÖRSIKTIGHET!

- Säkra alltid innermagasinet i dess läge för att undvika att klammer trillar ut och orsakar problem.
- Om maskinen hålls neråt med laddat magasin och innermagasinet samtidigt är öppet kan häftklammarna trilla ut och medföra fara för personer eller saker som finns under. Ha detta i åtanke, i synnerhet vid arbete på hög höjd.

Justering av djup (Fig. 7 och 8)

Om häftklammarna drivs för djupt eller för grunt kan idrivningsdjupet justeras genom att vrida på muttern på maskinens undersida. Vrid muttern medurs för djupare drivning. Vrid muttern moturs för grundare drivning. Observera att muttern måste vridas i 180°-steg (1/2 varv) så att spåret i muttern alltid löper parallellt med magasinet.

OBSERVERA!

Om avståndet mellan maskinens ända (A) och materialet som ska fästas är större än 2 mm startar inte maskinen eftersom säkerhetsspärren då inte trycks in tillräckligt.

Idrivning av häftklamrar (Fig. 9 och 10)

Placera maskinen på det material som ska fästas på så sätt att främre och bakre delen av maskinen ligger an platt mot materialet. Luta inte maskinen åt höger eller vänster sida. Håll maskinen stadigt mot materialet. Tryck sedan på strömställaren för att driva i häftklammarna.

Tryck på maskinhuset såsom visas i **Fig. 10** och driv i häftklammarna om de inte drivs tillräckligt djupt. Justera idrivningsdjupet genom att vrida på muttern medurs om häftklammarna ändå inte drivs i tillräckligt djupt. Se "Justering av djup".

FÖRSIKTIGHET!

Använd inte maskinen utan häftklamrar laddade. Det förkortar maskinens livslängd.

Följ följande instruktion om maskinen blockeras igen. Tag först bort batteripaketet. Öppna innermagasinet och avlägsna de häftklamrar som fastnat med hjälp av en skruvmejsel eller dylikt.

Kontrollfönster (Fig. 11)

Det sitter ett praktiskt kontrollfönster på maskinens vänstra sida (om man tittar på maskinen framifrån). Använd detta kontrollfönster för att kontrollera att det finns häftklamrar i magasinet. Ladda magasinet om inga häftklamrar syns i fönstret.

Häftklamrar

- Handskas försiktigt med häftklamrar och lådan i vilka de ligger. Om häftklammarna behandlas vårdslöst kan de böjas och förlora sin ursprungliga form vilket leder till dålig matning av häftklammarna och igenblockering.
- Undvik att förvara häftklammarna på extremt fuktiga eller heta platser, eller på platser som är utsatta för direkt solljus.
- Försök inte använda häftklamrar som verkar vara skadade, böjda, rostiga eller korroderade.

UNDERHÅLL

FÖRSIKTIGHET!

Tillse alltid att maskinen är frånkopplad och att batteriet tagits ur maskinen innan Du utför arbete på denna.

För att bibehålla produktens säkerhet och tillförlitlighet, bör alltid reparationer, underhållsservice och justeringar utföras av auktoriserad Makita serviceverkstad.

GARANTI

Vi ger garantier för MAKITA's maskiner enligt lagstadgade föreskrifter i olika länder. Skador och felaktigheter som kan hänföras till normal förslitning, överbelastning och felaktig hantering omfattas ej av denna garanti. Vid reklamation skall du sända in hela maskinen, icke isärtagen, tillsammans med det bifogade GARANTIBEVISET (och kvitto/faktura), till din återförsäljare eller till en auktoriserad MAKITA serviceverkstad.

- | | | |
|--------------------|----------------|-------------------|
| ① Batteri | ⑦ Skyv bakover | ⑫ Drei |
| ② Deksel | ⑧ Trykk | ⑬ Maskinende (A) |
| ③ Ladelampe | ⑨ Stifter | ⑭ Mindre enn 2 mm |
| ④ Startbryter | ⑩ Skyv | ⑮ Materiale |
| ⑤ Sikkerhetshendel | ⑪ Mutter | ⑯ Kikkevindu |
| ⑥ Platefjær | | |

TEKNISKE DATA

Modell	T221D/T221DW
Stiftbredde	10 mm
Anvendelige stiftlengde	10, 13, 16, 19, 22 mm
Stiftmagasinet kapasitet	100 stk
Mål (L x B x H)	199 x 58 x 193 mm
Nettovekt	1,7 kg
Merkespenning	D.C. 9,6 V

- Grunnet det kontinuerlige forsknings- og utviklingsprogrammet, forbeholder vi oss retten til å foreta endringer i tekniske data uten forvarsel.
- Merknad: Tekniske data kan variere fra land til land.

Sikkerhetstips

For din egen sikkerhets skyld ber vi deg lese de medfølgende sikkerhetsreglene.

SIKKERHETSREGLER FOR HURTIGLADER

1. Ta vare på bruksanvisningen — den inneholder viktige sikkerhetsregler og bruksveiledning.
2. Les alle sikkerhetsregler før hurtigladeren tæs i bruk.
3. Reduser faren for skader — bruk kun batterier av Makita type. Andre typer batterier kan eksplodere og forårsake skader, både på personer og omgivelsene.
4. Utsett ikke laderen for regn eller snø.
5. Rykk ikke i ledningen for å løsrive støpselet fra kontakten.
6. Sørg for at ledningen ligger slik at ingen trår på eller snubler i den. Hold ledningen unna varme og skarpe kanter.
7. Bruk ikke laderen hvis ledningen eller støpselet er skadet.
8. Har hurtigladeren falt i gulvet eller vært utsatt for slag eller på annen måte vært utsatt for skade, bør den repareres på autorisert verksted.
9. Demonter ikke lader eller batteri på egen hånd. Feil montering kan medføre fare for elektriske støt. La et autorisert verksted utføre reparasjoner hvis nødvendig.
10. Faren for elektriske støt ved rengjøring og vedlikehold reduseres ved å fjerne støpselet fra kontakten. Nullstilling av kontrollbrytere reduserer ikke denne faren.

EKSTRA SIKKERHETSREGLER FOR LADER OG BATTERI

1. Ikke lad batteriet ved temperaturer UNDER +10°C eller OVER +40°C.
2. Kan ikke brukes med opp transformator, aggregat eller likestrømskontakt.
3. Sørg for at luftehullene ikke tildekkes eller tettes igjen.
4. Batteriterminalene må alltid være dekket til med batteridekslet når batteriet ikke er i bruk.
5. Dette kan medføre kortslutning av batteriet:
 - (1) Terminalen må ikke komme i kontakt med strømførende materialer.
 - (2) Unngå å oppbevare batteriet sammen med andre metallgjenstander som f. eks. spikre, mynter etc.
 - (3) Batteriet må ikke utsettes for vann eller regn.

Et batteri som kortsluttes kan forårsake stor elektrisk strømavgang, overoppheting, brannskader og driftsstans.

6. Hverken verktøy eller batteri må oppbevares på steder hvor temperaturen kan nå eller overskride +50°C.
7. Kast ikke batteriet på åpen ild, selv om det er ødelagt eller totalt utslitt. Batteriet kan da eksplodere.
8. Batteriet må ikke falle på gulvet, ristes eller utsettes for slag.
9. Batteriet må ikke lades opp inni en beholder av noe slag. Opplading av batteriet må foregå på et sted hvor ventilasjonen er god.

EKSTRA SIKKERHETSREGLER FOR MASKINEN

1. Bruk alltid beskyttelsesbriller eller vernebriller med sidevern, og en helbeskyttende ansiktsmaske når dette kreves.
2. Pek aldri med utstøteråpningen mot personer i nærheten (gjelder spesielt ansiktet). Hold hender og føtter unna området rundt utstøteråpningen.
3. Fjern alltid batteriet før isetting av stifter, justering, inspeksjon, vedlikehold, og etter bruk.

4. Sjekk alltid at det ikke befinner seg noen i nærheten før maskinen tas i bruk. Gjør aldri forsøk på å stifte både fra innsiden og utsiden av veggen samtidig. Stiften kan trenge igjennom og/eller sprette av og medføre stor fare.
5. Sørg for godt fotfeste så du holder balansen mens maskinen er i bruk. Se alltid etter at det ikke befinner seg noen under når arbeidet foregår i høyden.
6. Sjekk vegger, tak, gulv, takverk og lignende nøye for å unngå eventuelt elektrisk støt, gasslekkasje, eksplosjoner, etc., forårsaket av stifting inn i strømførende ledninger, kabler, eller gassledninger.
7. Bruk kun stifter som er spesifisert i denne anvisningen. Bruk av andre stifter kan medføre at maskinen svikter.
8. Prøv aldri å foreta forandringer på maskinen eller å bruke den til annet enn stifting.
9. La aldri maskinen gå uten at det er stifter i den. Det kan nedsette maskinens levetid.
10. Stans maskinen øyeblikkelig hvis du merker noe galt eller unormalt.
11. Stift aldri i materiale som det er fare for kan punktere og gjøre stiften til et prosjektil.
12. Aktiviser aldri startbryteren og sikkerhetshendelen samtidig før du er klar til å stifte sammen arbeidsemner. La selve arbeidsemnet få trykke ned sikkerhetshendelen. Motarbeid aldri sikkerhetshendelens formål ved å sette den fast eller ved å trykke den ned for hånd.
13. Det må aldri tukles med sikkerhetshendelen. Sjekk sikkerhetshendelen med jevne mellomrom for å sikre at den fungerer som den skal.

TA VARE PÅ DISSE INSTRUKSENE.

BRUKSANVISNINGER

Montering og demontering av batteriet (Fig. 1)

- Maskinen må alltid slås av før batteriet settes i eller tas ut.
- Batteriet fjernes ved å trekke ut dekslet på maskinen og ta fatt i begge sidene på batteriet samtidig som det dras ut av kammeret.
- Batteriet settes i ved å passe tungen på batteriet inn etter rillen i kammeret og så skyve det på plass. Sett dekslet på plass igjen og sørg for at det sitter som det skal før verktøyet tas i bruk.
- Batteriet må ikke settes i med makt. Hvis det ikke med letthet glir på plass er det fordi det settes i på feil måte.

Lading (Fig. 2)

1. Sett batteriladerens støpsel inn i stikkkontakten.
2. Sett i batteripakken slik at pluss- og minuspolene på batteripakken vender samme vei som respektive poler på batteriladeren. Sett batteripakken helt inn i kammeret slik at den hviler mot bunnen.
3. Når batteriet settes inn, vil ladelampen blinke rødt og ladingen begynne.
4. Når ladingen er ferdig, slukker ladelampen. Ladetiden er som følger:
Batteri 7000, 7100, 7120, 9000, 9100, 9100A, 9120: ca. 60 minutter.
5. Hvis batteriet blir stående i laderen etter at oppladingscyklussen er ferdig, vil laderen gå over i "drypplading (vedlikeholdslading)" modus.
6. Etter ladingen fjernes batteriet fra laderen og laderens støpsel koples fra stikkkontakten.

Batteritype	Kapasitet (mAh)	Antall celler
9100	1 300	8

NB!

- Batteriladeren er til lading av Makita batteripakke. Den må aldri brukes til andre formål eller til batterier av andre fabrikat.
- Når du lader opp et nytt batteri eller et batteri som ikke har vært brukt på en lang stund, kan det være vanskelig å lade det helt opp. Dette er normalt og ikke tegn på noe galt. Batteriet kan lades helt opp etter at det har vært ladet opp og ut noen ganger.
- Når du lader opp et batteri fra et verktøy som nettopp har vært i bruk eller et batteri som har ligget i solen eller har vært utsatt for varme en lang stund, må det avkjøles først. Sett det inn på nytt og prøv igjen.
- Når du lader opp et nytt batteri eller et batteri som ikke har vært i bruk på en lang stund, kan det forekomme at ladelampen slukker raskt. Hvis dette skjer, tar du ut batteriet og setter det inn på nytt. Hvis ladelampen slukker innen ett minutt selv om denne prosedyren gjentas et par ganger, er batteriet utgått. Skift det ut med et nytt.

Drypplading (vedlikeholdslading)

Hvis du lar batteriet stå i laderen for å forhindre utlading etter full opplading, vil laderen gå over i "dryppladingsmodus" (vedlikeholdslading) og holde batteriet i oppladet stand.

Noen tips for å vedlikeholde batteriets maksimale levetid

1. Lad batteriet opp før det blir helt utladet. Stans maskinen og lad opp batteriet så snart du merker at maskineffekten begynner å synke.
2. Lad aldri opp et helt oppladet batteri. Overopplading vil redusere verktøyet levetid.
3. Lad batteriet opp under romtemperatur på 10°C – 40°C.
Et varmt batteri bør avkjøles før det lades opp.

Sikkerhetssystem (Fig. 3)

Sørg for at alle sikkerhetssystemer er i god stand før bruk. Maskinen skal ikke kunne brukes hvis bare startbryteren trykkes inn eller hvis bare sikkerhetshendelen trykkes ned mot materialet. Den skal fungere kun når begge bryterne aktiveres. Kontroller at maskinen fungerer som den skal ved å la den gå uten stifter i magasinet, og pekende bort både fra deg selv og eventuelle tilstedeværende.

MERKNAD:

Det er en mulighet for at maskinen vil gå et øyeblikk når kun startbryteren trykkes inn. Dette er ikke tegn på problemer. Hvis det skjer må du vende maskinen bort både fra deg selv og eventuelle tilstedeværende. Slipp bryteren og trykk den inn igjen for å sjekke at sikkerhetssystemet er i orden.

Isetting av stifter (Fig. 4, 5 og 6)

Viktig!

Fjern alltid batteriet før isetting av stifter i maskinen.

Trykk på platefjæren bak på undermagasinet og skyv dette bakover.

Sett stifter i magasinet med stiftene opp som vist i **Fig. 5**. Skyv undermagasinet forover.

Undermagasinet settes fast ved å skyve på det samtidig som platefjæren bak på undermagasinet trykkes ned.

NB!

- Undermagasinet må alltid festes på plass, ellers kan stiftene falle ut og forårsake problemer.
- Hvis maskinen holdes nedover og undermagasinet åpnes når det er stifter i magasinet, kan stiftene falle ut med fare for personer eller gjenstander som befinner seg under. Ha dette i tankene når det arbeides i høyden.

Dybdejustering (Fig. 7 og 8)

Hvis stiftene drives for dypt eller for grunt i, kan drivedybden justeres ved å dreie mutteren i bunnen på maskinen. For å drive stiftene dypere i, dreies mutteren medurs. For å drive stiftene grunnere i, dreies mutteren moturs. Vær oppmerksom på at mutteren må dreies 180° om gangen (1/2 omgang) slik at rillen på mutteren er parallell med magasinet.

MERKNAD:

Hvis avstanden mellom maskinenden (A) og materialet som skal festes er mer enn 2 mm, vil maskinen ikke gå fordi sikkerhetshendelen ikke trykkes langt nok slik at maskinen startes.

Stifting (Fig. 9 og 10)

Plasser maskinen på materialet som skal festes slik at fronten og enden på maskinen berører materialeflaten. Maskinen må ikke vippes til høyre eller venstre. Hold maskinen godt fast mot materialet. Trykk inn startbryteren for å hefte stiftene.

Hvis stiftene drives for grunt i, trykker du på maskinhodet som vist i **Fig. 10**.

Hvis stiftene stadig drives for grunt i, kan drivedybden justeres ved å dreie mutteren medurs. Se "Dybdejustering".

NB!

La ikke maskinen gå uten at det er stifter i den. Det vil nedsette maskinens levetid.

Hvis stiftene setter seg fast i maskinen, gjør som følger. Først fjernes batteriet. Åpne undermagasinet og bruk en skrutrekker eller lignende til å fjerne de stiftene som har satt seg fast.

Kikkevindu (Fig. 11)

Maskinen er utstyrt med et praktisk kikkevindu på venstre side (maskinen sett forfra). Bruk vinduet til å sjekke om det er stifter i magasinet. Når stiftene ikke er synlige via kikkevinduet, må det fylles på nye.

Stifter

- Både stiftene og boksene de er i må behandles varsomt. Hvis stiftene utsettes for røff behandling, kan de bøyes ut av fasong og forårsake dårlig stiftfremmatning eller at de setter seg fast i maskinen.
- Unngå å oppbevare stiftene på et fuktig eller varmt sted, eller på et sted som utsettes for direkte sol.
- Unngå bruk av stifter som virker skadet, bøyd, rustne eller korroderte.

SERVICE

NB!

Før det utføres arbeider på maskinen må du alltid forvise seg om at maskinen er slått av og akkumulatoren er tatt ut.

For å garantere at maskinen arbeider sikkert og pålitelig bør reparasjoner, servicearbeider eller innstillinger utføres av et autorisert Makita-serviceverksted.

GARANTI

Vi gir garanti på MAKITA's maskiner i henhold til lovfestede forskrifter i det enkelte land. Skader og feilaktigheter som kan henføres til normal slitasje, overbelastning eller feil bruk omfattes ikke av denne garanti. Ved reklamasjon skal komplett maskin, ikke demontert, sammen med vedlagte, samt kvittering eller innkjøpsbevis, sendes inn til din forhandler eller til et autorisert Makita-verksted.

- ① Akku
- ② Pohjalevy
- ③ Latausvalv
- ④ Liipaisin
- ⑤ Turvakytin
- ⑥ Levyjousi

- ⑦ Siirrä taaksepäin
- ⑧ Paina
- ⑨ Niittit
- ⑩ Työnnä
- ⑪ Mutteri

- ⑫ Käännä
- ⑬ Koneen reuna (A)
- ⑭ Alle 2 mm
- ⑮ Työkappale
- ⑯ Kurkistusikkuna

TEKNISET TIEDOT

Malli	T221D/T221DW
Niitin leveys	10 mm
Mahdolliset niittileveydet	10, 13, 16, 19, 22 mm
Niittisäiliön kapasiteetti	100 kpl
Mitat (P x L x K)	199 x 58 x 193 mm
Paino	1,7 kg
Antoteho	9,6 V tasavirta

- Jatkuvan tutkimus- ja kehitysohjelman vuoksi pidämme oikeuden muuttaa tässä mainittuja teknisiä ominaisuuksia ilman ennakkoilmoitusta.
- Huomautus: Tekniset ominaisuudet saattavat vaihdella eri maissa.

Turvaohjeita

Oman turvallisuutesi vuoksi lue mukana seuraavat turvaohjeet.

TÄRKEITÄ TURVAOHJEITA AKKULATURIA JA AKKUPARISTOA VARTEN

1. **SÄÄSTÄ KÄYTTÖOHJEET** — Tämä käsikirja sisältää tärkeitä turvaohjeita ja akkulaturin käyttöohjeet.
2. Ennen akkulaturin käyttöä lue kaikki (1) akkulaturin, (2) akun ja (3) koneen käyttöohjeet sekä varoitusmerkinnot niihin kiinnitetystä kilvistä.
3. **VARO** — Onnettomuuksien välttämiseksi lataa vain MAKITA - merkityjä, uudelleenladattavia akkuja. Toisenmerkkiset akut voivat ladattaessa räjähtää aiheuttaen mahdollisesti myös henkilöön kohdistuvia onnettomuuksia tai muita vahinkoja.
4. Älä jätä akkulaturia vesisateeseen tai lumeen.
5. Laitteen tai koneen käyttö, jota akkulaturin valmistaja ei ole suositellut tai toimittanut, voi johtaa tulipalon syttymiseen, sähköiskuun tai onnettomuuksiin sitä käyttäville henkilöille.
6. Pistoke- ja kaapelivaurioiden estämiseksi, vedä mieluummin pistokkeesta kuin kaapelista, akkulaturia pistorasiasta irrottaessasi.
7. Varmista kaapelin sijoitus siten ettei sen päälle voida astua, siihen kompastua tai ettei sitä voida venyttää vetämällä vaurioittaen.
8. Älä käytä akkulaturia kaapelin tai pistokkeen vaurioituttua — uusi ne välittömästi.

9. Älä käytä akkulaturia jos siihen on kohdistunut kova isku tai muuten mahdollisesti vahingoittunut. Toimita akkulaturi ensin sähkölaitehuoltoon tarkistettavaksi.
10. Älä yritä itse korjata akkulaturia. Älä pura itse akkulaturia tai akkupatruunaa, toimita ne sähkölaitehuoltoon tarkistettavaksi ja tarvittaessa huollettavaksi ja korjattavaksi. Virheellinen kokoonpano voi aiheuttaa sähköiskun tai tulipalon syttymisen.
11. Sähköiskuvaaran estämiseksi, irrota akkulaturin pistoke sähköverkon pistorasiasta aina ennen kunnossapitohuollon tai puhdistamisen aloittamista. Virtakatkaisijoiden kääntäminen pois päältä ei poista tätä vaaraa.

LISÄ-TURVAOHJEITA AKKULATURIA JA AKKUPARISTOA VARTEN

1. Älä lataa akkuparistoa jos lämpötila on alle +10°C tai yli +40°C.
2. Älä yritä lataamista säätömuuntajalla, moottorilaturilla tai tasavirtapistorasialla.
3. Älä peitä akkulaturia. Estä tuuletusaukkojen tukkeutuminen.
4. Peitä akkulatiimet aina akkukannella, kun akku ei käytetä.
5. Älä kytke akku oikosulkuun:
 - (1) Älä kosketa napoja sähköä johtavilla esineillä.
 - (2) Älä säilytä akku muiden metalliesineiden joukossa, kuten naulat, kolikot, työkalut, jne.
 - (3) Älä jätä akku veteen tai sateeseen. Oikosulku akussa voi aiheuttaa suuren virtahäviön, ylikuumenemisen, mahdollisia palovammoja sekä rikkoutumisen.
6. Älä säilytä konetta ja akkuparistoa kohteissa, joissa lämpötila voi nousta tai ylittää +50°C.
7. Älä hävitä akkuparistoa polttamalla vaikka se olisikin pahoin vaurioitunut tai täydellisesti loppuunkulunut. Akkuparisto voi räjähtää tulesa.
8. Varo pudottamasta, ravistamasta tai iskemästä akku.
9. Älä säilytä akku laatikossa tai muussa suljetussa tilassa. Akun on oltava latauksen aikana tilassa, jossa on hyvä ilmanvaihto.

LISÄTURVAOHJEITA

1. Käytä aina suojalaseja, joissa on sivusuojus ja tarvittaessa kasvosuojusta.
2. Älä suuntaa koneen suuaukkoa kehenkään näköpiirissä olevaan henkilöön (varsinkaan kasvoihin). Pidä kädet ja jalat loitolla suuaukosta.
3. Irrota aina akku ennen niittien lataamista, säätöjä, laitteen tarkastelua, huoltoa sekä käytön jälkeen.
4. Varmista, että ketään ei ole lähettyvillä, ennen kuin alat käyttää laitetta. Älä koskaan yritä kiinnittää niittejä seinän sisä- ja ulkopuolella samanaikaisesti. Niitit saattavat työntyä seinän läpi tai kimmota irti siitä, mikä on erittäin vaarallista.
5. Pidä huolta jalansijastasi ja pidä itsesi tasapainossa konetta käsitellessäsi. Varmista, että allasi ei ole ketään, kun työskentelet korkeissa paikoissa.
6. Tutki seinät, katot, lattiat, välikatot ja muut sellaiset huolellisesti välttääksesi mahdollisen sähköiskun, kaasuvuodon, räjähdyksen tms., mikä saattaa olla seurauksena osumisesta jännitteeseen johtoon, kaapeliin tai kaasuputkeen.
7. Käytä ainoastaan tässä käyttöohjeessa mainittuja niittejä. Muunlaisten niittien käyttäminen saattaa aiheuttaa koneen joutumisen epäkuntoon.
8. Älä tee muutoksia koneeseen äläkä käytä sitä muihin tarkoituksiin kuin niittien kiinnittämiseen.
9. Älä käytä konetta ilman niittejä. Tämä lyhentää koneen käyttöaikaa.
10. Lopeta koneen käyttäminen välittömästi, jos havaitset koneessa vian tai jotain tavallisuudesta poikkeavaa.
11. Älä koskaan ammu niittejä pintoihin, joiden läpi niitti saattaisi lentää.
12. Älä koskaan paina liipaisinta ja turvakytkintä yhtäaikaaisesti, ennen kuin olet valmis niittaamaan työkappaleita. Anna työkappaleen painaa turvakytkin alas. Älä koskaan tee turvakytkintä tehottomaksi kiinnittämällä sen taka-asentoon tai painamalla sitä käsin.
13. Älä tee turvakytkimeen mitään muutoksia. Tarkasta turvakytkimen moitteeton toiminta riittävän usein.

SÄILYTÄ NÄMÄ OHJEET.

KÄYTTÖOHJEET

Akun asentaminen tai poistaminen (Kuva 1)

- Kytke kone aina POIS päältä ennen akun asentamista tai poistamista.
- Akkua irrottaessasi avaa ensin koneen pohjalevy. Tartu akkuun molemmilta puolilta ja vedä se ulos koneesta.
- Akkua asentaessasi työnnä akku koneeseen kielekkeen asettuessa kahvan sisäpuoliseen uraan. Sulje pohjalevy. Varmista, että pohjalevy on täydellisesti sulkeutunut ennen koneen käynnistämistä.
- Älä käytä voimaa asentaessasi akkua. Jos akku ei mene sisään herkästi, se ei ole oikeassa asennossa.

Lataaminen (Kuva 2)

1. Liitä akkulataajan virtajohto pistorasiaan.
2. Aseta akku siten, että sen plus- ja miinusnavat tulevat samalle puolelle kuin akkulataajan vastavat merkinnät. Työnnä akku kokonaan aukkoon siten, että se lepää lataajan aukon pohjalla.
3. Kun akku on asetettu paikalleen, latausvalo vilkkuu punaisena ja lataus alkaa.
4. Kun lataus on valmis, latausvalo sammuu. Latausaika on:
Akku 7000, 7100, 7120, 9000, 9100, 9100A, 9120: noin 60 minuuttia
5. Jos jätät akku akkulataajaan latauksen päätyttyä, lataaja siirtyy heikkovirtalatausmuodolle (jatkuvalle lataukselle).
6. Irrota akku lataajasta ja lataajan virtajohto pistorasiasta latauksen jälkeen.

Akkutyyppi	Kapasiteetti (mAh)	Kennojen lukumäärä
9100	1 300	8

VARO:

- Akkulataaja on tarkoitettu Makitan akkujen lataamiseen. Älä koskaan käytä sitä muiden valmistajien akkujen lataamiseen.
- Kun lataat uutta akkua tai akkua, jota ei ole ladattu pitkään aikaan, sitä ei ehkä voida ladata täyteen. Tämä on normaalia ei ole oire viasta. Akku voidaan ladata täyteen, kun se on purettu kokonaan ja ladattu muutamia kertoja.
- Kun lataat akkua, jolla on juuri käytetty laitetta tai akkua, joka on ollut auringonvalolle tai kuumuudelle alttiina pitkän aikaa, anna sen jäähtyä. Aseta akku takaisin paikalleen ja yritä latausta uudelleen.
- Kun lataa uutta akkua tai akkua, jota ei ole käytetty pitkään aikaan, latausvalo saattaa toisinaan sammua pian. Jos näin käy, irrota akku ja aseta se takaisin paikalleen. Jos latausvalo sammuu minuutin kuluessa toistettuasi tämän muutamia kertoja, akku on kulunut loppuun. Vaihda akku uuteen.

Heikkovirtalataus

Jos jätät akun laturiin estääksesi akun tyhjenemisen itsestään täyteen lataamisen jälkeen, laturi kytketty heikkovirtalatausmuodolle, joka pitää akun jatkuvasti täydessä latauksessa.

Vinkejä akun käyttöön maksimoimiseksi

1. Lataa akku, ennen kuin se on kokonaan tyhjä.
Lopeta aina laitteella työskentely ja lataa akku, jos huomaat voiman vähenevän laitteesta.
2. Älä koskaan lataa täyteen ladattua akkua.
Liiallinen lataaminen lyhentää akun käyttöikää.
3. Lataa akku huoneenlämmössä 10°C – 40°C.
Anna kuumen akun viilentyä ennen sen lataamista.

Turvajärjestelmä (Kuva 3)

Varmista, että kaikki turvajärjestelmät toimivat moitteettomasti, ennen kuin käytät konetta. Konetta ei saa toimia, jos pelkästään liipaisinta painetaan tai jos pelkästään turvakytin painetaan puuta vasten. Sen tulee toimia ainoastaan, kun tehdään molemmat toimenpiteet. Testaa mahdollinen virhetoiminta koneen ollessa tyhjä ja suunnattuna pois päin itsestäsi ja sivullisista.

HUOMAUTUS:

On mahdollista, että kone toimii hetken aikaa, kun pelkästään liipaisinta painetaan. Tämä ei merkitse vikaa. Suuntaa kone tällaisessa tapauksessa pois päin itsestäsi ja sivullisista. Vapauta liipaisin ja paina sitä uudelleen varmistaaksesi, että turvajärjestelmät toimivat.

Niittien lataaminen (Kuva 4, 5 ja 6)

Tärkeää:

Irrota aina akku, ennen kuin lataat niittejä koneeseen.

Paina välisäiliön takaosassa olevaa levyjousta ja siirrä välisäiliötä taaksepäin.

Lataa niitit pääsäiliöön siten, että niittien päät osoittavat ylös **kuvan 5** osoittamalla tavalla. Työnnä välisäiliötä eteenpäin.

Varmista välisäiliön kiinnitys paikalleen työntämällä sitä samalla kun painat levyjouksen välisäiliön takaosaan.

VARO:

- Varmista aina välisäiliön kiinnitys. Muutoin niitit saattavat pudota ulos ja aiheuttaa ongelmia.
- Jos konetta pidetään alassuun säiliön ollessa ladattuna ja välisäiliö aukeaa, niitit voivat pudota ulos ja olla vaaraksi alla oleville ihmisille tai esineille. Muista tämä erityisesti työskennellessäsi korkeissa paikoissa.

Syvyssäätö (Kuva 7 ja 8)

Jos niitit uppoavat liian syvään tai jäävät liian pintaan, säädä kiinnityssyvyyttä kääntämällä koneen pohjassa olevaa mutteria. Kääntämällä mutteria myötäpäivään niitit uppoavat syvemmälle. Vastapäivään kääntämällä niitit jäävät lähemmäs pintaa. Huomaa, että mutteria on käännettävä 180° (1/2 kierrosta) kerrallaan siten, että mutterin ura on samansuuntainen säiliön kanssa.

HUOMAUTUS:

Jos koneen reunan (A) ja kiinnitettävän kappaleen välinen etäisyys on yli 2 mm, kone ei toimi, koska turvakytin ei painaudu riittävästi koneen käynnistämiseksi.

Niittien ampuminen (Kuva 9 ja 10)

Aseta kone kiinnitettävän kappaleen päälle siten, että koneen etu- ja takapää koskettavat kappaletta tasaisesti. Älä kallista konetta oikealle tai vasemmalle. Pidä konetta tiukasti työkalua vasten. Vedä siten liipaisinta ampuaksesi niitin.

Jos niitit eivät painu riittävän syväälle, paina koneen reunaa **kuvan 10** osoittamalla tavalla ja ammu niitit. Jos niitit eivät vielä painu riittävän syväälle, säädä kiinnityssyvyyttä kääntämällä mutteria myötäpäivään. Katso kohtaa "Syvyssäätö".

VARO:

Älä käytä konetta ilman niittejä. Tämä lyhentää koneen käyttöaikaa.

Jos kone tukkeutuu, toimi seuraavasti. Irrota ensin akku. Avaa välisäiliö ja poista juuttuneet niitit ruuvitalalla tai vastaavalla.

Kurkistusikkuna (Kuva 11)

Koneen vasemmalla sivulla (katsottaessa konetta edestä päin) on kätevä kurkistusikkuna. Käytä tätä kurkistusikkunaa tarkistaaksesi, onko säiliössä niittejä. Jos ikkunassa ei näy niittejä, lataa säiliö.

Niitit

- Käsittele niittejä ja niiden laatikkoa varovasti. Jos niittejä käsitellään huolimattomasti, ne saattavat vääntyä, mikä aiheuttaa syöttöhäiriöitä ja tukkeutumista.
- Vältä niittien säilyttämistä erittäin kosteissa tai kuumissa tiloissa ja paikassa, jossa aurinko paistaa niihin.
- Älä käytä niittejä, jotka vaikuttavat vahingoittuneilta, vääntyneiltä, ruosteisilta tai syöpyneiltä.

HUOLTO

VARO:

Varmistaudu aina ennen kaikkia koneelle suoritettavia töitä, että kone on pysäytetty ja akku irrotettu.

Laitteen käyttövarmuuden ja turvallisuuden vuoksi korjaukset ja muut huolto- ja säätötyöt saa suorittaa ainoastaan Makitan hyväksymä huoltopiste.

TAKUU

Takaamme Makita-laitteet kunkin maan lakisääteisten määräysten mukaisesti. Takuu ei kata normaalia kulumisesta, yliuormituksesta tai virheellisestä käsittelystä johtuvia vaurioita. Jos valittamisen aihetta ilmenee, pyydämme lähettämään purkamattoman laitteen yhdessä oheisen TAKUUDISTUKSEN kanssa kauppiallesi tai Makitan huoltokeskukseen.

- ① Κασέτα μπαταρίας
- ② Πλάκα ρύθμισης
- ③ Φωτάκι φόρτισης
- ④ Σκανδάλη
- ⑤ Μοχλός ασφαλείας
- ⑥ Πλάκα ελατηρίου

- ⑦ Τραβήξετε προς τα πίσω
- ⑧ Πατήστε
- ⑨ Συνδετήρες
- ⑩ Σπρώξτε
- ⑪ Παξιμάδι

- ⑫ Στροφί
- ⑬ Ακρη μηχανήματος (Α)
- ⑭ Λιγότερο από 2 χιλ.
- ⑮ Υλικό
- ⑯ Παράθυρο παρατήρησης

ΤΕΧΝΙΚΑ ΧΑΡΑΚΤΗΡΙΣΤΙΚΑ

Μοντέλο	T221D/T221DW
Πλάτος συνδετήρα	10 χιλ.
Εφαρμοσίμο μήκος συνδετήρα	10, 13, 16, 19, 22 χιλ.
Χωρητικότητα θήκης συνδετήρα	100 κομ.
Διαστάσεις (Μ x Π x Υ)	199 x 58 x 193 χιλ.
Καθαρό βάρος	1,7 Χγρ
Εξοδος	D.C. 9,6 V

- Λόγω του συνεχιζόμενου προγράμματος έρευνας και ανάπτυξης, οι παρούσες προδιαγραφές υπόκεινται σε αλλαγή χωρίς προειδοποίηση.
- Παρατήρηση: Τα τεχνικά χαρακτηριστικά μπορεί να διαφέρουν από χώρα σε χώρα.

Υποδείξεις ασφάλειας

Για την προσωπική σας ασφάλεια, ανατρέξτε στις εσώκλειστες οδηγίες ασφάλειας.

ΣΗΜΑΝΤΙΚΕΣ ΟΔΗΓΙΕΣ ΑΣΦΑΛΕΙΑΣ ΓΙΑ ΣΥΣΚΕΥΗ ΦΟΡΤΙΣΗΣ ΚΑΙ ΜΠΑΤΑΡΙΑ

1. **ΦΥΛΑΞΕΤΕ ΑΥΤΕΣ ΤΙΣ ΟΔΗΓΙΕΣ** — Αυτό το εγχειρίδιο περιέχει σημαντικές οδηγίες ασφαλείας και χρήσης της συσκευής φόρτισης.
2. Πριν χρησιμοποιήσετε τη συσκευή φόρτισης, διαβάστε όλες τις οδηγίες και προειδοποιητικά σημεία (1) στην συσκευή φόρτισης, (2) στη μπαταρία, και (3) στη συσκευή που χρησιμοποιεί την μπαταρία.
3. **ΠΡΟΣΟΧΗ** — Για να μειωθεί ο κίνδυνος τραυματισμού, φορτίζετε μόνο μπαταρίες **ΜΑΚΙΤΑ** επαναφορτιζόμενου τύπου. Μπαταρίες άλλου τύπου μπορεί να εκραγούν, πληγώνοντας σας και προκαλώντας ζημιές.
4. Μην εκθέσετε τη συσκευή φόρτισης σε βροχή ή χιόνι.
5. Χρήση εξαρτήματος που δεν συστήνεται ή δεν πωλείται από τον κατασκευαστή της συσκευής φόρτισης μπορεί να προκαλέσει φωτιά, ηλεκτρικό σοκ, ή να σας τραυματίσει.
6. Για να μειωθεί ο κίνδυνος ζημιάς στην πρίζα και στο καλώδιο, όταν αποσυνδέετε τη συσκευή φόρτισης από την παροχή ρεύματος, πιάνετε και τραβάτε από την πρίζα και όχι από το καλώδιο.
7. Βεβαιωθείτε ότι το καλώδιο βρίσκεται σε θέση που ούτε θα το πατήσουν ούτε θα σκοντάψουν πάνω του ούτε μπορεί να πάθει ζημιά με οποιοδήποτε τρόπο.

8. Μην χρησιμοποιείτε τη συσκευή φόρτισης αν το καλώδιο ή η πρίζα της έχουν πάθει ζημιά — αντικαταστήστε τα αμέσως.
9. Μην χρησιμοποιείτε την συσκευή σε περίπτωση που έχει υποστεί δυνατό κτύπημα, έχει πέσει κάτω, ή έχει πάθει οποιαδήποτε ζημιά. Αναθέστε την επισκευή σε εξουσιοδοτημένο τεχνίτη.
10. Μην αποσυναρμολογείτε τη συσκευή φόρτισης ή τη μπαταρία. Πάρτε την σε εξουσιοδοτημένο τεχνίτη όταν χρειάζεται επισκευή ή σέρβις. Λανθασμένη επανασυναρμολόγηση μπορεί να οδηγήσει σε κίνδυνο ηλεκτρικού σοκ ή φωτιάς.
11. Για να μειωθεί ο κίνδυνος ηλεκτρικού σοκ, αποσυνδέστε τη συσκευή φόρτισης από την παροχή ρεύματος πριν κάνετε οποιαδήποτε συντήρηση ή καθαρισμό της. Μόνο με το να σβήσετε τη συσκευή αυτός ο κίνδυνος δε μειώνεται.

ΕΠΙΠΡΟΣΘΕΤΟΙ ΚΑΝΟΝΕΣ ΑΣΦΑΛΕΙΑΣ ΓΙΑ ΣΥΣΚΕΥΗ ΦΟΡΤΙΣΗΣ ΚΑΙ ΜΠΑΤΑΡΙΑ

1. Μην φορτίζετε τη μπαταρία όταν η θερμοκρασία είναι ΚΑΤΩ από 10°C ή ΠΑΝΩ από 40°C.
2. Μην χρησιμοποιείτε ποτέ μετασηματιστή ανύψωσης τάσης, γεννήτρια, ή υποδοχή συνεχούς ρεύματος.
3. Μην αφήσετε οτιδήποτε να καλύψει ή να μπλοκάρει της οπές εξαερισμού του φορτιστή.
4. Πάντοτε να έχετε τους πόλους της μπαταρίας καλυμμένους με το κάλυμμα της όταν δεν την χρησιμοποιείτε.
5. Μην βραχυκυκλώσετε την κασέτα μπαταρίας:
 - (1) Μην αγγίζετε τους πόλους με κανένα αγώγιμο υλικό.
 - (2) Αποφύγετε την αποθήκευση της κασέτας μπαταρίας σε δοχείο με άλλα μεταλλικά αντικείμενα όπως καρφιά, νομίσματα, κλπ.
 - (3) Μην εκθέτετε την κασέτα μπαταρίας σε νερό ή σε βροχή.
 Ένα βραχυκύκλωμα μπαταρίας μπορεί να προκαλέσει μεγάλη ροή ρεύματος, υπερθέρμανση, πιθανά εγκαύματα και ακόμη μηχανική βλάβη.
6. Μην φυλάσσετε τη μηχανή και τη μπαταρία σε μέρη που η θερμοκρασία μπορεί να φθάσει ή να ξεπεράσει τους 50°C.

7. Μη κάψετε την μπαταρία ακόμα και αν έχει πάθει σοβαρές ζημιές ή έχει εντελώς φθαρεί. Η μπαταρία μπορεί να εκραγεί στην φωτιά.
8. Προσέχετε να μη ρίξετε κάτω, ταρακουνήσετε ή χτυπήσετε τη μπαταρία.
9. Μη φορτίσετε τη μπαταρία μέσα σε ένα κουτί ή δοχείο οποιουδήποτε είδους. Η μπαταρία πρέπει να τοποθετηθεί σε ένα καλά εξαεριζόμενο χώρο κατά τη διάρκεια της φόρτισης.
Αποφύγετε την αποθήκευση της κασέτας

ΕΠΙΠΡΟΣΘΕΤΕΣ ΟΔΗΓΙΕΣ ΑΣΦΑΛΕΙΑΣ ΓΙΑ ΤΟ ΜΗΧΑΝΗΜΑ

1. Πάντοτε φοράτε προστατευτικά γυαλιά στα μάτια με πλευρικά καλύμματα, και ένα πλήρες κάλυμμα προσώπου όταν χρειαστεί.
2. Μην στρέψετε το σημείο εκτόξευσης προς το μέρος κανενός ατόμου που βρίσκεται κοντά σας (ειδικά προς το πρόσωπό του). Έχετε τα χέρια και τα πόδια μακριά από το σημείο εκτόξευσης.
3. Πάντοτε να βγάξετε την θήκη της μπαταρίας πριν τη τοποθέτηση συνδετήρων, τη ρύθμιση, τον έλεγχο, τη συντήρηση ή μετά το τέλος της λειτουργίας.
4. Σιγουρευτείτε ότι δεν βρίσκεται κανείς κοντά σας πριν τη λειτουργία. Ποτέ να μην προσπαθήσετε να κινηθείτε τους συνδετήρες ταυτόχρονα εσωτερικά και εξωτερικά του τοίχου. Οι συνδετήρες μπορεί να αφαιρεθούν βίαια και/ή να πεταχτούν, προκαλώντας σοβαρό κίνδυνο.
5. Προσέξτε το πάτημά σας και διατηρείστε την ισορροπία σας με το μηχάνημα. Σιγουρευτείτε ότι δεν βρίσκεται κανείς κάτω από εσάς όταν εργάζεστε σε υψηλές θέσεις.
6. Ελέγξτε τοίχους, νταβάνια, πατώματα, σκεπές κ.λ.π. προσεκτικά για να αποφύγετε πιθανή ηλεκτροπληξία, διαφυγή αερίου, εκρήξεις, κ.λ.π. που προκαλεί η συρραφή πάνω σε ηλεκροφόρα καλώδια, αγωγούς ή σωλήνες αερίων.
7. Χρησιμοποιείτε μόνο τους συνδετήρες που υποδεικνύονται σε αυτό το εγχειρίδιο οδηγιών. Η χρησιμοποίηση οποιοδήποτε άλλων συνδετήρων μπορεί να προκαλέσει δυσλειτουργία στο μηχάνημα.
8. Μην παραβιάζετε το μηχάνημα ή προσπαθήσετε να το χρησιμοποιήσετε για άλλο σκοπό εκτός από την τοποθέτηση συνδετήρων.
9. Μην λειτουργείτε το μηχάνημα χωρίς συνδετήρες. Συντομεύει τη διάρκεια ζωής του μηχανήματος.
10. Σταματήστε τη λειτουργία αμέσως αν προσέξετε ότι κάτι πάει λάθος ή κάτι ασυνήθιστο συμβαίνει στο μηχάνημα.
11. Ποτέ να μην συρράφετε πάνω σε υλικά τα οποία μπορεί να επιτρέψουν το σπάσιμο του συνδετήρα και το πέταγμά του σαν βλήμα.

12. Ποτέ να μην ενεργοποιήσετε την σκανδάλη διακόπτη και το μοχλό ασφαλείας ταυτόχρονα πριν να είσαστε έτοιμοι για την συρραφή κομματιών εργασίας. Αφήστε το κομμάτι εργασίας να ελευθερώσει το μοχλό ασφαλείας. Ποτέ μην ακυρώσετε τη λειτουργία του με το να ασφαλίσετε το μοχλό ασφαλείας πίσω ή με το να τον ελευθερώσετε με το χέρι.
13. Ποτέ μην παραβιάζετε το μοχλό ασφαλείας. Ελέγχετε το μοχλό ασφαλείας συχνά για κανονικές λειτουργίες.

ΦΥΛΑΞΤΕ ΑΥΤΕΣ ΤΙΣ ΟΔΗΓΙΕΣ.

ΟΔΗΓΙΕΣ ΧΡΗΣΗΣ

Τοποθέτηση ή αφαίρεση της κασέτας μπαταρίας (Εικ. 1)

- Πάντοτε σβήνετε το μηχάνημα πριν τοποθετήσετε ή αφαιρέσετε την κασέτα μπαταρίας.
- Για να αφαιρέσετε την κασέτα μπαταρίας, τραβήχτε έξω την πλάκα ρύθμισης του μηχανήματος και πιάστε και τις δύο πλευρές της κασέτας ενώ την τραβάτε από το μηχάνημα.
- Για να τοποθετήσετε την κασέτα μπαταρίας, ευθυγραμμίστε τη γλώσσα στην κασέτα μπαταρίας με την χαραγή στο κάλυμμα και βάλτε τη στη θέση της. Ξαναβάλτε την πλάκα ρύθμισης στη θέση της. Βεβαιωθείτε ότι κλείσατε πλήρως την πλάκα ρύθμισης πριν χρησιμοποιήσετε το μηχάνημα.
- Μη βάζετε δύναμη όταν τοποθετείτε την κασέτα μπαταρίας. Εάν η κασέτα δεν εισέρχεται με ευκολία, δεν είναι τοποθετημένη σωστά.

Φόρτιση (Εικ. 2)

1. Συνδέστε τον φορτιστή μπαταριών στην παροχή του ρεύματος.
2. Βάλτε την κασέτα μπαταρίας έτσι ώστε ο θετικός και αρνητικός πόλος στην κασέτα μπαταρίας να βρίσκονται στις ίδιες πλευρές όπως τα αντίστοιχα σημάδια στον φορτιστή μπαταριών. Βάλτε την κασέτα ολόκληρη μέσα στη υποδοχή έτσι ώστε να καθίσει στο πάτωμα της υποδοχής του ταχυφορτιστή.
3. Όταν η κασέτα μπαταρίας έχει εισχωρήσει, το φωτάκι φόρτισης θα αλλάξει από πράσινο σε κόκκινο και η φόρτιση θα αρχίσει.
4. Όταν η φόρτιση έχει ολοκληρωθεί, το χρώμα στο φωτάκι της φόρτισης θα σβήσει. Ο χρόνος φόρτισης είναι όπως ακολούθως: Μπαταρία 7000, 7100, 7120, 9000, 9100, 9100A, 9120: περίπου 60 λεπτά.
5. Εάν αφήσετε την κασέτα μπαταρίας στον φορτιστή αφού ο κύκλος φόρτισης έχει συμπληρωθεί, ο φορτιστής αλλάζει στη διαμόρφωση “φόρτιση σταγόνας (φόρτιση συντήρησης)”.
6. Μετά τη φόρτιση, αποκακύνετε την κασέτα μπαταρίας και αποσυνδέστε το φορτιστή από την παροχή ρεύματος.

Τύπος μπαταρίας	Χωρητικότητα (mAh)	Αριθμός κυψελών
9100	1.300	8

ΠΡΟΣΟΧΗ:

- Ο φορτιστής μπαταριών είναι για να φορτίζετε κασέτες μπαταρίας Μάκιτα. Ποτέ μην τη χρησιμοποιείτε για άλλους σκοπούς ή για μπαταρίες άλλων κατασκευαστών.
- Όταν φορτίζετε μια καινούρια κασέτα μπαταρίας ή μια μπαταρία που δεν έχει χρησιμοποιηθεί για πολύ καιρό, ίσως να μην είναι δυνατή πλήρης φόρτιση. Αυτό είναι κάτι το φυσιολογικό και δεν είναι ένδειξη προβλήματος. Μπορείτε να επαναφορτίσετε την κασέτα μπαταρίας πλήρως αφού την αποφορτίσετε και την φορτίσετε πλήρως μερικές φορές.
- Εάν φορτίζετε μια κασέτα μπαταρίας από ένα μηχάνημα που μόλις έχει χρησιμοποιηθεί ή μια κασέτα μπαταρίας που έχει αφαιρεθεί εκτεθειμένη απευθείας στις ακτίνες του ήλιου ή σε θερμότητα για μακρό χρονικό διάστημα, αφήστε την να κρυώσει. Επειτα ξαναβάλτε την και προσπαθήστε να την ξαναφορτίσετε.
- Όταν φορτίζετε μια καινούρια κασέτα μπαταρίας ή μια κασέτα μπαταρίας που δεν έχει χρησιμοποιηθεί για μακρό χρονικό διάστημα, μερικές φορές το φωτάκι φόρτισης θα σβήσει σύντομα. Εάν συμβεί αυτό, απομακρύνετε την κασέτα μπαταρίας, και ξαναβάλτε την. Εάν το λαμπάκι φόρτισης σβήσει μέσα σε ένα λεπτό ακόμη και μετά αφού επαναλάβετε αυτή τη διαδικασία δυο φορές, η μπαταρία είναι άχρηστη. Αντικαταστήστε την με μια καινούρια.

Στιγμιαία φόρτιση (Φόρτιση συντήρησης)

Εάν έχετε αφήσει την κασέτα μπαταρίας στον φορτιστή για να προλάβετε αυθόρμητη αποφόρτιση μετά από πλήρη φόρτιση, ο φορτιστής θα αλλάξει στη διαμόρφωση της “Συμβουλές φόρτισης” (φόρτιση συντήρησης) και θα κρατήσει την κασέτα μπαταρίας φρέσκια και πλήρως φορτισμένη.

Σύστημα ασφαλείας (Εικ. 3)

Σιγουρευτείτε ότι όλα τα συστήματα ασφαλείας λειτουργούν κανονικά πριν τη λειτουργία. Το μηχάνημα δεν θα πρέπει να λειτουργεί αν μόνο η σκανδάλη τραβηχτεί ή αν μόνο ο μοχλός ασφαλείας πιεστεί πάνω στο ξύλο. Θα πρέπει να δουλεύει μονάχα όταν και οι δυο ενέργειες πραγματοποιηθούν. Ελέγξτε για πιθανή δυσλειτουργία, με το μηχάνημα χωρίς φορτίο και κατευθυνόμενο μακριά από τον εαυτό σας και από τους παρευρισκόμενους.

ΠΑΡΑΤΗΡΗΣΗ:

Υπάρχει πιθανότητα το μηχάνημα να λειτουργήσει για μια στιγμή όταν η σκανδάλη τραβηχτεί. Αυτό δεν δείχνει κάποιο πρόβλημα. Αν αυτό συμβεί, κατευθύνετε το μηχάνημα μακριά από τον εαυτό σας και από τους παρευρισκόμενους. Ελευθερώστε και τραβήξτε τη σκανδάλη ξανά για να σιγουρευτείτε ότι τα συστήματα ασφαλείας λειτουργούν κανονικά.

Φόρτωση συνδετήρων (Εικ. 4, 5 και 6)

Σημαντικό:

Πάντοτε να βγάζετε τη θήκη της μπαταρίας πριν τη φόρτωση των συνδετήρων στο μηχάνημα.

Πιέστε την πλάκα ελατηρίου στο πίσω μέρος της υπο-θήκης και τραβήξτε την υπο-θήκη προς τα πίσω.

Φορτώστε τους συνδετήρες στην κύρια θήκη με τα άκρα των συνδετήρων να βλέπουν προς τα πάνω όπως φαίνεται στην **Εικ. 5**. Τραβήξτε την υπο-θήκη προς τα εμπρός.

Για να στερεώσετε την υπο-θήκη στη θέση της, σπρώξτε την υπο-θήκη καθώς πατάτε την πλάκα του ελατηρίου στο πίσω μέρος της υποθήκης.

ΠΡΟΣΟΧΗ:

- Πάντοτε στερεώνετε την υπο-θήκη στην θέση της, διαφορετικά οι συνδετήρες μπορεί να πέσουν έξω και να δημιουργήσουν προβλήματα.
- Με τη θήκη φορτωμένη, αν το μηχάνημα κρατηθεί προς τα κάτω και η υπο-θήκη ανοιχτεί, οι συνδετήρες μπορεί να πέσουν έξω και να δημιουργήσουν κίνδυνο για τον οποιοδήποτε ή το οτιδήποτε βρίσκεται από κάτω. Κρατήστε τα παραπάνω στο μυαλό σας ειδικά όταν δουλεύετε σε υψηλές θέσεις.

Ρύθμιση βάθους (Εικ. 7 και 8)

Αν οι συνδετήρες έχουν οδηγηθεί πολύ βαθιά ή πολύ επιφανειακά, ρυθμίστε το βάθος κίνησης γυρίζοντας το παξιμάδι στη βάση του μηχανήματος. Για βαθύτερη τοποθέτηση των συνδετήρων, γυρίστε το παξιμάδι κατά τη φορά των δεικτών του ρολογιού. Για επιφανειακή τοποθέτηση γυρίστε το παξιμάδι κατά την αντίθετη φορά των δεικτών του ρολογιού. Παρακαλώ σημειώστε ότι το παξιμάδι πρέπει να περιστρέφεται κατά διαστήματα 180° (1/2 γύρισμα) έτσι ώστε η εγκοπή του παξιμαδιού να διευθύνεται παράλληλα στη θήκη.

ΠΑΡΑΤΗΡΗΣΗ:

Αν η απόσταση ανάμεσα στην άκρη του μηχανήματος (Α) και του υλικού που πρόκειται να στερεωθεί είναι μεγαλύτερη των 2 χιλ., το μηχάνημα δεν θα λειτουργήσει επειδή ο μοχλός ασφαλείας δεν έχει πιεστεί αρκετά για να λειτουργήσει το μηχάνημα.

Τοποθέτηση συνδετήρων (Εικ. 9 και 10)

Τοποθετήστε το μηχάνημα στο υλικό που πρόκειται να στερεωθεί έτσι ώστε το μπροστινό και το πίσω μέρος του μηχανήματος να εφάπτονται επίπεδα στο υλικό. Μην κλίνεται το μηχάνημα προς την αριστερά ή προς τη δεξιά πλευρά. Κρατάτε το μηχάνημα πάνω στο υλικό. Μετά τραβήξτε την σκανδάλη για να οδηγήσετε τους συνδετήρες.

Αν οι συνδετήρες τοποθετηθούν πολύ επιφανειακά, πιέστε την κεφαλή του εργαλείου όπως φαίνεται στην **Εικ. 10** και τοποθετήστε τους συνδετήρες.

Αν ακόμα οι συνδετήρες έχουν τοποθετηθεί πολύ επιφανειακά, ρυθμίστε το βάθος κίνησης περιστρέφοντας το παξιμάδι κατά την φορά των δεικτών του ρολογιού. Ανατρέξτε στο “Ρύθμιση βάθους”.

ΠΡΟΣΟΧΗ:

Μην λειτουργείτε το μηχάνημα χωρίς συνδετήρες. Ελαττώνει το χρόνο ζωής του μηχανήματος.

Αν το μηχάνημα πάθει εμπλοκή, κάνετε τα παρακάτω. Πρώτα, βγάλτε τη θήκη μπαταρίας. Ανοίξτε την υπο-θήκη και βγάλτε το μπλεγμένο συνδετήρα χρησιμοποιώντας ένα κατσαβίδι ή κάτι παρόμοιο.

Παράθυρο παρατήρησης (Εικ. 11)

Υπάρχει ένα βολικό παράθυρο παρατήρησης στην αριστερή πλευρά του μηχανήματος (όταν κοιτάζετε το μηχάνημα από μπροστά). Χρησιμοποιείστε αυτό το παράθυρο παρατήρησης για να ελέγξετε αν υπάρχουν συνδετήρες. Όταν οι συνδετήρες δεν είναι ορατοί από το παράθυρο, φορτώστε συνδετήρες μέσα στη θήκη.

Συνδετήρες

- Να χειρίζεστε τους συνδετήρες και το κουτί τους προσεκτικά. Αν οι συνδετήρες χειριστούν με βίαιο τρόπο, μπορεί να παραμορφωθεί το σχήμα τους, προκαλώντας κακή τροφοδοσία των συνδετήρων ή εμπλοκή.
- Αποφεύγετε την αποθήκευση των συνδετήρων σε ένα πολύ υγρό ή ζεστό χώρο ή σε χώρο εκθετημένο σε απευθείας ηλιακό φως.
- Μην προσπαθήσετε να χρησιμοποιήσετε συνδετήρες που φαίνεται ότι έχουν πάθει ζημιά, στραβώσει, σκουριάσει ή διαβρωθεί.

ΣΥΝΤΗΡΗΣΗ

ΠΡΟΣΟΧΗ:

Πριν την εκτέλεση εργασιών με τη συσκευή διαβεβαιώνετε πάντοτε, για το ότι η συσκευή σβήστηκε με απομακρυσμένον το συσσωρευτή.

Για τη διασφάλιση της σιγουριάς και αξιοπιστίας των προϊόντων μας πρέπει οι επισκευές, εργασίες συντήρησης ή ρυθμίσεις να εκτελούνται από εξουσιοδοτημένα εργαστήρια σέρβις πελατών Μάκιτα.

ΕΓΓΥΗΣΗ

Αναλαμβάνουμε την εγγύηση των μηχανημάτων Μάκιτα σύμφωνα με τις νομικές/εθνικο-ειδικές οδηγίες. Ζημιές προερχόμενες από φυσική φθορά, υπερφόρτωση ή ακατάλληλη μεταχείριση αποκλείονται από την εγγύηση. Σε περίπτωση προβλήματος, παρακαλούμε στείλετε το μηχάνημα, συναρμολογημένο, μαζί με το εσώκλειστο ΠΙΣΤΟΠΟΙΗΤΙΚΟ ΕΓΓΥΗΣΗΣ, στο μεταπωλητή σας ή στο Κέντρο Εξυπηρέτησης Μάκιτα.

Makita Corporation

Anjo, Aichi Japan

Made in Japan

PRINTED IN JAPAN