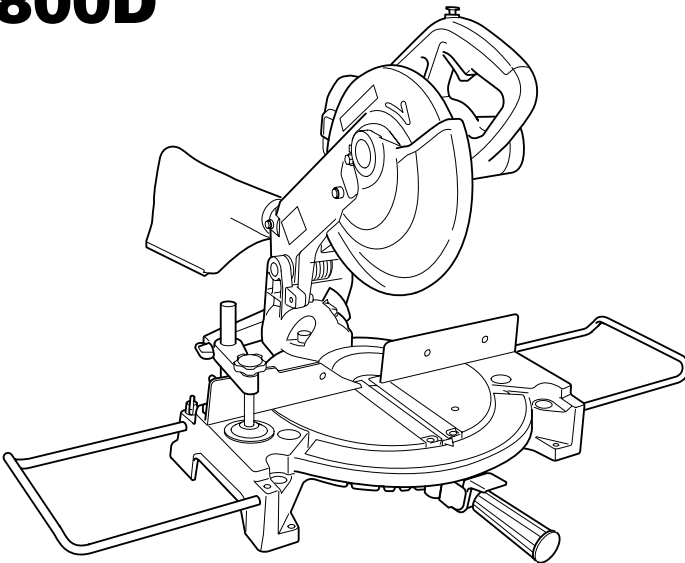
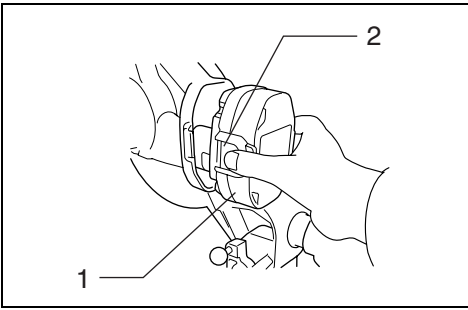


Makita®

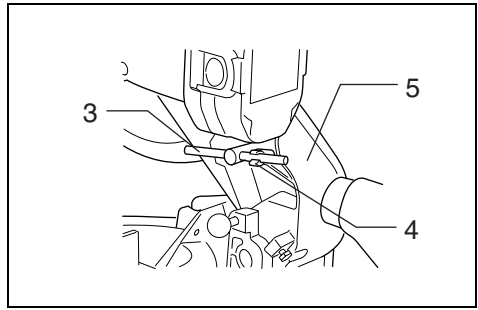
GB	Cordless Compound Miter Saw	Instruction Manual
F	Scie à coupe d'onglet mixte sans fil	Manuel d'instructions
D	Akku Gehrungs-und Kappsäge	Betriebsanleitung
I	Sega a quartabuono composta a batteria	Istruzioni per l'uso
NL	Accu-gecombineerde verstekzaag	Gebruiksaanwijzing
E	Sierra de inglete mixta a batería	Manual de instrucciones
P	Serra de esquadria composta a bateria	Manual de instruções
DK	Akku afkorter-gerinfssav	Brugsanvisning
S	Sladdlös kap-och gerings- kombinationssåg	Bruksanvisning
N	Akku kompond gjæringssag	Bruksanvisning
SF	Akkuyhdistetty jiirlsaha	Käyttöohje
GR	Ασύρματο σύνθετος πριονωτός δίσκος	Οδηγίες χρήσεως

LS800D

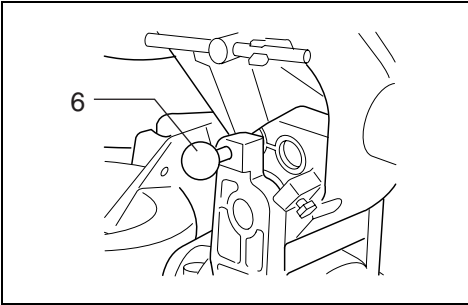




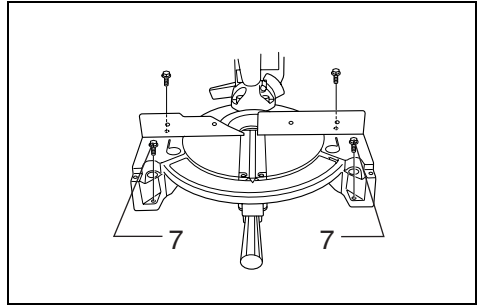
1



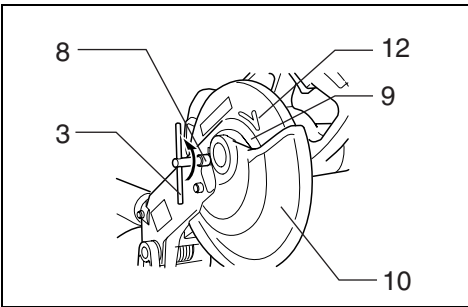
2



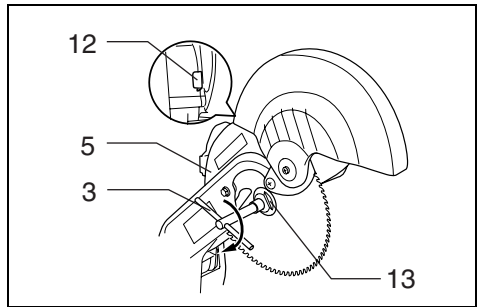
3



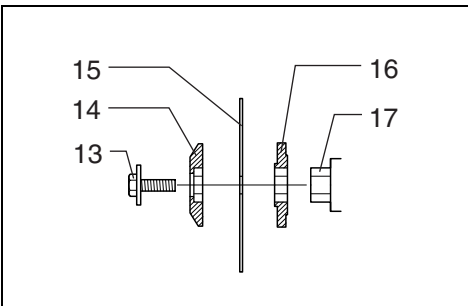
4



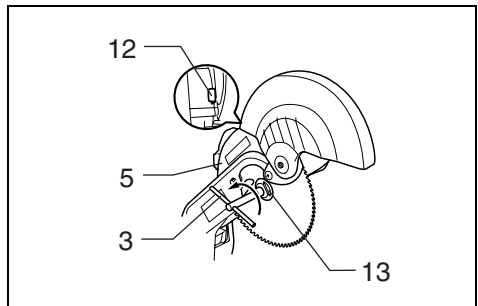
5



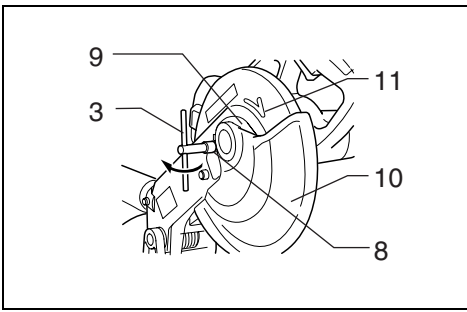
6



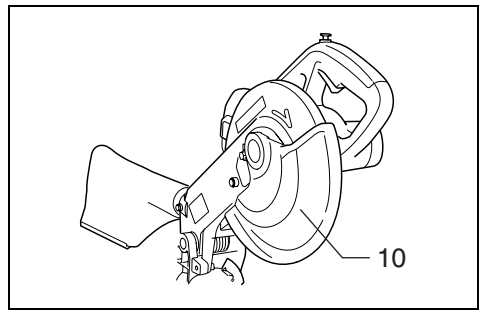
7



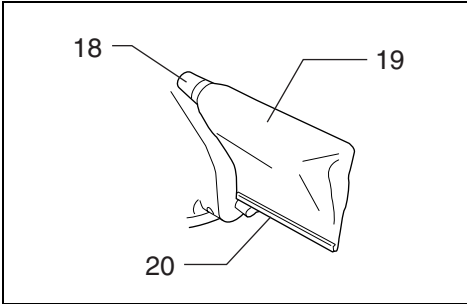
8



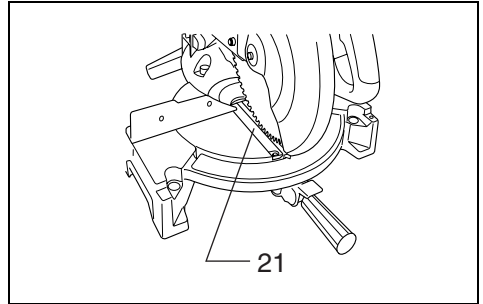
9



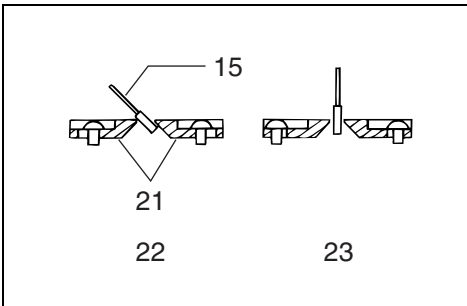
10



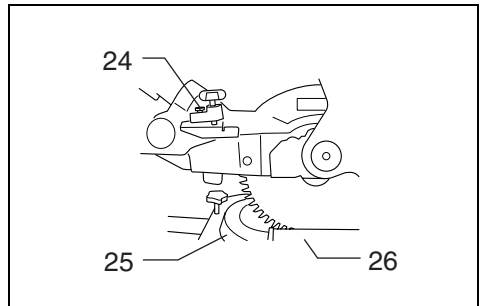
11



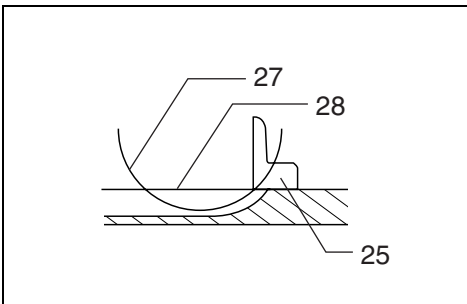
12



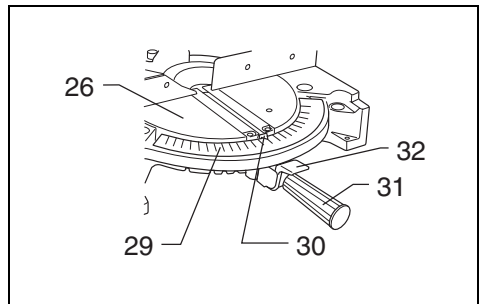
13



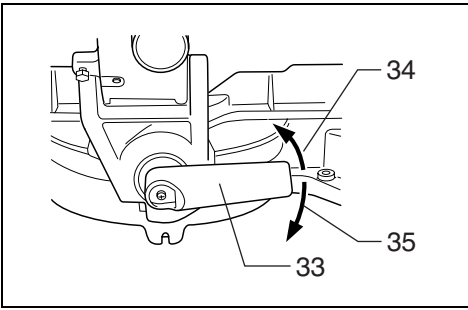
14



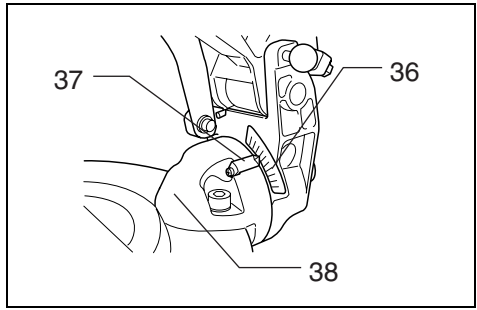
15



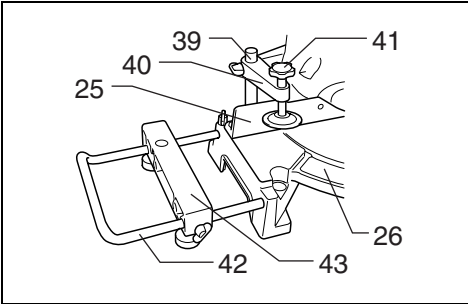
16



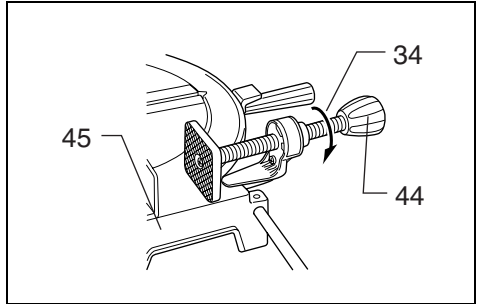
17



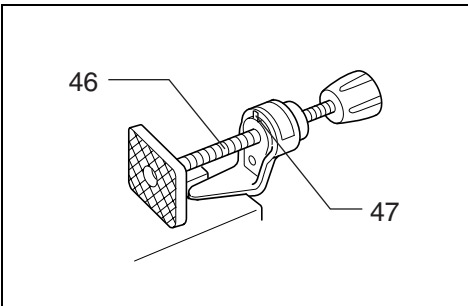
18



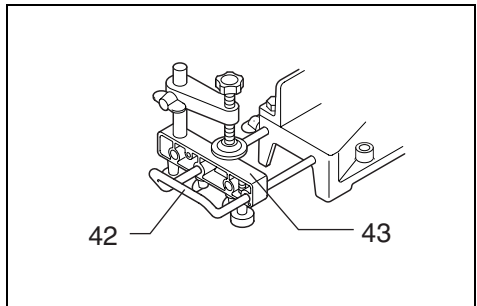
19



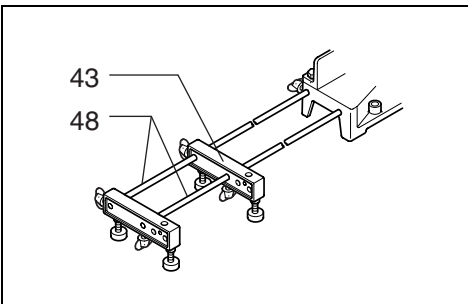
20



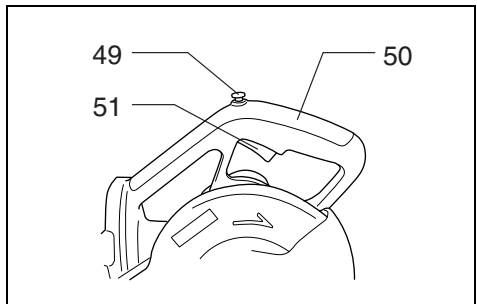
21



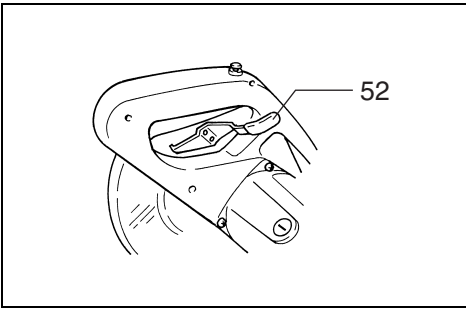
22



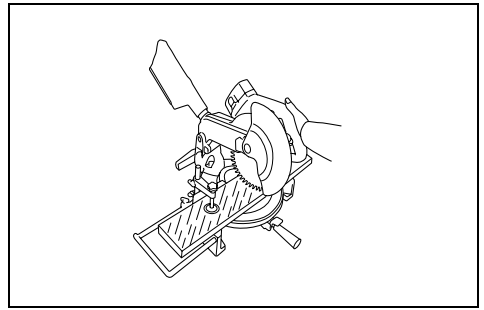
23



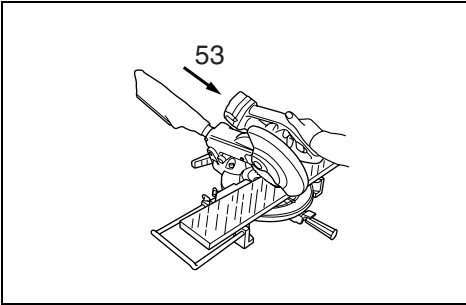
24



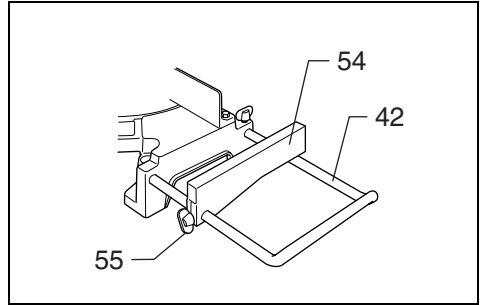
25



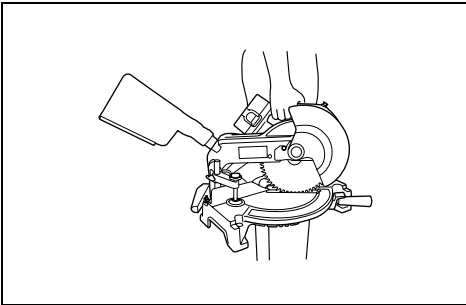
26



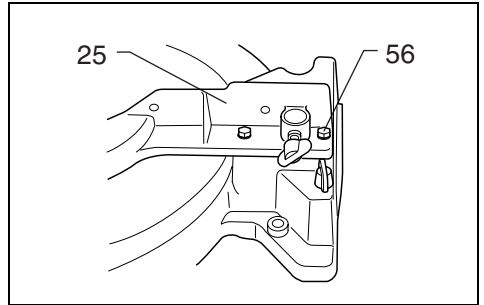
27



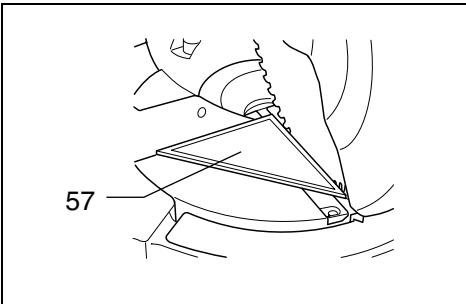
28



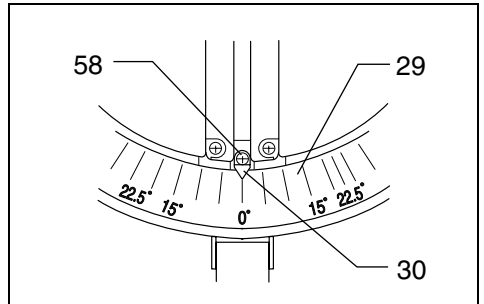
29



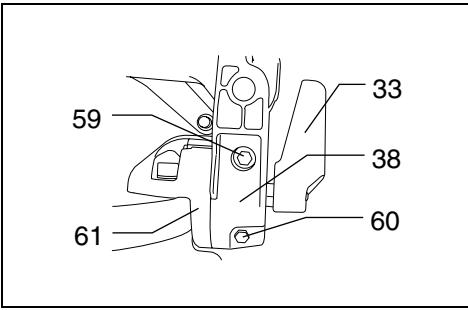
30



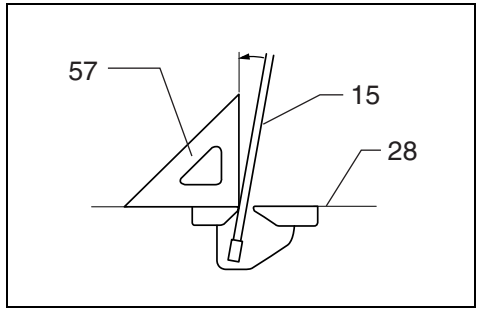
31



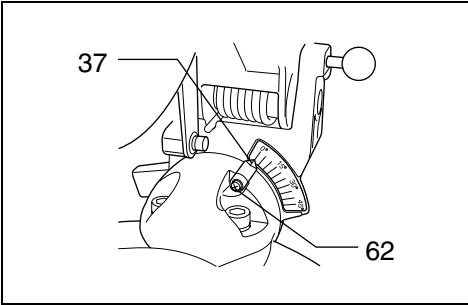
32



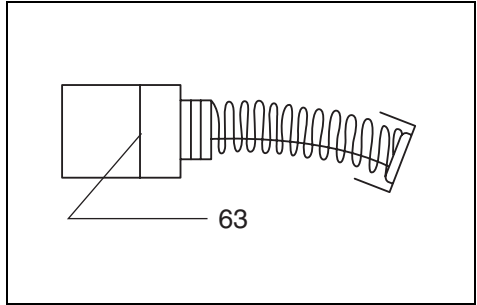
33



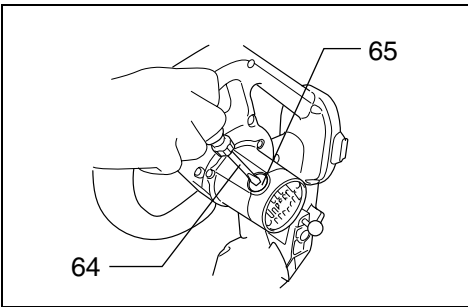
34



35



36



37

Symbols

The followings show the symbols used for tool. Be sure that you understand their meaning before use.

Symbolos

Nous donnons ci-dessous les symboles utilisés pour l'outil. Assurez-vous que vous en avez bien compris la signification avant d'utiliser l'outil.

Symbolle

Die folgenden Symbole werden für die Maschine verwendet. Machen Sie sich vor der Benutzung unbedingt mit ihrer Bedeutung vertraut.

Simboli

Per questo utensile vengono usati i simboli seguenti. Bisogna capire il loro significato prima di usare l'utensile.

Symbolen

Voor dit gereedschap worden de volgende symbolen gebruikt. Zorg ervoor dat u de betekenis van deze symbolen begrijpt alvorens het gereedschap te gebruiken.

Símbolos

A continuación se muestran los símbolos utilizados con esta herramienta. Asegúrese de que entienda su significado antes de usarla.

Símbolos

O seguinte mostra os símbolos utilizados para a ferramenta. Certifique-se de que compreende o seu significado antes da utilização.

Symboler

Nedenstående symboler er anvendt i forbindelse med denne maskine. Vær sikker på, at De har forstået symbolernes betydning, før maskinen anvendes.

Symboler

Det följande visar de symboler som används för den här maskinen. Se noga till att du förstår deras innebörd innan maskinen används.

Symbolene

Følgende viser de symbolene som brukes for maskinen. Det er viktig å forstå betydningen av disse før maskinen tas i bruk.

Symbolit

Alla on esitetty koneessa käytetyt symbolit. Opettele näiden merkitykset, ennen kuin käytät konetta.

Σύμβολα

Τα ακόλουθα δείχνουν τα σύμβολα που χρησιμοποιούνται για το μηχάνημα. Βεβαιωθείτε ότι καταλαβαίνετε τη σημασία τους πριν από τη χρήση.



- Read instruction manual.
- Lire le mode d'emploi.
- Bitte Betriebsanleitung lesen.
- Leggete il manuale di istruzioni.
- Lees de gebruiksaanwijzing.
- Lea el manual de instrucciones.

- Leia o manual de instruções.
- Læs brugsanvisningen.
- Läs bruksanvisningen.
- Les bruksanvisningen.
- Katso käyttöohjeita.
- Διαβάστε τις οδηγίες χρήσης.



- To avoid injury from flying debris, keep holding the saw head down, after making cuts, until the blade has come to a complete stop.
- Pour éviter toute blessure résultant du vol de débris, tenez l'outil avec sa tête dirigée vers le bas lorsque la coupe est terminée, jusqu'à ce que la lame soit complètement arrêtée.
- Um Verletzungen durch herausgeschleuderte Teile zu vermeiden, halten Sie den Maschinenkopf nach Ausführung von Schnitten abgesenkt, bis die Trennscheibe völlig zum Stillstand gekommen ist.
- Per evitare le ferite causate dalle schegge volanti, mantenere abbassata la testa della fresa dopo i tagli finché la lama non si è fermata completamente.
- Na het maken van sneden, moet u de zaagkop omlaag blijven houden totdat het zaagblad volledig tot stilstand is gekomen, om mogelijke verwonding door vliegende brokstukken te voorkomen.
- Para evitar heridas a causa de restos voladeros, después de efectuar los cortes mantenga bajada la cabeza del tronizador hasta que el disco se pare completamente.
- Para evitar injúrias causadas por fragmentos que se soltem, mantenha a cabeça da serra para baixo, depois de fazer cortes, até que a lâmina esteja completamente parada.
- For at undgå tilskadekomst forårsaget af flyvende afskær skal savhovedet holdes nede efter afskæringen, indtil skiven er helt standset.
- Håll såghuvudet nedåt, efter avslutad kapning, tills klingan har stannat helt, för att undvika skador från flygande skräp.
- For å forhindre skader fra spon og flis som spres omkring, må saghodet holdes nede etter at kuttene er gjort helt til bladet har stoppet.
- Estä lentävien roskien aiheuttama loukkaantumisen pitämällä sahan kärkiosa sahausken jälkeen alhaalla, kunnes terä on kokonaan pysähtynyt.
- Για να αποφύγετε τραυματισμό από ιπτάμενα γυεζία, κρατάτε τον κόπτη προς τα κάτω, αφού κάνετε την κοπή, μέχρι η λεπίδα να σταματήσει εντελώς.



- For your safety, remove the chips, small pieces, etc. from the table top before operation.
- A des fins de sécurité, débarrassez la table de tous les copeaux et autres petits débris avant le travail.
- Zur Sicherheit sollte die Tischplatte vor dem Betrieb von Spänen, Kleinteilen usw. gesäubert werden.
- Per la propria sicurezza, rimuovere le bave, scorie, ecc., da sopra il tavolo dopo il lavoro.
- Voor uw veiligheid, verwijder spaanders, brokstukjes, enz. van het tafelblad alvorens het gereedschap te bedienen.
- Para su propia seguridad, quite las virutas, pequeÑos trozos, etc., de encima de la mesa antes de realizar la operaci3n de corte.
- Para sua segurança, retire as aparas, peÇas pequenas, etc. de cima da bancada antes de começar a operaÇ3o.
- For Deres sikkerheds skyld skal alle metalsp3ner, små dele og så videre fjernes fra bordets overflade før anvendelse.
- Ta bort spån, småpartiklar osv. från sågbordets ovansida före användningen, för din egen säkerhets skull.
- Av sikkerhetsmessige årsaker må spon, metallstykker, etc. fjernes fra bordet før arbeidet starter.
- Poista oman turvallisuutesi vuoksi lastut, pienet kappaleet yms pöydän pinnalta ennen työskentelyä.
- Για την ασφάλεια σας , απομακρύνετε τα υπολείματα, μικρά κομμάτια κλπ. από το τραπέζι προτού χρησιμοποιήσετε το μηχάνημα.

ENGLISH

Explanation of general view

1 Battery cartridge	23 Straight cut	45 Base
2 Push button	24 Adjusting bolt	46 Vise shaft
3 Socket wrench	25 Guide fence	47 Projection
4 Wrench holder	26 Turn base	48 Rods 12
5 Blade case	27 Periphery of blade	49 Lock-off button
6 Stopper pin	28 Top surface of turn base	50 Handle
7 Bolts	29 Miter scale	51 Switch trigger
8 Hex bolt	30 Pointer	52 Lock lever
9 Center cover	31 Grip	53 Apply pressure in parallel with blade
10 Safety cover (Safety guard)	32 Lock lever	54 Set plate
11 Arrow	33 Lever	55 Screw
12 Shaft lock	34 Loosen	56 Hex bolt
13 Hex bolt (left-handed)	35 Tighten	57 Triangular rule
14 Outer flange	36 Bevel scale	58 Screw
15 Saw blade	37 Pointer	59 45° bevel angle adjusting bolt
16 Inner flange	38 Arm	60 0° bevel angle adjusting bolt
17 Spindle	39 Vise rod	61 Sub arm
18 Dust nozzle	40 Vise arm	62 Screw
19 Dust bag	41 Vise knob	63 Limit mark
20 Fastener	42 Holder	64 Screwdriver
21 Kerf board	43 Holder assembly	65 Brush holder cap
22 Left bevel cut	44 Vise knob	

SPECIFICATIONS

Model

LS800D

Blade diameter 210 mm – 216 mm

Hole (arbor) diameter

For European countries 30 mm

For all countries other than European countries 25.4 mm or 25 mm

Max. cutting capacities (H x W) with blade 216 mm in diameter

Miter angle	Bevel angle	
	0°	45° (left)
0°	61 mm x 122 mm	45 mm x 122 mm
45° (left and right)	61 mm x 85 mm	45 mm x 85 mm

No load speed (min⁻¹) 2,000

Dimensions (L x W x H) 528 mm x 430 mm x 486 mm

Net weight (with battery cartridge) 9.3 kg

Rated voltage D.C.18 V

- Due to our continuing program of research and development, the specifications herein are subject to change without notice.
- Note: Specifications may differ from country to country.

Intended use

The tool is intended for accurate straight and miter cutting in wood.

Safety hints

For your own safety, please refer to the enclosed safety instructions.

IMPORTANT SAFETY INSTRUCTIONS FOR CHARGER & BATTERY CARTRIDGE

ENC004-1

1. **Before using battery cartridge, read all instructions and cautionary markings on (1) battery charger, (2) battery, and (3) product using battery.**
2. **Do not disassemble battery cartridge.**
3. **If operating time has become excessively shorter, stop operating immediately. It may result in a risk of overheating, possible burns and even an explosion.**
4. **If electrolyte gets into your eyes, rinse them out with clear water and seek medical attention right away. It may result in loss of your eyesight.**

5. Always cover the battery terminals with the battery cover when the battery cartridge is not used.
6. Do not short the battery cartridge:
 - (1) Do not touch the terminals with any conductive material.
 - (2) Avoid storing battery cartridge in a container with other metal objects such as nails, coins, etc.
 - (3) Do not expose battery cartridge to water or rain.
A battery short can cause a large current flow, overheating, possible burns and even a breakdown.
7. Do not store the tool and battery cartridge in locations where the temperature may reach or exceed 50°C (122°F).
8. Do not incinerate the battery cartridge even if it is severely damaged or is completely worn out. The battery cartridge can explode in a fire.
9. Be careful not to drop or strike battery.
10. Avoid cutting nails. Inspect for and remove all nails from the workpiece before operation.
11. Make sure the shaft lock is released before the switch is turned on.
12. Be sure that the blade does not contact the turn base in the lowest position.
13. Hold the handle firmly. Be aware that the saw moves up or down slightly during start-up and stopping.
14. Do not perform any operation freehand. The workpiece must be secured firmly against the turn base and guide fence with the vise during all operations. Never use your hand to secure the workpiece.
15. Keep hands out of path of saw blade. Avoid contact with any coasting blade. It can still cause severe injury.
16. Never reach around saw blade.
17. Make sure the blade is not contacting the workpiece before the switch is turned on.
18. Before using the tool on an actual workpiece, let it run for a while. Watch for vibration or wobbling that could indicate poor installation or a poorly balanced blade.
19. Wait until the blade attains full speed before cutting.
20. Stop operation immediately if you notice anything abnormal.
21. Do not attempt to lock the trigger in the ON position.
22. Shut off power and wait for saw blade to stop before servicing or adjusting tool.
23. Be alert at all times, especially during repetitive, monotonous operations. Don't be lulled into a false sense of security. Blades are extremely unforgiving.
24. Always use accessories recommended in this manual. Use of improper accessories such as abrasive wheels may cause an injury.
25. Don't abuse cord. Never yank cord to disconnect it from the receptacle. Keep cord away from heat, oil, water and sharp edges.
26. Do not use the saw to cut other than wood or similar materials.
27. Connect compound miter saws to a dust collecting device when sawing.
28. Select saw blades in relation to the material to be cut.
29. Take care when slotting.
30. Replace the kerf board when worn.

SAVE THESE INSTRUCTIONS.

Tips for maintaining maximum battery life

1. Charge the battery cartridge before completely discharged.
Always stop tool operation and charge the battery cartridge when you notice less tool power.
2. Never recharge a fully charged battery cartridge. Overcharging shortens the battery service life.
3. Charge the battery cartridge with room temperature at 10°C – 40°C (50°F – 104°F). Let a hot battery cartridge cool down before charging it.
4. Charge the Nickel Metal Hydride battery cartridge when you do not use it for more than six months.

ADDITIONAL SAFETY RULES FOR TOOL

1. Be aware that this tool is always in an operating condition, because it does not have to be plugged into an electrical outlet.
2. Wear eye protection.
3. Do not operate saw without guards in place. Don't use the tool in the presence of flammable liquids or gases.
5. Check the blade carefully for cracks or damage before operation. Replace cracked or damaged blade immediately.
6. Use only flanges specified for this tool.
7. Be careful not to damage the arbor, flanges (especially the installing surface) or bolt. Damage to these parts could result in blade breakage.
8. Make sure that the turn base is properly secured so it will not move during operation.
9. For your safety, remove the chips, small pieces, etc. from the table top before operation.

SAVE THESE INSTRUCTIONS.

OPERATING INSTRUCTIONS

Installing or removing battery cartridge (Fig. 1)

- Always switch off the tool before insertion or removal of the battery cartridge.
- To remove the battery cartridge, withdraw it from the tool while pressing the push buttons on both sides of the cartridge.
- To insert the battery cartridge, align the tongue on the battery cartridge with the groove in the housing and slip it into place. Always insert it all the way until it locks in place with a little click. If not, it may accidentally fall out of the tool, causing injury to you or someone around you.
- Do not use force when inserting the battery cartridge. If the cartridge does not slide in easily, it is not being inserted correctly.

Socket wrench (Fig. 2)

The socket wrench is stored as shown in Fig. 2. When using the socket wrench, pull it out of the wrench holder. After using the socket wrench, return it to the wrench holder.

Bench mounting saw (Fig. 3 & 4)

When the tool is shipped, the handle is locked in the lowered position by the stopper pin. Release the stopper pin by lowering the handle slightly and pulling the stopper pin.

This tool should be bolted with four bolts to a level and stable surface using the bolt holes provided in the tool's base. This will help prevent tipping and possible injury.

Installing or removing saw blade

CAUTION:

- Always be sure that the tool is switched off and the battery cartridge is removed before installing or removing the blade.
- Use only the Makita socket wrench provided to install or remove the blade. Failure to do so may result in overtightening or insufficient tightening of the hex bolt. This could cause serious injury to operator or others in the general vicinity of the tool.

Lock the handle in the raised position by pushing in the stopper pin. (Fig. 3)

To remove the blade, use the socket wrench to loosen the hex bolt holding the center cover by turning it counterclockwise. Raise the safety cover and center cover. (Fig. 5)

Press the shaft lock to lock the spindle and use the socket wrench to loosen the hex bolt (left-handed) clockwise. Then remove the hex bolt, outer flange and blade. (Fig. 6)

To install the blade, mount it carefully onto the spindle, making sure that the direction of the arrow on the surface of the blade matches the direction of the arrow on the blade case. Install the outer flange and hex bolt, and then use the socket wrench to tighten the hex bolt (left-handed) securely counterclockwise while pressing the shaft lock. (Fig. 7 & 8)

CAUTION:

For all countries other than European countries

The inner flange has a 25 mm diameter on one side and a 25.4 mm diameter on the other. The side with 25.4 mm diameter is marked by "25.4". Use the correct side for the hole diameter of the blade you intend to use. Mounting the blade on the wrong side can result in dangerous vibration.

Return the safety cover and center cover to its original position. Then tighten the hex bolt clockwise to secure the center cover. (Fig. 9)

Release the handle from the raised position by pulling the stopper pin. Lower the handle to make sure that the safety cover moves properly.

Safety cover (Fig. 10)

When lowering the handle, the safety cover rises automatically. The cover returns to its original position when the cut is completed and the handle is raised. NEVER DEFEAT OR REMOVE THE SAFETY COVER. In the interest of your personal safety, always maintain the safety cover in good condition. Any irregular operation of the safety cover should be corrected immediately. NEVER USE THE TOOL WITH A FAULTY SAFETY COVER. If the see-through safety cover becomes dirty, or sawdust adheres to it in such a way that the blade and/or workpiece is no longer easily visible, remove the battery cartridge and clean the cover carefully with a damp cloth. Do not use solvents or any petroleum-based cleaners on the plastic cover.

Dust bag (Fig. 11)

The use of the dust bag makes cutting operations clean and dust collection easy. To attach the dust bag, fit the bag's entry port over the dust nozzle. When the dust bag is about half full, remove the dust bag from the tool and pull the fastener out. Empty the dust bag of its contents, tapping it lightly so as to remove particles adhering to the insides which might hamper further collection.

Positioning kerf board (Fig. 12 & 13)

This tool is provided with the kerf boards in the turn base. The kerf boards are factory adjusted so that the saw blade does not contact the kerf boards. Before use, adjust the kerf boards as follows:

First, remove the battery cartridge. Loosen the all screws (2 each on left and right) securing the kerf boards. Retighten them to the extent that the kerf boards can be easily moved by hand. Lower the handle fully and push in the stopper pin to lock the handle in the lowered position. Adjust the kerf boards so that the kerf boards just contact the sides of blade teeth slightly. Tighten the screws (do not tighten firmly). After adjusting the kerf boards, release the stopper pin and raise the handle. Then tighten the all screws securely.

CAUTION:

After changing the bevel angle, always readjust the kerf boards as described above.

Maintaining maximum cutting capacity (Fig. 14 & 15)

This tool is factory adjusted to provide the max. cutting capacity for a 216 mm saw blade. When using a saw blade other than 216 mm saw blade, adjust the lower limit position of the blade as follows:

First, remove the battery cartridge. Lower the handle completely. Use the socket wrench to turn the adjusting bolt until the periphery of the blade extends slightly below the top surface of the turn base at the point where the front face of the guide fence meets the top surface of the turn base. With the battery cartridge removed, rotate the blade by hand while holding the handle all the way down to be sure that the blade does not contact any part of the lower base. Re-adjust slightly, if necessary.

CAUTION:

After installing a new blade, always be sure that the blade does not contact any part of the lower base when the handle is lowered completely. Always do this with the battery cartridge removed.

Positioning for adjusting the miter angle (Fig. 16)

The turn base turns up to 52° to the left and right. Loosen the grip by turning counterclockwise. Turn the turn base while pressing down the lock lever. When you have moved the grip to the position where the pointer points to the desired angle on the miter scale, securely tighten the grip clockwise.

CAUTION:

- When turning the turn base, be sure to raise the handle fully.
- After changing the miter angle, always secure the turn base by tightening the grip firmly.

Positioning for adjusting the bevel angle (Fig. 17 & 18)

The saw blade tilts up to 45° to the left. To adjust the bevel angle, loosen the lever at the rear of the tool. Push the handle to the left to tilt the saw blade until the pointer points to the desired angle on the bevel scale. Tighten the lever to secure the arm.

CAUTION:

- When tilting the saw blade, be sure to raise the handle fully.
- After changing the bevel angle, always secure the arm by tightening the lever.

Securing workpiece

WARNING:

It is extremely important to always secure the workpiece properly and tightly with the vise. Failure to do so can cause the tool to be damaged and/or the workpiece to be destroyed. PERSONAL INJURY MAY ALSO RESULT. Also, after a cutting operation, DO NOT raise the blade until the blade has come to a complete stop.

1. Vertical vise (Fig. 19)

The vertical vise can be installed in two positions on either the left or right side of the guide fence, or the holder assembly (optional accessory). Insert the vise rod into the hole in the guide fence or the holder assembly and tighten the screw to secure the vise rod. (Note: When using the holder assembly, install it on the holder as shown in Fig. 19.)

Position the vise arm according to the thickness and shape of the workpiece and secure the vise arm by tightening the screw.

Make sure that no part of the tool contacts the vise when lowering the handle fully. If some part contacts the vise, re-position the vise. Press the workpiece flat against the guide fence and the turn base. Position the workpiece at the desired cutting position and secure it firmly by tightening the vise knob. The maximum thickness of workpieces which can be secured by the vertical vise is 61 mm.

2. Horizontal vise (optional accessory) (Fig. 20 & 21)

The horizontal vise can be installed on either the left or right side of the base. By turning the vise knob counterclockwise, the screw is released and the vise shaft can be moved rapidly in and out. To grip workpieces, turn the vise knob gently clockwise until the projection reaches its topmost position, then fasten securely. If the vise knob is forced in or pulled out while being turned clockwise, the projection may stop at an angle. In this case, turn the vise knob back counterclockwise until the screw is released, before turning again gently clockwise. The maximum width of workpieces which can be secured by the horizontal vise is 122 mm.

3. Holders and holder assembly (optional accessory)

The holders and the holder assembly can be installed on either side as a convenient means of supporting workpieces horizontally. Install them as shown in Fig. 22. Then tighten the screws firmly to secure the holders and the holder assembly. (Fig. 22)

When cutting long workpieces, use the holder-rod assembly (optional accessory). It consists of two holder assemblies and two rods 12. (Fig. 23)

CAUTION:

Always support long workpieces level with the top surface of the turn base for accurate cuts and to prevent dangerous loss of control of the tool.

Switch action (Fig. 24)

CAUTION:

- Before inserting the battery cartridge into the tool, always check to see that the switch trigger actuates properly and returns to the "OFF" position when released.
- When not using the tool, remove the lock-off button and store it in a secure place. This prevents unauthorized operation.

To prevent the switch trigger from being accidentally pulled, a lock-off button is provided.

To start the tool, press in the lock-off button and pull the trigger. Release the switch trigger to stop.

Lock lever (Fig. 25)

For European countries only

When cutting, push the lock lever to the left to release the handle from the raised position. When the cut is completed, release the lock lever after returning the blade to its fully elevated position. The handle will be automatically locked in the raised position.

Operation

CAUTION:

Do not apply excessive pressure on the handle when cutting. Too much force may result in overload of the motor and/or decreased cutting efficiency.

1. Press cutting (Fig. 26)
 - Workpieces up to 61 mm high x 122 mm wide can be cut in the following way.
 - Secure the workpiece with the vise. Switch on the tool and wait until the blade attains full speed before lowering gently into the cut. When the cut is completed, switch off the tool and WAIT UNTIL THE BLADE HAS COME TO A COMPLETE STOP before returning the blade to its fully elevated position.
2. Miter cutting Refer to the previously covered "Positioning for adjusting the miter angle".
3. Bevel cut (Fig. 27)
 - At a left 45° bevel angle, workpieces up to 45 mm high x 122 mm wide can be cut.
 - Loosen the lever and tilt the saw blade to set the bevel angle. Refer to the previously covered "Positioning for adjusting the bevel angle". Secure the workpiece with the vise. Switch on the tool and wait until the blade attains full speed. Then gently lower the handle to the fully lowered position while applying pressure in parallel with the blade. When the cut is completed, switch off the tool and WAIT UNTIL THE BLADE HAS COME TO A COMPLETE STOP before returning the blade to its fully elevated position.

CAUTION:

- During a bevel cut, it may create a condition whereby the piece cut off will come to rest against the side of the blade. If the blade is raised while the blade is still rotating, this piece may be caught by the blade, causing fragments to be scattered around which is dangerous. The blade should be raised ONLY after the blade has come to a complete stop.
 - When pressing down the handle, apply pressure in parallel with the blade. If a force is applied perpendicularly to the turn base or if the pressure direction is changed during a cut, the precision of the cut will be impaired.
4. Compound cutting Compound cutting is the process in which a bevel angle is made at the same time in which a miter angle is being cut on a workpiece. Compound cutting can be performed at angle shown in the table below.

Miter angle	Bevel angle
Left and right 45°	Left 0° – 45°
Left and right 52°	Left 0° – 40°

At the miter angle of left 45° and bevel angle of left 45°, workpieces 45 mm high x 85 mm wide can be cut. When performing compound cutting, refer to "Press cutting", "Miter cutting" and "Bevel cut" explanations.

5. Cutting repetitive lengths (Fig. 28)

When cutting several pieces of stock to the same length, ranging from 220 mm to 365 mm, use of the set plate (optional accessory) will facilitate more efficient operation. Install the set plate on the holder as shown in Fig. 28. Align the cutting line on your workpiece with either the left or right side of the groove in the kerf board, and while holding the workpiece from moving, move the set plate flush against the end of the workpiece. Then secure the set plate with the screw. When the set plate is not used, loosen the screw and turn the set plate out of the way.

NOTE:

Use of the holder-rod assembly (optional accessory) allows cutting repetitive lengths, ranging from 220 mm to 2,230 mm.

Carrying tool (Fig. 3 & 29)

Make sure that the battery cartridge is removed. Secure the blade at 0° bevel angle and the turn base at 52° miter angle to the right. Lower the handle fully and lock it in the lowered position by pushing in the stopper pin. Carry the tool by the carrying grip as shown in Fig. 29.

MAINTENANCE

CAUTION:

Always be sure that the tool is switched off and the battery cartridge is removed before carrying out any work on the tool.

Adjusting the cutting angle

This tool is carefully adjusted and aligned at the factory, but rough handling may have affected the alignment. If your tool is not aligned properly, perform the following:

1. Miter angle

Loosen the grip which secures the turn base. Turn the turn base so that the pointer points to 0° on the miter scale. Then turn the turn base slightly clockwise and counterclockwise to seat the turn base cozily in the 0° miter notch. (Leave as it is if the pointer does not point to 0°.) Loosen the four hex bolts securing the guide fence using the socket wrench. **(Fig. 30)**

Lower the handle fully and lock it in the lowered position by pushing in the lock pin. Square the side of the blade with the face of the guide fence using a triangular rule, try square, etc. Then securely tighten the hex bolts on the guide fence in the order from right side. **(Fig. 31)**

Make sure that the pointer points to 0° on the miter scale. If the pointer does not point to 0°, loosen the screw which secures the pointer and adjust the pointer so that it will point to 0°. **(Fig. 32)**

2. Bevel angle

i) 0° bevel angle

Lower the handle fully and lock it in the lowered position by pushing in the lock pin. Loosen the lever at the rear of the tool. Turn the 0° bevel angle adjusting bolt (lower bolt) on the right side of the arm two or three revolutions counterclockwise to tilt the blade to the right. **(Fig. 33)**

Carefully square the side of the blade with the top surface of the turn base using the triangular rule, try square, etc. by turning the 0° bevel angle adjusting bolt clockwise. Then tighten the lever securely. **(Fig. 34)**

Make sure that the pointer on the sub arm points to 0° on the bevel scale on the arm. If it does not point to 0°, loosen the screw which secures the pointer and adjust the pointer so that it will point to 0°. **(Fig. 35)**

ii) 45° bevel angle

Adjust the 45° bevel angle only after performing 0° bevel angle adjustment. To adjust left 45° bevel angle, loosen the lever and tilt the blade 45° to the left. Make sure that the pointer on the sub arm points to 45° on the bevel scale on the arm. If the pointer does not point to 45°, turn the 45° bevel angle adjusting bolt (upper bolt) on the right side of the arm until the pointer points to 45°. **(Fig. 33)**

Replacement of carbon brushes (Fig. 36 & 37)

Remove and check the carbon brushes regularly. Replace when they wear down to the limit mark. Keep the carbon brushes clean and free to slip in the holders. Both carbon brushes should be replaced at the same time. Use only identical carbon brushes.

Use a screwdriver to remove the brush holder caps. Take out the worn carbon brushes, insert the new ones and secure the brush holder caps.

To maintain product safety and reliability, repairs, maintenance or adjustment should be carried out by a Makita Authorized Service Center.

ACCESSORIES

CAUTION:

- These accessories or attachments are recommended for use with your Makita tool specified in this manual. The use of any other accessories or attachments might present a risk of injury to persons. Only use accessory or attachment for its stated purpose.

If you need any assistance for more details regarding these accessories, ask your local Makita service center.

- Dust bag
- Holder
- Socket wrench 10
- Triangular rule
- Lock-off button (Switch button)
- Vertical vise
- Carbide-tipped saw blade
- Safety goggle
- Holder-rod assembly
- Vise assembly (horizontal vise)
- Set plate
- Holder assembly
- Various type of Makita genuine batteries and chargers
- Battery cover

Descriptif

1 Batterie	23 Coupe droite	46 Arbre de l'étau
2 Bouton-poussoir	24 Boulon de réglage	47 Saillie
3 Clé à douille	25 Guide	48 Tiges 12
4 Support de clé	26 Socle rotatif	49 Bouton de sécurité
5 Carter de lame	27 Périphérie de la lame	50 Poignée
6 Tige d'arrêt	28 Surface supérieure du socle rotatif	51 Interrupteur
7 Boulons	29 Secteur	52 Levier de verrouillage
8 Boulon hexagonal	30 Index	53 Appliquer une pression parallèle à la lame.
9 Capot central	31 Saisie	54 Plaque de fixation
10 Carter de sécurité (protection de sécurité)	32 Levier de verrouillage	55 Vis
11 Flèche	33 Levier	56 Boulon hexagonal
12 Verrouillage d'arbre	34 Desserrer	57 Equerre
13 Boulon hexagonal (filetage à gauche)	35 Serrer	58 Vis
14 Flasque extérieure	36 Echelle	59 Boulon de réglage d'angle de biseau de 45°
15 Bride extérieure	37 Index	60 Boulon de réglage d'angle de biseau de 0°
16 Flasque intérieure	38 Bras	61 Bras auxiliaire
17 Axe	39 Tige de l'étau	62 Vis
18 Buse du sac	40 Bras de l'étau	63 Repère d'usure
19 Sac à poussière	41 Bouton de l'étau	64 Tournevis
20 Barrette	42 Servante	65 Bouchon du porte-charbon
21 Plateau de découpe	43 Support	
22 Coupe oblique à gauche	44 Bouton de l'étau	
	45 Socle	

SPECIFICATIONS

Modèle

LS800D

Diamètre de lame 210 mm – 216 mm

Alésage

Pour l'Europe 30 mm

Pour tous les pays à l'exception de l'Europe 25,4 mm ou 25 mm

Capacités max. de coupe (H x l) avec lame de 216 mm de diamètre

Coupe d'onglet	Coupe en biseau	
	0°	45° (gauche)
0°	61 mm x 122 mm	45 mm x 122 mm
45° (gauche et droite)	61 mm x 85 mm	45 mm x 85 mm

Vitesse à vide (min⁻¹) 2 000

Dimensions (L x l x H) 528 mm x 430 mm x 486 mm

Poids net (avec batterie) 9,3 kg

Tension nominale 18 V D.C.

- Etant donné l'évolution constante de notre programme de recherche et de développement, les spécifications contenues dans ce manuel sont sujettes à modification sans préavis.
- Note : Les spécifications peuvent varier suivant les pays.

Utilisations

L'outil est conçu pour effectuer avec précision des coupes rectilignes et des coupes d'onglet dans le bois.

Consignes de sécurité

Pour votre propre sécurité, reportez-vous aux consignes de sécurité qui accompagnent l'outil.

PRÉCAUTIONS IMPORTANTES POUR LE CHARGEUR ET LA BATTERIE

1. Avant d'utiliser la batterie, lisez toutes les instructions et précautions relatives (1) au chargeur de batterie, (2) à la batterie, et (3) à l'outil utilisant la batterie.
2. Ne démontez pas la batterie.
3. Cessez immédiatement l'utilisation si le temps de fonctionnement devient excessivement court. Il y a risque de surchauffe, de brûlures, voire d'explosion.
4. Si l'électrolyte pénètre dans vos yeux, rincez-les à l'eau claire et consultez immédiatement un médecin. Il y a risque de perte de la vue.
5. Lorsque vous n'utilisez pas la batterie, recouvrez-en toujours les bornes avec le couvre-batterie.

6. Ne court-circuitez pas la batterie :
 - (1) Ne touchez les bornes avec aucun matériau conducteur.
 - (2) Évitez de ranger la batterie dans un conteneur avec d'autres objets métalliques, par exemple des clous, des pièces de monnaie, etc.
 - (3) N'exposez pas la batterie à l'eau ou à la pluie. Un court-circuit de la batterie pourrait provoquer un fort courant, une surchauffe, parfois des brûlures et même une panne.
7. Ne rangez pas l'outil ou la batterie dans des endroits où la température risque d'atteindre ou de dépasser 50°C.
8. Ne jetez pas la batterie au feu même si elle est sérieusement endommagée ou complètement épuisée. La batterie peut exploser au contact du feu.
9. Prenez garde d'échapper ou de heurter la batterie.

CONSERVEZ CES INSTRUCTIONS.

Conseils pour assurer la durée de vie optimale de la batterie

1. Rechargez la batterie avant qu'elle ne soit complètement déchargée. Arrêtez toujours l'outil et rechargez la batterie quand vous remarquez que la puissance de l'outil diminue.
2. Ne rechargez jamais une batterie complètement chargée. La surcharge réduit la durée de service de la batterie.
3. Chargez la batterie alors que la température de la pièce se trouve entre 10°C et 40°C. Avant de charger une batterie chaude, laissez-la refroidir.
4. Chargez la batterie au nickel-hydrure métallique lorsqu'elle est restée inutilisée pendant plus de six mois.

PROTECTION DE L'ENVIRONNEMENT (POUR LA SUISSE UNIQUEMENT)

Afin de préserver l'environnement, rappez la batterie usagée aux postes de ramassage officiel.



PRECAUTIONS SUPPLEMENTAIRES POUR L'OUTIL

1. Ayez bien conscience que l'outil est constamment en état de marche, car il n'a pas à être raccordé au secteur.
2. Portez une protection oculaire.
3. N'utilisez jamais votre outil sans les protections en place.
4. Ne vous servez pas de votre outil en présence de gaz ou de liquides inflammables.
5. Avant de scier, vérifiez attentivement que la lame n'est ni endommagée, ni fendue. Si tel était le cas, changez-la immédiatement.
6. N'utilisez que les flasques spécifiés pour cet outil.
7. Veillez à ne pas endommager l'arbre, les flasques (surtout leur face d'appui) ni le boulon, ce qui pourrait entraîner la rupture de la lame.

8. Assurez-vous que le socle rotatif est correctement fixé de façon qu'il ne bouge pas pendant le sciage.
9. Pour votre sécurité, retirez copeaux ou autres fragments de la surface du plateau avant d'opérer.
10. Évitez les clous ; avant de scier, examinez l'élément à scier et retirez-en tous les clous.
11. Assurez-vous que le blocage de l'arbre est libéré avant de mettre le contact.
12. Assurez-vous que la lame ne touche pas le socle rotatif quand elle est abaissée au maximum.
13. Tenez le bras fermement. Tenez compte du fait que la scie se déplace légèrement de haut en bas au démarrage et à l'arrêt.
14. Ne sciez jamais à la volée. Le matériau doit être fermement immobilisé sur le socle rotatif, et en appui contre la butée, quelque soit le type de coupe. Ne maintenez jamais la pièce avec la main.
15. Gardez bien les mains à l'écart de la lame. Évitez tout contact avec une lame "en roue libre" ; vous pourriez vous blesser gravement.
16. Ne mettez jamais les mains à portée de la lame.
17. Assurez-vous que la lame ne touche pas l'élément à scier avant de mettre le contact.
18. Avant de scier, faites tourner l'outil un instant à vide. Vérifiez que la lame ne présente ni balourd ni shimmy qui pourraient résulter d'un montage incorrect ou d'une usure irrégulière.
19. Avant de scier, attendez que la lame ait atteint sa pleine vitesse.
20. Arrêtez immédiatement le sciage si vous remarquez quoi que ce soit d'anormal.
21. Ne tentez pas de maintenir la gâchette en position ON.
22. Coupez le courant et attendez l'arrêt de la lame avant de réparer ou de régler votre outil.
23. Restez vigilant, surtout durant les sciages répétés et monotones. Ne vous laissez jamais prendre par un sentiment trompeur de sécurité. Les lames de scie ne pardonnent pas.
24. N'utilisez que les accessoires recommandés dans le catalogue Makita. L'utilisation des scies à accessoires différents, disques à tronçonner notamment, entraîne des risques de blessure.
25. Ne maltraitez pas le câble. Ne tirez pas dessus pour débrancher. Maintenez-le à l'écart de la chaleur, des corps gras, de l'eau et des arêtes coupantes.
26. N'utilisez pas la scie pour couper autre chose que du bois ou des matériaux similaires.
27. Pendant la coupe, raccordez les scies à coupe d'onglet mixte à un dispositif de ramassage de la poussière.
28. Sélectionnez les lames en fonction du matériau à couper.
29. Prudence lorsque vous taillez des encoches.
30. Remplacez le plateau de découpe quand il est usé.

CONSERVEZ CES INSTRUCTIONS.

MODE D'EMPLOI

Engager et retirer la batterie (Fig. 1)

- L'alimentation doit être coupée (interrupteur à l'arrêt).
- Pour retirer la batterie, sortez-la de l'outil tout en appuyant sur les boutons des deux côtés de la batterie.
- Pour insérer la batterie, alignez la languette de la batterie sur la rainure du logement, et glissez la batterie en place. Insérez-la toujours à fond, jusqu'à ce qu'elle se verrouille dans un léger dé clic. Sinon, elle risque de tomber accidentellement de l'outil, ce qui pourrait vous blesser, vous ou d'autres personnes alentour.
- La batterie doit toujours être introduite facilement dans son logement ; si tel n'est pas le cas, c'est qu'elle n'est pas présentée dans le bon sens.

Clé à douille (Fig. 2)

Lorsque l'outil quitte nos usines, la poignée est verrouillée en position abaissée par la tige d'arrêt. Pour utiliser la clé à douille, sortez-la du porte-clé. Quand vous avez fini de vous en servir, remettez-la dans le porte-clé.

Montage sur établi (Fig. 3 et 4)

Lorsque l'outil quitte nos usines, la poignée est verrouillée en position abaissée par la tige d'arrêt. Libérez la tige d'arrêt en abaissant légèrement la poignée et en tirant sur la tige d'arrêt.

L'outil doit être fixé à l'aide de quatre boulons sur une surface plane et stable aux orifices de boulon prévus sur le socle de l'outil. Ceci a pour but d'éviter qu'il ne se renverse et ne provoque des blessures.

Pose et dépose de la lame

ATTENTION :

- Assurez-vous toujours que le contact est coupé et que la batterie est sortie avant de retirer ou d'installer la lame.
- Utilisez toujours la clé à douille Makita fournie pour retirer ou installer la lame. Sinon, le boulon hexagonal risque d'être trop ou pas assez serré, ce qui pourrait grièvement blesser l'opérateur ainsi que les personnes aux alentours de l'outil.

Verrouillez la poignée en position relevée en enfonçant la tige d'arrêt. (Fig. 3)

Pour retirer la lame, utilisez la clé à douille pour desserrer le boulon hexagonal qui fixe le capot central en le tournant vers la gauche. Relever le carter de sécurité et le capot central. (Fig. 5)

Appuyez sur le verrouillage d'arbre pour verrouiller l'arbre et utilisez la clé à douille pour desserrer le boulon hexagonal (filetage à gauche) vers la droite. Puis, retirez le boulon hexagonal, la flasque extérieure et la lame. (Fig. 6)

Pour remonter la lame, montez-la délicatement sur l'axe, en veillant à ce que la flèche à la surface de la lame soit dirigée dans le même sens que la flèche du carter de lame. Montez la flasque extérieure et le boulon hexagonal, puis serrez le boulon hexagonal (filetage à gauche) à fond vers la gauche à l'aide de la clé à douille tout en appuyant sur le verrouillage d'arbre. (Fig. 7 et 8)

ATTENTION :

Pour tous les pays autres que l'Europe

La flasque intérieure a un diamètre de 25 mm d'un côté et de 25,4 mm de l'autre. Le côté ayant un diamètre de 25,4 mm est marqué "25.4". Utilisez le bon côté en fonction du diamètre d'orifice de la lame que vous allez utiliser. Le fait de monter la lame sur le mauvais côté risque de provoquer des vibrations dangereuses.

Ramenez le carter de sécurité et le capot central à leur position d'origine. Puis, serrez le boulon hexagonal vers la droite pour fixer le capot central. (Fig. 9)

Libérez la poignée de la position relevée en tirant sur la tige d'arrêt. Abaissez la poignée pour vous assurer que le carter de sécurité bouge librement.

Carter de sécurité (Fig. 10)

Lorsque vous abaissez la poignée, le carter de sécurité se relève automatiquement. Il revient à sa position d'origine lorsque la coupe est terminée et que la poignée est relevée. N'ENTRAVEZ JAMAIS LE LIBRE JEU DU CARTER DE SECURITE ET NE LE DEMONTEZ PAS POUR TRAVAILLER. Pour votre sécurité personnelle, vous devez le maintenir en bon état de marche. Tout fonctionnement anormal du carter de sécurité devra être immédiatement corrigé. N'UTILISEZ JAMAIS LA SCIE AVEC UN CARTER DE SECURITE FONCTIONNANT IMPARFAITEMENT. Si le carter de sécurité transparent est sale ou que la sciure y adhère de façon que la lame et/ou l'élément à scier ne soient plus visibles, enlevez la batterie et nettoyez le carter soigneusement à l'aide d'un chiffon humide. N'utilisez pas de solvants ni de détergents à base d'essence sur le carter en plastique.

Sac à poussière (Fig. 11)

L'utilisation du sac à poussière garantit un travail propre et facilite le ramassage des poussières. Pour le fixer sur la scie, introduisez la buse du sac dans la goulotte d'éjection poussière du sac. Dès que le sac à poussière est à moitié plein, retirez-le de l'outil et tirez sur la barrette. Videz le sac, et tapotez-le légèrement pour en détacher les poussières restées collées sur la paroi intérieure et qui pourraient empêcher l'aspiration des poussières.

Installation des plateaux de découpe

(Fig. 12 et 13)

L'outil est muni de deux plateaux de découpe dans le socle rotatif. Les plateaux de découpe ont été réglés en usine de façon que la lame n'entre pas en contact avec eux. Avant l'utilisation, réglez les plateaux de découpe comme suit :

Commencez par enlever la batterie. Puis, desserrez les vis (2 à droite et 2 à gauche) de fixation des plateaux. Resserrez-les de façon que les plateaux de découpe puissent facilement bouger à la main. Abaissez la poignée à fond en enfonçant la tige d'arrêt pour verrouiller la poignée en position abaissée. Réglez les plateaux de découpe de façon qu'ils touchent juste l'arête des dents de la lame. Serrez les vis arrière (sans excès). Lorsque les plateaux de découpe sont réglés, libérez la tige d'arrêt et relevez la poignée. Puis, serrez toutes les vis à fond.

ATTENTION :

Quand vous modifiez l'angle de biseau, reprenez toujours le réglage des plateaux de découpe comme indiqué ci-dessus.

Pour obtenir un rendement maximum (Fig. 14 et 15)

L'outil a été réglé en usine de façon à fournir son rendement optimum avec une lame de 216 mm. Si vous utilisez une lame d'une autre dimension, réglez la position de limite inférieure de la lame comme suit :

Commencez par enlever la batterie. Abaissez complètement la poignée. A l'aide de la clé à douille, tournez le boulon de réglage jusqu'à ce que la périphérie de la lame se trouve légèrement en-dessous de la surface supérieure du socle rotatif au point où la face avant du guide rencontre la surface supérieure du socle rotatif. La batterie étant enlevée, tournez la lame à la main en maintenant la poignée complètement abaissée pour vous assurer que la lame ne touche aucune partie du socle inférieur. Le cas échéant, affinez le réglage.

ATTENTION :

Lorsque vous installez une lame neuve, vérifiez toujours que la lame ne touche aucune partie du socle inférieur lorsque la poignée est complètement abaissée. Effectuez toujours cette vérification la batterie enlevée.

Installation pour le réglage de la coupe d'onglet (Fig. 16)

Le socle rotatif tourne de 52° vers la gauche et vers la droite. Desserrez la saisie en la tournant vers la gauche. Tournez le socle rotatif en appuyant sur le levier de verrouillage. Quand vous avez amené la saisie au point où l'index se trouve face à la valeur angulaire voulue sur le secteur, serrez à fond la saisie en la tournant vers la droite.

ATTENTION :

- Lorsque vous tournez le socle rotatif, veillez bien à relever la poignée à fond.
- Après avoir modifié l'angle d'onglet, fixez toujours le socle rotatif en tournant la saisie à fond.

Installation pour le réglage de l'angle de biseau (Fig. 17 et 18)

La lame de scie se relève de 45° sur la gauche. Pour régler l'angle de biseau, desserrez le levier au dos de l'outil. Déplacez la poignée vers la gauche pour incliner la lame jusqu'à ce que l'index se trouve en face de la valeur angulaire voulue sur l'échelle. Puis, serrez le levier pour fixer le bras.

ATTENTION :

- Quand vous inclinez la lame, veillez bien à relever la poignée à fond.
- Après avoir modifié l'angle de biseau, fixez toujours le bras en serrant le levier.

Serrage des pièces

AVERTISSEMENT :

Il est extrêmement important de bien toujours fixer en place, correctement et fermement, les pièces à scier à l'aide de l'étau. Faute de cette précaution, vous risquez d'endommager la scie et/ou de détruire la pièce. **VOUS RISQUEZ AUSSI DE VOUS BLESSER.** Par ailleurs, quand vous avez terminé la coupe, **NE RELEVEZ PAS LA LAME** tant qu'elle n'est pas arrivée à un arrêt complet.

1. Etau vertical (Fig. 19)

L'étau vertical s'installe sur deux positions au choix : à gauche ou à droite du guide ou du support (accessoire en option). Insérez la tige de l'étau dans l'orifice du guide ou du support, et serrez la vis pour fixer la tige de l'étau. (Remarque : Quand vous utilisez un support, installez-le sur la servante comme indiqué à la Fig. 19.)

Positionnez le bras de l'étau en fonction de l'épaisseur et de la forme de la pièce, et fixez-le en serrant la vis.

Veillez à ce qu'aucune partie de l'outil ne touche l'étau quand la poignée est complètement abaissée. Si une partie touche l'étau, revoyez la position de l'étau. Appuyez la pièce à plat contre le guide et le socle rotatif. Placez la pièce à la position de coupe voulue, et fixez-la solidement en serrant le bouton de l'étau. L'épaisseur maximum des pièces que vous pourrez fixer avec l'étau vertical est de 61 mm.

2. Etau horizontal (accessoire en option) (Fig. 20 et 21)

L'étau horizontal s'installe sur deux positions au choix : à gauche ou à droite du socle. Quand vous tournez le boulon de l'étau vers la gauche, la vis se libère et vous pouvez déplacer rapidement l'arbre de l'étau d'avant en arrière. Pour serrer la pièce, tournez doucement le bouton de l'étau vers la droite jusqu'à ce que sa saillie atteigne la position la plus haute, puis serrez à fond. Si vous poussez ou que vous tirez de force sur le bouton de l'étau pendant que vous le tournez vers la droite, la saillie risque de s'arrêter à un angle. Dans ce cas, ramenez le bouton de l'étau vers la gauche jusqu'à ce que la vis soit libérée, puis tournez-le à nouveau doucement vers la droite. La largeur maximum des pièces que vous pourrez fixer avec l'étau horizontal est de 122 mm.

3. Servantes et support (accessoire en option) Les servantes et le support s'installent de l'un ou l'autre côté. Ils sont pratiques pour soutenir les pièces en sens horizontal. Installez-les comme indiqué à la Fig. 22. Puis, serrez les vis pour fixer solidement les servantes et le support. (Fig. 22)

Pour couper des pièces longues, utilisez l'ensemble supports-tiges (accessoire en option). Il se compose de deux supports et de deux tiges 12. (Fig. 23)

ATTENTION :

Pour obtenir une coupe précise et éviter toute perte de contrôle de l'outil, soutenez toujours les pièces longues de façon qu'elles soient parallèles à la surface du socle rotatif.

Interrupteur (Fig. 24)

ATTENTION :

- Avant d'insérer la batterie dans l'outil, assurez-vous toujours que la gâchette fonctionne correctement et qu'elle revient sur la position "OFF" quand vous la relâchez.
- Quand vous ne vous servez pas de l'outil, retirez le bouton de sécurité et rangez-le en lieu sûr pour éviter toute utilisation non autorisée de l'outil.

Pour éviter toute mise en marche accidentelle, l'outil possède un bouton de sécurité.

Pour mettre l'outil en marche, appuyez sur le bouton de sécurité et tirez sur la gâchette. Pour arrêter l'outil, relâchez la gâchette.

Levier de verrouillage (Fig. 25)

Pour l'Europe seulement

Pour couper, poussez le levier de verrouillage sur la gauche pour libérer la poignée de la position relevée. Lorsque la coupe est terminée, libérez l'outil en position de verrouillage après avoir ramené la lame en position complètement relevée. La poignée se verrouille automatiquement en position relevée.

Utilisation

ATTENTION :

N'appuyez pas trop fort sur la poignée pendant la coupe. Une force excessive pourrait provoquer une surcharge du moteur et une diminution du rendement.

1. Coupe verticale (Fig. 26)

- Cette méthode convient pour la coupe de pièces de 61 mm de haut sur 122 mm de large maximum.
- Fixez la pièce dans l'étau. Mettez l'outil en marche et attendez que la lame ait atteint sa vitesse de régime. Puis, abaissez lentement la lame pour effectuer la coupe. Lorsque la coupe est terminée, arrêtez l'outil et ATTENDEZ QUE LA LAME SOIT ARRIVÉE A UN ARRÊT COMPLET avant de la ramener en position complètement relevée.

2. Coupe d'onglet

Voyez la section précédente "Installation pour le réglage de la coupe d'onglet".

3. Coupe en biseau (Fig. 27)

- Vous pouvez effectuer des coupes en biseau de 45° maximum, sur des pièces de 45 mm de haut sur 122 mm de large maximum.
- Desserrez le levier et inclinez la lame à l'angle de biseau voulu. Voyez la section précédente "Installation pour le réglage de la coupe de biseau". Fixez la pièce dans l'étau. Mettez l'outil en marche et attendez que la lame ait atteint sa vitesse de régime. Puis, abaissez lentement la lame sur la position complètement abaissée tout en appuyant sur la lame suivant une direction parallèle. Lorsque la coupe est terminée, arrêtez l'outil et ATTENDEZ QUE LA LAME SOIT ARRIVÉE A UN ARRÊT COMPLET avant de la ramener en position complètement relevée.

ATTENTION :

- Pendant une coupe en biseau, il peut arriver que la pièce coupée vienne s'appuyer contre le côté de la lame. Si vous relevez la lame alors qu'elle est encore en train de tourner, la pièce risque de rester coincée dans la lame et les fragments de s'éparpiller, ce qui serait dangereux. Attendez IMPÉRATIVEMENT que la lame soit arrivée à un arrêt complet avant de la relever.
- Quand vous appuyez sur la poignée, appuyez parallèlement à la lame. Si vous appuyez perpendiculairement au socle rotatif ou si vous changez la pression de sens pendant la coupe, la précision de coupe en souffrira.

4. Coupe mixte

La coupe mixte est le procédé par lequel une coupe en biseau est effectuée en même temps qu'une coupe d'onglet sur la même pièce. La coupe mixte s'effectue à l'angle indiqué dans le tableau ci-dessous.

Coupe d'onglet	Coupe en biseau
45° à gauche et à droite	0° – 45° à gauche
52° à gauche et à droite	0° – 45° à gauche

Avec une coupe d'onglet de 45° à gauche et une coupe en biseau de 45° à gauche, il est possible de couper des pièces de 45 mm de haut sur 85 mm de large. Pour la coupe mixte, reportez-vous aux paragraphes consacrés à la "coupe verticale", la "coupe d'onglet" et la "coupe en biseau".

5. Coupe répétée à la même longueur (Fig. 28)

Pour couper plusieurs pièces à la même longueur, comprise entre 220 mm et 365 mm, utilisez la plaque de fixation (accessoire en option) pour obtenir un meilleur rendement. Installez la plaque de fixation sur la servante, comme indiqué à la Fig. 28. Alignez la ligne de coupe sur la pièce en utilisant soit l'encoche droite soit l'encoche gauche du plateau de découpe, et tout en tenant la pièce pour l'empêcher de bouger, amenez le plateau de découpe exactement au niveau de l'extrémité de la pièce. Puis, fixez la plaque de fixation à l'aide de la vis. Si vous ne vous servez pas de la plaque de fixation, desserrez la vis et enlevez la plaque de fixation.

NOTE :

Pour effectuer des coupes répétées à la même longueur comprise entre 220 mm et 2 230 mm, utilisez l'ensemble supports-tiges (accessoire en option).

Comment transporter l'outil (Fig. 3 et 29)

Assurez-vous que la batterie est enlevée. Fixez la lame à un angle de biseau de 0° et le socle rotatif à un angle d'onglet de 52° sur la droite. Abaissez complètement la poignée et verrouillez-la en position abaissée en enfonçant la tige d'arrêt. Transportez l'outil en le tenant par la saisie de transport comme indiqué à la Fig. 29.

ENTRETIEN

ATTENTION :

Assurez-vous toujours que l'outil est hors tension et que la batterie a été enlevée avant d'effectuer toute intervention sur l'outil.

Réglage de l'angle de coupe

L'outil a été soigneusement réglé et aligné en usine, mais un maniement intempestif a pu dérégler l'alignement. Si l'outil n'est pas correctement aligné, effectuez les opérations suivantes :

1. Angle d'onglet

Desserrez la saisie de fixation du socle rotatif. Tournez le socle rotatif de façon que l'index se trouve en face de 0° sur le secteur. Puis, tournez légèrement le socle rotatif vers la gauche puis vers la droite de façon qu'il repose bien en place sur l'encoche d'onglet. (Laissez tel quel si l'index ne se trouve pas en face de 0°.) Desserrez les quatre boulons hexagonaux qui fixent le guide à l'aide de la clé à douille. **(Fig. 30)**

Abaissez complètement la poignée et verrouillez-la sur cette position en enfonçant la tige d'arrêt. Placez le côté de la lame à angle droit par rapport à la face du guide, à l'aide d'une équerre par exemple, et vissez les boulons hexagonaux du guide dans l'ordre à partir de la droite. **(Fig. 31)**

Assurez-vous que l'index se trouve en face de 0° sur le secteur. Si tel n'est pas le cas, desserrez la vis de fixation de l'index et réglez l'index pour qu'il se trouve en face de 0°. **(Fig. 32)**

2. Angle de biseau

i) Angle de biseau de 0° Abaissez complètement la poignée et verrouillez-la sur cette position en enfonçant la tige d'arrêt. Desserrez le levier au dos de l'outil. Tournez le boulon de réglage de l'angle de biseau de 0° (boulon inférieur) sur le côté droit du bras de deux ou trois tours vers la gauche de façon à incliner la lame vers la droite. **(Fig. 33)**

Placez délicatement le côté de la lame à angle droit par rapport à la face supérieure du socle rotatif à l'aide d'une équerre par exemple, en tournant le boulon de réglage de l'angle de biseau de 0° vers la droite. Puis, serrez le levier à fond. **(Fig. 34)**

Assurez-vous que l'index se trouve en face de 0° sur l'échelle. Si tel n'est pas le cas, desserrez la vis de fixation de l'index et réglez l'index pour qu'il se trouve en face de 0°. **(Fig. 35)**

ii) Angle de biseau de 45°

Réglez l'angle de biseau de 45° uniquement après avoir réglé l'angle de 0°. Pour ce faire, desserrez le levier et inclinez la lame de 45° vers la gauche. Assurez-vous que l'index du bras secondaire se trouve en face de 45° sur l'échelle du bras. Si tel n'est pas le cas, tournez le boulon de réglage de l'angle de biseau de 45° (boulon supérieur), sur le côté droit du bras, jusqu'à ce que l'index se trouve en face de 45°. **(Fig. 33)**

Remplacement des charbons (Fig. 36 et 37)

Retirez les charbons et vérifiez-les régulièrement. Remplacez-les lorsqu'ils ont atteint leur repère d'usure. Maintenez les charbons propres et veillez à ce qu'ils glissent librement dans les porte-charbons. Remplacez les deux charbons en même temps. Utilisez uniquement des charbons identiques.

Utilisez un tournevis pour retirer les bouchons de charbon. Sortez les charbons usagés, insérez des charbons neufs, et refermez le bouchon des porte-charbons à fond.

Pour maintenir la sécurité et la fiabilité des machines, les réparations, l'entretien ou les réglages doivent être effectués par le Centre d'Entretien Makita.

ACCESSOIRES

ATTENTION :

• Ces accessoires ou pièces complémentaires sont recommandés pour l'utilisation avec l'outil Makita spécifié dans ce mode d'emploi. L'utilisation de tout autre accessoire ou pièce complémentaire peut comporter un risque de blessure. N'utilisez les accessoires ou pièces qu'aux fins auxquelles ils ont été conçus.

Si vous désirez obtenir plus de détails concernant ces accessoires, veuillez contacter le centre de service après-vente Makita le plus près.

- Sac à poussière
- Servante
- Clé à douille 10
- Equerre
- Bouton de sécurité (bouton interrupteur)
- Etau vertical
- Lame de scie au carbure
- Lunettes de sécurité
- Ensemble supports-tiges
- Ensemble d'étau (étau horizontal)
- Plaque de fixation
- Support
- Les divers types de batteries et chargeurs Makita authentiques
- Couvercle de batterie

Übersicht

1	Blockakku	23	Kappschnitt	47	Vorsprung
2	Schnellverschluss	24	Einstellschraube	48	Stangen 12
3	Steckschlüssel	25	Gehrungsanschlag	49	Einschaltsperrle
4	Steckschlüsselhalter	26	Drehteller	50	Handgriff
5	Sägeblattgehäuse	27	Sägeblattumfang	51	Ein-Aus-Schalter
6	Anschlagstift	28	Drehteller-Oberfläche	52	Arretierhebel
7	Schrauben	29	Gehrungswinkelskala	53	Druck parallel zum Sägeblatt ausüben
8	Sechskantschraube	30	Zeiger	54	Anschlagplatte
9	Mittenabdeckung	31	Griff	55	Flügelschraube
10	Schutzhaube (Sicherheitsschutz)	32	Arretierhebel	56	Sechskantschraube
11	Pfeil	33	Hebel	57	Einstellendreieck
12	Spindelarretierung	34	Lösen	58	Schraube
13	Sechskantschraube (linksgängig)	35	Anziehen	59	Einstellschraube für 45°-Rasterung
14	Außenflansch	36	Neigungswinkelskala	60	Einstellschraube für 0°-Rasterung
15	Sägeblatt	37	Zeiger	61	Hilfsarm
16	Innenflansch	38	Arm	62	Schraube
17	Spindel	39	Stehbolzen	63	Verschleißgrenze
18	Absaugstutzen	40	Schraubklemmenarm	64	Schraubendreher
19	Staubstutzen	41	Schraubklemmenknopf	65	Bürstenhalterkappe
20	Verschluss	42	Auflagebügel		
21	Schlitzplatte	43	Auflageplatte		
22	Linker Gehrungsschnitt	44	Schraubzwingenknopf		
		45	Auflagetisch		
		46	Schraubzwingenschaft		

TECHNISCHE DATEN

Modell	LS800D
Sägeblattdurchmesser	210 mm – 216 mm
Sägeblattbohrung	
Für europäische Länder	30 mm
Für alle Länder außerhalb Europas	25,4 mm oder 25 mm
Max. Schnitttiefe (H x B) mit 216 mm Durchmesser Sägeblatt	

Gehrungswinkel	Neigungswinkel	
	0°	45° (links)
0°	61 mm x 122 mm	45 mm x 122 mm
45° (links und rechts)	61 mm x 85 mm	45 mm x 85 mm

Leerlaufdrehzahl (min ⁻¹)	2 000
Abmessungen (L x B x H)	528 mm x 430 mm x 486 mm
Nettogewicht (mit Blockakku)	9,3 kg
Nennspannung	18 V

- Wir behalten uns vor, Änderungen im Zuge der Entwicklung und des technischen Fortschritts ohne vorherige Ankündigung vorzunehmen.
- Hinweis: Die technischen Daten können von Land zu Land abweichen.

Vorgesehene Verwendung

Die Maschine ist für genaue Gerad- und Gehrungsschnitte in Holz vorgesehen.

Sicherheitshinweise

Lesen und beachten Sie diese Hinweise, bevor Sie das Gerät benutzen.

WICHTIGE SICHERHEITSVORSCHRIFTEN FÜR LADEGERÄT UND AKKU

1. Lesen Sie vor der Benutzung des Akkus alle Anweisungen und Warnhinweise, die an (1) Ladegerät, (2) Akku und (3) Akkuwerkzeug angebracht sind.
2. Unterlassen Sie ein Zerlegen des Akkus.
3. Falls die Betriebszeit beträchtlich kürzer geworden ist, stellen Sie den Betrieb sofort ein. Andernfalls besteht die Gefahr von Überhitzung, möglichen Verbrennungen und sogar einer Explosion.
4. Falls Elektrolyt in Ihre Augen gelangt, waschen Sie sie mit sauberem Wasser aus, und begeben Sie sich unverzüglich in ärztliche Behandlung. Andernfalls können Sie Ihre Sehkraft verlieren.

5. Decken Sie die Akkukontakte stets mit der Schutzkappe ab, wenn Sie den Akku nicht benutzen.
6. Der Akku darf nicht kurzgeschlossen werden:
 - (1) Die Kontakte dürfen nicht mit leitfähigem Material berührt werden.
 - (2) Lagern Sie den Akku nicht in einem Behälter zusammen mit anderen Metallgegenständen, wie z.B. Nägel, Münzen usw.
 - (3) Setzen Sie den Akku weder Wasser noch Regen aus.
Ein Kurzschluss des Akkus verursacht starken Stromfluss, der Überhitzung, Verbrennungen und einen Defekt zur Folge haben kann.
7. Lagern Sie Maschine und Akku nicht an Orten, an denen die Temperatur 50°C erreichen oder überschreiten kann.
8. Versuchen Sie niemals, den Akku zu verbrennen, selbst wenn er stark beschädigt oder vollkommen verbraucht ist. Der Akku kann im Feuer explodieren.
9. Achten Sie darauf, dass der Akku nicht fallen gelassen oder Stößen ausgesetzt wird.

BEWAHREN SIE DIESE HINWEISE SORGFÄLTIG AUF.

Hinweise zur Aufrechterhaltung der maximalen Akku-Nutzungsdauer

1. Laden Sie den Akku, bevor er vollkommen erschöpft ist.
Schalten Sie die Maschine stets aus, und laden Sie den Akku, wenn Sie ein Nachlassen der Maschinenleistung feststellen.
2. Unterlassen Sie das erneute Laden eines voll aufgeladenen Akkus. Überladen führt zu einer Verkürzung der Nutzungsdauer des Akkus.
3. Laden Sie den Akku bei Raumtemperatur zwischen 10°C – 40°C. Lassen Sie einen heißen Akku abkühlen, bevor Sie ihn laden.
4. Der Nickel-Metallhydrid-Akku muss geladen werden, wenn er länger als sechs Monate nicht benutzt worden ist.

UMWELTSCHUTZ

Das Gerät ist mit einem Nickel-Cadmium-Akku ausgerüstet. Um eine umweltgerechte Entsorgung zu gewährleisten, bitten wir Sie, folgende Punkte zu beachten:

- Gemäß Europäischer Batterierichtlinie 91/157/EWG und nationaler Gesetzgebung (Batterieverordnung) muß der verbrauchte Akku bei einer öffentlichen Sammelstelle, bei Ihrem Makita Kundendienst oder Ihrem Fachhändler zum Recycling abgegeben werden.
- Werfen Sie den verbrauchten Akku nicht in den Hausmüll, ins Feuer oder ins Wasser.

(Nur für die Schweiz)

Ihr Beitrag zum Umweltschutz: Bringen Sie bitte die gebrauchte Batterie an eine offizielle Sammelstelle zurück.



ZUSÄTZLICHE SICHERHEITSREGELN FÜR DIE MASCHINE

1. Beachten Sie, daß die Maschine stets betriebsbereit ist, da sie nicht erst an eine Stromquelle angeschlossen werden muß.
2. Tragen Sie während der Arbeit mit der Maschine stets eine Schutzbrille sowie vorgeschriebene Arbeitskleidung und, falls erforderlich, persönliche Schutzausrüstung.
3. Vergewissern Sie sich, daß die Schutzvorrichtungen vorschriftsmäßig angebracht sind, bevor Sie das Gerät einschalten.
4. Das Gerät nicht in der Nähe leicht entzündlicher Flüssigkeiten oder Gase betreiben.
5. Überprüfen Sie das Sägeblatt vor dem Betrieb sorgfältig auf Risse oder Beschädigung. Wechseln Sie ein gerissenes oder beschädigtes Sägeblatt unverzüglich aus.
6. Verwenden Sie nur die für diese Maschine vorgeschriebenen Flansche.
7. Achten Sie sorgfältig darauf, daß Welle, Flansche (insbesondere deren Montageflächen) und Schraube nicht beschädigt werden. Eine Beschädigung dieser Teile kann zu Schäden am Sägeblatt führen.
8. Vergewissern Sie sich, daß der Drehteller arretiert ist und sich während des Sägebetriebes nicht bewegt.
9. Zur Sicherheit des Bedienenden sollten Abfallstücke und Kleinteile vor Beginn der Arbeit aus dem Arbeitsbereich entfernt werden. Bei der Bearbeitung können kurze Abschnitte vom Sägeblatt erfaßt und weggeschleudert werden. Schmale Abschnitte können zwischen Anschlag und Sägeblatt eingezogen werden und zum Verklammern des Blattes führen.
10. Vor Arbeitsbeginn das zu bearbeitende Werkstück auf evtl. vorhandene Nägel oder Schrauben überprüfen und diese herausziehen. Ein unbeabsichtigtes Durchschneiden eines mit Nägeln und Schrauben versehenen Werkstücks kann zur Beschädigung des Sägeblattes sowie Verletzungen des Bedienenden führen.
11. Vergewissern Sie sich, daß die Spindelarretierung gelöst ist, bevor Sie das Gerät einschalten.
12. Achten Sie darauf, daß das Sägeblatt in seiner niedrigsten Position die Drehplatte nicht berührt.
13. Die Säge kann sich während des Anlauf- bzw. Bremsvorgangs leicht nach oben oder unten bewegen.
14. Führen Sie keine Freihandarbeiten aus. Das Werkstück muß bei allen Arbeiten festgespannt werden und am Parallelanschlag sowie am Drehteller anliegen.
15. Vermeiden Sie jede Berührung des Sägeblattes bei laufender Maschine. Auch seitliche Berührung kann zu schweren Verletzungen führen.
16. Fassen Sie nie um das Sägeblatt herum.
17. Vor dem Einschalten darf das Sägeblatt nicht mit dem Werkstück in Berührung kommen.

18. Überprüfen Sie vor der eigentlichen Bearbeitung eines Werkstücks den einwandfreien Rundlauf des Sägeblattes. Schalten Sie dazu die Maschine ein und achten Sie auf eventuelle Vibrationen oder Taumelbewegungen des Sägeblattes, die Anzeichen für falsche Montage oder Unwucht des Sägeblattes sein können.
19. Beginnen Sie erst dann mit dem Bearbeitungsvorgang, wenn die Maschine ihre volle Drehzahl erreicht hat.
20. Bei Auftreten von Störungen den Betrieb sofort unterbrechen.
21. Versuchen Sie nicht, den Schalter in der EIN-Stellung zu arretieren.
22. Schalten Sie die Maschine aus und warten Sie, bis das Sägeblatt völlig zum Stillstand gekommen ist, bevor Sie Wartungs- oder Einstellarbeiten an der Maschine ausführen.
23. Die Maschine wurde unter Beachtung aller Sicherheitsvorkehrungen konstruiert. Trotzdem gehen von der Maschine Restrisiken aus. Das Sägeblatt läuft bei dem Bearbeitungsvorgang unabgedeckt. Daher muß darauf geachtet werden, daß niemals Körperteile das Sägeblatt berühren.
24. Verwenden Sie nur die in dieser Anleitung empfohlenen Zubehörteile. Die Verwendung ungeeigneter Zubehörteile, wie z.B. Schleifscheiben, kann zu Verletzungen führen.
25. Behandeln Sie das Netzkabel sorgfältig. Ziehen Sie das Netzkabel niemals gewaltsam aus der Steckdose heraus. Halten Sie das Netzkabel von Wärmequellen, Öl, Wasser und scharfen Kanten fern.
26. Bestimmungsgemäße Verwendung: Diese Gehrungs- und Kappsäge ist bestimmt zum Schneiden von Massivholz, Holzwerkstoffen, Kunststoffen und Leichtmetall-Hohlprofilen. Bei Massivholz und Holz gleichzusetzenden Werkstoffen nur Sägeblätter mit positivem Spanwinkel verwenden. Kunststoffe und Leichtmetalle sind mit einem Sägeblatt mit negativem Spanwinkel und Zahnform (Trapez/Flachzahn) zu schneiden. Jede darüber hinausgehende Verwendung gilt als nicht bestimmungsgemäß und bedarf der schriftlichen Zustimmung und Genehmigung des Herstellers.
27. Bei längerem Bearbeiten von Buchenholz oder gewerblichen Einsatz von Materialien, bei denen gesundheitsgefährdende Stäube entstehen, ist das Elektrowerkzeug an eine geeignete externe Absaugeinrichtung anzuschließen.
28. Bei der Herstellung von Nuten besonders aufmerksam und umsichtig vorgehen.
29. Wechseln Sie die Einlegeplatte bei Abnutzung aus.

**BEWAHREN SIE DIESE HINWEISE
SORGFÄLTIG AUF.**

BEDIENUNGSHINWEISE

Ein- und Ausbau des Akkus (Abb. 1)

- Schalten Sie vor dem Ein- bzw. Ausbau des Akkus immer die Maschine ab.
- Um den Akku herauszunehmen, gleichzeitig beide Entriegelungsknöpfe drücken und den Akku aus der Maschine ziehen.
- Zum Einsetzen des Akkus die Erhebung am Akku-Gehäuse in die Nut im Maschinengehäuse ausrichten und den Akku hineinschieben. Stellen Sie sicher, daß der Akku hörbar einrastet, um zu verhindern, daß er herausfällt.
- Beim Einsetzen des Akkus keine Gewalt anwenden. Der Akku muß leicht in die Maschine einzuführen sein.

Steckschlüssel (Abb. 2)

Der Steckschlüssel befindet sich an der in **Abb. 2** gezeigten Position. Ziehen Sie den Steckschlüssel aus dem Werkzeughalter und bringen ihn nach der Benutzung wieder in die vorgesehene Aussparung.

Befestigung der Säge auf einer Werkbank (Abb. 3 und 4)

Der Handgriff wird werkseitig vor dem Versand mit dem Anschlagstift in der Tiefstellung verriegelt. Lösen Sie die Verriegelung, indem Sie den Handgriff etwas herunterdrücken und den Anschlagstift herausziehen. Diese Maschine ist mit vier Schrauben durch die Schraubenbohrungen im Auflagetisch der Maschine auf einer waagerechten und stabilen Oberfläche zu montieren, um Umkippen und mögliche Verletzungen zu verhüten.

Montage und Demontage des Sägeblattes

VORSICHT:

- Vergewissern Sie sich vor dem Montieren oder Demontieren des Sägeblattes stets, daß die Maschine ausgeschaltet und der Akku abgenommen ist.
- Verwenden Sie nur den mitgelieferten Makita-Steckschlüssel zum Demontieren oder Montieren des Sägeblattes. Anderenfalls besteht die Gefahr, daß die Sechskantschraube zu stark oder zu schwach angezogen wird. Dies kann schwerwiegende Folgen für den Bediener oder Umstehende im Umfeld der Maschine haben.

Arretieren Sie den Handgriff durch Hineinschieben des Anschlagstifts in der Hochstellung. (**Abb. 3**)

Zum Demontieren des Sägeblattes lösen Sie zunächst die Sechskantschraube, mit der die Mittenabdeckung befestigt ist, durch Linksdrehung mit dem Steckschlüssel. Dann heben Sie Schutzhaube und Mittenabdeckung an. (**Abb. 5**)

Blockieren Sie die Spindel durch Drücken der Spindelarrretierung, und lösen Sie die Sechskantschraube (linksgängig) durch Rechtsdrehung des Steckschlüssels. Nehmen Sie dann Sechskantschraube, Außenflansch und Sägeblatt ab. **(Abb. 6)**

Zum Montieren schieben Sie das Sägeblatt vorsichtig auf die Spindel, wobei Sie darauf achten, daß der Pfeil auf dem Sägeblatt in dieselbe Richtung zeigt wie der Pfeil auf dem Sägeblattgehäuse. Bringen Sie Außenflansch und Sechskantschraube an, und ziehen Sie dann die Sechskantschraube (linksgängig) bei gedrückter Spindelarrretierung durch Linksdrehung des Steckschlüssels fest. **(Abb. 7 und 8)**

VORSICHT:

Für alle Länder außer europäischen Ländern

Der Innenflansch hat einen Durchmesser von 25 mm auf der einen, und von 25,4 mm auf der anderen Seite. Die Seite mit 25,4 mm Durchmesser ist mit "25.4" markiert. Verwenden Sie die für die Bohrung des zu benutzenden Sägeblatts passende Seite. Die Montage des Sägeblatts auf der falschen Seite kann zu gefährlichen Vibrationen führen.

Bringen Sie Schutzhaube und Mittenabdeckung wieder in ihre Ausgangsstellung. Ziehen Sie dann die Sechskantschraube zur Sicherung der Mittenabdeckung im Uhrzeigersinn an. **(Abb. 9)**

Lösen Sie den Handgriff durch Herausziehen des Anschlagstifts aus der Hochstellung. Senken Sie den Handgriff ab, um zu prüfen, ob sich die Schutzhaube einwandfrei bewegt.

Schutzhaube (Abb. 10)

Wird der Handgriff abgesenkt, hebt sich die Schutzhaube automatisch. Die Schutzhaube kehrt in ihre Ausgangsstellung zurück, wenn der Schnitt vollendet ist und der Handgriff angehoben wird. NIEMALS DIE SCHUTZHAUBE FUNKTIONSFÄHIG MACHEN ODER ENTFERNEN. Im Interesse Ihrer eigenen Sicherheit sollten Sie die Schutzhaube stets in ordnungsgemäßem Zustand halten. Etwaige Mängel der Schutzhaube müssen unverzüglich behoben werden. DIE MASCHINE NIEMALS MIT FEHLERHAFTER SCHUTZHAUBE BENUTZEN. Wenn die transparente Schutzhaube schmutzig wird oder soviel Sägemehl an ihr haftet, daß Sägeblatt und/oder Werkstück nicht mehr ohne weiteres sichtbar sind, sollten Sie den Akku von der Maschine abnehmen und die Schutzhaube mit einem feuchten Tuch sorgfältig reinigen. Verwenden Sie keine Lösungsmittel oder Reinigungsmittel auf Petroleumbasis zum Reinigen der Schutzhaube.

Staubsaack (Abb. 11)

Der Staubsaack ermöglicht sauberes Arbeiten und einfaches Staubsammeln. Zum Anbringen wird der Staubsaack mit der Einlaßöffnung auf den Absaugstutzen geschoben. Wenn der Staubsaack etwa halbvoll ist, nehmen Sie ihn von der Maschine ab und ziehen den Verschuß heraus. Entleeren Sie den Staubsaack, indem Sie ihn leicht abklopfen, um die an den Innenflächen haftenden Staubpartikel, die den Durchlaß behindern können, zu lösen.

Positionierung der Schlitzplatten

(Abb. 12 und 13)

Diese Maschine ist mit Schlitzplatten im Drehteller versehen. Die Schlitzplatten sind werkseitig so eingestellt, daß das Sägeblatt nicht mit ihnen in Berührung kommt. Stellen Sie die Schlitzplatten vor dem Gebrauch wie folgt ein: Nehmen Sie zuerst den Akku von der Maschine ab. Lösen Sie alle Befestigungsschrauben der Schlitzplatten (je 2 auf der linken und rechten Seite) soweit, daß sich die Schlitzplatten leicht von Hand bewegen lassen. Senken Sie den Handgriff völlig ab und schieben Sie den Anschlagstift hinein, um den Handgriff in der Tiefstellung zu verriegeln. Stellen Sie die Schlitzplatten so ein, daß sie die Flanken der Sägeblattzähne leicht berühren. Ziehen Sie die Schrauben an (nicht festziehen). Ziehen Sie den Anschlagstift nach der Einstellung der Schlitzplatten wieder heraus und heben Sie den Handgriff an. Ziehen Sie dann alle Schrauben fest.

VORSICHT:

Nach jeder Änderung des Neigungswinkels müssen die Schlitzplatten, wie oben beschrieben, eingestellt werden.

Beibehaltung der maximalen Schnittleistung

(Abb. 14 und 15)

Diese Maschine ist werkseitig so eingestellt, daß die maximale Schnittleistung mit einem 216-mm-Sägeblatt erreicht wird. Wird ein Sägeblatt mit einem anderen Durchmesser als 216 mm verwendet, ist der untere Sägeblattanschlag wie folgt einzustellen:

Nehmen Sie zuerst den Akku von der Maschine ab. Senken Sie den Handgriff völlig ab. Drehen Sie die Einstellschraube mit dem Steckschlüssel, bis der Sägeblattumfang am Berührungspunkt von Gehrgungsanschlag-Vorderseite und Drehteller-Oberfläche geringfügig unterhalb der Drehteller-Oberfläche liegt. Drehen Sie das Sägeblatt bei abgenommenem Akku von Hand, während Sie den Handgriff in der Tiefstellung halten, um sicherzugehen, daß das Sägeblatt keinen Teil des Auflagetisches berührt. Nötigenfalls ist eine Nachjustierung vorzunehmen.

VORSICHT:

Vergewissern Sie sich nach der Montage eines neuen Sägeblatts stets, daß das Sägeblatt in der Tiefstellung des Handgriffs keinen Teil des Auflagetisches berührt. Nehmen Sie diese Überprüfung stets bei abgenommenem Akku vor.

Positionierung zur Einstellung des

Gehrgungswinkels (Abb. 16)

Der Drehteller kann bis zu 52° nach links und rechts gedreht werden. Lösen Sie den Griff durch Linksdrehung. Drehen Sie den Drehteller, während Sie den Arretierhebel niederdrücken. Bewegen Sie den Griff, bis der Zeiger auf den gewünschten Winkel der Gehrgungswinkelskala zeigt, und ziehen Sie dann den Griff durch Rechtsdrehung fest.

VORSICHT:

- Bringen Sie den Handgriff in die Hochstellung, bevor Sie den Drehteller drehen.
- Sichern Sie den Drehteller nach jeder Änderung des Gehrgungswinkels stets durch Anziehen des Griffs gegen Verdrehen.

Positionierung zur Einstellung des Neigungswinkels (Abb. 17 und 18)

Der Sägekopf kann bis zu 45° nach links geneigt werden. Zum Einstellen des Neigungswinkels lösen Sie den Hebel an der Rückseite der Maschine. Schwenken Sie den Handgriff nach links, um den Sägekopf zu neigen, bis der Zeiger auf den gewünschten Winkel der Neigungswinkelskala zeigt. Ziehen Sie den Hebel zur Sicherung des Arms an.

VORSICHT:

- Bringen Sie den Handgriff in die Hochstellung, bevor Sie den Sägekopf neigen.
- Sichern Sie den Arm nach jeder Änderung des Neigungswinkels stets durch Anziehen des Hebels.

Sicherung des Werkstücks

WARNUNG:

Die einwandfreie Sicherung des Werkstücks mit der Schraubzwinde ist äußerst wichtig. Nachlässigkeit in diesem Punkt kann zu einer Beschädigung der Maschine und/oder Zerstörung des Werkstücks führen. ES BESTEHT VERLETZUNGSGEFAHR. Außerdem sollte der Sägekopf nach erfolgtem Schnitt erst nach völligem Stillstand des Sägeblatts angehoben werden.

1. Vertikal-Schraubklemme (Abb. 19)

Die Vertikal-Schraubklemme kann an zwei Positionen entweder auf der linken oder rechten Seite des Gehrungsanschlages oder an der Auflageplatte (Sonderzubehör) montiert werden. Setzen Sie den Stehbolzen in die Bohrung des Gehrungsanschlages oder der Auflageplatte ein, und sichern Sie ihn durch Anziehen der Schraube. (Hinweis: Wird die Auflageplatte verwendet, ist diese am Auflagebügel anzubringen, wie in **Abb. 19** gezeigt.)

Stellen Sie den Schraubklemmenarm auf die Abmessungen des Werkstücks ein, und sichern Sie ihn durch Anziehen der Schraube.

Vergewissern Sie sich, daß keine Maschinenteile mit der Schraubklemme in Berührung kommen, wenn der Handgriff auf die Tiefstellung abgesenkt wird. Falls irgendwelche Teile mit der Schraubklemme in Berührung kommen, ist die Schraubklemme zu versetzen. Drücken Sie das Werkstück flach gegen Gehrungsanschlag und Drehteller. Bringen Sie das Werkstück in die gewünschte Schnittposition, und sichern Sie es einwandfrei durch Anziehen des Schraubklemmenknopfes. Werkstücke von maximal 61 mm Dicke können mit der Vertikal-Schraubklemme eingespannt werden.

2. Horizontal-Schraubzwinde (Sonderzubehör) (Abb. 20 und 21)

Die Horizontal-Schraubzwinde kann entweder auf der linken oder rechten Seite des Auflagetisches montiert werden. Durch Linksdrehung des Schraubzwingenknopfes wird die Schraube gelöst, so daß der Schraubzwingenschaft schnell vor- und zurückgeschoben werden kann. Drehen Sie den Schraubzwingenknopf zum Einspannen von Werkstücken sachte im Uhrzeigersinn, bis der Vorsprung seine Höchstposition erreicht, und ziehen Sie ihn dann fest. Wird der Schraubzwingenknopf während der Rechtsdrehung hineingedrückt oder herausgezogen, bleibt der Vorsprung evtl. schräg stehen. Drehen Sie den Schraubzwingenknopf in diesem Fall entgegen dem Uhrzeigersinn zurück, bis sich die Schraube löst, bevor Sie ihn wieder sachte im Uhrzeigersinn drehen. Werkstücke von maximal 122 mm Breite können mit der Horizontal-Schraubzwinde eingespannt werden.

3. Auflagebügel und Auflageplatte (Sonderzubehör)

Auflagebügel und Auflageplatte können zur zusätzlichen Abstützung von Werkstücken auf beiden Seiten montiert werden. Montieren Sie die Teile, wie in **Abb. 22** gezeigt. Ziehen Sie dann die Schrauben fest, um Auflagebügel und Auflageplatte zu sichern. (**Abb. 22**)

Wenn Sie lange Werkstücke sägen, verwenden Sie den Auflageverlängerungssatz (Sonderzubehör). Er besteht aus zwei Auflageplatten und zwei Stangen 12. (**Abb. 23**)

VORSICHT:

Lange Werkstücke müssen stets auf gleicher Höhe mit der Drehteller-Oberfläche abgestützt werden, um genaue Schnitte auszuführen und gefährlichen Verlust der Kontrolle über die Maschine zu vermeiden.

Schalterbedienung (Abb. 24)

VORSICHT:

- Vergewissern Sie sich vor dem Einsetzen des Akkus in die Maschine stets, daß der Ein-Aus-Schalter ordnungsgemäß funktioniert und beim Loslassen in die AUS-Stellung zurückkehrt.
- Wenn Sie die Maschine nicht benutzen, entfernen Sie die Einschaltsperrle, und bewahren Sie sie an einem sicheren Ort auf, um unbefugte Benutzung zu verhindern.

Die Einschaltsperrle verhindert eine versehentliche Betätigung des Ein-Aus-Schalters. Zum Einschalten der Maschine drücken Sie die Einschaltsperrle hinein und betätigen den Ein-Aus-Schalter. Zum Ausschalten lassen Sie den Ein-Aus-Schalter los.

Arretierhebel (Abb. 25)

Nur für europäische Länder

Drücken Sie den Arretierhebel zum Schneiden nach links, um den Handgriff aus seiner Hochstellung zu lösen. Wenn der Schnitt beendet ist, lassen Sie den Arretierhebel los, nachdem Sie den Handgriff wieder in seine Hochstellung zurückgeführt haben. Dadurch wird der Handgriff automatisch in der Hochstellung arretiert.

Betrieb

VORSICHT:

Üben Sie beim Schneiden keinen übermäßigen Druck auf den Handgriff aus. Zu starker Druck kann zu Überlastung des Motors und/oder verminderter Schnittleistung führen.

1. Kappschnitt (Abb. 26)

- Werkstücke bis zu 61 mm Höhe x 122 mm Breite können folgendermaßen geschnitten werden.
- Sichern Sie das Werkstück mit der Schraubzwinde. Schalten Sie die Maschine ein und warten Sie, bis das Sägeblatt seine volle Drehzahl erreicht hat, bevor Sie es sachte auf das Werkstück absenken. Sobald der Schnitt beendet ist, schalten Sie die Maschine aus und WARTEN, BIS DAS SÄGEBLATT ZUM VÖLLIGEN STILLSTAND GEKOMMEN IST, bevor Sie den Sägekopf wieder ganz anheben.

2. Gehrungsschnitt

Nehmen Sie auf den vorhergehenden Abschnitt "Positionierung zur Einstellung des Gehrungswinkels" Bezug.

3. Neigungsschnitt (Abb. 27)

- Bei einem linksseitigen Neigungswinkel von 45° können Werkstücke bis zu 45 mm Höhe x 122 mm Breite geschnitten werden.
- Lösen Sie den Hebel, und neigen Sie den Sägekopf auf den eingestellten Neigungswinkel. Nehmen Sie auf den vorhergehenden Abschnitt "Positionierung zur Einstellung des Neigungswinkels" Bezug. Sichern Sie das Werkstück mit der Schraubzwinde. Schalten Sie die Maschine ein und warten Sie, bis das Sägeblatt seine volle Drehzahl erreicht. Senken Sie dann den Handgriff unter Druckausübung in Richtung des Sägeblatts sachte bis zur Tiefstellung ab. Sobald der Schnitt beendet ist, schalten Sie die Maschine aus und WARTEN, BIS DAS SÄGEBLATT ZUM VÖLLIGEN STILLSTAND GEKOMMEN IST, bevor Sie den Sägekopf wieder ganz anheben.

VORSICHT:

- Bei Neigungsschnitten kann es vorkommen, daß das abgeschnittene Stück an der Seitenfläche des Sägeblatts aufliegt. Durch Anheben des Sägekopfes bei noch laufender Maschine kann das Werkstück vom Sägeblatt erfaßt werden, was zu gefährlichem Herausschleudern von Bruchstücken führen kann. Der Sägekopf darf erst angehoben werden, nachdem das Sägeblatt zum völligen Stillstand gekommen ist.
- Üben Sie den Druck auf den Handgriff immer nur parallel zum Sägeblatt aus. Wird Druck senkrecht zum Drehteller ausgeübt oder die Druckrichtung während des Schnitts geändert, verschlechtert sich die Schnittgenauigkeit.

4. Compoundsschnitt

Unter Compoundsschnitt versteht man das Schneiden eines Werkstücks mit gleichzeitiger Gehrungs- und Neigungswinkeleinstellung. Die Kombinationsmöglichkeiten entnehmen Sie bitte der nachstehenden Tabelle.

Gehrungswinkel	Neigungswinkel
Links und rechts 45°	Links 0° – 45°
Links und rechts 52°	Links 0° – 40°

Bei einem linksseitigen Gehrungswinkel von 45° und einem linksseitigen Neigungswinkel von 45° können Werkstücke von 45 mm Höhe x 85 mm Breite geschnitten werden. Wenn Sie Compoundsschnitte ausführen, beachten Sie die Erläuterungen unter "Kappschnitt", "Gehrungsschnitt" und "Neigungsschnitt".

5. Wiederholtes Schneiden auf gleiche Länge (Abb. 28)

Wenn Sie mehrere Werkstücke innerhalb des Bereichs von 220 mm bis 365 mm auf die gleiche Länge schneiden, ist die Verwendung der Anschlagplatte (Sonderzubehör) zu empfehlen, um rationeller zu arbeiten. Montieren Sie die Anschlagplatte am Auflagebügel, wie in **Abb. 28** gezeigt. Richten Sie die Schnittlinie des Werkstücks entweder auf die linke oder rechte Kante der Nut in der Schlitzplatte aus, und schieben Sie die Anschlagplatte bündig gegen das Ende des Werkstücks, während Sie das Werkstück am Verrutschen hindern. Sichern Sie dann die Anschlagplatte mit der Flügelschraube. Wenn Sie die Anschlagplatte nicht benutzen, lösen Sie die Flügelschraube, um die Anschlagplatte zur Seite zu schieben.

HINWEIS:

Der Auflageverlängerungssatz (Sonderzubehör) gestattet das Schneiden auf gleiche Länge innerhalb des Bereichs von 220 mm bis 2.230 mm.

Tragen der Maschine (Abb. 3 und 29)

Vergewissern Sie sich, daß der Akku von der Maschine abgenommen ist. Sichern Sie den Sägekopf in der 0°-Neigungswinkelstellung und den Drehteller in der rechtsseitigen 52°-Gehrungswinkelstellung. Senken Sie den Handgriff ganz ab, und arretieren Sie ihn in der Tiefstellung durch Einschieben des Anschlagstifts. Halten Sie die Maschine am Tragegriff, wie in **Abb. 29** gezeigt.

WARTUNG

VORSICHT:

Vor Arbeiten am Gerät vergewissern Sie sich, daß sich der Schalter in der "OFF"- Position befindet und der Akku aus dem Gerät entfernt ist.

Einstellung des Schnittwinkels

Diese Maschine wurde im Werk sorgfältig eingestellt und justiert. Die Einstellungen können jedoch durch Transporteinfüsse oder unsachgemäße Behandlung beeinträchtigt worden sein. Sollte Ihre Maschine einer Nachjustierung bedürfen, gehen Sie folgendermaßen vor:

1. Gehrungswinkel Lösen Sie den Spanngriff, mit dem der Drehteller gesichert wird. Drehen Sie dann den Drehteller, so daß der Zeiger auf 0° auf der Gehrungswinkelskala zeigt. Bewegen Sie dann den Drehteller geringfügig nach links und rechts, bis er einwandfrei in der 0°-Gehrungswinkelraste sitzt. (Lassen Sie den Drehteller unverändert, falls der Zeiger nicht auf 0° zeigt.) Lösen Sie die vier Sechskantschrauben, die den Gehrungsanschlag halten, mit dem Steckschlüssel. **(Abb. 30)**

Senken Sie den Handgriff ganz ab, und arretieren Sie ihn in der Tiefstellung durch Einschieben des Anschlagstifts. Bringen Sie die Seitenfläche des Sägeblatts mit Hilfe eines Einstelldreiecks, Anschlagwinkels usw. in den rechten Winkel mit der Fläche des Gehrungsanschlages. Ziehen Sie dann die Sechskantschrauben des Gehrungsanschlages von rechts der Reihe nach fest. **(Abb. 31)**

Vergewissern Sie sich, daß der Zeiger auf 0° auf der Gehrungswinkelskala zeigt. Falls der Zeiger nicht auf 0° zeigt, lösen Sie die Befestigungsschraube des Zeigers, und bringen Sie den Zeiger mit der 0°-Stellung zur Deckung. **(Abb. 32)**

2. Neigungswinkel

- i) 0°-Neigungswinkel Senken Sie den Handgriff ganz ab, und arretieren Sie ihn in der Tiefstellung durch Einschieben des Anschlagstifts. Lösen Sie den Hebel an der Rückseite der Maschine. Drehen Sie die Einstellschraube für 0°-Rasterung (untere Schraube) auf der rechten Seite des Arms um zwei bis drei Umdrehungen entgegen dem Uhrzeigersinn, um den Sägekopf nach rechts zu neigen. **(Abb. 33)**

Bringen Sie die Seitenfläche des Sägeblatts mit Hilfe eines Einstelldreiecks, Anschlagwinkels usw. in den rechten Winkel mit der Drehteller-Oberfläche, indem Sie die Einstellschraube für 0°-Rasterung im Uhrzeigersinn drehen. Ziehen Sie dann den Hebel fest. **(Abb. 34)**

Vergewissern Sie sich, daß der Zeiger am Hilfsarm auf 0° der Neigungswinkelskala am Arm zeigt. Falls er nicht auf 0° zeigt, lösen Sie die Befestigungsschraube des Zeigers, und bringen Sie den Zeiger mit der 0°-Stellung zur Deckung. **(Abb. 35)**

- ii) 45°-Neigungswinkel Diese Einstellung kann erst nach erfolgter Einstellung des 0°-Neigungswinkels durchgeführt werden. Zum Einstellen des linksseitigen 45°-Neigungswinkels lösen Sie den Hebel und neigen den Sägekopf um 45° nach links. Vergewissern Sie sich, daß der Zeiger am Hilfsarm auf 45° der Neigungswinkelskala am Arm zeigt. Falls der Zeiger nicht auf 45° zeigt, drehen Sie die Einstellschraube für 45°-Rasterung (obere Schraube) auf der rechten Seite des Arms, bis der Zeiger auf 45° zeigt. **(Abb. 33)**

Austausch der Kohlebürsten (Abb. 36 und 37)

Die Kohlebürsten regelmäßig entfernen und überprüfen. Wenn sie bis zur Verschleißgrenze abgenutzt sind, müssen sie erneuert werden. Die Kohlebürsten stets sauber halten, damit sie ungehindert in den Haltern gleiten können. Beide Kohlebürsten sollten gleichzeitig erneuert werden. Verwenden Sie nur identische Kohlebürsten.

Die Bürstenhalterkappen mit einem Schraubendreher herausdrehen. Die abgenutzten Kohlebürsten erneuern, und dann die Bürstenhalterkappe wieder eindrehen.

Zur Gewährleistung der Produktsicherheit und -zuverlässigkeit sind Reparaturen, Wartungsarbeiten und Einstellungen von einer Makita-Service-Station auszuführen.

ZUBEHÖR

VORSICHT:

- Die folgenden Zubehörteile oder Vorrichtungen werden für den Einsatz mit der in dieser Anleitung beschriebenen Makita-Maschine empfohlen. Die Verwendung anderer Zubehörteile oder Vorrichtungen kann eine Verletzungsgefahr darstellen. Verwenden Sie Zubehörteile oder Vorrichtungen nur für ihren vorgesehenen Zweck.

Wenn Sie weitere Einzelheiten bezüglich dieser Zubehörteile benötigen, wenden Sie sich bitte an Ihre Makita-Kundendienststelle.

- Staubsack
- Auflagebügel
- Steckschlüssel 10
- Einstelldreieck
- Einschaltsperr (Verriegelungsknopf)
- Vertikal-Schraubklemme
- HM-Sägeblatt
- Schutzbrille
- Auflageverlängerungssatz
- Schraubzwinde (Horizontal-Schraubzwinde)
- Anschlagplatte
- Auflageplatte
- Verschiedene Original-Makita-Akkus und -Ladegeräte
- Schutzkappe

Visione generale

1	Cartuccia batteria	24	Bullone di registro	47	Sporgenza
2	Pulsante	25	Guida pezzo	48	Aste 12
3	Chiave a bussola	26	Base girevole	49	Bottone di sblocco
4	Portachiave	27	Periferia lama	50	Impugnatura
5	Coperchio lama	28	Superficie superiore base girevole	51	Interruttore
6	Spina di fermo	29	Scala di taglio a quartabuono	52	Leva di bloccaggio
7	Bulloni	30	Indice	53	Esercitare la pressione parallelamente alla lama
8	Bullone esagonale	31	Manico	54	Piastra di regolazione
9	Coperchio centrale	32	Leva di bloccaggio	55	Vite
10	Copertura di sicurezza (riparo)	33	Leva	56	Bullone esagonale
11	Freccia	34	Per allentare	57	Squadra triangolare
12	Bloccaggio albero	35	Per stringere	58	Vite
13	Bullone esagonale (sinistrorso)	36	Scala di taglio a unghia	59	Bullone di registro angolo di taglio a unghia di 45°
14	Flangia esterna	37	Indice	60	Bullone di registro angolo di taglio a unghia di 0°
15	Lama	38	Braccio	61	Braccio secondario
16	Flangia interna	39	Asta morsa	62	Vite
17	Mandrino	40	Braccio morsa	63	Segno limite
18	Bocchettone polvere	41	Manopola morsa	64	Cacciavite
19	Sacchetto polvere	42	Sostegno	65	Tappo portaspazzole
20	Chiusura	43	Gruppo sostegno		
21	Piano di taglio	44	Manopola morsa		
22	Taglio a unghia sinistro	45	Base		
23	Taglio diritto	46	Albero morsa		

DATI TECNICI

Modello	LS800D
Diametro lama	210 mm – 216 mm
Diametro foro (albero)	
Modello per l'Europa	30 mm
Modello per i paesi extraeuropei	25,4 mm o 25 mm
Capacità massima di taglio (A x L) con lama di 216 mm di diametro	

Angolo di taglio a quartabuono	Angolo di taglio a unghia	
	0°	45° (sinistro)
0°	61 mm x 122 mm	45 mm x 122 mm
45° (destro e sinistro)	61 mm x 85 mm	45 mm x 85 mm

Velocità a vuoto (min ⁻¹)	2.000
Dimensioni (L x L x A)	528 mm x 430 mm x 486 mm
Peso netto (con cartuccia batteria)	9,3 kg
Tensione nominale	18 V DC

- Per il nostro programma di ricerca e sviluppo continui, i dati tecnici sono soggetti a modifiche senza preavviso.
- Nota: I dati tecnici potrebbero differire a seconda del paese di destinazione del modello.

Utilizzo previsto

Questo utensile è progettato per il taglio accurato diritto o obliquo del legno.

Consigli per la sicurezza

Per la vostra sicurezza, riferitevi alle accluse istruzioni per la sicurezza.

ISTRUZIONI IMPORTANTI DI SICUREZZA PER IL CARICABATTERIA E LA CARTUCCIA DELLA BATTERIA

1. Prima di usare la cartuccia della batteria, leggere tutte le istruzioni e le avvertenze sul (1) carica-batteria, sulla (2) batteria e sul (3) prodotto che utilizza la batteria.
2. Non smontare la cartuccia della batteria.
3. Se il tempo di utilizzo è diventato molto corto, smettere immediatamente di usare l'utensile. Può risultare un rischio di surriscaldamento, possibili ustioni e addirittura un'esplosione.
4. Se l'elettrolita va negli occhi, risciacquarli con acqua pulita e rivolgersi immediatamente ad un medico. Può risultare la perdita della vista.

5. Coprire sempre i terminali della batteria con il coperchio della batteria quando non si usa la cartuccia della batteria.
6. Non cortocircuitare la cartuccia della batteria:
 - (1) Non toccare i terminali con qualche metallo conduttivo.
 - (2) Evitare di conservare la cartuccia della batteria in un contenitore con altri oggetti metallici come i chiodi, le monete, ecc.
 - (3) Non esporre la cartuccia della batteria all'acqua o alla pioggia.
Un cortocircuito della batteria può causare un grande flusso di corrente, il surriscaldamento, possibili ustioni e addirittura un guasto.
7. Non conservare l'utensile e la cartuccia della batteria in luoghi in cui la temperatura può raggiungere o superare i 50°C.
8. Non incenerire la cartuccia della batteria anche se è gravemente danneggiata o è completamente esaurita. La cartuccia della batteria può esplodere e provocare un incendio.
9. Fare attenzione a non lasciar cadere o a colpire la batteria.
7. Fare attenzione a non danneggiare l'albero, le flange (soprattutto la superficie di installazione) o il bullone. Se queste parti sono danneggiate, la lama potrebbe rompersi.
8. Accertarsi che la base girevole sia fissata correttamente in modo che non si muova durante la lavorazione.
9. Per ragioni di sicurezza, rimuovere i trucioli, i pezzetti di materiale rimasti, ecc., dalla superficie superiore prima di cominciare la lavorazione.
10. Evitare di tagliare i chiodi. Prima di cominciare, controllare e togliere i chiodi dal pezzo da lavorare.
11. Prima di accendere l'utensile, accertarsi di aver rilasciato il fermo dell'albero.
12. Assicurarsi che la lama non faccia contatto con la base giravole nella posizione più bassa.
13. Tenere saldamente l'utensile per l'impugnatura. Tener presente che l'utensile si muove leggermente in su o in giù durante l'avviamento e l'arresto.
14. Non eseguire alcuna operazione senza tenere saldamente l'utensile. Il pezzo da lavorare deve essere fissato saldamente sulla base girevole e contro la guida pezzo con la morsa durante tutte le operazioni. Mai tenerlo fermo con la mano.

CONSERVARE QUESTE ISTRUZIONI.

Suggerimenti per mantenere la durata massima della batteria

1. Caricare la cartuccia della batteria prima che si scarichi completamente.
Smettere sempre di usare l'utensile e caricare la cartuccia della batteria quando si nota che la potenza dell'utensile è diminuita.
2. Non ricaricare mai una cartuccia della batteria completamente carica. La sovraccarica riduce la durata della batteria.
3. Caricare la cartuccia della batteria con la temperatura ambiente da 10°C a 40°C. Lasciar raffreddare una cartuccia della batteria calda prima di caricarla.
4. Caricare la cartuccia della batteria all'idruro di nickel metallico quando non la si usa per più di sei mesi.

(PER LA SVIZZERA SOLTANTO) PROTEZIONE DELL'AMBIENTE

La Vostra contribuzione per la protezione dell'ambiente:

Porta la batteria al collettivo ufficiale.



ULTERIORI REGOLE DI SICUREZZA PER L'UTENSILE

1. Tenere a mente che questo utensile è sempre in condizioni operative, in quanto non è necessario collegarlo ad una presa di corrente.
2. Mettersi gli occhiali di sicurezza.
3. Non cominciare mai la lavorazione se le protezioni non sono al loro posto.
4. Non usare l'utensile dove ci sono liquidi o gas infiammabili.
5. Prima di cominciare la lavorazione, controllare con cura che non ci siano crepe od altri danni. Sostituire immediatamente le lame crepate o danneggiate.
6. Usare esclusivamente le flange specificate per questo utensile.

15. Tenere le mani lontane dal percorso della lama. Evitare qualsiasi contatto con la lama in movimento, perché può causare lesioni gravi.
16. Mai avvicinare le dita alla lama in movimento.
17. Prima di accendere l'utensile, accertarsi che la lama non sia a contatto con il pezzo da lavorare.
18. Prima di usare l'utensile, lasciarlo girare per qualche momento. Accertarsi sempre che non ci siano vibrazioni o movimenti strani che potrebbero indicare il montaggio o bilanciamento imperfetto della lama.
19. Aspettare che la lama abbia raggiunto la velocità massima prima di cominciare a tagliare.
20. Interrompere immediatamente il lavoro se si nota qualcosa di anormale.
21. Non cercare di bloccare l'interruttore nella posizione di accensione.
22. Prima di qualsiasi manutenzione o regolazione, spegnere l'utensile e aspettare che la lama si fermi completamente.
23. Stare sempre all'erta, soprattutto durante le operazioni ripetitive e monotone. Non lasciarsi mai andare ad una falsa sicurezza. Le lame non perdono.
24. Usare sempre gli accessori raccomandati in questo manuale. L'uso di accessori inadatti, come le lame abrasive, potrebbe causare lesioni.
25. Non abusare mai del cavo di alimentazione. Mai tirarlo per staccarlo dalla presa di corrente. Tenerlo lontano da fonti di calore, olio, acqua e spigoli taglienti.
26. Usare l'utensile per tagliare soltanto, legno e materiali simili.
27. Usare l'utensile collegato ad un dispositivo di raccolta della polvere.
28. Selezionare le lame adatte al materiale da tagliare.
29. Fare attenzione quando si eseguono stazzature.
30. Sostituire il piano di taglio se è usurato.

CONSERVARE QUESTE ISTRUZIONI.

ISTRUZIONI PER L'USO

Inserimento e rimozione della cartuccia (Fig. 1)

- Spegnere sempre l'utensile prima della inserzione o della rimozione della cartuccia delle batterie.
- Per rimuovere la cartuccia batteria, toglierla dall'utensile premendo i bottoni su entrambi i lati della cartuccia.
- Per inserire la cartuccia batteria, allineare l'appendice della cartuccia batteria con la scanalatura dell'alloggiamento e spingerla in posizione. Inserirli sempre completamente finché non si blocca in posizione con un piccolo scatto, perché altrimenti potrebbe cadere dall'utensile causando ferite all'utente o a chi è vicino.
- Non mettere molta pressione quando si inseriscono le batterie a cartuccia. Quando le batterie non entrano bene vuol dire che non sono inserite bene.

Chiave a bussola (Fig. 2)

La chiave a bussola va riposta come mostrato nella Fig. 2. Per usarla, toglierla dal portachiave. Rimetterla nel portachiave dopo l'uso.

Montaggio della sega sul banco di lavoro (Fig. 3 e 4)

Al momento della spedizione dalla fabbrica, l'impugnatura viene bloccata abbassata con la spina di fermo. Rilasciare la spina di fermo abbassando leggermente l'impugnatura e tirando la spina di fermo.

Questo utensile va fissato con quattro bulloni a una superficie piana e stabile usando i fori situati sulla sua base. Ciò evita che si rovesci e potenziali ferite.

Installazione o rimozione della lama

ATTENZIONE:

- Accertarsi sempre che l'utensile sia spento e che la cartuccia batteria sia stata rimossa prima di installare o di rimuovere la lama.
- Per installare o rimuovere la lama, usare soltanto la chiave a bussola Makita in dotazione, perché altrimenti il bullone esagonale potrebbe venir stretto eccessivamente o insufficientemente con pericolo di ferite gravi per l'operatore o per chi si trova vicino all'utensile.

Bloccare l'impugnatura alzata spingendo dentro la spina di fermo. (Fig. 3)

Per rimuovere la lama, usare la chiave a bussola per allentare il bullone esagonale che fissa il coperchio centrale girandolo in senso antiorario. Sollevare la copertura di sicurezza e il coperchio centrale. (Fig. 5)

Premere il fermo dell'albero per bloccare il mandrino, e usare la chiave a bussola per allentare il bullone esagonale (sinistrorso) in senso orario. Rimuovere poi il bullone esagonale, la flangia esterna e la lama. (Fig. 6)

Per installare la lama, montarla con cura sul mandrino accertandosi che la direzione della freccia sulla superficie della lama corrisponda alla direzione della freccia sul coperchio della lama. Installare la flangia esterna e il bullone esagonale, e usare poi la chiave a bussola per stringere saldamente il bullone esagonale (sinistrorso) in senso antiorario premendo allo stesso tempo il bloccaggio dell'albero. (Fig. 7 e 8)

ATTENZIONE:

Modello per i paesi extraeuropei

La flangia interna ha un diametro di 25 mm su un lato e di 25,4 mm sull'altro. Il lato di 25,4 mm di diametro è marcato "25.4". Usare il lato corretto per il diametro del foro della lama che si intende usare. Il montaggio della lama sul lato sbagliato potrebbe causare vibrazioni pericolose.

Rimettere la copertura di sicurezza e il coperchio centrale sulle loro posizioni originali. Stringere poi il bullone esagonale per fissare il coperchio centrale. (Fig. 9)

Rilasciare l'impugnatura dalla posizione sollevata tirando la spina di fermo. Abbassare l'impugnatura per accertarsi che la copertura di sicurezza si sposti correttamente.

Copertura di sicurezza (Fig. 10)

La copertura di sicurezza si alza automaticamente quando si abbassa l'impugnatura. Essa torna sulla sua posizione originale al completamento del taglio quando si alza l'impugnatura. MAI RENDERE INUTILE O RIMUOVERE LA COPERTURA DI SICUREZZA. Per motivi di sicurezza, mantenere sempre la copertura di sicurezza in buone condizioni. Ogni irregolarità della copertura di sicurezza deve essere corretta immediatamente. MAI USARE L'UTENSILE CON LA COPERTURA DI SICUREZZA DIFETTOSA. Se la copertura di sicurezza trasparente diventa sporca, o se la segatura attaccata impedisce di vedere la lama e/o il pezzo, rimuovere la cartuccia batteria e pulire con cura la copertura di sicurezza con un panno umido. Per pulire la copertura di sicurezza di plastica non si devono usare solventi o pulitori a base di petrolio.

Sacchetto della polvere (Fig. 11)

L'impiego del sacchetto della polvere permette di mantenere pulita l'operazione di taglio e facilita la raccolta della polvere. Per attaccare il sacchetto della polvere, inserire il bocchettone della polvere nel foro di ingresso della polvere del sacchetto. Quando il sacchetto della polvere è quasi pieno, toglierlo dall'utensile e staccare la chiusura. Svuotare il sacchetto dandogli dei colpetti leggeri per togliere le particelle fini che aderiscono all'interno e che potrebbero ostacolare la raccolta successiva della polvere.

Posizionamento dei piani di taglio (Fig. 12 e 13)

La base girevole di questo utensile è dotata di piani di taglio, che sono stati regolati in fabbrica in modo da non essere toccati dalla lama della sega. Prima di usare l'utensile, regolare i piani di taglio nel modo seguente:

Rimuovere per prima cosa la cartuccia batteria. Allentare tutte le viti (2 a destra e a sinistra) che fissano i piani di taglio. Stringerle di nuovo in modo che i piani di taglio possano essere spostati facilmente a mano. Abbassare completamente l'impugnatura e spingere dentro la spina di fermo per bloccarla in questa posizione. Regolare i piani di taglio in modo che facciano appena contatto con i fianchi dei denti della lama. Stringere le viti (non saldamente). Dopo aver regolato i piani di taglio, rilasciare la spina di fermo e sollevare l'impugnatura. Stringere poi saldamente tutte le viti.

ATTENZIONE:

Dopo aver cambiato l'angolo di taglio a unghia, regolare sempre di nuovo i piani di taglio come descritto sopra.

Mantenimento della capacità massima di taglio (Fig. 14 e 15)

L'utensile è stato regolato in fabbrica in modo da fornire la massima capacità di taglio con le lame di 216 mm. Per usare lame con un diametro diverso da 216 mm, regolare la posizione del limite inferiore della lama nel modo seguente:

Rimuovere per prima cosa la cartuccia batteria. Abbassare completamente l'impugnatura. Usare la chiave a bussola per girare il bullone di registro finché la periferia della lama si estende leggermente sotto la superficie superiore della base girevole sul punto dove la faccia anteriore della guida pezzo incontra la superficie superiore della base. Con la cartuccia batteria rimossa, girare a mano la lama tenendo completamente abbassata l'impugnatura per accertarsi che la lama non tocchi alcuna parte della base girevole. Se necessario, regolare di nuovo finemente.

ATTENZIONE:

Dopo aver installato una nuova lama, accertarsi sempre che essa non tocchi alcuna parte della base inferiore quando si abbassa completamente l'impugnatura. Ciò va fatto sempre con la cartuccia batteria rimossa.

Posizionamento per la regolazione dell'angolo di taglio a quartabuono (Fig. 16)

La base girevole può essere ruotata di 52° a destra e a sinistra. Allentare il manico girandolo in senso antiorario. Ruotare la base girevole premendo giù la leva di bloccaggio. Dopo aver spostato il manico sulla posizione in cui l'indice indica l'angolo desiderato sulla scala di taglio a quartabuono, stringerlo saldamente in senso orario.

ATTENZIONE:

- Per girare la base girevole, alzare completamente l'impugnatura.
- Dopo aver cambiato l'angolo di taglio a quartabuono, fissare sempre la base girevole stringendo saldamente il manico.

Posizionamento per la regolazione dell'angolo di taglio a unghia (Fig. 17 e 18)

La lama della sega può essere inclinata di 45° a sinistra. Per regolare l'angolo di taglio a unghia, allentare la leva sulla parte posteriore dell'utensile. Spingere l'impugnatura a sinistra per inclinare la lama finché l'indice indica l'angolo desiderato sulla scala di taglio a unghia. Stringere la leva per fissare il braccio.

ATTENZIONE:

- Per inclinare la lama, alzare completamente l'impugnatura.
- Dopo aver cambiato l'angolo di taglio a unghia, fissare sempre il braccio stringendo la leva.

Modo di fissare il pezzo

AVVERTIMENTO:

Accertarsi sempre che il pezzo sia fissato correttamente e saldamente con la morsa. In caso contrario, si potrebbe danneggiare l'utensile e/o distruggere il pezzo. C'è ANCHE PERICOLO DI FERIRSI! Dopo il taglio, NON sollevare la lama finché non si è fermata completamente.

1. Morsa verticale (Fig. 19)

La morsa verticale può essere installata in due posizioni sul lato destro o sinistro della guida pezzo o del gruppo di sostegno (accessorio opzionale). Inserire l'asta della morsa nel foro della guida pezzo o del gruppo di sostegno, e stringere la vite per fissare l'asta della morsa. (Nota: Se si usa il gruppo di sostegno, installarlo sul sostegno come mostrato nella Fig. 19.)

Posizionare il braccio della morsa secondo lo spessore e la forma del pezzo, e fissarlo stringendo la vite.

Accertarsi che nessuna parte dell'utensile tocchi la morsa quando si abbassa completamente l'impugnatura. Se qualche parte tocca la morsa, riposizionare la morsa. Spingere il pezzo piatto contro la guida pezzo e la base girevole. Posizionare il pezzo sulla posizione di taglio desiderata e fissarlo saldamente stringendo la manopola della morsa. Lo spessore massimo del pezzo che può essere fissato alla morsa verticale è di 61 mm.

2. Morsa orizzontale (accessorio opzionale)

(Fig. 20 e 21)

La morsa orizzontale può essere installata sul lato destro o sinistro della base. Quando si gira la manopola della morsa in senso antiorario, la vite viene rilasciata e si può spostare rapidamente dentro e fuori l'albero della morsa. Per fissare il pezzo, girare delicatamente la manopola della morsa in senso orario finché la sporgenza raggiunge la sua posizione più alta, e fissarlo poi saldamente. Se si spinge dentro o fuori la manopola della morsa mentre viene girata in senso orario, la sporgenza potrebbe arrestarsi inclinata. In tal caso, rigirare indietro la manopola della morsa in senso antiorario finché la vite non viene rilasciata prima di girarla di nuovo delicatamente in senso orario. La larghezza massima del pezzo che si può fissare alla morsa orizzontale è di 122 mm.

3. Sostegni e gruppo di sostegno (accessori opzionali)

I sostegni e il gruppo di sostegno possono essere installati ad entrambi i lati dell'utensile quale mezzo comodo per supportare orizzontalmente i pezzi. Installarli come mostrato nella Fig. 22.

Stringere poi saldamente le viti per fissare i sostegni e il gruppo di sostegno. (Fig. 22)

Per tagliare i pezzi lunghi, usare il gruppo di sostegno-asta (accessorio opzionale). Esso consiste in due gruppi di sostegno e due aste 12. (Fig. 23)

ATTENZIONE:

Per dei tagli accurati e per evitare una pericolosa perdita di controllo dell'utensile, supportare sempre i pezzi lunghi a livello della superficie superiore della base girevole.

Azionamento dell'interruttore (Fig. 24)

ATTENZIONE:

- Prima di inserire la cartuccia batteria nell'utensile, accertarsi sempre che il grilletto dell'interruttore funzioni correttamente e torni sulla posizione "OFF" quando viene rilasciato.
- Quando non si usa l'utensile, rimuovere il bottone di sblocco e conservarlo in un posto sicuro. Ciò impedisce che l'utensile venga usato senza autorizzazione.

L'utensile è dotato di un bottone di sblocco per evitare che il grilletto interruttore venga schiacciato accidentalmente.

Per avviare l'utensile, spingere dentro il bottone di sblocco e schiacciare il grilletto. Rilasciare il grilletto per fermarlo.

Leva di bloccaggio (Fig. 25)

Modello per l'Europa soltanto

Per tagliare, spingere la leva di bloccaggio a sinistra per rilasciare l'impugnatura dalla posizione alzata. Al completamento del taglio, rilasciare la leva di bloccaggio dopo aver riportato la lama sulla sua posizione di massimo sollevamento. L'impugnatura si blocca automaticamente nella posizione in alto.

Funzionamento

ATTENZIONE:

Non esercitare una pressione eccessiva sull'impugnatura tagliando. La forza eccessiva potrebbe causare il sovraccarico del motore e/o ridurre l'efficienza di taglio.

1. Taglio con pressione (Fig. 26)
 - Si possono tagliare pezzi di un massimo di 61 mm di altezza e di 122 mm di larghezza nel modo seguente.
 - Fissare il pezzo con la morsa. Accendere l'utensile e aspettare che la lama abbia raggiunto la velocità massima prima di abbassarla delicatamente nel taglio. Al completamento del taglio, spegnere l'utensile e ASPETTARE CHE LA LAMA SI FERMI COMPLETAMENTE prima di rialzarla completamente.
2. Taglio a quartabuono
Riferirsi alla spiegazione di "Posizionamento per la regolazione dell'angolo di taglio a quartabuono" descritta precedentemente.
3. Taglio a unghia (Fig. 27)
 - All'angolo di taglio a unghia di 45° si possono tagliare pezzi di 45 mm di altezza e di 122 mm di larghezza.
 - Allentare la leva e inclinare la lama della sega per regolare l'angolo di taglio a unghia. Riferirsi alla spiegazione di "Posizionamento per la regolazione dell'angolo di taglio a unghia" descritta precedentemente. Fissare il pezzo alla morsa. Accendere l'utensile e aspettare che la lama abbia raggiunto la velocità massima. Abbassare poi delicatamente e completamente l'impugnatura esercitando una pressione parallelamente alla lama. Al completamento del taglio, spegnere l'utensile e ASPETTARE CHE LA LAMA SI FERMI COMPLETAMENTE prima di rialzarla completamente.

ATTENZIONE:

- Durante il taglio a unghia, potrebbe succedere che il pezzo tagliato venga a trovarsi appoggiato al fianco della lama. Se si solleva la lama mentre sta ancora girando, il pezzo potrebbe rimanere agganciato alla lama facendo volare dei frammenti pericolosi. La lama deve essere sollevata SOLTANTO dopo che si è fermata completamente.
- Quando si preme giù l'impugnatura, esercitare la pressione parallelamente alla lama. Se la si esercita perpendicolarmente alla base girevole, oppure se si cambia la direzione della pressione durante il taglio, la precisione del taglio viene compromessa.

4. Taglio composito

Il taglio composito è il procedimento in cui si esegue un taglio a unghia mentre si esegue un taglio a quartabuono sul pezzo. Il taglio composito può essere eseguito agli angoli indicati nella tabella sotto.

Angolo di taglio a quartabuono	Angolo di taglio a unghia
45° a destra e a sinistra	0° – 45° a sinistra
52° a destra e a sinistra	0° – 40° a sinistra

All'angolo di taglio a quartabuono di 45° a sinistra e all'angolo di taglio a unghia di 45° a sinistra, si possono tagliare pezzi di 45 mm di altezza e di 85 mm di larghezza. Per fare tagli compositi, riferirsi alle spiegazioni di "Taglio con pressione", "Taglio a quartabuono" e "Taglio a unghia".

5. Tagli ripetuti della stessa lunghezza (Fig. 28)

L'uso della piastra di regolazione (accessorio opzionale) facilita il taglio di diversi pezzi della stessa lunghezza, dai 220 ai 365 mm. Installare la piastra di regolazione sul sostegno, come mostrato nella Fig. 28. Allineare la linea di taglio sul pezzo con il lato destro o sinistro della scanalatura sul piano di taglio e, tenendo fermo il pezzo, spostare la piastra di regolazione contro l'estremità del pezzo. Fissare poi la piastra di regolazione con la vite. Quando non si usa la piastra di regolazione, allentare la vite e girare la piastra in modo che non sia di ostacolo.

NOTA:

L'uso del gruppo di sostegno-asta (accessorio opzionale) permette di tagliare ripetutamente pezzi della stessa lunghezza, dai 220 mm ai 2.230 mm.

Trasporto dell'utensile (Fig. 3 e 29)

Accertarsi che la cartuccia batteria sia stata rimossa. Fissare la lama all'angolo di taglio a unghia di 0° e girare la base all'angolo di taglio a quartabuono di 52° a destra. Abbassare completamente l'impugnatura e bloccarla spingendo dentro la spina di fermo. Trasportare l'utensile tenendolo per l'impugnatura, come mostrato nella Fig. 29.

MANUTENZIONE

ATTENZIONE:

Prima di effettuare ogni tipo di lavoro sull'utensile, assicuratevi sempre che essa sia spenta e che la batteria sia rimossa.

Regolazione dell'angolo di taglio

Questo utensile è stato regolato e allineato accuratamente in fabbrica, ma se non lo si tratta con la dovuta cura potrebbe perdere l'allineamento. Se l'allineamento non è corretto, procedere nel modo seguente:

1. Angolo di taglio a quartabuono

Allentare l'impugnatura che fissa la base girevole. Girare la base in modo che l'indice indichi 0° sulla scala di taglio a quartabuono. Girare poi la base leggermente in senso orario e antiorario per assestarla comodamente nella tacca dell'angolo di taglio a quartabuono. (Lasciarla così com'è se l'indice non indica 0°.) Allentare i quattro bulloni esagonali che fissano la guida pezzo usando la chiave a bussola. **(Fig. 30)**

Abbassare completamente l'impugnatura e bloccarla spingendo dentro la spina di fermo. Far combaciare il fianco della lama con la faccia della guida pezzo usando una squadra triangolare, squadra di riscontro, ecc. Stringere poi saldamente i bulloni esagonali sulla guida pezzo nell'ordine da sinistra. **(Fig. 31)**

Accertarsi che l'indice indichi 0° sulla scala di taglio a quartabuono. Se l'indice non indica 0°, allentare la vite che fissa l'indice e regolare l'indice in modo che indichi 0°. **(Fig. 32)**

2. Angolo di taglio a unghia

i) Angolo di taglio a unghia di 0°

Abbassare completamente l'impugnatura e bloccarla spingendo dentro la spina di fermo. Allentare la leva sulla parte posteriore dell'utensile. Girare il bullone di registro dell'angolo di taglio a unghia di 0° (bullone inferiore) sul lato destro del braccio di due o tre giri in senso antiorario per inclinare la lama a destra. **(Fig. 33)**

Far combaciare con cura il fianco della lama con la superficie superiore della base girevole usando la squadra triangolare, squadra di riscontro, ecc., girando in senso orario il bullone di registro dell'angolo di taglio a unghia di 0°. Stringere poi saldamente la leva. **(Fig. 34)**

Accertarsi che l'indice sul braccio secondario indichi 0° sulla scala di taglio a unghia sul braccio. Se non indica 0°, allentare la vite che fissa l'indice e regolarlo in modo che indichi 0°. **(Fig. 35)**

ii) Angolo di taglio a unghia di 45°

Regolare l'angolo di taglio a unghia di 45° soltanto dopo aver eseguito la regolazione dell'angolo di taglio a unghia di 0°. Per regolare l'angolo di taglio a unghia di 45°, allentare la leva e inclinare la lama di 45° a sinistra. Accertarsi che l'indice sul braccio secondario indichi 45° sulla scala di taglio a unghia sul braccio. Se l'indice non indica 45°, girare il bullone di registro dell'angolo di taglio a unghia di 45° (bullone superiore) sul fianco destro del braccio finché l'indice non indica 45°. **(Fig. 33)**

Sostituzione delle spazzole a carbone

(Fig. 36 e 37)

Rimuovere e controllare regolarmente le spazzole a carbone. Sostituirle se sono usurate fino al segno del limite di usura. Mantenere le spazzole a carbone pulite e libere di muoversi nei portaspazzole. Le spazzole a carbone vanno sostituite entrambe allo stesso tempo. Usare soltanto spazzole a carbone identiche.

Usare un cacciavite per togliere i tappi dei portaspazzole. Estrarre le spazzole a carbone usurate, inserire le nuove spazzole e fissare i tappi dei portaspazzole.

Per mantenere la sicurezza e l'affidabilità del prodotto, le riparazioni, la manutenzione o le regolazioni dovrebbero essere eseguite da un centro di assistenza Makita autorizzato.

ACCESSORI

ATTENZIONE:

- Questi accessori o attrezzi sono consigliati per l'uso con l'utensile Makita specificato in questo manuale. L'impiego di altri accessori o attrezzi può costituire un rischio di lesioni alle persone. Usare gli accessori soltanto per il loro scopo prefissato.

Per ottenere maggiori dettagli su questi accessori, rivolgersi a un Centro Assistenza Makita autorizzato.

- Sacchetto polvere
- Sostegno
- Chiave a bussola 10
- Squadra triangolare
- Bottone di sblocco (botone interruttore)
- Morsa verticale
- Lama al carburo
- Occhiali di protezione
- Gruppo sostegno-asta
- Gruppo morsa (morsa orizzontale)
- Piastra di regolazione
- Gruppo sostegno
- Vari tipi di batterie e caricatori genuini Makita
- Coperchio batteria

Verklaring van algemene gegevens

1 Accu	23 Rechte snede	45 Voetstuk
2 Drukknop	24 Stelbout	46 Spanschroefas
3 Dopsleutel	25 Geleider	47 Uitsteeksel
4 Sleutelhouder	26 Draaibaar voetstuk	48 Stangen 12
5 Zaagbladkast	27 Omtrek van zaagblad	49 Ontgrendelknop
6 Aanslagpen	28 Bovenvlak van draaibaar voetstuk	50 Handvat
7 Bouten	29 Verstekschaal	51 Trekschakelaar
8 Zeskantbout	30 Wijzer	52 Vergrendelknop
9 Middenkap	31 Handgreep	53 Oefen druk uit evenwijdig met het zaagblad
10 Veiligheidskap (Beschermpap)	32 Borgpen	54 Stelplaat
11 Pijltje	33 Hendel	55 Schroef
12 Asvergrendeling	34 Losmaken	56 Zeskantbout
13 Zeskantbout (linkse schroefdraad)	35 Vastmaken	57 Driehoekslinaal
14 Buitenflens	36 Schuine-hoek schaal	58 Schroef
15 Zaagblad	37 Wijzer	59 Stelbout voor 45° schuine hoek
16 Binnenflens	38 Arm	60 Stelbout voor 0° schuine hoek
17 As	39 Spanschroefstang	61 Hulparm
18 Verbindingsstuk	40 Spanschroefarm	62 Schroef
19 Stofzak	41 Spanschroefknop	63 Limietmerkstreep
20 Sluitstrip	42 Houder	64 Schroevendraaier
21 Zaagsnedeplaat	43 Houdermontage	65 Borstelhouderdop
22 Linkse versteksnede	44 Spanschroefknop	

TECHNISCHE GEGEVENS

Model **LS800D**

Diameter van zaagblad 210 mm – 216 mm

Diameter van gat (asgat)

Voor alle Europese landen 30 mm

Voor alle niet-Europese landen 25,4 mm of 25 mm

Max. zaagcapaciteiten (H x B) met een zaagblad van 216 mm in diameter

Verstekhoek	Schuine hoek	
	0°	45° (links)
0°	61 mm x 122 mm	45 mm x 122 mm
45° (links en rechts)	61 mm x 85 mm	45 mm x 85 mm

Toerental onbelast (min⁻¹) 2 000

Afmetingen (L x B x H) 528 mm x 430 mm x 486 mm

Netto gewicht (met accu) 9,3 kg

Nominale spanning DC 18 V

- In verband met ononderbroken research en ontwikkeling behouden wij ons het recht voor bovenstaande technische gegevens te wijzigen zonder voorafgaande kennisgeving.
- Opmerking: De technische gegevens kunnen van land tot land verschillen.

Doeleinden van gebruik

Het gereedschap is bedoeld voor nauwkeurig rechtzagen en verstekzagen in hout.

Veiligheidswenken

Voor uw veiligheid dient u de bijgevoegde Veiligheidsvoorschriften nauwkeurig op te volgen.

BELANGRIJKE VEILIGHEIDSVORSCHRIFTEN VOOR ACCULADER EN ACCU

1. Lees alle voorschriften en waarschuwingen op (1) de acculader, (2) de accu, en (3) het product waarvoor de accu wordt gebruikt, aandachtig door alvorens de acculader in gebruik te nemen.
2. Neem de accu niet uit elkaar.
3. Als de gebruikstijd van een opgeladen accu aanzienlijk korter is geworden, moet u het gebruik ervan onmiddellijk stopzetten. Voortgezet gebruik kan oververhitting, brandwonden en zelfs een ontploffing veroorzaken.
4. Als er elektrolyt in uw ogen is terechtgekomen, spoel dan uw ogen met schoon water en roep onmiddellijk de hulp van een dokter in. Elektrolyt in de ogen kan blindheid veroorzaken.

5. Bedek de accuklemmen altijd met de accupak wanneer u de accu niet gebruikt.
6. Voorkom kortsluiting van de accu:
 - (1) Raak de accuklemmen nooit aan met een geleidend materiaal.
 - (2) Bewaar de accu niet in een bak waarin andere metalen voorwerpen zoals spijkers, munten e.d. worden bewaard.
 - (3) Stel de accu niet bloot aan water of regen. Kortsluiting van de accu kan oorzaak zijn van een grote stroomafgifte, oververhitting, brandwonden, en zelfs defecten.
7. Bewaar het gereedschap en de accu niet op plaatsen waar de temperatuur kan oplopen tot 50°C of hoger.
8. Werp de accu nooit in het vuur, ook niet wanneer hij zwaar beschadigd of volledig versleten is. De accu kan namelijk ontploffen in het vuur.
9. Wees voorzichtig dat u de accu niet laat vallen en hem niet blootstelt aan schokken of stoten.
10. Zaag niet op spijkers. Inspecteer het werkstuk en verwijder alle eventuele spijkers alvorens met het zagen te beginnen.
11. Zet de asvergrendeling in de vrije stand alvorens de trekschakelaar in te drukken.
12. Zorg ervoor dat het zaagblad in zijn laagste positie niet in aanraking komt met het draaibaar voetstuk.
13. Houd het handvat stevig vast. Denk eraan dat de zaag bij het starten en stoppen een beetje op- en neergaat.
14. Zaag nooit met het werkstuk in uw hand. Zet het werkstuk altijd stevig vast op het draaibaar voetstuk en tegen de geleider met behulp van de spanschroef. Gebruik nooit uw hand om het werkstuk vast te houden.
15. Houd altijd uw handen uit de buurt van het zaagblad. Raak het uitlopende zaagblad niet aan, aangezien dit nog ernstige verwondingen kan veroorzaken.
16. Probeer tijdens het zagen nooit iets vast te pakken in de omgeving van het zaagblad.
17. Controleer vóór het inschakelen of het zaagblad niet in contact is met het werkstuk.
18. Laat de machine een tijdje draaien alvorens deze op het werkstuk te gebruiken. Controleer op trillingen of schommelingen die op onjuiste installatie of op een slecht gebalanceerd zaagblad kunnen wijzen.
19. Wacht totdat het zaagblad op volle toeren draait, alvorens het werkstuk te zagen.
20. Stop onmiddellijk met zagen indien u iets abnormaals opmerkt.
21. Probeer niet de trekschakelaar in de AAN positie te vergrendelen.
22. Schakel de spanning uit en wacht totdat het zaagblad volledig tot stilstand is gekomen, alvorens de machine een onderhoudsbeurt te geven of af te stellen.
23. Laat uw aandacht nooit verslappen, vooral niet wanneer het werk saai is en uit herhalingen bestaat. Laat u niet door een vals gevoel van veiligheid misleiden, aangezien zaagbladen altijd gevaar kunnen opleveren.
24. Gebruik uitsluitend de accessoires die in deze gebruiksaanwijzing worden aanbevolen. Het gebruik van ongeschikte accessoires, zoals slijpschijven, kan verwonding veroorzaken.
25. Houd het snoer in goede conditie. Trek aan de stekker en niet aan het snoer zelf om dit uit het stopcontact te verwijderen. Houd het snoer uit de buurt van hitte, olie, water en scherpe randen.
26. Gebruik de zaag niet voor het zagen van andere materialen dan hout of gelijksoortige materialen.
27. Sluit gecombineerde verstekzaag tijdens het zagen aan op een stofvanginrichting.
28. Kies de zaagbladen in overeenstemming met het te zagen materiaal.
29. Wees voorzichtig wanneer u gleuven zaagt.
30. Vervang de zaagsnede-plaat wanneer deze versleten is.

Bewaar deze voorschriften.

Tips voor een maximale levensduur van de accu

1. Laad de accu op voordat hij volledig ontladen is. Stop het gebruik van het gereedschap en laad de accu op telkens wanneer u vaststelt dat het vermogen van het gereedschap is afgenomen.
2. Laad een volledig opgeladen accu nooit opnieuw op. Als u de accu te veel oplaadt, zal hij minder lang meegaan.
3. Laad de accu op bij een kamertemperatuur tussen 10°C en 40°C. Laat een warme accu afkoelen alvorens hem op te laden.
4. Laad de nikkel-metaalhydride accu op telkens wanneer u hem langer dan zes maanden niet hebt gebruikt.

BIJGEOVOEGDE VEILIGHEIDSVOORSCHRIFTEN VOOR DE MACHINE

1. Denk eraan dat dit gereedschap altijd gebruiksklaar is, omdat het niet op een stopcontact hoeft te worden aangesloten.
2. Draag oogbescherming.
3. Gebruik de zaag niet zonder dat de beschermkappen zijn aangebracht.
4. Gebruik de machine niet in de nabijheid van ontvlambare vloeistoffen of gassen.
5. Controleer het zaagblad zorgvuldig op barsten of beschadiging, alvorens de machine te gaan gebruiken. Een gebarsten of beschadigd zaagblad dient onmiddellijk te worden vervangen.
6. Gebruik alleen flenzen die voor deze machine gemaakt zijn.
7. Zorg ervoor dat de as, de flenzen (vooral het montagevlak) of de bout niet worden beschadigd. Beschadiging van deze onderdelen kan zaagbladbreuk veroorzaken.
8. Controleer of het draaibaar voetstuk goed vastzit, zodat het tijdens het zagen niet kan bewegen.
9. Verwijder voor uw eigen veiligheid zaagafval, kleine stukjes hout e.d. van de werktafel alvorens te gaan zagen.

Bewaar deze voorschriften.

BEDIENINGSVOORSCHRIFTEN

Plaatsen en verwijderen van batterij (Fig. 1)

- Schakel de machine altijd uit voordat een batterij geplaatst of verwijderd wordt.
- Om het batterijpak te verwijderen, neemt u het uit het gereedschap terwijl u de knoppen aan beide zijden van het batterijpak indrukt.
- Om het batterijpak te installeren, past u de rug op het batterijpak in de groef in de behuizing van het gereedschap, en dan schuift u het batterijpak naar binnen. Schuif het batterijpak zo ver mogelijk erin, totdat het met een klikgeluid vergrendelt. Indien u dit niet doet, kan het batterijpak per ongeluk uit het gereedschap vallen en uzelf of anderen verwonden.
- Als het batterijpak moeilijk in de houder komt, probeer het dan niet met geweld in te duwen. Indien het batterijpak er niet gemakkelijk ingaat, dan houdt u het verkeer om.

Dopsleutel (Fig. 2)

De dopsleutel is aangebracht zoals afgebeeld in Fig. 2. Wanneer u de dopsleutel wilt gebruiken, moet u deze uit de sleutelhouder trekken. Breng de dopsleutel na gebruik weer in de sleutelhouder aan.

De zaag op een werktafel monteren (Fig. 3 en 4)

Bij de verscheping uit de fabriek, is het handvat van het gereedschap in de omlaagpositie vastgezet door middel van de aanslagpen. Ontgrendel de aanslagpen door het handvat een beetje omlaag te drukken en de aanslagpen naar buiten te trekken.

Dit gereedschap moet op een horizontaal en stabiel oppervlak worden gemonteerd door middel van vier bouten die u door de boutgaten in het voetstuk van het gereedschap steekt. Hierdoor wordt voorkomen dat het gereedschap omkantelt en mogelijk verwondingen veroorzaakt.

Installeren of verwijderen van het zaagblad

LET OP:

- Controleer altijd of het gereedschap is uitgeschakeld en de accu ervan is verwijderd alvorens het zaagblad te installeren of te verwijderen.
- Gebruik voor het installeren of verwijderen van het zaagblad uitsluitend de bijgeleverde Makita dopsleutel. Doet u dit niet, dan kan de zeskantbout te vast of te los worden aangedraaid, hetgeen ernstige verwonding van de gebruiker van het gereedschap of van anderen in de nabije omgeving tot gevolg kan hebben.

Druk de aanslagpen naar binnen om het handvat in de omhoogpositie vast te zetten. (Fig. 3)

Om het zaagblad te verwijderen, gebruik de dopsleutel om de zeskantbout, die de middenkap op zijn plaats houdt, naar links los te draaien. Breng de veiligheidskap en de middenkap omhoog. (Fig. 5)

Druk de asvergrendeling in om de as te vergrendelen en draai met de dopsleutel de zeskantbout (linkse schroefdraad) naar rechts los. Verwijder vervolgens de zeskantbout, de buitenflens en het zaagblad. (Fig. 6)

Om het zaagblad te installeren, monteert u het zaagblad voorzichtig op de as, ervoor zorgend dat de pijltjes op het zaagblad en op de zaagbladkast in dezelfde richting wijzen. Monteer de buitenflens en de zeskantbout, en draai dan met de dopsleutel de zeskantbout (linkse schroefdraad) stevig naar links vast terwijl u daarbij de asvergrendeling ingedrukt houdt. (Fig. 7 en 8)

LET OP:

Voor alle niet-Europese landen

De binnenflens heeft een diameter van 25 mm aan de ene zijde, en een diameter van 25,4 mm aan de andere zijde. De zijde met een diameter van 25,4 mm is gemarkeerd met "25.4". Gebruik de zijde die overeenkomt met de asgatdiameter van het zaagblad dat u gaat gebruiken. Indien het zaagblad aan de verkeerde zijde wordt gemonteerd, kan gevaarlijke trilling worden veroorzaakt.

Monteer de veiligheidskap en de middenkap weer in hun oorspronkelijke posities. Zet daarna de middenkap vast door de zeskantbout naar rechts vast te draaien. (Fig. 9)

Trek de aanslagpen naar buiten om het handvat uit zijn omhoogpositie te ontgrendelen. Breng het handvat omlaag om te controleren of de veiligheidskap behoorlijk beweegt.

Veiligheidskap (Fig. 10)

Wanneer het handvat omlaag wordt gebracht, gaat de veiligheidskap automatisch omhoog. De veiligheidskap keert naar haar oorspronkelijke positie terug wanneer het zagen beëindigd is en het handvat omhoog wordt gebracht. ZET DE VEILIGHEIDSKAP NOOIT VAST EN VERWIJDER DEZE NOOIT. Voor uw persoonlijke veiligheid dient de veiligheidskap altijd in goede staat te worden gehouden. Elke onregelmatige werking van de veiligheidskap dient onmiddellijk te worden hersteld. GEBRUIK HET GEREEDSCHAP NOOIT MET EEN DEFECTE VEILIGHEIDSKAP. Wanneer de doorzichtige veiligheidskap vuil is of met zaagsel is bedekt zodat u het zaagblad en/of het werkstuk niet meer behoorlijk kunt zien, verwijder dan de accu van het gereedschap en reinig de veiligheidskap zorgvuldig met een bevochtigde doek. Gebruik geen oplosmiddelen of benzinehoudende schoonmaakmiddelen op de plastic kap.

Stofzak (Fig. 11)

Door de stofzak te gebruiken wordt het zaagsel opgevangen en kunt u schoon werken. Voor het bevestigen van de stofzak monteert u de inlaat van de stofzak over het verbindingstuk op het gereedschap. Wanneer de stofzak ongeveer halfvol is, verwijdert u deze van het gereedschap en trekt u de sluitstrip eraf. Maak de stofzak leeg en tik er lichtjes op voor het verwijderen van achtergebleven stofdeeltjes waardoor de stofopvangning zou kunnen worden belemmerd.

Afstellen van de zaagsnedeplaten (Fig. 12 en 13)

Dit gereedschap is voorzien van zaagsnedeplaten in het draaibaar voetstuk. De zaagsnedeplaten zijn in de fabriek zodanig afgesteld dat het zaagblad niet met de zaagsnedeplaten in aanraking komt. Stel de zaagsnedeplaten als volgt af alvorens het gereedschap in gebruik te nemen:

Verwijder eerst de accu van het gereedschap. Draai alle schroeven (2 aan de linkerzijde en 2 aan de rechterzijde) waarmee de zaagsnedeplaten zijn vastgemaakt los. Trek de schroeven weer aan zodanig dat de zaagsnedeplaten gemakkelijk met de hand kunnen worden bewogen. Breng het handvat volledig omlaag en druk de aanslagpen naar binnen om het handvat in de omlaagpositie te vergrendelen. Stel de positie van de zaagsnedeplaten zodanig af dat deze lichtjes in aanraking komen met de zijkanten van de zaagbladtanden. Trek de schroeven aan (niet te hard aantrekken). Nadat de zaagsnedeplaten zijn afgesteld, ontgrendelt u de aanslagpen en brengt u het handvat omhoog. Trek vervolgens alle schroeven stevig aan.

LET OP:

Telkens nadat u de schuine hoek hebt gewijzigd, dient u de zaagsnedeplaten opnieuw af te stellen op de bovenstaande wijze.

Handhaven van de maximale zaagcapaciteit (Fig. 14 en 15)

Dit gereedschap is in de fabriek ingesteld voor het leveren van maximale zaagcapaciteit met een 216 mm zaagblad. Wanneer u een ander dan een 216 mm zaagblad gebruikt, dient u de laagste positie van het zaagblad als volgt af te stellen:

Verwijder eerst de accu van het gereedschap. Breng het handvat helemaal omlaag. Gebruik de dopsleutel en verdraai de stelbout totdat de omtrek van het zaagblad een beetje onder het bovenvlak van het draaibaar voetstuk komt te zitten op het punt waar het voorvlak van de geleider in aanraking komt met het bovenvlak van het draaibaar voetstuk. Zorg dat de accu uit het gereedschap is verwijderd en draai met de hand het zaagblad rond terwijl u het handvat volledig omlaag gedrukt houdt, en controleer of het zaagblad met geen enkel deel van het onderste voetstuk in aanraking komt. Stel opnieuw een beetje af, indien nodig.

LET OP:

Na het installeren van een nieuw zaagblad, dient u altijd te controleren of het zaagblad met geen enkel deel van het onderste voetstuk in aanraking komt wanneer het handvat volledig naar omlaag is gebracht. Verwijder voor deze controle altijd de accu uit het gereedschap.

Instellen van de verstekhoek (Fig. 16)

Het draaibaar voetstuk draait maximaal 52° naar links en naar rechts. Draai de handgreep naar links los. Verdraai het draaibaar voetstuk terwijl u de borgpen ingedrukt houdt. Beweeg de handgreep naar de positie waarbij de wijzer de gewenste hoek op de verstekschaal aanwijst en draai dan de handgreep weer stevig naar rechts vast.

LET OP:

- Voor het verdraaien van het draaibaar voetstuk dient u het handvat in de hoogste positie te plaatsen.
- Na het wijzigen van de verstekhoek, dient u het draaibaar voetstuk altijd vast te zetten door de handgreep stevig vast te draaien.

Instellen van de schuine hoek (Fig. 17 en 18)

Het zaagblad kan 45° schuin omhoog naar links worden gezet. Om de schuine hoek in te stellen, maakt u de hendel aan de achterzijde van het gereedschap los. Duw het handvat naar links om het zaagblad te kantelen totdat de wijzer naar de gewenste hoek op de schuine-hoek schaal wijst. Draai daarna de hendel weer vast om de arm te vergrendelen.

LET OP:

- Voor het schuin zetten van het zaagblad, dient u het handvat in de hoogste positie te plaatsen.
- Na het wijzigen van de schuine hoek, dient u de arm altijd vast te zetten door de hendel vast te draaien.

Vastzetten van het werkstuk

WAARSCHUWING:

Het is uiterst belangrijk dat u het werkstuk altijd juist en stevig vastzet met behulp van de spanschroef. Indien u dit nalaat, kan het gereedschap beschadiging oplopen en/of het werkstuk worden vernield. OOK KAN PERSOONLIJK LETSEL HET GEVOLG ZIJN. Nadat het zagen is beëindigd, dient u het zaagblad NIET omhoog te brengen alvorens het volledig tot stilstand is gekomen.

1. Verticale spanschroef (Fig. 19)

De verticale spanschroef kan in twee posities aan de linkerzijde of de rechterzijde van de geleider of houdermontage (los verkrijgbaar accessoire) worden geïnstalleerd. Steek de stang van de spanschroef in het gat in de geleider of in de houdermontage en trek de schroef aan om de stang vast te zetten. (Opmerking: Wanneer u de houdermontage gebruikt, dient u deze op de houder te monteren zoals afgebeeld in Fig. 19.)

Zet de arm van de spanschroef in de positie die geschikt is voor de dikte en vorm van het werkstuk en zet de arm vast door de schroef vast te draaien. Zorg ervoor dat geen enkel deel van het gereedschap in aanraking komt met de spanschroef wanneer het handvat volledig omlaag wordt gebracht. Indien een of ander deel met de spanschroef in aanraking komt, moet u de positie van de spanschroef opnieuw afstellen. Druk het werkstuk vlak tegen de geleider en het draaibaar voetstuk. Plaats het werkstuk in de gewenste zaagpositie en zet het stevig vast door de spanschroefknop vast te draaien. De maximale dikte van werkstukken die met de verticale spanschroef kunnen worden vastgezet is 61 mm.

2. Horizontale spanschroef (los verkrijgbaar accessoire) (Fig. 20 en 21)

De horizontale spanschroef kan aan de linker- of rechterzijde van het voetstuk worden geïnstalleerd. Door de spanschroefknop naar links te draaien wordt de spanschroef in de vrije stand gezet en kunt u de spanschroefas snel naar binnen en naar buiten bewegen. Om het werkstuk te grijpen, draait u de spanschroefknop langzaam naar rechts totdat het uitsteeksel in zijn hoogste positie komt te staan, en dan draait u de spanschroefknop stevig vast. Indien de spanschroefknop naar binnen of naar buiten wordt getrokken terwijl u deze naar rechts draait, kan het uitsteeksel in een schuine positie stoppen. In dat geval draait u de spanschroefknop terug naar links totdat de spanschroef los komt, en dan draait u deze weer langzaam naar rechts. De maximale breedte van werkstukken die met de horizontale spanschroef kunnen worden vastgezet is 122 mm.

3. Houders en houdermontage (los verkrijgbaar accessoire)
De houders en de houdermontage kunnen aan beide zijden van het gereedschap worden aangebracht als een handig middel voor het horizontaal ondersteunen van de werkstukken. Monteer deze zoals afgebeeld in **Fig. 22**. Trek de schroeven stevig aan om de houders en de houdermontage vast te zetten. (**Fig. 22**)
Gebruik de houder/stang montage (los verkrijgbaar accessoire) voor het zagen van lange werkstukken. Deze bestaan uit twee houdermontages en twee stangen 12. (**Fig. 23**)

LET OP:

Om nauwkeurige zaagsneden te verkrijgen en gevaarlijk controleverlies van het gereedschap te voorkomen, dient u lange werkstukken altijd zo te ondersteunen dat deze op gelijke hoogte staan met het bovenvlak van het draaibaar voetstuk.

Werking van de schakelaar (Fig. 24)

LET OP:

- Alvorens de accu in het gereedschap aan te brengen, dient u altijd te controleren of de trekschakelaar goed werkt en bij loslaten naar de "OFF" positie terugkeert.
- Verwijder de ontgrenselknop en bewaar deze op een veilige plaats wanneer u het gereedschap niet gebruikt. Hierdoor voorkomt u ongeoorloofd gebruik van het gereedschap.

Een ontgrenselknop is voorzien om te voorkomen dat de trekschakelaar per toeval wordt ingedrukt.

Om het gereedschap te starten, drukt u eerst de ontgrenselknop en vervolgens de trekschakelaar in. Om het gereedschap te stoppen, de trekschakelaar loslaten.

Vergrendelknop (Fig. 25)

Alleen voor Europese landen

Om te zagen, duwt u de vergrendelknop naar links om het handvat uit de omhoogpositie vrij te zetten. Nadat het zagen voltooid is, brengt u het zaagblad terug naar zijn hoogste positie en dan zet u de vergrendelknop in de vrije stand. Het handvat wordt dan automatisch in de omhoogpositie vastgezet.

Bediening

LET OP:

Oefen tijdens het zagen geen overmatige druk op het handvat uit. Wanneer u te hard drukt, kan de motor overbelast raken en/of de zaagcapaciteit verminderen.

1. Drukkend zagen (**Fig. 26**)
 - Werkstukken die maximaal 61 mm dik en 122 mm breed zijn kunt u als volgt zagen.
 - Zet het werkstuk vast met de spanschroef. Schakel het gereedschap in, wacht totdat het zaagblad op volle toeren draait, en laat dan de zaag voorzichtig op het werkstuk neerzakken. Nadat het zagen is beëindigd, schakelt u het gereedschap uit. **WACHT TOTDAT HET ZAAGBLAD VOLLEDIG TOT STILSTAND IS GEKOMEN** alvorens het zaagblad in zijn hoogste positie terug te zetten.
2. Verstekzagen
Zie de paragraaf "Instellen van de verstekhoek" hierboven.

3. Schuine sneden zagen (**Fig. 27**)
 - Bij een linkse schuine hoek van 45°, kunt u werkstukken zagen die maximaal 45 mm dik en 122 mm breed zijn.
 - Draai de hendel los en houd het zaagblad schuin om de schuine hoek in te stellen. Zie de paragraaf "Instellen van de schuine hoek" hierboven. Zet het werkstuk vast met de spanschroef. Schakel het gereedschap in en wacht totdat het zaagblad op volle toeren draait. Breng dan het handvat langzaam tot in de laagste positie door druk uit te oefenen evenwijdig met het zaagblad. Nadat het zagen is beëindigd, schakelt u het gereedschap uit. **WACHT TOTDAT HET ZAAGBLAD VOLLEDIG TOT STILSTAND IS GEKOMEN** alvorens het zaagblad in zijn hoogste positie terug te zetten.

LET OP:

- Tijdens het zagen van schuine sneden kan het gebeuren dat het afgezaagd stuk tegen de zijkant van het zaagblad komt te liggen. Indien het zaagblad omhoog wordt gebracht terwijl het nog draait, kan dit stuk door het zaagblad worden gegrepen zodat brokstukken in het rond worden geslingerd, hetgeen natuurlijk gevaarlijk is. Breng daarom het zaagblad omhoog ALLEEN nadat dit volledig tot stilstand is gekomen.
 - Wanneer u het handvat omlaag drukt, dient u druk uit te oefenen evenwijdig met het zaagblad. Indien u verticale druk op het draaibaar voetstuk uitoefent of de drukrichting tijdens het zagen verandert, zal de zaagsnede minder nauwkeurig zijn.
4. Gecombineerd zagen Gecombineerd zagen betekent dat het werkstuk tegelijk met een schuine hoek en een verstekhoek wordt gezaagd. Gecombineerd zagen is mogelijk voor hoeken aangegeven in de onderstaande tabel.

Verstekhoek	Schuine hoek
45° links en rechts	0° – 45° links
52° links en rechts	0° – 40° links

Bij een verstekhoek van 45° links en een schuine hoek van 45° links, kunnen werkstukken die maximaal 45 mm dik en 85 mm lang zijn worden gezaagd. Voor de bedieningen voor gecombineerd zagen, zie de uitleg onder "Drukkend zagen", "Verstekzagen" en "Schuine sneden zagen."

5. Stukken van gelijke lengte zagen (**Fig. 28**)
Wanneer u verschillende stukken van dezelfde lengte tussen 220 mm en 365 mm wilt zagen, kunt u doeltreffender werken door de stelplaat (los verkrijgbaar accessoire) te gebruiken. Monteer de stelplaat op de houder zoals afgebeeld in **Fig. 28**. Breng de zaaglijn op uw werkstuk op één lijn met de linkerzijde of de rechterzijde van de groef in de zaagsnedeplaat. Houd het werkstuk vast zodat het niet kan bewegen, en plaats de stelplaat vlak tegen het einde van het werkstuk. Zet daarna de stelplaat vast met de schroef. Wanneer u de stelplaat niet gebruikt, draait u de schroef los en draait u de stelplaat uit de weg.

OPMERKING:

Door de houder/stang montage (los verkrijgbaar accessoire) te gebruiken, kunt u stukken van dezelfde lengte tussen 220 mm en 2.230 mm zagen.

Dragen van het gereedschap (Fig. 3 en 29)

Zorg ervoor dat de accu uit het gereedschap is verwijderd. Zet het zaagblad vast op de 0° schuine hoek en het draaibaar voetstuk op de 52° verstekhoek naar rechts. Breng het handvat helemaal omlaag en vergrendel het in de laagste positie door de aanslagpen naar binnen te drukken. Draag het gereedschap bij de handgreep zoals afgebeeld in Fig. 29.

ONDERHOUD

LET OP:

Controleer altijd of de machine is uitgeschakeld en de accu is losgekoppeld vooraleer onderhoud uit te voeren aan de machine.

Afstellen van de zaaghoek

Dit gereedschap werd in de fabriek nauwkeurig afgesteld en uitgelijnd, maar door ruwe behandeling kan de uitlijning verslechterd zijn. Indien uw gereedschap niet meer juist is uitgelijnd, doet u het volgende:

1. Verstekhoek

Draai de handgreep los om het draaibaar voetstuk los te maken. Draai het voetstuk zodanig dat de wijzer naar 0° op de verstekschaal wijst. Draai daarna het voetstuk een beetje naar rechts en naar links zodat het netjes in de 0° verstekinspanning komt te zitten. (Laat het voetstuk zoals het is indien de wijzer niet naar 0° wijst.) Draai de vier zeskantbouten met de dopsleutel los om de geleider los te maken.

(Fig. 30)

Breng het handvat helemaal omlaag en vergrendel het in de laagste positie door de borgpen in te drukken. Zet de zijde van het zaagblad haaks ten opzichte van het vlak van de geleider door gebruikmaking van een driehoeksliniaal of een winkelhaak e.d. Zet vervolgens de zeskantbouten op de geleider stevig vast, beginnend vanaf de rechterzijde.

(Fig. 31)

Controleer of de wijzer 0° op de verstekschaal aanwijst. Indien de wijzer niet naar 0° wijst, draait u de bevestigingsschroef van de wijzer los en richt u de wijzer juist naar 0°. (Fig. 32)

2. Schuine hoek

i) 0° schuine hoek Breng het handvat helemaal omlaag en vergrendel het in de laagste positie door de borgpen in te drukken. Draai de hendel aan de achterzijde van het gereedschap los. Draai de stelbout voor de 0° schuine hoek (onderste bout) op de rechterzijde van de arm twee of drie slagen naar links om het zaagblad naar rechts te doen hellen. (Fig. 33)

Zet de zijde van het zaagblad haaks ten opzichte van het bovenvlak van het draaibaar voetstuk door de stelbout voor de 0° schuine hoek voorzichtiger naar rechts te draaien; gebruik hiervoor een driehoeksliniaal of een winkelhaak e.d. Draai daarna de hendel stevig vast. (Fig. 34)

Controleer of de wijzer op de hulparm wijst naar 0° op de schuine-hoek schaal op de arm. Indien niet, maak dan de bevestigingsschroef van de wijzer los en richt de wijzer juist naar 0°. (Fig. 34)

ii) 45° schuine hoek Stel de 45° schuine hoek pas in nadat de 0° schuine hoek is ingesteld. Voor het instellen van de linkse 45° schuine hoek, draait u de hendel los en doet u het zaagblad 45° naar links hellen. Controleer of de wijzer op de hulparm wijst naar 45° op de schuine-hoek schaal op de arm. Indien niet, dan verdraait u de stelbout voor de 45° schuine hoek (bovenste bout) op de rechterzijde van de arm totdat de wijzer naar 45° wijst. (Fig. 33)

Vervangen van de koolborstels (Fig. 36 en 37)

Verwijder en controleer de koolborstels regelmatig. Vervang de koolborstels wanneer deze tot aan de limietmerkstreef versleten zijn. Houd de koolborstels schoon zodat deze gemakkelijk in de houders glijden. Beide koolborstels dienen tegelijkertijd te worden vervangen. Gebruik uitsluitend identieke koolborstels.

Gebruik een schroevendraaier om de borstelhouderdoppen te verwijderen. Neem de versleten koolborstels eruit, steek de nieuwe erin en zet de borstelhouderdoppen goed vast.

Opdat het gereedschap veilig en betrouwbaar blijft, dienen alle reparaties, onderhoud of afstellingen te worden uitgevoerd bij een erkend Makita service centrum.

ACCESSOIRES

LET OP:

• Deze accessoires of hulpstukken worden aanbevolen voor gebruik met het Makita gereedschap dat in deze gebruiksaanwijzing is beschreven. Bij gebruik van andere accessoires of hulpstukken bestaat er gevaar voor persoonlijke verwonding. Gebruik de accessoires of hulpstukken uitsluitend voor hun bestemde doel.

Raadpleeg het dichtstbijzijnde Makita Servicecentrum voor verder advies of bijzonderheden omtrent deze accessoires.

- Stofzak
- Houder
- Dopsleutel 10
- Driehoeksliniaal
- Ontgrendelknop (Schakelknop)
- Verticale spanschroef
- Hardmetalen zaagblad
- Veiligheidsbril
- Houder/stang montage
- Spanschroefmontage (horizontale spanschroef)
- Stelplaat
- Houdermontage
- Diverse types originele Makita accu's en acculaders
- Accudeksel

Explicación de los dibujos

1 Cartucho de batería	23 Corte recto	46 Eje del gato
2 Pulsador	24 Perno de ajuste	47 Saliente
3 Llave de tubo	25 Escuadra de guía	48 Barras 12
4 Portallave	26 Base giratoria	49 Botón de bloqueo del encendido
5 Caja de la hoja de sierra	27 Periferia de la hoja de sierra	50 Empuñadura
6 Pasador de retención	28 Superficie superior de la base giratoria	51 Interruptor de gatillo
7 Pernos	29 Escala de inglete	52 Palanca de bloqueo
8 Perno de cabeza hexagonal	30 Puntero	53 Aplique presión paralela a la hoja de sierra
9 Cubierta central	31 Mango	54 Tope
10 Cubierta de seguridad (guarda de seguridad)	32 Palanca de bloqueo	55 Tornillo
11 Flecha	33 Palanca	56 Perno de cabeza hexagonal
12 Seguro del eje	34 Aflojar	57 Escuadra
13 Perno de cabeza hexagonal (rosca a izquierdas)	35 Apretar	58 Tornillo
14 Brida exterior	36 Escala de biselado	59 Perno de ajuste de ángulo de bisel a 45°
15 Hoja de sierra	37 Puntero	60 Perno de ajuste en ángulo de bisel a 0°
16 Brida interior	38 Brazo	61 Subbrazo
17 Vástago	39 Barra del gato	62 Tornillo
18 Boquilla de salida de serrín	40 Brazo del gato	63 Marca de límite
19 Bolsa de serrín	41 Pomo del gato	64 Destornillador
20 Cierre	42 Soporte	65 Tapa del portaescobillas
21 Placa de corte	43 Conjunto del soporte	
22 Corte en bisel izquierdo	44 Pomo del gato	
	45 Base	

ESPECIFICACIONES

Modelo

LS800D

Diámetro de la hoja de sierra 210 mm – 216 mm

Diámetro del agujero (vástago)

Para todos los países excepto los europeos 25,4 mm o 25 mm

Para los países europeos 30 mm

Capacidades máximas de corte (alto x ancho) con una hoja de 216 mm de diámetro

Ángulo de inglete	Ángulo del bisel	
	0°	45° (izquierdo)
0°	61 mm x 122 mm	45 mm x 122 mm
45° (izquierdo y derecho)	61 mm x 85 mm	45 mm x 85 mm

Velocidad en vacío (min^{-1}) 2.000

Dimensiones (L x A x A) 528 mm x 430 mm x 486 mm

Peso neto (con cartucho de batería) 9,3 kg

Tensión nominal CC 18 V

- Debido a un programa continuo de investigación y desarrollo, las especificaciones aquí dadas están sujetas a cambios sin previo aviso.

- Nota: Las especificaciones pueden ser diferentes de país a país.

Uso previsto

La herramienta ha sido prevista para cortes rectos y en inglete de forma exacta en madera.

Sugerencias de seguridad

Para su propia seguridad, consulte las instrucciones de seguridad incluidas.

INSTRUCCIONES DE SEGURIDAD IMPORTANTES PARA EL CARGADOR Y CARTUCHO DE BATERÍA

1. Antes de utilizar el cartucho de batería, lea todas las instrucciones e indicaciones de precaución sobre (1) el cargador de baterías, (2) la batería, y (3) el producto con el que se utiliza la batería.
2. No desarme el cartucho de batería.
3. Si el tiempo de uso del cartucho de batería se acorta demasiado, deje de usarlo inmediatamente. Podría resultar en un riesgo de recalentamiento, posibles quemaduras e incluso una explosión.
4. Si entra electrólito en sus ojos, aclárelos con agua limpia y vea a un médico inmediatamente. Existe el riesgo de poder perder la vista.

5. Cubra siempre los terminales de la batería con la tapa de la batería cuando no esté usando el cartucho de batería.
6. No cortocircuite el cartucho de batería:
 - (1) No toque los terminales con ningún material conductor.
 - (2) Evite guardar el cartucho de batería en un cajón junto con otros objetos metálicos, tales como clavos, monedas, etc.
 - (3) No exponga el cartucho de batería al agua ni a la lluvia.

Un cortocircuito en la batería puede producir una gran circulación de corriente, un recalentamiento, posibles quemaduras e incluso una rotura de la misma.
7. No guarde la herramienta ni el cartucho de batería en lugares donde la temperatura pueda alcanzar o exceder los 50°C.
8. Nunca incinere el cartucho de batería incluso en el caso de que esté dañado seriamente o ya no sirva en absoluto.
El cartucho de batería puede explotar si se tira al fuego.
9. Tenga cuidado de no dejar caer ni golpear el cartucho de batería.
6. Utilice solamente las bridas especificadas para esta herramienta.
7. Tenga cuidado de no dañar el vástago, las bridas (en especial la superficie de instalación) o el perno. Si estas piezas resultan dañadas, se podría romper la hoja de sierra.
8. Asegúrese de que la base giratoria esté fijada debidamente de forma que no se mueva durante la operación.
9. Por razones de seguridad, antes de iniciar la operación quite las virutas, pequeños trozos de material, etc. de la superficie superior de la mesa.
10. Evite cortar clavos. Antes de iniciar la operación, inspeccione la pieza de trabajo y extraiga todos los clavos que haya.
11. Antes de encender la herramienta, asegúrese de que el seguro del eje está liberado.
12. Asegúrese que cuando la hoja de sierra esté en su posición más baja no toque la base giratoria.
13. Sostenga la empuñadura firmemente. Tenga presente que la sierra se mueve un poco hacia arriba y abajo durante el inicio y la parada.
14. No efectúe ninguna operación sin utilizar las manos. La pieza de trabajo debe estar asegurada firmemente contra la base giratoria y la escuadra de guía con el gato durante todas las operaciones. No utilice nunca las manos para asegurar la pieza de trabajo.

GUARDE ESTAS INSTRUCCIONES.

Consejos para alargar al máximo la vida de servicio de la batería

1. Cargue el cartucho de batería antes de que se descargue completamente.
Pare siempre la operación y cargue el cartucho de batería cuando note menos potencia en la herramienta.
2. No cargue nunca un cartucho de batería que esté completamente cargado.
La sobrecarga acortará la vida de servicio de la batería.
3. Cargue el cartucho de batería a temperatura ambiente de 10°C – 40°C. Si un cartucho de batería está caliente, déjelo enfriar antes de cargarlo.
4. Cargue el cartucho de batería de hidruro metálico de níquel cuando no lo utilice durante más de seis meses.

NORMAS DE SEGURIDAD ADICIONALES PARA LA HERRAMIENTA

1. Tenga presente que esta herramienta está siempre en condición de funcionamiento, porque no es necesario enchufarla en una toma de corriente eléctrica.
2. Utilice protección para los ojos.
3. No utilice la sierra sin colocar las protecciones en su lugar.
4. No utilice la herramienta cuando haya líquidos o gases inflamables en las proximidades.
5. Antes de iniciar la operación, compruebe la hoja de sierra cuidadosamente y vea que no esté dañada y que no tenga resquebraaduras. Si la hoja de sierra está dañada o resquebrajada, reemplácela inmediatamente.
15. Mantenga las manos apartadas del recorrido de la hoja de sierra. Evite el contacto con las hojas de sierra cuando estén girando por inercia. Incluso entonces pueden causar daños graves.
16. Nunca coja la hoja de sierra por su contorno.
17. Asegúrese de que la hoja de sierra no esté tocando la pieza de trabajo antes de encender la herramienta.
18. Antes de utilizar la herramienta para cortar la pieza de trabajo, déjela funcionar durante un rato. Compruebe si se producen vibraciones o bamboleos que puedan indicar que la hoja de sierra está mal instalada o equilibrada.
19. Espere a que la hoja de sierra adquiera velocidad completa antes de efectuar el corte.
20. Detenga la operación inmediatamente en el caso de que note algo que sea anormal.
21. No intente bloquear el gatillo en posición de conexión (ON).
22. Antes de efectuar el servicio o el ajuste de la herramienta desconecte la alimentación y espere a que la hoja de sierra se detenga completamente.
23. Esté siempre alerta, especialmente durante las operaciones repetitivas y monótonas. No se deje llevar por el falso sentido de seguridad. Las hojas de sierra nunca perdonan nada.
24. Emplee siempre los accesorios recomendados en este manual. El empleo de accesorios inadecuados tales como muelas abrasivas puede causar daños.
25. No maltrate el cable. Nunca tire de él para desconectarlo del enchufe. Manténgalo alejado del calor, el aceite, el agua y de los rebordes cortantes.

26. No utilice la sierra para cortar otra cosa que no sea madera o materiales similares.
27. Conecte las sierras de inglete mixtas a un dispositivo de recogida de serrín cuando corte materiales con ellas.
28. Seleccione hojas de sierra teniendo en cuenta los materiales que vaya a cortar.
29. Tenga cuidado cuando abra ranuras.
30. Reemplace la placa de corte cuando se desgaste.

GUARDE ESTAS INSTRUCCIONES.

INTRUCCIONES PARA EL FUNCIONAMIENTO

Insalación o extracción del cartucho de la batería (Fig. 1)

- Antes de insertar o de extraer el cartucho de la batería, asegúrese siempre de desconectar la herramienta.
- Para retirar el cartucho de la batería, sáquelo de la herramienta mientras presiona los botones a cada lado del mismo.
- Para insertar el cartucho de la batería, alinee la lengüeta del cartucho de batería con la acanaladura en el alojamiento y deslícelo hasta alojarlo en su lugar. Insértelo siempre a fondo hasta que quede bloqueado produciendo un ligero chasquido. En caso contrario, podría caerse accidentalmente de la herramienta y causarle heridas a usted o a alguien que se encuentre cerca de usted.
- No fuerce la introducción del cartuchode la batería. Si el cartucho no se desliza hacia adentro fácilmente, quiere decir que no está siendo insertado correctamente.

Llave de tubo (Fig. 2)

La llave de tubo se guarda de la forma mostrada en la Fig. 2. Cuando vaya a utilizar la llave de tubo, sáquela del soporte de llave. Después de utilizarla, vuelva a colocarla en el soporte de llave.

Sierra de montaje en banco de taller (Fig. 3 y 4)

Cuando la herramienta sale de fábrica, la empuñadura está bloqueada en posición bajada con el pasador de retención. Saque el pasador de retención bajando ligeramente la empuñadura y tirando de él.

Esta herramienta deberá ser empernada a una superficie nivelada y estable a través de los orificios para pernos provistos en la base de la herramienta. Esto evitará que se vuelque y posiblemente ocasionar heridas.

Desmontaje o instalación de la hoja de sierra

PRECAUCIÓN:

- Asegúrese siempre de que la herramienta esté apagada y de haber extraído el cartucho de batería antes de instalar o desinstalar la hoja de sierra.
- Para instalar o desinstalar la hoja de sierra, utilice únicamente la llave de tubo Makita suministrada. De no hacerlo así, el perno de cabeza hexagonal podrá quedar demasiado apretado o insuficientemente apretado. Ello podría ocasionar graves heridas al operador o a otras personas que se encuentren cerca de la herramienta.

Bloquee la empuñadura en la posición elevada metiendo el pasador de retención. (Fig. 3)

Para desmontar la hoja de sierra, afloje el perno de cabeza hexagonal que sujeta la cubierta central girándolo hacia la izquierda con la llave de tubo. Suba la cubierta de seguridad y la cubierta central. (Fig. 5)

Presione el seguro del eje para bloquear el vástago y afloje el perno de cabeza hexagonal (rosca a izquierdas) girándolo hacia la derecha con la llave de tubo. Después quite el perno de cabeza hexagonal, la brida exterior y la hoja de sierra. (Fig. 6)

Para instalar la hoja de sierra, móntela cuidadosamente en el vástago asegurándose de que la dirección de la flecha que hay en la superficie de la hoja de sierra coincida con la dirección de la flecha que hay en la caja de la hoja de sierra. Instale la brida exterior y el perno de cabeza hexagonal, y luego apriete firmemente el perno de cabeza hexagonal (rosca a izquierdas) girándolo hacia la izquierda con la llave de tubo a la vez que presiona el seguro del eje. (Fig. 7 y 8)

PRECAUCIÓN:

Para todos los países excepto los europeos

La brida interior tiene un diámetro de 25 mm por un lado y de 25,4 mm por el otro. El lado con diámetro de 25,4 mm está marcado como "25.4". Utilice el lado correcto para el diámetro del orificio de la hoja de sierra que vaya a usar. Si monta la hoja de sierra en el lado incorrecto podrá ocasionar peligrosas vibraciones.

Vuelva a poner la cubierta de seguridad y la cubierta central en su posición original. Después apriete el perno de cabeza hexagonal girándolo hacia la derecha para sujetar la cubierta central. (Fig. 9)

Libere la empuñadura de su posición elevada sacando el pasador de retención. Baje la empuñadura para asegurarse de que la cubierta de seguridad se mueve debidamente.

Cubierta de seguridad (Fig. 10)

Al bajar la empuñadura, la cubierta de seguridad se sube automáticamente. La cubierta retornará a su posición original una vez completado el corte y se suba la empuñadura. JAMÁS MALOGRE NI QUITE LA CUBIERTA DE SEGURIDAD. En interés de su propia seguridad personal, mantenga siempre la cubierta de seguridad en buenas condiciones. Cualquier operación anormal de la cubierta de seguridad deberá ser corregida inmediatamente. NO UTILICE NUNCA LA HERRAMIENTA CON UNA CUBIERTA DE SEGURIDAD DEFECTUOSA. Si la cubierta de seguridad transparente se ensucia, o si el serrín se adhiere a ella de forma que la hoja de sierra y/o la pieza de trabajo no se pudiera ver fácilmente, extraiga la batería y limpie cuidadosamente la cubierta con un paño húmedo. No utilice disolventes ni ningún producto derivado del petróleo para limpiar la cubierta de plástico.

Bolsa de serrín (Fig. 11)

El empleo de la bolsa de serrín permite unas operaciones de corte limpias y facilita la recogida del serrín. Para colocar la bolsa de serrín, encaje la boca de acceso de la bolsa en la boquilla de salida de serrín de la herramienta. Cuando la bolsa de serrín se haya llenado hasta más o menos la mitad, retírela de la herramienta y quítele el cierre. Vacía el contenido de la bolsa de serrín golpeándola ligeramente para desprender las partículas adheridas en su interior que podrían dificultar la recogida posterior.

Posicionamiento de las placas de corte (Fig. 12 y 13)

Esta herramienta está provista de placas de corte en la base giratoria. Las placas de corte han sido ajustadas en fábrica de forma que la hoja de sierra no entra en contacto con ellas. Antes de utilizar la herramienta, ajuste las placas de corte de la forma siguiente:

Primero, extraiga la batería de la herramienta. Afloje todos los tornillos (2 a cada lado izquierdo y derecho) que sujetan las placas de corte. Vuelva a apretarlos hasta el punto en que las placas de corte puedan ser movidas fácilmente con la mano. Baje completamente el mango y meta el pasador de retención para bloquear la empuñadura en la posición bajada. Ajuste las placas de corte de forma que justo toquen ligeramente los lados de los dientes de la hoja de sierra. Apriete los tornillos (no los apriete firmemente). Después de ajustar las placas de corte, suelte el pasador de retención y suba la empuñadura. Después apriete firmemente todos los tornillos.

PRECAUCIÓN:

Después de cambiar el ángulo de bisel, vuelva a ajustar siempre las placas de corte como se describe arriba.

Mantenimiento de la capacidad máxima de corte (Fig. 14 y 15)

Esta herramienta ha sido ajustada en fábrica para proporcionar la capacidad máxima de corte con una hoja de sierra de 216 mm. Cuando utilice una hoja de sierra que no sea de 216 mm, ajuste la posición límite inferior de la hoja de sierra de la forma siguiente:

Primero, extraiga la batería de la herramienta. Baje completamente la empuñadura. Gire el perno de ajuste con la llave de tubo hasta que la periferia de la hoja de sierra quede ligeramente por debajo de la superficie superior de la base giratoria en el punto donde la cara frontal de la escuadra guía se encuentra con la superficie superior de la base giratoria. Teniendo la batería extraída, gire la hoja de sierra con la mano mientras mantiene la empuñadura completamente bajada para asegurarse de que la hoja de sierra no toque ninguna parte de la base inferior. Reajuste ligeramente, si fuera necesario.

PRECAUCIÓN:

Después de instalar una hoja de sierra nueva, asegúrese siempre de que al bajar completamente la empuñadura la hoja de sierra no toque ninguna parte de la base inferior. Haga esto siempre con la batería extraída.

Posicionamiento para ajustar el ángulo de inglete (Fig. 16)

La base giratoria gira hasta 52° hacia la izquierda y derecha. Afloje el mango girándolo hacia la izquierda. Gire la base giratoria mientras presiona hacia abajo la palanca de bloqueo. Cuando haya movido el mango hasta la posición en la que el puntero indique el ángulo deseado en la escala de inglete, apriete firmemente el mango girándolo hacia la derecha.

PRECAUCIÓN:

- Cuando gire la base giratoria, asegúrese de subir la empuñadura completamente.
- Después de cambiar el ángulo de inglete, sujete siempre la base giratoria apretando firmemente el mango.

Posicionamiento para ajustar el ángulo de bisel (Fig. 17 y 18)

La hoja de sierra se inclina hasta 45° hacia la izquierda. Para ajustar el ángulo de bisel, afloje la palanca de la parte posterior de la herramienta. Empuje la empuñadura hacia la izquierda para inclinar la hoja de sierra hasta que el puntero indique el ángulo deseado en la escala de biselado. Apriete la palanca para sujetar el brazo.

PRECAUCIÓN:

- Cuando incline la hoja de sierra, asegúrese de subir la empuñadura completamente.
- Después de cambiar el ángulo de bisel, sujete siempre el brazo apretando la palanca.

Sujeción de la pieza de trabajo

ADVERTENCIA:

Es extremadamente importante sujetar siempre la pieza de trabajo de una manera correcta y firme con el gato. Si no tiene esto en cuenta, la herramienta podrá dañarse y/o echarse a perder la pieza de trabajo. **TAMBIÉN EXISTIRÁ LA POSIBILIDAD DE QUE SE PRODUZCAN HERIDAS PERSONALES.** Además, después de haber finalizado la operación de corte, **NO ELEVE** la hoja de sierra hasta que ésta se haya detenido completamente.

1. Gato vertical (Fig. 19)

El gato vertical puede instalarse en dos posiciones en cualquiera de los lados derecho o izquierdo de la escuadra de guía, o del conjunto del soporte (accesorio opcional). Inserte la barra del gato en el orificio que hay en la escuadra de guía o conjunto del soporte y apriete el tornillo para sujetar la barra del gato. (Nota: Cuando utilice el conjunto del soporte, instálelo en el soporte como se muestra en la **Fig. 19**).

Ponga el brazo del gato de acuerdo con el espesor y forma de la pieza de trabajo y sujete el brazo del gato apretando el tornillo.

Asegúrese de que ninguna parte de la herramienta toque el gato cuando baje la empuñadura completamente. Si alguna parte toca el gato, reposicione el gato. Presione la pieza de trabajo nivelada contra la escuadra de guía y la base giratoria. Ponga la pieza de trabajo en la posición de corte deseada y sujétela firmemente apretando el pomo del gato. Con el gato vertical se pueden sujetar piezas de trabajo de un espesor máximo de 61 mm.

2. Gato horizontal (accesorio opcional) (**Fig. 20 y 21**)
El gato horizontal puede instalarse tanto en el lado izquierdo como derecho de la base. Girando hacia la izquierda el pomo del gato, se libera el tornillo, y el eje del gato puede moverse rápidamente hacia dentro o hacia fuera. Para sujetar piezas de trabajo, gire suavemente el pomo del gato hacia la derecha hasta que el saliente alcance su posición máxima superior, y después apriételo firmemente. Si fuerza hacia dentro o saca el pomo del gato mientras lo gira hacia la derecha, el saliente podrá pararse en ángulo. En este caso, vuelva a girar hacia la izquierda el pomo del gato hasta liberar el tornillo antes de volver a girarlo cuidadosamente hacia la derecha. Con el gato horizontal se pueden sujetar piezas de trabajo de un espesor máximo de 122 mm.

3. Soportes y conjunto del soporte (accesorio opcional)
Los soportes y conjunto del soporte pueden ser instalados en cualquiera de los lados como medio conveniente de sujetar las piezas de trabajo horizontalmente. Instálelos como se muestra en la **Fig. 22**. Después apriete firmemente los tornillos para sujetar los soportes y el conjunto del soporte. (**Fig. 22**)

Cuando corte piezas de trabajo largas, utilice el conjunto de soporte-barra (accesorio opcional). Éste consiste en dos conjuntos de soporte y dos barras 12. (**Fig. 23**)

PRECAUCIÓN:

Apoye siempre las piezas de trabajo largas nivelándolas con la superficie superior de la base giratoria para obtener cortes precisos y evitar una peligrosa pérdida de control de la herramienta.

Accionamiento del interruptor de gatillo (**Fig. 24**)

PRECAUCIÓN:

- Antes de insertar el cartucho de batería en la herramienta, compruebe siempre para ver si el interruptor de gatillo se acciona correctamente y regresa a la posición "OFF" cuando lo suelta.
- Cuando no utilice la herramienta, quite el botón de bloqueo del encendido y guárdelo en un lugar seguro. De esta forma evitará que la herramienta pueda ser utilizada sin su autorización.

Para evitar que el gatillo pueda ser accionado accidentalmente, se ha provisto un botón de bloqueo del encendido. Para poner en marcha la herramienta, meta el botón de bloqueo del encendido y apriete el gatillo. Suelte el gatillo para parar.

Palanca de bloqueo (**Fig. 25**)

Para los países europeos solamente

Cuando corte, empuje la palanca de bloqueo hacia la izquierda para liberar la empuñadura de su posición elevada. Cuando haya completado el corte, libere la palanca de bloqueo después de haber retornado la hoja de sierra a su posición completamente elevada. La empuñadura se bloqueará automáticamente en la posición elevada.

Operación

PRECAUCIÓN:

No aplique demasiada presión a la empuñadura cuando corte. Una presión excesiva podrá sobrecargar el motor y/o reducir la eficacia de corte.

1. Corte presionando (**Fig. 26**)

- De la forma siguiente pueden cortarse piezas de trabajo de hasta 61 mm de alto x 122 mm de ancho.
- Sujete la pieza de trabajo con el gato. Ponga en marcha la herramienta y espere hasta que la hoja de sierra adquiera velocidad completa antes de bajarla suavemente para efectuar el corte. Cuando haya completado el corte, apague la herramienta y ESPERE HASTA QUE LA HOJA DE SIERRA SE HAYA DETENIDO COMPLETAMENTE antes de retornar la hoja de sierra a su posición completamente elevada.

2. Corte en inglete

Consulte lo ya visto en "Posicionamiento para ajustar el ángulo de inglete".

3. Corte en bisel (**Fig. 27**)

- Con un ángulo de 45° en bisel izquierdo, se pueden cortar piezas de trabajo de 45 mm de alto x 122 mm de ancho.
- Afloje la palanca e incline la hoja de sierra para ajustar el ángulo de bisel. Consulte lo ya visto en "Posicionamiento para ajustar el ángulo de bisel". Sujete la pieza de trabajo con el gato. Ponga en marcha la herramienta y espere hasta que la hoja de sierra adquiera velocidad completa. Luego baje suavemente la empuñadura hasta la posición completamente bajada a la vez que aplica presión paralela a la hoja de sierra. Cuando haya completado el corte, apague la herramienta y ESPERE HASTA QUE LA HOJA DE SIERRA SE HAYA DETENIDO COMPLETAMENTE antes de retornar la hoja de sierra a su posición completamente elevada.

PRECAUCIÓN:

- Durante un corte en bisel, puede crearse una condición en la que la pieza cortada quede inmóvil contra la hoja de sierra. Si se eleva la hoja de sierra cuando todavía esté girando, esta pieza podrá ser atrapada por la hoja de sierra y producir fragmentos que saldrían despedidos, lo cual es peligroso. La hoja de sierra deberá ser subida SOLAMENTE después de que se haya parado completamente.
- Cuando presione hacia abajo la empuñadura, aplique fuerza paralela a la hoja de sierra. Si la fuerza es aplicada perpendicularmente a la baje giratoria o si cambia la dirección de la presión durante el corte, la precisión de corte se verá afectada.

4. Corte compuesto

Corte compuesto es el procedimiento en el cual se realiza un corte en bisel al mismo tiempo que se está realizando un corte en ángulo de inglete en una pieza de trabajo. El corte compuesto puede realizarse con los ángulos mostrados en la tabla de abajo.

Ángulo de inglete	Ángulo de bisel
Izquierdo y derecho 45°	Izquierdo 0° – 45°
Izquierdo y derecho 52°	Izquierdo 0° – 40°

Con ángulo de inglete izquierdo de 45° y ángulo de bisel izquierdo de 45°, se pueden cortar piezas de trabajo de 45 mm de alto x 85 mm de ancho. Cuando haga cortes compuestos, consulte las explicaciones ofrecidas en "Corte presionando", "Corte de inglete" y "Corte de bisel".

5. Corte de longitudes repetidas (Fig. 28)

Cuando vaya a cortar una pieza de trabajo en varios trozos de la misma longitud, que varíen entre 220 a 365 mm, el empleo del tope (accesorio opcional) le ayudará a realizar una operación más eficiente. Instale el tope en el soporte como se muestra en la Fig. 28. Alinee la línea de corte marcada en su pieza de trabajo con el lateral izquierdo o derecho de la ranura en la placa de corte y, mientras sujeta la pieza de trabajo para que no se mueva, desplace el tope para ponerlo contra el lateral de la pieza de trabajo. Después sujete el tope con el tornillo. Cuando no utilice el tope, afloje el tornillo y retírelo para que no le estorbe.

NOTA:

El empleo del conjunto soporte-barra (accesorio opcional) permite cortar longitudes repetidas, de entre 220 a 2.230 mm.

Transporte de la herramienta (Fig. 3 y 29)

Asegúrese de haber extraído la batería. Sujete la hoja de sierra a un ángulo de bisel de 0° y la base giratoria a un ángulo de inglete de 52° a la derecha. Baje completamente la empuñadura y bloquéela en su posición bajada metiendo el pasador de retención. Transporte la herramienta cogiéndola por el asa de transporte como se muestra en la Fig. 29.

MANTENIMIENTO

PRECAUCIÓN:

Asegúrese siempre de que la herramienta está apagada y de que el cartucho de baterías está quitado antes de realizar cualquier trabajo en la herramienta.

Ajuste del ángulo de corte

Esta herramienta sale de fábrica cuidadosamente ajustada y alineada, pero un manejo brusco podría haber afectado la alineación. Si su herramienta no está debidamente alineada, haga lo siguiente:

1. Ángulo de inglete

Afloje el mango que sujeta la base giratoria. Gire la base giratoria de forma que el puntero indique 0° en la escala de inglete. Después gire la base giratoria ligeramente hacia la izquierda y hacia la derecha para sentarla cómodamente en la ranura de inglete de 0°. (Déjela tal cual si el puntero no indica 0°.) Afloje los cuatro pernos de cabeza hexagonal que sujetan la escuadra de guía con la llave de tubo. (Fig. 30)

Baje completamente la empuñadura y bloquéela en posición bajada metiendo el pasador de retención. Escuadre la cara de la hoja de sierra con la cara de la escuadra de guía usando una escuadra, cartabón, etc. Después apriete firmemente los pernos de cabeza hexagonal de la escuadra de guía en orden a partir del lado derecho. (Fig. 31)

Asegúrese de que el puntero indique 0° en la escala de inglete. Si el puntero no indica 0° en la escala de inglete, afloje el tornillo de sujeción del puntero y ajuste el puntero en 0°. (Fig. 32)

2. Ángulo de bisel

i) Ángulo de bisel de 0° Baje completamente la empuñadura y bloquéela en posición bajada metiendo el pasador de retención. Afloje la palanca de la parte posterior de la herramienta. Gire dos o tres vueltas hacia la izquierda el perno de ajuste del ángulo de bisel en 0° (perno inferior) del lado derecho del brazo para inclinar la hoja de sierra hacia la derecha. (Fig. 33)

Escuadre cuidadosamente la cara de la hoja de sierra con la superficie superior de la base giratoria usando una escuadra, cartabón, etc. girando hacia la derecha el perno de ajuste del ángulo de bisel a 0°. Después apriete firmemente la palanca. (Fig. 34)

Asegúrese de que el puntero del subbrazo indique 0° en la escala de bisel del brazo. Si el puntero no indica 0°, afloje el tornillo de sujeción del puntero y ajuste el puntero en 0°. (Fig. 35)

ii) Ángulo de bisel de 45° Ajuste el ángulo de bisel de 45° sólo después de haber realizado el ajuste del ángulo de bisel de 0°. Para ajustar el ángulo de bisel de 45° izquierdo, afloje la palanca e incline la hoja de sierra 45° hacia la izquierda. Asegúrese de que el puntero del subbrazo indique 45° en la escala de bisel del brazo. Si el puntero no indica 45°, gire el perno de ajuste del ángulo de bisel a 45° (perno superior) del lado derecho del brazo hasta que el puntero indique 45°. (Fig. 33)

Reemplazo de las escobillas de carbón (Fig. 36 y 37)

Extraiga y compruebe las escobillas de carbón regularmente. Reemplácelas cuando estén desgastadas hasta la marca límite. Mantenga las escobillas de carbón limpias de manera que se deslicen libremente en los portaescobillas. Deberá reemplazarse ambas escobillas al mismo tiempo. Utilice solamente escobillas de carbón idénticas.

Retire los tapones de los portaescobillas con un destornillador. Extraiga las escobillas de carbón, inserte las nuevas y ponga otra vez los tapones de los portaescobillas.

Para mantener la seguridad y fiabilidad del producto, las reparaciones, el mantenimiento y los ajustes deberán ser realizados por un Centro de Servicio Autorizado de Makita.

ACCESORIOS

PRECAUCIÓN:

- Estos accesorios o aditamentos están recomendados para su uso con la herramienta Makita especificada en este manual. El uso de cualquier otro accesorio o aditamento puede suponer un riesgo de lesiones personales. Utilice el accesorio o aditamento exclusivamente para su uso declarado.

Si necesita información más detallada sobre estos accesorios, consulte con su centro local de servicio de Makita.

- Bolsa de serrín
- Soporte
- Llave de tubo 10
- Escuadra
- Botón de bloqueo del encendido (Botón del interruptor)
- Gato vertical
- Hoja de sierra de carburo
- Gafas de seguridad
- Conjunto de soporte-barra
- Conjunto del gato (gato horizontal)
- Tope
- Conjunto del soporte
- Diferentes tipos de baterías y cargadores genuinos de Makita
- Tapa de la batería

PORTUGUÊS

Explicação geral

1 Bateria	32 Corte direito	46 Veio do torno
2 Botão de pressão	24 Perno de regulação	47 Projecção
3 Chave de tubo	25 Guia de esquadria	48 Varões 12
4 Suporte da chave	26 Base giratória	49 Botão de segurança
5 Caixa do disco	27 Periferia do disco	50 Pega
6 Pino de bloqueio	28 Superfície superior da base giratória	51 Gatilho
7 Pernos	29 Escala de esquadria	52 Alavanca de bloqueio
8 Perno hexagonal	30 Indicador	53 Aplique pressão paralelamente com o disco
9 Cobertura central	31 Punho	54 Placa de apoio
10 Cobertura de segurança (protector de segurança)	32 Alavanca de bloqueio	55 Parafuso
11 Seta	33 Alavanca	56 Perno hexagonal
12 Travão do eixo	34 Apertar	57 Esquadro
13 Perno hexagonal (rotação contrária)	35 Desapertar	58 Parafuso
14 Falange exterior	36 Escala de bisel	59 Perno de regulação de ângulo de bisel de 45°
15 Lâmina da serra/Disco de corte	37 Indicador	60 Perno de regulação de ângulo de bisel de 0°
16 Falange interior	38 Braço	61 Braço auxiliar
17 Veio	39 Varão do torno	62 Parafuso
18 Bocal para o pó	40 Braço do torno	63 Marca limite
19 Saco do pó	41 Botão do torno	64 Chave de parafusos
20 Fecho	42 Suporte	65 Tampa do porta-escovas
21 Placa de corte	43 Conjunto de suporte	
22 Corte de bisel à esquerda	44 Botão do torno	
	45 Base	

ESPECIFICAÇÕES

Modelo

LS800D

Diâmetro do disco 210 mm – 216 mm

Diâmetro del agujero (vástago)

Para los países europeos 30 mm

Para todos los países excepto los europeos 25,4 mm ou 25 mm

Capacidades máximas de corte (A x L) com o disco de 216 mm de diâmetro

Ângulo de esquadria	Ângulo de bisel	
	0°	45° (esquerdo)
0°	61 mm x 122 mm	45 mm x 122 mm
45° (esquerdo e direito)	61 mm x 85 mm	45 mm x 85 mm

Velocidade em vazio (min^{-1}) 2.000

Dimensões (C x L x A) 528 mm x 430 mm x 486 mm

Peso líquido (Com bateria) 9,3 kg

Voltagem nominal 18 V C.C.

- Devido a um programa contínuo de pesquisa e desenvolvimento, estas especificações podem ser alteradas sem aviso prévio.
- Nota: As especificações podem variar de país para país.

Utilização a que se destina

A ferramenta foi concebida para cortes precisos direitos e de esquadria em madeira.

Conselhos de segurança

Para sua segurança, leia as instruções anexas.

IMPORTANTES INSTRUÇÕES DE SEGURANÇA PARA O CARREGADOR E BATERIA

1. Antes de utilizar a bateria, leia todas as instruções e etiquetas de precaução no (1) carregador de bateria (2) bateria e (3) produto que utiliza a bateria.
2. Não abra a bateria.
3. Se o tempo de funcionamento se tornar excessivamente curto, páre o funcionamento imediatamente. Pode resultar em sobreaquecimento, possíveis queimaduras e mesmo explosão.
4. Se entrar electrólito nos seus olhos, lave-os com água e consulte imediatamente um médico. Pode resultar em perda de visão.
5. Cubra sempre os terminais da bateria com a capa da bateria quando a não estiver a utilizar.

6. Não corte-circuite a bateria:
 - (1) Não toque nos terminais com qualquer material condutor.
 - (2) Evite guardar a bateria juntamente com outros objectos metálicos tais como pregos, moedas, etc.
 - (3) Não exponha a bateria à água ou chuva. Um curto-circuito pode ocasionar um enorme fluxo de corrente, sobreaquecimento, possíveis queimaduras e mesmo estragar-se.
7. Não guarde a ferramenta e a bateria em locais onde a temperatura pode atingir ou exceder 50°C.
8. Não queime a bateria mesmo que esteja estragada ou completamente gasta. A bateria pode explodir no fogo.
9. Tenha cuidado para não deixar cair ou dar pancadas na bateria.

GUARDE ESTAS INSTRUÇÕES.

Conselhos para manter a máxima vida útil da bateria

1. Carregue a bateria antes que esteja completamente descarregada. Páre sempre o funcionamento da ferramenta e carregue a bateria quando notar menos poder na ferramenta.
2. Nunca carregue uma bateria completamente carregada. Carregamento excessivo diminui a vida útil da bateria.
3. Carregue a bateria à temperatura ambiente de 10°C – 40°C. Deixe que uma bateria quente arrefeça antes de a carregar.
4. Carregue a bateria de Níquel Metal Hidreto quando não a utilizar durante mais do que seis meses.

REGRAS DE SEGURANÇA ADICIONAIS PARA A FERRAMENTA

1. Não se esqueça de que esta ferramenta está sempre operacional pois não necessita de ser ligada a uma tomada de corrente eléctrica.
2. Use óculos de protecção.
3. Não utilize a serra sem os acessórios de protecção colocados.
4. Não utilize a serra se houver líquidos ou gases inflamáveis nas proximidades.
5. Verifique cuidadosamente antes do funcionamento se o disco está rachado ou danificado. Substitua os discos rachados ou danificados imediatamente.
6. Utilize só as bridas indicadas para esta ferramenta.
7. Tenha cuidado para não danificar o veio, bridas (especialmente a superfície de encosto) ou o perno, pois pode originar a ruptura do disco.
8. Certifique-se de que a base giratória está bem fixa de modo a que não se movimente durante a operação.
9. Por razões de segurança, antes da utilização limpe a bancada de aparas e restos.

10. Evite cortar pregos. Antes do início da operação retire todos os pregos da peça a trabalhar.
11. Certifique-se de que soltou o travão do veio antes de ligar o interruptor.
12. Certifique-se de que na posição mais baixa o disco não fica em contacto com a base giratória.
13. Segure a pega firmemente. Tenha em atenção que a serra se movimentará um pouco para cima e para baixo durante o início e a paragem de funcionamento.
14. Durante a operação posicione as mãos de maneira adequada. A superfície de trabalho deve estar bem fixa contra a base giratória e guia de esquadria com um torno durante todas as operações. Nunca utilize as mãos para segurar a superfície de trabalho.
15. Mantenha as mãos afastadas da parte cortante do disco. Evite tocar no disco quando rodar por inércia, pois mesmo assim poderá provocar graves danos.
16. Nunca segure o disco pela aresta de corte.
17. Certifique-se de que o disco não está em contacto com a superfície de trabalho antes de ligar o interruptor.
18. Antes de utilizar a ferramenta deixe-a funcionar em vazio durante um bocado. Verifique se se produzem vibrações ou oscilações que poderão indicar que o disco está mal instalado ou desequilibrado.
19. Aguarde que o disco atinja a velocidade máxima antes de iniciar o corte.
20. Se notar algo que não seja normal no funcionamento da ferramenta, páre-a imediatamente.
21. Não bloqueie o gatilho na posição de ligado.
22. Desligue sempre a ferramenta e espere que o disco esteja completamente parado antes de efectuar qualquer manutenção ou afinação.
23. Mantenha-se atento, especialmente se efectuar operações repetitivas e monótonas. Não se deixe convencer por um falso sentido de segurança porque uma falta de cuidado poderá provocar graves acidentes pessoais com os discos.
24. Utilize sempre os acessórios recomendados neste manual. A utilização de acessórios inadequados, tais como discos abrasivos, podem provocar danos e avarias.
25. Não danifique o cabo da alimentação. Nunca puxe pelo cabo para o desligar da tomada. Afaste-o do calor, do óleo, água ou arestas cortantes.
26. Utilize a serra apenas para cortar madeira ou materiais semelhantes.
27. Ligue a serra a um colectador de pó quando serrar.
28. Escolha os discos de serra de acordo com o material a ser cortado.
29. Tenha cuidado quando ranhurar.
30. Substitua o tabuleiro de corte quando estiver gasta.

GUARDE ESTAS INSTRUÇÕES.

INSTRUÇÕES DE FUNCIONAMENTO

Instalação ou extracção da bateria (Fig. 1)

- Desligue sempre a ferramenta antes de colocar ou extrair a bateria.
- Para tirar a bateria, retire-a da ferramenta enquanto pressiona os botões em ambos os lados da bateria.
- Para colocar a bateria, alinhe a saliência na bateria com a ranhura no suporte e deslize-a para o seu lugar. Coloque-a sempre até ao fim, até que fique preso no lugar com um clique. Se assim não for, pode acidentalmente cair da ferramenta, ferindo-o ou a alguém à sua volta.
- Não force a bateria ao introduzi-la. Se não deslizar com facilidade é porque não está a fazê-lo de modo correcto.

Chave de tubo (Fig. 2)

A chave de tubo é guardada como indicado na Fig. 2. Para utilizar a chave de tubo retire-a do suporte. Depois da utilização volte a colocá-la no suporte da chave.

Instalação numa bancada para serra (Fig. 3 e 4)

Quando a ferramenta sai de fábrica, a pega está presa na posição inferior com o pino de bloqueio. Solte o pino de bloqueio descendo a pega ligeiramente e puxando o pino de bloqueio.

Esta ferramenta deve ser presa com quatro Pernos a uma superfície nivelada e estável utilizando os orifícios existentes na base. Isto evita que oscile e possíveis acidentes.

Para instalar ou retirar o disco de corte

PRECAUÇÃO:

- Certifique-se sempre de que a ferramenta está desligada e a bateria retirada antes de instalar ou retirar o disco de corte.
- Utilize só a chave de tubo da Makita fornecida para instalar ou retirar o disco. Caso contrário, pode causar aperto excessivo ou insuficiente do perno hexagonal. Pode causar ferimentos ao operador ou a quem esteja perto da ferramenta.

Prenda a pega na posição elevada empurrando o pino de bloqueio (Fig. 3)

Para retirar o disco, utilize a chave de tubo para libertar o perno hexagonal que prende a cobertura central rodando-o para a esquerda. Levante a cobertura de segurança e a cobertura central. (Fig. 5) Pressione o travão do veio para prender o eixo e utilize a chave de tubo para libertar o perno hexagonal (rotação contrária) para a direita. Em seguida retire o perno hexagonal, fálange exterior e disco. (Fig. 6) Para colocar o disco, monte-o cuidadosamente no veio, certificando-se de que a direcção da seta na superfície do disco corresponde à direcção da seta na caixa do disco. Instale a fálange exterior e o perno hexagonal e em seguida utilize a chave de tubo para apertar o perno hexagonal (rotação contrária) firmemente para a esquerda enquanto pressiona o travão do veio. (Fig. 7 e 8)

PRECAUÇÃO:

Para todos os países excepto os Europeus

A fálange exterior tem 25 mm de diâmetro de um lado e 25,4 mm do outro. O lado com 25,4 mm de diâmetro está marcado com "25.4". Utilize o lado correcto para o diâmetro do orifício do disco que deseja utilizar. Montar o disco com o lado errado pode causar vibração perigosa.

Volte a colocar a cobertura de segurança e a cobertura central na posição original. Em seguida aperte o perno hexagonal para a direita para prender a cobertura central. (Fig. 9)

Liberte a pega da posição elevada empurrando o pino de bloqueio. Desça a pega para se certificar de que a cobertura de segurança se movimentou correctamente.

Cobertura de segurança (Fig. 10)

Quando desce a pega, a cobertura de segurança sobe automaticamente. A cobertura volta para a posição original quando terminar o corte e levantar a pega. **NUNCA RETIRE OU INCLINE O PROTECTOR DE SEGURANÇA.** Para sua segurança pessoal, mantenha sempre o protector de segurança em bom estado. Qualquer funcionamento irregular do protector de segurança deve ser corrigido imediatamente. **NUNCA UTILIZE A FERRAMENTA COM O PROTECTOR DE SEGURANÇA DANIFICADO.** Se o protector de segurança de controlo visual estiver sujo ou se o pó acumulado não deixar ver o disco e/ou a superfície de trabalho, retire a bateria e limpe o protector cuidadosamente com um pano húmido. Não utilize solventes nem produtos feitos à base de petróleo para limpar o protector de plástico.

Saco do pó (Fig. 11)

A utilização de um saco do pó permite efectuar cortes limpos e facilita a recolha do pó. Para instalar o saco do pó, coloque a entrada do saco sobre o bocal. Quando o saco do pó estiver meio cheio, retire-o da ferramenta e abra o fecho. Esvazie o conteúdo, sacudindo ligeiramente a fim de que se soltem as partículas que possam ter aderido ao interior do saco e que irão dificultar a recolha do pó.

Posicionamento do tabuleiro do corte (Fig. 12 e 13)

Esta ferramenta está equipada com tabuleiros de corte na base giratória. Os tabuleiros de corte foram regulados de origem para que o disco da serra não lhes toque. Antes da utilização regule os tabuleiros de corte como se segue:

Primeiro retire a bateria. Desaperte todos os parafusos (2 na esquerda e 2 na direita) que prendem os tabuleiros de corte. Volte a apertá-los de modo a que os tabuleiros de corte possam ser movimentados facilmente com a mão. Desça a pega completamente e empurre o pino de bloqueio para prender a pega na sua posição inferior. Regule os tabuleiros de corte de modo a toquem ligeiramente nos dentes do disco. Aperte os parafusos (não aperte firmemente). Depois de regular os tabuleiros de corte, liberte o pino de bloqueio e levante a pega. Em seguida aperte todos os parafusos firmemente.

PRECAUÇÃO:

Depois de mudar o ângulo de bisel, volte a regular os tabuleiros de corte como descrito acima.

Manutenção da máxima capacidade de corte (Fig. 14 e 15)

Esta ferramenta foi regulada na origem para proporcionar uma capacidade de corte máxima com um disco de serra de 216 mm. Quando utiliza discos que não sejam de 216 mm, regule a posição limite inferior do disco como se segue:

Primeiro retire a bateria. Desça a pega completamente. Utilize a chave de tubo para rodar o perno de regulação até que a extremidade do disco ultrapasse ligeiramente a superfície superior da base giratória no ponto onde a parte frontal da guia de esquadria toca na superfície superior da base giratória. Com a bateria retirada, rode o disco manualmente enquanto mantém a pega completamente para baixo para se certificar de que o disco não toca em nenhuma parte da base inferior. Regule ligeiramente se for necessário.

PRECAUÇÃO:

Depois de colocar um disco novo, certifique-se sempre de que o disco não toca em nenhuma parte da base inferior quando a pega está completamente descida. Faça sempre isto com a bateria retirada.

Posicionamento para regular o ângulo de esquadria (Fig. 16)

A base giratória roda até 52° para a esquerda e direita. Liberte o punho rodando-o para a esquerda. Rode a base giratória enquanto pressiona o pino de bloqueio. Quando tiver movimentado o punho para a posição em que o indicador aponta para o ângulo desejado na escala de esquadria, aperte o punho com firmeza rodando-o para a direita.

PRECAUÇÃO:

- Quando roda a base giratória, certifique-se de levanta completamente a pega.
- Depois de mudar o ângulo de esquadria, prenda sempre a base giratória apertando o punho firmemente.

Posicionamento para regular o ângulo de bisel (Fig. 17 e 18)

O disco de serra inclina-se até 45° para a esquerda. Para regular o ângulo de bisel, desaperte a alavanca na parte traseira da ferramenta. Empurre a alavanca para a esquerda para inclinar o disco da serra até que o indicador aponte para o ângulo desejado na escala de bisel. Aperte a alavanca para prender o braço.

PRECAUÇÃO:

- Quando inclina o disco de corte, certifique-se de que levanta completamente a pega.
- Depois de mudar o ângulo de bisel, prenda sempre o braço apertando a alavanca.

Fixação da superfície de trabalho

AVISO:

É extremamente importante que segure sempre a superfície de trabalho de maneira correcta e firme com um torno. Caso contrário poderá danificar a ferramenta e/ou a superfície de trabalho. PODERÁ TAMBÉM PROVOCAR DANOS PESSOAIS. Por isso, depois de terminar o corte, NÃO levante o disco até que esteja completamente parado.

1. Torno vertical (Fig. 19)

O torno vertical pode ser colocado em duas posições, tanto à esquerda como à direita da guia de esquadria ou do conjunto de suporte (acessório opcional). Coloque o varão do torno no orifício na guia de esquadria ou no conjunto de suporte e aperte o parafuso para segurar o varão do torno. (Nota: Quando utiliza o conjunto de suporte, coloque-o no suporte como indicado na Fig. 19.)

Posicione o braço do torno de acordo com a espessura e a forma da superfície de trabalho e prenda-o apertando o parafuso. Certifique-se de que nenhuma parte da ferramenta toca no torno quando baixar completamente a pega. Se algumas partes tocarem, mude a posição do torno. Pressione a superfície de trabalho contra a guia de esquadria e rode a base. Posicione a superfície de trabalho na posição de corte desejada e prenda-a firmemente apertando o botão do torno. A espessura máxima das peças de trabalho que podem ser persas no torno vertical é de 61 mm.

2. Torno horizontal (acessório opcional) (Fig. 20 e 21)

O torno horizontal pode ser colocado tanto no lado esquerdo como direito da base. Rodando o botão do torno para a esquerda, solta o parafuso e o eixo do torno pode ser movimentado rapidamente para fora e para dentro. Para prender superfícies de trabalho, rode o botão do torno cuidadosamente para a direita até que a projecção atinja a posição máxima superior e em seguida aperte firmemente. Se o botão do torno for forçado para dentro ou para fora enquanto está a ser rodado para a direita, a projecção poderá parar no meio. Neste caso, rode o botão do torno para a esquerda até que o parafuso fique solto antes de o rodar outra vez cuidadosamente para a direita. A largura máxima das peças que podem ser presas com o torno é de 122 mm.

Suportes e conjunto de suporte (acessório opcional) Os suportes e o conjunto de suporte podem ser colocados tanto de um lado como o outro como meios convenientes para suportarem peças horizontalmente. Instale-os como indicado na Fig. 22. Em seguida aperte os parafusos firmemente para prender os suportes e o conjunto de suporte. (Fig. 22)

Quando corta peças compridas, utilize o conjunto suporte-varão (acessório opcional). É composto por dois conjuntos de suporte e dois varões 12. (Fig. 23)

PRECAUÇÃO:

Nivele sempre peças compridas com a superfície superior da base giratória para cortes precisos e para evitar perda de controlo da ferramenta.

Interruptor (Fig. 24)

PRECAUÇÃO:

- Antes de colocar a bateria na ferramenta, certifique-se sempre de que o gatilho funciona correctamente e volta para a posição "OFF" quando libertado.
- Quando não utilizar a ferramenta, retire o botão de bloqueio e guarde-o num local seguro. Isso evitará qualquer utilização indevida.

Para evitar que o gatilho seja acidentalmente accionado existe um botão de bloqueio.

Para ligar a ferramenta, pressione o botão de bloqueio e carregue no gatilho. Liberte o gatilho para parar.

Alavanca de bloqueio (Fig. 25)

Só para os países Europeus

Quando corta, empurre a alavanca de bloqueio para a esquerda para soltar a pega da sua posição elevada. Quando terminar o corte, solte a alavanca de bloqueio depois de ter voltado a colocar o disco na sua posição completamente elevada. A pega ficará automaticamente presa na posição elevada.

Operação

PRECAUÇÃO:

Não exerça pressão excessiva na pega quando cortar. Demasiada força pode sobrecarregar o motor e/ou diminuir a eficiência do corte.

1. Corte segurando as peças (Fig. 26)
 - Peças até 61 mm de altura e 122 mm de largura podem ser cortadas da seguinte maneira.
 - Prenda a peça com o torno. Ligue a ferramenta e espere até que o disco atinja a máxima velocidade antes de o descer suavemente para iniciar o corte. Quando terminar o corte, desligue a ferramenta e ESPERE ATÉ QUE O DISCO ESTEJA COMPLETAMENTE PARADO antes de voltar a levantá-lo.
2. Corte de esquadria Consulte o parágrafo "Posicionamento para regular o ângulo de esquadria".
3. Ângulo de bisel (Fig. 27)
 - Pode executar cortes de bisel à esquerda de 45° de peças com até 45 mm de altura e 122 mm de largura.
 - Liberte a alavanca e incline o disco para regular o ângulo de bisel. Refira-se ao parágrafo "Posicionamento para regular o ângulo de bisel". Prenda a superfície de trabalho com o torno. Ligue a ferramenta e espere até que o disco atinja a velocidade máxima. Em seguida desça suavemente a pega para a posição mais baixa enquanto exerce pressão paralela no disco. Quando terminar o corte, desligue a ferramenta e ESPERE ATÉ QUE O DISCO ESTEJA COMPLETAMENTE PARADO antes de voltar a levantá-lo.

PRECAUÇÃO:

- Durante um corte de bisel pode acontecer que a superfície já cortada fique encostada ao disco. Se levantar o disco enquanto ainda está a rodar, esse bocado pode ser apanhado pelo disco e espalhar fragmentos à volta, o que é perigoso. O disco SÓ deve ser levantado quando estiver completamente parado.
 - Quando descer a pega, aplique pressão paralela no disco. Se a força for exercida perpendicularmente à base giratória ou se mudar a direcção da pressão durante o corte, provocará um corte imperfeito.
4. Corte combinado Um corte combinado é o processo em que é feito um ângulo de bisel ao mesmo tempo que um ângulo de esquadria é cortado numa superfície de trabalho. O corte combinado pode ser executado nos ângulos indicados abaixo.

Ângulo de esquadria	Ângulo de bisel
Esquerdo e direito de 45°	Esquerdo de 0° – 45°
Esquerdo e direito de 52°	Esquerdo de 0° – 40°

No ângulo de esquadria esquerdo de 45° e ângulo de bisel esquerdo de 45°, pode cortar superfícies de trabalho com 45 mm de altura e 85 mm de largura. Quando executar cortes compostos consulte "Corte segurando as peças", "Corte de esquadria" e "Corte de bisel".

5. Corte de comprimentos repetidos (Fig. 28)
Quando corta várias peças com o mesmo comprimento, de 220 mm a 365 mm, a utilização da placa de apoio (acessório opcional) facilitará uma operação eficiente. Coloque a placa de apoio no suporte como indicado no Fig. 28. Alinhe a linha de corte na superfície de trabalho com o lado esquerdo ou direito da ranhura no tabuleiro de corte, e enquanto segura a superfície de corte para não se movimentar, mova a placa de apoio encostada à extremidade da superfície de trabalho. Em seguida prenda a placa de apoio com o parafuso. Quando a placa de apoio não estiver a ser utilizada, solte o parafuso e afaste a placa de apoio.

NOTA:

A utilização do conjunto suporte-varão (acessório opcional) permite-lhe o corte de comprimentos repetidos de 220 mm a 2.230 mm.

Transporte da ferramenta (Fig. 3 e 29)

Certifique-se de que a bateria está retirada. Prenda o disco no ângulo de bisel de 0° e rode a base até ao ângulo de esquadria à direita de 52°. Desça completamente a pega e prenda-a na posição mais baixa empurrando o pino de bloqueio. Pegue na ferramenta pelo punho de transporte como indicado no Fig. 29.

MANUTENÇÃO

PRECAUÇÃO:

Certifique-se sempre de que a ferramenta se encontra desligada e de que a bateria foi retirada antes de efectuar qualquer inspecção e manutenção.

Regulação do ângulo de corte

Esta ferramenta foi cuidadosamente regulada e alinhada na fábrica mas um manuseamento pouco cuidado pode afectar o alinhamento. Se a sua ferramenta não estiver alinhada correctamente execute o seguinte:

1) Ângulo de esquadria

Liberte o punho que prende a base giratória. Rode a base giratória de modo a que o indicador aponte para 0° na escala de esquadria. Em seguida rode ligeiramente a base giratória para a direita e esquerda para que a base giratória assente na ranhura de esquadria de 0°. (Deixe como está se o indicador não apontar para 0°). Solte os quatro pernos hexagonais que prendem a guia de esquadria utilizando a chave de tubo. **(Fig. 30)** Desça a pega completamente e prenda-a na posição mais baixa empurrando o pino de bloqueio. Alinhe o lado do disco com a face da guia de esquadria utilizando um esquadro, régua, etc. Em seguida aperte firmemente os pernos hexagonais na guia de esquadria da direita para a esquerda. **(Fig. 31)** Certifique-se de que o indicador aponta para 0° na escala de esquadria. Se o indicador não apontar para 0°, solte o parafuso que prende o indicador e regule o ponteiro de modo a que aponte para 0°. **(Fig. 32)**

2) Ângulo de bisel

i) Ângulo de bisel de 0° Desça a pega completamente e prenda-a na posição mais baixa empurrando o pino de bloqueio. Liberte a alavanca na parte posterior da ferramenta. Rode o perno de regulação do ângulo de bisel de 0° (perno inferior) no lado direito do braço duas ou três voltas para a esquerda para inclinar o disco para a direita. **(Fig. 33)** Alinhe cuidadosamente o lado do disco com a superfície superior da base giratória utilizando um esquadro, régua, etc, rodando o perno de regulação do ângulo de bisel de 0° para a esquerda. Em seguida aperte a alavanca firmemente. **(Fig. 34)** Certifique-se de que o indicador no braço auxiliar aponta para 0° na escala de bisel no braço. Se não apontar para 0°, liberte o parafuso que prende o indicador e regule o indicador de modo a que aponte para 0°. **(Fig. 35)**

ii) Ângulo de bisel de 45°

Regule o ângulo de bisel de 45° só depois de o ter regulado a 0°. Para regular o ângulo de bisel esquerdo de 45°, liberte a alavanca e incline o disco 45° para a esquerda. Certifique-se de que o indicador no braço auxiliar aponta para 45° na escala de bisel no braço. Se o indicador não apontar para 45°, rode o perno de regulação do ângulo de bisel de 45° (perno superior) no lado direito do braço até que o ponteiro aponte para 45°. **(Fig. 33)**

Substituição das escovas de carvão (Fig. 36 e 37)

Regularmente retire e inspecione as escovas de carvão. Substitua-as quando estiverem gastas até à marca limite. Mantenha as escovas de carvão limpas e a deslizar livremente nos suportes. Deve substituir as duas escovas de carvão ao mesmo tempo. Utilize só escovas de carvão idênticas.

Utilize uma chave de parafusos para retirar as tampas dos suportes das escovas. Retire as escovas de carvão gastas, coloque as novas e prenda as tampas dos suportes das escovas.

Para salvaguardar a segurança e a fiabilidade do produto, as reparações, manutenção e afinações deverão ser sempre efectuadas por um Centro de Assistência Oficial MAKITA.

ACESSÓRIOS

PRECAUÇÃO:

Estes acessórios ou peças são recomendados para utilização com a ferramenta Makita especificada neste manual. A utilização de outros acessórios ou peças pode ser perigosa para as pessoas. Utilize apenas acessórios ou peças para os fins indicados.

Se precisar de ajuda para obter mais informações relativos a estes acessórios, entre em contacto com o centro de assistência Makita local.

- Saco do pó
- Suporte
- Chave de tubo 10
- Esquadro
- Botão de bloqueio (botão interruptor)
- Torno vertical
- Disco de serra com pontas de carboneto
- Óculos de segurança
- Conjunto suporte-varão
- Conjunto de torno (torno horizontal)
- Placa de apoio
- Conjunto de suporte
- Vários tipos de baterias Makita e carregadores
- Tampa da bateria

Illustrationsoversigt

1 Akku	23 Lige snit	46 Skrueskaft
2 Trykknop	24 Justeringsbolt	47 Fremspring
3 Topnøgle	25 Anslag	48 Stænger 12
4 Holder til nøgle	26 Drejeskive	49 Aflåseknop
5 Klingehus	27 Kant på klinger	50 Håndtag
6 Stopperstift	28 Overflade på drejeskive	51 Afbryderkontakt
7 Bolte	29 Geringsskala	52 Låsearm
8 Sekskantsbolt	30 Viser	53 Læg trykket parallelt med klingens
9 Midterafdækning	31 Greb	54 Indstillingsplade
10 Beskyttelsesskærm (Sikkerhedsafdækning)	32 Låsearm	55 Skrue
11 Pål	33 Arm	56 Sekskantsbolt
12 Spindellås	34 Løsne	57 Trekantslineal
13 Sekskantsbolt (venstredrejet)	35 Stramme	58 Skrue
14 Ydre flange	36 Vinkelskala	59 45° geringsvinkel justeringsbolt
15 Savklinge	37 Viser	60 0° geringsvinkel justeringsbolt
16 Indre flange	38 Arm	61 Underarm
17 Spindel	39 Skruestang	62 Skrue
18 Mundstykke	40 Skruearm	63 Grænsemærke
19 Støpøse	41 Skrueknop	64 Skruetrækker
20 Lukkeskinne	42 Holder	65 Børsteholderdæksel
21 Indlægsplade	43 Holdermontering	
22 Venstre skrånit	44 Skrueknop	
	45 Bord	

SPECIFIKATIONER

Model	LS800D
Klangediameter	210 mm – 216 mm
Hul (skaft) diameter	
For europæiske lande	30 mm
For alle lande undtagen europæiske lande	25,4 mm eller 25 mm
Max. snitdybde (H x B) med 216 mm diameter klinger	

Geringsvinkel	Ångulo de bisel	
	0°	45° (venstre)
0°	61 mm x 122 mm	45 mm x 122 mm
45° (venstre og højre)	61 mm x 85 mm	45 mm x 85 mm

Omdrejninger (min ⁻¹)	2.000
Mål (L x B x H)	528 mm x 430 mm x 486 mm
Nettovægt (med akku)	9,3 kg
Spænding	18 V

- Ret til tekniske ændringer forbeholdes.
- Bemærk: Tekniske data kan variere fra land til land.

Tilsigtet anvendelse

Denne maskine er beregnet til præcis lige skæring og geringssskæring i træ.

Sikkerhedsforskrifter

For Deres egen sikkerheds skyld bør De sætte Dem ind i sikkerhedsforskrifterne.

VIGTIGE SIKKEHEDSFORSKRIFTER FOR OPLADER & BATTERIPATRON

1. Læs alle instruktioner og advarselmærkater på (1) batteriopladeren, (2) batteriet og (3) produktet, som anvender batterier.
2. Lad være med at skille batteripatronen ad.
3. Hold straks op med at anvende opladeren, hvis brugstiden er blevet stærkt afkortet. Fortsat anvendelse kan resultere i risiko for overophedning, forbrændinger og endog eksplosion.
4. Hvis du har fået batterielektrolyt i øjnene, skal du straks skylle den ud med rent vand og derefter øjeblikkeligt søge lægehjælp. I modsat fald kan resultatet blive, at du mister synet.
5. Dæk altid batteriterminalerne med batteridækslet, når batteripatronen ikke anvendes.

6. Vær påpasselig med ikke at komme til at kortslutte batteripatronen:
 - (1) Rør ikke ved terminalerne med noget ledende materiale.
 - (2) Undgå at opbevare batteripatronen i en beholder sammen med andre genstande af metal, som for eksempel søm, mønter og lignende.
 - (3) Udsæt ikke batteripatronen for vand eller regn.
 Kortslutning af batteriet kan være årsag til en kraftig øgning af strømmen, overophedning, mulige forbrændinger og endog maskinstop.
7. Opbevar ikke maskinen og batteripatronen på et sted, hvor temperaturen kan nå eller overstige 50°C.
8. Lad være med at brænde batteriet, selv ikke i tilfælde, hvor det har lidt alvorlig skade eller er fuldstændig udtjent. Batteripatronen kan eksplodere, hvis man forsøger at brænde den.
9. Lad være med at brænde batteriet eller udsætte det for stød.
10. Sørg for, at drejeskiven er fastlåst og ikke bevæger sig under brug.
11. For at øge sikkerheden for operatøren bør affald og smådele fjernes fra arbejdsområdet, før arbejdet påbegyndes.
12. Undgå at skære i søm. Fjern alle søm fra emnet før arbejdet påbegyndes.
13. Forvis Dem om, at spindelarrteringen er løsnet før De starter maskinen.
14. Pas på at savklingen ikke rører drejeskiven i nederste position.
15. Hold godt fast i grebet. Saven kan ved start og stop bevæge sig let op og ned.
16. Anvend ikke maskinen uden at emnet er fastspændt. Emnet skal altid være forsvarligt fastspændt mod drejeskiven og anslaget ved hjælp af skruestikken under al arbejde med maskinen. Brug aldrig hånden til at holde emnet fast.
17. Undgå enhver berøring af savklingen, mens maskinen kører. Også sideværts berøring kan føre til svær beskadigelse.
18. Tag aldrig fat om savklingen.
19. Sørg for, at savklingen ikke berører emnet før der startes for maskinen.
20. Før maskinen anvendes på emnet, skal den løbe i tomgang et stykke tid. Undersøg om der forekommer vibrationer eller rystelser, der kan være forårsaget af forkert montage eller manglende afbalancering.
21. Påbegynd kun savningen, når maskinen er oppe på fulde omdrejninger.
22. Hvis der opstår noget unormalt under brugen, bør De straks afbryde.
23. Forsøg aldrig at blokere afbryderen i "ON"-positionen.
24. Før vedligeholdelses- og justeringsarbejde på maskinen skal netstikket trækkes ud og savklingen skal stå helt stille.
25. Vær altid på vagt; især under gentaget, monotont arbejde. Det er farligt at blive lullet ind i en falsk følelse af sikkerhed. Savklingerne er meget farlige.
26. Anvend altid kun det tilbehør, der er anbefalet i denne instruktionsvejledning. Anvendelse af upassende tilbehør som f.eks. slibeskiver kan medføre beskadigelse.
27. For at undgå skade på ledning og netstik, skal De altid trække i netstikket og ikke i ledningen, når maskinen tages ud af stikkontakten. Sørg for at netledningen er placeret således, at man ikke træder på den, falder over den eller på anden måde kan beskadige den.
28. Anvend ikke saven til at skære andet end træ eller lignende materialer.
29. Tilslut saven til en støvpose, når der saves.
30. Vælg savklinger, der passer til det materiale, der skal skæres.
31. Vær altid omhyggelig med betjeningen.
32. Udskift indlægspladen, når den bliver slidt.

GEM DENNE BRUGSANVISNING.

Tips til opnåelse af maksimal batterilevetid

1. Oplad altid batteripatronen, inden den er helt afladet.
Stop altid maskinen og oplad batteripatronen, hvis det bemærkes, at maskineffekten er dalende.
2. Genoplad aldrig en fuldt opladet batteripatron. Overopladning vil afkorte batteriets levetid.
3. Oplad batteripatronen ved stuetemperatur ved 10°C – 40°C. Lad altid en varm batteripatron få tid til at køle af, inden den oplades.
4. Oplad nikkel-metal-hydrid batteripatronen, hvis den ikke skal anvendes i mere end seks måneder.

YDERLIGERE SIKKERHEDSFORSKRIFTER FOR MASKINEN

1. Vær opmærksom på at maskinen altid er driftsklar, da den ikke behøver at tilsluttes en stikkontakt.
2. Brug beskyttelsesbriller og høreværn.
3. Sørg for, at beskyttelsesanordningerne er forskriftsmæssigt anbragt, før De starter maskinen.
4. Brug ikke maskinen i nærheden af brandfarlige materialer, visker eller gasser.
5. Før maskinen startes, bør De undersøge savklingen omhyggeligt for eventuelle brud. Revnede eller på anden måde beskadigede savklinger skal straks udskiftes.
6. Anvend kun flanger, der er anbefalet til brug med denne maskine.
7. Aksel, flange (specielt anlægsflanger) og bolte bør behandles med omhu. Beskadigelse af disse dele kan medføre beskadigelse af savklingen.

GEM DENNE BRUGSANVISNING.

ANVENDELSE

Montering og afmontering af akku (Fig. 1)

- Kontrollér altid, at maskinen er slået fra, før installering eller fjernelse af akkuen.
- For at fjerne akkuen trykkes samtidigt på knapperne på begge sider af akkuen og den trækkes ud af maskinen.
- For at sætte en ny akku i, placeres denne så fjeren på akkuen passer med noten i åbningen på maskinen. Akkuen skubbes helt i bund indtil den klikker på plads i begge sider. Kontrollér altid at akkuen er helt fastlåst ved at trække i den.
- Brug aldrig magt når akkuen sættes i. Hvis ikke akkuen glider i uden besvær, er det fordi den vender forkert.

Topnøgle (Fig. 2)

Topnøglen opbevares som vist på Fig. 2. Når topnøglen skal bruges, tages den ud af holderen. Efter brug skal den lægges tilbage i holderen.

Bænkmonteringsstav (Fig. 3 og 4)

Når De modtager maskinen, vil håndtaget være låst i den nederste position med stopperstiften. Frigør stopperstiften ved at sænke håndtaget en smule og trække stopperstiften ud.

Denne maskine bør fastgøres ved hjælp af fire bolte til en plan og stabil overflade med brug af bolthullerne i maskinens bord. Dette vil bidrage til at forhindre, at maskinen tipper med risiko for personskade til følge.

Montering og afmontering af savklingen

FORSIGTIG:

- Forvis Dem altid om, at maskinen er slået fra og at batteripatronen er fjernet, inden De på- eller afmonterer klingen.
- Anvend kun den medfølgende Makita topnøgle til at montere og afmontere klingen. Forsømmelse af dette kan resultere i overstramning eller utilstrækkelig stramning af sekskantsbolten. Dette kan igen føre til alvorlig personskade for brugeren eller andre personer i maskinens umiddelbare nærhed.

Lås håndtaget i den hævede stilling ved at trykke stopperstiften ind. (Fig. 3)

Savklingen afmonteres ved at man anvender topnøglen til at løsne den sekskantsbolt, der holder midterafdækningen. Boltet drejes mod uret. Løft beskyttelsesskærmen og midterafdækningen. (Fig. 5) Tryk på spindellåsen for at låse spindelen og løsn sekskantsbolten (venstredrejet) i retningen med uret ved hjælp af topnøglen. Derefter fjernes sekskantsbolten, den ydre flange og savklingen. (Fig. 6) Savklingen monteres ved at man forsigtigt sætter den på spindelen. Sørg for, at retningen af pilen på savklingen modsvarer retningen af pilen på savklingehuset. Monter den ydre flange og sekskantsbolten, og stram derefter sekskantsbolten (venstredrejet) forsvarligt i retningen mod uret ved hjælp af topnøglen, idet spindellåsen samtidigt trykkes ind. (Fig. 7 og 8)

FORSIGTIG:

Gælder alle lande udenfor Europa

Den indre flange har en diameter på 25 mm på den ene side og en diameter på 25,4 mm på den anden side. Den side med en diameter på 25,4 mm er mærket med "25.4". Anvend den rigtige side for huldiametere for den savklinge, der skal anvendes. Hvis savklingen monteres på den forkerte side, kan der opstå farlige vibrationer.

Sæt beskyttelsesskærmen og midterafdækningen tilbage til udgangsstillingen. Stram derefter sekskantsbolten i retningen med uret for at holde midterafdækningen på plads. (Fig. 9)

Frigør grebet fra den hævede stilling ved at trække stopperstiften ud. Sænk grebet for at forvisse Dem om, at beskyttelsesskærmen bevæger sig på korrekt måde.

Beskyttelsesskærm (Fig. 10)

Når De sænker grebet, hæver beskyttelsesskærmen sig automatisk. Beskyttelsesskærmen vender tilbage til udgangspositionen, når arbejdet er afsluttet og grebet eller hæves. BESKYTTELSESSKÆRMEN MÅ ALDRIG BESKADIGES ELLER FJERNES. I Deres egen sikkerheds interesse bør De altid holde beskyttelsesskærmen i god forskriftsmæssig stand. Forstyrrelser i beskyttelsesskærmens gang bør straks afhjælpes. BRUG ALDRIG MASKINEN MED EN DEFEKT BESKYTTELSESSKÆRM. Hvis den transparente beskyttelsesskærm bliver snavset, eller der er for meget savsmuld på den, så savklingen og/eller emnet ikke længere uden videre kan ses, bør De tage batteriet ud og omhyggeligt rengøre beskyttelsesskærmen med en fugtig klud. Benyt ikke opløsningsmidler eller rengøringsmidler på petroleumbasis som f.eks. rensebenzin til rengøring af plastdækslet.

Støvpose (Fig. 11)

Anvendelse af støvposen giver en renere forarbejdning og gør opsamling af støv lettere. Støvposen sættes på ved at støvposens åbning sættes på mundstykket. Når støvposen er ca. halvt fuld, tages den af maskinen og lukkeskinnen trækkes ud. Tøm støvposen og ryst de støvpartikler, der har samlet sig på de indvendige flader, af.

Justering af indlægsplade (Fig. 12 og 13)

Denne maskine er udstyret med indlægsplader i drejeskiven. Indlægspladerne er justerede fra fabrikken, således at savklingen ikke berører indlægspladen. Før maskinen startes, bør indlægspladerne alligevel justeres således: Tag først batteriet ud. Alle skruer (2 til venstre og 2 til højre), der holder indlægspladen, løsnes. Stram derefter så meget til, at indlægspladen let kan bevæges med hånden. Sænk grebet helt og lås det i den sænkede position ved at trykke stopperstiften ind. Juster indlægspladerne, så de lige berører siden af savklingsens tænder let. Stram skruerne (stram ikke helt til). Efter justering af indlægspladerne frigøres stopperstiften og håndtaget hæves. Stram derefter alle skruer til.

FORSIGTIG:

Efter ændring af vinklen på skråsnittet, skal indlægspladerne altid justeres som beskrevet herover.

Indstilling af den maksimale skæredybde (Fig. 14 og 15)

Denne maskine er på fabrikken indstillet således, at den maksimale skæredybde opnås med en 216 mm savklinge. Hvis der anvendes en anden savklinge end den på 216 mm, skal savklingsens nederste grænseposition justeres som følger:

Tag først batteriet ud. Sænk grebet helt. Anvend topnøglen til at dreje justeringsbolten, indtil kanten af savklingen stikker lidt ned under overfladen af drejeskiven på det sted, hvor forsiden af anslaget støder sammen med overfladen på drejeskiven. Stadig med batteriet taget ud, drej savklingen med hånden, mens grebet holdes helt nede for at sikre at savklingen ikke kommer i berøring med noget på den nederste del af bordet. Omm nødvendigt efterjusteres der lidt.

FORSIGTIG:

Efter montering af en ny savklinge bør det altid kontrolleres, at savklingen ikke kommer i berøring med noget på den nederste del af bordet. Foretag altid denne kontrol, mens batteriet er taget ud.

Justering af vinklen af geringssnit (Fig. 16)

Drejeskiven kan drejes op til 52° til venstre og højre. Løs grebet ved at dreje det i retningen mod uret. Drej drejeskiven, mens låsestiften holdes nede. Når De har flyttet indstillingsgrebet til den position, hvor viseren står ud for den ønskede vinkel på vinkelskalaen, fastgøres indstillingsgrebet ved at det drejes i retningen mod uret.

FORSIGTIG:

- Når drejeskiven drejes, skal grebet være helt hævet.
- Efter ændring af vinklen på geringssnittet skal drejeskiven altid fastspændes ved at indstillingsgrebet strammes helt til.

Justering af vinklen for skråsnit

(Fig. 17 og 18)

Savklingen hælder op til 45° til venstre. For at justere vinklen ved skråsnit løses håndtaget bag på maskinen. Tryk grebet mod venstre for at få savbladet til at hælde, indtil viseren står ud for den ønskede vinkel på vinkelskalaen. Stram håndtaget til for at holde armen på plads.

FORSIGTIG:

- Når savklingen hældes, skal grebet altid være helt hævet.
- Efter ændring af vinklen på skråsnittet skal armen altid fastgøres ved at håndtaget strammes til.

Fastspænding af emnet

ADVARSEL:

Det er af største vigtighed altid at fastspænde emnet godt og stramt i skruestikken. Forsømmelse af dette kan bevirke, at maskinen lider skade og/eller at emnet kan blive ødelagt. DER VIL DESUDEN VÆRE RISIKO FOR PERSONSKADE. Efter anvendelse af maskinen, må savklingen IKKE hæves, før den er fuldstændig stoppet.

1. Lodret skruestik (Fig. 19)

Den lodrette skruestik kan monteres i to stillinger på enten den venstre eller højre side af anslaget eller i holderen (ekstratilbehør). Sæt skruestangen i hullet på anslaget eller holderen og fastgør skruestangen ved at stramme skruen til. (Bemærk: Når holderen anvendes, skal skruestangen anbringes på holderen som vist i Fig. 19). Indstil skruearmen efter emnets tykkelse og form og fastspænd den ved at stramme skruen. Sørg for, at ingen del af maskinen kommer i berøring med skruestikken, når grebet sænkes helt. Hvis en del af maskinen berører skruestikken, skal denne genindstilles. Tryk emnet fladt ned mod anslaget og drejeskiven. Juster emnet til den ønskede snitmarkering og fastgør det ved at stramme vingeskruen. Den højeste tykkelse af emner, som kan fastspændes med den lodrette skruestik, er 61 mm.

2. Vandret skruestik (medfølger ikke) (Fig. 20 og 21)

Den vandrette skruestik kan monteres i to stillinger, enten på venstre eller højre side af bunden. Ved at dreje skruen i retningen mod uret, frigøres skruen og skrueskafet kan hurtigt bevæges ind og ud. Drej dernæst skruen i retningen mod uret, indtil fremspringet har nået den øverste position, for at fastspænde emnet. Stram derefter godt til. Hvis skruen tvinges ind eller trækkes ud, mens den drejes i retningen med uret, kan fremspringet standse i en vinkelposition. I dette tilfælde skal skruen drejes tilbage i retningen mod uret, indtil skruen frigøres, inden den igen drejes forsigtigt i retningen med uret. Den maksimale bredde for emner, som kan fastspændes, er 122 mm.

3. Holdere og holdermontering (medfølger ikke) Holdere og holdermonteringen kan installeres på hver side. Dette er en praktisk måde til vandret fastspænding af emner. Anbring dem som vist i Fig. 22. Stram derefter skruerne godt til for at sikre holderne og holdermonteringen (Fig. 22) Når der skæres lange emner, bør holderstangen benyttes (medfølger ikke). Den består af to holdermonteringer og to stænger. (Fig. 23).

FORSIGTIG:

Fastgør altid lange emner i højde med overfladen på drejeskiven. Dette giver præcis skæring og forhindrer at operatøren mister kontrollen over maskinen.

Afbryderfunktionen (Fig. 24)

FORSIGTIG:

- Inden akkuen sættes i maskinen, bør det altid kontrolleres, at afbryderkontakten fungerer korrekt og returnerer til "OFF" stillingen, når den slippes.
- Når maskinen ikke anvendes, fjernes aflåseknappen og opbevares på et sikkert sted. Dette forhindrer, at uvedkommende anvender maskinen.

For at forhindre at afbryderkontakten trykkes ind ved et uheld, er maskinen udstyret med et aflåseknop.

Maskinen startes ved at aflåseknappen trykkes ind og afbryderkontakten trykkes ind. Slip kontakten for at stoppe.

Låsearm (Fig. 25)

Gælder kun lande i Europa

Ved skæring trykkes låsearmen til venstre fra den hævede position. Når skæringen er færdig, frigøres låsearmen, efter at savklingen er returneret til helt hævet position. Grebet låses automatisk i den hævede position.

Betjening

FORSIGTIG:

Læg ikke for meget tryk på grebet, når der saves. Et for stort tryk kan resultere i overbelastning af motoren og/eller mindre effektiv savning.

1. Savning ved tryk (Fig. 26)
 - Emner op til 61 mm høje og 122 mm brede kan saves på følgende måde.
 - Fastspænd emnet med skruestikken. Tænd for maskinen, og vent til savklingen er kommet op på fuld hastighed, før savklingen forsigtigt sænkes ned i snittet. Når snittet er afsluttet, slukkes maskinen, hvorefter **DE SKAL VENTE TIL SAVKLINGEN STÅR HELT STILLE**, før savbladet bringes tilbage til dets øverste position.
2. Geringssnit
Se det tidligere afsnit "Justering af vinkel for geringssnit".
3. Skråsnit (Fig. 27)
 - Der kan udføres 45° skråsnit til venstre af emner, som er op til 45 mm høje og 122 mm brede.
 - Armen løsnes og savklingen tippes for at indstille vinklen til skråsnit. Se det tidligere afsnit "Justering af vinklen for skråsnit". Hold emnet fast med en skruestik. Tænd for maskinen og vent til savklingen er kommet op på fuld omdrejning. Så sænkes grebet forsigtigt til den laveste position, mens der samtidigt lægges tryk på savklingen. Når snittet er afsluttet, slukkes der for maskinen. **DE BØR VENTE TIL SAVKLINGEN STÅR HELT STILLE**, inden savklingen bringes til den øverste position.

FORSIGTIG:

- Under skråsnit kan der opstå en situation, hvor det afskårne stykke hviler mod siden af savklingen. Hvis savklingen hæves, mens den stadig roterer, kan dette fraskær fanges af klingens og blive slynget væk, hvilket er meget farligt. Savklingen bør KUN løftes, efter at den er fuldstændig stoppet.
- Når grebet trykkes ned, skal dette gøres samtidigt med at savklingen trykkes ned. Hvis der trykkes lodret ned på drejeskiven for at dreje denne, eller hvis trykretningen ændres under bearbejdningen, bliver det udførte arbejde ikke nøjagtigt.

4. Kombineret snit
Kombineret snit er det arbejde, hvor der laves en skråvinkel samtidigt med, at et geringssnit udføres på emnet. Kombineret snit kan udføres i en vinkel som vist på nedenstående tabel.

Geringsvinkel	Skråvinkel
Venstre og højre 45°	Venstre 0° – 45°
Venstre og højre 52°	Venstre 0° – 40°

Der kan skæres op til 45 mm høje og 85 mm brede emner ved geringsvinkel til venstre 45°. Se forklaringerne i "Savning ved tryk", "Geringssnit" og "Skråsnit", når der skal udføres kombineret savning.

5. Skæring til ens længde (Fig. 28)
Ved skæring af emner til samme længde, fra 220 mm til 365 mm, vil anvendelse af indstillingspladen (medfølger ikke) gøre det nemmere at arbejde effektivt. Monter indstillingspladen på holderen som vist i Fig. 28. Sæt skærelinien ud for emnet med enten den venstre eller den højre side af rillen i indlægspladen. Hold nu emnet stationært, og anbring indstillingspladen plant imod enden af emnet. Fastgør derefter indstillingspladen med skruen. Når indstillingspladen ikke skal anvendes, løsnes skruen og indstillingspladen drejes til side.

BEMÆRK:

Anvendelsen af holder-stangen (medfølger ikke) muliggør skæring til ens længder, fra 220 mm til 2 230 mm.

Transportsikring (Fig. 3 og 29)

Sørg for, at batteriet er taget ud. Fastspænd savklingen i 0° skråvinkel og drejeskiven i 52° geringsvinkel til højre. Sænk grebet helt og lås det i nederste position ved at skubbe stopperstiften ind. Maskinen kan transporteres ved at man holder den i bærehåndtaget som vist i Fig. 30.

VEDLIGEHOJDELSE

ADVARSEL:

Sørg altid for at maskinen er slukket, og at akkuen er taget ud for der gennemføres noget arbejde på selve maskinen.

Indstilling af skærevinklen

Denne maskine er omhyggeligt indstillet og justeret på fabrikken, men der kan forekomme afvigelser, hvis den udsættes for hård behandling. De kan selv foretage indstillinger som beskrevet her:

- 1) Geringsvinkel Løsn grebet, som holder drejeskiven. Drej drejeskiven sådan, at viseren står ud for 0° på vinkelskalaen. Drej nu drejeskiven en smule i retningen med og mod uret for at stille drejeskiven i 0° mærket. (Lad den være som den er, hvis viseren ikke viser 0°). De fire bolte, som holder anslaget, løsnes ved hjælp af topnøglen.

(Fig. 30)

Sænk grebet helt og lås det i den nederste position ved at trykke låsestiften ind. Sæt savklingens side i en ret vinkel til anlages forsiden ved hjælp af en trekantslineal, anslagsvinkel etc. Fastspænd derefter sekskantsboltene på anlaget, begyndende fra venstre. (Fig. 31)

Sørg for, at viseren står ud for 0° på geringsskalaen. Hvis den ikke gør det, løsnes skruen, som holder viseren, og viseren justeres, så den kommer til at stå ud for 0°. (Fig. 32)

- 2) Skråvinkel

- i) 0° skråvinkel Sænk grebet fuldstændigt og lås det i den laveste position ved at trykke låsestiften ind. Armen bag på maskinen løsnes. Drej 0° skråvinkeljusteringsbolten (nedre bolt) på højre side af armen to eller tre omgange i retningen mod uret for at hælde savklingen mod højre. (Fig. 33)

Sæt savklingens side i en ret vinkel til overfladen af drejeskiven ved hjælp af trekantslinealen, anslagsvinklen etc. ved at dreje 0° skråvinkeljusteringsbolten i retningen med uret. Stram derefter armen godt til. (Fig. 34)

(Fig. 34)

Sørg for, at viseren på underarmen står ud for 0° skalaen på armen. Hvis den ikke peger mod 0°, skal skrueerne, der holder viseren, løsnes og justeres, så den peger mod 0°. (Fig. 35)

- ii) 45° skråvinkel

Juster først 45° skråvinklen efter at have udført justeringen for 0° skråvinkel. Juster 45° vinklen ved at løsne armen og hælde savklingen 45° til venstre. Sørg for at viseren på underarmen står ud for 45° på skalaen på armen. Hvis viseren ikke står ud for 45°, skal 45° skråvinkeljusteringsbolten (øverste bolt) på venstre side af armen drejes, indtil viseren står ud for 45°. (Fig. 33)

Udskiftning af kul (Fig. 36 og 37)

Udtag og efterse kulbørsterne med jævne mellemrum. Udskift dem, når de er slidt ned til slidgrænsen. Hold kulbørsterne rene, så de let glider ind i holderne. Begge kulbørster skal udskiftes samtidigt. Anvend kun identiske kulbørster.

Brug en skruetrækker til at fjerne børsteholderdækslerne. Tag de slidte kulbørster ud, isæt de nye og sæt børsteholderdækslerne på igen.

For at opretholde produktets sikkerhed og pålidelighed, må istandsættelse, vedligeholdelse eller justering kun udføres af et autoriseret Makita service center.

TILBEHØR

ADVARSEL:

- Det følgende tilbehør og ekstraudstyr er anbefalet til brug med Deres Makita maskine, der er beskrevet i denne brugsanvisning. Anvendelse af andet tilbehør eller ekstraudstyr kan udgøre en risiko for personskade. Anvend kun tilbehør og ekstraudstyr til det beskrevne formål.

Hvis De har behov for yderligere detaljer om dette tilbehør, bedes De kontakte Deres lokale Makita Service Center.

- Støvpose
- Holder
- Topnøgle 10
- Trekantslineal
- Aflåseknop (omskifterknop)
- Lodret skruestik
- Savklinge med hårdmetalskær
- Sikkerhedsbriller
- Holder-stang
- Skruestik (vandret skruestik)
- Indstillingsplade
- Holder-montering
- Forskellige typer af originale Makita-akkuer og opladere
- Batteridæksel

Förklaring av allmän översikt

1 Batterikassett	23 Raksågning	46 Skruvstycksaxel
2 Tryckknapp	24 Justerbult	47 Utskjutande del
3 Hylsnyckel	25 Anslag	48 Stänger 12
4 Nyckelhållare	26 Geringsskiva	49 Säkerhetsspärr
5 Klinghölje	27 Sågklingans ytterkant	50 Maskinhandtag
6 Stoppstift	28 Geringsskivans ovansida	51 Avtryckare
7 Bultar	29 Geringsskala	52 Låsspak
8 Sexkantsbult	30 Visare	53 Tryck parallellt med klingan
9 Mittkåpa	31 Handtag	54 Ställplatta
10 Skyddskåpa (klingskydd)	32 Låstapp	55 Skruv
11 Pål	33 Spak	56 Sexkantsbult
12 Axellås	34 Lossa	57 Trekantslinjal
13 Sexkantsbult (vänstergängad)	35 Dra åt	58 Skruv
14 Yttre fläns	36 Vinkelskala	59 Justerbult för sågning i 45° vinkel
15 Sågklinga	37 Visare	60 Justerbult för sågning i 0° vinkel
16 Inre fläns	38 Arm	61 Underarm
17 Spindel	39 Fäststång för skruvstycket	62 Skruv
18 Munstycke för spånuppsamlare	40 Skruvstycksarm	63 Slitgränsmarkering
19 Spånuppsamlare	41 Låsraff för skruvstycket	64 Skruvmejsel
20 Plastlås	42 Hållare	65 Kolhållarlock
21 Spårådd	43 Hållaranordning	
22 Vänsterställd vinkelsågning	44 Låsraff för skruvstycket	
	45 Sågbord	

TEKNISKA DATA

Modell	LS800D
Klingdiameter	210 mm – 216 mm
Hålets (drivaxelns) diameter	
För alla länder förutom europeiska länder	25,4 mm eller 25 mm
För europeiska länder	30 mm
Max. sågkapacitet (H x B) med kling med diameter på 216 mm	

Geringsvinkel	Vinkelsågning	
	0°	45° (vänster)
0°	61 mm x 122 mm	45 mm x 122 mm
45° (vänster och höger)	61 mm x 85 mm	45 mm x 85 mm

Obelastat varvtal (min ⁻¹)	2 000
Mått (L x B x H)	528 mm x 430 mm x 486 mm
Nettovikt (med batterikassett)	9,3 kg
Märkspänning	18 V DC

- På grund av det kontinuerliga programmet för forskning och utveckling, kan här angivna tekniska data ändras utan föregående meddelande.
- Observera: Tekniska data kan variera i olika länder.

Avsedda användningsområden

Maskinen är avsedd för precisionsmässig rak- och geringssågning i trä.

Säkerhetstips

För din egen säkerhets skull, bör du läsa igenom de medföljande säkerhetsföreskrifterna.

VIKTIGA SÄKERHETSANVISNINGAR FÖR LADDARE OCH BATTERIKASSETT

1. Innan du börjar använda batteriladdaren bör du läsa alla anvisningar och varningstexter på (1) batteriladdaren, (2) batteriet och (3) den produkt till vilken batteriet används.
2. Tag inte isär batterikassetten.
3. Om driftstiden är kraftigt reducerad bör du avbryta driften omedelbart. Det finns i annat fall risk för överhettning, brännskador och även att batteriet exploderar.
4. Om det skulle komma in elektrolyt i dina ögon bör du tvätta ur ögonen med vatten, och sedan omedelbart söka medicinsk vård. Det finns risk för att du förlorar synen.
5. Se alltid till att batteripolerna är täckta med batteriskyddet när batterikassetten inte används.

6. Kortslut inte batterikassetten:
 - (1) Rör inte vid polerna med något ledande material.
 - (2) Undvik att förvara batterikassetter i samma förvaringsutrymme som andra metallföremål, till exempel spikar, mynt, osv.
 - (3) Utsätt inte batterikassetten för vatten och regn.
Om batterikassetten kortsluts kan det leda till ett kraftigt elektriskt flöde, överhettning, brännskador och även att batterikassetten exploderar eller spricker.
7. Förvara inte maskin och batterikassetter på platser där temperaturen kan stiga till eller överstiga 50°C.
8. Batterikassetten får inte eldas upp, även om den skulle vara svårt skadad eller helt utsliten. Den kan explodera om den slängs i en eld.
9. Var försiktig så att du inte tappar batterikassetten eller att den slår emot något.

SPARA DESSA ANVISNINGAR.

Tips för att upprätthålla batteriets maximala livslängd

1. Ladda upp batterikassetten innan den är fullständigt urladdad.
Stanna alltid maskinen och ladda batterikassetten om du märker att maskinen har dålig kraft.
2. Ladda aldrig upp en fulladdad batterikasset. Överladdning förkortar batteriets bruksliv.
3. Ladda batterikassetten med en omgivande temperatur på 10°C – 40°C. Låt upphettade batterikassetter svalna innan de laddas.
4. Ladda upp nickel-metalhydrid-batterier som inte har använts på mer än sex månader.

TILLÄGGSANVISNINGAR FÖR MASKINEN

1. **WARNING !** Tänk på att den här maskinen, till skillnad från en nätansluten, alltid är startklar.
2. Använd ögonskydd.
3. Använd inte maskinen om inte skydden sitter på plats.
4. Använd inte maskinen i närheten av lättantändliga vätskor eller gaser.
5. Kontrollera klingan noggrant före användning för att upptäcka sprickor eller andra skador. Ersätt genast klingor med sprickor eller andra skador.
6. Använd endast flänsar (klingbrickor) som är avsedda för denna maskin.
7. Var försiktig så att maskinaxel, flänsar (speciellt monteringsidan) eller bult inte skadas. Skador på någon av dessa delar kan medföra att klingan förstörs.
8. Se till att geringsskivan är ordentligt fäst så att den inte rör sig under arbetets gång.
9. Avlägsna spån och andra småbitar från sågbordets oavsida före drift för din egen säkerhets skull.

10. Undvik att säga i spikar. Kontrollera arbetsstycket före sågarbetets början och avlägsna alla spikar.
11. Kontrollera att spindellåset är bortkopplat innan strömställaren trycks in.
12. Se till att klingan inte ligger an mot geringsskivan i det nedersta läget.
13. Håll handtaget i ett stadigt grepp. Observera att sågen rör sig uppåt eller nedåt en aning under igångsättning och när sågen stannas.
14. Säg aldrig på frihand. Arbetsstycket måste vara ordentligt fästsatt mot geringsskivan och anhållet under allt sågarbete. Håll aldrig fast arbetsstycket med handen.
15. Håll händerna på avstånd från sågklingan. Undvik att komma i kontakt med en klinga som snurrar på frigång. Den kan ändå orsaka allvarliga skador.
16. Sträck dig aldrig runt sågklingan.
17. Se till att sågklingan inte vidrör arbetsstycket innan strömställaren trycks in.
18. Låt maskinen gå en stund innan den används på ett arbetsstycke. Kontrollera att klingan inte vibrerar eller skakar, vilket skulle kunna indikera dålig montering eller en dåligt balanserad klinga.
19. Vänta till klingan uppnått full hastighet innan sågningen påbörjas.
20. Avsluta arbetet omedelbart om du skulle upptäcka något onormalt.
21. Försök inte låsa strömställaren i till-läget (ON).
22. Stäng av strömmen och vänta till sågklingan stannat innan underhåll eller justering utförs på maskinen.
23. Var hela tiden uppmärksam, speciellt under repetativa och monotona arbetsmoment. Luras inte in i en falsk känsla av säkerhet. Klingor är långt ifrån förlåtande.
24. Använd alltid tillbehör som rekommenderas i denna bruksanvisning. Användning av olämpliga tillbehör, som till exempel slipskivor, kan orsaka skador.
25. Handskas inte vårdslöst med sladden. Ryck aldrig i sladden för att dra ut kontakten ur vägguttaget. Håll sladden undan från hetta, olja, vatten och skarpa kanter.
26. Använd aldrig sågen till att kapa annat än trä och liknande material.
27. Anslut kap-och gerings kombinationssägar till en spånuppsamlare vid sågning.
28. Välj sågklinga med avseende på det material som ska sägas.
29. Var försiktig vid spårsågning.
30. Byt ut spåråbiden när den har slitits ut.

SPARA DESSA ANVISNINGAR.

BRUKSANVISNING

Montering och demontering av kraftkassetten

(Fig. 1)

- Stäng alltid av maskinen innan kraftkassetten monteras eller demonteras.
- Ta bort kraftkassetten genom att dra av den från maskinen samtidigt som du trycker på knapparna på båda sidorna av kassetten.
- Sätt på kraftkassetten genom att passa in tungan på kraftkassetten mot skåran i maskinhuset och skjuta den i läge. Skjut alltid in kraftkassetten ända in tills den låses i läge med ett litet klickljud. Om kraftkassetten inte låses i läge kan den av misstag falla ur sitt läge och därmed orsaka skador på dig själv eller personer i närheten.
- Tvinga inte kraftkassetten i läge vid montering. Om kassetten inte lätt glider i läge utförs inte monteringen korrekt.

Hylsnyckel (Fig. 2)

Hylsnyckeln förvaras såsom visas i **Fig. 2**. Dra ut hylsnyckeln ur hållaren när den ska användas. Sätt tillbaka den i hylsnyckelhållaren efter användning.

Bänkmontage av sågen (Fig. 3 och 4)

Vid leveransen är maskinens handtag låst i nedfällt läge med hjälp av stoppstiftet. Frigör stoppstiftet genom att fälla ned handtaget en aning och dra ut stoppstiftet.

Denna maskin är avsedd att skruvas fast med fyra bultar på en jämn och stabil yta genom bulthålen i maskinens sågbord. Detta förhindrar att maskinen tippar och därigenom orsakar personskador.

Montering och demontering av sågklingor

FÖRSIKTIGHET:

- Kontrollera alltid att maskinen är avstängd och att batterikassetten är avtagen innan sågklingan monteras eller demonteras.
- Använd endast den medföljande Makita-hylsnyckeln för att montera eller demontera sågklingor. Användning av andra verktyg kan medföra att sexkantsbulten blir alltför hårt åtdragen eller otillräckligt åtdragen, vilket i sin tur kan leda till allvarliga skador för operatören eller andra personer i närheten av maskinen.

Lås maskinhandtaget i höjt läge genom att trycka in stoppstiftet. (**Fig. 3**)

Demontera sågklingan genom att lossa sexkantsbulten som håller fast mittkåpan moturs med hjälp av hylsnyckeln. Lyft upp skyddskåpan och mittkåpan. (**Fig. 5**)

Tryck på axellåset för att låsa spindeln och lossa (den vänstergångade) sexkantsbulten medurs med hylsnyckeln. Ta sedan av sexkantsbulten, den yttre flänsen och sågklingan. (**Fig. 6**)

Montera sågklingan försiktigt på spindeln så att pilen på klingan pekar i samma riktning som pilen på klinghöljet. Sätt tillbaka den yttre flänsen och sexkantsbulten, och dra sedan åt (den vänstergångade) sexkantsbulten ordentligt moturs med hjälp av hylsnyckeln samtidigt som axellåset hålls intryckt.

(Fig. 7 och 8)

FÖRSIKTIGHET:

För alla icke-europeiska länder

Den inre flänsens diameter är 25 mm på den ena sidan och 25,4 mm på den andra. Sidan med 25,4 mm diameter är märkt "25.4". Var noga med att använda den sida som motsvarar håldiametern för den sågklinga som ska användas. Om sågklingan monteras på fel sida finns det risk att det uppstår farliga vibrationer.

Återför skyddskåpan och mittkåpan till sina ursprungslägen. Dra sedan åt sexkantsbulten medurs för att fästa mittkåpan. (**Fig. 9**)

Frigör maskinhandtaget från det upplyfta läget genom att dra ut stoppstiftet. Sänk handtaget för att kontrollera att skyddskåpan rör sig på rätt sätt.

Skyddskåpan (Fig. 10)

När maskinhandtaget sänks höjs skyddskåpan automatiskt. När sågningen är färdig och handtaget lyfts upp återgår skyddskåpan till sitt ursprungsläge. HINDRA ELLER DEMONTERA ALDRIG SKYDDSKÅPAN. Håll alltid skyddskåpan i gott skick för din egen säkerhets skull. Om skyddskåpan uppträder på något ovanligt sätt måste felet omedelbart åtgärdas. ANVÄND ALDRIG MASKINEN OM DET ÄR FEL PÅ SKYDDSKÅPAN. Om den genomskinliga skyddskåpan blir smutsig eller om det fastnar så mycket sågspån på den att det blir svårt att se klingan eller arbetsstycket, så stäng av sågen, ta av batterikassetten och rengör skyddskåpan noggrant med en fuktig trasa. Använd aldrig lösningsmedel eller oljebaserade rengöringsmedel på denna plastskyddskåpa.

Spånuppsamlaren (Fig. 11)

Spånuppsamlaren gör sågarbetet renare och gör det lättare att samla upp damm. Sätt på spånuppsamlarens mynning på spånuppsamlarmunstycket. Ta av spånuppsamlaren från maskinen när spånuppsamlaren är ungefär halvfyll och dra ut plastlåset. Töm spånuppsamlaren genom att knacka lätt på den för att avlägsna allt skräp som fastnat på insidan och som annars skulle kunna hindra spånuppsamlingen längre fram.

Inställning av spårbädden (Fig. 12 och 13)

Denna maskin är utrustad med sågspår i geringsskivan. Sågspåren är fabriksinställda så att sågklingan inte kommer i kontakt med dem. Justera sågspåren på följande sätt före användning:

Stäng först av maskinen och ta av batterikassetten. Lossa alla skruvarna som håller fast spårbädden (2 på höger och 2 på vänster sida). Dra åt dem igen så pass mycket att det går lätt att flytta sågspåren för hand. Sänk maskinhandtaget helt och skjut in stoppstiftet för att låsa handtaget i nedfällt läge. Justera spårbädden så att sågspåren nått och jämnt kommer i kontakt med sågklingans tänder. Dra åt skruvarna (men inte alltför hårt). Frigör stoppstiftet och lyft upp maskinhandtaget efter sågspårensjusteringen. Dra sedan åt alla skruvarna ordentligt.

FÖRSIKTIGHET:

Justera alltid spårbädden på ovanstående sätt efter ändring av vinkelinställningen för vinkelsågning.

För att upprätthålla maximal sågkapacitet (Fig. 14 och 15)

Denna maskin är fabriksinställd för att ge maximal sågkapacitet med en sågklinga på 216 mm. Om en sågklinga med någon annan diameter än 216 mm används måste klingans undre gränsläge justeras på följande sätt: Stäng först av maskinen och ta av batterikassetten. Sänk maskinhandtaget helt. Vrid på justerbulnen med hjälp av hylsnyckeln tills sågklingans underkant sticker ned en aning under geringssskivans ovansida på det ställe där anslaget framkant möter geringssskivans ovansida. Vrid runt klingan för hand med maskinen avstängd och batterikassetten avtagen samtidigt som maskinhandtaget hålls nedtryckt, och kontrollera att klingan inte kommer i kontakt med någon del av bottenplattan. Finjustera inställningen vid behov.

FÖRSIKTIGHET:

Kontrollera alltid efter montering av en ny klinga att klingan inte kommer i kontakt med någon del av bottenplattan när maskinhandtaget är helt nedfällt. Utför alltid denna kontroll med maskinen avstängd och batterikassetten avtagen.

Inställning av geringsvinkeln (Fig. 16)

Geringsskivan går att vrida 52° åt vänster och höger. Lossa geringsskivans handtag genom att vrida det moturs. Vrid på geringsskivan medan låstappen hålls nedtryckt. Flytta handtaget till det läge där visaren pekar på önskad vinkel på geringsskalan och dra sedan åt handtaget ordentligt medurs.

FÖRSIKTIGHET:

- Var noga med att alltid lyfta upp maskinhandtaget helt när geringsskivan vrids.
- Säkra alltid geringsskivan genom att dra åt dess handtag ordentligt efter det att geringsvinkeln ändrats.

Vinkelinställning för vinkelsågning (Fig. 17 och 18)

Sågklingan går att luta upp till 45° åt vänster. Justera sågvinkeln genom att lossa spaken på maskinens baksida. Tryck handtaget åt vänster för att luta sågklingan tills visaren pekar på önskad vinkel på vinkelskalan. Dra åt spaken för att säkra armen.

FÖRSIKTIGHET:

- Var noga med att alltid lyfta upp maskinhandtaget helt när sågklingan lutas.
- Säkra alltid armen genom att dra åt dess spak ordentligt efter det att sågvinkeln ändrats.

Fastsättning av arbetsstycket

VARNING:

Det är ytterst viktigt att arbetsstycket alltid fästs stadigt och ordentligt med skruvstycket. I annat fall finns det risk att maskinen skadas och/eller att arbetsstycket förstörs. **DET FINNS ÄVEN RISK FÖR PERSONSKADOR.** Lyft heller INTE klingan efter avslutad sågning förrän klingan stannat helt.

1. Vertikalt skruvstycke (Fig. 19)

Det vertikala skruvstycket går att installera i två lägen, antingen till höger eller till vänster om anslaget eller hållaranordningen (extra tillbehör). Stick in skruvstyckets fäststäng i hålet i anslaget eller hållaranordningen och dra åt skruven så att fäststängens sitter ordentligt fast. (Observera: Om hållaranordningen används så installera den på hållaren på det sätt som visas i Fig. 19.)

Anpassa skruvstycksarmens läge efter arbetsstyckets tjocklek och form, och säkra skruvstycksarmen genom att dra åt skruven. Kontrollera att ingen del av maskinen kommer i kontakt med skruvstycket här maskinhandtaget sänks helt. Om någon maskindel kommer i kontakt med skruvstycket så flytta skruvstycket. Tryck arbetsstycket plant mot anslaget och geringsskivan. Placera arbetsstycket i önskat sågläge och fäst det ordentligt genom att dra åt skruvstyckets låsratt. Den maximala tjockleken för arbetsstycken som går att fästa i det vertikala skruvstycket är 61 mm.

2. Horisontellt skruvstycke (extra tillbehör)

(Fig. 20 och 21)

Det horisontella skruvstycket går att installera antingen på vänster eller på höger sida om sågbordet. När låsratten vrids moturs frigörs skruven så att det går att snabbt skjuta skruvstycksaxeln inåt och utåt. Fäst arbetsstycket genom att vrida låsratten försiktigt medurs tills den utskjutande delen dentligt. Om låsratten trycks in eller dras ut alltför hårt medan den vrids moturs kan det hända att den utskjutande delen stannar i fel vinkel. Vrid i så fall tillbaka låsratten moturs tills skruven frigörs, och vrid sedan låsratten försiktigt medurs igen. Den maximala tjockleken för arbetsstycken som går att fästa i det horisontella skruvstycket är 122 mm.

3. Hållare och hållaranordning (extra tillbehör)

Hållarna och hållaranordningen går att installera på valfri sida som ett praktiskt sätt att stödja arbetsstycket i sidled. Installera dem på det sätt som visas i Fig. 22. Dra sedan åt skruvarna ordentligt för att säkra hållarna och hållaranordningen. (Fig. 22)

Vid sågning av långa arbetsstycken är det praktiskt att använda en hållarstängsordning (extra tillbehör) som består av två hållaranordningar och två stänger 12. (Fig. 23)

FÖRSIKTIG:

Stöd alltid upp långa arbetsstycken i jämnhöjd med geringsskivans ovansida för korrekt sågning och för att inte riskera att tappa kontrollen över maskinen, vilket kan vara mycket farligt.

Avtryckaren (Fig. 24)

FÖRSIKTIGHET:

- Kontrollera alltid att avtryckarfjädersnåren fungerar ordentligt och att avtryckaren återgår till avstängt läge när den släpps innan batterikassetten monteras på maskinen.
- Ta av säkerhetsspärren och förvara den på något säkert ställe när maskinen inte används. Därigenom förhindras obehörig användning av maskinen.

Maskinen är försedd med en säkerhetsspärr för att förhindra att avtryckaren trycks in av misstag.

Starta maskinen genom att trycka in säkerhetsspärren och trycka på avtryckaren. Släpp avtryckaren för att stanna maskinen.

Låsspaken (Fig. 25)

Gäller endast europeiska länder

Tryck låsspaken åt vänster vid sågning för att frigöra maskinhandtaget från upplyft läge. Återför sågklingan till fullt upplyft läge efter avslutad sågning och släpp sedan låsspaken. Maskinhandtaget låses automatiskt i upplyft läge.

Sågning

FÖRSIKTIGHET:

Tryck inte onödigt hårt på maskinhandtaget under sågningsgången. Alltför hårt tryck kan leda till att motorn överbelastas och/eller till sänkt sågningseffektivitet.

1. Skjutsågning (Fig. 26)

- Arbetsstycken som är upp till 61 mm höga och 122 mm breda går att såga på följande sätt.
- Fäst arbetsstycket i skruvstycket. Slå på maskinen och vänta tills sågklingan kommit upp i full hastighet innan du försiktigt sänker ned klingan i sågspåret. Stäng av maskinen när sågningen är färdig och **VÄNTA TILLS SÄGKLINGAN STANNAT HELT** innan klingan återförs till fullt upplyft läge.

2. Geringssågning Se avsnittet "Inställning av geringsvinkeln" ovan.

3. Vinkelsågning (Fig. 27)

- Vid en sågvinkel på 45° åt vänster går det att såga arbetsstycken som är upp till 45 mm höga och 122 mm breda.
- Lossa spaken och luta sågklingan för att ställa in sågvinkeln. Se avsnittet "Vinkelinställning för vinkelsågning" ovan. Fäst arbetsstycket i skruvstycket. Slå på maskinen och vänta tills sågklingan kommit upp i full hastighet. Sänk sedan försiktigt maskinhandtaget till helt nedfällt läge och tryck samtidigt parallellt med sågklingan. Stäng av maskinen när sågningen är färdig och **VÄNTA TILLS SÄGKLINGAN STANNAT HELT** innan klingan återförs till fullt upplyft läge.

FÖRSIKTIGHET:

- Under vinkelsågning kan det inträffa att den avsågade biten kommer att vila mot klingans sida. Om klingan lyfts upp medan den fortfarande snurrar kan den avsågade biten fastna i klingan med följden att fragment flyger omkring på ett farligt sätt. Klingan får därför **INTE** lyftas upp förrän den stannat helt.
- Tryck parallellt med sågklingan när maskinhandtaget trycks ned. Om trycket anläggs vinkelrätt mot geringssskivan eller om tryckriktningen ändras under sågningsgången försämras sågningsprecisionen.

4. Kombinationssågning

Kombinationssågning är en process där vinkelsågning utförs samtidigt som en geringsvinkel sågas i ett arbetsstycke. Kombinationssågning går att utföra i de vinklar som visas i nedanstående tabell.

Geringsvinkel	Vinkelsågningsvinkel
45° åt vänster och höger	0 – 45° åt vänster
52° åt vänster och höger	0 – 40° åt vänster

Vid en geringsvinkel på 45° och en vinkelsågningsvinkel på 45° åt vänster går det att såga arbetsstycken som är upp till 45 mm höga och 85 mm breda. Se anvisningarna i avsnittet "Skjutsågning", "Geringsågning" och "Vinkelsågning" ovan vid kombinationssågning.

5. Sågning av flera stycken med samma längd

(Fig. 28)

Vid sågning av flera arbetsstycken i följd till samma längd på mellan 220 och 365 mm är det praktiskt att använda en ställplatta (extra tillbehör) som både underlättar arbetet och gör det effektivare. Installera ställplattan på hållaren på det sätt som visas i **Fig. 28**. Anpassa såglinjen på arbetsstycket till antingen vänster eller höger sida av spåret i spårbedden, håll arbetsstycket stadigt så att det inte flyttar sig, och flytta ställplattan så att den ligger an mot arbetsstyckets ände. Fäst sedan ställplattan med vingmuttern. Lossa vingmuttern och för undan ställplattan när den inte ska användas.

OBSERVERA:

Med hjälp av en hållarstångsarrangering (extra tillbehör) går det att såga flera arbetsstycken i följd till samma längd på mellan 220 och 2 230 mm.

När maskinen bärs omkring (Fig. 3 och 29)

Kontrollera att maskinen är avstängd och batterikassetten avtagen. Säkra sågklingan i 0° vinkel och geringsskivan i 52° vinkel åt höger. Sänk maskinhandtaget helt och läs det i nedfällt läge genom att trycka in stoppstiftet. Bär maskinen i bärhandtaget på det sätt som visas i **Fig. 29**.

UNDERHÅLL

FÖRSIKTIG:

Tillse alltid att maskinen är avstängd och att batterikasetten är avtagen innan du utför arbete på den.

Justering av sågvinkeln

Denna maskin är noggrant inställd och justerad på fabriken, men inställningarna kan påverkas av oförsiktig hantering. Om maskinen inte är korrekt inställd så utför följande procedurer:

1) Geringsvinkeln

Lossa handtaget som håller fast geringssskivan. Vrid geringssskivan så att visaren står på 0° på geringssskalan. Vrid sedan geringssskivan en aning medurs och moturs för att sätta den jämnt i hacket för 0° geringsvinkel. (Lämnna geringssskivan som den är om visaren inte pekar på 0°.) Lossa de fyra sexkantbultarna som håller fast anslaget med hjälp av hylsnyckeln. **(Fig. 30)**

Sänk maskinhandtaget helt och lås det i nedfällt läge genom att trycka in stoppstiftet. Ställ in sågklingans sida i rätt vinkel mot anslaget framsida med hjälp av en trekantslinjal, vinkelhake el.dyl. Dra sedan åt sexkantbultarna på anslaget ordentligt med början från höger sida. **(Fig. 31)**

Kontrollera att visaren står på 0° på geringssskalan. Om visaren inte står på 0° så lossa skruven som håller fast visaren och justera visaren så att den står på 0°. **(Fig. 32)**

2) Vinkelsågningsvinkeln

i) 0° vinkelsågningsvinkel Sänk maskinhandtaget helt och lås det i nedfällt läge genom att trycka in stoppstiftet. Lossa spaken på maskinens baksida. Vrid justerbulten för 0° vinkelsågningsvinkel (den undre bulten) på höger sida om armen två eller tre varv moturs för att luta klingan åt höger. **(Fig. 33)** Ställ noggrant in sågklingan i rätt vinkel mot geringssskivans ovsida med hjälp av en trekantslinjal, vinkelhake el.dyl. genom att vrida justerbulten för 0° vinkelsågningsvinkel medurs. Dra sedan åt spaken ordentligt. **(Fig. 34)**

Kontrollera att visaren på underarmen står på 0° på sågvinkelskalan på armen. Om den inte står på 0° så lossa skruven som håller fast visaren och justera visaren så att den står på 0°. **(Fig. 35)**

ii) 45° vinkelsågningsvinkel Justera 45°-vinkeln först efter att ha justerat 0°-vinkeln för vinkelsågning. Justera den vänstra 45°-vinkeln för vinkelsågning genom att lossa spaken och luta klingan 45° åt vänster. Kontrollera att visaren på underarmen står på 45° på sågvinkelskalan på armen. Om den inte står på 45° så lossa skruven som håller fast visaren och justera visaren så att den står på 45°. **(Fig. 33)**

Byte av kolborstar (Fig. 36 och 37)

Ta ur och kontrollera kolborstarna regelbundet. Byt ut dem när de slitits ner till slitgränsmarkeringen. Håll kolborstarna rena och så att de utan motstånd lätt glider in i hållarna. Byt alltid båda kolborstarna samtidigt. Använd endast identiska kolborstar.

Använd en skruvmejsel för att ta bort kolborsthållarnas lock. Ta ur de gamla kolborstarna, sätt in de nya och fäst kolborsthållarnas lock.

För att bibehålla produktens säkerhet och tillförlitlighet, bör alltid reparationer, underhålls-service och justeringar utföras av auktoriserad Makita serviceverkstad.

TILLBEHÖR

FÖRSIKTIGHET!

• Dessa tillbehör och tillsatser rekommenderas för användning med den Makita-maskin som anges i den här bruksanvisningen. Om andra tillbehör eller tillsatser används finns det risk för personskador. Använd endast tillbehören och tillsatserna för de ändamål de uttryckligen är avsedda för.

Tillfråga din lokala återförsäljare av Makita-produkter om du behöver ytterligare hjälp med eller mer detaljer angående dessa tillbehör.

- Spånuppsamlare
- Hållare
- Hylsnyckel 10
- Trekantslinjal
- Säkerhetsspärr (strömbrytare)
- Vertikalt skruvstycke
- Hårdmetallsågklinga
- Skyddsglasögon
- Hållarstängs-anordning
- Skruvstycks-anordning (horisontellt skruvstycke)
- Ställplatta
- Hållaranordning
- Olika typer av Makita originalbatterier och -laddare
- Batterilock

Forklaring til generell oversikt

1	Batteri	22	Venstre skråskjæring	44	Skrustikkeknott
2	Trykknapp	23	Rettlinjet skjæring	45	Maskinfot
3	Pipenøkkel	24	Justeringsbolt	46	Skrustikkeakse
4	Pipenøkkelholder	25	Føringsvern	47	Utspring
5	Bladhus	26	Dreiefot	48	Stenger 12
6	Stoppestift	27	Bladperiferi	49	Sperreknapp
7	Bolter	28	Øverste del av dreiefot	50	Håndtak
8	Sekskantbolt	29	Gjæringsskala	51	Startbryter
9	Senterdeksel	30	Viser	52	Sperrehendel
10	Sikkerhetsdeksel (sikkerhetsvern)	31	Støttehåndtak	53	Øv press parallelt med bladet
11	Pil	32	Låsehendel	54	Stilleplate
12	Aksellås	33	Hendel	55	Skruer
13	Sekskantbolt (venstresidig)	34	Løsne	56	Sekskantbolt
14	Ytre flens	35	Stramme	57	Trekantlinjal
15	Sagblad	36	Skråskala	58	Skruer
16	Indre flens	37	Viser	59	Justeringsbolt til 45° skråvinkel
17	Spindel	38	Arm	60	Justeringsbolt til 0° skråvinkel
18	Støvtrakt	39	Skrustikkestang	61	Underarm
19	Støvpose	40	Skrustikkearm	62	Skruer
20	Lukkeanordning	41	Skrustikkeknott	63	Slitasjegrense
21	Skjæreplate	42	Holder	64	Skrutrekker
		43	Holdersett	65	Børsteholderhette

TEKNISKE DATA

Modell

LS800D

Bladdiameter	210 mm – 216 mm
Hulldiameter (spindel)	
For alle Europeiske land	30 mm
For alle land unntatt Europa	25,4 mm eller 25 mm
Maks. sagekapasitet (H x B) med blad med diameter på 216 mm	

Gjæringsvinkel	Skråvinkel	
	0°	45° (venstre)
0°	61 mm x 122 mm	45 mm x 122 mm
45° (venstre og høyre)	61 mm x 85 mm	45 mm x 85 mm

Tomgangshastighet (min ⁻¹)	2 000
Mål (L x B x H)	528 mm x 430 mm x 486 mm
Nettovekt (med batteri)	9,3 kg
Klassifisert spenning	D.C. 18 V

- Grunnet det kontinuerlige forsknings- og utviklingsprogrammet, forbeholder vi oss retten til å foreta endringer i tekniske data uten forvarsel.
- Merk: Tekniske data kan variere fra land til land.

Bruksområde

Verktøyet er beregnet på nøyaktig saging av rette snitt og gjæringsnitt i tre.

Sikkerhetstips

For din egen sikkerhets skyld ber vi deg lese de medfølgende sikkerhetsreglene.

VIKTIGE SIKKERHETSANVISNINGER FOR LADER OG BATTERI

1. Før du begynner å bruke batteriet, må du lese alle anvisninger og forsiktighetsregler på (1) batteriladeren, (2) batteriet og (3) det produktet batteriet skal brukes i.
2. Ikke ta fra hverandre batteriet.
3. Hvis driftstiden er blitt vesentlig kortere, må du omgående slutte å bruke verktøyet. Hvis ikke kan resultatet bli overoppheting, mulige forbrenninger eller til og med en eksplosjon.
4. Hvis du får elektrolytt i øynene, må du skylle dem med store mengder rennende vann og oppsøke lege med én gang. Denne typen uhell kan føre til varig blindhet.
5. Når batteriet ikke er i bruk, må batteripolene alltid være tildekket av batteridekselet.

6. Ikke kortslutt batteriet.
 - (1) Ikke berør batteripolene med ledende materialer.
 - (2) Ikke lagre batteriet i samme beholder som andre metallgjenstander, som for eksempel spiker, mynter osv.
 - (3) Ikke la batteriet komme i kontakt med vann eller regn.
 En kortslutning av batteriet kan føre til et kraftig strømstøt, overoppvarming, mulige forbrenninger og til og med til at batteriet går i stykker.
7. Ikke lagre verktøyet og batteriet på steder hvor temperaturen kan komme opp i eller overskride 50°C.
8. Ikke sett fyr på batteriet, ikke engang om det er sterkt skadet eller helt utslitt. Batteriet kan eksplodere hvis det begynner å brenne.
9. Vær forsiktig så du ikke mister batteriet eller utsetter det for slag.

TA VARE PÅ DISSE ANVISNINGENE.

Tips for å opprettholde maksimal batterilevetid

1. Lad batteriet igjen før det er fullstendig utladet. Hold alltid opp å bruke verktøyet når du merker at det er lite strøm på batteriet. Sett batteriet til lading.
2. Et helt oppladet batteri må aldri settes til ny lading. Overopplading forkorter batteriets levetid.
3. Lad opp batteriet ved romtemperatur, dvs. 10°C – 40°C. Hvis batteriet er varmt, må det få avkjøle seg før lading.
4. Lad nikkelmetallhybrid-batteriet når du ikke har brukt det på mer enn seks måneder.

EKSTRA SIKKERHETSREGLER FOR MASKINEN

1. Vær oppmerksom på at maskinen alltid vil være i startposisjon siden den ikke skal koples til strømmettet.
2. Bruk vernebriller.
3. Sagen må ikke brukes med mindre vernene er på plass.
4. Maskinen må ikke brukes i nærheten av brennbare væsker eller gasser.
5. Kontroller bladet nøye for sprekker eller andre skader før bruk. Sprukne eller ødelagte blad må skiftes ut straks.
6. Bruk bare flenser som er spesifisert for denne maskinen.
7. Vær forsiktig så ikke spindel, flenser (spesielt monteringsflatene) eller bolter påføres skader. Hvis noen av disse delene blir skadet, kan det forårsake at bladet knekker.
8. Sørg for at dreiefoten sitter fast slik at den ikke flytter seg under arbeidet.
9. Av sikkerhetsmessige årsaker må spon, småstykker o.l. fjernes fra arbeidsbordet før arbeidet begynner.

10. Unngå å sage over spikre. Kontroller for og fjern eventuelle spikre fra arbeidsemnet før arbeidet begynner.
11. Sørg for å frigjøre aksellåsen før bryteren slås på.
12. Sørg for at bladet ikke kommer i kontakt med dreiefoten i nederste stilling.
13. Hold godt fast i håndtaket. Vær oppmerksom på at sagen beveger seg litt opp og ned under oppstartning og stopping.
14. Utfør aldri et arbeide med en hånd. Arbeidsemnet må være forsvarlig satt fast mot dreiefoten og føringsvernet med skruestikken under enhver arbeidsoperasjon. Bruk aldri hånden til å holde arbeidsemnet fast med.
15. Hold hendene unna sagbladets bevegelsesområde. Rør aldri det roterende bladet. Det kan resultere i alvorlige legemsskader.
16. Rekk aldri hånden rundt sagbladet.
17. Sørg for at bladet ikke kommer i kontakt med arbeidsemnet før bryteren slås på.
18. Før maskinen brukes på et arbeidsemne, bør motoren gå en stund. Se etter at det ikke forekommer vibrasjoner eller slingring som kan være tegn på feilmontering eller et dårlig balansert blad.
19. Vent til bladet oppnår full hastighet før sag-ingen begynner.
20. Stans maskinen øyeblikkelig hvis du oppdager noe unormalt.
21. Gjør aldri forsøk på å sperre startbryteren slik at maskinen går kontinuerlig.
22. Slå av strømmen og vent til sagbladet stanses før du foretar service eller justeringer på maskinen.
23. Ha hele tiden oppmerksomheten rettet mot det du gjør, spesielt under gjentakende, monotone arbeidsoperasjoner. La deg ikke lede til en falsk trygghetsfølelse. Sagblad kan være ekstremt hensynsløse.
24. Bruk alltid det utstyret som er anbefalt i denne bruksanvisningen. Bruk av ukorrekt utstyr som for eksempel slipehjul, kan forårsake legemsskader.
25. Belast ikke ledningen. Dra aldri i ledningen for å få støpslet ut av stikkkontakten. Hold ledningen unna varme, olje, vann og skarpe kanter.
26. Sagen må ikke brukes til annet en skjæring av tre eller lignende materialer.
27. Kople den komponent gjæringssagen til en støvsamler før sagarbeidet starter.
28. Velg et sagblad som passer til arbeidet som skal gjøres.
29. Utvis forsiktighet ved stikking.
30. Skift skjæreplaten ut når den er utslitt.

TA VARE PÅ DISSE ANVISNINGENE.

BRUKSANVISNINGER

Montering og demontering av batteriet (Fig. 1)

- Maskinen må alltid slås av før batteriet settes i eller tas ut.
- Batteriet fjernes fra maskinen ved å trekke det ut samtidig som knappene på begge sider av batteriet trykkes inn.
- Batteriet settes i ved å passe tungen på batteriet inn etter sporet i kammeret og så skyve det på plass. Batteriet må føres helt inn til det låses på plass med et lite klikk. Hvis dette ikke gjøres kan det falle ut mens maskinen er i bruk, og påføre brukeren eller eventuelle tilstedeværende legemsskader.
- Batteriet må ikke settes i med makt. Hvis det ikke med letthet glir på plass er det fordi det settes i på feil måte.

Pipenøkkel (Fig. 2)

Pipenøkkel oppbevares som vist i fig. 2. Når pipenøkkel skal brukes, er det bare å trekke den ut av holderen. Etter bruk settes den tilbake på plass i holderen.

Montering av sag på arbeidsbenk (Fig. 3 og 4)

Når maskinen sendes fra fabrikken er håndtaket låst i senket posisjon ved hjelp av stoppestiften. Frigjør stoppestiften ved å senke håndtaket litt til og så trekke ut stoppestiften.

Denne maskinen må boltes fast til et jevnt og flatt underlag ved å bruke bolthullene som verktøysfoten er utstyrt med. Dette vil hindre at maskinen tipper over og forårsaker legemsskader.

Montering eller demontering av blad

NB!

Maskinen må alltid være avslått og batteriet fjernet før montering eller demontering av blad.

- Bruk bare den vedlagte Makita skrunøkkel til montering eller demontering av bladet. Hvis denne ikke brukes kan det medføre at sekskantbolten enten trekkes for mye eller for lite til. Dette kan resultere i at operatøren eller andre tilstedeværende utsettes for alvorlige skader.

Lås håndtaket i hevet posisjon ved å trykke inn stoppestiften. (Fig. 3)

Bladet fjernes ved å bruke pipenøkkel til å løse sekskantbolten som holder senterdekslet på plass og dreie den i moturs retning. Løft opp sikkerhetsdekslet og senterdekslet. (Fig. 5)

Trykk inn aksellåsen for å låse spindelen og bruk pipenøkkel til å løse sekskantbolten (venstresidig) i moturs retning. Fjern sekskantbolt, ytre flens og blad. (Fig. 6) Bladet monteres ved å sette det forsiktig ned på spindelen, og se til at pileretningen på bladet stemmer overens med pileretningen på bladhuset. Monter ytre flens og deretter sekskantbolten (venstresidig) som trekkes forsvarlig til med pipenøkkel i moturs retning samtidig som aksellåsen holdes inntrykket. (Fig. 7 og 8)

NB!

For alle land uttatt de Europeiske

Indre flens har en diameter på 25 mm på den ene siden og 25,4 mm på den andre. Siden som 25,4 mm er merket med "25.4". Bruk korrekt side i forhold til hulldiametere på bladet du skal bruke. Hvis bladet monteres på feil side kan det oppstå farlige vibrasjoner.

Sett sikkerhetsdekslet og senterdekslet tilbake i utgangsposisjon. Trekk til sekskantbolten så senterdekslet festes forsvarlig. (Fig. 9)

Frigjør håndtaket fra hevet posisjon ved trekke ut stoppestiften. Senk håndtaket for å kontrollere at sikkerhetsdekslet beveger seg som det skal.

Sikkerhetsdeksel (Fig. 10)

Når håndtaket senkes vil sikkerhetsdekslet automatisk gå opp. Dekslet går tilbake til utgangsposisjon når sagingen er ferdig og håndtaket heves. SIKKERHETSDEKSELET MÅ ALDRI SETTES UT AV FUNKSJON ELLER FJERNES. AV sikkerhetsmessige årsaker må sikkerhetsdekslet alltid være i tippopp stand. Hvis sikkerhetsdekslet ikke fungerer som det skal, må det repareres øyeblikkelig. MASKINEN MÅ ALDRI BRUKES HVIS DET ER NOE GALT MED SIKKERHETSDEKSELET. Hvis det gjennomslitte dekslet blir skittent, eller det kleber seg sagstøv på det slik at bladet og/eller arbeidsområdet ikke lenger er lett synlig, må batteriet koples fra og dekslet grundig rengjøres med en fuktig klut. Det må ikke brukes løsemidler eller parafinbaserte rensmidler på plastdekslet.

Støvpose (Fig. 11)

Bruk av støvpose gjør arbeidet rensligere og støvoppsamlingen enkel. Fest støvposen ved å sette poseåpningen over støvtrakten. Når støvposen er halvfull, hektes den fra maskinen og lukkeanordningen dras ut. Tøm støvposen og bank lett på den slik at støv som har satt seg fast på innsiden også kommer ut.

Plassering av skjæreplater (Fig. 12 og 13)

Denne maskinen er utstyrt med skjæreplater på dreiefoten. Skjæreplatene er justert på fabrikken så sagbladet ikke berører skjæreplatene. Før bruk justeres skjæreplatene som følger:

Først fjerner du batteriet. Skru løs alle skruer (2 hver på høyre og venstre side) som holder skjæreplatene fast. Trekk skruene til igjen så pass at skjæreplatene lett lar seg bevege for hånd. Senk håndtaket helt og trykk inn stoppestiften for å låse håndtaket i senket posisjon. Juster skjæreplatene slik at de såvidt berører siden på bladtennene. Stram skruene (ikke for mye). Etter at skjæreplatene er justert, frigjøres stoppestiften og håndtaket heves. Stram alle skruene forsvarlig.

NB!

Etter at skråvinklere er endret, må skjæreplatene alltid justeres på nytt som beskrevet over.

Oppretthold maksimal skjærekapasitet (Fig. 14 og 15)

Denne maskinen er justert på fabrikken for å gi maksimal skjærekapasitet til et sagblad på 216 mm. Når det brukes andre enn 216 mm sagblad, justeres bladposisjonen nedre grense på følgende måte:

Først fjernes batteriet. Senk håndtaket fullstendig. Bruk pipenøkkel til å dreie justeringsbolten til bladperiferien går litt under øvre del av dreiefoten der hvor fremsiden av føringsvernet treffer øvre del av dreiefoten. Med frakoplet batteri, roteres bladet for hånd mens håndtaket holdes helt nede for å sikre at bladet ikke kommer i kontakt med noen del av nedre fot. Juster en gang til hvis det er nødvendig.

NB!

Etter at et nytt blad er montert, må du alltid kontrollere at bladet ikke berører noen del av nedre fot når håndtaket senkes helt. Dette må alltid gjøres med frakoplet batteri.

Innstilling for justering av gjæringsvinkel (Fig. 16)

Dreiefoten kan svinge opptil 52° til venstre og høyre. Løse støttehåndtaket ved å dreie det moturs. Drei dreiefoten samtidig som låsehendelen holdes nede. Når du har flyttet støttehåndtaket til det stedet hvor viseren indikerer ønsket vinkel på gjæringskalaen, strammes støttehåndtaket forsvarlig i medurs retning.

NB!

- Når dreiefoten dreies, må håndtaket heves fullstendig.
- Etter at gjæringsvinkelen er endret, må dreiefoten alltid festes ved å stramme støttehåndtaket forsvarlig.

Innstilling for justering av skråvinkel (Fig. 17 og 18)

Sagbladet kan skråstilles opptil 45° til venstre. For å justere skråvinkelen, skrur du løs hendelen bak på maskinen. Skyv hendelen til venstre for å skråstille bladet til viseren peker mot ønsket vinkel på gjæringskalaen. Stram hendelen så armen sitter fast.

NB!

- Når bladet skråstilles, må håndtaket heves fullstendig.
- Når skråvinkelen er endret, må armen festes ved å stramme hendelen.

Feste arbeidsemnet

ADVARSEL:

Det er særdeles viktig at arbeidsemnet settes forsvarlig fast med skrustikken. Hvis dette ikke gjøres kan det forårsake at maskinen tar skade og/eller at arbeidsemnet går helt i stykker. **DET VIL OGSÅ VÆRE FARE FOR PERSONSKADER.** Når sagingen er ferdig må bladet **IKKE** heves før det har helt stoppet å rotere.

1. Vertikal skrustikke (Fig. 19)

Den vertikale skrustikken kan monteres i to stillinger på venstre eller høyre side av føringsvernet, eller på holdersettet (ekstrautstyr). Før skruestikkestangen inn i hullet på føringsvernet eller holdersettet og stram skruen så stangen sitter fast. (Merk: Når holdersettet brukes, må den monteres på holderen som vist i Fig. 19.) Still skrustikkearmen i samsvar med materialets tykkelse og fasong og fest skrustikkearmen ved å stramme skruen. Se til at ingen del av maskinen berører skrustikken når håndtaket senkes. Hvis deler av maskinen berører skrustikken, gjøres innstillingen på nytt. Trykk arbeidsemnet flatt mot føringsvernet og dreiefoten. Plasser arbeidsemnet i ønsket skjæreposisjon og fest det forsvarlig ved å stramme skrustikkeknotten. Maksimal tykkelse på arbeidsemner som kan festes med den vertikale skrustikken er 61 mm.

2. Horizontal skrustikke (ekstrautstyr)

(Fig. 20 og 21)

Den horisontale skrustikken kan monteres enten på venstre eller høyre side av foten. Ved å dreie skrustikkeknotten moturs frigjøres skruen og skrustikkeakselen kan flyttes raskt inn og ut. For å gripe fatt i arbeidsemnet dreies skrustikkeknotten forsiktig medurs til utspringet når øverste posisjon. Stram forsvarlig. Hvis skrustikkeknotten skyves inn eller trekkes ut med makt mens den dreies medurs, kan utspringet stoppe i en vinkel. I dette tilfellet dreies skrustikkeknotten tilbake moturs til skruen frigjøres før den igjen dreies forsiktig medurs. Maksimal bredde på arbeidsstykker som kan festes med den horisontale skrustikken er 122 mm.

3. Holdere og holdersett (ekstrautstyr)

Holdere og holdersett kan monteres på hver side som en praktisk måte å støtte opp arbeidsemnet vannrett. Monter som vist i Fig. 22. Trekk deretter skruene forsvarlig til så holderne og holdersettene sitter forsvarlig fast. (Fig. 22)

Ved skjæring av lange arbeidsemner brukes holderstangsettet (ekstrautstyr). Det består av to holdersett og to stenger 12. (Fig. 23)

NB!

Ved saging av lange arbeidsemner må det alltid brukes støtter som er like høye som dreiefotens øvre nivå så skjæreflatene blir presise og for å forhindre farlige situasjoner hvis du skulle miste kontrollen over maskinen.

Bryter (Fig. 24)

NB!

- Før batteriet settes i maskinen, må du sjekke at startbryteren fungerer som den skal og går tilbake til "OFF" når den slippes.
- Når maskinen ikke er i bruk, fjernes sperreknappen og oppbevares på et trygt sted. Dette forhindrer at maskinen brukes av uvedkommende.

For å forhindre at bryteren trykkes inn ved et uhell, er maskinen utstyrt med en sperreknapp. Maskinen startes ved å trykke inn sperreknappen og så trykke på startbryteren. Slipp bryteren for å stoppe.

Sperrehendel (Fig. 25)

Kun for Europeiske land

Ved saging trykker du sperrehendelen mot venstre for å frigjøre håndtaket fra hevet posisjon. Når sagingen er ferdig, frigjøres sperrehendelen etter at bladet er returnert til helt hevet posisjon. Håndtaket låses automatisk i hevet posisjon.

Saging

NB!

Det må ikke øves for stort trykk på håndtaket under sagingen. For stort trykk kan resultere i overbelastning av motoren og/eller nedsatt sageeffekt.

1. Trykksaging (Fig. 26)

- Arbeidsemner opptil 61 mm høye x 122 mm brede kan sages på følgende måte.
- Sett arbeidsemnet fast med skrustikken. Slå maskinen på og vent til bladet oppnår full hastighet før det forsiktig senkes ned mot arbeidsemnet. Når sagingen er ferdig, slå maskinen av og VENT TIL BLADET HAR SLUTTET HELT Å ROTERE før det settes tilbake i helt hevet stilling.

2. Gjæringsaging Se avsnittet som omhandler "Innstilling for justering av gjæringsvinkel".

3. Skråsaging (Fig. 27)

- Arbeidsemner på opptil 45 mm x 122 mm kan skjæres i en venstresidig 45° skråvinkel.
- Løse hendelen og vipp sagbladet for å stille inn skråvinkelen. Se avsnittet som omhandler "Innstilling for justering av skråvinkel". Sett arbeidsemnet fast med skrustikken. Slå maskinen på og vent til bladet oppnår full hastighet. Senk håndtaket helt ned samtidig som det øves press parallelt med bladet. Når sagingen er ferdig, slå av maskinen og VENT TIL BLADET HAR SLUTTET HELT Å ROTERE før det settes tilbake i helt hevet stilling.

NB!

- Under skråskjæring kan det oppstå situasjoner hvor det avsagde stykket vil hvile mot bladsiden. Hvis bladet heves mens det stadig roterer, kan det avsagde stykket fanges av bladet, flises opp og spres rundt omkring. Dette kan være farlig og bladet må derfor BARE heves etter at bladet har helt sluttet å rotere.
- Når håndtaket trykkes ned skal det øves trykk som er parallelt med bladet. Hvis trykket øves loddrett ned mot dreiefoten eller hvis trykkretningen endres underveis, vil sageresultatet bli ujevnt.

4. Kombinasjonssaging Kombinasjonssaging er prosessen hvor en skråvinkel lages samtidig som en gjæringsvinkel sages på et arbeidsemne. Kombinasjonssaging kan utføres i de vinklene som er vist i tabellen under.

Gjæringsvinkel	Skråvinkel
Venstre og høyre 45°	Venstre 0 – 45°
Venstre og høyre 52°	Venstre 0 – 40°

Ved venstre 45° gjæringsvinkel venstre 45° skråvinkel, kan det sages emner som er opptil 45 mm høye x 85 mm brede. Ved kombinasjonssaging se forklaringene til "Trykksaging", "Gjæringsaging" og "Skråsaging".

5. Repetisjonssaging (Fig. 28)

Når det skal sages flere stykker av samme lengde, på størrelse fra 220 mm til 365 mm, brukes stilleplaten (ekstrautstyr) som vil forenkle arbeidet betraktelig. Monter stilleplaten på holderen som vist i Fig. 28. Tilpass skjærelinjen på arbeidsemnet med enten venstre eller høyre spor på skjæreplaten. Og mens du holder emnet fast så det ikke beveger seg, flytter du stilleplaten så den flukter med enden av arbeidsemnet. Fest stilleplaten med skruen. Når stilleplaten ikke er i bruk, løsner du skruen og svinger platen ut av veien.

MERKNAD:

Med holdersettet (ekstrautstyr) kan du sage gjentatte lengder, varierende i størrelse fra 220 mm til 2230 mm.

Bæring av maskinen (Fig. 3 og 29)

Ta batteriet ut av maskinen. Fest bladet i en 0° skråvinkel og dreiefoten i en 52° gjæringsvinkel til høyre. Senk håndtaket fullstendig og lås det i senket posisjon ved å skyve inn stoppestiften. Bær maskinen etter bærehåndtaket som vist i Fig. 29.

SERVICE

NB!

Før det utføres arbeider på maskinen må du alltid forvise deg om at maskinen er slått av og akkumulatoren er tatt ut.

Justering av sagevinkel

Denne maskinen er nøye justert og regulert på fabrikken, men uvøren behandling kan virke inn på denne justeringen. Hvis maskinen ikke er korrekt justert, gå frem som følger.

- 1) Gjæringsvinkel Skru løs støttehåndtaket som holder dreiefoten fast. Drei dreiefoten så viseren peker mot 0° på gjæringskalaen. Drei dreiefoten forsiktig medurs og moturs til dreiefoten hviler i 0° hakket. (La stå som den er hvis viseren ikke indikerer 0° grader.) Med pipenøkkelen skrur du løs de fire sekskantboltene som holder føringsvernet fast. (Fig. 30)

Senk håndtaket helt ned og lås det i senket posisjon ved å skyve inn låsepinnen. Sett bladsiden i rett vinkel på føringsvernet ved hjelp av en trekantlinjal, ansatsvinkel, etc. Trekk deretter til de fire sekskantboltene på føringsvernet i tur og orden fra høyre. (Fig. 31)

Se til at viseren peker mot 0° på gjæringskalaen. Hvis den ikke peker mot 0°, løsner du skruen som holder viseren på plass og justerer viseren slik at den peker mot 0°. (Fig. 32)

- 2) Skråvinkel

i) 0° skråvinkel Senk håndtaket fullstendig og lås det i senket posisjon ved å skyve inn låsepinnen. Løse hendelen bak på maskinen. Drei 0° skråvinkelens justeringsbolt (nedre bolt) på armens høyre side to eller tre omganger moturs for å vippe bladet til høyre. (Fig. 33) Still bladsiden i nøyaktig rett vinkel på øvre flate av dreiefoten ved hjelp av en trekantlinjal, ansatsvinkel, etc., ved å dreie 0° skråvinkelens justeringsbolt medurs. Stram deretter hendelen forsvarlig. (Fig. 34) Se til at viseren på underarmen peker mot 0° på skråskalaen på armen. Gjør den ikke det, løsner du skruen som holder viseren fast og justerer viseren slik at den peker mot 0°. (Fig. 35)

- ii) 45° vinkel

Juster 45° skråvinkelen bare etter at 0° skråvinkelen er justert. For å justere venstre 45° skråvinkel, løsner du hendelen og vipper bladet 45° mot venstre. Se til at viseren på underarmen peker mot 45° på skråskalaen på armen. Gjør den ikke det, dreier du 45° skråvinkel justeringsbolten (øvre bolt) på siden av armen til viseren peker mot 45°. (Fig. 33)

Utskifting av kullbørster (Fig. 36 og 37)

Ta kullbørstene ut for regelmessig sjekk. Skift børstene ut hvis de er slitt ned til slitasjegrensen. Hold kullbørstene rene og se til at de beveger seg fritt i holderne. Begge kullbørstene må skiftes ut samtidig. Bruk bare identiske kullbørster.

Bruk en skrutrekker til å fjerne børsteholderhettene med. Ta ut de slitte børstene, sett inn nye og monter børsteholderhettene forsvarlig på plass igjen.

For å garantere at msaskinen arbeider sikkert og pålitelig bør reparasjoner, servicearbeider eller innstillinger utføres av et autorisert Makita-serviceverksted.

TILBEHØR

NB!

- Dette tilbehøret eller utstyret anbefales til å brukes med ditt Makita-verktøy som er spesifisert i denne bruksanvisningen. Bruk av annet tilbehør eller utstyr kan medføre risiko for personskader. Tilbehør og utstyr må bare bruk til de formål de er beregnet til.

Kontakt nærmeste Makita-serviceverksted dersom du trenger videre opplysninger angående tilbehøret.

- Støvpose
- Holder
- Pipenøkkel 10
- Trekantlinjal
- Sperreknapp (bryterknapp)
- Vertikal skrustikke
- Sagblad med karbidspiss
- Vernebriller
- Holderstangsett
- Skrustikkesett (horisontal skrustikke)
- Stilleplate
- Holderset
- Ulike typer originale batterier og ladere fra Makita
- Batterideksel

Yleiselustus

1 Akku	22 Vasemmanpuoleinen viistesahaus	44 Ruuvipuristimen nuppi
2 Painonappi	23 Suora sahaus	45 Jalusta
3 Hylsyavain	24 Säättöruuvi	46 Ruuvipuristimen kara
4 Avaimen pidin	25 Ohjain	47 Uloke
5 Teräkotelo	26 Kääntöjalusta	48 Tangot 12
6 Pysäytintappi	27 Terän kehä	49 Lukituksen vapautuspainike
7 Ruuvit	28 Kääntöjalustan yläpinta	50 Kahva
8 Kuusioruuvi	29 Jiirisahaustaasteikko	51 Liipaisinkytkin
9 Keskiösuojus	30 Osoitin	52 Lukituspainike
10 Turvasuojus (turvaohjain)	31 Kädensija	53 Paina terän suunnassa
11 Nuoli	32 Lukituskytkin	54 Pohjalevy
12 Karalukitus	33 Vipu	55 Ruuvi
13 Kuusioruuvi (vasenkätinen kierre)	34 Löysty	56 Kuusioruuvi
14 Ulkolaippa	35 Kiristyy	57 Kolmikulma
15 Sahanterä	36 Viisteytysasteikko	58 Ruuvi
16 Sisälaippa	37 Osoitin	59 45° viistekulman säättöruuvi
17 Kara	38 Varsi	60 0° viistekulman säättöruuvi
18 Pölysuutin	39 Ruuvipuristimen tanko	61 Alivarsi
19 Pölypussi	40 Ruuvipuristimen varsi	62 Ruuvi
20 Suljin	41 Ruuvipuristimen nuppi	63 Rajamerkki
21 Uurrosto	42 Tuki	64 Ruuvitalta
	43 Tukisarja	65 Harjanpitimen kansi

TEKNISET TIEDOT

Malli	LS800D
Terän halkaisija	210 mm – 216 mm
Reiän (akselin) läpimitta	
Kaikki Euroopan maat	30 mm
Kaikki muut paitsi Euroopan maat	25,4 mm tai 25 mm
Suurin 216 mm:n läpimittaisella terällä sahattava kappale (k x l)	

Jiirisahauskulma	Viistekulma	
	0°	45° (vasen)
0°	61 mm x 122 mm	45 mm x 122 mm
45° (vasen ja oikea)	61 mm x 85 mm	45 mm x 85 mm

Tyhjäkäyntinopeus (min ⁻¹)	2 000
Mitat (p x l x k)	528 mm x 430 mm x 486 mm
Nettopaino (luona akku)	9,3 kg
Nimellisjännite	18 V tasavirta

- Jatkuvan tutkimus- ja kehitysohjelman vuoksi pidämme oikeuden muuttaa tässä mainittuja teknisiä ominaisuuksia ilman ennakoilmoitusta.
- Huomaa: Tekniset ominaisuudet saattavat vaihdella eri maissa.

Käyttötarkoitus

Kone on tarkoitettu puun tarkkaan suoraan ja viistosahaukseen.

Turvaohjeita

Oman turvallisuutesi vuoksi lue mukana seuraavat turvaohjeet.

TÄRKEITÄ TURVAOHJEITA AKULLE JA AKKULATAAJALLE

1. Lue kaikki (1) akkulataajan, (2) akun ja (3) akkua käytävän laitteen ohjeet ja varoitusmerkinnät ennen akkulataajan käyttöä.
2. Älä pura akkua osiinsa.

3. Jos käyttöaika lyhenee huomattavasti, lopeta työskentely välittömästi. Tämä voi aiheuttaa ylikuumenemisen, mahdollisia palovammoja ja jopa räjähdyksen.
4. Jos akkuhappoa pääsee silmiin, huuhtelee ne puhtaalla vedellä ja hakeudu heti lääkäriin. Tämä voi aiheuttaa näön menetyksen.
5. Peitä akkuliittimet aina akkukansilla, kun akkua ei käytetä.
6. Älä kytke akkua oikosulkuun:
 - (1) Älä kosketa liittimiä millään sähköä johtavalla esineellä.
 - (2) Älä säilytä akkua yhdessä metalliesineiden kuten naulojen, kolikoiden tms. kanssa.
 - (3) Suojaa akku vedeltä ja sateelta. Akun oikosulku voi aiheuttaa voimakkaan sähkövirran, ylikuumenemisen, mahdollisia palovammoja ja konerikon.

7. Älä säilytä konetta ja akkua paikoissa, joiden lämpötila voi nousta tai kohota yli 50°C.
8. Älä hävitä akkua polttamalla, vaikka se olisi pahasti vioittunut tai kulunut loppuun. Akku voi räjähtää tulessa.
9. Varo pudottamasta ja kolhimasta akkua.

SÄILYÄ NÄMÄ OHJEET.

Vihjeitä akun käyttöiän maksimoimiseksi

1. Lataa akku ennen kuin se on kokonaan purkautunut.
Jos huomaat käyttövoiman heikentyneen, lopeta aina koneen käyttäminen ja lataa akku.
2. Älä koskaan lataa täyteen ladattua akkua. Liiallinen lataaminen lyhentää akun käyttöikää.
3. Lataa akku huoneenlämmössä 10°C – 40°C. Anna kuuman akun jäähtyä ennen sen lataamista.
4. Lataa nikkelimetallihydridiakku, jos sitä ei käytetä yli puoleen vuoteen.

YLEISIÄ TURVAOHJEITA

1. Muista, että tämä laite on aina toimintavalmiina, koska sitä ei tarvitse liittää sähköpistorasiiaan.
2. Käytä silmäsuojusta.
3. Älä käytä sahaa, kun suojukset ovat poissa paikoiltaan.
4. Älä käytä laitetta syttyvien nesteiden tai kaasujen lähetyksillä.
5. Tarkista terä huolellisesti ennen käyttöä mahdollisten murtumien ja vaurioiden varalta. Vaihda murtunut tai vaurioitunut terä välittömästi uuteen.
6. Käytä ainoastaan tälle laitteelle tarkoitettuja laippoja.
7. Varo, ettet vahingoita akselia, laippoja (etenkään asennuspintaa) tai ruuvia. Näiden osien vahingoittuminen saattaa aiheuttaa terän rikkoutumisen.
8. Varmista, että kääntöjalusta on kunnolla kiinnitetty, jottei se liikkuisi työskentelyn aikana.
9. Oman turvallisuutesi vuoksi poista lastut, pienet roskat yms. pöydältä, ennen kuin aloitat työskentelyn.
10. Varo sahaamasta naulaa. Tutki työkappale ja poista kaikki naulat, ennen kuin aloitat työskentelyn.
11. Varmista, että karalukitus on vapautettu, ennen kuin kytket virran päälle.
12. Varmista, että terä ei osu kääntöjalustaan alasennossaan.
13. Pidä kahvasta tiukasti kiinni. Muista, että saha liikahda hieman ylös- tai alaspäin käynnistettäessä ja pysäytettäessä.
14. Älä koskaan pitele työkappaletta käsin. Työkappale tulee aina kiinnittää ruuvipuristimella tiukasti kääntöjalustaa ja ohjainta vasten työskentelyn ajaksi. Älä koskaan tue työkappaletta kädelläsi.
15. Pidä kädet poissa sahanterän tieltä. Varo koskemasta vapaalla pyörivään terään. Sekin voi aiheuttaa vakavia vammoja.
16. Älä koskaan kurota sahanterän yli.

17. Varmista, että terä ei kosketa työkappaletta ennen virran kytkemistä.
18. Anna laitteen käydä hetken aikaa, ennen kuin käytät sitä työkappaleeseen. Terän värinä tai huojunta kertoo huonosta asennuksesta tai heikosti tasapainotetusta terästä.
19. Anna terän saavuttaa täysi käyntinopeus, ennen kuin aloitat sahaamisen.
20. Lopeta sahaaminen välittömästi, jos havaitset jotain tavallisuudesta poikkeavaa.
21. Älä lukitse liipaisinta käyttöasentoon (ON).
22. Katkaise virta ja anna sahanterän pysähtyä, ennen kuin huollat laitetta tai teet sille säätöjä.
23. Ole jatkuvasti varuillasi, etenkin toistuvien yksitoikkoisten työvaiheiden aikana. Älä tuudittaudu vääriin turvallisuudentunteeseen. Terä ei anna huolimattomuutta anteeksi.
24. Käytä aina tässä käyttöohjeessa suositeltuja lisävarusteita. Epäsopivien lisävarusteiden, kuten hiomalaikan käyttö saattaa aiheuttaa loukkaantumisen.
25. Käsittele johtoa varoen. Älä koskaan kiskaise johtoa irti pistorasiasta. Pidä johto loitolla kuumuudesta, öljystä, vedestä ja terävistä särmistä.
26. Älä käytä sahaa muun kuin puun tai vastaavan materiaalin sahaamiseen.
27. Liitä yhdistetty jiirlisahat pölynkeräimeen, kun sahaat.
28. Valitse sahanterät sahattavan materiaalin mukaan.
29. Ole varovainen sahatessasi uria.
30. Vaihda uurrastaso uuteen, kun se on kulunut.

SÄILYÄ NÄMÄ OHJEET.

KÄYTTÖOHJEET

Akun asentaminen tai poistaminen (Kuva 1)

- Kytke kone aina POIS päältä ennen akun asentamista tai poistamista.
- Akku irrotetaan vetämällä se koneesta samalla kun puristat akun molemmilla puolilla olevia painikkeita.
- Akku kiinnitetään asettamalla akussa oleva kieleke kotelon uraan. Työnnä akku aina kokonaan sisään siten, että se napsahtaa kevyesti paikalleen. Jos et toimi näin, akku saattaa pudota vahingossa irti koneesta aiheuttaen itsesi tai jonkun sivullisen loukkaantumisen.
- Älä käytä voimaa asentaessasi akkua. Jos akku ei mene sisään herkästi, se ei ole oikeassa asennossa.

Hylsyavain (Kuva 2)

Hylsyavainta säilytetään kuvan 2 osoittamalla tavalla. Kun käytät hylsyavainta, vedä se irti avaimen pitimestä. Kun olet käyttänyt hylsyavainta, palauta se avaimen pitimeen.

Sahan kiinnittäminen penkkiin (Kuvat 3 ja 4)

Kun kone toimitetaan tehtaalta, pysäytintappi lukitsee kahvan ala-asentoon. Vapauta pysäytintappi laskemalla kahvaa hieman ja vetämällä pysäytintapista. Tämä kone tulee kiinnittää neljällä ruuvilla tasaiselle ja vakaalle pinnalle koneen jalustassa olevien ruuviauukkojen avulla. Tämä estää osaltaan konetta kaatumasta, mikä voi aiheuttaa loukkaantumisen.

Sahanterän kiinnittäminen ja irrottaminen

VARO:

- Varmista aina, että kone on sammutettu ja akku irrotettu, ennen kuin kiinnität tai irrotat terän.
- Käytä terän kiinnittämiseen ja irrottamiseen ainoastaan varusteisiin kuuluvaa Makitan hylsyavainta. Jos et toimi näin, seurauksena saattaa olla liian kireä tai löysä kuusioruuvun kiinnitys. Tämä voi johtaa käyttäjän tai sivulisten vakavaan loukkaantumiseen.

Lukitse kahva yläasentoon työntämällä pysäytintappi sisään. **(Kuva 3)**

Terä irrotetaan löysentämällä keskiösuojusta paikallaan pitävä kuusioruuvi hylsyavaimella vastapäivään. Nosta turvasuojus ja keskiösuojus. **(Kuva 5)**

Lukitse kara painamalla karalukitusta ja löysennä kuusioruuvi (vasenkätinen kierre) hylsyavaimella myötäpäivään. Irrota sitten kuusioruuvi, ulkolaippa ja terä. **(Kuva 6)**

Terä kiinnitetään asettamalla se varovasti karalle varmistuksen, että terän pinnassa oleva nuoli osoittaa samaan suuntaan kuin teräkotelossa oleva nuoli. Kiinnitä ulkolaippa ja kuusioruuvi ja kiristä sitten kuusioruuvi (vasenkätinen kierre) hylsyavaimella tiukasti vastapäivään samalla kun painat karalukitusta. **(Kuvat 7 ja 8)**

VARO:

Kaikki muut paitsi Euroopan maat

Sisäläipän toinen puoli on halkaisijaltaan 25 mm ja toinen puoli 25,4 mm. Halkaisijaltaan 25,4 mm puolella on merkintä "25.4". Käytä terän reiän läpimitalle sopivaa puolta. Terän kiinnittäminen väärälle puolelle voi aiheuttaa vaarallista värinää.

Palauta turvasuojus ja keskiösuojus alkuperäisille paikoilleen. Varmista sitten keskiösuojuksen kiinnitys kiristämällä kuusioruuvi myötäpäivään. **(Kuva 9)**

Vapauta kahva yläasennosta vetämällä pysäytintappia. Laske kahva varmistaaksesi, että turvasuojus liikkuu kunnolla.

Turvasuojus (Kuva 10)

Turvasuojus nousee automaattisesti kahvan laskiessa. Suojus palaa alkuperäiseen asentoonsa, kun sahaus on päättynyt ja kahva nostettu. ÄLÄ KOSKAAN SAATA TURVASUOJUSTA TOIMINTAKYVYTTÖMÄKSI TAI POISTA SITÄ. Oman turvallisuutesi vuoksi pidä turvasuojus aina hyvässä kunnossa. Turvasuojuksen epänormaali toiminta tulee korjata välittömästi. ÄLÄ KOSKAAN KÄYTTÄ LAITETTA EPÄKUNTOISELLA TURVASUOJUKSELLA. Jos läpinäkyvä turvasuojus likaantuu tai siihen tarttuu sahanjauhoa siten, että terää ja/tai työkalupäätä on vaikea nähdä, irrota akku ja puhdista suojus varovasti kostealla liinalla. Älä käytä liuottimia tai öljypohjaisia puhdistimia muovisuojuksen puhdistamisessa.

Pölypussi (Kuva 11)

Käyttämällä pölypussia sahausesta tulee siistiä ja roskien keräämisestä helppoa. Pölypussi kiinnitetään sovitamalla pussin aukko pölysuuttimeen. Kun pölypussi on täytynyt noin puoleksi, irrota pölypussi laitteesta ja vedä suljin irti. Tyhjennä pölypussi napauttamalla sitä kevyesti, jotta sen sisäpinnalle takertuneet myöhempiä roskien keräämistä häiritsevät kappaleet irtoavat.

Uurrostason asettaminen (Kuvat 12 ja 13)

Tämän koneen kääntöjalusta on varustettu uurrosta-soilla. Uurrostasot on tehtaalla säädetty siten, että sahanterä ei kosketa niitä. Säädä uurrostasot seuraavalla tavalla ennen käyttöä:

Irrota ensin akku koneesta. Löysennä kaikki uurrosta-asoa paikallaan pitävät ruuvit (2 vasemmalla ja 2 oikealla). Kiristä ruuveja sen verran, että uurrosta-asoja voidaan helposti liikuttaa käsin. Laske kahva kokonaan alas ja lukitse kahva ala-asentoon painamalla pysäytintappi sisään. Säädä uurrostasot siten, että ne juuri ja juuri koskettavat terän hampaiden reunaa. Kiristä ruuvit (älä kiristä tiukalle). Kun olet säätänyt uurrostasot, vapauta pysäytintappi ja nosta kahva. Kiristä sitten kaikki ruuvit tiukalle.

VARO:

Kun olet muuttanut viistekulmaa, säädä uurrostasot aina edellä kuvatulla tavalla.

Parhaan mahdollisen sahauskyvyn ylläpitäminen (Kuvat 14 ja 15)

Kone on tehtaalla säädetty siten, että se tarjoaa suurimman mahdollisen sahauskyvyn 216 mm sahanterälle. Kun käytät muuta kuin 216 mm sahanterää, säädä alarajoitimen asentoa seuraavalla tavalla:

Irrota ensin akku koneesta. Laske kahva kokonaan alas. Käännä säätöruuvia kuusioavaimella, kunnes terän kehä ulottuu hieman kääntöjalustan yläpinnan alle kohdassa, jossa ohjaimen etupuoli kohtaa kääntöjalustan ylätasoa. Varmista, että akku on irrotettu koneesta. Kierrä terää käsin pitäen samalla kahvan kokonaan alhaalla varmistaksesi, ettei terä kosketa mihinkään alustan kohtaan. Tee hienosäätö tarpeen mukaan.

VARO:

Varmista aina kiinnitettyäsi uuden terän, että terä ei kosketa mihinkään alustan kohtaan, kun kahva on kokonaan alhaalla. Irrota aina akku ennen tätä tarkastusta.

Jiirisahauskulman säätäminen (Kuva 16)

Kääntöjalusta kääntyy enintään 52° vasemmalle ja oikealle. Löysennä kädensija kääntämällä vastapäivään. Käännä kääntöjalustaa samalla kun painat lukituskytkintä. Kun olet siirtänyt kädensijan asentoon, jossa osoitin osoittaa haluamaasi kulmaa jiirisahausteikkolla, kiristä kädensija tiukasti myötäpäivään.

VARO:

- Pidä huolta, että nostat kahvan kokonaan ylös, kun käännät kääntöjalustaa.
- Kun olet muuttanut jiirisahauskulmaa, varmista aina kääntöjalustan kiinnitys kiristämällä kädensija tiukasti.

Viistekulman säätäminen (Kuvat 17 ja 18)

Sahanterä kääntyy korkeintaan 45° vasemmalle. Viistekulmaa säädetään löysentämällä koneen takaosassa oleva vipu. Paina kahvaa melko voimakkaasti siihen suuntaan, ja käännä sahanterää, kunnes osoitin osoittaa haluamaasi kulmaa viisteasteikkolla. Varmista varren kiinnitys kiristämällä vipu.

VARO:

- Pidä huolta, että nostat kahvan kokonaan ylös, kun käännät sahanterää.
- Kun olet muuttanut viistekulmaa, varmista aina varren kiinnitys kiristämällä vipu tiukasti.

Työkappaleen kiinnittäminen

VAROITUS:

On erittäin tärkeää aina kiinnittää työkappale huolellisesti ja tiukasti paikoilleen ruuvipuristimella. Jos et toimi näin, kone saattaa vioittua ja/tai työkappale tuhoutua. SEURAUKSENA VOI OLLA MYÖS LOUKKAANTUMINEN. Kun olet tehnyt sahausksen loppuun, ÄLÄ nosta terää, ennen kuin terä on kokonaan pysähtynyt.

1. Pystytenkki (Kuva 19)

Pystytenkki voidaan asentaa kahteen eri asentoon ohjaimen tai tukisarjan (lisävaruste) oikealle tai vasemmalle puolelle. Työnnä ruuvipuristimen tanko ohjaimen tai tukisarjan aukkoon ja kiinnitä ruuvipuristimen tanko kiristämällä ruuvi. (Huomaa: Kun käytät tukisarjaa, kiinnitä se tukeen **Kuva 19** osoittamalla tavalla.)

Aseta ruuvipuristimen varsi työkappaleen paksuuden ja muodon mukaisesti ja kiinnitä varsi paikalleen kiristämällä ruuvi. Pidä huolta, että mikään koneen kohta ei osu ruuvipuristimeen, kun lasket kahvan kokonaan alas. Jos jokin kohta osuu ruuvipuristimeen, aseta ruuvipuristin uudelleen. Paina työkappale tiukasti ohjainta ja kääntöjalustaa vasten. Aseta työkappale haluamaasi sahausasentoon ja kiinnitä se tiukasti kiristämällä ruuvipuristimen nuppi. Pystytenkkiin kiinnitettävien työkappaleiden enimmäispaksuus on 61 mm.

2. Vaakapenkki (lisävaruste) (Kuvat 20 ja 21)

Vaakapenkki voidaan asentaa alustan vasemmalle tai oikealle puolelle. Ruuvi vapautetaan kääntämällä ruuvipuristimen nuppia vastapäivään, jolloin ruuvipuristimen kara liikkuu vaivatta sisään ja ulos. Työkappale kiinnitetään kääntämällä ruuvipuristimen nuppia myötäpäivään, kunnes kohouma tulee ylimpään asentoonsa. Kiristä sitten tiukasti. Jos ruuvipuristimen nuppia käännetään väkisin tai sitä vedetään ulos samalla kun käännetään myötäpäivään, kohouma saattaa pysähtyä vinoon kulmaan. Jos näin käy, käännä ruuvipuristimen nuppia takaisin vastapäivään, kunnes ruuvi vapautuu ja käännä sitten uudelleen varovasti myötäpäivään. Vaakapenkkiin kiinnitettävien työkappaleiden enimmäisleveys on 122 mm.

3. Tuet ja tukisarjat (lisävaruste)

Tuet ja tukisarja voidaan kiinnittää kummalle puolelle tahansa työkappaleiden vaakasuoraa tukemista varten. Kiinnitä ne **Kuvan 22** osoittamalla tavalla. Varmista sitten tuet ja tukisarja kiristämällä ruuvit tiukasti. (**Kuva 22**) Kun sahaat pitkiä työkappaleita, käytä tuki-tankosarjaa (lisävaruste). Se koostuu kahdesta tukisarjasta ja kahdesta tangosta 12.

(Kuva 23)

VARO:

Tue aina pitkät työkappaleet tasan kääntöjalustan yläpinnan kanssa saadaksesi sahaustuloksesta tarkan ja välttääksesi koneen vaarallisen hallinnan menettämisen.

Kytkimen käyttäminen (Kuva 24)

VARO:

- Varmista aina ennen akun liittämistä koneeseen, että liipaisinkytkin toimii moitteettomasti ja että se palautuu vapautettaessa "OFF" -asentoon.
- Kun et käytä konetta, irrota lukituksen vapautuspainike ja talleta se varmaan paikkaan. Tämä estää koneen luvattoman käytön.

Kone on varustettu lukituksen vapautuspainikkeella liipaisimen tahattoman painamisen estämiseksi.

Kone käynnistetään painamalla lukituksen vapautuskytkin sisään ja painamalla liipaisinta. Kone pysäytetään vapauttamalla liipaisin.

Lukituskytkin (Kuva 25)

Vain Euroopan maat

Kun sahaat, työnnä lukitusvipu vasemmalle vapauttaaksesi kahvan yläasentoon. Kun sahaus on valmis, vapauta lukitusvipu, kun olet ensin palauttanut terän kokonaan yläasentoon. Kahva lukittu automaattisesti yläasennossa.

Koneen käyttäminen

VARO:

Älä paina kahvaa liiallisesti, kun sahaat. Liiallinen voiman käyttö voi aiheuttaa koneen ylikuormittumisen ja/tai heikentyneen sahaustehon.

1. Painosahaus (Kuva 26)

- Työkappaleet, jotka ovat korkeintaan 61 mm korkeita ja 122 mm leveitä voidaan sahata seuraavaan tapaan.
- Kiinnitä työkappale ruuvipuristimeen. Käynnistä kone ja odota, kunnes terä on saavuttanut täyden nopeutensa, ennen kuin lasket terän vasten. Kun olet sahanut, sammuta kone ja ODOTA, KUNNES TERÄ ON KOKONAAN PYSÄHTYNYT, ennen kuin palautat terän kokonaan ylös.

2. Jiirisahaus

Katso aiemmin selostettua kohtaa "Jiirisahauskulman säätäminen".

3. Viistesahaus (Kuva 27)

- Kun viistesahauskulma on 45°, voidaan sahata työkappaleita, joiden korkeus on enintään 45 mm ja leveys enintään 122 mm.
- Löysennä vipua ja käännä sahanterää asettaaksesi viistekulman. Katso edellä selostettua kohtaa "Viistekulman säätäminen". Kiinnitä työkappale ruuvipuristimella. Käynnistä kone ja odota, kunnes terä on saavuttanut täyden nopeutensa. Laske sitten kahva varovasti kokonaan alas painaen samalla terän suuntaisesti. Kun olet sahanut, sammuta kone ja ODOTA, KUNNES TERÄ ON KOKONAAN PYSÄHTYNYT, ennen kuin palautat terän kokonaan ylös.

VARO:

- Kun teet viistesahausta, irtisahattu kappale saattaa jäädä nojaamaan terän sivua vasten. Jos terä nostetaan sen vielä pyöriessä, tämä kappale saattaa lähteä liikkeelle terän mukana. Tällöin siitä saattaa lentää palasia ympärille, mikä on vaarallista. Terä tulee nostaa VASTA, kun se on kokonaan pysähtynyt.
- Kun painat terän alas, paina terän suuntaisesti. Jos painetaan kohtisuoraan kääntöjalustaan nähden tai jos painamisen suuntaa muutetaan kesken sahausken, sahausken tarkkuus kärsii.

4. Yhdistelmäsaahas Yhdistelmäsaahuksessa viistesahausta tehdään samalla, kun työkappaleeseen tehdään jiirisahausta. Yhdistelmäsaahas voidaan tehdä alla olevan taulukon mukaisella kulmalla.

Jiirisahauskulma	Viistesahaus
Vasen ja oikea 45°	Vasen 0° – 45°
Vasen ja oikea 52°	Vasen 0° – 40°

Kun vasemmanpuoleinen jiirisahauskulma on 45° ja vasemmanpuoleinen viistekulma 45°, voidaan sahata työkappaleita, joiden korkeus on enintään 45 mm ja leveys 85 mm. Kun teet yhdistelmäsaahusta, katso kappaleiden "Painosahaus", "Jiirisahaus" ja "Viistesahaus" selostusta.

5. Useiden samanmittaisten kappaleiden sahaaminen **(Kuva 28)**

Kun sahaat useita saman pituisia kappaleita, joiden pituus on välillä 220 mm – 365 mm, työskentely on tehokkaampaa pohjalevyn (lisävaruste) avulla. Kiinnitä pohjalevy tukeen **kuvan 28** osoittamalla tavalla. Aseta työkappaleen sahauslinja samansuuntaiseksi joko uurrostason vasemman tai oikean uran kanssa. Pidä työkappale paikallaan ja siirrä pohjalevy tasaisesti työkappaleen päätä vasten. Kiinnitä sitten pohjalevy paikalleen ruuvilla. Kun pohjalevyä ei käytetä, löysennä ruuvi ja käännä pohjalevy pois tieltä.

HUOMAA:

Tuki-tankosarjan (lisävaruste) avulla voidaan sahata useita samanmittaisia kappaleita, joiden pituus on välillä 220 mm – 2 230 mm.

Koneen kantaminen (Kuvat 3 ja 29)

Varmista, että akku on irrotettu koneesta. Kiinnitä terä 0° viistekulmaan ja kääntöjalusta 52° oikeanpuoleiseen jiirisahauskulmaan. Laske kahva kokonaan alas ja lukitse se ala-asentoon työntämällä pysäytintappi sisään. Kanna konetta kädensijasta **kuvan 29** osoittamalla tavalla.

HUOLTO

VARO:

Varmistaudu aina ennen kaikkia koneelle suoritettavia töitä, että kone on pysäytetty ja akku irrotettu.

Sahauskulman säätäminen

Tämä kone on säädetty ja tasapainotettu huolellisesti tehtaalla, mutta huolimatonta käsittelyä on saattanut vaikuttaa tasapainotukseen. Jos koneesi ei ole kunnolla tasapainotettu, toimi seuraavasti:

- 1) Jiirisahauskulma

Löysennä kääntöjalustaa paikallaan pitävä kädensija. Käännä kääntöjalustaa siten, että osoitin näyttää 0° jiirisahaustaiteikolla. Käännä sitten kääntöjalustaa hieman myötäpäivään ja vastapäivään sovittaaksesi kääntöjalustan 0° jiirisahausloveen. (Anna sen olla, jos osoitin ei näytä 0°.) Löysennä ohjainta paikallaan pitävät neljä kuusioruuvia hylsyavaimella. **(Kuva 30)** Laske kahva kokonaan alas ja lukitse se ala-asentoon työntämällä sokka sisään. Tasaa terän syrjä ohjaimen etureunan kanssa käyttäen kolmikulmaa, vastekulmakkoa tms. Kiristä sitten ohjaimen kuusioruuvit järjestyksessä alkaen oikealta. **(Kuva 31)**

Varmista, että osoitin näyttää 0° jiirisahaustaiteikolla. Jos osoitin ei näytä 0°, löysennä osoittimen paikallaan pitävä ruuvi ja säädä osoitinta siten, että se näyttää 0°. **(Kuva 32)**

- 2) Viistekulma

i) 0° viistekulma Laske kahva kokonaan alas ja lukitse se ala-asentoon painamalla sokka sisään. Löysennä koneen takaosassa oleva vipu. Käännä terää oikealle kiertämällä varren oikealla puolella olevaa 0° viistekulman säätöruuvia (alaruuvia) kaksi tai kolme kierrosta vastapäivään. **(Kuva 33)** Tasaa terän syrjä huolellisesti kääntöjalustan yläpinnan kanssa käyttäen kolmikulmaa, vastekulmakkoa tms. kiertämällä 0° viistekulman säätöruuvia myötäpäivään. Kiristä sitten vipu tiukasti. **(Kuva 34)** Varmista, että alivarressa oleva osoitin osoittaa 0° varren viisteasteikolla. Jos se ei osoita 0°, löysennä osoittimen paikallaan pitävä ruuvi ja säädä se siten, että se osoittaa 0°. **(Kuva 35)**

- ii) 45° viistekulma

Säädä 45° viistekulma vasta, kun olet tehnyt 0° viistekulman säädön. 45° viistekulmaa säädetään löysentämällä vipu ja kääntämällä terää 45° vasemmalle. Varmista, että alivarressa oleva osoitin osoittaa 45° varren viisteasteikolla. Jos osoitin ei osoita 45°, käännä varren oikealla puolella olevaa 45° viistekulman säätöruuvia (yläruuvia), kunnes osoitin osoittaa 45°. **(Kuva 33)**

Harjahiiltien vaihtaminen (Kuvat 36 ja 37)

Irrota ja tarkasta harjahiilet säännöllisesti. Vaihda ne, kun ne ovat kuluneet kulumisrajaan saakka. Pidä harjahiilet puhtaina ja siten, että ne saadaan helposti sujutettua pitimiin. Harjahiilet on vaihdettava aina pareittain. Käytä vain keskenään samanlaisia harjahiiliä.

Irrota hiilenpitimen kannet ruuvitaltalla. Irrota kuluneet harjahiilet. Työnnä uudet harjahiilet paikalleen ja kiinnitä hiilenpitimen kannet.

Laitteen käyttövarmuuden ja turvallisuuden vuoksi korjaukset ja muut huolto- ja säätötöyt saa suorittaa ainoastaan Makitan hyväksymä huoltopiste.

LISÄVARUSTEET

VARO:

• Näitä lisävarusteita ja -laitteita suositellaan käytettäväksi tässä ohjekirjassa mainitun Makitan koneen kanssa. Minkä tahansa muun lisävarusteen tai -laitteen käyttäminen voi aiheuttaa loukkaantumisvaaran. Käytä lisävarusteita ja -laitteita vain niiden käyttötarkoituksen mukaisesti.

Jos tarvitset yksityiskohtaisempia tietoja näistä lvarusteista, ota yhteys paikalliseen Makitan huoltoon.

- Pölypussi
- Tuki
- Hylsyavain 10
- Kolmikulma
- Lukituksen vapautuspainike (kytkinpainike)
- Pystypenkki
- Kovametallinen sahanterä
- Suojalasi
- Tuki-tankosarja
- Ruuvipuristin (vaakapenkki)
- Pohjalevy
- Tukisarja
- Eri tyyppisiä Makitan alkuperäisiä akkuja ja lataajia
- Akkusuojuus

Περιγραφή γενικής άποψης

1 Κασέτα μπαταρίας	24 Βίδα ρύθμισης	47 Προεξοχή
2 Κομβίο	25 Οδηγός φραγής	48 Ράβδοι 12
3 Κλειδί ρύθμισης	26 Βάση περιστροφής	49 Κουμπί απασφάλισης
4 Συγκρατητής κλειδιού	27 Περιφέρεια λάμας	50 Χειρολαβή
5 Θήκη λάμας	28 Επάνω επιφάνεια της βάσης περιστροφής	51 Σκανδάλη διακόπτης
6 Αιχμή συγκρατητή	29 Κλίμακα ακριβείας	52 Λεβιές κλειδώματος
7 Βίδες	30 Δείκτης	53 Εφαρμόστε πίεση παράλληλα με τη λάμα
8 Εξαγ. βίδες	31 Λαβή	54 Πλάκα σετ
9 Κεντρικό κάλυμμα	32 Λεβιές κλειδώματος	55 Βίδα
10 Κάλυμμα ασφαλείας	33 Λεβιές	56 Εξαγ. βίδα
11 Βέλος	34 Χαλαρώστε	57 Γεωμετρικό τρίγωνο
12 Ασφάλεια άξονα	35 Σφίξτε	58 Βίδα
13 Εξαγ. βίδα (αριστερή)	36 Κλίμακα λοξότητας	59 Μπουλόνι ρύθμισης λοξής γωνίας 45°
14 Εξωτερική φλάντζα	37 Δείκτης	60 Μπουλόνι ρύθμισης λοξής γωνίας 0°
15 Λάμα τροχού	38 Βραχίονας	61 Υποβραχίονας
16 Εσωτερική φλάντζα	39 Ράβδος σφιξίματος	62 Βίδα
17 Ατρακτος	40 Βραχίονας σφιξίματος	63 Σημάδι ορίου
18 Στόμιο σκόνης	41 Πόμολο σφιξίματος	64 Κατσαβίδι
19 Σάκκος σκόνης	42 Συγκρατητής	65 Καπάκι συγκρατητή βούρτσας
20 Συνδετήρας	43 Σύνδεσμος συγκρατητή	
21 Επιφάνεια κοπής	44 Πόμολο σφιξίματος	
22 Αριστερή λοξή κοπή	45 Βάση	
23 Ίσια κοπή	46 Αξονας σφιξίματος	

ΤΕΧΝΙΚΑ ΧΑΡΑΚΤΗΡΙΣΤΙΚΑ

Μοντέλο

LS800D

Διάμετρος λάμας 210 χιλ. - 216 χιλ.

Διάμετρος τρύπας (άξονα)

Για τις Ευρωπαϊκές χώρες 30 χιλ.

Για όλες τις χώρες εκτός από τις Ευρωπαϊκές χώρες 25,4 χιλ. ή 25 χιλ.

Μέγ. ικανότητες κοπής (Υ x Π) με λάμα διαμέτρου 216 χιλ.

Γωνία δίσκου	Λοξή γωνία	
	0°	45° (αριστερά)
0°	61 χιλ. x 122 χιλ.	45 χιλ. x 122 χιλ.
45° (αριστερά και δεξιά)	61 χιλ. x 85 χιλ.	45 χιλ. x 85 χιλ.

Ταχύτητα χωρίς φορτίο (min⁻¹) 2.000

Διαστάσεις (Μ x Π x Υ) 528 χιλ. x 430 χιλ. x 486 χιλ.

Καθαρό βάρος (με κασέτα μπαταρίας) 9,3 Χγρ

Καθορισμένο βολτάζ D.C. 18 V

• Λόγω του συνεχιζόμενου προγράμματος έρευνας και ανάπτυξης, οι παρούσες προδιαγραφές υπόκεινται σε αλλαγή χωρίς προειδοποίηση.

• Παρατήρηση: Τα τεχνικά χαρακτηριστικά μπορεί να διαφέρουν από χώρα σε χώρα.

Προοριζόμενη ρήση

Το εργαλείο προορίζεται για ίσιες και λοξές κοπές ακριβείας σε ξύλο.

Υποδείξεις ασφαλείας

Για την προσωπική σας ασφάλεια, ανατρέξτε στις εσωκλειστές οδηγίες ασφαλείας.

ΣΗΜΑΝΤΙΚΕΣ ΟΔΗΓΙΕΣ ΑΣΦΑΛΕΙΑΣ ΓΙΑ ΦΟΡΤΙΣΤΗ ΚΑΙ ΚΑΣΕΤΑ ΜΠΑΤΑΡΙΑΣ

1. Πριν χρησιμοποιήσετε την κασέτα μπαταρίας, διαβάστε όλες τις οδηγίες και σημειώσεις προφύλαξης (1) στον φορτιστή μπαταρίας, (2) στην μπαταρία και (3) στο προϊόν που χρησιμοποιεί την μπαταρία.
2. Μην αποσυναρμολογήσετε την κασέτα μπαταρίας.
3. Εάν ο χρόνος λειτουργίας έχει γίνει υπερβολικά βραχύς, σταματήστε την λειτουργία αμέσως. Αλλιώς, μπορεί να έχει ως αποτέλεσμα κίνδυνο υπερθέρμανσης, πιθανά εγκαύματα ή ακόμη και έκρηξη.

4. Εάν ηλεκτρολύτης μπει στα μάτια σας, ξεπλύνετε τα με καθαρό νερό και ζητήστε ιατρική φροντίδα αμέσως. Αλλιώς, μπορεί να έχει ως αποτέλεσμα απώλεια της όρασης σας.
5. Πάντοτε καλύπτετε τους πόλους της μπαταρίας με το κάλυμμα της μπαταρίας όταν η κασέτα μπαταρίας δεν χρησιμοποιείται.
6. Μη βραχυκυκλώνετε την κασέτα μπαταρίας:
 - (1) Μην αγγίζετε τους πόλους με οτιδήποτε αγώγιμο υλικό.
 - (2) Αποφύγετε να αποθηκεύετε την κασέτα μπαταρίας μέσα σε ένα δοχείο μαζί με άλλα μεταλλικά αντικείμενα όπως καρφιά, νομίσματα, κλπ.
 - (3) Μην εκθέτε την κασέτα μπαταρίας στο νερό ή στη βροχή.
Ενα βραχυκύκλωμα μπαταρίας μπορεί να προκαλέσει μεγάλη ροή ρεύματος, υπερθέρμανση, πιθανά εγκαύματα ακόμη και σοβαρή βλάβη.
7. Μην αποθηκεύετε το εργαλείο και την κασέτα μπαταρίας σε τοποθεσίες όπου η θερμοκρασία μπορεί να φτάσει ή να ξεπεράσει τους 50°C.
8. Μη καίτε την κασέτα μπαταρίας ακόμη και εάν έχει σοβαρή ζημιά ή είναι εντελώς φθαρμένη. Η κασέτα μπαταρίας μπορεί να εκραγεί στην φωτιά.
9. Προσέχετε να μη ρίξετε κάτω ή χτυπήσετε την μπαταρία.

ΦΥΛΑΞΤΕ ΤΙΣ ΟΔΗΓΙΕΣ ΑΥΤΕΣ.

Συμβουλές για διατήρηση μέγιστης ζωής μπαταρίας

1. Φορτίστε την κασέτα μπαταρίας πριν από την πλήρη αποφόρτιση της.
Πάντοτε σταματάτε την λειτουργία του εργαλείου και φορτίζετε την κασέτα μπαταρίας όταν παρατηρείτε μειωμένη ισχύ εργαλείου.
2. Ποτέ μην επαναφορτίζετε μία πλήρως φορτισμένη κασέτα μπαταρίας. Υπερφόρτιση μειώνει την ωφέλιμη ζωή της μπαταρίας.
3. Φορτίζετε την κασέτα μπαταρίας σε θερμοκρασία δωματίου 10°C – 40°C. Αφήστε μία θερμή κασέτα μπαταρίας να κρυώσει πριν την φορτίσετε.
4. Φορτίστε την κασέτα μπαταρίας Μεταλλικού Υδριδίου Νικελίου όταν δεν την χρησιμοποιήσετε για περισσότερο από έξι μήνες.

ΕΠΙΠΡΟΣΘΕΤΕΣ ΟΔΗΓΙΕΣ ΑΣΦΑΛΕΙΑΣ ΓΙΑ ΤΟ ΜΗΧΑΝΗΜΑ

1. Έχετε υπόψη σας ότι το μηχάνημα αυτό βρίσκεται πάντα σε κατάσταση λειτουργίας γιατί δεν χρειάζεται να συνδεθεί στο ρεύμα.
2. Φοράτε προστατευτικά ματιών.
3. Μη χρησιμοποιείτε το πριόνι χωρίς τα προστατευτικά στις θέσεις τους.
4. Μη χρησιμοποιείτε το μηχάνημα κοντά σε εύφλεκτα υγρά ή αέρια.

5. Ελέγχετε τη λάμα προσεκτικά για ρωγμές ή ζημιά πριν τη λειτουργία. Αντικαταστήστε λάμα με ρωγμές ή ζημιά αμέσως.
6. Χρησιμοποιείτε μόνο φλάντζες ειδικές για το μηχάνημα αυτό.
7. Προσέχετε να μη κάνετε ζημιά στον άξονα, φλάντζες (ειδικά στην επιφάνεια τοποθέτησης) ή στο μπουλόνι. Ζημιά στα εξαρτήματα αυτά θα είχε σαν αποτέλεσμα την καταστροφή της λάμας.
8. Βεβαιωθείτε ότι η περιστροφική βάση είναι κατάλληλα στερεωμένη ώστε να μην μετακινήθει κατά τη διάρκεια της λειτουργίας.
9. Για την ασφάλειά σας, αφαιρέστε πριονίδια, μικρά κομμάτια, κ.λ.π. από την επιφάνεια του τραπεζιού πριν τη λειτουργία.
10. Αποφύγετε την κοπή καρφιών. Επιθεωρήσετε και αφαιρέστε όλα τα καρφιά από το αντικείμενο εργασίας πριν τη λειτουργία.
11. Βεβαιωθείτε ότι η ασφάλεια του άξονα έχει ελευθερωθεί πριν το άναμμα του διακόπτη.
12. Βεβαιωθείτε ότι η λάμα δεν αγγίζει την περιστροφική βάση στη χαμηλότερη θέση.
13. Κρατάτε τη χειρολαβή σταθερά. Έχετε υπόψη ότι το πριόνι κινείται ελαφρά πάνω ή κάτω κατά τη διάρκεια της εκκίνησης και του σταματήματος.
14. Μην εκτελείτε καμιά εργασία με ελεύθερο το αντικείμενο. Το αντικείμενο εργασίας πρέπει να είναι καλά στερεωμένο ως προς την περιστροφική βάση και τον οδηγό φράκτη σε κάθε λειτουργία. Το μηχάνημα χρησιμοποιήστε το χέρι σας για να στερεώσετε το αντικείμενο εργασίας.
15. Κρατάτε τα χέρια σας έξω από την τροχιά της λάμας του πριονιού. Αποφύγετε την επαφή με λάμες που γυρίζουν ακόμα και μετά το σβήσιμο του μηχανήματος. Μπορεί ακόμη να σας προκαλέσουν σοβαρό τραυματισμό.
16. Μην απλώνετε τα χέρια γύρω από τη πριονωτή λάμα.
17. Βεβαιωθείτε ότι η λάμα δεν αγγίζει το αντικείμενο εργασίας πριν ανάψετε το διακόπτη.
18. Πριν χρησιμοποιήσετε το μηχάνημα σε ένα πραγματικό αντικείμενο εργασίας, αφήστε το να δουλέψει για λίγο. Παρακολουθήστε αν υπάρχουν δονήσεις ή ταρακουνήματα που προδίδουν κακή τοποθέτηση ή κακή ισοστάθμιση της λάμας.
19. Περιμένετε μέχρι η λάμα να αποκτήσει πλήρη ταχύτητα πριν κόψετε.
20. Σταματήστε τη λειτουργία αμέσως αν παρατηρήσετε κάτι αφύσικο.
21. Μην επιχειρήσετε να κλειδώσετε την σκανδάλη στη θέση ανάματος (ON).
22. Διακόψτε το ρεύμα και περιμένετε να σταματήσει η πριονωτή λάμα πριν κάνετε συντήρηση ή ρύθμιση του μηχανήματος.
23. Να είσαστε σε κατάσταση ετοιμότητας πάντοτε, ιδιαίτερα κατά την διάρκεια επαναληπτικών, μονότονων εργασιών. Μη περιπέσετε σε απατηλό αίσθημα ασφάλειας. Οι λάμες είναι εξαιρετικά ανελέητες.

24. Πάντοτε χρησιμοποιείτε εξαρτήματα συνιστώμενα σε αυτόν τον οδηγό χρήσεως. Η χρησιμοποίηση ακατάλληλων εξαρτημάτων όπως αποξেসτικών τροχών μπορεί να προκαλέσουν τραυματισμό.
25. Μη κακομεταχειρίζεστε το καλώδιο. Ποτέ μη το τραβάτε απότομα για να το αποσυνδέσετε από τον ακροδέκτη. Κρατάτε το καλώδιο μακριά από ζεστή, λάδι, νερό και μυτερές άκρες.
26. Μην χρησιμοποιείτε το πριόνι για το κόψιμο τίποτε άλλο εκτός ξύλου και παρόμοιων υλικών.
27. Συνδέστε τα σύνθετος πριονωτός δίσκος σε μια συσκευή συλλογής σκόνης όταν πριονίζετε.
28. Επιλέξτε τις λάμες πριονιού σε σχέση με το υλικό που πρόκειται να κόψετε.
29. Προσέχετε όταν κάνετε εγχοπές.
30. Αντικαταστήστε τη σανίδα με εγχοπή όταν αυτή φθαρεί.

ΦΥΛΑΞΤΕ ΤΙΣ ΟΔΗΓΙΕΣ ΑΥΤΕΣ.

ΟΔΗΓΙΕΣ ΧΡΗΣΗΣ

Τοποθέτηση ή αφαίρεση της κασέτας μπαταρίας (Εικ. 1)

- Πάντοτε σβήνετε το μηχάνημα πριν τοποθετήσετε ή αφαιρέσετε την κασέτα μπαταρίας.
- Για να αφαιρέσετε τη κασέτα μπαταρίας, τραβήχτε τη έξω από το μηχάνημα ενώ πιέζετε τα πλήκτρα και στις δύο πλευρές της κασέτας.
- Για να τοποθετήσετε τη κασέτα μπαταρίας, ευθυγραμμίστε τη γλώσσα στη κασέτα μπαταρίας με την εγχοπή στο περίβλημα και σύρετε τη στη θέση της. Πάντα βάζετε τη βαθειά μέσα μέχρι να κλειδώσει στη θέση της με ένα μικρό κλικ. Διαφορετικά, μπορεί να πέσει έξω από το μηχάνημα, και να τραυματίσει εσάς ή κάποιον άλλο.
- Μη βάζετε δύναμη όταν τοποθετείτε την κασέτα μπαταρίας. Εάν η κασέτα δεν εισέρχεται με ευκολία, δεν είναι τοποθετημένη σωστά.

Κοίλο κλειδί (Εικ. 2)

Το κοίλο κλειδί είναι αποθηκευμένο όπως φαίνεται στην **Εικ. 2**. Όταν πρόκειται να χρησιμοποιήσετε το κοίλο κλειδί, βγάλτε το από τη θήκη του κλειδιού. Μετά τη χρήση του κοίλου κλειδιού, επιστρέψτε το στη θήκη του κλειδιού.

Τοποθέτηση του τροχού σε πάγκο (Εικ. 3 και 4)

Όταν αγοράσετε το μηχάνημα, η χειρολαβή είναι κλειδωμένη στη χαμηλότερη θέση από την αιχμη σύγκρατητή. Απελευθερώστε την αιχμη σύγκρατητή χαμηλώνοντας την χειρολαβή ελαφρώς και τραβώντας την αιχμη σύγκρατητή.

Αυτό το μηχάνημα θα πρέπει να βιδωθεί με τέσσερις βίδες σε μία επίπεδη και σταθερή επιφάνεια, χρησιμοποιώντας τις τρύπες που υπάρχουν στη βάση της μηχανής. Αυτό προλαμβάνει αναποδογύρισμα και πιθανό τραυματισμό.

Εγκατάσταση ή απομάκρυνση της λάμας του τροχού

ΠΡΟΣΟΧΗ:

- Πάντα να είστε σίγουροι ότι το μηχάνημα είναι σβηστό και η κασέτα μπαταρίας βγαλμένη προτού εγκατασταθείτε ή απομακρύνετε τη λάμα.
- Χρησιμοποιείτε μόνο το κλειδί ρύθμισης Μακίτα που παρέχεται για να εγκατασταθείτε ή να απομακρύνετε τη λάμα. Σε αντίθετη περίπτωση, μπορεί να υπάρξει υπερβολικό ή ελλιπές σφίξιμο της εξαγωνικής βίδας. Αυτό θα μπορούσε να οδηγήσει σε σοβαρό τραυματισμό του χειριστή ή των ατόμων που βρίσκονται κοντά στο μηχάνημα.

Κλειδώστε τη χειρολαβή στη σηκωμένη θέση πιέζοντας την αιχμη σύγκρατητή. **(Εικ. 3)**

Για να απομακρύνετε τη λάμα, χρησιμοποιείτε το κλειδί ρύθμισης για να χαλαρώσετε την εξαγωνική βίδα που συγκρατεί το κεντρικό κάλυμμα γυρνώντας την προς τα δεξιά. Σηκώστε το κάλυμμα ασφαλείας και το κεντρικό κάλυμμα. **(Εικ. 5)**

Πιέστε την ασφάλεια του άξονα για να κλειδώσετε την άτρακτο και χρησιμοποιείτε το κλειδί ρύθμισης για να χαλαρώσετε την εξαγωνική βίδα (αριστερή) γυρνώντας την δεξιά. Επειτα απομακρύνετε την εξαγωνική βίδα, την εξωτερική φλάντζα και τη λάμα. **(Εικ. 6)**

Για να εγκαταστήσετε τη λάμα, τοποθετείτε την με προσοχή στην άτρακτο και σιγουρευτείτε ότι η κατεύθυνση στο βέλος στην επιφάνεια της λάμας ταιριάζει με την κατεύθυνση του βέλους στην θήκη της λάμας. Τοποθετείτε την εξωτερική φλάντζα και την εξαγωνική βίδα, και έπειτα χρησιμοποιείτε το κλειδί ρύθμισης για να σφίξετε την εξαγωνική βίδα (αριστερή) γυρνώντας την προς τα δεξιά καθώς πιέζετε την ασφάλεια του άξονα. **(Εικ. 7 και 8)**

ΠΡΟΣΟΧΗ:

Για όλες τις χώρες εκτός από τις Ευρωπαϊκές

Η εσωτερική φλάντζα έχει διάμετρο 25 χιλ. στη μία πλευρά και 25,4 στην άλλη. Η πλευρά με διάμετρο 25,4 χιλ. σημειώνεται με "25.4". Χρησιμοποιείτε τη σωστή πλευρά για την διάμετρο της τρύπας που σκοπεύετε να χρησιμοποιήσετε. Τοποθέτηση της λάμας στην λάθος πλευρά ίσως έχει ως αποτέλεσμα επικίνδυνη ταλάντωση.

Ξαναβάλτε το κάλυμμα ασφαλείας και το κεντρικό κάλυμμα στην αρχική τους θέση. Επειτα σφίξτε την εξαγωνική βίδα γυρνώντας την προς τα δεξιά για να ασφαλίσετε το κεντρικό κάλυμμα. **(Εικ. 9)**

Απελευθερώστε τη χειρολαβή από την σηκωμένη θέση τραβώντας την αιχμη σύγκρατητή. Χαμηλώστε τη χειρολαβή για να σιγουρευτείτε ότι το κάλυμμα ασφαλείας κινείται κανονικά.

Κάλυμμα ασφαλείας (Εικ. 10)

Όταν χαμηλώνετε την χειρολαβή, το κάλυμμα ανεβαίνει αυτόματα. Το κάλυμμα επιστρέφει στην αρχική του θέση όταν η κοπή έχει ολοκληρωθεί και η χειρολαβή ανεβαίνει. ΠΟΤΕ ΜΗ ΠΙΕΖΕΤΕ Η ΑΠΟΜΑΚΡΥΝΕΤΕ ΤΟ ΚΑΛΥΜΜΑ ΑΣΦΑΛΕΙΑΣ. Για την δική σας ασφάλεια, πάντοτε διατηρείτε το κάλυμμα ασφαλείας σε καλή κατάσταση. Κάθε μη κανονική λειτουργία του καλύμματος ασφαλείας θα πρέπει να επιδιορθώνεται αμέσως. ΠΟΤΕ ΜΗ ΧΡΗΣΙΜΟΠΟΙΕΙΤΕ ΤΟ ΜΗΧΑΝΗΜΑ ΜΕ ΕΛΛΑΤΩΜΑΤΙΚΟ ΚΑΛΥΜΜΑ ΑΣΦΑΛΕΙΑΣ. Εάν το διαφανές κάλυμμα ασφαλείας λερωθεί, ή διάφορα κομμάτια από την κοπή έχουν προσκολληθεί κατά τέτοιο τρόπο ώστε η λάμα και/ή το κομμάτι εργασίας δεν είναι πλέον εύκολα ορατά, αποσυνδέστε την κασέτα μπαταρίας και καθαρίστε το κάλυμμα προσεκτικά με ένα ξεσκονόπανο. Μη χρησιμοποιείτε διαλυτικά ή κάποιο καθαριστικό με βάση το πετρέλαιο για να καθαρίσετε το κάλυμμα.

Σάκκος σκόνης (Εικ. 11)

Η χρήση του σάκκου σκόνης κάνει την διαδικασία κοπής καθαρή και τη συλλογή της σκόνης εύκολη. Για να προσκολλίσετε το σάκκο σκόνης, ταιριάστε το άνοιγμα του σάκκου στο στόμιο σκόνης. Όταν ο σάκκος σκόνης είναι περίπου περίπου μισογεμάτος, απομακρύνετε το σάκκο σκόνης από το μηχάνημα και τραβήξτε το συνδετήρα έξω. Αδειάστε το σάκκο σκόνης από τα περιεχόμενα του, χτυπώντας τον ελαφρώς έτσι ώστε να απομακρύνετε τυχόν κομμάτια που έχουν παραμείνει στο εσωτερικό του σάκκου και τα οποία ίσως παρεμποδίσουν επιπλέον συλλογή.

Τοποθέτηση της επιφάνειας κοπής (Εικ. 12 και 13)

Αυτό το μηχάνημα συνοδεύεται από τις επιφάνειες κοπής στη βάση περιστροφής. Οι επιφάνειες κοπής είναι εργοστασιακά ρυθμισμένες έτσι ώστε οι λάμες να μην έρχονται σε επαφή με τις επιφάνειες κοπής. Πριν από τη χρήση, ρυθμίστε τις επιφάνειες κοπής ως εξής:

Πρώτα βγάλτε την κασέτα μπαταρίας από το μηχάνημα. Χαλαρώστε όλες τις βίδες (από 2 δεξιά και αριστερά) που συγκρατούν τις επιφάνειες κοπής. Επανασφίξτε τις μέχρι του σημείου οι επιφάνειες εργασίας να μπορούν να κινηθούν άνετα με το χέρι. Χαμηλώστε τη χειρολαβή πλήρως και πιέστε την αιχμή συγκρατητή για να κλειδώσετε τη χειρολαβή στη χαμηλότερη θέση. Ρυθμίστε τις επιφάνειες κοπής έτσι ώστε οι επιφάνειες κοπής μόλις να ακουμπάνε ελαφρώς τις πλευρές των δοντιών της λάμας. Σφίξτε τις βίδες (μην τις σφίγγετε σφιχτά). Αφού ρυθμίσετε τις επιφάνειες κοπής, απελευθερώστε την αιχμή συγκρατητή και ανεβάστε την χειρολαβή. Επειτα σφίξτε όλες τις βίδες σφιχτά.

ΠΡΟΣΟΧΗ:

Μετά την αλλαγή των λοξών γωνιών, πάντοτε να επαναρυθμίζετε τις επιφάνειες κοπής όπως περιγράφεται παραπάνω.

Διατήρηση της μέγιστης δυνατότητας κοπής (Εικ. 14 και 15)

Αυτό το μηχάνημα είναι εργοστασιακά ρυθμισμένο για να παρέχει μέγιστη δυνατότητα κοπής για λάμα τροχού 216 χιλ. Όταν χρησιμοποιείτε λάμα τροχού άλλη από 216 χιλ., ρυθμίστε τη θέση κατώτερου οριού της λάμας ως ακολούθως:

Πρώτα πρώτα βγάλτε την κασέτα μπαταρίας από το μηχάνημα. Χαμηλώστε τη χειρολαβή πλήρως. Χρησιμοποιήστε το κλειδί ρύθμισης για να γυρίσετε τη βίδα ρύθμισης μέχρι η περιφέρεια της λάμας να προεξέχει ελαφρώς παρακάτω από την πάνω επιφάνεια της βάσης περιστροφής στο σημείο που το μπροστινό πρόσωπο του οδηγού φραγής συναντά την επάνω επιφάνεια της βάσης περιστροφής. Με την κασέτα μπαταρίας σγαλμένη, περιστρέψτε τη λάμα με το χέρι ενώ κρατάτε τη χειρολαβή εντελώς προς τα κάτω για να σιγουρευτείται ότι η λάμα δεν έρχεται σε επαφή με κανένα μέρος της χαμηλότερης βάσης. Επαναρυθμίστε ελαφρώς, εάν χρειάζεται.

ΠΡΟΣΟΧΗ:

Αφού τοποθετήσετε μια κανούρια λάμα, πάντα να σιγουρεύεστε ότι η λάμα δεν έρχεται σε επαφή με κανένα κομμάτι της κατώτερης βάσης όταν η χειρολαβή έχει κατέβει εντελώς. Πάντα να το κάνετε αυτό με την κασέτα μπαταρίας σγαλμένη.

Τοποθέτηση για ρύθμιση της γωνίας ακριβείας (Εικ. 16)

Η βάση περιστροφής γυρνάει μέχρι 52° δεξιά και αριστερά. Χαλαρώστε τη λαβή περιστρέφοντας την προς τα αριστερά. Γυρίστε την βάση περιστροφής ενώ πιέζετε κάτω το λεβιέ κλειδώματος. Όταν έχετε μετακινήσει τη λαβή στη θέση που ο δείκτης δείχνει την επιθυμητή γωνία στην κλίμακα ακριβείας, σφίξτε την λαβή γυρνώντας την προς τα δεξιά.

ΠΡΟΣΟΧΗ:

- Όταν περιστρέψετε την βάση περιστροφής, σιγουρευτείτε να ανυψώσετε τη χειρολαβή πλήρως.
- Αφού αλλάξετε την γωνία ακριβείας, πάντοτε ασφαλίστε τη βάση περιστροφής σφίγγοντας καλά τη λαβή.

Τοποθέτηση για ρύθμιση της λοξής γωνίας

(Εικ 17 και 18)

Η λάμα του τροχού γέρνει μέχρι 45° προς τα αριστερά. Για να ρυθμίσετε τη λοξή γωνία, χαλαρώστε το λεβιέ στο πίσω μέρος του μηχανήματος. Πιέστε τη χειρολαβή προς τα αριστερά για να γείρετε τη λάμα τροχού μέχρι ο δείκτης να δείξει την επιθυμητή γωνία στην κλίμακα λοξότητας. Σφίξτε τον λεβιέ για να ασφαλίσετε τον βραχίονα.

ΠΡΟΣΟΧΗ:

- Όταν γείρετε τη λάμα τροχού, σιγουρευτείτε να ανυψώσετε τη χειρολαβή πλήρως.
- Αφού αλλάξετε την γωνία λοξότητας, πάντοτε ασφαλίστε το βραχίονα σφίγγοντας καλά τη λαβή.

Ασφαλίζοντας κομμάτια εργασίας

ΠΡΟΕΙΔΟΠΟΙΗΣΗ:

Είναι εξαιρετικά σημαντικό να ασφαλίσετε το κομμάτι εργασίας κανονικά και σφικτά με τον σφικτήρα. Εάν δεν κάνετε έτσι, ίσως έχει ως αποτέλεσμα καταστροφή του μηχανήματος ή/και του κομματιού εργασίας. ΕΠΙΣΗΣ ΙΣΩΣ ΤΡΑΥΜΑΤΙΣΤΕΙΤΑΙ. Επίσης, μετά την κοπή, ΜΗΝ ανυψώνετε τη λάμα μέχρι η λάμα να σταματήσει εντελώς.

1. Οριζόντιος σφικτήρας (Εικ. 19)

Ο οριζόντιος σφικτήρας μπορεί να εγκατασταθεί σε δύο θέσεις είτε δεξιά είτε αριστερά του οδηγού φραγής, ή του συνδέσμου συγκρατητή (προαιρετικό εξάρτημα). Βάλτε τη ράβδο σφίξιματος μέσα στην τρύπα στον οδηγό φραγής ή στο σύνδεσμο συγκρατητή και σφίξτε τη βίδα για να ασφαλίσετε τον οριζόντιο σφικτήρα. (Σημείωση: Όταν χρησιμοποιείτε τον σύνδεσμο συγκρατητή, εγκαταστήστε τον στον συγκρατητή όπως φαίνεται στην **Εικ. 19**)

Τοποθετείτε τον βραχίονα σφίξιματος σύμφωνα με το πάχος και το σχήμα του κομματιού εργασίας και ασφαλίστε τον βραχίονα σφίξιματος σφίγγοντας την βίδα. Σιγουρευτείτε ότι κανένα κομμάτι του μηχανήματος δεν έρχεται σε επαφή με τον σφικτήρα, επανοποθετείτε το σφικτήρα. Πιέστε το κομμάτι εργασίας έναντι του οδηγού φραγής και της βάσης περιστροφής. Τοποθετείτε το κομμάτι εργασίας στην επιθυμητή θέση κοπής και ασφαλίστε το σταθερά σφίγγοντας το πόμολο σφίξιματος. Το ελάχιστο πάχος κομματιού εργασίας που μπορεί να ασφαλιστεί από τον οριζόντιο σφικτήρα είναι 61 χιλ.

2. Οριζόντιος σφικτήρας (προαιρετικό εξάρτημα) (Εικ. 20 και 21)

Ο οριζόντιος σφικτήρας μπορεί να εγκατασταθεί είτε στην αριστερή είτε στη δεξιά πλευρά της βάσης. Γυρνώντας το πόμολο σφίξιματος προς τα αριστερά, η βίδα απελευθερώνεται και ο άξονας σφίξιματος μπορεί να κουνηθεί γρήγορα προς τα έξω και προς τα μέσα. Για να συγκρατήσετε κομμάτια εργασίας, γυρίστε το πόμολο σφίξιματος μαλακά προς τα δεξιά μέχρι η προεξοχή να φθάσει την πιο υψηλή της θέση, και έπειτα σφίξτε την. Εάν το πόμολο σφίξιματος πατηθεί προς τα μέσα ή τραβηχθεί προς τα έξω καθόσον το γυρνάτε προς τα δεξιά, η προεξοχή ίσως σταματήσει σε γωνία. Σε αυτή την περίπτωση, γυρίστε το πόμολο σφίξιματος πίσω προς τα αριστερά μέχρι η βίδα να απελευθερωθεί, προτού το γυρίσετε ξανά μαλακά προς τα δεξιά. Το μέγιστο πλάτος κομματιών που μπορούν να ασφαλισθούν με τον οριζόντιο σφικτήρα είναι 122 χιλ.

3. Συγκρατητές και σύνδεσμος συγκρατητή (προαιρετικό εξάρτημα) Οι συγκρατητές και ο σύνδεσμος συγκρατητή μπορούν να εγκατασταθούν σε οποιαδήποτε από τις δύο πλευρές και είναι ένα βολικό μέσο για να υποστηρίζονται κομμάτια εργασίας οριζόντια. Εγκαταστήστε τα όπως φαίνεται στην **Εικ. 22**. Έπειτα σφίξτε τις βίδες καλά για να ασφαλίσετε τους συγκρατητές και τον σύνδεσμο συγκρατητή. (**Εικ. 22**) Όταν κόβετε μακρά κομμάτια εργασίας, χρησιμοποιείτε τους συνδέσμους ράβδους συγκρατητές (προαιρετικά εξαρτήματα). Αποτελείται από δύο συνδέσμους συγκρατητές και δύο ράβδους 12. (**Εικ. 23**)

ΠΡΟΣΟΧΗ:

Πάντοτε να υποστηρίζετε μακρά επίπεδα κομμάτια με την βάση περιστροφής για κοπές ακριβείας και για να προλάβετε επικίνδυνος χάσιμο του ελέγχου της μηχανής.

Διαδικασία ανάμματος (Εικ. 24)

ΠΡΟΣΟΧΗ:

- Προτού βάλετε την κασέτα μπαταρίας στο μηχάνημα, πάντοτε να ελέγχετε ότι η σκανδάλη διακόπτης λειτουργεί κανονικά και επιστρέφει στη θέση "OFF" όταν απελευθερώνεται.
- Όταν δεν χρησιμοποιείτε το μηχάνημα, απομακρύνετε το κουμπί απασφάλισης και αποθηκεύστε το σε ασφαλές μέρος. Αυτό προλαμβάνει μη εξουσιοδοτημένη χρήση.

Για να μην συμβεί κατά λάθος τράβηγμα της σκανδάλης, ένα κουμπί απασφάλισης παρέχεται. Για να ξεκινήσει το μηχάνημα, πιέστε το κουμπί απασφάλισης και τραβήξτε τη σκανδάλη. Απελευθερώστε τη σκανδάλη για να σταματήσετε.

Λεβιές κλειδώματος (Εικ. 25)

Για Ευρωπαϊκές χώρες μόνο

Όταν κόβετε, πιέστε το λεβιέ κλειδώματος προς τα αριστερά για να απελευθερώσετε τη χειρολαβή από τη σηκωμένη θέση. Όταν η κοπή έχει ολοκληρωθεί, απελευθερώστε το λεβιέ κλειδώματος αφού επιστρέψετε τη λάμα στην πλήρως ανυψωμένη θέση. Η χειρολαβή θα κλειδωθεί αυτόματα στην σηκωμένη θέση.

Λειτουργία

ΠΡΟΣΟΧΗ:

Μην εφαρμόζετε υπερβολική πίεση στη χειρολαβή όταν κόβετε. Υπερβολική δύναμη ίσως έχει ως αποτέλεσμα υπερφόρτωση του κινητήρα και/ή μειωμένη απόδοση κοπής.

1. Κοπή πίεσης (Εικ. 26)

- Κομμάτια εργασίας μέχρι 61 χιλ. ψηλά ξ 122 χιλ. πλατιά μπορούν να κοπούν κατά τον ακόλουθο τρόπο.
- Ασφαλίστε το κομμάτι εργασίας με το σφιχτήρα. Ανάψτε το μηχάνημα και περιμένετε μέχρι η λάμα να πετύχει την μέγιστη ταχύτητα προτού την χαμηλώσετε μαλακά για την κοπή. Όταν η κοπή έχει ολοκληρωθεί, σβήστε το μηχάνημα και ΠΕΡΙΜΕΝΕΤΕ ΜΕΧΡΙ ΤΟ ΜΗΧΑΝΗΜΑ ΝΑ ΣΤΑΜΑΤΗΣΕΙ ΕΝΤΕΛΩΣ προτού επιστρέψετε τη λάμα στην πλήρως ανυψωμένη θέση.

2. Κοπή ακριβείας Αναφερθείτε στο προηγούμενος καλυμμένο “Τοποθέτηση για ρύθμιση της γωνίας ακριβείας”.

3. Λοξή κοπή (Εικ. 27)

- Στην αριστερή λοξή γωνία 45°, κομμάτια εργασίας μέχρι 45 χιλ. ψηλά ξ 122 χιλ. πλατιά μπορούν να κοπούν.
- Χαλαρώστε το λεβιέ και γείρτε τη λάμα τροχού για να ρυθμίσετε τη λοξή γωνία. Αναφερθείτε στο προηγούμενος καλυμμένο “Τοποθέτηση για ρύθμιση της λοξής γωνίας”. Ασφαλίστε το κομμάτι εργασίας με το σφιχτήρα. Ανάψτε το μηχάνημα και περιμένετε μέχρι η λάμα να πετύχει την μέγιστη ταχύτητα. Επειτα χαμηλώστε την χειρολαβή μαλακά στην πλήρως χαμηλωμένη θέση ενώ εφαρμόζετε πίεση παράλληλα με τη λάμα. Όταν η κοπή έχει ολοκληρωθεί, σβήστε το μηχάνημα και ΠΕΡΙΜΕΝΕΤΕ ΜΕΧΡΙ ΤΟ ΜΗΧΑΝΗΜΑ ΝΑ ΣΤΑΜΑΤΗΣΕΙ ΕΝΤΕΛΩΣ προτού επιστρέψετε τη λάμα στην πλήρως ανυψωμένη θέση.

ΠΡΟΣΟΧΗ:

- Κατά τη διάρκεια μιας λοξής κοπής, ίσως υπάρξει η περίπτωση που το κομμάτι αποκοπής θα ακουμπάει στην πλευρά της λάμας. Εάν η λάμα είναι ανυψωμένη ενώ αυτή περιστρέφεται, το κομμάτι ίσως πιαστεί από τη λάμα, δημιουργώντας μικροκομμάτια τα οποία διασκορπίζονται τριγύρω και τα οποία μπορεί να είναι επικίνδυνα. Η λάμα θα πρέπει να σηκωθεί ΜΟΝΟ αφού σταματήσει εντελώς.
- Όταν πιέζετε προς τα κάτω τη χειρολαβή, εφαρμόστε πίεση παράλληλα με τη λάμα. Εάν μια δύναμη εφαρμόζεται κάθετα προς τη βάση περιστροφής, ή η κατεύθυνση της πίεσης αλλάξει κατά τη διάρκεια της κοπής, η ακρίβεια της κοπής δεν θα είναι καλή.

4. Σύνθετη κοπή Σύνθετη κοπή είναι η διαδικασία στην οποία έχουμε μια λοξή γωνία ενώ κατά την ίδια στιγμή μια γωνία ακριβείας κόβεται στο κομμάτι εργασίας. Σύνθετη κοπή μπορεί να εκτελεσθεί σε γωνίες που φαίνονται στον πίνακα παρακάτω.

Γωνία ακριβείας	Λοξή γωνία
Αριστερά και δεξιά 45°	Αριστερά 0° – 45°
Αριστερά και δεξιά 52°	Αριστερά 0° – 40°

Στη γωνία ακριβείας αριστερά 45° και στη λοξή γωνία στα αριστερά 45°, κομμάτια εργασίας 45 χιλ. ψηλά 85 χιλ. πλατιά μπορούν να κοπούν. Όταν εκτελείτε σύνθετη κοπή, αναφερθείτε στις επεξηγήσεις για “Κοπή πίεσης”, “Κοπή ακριβείας”, και “Λοξή κοπή”.

5. Κοπή ίδιου μήκους (Εικ. 28)

Όταν κόβετε διάφορα κομμάτια του ίδιου μήκους, που κυμαίνονται από 220 χιλ. μέχρι 365 χιλ., χρήση του σετ πλάκας (προαιρετικό εξάρτημα) θα κάνει την κοπή πιο εύκολη. Εγκαταστήστε την πλάκα σετ στο συγκρατητή όπως φαίνεται στην Εικ. 28. Ρυθμίστε τη γραμμή κοπής στο κομμάτι εργασίας είτε με την αριστερή είτε με τη δεξιά πλευρά της αυλακίας στην επιφάνεια κοπής, και ενώ κρατάτε το κομμάτι εργασίας για να μην κινείται, μετακινήστε την πλάκα σετ επίπεδα έναντι του τέλους του κομματιού εργασίας. Επειτα ασφαλίστε την πλάκα σετ με τη βίδα. Όταν η πλάκα σετ δεν χρησιμοποιείται, χαλαρώστε τη βίδα και γυρίστε την πλάκα σετ εκτός του πεδίου.

ΠΑΡΑΤΗΡΗΣΗ:

Χρήση του συνδέσμου συγκρατητή-ράβδου (προαιρετικό εξάρτημα) επιτρέπει κοπές ίδιου μήκους, που κυμαίνονται από 220 χιλ. μέχρι 2.230 χιλ.

Μεταφορά του μηχανήματος (Εικ. 3 και 29)

Σιγουρευτείτε ότι η κασέτα μπαταρίας είναι σγαλμένη. Ασφαλίστε τη λάμα σε λοξή γωνία 0° και της βάσης περιστροφής σε γωνία ακριβείας 52° στα δεξιά. Χαμηλώστε τη χειρολαβή πλήρως και κλειδώστε την στην χαμηλότερη θέση πιέζοντας την αιχμή σταμπήματος. Μεταφέρετε το μηχάνημα από τη λαβή μεταφοράς όπως φαίνεται στην **Εικ. 29**.

ΣΥΝΤΗΡΗΣΗ

ΠΡΟΣΟΧΗ:

Πριν την εκτέλεση εργασιών με τη συσκευή διαβεβαιώστε πάντοτε, για το ότι η συσκευή σβήστηκε με απομακρυσμένο το συσσωρευτή.

Ρύθμιση της γωνίας κοπής

Αυτό το μηχάνημα είναι προσεχτικά ρυθμισμένο και ευθυγραμμισμένο στο εργοστάσιο, αλλά κακός χειρισμός ίσως επηρεάσει την ευθυγράμμιση. Εάν το μηχάνημα σας δεν είναι ευθυγραμμισμένο κατάλληλα, εκτελέστε τα ακόλουθα.

1) Γωνία ακριβείας

Χαλαρώστε τη λαβή που ασφαλίζει τη βάση περιστροφής. Γυρίστε τη βάση περιστροφής έτσι ώστε ο δείκτης να δείχνει το σημείο 0° στην κλίμακα ακριβείας. Επειτα γυρίστε ελαφρώς τη βάση περιστροφής προς τα αριστερά και τα δεξιά για να ρυθμιστεί η βάση περιστροφής στην γωνία 0° στην εγκοπή της κλίμακας. (Αφήστε το όπως είναι εάν ο δείκτης δεν δείχνει στο 0°). Χαλαρώστε τις τέσσερις εξαγωνικές βίδες που ασφαλίζουν τον οδηγό φραγής χρησιμοποιώντας το κλειδί ρύθμισης. (**Εικ. 30**) Χαμηλώστε τη χειρολαβή πλήρως και κλειδώστε την στη χαμηλωμένη θέση πιέζοντας την αιχμή συγκρατητή. Φέρτε σε κάθετη γωνία τη λάμα με το πρόσωπο του οδηγού φραγής χρησιμοποιώντας ένα γεωμετρικό τρίγωνο ή παρόμοιο όργανο. Επειτα ασφαλίστε τις εξαγωνικές βίδες στον οδηγό φραγής στη σειρά από τη δεξιά πλευρά. (**Εικ. 31**)

Σιγουρευτείτε ότι ο δείκτης δείχνει το 0° στην κλίμακα ακριβείας. Εάν ο δείκτης δεν δείχνει το 0°, χαλαρώστε τη βίδα που συγκρατεί το δείκτη και ρυθμίστε το δείκτη έτσι ώστε να δείχνει το 0°. (**Εικ. 32**)

2) Λοξή γωνία

i) Λοξή γωνία 0° Χαμηλώστε τη χειρολαβή πλήρως και κλειδώστε την στη χαμηλωμένη θέση πιέζοντας την αιχμή συγκρατητή. Γυρίστε τη βίδα ρύθμισης λοξής γωνίας 0° (χαμηλότερη βίδα) στη δεξιά πλευρά του βραχίονα δυο - τρεις στροφές αριστερά για να γείρετε τη λάμα προς τα δεξιά. (**Εικ. 33**) Προσεχτικά φέρτε σε κάθετη γωνία την πλευρά της λάμας και την πάνω επιφάνεια της βάσης περιστροφής χρησιμοποιώντας ένα γεωμετρικό τρίγωνο ή παρόμοιο όργανο και γυρίστε προς τα δεξιά τη βίδα ρύθμισης λοξής γωνίας στις 0°. Επειτα σφίξτε το λεβιέ καλά. (**Εικ. 34**) Σιγουρευτείτε ότι ο δείκτης στον υποβραχίονα δείχνει το 0° στη λοξή κλίμακα στο βραχίονα. Εάν ο δείκτης δεν δείχνει το 0° χαλαρώστε τη βίδα που συγκρατεί το δείκτη και ρυθμίστε το δείκτη έτσι ώστε να δείχνει το 0°. (**Εικ. 35**)

ii) Λοξή γωνία 45°

Ρυθμίστε τη λοξή γωνία 45° μόνο αφού έχετε εκτελέσει τη ρύθμιση ς λοξής γωνίας στις 0°. Για να ρυθμίσετε αριστερά τη λοξή γωνία 45°, χαλαρώστε το λεβιέ και γείρετε τη λάμα 45° προς τα αριστερά. Σιγουρευτείτε ότι ο δείκτης στον υποβραχίονα δείχνει τις 45° στη λοξή κλίμακα στο βραχίονα. Εάν ο δείκτης δεν δείχνει τις 45°, γυρίστε τη βίδα ρύθμισης λοξής γωνίας στις 45° (ανώτερη βίδα) στη δεξιά πλευρά του βραχίονα μέχρι ο δείκτης να δείξει τις 45°. (**Εικ. 33**)

Αντικατάσταση των καρβουνικών (Εικ. 36 και 37)

Απομακρύνετε και επιθεωρείτε τα καρβουνάκια σε τακτά χρονικά διαστήματα. Αντικαταστήστε τα όταν φθαρούν μέχρι το σημείο μαρκαρίσματος. Διατηρείστε τα καρβουνάκια καθαρά και ελεύθερα να κινούνται στους συγκρατητές. Και τα δύο καρβουνάκια θα πρέπει να αντικαθίστανται ταυτόχρονα. Χρησιμοποιείτε μόνο ίδια καρβουνάκια.

Χρησιμοποιείτε ένα κατσαβίδι για να απομακρύνετε τα καπάκια των συγκρατητών των καρβουνικών. Βγάλτε τα φθαρμένα καρβουνάκια και βάλτε καινούρια. Επειτα τοποθετήστε ξανά τα καπάκια των συγκρατητών των καρβουνικών.

Για τη διασφάλιση της σιγουριάς και αξιοπιστίας των προϊόντων μας πρέπει οι επισκευές, εργασίες συντήρησης ή ρυθμίσεις να εκτελούνται από εξουσιοδοτημένα εργαστήρια σέρβις πελατών Μάκιτα.

ΑΝΤΑΛΛΑΚΤΙΚΑ

ΠΡΟΣΟΧΗ:

• Αυτά τα ανταλλακτικά ή προσαρτήματα συνιστώνται για χρήση με το εργαλείο σας της Μάκιτα που περιγράφεται στο εγχειρίδιο αυτό. Η χρήση οτιδήποτε άλλων ανταλλακτικών ή προσαρτημάτων μπορεί να παρουσιάσουν κίνδυνο τραυματισμού σε άτομα.

Εάν χρειάζεστε βοήθεια ή περισσότερες λεπτομέρειες σε σχέση με αυτά τα ανταλλακτικά, ρωτήστε το τοπικό σας κέντρο εξυπηρέτησης της Μάκιτα.

- Σάκκος σκόνης
- Συγκρατητής
- Κλειδί ρύθμισης 10
- Γεωμετρικό τρίγωνο
- Κουμπί απασφάλισης (Κουμπί διακόπτης)
- Κάθετος σφικτήρας
- Επικαρβιδιωμένη λάμα τροχού
- Γυαλιά ασφαλείας
- Σύνδεσμος συγκρατητή-ράβδου
- Σύνδεσμος σφικτήρα (Οριζόντιος σφικτήρας)
- Πλάκα σετ
- Σύνδεσμος συγκρατητή
- Διάφοροι τύποι αυθεντικών μπαταριών και φορτιστών Μάκιτα.
- Κάλυμμα μπαταρίας

ENGLISH

EC-DECLARATION OF CONFORMITY

The undersigned, Yasuhiko Kanzaki, authorized by Makita Corporation, 3-11-8 Sumiyoshi-Cho, Anjo, Aichi 446-8502 Japan declares that this product

(Serial No. : series production)

manufactured by Makita Corporation in Japan is in compliance with the following standards or standardized documents,

EN50260, EN55014,

in accordance with Council Directives, 89/336/EEC and 98/37/EC.

FRANÇAISE

DÉCLARATION DE CONFORMITÉ CE

Je soussigné, Yasuhiko Kanzaki, mandaté par Makita Corporation, 3-11-8 Sumiyoshi-Cho, Anjo, Aichi 446-8502 Japan, déclare que ce produit

(No. de série: production en série)

fabriqué par Makita Corporation au Japon, est conformes aux normes ou aux documents normalisés suivants,

EN50260, EN55014,

conformément aux Directives du Conseil, 89/336/CEE et 98/37/EG.

DEUTSCH

CE-KONFORMITÄTSERKLÄRUNG

Hiermit erklärt der Unterzeichnete, Yasuhiko Kanzaki, Bevollmächtigter von Makita Corporation, 3-11-8 Sumiyoshi-Cho, Anjo, Aichi 446-8502 Japan, daß dieses von der Firma Makita Corporation in Japan hergestellte Produkt

(Serien-Nr.: Serienproduktion)

gemäß den Ratsdirektiven 89/336/EWG und 98/37/EG mit den folgenden Normen bzw. Normendokumenten übereinstimmen:

EN50260, EN55014.

ITALIANO

DICHIARAZIONE DI CONFORMITÀ CON LE NORME DELLA COMUNITÀ EUROPEA

Il sottoscritto Yasuhiko Kanzaki, con l'autorizzazione della Makita Corporation, 3-11-8 Sumiyoshi-Cho, Anjo, Aichi 446-8502 Japan, dichiara che questo prodotto

(Numero di serie: Produzione in serie)

fabbricato dalla Makita Corporation in Giappone è conforme alle direttive europee riportate di seguito:

EN50260, EN55014

secondo le direttive del Consiglio 89/336/CEE e 98/37/CE.

NEDERLANDS

EG-VERKLARING VAN CONFORMITEIT

De ondergetekende, Yasuhiko Kanzaki, gevolmachtigd door Makita Corporation, 3-11-8 Sumiyoshi-Cho, Anjo, Aichi 446-8502 Japan verklaart dat dit product

(Serienr. : serieproductie)

vervaardigd door Makita Corporation in Japan voldoet aan de volgende normen of genormaliseerde documenten,

EN50260, EN55014

in overeenstemming met de richtlijnen van de Raad 89/336/EEC en 98/37/EC.

ESPAÑOL

DECLARACIÓN DE CONFORMIDAD DE LA CE

El abajo firmante, Yasuhiko Kanzaki, autorizado por Makita Corporation, 3-11-8 Sumiyoshi-Cho, Anjo, Aichi 446-8502 Japan, declara que este producto

(Número de serie: producción en serie)

fabricado por Makita Corporation en Japón cumple las siguientes normas o documentos normalizados,

EN50260, EN55014

de acuerdo con las directivas comunitarias, 89/336/EEC y 98/37/CE.

Yasuhiko Kanzaki CE 99

Director	Amministratore
Directeur	Directeur
Direktor	Director

MAKITA INTERNATIONAL EUROPE LTD.

Michigan Drive, Tongwell, Milton Keynes,
Bucks MK15 8JD, ENGLAND

PORTUGUÊS

DECLARAÇÃO DE CONFORMIDADE DA CE

O abaixo assinado, Yasuhiko Kanzaki, autorizado pela Makita Corporation, 3-11-8 Sumiyoshi-Cho, Anjo, Aichi 446-8502 Japan, declara que este produto

(N. de série: produção em série)

fabricado pela Makita Corporation no Japão obedece às seguintes normas ou documentos normalizados,

EN50260, EN55014

de acordo com as directivas 89/336/CEE e 98/37/CE do Conselho.

DANSK

EU-DEKLARATION OM KONFORMITET

Undertegnede, Yasuhiko Kanzaki, med fuldmagt fra Makita Corporation, 3-11-8 Sumiyoshi-Cho, Anjo, Aichi 446-8502 Japan, erklærer hermed, at dette produkt

(Løbenummer: serieproduktion)

fremstillet af Makita Corporation i Japan, er i overensstemmelse med de følgende standarder eller normsættende dokumenter,

EN50260, EN55014

i overensstemmelse med Rådets Direktiver 89/336/EEC og 98/37/EC.

SVENSKA

EG-DEKLARATION OM ÖVERENSSTÄMMELSE

Undertecknad, Yasuhiko Kanzaki, auktoriserad av Makita Corporation, 3-11-8 Sumiyoshi-Cho, Anjo, Aichi 446-8502 Japan deklarerar att denna produkt

(serienummer: serieproduktion)

tillverkad av Makita Corporation i Japan, uppfyller kraven i följande standard eller standardiserade dokument,

EN50260, EN55014

i enlighet med EG-direktiven 89/336/EEC och 98/37/EC.

NORSK

EU's SAMSVARS-ERKLÆRING

Undertegnede, Yasuhiko Kanzaki, med fullmakt fra Makita Corporation, 3-11-8 Sumiyoshi-Cho, Anjo, Aichi 446-8502 Japan bekrefter herved at dette produktet

(Serienr. : serieproduksjon)

fabrikert av Makita Corporation, Japan, er i overensstemmelse med følgende standarder eller standardiserede dokumenter:

EN50260, EN55014,

i samsvar med Råds-direktivene, 89/336/EEC og 98/37/EC.

SUOMI

VAKUUTUS EC-VASTAAVUDESTA

Makita Corporation, 3-11-8 Sumiyoshi-Cho, Anjo, Aichi 446-8502 Japan valtuuttamana allekirjoittanut, Yasuhiko Kanzaki, vakuuttaa että tämä tämä tuote

(Sarja nro : sarjan tuotantoa)

valmistanut Makita Corporation Japanissa vastaa seuraavia standardeja tai standardoituja asiakirjoja

EN50260, EN55014

neuvoston direktiivien 89/336/EEC ja 98/37/EC mukaisesti.

ΕΛΛΗΝΙΚΑ

ΔΗΛΩΣΗ ΣΥΜΜΟΡΦΩΣΗΣ ΕΚ

Ο υπογράφων, Yasuhiko Kanzaki, εξουσιοδοτημένος από την εταιρεία Makita Corporation, 3-11-8 Sumiyoshi-Cho, Anjo, Aichi 446-8502 Japan, δηλώνει ότι αυτό το προϊόν

(Αύξων Αρ.: παραγωγή σειράς)

κατασκευασμένο από την Εταιρεία Makita στην Ιαπωνία, βρίσκεται σε συμφωνία με τα ακόλουθα πρότυπα ή τυποποιημένα έγγραφα,

EN50260, EN55014

σύμφωνα με τις Οδηγίες του Συμβουλίου, 89/336/EEC και 98/37/ΕΚ.

Yasuhiko Kanzaki CE 99

Director	Direktor
Direktør	Johtaja
Direktör	Διευθυντής

MAKITA INTERNATIONAL EUROPE LTD.

Michigan Drive, Tongwell, Milton Keynes,
Bucks MK15 8JD, ENGLAND

ENGLISH

Noise and Vibration

The typical A-weighted sound pressure level is 81 dB (A).
The noise level under working may exceed 85 dB (A).
– Wear ear protection. –
The typical weighted root mean square acceleration value is 14 m/s².

FRANÇAISE

Bruit et vibrations

Le niveau de pression sonore pondéré A type est de 81 dB (A).
Le niveau de bruit en fonctionnement peut dépasser 85 dB (A).
– Porter des protecteurs anti-bruit. –
L'accélération pondérée est de 14 m/s².

DEUTSCH

Geräusch- und Vibrationsentwicklung

Der typische A-bewertete Schalldruckpegel beträgt 81 dB (A).
Der Lärmpegel kann während des Betriebs 85 dB (A) überschreiten.
– Gehörschutz tragen. –
Der gewichtete Effektivwert der Beschleunigung beträgt 14 m/s².

ITALIANO

Rumore e vibrazione

Il livello di pressione sonora pesata secondo la curva A è di 81 dB (A).
Il livello di rumore durante il lavoro potrebbe superare gli 85 dB (A).
– Indossare i paraorecchi. –
Il valore quadratico medio di accelerazione è di 14 m/s².

NEDERLANDS

Geluidsniveau en trilling!

Het typische A-gewogen geluidsdrukniveau is 81 dB (A).
Tijdens het werken kan het geluidsniveau 85 dB (A) overschrijden.
– Draag oorbeschermers. –
De typische gewogen effectieve versnellingswaarde is 14 m/s².

ESPAÑOL

Ruido y vibración

El nivel de presión sonora ponderada A es de 81 dB (A).
El nivel de ruido en condiciones de trabajo puede que sobrepase los 85 dB (A).
– Póngase protectores en los oídos. –
El valor ponderado de la aceleración es de 14 m/s².

PORTUGUÊS

Ruído e vibração

O nível normal de pressão sonora A é 81 dB (A).
O nível de ruído durante o trabalho pode exceder 85 dB (A).
– Utilize protetores para os ouvidos –
O valor médio da aceleração é 14 m/s².

DANSK

Lyd og vibration

Det typiske A-vægtede lydtrykniveau er 81 dB (A).
Støjniveauet under arbejde kan overstige 85 dB (A).
– Bær høreværn. –
Den vægtede effektive accelerationsværdi er 14 m/s².

SVENSKA

Buller och vibration

Den typiska A-vägda ljudtrycksnivån är 81 dB (A).
Bullernivån under pågående arbete kan överstiga 85 dB (A).
– Använd hörselskydd –
Det typiskt vägda effektivvärdet för acceleration är 14 m/s².

NORSK

Støy og vibrasjon

Det vanlige A-belastede lydtrykksnivå er 81 dB (A).
Under bruk kan støynivået overskride 85 dB (A).
– Benytt hørselvern. –
Den vanlig belastede effektiv-verdi for akselerasjon er 14 m/s².

SUOMI

Melutaso ja värinä

Tyypillinen A-painotettu äänenpainetaso on 81 dB (A).
Melutaso työpaikalla saattaa ylittää 85 dB (A).
– Käytä kuulosuojaimia. –
Tyypillinen kiihtyvyyden painotettu tehollisarvo on 14 m/s².

ΕΛΛΗΝΙΚΑ

Θόρυβος και κραδασμός

Η τυπική Α-μετρούμενη ηχητική πίεση είναι 81 dB (A).
Η ένταση ήχου υπό συνθήκες εργασίας μπορεί να υπερβεί τα 85 dB (A).
– Φοράτε ωτοασπίδες. –
Η τυπική αξία της μετρούμενης ρίζας του μέσου τετραγώνου της επιτάχυνσης είναι 14 m/s².

■ AUSTRIA

Makita Werkzeug
Gesellschaft m.b.H.
Kolpingstraße 13, A 1232 Wien
Phone: (01) 6162730
Fax: (01) 616273040
Telex: 136384 MAKITA A

■ BELGIUM

S.A. Makita N.V.
Mechelsesteenweg 323,
1800 Vilvoorde
Phone: (02) 253-1234
Fax: (02) 253-0101

■ CZECH REPUBLIC

Makita S.R.O.
Pražákova 51
CZ- 61900, Brno
Tel: (05) 432-16944
Fax: (05) 432-16946

■ DENMARK

Denmark office
Sandøvej 11, 8700 Horsens
Phone: 75 601133
Fax: 75 601958

■ ΕΛΛΑΔΑ

ΠΑΝΑΓΙΩΤΗΣ ΜΙΧΟΣ
ΜΕΝΑΝΔΡΟΥ, 85
ΑΘΗΝΑ 10438
ΤΗΛ: (01) 522.6390
FAX: (01) 555.6392

ΚΟΥΡΟΣ Α.Β.Ε.Ε
ΛΕΓΑΚΙ 8,
ΑΓ. ΙΩΑΝΝΗΣ ΡΕΝΤΗΣ
ΠΕΙΡΑΙΑΣ 182 33
ΤΗΛ: (01) 345.9573
FAX: (01) 345.6766

ΠΑΡΤΣΑΛΙΔΗΣ ΓΕΩΡΓΙΟΣ
ΜΕΡΚΟΥΡΙΟΥ 1 (ΝΤΕΝΩ)
ΘΕΣ/ΝΙΚΗ
ΤΗΛ: (031) 411.592
FAX: (031) 411.592

■ FINLAND

ESSVE FINLAND OY
ELANNONTIE 5: 01510
VANTAA ASIAKASPAVELU
Puh.: 09-8575 830
Puh.: 09-857 880
Fax.: 09-8578 8211

■ FRANCE

Makita France S.A.
Head office
2, Allée des performances,
Zone Industrielle des Richardets,
(B.P. 119) 93162 Noisy-Le-Grand
Cedex
Phone: (0) 149326200
Fax: (0) 143059913
Telex: 235337 MAKITA F

■ GERMANY

Makita Werkzeug GmbH
Head office
Keniastraße 20, 47269 Duisburg
Phone: (0203) 9757-0
Fax: (0203) 9757-129

■ HUNGARY

Makita kft.
8000, Székesfehérvár,
Seregélyesi út 96
Phone: (22) 327-025
Fax: (22) 348-092

■ IRELAND

Tuck & Co (Ireland) LTD
77 Upper Gardiner street.
DUBLIN 1, Ireland
Phone: 00 353 1 8749851

■ ITALY

Makita S.p.A.
Via Sempione 269A,
20028 S. Vittore Olona (MI)
Phone: (0331) 524111
Fax: (0331) 421580

■ NORWAY

ESSEVE BYGG OG INDUSTRIAS
Grenseveien 86 C
Postboks 6399
Etterstad 0604 Oslo
Telefon: 22 88 40 40
Telefax: 22 65 16 16
Direkte innv.: 22 88 40 43
Telefon privat: 67 53 61 32

■ POLAND

Makita Sp. Z.O.O.
UL. Strażacka 81,
PL43-382
Bielsko-Biala
Phone: (9030) 7354
Fax: (033) 184059

■ PORTUGAL

FIXANCO
SEDE:
Rua Vale Formoso,
94 - 2.º Esq. - 1900 Lisaoa
Tel: (01) 861 0530
Fax: 868 73 06

■ SPAIN

Makita S.A.
C/JUAN DE LA CIERVA, 7-11
28820 COSLADA (MADRID)
Tfno.: 671 1262
Fax.: 671 8293

■ SWEDEN

ESSVE Produkter AB
Box 770
Sidensvansvägen 10
19127 Sollentuna
Tel vxl: 08-623 61 00
Fax: 08-92 68 65

■ SWITZERLAND

Hebor SA
Route de Genges 6
Z.I. En Carouge
CH-1027 LONAY/Morges
Tél.: 021/803 07 51
Téléfax: 021/801 12 82

■ THE NETHERLANDS

Makita Benelux B.V.
Ekkersrijt 4086,
5692 DA, Son
Phone: 0499-460045
Fax: 0499-460096

■ UNITER KINGDOM

Makita (U.K.) Ltd.
Michigan Drive, Tongwell,
Milton Keynes,
Bucks MK15 8JD
Phone: (01908) 211678
Fax: (01908) 211400

Makita Corporation

884229E991