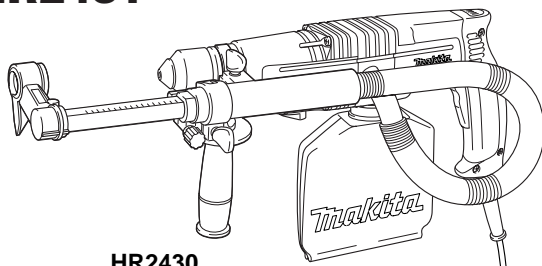
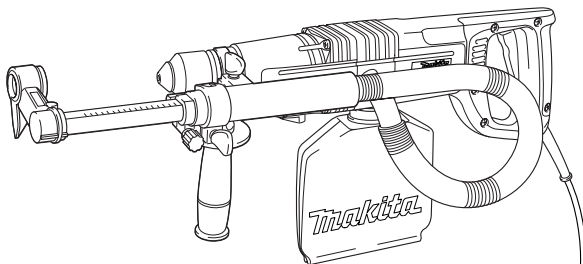


<b>GB</b>	<b>Rotary Hammer with Dust Extraction</b>	<b>Instruction Manual</b>
<b>F</b>	<b>Perforateur avec aspiration des poussières</b>	<b>Manuel d'instructions</b>
<b>D</b>	<b>Absaughammer</b>	<b>Betriebsanleitung</b>
<b>I</b>	<b>Martello perforatore con aspirazione integrata</b>	<b>Istruzioni per l'uso</b>
<b>NL</b>	<b>Boorhammer met afzuiging</b>	<b>Gebruiksaanwijzing</b>
<b>E</b>	<b>Martillo ligero con aspiración</b>	<b>Manual de instrucciones</b>
<b>P</b>	<b>Martelo perfurador com aspiração de pó</b>	<b>Manual de instruções</b>
<b>DK</b>	<b>Borehammer med støvaf sugning</b>	<b>Brugsanvisning</b>
<b>S</b>	<b>Slagborr med dammsugning</b>	<b>Bruksanvisning</b>
<b>N</b>	<b>Rotasjonshammer med støvutskilling</b>	<b>Bruksanvisning</b>
<b>SF</b>	<b>Vasarapora pölynkeräimellä</b>	<b>Käyttöohje</b>
<b>GR</b>	<b>Περιστροφικό σφυρί με εξαγωγή σκόνης</b>	<b>Οδηγίες χρήσεως</b>

## HR2430 HR2431

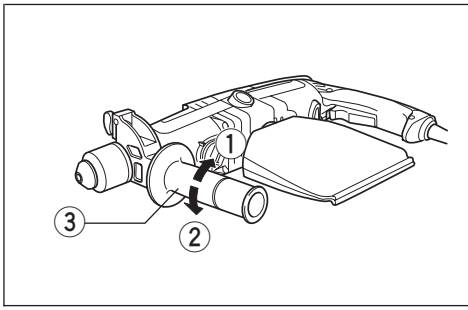


HR2430

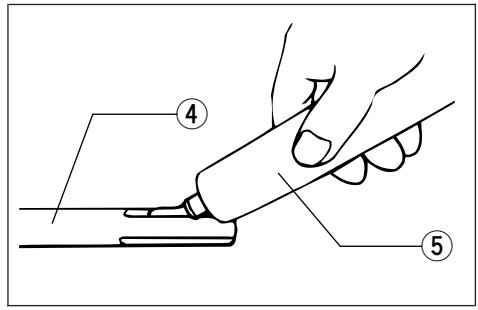


HR2431

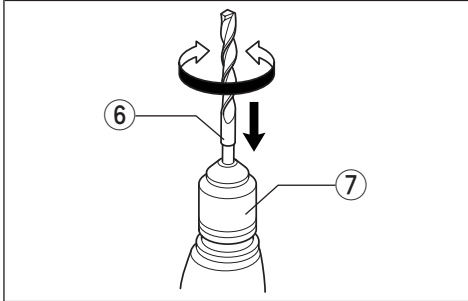




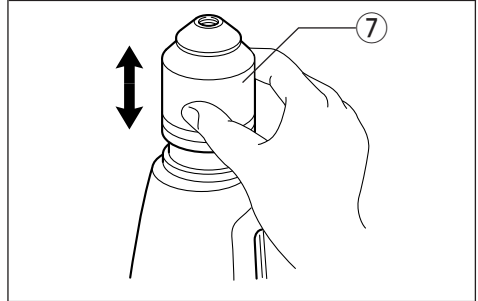
1



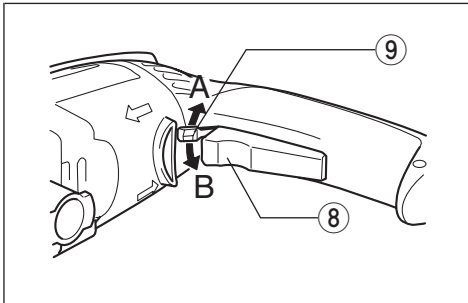
2



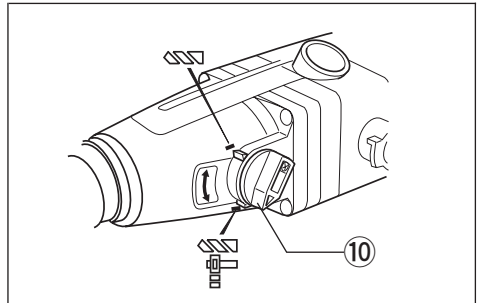
3



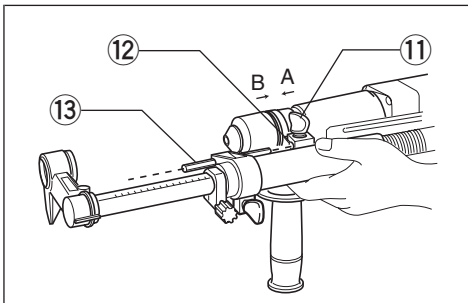
4



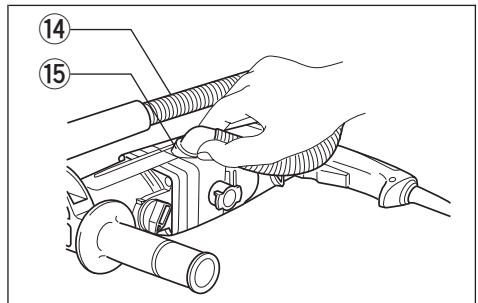
5



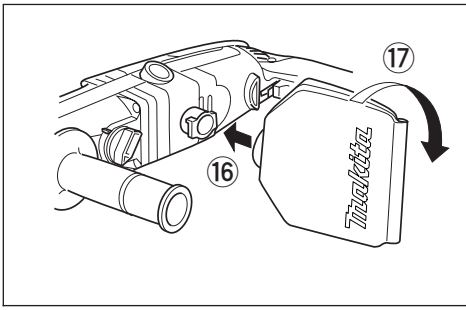
6



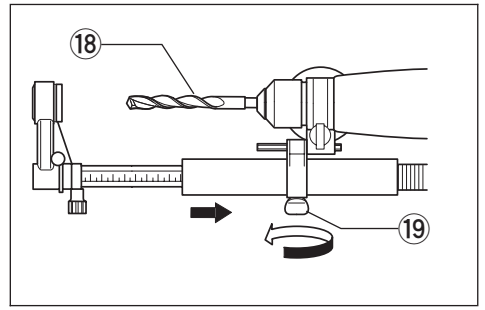
7



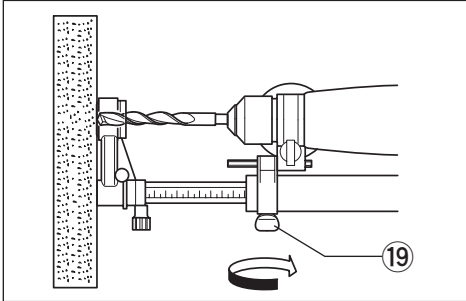
8



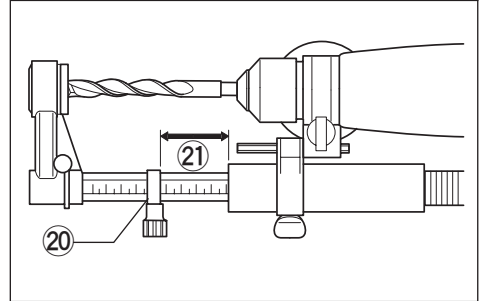
9



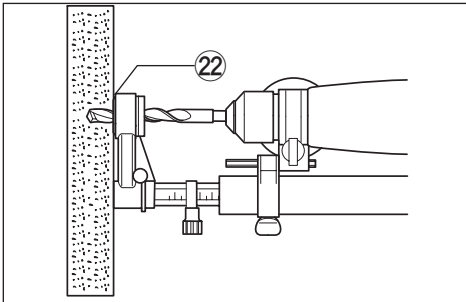
10



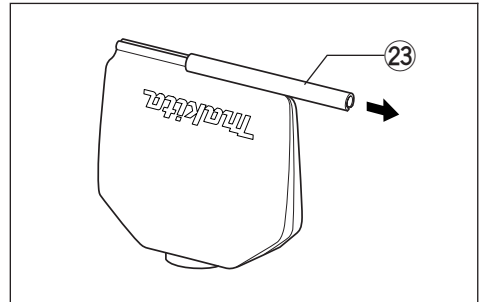
11



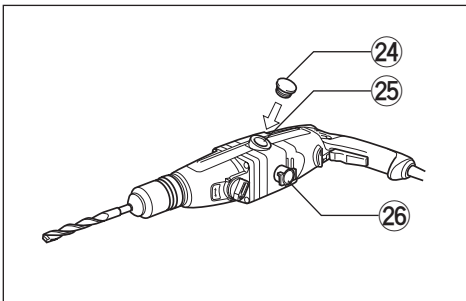
12



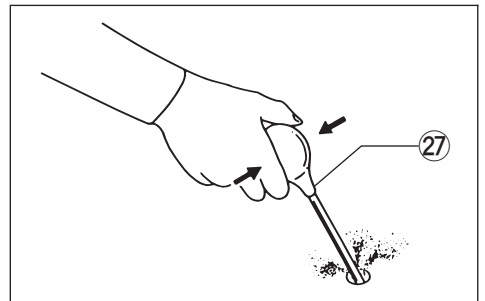
13



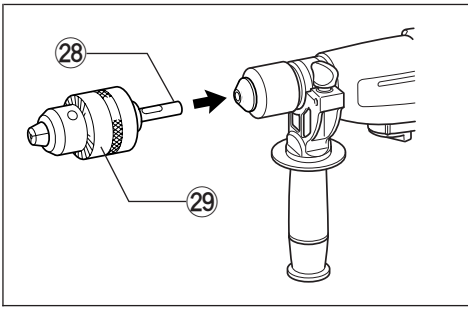
14



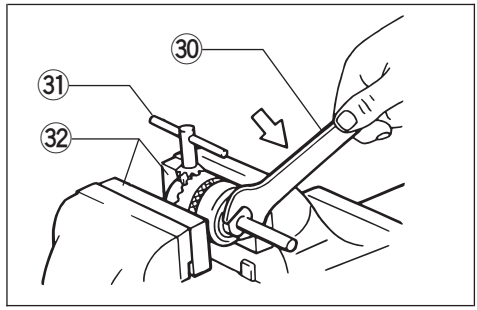
15



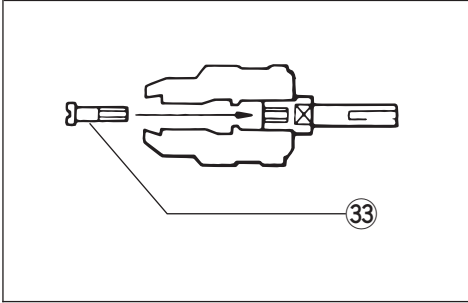
16



17



18



19

## Symbols

The following show the symbols used for the tool. Be sure that you understand their meaning before use.

## Symboles

Nous donnons ci-dessous les symboles utilisés pour l'outil. Assurez-vous que vous en avez bien compris la signification avant d'utiliser l'outil.

## Simbole

Die folgenden Symbole werden für die Maschine verwendet. Machen Sie sich vor der Benutzung unbedingt mit ihrer Bedeutung vertraut.

## Simboli

Per questo utensile vengono usati i simboli seguenti. Bisogna capire il loro significato prima di usare l'utensile.

## Symbolen

Voor dit gereedschap worden de volgende symbolen gebruikt. Zorg ervoor dat u de betekenis van deze symbolen begrijpt alvorens het gereedschap te gebruiken.

## Símbolos

A continuación se muestran los símbolos utilizados con esta herramienta. Asegúrese de que entienda su significado antes de usarla.

## Símbolos

O seguinte mostra os símbolos utilizados para a ferramenta. Certifique-se de que compreende o seu significado antes da utilização.

## Symboler

Nedenstående symboler er anvendt i forbindelse med denne maskine. Vær sikker på, at De har forstået symbolernes betydning, før maskinen anvendes.

## Symboler

Det följande visar de symboler som används för den här maskinen. Se noga till att du förstår deras innebörd innan maskinen används.

## Symbolene

Følgende viser de symbolene som brukes for maskinen. Det er viktig å forstå betydningen av disse før maskinen tas i bruk.

## Symbolit

Alla on esitetty koneessa käytetyt symbolit. Opettele näiden merkitys, ennen kuin käytät konetta.

## Σύμβολα

Τα ακόλουθα δείχνουν τα σύμβολα που χρησιμοποιούνται για το μηχάνημα. Βεβαιωθείτε ότι καταλαβαίνετε τη σημασία τους πριν από τη χρήση.



- Read instruction manual.
- Lire le mode d'emploi.
- Bitte Bedienungsanleitung lesen.
- Leggete il manuale di istruzioni.
- Lees de gebruiksaanwijzing.
- Lea el manual de instrucciones.

- Leia o manual de instruções.
- Læs brugsanvisningen.
- Läs bruksanvisningen.
- Les bruksanvisningen.
- Katso käyttöohjeita.
- Διαβάστε τις οδηγίες χρήσης.



- DOUBLE INSULATION
- DOUBLE ISOLATION
- DOPPELT SCHUTZISOLIERT
- DOPPIO ISOLAMENTO
- DUBBELE ISOLATIE
- DOBLE AISLAMIENTO

- DUPLO ISOLAMENTO
- DOBBELT ISOLERET
- DUBBEL ISOLERING
- DOBBEL ISOLERING
- KAKSINKERTAINEN ERISTYS
- ΔΙΠΛΗ ΜΟΝΩΣΗ

- |                             |                                       |                     |
|-----------------------------|---------------------------------------|---------------------|
| ① Tighten                   | ⑬ Coupling rod                        | ⑳ Fastener          |
| ② Loosen                    | ⑭ Hose                                | ㉑ Cap               |
| ③ Side grip                 | ⑮ Hose port                           | ㉒ Hose port         |
| ④ Bit shank                 | ⑯ Dust exhaust port                   | ㉓ Dust exhaust port |
| ⑤ Bit grease                | ⑰ Turn clockwise                      | ㉔ Blow-out bulb     |
| ⑥ Bit                       | ⑱ Bit                                 | ㉕ Chuck adapter     |
| ⑦ Chuck cover               | ⑲ Clamp screw                         | ㉖ Drill chuck       |
| ⑧ Switch trigger            | ⑳ Stopper                             | ㉗ Wrench            |
| ⑨ Reversing switch lever    | ㉑ Drilling depth                      | ㉘ Chuck key         |
| ⑩ Action mode changing knob | ㉒ Contact with the surface completely | ㉙ Soft jaws         |
| ⑪ Clamp screw               |                                       | ㉚ Screw             |
| ⑫ Coupling hole             |                                       |                     |

**SPECIFICATIONS**

<b>Model</b>	<b>HR2430</b>	<b>HR2431</b>
<b>Capacities</b>		
Concrete .....	24 mm	24 mm
Wood .....	32 mm	32 mm
Steel .....	13 mm	13 mm
<b>Dust extraction capacities</b>		
Max. drilling depth .....	100 mm	100 mm
(Adjustable depth) .....	(0 – 100 mm)	(0 – 100 mm)
Max.bit diameter .....	25 mm	25 mm
Max. bit length .....	270 mm	270 mm
Dust bag capacity .....	0.4 ℓ	0.4 ℓ
No load speed (min <sup>-1</sup> ) .....	0 – 1,050	0 – 1,050
Blows per minute .....	0 – 4,900	0 – 4,900
Overall length .....	416 mm	477 mm
Net weight .....	2.6 kg	2.8 kg

- Due to our continuing program of research and development, the specifications herein are subject to change without notice.
- Note: Specifications may differ from country to country.

**Power supply**

The tool should be connected only to a power supply of the same voltage as indicated on the nameplate, and can only be operated on single-phase AC supply. They are double-insulated in accordance with European Standard and can, therefore, also be used from sockets without earth wire.

**Safety hints**

For your own safety, please refer to the enclosed safety instructions.

**ADDITIONAL SAFETY RULES FOR TOOL (EUB010-1)**

1. Hold tools by insulated gripping surfaces when performing an operation where the cutting tool may contact hidden wiring or its own cord. Contact with a “live” wire will make exposed metal parts of the tool “live” and shock the operator.
2. Wear ear protectors when using the tool for extended periods. Prolonged exposure to high intensity noise can cause hearing loss.

3. Wear a hard hat (safety helmet), safety glasses and/or face shield. It is also highly recommended that you wear a dust mask and thickly padded gloves.
4. Be sure the bit is secured in place before operation.
5. Under normal operation, the tool is designed to produce vibration. The screws can come loose easily, causing a breakdown or accident. Check tightness of screws carefully before operation.
6. In cold weather or when the tool has not been used for a long time, let the tool warm up for a while by operating it under no load. This will loosen up the lubrication. Without proper warm-up, hammering operation is difficult.
7. Always be sure you have a firm footing. Be sure no one is below when using the tool in high locations.
8. Hold the tool firmly with both hands.
9. Keep hands away from moving parts.
10. Do not leave the tool running. Operate the tool only when hand-held.
11. Do not point the tool at any one in the area when operating. The bit could fly out and injure someone seriously.
12. Do not touch the bit or parts close to the bit immediately after operation; they may be extremely hot and could burn your skin.

**SAVE THESE INSTRUCTIONS.**

## OPERATING INSTRUCTIONS

### Side grip (auxiliary handle) (Fig. 1)

The side grip swings around to either side, allowing easy handling of the tool in any position. Loosen the side grip by turning it counterclockwise, swing it to the desired position and then tighten it by turning clockwise.

### Installing or removing drill bit

Important:

Always be sure that the tool is switched off and unplugged before installing or removing the bit.

Clean the bit shank and apply the bit grease (about 0.5 – 1 g) provided to it before installing the bit.

#### (Fig. 2)

Insert the bit into the tool. Turn the bit and push it in until it engages. (Fig. 3)

If the bit cannot be pushed in, remove the bit. Pull the chuck cover down a couple of times. Then insert the bit again. Turn the bit and push it in until it engages.

#### (Fig. 4)

After installing, always make sure that the bit is securely held in place by trying to pull it out.

To remove the bit, pull the chuck cover down all the way and pull the bit out.

### Switch action (Fig. 5)

CAUTION:



Before plugging in the tool, always check to see that the switch trigger actuates properly and returns to the "OFF" position when released.

To start the tool, simply pull the trigger. Tool speed is increased by increasing pressure on the trigger. Release the trigger to stop.

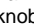
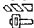
### Reversing switch action (Fig. 5)

CAUTION:

- Always check the direction of rotation before operation.
- Use the reversing switch only after the tool comes to a complete stop. Changing the direction of rotation before the tool stops may damage the tool.
- Do not pull the switch trigger when the reversing switch lever is in the neutral position. If you pull the trigger forcibly, the switch may be damaged.

This tool has a reversing switch to change the direction of rotation. Move the lever to the  position (A position) for clockwise rotation or the  position (B position) for counterclockwise rotation.

### Selecting action mode (Fig. 6)

This tool employs an action mode changing knob. Select one of the two modes suitable for your work needs by using this knob. For rotation only, turn the knob so that the arrow on the knob points toward the  symbol on the tool body. For rotation with hammering, turn the knob so that the arrow on the knob points toward the  symbol on the tool body.

CAUTION:

Always set the knob fully to your desired mode symbol. If you operate the tool with the knob positioned half-way between the mode symbols, the tool may be damaged.

### Torque limiter

The torque limiter will actuate when a certain torque level is reached. The motor will disengage from the output shaft. When this happens, the bit will stop turning.

CAUTION:

- As soon as the torque limiter actuates, switch off the tool immediately. This will help prevent premature wear of the tool.
- Hole saws, core bits, diamond core bits, etc. cannot be used with this tool. They tend to pinch or catch easily in the hole. This will cause the torque limiter to actuate too frequently.

### Dust extractor attachment and dust bag (in concrete drilling operation)

With the dust extractor attachment and the dust bag installed on this tool, you can do your work very cleanly without dust scattered around in the work site.

CAUTION:

These two accessories can be used only for drilling holes in concrete. Accordingly, do not use them in metal or wood drilling operation.

### Installing dust extractor attachment

Loosen the clamp screw of the side grip by turning it counterclockwise.

Insert the coupling rod of the dust extractor attachment through the coupling hole of the side grip until the rod cannot be pushed in any further.

And then tighten the clamp screw clockwise to secure the dust extractor attachment.

The coupling rod can be inserted from either side A or B. (Fig. 7)

Note:

At some angles of the side grip with the tool, the dust extractor attachment cannot be installed on the tool because of the interference between the attachment and the tool.

Insert firmly the hose of the dust extractor attachment into the hose port of the tool until the hose hits against the bottom of the port to be fixed firmly to the tool.

(Fig. 8)

### **Installing dust bag (Fig. 9)**

Keeping the angle of the dust bag with the tool at 90°, insert the dust bag into the dust exhaust port of the tool.

Secure the dust bag by turning it clockwise.

### **Adjusting the position of dust extractor attachment**

Loosen the clamp screw of the dust extractor attachment by turning it counterclockwise. (Fig. 10)

And then align the tip of the bit with the top of the dust extractor attachment. (Fig. 11)

Tighten the clamp screw by turning it clockwise to secure the dust extractor attachment.

### **Depth adjustment (Fig. 12)**

Loosen the screw of the stopper by turning it counterclockwise so that the stopper could slide on the depth gauge of the dust extractor attachment.

Slide the stopper to the desired drilling depth of the gauge, and then tighten the screw by turning it clockwise.

### **Drilling with dust extractor attachment (Fig. 13)**

In drilling operation, hold the tool so that the top end of the dust extractor attachment is always kept in complete contact with the surface of concrete.

Note:

Any space between them would result in a considerable loss of dust extracting power.

### **Cleaning out dust bag (Fig. 14)**

Remove the dust bag from the tool.

Pull the fastener out of the dust bag, and then remove dust or particles to clean out the dust bag.

Note:

Too much dust in the dust bag would result in a considerable loss of dust extracting power.

Accordingly, clean out the dust bag from time to time.

### **Drilling without dust extractor attachment (Fig. 15)**

This tool can be also used as a standard rotary hammer without the dust extractor attachment and the dust bag.

Before drilling operation without the dust extractor attachment and the dust bag, plug the hose port with the cap provided.

The cap reduces the exhaust air from the dust exhaust port for your comfortable operation.

### **Hammer drilling operation**

Position the bit at the desired location for the hole, then pull the trigger.

Do not force the tool. Light pressure gives best results. Keep the tool in position and prevent it from slipping away from the hole.

Do not apply more pressure when the hole becomes clogged with chips or particles. Instead, run the tool at an idle, then remove the bit partially from the hole. By repeating this several times, the hole will be cleaned out and normal drilling may be resumed.

### **CAUTION:**

There is tremendous and sudden twisting force exerted on the tool/bit at the time of hole breakthrough, when the hole becomes clogged with chips and particles, or when striking reinforcing rods embedded in the concrete. Always use the side grip (auxiliary handle) and firmly hold the tool by both side grip and switch handle during operations. Failure to do so may result in the loss of control of the tool and potentially severe injury.

### **Blow-out bulb (Fig. 16)**

Use the blow-out bulb to clean out the hole.

### **Drilling in wood or metal (Fig. 17)**

Use the optional drill chuck assembly (consisting of drill chuck and chuck adapter assembly). When installing it, refer to "Installing or removing drill bit" described on the previous page. Set the action mode changing knob to "rotation only". You can drill up to 13 mm diameter in metal and up to 32 mm diameter in wood.

### **CAUTION:**

Never use "rotation with hammering" when the drill chuck assembly is installed on the tool. The drill chuck assembly may be damaged.

NOTE:

If you need to assemble the drill chuck and chuck adapter assembly, proceed as follows.

Secure the drill chuck in a vise or similar securing device. Place the chuck key in one of the three holes so that the chuck body will not turn. (Fig. 18)

Remove the screw from the chuck adapter assembly and screw the chuck adapter into the drill chuck. Use a wrench to tighten the chuck adapter securely, applying about 29–39 N-m torque. (Note: you can obtain 29–39 N-m torque by applying pressure of 30–40 kg to the wrench while holding the portion 10 cm from the wrench head.)

Open the chuck jaws fully and insert the screw through the chuck opening. Tighten the screw counterclockwise with a screwdriver. (Fig. 19)

## **MAINTENANCE**

### **CAUTION:**

Always be sure that the tool is switched off and unplugged before carrying out any work on the tool.

To maintain product safety and reliability, repairs, maintenance or adjustment should be carried out by a Makita Authorized Service Center.



① Sens du serrage	⑬ Tige de couplage	⑳ Capuchon
② Sens du desserrage	⑭ Tuyau	㉑ Orifice à tuyau
③ Poignée latérale	⑮ Orifice à tuyau	㉒ Conduit d'éjection de la poussière
④ Queue de foret	⑯ Conduit d'éjection de la poussière	㉓ Poire soufflante
⑤ Graisse rose	⑰ Tourner vers la droite	㉔ Porte-mandrin SDS+
⑥ Mèche	⑱ Foret	㉕ Mandrin
⑦ Cache du porte-outil	⑲ Vis de serrage	㉖ Clé plate
⑧ Gâchette de l'interrupteur	⑳ Butée	㉗ Clé à mandrin
⑨ Levier inverseur	㉑ Profondeur de perforation	㉘ Mordaches
⑩ Sélecteur frappe et/ou rotation	㉒ Contact total avec la surface	㉙ Vis
⑪ Vis de serrage	㉓ Fermeture	
⑫ Orifice de couplage		

## SPECIFICATIONS

Modèle	HR2430	HR2431
Capacités		
Béton .....	24 mm	24 mm
Bois .....	32 mm	32 mm
Acier .....	13 mm	13 mm
Capacité d'extraction de la poussière		
Profondeur maximum de perforation .....	100 mm	100 mm
(profondeur réglable) .....	(0 – 100 mm)	(0 – 100 mm)
Diamètre maximum du foret .....	25 mm	25 mm
Longueur maximum du foret .....	270 mm	270 mm
Capacité du sac à poussière .....	0,4 ℓ	0,4 ℓ
Vitesse à vide (min <sup>-1</sup> ) .....	0 – 1 050	0 – 1 050
Cadence de frappe/mn .....	0 – 4 900	0 – 4 900
Longueur totale .....	416 mm	477 mm
Poids net .....	2,6 kg	2,8 kg

- Etant donné l'évolution constante de notre programme de recherche et de développement, les spécifications contenues dans ce manuel sont sujettes à modification sans préavis.
- Note : Les spécifications peuvent varier suivant les pays.

### Alimentation

L'outil ne devra être raccordé qu'à une alimentation de la même tension que celle qui figure sur la plaque signalétique, et il ne pourra fonctionner que sur un courant secteur monophasé. Réalisé avec une double isolation, il est conforme à la réglementation européenne et peut de ce fait être alimenté sans mise à la terre.

### Consignes de sécurité

Pour votre propre sécurité, reportez-vous aux consignes de sécurité qui accompagnent l'outil.

## CONSIGNES DE SÉCURITÉ ADDITIONNELLES POUR L'OUTIL

1. Tenez les outils par leurs zone de prise isolées lorsque vous effectuez un travail au cours duquel l'outil risque d'entrer en contact avec un fil électrique caché ou avec son propre câble. Le contact avec un fil électrique peut mettre les parties non isolées de l'outil sous tension et électrocuter l'utilisateur.

2. **Veillez porter casque antibruit lorsque vous utilisez l'outil sur une longue période. L'exposition prolongée de l'ouïe à un bruit intense peut entraîner la surdité.**
3. **Portez un casque rigide (casque de protection) ainsi que des lunettes de protection et/ou un écran facial. Le port d'un masque à poussière et de gants épais est également fortement recommandé.**
4. **Assurez-vous que le foret est solidement installé avant l'utilisation.**
5. **L'outil est conçu pour produire des vibrations dans des conditions normales d'utilisation. Les vis peuvent facilement se desserrer et entraîner une panne ou un accident. Avant l'utilisation, vérifiez soigneusement si les vis sont bien serrées.**
6. **Par temps froid ou lorsque l'outil est resté inutilisé pendant une longue période, faites-le réchauffer pendant un moment en le faisant fonctionner à vide. Cela réchauffera le lubrifiant. Sans un réchauffement adéquat, la frappe s'effectue difficilement.**
7. **Assurez-vous toujours de travailler en position stable.**  
Lorsque vous utilisez l'outil dans un endroit élevé, assurez-vous qu'il n'y a personne en bas.
8. **Tenez l'outil fermement à deux mains.**
9. **Gardez les mains éloignées des pièces en mouvement.**

10. Ne laissez pas l'outil tourner. Ne le faites fonctionner que lorsque vous le tenez.
11. Ne pointez l'outil vers personne autour de vous pendant l'utilisation. Le foret pourrait être éjecté et blesser quelqu'un grièvement.
12. Ne touchez pas le foret ou les parties situées près du foret immédiatement après l'utilisation ; ils peuvent être extrêmement chauds et brûler votre peau.

## CONSERVEZ CES INSTRUCTIONS.

## MODE D'EMPLOI

### Poignée latérale (poignée auxiliaire) (Fig. 1)

La poignée latérale pivote sur la droite ou sur la gauche, de façon à rendre le maniement de l'outil plus facile dans n'importe quelle position. Desserrez la poignée latérale en la tournant dans le sens inverse des aiguilles d'une montre, faites-la pivoter sur la position voulue, puis serrez-la en la tournant dans le sens des aiguilles d'une montre.

### Installation ou retrait du foret

Important :

Vérifiez toujours que l'outil est arrêté et que son câble d'alimentation est débranché avant d'installer ou de retirer le foret.

Nettoyez la tige du foret et enduisez-le de la graisse à foret (environ 0,5 à 1 g) fournie avant de l'installer. (Fig. 2)

Enfoncez le foret dans l'outil. Tournez le foret et enfoncez-le jusqu'au dé clic. (Fig. 3)

Si vous n'arrivez pas à enfoncez le foret, retirez-le. Manœuvrez deux ou trois fois le cache vers le bas, et recommencez. Tournez le foret et enfoncez-le jusqu'au dé clic. (Fig. 4)

Après le montage, exercez toujours une traction vigoureuse sur le foret pour vérifier qu'il soit correctement verrouillé.

Pour retirer le foret, tirez le cache à fond vers le bas et sortez le foret.

### Interrupteur (Fig. 5)

ATTENTION :



Avant de brancher l'outil, vérifiez toujours que la gâchette de l'interrupteur fonctionne correctement et revient sur la position "OFF" une fois relâchée.

Pour démarrer l'outil, enfoncez simplement la gâchette. Pour accroître la vitesse, augmentez la pression sur la gâchette. Pour arrêter l'outil, relâchez la gâchette.



### Inverseur (Fig. 5)

ATTENTION :

- Vérifiez toujours le sens de rotation avant de mettre l'outil en marche.
- Attendez que l'outil se soit complètement arrêté avant d'utiliser l'inverseur. Vous risquez d'endommager l'outil si vous changez le sens de rotation avant qu'il ne soit complètement arrêté.
- Ne tirez pas sur la gâchette lorsque le levier de l'inverseur se trouve au point mort. Vous risquez d'endommager l'interrupteur si vous forcez sur la gâchette.

L'outil possède un inverseur qui permet d'invertir le sens de rotation. Déplacez le levier sur la position  (position A) pour une rotation vers la droite, usur la position  (position B) pour une rotation vers la gauche.

### Sélection du mode frappe et/ou rotation (Fig. 6)

L'outil possède un sélecteur frappe et/ou rotation. Sélectionnez l'un des deux modes en fonction de la nature du support. Pour une rotation seulement, tournez le sélecteur de façon que la flèche du sélecteur soit dirigée vers le symbole  du corps de l'outil. Pour une rotation avec frappe, tournez le sélecteur de façon que la flèche du sélecteur soit dirigée vers le symbole  du corps de l'outil.

ATTENTION :

Poussez toujours le sélecteur bien à fond sur le symbole voulu. Si vous faites marcher l'outil alors que le sélecteur se trouve à mi-chemin des deux symboles, vous risquez de l'endommager.

### Limiteur de couple

Le limiteur de couple se déclenche dès qu'un certain couple est atteint. Le moteur débraye, et dans ce cas, le foret cesse de tourner.

ATTENTION :

- Dès que le limiteur de couple se déclenche, arrêtez l'outil. Ceci permettra d'éviter toute usure prématurée de l'outil.
- Avec cet outil, vous ne pourrez utiliser ni scies cloches, ni trépan, ni trépan diamantés, etc. Ils auraient tendance à se bloquer, ce qui déclencherait constamment le limiteur de couple.

### Aspirateur et sac à poussière

(lors du perçage dans le béton)

Avec l'aspirateur et le sac à poussière installés sur cet outil, vous pouvez effectuer votre travail en toute propreté sans répandre de poussière autour de vous sur le site du travail.

ATTENTION :

Ces deux accessoires ne peuvent être utilisés que pour le perçage de trous dans le béton. Ne les utilisez donc pas lorsque vous percez du métal ou du bois.

### **Installation de l'aspirateur**

Desserrez la vis de serrage de la poignée latérale en la tournant dans le sens contraire des aiguilles d'une montre.

Insérez la tige de couplage de l'aspirateur dans l'orifice de couplage de la poignée latérale jusqu'à ce que la tige ne puisse être enfoncée davantage.

Serrez ensuite fermement la vis de réglage dans le sens des aiguilles d'une montre pour fixer l'aspirateur. La tige de couplage peut être insérée du côté A ou du côté B. **(Fig. 7)**

Remarque :

Avec certains angles de la poignée latérale par rapport à l'outil, l'aspirateur ne peut pas être installé sur l'outil, la poignée créant de l'obstruction entre l'aspirateur et l'outil.

Insérez solidement le tuyau de l'aspirateur dans l'orifice à tuyau de l'outil jusqu'à ce que le tuyau atteigne le fond de l'orifice et soit ainsi fermement fixé à l'outil. **(Fig. 8)**

### **Installation du sac à poussière (Fig. 9)**

En maintenant à 90° l'angle du sac à poussière par rapport à l'outil, insérez-le dans le conduit d'éjection de la poussière de l'outil.

Fixez le sac à poussière en tournant dans le sens des aiguilles d'une montre.

### **Réglage de la position de l'aspirateur**

Desserrez la vis de serrage de l'aspirateur en la tournant dans le sens contraire des aiguilles d'une montre. **(Fig. 10)**

Alignez ensuite le bout du foret avec le dessus de l'aspirateur. **(Fig. 11)**

Serrez la vis de serrage en la tournant dans le sens des aiguilles d'une montre pour fixer l'aspirateur.

### **Réglage de la profondeur (Fig. 12)**

Desserrez la vis de la butée en la tournant dans le sens contraire des aiguilles d'une montre de telle sorte que la butée puisse glisser sur la tige de profondeur de l'aspirateur.

Faites glisser la butée jusqu'à la profondeur de perçage désirée sur la tige, puis serrez la vis en la tournant dans le sens des aiguilles d'une montre.

### **Perçage avec l'aspirateur (Fig. 13)**

Pendant le perçage, tenez l'outil de telle sorte que l'aspirateur se trouve toujours en contact total avec la surface de béton.

Remarque :

Tout interstice entraînerait une perte considérable de la puissance d'aspiration de la poussière.

### **Nettoyage du sac à poussière (Fig. 14)**

Retirez le sac à poussière de l'outil.

Retirez le fermoir du sac à poussière en tirant, puis nettoyez le sac à poussière en enlevant la poussière ou les particules.

Remarque :

Une trop grande quantité de poussière dans le sac entraînerait une perte considérable de la puissance d'aspiration de la poussière.

Par conséquent, nettoyez régulièrement le sac à poussière.

### **Perçage sans aspirateur (Fig. 15)**

Cet outil peut également être utilisé comme perforateur ordinaire, sans aspirateur ni sac à poussière.

Avant le perçage sans aspirateur ni sac à poussière, fermez l'orifice à tuyau avec le capuchon fourni.

Le capuchon réduit l'évacuation d'air par l'orifice d'évacuation de la poussière, rendant ainsi votre travail plus agréable.

### **Perçage**

Posez la pointe du foret à l'emplacement du trou à percer et pressez sur la gâchette.

Ne forcez pas sur l'outil. Une pression légère vous donnera les meilleurs résultats. Maintenez bien l'outil en position et veillez qu'il ne dérape pas hors du trou.

N'augmentez pas la pression sur l'outil lorsque le trou est bouché par des copeaux ou des particules. Au contraire, laissez le moteur tourner au ralenti, puis retirez en partie le foret du trou. Si vous répétez cette opération plusieurs fois de suite, le trou se débouchera, et vous pourrez reprendre le perçage normalement.

ATTENTION :

Il s'exerce brusquement une force de torsion considérable sur l'outil/la mèche au moment où l'orifice se perce, où il devient obstrué de copeaux et de particules, ou lorsque l'outil heurte les armatures métalliques du béton armé. En cours de perçage, toujours utiliser la poignée latérale (poignée auxiliaire) et tenir fermement l'outil à la fois avec la poignée latérale et avec la poignée revolver. Sinon, l'on risque de perdre le contrôle de l'outil et de se blesser gravement.

### **Poire soufflante (Fig. 16)**

Utilisez la poire soufflante pour nettoyer l'orifice.

### **Perçage du bois ou du métal (Fig. 17)**

Pour ce type de travail, utilisez l'accessoire mandrin (qui comprend le mandrin et le porte-mandrin). Pour l'installation, reportez-vous à la section "Installation ou retrait du foret", à la page précédente. Régler le sélecteur frappe et/ou rotation sur "rotation seulement". Les diamètres maxima de perçage sont de 13 mm pour le métal et de 32 mm pour le bois.

#### **ATTENTION :**

N'utilisez jamais la "rotation et frappe" lorsque le porte-mandrin est engagé dans la machine, car vous pourriez endommager l'ensemble.

#### **NOTE :**

Si vous devez monter le mandrin et son porte-mandrin, procédez comme suit.

Fixez le mandrin dans un étau ou un dispositif de serrage similaire. Placez la clé à mandrin dans l'un des trois orifices de façon que le corps du mandrin ne tourne pas. **(Fig. 18)**

Retirez la vis du porte-mandrin et vissez le porte-mandrin sur le mandrin. Serrez le porte-mandrin au couple de 29 – 39 N·m à l'aide d'une clé. (Note : Vous obtiendrez un couple de 29 – 39 N·m en appliquant une pression de 30 – 40 kg sur la partie arrière de la clé située à 10 cm des mâchoires.)

Ouvrez le mandrin à fond et insérez la vis dans l'ouverture du mandrin. Serrez la vis vers la gauche à l'aide d'un tournevis. **(Fig. 19)**

## **ENTRETIEN**

### **ATTENTION :**

Assurez-vous toujours que l'outil est hors tension et hors secteur avant toute intervention.

Pour maintenir la sécurité et la fiabilité du produit, les réparations, l'entretien ou les réglages doivent être effectués par le Centre d'Entretien Makita.

- |                           |   |                            |
|---------------------------|---|----------------------------|
| ① Festziehen              | ⑬ Kopplungsstange                       | ⑳ Verschluss               |
| ② Lösen                   | ⑭ Schlauch                              | ㉑ Kappe                    |
| ③ Seitengriff             | ⑮ Schlauchanschlussöffnung              | ㉒ Schlauchanschlussöffnung |
| ④ Einsteckende            | ⑯ Staubabsaugstutzen                    | ㉓ Staubabsaugstutzen       |
| ⑤ Bohrer-/Meißelfett      | ⑰ Im Uhrzeigersinn drehen               | ㉔ Ausbläser                |
| ⑥ SDS-Plus-Bohrer         | ⑱ Bohrer                                | ㉕ Bohrfutteradapter        |
| ⑦ Werkzeugverriegelung    | ⑲ Klemmschraube                         | ㉖ Zahnkranzbohrfutter      |
| ⑧ Elektronik-Schalter     | ㉑ Anschlag                              | ㉗ Gabelschlüssel           |
| ⑨ Drehrichtungsumschalter | ㉒ Bohrtiefe                             | ㉘ Bohrfutterschlüssel      |
| ⑩ Betriebsartenschalter   | ㉓ Vollständiger Kontakt mit Betonfläche | ㉙ Schonbacken              |
| ⑪ Flügelschraube          |   | ㉚ Sicherungsschraube       |
| ⑫ Kopplungsöffnung        |   |                            |

**TECHNISCHE DATEN**

Modell	HR2430	HR2431
Bohrleistung		
Beton .....	24 mm	24 mm
Holz .....	32 mm	32 mm
Stahl .....	13 mm	13 mm
Staubabsaugleistung		
Max. Bohrtiefe .....	100 mm	100 mm
(Einstellbare Tiefe) .....	(0 – 100 mm)	(0 – 100 mm)
Max. Bohrerdurchmesser .....	25 mm	25 mm
Max. Bohrerlänge .....	270 mm	270 mm
Staubsaackkapazität .....	0,4 ℓ	0,4 ℓ
Leerlaufdrehzahl (min <sup>-1</sup> ) .....	0 – 1 050	0 – 1 050
Schlagzahl .....	0 – 4 900	0 – 4 900
Gesamtlänge .....	416 mm	477 mm
Nettogewicht .....	2,6 kg	2,8 kg

- Wir behalten uns vor, Änderungen im Zuge der Entwicklung und des technischen Fortschritts ohne vorherige Ankündigung vorzunehmen.
- Hinweis: Die technischen Daten können von Land zu Land abweichen.

**Stromversorgung**

Die Maschine darf nur an die auf dem Typenschild angegebene Spannung angeschlossen werden und arbeitet nur mit Einphasen-Wechselspannung. Sie ist entsprechend den Europäischen Richtlinien doppelt schutzisoliert und kann daher auch an Steckdosen ohne Erdungskabel angeschlossen werden.

**Sicherheitshinweise**

Lesen und beachten Sie diese Hinweise, bevor Sie das Gerät benutzen.

**ZUSÄTZLICHE SICHERHEITSGESAMTREGELN FÜR DIE MASCHINE**

1. Halten Sie die Maschine nur an den isolierten Griffflächen, wenn Sie Arbeiten ausführen, bei denen die Gefahr besteht, dass verborgene Kabel oder das eigene Kabel angebohrt werden. Bei Kontakt mit einem stromführenden Kabel werden die freiliegenden Metallteile der Maschine ebenfalls stromführend, so dass der Benutzer einen elektrischen Schlag erleiden kann.

2. Tragen Sie Gehörschützer bei längerer Benutzung der Maschine. Lang anhaltende Lärmbelastung kann zu Gehörschäden führen.
3. Tragen Sie Schutzhelm, Schutzbrille und/oder Gesichtsschutz. Das Tragen einer Staubmaske und dick gepolsterter Handschuhe ist ebenfalls zu empfehlen.
4. Vergewissern Sie sich vor der Arbeit, dass der Bohrer sicher montiert ist.
5. Die Maschine ist so ausgelegt, dass sie bei normalem Betrieb Vibrationen erzeugt. Durch Lockerung von Schrauben kann es zu einem Ausfall oder Unfall kommen. Überprüfen Sie sorgfältig die Festigkeit der Schrauben vor der Arbeit.
6. Lassen Sie die Maschine bei niedrigen Temperaturen oder nach längerer Nichtbenutzung eine Zeit lang im Leerlauf warmlaufen. Dadurch wird die Schmierung verbessert. Schlagbohren mit einer nicht richtig warmgelaufenen Maschine ist schwierig.
7. Achten Sie stets auf sicheren Stand. Vergewissern Sie sich bei Einsatz der Maschine an hochgelegenen Arbeitsplätzen, dass sich keine Personen darunter aufhalten.
8. Die Maschine sicher mit beiden Händen festhalten.
9. Halten Sie die Hände von rotierenden Teilen fern.

10. Lassen Sie die Maschine nicht unbeaufsichtigt laufen. Benutzen Sie die Maschine nur mit Handhaltung.
11. Richten Sie die Maschine während des Betriebs nicht auf umstehende Personen. Der Bohrer könnte herausschnellen und schwere Verletzungen verursachen.
12. Vermeiden Sie eine Berührung des Bohreinsatzes oder der umliegenden Teile unmittelbar nach der Bearbeitung, weil sie dann noch sehr heiß sind und Hautverbrennungen verursachen können.

## DIESE HINWEISE SORGFÄLTIG AUFBEWAHREN.

### BEDIENUNGSHINWEISE

#### Seitengriff (Zusatzgriff) (Abb. 1)

Der Seitengriff (Zusatzgriff) lässt sich zu jeder Seite drehen und gewährleistet damit ein bequemes Halten des Werkzeugs in jeder Position. Lösen Sie den Seitengriff durch Linksdrehung, bringen Sie ihn in die gewünschte Position und ziehen Sie ihn durch Rechtsdrehung wieder an.

#### Montage bzw. Demontage von Einsatzwerkzeugen

Wichtig:

Vergewissern Sie sich vor der Montage bzw. Demontage eines Einsatzwerkzeuges grundsätzlich, daß die Maschine abgeschaltet und der Netzstecker gezogen ist.

Vor der Montage des Bohreinsatzes den Bohrer-schaft reinigen und das mitgelieferte Meißelfett (etwa 0,5 – 1 g) auftragen. **(Abb. 2)**

Einsatzwerkzeug drehend in die Werkzeugaufnahme einführen und einschieben, bis es einrastet. **(Abb. 3)** Sollte das Einsatzwerkzeug nicht einzuschieben sein, ziehen Sie es wieder heraus und betätigen Sie die Werkzeugverriegelung zwei- bis dreimal. Anschließend den Vorgang wiederholen. **(Abb. 4)**

Prüfen Sie nach jedem Montagevorgang den sicheren Sitz des Einsatzwerkzeugs durch Zugversuch. Zur Demontage des Einsatzwerkzeugs die Werkzeugverriegelung bis zum Anschlag in Richtung Maschinengehäuse ziehen und das Einsatzwerkzeug entnehmen.

#### Schalterfunktion (Abb. 5)

VORSICHT:


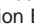
Vor dem Anschließen der Maschine an das Stromnetz stets überprüfen, ob der Elektronikschalter ordnungsgemäß funktioniert und beim Loslassen in die AUS-Stellung zurückkehrt.

Die Drehzahl erhöht sich durch verstärkte Druckausübung auf den Elektronikschalter. Zum Einschalten drücken Sie den Elektronikschalter. Zum Ausschalten lassen Sie den Schalter los.



#### Drehrichtungsumschalter (Abb. 5)

VORSICHT:

- Prüfen Sie stets vor Arbeitsbeginn die Drehrichtung.
- Wechseln Sie niemals die Drehrichtung, bevor der Motor zum Stillstand gekommen ist. Andernfalls kann die Maschine beschädigt werden.
- Den Elektronikschalter bei Neutralstellung des Drehrichtungsumschalters nicht drücken. Der Drehrichtungsumschalter kann bei gewaltsamen Druck auf den Elektronikschalter beschädigt werden.

Mit dem Drehrichtungsumschalter kann die Drehrichtung verändert werden. Schalten Sie für Rechtslauf auf Position  (Position A), für Linkslauf auf Position  (Position B).

#### Wahl der Betriebsart (Abb. 6)

Diese Maschine verfügt über einen Betriebsartenschalter, mit dem die jeweils gewünschte Betriebsart gewählt werden kann. Zum Drehbohren den Betriebsartenschalter mit dem Pfeil auf das Symbol  des Maschinengehäuses drehen. Zum Hammerbohren den Betriebsartenschalter mit dem Pfeil auf das Symbol  des Maschinengehäuses drehen.

VORSICHT:

Den Betriebsartenschalter stets bis zum Anschlag auf das Symbol der gewünschten Betriebsart drehen. Durch den Betrieb in einer Zwischenstellung des Schalters kann die Maschine beschädigt werden.

#### Drehmomentbegrenzung

Die Rutschkupplung der Maschine begrenzt das Drehmoment auf einen werkseitig eingestellten Maximalwert. Bei Auslösen trennt die Rutschkupplung den Antrieb von der Bohrspindel und das Einsatzwerkzeug kommt zum Stillstand.

VORSICHT:

- Bei Auslösen der Rutschkupplung Maschine sofort abschalten, um frühzeitigen Verschleiß zu vermeiden.
- Lochsägen, Diamantbohrkronen und ähnliche Werkzeuge sind für den Einsatz in dieser Maschine nicht geeignet, da diese Einsatzwerkzeuge zu hohe Drehmomente abverlangen.

#### Staubabsaugvorrichtung und Staubsack

(zum Bohren in Beton)

Durch die Anbringung der Staubabsaugvorrichtung und des Staubsacks an dieser Maschine ist sehr sauberes Arbeiten möglich, ohne den Arbeitsplatz durch Staub zu verschmutzen.

VORSICHT:

Diese beiden Zubehörteile können nur für Bohrarbeiten in Beton verwendet werden. Verwenden Sie sie daher nicht für Bohrarbeiten in Metall oder Holz.

### **Montieren der Staubabsaugvorrichtung**

Die Klemmschraube des Seitengriffs durch Drehen entgegen dem Uhrzeigersinn lösen.

Die Kopplungsstange der Staubabsaugvorrichtung bis zum Anschlag in die Kopplungsöffnung des Seitengriffs einführen.

Dann die Klemmschraube im Uhrzeigersinn anziehen, um die Staubabsaugvorrichtung zu befestigen. Die Kopplungsstange kann entweder von Seite A oder B eingeführt werden. **(Abb. 7)**

Hinweis:

Bei bestimmten Winkelstellungen des Seitengriffs zur Maschine lässt sich die Staubabsaugvorrichtung wegen Berührung zwischen Vorrichtung und Maschine nicht an der Maschine anbringen.

Den Schlauch der Staubabsaugvorrichtung fest in die Schlauchanschlussöffnung der Maschine einführen, bis der Schlauch auf dem Anschlag des an der Maschine anzubringenden Stützens aufsitzt. **(Abb. 8)**

### **Anbringen des Staubsacks (Abb. 9)**

Den Staubsack im Winkel von 90° zur Maschine auf den Staubabsaugstutzen der Maschine schieben. Dann den Staubsack durch Drehen im Uhrzeigersinn sichern.

### **Einstellen der Position der Staubabsaugvorrichtung**

Die Klemmschraube der Staubabsaugvorrichtung durch Drehen entgegen dem Uhrzeigersinn lösen. **(Abb. 10)**

Dann das Endstück der Staubabsaugvorrichtung auf die Bohrspitze ausrichten. **(Abb. 11)**

Die Klemmschraube durch Drehen im Uhrzeigersinn anziehen, um die Staubabsaugvorrichtung festzustellen.

### **Tiefenbegrenzung (Abb. 12)**

Die Schraube des Anschlags durch Drehen entgegen dem Uhrzeigersinn lösen, so dass sich der Anschlag auf der Tiefenskala der Staubabsaugvorrichtung verschieben lässt.

Den Anschlag bis zur gewünschten Bohrtiefe auf der Skala verschieben, und dann die Schraube durch Drehen im Uhrzeigersinn anziehen.

### **Bohren mit der Staubabsaugvorrichtung (Abb. 13)**

Halten Sie die Maschine beim Bohren so, dass das Endstück der Staubabsaugvorrichtung stets flach auf der Betonoberfläche aufliegt.

Hinweis:

Jedes Spiel zwischen den beiden Flächen führt zu beträchtlichem Verlust der Staubabsaugleistung.

### **Entleeren des Staubsacks (Abb. 14)**

Den Staubsack von der Maschine abnehmen.

Den Verschluss vom Staubsack abziehen, und dann den Inhalt des Staubsacks entleeren.

Hinweis:

Zuviel Staub im Staubsack führt zu einem beträchtlichen Verlust der Staubabsaugleistung.

Daher sollte der Staubsack von Zeit zu Zeit entleert werden.

### **Bohren ohne Staubabsaugvorrichtung (Abb. 15)**

Diese Maschine kann auch ohne die Staubabsaugvorrichtung und den Staubsack als normale Schlagbohrmaschine verwendet werden.

Bevor die Maschine ohne Staubabsaugvorrichtung und Staubsack eingesetzt wird, muss die Schlauchanschlussöffnung mit der beiliegenden Kappe verschlossen werden.

Die Kappe reduziert den Luftausstoß aus dem Staubabsaugstutzen, um angenehmeres Arbeiten zu ermöglichen.

### **Betrieb: Hammerbohren**

Den Bohrer erst an die gewünschte Position setzen und den Bohrvorgang dann durch Drücken des Elektronikschalters beginnen.

Das Gerät im rechten Winkel zur Werkstückoberfläche sicher führen, um ein Abrutschen des Bohrers zu verhindern. Während des Bohrbetriebs nur den erforderlichen Gegendruck halten, der unmittelbar der Schlagenergie des Gerätes entgegenwirkt. Sollte die Bohrmehlabfuhr (z. B. durch feuchtes Gestein) gestört sein, ziehen Sie den Bohrer aus der Bohrung heraus und entfernen Sie das Bohrmehl aus der Bohrung bzw. den Spiralnuten des Bohrers.

VORSICHT:

Beim Bohren in eisenbewehrtem Beton kann der Bohrer blockieren und so die Rutschkupplung der Maschine auslösen. Achten Sie daher auf sicheren Stand und benutzen Sie immer den Seitengriff, um die hohen Rückdrehmomente aufzufangen.

### **Ausbläser (Abb. 16)**

Verwenden Sie den Ausbläser, um das Bohrloch von Spänen und Partikeln zu säubern.

### **Bohren in Holz oder Metall (Abb. 17)**

Verwenden Sie das als Sonderzubehör erhältliche Bohrfutter mit montiertem Bohrfutteradapter. Zur Montage gehen Sie wie im Abschnitt "Montage bzw. Demontage Drehrichtungsumschalter" beschrieben vor. Stellen Sie den Betriebsartenschalter auf die Position Drehbohren. Die maximale Bohrleistung beträgt in Metall 13 mm und in Holz 32 mm.

VORSICHT:

Bei montiertem Bohrfutteradapter mit dem Bohrfutter darf keinesfalls die Betriebsart "Hammerbohren" gewählt werden.

#### HINWEIS:

Beim Zusammenbau von Bohrfutteradapter und Bohrfutter spannen Sie das Bohrfutter in einen Schraubstock und arretieren es mit dem Bohrfutterschlüssel. **(Abb. 18)**

Die Sicherungsschraube des Bohrfutteradapters entfernen und den Bohrfutteradapter mit einem Drehmoment von 29 – 39 N·m im Bohrfutter befestigen. (Hinweis: Das Drehmoment wird erzielt, wenn eine Kraft von 29 – 39 N·m in 10 cm Entfernung von der Schraube auf den Gabelschlüssel ausgeübt wird.) Die Bohrfutterspannbacken vollständig öffnen und die Sicherungsschraube durch Linksdrehung festziehen. **(Abb. 19)**

#### WARTUNG

##### VORSICHT:

Vor Arbeiten an der Maschine vergewissern Sie sich, daß der Schalter in der Position OFF und der Netzstecker gezogen ist.

Zur Gewährleistung der Produktsicherheit und -zuverlässigkeit sind Reparaturen, Wartungsarbeiten und Einstellungen von einer Makita-Service-Station auszuführen.



① Stringere	⑫ Foro di giunzione	⑳ Chiusura
② Allentare	⑬ Asta di giunzione	㉑ Tappo
③ Impugnatura laterale	⑭ Manicotto	㉒ Porta manicotto
④ Codolo	⑮ Porta manicotto	㉓ Porta di scarico polvere
⑤ Grasso punta	⑯ Porta di scarico polvere	㉔ Soffietto
⑥ Punta	⑰ Girare in senso orario	㉕ Adattatore mandrino
⑦ Coperchio mandrino	⑱ Punta	㉖ Mandrino per punta
⑧ Interruttore a grilletto	⑲ Vite di fermo	㉗ Chiave
⑨ Levetta d'inserzione	⑳ Fermo	㉘ Chiave mandrino
⑩ Manopola di cambiamento modo di funzionamento	㉑ Profondità di foratura	㉙ Ganasce morbide
⑪ Vite di fissaggio	㉒ Fare completamente contatto con la superficie	㉚ Vite

## DATI TECNICI

Modello	HR2430	HR2431
Capacità		
Cemento .....	24 mm	24 mm
Legno .....	32 mm	32 mm
Acciaio .....	13 mm	13 mm
Capacità di estrazione polvere		
Profondità massima di foratura .....	100 mm	100 mm
(Profondità regolabile) .....	(0 – 100 mm)	(0 – 100 mm)
Diametro massimo punta .....	25 mm	25 mm
Lunghezza massima punta .....	270 mm	270 mm
Capacità sacchetto polvere .....	0,4 ℓ	0,4 ℓ
Velocità a vuoto (min <sup>-1</sup> ) .....	0 – 1.050	0 – 1.050
Colpi al minuto .....	0 – 4.900	0 – 4.900
Lunghezza totale .....	416 mm	477 mm
Peso netto .....	2,6 kg	2,8 kg

- Per il nostro programma di ricerca e sviluppo continui, i dati tecnici sono soggetti a modifiche senza preavviso.
- Nota: I dati tecnici potrebbero differire a seconda del paese di destinazione del modello.

## Alimentazione

L'utensile deve essere collegato ad una presa di corrente con la stessa tensione indicata sulla targhetta del nome, e può funzionare soltanto con la corrente alternata monofase. Esso ha un doppio isolamento in osservanza alle norme europee, per cui può essere usato con le prese di corrente sprovviste della messa a terra.

## Consigli per la sicurezza

Per la vostra sicurezza, riferitevi alle accluse istruzioni per la sicurezza.

## REGOLE ADDIZIONALI DI SICUREZZA PER L'UTENSILE

1. Tenere l'utensile per le superfici di presa isolate quando si esegue una operazione di taglio in cui l'utensile potrebbe fare contatto con fili elettrici nascosti o con il suo stesso cavo di alimentazione. Il contatto con un filo elettrico "sotto tensione" mette le parti metalliche dell'utensile "sotto tensione" con pericolo di scosse per l'operatore.
2. Indossare le protezioni per le orecchie se si usa l'utensile per lunghi periodi di tempo. L'esposizione prolungata ai forti rumori potrebbe causare la perdita dell'udito.

3. Indossare un casco (copricapo di sicurezza), occhiali e/o maschera di protezione. Si raccomanda anche di indossare una maschera anti-polvere e guanti imbottiti.
4. Accertarsi che la punta sia saldamente fissata prima dell'uso.
5. L'utensile produce vibrazioni. Le viti potrebbero perciò allentarsi, causando guasti o incidenti. Controllare con cura che le viti siano salde prima di usare l'utensile.
6. D'inverno o se l'utensile non è stato usato per un lungo periodo di tempo, lasciare che l'utensile si riscaldi facendolo funzionare per qualche tempo senza usarlo. Ciò rende fluido il lubrificante. Senza il riscaldamento appropriato dell'utensile, l'operazione di martellamento diventa difficoltosa.
7. Accertarsi sempre di avere i piedi appoggiati saldamente. Accertarsi che non ci sia nessuno sotto quando si usa l'utensile in un posto alto.
8. Tenere saldamente l'utensile con entrambe le mani.
9. Tenere le mani lontane dalle parti mobili.
10. Non far funzionare l'utensile senza usarlo. Farlo funzionare soltanto tenendolo in mano.
11. Non puntare l'utensile sulle persone quando lo si usa. La punta potrebbe schizzare via e ferire seriamente qualcuno.

**12. Non toccare la punta o le parti adiacenti subito dopo l'uso, perché potrebbero essere molto calde e causare bruciature.**

## CONSERVATE QUESTE ISTRUZIONI.

### ISTRUZIONI PER L'USO

#### Impugnatura laterale (manico ausiliario) (Fig. 1)

L'impugnatura laterale può essere ruotata su entrambi i lati, permettendo un facile utilizzo dell'utensile in qualsiasi posizione. Allentatela girandola in senso antiorario, ruotatela sulla posizione desiderata e fissatela poi girandola in senso orario.

#### Installazione o rimozione della punta da trapano

Importante:

Assicuratevi sempre che l'utensile sia spento e che il cavo di alimentazione sia staccato dalla presa di corrente prima di installare o di rimuovere la punta.

Pulire l'albero della punta e ingrassare la punta con il grasso fornito (0,5 – 1 g) prima di installarla. (Fig. 2) Inserire la punta nell'utensile. Girare la punta e spingerla finché non viene agganciata. (Fig. 3)

Se non è possibile spingere dentro la punta, toglierla, abbassare un paio di volte il coperchio del mandrino e inserire poi di nuovo la punta. Girare la punta e inserirla finché non viene agganciata. (Fig. 4)

Dopo l'installazione, accertarsi sempre che la punta sia fissata saldamente in posizione provando a tirarla fuori.

Per togliere la punta, abbassare completamente il coperchio del mandrino e tirare fuori la punta.

#### Azionamento dell'interruttore (Fig. 5)

ATTENZIONE:



Prima di inserire l'utensile in una presa di corrente, controllate che il grilletto dell'interruttore funzioni bene e ritorni sulla posizione di "OFF" (spento) quando viene rilasciato.

Per avviare l'utensile, premete semplicemente il grilletto. La velocità dell'utensile aumenta aumentando la pressione sul grilletto. Rilasciate il grilletto per fermarlo.



#### Funzionamento dell'interruttore di inversione (Fig. 5)

ATTENZIONE:

- Controllate sempre la direzione di rotazione prima di usare l'utensile.
- Azionate l'interruttore di inversione soltanto dopo che l'utensile si è arrestato completamente. Se si cambia la direzione di rotazione prima che l'utensile si sia arrestato completamente, lo si può danneggiare.
- Non schiacciate il grilletto dell'interruttore quando la levetta dell'interruttore di inversione si trova sulla posizione neutra, perché altrimenti potreste danneggiare l'interruttore.

Questo utensile è dotato di un interruttore di inversione, che serve a cambiare la direzione di rotazione. Spostate la levetta sulla posizione  (posizione A) per la rotazione in senso orario, oppure sulla posizione  (posizione B) per la rotazione in senso antiorario.

#### Selezione del modo di funzionamento (Fig. 6)

Questo utensile impiega una manopola di cambiamento del modo di funzionamento. Selezionate uno dei due modi più adatto al lavoro usando questa manopola. Per la sola rotazione, girate la manopola in modo che la freccia sulla manopola sia rivolta sul simbolo  sul corpo dell'utensile. Per la rotazione con percussione, girate la manopola in modo che la freccia sia rivolta sul simbolo .

ATTENZIONE:

Girate sempre completamente la manopola sul simbolo del modo desiderato. Se si fa funzionare l'utensile con la manopola posizionata in un punto tra i due simboli, lo si può danneggiare.

#### Limitatore di coppia

Il limitatore di coppia si attiva quando viene raggiunto un certo livello di coppia e il motore si disinnesta dall'albero motore. La punta smette allora di girare.

ATTENZIONE:

- Non appena il limitatore di coppia si attiva, arrestate immediatamente l'utensile. Ciò ne previene l'usura prematura.
- Con questo utensile non si possono usare seghe frontali a corona, punte a corona, punte a corona diamantate, ecc., perché tendono a contrarsi o a penetrare facilmente nel foro causando la frequente attivazione del limitatore di coppia.

#### Accessorio di estrazione polvere e sacchetto polvere

(foratura di calcestruzzo)

Con questo accessorio di estrazione della polvere e il sacchetto della polvere installati sull'utensile, si può lavorare in modo pulito senza spandere polvere dove si lavora.

ATTENZIONE:

Questi due accessori possono essere usati soltanto per trapanare fori nel calcestruzzo. Non usarli per le operazioni di foratura del metallo o legno.

### **Installazione dell'accessorio di estrazione della polvere**

Allentare la vite di fermo sull'impugnatura laterale girandola in senso antiorario.

Inserire l'asta di giunzione dell'accessorio nel foro di giunzione sull'impugnatura laterale finché non può andare più oltre.

Stringere poi la vite di fermo in senso orario per fissare l'accessorio di estrazione della polvere.

L'asta di giunzione può essere inserita dal lato A o B. (Fig. 7)

Nota:

L'accessorio di estrazione della polvere non può essere attaccato ad alcuni angoli perché potrebbe interferire con l'utensile.

Inserire saldamente il manicotto dell'accessorio di estrazione della polvere nella porta del manicotto finché non tocca il fondo della porta. (Fig. 8)

### **Installazione del sacchetto della polvere (Fig. 9)**

Inserire il sacchetto della polvere nella porta di scarico della polvere mantenendolo a 90° rispetto all'utensile. Fissare il sacchetto della polvere girandolo in senso orario.

### **Regolazione della posizione dell'accessorio di estrazione della polvere**

Togliere la vite di fermo dell'accessorio di estrazione della polvere girandola in senso antiorario. (Fig. 10)

Allineare l'estremità della punta con la parte superiore dell'accessorio di estrazione della polvere. (Fig. 11)

Stringere la vite di fermo girandola in senso orario per fissare l'accessorio di estrazione della polvere.

### **Regolazione della profondità (Fig. 12)**

Allentare la vite del fermo girandola in senso antiorario per far scorrere il fermo sul misuratore della profondità dell'accessorio di estrazione della polvere. Spingere il fermo sulla profondità di foratura desiderata del misuratore, e stringere poi la vite girandola in senso orario.

### **Foratura con l'accessorio di estrazione della polvere (Fig. 13)**

Per forare, tenere l'utensile in modo che la parte superiore dell'accessorio di estrazione della polvere sia sempre a contatto con la superficie del calcestruzzo.

Nota:

Se c'è spazio tra di loro, si potrebbe verificare una considerevole perdita di potenza di estrazione della polvere.

### **Pulizia del sacchetto della polvere (Fig. 14)**

Togliere il sacchetto della polvere dall'utensile.

Tirare fuori la chiusura dal sacchetto della polvere, e togliere poi la polvere o i detriti dal sacchetto.

Nota:

Se c'è troppa polvere nel sacchetto della polvere, la potenza di estrazione della polvere si riduce considerevolmente.

Svuotare regolarmente il sacchetto della polvere.

### **Foratura senza l'accessorio di estrazione della polvere (Fig. 15)**

Questo utensile può essere usato anche come martellatore rotativo standard senza l'accessorio di estrazione della polvere e il sacchetto della polvere.

Prima dell'operazione di foratura senza l'accessorio di estrazione della polvere e il sacchetto della polvere, collegare la porta del manicotto al tappo fornito.

Per comodità d'uso, il tappo riduce l'aria di scarico dalla porta di scarico.

### **Perforazione**

Piazzate la punta nel punto desiderato per il foro poi premete il grilletto.

Non forzate l'utensile. Una leggera pressione dà i migliori risultati. Mantenete l'utensile in posizione ed evitate che scivoli via dal foro.

Non esercitare ulteriori pressioni se il foro diventa intasato di schegge o particelle. Fate invece girare l'utensile alla velocità del minimo ed estraete parzialmente la punta dal foro. Ripetendo ciò diverse volte, il foro si pulisce e potete continuare la normale foratura.


ATTENZIONE:

Al momento della trapanazione del foro, sull'utensile/punta viene esercitata una improvvisa e tremenda forza torcente quando il foro diventa intasato di bave e particelle, oppure quando sbatte contro le barre di rinforzo incastrate nel cemento armato. Usate sempre l'impugnatura laterale (manico ausiliario), tenete saldamente l'utensile per entrambe le impugnature laterali e cambiate manico durante l'uso. Se non fate ciò, potreste perdere il controllo dell'utensile con pericolo di ferite gravi.

### **Soffietto (Fig. 16)**

Usate il soffietto per pulire il foro.

### **Foratura del legno o metallo (Fig. 17)**

Usate il gruppo del mandrino per punte da trapano opzionale (consistente nel gruppo del mandrino per punte da trapano e dell'adattatore per mandrino). Per installarlo, riferitevi a "Installazione o rimozione della punta da trapano" alla pagina precedente. Girate la manopola di cambiamento del modo di funzionamento in modo che la freccia sulla manopola sia rivolta sul segno  di rotazione soltanto sul corpo dell'utensile. Potete trapanare fori di un massimo di 13 mm di diametro nel metallo e di un massimo di 32 mm di diametro nel legno.

ATTENZIONE:

Non si deve mai usare la "rotazione con percussione" quando il gruppo del mandrino di perforazione è installato sull'utensile, perché altrimenti lo si può danneggiare.

#### NOTA:

Per montare il mandrino del trapano e il gruppo dell'adattatore del mandrino, procedete nel modo seguente.

Fissate il mandrino in una morsa od altro dispositivo simile. Inserite la chiave del mandrino in uno dei tre fori, in modo che il mandrino non si muova. **(Fig. 18)**

Togliete la vite dal gruppo dell'adattatore del mandrino e avvitate l'adattatore del mandrino nel mandrino del trapano. Usate una chiave per stringere saldamente l'adattatore del mandrino applicando una coppia di serraggio di circa 29 – 39 N·m. (Nota: Potete ottenere una coppia di 29 – 39 N·m applicando una pressione di 30 – 40 kg alla chiave mantenendo la parte a 10 cm circa dalla testa della chiave.)

Aprite completamente le ganasce del mandrino e inserite la vite nell'apertura del mandrino. Stringete la vite in senso antiorario con un cacciavite. **(Fig. 19)**

## MANUTENZIONE

#### ATTENZIONE:

Prima di eseguire qualsiasi lavoro sull'utensile, accertatevi sempre che sia spenta e staccata dalla presa di corrente.

Per mantenere la sicurezza e l'affidabilità del prodotto, le riparazioni, la manutenzione o le regolazioni dovrebbero essere eseguite da un centro di assistenza Makita autorizzato.

① Vastzetten	⑬ Koppelstang	⑳ Sluiting
② Losdraaien	⑭ Slang	㉑ Dop
③ Zijhandgreep	⑮ Slangaansluitopening	㉒ Slangaansluitopening
④ Boorschacht	⑯ Stofuitlaatopening	㉓ Stofuitlaatopening
⑤ Boorvet	⑰ Rechtsom draaien	㉔ Blaasbalgje
⑥ Boor	⑱ Boor	㉕ Boorkop-adapter
⑦ Boorkopdeksel	⑲ Klemschroef	㉖ Boorkop
⑧ Trekschakelaar	⑳ Aanslag	㉗ Sleutel
⑨ Omkeerschakelaarknop	㉑ Boordiepte	㉘ Boorkopsleutel
⑩ Omshakelknop	㉒ Maak volledig contact met het oppervlak.	㉙ Zachte wangen
⑪ Klembout		㉚ Schroef
⑫ Koppelgat		

**TECHNISCHE GEGEVENS**

<b>Model</b>	<b>HR2430</b>	<b>HR2431</b>
<b>Vermogen</b>		
Beton .....	24 mm	24 mm
Hout .....	32 mm	32 mm
Staal .....	13 mm	13 mm
<b>Capaciteiten stofafzuiging</b>		
Max. boordiepte .....	100 mm	100 mm
Diepte-afstelbereik .....	(0 – 100 mm)	(0 – 100 mm)
Max. boordiameter .....	25 mm	25 mm
Max. boorlengte .....	270 mm	270 mm
Inhoud stofzak .....	0,4 ℓ	0,4 ℓ
Nullasttoerental (min <sup>-1</sup> ) .....	0 – 1 050	0 – 1 050
Aantal slagen/minuut .....	0 – 4 900	0 – 4 900
Totale lengte .....	416 mm	477 mm
Netto gewicht .....	2,6 kg	2,8 kg

- In verband met ononderbroken research en ontwikkeling behouden wij ons het recht voor bovenstaande technische gegevens te wijzigen zonder voorafgaande kennisgeving.
- Opmerking: De technische gegevens kunnen van land tot land verschillen.

**Stroomvoorziening**

Het gereedschap mag alleen worden aangesloten op een stroombron van hetzelfde voltage als aangegeven op de naamplaat, en kan alleen op enkel-fase wisselstroom worden gebruikt. Het gereedschap is dubbelgeïsoleerd volgens de Europese standaard en kan derhalve ook op een niet-geaard stopcontact worden aangesloten.

**Veiligheidswenken**

Voor uw veiligheid dient u de bijgevoegde Veiligheidsvoorschriften nauwkeurig op te volgen.

**AANVULLENDE VEILIGHEIDSVORSCHRIFTEN VOOR HET GEREEDSCHAP**

1. Houd het gereedschap tijdens het werk vast bij de geïsoleerde handgrepen wanneer er kans is dat de boor op verborgen elektrische draden of op zijn eigen netsnoer zal stoten. Door contact met onder spanning staande draden zullen de metalen delen van het gereedschap onder spanning komen te staan zodat de gebruiker een elektrische schok kan krijgen.
2. Draag oorbeschermers wanneer u het gereedschap voor langere tijd doorlopend gebruikt. Langdurige blootstelling aan sterk lawaai kan gehoorverlies veroorzaken.
3. Draag een hard hoofddeksel (veiligheids-helm), een veiligheidsbril en/of gezichtsbescherming. Het is ook zeer aan te bevelen een stofmasker en dikke handschoenen te dragen.
4. Controleer of de boor goed vastgezet is alvorens met uw werk te beginnen.
5. Tijdens normale bediening brengt dit gereedschap trillingen voort. De schroeven kunnen daarom gemakkelijk loskomen, met een defect of ongeluk als mogelijk gevolg.

6. Controleer vóór het gebruik of alle schroeven goed vastzitten. Laat het gereedschap een tijdje onbelast warmdraaien wanneer het koud weer is of wanneer het gereedschap voor langere tijd niet werd gebruikt. Hierdoor zal het smeermiddel vloeibaar worden. Hameren is moeilijk indien het gereedschap niet goed warmgedraaid is.
7. Zorg ervoor dat u altijd stevige steun voor de voeten hebt. Controleer of er zich niemand beneden u bevindt wanneer u het gereedschap op een hoge plaats gaat gebruiken.
8. Houd het gereedschap stevig vast met beide handen.
9. Houd uw handen uit de buurt van draaiende onderdelen.
10. Laat het gereedschap niet achter terwijl het nog in bedrijf is. Bedien het gereedschap alleen wanneer u het met beide handen vasthoudt.
11. Richt het gereedschap tijdens het gebruik niet op personen die zich in de nabije omgeving bevinden. De boor zou kunnen losraken en ernstige verwondingen veroorzaken.
12. Raak de boor of onderdelen in de nabije omgeving van de boor niet aan onmiddellijk na het gebruik. Deze kunnen erg heet zijn en brandwonden veroorzaken.

## BEWAAR DEZE VOORSCHRIFTEN.

## BEDIENINGSVOORSCHRIFTEN

### Zijhandgreep (hulphandgreep) (Fig. 1)

De zijhandgreep is naar beide zijden verstelbaar, zodat het gereedschap in elke positie gemakkelijk te bedienen is. Draai de zijhandgreep los door deze linksom te draaien. Draai vervolgens de zijhandgreep naar de gewenste positie en zet opnieuw vast door rechtsom te draaien.

### Aanbrengen of verwijderen van de boor

Belangrijk:

Controleer altijd of het gereedschap is uitgeschakeld en zijn stekker uit het stopcontact is verwijderd alvorens de boor aan te brengen of te verwijderen.

Reinig de boorschacht en smeer er ongeveer 0,5 ÷ 1 gram boorvet (bijgeleverd) op alvorens de boor te installeren. (Fig. 2)

Steek de boor in de machine. Draai de boor en duw deze naar binnen tot zij vergrendelt. (Fig. 3)

Indien de boor niet naar binnen kan worden geduwd, dient u deze eruit te nemen en het boorkopdeksel enkele keren omlaag te trekken. Steek dan de boor opnieuw erin. Draai de boor en duw deze naar binnen tot zij vergrendelt. (Fig. 4)

Nadat de boor is geïnstalleerd, moet u altijd controleren of de boor goed vastzit door te proberen hem eruit te trekken.

Om de boor te verwijderen, trekt u het boorkopdeksel helemaal omlaag en dan trekt u de boor eruit.

### Werkung van de trekschakelaar (Fig. 5)

LET OP:



Alvorens het netsnoer op het stopcontact aan te sluiten, dient u altijd te controleren of de trekverschakelaar behoorlijk werkt en bij loslaten onmiddellijk naar de "OFF" positie terugkeert.

Om het gereedschap in te schakelen, de trekverschakelaar gewoon indrukken. De machine gaat sneller draaien wanneer de druk op de trekverschakelaar wordt vermeerderd. Om de machine te stoppen, de trekverschakelaar loslaten.



### Werkung van de omkeerschakelaar (Fig. 5)

LET OP:

- Controleer altijd de draairichting alvorens het gereedschap te gebruiken.
- Gebruik de omkeerschakelaar alleen nadat het gereedschap tot volledige stilstand is gekomen. Indien u de draairichting verandert voordat het gereedschap is gestopt, kan het gereedschap beschadigd raken.
- Probeer niet de trekverschakelaar in te drukken terwijl de omkeerschakelaar in de neutrale stand staat. Indien u de schakelaar met geweld indrukt, kan deze beschadigd raken.

Dit gereedschap heeft een omkeerschakelaar waarmee u de draairichting kunt veranderen. Beweeg de knop naar de  positie (A positie) voor rechtsom draairichting, en naar de  positie (B positie) voor linksom draairichting.

### Kiezen van de bedieningsfunctie (Fig. 6)

Dit gereedschap heeft een omschakelknop. Gebruik deze knop voor het kiezen van een van de twee bedieningsfuncties die geschikt is voor uw werk. Voor roteren alleen, draai de knop zodanig dat het pijltje op de knop naar het  symbool op het lichaam van het gereedschap wijst. Voor roteren met hameren, draai de knop zodanig dat het pijltje op de knop naar het  symbool op het lichaam van het gereedschap wijst.

LET OP:

Zet de knop altijd volledig op het gewenste symbool. Indien u het gereedschap gebruikt met de knop halverwege tussen de twee symbolen geplaatst, kan het gereedschap beschadigd raken.

### Koppelbegrenzer

De koppelbegrenzer treedt in werking wanneer de motor een bepaald koppel bereikt. De motor wordt dan ontkoppeld van de uitgangsas. Wanneer dit gebeurt, zal de boor ophouden met draaien.

LET OP:

- Schakel het gereedschap onmiddellijk uit wanneer de koppelbegrenzer in werking treedt. Hierdoor helpt u vroegtijdige slijtage van het gereedschap voorkomen.
- Gatenzagen, kernboren, diamantboren etc. kunnen met dit gereedschap niet worden gebruikt. Deze lopen of klemmen gemakkelijk vast in het boorgat, zodat de koppelbegrenzer te vaak in werking zal worden gesteld.

### Stofafzuighulpstuk en stofzak

(voor boren in beton)

Door het stofafzuighulpstuk en de stofzak op het gereedschap te monteren kunt u schoon werken zonder dat er stof in de werkplaats wordt verspreid.

LET OP:

Deze twee accessoires kunnen alleen worden gebruikt voor het boren van gaten in beton. Gebruik deze dus niet voor het boren in metaal of hout.

### Installeren van het stofafzuighulpstuk

Draai de klemschroef op de zijhandgreep naar links los.

Steek de koppelstang van het stofafzuighulpstuk door het koppelgat van de zijhandgreep en duw deze zo ver mogelijk naar binnen.

Zet daarna het stofafzuighulpstuk vast door de klemschroef naar rechts vast te draaien.

U kunt de koppelstang vanaf kant A of kant B erin steken. (Fig. 7)

Opmerking:

Het stofafzuighulpstuk kan niet op het gereedschap worden geïnstalleerd wanneer de hoek tussen de zijhandgreep en het gereedschap zodanig is dat het hulpstuk en het gereedschap elkaar belemmeren.

Steek de slang van het stofafzuighulpstuk in de slangaansluitopening op het gereedschap en zet de slang goed vast door deze zo ver mogelijk erin te duwen. (Fig. 8)

### Installeren van de stofzak (Fig. 9)

Zorg dat de stofzak een hoek van 90° vormt met het gereedschap en steek dan de inlaat van de stofzak in de stofuitlaatopening van het gereedschap.

Draai de stofzak naar rechts om hem vast te zetten.

### Afstellen van de positie van het stofafzuighulpstuk

Draai de klemschroef van het stofafzuighulpstuk naar links los. (Fig. 10)

Breng daarna de boortip op één lijn met het boven-eind van het stofafzuighulpstuk. (Fig. 11)

Zet daarna het stofafzuighulpstuk vast door de klemschroef naar rechts vast te draaien.

### Diepte-instelling (Fig. 12)

Draai de schroef van de aanslag naar links los zodat u de aanslag kunt verschuiven op de dieptemaat van het stofafzuighulpstuk.

Verschuif de aanslag om de gewenste boordiepte in te stellen en draai daarna de schroef naar rechts vast.

### Boren met het stofafzuighulpstuk eraan bevestigd (Fig. 13)

Houd het gereedschap tijdens het boren zodanig dat het boven-eind van het stofafzuighulpstuk volledig contact maakt met het betonoppervlak.

Opmerking:

Indien er een afstand is tussen beide, zal het stofafzuigvermogen aanzienlijk verminderen.

### De stofzak leegmaken (Fig. 14)

Maak de stofzak los van het gereedschap.

Trek de sluiting uit de stofzak en verwijder stof en boorafval uit de stofzak.

Opmerking:

Het stofafzuigvermogen vermindert aanzienlijk wanneer er te veel stof in de stofzak is opeengehoopt. Maak daarom de stofzak regelmatig leeg.

### Boren zonder het stofafzuighulpstuk (Fig. 15)

Dit gereedschap kan ook worden gebruikt als een standaard boorhamer zonder het stofafzuighulpstuk en de stofzak.

Alvorens te boren zonder het stofafzuighulpstuk en de stofzak, moet u de slangaansluitopening dichtstoppen met de bijgeleverde dop.

De dop beperkt de luchtuitlaat van de stofuitlaatopening zodat u comfortabeler kunt werken.

### Hamerend of kloppend boren

Plaats de punt van de boor op de gewenste plaats waar geboord moet worden, en druk vervolgens de schakelaar in.

Forceer het gereedschap niet. Een lichte druk geeft de beste resultaten. Houd het gereedschap stevig vast en zorg dat het niet uitglijdt.

Oefen geen grotere druk uit wanneer het boorgat verstopt raakt met schilfertjes of metaaldeeltjes. Laat in zo'n geval het gereedschap onbelast lopen en verwijder de boor gedeeltelijk uit het boorgat. Wanneer dit verschillende keren wordt herhaald, zal het boorgat schoon worden en kunt u normaal verder boren.

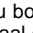
LET OP:

Op het moment dat een gat wordt geboord, of wanneer het boorgat verstopt raakt met schilfertjes en metaaldeeltjes, of wanneer de machine op versterkingsstaven in gewapend beton stoot, wordt er plotseling een enorme wringingskracht op de machine/boor uitgeoefend. Gebruik daarom altijd de zijhandgreep (hulphandgreep) en houd de machine tijdens het gebruik stevig vast bij zowel de zijhandgreep als de hoofdhandgreep. Indien u dit verzuimt, kunt u de controle over de machine verliezen en mogelijk zware verwondingen oplopen.

### Blaasbalgje (Fig. 16)

Gebruik het blaasbalgje om het gat schoon te maken.

### **Boren in hout of metaal (Fig. 17)**

Gebruik de los verkrijgbare boorkopmontage (bestaande uit boorkop en boorkop-adapter). Om deze te monteren, zie "Aanbrengen of verwijderen van de boor" op de vorige pagina. Zet de omschakelknop op alleen roteren (  ). U kunt nu boren tot een diameter van maximaal 13 mm in metaal en een diameter van maximaal 32 mm in hout.

#### **LET OP:**

Gebruik nooit "roteren met hameren" wanneer de boorkop op het gereedschap is gemonteerd. De boorkop kan hierdoor namelijk beschadigd raken.

#### **OPMERKING:**

Ga als volgt te werk om de boorkop en de boorkop-adapter ineen te zetten.

Zet de boorkop vast in een spanschroef of een gelijksoortig klemgereedschap. Steek de boorkop-sleutel in een van de drie gaten, zodat het boorkoplichaam niet meer kan draaien. **(Fig. 18)**

Verwijder de schroef van de boorkop-adapter en schroef de boorkop-adapter in de boorkop. Gebruik een sleutel om de boorkop-adapter goed vast te draaien met een aantrekkoppel van ongeveer 29 – 39 N·m. (Opmerking: voor een aantrekkoppel van 29 – 39 N·m, dient u de sleutel vast te houden bij het gedeelte op ongeveer 10 cm van de sleutelkop en dan een druk van 30 – 40 kg op de sleutel uit te oefenen.)

Open de boorkopwangen volledig en steek de schroef door de boorkop-opening. Trek de schroef linksom vast met een schroevendraaier. **(Fig. 19)**

### **ONDERHOUD**

#### **LET OP:**

Zorg er altijd voor dat het gereedschap is uitgeschakeld en de stekker uit het stopcontact is verwijderd alvorens werken aan de machine uit te voeren.

Opdat het gereedschap veilig en betrouwbaar blijft, dienen alle reparaties, onderhoud of afstellingen te worden uitgevoerd bij een erkend Makita service centrum.



- |  |                                       |                               |
|--|---------------------------------------|-------------------------------|
| ① Apretar                              | ⑫ Agujero de acople                   | ⑳ Cierre                      |
| ② Aflojar                              | ⑬ Varilla de acople                   | ㉑ Tapón                       |
| ③ Empuñadura lateral                   | ⑭ Manguera                            | ㉒ Boca para manguera          |
| ④ Espiga de la broca                   | ⑮ Boca para manguera                  | ㉓ Boca de extracción de polvo |
| ⑤ Grasa para la broca                  | ⑯ Boca de extracción de polvo         | ㉔ Soplador                    |
| ⑥ Broca                                | ⑰ Girar hacia la derecha              | ㉕ Adaptador de mandril        |
| ⑦ Cubierta del mandril                 | ⑱ Broca                               | ㉖ Mandril                     |
| ⑧ Interruptor de gatillo               | ⑲ Tornillo de fijación                | ㉗ Llave                       |
| ⑨ Palanca del interruptor de inversión | ㉚ Tope                                | ㉘ Llave de mandril            |
| ⑩ Botón de cambio de modo de trabajo   | ㉛ Profundidad de taladrado            | ㉙ Mordazas blandas            |
| ⑪ Abrazadera                           | ㉜ Contacto completo con la superficie | ㉚ Tornillo                    |

**ESPECIFICACIONES**

<b>Modelo</b>	<b>HR2430</b>	<b>HR2431</b>
Capacidad		
Hormigón .....	24 mm	24 mm
Madera .....	32 mm	32 mm
Acero .....	13 mm	13 mm
Capacidad de extracción de polvo		
Profundidad de taladrado máxima .....	100 mm	100 mm
(Profundidad ajustable) .....	(0 – 100 mm)	(0 – 100 mm)
Diámetro máximo de la broca .....	25 mm	25 mm
Longitud máxima de la broca .....	270 mm	270 mm
Capacidad de la bolsa de polvo .....	0,4 ℓ	0,4 ℓ
Velocidad en vacío (min <sup>-1</sup> ) .....	0 – 1.050	0 – 1.050
Golpes por minuto .....	0 – 4.900	0 – 4.900
Longitud total .....	416 mm	477 mm
Peso neto .....	2,6 kg	2,8 kg

- Debido a un programa continuo de investigación y desarrollo, las especificaciones aquí dadas están sujetas a cambios sin previo aviso.
- Nota: Las especificaciones pueden ser diferentes de país a país.

**Alimentación**

La herramienta ha de conectarse solamente a una fuente de alimentación de la misma tensión que la indicada en la placa de características, y sólo puede funcionar con corriente alterna monofásica. El sistema de doble aislamiento de la herramienta cumple con la norma europea y puede, por lo tanto, usarse también en enchufes hembra sin conductor de tierra.

**Sugerencias de seguridad**

Para su propia seguridad, consulte las instrucciones de seguridad incluidas.

**NORMAS DE SEGURIDAD ADICIONALES PARA LA HERRAMIENTA**

1. Cuando realice una operación donde la herramienta de pueda entrar en contacto con cableado oculto o su propio cable, sujete la herramienta por las superficies de asiento aisladas. El contacto con un cable con corriente hará que la corriente circule por las partes metálicas de la herramienta y electrocute al operario.
2. Póngase protectores de oídos cuando utilice la herramienta durante largo tiempo. La exposición prolongada a altos niveles de ruido puede ocasionar pérdida auditiva.
3. Póngase casco (casco de seguridad), gafas de protección y/o pantalla facial. También se recomienda encarecidamente utilizar una máscara contra el polvo y guantes gruesos bien acolchados.
4. Asegúrese de que la broca esté sujeta firmemente en posición antes utilizar la herramienta.
5. En condiciones de funcionamiento normal, la herramienta produce vibración. Los tornillos se podrán aflojar fácilmente, pudiendo ocasionar averías o accidentes. Compruebe que estén bien apretados antes de utilizar la herramienta.

6. En climas fríos o cuando la herramienta no se haya utilizado durante largo tiempo, deje que se caliente durante un rato antes de utilizarla con carga. Esto pondrá a punto la lubricación. Sin un calentamiento apropiado, será difícil utilizar la función de martilleo.
7. Asegúrese siempre de pisar sobre suelo firme. Asegúrese de que no haya nadie debajo cuando utilice la herramienta en lugares altos.
8. Sujete la herramienta firmemente con ambas manos.
9. Mantenga las manos alejadas de las piezas giratorias.
10. No deje la herramienta funcionando. Téngala en marcha solamente cuando esté es sus manos.
11. No apunte la herramienta hacia nadie que se encuentre en la zona de trabajo. La broca podría salir despedida y lesionar seriamente a alguien.
12. No toque la broca ni las partes próximas a ella inmediatamente después de utilizarla; podrían estar muy calientes y producirle quemaduras de piel.

## GUARDE ESTAS INSTRUCCIONES.

## INTRUCCIONES PARA EL FUNCIONAMIENTO

### Empuñadura lateral (asidero auxiliar) (Fig. 1)

La empuñadura lateral se puede mover hacia cualquiera de los dos lados, permitiendo manejar fácilmente la herramienta en cualquier posición. Afloje la empuñadura lateral girándola hacia la izquierda, muévala hacia la posición deseada y luego apriéte-la girándola hacia la derecha.

### Instalación o extracción de la broca

Importante:

Asegúrese siempre de que la herramienta está apagada y desconectada de la red eléctrica antes de instalar o extraer la broca.

Limpie la espiga de la broca y aplíquese la grasa suministrada (unos 0,5 – 1 grs) antes de instalar la broca. (Fig. 2)

Introduzca la broca en la herramienta. Gire la broca y empújela hacia dentro hasta que se acople. (Fig. 3)

Si la broca no puede empujarse hacia adentro, retírela. Tire de la cubierta del mandril hacia abajo unas cuantas veces. Luego vuelva a introducir la broca. Gire la broca y empújela hacia dentro hasta que se acople. (Fig. 4)

Después de instalar la broca, trate siempre de sacarla para asegurarse de que haya quedado bien sujeta en su lugar.

Para extraer la broca, tire de la cubierta del mandril hacia abajo todo lo que dé de sí y saque la broca.

### Acción del interruptor (Fig. 5)

PRECAUCIÓN:



Antes de enchufar la herramienta, siempre compruebe para ver si el interruptor de gatillo funciona correctamente y regresa a la posición "OFF" cuando lo suelta.

Para poner en marcha la herramienta, apriete simplemente el gatillo. La velocidad de la herramienta aumentará incrementando la presión ejercida sobre el gatillo. Deje de apretar el gatillo para detener la herramienta.



### Acción del interruptor de inversión (Fig. 5)

PRECAUCIÓN:

- Compruebe siempre el sentido de rotación antes de empezar la operación.
- Use el interruptor de inversión sólo después de que la herramienta se pare completamente. Cambiar el sentido de rotación antes de que la herramienta se pare podría estropear la herramienta.
- No apriete el interruptor de gatillo cuando la palanca del interruptor de inversión esté en la posición neutra. Si aprieta el gatillo a la fuerza, el interruptor podría estropearse.

Esta herramienta tiene un interruptor de inversión para cambiar el sentido de rotación. Mueva la palanca hacia la posición  (posición A) para que la herramienta gire hacia la derecha, o hacia la posición  (posición B) para que gire hacia la izquierda.

### Selección del modo de acción (Fig. 6)

Esta herramienta emplea un botón de cambio de modo de acción. Utilice este botón para seleccionar uno de los dos modos apropiados para el trabajo que tenga que hacer. Para la rotación solamente, gire el botón de forma que su flecha apunte hacia el símbolo  del cuerpo de la herramienta. Para la rotación con martilleo, gire el botón de forma que su flecha apunte hacia el símbolo  del cuerpo de la herramienta.

PRECAUCIÓN:

Ponga siempre bien el botón en el símbolo del modo deseado. Si utiliza la herramienta con el botón en medio de los símbolos de modo, la herramienta podrá estropearse.

### Limitador de torsión

El limitador de torsión funcionará cuando se alcance cierto nivel de torsión. El motor se desacoplará del eje de salida. Cuando así suceda, la broca dejará de girar.

PRECAUCIÓN:

- Tan pronto como se active el limitador de torsión, apague la herramienta inmediatamente. Esto ayudará a evitar el desgaste prematuro de la herramienta.
- Con esta herramienta no se pueden utilizar sierras de orificios, brocas de núcleo, brocas de diamante, etc. Éstas tienden a engancharse con facilidad en el orificio. Esto será la causa de que se active el limitador de torsión con demasiada frecuencia.

## Accesorio extractor de polvo y bolsa de polvo

(en tareas de taladrado de cemento)

Con el accesorio extractor de polvo y la bolsa de polvo instalados en esta herramienta, podrá trabajar muy limpiamente sin esparcir polvo alrededor del lugar de trabajo.

### PRECAUCIÓN:

Estos dos accesorios sólo pueden utilizarse para taladrar agujeros en cemento. Por consiguiente, no los utilice para taladrar metal ni madera.

### Instalación del accesorio extractor de polvo

Afloje el tornillo de fijación de la empuñadura lateral girándolo hacia la izquierda.

Inserte la varilla de acoplamiento del accesorio extractor de polvo a través del agujero de acoplamiento de la empuñadura lateral y empújela hasta que haga tope.

Luego apriete el tornillo de fijación girándolo hacia la derecha para sujetar el accesorio extractor de polvo. La varilla de acoplamiento puede insertarse tanto por el lado A como por el B. (Fig. 7)

### Nota:

En algunos ángulos de instalación de la empuñadura lateral en la herramienta, el accesorio extractor de polvo no se podrá instalar, debido a la interferencia entre el accesorio y la herramienta.

Inserte firmemente la manguera del accesorio extractor de polvo en la boca para la manguera en la herramienta, y empújela hasta que haga tope con la parte inferior de la boca para fijarla firmemente a la herramienta. (Fig. 8)

### Instalación de la bolsa de polvo (Fig. 9)

Inserte la bolsa de polvo en la boca de extracción de polvo de la herramienta manteniendo el ángulo de la bolsa con la herramienta a 90°.

Sujete la bolsa de polvo girándola hacia la derecha.

### Ajuste de la posición del accesorio extractor de polvo

Afloje el tornillo de fijación del accesorio extractor de polvo girándolo hacia la izquierda. (Fig. 10)

Luego alinee la punta de la broca con la parte superior del accesorio extractor de polvo. (Fig. 11)

Apriete el tornillo de fijación girándolo hacia la derecha para sujetar el accesorio extractor de polvo.

### Ajuste de profundidad (Fig. 12)

Afloje el tornillo del tope girándolo hacia la izquierda de forma que el tope pueda deslizarse en el indicador de profundidad del accesorio extractor de polvo.

Deslice el tope hasta la profundidad de taladrado deseada del indicador, y luego apriete el tornillo girándolo hacia la derecha.

## Taladrado con el accesorio extractor de polvo (Fig. 13)

Para taladrar, sujete la herramienta de forma que el extremo superior del accesorio extractor de polvo esté siempre en completo contacto con la superficie de cemento.

### Nota:

Cualquier espacio dejado entre ellos resultará en una considerable pérdida de la capacidad de extracción del polvo.

### Vaciado de la bolsa de polvo (Fig. 14)

Quite la bolsa de polvo de la herramienta.

Extraiga el cierre de la bolsa de polvo, y luego vacíe las partículas de polvo de la bolsa.

### Nota:

Si deja acumular demasiado polvo en la bolsa se reducirá considerable capacidad de extracción del polvo.

Por consiguiente, vacíe la bolsa de polvo regularmente.

### Para taladrar sin el accesorio extractor de polvo (Fig. 15)

Esta herramienta también se puede utilizar como martillo giratorio normal sin el accesorio extractor de polvo y la bolsa de polvo.

Antes de realizar la tarea de taladrado sin el accesorio extractor de polvo y la bolsa de polvo, tape al boca para manguera con el tapón suministrado.

El tapón reduce el aire de salida por la boca de extracción de polvo para que el trabajo le resulte más cómodo.

### Operación de perforación con martilleo

Coloque la broca en el lugar en el que desea hacer el orificio, y luego presione el gatillo.

No fuerce la herramienta. Una presión ligera le ofrecerá los mejores resultados. Mantenga la herramienta en posición y evite que se salga del orificio.

No aplique más presión cuando el orificio quede obstruido con virutas o partículas. En lugar de eso, haga funcionar la herramienta al ralentí y saque parcialmente la broca del orificio. Repitiendo esta operación varias veces, el orificio podrá ser limpiado, y se podrá reanudar la perforación normal.

### PRECAUCIÓN:

La herramienta y la broca quedan sometidas a una tremenda y repentina fuerza de torsión en el momento de perforarse un orificio, cuando un orificio queda obstruido con virutas y otras partículas, o cuando se golpean barras de refuerzo incrustadas en el hormigón. Durante las operaciones, utilice siempre la empuñadura lateral (asidero auxiliar) y sujete firmemente la herramienta por esta empuñadura y el anillo de cambio. De lo contrario, se podría perder el control de la herramienta y causar heridas graves.

### Soplador (Fig. 16)

Utilice el soplador para limpiar el agujero.

### **Perforación en madera o metal (Fig. 17)**

Utilice el conjunto de mandril opcional (formado por un mandril y un conjunto adaptador de mandril). Cuando lo instale, consulte "Instalación o extracción de la broca" descrita en la página anterior. Ponga el botón de cambio de modo de acción en "rotación solamente". Podrá perforar agujeros de hasta 13 mm de diámetro en metal y agujeros de hasta 32 mm de diámetro en madera.

#### **PRECAUCIÓN:**

Nunca use "rotación con martilleo" cuando el conjunto del mandril esté instalado en la herramienta. El conjunto del mandril podría estropearse.

#### **NOTA:**

Si tiene que ensamblar el mandril y el ensamblaje del adaptador de mandril, proceda de la forma siguiente. Sujete el mandril en un tornillo de banco o dispositivo de sujeción similar. Ponga la llave del mandril en uno de los tres agujeros para que el fuste del mandril no gire. **(Fig. 18)**

Quite el tornillo del ensamblaje del adaptador de mandril y atornille el adaptador de mandril en el mandril. Apriete firmemente el adaptador de mandril con una llave, aplicando un par de apriete de unos 29 – 39 N·m. (Nota: podrá obtener un par de apriete de 29 – 39 N·m cogiendo la llave por el extremo a 10 cm de la cabeza y aplicando una presión de 30 – 40 kg.)

Abra completamente las mordazas del mandril e inserte el tornillo a través de la abertura del mandril. Apriete el tornillo girándolo hacia la izquierda con un destornillador. **(Fig. 19)**

## **MANTENIMIENTO**

### **PRECAUCIÓN:**

Asegúrese siempre de que la herramienta esté desconectada y desenchufada antes de realizar ninguna reparación en ella.

Para mantener la seguridad y fiabilidad del producto, las reparaciones, el mantenimiento y los ajustes deberán ser realizados por un Centro de Servicio Autorizado de Makita.

① Apertar	⑬ Varão de acoplagem	⑳ Fecho
② Libertar	⑭ Mangueira	㉑ Tampa
③ Punho lateral	⑮ Entrada da mangueira	㉒ Entrada da mangueira
④ Encaixe da broca	⑯ Saída do pó	㉓ Saída do pó
⑤ Lubrificante para broca	⑰ Rode para a direita	㉔ Soprador
⑥ Broca	⑱ Broca	㉕ Adaptador de mandril
⑦ Cobertura do mandril	⑲ Parafuso de aperto	㉖ Mandril
⑧ Gatilho do interruptor	⑳ Travão	㉗ Chave
⑨ Comutador de inversão	㉑ Profundidade de perfuração	㉘ Chave do mandril
⑩ Selector do modo de acção	㉒ Contacte completamente com a superfície	㉙ Garras maleáveis
⑪ Grampo de parafuso		㉚ Parafuso
⑫ Orifício de acoplagem		

## ESPECIFICAÇÕES

Modelo	HR2430	HR2431
Capacidades		
Betão .....	24 mm	24 mm
Madeira .....	32 mm	32 mm
Aço .....	13 mm	13 mm
Capacidades de extracção de pó		
Profundidade máxima de perfuração .....	100 mm	100 mm
(Profundidade regulável) .....	(0 – 100 mm)	(1 – 100 mm)
Diâmetro máximo da broca .....	25 mm	25 mm
Comprimento máximo da broca .....	270 mm	270 mm
Capacidade do saco do pó .....	0,4 ℓ	0,4 ℓ
RPM em vazio (min <sup>-1</sup> ) .....	0 – 1.050	0 – 1.050
Impactos por minuto .....	0 – 4.900	0 – 4.900
Comprimento total .....	416 mm	477 mm
Peso líquido .....	2,6 kg	2,8 kg

- Devido a um programa contínuo de pesquisa e desenvolvimento, estas especificações podem ser alteradas sem aviso prévio.
- Nota: As especificações podem variar de país para país.

### Alimentação

A ferramenta só deve ser ligada a uma fonte de alimentação com a mesma voltagem da indicada na placa de características, e só funciona com alimentação CA monofásica. Tem um sistema de isolamento duplo de acordo com as normas europeias e pode, por isso, utilizar tomadas sem ligação à terra.

### Conselhos de segurança

Para sua segurança, leia as instruções anexas.

## REGRAS ADICIONAIS DE SEGURANÇA PARA A FERRAMENTA

1. Agarre na ferramenta pelas pegas isoladas quando executar uma operação em que a ferramenta de corte pode entrar em contacto com qualquer fio eléctrico escondido ou o seu próprio fio. O contacto com um fio “vivo” fará com que as partes de metal expostas fiquem “vivas” e originem um choque no operador.
2. Utilize protectores para os ouvidos quando funcionar com a ferramenta durante um longo período de tempo. A exposição prolongada a ruído intenso pode originar surdez.
3. Use um capacete duro (capacete de segurança), óculos de segurança e/ou máscara. Também se recomenda a utilização de uma máscara para o pó e luvas espessas.
4. Certifique-se de que a broca está bem presa no seu lugar antes da operação.
5. Em condições normais de operação, a ferramenta foi concebida para produzir vibração. Os parafusos podem soltar-se facilmente, causando uma avaria ou acidente. Verifique cuidadosamente o aperto dos parafusos antes da operação.

6. Durante o tempo frio ou quando a ferramenta não foi utilizada durante um longo período de tempo, deixe a ferramenta aquecer durante um pouco funcionando com ela em vazio. Isto soltará a lubrificação. Sem um aquecimento adequado, a operação de martelo será difícil.
7. Certifique-se sempre de que se mantém equilibrado. Certifique-se de que ninguém está por baixo quando trabalhar em locais altos.
8. Agarre na ferramenta firmemente com as duas mãos.
9. Mantenha as mãos afastadas das partes rotativas.
10. Não deixe a ferramenta a funcionar. Funcione com a ferramenta só quando estiver a agarrá-la.
11. Não aponte a ferramenta para ninguém à sua volta quando estiver a trabalhar. A broca pode soltar-se e ferir seriamente alguém.
12. Não toque na broca ou nas partes próximas imediatamente depois da operação; podem estar extremamente quentes e queimar-se.

## GUARDE ESTAS INSTRUÇÕES.

## INSTRUÇÕES DE FUNCIONAMENTO

### Punho lateral (punho auxiliar) (Fig. 1)

O punho lateral desliza à volta para qualquer dos lados, permitindo um manuseamento fácil da ferramenta em qualquer posição. Liberte o punho lateral rodando-o no sentido oposto ao dos ponteiros do relógio, deslize-o para a posição desejada e em seguida aperte-o rodando-o no sentido dos ponteiros do relógio.

### Colocação e extracção da broca

Importante:

Certifique-se sempre de que a ferramenta está desligada e a ficha retirada da tomada antes de colocar ou retirar a broca.

Limpe o encaixe da broca e aplique o lubrificante fornecido (cerca de 0,5 – 1 g) antes de instalar a broca. (Fig. 2)

Coloque a broca na ferramenta. Rode a broca e empurre-a até que fique presa. (Fig. 3)

Se não conseguir empurrar a broca, retire-a. Puxe para baixo algumas vezes a cobertura do mandril. Em seguida volte a colocar a broca. Rode a broca e empurre-a até que fique presa. (Fig. 4)

Depois da colocação, certifique-se sempre de que a broca está bem presa no lugar tentado tirá-la. Para retirar a broca, empurre a cobertura do mandril completamente para baixo e retire a broca.

### Acção do interruptor (Fig. 5)

PRECAUÇÃO:



Antes de ligar a ferramenta à corrente eléctrica, verifique sempre se o gatilho do interruptor funciona correctamente e regressa à posição “OFF” (desligado) quando o solta.

Para ligar a ferramenta, carregue simplesmente no gatilho. A velocidade aumenta quando aumenta a pressão no gatilho. Liberte o gatilho para parar.



### Acção do interruptor de inversão (Fig. 5)

PRECAUÇÃO:

- Verifique sempre a direcção de rotação antes de começar a trabalhar.
- Só utilize o interruptor de inversão quando a ferramenta estiver completamente parada. Mudar a direcção de rotação antes de a ferramenta estar completamente parada pode avariá-la.
- Não carregue no gatilho quando a alavanca do interruptor de inversão estiver na posição neutra. Se forçar o gatilho pode estragar o interruptor.

Esta ferramenta tem um interruptor de inversão para mudar a direcção de rotação. Mova a alavanca para a posição  (posição A) para rotação no sentido dos ponteiros do relógio ou para a posição  (posição B) para rotação no sentido oposto.

### Seleção do modo de acção (Fig. 6)

Esta ferramenta utiliza um selector do modo de acção. Seleccione o modo aconselhado para o seu trabalho utilizando este selector. Só para rotação, rode o selector para que a seta no selector aponte para o símbolo  no corpo da ferramenta. Para rotação com martelo, rode o selector para que a seta no selector aponte para o símbolo  no corpo da ferramenta.

PRECAUÇÃO:

Certifique-se sempre de que o selector está colocado completamente no símbolo da posição desejada. Se fizer funcionar a ferramenta com o selector colocado entre os símbolos de modo pode avariá-la.

### Limitador do binário

O limitador de binário actua quando é atingido um certo nível do binário. O motor desengrena do eixo de saída. Quando isto acontece a broca pára de girar.

PRECAUÇÃO:

- Assim que o limitador do binário actuar, desligue imediatamente ferramenta. Evitará o desgaste prematuro da ferramenta.
- Serras em copo, brocas de coroa, brocas de coroa diamantada, etc. não podem ser utilizadas com esta ferramenta. Tendem a prender facilmente no orifício, provocando a actuação frequente do binário.

### Extensão de extracção de pó e saco de pó

(Na operação de perfuração em cimento)

Com a extensão de extracção de pó e o saco de pó instalados nesta ferramenta, pode executar um trabalho limpo sem pó espalhado na área de trabalho.

PRECAUÇÃO:

Estes dois acessórios só podem ser utilizados para a perfuração de buracos em cimento. Por isso, não os utilize na operação de perfuração em metal ou em madeira.

### **Instalação da extensão de extracção de pó**

Liberte o parafuso de aperto na pega lateral rodando-o para a esquerda.

Coloque o varão de acoplagem da extensão de extracção do pó através do orifício de acoplagem da pega lateral até que o varão não possa ir mais ao fundo.

Em seguida, aperte o parafuso de aperto para a direita para prender a extensão de extracção do pó. O varão de acoplagem pode ser colocado tanto no lado A como no B. **(Fig. 7)**

Nota:

Em alguns ângulos da pega lateral com a ferramenta, não pode ligar a extensão de extracção do pó devido à interferência entre a extensão e a ferramenta.

Coloque firmemente a mangueira da extensão de extracção do pó na entrada da mangueira da ferramenta até que a mangueira esteja bem assente na entrada na ferramenta. **(Fig. 8)**

### **Instalação do saco do pó (Fig. 9)**

Mantenha o ângulo do saco do pó e da ferramenta em 90°. Coloque o saco do pó na saída do pó da ferramenta.

Prenda o saco do pó rodando-o para a esquerda.

### **Regulação da posição da extensão de extracção do pó.**

Liberte o parafuso de aperto da extensão de extracção do pó rodando-o para a esquerda. **(Fig. 10)**

Em seguida, alinhe a ponta da broca com a parte superior da extensão de extracção de pó. **(Fig. 11)**

Aperte o parafuso de aperto rodando-o para a esquerda para prender a extensão de extracção do pó.

### **Regulação da profundidade (Fig. 12)**

Liberte o parafuso do travão rodando-o para a esquerda de modo a que o travão possa deslizar na guia de profundidade da extensão de extracção de pó. Deslize o travão para a profundidade de perfuração desejada na guia e em seguida aperte o parafuso rodando-o para a direita.

### **Perfuração com extensão de extracção do pó (Fig. 13)**

Na operação de perfuração pegue na ferramenta de modo a que a parte superior da extensão de extracção do pó se mantenha em contacto completo com a superfície de cimento.

Nota:

Qualquer espaço entre eles pode resultar numa perda considerável de força de extracção.

### **Limpeza do saco de pó (Fig. 14)**

Retire o saco de pó da ferramenta.

Retire o fecho do saco de pó e em seguida retire pó ou partículas para limpar o saco.

Nota:

Muito pó no saco pode resultar numa perda considerável de força de extracção.

Por isso, limpe o saco de pó de vez em quando.

### **Perfuração sem a extensão de extracção do pó (Fig. 15)**

Esta ferramenta também pode ser utilizada como uma martelo rotativo normal sem a extensão de extracção do pó e o saco de pó.

Antes da operação de perfuração sem a extensão de extracção do pó e o saco de pó, coloque a tampa fornecida na entrada da mangueira.

A tampa reduz o ar saído da saída de pó para uma operação mais confortável.

### **Perfuração com percussão**

Coloque a broca no sítio em que deseje perfurar e carreeque no gatilho.

Não force a ferramenta. Obterá melhores resultados se exercer uma ligeira pressão. Segure a ferramenta com firmeza para evitar que a broca saia do furo.

Não continue a aplicar pressão quando o buraco fica obstruído com pó ou partículas. Coloque a ferramenta de lado, a funcionar, e em seguida retire a broca parcialmente do buraco. Repetindo este procedimento várias vezes, o buraco ficará limpo e poderá retomar a perfuração normal.

**PRECAUÇÃO:**

É exercida uma enorme e repentina força de torção na ferramenta/broca quando faz um furo, quando o furo fica obstruído por pó e partículas ou quando parte betão armado. Utilize sempre a pega lateral (pega auxiliar) e pegue firmemente na ferramenta pelas duas pegas e mude da mão. Se assim não for pode perder o controle da ferramenta e causar sérios danos.

### **Soprador (Fig. 16)**

Utilize o soprador para limpar o orifício.

### **Perfuração em madeira ou metal (Fig. 17)**

Utilize o conjunto opcional de mandril (constituído por mandril e adaptador). Quando o instalar, veja as instruções em “Colocação e extracção da broca” descritas anteriormente. Coloque o selector de modo de acção em “só rotação”. Pode perfurar até 13 mm de diâmetro em metal e até 32 mm de diâmetro em madeira.

**PRECAUÇÃO:**

Nunca utilize “rotação com martelo” quando o conjunto do mandril está colocado na ferramenta. O conjunto do mandril pode estragar-se.



#### NOTA:

Se necessitar de ligar o mandril e o conjunto de adaptação do mandril, proceda como se segue:

Prenda o mandril num torno ou aparelho semelhante. Coloque o mandril num dos três orifícios de modo que o corpo do mandril não rode. **(Fig. 18)**

Retire o parafuso do conjunto de adaptação do mandril e aparafuse o adaptador do mandril no mandril. Utilize uma chave para apertar seguramente o adaptador do mandril, aplicando cerca de 29 – 39 N·m de binário. (Nota: pode obter cerca de 29 – 39 N·m de binário aplicando uma pressão de 30 – 40 kg na chave enquanto agarra na porção a 10 cm da cabeça da chave.)

Abra completamente as garras do mandril e coloque o parafuso na abertura do mandril. Aperte o parafuso no sentido oposto ao dos ponteiros do relógio com uma chave de parafusos. **(Fig. 19)**

#### MANUTENÇÃO

##### PRECAUÇÃO:

Certifique-se sempre de que a ferramenta está desligada e a ficha retirada da tomada antes de efectuar qualquer trabalho na ferramenta.

Para salvaguardar a segurança e a fiabilidade do produto, as reparações, manutenção e afinações deverão ser sempre efectuadas por um Centro de Assistência Autorizado MAKITA.



① Spænd	⑬ Forbindelsesstangen	⑳ Lukker
② Løsn	⑭ Slange	㉑ Hætte
③ Sidegreb	⑮ Slangeport	㉒ Slangeport
④ Bor/mejsel	⑯ Støvfugsugningsport	㉓ Støvfugsugningsport
⑤ Fedt	⑰ Drej med uret	㉔ Udblæsningskugle
⑥ Bor	⑱ Værktøj	㉕ Borepatronadapter
⑦ Værktøjsholder	⑲ Tilspændingsskrue	㉖ Borepatron
⑧ Elektronikafbryder	㉚ Stopper	㉗ Skruenøgle
⑨ Omdrejningsvælger	㉛ Boreddybe	㉘ Borepatronnøgle
⑩ Funktionsknop	㉜ Hold i fuldstændig kontakt med overflade	㉙ Bløde bakker
⑪ Låseknop		㉚ Skruer
⑫ Forbindelseshul		

## SPECIFIKATIONER

Model	HR2430	HR2431
Kapacitet		
Beton .....	24 mm	24 mm
Træ .....	32 mm	32 mm
Stål .....	13 mm	13 mm
Støvfugsugningskapacitet		
Maksimal boreddybe .....	100 mm	100 mm
(Justérbar dybde) .....	(0 – 100 mm)	(0 – 100 mm)
Maksimal værktøjsdiameter .....	25 mm	25 mm
Maksimal værktøjslængde .....	270 mm	270 mm
Støvposekapacitet .....	0,4 l	0,4 l
Omdrejninger (ingen belastning) (min <sup>-1</sup> ) .....	0 – 1 050	0 – 1 050
Slagantal (min) .....	0 – 4 900	0 – 4 900
Længde .....	416 mm	477 mm
Netto vægt .....	2,6 kg	2,8 kg

- Ret til tekniske ændringer forbeholdes.
- Bemærk: Data kan variere fra land til land.

## Strømforsyning

Maskinen må kun tilsluttes en strømforsyning med samme spænding som angivet på typeskiltet, og kan kun anvendes på enfaset vekselstrømsforsyning. I henhold til de europæiske retningslinier er den dobbeltisoleret og kan derfor også tilsluttes netstik uden jordforbindelse.

## Sikkerhedsbestemmelser

Af sikkerhedsgrunde bør De sætte Dem ind i de medfølgende Sikkerhedsforskrifter.

## YDERLIGERE SIKKERHEDSFORSKRIFTER FOR MASKINEN

1. Hold kun ved maskinen på de isolerede greb og overflader, når De udfører arbejde, hvor den skærende maskinen kan komme i kontakt med skjulte ledninger eller dens egen netledning. Kontakt med en strømførende ledning, vil gøre uafdækkede metaldele på maskinen strømførende og give operatøren stød.
2. Benyt høreværn ved længere tids anvendelse af maskinen. Vedvarende udsættelse for kraftig støj kan resultere i tab af hørevnen.
3. Bær hjelm (sikkerhedshjelm), sikkerhedsbriller og/eller ansigtsskærm. Det anbefales også stærkt, at De anvende en støvmaske og tykke, vatterede gummihandsker.

4. Sørg for, at værktøjet er sat sikkert og korrekt i, før arbejdet startes.
5. Under normal drift vibrerer værktøjet. Skrueerne kan derfor let løsne sig og forårsage driftsforstyrrelser eller uheld. Kontrollér før hver brug, at skrueerne er fastspændte.
6. Lad maskinen køre i tomgang i nogle minutter, hvis De ikke har brugt den meget længe eller hvis den bruges i meget koldt vejr. Derved gøres olien smidig. Uden tilstrækkelig opvarmning er hammerboring svær at udføre.
7. Sørg for, at De altid har sikkert fodfæste. Ved brug af maskinen i større højde bør De sikre Dem, at der ikke står personer nedenunder arbejdsområdet.
8. Hold godt fast på maskinen med begge hænder.
9. Rør aldrig roterende dele med hænderne.
10. Læg ikke maskinen fra Dem, mens den stadig kører. Maskinen må kun køre, når den holdes med begge hænder.
11. Ret aldrig maskinen mod personer under anvendelsen. Værktøjet kan eventuelt flyve ud og forvolde alvorlig personskade.
12. Rør ikke ved værktøjet eller dele i nærheden af værktøjet umiddelbart efter brug. Disse dele kan være ekstremt varme og medføre forbrændinger.

## GEM DISSE FORSKRIFTER.

## ANVENDELSE

### Sidegreb (hjulpegreb) (Fig. 1)

Sidegrebet svinger til en af siderne hvilket gør en let betjening af værktøjet i en hvilken som helst position mulig. Sidegrebet løsnes ved at dreje det mod uret, det svinges så til den ønskede position og fastspændes ved at dreje det med uret.

### Montering og afmontering af boret

Vigtigt:

Før montering eller demontering af værktøj skal De sikre Dem, at maskinen er slukket og netstikket trukket ud.

Rengør borskaffet og påsmør den medfølgende smørelse til bit (cirka 0,5 til 1 g), før boret monteres. (Fig. 2)

Sæt værktøjet i værktøjsholderen, drej det og skub det i helt ind til det låser. (Fig. 3)

Hvis værktøjet ikke kan skubbes ind, trækkes i værktøjsholderen et par gange og der forsøges igen. (Fig. 4)

Drej og træk i værktøjet for at kontrollere at det er korrekt monteret.

Værktøjet fjernes ved at trække værktøjsholderen helt tilbage og samtidig trække værktøjet ud.

### Afbryderbetjening (Fig. 5)

FORSIGTIG:



Før maskinen startes skal De sikre Dem, at afbryderen fungerer korrekt og returnere til "OFF" positionen, når den slippes.

For at starte trykkes på afbryderen. Hastigheden øges ved at øge trykket på afbryderen. Slip afbryderen for at stoppe.

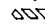
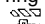
### Omdrejningsbetjening (Fig. 5)

FORSIGTIG:

- Kontrollér altid omdrejningsretningen før brug.
- Brug kun omdrejningsvælgeren, når værktøjet er helt stoppet. Hvis omdrejningsretningen ændres før maskinen er helt stoppet, kan det beskadige maskinen.
- Tryk ikke på afbryderen når omdrejningsvælgeren står i neutral stilling. Hvis afbryderen trykkes ind med magt, kan omdrejningsvælgeren blive beskadiget.

Dette værktøj er udstyret med en omdrejningsvælger, der gør det muligt at ændre omdrejningsretningen. Flyt vælgeren i  retningen (A retningen) for omdrejninger med uret, eller i  retningen (B retningen) for omdrejninger mod uret.

### Valg af funktion (Fig. 6)

Dette værktøj er udstyret med en funktionsknap. Vælg en af de to funktioner, der passer til Deres arbejde, med denne knap. For almindelig omdrejning drejes knappen så pilen på knappen peger mod  symbolet på værktøjskroppen. For hammerboring drejes knappen så pilen på knappen peger mod  symbolet på værktøjskroppen.

FORSIGTIG:

Indstil altid knappen helt efter det ønskede funktionsymbol. Hvis værktøjet betjenes med knappen indstillet halvvejs mellem funktionsymbolerne, kan værktøjet blive beskadiget.

### Skridkobling

Skridkoblingen slår til, når et vist omdrejningsmoment nås. Motoren vil koble fra drivakslen, og boret vil holde op med at rotere.

FORSIGTIG:

- Sluk værktøjet, så snart skridkoblingen slår til. Dette vil forhindre unødigt slid på værktøjet.
- Anvend ikke værktøjet til store hullsæve, kernebor, diamantkernebor, og lignende. Disse har tendens til at sætte sig fast. Dette vil medføre, at skridkoblingen for ofte slår til.

### Støvfugningstilbehør og støvpøse

(ved boring i beton)

Med støvfugningstilbehøret og støvpøsen monteret på denne maskine kan arbejdet udføres, uden at det snavser og uden at støv flyver rundt på arbejdsstedet.

FORSIGTIG:

Disse to tilbehør kan kun anvendes ved boring i beton. Brug dem derfor ikke ved boring i metal eller træ.

### Montering af støvfugningstilbehøret

Løsn tilspændingsskruen på sidegrebet ved at dreje den mod uret.

Før forbindelsesstangen på støvfugningstilbehøret ind gennem forbindelseshullet i sidegrebet, indtil stangen ikke kan skubbes længere ind.

Stram derefter tilspændingsskruen med uret for at holde støvfugningstilbehøret på plads.

Forbindelsesstangen kan sættes i fra enten side A eller B. (Fig. 7)

Bemærk:

Anbringelse af sidegrebet i visse vinkler kan umuliggøre montering af støvfugningstilbehøret som følge af tilbehørets og maskinens relative stillinger.

Sæt støvfugningstilbehørets slange i maskinens slangeport med fast hånd, indtil slangen stopper mod bunden af porten, således at slangen sidder sikkert fast i maskinen. (Fig. 8)

### Montering af støvpøse (Fig. 9)

Hold støvpøsen i en vinkel på 90° mod maskinen, og sæt støvpøsen ind i støvfugningsporten på maskinen.

Fastgør støvpøsen ved at dreje den med uret.

### Justering af støvfugningstilbehørets position

Løsn tilspændingsskruen på støvfugningstilbehøret ved at dreje den mod uret. (Fig. 10)

Ret spidsen af værktøjet ind efter spidsen af støvfugningstilbehøret. (Fig. 11)

Stram tilspændingsskruen ved at dreje den med uret for at fastgøre støvfugningstilbehøret.

### **Dybdejustering (Fig. 12)**

Løsn skruen på stopperen ved at dreje den med uret, således at stopperen kan glide på dybdeanslaget på støvafsugningstilbehøret.

Skyd stopperen til den ønskede boreddybde på dybdeanslaget, og stram dernæst skruen ved at dreje den med uret.

### **Boring med støvafsugningstilbehøret (Fig. 13)**

Under boring holdes maskinen, således at toppen af støvafsugningstilbehøret altid er i fuld kontakt med overfladen på betonen.

Bemærk:

Mellemrum mellem beton og tilbehøret vil resultere i kraftigt nedsat støvafsugningsevne.

### **Tømning af støvposen (Fig. 14)**

Fjern støvposen fra maskinen.

Træk lukkeren ud af støvposen, og fjern derefter støv eller partikler for at tømme støvposen.

Bemærk:

For meget støv i støvposen vil resultere i kraftigt nedsat støvafsugningsevne.

Tøm derfor posen med jævne mellemrum.

### **Boring uden støvafsugningstilbehøret (Fig. 15)**

Denne maskine kan også anvendes som en almindelig borehammer uden støvafsugningstilbehøret og støvposen.

Før boring uden anvendelse af støvafsugningstilbehøret og støvposen, skal slangeporten blokeres med den medfølgende hætte.

Hætten reducerer udstødningsluften fra støvafsugningsporten, så arbejdet kan udføres på mere behagelig vis.

### **Hammerboring**

Placer boret på det ønskede sted, hvor hullet skal bores, og tryk derefter på afbryderen.

Anvend ikke magt. Med et let tryk opnås de bedste resultater. Hold boret mod hullet og sørg for, at det ikke rutscher væk.

Tryk ikke yderligere såfremt borehullet bliver tilstoppet af spåner eller støv. Lad istedet værktøjet køre i tomgang, og træk dernæst boret delvist ud af hullet. Ved at gentage dette adskillige gange bliver borehullet rent, og boringen kan genoptages.

**FORSIGTIG:**

Værktøjet/boret udsættes for en kolossal og pludselig drejning når hullet gennembrydes, når borehullet stoppes af støv eller sten, eller når det slår mod de forstærkende bjælker i betonen. Brug altid sidegrebet (hjælpegreb) og hold værktøjet godt fast både med sidegrebet og afbrydergrebet under anvendelse. Hvis dette ikke gøres, kan det medføre at De mister kontrollen over værktøjet og dermed alvorlige skader.

### **Udblæsningskugle (Fig. 16)**

Anvend udblæsningskuglen til at blæse hullet rent.

### **Boring i træ eller metal (Fig. 17)**

Brug borepatronsættet (ekstratilbehør) (bestående af borepatron og borepatronadapter). Ved montering af dette sæt gås frem som beskrevet i afsnittet "Montering og afmontering af boret". Sæt funktionsknappen til "omdrejninger". Den maksimale borekapacitet i metal er på 13 mm og i træ er den på 32 mm.

**FORSIGTIG:**

Anvend ikke "hammerboring" funktionen når borepatronen er monteret på værktøjet. Borepatronen kan blive beskadiget.

**BEMÆRK:**

Hvis De får behov for at samle sættet bestående af borepatron og borepatronadapter, skal De gøre som følger.

Spænd borepatronen fast i en skruestik eller lignende spændeværktøj. Anbring borepatronnøglen i et af de tre huller, således at patronenheden ikke drejer rundt. **(Fig. 18)**

Fjern skruen fra borepatronsættet og skru borepatronadapteren i borepatronen. Benyt en skruenøgle til at stramme borepatronadapteren forsvarligt til, idet der anvendes et tilspændingsmoment på omkring 29 – 39 N·m. (Bemærk: De kan opnå et tilspændingsmoment på omkring 29 – 39 N·m ved at lægge et 30 til 40 kg pres på skruenøglen, mens De holder på nøglen 10 cm fra hovedet på denne.)

Åbn borepatronens kæber helt og før skruen ind gennem patronåbningen. Stram skruen mod uret med en skruetrækker. **(Fig. 19)**

## **VEDLIGEHODELSE**

**FORSIGTIG:**

Sørg altid for at værktøjet er slukket og netstikket trukket ud, før der foretages noget arbejde på selve maskinen.

For at opretholde produktets sikkerhed og pålidelighed, må istandsættelse, vedligeholdelse eller justering kun udføres af et autoriseret Makita service center.

① Åtdragning	⑫ Kopplingshål	⑳ Draglås
② Lossa	⑬ Kopplingsstav	㉑ Lock
③ Sidohandtag	⑭ Slang	㉒ Slanguttag
④ Verktygskaft	⑮ Slanguttag	㉓ Dammutkast
⑤ Verktygsojla	⑯ Dammutkast	㉔ Blåsboll
⑥ Borr	⑰ Vrid medurs	㉕ Chuckadapter
⑦ Chuckkåpa	⑱ Borr	㉖ Borrchuck
⑧ Strömställare	⑲ Vingskruv	㉗ Skruvnyckel
⑨ Spark för backlägesomkoppling	⑳ Stoppklack	㉘ Chucknyckel
⑩ Funktionsväljare	㉑ Borrdjup	㉙ Mjuka käftar
⑪ Klämskruv	㉒ Fullständig kontakt mot arbet- sytan	㉚ Skruv

## TEKNISKA DATA

Modell	HR2430	HR2431
Kapacitet		
Betong .....	24 mm	24 mm
Trä .....	32 mm	32 mm
Stål .....	13 mm	13 mm
Dammutsugningskapacitet		
Maximalt borrhinsdjup .....	100 mm	100 mm
(Inställningsbart borrdjup) .....	(0 – 100 mm)	(0 – 100 mm)
Maximal borrhdiometer .....	25 mm	25 mm
Maximal längd på borret .....	270 mm	270 mm
Dampmpåsens kapacitet .....	0,4 l	0,4 l
Tomgångsvarvtal (min <sup>-1</sup> ) .....	0 – 1 050	0 – 1 050
Antal slag .....	0 – 4 900	0 – 4 900
Total längd .....	416 mm	477 mm
Nettovikt .....	2,6 kg	2,8 kg

- På grund av det kontinuerliga programmet för forskning och utveckling, kan här angivna tekniska data ändras utan föregående meddelande.
- Observera: Tekniska data kan variera i olika länder.

## Strömförsörjning

Maskinen får endast anslutas till nät med samma spänning som anges på typplåten och kan endast köras med enfas växelström. Den är dubbelisolerad i enlighet med europeisk standard och kan därför anslutas till vägguttag som saknar skyddsjord.

## Säkerhetstips

För din egen säkerhets skull, bör du läsa igenom de medföljande säkerhetsföreskrifterna.

## SÄRSKILDA SÄKERHETSANVISNINGAR FÖR VERKTYGET

1. Håll verktyget i de isolerade greppytorna när du arbetar på platser där skär- eller borrarverktöget kan komma i kontakt med gömd ledningsdragningsledning, eller dess egen sladd. De synliga metalldelarna på verktyget blir strömförande, om verktyget kommer i beröring med en strömförande ledning, och operatören får en elektrisk stöt.
2. Använd hörselskydd om verktyget ska användas under en längre period. Att vara utsatt för buller, med en hög intensitet, kan orsaka hörselskador.
3. Använd en hård huvudbonad (skyddshjälm), skyddsglasögon och/eller ansiktsskydd. Det rekommenderas också starkt att du använder en andningsmask, och handskar med tjock stoppning.
4. Se till att borret sitter fast ordentligt före arbetets början.
5. Verktyget är konstruerat för att avge vibrationer under normal användning. Skruvarna kan lätt lossna och orsaka skador på maskinen och personolyckor. Kontrollera noggrant att skruvarna är åtdragna före arbetets början.

6. Låt verktyget värmas upp genom att låta det gå utan belastning en stund, om vädret är kallt eller om verktyget inte har använts under en längre tid. Därmed värms smörjmedlet upp. Det är svårt att utföra slagborrning utan att ha varmt upp verktyget ordentligt.
7. Se alltid till att du står stadigt.  
Se till att det inte står någon under dig, när du arbetar på hög höjd.
8. Håll verktyget stadigt med båda händerna.
9. Håll händerna på avstånd från rörliga delar.
10. Lämna inte verktyget när det går. Använd endast verktyget när det hålls i händerna.
11. Rikta inte verktyget mot någon person i närheten under drift. Borret kan flyga ut och orsaka allvarliga personskador.
12. Vidrör inte borret och delarna som sitter nära borret direkt efter avslutad användning; dessa delar kan vara oerhört varma, och orsaka brännskador.

## SPARA DESSA ANVISNINGAR.

### BRUKSANVISNING

#### Sidohandtag (Fig. 1)

Sidohandtaget kan svängas runt till endera sidan för att underlätta arbetet med verktyget i alla lägen. Lossa sidohandtaget genom att vrida det moturs, sväng det till önskat läge och drag sedan åt det genom att vrida det medurs.

#### Montering av hammarborr

Viktigt!

Dra alltid ur stickproppen innan borret skall monteras. Rengör borrhets skaft, och stryk på det borrhets (cirka 0,5–1 g) som medföljer på skaftet innan borret monteras. (Fig. 2)

För in verktyget i maskinen. Vrid verktyget och tryck in det tills det fastnar. (Fig. 3)

Tag bort verktyget om det inte går att trycka in. Fäll ner chuckåpan ett par gånger. Montera sedan verktyget igen. Vrid verktyget och tryck in det tills det fastnar. (Fig. 4)

Kontrollera alltid att verktyget sitter fast ordentligt efter monteringen genom att försöka dra ut det.

Demontera verktyget genom att fälla ner chuckåpan hela vägen och dra ut verktyget.

#### Strömställarens funktion (Fig. 5)

FÖRSIKTIGHET!

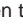

Innan stickproppen ansluts, bör strömställarens mekaniska funktion kontrolleras, t ex att den återgår till från-läget, när den släpps.

Tryck in strömställaren för att starta verktyget. Verktygets varvtal ökar med ett ökat tryck på strömställaren. Släpp strömställaren för att stanna.

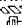

#### Backlägesomkoppling (Fig. 5)

FÖRSIKTIGHET!

- Kontrollera alltid rotationsriktningen före användning.
- Använd backlägesomkopplaren endast efter att verktyget har stannat helt och hållet. Att ändra rotationsriktningen innan verktyget har stannat kan orsaka skador på verktyget.
- Tryck inte på strömställaren när backlägesomkopplaren står i neutralt läge. Om du trycker på strömställaren med våld kan omkopplaren skadas.

Detta verktyg är utrustat med en backlägesomkopplare som används för att ändra rotationsriktningen. För spaken till läget  (läget A) ör medurs rotation, och till läget  (läget B) för moturs rotation.

#### Att välja driftsfunktion (Fig. 6)

Detta verktyg har en funktionsväljare. Välj den av de två tillgängliga driftsfunktionerna som är mest lämpad för dina arbetsbehov genom att använda funktionsväljaren. Vrid funktionsväljaren så att pilen pekar mot symbolen  på verktygshuset för borrning med rotation enbart. Vrid funktionsväljaren så att pilen pekar mot symbolen  på verktygskroppen för borrning med rotation och slag.

FÖRSIKTIGHET!

Vrid alltid funktionsväljaren så att står precis mot den önskade symbolen. Verktyget kan skadas om det används med funktionsväljaren ställd i ett läge mitt emellan funktions symbolerna.

#### Säkerhetskoppling

Denna aktiveras och frånkopplar drivningen vid höga och snabbt uppträdande belastningar, t ex fastkörning.

FÖRSIKTIGHET!

- Släpp omedelbart strömställaren om säkerhetskopplingen träder i funktion. Härigenom undviks onödigt slitage av vitala delar i drivmekanismen.
- Hålsågar borrhävar och diamanthävar bör ej användas i det här verktyget. Sådana verktyg körs lätt fast, varvid kopplingen utsätts för stora påfrestningar genom att den aktiveras i alltför stor utsträckning.

#### Dammutsugningstillsets och dammpåse

(för borringsarbeten i betong)

Med dammutsugningstillsetsen och dammpåsen monterade på verktyget kan du arbeta i en ren omgivning, och inte behöva få damm och spån utspridda på arbetsplatsen.

FÖRSIKTIGHET!

Dessa båda tillbehör kan endast användas när du borrar hål i betong. Använd dem därför inte vid borrarbeten i metall eller trä.

## Montering av dammutsugningstillssatsen

Lossa vingskruvén på sidogreppet genom att vrida den moturs.

Sätt i dammutsugningstillssatsens kopplingsstav genom sidogreppets kopplingshål, tills staven inte kommer längre in.

Dra sedan åt vingskruvén medurs så att dammutsugningstillssatsen fästs. Kopplingsstaven kan föras in antingen från sida A eller B. (Fig. 7)

Observera:

Med sidogreppet i vissa vinklar gentemot verktyget kan det inträffa att dammutsugningstillssatsen inte kan monteras på maskinen, på grund av att tillsatsen och verktyget kommer emot varandra.

För in dammutsugningstillssatsens slang ordentligt i slanguttaget på verktyget, tills slangen stöter emot uttagets botten, så att slangen sitter fast ordentligt på verktyget. (Fig. 8)

## Montering av dammpåsen (Fig. 9)

Håll dammpåsen i 90° vinkel gentemot verktyget, och för in dammpåsen i verktygets dammutkast. Fäst dammpåsen genom att vrida den medurs.

## Justering av dammutsugningstillssatsens läge

Lossa vingskruvén på dammutsugningstillssatsen genom att vrida den moturs. (Fig. 10)

Rikta sedan in borrets spets mot dammutsugningstillssatsens ände så att de är i höjd med varandra.

(Fig. 11)

Dra åt vingskruvén genom att vrida den medurs för att fästa dammutsugningstillssatsen.

## Djupinställning (Fig. 12)

Lossa skruven på stoppklacken genom att vrida den moturs, så att stoppklacken lätt glider på dammutsugningstillssatsens djupanslag.

Skjut stoppklacken till det önskade borrhjupet på anslaget, och dra sedan åt skruven genom att vrida den medurs.

## Borring med dammutsugningstillssatsen

(Fig. 13)

Håll verktyget så att dammutsugningstillssatsens ände alltid är i fullständig kontakt med betongytan under borrhingsdrift.

Observera:

Dammutsugningskapaciteten minskar anmärkningsvärt om det uppstår även en liten glipa mellan dem.

## Tömning av dammpåsen (Fig. 14)

Ta bort dammpåsen från verktyget.

Dra bort dammpåsens draglås, och töm sedan påsen genom att avlägsna allt damm och alla spån.

Observera:

Dammutsugningskapaciteten minskar anmärkningsvärt om det samlas upp alltför mycket damm i dammpåsen.

Töm därför dammpåsen då och då.

## Borring utan dammutsugningstillssatsen

(Fig. 15)

Verktyget kan också användas som en slagborr av standardtyp, utan dammutsugningstillssatsen och dammpåsen.

Sätt på det medföljande locket på slanguttaget, innan du utför borrhingsarbeten utan dammutsugningstillssats och dammpåse.

Locket minskar utsugningsluften från dammutkastet, och ger dig en behagligare arbetssituation.

## Borring

Starta inte verktyget förrän borret satts an.

Tryck inte för hårt. Bäst resultat erhålls med ett borrttryck ungefärligen motsvarande verktygets egen tyngd.

Anlägg inte mer tryck om hålet blir igensatt med spån eller andra partiklar. Låt istället verktyget gå utan belastning och avlägsna borret gradvis från hålet. Genom att upprepa denna procedur flera gånger rensas hålet ur och normal borring kan återupptas.

FÖRSIKTIGHET!

Verktyget och borret utsätts för ett plötsligt och avsevärt vridmoment vid genombrottet av hålet, om hålet sätts igen av spån eller andra partiklar eller om borret stöter emot armeringsjärn ingjutna i betongen. Använd alltid sidohandtaget (extrahandtaget) och håll verktyget stadigt i både sidohandtaget och strömstäl-larhandtaget vid drift. Underlåtande att hålla verktyget korrekt kan medföra att kontrollen över verktyget förloras och risk för svåra skador.

## Blåsboll (Fig. 16)

Använd blåsbollen för att göra rent hålet.

## Borring i trä eller metall (Fig. 17)

Vid borring i dessa material används borrhuck med chuckadapter (extra tillbehör). Montering sker på samma sätt som tidigare beskrivits under rubriken 'Montering av hammarborr'. Sätt funktionsväljaren till "rotation". Borrhdiometer i metall max 13 mm och i trä upp till 32 mm (flatborr).

FÖRSIKTIGHET!

Använd aldrig "rotation med slag" när borrhuckfästet är monterat på verktyget. Borrhuckfästet kan skadas.

OBSERVERA!

Sätt ihop borrhucken och chuckadaptern enligt följande direktiv vid behov.

Fäst borrhucken i ett skruvstöd eller liknande fäst-anordning. Placera chucknyckeln i ett av de tre chuckhålen så att själva chuckens kropp inte kan röra sig.

(Fig. 18)

Tag bort skruven från chuckadaptern, och skruva i chuckadaptern i borrhucken. Fäst chuckadaptern ordentligt genom att dra åt den med en skruvnyckel med ungefär 29 – 39 N-m dragmoment. (Observera! 29 – 39 N-m dragmoment kan erhållas genom att hålla i skruvnyckeln på en plats 10 cm från nyckelns huvud och där anlägga 30 – 40 kg tryck mot skaftet. Öppna chuckkäftarna helt och för in skruven i chucköppningen. Drag åt skruven moturs med en skruvmejsel. (Fig. 19)

## **UNDERHÅLL**

### **FÖRSIKTIGHET!**

Förvissa dig alltid om att nätkabeln dragits ut ur vägguttaget och att maskinen är fränkopplad innan något arbete utförs på maskinen.

För att bibehålla produktens säkerhet och tillförlitlighet, bör alltid reparationer, underhållsservice och justeringar utföras av auktoriserad Makita serviceverkstad.



① Trekktil	⑫ Koplingshull	⑳ Festeinnretning
② Løsne	⑬ Koplingsstang	㉑ Hette
③ Støttehåndtak	⑭ Slange	㉒ Slangeåpning
④ Borkroneskaft	⑮ Slangeåpning	㉓ Støvavløp
⑤ Borkronefett	⑯ Støvavløp	㉔ Blåsebulb
⑥ Bor	⑰ Drei medurs	㉕ Chuckadapter
⑦ Borpatrondeksel	⑱ Bor	㉖ Borechuck
⑧ Bryter	⑲ Klemskruer	㉗ Skrunøkkel
⑨ Reverseringshendel	㉒ Stopper	㉘ Chucknøkkel
⑩ Funksjonsbryter	㉓ Boredybde	㉙ Myke klør
⑪ Klemskruer	㉔ Full kontakt med overflaten	㉚ Skruer

## TEKNISKE DATA

Modell	HR2430	HR2431
<b>Kapasiteter</b>		
Betong .....	24 mm	24 mm
Tre .....	32 mm	32 mm
Stål .....	13 mm	13 mm
<b>Støvutskillingskapasitet</b>		
Maks. boreddybde .....	100 mm	100 mm
(Justerbar dybde) .....	(0 – 100 mm)	(0 – 100 mm)
Maks. bordiameter .....	25 mm	25 mm
Maks. borlengde .....	270 mm	270 mm
Støvposens kapasitet .....	0,4 l	0,4 l
Tomgangshastighet (turtall) (min <sup>-1</sup> ) .....	0 – 1 050	0 – 1 050
Slag pr. min .....	0 – 4 900	0 – 4 900
Total lengde .....	416 mm	477 mm
Netto vekt .....	2,6 kg	2,8 kg

- Grunnet det kontinuerlige forsknings- og utviklingsprogrammet, forbeholder vi oss retten til å foreta endringer i tekniske data uten forvarsel.
- Merknad: Tekniske data kan variere fra land til land.

## Strømforsyning

Maskinen må kun koples til den spenning som er angitt på typeskiltet og arbeider kun med enfasvekselstrøm. Den er dobbelt verneisoleret i henhold til de Europeiske Direktiver og kan derfor også koples til stikkontakter uten jording.

## Sikkerhetstips

For din egen sikkerhets skyld ber vi deg lese de medfølgende sikkerhetsreglene.

## EKSTRA SIKKERHETSREGLER FOR VERKTØY

1. Hold verktøyet i de isolerte gripeflatene under arbeidsoperasjoner hvor verktøyet kan komme i kontakt med skjulte ledninger eller selve verktøyet ledning. Kontakt med en strømførende ledning vil gjøre at også metalledeler på verktøyet blir strømførende og utsette operatøren for elektrisk støt.
2. Bruk hørselvern når verktøyet brukes i lange perioder av gangen. Utstrakt eksponering for intens støy kan forårsake nedsatt hørsel.
3. Bruk hjelm (sikkerhetshjelm), vernebriller og/eller ansiktsbeskyttelse. Det anbefales dessuten å bruke støvmaske og kraftige arbeidshansker.
4. Kontroller at boret sitter forsvarlig fast før bruk.
5. Under normal drift er verktøyet laget slik at det produserer vibrasjoner. Skruene kan lett løsne og forårsake maskinskader eller en alvorlig ulykke. Sjekk at skruene er forsvarlig strammet før drift.
6. Under kalde temperaturforhold eller når verktøyet ikke har vært brukt på en lang stund, må det varmes opp ved at det får gå på tomgang en stund. Dette vil fordele smurningen i verktøyet. Uten skikkelig oppvarming vil hammerdrift være vanskelig å utføre.



7. Sørg alltid for godt fotfeste. Påse at ingen befinner seg under når arbeidet foregår i høyden.
8. Hold godt fast i verktøyet med begge hender.
9. Hold hendene unna bevegende deler.
10. Forlat ikke verktøyet mens det går. Verktøyet må bare betjenes når det holdes for hånd.
11. Pek aldri med verktøyet mot personer i nærheten. Boret kan sprette av og forårsake alvorlige skader.
12. Rør aldri boret eller deler i nærheten av boret like etter bruk; de kan være meget varme og forårsake forbrenninger.

## TA VARE PÅ DISSE INSTRUKSENE.

### BRUKSANVISNINGER

#### Sidegreep (støttehåndtak) (Fig. 1)

Støttehåndtaket kan svinges til begge sider for å oppnå et grep som passer brukeren. Løse støttehåndtaket ved å dreie det moturs. Sving det til ønsket posisjon og fest det igjen ved å dreie det medurs.

#### Montering og fjerning av bor

Viktig!

Sørg for at bryteren er slått av og at ledningen et tatt ut av kontakten før montering eller fjerning av boret.

Rengjør kroneskaffet og smør med det vedlagte fett (ca. 0,5 – 1g) før boret monteres. (Fig. 2)

Sett borkronen inn i maskinen. Vri borkronen og trykk den inn helt til den er fastkople. (Fig. 3)

Fjern borkronen dersom den ikke kan trykkes inn. Dra borpatrondekslet ned et par ganger. Sett deretter borkronen inn på nytt. Vri borkronen og trykk den inn helt til den er fastkople. (Fig. 4)

Etter montering, sørg alltid for å kontrollere at borkronen holdes forsvarlig på plass ved å forsøke å dra den ut.

For å demontere borkronen, dra borpatrondekslet helt ned og dra borkronen ut.

#### Bryter (Fig. 5)

NB!

Før støpslet settes i må du kontrollere at bryteren virker som den skal og går tilbake til "OFF" når den slippes.

Maskinen startes ved å dra i startbryteren. Hastigheten øker med trykket på bryteren. Slipp bryteren for å stoppe.

#### Reverseringshendel (Fig. 5)

NB!

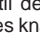

- Sjekk alltid rotasjonsretningen før start.
- Bruk reverseringsbryteren bare etter at verktøyet har stanset helt. Hvis rotasjonsretningen endres under drift, kan verktøyet ta skade.
- Startbryteren må ikke klemmes inn når reverserings-bryteren er i nøytral. Hvis startbryteren klemmes inn med makt, kan bryteren ødelegges.

Dette verktøyet er utstyrt med en reverseringshendel for å endre rotasjonsretningen. Flytt hendelen til

← -posisjon (A-posisjon) for medurs rotasjon eller til

→ -posisjon (B-posisjon) for moturs rotasjon.

#### Velg funksjon (Fig. 6)

Dette verktøyet er utstyrt med en funksjonsbryter. Velg den modusen som passer best til det arbeidet som skal gjøres. For kun rotasjon, dreies knappen slik at pilen på bryteren peker mot  -symbolet på verktøyskroppen. For rotasjon med hammerslag, dreies bryteren slik at pilen peker mot  -symbolet på verktøyskroppen.

NB!

Bryteren må alltid dreies helt mot det modussymboler som ønskes. Hvis verktøyet brukes med bryteren halvveis mellom modussymbolene, kan verktøyet gå i stykker.

#### Motorvern

Verktøyet motorvern vil aktiveres ved overbelastning og automatisk stanse verktøyet. Når dette skjer vil boret slutte å rotere.

NB!

- Så snart motorvernet aktiveres må bryteren slippes. Dette vil motvirke skade på verktøyet.
- Hullsager borekroner og diamantborekroner kan ikke brukes i dette verktøyet idet disse lett kan kile seg fast i hullet. Dette vil igjen forårsake at motorvernet aktiveres for ofte.

#### Støvtutskillingsutstyr og støvpose

(ved boring i betong)

Med støvtutskillingsutstyret og støvposen montert på verktøyet, kan arbeidet utføres rent og ryddig uten at støv spres rundt omkring.

OBS!

Disse utstyrsdelene er kun beregnet til boring av hull i betong. De må derfor ikke brukes ved boring i metall eller tre.

#### Montere støvtutskillingsutstyret

Løse klemskruen på sidegrepet ved å dreie den moturs. Sett inn koplingsstangen på støvtutskillingsutstyret via koplingshullet på sidegrepet til stangen ikke kommer lenger. Trekk klemskruen til i medurs retning slik at utstyret sitter forsvarlig fast. Koplingsstangen kan føres inn fra enten side A eller B. (Fig. 7)

NB:

Det kan i noen tilfeller være umulig å montere støvtutskillingsutstyret på verktøyet alt etter vinkelen til sidegrepet, da utstyret kan komme i veien for selve verktøyet.

Før slangen på støvtutskillingsutstyret skikkelig inn i slangeåpningen på verktøyet til den når bunnen av åpningen og fest forsvarlig. (Fig. 8)

#### Montere støvposen (Fig. 9)

Hold støvposen i 90°. vinkel på verktøyet. Før støvposen inn gjennom støvavløpet på verktøyet. Fest støvposen ved å dreie den medurs.

### **Justere støvutskillingsutstyrets posisjon.**

Løsne klemskruen på støvutskillingsutstyret ved å dreie den moturs. (Fig. 10)

Samstem deretter tuppen av boret med øverste del av støvutskillingsutstyret. (Fig. 11)

Trekk til klemskruen ved å dreie den medurs slik at støvutskillingsutstyret sitter forsvarlig fast.

### **Dybdejustering (Fig. 12)**

Løsne skruen på stopperen ved å dreie den moturs slik at stopperen kan gli på støvutskillingsutstyrets dybdemåler. Skyv stopperen til ønsket boreddybde og trekk skruen til ved å dreie den medurs.

### **Boring med støvutskillingsutstyret (Fig. 13)**

I boreoperasjoner holdes verktøyet slik at øverste ende av støvutskillingsutstyret alltid er i full kontakt med betongoverflaten.

NB!

Eventuelt gap mellom overflate og utstyr vil resultere i betraktelig nedsatt støvutskillingseffekt.

### **Tømme støvposen (Fig. 14)**

Trekk festeanordningen ut av støvposen og tøm posen for eventuelt støv eller partikler.

NB!

Hvis det er for mye støv i posen, reduseres utskillingseffekten betraktelig. Det er derfor viktig å tømme posen regelmessig.

### **Boring uten støvutskillingsutstyret (Fig. 15)**

Dette verktøyet kan også brukes som standard rotasjonshammer uten støvutskillingsutstyr og støvpose.

For boreoperasjoner uten støvutskillingsutstyr og støvpose, dekkes slangeåpningen til med den vedlagte hetten.

Hetten reduserer utblåsningsluft fra støvavløpet slik at arbeidet blir behageligere.

### **Hammerboring**

Plasser boret på ønskede stad der hullet skal lages og trykk på bryteren.

Øv ikke makt på verktøyet. Et lett trykk gir det beste resultatet. Hold verktøyet på plass og pass på at det ikke glir vekk fra hullet.

Det må ikke legges mer trykk på verktøyet når hullet blir tilstoppet med spon og flis. I stedet bør du la verktøyet gå på tomgang og så fjerne boret delvis fra hullet. Gjør dette flere ganger til hullet er fritt for spon. Deretter fortsetter du som vanlig.

NB!

Det oppstår en voldsom og brå vridningskraft på verktøy/borspiss ved gjennomboringen hvis hullet er tilstoppet med spon og lignende, eller når boret treffer armeringsstenger i betongen. Bruk alltid støttehåndtaket (hjelpéhåndtaket) og hold verktøyet godt fast i begge støttehåndtakene og bryterhåndtaket under boringen. Hvis dette ikke gjøres kan det føre til at du mister kontrollen over verktøyet med alvorlige legemsskader til følge.

### **Blåsebulb (Fig. 16)**

Bruk blåsebulben til rengjøring av hullet.

### **Boring i tre eller metall (Fig. 17)**

Bruk chuck (bestående av borechuck og chuckadapter) ved boring i tre eller metall. Ved montering henvises til "Montering og fjerning av bor" på foregående side. Sæt funksjonsbryteren til "rotasjon". Man kan bore opptil 13 mm i metall og 32 mm i tre.

NB!

"Rotasjon med hammerslag" må aldri brukes når borechuck-montasjen er montert på verktøyet. Borechuck-montasjen kan ødelegges.

MERKNAD:

Hvis det er nødvendig å sette sammen borechucken og chuckadapteren, gå frem som følger.

Fest borechucken i en skruestikke eller lignende fastspenningsanordning. Sett chucknøkkelen inn i ett av de tre hullene slik at chucken ikke kan rotere.

(Fig. 18)

Fjern skruen fra chuckadaptermontasjen og skru chuckadapteren fast på borechucken. Bruk en skrunøkkel til å trekke chuckadapteren godt til med og bruk et moment på ca. 29 – 39 N·m. (Merknad: et moment på 29 – 39 N·m kan oppnås ved å øve et 30 – 40 kg trykk på skrunøkkelen mens den delen som er 10 cm fra skrunøkkelhodet holdes fast for hånd.)

Åpne chuckklørne helt og før skruen inn gjennom chuck-åpningen. Trekk skruen til i moturs retning med et skrujern. (Fig. 19)

## **SERVICE**

NB!

Før servicearbeider utføres på verktøyet må det passes på at denne er slått av og at støpselet er trukket ut av stikkkontakten.

For å garantere at maskinen arbeider sikkert og pålitelig bør reparasjoner, servicearbeider eller innstillinger utføres av et autorisert Makita-serviceverksted.

① Kiristyy	⑫ KytKentärako	⑳ Suljin
② Löystyy	⑬ KytKintanko	㉑ Suojus
③ Sivukahva	⑭ Letku	㉒ Letkun aukko
④ Terän kara	⑮ Letkun aukko	㉓ Pölynkeräimen aukko
⑤ Terärasva	⑯ Pölynkeräimen aukko	㉔ Puhallin
⑥ Terä	⑰ Käännä myötäpäivään	㉕ Istukan sovitin
⑦ Istukan suojus	⑱ Terä	㉖ Poran istukka
⑧ Liipaisinkytkin	⑲ Kiristysruuvi	㉗ Kiintoavain
⑨ Suunna vaihtovipu	⑳ Pysäytin	㉘ Istukka-avain
⑩ Toimintamuodon vaihtonuppi	㉑ Poraussyvyys	㉙ Pehmeät leuat
⑪ Kiinnitysruuvi	㉒ Aseta kokonaan pintaa vasten	㉚ Ruuvi

## TEKNISET TIEDOT

Malli	HR2430	HR2431
Suorituskyky		
Betoni .....	24 mm	24 mm
Puu .....	32 mm	32 mm
Teräs .....	13 mm	13 mm
Pölynkeräimen suorituskyky		
Suurin poraussyvyys .....	100 mm	100 mm
(Säädettävä syvyys) .....	(0 – 100 mm)	(0 – 100 mm)
Suurin terän läpimitta .....	25 mm	25 mm
Suurin terän pituus .....	270 mm	270 mm
Pölypussin tilavuus .....	0,4 l	0,4 l
Tyhjäkäyntinopeus (min <sup>-1</sup> ) .....	0 – 1 050	0 – 1 050
Iskua minuutissa .....	0 – 4 900	0 – 4 900
Kokonaispituus .....	416 mm	477 mm
Nettopaino .....	2,6 kg	2,8 kg

- Jatkuvan tutkimus- ja kehitysohjelman vuoksi pidämme oikeuden muuttaa tässä mainittuja teknisiä ominaisuuksia ilman ennakoilmoitusta.
- Huomautus: Tekniset ominaisuudet saattavat vaihdella eri maissa.

## Virransyöttö

Laitteen saa kytkeä ainoastaan virtalähteeseen, jonka jännite on sama kuin tyyppikilvessä ilmoitettu. Laitetta voidaan käyttää ainoastaan yksivaiheisella vaihtovirralla. Laite on kaksinkertaisesti suojaeristetty eurooppalaisten standardien mukaisesti, ja se voidaan tästä syystä liittää maadoittamattomaan pistorasiaan.

## Turvaohjeita

Oman turvallisuutesi vuoksi lue mukana seuraavat turvaohjeet.

## LISÄÄ TURVAOHJEITA TYÖKALULLE

1. Pitele laitetta sen eristetyistä tartuntapinnoista tehdeksäsi työtä, jossa työkalu voi joutua kosketuksiin piilossa olevan johdon tai oman virtajohtonsa kanssa. Osuminen jännitteeseen johtoon saa näkyvissä olevat metalliosat jännitteisiksi ja aiheuttaa käyttäjälle sähköiskun.
2. Käytä kuulosuojaimia käyttäessäsi työkalua pitkään. Pitkäaikainen altistuminen kovalle melulle aiheuttaa kuulovaurioita.
3. Käytä kypärää, suojalaseja ja/tai kasvosuojusta. Myös hengityssuojaimen ja paksusti topattujen käsineiden käyttäminen on suositeltavaa.
4. Varmista ennen työskentelyn aloittamista, että terä on kiinnitetty tiukasti paikoilleen.
5. Laite on suunniteltu siten, että se värisee normaalkäytössä. Ruuvit voivat helposti irrota aiheuttaen laitteen rikkoutumisen tai onnettomuuden. Tarkista ruuvien kireys huolellisesti ennen kuin käytät laitetta.
6. Kylmällä ilmalla tai kun laitetta ei ole käytetty pitkään aikaan, anna koneen lämmetä jonkin aikaa tyhjäkäynnillä. Tämä tehostaa laitteen voitelua. Vasaraporaus voi olla hankalaa ilman asianmukaista esilämmitystä.
7. Varmista aina, että seisot tukevalla jalustalla. Tarkista, ettei ketään ole allasi käyttäessäsi laitetta korkeissa paikoissa.
8. Pitele laitetta tiukasti molemmin käsin.

9. Pidä kädet loitolla liikkuvista osista.
10. Älä laske käyvää laitetta käsistäsi. Käytä laitetta vain sen ollessa käsissäsi.
11. Käyttäessäsi laitetta älä osoita sillä ketään kohti. Terä saattaa lennähtää irti ja aiheuttaa vakavan loukkaantumisen.
12. Älä kosketa terää äläkä terän lähellä olevia osia välittömästi käytön jälkeen. Ne voivat olla erittäin kuumia ja ne saattavat polttaa ihoasi.

## SÄILYTÄ NÄMÄ OHJEET.

## KÄYTTÖOHJEET

### Sivukahva (apukahva) (Kuva 1)

Sivukahva kääntyy molempiin suuntiin, minkä ansiosta laitetta voidaan käyttää missä asennossa tahansa. Löysennä sivukahvaa kääntämällä sitä vastapäivään, siirrä se haluamaasi asentoon ja kiristä se kääntämällä myötäpäivään.

### Poranterän kiinnittäminen ja irrottaminen

Tärkeää:

Varmista aina ennen terän kiinnittämistä ja irrottamista, että laitteen virta on katkaistu ja pistoke irrotettu virtalähteestä.

Puhdista terän kara ja sivele siihen varusteisiin kuuluvaa terärasvaa (noin 0,5 – 1 g), ennen kuin kiinnität terän. (Kuva 2)

Työnnä terä koneeseen. Käännä terää ja paina sitä, kunnes se osuu kohdalleen. (Kuva 3)

Jos terää ei voida painaa sisään, irrota terä. Vedä istukan suojus alas muutamia kertoja. Kiinnitä terä sitten uudelleen. Käännä terää ja paina sitä sisään, kunnes se osuu kohdalleen. (Kuva 4)

Kun olet kiinnittänyt terän, varmista aina vetämällä, että terä pysyy tiukasti paikallaan.

Terä irrotetaan vetämällä istukan suojus kokonaan alas ja vetämällä terä ulos.

### Kytkimen käyttäminen (Kuva 5)

VARO:



Ennen kuin kytket virran koneeseen tarkista kytkimen toiminta. Paina kytkin alas ja varmista, että kun vapautat kytkimen se palautuu OFF-asentoon.

Kone käynnistetään yksinkertaisesti painamalla liipaisinta. Koneen käyntinopeus kasvaa, kun liipaisinta painetaan voimakkaammin. Kone pysähtyy vapautettaessa kytkin.

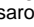

### Suunnan vaihtaminen (Kuva 5)

VARO:

- Tarkista aina pyörimissuunta, ennen kuin aloitat työskentelyn.
- Käytä suunnanvaihtovipua ainoastaan koneen ollessa täysin pysähdyksissä. Pyörimissuunnan vaihtaminen koneen vielä käydessä saattaa vahingoittaa konetta.
- Älä vedä liipaisinkytkimestä, kun suunnanvaihtovipu on keskiasennossa. Jos vedät liipaisinta väkisin, kytkin saattaa vahingoittua.

Tässä koneessa on suunnanvaihtovipu, jolla voidaan vaihtaa pyörimissuuntaa. Siirrä vipu asentoon  (asentoon A) halutessasi koneen pyörivän myötäpäivään ja asentoon  (asentoon B) halutessasi koneen pyörivän vastapäivään.

### Toimintamuodon vaihtaminen (Kuva 6)

Tässä koneessa on toimintamuodon vaihtonuppi. Valitse nupilla kahdesta muodosta työtarpeisiisi sopiva. Kun haluat pelkän pyörimisen, käännä nuppia siten, että nupissa oleva nuoli osoittaa koneen rungossa olevaa  -merkkiä kohti. Kun haluat vasaroinnin yhdistettynä pyörimisliikkeeseen, käännä nuppia siten, että nupissa oleva nuoli osoittaa koneen rungossa olevaa  -merkkiä kohti.

VARO:

Aseta nuppi aina perille haluamasi muotomerkin kohdalle. Jos konetta käytetään nupin ollessa muotomerkkien puolivälissä, kone saattaa vahingoittua.

### Vääntömomentin rajoitin

Vääntömomentin rajoitin käynnistyy, kun vääntömomentti saavuttaa tietyn tason. Moottori kytkeytyy irti käyttöakselista. Jos näin käy, terä lakkaa pyörimästä.

VARO:

- Katkaise laitteesta virta heti, kun vääntömomentin rajoitin käynnistyy. Näin estetään laitteen ennenaikainen kuluminen.
- Tässä laitteessa ei voida käyttää reikäsaahoja, keernakairoja, timanttikeernakairoja yms. Ne tarttuvat helposti reikään, jolloin vääntömomentin rajoitin kytkeytyy toimintaan liian usein.

### Pölynkeräin ja pölypussi

(porattaessa betoniin)

Kun laitteeseen on liitetty pölynkeräin ja pölypussi, työskentely on erittäin siistiä eivätkä roskat levitä työtilaan.

VARO:

Näitä kahta lisävarustetta voidaan käyttää ainoastaan porattaessa reikiä betoniin. Älä siis käytä niitä poratessa metalliin tai puuhun.

### Pölynkeräimen kiinnittäminen

Irrota sivukahvan kiristysruuvi kääntämällä sitä vastapäivään.

Työnnä pölynkeräimen kytkintankoa sivukahvassa olevan kytkentäraon läpi, kunnes tanko ei liiku eteenpäin.

Varmista sitten pölynkeräimen kiinnitys kiristämällä kiristysruuvia vastapäivään. Kytkintanko voidaan kiinnittää joko A- tai B-puolelta. (Kuva 7)

Huomaa:

Pölynkeräintä ei voida kiinnittää joillakin sivukahvan ja laitteen välisillä kulmilla, koska lisävaruste ja työkalu ovat toistensa tiellä.

Työnnä pölynkeräimen letkua tiukasti laitteessa olevaan letkun aukkoon, kunnes letku osuu aukon pohjaan, jolloin se istuu tiukasti kiinni laitteessa. (Kuva 8)

### **Pölypussin kiinnittäminen (Kuva 9)**

Pidä pölypussin ja laitteen välinen kulma 90°:ssa ja työnnä pölypussi laitteessa olevaan pölypussin aukoon. Varmista pölypussin kiinnitys kääntämällä sitä myötäpäivään.

### **Pölynkeräimen asennon säätäminen**

Irrota pölynkeräimen kiristysruuvi kääntämällä sitä vastapäivään. (Kuva 10)

Aseta sitten terän kärki yhdensuuntaiseksi pölynkeräimen yläosan kanssa. (Kuva 11)

Varmista pölynkeräimen kiinnitys kiristämällä kiristysruuvi myötäpäivään.

### **Syvyyden säätö (Kuva 12)**

Irrota pysäyttimen ruuvi kiertämällä sitä vastapäivään siten, että pysäytin pääsee siirtymään pölynkeräimen sivuustulkkia pitkin.

Siirrä pysäytin haluamaasi poraussyvyyteen tulkilla ja kiristä sitten ruuvi kääntämällä sitä myötäpäivään.

### **Poraaminen pölynkeräimen kanssa (Kuva 13)**

Pidä laitetta porauksen aikana siten, että pölynkeräimen yläosa on aina kokonaan betonin pintaa vasten.

Huomaa:

Näiden väliin jäävä vähäinenkin aukko heikentää huomattavasti imutehoa.

Puhdista pölypussi säännöllisesti.

### **Pölypussin puhdistaminen (Kuva 14)**

Irrota pölypussi laitteesta.

Vedä suljin pois pölypussista ja puhdista sitten pölypussi poistamalla pöly ja hiukkaset.

Huomaa:

Jos pölypussi on liian täynnä, imuteho heikkenee huomattavasti.

Puhdista tämän vuoksi pölypussi säännöllisesti.

### **Poraaminen ilman pölynkeräintä (Kuva 15)**

Tätä työkalua voidaan käyttää myös tavallisena vasa-  
raporana ilman pölynkeräintä ja pölypussia.

Sulje letkun aukko varusteisiin kuuluvalla suojuksella ennen kuin poraat ilman pölynkeräintä ja pölypussia. Suojus vähentää pölynkeräimen aukon kautta ilmaan tulevien epäpuhtauksien määrää, mikä tekee työskentelystä miellyttävämpää.

### **Poravasaran käyttö**

Aseta terä työkaluun haluamaasi vasten porausasentoon ENNEN KUIN käynnistät koneen.

Älä käytä liikaa voimaa. Kevyt painaminen antaa parhaan tuloksen. Pidä poravasaraa tukevasti niin, että se ei lipsu pois reiästä.

Älä paina kovempaa, kun lastut ja palaset tukkivat reiän. Anna sen sijaan laitteen käydä tyhjäkäynnillä ja vedä terä sitten osittain ulos reiästä. Toista tämä muutaman kerran osittain puhdistamiseksi. Tämän jälkeen voit jatkaa poraamista normaaliin tapaan.

VARO:

Koneeseen/terään kohdistuu erittäin voimakas ja äkillinen vääntövoima terän työntyessä työkaluun läpi, reiän tukkeutuessa lastuista tai hiukkasista tai osuessaan betonissa oleviin vahvikerautoihin. Käytä aina sivukahvaa (lisäkahvaa) ja ota konetta käyttäessäsi tukeva ote sekä sivukahvasta että kytinkahvasta. Jos et toimi näin, saatat menettää koneen hallinnan, mikä voi johtaa mahdollisesti vakavaan loukkaantumiseen.

### **Puhallin (Kuva 16)**

Käytä puhallinta aukon puhdistamiseen.

### **Puun tai metallin poraus (Kuva 17)**

Käytä erillisiä poran istukkasarjaa (poran istukka ja istukan sovitinsarja). Katso asennusohjeet edellisen sivun kohdasta "Poranterän kiinnittäminen ja irrottaminen". Aseta toimintamuodon vaihtonuppi pelkälle pyörinnälle. Voit porata korkeintaan 13 mm paksuista metallia ja 32 mm paksuista puuta.

VARO:

Älä koskaan käytä "vasarointia yhdistettynä pyörimisliikkeeseen", kun koneeseen on asennettu poraistukkasarja. Poraistukkasarja saattaa vahingoittua.

HUOMAA:

Jos poran istukan ja istukkasarjan asentaminen käy tarpeelliseksi, toimi seuraavasti.

Kiinnitä poran istukka höyläpenkkiin tai vastaavaan kiinnitysalustaan. Aseta istukka-avain yhteen kolmesta reiästä siten, että istukan runko ei käänny.

### **(Kuva 18)**

Irrota ruuvi istukan sovitinsarjasta ja ruuvaa istukan sovitin poran istukkaan. Kiristä istukan sovitin kiintoavaimella tiukasti käyttäen noin 29 – 39 N-m vääntömomenttia. (Huomaa: 29 – 39 N-m vääntömomentti saadaan aikaan painamalla kiintoavainta 30 – 40 kg painolla pitäen kiinni 10 cm:n päästä kiintoavaimen päästä.)

Avaa istukan leuat kokonaan ja työnnä ruuvi istukka-aukon läpi. Kiristä ruuvi vastapäivään ruuvitaltalla.

### **(Kuva 19)**

## **HUOLTO**

VARO:

Ennen koneelle tehtäviä huoltotoimia on varmistettava, että se on sammutettu ja irrotettu virtalähteestä.

Laitteen käyttövarmuuden ja turvallisuuden vuoksi korjaukset ja muut huolto- ja säätötyöt saa suorittaa ainoastaan Makitan hyväksymä huoltopiste.

① Σφίξετε	⑫ Τρύπα ταιριάσματος	⑳ Συνδετήρας
② Λασκάρετε	⑬ Ράβδος ταιριάσματος	㉑ Κάλυμμα
③ Πλάγια λαβή	⑭ Σωλήνας	㉒ Είσοδος σωλήνα
④ Στέλεχος αιχμής	⑮ Είσοδος σωλήνα	㉓ Είσοδος εξαγωγής σκόνης
⑤ Γράσσο αιχμής	⑯ Είσοδος εξαγωγής σκόνης	㉔ Φούσκα φυσητήρας
⑥ Αιχμή	⑰ Γυρίστε δεξιόστροφα	㉕ Προσαρμοστής σφικτήρα
⑦ Κάλυμμα σφικτήρα	⑱ Αιχμή	㉖ Σφικτήρας τρυπανιού
⑧ Διακόπτης σκανδάλη	⑲ Βίδα σφικτήρα	㉗ Γαλλικό κλειδί
⑨ Μοχλός διακόπτη αντιστροφής	㉚ Σταματητής	㉘ Σταυρόκλειδο
⑩ Μετάξευξη συστήματος λειτουργίας	㉛ Βάθος τρυπήσης	㉙ Μαλακές σιαγόνες
⑪ Βίδα σφιξίματος	㉜ Ολική επαφή με την επιφάνεια	㉚ Βίδα

## ΤΕΧΝΙΚΑ ΧΑΡΑΚΤΗΡΙΣΤΙΚΑ

Μοντέλο	HR2430	HR2431
Μπετόν .....	24 χιλ.	24 χιλ.
Ξύλο .....	32 χιλ.	32 χιλ.
Ατσάλι .....	13 χιλ.	13 χιλ.
Δυνατότητες της εξαγωγής σκόνης		
Μέγιστο βάθος τρύπησης .....	100 χιλ.	100 χιλ.
(Ρυθμιζόμενο βάθος) .....	(0 – 100 χιλ.)	(0 – 100 χιλ.)
Μέγιστη διάμετρος αιχμής .....	25 χιλ.	25 χιλ.
Μέγιστο μήκος αιχμής .....	270 χιλ.	270 χιλ.
Χωρητικότητα σάκκου σκόνης .....	0,4 λίτρα	0,4 λίτρα
Ταχύτητα χωρίς φορτίο (ΣΑΛ) .....	0 – 1.050	0 – 1.050
Χτυπήματα ανά λεπτό .....	0 – 4.900	0 – 4.900
Συνολικό μήκος .....	416 χιλ.	477 χιλ.
Καθαρό βάρος .....	2,6 κιλά	2,8 κιλά

- Λόγω του συνεχιζόμενου προγράμματος έρευνας και ανάπτυξης, οι παρούσες προδιαγραφές υπόκεινται σε αλλαγή χωρίς προειδοποίηση.
- Παρατήρηση: Τα τεχνικά χαρακτηριστικά μπορεί να διαφέρουν από χώρα σε χώρα.

### Ρευματοδότηση

Το μηχάνημα πρέπει να συνδέεται μόνο σε παροχή ρεύματος της ίδιας τάσης με αυτή που αναφέρεται στην πινακίδα κατασκευαστού και μπορεί να λειτουργήσει μόνο με εναλλασσόμενο μονοφασικό ρεύμα. Τα μηχανήματα αυτά έχουν διπλή μόνωση σύμφωνα με τα Ευρωπαϊκά Πρότυπα και κατά συνέπεια, μπορούν να συνδεθούν σε ακροδέκτες χωρίς σύρμα γείωσης.

### Υποδείξεις ασφάλειας

Για την προσωπική σας ασφάλεια, ανατρέξτε στις εσώκλειστες οδηγίες ασφάλειας.

## ΕΠΙΠΡΟΣΘΕΤΟΙ ΚΑΝΟΝΕΣ ΑΣΦΑΛΕΙΑΣ ΓΙΑ ΤΟ ΜΗΧΑΝΗΜΑ

1. Κρατάτε το μηχάνημα από τις επιφάνειες της μονωμένης λαβής όταν εκτελείτε μια εργασία κατά την οποία το μηχάνημα θα μπορούσε να έρθει σε επαφή με κρυμμένα καλώδια ή με το δικό του καλώδιο. Επαφή με ένα ηλεκτροφόρο καλώδιο θα μπορούσε να έχει ως αποτέλεσμα να καταστούν και τα εκτεθειμένα μεταλλικά τμήματα του εργαλείου ηλεκτροφόρα και να προκαλέσουν ηλεκτροπληξία στον χειριστή.
2. Φορέστε προστατευτικά ακοής όταν χρησιμοποιείτε το μηχάνημα για παρατεταμένες περιόδους. Παρατεταμένη έκθεση σε ήχο υψηλής έντασης μπορεί να προκαλέσει απώλεια ακοής.
3. Φορέστε ένα σκληρό κάλυμμα κεφαλής (προστατευτικό κράνος), γυαλιά προστασίας και/ή ασπίδα προσώπου. Επιπλέον συνιστάται ανεπιφύλακτα να φοράτε μάσκα σκόνης και χοντρά γάντια.
4. Σιγουρευτείτε ότι η αιχμή είναι ασφαλισμένη στη θέση της πριν από τη λειτουργία.
5. Υπό κανονικές συνθήκες, το μηχάνημα είναι σχεδιασμένο να παράγει ταλαντώσεις. Οι βιβές του μπορεί να χαλαρώσουν εύκολα, και να προκαλέσουν ζημιά ή ατύχημα. Ελέγξτε το σφίξιμο των βιδών πριν από τη λειτουργία προσεχτικά.



6. Σε ψυχρό καιρό, και εάν το μηχάνημα δεν έχει χρησιμοποιηθεί για μακρό χρονικό διάστημα, αφήστε το μηχάνημα να ζεσταθεί για λίγο λειτουργώντας το χωρίς φορτίο. Αυτό θα λεπτύνει το λάδι. Χωρίς την κατάλληλη προθέρμανση, η λειτουργία σφυρηλάτησης θα είναι δύσκολη.
7. Πάντοτε να είστε σίγουρος ότι πατάτε σταθερά. Σιγουρευτείτε ότι δεν βρίσκεται κανείς από κάτω όταν χρησιμοποιείτε το μηχάνημα σε υψηλές θέσεις.
8. Κρατάτε το μηχάνημα σταθερά και με τα δύο χέρια.
9. Μη φέρνετε τα χέρια σας κοντά σε κινούμενα κομμάτια.
10. Μην αφήνετε το μηχάνημα να λειτουργεί. Χρησιμοποιείτε το μηχάνημα μόνο όταν το κρατάτε.
11. Μη σημάδεύετε κανένα κοντά σας όταν το μηχάνημα λειτουργεί. Η αιχμή μπορεί να φύγει και να τραυματίσει κάποιον σοβαρά.
12. Μην αγγίζετε την αιχμή ή κομμάτια κοντά στην αιχμή αμέσως μετά τη λειτουργία, ίσως είναι πάρα πολύ ζεστά και μπορεί να κάψουν το δέρμα σας.

## ΦΥΛΑΞΕΤΕ ΑΥΤΕΣ ΤΙΣ ΟΔΗΓΙΕΣ.

## ΟΔΗΓΙΕΣ ΧΡΗΣΗΣ

### Πλευρικό πιάσιμο (βοηθητική λαβή) (Εικ. 1)

Η πλάγια λαβή γυρίζει σε εκάτερη πλευρά, επιτρέποντας εύκολο χειρισμό του εργαλείου σε οποιαδήποτε θέση. Χαλαρώστε την πλάγια λαβή στρίβοντας την αριστερόστροφα, γυρίστε τη στην επιθυμητή θέση και σφίξτε τη στρίβοντας τη δεξιόστροφα.

### Τοποθέτηση ή αφαίρεση της αιχμής τρυπανιού

Σημαντικό:

Πριν τοποθετήσετε ή αφαιρέσετε την αιχμή βεβαιωθείτε ότι το εργαλείο είναι σβηστό και ότι δεν είναι ενωμένο με την παροχή ρεύματος.

Καθαρίστε το στέλεχος της αιχμής και απλώστε το γράσο αιχμής (περίπου 0,5–1 γρ.) που παρέχεται προτού τοποθετήσετε την αιχμή.

#### (Εικ. 2)

Βάλτε την αιχμή στο μηχάνημα. Στρίψτε την αιχμή και σπρώξτε τη μέχρι να εμπλακεί. (Εικ. 3)

Εάν η αιχμή δεν μπορεί να σπρωχθεί μέσα αφαιρέστε τη. Τραβήχτε το κάλυμμα του σφιγκτήρα κάτω δύο φορές. Μετά βάλτε την αιχμή πάλι. Στρίψτε την αιχμή και σπρώξτε τη μέχρι να εμπλακεί. (Εικ. 4)

Μετά την τοποθέτηση, πάντοτε βεβαιώνετε ότι η αιχμή είναι καλά στερεωμένη προσπαθώντας να την τραβήξετε έξω.

Για να αφαιρέσετε την αιχμή, τραβήχτε το κάλυμμα του σφιγκτήρα κάτω όσο μπορεί να πάει και τραβήχτε έξω την αιχμή.

## Λειτουργία διακόπτη (Εικ. 5)

ΠΡΟΣΟΧΗ:


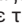
Πριν βάλετε στο ρεύμα το μηχάνημα, πάντοτε ελέγχετε να δείτε ότι η σκανδάλη διακόπτης ενεργοποιεί κανονικά και επιστρέφει στη θέση “OFF” όταν ελευθερώνεται.

Για να ξεκινήσετε το μηχάνημα, απλώς τραβήχτε τη σκανδάλη. Η ταχύτητα του μηχανήματος αυξάνεται με αύξηση της πίεσης στη σκανδάλη. Αφήστε τη σκανδάλη για να σταματήσει.

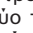

## Λειτουργία διακόπτη αντιστροφής (Εικ. 5)

ΠΡΟΣΟΧΗ:

- Πάντοτε ελέγχετε τη διεύθυνση περιστροφής πριν τη λειτουργία.
- Χρησιμοποιείτε το διακόπτη αντιστροφής μόνο αφού το εργαλείο σταματήσει τελείως. Αλλαγή της διεύθυνσης περιστροφής πριν το εργαλείο σταματήσει μπορεί να προκαλέσει ζημιά στο εργαλείο.
- Μην τραβάτε τη σκανδάλη διακόπτη όταν ο μοχλός διακόπτη αντιστροφής είναι στη νεκρή θέση. Εάν τραβήξετε τη σκανδάλη βίαια, ο διακόπτης μπορεί να πάθει ζημιά.

Αυτό το εργαλείο έχει ένα διακόπτη αντιστροφής για να αλλάζει την διεύθυνση περιστροφής. Μετακινείτε το μοχλό στη θέση  (θέση A) για δεξιόστροφη περιστροφή ή στη θέση  (θέση B) για αριστερόστροφη περιστροφή.

## Επιλογή τρόπου λειτουργίας (Εικ. 6)

Αυτό το εργαλείο είναι εφοδιασμένο με ένα κουμπί αλλαγής τρόπου λειτουργίας. Επιλέξτε έναν από τους δύο τρόπους, κατάλληλο για τις ανάγκες της εργασίας σας χρησιμοποιώντας αυτό το κουμπί. Μόνο για περιστροφή γυρίστε το κουμπί έτσι ώστε το βέλος στο κουμπί να δείχνει προς το σύμβολο  στο σώμα του εργαλείου. Για περιστροφή με σφυροκόπημα γυρίστε το κουμπί έτσι ώστε το βέλος στο κουμπί να δείχνει προς το σύμβολο  στο σώμα του εργαλείου.

ΠΡΟΣΟΧΗ:

Πάντοτε βάζετε το κουμπί ακριβώς στο επιθυμητό σύμβολο τρόπου λειτουργίας. Εάν λειτουργήσετε το μηχάνημα με το κουμπί τοποθετημένο μεταξύ των συμβόλων τρόπων λειτουργίας, το εργαλείο μπορεί να πάθει ζημιά.

## Μηχανισμός περιορισμού ροπής

Όταν η ροπή φτάσει σε κάποιο επίπεδο τότε ενεργοποιείται ο μηχανισμός περιορισμού ροπής. Το μοτέρ αποσυνδέεται από τον άξονα μετάδοσης κίνησης, και έτσι η αιχμή σταματά να γυρίζει.

## ΠΡΟΣΟΧΗ:

- Μόλις ενεργοποιηθεί αυτός ο μηχανισμός σβήστε το μηχάνημα. Έτσι προλαμβάνεται η πρόωρη φθορά του μηχανήματος.
- Πριόνι τρυπών, τρυπάνια διαμαντένια τρυπάνια κ.λ.π. δεν μπορούν να χρησιμοποιηθούν με αυτό το μηχάνημα. Τέτοιου είδους εργαλεία εύκολα μπορεί να μπλοκάρουν μέσα στην τρύπα, και έτσι να ενεργοποιηθούν το μηχανισμό περιορισμού ροπής πάρα πολύ συχνά.

## Αξεσουάρ εξαγωγής σκόνης και σάκκος σκόνης

(σε λειτουργίες τρύπησης σε τσιμέντο)

Με το αξεσουάρ εξαγωγής σκόνης και τον σάκκο σκόνης τοποθετημένα στο μηχάνημα μπορείτε να εκτελέσετε την εργασία σας πολύ καθαρά χωρίς να απλώνετε σκόνη στο χώρο εργασίας.

## ΠΡΟΣΟΧΗ:

Αυτά τα δύο αξεσουάρ μπορούν να χρησιμοποιηθούν μόνο όταν ανοίγετε τρύπες σε τσιμέντο. Έτσι, δεν θα πρέπει να τα χρησιμοποιείτε σε λειτουργίες τρύπησης σε μέταλλο ή ξύλο.

Εγκατάσταση του αξεσουάρ εξαγωγής σκόνης  
Χαλαρώστε τη βίδα του σφικτήρα στην πλευρά της λαβής γυρνώντας την αριστερόστροφα. Βάλτε την ράβδο ταιριάσματος του αξεσουάρ εξαγωγής σκόνης μέσα στην τρύπα ταιριάσματος στην πλευρική λαβή μέχρι η ράβδος να μη μπορεί να πιεσθεί επιπλέον. Τότε σφίξτε την βίδα του σφικτήρα και δεξιόστροφα για να ασφαλίσετε το αξεσουάρ εξαγωγής σκόνης. Η εξαγωγή σκόνης μπορεί να εισαχθεί είτε από την πλευρά Α είτε από την πλευρά Β. **(Εικ. 7)**

## Σημείωση:

Σε μερικές γωνίες της πλευρικής λαβής με το μηχάνημα, το αξεσουάρ εξαγωγής σκόνης δεν μπορεί να εγκατασταθεί στο μηχάνημα, εξαιτίας της παρεμβολής μεταξύ του αξεσουάρ και του μηχανήματος.

Βάλτε σταθερά το σωλήνα του αξεσουάρ εξαγωγής σκόνης στην είσοδο του σωλήνα στο μηχάνημα μέχρι η σωλήνα να χτυπήσει έναντι του πάτου της εισόδου που θα στερεωθεί σταθερά στο μηχάνημα. **(Εικ. 8)**

## Εγκατάσταση του σάκκου σκόνης (Εικ. 9)

Κρατώντας τη γωνία του σάκκου σκόνης με το μηχάνημα στις 90° βάλτε το σάκκο σκόνης στην είσοδο εξαγωγής σκόνης του μηχανήματος. Ασφαλίστε το σάκκο σκόνης γυρνώντας τον δεξιόστροφα.

## Ρύθμιση της θέσης του αξεσουάρ εξαγωγής σκόνης

Χαλαρώστε τη βίδα του σφικτήρα στο αξεσουάρ εξαγωγής σκόνης γυρνώντας την αριστερόστροφα. **(Εικ. 10)**

Επειτα ευθυγραμμίστε το άκρο της αιχμής με την κορυφή του αξεσουάρ εξαγωγής σκόνης. **(Εικ. 11)** Σφίξτε την βίδα του σφικτήρα γυρνώντας την δεξιόστροφα για να ασφαλίσετε το αξεσουάρ εξαγωγής σκόνης.

## Ρύθμιση βάθους (Εικ. 12)

Χαλαρώστε τη βίδα του σταματητή γυρνώντας την αριστερόστροφα έτσι ώστε ο σταματητής να μπορεί να ολισθήσει στον οδηγό βάθους του αξεσουάρ εξαγωγής σκόνης. Ρυθμίστε τον σταματητή στο επιθυμητό βάθος τρύπησης στον οδηγό και έπειτα σφίξτε τη βίδα γυρνώντας την δεξιόστροφα.

## Τρύπηση με το αξεσουάρ εξαγωγής σκόνης (Εικ. 13)

Στην λειτουργία τρύπησης, κρατάτε το μηχάνημα έτσι ώστε το πάνω άκρο του αξεσουάρ εξαγωγής σκόνης να διατηρείται πάντοτε σε ολοκληρωτική επαφή με την επιφάνεια του τσιμέντου.

## Σημείωση:

Κάθε διάστημα μεταξύ τους έχει ως αποτέλεσμα υπολογίσιμη απώλεια δύναμης εξαγωγής σκόνης.

## Καθαρισμός του σάκκου σκόνης (Εικ. 14)

Απομακρύνετε το σάκκο σκόνης από το μηχάνημα.

Τραβήξτε τον σφικτήρα έξω από το σάκκο σκόνης και τότε απομακρύνετε τα κομμάτια σκόνης για να καθαρίσετε το σάκκο σκόνης.

## Σημείωση:

Παρα πολύ σκόνη στο σάκκο σκόνης θα έχει ως αποτέλεσμα υπολογίσιμη απώλεια δύναμης εξαγωγής σκόνης.

Επί, καθαρίζετε το σάκκο σκόνης ανά τακτά χρονικά διαστήματα.

## Τρύπηση χωρίς το αξεσουάρ εξαγωγής σκόνης (Εικ. 15)

Αυτό το μηχάνημα μπορεί να χρησιμοποιηθεί ως ένα κανονικό περτιστροφικό σφυρί χωρίς το αξεσουάρ εξαγωγής σκόνης και τον σάκο σκόνης.

Προτού τη λειτουργία τρύπησης χωρίς το αξεσουάρ εξαγωγής σκόνης και τον σάκκο σκόνης, καλύψτε την είσοδο του σωλήνα με το κάλυμμα που παρέχεται. Το κάλυμμα μειώνει τα εκφεύγοντα αέρια από την είσοδο της εξαγωγής σκόνης για να προσφέρει ομαλή λειτουργία.

## Λειτουργία κρουστικού τρυπανισμού

Τοποθετήστε την αιχμή στην επιθυμητή θέση για την τρύπα και πιέστε τη σκανδάλη.

Μη ζορίσετε το μηχάνημα. Ελαφριά πίεση δίνει τα καλύτερα αποτελέσματα. Κρατήστε το μηχάνημα στη θέση αυτή και εμποδίστε το να ξεφύγει από την τρύπα.

Μην εξασκήσετε μεγαλύτερη πίεση όταν η τρύπα βουλώσει από μικρά κομμάτια ή σωματίδια. Αντιθέτως, βάλτε το εργαλείο στο ραλαντί, και τραβήξτε την αιχμή μερικώς από την τρύπα. Επαναλαμβάνοντας αυτό αρκετές φορές, η τρύπα θα καθαρίσει και το κανονικό τρυπάνισμα μπορεί να ξαναρχίσει.



## ΠΡΟΣΟΧΗ:

Μία εξαιρετικά μεγάλη και ξαφνική στρεπτική δύναμη εξασκείται στο εργαλείο/αιχμή κατά τη στιγμή του διαπεράσματος μιας τρύπας, όταν η τρύπα είναι βουλωμένη με αποκοπίδια και τεμαχίδια, ή όταν χτυπήσετε σε ενισχυτικές βέργες ενσωματωμένες στο τσιμέντο. Πάντοτε χρησιμοποιείτε την πλάγια λαβή (βοηθητική χειρολαβή) και κρατάτε γερά το εργαλείο και από τη βοηθητική λαβή και από τη χειρολαβή διακόπτη κατά τη λειτουργία. Διαφορετικά μπορεί να χάσετε τον έλεγχο του εργαλείου και να προκληθεί σοβαρός τραυματισμός.

### **Φούσκα φυσητήρας (Εικ. 16)**

Χρησιμοποιείτε τη φούσκα φυσητήρα για να καθαρίσετε την τρύπα.

### **Τρυπάνισμα σε ξύλο ή μέταλλο (Εικ. 17)**

Χρησιμοποιείτε την προαιρετική μονάδα σφικτήρα τρυπανιού (αποτελείται από το σφικτήρα τρυπανιού και τον προσαρμοστή του σφικτήρα). Για τον τρόπο τοποθέτησης κοιτάξετε στο τμήμα “Τοποθέτηση ή αφαίρεση της αιχμής τρυπανιού” που βρίσκεται στην προηγούμενη σελίδα. Τοποθετήστε το κουμπί αλλαγής τρόπου λειτουργίας στο “μόνο περιστροφή”. Μπορείτε να τρυπήσετε μέχρι 13 χιλ. διάμετρο σε μέταλλο και μέχρι 32 χιλ. διάμετρο σε ξύλο.

## ΠΡΟΣΟΧΗ:

Ποτέ μη χρησιμοποιείτε “περιστροφή με σφυροκόπημα” όταν το σύνολο σφικτήρα τρυπανιού είναι τοποθετημένο στο εργαλείο. Το σύνολο σφικτήρα τρυπανιού μπορεί να πάθει ζημιά.

## ΠΑΡΑΤΗΡΗΣΗ:

Εάν χρειαστεί να συναρμολογήσετε το σφικτήρα τρυπανιού και το μηχανισμό του προσαρμοστή σφικτήρα, προχωρήστε όπως ακολούθως.

Στερεώστε καλά το σφικτήρα τρυπανιού σε μία μέγκενη ή παρόμοια συσκευή στερέωσης. Τοποθετήστε το σταυρόκλειδο σε μία από τις τρεις τρύπες έτσι ώστε το σώμα του σφικτήρα να μην περιστρέφεται. **(Εικ. 18)**

Αφαιρέστε τη βίδα από το μηχανισμό του προσαρμοστή σφικτήρα και βιδώστε τον προσαρμοστή σφικτήρα στο σφικτήρα τρυπανιού. Χρησιμοποιείτε ένα γαλλικό κλειδί για να σφίξετε τον προσαρμοστή σφικτήρα σταθερά, εφαρμόζοντας ροπή περίπου 29 – 39 N·m Εκατοστά. (kgf·cm). (Σημείωση : μπορείτε να πετύχετε τη ροπή των 29 – 39 N·m Εκατοστά εφαρμόζοντας πίεση 30 – 40 Χγρ. στο γαλλικό κλειδί ενώ κρατάτε το σώμα του από απόσταση 10 εκατοστών από τη κεφαλή του γαλλικού κλειδιού. Ανοίξτε εντελώς τις σιαγόνες του σφικτήρα και βάλτε μέσα από το άνοιγμα του σφικτήρα τη βίδα. Σφίξτε τη βίδα αριστερόστροφα με ένα κατσαβίδι. **(Εικ. 19)**

## ΣΥΝΤΗΡΗΣΗ

### ΠΡΟΣΟΧΗ:

Πριν την εκτέλεση εργασιών με τη μηχανή σβήνομε πάντα τη μηχανή και βγάζομε τη πρίζα.

Για τη διασφάλιση της σιγουριάς και αξιοπιστίας των προϊόντων μας πρέπει οι επισκευές, εργασίες συντήρησης ή ρυθμίσεις να εκτελούνται από εξουσιοδοτημένα εργαστήρια σέρβις πελατών Μάκιτα.

## **GB** ACCESSORIES

---

### CAUTION:

These accessories or attachments are recommended for use with your Makita tool specified in this manual. The use of any other accessories or attachments might present a risk of injury to persons. The accessories or attachments should be used only in the proper and intended manner.

## **F** ACCESSOIRES

---

### ATTENTION :

Ces accessoires ou ces fixations sont recommandés pour l'utilisation de l'outil Makita spécifié dans ce manuel. L'utilisation d'autres accessoires ou fixations peut présenter un risque de blessures. Les accessoires ou les fixations ne devront être utilisés que dans le but et de la manière prévus.

## **D** ZUBEHÖR

---

### VORSICHT:

Das mitgelieferte Zubehör ist speziell für den Gebrauch mit dem in dieser Betriebsanleitung angegebenen Makita-Elektrowerkzeug vorgesehen. Bei Verwendung von Fremdzubehör in Verbindung mit dieser Maschine besteht Verletzungsgefahr.

## **I** ACCESSORI

---

### ATTENZIONE:

Gli accessori o raccordi seguenti sono raccomandati per l'uso con l'utensile Makita specificato in questo manuale. L'uso di qualsiasi altro accessorio o raccordo potrebbe causare pericoli di ferite alle persone. Gli accessori o raccordi devono essere usati soltanto nel modo corretto e specificato.

## **NL** ACCESSOIRES

---

### LET OP:

Deze accessoires of hulpstukken zijn aanbevolen voor gebruik met uw Makita gereedschap dat in deze gebruiksaanwijzing is beschreven. Het gebruik van andere accessoires of hulpstukken kan gevaar voor persoonlijke verwondingen opleveren. De accessoires of hulpstukken dienen alleen op de juiste en voorgeschreven manier te worden gebruikt.

## **E** ACCESORIOS

---

### PRECAUCIÓN:

Estos accesorios o acoplamientos están recomendados para usar con la herramienta Makita especificada en este manual. Con el uso de cualquier otro accesorio o acoplamiento se podría correr el riesgo de producir heridas a personas. Los accesorios o acoplamientos deberán usarse solamente de la manera apropiada y para la que ha sido designados.

## **P** ACESSÓRIOS

---

### PRECAUÇÃO:

Estes acessórios ou acoplamentos são os recomendados para utilização na ferramenta Makita especificada neste manual. A utilização de quaisquer outros acessórios ou acoplamentos poderá ser perigosa para o operador. Os acessórios ou acoplamentos deverão ser utilizados de maneira adequada e apenas para os fins a que se destinam.

## **DK** TILBEHØR

---

### ADVARSEL:

Dette udstyr og tilbehør bør anvendes sammen med Deres Makita maskine, sådan som det er beskrevet i denne vejledning. Anvendelse af andet udstyr eller tilbehør kan medføre personskaade. Tilbehøret bør kun anvendes til det, det er beregnet til.

## **S** TILLBEHÖR

---

### FÖRSIKTIGHET:

Dessa tillbehör eller tillsatser rekommenderas endast för användning tillsammans med din Makita maskin som specificeras i denna bruksanvisning. Användning av andra tillbehör eller tillsatser kan medföra risk för personskador. Tillbehören och tillsatserna får endast användas på lämpligt och där för avsett sätt.

## **N** TILBEHÖR

---

### NB!

Dette tilbehøret eller utstyret anbefales til å brukes sammen med din Makita maskin som er spesifisert i denne bruksanvisningen. Bruk av annet tilbehør eller utstyr kan medføre en risiko for personskader. Tilbehør og utstyr må bare brukes som spesifisert og bare til det det er beregnet til.

## **SF** LISÄVARUSTEET

---

### VARO:

Tässä käyttöohjeessa mainitun Makita-koneen kanssa suositellaan seuraavien lisälaitteiden ja -varusteiden käyttöä. Minkä tahansa muun lisälaitteen tai -varusteen käyttäminen saattaa aiheuttaa loukkaantumisvaaran. Lisälaitteita ja -varusteita tulee käyttää ainoastaan niille sopivalla tavalla.

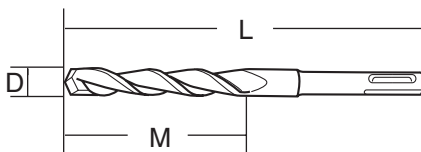
## **GR** ΕΞΑΡΤΗΜΑΤΑ

---

### ΠΡΟΣΟΧΗ:

Αυτά τα εξαρτήματα ή προσαρτήματα συνιστώνται για χρήση με το μηχάνημα της Makita που περιγράφεται στο εγχειρίδιο αυτό. Η χρήση άλλων εξαρτημάτων ή προσαρτημάτων μπορεί να είναι επικίνδυνη για τραυματισμό ατόμων. Τα εξαρτήματα ή προσαρτήματα πρέπει να χρησιμοποιούνται μόνο με το σωστό και προτιθέμενο τρόπο.

- SDS Plus tungsten-carbide tipped bit
- Foret à pointe en carbure de tungstène
- SDS-Plus-Bohrer
- Punta SDS Plus al carburo di tungsteno
- Boor met SDS Plus wolframcarbide boorpunt
- Broca de punta de carburo de tungsteno SDS-plus
- Broca de carboneto de tungsténio SDS Plus
- SDS-plus HM-bor
- SDS plus HM-borr
- SDS plus HM-bor
- SDS Plus volframkarbidi-kärkinen terä
- SDS Plus Αιχμή βολφραμίου-καρβιδίου



D (mm)	4.0	4.3	4.5	4.8	5.0	5.5	6.0	6.4	6.5	7.0	7.5	8.0	8.5	9.0	9.5	10.0	10.5	11.0	12.0	12.5
M (mm)	50										100									
L (mm)	110										160									

D (mm)	12.7	13.0	13.5	14.0	14.3	14.5	15.0	16.0	16.5	17.0	17.5	18.0	19.0	20.0	21.0	21.5	22.0	23.0	24.0	
M (mm)	100									150						200				
L (mm)	160									200						250				

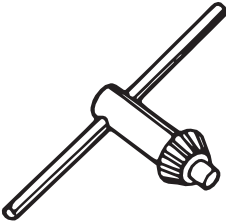
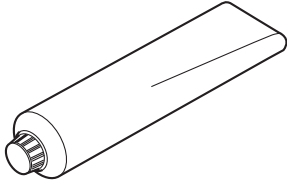
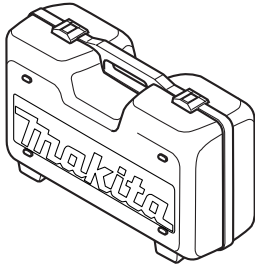
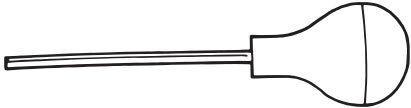
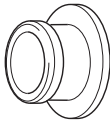
- "M" stands for max. drilling depth.
- "M" représente la profondeur de perçage maximale.
- "M" gibt die maximale Bohrtiefe an.
- "M" indica la profondità massima di perforazione.
- "M" staat voor maximale boordiepte.
- "M" indica la profundidad máxima de perforación.
- "M" significa máxima profundidade de corte.
- "M" står for maksimal boreddybde.
- "M" står för maximalt borrhjup.
- "M" står för maskinalt boreddybde.
- "M" tarkoittaa suurinta mahdollista poraussyvyttä.
- "M" για το μέγιστο βάθος διάτρησης.

- Drill chuck S13
- Mandrin S13
- Zahnkranzbohrfutter S13
- Mandrino punta S13
- Boorkop S13
- Mandril S13
- Mandril S13
- Borepatron S13
- Borrchuck S13
- Borechuck S13
- Poran istukka S13
- Σφικτήρας τρυπανιού S13

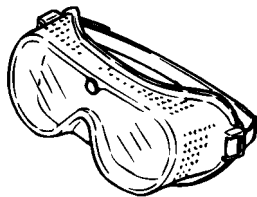


- Chuck adapter
- Porte-mandrin
- Bohrfutteradapter
- Adattatore mandrino
- Boorkop-adapter
- Adaptador de mandril
- Adaptador de mandril
- Borepatronadapter
- Chuckadapter
- Chuckadapter
- Istukan sovitin
- Προσαρμοστής σφικτήρα



<ul style="list-style-type: none"> <li>• Chuck key S13</li> <li>• Clé à mandrin S13</li> <li>• Bohrfutterschlüssel S13</li> <li>• Chiave mandrino S13</li> <li>• Boorkopsleutel S13</li> <li>• Llave de mandril S13</li> <li>• Chave do mandril S13</li> <li>• Borepatronnøgle S13</li> <li>• Chucknyckel S13</li> <li>• Chucknøkkel S13</li> <li>• Istukka-avain S13</li> <li>• Σταυρόκλειδο S13</li> </ul>	
<ul style="list-style-type: none"> <li>• Bit grease (100 g)</li> <li>• Graisse de foret (100 g)</li> <li>• Bohrerfett (100 g)</li> <li>• Grasso punta (100 g)</li> <li>• Boorvet (100 g)</li> <li>• Grasa para brocas (100 g)</li> <li>• Massa de lubrificação (100 g)</li> <li>• Smørelse til bit (100 g)</li> <li>• Smörj fett för borret (100 g)</li> <li>• Bitsfett (100 g)</li> <li>• Terärasva (100 g)</li> <li>• Γράσο αιχμής (100 g)</li> </ul>	
<ul style="list-style-type: none"> <li>• Plastic carrying case</li> <li>• Mallette de transport en plastique</li> <li>• Transportkoffer</li> <li>• Custodia di trasporto in plastica</li> <li>• Plastic draagtas</li> <li>• Maletín plástico de transporte</li> <li>• Mala de transporte em plástico</li> <li>• Transportkuffert</li> <li>• Bärnäska i plast</li> <li>• Bærekoffert av plast</li> <li>• Muovinen kantokotelo</li> <li>• Πλαστική θήκη μεταφοράς</li> </ul>	
<ul style="list-style-type: none"> <li>• Blow-out bulb</li> <li>• Poire soufflante</li> <li>• Ausbläser</li> <li>• Soffietto</li> <li>• Blaasbalgje</li> <li>• Soplador</li> <li>• Soprador</li> <li>• Udblæsningskugle</li> <li>• Blåsboll</li> <li>• Blåsebulb</li> <li>• Puhallin</li> <li>• Φούσκα Φυσητήρας</li> </ul>	
<ul style="list-style-type: none"> <li>• Cap</li> <li>• Capuchon</li> <li>• Kappe</li> <li>• Tappo</li> <li>• Dop</li> <li>• Tapón</li> <li>• Tampa</li> <li>• Hætte</li> <li>• Lock</li> <li>• Hette</li> <li>• Suojus</li> <li>• Κάλυμμα</li> </ul>	

- Safety goggles
- Lunettes de sécurité
- Schutzbrille
- Occhiali di protezione
- Veiligheidsbril
- Gafas de seguridad
- Óculos de segurança
- Beskyttelsesbriller
- Skyddsglasögon
- Vernebriller
- Suojalasit
- Γυαλιά ασφαλείας



- Depth gauge
- Tige de profondeur
- Tiefenanschlag
- Calibro di profondità
- Dieptemaat
- Medidor de profundidad
- Guia de profundidade
- Dybdeanslag
- Djupanslag
- Dybdemåler
- Syvvyystulkki
- Οδηγός βάθους



**ENGLISH****EC-DECLARATION OF CONFORMITY**

The undersigned, Yasuhiko Kanzaki, authorized by Makita Corporation, 3-11-8 Sumiyoshi-Cho, Anjo, Aichi, 446 Japan declares that this product

(Serial No. : series production) manufactured by Makita Corporation in Japan is in compliance with the following standards or standardized documents,

HD400, EN50144, EN55014, EN61000\* in accordance with Council Directives, 73/23/EEC, 89/336/EEC and 98/37/EC.

\*from 1st Jan. 2001

**FRANÇAISE****DÉCLARATION DE CONFORMITÉ CE**

Je soussigné, Yasuhiko Kanzaki, mandaté par Makita Corporation, 3-11-8 Sumiyoshi-Cho, Anjo, Aichi, 446 Japan, déclare que ce produit

(No. de série: production en série) fabriqué par Makita Corporation au Japon, est conforme aux normes ou aux documents normalisés suivants,

HD400, EN50144, EN55014, EN61000\* conformément aux Directives du Conseil, 73/23/CEE, 89/336/CEE et 98/37/EG.

\*(Le) 1<sup>er</sup> janvier 2001

**DEUTSCH****CE-KONFORMITÄTSERKLÄRUNG**

Hiermit erklärt der Unterzeichnete, Yasuhiko Kanzaki, Bevollmächtigter von Makita Corporation, 3-11-8 Sumiyoshi-Cho, Anjo, Aichi, 446 Japan, daß dieses von der Firma Makita Corporation in Japan hergestellte Produkt

(Serien-Nr.: Serienproduktion) gemäß den Ratsdirektiven 73/23/EWG, 89/336/EWG und 98/37/EG mit den folgenden Normen bzw. Normendokumenten übereinstimmen:

HD400, EN50144, EN55014, EN61000\*.

\*gültig ab 1. Januar 2001

Yasuhiko Kanzaki

CE 2000



Director Amministratore  
Directeur Directeur  
Direktor Director

**MAKITA INTERNATIONAL EUROPE LTD.**

Michigan Drive, Tongwell, Milton Keynes,  
Bucks MK15 8JD, ENGLAND

**ITALIANO****DICHIARAZIONE DI CONFORMITÀ CON LE NORME DELLA COMUNITÀ EUROPEA**

Il sottoscritto Yasuhiko Kanzaki, con l'autorizzazione della Makita Corporation, 3-11-8 Sumiyoshi-Cho, Anjo, Aichi, 446 Japan, dichiara che questo prodotto

(Numero di serie: Produzione in serie) fabbricato dalla Makita Corporation in Giappone è conforme alle direttive europee riportate di seguito:

HD400, EN50144, EN55014, EN61000\* secondo le direttive del Consiglio 73/23/CEE, 89/336/CEE e 98/37/CE.

\*1 gennaio 2001

**NEDERLANDS****EG-VERKLARING VAN CONFORMITEIT**

De ondergetekende, Yasuhiko Kanzaki, gevolmachtigd door Makita Corporation, 3-11-8 Sumiyoshi-Cho, Anjo, Aichi, 446 Japan verklaart dat dit produkt

(Serienr. : serieproductie) vervaardigd door Makita Corporation in Japan voldoet aan de volgende normen of genormaliseerde documenten,

HD400, EN50144, EN55014, EN61000\* in overeenstemming met de richtlijnen van de Raad 73/23/EEC, 89/336/EEC en 98/37/EC.

\*1 januari, 2001

**ESPAÑOL****DECLARACIÓN DE CONFORMIDAD DE LA CE**

El abajo firmante, Yasuhiko Kanzaki, autorizado por Makita Corporation, 3-11-8 Sumiyoshi-Cho, Anjo, Aichi, 446 Japan, declara que este producto

(Número de serie: producción en serie) fabricado por Makita Corporation en Japón cumple las siguientes normas o documentos normalizados,

HD400, EN50144, EN55014, EN61000\* de acuerdo con las directivas comunitarias, 73/23/EEC, 89/336/EEC y 98/37/CE.

\*1 de enero de 2001

AC - H

**PORTUGUÊS****DECLARAÇÃO DE CONFORMIDADE DA CE**

O abaixo assinado, Yasuhiko Kanzaki, autorizado pela Makita Corporation, 3-11-8 Sumiyoshi-Cho, Anjo, Aichi, 446 Japan, declara que este produto

(N. de série: produção em série)

fabricado pela Makita Corporation no Japão obedece às seguintes normas ou documentos normalizados,

HD400, EN50144, EN55014, EN61000\*

de acordo com as directivas 73/23/CEE, 89/336/CEE e 98/37/CE do Conselho.

\*1 de Janeiro de 2001

**DANSK****EU-DEKLARATION OM KONFORMITET**

Undertegnede, Yasuhiko Kanzaki, med fuldmagt fra Makita Corporation, 3-11-8 Sumiyoshi-Cho, Anjo, Aichi, 446 Japan, erklærer hermed, at dette produkt

(Løbenummer: serieproduktion)

fremstillet af Makita Corporation i Japan, er i overensstemmelse med de følgende standarder eller normsættende dokumenter,

HD400, EN50144, EN55014, EN61000\*

i overensstemmelse med Rådets Direktiver 73/23/EEC, 89/336/EEC og 98/37/EC.

\*1. January, 2001

**SVENSKA****EG-DEKLARATION OM ÖVERENSSTÄMMELSE**

Undertecknad, Yasuhiko Kanzaki, auktoriserad av Makita Corporation, 3-11-8 Sumiyoshi-Cho, Anjo, Aichi, 446 Japan deklarerar att denna produkt

(serienummer: serieproduktion)

tillverkad av Makita Corporation i Japan, uppfyller kraven i följande standard eller standardiserade dokument,

HD400, EN50144, EN55014, EN61000\*

i enlighet med EG-direktiven 73/23/EEC, 89/336/EEC och 98/37/EC.

\*1 januari 2001

Yasuhiko Kanzaki



Director Direktor  
Direktør Johtaja  
Direktör Διευθυντής

**CE 2000**

**MAKITA INTERNATIONAL EUROPE LTD.**

Michigan Drive, Tongwell, Milton Keynes,  
Bucks MK15 8JD, ENGLAND

**NORSK****EU's SAMSVARS-ERKLÆRING**

Undertegnede, Yasuhiko Kanzaki, med fullmakt fra Makita Corporation, 3-11-8 Sumiyoshi-Cho, Anjo, Aichi, 446 Japan bekrefter herved at dette produktet

(Serienr. : serieproduksjon)

fabrikert av Makita Corporation, Japan, er i overensstemmelse med følgende standarder eller standardiserte dokumenter:

HD400, EN50144, EN55014, EN61000\*,

i samsvar med Råds-direktivene, 73/23/EEC, 89/336/EEC og 98/37/EC.

\*1. januar 2001

**SUOMI****VAKUUTUS EC-VASTAAVUUDESTA**

Makita Corporation, 3-11-8 Sumiyoshi-Cho, Anjo, Aichi, 446 Japan valtuuttamana allekirjoittanut, Yasuhiko Kanzaki, vakuuttaa että tämä tuote

(Sarja nro : sarjan tuotantoa)

valmistanut Makita Corporation Japanissa vastaa seuraavia standardeja tai standardoituja asiakirjoja

HD400, EN50144, EN55014, EN61000\*

neuvoston direktiivien 73/23/EEC, 89/336/EEC ja 98/37/EC mukaisesti.

\*1. tammikuuta 2001

**ΕΛΛΗΝΙΚΑ****ΔΗΛΩΣΗ ΣΥΜΜΟΡΦΩΣΗΣ ΕΚ**

Ο υπογράφων, Yasuhiko Kanzaki, εξουσιοδοτημένος από την εταιρεία Makita Corporation, 3-11-8 Sumiyoshi-Cho, Anjo, Aichi, 446 Japan, δηλώνει ότι αυτό το προϊόν

(Αύξων Αρ.: παραγωγή σειράς)

κατασκευασμένο από την Εταιρεία Makita στην Ιαπωνία, βρίσκεται σε συμφωνία με τα ακόλουθα πρότυπα ή τυποποιημένα έγγραφα,

HD400, EN50144, EN55014, EN61000\*,

σύμφωνα με τις Οδηγίες του Συμβουλίου, 73/23/EEC, 89/336/EEC και 98/37/ΕΚ.

\*1ης Ιανουαρίου 2001

AC - H



## ENGLISH

### Noise And Vibration Of Model HR2430 / HR2431

The typical A-weighted noise levels are

sound pressure level: 89 dB (A)

sound power level: 102 dB (A)

– Wear ear protection. –

The typical weighted root mean square acceleration value is 7 m/s<sup>2</sup>.

## FRANÇAISE

### Bruit et vibrations du modèle HR2430 / HR2431

Les niveaux de bruit pondérés A types sont:

niveau de pression sonore: 89 dB (A)

niveau de puissance du son: 102 dB (A)

– Porter des protecteurs anti-bruit. –

L'accélération pondérée est de 7 m/s<sup>2</sup>.

## DEUTSCH

### Geräusch- und Vibrationsentwicklung des Modells HR2430 / HR2431

Die typischen A-bewerteten Geräuschpegel betragen:

Schalldruckpegel: 89 dB (A)

Schalleistungspegel: 102 dB (A)

– Gehörschutz tragen. –

Der gewichtete Effektivwert der Beschleunigung beträgt 7 m/s<sup>2</sup>.

## ITALIANO

### Rumore e vibrazioni del modello HR2430 / HR2431

I livelli del rumore pesati secondo la curva A sono:

Livello pressione sonora: 89 dB (A)

Livello potenza sonora: 102 dB (A)

– Indossare i paraorecchi. –

Il valore quadratico medio di accelerazione è di 7 m/s<sup>2</sup>.

## NEDERLANDS

### Geluidsniveau en trilling van het model HR2430 / HR2431

De typische A-gewogen geluidsniveau's zijn

geluidsdruk-niveau: 89 dB (A)

geluidsenergie-niveau: 102 dB (A)

– Draag oorbeschermers. –

De typische gewogen effectieve versnellingswaarde is 7 m/s<sup>2</sup>.

## ESPAÑOL

### Ruido y vibración del modelo HR2430 / HR2431

Los niveles típicos de ruido ponderados A son

presión sonora: 89 dB (A)

nivel de potencia sonora: 102 dB (A)

– Póngase protectores en los oídos. –

El valor ponderado de la aceleración 7 m/s<sup>2</sup>.

## PORTUGUÊS

### Ruído e Vibração do Modelo HR2430 / HR2431

Os níveis normais de ruído A são

nível de pressão de som: 89 dB (A)

nível do som: 102 dB (A)

– Utilize protectores para os ouvidos –

O valor médio da aceleração é 7 m/s<sup>2</sup>.

## DANSK

### Lyd og vibration fra model HR2430 / HR2431

De typiske A-vægtede lyd-niveauer er

lydtryksniveau: 89 dB (A)

lydeffektniveau: 102 dB (A)

– Bær høreværn. –

Den vægtede effektive accelerationsværdi er 7 m/s<sup>2</sup>.

## SVENSKA

### Buller och vibration hos modell HR2430 / HR2431

De typiska A-vägda bullernivåerna är

ljudtrycksnivå: 89 dB (A)

ljudeffektnivå: 102 dB (A)

– Använd hörselskydd –

Det typiskt vägda effektivvärdet för acceleration är 7 m/s<sup>2</sup>.

## NORSK

### Støy og vibrasjon fra modell HR2430 / HR2431

De vanlige A-belastede støynivå er

lydtrykknivå: 89 dB (A)

lydstyrkenivå: 102 dB (A)

– Benytt hørselvern –

Den vanlig belastede effektiv-verdi for akselerasjon er 7 m/s<sup>2</sup>.

## SUOMI

### Mallin melutaso ja värinän HR2430 / HR2431

Tyypilliset A-painotetut melutasot ovat

äänepainetaso: 89 dB (A)

äänen tehotaso: 102 dB (A)

– Käytä kuulosuojaimia. –

Tyypillinen kiihtyvyyden painotettu tehollisarvo on 7 m/s<sup>2</sup>.

## ΕΛΛΗΝΙΚΑ

### Θόρυβος Και Κραδασμός του μοντέλου HR2430 / HR2431

Οι τυπικές Α-μετρούμενες εντάσεις ήχου είναι

πίεση ήχου: 89 dB (A)

δύναμη του ήχου: 102 dB (A)

– Φοράτε ωτοσπίδες. –

Η τυπική αξία της μετρούμενης ριζας του μέσου τετραγώνου της επιτάχυνσης είναι 7 m/s<sup>2</sup>.





**Makita Corporation**

Anjo, Aichi, Japan

Made in Japan

884313A992