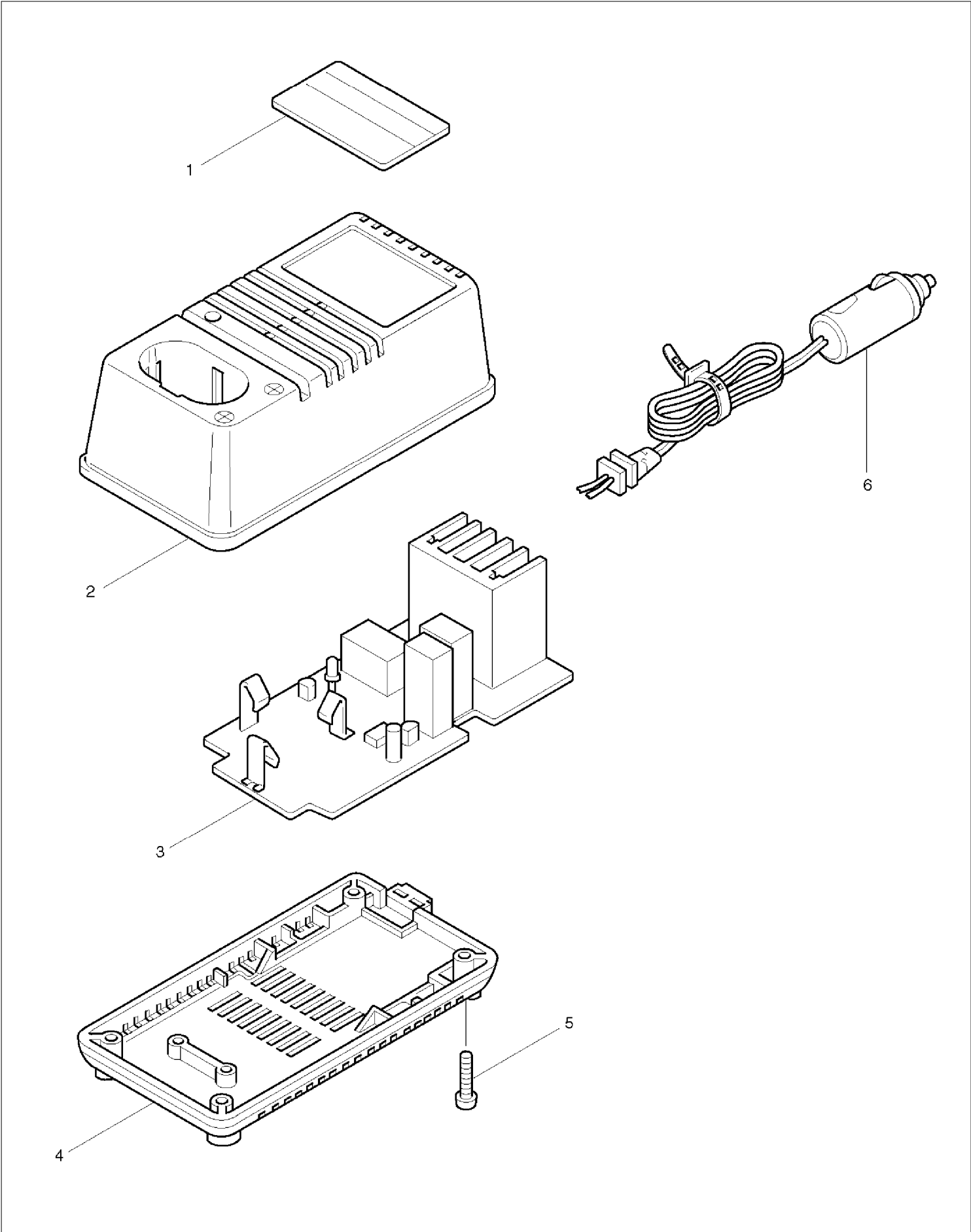


# SERVICE DRAWING

MODEL NO. DC7112



# SPARE PARTS LIST

---

MODEL NO. DC7112

ITEM	PART NO.	DESCRIPTION	QTY	NOTE
001	856795-1	NAME PLATE DC7112 UL	1	
002	182573-6	CHARGER CASE SET INC. 4B	1	
003	631119-0	CIRCUIT BOARD	1	
004	182573-6	CHARGER CASE SET INC. 2B	1	
005	265874-8	TAPPING SCREW 4X20	4	
006	667958-2	POWER SUPPLY CORD 0.75-2-2.0	1	

---