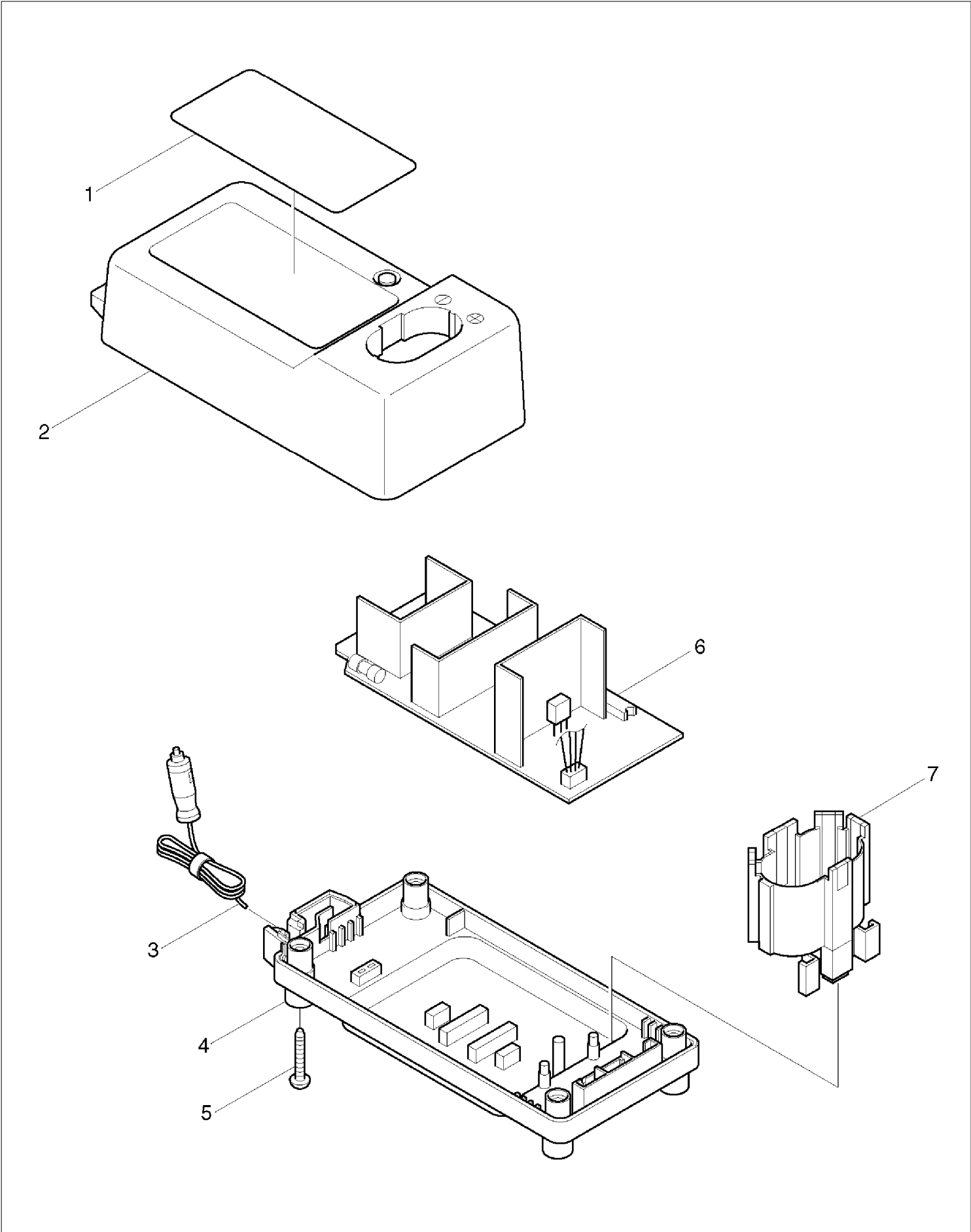


# SERVICE DRAWING

MODEL NO. DC1422



# SPARE PARTS LIST

---

MODEL NO. DC1422

ITEM	PART NO.	DESCRIPTION	QTY	NOTE
001	851440-3	NAME PLATE DC1422	1	
002	183075-5	CHARGER CASE SET INC. 4	1	
003	667990-6	POWER SUPPLY CORD #18-2-2.0	1	
004	183075-5	CHARGER CASE SET INC. 2	1	
005	265999-8	TAPPING SCREW 4X25	4	
006	631296-8	CIRCUIT BOARD	1	
007	416467-6	BATTERY BOX	1	

---