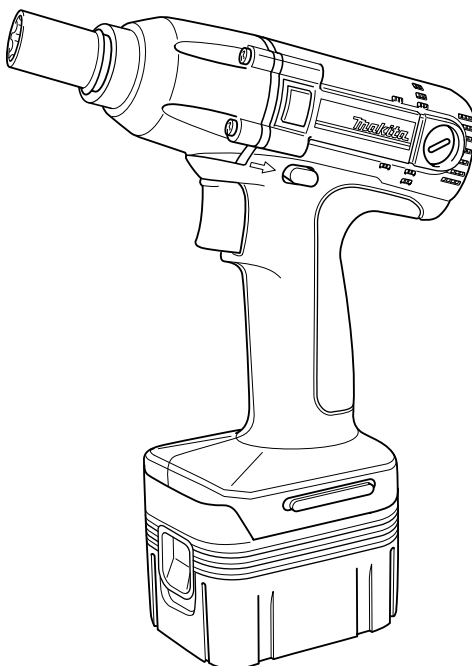
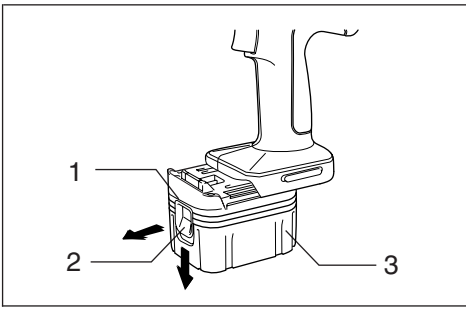


# **Makita**®

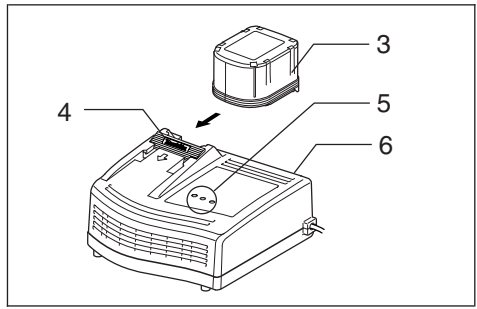
<b>GB</b>	<b>Cordless Impact Wrench</b>	<b>Instruction Manual</b>
<b>F</b>	<b>Boulonneuse sans Fil</b>	<b>Manuel d'Instructions</b>
<b>D</b>	<b>Akku-Schlagschrauber</b>	<b>Betriebsanleitung</b>
<b>I</b>	<b>Avvitatrice ad Impulso a Batteria</b>	<b>Istruzioni d'Uso</b>
<b>NL</b>	<b>Snoerloze Slagmoersleutel</b>	<b>Gebruiksaanwijzing</b>
<b>E</b>	<b>Llave de Impacto a Batería</b>	<b>Manual de Instrucciones</b>
<b>P</b>	<b>Chave de Impacto a Bateria</b>	<b>Manual de Instruções</b>
<b>DK</b>	<b>Elektronisk Akku Slagnøgle</b>	<b>Brugsanvisning</b>
<b>S</b>	<b>Sladdlös Mutterdragare</b>	<b>Bruksanvisning</b>
<b>N</b>	<b>Batteridrevet Slagskrunøkkel</b>	<b>Bruksanvisning</b>
<b>SF</b>	<b>Akku-Iskuväännin</b>	<b>Käyttöohje</b>
<b>GR</b>	<b>Ασύρματο Κρουστικό Κλειδί</b>	<b>Οδηγίες χρήσεως</b>

## **BTW150**

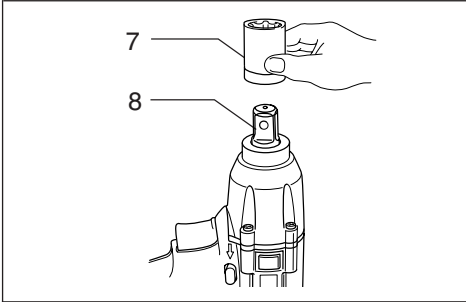




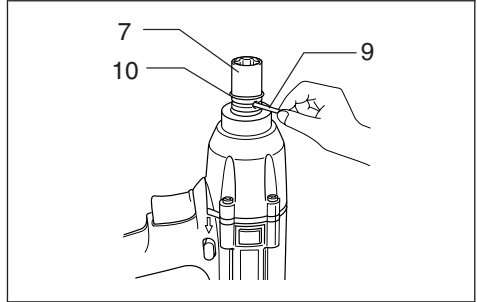
1



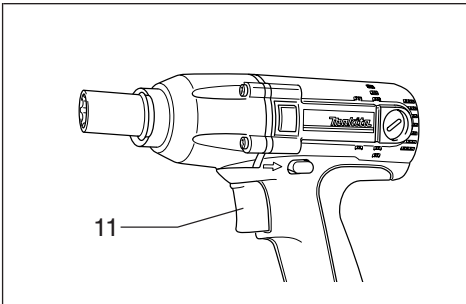
2



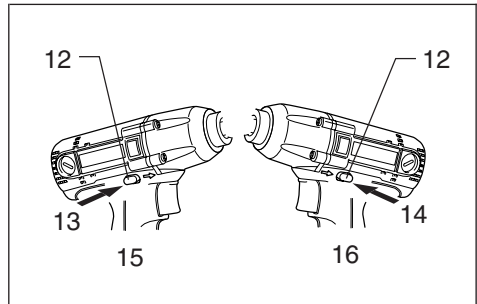
3



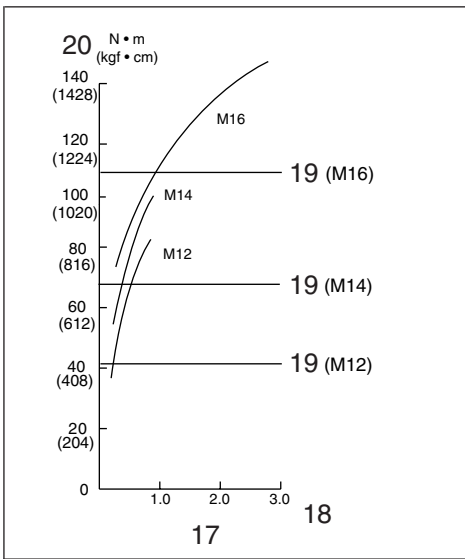
4



5

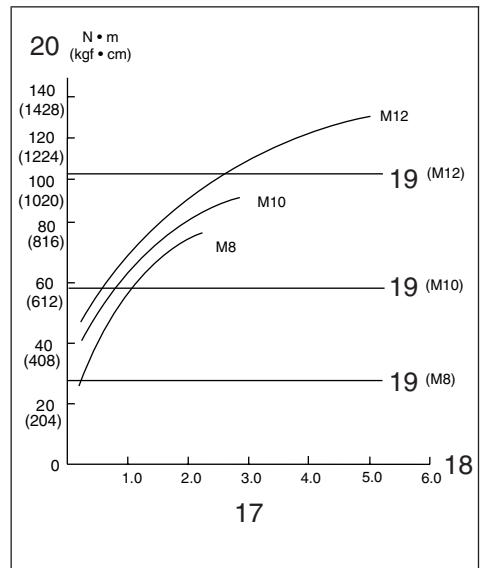


6



**7**

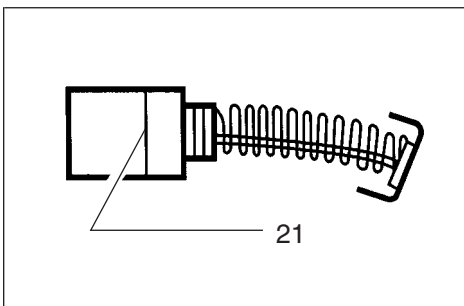
<b>GB</b>	Standard bolt
<b>F</b>	Boulon standard
<b>D</b>	Standardschrauben
<b>I</b>	Bullone standard
<b>NL</b>	Standaard bout
<b>E</b>	Tornillo estándar
<b>P</b>	Porca normal
<b>DK</b>	Standardbolt
<b>S</b>	Standardbult
<b>N</b>	Standardbolt
<b>SF</b>	Normaali pultti
<b>GR</b>	Κανονικό βουλόνι



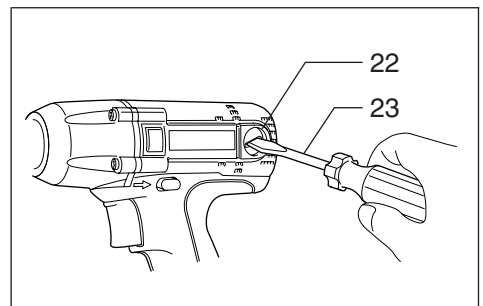
**8**

<b>GB</b>	High tensile bolt
<b>F</b>	Boulon à haute résistance
<b>D</b>	HV-Schrauben
<b>I</b>	Bullone altamente tensile
<b>NL</b>	Bout met grote treksterkte
<b>E</b>	Tornillo de alta resistencia
<b>P</b>	Porca de grande elasticidade
<b>DK</b>	Kvalitetsstålbolt
<b>S</b>	Bult med hög hållfasthet
<b>N</b>	Høy strekkbolt
<b>SF</b>	Suurvetolujuuspultti
<b>GR</b>	Βουλόνι υψηλής εκτατικότητας

**9**



**10**



1 Red part	9 Pin	17 Fastening time
2 Button	10 O-ring	18 Seconds
3 Battery cartridge	11 Switch trigger	19 Proper fastening torque for
4 Terminal cover	12 Reversing switch lever	20 Fastening torque
5 Charging lights	13 A side	21 Limit mark
6 Battery charger	14 B side	22 Brush holder cap
7 Socket	15 Clockwise	23 Screwdriver
8 Anvil	16 Counterclockwise	

## SPECIFICATIONS

<b>Model</b>	<b>BTW150</b>
Capacities	
Standard bolt .....	10 mm — 16 mm
High tensile bolt .....	8 mm — 12 mm
Square drive .....	12.7 mm
No load speed (min <sup>-1</sup> ) .....	0 — 2,300
Impacts per minute .....	0 — 3,000
Max. fastening torque .....	150 N·m
Overall length .....	193 mm
Net weight (with battery cartridge) .....	1.9 kg
Rated voltage .....	D.C. 14.4 V

- Due to our continuing program of research and development, the specifications herein are subject to change without notice.
- Note: Specifications may differ from country to country.

### Safety Hints

For your own safety, please refer to the enclosed safety instructions.

## IMPORTANT SAFETY INSTRUCTIONS FOR CHARGER & BATTERY CARTRIDGE

ENC002-3

1. **SAVE THESE INSTRUCTIONS** — This manual contains important safety and operating instructions for battery charger.
2. Before using battery charger, read all instructions and cautionary markings on (1) battery charger, (2) battery, and (3) product using battery.
3. **CAUTION** — To reduce risk of injury, charge only MAKITA type rechargeable batteries. Other types of batteries may burst causing personal injury and damage.
4. Do not expose charger to rain or snow.
5. Use of an attachment not recommended or sold by the battery charger manufacturer may result in a risk of fire, electric shock, or injury to persons.
6. To reduce risk of damage to electric plug and cord, pull by plug rather than cord when disconnecting charger.
7. Make sure cord is located so that it will not be stepped on, tripped over, or otherwise subjected to damage or stress.
8. Do not operate charger with damaged cord or plug — replace them immediately.
9. Do not operate charger if it has received a sharp blow, been dropped, or otherwise damaged in any way; take it to a qualified serviceman.
10. Do not disassemble charger or battery cartridge; take it to a qualified serviceman when service or repair is required. Incorrect reassembly may result in a risk of electric shock or fire.
11. To reduce risk of electric shock, unplug charger from outlet before attempting any maintenance or cleaning. Turning off controls will not reduce this risk.

12. The battery charger is not intended for use by young children or infirm persons without supervision.
13. Young children should be supervised to ensure that they do not play with the battery charger.
14. If operating time has become excessively shorter, stop operating immediately. It may result in a risk of overheating, possible burns and even an explosion.
15. If electrolyte gets into your eyes, rinse them out with clear water and seek medical attention right away. It may result in loss of your eyesight.

## ADDITIONAL SAFETY RULES FOR CHARGER & BATTERY CARTRIDGE

1. Do not charge battery cartridge when temperature is BELOW 10°C (50°F) or ABOVE 40°C (104°F).
2. Do not attempt to use a step-up transformer, an engine generator or DC power receptacle.
3. Do not allow anything to cover or clog the charger vents.
4. Do not short the battery cartridge:
  - (1) Do not touch the terminals with any conductive material.
  - (2) Avoid storing battery cartridge in a container with other metal objects such as nails, coins, etc.
  - (3) Do not expose battery cartridge to water or rain. A battery short can cause a large current flow, overheating, possible burns and even a breakdown.
5. Do not store the tool and battery cartridge in locations where the temperature may reach or exceed 50°C (122°F).
6. Do not incinerate the battery cartridge even if it is severely damaged or is completely worn out. The battery cartridge can explode in a fire.
7. Be careful not to drop, shake or strike battery.
8. Do not charge inside a box or container of any kind. The battery must be placed in a well ventilated area during charging.

## ADDITIONAL SAFETY RULES FOR TOOL

ENB025-1

1. Be aware that this tool is always in an operating condition, because it does not have to be plugged into an electrical outlet.
2. Hold tool by insulated gripping surfaces when performing an operation where the cutting tool may contact hidden wiring. Contact with a “live” wire will also make exposed metal parts of the tool “live” and shock the operator.
3. Wear ear protectors.
4. Check the socket carefully for wear, cracks or damage before installation.
5. Hold the tool firmly.
6. Always be sure you have a firm footing.
7. Be sure no one is below when using the tool in high locations.

- The proper fastening torque may differ depending upon the kind or size of the bolt. Check the torque with a torque wrench.

## SAVE THESE INSTRUCTIONS.

## OPERATING INSTRUCTIONS

### Installing or removing battery cartridge (Fig. 1)

- Always switch off the tool before insertion or removal of the battery cartridge.
- To remove the battery cartridge, withdraw it from the tool while sliding the button on the side of the cartridge.

### Charging (Fig. 2)

- Plug the battery charger into the proper A/C voltage source. Two charging lights will flash in green color repeatedly.
- Insert the battery cartridge into charger until it stops adjusting to the guide of charger. Terminal cover of charger can be opened with inserting and closed with pulling out the battery cartridge.
- When the battery cartridge is inserted, the charging light color will change from green to red and charging will begin. The charging light will keep lighting up lit steadily during charging. One red charging light indicates charged condition in 0 – 80% and two red ones indicates 80 – 100%.
- With finish of charge, the charging lights will change from two red ones to two green ones.
- If you leave the battery cartridge in the charger after the charging cycle is complete, the charger will switch into its “trickle charge (maintenance charge)” mode which will last approximately 24 hours.
- After charging, unplug the charger from the power source. Refer to the table below for the charging time.

Battery type	Capacity (mAh)	Number of cells	Charging time
BH1420	2,000	12	Approx. 30 min.
BH1433	3,300	12	Approx. 50 min.

#### NOTE:

- The battery charger is for charging Makita-battery cartridge. Never use it for other purposes or for other manufacturer's batteries.
- When you charge a new battery cartridge or a battery cartridge which has not been used for a long period of time, it may not accept a full charge. This is a normal condition and does not indicate a problem. You can recharge the battery cartridge fully after discharging it completely and recharging a couple of times.
- If you charge a battery cartridge from a just-operated tool or battery cartridge which has been left in a location exposed to direct sunlight for a long time, the charging light may flash in red color. If this occurs, wait for a while. Charging will begin after the battery cartridge is cooled by the cooling fan installed in the charger. When the temperature on battery is more than approx. 70°C, two charging lights may flash in red color, and when approx. 50°C – 70°C, one charging light in red color.
- If the charging light flashes alternately in green and red color, charging is not possible. The terminals on the charger or battery cartridge are clogged with dust or the battery cartridge is worn out or damaged.

### Cooling system

- This charger is equipped with cooling fan for heated battery in order to enable the battery to prove its own performance. Sound of cooling air comes out during cooling, which means no trouble on the charger.
- Yellow light will flash for warning in the following cases.

- Trouble on cooling fan
- Incomplete cool down of battery, such as, being clogged with dust

The battery can be charged in spite of the yellow warning light. But the charging time will be longer than usual in this case.

Check the sound of cooling fan, vent on the charger and battery, which can be sometime clogged with dust.

- To insert the battery cartridge, align the tongue on the battery cartridge with the groove in the housing and slip it into place. Always insert it all the way until it locks in place with a little click. If you can see the red part on the upper side of the button, it is not locked completely. Insert it fully until the red part cannot be seen. If not, it may accidentally fall out of the tool, causing injury to you or someone around you.
- Do not use force when inserting the battery cartridge. If the cartridge does not slide in easily, it is not being inserted correctly.

- The cooling system is in order although no sound of cooling fan comes out, if the yellow warning light will not flash.
- Always keep clean the vent on charger and battery for cooling.
- The products should be sent to repair or maintenance, if the yellow warning light will frequently flash.

### Conditioning charge

Conditioning charge can extend the life of battery by automatically searching the optimum charging condition for the batteries in every situation.

The battery employed in the following conditions repeatedly, will be worn out shortly, and yellow warning light may flash.

- Recharge of battery with its high temperature
- Recharge of battery with its low temperature
- Recharge of full charged battery
- Over-discharge of battery (continue to discharge battery in spite of down of power.)
- Recharge under broken cooling system

The charging time of such battery is longer than usual.

### Trickle charge (Maintenance charge)

If you leave the battery cartridge in the charger to prevent spontaneous discharging after full charge, the charger will switch into its “trickle charge (maintenance charge)” mode and keep the battery cartridge fresh and fully charged.

### Tips for maintaining maximum battery life

- Charge the battery cartridge before completely discharged. Always stop tool operation and charge the battery cartridge when you notice less tool power.
- Never recharge a fully charged battery cartridge. Overcharging shortens the battery service life.
- Charge the battery cartridge with room temperature at 10°C – 40°C (50°F – 104°F). Let a hot battery cartridge cool down by inserting it into the charger.

4. Charge the Nickel Metal Hydride battery cartridge when you do not use it for more than six months.

### Selecting correct socket

Always use the correct size socket for bolts and nuts. An incorrect size socket will result in inaccurate and inconsistent fastening torque and/or damage to the bolt or nut.

### Installing or removing socket (Fig. 3 & 4)

#### CAUTION:

Always be sure that the tool is switched off and the battery cartridge is removed before installing or removing the socket.

#### 1. For socket without O-ring and pin

To install the socket, push it onto the anvil of the tool until it locks into place.

To remove the socket, simply pull it off.

#### 2. For socket with O-ring and pin

Move the O-ring out of the groove in the socket and remove the pin from the socket. Fit the socket onto the anvil of the tool so that the hole in the socket is aligned with the hole in the anvil. Insert the pin through the hole in the socket and anvil. Then return the O-ring to the original position in the socket groove to retain the pin. To remove the socket, follow the installation procedures in reverse.

### Switch action (Fig. 5)

#### CAUTION:

Before inserting the battery cartridge into the tool, always check to see that the switch trigger actuates properly and returns to the "OFF" position when released.

To start the tool, simply pull the trigger. Tool speed is increased by increasing pressure on the trigger. Release the trigger to stop.

### Reversing switch action (Fig. 6)

#### CAUTION:

- Always check the direction of rotation before operation.
- Use the reversing switch only after the tool comes to a complete stop. Changing the direction of rotation before the tool stops may damage the tool.
- When not operating the tool, always set the reversing switch lever to the neutral position.

This tool has a reversing switch to change the direction of rotation. Depress the reversing switch lever from the A side for clockwise rotation or from the B side for counterclockwise rotation. When the reversing switch lever is in the neutral position, the switch trigger cannot be pulled.

### Operation

#### CAUTION:

Always insert the battery cartridge all the way until it locks in place. If you can see the red part on the upper side of the button, it is not locked completely. Insert it fully until the red part cannot be seen. If not, it may accidentally fall out of the tool, causing injury to you or someone around you.

The proper fastening torque may differ depending upon the kind or size of the bolt, the material of the workpiece to be fastened, etc. The relation between fastening torque and fastening time is shown in **Fig. 7** for standard bolt or **Fig. 8** for high tensile bolt. Hold the tool firmly and place the socket over the bolt or nut. Turn the tool on and fasten for the proper fastening time.

#### NOTE:

- When fastening screw M8 or smaller, carefully adjust pressure on the switch trigger so that the screw is not damaged.
- Hold the tool pointed straight at the bolt.
- If you fasten the bolt for a time longer than shown in the figure, the bolt or the socket may be overstressed, damaged, etc. Before starting your job, always perform a test operation to determine the proper fastening time for your bolt. Especially for the bolt other than M8, perform the above test operation to prevent the trouble on socket or bolt, etc.

The fastening torque is affected by a wide variety of factors including the following. After fastening, always check the torque with a torque wrench.

1. When the battery cartridge is discharged almost completely, voltage will drop and the fastening torque will be reduced.
2. Socket
  - Failure to use the correct size socket will cause a reduction in the fastening torque.
  - A worn socket (wear on the hex end or square end) will cause a reduction in the fastening torque.
3. Bolt
  - Even though the torque coefficient and the class of bolt are the same, the proper fastening torque will differ according to the diameter of the bolt.
  - Even though the diameters of bolts are the same, the proper fastening torque will differ according to the torque coefficient, the class of bolt and the bolt length.
4. The manner of holding the tool or the material of driving position to be fastened will affect the torque.
5. Operating the tool at low speed will cause a reduction in the fastening torque.

## MAINTENANCE

#### CAUTION:

Always be sure that the tool is switched off and the battery cartridge is removed before carrying out any work on the tool.

### Replacement of carbon brushes (Fig. 9 & 10)

Replace carbon brushes when they are worn down to the limit mark. Both identical carbon brushes should be replaced at the same time.

To maintain product safety and reliability, repairs, maintenance or adjustment should be carried out by a Makita Authorized Service Center.

1	Partie rouge	9	Tige	17	Temps de serrage
2	Bouton	10	Joint torique	18	Secondes
3	Batterie	11	Gâchette	19	Couple de serrage pour
4	Couvre-bornes	12	Inverseur	20	Couple de serrage
5	Témoins de recharge	13	Côté A	21	Repère d'usure
6	Chargeur	14	Côté B	22	Bouchon du porte-charbon
7	Douille	15	Vers la droite	23	Tournevis
8	Piton	16	Vers la gauche		

## SPECIFICATIONS

**Modèle** **BTW150**

### Capacités

Boulon standard .....	10 mm — 16 mm
Boulon à haute résistance .....	8 mm — 12 mm
Tournevis carré .....	12,7 mm
Vitesse à vide (min <sup>-1</sup> ) .....	0 — 2 300
Percussions par minute .....	0 — 3 000
Couple de serrage maxi .....	150 N·m
Longueur hors tout .....	193 mm
Poids net (avec la batterie) .....	1,9 kg
Tension nominale .....	14,4 V CC

Etant donné l'évolution constante du programme de recherche et développement, les spécifications contenues dans ce manuel sont susceptibles de changer sans préavis.

- Note : Les spécifications peuvent être différentes suivant les pays.

### Recommandations pour la sécurité

Pour votre sécurité, suivez les conseils concernant la sécurité.

## CONSIGNES DE SECURITE IMPORTANTES POUR LE CHARGEUR ET LES BATTERIES

1. **CONSERVEZ CES INSTRUCTIONS** — Ce manuel renferme des consignes de sécurité et d'utilisation importantes pour le chargeur de batterie.
2. Avant d'utiliser le chargeur de batterie, lisez toutes les étiquettes d'instruction et de précaution apposées sur (1) le chargeur de batterie, sur (2) la batterie et sur (3) le produit utilisant la batterie.
3. **ATTENTION** — Pour réduire tout risque de blessure, ne rechargez que des batteries rechargeables MAKITA de type rechargeable. Les autres types de batterie pourraient exploser et provoquer des blessures ou des dommages.
4. N'exposez pas le chargeur à la pluie ni à la neige.
5. L'utilisation d'un accessoire non recommandé ou non vendu par le fabricant du chargeur de batterie risque de provoquer un feu, une décharge électrique ou des blessures.
6. Pour réduire tout risque de dommage de la fiche et du cordon électrique, débranchez le cordon du chargeur en tirant sur la fiche.
7. Vérifiez que le cordon est placé de façon que personne ne puisse marcher dessus, se prendre les pieds dedans, ni l'endommager ou le soumettre à des contraintes.
8. N'utilisez pas le chargeur si son cordon ou sa fiche sont endommagés — remplacez-les immédiatement.
9. N'utilisez pas le chargeur s'il a reçu un coup, s'il est tombé ou endommagé de toute autre manière ; apportez-le à un réparateur qualifié.
10. Ne démontez pas le chargeur ni la batterie ; si un entretien ou des réparations sont nécessaires, apportez-les à un réparateur qualifié. Un remontage incorrect pourrait provoquer une décharge électrique ou un feu.

11. Pour réduire tout risque de décharge électrique, débranchez le chargeur de la prise secteur avant tout entretien ou nettoyage. Il ne suffit pas de couper les commandes.
12. La batterie ne doit pas être utilisée sans surveillance par des enfants ou des personnes handicapées.
13. Les jeunes enfants devraient être surveillés pour s'assurer qu'ils ne jouent pas avec la batterie.
14. Si le temps de fonctionnement devient excessivement court, cessez immédiatement l'utilisation. Cela peut entraîner un risque de surchauffe, une possibilité de brûlure, voire une explosion.
15. Si l'électrolyte pénètre dans vos yeux, rincez-les à l'eau claire et consultez immédiatement un médecin. Il y a un risque de perte de la vue.

## CONSIGNES DE SECURITE SUPPLEMENTAIRES POUR LE CHARGEUR ET LES BATTERIES

1. Ne rechargez pas la batterie si la température est INFÉRIEURE à 10°C ou SUPÉRIEURE à 40°C.
2. N'essayez pas d'utiliser un transformateur élévateur, un groupe électrogène ou une prise de courant continu.
3. Veillez à ce que rien ne recouvre ni n'obstrue les événements du chargeur.
4. Ne court-circuitez pas la batterie :
  - (1) Ne touchez pas les bornes avec un matériau conducteur.
  - (2) Évitez de ranger la batterie dans un récipient renfermant d'autres objets métalliques, comme des clous, des pièces de monnaie, etc.
  - (3) N'exposez pas la batterie à l'eau ni à la pluie. Un court-circuit pourrait provoquer un fort débit de courant, une surchauffe, parfois des brûlures et même une panne.
5. Ne rangez pas l'outil ni la batterie dans des endroits où la température risque d'atteindre ou de dépasser 50°C.
6. Ne jetez pas la batterie au feu, même si elle est gravement endommagée ou complètement hors d'usage. Elle pourrait exploser.
7. Veillez à ne pas faire tomber, secouer ni heurter la batterie.
8. N'effectuez pas la recharge à l'intérieur d'une boîte ou d'un récipient quel qu'il soit. La batterie devra se trouver dans un endroit bien aéré pendant la recharge.

## Protection de l'environnement (Pour la Suisse uniquement)

Afin de préserver l'environnement, rappez la batterie usagée aux postes de ramassage officiel.



## PRECAUTIONS SUPPLEMENTAIRES POUR L'OUTIL

1. Ayez bien conscience que l'outil est constamment en état de marche, car il n'a pas à être raccordé au secteur.
2. Tenez les outils par leurs surfaces de saisie isolées lorsque vous effectuez un travail au cours duquel l'outil tranchant risque d'entrer en contact avec un filage caché. Le contact avec un fil électrique sous tension peut mettre les parties non isolées de l'outil sous tension et électrocuter l'utilisateur.
3. Portez des protections anti-bruit.
4. Veillez à ce que la prise ne soit pas usée, fissurée ou endommagée avant l'installation.
5. Tenez votre outil fermement.
6. Veillez toujours à avoir une bonne assise.
7. Assurez-vous qu'il n'y a personne dessous quand vous utilisez l'outil dans des endroits élevés.
8. Le couple de serrage peut varier en fonction du type et de la dimension du boulon. Vérifiez le couple à l'aide d'une clé dynamométrique.

## CONSERVEZ CES INSTRUCTIONS.

### Recharge (Fig. 2)

1. Branchez le chargeur dans une prise secteur de la tension voulue. Deux témoins de charge clignoteront en vert de façon répétée.
2. Insérer la batterie dans le chargeur jusqu'à ce qu'elle s'arrête, ajustée sur le guide du chargeur. Le couvercle du chargeur peut être ouvert en insérant la batterie, et fermé en la retirant.
3. Lorsque la batterie est insérée la couleur de témoin de charge passe du vert au rouge et la charge commence. Le témoin de charge demeure continuellement allumé pendant la charge. L'allumage d'un témoin de charge en rouge indique un niveau de charge de 0% à 80%, tandis que l'allumage de deux témoins de charge en rouge indique un niveau de charge de 80% à 100%.
4. Une fois la charge terminée, la couleur des deux témoins de charge passe du rouge au vert.
5. Si vous laissez la batterie dans le chargeur une fois le cycle de charge terminé, le chargeur passe en mode de "charge de compensation (charge d'entretien)" pour environ 24 heures.
6. Après la charge, débranchez le chargeur de la prise d'alimentation secteur. Les durées de recharge sont indiquées dans le tableau ci-dessous.

Type de batterie	Capacité (mAh)	Nombre d'accus	Durée de recharge
BH1420	2 000	12	Environ 30 mn
BH1433	3 300	12	Environ 50 mn

### NOTE :

- Le chargeur de batterie est conçu pour les batteries Makita. Ne jamais l'utiliser à d'autres fins ou avec les batteries d'autres fabricants.
- Lorsque vous chargez une batterie neuve ou qui est restée inutilisée pendant une longue période, il est possible qu'elle ne puisse pas être complètement chargée. Il s'agit d'une situation normale, qui n'indique aucune anomalie. Vous pourrez effectuer une charge optimale de la batterie après l'avoir complètement déchargée puis rechargée à quelques reprises.
- Si vous chargez une batterie qui vient juste d'être utilisée avec un outil, ou bien une batterie qui a été laissée dans un endroit exposé aux rayons directs du soleil pour une longue période, il se peut que le témoin de charge clignote en rouge. Dans un tel cas, attendez un moment. La charge commencera une fois la batterie refroidie par le ventilateur de refroidissement installé dans le chargeur. Lorsque la température de la batterie est supérieure à environ 70°C, deux témoins de charge peuvent clignoter en rouge, tandis qu'à une température d'environ 50°C à 70°C, un seul témoin clignote en rouge.

## MODE D'EMPLOI

### Installation et retrait de la batterie (Fig. 1)

- Débranchez toujours l'outil avant d'installer ou de retirer la batterie.
- Pour retirer la batterie, enlevez-la de l'outil en faisant glisser le bouton qui se trouve sur le côté de la batterie.
- Pour insérer la batterie, alignez la languette de la batterie avec la rainure située dans le carter, puis faites-la glisser en place. Insérez-la toujours à fond, jusqu'à ce qu'un léger dé clic se fasse entendre. Si vous pouvez voir la partie rouge du côté supérieur du bouton, la batterie n'est pas complètement verrouillée. Insérez-la entièrement, jusqu'à ce que la partie rouge ne soit plus visible. Sinon, elle pourrait tomber accidentellement de l'outil, au risque de vous blesser ou de blesser quelqu'un se trouvant près de vous.
- Ne forcez jamais quand vous introduisez la batterie. Si la batterie ne rentre pas aisément, c'est que vous ne l'insérez pas correctement.

- Si le témoin de charge clignote alternativement en vert et en rouge, la charge n'est pas possible. Les bornes du chargeur ou de la batterie sont alors bloquées par la poussière, ou bien la batterie est soit usée, soit endommagée.

### Système de refroidissement

- Ce chargeur est doté d'un ventilateur de refroidissement pour batterie chaude afin de permettre à la batterie de fournir son plein rendement. Un son de refroidissement d'air s'échappe pendant le refroidissement, ce qui signifie que le chargeur fonctionne correctement.
- Un témoin jaune d'avertissement clignote dans les cas suivants.
  - Problème de ventilateur de refroidissement.
  - Refroidissement insuffisant de la batterie, causé par une accumulation de poussière, etc.La batterie peut être chargée même si le témoin jaune d'avertissement est allumé. Mais dans ce cas, le temps de charge sera plus long que d'ordinaire. Vérifier le son du ventilateur de refroidissement, ainsi que les événements du chargeur et de la batterie, où s'accumule parfois de la poussière.
- Le système de refroidissement fonctionne normalement si le témoin jaune d'avertissement ne clignote pas, et ce même si aucun son ne provient du ventilateur de refroidissement.



- Toujours garder les événements du chargeur et de la batterie propres pour permettre le refroidissement.
- Si le témoin jaune d'avertissement clignote souvent, les produits devraient être envoyés pour réparation ou entretien.

### Charge de remise en condition

La charge de remise en condition peut faire augmenter la durée de vie de la batterie en effectuant automatiquement une recherche du niveau de charge optimale des batteries dans toute situation.

Les batteries utilisées à plusieurs reprises dans les conditions suivantes s'usent rapidement, et le témoin jaune d'avertissement peut se mettre alors à clignoter.

1. Recharge de la batterie alors qu'elle est très chaude.
  2. Recharge de la batterie alors qu'elle est très froide.
  3. Recharge d'une batterie déjà complètement chargée.
  4. Décharge excessive de la batterie (continuer de décharger la batterie malgré l'absence d'alimentation).
  5. Recharge malgré un bris du système de refroidissement.
- Le temps de charge est alors plus long que d'ordinaire.

### Charge de compensation (charge d'entretien)

Si vous laissez la batterie dans le chargeur pour éviter toute décharge spontanée après une recharge complète, le chargeur passe en mode de "charge de compensation (charge d'entretien)" pour maintenir la batterie fraîche et rechargée à plein.

### Conseils pour obtenir la durée de service maximale de la batterie

1. Rechargez la batterie avant qu'elle ne soit complètement déchargée.  
Arrêtez toujours l'outil et rechargez la batterie quand vous remarquez que la puissance de l'outil diminue.
2. Ne rechargez jamais une batterie complètement chargée.  
Une surcharge réduira la durée de service de la batterie.
3. Rechargez la batterie à une température ambiante comprise entre 10°C et 40°C.  
Laissez refroidir une batterie chaude en l'insérant dans le chargeur.
4. Rechargez la batterie à hydrure métallique de nickel lorsqu'elle reste inutilisée pour plus de six mois.

### Sélection de la douille

Utilisez toujours une douille de la dimension qui convient pour les boulons et les écrous. Une douille de mauvaise dimension entraînera un couple de serrage imprécis ou inadéquat et/ou endommagera le boulon ou l'écrou.

### Installation et retrait de la douille (Fig. 3 et 4)

#### ATTENTION :

Vérifiez toujours que le contact est coupé et que la batterie est retirée avant d'installer ou de retirer la douille.

1. **Pour douille sans joint torique et tige**  
Pour installer la douille, enfoncez-la dans le pignon de l'outil jusqu'à ce qu'elle se verrouille en place.  
Tirez simplement sur la douille pour la retirer.
2. **Pour douille avec joint torique et tige**  
Retirez le joint torique de la rainure de la douille et retirez la tige de la douille. Insérez la douille dans le pignon de l'outil de façon que l'orifice de la douille soit aligné sur l'orifice du pignon. Insérez la tige dans l'orifice de la douille et dans celui du pignon. Puis, ramenez le joint torique à sa position d'origine dans la rainure de la douille pour verrouiller la tige. Pour retirer la douille, procédez dans l'ordre inverse de l'installation.

### Interrupteur (Fig. 5)

#### ATTENTION :

Avant d'insérer la batterie dans l'outil, vérifiez toujours que la gâchette fonctionne correctement et qu'elle revient sur la position "OFF" quand vous la relâchez.

Pour mettre l'outil en marche, tirez simplement sur la gâchette. La vitesse de l'outil augmente quand vous augmentez la pression sur la gâchette. Pour arrêter l'outil, relâchez la gâchette.

### Interrupteur d'action inverse (Fig. 6)

#### ATTENTION :

- Vérifiez toujours le sens de rotation avant de mettre l'outil en marche.
- Attendez que l'outil soit complètement arrêté avant d'utiliser l'inverseur. Vous risquez d'endommager l'outil si vous changez le sens de rotation avant que l'outil ne soit complètement arrêté.
- Lorsque vous ne vous servez pas de l'outil, mettez toujours l'inverseur sur la position neutre.

L'outil possède un inverseur qui permet d'inverser le sens de rotation. Appuyez sur le levier de l'inverseur et déplacez-le à partir du côté A pour une rotation vers la droite, ou à partir du côté B pour une rotation vers la gauche. Lorsque l'inverseur est à la position neutre, il n'est pas possible d'actionner la gâchette.

### Fonctionnement

#### ATTENTION :

Insérez toujours la batterie à fond jusqu'à ce qu'elle se verrouille en place. Si vous pouvez voir la partie rouge du côté supérieur du bouton, cela signifie qu'elle n'est pas parfaitement verrouillée. Insérez-la à fond jusqu'à ce que la partie rouge ne soit plus visible. Sinon, elle risque de tomber accidentellement de l'outil en vous blessant ou en blessant une personne se trouvant près de vous.

Le couple de serrage adéquat peut varier selon le type ou la dimension du boulon, le matériau de la pièce à visser, etc. Le rapport entre le couple de serrage et le temps de serrage est indiqué à la Fig. 7 pour les boulons standards, et à la Fig. 8 pour les boulons à haute résistance. Tenez l'outil fermement et placez la douille sur le boulon ou l'écrou. Mettez l'outil en marche et serrez pendant la durée de serrage appropriée.

#### NOTE :

- Lors du serrage d'une vis M8 ou plus petite, ajustez doucement la pression sur la gâchette afin que la vis ne soit pas endommagée.
- Tenez l'outil en le pointant bien droit vers le boulon.
- Si vous serrez le boulon plus longtemps que la durée indiquée sur la figure, il se peut que le boulon ou la douille subisse une trop grande pression, soit endommagé, etc. Avant de commencer votre travail, effectuez toujours un test de fonctionnement pour déterminer le temps de serrage adéquat pour le boulon. Effectuez tout spécialement ce test pour les boulons autres que M8, pour prévenir les problèmes de support ou de boulon, etc.

Le couple de serrage dépend d'un certain nombre de facteurs, comme suit. Une fois le serrage terminé, vérifiez toujours le couple avec une clé dynamométrique.

1. Lorsque la batterie est presque complètement déchargée, la tension tombera et le couple de serrage sera réduit.
2. Douille
  - L'utilisation d'une douille de mauvaise dimension entraînera une réduction du couple de serrage.
  - Une douille usée (usure sur l'extrémité hexagonale ou l'extrémité carrée) entraînera une réduction du couple de serrage.

3. Boulon
  - Même si le coefficient du couple et la catégorie du boulon sont les mêmes, le couple de serrage variera en fonction du boulon.
  - Même si les diamètres de boulon sont les mêmes, le couple de serrage variera en fonction du coefficient de couple, de la catégorie du boulon et de la longueur du boulon.
4. La façon dont l'outil est tenu, ainsi que la position du matériel à visser affecteront le couple.
5. Le fonctionnement de l'outil à faible vitesse entraînera une diminution du couple de serrage.

## ENTRETIEN

### ATTENTION :

Assurez-vous toujours que l'outil est hors tension et que la batterie a été enlevée avant d'effectuer toute intervention sur l'outil.

### Remplacement des charbons (Fig. 9 et 10)

Dès que l'un des charbons atteint son repère d'usure, remplacez la paire (par des charbons de même type).

Pour maintenir la sécurité et la fiabilité de l'outil, les réparations, l'entretien ou les réglages doivent être effectués par le Centre d'Entretien Makita.

1 Roter Teil	9 Stift	17 Anzugszeit
2 Entriegelungsknopf	10 O-Ring	18 Sekunden
3 Blockakku	11 Ein-Aus-Schalter	19 Korrektes Anzugsmoment für
4 Kontaktabdeckung	12 Drehrichtungsumschalter	20 Anzugsmoment
5 Ladekontrolleuchten	13 Seite A	21 Verschleißgrenze
6 Ladegerät	14 Seite B	22 Bürstenhalterkappe
7 Steckschlüsseinsatz	15 Rechtslauf	23 Schraubendreher
8 Antriebsvierkant	16 Linkslauf	

## TECHNISCHE DATEN

**Modell** **BTW150**

Arbeitsleistung	
Standardschraube .....	10 mm — 16 mm
HV-Schraube .....	8 mm — 12 mm
Vierkantantrieb .....	12,7 mm
Leerlaufdrehzahl (min <sup>-1</sup> ) .....	0 — 2 300
Schlagzahl pro Minute .....	0 — 3 000
Max. Anzugsmoment .....	150 N.m
Gesamtlänge .....	193 mm
Nettogewicht (mit Akku) .....	1,9 kg
Nennspannung .....	DC 14,4 V

- Im Zuge der Entwicklung und des technischen Fortschritts behalten wir uns das Recht vor, Änderungen an den technischen Daten ohne Vorankündigung vorzunehmen.
- Hinweis: Die technischen Daten können von Land zu Land unterschiedlich sein.

### Sicherheitshinweise

Bitte lesen Sie zu Ihrer eigenen Sicherheit die beiliegenden Sicherheitshinweise durch.

## WICHTIGE SICHERHEITSHINWEISE FÜR LADEGERÄT UND AKKU

1. **DIESE ANWEISUNGEN GUT AUFBEWAHREN** — Diese Betriebsanleitung enthält wichtige Sicherheits- und Gebrauchsanweisungen für das Ladegerät.
2. Lesen Sie vor der Benutzung des Ladegerätes alle Anweisungen und Warnhinweise, die auf (1) Ladegerät, (2) Akku und (3) Akkugerät angebracht sind.
3. **VORSICHT** — Um die Verletzungsgefahr zu reduzieren, dürfen nur MAKITA-Akkus verwendet werden. Andere Akkutypen können platzen und Verletzungen oder Sachschäden verursachen.
4. Setzen Sie das Ladegerät weder Regen noch Schnee aus.
5. Die Verwendung von Zubehör, das nicht vom Ladegeräte-Hersteller empfohlen oder verkauft wird, kann einen Brand, elektrische Schläge oder Verletzungen verursachen.
6. Um Beschädigung des Netzsteckers und Netzkabels zu vermeiden, ziehen Sie beim Trennen des Ladegerätes vom Stromnetz nicht am Kabel, sondern nur am Stecker.
7. Verlegen Sie das Netzkabel so, daß niemand darauf tritt oder darüber stolpert, und daß es keinen sonstigen schädlichen Einflüssen oder Belastungen ausgesetzt wird.
8. Betreiben Sie das Ladegerät nicht mit einem beschädigten Netzkabel oder Netzstecker — beschädigte Teile sind unverzüglich auszuwechseln.
9. Betreiben Sie das Ladegerät nicht, wenn es starken Erschütterungen ausgesetzt, fallengelassen oder sonstwie beschädigt wurde. Bringen Sie es zu einem qualifizierten Kundendiensttechniker.

10. Versuchen Sie nicht, das Ladegerät oder den Akku zu zerlegen. Bringen Sie das Teil zu einem qualifizierten Kundendiensttechniker, wenn Wartungs- oder Reparaturarbeiten erforderlich sind. Falscher Zusammenbau kann die Ursache für elektrische Schläge oder einen Brand sein.
11. Um die Gefahr von elektrischen Schlägen auszuschließen, trennen Sie das Ladegerät vom Stromnetz, bevor Sie mit Wartungs- oder Reinigungsarbeiten beginnen. Das bloße Ausschalten des Gerätes bewirkt keine Verringerung dieser Gefahr.
12. Das Ladegerät sollte nicht von kleinen Kindern oder gebrechlichen Personen ohne Beaufsichtigung benutzt werden.
13. Kleine Kinder sollten beaufsichtigt werden, um sicherzugehen, daß sie nicht mit dem Ladegerät spielen.
14. Falls die Betriebszeit beträchtlich kürzer geworden ist, stellen Sie den Betrieb sofort ein. Anderenfalls besteht die Gefahr von Überhitzung, möglichen Verbrennungen und sogar einer Explosion.
15. Falls Elektrolyt in Ihre Augen gelangt, waschen Sie sie mit sauberem Wasser aus, und begeben Sie sich unverzüglich in ärztliche Behandlung. Anderenfalls können Sie Ihre Sehkraft verlieren.

## ZUSÄTZLICHE SICHERHEITSGELTEN FÜR LADEGERÄT UND AKKU

1. Laden Sie den Akku nicht bei Temperaturen UNTER 10°C oder ÜBER 40°C.
2. Das Ladegerät darf nicht an einen Aufwärtstransformator, Generator oder eine Gleichstrom-Steckdose angeschlossen werden.
3. Achten Sie darauf, daß die Lüftungsschlitze des Ladegerätes nicht abgedeckt oder blockiert werden.
4. Der Akku darf nicht kurzgeschlossen werden:
  - (1) Die Kontakte dürfen nicht mit leitfähigem Material berührt werden.
  - (2) Lagern Sie den Akku nicht in einem Behälter zusammen mit anderen Metallgegenständen, wie z.B. Nägel, Münzen usw.
  - (3) Setzen Sie den Akku weder Wasser noch Regen aus.  
Ein Kurzschluß des Akkus verursacht starken Stromfluß, der Überhitzung, Verbrennungen und einen Defekt zur Folge haben kann.
5. Lagern Sie Maschine und Akku nicht an Orten, an denen die Temperatur 50 °C erreichen oder überschreiten kann.
6. Versuchen Sie niemals, den Akku zu verbrennen, selbst wenn er stark beschädigt oder vollkommen verbraucht ist. Der Akku kann im Feuer explodieren.
7. Achten Sie darauf, daß der Akku nicht fallengelassen, Erschütterungen oder Stößen ausgesetzt wird.
8. Laden Sie den Akku niemals in einem Karton oder einem geschlossenen Behälter. Der Akku darf nur an einem gut belüfteten Ort geladen werden.

## Umweltschutz

Das Gerät ist mit einem Nickel-Cadmium-Akku ausgerüstet. Um eine umweltgerechte Entsorgung zu gewährleisten, bitten wir Sie, folgende Punkte zu beachten:

- Gemäß Europäischer Batterierichtlinie 91/157/EWG und nationaler Gesetzgebung (Batterieverordnung) muß der verbrauchte Akku bei einer öffentlichen Sammelstelle, bei Ihrem Makita Kundendienst oder Ihrem Fachhändler zum Recycling abgegeben werden.
- Werfen Sie den verbrauchten Akku nicht in den Hausmüll, ins Feuer oder ins Wasser.

(Nur für die Schweiz)

- Ihr Beitrag zum Umweltschutz: Bringen Sie bitte die gebrauchte Batterie an eine offizielle Sammelstelle zurück.



## ZUSÄTZLICHE SICHERHEITSGEDELN FÜR DIE MASCHINE

1. Beachten Sie, daß diese Maschine stets betriebsbereit ist, da sie nicht erst an eine Netzsteckdose angeschlossen werden muß.
2. Halten Sie die Maschine nur an den isolierten Griffflächen, wenn Sie Arbeiten ausführen, bei denen verborgene Kabel angebohrt werden können. Bei Kontakt mit einem stromführenden Kabel werden die freiliegenden Metallteile der Maschine ebenfalls stromführend, so dass der Benutzer einen elektrischen Schlag erleiden kann.
3. Tragen Sie Gehörschützer.

### Laden (Abb. 2)

1. Das Ladegerät an die Stromversorgung anschließen. Zwei Ladekontrolllampen blinken wiederholt in Grün.
2. Richten Sie den Akku auf die Führung des Ladegerätes aus, und führen Sie ihn bis zum Anschlag ein. Die Kontaktabdeckung des Ladegerätes wird durch Einschieben des Akkus geöffnet und durch Herausziehen des Akkus geschlossen.
3. Sobald der Akku eingesetzt wird, wechselt die Farbe der Ladekontrolllampe von Grün nach Rot, und der Ladevorgang beginnt. Die Ladekontrolllampe leuchtet während des Ladevorgangs ständig. Eine rote Ladekontrolllampe zeigt den Ladezustand von 0 – 80%, und zwei rote Lampen zeigen den Zustand von 80 – 100% an.
4. Nach Abschluss des Ladevorgangs wechselt die Farbe der beiden Ladekontrolllampen von Rot nach Grün.
5. Wird der Akku nach Abschluss des Ladevorgangs im Ladegerät gelassen, schaltet das Ladegerät auf den Erhaltungslademodus um, der etwa 24 Stunden andauert.
6. Trennen Sie das Ladegerät nach dem Ladevorgang von der Stromquelle. Die Ladezeiten sind in der nachfolgenden Tabelle aufgeführt.

Akkutyp	Leistung (mAh)	Anzahl der Zellen	Ladezeit
BH1420	2 000	12	ca. 30 Min.
BH1433	3 300	12	ca. 50 Min.

### HINWEIS:

- Das Ladegerät ist ausschließlich zum Laden von Makita-Akkus vorgesehen. Verwenden Sie es auf keinen Fall für einen anderen Zweck oder zum Laden von Akkus anderer Fabrikate.
- Wenn Sie einen neuen oder längere Zeit unbenutzten Akku laden, wird möglicherweise keine volle Ladung erzielt. Dies ist normal und stellt kein Anzeichen für eine Störung dar. Der Akku lässt sich vollkommen aufladen, nachdem er ein paar mal vollständig entladen und wieder aufgeladen worden ist.

4. Überprüfen Sie den Steckschlüsseleinsatz vor der Montage sorgfältig auf Risse oder Beschädigung.
5. Halten Sie die Maschine mit festem Griff.
6. Achten Sie stets auf sicheren Stand.
7. Vergewissern Sie sich bei Einsatz der Maschine an hochgelegenen Arbeitsplätzen, daß sich keine Personen darunter aufhalten.
8. Das korrekte Anzugsmoment kann je nach Art oder Größe der Schraube unterschiedlich sein. Überprüfen Sie das Anzugsmoment mit einem Drehmomentschlüssel.

**BEWAHREN SIE DIESE ANLEITUNG GUT AUF.**

## BEDIENUNGSANLEITUNG

### Anbringen und Abnehmen des Akkus (Abb. 1)

- Schalten Sie die Maschine stets aus, bevor Sie den Akku anbringen oder abnehmen.
- Zum Abnehmen des Akkus ziehen Sie ihn aus dem Werkzeug heraus, während Sie den Entriegelungsknopf an der Seite verschieben.
- Zum Einsetzen des Akkus richten Sie die Führungsfeder des Akkus auf die Nut im Werkzeuggehäuse aus und schieben den Akku hinein. Schieben Sie den Akku stets vollständig ein, bis er mit einem hörbaren Klicken einrastet. Wenn der rote Teil an der Oberseite des Knopfes sichtbar ist, ist der Akku nicht richtig eingerastet. Schieben Sie den Akku vollständig ein, bis der rote Teil verschwindet. Andernfalls kann er aus dem Werkzeug herausfallen und Sie oder umstehende Personen verletzen.
- Wenden Sie beim Einsetzen des Akkus keine Gewalt an. Falls der Akku nicht reibungslos hineingleitet, ist er nicht richtig ausgerichtet.

- Wenn Sie einen Akku laden, der von einem kurz zuvor benutzten Werkzeug abgenommen wurde, oder der längere Zeit direkter Sonnenbestrahlung ausgesetzt war, kann die Ladekontrolllampe in Rot blinken. Warten Sie in diesem Fall eine Weile. Der Ladevorgang beginnt, sobald der Akku von dem im Ladegerät eingebauten Kühlgebläse abgekühlt worden ist. Wenn die Temperatur des Akkus mehr als 70°C beträgt, blinken zwei Ladekontrolllampen in Rot, während bei einer Temperatur von ca. 50°C – 70°C eine Ladekontrolllampe in Rot blinken kann.

- Falls die Ladekontrolllampe abwechselnd in Grün und Rot blinkt, liegt eine Störung vor, und der Akku kann nicht geladen werden. Möglicherweise sind die Kontakte des Ladegerätes oder des Akkus verschmutzt, oder der Akku ist verbraucht oder beschädigt.

### Kühlsystem

- Dieses Ladegerät ist mit einem Kühlgebläse für erhitzte Akkus ausgestattet, um die Leistung des Akkus zu verbessern. Das vom Kühlgebläse erzeugte Laufgeräusch ist normal und stellt kein Anzeichen für eine Störung des Ladegerätes dar.
- Eine gelbe Lampe blinkt in den folgenden Fällen als Warnsignal.
  - Störung des Kühlgebläses
  - Unvollständige Kühlung des Akkus, z.B. bei Verstopfung mit Staub
 Der Akku kann trotz der gelben Warnlampe weiter aufgeladen werden. Aber in diesem Fall ist die Ladezeit länger als gewöhnlich. Überprüfen Sie das Laufgeräusch des Kühlgebläses und die Ventilationsöffnungen an Ladegerät und Akku, die sich manchmal mit Staub zusetzen können.
- Wenn die gelbe Warnlampe nicht blinkt, ist das Kühlsystem in Ordnung, selbst wenn kein Laufgeräusch des Kühlgebläses vernehmbar ist.
- Halten Sie die Ventilationsöffnungen an Ladegerät und Akku stets sauber, um einwandfreie Kühlung zu gewährleisten.
- Falls die gelbe Warnlampe häufig blinkt, sollten Sie die Produkte zwecks Reparatur oder Wartung einsenden.

### Anpassungsladung

Eine Anpassungsladung kann die Lebensdauer eines Akkus dadurch verlängern, dass in jeder Situation automatisch die optimalen Ladebedingungen für den Akku gesucht werden.

Wird ein Akku wiederholt den folgenden Bedingungen ausgesetzt, wird er bald erschöpft sein, und die gelbe Warnlampe kann blinken.

1. Nachladen eines Akkus bei hoher Temperatur
  2. Nachladen eines Akkus bei niedriger Temperatur
  3. Nachladen eines voll aufgeladenen Akkus
  4. Übermäßiges Entladen eines Akkus (fortgesetztes Entladen eines bereits erschöpften Akkus.)
  5. Nachladen mit beschädigtem Kühlsystem
- Die Ladezeit eines solchen Akkus ist länger als gewöhnlich.

### Erhaltungsladung

Wird der Akku im Ladegerät gelassen, um Selbstentladung nach einer vollen Ladung zu vermeiden, schaltet das Ladegerät auf den Erhaltungslademodus um, so daß der Akku frisch und voll geladen bleibt.

### Tips zur Erhaltung der maximalen Akkulebensdauer

1. Laden Sie den Akku, bevor er vollkommen entladen ist. Schalten Sie stets die Maschine aus und laden Sie den Akku, wenn Sie ein Nachlassen der Maschineleistung bemerken.
2. Unterlassen Sie erneutes Laden eines voll geladenen Akkus. Überladen verkürzt die Lebensdauer des Akkus.
3. Laden Sie den Akku bei Raumtemperatur (10°C bis 40°C). Lassen Sie einen heißen Akku abkühlen, indem Sie ihn in das Ladegerät einsetzen.
4. Der Nickel-Metallhydrid-Akku muss geladen werden, wenn er länger als sechs Monate nicht benutzt worden ist.

### Wahl des korrekten Steckschlüsseleinsatzes

Verwenden Sie stets einen passenden Steckschlüsseleinsatz für die jeweiligen Schrauben und Muttern. Ein Steckschlüsseleinsatz der falschen Größe bewirkt ein falsches und ungleichmäßiges Anzugsmoment und/oder Beschädigung der Schraube oder Mutter. Näheres zur Steckschlüsselgröße entnehmen Sie bitte dem Zubehörschnitt.

### Montage und Demontage des Steckschlüsseleinsatzes (Abb. 3 u. 4)

#### VORSICHT:

Vergewissern Sie sich vor dem Montieren oder Demontieren des Steckschlüsseleinsatzes stets, daß die Maschine ausgeschaltet und der Akku herausgenommen ist.

1. **Für Einsatzwerkzeug ohne O-Ring und Stift**  
Zum Anbringen des Einsatzwerkzeug auf den Antriebsvierkant des Werkzeugs schieben, bis es einrastet. Zum Abnehmen das Einsatzwerkzeug einfach abziehen.
2. **Für Einsatzwerkzeug mit O-Ring und Stift**  
Den O-Ring aus der Nut im Steckschlüsseleinsatz entfernen, und den Stift aus dem Steckschlüsseleinsatz herausziehen. Den Steckschlüsseleinsatz so in den Flansch der Maschine einsetzen, daß die Bohrung im Steckschlüsseleinsatz auf die Bohrung im Flansch ausgerichtet ist. Den Stift durch die Bohrung in Steckschlüsseleinsatz und Flansch einführen. Dann den O-Ring wieder in die Nut des Steckschlüsseleinsatzes einsetzen, um den Stift zu arretieren. Zum Demontieren des Steckschlüsseleinsatzes ist das Montageverfahren umgekehrt anzuwenden.

### Schalterbedienung (Abb. 5)

#### VORSICHT:

Vergewissern Sie sich vor dem Einsetzen des Akkus in die Maschine stets, daß der Ein-Aus-Schalter ordnungsgemäß funktioniert und beim Loslassen in die AUS-Stellung zurückkehrt.

Zum Einschalten der Maschine drücken Sie einfach den Ein-Aus-Schalter. Die Drehzahl erhöht sich durch verstärkte Druckausübung auf den Ein-Aus-Schalter. Zum Ausschalten den Ein-Aus-Schalter loslassen.

### Drehrichtungsumschalter (Abb. 6)

#### VORSICHT:

- Prüfen Sie stets die Drehrichtung, bevor Sie mit der Arbeit beginnen.
- Wechseln Sie niemals die Drehrichtung, bevor der Motor zum Stillstand gekommen ist. Andernfalls kann die Maschine beschädigt werden.
- Stellen Sie den Drehrichtungsumschalter bei Nichtgebrauch der Maschine stets auf die Neutralstellung.

Mit dem Drehrichtungsumschalter kann die Drehrichtung verändert werden. Für Rechtslauf drücken Sie auf die Seite A des Drehrichtungsumschalters, für Linkslauf auf die Seite B. In Neutralstellung des Drehrichtungsumschalters kann der Elektronikschalter verriegelt werden.

## Betrieb

### VORSICHT:

Schieben Sie den Akku stets vollständig ein, bis er einrastet. Wenn der rote Teil an der Oberseite des Knopfes sichtbar ist, ist der Akku nicht richtig eingerastet. Schieben Sie den Akku vollständig ein, bis der rote Teil verschwindet. Anderenfalls kann er aus dem Werkzeug herausfallen und Sie oder umstehende Personen verletzen.

Das korrekte Anzugsmoment hängt u.a. von der Art oder Größe der Schrauben oder der Art der zu verschraubenden Materialien ab. Die Beziehung zwischen Anzugsmoment und Anzugszeit ist in **Abb. 7** für Standardschrauben und in **Abb. 8** für HV-Schrauben dargestellt. Halten Sie das Werkzeug mit festem Griff, und setzen Sie den Steckschlüsseleinsatz auf die Schraube oder Mutter. Schalten Sie das Werkzeug ein, und ziehen Sie die Schraube oder Mutter mit der korrekten Anzugszeit an.

### HINWEIS:

- Üben Sie beim Anziehen von Schrauben der Größe M8 oder kleiner vorsichtigen Druck auf den Elektronikschalter aus, damit die Schraube nicht beschädigt wird.
- Halten Sie das Werkzeug gerade gegen die Schraube.
- Wird die in der Tabelle angegebene Anzugszeit überschritten, können Schraube oder Einsatzwerkzeug überlastet oder beschädigt werden. Führen Sie vor Arbeitsbeginn stets eine Probeverschraubung durch, um die geeignete Anzugszeit für die jeweilige Schraube zu ermitteln. Eine solche Probeverschraubung sollte besonders für Schrauben anderer Größen als M8 durchgeführt werden, um Beschädigung von Einsatzwerkzeug oder Schraube zu vermeiden.

Das Anzugsmoment unterliegt einer Reihe von Einflüssen, einschließlich der folgenden. Überprüfen Sie das Anzugsmoment nach dem Anziehen stets mit einem Drehmomentschlüssel.

1. Wenn der Akku nahezu erschöpft ist, fällt die Spannung ab, und das Anzugsmoment verringert sich.
2. Steckschlüsseleinsatz
  - Die Verwendung eines Steckschlüsseleinsatzes der falschen Größe bewirkt eine Verringerung des Anzugsmoments.
  - Ein abgenutzter Steckschlüsseleinsatz (Verschleiß am Sechskant- oder Vierkantende) verursacht eine Verringerung des Anzugsmoments.
3. Schraube
  - Selbst wenn der Drehmoment-Koeffizient und der Typ der Schraube gleich sind, ändert sich das Anzugsmoment je nach dem Durchmesser der Schraube.
  - Selbst wenn Schrauben den gleichen Durchmesser haben, ist das korrekte Anzugsmoment je nach Drehmoment-Koeffizient, Typ und Länge der Schraube unterschiedlich.
4. Die Art und Weise, wie das Werkzeug oder das Material der Verschraubungsposition gehalten wird, beeinflusst das Anzugsmoment.
5. Der Betrieb des Werkzeugs mit einer niedrigen Drehzahl hat eine Reduzierung des Anzugsmoments zur Folge.

## WARTUNG

### VORSICHT:

Vor Arbeiten am Gerät vergewissern Sie sich, daß sich der Schalter in der "OFF"- Position befindet und der Akku aus dem Gerät entfernt ist.

### Kohlebürsten wechseln (Abb. 9 u. 10)

Kohlebürsten ersetzen, wenn sie bis auf die Verschleißgrenze abgenutzt sind. Beide Kohlebürsten nur paarweise ersetzen.

Um die Sicherheit und Zuverlässigkeit dieses Gerätes zu gewährleisten, sollten Reparatur-, Wartungs-, und Einstellarbeiten nur von Makita autorisierten Werkstätten oder Kundendienstzentren unter ausschließlicher Verwendung von Makita-Originalersatzteilen ausgeführt werden.

1	Parte rossa	9	Perno	17	Tempo di serraggio
2	Bottone	10	Anello ad O	18	Secondi
3	Cartuccia batteria	11	Interruttore	19	Coppia di serraggio corretta per
4	Coperchio terminale	12	Interruttore di inversione	20	Coppia di serraggio
5	Spia di carica	13	Lato A	21	Segno limite
6	Caricatore batteria	14	Lato B	22	Tappo portaspazzole
7	Presca	15	Senso orario	23	Cavviavite
8	Incidine	16	Senso antiorario		

## DATI TECNICI

<b>Modello</b>	<b>BTW150</b>
Capacità	
Bullone standard .....	10 mm — 16 mm
Bullone ad alta resistenza a trazione .....	8 mm — 12 mm
Trasmissione quadra .....	12,7 mm
Velocità a vuoto (min <sup>-1</sup> ) .....	0 — 2.300
Numero colpi/min. ....	0 — 3.000
Coppia di serraggio max. ....	150 N·m
Lunghezza totale .....	193 mm
Peso netto (con cartuccia batteria) .....	1,9 kg
Tensione nominale .....	C.c. 14,4V

\* Questi dati sono soggetti a modifiche senza avviso a causa del nostro programma di ricerca e sviluppo continui.

\* Nota: I dati tecnici potrebbero differire da paese a paese.

### Suggerimenti per la sicurezza

Per la propria sicurezza, riferirsi alle istruzioni accluse.

## IMPORTANTI ISTRUZIONI DI SICUREZZA PER IL CARICATORE E PER LA CARTUCCIA BATTERIA

1. **CONSERVARE QUESTE ISTRUZIONI** — Questo manuale contiene istruzioni importanti per l'uso e la sicurezza del caricabatteria.
2. Prima di usare il caricabatteria, leggere tutte le istruzioni e le precauzioni che si trovano (1) sul caricabatteria, (2) sulla batteria e (3) sul prodotto che usa la batteria.
3. **ATTENZIONE** — Per ridurre il rischio di ferirsi, caricare soltanto il tipo di batterie MAKITA ricaricabili. Gli altri tipi di batterie potrebbero scoppiare causando ferite o danni.
4. Non esporre il caricatore alla pioggia o alla neve.
5. L'uso di un accessorio non raccomandato o non venduto dal costruttore del caricatore potrebbe causare un pericolo d'incendio, di scosse elettriche o di ferite alle persone.
6. Per ridurre il rischio di danneggiare il cavo elettrico o la spina, tirare la spina invece del cavo per staccarlo dalla presa di corrente.
7. Accertarsi che il cavo non si trovi dove potrebbe venire calpestato, fare inciampare od essere altrimenti soggetto a danni o sollecitazioni.
8. Evitare di usare il caricatore se ha il cavo o la spina danneggiati. Sostituirli immediatamente.
9. Evitare di usare il caricatore se ha ricevuto un forte colpo, se è caduto o se è in qualche modo danneggiato. Farlo riparare da un tecnico qualificato.
10. Non smontare il caricatore o la cartuccia batteria. Se sono necessarie riparazioni, farli riparare da un tecnico qualificato. Se vengono montati in modo sbagliato, c'è pericolo di scosse elettriche o d'incendio.

11. Per ridurre il rischio di scosse elettriche, staccare il caricatore dalla presa di corrente prima di eseguire un qualsiasi intervento di manutenzione o pulizia. Tale rischio non viene ridotto spegnendo soltanto il caricatore.
12. Il caricabatteria non deve essere usato dai bambini o dagli infermi senza supervisione.
13. I bambini devono essere sorvegliati perché non giochino con il caricabatteria.
14. Se il tempo di funzionamento è diventato eccessivamente corto, smettere immediatamente di usare l'utensile. C'è pericolo di surriscaldamento, bruciature ed anche di un'esplosione.
15. Se l'acido dovesse finire negli occhi, sciacquarli con acqua fresca e rivolgersi immediatamente al medico. C'è pericolo di perdita della vista.

## REGOLE ADDIZIONALI DI SICUREZZA PER IL CARICATORE E PER LA CARTUCCIA BATTERIA

1. Non caricare la cartuccia batteria quando la temperatura è SOTTO i 10° o SOPRA i 40°.
2. Non cercare di usare un trasformatore survolte, un generatore per motori o una presa di corrente continua.
3. Fare attenzione che le aperture di ventilazione non vengano coperte o si intasino.
4. Non cortocircuitare la cartuccia batteria:
  - (1) Non toccare i terminali con un materiale conduttivo.
  - (2) Evitare di conservare la cartuccia batteria in un contenitore insieme con altri oggetti metallici, come chiodi, monete, ecc.
  - (3) Non esporre la cartuccia batteria all'acqua o alla pioggia.  
Un cortocircuito della batteria potrebbe causare un grande flusso di corrente, surriscaldamento, possibili bruciature ed anche guasti.
5. Non conservare l'utensile e la cartuccia batteria dove la temperatura potrebbe raggiungere o superare i 50°.
6. Non incinerare la cartuccia batteria, anche se è seriamente danneggiata o completamente consumata. La cartuccia batteria potrebbe esplodere nel fuoco.
7. Fare attenzione a non lasciar cadere, urtare o colpire la batteria.
8. Non caricare la batteria dentro una scatola o un qualsiasi altro tipo di contenitore. Durante la carica, la batteria deve trovarsi in un posto ben ventilato.

### (Per la Svizzera soltanto) Protezione dell'ambiente

La Vostra contribuzione per la protezione dell'ambiente:  
Porta la batteria al collettivo ufficiale.



## REGOLE ADDIZIONALI DI SICUREZZA PER L'UTENSILE

1. Tener presente che questo utensile è sempre in condizione di funzionare, in quanto non è necessario collegarlo alla presa di corrente.
2. Tenere l'utensile per le superfici di presa isolate quando si esegue una operazione durante la quale potrebbe fare contatto con fili elettrici nascosti. Il contatto con un filo elettrico "sotto tensione" mette anche le parti metalliche dell'utensile "sotto tensione", con pericolo di scosse per l'operatore.
3. Indossare una cuffia o auricolari fonizzanti per proteggere l'udito.
4. Prima dell'installazione, controllare con cura che la presa non presenti segni di usura, crepe o danni.
5. Tenere saldamente l'utensile.
6. Accertarsi sempre di avere i piedi saldamente appoggiati.
7. Accertarsi che sotto non ci sia nessuno quando si usa l'utensile in un posto alto.
8. La coppia di serraggio corretta potrebbe differire secondo il tipo e le dimensioni del bullone. Controllare la coppia con una chiave torsiometrica.

## CONSERVARE QUESTE ISTRUZIONI.

### Carica (Fig. 2)

1. Collegare la carica batteria ad una presa di corrente alternata. Due spie di carica lampeggiano ripetutamente in verde.
2. Inserire la cartuccia batteria nel caricatore finché non si arresta regolandola sulla guida del caricatore. Il coperchio del terminale del caricatore si apre quando si inserisce la cartuccia batteria, e si chiude quando la si estrae.
3. Quando si inserisce la cartuccia batteria, il colore della spia di carica cambia da verde a rosso e la carica comincia. La spia di carica rimane continuamente accesa durante la carica.  
Una spia di carica rossa indica la condizione di carica di 0 – 80%, e due spie rosse la condizione di carica di 80 – 100%.
4. Alla fine della carica, il colore delle due spie di carica cambia da rosso a verde.
5. Se si lascia la cartuccia batteria nel caricatore dopo il completamento del ciclo di carica, il caricatore si dispone nella modalità di "carica centellinare (carica di manutenzione)" che dura circa 24 ore.
6. Dopo la carica, staccare il caricatore dalla presa di corrente. Per il tempo di carica, riferirsi alla tabella sotto.

Tipo di batteria	Capacità (mAh)	Numero di celle	Tempo di carica
BH1420	2.000	12	30 minuti circa
BH1433	3.300	12	50 minuti circa

### NOTE:

- Il caricabatteria serve esclusivamente a caricare le cartucce batteria Makita. Mai usarlo per altri scopi o per caricare batterie di altre marche.
- Quando si carica una nuova cartuccia batteria o una cartuccia batteria che non è stata usata per un lungo periodo di tempo, essa potrebbe non accettare una carica completa. Ciò è normale e non indica un problema. La cartuccia batteria può essere ricaricata completamente dopo che è stata scaricata completamente e ricaricata un paio di volte.
- Se si carica una cartuccia batteria di un utensile appena usato, o una cartuccia batteria che è rimasta per molto tempo in un luogo esposto alla luce diretta del sole, la spia di carica potrebbe lampeggiare in rosso. In tal caso, aspettare qualche tempo. La carica comincia dopo che la cartuccia batteria è stata raffreddata dalla ventola di raffreddamento del caricatore. Se la temperatura della batteria supera i 70°C circa, due spie di carica potrebbero lampeggiare in rosso e, se è di 50°C – 70°C, lampeggia in rosso una spia.
- Se la spia di carica lampeggia alternativamente in verde e in rosso, la carica non è possibile. I terminali del caricatore o della cartuccia batteria sono intasati di polvere o la cartuccia batteria è usurata o danneggiata.

## ISTRUZIONI PER L'USO

### Installazione e rimozione della cartuccia batteria (Fig. 1)

- Spegner sempre l'utensile prima di inserire o di rimuovere la cartuccia batteria.
- Per rimuovere la cartuccia batteria, toglierla dall'utensile spingendo il bottone sul fianco della cartuccia.
- Per inserire la cartuccia batteria, allineare l'appendice sulla cartuccia batteria con la scanalatura dell'alloggiamento e inserirla in posizione. Inserirla sempre completamente finché non si blocca con un piccolo scatto. Se si vede la parte rossa del lato superiore del bottone, vuol dire che esso non è bloccato completamente. Inserirlo completamente finché la parte rossa non è più visibile. In caso contrario, potrebbe cadere dall'utensile con pericolo di ferite per l'operatore o per chi gli è vicino.
- Non usare forza per inserire la cartuccia batteria. Se essa non entra facilmente, vuol dire che non è inserita correttamente.

### Sistema di raffreddamento

- Questo caricatore è dotato di una ventola di raffreddamento per quando la batteria si riscalda, in modo che la batteria possa provare le sue prestazioni. Durante il raffreddamento si sente il rumore dell'aria di raffreddamento che esce, il che significa che non ci sono problemi con il caricatore.
- Una spia di avvertimento lampeggia in giallo nei casi seguenti:
  - Problema della ventola di raffreddamento
  - Raffreddamento incompleto della batteria, come quando c'è un intasamento di polvereLa batteria può essere caricata anche se c'è la spia gialla di avvertimento. In questo caso, però, il tempo di carica è più lungo del normale. Controllare il rumore della ventola di raffreddamento, l'apertura di ventilazione sul caricatore e la batteria per possibili intasamenti di polvere.
- Il sistema di raffreddamento è normale anche se non si sente il rumore della ventola se la spia gialla di avvertimento non lampeggia.
- Per il raffreddamento, mantenere sempre pulita l'apertura di ventilazione del caricatore e della batteria.
- Se la spia gialla di avvertimento lampeggia frequentemente, i prodotti devono essere spediti per la riparazione o la manutenzione.



## Carica di condizionamento

La carica di condizionamento può estendere la vita della batteria cercando automaticamente la condizione di carica ottimale della batteria in ogni situazione.

La batteria potrebbe usurarsi in poco tempo e la spia gialla di avvertimento lampeggia se viene usata ripetutamente nelle condizioni seguenti.

1. Quando viene ricaricata alle alte temperature
2. Quando viene ricaricata alle basse temperature
3. Se viene ricaricata quando è completamente carica
4. Se viene scaricata eccessivamente (si continua a scaricare la batteria anche se è debole)
5. Se la si carica quando il sistema di raffreddamento non funziona

Il tempo di carica di tale batteria diventa allora più lungo del normale

## Carica centellinare (carica di manutenzione)

Se si lasciano le cartucce batteria nel caricatore per evitare che si scarichino da sole dopo una carica completa, il caricatore si dispone nel modo di "carica centellinare (carica di manutenzione)" e mantiene le cartucce batteria completamente cariche.

## Suggerimenti per prolungare al massimo la vita della cartuccia batteria

1. Caricare la cartuccia batteria prima che si scarichi completamente.  
Smettere sempre di usare l'utensile e caricare la cartuccia batteria quando si nota una diminuzione di potenza dell'utensile.
2. Non si deve mai caricare una cartuccia batteria completamente carica.  
La carica eccessiva riduce la vita di servizio della cartuccia batteria.
3. Caricare la cartuccia batteria ad una temperatura ambiente compresa tra i 10°C e i 40°C.  
Lasciare raffreddare una batteria calda inserendola nel caricatore.
4. Caricare la batteria ibrida al nichel-metallo se non la si usa per più di sei mesi.

## Selezione della presa corretta

Usare sempre la presa di dimensioni corrette per i bulloni e i dadi. Una presa di dimensioni sbagliate potrebbe produrre una coppia di serraggio imprecisa e inconsistente e/o danneggiare il bullone o il dado.

## Installazione o rimozione della presa (Fig. 3 e 4)

### ATTENZIONE:

Accertarsi sempre che l'utensile sia spento e che la cartuccia batteria sia stata rimossa prima di installare o di rimuovere la presa.

1. **Per una presa senza anello ad O e perno**  
Per installare la presa, spingerla nell'incudine dell'utensile finché non si blocca in posizione.  
Per rimuovere la presa, tirarla semplicemente via.
2. **Per una presa con anello ad O e perno**  
Spostare l'anello ad O fuori dalla scanalatura della presa, e togliere il perno dalla presa. Montare la presa sulla testata dell'utensile in modo che il foro della presa sia allineato con il foro della testata. Inserire il perno nel foro della presa e della testata. Rimettere poi l'anello ad O nella sua posizione originale nella scanalatura della presa, per bloccare il perno. Per rimuovere la presa, seguire il procedimento opposto di installazione.

## Azionamento dell'interruttore (Fig. 5)

### ATTENZIONE:

Prima di inserire la cartuccia batteria nell'utensile, accertarsi sempre che l'interruttore funzioni correttamente e torni sulla posizione "OFF" quando viene rilasciato.

Per avviare l'utensile, schiacciare semplicemente il grilletto dell'interruttore. La velocità dell'utensile aumenta con l'aumento della pressione sul grilletto. Rilasciare il grilletto per fermare l'utensile.

## Azionamento dell'interruttore di inversione (Fig. 6)

### ATTENZIONE:

- Controllare sempre la direzione di rotazione prima di usare l'utensile.
- Usare l'interruttore di inversione soltanto dopo che l'utensile si è arrestato completamente. Il cambiamento della direzione di rotazione prima dell'arresto dell'utensile potrebbe danneggiarlo.
- Posizionare sempre la leva dell'interruttore di inversione sulla posizione neutra quando non si usa l'utensile.

Questo utensile è dotato di un interruttore di inversione, per cambiare la direzione di rotazione. Schiacciare la leva dell'interruttore di inversione dal lato A per la rotazione in senso orario, oppure dal lato B per la rotazione in senso antiorario. Quando la leva dell'interruttore di inversione si trova sulla posizione neutra non è possibile schiacciare il grilletto dell'interruttore.

## Funzionamento

### ATTENZIONE:

Inserire sempre completamente la cartuccia batteria finché non si blocca in posizione. Sulla parte superiore del bottone si può vedere la parte rossa, se non è bloccata completamente. Inserirlo completamente finché non si vede più la parte rossa. In caso contrario, potrebbe cadere accidentalmente fuori dall'utensile, causando lesioni all'operatore o a chi è vicino.

La coppia di serraggio corretta potrebbe differire secondo il tipo o le dimensioni dei bulloni, il materiale del pezzo da fissare, ecc. Il rapporto tra la coppia e il tempo di serraggio è mostrato nella Fig. 7 per i bulloni standard, e nella Fig. 8 per i bulloni altamente tensili. Tenere saldamente l'utensile e mettere la chiave sopra il bullone o dado. Accendere l'utensile e stringere con il tempo di serraggio corretto.

### NOTA:

- Per fissare una vite M8 o più piccola, regolare con cura la pressione sul grilletto in modo da non danneggiare la vite.
- Tenere l'utensile puntato diritto sul bullone.
- Se si stringe il bullone per un tempo più lungo di quello mostrato in figura, il bullone o la chiave potrebbero subire una sollecitazione eccessiva, essere danneggiati, ecc. Prima di cominciare il lavoro, fare sempre una prova per determinare il tempo di serraggio appropriato per il bullone. Soprattutto per i bulloni diversi da quelli M8, fare la prova sopra per evitare problemi della chiave o bullone, ecc.

Ci sono vari fattori che influenzano la coppia di serraggio, compresi quelli seguenti. Dopo il serraggio, controllare sempre la coppia con una chiave torsionometrica.

1. Quando la cartuccia batteria è quasi completamente scarica, la tensione cala e la coppia di serraggio si riduce.
2. Presa
  - La coppia di serraggio si riduce se non si usa una presa con le dimensioni corrette.
  - La coppia di serraggio si riduce se si usa una presa usurata (usura dell'estremità esagonale o quadrata).

3. Bullone
  - Anche se il coefficiente di coppia e la classe del bullone sono gli stessi, la coppia di serraggio corretta differisce secondo il diametro del bullone.
  - Anche se il diametro dei bulloni è lo stesso, la coppia di serraggio corretta differisce secondo il coefficiente di coppia, la classe e la lunghezza del bullone.
4. La coppia potrebbe essere influenzata dal modo di tenere l'utensile o dal pezzo da fissare.
5. La coppia di serraggio si riduce se si fa funzionare l'utensile a una bassa velocità.

## MANUTENZIONE

### ATTENZIONE:

Prima di effettuare ogni tipo di lavoro sull'utensile, assicuratevi sempre che essa sia spenta e che la batteria sia rimossa.

### Sostituzione delle spazzole di carbone (Fig. 9 e 10)

Sostituire la spazzola di carbone quando sono usurate fino alla linea di delimitazione. Sostituire entrambe le spazzole con tipi di spazzole identici.

Per mantenere la sicurezza e l'affidabilità del prodotto, le riparazioni, la manutenzione o le regolazioni dovrebbero essere eseguite da un centro di assistenza Makita autorizzato.

1 Rood gedeelte	9 Pen	17 Aantrektijd
2 Knop	10 O-ring	18 Seconden
3 Accu	11 Trekschakelaar	19 Juist aantrekkoppel voor
4 Aansluitklemdesk	12 Omkeerschakelaar	20 Aantrekkoppel
5 Oplaadlampjes	13 A zijde	21 Limietstrep
6 Acculader	14 B zijde	22 Borstelhouderdop
7 Sok	15 Rechtsom	23 Schroevendraaier
8 Draaistuk	16 Linksom	

**TECHNISCHE GEGEVENS**

<b>Model</b>	<b>BTW150</b>
Capaciteiten	
Standaardbout .....	10 mm — 16 mm
Trekvastе bout .....	8 mm — 12 mm
Vierkant .....	12,7 mm
Toerental onbelast (min <sup>-1</sup> ) .....	0 — 2 300
Aantal slagen per minuut .....	0 — 3 000
Maximaal aantrekkoppel .....	150 N.m
Totale lengte .....	193 mm
Netto gewicht (accu inbegrepen) .....	1,9 kg
Nominale spanning .....	D.C. 14,4 V

- In verband met ononderbroken research en ontwikkeling behouden wij ons het recht voor bovenstaande technische gegevens te wijzigen zonder voorafgaande kennisgeving.
- Opmerking: De technische gegevens kunnen van land tot land verschillen.

**Veiligheidswenken**

Volg veiligheids halve de bijgevoegde veiligheidsvoorschriften nauwkeurig op.

**BELANGRIJKE  
VEILIGHEIDSVOORSCHRIFTEN  
VOOR ACCULADER EN ACCU**

1. **BEWAAR DEZE VOORSCHRIFTEN** — Deze gebruiksaanwijzing bevat belangrijke veiligheids- en bedieningsvoorschriften betreffende de acculader.
2. Lees alle voorschriften en waarschuwingen die zijn aangebracht op (1) de acculader, (2) de accu en (3) het product waarvoor de accu wordt gebruikt, aandachtig door alvorens de acculader in gebruik te nemen.
3. **LET OP** — Om gevaar voor verwonding te voorkomen, dient u met de acculader uitsluitend MAKITA oplaadbare accu's te laden. Accu's van andere merken kunnen gaan barsten en verwondingen of schade veroorzaken.
4. Stel de acculader niet bloot aan regen of sneeuw.
5. Het gebruik van een accessoire dat door de fabrikant van de acculader niet wordt aanbevolen of verkocht, kan brandgevaar, elektrische schok of verwondingen veroorzaken.
6. Om beschadiging van het netsnoer en de stekker te voorkomen, dient u de stekker vast te pakken om het netsnoer uit het stopcontact te halen.
7. Zorg ervoor dat het netsnoer zodanig is geplaatst, dat niemand erop kan stappen of erover kan struikelen, en dat het niet aan beschadiging of druk is blootgesteld.
8. Gebruik de acculader niet met een beschadigd netsnoer of een beschadigde stekker — vervang deze onmiddellijk.
9. Gebruik de acculader niet indien deze een sterke schok heeft ondergaan, op de grond is gevallen, of een andere vorm van beschadiging heeft opgelopen; breng deze naar een bevoegde monteur.

10. Haal de acculader of de accu niet uit elkaar; breng deze naar een bevoegde monteur wanneer onderhoud of reparatie nodig is. Onjuist opnieuw ineenzetten kan namelijk een elektrische schok of brandgevaar opleveren.
11. Om gevaar voor een elektrische schok te voorkomen, trek u de stekker van de acculader uit het stopcontact alvorens met onderhoud of reinigen te beginnen. Het gevaar voor een elektrische schok wordt niet voorkomen door de acculader alleen maar uit te schakelen.
12. De acculader is niet bedoeld voor gebruik door kleine kinderen of geestelijk gestoorden waarop geen toezicht wordt gehouden.
13. Houd toezicht op kleine kinderen om te voorkomen dat ze met de acculader spelen.
14. Wanneer de gebruikstijd van de accu uiterst kort is geworden, is de accu versleten en moet u het gebruik ervan onmiddellijk stopzetten. Voortgezet gebruik kan oververhitting van de accu, brandwonden en zelfs een ontploffing veroorzaken.
15. Wanneer elektrolyt in uw ogen is terechtgekomen, moet u uw ogen spoelen met schoon water en onmiddellijk de hulp van een dokter inroepen. Elektrolyt in de ogen kan blindheid veroorzaken.

**AANVULLENDE  
VEILIGHEIDSVOORSCHRIFTEN  
VOOR ACCULADER EN ACCU**

1. Laad de accu niet op bij een temperatuur **BENEDEN** 10°C of **BOVEN** 40°C.
2. Gebruik voor het opladen nooit een verhogingstransformator, een dynamo of een gelijkstroombron.
3. Zorg ervoor dat de ventilatiegaten van de acculader niet afgesloten worden of verstopt raken.
4. Voorkom kortsluiting van de accu:
  - (1) Raak de accuklemmen nooit aan met een geleidend materiaal.
  - (2) Bewaar de accu niet in een bak waarin ook andere metalen voorwerpen zoals spijkers, munten e.d. worden bewaard.
  - (3) Stel de accu niet bloot aan water of regen.
5. Bewaar het gereedschap en de accu niet op plaatsen waar de temperatuur kan oplopen tot 50°C of hoger.
6. Werp de accu nooit in het vuur, zelfs niet wanneer deze zwaar beschadigd of volledig versleten is. De accu kan namelijk ontploffen in het vuur.
7. Wees voorzichtig dat u de accu niet laat vallen en hem niet aan schokken of stoten blootstelt.
8. Laad de accu niet op in een bak of container. Laad hem uitsluitend op in een goed geventileerde ruimte.

## AANVULLENDE VEILIGHEIDSVORSCHRIFTEN VOOR HET GEREEDSCHAP

1. Denk eraan dat dit gereedschap altijd gebruiksklaar is, aangezien het niet op een stopcontact hoeft te worden aangesloten.
2. Houd het gereedschap bij de geïsoleerde handgrepen vast wanneer u boort op plaatsen waar de boor of verborgen elektrische bedrading kan stoten. Door contact met een onder spanning staande draad zullen ook de niet-geïsoleerde metalen delen van het gereedschap onder spanning komen te staan, zodat de gebruiker een elektrische schok kan krijgen.
3. Draag oorbeschermers.
4. Controleer de sok nauwkeurig op slijtage, scheuren of beschadiging alvorens deze op het gereedschap te monteren.
5. Houd het gereedschap stevig vast.
6. Zorg ervoor dat u altijd stevige steun voor de voeten hebt.
7. Controleer of er niemand beneden u aanwezig is wanneer u het gereedschap op een hoge plaats gaat gebruiken.
8. Het juiste aantrekkoppel kan verschillen afhankelijk van de soort of grootte van de bout. Controleer het aantrekkoppel met een momentsleutel.

## BEWAAR DEZE VOORSCHRIFTEN.

### Laden (Fig. 2)

1. Sluit de juiste acculader aan op het stopcontact. De twee oplaadlampjes zullen herhaaldelijk groen knipperen.
2. Volg de aanduidingen op de acculader en schuif de accu zo ver mogelijk in de acculader. Het deksel van de acculader gaat open wanneer u de accu erin steekt, en gaat weer dicht wanneer u de accu eruit haalt.
3. Wanneer de accu volledig erin zit, zal de kleur van het oplaadlampje veranderen van groen in rood en zal het opladen beginnen. Tijdens het opladen zal het oplaadlampje blijven branden. Een rood oplaadlampje duidt aan dat de accu 0 – 80% is opgeladen, en twee rode oplaadlampjes 80 – 100%.
4. Nadat de accu volledig is opgeladen, zullen beide oplaadlampjes veranderen van rood in groen.
5. Indien u de accu na volledig opladen in de acculader laat zitten, zal de acculader overschakelen naar de “bijladen (handhaven van de lading)” stand die ongeveer 24 uur zal duren.
6. Trek de stekker van de acculader uit het stopcontact nadat het opladen is voltooid. Zie de onderstaande tabel voor de oplaadtijden.

Accu-type	Capaciteit (mAh)	Aantal cellen	Oplaadtijd
BH1420	2 000	12	ca. 30 min.
BH1433	3 300	12	ca. 50 min.

### OPMERKINGEN:

- De acculader is uitsluitend bestemd voor het opladen van Makita accu's. Gebruik deze nooit voor andere doeleinden of voor het opladen van accu's van andere fabrikanten.
- Een nieuwe accu of een accu die gedurende lange tijd niet werd gebruikt, kan soms niet volledig worden opgeladen. Dit is normaal en wijst niet op een defect. Nadat u de accu een paar keer volledig hebt ontladen en herladen, kunt u deze weer volledig opladen.
- Wanneer u de accu van een zoiest gebruikt gereedschap oplaadt, of een accu die voor langere tijd aan direct zonlicht of hitte werd blootgesteld, gebeurt het wel eens dat het oplaadlampje in rood knippert. Wacht in zo'n geval een tijdje. Het opladen zal beginnen nadat de accu door de koelventilator in de acculader is afgekoeld. Wanneer de inwendige temperatuur van de accu hoger is dan ongeveer 70°C, zullen de twee oplaadlampjes soms in rood knipperen; bij een temperatuur tussen ongeveer 50°C en 70°C, zal één oplaadlampje in rood knipperen.
- Indien het oplaadlampje afwisselend in groen en rood knippert, is opladen niet mogelijk. De klemmen op de accu of acculader zijn met vuil verstopt, of de accu is versleten of beschadigd.

## BEDIENINGSVOORSCHRIFTEN

### Installeren of verwijderen van de accu (Fig. 1)

- Schakel het gereedschap altijd uit alvorens de accu te installeren of te verwijderen.
- Om de accu te verwijderen, haalt u deze uit het gereedschap terwijl u de knop op de zijkant van de accu verschuift.
- Om de accu te installeren, doet u de tong op de accu overeenkomen met de groef in de behuizing en dan schuift u de accu erin. Schuif de accu zo ver mogelijk erin totdat deze op zijn plaats vastklikt. Wanneer het rode gedeelte op de bovenkant van de knop nog zichtbaar is, zit de accu niet volledig erin. Schuif hem volledig erin totdat het rode gedeelte niet meer zichtbaar is. Als u dit niet doet, kan de accu per ongeluk eruit vallen en uzelf of andere personen in uw omgeving verwonden.
- Als de accu moeilijk in de houder gaat, moet u niet proberen hem met geweld erin te duwen. Indien de accu er niet gemakkelijk ingaat, betekent dit dat u hem niet op de juiste wijze erin steekt.

### Koelsysteem

- Deze acculader is voorzien van een ventilator voor het afkoelen van een warmgeworden accu om verslechtering van de accuprestaties te voorkomen. Tijdens het koelen zult u het geluid van de koelingslucht horen. Dit is normaal en betekent niet dat er iets mankeert aan de acculader.
- Een geel waarschuwinglampje zal knipperen in de volgende gevallen.
  - Er mankeert iets aan de koelventilator.
  - De accu wordt slecht afgekoeld omdat deze verstopt is met stof e.d.Zelfs wanneer het gele waarschuwinglampje knippert, kan de accu worden opgeladen. In dat geval zal het opladen echter langer duren dan normaal. Controleer of het geluid van de koelventilator normaal is. Controleer ook of de luchtuitlaatopeningen op de accu en de acculader niet door stof verstopt zijn.
- Indien het gele waarschuwinglampje niet knippert hoewel u geen geluid van de koelventilator hoort, is het koelsysteem in orde.
- Houd de luchtuitlaatopeningen op de acculader en de accu altijd schoon om een goede koeling te verzekeren.
- Indien het gele waarschuwinglampje vaak gaat knipperen, moet u de producten naar een servicecentrum zenden voor reparatie of onderhoud.

## Optimaal heropladen

De functie voor optimaal heropladen verlengt de levensduur van de accu door de optimale oplaadconditie van de accu in elke situatie automatisch te bepalen.

Wanneer u een accu herhaaldelijk in de volgende omstandigheden gebruikt, zal deze rap verslijten en zal het gele waarschuwinglampje mogelijk gaan knipperen.

1. Een accu bij een te hoge temperatuur opladen
  2. Een accu bij een te lage temperatuur opladen
  3. Een volledig opgeladen accu opnieuw opladen
  4. Een accu te veel ontladen (de accu blijven gebruiken hoewel deze bijna leeg is)
  5. Een accu opladen terwijl het koelsysteem defect is
- Het opladen van een dergelijke accu duurt langer dan normaal.

## Bijladen (Handhaven van de lading)

Wanneer u een volledig opgeladen accu in de oplader laat zitten om spontaan ontladen te voorkomen, zal de oplader overschakelen naar de "Bijladen (Handhaven van de lading)" stand waardoor de accu vers en in volledig opgeladen toestand wordt gehouden.

## Wenken om een maximale levensduur van de accu te handhaven

1. Laad de accu op alvorens deze volledig is ontladen. Stop het gebruik van het gereedschap en laad de accu op telkens wanneer u vaststelt dat het vermogen van het gereedschap verminderd is.
2. Laad een volledig opgeladen accu nooit opnieuw op. Wanneer u de accu te veel oplaadt, zal deze minder lang meegaan.
3. Laad de accu op bij een kamertemperatuur tussen 10°C en 40°C. Laat een warme accu afkoelen door hem in de acculader te steken.
4. Laad de nikkel-metaalhydride accu op wanneer u deze langer dan zes maanden niet gebruikt.

## Selecteren van de juiste sok

Gebruik altijd een sok van de juiste maat voor het vastdraaien van bouten en moeren. Het gebruik van een sok van de onjuiste maat zal een onnauwkeurig of onregelmatig aantrekkoppel en/of beschadiging van de bout of moer tot gevolg hebben.

## Installeren of verwijderen van de sok (Fig. 3 en 4)

LET OP:

Controleer altijd of het gereedschap is uitgeschakeld en de accu is verwijderd alvorens de sok te installeren of te verwijderen.

### 1. Voor een sok zonder O-ring en pen

Installeer de sok door deze op het draaistuk van het gereedschap te duwen totdat de sok op zijn plaats vergrendelt.

Om de sok te verwijderen, trekt u deze gewoon eraf.

### 2. Voor een sok met O-ring en pen

Verwijder de O-ring uit de groef in de sok en verwijder de pen uit de sok. Schuif de sok over het draaistuk van het gereedschap zodat het gat in de sok op één lijn komt met het gat in het draaistuk. Steek de pen door het gat in de sok en in het draaistuk. Breng de O-ring weer op zijn oorspronkelijke plaats in de groef aan, zodat de pen op zijn plaats wordt gehouden. Om de sok te verwijderen, voert u deze procedure in omgekeerde volgorde uit.

## Werkung van de trekschakelaar (Fig. 5)

LET OP:

Alvorens de accu in het gereedschap te plaatsen, moet u altijd controleren of de trekschakelaar juist werkt en bij loslaten naar de "OFF" positie terugkeert.

Om het gereedschap te starten, drukt u gewoon de trekschakelaar in. Oefen meer druk uit op de trekschakelaar om het toerental te vermeerderen. Om het gereedschap te stoppen, de trekschakelaar loslaten.

## Werkung van de omkeerschakelaar (Fig. 6)

LET OP:

- Controleer altijd de draairichting alvorens het gereedschap te gebruiken.
- Verander de stand van de omkeerschakelaar alleen nadat het gereedschap volledig tot stilstand is gekomen. Indien u de draairichting verandert terwijl de boor nog draait, kan het gereedschap beschadigd raken.
- Zet de omkeerschakelaar altijd in de neutrale stand wanneer u het gereedschap niet gebruikt.

Dit gereedschap heeft een omkeerschakelaar voor het veranderen van de draairichting. Druk de omkeerschakelaar in vanaf zijde A voor rechtse draairichting, of vanaf zijde B voor linkse draairichting. Wanneer deze omkeerschakelaar in de neutrale stand staat, kan de trekschakelaar niet worden ingedrukt.

## Bediening

LET OP:

Steek de accu altijd zo ver mogelijk erin totdat hij goed op zijn plaats vastzit. Als het rode gedeelte op de bovenkant van de knop nog zichtbaar is, zit de accu niet volledig erin. Steek hem volledig erin totdat het rode gedeelte niet meer zichtbaar is. Als de accu niet goed erin zit, kan hij per ongeluk uit het gereedschap vallen en kunt u of kunnen anderen in uw omgeving verwonding oplopen.

Het juiste aantrekkoppel hangt van het soort of de grootte van de bout, het materiaal van het te bevestigen werkstuk, enz. De verhouding tussen het aantrekkoppel en de aantrektijd is aangegeven in **Fig. 7** voor een standaardbout en in **Fig. 8** voor een bout met grote treksterkte. Houd het gereedschap stevig vast en plaats de sok over de bout of moer. Schakel het gereedschap in en draai vast binnen de juiste aantrektijd.

OPMERKINGEN:

- Wanneer u schroef M8 of een kleinere schroef vastdraait, moet u de druk op de trekschakelaar voorzichtig aanpassen zodat de schroef niet wordt beschadigd.
- Houd het gereedschap altijd recht op de bout.
- Als u de bout gedurende langere tijd dan de opgegeven tijd aantrekt, kan de bout of de sok breken of beschadigd raken. Alvorens het eigenlijke werk te doen, moet u daarom altijd een proefje doen met een gelijke bout om de juiste aantrektijd te bepalen. Doe dit in elk geval voor andere bouten dan M8 om beschadiging van de sok of bout, enz. te voorkomen.

Het aantrekkoppel wordt beïnvloed door een aantal verschillende factoren, waaronder de volgende. Controleer na het vastdraaien altijd het aantrekkoppel met een momentsleutel.

1. Wanneer de accu bijna leeg is, neemt het voltage af en vermindert het aantrekkoppel.
2. Sok
  - Het gebruik van een sok van de onjuiste maat zal resulteren in een te laag aantrekkoppel.
  - Een versleten sok (slijtage op het zeskante of vierkante uiteinde) zal resulteren in een te laag aantrekkoppel.

### 3. Bout

- Zelfs wanneer de koppelverhouding en de klasse van de bout overeenkomen, kan door verschillen in de diameter van de bouten het juiste aantrekkoppel per bout toch afwijken.
  - Ook al zijn de diameters van twee bouten gelijk, dan kunnen er nog verschillen in het juiste aantrekkoppel van de twee bouten optreden ten gevolge van verschillen in de koppelverhouding en de klasse en lengte van de bouten.
4. Het aantrekkoppel wordt beïnvloed door de manier van vasthouden van het gereedschap of door het materiaal waarin de bout wordt vastgedraaid.
  5. Het aantrekkoppel vermindert wanneer het gereedschap bij lage snelheid wordt gebruikt.

## ONDERHOUD

### LET OP:

Controleer altijd of het gereedschap is uitgeschakeld en de accu is losgekoppeld vooraleer onderhoud uit te voeren aan het gereedschap.

### Vervangen van koolborstels (Fig. 9 en 10)

Vervang de borstels wanneer ze tot aan de aangegeven limiet zijn afgesleten. Beide koolborstels dienen tegelijkertijd te worden vervangen.

Opdat het gereedschap veilig en betrouwbaar blijft, dienen alle reparaties, onderhoud of afstellingen te worden uitgevoerd bij een erkend Makita service centrum.

1 Parte roja	9 Pasador	17 Tiempo de apriete
2 Botón	10 Junta tórica	18 Segundos
3 Cartucho de batería	11 Interruptor de gatillo	19 Para de apriete apropiado para
4 Tapa del terminal	12 Interruptor inversor	20 Par de apriete
5 Luces de carga	13 Lado A	21 Marca de límite
6 Cargador de batería	14 Lado B	22 Tapa del portaescobillas
7 Manguito	15 Rotación hacia la derecha	23 Destornillador
8 Acoplador	16 Rotación hacia la izquierda	

**ESPECIFICACIONES**

**Modelo** **BTW150**

Capacidades

Perno estándar .....	10 mm — 16 mm
Perno de gran resistencia .....	8 mm — 12 mm
Adaptador cuadrado .....	12,7 mm
Velocidad en vacío (min <sup>-1</sup> ) .....	0 — 2.300
Impactos por minuto .....	0 — 3.000
Par de apriete máximo .....	150 N·m
Longitud total .....	193 mm
Peso neto (con cartucho de batería) .....	1,9 kg
Tensión nominal .....	CC 14,4 V

- Debido a un continuado programa de investigación y desarrollo, las especificaciones aquí ofrecidas quedan sujetas a cambios sin previo aviso.
- Nota: Las especificaciones pueden diferir de país a país.

**Sugerencias de seguridad**

Para su propia seguridad, le rogamos que se refiera a las instrucciones de seguridad incluidas.

**NORMAS DE SEGURIDAD IMPORTANTES PARA EL CARGADOR Y EL CARTUCHO DE BATERÍA**

1. **GUARDE ESTAS INSTRUCCIONES** — Este manual contiene instrucciones de operación y de seguridad importantes para el cargador de baterías.
2. Antes de utilizar el cargador de baterías, lea todas las instrucciones y las indicaciones de precaución (1) del cargador de baterías, (2) de las baterías, y (3) del producto con el que se utilicen las baterías.
3. **PRECAUCIÓN** — Para reducir el riesgo de que se produzcan heridas personales, cargue solamente las baterías recargables del tipo MAKITA. Otros tipos de batería pueden reventar y causar heridas personales y daños.
4. No exponga el cargador a la lluvia ni a la nieve.
5. El uso de accesorios no recomendados ni vendidos por el fabricante del cargador de baterías podrá resultar en un riesgo de incendio, descarga eléctrica, o lesiones a personas.
6. Para reducir el riesgo de dañar el enchufe y cable eléctrico, cuando desconecte el cargador tire del enchufe y no del cable.
7. Cerciórese de colocar el cable de forma que no pueda pisarlo, tropezar con él, y que no esté sometido a tirones ni otro tipo de daños o fatiga.
8. No utilice el cargador si su cable o enchufe está estropeado — reemplácelos inmediatamente.
9. Si el cargador ha recibido un golpe fuerte, lo ha dejado caer, o ha resultado dañado de alguna forma, no lo utilice; llévelo a que se lo revise un técnico de servicio cualificado.
10. No desarme el cargador ni el cartucho de batería; cuando necesite realizar algún servicio o reparación, llévelo a un técnico de servicio cualificado. Un montaje incorrecto podría ocasionar un riesgo de descarga eléctrica o de incendio.

11. Para reducir el riesgo de una descarga eléctrica, desenchufe el cargador de la toma de corriente antes de intentar cualquier tipo de mantenimiento o limpieza. La desconexión de los controles, únicamente, no reducirá este riesgo.
12. El cargador de baterías no ha sido pensado para ser usado por niños ni menores sin ser supervisados.
13. Los padres deberán supervisar a sus hijos pequeños para asegurarse de que no juegan con el cargador de baterías.
14. Si el tiempo de operación se acorta mucho, pare la tarea inmediatamente. Podría resultar en un riesgo de recalentamiento, posibles quemaduras e incluso una explosión.
15. Si el electrólito entrase en sus ojos, enjuáguelos con agua clara y solicite asistencia médica enseguida. Podría ocasionarle la pérdida de la vista.

**NORMAS DE SEGURIDAD ADICIONALES PARA EL CARGADOR Y EL CARTUCHO DE BATERÍA**

1. No cargue el cartucho de batería cuando la temperatura sea INFERIOR a 10°C o SUPERIOR a 40°C.
2. No intente utilizar un transformador elevador, un grupo electrógeno ni una toma de corriente continua (CC) para cargar el cartucho de batería.
3. No permita que nada cubra u obstruya las rejillas de ventilación del cargador.
4. No cortocircuite el cartucho de batería:
  - (1) No toque los bornes de la batería con ningún tipo de material conductor.
  - (2) Evite guardar el cartucho de batería en cajas junto con otros objetos metálicos tales como clavos, monedas, etc.
  - (3) No exponga el cartucho de batería al agua ni a la lluvia. Un cortocircuito en la batería puede causar una gran circulación de corriente, un sobrecalentamiento, posibles quemaduras e incluso una avería.
5. No guarde la herramienta ni el cartucho de batería en lugares donde la temperatura pueda alcanzar o exceder los 50°C.
6. No queme el cartucho de batería aunque esté seriamente dañado o completamente fuera de servicio. El fuego podría hacerlo explotar.
7. Tenga cuidado de no dejar caer, sacudir ni golpear el cartucho de batería.
8. No cargue el cartucho de batería dentro de una caja o contenedor de ningún tipo. Durante la carga, la batería deberá estar en un lugar bien ventilado.

## NORMAS DE SEGURIDAD ADICIONALES PARA LA HERRAMIENTA

1. Tenga presente que esta herramienta está siempre en condición de operación, porque no necesita ser enchufada en una toma de corriente eléctrica.
2. Cuando realice una tarea donde la herramienta pueda entrar en contacto con cableado oculto o su propio cable, sujete la herramienta por las superficies de aislamiento aisladas. El contacto con un cable con corriente hará que la corriente circule por las partes metálicas de la herramienta y electrocute al operario.
3. Póngase protectores oídos.
4. Compruebe el con cuidado que el manguito no esté desgastado, agrietado ni dañado antes de instalarlo.
5. Sostenga firmemente la herramienta.
6. Asegúrese siempre de que el piso bajo sus pies sea firme.
7. Asegúrese de que no haya nadie debajo cuando utilice la herramienta en lugares elevados.
8. El par de apriete apropiado podrá variar en función del tipo o tamaño del perno. Compruebe el par de apriete con una llave de torsión.

## GUARDE ESTAS INSTRUCCIONES.

### Carga (Fig. 2)

1. Enchufe el cargador de batería en una toma de corriente alterna (CA) de tensión apropiada. Se encenderán repetidamente dos luces de carga en color verde.
2. Inserte el cartucho de batería en el cargador hasta que haga tope ajustándose a la guía del cargador. La tapa del terminal del cargador se abre al insertar el cartucho de batería y se cierra al sacarlo.
3. Una vez insertado el cartucho de batería, el color de la luz de carga cambiará de color verde a color rojo y comenzará la carga. La luz de carga se mantendrá encendida durante la carga. Una luz de carga roja indica que la batería está cargada entre 0 – 80%, y dos luces rojas, entre 80 – 100%.
4. Cuando termine la carga, las dos luces de carga cambiarán de color rojo a color verde.
5. Si deja el cartucho de batería en el cargador después de que se haya completado el ciclo de carga, el cargador cambiará a su modo de “carga lenta (carga de mantenimiento)” que durará aproximadamente 24 horas.
6. Después de finalizada la carga, desenchufe el cargador de la toma de corriente. Consulte la tabla de abajo para ver los tiempos de carga.

Tipo de batería	Capacidad (mAh)	Número de celdas	Tiempo de carga
BH1420	2.000	12	30 min. aprox.
BH1433	3.300	12	50 min. aprox.

### NOTAS:

- El cargador de baterías es sólo para cargar cartuchos de batería Makita. No lo utilice nunca con otros fines ni para baterías de otros fabricantes.
- Cuando cargue un cartucho de batería nuevo o cartucho de batería que no haya sido utilizado durante largo tiempo, podrá no poderse cargar completamente. Esto es una condición normal y no denota ningún tipo de problema. El cartucho de batería podrá cargarse completamente después de repetir unas cuantas veces la operación de descargarlo completamente y volverlo a cargar.
- Si carga un cartucho de batería que justo acaba de utilizar con la herramienta o uno que haya estado expuesto directamente a la luz solar durante largo tiempo, la luz de carga podrá parpadear en color rojo. Si se da el caso, espere durante un rato. La carga comenzará cuando el cartucho de batería se enfríe mediante el ventilador de enfriamiento instalado en el cargador. Si la temperatura de la batería es de más de aproximadamente 70°C, podrán parpadear dos luces de carga en color rojo, y si es de aproximadamente 50°C – 70°C, podrá parpadear una luz de carga en rojo.
- Si la luz de carga parpadea alternativamente en color verde y rojo, la batería no se podrá cargar. Los terminales del cargador o de la batería estarán obstruidos con polvo o el cartucho de batería estropeado o dañado.

## INSTRUCCIONES PARA EL FUNCIONAMIENTO

### Instalación o extracción del cartucho de batería (Fig. 1)

- Antes de insertar o retirar el cartucho de batería, asegúrese siempre de desconectar la herramienta.
- Para extraer el cartucho de batería, sáquelo de la herramienta a la vez que desliza el botón del costado del cartucho.
- Para insertar el cartucho de batería, alinee la lengüeta del cartucho de batería con la acanaladura del alojamiento y deslícelo hasta encajarlo en su sitio. Insértelo siempre a tope hasta que quede bloqueado en su sitio produciendo un chasquido. Si puede ver la parte roja del lado superior del botón, no estará bloqueado completamente. Insértelo completamente hasta que no pueda verse la parte roja. De lo contrario, podrá caerse de la herramienta accidentalmente, pudiendo ocasionarle heridas a usted o a alguien cerca de usted.
- No fuerce la introducción del cartucho de batería. Si el cartucho no se desliza hacia dentro fácilmente, quiere decir que no está siendo insertado correctamente.

### Sistema de enfriamiento

- Este cargador está equipado con un ventilador de enfriamiento para evitar el recalentamiento de la batería, y así poder sacarle a ésta el máximo rendimiento. Durante el enfriamiento se oye el sonido del ventilador, lo que significa que no hay ningún problema en el cargador.
- En los siguientes casos parpadeará una luz amarilla de aviso.
  - Problema en el ventilador de enfriamiento
  - Batería no enfría completamente, tal como, en el caso de que esté obstruida con polvo
 La batería se puede cargar aunque esté parpadeando la luz amarilla. Pero en este caso tardará más tiempo en cargarse. Verifique el sonido del ventilador de enfriamiento, el orificio de ventilación de la batería y la batería, porque algunas veces podrán estar obstruidos con polvo.
- Si la luz amarilla de aviso no parpadea, el sistema de enfriamiento estará bien aunque no se escuche el sonido del ventilador de enfriamiento.
- Mantenga siempre limpios los orificios de ventilación del cargador y la batería.
- Si la luz amarilla de aviso parpadea con frecuencia, el cargador deberá ser enviado a que lo reparen o le hagan el mantenimiento.



## Carga de acondicionamiento

La carga de acondicionamiento puede alargar la vida útil de la batería buscando automáticamente la condición óptima para la carga de la batería en cualquier situación.

Las baterías que se empleen repetidamente en las siguientes condiciones se estropearán en poco tiempo, y la luz amarilla de aviso podrá parpadear.

1. Si la carga estando caliente.
2. Si la carga estando fría.
3. Si la recarga estando completamente cargada.
4. Si la descarga demasiado (si continúa utilizándola a pesar de tener poca potencia.)
5. Si la carga estando estropeado el sistema de enfriamiento

El tiempo de carga de tal batería será más largo del normal.

## Carga continua y lenta (carga de mantenimiento)

Si deja el cartucho de batería en el cargador para evitar que se descargue espontáneamente después de haberlo cargado completamente, el cargador se cambiará a su modo de "carga continua y lenta (carga de mantenimiento)" y mantendrá el cartucho de batería fresco y completamente cargado.

## Consejos para alargar al máximo la vida de servicio de la batería

1. Cargue el cartucho de batería antes de que se descargue completamente.  
Pare la herramienta y cargue el cartucho de batería siempre que note que se debilita la potencia de la herramienta.
2. Nunca cargue un cartucho de batería que esté completamente cargado.  
El exceso de carga acorta la vida de servicio de la batería.
3. Cargue el cartucho de batería a una temperatura ambiente de 10°C – 40°C.  
Si un cartucho de batería está caliente deje que se enfríe insertándolo en el cargador.
4. Cargue el cartucho de batería de hidruro metálico de níquel cuando no lo utilice durante más de seis meses.

## Selección del manguito correcto

Utilice siempre el manguito de tamaño correcto para pernos y tuercas. El utilizar un manguito de tamaño incorrecto resultará en un par de apriete impreciso e inconsistente y/o en daños al perno o a la tuerca.

## Instalación o extracción del manguito (Fig. 3 y 4)

### PRECAUCIÓN:

Asegúrese siempre de que la herramienta esté apagada y el cartucho de batería extraído antes de instalar o extraer el manguito.

### 1. Para manguito sin junta tórica ni pasador

Para instalar el manguito, empújelo contra el acoplador de la herramienta hasta que quede bloqueado en posición.

Para extraer el manguito, sáquelo tirando de él simplemente.

### 2. Para manguito con junta tórica y pasador

Extraiga la junta tórica de la ranura del manguito y saque el pasador del manguito. Encaje el manguito en el eje de la herramienta de manera que el orificio del manguito quede alineado con el orificio del eje. Introduzca el pasador a través de los orificios del manguito y del eje. Luego vuelva a colocar la junta tórica en su posición original de la ranura del manguito para retener el pasador. Para extraer el manguito, siga el procedimiento de instalación a la inversa.

## Accionamiento del interruptor (Fig. 5)

### PRECAUCIÓN:

Antes de insertar el cartucho de batería en la herramienta, compruebe siempre que el interruptor de gatillo se acciona debidamente y que vuelve a la posición "OFF" cuando lo suelta.

Para poner en marcha la herramienta, apriete el gatillo simplemente. La velocidad de la herramienta aumenta incrementando la presión en el gatillo. Suelte el gatillo para pararla.

## Accionamiento del interruptor inversor (Fig. 6)

### PRECAUCIÓN:

- Compruebe siempre la dirección de rotación antes de realizar la operación de trabajo.
- Emplee el conmutador de inversión sólo después de que la herramienta esté completamente parada. Si cambia la dirección de rotación antes de que la herramienta se pare podrá dañarla.
- Cuando no utilice la herramienta, ponga siempre el interruptor de inversión en la posición neutral.

Esta herramienta tiene un conmutador de inversión para cambiar la dirección de rotación. Presione el conmutador de inversión del lado A para que gire hacia la derecha o el del lado B para que gire hacia la izquierda. Cuando el conmutador de inversión esté en la posición neutral, el interruptor de gatillo no podrá ser accionado.

## Operación

### PRECAUCIÓN:

Inserte siempre el cartucho de batería a tope hasta que quede bloqueado en posición. Si puede ver la parte roja de la parte superior del botón, no estará bloqueado completamente. Insértelo totalmente hasta que no pueda verse la parte roja. En caso contrario, podrá caerse accidentalmente de la herramienta y causarle heridas a usted o a alguien cerca de usted.

El par de apriete apropiado podrá variar en función del tipo o tamaño del tornillo, del material de la pieza de trabajo a apretar, etc. La relación entre el par de apriete y el tiempo de apriete se muestra en la Fig. 7 para tornillos estándar o en la Fig. 8 para tornillos de alta resistencia. Sujete firmemente la herramienta y ponga el manguito sobre el tornillo o la tuerca. Ponga en marcha la herramienta y apriete durante el tiempo de apriete apropiado.

### NOTA:

- Cuando apriete tornillos M8 o más pequeños, ajuste con cuidado la presión que ejerce sobre el gatillo interruptor para no dañar el tornillo.
- Sujete la herramienta apuntando con ella en línea recta al tornillo.
- Si aprieta el tornillo por un tiempo más largo que el mostrado en la figura, el tornillo o el manguito podrán fatigarse en exceso, dañarse, etc. Antes de comenzar la tarea, realice siempre una operación de prueba para determinar el tiempo de apriete apropiado para su perno. Especialmente para un perno diferente a M8, realice la mencionada operación de prueba para evitar problemas con el manguito o tornillo, etc.

El par de apriete se ve afectado por una amplia variedad de factores incluyendo los siguientes. Después del apriete, compruebe siempre el par de apriete con una llave de torsión.

1. Cuando el cartucho de batería se descargue casi por completo, la tensión disminuirá y el par de apriete se reducirá.
2. Manguito
  - El no utilizar el manguito de tamaño apropiado ocasionará una disminución del par de apriete.
  - Un manguito desgastado (en el extremo hexagonal o cuadrado) provocará una disminución del par de apriete.
3. Perno
  - Incluso en el caso de que el coeficiente del par de apriete y el tipo de perno sean los mismos, el par de apriete apropiado diferirá según el diámetro del perno.
  - Incluso en el caso de que los diámetros de los pernos sean los mismos, el par de apriete apropiado diferirá según el coeficiente del par de apriete, el tipo de perno y la longitud del mismo.
4. La forma de sostener la herramienta o el material en la posición a apretar afectará a la torsión.
5. La operación de la herramienta a baja velocidad ocasionará una reducción del par de apriete.

## MANTENIMIENTO

### PRECAUCIÓN:

Asegúrese siempre de que la herramienta está apagada y de que el cartucho de baterías está quitado antes de realizar cualquier trabajo en la herramienta.

### Substitución de las escobillas de carbón (Fig. 9 y 10)

Substituya las escobillas de carbón cuando estén desgastadas hasta la marca del límite. Las dos escobillas de carbón idénticas deberían ser substituidas al mismo tiempo.

Para mantener la seguridad y fiabilidad del producto, las reparaciones, el mantenimiento y los ajustes deberán ser realizados por un Centro de Servicio Autorizado de Makita.

1 Parte vermelha	10 Anel em O	16 No sentido oposto
2 Botão	11 Gatilho	ao dos ponteiros do relógio
3 Cartucho de bateria	12 Alavanca do interruptor	17 Tempo de aperto
4 Tampa do terminal	de inversão	18 Segundos
5 Luzes de carregamento	13 Lado A	19 Binário de aperto apropriado para
6 Carregador da bateria	14 Lado B	20 Binário de aperto
7 Bocal	15 No sentido dos ponteiros	21 Marca limite
8 Bigorna	do relógio	22 Tampa do porta-escovas
9 Pino		23 Chave de fendas

**ESPECIFICAÇÕES**

<b>Modelo</b>	<b>BTW150</b>
Capacidades	
Perno normal	10 mm — 16 mm
Perno de alta tensão	8 mm — 12 mm
Transmissão quadrada	12,7 mm
Velocidade em vazio (min <sup>-1</sup> )	0 — 2.300
Impactos por minutos	0 — 3.000
Binário de aperto máximo	150 N·m
Comprimento total	193 mm
Peso líquido (com a bateria)	1,9 kg
Voltagem nominal	14,4 V CC

- Devido a um programa de pesquisa e desenvolvimento contínuo, estas especificações podem ser alteradas sem aviso prévio.
- Nota: As especificações podem diferir de país para país.

**Instruções de segurança**

Para sua segurança leia as instruções anexas.

**INSTRUÇÕES DE SEGURANÇA IMPORTANTES PARA O CARREGADOR E BATERIA**

1. **GUARDE ESTAS INSTRUÇÕES** — Este manual contém importantes normas de segurança e de funcionamento para o carregador de bateria.
2. Antes de utilizar o carregador leia todas as instruções e notas de precaução no (1) carregador de bateria, (2) bateria e (3) no produto que utiliza a bateria.
3. **PRECAUÇÃO** — Para reduzir o risco de acidente, carregue só baterias recarregáveis da MAKITA. Outros tipos de baterias podem explodir causando danos pessoais.
4. Não exponha o carregador à chuva ou à neve.
5. A utilização de qualquer acessório não recomendado ou vendido pelo fabricante do carregador de bateria pode provocar um incêndio, choque eléctrico ou danos pessoais.
6. Para reduzir o risco de danificar a ficha e o fio eléctrico, puxe pela ficha, nunca pelo fio, quando desligar o carregador.
7. Certifique-se de que o fio está colocado de modo a que não seja pisado, torcido ou de qualquer maneira sujeito a danos ou esticões.
8. Não utilize o carregador com um fio ou ficha estragados — substitua-os imediatamente.
9. Não utilize o carregador se recebeu alguma pancada, caiu ou foi danificado de qualquer maneira; leve-o a um serviço de assistência qualificado.
10. Não abra o carregador ou a bateria; leve-o a um serviço de assistência qualificado quando necessitar de assistência ou reparação. Montagem incorrecta pode resultar em incêndio ou choque eléctrico.
11. Para reduzir o risco de choque eléctrico, desligue o carregador da tomada antes de efectuar qualquer manutenção ou limpeza. Desligar os controlos não reduz o risco.

12. O carregador de bateria não deve ser utilizado por crianças ou por enfermos sem vigilância.
13. Deve vigiar as crianças para se certificar de que não brincam com o carregador.
14. Se o tempo de operação diminuir consideravelmente, pare imediatamente a operação. Pode ocorrer sobreaquecimento, queimaduras e mesmo uma explosão.
15. Se entrar electrólito nos seus olhos, lave-os com água e procure imediatamente assistência médica. Pode originar perda de visão.

**REGRAS DE SEGURANÇA ADICIONAIS PARA O CARREGADOR E BATERIA**

1. Não carregue a bateria quando a temperatura é INFERIOR A 10°C ou SUPERIOR A 40°C.
2. Não tente utilizar um transformador de corrente, um gerador ou um receptáculo de alimentação CC.
3. Não deixe que nada cubra ou obstrua as ventilações do carregador.
4. Não provoque um curto circuito na bateria:
  - (1) Não toque nos terminais com nenhum material condutor.
  - (2) Evite guardar a bateria juntamente com outros objectos metálicos tal como pregos, moedas, etc.
  - (3) Não exponha a bateria à chuva ou a água. Um curto circuito na bateria pode causar um grande fluxo de corrente, sobreaquecimento, possíveis queimaduras e mesmo uma avaria.
5. Não guarde a ferramenta e a bateria em locais onde a temperatura possa atingir ou ultrapassar 50°C.
6. Não queime a bateria mesmo se estiver severamente danificada ou completamente gasta. A bateria pode explodir no fogo.
7. Tenha cuidado para não deixar cair, sacudir ou dar pancadas na bateria.
8. Não carregue dentro de uma caixa ou recipiente de qualquer tipo. A bateria deve ser colocada num local bem ventilado durante o carregamento.

**REGRAS DE SEGURANÇA ADICIONAIS PARA A MAQUINA**

1. Não se esqueça que esta ferramenta está sempre operacional pois não necessita de ser ligada a uma tomada da rede.
2. Agarre na ferramenta pelas pegas isoladas quando executar uma operação em que a ferramenta de corte pode entrar em contacto com qualquer fio eléctrico escondido ou o seu próprio fio. O contacto com um fio “vivo” fará com que as partes de metal expostas fiquem “vivas” e originem um choque no operador.
3. Utilize protectores para os ouvidos.
4. Verifique cuidadosamente antes da instalação se o bocal está velho, tem falhas ou está estragado.
5. Segure na ferramenta firmemente.

6. **Certifique-se sempre de que os seus pés estão em perfeito equilíbrio.**
7. **Certifique-se de que ninguém está por baixo quando trabalhar em locais altos.**
8. **O acerto do binário pode diferir dependendo do tamanho ou do tipo de parafuso. Verifique o binário com uma chave de binário.**

## GUARDE ESTAS INSTRUÇÕES.

## INSTRUÇÕES DE FUNCIONAMENTO

### Instalar ou retirar a bateria (Fig. 1)

- Desligue sempre a ferramenta antes de colocar ou retirar a bateria.

### Carregamento (Fig. 2)

1. Ligue o carregador de bateria à tomada de corrente alternada com a voltagem apropriada. Duas luzes de carregamento piscarão repetidamente em verde.
2. Coloque a bateria no carregador até que pare, ajustando com a guia no carregador. A cobertura dos terminais do carregador pode ser aberta colocando a bateria e fechada retirando-a.
3. Quando a bateria está colocada, a cor da luz de carregamento muda de verde para vermelho e o carregamento começa. A luz de carregamento mantém-se acesa durante o carregamento. Uma luz de carregamento acesa em vermelho indica que a condição de carregamento é de 0 – 80% e duas luzes acesas em vermelho indicam que a condição de carregamento é de 80 – 100%.
4. Quando o carregamento termina as duas luzes de carregamento passam de vermelho para verde.
5. Se deixar a bateria no carregador depois do ciclo de carregamento acabar, o carregador muda para o modo de “carregamento gota a gota (carregamento de manutenção)” que durará aproximadamente 24 horas.
6. Depois do carregamento, retire o carregador da fonte de alimentação. Consulte a tabela abaixo para verificar o tempo de carga.

Tipo de bateria	Capacidade (mAh)	Número de células	Tempo de carga
BH1420	2.000	12	Aprox. 30 min.
BH1433	3.300	12	Aprox. 50 min.

### NOTA:

- O carregador de bateria é para carregar cartuchos de bateria da Makita. Nunca o utilize para outros fins ou baterias de outros fabricantes.
- Quando carrega uma bateria nova ou uma bateria que não foi utilizada durante um longo período de tempo, pode não aceitar uma carregamento completo. Isto é uma condição normal e não indica um problema. Pode carregar a bateria completamente depois de a descarregar e voltar a carregar algumas vezes.
- Se carregar uma bateria de uma ferramenta que acabou de funcionar ou uma bateria que foi deixada num local exposta à luz solar directa durante um longo período de tempo, a luz de carregamento pode piscar em vermelho. Se isto acontecer, espere um pouco. O carregamento começa quando a bateria tiver arrefecido com a ventoinha de arrefecimento colocada no carregador. Quando a temperatura na bateria for superior a aproximadamente 70°C, duas luzes de carregamento podem piscar em vermelho, e quando for aproximadamente 50°C – 70°C, uma luz de carregamento pisca em vermelho.
- Se a luz de carregamento piscar alternadamente em verde e vermelho, o carregamento não é possível. Os terminais no carregador ou a bateria estão bloqueados com poeira ou a bateria está gasta ou estragada.

### Sistema de arrefecimento

- Este carregador está equipado com uma ventoinha de arrefecimento para quando a bateria está quente, para permitir que a bateria comprove o seu desempenho. Escuta o som da ventoinha durante o arrefecimento e não significa problema com o carregador.
- Uma luz amarela de aviso piscará nos seguintes casos:
  - Problema na ventoinha de arrefecimento

- Para retirar a bateria, puxe-a da ferramenta enquanto desliza o botão no lado da bateria.
- Para colocar a bateria, alinhe a lingueta na bateria com a ranhura na caixa e deslize-a para o seu lugar. Coloque-a sempre completamente até que faça um clique no seu lugar. Se conseguir ver a parte vermelha no lado superior do botão, não está completamente colocada. Coloque-a completamente até que não possa ver a parte vermelha. Se assim não for, pode acidentalmente cair da ferramenta ferindo-o a si ou alguém próximo.
- Não utilize força quando coloca a bateria. Se a bateria não deslizar facilmente é porque não está colocada correctamente.

- Arrefecimento incompleto da bateria talvez por estar bloqueada com poeira.

A bateria pode ser carregada apesar da luz amarela de aviso. Mas o tempo de carregamento será superior ao normal neste caso.

Verifique o som da ventoinha de arrefecimento, a ventilação no carregador e bateria, que podem estar bloqueadas com poeira.

- O sistema de arrefecimento está em condições apesar de não ouvir a ventoinha de arrefecimento, se a luz amarela de aviso não piscar.
- Mantenha sempre limpas as ventilações para arrefecimento no carregador e bateria.
- Deve mandar os produtos para reparação ou manutenção se a luz amarela de aviso piscar frequentemente.

### Carregamento condicionado

O carregamento condicionado pode aumentar a vida da bateria procurando automaticamente a condição óptima de carregamento para as baterias em todas as situações.

Bateria utilizada repetidamente nas seguintes condições, ficará gasta rapidamente e a luz amarela de aviso poderá piscar.

1. Carregamento da bateria com a temperatura máxima.
2. Carregamento da bateria com a temperatura mínima.
3. Carregamento de uma bateria completamente carregada.
4. Super-descarregamento da bateria (continuar a descarregar a bateria apesar de já estar fraca).
5. Carregamento com o sistema de arrefecimento estragado.

O tempo de carregamento de uma bateria nestas condições é superior.

## Carregamento gota a gota (carregamento de manutenção)

Se deixar a bateria no carregador para evitar descarga espontânea depois de completamente carregada, o carregador mudará para o modo de "carregamento gota a gota (carregamento de manutenção)" e manterá a bateria fresca e completamente carregada.

### Conselhos para manter a máxima vida útil da bateria

1. Carregue a bateria antes de completamente descarregada.  
Páre sempre a operação e carregue a bateria quando notar diminuição de potência da ferramenta.
2. Nunca recarregue uma bateria completamente carregada.  
Sobrecarregamento diminui a vida útil da bateria.
3. Carregue a bateria à temperatura ambiente de 10°C – 40°C.  
Se a bateria aquecer, deixe-a arrefecer colocando-a no carregador.
4. Carregue a bateria de hidreto de níquel quando não a utilizar durante mais do que seis meses.

### Seleção do bocal correcto

Utilize sempre o bocal correcto para os parafusos e porcas. Um tamanho incorrecto do bocal pode originar um binário de aperto incorrecto ou inconsistente e/ou estragar a porca ou o parafuso.

### Para instalar ou retirar o bocal (Fig. 3 e 4)

#### PRECAUÇÃO:

Certifique-se sempre de que a ferramenta está desligada e o cartucho da bateria retirado antes de colocar ou retirar o bocal.

#### 1. Para tomada sem o anel em O e pino

Para colocar a tomada, empurre-a até ao fundo na bigorna até que faça um clique.  
Para retirar a tomada, puxe-a simplesmente para fora.

#### 2. Para tomada com anel em O e pino

Mova o anel em O para fora da ranhura no bocal e retire o pino do bocal. Assente o bocal na placa de apoio da ferramenta de modo a que o bocal fique alinhado com o orifício na placa de apoio. Em seguida volte a colocar o anel em O na posição original, na ranhura no bocal, para prender o pino. Para retirar o bocal siga inversamente os procedimentos de instalação.

### Ação do interruptor (Fig. 5)

#### PRECAUÇÃO:

Antes de colocar o cartucho de bateria na ferramenta, certifique-se sempre de que o gatilho funciona correctamente e volta para a posição "OFF" quando desligado.

Para ligar a ferramenta, carregue simplesmente no gatilho. A velocidade da ferramenta aumenta quando aumenta a pressão no gatilho. Liberte o gatilho para parar.

### Ação do interruptor de inversão (Fig. 6)

#### PRECAUÇÃO:

- Verifique sempre o sentido de rotação antes da operação.
- Só utilize o comutador de inversão quando a ferramenta estiver completamente parada. Mudar o sentido de rotação antes da ferramenta parar poderá danificá-la.
- Quando não estiver a funcionar com a ferramenta, coloque sempre o comutador de inversão na posição neutra.

Esta ferramenta tem um comutador de inversão para mudar o sentido de rotação. Pressione-o no lado A para rotação à direita ou no lado B para rotação à esquerda. Se o comutador de inversão estiver na posição neutra o gatilho não accionará.

## Operação

### PRECAUÇÃO:

Coloque sempre a bateria até ao fim até que fique presa no seu lugar. Se vir a parte vermelha na parte superior do botão, não está completamente presa. Coloque-a completamente até que não consiga ver a parte vermelha. Se assim não for, pode acidentalmente cair da ferramenta e feri-lo ou a alguém perto.

O binário de aperto adequado pode variar dependendo do tipo e tamanho da porca, do material da peça a ser apertada, etc. A relação entre o binário de aperto e o tempo de aperto é indicado no **Fig. 7** para porca normal ou **Fig. 8** para porca de grande elasticidade. Agarre na ferramenta firmemente e coloque o bocal sobre a porca ou o parafuso. Ligue a ferramenta e aperte durante o tempo de aperto adequado.

### NOTA:

- Quando aperta um parafuso M8 ou menos, regule cuidadosamente a pressão no gatilho de modo a que não estrague o parafuso.
- Pegue na ferramenta apontada directamente para a porca.
- Se apertar o parafuso durante tempo superior ao indicado na figura, a porca ou o bocal pode ficar com demasiada pressão, estragado, etc. Antes de iniciar um trabalho, execute sempre uma operação de teste para determinar o tempo de aperto adequado para a sua porca. Especialmente para um parafuso que não seja M8, execute a operação de teste acima para evitar problemas no bocal ou porca, etc.

O binário de aperto é afectado por uma ampla variedade de factores incluindo os seguintes. Depois do aperto verifique sempre o binário com uma chave de binário.

1. Quando o cartucho de bateria está quase completamente descarregado, a voltagem diminuirá e o binário de aperto será reduzido.
2. Bocal
  - A utilização de um tamanho de bocal incorrecto causará uma redução no binário de aperto.
  - Um bocal gasto (na extremidade hexagonal ou quadrada) causará uma redução do binário de aperto.
3. Parafuso
  - Mesmo que o coeficiente do binário de aperto e a classe do parafuso seja a mesma, o binário de aperto adequado será diferente de acordo com o diâmetro do parafuso.
  - Mesmo que os diâmetros dos parafusos sejam os mesmos, o binário de aperto adequado será diferente de acordo com coeficiente do binário, a classe e o comprimento do parafuso.
4. A maneira de pegar na ferramenta ou o material a ser apertado afectarão o torque.
5. A operação da ferramenta a baixa velocidade causará redução no binário de aperto.

## MANUTENÇÃO

### PRECAUÇÃO:

Certifique-se sempre de que a ferramenta se encontra desligada e de que a bateria foi retirada antes de efectuar qualquer inspecção e manutenção.

### Substituição das escovas de carvão (Fig. 9 e 10)

As escovas de carvão devem ser substituídas quando o desgaste atingir a marca limite. Ambas as escovas de carvão devem ser substituídas ao mesmo tempo.

Para salvaguardar a segurança e a fiabilidade do produto, as reparações, manutenção e afinações deverão ser sempre efectuadas por um Centro de Assistência Oficial MAKITA.

1 Rød del	9 Stift	17 Fastspændingstid
2 Knap	10 O-ring	18 Sekunder
3 Akku	11 Afbryderknap	19 Korrekt spændemoment for
4 Terminaldæksel	12 Omløbsvælger	20 Spændemoment
5 Ladelamper	13 A side	21 Slidmarkering
6 Oplader	14 B side	22 Kulholderdæksel
7 Top	15 Med uret	23 Skruetrækker
8 Ambolt	16 Mod uret	

## SPECIFIKATIONER

Model	BTW150
Capacitet	
Standard bolt .....	10 mm — 16 mm
Kvalitetsstålbolt .....	8 mm — 12 mm
Firkantdrev .....	12,7 mm
Omdrejninger (ubelastet) (min <sup>-1</sup> ) .....	0 — 2.300
Slag per minut .....	0 — 3.000
Maks. spændemoment .....	150 N·m
Længde .....	193 mm
Vægt (med akku) .....	1,9 kg
Spænding .....	DC 14,4 V

- Ret til tekniske ændringer forbeholdes.
- Bemærk: Data kan variere fra land til land.

### Sikkerhedsbestemmelser

Af sikkerhedsgrunde bør De sætte Dem ind i sikkerhedsforskrifterne.

## VIGTIGE SIKKERHEDSFORSKRIFTER FOR OPLADER OG AKKU

1. **GEM DISSE FORSKRIFTER** — Denne brugsanvisning indeholder vigtige sikkerhedsforskrifter og betjeningsvejledninger for opladeren.
2. Før brug af opladeren bør De læse alle instruktioner og advarselmarkeringer vedrørende (1) laderen, (2) akku, og (3) maskinen.
3. **ADVARSEL** — For at mindske risikoen for personskade må opladeren kun anvendes til opladning af genopladelige MAKITA akku-typer. Andre akku-typer kan sprænges og forårsage personskade eller ødelæggelser.
4. Udsæt ikke opladeren for regn eller sne.
5. Brug af tilbehør, der ikke er anbefalet eller solgt af Makita, kan medføre risiko for brand, elektrisk stød, eller personskade.
6. For at minimere risikoen for skade på netledning og netstik, skal De trække i netstikket og ikke i ledningen, når opladeren tages ud af stikkontakten.
7. Sørg for, at netledningen er placeret således, at man ikke træder på den eller falder over den, og således, at den ikke på anden måde beskadiges eller lider overlast.
8. Brug aldrig opladeren, hvis netledningen eller netstikket er beskadiget — få dem udskiftet øjeblikkeligt.
9. Brug aldrig opladeren, hvis den har fået voldsomt slag, er blevet tabt eller på anden måde er beskadiget. Lad en kvalificeret reparatør se på den.
10. Skil aldrig opladeren eller akkuen ad; kontakt en kvalificeret reparatør, når vedligeholdelse eller reparation er påkrævet. Forkert samling kan medføre risiko for elektrisk stød eller brand.
11. For at undgå risiko for elektrisk stød skal opladeren altid tages ud af stikkontakten, før vedligeholdelse eller rengøring udføres. Denne risiko fjernes ikke ved blot at slukke for kontrollerne.

12. Opladeren er ikke beregnet til at skulle anvendes af børn eller svaglige personer uden opsyn.
13. Små børn bør være under opsyn for at sikre, at de ikke leger med opladeren.
14. Hvis anvendelsestiden bliver ekstrem kort, skal brugen straks afbrydes. Det kan ellers resultere i overophedning, mulige forbrændinger og endog eksplosion.
15. Hvis man får elektrolytvæske i øjnene, skal de øjeblikkeligt renses med rigeligt rent vand, hvorefter der straks skal søges læge. Der er risiko for tab af synsevne.

## YDERLIGERE SIKKERHEDSFORSKRIFTER FOR OPLADER OG AKKU

1. Oplad ikke akkuen, når temperaturen er UNDER 10°C, eller OVER 40°C.
2. Forsøg aldrig at anvende en transformator, generator eller jævnstrømsforsyning til opladning.
3. Sørg for at opladerens ventilationsåbninger ikke til-dækkes.
4. Kortslut aldrig akkuen:
  - (1) Rør ikke polerne med noget ledende materiale.
  - (2) Opbevar ikke akkuen sammen med genstande af metal, som f.eks. søm og skruer.
  - (3) Udsæt aldrig akkuen eller maskinen for vand eller regn.
 En kortslutning af akkuen kan forårsage en stor strømudladning, overophedning, forbrænding, og gennemslag gennem isolerende materiale.
5. Opbevar ikke akkuen eller maskinen på steder, hvor temperaturen kan komme over 50°C.
6. Akkuen indeholder cadmium og er dermed miljøaf-fald, som ikke må bortskaffes med almindeligt husholdningsaffald. Den må ikke brændes, da den kan eksplodere i åben ild. Akkuen skal, når den er udtjent, deponeres for genbrug. Spørg forhandleren om de gældende regler.
7. Udsæt ikke akkuen for slag eller andre voldsomme fysiske påvirkninger.
8. Oplad ikke akkuen i en kasse eller en anden form for beholder. Akkuen skal oplades på et sted med god ventilation.

## YDERLIGERE SIKKERHEDSFORSKRIFTER FOR MASKINEN

1. Vær opmærksom på, at denne maskine altid er i driftsklar tilstand, da den ikke kræver at blive sat til en stikkontakt.
2. Hold kun ved maskinen på de isolerede greb og overflader, når De udfører arbejde, hvor det skærende værktøj kan komme i kontakt med skjulte ledninger. Kontakt med en strømførende ledning vil også gøre uafdækkede metaldele på maskinen strømførende og give operatøren stød.
3. Benyt høreværn.
4. Kontrollér omhyggeligt toppen for slitage, revner eller beskadigelse før montering.
5. Hold godt fast på maskinen.
6. Sørg for, at De altid har sikkert fodfæste.
7. Ved brug af maskinen i større højde bør De sikre Dem, at der ikke opholder sig personer under arbejdsområdet.
8. Det korrekte spændemoment kan svinge afhængigt af boltens type eller størrelse. Kontrollér spændemomentet med en momentnøgle.

## GEM DISSE FORSKRIFTER.

### Opladning (Fig. 2)

1. Tilslut akku-ladeaggregatet til stikkontakten. To ladeindikatorlamper fortsætter med at blinke grønt.
2. Ret akkuen ind efter rillen i laderen og skub den helt ind. Dækslet over laderens terminaler åbner ved isætning af akkuen og lukker ved udtrækning af akkuen.
3. Når akkuen er isat, skifter ladeindikatorlampernes farve fra grøn til rød, og opladning begynder. Ladeindikatorlampen lyser konstant under opladningen.  
En rød ladeindikatorlampe angiver 0 – 80% opladet tilstand, og to røde ladeindikatorlamper angiver 80 – 100%.
4. Når opladning er færdig, skifter ladeindikatorlampen fra røde til grønne.
5. Hvis De efterlader akkuen i opladeren, efter at opladningen er fuldført, skifter opladeren til "kompensationsladning (vedligeholdelsesladning)" funktion, som varer ved i cirka 24 timer.
6. Efter opladning tages laderen ud af forbindelse med strømforsyningen. Se nedenstående tabel vedrørende ladetiden.

Akku-type	Kapacitet (mAh)	Antal celler	Ladetid ved anvendelse
BH1420	2 000	12	Ca. 30 min.
BH1433	3 300	12	Ca. 50 min.

### BEMÆRK:

- Opladeren er til opladning af Makita akkuer. Anvend den aldrig til andre formål eller til akku af andet fabrikat.
- Hvis De forsøger at oplade en ny akku, eller en akku, der ikke har været anvendt i lang tid, er det ikke sikkert, at akkuen kan oplades helt. Dette er normalt, og er ikke tegn på, at der er noget i vejen. De kan oplade akkuen fuldt ud, efter at den er blevet helt afladet og opladet nogle gange.
- Hvis De forsøger at oplade en akku, der lige er taget af en netop anvendt maskine, eller en akku, der har været efterladt på et sted, hvor den har været udsat for solens direkte stråler i lang tid, kan ladelampen blinke rødt. I dette tilfælde skal akkuen have lov at køle af. Opladning starter, når akkuen er blevet kølet ned af ventilatoren i opladeren. Når akkuens temperatur er højere end cirka 70°C, kan de to ladelamper blinke rødt, og når den er cirka 50°C til 70°C, blinker en ladelampe rødt.
- Hvis ladelampen skiftevis blinker grønt eller rødt, er opladning ikke mulig. Terminalerne på opladeren eller akkuen er tilstoppet med støv, eller akkuen er slidt op eller beskadiget.

### Kølesystem

- Denne oplader er forsynet med en ventilator til afkøling af akkuen, således at optimal ydelse sikres. Lyden fra køleluften høres under afkøling, hvilket ikke er tegn på, at der er noget i vejen med opladeren.

## BETJENINGSFORSKRIFTER

### Montering og afmontering af akku (Fig. 1)

- Kontrollér altid, at maskinen er slået fra, før montering eller afmontering af akkuen.
- Akkuen fjernes ved at den trækkes af maskinen, mens knappen på siden af akkuen skydes til side.
- Isæt akkuen ved at rette dens tunge ind efter rillen i huset. Skyd derefter akkuen helt ind, til den låser på plads med et lille klik. Hvis den røde del på oversiden af knappen er synlig, er akkuen ikke låst korrekt. Skyd akkuen helt ind, indtil den røde del ikke er synlig. Hvis akkuen ikke sættes i på denne måde, kan den ved et uheld falde ud af maskinen, og eventuelt forvolde personskade på Dem selv eller andre.
- Brug aldrig magt, når akkuen skal sættes i. Hvis ikke akkuen glider i uden besvær, er det fordi, at den vender forkert.

- Gult lys blinker som advarsel i følgende tilfælde.

- Problem med ventilatoren
  - Ufuldstændig afkøling af akkuen, eksempelvis hvis denne er tilstoppet med støv
- Akkuen kan oplades, selv om den gul advarselslampe er tændt. Men ladetiden vil være længere end normalt.
- Lyt efter lyden af ventilatoren, og kontrollér ventilationshullerne på opladeren og akkuen, da disse kan tilstoppes af støv.
- Kølesystem virker korrekt, selv om der ingen ventilatorlyd høres, såfremt den gule advarselslampe ikke blinker.
  - Hold altid ventilationshullerne på opladeren og akkuen rene for at fremme afkøling,
  - Produkterne bør sendes til reparation eller eftersyn, hvis den gule advarselslampe hyppigt blinker.

### Konditioneringsopladning

Konditioneringsopladning kan forlænge akkuens levetid, idet denne form for opladning automatisk bestemmer den optimale ladetilstand på akkuerne i enhver situation.

En akku, der gentagne gange anvendes under følgende forhold, vil blive slidt op i løbet af kort tid, og den gule advarselsslampe kan blinke.

1. Opladning af akkuen, mens den er meget varm.
  2. Opladning af akkuen, mens den er meget kold.
  3. Opladning af en fuldt opladet akku.
  4. Overafledning af akku (afledning af akku fortsat selv om der ikke er mere strøm på).
  5. Opladning mens ventilationssystemet er i stykker.
- Ladetiden er længere end normalt ved en sådan akku.

### Kompensationsladning (vedligeholdelsesladning)

Hvis De efterlade akkuen i opladeren for at forebygge spontan afledning efter en fuld opladning, skifter opladeren til dens "kompensationsladning (vedligeholdelsesladning)" funktion, og holder derved akkuen frisk og fuldt opladet.

### Tips til sikring af maksimal akku-levetid

1. Oplad akkuen, før den er fuldt afladet.  
Stop altid med at bruge maskinen, og oplad akkuen, når De bemærker reduceret maskinkraft.
2. Oplad aldrig en fuldt opladet akku.  
Over-opladning forkorter akkuens levetid.
3. Oplad akkuen ved en rumtemperatur på 10°C – 40°C.  
Lad en varm akku køle af ved at sætte den ind i laderen.
4. Oplad nikkel metalhydrid akkuen, når De ikke har anvendt den indenfor et halvt år.

### Valg af korrekt top

Anvend altid den korrekte størrelse i top til bolte og møtrikker. En top med forkert størrelse vil give upræcist og ujævnt spændemoment og/eller beskadige bolten eller møtrikken.

### Montering eller afmontering af top (Fig. 3 og 4)

#### FORSIGTIG:

Kontrollér altid at maskinen er slået fra og akkuen fjernet, før toppen monteres eller afmonteres.

#### 1. For toppe uden O-ring og stift

Toppen monteres ved at den trykkes ind over ambolten på maskinen, indtil toppen låser på plads.  
Toppen fjernes ved at den ganske enkelt trækkes af.

#### 2. For toppe med O-ring og stift

Tag O-ringen ud fra rillen i toppen og fjern stiften fra toppen. Sæt toppen på maskinens ambolt, således at hullet i toppen passer med hullet i ambolten. Før stiften ind gennem hullet i toppen og ambolten. Anbring derefter O-ringen på dens oprindelige plads i rillen på toppen for at holde stiften på plads. Toppen afmonteres ved at følge monteringsfremgangsmåden i omvendt orden.

### Afbryderknappbetjening (Fig. 5)

#### FORSIGTIG:

Før akkuen sættes i maskinen, bør De altid kontrollere, at afbryderknappen fungerer korrekt og returnerer til "OFF" positionen, når den slippes.

For at starte maskinen trykkes der blot på afbryderen. Maskinens hastighed øges ved at øge trykket på afbryderen. Slip afbryderen for at stoppe.

### Omløbsvælg (Fig. 6)

#### ADVARSEL:

- Kontrollér altid omløbsretningen før arbejdet påbegyndes.
- Brug kun omløbsvælgeren når maskinen er helt stoppet. Hvis omløbsretningen ændres inden maskinen er helt stoppet, kan det beskadige maskinen.
- Når maskinen ikke anvendes, skal omløbsvælgeren altid være sat i neutral position.

Denne maskine har en omløbsvælger, der kan ændre omløbsretningen. Skub omløbsvælgeren ind fra side A for omdrejning med uret, eller fra side B for omdrejning mod uret. Når omløbsvælgeren er i neutral position, kan afbryderknappen ikke trykkes ind.

### Anvendelse

#### FORSIGTIG:

Sæt altid akkuen helt ind, så den låses på plads. Hvis De kan se den røde del på oversiden af knappen, betyder det, at den ikke er helt fastlåst. Sæt den helt ind, så den røde del ikke kan ses. Hvis den ikke sættes helt ind, kan den ved et uheld falde ud af maskinen med risiko for, at omkringstående eller De selv kan komme til skade.

Det korrekte spændemoment kan svinge, afhængigt af typen eller størrelsen af bolten, materialet af det arbejdsstykke, der skal fastgøres etc. Forholdet mellem spændemoment og fastgøringstid er vist i Fig. 7 for standardbolte og i Fig. 8 for kvalitetsstålbolte. Hold godt fast på maskinen og anbring toppen over bolten eller møtrikken. Tænd for maskinen og tilspænd i den korrekte fastgøringstid.

#### BEMÆRK:

- Ved fastgøring af skrue af M8-størrelse eller mindre, skal trykket på afbryderen omhyggeligt reguleres, således at skruen ikke lider skade.
- Hold maskinen i ret vinkel direkte mod bolten.
- Hvis De fastgør bolten i længere tid end den i figuren viste tid, er der risiko for, at bolten eller toppen udsættes for et for stort tryk, lider skade etc. For arbejdet startes, bør De altid udføre en prøve for at bestemme den tilstrækkelige fastgøringstid for bolten. Specielt for andre bolte end M8 bør ovennævnte prøve udføres for at forhindre problemer med toppen eller bolten etc.

Spændemomentet påvirkes af en række faktorer, inklusive de følgende. Efter fastgøring skal momentet altid kontrolleres med en momentnøgle.

1. Når akkuen er næsten helt afladet, falder spændingen, og spændemomentet reduceres.
2. Top
  - Anvendelse af en forkert størrelse top vil reducere spændemomentet.
  - En slidt top (slitage på sekskantenden eller den firkantede ende) vil reducere spændemomentet.
3. Bolt
  - Selv om spændemomentkoefficienten og boltklassen er den samme, vil det korrekte spændemoment afhænge af diameteren på bolten.
  - Selv om diameteren på bolte er den samme, vil det korrekte spændemoment afhænge af spændemomentkoefficienten, boltklassen og boltens længde.
4. Den måde, hvorpå man holder maskinen eller typen af materialet, der skal fastgøres, påvirker spændemomentet.
5. Hvis maskinen anvendes med lav hastighed, vil spændemomentet blive mindre.

### VEDLIGEHOLDELSE

#### ADVARSEL:

Sørg altid for at maskinen er slukket, og at akkuen er taget ud før der gennemføres noget arbejde på selve maskinen.

#### Udskiftning af kul (Fig. 9 og 10)

Udskift maskinens kul når disse er slidt ned til slidgrænsen. De nedslidte kul erstattes med nye originale Makita-kul. Udskift altid kullene parvis.

For at opretholde produktets sikkerhed og pålidelighed, må istandsættelse, vedligeholdelse eller justering kun udføres af et autoriseret Makita service center.



1 Röd del	9 Läspinne	17 Åtdragningstid
2 Knapp	10 Gummiring	18 Sekunder
3 Batterikassett	11 Avtryckare	19 Lämpligt åtdragningsmoment för
4 Kontaktskydd	12 Rotationsomkopplingsspak	20 Åtdragningsmoment
5 Laddningslampa	13 Sida A	21 Slitgränsmarkering
6 Batteriladdare	14 Sida B	22 Kolhållarlock
7 Hylsa	15 Medurs	23 Skruvmejsel
8 Drivtapp	16 Moturs	

## TEKNISKA DATA

Modell	BTW150
Kapacitet	
Standardbult .....	10 mm — 16 mm
Höghållfasthetsbult .....	8 mm — 12 mm
Fyrkantig borr .....	12,7 mm
Obelastat varvtal (min <sup>-1</sup> ) .....	0 — 2 300
Slagtal per minut .....	0 — 3 000
Max. åtdragningsmoment .....	150 N·m
Total längd .....	193 mm
Nettovikt (med kraftkassett) .....	1,9 kg
Märkspänning .....	14,4 V likström

- På grund av vårt ständiga forsknings- och utvecklingsprogram kan här angivna tekniska data ändras utan föregående meddelande.
- Observera: Tekniska data kan variera från land till land.

### Säkerhetstips

Läs igenom de medföljande säkerhetsföreskrifterna för din egen säkerhets skull.

## VIKTIGA SÄKERHETSINSTRUKTIONER FÖR LADDARE OCH KRAFTKASSETT

1. SPARA DESSA INSTRUKTIONER — Bruksanvisningen innehåller viktiga säkerhets- och driftsinstruktioner för batteriladdaren.
2. Läs alla instruktioner och varningstexter på (1) batteriladdaren, (2) kraftkassetten och (3) produkten till vilka dessa används, innan du använder batteriladdaren.
3. VARNING — Ladda endast MAKITA uppladdningsbara kraftkassetter för att minska risken för skador. Andra batterityper kan explodera och orsaka skador på person och egendom.
4. Utsätt inte laddaren för regn eller snö.
5. Användning av tillbehör som inte säljs eller är rekommenderade av batteriladdarens tillverkare kan medföra risk för eldsvåda, elektriska stötar och personskador.
6. Dra i kontakten och inte i sladden när laddaren kopplas ur strömuttaget, för att minska risken för skador på nätkontakten och nåtsladden.
7. Se till att sladden är placerad så att inte någon trampar eller snubblar på den, eller att den på annat sätt utsätts för skador eller yttre påverkan.
8. Använd inte laddaren om kontakten eller sladden är skadade. Byt ut delarna omedelbart.
9. Använd inte laddaren om den har utsatts för ett kraftigt slag, tappats, eller på annat sätt skadats. Ta laddaren till en auktoriserad serviceverkstad.
10. Plocka inte isär laddaren eller kraftkassetten. Ta dem till en auktoriserad serviceverkstad om de behöver ses över eller repareras. Felaktig sammansättning kan medföra risk för elektriska stötar och eldsvåda.
11. Dra ur kontakten till laddaren innan underhåll eller rengöring utförs för att minska risken för elektriska stötar. Denna risk minskas inte genom att bara stänga av kontrollerna.

12. Batteriladdaren är inte avsedd för att användas av småbarn och personer som lider av Ålderdomssvaghet utan tillsyn.
13. Småbarn bör ha sådan tillsyn att de inte leker med batteriladdaren.
14. Avsluta arbetet omedelbart om driftstiden har blivit mycket förkortad. Att fortsätta arbetet kan resultera i risk för överhettning, möjliga brännskador och även explosion.
15. Om elektrolyt skulle komma in i ögonen bör du tvätta av dem med rent vatten, och genast söka medicinsk hjälp. Elektrolyten kan resultera i att du förlorar synen.

## SÄRSKILDA ANVISNINGAR FÖR LADDARE OCH KRAFTKASSETT

1. Ladda inte kraftkassetten när temperaturen är UNDER 10°C eller ÖVER 40°C.
2. Försök inte använda en spänningsomvandlare, motordriven generator eller ett likströmsuttag.
3. Låt ingenting täcka för eller täppa igen laddarens ventilationshål.
4. Kortslut inte kraftkassetten:
  - (1) Vidrör inte kontakterna med något ledande material.
  - (2) Undvik att förvara kraftkassetten i en behållare som innehåller andra metallföremål som till exempel spikar, mynt o.d.
  - (3) Utsätt inte kraftkassetten för vatten eller regn. En kortslutning av kraftkassetten kan medföra ett kraftigt spänningsflöde, överhettning, brännskador och även totalförstörrelse av kraftkassetten.
5. Förvara ej verktyget eller kraftkassetten på platser där temperaturen kan komma att uppnå eller överskrida 50°C.
6. Bränn inte upp kraftkassetten även om den är kraftigt skadad eller totalt utsliten. Kraftkassetten kan explodera i eld.
7. Var försiktig så att batteriet inte tappas, skakas om kraftigt eller slås emot andra föremål.
8. Ladda inte kraftkassetten inuti en låda eller behållare av något slag. Kraftkassetten måste placeras på en plats med god ventilation under laddning.

## EXTRA SÄKERHETSANVISNINGAR FÖR MASKINEN

1. Tänk på att maskinen alltid är i driftklart tillstånd eftersom den inte behöver kopplas in i ett vägguttag.
2. Håll verktyget i de isolerade greppytorna vid arbeten där skären riskerar att komma i kontakt med ledningsdragnings som inte är synliga. Om verktyget skulle komma i kontakt med en strömförande ledning kommer även de synliga metalldelarna på verktyget att bli strömförande, och därmed ge operatören en elektrisk stöt.

- Bär örönskydd.
- Kontrollera hylsan noggrant efter förslitning, sprickor eller andra skador före installationen.
- Håll maskinen stadigt.
- Var noga med att alltid stå stadigt.
- Kontrollera att ingen befinner sig under dig när du använder maskinen på höga platser.
- Rätt åtdrägningsmoment beror på bultens typ och storlek. Kontrollera momentet med en momentnyckel.

## SPARA DESSA ANVISNINGAR.

### Laddning (Fig. 2)

- Sätt i laddaren i ett lämpligt växelströmsuttag. De två laddningslamporna kommer att blinka upprepade gånger med grönt ljus.
- Sätt i kraftkassetten i laddaren tills det tar stopp, inriktad mot laddarens ledspår. Locket för laddarens kontaktbleck öppnas när i kraftkassetten sätts i, och stängs när kraftkassetten tas ur.
- När kraftkassetten sätts i ändras färgen på laddningslamporna från grönt till rött, och laddningen påbörjas. Laddningslamporna fortsätter att lysa med stadigt sken under laddningen. En röd laddningslampa indikerar laddningstillståndet 0 – 80%, och två röda lampor indikerar 80 – 100%.
- När laddningen är avslutad ändras laddningslamporna från två röda till två gröna.
- Om du låter batteriet sitta kvar i laddaren efter att laddningen är klar, så övergår laddaren till dess läge för "strömladdning (underhållsladdning)", vilket varar i ungefär 24 timmar.
- Koppla ur laddaren från strömkällan efter att laddningen är avslutad. Se i tabellen nedan för laddningstid.

Batterityp	Kapacitet (mAh)	Antal celler	Laddningstid
BH1420	2 000	12	Ungefär 30 min.
BH1433	3 300	12	Ungefär 50 min.

### OBSERVERA:

- Batteriladdaren är avsedd för uppladdning av Makita kraftkassetter. Använd den aldrig för andra ändamål, eller för uppladdning av batterier från andra tillverkare.
- När du laddar upp en ny kraftkasset, eller en kraftkasset som inte har använts under en längre tid, kan det inträffa den inte kan laddas upp fullt. Detta är normalt och tyder inte på något fel. Du kan ladda upp kraftkassetten fullt, efter att ha laddat ur och laddat upp den ett par gånger.
- Om du laddar upp en kraftkasset från en verktygs som just har använts, eller en kraftkasset som har legat på en plats som är utsatt för direkt solljus under en längre tid, kan det inträffa att laddningslampan blinkar med rött ljus. Vänta i så fall ett litet tag. Laddningen påbörjas efter att kraftkassetten har svalnat tack vare kylfläkten som är inbyggd i laddaren. Om batteriets temperatur är cirka 70°C så blinkar de två laddningslamporna med rött ljus, och om den är cirka 50°C – 70°C så blinkar en av laddningslamporna med rött ljus.
- Om laddningslamporna blinkar med omväxlande rött och grönt ljus, så går det inte att ladda batteriet. Kontaktblecken på laddaren eller kraftkassetten är belagda med damm, eller så är kraftkassetten utsliten eller skadad.

### Kylsystem

- Laddaren är utrustad med en kylfläkt för varma batterier, i syfte att förbättra batteriets laddningsprestanda. Under kylning hörs det ett ljud från kylfluten, men detta betyder inte att det är något fel på laddaren.

## BRUKSANVISNING

### Montering och demontering av kraftkassetten

#### (Fig. 1)

- Stäng alltid av verktyget innan kraftkassetten sätts i eller tas ur.
- Tag bort kraftkassetten genom att dra av den från verktyget samtidigt som du skjuter på knappen på kassetten sida.
- Sätt på kraftkassetten genom att rikta in tungan på kraftkassetten mot skåran i verktygshuset, och sedan skjuta kassetten på plats. Skjut alltid in kassetten hela vägen tills den låses fast i läge med ett litet klick. Om du kan se den röda delen på knappens övre sida är kassetten inte helt fastlåst. Skjut på den helt tills den röda delen inte kan ses. I annat fall kan kassetten trilla av verktyget, och orsaka skador på dig själv eller någon i din närhet.
- Tvinga inte kraftkassetten i läge vid monteringen. Om kassetten inte lätt glider i läge, är den inte monterad på rätt sätt.

- Ett gult ljus blinkar som varning i följande fall.

- Problem med kylfläkten.
  - Batteriet är inte tillräckligt avsvolat, t. ex. på grund av att det är igensatt med damm.
- Batteriet kan laddas även om den gula varningslampan blinkar. Laddningstiden blir dock längre än normalt i dessa fall.
- Lyssna på ljudet från kylfläkten, och kontrollera ventilerna på laddaren och batteriet som ibland kan täppas igen med damm.
- Kylsystemet fungerar normalt, även om inget ljud hörs från fläkten, så länge den gula varningslampan inte blinkar.
  - Se till att ventilerna på laddaren och batteriet alltid är rengjorda vid kylning.
  - Produkten bör skickas på reparation eller underhåll, om den gula varningslampan ofta blinkar.

### Villkorsladdning

Villkorsladdningen kan förlänga batteriernas livslängd, genom att automatiskt söka efter det optimala laddningsvillkoret för batteriet i varje enskilt fall.

Batterier som upprepade gånger används i något av följande tillstånd kommer att slitas ut snabbt, och den gula varningslampan kan börja blinka.

- Uppladdning av varma batterier.
  - Uppladdning av kalla batterier.
  - Uppladdning av redan fullt uppladdade batterier.
  - Överurladdning av batterier (fortsatt användning av ett batteri som redan börjat ladda ur).
  - Uppladdning med trasigt kylsystem.
- Laddningstiden för dessa typer av batterier är längre än normalt.

## Strörladdning (underhållsladdning)

Laddaren övergår till läget för "strörladdning (underhållsladdning)" om du lämnar kvar batteripaketet i laddaren, för att förhindra att batteriet laddas ur spontant efter en fulladdning, och batteripaketet kan därmed hållas fräscht och fulladdat.

### Tips för att upprätthålla maximal livslängd för batteriet

1. Ladda upp batteripaketet innan det är fullständigt urladdat.  
Avbryt alltid arbetet som du utför med verktyget, och ladda upp batteripaketet, när du märker att kraften i verktyget minskar.
2. Ladda aldrig ett fulladdat batteripaket.  
Överladdning minskar batteriets livslängd.
3. Ladda batteripaketet i rumstemperatur vid 10°C – 40°C.  
Låt ett helt batteri svalna av genom att sätta i det i laddaren.
4. Ladda upp kraftkassetten, av typ nickel metallhydrid, om du inte använder den på mer än sex månader.

### Rätt val av hylsa

Välj alltid en hylsa av rätt storlek för bultar och muttrar. En felaktig hylsstorlek resulterar i ett felaktigt och ojämnt åtdragningsmoment och/eller skador på bulten eller muttern.

### Montering och demontering av hylsan (Fig. 3 och 4)

#### FÖRSIKTIGHET:

Kontrollera alltid noggrant att maskinen är avstängd och att batterikassetten är uttagen innan du monterar eller demonterar hylsan.

#### 1. För hylsor utan O-ring och låspinne

Montera hylsan genom att trycka på den på maskinens drivtapp tills den låser fast i läge.  
Demontera hylsan genom att helt enkelt dra av den.

#### 2. För hylsor med O-ring och låspinne

Rulla bort gummiringen från spåret i hylsan och ta bort låspinnen från hylsan. Montera hylsan på drivtappen så att hålet i hylsan befinner sig mitt för hålet i drivtappen. Stick in låspinnen genom hålet i hylsan och drivtappen. Rulla sedan tillbaka gummiringen till sitt ursprungsläge i hylsspåret för att säkra låspinnen. Utför monteringsanvisningarna i omvänd ordning för att demontera hylsan.

### Avtryckaren (Fig. 5)

#### VARNING:

Kontrollera alltid att avtryckaren fungerar som den skall och återgår till avstängt läge när du släpper den, innan du sätter i batterikassetten i maskinen.

Starta maskinen helt enkelt genom att trycka på avtryckaren. Maskinens hastighet ökar med ökat tryck på avtryckaren. Släpp avtryckaren för att stanna maskinen.

### Rotationsomkopplaren (Fig. 6)

#### FÖRSIKTIGHET!

- Kontrollera alltid rotationsriktningen före användning.
- Använd rotationsomkopplaren först efter att maskinen har stannat helt. Ändring av rotationsriktningen innan maskinen har stannat kan orsaka skador på maskinen.
- Ställ alltid rotationsomkopplaren i neutralt läge när maskinen inte är i bruk.

Denna maskin är utrustad med en rotationsomkopplare för att ändra rotationsriktningen. Tryck in rotationsomkopplaren från sida A för medurs rotation, och från sida B för moturs rotation. När rotationsomkopplaren står i neutralt läge kan strömställaren inte tryckas in.

## Användningsätt

### FÖRSIKTIGHET:

För alltid in batterikassetten så långt det går, tills den låser i läge. Om du kan se den röda delen av knappens övre del, så är den inte helt fastlåst. För in kassetten helt och hållet, tills den röda delen inte längre kan ses. I annat fall kan batterikassetten falla ur maskinen av en olyckshändelse, vilket kan orsaka skador på dig själv eller någon i din närhet.

Rätt åtdragningsmoment kan variera beroende på bultens typ och storlek, materialet i det arbetsstycke som bulten ska fästas i, osv. Förhållandet mellan åtdragningsmomentet och åtdragningstiden visas i **fig. 7** för standardbultar, och i **fig. 8** för bultar med hög hållfasthet. Håll maskinen stadigt och placera hylsan över bulten eller muttern. Sätt på maskinen och dra åt under den föreskrivna åtdragningstiden.

### OBSERVERA:

- Justera försiktigt trycket mot strömbrytaren, vid åtdragning av M8-skruvor eller mindre, så att skruven inte skadas.
- Håll maskinen riktad rakt emot bulten.
- Om bulten dras åt längre tid än vad som anges i figuren kan bulten eller hylsan utsättas för alltför hög påfrestning, skadas, e.d. Utför alltid en provdragning innan du påbörjar arbetet, för att bestämma den lämpliga åtdragningstiden för den bult du använder. Särskilt om andra bultar än M8 används bör denna provdragning utföras för att förhindra att det uppstår några problem på hylsan eller bulten, e.d.

Åtdragningsmomentet beror på en lång rad faktorer inklusive följande. Kontrollera alltid momentet med en momentnyckel efter åtdragningen.

1. När batterikassetten är nästan helt urladdad sjunker spänningen och därmed åtdragningsmomentet.
2. Hylsan
  - Om en hylsa av fel storlek används sjunker åtdragningsmomentet.
  - Om hylsan är slitna (slitage på den sexkantiga eller den fyrkantiga änden) sjunker åtdragningsmomentet.
3. Bulten
  - Även om momentkoefficienten och bulttypen är densamma, beror det korrekta åtdragningsmomentet på bultens diameter.
  - Även om två bultar har samma diameter beror det korrekta åtdragningsmomentet på momentkoefficienten, bulttypen och bultarnas längd.
4. Hur maskinen hålls, det material som idragningen sker i och bultens position påverkar åtdragningsmomentet.
5. Att köra maskinen på lågt varvtal medför att åtdragningsmomentet reduceras.

## UNDERHÅLL

### FÖRSIKTIGHET:

Tillse alltid att maskinen är fränkopplad och att batteriet tagits ur maskinen innan du utför arbete på denna.

### Utbyte av kolborstar (Fig. 9 och 10)

Byt ut kolborstarna när de slitits ner till slitagegränsmarkeringen. Byt alltid ut båda kolborstarna samtidigt.

För att bibehålla produktens säkerhet och tillförlitlighet, bör alltid reparationer, underhållservice och justeringar utföras av auktoriserad Makita serviceverkstad.

1 Rød del	9 Stift	17 Tiltrekningstid
2 Knapp	10 O-ring	18 Sekunder
3 Batteri	11 Startbryter	19 Korrekt tiltrekningsmoment for
4 Terminaldeksel	12 Reversbryter	20 Tiltrekningsmoment
5 Ladelamper	13 A-side	21 Slitasjegrense
6 Batterilader	14 B-side	22 Børsteholderhette
7 Muffe	15 Medurs	23 Skrutrekker
8 Anbolt	16 Moturs	

## SPESIFIKASJONER

Modell	BTW150
Kapasiteter	
Standard bolt .....	10 mm — 16 mm
Høystrekkbolt .....	8 mm — 12 mm
Firkantdrev .....	12,7 mm
Tomgangshastighet (min <sup>-1</sup> ) .....	0 — 2 300
Slag per minutt .....	0 — 3 000
Maks. tiltrekningsmoment .....	150 N·m
Total lengde .....	193 mm
Nettovekt (med batteri) .....	1,9 kg
Klassifisert spenning .....	DC14,4 V

• Grunnet det kontinuerlige forsknings- og utviklingsprogrammet, forbeholder vi oss retten til å foreta endringer i tekniske data uten forvarsel.

• Merk: Tekniske data kan variere fra land til land.

### Sikkerhetstips

For din egen sikkerhets skyld ber vi deg lese de medfølgende sikkerhetsreglene.

## VIKTIGE SIKKERHETSREGLER FOR LADER OG BATTERI

- TA VARE PÅ BRUKSANVISNINGEN — den inneholder viktige sikkerhetsregler og bruksveiledning for batteriladeren.
- Les alle sikkerhetsregler og advarsler på (1) laderen, (2) batteriet og (3) produktet som batteriet skal brukes til før laderen tas i bruk.
- NB! — Reduser faren for skader- bruk kun oppladbare batterier av Makita type. Andre typer batterier kan eksplodere og forårsake skader, både på personer og omgivelsene.
- Utsett ikke laderen for regn eller snø.
- Bruk av utstyr som ikke er anbefalt av eller selges av produsenten av laderen kan medføre fare for brann, elektrisk støt eller personskader.
- Rykk ikke i ledningen for å få støpslet ut av stikkontakten.
- Sørg for at ledningen ligger slik at ingen trækker på, snubler i den, eller at den på annen måte utsettes for belastninger.
- Bruk ikke laderen hvis ledningen eller støpslet er skadet — skift ut omgående.
- Har hurtigladeren falt i gulvet eller vært utsatt for skade, bør den repareres på et autorisert verksted.
- Demonter ikke lader eller batteri på egen hånd. Overlat eventuelle reparasjoner til et autorisert verksted. Feil montering kan medføre fare for elektrisk støt eller brann.
- Faren for elektrisk støt ved rengjøring og vedlikehold reduseres ved å fjerne støpslet fra kontakten. Det er ikke nok å skru av kontrollene.
- Batteriladeren er ikke beregnet til bruk for mindreårige barn eller personer som trenger oppsyn.
- Se til at ikke mindreårige barn leker med batteriladeren.
- Hvis brukstiden blir drastisk kortere, må maskinen stoppes omgående. Det er fare for overoppheting, mulige forbrenninger og til og med eksplosjon.
- Hvis du skulle få elektrolyttvæske i øynene, må du øyeblikkelig skylle med rent vann og oppsøke lege snarest mulig. Resultatet kan være at du mister synet.

## EKSTRA SIKKERHETSREGLER FOR LADER OG BATTERI

- Ikke lad batteriet ved temperaturer UNDER +10°C eller OVER +40°C.
- Kan ikke brukes med opptransformator, aggregat eller likestrømskontakt.
- Sørg for at ikke lufte hullene tildekkes eller tettes igjen.
- Dette kan medføre kortslutning av batteriet:
  - Terminalen må ikke komme i kontakt med strømførende materialer.
  - Unngå å oppbevare batteriet sammen med andre metallgjenstander som f.eks spikre, mynter, etc.
  - Batteriet må ikke utsettes for vann eller regn. Et batteri som kortsluttes kan forårsake stor elektrisk strømvangang og driftsstand.
- Hverken maskin eller batteri må oppbevares på steder hvor temperaturen kan nå eller overskride 50°C.
- Kast ikke batteriet på åpen ild, selv om det er ødelagt eller totalt utslitt. Batteriet kan eksplodere i flammene.
- Batteriet må ikke falle på gulvet, ristes eller utsettes for slag.
- Batteriet må ikke lades opp inni en beholder av noe slag. Opplading av batteriet må foregå på et sted hvor ventilasjonen er god.

## EKSTRA SIKKERHETSREGLER FOR MASKINEN

1. Vær oppmerksom på at dette verktøyet alltid er klar til bruk ettersom det ikke er nødvendig å kople det til en stikkonтакт.
2. Hold verktøyet i de isolerte gripeflatene når arbeid utføres på steder hvor det kan komme i kontakt med skjulte ledninger. Kontakt med en strømførende ledning vil gjøre at eksponerte metalldele på selve verktøyet også blir strømførende slik at operatøren utsettes for elektrisk støt.
3. Bruk hørselvern.
4. Sjekk muffen nøye for slitasje, sprekker eller andre skader før den monteres på maskinen.
5. Hold godt fast i maskinen.
6. Sørg alltid for godt fotfeste.
7. Se etter at det ikke befinner seg noen under når arbeidet foregår på stillaser.
8. Korrekt tiltrekningsmoment kan variere avhengig av boltens type og størrelse. Kontroller momentet med en momentnøkkel.

## TA VARE PÅ DISSE SIKKERHETSREGLENE.

### Lading (Fig. 2)

1. Kople batteriladeren til strømmettet (AC). To ladelamper blinker grønt gjentatte ganger.
2. Sett batteriet inn i batteriladeren til det hviler på plass. Terminaldekslet på laderen åpnes ved innsetting av batteriet og lukkes når batteriet trekkes ut.
3. Når batteriet settes inn, skifter ladelampen fra grønn til rød og ladingen starter. Ladelampen lyser under hele ladeprosessen. En rød ladelampe angir ladetilstand på 0 – 80% og to røde lamper en tilstand på 80 – 100%.
4. Når ladingen er ferdig, skifter de to ladelampene fra rødt til grønt.
5. Hvis batteriet blir stående i laderen etter at ladesyklusen er fullført, vil laderen gå over i “drypplading (vedlikeholdslading)” som varer i ca. 24 timer.
6. Etter ladingen koples laderen fra strømmettet. Se tabellen under om ladetid.

Batteritype	Kapasitet (mAh)	Antall elementer	Ladetid
BH1420	2 000	12	Ca. 30 min.
BH1433	3 300	12	Ca. 50 min.

### MERKNAD:

- Batteriladeren er beregnet til opplading av Makita-batteri. Må ikke brukes til andre formål eller til lading av batterier fra andre produsenter.
- Når du lader opp et batteri fra et verktøy som nettopp har vært i bruk, eller et batteri som ikke har vært i bruk på en lang stund, kan det være vanskelig å lade det helt opp. Dette er normalt og ikke tegn på noe galt. Batteriet lar seg lade helt opp når det har vært ladet helt ut og opp igjen et par ganger.
- Hvis du lader opp et batteri fra et verktøy som nettopp har vært i bruk, eller et batteri som har vært utsatt for direkte sol over lang tid, kan det skje at ladelampen blinker rødt. Hvis dette skjer, venter du en liten stund. Ladingen starter når batteriet er tilstrekkelig avkjølt av viften som er installert i laderen. Når batteritemperaturen er over ca. 70°C, vil to ladelamper blinke rødt, og når temperaturen er mellom 50 – 70°C, vil en lampe blinke rødt.
- Hvis ladelampen blinker vekselvis i rødt og grønt, er lading ikke mulig. Terminalene på batteriet eller laderen kan være tilstoppet av støv eller så er batteriet utgått eller skadet.

## BRUKSANVISNING

### Montering og demontering av batteriet (Fig. 1)

- Maskinen må alltid slås av før batteriet settes i eller tas ut.
- Batteriet fjernes ved å trekke det ut av verktøyet mens knappen på siden av batteriet skyves.
- Batteriet monteres ved å samstemme tungen på batteriet med sporet i huset og skyve det på plass. Skyv det alltid helt inn til det klikker på plass. Hvis du kan se den røde delen øverst på knappen, betyr det at det ikke er satt inn skikkelig. Skyv det helt inn til den røde delen ikke ses lenger. Hvis dette ikke gjøres, kan batteriet falle ut og påføre deg eller eventuelle andre skader.
- Batteriet må ikke settes i med makt. Hvis det ikke med letthet glir på plass er det fordi det settes i på feil måte.

### Kjølesystem

- Denne laderen er utstyrt med en kjølevifte for varme batterier, slik at batteriet likevel kan lades opp. Viften vil høres under avkjøling og dette er tegn på at laderen virker som den skal.
- En gul varselampe vil blinke i følgende tilfeller.
  - Når det er problemer med kjøleviften.
  - Når batteriet er utilstrekkelig avkjølt fordi lader eller batteri er tilstoppet med støv.Batteriet kan lades opp selv om den gule varselampen lyser, men ladetiden vil være lenger enn vanlig. Kontroller lyden som kommer fra kjøleviften, samt ventilene på laderen og batteriet da disse kan stoppes til av støv.
- Kjølesystemet er i orden selv om det ikke høres noen lyd fra kjøleviften, såfremt den gule varselampen ikke blinker.
- Ventiler på lader og batteriet må alltid holdes rene.
- Laderen må sendes inn til vedlikehold og reparasjon hvis den gule varselampen blinker ofte.

## Kondisjoneringslading

Kondisjoneringslading kan forlengje batteriets levetid ved automatisk å lete etter batteriets optimale ladetilstand uansett forhold.

Hvis batteriet brukes gjentatte ganger under følgende forhold, vil det slites raskere ned og den gule varsellampen vil blinke.

1. Opplading når batteriet er veldig varmt.
  2. Opplading når batteriet er nedkjølt.
  3. Opplading når batteriet er fullt oppladet.
  4. Overutlading av batteriet (fortsatt bruk på tross av nedsatt effekt).
  5. Opplading når kølesystemet er ødelast.
- Ladetiden for ovennevnte batterier vil være lenger enn normalt.

## Drypplading (vedlikeholdslading)

Hvis du lar batteriet stå i laderen for å forhindre utlading etter full opplading, vil laderen gå over i "dryppladningsmodus" (vedlikeholdslading) og holde batteriet i oppladet stand.

## Noen tips for å vedlikeholde batteriets maksimale levetid

1. Lad batteriet opp før det blir helt utladet.  
Stans maskinen og lad opp batteriet så snart du merker at maskinseffekten begynner å synke.
2. Lad aldri opp et helt oppladet batteri.  
Overopplading vil redusere verktøyets levetid.
3. Lad batteriet opp under romtemperatur på 10°C – 40°C.  
Et varmt batteri avkjøles ved å sette det inn i laderen.
4. Nikkelmetallhydrid -batteriet må lades opp når det ikke skal brukes på mer enn 6 måneder.

## Valg av korrekt muffe

Bruk korrekt muffestørrelse til bolter og mutre. Feil størrelse kan resultere i unøyaktig og inkonsekvent tiltrekning og/eller skader på bolt eller mutter.

## Montering eller demontering av muffen (Fig. 3 og 4)

NB!

Verktøyet må alltid være avslått og batteriet fjernet før muffen monteres eller demonteres.

### 1. Muffe uten O-ring og stift

Muffen monteres ved å skyve den inn på verktøysambolten til den låser seg på plass.  
Når muffen skal fjernes er det bare å trekke den av.

### 2. Muffe med O-ring og stift

Flytt O-ringene ut av rillen i muffen og fjern stiftene fra muffen. Sett muffen på verktøyets anbolt slik at hullet i muffen stemmer overens med hullet i anbolten. Sett inn stiftene via hullet i muffen og anbolten. Flytt så O-ringene tilbake til sin opprinnelige posisjon i muffens rille så stiftene holdes fast. Muffen demonteres ved å følge monteringsprosedyren i omvendt rekkefølge.

## Bryter (Fig. 5)

NB!

Før batteriet settes inn i verktøyet, må du sjekke at bryteren virker som den skal og går tilbake til "OFF" når den slippes.

Maskinen startes ved å trykke inn bryteren. Maskinens hastighet øker med trykket på bryteren. Slipp bryteren for å stoppe.

## Reversbryter (Fig. 6)

NB!

- Sjekk alltid rotasjonsretningen før maskinen startes.
- Reverseringshendelen må bare brukes etter at maskinen har stoppet helt. Hvis rotasjonsretningen endres før motoren har stoppet helt, kan det føre til skader på maskinen.

- Når maskinen ikke er i drift må revershendelen alltid settes i nøytral stilling.

Maskinen er utstyrt med en reverseringshendel for å endre rotasjonsretningen. Trykk på hendelen fra A-siden for medurs rotasjon, eller fra B-siden for moturs rotasjon. Når hendelen er i triposisjon, lar startbryteren seg ikke aktivere.

## Betjening

NB!

Batteriet må settes helt inn slik at det smekker på plass. Hvis du kan se den røde delen øverst på knappen, er batteriet ikke skikkelig låst på plass.. Sett det helt inn til den røde delen ikke lenger er synlig. Ellers kan batteriet falle ut og forårsake farlige situasjoner.

Korrekt tiltrekningsmoment avhenger av boltens type, størrelse samt materialet den skal skrues inn i, etc. Forholdet mellom tiltrekningsmoment og tiltrekningstid er vist i **Fig. 7** for en standard bolt eller **Fig. 8** for en høyspenningsbolt. Hold fast i maskinen og plasser muffen over boltene eller mutterene. Slå maskinen på og trekk til med korrekt tiltrekningstid.

MERKNAD:

- Ved tiltrekning av skruer som er mindre enn M8, må trykket på bryteren justeres nøye slik at skruen ikke ødelegges.
- Hold maskinen i rett vinkel på boltene.
- Lenger tiltrekningstid enn det som er vist i Figuren, kan forårsake at boltene eller muffen overspennes, ødelegges, etc. Før det egentlige arbeidet gjøres, bør du alltid foreta en prøve for å finne passende tiltrekningstid til boltene. Dette gjelder spesielt andre bolter enn M8 for å forhindre at muffen eller boltene ødelegges.

Tiltrekningsmomentet påvirkes av forskjellige faktorer inkludert følgende. Etter tiltrekningen bør du alltid sjekke tiltrekningsmomentet med en momentnøkkel.

1. Når batteriet er nesten utgått, vil spenningen synke og tiltrekningsmomentet reduseres.
2. Muffe
  - Hvis det ikke brukes korrekt muffestørrelse, vil tiltrekningsmomentet reduseres.
  - En slitt muffe (slitasje på sekskantenden eller firkantenden) vil forårsake redusert tiltrekningsmoment.
3. Bolt
  - Selv om tiltrekningsfaktoren og boltklassen er den samme, vil tiltrekningsmomentet variere avhengig av bolt diameteren.
  - Selv om bolt diameterene er de samme, vil korrekt tiltrekningsmoment variere avhengig av tiltrekningsfaktoren, boltklassen og bolt lengden.
4. Materiale typen som skal fastgjøres eller måten maskinen holdes på vil påvirke tiltrekningsmomentet.
5. Hvis maskinen går på lav hastighet, vil tiltrekningsmomentet reduseres.

## SERVICE

NB!

Før det utføres arbeidet på maskinen må du alltid forvisse seg om at maskinen er slått av og akkumulatoren er tatt ut.

### Skifte ut kullbørster (Fig. 9 og 10)

Skifte ut kullbørstene når de er slitt ned til grensemarkeringen. Begge kullbørstene må skiftes ut samtidig.

For å garantere at maskinen arbeider sikkert og pålitelig bør reparasjoner, servicearbeider eller innstillinger utføres av et autorisert Makita-serviceverksted.

1 Punainen osa	9 Tappi	17 Kiinnitysaika
2 Painike	10 O-rengas	18 Sekunnit
3 Akku	11 Liipaisinkytkin	19 Sopiva kiinnitysmomentti
4 Liittimen suojus	12 Suunnanvaihtokytkin	20 Kiinnitysmomentti
5 Latausvalot	13 A-puoli	21 Rajamerkki
6 Akkulataaja	14 B-puoli	22 Harjanpitimen kansi
7 Holkki	15 Myötäpäivään	23 Ruuvitaltta
8 Alasin	16 Vastapäivään	

## TEKNISET TIEDOT

Malli	BTW150
Suorituskyky	
Tavallinen ruuvi .....	10 mm — 16 mm
Suurlujuusruuvi .....	8 mm — 12 mm
Neilikulmavääntiö .....	12,7 mm
Tyhjäkäyntinopeus (min <sup>-1</sup> ) .....	0 — 2 300
Iskuja minuutissa .....	0 — 3 000
Suurin kiinnitysmomentti .....	150 N·m
Kokonaispituus .....	193 mm
Nettopaino (mukaanlukien akku) .....	1,9 kg
Nimellisjännite .....	14,4 V tasavirta

- Jatkuvan tutkimus- ja kehitysohjelman vuoksi pidämme oikeuden muuttaa tässä mainittuja teknisiä tietoja ilman ennakkoilmoitusta.
- Huomaa: tekniset tiedot voivat vaihdella maittain.

### Turvallisuusvihjeitä

Lue liitteenä olevat turvallisuusohjeet oman turvallisuutesi vuoksi.

## TÄRKEITÄ LATORIA JA AKKUA KOSKEVIA TURVAOHJEITA

1. SÄILYTÄ NÄMÄ OHJEET — Tämä ohjekirja sisältää tärkeitä akkulatorin turva- ja käyttöohjeita.
2. Lue kaikki (1) akkulatoria, (2) akkua ja (3) akkua käyttävää laitetta koskevat ohjeet ja varoitusmerkin- nät ennen akkulatorin käyttöä.
3. VARO — Lataa ainoastaan MAKITAN ladattaviksi tarkoitettuja akkuja välttääksesi loukkaantumisvaaran. Muun tyyppiset akut saattavat räjähtää aiheut- taen loukkaantumisen tai esinevahinkoja.
4. Pidä laite poissa sateesta ja lumesta.
5. Muun kuin valmistajan suositteleman tai myymän lisävarusteen käyttäminen saattaa aiheuttaa tulipa- lon, sähköiskun tai loukkaantumisen.
6. Vedä virtajohto irrottaessasi pistokkeesta äläkä joh- dosta, jotta pistoke ja johto eivät vioittuisi.
7. Pidä huolta, että johto on asetettu sellaiseen paik- kaan, että sen päälle ei astuta, siihen ei kompastuta ja ettei se muutenkaan joudu rasitukselle tai vahingolle alttiiksi.
8. Älä käytä latoria violtuneella johdolla tai pistokkeella — vaihda ne välittömästi uusiin.
9. Älä käytä latoria, jos siihen on kohdistunut voimakas isku, jos se on pudonnut tai muutoin vioittunut. Vie se valtuutetulle huoltomiehelle.
10. Älä pura latoria tai akkua osiinsa. Jätä kaikki huolto- ja korjaustyöt valtuutetun huoltomiehen tehtäväksi. Jos laite kootaan väärin, voi seurauksena olla säh- köisku tai tulipalo.
11. Irrota latorin virtajohto pistorasiasta ennen kaikkia kunnostustöitä ja puhdistusta välttääksesi säh- köiskun. Virran katkaisu laitteesta ei vähennä tätä vaaraa.
12. Akkulataajaa ei ole tarkoitettu nuorten lasten eikä toimintarajoitteisten käytettäväksi ilman valvontaa.

13. Nuorten lasten toimia tulee valvoa sen varmista- miseksi, että he eivät leiki akkulataajalla.
14. Jos käyttöaika on lyhentynyt huomattavasti, lopeta käyttö välittömästi. Tämä voi aiheuttaa ylikuumen- tumisvaaran, palovammoja ja jopa räjähdysten.
15. Jos silmiin joutuu akkuhappoa, huuho silmät puhtaalla vedellä ja hakeudu välittömästi lääkärin hoitoon. Tämä voi aiheuttaa näön menetyksen.

## LISÄÄ LATORIA JA AKKUA KOSKEVIA TURVAOHJEITA

1. Älä lataa akkua ALLE 10°C äläkä YLI 40°C lämpöti- lassa.
2. Älä käytä jännitteenostomuuntajaa, moottorigener- aattoria äläkä tasavirtapistorasiaa.
3. Älä peitä äläkä tuki latorin ilma-aukkoja.
4. Älä kytke akkua oikosulkuun:
  - (1) Älä kosketa liittämiä millään sähköä johtavalla esineellä.
  - (2) Älä säilytä akkua samassa tilassa muiden metal- liesineiden kuten naulojen, kolikoiden tms. kanssa.
  - (3) Pidä akku poissa vedestä ja sateesta. Akun joutuminen oikosulkuun voi aiheuttaa voi- makkaan sähkövirtauksen, ylikuumentumista, mahdollisia palovammoja ja laitteen rikkou- tumisen.
5. Älä säilytä konetta ja akkua tilassa, jonka lämpötila voi ylittää 50°C.
6. Älä hävitä akkua polttamalla, vaikka se olisi pahasti vioittunut tai kokonaan kulunut loppuun. Akku saat- taa räjähtää tulesaa.
7. Varo pudottamasta, ravistamasta ja kolhimasta akkua.
8. Älä lataa akkua laatikossa tai muussa suljetussa tilassa. Akku tulee sijoittaa latauksen ajaksi tilaan, jossa on hyvä ilmanvaihto.

## LISÄÄ TURVAOHJEITA KONEELLE

1. Muista, että tämä kone on aina toimintavalmiina, koska sitä ei tarvitse liittää seinäpistorasiaan.
2. Pitele laitetta eristetyistä tartuntapinnoista teh- dessäsi työtä, jossa laite voi osua pillossa olevaan johtoon. Osuminen jännitteeseen johtoon saa myös näkyvillä olevat metalliosat jännitteisiksi ja aiheuttaa käyttäjälle sähköiskun.
3. Käytä kuulosuojaimia.
4. Tarkista vääntöohloikki mahdollisten kulumien, halkeamien ja vaurioiden varalta ennen kiinnit- tämistä.

- Pitele konetta tukevasti.
- Varmista tukeva asento.
- Varmista, ettei alapuolellasi ole muita henkilöitä käyttäessäsi konetta korkeissa paikoissa.
- Oikea kiinnitysmomentti saattaa vaihdella ruuvinkoon ja tyyppin mukaan. Tarkista kiinnitysmomentti momenttiavaimella.

## SÄILYTÄ NÄMÄ KÄYTTÖOHJEET.

### Lataaminen (Kuva 2)

- Liitä akkulataaja sopivaan vaihtovirtalähteeseen. Kaksi latausvaloa vilkkuu vuorotellen vihreänä.
- Työnnä akkua lataajaan, kunnes se pysähtyy lataajan ohjaimen. Lataajan liittimen suojus aukeaa työnnettäessä akku sisään ja sulkeutuu vedettäessä akku irti.
- Kun akku on työnnetty paikalleen, latausvalo vaihtuu vihreästä punaiseksi ja lataus alkaa. Latausvalo palaa tasaisesti latauksen aikana. Yksi punainen valo merkitsee latausasteen olevan välillä 0 – 80% ja kaksi valoa merkitsee 80 – 100%.
- Kun lataus on päättynyt, kaksi punaista latausvaloa vaihtuu kahdeksi vihreäksi.
- Jos jätät akun lataajaan sen jälkeen, kun lataus on päättynyt, lataaja siirtyy heikkovirtalatausmuodolle, joka kestää noin 24 tuntia.
- Irrota lataaja virtalähteestä latauksen jälkeen. Katso latausaika alla olevasta taulukosta.

Akkutyyppi	Kapasiteetti (mAh)	Kennojen lukumäärä	Latausaika
BH1420	2 000	12	Noin 30 min.
BH1433	3 300	12	Noin 50 min.

### HUOMAA:

- Akkulataaja on tarkoitettu Makitan akkujen lataamiseen. Älä koskaan käytä sitä muihin tarkoituksiin äläkä muiden akkujen lataamiseen.
- Kun lataat uutta akkua tai akkua, jota ei ole käytetty pitkään aikaan, sitä ei ehkä voida ladata täyteen. Tämä on normaalia eikä ole oire viasta. Akku voidaan ladata täyteen, kun se on purettu kokonaan ja ladattu muutamia kertoja.
- Jos lataat akkua, jolla on juuri käytetty konetta tai akkua, joka on ollut pitkään suorassa auringonvalossa, latausvalo saattaa vilkkua punaisena. Jos näin käy, odota hetki. Lataus alkaa, kun lataajassa oleva tuuletin on jäähdyttänyt akun. Jos akun lämpötila on yli noin 70°C, kaksi latausvaloa saattaa vilkkua punaisina. Kun lämpötila on välillä 50 – 70°C, yksi latausvalo vilkkuu punaisena.
- Jos latausvalo vilkkuu vuorotellen vihreänä ja punaisena, lataaminen ei ole mahdollista. Lataajan tai akun liittimet ovat pölyn peitossa tai akku on kulunut loppuun tai vioittunut.

### Jäähdytysjärjestelmä

- Tämä lataaja on varustettu kuuman akun tuulettimella, jotta akun suorituskykyä saadaan parannettua. Jäähdytyksen aikana kuuluu jäähdytysilman ääni ei ole oire lataajan viasta.
- Keltainen valo vilkkuu varoituksena seuraavissa tilanteissa.
  - Tuuletinongelma
  - Akku ei jäähdy riittävästi johtuen esimerkiksi pölyn aiheuttamasta tukoksesta.
- Akkua voidaan ladata keltaisesta varoitusvalosta huolimatta. Latausaika on tällöin kuitenkin tavanomaista pidempi. Tarkasta tuulettimen ääni sekä lataajan ja akun ilma-aukko, jotka voivat toisinaan tukkeutua pölystä.
- Jäähdytysjärjestelmä on kunnossa, vaikka tuulettimen ääntä ei kuulu silloin, kun keltainen varoitusvalo ei vilku.

## KÄYTTÖOHJEET

### Akun kiinnittäminen ja irrottaminen (Kuva 1)

- Sammuta kone aina ennen akun kiinnittämistä ja irrottamista.
- Akku irrotetaan vetämällä se irti koneesta samalla kun siirretään akun reunassa olevaa painiketta.
- Akku kiinnitetään asettamalla akussa oleva kieleke kotelossa olevan uran kohdalle ja sujauttamalla se paikalleen. Työnnä aina kokonaan sisään, kunnes se napsahtaa kevyesti paikalleen. Jos painikkeen yläosassa oleva punainen osa jää näkyviin, akkua ei ole kokonaan lukittu paikalleen. Työnnä akku kokonaan sisään, kunnes punaista osaa ei näy. Jos et toimi näin, akku voi irrota vahingossa koneesta ja aiheuttaa itsesi tai sivullisen loukkaantumisen.
- Älä työnnä akkua väkisin paikalleen. Jos akku ei liu'u helposti paikalleen, ei kiinnitystapa ole oikea.

- Pidä lataajan ja akun jäähdytystä varten oleva ilma-aukko aina puhtaina.
- Laitteet tulee lähettää korjattaviksi tai huoltoon, jos keltainen varoitusvalo vilkkuu usein.

### Säätölataus

Säätölataus pidentää akun käyttöikää valitsemalla automaattisesti akulle kussakin tilanteessa sopivimmat latausolot.

Seuraavanlaisissa oloissa toistuvasti käytetty akku kuluu nopeasti loppuun ja keltainen varoitusvalo voi vilkkua.

- Akkua ladataan kuumana.
- Akkua ladataan kylmänä.
- Täyteen ladattua akkua ladataan.
- Akun liiallinen purkautuminen (käytön jatkaminen alenuneesta latauksesta huolimatta).
- Akkua ladataan jäähdytysjärjestelmän ollessa rikki. Tällaisen akun latausaika on tavanomaista pidempi.

### Heikkovirtalataus

Jos jätät akun laturiin estääksesi akun tyhjenemisen itsestään täyteen lataamisen jälkeen, laturi kytketty heikkovirtalatausmuodolle, joka pitää akun jatkuvasti täydessä latauksessa.

### Vinkejä akun käyttöiän maksimoimiseksi

- Lataa akku, ennen kuin se on kokonaan tyhjentynyt. Lopeta aina laitteella työskentely ja lataa akku, jos huomaat voiman vähenevän laitteesta.
- Älä koskaan lataa täyteen ladattua akkua. Liiallinen lataaminen lyhentää akun käyttöikää.
- Lataa akku huoneenlämmössä 10°C – 40°C. Anna kuuman akun jäähtyä, ennen kuin työnnät sen lataajaan.
- Lataa nikkelimetalli-hybridiaakku, jos et käytä sitä yli kuukauteen.



## Sopivan hylsyn valitseminen

Käytä aina ruuveille ja muttereille oikean kokoista hylsyä. Väärän kokoinen hylsy aiheuttaa epätarkan ja epätasaisen kiinnitysmomentin ja/tai ruuvin tai mutterin vioittumisen.

## Hylsyn kiinnittäminen ja irrottaminen

### (Kuva 3 ja 4)

#### VARO:

Varmista aina ennen hylsyn kiinnittämistä ja irrottamista, että kone on sammutettu ja akku irrotettu.

#### 1. Ilman O-rengasta ja tappia oleva hylsy

Kiinnitä hylsy painamalla sitä koneen alasinta vasten, kunnes se lukittuu paikalleen.

Irrota hylsy yksinkertaisesti vetämällä se irti.

#### 2. O-renkaalla ja tapilla varustettu hylsy

Siirrä O-rengas pois hylsyssä olevasta urasta ja irrota tappi hylsystä. Sovita hylsy koneessa olevaan alasiimeen siten, että hylsyn reikä tulee alasiimen reiän kohdalle. Työnnä tappi hylsyn ja alasiimen reiän läpi. Palauta sitten O-rengas alkuperäiselle paikalleen hylsyn urassa saadakseen tapin pysymään paikallaan. Hylsy irrotetaan tekemällä kiinnitysoimet päinvastaisessa järjestyksessä.

## Kytöksen käyttäminen (Kuva 5)

#### VARO:

Varmista aina ennen akun kiinnittämistä koneeseen, että liipaisinkytkin toimii moitteettomasti ja palautuu vapautettaessa "OFF" -asentoon.

Kone käynnistetään yksinkertaisesti painamalla liipaisinta. Koneen käyntinopeus lisääntyy, kun painat liipaisinta kovemmin. Kone pysähtyy, kun vapautat liipaisimen.

## Suunnanvaihtokytkin (Kuva 6)

#### VARO:

- Tarkista aina koneen pyörimissuunta ennen käyttöä.
- Käytä suunnanvaihtokytkintä ainoastaan koneen ollessa täysin pysähtyneenä. Pyörimissuunnan vaihtaminen koneen ollessa käynnissä saattaa vahingoittaa konetta.
- Kun konetta ei käytetä, aseta suunnanvaihtokytkin aina keskiasentoon.

Tässä koneessa on suunnanvaihtokytkin, jonka avulla voidaan vaihtaa pyörimissuuntaa. Työnnä suunnanvaihtokytkintä A-puolelta, kun haluat terän pyörivän myötäpäivään ja B-puolelta, kun haluat terän pyörivän vastapäivään. Kun vipukytkin on keskiasennossa, liipaisinkytkintä ei voi vetää.

## Käyttö

#### VARO:

Työnnä akku aina kokonaan sisään, kunnes se lukittuu paikalleen. Jos painikkeen yläosassa oleva punainen osa jää näkyviin, se ei ole kokonaan lukittunut. Työnnä se kokonaan sisään, kunnes punaista osaa ei näy. Jos et toimi näin, se voi vahingossa irrota koneesta ja vahingoittaa sinua tai sivullista.

Sopiva kiinnitysmomentti saattaa vaihdella riippuen ruuvin laadusta tai koosta, kiinnitettävän työkappaleen materiaalista jne. **Kuva 7** osoittaa tavallisten ruuvin ja **kuva 8** suurleijuuksu-ruuvin kiinnitysmomentin ja kiinnitysajan välisen suhteen. Pitele konetta tiukasti ja aseta hylsy ruuvin tai mutterin päälle. Käynnistä kone ja kiristä sopivan ajan.

## HUOMAA:

- Kun kiinnität M8 tai pienempikokoista ruuvia, säädä liipaisinkytkimeen kohdistuvaa painetta varovasti siten, että ruuvi ei vioitu.
- Pitele konetta suoraan ruuvia kohti.
- Jos kiristät ruuvia kuvassa esitettyä kauemmin, ruuvi tai hylsy voi rasittua liikaa, vioittua tms. Tee aina koetyö ennen varsinaisen työskentelyn aloittamista varmistaaksesi sopivan kiinnitysnopeuden ja ajan käyttämällesi ruuville. Tee yllä mainittu koetyö etenkin käyttäessäsi muuta ruuvia kuin M8 välttyäksesi hylsulle, ruuville yms. aiheutuilta hankaluuksilta.

Kiinnitysmomenttiin vaikuttavat monet eri tekijät, joita ovat mm. seuraavat. Tarkista aina momentti kiristämisen jälkeen momenttiavaimella.

1. Kun akku on lähes kokonaan tyhjentynyt, jännite laskee ja kiinnitysmomentti heikkenee.
2. Hylsy
  - Jos käytetään väärän kokoista hylsyä, kiinnitysmomentti heikkenee.
  - Kulunut hylsy (kulumat kuusio- tai neliöpäässä) aiheuttaa kiinnitysmomentin heikkenemisen.
3. Ruuvi
  - Vaikka ruuvin momenttikerroin ja ruuvin luokitus ovat samat, sopiva kiinnitysmomentti vaihtelee ruuvin läpimitasta riippuen.
  - Vaikka ruuvin läpimitat ovat samat, sopiva kiinnitysmomentti vaihtelee momenttikerroimesta, ruuvin luokituksesta ja ruuvin pituudesta riippuen.
4. Työkalun kiinnipitotapa tai kiinnitettävän kohdan materiaali vaikuttaa kiinnitysmomenttiin.
5. Koneen käyttäminen alhaisella nopeudella heikentää kiinnitysmomenttia.

## HUOLTO

#### VARO:

Varmistaudu aina ennen kaikkia koneelle suoritettavia töitä, että kone on pysäytetty ja akku irrotettu.

## Hiilien vaihto (Kuva 9 ja 10)

Hiilet on vaihdettava kun ne ovat kuluneet kulumisrajaan. Hiilet on vaihdettava aina parittain.

Laitteen käyttövarmuuden ja turvallisuuden vuoksi korjaukset ja muut huolto- ja säätötyöt saa suorittaa ainoastaan Makitan hyväksymä huoltopiste.

1 Κόκκινο κομμάτι	9 Πείρος	17 Χρόνος στερέωσης
2 Πλήκτρο	10 Δακτυλίδι-Ο	18 Δευτερόλεπτα
3 Κασέτα μπαταρίας	11 Σκανδάλη διακόπτης	19 Σωστή ροπή στερέωσης για
4 Κάλυμα θερματικού	12 Διακόπτης αντιστροφής	20 Ροπή στερέωσης
5 Λαμπάκι φόρτισης	13 Α πλευρά	21 Οριακό σημάδι
6 Φορτιστής μπαταρίας	14 Β πλευρά	22 Καπάκι θήκης καρβονάκι
7 Υποδοχή	15 Δεξιόστροφα	23 Κατασβίδι
8 Μεγάλος πείρος	16 Αριστερόστροφα	

## ΤΕΧΝΙΚΑ ΧΑΡΑΚΤΗΡΙΣΤΙΚΑ

<b>Μοντέλο</b>	<b>BTW150</b>
Κανονότητα	
Κανονικό μπουλόνι .....	10 mm — 16 mm
Υψηλής εκτατικότητας μπουλόνι .....	8 mm — 12 mm
Τετραγωνικός οδηγός .....	12,7 χιλ.
Ταχύτητα χωρίς φορτίο (min <sup>-1</sup> ) .....	0 — 2.300
Κτύποι ανά λεπτό .....	0 — 3.000
Μεγ. ροπή στερέωσης .....	150 N·m
Συνολικό μήκος .....	193 χιλ.
Βάρος καθαρό	
(με την κασέτα μπαταρίας) .....	1,9 Χγρ
Καθορισμένο βολτάζ .....	D.C.14,4 V

- Λόγω του συνεχιζόμενου προγράμματος έρευνας και ανάπτυξης, οι παρούσες προδιαγραφές υπόκεινται σε αλλαγή χωρίς προειδοποίηση.
- Παρατήρηση: Τα τεχνικά χαρακτηριστικά μπορεί να διαφέρουν από χώρα σε χώρα.

### Υποδείξεις ασφάλειας

Για την προσωπική σας ασφάλεια, ανατρέξτε στις εσωκλειστές οδηγίες ασφάλειας.

## ΣΗΜΑΝΤΙΚΕΣ ΟΔΗΓΙΕΣ ΑΣΦΑΛΕΙΑΣ ΓΙΑ ΣΥΣΚΕΥΗ ΦΟΡΤΙΣΗΣ ΚΑΙ ΜΠΑΤΑΡΙΑ

1. **ΦΥΛΑΞΤΕ ΑΥΤΕΣ ΤΙΣ ΟΔΗΓΙΕΣ** — Αυτό το εγχειρίδιο περιέχει σημαντικές οδηγίες ασφάλειας και χρήσης της συσκευής φόρτισης.
2. **Πριν χρησιμοποιήσετε τη συσκευή φόρτισης, διαβάστε όλες τις οδηγίες και προειδοποιητικά σημεία (1) στην συσκευή φόρτισης, (2) στη μπαταρία, και (3) στην συσκευή που χρησιμοποιεί την μπαταρία.**
3. **ΠΡΟΣΟΧΗ** — Για να μειωθεί ο κίνδυνος τραυματισμού, φορτίζετε μόνο μπαταρίες ΜΑΚΙΤΑ επαναφορτιζόμενου τύπου. Μπαταρίες άλλου τύπου μπορεί να εκραγούν, πληγώνοντας σας και προκαλώντας ζημιές.
4. Μην εκθέσετε τη συσκευή φόρτισης σε βροχή ή χιόνι.
5. Χρήση εξαρτήματος που δεν συστήνεται ή δεν πωλείται από τον κατασκευαστή της συσκευής φόρτισης μπορεί να προκαλέσει φωτιά, ηλεκτρικό σοκ, ή να σας τραυματίσει.
6. Για να μειωθεί ο κίνδυνος ζημιάς στην πρίζα και στο καλώδιο, όταν απουσιάζετε τη συσκευή φόρτισης από την παροχή ρεύματος, πιάνετε και τραβάτε από την πρίζα και όχι από το καλώδιο.
7. Βεβαιωθείτε ότι το καλώδιο βρίσκεται σε θέση που ούτε θα το πατήσουν ούτε θα ακοντάψουν πάνω του ούτε μπορεί να πάθει ζημιά με οποιοδήποτε τρόπο.
8. Μη χρησιμοποιείτε τη συσκευή φόρτισης αν το καλώδιο ή η πρίζα της έχουν πάθει ζημιά — αντικαταστήστε τα αμέσως.
9. Μη χρησιμοποιείτε την συσκευή σε περίπτωση που έχει υποστεί δυνατό κτύπημα, έχει πέσει κάτω, ή έχει πάθει οποιαδήποτε ζημιά. Αναθέστε την επισκευή σε εξουσιοδοτημένο τεχνίτη.

10. Μην αποσυναρμολογείτε τη συσκευή φόρτισης ή τη μπαταρία. Πάρτε την σε εξουσιοδοτημένο τεχνίτη όταν χρειάζεται επισκευή ή σέρβις. Λανθασμένη επανασυναρμολόγηση μπορεί να οδηγήσει σε κίνδυνο ηλεκτρικού σοκ ή φωτιάς.
11. Για να μειωθεί ο κίνδυνος ηλεκτρικού σοκ, απουσιάζετε τη συσκευή φόρτισης από την παροχή ρεύματος πριν κάνετε οποιαδήποτε συντήρηση ή καθαρισμό της. Μόνο με το να αθήσετε τη συσκευή αυτός ο κίνδυνος δε μειώνεται.
12. Ο φορτιστής μπαταρίας δεν προορίζεται για χρήση από μικρά παιδιά ή άτομα με ασταθή συμπεριφορά χωρίς επίβλεψη.
13. Τα μικρά παιδιά θα πρέπει να επιβλέπονται για να διασφαλιστεί ότι δεν παίζουν με τον φορτιστή μπαταρίας.
14. Εάν ο χρόνος λειτουργίας έχει γίνει υπερβολικά μικρότερος, σταματήστε τη λειτουργία αμέσως. Μπορεί να έχει ως αποτέλεσμα υπερθέρμανση, πιθανώς καψίματα ή ακόμη και έκρηξη.
15. Εάν υπειληφθεί ηλεκτρολύτης στα μάτια σας, ξεπλύνετε τα με καθαρό νερό και απευθυνθείτε σε ένα γιατρό αμέσως. Μπορεί να χάσετε την όραση σας.

## ΕΠΙΠΡΟΣΘΕΤΟΙ ΚΑΝΟΝΕΣ ΑΣΦΑΛΕΙΑΣ ΓΙΑ ΣΥΣΚΕΥΗ ΦΟΡΤΙΣΗΣ ΚΑΙ ΜΠΑΤΑΡΙΑ

1. Μη φορτίζετε τη μπαταρία όταν η θερμοκρασία είναι ΚΑΤΩ από 10°C ή ΠΑΝΩ από 40°C.
  2. Μη χρησιμοποιείτε ποτέ μετασχηματιστή ανύψωσης τάσης, γεννήτρια, ή υποδοχή συνεχούς ρεύματος.
  3. Μην αφήσετε οτιδήποτε να καλύψει ή να μπλοκάρει της σπές εξερισμού του φορτιστή.
  4. Μη βραχυκυκλώσετε την κασέτα μπαταρίας:
    - (1) Μην αγγίξετε τους πόλους με κανένα αγώγιμο υλικό.
    - (2) Αποφύγετε την αποθήκευση της κασέτας μπαταρίας σε δοχείο με άλλα μεταλλικά αντικείμενα όπως καρφιά, νομίσματα, κλπ.
    - (3) Μην εκθέτετε την κασέτα μπαταρίας σε νερό ή σε βροχή.
- Ενα βραχυκύκλωμα μπαταρίας μπορεί να προκαλέσει μεγάλη ροή ρεύματος, υπερθέρμανση, πιθανά εγκαύματα και ακόμη μηχανική βλάβη.
5. Μη φυλάσσετε τη μηχανή και τη μπαταρία σε μέρη που η θερμοκρασία μπορεί να φθάσει ή να ξεπεράσει τους 50°C.
  6. Μη κάψετε την μπαταρία ακόμα και αν έχει πάθει σοβαρές ζημιές ή έχει εντελώς φθαρεί. Η μπαταρία μπορεί να εκραγεί στην φωτιά.
  7. Προσέχετε να μη ρίξετε κάτω, ταρακουνήσετε ή χτυπήσετε τη μπαταρία.
  8. Μη φορτίσετε τη μπαταρία μέσα σε ένα κουτί ή δοχείο οποιουδήποτε είδους. Η μπαταρία πρέπει να τοποθετηθεί σε ένα καλά εξαεριζόμενο χώρο κατά τη διάρκεια της φόρτισης.

## ΕΠΙΠΡΟΣΘΕΤΕΣ ΟΔΗΓΙΕΣ ΑΣΦΑΛΕΙΑΣ ΓΙΑ ΤΟ ΜΗΧΑΝΗΜΑ

1. Να έχετε υπόψη ότι αυτό το μηχάνημα βρίσκεται πάντοτε σε κατάσταση λειτουργίας γιατί δε χρειάζεται να συνδεθεί σε ρευματολήπτη.
2. Κρατάτε το μηχάνημα από τις επιφάνειες της μονωμένης λαβής όταν εκτελείτε μια εργασία κατά την οποία το μηχάνημα θα μπορούσε να έρθει σε επαφή με κρυμμένα καλώδια. Επαφή με ένα ηλεκτροφόρο καλώδιο θα μπορούσε να έχει ως αποτέλεσμα να καταστούν και τα εκτεθειμένα μεταλλικά τμήματα του εργαλείου ηλεκτροφόρα και να προκαλέσουν ηλεκτροπληξία στον χειριστή.
3. Φοράτε γυαλιάδες.
4. Ελέγχετε την υποδοχή προσεκτικά για φθορά, ρωγμές ή ζημιές προ της εγκατάστασης.
5. Κρατάτε το μηχάνημα σταθερά.
6. Βεβαιώνετε ότι έχετε πάντοτε σταθερή βάση στήριξης ποδιών.
7. Βεβαιώνετε ότι δεν είναι κανείς από κάτω όταν χρησιμοποιείτε το μηχάνημα σε υψηλά μέρη.
8. Η κατάλληλη ροπή στερέωσης μπορεί να διαφέρει εξαρτημένη από το είδος ή μέγεθος του μπουλονιού. Ελέγξτε τη ροπή με ένα κλειδί ροπής.

## ΦΥΛΑΞΤΕ ΑΥΤΕΣ ΤΙΣ ΟΔΗΓΙΕΣ.

### Φόρτιση (Εικ. 2)

1. Βάλτε το φορτιστή μπαταρίας σας στην κατάλληλη παροχή εναλασσόμενου ρεύματος. Δύο φωτάκια φόρτισης θα ανάβουν σε χρώμα πράσινο επαναλαμβανόμενα.
2. Βάλτε την κασέτα μπαταρίας στο φορτιστή μέχρι να σταματήσει ρυθμιζόμενο από τον οδηγό του φορτιστή. Το κάλυμμα του θερματικού του φορτιστή μπορεί να ανοιχθεί με την εισαγωγή και να κλείσει με την απομάκρυνση της κασέτας μπαταρίας.
3. Όταν η κασέτα μπαταρίας έχει μπει μέσα, το χρώμα στο φωτάκι φόρτισης θα αλλάξει από πράσινο σε κόκκινο και η φόρτιση θα αρχίσει. Το φωτάκι φόρτισης θα παραμείνει αναμμένο σταθερά κατά τη διάρκεια της φόρτισης. Ένα κόκκινο φωτάκι φόρτισης ενδεικνύει κατάσταση φόρτισης 0 – 80%, ενώ δύο κόκκινα φωτάκια ενδεικνύουν φόρτιση 80 – 100%.
4. Όταν τελειώσει η φόρτιση, τα φωτάκια φόρτισης θα αλλάξουν από δύο κόκκινα σε δύο πράσινα.
5. Εάν αφήσετε την κασέτα μπαταρίας στον φορτιστή αφού ο κύκλος φόρτισης έχει συμπληρωθεί, ο φορτιστής θα αλλάξει στη διαμόρφωση “φόρτιση σταγόνας (φόρτιση συντήρησης)” η οποία θα διαρκέσει περίπου 24 ώρες.
6. Μετά τη φόρτιση, αποσυνδέστε το φορτιστή από την παροχή ηλεκτρικού ρεύματος. Ανατρέξτε στον παρακάτω πίνακα για το χρόνο φόρτισης.

Τύπος μπαταρίας	Χωρητικότητα (mAh)	Αριθμός Κυψελών	Χρόνος φόρτισης
BH1420	2 000	12	Περίπου 30 λ.
BH1433	3 300	12	Περίπου 50 λ.

### ΠΡΟΣΟΧΗ:

- Ο φορτιστής της μπαταρίας είναι για φόρτιση κασετών μπαταρίας Makita μόνο. Ποτέ μην τον χρησιμοποιείτε για άλλους σκοπούς ή για μπαταρίες άλλων κατασκευαστών.
- Όταν φορτίζετε μια καινούργια μπαταρία ή μια μπαταρία που δεν έχει χρησιμοποιηθεί για μακρό χρονικό διάστημα, ίσως πλήρης φόρτιση να μην είναι δυνατή. Αυτό είναι μια φυσιολογική κατάσταση και δεν αποτελεί δυσλειτουργία. Μπορείτε να επαναφορτίσετε την κασέτα μπαταρίας πλήρως αφού την αποφορτίσετε και την φορτίσετε δυο τρεις φορές.

## ΟΔΗΓΙΕΣ ΧΡΗΣΗΣ

### Τοποθέτηση ή αφαίρεση της κασέτας μπαταρίας (Εικ. 1)

- Πάντοτε σβήνετε το μηχάνημα πριν τοποθετήσετε ή αφαιρέσετε την κασέτα μπαταρίας.
- Για να απομακρύνετε την κασέτα μπαταρίας, απομακρύνετε την από το μηχάνημα ενώ τραβάτε πλαγίως το πλήκτρο που βρίσκεται στην πλευρά της κασέτας.
- Για να τοποθετήσετε την κασέτα μπαταρίας, ευθυγραμμίστε την γλώσσα στην κασέτα μπαταρίας με την αυλακία στην υποδοχή και τοποθετήστε την. Πάντοτε να την βάζετε πλήρως μέχρι να κλειδώσει, γεγονός που υποδηλώνεται με ένα χαρακτηριστικό ήχο. Εάν μπορείτε να δείτε το κόκκινο κομμάτι στην επάνω πλευρά του πλήκτρου, δεν έχει κλειδώσει ολοκληρωτικά. Βάλτε την πλήρως έτσι ώστε να μην φαίνεται. Σε αντίθετη περίπτωση, ίσως πέσει κατά λάθος από το μηχάνημα, τραυματίζοντας εσάς ή κάποιον τριγύρω σας.
- Μη βάζετε δύναμη όταν τοποθετείτε την κασέτα μπαταρίας. Εάν η κασέτα δεν εισέρχεται με ευκολία, δεν είναι τοποθετημένη σωστά.

- Εάν φορτίσετε μια κασέτα μπαταρίας από ένα μόλις χρησιμοποιημένο εργαλείο ή μια κασέτα μπαταρίας που έχει αφηθεί σε μια τοποθεσία εκτεθειμένη απευθείας στο ηλιακό φως για μακρό χρονικό διάστημα, το λαμπάκι φόρτισης ίσως ανάψει σε χρώμα κόκκινο. Εάν συμβεί αυτό, περιμένετε για λίγο. Η φόρτιση θα ξεκινήσει αφού η κασέτα μπαταρίας κρυώσει από τον ανεμιστήρα ψύξης που είναι εγκατεστημένος στον φορτιστή. Όταν η θερμοκρασία της μπαταρίας είναι περισσότερο από περίπου 70°C, δύο φωτάκια φόρτισης ίσως ανάψουν σε χρώμα κόκκινο, και όταν είναι περίπου 50°C – 70°C ένα φωτάκι φόρτισης σε χρώμα κόκκινο.
- Εάν το φωτάκι φόρτισης ανάψει εναλλασσόμενα σε χρώμα πράσινο και κόκκινο, η φόρτιση δεν είναι δυνατή. Τα θερματικά στον φορτιστή ή στην κασέτα μπαταρίας είναι βουλωμένα με σκόνη ή η κασέτα μπαταρίας είναι έχει φθαρεί ή καταστραφεί.

## Σύστημα ψύξης

- Ο φορτιστής είναι εφοδιασμένος με ανεμιστήρα ψύξης για θερμοκρασίες μπαταρίας έτσι ώστε να καταστεί δυνατή η καλύτερη δυνατή απόδοση της μπαταρίας. Ο ήχος του αέρα ψύξης ακούγεται κατά τη διάρκεια της ψύξης, το οποίο σημαίνει ότι δεν υπάρχει πρόβλημα στον φορτιστή.
- Ενα κίτρινο φωτάκι θα ανάψει στις ακόλουθες περιπτώσεις
  - Πρόβλημα στον ανεμιστήρα ψύξης
  - Ανεπαρκής ψύξη του ανεμιστήρα, όπως για παράδειγμα λόγω βουλώματος από σκόνη.Η μπαταρία μπορεί να φορτιστεί παρόλο που υπάρχει το προειδοποιητικό σήμα από το κίτρινο φωτάκι. Απλώς η φόρτιση θα διαρκέσει περισσότερο από το κανονικό σε αυτή την περίπτωση.
- Ελέγξτε τον ήχο του ανεμιστήρα ψύξης, τα ανοίγματα εξαερισμού στον φορτιστή και την μπαταρία, τα οποία μπορεί να έχουν βουλώσει με σκόνη.
- Το σύστημα ψύξης είναι εντάξει ακόμη και εάν δεν ακούγεται ο ήχος του ανεμιστήρα εξαερισμού, εάν το κίτρινο προειδοποιητικό φωτάκι δεν έχει ανάψει.
- Πάντοτε να κρατάτε καθαρά τα ανοίγματα εξαερισμού στον φορτιστή και στην μπαταρία.
- Τα προϊόντα θα πρέπει να στέλνονται για επισκευή ή συντήρηση, εάν το κίτρινο φωτάκι ανάβει συχνά.

## Φόρτιση κατάστασης

Η φόρτιση κατάστασης μπορεί να επεκτείνει τη διάρκεια ζωής της μπαταρίας ψάχνοντας αυτόματα τη βέλτιστη κατάσταση φόρτισης για τις μπαταρίες σε κάθε περίπτωση.

Η μπαταρία που χρησιμοποιείται συχνά στις ακόλουθες περιπτώσεις, θα φθαρεί σύντομα, και το κίτρινο προειδοποιητικό φωτάκι ίσως ανάψει.

1. Επαναφόρτιση της μπαταρίας σε υψηλή θερμοκρασία
  2. Επαναφόρτιση της μπαταρίας σε χαμηλή θερμοκρασία
  3. Επαναφόρτιση πλήρως φορτισμένης μπαταρίας
  4. Υπερφόρτιση της μπαταρίας (συνέχιση της αποφόρτισης της μπαταρίας και όχι μείωση της παροχής ενέργειας)
  5. Φόρτιση με χαλασμένο το σύστημα ψύξης
- Ο χρόνος φόρτισης μιας τέτοιας μπαταρίας είναι μεγαλύτερος από το κανονικό.

## Στιγμιαία φόρτιση (Φόρτιση συντήρησης)

Εάν έχετε αφήσει την κασέτα μπαταρίας στον φορτιστή για να προλάβετε αυθόρμητη αποφόρτιση μετά από πλήρη φόρτιση, ο φορτιστής θα αλλάξει στη διαμόρφωση της "Συμβουλές φόρτισης" (φόρτιση συντήρησης) και θα κρατήσει την κασέτα μπαταρίας φρέσκια και πλήρως φορτισμένη.

## Συμβουλές για την διατήρηση της μέγιστης ζωής της μπαταρίας

1. Αλλάξτε την κασέτα μπαταρίας πριν αποφορτιστεί τελείως.  
Πάντα σταματήστε την λειτουργία του μηχανήματος και φορτίστε την κασέτα μπαταρίας όταν παρατηρήσετε μειωμένη δύναμη του μηχανήματος.
2. Ποτέ μην επαναφορτίζετε μια πλήρως φορτισμένη κασέτα μπαταρίας.  
Η υπερφόρτιση μικραίνει την ωφέλιμη ζωή της μπαταρίας.
3. Φορτίστε την κασέτα μπαταρίας σε θερμοκρασία δωματίου στους 10°C – 40°C.  
Αφήστε μια ζεστή κασέτα μπαταρίας να κρυώσει βάζοντας την στον φορτιστή.

4. Φορτίστε την κασέτα μπαταρίας Νικελίου Μεταλλικού Υδριδίου όταν δεν την έχετε χρησιμοποιήσει για έξι μήνες.

## Επιλογή σωστής υποδοχής

Πάντοτε χρησιμοποιείτε το σωστό μέγεθος υποδοχής για μπουλόνια και παξιμάδια. Μια υποδοχή διαφορετικού μεγέθους θα έχει σαν αποτέλεσμα ανακριβή και ασυμβίβαστη ροπή στερέωσης και / ή ζημιά στο μπουλόνι ή στο παξιμάδι.

## Τοποθέτηση ή αφαίρεση υποδοχής

(Εικ. 3 και 4)

ΠΡΟΣΟΧΗ:

Πάντοτε βεβαιώνετε ότι το μηχανήμα είναι σβηστό και η κασέτα μπαταρίας βγαλμένη πριν τοποθετήσετε ή αφαιρέσετε την υποδοχή.

### 1. Για υποδοχή χωρίς δακτυλίδι-Ο και πείρο

Για να τοποθετήσετε την υποδοχή, πιέστε την στον πείρο του μηχανήματος μέχρι να κλειδώσει.

Για να απομακρύνετε την υποδοχή, απλώς τραβήξτε την έξω.

### 2. Για υποδοχή με δακτυλίδι-Ο και πείρο

Μετακινήστε το δακτυλίδι-Ο έξω από την χαραγή στην υποδοχή και βγάλτε τον πείρο από την υποδοχή. Βάλτε την υποδοχή επάνω στο αμόνι του μηχανήματος έτσι ώστε η τρύπα στην υποδοχή να ευθυγραμμίζεται με την τρύπα στο αμόνι. Περάστε τον πείρο μέσα από την τρύπα στην υποδοχή και στο αμόνι. Μετά γυρίστε το δακτυλίδι-Ο στην αρχική θέση στη χαραγή της υποδοχής για συγκράτηση του πείρου.

Για να αφαιρέσετε την υποδοχή, ακολουθείστε τις διαδικασίες εγκατάστασης αντίστροφα.

## Λειτουργία διακόπτη (Εικ. 5)

ΠΡΟΣΟΧΗ:

Πριν βάλτε στο τη κασέτα μπαταρίας στο μηχανήμα, πάντοτε ελέγχετε να δείτε ότι η σκανδάλη διακόπτης ενεργοποιεί κανονικά και επιστρέφει στη θέση "OFF" όταν ελευθερώνεται.

Για να ξεκινήσει το μηχανήμα απλώς πατήστε τη σκανδάλη. Η ταχύτητα του μηχανήματος αυξάνεται με αύξηση της πίεσης στη σκανδάλη. Για να σταματήσει αφήστε τη σκανδάλη.

## Αντιστροφή λειτουργίας διακόπτη (Εικ. 6)

ΠΡΟΣΟΧΗ:

- Πάντοτε ελέγχετε τη διεύθυνση περιστροφής πριν από τη λειτουργία.
- Χρησιμοποιείτε το διακόπτη αντιστροφής μόνο αφού το μηχανήμα έχει σταματήσει εντελώς. Αλλαγή της διεύθυνσης περιστροφής πριν το μηχανήμα σταματήσει μπορεί να προκαλέσει ζημιά στο μηχανήμα.
- Όταν δεν λειτουργείτε το μηχανήμα, πάντα να θέτετε το μοχλό διακόπτη αντιστροφής στη νεκρή θέση.

Αυτό το μηχανήμα έχει ένα διακόπτη αντιστροφής για να αλλάξει τη διεύθυνση περιστροφής. Πατήστε το μοχλό διακόπτη αντιστροφής από τη πλευρά Α για δεξιόστροφη περιστροφή ή από την πλευρά Β για αριστερόστροφη. Όταν ο μοχλός διακόπτη είναι στην ουδέτερη θέση, η σκανδάλη διακόπτη δεν μπορεί να τραβηχθεί.

## Λειτουργία

### ΠΡΟΣΟΧΗ

Πάντοτε βάζετε την κασέτα μπαταρίας πλήρως μέσα μέχρι να κλειδώνει στη θέση της. Εάν το κόκκινο τμήμα στο επάνω μέρος του κουμπιού είναι ορατό, τότε δεν είναι κλειδωμένη εντελώς. Βάλτε την πλήρως μέσα μέχρι το κόκκινο τμήμα να μην είναι ορατό. Εάν όχι, μπορεί να πέσει τυχαία έξω από το εργαλείο, προκαλώντας τραυματισμό σε σας ή σε κάποιον γύρω σας.

Η κατάλληλη ροπή στερέωσης μπορεί να διαφέρει εξαρτημένη από το είδος ή μέγεθος του μπουλονιού, το υλικό του αντικειμένου εργασίας που πρόκειται να στερεωθεί, κλπ. Η σχέση μεταξύ ροπής στερέωσης και χρόνου στερέωσης φαίνεται στην **Εικ. 7** για κανονικό μπουλόνι ή στην **Εικ. 8** για μπουλόνι υψηλής εκτατικότητας. Κρατήστε το εργαλείο σταθερά και τοποθετήστε την υποδοχή επάνω στο μπουλόνι ή παξιμάδι. Ανάψτε το εργαλείο και στερεώστε για τον κατάλληλο χρόνο στερέωσης.

### ΠΑΡΑΤΗΡΗΣΗ

- Όταν στερεώνετε βίδα M8 ή μικρότερη, προσεκτικά ρυθμίζετε την πίεση στην σκανδάλη διακόπτη έτσι ώστε να μη πάθει ζημιά η βίδα.
- Κρατάτε το εργαλείο διευθυνόμενο ίσια προς το μπουλόνι.
- Εάν στερεώσετε το μπουλόνι για περισσότερο χρόνο από ότι φαίνεται στην εικόνα, το μπουλόνι ή η υποδοχή μπορεί να υποστούν υπέρταση ή να πάθουν ζημιά, κλπ. Πριν αρχίσετε την εργασία σας, πάντοτε εκτελείτε μία δοκιμαστική λειτουργία για να καθορίσετε τον κατάλληλο χρόνο στερέωσης για το μπουλόνι σας. Ιδιαίτερα για μπουλόνια εκτός του M8, εκτελείτε την εν λόγω δοκιμαστική λειτουργία για να αποφύγετε ζημιά στην υποδοχή, μπουλόνι, κλπ.

Η ροπή στερέωσης επηρεάζεται από μεγάλη ποικιλία παραγόντων στους οποίους περιλαμβάνονται οι ακόλουθοι. Μετά τη στερέωση, πάντοτε ελέγχετε τη ροπή με ένα κλειδί ροπής.

1. Όταν η κασέτα μπαταρίας εκφορτιστεί σχεδόν εντελώς, η τάση θα πέσει και η ροπή στερέωσης θα μειωθεί.
2. Υποδοχή
  - Μη χρησιμοποίηση του σωστού μεγέθους υποδοχής θα προκαλέσει μείωση στη ροπή στερέωσης.
  - Μια φθαρμένη υποδοχή (φθορά στην εξαγ. άκρη ή στη τετράγωνη άκρη) θα προκαλέσει μείωση στη ροπή στερέωσης.
3. Μπουλόθι
  - Ακόμη και εάν ο συντελεστής ροπής και η κατηγορία του μπουλονιού είναι τα ίδια, η κατάλληλη ροπή στερέωσης θα διαφέρει σύμφωνα με τη διάμετρο του μπουλονιού.
  - Ακόμη και εάν οι διάμετροι μπουλονιών είναι ίδιες, η κατάλληλη ροπή στερέωσης θα διαφέρει σύμφωνα με το συντελεστή ροπής, τη κατηγορία του μπουλονιού και το μήκος του μπουλονιού.
4. Ο τρόπος κρατήματος του εργαλείου ή η θέση οδήγησης του προς στερέωση υλικού θα επηρεάσουν την ροπή.
5. Η λειτουργία του εργαλείου σε χαμηλή ταχύτητα θα προκαλέσει μία μείωση στη ροπή στερέωσης.

## ΣΥΝΤΗΡΗΣΗ

### ΠΡΟΣΟΧΗ:

Πριν την εκτέλεση εργασιών με τη συσκευή διαβεβαιώνετε πάντοτε, για το ότι η συσκευή βρήσθηκε με απομακρυσμένο το συσσωρευτή.

### Αντικατάσταση καρβουνάκια (Εικ. 9 και 10)

Τα καρβουνάκια πρέπει να αντικαθίστανται, όταν έχουν φθαρεί μέχρι το σημείο μαρκαρίσματος. Τα δύο ταυτόσημα καρβουνάκια πρέπει να αντικαθίστανται ταυτόχρονα.

Για τη διασφάλιση της σιγουριάς και αξιοπιστίας των προϊόντων μας πρέπει οι επισκευές, εργασίες συντήρησης ή ρυθμίσεις να εκτελούνται από εξουσιοδοτημένα εργαστήρια σέρβις πελατών Μάκita.

## **GB** ACCESSORIES

---

### CAUTION:

These accessories or attachments are recommended for use with your Makita tool specified in this manual. The use of any other accessories or attachments might present a risk of injury to persons. The accessories or attachments should be used only in the proper and intended manner.

## **F** ACCESSOIRES

---

### ATTENTION :

Ces accessoires ou ces fixations sont recommandés pour l'utilisation de l'outil Makita spécifié dans ce manuel. L'utilisation d'autres accessoires ou fixations peut présenter un risque de blessures. Les accessoires ou les fixations ne doivent être utilisés que dans le but et de la manière prévus.

## **D** ZUBEHÖR

---

### VORSICHT:

Das mitgelieferte Zubehör ist speziell für den Gebrauch mit dem in dieser Betriebsanleitung angegebenen Makita-Elektrowerkzeug vorgesehen. Bei Verwendung von Fremdzubehör in Verbindung mit dieser Maschine besteht Verletzungsgefahr.

## **I** ACCESSORI

---

### ATTENZIONE:

Gli accessori o raccordi seguenti sono raccomandati per l'uso con l'utensile Makita specificato in questo manuale. L'uso di qualsiasi altro accessorio o raccordo potrebbe causare pericoli di ferite alle persone. Gli accessori o raccordi devono essere usati soltanto nel modo corretto e specificato.

## **NL** ACCESSOIRES

---

### LET OP:

Deze accessoires of hulpstukken zijn aanbevolen voor gebruik met uw Makita gereedschap dat in deze gebruiksaanwijzing is beschreven. Het gebruik van andere accessoires of hulpstukken kan gevaar voor persoonlijke verwondingen opleveren. De accessoires of hulpstukken dienen alleen op de juiste en voorgeschreven manier te worden gebruikt.

## **E** ACCESORIOS

---

### PRECAUCIÓN:

Estos accesorios o accoplamientos están recomendados para usar con la herramienta Makita especificada en este manual. Con el uso de cualquier otro accesorio o accoplamiento se podría correr el riesgo de producir heridas a personas. Los accesorios o accoplamientos deberán usarse solamente de la manera apropiada y para la que ha sido designados.

## **P** ACESSÓRIOS

---

### PRECAUÇÃO:

Estes acessórios ou acoplamentos são os recomendados para utilização na ferramenta Makita especificada neste manual. A utilização de quaisquer outros acessórios ou acoplamentos poderá ser perigosa para o operador. Os acessórios ou acoplamentos deverão ser utilizados de maneira adequada e apenas para os fins a que se destinam.

## **DK** TILBEHØR

---

### ADVARSEL:

Dette udstyr og tilbehør bør anvendes sammen med Deres Makita maskine, sådan som det er beskrevet i denne vejledning. Anvendelse af andet udstyr eller tilbehør kan medføre personskad. Tilbehøret bør kun anvendes til det, det er beregnet til.

## **S** TILLBEHÖR

---

### FÖRSIKTIGHET:

Dessa tillbehör eller tillsatser rekommenderas endast för användning tillsammans med din Makita maskin som specificeras i denna bruksanvisning. Användning av andra tillbehör eller tillsatser kan medföra risk för personskador. Tillbehören och tillsatserna får endast användas på lämpligt och där för avsett sätt.

## **N** TILBEHØR

---

### NB!

Dette tilbehøret eller utstyret anbefales til å brukes sammen med din Makita maskin som er spesifisert i denne bruksanvisningen. Bruk av annet tilbehør eller utstyr kan medføre en risiko for personskader. Tilbehør og utstyr må bare brukes som spesifisert og bare til det det er beregnet til.

## **SF** LISÄVARUSTEET

---

### VARO:

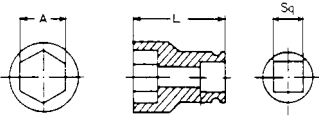
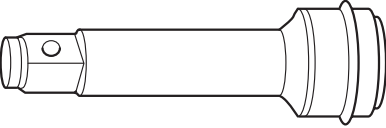
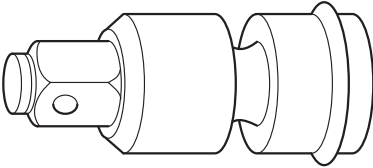
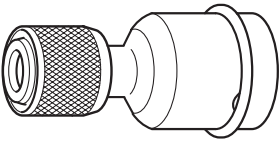
Tässä käyttöohjeessa mainitun Makita-koneen kanssa suositellaan seuraavien lisälaitteiden ja -varusteiden käyttöä. Minkä tahansa muun lisälaitteen tai -varusteen käyttäminen saattaa aiheuttaa loukkaantumisvaaran. Lisälaitteita ja -varusteita tulee käyttää ainoastaan niille sopivalla tavalla.

## **GR** ΕΞΑΡΤΗΜΑΤΑ

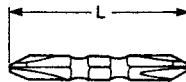
---

### ΠΡΟΣΟΧΗ:

Αυτά τα εξαρτήματα ή προσαρτήματα συνιστώνται για χρήση με το μηχάνημα της Μάκιτα που περιγράφεται στο εγχειρίδιο αυτο. Η χρήση άλλων εξαρτημάτων ή προσαρτημάτων μπορεί να είναι επικίνδυνη για τραυματισμό ατόμων. Τα εξαρτήματα ή προσαρτήματα πρέπει να χρησιμοποιούνται μόνο με το σωστό και προτιθέμενο τρόπο.

<ul style="list-style-type: none"> <li>• Socket (with pin and O-ring)</li> <li>• Douille (avec tige et joint torique)</li> <li>• Steckschlüsseinsatz (mit Stift und O-Ring)</li> <li>• Presa (con perno e anello ad O)</li> <li>• Sok (met pen en O-ring)</li> <li>• Manguito (con pasador y junta tórica)</li> <li>• Bocal (com pino e anel em O)</li> <li>• Top (med stift og O-ring)</li> <li>• Hylsa (med låspinne och gummiring)</li> <li>• Muffe (med stift og O-ring)</li> <li>• Holkki (tappi ja O-rengas)</li> <li>• Υποδοχή (με πείρο και δακτύλιο-O)</li> </ul>																					
A (mm)	12	13	13	14	14	17	17	19	19	19	21	21	22	22	23	23	24	24	26	26	
L (mm)	75	36	52	36.5	52	39	52	40	52	80	41	52	80	42	52	43	52	43.5	52	50	78
Sq (mm)	12.7																				
<ul style="list-style-type: none"> <li>• Extension bar (with pin and O-ring)</li> <li>• Barre de rallonge (avec tige et joint torique)</li> <li>• Verlängerungsstücks (mit Stift und O-Ring)</li> <li>• Barra di prolunga (con perno e anello ad O)</li> <li>• Verlengstaaf (met pen en O-ring)</li> <li>• Barra de extensión (con pasador y junta tórica)</li> <li>• Barra de extensão (com pino e anel em O)</li> <li>• Forlængerstangen (med stift og O-ring)</li> <li>• Förlängningsstång (med låspinne och gummiring)</li> <li>• Forlængelsesstang (med stift og O-ring)</li> <li>• Jatkotangon (tappi ja O-rengas)</li> <li>• Μπάραρ επέκτασης (με πείρο και δακτύλιο-O)</li> </ul>																					
<ul style="list-style-type: none"> <li>• Universal joint (with pin and O-ring)</li> <li>• Joint universel (avec tige et joint torique)</li> <li>• Gebrauch des Gelenkaufsatzes (mit Stift und O-Ring)</li> <li>• Giunto universale (con perno e anello ad O)</li> <li>• Aantrekoppel (met pen en O-ring)</li> <li>• Junta universal (con pasador y junta tórica)</li> <li>• Ligação universal (com pino e anel em O)</li> <li>• Knækled (med stift og O-ring)</li> <li>• Universalknut (med låspinne och gummiring)</li> <li>• Universalskjøte (med stift og O-ring)</li> <li>• Kardaaniilitoksen (tappi ja O-rengas)</li> <li>• Γενικής χρήσης άρθρωσης (με πείρο και δακτύλιο-O)</li> </ul>																					
<ul style="list-style-type: none"> <li>• Bit adapter (with pin and O-ring)</li> <li>• Adaptateur de mèche (avec tige et joint torique)</li> <li>• Einsatzadapter (mit Stift und O-Ring)</li> <li>• Adattatore punta (con perno e anello ad O)</li> <li>• Bitadapter (met pen en O-ring)</li> <li>• Adaptador de implemento (con pasador y junta tórica)</li> <li>• Adaptador da broca (com pino e anel em O)</li> <li>• Bit-adapter (med stift og O-ring)</li> <li>• Verktygsadapter (med låspinne och gummiring)</li> <li>• Bitsadapter (med stift og O-ring)</li> <li>• Kärkisovitin (tappi ja O-rengas)</li> <li>• Προσαρμοστής άκρων (με πείρο και δακτύλιο-O)</li> </ul>																					

- Phillips bit
- Embout Phillips
- Kreuzschlitz-Schraubendrehereinsatz
- Punta a croce
- Phillips schroefbit
- Pieza de apriete de punta Phillips
- Broca Phillips
- Phillips bit
- Korsmejsel
- Phillips-bits
- Ristipääterä
- Αιχμή Φίλιπς



Bit No.	L (mm)				
No.2	45	65	110	150	250
No.3	45	65	110		

**Note:**

- Use bit No. 2 when fastening tool screws M4 – M5, or wood screws 3.1 mm – 4.8 mm.
- Use bit No. 3 when fastening tool screws M6 – M8, or wood screws 5.1 mm – 6.1 mm.

**Note :**

- Utilisez l'embout No. 2 pour visser des vis à métaux M4 – M5, ou des vis en bois de 3,1 mm – 4,8 mm.
- Utilisez l'embout No. 3 pour visser des vis à métaux M6 – M8, ou des vis en bois de 5,1 mm – 6,1 mm.

**Hinweis:**

- Einsatzwerkzeug Nr. 2 zum Verschrauben von Maschinenschrauben M4 bis M5 oder Holzschrauben 3,1 mm bis 4,8 mm verwenden.
- Einsatzwerkzeug Nr. 3 zum Verschrauben von Maschinenschrauben M6 bis M8 oder Holzschrauben 5,1 mm bis 6,1 mm verwenden.

**Note:**

- Usare la punta No. 2 per stringere le viti comuni M4 – M5 o le viti per legno da 3,1 mm a 4,8 mm.
- Usare la punta No. 3 per stringere le viti comuni M6 – M8 o le viti per legno da 5,1 mm a 6,1 mm.

**Opmerking:**

- Gebruik schroefbit Nr. 2 voor het vastdraaien van kolomenschroeven M4 – M5 of houtschroeven 3,1 mm – 4,8 mm.
- Gebruik schroefbit Nr. 3 voor het vastdraaien van kolomenschroeven M6 – M8 of houtschroeven 5,1 mm – 6,1 mm.

**Nota:**

- Emplee el implemento N.º2 cuando vaya a apretar tornillos para máquina M4 M5, o tornillos para madera de 3,1 mm 4,8 mm de diámetro.
- Emplee el implemento N.º3 cuando vaya a apretar tornillos para máquina M6 M8, o tornillos para madera de 5,1 mm 6,1 mm de diámetro.

**Nota:**

- Utilize a broca N. 2 quando aberta parafusos de rosca fina M4 – M5, ou parafusos de madeira de 3,1 mm – 4,8 mm.
- Utilize a broca N. 3 quando aberta parafusos de rosca fina M6 – M8, ou parafusos de madeira de 5,1 mm – 6,1 mm.

**Bemærk:**

- Anvend bit nr. 2 til fastspænding af maskinskruer M4 – M5, eller træskruer 3,1 mm – 4,8 mm.
- Anvend bit nr. 3 til fastspænding af maskinskruer M6 – M8, eller træskruer 5,1 mm – 6,1 mm.

**Observera:**

- Använd verktyg nr. 2 vid åtdragning av maskinskravar M4 – M5, eller träskruvar 3,1 mm – 4,8 mm.
- Använd verktyg nr. 3 vid åtdragning av maskinskravar M6 – M8, eller träskruvar 5,1 mm – 6,1 mm.

**Merknad:**

- Bruk bits Nr.2 ved tiltrekking av maskinskraver M4 – M5, eller treskraver 3,1 mm – 4,8 mm.
- Bruk bits Nr.3 ved tiltrekking av maskinskraver M6 – M8, eller treskraver 5,1 mm – 6,1 mm.

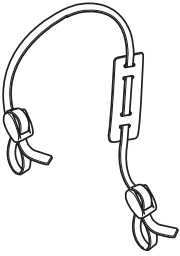
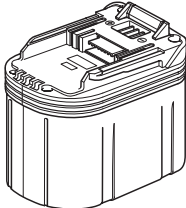
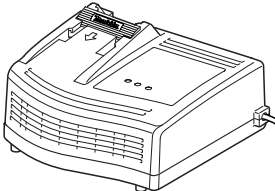

**Huomaa:**

- Käytä terää nro 2, kun kiinnität koneruuveja M4 – M5 tai 3,1 mm – 4,8 mm puuruuveja.
- Käytä terää nro 3, kun kiinnität koneruuveja M6 – M8 tai 5,1 mm – 6,1 mm puuruuveja.

**Παρατήρηση:**

- Χρησιμοποιείστε την αιχμή καταβιδιού No. 2 όταν στερεώνετε καταβιδόβιδες M4 – M5, ή ξυλόβιδες 3,1 χιλ. – 4,8 χιλ..
- Χρησιμοποιείστε την αιχμή καταβιδιού No. 3 όταν στερεώνετε καταβιδόβιδες M6 – M8, ή ξυλόβιδες 5,1 χιλ. – 6,1 χιλ..



<ul style="list-style-type: none"> <li>• Shoulder strap</li> <li>• Bandoulière</li> <li>• Tragriemen</li> <li>• Tracolla</li> <li>• Schouderriem</li> <li>• Correa para el hombro</li> <li>• Correia a tiracolo</li> <li>• Skulderrem</li> <li>• Axelrem</li> <li>• Skulderrem</li> <li>• Olkahihna</li> <li>• Λωρίδα ώμου</li> </ul>	
<ul style="list-style-type: none"> <li>• Ni-MH (Nickel Metal Hydride) battery BH1420/BH1433</li> <li>• Batterie Ni-MH (hydrure de métal nickel) BH1420/BH1433</li> <li>• Ni-MH-(Nickel-Metallhydrid)-Akku BH1420/BH1433</li> <li>• Batteria Ni-MH (idruro di nichel-metallo) BH1420/BH1433</li> <li>• Ni-MH (Nikkel Metaal Hydride) accu BH1420/BH1433</li> <li>• Batería de Ni-MH (níquel-metal de hidruro) BH1420/BH1433</li> <li>• Bateria Ni-MH (Metal Hibrido-Niquel) BH1420/BH1433</li> <li>• Ni-MH (Nikkel Metal Hydrid) batteri BH1420/BH1433</li> <li>• NiMH-batteri (Nickel-metallhydrid), typ BH1420/BH1433</li> <li>• Ni-MH (Nikkelmetallhydrid) batteri BH1420/BH1433</li> <li>• Ni-MH (Nikkeli-metalli-hybridi) -akku BH1420/BH1433</li> <li>• Μπαταρία Ni-MH (Νικελίου μεταλλικού υδρογονούχου) BH1420/BH1433</li> </ul>	
<ul style="list-style-type: none"> <li>• Battery charger Model DC14SA</li> <li>• Chargeur de batterie modèle DC14SA</li> <li>• Ladegerät Modell DC14SA</li> <li>• Caricabatteria Modello DC14SA</li> <li>• Acculader Model DC14SA</li> <li>• Cargador de batería modelo DC14SA</li> <li>• Carregador de bateria Modelo DC14SA</li> <li>• Oplader, model DC14SA</li> <li>• Batteriladdare, modell DC14SA</li> <li>• Batterilader Modell DC14SA</li> <li>• Akkulaturi malli DC14SA</li> <li>• Φορτιστής μπαταρίας μοντέλο DC14SA</li> </ul>	
<ul style="list-style-type: none"> <li>• Plastic carrying case</li> <li>• Mallette de transport en plastique</li> <li>• Transportkoffer</li> <li>• Custodia di trasporto di plastica</li> <li>• Plastic draagtas</li> <li>• Maletín de plástico para el transporte</li> <li>• Caixa plástica para transporte</li> <li>• Transportkuffert</li> <li>• Bärväska i plast</li> <li>• Bærevæske av plast</li> <li>• Muovinen kantokotelo</li> <li>• Πλαστική θήκη μεταφοράς</li> </ul>	

## ENGLISH

### EC-DECLARATION OF CONFORMITY

The undersigned, Yasuhiko Kanzaki, authorized by Makita Corporation, 3-11-8 Sumiyoshi-Cho, Anjo, Aichi 446-8502 Japan declares that this product

(Serial No. : series production)

manufactured by Makita Corporation in Japan is in compliance with the following standards or standardized documents,

EN50260, EN55014,

in accordance with Council Directives, 89/336/EEC and 98/37/EC.

## FRANÇAISE

### DÉCLARATION DE CONFORMITÉ CE

Je soussigné, Yasuhiko Kanzaki, mandaté par Makita Corporation, 3-11-8 Sumiyoshi-Cho, Anjo, Aichi 446-8502 Japan, déclare que ce produit

(No. de série: production en série)

fabriqué par Makita Corporation au Japon, est conformes aux normes ou aux documents normalisés suivants,

EN50260, EN55014,

conformément aux Directives du Conseil, 89/336/CEE et 98/37/EG.

## DEUTSCH

### CE-KONFORMITÄTSERKLÄRUNG

Hiermit erklärt der Unterzeichnete, Yasuhiko Kanzaki, Bevollmächtigter von Makita Corporation, 3-11-8 Sumiyoshi-Cho, Anjo, Aichi 446-8502 Japan, daß dieses von der Firma Makita Corporation in Japan hergestellte Produkt

(Serien-Nr.: Serienproduktion)

gemäß den Ratsdirektiven 89/336/EWG und 98/37/EG mit den folgenden Normen bzw. Normendokumenten übereinstimmen:

EN50260, EN55014.

## ITALIANO

### DICHIARAZIONE DI CONFORMITÀ CON LE NORME DELLA COMUNITÀ EUROPEA

Il sottoscritto Yasuhiko Kanzaki, con l'autorizzazione della Makita Corporation, 3-11-8 Sumiyoshi-Cho, Anjo, Aichi 446-8502 Japan, dichiara che questo prodotto

(Numero di serie: Produzione in serie)

fabbricato dalla Makita Corporation in Giappone è conforme alle direttive europee riportate di seguito:

EN50260, EN55014

secondo le direttive del Consiglio 89/336/CEE e 98/37/CE.

## NEDERLANDS

### EG-VERKLARING VAN CONFORMITEIT

De ondergetekende, Yasuhiko Kanzaki, gevolmachtigd door Makita Corporation, 3-11-8 Sumiyoshi-Cho, Anjo, Aichi 446-8502 Japan verklaart dat dit product

(Serienr. : serieproductie)

vervaardigd door Makita Corporation in Japan voldoet aan de volgende normen of genormaliseerde documenten,

EN50260, EN55014

in overeenstemming met de richtlijnen van de Raad 89/336/EEC en 98/37/EC.

## ESPAÑOL

### DECLARACIÓN DE CONFORMIDAD DE LA CE

El abajo firmante, Yasuhiko Kanzaki, autorizado por Makita Corporation, 3-11-8 Sumiyoshi-Cho, Anjo, Aichi 446-8502 Japan, declara que este producto

(Número de serie: producción en serie)

fabricado por Makita Corporation en Japón cumple las siguientes normas o documentos normalizados,

EN50260, EN55014

de acuerdo con las directivas comunitarias, 89/336/EEC y 98/37/CE.

Yasuhiko Kanzaki CE 2001



Director      Amministratore  
Directeur     Directeur  
Direktor      Director

## MAKITA INTERNATIONAL EUROPE LTD.

Michigan Drive, Tongwell, Milton Keynes,  
Bucks MK15 8JD, ENGLAND

## PORTUGUÊS

### DECLARAÇÃO DE CONFORMIDADE DA CE

O abaixo assinado, Yasuhiko Kanzaki, autorizado pela Makita Corporation, 3-11-8 Sumiyoshi-Cho, Anjo, Aichi 446-8502 Japan, declara que este produto

(N. de série: produção em série)

fabricado pela Makita Corporation no Japão obedece às seguintes normas ou documentos normalizados,

EN50260, EN55014

de acordo com as directivas 89/336/CEE e 98/37/CE do Conselho.

## DANSK

### EU-DEKLARATION OM KONFORMITET

Undertegnede, Yasuhiko Kanzaki, med fuldmagt fra Makita Corporation, 3-11-8 Sumiyoshi-Cho, Anjo, Aichi 446-8502 Japan, erklærer hermed, at dette produkt

(Løbenummer: serieproduktion)

fremstillet af Makita Corporation i Japan, er i overensstemmelse med de følgende standarder eller normsættende dokumenter,

EN50260, EN55014

i overensstemmelse med Rådets Direktiver 89/336/EEC og 98/37/EC.

## SVENSKA

### EG-DEKLARATION OM ÖVERENSSTÄMMELSE

Undertecknad, Yasuhiko Kanzaki, auktoriserad av Makita Corporation, 3-11-8 Sumiyoshi-Cho, Anjo, Aichi 446-8502 Japan deklarerar att denna produkt

(serienummer: serieproduktion)

tillverkad av Makita Corporation i Japan, uppfyller kraven i följande standard eller standardiserade dokument,

EN50260, EN55014

i enlighet med EG-direktiven 89/336/EEC och 98/37/EC.

## NORSK

### EU's SAMSVARS-ERKLÆRING

Undertegnede, Yasuhiko Kanzaki, med fullmakt fra Makita Corporation, 3-11-8 Sumiyoshi-Cho, Anjo, Aichi 446-8502 Japan bekrefter herved at dette produktet

(Serienr. : serieproduksjon)

fabrikeret av Makita Corporation, Japan, er i overensstemmelse med følgende standarder eller standardiserte dokumenter:

EN50260, EN55014,

i samsvar med Råds-direktivene, 89/336/EEC og 98/37/EC.

## SUOMI

### VAKUUTUS EC-VASTAAVUDESTA

Makita Corporation, 3-11-8 Sumiyoshi-Cho, Anjo, Aichi 446-8502 Japan valtuuttamana allekirjoittanut, Yasuhiko Kanzaki, vakuuttaa että tämä tämä tuote

(Sarja nro : sarjan tuotantoa)

valmistanut Makita Corporation Japanissa vastaa seuraavia standardeja tai standardoituja asiakirjoja

EN50260, EN55014

neuvoston direktiivien 89/336/EEC ja 98/37/EC mukaisesti.

## ΕΛΛΗΝΙΚΑ

### ΔΗΛΩΣΗ ΣΥΜΜΟΡΦΩΣΗΣ ΕΚ

Ο υπογράφων, Yasuhiko Kanzaki, εξουσιοδοτημένος από την εταιρεία Makita Corporation, 3-11-8 Sumiyoshi-Cho, Anjo, Aichi 446-8502 Japan, δηλώνει ότι αυτό το προϊόν

(Αύξων Αρ.: παραγωγή σειράς)

κατασκευασμένο από την Εταιρεία Makita στην Ιαπωνία, βρίσκεται σε συμφωνία με τα ακόλουθα πρότυπα ή τυποποιημένα έγγραφα,

EN50260, EN55014

σύμφωνα με τις Οδηγίες του Συμβουλίου, 89/336/EEC και 98/37/ΚΕ.

Yasuhiko Kanzaki CE 2001



Director      Direktor  
Direktør      Johtaja  
Direktör      Διευθυντής

## MAKITA INTERNATIONAL EUROPE LTD.

Michigan Drive, Tongwell, Milton Keynes,  
Bucks MK15 8JD, ENGLAND

## ENGLISH

### EC-DECLARATION OF CONFORMITY

The undersigned, Yasuhiko Kanzaki, authorized by Kao Lung Tamura Electronics Co., Ltd. No. 4 Industry 1st Street, Ping Tung Industry District Chiao Nan Li, Ping Tung City, Taiwan declares that this battery charger

(Serial No. : series production)

manufactured by Kao Lung Tamura Electronics Co., Ltd. in Taiwan is in compliance with the following standards or standardized documents,

EN60335, EN55014, EN61000

in accordance with Council Directives, 73/23/EEC and 89/336/EEC.

## FRANÇAISE

### DÉCLARATION DE CONFORMITÉ CE

Je soussigné, Yasuhiko Kanzaki, mandaté par Kao Lung Tamura Electronics Co., Ltd. No. 4 Industry 1st Street, Ping Tung Industry District Chiao Nan Li, Ping Tung City, Taiwan, déclare que ce chargeur de batterie

(No. de série: production en série)

fabriqué par Kao Lung Tamura Electronics Co., Ltd. au Taiwan, est conformes aux normes ou aux documents normalisés suivants,

EN60335, EN55014, EN61000

conformément aux Directives du Conseil, 73/23/CEE et 89/336/CEE.

## DEUTSCH

### CE-KONFORMITÄTSERKLÄRUNG

Hiermit erklärt der Unterzeichnete, Yasuhiko Kanzaki, Bevollmächtigter von Kao Lung Tamura Electronics Co., Ltd. No. 4 Industry 1st Street, Ping Tung Industry District Chiao Nan Li, Ping Tung City, Taiwan, daß dieses von der Firma Kao Lung Tamura Electronics Co., Ltd. in Taiwan hergestellte Ladegerät

(Serien-Nr.: Serienproduktion)

gemäß den Ratsdirektiven 73/23/EWG und 89/336/EWG mit den folgenden Normen bzw. Normendokumenten übereinstimmen:

EN60335, EN55014, EN61000.

## ITALIANO

### DICHIARAZIONE DI CONFORMITÀ CON LE NORME DELLA COMUNITÀ EUROPEA

Il sottoscritto Yasuhiko Kanzaki, con l'autorizzazione della Kao Lung Tamura Electronics Co., Ltd. No. 4 Industry 1st Street, Ping Tung Industry District Chiao Nan Li, Ping Tung City, Taiwan, dichiara che questo caricabatteria

(Numero di serie: Produzione in serie)

fabbricato dalla Kao Lung Tamura Electronics Co., Ltd. in Taiwan è conforme alle direttive europee riportate di seguito:

EN60335, EN55014, EN61000

secondo le direttive del Consiglio 73/23/CEE e 89/336/CEE.

## NEDERLANDS

### EG-VERKLARING VAN CONFORMITEIT

De ondergetekende, Yasuhiko Kanzaki, gevoelmachtigd door Kao Lung Tamura Electronics Co., Ltd. No. 4 Industry 1st Street, Ping Tung Industry District Chiao Nan Li, Ping Tung City, Taiwan verklaart dat dit accu-oplader

(Serienr. : serieproductie)

vervaardigd door Kao Lung Tamura Electronics Co., Ltd. in Taiwan voldoet aan de volgende normen of genormaliseerde documenten,

EN60335, EN55014, EN61000

in overeenstemming met de richtlijnen van de Raad 73/23/EEC en 89/336/EEC.

## ESPAÑOL

### DECLARACIÓN DE CONFORMIDAD DE LA CE

El abajo firmante, Yasuhiko Kanzaki, autorizado por Kao Lung Tamura Electronics Co., Ltd. No. 4 Industry 1st Street, Ping Tung Industry District Chiao Nan Li, Ping Tung City, Taiwan, declara que este cargador de baterías

(Número de serie: producción en serie)

fabricado por Kao Lung Tamura Electronics Co., Ltd. en Taiwan cumple las siguientes normas o documentos normalizados,

EN60335, EN55014, EN61000

de acuerdo con las directivas comunitarias, 73/23/EEC y 89/336/EEC.

Yasuhiko Kanzaki CE 2000



Director      Amministratore  
Directeur     Directeur  
Direktor      Director

## MAKITA INTERNATIONAL EUROPE LTD.

Michigan Drive, Tongwell, Milton Keynes,  
Bucks MK15 8JD, ENGLAND

## PORTUGUÊS

### DECLARAÇÃO DE CONFORMIDADE DA CE

O abaixo assinado, Yasuhiko Kanzaki, autorizado pela Kao Lung Tamura Electronics Co., Ltd. No. 4 Industry 1st Street, Ping Tung Industry District Chiao Nan Li, Ping Tung City, Taiwan, declara que este carregador de bateria

(N. de série: produção em série)

fabricado pela Kao Lung Tamura Electronics Co., Ltd. no Taiwan obedece às seguintes normas ou documentos normalizados,

EN60335, EN55014, EN61000

de acordo com as directivas 73/23/CEE e 89/336/CEE do Conselho.

## DANSK

### EU-DEKLARATION OM KONFORMITET

Undertegnede, Yasuhiko Kanzaki, med fuldmagt fra Kao Lung Tamura Electronics Co., Ltd. No. 4 Industry 1st Street, Ping Tung Industry District Chiao Nan Li, Ping Tung City, Taiwan, erklærer hermed, at dette batteriopladeren

(Løbenummer: serieproduktion)

fremstillet af Kao Lung Tamura Electronics Co., Ltd. i Taiwan, er i overensstemmelse med de følgende standarder eller normsættende dokumenter,

EN60335, EN55014, EN61000

i overensstemmelse med Rådets Direktiver 73/23/EEC og 89/336/EEC.

## SVENSKA

### EG-DEKLARATION OM ÖVERENSSTÄMMELSE

Undertecknad, Yasuhiko Kanzaki, auktoriserad av Kao Lung Tamura Electronics Co., Ltd. No. 4 Industry 1st Street, Ping Tung Industry District Chiao Nan Li, Ping Tung City, Taiwan deklarerar att denna batteriladdaren

(serienummer: serieproduktion)

tillverkad av Kao Lung Tamura Electronics Co., Ltd. i Taiwan, uppfyller kraven i följande standard eller standardiserade dokument,

EN60335, EN55014, EN61000

i enlighet med EG-direktiven 73/23/EEC och 89/336/EEC.

## NORSK

### EU's SAMSVARS-ERKLÆRING

Undertegnede, Yasuhiko Kanzaki, med fullmakt fra Kao Lung Tamura Electronics Co., Ltd. No. 4 Industry 1st Street, Ping Tung Industry District Chiao Nan Li, Ping Tung City, Taiwan bekrefter herved at dette batterilader

(Serienr. : serieproduksjon)

fabrikeret av Kao Lung Tamura Electronics Co., Ltd., Taiwan, er i overensstemmelse med følgende standarder eller standardiserte dokumenter:

EN60335, EN55014, EN61000,

i samsvar med Råds-direktivene, 73/23/EEC og 89/336/EEC.

## SUOMI

### VAKUUTUS EC-VASTAAVUDESTA

Kao Lung Tamura Electronics Co., Ltd. No. 4 Industry 1st Street, Ping Tung Industry District Chiao Nan Li, Ping Tung City, Taiwan valtuuttamana allekirjoittanut, Yasuhiko Kanzaki, vakuuttaa että tämä akkulaturi

(Sarja nro : sarjan tuotantoa)

valmistanut Kao Lung Tamura Electronics Co., Ltd. in Taiwan vastaa seuraavia standardeja tai stardardoituja asiakirjoja

EN60335, EN55014, EN61000

neuvoston direktiivien 73/23/EEC ja 89/336/EEC mukaisesti.

## ΕΛΛΗΝΙΚΑ

### ΔΗΛΩΣΗ ΣΥΜΜΟΡΦΩΣΗΣ ΕΚ

Ο υπογράφων, Yasuhiko Kanzaki, εξουσιοδοτημένος από την εταιρεία Kao Lung Tamura Electronics Co., Ltd. No. 4 Industry 1st Street, Ping Tung Industry District Chiao Nan Li, Ping Tung City, Taiwan, δηλώνει ότι αυτό το φορτιστής μπαταρίας

(Αύξων Αρ.: παραγωγή σειράς)

κατασκευασμένο από την Εταιρεία Kao Lung Tamura Electronics Co., Ltd. στην Taiwan, βρίσκεται σε συμφωνία με τα ακόλουθα πρότυπα ή τυποποιημένα έγγραφα,

EN60335, EN55014, EN61000

σύμφωνα με τις Οδηγίες του Συμβουλίου, 73/23/EEC και 89/336/EEC.

Yasuhiko Kanzaki CE 2000

Director      Direktor  
Direktør      Johtaja  
Direktör      Διευθυντής

## MAKITA INTERNATIONAL EUROPE LTD.

Michigan Drive, Tongwell, Milton Keynes,  
Bucks MK15 8JD, ENGLAND

## ENGLISH

### Noise And Vibration Of Model

The typical A-weighted noise levels are  
sound pressure level: 90 dB (A)  
sound power level: 103 dB (A)  
– Wear ear protection. –

The typical weighted root mean square acceleration value is 7 m/s<sup>2</sup>.

## FRANÇAISE

### Bruit et vibrations du modèle

Les niveaux de bruit pondérés A types sont:  
niveau de pression sonore: 90 dB (A)  
niveau de puissance du son: 103 dB (A)  
– Porter des protecteurs anti-bruit. –

L'accélération pondérée est de 7 m/s<sup>2</sup>.

## DEUTSCH

### Geräusch- und Vibrationsentwicklung des Modells

Die typischen A-bewerteten Geräuschpegel betragen:  
Schalldruckpegel: 90 dB (A)  
Schalleistungspegel: 103 dB (A)  
– Gehörschutz tragen. –

Der gewichtete Effektivwert der Beschleunigung beträgt 7 m/s<sup>2</sup>.

## ITALIANO

### Rumore e vibrazione del modello

I livelli del rumore pesati secondo la curva A sono:  
Livello pressione sonora: 90 dB (A)  
Livello potenza sonora: 103 dB (A)  
– Indossare i paraorecchi. –

Il valore quadratico medio di accelerazione è di 7 m/s<sup>2</sup>.

## NEDERLANDS

### Geluidsniveau en trilling van het model

De typische A-gewogen geluidsniveau's zijn  
geluidsdruk-niveau: 90 dB (A)  
geluidsenergie-niveau: 103 dB (A)  
– Draag oorbeschermers. –

De typische gewogen effectieve versnellingswaarde is 7 m/s<sup>2</sup>.

## ESPAÑOL

### Ruido y vibración del modelo

Los niveles típicos de ruido ponderados A son  
presión sonora: 90 dB (A)  
nivel de potencia sonora: 103 dB (A)  
– Póngase protectores en los oídos. –

El valor ponderado de la aceleración es de 7 m/s<sup>2</sup>.

## PORTUGUÊS

### Ruído e Vibração do Modelo

Os níveis normais de ruído A são  
nível de pressão de som: 90 dB (A)  
nível do som: 103 dB (A)  
– Utilize protetores para os ouvidos –  
O valor médio da aceleração é 7 m/s<sup>2</sup>.

## DANSK

### Lyd og vibration fra model

De typiske A-vægtede lyd-niveauer er  
lydtryksniveau: 90 dB (A)  
lydeffektniveau: 103 dB (A)  
– Bær høreværn. –

Den vægtede effektive accelerationsværdi er 7 m/s<sup>2</sup>.

## SVENSKA

### Buller och vibration hos modell

De typiska A-vägda bullernivåerna är  
ljudtrycksnivå: 90 dB (A)  
ljudeffektnivå: 103 dB (A)  
– Använd hörselskydd –

Det typiskt vägda effektivvärdet för acceleration är 7 m/s<sup>2</sup>.

## NORSK

### Støy og vibrasjon fra modell

De vanlige A-belastede støynivå er  
lydtrykknivå: 90 dB (A)  
lydstyrkenivå: 103 dB (A)  
– Benytt hørselvern. –

Den vanlig belastede effektiv-verdi for akselerasjon er 7 m/s<sup>2</sup>.

## SUOMI

### Mallin melutaso ja ääninä

Tyypilliset A-painotetut melutasot ovat  
äänenpainetaso: 90 dB (A)  
äänen tehotoso: 103 dB (A)  
– Käytä kuulosuojaimia. –

Tyypillinen kiihtyvyyden painotettu tehollisarvo on 7 m/s<sup>2</sup>.

## ΕΛΛΗΝΙΚΑ

### Θόρυβος και κραδασμός του μοντέλου

Οι τυπικές Α-μετρούμενες εντάσεις ήχου είναι  
πίεση ήχου: 90 dB (A)  
δύναμη του ήχου: 103 dB (A)  
– Φοράτε ωτοασπίδες. –

Η τυπική αξία της μετρούμενης ρίζας του μέσου τετραγώνου της επιτάχυνσης είναι 7 m/s<sup>2</sup>.



**Makita Corporation**

Anjo, Aichi, Japan

Made in Japan

884383-991