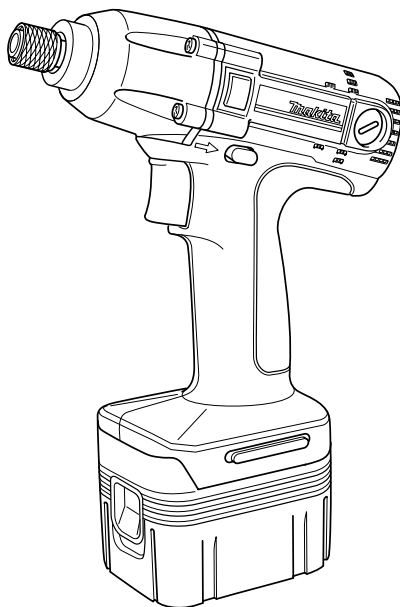
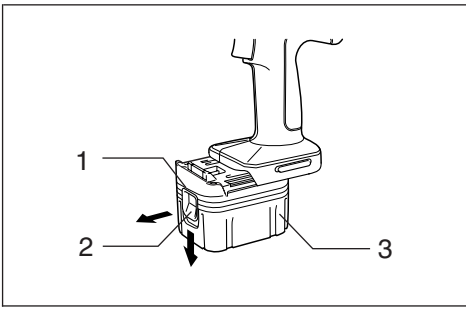


Makita®

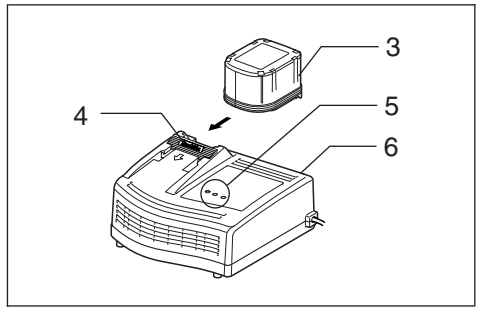
GB	Cordless Impact Driver	Instruction Manual
F	Tournevis à chocs sans fil	Manuel d'instructions
D	Akku-Schlagschrauber	Betriebsanleitung
I	Avvitatrice ad impulso a batteria	Istruzioni per l'uso
NL	Snoerloze slagschroevendraaier	Gebruiksaanwijzing
E	Atornillador de impacto a batería	Manual de instrucciones
P	Parafusadora de impacto a bateria	Manual de instruções
DK	Akku slagskrueetrækker	Brugsanvisning
S	Sladdlös slagskruvdragare	Bruksanvisning
N	Accu slagboremaskin	Bruksanvisning
SF	Johdoton iskuväännin	Käyttöohje
GR	Φορητό κρουστικό καταβίδι	Οδηγίες χρήσεως

BTD150

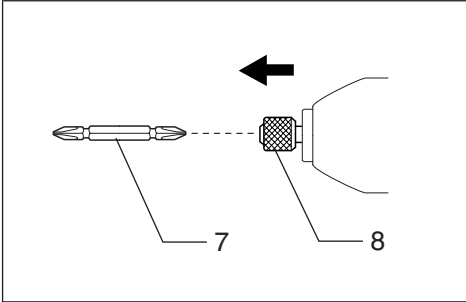




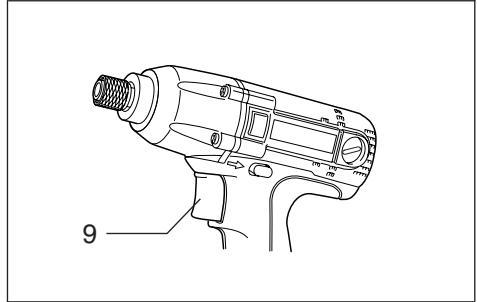
1



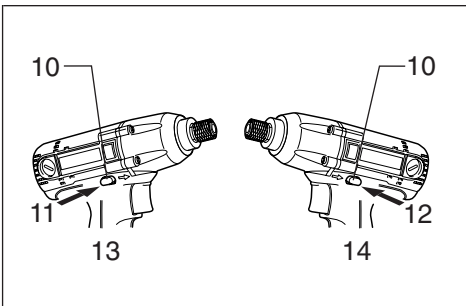
2



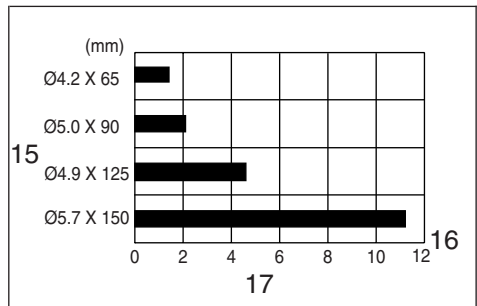
3



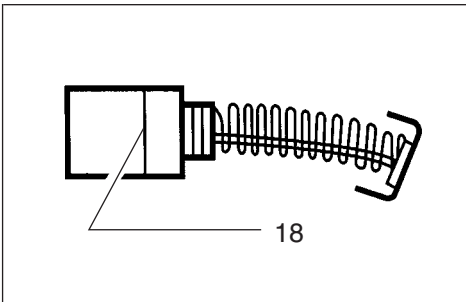
4



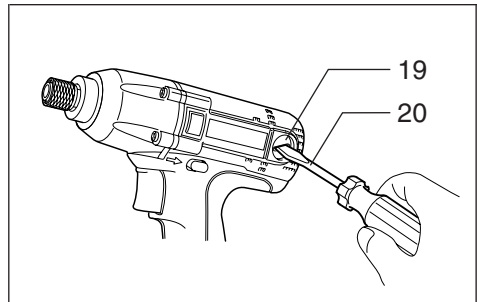
5



6



7



8

1 Red part	8 Sleeve	15 Wood screw size
2 Button	9 Switch trigger	16 Seconds
3 Battery cartridge	10 Reversing switch lever	17 Fastening time
4 Terminal cover	11 A side	18 Limit mark
5 Charging lights	12 B side	19 Brush holder cap
6 Battery charger	13 Clockwise	20 Screwdriver
7 Bit	14 Counterclockwise	

SPECIFICATIONS

Model	BTD150
Capacities	
Machine screw	4 mm – 10 mm
Self drilling screw	4 mm – 6 mm
No load speed (min ⁻¹)	0 – 2,300
Impacts per minute	0 – 3,000
Overall length	190 mm
Net weight	1.8 kg
Rated voltage	D.C. 14.4 V

- Due to our continuing program of research and development, the specifications herein are subject to change without notice.
- Note: Specifications may differ from country to country.

Safety hints

For your own safety, please refer to the enclosed safety instructions.

IMPORTANT SAFETY INSTRUCTIONS FOR CHARGER & BATTERY CARTRIDGE

ENC002-3

1. **SAVE THESE INSTRUCTIONS** — This manual contains important safety and operating instructions for battery charger.
2. Before using battery charger, read all instructions and cautionary markings on (1) battery charger, (2) battery, and (3) product using battery.
3. **CAUTION** — To reduce risk of injury, charge only MAKITA type rechargeable batteries. Other types of batteries may burst causing personal injury and damage.
4. Do not expose charger to rain or snow.
5. Use of an attachment not recommended or sold by the battery charger manufacturer may result in a risk of fire, electric shock, or injury to persons.
6. To reduce risk of damage to electric plug and cord, pull by plug rather than cord when disconnecting charger.
7. Make sure cord is located so that it will not be stepped on, tripped over, or otherwise subjected to damage or stress.
8. Do not operate charger with damaged cord or plug — replace them immediately.
9. Do not operate charger if it has received a sharp blow, been dropped, or otherwise damaged in any way; take it to a qualified serviceman.
10. Do not disassemble charger or battery cartridge; take it to a qualified serviceman when service or repair is required. Incorrect reassembly may result in a risk of electric shock or fire.
11. To reduce risk of electric shock, unplug charger from outlet before attempting any maintenance or cleaning. Turning off controls will not reduce this risk.
12. The battery charger is not intended for use by young children or infirm persons without supervision.
13. Young children should be supervised to ensure that they do not play with the battery charger.

14. If operating time has become excessively shorter, stop operating immediately. It may result in a risk of overheating, possible burns and even an explosion.
15. If electrolyte gets into your eyes, rinse them out with clear water and seek medical attention right away. It may result in loss of your eyesight.

ADDITIONAL SAFETY RULES FOR CHARGER & BATTERY CARTRIDGE

1. Do not charge battery cartridge when temperature is BELOW 10°C (50°F) or ABOVE 40°C (104°F).
2. Do not attempt to use a step-up transformer, an engine generator or DC power receptacle.
3. Do not allow anything to cover or clog the charger vents.
4. Do not short the battery cartridge:
 - (1) Do not touch the terminals with any conductive material.
 - (2) Avoid storing battery cartridge in a container with other metal objects such as nails, coins, etc.
 - (3) Do not expose battery cartridge to water or rain. A battery short can cause a large current flow, overheating, possible burns and even a breakdown.
5. Do not store the tool and battery cartridge in locations where the temperature may reach or exceed 50°C (122°F).
6. Do not incinerate the battery cartridge even if it is severely damaged or is completely worn out. The battery cartridge can explode in a fire.
7. Be careful not to drop, shake or strike battery.
8. Do not charge inside a box or container of any kind. The battery must be placed in a well ventilated area during charging.

ADDITIONAL SAFETY RULES FOR TOOL

ENB024-1

1. Be aware that this tool is always in an operating condition, because it does not have to be plugged into an electrical outlet.
2. Hold tool by insulated gripping surfaces when performing an operation where the cutting tool may contact hidden wiring. Contact with a “live” wire will also make exposed metal parts of the tool “live” and shock the operator.
3. Always be sure you have a firm footing. Be sure no one is below when using the tool in high locations.
4. Hold the tool firmly.
5. Wear ear protectors.

SAVE THESE INSTRUCTIONS.

OPERATING INSTRUCTIONS

Installing or removing battery cartridge (Fig. 1)

- Always switch off the tool before insertion or removal of the battery cartridge.
- To remove the battery cartridge, withdraw it from the tool while sliding the button on the cartridge.
- To insert the battery cartridge, align the tongue on the battery cartridge with the groove in the housing and slip it into place. Always insert it all the way until it locks in place with a little click. If you can see the red part on the upper side of the button, it is not locked completely. Insert it fully until the red part cannot be seen. If not, it may accidentally fall out of the tool, causing injury to you or someone around you.
- Do not use force when inserting the battery cartridge. If the cartridge does not slide in easily, it is not being inserted correctly.

Charging (Fig. 2)

1. Plug the battery charger into the proper A/C voltage source. Two charging lights will flash in green color repeatedly.
2. Insert the battery cartridge into charger until it stops adjusting to the guide of charger. Terminal cover of charger can be opened with inserting and closed with pulling out the battery cartridge.
3. When the battery cartridge is inserted, the charging light color will change from green to red and charging will begin. The charging light will keep lighting up lit steadily during charging.
One red charging light indicates charged condition in 0 – 80% and two red ones indicates 80 – 100%.
4. With finish of charge, the charging lights will change from two red ones to two green ones.
5. If you leave the battery cartridge in the charger after the charging cycle is complete, the charger will switch into its “trickle charge (maintenance charge)” mode which will last approximately 24 hours.
6. After charging, unplug the charger from the power source.

Refer to the table below for the charging time.

Battery type	Capacity (mAh)	Number of cells	Charging time
BH1420	2,000	12	Approx. 30 min.
BH1433	3,300	12	Approx. 50 min.

NOTE:

- The battery charger is for charging Makita-battery cartridge. Never use it for other purposes or for other manufacturer's batteries.
- When you charge a new battery cartridge or a battery cartridge which has not been used for a long period of time, it may not accept a full charge. This is a normal condition and does not indicate a problem. You can recharge the battery cartridge fully after discharging it completely and recharging a couple of times.
- If you charge a battery cartridge from a just-operated tool or battery cartridge which has been left in a location exposed to direct sunlight for a long time, the charging light may flash in red color. If this occurs, wait for a while. Charging will begin after the battery cartridge is cooled by the cooling fan installed in the charger. When the temperature on battery is more than approx. 70°C, two charging lights may flash in red color, and when approx. 50°C – 70°C, one charging light in red color.
- If the charging light flashes alternately in green and red color, charging is not possible. The terminals on the charger or battery cartridge are clogged with dust or the battery cartridge is worn out or damaged.

Cooling system

- This charger is equipped with cooling fan for heated battery in order to enable the battery to prove its own performance. Sound of cooling air comes out during cooling, which means no trouble on the charger.

- Yellow light will flash for warning in the following cases.
 - Trouble on cooling fan
 - Incomplete cool down of battery, such as, being clogged with dust

The battery can be charged in spite of the yellow warning light. But the charging time will be longer than usual in this case.

Check the sound of cooling fan, vent on the charger and battery, which can be sometime clogged with dust.

- The cooling system is in order although no sound of cooling fan comes out, if the yellow warning light will not flash.
- Always keep clean the vent on charger and battery for cooling.
- The products should be sent to repair or maintenance, if the yellow warning light will frequently flash.

Conditioning charge

Conditioning charge can extend the life of battery by automatically searching the optimum charging condition for the batteries in every situation.

The battery employed in the following conditions repeatedly, will be worn out shortly, and yellow warning light may flash.

1. Recharge of battery with its high temperature
 2. Recharge of battery with its low temperature
 3. Recharge of full charged battery
 4. Over-discharge of battery (continue to discharge battery in spite of down of power.)
 5. Recharge under broken cooling system
- The charging time of such battery is longer than usual.

Trickle charge (Maintenance charge)

If you leave the battery cartridge in the charger to prevent spontaneous discharging after full charge, the charger will switch into its “trickle charge (maintenance charge)” mode and keep the battery cartridge fresh and fully charged.

Tips for maintaining maximum battery life

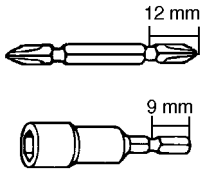
1. Charge the battery cartridge before completely discharged.
Always stop tool operation and charge the battery cartridge when you notice less tool power.
2. Never recharge a fully charged battery cartridge.
Overcharging shortens the battery service life.
3. Charge the battery cartridge with room temperature at 10°C – 40°C (50°F – 104°F).
Let a hot battery cartridge cool down by inserting it into the charger.
4. Charge the Nickel Metal Hydride battery cartridge when you do not use it for more than six months.

Installing or removing bit (Fig. 3)

CAUTION:

Always be sure that the tool is switched off and the battery cartridge is removed before installing or removing the bit.

Use only the driver bit or socket bit shown in the figure below. Do not use any other driver bit or socket bit.



To install the bit, pull the sleeve in the direction of the arrow and insert the bit into the sleeve as far as it will go. Then release the sleeve to secure the bit.

To remove the bit, pull the sleeve in the direction of the arrow and pull the bit out firmly.

NOTE:

If the bit is not inserted deep enough into the sleeve, the sleeve will not return to its original position and the bit will not be secured. In this case, try re-inserting the bit according to the instructions above.

Switch action (Fig. 4)

CAUTION:

Before inserting the battery cartridge into the tool, always check to see that the switch trigger actuates properly and returns to the "OFF" position when released.

To start the tool, simply pull the trigger. Tool speed is increased by increasing pressure on the trigger. Release the trigger to stop.

Reversing switch action (Fig. 5)

CAUTION:

- Always check the direction of rotation before operation.
- Use the reversing switch only after the tool comes to a complete stop. Changing the direction of rotation before the tool stops may damage the tool.
- When not operating the tool, always set the reversing switch lever to the neutral position.

This tool has a reversing switch to change the direction of rotation. Depress the reversing switch lever from the A side for clockwise rotation or from the B side for counterclockwise rotation. When the reversing switch lever is in the neutral position, the switch trigger cannot be pulled.

Operation

CAUTION:

Always insert the battery cartridge all the way until it locks in place. If you can see the red part on the upper side of the button, it is not locked completely. Insert it fully until the red part cannot be seen. If not, it may accidentally fall out of the tool, causing injury to you or someone around you.

Screwdriving operation (Fig. 6)

Hold the tool firmly and place the point of the driver bit in the screw head. Apply forward pressure to the tool to the extent that the bit will not slip off the screw. Start the tool slowly and then increase the speed gradually. Release the trigger just as the screw bottoms out. The proper fastening torque differs depending upon the kind or size of screws/bolts, the type of materials to be fastened, etc. Refer to the table for the relation between fastening time and wood screw size. (Material to be fastened: Lauan)

NOTE:

- Hold the tool pointed straight at the screw.
- When driving wood screws, predrill pilot holes to make driving easier and to prevent splitting of the workpiece. The pilot holes should be slightly smaller than the wood screws in diameter.
- The size of wood screw which can be fastened with this tool may differ depending upon the type of material to be fastened. Always perform a test operation to determine the size of wood screw.

MAINTENANCE

CAUTION:

Always be sure that the tool is switched off and the battery cartridge is removed before carrying out any work on the tool.

Replacement of carbon brushes (Fig. 7 & 8)

Replace carbon brushes when they are worn down to the limit mark. Both identical carbon brushes should be replaced at the same time.

To maintain product safety and reliability, repairs, maintenance or adjustment should be carried out by a Makita Authorized Service Center.

1	Partie rouge	9	Gâchette	15	Dimension de vis à bois
2	Bouton	10	Lévier inverseur	16	Secondes
3	Batterie	11	Côté A	17	Temps de serrage
4	Couvre-bornes	12	Côté B	18	Limite d'usure
5	Témoins de charge	13	Sens des aiguilles d'une montre	19	Bouchon du porte-charbon
6	Chargeur	14	Sens inverse des aiguilles d'une montre	20	Tournevis
7	Mèche				
8	Manchon				

SPECIFICATIONS

Modèle **BTD150**

Capacités

Vis à métaux	4 mm – 10 mm
Vis autotaraudeuse	4 mm – 6 mm
Vitesse à vide (min ⁻¹)	0 – 2 300
Nombre de coups/mn.	0 – 3 000
Longueur totale	190 mm
Poids net	1,8 kg
Tension nominale	14,4 V D.C.

• Etant donné l'évolution constante de notre programme de recherche et de développement, les spécifications contenues dans ce manuel sont sujettes à modification sans préavis.

• Note : Les spécifications peuvent varier suivant les pays.

Consignes de sécurité

Pour votre propre sécurité, reportez-vous aux consignes de sécurité qui accompagnent l'outil.

CONSIGNES DE SECURITE IMPORTANTES POUR LE CHARGEUR ET LES BATTERIES

1. **CONSERVEZ CES INSTRUCTIONS** — Ce manuel renferme des consignes de sécurité et d'utilisation importantes pour le chargeur de batterie.
2. Avant d'utiliser le chargeur de batterie, lisez toutes les étiquettes d'instruction et de précaution apposées sur (1) le chargeur de batterie, sur (2) la batterie et sur (3) le produit utilisant la batterie.
3. **ATTENTION** — Pour réduire tout risque de blessure, ne rechargez que des batteries rechargeables MAKITA de type rechargeable. Les autres types de batterie pourraient exploser et provoquer des blessures ou des dommages.
4. N'exposez pas le chargeur à la pluie ni à la neige.
5. L'utilisation d'un accessoire non recommandé ou non vendu par le fabricant du chargeur de batterie risque de provoquer un feu, une décharge électrique ou des blessures.
6. Pour réduire tout risque de dommage de la fiche et du cordon électrique, débranchez le cordon du chargeur en tirant sur la fiche.
7. Vérifiez que le cordon est placé de façon que personne ne puisse marcher dessus, se prendre les pieds dedans, ni l'endommager ou le soumettre à des contraintes.
8. N'utilisez pas le chargeur si son cordon ou sa fiche sont endommagés — remplacez-les immédiatement.
9. N'utilisez pas le chargeur s'il a reçu un coup, s'il est tombé ou endommagé de toute autre manière ; apportez-le à un réparateur qualifié.
10. Ne démontez pas le chargeur ni la batterie ; si un entretien ou des réparations sont nécessaires, apportez-les à un réparateur qualifié. Un remontage incorrect pourrait provoquer une décharge électrique ou un feu.

11. Pour réduire tout risque de décharge électrique, débranchez le chargeur de la prise secteur avant tout entretien ou nettoyage. Il ne suffit pas de couper les commandes.
12. La batterie ne doit pas être utilisée sans surveillance par des enfants ou des personnes handicapées.
13. Les jeunes enfants devraient être surveillés pour s'assurer qu'ils ne jouent pas avec la batterie.
14. Si le temps de fonctionnement devient excessivement court, cessez immédiatement l'utilisation. Cela peut entraîner un risque de surchauffe, une possibilité de brûlure, voire une explosion.
15. Si l'électrolyte pénètre dans vos yeux, rincez-les à l'eau claire et consultez immédiatement un médecin. Il y a un risque de perte de la vue.

CONSIGNES DE SECURITE SUPPLEMENTAIRES POUR LE CHARGEUR ET LES BATTERIES

1. Ne rechargez pas la batterie si la température est INFERIEURE à 10°C ou SUPERIEURE à 40°C.
2. N'essayez pas d'utiliser un transformateur élévateur, un groupe électrogène ou une prise de courant continu.
3. Veillez à ce que rien ne recouvre ni n'obstrue les événements du chargeur.
4. Ne court-circuitez pas la batterie :
 - (1) Ne touchez pas les bornes avec un matériau conducteur.
 - (2) Evitez de ranger la batterie dans un récipient renfermant d'autres objets métalliques, comme des clous, des pièces de monnaie, etc.
 - (3) N'exposez pas la batterie à l'eau ni à la pluie. Un court-circuit pourrait provoquer un fort débit de courant, une surchauffe, parfois des brûlures et même une panne.
5. Ne rangez pas l'outil ni la batterie dans des endroits où la température risque d'atteindre ou de dépasser 50°C.
6. Ne jetez pas la batterie au feu, même si elle est gravement endommagée ou complètement hors d'usage. Elle pourrait exploser.
7. Veillez à ne pas faire tomber, secouer ni heurter la batterie.
8. N'effectuez pas la recharge à l'intérieur d'une boîte ou d'un récipient quel qu'il soit. La batterie devra se trouver dans un endroit bien aéré pendant la recharge.

Protection de l'environnement (Pour la Suisse uniquement)

Afin de préserver l'environnement, rappez la batterie usagée aux postes de ramassage officiel.



PRECAUTIONS SUPPLEMENTAIRES POUR L'OUTIL

1. N'oubliez pas que cet outil est toujours en état de fonctionner puisqu'il n'est pas besoin de le brancher pour cela.
2. Tenez les outils par leurs surfaces de saisie isolées lorsque vous effectuez un travail au cours duquel l'outil tranchant risque d'entrer en contact avec un filage caché. Le contact avec un fil électrique sous tension peut mettre les parties non isolées de l'outil sous tension et électrocuter l'utilisateur.
3. Ayez toujours une assise ferme sous vos pieds. Veillez à ce que personne ne se trouve en-dessous de vous quand vous utilisez l'outil en hauteur.
4. Tenez votre outil fermement.
5. Portez un casque anti-bruit.

CONSERVEZ CES INSTRUCTIONS.

Recharge (Fig. 2)

1. Branchez le chargeur dans une prise secteur de la tension voulue. Deux témoins de charge clignoteront en vert de façon répétée.
2. Insérer la batterie dans le chargeur jusqu'à ce qu'elle s'arrête, ajustée sur le guide du chargeur. Le couvre-bornes du chargeur peut être ouvert en insérant la batterie, et fermé en la retirant.
3. Lorsque la batterie est insérée la couleur de témoin de charge passe du vert au rouge et la charge commence. Le témoin de charge demeure continuellement allumé pendant la charge. L'allumage d'un témoin de charge en rouge indique un niveau de charge de 0% à 80%, tandis que l'allumage de deux témoins de charge en rouge indique un niveau de charge de 80% à 100%.
4. Une fois la charge terminée, la couleur des deux témoins de charge passe du rouge au vert.
5. Si vous laissez la batterie dans le chargeur une fois le cycle de charge terminé, le chargeur passe en mode de "charge de compensation (charge d'entretien)" pour environ 24 heures.
6. Après la charge, débranchez le chargeur de la prise d'alimentation secteur.

Les durées de recharge sont indiquées dans le tableau ci-dessous.

Type de batterie	Capacité (mAh)	Nombre d'accus	Durée de recharge
BH1420	2 000	12	Environ 30 mn
BH1433	3 300	12	Environ 50 mn

NOTE :

- Le chargeur de batterie est conçu pour les batteries Makita. Ne jamais l'utiliser à d'autres fins ou avec les batteries d'autres fabricants.
- Lorsque vous chargez une batterie neuve ou qui est restée inutilisée pendant une longue période, il est possible qu'elle ne puisse pas être complètement chargée. Il s'agit d'une situation normale, qui n'indique aucune anomalie. Vous pourrez effectuer une charge optimale de la batterie après l'avoir complètement déchargée puis rechargée à quelques reprises.
- Si vous chargez une batterie qui vient juste d'être utilisée avec un outil, ou bien une batterie qui a été laissée dans un endroit exposé aux rayons directs du soleil pour une longue période, il se peut que le témoin de charge clignote en rouge. Dans un tel cas, attendez un moment. La charge commencera une fois la batterie refroidie par le ventilateur de refroidissement installé dans le chargeur. Lorsque la température de la batterie est supérieure à environ 70°C, deux témoins de charge peuvent clignoter en rouge, tandis qu'à une température d'environ 50°C à 70°C, un seul témoin clignote en rouge.
- Si le témoin de charge clignote alternativement en vert et en rouge, la charge n'est pas possible. Les bornes du chargeur ou de la batterie sont alors bloquées par la poussière, ou bien la batterie est soit usée, soit endommagée.

Système de refroidissement

- Ce chargeur est doté d'un ventilateur de refroidissement pour batterie chaude afin de permettre à la batterie de fournir son plein rendement. Un son de refroidissement d'air s'échappe pendant le refroidissement, ce qui signifie que le chargeur fonctionne correctement.
- Un témoin jaune d'avertissement clignote dans les cas suivants.
 - Problème de ventilateur de refroidissement.
 - Refroidissement insuffisant de la batterie, causé par une accumulation de poussière, etc.

MODE D'EMPLOI

Installation et retrait de la batterie (Fig. 1)

- Débranchez toujours l'outil avant d'installer ou de retirer la batterie.
- Pour retirer la batterie, dégagez-la de l'outil en faisant glisser le bouton qui se trouve sur la batterie.
- Pour insérer la batterie, alignez la languette de la batterie avec la rainure située dans le carter, puis faites-la glisser en place. Insérez-la toujours à fond, jusqu'à ce qu'un léger dé clic se fasse entendre. Si vous pouvez voir la partie rouge du côté supérieur du bouton, la batterie n'est pas complètement verrouillée. Insérez-la entièrement, jusqu'à ce que la partie rouge ne soit plus visible. Sinon, elle pourrait tomber accidentellement de l'outil, au risque de vous blesser ou de blesser quelqu'un se trouvant près de vous.
- Ne forcez jamais quand vous introduisez la batterie. Si la batterie ne rentre pas aisément, c'est que vous ne l'insérez pas correctement.

La batterie peut être chargée même si le témoin jaune d'avertissement est allumé. Mais dans ce cas, le temps de charge sera plus long que d'ordinaire.

- Vérifier le son du ventilateur de refroidissement, ainsi que les événements du chargeur et de la batterie, où s'accumule parfois de la poussière.
- Le système de refroidissement fonctionne normalement si le témoin jaune d'avertissement ne clignote pas, et ce même si aucun son ne provient du ventilateur de refroidissement.
- Toujours garder les événements du chargeur et de la batterie propres pour permettre le refroidissement.
- Si le témoin jaune d'avertissement clignote souvent, les produits devraient être envoyés pour réparation ou entretien.

Charge de remise en condition

La charge de remise en condition peut faire augmenter la durée de vie de la batterie en effectuant automatiquement une recherche du niveau de charge optimale des batteries dans toute situation.

Les batteries utilisées à plusieurs reprises dans les conditions suivantes s'usent rapidement, et le témoin jaune d'avertissement peut se mettre alors à clignoter.

1. Recharge de la batterie alors qu'elle est très chaude.
2. Recharge de la batterie alors qu'elle est très froide.
3. Recharge d'une batterie déjà complètement chargée.
4. Décharge excessive de la batterie (continuer de décharger la batterie malgré l'absence d'alimentation).
5. Recharge malgré un bris du système de refroidissement. Le temps de charge est alors plus long que d'ordinaire.

Charge de compensation (charge d'entretien)

Si vous laissez la batterie dans le chargeur pour éviter toute décharge spontanée après une recharge complète, le chargeur passe en mode de "charge de compensation (charge d'entretien)" pour maintenir la batterie fraîche et rechargée à plein.

Conseils pour obtenir la durée de service maximale de la batterie

1. Rechargez la batterie avant qu'elle ne soit complètement déchargée.
Arrêtez toujours l'outil et rechargez la batterie quand vous remarquez que la puissance de l'outil diminue.
2. Ne rechargez jamais une batterie complètement chargée. Une surcharge réduira la durée de service de la batterie.
3. Rechargez la batterie à une température ambiante comprise entre 10°C et 40°C.
Laissez refroidir une batterie chaude en l'insérant dans le chargeur.
4. Rechargez la batterie à hydrure métallique de nickel lorsqu'elle reste inutilisée pour plus de six mois.

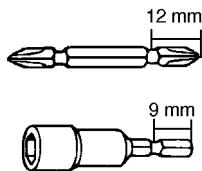
Pose et dépose de l'embout (Fig. 3)

ATTENTION :

Vérifiez toujours que le contact est coupé et que la batterie est retirée avant de mettre ou d'enlever l'embout.

N'utilisez que la panne de l'embout ou la douille indiquées dans la figure ci-dessous.

N'utilisez aucun autre embout.



Pour engager l'embout ou la douille, repoussez la bague vers l'avant, introduisez l'accessoire bien à fond, et relâchez la bague. Procédez de même pour retirer l'embout ou la douille. Pour retirer l'embout, tirez la bague dans le sens de la flèche et tirez fermement sur l'embout.

NOTE :

Si l'embout n'est pas inséré à fond dans la bague, la bague ne reviendra pas à sa position d'origine et l'embout ne sera pas immobilisé. Dans ce cas, recommencez en suivant les instructions ci-dessus.

Interrupteur (Fig. 4)

ATTENTION :

Avant de mettre la batterie dans l'outil, vérifiez toujours que la gâchette fonctionne correctement et qu'elle revient sur la position "OFF" quand vous la relâchez.

Pour démarrer l'outil, il suffit d'appuyer sur la gâchette. Plus vous appuyez sur la gâchette, plus la vitesse de l'outil augmente. Pour arrêter l'outil, relâchez la gâchette.

Inverseur (Fig. 5)

ATTENTION :

- Vérifiez toujours le sens de rotation avant de mettre l'outil en marche.
- Attendez que l'outil soit complètement arrêté avant d'utiliser l'inverseur. Vous risquez d'endommager l'outil si vous changez le sens de rotation avant que l'outil ne soit complètement arrêté.
- Lorsque vous ne vous servez pas de l'outil, mettez toujours l'inverseur à la position neutre.

L'outil possède un inverseur qui permet d'inverser le sens de rotation. Appuyez sur le levier de l'inverseur et déplacez-le à partir du côté A pour une rotation vers la droite, ou à partir du côté B pour une rotation vers la gauche. Lorsque l'inverseur est à la position neutre, il n'est pas possible d'actionner la gâchette.

Fonctionnement

ATTENTION :

Insérez toujours la batterie bien à fond, jusqu'à ce qu'elle se mette en place en émettant un dé clic. Si vous pouvez voir la partie rouge du côté supérieur du bouton, elle n'est pas complètement verrouillée. Insérez-la complètement, jusqu'à ce que la partie rouge ne soit plus visible. Sinon, elle pourrait tomber accidentellement de l'outil, risquant de vous blesser ou de blesser quelqu'un se trouvant près de vous.

Vissage (Fig. 6)

Saisissez l'outil fermement et placez la pointe de la mèche du tournevis dans la tête de la vis. Appliquez une pression vers l'avant sur l'outil, en prenant garde de faire glisser la mèche hors de la vis en appuyant trop fort. Faites démarrer l'outil lentement puis augmentez graduellement la vitesse. Relâchez la gâchette au moment exact où la vis atteint son point le plus bas. Le couple de serrage adéquat varie suivant le type ou la dimension de la vis ou du boulon, le type de matériau où s'effectue le vissage, etc. Référez-vous au tableau pour connaître la relation entre le temps de serrage et la dimension de la vis à bois. (Matériau de serrage : Luan).

NOTE :

- Tenez votre outil bien droit sur la vis.
- Lors du vissage de vis à bois, percez des avant-trous pour faciliter le vissage et pour éviter de fendre la pièce à travailler. Les avant-trous doivent avoir un diamètre légèrement plus petit que celui des vis à bois.
- La dimension des vis à bois qu'il est possible de visser avec cet outil peut varier selon le type de matériau où s'effectue le serrage. Effectuez sans faute un essai de vissage afin de déterminer la dimension des vis à bois.

ENTRETIEN

ATTENTION :

Assurez-vous toujours que l'outil est hors tension et que la batterie a été enlevée avant d'effectuer tout travail sur l'outil.

Remplacement des charbons (Fig. 7 et 8)

Dès que l'un des charbons atteint son repère d'usure, remplacez la paire (par des charbons de même type).

Pour maintenir la sécurité et la fiabilité du produit, les réparations, l'entretien ou les réglages doivent être effectués par le Centre d'Entretien Makita.

1 Roter Teil	8 Werkzeugverriegelung	15 Holzschraubengröße
2 Entriegelungsknopf	9 Ein-Aus-Schalter	16 Sekunden
3 Blockakku	10 Drehrichtungsumschalthebel	17 Anzugszeit
4 Kontaktabdeckung	11 Seite A	18 Verschleißgrenze
5 Ladekontrolleuchten	12 Seite B	19 Bürstenhalterkappe
6 Ladegerät	13 Rechtsdrehung	20 Schraubendreher
7 Bohrer	14 Linksdrehung	

TECHNISCHE DATEN

Modell	BTD150
Arbeitsleistung	
Maschinenschrauben	4 mm – 10 mm
Selbstbohrende Schraube	4 mm – 6 mm
Leerlaufdrehzahl (min ⁻¹)	0 – 2 300 min ⁻¹
Leerlaufschlagzahl	0 – 3 000 min ⁻¹
Gesamtlänge	190 mm
Gewicht	1,8 kg
Nennspannung	14,4 V

- Wir behalten uns vor, Änderungen im Zuge der Entwicklung und des technischen Fortschritts ohne vorherige Ankündigung vorzunehmen.
- Hinweis: Die technischen Daten können von Land zu Land abweichen.

Sicherheitshinweise

Lesen und beachten Sie diese Hinweise, bevor Sie das Gerät benutzen.

WICHTIGE SICHERHEITSHINWEISE FÜR LADEGERÄT UND AKKU

1. **DIESE ANWEISUNGEN GUT AUFBEWAHREN** — Diese Betriebsanleitung enthält wichtige Sicherheits- und Gebrauchsanweisungen für das Ladegerät.
2. Lesen Sie vor der Benutzung des Ladegerätes alle Anweisungen und Warnhinweise, die auf (1) Ladegerät, (2) Akku und (3) Akkugerät angebracht sind.
3. **VORSICHT** — Um die Verletzungsgefahr zu reduzieren, dürfen nur MAKITA-Akkus verwendet werden. Andere Akkutypen können platzen und Verletzungen oder Sachschäden verursachen.
4. Setzen Sie das Ladegerät weder Regen noch Schnee aus.
5. Die Verwendung von Zubehör, das nicht vom Ladegeräte-Hersteller empfohlen oder verkauft wird, kann einen Brand, elektrische Schläge oder Verletzungen verursachen.
6. Um Beschädigung des Netzsteckers und Netzkabels zu vermeiden, ziehen Sie beim Trennen des Ladegerätes vom Stromnetz nicht am Kabel, sondern nur am Stecker.
7. Verlegen Sie das Netzkabel so, daß niemand darauf tritt oder darüber stolpert, und daß es keinen sonstigen schädlichen Einflüssen oder Belastungen ausgesetzt wird.
8. Betreiben Sie das Ladegerät nicht mit einem beschädigten Netzkabel oder Netzstecker — beschädigte Teile sind unverzüglich auszuwechseln.
9. Betreiben Sie das Ladegerät nicht, wenn es starken Erschütterungen ausgesetzt, fallengelassen oder sonstwie beschädigt wurde. Bringen Sie es zu einem qualifizierten Kundendiensttechniker.

10. Versuchen Sie nicht, das Ladegerät oder den Akku zu zerlegen. Bringen Sie das Teil zu einem qualifizierten Kundendiensttechniker, wenn Wartungs- oder Reparaturarbeiten erforderlich sind. Falscher Zusammenbau kann die Ursache für elektrische Schläge oder einen Brand sein.
11. Um die Gefahr von elektrischen Schlägen auszuschließen, trennen Sie das Ladegerät vom Stromnetz, bevor Sie mit Wartungs- oder Reinigungsarbeiten beginnen. Das bloße Ausschalten des Gerätes bewirkt keine Verringerung dieser Gefahr.
12. Das Ladegerät sollte nicht von kleinen Kindern oder gebrechlichen Personen ohne Beaufsichtigung benutzt werden.
13. Kleine Kinder sollten beaufsichtigt werden, um sicherzugehen, daß sie nicht mit dem Ladegerät spielen.
14. Falls die Betriebszeit beträchtlich kürzer geworden ist, stellen Sie den Betrieb sofort ein. Anderenfalls besteht die Gefahr von Überhitzung, möglichen Verbrennungen und sogar einer Explosion.
15. Falls Elektrolyt in Ihre Augen gelangt, waschen Sie sie mit sauberem Wasser aus, und begeben Sie sich unverzüglich in ärztliche Behandlung. Anderenfalls können Sie Ihre Sehkraft verlieren.

ZUSÄTZLICHE SICHERHEITSGELTEN FÜR LADEGERÄT UND AKKU

1. Laden Sie den Akku nicht bei Temperaturen UNTER 10°C oder ÜBER 40°C.
2. Das Ladegerät darf nicht an einen Aufwärtstransformator, Generator oder eine Gleichstrom-Steckdose angeschlossen werden.
3. Achten Sie darauf, daß die Lüftungsschlitze des Ladegerätes nicht abgedeckt oder blockiert werden.
4. Der Akku darf nicht kurzgeschlossen werden:
 - (1) Die Kontakte dürfen nicht mit leitfähigem Material berührt werden.
 - (2) Lagern Sie den Akku nicht in einem Behälter zusammen mit anderen Metallgegenständen, wie z.B. Nägel, Münzen usw.
 - (3) Setzen Sie den Akku weder Wasser noch Regen aus.
 Ein Kurzschluß des Akkus verursacht starken Stromfluß, der Überhitzung, Verbrennungen und einen Defekt zur Folge haben kann.
5. Lagern Sie Maschine und Akku nicht an Orten, an denen die Temperatur 50 °C erreichen oder überschreiten kann.
6. Versuchen Sie niemals, den Akku zu verbrennen, selbst wenn er stark beschädigt oder vollkommen verbraucht ist. Der Akku kann im Feuer explodieren.
7. Achten Sie darauf, daß der Akku nicht fallengelassen, Erschütterungen oder Stößen ausgesetzt wird.
8. Laden Sie den Akku niemals in einem Karton oder einem geschlossenen Behälter. Der Akku darf nur an einem gut belüfteten Ort geladen werden.

Umweltschutz

Das Gerät ist mit einem Nickel-Cadmium-Akku ausgerüstet. Um eine umweltgerechte Entsorgung zu gewährleisten, bitten wir Sie, folgende Punkte zu beachten:

- Gemäß Europäischer Batterierichtlinie 91/157/EWG und nationaler Gesetzgebung (Batterieverordnung) muß der verbrauchte Akku bei einer öffentlichen Sammelstelle, bei Ihrem Makita Kundendienst oder Ihrem Fachhändler zum Recycling abgegeben werden.
- Werfen Sie den verbrauchten Akku nicht in den Hausmüll, ins Feuer oder ins Wasser.

(Nur für die Schweiz)

- Ihr Beitrag zum Umweltschutz: Bringen Sie bitte die gebrauchte Batterie an eine offizielle Sammelstelle zurück.



ZUSÄTZLICHE SICHERHEITSBESTIMMUNGEN

1. Beachten Sie, daß die Maschine stets betriebsbereit ist, da sie nicht erst an eine Stromquelle angeschlossen werden muß.
2. Halten Sie die Maschine nur an den isolierten Griffflächen, wenn Sie Arbeiten ausführen, bei denen verborgene Kabel angebohrt werden können. Bei Kontakt mit einem stromführenden Kabel werden die freilegenden Metallteile der Maschine ebenfalls stromführend, so dass der Benutzer einen elektrischen Schlag erleiden kann.

Laden (Abb. 2)

1. Das Ladegerät an die Stromversorgung anschließen. Zwei Ladekontrolllampen blinken wiederholt in Grün.
2. Richten Sie den Akku auf die Führung des Ladegerätes aus, und führen Sie ihn bis zum Anschlag ein. Die Kontaktabdeckung des Ladegerätes wird durch Einschieben des Akkus geöffnet und durch Herausziehen des Akkus geschlossen.
3. Sobald der Akku eingesetzt wird, wechselt die Farbe der Ladekontrolllampe von Grün nach Rot, und der Ladevorgang beginnt. Die Ladekontrolllampe leuchtet während des Ladevorgangs ständig. Eine rote Ladekontrolllampe zeigt den Ladezustand von 0 – 80%, und zwei rote Lampen zeigen den Zustand von 80 – 100% an.
4. Nach Abschluss des Ladevorgangs wechselt die Farbe der beiden Ladekontrolllampen von Rot nach Grün.
5. Wird der Akku nach Abschluss des Ladevorgangs im Ladegerät gelassen, schaltet das Ladegerät auf den Erhaltungslademodus um, der etwa 24 Stunden andauert.
6. Trennen Sie das Ladegerät nach dem Ladevorgang von der Stromquelle.

Die Ladezeiten sind in der nachfolgenden Tabelle aufgeführt.

Akku	Kapazität (mAh)	Anzahl der Zellen	Ladezeit
BH1420	2 000	12	ca. 30 Min.
BH1433	3 300	12	ca. 50 Min.

HINWEIS:

- Das Ladegerät ist ausschließlich zum Laden von Makita-Akkus vorgesehen. Verwenden Sie es auf keinen Fall für einen anderen Zweck oder zum Laden von Akkus anderer Fabrikate.
- Wenn Sie einen neuen oder längere Zeit unbenutzten Akku laden, wird möglicherweise keine volle Ladung erzielt. Dies ist normal und stellt kein Anzeichen für eine Störung dar. Der Akku lässt sich vollkommen aufladen, nachdem er ein paarmal vollständig entladen und wieder aufgeladen worden ist.
- Wenn Sie einen Akku laden, der von einem kurz zuvor benutzten Werkzeug abgenommen wurde, oder der längere Zeit direkter Sonnenbestrahlung ausgesetzt war, kann die Ladekontrolllampe in Rot blinken. Warten Sie in diesem Fall eine Weile. Der Ladevorgang beginnt, sobald der Akku von dem im Ladegerät eingebauten Kühlgebläse abgekühlt worden ist. Wenn die Temperatur des Akkus mehr als 70°C beträgt, blinken zwei Ladekontrolllampen in Rot, während bei einer Temperatur von ca. 50°C – 70°C eine Ladekontrolllampe in Rot blinken kann.
- Falls die Ladekontrolllampe abwechselnd in Grün und Rot blinkt, liegt eine Störung vor, und der Akku kann nicht geladen werden. Möglicherweise sind die Kontakte des Ladegerätes oder des Akkus verschmutzt, oder der Akku ist verbraucht oder beschädigt.

3. Sorgen Sie für sicheren Stand und halten Sie jederzeit Gleichgewicht. Stellen Sie sicher, daß sich bei Einsatz der Maschine an hochgelegenen Arbeitsplätzen keine Personen darunter aufhalten.
4. Halten Sie die Maschine fest.
5. Tragen Sie stets einen Gehörschutz.

BEWAHREN SIE DIESE HINWEISE SORGFÄLTIG AUF.

BEDIENUNGSHINWEISE

Anbringen und Abnehmen des Akkus (Abb. 1)

- Schalten Sie die Maschine stets aus, bevor Sie den Akku anbringen oder abnehmen.
- Zum Abnehmen des Akkus ziehen Sie ihn aus dem Werkzeug heraus, während Sie den Entriegelungsknopf am Akku verschieben.
- Zum Einsetzen des Akkus richten Sie die Führungsfeder des Akkus auf die Nut im Werkzeuggehäuse aus und schieben den Akku hinein. Schieben Sie den Akku stets vollständig ein, bis er mit einem hörbaren Klicken einrastet. Wenn der rote Teil an der Oberseite des Knopfes sichtbar ist, ist der Akku nicht richtig eingerastet. Schieben Sie den Akku vollständig ein, bis der rote Teil verschwindet. Anderenfalls kann er aus dem Werkzeug herausfallen und Sie oder umstehende Personen verletzen.
- Wenden Sie beim Einsetzen des Akkus keine Gewalt an. Falls der Akku nicht reibungslos hineingleitet, ist er nicht richtig ausgerichtet.

Kühlsystem

• Dieses Ladegerät ist mit einem Kühlgebläse für erhitze Akkus ausgestattet, um die Leistung des Akkus zu verbessern. Das vom Kühlgebläse erzeugte Laufgeräusch ist normal und stellt kein Anzeichen für eine Störung des Ladegerätes dar.

• Eine gelbe Lampe blinkt in den folgenden Fällen als Warnsignal.

- Störung des Kühlgebläses
- Unvollständige Kühlung des Akkus, z.B. bei Verstopfung mit Staub

Der Akku kann trotz der gelben Warnlampe weiter aufgeladen werden. Aber in diesem Fall ist die Ladezeit länger als gewöhnlich.

Überprüfen Sie das Laufgeräusch des Kühlgebläses und die Ventilationsöffnungen an Ladegerät und Akku, die sich manchmal mit Staub zusetzen können.

- Wenn die gelbe Warnlampe nicht blinkt, ist das Kühlsystem in Ordnung, selbst wenn kein Laufgeräusch des Kühlgebläses vernehmbar ist.
- Halten Sie die Ventilationsöffnungen an Ladegerät und Akku stets sauber, um einwandfreie Kühlung zu gewährleisten.
- Falls die gelbe Warnlampe häufig blinkt, sollten Sie die Produkte zwecks Reparatur oder Wartung einsenden.

Anpassungsladung

Eine Anpassungsladung kann die Lebensdauer eines Akkus dadurch verlängern, dass in jeder Situation automatisch die optimalen Ladebedingungen für den Akku gesucht werden.

Wird ein Akku wiederholt den folgenden Bedingungen ausgesetzt, wird er bald erschöpft sein, und die gelbe Warnlampe kann blinken.

1. Nachladen eines Akkus bei hoher Temperatur
2. Nachladen eines Akkus bei niedriger Temperatur
3. Nachladen eines voll aufgeladenen Akkus
4. Übermäßiges Entladen eines Akkus (fortgesetztes Entladen eines bereits erschöpften Akkus.)
5. Nachladen mit beschädigtem Kühlsystem

Die Ladezeit eines solchen Akkus ist länger als gewöhnlich.

Erhaltungsladung

Wird der Akku im Ladegerät gelassen, um Selbstentladung nach einer vollen Ladung zu vermeiden, schaltet das Ladegerät auf den Erhaltungslademodus um, so daß der Akku frisch und voll geladen bleibt.

Tips zur Erhaltung der maximalen Akkulebensdauer

1. Laden Sie den Akku, bevor er vollkommen entladen ist. Schalten Sie stets die Maschine aus und laden Sie den Akku, wenn Sie ein Nachlassen der Maschineleistung bemerken.
2. Unterlassen Sie erneutes Laden eines voll geladenen Akkus. Überladen verkürzt die Lebensdauer des Akkus.
3. Laden Sie den Akku bei Raumtemperatur (10°C bis 40°C). Lassen Sie einen heißen Akku abkühlen, indem Sie ihn in das Ladegerät einsetzen.
4. Der Nickel-Metallhydrid-Akku muss geladen werden, wenn er länger als sechs Monate nicht benutzt worden ist.

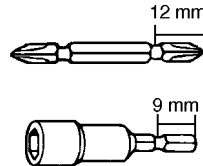
Montage oder Demontage von Einsatzwerkzeugen (Abb. 3)

VORSICHT:

Vergewissern Sie sich vor der Montage oder Demontage der Einsatzwerkzeuge, daß das Gerät abgeschaltet und der Akku herausgenommen ist.

Verwenden Sie nur den in der nachstehenden Abbildung gezeigten Schraubendreher- oder Steckschlüsseinsatz.

Verwenden Sie daher ausschließlich Einsatzwerkzeuge nach dieser Spezifikation.



Zum Einsetzen der Einsatzwerkzeuge die Werkzeugverriegelung in Pfeilrichtung ziehen und das Einsatzwerkzeug bis zum Anschlag in die Werkzeugaufnahme stecken. Anschließend die Werkzeugverriegelung loslassen, um das Einsatzwerkzeug zu sichern.

Zum Entfernen des Einsatzwerkzeuges die Werkzeugverriegelung in Pfeilrichtung ziehen und das Einsatzwerkzeug kräftig herausziehen.

HINWEIS:

Sollte die Werkzeugverriegelung beim Sichern des Einsatzwerkzeuges nicht in die Ausgangsposition zurückkehren (Werkzeug läßt sich wieder herausziehen), ist der Einsetzvorgang zu wiederholen.

Schalterfunktion (Abb. 4)

VORSICHT:

Vergewissern Sie sich vor dem Einsetzen des Akkus in die Maschine stets, daß der Elektronikschalter ordnungsgemäß funktioniert und beim Loslassen in die AUS-Stellung zurückkehrt.

Zum Einschalten der Maschine drücken Sie den Elektronikschalter. Die Drehzahl erhöht sich durch verstärkte Druckausübung auf den Elektronikschalter. Zum Ausschalten lassen Sie den Schalter los.

Drehrichtungsumschalter (Abb. 5)

VORSICHT:

- Prüfen Sie stets die Drehrichtung, bevor Sie mit der Arbeit beginnen.
- Wechseln Sie niemals die Drehrichtung, bevor der Motor zum Stillstand gekommen ist. Andernfalls kann die Maschine beschädigt werden.
- Wenn Sie die Maschine nicht benutzen, stellen Sie den Drehrichtungsumschalter stets auf die Neutralstellung.

Mit dem Drehrichtungsumschalter kann die Drehrichtung verändert werden. Für Rechtslauf drücken Sie auf die Seite A des Drehrichtungsumschalters, für Linkslauf auf die Seite B. In Neutralstellung des Drehrichtungsumschalters kann der Elektronikschalter verriegelt werden.

Betrieb

VORSICHT:

Schieben Sie den Akku stets vollständig ein, bis er einrastet. Wenn der rote Teil an der Oberseite des Knopfes sichtbar ist, ist der Akku nicht richtig eingerastet. Schieben Sie den Akku vollständig ein, bis der rote Teil verschwindet. Anderenfalls kann er aus dem Werkzeug herausfallen und Sie oder umstehende Personen verletzen.

Schraubetrieb (Abb. 6)

Halten Sie das Werkzeug mit festem Griff, und setzen Sie die Spitze des Schraubendrehereinsatzes in den Schraubenkopf ein. Üben Sie Vorwärtsdruck auf das Werkzeug aus, damit der Einsatz nicht von der Schraube abrutscht. Lassen Sie das Werkzeug langsam anlaufen, und erhöhen Sie dann die Drehzahl allmählich. Lassen Sie den Ein-Aus-Schalter kurz vor dem Aufsetzen der Schraube los. Das korrekte Anzugsmoment hängt u.a. von der Art und Größe der Schrauben sowie von der Art des zu verschraubenden Materials ab. Die Beziehung zwischen der Anzugszeit und der Holzschraubengröße ist aus der Tabelle ersichtlich. (Zu verschraubendes Material: Lauan-Holz)

HINWEIS:

- Führen Sie die Maschine senkrecht zur Werkstückoberfläche.
- Beim Eindrehen von Holzschrauben ist das Bohren von Vorbohrungen zu empfehlen, um das Eindrehen zu erleichtern und Spaltung des Werkstücks zu vermeiden. Die Vorbohrungen sollten etwas kleiner als der Durchmesser der Holzschrauben sein.
- Die Größe der Holzschrauben, die mit diesem Werkzeug eingeschraubt werden können, hängt von der Art des zu verschraubenden Materials ab. Führen Sie stets eine Probeverschraubung durch, um die Größe der Holzschraube zu ermitteln.

WARTUNG

VORSICHT:

Vor Arbeiten am Gerät vergewissern Sie sich, daß sich der Schalter in der "OFF"-Position befindet und der Akku aus dem Gerät entfernt ist.

Kohlebürsten wechseln (Abb. 7 u. 8)

Kohlebürsten ersetzen, wenn sie bis auf die Verschleißgrenze abgenutzt sind. Beide Kohlebürsten nur paarweise ersetzen.

Um die Sicherheit und Zuverlässigkeit dieses Gerätes zu gewährleisten, sollten Reparatur-, Wartungs-, und Einstellarbeiten nur von Makita autorisierten Werkstätten oder Kundendienstzentren unter ausschließlicher Verwendung von Makita-Originalersatzteilen ausgeführt werden.

1	Parte rossa	8	Manicotto	15	Dimensioni viti per legno
2	Bottone	9	Interruttore	16	Secondi
3	Cartuccia batteria	10	Leva interruttore di inversione	17	Tempo di serraggio
4	Coperchio terminale	11	Lato A	18	Segno limite
5	Spie di carica	12	Lato B	19	Tappo portaspazzolo
6	Caricatore batteria	13	Senso orario	20	Cacciavite
7	Punta	14	Senso antiorario		

DATI TECNICI

Modello	BTD150
Capacità	
Viti per macchinario	4 mm – 10 mm
Vite autopercorante	4 mm – 6 mm
Velocità a vuoto (min ⁻¹)	0 – 2.300
N°. colpi/min.	0 – 3.000
Lunghezza totale	190 mm
Peso netto	1,8 kg
Tensione nominale	14,4 V DC

- Per il nostro programma di ricerca e sviluppo continui, i dati tecnici sono soggetti a modifiche senza preavviso.
- Nota: I dati tecnici potrebbero differire a seconda del paese di destinazione del modello.

Consigli per la sicurezza

Per la vostra sicurezza, riferitevi alle accluse istruzioni per la sicurezza.

IMPORTANTI ISTRUZIONI DI SICUREZZA PER IL CARICATORE E PER LA CARTUCCIA BATTERIA

1. **CONSERVARE QUESTE ISTRUZIONI** — Questo manuale contiene istruzioni importanti per l'uso e la sicurezza del caricabatteria.
2. **Prima di usare il caricabatteria, leggere tutte le istruzioni e le precauzioni che si trovano (1) sul caricabatteria, (2) sulla batteria e (3) sul prodotto che usa la batteria.**
3. **ATTENZIONE** — Per ridurre il rischio di ferirsi, caricare soltanto il tipo di batterie MAKITA ricaricabili. Gli altri tipi di batterie potrebbero scoppiare causando ferite o danni.
4. **Non esporre il caricatore alla pioggia o alla neve.**
5. **L'uso di un accessorio non raccomandato o non venduto dal costruttore del caricatore potrebbe causare un pericolo d'incendio, di scosse elettriche o di ferite alle persone.**
6. **Per ridurre il rischio di danneggiare il cavo elettrico o la spina, tirare la spina invece del cavo per staccarlo dalla presa di corrente.**
7. **Accertarsi che il cavo non si trovi dove potrebbe venire calpestato, fare inciampare od essere altrimenti soggetto a danni o sollecitazioni.**
8. **Evitare di usare il caricatore se ha il cavo o la spina danneggiati. Sostituirli immediatamente.**
9. **Evitare di usare il caricatore se ha ricevuto un forte colpo, se è caduto o se è in qualche modo danneggiato. Farlo riparare da un tecnico qualificato.**
10. **Non smontare il caricatore o la cartuccia batteria. Se sono necessarie riparazioni, farli riparare da un tecnico qualificato. Se vengono montati in modo sbagliato, c'è pericolo di scosse elettriche o d'incendio.**
11. **Per ridurre il rischio di scosse elettriche, staccare il caricatore dalla presa di corrente prima di eseguire un qualsiasi intervento di manutenzione o pulizia. Tale rischio non viene ridotto spegnendo soltanto il caricatore.**

12. **Il caricabatteria non deve essere usato dai bambini o dagli infermi senza supervisione.**
13. **I bambini devono essere sorvegliati perché non giochino con il caricabatteria.**
14. **Se il tempo di funzionamento è diventato eccessivamente corto, smettere immediatamente di usare l'utensile. C'è pericolo di surriscaldamento, bruciature ed anche di un'esplosione.**
15. **Se l'acido dovesse finire negli occhi, sciacquarli con acqua fresca e rivolgersi immediatamente al medico. C'è pericolo di perdita della vista.**

REGOLE ADDIZIONALI DI SICUREZZA PER IL CARICATORE E PER LA CARTUCCIA BATTERIA

1. **Non caricare la cartuccia batteria quando la temperatura è SOTTO i 10° o SOPRA i 40°.**
 2. **Non cercare di usare un trasformatore survolatore, un generatore per motori o una presa di corrente continua.**
 3. **Fare attenzione che le aperture di ventilazione non vengano coperte o si intasino.**
 4. **Non cortocircuitare la cartuccia batteria:**
 - (1) **Non toccare i terminali con un materiale conduttivo.**
 - (2) **Evitare di conservare la cartuccia batteria in un contenitore insieme con altri oggetti metallici, come chiodi, monete, ecc.**
 - (3) **Non esporre la cartuccia batteria all'acqua o alla pioggia.**
- Un cortocircuito della batteria potrebbe causare un grande flusso di corrente, surriscaldamento, possibili bruciature ed anche guasti.
5. **Non conservare l'utensile e la cartuccia batteria dove la temperatura potrebbe raggiungere o superare i 50°.**
 6. **Non incinerare la cartuccia batteria, anche se è seriamente danneggiata o completamente consumata. La cartuccia batteria potrebbe esplodere nel fuoco.**
 7. **Fare attenzione a non lasciar cadere, urtare o colpire la batteria.**
 8. **Non caricare la batteria dentro una scatola o un qualsiasi altro tipo di contenitore. Durante la carica, la batteria deve trovarsi in un posto ben ventilato.**

**(Per la Svizzera soltanto)
Protezione dell'ambiente**

La Vostra contribuzione per la protezione dell'ambiente:
Porta la batteria al collettivo ufficiale.



ULTERIORI REGOLE DI SICUREZZA PER L'UTENSILE

1. Tener presente che questo utensile è sempre in condizione di cominciare la lavorazione perché non ha bisogno di essere inserito in nessuna presa di corrente.
2. Tenere l'utensile per le superfici di presa isolate quando si esegue una operazione durante la quale potrebbe fare contatto con fili elettrici nascosti. Il contatto con un filo elettrico "sotto tensione" mette anche le parti metalliche dell'utensile "sotto tensione", con pericolo di scosse per l'operatore.
3. Assicurarci sempre di avere i piedi sul sicuro. Assicurarci che non c'è nessuno aldisotto, quando si usa l'utensile in posizioni alte.
4. Tenere l'utensile ben fermo in mano.
5. Indossare protettori delle orecchie.

CONSERVATE QUESTE ISTRUZIONI.

Carica (Fig. 2)

1. Collegare la carica batteria ad una presa di corrente alternata. Due spie di carica lampeggiano ripetutamente in verde.
2. Inserire la cartuccia batteria nel caricatore finché non si arresta regolandola sulla guida del caricatore. Il coperchio del terminale del caricatore si apre quando si inserisce la cartuccia batteria, e si chiude quando la si estrae.
3. Quando si inserisce la cartuccia batteria, il colore della spia di carica cambia da verde a rosso e la carica comincia. La spia di carica rimane continuamente accesa durante la carica.
Una spia di carica rossa indica la condizione di carica di 0 – 80%, e due spie rosse la condizione di carica di 80 – 100%.
4. Alla fine della carica, il colore delle due spie di carica cambia da rosso a verde.
5. Se si lascia la cartuccia batteria nel caricatore dopo il completamento del ciclo di carica, il caricatore si dispone nella modalità di "carica centellinare (carica di manutenzione)" che dura circa 24 ore.
6. Dopo la carica, staccare il caricatore dalla presa di corrente.

Per il tempo di carica, riferirsi alla tabella sotto.

Tipo di batteria	Capacità (mAh)	Numero di celle	Tempo di carica
BH1420	2.000	12	30 minuti circa
BH1433	3.300	12	50 minuti circa

NOTE:

- Il caricabatteria serve esclusivamente a caricare le cartucce batteria Makita. Mai usarlo per altri scopi o per caricare batterie di altre marche.
- Quando si carica una nuova cartuccia batteria o una cartuccia batteria che non è stata usata per un lungo periodo di tempo, essa potrebbe non accettare una carica completa. Ciò è normale e non indica un problema. La cartuccia batteria può essere ricaricata completamente dopo che è stata scaricata completamente e ricaricata un paio di volte.
- Se si carica una cartuccia batteria di un utensile appena usato, o una cartuccia batteria che è rimasta per molto tempo in un luogo esposto alla luce diretta del sole, la spia di carica potrebbe lampeggiare in rosso. In tal caso, aspettare qualche tempo. La carica comincia dopo che la cartuccia batteria è stata raffreddata dalla ventola di raffreddamento del caricatore. Se la temperatura della batteria supera i 70°C circa, due spie di carica potrebbero lampeggiare in rosso e, se è di 50°C – 70°C, lampeggia in rosso una spia.
- Se la spia di carica lampeggia alternativamente in verde e in rosso, la carica non è possibile. I terminali del caricatore o della cartuccia batteria sono intasati di polvere o la cartuccia batteria è usurata o danneggiata.

Sistema di raffreddamento

- Questo caricatore è dotato di una ventola di raffreddamento per quando la batteria si riscalda, in modo che la batteria possa provare le sue prestazioni. Durante il raffreddamento si sente il rumore dell'aria di raffreddamento che esce, il che significa che non ci sono problemi con il caricatore.

ISTRUZIONI PER L'USO

Installazione e rimozione della cartuccia batteria (Fig. 1)

- Spegner sempre l'utensile prima di inserire o di rimuovere la cartuccia batteria.
- Per rimuovere la cartuccia batteria, estrarla dall'utensile spingendo il bottone sul fianco della cartuccia.
- Per inserire la cartuccia batteria, allineare l'appendice sulla cartuccia batteria con la scanalatura dell'alloggiamento e inserirla in posizione. Inserirla sempre completamente finché non si blocca con un piccolo scatto. Se si vede la parte rossa del lato superiore del bottone, vuol dire che esso non è bloccato completamente. Inserirlo completamente finché la parte rossa non è più visibile. In caso contrario, potrebbe cadere dall'utensile con pericolo di ferite per l'operatore o per chi gli è vicino.
- Non usare forza per inserire la cartuccia batteria. Se essa non entra facilmente, vuol dire che non è inserita correttamente.

- Una spia di avvertimento lampeggia in giallo nei casi seguenti:
 - Problema della ventola di raffreddamento
 - Raffreddamento incompleto della batteria, come quando c'è un intasamento di polvereLa batteria può essere caricata anche se c'è la spia gialla di avvertimento. In questo caso, però, il tempo di carica è più lungo del normale.
Controllare il rumore della ventola di raffreddamento, l'apertura di ventilazione sul caricatore e la batteria per possibili intasamenti di polvere.
- Il sistema di raffreddamento è normale anche se non si sente il rumore della ventola se la spia gialla di avvertimento non lampeggia.
- Per il raffreddamento, mantenere sempre pulita l'apertura di ventilazione del caricatore e della batteria.
- Se la spia gialla di avvertimento lampeggia frequentemente, i prodotti devono essere spediti per la riparazione o la manutenzione.

Carica di condizionamento

La carica di condizionamento può estendere la vita della batteria cercando automaticamente la condizione di carica ottimale della batteria in ogni situazione.

La batteria potrebbe usurarsi in poco tempo e la spia gialla di avvertimento lampeggiare se viene usata ripetutamente nelle condizioni seguenti.

1. Quando viene ricaricata alle alte temperature
2. Quando viene ricaricata alle basse temperature
3. Se viene ricaricata quando è completamente carica

- Se viene scaricata eccessivamente (si continua a scaricare la batteria anche se è debole)
- Se la si carica quando il sistema di raffreddamento non funziona

Il tempo di carica di tale batteria diventa allora più lungo del normale.

Carica centellinare (carica di manutenzione)

Se si lasciano le cartucce batteria nel caricatore per evitare che si scarichino da sole dopo una carica completa, il caricatore si dispone nel modo di "carica centellinare (carica di manutenzione)" e mantiene le cartucce batteria completamente cariche.

Suggerimenti per prolungare al massimo la vita della cartuccia batteria

- Caricare la cartuccia batteria prima che si scarichi completamente.
Smettere sempre di usare l'utensile e caricare la cartuccia batteria quando si nota una diminuzione di potenza dell'utensile.
- Non si deve mai caricare una cartuccia batteria completamente carica.
La carica eccessiva riduce la vita di servizio della cartuccia batteria.
- Caricare la cartuccia batteria ad una temperatura ambiente compresa tra i 10°C e i 40°C.
Lasciare raffreddare una batteria calda inserendola nel caricatore.
- Caricare la batteria ibrida al nichel-metallo se non la si usa per più di sei mesi.

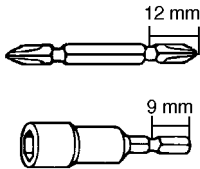
Installazione e rimozione della punta (Fig. 3)

ATTENZIONE:

Prima di installare o di rimuovere la punta, accertarsi sempre che l'utensile sia spento e che la cartuccia batteria sia stata rimossa.

Usare soltanto la punta o il portapunta mostrati nella illustrazione sotto.

Non usare altri tipi di punte o di attacchi esagonali per punte.



Per installare la punta, tirare il manicotto nella direzione della freccia e inserire la punta nel manicotto finché non può andare più oltre. Rilasciare poi il manicotto per fissare la punta.

Per togliere la punta, tirare il manicotto nella direzione della freccia e tirar fuori con forza la punta.

NOTA:

Se la punta non è inserita abbastanza profondamente nel manicotto, questo non può tornare sulla sua posizione originale e la punta non si fissa. In tal caso, provare a inserire di nuovo la punta seguendo le istruzioni sopra.

Funzionamento dell'interruttore (Fig. 4)

ATTENZIONE:

Prima di inserire la cartuccia batteria nell'utensile, accertarsi sempre che l'interruttore funzioni correttamente e ritorni sulla posizione "OFF" quando viene rilasciato.

Per avviare l'utensile, schiacciare semplicemente il grilletto dell'interruttore. La velocità dell'utensile aumenta quando si aumenta la pressione sul grilletto. Rilasciare il grilletto per arrestare l'utensile.

Funzionamento dell'interruttore di inversione (Fig. 5)

ATTENZIONE:

- Controllare sempre la direzione di rotazione prima di usare l'utensile.
- Usare l'interruttore di inversione soltanto dopo che l'utensile si è arrestato completamente. Il cambiamento della direzione di rotazione prima dell'arresto dell'utensile potrebbe danneggiarlo.
- Quando non si usa l'utensile, mettere sempre la leva dell'interruttore di inversione sulla posizione neutra.

Questo utensile è dotato di un interruttore di inversione, per cambiare la direzione di rotazione. Schiacciare la leva dell'interruttore di inversione dal lato A per la rotazione in senso orario, oppure dal lato B per la rotazione in senso antiorario. Quando la leva dell'interruttore di inversione si trova sulla posizione neutra non è possibile schiacciare il grilletto dell'interruttore.

Funzionamento

ATTENZIONE:

Inserire sempre completamente la cartuccia batteria finché non si blocca in posizione. Se essa non è bloccata completamente, la parte rossa del lato superiore del bottone rimane visibile. Inserirlo completamente finché non si vede più la parte rossa. In caso contrario, potrebbe cadere accidentalmente fuori causando lesioni all'operatore o a chi gli sta vicino.

Operazione di avvitarlo (Fig. 6)

Tenere saldamente l'utensile e mettere la punta del cacciavite nella testa della vite. Esercitare una pressione in avanti sull'utensile, facendo attenzione che la punta non scivoli via dalla vite. Avviare lentamente l'utensile e aumentarne gradualmente la velocità. Rilasciare il grilletto non appena la vite è completamente avvitata. La coppia di serraggio corretta differisce secondo il tipo e le dimensioni delle viti/bulloni, il tipo di materiale da fissare, ecc. Per il rapporto tra il tempo di serraggio e le dimensioni delle viti per legno, riferirsi alla tabella. (Materiale da fissare: Lauan)

NOTA:

- Tenere l'utensile puntato direttamente verso la vite.
- Per avvitare le viti per legno, praticare dei fori guida in modo da facilitare l'avvitamento ed evitare di scheggiare il pezzo. Il diametro dei fori guida deve essere leggermente più piccolo di quello delle viti per legno.
- Le dimensioni delle viti per legno che possono essere serrate con questo utensile dipende dal tipo di materiale da fissare. Fare sempre una prova per determinare le dimensioni delle viti per legno.

MANUTENZIONE

ATTENZIONE:

Prima di effettuare ogni tipo di lavoro sull'utensile, assicuratevi sempre che essa sia spenta e che la batteria sia rimossa.

Sostituzione delle spazzole di carbone

(Fig. 7 e 8)

Sostituire le spazzole di carbone quando sono usurate fino alla linea di delimitazione. Sostituire entrambe le spazzole con tipi di spazzole identici.

Per mantenere la sicurezza e l'affidabilità del prodotto, le riparazioni, la manutenzione o le regolazioni dovrebbero essere eseguite da un centro di assistenza Makita autorizzato.

1 Rood gedeelte	8 Bus	15 Houtschroefmaat
2 Knop	9 Trekschakelaar	16 Seconden
3 Accu	10 Omkeerschakelaar	17 Vastdraaitijd
4 Aansluitklemdeksel	11 Kant A	18 Limietmarkering
5 Oplaadlampjes	12 Kant B	19 Borstelhouderkap
6 Acculader	13 Rechtsom	20 Schroefvedraaier
7 Boor	14 Linksom	

TECHNISCHE GEGEVENS

Model	BDT150
Capaciteit	
Machineschroef	4 mm – 10 mm
Zelfborende schroef	4 mm – 6 mm
Toerental onbelast/min.	0 – 2 300
Aantal slagen/min.	0 – 3 000
Totale lengte	190 mm
Netto gewicht	1,8 kg
Nominale spanning	DC 14,4 V

- In verband met ononderbroken research en ontwikkeling behouden wij ons het recht voor bovenstaande technische gegevens te wijzigen zonder voorafgaande kennisgeving.
- Opmerking: De technische gegevens kunnen van land tot land verschillen.

Veiligheidswenken

Voor uw veiligheid dient u de bijgevoegde Veiligheidsvoorschriften nauwkeurig op te volgen.

BELANGRIJKE VEILIGHEIDSVOORSCHRIFTEN VOOR ACCULADER EN ACCU

1. BEWAAR DEZE VOORSCHRIFTEN — Deze gebruiksaanwijzing bevat belangrijke veiligheids- en bedieningsvoorschriften betreffende de acculader.
2. Lees alle voorschriften en waarschuwingen die zijn aangebracht op (1) de acculader, (2) de accu en (3) het product waarvoor de accu wordt gebruikt, aandachtig door alvorens de acculader in gebruik te nemen.
3. LET OP — Om gevaar voor verwonding te voorkomen, dient u met de acculader uitsluitend MAKITA oplaadbare accu's te laden. Accu's van andere merken kunnen gaan barsten en verwondingen of schade veroorzaken.
4. Stel de acculader niet bloot aan regen of sneeuw.
5. Het gebruik van een accessoire dat door de fabrikant van de acculader niet wordt aanbevolen of verkocht, kan brandgevaar, elektrische schok of verwondingen veroorzaken.
6. Om beschadiging van het netsnoer en de stekker te voorkomen, dient u de stekker vast te pakken om het netsnoer uit het stopcontact te halen.
7. Zorg ervoor dat het netsnoer zodanig is geplaatst, dat niemand erop kan stappen of erover kan struikelen, en dat het niet aan beschadiging of druk is blootgesteld.
8. Gebruik de acculader niet met een beschadigd netsnoer of een beschadigde stekker — vervang deze onmiddellijk.
9. Gebruik de acculader niet indien deze een sterke schok heeft ondergaan, op de grond is gevallen, of een andere vorm van beschadiging heeft opgelopen; breng deze naar een bevoegde monteur.
10. Haal de acculader of de accu niet uit elkaar; breng deze naar een bevoegde monteur wanneer onderhoud of reparatie nodig is. Onjuist opnieuw ineenzetten kan namelijk een elektrische schok of brandgevaar opleveren.

11. Om gevaar voor een elektrische schok te voorkomen, trekt u de stekker van de acculader uit het stopcontact alvorens met onderhoud of reinigen te beginnen. Het gevaar voor een elektrische schok wordt niet voorkomen door de acculader alleen maar uit te schakelen.
12. De acculader is niet bedoeld voor gebruik door kleine kinderen of geestelijk gestoorde waarop geen toezicht wordt gehouden.
13. Houd toezicht op kleine kinderen om te voorkomen dat ze met de acculader spelen.
14. Wanneer de gebruikstijd van de accu uiterst kort is geworden, is de accu versleten en moet u het gebruik ervan onmiddellijk stopzetten. Voortgezet gebruik kan oververhitting van de accu, brandwonden en zelfs een ontploffing veroorzaken.
15. Wanneer elektrolyt in uw ogen is terechtgekomen, moet u uw ogen spoelen met schoon water en onmiddellijk de hulp van een dokter inroepen. Elektrolyt in de ogen kan blindheid veroorzaken.

AANVULLENDE VEILIGHEIDSVOORSCHRIFTEN VOOR ACCULADER EN ACCU

1. Laad de accu niet op bij een temperatuur BENEDEN 10°C of BOVEN 40°C.
2. Gebruik voor het opladen nooit een verhogingstransformator, een dynamo of een gelijkstroombron.
3. Zorg ervoor dat de ventilatiegaten van de acculader niet afgesloten worden of verstopt raken.
4. Voorkom kortsluiting van de accu:
 - (1) Raak de accuklemmen nooit aan met een geleidend materiaal.
 - (2) Bewaar de accu niet in een bak waarin ook andere metalen voorwerpen zoals spijkers, munten e.d. worden bewaard.
 - (3) Stel de accu niet bloot aan water of regen. Kortsluiting van de accu kan oorzaak zijn van een grote stroomafgifte, oververhitting, brandwonden en zelfs defecten.
5. Bewaar het gereedschap en de accu niet op plaatsen waar de temperatuur kan oplopen tot 50°C of hoger.
6. Werp de accu nooit in het vuur, zelfs niet wanneer deze zwaar beschadigd of volledig versleten is. De accu kan namelijk ontploffen in het vuur.
7. Wees voorzichtig dat u de accu niet laat vallen en hem niet aan schokken of stoten blootstelt.
8. Laad de accu niet op in een bak of container. Laad hem uitsluitend op in een goed geventileerde ruimte.

BIJGEOVOEGDE VEILIGHEIDSVOORSCHRIFTEN VOOR DE MACHINE

1. Wees op uw hoede. Dit gereedschap is altijd gereed voor gebruik, aangezien het niet op een stopcontact hoeft te worden aangesloten.
2. Houd het gereedschap bij de geïsoleerde handgrepen vast wanneer u boort op plaatsen waar de boor op verborgen elektrische bedrading kan stoten. Door contact met een onder spanning staande draad zullen ook de niet-geïsoleerde metalen delen van het gereedschap onder spanning komen te staan, zodat de gebruiker een elektrische schok kan krijgen.
3. Zorg ervoor dat u stevig staat op een vast ondergrond. Bij gebruik van het gereedschap op een hoge plaats dient u ervoor te zorgen dat niemand beneden u aanwezig is.
4. Houd het gereedschap stevig vast.
5. Draag oorbeschermers.

Bewaar deze voorschriften.

Laden (Fig. 2)

1. Sluit de juiste acculader aan op het stopcontact. De twee oplaadlampjes zullen herhaaldelijk groen knipperen.
2. Volg de aanduidingen op de acculader en schuif de accu zo ver mogelijk in de acculader. Het deksel van de acculader gaat open wanneer u de accu erin steekt, en gaat weer dicht wanneer u de accu eruit haalt.
3. Wanneer de accu volledig erin zit, zal de kleur van het oplaadlampje veranderen van groen in rood en zal het opladen beginnen. Tijdens het opladen zal het oplaadlampje blijven branden. Een rood oplaadlampje duidt aan dat de accu 0 – 80% is opgeladen, en twee rode oplaadlampjes 80 – 100%.
4. Nadat de accu volledig is opgeladen, zullen beide oplaadlampjes veranderen van rood in groen.
5. Indien u de accu na volledig opladen in de acculader laat zitten, zal de acculader overschakelen naar de “bijladen (handhaven van de lading)” stand die ongeveer 24 uur zal duren.
6. Trek de stekker van de acculader uit het stopcontact nadat het opladen is voltooid.

Zie de onderstaande tabel voor de oplaadtijden.

Accu type	Capaciteit (mAh)	Aantal cellen	Opladtid
BH1420	2 000	12	ca. 30 min.
BH1433	3 300	12	ca. 50 min.

OPMERKINGEN:

- De acculader is uitsluitend bestemd voor het opladen van Makita accu's. Gebruik deze nooit voor andere doeleinden of voor het opladen van accu's van andere fabrikanten.
- Een nieuwe accu of een accu die gedurende lange tijd niet werd gebruikt, kan soms niet volledig worden opgeladen. Dit is normaal en wijst niet op een defect. Nadat u de accu een paar keer volledig hebt ontladen en herladen, kunt u deze weer volledig opladen.
- Wanneer u de accu van een zojuist gebruikt gereedschap oplaadt, of een accu die voor langere tijd aan direct zonlicht of hitte werd blootgesteld, gebeurt het wel eens dat het oplaadlampje in rood knippert. Wacht in zo'n geval een tijdje. Het opladen zal beginnen nadat de accu door de koelventilator in de acculader is afgekoeld. Wanneer de inwendige temperatuur van de accu hoger is dan ongeveer 70°C, zullen de twee oplaadlampjes soms in rood knipperen; bij een temperatuur tussen ongeveer 50°C en 70°C, zal één oplaadlampje in rood knipperen.
- Indien het oplaadlampje afwisselend in groen en rood knippert, is opladen niet mogelijk. De klemmen op de accu of acculader zijn met vuil verstopt, of de accu is versleten of beschadigd.

Koelsysteem

- Deze acculader is voorzien van een ventilator voor het afkoelen van een warmgeworden accu om verslechtering van de accuprestaties te voorkomen. Tijdens het koelen zult u het geluid van de koelingslucht horen. Dit is normaal en betekent niet dat er iets mankeert aan de acculader.

BEDIENINGSVOORSCHRIFTEN

Installeren of verwijderen van de accu (Fig. 1)

- Schakel het gereedschap altijd uit alvorens de accu te installeren of te verwijderen.
- Om de accu te verwijderen, haalt u deze uit het gereedschap terwijl u de knop op de accu verschuift.
- Om de accu te installeren, doet u de tong op de accu overeenkomen met de groef in de behuizing en dan schuift u de accu erin. Schuif de accu zo ver mogelijk erin totdat deze op zijn plaats vastklikt. Wanneer het rode gedeelte op de bovenkant van de knop nog zichtbaar is, zit de accu niet volledig erin. Schuif hem volledig erin totdat het rode gedeelte niet meer zichtbaar is. Als u dit niet doet, kan de accu per ongeluk eruit vallen en uzelf of andere personen in uw omgeving verwonden.
- Als de accu moeilijk in de houder gaat, moet u niet proberen hem met geweld erin te duwen. Indien de accu er niet gemakkelijk ingaat, betekent dit dat u hem niet op de juiste wijze erin steekt.

- Een geel waarschuwinglampje zal knipperen in de volgende gevallen.
 - Er mankeert iets aan de koelventilator.
 - De accu wordt slecht afgekoeld omdat deze verstopt is met stof e.d.
 Zelfs wanneer het gele waarschuwinglampje knippert, kan de accu worden opgeladen. In dat geval zal het opladen echter langer duren dan normaal. Controleer of het geluid van de koelventilator normaal is. Controleer ook of de luchtuitlaatopeningen op de accu en de acculader niet door stof verstopt zijn.
- Indien het gele waarschuwinglampje niet knippert hoewel u geen geluid van de koelventilator hoort, is het koelsysteem in orde.
- Houd de luchtuitlaatopeningen op de acculader en de accu altijd schoon om een goede koeling te verzekeren.
- Indien het gele waarschuwinglampje vaak gaat knipperen, moet u de producten naar een servicecentrum zenden voor reparatie of onderhoud.

Optimaal heropladen

De functie voor optimaal heropladen verlengt de levensduur van de accu door de optimale oplaadconditie van de accu in elke situatie automatisch te bepalen.

Wanneer u een accu herhaaldelijk in de volgende omstandigheden gebruikt, zal deze rap verslijten en zal het gele waarschuwinglampje mogelijk gaan knipperen.

1. Een accu bij een te hoge temperatuur opladen
2. Een accu bij een te lage temperatuur opladen
3. Een volledig opgeladen accu opnieuw opladen

4. Een accu te veel ontladen (de accu blijven gebruiken hoewel deze bijna leeg is)
 5. Een accu opladen terwijl het koelsysteem defect is
- Het opladen van een dergelijke accu duurt langer dan normaal.

Bijladen (Handhaven van de lading)

Wanneer u een volledig opgeladen accu in de oplader laat zitten om spontaan ontladen te voorkomen, zal de oplader overschakelen naar de "Bijladen (Handhaven van de lading)" stand waardoor de accu vers en in volledig opgeladen toestand wordt gehouden.

Wenken om een maximale levensduur van de accu te handhaven

1. Laad de accu op alvorens deze volledig is ontladen. Stop het gebruik van het gereedschap en laad de accu op telkens wanneer u vaststelt dat het vermogen van het gereedschap verminderd is.
2. Laad een volledig opgeladen accu nooit opnieuw op. Wanneer u de accu te veel oplaadt, zal deze minder lang meegaan.
3. Laad de accu op bij een kamertemperatuur tussen 10°C en 40°C. Laat een warme accu afkoelen door hem in de acculader te steken.
4. Laad de nikkel-metaalhydride accu op wanneer u deze langer dan zes maanden niet gebruikt.

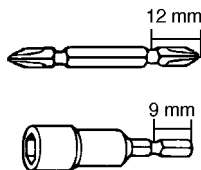
Aanbrengen of verwijderen van de schroefbit (Fig. 3)

LET OP:

Controleer altijd of het gereedschap is uitgeschakeld en de accu is verwijderd, alvorens de schroefbit aan te brengen of te verwijderen.

Gebruik uitsluitend de schroefbit of schroefdop die hieronder zijn afgebeeld.

Gebruik geen andere schroefbit of schroefdop.



Om de schroefbit aan te brengen, trek de bus in de richting van de pijl en steek dan de schroefbit zo ver mogelijk erin. Laat daarna de bus los om de schroefbit vast te zetten.

Om de schroefbit/dop te verwijderen, trek de bus in de richting van de pijl en trek dan de schroefbit/dop eruit.

OPMERKING:

Indien de schroefbit niet diep genoeg in de bus wordt gestoken, zal de bus niet naar zijn oorspronkelijke positie terugkeren en zal de schroefbit niet goed vastzitten. In dat geval dient u de schroefbit opnieuw erin te steken volgens de bovenstaande aanwijzingen.

Werking van de trekschakelaar (Fig. 4)

LET OP:

Alvorens de accu in het gereedschap te plaatsen, moet u altijd controleren of de trekschakelaar juist werkt en bij het loslaten naar de "OFF" positie terugkeert.

Om het gereedschap in te schakelen, drukt u gewoon de trekschakelaar in. Hoe dieper de trekschakelaar wordt ingedrukt, hoe sneller het gereedschap draait. Om het gereedschap uit te schakelen, de trekschakelaar loslaten.

Werking van de omkeerschakelaar (Fig. 5)

LET OP:

- Controleer altijd de draairichting alvorens het gereedschap te gebruiken.
- Verander de stand van de omkeerschakelaar alleen nadat het gereedschap volledig tot stilstand is gekomen. Indien u de draairichting verandert terwijl de boor nog draait, kan het gereedschap beschadigd raken.
- Zet de omkeerschakelaar altijd in de neutrale stand wanneer het gereedschap niet wordt gebruikt.

Dit gereedschap heeft een omkeerschakelaar voor het veranderen van de draairichting. Druk de omkeerschakelaar in vanaf zijde A voor rechtse draairichting, of vanaf zijde B voor linkse draairichting. Wanneer deze omkeerschakelaar in de neutrale stand staat, kan de trekschakelaar niet worden ingedrukt.

Bediening

LET OP:

Schuif de accu altijd zo ver mogelijk erin totdat hij op zijn plaats vergrendeld is. Zolang als het rode gedeelte op de bovenzijde van de knop zichtbaar is, is de accu niet goed vergrendeld. Steek hem volledig erin totdat het rode gedeelte niet meer zichtbaar is. Als u dit niet doet, kan de accu per ongeluk uit het gereedschap vallen zodat u of iemand anders in uw omgeving verwond raakt.

Indraaien van schroeven (Fig. 6)

Houd het gereedschap stevig vast en plaats de punt van de schroefbit in de schroefkop. Oefen net genoeg voorwaartse druk uit op het gereedschap zodat de schroefbit niet van de schroef wegslipt. Begin met lage draaisnelheid en voer daarna de snelheid geleidelijk op. Laat de trekschakelaar los zodra de schroef volledig erin is gedraaid.

Het juiste aandraaimoment hangt af van het soort of de maat van de schroeven/bouten, het materiaal waar de schroef ingedraaid moet worden, enz. De verhouding tussen de vastdraaitijd en de houtschroefmaat vindt u in de tabel. (Vast te schroeven materiaal: Lauan)

OPMERKING:

- Houd het gereedschap altijd haaks.
- Wanneer u houtschroeven inschroeft, maak dan voorboorgaten om het inschroeven te vergemakkelijken en om te voorkomen dat het hout splijt. De diameter van de voorboorgaten moet iets kleiner zijn dan die van de houtschroeven.
- De maat van de houtschroef die u met dit gereedschap kunt inschroeven is afhankelijk van het materiaal waarin u schroeft. Neem altijd een proef vooraf om de geschikte maat van de houtschroef te bepalen.

ONDERHOUD

LET OP:

Controleer altijd of de machine is uitgeschakeld en de accu is losgekoppeld vooraleer onderhoud uit te voeren aan de machine.

Vervangen van koolborstels (Fig. 7 en 8)

Vervang de borstels wanneer ze tot aan de aangegeven limiet zijn afgesleten. Beide koolborstels dienen tegelijkertijd te worden vervangen.

Opdat het gereedschap veilig en betrouwbaar blijft, dienen alle reparaties, onderhoud of afstellingen te worden uitgevoerd bij een erkend Makita service centrum.

1	Parte roja	8	Manguito	14	Hacia la izquierda
2	Botón	9	Interruptor de gatillo	15	Tamaño del tornillo para madera
3	Cartucho de batería	10	Palanca del interruptor de inversión	16	Segundos
4	Tapa del terminal	11	Lado A	17	Tiempo de apriete
5	Luces de carga	12	Lado B	18	Marca de límite
6	Cargador de batería	13	Hacia la derecha	19	Tapa del portaescobillas
7	Broca			20	Destornillador

ESPECIFICACIONES

Modelo	BTD150
Capacidades	
Tornillo de máquina	4 mm – 10 mm
Tornillo autotaladrante	4 mm – 6 mm
Velocidad en vacío (min ⁻¹)	0 – 2.300
Impactos por minuto	0 – 3.000
Longitud total	190 mm
Peso neto	1,8 kg
Tensión nominal	CC 14,4 V

- Debido a un programa continuo de investigación y desarrollo, las especificaciones aquí dadas están sujetas a cambios sin previo aviso.
- Nota: Las especificaciones pueden ser diferentes de país a país.

Sugerencias de seguridad

Para su propia seguridad, consulte las instrucciones de seguridad incluidas.

NORMAS DE SEGURIDAD IMPORTANTES PARA EL CARGADOR Y EL CARTUCHO DE BATERÍA

1. **GUARDE ESTAS INSTRUCCIONES** — Este manual contiene instrucciones de operación y de seguridad importantes para el cargador de baterías.
2. Antes de utilizar el cargador de baterías, lea todas las instrucciones y las indicaciones de precaución (1) del cargador de baterías, (2) de las baterías, y (3) del producto con el que se utilicen las baterías.
3. **PRECAUCIÓN** — Para reducir el riesgo de que se produzcan heridas personales, cargue solamente las baterías recargables del tipo MAKITA. Otros tipos de batería pueden reventar y causar heridas personales y daños.
4. No exponga el cargador a la lluvia ni a la nieve.
5. El uso de accesorios no recomendados ni vendidos por el fabricante del cargador de baterías podrá resultar en un riesgo de incendio, descarga eléctrica, o lesiones a personas.
6. Para reducir el riesgo de dañar el enchufe y cable eléctrico, cuando desconecte el cargador tire del enchufe y no del cable.
7. Cerciórese de colocar el cable de forma que no pueda pisarlo, tropezar con él, y que no esté sometido a tirones ni otro tipo de daños o fatiga.
8. No utilice el cargador si su cable o enchufe está estropeado — reemplácelos inmediatamente.
9. Si el cargador ha recibido un golpe fuerte, lo ha dejado caer, o ha resultado dañado de alguna forma, no lo utilice; llévelo a que se lo revise un técnico de servicio cualificado.
10. No desarme el cargador ni el cartucho de batería; cuando necesite realizar algún servicio o reparación, llévelo a un técnico de servicio cualificado. Un montaje incorrecto podría ocasionar un riesgo de descarga eléctrica o de incendio.

11. Para reducir el riesgo de una descarga eléctrica, desenchufe el cargador de la toma de corriente antes de intentar cualquier tipo de mantenimiento o limpieza. La desconexión de los controles, únicamente, no reducirá este riesgo.
12. El cargador de baterías no ha sido pensado para ser usado por niños ni menores sin ser supervisados.
13. Los padres deberán supervisar a sus hijos pequeños para asegurarse de que no juegan con el cargador de baterías.
14. Si el tiempo de operación se acorta mucho, pare la tarea inmediatamente. Podría resultar en un riesgo de recalentamiento, posibles quemaduras e incluso una explosión.
15. Si el electrolito entrase en sus ojos, enjuáguelos con agua clara y solicite asistencia médica enseguida. Podría ocasionarle la pérdida de la vista.

NORMAS DE SEGURIDAD ADICIONALES PARA EL CARGADOR Y EL CARTUCHO DE BATERÍA

1. No cargue el cartucho de batería cuando la temperatura sea INFERIOR a 10°C o SUPERIOR a 40°C.
 2. No intente utilizar un transformador elevador, un grupo electrógeno ni una toma de corriente continua (CC) para cargar el cartucho de batería.
 3. No permita que nada cubra u obstruya las rejillas de ventilación del cargador.
 4. No cortocircuite el cartucho de batería:
 - (1) No toque los bornes de la batería con ningún tipo de material conductor.
 - (2) Evite guardar el cartucho de batería en cajas junto con otros objetos metálicos tales como clavos, monedas, etc.
 - (3) No exponga el cartucho de batería al agua ni a la lluvia.
- Un cortocircuito en la batería puede causar una gran circulación de corriente, un sobrecalentamiento, posibles quemaduras e incluso una avería.
5. No guarde la herramienta ni el cartucho de batería en lugares donde la temperatura pueda alcanzar o exceder los 50°C.
 6. No queme el cartucho de batería aunque esté seriamente dañado o completamente fuera de servicio. El fuego podría hacerlo explotar.
 7. Tenga cuidado de no dejar caer, sacudir ni golpear el cartucho de batería.
 8. No cargue el cartucho de batería dentro de una caja o contenedor de ningún tipo. Durante la carga, la batería deberá estar en un lugar bien ventilado.

NORMAS DE SEGURIDAD ADICIONALES PARA LA HERRAMIENTA

1. Tenga presente que esta herramienta siempre está en un estado de operación debido a que no se tiene que enchufar a una toma de alimentación.
2. Cuando realice una tarea donde la herramienta pueda entrar en contacto con cableado oculto o su propio cable, sujete la herramienta por las superficies de asimiento aisladas. El contacto con un cable con corriente hará que la corriente circule por las partes metálicas de la herramienta y electrocute al operario.
3. Asegúrese siempre de que el punto de apoyo de sus pies sea firme. Por otro lado, asegúrese de que no haya nadie debajo cuando esté utilizando la herramienta en lugares situados a una cierta altura del suelo.
4. Sostenga la herramienta firmemente.
5. Utilice protectores para los oídos.

GUARDE ESTAS INSTRUCCIONES.

Carga (Fig. 2)

1. Enchufe el cargador de batería en una toma de corriente alterna (CA) de tensión apropiada. Se encenderán repetidamente dos luces de carga en color verde.
2. Inserte el cartucho de batería en el cargador hasta que haga tope ajustándose a la guía del cargador. La tapa del terminal del cargador se abre al insertar el cartucho de batería y se cierra al sacarlo.
3. Una vez insertado el cartucho de batería, el color de la luz de carga cambiará de color verde a color rojo y comenzará la carga. La luz de carga se mantendrá encendida durante la carga. Una luz de carga roja indica que la batería está cargada entre 0 – 80%, y dos luces rojas, entre 80 – 100%.
4. Cuando termine la carga, las dos luces de carga cambiarán de color rojo a color verde.
5. Si deja el cartucho de batería en el cargador después de que se haya completado el ciclo de carga, el cargador cambiará a su modo de "carga lenta (carga de mantenimiento)" que durará aproximadamente 24 horas.
6. Después de finalizada la carga, desenchufe el cargador de la toma de corriente.

Consulte la tabla de abajo para ver los tiempos de carga.

Tipo de batería	Capacidad (mAh)	Número de celdas	Tiempo de carga
BH1420	2.000	12	30 min. aprox.
BH1433	3.300	12	50 min. aprox.

NOTAS:

- El cargador de baterías es sólo para cargar cartuchos de batería Makita. No lo utilice nunca con otros fines ni para baterías de otros fabricantes.
- Cuando cargue un cartucho de batería nuevo o cartucho de batería que no haya sido utilizado durante largo tiempo, podrá no poderse cargar completamente. Esto es una condición normal y no denota ningún tipo de problema. El cartucho de batería podrá cargarse completamente después de repetir unas cuantas veces la operación de descargarlo completamente y volverlo a cargar.
- Si carga un cartucho de batería que justo acaba de utilizar con la herramienta o uno que haya estado expuesto directamente a la luz solar durante largo tiempo, la luz de carga podrá parpadear en color rojo. Si se da el casco, espere durante un rato. La carga comenzará cuando el cartucho de batería se enfríe mediante el ventilador de enfriamiento instalado en el cargador. Si la temperatura de la batería es de más de aproximadamente 70°C, podrán parpadear dos luces de carga en color rojo, y si es de aproximadamente 50°C – 70°C, podrá parpadear una luz de carga en rojo.
- Si la luz de carga parpadea alternativamente en color verde y rojo, la batería no se podrá cargar. Los terminales del cargador o de la batería estarán obstruidos con polvo o el cartucho de batería estropeado o dañado.

INSTRUCCIONES PARA EL FUNCIONAMIENTO

Instalación o extracción del cartucho de batería (Fig. 1)

- Antes de insertar o retirar el cartucho de batería, asegúrese siempre de desconectar la herramienta.
- Para retirar el cartucho de batería, extráigalo de la herramienta a la vez que desliza el botón del cartucho.
- Para insertar el cartucho de batería, alinee la lengüeta del cartucho de batería con la acanaladura del alojamiento y deslícelo hasta encajarlo en su sitio. Insértelo siempre a tope hasta que quede bloqueado en su sitio produciendo un chasquido. Si puede ver la parte roja del lado superior del botón, no estará bloqueado completamente. Insértelo completamente hasta que no pueda verse la parte roja. De lo contrario, podrá caerse de la herramienta accidentalmente, pudiendo ocasionarle heridas a usted o a alguien cerca de usted.
- No fuerce la introducción del cartucho de batería. Si el cartucho no se desliza hacia dentro fácilmente, quiere decir que no está siendo insertado correctamente.

Sistema de enfriamiento

- Este cargador está equipado con un ventilador de enfriamiento para evitar el recalentamiento de la batería, y así poder sacarle a ésta el máximo rendimiento. Durante el enfriamiento se oye el sonido del ventilador, lo que significa que no hay ningún problema en el cargador.

- En los siguientes casos parpadeará una luz amarilla de aviso.

- Problema en el ventilador de enfriamiento
- Batería no enfriada completamente, tal como, en el caso de que esté obstruida con polvo

La batería se puede cargar aunque esté parpadearando la luz amarilla. Pero en este caso tardará más tiempo en cargarse.

Verifique el sonido del ventilador de enfriamiento, el orificio de ventilación de la batería y la batería, porque algunas veces podrán estar obstruidos con polvo.

- Si la luz amarilla de aviso no parpadea, el sistema de enfriamiento estará bien aunque no se escuche el sonido del ventilador de enfriamiento.
- Mantenga siempre limpios los orificios de ventilación del cargador y la batería.
- Si la luz amarilla de aviso parpadea con frecuencia, el cargador deberá ser enviado a que lo reparen o le hagan el mantenimiento.

Carga de acondicionamiento

La carga de acondicionamiento puede alargar la vida útil de la batería buscando automáticamente la condición óptima para la carga de la batería en cualquier situación.

Las baterías que se empleen repetidamente en las siguientes condiciones se estropearán en poco tiempo, y la luz amarilla de aviso podrá parpadear.

1. Si la carga estando caliente.
2. Si la carga estando fría.
3. Si la recarga estando completamente cargada.
4. Si la descarga demasiado (si continúa utilizándola a pesar de tener poca potencia.)
5. Si la carga estando estropeado el sistema de enfriamiento

El tiempo de carga de tal batería será más largo del normal.

Carga continua y lenta (carga de mantenimiento)

Si deja el cartucho de batería en el cargador para evitar que se descargue espontáneamente después de haberlo cargado completamente, el cargador se cambiará a su modo de "carga continua y lenta (carga de mantenimiento)" y mantendrá el cartucho de batería fresco y completamente cargado.

Consejos para alargar al máximo la vida de servicio de la batería

1. Cargue el cartucho de batería antes de que se descargue completamente.
Pare la herramienta y cargue el cartucho de batería siempre que note que se debilita la potencia de la herramienta.
2. Nunca cargue un cartucho de batería que esté completamente cargado.
El exceso de carga acorta la vida de servicio de la batería.
3. Cargue el cartucho de batería a una temperatura ambiente de 10°C – 40°C.
Si un cartucho de batería está caliente deje que se enfríe insertándolo en el cargador.
4. Cargue el cartucho de batería de hidruro metálico de níquel cuando no lo utilice durante más de seis meses.

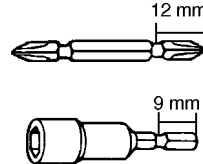
Instalación o extracción de la pieza de apriete (Fig. 3)

PRECAUCIÓN:

Asegúrese siempre de que la alimentación de la herramienta esté desconectada y de que se haya extraído el cartucho de la batería antes de instalar o extraer la pieza de apriete.

Utilice solamente la punta de atornillar o la llave de vaso mostradas en la figura de abajo.

No utilice ninguna otra pieza de apriete tipo destornillador o tipo llave de cubo.



Para instalar la pieza de apriete, tire del manguito en el sentido de la flecha e inserte la pieza de apriete en el manguito todo lo posible. Luego deje libre el manguito para asegurar la pieza de apriete.

Para quitar la pieza de apriete, tire del manguito en el sentido de la flecha y sáquela firmemente.

NOTA:

Si la pieza de apriete no se inserta lo suficiente en el manguito, éste no volverá a su posición original y la pieza de apriete no quedará asegurada. En este caso, intente volver a insertar la pieza de apriete según las instrucciones de arriba.

Accionamiento del interruptor (Fig. 4)

PRECAUCIÓN:

Antes de insertar el cartucho de batería, compruebe siempre para ver si el interruptor de gatillo se acciona correctamente y regresa a la posición "OFF" cuando se libera.

Para encender la herramienta, simplemente presione el gatillo. La velocidad de la herramienta aumenta incrementando la presión ejercida en el gatillo. Suelte el gatillo para parar.

Accionamiento del conmutador de inversión (Fig. 5)

PRECAUCIÓN:

- Compruebe siempre la dirección de rotación antes de realizar la operación de trabajo.
- Emplee el conmutador de inversión sólo después de que la herramienta esté completamente parada. Si cambia la dirección de rotación antes de que la herramienta se pare podrá dañarla.
- Cuando no esté utilizando la herramienta, ponga siempre la palanca del conmutador de inversión en la posición neutra.

Esta herramienta tiene un conmutador de inversión para cambiar la dirección de rotación. Presione el conmutador de inversión del lado A para que gire hacia la derecha o el del lado B para que gire hacia la izquierda. Cuando el conmutador de inversión esté en la posición neutra, el interruptor de gatillo no podrá ser accionado.

Operación

PRECAUCIÓN:

Inserte siempre el cartucho de batería a tope hasta que quede bloqueado en posición. Si puede ver la parte roja de la parte superior del botón, no estará bloqueado completamente. Insértelo totalmente hasta que no pueda verse la parte roja. En caso contrario, podrá caerse accidentalmente de la herramienta y causarle heridas a usted o a alguien cerca de usted.

Operación de atornillado (Fig. 6)

Sujete la herramienta firmemente y ponga la punta de atornillar en la cabeza del tornillo. Aplique suficiente presión hacia delante en la herramienta para que la punta no se deslice del tornillo. Ponga en marcha la herramienta e incremente la velocidad gradualmente. Suelte el gatillo justo cuando el tornillo esté roscado a fondo. La torsión de apriete apropiada variará dependiendo del tipo o tamaño de los tornillos/pernos, del tipo de materiales a atornillar, etc. Consulte la tabla para ver la relación existente entre el tiempo de apriete y el tamaño de los tornillos para madera (Material a atornillar: Laguán)

NOTA:

- Sostenga la herramienta dirigiéndola directamente hacia la tuerca.
- Cuando atornille tornillos para madera, perforo primero agujeros piloto para facilitar el atornillado y para evitar astillar la pieza de trabajo. El diámetro de los agujeros piloto deberá ser ligeramente más pequeño que el de los tornillos para madera.
- El tamaño de los tornillos para madera que pueden atornillarse con esta herramienta podrá variar dependiendo del tipo de material a atornillar. Realice siempre una operación de prueba para determinar el tamaño de los tornillos para madera.

MANTENIMIENTO

PRECAUCIÓN:

Asegúrese siempre de que la herramienta está apagada y de que el cartucho de baterías está quitado antes de realizar cualquier trabajo en la herramienta.

Substitución de las escobillas de carbón

(Fig. 7 y 8)

Substituya las escobillas de carbón cuando estén desgastadas hasta la marca del límite. Las dos escobillas de carbón idénticas deberían ser substituidas al mismo tiempo.

Para mantener la seguridad y fiabilidad del producto, las reparaciones, el mantenimiento y los ajustes deberán ser realizados por un Centro de Servicio Autorizado de Makita.

1 Parte vermelha	9 Gatilho	15 Tamanho do parafuso para madeira
2 Botão	10 Alavanca do interruptor de inversão	16 Segundos
3 Bateria	11 Lado A	17 Tempo de aperto
4 Tampa do terminal	12 Lado B	18 Marca limite
5 Luzes de carregamento	13 Para a direita	19 Tampa do suporte da escova
6 Carregador da bateria	14 Para a esquerda	20 Chave de parafusos
7 Broca		
8 Manga		

ESPECIFICAÇÕES

Modelo	BTD150
Capacidades	
Parafuso hexagonal	4 mm – 10 mm
Parafuso autoperfurantes	4 mm – 6 mm
Velocidade em vazio (min ⁻¹)	0 – 2.300
Impactos por minuto	0 – 3.000
Comprimento total	190 mm
Peso líquido	1,8 kg
Voltagem nominal	14,4 V C.C.

- Devido a um programa contínuo de pesquisa e desenvolvimento, estas especificações podem ser alteradas sem aviso prévio.
- Nota: As especificações podem variar de país para país.

Conselhos de segurança

Para sua segurança, leia as instruções anexas.

INSTRUÇÕES DE SEGURANÇA IMPORTANTES PARA O CARREGADOR E BATERIA

1. **GUARDE ESTAS INSTRUÇÕES** — Este manual contém importantes normas de segurança e de funcionamento para o carregador de bateria.
2. Antes de utilizar o carregador leia todas as instruções e notas de precaução no (1) carregador de bateria, (2) bateria e (3) no produto que utiliza a bateria.
3. **PRECAUÇÃO** — Para reduzir o risco de acidente, carregue só baterias recarregáveis da MAKITA. Outros tipos de baterias podem explodir causando danos pessoais.
4. Não exponha o carregador à chuva ou à neve.
5. A utilização de qualquer acessório não recomendado ou vendido pelo fabricante do carregador de bateria pode provocar um incêndio, choque eléctrico ou danos pessoais.
6. Para reduzir o risco de danificar a ficha e o fio eléctrico, puxe pela ficha, nunca pelo fio, quando desligar o carregador.
7. Certifique-se de que o fio está colocado de modo a que não seja pisado, torcido ou de qualquer maneira sujeito a danos ou esticões.
8. Não utilize o carregador com um fio ou ficha estragados — substitua-os imediatamente.
9. Não utilize o carregador se recebeu alguma pancada, caiu ou foi danificado de qualquer maneira; leve-o a um serviço de assistência qualificado.
10. Não abra o carregador ou a bateria; leve-o a um serviço de assistência qualificado quando necessitar de assistência ou reparação. Montagem incorrecta pode resultar em incêndio ou choque eléctrico.
11. Para reduzir o risco de choque eléctrico, desligue o carregador da tomada antes de efectuar qualquer manutenção ou limpeza. Desligar os controlos não reduz o risco.
12. O carregador de bateria não deve ser utilizado por crianças ou por enfermos sem vigilância.

13. Deve vigiar as crianças para se certificar de que não brincam com o carregador.
14. Se o tempo de operação diminuir consideravelmente, pare imediatamente a operação. Pode ocorrer sobreaquecimento, queimaduras e mesmo uma explosão.
15. Se entrar electrólito nos seus olhos, lave-os com água e procure imediatamente assistência médica. Pode originar perda de visão.

REGRAS DE SEGURANÇA ADICIONAIS PARA O CARREGADOR E BATERIA

1. Não carregue a bateria quando a temperatura é INFERIOR A 10°C ou SUPERIOR A 40°C.
2. Não tente utilizar um transformador de corrente, um gerador ou um receptáculo de alimentação CC.
3. Não deixe que nada cubra ou obstrua as ventilações do carregador.
4. Não provoque um curto circuito na bateria:
 - (1) Não toque nos terminais com nenhum material condutor.
 - (2) Evite guardar a bateria juntamente com outros objectos metálicos tal como pregos, moedas, etc.
 - (3) Não exponha a bateria à chuva ou a água. Um curto circuito na bateria pode causar um grande fluxo de corrente, sobreaquecimento, possíveis queimaduras e mesmo uma avaria.
5. Não guarde a ferramenta e a bateria em locais onde a temperatura possa atingir ou ultrapassar 50°C.
6. Não queime a bateria mesmo se estiver severamente danificada ou completamente gasta. A bateria pode explodir no fogo.
7. Tenha cuidado para não deixar cair, sacudir ou dar pancadas na bateria.
8. Não carregue dentro de uma caixa ou recipiente de qualquer tipo. A bateria deve ser colocada num local bem ventilado durante o carregamento.

REGRAS DE SEGURANÇA ADICIONAIS PARA A FERRAMENTA

1. Não se esqueça que esta ferramenta está sempre em condições de funcionamento, pois não necessita de ser ligada a uma tomada de corrente eléctrica.
2. Agarre na ferramenta pelas pegadas isoladas quando executar uma operação em que a ferramenta de corte pode entrar em contacto com qualquer fio eléctrico escondido ou o seu próprio fio. O contacto com um fio “vivo” fará com que as partes de metal expostas fiquem “vivas” e originem um choque no operador.
3. Certifique-se sempre de que tem os pés bem assentes. Certifique-se de que não está ninguém por baixo quando utilizar a ferramenta em locais altos.
4. Segure a ferramenta firmemente.
5. Use protectores nos ouvidos.

GUARDE ESTAS INSTRUÇÕES.

INSTRUÇÕES DE FUNCIONAMENTO

Instalar ou retirar a bateria (Fig. 1)

- Desligue sempre a ferramenta antes de colocar ou retirar a bateria.
- Para retirar a bateria, tire-a da ferramenta enquanto desliza o botão na bateria.
- Para colocar a bateria, alinhe a lingueta na bateria com a ranhura na caixa e deslize-a para o seu lugar. Coloque-a sempre completamente até que faça um clique no seu lugar. Se conseguir ver a parte vermelha no lado superior do botão, não está completamente colocada. Coloque-a completamente até que não possa ver a parte vermelha. Se assim não for, pode acidentalmente cair da ferramenta ferindo-o a si ou alguém próximo.
- Não utilize força quando coloca a bateria. Se a bateria não deslizar facilmente é porque não está colocada correctamente.

Carregamento (Fig. 2)

1. Ligue o carregador de bateria à tomada de corrente alterna com a voltagem apropriada. Duas luzes de carregamento piscarão repetidamente em verde.
2. Coloque a bateria no carregador até que pare, ajustando com a guia no carregador. A cobertura dos terminais do carregador pode ser aberta colocando a bateria e fechada retirando-a.
3. Quando a bateria está colocada, a cor da luz de carregamento muda de verde para vermelho e o carregamento começa. A luz de carregamento mantém-se acesa durante o carregamento. Uma luz de carregamento acesa em vermelho indica que a condição de carregamento é de 0 – 80% e duas luzes acesas em vermelho indicam que a condição de carregamento é de 80 – 100%.
4. Quando o carregamento termina as duas luzes de carregamento passam de vermelho para verde.
5. Se deixar a bateria no carregador depois do ciclo de carregamento acabar, o carregador muda para o modo de "carregamento gota a gota (carregamento de manutenção)" que durará aproximadamente 24 horas.
6. Depois do carregamento, retire o carregador da fonte de alimentação.

Consulte a tabela abaixo para verificar o tempo de carga.

Tipo da bateria	Capacidade (mAh)	Número de células	Tempo de carga
BH1420	2.000	12	Aprox. 30 min.
BH1433	3.300	12	Aprox. 50 min.

NOTA:

- O carregador de bateria é para carregar cartuchos de bateria da Makita. Nunca o utilize para outros fins ou baterias de outros fabricantes.
- Quando carrega uma bateria nova ou uma bateria que não foi utilizada durante um longo período de tempo, pode não aceitar uma carregamento completo. Isto é uma condição normal e não indica um problema. Pode carregar a bateria completamente depois de a descarregar e voltar a carregar algumas vezes.
- Se carregar uma bateria de uma ferramenta que acabou de funcionar ou uma bateria que foi deixada num local exposta à luz solar directa durante um longo período de tempo, a luz de carregamento pode piscar em vermelho. Se isto acontecer, espere um pouco. O carregamento começa quando a bateria tiver arrefecido com a ventoinha de arrefecimento colocada no carregador. Quando a temperatura na bateria for superior a aproximadamente 70°C, duas luzes de carregamento podem piscar em vermelho, e quando for aproximadamente 50°C – 70°C, uma luz de carregamento pisca em vermelho.
- Se a luz de carregamento pisca alternadamente em verde e vermelho, o carregamento não é possível. Os terminais no carregador ou bateria estão bloqueados com poeira ou a bateria está gasta ou estragada.

Sistema de arrefecimento

- Este carregador está equipado com uma ventoinha de arrefecimento para quando a bateria está quente, para permitir que a bateria comprove o seu desempenho. Escuta o som da ventoinha durante o arrefecimento e não significa problema com o carregador.

- Uma luz amarela de aviso piscará nos seguintes casos:
 - Problema na ventoinha de arrefecimento
 - Arrefecimento incompleto da bateria talvez por estar bloqueada com poeira.

A bateria pode ser carregada apesar da luz amarela de aviso. Mas o tempo de carregamento será superior ao normal neste caso.

Verifique o som da ventoinha de arrefecimento, a ventilação no carregador e bateria, que podem estar bloqueadas com poeira.

- O sistema de arrefecimento está em condições apesar de não ouvir a ventoinha de arrefecimento, se a luz amarela de aviso não pisca.
- Mantenha sempre limpas as ventilações para arrefecimento no carregador e bateria.
- Deve mandar os produtos para reparação ou manutenção se a luz amarela de aviso pisca frequentemente.

Carregamento condicionado

O carregamento condicionado pode aumentar a vida da bateria procurando automaticamente a condição óptima de carregamento para as baterias em todas as situações.

Bateria utilizada repetidamente nas seguintes condições, ficará gasta rapidamente e a luz amarela de aviso poderá piscar.

1. Carregamento da bateria com a temperatura máxima.
2. Carregamento da bateria com a temperatura mínima.
3. Carregamento de uma bateria completamente carregada.
4. Super-descarregamento da bateria (continuar a descarregar a bateria apesar de já estar fraca).
5. Carregamento com o sistema de arrefecimento estragado.

O tempo de carregamento de uma bateria nestas condições é superior.

Carregamento gota a gota (carregamento de manutenção)

Se deixar a bateria no carregador para evitar descarga espontânea depois de completamente carregada, o carregador mudará para o modo de "carregamento gota a gota (carregamento de manutenção)" e manterá a bateria fresca e completamente carregada.

Conselhos para manter a máxima vida útil da bateria

1. Carregue a bateria antes de completamente descarregada.
Páre sempre a operação e carregue a bateria quando notar diminuição de potência da ferramenta.
2. Nunca recarregue uma bateria completamente carregada.
Sobrecarregamento diminui a vida útil da bateria.
3. Carregue a bateria à temperatura ambiente de 10°C – 40°C.
Se a bateria aquecer, deixe-a arrefecer colocando-a no carregador.
4. Carregue a bateria de hidreto de níquel quando não a utilizar durante mais do que seis meses.

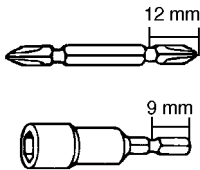
Instalação ou extracção do bit (Fig. 3)

PRECAUÇÃO:

Certifique-se sempre de que a ferramenta está desligada e a bateria retirada antes de colocar ou retirar o bit.

Utilize só a broca de perfuração ou encaixe indicada na figura abaixo.

Não utilize outros.



Para instalar o bit, puxe o aro no sentido da seta e introduza o bit, mais fundo possível. Em seguida solte o aro para segurar o bit.

Para extrair o bit, puxe o aro no sentido da seta e retire o bit puxando-o com força.

NOTA:

Se não introduzir o bit bem fundo no aro, este não voltará à posição de origem e o bit não ficará seguro. Se tal acontecer, volte a introduzi-lo de acordo com as instruções acima indicadas.

Interruptor (Fig. 4)

PRECAUÇÃO:

Antes de colocar a bateria na ferramenta certifique-se de que o gatilho funciona correctamente e volta para a posição "OFF" (desligado) quando o solta.

Para ligar a ferramenta carregue simplesmente no gatilho. A velocidade da ferramenta aumenta quando aumenta a pressão no gatilho. Solte o gatilho para parar.

Comutador de inversão (Fig. 5)

PRECAUÇÃO:

- Verifique sempre o sentido de rotação antes da operação.
- Só utilize o comutador de inversão quando a ferramenta estiver completamente parada. Mudar o sentido de rotação antes da ferramenta parar poderá danificá-la.
- Quando não estiver a funcionar com a ferramenta, coloque sempre o comutador de inversão na posição neutra.

Esta ferramenta tem um comutador de inversão para mudar o sentido de rotação. Pressione-o no lado A para rotação à direita ou no lado B para rotação à esquerda. Se o comutador de inversão estiver na posição neutra o gatilho não accionará.

Operação

PRECAUÇÃO:

Coloque sempre a bateria completamente até ao fim, até que fique bem presa no seu lugar. Se conseguir ver a parte vermelha no lado superior do botão, não está completamente presa. Coloque-a completamente até que não consiga ver a parte vermelha. Se assim não for, pode cair da ferramenta acidentalmente, ferindo-o a si ou a alguém perto.

Operação de aparafusamento (Fig. 6)

Agarre na ferramenta firmemente e coloque a ponta da broca na cabeça do parafuso. Aplique pressão para a frente na ferramenta de modo a que a broca não salte do parafuso. Inicie a ferramenta devagar e em seguida aumente gradualmente a velocidade. Liberte o gatilho quando o parafuso chegar ao fim. O aperto do binário adequado difere dependendo do tipo ou tamanho dos parafusos/pernos, o tipo de material a ser apertado, etc. Refira-se à tabela para a relação entre o tempo de aperto e o tamanho do parafuso para madeira. (Material a ser apertado: Lauan)

NOTA:

- Segure a ferramenta colocando-a directamente sobre a cabeça do parafuso.
- Quando perfura parafusos para madeira, execute anteriormente um orifício de ensaio para facilitar a perfuração e evitar que a peça de trabalho estilhaçe. O orifício de ensaio deve ser ligeiramente inferior em diâmetro ao parafuso para madeira.
- O tamanho do parafuso para madeira que pode ser apertado com esta ferramenta pode ser diferente de acordo com o tipo de material a ser apertado. Execute sempre uma operação de teste para determinar o tamanho do parafuso para madeira.

MANUTENÇÃO

PRECAUÇÃO:

Certifique-se sempre de que a ferramenta se encontra desligada e de que a bateria foi retirada antes de efectuar qualquer trabalho na ferramenta.

Substituição das escovas de carvão (Fig. 7 e 8)

As escovas de carvão devem ser substituídas quando o desgaste atingir a marca limite. Ambas as escovas de carvão devem ser substituídas ao mesmo tempo.

Para salvaguardar a segurança e a fiabilidade do produto, as reparações, manutenção e afinações deverão ser sempre efectuadas por um Centro de Assistência Oficial MAKITA.

1 Rød del	8 Muffe	15 Størrelse på træskruer
2 Knap	9 Afbryder	16 Sekunder
3 Akku	10 Omdrejningsvælger	17 Fastgøringstid
4 Terminaldæksel	11 A side	18 Slidmarkering
5 Ladelamper	12 B side	19 Kulholderdæksel
6 Oplader	13 Med uret	20 Skruetrækker
7 Bit	14 Mod uret	

SPECIFIKATIONER

Model	BTD150
Kapacitet	
Maskinskrue	4 mm – 10 mm
Selvskruende skrue	4 mm – 6 mm
Omdrejninger ubelastet (min ⁻¹)	0 – 2 300
Slagantal pr. min.	0 – 3 000
Længde	190 mm
Vægt	1,8 kg
Spænding	14,4 V

- Ret til tekniske ændringer forbeholdes.
- Bemærk: Data kan variere fra land til land.

Sikkerhedsbestemmelser

Af sikkerhedsgrunde bør De sætte Dem ind i de medfølgende Sikkerhedsforskrifter.

VIGTIGE SIKKERHEDSFORSKRIFTER FOR OPLADER OG AKKU

1. GEM DISSE FORSKRIFTER — Denne brugsanvisning indeholder vigtige sikkerhedsforskrifter og betjeningsvejledninger for opladeren.
2. Før brug af opladeren bør De læse alle instruktioner og advarselmarkeringer vedrørende (1) laderen, (2) akku, og (3) maskinen.
3. ADVARSEL — For at mindske risikoen for personskade må opladeren kun anvendes til opladning af genopladelige MAKITA akku-typer. Andre akku-typer kan sprænges og forårsage personskade eller ødelæggelser.
4. Udsæt ikke opladeren for regn eller sne.
5. Brug af tilbehør, der ikke er anbefalet eller solgt af Makita, kan medføre risiko for brand, elektrisk stød, eller personskade.
6. For at minimere risikoen for skade på netledning og netstik, skal De trække i netstikket og ikke i ledningen, når opladeren tages ud af stikkontakten.
7. Sørg for, at netledningen er placeret således, at man ikke træder på den eller falder over den, og således, at den ikke på anden måde beskadiges eller lider overlast.
8. Brug aldrig opladeren, hvis netledningen eller netstikket er beskadiget — få dem udskiftet øjeblikkeligt.
9. Brug aldrig opladeren, hvis den har fået voldsomt slag, er blevet tabt eller på anden måde er beskadiget. Lad en kvalificeret reparatør se på den.
10. Skil aldrig opladeren eller akkuen ad; kontakt en kvalificeret reparatør, når vedligeholdelse eller reparation er påkrævet. Forkert samling kan medføre risiko for elektrisk stød eller brand.
11. For at undgå risiko for elektrisk stød skal opladeren altid tages ud af stikkontakten, før vedligeholdelse eller rengøring udføres. Denne risiko fjernes ikke ved blot at slukke for kontrollerne.
12. Opladeren er ikke beregnet til at skulle anvendes af børn eller svaglige personer uden opsyn.
13. Små børn bør være under opsyn for at sikre, at de ikke leger med opladeren.

14. Hvis anvendelsestiden bliver ekstrem kort, skal brugen straks afbrydes. Det kan ellers resultere i overophedning, mulige forbrændinger og endog eksplosion.
15. Hvis man får elektrolytvæske i øjnene, skal de øjeblikkeligt renses med rigeligt rent vand, hvorefter der straks skal søges læge. Der er risiko for tab af synsevne.

YDERLIGERE SIKKERHEDSFORSKRIFTER FOR OPLADER OG AKKU

1. Oplad ikke akkuen, når temperaturen er UNDER 10°C, eller OVER 40°C.
2. Forsøg aldrig at anvende en transformator, generator eller jævnstrømsforsyning til opladning.
3. Sørg for at opladerens ventilationsåbninger ikke til-dækkes.
4. Kortslut aldrig akkuen:
 - (1) Rør ikke polerne med noget ledende materiale.
 - (2) Opbevar ikke akkuen sammen med genstande af metal, som f.eks. søm og skruer.
 - (3) Udsæt aldrig akkuen eller opladeren for vand eller regn.
 En kortslutning af akkuen kan forårsage en stor strømudladning, overophedning, forbrænding, og gennemslag gennem isolerende materiale.
5. Opbevar ikke akkuen eller maskinen på steder, hvor temperaturen kan komme over 50°C.
6. Akkuen indeholder cadmium og er dermed miljøaf-fald, som ikke må bortskaffes med almindeligt husholdningsaffald. Den må ikke brændes, da den kan eksplodere i åben ild. Akkuen skal, når den er udtjent, deponeres for genbrug. Spørg forhandleren om de gældende regler.
7. Udsæt ikke akkuen for slag eller andre voldsomme fysiske påvirkninger.
8. Oplad ikke akkuen i en kasse eller en anden form for beholder. Akkuen skal oplades på et sted med god ventilation.

YDERLIGERE SIKKERHEDSFORSKRIFTER FOR MASKINEN

1. Vær opmærksom på at maskinen altid er driftsklar, da den ikke behøver at tilsluttes en stikkontakt.
2. Hold kun ved maskinen på de isolerede greb og overflader, når De udfører arbejde, hvor det skærende værktøj kan komme i kontakt med skjulte ledninger. Kontakt med en strømførende ledning vil også gøre uafdækkede metaldele på maskinen strømførende og give operatøren stød.
3. Sørg for at stå på et fast underlag. Sørg for at der ikke opholder sig personer under arbejdsområdet, når De arbejder i højden.
4. Hold maskinen med begge hænder.
5. Brug høreværn, handsker, sikkerhedsbriller, etc.

GEM DISSE FORSKRIFTER.

Opladning (Fig. 2)

1. Tilslut akku-ladeaggregatet til stikkontakten. To ladeindikatorlamper fortsætter med at blinke grønt.
2. Ret akkuen ind efter rillen i laderen og skub den helt ind. Dækslet over laderens terminaler åbner ved isætning af akkuen og lukker ved udtrækning af akkuen.
3. Når akkuen er isat, skifter ladeindikatorlampernes farve fra grøn til rød, og opladning begynder. Ladeindikatorlampen lyser konstant under opladningen.
En rød ladeindikatorlampe angiver 0 – 80% opladet tilstand, og to røde ladeindikatorlamper angiver 80 – 100%.
4. Når opladning er færdig, skifter ladeindikatorlampen fra to røde til grønne.
5. Hvis De efterlader akkuen i opladeren, efter at opladningen er fuldført, skifter opladeren til "kompensationsladning (vedligeholdelsesladning)" funktion, som varer ved i cirka 24 timer.
6. Efter opladning tages laderen ud af forbindelse med strømforsyningen.

Se nedenstående tabel vedrørende ladetiden.

Akku-type	Kapacitet (mAh)	Antal celler	Ladetid
BH1420	2 000	12	ca. 30 min.
BH1433	3 300	12	ca. 50 min.

BEMÆRK:

- Opladeren er til opladning af Makita akkuer. Anvend den aldrig til andre formål eller til akku af andet fabrikat.
- Hvis De forsøger at oplade en ny akku, eller en akku, der ikke har været anvendt i lang tid, er det ikke sikkert, at akkuen kan oplades helt. Dette er normalt, og er ikke tegn på, at der er noget i vejen. De kan oplade akkuen fuldt ud, efter at den er blevet helt afladet og opladet nogle gange.
- Hvis De forsøger at oplade en akku, der lige er taget af en netop anvendt maskine, eller en akku, der har været efterladt på et sted, hvor den har været udsat for solens direkte stråler i lang tid, kan ladelampen blinke rødt. I dette tilfælde skal akkuen have lov at køle af. Opladning starter, når akkuen er blevet kølet ned af ventilatoren i opladeren. Når akkuens temperatur er højere end cirka 70°C, kan de to ladelamper blinke rødt, og når den er cirka 50°C til 70°C, blinker en ladelampe rødt.
- Hvis ladelampen skiftevis blinker grønt eller rødt, er opladning ikke mulig. Terminalerne på opladeren eller akkuen er tilstoppet med støv, eller akkuen er slidt op eller beskadiget.

Kølesystem

- Denne oplader er forsynet med en ventilator til afkøling af akkuen, således at optimal ydelse sikres. Lyden fra køleluften høres under afkøling, hvilket ikke er tegn på, at der er noget i vejen med opladeren.
- Gult lys blinker som advarsel i følgende tilfælde.
 - Problem med ventilatoren
 - Ufuldstændig afkøling af akkuen, eksempelvis hvis denne er tilstoppet med støvAkkuen kan oplades, selv om den gul advarselslampe er tændt. Men ladetiden vil være længere end normalt. Lyt efter lyden af ventilatoren, og kontrollér ventilationshullerne på opladeren og akkuen, da disse kan tilstoppes af støv.
- Kølesystem virker korrekt, selv om der ingen ventilatorlyd høres, såfremt den gule advarselslampe ikke blinker.
- Hold altid ventilationshullerne på opladeren og akkuen rene for at fremme afkøling.
- Produkterne bør sendes til reparation eller eftersyn, hvis den gule advarselslampe hyppigt blinker.

ANVENDELSE

Montering og afmontering af akku (Fig. 1)

- Kontrollér altid, at maskinen er slået fra, før montering eller afmontering af akkuen.
- Fjern akkuen ved at skyde knappen på akkuen, mens denne trækkes ud af maskinen.
- Isæt akkuen ved at rette dens tunge ind efter rillen i huset. Skyd derefter akkuen helt ind, til den låser på plads med et lille klik. Hvis den røde del på oversiden af knappen er synlig, er akkuen ikke låst korrekt. Skyd akkuen helt ind, indtil den røde del ikke er synlig. Hvis akkuen ikke sættes i på denne måde, kan den ved et uheld falde ud af maskinen, og eventuelt forvolde personskade på Dem selv eller andre.
- Brug aldrig magt, når akkuen skal sættes i. Hvis ikke akkuen glider i uden besvær, er det fordi, at den vender forkert.

Konditioneringsopladning

Konditioneringsopladning kan forlænge akkuens levetid, idet denne form for opladning automatisk bestemmer den optimale ladetilstand på akkuerne i enhver situation.

En akku, der gentagne gange anvendes under følgende forhold, vil blive slidt op i løbet af kort tid, og den gule advarselslampe kan blinke.

1. Opladning af akkuen, mens den er meget varm.
 2. Opladning af akkuen, mens den er meget kold.
 3. Opladning af en fuldt opladet akku.
 4. Overafledning af akku (afledning af akku fortsat selv om der ikke er mere strøm på).
 5. Opladning mens ventilationssystemet er i stykker.
- Ladetiden er længere end normalt ved en sådan akku.

Kompensationsladning (vedligeholdelsesladning)

Hvis De efterlade akkuen i opladeren for at forebygge spontan afladning efter en fuld opladning, skifter opladeren til dens "kompensationsladning (vedligeholdelsesladning)" funktion, og holder derved akkuen frisk og fuldt opladet.

Tips til sikring af maksimal akku-levetid

1. Oplad akkuen, før den er fuldt af ladet.
Stop altid med at bruge maskinen, og oplad akkuen, når De bemærker reduceret maskinkraft.
2. Oplad aldrig en fuldt opladet akku.
Over-opladning forkorter akkuens levetid.
3. Oplad akkuen ved en rumtemperatur på 10°C – 40°C.
Lad en varm akku køle af ved at sætte den ind i laderen.
4. Oplad nikkel metalhydrid akkuen, når De ikke har anvendt den indenfor et halvt år.

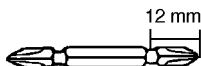
Montering og afmontering af værktøj (Fig. 3)

FORSIGTIG:

Kontrollér altid at maskinen er slukket, og at akkuen er taget ud før der monteres eller afmonteres bits.

Brug kun det skruebit eller topbit, der er vist i nedenstående figur.

Brug ikke andre bits-typer.



For at montere værktøjet trækkes muffen i pilens retning, og værktøjet sættes helt ind i maskinen. Slip muffen for at låse værktøjet.

For at afmontere værktøj skal muffen trækkes i pilens retning og værktøjet trækkes ud.

BEMÆRK:

Hvis værktøjet ikke er sat langt nok ind i maskinen, vil muffen ikke returnere til den oprindelige position og låse værktøjet. Check skemaet for type og prøv igen.

Afbryderbetjening (Fig. 4)

ADVARSEL:

Før akkuen sættes i maskinen, bør det altid kontrolleres, at afbryderknappen fungerer korrekt og returnerer til "OFF" positionen, når den slippes.

For at starte maskinen trykkes der blot på afbryderen. Maskinens hastighed øges ved at øge trykket på afbryderen. Slip afbryderen for at stoppe.

Omløbsvælger (Fig. 5)

ADVARSEL:

- Kontrollér altid omløbsretningen før arbejdet påbegyndes.
- Brug kun omløbsvælgeren når maskinen er helt stoppet. Hvis omløbsretningen ændres inden maskinen er helt stoppet, kan det beskadige maskinen.
- Når maskinen ikke er i brug, skal omløbsvælgeren altid sættes til neutral stilling.

Denne maskine har en omløbsvælger, der kan ændre omløbsretningen. Skub omløbsvælgeren ind fra side A for omdrejning med uret, eller fra side B for omdrejning mod uret. Når omløbsvælgeren er i neutral position, kan afbryderknappen ikke trykkes ind.

Betjening

FORSIGTIG:

Skyd altid akkuen helt ind, til den låser på plads. Hvis den røde del på oversiden af knappen er synlig, er akkuen ikke låst korrekt. Skyd akkuen helt ind, indtil den røde del ikke er synlig. Hvis akkuen ikke sættes i på denne måde, kan den ved et uheld falde ud af maskinen, og eventuelt forvolde personskade på Dem selv eller andre.

Fremsgangsmåde ved iskruning (Fig. 6)

Hold godt fast på maskinen og anbring spidsen af skruebitten i skruerhovedets kær. Læg tryk på maskinen til den grad, hvor bitten ikke smutter ud af skruen, og tænd derefter maskinen for at starte iskruning. Lad først maskinen køre langsomt og øg derefter hastigheden gradvist. Slip afbryderen så snart skruen er i plan med emnet. Det korrekte drejningsmoment svinger afhængigt af typen og størrelsen på boltene, den type materiale der skal fastgøres, osv. Se tabellen for forholdet mellem fastgøringsstid og størrelse på træskrue. (Materiale til fastgørelse: Meranti)

BEMÆRK:

- Hold maskinen lige på skruen.
- Ved iskruning af træskrue bør der forbores føringshuller, der letter iskruning og hjælper til at forhindre at emnet flækker. Diameteren på føringshullerne skal være en anelse mindre end træskruens diameter.
- Størrelsen på de træskrue, der kan fastgøres med denne maskine kan svinge afhængigt af den type materiale der skal fastgøres. Udfør altid en prøve for at bestemme størrelsen på træskruen.

VEDLIGEHOLDELSE

ADVARSEL:

Kontrollér altid at maskinen er slukket, og at akkuen er taget ud før der foretages noget arbejde på selve maskinen.

Udskiftning af kul (Fig. 7 og 8)

Udskift maskinens kul når disse er slidt ned til slidgrænsen. De nedslidte kul erstattes med nye originale Makita-kul. Udskift altid kullene parvis.

For at opretholde produktets sikkerhed og pålidelighed, bør reparation, vedligeholdelse og justering kun udføres af et autoriseret Makita Service Center.

1 Röd del	8 Hylsa	15 Storlek på träskruv
2 Knapp	9 Strömbrytare	16 Sekunder
3 Kraftkasset	10 Backlägesomkopplare	17 Åtdragningstid
4 Kontaktskydd	11 Sida A	18 Slitgränsmarkering
5 Laddningslampa	12 Sida B	19 Kolborsthållare
6 Batteriladdare	13 Medurs	20 Skruvmejsel
7 Borr	14 Moturs	

TEKNISKA DATA

Modell	BTD150
Kapacitet	
Maskinskruv	4 mm – 10 mm
Självdragande skruv	4 mm – 6 mm
Tomgångsvarvtal (min ⁻¹)	0 – 2 300/min
Antal slag	0 – 3 000/min
Total längd	190 mm
Nettovikt	1,8 kg
Märkspänning	14,4 V DC

• På grund av det kontinuerliga programmet för forskning och utveckling, kan här angivna tekniska data ändras utan föregående meddelande.

• Observera! Tekniska data kan variera i olika länder.

Säkerhetstips

För din egen säkerhets skull, bör du läsa igenom de medföljande säkerhetsföreskrifterna.

VIKTIGA SÄKERHETSINSTRUKTIONER FÖR LADDARE OCH KRAFTKASSETT

- SPARA DESSA INSTRUKTIONER** — Bruksanvisningen innehåller viktiga säkerhets- och driftsinstruktioner för batteriladdaren.
- Läs alla instruktioner och varningstexter på (1) batteriladdaren, (2) kraftkassetten och (3) produkten till vilka dessa används, innan du använder batteriladdaren.
- VARNING** — Ladda endast MAKITA uppladdningsbara kraftkassetter för att minska risken för skador. Andra batterityper kan explodera och orsaka skador på person och egendom.
- Utsätt inte laddaren för regn eller snö.
- Användning av tillbehör som inte säljs eller är rekommenderade av batteriladdarens tillverkare kan medföra risk för eldsvåda, elektriska stötar och personskador.
- Dra i kontakten och inte i sladden när laddaren kopplas ur strömuttaget, för att minska risken för skador på nätkontakten och nätsladden.
- Se till att sladden är placerad så att inte någon trampar eller snubblar på den, eller att den på annat sätt utsätts för skador eller yttre påverkan.
- Använd inte laddaren om kontakten eller sladden är skadade. Byt ut delarna omedelbart.
- Använd inte laddaren om den har utsatts för ett kraftigt slag, tappats, eller på annat sätt skadats. Ta laddaren till en auktoriserad serviceverkstad.
- Plocka inte isär laddaren eller kraftkassetten. Ta dem till en auktoriserad serviceverkstad om de behöver ses över eller repareras. Felaktig sammansättning kan medföra risk för elektriska stötar och eldsvåda.
- Dra ur kontakten till laddaren innan underhåll eller rengöring utförs för att minska risken för elektriska stötar. Denna risk minskas inte genom att bara stänga av kontrollerna.
- Batteriladdaren är inte avsedd för att användas av småbarn och personer som lider av Ålderdomssvaghet utan tillsyn.

13. Småbarn bör ha sådan tillsyn att de inte leker med batteriladdaren.

14. Avsluta arbetet omedelbart om driftstiden har blivit mycket förkortad. Att fortsätta arbetet kan resultera i risk för överhettning, möjliga brännskador och även explosion.

15. Om elektrolyt skulle komma in i ögonen bör du tvätta av dem med rent vatten, och genast söka medicinsk hjälp. Elektrolyten kan resultera i att du förlorar synen.

SÄRSKILDA ANVISNINGAR FÖR LADDARE OCH KRAFTKASSETT

- Ladda inte kraftkassetten när temperaturen är UNDER 10°C eller ÖVER 40°C.
- Försök inte använda en spänningsomvandlare, motordriven generator eller ett likströmsuttag.
- Låt ingenting täcka för eller täppa igen laddarens ventilationshål.
- Kortslut inte kraftkassetten:
 - Vidrör inte kontaktarna med något ledande material.
 - Undvik att förvara kraftkassetten i en behållare som innehåller andra metallföremål som till exempel spikar, mynt o.d.
 - Utsätt inte kraftkassetten för vatten eller regn. En kortslutning av kraftkassetten kan medföra ett kraftigt spänningsflöde, överhettning, brännskador och även totalförstörelse av kraftkassetten.
- Förvara ej verktyget eller kraftkassetten på platser där temperaturen kan komma att uppnå eller överstiga 50°C.
- Bränn inte upp kraftkassetten även om den är kraftigt skadad eller totalt utsliten. Kraftkassetten kan explodera i eld.
- Var försiktig så att batteriet inte tappas, skakas om kraftigt eller slås emot andra föremål.
- Ladda inte kraftkassetten inuti en låda eller behållare av något slag. Kraftkassetten måste placeras på en plats med god ventilation under laddning.

TILLÄGG TILL SÄKERHETSREGLER FÖR MASKINEN

1. Tänk på att denna maskin alltid är driftfärdigt läge eftersom den inte behöver kopplas in i ett elektriskt uttag.
2. Håll verktyget i de isolerade greppytorna vid arbeten där skären riskerar att komma i kontakt med ledningsdragnings som inte är synlig. Om verktyget skulle komma i kontakt med en strömförande ledning kommer även de synliga metalldelarna på verktyget att bli strömförande, och därmed ge operatören en elektrisk stöt.
3. Se alltid till att du står stadigt.
Se till att ingen befinner sig under dig vid arbete på hög höjd.
4. Håll maskinen stadigt.
5. Använd hörselskydd.

SPARA DESSA ANVISNINGAR.

Laddning (Fig. 2)

1. Sätt i laddaren i ett lämpligt växelströmsuttag. De två laddningslamporna kommer att blinka upprepade gånger med grönt ljus.
2. Sätt i kraftkassetten i laddaren tills det tar stopp, inriktad mot laddarens ledspår. Locket för laddarens kontaktbleck öppnas när i kraftkassetten sätts i, och stängs när kraftkassetten tas ur.
3. När kraftkassetten sätts i ändras färgen på laddningslamporna från grönt till rött, och laddningen påbörjas. Laddningslamporna fortsätter att lysa med stadigt sken under laddningen. En röd laddningslampa indikerar laddningstillståndet 0 – 80%, och två röda lampor indikerar 80 – 100%.
4. När laddningen är avslutad ändras laddningslamporna från två röda till två gröna.
5. Om du låter batteriet sitta kvar i laddaren efter att laddningen är klar, så övergår laddaren till dess läge för "strömladdning (underhållsladdning)", vilket varar i ungefär 24 timmar.
6. Koppla ur laddaren från strömkällan efter att laddningen är avslutad.

Se i tabellen nedan för laddningstid.

Batterityp	Kapacitet (mAh)	Antal celler	Laddningstid
BH1420	2 000	12	Ca 30 min.
BH1433	3 300	12	Ca 50 min.

OBSERVERA:

- Batteriladdaren är avsedd för uppladdning av Makita kraftkassetter. Använd den aldrig för andra ändamål, eller för uppladdning av batterier från andra tillverkare.
- När du laddar upp en ny kraftkasset, eller en kraftkasset som inte har använts under en längre tid, kan det inträffa den inte kan laddas upp fullt. Detta är normalt och tyder inte på något fel. Du kan ladda upp kraftkassetten fullt, efter att ha laddat ur och laddat upp den ett par gånger.
- Om du laddar upp en kraftkasset från en verktygs som just har använts, eller en kraftkasset som har legat på en plats som är utsatt för direkt solljus under en längre tid, kan det inträffa att laddningslampan blinkar med rött ljus. Vänta i så fall ett litet tag. Laddningen påbörjas efter att kraftkassetten har svalnat tack vare kylfläkten som är inbyggd i laddaren. Om batteriets temperatur är cirka 70°C så blinkar de två laddningslamporna med rött ljus, och om den är cirka 50°C – 70°C så blinkar en av laddningslamporna med rött ljus.
- Om laddningslamporna blinkar med omväxlande rött och grönt ljus, så går det inte att ladda batteriet. Kontaktblecken på laddaren eller kraftkassetten är belagda med damm, eller så är kraftkassetten utsliten eller skadad.

BRUKSANVISNING

Montering och demontering av kraftkassetten

(Fig. 1)

- Stäng alltid av verktyget innan kraftkassetten sätts i eller tas ur.
- Tag bort kraftkassetten genom att dra av den från verktyget samtidigt som du skjuter på knappen på kassetten.
- Sätt på kraftkassetten genom att rikta in tungan på kraftkassetten mot skåran i verktygshuset, och sedan skjuta kassetten på plats. Skjut alltid in kassetten hela vägen tills den låses fast i läge med ett litet klick. Om du kan se den röda delen på knappens övre sida är kassetten inte helt fastlåst. Skjut på den helt tills den röda delen inte kan ses. I annat fall kan kassetten trilla av verktyget, och orsaka skador på dig själv eller någon i din närhet.
- Tvinga inte kraftkassetten i läge vid monteringen. Om kassetten inte lätt glider i läge, är den inte monterad på rätt sätt.

Kylsystem

- Laddaren är utrustad med en kylfläkt för varma batterier, i syfte att förbättra batteriets laddningsprestanda. Under kylning hörs det ett ljud från kylfläkten, men detta betyder inte att det är något fel på laddaren.
- Ett gult ljus blinkar som varning i följande fall.
 - Problem med kylfläkten.
 - Batteriet är inte tillräckligt avsvolat, t. ex. på grund av att det är igensatt med damm.Batteriet kan laddas även om den gula varningslampan blinkar. Laddningstiden blir dock längre än normalt i dessa fall.
- Lyssna på ljudet från kylfläkten, och kontrollera ventilerna på laddaren och batteriet som ibland kan tappas igen med damm.
- Kylsystemet fungerar normalt, även om inget ljud hörs från fläkten, så länge den gula varningslampan inte blinkar.
- Se till att ventilerna på laddaren och batteriet alltid är rengjorda vid kylning.
- Produkten bör skickas på reparation eller underhåll, om den gula varningslampan ofta blinkar.

Villkorsladdning

Villkorsladdningen kan förlänga batteriernas livslängd, genom att automatiskt söka efter det optimala laddningsvillkoret för batteriet i varje enskilt fall.

Batterier som upprepade gånger används i något av följande tillstånd kommer att slitas ut snabbt, och den gula varningslampan kan börja blinka.

1. Uppladdning av varma batterier.
 2. Uppladdning av kalla batterier.
 3. Uppladdning av redan fullt uppladdade batterier.
 4. Överurladdning av batterier (fortsatt användning av ett batteri som redan börjat ladda ur).
 5. Uppladdning med trasigt kylsystem.
- Laddningstiden för dessa typer av batterier är längre än normalt.

Strörladdning (underhållsladdning)

Laddaren övergår till läget för "strörladdning (underhållsladdning)" om du lämnar kvar batteripaketet i laddaren, för att förhindra att batteriet laddas ur spontant efter en fulladdning, och batteripaketet kan därmed hållas fräscht och fulladdat.

Tips för att upprätthålla maximal livslängd för batteriet

1. Ladda upp batteripaketet innan det är fullständigt urladdat.
Avbryt alltid arbetet som du utför med verktyget, och ladda upp batteripaketet, när du märker att kraften i verktyget minskar.
2. Ladda aldrig ett fulladdat batteripaket.
Överladdning minskar batteriets livslängd.
3. Ladda batteripaketet i rumstemperatur vid 10°C – 40°C.
Låt ett hett batteri svalna av genom att sätta i det i laddaren.
4. Ladda upp kraftkassetten, av typ nickel metallhydrid, om du inte använder den på mer än sex månader.

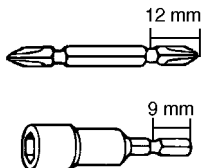
Montering och demontering av mejsel (Fig. 3)

FÖRSIKTIGHET:

Se alltid till att verktyget är avstängt och batteripaketet avtagat innan mejseln/mutterhylsan monteras eller demonteras.

Använd endast den mejsel och mutterhylsa som visas i figuren nedan.

Använd inte någon annan mejsel eller mutterhylsa.



Drag låshylsan i pilens riktning för att montera mejseln/mutterhylsan, och för sedan in mejseln/mutterhylsan i låshylsan så långt det går. Släpp sedan låshylsan för att säkra mejseln/mutterhylsan.

Drag låshylsan i pilens riktning för att ta bort mejseln/mutterhylsan, och drag sedan ut mejseln/mutterhylsan med ett kraftigt ryck.

OBSERVERA!

Om mejseln/mutterhylsan inte förs in tillräckligt långt in i låshylsan återgår inte låshylsan till sitt ursprungliga läge, och mejseln/mutterhylsan kommer då inte att vara ordentligt låst. Försök i så fall att montera mejseln/mutterhylsan på nytt enligt ovanstående monteringsanvisning.

Strömställarens funktion (Fig. 4)

FÖRSIKTIGHET:

Kontrollera alltid att strömställaren fungerar normalt och återgår till det avstängda läget ("OFF"-läget) när den släpps innan kraftkassetten sätts i maskinen.

Tryck på strömställaren för att starta maskinen. Varvtalet ökar med ett ökat tryck på strömställaren. Släpp strömställaren för att stanna.

Rotationsomkopplarens funktion (Fig. 5)

FÖRSIKTIGHET:

- Kontrollera alltid rotationsriktningen före användning.
- Använd rotationsomkopplaren först efter att maskinen har stannat helt. Ändring av rotationsriktningen innan maskinen har stannat kan orsaka skador på maskinen.
- Ställ alltid rotationsomkopplaren i det neutrala läget när maskinen inte används.

Denna maskin är utrustad med en rotationsomkopplare för att ändra rotationsriktningen. Tryck in rotationsomkopplaren från sida A för medurs roation, och från sida B för moturs rotation. När rotationsomkopplaren står i neutralt läge kan strömställaren inte tryckas in.

Drift

FÖRSIKTIGHET:

Sätt alltid i kraftkassetten hela vägen tills den låses fast i läge. Om du kan se den röda delen av knappens övre del är den inte låst ordentligt. För in kassetten tills den röda delen inte kan ses. I annat fall kan kraftkassetten trilla ur maskinen av misstag, och orsaka skador på dig själv eller någon i din omgivning.

Iskruvning (Fig. 6)

Håll verktyget stadigt, och sätt i skruvmejselns ända i skruvhuvudet. Anlägg tryck framåt mot verktyget så att skruvmejseln inte glider av skruven. Starta verktyget med lågt varvtal, och öka sedan varvtalet gradvis. Släpp strömbrytaren just när skruven är helt idragen. Lämpligt åtdragningsmoment varierar beroende på skruvens eller bultens typ och storlek, typ av material som skruven ska fästas i, osv. Tabellen anger förhållandet mellan åtdragningstiden och träskruvens storlek. (Material för iskruvning: luanträ)

OBSERVERA!

- Fel mejsel och sned dragning förstör såväl skruvspår som mejselspets.
- Förborra ledhål vid iskruvning av träskruvar för att underlätta iskruvningen, och för att förhindra att arbetsstycket spricker. Ledhålen bör ha en diameter som är en aning mindre än träskruvarnas.
- Storleken på de träskruvar som kan skruvas fast med det här verktyget kan variera beroende på vilken typ av material som skruven ska skruvas fast i. Utför alltid en provdragning för att bestämma skruvens storlek.

UNDERHÅLL

VARNING!

Tillse alltid att maskinen är fränkopplad och att batteriet tagits ur maskinen innan du utför arbete på denna.

Utbyte av kolborstar (Fig. 7 och 8)

Byt ut kolborstarna när de slitits ner till slitagegränsmarkeringen. Byt alltid ut båda kolborstarna samtidigt.

För att bibehålla produktens säkerhet och tillförlitlighet, bör alltid reparationer, underhålls-service och justeringar utföras av auktoriserad Makita serviceverkstad.

1 Rød del	8 Muffe	15 Treskruens størrelse
2 Knapp	9 Startbryter	16 Sekunder
3 Batteri	10 Reverseringshendel	17 Tiltrekningstid
4 Terminaldeksel	11 A-side	18 Grensemerke
5 Ladelamper	12 B-side	19 Børsteholderhette
6 Batterilader	13 Medurs	20 Skrutrekker
7 Bit	14 Moturs	

TEKNISKE DATA

Modell	BTD150
Kapacitet	
Maskinskruer	4 mm – 10 mm
Selvborende skrue	4 mm – 6 mm
Hastighet (min ⁻¹)	0 – 2 300
Salag pr. min.	0 – 3 000
Totallengde	190 mm
Netto vekt	1,8 kg
Klassifisert spenning	D.C. 14,4 V

- Grunnet det kontinuerlige forsknings- og utviklingsprogrammet, forbeholder vi oss retten til å foreta endringer i tekniske data uten forvarsel.
- Merknad: Tekniske data kan variere fra land til land.

Sikkerhetstips

For din egen sikkerhets skyld ber vi deg lese de medfølgende sikkerhetsreglene.

VIKTIGE SIKKERHETSREGLER FOR LADER OG BATTERI

1. **TA VARE PÅ BRUKSANVISNINGEN** — den inneholder viktige sikkerhetsregler og bruksveiledning for batteriladeren.
2. Les alle sikkerhetsregler og advarsler på (1) laderen, (2) batteriet og (3) produktet som batteriet skal brukes til før før laderen tas i bruk.
3. **NBI** — Reduser faren for skader- bruk kun oppladbare batterier av Makita type. Andre typer batterier kan eksplodere og forårsake skader, både på personer og omgivelsene.
4. Utsett ikke laderen for regn eller snø.
5. Bruk av utstyr som ikke er anbefalt av eller selges av produsenten av laderen kan medføre fare for brann, elektrisk støt eller personskader.
6. Rykk ikke i ledningen for å få støpslet ut av stikkontakten.
7. Sørg for at ledningen ligger slik at ingen trækker på, snubler i den, eller at den på annen måte utsettes for belastninger.
8. Bruk ikke laderen hvis ledningen eller støpslet er skadet — skift ut omgående.
9. Har hurtigladeren falt i gulvet eller vært utsatt for skade, bør den repareres på et autorisert verksted.
10. Demonter ikke lader eller batteri på egen hånd. Overlat eventuelle reparasjoner til et autorisert verksted. Feil montering kan medføre fare for elektrisk støt eller brann.
11. Faren for elektrisk støt ved rengjøring og vedlikehold reduseres ved å fjerne støpslet fra kontakten. Det er ikke nok å skru av kontrollene.
12. Batteriladeren er ikke beregnet til bruk for mindreårige barn eller personer som trenger oppsyn.
13. Se til at ikke mindreårige barn leker med batteriladere.
14. Hvis brukstiden blir drastisk kortere, må maskinen stoppes omgående. Det er fare for overoppheting, mulige forbrenninger og til og med eksplosjon.

15. Hvis du skulle få elektrolyttvæske i øynene, må du øyeblikkelig skylle med rent vann og oppsøke lege snarest mulig. Resultatet kan være at du mister synet.

EKSTRA SIKKERHETSREGLER FOR LADER OG BATTERI

1. Ikke lad batteriet ved temperaturer **UNDER +10°C** eller **OVER +40°C**.
2. Kan ikke brukes med opptransformator, aggregat eller likestrømskontakt.
3. **Sørg for at ikke luftehullene tildekkes eller tettes igjen.**
4. Dette kan medføre kortslutning av batteriet:
 - (1) Terminalen må ikke komme i kontakt med strømførende materialer.
 - (2) Unngå å oppbevare batteriet sammen med andre metallgjenstander som f.eks spikre, mynter, etc.
 - (3) Batteriet må ikke utsettes for vann eller regn.
 Et batteri som kortsluttes kan forårsake stor elektrisk strømvagang og driftsstand.
5. Hverken maskin eller batteri må oppbevares på steder hvor temperaturen kan nå eller overskride 50°C.
6. Kast ikke batteriet på åpen ild, selv om det er ødelagt eller totalt utslitt. Batteriet kan eksplodere i flammene.
7. Batteriet må ikke falle på gulvet, ristes eller utsettes for slag.
8. Batteriet må ikke lades opp inni en beholder av noe slag. Opplading av batteriet må foregå på et sted hvor ventilasjonen er god.

EKSTRA SIKKERHETSREGLER FOR MASKINEN

1. Vær oppmerksom på at dette maskinen alltid er klar til bruk ettersom det går på batteri.
2. Hold verktøyet i de isolerte gripeflatene når arbeid utføres på steder hvor det kan komme i kontakt med skjulte ledninger. Kontakt med en strømførende ledning vil gjøre at eksponerte metalldelel på selve verktøyet også blir strømførende slik at operatøren utsettes for elektrisk støt.
3. Sørg for å ha godt fotfeste. Se etter at det ikke befinner seg noen under når arbeidet foregår i høyden.
4. Hold godt fast i maskinen.
5. Bruk hørselvern.

TA VARE PÅ DISSE INSTRUKSENE.

BRUKSANVISNINGER

Montering og demontering av batteriet (Fig. 1)

- Maskinen må alltid slås av før batteriet settes i eller tas ut.
- Batteriet fjernes ved å trekke det ut av verktøyet mens knappen på batteriet skyves.
- Batteriet monteres ved å samstemme tungen på batteriet med sporet i huset og skyve det på plass. Skyv det alltid helt inn til det klikker på plass. Hvis du kan se den røde delen øverst på knappen, betyr det at det ikke er satt inn skikkelig. Skyv det helt inn til den røde delen ikke ses lenger. Hvis dette ikke gjøres, kan batteriet falle ut og påføre deg eller eventuelle andre skader.
- Batteriet må ikke settes i med makt. Hvis det ikke med letthet glir på plass er det fordi det settes i på feil måte.

Lading (Fig. 2)

1. Kople batteriladeren til strømnettet (AC). To ladelamper blinker grønt gjentatte ganger.
2. Sett batteriet inn i batteriladeren til det hviler på plass. Terminaldekslet på laderen åpnes ved innsetting av batteriet og lukkes når batteriet trekkes ut.
3. Når batteriet settes inn, skifter ladelampen fra grønn til rød og ladingen starter. Ladelampen lyser under hele ladeprosessen. En rød ladelampe angir ladetilstand på 0 – 80% og to røde lamper en tilstand på 80 – 100%.
4. Når ladingen er ferdig, skifter de to ladelampene fra rødt til grønt.
5. Hvis batteriet blir stående i laderen etter at ladesyklusen er fullført, vil laderen gå over i "drypplading (vedlikeholdslading)" som varer i ca. 24 timer.
6. Etter ladingen koples laderen fra strømnettet.

Se tabellen under om ladetid.

Batteritype	Kapasitet (mAh)	Antall elementer	Ladetid
BH1420	2 000	12	Ca. 30 min.
BH1433	3 300	12	Ca. 50 min.

MERKNAD:

- Batteriladeren er beregnet til opplading av Makita-batteri. Å ikke brukes til andre formål eller til lading av batterier fra andre produsenter.
- Når du lader opp et batteri fra et verktøy som nettopp har vært i bruk, eller et batteri som ikke har vært i bruk på en lang stund, kan det være vanskelig å lade det helt opp. Dette er normalt og ikke tegn på noe galt. Batteriet lar seg lade helt opp når det har vært ladet helt ut og opp igjen et par ganger.
- Hvis du lader opp et batteri fra et verktøy som nettopp har vært i bruk, eller et batteri som har vært utsatt for direkte sol over lang tid, kan det skje at ladelampen blinker rødt. Hvis dette skjer, venter du en liten stund. Ladingen starter når batteriet er tilstrekkelig avkjølt av viften som er installert i laderen. Når batteritemperaturen er over ca. 70°C, vil to ladelamper blinke rødt, og når temperaturen er mellom 50 – 70°C, vil en lampe blinke rødt.
- Hvis ladelampen blinker vekselvis i rødt og grønt, er lading ikke mulig. Terminalene på batteriet eller laderen kan være tilstoppet av støv eller så er batteriet utgått eller skadet.

Kjølesystem

- Denne laderen er utstyrt med en kjølevifte for varme batterier, slik at batteriet likevel kan lades opp. Viften vil høres under avkjøling og dette er tegn på at laderen virker som den skal.
- En gul varsellampe vil blinke i følgende tilfeller.
 - Når det er problemer med kjøleviften.
 - Når batteriet er utilstrekkelig avkjølt fordi lader eller batteri er tilstoppet med støv.Batteriet kan lades opp selv om den gule varsellampen lyser, men ladetiden vil være lenger enn vanlig. Kontroller lyden som kommer fra kjøleviften, samt ventilene på laderen og batteriet da disse kan stoppes til av støv.
- Kjølesystemet er i orden selv om det ikke høres noen lyd fra kjøleviften, såfremt den gule varsellampen ikke blinker.
- Ventilene på lader og batteriet må alltid holdes rene.
- Laderen må sendes inn til vedlikehold og reparasjon hvis den gule varsellampen blinker ofte.

Kondisjoneringslading

Kondisjoneringslading kan forlenge batteriets levetid ved automatisk å lete etter batteriets optimale ladetilstand uansett forhold.

Hvis batteriet brukes gjentatte ganger under følgende forhold, vil det slites raskere ned og den gule varsellampen vil blinke.

1. Opplading når batteriet er veldig varmt.
 2. Opplading når batteriet er nedkjølt.
 3. Opplading når batteriet er fullt oppladet.
 4. Overutlading av batteriet (fortsatt bruk på tross av nedsett effekt).
 5. Opplading når kølesystemet er ødelast.
- Ladetiden for ovennevnte batterier vil være lenger enn normalt.

Drypplading (vedlikeholdslading)

Hvis du lar batteriet stå i laderen for å forhindre utlading etter full opplading, vil laderen gå over i "dryppladningsmodus" (vedlikeholdslading) og holde batteriet i oppladet stand.

Noen tips for å vedlikeholde batteriets maksimale levetid

1. Lad batteriet opp før det blir helt utladet.
 - Stans maskinen og lad opp batteriet så snart du merker at maskineffekten begynner å synke.
2. Lad aldri opp et helt oppladet batteri.
 - Overopplading vil redusere verktøyets levetid.
3. Lad batteriet opp under romtemperatur på 10°C – 40°C.
 - Et varmt batteri avkjøles ved å sette det inn i laderen.
4. Nikkelmetallhydrid -batteriet må lades opp når det ikke skal brukes på mer enn 6 måneder.

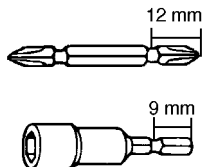
Montering eller demontering av bits (Fig. 3)

NB!

Se alltid etter at maskinen er avslått og batterienheten fjernet før montering eller demontering av bits.

Bruk bare drivbitset eller mansjetten som er vist i figuren under.

Det må ikke brukes andre bits eller bitsholder.



Monter bitset ved å trekke muffen i pilens retning og sette bitset inn i muffen så langt det vil gå. Slipp muffen så bitset sitter fast.

Bitset demonteres ved trekke muffen i pilens retning og så dra bitset bestemt ut.

MERKNAD:

Hvis bitset ikke føres langt nok inn i muffen, vil muffen ikke kunne gå tilbake til utgangsposisjon og bitset vil ikke sitte fast. Hvis dette skulle skje, setter du bitset inn en gang til ved å følge anvisningen over.

Bryter (Fig. 4)

NB!

Før batteriet settes inn i maskinen, må det sjekkes at bryteren virker som den skal og går tilbake til "OFF" når den slippes.

Maskinen startes ved å trykke inn startbryteren. Hastigheten øker med trykket på bryteren. Slipp bryteren for å stoppe.

Reverseringshendel (Fig. 5)

NB!

- Sjekk alltid rotasjonsretningen før maskinen startes.
- Reverseringshendelen må bare brukes etter at maskinen har stoppet helt. Hvis rotasjonsretningen endres før motoren har stoppet helt, kan det føre til skader på maskinen.
- Når maskinen ikke er i bruk, må reverseringshendelen stilles i fri (nøytral posisjon).

Maskinen er utstyrt med en reverseringshendel for å endre rotasjonsretningen. Trykk på hendelen fra A-siden for medurs rotasjon, eller fra B-siden for moturs rotasjon. Når reverseringshendelen er i friposisjon, lar startbryteren seg ikke aktivere.

Bruk

NB!

Batteriet må alltid settes helt inn til det låser seg på plass. Hvis du kan se den røde delen øverst på knappen, er det ikke skikkelig låst. Sett batteriet inn slik at den røde delen ikke kan ses, ellers kan det falle ut av verktøyet og forårsake skader på operatøren eller eventuelle andre.

Idriving av skrue (Fig. 6)

Hold godt fast i verktøyet og sett drivbitset på skruehodet. Legg et forover trykk på verktøyet slik at bitset ikke spretter vekk fra skruehodet. Start verktøyet langsomt og øk hastigheten litt etter litt. Slipp bryteren idet skruen når bunnen. Korrekt tiltrekningsmoment avhenger av skruens/boltens type og størrelse, materialet, etc. Se tabellen angående forholdet mellom tiltrekningsmoment og treskrusens størrelse. (Materiale som skruen skal drives inn i: Lauan)

MERKNAD:

- Hold maskinen vinkelrett på skruen.
- Ved idring av treskruer, bores det først et ledehull for å gjøre idringen lettere og for å forhindre at materialet slår sprekker. Ledehullet skal være noe mindre enn treskruen i diameter.
- Størrelsen på treskruer som kan drives i med dette verktøyet kan variere avhengig av materialetypen som skruen skal drives i. Utfør alltid en prøveidring for å finne korrekt skruestørrelse.

SERVICE

NB!

Før det utføres arbeider på maskinen må du alltid forvise seg om at maskinen er slått av og akkumulatoren er tatt ut.

Skifte ut kullbørster (Fig. 7 og 8)

Skifte ut kullbørstene når de er slitt ned til grensemarkeringen. Begge kullbørstene må skiftes ut samtidig.

For å garantere at maskinen arbeider sikkert og pålitelig bør reparasjoner, servicearbeider eller innstillinger utføres av et autorisert Makita-serviceverksted.

1 Punainen osa	8 Holkki	15 Puuruuvien koko
2 Painike	9 Liipaisinkytkin	16 Sekuntia
3 Akku	10 Suunnanvaihtokytkin	17 Kiinnitysaika
4 Liittimen suojus	11 A-puoli	18 Rajamerkki
5 Latausvalot	12 B-puoli	19 Harjanpitimen kansi
6 Akkulataaja	13 Myötäpäivään	20 Ruuvitalta
7 Terä	14 Vastapäivään	

TEKNISET TIEDOT

Malli	BTD150
Tehot	
Koneruuvi	4 mm – 10 mm
Itseruuvautuva ruuvi	4 mm – 6 mm
Joutokäynti (min ⁻¹)	0 – 2 300
Joutokäyntinopeus/min.	0 – 3 000
Kokonaispituus	190 mm
Paino	1,8 kg
Nimellisjännite	14,4 V tasavirta

- Jatkuvan tutkimus- ja kehitysohjelman vuoksi pidämme oikeuden muuttaa tässä mainittuja teknisiä ominaisuuksia ilman ennakkoilmoitusta.
- Huomautus: Tekniset ominaisuudet saattavat vaihdella eri maissa.

Turvaohjeita

Oman turvallisuutesi vuoksi lue mukana seuraavat turvaohjeet.

TÄRKEITÄ LATORIA JA AKKUA KOSKEVIA TURVAOHJEITA

1. SÄILYTÄ NÄMÄ OHJEET — Tämä ohjekirja sisältää tärkeitä akkulatorin turva- ja käyttöohjeita.
2. Lue kaikki (1) akkulatoria, (2) akkua ja (3) akkua käyttävää laitetta koskevat ohjeet ja varoitusmerkinät ennen akkulatorin käyttöä.
3. VARO — Lataa ainoastaan MAKITAN ladattaviksi tarkoitettuja akkua välttääksesi loukkaantumisvaaran. Muun tyyppiset akut saattavat räjähtää aiheuttaen loukkaantumisen tai esinevahinkoja.
4. Pidä laite poissa sateesta ja lumesta.
5. Muun kuin valmistajan suositteleman tai myymän lisävarusteen käyttäminen saattaa aiheuttaa tulipalon, sähköiskun tai loukkaantumisen.
6. Vedä virtajohtoa irrottaessasi pistokkeesta äläkä johdosta, jotta pistoke ja johto eivät vioittuisi.
7. Pidä huolta, että johto on asetettu sellaiseen paikkaan, että sen päälle ei astuta, siihen ei kompastuta ja ettei se muutenkaan joudu rasitukselle tai vahingoille alttiiksi.
8. Älä käytä latoria voittuneella johdolla tai pistokkeella — vaihda ne välittömästi uusiin.
9. Älä käytä latoria, jos siihen on kohdistunut voimakas isku, jos se on pudonnut tai muutoin vioittunut. Vie se valtuutetulle huoltomiehelle.
10. Älä pura latoria tai akkua osiinsa. Jätä kaikki huolto- ja korjaustyöt valtuutetun huoltomiehen tehtäväksi. Jos laite kootaan väärin, voi seurauksena olla sähköisku tai tulipalo.
11. Irrota latorin virtajohto pistorasiasta ennen kaikkia kunnostustöitä ja puhdistusta välttääksesi sähköiskun. Virran katkaisu laitteesta ei vähennä tätä vaaraa.
12. Akkulataajaa ei ole tarkoitettu nuorten lasten eikä toimintarajoitteisten käytettäväksi ilman valvontaa.
13. Nuorten lasten toimia tulee valvoa sen varmistamiseksi, että he eivät leiki akkulataajalla.

14. Jos käyttöaika on lyhentynyt huomattavasti, lopeta käyttö välittömästi. Tämä voi aiheuttaa ylikuumentumisvaaran, palovammoja ja jopa räjähdyksen.
15. Jos silmiin joutuu akkuhappoa, huuhto silmät puhtaalla vedellä ja hakeudu välittömästi lääkärin hoitoon. Tämä voi aiheuttaa näön menetyksen.

LISÄÄ LATORIA JA AKKUA KOSKEVIA TURVAOHJEITA

1. Älä lataa akkua ALLE 10°C äläkä YLI 40°C lämpötilassa.
2. Älä käytä jännitteennostomuuntajaa, moottorigeneraattoria äläkä tasavirtapistorasiata.
3. Älä peitä äläkä tuki latorin ilma-aukkoja.
4. Älä kytkä akkua oikosulkuun:
 - (1) Älä kosketa liittimiä millään sähköä johtavalla esineellä.
 - (2) Älä säilytä akkua samassa tilassa muiden metalliesineiden kuten naulojen, kolikoiden tms. kanssa.
 - (3) Pidä akku poissa vedestä ja sateesta. Akun joutuminen oikosulkuun voi aiheuttaa voimakkaan sähkövirtauksen, ylikuumentumista, mahdollisia palovammoja ja laitteen rikkoutumisen.
5. Älä säilytä konetta ja akkua tilassa, jonka lämpötila voi ylittää 50°C.
6. Älä hävitä akkua polttamalla, vaikka se olisi pahasti vioittunut tai kokonaan kulunut loppuun. Akku saattaa räjähtää tulesa.
7. Varo pudottamasta, ravistamasta ja kolhimasta akkua.
8. Älä lataa akkua laatikossa tai muussa suljetussa tilassa. Akku tulee sijoittaa latauksen ajaksi tilaan, jossa on hyvä ilmanvaihto.

LISÄTURVAOHJEITA

1. Muista, että tämä kone on aina toimintavalmis, koska sitä ei tarvitse liittää verkkoon.
2. Pitele laitetta eristetyistä tartuntapinnoista tehdesäsi työtä, jossa laite voi osua piilossa olevaan johtoon. Osuminen jännitteeseen johtoon saa myös näkyvillä olevat metalliosat jännitteiseksi ja aiheuttaa käyttäjälle sähköiskun.
3. Ota aina tukeva asento. Varmista, että alapuolella ei ole ketään, kun käytät konetta korkeilla paikoilla.
4. Pidä koneesta kiinni lujasti.
5. Käytä kuulosuojaimia.

SÄILYTÄ NÄMÄ OHJEET.

KÄYTTÖOHJEET

Akun kiinnittäminen ja irrottaminen (Kuva 1)

- Sammuta kone aina ennen akun kiinnittämistä ja irrottamista.
- Akku irrotetaan vetämällä se irti koneesta samalla kun painat akussa olevaa painiketta.
- Akku kiinnitetään asettamalla akussa oleva kieleke kotelossa olevan uran kohdalle ja sujauttamalla se paikalleen. Työnnä aina kokonaan sisään, kunnes se napsahtaa kevyesti paikalleen. Jos painikkeen yläosassa oleva punainen osa jää näkyviin, akkua ei ole kokonaan lukittu paikalleen. Työnnä akku kokonaan sisään, kunnes punaista osaa ei näy. Jos et toimi näin, akku voi irrota vahingossa koneesta ja aiheuttaa itsesi tai sivullisen loukkaantumisen.
- Älä työnnä akkua väkisin paikalleen. Jos akku ei liu'u helposti paikalleen, ei kiinnitystapa ole oikea.

Lataaminen (Kuva 2)

1. Liitä akkulataaja sopivaan vaihtovirtalähteeseen. Kaksi latausvaloa vilkkuu vuorotellen vihreänä.
2. Työnnä akkua lataajaan, kunnes se pysähtyy lataajan ohjaimen. Lataajan liittimen suojuksen aukeaa työnnettäessä akku sisään ja sulkeutuu vedettäessä akku irti.
3. Kun akku on työnnetty paikalleen, latausvalo vaihtuu vihreästä punaiseksi ja lataus alkaa. Latausvalo palaa tasaisesti latauksen aikana.
Yksi punainen valo merkitsee latausasteen olevan välillä 0 – 80% ja kaksi valoa merkitsee 80 – 100%.
4. Kun lataus on päättynyt, kaksi punaista latausvaloa vaihtuu kahdeksi vihreäksi.
5. Jos jätät akun lataajaan sen jälkeen, kun lataus on päättynyt, lataaja siirtyy heikkovirtalatausmuodolle, joka kestää noin 24 tuntia.
6. Irrota lataaja virtalähteestä latauksen jälkeen.

Katso latausaika alla olevasta taulukosta.

Akkutyypit	Kapasiteetti (mAh)	Solujen lukumäärä	Latausaika
BH1420	2 000	12	Noin 30 min.
BH1433	3 300	12	Noin 50 min.

HUOMAA:

- Akkulataaja on tarkoitettu Makitan akkujen lataamiseen. Älä koskaan käytä sitä muihin tarkoituksiin äläkä muiden akkujen lataamiseen.
- Kun lataat uutta akkua tai akkua, jota ei ole käytetty pitkään aikaan, sitä ei ehkä voida ladata täyteen. Tämä on normaalia eikä ole oire viasta. Akku voidaan ladata täyteen, kun se on purettu kokonaan ja ladattu muutamia kertoja.
- Jos lataat akkua, jolla on juuri käytetty konetta tai akkua, joka on ollut pitkään suorassa auringonvalossa, latausvalo saattaa vilkkua punaisena. Jos näin käy, odota hetki. Lataus alkaa, kun lataajassa oleva tuuletin on jäähdyttänyt akun. Jos akun lämpötila on yli noin 70°C, kaksi latausvaloa saattaa vilkkua punaisina. Kun lämpötila on välillä 50 – 70°C, yksi latausvalo vilkkuu punaisena.
- Jos latausvalo vilkkuu vuorotellen vihreänä ja punaisena, lataaminen ei ole mahdollista. Lataajan tai akun liittimet ovat pölyn peitossa tai akku on kulunut loppuun tai voittunut.

Jäähdytysjärjestelmä

- Tämä lataaja on varustettu kuuman akun tuulettimella, jotta akun suorituskykyä saadaan parannettua. Jäähdytyksen aikana kuuluva jäähdytysilman ääni ei ole oire lataajan viasta.
- Keltainen valo vilkkuu varoituksena seuraavissa tilanteissa.
 - Tuuletinongelma
 - Akku ei jäähdy riittävästi johtuen esimerkiksi pölyn aiheuttamasta tukoksesta.Akkua voidaan ladata keltaisesta varoitusvalosta huolimatta. Latausaika on tällöin kuitenkin tavanomaista pidempi. Tarkasta tuulettimen ääni sekä lataajan ja akun ilma-aukko, jotka voivat toisinaan tukkeutua pölystä.
- Jäähdytysjärjestelmä on kunnossa, vaikka tuulettimen ääntä ei kuulu silloin, kun keltainen varoitusvalo ei vilku.
- Pidä lataajan ja akun jäähdytystä varten oleva ilma-aukot aina puhtaina.
- Laitteet tulee lähettää korjattaviksi tai huoltoon, jos keltaisen varoitusvalon vilkkuu usein.

Säätölataus

Säätölataus pidentää akun käyttöikää valitsemalla automaattisesti akulle kussakin tilanteessa sopivimmat latausolot.

Seuraavanlaisissa oloissa toistuvasti käytetty akku kuluu nopeasti loppuun ja keltainen varoitusvalo voi vilkkua.

1. Akku ladataan kuumana.
 2. Akku ladataan kylmänä.
 3. Täyteen ladattua akkua ladataan.
 4. Akun liiallinen purkautuminen (käytön jatkaminen alen-tuneesta latauksesta huolimatta).
 5. Akku ladataan jäähdytysjärjestelmän ollessa rikki.
- Tällaisen akun latausaika on tavanomaista pidempi.

Heikkovirtalataus

Jos jätät akun laturiin estääksesi akun tyhjenemisen itsestään täyteen lataamisen jälkeen, laturi kytketty heikkovirtalatausmuodolle, joka pitää akun jatkuvasti täydessä latauksessa.

Vinkkejä akun käyttöön maksimoimiseksi

1. Lataa akku, ennen kuin se on kokonaan tyhjä.
Lopeta aina laitteella työskentely ja lataa akku, jos huomaat voiman vähenevän laitteesta.
2. Älä koskaan lataa täyteen ladattua akkua.
Liiallinen lataaminen lyhentää akun käyttöikää.
3. Lataa akku huoneenlämmössä 10°C – 40°C.
Anna kuuman akun jäähtyä, ennen kuin työnät sen lataajaan.
4. Lataa nikkelimetalli-hybridiaakku, jos et käytä sitä yli kuukautteen.

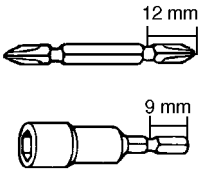
Terän kiinnittäminen ja irrottaminen (Kuva 3)

VARO:

Varmista aina ennen terän kiinnittämistä ja irrottamista, että koneesta on katkaistu virta ja että se on irrotettu virtalähteestä.

Käytä vain alla olevan kuvan mukaista vääntöterää tai hylsyterää.

Älä käytä mitään muita taltteräitä tai hylsyteräitä.



Terä kiinnitetään vetämällä kaulusta nuolen osoittamaan suuntaan ja työntämällä terä niin syväälle kaulukseen kuin se menee. Vapauta kaulus lukitukseksi terän paikalleen.

Terä irrotetaan vetämällä kaulusta nuolen osoittamaan suuntaan ja vetämällä terä napakasti irti.

HUOMAUTUS:

Jos terää ei työnnetä riittävän syväälle kaulukseen, kaulus ei palaudu alkuperäiseen asentoonsa, jolloin terä ei kiinnity paikalleen. Koeta tällöin työntää terä uudelleen paikalleen yllä olevien ohjeiden mukaisesti.

Katkaisijan käyttäminen (Kuva 4)

VARO:

Ennen kuin kiinnität akun koneeseen, tarkista aina, että liipaisinkytkin toimii moitteettomasti ja että se palautuu vapautettaessa "OFF" -asentoon.

Kone käynnistetään yksinkertaisesti vetämällä liipaisimesta. Kone käy nopeammin, kun liipaisinta painetaan voimakkaammin. Kone pysähtyy vapautettaessa liipaisin.

Suunnanvaihtokytkimen käyttäminen (Kuva 5)

VARO:

- Tarkista aina koneen pyörimissuunta ennen käyttöä.
- Käytä suunnanvaihtokytkintä ainoastaan koneen ollessa täysin pysähdyksissä. Pyörimissuunnan vaihtaminen koneen ollessa käynnissä saattaa vahingoittaa konetta.
- Kun et käytä konetta, aseta suunnanvaihtokytkin aina keski-asentoon.

Tässä koneessa on suunnanvaihtokytkin, jonka avulla voidaan vaihtaa pyörimissuuntaa. Työnnä suunnanvaihtokytkintä A-puolelta (2), kun haluat terän pyörivän myötäpäivään ja B-puolelta (1), kun haluat terän pyörivän vastapäivään. Kun vipukytkin on keskiasennossa, liipaisinkytkintä ei voi vetää.

Laitteen käyttäminen

VARO:

Työnnä akku aina kokonaan sisään siten, että se lukittuu paikalleen. Jos näet painikkeen yläosan punaisen osan, akku ei ole kokonaan lukittu paikalleen. Työnnä akku kokonaan sisään siten, että punaista osaa ei näy. Jos et toimi näin, akku voi vahingossa irrota koneesta ja aiheuttaa itsesi tai sivullisen loukkaantumisen.

Ruuvaaminen (Kuva 6)

Tartu koneeseen tiukasti ja aseta vääntöterän kärki ruuvien kantaan. Paina konetta kevyesti sen verran, että terä ei lipsahda irti ruuvista. Käynnistä kone hitaasti ja lisää sitten vähitellen nopeutta. Vapauta liipaisin juuri kun ruuvi osuu pohjaan. Sopiva kiinnitysmomentti riippuu ruuvien/pulttien tyypistä, kiinnitysmateriaalista jne. Katso kiinnitysajan ja puuruuvien koon välinen yhteys taulukosta. (Kiinnitysmateriaali: Lauan)

HUOMAUTUS:

- Pidä konetta suoraan ruuvia vasten.
- Kun kiinnität puuruuveja, tee ensin ohjausreikä. Näin kiinnittäminen on helpompaa ja työkappale ei halkea. Ohjausreikien tulee olla halkaisijaltaan hieman pienempiä kuin puuruuvit.
- Tällä koneella kiinnitettävän puuruuvien koko voi vaihdella kiinnitysmateriaalista riippuen. Tee aina koetyö varmistaaksesi puuruuvien koosta.

HUOLTO

VARO:

Varmistaudu aina ennen kaikkia koneelle suoritettavia töitä, että kone on pysäytetty ja akku irrotettu.

Hiilien vaihto (Kuva 7 ja 8)

Hiilet on vaihdettava kun ne ovat kuluneet kulumisrajaan. Hiilet on vaihdettava aina parittain.

Laitteen käyttövarmuuden ja turvallisuuden vuoksi korjaukset ja muut huolto- ja säätötöyt saa suorittaa ainoastaan Makitan hyväksymä huoltopiste.

1 Κόκκινο κομμάτι	8 Μανίκι	15 Μέγεθος Ξυλόβιδα
2 Πλήκτρο	9 Σκανδάλη διακόπτης	16 Δευτερόλεπτα
3 Κασέτα μπαταρίας	10 Μοχλός διακόπτης αντιστροφής	17 Χρόνος στερέωσης
4 Κάλυμα θερματικού	11 Πλευρά Α	18 Σημάδι ορίου
5 Λαμπάκι φόρτισης	12 Πλευρά Β	19 Καπάκι θήκης ψήκτρας
6 Φορτιστής μπαταρίας	13 Δεξιόστροφα	20 Κατσαβίδι
7 Αιχμή	14 Αριστερόστροφα	

ΤΕΧΝΙΚΑ ΧΑΡΑΚΤΗΡΙΣΤΙΚΑ

Μοντέλο	BDT150
Κανόνιτες	
Βίδα μηχανής	4 χιλ. – 10 χιλ.
Αυτοκοχλούμενη βίδα	4 χιλ. – 6 χιλ.
Ταχύτητα χωρίς φορτίο (min ⁻¹)	0 – 2.300
Κτύποι ανά λεπτό	0 – 3.000
Συνολικό μήκος	190 χιλ.
Καθαρό βάρος	1,8 Χγρ
Καθορισμένο βολτάζ	D.C. 14,4 V

- Λόγω του συνεχιζόμενου προγράμματος έρευνας και ανάπτυξης, οι παρούσες προδιαγραφές υπόκεινται σε αλλαγή χωρίς προειδοποίηση.
- Παρατήρηση: Τα τεχνικά χαρακτηριστικά μπορεί να διαφέρουν από χώρα σε χώρα.

Υποδείξεις ασφάλειας

Για την προσωπική σας ασφάλεια, ανατρέξτε στις εσώκλειστες οδηγίες ασφάλειας.

ΣΗΜΑΝΤΙΚΕΣ ΟΔΗΓΙΕΣ ΑΣΦΑΛΕΙΑΣ ΓΙΑ ΣΥΣΚΕΥΗ ΦΟΡΤΙΣΗΣ ΚΑΙ ΜΠΑΤΑΡΙΑ

1. ΦΥΛΑΞΤΕ ΑΥΤΕΣ ΤΙΣ ΟΔΗΓΙΕΣ — Αυτό το εγχειρίδιο περιέχει σημαντικές οδηγίες ασφάλειας και χρήσης της συσκευής φόρτισης.
2. Πριν χρησιμοποιήσετε τη συσκευή φόρτισης, διαβάστε όλες τις οδηγίες και προειδοποιητικά σημεία (1) στην συσκευή φόρτισης, (2) στη μπαταρία, και (3) στη συσκευή που χρησιμοποιεί την μπαταρία.
3. ΠΡΟΣΟΧΗ — Για να μειωθεί ο κίνδυνος τραυματισμού, φορτίζετε μόνο μπαταρίες ΜΑΚΙΤΑ επαναφορτιζόμενου τύπου. Μπαταρίες άλλου τύπου μπορεί να εκραγούν, πληγώνοντας σας και προκαλώντας ζημιές.
4. Μην εκθέσετε τη συσκευή φόρτισης σε βροχή ή χιόνι.
5. Χρήση εξαρτήματος που δεν συστήνεται ή δεν πωλείται από τον κατασκευαστή της συσκευής φόρτισης μπορεί να προκαλέσει φωτιά, ηλεκτρικό σοκ, ή να σας τραυματίσει.
6. Για να μειωθεί ο κίνδυνος ζημιάς στην πρίζα και στο καλώδιο, όταν απουσιάζετε τη συσκευή φόρτισης από την παροχή ρεύματος, πιάνετε και τραβάτε από την πρίζα και όχι από το καλώδιο.
7. Βεβαιωθείτε ότι το καλώδιο βρίσκεται σε θέση που ούτε θα το πατήσουν ούτε θα ακοντάψουν πάνω του ούτε μπορεί να πάθει ζημιά με οποιοδήποτε τρόπο.
8. Μη χρησιμοποιείτε τη συσκευή φόρτισης αν το καλώδιο ή η πρίζα της έχουν πάθει ζημιά — αντικαταστήστε τα αμέσως.
9. Μη χρησιμοποιείτε την συσκευή σε περίπτωση που έχει υποστεί δυνατό κτύπημα, έχει πέσει κάτω, ή έχει πάθει οποιαδήποτε ζημιά. Αναθέστε την επισκευή σε εξουσιοδοτημένο τεχνίτη.
10. Μην αποσυναρμολογείτε τη συσκευή φόρτισης ή τη μπαταρία. Πάρτε την σε εξουσιοδοτημένο τεχνίτη όταν χρειάζεται επισκευή ή σέρβις. Λανθασμένη επανασυναρμολόγηση μπορεί να οδηγήσει σε κίνδυνο ηλεκτρικού σοκ ή φωτιάς.

11. Για να μειωθεί ο κίνδυνος ηλεκτρικού σοκ, απουσιάζετε τη συσκευή φόρτισης από την παροχή ρεύματος πριν κάνετε οποιαδήποτε συντήρηση ή καθαρισμό της. Μόνο με το να αθήσετε τη συσκευή αυτός ο κίνδυνος δε μειώνεται.
12. Ο φορτιστής μπαταρίας δεν προορίζεται για χρήση από μικρά παιδιά ή άτομα με ασαφή συμπεριφορά χωρίς επίβλεψη.
13. Τα μικρά παιδιά θα πρέπει να επιβλέπονται για να διασφαλισθεί ότι δεν παίζουν με τον φορτιστή μπαταρίας.
14. Εάν ο χρόνος λειτουργίας έχει γίνει υπερβολικά μικρότερος, σταματήστε τη λειτουργία αμέσως. Μπορεί να έχει ως αποτέλεσμα υπερθέρμανση, πιθανώς καψίματα ή ακόμη και έκρηξη.
15. Εάν μπει ηλεκτρολύτης στα μάτια σας, ξεπλύνετε τα με καθαρό νερό και απευθυνθείτε σε ένα γιατρό αμέσως. Μπορεί να χάσετε την όραση σας.

ΕΠΙΠΡΟΣΘΕΤΟΙ ΚΑΝΟΝΕΣ ΑΣΦΑΛΕΙΑΣ ΓΙΑ ΣΥΣΚΕΥΗ ΦΟΡΤΙΣΗΣ ΚΑΙ ΜΠΑΤΑΡΙΑ

1. Μη φορτίζετε τη μπαταρία όταν η θερμοκρασία είναι ΚΑΤΩ από 10°C ή ΠΑΝΩ από 40°C.
2. Μη χρησιμοποιείτε ποτέ μετασχηματιστή ανύψωσης τάσης, γεννήτρια, ή υποδοχή συνεχούς ρεύματος.
3. Μην αφήσετε οτιδήποτε να καλύψει ή να μπλοκάρει της σπές εξαερισμού του φορτιστή.
4. Μη βραχυκυκλώσετε την κασέτα μπαταρίας:
 - (1) Μην αγγίζετε τους πόλους με κανένα αγώγιμο υλικό.
 - (2) Αποφύγετε την αποθήκευση της κασέτας μπαταρίας σε δοχείο με άλλα μεταλλικά αντικείμενα όπως καρφιά, νομίσματα, κλπ.
 - (3) Μην εκθέτετε την κασέτα μπαταρίας σε νερό ή σε βροχή.
 Ένα βραχυκύκλωμα μπαταρίας μπορεί να προκαλέσει μεγάλη ροή ρεύματος, υπερθέρμανση, πιθανά εγκαύματα και ακόμη μηχανική βλάβη.
5. Μη φυλάσσετε τη μηχανή και τη μπαταρία σε μέρη που η θερμοκρασία μπορεί να φθάσει ή να ξεπεράσει τους 50°C.
6. Μη κάψετε την μπαταρία ακόμα και αν έχει πάθει σοβαρές ζημιές ή έχει εντελώς φθαρεί. Η μπαταρία μπορεί να εκραγεί στην φωτιά.
7. Προσέχετε να μη ρίξετε κάτω, ταρακουνήσετε ή χτυπήσετε τη μπαταρία.
8. Μη φορτίζετε τη μπαταρία μέσα σε ένα κουτί ή δοχείο οποιουδήποτε είδους. Η μπαταρία πρέπει να τοποθετηθεί σε ένα καλά εξαεριζόμενο χώρο κατά τη διάρκεια της φόρτισης.

ΕΠΙΠΡΟΣΘΕΤΕΣ ΟΔΗΓΙΕΣ ΑΣΦΑΛΕΙΑΣ ΓΙΑ ΤΟ ΜΗΧΑΝΗΜΑ

1. Έχετε υπόψη σας ότι το μηχάνημα αυτό βρίσκεται πάντοτε σε κατάσταση λειτουργίας, γιατί δεν χρειάζεται να συνδεθεί σε ακροδέκτη ρεύματος.
2. Κρατάτε το μηχάνημα από τις επιφάνειες της μονωμένης λαβής όταν εκτελείτε μια εργασία κατά την οποία το μηχάνημα θα μπορούσε να έρθει σε επαφή με κρυμμένα καλώδια. Επαφή με ένα ηλεκτροφόρο καλώδιο θα μπορούσε να έχει ως αποτέλεσμα να καταστούν και τα εκτεθειμένα μεταλλικά τμήματα του εργαλείου ηλεκτροφόρα και να προκαλέσουν ηλεκτροπληξία στον χειριστή.
3. Πάντοτε βεβαιώνετε ότι έχετε σταθερή βάση. Βεβαιώνετε ότι κανείς δεν είναι από κάτω όταν χρησιμοποιείτε το μηχάνημα σε υψηλά μέρη.
4. Κρατάτε το μηχάνημα σταθερά.
5. Φοράτε ωτασπίδες.

ΦΥΛΑΞΕΤΕ ΑΥΤΕΣ ΤΙΣ ΟΔΗΓΙΕΣ.

Φόρτιση (Εικ. 2)

1. Βάλτε το φορτιστή μπαταρίας σας στην κατάλληλη παροχή εναλασσόμενου ρεύματος. Δύο φωτάκια φόρτισης θα ανάβουν σε χρώμα πράσινο επαναλαμβανόμενα.
2. Βάλτε την κασέτα μπαταρίας στο φορτιστή μέχρι να σταματήσει ρυθμιζόμενο από τον οδηγό του φορτιστή. Το κάλυμμα του τερματικού του φορτιστή μπορεί να ανοιχθεί με την εισαγωγή και να κλείσει με την απομάκρυνση της κασέτας μπαταρίας.
3. Όταν η κασέτα μπαταρίας έχει μπει μέσα, το χρώμα στο φωτάκι φόρτισης θα αλλάξει από πράσινο σε κόκκινο και η φόρτιση θα αρχίσει. Το φωτάκι φόρτισης θα παραμείνει αναμμένο σταθερά κατά τη διάρκεια της φόρτισης. Ένα κόκκινο φωτάκι φόρτισης ενδεικνύει κατάσταση φόρτισης 0 – 80%, ενώ δύο κόκκινα φωτάκια ενδεικνύουν φόρτιση 80 – 100%.
4. Όταν τελειώσει η φόρτιση, τα φωτάκια φόρτισης θα αλλάξουν από δύο κόκκινα σε δύο πράσινα.
5. Εάν αφήσετε την κασέτα μπαταρίας στον φορτιστή αφού ο κύκλος φόρτισης έχει συμπληρωθεί, ο φορτιστής θα αλλάξει στη διαμόρφωση “φόρτιση σταγόνας (φόρτιση συντήρησης)” η οποία θα διαρκέσει περίπου 24 ώρες.
6. Μετά τη φόρτιση, απουσιάζετε το φορτιστή από την παροχή ηλεκτρικού ρεύματος.

Ανατρέξτε στον παρακάτω πίνακα για το χρόνο φόρτισης.

Τύπος μπαταρίας	Χωρητικότητα (mAh)	Αριθμός κυψελών	Χρόνος φόρτισης
BH1420	2.000	12	Περίπου 30 λ.
BH1433	3.300	12	Περίπου 50 λ.

ΠΡΟΣΟΧΗ:

- Ο φορτιστής της μπαταρίας είναι για φόρτιση κασετών μπαταρίας Μακίτα μόνο. Ποτέ μην τον χρησιμοποιείτε για άλλους σκοπούς ή για μπαταρίες άλλων κατασκευαστών.
- Όταν φορτίζετε μια καινούργια μπαταρία ή μια μπαταρία που δεν έχει χρησιμοποιηθεί για μακρό χρονικό διάστημα, ίσως πλήρης φόρτιση να μην είναι δυνατή. Αυτό είναι μια φυσιολογική κατάσταση και δεν αποτελεί δυσλειτουργία. Μπορείτε να επαναφορτίσετε την κασέτα μπαταρίας πλήρως αφού την αποφορτίσετε και την φορτίσετε δυο τρεις φορές.
- Εάν φορτίσετε μια κασέτα μπαταρίας από ένα μόλις χρησιμοποιημένο εργαλείο ή μια κασέτα μπαταρίας που έχει αφεθεί σε μια τοποθεσία εκτεθειμένη απευθείας στο ηλιακό φως για μακρό χρονικό διάστημα, το λαμπάκι φόρτισης ίσως ανάψει σε χρώμα κόκκινο. Εάν συμβεί αυτό, περιμένετε για λίγο. Η φόρτιση θα ξεκινήσει αφού η κασέτα μπαταρίας κρυώσει από τον ανεμιστήρα ψύξης που είναι εγκατεστημένος στον φορτιστή. Όταν η θερμοκρασία της μπαταρίας είναι περισσότερο από περίπου 70°C, δύο φωτάκια φόρτισης ίσως ανάψουν σε χρώμα κόκκινο, και όταν είναι περίπου 50°C – 70°C ένα φωτάκι φόρτισης σε χρώμα κόκκινο.
- Εάν το φωτάκι φόρτισης ανάψει εναλλασσόμενα σε χρώμα πράσινο και κόκκινο, η φόρτιση δεν είναι δυνατή. Τα τερματικά στον φορτιστή ή στην κασέτα μπαταρίας είναι βουλωμένα με σκόνη ή η κασέτα μπαταρίας είναι έχει φθαρεί ή καταστραφεί.

ΟΔΗΓΙΕΣ ΧΡΗΣΗΣ

Τοποθέτηση ή αφαίρεση της κασέτας μπαταρίας (Εικ. 1)

- Πάντοτε σβήνετε το μηχάνημα πριν τοποθετήσετε ή αφαιρέσετε την κασέτα μπαταρίας.
- Για να απομακρύνετε την κασέτα μπαταρίας, βγάλτε την από το μηχάνημα ενώ τραβάτε το πλήκτρο στην κασέτα.
- Για να τοποθετήσετε την κασέτα μπαταρίας, ευθυγραμμίστε την γλώσσα στην κασέτα μπαταρίας με την αυλακία στην υποδοχή και τοποθετήστε την. Πάντοτε να την βάζετε πλήρως μέχρι να κλειδώσει, γεγονός που υποδηλώνεται με ένα χαρακτηριστικό ήχο. Εάν μπορείτε να δείτε το κόκκινο κομμάτι στην επάνω πλευρά του πλήκτρου, δεν έχει κλειδώσει ολοκληρωτικά. Βάλτε την πλήρως έτσι ώστε να μην φαίνεται. Σε αντίθετη περίπτωση, ίσως πέσει κατά λάθος από το μηχάνημα, τραυματίζοντας εσάς ή κάποιον τριγύρω σας.
- Μη βάζετε δύναμη όταν τοποθετείτε την κασέτα μπαταρίας. Εάν η κασέτα δεν εισέρχεται με ευκολία, δεν είναι τοποθετημένη σωστά.

Σύστημα ψύξης

- Ο φορτιστής είναι εφοδιασμένος με ανεμιστήρα ψύξης για θερμοιόνόμενες μπαταρίες έτσι ώστε να καταστεί δυνατή η καλύτερη δυνατή απόδοση της μπαταρίας. Ο ήχος του αέρα ψύξης ακούγεται κατά τη διάρκεια της ψύξης, το οποίο σημαίνει ότι δεν υπάρχει πρόβλημα στον φορτιστή.
- Ένα κίτρινο φωτάκι θα ανάψει στις ακόλουθες περιπτώσεις
 - Πρόβλημα στον ανεμιστήρα ψύξης
 - Ανεπαρκής ψύξη του ανεμιστήρα, όπως για παράδειγμα λόγω βουλωμάτος από σκόνη.Η μπαταρία μπορεί να φορτιστεί παρόλο που υπάρχει το προειδοποιητικό σήμα από το κίτρινο φωτάκι. Απλώς η φόρτιση θα διαρκέσει περισσότερο από το κανονικό σε αυτή την περίπτωση.
- Ελέγξτε τον ήχο του ανεμιστήρα ψύξης, τα ανοίγματα εξαερισμού στον φορτιστή και την μπαταρία, τα οποία μπορεί να έχουν βουλώσει με σκόνη.
- Το σύστημα ψύξης είναι εντάξει ακόμη και εάν δεν ακούγεται ο ήχος του ανεμιστήρα εξαερισμού, εάν το κίτρινο προειδοποιητικό φωτάκι δεν έχει ανάψει.
- Πάντοτε να κρατάτε καθαρά τα ανοίγματα εξαερισμού στον φορτιστή και στην μπαταρία.
- Τα προϊόντα θα πρέπει να στέλνονται για επισκευή ή συντήρηση, εάν το κίτρινο φωτάκι ανάβει συχνά.

Φόρτιση κατάστασης

Η φόρτιση κατάστασης μπορεί να επεκτείνει τη διάρκεια ζωής της μπαταρίας ψάχνοντας αυτόματα τη βέλτιστη κατάσταση φόρτισης για τις μπαταρίες σε κάθε περίπτωση.

Η μπαταρία που χρησιμοποιείται συχνά στις ακόλουθες περιπτώσεις, θα φθαρεί σύντομα, και το κίτρινο προειδοποιητικό φωτάκι ίσως ανάψει.

1. Επαναφόρτιση της μπαταρίας σε υψηλή θερμοκρασία
 2. Επαναφόρτιση της μπαταρίας σε χαμηλή θερμοκρασία
 3. Επαναφόρτιση πλήρως φορτισμένης μπαταρίας
 4. Υπερφόρτιση της μπαταρίας (συνέχιση της αποφόρτισης της μπαταρίας και όχι μείωση της παροχής ενέργειας)
 5. Φόρτιση με χαλασμένο το σύστημα ψύξης
- Ο χρόνος φόρτισης μιας τέτοιας μπαταρίας είναι μεγαλύτερος από το κανονικό.

Στιγμιαία φόρτιση (Φόρτιση συντήρησης)

Εάν έχετε αφήσει την κασέτα μπαταρίας στον φορτιστή για να προλάβετε αυθόρμητη αποφόρτιση μετά από πλήρη φόρτιση, ο φορτιστής θα αλλάξει στη διαμόρφωση της "Συμβουλής φόρτισης" (φόρτιση συντήρησης) και θα κρατήσει την κασέτα μπαταρίας φρέσκια και πλήρως φορτισμένη.

Συμβουλές για την διατήρηση της μέγιστης ζωής της μπαταρίας

1. Αλλάξτε την κασέτα μπαταρίας πριν αποφορτιστεί τελείως.
Πάντα σταματάτε τη λειτουργία του μηχανήματος και φορτίστε την κασέτα μπαταρίας όταν παρατηρήσετε μειωμένη δύναμη του μηχανήματος.
2. Ποτέ μην επαναφορτίζετε μια πλήρως φορτισμένη κασέτα μπαταρίας.
Η υπερφόρτιση μικραίνει την ωφέλιμη ζωή της μπαταρίας.
3. Φορτίστε την κασέτα μπαταρίας σε θερμοκρασία δωματίου στους 10°C – 40°C.
Αφήστε μια ζεστή κασέτα μπαταρίας να κρυώσει βάζοντας την στον φορτιστή.

4. Φορτίστε την κασέτα μπαταρίας Νικελίου Μεταλλικού Υδριδίου όταν δεν την έχετε χρησιμοποιήσει για έξι μήνες.

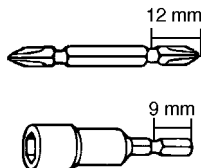
Τοποθέτηση ή αφαίρεση αιχμής (Εικ. 3)

ΠΡΟΣΟΧΗ:

Πάντοτε βεβαιώνετε ότι το μηχανήμα είναι σβηστό και η κασέτα μπαταρίας έχει αφαιρεθεί πριν τοποθετήσετε ή αφαιρέσετε την αιχμή.

Χρησιμοποιείτε μόνο την αιχμή οδηγό ή την αιχμή υποδοχή που φαίνονται στο παρακάτω σχήμα.

Μη χρησιμοποιείτε καμιά άλλη αιχμή βιδοτρύπανου ή κοίλη αιχμή.



Για τοποθέτηση της αιχμής, τραβήχτε το μανίκι κατά τη διεύθυνση του βέλους και βάλτε την αιχμή μέσα στο μανίκι όσο βαθιά μπορεί να πάει. Μετά αφήστε το μανίκι για να στερεώσετε την αιχμή.

Για να αφαιρέσετε την αιχμή, τραβήχτε το μανίκι κατά τη διεύθυνση του βέλους και τραβήχτε το μανίκι προς τα έξω σταθερά.

ΠΑΡΑΤΗΡΗΣΗ:

Εάν η αιχμή δεν εισχωρήσει αρκετά βαθιά μέσα στο μανίκι, το μανίκι δεν θα γυρίσει στην αρχική του θέση και η αιχμή δεν θα στερεωθεί. Στην περίπτωση αυτή, προσπαθήστε να ξαναβάλετε την αιχμή σύμφωνα με τις παραπάνω οδηγίες.

Λειτουργία διακόπτη (Εικ. 4)

ΠΡΟΣΟΧΗ:

Πριν βάλετε τη κασέτα μπαταρίας μέσα στο μηχανήμα, πάντοτε ελέγχετε να δείτε ότι η σκανδάλη διακόπτης ενεργοποιείται κανονικά και επιστρέφει στη θέση "OFF" όταν ελευθερώνεται.

Για να ξεκινήσει το μηχανήμα, απλώς τραβήχτε τη σκανδάλη. Η ταχύτητα του μηχανήματος αυξάνεται αυξανοντας τη πίεση στη σκανδάλη. Αφήστε τη σκανδάλη για να σταματήσει.

Αντιστροφή λειτουργίας διακόπτη (Εικ. 5)

ΠΡΟΣΟΧΗ:

- Πάντοτε ελέγχετε τη διεύθυνση περιστροφής πριν από τη λειτουργία.
- Χρησιμοποιείτε το διακόπτη αντιστροφής μόνο αφού το μηχανήμα έχει σταματήσει εντελώς. Αλλαγή της διεύθυνσης περιστροφής πριν το μηχανήμα σταματήσει μπορεί να προκαλέσει ζημιά στο μηχανήμα.
- Όταν λειτουργείτε το μηχανήμα, πάντοτε να θέτετε το μοχλό αντιστροφής διακόπτη στην ουδέτερη θέση.

Αυτό το μηχανήμα έχει ένα διακόπτη αντιστροφής για να αλλάξει τη διεύθυνση περιστροφής. Πατήστε το μοχλό διακόπτη αντιστροφής από τη πλευρά Α για δεξιόστροφη περιστροφή ή από την πλευρά Β για αριστερόστροφη. Όταν ο μοχλός διακόπτη είναι στην ουδέτερη θέση, η σκανδάλη διακόπτης δεν μπορεί να τραβηχθεί.

Λειτουργία

ΠΡΟΣΟΧΗ:

Πάντοτε να βάζετε τη μπαταρία πλήρως μέχρι να κλειδώσει καλά. Εάν μπορείτε να δείτε το κόκκινο τμήμα στο επάνω μέρος του πλήκτρου, σημαίνει ότι δεν έχει κλειδώσει καλά. Βάλτε την καλά μέχρι το κόκκινο τμήμα να μην φαίνεται. Σε αντίθετη περίπτωση, ίσως κατά λάθος πέσει έξω από το μηχάνημα και μπορεί να προκαλέσει τραυματισμό σε εσάς ή σε κάποιον τριγύρω σας.

Λειτουργία βιδώματος (Εικ. 6)

Κρατείστε το εργαλείο σταθερά και βάλτε το άκρο της μύτης του κατασβιδιού στο κεφάλι της βίδας. Εξασκείστε αρκετή πίεση προς τα εμπρός ώστε η μύτη του κατασβιδιού να μη ξεφύγει από τη βίδα. Ξεκινήστε το εργαλείο αργά και αυξήστε την ταχύτητα βαθμιαία. Ελευθερώστε την σκανδάλη μόλις η βίδα φτάσει στο τέρμα της. Η κατάλληλη ροπή στερέωσης διαφέρει ανάλογα με το είδος ή το μέγεθος των βιδών/μπουλονιών, τον τύπο των προς στερέωση υλικών, κλπ. Αναφερθείτε στον πίνακα για τη σχέση μεταξύ χρόνου στερέωσης και μέγεθους ξυλόβιδας. (Υλικό προς στερέωση: Lauan)

ΠΑΡΑΤΗΡΗΣΗ:

- Κρατάτε το μηχάνημα διευθυνόμενο ίσια προς τη βίδα.
- Όταν βιδώνετε ξυλόβιδες, προετοιμάζετε πιλοτικές τρύπες για να κάνετε το βίδωμα ευκολότερο και να αποφεύγετε το σχίσσιμο του υλικού εργασίας. Οι πιλοτικές τρύπες θα πρέπει να είναι ελαφρά μικρότερες από τις ξυλόβιδες σε διάμετρο.
- Το μέγεθος της ξυλόβιδας που μπορεί να στερεωθεί με το εργαλείο αυτό διαφέρει ανάλογα με τον τύπο του προς στερέωση υλικού. Πάντοτε εκτελείτε μία δοκιμαστική λειτουργία για να καθορίσετε το μέγεθος της ξυλόβιδας.

ΣΥΝΤΗΡΗΣΗ

ΠΡΟΣΟΧΗ:

Πριν την εκτέλεση εργασιών με τη συσκευή διαβεβαιώνετε πάντοτε, για το ότι η συσκευή σβήστηκε με απομακρυσμένο το συσσωρευτή.

Αντικατάσταση καρβουνάκια (Εικ. 7 και 8)

Τα καρβουνάκια πρέπει να αντικαθίστανται, όταν έχουν φθαρεί μέχρι το σημείο μαρκαρίσματος. Τα δύο ταυτόσημα καρβουνάκια πρέπει να αντικαθίστανται ταυτόχρονα.

Για τη διασφάλιση της σιγουριάς και αξιοπιστίας των προϊόντων μας πρέπει οι επισκευές, εργασίες συντήρησης ή ρυθμίσεις να εκτελούνται από εξουσιοδοτημένα εργαστήρια σέρβις πελατών Μάκιτα.

GB ACCESSORIES

CAUTION:

These accessories or attachments are recommended for use with your Makita tool specified in this manual. The use of any other accessories or attachments might present a risk of injury to persons. The accessories or attachments should be used only in the proper and intended manner.

F ACCESSOIRES

ATTENTION :

Ces accessoires ou ces fixations sont recommandés pour l'utilisation de l'outil Makita spécifié dans ce manuel. L'utilisation d'autres accessoires ou fixations peut présenter un risque de blessures. Les accessoires ou les fixations ne devront être utilisés que dans le but et de la manière prévus.

D ZUBEHÖR

VORSICHT:

Das mitgelieferte Zubehör ist speziell für den Gebrauch mit dem in dieser Betriebsanleitung angegebenen Makita-Elektrowerkzeug vorgesehen. Bei Verwendung von Fremdzubehör in Verbindung mit dieser Maschine besteht Verletzungsgefahr.

I ACCESSORI

ATTENZIONE:

Gli accessori o raccordi seguenti sono raccomandati per l'uso con l'utensile Makita specificato in questo manuale. L'uso di qualsiasi altro accessorio o raccordo potrebbe causare pericoli di ferite alle persone. Gli accessori o raccordi devono essere usati soltanto nel modo corretto e specificato.

NL ACCESSOIRES

LET OP:

Deze accessoires of hulpstukken zijn aanbevolen voor gebruik met uw Makita gereedschap dat in deze gebruiksaanwijzing is beschreven. Het gebruik van andere accessoires of hulpstukken kan gevaar voor persoonlijke verwondingen opleveren. De accessoires of hulpstukken dienen alleen op de juiste en voorgeschreven manier te worden gebruikt.

E ACCESORIOS

PRECAUCIÓN:

Estos accesorios o acoplamientos están recomendados para usar con la herramienta Makita especificada en este manual. Con el uso de cualquier otro accesorio o acoplamiento se podría correr el riesgo de producir heridas a personas. Los accesorios o acoplamientos deberán usarse solamente de la manera apropiada y para la que ha sido designados.

P ACESSÓRIOS

PRECAUÇÃO:

Estes acessórios ou acoplamentos são os recomendados para utilização na ferramenta Makita especificada neste manual. A utilização de quaisquer outros acessórios ou acoplamentos poderá ser perigosa para o operador. Os acessórios ou acoplamentos deverão ser utilizados de maneira adequada e apenas para os fins a que se destinam.

DK TILBEHØR

ADVARSEL:

Dette udstyr og tilbehør bør anvendes sammen med Deres Makita maskine, sådan som det er beskrevet i denne vejledning. Anvendelse af andet udstyr eller tilbehør kan medføre personskaade. Tilbehøret bør kun anvendes til det, det er beregnet til.

S TILLBEHÖR

FÖRSIKTIGHET:

Dessa tillbehör eller tillsatser rekommenderas endast för användning tillsammans med din Makita maskin som specificeras i denna bruksanvisning. Användning av andra tillbehör eller tillsatser kan medföra risk för personskaador. Tillbehören och tillsatserna får endast användas på lämpligt och där för avsett sätt.

N TILBEHØØR

NB!

Dette tilbehøret eller utstyret anbefales til å brukes sammen med din Makita maskin som er spesifisert i denne bruksanvisningen. Bruk av annet tilbehør eller utstyr kan medføre en risiko for personskaader. Tilbehør og utstyr må bare brukes som spesifisert og bare til det det er beregnet til.

SF LISÄVARUSTEET

VARO:

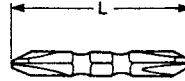
Tässä käyttöohjeessa mainitun Makita-koneen kanssa suositellaan seuraavien lisälaitteiden ja -varusteiden käyttöä. Minkä tahansa muun lisälaitteen tai -varusteen käyttäminen saattaa aiheuttaa loukkaantumisvaaran. Lisälaitteita ja -varusteita tulee käyttää ainoastaan niille sopivalla tavalla.

GR ΕΞΑΡΤΗΜΑΤΑ

ΠΡΟΣΟΧΗ:

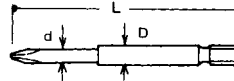
Αυτά τα εξαρτήματα ή προσαρτήματα συνιστώνται για χρήση με το μηχάνημα της Μάκιτα που περιγράφεται στο εγχειρίδιο αυτό. Η χρήση άλλων εξαρτημάτων ή προσαρτημάτων μπορεί να είναι επικίνδυνη για τραυματισμό ατόμων. Τα εξαρτήματα ή προσαρτήματα πρέπει να χρησιμοποιούνται μόνο με το σωστό και προτιθέμενο τρόπο.

- Phillips bit
- Embout Phillips
- Kreuzschlitz-Schraubendrehereinsatz
- Punta a croce
- Phillips schroefbit
- Pieza de apriete de punta Phillips
- Broca Phillips
- Phillips bit
- Korsmejsel
- Phillips-bits
- Ristipääterä
- Αιχμή Φίλιπς



Bit No.	L (mm)				
No.2	45	65	110	150	250
No.3	45	65	110		

- Phillips bit
- Embout Phillips
- Kreuzschlitz-Schraubendrehereinsatz
- Punta a croce
- Phillips schroefbit
- Pieza de apriete de punta Phillips
- Broca Phillips
- Phillips bit
- Korsmejsel
- Phillips-bits
- Ristipääterä
- Αιχμή Φίλιπς



Bit No.	L (mm)	D (mm)	d (mm)
No.2	82	6	5

Note:

- Use bit No. 2 when fastening tool screws M4 – M5, or wood screws 3.1 mm – 4.8 mm.
- Use bit No. 3 when fastening tool screws M6 – M8, or wood screws 5.1 mm – 6.1 mm.

Note :

- Utilisez l'embout No. 2 pour visser des vis à métaux M4 – M5, ou des vis en bois de 3,1 mm – 4,8 mm.
- Utilisez l'embout No. 3 pour visser des vis à métaux M6 – M8, ou des vis en bois de 5,1 mm – 6,1 mm.

Hinweis:

- Einsatzwerkzeug Nr. 2 zum Verschrauben von Maschinenschrauben M4 bis M5 oder Holzschrauben 3,1 mm bis 4,8 mm verwenden.
- Einsatzwerkzeug Nr. 3 zum Verschrauben von Maschinenschrauben M6 bis M8 oder Holzschrauben 5,1 mm bis 6,1 mm verwenden.

Note:

- Usare la punta No. 2 per stringere le viti comuni M4 – M5 o le viti per legno da 3,1 mm a 4,8 mm.
- Usare la punta No. 3 per stringere le viti comuni M6 – M8 o le viti per legno da 5,1 mm a 6,1 mm.

Opmerking:

- Gebruik schroefbit Nr. 2 voor het vastdraaien van kolomenschroeven M4 – M5 of houtschroeven 3,1 mm – 4,8 mm.
- Gebruik schroefbit Nr. 3 voor het vastdraaien van kolomenschroeven M6 – M8 of houtschroeven 5,1 mm – 6,1 mm.

Nota:

- Emplee el implemento N.º2 cuando vaya a apretar tornillos para máquina M4 M5, o tornillos para madera de 3,1 mm 4,8 mm de diámetro.
- Emplee el implemento N.º3 cuando vaya a apretar tornillos para máquina M6 M8, o tornillos para madera de 5,1 mm 6,1 mm de diámetro.

Nota:

- Utilize a broca N. 2 quando aperta parafusos de rosca fina M4 – M5, ou parafusos de madeira de 3,1 mm – 4,8 mm.
- Utilize a broca N. 3 quando aperta parafusos de rosca fina M6 – M8, ou parafusos de madeira de 5,1 mm – 6,1 mm.

Bemærk:

- Anvend bit nr. 2 til fastspænding af maskinskruer M4 – M5, eller træskruer 3,1 mm – 4,8 mm.
- Anvend bit nr. 3 til fastspænding af maskinskruer M6 – M8, eller træskruer 5,1 mm – 6,1 mm.

Observera:

- Använd verktyg nr. 2 vid åtdragning av maskinskravar M4 – M5, eller träskruvar 3,1 mm – 4,8 mm.
- Använd verktyg nr. 3 vid åtdragning av maskinskravar M6 – M8, eller träskruvar 5,1 mm – 6,1 mm.

Merknad:

- Bruk bits Nr.2 ved tiltrekking av maskinskraver M4 – M5, eller treskraver 3,1 mm – 4,8 mm.
- Bruk bits Nr.3 ved tiltrekning av maskinskraver M6 – M8, eller trekskraver 5,1 mm – 6,1 mm.

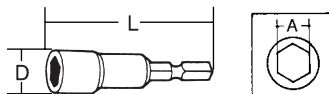
Huomaa:

- Käytä terää nro 2, kun kiinnität koneruuveja M4 – M5 tai 3,1 mm – 4,8 mm puuruuveja.
- Käytä terää nro 3, kun kiinnität koneruuveja M6 – M8 tai 5,1 mm – 6,1 mm puuruuveja.

Παρατήρηση:

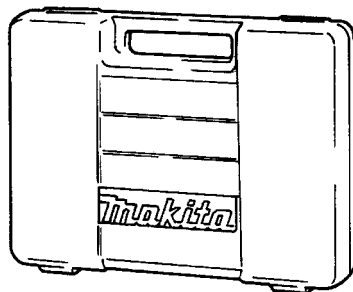
- Χρησιμοποιείστε τηναιχμή κατασβιδιού No. 2 όταν στερεώνετε κατασβιδιόβιδες M4 – M5, ή ξυλόβιδες 3,1 χιλ. – 4,8 χιλ..
- Χρησιμοποιείστε τηναιχμή κατασβιδιού No. 3 όταν στερεώνετε κατασβιδιόβιδες M6 – M8, ή ξυλόβιδες 5,1 χιλ. – 6,1 χιλ..

- Socket bit
- Embout à douille
- Steckschlüsseinsatz
- Punta con esagono incassato
- Schroefddop
- Llave de cubo
- Broca de encaixe
- Slagtop
- Mutterhylsa
- Muffebits
- Hylsyterä
- Υποδοχέας αιχμής

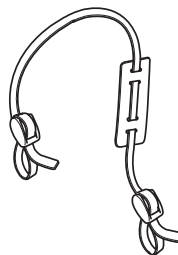


Bolt size	A (mm)	L (mm)	D (mm)
M4	7	55	11
M5	8		12.5
M6	10		15

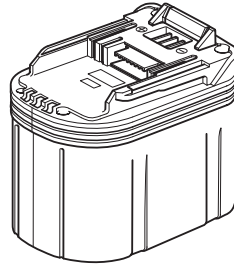
- Plastic carrying case
- Mallette de transport en plastique
- Transportkoffer
- Custodia di trasporto di plastica
- Plastic draagtas
- Maletín de plástico para el transporte
- Caixa plástica para transporte
- Transportkuffert
- Bärnväska i plast
- Bærevæske av plast
- Muovinen kantokotelo
- Πλαστική θήκη μεταφοράς



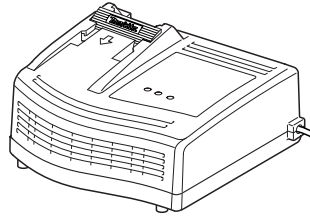
- Shoulder strap
- Bandoulière
- Tragriemen
- Tracolla
- Schouderriem
- Correa para el hombro
- Correia a tiracolo
- Skulderrem
- Axelrem
- Skulderrem
- Olkahihna
- Λωρίδα ώμου



- Ni-MH (Nickel Metal Hydride) battery
BH1420/BH1433
- Batterie Ni-MH (hydrure de métal nickel)
BH1420/BH1433
- Ni-MH-(Nickel-Metallhydrid)-Akku
BH1420/BH1433
- Batteria Ni-MH (idruro di nichel-metallo)
BH1420/BH1433
- Ni-MH (Nikkel Metaal Hydride) accu
BH1420/BH1433
- Batería de Ni-MH (níquel-metal de hidruro)
BH1420/BH1433
- Bateria Ni-MH (Metal Hibrido-Niquel)
BH1420/BH1433
- Ni-MH (Nikkel Metal Hydrid) batteri
BH1420/BH1433
- NiMH-batteri (Nickel-metallhydrid), typ
BH1420/BH1433
- Ni-MH (Nikkelmetallhybrid) batteri
BH1420/BH1433
- Ni-MH (Nikkeli-metalli-hybridi) -akku
BH1420/BH1433
- Μπαταρία Ni-MH
(Νικελίου μεταλλικού υδρογονούχου)
BH1420/BH1433



- Battery charger Model DC14SA
- Chargeur de batterie modèle DC14SA
- Ladegerät Modell DC14SA
- Caricabatteria Modello DC14SA
- Acculader Model DC14SA
- Cargador de batería modelo DC14SA
- Carregador de bateria Modelo DC14SA
- Oplader, model DC14SA
- Batteriladdare, modell DC14SA
- Batterilader Modell DC14SA
- Akkulaturi malli DC14SA
- Φορτιστής μπαταρίας μοντέλο DC14SA



ENGLISH

EC-DECLARATION OF CONFORMITY

The undersigned, Yasuhiko Kanzaki, authorized by Makita Corporation, 3-11-8 Sumiyoshi-Cho, Anjo, Aichi 446-8502 Japan declares that this product

(Serial No. : series production)

manufactured by Makita Corporation in Japan is in compliance with the following standards or standardized documents,

EN50260, EN55014,

in accordance with Council Directives, 89/336/EEC and 98/37/EC.

FRANÇAISE

DÉCLARATION DE CONFORMITÉ CE

Je soussigné, Yasuhiko Kanzaki, mandaté par Makita Corporation, 3-11-8 Sumiyoshi-Cho, Anjo, Aichi 446-8502 Japan, déclare que ce produit

(No. de série: production en série)

fabriqué par Makita Corporation au Japon, est conformes aux normes ou aux documents normalisés suivants,

EN50260, EN55014,

conformément aux Directives du Conseil, 89/336/CEE et 98/37/EG.

DEUTSCH

CE-KONFORMITÄTSERKLÄRUNG

Hiermit erklärt der Unterzeichnete, Yasuhiko Kanzaki, Bevollmächtigter von Makita Corporation, 3-11-8 Sumiyoshi-Cho, Anjo, Aichi 446-8502 Japan, daß dieses von der Firma Makita Corporation in Japan hergestellte Produkt

(Serien-Nr.: Serienproduktion)

gemäß den Ratsdirektiven 89/336/EWG und 98/37/EG mit den folgenden Normen bzw. Normendokumenten übereinstimmen:

EN50260, EN55014.

ITALIANO

DICHIARAZIONE DI CONFORMITÀ CON LE NORME DELLA COMUNITÀ EUROPEA

Il sottoscritto Yasuhiko Kanzaki, con l'autorizzazione della Makita Corporation, 3-11-8 Sumiyoshi-Cho, Anjo, Aichi 446-8502 Japan, dichiara che questo prodotto

(Numero di serie: Produzione in serie)

fabbricato dalla Makita Corporation in Giappone è conforme alle direttive europee riportate di seguito:

EN50260, EN55014

secondo le direttive del Consiglio 89/336/CEE e 98/37/CE.

NEDERLANDS

EG-VERKLARING VAN CONFORMITEIT

De ondergetekende, Yasuhiko Kanzaki, gevlmachtigd door Makita Corporation, 3-11-8 Sumiyoshi-Cho, Anjo, Aichi 446-8502 Japan verklaart dat dit product

(Serienr. : serieproductie)

vervaardigd door Makita Corporation in Japan voldoet aan de volgende normen of genormaliseerde documenten,

EN50260, EN55014

in overeenstemming met de richtlijnen van de Raad 89/336/EEC en 98/37/EC.

ESPAÑOL

DECLARACIÓN DE CONFORMIDAD DE LA CE

El abajo firmante, Yasuhiko Kanzaki, autorizado por Makita Corporation, 3-11-8 Sumiyoshi-Cho, Anjo, Aichi 446-8502 Japan, declara que este producto

(Número de serie: producción en serie)

fabricado por Makita Corporation en Japón cumple las siguientes normas o documentos normalizados,

EN50260, EN55014

de acuerdo con las directivas comunitarias, 89/336/EEC y 98/37/CE.

Yasuhiko Kanzaki CE 2001



Director Amministratore
Directeur Directeur
Direktor Director

MAKITA INTERNATIONAL EUROPE LTD.

Michigan Drive, Tongwell, Milton Keynes,
Bucks MK15 8JD, ENGLAND

PORTUGUÊS

DECLARAÇÃO DE CONFORMIDADE DA CE

O abaixo assinado, Yasuhiko Kanzaki, autorizado pela Makita Corporation, 3-11-8 Sumiyoshi-Cho, Anjo, Aichi 446-8502 Japan, declara que este produto

(N. de série: produção em série)

fabricado pela Makita Corporation no Japão obedece às seguintes normas ou documentos normalizados,

EN50260, EN55014

de acordo com as directivas 89/336/CEE e 98/37/CE do Conselho.

DANSK

EU-DEKLARATION OM KONFORMITET

Undertegnede, Yasuhiko Kanzaki, med fuldmagt fra Makita Corporation, 3-11-8 Sumiyoshi-Cho, Anjo, Aichi 446-8502 Japan, erklærer hermed, at dette produkt

(Løbenummer: serieproduktion)

fremstillet af Makita Corporation i Japan, er i overensstemmelse med de følgende standarder eller normsættende dokumenter,

EN50260, EN55014

i overensstemmelse med Rådets Direktiver 89/336/EEC og 98/37/EC.

SVENSKA

EG-DEKLARATION OM ÖVERENSSTÄMMELSE

Undertecknad, Yasuhiko Kanzaki, auktoriserad av Makita Corporation, 3-11-8 Sumiyoshi-Cho, Anjo, Aichi 446-8502 Japan deklarerar att denna produkt

(serienummer: serieproduktion)

tillverkad av Makita Corporation i Japan, uppfyller kraven i följande standard eller standardiserade dokument,

EN50260, EN55014

i enlighet med EG-direktiven 89/336/EEC och 98/37/EC.

NORSK

EU's SAMSVARS-ERKLÆRING

Undertegnede, Yasuhiko Kanzaki, med fullmakt fra Makita Corporation, 3-11-8 Sumiyoshi-Cho, Anjo, Aichi 446-8502 Japan bekrefter herved at dette produkt

(Serienr. : serieproduksjon)

fabrikert av Makita Corporation, Japan, er i overensstemmelse med følgende standarder eller standardiserede dokumenter:

EN50260, EN55014,

i samsvar med Råds-direktivene, 89/336/EEC og 98/37/EC.

SUOMI

VAKUUTUS EC-VASTAAVUUDESTA

Makita Corporation, 3-11-8 Sumiyoshi-Cho, Anjo, Aichi 446-8502 Japan valtuuttamana allekirjoittanut, Yasuhiko Kanzaki, vakuuttaa että tämä tämä tuote

(Sarja nro : sarjan tuotantoa)

valmistanut Makita Corporation Japanissa vastaa seuraavia standardeja tai stardardoituja asiakirjoja

EN50260, EN55014

neuvoston direktiivien 89/336/EEC ja 98/37/EC mukaisesti.

ΕΛΛΗΝΙΚΑ

ΔΗΛΩΣΗ ΣΥΜΜΟΡΦΩΣΗΣ ΕΚ

Ο υπογράφων, Yasuhiko Kanzaki, εξουσιοδοτημένος από την εταιρεία Makita Corporation, 3-11-8 Sumiyoshi-Cho, Anjo, Aichi 446-8502 Japan, δηλώνει ότι αυτό το προϊόν

(Αύξων Αρ.: παραγωγή σειράς)

κατασκευασμένο από την Εταιρεία Makita στην Ιαπωνία, βρίσκεται σε συμφωνία με τα ακόλουθα πρότυπα ή τυποποιημένα έγγραφα,

EN50260, EN55014

σύμφωνα με τις Οδηγίες του Συμβουλίου, 89/336/EEC και 98/37/ΚΕ.

Yasuhiko Kanzaki CE 2001

Director	Direktor
Direktør	Johtaja
Direktör	Διευθυντής

MAKITA INTERNATIONAL EUROPE LTD.

Michigan Drive, Tongwell, Milton Keynes,
Bucks MK15 8JD, ENGLAND

ENGLISH

EC-DECLARATION OF CONFORMITY

The undersigned, Yasuhiko Kanzaki, authorized by Kao Lung Tamura Electronics Co., Ltd. No. 4 Industry 1st Street, Ping Tung Industry District Chiao Nan Li, Ping Tung City, Taiwan declares that this battery charger

(Serial No. : series production)
manufactured by Kao Lung Tamura Electronics Co., Ltd. in Taiwan is in compliance with the following standards or standardized documents,

EN60335, EN55014, EN61000

in accordance with Council Directives, 73/23/EEC and 89/336/EEC.

ITALIANO

DICHIARAZIONE DI CONFORMITÀ CON LE NORME DELLA COMUNITÀ EUROPEA

Il sottoscritto Yasuhiko Kanzaki, con l'autorizzazione della Kao Lung Tamura Electronics Co., Ltd. No. 4 Industry 1st Street, Ping Tung Industry District Chiao Nan Li, Ping Tung City, Taiwan, dichiara che questo caricabatteria

(Numero di serie: Produzione in serie)

fabbricato dalla Kao Lung Tamura Electronics Co., Ltd. in Taiwan è conforme alle direttive europee riportate di seguito:

EN60335, EN55014, EN61000

secondo le direttive del Consiglio 73/23/CEE e 89/336/CEE.

FRANÇAISE

DÉCLARATION DE CONFORMITÉ CE

Je soussigné, Yasuhiko Kanzaki, mandaté par Kao Lung Tamura Electronics Co., Ltd. No. 4 Industry 1st Street, Ping Tung industry District Chiao Nan Li, Ping Tung City, Taiwan, déclare que ce chargeur de batterie

(No. de série: production en série)

fabriqué par Kao Lung Tamura Electronics Co., Ltd. au Taiwan, est conformes aux normes ou aux documents normalisés suivants,

EN60335, EN55014, EN61000

conformément aux Directives du Conseil, 73/23/CEE et 89/336/CEE.

NEDERLANDS

EG-VERKLARING VAN CONFORMITEIT

De ondergetekende, Yasuhiko Kanzaki, gevolmachtigd door Kao Lung Tamura Electronics Co., Ltd. No. 4 Industry 1st Street, Ping Tung Industry District Chiao Nan Li, Ping Tung City, Taiwan verklaart dat dit accu-oplader

(Serienr. : serieproductie)

vervaardigd door Kao Lung Tamura Electronics Co., Ltd. in Taiwan voldoet aan de volgende normen of genormaliseerde documenten,

EN60335, EN55014, EN61000

in overeenstemming met de richtlijnen van de Raad 73/23/EEC en 89/336/EEC.

DEUTSCH

CE-KONFORMITÄTSERKLÄRUNG

Hiermit erklärt der Unterzeichnete, Yasuhiko Kanzaki, Bevollmächtigter von Kao Lung Tamura Electronics Co., Ltd. No. 4 Industry 1st Street, Ping Tung Industry District Chiao Nan Li, Ping Tung City, Taiwan, daß dieses von der Firma Kao Lung Tamura Electronics Co., Ltd. in Taiwan hergestellte ladegerät

(Serien-Nr.: Serienproduktion)

gemäß den Ratsdirektiven 73/23/EWG und 89/336/EWG mit den folgenden Normen bzw. Normendokumenten übereinstimmen:

EN60335, EN55014, EN61000.

ESPAÑOL

DECLARACIÓN DE CONFORMIDAD DE LA CE

El abajo firmante, Yasuhiko Kanzaki, autorizado por Kao Lung Tamura Electronics Co., Ltd. No. 4 Industry 1st Street, Ping Tung Industry District Chiao Nan Li, Ping Tung City, Taiwan, declara que este cargador de baterías

(Número de serie: producción en serie)

fabricado por Kao Lung Tamura Electronics Co., Ltd. en Taiwan cumple las siguientes normas o documentos normalizados,

EN60335, EN55014, EN61000

de acuerdo con las directivas comunitarias, 73/23/EEC y 89/336/EEC.

Yasuhiko Kanzaki CE 94



Director Amministratore
Directeur Directeur
Direktor Director

MAKITA INTERNATIONAL EUROPE LTD.

Michigan Drive, Tongwell, Milton Keynes,
Bucks MK15 8JD, ENGLAND

PORTUGUÊS

DECLARAÇÃO DE CONFORMIDADE DA CE

O abaixo assinado, Yasuhiko Kanzaki, autorizado pela Kao Lung Tamura Electronics Co., Ltd. No. 4 Industry 1st Street, Ping Tung Industry District Chiao Nan Li, Ping Tung City, Taiwan, declara que este carregador de bateria

(N. de série: produção em série)

fabricado pela Kao Lung Tamura Electronics Co., Ltd. no Taiwan obedece às seguintes normas ou documentos normalizados,

EN60335, EN55014, EN61000

de acordo com as directivas 73/23/CEE e 89/336/CEE do Conselho.

DANSK

EU-DEKLARATION OM KONFORMITET

Undertegnede, Yasuhiko Kanzaki, med fuldmagt fra Kao Lung Tamura Electronics Co., Ltd. No. 4 Industry 1st Street, Ping Tung Industry District Chiao Nan Li, Ping Tung City, Taiwan, erklærer hermed, at dette batteriopladeren

(Løbenummer: serieproduktion)

fremstillet af Kao Lung Tamura Electronics Co., Ltd. i Taiwan, er i overensstemmelse med de følgende standarder eller normsættende dokumenter,

EN60335, EN55014, EN61000

i overensstemmelse med Rådets Direktiver 73/23/EEC og 89/336/EEC.

SVENSKA

EG-DEKLARATION OM ÖVERENSSTÄMMELSE

Undertecknad, Yasuhiko Kanzaki, auktoriserad av Kao Lung Tamura Electronics Co., Ltd. No. 4 Industry 1st Street, Ping Tung Industry District Chiao Nan Li, Ping Tung City, Taiwan deklarerar att denna batteriladdaren

(serienummer: serieproduktion)

tillverkad av Kao Lung Tamura Electronics Co., Ltd. i Taiwan, uppfyller kraven i följande standard eller standardiserade dokument,

EN60335, EN55014, EN61000

i enlighet med EG-direktiven 73/23/EEC och 89/336/EEC.

NORSK

EU's SAMSVARS-ERKLÆRING

Undertegnede, Yasuhiko Kanzaki, med fullmakt fra Kao Lung Tamura Electronics Co., Ltd. No. 4 Industry 1st Street, Ping Tung Industry District Chiao Nan Li, Ping Tung City, Taiwan bekrefter herved at dette batterilader

(Serienr. : serieproduksjon)

fabrikert av Kao Lung Tamura Electronics Co., Ltd., Taiwan, er i overensstemmelse med følgende standarder eller standardiserte dokumenter:

EN60335, EN55014, EN61000,

i samsvar med Råds-direktivene, 73/23/EEC og 89/336/EEC.

SUOMI

VAKUUTUS EC-VASTAAVUUDESTA

Kao Lung Tamura Electronics Co., Ltd. No. 4 Industry 1st Street, Ping Tung Industry District Chiao Nan Li, Ping Tung City, Taiwan valtuuttamana allekirjoittanut, Yasuhiko Kanzaki, vakuuttaa että tämä akkulaturi

(Sarja nro : sarjan tuotantoa)

valmistanut Kao Lung Tamura Electronics Co., Ltd. in Taiwan vastaa seuraavia standardeja tai standardoituja asiakirjoja

EN60335, EN55014, EN61000

neuvoston direktiivien 73/23/EEC ja 89/336/EEC mukaisesti.

ΕΛΛΗΝΙΚΑ

ΔΗΛΩΣΗ ΣΥΜΜΟΡΦΩΣΗΣ ΕΚ

Ο υπογράφων, Yasuhiko Kanzaki, εξουσιοδοτημένος από την εταιρεία Kao Lung Tamura Electronics Co., Ltd. No. 4 Industry 1st Street, Ping Tung Industry District Chiao Nan Li, Ping Tung City, Taiwan, δηλώνει ότι αυτό το φορτιστής μπαταρίας

(Αύξων Αρ.: παραγωγή σειράς)

κατασκευασμένο από την Εταιρεία Kao Lung Tamura Electronics Co., Ltd. στην Taiwan, βρίσκεται σε συμφωνία με τα ακόλουθα πρότυπα ή τυποποιημένα έγγραφα,

EN60335, EN55014, EN61000

σύμφωνα με τις Οδηγίες του Συμβουλίου, 73/23/EEC και 89/336/EEC.

Yasuhiko Kanzaki CE 94

Director	Direktor
Direktor	Johtaja
Direktör	Διευθυντής

MAKITA INTERNATIONAL EUROPE LTD.

Michigan Drive, Tongwell, Milton Keynes,
Bucks MK15 8JD, ENGLAND

ENGLISH

Noise And Vibration

The typical A-weighted noise levels are
sound pressure level: 94 dB (A)
sound power level: 107 dB (A)
– Wear ear protection. –

The typical weighted root mean square acceleration value is 9 m/s².

FRANÇAISE

Bruit et vibration

Les niveaux de bruit pondérés A types sont:
niveau de pression sonore: 94 dB (A)
niveau de puissance du son: 107 dB (A)
– Porter des protecteurs anti-bruit. –

L'accélération pondérée est de 9 m/s².

DEUTSCH

Geräusch- und Vibrationsentwicklung

Die typischen A-bewerteten Geräuschpegel betragen:

Schalldruckpegel: 94 dB (A)
Schalleistungspegel: 107 dB (A)
– Gehörschutz tragen. –

Der gewichtete Effektivwert der Beschleunigung beträgt 9 m/s².

ITALIANO

Rumore e vibrazione

I livelli del rumore pesati secondo la curva A sono:

Livello pressione sonora: 94 dB (A)
Livello potenza sonora: 107 dB (A)
– Indossare i paraorecchi. –

Il valore quadratico medio di accelerazione è di 9 m/s².

NEDERLANDS

Geluidsniveau en trilling

De typische A-gewogen geluidsniveau's zijn
geluidsdruk-niveau: 94 dB (A)
geluidsenergie-niveau: 107 dB (A)
– Draag oorbeschermers. –

De typische gewogen effectieve versnellingswaarde is 9 m/s².

ESPAÑOL

Ruido y vibración

Los niveles típicos de ruido ponderados A son
presión sonora: 94 dB (A)
nivel de potencia sonora: 107 dB (A)
– Póngase protectores en los oídos. –

El valor ponderado de la aceleración es de 9 m/s².

PORTUGUÊS

Ruído e Vibração

Os níveis normais de ruído A são
nível de pressão de som: 94 dB (A)
nível do som: 107 dB (A)
– Utilize protectores para os ouvidos –
O valor médio da aceleração é 9 m/s².

DANSK

Lyd og vibration

De typiske A-vægtede lyd-niveauer er
lydtryksniveau: 94 dB (A)
lydeffektniveau: 107 dB (A)
– Bær høreværn. –
Den vægtede effektive accelerationsværdi er 9 m/s².

SVENSKA

Buller och vibration

De typiska A-vägda bullernivåerna är
ljudtrycksnivå: 94 dB (A)
lydeffektnivå: 107 dB (A)
– Använd hörselskydd –
Det typiskt vägda effektivvärdet för acceleration är 9 m/s².

NORSK

Støy og vibrasjon

De vanlige A-belastede støynivå er
lydtrykksnivå: 94 dB (A)
lydstyrkenivå: 107 dB (A)
– Benytt hørselvern. –
Den vanlig belastede effektiv-verdi for akselerasjon er 9 m/s².

SUOMI

Melutaso ja värinä

Tyypilliset A-painotetut melutasot ovat
äänenpainetaso: 94 dB (A)
äänen tehotaso: 107 dB (A)
– Käytä kuulosuojaaimia. –
Tyypillinen kiihtyvyyden painotettu tehollisarvo on 9 m/s².

ΕΛΛΗΝΙΚΑ

Θόρυβος και κραδασμός

Οι τυπικές Α-μετρούμενες εντάσεις ήχου είναι
πίση ήχου: 94 dB (A)
δύναμη του ήχου: 107 dB (A)
– Φοράτε ωτοασπίδες. –

Η τυπική αξία της μετρούμενης ρίζας του μέσου τετραγώνου της επιτάχυνσης είναι 9 m/s².

Makita Corporation

Anjo, Aichi, Japan

Made in Japan

884382-993