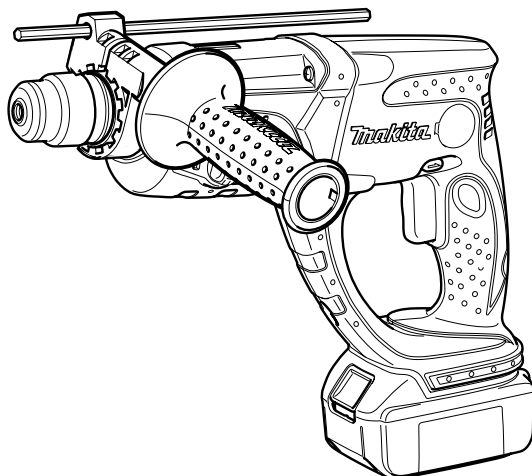
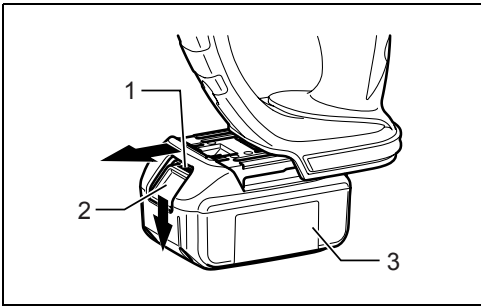




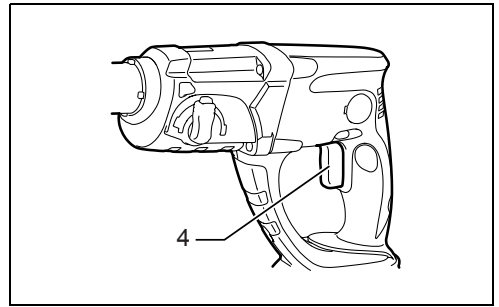
<b>GB</b>	<b>Cordless Rotary Hammer</b>	<b>Instruction manual</b>
<b>F</b>	<b>Marteau perforateur sans fil</b>	<b>Manuel d'instructions</b>
<b>D</b>	<b>Akku-Bohrhammer</b>	<b>Betriebsanleitung</b>
<b>I</b>	<b>Martello rotativo a batteria</b>	<b>Istruzioni per l'uso</b>
<b>NL</b>	<b>Snoerloze boorhamer</b>	<b>Gebruiksaanwijzing</b>
<b>E</b>	<b>Martillo rotativo sin cable</b>	<b>Manual de instrucciones</b>
<b>P</b>	<b>Martelo misto sem fios</b>	<b>Manual de instruções</b>
<b>DK</b>	<b>Kabelfri borehammer</b>	<b>Brugsanvisning</b>
<b>GR</b>	<b>Περιστροφικό δρέπανο μπαταρίας</b>	<b>Οδηγίες χρήσης</b>

## **BHR180**

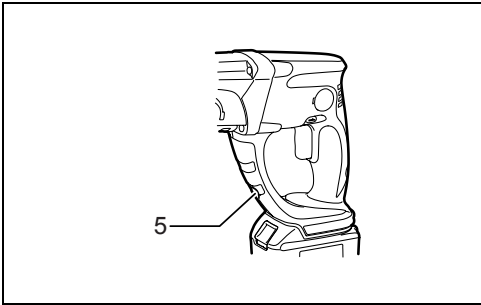




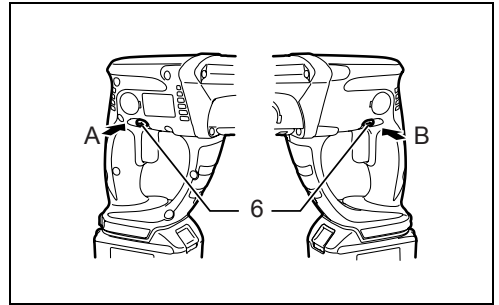
1



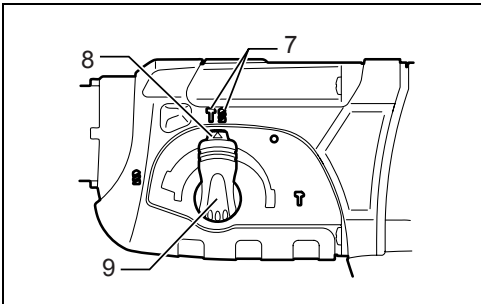
2



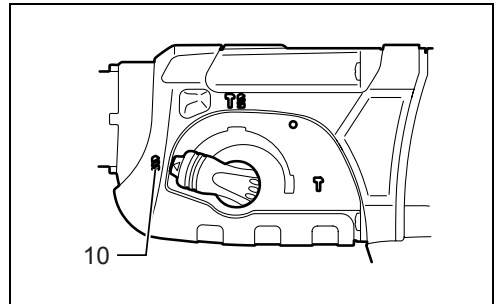
3



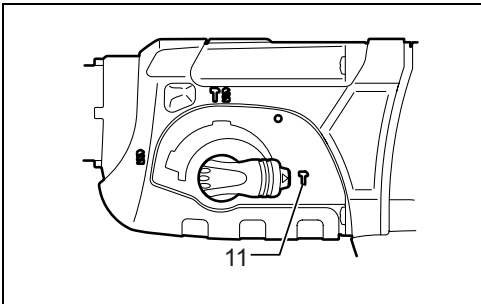
4



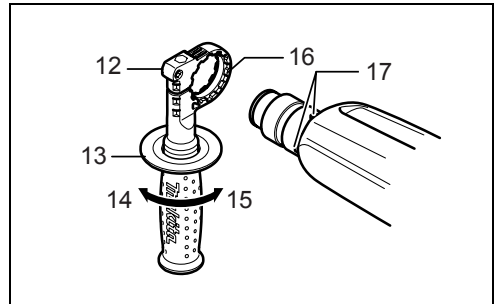
5



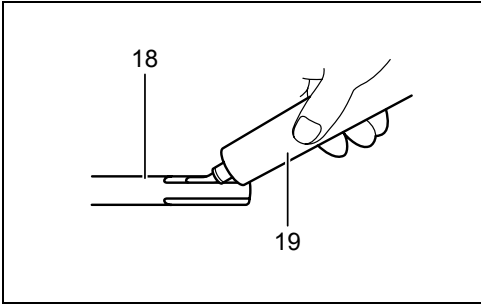
6



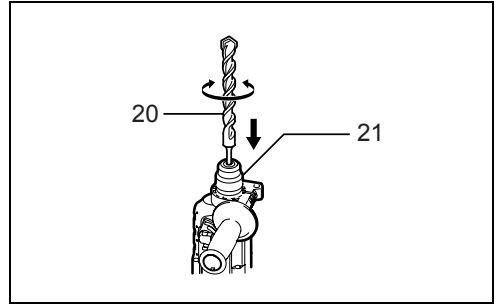
7



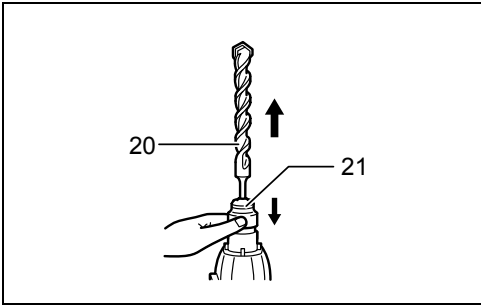
8



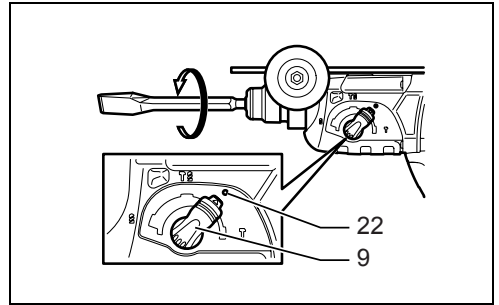
9



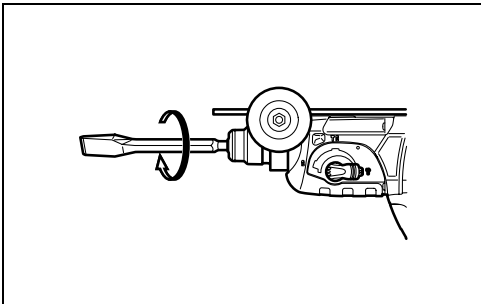
10



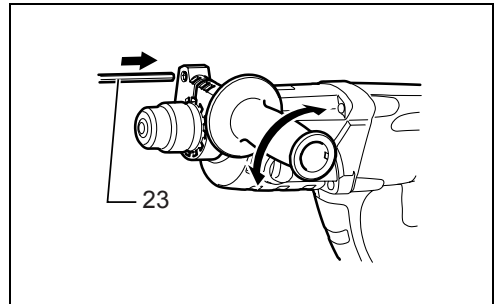
11



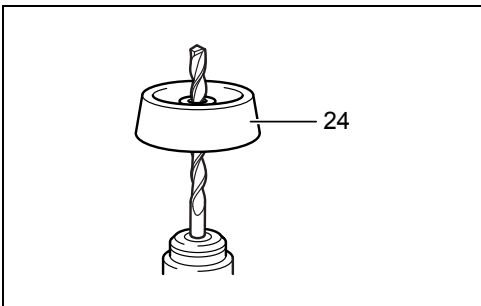
12



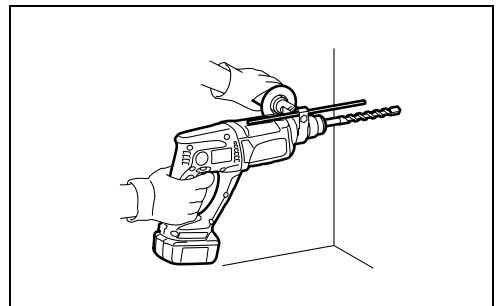
13



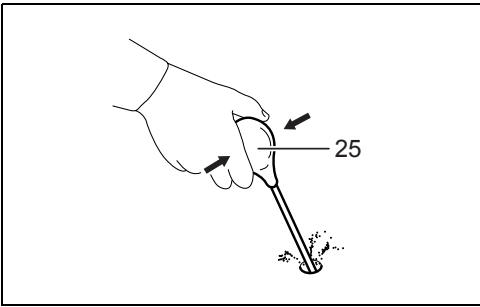
14



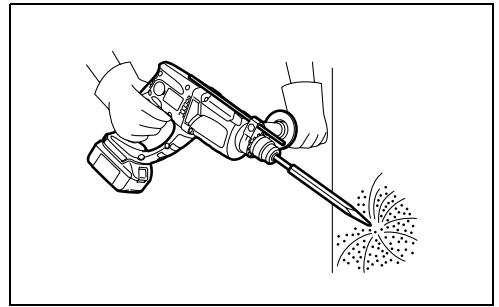
15



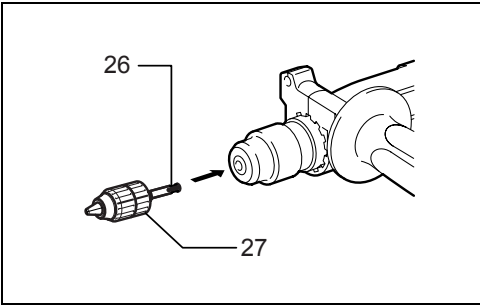
16



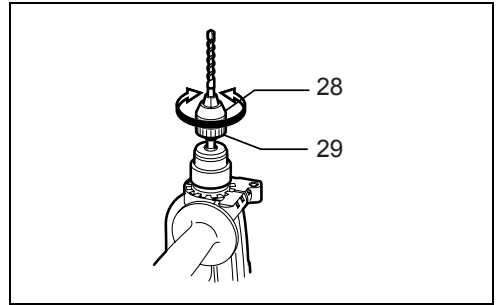
17



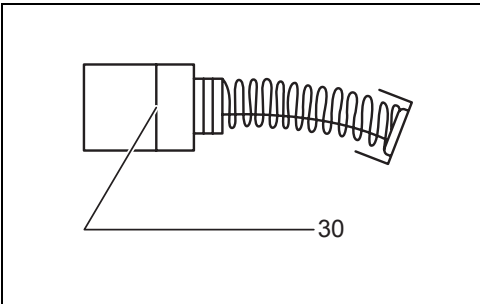
18



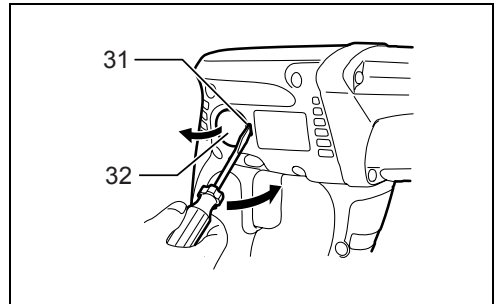
19



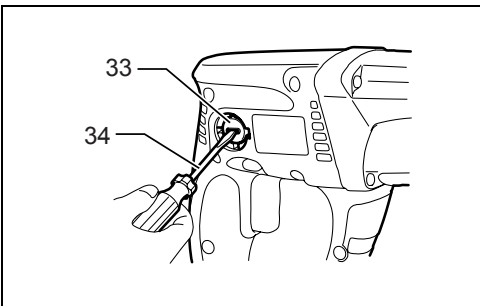
20



21



22



23

## ENGLISH

### Explanation of general view

- |                              |                     |                         |
|------------------------------|---------------------|-------------------------|
| 1. Red part                  | 13. Side grip       | 25. Blow-out bulb       |
| 2. Button                    | 14. Loosen          | 26. Chuck adapter       |
| 3. Battery cartridge         | 15. Tighten         | 27. Keyless drill chuck |
| 4. Switch trigger            | 16. Teeth           | 28. Sleeve              |
| 5. Lamp                      | 17. Protrusion      | 29. Ring                |
| 6. Reversing switch lever    | 18. Bit shank       | 30. Limit mark          |
| 7. Rotation with hammering   | 19. Bit grease      | 31. Recessed part       |
| 8. Lock button               | 20. Bit             | 32. Holder cap cover    |
| 9. Action mode changing knob | 21. Chuck cover     | 33. Brush holder cap    |
| 10. Rotation only            | 22. <b>O</b> symbol | 34. Screwdriver         |
| 11. Hammering only           | 23. Depth gauge     |                         |
| 12. Grip base                | 24. Dust cup        |                         |

## SPECIFICATIONS

Model		BHR180
Capacities	Concrete	18 mm
	Steel	13 mm
	Wood	26 mm
No load speed (min <sup>-1</sup> )		0 - 1,100
Blows per minute		0 - 4,000
Overall length		352 mm
Net weight		3.0 kg
Rated voltage		D.C. 18 V

- Due to our continuing program of research and development, the specifications herein are subject to change without notice.
- Note: Specifications may differ from country to country.

### Symbols

ENE004-1

The following show the symbols used for the equipment. Be sure that you understand their meaning before use.



..... Read instruction manual.

### Intended use

ENE043-1

The tool is intended for hammer drilling and drilling in brick, concrete and stone as well as for chiselling work.

It is also suitable for drilling without impact in wood, metal, ceramic and plastic.

## SPECIFIC SAFETY RULES

GEB007-2

**DO NOT let comfort or familiarity with product (gained from repeated use) replace strict adherence to rotary hammer safety rules. If you use this tool unsafely or incorrectly, you can suffer serious personal injury.**

1. **Wear ear protectors.** Exposure to noise can cause hearing loss.
2. **Use auxiliary handles supplied with the tool.** Loss of control can cause personal injury.
3. **Hold power tools by insulated gripping surfaces when performing an operation where the cutting tool may contact hidden wiring or its own cord.** Contact with a "live" wire will make exposed metal parts of the tool "live" and shock the operator.
4. **Wear a hard hat (safety helmet), safety glasses and/or face shield. Ordinary eye or sun glasses are NOT safety glasses. It is also highly recommended that you wear a dust mask and thickly padded gloves.**
5. **Be sure the bit is secured in place before operation.**
6. **Under normal operation, the tool is designed to produce vibration. The screws can come loose easily, causing a breakdown or accident. Check tightness of screws carefully before operation.**
7. **In cold weather or when the tool has not been used for a long time, let the tool warm up for a while by operating it under no load. This will**

loosen up the lubrication. Without proper warm-up, hammering operation is difficult.

8. Always be sure you have a firm footing. Be sure no one is below when using the tool in high locations.
9. Hold the tool firmly with both hands.
10. Keep hands away from moving parts.
11. Do not leave the tool running. Operate the tool only when hand-held.
12. Do not point the tool at any one in the area when operating. The bit could fly out and injure someone seriously.
13. Do not touch the bit or parts close to the bit immediately after operation; they may be extremely hot and could burn your skin.
14. Some material contains chemicals which may be toxic. Take caution to prevent dust inhalation and skin contact. Follow material supplier safety data.

## SAVE THESE INSTRUCTIONS.

### WARNING:

MISUSE or failure to follow the safety rules stated in this instruction manual may cause serious personal injury.

## IMPORTANT SAFETY INSTRUCTIONS

ENC007-2

## FOR BATTERY CARTRIDGE

1. Before using battery cartridge, read all instructions and cautionary markings on (1) battery charger, (2) battery, and (3) product using battery.
2. Do not disassemble battery cartridge.
3. If operating time has become excessively shorter, stop operating immediately. It may result in a risk of overheating, possible burns and even an explosion.
4. If electrolyte gets into your eyes, rinse them out with clear water and seek medical attention right away. It may result in loss of your eyesight.
5. Do not short the battery cartridge:
  - (1) Do not touch the terminals with any conductive material.
  - (2) Avoid storing battery cartridge in a container with other metal objects such as nails, coins, etc.
  - (3) Do not expose battery cartridge to water or rain.  
A battery short can cause a large current flow, overheating, possible burns and even a breakdown.
6. Do not store the tool and battery cartridge in locations where the temperature may reach or exceed 50°C (122°F).
7. Do not incinerate the battery cartridge even if it is severely damaged or is completely worn out. The battery cartridge can explode in a fire.
8. Be careful not to drop or strike battery.

## SAVE THESE INSTRUCTIONS.

### Tips for maintaining maximum battery life

1. Charge the battery cartridge before completely discharged.  
Always stop tool operation and charge the battery cartridge when you notice less tool power.
2. Never recharge a fully charged battery cartridge. Overcharging shortens the battery service life.
3. Charge the battery cartridge with room temperature at 10°C - 40°C (50°F - 104°F). Let a hot battery cartridge cool down before charging it.

## FUNCTIONAL DESCRIPTION

### CAUTION:

- Always be sure that the tool is switched off and the battery cartridge is removed before adjusting or checking function on the tool.

### Installing or removing battery cartridge (Fig. 1)

- Always switch off the tool before insertion or removal of the battery cartridge.
- To remove the battery cartridge, withdraw it from the tool while sliding the button on the front of the cartridge.
- To insert the battery cartridge, align the tongue on the battery cartridge with the groove in the housing and slip it into place. Always insert it all the way until it locks in place with a little click. If you can see the red part on the upper side of the button, it is not locked completely. Insert it fully until the red part cannot be seen. If not, it may accidentally fall out of the tool, causing injury to you or someone around you.
- Do not use force when inserting the battery cartridge. If the cartridge does not slide in easily, it is not being inserted correctly.

### Switch action (Fig. 2)

### CAUTION:

- Before inserting the battery cartridge into the tool, always check to see that the switch trigger actuates properly and returns to the "OFF" position when released.

To start the tool, simply pull the switch trigger. Tool speed is increased by increasing pressure on the switch trigger. Release the switch trigger to stop.

### Lighting up the lamp (Fig. 3)

### CAUTION:

- Do not look in the light or see the source of light directly.

Pull the switch trigger to light up the lamp. The lamp keeps on lighting while the switch trigger is being pulled. The light automatically goes out 10 - 15 seconds after the switch trigger is released.

### NOTE:

- Use a dry cloth to wipe the dirt off the lens of lamp. Be careful not to scratch the lens of lamp, or it may lower the illumination.
- Do not use thinner or gasoline to clean the lamp. Such solvents may damage it.

## Reversing switch action (Fig. 4)

This tool has a reversing switch to change the direction of rotation. Depress the reversing switch lever from the A side for clockwise rotation or from the B side for counterclockwise rotation.


When the reversing switch lever is in the neutral position, the switch trigger cannot be pulled.

### CAUTION:


- Always check the direction of rotation before operation.
- Use the reversing switch only after the tool comes to a complete stop. Changing the direction of rotation before the tool stops may damage the tool.
- When not operating the tool, always set the reversing switch lever to the neutral position.

## Selecting the action mode


### Rotation with hammering (Fig. 5)

For drilling in concrete, masonry, etc., depress the lock button and rotate the action mode changing knob to the  symbol. Use a tungsten-carbide tipped bit.

### Rotation only (Fig. 6)

For drilling in wood, metal or plastic materials, depress the lock button and rotate the action mode changing knob to the  symbol. Use a twist drill bit or wood bit.

### Hammering only (Fig. 7)

For chipping, scaling or demolition operations, depress the lock button and rotate the action mode changing knob to the  symbol. Use a bull point, cold chisel, scaling chisel, etc.

### CAUTION:

- Do not rotate the action mode changing knob when the tool is running. The tool will be damaged.
- To avoid rapid wear on the mode change mechanism, be sure that the action mode changing knob is always positively located in one of the three action mode positions.

## Torque limiter

The torque limiter will actuate when a certain torque level is reached. The motor will disengage from the output shaft. When this happens, the bit will stop turning.

### CAUTION:

- As soon as the torque limiter actuates, switch off the tool immediately. This will help prevent premature wear of the tool.
- Hole saws cannot be used with this tool. They tend to pinch or catch easily in the hole. This will cause the torque limiter to actuate too frequently.

## ASSEMBLY

### CAUTION:

- Always be sure that the tool is switched off and the battery cartridge is removed before carrying out any work on the tool.

## Side grip (auxiliary handle) (Fig. 8)

### CAUTION:

- Always use the side grip to ensure operating safety.

Install the side grip so that the teeth on the grip fit in between the protrusions on the tool barrel. Then tighten the grip by turning clockwise at the desired position. It may be swung 360° so as to be secured at any position.

## Bit grease

Coat the bit shank head beforehand with a small amount of bit grease (about 0.5 - 1 g). This chuck lubrication assures smooth action and longer service life.

## Installing or removing the bit

Clean the bit shank and apply bit grease before installing the bit. (Fig. 9)


Insert the bit into the tool. Turn the bit and push it in until it engages. (Fig. 10)

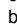
If the bit cannot be pushed in, remove the bit. Pull the chuck cover down a couple of times. Then insert the bit again. Turn the bit and push it in until it engages.

After installing, always make sure that the bit is securely held in place by trying to pull it out.

To remove the bit, pull the chuck cover down all the way and pull the bit out. (Fig. 11)

## Bit angle (when chipping, scaling or demolishing) (Fig. 12)

The bit can be secured at the desired angle. To change the bit angle, depress the lock button and rotate the action mode changing knob to the  symbol. Turn the bit to the desired angle.

Depress the lock button and rotate the action mode changing knob to the  symbol. Then make sure that the bit is securely held in place by turning it slightly. (Fig. 13)

## Depth gauge (Fig. 14)

The depth gauge is convenient for drilling holes of uniform depth. Loosen the side grip and insert the depth gauge into the hole in the side grip. Adjust the depth gauge to the desired depth and tighten the side grip.

### NOTE:

- The depth gauge cannot be used at the position where the depth gauge strikes against the gear housing.


## Dust cup (Fig. 15)

Use the dust cup to prevent dust from falling over the tool and on yourself when performing overhead drilling operations. Attach the dust cup to the bit as shown in the figure. The size of bits which the dust cup can be attached to is as follows.

	Bit diameter
Dust cup 5	6 mm - 14.5 mm
Dust cup 9	12 mm - 16 mm

## OPERATION

### Hammer drilling operation (Fig. 16)

Set the action mode changing knob to the  symbol.

Position the bit at the desired location for the hole, then pull the switch trigger.

Do not force the tool. Light pressure gives best results.

Keep the tool in position and prevent it from slipping away from the hole.

Do not apply more pressure when the hole becomes clogged with chips or particles. Instead, run the tool at an idle, then remove the bit partially from the hole. By repeating this several times, the hole will be cleaned out and normal drilling may be resumed.

**CAUTION:**

- There is a tremendous and sudden twisting force exerted on the tool/bit at the time of hole breakthrough, when the hole becomes clogged with chips and particles, or when striking reinforcing rods embedded in the concrete. Always use the side grip (auxiliary handle) and firmly hold the tool by both side grip and switch handle during operations. Failure to do so may result in the loss of control of the tool and potentially severe injury.


**NOTE:**

Eccentricity in the bit rotation may occur while operating the tool with no load. The tool automatically centers itself during operation. This does not affect the drilling precision.

**Blow-out bulb (optional accessory)  
(Fig. 17)**

After drilling the hole, use the blow-out bulb to clean the dust out of the hole.


**Chipping/Scaling/Demolition (Fig. 18)**

Set the action mode changing knob to the  symbol.

Hold the tool firmly with both hands. Turn the tool on and apply slight pressure on the tool so that the tool will not bounce around, uncontrolled. Pressing very hard on the tool will not increase the efficiency.

**Drilling in wood or metal (Fig. 19 & 20)**

Use the optional drill chuck assembly. When installing it, refer to "Installing or removing the bit" described on the previous page.

Set the action mode changing knob so that the pointer points to the  symbol.

**CAUTION:**

- Never use "rotation with hammering" when the drill chuck assembly is installed on the tool. The drill chuck assembly may be damaged. Also, the drill chuck will come off when reversing the tool.
- Pressing excessively on the tool will not speed up the drilling. In fact, this excessive pressure will only serve to damage the tip of your bit, decrease the tool performance and shorten the service life of the tool.
- There is a tremendous twisting force exerted on the tool/bit at the time of hole breakthrough. Hold the tool firmly and exert care when the bit begins to break through the workpiece.
- A stuck bit can be removed simply by setting the reversing switch to reverse rotation in order to back out. However, the tool may back out abruptly if you do not hold it firmly.
- Always secure small workpieces in a vise or similar hold-down device.

## MAINTENANCE

**CAUTION:**

- Always be sure that the tool is switched off and the battery cartridge is removed before attempting to perform inspection or maintenance.

**Replacing carbon brushes (Fig. 21)**

Remove and check the carbon brushes regularly.

Replace when they wear down to the limit mark. Keep the carbon brushes clean and free to slip in the holders.

Both carbon brushes should be replaced at the same time. Use only identical carbon brushes.

Remove holder cap covers by inserting the slotted bit screwdriver into the recessed part in the tool and lifting it up. (Fig. 22)

Use a screwdriver to remove the brush holder caps.

Take out the worn carbon brushes, insert the new ones and secure the brush holder caps. (Fig. 23)

Remount the holder cap covers on the tool.

To maintain product SAFETY and RELIABILITY, repairs, any other maintenance or adjustment should be performed by Makita Authorized Service Centers, always using Makita replacement parts.

## ACCESSORIES

**CAUTION:**

- These accessories or attachments are recommended for use with your Makita tool specified in this manual. The use of any other accessories or attachments might present a risk of injury to persons. Only use accessory or attachment for its stated purpose.

If you need any assistance for more details regarding these accessories, ask your local Makita Service Center.

- SDS-Plus Carbide-tipped bits
- Bull point
- Cold chisel
- Scaling chisel
- Grooving chisel
- Drill chuck assembly
- Drill chuck S13
- Chuck adapter
- Chuck key S13
- Bit grease
- Side grip
- Depth gauge
- Blow-out bulb
- Dust cup
- Dust extractor attachment
- Safety goggles
- Plastic carrying case
- Keyless drill chuck
- Various type of Makita genuine batteries and chargers



## Descriptif

- |                                 |                              |                                       |
|---------------------------------|------------------------------|---------------------------------------|
| 1. Partie rouge                 | 13. Poignée latérale         | 25. Poire soufflante                  |
| 2. Bouton                       | 14. Desserrer                | 26. Adaptateur de mandrin             |
| 3. Batterie                     | 15. Serrer                   | 27. Mandrin autoserrant               |
| 4. Gâchette                     | 16. Dents                    | 28. Manchon                           |
| 5. Lampe                        | 17. Partie saillante         | 29. Bague                             |
| 6. Levier de l'inverseur        | 18. Arbre du foret           | 30. Repère d'usure                    |
| 7. Rotation avec impacts        | 19. Graisse à foret          | 31. Partie encastrée                  |
| 8. Bouton de verrouillage       | 20. Foret                    | 32. Cache du bouchon de porte-charbon |
| 9. Bouton de changement de mode | 21. Couvercle du mandrin     | 33. Bouchon de porte-charbon          |
| 10. Rotation seulement          | 22. Symbole <b>O</b>         | 34. Tournevis                         |
| 11. Impacts seulement           | 23. Jauge de profondeur      |                                       |
| 12. Base de la poignée          | 24. Collecteur de poussières |                                       |

## SPÉCIFICATIONS

Modèle		BHR180
Capacités	Béton	18 mm
	Acier	13 mm
	Bois	26 mm
Vitesse à vide (min <sup>-1</sup> )		0 - 1 100
Frappes par minute		0 - 4 000
Longueur totale		352 mm
Poids net		3,0 kg
Tension nominale		C.C. 18 V

- Étant donné l'évolution constante de notre programme de recherche et de développement, les spécifications contenues dans ce manuel sont sujettes à modification sans préavis.
- Remarque : Les spécifications peuvent varier d'un pays à l'autre.

### Symboles

END004-1

Les symboles utilisés pour l'outil sont indiqués ci-dessous. Assurez-vous d'avoir bien compris leur signification avant d'utiliser l'outil.



..... Reportez-vous au manuel d'instructions.

### Utilisations

ENE043-1

L'outil est conçu pour le perçage avec impacts et le perçage dans la brique, le béton et la pierre, ainsi que pour les travaux de défoncement.

Il convient également au perçage sans impacts dans le bois, le métal, la céramique et le plastique.

## CONSIGNES DE SÉCURITÉ SPÉCIFIQUES

GEB007-2

**NE vous laissez PAS tromper (au fil d'une utilisation répétée) par un sentiment d'aisance et de familiarité avec le produit, en négligeant le respect rigoureux des consignes de sécurité qui accompagnent le marteau rotatif. En utilisant cet outil dans des conditions dangereuses ou incorrectes, vous vous exposez à un risque de blessure grave.**

1. **Portez des protections d'oreilles.** L'exposition au bruit peut entraîner la surdité.
2. **Utilisez les poignées auxiliaires de l'outil.** La perte de maîtrise comporte un risque de blessure.
3. **Saisissez les outils électriques par leurs surfaces de poigne isolées lorsque vous effectuez une opération au cours de laquelle l'outil tranchant peut entrer en contact avec des fils cachés ou avec son propre cordon d'alimentation.** Le contact avec un fil sous tension mettra les parties métalliques exposées de l'outil sous tension, causant ainsi un choc électrique chez l'utilisateur.
4. **Portez une coiffure résistante (un casque de sécurité), des lunettes de sécurité et/ou une visière. Les lunettes ordinaires et les lunettes de soleil ne sont PAS des lunettes de sécurité. Nous vous recommandons également de porter un masque anti-poussières et des gants très épais.**
5. **Assurez-vous que le foret est bien serré avant d'utiliser l'outil.**

6. Même en conditions normales d'utilisation, l'outil produit des vibrations. Les vis peuvent ainsi se relâcher facilement, ce qui risque d'entraîner une rupture de pièce ou un accident. Avant l'utilisation, vérifiez avec soin que les vis sont bien serrées.
  7. À basse température ou lorsque l'outil est resté inutilisé pour une période prolongée, laissez-le réchauffer un instant en le faisant fonctionner à vide. Cela permettra au lubrifiant de réchauffer. Le martèlement sera difficile si l'outil n'est pas bien réchauffé.
  8. Assurez-vous toujours d'une bonne position d'équilibre. Assurez-vous que personne ne se trouve dessous lorsque vous utilisez l'outil en position élevée.
  9. Tenez l'outil fermement à deux mains.
  10. Gardez les mains éloignées des pièces en mouvement.
  11. N'abandonnez pas l'outil alors qu'il tourne. Ne faites fonctionner l'outil qu'une fois que vous l'avez bien en main.
  12. Pendant l'utilisation de l'outil, ne le pointez vers personne dans la zone de travail. Vous risqueriez de blesser gravement quelqu'un en cas d'éjection du foret.
  13. Ne touchez ni le foret ni les pièces adjacentes immédiatement après l'utilisation de l'outil. Ils risquent d'être extrêmement chauds et de vous brûler gravement la peau.
  14. Certains matériaux contiennent des produits chimiques qui peuvent être toxiques. Prenez les précautions nécessaires pour ne pas inhaler les poussières qu'ils dégagent et pour éviter tout contact avec la peau. Conformez-vous aux consignes de sécurité du fabricant du matériau.
- (1) Ne touchez les bornes avec aucun matériau conducteur.
  - (2) Évitez de ranger la batterie avec d'autres objets métalliques tels que clous, pièces de monnaie, etc.
  - (3) N'exposez pas la batterie à l'eau ou à la pluie. Un court-circuit de la batterie peut provoquer un fort courant, une surchauffe, des brûlures et même une panne.
6. Ne rangez pas l'outil ou la batterie dans des endroits où la température risque d'atteindre ou de dépasser 50 °C (122 °F).
  7. Ne jetez pas la batterie au feu même si elle est sérieusement endommagée ou complètement épuisée. La batterie peut exploser au contact du feu.
  8. Prenez garde de laisser tomber ou de heurter la batterie.

## CONSERVEZ CES INSTRUCTIONS.

### Conseils pour assurer la durée de vie optimale de la batterie

1. Rechargez la batterie avant qu'elle ne soit complètement épuisée. Arrêtez toujours l'outil et rechargez la batterie quand vous constatez que la puissance de l'outil diminue.
2. Ne rechargez jamais une batterie complètement chargée. La surcharge réduit la durée de service de la batterie.
3. Chargez la batterie alors que la température de la pièce se trouve entre 10 °C et 40 °C (50 °F et 104 °F). Avant de charger une batterie chaude, laissez-la refroidir.

## CONSERVEZ CES INSTRUCTIONS.

### AVERTISSEMENT :

Une UTILISATION INCORRECTE de l'outil ou un non-respect des consignes de sécurité indiquées dans ce manuel d'instructions peuvent causer des blessures graves.

## CONSIGNES DE SÉCURITÉ IMPORTANTES

ENC007-2

### POUR LA BATTERIE

1. Avant d'utiliser la batterie, veuillez lire toutes les instructions et tous les avertissements inscrits sur (1) le chargeur, (2) la batterie et (3) l'appareil alimenté par la batterie.
2. Ne démontez pas la batterie.
3. Cessez immédiatement l'utilisation si le temps de fonctionnement devient excessivement court. Il y a risque de surchauffe et de brûlures, voire d'explosion.
4. Si l'électrolyte pénètre dans vos yeux, rincez-les à l'eau claire et consultez immédiatement un médecin. Il y a risque de perte de la vue.
5. Évitez de court-circuiter la batterie :

## DESCRIPTION DU FONCTIONNEMENT

### ATTENTION :

- Assurez-vous toujours que l'outil est hors tension et que sa batterie est retirée avant de régler l'outil ou de vérifier son fonctionnement.

### Installation et retrait de la batterie (Fig. 1)

- Mettez toujours l'outil hors tension avant d'insérer ou de retirer la batterie.
- Pour retirer la batterie, sortez-la de l'outil tout en faisant glisser le bouton à l'avant de la batterie.
- Pour insérer la batterie, alignez sa languette sur la rainure qui se trouve à l'intérieur du carter, puis glissez la batterie pour la mettre en place. Insérez-la toujours bien à fond, jusqu'à ce qu'elle se verrouille en émettant un léger clic. Si vous pouvez voir la partie rouge sur la face supérieure du bouton, la batterie n'est pas parfaitement verrouillée. Insérez-la à fond, jusqu'à ce que la partie rouge ne soit plus visible. Sinon, la batterie risque de tomber accidentellement de l'outil, en vous blessant ou en blessant une personne se trouvant près de vous.

- N'appliquez pas une force excessive lors de l'insertion de la batterie. Si la batterie ne glisse pas aisément, c'est qu'elle n'est pas insérée correctement.

## Interrupteur (Fig. 2)

### ATTENTION :

- Avant d'insérer la batterie dans l'outil, vérifiez toujours que la gâchette fonctionne bien et revient en position d'arrêt lorsqu'elle est libérée.

Pour mettre l'outil en marche, appuyez simplement sur la gâchette. La vitesse de l'outil augmente à mesure que l'on accroît la pression exercée sur la gâchette. Pour l'arrêter, relâchez la gâchette.

## Allumage de la lampe (Fig. 3)

### ATTENTION :

- Ne regardez pas directement la lumière ou la source de lumière.

Appuyez sur la gâchette pour allumer la lampe. La lampe demeure allumée tant que la pression sur la gâchette est maintenue.

La lumière s'éteint d'elle-même de 10 à 15 secondes après la libération de la gâchette.

### NOTE :

- Utilisez un chiffon sec pour essuyer les saletés qui recouvrent la lentille de la lampe. Prenez garde de ne pas rayer la lentille de la lampe, sinon sa capacité d'éclairage sera affectée.
- N'utilisez ni diluant ni essence pour nettoyer la lampe. De tels solvants risqueraient de l'endommager.

## Marche arrière (Fig. 4)

L'outil possède un inverseur qui permet de changer le sens de rotation. Appuyez sur le levier de l'inverseur par le côté A pour une rotation dans le sens des aiguilles d'une montre, ou par le côté B pour une rotation en sens inverse.

La pression sur la gâchette n'est pas possible lorsque le levier de l'inverseur se trouve en position neutre.

### ATTENTION :

- Vérifiez toujours le sens de rotation avant de mettre l'outil en marche.
- N'actionnez l'inverseur qu'une fois l'outil complètement arrêté. Si vous changez le sens de rotation de l'outil avant l'arrêt de l'outil, vous risquez de l'endommager.
- Lorsque vous n'utilisez pas l'outil, placez toujours le levier de l'inverseur en position neutre.

## Sélection du mode de fonctionnement

### Rotation avec impacts (Fig. 5)

Pour percer dans le béton, la maçonnerie, etc., enfoncez le bouton de verrouillage et tournez le bouton de changement de mode jusqu'au symbole . Utilisez un foret à pointe de carbure de tungstène.

### Rotation seulement (Fig. 6)

Pour percer dans le bois, le métal ou les matériaux à base de plastique, enfoncez le bouton de verrouillage et tournez le bouton de changement de mode jusqu'au symbole . Utilisez un foret hélicoïdal ou un foret à bois.

## Impacts seulement (Fig. 7)

Pour les travaux de burinage, d'écaillage ou de démolition, enfoncez le bouton de verrouillage et tournez le bouton de changement de mode jusqu'au symbole . Utilisez un pic, un ciseau à froid, un ciseau à écailler, etc.

### ATTENTION :

- Ne tournez pas le bouton de changement de mode pendant que l'outil est en marche. Cela endommagera l'outil.
- Pour éviter l'usure rapide du mécanisme de changement de mode, assurez-vous que le bouton de changement de mode est toujours placé avec exactitude sur une des trois positions de mode.

## Limiteur de couple

Le limiteur de couple s'active lorsqu'un niveau de couple donné est atteint. Le moteur débrayera alors de l'arbre de sortie. Lorsque cela se produit, le foret cesse de tourner.

### ATTENTION :

- Éteignez l'outil immédiatement lorsque le limiteur de couple s'active. Cela aidera à prévenir l'usure trop rapide de l'outil.
- Il n'est pas possible d'utiliser les scies-cloches avec cet outil. Elles ont tendance à se coincer facilement dans le trou. Cela provoquera l'activation trop fréquente du limiteur de couple.

## ASSEMBLAGE

### ATTENTION :

- Assurez-vous toujours que l'outil est hors tension et que la batterie est retirée avant d'effectuer toute intervention sur l'outil.

## Poignée latérale (poignée auxiliaire) (Fig. 8)

### ATTENTION :

- Pour une utilisation sûre, utilisez toujours la poignée latérale.

Installez la poignée latérale de sorte que les dents de la poignée pénètrent entre les saillies du barillet de l'outil. Serrez ensuite la poignée en la tournant dans le sens des aiguilles d'une montre jusqu'à la position désirée. Elle peut être fixée sur n'importe quelle position puisqu'elle pivote sur 360°.

## Graisse à foret

Enduisez à l'avance la tête de l'arbre du foret d'une petite quantité de graisse à foret (environ 0,5 à 1 g). Cette lubrification du mandrin assure un fonctionnement fluide et une durée de service plus longue.

## Installation ou retrait du foret

Nettoyez l'arbre du foret et appliquez de la graisse à foret avant d'installer le foret. (Fig. 9)

Insérez le foret dans l'outil. Tournez le foret et enfoncez-le jusqu'à ce qu'il s'engage. (Fig. 10)

S'il n'est pas possible d'enfoncer le foret, retirez-le. Tirez le couvercle du mandrin vers le bas à quelques reprises. Réinsérez ensuite le foret. Tournez le foret et enfoncez-le jusqu'à ce qu'il s'engage.

Après l'installation, tirez toujours sur le foret pour vous assurer qu'il demeure fermement en place.

Pour retirer le foret, tirez le couvercle du mandrin complètement vers le bas puis tirez sur le foret. (Fig. 11)

### Angle du foret (lors du burinage, de l'écaillage ou de la démolition) (Fig. 12)

Vous pouvez fixer le foret sur l'angle désiré. Pour changer l'angle du foret, enfoncez le bouton de verrouillage et tournez le bouton de changement de mode jusqu'au symbole **O**. Tournez le foret jusqu'à l'angle désiré.

Enfoncez le bouton de verrouillage et tournez le bouton de changement de mode jusqu'au symbole  $\uparrow$ . Assurez-vous ensuite que le foret est solidement maintenu en place en le tournant légèrement. (Fig. 13)

### Jauge de profondeur (Fig. 14)

La tige de profondeur est pratique pour percer des trous de même profondeur. Desserrez la poignée latérale et insérez la jauge de profondeur dans l'orifice de la poignée latérale. Réglez la jauge de profondeur sur la profondeur désirée et serrez la poignée latérale.

#### NOTE :

- Il n'est pas possible d'utiliser la jauge de profondeur sur la position où elle frappe contre le carter d'engrenages.

### Collecteur de poussières (Fig. 15)

Utilisez le collecteur de poussières pour éviter que les poussières ne tombent de l'outil et sur vous lors des travaux de perçage au-dessus de la tête. Fixez le collecteur de poussières au foret de la façon indiquée sur la figure. Les tailles de foret qui permettent de fixer le collecteur de poussières sont les suivantes.

	Diamètre du foret
Collecteur de poussières 5	6 mm à 14,5 mm
Collecteur de poussières 9	12 mm à 16 mm

## UTILISATION

### Perçage avec impacts (Fig. 16)

Réglez le bouton de changement de mode sur le symbole  $\uparrow$ .

Placez le foret au point où vous désirez percer le trou, puis appuyez sur la gâchette.

Ne forcez pas l'outil. Vous obtiendrez de meilleurs résultats avec une légère pression.

Gardez l'outil dans cette position et évitez qu'il ne glisse à l'extérieur du trou.

N'appliquez pas plus de pression lorsque le trou se bouche de copeaux ou particules. Faites plutôt tourner l'outil au ralenti, puis retirez partiellement le foret du trou. Vous pourrez poursuivre le perçage de façon normale après avoir répété quelques fois cette opération.

#### ATTENTION :

- Une force de torsion énorme et soudaine s'exerce sur l'outil et le foret lors du perçage du trou, lorsque ce dernier est bouché par des copeaux et particules ou

lorsque le foret frappe contre les armatures d'une structure en béton armé. Utilisez toujours la poignée latérale (poignée auxiliaire) et tenez fermement l'outil par la poignée latérale et la poignée de la gâchette pendant l'utilisation. Autrement vous risquez de perdre la maîtrise de l'outil et vous courez un risque de blessure grave.

#### NOTE :

Il se peut que le foret tourne de manière excentrique lorsque l'outil fonctionne à vide. L'outil se recentre de lui-même pendant l'opération. Cela n'affecte pas la précision du perçage.

### Poire soufflante (accessoire en option) (Fig. 17)

Une fois le trou percé, utilisez la poire soufflante pour retirer la poussière du trou.

### Burinage/Écaillage/Démolition (Fig. 18)

Réglez le bouton de changement de mode sur le symbole  $\uparrow$ .

Tenez l'outil fermement à deux mains. Mettez le contact et appliquez une légère pression sur l'outil de façon à en garder la maîtrise et éviter qu'il ne saute d'un côté et de l'autre. L'application d'une très grande pression sur l'outil n'augmentera pas l'efficacité de l'opération.

### Perçage dans le bois ou le métal (Fig. 19 et 20)

Utilisez l'ensemble mandrin en option. Pour l'installer, reportez-vous à "Installation ou retrait du foret", page précédente.

Réglez le bouton de changement de mode de sorte que l'index pointe sur le symbole  $\mathcal{S}$ .

#### ATTENTION :

- N'utilisez jamais le mode "rotation avec impacts" lorsque l'ensemble mandrin est installé sur l'outil. Vous risqueriez d'endommager l'ensemble mandrin. De plus, le mandrin se détachera si vous retournez l'outil.
- Une pression excessive sur l'outil n'accélère pas le perçage. En fait, la pression excessive endommagera le bout du foret, réduira l'efficacité de l'outil et raccourcira sa durée de service.
- Une force énorme s'exerce sur l'outil et le foret lorsque ce dernier sort par la face opposée de la pièce. Tenez l'outil fermement et faites bien attention lorsque le foret se met à sortir par la face opposée de la pièce.
- Un foret coincé peut être retiré en réglant simplement l'inverseur sur la rotation inverse pour faire marche arrière. L'outil peut toutefois faire brusquement marche arrière si vous ne le tenez pas fermement.
- Immobilisez toujours les petites pièces à travailler dans un étai ou un dispositif de retenue similaire.

## MAINTENANCE

#### ATTENTION :

- Assurez-vous toujours que l'outil est hors tension et que la batterie est retirée avant d'y effectuer tout travail d'inspection ou d'entretien.

## Remplacement des charbons (Fig. 21)

Retirez et vérifiez les charbons régulièrement.

Remplacez-les lorsqu'ils atteignent le repère d'usure. Gardez les charbons propres et libres de glisser dans les porte-charbons.

Les deux charbons doivent être remplacés en même temps. Utilisez uniquement des charbons identiques.

Retirez les caches de bouchon de porte-charbon en insérant le bout d'un tournevis à tête fendue dans la partie encastrée dans l'outil et en la soulevant. (Fig. 22)

Retirez les bouchons de porte-charbon à l'aide d'un tournevis.

Enlevez les charbons usés, insérez les neufs et remettez en place les bouchons de porte-charbon. (Fig. 23)

Remontez les caches de bouchon de porte-charbon sur l'outil.

Pour assurer la SÉCURITÉ et la FIABILITÉ du produit, toute réparation et tout travail d'entretien ou de réglage doivent être effectués par un Centre de service après-vente agréé Makita, avec des pièces de rechange Makita.

## ACCESSOIRES

### ATTENTION :

- Ces accessoires ou pièces complémentaires sont recommandés pour l'utilisation avec l'outil Makita spécifié dans ce manuel. L'utilisation de tout autre accessoire ou pièce complémentaire comporte un risque de blessures. Utilisez uniquement l'accessoire ou la pièce complémentaire dans le but spécifié.

Pour obtenir plus de détails sur ces accessoires, contactez un Centre de service après-vente local Makita.

- Forets à pointe de carbure SDS-Plus
- Pic
- Ciseau à froid
- Ciseau à écailler
- Burin à rainures
- Ensemble mandrin
- Mandrin S13
- Adaptateur de mandrin
- Clé de mandrin S13
- Graisse à foret
- Poignée latérale
- Jauge de profondeur
- Poire soufflante
- Collecteur de poussières
- Fixation d'extracteur de poussières
- Lunettes de sécurité
- Étui en plastique
- Mandrin autoserrant
- Divers types de batteries et chargeurs de marque Makita.

# DEUTSCH

## Erklärung der Gesamtdarstellung

- |   |                      |                               |
|---|----------------------|-------------------------------|
| 1. Roter Bereich                          | 12. Grifffläche      | 24. Staubschutzkappe          |
| 2. Taste                                  | 13. Seitengriff      | 25. Ausblasvorrichtung        |
| 3. Akkublock                              | 14. Lösen            | 26. Bohrfutteradapter         |
| 4. Ein/Aus-Schalter                       | 15. Festziehen       | 27. Schlüsselloses Bohrfutter |
| 5. Lampe                                  | 16. Zähne            | 28. Kranz                     |
| 6. Umschalthebel                          | 17. Vorsprung        | 29. Ring                      |
| 7. Schlagbohren                           | 18. Bohrmeißelschaft | 30. Verschleißmarkierung      |
| 8. Arretiertaste                          | 19. Bohrmeißelfett   | 31. Abgestufter Bereich       |
| 9. Drehknopf zum Wechseln der Betriebsart | 20. Bohrmeißel       | 32. Halterkappenabdeckung     |
| 10. Drehbohren                            | 21. Spannutter       | 33. Bürstenhalterkappe        |
| 11. Schlagen                              | 22. O-Symbol         | 34. Schraubendreher           |
|   | 23. Tiefenanschlag   |                               |

## TECHNISCHE DATEN

Modell		BHR180
Leistungen	Beton	18 mm
	Stahl	13 mm
	Holz	26 mm
Leerlauf-Drehzahl (min <sup>-1</sup> )		0 - 1.100
Schläge pro Minute		0 - 4.000
Gesamtlänge		352 mm
Nettogewicht		3,0 kg
Nennspannung		18 V Gleichspannung

- Aufgrund unserer ständigen Forschungen und Entwicklungen sind Änderungen an den hier angegebenen Technischen Daten ohne Vorankündigung vorbehalten.
- Hinweis: Technische Daten können in den einzelnen Ländern unterschiedlich sein.

### Symbole

END004-1

Im Folgenden sind die Symbole dargestellt, die im Zusammenhang mit diesem Werkzeug verwendet werden. Es ist wichtig, dass Sie deren Bedeutung vor der Verwendung des Werkzeugs kennen.



.....Lesen Sie die vorliegende Betriebsanleitung.

### Verwendungszweck

ENE043-1

Das Werkzeug ist für Schlagbohren und Bohren in Ziegel, Beton und Stein sowie für Meißelarbeiten vorgesehen.

Es eignet sich auch für normales Bohren in Holz, Metall, Keramik und Kunststoff.

## BESONDERE SICHERHEITSGESETZE

GEB007-2

**Lassen Sie sich NIE durch Bequemlichkeit oder (aus fortwährendem Gebrauch gewonnener) Vertrautheit mit dem Gerät dazu verleiten, die Sicherheitsregeln für den Bohrhämmer zu missachten. Wenn dieses Werkzeug fahrlässig oder nicht ordnungsgemäß verwendet wird, kann es zu schweren Verletzungen kommen.**

1. **Tragen Sie Gehörschutz.** Lärm ausgesetzt zu sein, kann zu Gehörverlust führen.
2. **Verwenden Sie die mit dem Werkzeug gelieferten Zusatzgriffe.** Kontrollverlust kann zu Personenschäden führen.
3. **Halten Sie das Elektrowerkzeug an den isolierten Griffflächen, wenn Sie unter Bedingungen arbeiten, bei denen das Schneidwerkzeug versteckte Verkabelung oder das eigene Kabel berühren kann.** Der Kontakt mit einem stromführenden Kabel leitet diesen an die metallenen Teile des Werkzeugs weiter und verursacht einen Stromschlag beim Bediener.
4. **Tragen Sie einen Sicherheitshelm, eine Sicherheitsschutzbrille und/oder Gesichtsschutz. Bei gewöhnlichen Brillen und Sonnenbrillen handelt es sich NICHT um Sicherheitsschutzbrillen. Auch das Tragen dick gefütterter Handschuhe und einer Staubmaske wird empfohlen.**

5. Überprüfen Sie vor der Inbetriebnahme, ob der Bohrmeißel gesichert ist.
  6. Unter normalen Betriebsbedingungen erzeugt das Werkzeug Vibrationen. Hierdurch können sich Schrauben lösen, was zu Aus- und Unfällen führen kann. Überprüfen Sie vor der Arbeit sorgsam den festen Sitz der Schrauben.
  7. Lassen Sie das Gerät bei kaltem Wetter oder wenn das Werkzeug längere Zeit nicht benutzt wurde, eine Zeit lang ohne Last warm laufen. Hierdurch wird die Schmierung gelockert. Ohne ordentliches Aufwärmen ist der Betrieb des Hammers schwierig.
  8. Achten Sie jederzeit auf einen festen Stand. Achten Sie darauf, dass sich niemand unter Ihnen befindet, wenn Sie das Werkzeug an erhöhten Orten verwenden.
  9. Halten Sie das Werkzeug mit beiden Händen fest.
  10. Halten Sie Ihre Hände von den beweglichen Teilen fern.
  11. Lassen Sie das Werkzeug nicht laufen. Das Werkzeug darf nur dann in Betrieb sein, wenn es festgehalten wird.
  12. Zeigen Sie mit dem Werkzeug während des Betriebs nicht auf Personen in Ihrer Umgebung. Der Bohrmeißel könnte sich lösen und zu schweren Verletzungen führen.
  13. Berühren Sie kurz nach dem Betrieb den Bohrmeißel oder ihm nahe liegende Teile nicht. Diese können extrem heiß sein und Verbrennungen verursachen.
  14. Einige Materialien enthalten Chemikalien, die giftig sein können. Vermeiden Sie das Einatmen von Staub und den Kontakt mit der Haut. Befolgen Sie die Sicherheitshinweise des Materialherstellers.
- sofort einen Arzt auf. Andernfalls können Sie Ihre Sehfähigkeit verlieren.
5. Vermeiden Sie einen Kurzschluss des Akkublocks:
    - (1) Die Kontakte dürfen nicht mit leitendem Material in Berührung kommen.
    - (2) Der Akkublock darf nicht in einem Behälter aufbewahrt werden, in dem sich andere metallische Gegenstände (beispielsweise Nägel, Münzen usw.) befinden.
    - (3) Der Akkublock darf weder Feuchtigkeit noch Regen ausgesetzt werden. Ein Kurzschluss des Akkus kann zu einem hohem Stromfluss, Überhitzung, möglichen Verbrennungen und sogar zu einer Zerstörung führen.
  6. Werkzeug und Akkublock dürfen nicht an Orten aufbewahrt werden, an denen eine Temperatur von 50°C (122°F) oder höher erreicht werden kann.
  7. Selbst wenn der Akkublock schwer beschädigt oder völlig verbraucht ist, darf er nicht verbrannt werden. Der Akkublock kann in den Flammen explodieren.
  8. Lassen Sie den Akku nicht fallen und vermeiden Sie Schläge gegen den Akku.

## BEWAHREN SIE DIESE ANWEISUNGEN GUT AUF.

### Tipps für den Erhalt der maximalen Akku-Nutzungsdauer

1. Laden Sie den Akkublock auf, bevor er ganz entladen ist. Beenden Sie stets den Betrieb des Werkzeugs und laden Sie den Akkublock auf, sobald Sie eine verringerte Werkzeugleistung bemerken.
2. Ein voll aufgeladener Akkublock darf niemals erneut geladen werden. Durch Überladungen wird die Lebensdauer des Akkus verkürzt.
3. Laden Sie den Akkublock bei einer Zimmertemperatur von 10°C bis 40°C (50°F bis 104°F) auf. Lassen Sie einen heißen Akkublock vor dem Aufladen abkühlen.

## BEWAHREN SIE DIESE ANWEISUNGEN GUT AUF.

### WARNUNG:

MISSBRAUCH oder Missachtung der in diesem Handbuch enthaltenen Sicherheitshinweise kann zu schweren Personenschäden führen.

## WICHTIGE SICHERHEITSREGELN

ENC007-2

## FÜR AKKUBLOCK

1. Lesen Sie vor der Verwendung des Akkublocks alle Anweisungen und Sicherheitshinweise für (1) das Akkuladegerät, (2) den Akku und (3) das Produkt, für das der Akku verwendet wird, aufmerksam durch.
2. Der Akkublock darf nicht zerlegt werden.
3. Falls die Betriebsdauer erheblich kürzer wird, beenden Sie den Betrieb umgehend. Andernfalls besteht die Gefahr einer Überhitzung sowie das Risiko möglicher Verbrennungen und sogar einer Explosion.
4. Wenn Elektrolyt in Ihre Augen gerät, waschen Sie diese mit klarem Wasser aus, und suchen Sie

## FUNKTIONSBESCHREIBUNG

### ACHTUNG:

- Schalten Sie das Werkzeug stets aus und entfernen Sie den Akkublock, bevor Sie Einstellungen oder eine Funktionsprüfung des Werkzeugs vornehmen.

### Montage und Demontage des Akkublocks (Abb. 1)

- Schalten Sie das Werkzeug stets aus, bevor Sie den Akkublock einsetzen oder entfernen.
- Zum Entfernen des Akkublocks müssen Sie diesen aus dem Gerät herausziehen, während Sie die Taste auf der Vorderseite des Blocks schieben.
- Zum Einsetzen des Akkublocks müssen Sie die Zunge des Akkublocks an der Rille im Gehäuse ausrichten und in die gewünschte Position schieben. Setzen Sie

- den Block immer ganz ein, bis er mit einem Klick einrastet. Wenn Sie den roten Bereich oben auf der Taste sehen können, ist der Block nicht ganz eingerastet. Setzen Sie ihn ganz ein, bis der rote Bereich nicht mehr zu sehen ist. Andernfalls kann der Block versehentlich aus dem Werkzeug fallen und Sie oder Personen in Ihrem Umfeld verletzen.
- Wenden Sie beim Einsetzen des Akkublocks keine Gewalt an. Wenn der Block nicht leicht hineingleitet, wird er nicht richtig eingesetzt.

## Bedienung des Schalters (Abb. 2)

### ACHTUNG:

- Achten Sie vor dem Einsetzen des Akkublocks in das Werkzeug darauf, dass sich der Ein/Aus-Schalter korrekt bedienen lässt und beim Loslassen in die Position „OFF“ (AUS) zurückkehrt.

Betätigen Sie zum Starten des Werkzeugs einfach den Ein/Aus-Schalter. Die Drehzahl des Werkzeugs wird durch erhöhten Druck auf den Ein/Aus-Schalter gesteigert. Lassen Sie zum Ausschalten des Werkzeugs den Ein/Aus-Schalter los.

## Einschalten der Lampe (Abb. 3)

### ACHTUNG:

- Schauen Sie nicht direkt in das Licht oder in die Lichtquelle.

Ziehen Sie zum Einschalten der Lampe den Auslöser. Die Lampe leuchtet so lange, wie der Auslöser gezogen wird. Das Licht erlischt automatisch nach 10 bis 15 Sekunden nach dem Loslassen des Auslösers.

### HINWEIS:

- Wischen Sie Schmutz auf der Lampenlinse mit einem trockenen Tuch ab. Achten Sie darauf, die Lampenlinse nicht zu zerkratzen, da dies die Beleuchtungsstärke mindern kann.
- Verwenden Sie zum Reinigen der Lampe weder Verdünnung noch Benzin. Sie kann durch diese Lösungsmittel beschädigt werden.

## Bedienung des Umschalters (Abb. 4)

Dieses Werkzeug verfügt über einen Umschalter, mit dem die Drehrichtung geändert werden kann. Für eine Drehbewegung im Uhrzeigersinn muss der Umschalthebel von der Seite A nach unten gedrückt werden und für eine Drehbewegung gegen den Uhrzeigersinn von der Seite B.

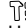
Wenn sich der Umschalthebel in der neutralen Position befindet, kann der Auslöser nicht gezogen werden.

### ACHTUNG:

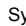
- Überprüfen Sie vor jedem Betrieb immer die Drehrichtung.
- Der Umschalter darf nur betätigt werden, wenn das Werkzeug ganz angehalten wurde. Wenn Sie die Drehrichtung ändern, solange das Werkzeug noch läuft, kann es beschädigt werden.
- Ist das Werkzeug nicht in Gebrauch, muss der Umschalthebel immer auf die neutrale Position gestellt werden.

## Auswählen der Betriebsart

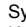
### Schlagbohren (Abb. 5)

Drücken Sie für Bohrarbeiten in Beton, Mauerwerk usw. die Arretiertaste nach unten, und stellen Sie den Drehknopf zum Wechsel der Betriebsart auf das Symbol . Verwenden Sie einen Bohrmeißel mit einer Hartmetallspitze.

### Drehbohren (Abb. 6)

Drücken Sie für Bohrarbeiten in Holz, Metall oder Kunststoff die Arretiertaste nach unten und stellen Sie den Drehknopf zum Wechsel der Betriebsart auf das Symbol . Verwenden Sie einen Spiral- oder Holzbohrer.

### Nur Schlag (Abb. 7)

Drücken Sie zum Putzen, Abschälen oder für Abbrucharbeiten die Arretiertaste nach unten und stellen Sie den Drehknopf zum Wechsel der Betriebsart auf das Symbol . Verwenden Sie einen Punkthammer, Kaltmeißel, Verzunderungsmeißel usw.

### ACHTUNG:

- Der Drehknopf zum Wechsel der Betriebsart darf nicht betätigt werden, solange das Werkzeug läuft. Andernfalls wird das Werkzeug beschädigt.
- Zur Vermeidung eines vorzeitigen Verschleißes des Mechanismus zum Wechsel der Betriebsart müssen Sie darauf achten, dass der Drehknopf zum Wechsel der Betriebsart immer ganz auf einer der drei Positionen der Betriebsart steht.

## Drehmomentbegrenzung

Die Drehmomentbegrenzung schaltet sich ein, wenn eine bestimmte Drehmomentstufe erreicht ist. Der Motor wird von der Antriebswelle ausgekuppelt. In diesem Fall kommt der Bohrmeißel zum Stillstand.

### ACHTUNG:

- Wenn sich die Drehmomentbegrenzung einschaltet, muss das Werkzeug sofort ausgeschaltet werden. Auf diese Weise wird ein vorzeitiger Verschleiß des Werkzeugs vermieden.
- Lochsägen können nicht mit diesem Werkzeug verwendet werden. Diese neigen dazu, sich zu verkanten oder in der Bohrung hängen zu bleiben. Dies führt zu einem übermäßigen Einsatz der Drehmomentbegrenzung.

## MONTAGE

### ACHTUNG:

- Schalten Sie das Werkzeug stets aus und entfernen Sie den Akkublock, bevor Sie Arbeiten am Werkzeug ausführen.

## Seitengriff (Zusatzgriff) (Abb. 8)

### ACHTUNG:

- Verwenden Sie stets den Seitengriff, um die Betriebssicherheit zu gewährleisten.

Montieren Sie den Seitengriff so, dass die Zähne an der Grifffläche zwischen die Vorsprünge an der Werkzeuggrommel passen. Ziehen Sie anschließend den Griff an, indem Sie ihn an der gewünschten Position im Uhrzeigersinn drehen. Da er um 360° gedreht werden kann, kann er an jeder beliebigen Stelle befestigt werden.



## Bohrermeißelfett

Schmieren Sie den Schaftkopf des Bohrmeißels im Vorfeld mit etwas Bohrerfett (ca. 0,5 bis 1 g). Diese Schmierung des Bohrfutters garantiert einen reibungslosen Betrieb und eine längere Lebensdauer.

## Montage und Demontage des Bohrmeißels

Reinigen Sie den Aufnahmeschaft und schmieren Sie ihn vor der Montage des Bohrmeißels mit ein wenig Fett. (Abb. 9)

Montieren Sie den Bohrmeißel in das Werkzeug. Drehen Sie den Bohrmeißel und drücken Sie ihn hinein, bis er einrastet. (Abb. 10)

Wenn der Bohrmeißel nicht hineingedrückt werden kann, entfernen Sie ihn. Ziehen Sie das Spannfutter einige Male nach unten. Montieren Sie dann den Bohrmeißel erneut. Drehen Sie den Bohrmeißel und drücken Sie ihn hinein, bis er einrastet.

Überprüfen Sie nach der Montage stets, ob der Bohrmeißel einwandfrei sitzt, indem Sie versuchen, ihn herausziehen.

Ziehen Sie die Werkzeugverriegelung zum Entfernen des Bohrmeißels ganz nach unten und ziehen Sie den Bohrmeißel heraus. (Abb. 11)

## Bohrmeißelwinkel (beim Putzen, Abschälen oder Abbruch) (Abb. 12)

Der Bohrmeißel kann im gewünschten Winkel gesichert werden. Drücken Sie zur Änderung des Bohrmeißelwinkels die Arretiertaste nach unten und stellen Sie den Drehknopf zum Wechsel der Betriebsart auf das Symbol **O**. Drehen Sie den Bohrmeißel bis zum gewünschten Winkel.

Drücken Sie die Arretiertaste nach unten und stellen Sie den Drehknopf zum Wechsel der Betriebsart auf das Symbol  $\uparrow$ . Überprüfen Sie anschließend durch leichtes Drehen am Bohrmeißel, dass er fest sitzt. (Abb. 13)

## Tiefenanschlag (Abb. 14)

Der Tiefenanschlag ist beim Bohren von Löchern mit einer einheitlichen Bohrtiefe hilfreich. Lösen Sie den Seitengriff und setzen Sie den Tiefenanschlag in die Öffnung am Seitengriff. Stellen Sie den Tiefenanschlag auf die gewünschte Tiefe ein und ziehen Sie den Seitengriff an.

### HINWEIS:

- Der Tiefenanschlag kann nicht an der Stelle verwendet werden, an der er gegen das Getriebegehäuse schlägt.

## Staubschutzkappe (Abb. 15)

Verwenden Sie bei Überkopfbohrarbeiten die Staubschutzkappe, damit kein Staub auf das Werkzeug oder Sie selbst fällt. Befestigen Sie die Staubschutzkappe wie in der Abbildung dargestellt auf dem Bohrmeißel. Die Staubschutzkappe kann für folgende Bohrmeißelgrößen verwendet werden.

	Bohrmeißeldurchmesser
Staubschutzkappe 5	6 mm bis 14,5 mm
Staubschutzkappe 9	12 mm bis 16 mm

## BETRIEB

### Schlagbohrbetrieb (Abb. 16)

Stellen Sie den Drehknopf zum Wechsel der Betriebsart auf das Symbol  $\uparrow$ .

Setzen Sie den Bohrmeißel an die gewünschte Position für die Bohrung und ziehen Sie dann den Auslöseschalter.

Üben Sie keinen übermäßigen Druck auf das Werkzeug aus. Wenn Sie nur leichten Druck ausüben, erzielen Sie die besten Ergebnisse.

Halten Sie das Werkzeug in Position und achten Sie darauf, dass es nicht von der Bohrung abrutscht.

Verstärken Sie den Druck nicht, wenn die Bohrung durch Späne oder Partikel verstopft ist. Betreiben Sie stattdessen das Werkzeug im Leerlauf und entfernen Sie dann den Bohrmeißel teilweise aus der Bohrung. Wenn Sie diesen Vorgang mehrmals wiederholen, wird die Bohrung gesäubert, und Sie können den normalen Bohrvorgang fortsetzen.

### ACHTUNG:

- Beim Lochdurchschlag, wenn die Bohrung durch Späne und Partikel verstopft ist oder wenn das Werkzeug auf Verstärkungsstangen im Beton trifft, wirken enorme und abrupte Drehkräfte auf das Werkzeug bzw. den Bohrmeißel. Verwenden Sie stets den Seitengriff (Zusatzgriff) und halten Sie während der Arbeit das Werkzeug am Seitengriff und am Schaltergriff fest. Sonst können Sie die Kontrolle über das Werkzeug verlieren und sich schwer verletzen.

### HINWEIS:

Es kann zu einer Rundlaufabweichung in der Bohrerrotation kommen, wenn das Werkzeug ohne Last betrieben wird. Während des Betriebs zentriert sich das Werkzeug automatisch. Dies hat keinen Einfluss auf die Bohrgenauigkeit.

### Ausblasvorrichtung (optionales Zubehör) (Abb. 17)

Wenn Sie das Loch gebohrt haben, entfernen Sie mit Hilfe der Ausblasvorrichtung den Staub aus der Bohrung.

### Putzen/Abschälen/Abbruch (Abb. 18)

Stellen Sie den Drehknopf zum Wechsel der Betriebsart auf das Symbol  $\uparrow$ .

Halten Sie das Werkzeug mit beiden Händen fest. Schalten Sie das Werkzeug ein und üben Sie leichten Druck darauf aus, so dass es nicht unkontrolliert herumspringt. Ein stärkerer Druck auf das Werkzeug erhöht nicht dessen Wirkungsgrad.

### Bohren in Holz oder Metall (Abb. 19 und 20)

Verwenden Sie den optionalen Bohrfuttersatz. Lesen Sie zu dessen Montage den Abschnitt „Montage und Demontage des Bohrmeißels“ auf der vorherigen Seite.

Stellen Sie den Drehknopf zum Wechsel der Betriebsart so ein, dass der Zeiger auf das Symbol  $\mathcal{S}$  zeigt.

### ACHTUNG:

- Wenn der Bohrfuttersatz am Werkzeug montiert ist, dürfen Sie auf keinen Fall die Betriebsart

- „Schlagbohren“ verwenden. Andernfalls kann der Bohrfuttersatz beschädigt werden. Darüber hinaus kann sich das Bohrfutter bei Linkslauf des Werkzeugs lösen.
- Der Bohrvorgang kann durch übermäßigen Druck auf das Werkzeug nicht beschleunigt werden. Dieser übermäßige Druck beschädigt im Gegenteil die Spitze des Bohrmeißels, vermindert die Leistung des Werkzeugs und verkürzt dessen Lebensdauer.
  - Beim Lochdurchschlag wirken enorme Drehkräfte auf das Werkzeug/den Bohrmeißel. Halten Sie das Werkzeug fest und seien Sie vorsichtig, wenn der Bohrmeißel das Werkstück durchbricht.
  - Ein feststehender Bohrmeißel kann einfach wieder herausgezogen werden, indem die Drehrichtung mit dem Umschalter geändert wird. Es kann jedoch zu einem abrupten Rückschlag des Werkzeugs kommen, wenn Sie es nicht ganz fest halten.
  - Befestigen Sie kleine Werkstücke immer in einem Schraubstock oder einer ähnlichen Haltevorrichtung.

## WARTUNG

### ACHTUNG:

- Schalten Sie das Werkzeug stets aus und entfernen Sie den Akkublock, bevor Sie Inspektionen oder Wartungsarbeiten am Werkzeug vornehmen.

### Ersetzen der Kohlenbürsten (Abb. 21)

Entfernen und überprüfen Sie die Kohlebürsten in regelmäßigen Abständen.

Ersetzen Sie diese, wenn sie bis zur Verschleißgrenze abgenutzt sind. Halten Sie die Kohlebürsten sauber und sorgen Sie dafür, dass sie locker in den Halterungen liegen.

Ersetzen Sie beide Kohlebürsten gleichzeitig. Verwenden Sie nur identische Kohlebürsten.

Entfernen Sie die Abdeckungen der Bürstenhalterkappen, indem Sie den Schlitzschraubendreher in den abgestuften Bereich des Werkzeugs setzen und anheben. **(Abb. 22)**

Verwenden Sie einen Schraubendreher, um die Bürstenhalterkappen zu entfernen.

Entnehmen Sie die verbrauchten Kohlebürsten, legen Sie die neuen ein und bringen Sie die Bürstenhalterkappen wieder fest an. **(Abb. 23)**

Befestigen Sie die Abdeckungen der Bürstenhalterkappen wieder am Werkzeug.

Um die SICHERHEIT und ZUVERLÄSSIGKEIT des Produkts zu gewährleisten, sollten Reparaturen, Wartungsarbeiten und Einstellungen nur durch von Makita autorisierte Servicecenter durchgeführt und immer Makita-Ersatzteile verwendet werden.

## ZUBEHÖR

### ACHTUNG:

- Für das in diesem Handbuch beschriebene Makita-Werkzeug werden folgende Zubehör- und Zusatzteile empfohlen. Die Verwendung anderer Zubehör- und Zusatzteile kann zu Personenschäden führen. Verwenden Sie Zubehör- und Zusatzteile nur für den vorgesehenen Zweck.

Informationen zu diesem Zubehör erhalten Sie bei einem Makita-Servicecenter in Ihrer Nähe.

- SDS-Plus-Hartmetallsitzen
- Punkthammer
- Kaltmeißel
- Verzunderungsmeißel
- Nutenmeißel
- Bohrfuttersatz
- Bohrfutter S13
- Bohrfutteradapter
- Spannfutterschlüssel S13
- Bohrermeißelfett
- Seitengriff
- Tiefenanschlag
- Ausblasvorrichtung
- Staubschutzkappe
- Staubabzugsvorrichtung
- Sicherheitsschutzbrille
- Plastiktragekoffer
- Schlüsselloses Bohrfutter
- Verschiedene Arten von Makita-Originalakkus und -Ladegeräten

**Spiegazione della vista generale**

- |  |                            |                                   |
|--|----------------------------|-----------------------------------|
| 1. Area rossa  | 12. Base dell'impugnatura  | 24. Scodellino per la polvere     |
| 2. Pulsante  | 13. Impugnatura laterale   | 25. Soffietto a peretta           |
| 3. Batteria  | 14. Allentare              | 26. Adattatore per mandrino       |
| 4. Interruttore                                      | 15. Serrare                | 27. Mandrino trapano senza chiave |
| 5. Lampada   | 16. Denti                  | 28. Manicotto                     |
| 6. Leva di inversione della rotazione                | 17. Sporgenza              | 29. Anello                        |
| 7. Foratura con percussione                          | 18. Gambo della punta      | 30. Indicatore di limite          |
| 8. Pulsante di blocco                                | 19. Grasso per punte       | 31. Parte incavata                |
| 9. Manopola per la modifica della modalità di azione | 20. Punta                  | 32. Coperchio supporto            |
| 10. Solo rotazione                                   | 21. Coperchio del mandrino | 33. Coperchio portaspazzola       |
| 11. Solo martellatura                                | 22. Simbolo <b>O</b>       | 34. Cacciavite                    |
|  | 23. Calibro di profondità  |                                   |

**CARATTERISTICHE TECNICHE**

Modello		BHR180
Capacità di foratura	Cemento	18 mm
	Acciaio	13 mm
	Legno	26 mm
Velocità a vuoto (min <sup>-1</sup> )		0 - 1.100
Colpi al minuto		0 - 4.000
Lunghezza totale		352 mm
Peso netto		3,0 kg
Tensione nominale		18 V CC

• Le caratteristiche tecniche riportate di seguito sono soggette a modifiche senza preavviso in virtù del nostro programma continuo di ricerca e sviluppo.

• Nota: le caratteristiche tecniche possono differire da paese a paese.

**Simboli** END004-1

Il seguente elenco riporta i simboli relativi al presente utensile. È importante comprenderne il significato prima di utilizzare l'utensile.



..... Leggere il manuale di istruzioni.

**Uso previsto** ENE043-1

L'utensile è progettato per la foratura con martellamento e per la foratura di mattoni, cemento e pietre, nonché per lavori di scalpellatura.

Esso è utilizzabile anche per la foratura senza impatto del legno, del metallo, della ceramica e della plastica.

**REGOLE SPECIFICHE DI SICUREZZA**

GEB007-2

**Non lasciare che la familiarità acquisita con il prodotto in seguito all'uso ripetuto provochi l'inosservanza delle regole di sicurezza del martello rotativo. Se questo utensile viene utilizzato in modo improprio o errato, è possibile subire lesioni personali gravi.**

- 1. Indossare protezioni acustiche** L'esposizione al rumore può causare la perdita della capacità uditiva.
- 2. Utilizzare le maniglie ausiliarie fornite con l'attrezzo.** La perdita di controllo può provocare lesioni personali.
- 3. Se vengono eseguite operazioni in cui la macchina utensile può toccare fili nascosti o il cavo di alimentazione, impugnare la macchina utensile utilizzando i punti di presa isolati.** Il contatto con un filo percorso da corrente farà sì che le parti metalliche esposte dell'utensile si trovino anch'esse sotto tensione provocando scosse elettriche all'operatore.
- 4. Indossare un elmetto (casco di sicurezza), occhiali di sicurezza e/o visiere protettive.** Gli occhiali comuni da vista o gli occhiali da sole **NON** sono occhiali di sicurezza. Si consiglia anche di indossare una maschera antipolvere e guanti imbottiti.
- 5. Prima di azionare l'utensile, verificare che la punta sia fissata nella posizione corretta.**

6. In condizioni d'uso normali, l'utensile è progettato per produrre vibrazioni. Le viti possono svitarsi facilmente, causando una rottura o un incidente. Prima di azionare l'utensile, controllare che le viti siano serrate.
  7. In caso di temperature fredde oppure se l'utensile non è stato utilizzato a lungo, lasciare riscaldare l'utensile per qualche istante azionandolo senza alcun carico. In tal modo il lubrificante sarà meno viscoso e più efficace. Le operazioni di martellatura risultano più difficoltose senza un preriscaldamento adeguato.
  8. Accertarsi sempre di avere un equilibrio stabile. Controllare che nessuno si trovi sotto all'utensile quando lo si utilizza in posizioni elevate.
  9. Tenere saldamente l'utensile con entrambe le mani.
  10. Mantenere le mani lontano dalle parti in movimento.
  11. Non lasciare l'utensile acceso. Azionare l'utensile solo dopo averlo impugnato.
  12. Non puntare l'utensile verso persone presenti nell'area di lavoro. Un'eventuale fuoriuscita della punta potrebbe provocare lesioni gravi.
  13. Non toccare la punta o le parti vicino alla punta subito dopo aver utilizzato l'utensile in quanto possono raggiungere temperature elevate e provocare ustioni.
  14. Alcuni materiali contengono prodotti chimici potenzialmente tossici. Evitare l'inalazione della polvere e il contatto con la pelle. Attenersi alle istruzioni di sicurezza del fornitore dei materiali.
- (2) Evitare di riporre le batterie a contatto con oggetti metallici quali chiodi, monete, ecc...
  - (3) Non esporre le batterie all'acqua o alla pioggia. Un cortocircuito può provocare un elevato flusso di corrente, surriscaldamento, ustioni o rotture.
6. Non stoccare l'utensile e la batteria a una temperatura superiore a 50°C (122°F).
  7. Non smaltire le batterie danneggiate o esaurite incenerendole, anche qualora risultino estremamente danneggiate o completamente usurate. Se esposte al fuoco, le batterie possono esplodere.
  8. Evitare di far cadere o di colpire la batteria.

## CONSERVARE LE PRESENTI ISTRUZIONI.

### Suggerimenti per il prolungamento della durata della batteria

1. Provvedere a ricaricare le batterie prima di scaricarle completamente. Se si nota una diminuzione di potenza dell'utensile, interrompere il lavoro e ricaricare la batteria.
2. Non ricaricare una batteria già completamente carica. In caso contrario, la durata operativa della batteria potrebbe ridursi.
3. Caricare la batteria in ambienti con temperatura compresa tra 10°C e 40°C (50°F - 104°F). Prima di caricare una batteria surriscaldata, lasciarla raffreddare.

## CONSERVARE LE PRESENTI ISTRUZIONI.

### AVVERTENZA

L'USO IMPROPRIO o la mancata osservanza delle norme di sicurezza contenute in questo manuale può provocare lesioni personali gravi.

## ISTRUZIONI IMPORTANTI PER LA SICUREZZA

ENC007-2

### RELATIVE ALLA BATTERIA

1. Prima di utilizzare la batteria, leggere tutte le istruzioni e le informazioni di sicurezza relative a (1) caricabatteria, (2) batteria e (3) prodotto utilizzato con batteria.
2. Non smontare la batteria.
3. Se il tempo di funzionamento è diventato eccessivamente breve, non utilizzare l'utensile. Potrebbero verificarsi surriscaldamenti, ustioni o esplosioni.
4. In caso di contatto dell'elettrolita della batteria con occhi, sciacquare abbondantemente con acqua fresca e rivolgersi immediatamente a un medico. Tale contatto può provocare danni permanenti alla vista.
5. Non cortocircuitare la batteria:
  - (1) Non toccare i terminali della batteria con materiali conduttori di elettricità.

## DESCRIZIONE FUNZIONALE

### ATTENZIONE:

- Prima di regolare o controllare le funzioni dell'utensile, verificare sempre di averlo spento e di aver rimosso la batteria.

### Installazione o rimozione della batteria (Fig. 1)

- Prima di inserire o rimuovere la batteria, spegnere sempre l'utensile.
- Per rimuovere la batteria, estrarla dall'utensile facendo scorrere il pulsante sulla parte frontale della batteria.
- Per inserire la batteria, allineare la linguetta sulla batteria con la scanalatura dell'alloggiamento e farla scorrere fino a raggiungere la posizione corretta. Inserire sempre la batteria fino a quando si blocca in posizione con uno scatto. Se l'area rossa del lato superiore del pulsante è ancora visibile, la batteria non è completamente inserita. Inserire la batteria fino a quando l'area rossa non è più visibile. In caso contrario la batteria può fuoriuscire accidentalmente e provocare lesioni all'operatore o a terze persone.
- Non applicare una forza eccessiva per inserire la batteria. Se la batteria non scorre agevolmente, la manovra di inserimento non è corretta.

## Azionamento dell'interruttore (Fig. 2)

### ATTENZIONE:

- Prima di inserire la batteria nell'utensile, controllare se l'interruttore funziona correttamente e ritorna alla posizione "SPENTO" una volta rilasciato.

Per avviare l'utensile è sufficiente premere l'interruttore. Per aumentare la velocità dell'utensile, aumentare la pressione sull'interruttore. Per spegnere l'utensile, rilasciare l'interruttore.

## Accensione della lampada (Fig. 3)

### ATTENZIONE:

- Non guardare direttamente la luce o la fonte luminosa.

Per accendere la lampada, azionare l'interruttore. La lampada rimane accesa fino a quando si tiene premuto l'interruttore.

La lampada si spegne automaticamente 10-15 secondi dopo aver rilasciato l'interruttore.

### NOTA

- Utilizzare un panno asciutto per pulire la lente della lampada. Fare attenzione a non graffiare la lente della lampada onde evitare riduzioni dell'intensità luminosa.
- Non usare diluenti o benzina per pulire la lampada. Tali solventi possono danneggiarla.

## Azionamento della leva di inversione della rotazione (Fig. 4)

Questo utensile è dotato di una leva di inversione che consente di modificare la direzione di rotazione. Premere la leva di inversione dal lato A se si desidera una rotazione in senso orario, dal lato B se si desidera una rotazione in senso antiorario.


Quando la leva di inversione si trova nella posizione centrale è impossibile azionare l'interruttore.

### ATTENZIONE:

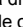
- Prima di azionare l'utensile, controllare sempre la direzione di rotazione impostata.
- Utilizzare la leva di inversione solo quando l'utensile è completamente fermo. Modificare la direzione di rotazione prima dell'arresto può danneggiare l'utensile.
- Se non si utilizza l'utensile, posizionare sempre la leva di inversione nella posizione centrale.

## Selezione della modalità operativa

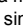
### Foratura con percussione (Fig. 5)

Per la foratura di cemento, muratura, ecc., premere il pulsante di blocco e ruotare la manopola per la modifica della modalità di azione fino al simbolo . Utilizzare una punta con estremità in carburo di tungsteno.

### Solo rotazione (Fig. 6)

Per la foratura del legno, del metallo o di materiali in plastica, premere il pulsante di blocco e ruotare la manopola per la modifica della modalità di azione fino al simbolo . Utilizzare una punta elicoidale o una punta per il legno.

### Solo martellatura (Fig. 7)

Per operazioni di scalpellatura, scagliatura o demolizione, premere il pulsante di blocco e ruotare la manopola per la modifica della modalità di azione fino al simbolo .

Utilizzare una punta gigante, uno scalpello a freddo, uno scalpello per scagliatura, ecc.

### ATTENZIONE:

- Non ruotare la manopola per la modifica della modalità di azione mentre l'utensile è in funzione. L'uso in tali condizioni potrebbe danneggiare l'utensile.
- Per evitare una rapida usura del meccanismo di modifica della modalità, accettarsi che la manopola per la modifica della modalità di azione sia posizionata correttamente su una delle tre posizioni di modalità di azione.

## Limitatore di coppia

Il limitatore di coppia si attiva quando viene raggiunto un certo livello di coppia. Il motore si disinnesta dall'albero motore. In tal caso, la punta smette di girare.

### ATTENZIONE:

- Non appena il limitatore di coppia si attiva, spegnere immediatamente l'utensile. Ciò ne previene l'usura prematura.
- Con questo utensile non è possibile utilizzare seghe frontali a corona, poiché tendono a contrarsi o a penetrare facilmente nel foro, causando la frequente attivazione del limitatore di coppia.

## MONTAGGIO

### ATTENZIONE:

- Prima di eseguire qualsiasi operazione sull'utensile, verificare sempre di averlo spento e di aver rimosso la batteria.

## Impugnatura laterale (maniglia ausiliaria) (Fig. 8)

### ATTENZIONE:

- Utilizzare sempre l'impugnatura laterale per operare in sicurezza.

Installare l'impugnatura laterale in modo che i denti sull'impugnatura si inseriscano tra le sporgenze sul portautensili. Quindi serrare l'impugnatura ruotandola in senso orario fino alla posizione desiderata. Può ruotare a 360° per essere fissata in qualsiasi posizione.

## Grasso per punte

Spalmare una piccola quantità di grasso (0,5 – 1,0 g circa) sulla testa del gambo della punta prima di cominciare il lavoro. Questa lubrificazione del mandrino ne assicura il movimento scorrevole e la lunga durata di servizio.

## Installazione o rimozione della punta

Pulire il gambo della punta e applicare il grasso prima di installare la punta. (Fig. 9)

Inserire la punta nell'utensile. Ruotare la punta e spingere fino ad agganciarla. (Fig. 10)

Se non è possibile inserire la punta, rimuoverla. Abbassare il coperchio del mandrino un paio di volte. Quindi inserire nuovamente la punta. Ruotare la punta e spingere fino ad agganciarla.

Dopo l'installazione, verificare sempre che la punta rimanga saldamente in posizione provando ad estrarla.

Per rimuovere la punta, abbassare completamente il coperchio del mandrino ed estrarre la punta. (Fig. 11)

## Angolo della punta (durante la scalpellatura, la scagliatura o la demolizione) (Fig. 12)

È possibile fissare la punta secondo l'angolo desiderato. Per modificare l'angolo della punta, premere il pulsante di blocco e ruotare la manopola per la modifica della modalità di azione fino al simbolo **O**. Ruotate la punta fino all'angolo desiderato.

Premere il pulsante di blocco e ruotare la manopola per la modifica della modalità di azione fino al simbolo **∩**. Quindi verificare che la punta rimanga saldamente in posizione ruotandola leggermente. (Fig. 13)

## Calibro di profondità (Fig. 14)

Il calibro di profondità è utile per praticare fori della stessa profondità. Allentare l'impugnatura laterale e inserire il calibro di profondità nel foro dell'impugnatura stessa. Regolare il calibro di profondità in base alla profondità desiderata e serrare l'impugnatura laterale.

### NOTA

- Non è possibile utilizzare il calibro di profondità quando tocca l'alloggiamento degli ingranaggi.

## Scodellino per la polvere (Fig. 15)

Utilizzare lo scodellino per la polvere per evitare che la polvere cada sull'utensile o sull'operatore quando si effettuano forature in posizioni elevate, al di sopra della testa. Attaccare lo scodellino per la polvere alla punta come mostrato nella figura. Le dimensioni delle punte a cui si possono attaccare gli scodellini per la polvere sono indicate di seguito.

	Diametro punta
Scodellino per la polvere 5	6 mm - 14,5 mm
Scodellino per la polvere 9	12 mm - 16 mm

# FUNZIONAMENTO

## Foratura con percussione (Fig. 16)

Impostare la manopola per la modifica della modalità di azione sul simbolo **∩**.

Collocare la punta nella posizione desiderata per il foro, quindi premere l'interruttore.

Non forzare l'utensile. Una pressione lieve produce i risultati migliori.

Mantenere l'utensile in posizione e impedire che la punta fuoriesca dal foro.

Non aumentare la pressione quando il foro è ostruito da frammenti o schegge. Al contrario, azionare l'utensile alla velocità minima, quindi rimuovere parzialmente la punta dal foro. Ripetere l'operazione più volte fino a quando il foro risulta sgombro ed è possibile riprendere la foratura.

### ATTENZIONE:

- Quando la foratura è al termine, quando il foro è ostruito da frammenti e schegge o quando la punta colpisce i tondini di metallo incorporati nel cemento, la

punta e lo strumento sono soggetti a una forza di torsione di notevole intensità. Durante il funzionamento, tenere sempre l'utensile utilizzando sia l'impugnatura con l'interruttore sia la maniglia ausiliaria laterale. In caso contrario è possibile perdere il controllo dell'utensile e incorrere nel rischio di gravi lesioni personali.

### NOTA

Durante il funzionamento senza carico dell'utensile, si potrebbe verificare l'eccentricità nella rotazione della punta. L'utensile si centra automaticamente durante il funzionamento. Ciò non ha alcun effetto sulla precisione della foratura.

## Soffietto a peretta (accessorio opzionale) (Fig. 17)

Al termine della foratura, utilizzare il soffietto a peretta per ripulire il foro dalla polvere.

## Scalpellatura/scagliatura/demolizione (Fig. 18)

Impostare la manopola per la modifica della modalità di azione sul simbolo **∩**.

Tenere saldamente l'utensile con entrambe le mani. Accendere l'attrezzo e applicare una leggera pressione in modo da evitare contraccolpi non controllati. L'efficienza dell'utensile non aumenta se si applica una pressione molto forte.

## Foratura del legno o del metallo (Fig. 19 e 20)

Utilizzare il gruppo mandrino trapano opzionale. Per eseguire l'installazione, fare riferimento a "Installazione o rimozione della punta" descritta nella pagina precedente.

Impostare la manopola per la modifica della modalità di azione in modo tale che l'indicatore si trovi in corrispondenza del simbolo **⊗**.

### ATTENZIONE:

- Non utilizzare mai la "foratura con percussione" quando il gruppo del mandrino di perforazione è installato sull'utensile, poiché lo si può danneggiare. Inoltre, quando si inverte la rotazione dell'utensile, il mandrino di perforazione può staccarsi.
- Se si applica una pressione eccessiva sull'utensile non si accelera la foratura. Al contrario, una pressione eccessiva può danneggiare l'estremità della punta, diminuire l'efficacia dell'utensile e abbreviarne la durata operativa.
- Quando avviene lo sfondamento, l'utensile e la punta sono soggetti a una forza rotatoria molto intensa. Impugnare saldamente l'utensile e prestare particolare attenzione quando il foro è quasi completato.
- Per rimuovere una punta inceppata è sufficiente invertire il senso di rotazione dell'utensile ed azionarlo brevemente. Tuttavia, se non si impugna saldamente l'utensile, questo potrebbe arretrare improvvisamente.
- Fissare sempre i pezzi in lavorazione di piccole dimensioni utilizzando una morsa o un dispositivo simile.

# MANUTENZIONE

## ATTENZIONE:

- Prima di effettuare controlli oppure operazioni di manutenzione, verificare sempre di aver spento l'utensile e di aver rimosso la batteria.

## Sostituzione delle spazzole di carbone

### (Fig. 21)

Rimuovere e controllare periodicamente le spazzole di carbone.

Sostituire le spazzole quando sono consumate fino all'indicatore di limite. Mantenere le spazzole di carbone pulite e libere di scorrere nei supporti.

Entrambe le spazzole di carbone devono essere sostituite contemporaneamente. Utilizzare solo spazzole di carbone dello stesso tipo.

Rimuovere i coperchi del supporto inserendo la punta del cacciavite nella parte incavata dell'utensile e sollevandola. (Fig. 22)

Rimuovere i coperchi dei portaspazzola con un cacciavite.

Estrarre le spazzole di carbone consumate, inserire le nuove spazzole e fissare i coperchi dei portaspazzola.

### (Fig. 23)

Rimontare i coperchi del supporto sull'utensile.

Al fine di garantire la SICUREZZA e l'AFFIDABILITÀ del prodotto, le riparazioni e qualsivoglia ulteriore operazione di manutenzione o regolazione devono essere eseguite dai centri di assistenza autorizzati Makita utilizzando sempre parti di ricambio Makita.

# ACCESSORI

## ATTENZIONE:

- L'utensile Makita descritto in questo manuale può essere utilizzato con tali accessori. L'uso di qualsiasi altro accessorio potrebbe provocare lesioni personali. Utilizzare gli accessori esclusivamente per l'uso dichiarato.

Per l'assistenza e ulteriori informazioni su tali accessori, rivolgersi al centro di assistenza Makita locale.

- Punta SDS Plus con estremità al carburo di tungsteno
- Punta gigante
- Scalpello a freddo
- Scalpello per scagliatura
- Scalpello per scanalature
- Gruppo mandrino trapano
- Mandrino trapano S13
- Adattatore per mandrino
- Chiave per mandrino S13
- Grasso per punte
- Impugnatura laterale
- Calibro di profondità
- Soffietto a peretta
- Scodellino per la polvere
- Accessorio estrattore polvere
- Occhiali di protezione
- Valigetta di trasporto di plastica
- Mandrino trapano senza chiave
- Diversi modelli di batterie e caricabatteria originali Makita

**Verklaring van algemene gegevens**

- |                               |                      |                         |
|-------------------------------|----------------------|-------------------------|
| 1. Rode deel                  | 13. Zijhandgreep     | 25. Blaasbalgje         |
| 2. Knop                       | 14. Losdraaien       | 26. Boorkop-adapter     |
| 3. Accu                       | 15. Vastzetten       | 27. Sleutellose boorkop |
| 4. Aan/uit-schakelaar         | 16. Tandem           | 28. Bus                 |
| 5. Lamp                       | 17. Uitsteeksel      | 29. Ring                |
| 6. Omkeerschakelaarknop       | 18. Boorschacht      | 30. Slijtgrensmarkering |
| 7. Roteren met hameren        | 19. Boorvet          | 31. Verdiepte deel      |
| 8. Vastzetknop                | 20. Boor             | 32. Houderafdekking     |
| 9. Omschakelknop              | 21. Boorkopdekkel    | 33. Koolborsteldop      |
| 10. Alleen roteren            | 22. <b>O</b> symbool | 34. Schroevendraaier    |
| 11. Alleen hameren            | 23. Diepteanslag     |                         |
| 12. Basis van de zijhandgreep | 24. Stofvanger       |                         |

**TECHNISCHE GEGEVENS**

Model		BHR180
Vermogen	Beton	18 mm
	Staal	13 mm
	Hout	26 mm
Nullasttoerental (min <sup>-1</sup> )		0 - 1.100
Aantal slagen/minuut		0 - 4.000
Totale lengte		352 mm
Netto gewicht		3,0 kg
Nominale spanning		18 V gelijkstroom

- Als gevolg van ons doorlopende onderzoeks- en ontwikkelingsprogramma, zijn de technische gegevens van dit gereedschap onderhevig aan veranderingen zonder voorafgaande kennisgeving.
- Opmerking: De technische gegevens kunnen van land tot land verschillen.

**Symbolen** END004-1

Hieronder staan de symbolen die voor dit gereedschap worden gebruikt. Zorg ervoor dat u weet wat ze betekenen alvorens het gereedschap te gebruiken.



..... Lees de gebruiksaanwijzing.

**Gebruiksdoelinden** ENE043-1

Het gereedschap is bedoeld voor hamerboren en boren in baksteen, beton en steen, en tevens voor beitelwerk.

Het is ook geschikt voor boren zonder slag in hout, metaal, keramisch materiaal en kunststof.

**SPECIFIEKE VEILIGHEIDSVORSCHRIFTEN**

GEB007-2

**Laat u NIET misleiden door een vals gevoel van comfort en bekendheid met het gereedschap (na veelvuldig gebruik) en neem alle veiligheidsvoorschriften van de boorhamer altijd strikt in acht. Bij onveilig of verkeerd gebruik van het gereedschap, bestaat de kans op ernstig persoonlijk letsel.**

1. **Draag gehoorbescherming.** Blootstelling aan harde geluiden kan leiden tot gehoorbeschadiging.
2. **Gebruik de hulphandgrepen die bij het gereedschap werden geleverd.** Als u de controle over het gereedschap verliest, kan dit leiden tot ernstig persoonlijk letsel.
3. **Houd elektrisch gereedschap vast aan het geïsoleerde oppervlak van de handgrepen wanneer u werkt op plaatsen waar het zaaggereedschap met verborgen bedrading of zijn eigen snoer in aanraking kan komen.** Door contact met onder spanning staande draden, zullen de niet-geïsoleerde metalen delen van het gereedschap onder spanning komen te staan zodat de gebruiker een elektrische schok kan krijgen.
4. **Draag een veiligheidshelm, veiligheidsbril en/of gezichtsbescherming. Een gewone bril of een zonnebril is GEEN veiligheidsbril. Het wordt**



- tevens sterk aanbevelen een stofmasker en dik gevoerde handschoenen te dragen.
- Controleer dat het bit stevig op zijn plaats is vastgezet voordat u het gereedschap gebruikt.
  - Bij normale bediening behoort het gereedschap te trillen. De schroeven kunnen gemakkelijk losraken, waardoor een defect of ongeluk kan ontstaan. Controleer of de schroeven goed zijn aangedraaid, alvorens het gereedschap te gebruiken.
  - In koude weersomstandigheden of wanneer het gereedschap gedurende een lange tijd niet is gebruikt, laat u het gereedschap eerst opwarmen door het onbelast te laten werken. Hierdoor zal de smering worden verbeterd. Zonder degelijk opwarmen, zal de hamerwerking moeilijk zijn.
  - Zorg er altijd voor dat u stevig staat. Zorg ervoor dat er niemand zich onder u bevindt wanneer u het gereedschap op een hoge plaats gebruikt.
  - Houd het gereedschap met beide handen stevig vast.
  - Houd uw handen uit de buurt van bewegende delen.
  - Laat het gereedschap niet ingeschakeld liggen. Bedien het gereedschap alleen wanneer u het vasthoudt.
  - Richt het gereedschap niet op iemand in de buurt terwijl het is ingeschakeld. Het bit zou eruit kunnen vliegen en iemand ernstig verwonden.
  - Raak het bit en onderdelen in de buurt van het bit niet onmiddellijk na gebruik aan. Zij kunnen bijzonder heet zijn en brandwonden op uw huid veroorzaken.
  - Sommige materialen bevatten chemische stoffen die giftig kunnen zijn. Neem voorzorgsmaatregelen tegen het inademen van stof en contact met de huid. Volg de veiligheidsinstructies van de leverancier van het materiaal op.

## BEWAAR DEZE INSTRUCTIES

### WAARSCHUWING:

**VERKEERD GEBRUIK** of het niet volgen van de veiligheidsinstructies in deze gebruiksaanwijzing kan leiden tot ernstig persoonlijk letsel.

## BELANGRIJKE VEILIGHEIDSLINSTRUCTIES ENC007-2

### VOOR ACCU'S

- Alvorens de accu in gebruik te nemen, leest u eerst alle instructies en waarschuwingsopdrachten op (1) de acculader, (2) de accu en (3) het apparaat waarin de accu wordt aangebracht.
- Haal de accu niet uit elkaar.
- Als de gebruikstijd aanzienlijk korter is geworden, stopt u onmiddellijk met het gebruik. Anders kan dit leiden tot oververhitting, mogelijke brandwonden en zelfs een explosie.
- Als de elektrolyt in uw ogen komt, wast u deze uit met schoon water en raadpleegt u onmiddellijk

- een arts. Dit kan leiden tot verlies van gezichtsvermogen.
- Sluit de accu niet kort:
  - Raak de accupolen niet aan met enig geleidend materiaal.
  - Bewaar de accu niet op een plaats waar deze in aanraking kan komen met andere metalen voorwerpen, zoals spijkers, munten, enz.
  - Stel de accu niet bloot aan water of regen. Kortsluiting van de accu kan leiden tot een hoge stroomsterkte, oververhitting, mogelijke brandwonden en zelfs een defect.
- Bewaar het gereedschap en de accu niet op plaatsen waar de temperatuur kan oplopen tot 50 °C of hoger.
- Werp de accu niet in een vuur, zelfs niet als deze al ernstig beschadigd of helemaal versleten is. De accu kan in een vuur exploderen.
- Wees voorzichtig dat u de accu niet laat vallen of ergens tegenaan stoot.

## BEWAAR DEZE INSTRUCTIES

### Tips voor een lange levensduur van de accu

- Laad de accu op voordat deze volledig leeg is. Wanneer u merkt dat het gereedschap minder vermogen heeft, stopt u met het gebruik ervan en laadt u eerst de accu op.
- Laad nooit een volledig opgeladen accu op. Te lang opladen verkort de levensduur van de accu.
- Laad de accu op bij een omgevingstemperatuur van 10 °C t/m 40 °C. Laat een warme accu eerst afkoelen voordat u deze oplaadt.

## BESCHRIJVING VAN DE FUNCTIES

### LET OP:

- Controleer altijd of het gereedschap is uitgeschakeld en de accu is verwijderd alvorens de functies van het gereedschap te controleren of af te stellen.

### De accu aanbrengen en verwijderen (zie afb. 1)

- Schakel het gereedschap altijd uit voordat u de accu aanbrengt of verwijdert.
- Om de accu te verwijderen verschuift u de knop aan de voorkant van de accu en trekt u tegelijkertijd de accu uit het gereedschap.
- Om de accu aan te brengen, lijnt u de lip op de accu uit met de groef in de behuizing en duwt u de accu op zijn plaats. Steek de accu zo ver mogelijk in het gereedschap tot u een klikgeluid hoort. Als u het rode deel aan de bovenkant van de knop kunt zien, is de accu niet goed aangebracht. Steek de accu zo ver mogelijk erin tot het rode deel niet meer zichtbaar is. Als u dit niet doet, kan de accu per ongeluk uit het gereedschap vallen en u of anderen in uw omgeving verwonden.

- Oefen geen grote kracht uit bij het aanbrengen van de accu. Als de accu niet gemakkelijk in het gereedschap kan worden gestoken, wordt deze niet goed aangebracht.

## In- en uitschakelen (zie afb. 2)

### LET OP:

- Controleer altijd, voordat u de accu in het gereedschap steekt, of de aan/uit-schakelaar op de juiste manier schakelt en weer terugkeert naar de uit-stand nadat deze is losgelaten.

Om het gereedschap in te schakelen, knijpt u gewoon de aan/uit-schakelaar in. De draaisnelheid van het gereedschap neemt toe naarmate u meer druk uitoefent op de aan/uit-schakelaar. Laat de aan/uit-schakelaar los om het gereedschap te stoppen

## De lamp inschakelen (zie afb. 3)

### LET OP:

- Kijk niet rechtstreeks in het licht of naar de bron van de lamp.

Knijp de aan/uit-schakelaar in om de lamp op de voorkant in te schakelen. De lamp blijft branden zolang u de aan/uit-schakelaar ingeknepen houdt.

De lamp gaat 10 tot 15 seconden nadat de aan/uit-schakelaar is losgelaten automatisch uit.

### OPMERKING:

- Gebruik een doek om het vuil van de lens van de lamp te vegen. Wees voorzichtig dat u de lens van de lamp niet bekrast om de lichtopbrengst niet te verlagen.
- Maak de lens van de lamp niet schoon met verdunner of benzine. Dergelijke oplosmiddelen kunnen de lens van de lamp beschadigen.

## Werking van de omkeerschakelaar (zie afb. 4)

Dit gereedschap is uitgerust met een omkeerschakelaar waarmee u de draairichting kunt omkeren. Druk op de omkeerschakelaar vanaf kant A voor de draairichting rechtsom, of vanaf kant B voor de draairichting linksom.


Wanneer de omkeerschakelaar in de middenstand staat, kunt u de aan/uit-schakelaar niet inknijpen.

### LET OP:

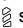
- Controleer altijd de draairichting alvorens het gereedschap te gebruiken.
- Gebruik de omkeerschakelaar alleen nadat het gereedschap volledig tot stilstand is gekomen. Als u de draairichting verandert voordat het gereedschap volledig stilstaat, kan het gereedschap worden beschadigd.
- Als u het gereedschap niet gebruikt, zet u de omkeerschakelaar altijd in de middenstand.

## De werkingsfunctie selecteren

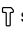
### Roteren met hameren (zie afb. 5)

Voor het boren in beton, metselwerk, enz., drukt u de vastzetknop in en draait u de omschakelknop naar het  symbool. Gebruik een boor met een hardmetalen punt.

### Alleen roteren (zie afb. 6)

Voor het boren in hout, metaal of kunststofmaterialen, drukt u de vastzetknop in en draait u de omschakelknop naar het  symbool. Gebruik een spiraalboor of houtboor.

### Alleen hameren (zie afb. 7)

Voor het beitelen, bikken of sloopwerkzaamheden, drukt u de vastzetknop in en draait u de omschakelknop naar het  symbool. Gebruik een rond boor, koudbeitel, bikbeitel, enz.

### LET OP:

- Draai de omschakelknop niet terwijl het gereedschap draait. Het gereedschap zal hierdoor worden beschadigd.
- Om snelle slijtage van het omschakelmechanisme te voorkomen, zorgt u ervoor dat de omschakelknop altijd precies in een van de drie standen staat.

## Koppelbegrenzer

De koppelbegrenzer treedt in werking wanneer de motor een bepaald koppel bereikt. De motor wordt dan ontkoppeld van de uitgangsas. Wanneer dit gebeurt, zal de boor ophouden met draaien.

### LET OP:

- Schakel het gereedschap onmiddellijk uit wanneer de koppelbegrenzer in werking treedt. Hiermee helpt u vroegtijdige slijtage van het gereedschap voorkomen.
- Gatenzagen kunnen met dit gereedschap niet worden gebruikt. Deze lopen of klemmen gemakkelijk vast in het boorgat. De koppelbegrenzer treedt hierdoor te vaak in werking.

## ONDERDELEN AANBRENGEN/ VERWIJDEREN

### LET OP:

- Controleer altijd of het gereedschap is uitgeschakeld en de accu is verwijderd alvorens enige werkzaamheden aan het gereedschap te verrichten.

## Zijhandgreep (hulphandgreep) (zie afb. 8)

### LET OP:

- Gebruik altijd de zijhandgreep om veilig te kunnen werken.

Plaats de zijhandgreep zodanig over de kop van het gereedschap dat de tanden van de zijhandgreep in de uitsteeksels van het gereedschap passen. Draai daarna de zijhandgreep vast door deze in de gewenste stand rechtsom te draaien. De zijhandgreep kan 360° rond het gereedschap gedraaid worden en in iedere gewenste stand worden vastgezet.

## Boorvet

Voor dat u de boor aanbrengt, smeert u een beetje vet (ca. 0,5 tot 1,00 gram) op de kop van de boorschacht. Met een ingevette boorkop zal het gereedschap beter werken en langer meegaan.

## Aanbrengen en verwijderen van de boor

Reinig de boorschacht en smeer er boorvet op alvorens de boor te installeren (zie afb. 9).

Steek de boor in het gereedschap. Draai de boor en duw deze naar binnen tot zij vergrendelt (zie afb. 10).

Als de boor niet naar binnen kan worden geduwd, haalt u de boor eruit. Trek het boorkopdeksel enkel keren omlaag. Steek de boor daarna opnieuw naar binnen. Draai de boor en duw deze naar binnen tot zij vergrendelt. Controleer na het aanbrengen altijd of het bit stevig in het gereedschap is bevestigd door te proberen het eruit te trekken.

Om de boor te verwijderen, trekt u het boorkopdeksel helemaal omlaag en dan trekt u de boor eruit (**zie afb. 11**).

## Beitelhoek (bij beitelen, bikken of slopen) (zie afb. 12)

De beitel kan onder de gewenste hoek worden vastgezet. Om de beitelhoek te veranderen, drukt u de vastzetknop in en draait u de omschakelknop naar het **O** symbool. Draai de beitel naar de gewenste hoek.

Druk de vastzetknop in en draai de omschakelknop naar het **∩** symbool. Controleer daarna dat de beitel stevig op zijn plaats vastzit door deze iets te draaien (**zie afb. 13**).

## Diepte aanslag (zie afb. 14)

De diepte aanslag is handig voor het boren van gaten van gelijke diepte. Maak de zijhandgreep los en steek de diepte aanslag in het gat in de zijhandgreep. Stel de diepte aanslag af op de gewenste diepte en zet de zijhandgreep vast.

### OPMERKING:

- De diepte aanslag kan niet worden gebruikt in de positie waarbij deze tegen het tandwielhuis aanstoot.

## Stofvanger (zie afb. 15)

Gebruik de stofvanger om te voorkomen dat stof op het gereedschap en op uzelf terecht komt wanneer u boven uw hoofd boort. Bevestig de stofvanger aan de boor zoals aangegeven in de afbeelding. De diameter van de boren waaraan de stofvanger kan worden bevestigd is als volgt.

	Boordiameter
Stofvanger 5	6 mm t/m 14,5 mm
Stofvanger 9	12 mm t/m 16 mm

## BEDIENING

### Gebruik als hamerboor (zie afb. 16)

Draai de omschakelknop naar het **∩** symbool.

Plaats de punt van de boor op de gewenste plaats waar geboord moet worden en trek vervolgens de schakelaar in.

Forceer het gereedschap niet. Een lichte druk geeft de beste resultaten.

Houd het gereedschap stevig vast en zorg dat het niet uitglijdt.

Oefen geen grotere druk uit wanneer het boorgat verstopt raakt met schilfertjes of metaaldeeltjes. Laat in zo'n geval het gereedschap langzaam lopen en verwijder de boor gedeeltelijk uit het boorgat. Wanneer dit verschillende keren wordt herhaald, zal het boorgat schoon worden en kunt u normaal verder boren.

### LET OP:

- Op het moment dat het boorgat doorbreekt, het boorgat verstopt raakt met schilfertjes of metaaldeeltjes, of de boorhamer de bewapening in het beton raakt, wordt een enorme kracht uitgeoefend op het gereedschap/de boor. Gebruik altijd de zijhandgreep (hulphandgreep) en houd het gereedschap tijdens gebruik stevig vast aan zowel de zijhandgreep als de hoofdhandgreep. Als u dit niet doet, kan u de controle over het gereedschap verliezen en mogelijk ernstig letsel veroorzaken.

### OPMERKING:

Terwijl het gereedschap onbelast wordt gebruikt, kan de boor excentrisch draaien. Het gereedschap centreert zichzelf automatisch tijdens het gebruik. Dit heeft geen nadelige invloed op de nauwkeurigheid van het boren.

## Luchtblazer (los verkrijgbaar) (zie afb. 17)

Gebruik na het boren het blaasbalgje om het stof uit het boorgat te blazen.

## Beitelen, bikken en slopen (zie afb. 18)

Draai de omschakelknop naar het **∩** symbool.

Houd het gereedschap met beide handen stevig vast. Schakel het gereedschap in en oefen er enige kracht op uit zodat het gereedschap niet oncontroleerbaar in het rond springt. Het gereedschap werkt niet efficiënter als u grote druk op het gereedschap uitoefent.

## Boren in hout of metaal (zie afb. 19 en 20)

Gebruik de los verkrijgbare boorkopmontage. Om deze te installeren, zie "Aanbrengen en verwijderen van de boor" op de vorige pagina.

Draai de omschakelknop zodanig dat de aanwijspunt naar het **∩** symbool wijst.

### LET OP:

- Gebruik nooit "Roteren met hameren" wanneer de boorkopmontage op het gereedschap is gemonteerd. De boorkopmontage kan hierdoor beschadigd raken. Bovendien zal de boorkop loskomen wanneer de draairichting van het gereedschap wordt omgekeerd.
- Het boren zal niet sneller verlopen als u hard op het gereedschap drukt. In feite zal dergelijk duwen alleen maar leiden tot beschadiging van de boor, verlagen van de prestaties van het gereedschap, en verkorten van de levensduur van het gereedschap.
- Op het moment dat het boorgat doorbreekt wordt een enorme draaikracht uitgeoefend op het gereedschap/de boor. Houd het gereedschap stevig vast en let goed op wanneer het bit door het werkstuk breekt.
- Een vastgelopen boor kan eenvoudigweg worden verwijderd door de omkeerschakelknop in de stand voor achteruitdraaien te zetten om de boor te verwijderen. Het gereedschap kan echter plotseling achteruit komen als u het niet stevig vasthoudt.
- Zet kleine werkstukken altijd vast in een bankschroef of soortgelijk bevestigingsmiddel.

# ONDERHOUD

## LET OP:

- Zorg er altijd voor dat de machine is uitgeschakeld en de accu is verwijderd, voordat u een inspectie of onderhoud uitvoert.

## De koolborstels vervangen (zie afb. 21)

Verwijder en controleer de koolborstels regelmatig.

Vervang deze wanneer ze tot aan de slijtgrensmarkering zijn afgesleten. Houd de koolborstels schoon en zorg ervoor dat ze vrij kunnen bewegen in de houders.

Beide koolborstels dienen tegelijkertijd te worden vervangen. Gebruik alleen identieke koolborstels.

Verwijder de houderafdekking door een platkopschroevendraaier in de inkeping in het gereedschap te steken en deze omhoog te wippen (**zie afb. 22**).

Gebruik een schroevendraaier om de koolborsteldoppen te verwijderen.

Haal de versleten koolborstels eruit, plaats de nieuwe erin, en zet de koolborsteldoppen goed vast (**zie afb. 23**).

Plaats de houderafdekkingen terug op het gereedschap.

Om de VEILIGHEID en BETROUWBAARHEID van het gereedschap te handhaven, dienen alle reparaties, onderhoud en afstellingen te worden uitgevoerd door een erkend Makita-servicecentrum, en altijd met gebruikmaking van originele Makita-vervangingsonderdelen.

# ACCESSOIRES

## LET OP:

- Deze accessoires of hulpstukken worden aanbevolen voor gebruik met het Makita-gereedschap dat in deze gebruiksaanwijzing wordt beschreven. Het gebruik van andere accessoires of hulpstukken kan gevaar op persoonlijk letsel opleveren. Gebruik de accessoires of hulpstukken uitsluitend voor de aangegeven gebruiksdoeleinden.

Mocht u meer informatie willen hebben over deze accessoires, dan kunt u contact opnemen met uw plaatselijke Makita-servicecentrum.

- SDS-Plus boren met een hardmetalen punt
- Ronde boor
- Koudbeitel
- Bikbeitel
- Groefbeitel
- Boorkopmontage
- Boorkop S13
- Boorkop-adapter
- Boorkopsleutel S13
- Boorvet
- Zijhandgreep
- Diepteaanslag
- Blaasbalgje
- Stofvanger
- Hulpstuk voor stofafscheiding
- Veiligheidsbril
- Kunststoffen draagdoos
- Sleutelloze boorkop
- Diverse types originele Makita-accu's en acculaders

## Explicación de los dibujos

- |   |                            |   |
|---|----------------------------|---|
| 1. Parte roja                           | 12. Base de la empuñadura  | 25. Bulbo de extracción                       |
| 2. Botón                                | 13. Empuñadura lateral     | 26. Adaptador de mandril                      |
| 3. Cartucho de la batería               | 14. Aflojar                | 27. Mandril automático                        |
| 4. Interruptor disparador               | 15. Apretar                | 28. Camisa                                    |
| 5. Lámpara                              | 16. Dientes                | 29. Anillo                                    |
| 6. Palanca del interruptor de inversión | 17. Saliente               | 30. Marca de límite                           |
| 7. Giro con percusión                   | 18. Espiga de la broca     | 31. Parte cóncava                             |
| 8. Botón de bloqueo                     | 19. Grasa para brocas      | 32. Cubierta de la tapa del portaherramientas |
| 9. Pomo de cambio de modo de acción     | 20. Broca                  | 33. Tapa del portaescobillas                  |
| 10. Sólo giro                           | 21. Cubierta del mandril   | 34. Destornillador                            |
| 11. Sólo percusión                      | 22. Símbolo <b>O</b>       |   |
|   | 23. Calibre de profundidad |   |
|   | 24. Tapa contra el polvo   |   |

## ESPECIFICACIONES

Modelo		BHR180
Capacidades	Hormigón	18 mm
	Acero	13 mm
	Madera	26 mm
Velocidad en vacío (mín <sup>-1</sup> )		0 - 1.100
Golpes por minuto		0 - 4.000
Longitud total		352 mm
Peso neto		3,0 kg
Tensión nominal		CC de 18 V

- Debido a nuestro programa continuo de investigación y desarrollo, las especificaciones aquí descritas están sujetas a cambios sin previo aviso.
- Nota: las especificaciones pueden ser diferentes de un país a otro.

### Símbolos

END004-1

Se utilizan los siguientes símbolos para el equipo. Asegúrese de que comprende su significado antes del uso.



..... Lea el manual de instrucciones.

### Uso previsto

ENE043-1

Esta herramienta está diseñada para perforar con percusión y taladrar ladrillo, hormigón y piedra, así como para trabajos de cincelado.

También es apropiada para taladrar sin impactos en madera, metal, cerámica y plástico.

## NORMAS DE SEGURIDAD ESPECÍFICAS

GEB007-2

**NO deje que la comodidad o la familiaridad con el producto (a base de utilizarlo repetidamente) sustituya la estricta observancia de las normas de seguridad para el martillo rotativo. Si utiliza esta herramienta de forma no segura o incorrecta, puede sufrir graves lesiones.**

- Utilice protectores para los oídos.** La exposición al ruido puede producir pérdida auditiva.
- Utilice las empuñaduras auxiliares suministradas con la herramienta.** La pérdida de control puede ocasionar daños corporales.
- Sujete las herramientas eléctricas por las superficies de agarre aisladas al realizar una operación en que la herramienta de corte pueda entrar en contacto con cables ocultos o con su propio cable.** Si entra en contacto con un cable con corriente, las piezas metálicas expuestas se cargarán también de corriente y el operario puede recibir una descarga.
- Póngase un casco de seguridad, gafas de seguridad y/o una careta protectora. Las gafas normales o de sol NO son gafas de seguridad. También se recomienda encarecidamente que utilice una mascarilla antipolvo y guantes gruesos acolchados.**

5. Asegúrese de que la broca esté firmemente sujeta en su lugar antes del uso.
6. En condiciones normales de funcionamiento, la herramienta está diseñada para producir vibraciones. Los tornillos pueden aflojarse fácilmente, con lo cual se puede averiar la herramienta o puede producirse un accidente. Compruebe que los tornillos estén bien apretados antes del uso.
7. Si hace frío o la herramienta no se ha utilizado durante un periodo prolongado, deje que se caliente la herramienta poniéndola en marcha en vacío. De este modo se facilitará la lubricación. Si no se calienta adecuadamente, se dificultará el martilleo.
8. Colóquese siempre en una posición bien equilibrada. Si utiliza la herramienta en una ubicación elevada, asegúrese de que nadie se encuentre debajo.
9. Sujete firmemente la herramienta con ambas manos.
10. Mantenga las manos alejadas de las piezas móviles.
11. No deje la herramienta encendida. Póngala en marcha solamente cuando la tenga en las manos.
12. No apunte la herramienta hacia ninguna persona que se encuentre en la zona durante su uso. La broca podría salir disparada y herir gravemente a alguien.
13. No toque la broca ni las piezas cercanas a ésta inmediatamente después de que hayan estado en funcionamiento; pueden estar extremadamente calientes y producir quemaduras en la piel.
14. Algunos materiales contienen sustancias químicas que pueden ser tóxicas. Procure evitar la inhalación de polvo y el contacto con la piel. Siga los datos de seguridad del proveedor del material.
4. Si se produce contacto ocular con electrolito, enjuáguese los ojos con agua limpia y acuda de urgencia al médico. Corre el riesgo de perder la visión.
5. No cortocircuite el cartucho de la batería:
  - (1) No toque los terminales con material conductor.
  - (2) Evite guardar el cartucho de la batería en un recipiente con otros objetos metálicos, como clavos, monedas, etc.
  - (3) No exponga el cartucho de la batería al agua o a la lluvia.  
Un cortocircuito puede provocar un elevado flujo de corriente, sobrecalentamiento, quemaduras o incluso una avería.
6. No almacene la herramienta ni el cartucho de la batería en lugares donde la temperatura supere los 50 °C (122 °F).
7. No queme el cartucho de la batería aunque esté gravemente dañado o completamente gastado. El cartucho de la batería puede explotar si entra en contacto con fuego.
8. Procure que la batería no sufra golpes ni caídas.

## GUARDE ESTAS INSTRUCCIONES.

### Consejos para conseguir una mayor duración de la batería

1. Cargue la batería antes de que se descargue por completo.  
Cuando observe que la herramienta tiene menos potencia, deje de utilizarla y cargue el cartucho de la batería.
2. No recargue nunca un cartucho de batería completamente cargado.  
La sobrecarga acorta la vida útil de la batería.
3. Cargue el cartucho de la batería a una temperatura ambiente que oscile entre 10 °C y 40 °C (50 °F - 104 °F). Antes de cargar un cartucho de batería caliente, deje que se enfríe.

## DESCRIPCIÓN DEL FUNCIONAMIENTO

### PRECAUCIÓN:

- Asegúrese siempre de apagar la herramienta y extraer el cartucho de la batería antes de intentar realizar cualquier tipo de ajuste o comprobación en ella.

### Instalación o extracción del cartucho de la batería (Fig. 1)

- Apague siempre la herramienta antes de insertar o extraer el cartucho de la batería.
- Para extraer el cartucho de la batería, quítelo de la herramienta al mismo tiempo que desliza el botón situado en la parte frontal del cartucho.
- Para insertar el cartucho de la batería, alinee la lengüeta situada en el cartucho de la batería con la ranura del alojamiento e insértelo. Insértelo completamente hasta que quede firmemente sujeto y se bloquee con un clic. Si puede ver la parte roja de la

## GUARDE ESTAS INSTRUCCIONES.

### ADVERTENCIA:

El MAL USO o la no observancia de las normas de seguridad expuestas en este manual de instrucciones pueden ocasionar graves daños corporales.

## INSTRUCCIONES DE SEGURIDAD IMPORTANTES

ENC007-2

### PARA EL CARTUCHO DE LA BATERÍA

1. Antes de utilizar el cartucho de la batería, lea todas las instrucciones y referencias de precaución que se encuentran en (1) el cargador de baterías, (2) la batería y (3) el producto que utiliza la batería.
2. No desmonte el cartucho de la batería.
3. Si el tiempo de funcionamiento es excesivamente corto, deje de utilizar la herramienta de inmediato. De lo contrario, existe el riesgo de sobrecalentamiento, quemaduras e incluso explosión.

zona superior del botón, significa que el cartucho no está completamente bloqueado. Insértelo completamente hasta que la parte roja quede oculta. De lo contrario, el cartucho puede desprenderse accidentalmente de la herramienta y causar lesiones al operario o a alguna persona que se encuentre cerca.

- No haga fuerza al insertar el cartucho de la batería. Si no se inserta suavemente, significa que no lo está instalando correctamente.

## Funcionamiento del interruptor (Fig. 2)

### PRECAUCIÓN:

- Antes de insertar el cartucho de la batería en la herramienta, asegúrese siempre de que el interruptor disparador funciona como es debido y que vuelve a la posición "OFF" (apagado) al soltarlo.

Para poner en marcha la herramienta, simplemente accione el interruptor disparador. La velocidad de la herramienta aumenta al incrementar la presión sobre el interruptor disparador. Suelte el interruptor disparador para detener la herramienta.

## Encendido de la lámpara (Fig. 3)

### PRECAUCIÓN:

- No mire hacia la luz ni mire directamente hacia la fuente de luz.

Tire del interruptor disparador para encender la luz. La luz permanece encendida mientras se acciona el interruptor disparador.

La luz se apaga automáticamente entre 10 y 15 segundos después de soltar el interruptor disparador.

### NOTA:

- Utilice un paño seco para limpiar la suciedad del cristal de la lámpara. Procure no rayar el cristal de la lámpara, puesto que puede disminuir el grado de iluminación.
- No utilice disolventes ni gasolina para limpiar la lámpara. Estos productos pueden dañarla.

## Funcionamiento del interruptor de inversión (Fig. 4)

Esta herramienta está provista de un interruptor de inversión para cambiar la dirección de giro. Apriete la palanca del interruptor de inversión por el lado A para obtener un giro a la derecha o por el lado B para girar a la izquierda.


Cuando la palanca del interruptor de inversión está en la posición neutral, el interruptor disparador no se puede accionar.

### PRECAUCIÓN:

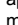
- Antes de trabajar, compruebe siempre la dirección del giro.
- Utilice el interruptor de inversión sólo cuando la herramienta se haya detenido por completo, ya que, de lo contrario, la herramienta podría averiarse.
- Cuando no utilice la herramienta, coloque siempre la palanca del interruptor de inversión en la posición neutral.

## Selección del modo de acción

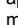
### Giro con percusión (Fig. 5)

Para taladrar hormigón, ladrillo, etc. apriete el botón de bloqueo y gire el pomo de cambio de modo de acción al símbolo . Utilice una broca con punta de carburo de tungsteno.

### Sólo giro (Fig. 6)

Para taladrar hormigón, metal o materiales plásticos, apriete el botón de bloqueo y gire el pomo de cambio de modo de acción al símbolo . Utilice una broca helicoidal o de madera.

### Sólo percusión (Fig. 7)

Para trabajos de cincelado, desincrustación o demolición, apriete el botón de bloqueo y gire el pomo de cambio de modo de acción al símbolo . Utilice un puntero, un cortafío, un cincel de desincrustación, etc.

### PRECAUCIÓN:

- No gire el pomo de cambio del modo de acción mientras la herramienta está en funcionamiento, ya que, de lo contrario, la herramienta se averiará.
- Para evitar el desgaste prematuro del mecanismo de cambio de modo, asegúrese siempre de que el pomo de cambio del modo de acción queda bien colocado en una de las tres posiciones de modo de acción.

## Limitador de par de apriete

El limitador de par de apriete entra en acción cuando se alcanza un cierto nivel de par. El motor se desacoplará del eje de salida. Cuando esto suceda, la broca dejará de girar.

### PRECAUCIÓN:

- Desconecte la herramienta tan pronto como actúe el limitador de par de apriete. Ello evitará que la herramienta se desgaste prematuramente.
- Esta herramienta no admite sierras perforadoras, ya que tienden a mellarse y quedar atrapadas en el agujero con facilidad. Ello provocará que el limitador de par de apriete actúe con demasiada frecuencia.

## MONTAJE

### PRECAUCIÓN:

- Asegúrese siempre de apagar la herramienta y extraer el cartucho de la batería antes de intentar realizar cualquier tipo de operación en la herramienta.

## Empuñadura lateral (empuñadura auxiliar) (Fig. 8)

### PRECAUCIÓN:

- Utilice siempre la empuñadura lateral para garantizar un uso seguro.

Instale la empuñadura lateral de forma que los dientes de la base de la empuñadura encajen entre los salientes del portaherramientas. A continuación, apriete la empuñadura girándola hacia la derecha hasta la posición requerida. Se puede girar 360° y se puede fijar en cualquier posición.

## Grasa para brocas

En primer lugar, aplique una pequeña cantidad de grasa para brocas (aprox. 0,5 - 1 g) a la cabeza de la espiga de

la broca. De este modo se lubrica el mandril, hecho que alarga su vida útil y suaviza su operación.

## Instalación o extracción de la broca

Limpie la espiga de la broca y engrásela antes de montarla. (Fig. 9)

Introduzca la broca en la herramienta. Gírela y empújela hasta que se enclave. (Fig. 10)

Si la broca no entra, extráigala. Desplace la cubierta del mandril un par de veces hacia abajo. Vuelva a introducir la broca. Gírela y empújela hasta que se enclave.

Después de la instalación, asegúrese siempre de que la broca esté bien sujeta en su lugar; para ello, intente sacarla.

Para extraer la broca, desplace la cubierta del mandril la máximo hacia abajo y tire de la broca hacia fuera. (Fig. 11)

## Ángulo de la broca (cincelado, desincrustación o demolición) (Fig. 12)

La broca puede fijarse en cualquier ángulo. Para cambiarlo, apriete el botón de bloqueo y coloque el pomo de cambio del modo de acción en el símbolo **O**. Gire la broca al ángulo requerido.

Apriete el botón de bloqueo y coloque el pomo de cambio del modo de acción en el símbolo **∩**. Compruebe que la broca ha quedado bien sujeta; para ello, gírela ligeramente. (Fig. 13)

## Calibre de profundidad (Fig. 14)

El calibre de profundidad es muy útil para realizar agujeros de profundidad uniforme. Afloje la empuñadura lateral e introduzca el calibre de profundidad en el agujero de la empuñadura. Ajuste el calibre a la profundidad deseada y apriete la empuñadura lateral.

### NOTA:

- No se puede usar el calibre de profundidad en la posición en la que golpea contra el alojamiento del engranaje.

## Tapa contra el polvo (Fig. 15)

Cuando realice operaciones de perforación a una altura por encima de la cabeza, utilice la tapa contra el polvo para impedir que el polvo le caiga encima. Sujete la tapa contra el polvo a la broca tal como indica la figura. Las distintas tapas contra el polvo pueden fijarse a brocas del siguiente tamaño.

	Diámetro de la broca
Tapa contra el polvo 5	6 mm - 14,5 mm
Tapa contra el polvo 9	12 mm - 16 mm

## MANEJO

### Función de perforación con percusión (Fig. 16)

Coloque el pomo de cambio del modo de acción al símbolo **⚡**.

Coloque la broca en el lugar donde desee practicar el orificio y, a continuación, presione el interruptor disparador.

No fuerce la herramienta. Los mejores resultados se obtienen cuando se ejerce una presión suave.

Mantenga la herramienta en posición y evite que se desplace fuera del orificio.

No ejerza más presión cuando el orificio se obstruya con restos o partículas de materiales. Pare la herramienta y, a continuación, extraiga la broca parcialmente del orificio. Repita esta operación varias veces hasta que el orificio se limpie y pueda reanudar la perforación.

### PRECAUCIÓN:

- No determinadas situaciones, como, por ejemplo, al practicar un agujero, cuando el orificio se tapona con restos y partículas de materiales o cuando se golpean las varas de refuerzo dentro del hormigón, se ejerce una enorme y súbita fuerza de torsión sobre la herramienta y la broca. Utilice siempre la empuñadura lateral (mango auxiliar) y sujete firmemente la herramienta por la empuñadura lateral y por el mango del interruptor durante el funcionamiento. De lo contrario, puede perder el control de la herramienta y sufrir heridas graves.

### NOTA:

Al utilizar la herramienta en vacío, la broca puede girar de forma descentrada. La herramienta se centra automáticamente durante la operación. Ello no afecta a la precisión de la perforación.

## Bulbo de extracción (accesorio opcional) (Fig. 17)

Tras perforar el orificio, utilice el bulbo de extracción para quitar el polvo y los restos de materiales del orificio.

## Cincelado/desincrustación/demolición (Fig. 18)

Coloque el pomo de cambio del modo de acción al símbolo **∩**.

Sujete firmemente la herramienta con ambas manos. Encienda la herramienta y aplique una ligera presión sobre ella para evitar que rebote sin control. Apretar demasiado la herramienta no aumenta la eficacia.

## Perforación en madera o metal (Fig. 19 y 20)

Utilice el conjunto de mandril opcional. Cuando lo instale, consulte "Instalación o extracción de la broca", descrito en la página anterior.

Coloque el pomo de cambio del modo de acción de tal manera que el puntero señale el símbolo **⚡**.

### PRECAUCIÓN:

- No utilice la "perforación con percusión" si está montado el conjunto de mandril en la herramienta. El conjunto de mandril podría resultar dañado. Además, el mandril podría caerse al invertir la herramienta.
- Apretar la herramienta en exceso no acelerará la perforación. De hecho, esta presión excesiva sólo servirá para dañar la punta de la broca, reducir el rendimiento de la herramienta y acortar su vida útil.
- En el momento de realizar el orificio, se ejerce una presión de giro enorme sobre la herramienta y la broca. Sujete firmemente la herramienta y tenga



- mucho cuidado cuando la broca empieza a perforar el material.
- Para sacar una broca atascada, sólo tiene que ajustar el interruptor de inversión en el giro inverso. Sin embargo, la herramienta puede retroceder bruscamente si no la sujeta con fuerza.
- Sujete siempre las piezas de trabajo pequeñas en una prensa de tornillo o un dispositivo de sujeción similar.

- Adaptador de mandril
- Llave del mandril S13
- Grasa para brocas
- Empuñadura lateral
- Calibre de profundidad
- Bulbo de extracción
- Tapa contra el polvo
- Accesorio para extractor de polvo
- Gafas de seguridad
- Maletín de plástico para el transporte
- Mandril automático
- Diversos tipos de baterías y cargadores originales de Makita

## MANTENIMIENTO

### PRECAUCIÓN:

- Asegúrese de apagar siempre la herramienta y extraer el cartucho de la batería antes de intentar realizar cualquier trabajo de inspección o mantenimiento en ella.

### Reemplazo de las escobillas de carbón (Fig. 21)

Extraiga y compruebe las escobillas de carbón regularmente.

Cámbielas cuando el desgaste alcance la marca de límite. Mantenga las escobillas de carbón limpias y de forma que entren libremente en los portaescobillas.

Ambas escobillas de carbón deberán ser sustituidas al mismo tiempo. Utilice únicamente escobillas de carbón idénticas.

Extraiga las tapas del portaherramientas introduciendo el destornillador de punta plana en la parte cóncava de la herramienta y levantándola. (Fig. 22)

Utilice un destornillador para extraer las tapas de los portaescobillas.

Saque las escobillas de carbón desgastadas, introduzca las nuevas y cierre las tapas de los portaescobillas.

### (Fig. 23)

Vuelva a colocar las tapas del portaherramientas en la herramienta.

Para conservar la SEGURIDAD y la FIABILIDAD del producto, los trabajos de reparación y otros trabajos de mantenimiento y ajuste deberán ser realizados en centros de servicio autorizados de Makita, utilizando siempre repuestos Makita.

## ACCESORIOS

### PRECAUCIÓN:

- Se recomienda el uso de estos accesorios o complementos con la herramienta Makita especificada en este manual. El uso de otros accesorios o complementos puede conllevar el riesgo de ocasionar daños corporales. Utilice los accesorios o complementos solamente para su fin establecido.

Si necesita cualquier ayuda para obtener más información relativa a estos accesorios, pregunte al centro de servicio Makita local.

- Brocas con punta de carburo SDS-Plus
- Puntero
- Cortafíos
- Cíncel de desincrustación
- Cíncel para acanaladuras
- Conjunto de mandril
- Mandril S13

## Descrição geral

- |   |                             |   |
|---|-----------------------------|---|
| 1. Peça vermelha                                | 12. Apoio da base           | 24. Recipiente de pó                    |
| 2. Botão  | 13. Pega lateral            | 25. Fole                                |
| 3. Bateria                                      | 14. Desapertar              | 26. Adaptador do mandril                |
| 4. Gatilho                                      | 15. Apertar                 | 27. Mandril da broca sem chave          |
| 5. Lâmpada                                      | 16. Dentes                  | 28. Manga                               |
| 6. Manípulo de mudança de rotação               | 17. Saliência               | 29. Anel                                |
| 7. Rotação com martelo                          | 18. Haste da broca          | 30. Marca limite                        |
| 8. Botão de bloqueio                            | 19. Lubrificador da broca   | 31. Interior                            |
| 9. Manípulo de mudança de modo de funcionamento | 20. Broca                   | 32. Cobertura da tampa do porta-escovas |
| 10. Apenas rotação                              | 21. Tampa do mandril        | 33. Tampa do porta-escovas              |
| 11. Apenas martelo                              | 22. Símbolo <b>O</b>        | 34. Chave de parafusos                  |
|   | 23. Medidor de profundidade |   |

## ESPECIFICAÇÕES

Modelo		BHR180
Capacidades	Betão	18 mm
	Aço	13 mm
	Madeira	26 mm
Velocidade de rotação sem carga (mín. <sup>-1</sup> )		0 - 1.100
Sopros por minuto		0 - 4.000
Comprimento total		352 mm
Peso líquido		3,0 kg
Voltagem nominal		CC 18 V

- Devido à pesquisa e desenvolvimento constantes, estas especificações estão sujeitas a alteração sem aviso prévio.
- Nota: Estas especificações podem diferir de país para país.

### Símbolos

END004-1

Descrição dos símbolos utilizados no equipamento. Certifique-se de que compreende o seu significado, antes da utilização.



..... Leia o manual de instruções.

### Utilização prevista

ENE043-1

Esta ferramenta é para perfuração com martelo e perfuração em tijolo, cimento ou pedra assim como para trabalhos de acabamento.

É também adequada para perfurar sem impacto em madeira, metal, cerâmica e plástico.

## REGRAS DE SEGURANÇA ESPECÍFICAS

GEB007-2

**NÃO** deixe que a confiança para com o produto (resultante de uma utilização frequente) o faça esquecer do correcto cumprimento das regras de segurança para a utilização do martelo rotativo. Se utilizar a ferramenta incorrectamente ou não respeitar as regras de segurança, poderá ferir-se gravemente.

1. **Use protecção para os ouvidos.** A exposição ao ruído pode provocar a perda de audição.
2. **Utilize as pegas auxiliares fornecidas com a ferramenta.** A perda de controlo pode provocar ferimentos pessoais.
3. **Quando executar operações em que acessórios de corte possam entrar em contacto com fios eléctricos ocultos ou com próprio cabo eléctrico da ferramenta, tenha o cuidado de tocar apenas nas superfícies isoladas desses acessórios.** O contacto com um fio eléctrico ligado à corrente pode electrificar as peças de metal da ferramenta e causar um choque.
4. **Use um capacete de segurança, óculos de protecção e/ou visor de protecção.** Os óculos normais ou óculos de sol **NÃO** são óculos de segurança. É igualmente recomendável que use uma máscara de pó e luvas forradas grossas.
5. **Certifique-se que a broca fixa no lugar antes de a utilizar.**
6. **Em funcionamento normal, a ferramenta está concebida para produzir vibrações.** Os parafusos

- podem soltar-se facilmente, podendo provocar danos ou um acidente. Verifique se os parafusos estão bem apertados antes de utilizar o aparelho.
7. Em tempo frio ou quando a ferramenta não for usada durante muito tempo, deixe-a arrefecer durante um bocadinho antes de a utilizar sem carga. Isto melhora a lubrificação. Sem um arrefecimento correcto, o processo de martelagem pode tornar-se difícil.
  8. Procure uma posição em pé estável e firme. Se utilizar a ferramenta em locais altos, verifique se não há ninguém por baixo.
  9. Segure a ferramenta com firmeza, com as duas mãos.
  10. Afaste as mãos das peças em movimento.
  11. Não abandone a ferramenta a funcionar. Ponha-a a funcionar apenas quando estiver a segurá-la.
  12. Não aponte a ferramenta a ninguém quando a estiver a utilizar. A broca pode soltar-se e ferir alguém seriamente.
  13. Não toque numa broca nem nos seus componentes logo após a operação porque podem estar demasiado quentes.
  14. Alguns materiais contêm químicos que podem ser tóxicos. Tenha cuidado para evitar a inalação e o contacto da pele com o pó produzido. Obedeça às instruções de segurança do fornecedor do material.

## GUARDE ESTAS INSTRUÇÕES.

### AVISO:

A UTILIZAÇÃO INCORRECTA ou o não cumprimento das regras de segurança fornecidas neste manual de instruções podem provocar ferimentos graves.

## INSTRUÇÕES DE SEGURANÇA IMPORTANTES

ENB007-2

### RELATIVAS À BATERIA

1. Antes de utilizar a bateria, leia as instruções e chamadas de atenção de: (1) o carregador da bateria, (2) a bateria e (3) o produto que utiliza a bateria.
2. Não desmonte a bateria.
3. Se o tempo de utilização com a bateria se tornar demasiado curto, deve parar imediatamente. Se continuar, pode causar sobreaquecimento, incêndio e mesmo explosão.
4. Se o electrólito entrar em contacto com os olhos, enxágue-os com água limpa e consulte imediatamente um médico. Os riscos incluem perda de visão.
5. Não provoque um curto-circuito na bateria:
  - (1) Não deixe que quaisquer materiais condutores entrem em contacto com os terminais da bateria.
  - (2) Evite guardar a bateria juntamente com outros objectos de metal como, por exemplo, moedas.
  - (3) Não exponha a bateria a água ou chuva. Um curto-circuito na bateria pode criar uma

grande carga eléctrica, sobreaquecimento, incêndio e um corte de corrente.

6. Não guarde a ferramenta e a bateria em locais onde a temperatura possa atingir ou exceder 50 °C.
7. Não incinere a bateria, nem mesmo se esta estiver irremediavelmente danificada ou completamente gasta. Pode explodir e causar um incêndio.
8. Não a deixe cair e evite o choque com outros objectos.

## GUARDE ESTAS INSTRUÇÕES.

### Sugestões para o máximo de tempo de vida da bateria

1. Não espere que a bateria se gaste completamente para voltar a carregá-la. Pare a ferramenta e carregue a bateria sempre que detectar um baixo nível de energia.
2. Nunca volte a carregar uma bateria já completamente carregada. O carregamento excessivo diminui o tempo de vida das baterias.
3. Carregue a bateria em locais onde a temperatura se situe entre 10 °C e 40 °C. Se a bateria estiver quente, deixe-a arrefecer antes de iniciar o carregamento.

## DESCRIÇÃO DO FUNCIONAMENTO

### PRECAUÇÃO:

- Certifique-se sempre de que a ferramenta está desligada e que a bateria foi removida antes de proceder a ajustes ou testar acessórios.

### Inserir ou retirar a bateria (Fig. 1)

- Sempre que for inserir ou retirar a bateria, desligue a ferramenta.
- Para retirar a bateria, puxe-a para fora ao mesmo tempo que desliza o botão localizado na parte frontal.
- Para inserir a bateria, alinhe a respectiva saliência com a calha do compartimento e encaixe-a suavemente. Insira-a completamente até fixar em posição com um clique. Se ainda estiver visível a peça vermelha na parte superior do botão, não estará bem encaixada. Insira-a completamente, até deixar de ver a peça vermelha. Caso contrário, pode cair da ferramenta e causar ferimentos em si, ou em alguém que esteja perto de si.
- Não exerça força ao inserir a bateria. Se não encaixar facilmente é porque não está correctamente posicionada.

### Ação do interruptor (Fig. 2)

#### PRECAUÇÃO:

- Antes de inserir a pilha na ferramenta, verifique se o gatilho está a funcionar correctamente e se regressa à posição "OFF" quando o solta.

Para pôr a ferramenta a funcionar, prima o gatilho. A velocidade da ferramenta aumenta com a pressão

exercida no gatilho. Para parar a ferramenta, solte o gatilho.

## A luz incorporada na ferramenta (Fig. 3)

### PRECAUÇÃO:

- Não olhe directamente para a luz da ferramenta.

Para a acender prima o gatilho. A lâmpada manter-se-á acesa enquanto o gatilho for premido.

A luz apaga-se automaticamente após 10 a 15 segundos depois de o gatilho ser libertado.

### NOTA:

- Para limpar a lâmpada, utilize um tecido seco. Tenha cuidado para não riscar a lente da lâmpada, pois poderia diminuir a intensidade da iluminação.
- Não utilize diluente ou gasolina para limpar a luz. Esses diluentes poderão danificá-la.

## Inverter a direcção da rotação (Fig. 4)

Esta ferramenta tem um interruptor que permite inverter a direcção da rotação. Rode o interruptor a partir da posição A no sentido dos ponteiros do relógio, ou a partir da posição B no sentido contrário ao dos ponteiros do relógio.

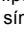
Se o interruptor estiver na posição neutra, o gatilho não poderá ser premido.

### PRECAUÇÃO:

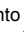
- Verifique sempre a direcção da rotação antes da operação.
- Este interruptor deve ser utilizado apenas quando a ferramenta estiver completamente parada. Se alterar a direcção da rotação antes da ferramenta ter parado pode avariá-la.
- Quando a ferramenta não estiver a funcionar coloque o interruptor na posição neutra.

## Seleccionar o modo de funcionamento

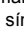
### Rotação com martelo (Fig. 5)

Para perfurar em cimento, pedra, etc., prima o botão de bloqueio e rode o manípulo de mudança do modo de funcionamento para o símbolo . Utilize uma broca com ponta de carboneto de tungsténio.

### Apenas rotação (Fig. 6)

Para perfurar em madeira, metal ou plástico, prima o botão de bloqueio e rode o manípulo de mudança do modo de funcionamento para o símbolo . Utilize uma broca helicoidal ou uma broca para madeira.

### Apenas com martelo (Fig. 7)

Para desbastar, desencrostar ou demolir, prima o botão de bloqueio e rode o manípulo de mudança do modo de funcionamento para o símbolo . Utilize uma ponta de cinzel, buril, cinzel de desbaste, etc.

### PRECAUÇÃO:

- Não rode o manípulo de mudança do modo de funcionamento enquanto a ferramenta estiver a funcionar. Pode avariar a ferramenta.
- Para evitar uma rápida deterioração no mecanismo de mudança de modo, certifique-se de que o manípulo de mudança do modo de funcionamento está sempre correctamente posicionado numa das três posições do modo de funcionamento.

## Limitador de binário

O limitador de binário actua quando um denominado nível de binário é atingido. O motor desengata do veio de saída. Quando isto acontecer, a broca pára de girar.

### PRECAUÇÃO:

- Assim que o limitador de binário actuar, desligue a ferramenta imediatamente. Isto ajuda a evitar uma deterioração prematura da ferramenta.
- Não pode usar brocas cranianas com esta ferramenta. Têm tendência para travar e ficarem presas no buraco. Isto faz com que o limitador de binário actue frequentemente.

## MONTAGEM

### PRECAUÇÃO:

- Certifique-se sempre de que a ferramenta está desligada e a bateria removida, antes de efectuar qualquer operação na ferramenta.

## Apoio lateral (manípulo auxiliar) (Fig. 8)

### PRECAUÇÃO:

- Utilize sempre o apoio lateral para garantir a segurança de funcionamento.

Instale o apoio lateral de forma a que os dentes no apoio entrem nas saliências no cano da ferramenta. Apertam girando no sentido do ponteiro dos relógios na posição desejada. Rodam 360° de forma a ficarem seguras em qualquer posição.

## Lubrificante para brocas

Revista a cabeça da haste da broca com uma pequena dose de lubrificante (cerca de 0.5 -1 g). A lubrificação do mandril assegura um funcionamento suave e uma maior duração.

## Instalar ou remover a ponta

Limpe a haste da broca e aplique lubrificante na broca antes de a instalar. (Fig. 9)

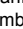
Introduza a broca na ferramenta. Gira a broca e empurre-a até encaixar. (Fig. 10)

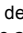
Se não a conseguir empurrar, retire-a. Puxe a tampa do mandril para baixo várias vezes. E introduza a broca novamente. Gira a broca e empurre-a até encaixar.

Após instalar, certifique-se sempre de que a broca está bem fixa, tentando puxá-la para fora.

Para retirar a broca, puxe a tampa do mandril para baixo completamente e retire a broca. (Fig. 11)

## Ângulo da broca (quando desbastar, desencrostar ou demolir) (Fig. 12)

A broca pode ser encaixada no ângulo desejado. Para alterar o ângulo da broca, prima o botão de bloqueio e rode o manípulo de mudança do modo de funcionamento para o símbolo . Rode a broca para o ângulo desejado.

Prima o botão de bloqueio e rode o manípulo de mudança do modo de funcionamento para o símbolo . Certifique-se de que a broca está bem encaixada girando-a ligeiramente. (Fig. 13)

## Medidor de profundidade(Fig. 14)

O medidor de profundidade é conveniente para perfurar buracos de profundidade uniforme. Liberte a pega lateral e introduza o medidor de profundidade no buraco na pega lateral. Ajuste o medidor de profundidade para a profundidade desejada e aperte a pega lateral.

### NOTA:

- O medidor de profundidade não pode ser usado na posição em que o medidor de profundidade fique contra o compartimento de velocidade.

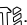
## Recipiente de pó (Fig. 15)

Use o recipiente de pó para impedir que entre pó na ferramenta ou em si próprio ao efectuar perfurações por cima da cabeça. Encaixe o recipiente de pó à broca como demonstra a figura. O tamanho das brocas em que o recipiente de pó pode ser encaixado é apresentado a seguir.

	Diâmetro da broca
Recipiente de pó 5	6 mm - 14,5 mm
Recipiente de pó 9	12 mm - 16 mm

## FUNCIONAMENTO

### Função de perfuração com martelo (Fig. 16)

Coloque o manípulo de mudança do modo de funcionamento no símbolo .

Posicione a broca no ponto onde deseja efectuar a perfuração e prima o gatilho.

Não force a ferramenta. Se aplicar uma leve pressão obterá melhores resultados.

Concentre-se em manter a ferramenta na posição correcta e não deixar que a broca saia do orifício.

Não aplique mais pressão quando o orifício começa a ficar entupido com partículas do material perfurado. Em vez disso, coloque a ferramenta em compasso de espera e retire parcialmente a broca do orifício. Repetindo este processo várias vezes, manterá o orifício limpo e uma perfuração normal.

### PRECAUÇÃO:

- No início da perfuração, quando o orifício começa a ficar entupido com partículas do material que está a ser perfurado ou quando a perfuração encontra reforços no interior do betão, é exercida uma força enorme que pode causar movimentos inesperados na broca. Utilize sempre a apoio lateral (pega auxiliar) e segure bem na ferramenta pelo apoio lateral e pega do interruptor enquanto trabalha. Se não o fizer poderá perder o controlo da ferramenta e sofrer potenciais ferimentos graves.


### NOTA:

Pode ocorrer excentricidade na rotação da broca enquanto trabalhar na ferramenta sem carga. A ferramenta centra-se automaticamente durante o funcionamento. Isto não afecta a precisão de perfuração.

## Fole (acessório opcional) (Fig. 17)

Depois de perfurado o orifício, utilize o fole para retirar o entulho e partículas.

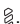
## Desbastar/Desencrostar/Demolir (Fig. 18)

Coloque o manípulo de mudança do modo de funcionamento no símbolo .

Segure a ferramenta com firmeza, com as duas mãos. Ligue a ferramenta e aplique uma ligeira pressão na ferramenta, de forma a que a ferramenta não salte descontrolada. Premir a ferramenta com muita força não aumentará a eficiência.

## Perfurar em madeira ou metal (Fig. 19 e 20)

Utilize o mandril da broca opcional. Quando o montar, consulte a secção "Instalar ou retirar a broca" descrita na página anterior.

Coloque o manípulo de mudança do modo de funcionamento de forma a que o ponteiro aponte para o símbolo .

### PRECAUÇÃO:

- Nunca utilize "rotação com martelo" quando a broca de mandril estiver montada na ferramenta. A broca de mandril pode ficar danificada. Além disso, a broca de mandril sairá quando inverter a ferramenta.
- Se exercer demasiada força sobre a ferramenta, a velocidade de perfuração não aumentará. Na verdade, o excesso de força acabará apenas por danificar a ponta da broca, diminuir o desempenho da ferramenta e diminuir o seu tempo de vida funcional.
- No início da perfuração já é exercida uma enorme força de torção na broca e na própria ferramenta. Mantenha a ferramenta firme e concentre-se no posicionamento da broca no início da perfuração.
- Uma broca encravada pode ser removida com facilidade invertendo o sentido da rotação na ferramenta. No entanto, deve ter cuidado porque a ferramenta pode exercer uma força súbita para trás, se não estiver bem segura.
- Quando trabalhar em peças pequenas fixe-as num torno ou num dispositivo similar.

## MANUTENÇÃO

### PRECAUÇÃO:

- Certifique-se sempre de que a ferramenta está desligada e a bateria removida antes de efectuar operações de inspecção ou de manutenção.

## Substituir as escovas de carvão (Fig. 21)

Remova e verifique regularmente as escovas de carvão.

Substitua-as quando o desgaste atingir a marca limite. Mantenha-as limpas para poderem deslizar no porta-escovas.

Substitua as duas ao mesmo tempo. Utilize unicamente escovas de carvão idênticas.

Retire as coberturas das tampas do porta-escovas introduzindo a chave de fendas fendida na reentrância da ferramenta e levantando. (Fig. 22)

Utilize uma chave de parafusos para remover as tampas do porta-escovas.

Retire as escovas usadas, coloque umas novas e fixe as tampas do porta-escovas. (Fig. 23)

Volte a instalar as coberturas da tampa do porta-escovas na ferramenta.

Para manter os níveis de SEGURANÇA e FIABILIDADE definidos para este produto, as reparações e os procedimentos de manutenção ou ajustes devem ser executados por centros de assistência Makita autorizados, utilizando sempre peças de substituição Makita.

## ACESSÓRIOS

### PRECAUÇÃO:

- Estas peças ou acessórios são os recomendados para utilizar com a ferramenta Makita especificada neste manual. A utilização de outras peças ou acessórios pode representar risco de ferimentos. Utilize cada peça ou acessório apenas para o fim indicado.

Se necessitar de informações adicionais relativas a estes acessórios, contacte o centro de assistência Makita local.

- Brocas com ponta de carboneto SDS-Plus
- Ponta de cinzel
- Butil
- Cinzel de desbaste
- Cinzel de ranhuragem
- Mandril de broca
- Mandril de broca S13
- Adaptador do mandril
- Chave de mandril S13
- Lubrificante para brocas
- Pega lateral
- Medidor de profundidade
- Fole
- Recipiente de pó
- Acessório do extractor de pó
- Óculos protectores
- Saco de transporte de plástico
- Mandril da broca sem chave
- Vários tipos de baterias e carregadores Makita genuínos.

**Forklaring til generel oversigt**

1. Rød del	13. Sidehåndtag	25. Udblæsningskolbe
2. Knap	14. Løsn	26. Borepatronadapter
3. Batteripakke	15. Stram	27. Nøgleløs borepatron
4. Kontaktgreb	16. Tænder	28. Muffe
5. Lampe	17. Fremspring	29. Ring
6. Skiftekontakthåndtag	18. Værktøjsskafte	30. Slidgrænse
7. Rotation med slag	19. Smørelse til bit	31. Forsænket del
8. Låseknap	20. Spids	32. Holderdæksel
9. Funktionsknap	21. Værktøjsholder	33. Kulholderdæksel
10. Kun rotation	22. <b>O</b> -symbol	34. Skruetrækker
11. Kun slag	23. Dybdemåler	
12. Håndtagsbase	24. Støvsamler	

**SPECIFIKATIONER**

Model		BHR180
Kapaciteter	Beton	18 mm
	Stål	13 mm
	Træ	26 mm
Hastighed uden belastning (min <sup>-1</sup> )		0-1.100
Slag pr. minut		0-4.000
Længde i alt		352 mm
Nettovægt		3,0 kg
Nominel spænding		18 V DC

- På grund af vores løbende forsknings- og udviklingsprogram kan specifikationerne heri ændres uden forudgående varsel.
- Bemærk: Specifikationerne kan variere fra land til land.

**Symboler**

END004-1

Følgende viser de symboler, der benyttes til udstyret. Vær sikker på, at De forstår deres betydning, før De bruger værktøjet.



..... Læs brugsanvisningen.

**Tilsigtet brug**

ENE043-1

Den tilsigtede brug af dette værktøj er slagboring og boring i mursten, beton og sten samt til mejslingsarbejde.

Det er også velegnet til boring uden slag i træ, metal, keramik og plastik.

**SPECIFIKKE SIKKERHEDSREGLER**

GEB007-2

**LAD IKKE tryghed eller kendskab til produktet (fra gentagen brug) føre til, at De ikke strengt overholder sikkerhedsreglerne for borehammeren. Hvis værktøjet anvendes på usikker eller forkert vis, kan De komme alvorligt til skade.**

1. **Bær høreværn.** Udsættelse for støj kan medføre høreskader.
2. **Benyt de ekstra håndtag, der leveres med værktøjet.** Hvis De mister kontrollen, kan De komme til skade.
3. **Hold maskiner i de isolerede gribflader, når De udfører arbejde, hvor skæreværktøjet kan komme i kontakt med skjulte ledninger eller værktøjets egen ledning.** Ved kontakt med strømførende ledninger bliver udsatte metaldele på værktøjet strømførende, hvorved operatøren kan få elektrisk stød.
4. **Bær hård hovedbeklædning (sikkerhedshjelm), beskyttelsesbriller og/eller ansigtsmaske.** Almindelige briller eller solbriller er **IKKE** beskyttelsesbriller. Det anbefales desuden kraftigt at bære støvmaske og kraftigt polstrede handsker.
5. **Kontroller, at spidsen sidder godt fast før brug.**
6. **Værktøjet er designet til at forårsage vibration ved normal brug.** Skruer kan nemt løse sig og medføre et nedbrud eller en ulykke. Kontroller før brug, at skrueerne sidder stramt.

- Under kolde forhold, eller når værktøjet ikke har været anvendt i længere tid, skal De lade værktøjet varme op et stykke tid ved at lade det køre i tomgang. Derved løsnes smøremidlet. Uden korrekt opvarmning kan betjening af hammeren være vanskelig.
- Sørg altid for at have et solidt fodfæste. Sørg for, at der ikke er nogen under Dem, når De benytter værktøjet på højtliggende steder.
- Hold godt fast i værktøjet med begge hænder.
- Hold hænderne på afstand af bevægelige dele.
- Gå ikke fra værktøjet, mens det kører. Lad kun værktøjet køre, mens De holder det i hænderne.
- Ret ikke værktøjet mod personer i nærheden, mens det kører. Spidsen kan flyve ud og forårsage alvorlig personskade.
- Berør ikke spidsen eller dele i nærheden af spidsen umiddelbart efter brugen. De kan være meget varme og kan forårsage forbrændinger af huden.
- Nogle materialer indeholder kemikalier, som kan være giftige. Undgå at indånde støv eller at få det på huden. Følg sikkerhedsinstruktionerne fra leverandøren af materialerne.

## GEM DISSE INSTRUKTIONER

### ADVARSEL:

MISBRUG eller manglende overholdelse af sikkerhedsreglerne i denne brugsanvisning kan medføre alvorlig personskade.

## VIGTIGE SIKKERHEDSINSTRUKTIONER

ENC007-2

## FOR BATTERIPAKKEN

- Før brugen af batteripakken skal De læse alle instruktioner og advarsler på (1) batteriopladeren, (2) batteriet og (3) det produkt, som batteriet anvendes i.
- Skil ikke batteripakken ad.
- Hvis driftstiden bliver betydeligt kortere, skal De straks ophøre med brugen. Brug kan medføre risiko for overophedning, risiko for forbrændinger eller endog eksplosion.
- Hvis De får elektrolyt i øjnene, skal De med det samme rense øjnene med rent vand og søge læge. Dette kan medføre tab af synet.
- Kortslut ikke batteripakken:
  - Undgå at berøre terminalerne med ledende materiale.
  - Undgå at opbevare batteripakken i en beholder med andre metalgenstande som f.eks. søm, mønter osv.
  - Udsæt ikke batteripakken for vand eller regn. Hvis batteriet kortsluttes, kan det medføre voldsom strøm, overophedning, mulige forbrændinger og endog nedbrud.
- Undgå at opbevare værktøjet og batteripakken på steder, hvor temperaturen kan komme op på eller overstige 50 °C.

- Sæt ikke ild til batteripakken, selvom den er alvorligt beskadiget eller helt udtjent. Batteripakken kan eksplodere ved brand.
- Undgå at tabe eller slå på batteriet.

## GEM DISSE INSTRUKTIONER

### Tip til, hvordan De forlænger batteriets levetid

- Oplad batteripakken, før den bliver helt afladet. Ophør med at bruge værktøjet, og udskift batteripakken, hvis strømmen til værktøjet aftager.
- Oplad aldrig en fuldt opladet batteripakke. Overopladning forkorter batteriets levetid.
- Oplad batteripakken ved stuetemperatur på 10-40 °C. Lad batteripakken køle ned, før den oplades, hvis den er varm.

## FUNKTIONSBESKRIVELSE

### FORSIGTIG:

- Sørg altid for, at værktøjet er slukket, og at batteripakken er taget ud, før De justerer værktøjet eller kontrollerer dets funktion.

### Montering eller afmontering af batteripakken (Fig. 1)

- Sluk altid for værktøjet, før De monterer eller afmonterer batteripakken.
- Ved afmontering af batteripakken trækkes den ud af værktøjet, mens der trykkes på knappen foran på pakken.
- Ved montering af batteripakken justeres tungen på batteripakken med rillen i huset, hvorefter pakken skubbes på plads. Sæt den altid hele vejen ind, indtil den låses på plads med et lille klik. Hvis den røde del øverst på knappen er synlig, er batteripakken ikke låst helt fast. Sæt den helt ind, indtil den røde del ikke er synlig. Ellers kan den falde ud af værktøjet og skade Dem eller andre personer i nærheden.
- Brug ikke magt ved montering af batteripakken. Hvis den ikke glider let ind, er den ikke indsat korrekt.

### Betjening af kontakt (Fig. 2)

#### FORSIGTIG:

- Før batteripakken sættes i værktøjet, skal De altid kontrollere, at kontaktagrebet reagerer korrekt og vender tilbage i "OFF"-stillingen, når De slipper det.

For at starte værktøjet skal De blot trykke på kontaktagrebet. Værktøjets hastighed forøges ved at trykke hårdere på kontaktagrebet. Slip kontaktagrebet for at stoppe.

### Tænding af lampen (Fig. 3)

#### FORSIGTIG:

- Se ikke direkte ind i lyset eller lyskilden.

Træk i kontaktagrebet for at tænde lampen. Lampen forbliver tændt, så længe der trækkes i kontaktagrebet. Lyset slukkes automatisk 10 – 15 sekunder efter, at kontaktagrebet slippes.



## BEMÆRK:

- Benyt en tør klud til at tørre snavs af lampens linse. Pas på ikke at ridse lampens linse, da det kan mindske lysstyrken.
- Anvend ikke fortynder eller benzin til at rengøre lampen. Denne type opløsningsmidler kan beskadige den.

## Betjening af skiftekontakten (Fig. 4)

Værktøjet har en skiftekontakt til at ændre rotationsretningen. Tryk skiftekontakten mod A-siden for rotation med uret eller mod B-siden for rotation mod uret.


Når skiftekontakthåndtaget er i neutral stilling, kan kontaktrebet ikke trækkes ud.

### FORSIGTIG:

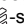
- Kontroller altid rotationsretningen før anvendelsen.
- Betjen ikke skiftekontakten, før værktøjet er helt stoppet. Hvis rotationsretningen ændres, når værktøjet ikke er helt stoppet, kan det beskadige værktøjet.
- Sæt altid skiftekontakthåndtaget i neutral stilling, når værktøjet ikke anvendes.

## Valg af funktionstilstand

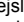
### Rotation med slag (Fig. 5)

Ved boring i beton, murværk osv. skal låseknappen trykkes ned, og funktionsknappen drejes til -symbolet. Brug en bit med wolframkarbidforstærkning.

### Kun rotation (Fig. 6)

Ved boring i træ, metal eller plastikmaterialer skal låseknappen trykkes ned og funktionsknappen drejes til -symbolet. Brug en snegleborsbit eller en træbit.

### Kun slag (Fig. 7)

Ved mejslings-, afbanknings- eller nedrivningsbetjening skal låseknappen trykkes ned, og funktionsknappen drejes til -symbolet. Brug en spidshammer, koldmejsel, afbankningsmejsel osv.

### FORSIGTIG:

- Drej ikke funktionsknappen, mens værktøjet kører. Dette vil beskadige værktøjet.
- For at undgå hurtigt slid på mekanismen til funktionsskift skal De sikre Dem, at funktionsknappen altid er sikkert placeret i en af funktionspositionerne.

## Skridkoblingen

Skridkoblingen vil udløses, når et vist momentniveau nås. Motoren vil koble fra drivakslen. Når dette sker, holder bitten op med at dreje rundt.

### FORSIGTIG:

- Så snart skridkoblingen udløses, skal værktøjet slukkes med det samme. Dette vil hjælpe med til at forhindre, at værktøjet nedslides for tidligt.
- Det er ikke muligt at anvende hulsave med dette værktøj. Disse har tendens til at sætte sig fast. Dette vil medføre, at skridkoblingen udløses for tit.

## MONTERING

### FORSIGTIG:

- Sørg altid for, at værktøjet er slukket, og at batteripakken er taget ud, før De udfører nogen form for arbejde på værktøjet.

## Sidehåndtag (ekstra håndtag) (Fig. 8)

### FORSIGTIG:

- Anvend altid sidehåndtaget af hensyn til betjeningssikkerheden.

Indsæt sidehåndtaget, så tænderne på håndtaget passer ind mellem fremspringene på værktøjscylinderen. Stram derefter håndtaget ved at dreje til ønskede position med uret. Den kan svinges 360°, så den kan fastgøres i en hvilken som helst position.

## Smørelse til spids

Indsmør halsen på boret med en lille smule fedtstof (cirka 0,5-1 g). Denne smøring af patronen sikrer en jævn betjening og længere holdbarhed.

## Montering eller afmontering af bitten

Rengør værktøjsskaffet, og smør fedtstof på det, før bitten monteres. (Fig. 9)

Sæt bitten i værktøjet. Drej bitten, og tryk den ind, indtil den går i indgreb. (Fig. 10)


Hvis bitten ikke kan trykkes ind, skal den tages ud. Træk patrondækslet ned et antal gange. Sæt derefter bitten i igen. Drej bitten, og tryk den ind, indtil den går i indgreb.

Efter montering skal De altid sikre Dem, at spidsen sidder godt fast, ved at forsøge at trække den ud.

For at udtage bitten skal patrondækslet trækkes helt ned, hvorefter bitten fjernes. (Fig. 11)

## Vinkel på bit (under mejsling, afbankning eller nedrivning) (Fig. 12)

Bitten kan fastgøres i den ønskede vinkel. For at ændre vinklen på bitten skal låseknappen trykkes ned, og funktionsknappen drejes til **O**-symbolet. Drej bitten til den ønskede vinkel.

Tryk låseknappen ned, og drej funktionsknappen til -symbolet. Sørg derefter for, at bitten holdes sikkert på plads, ved at dreje den en smule. (Fig. 13)

## Dybdemåler (Fig. 14)

Dybdeanslaget kan bruges til at bore huller, som har samme dybde. Løsn sidehåndtaget, og isæt dybdemåleren i hullet i sidehåndtaget. Juster dybdemåleren, så den har den ønskede dybde, og stram sidehåndtaget til.

### BEMÆRK:

- Dybdemåleren kan ikke bruges i den position, hvor dybdemåleren rammer gearhuset.


## Støvopsamler (Fig. 15)

Brug støvopsamleren til at undgå, at støv falder ned over værktøjet og på Dem selv, når der bores over hovedet. Fastgør støvopsamleren til bitten, sådan som det er vist i figuren. Størrelsen på bittene, som støvopsamleren kan monteres på, er som følger.

	Værktøjsdiameter
Støvopsamler 5	6 mm - 14,5 mm
Støvopsamler 9	12 mm - 16 mm

## BETJENING

### Betjening med slagboring (Fig. 16)

Indstil funktionsknappen på -symbolet.

Placer bitten på det sted, hvor hullet skal bores, og træk i kontaktræbet.

Brug ikke magt på værktøjet. Et let tryk giver det bedste resultat.

Hold værktøjet på positionen, og undgå, at det glider væk fra hullet.

Anvend ikke mere tryk, når hullet bliver tilstoppet med spåner eller partikler. Lad i stedet værktøjet køre i tomgang, og tag bitten delvist ud af hullet. Når De gentager denne fremgangsmåde flere gange, tømmes hullet, og De kan fortsætte med at bore.

#### **FORSIGTIG:**

- Værktøjet og bitten udsættes for en voldsom og pludselig kraft på det tidspunkt, hvor bitten bryder igennem, når hullet tilstoppes med spåner og partikler, eller når værktøjet rammer armeringsjern i beton. Anvend altid sidehåndtaget (ekstra håndtag), og hold godt fast i værktøjet i både sidehåndtaget og kontakthåndtaget under betjening. Hvis De ikke gør dette, kan De miste kontrollen med maskinen, hvilket kan forårsage alvorlig personskade.

#### **BEMÆRK:**

Excentricitet i bitrotationen kan forekomme, når værktøjet betjenes uden belastning. Værktøjet centrerer sig selv under betjening. Dette indvirker ikke på præcisionen under boring.

### **Udblæsningskolbe (fås som tilbehør)**

#### **(Fig. 17)**

Når hullet er boret, kan De bruge udblæsningskolben til at fjerne støv fra hullet.


### **Mejsling/afbankning/nedrivning (Fig. 18)**

Indstil funktionsknappen til -symbolet.

Hold godt fast i værktøjet med begge hænder. Tænd for værktøjet, og tryk let på værktøjet, så det ikke kommer ud af kontrol. Effektiviteten forøges ikke ved at trykke meget hårdt på værktøjet.

### **Boring i træ eller metal (Fig. 19 og 20)**

Brug borepatronsættet, som fås som ekstraudstyr. Se "Montering og afmontering af bitten" på forrige side, når den skal monteres.

Indstil funktionsknappen således, at pilen peger på -symbolet.

#### **FORSIGTIG:**

- Brug aldrig "rotation med slag", når borepatronsættet er monteret på værktøjet. Borepatronsættet kan blive beskadiget. Derudover vil borepatronen blive frigjort, når værktøjet skiftes.
- Boringen går ikke hurtigere, hvis De trykker hårdt på værktøjet. Det ekstra tryk vil blot beskadige bitten, så værktøjets ydelse forringes, og dets levetid forkortes.
- Værktøjet og bitten er under påvirkning af stærke vridningskræfter på det tidspunkt, hvor bitten bryder igennem. Hold godt fast i værktøjet, og vær opmærksom, når bitten begynder at bryde igennem arbejdsemnet.
- Hvis bitten sidder fast, kan den tages ud ved blot at indstille skiftekontakten til baglæns rotation for at bakke den ud. Vær imidlertid opmærksom på, at værktøjet kan bakke ud pludseligt, hvis De ikke holder godt fast i det.

- Fastgør altid små arbejdsemner i en skruestik eller lignende udstyr til fastgørelse.

## **VEDLIGEHOLDELSE**

#### **FORSIGTIG:**

- Sørg altid for, at værktøjet er slukket, og at batteripakken er taget ud, før De forsøger at udføre inspektion eller vedligeholdelse.

### **Udskiftning af kulbørsterne (Fig. 21)**

Tag regelmæssigt kulbørsterne af, og efterse dem.

Udskift dem, når de er nedslidt til slidgrænsen. Hold kulbørsterne rene og frie til at glide i holderne.

Begge kulbørster skal udskiftes samtidig. Brug altid identiske kulbørster.

Fjern holderdækslerne ved at indsætte en skruetrækker med kærvspids i den forsænkede del af værktøjet og løfte den op. (Fig. 22)

Brug en skruetrækker til at fjerne kulholderdækslerne.

Tag de udslidte kulbørster ud, monter de nye, og fastgør kulholderdækslerne. (Fig. 23)

Monter holderdækslerne på værktøjet igen.

For at holde produktet SIKKERT og PÅLIDELIGT skal reparationer samt al anden vedligeholdelse eller justering udføres af autoriserede Makita-servicecentre, og der skal altid benyttes Makita-reservedele.

## **TILBEHØR**

#### **FORSIGTIG:**

- Dette tilbehør eller ekstraudstyr anbefales til brug med det Makita-værktøj, som er beskrevet i denne brugsanvisning. Brug af andet tilbehør eller ekstraudstyr kan forårsage personskade. Brug kun tilbehør eller ekstraudstyr til det formål, det er beregnet til.

Henvend Dem til Deres lokale Makita-servicecenter, hvis De har brug for hjælp eller yderligere oplysninger vedrørende tilbehøret.

- SDS-Plus karbidforstærkede spidser
- Spidshammer
- Koldmejsel
- Afbankningsmejsel
- Kanalmejsel
- Borepatronsæt
- Borepatron S13
- Patronadapter
- Patronnøgle S13
- Smørelse til spids
- Sidegreb
- Dybdemåler
- Udblæsningskolbe
- Støvopsamleren
- Sugesaet til støv, ekstraudstyr
- Sikkerhedsbriller
- Plastikbæretaske
- Nøgleløs borepatron
- Forskellige typer af originale batterier og opladere fra Makita

Περιγραφή γενικής όψης

- |                               |                      |                                       |
|-------------------------------|----------------------|---------------------------------------|
| 1. Κόκκινο τμήμα              | 13. Πλαϊνή λαβή      | 25. Φουσητήρι                         |
| 2. Κουμπί                     | 14. Ξεσφίξετε        | 26. Προσαρμογέας κεφαλής              |
| 3. Μπαταρία                   | 15. Σφίξετε          | 27. Κεφαλή δράπανου χωρίς κλειδί      |
| 4. Σκανδάλη-διακόπτης         | 16. Δόντια           | 28. Περιβλήμα                         |
| 5. Λάμπα                      | 17. Προεξοχή         | 29. Δακτύλιος                         |
| 6. Αναστροφικό                | 18. Κολάρο μύτης     | 30. Ένδειξη ορίου                     |
| 7. Περιστροφή με κρούση       | 19. Γράσο για μύτες  | 31. Τμήμα με εγκοπή                   |
| 8. Κουμπί κλειδώματος         | 20. Μύτη             | 32. Κάλυμμα κατακτιού υποδοχής        |
| 9. Λαβή αλλαγής τρόπου δράσης | 21. Κάλυμμα κεφαλής  | 33. Καπάκι υποδοχής για το καρβουνάκι |
| 10. Περιστροφή μόνο           | 22. Σύμβολο <b>O</b> | 34. Κατσαβίδι                         |
| 11. Κρούση μόνο               | 23. Μετρητής βάθους  |                                       |
| 12. Βάση λαβής                | 24. Κύπελλο σκόνης   |                                       |

**ΤΕΧΝΙΚΑ ΧΑΡΑΚΤΗΡΙΣΤΙΚΑ**

Μοντέλο		BHR180
Δυνατότητες	Τσιμέντο	18 mm
	Ατσάλι	13 mm
	Ξύλο	26 mm
Ταχύτητα χωρίς φορτίο (min <sup>-1</sup> )		0 - 1.100
Κρούσεις το λεπτό		0 - 4.000
Ολικό μήκος		352 mm
Καθαρό βάρος		3,0 kg
Ονομαστική τιμή τάσης		D.C. 18 V

- Λόγω του συνεχόμενου προγράμματος που εφαρμόζουμε για έρευνα και ανάπτυξη, τα τεχνικά χαρακτηριστικά στο παρόν έντυπο υπόκεινται σε αλλαγή χωρίς προειδοποίηση.
- Παρατήρηση: Τα τεχνικά χαρακτηριστικά μπορεί να διαφέρουν ανάλογα με τη χώρα.

**Σύμβολα**

ENE004-1

Παρακάτω παρουσιάζονται τα σύμβολα που χρησιμοποιούνται για τον εξοπλισμό. Βεβαιωθείτε ότι κατανοείτε τη σημασία τους πριν από τη χρήση.



..... Διαβάστε το εγχειρίδιο οδηγιών.

**Προοριζόμενη χρήση**

ENE043-1

Το εργαλείο προορίζεται για κρουστικό τρυπάνισμα και τρυπάνισμα σε τούβλα, τσιμέντο και πέτρα, καθώς και για καλέμισμα.

Είναι επίσης κατάλληλο για τρυπάνισμα χωρίς κρούση σε ξύλο, μέταλλο, κεραμικό και πλαστικό.

**ΕΙΔΙΚΟΙ ΚΑΝΟΝΕΣ ΑΣΦΑΛΕΙΑΣ**

GEB007-2

**MHN επιτρέψετε στη βολικότητα ή στην εξοικειώσή σας με το προϊόν (που αποκτήθηκε από επανειλημμένη χρήση) να αντικαταστήσει την αυστηρή προσηλώνση στους κανόνες ασφάλειας του περιστροφικού κρουστικού δράπανου. Αν χρησιμοποιήσετε το εργαλείο αυτό με ανασφαλές ή λανθασμένο τρόπο, μπορεί να υποστείτε σοβαρό προσωπικό τραυματισμό.**

1. **Να φοράτε ωτοασπίδες.** Η έκθεση σε θόρυβο μπορεί να προκαλέσει απώλεια ακοής.
2. **Να χρησιμοποιείτε τις βοηθητικές λαβές που παρέχονται με το εργαλείο.** Η απώλεια του ελέγχου μπορεί να προκαλέσει προσωπικό τραυματισμό.
3. **Να κρατάτε τα ηλεκτρικά εργαλεία από τις λαβές με μόνωση όταν εκτελείτε εργασίες κατά τις οποίες το κοπτικό εργαλείο μπορεί να έρθει σε επαφή με κρυμμένα καλώδια ή με το ίδιο του το καλώδιο.** Αν το εργαλείο έρθει σε επαφή με κάποιο ηλεκτροφόρο καλώδιο, μπορεί τα εκτεθειμένα μεταλλικά μέρη του εργαλείου να γίνουν κι αυτά ηλεκτροφόρα και να προκληθεί ηλεκτροπληξία στο χειριστή.
4. **Να φοράτε κράνος ασφάλειας, γυαλιά ασφάλειας ή/και προσωπίδα. Τα συνηθισμένα γυαλιά και τα γυαλιά ηλίου ΔΕΝ αποτελούν γυαλιά ασφάλειας.**

- Συνιστάται επίσης ένθερμα να φοράτε προσωπίδα κατά της σκόνης και γάντια με παχιά επένδυση.
5. Πριν θέσετε το εργαλείο σε λειτουργία, βεβαιωθείτε ότι η μύτη είναι ασφαλισμένη στη θέση της.
  6. Σε κανονικές συνθήκες λειτουργίας, το εργαλείο είναι σχεδιασμένο να παράγει κραδασμούς. Οι βίδες μπορούν εύκολα να ξεβιδωθούν και να προκληθεί καταστροφή του εργαλείου ή ατύχημα. Πριν θέσετε το εργαλείο σε λειτουργία, ελέγξτε αν οι βίδες είναι σφιγμένες.
  7. Όταν έχει κρύο καιρό ή όταν δεν έχετε χρησιμοποιήσει το εργαλείο για μεγάλη χρονική περίοδο, αφήστε το εργαλείο να λειτουργήσει για λίγη ώρα χωρίς φόρτο. Με αυτό το τρόπο θα κυκλοφορήσει η λιπανση. Αν δεν γίνει σωστό ζέσταμα, θα υπάρχει δυσκολία στη σκαπτική λειτουργία.
  8. Να βεβαιώνετε πάντοτε ότι στέκεστε σταθερά. Όταν χρησιμοποιείτε το εργαλείο σε υψηλές τοποθεσίες, να βεβαιώνετε ότι δεν βρίσκεται κανένας από κάτω.
  9. Να κρατάτε το εργαλείο γερά και με τα δύο χέρια.
  10. Μην πλησιάζετε τα χέρια σας σε κινούμενα μέρη.
  11. Μην αφήνετε το εργαλείο σε λειτουργία. Το εργαλείο πρέπει να βρίσκεται σε λειτουργία μόνο όταν το κρατάτε.
  12. Όταν το εργαλείο βρίσκεται σε λειτουργία, μην το στρέψετε προς την κατεύθυνση κανενός ατόμου που βρίσκεται στην περιοχή. Η μύτη μπορεί να εκτοξευτεί και να προκληθεί σοβαρός τραυματισμός σε άλλο άτομο.
  13. Μην αγγίζετε τη μύτη ή μέρη που βρίσκονται κοντά στη μύτη αμέσως μετά τη λειτουργία του εργαλείου. Μπορεί να είναι εξαιρετικά θερμά και να προκληθεί εγκαυμα στο δέρμα σας.
  14. Μερικά υλικά περιέχουν χημικές ουσίες που μπορεί να είναι τοξικές. Να προσέχετε ώστε να αποφεύγετε την εισπνοή της σκόνης και την επαφή με το δέρμα. Ακολουθείτε τα δεδομένα ασφαλείας υλικού που παρέχονται από τον προμηθευτή.

## ΦΥΛΑΞΤΕ ΑΥΤΕΣ ΤΙΣ ΟΔΗΓΙΕΣ.

### ΠΡΟΕΙΔΟΠΟΙΗΣΗ:

Η ΛΑΝΘΑΣΜΕΝΗ ΧΡΗΣΗ ή η αμέλεια να ακολουθήσετε τους κανόνες ασφαλείας που διατυπώνονται στο παρόν εγχειρίδιο οδηγιών μπορεί να προκαλέσει σοβαρό προσωπικό τραυματισμό.

## ΣΗΜΑΝΤΙΚΕΣ ΟΔΗΓΙΕΣ ΑΣΦΑΛΕΙΑΣ

ENC007-2

## ΓΙΑ ΤΗΝ ΜΠΑΤΑΡΙΑ

1. Πριν χρησιμοποιήσετε την μπαταρία, διαβάστε όλες τις οδηγίες και τις ενδείξεις προφυλαξης στο (1) φορτιστή μπαταρίας, (2) την μπαταρία και (3) το προϊόν στο οποίο χρησιμοποιείται η μπαταρία.
2. Μην αποσυναρμολογείτε την μπαταρία.
3. Αν ο χρόνος λειτουργίας της μπαταρίας είναι υπερβολικά σύντομος, διακόψτε αμέσως τη

- λειτουργία. Αν συνεχίσετε, μπορεί να έχει ως αποτέλεσμα κίνδυνο υπερθέρμανσης, πιθανών εγκαυμάτων κι ακόμη έκρηξης.
4. Αν μπει στα μάτια σας ηλεκτρολύτης, ξεπλύνετε με καθαρό νερό και αναζητήστε αμέσως ιατρική βοήθεια. Μπορεί να χάσετε την όρασή σας.
5. Μην βραχυκυκλώνετε την μπαταρία:
  - (1) Μην αγγίζετε τους ακροδέκτες με αγώγιμο υλικό.
  - (2) Μην αποθηκεύετε την μπαταρία σε δοχείο με άλλα μεταλλικά αντικείμενα, όπως καρφιά, νομίσματα, κτλ.
  - (3) Μην εκθέτετε την μπαταρία σε νερό ή βροχή.
6. Αν βραχυκυκλώσει η μπαταρία, μπορεί να προκληθεί μεγάλη ροή ηλεκτρικού ρεύματος, υπερθέρμανση, πιθανά εγκαύματα και ακόμη καταστροφή της μπαταρίας.
6. Μην αποθηκεύετε το εργαλείο και την μπαταρία σε μέρη όπου η θερμοκρασία μπορεί να φτάσει ή να ξεπεράσει τους 50°C (122°F).
7. Μην αποτεφρώνετε την μπαταρία ακόμη κι αν παρουσιάζει σοβαρή ζημιά ή είναι εντελώς φθαρμένη. Η μπαταρία μπορεί να εκραγεί σε φωτιά.
8. Να προσέχετε να μη σας πέσει η μπαταρία και να μη συγκρουστεί με κάποιο αντικείμενο.

## ΦΥΛΑΞΤΕ ΑΥΤΕΣ ΤΙΣ ΟΔΗΓΙΕΣ.

### Συμβουλές για τη διατήρηση της μέγιστης ζωής της μπαταρίας

1. Να φορτίζετε την μπαταρία πριν αποφορτιστεί εντελώς. Πάντοτε να διακόπτετε τη λειτουργία του εργαλείου και να φορτίζετε την μπαταρία όταν παρατηρείται μειωμένη ισχύ του εργαλείου.
2. Ποτέ μην επαναφορτίζετε μια πλήρως φορτισμένη μπαταρία. Αν υπερφορτίσετε την μπαταρία, μειώνεται η ωφέλιμη διάρκεια ζωής της.
3. Να φορτίζετε την μπαταρία σε θερμοκρασία δωματίου, δηλαδή στους 10°C έως 40°C (50°F έως 104°F). Αν η μπαταρία είναι θερμή, αφήστε την να ψυχθεί πριν τη φορτίσετε.

## ΠΕΡΙΓΡΑΦΗ ΛΕΙΤΟΥΡΓΙΑΣ

### ΠΡΟΣΟΧΗ:

- Να βεβαιώνετε πάντοτε ότι έχετε σβήσει το εργαλείο και έχετε βγάλει την μπαταρία πριν ρυθμίσετε ή ελέγξετε κάποια λειτουργία του εργαλείου.

### Τοποθέτηση ή αφαίρεση της μπαταρίας (Εικ. 1)

- Πάντοτε να σβήνετε το εργαλείο πριν βάζετε ή βγάξετε την μπαταρία.
- Για να βγάλετε την μπαταρία, τραβήξτε την από το εργαλείο καθώς σύρετε το κουμπί στο μπροστινό τμήμα της μπαταρίας.
- Για να τοποθετήσετε την μπαταρία, ευθυγραμμίστε τη γλωττίδα στην μπαταρία με την

- εγκοπή στο περίβλημα και ολισθήστε τη στη θέση της. Πάντοτε να την τοποθετείτε έως το τέρμα, δηλαδή έως ότου ασφαλίσει στη θέση και ακουστεί ένας χαρακτηριστικός ήχος («κλικ»). Αν φαίνεται το κόκκινο τμήμα στην άνω πλευρά του κουμπιού, η μπαταρία δεν είναι πλήρως ασφαλισμένη. Εισάγετέ την πλήρως για να μη φαίνεται το κόκκινο τμήμα. Σε αντίθετη περίπτωση, μπορεί να πέσει κατά λάθος από το εργαλείο και να τραυματίσει εσάς ή κάποιον παρευρισκόμενο.
- Να μη χρησιμοποιείτε δύναμη όταν τοποθετείτε την μπαταρία. Αν η μπαταρία δεν ολισθαίνει με ευκολία, δεν την εισήγατε σωστά.

## Δράση διακόπτη (Εικ. 2)

### ΠΡΟΣΟΧΗ:

- Πριν βάζετε την μπαταρία στο εργαλείο, πάντοτε να ελέγχετε ότι η σκανδάλη-διακόπτης ενεργοποιείται κανονικά και επιστρέφει στη θέση OFF όταν την αφήνετε.

Για να ξεκινήσετε το εργαλείο, απλά πατήστε τη σκανδάλη-διακόπτη. Αν αυξήσετε την πίεση στη σκανδάλη-διακόπτη, αυξάνεται η ταχύτητα του εργαλείου. Για να σταματήσετε το εργαλείο, αφήστε τη σκανδάλη-διακόπτη.

## Αναμμα λάμπας (Εικ. 3)

### ΠΡΟΣΟΧΗ:

- Μην κοιτάτε κατευθείαν μέσα στο φως ή στην πηγή φωτός.

Πιέστε τη σκανδάλη-διακόπτη για να ανάψετε τη λάμπα. Η λάμπα εξακολουθεί να είναι αναμμένη όσο πιέζετε τη σκανδάλη-διακόπτη.

Η λάμπα σβήνει αυτόματα 10 έως 15 δευτερόλεπτα αφού αφήσετε τη σκανδάλη-διακόπτη.

### ΣΗΜΕΙΩΣΗ:

- Χρησιμοποιήστε ένα στεγνό πανί για να σκουπίσετε τη σκόνη από το φακό της λάμπας. Προσέχετε να μη γρατσουνίσετε το φακό της λάμπας, επειδή μπορεί να μειωθεί η ένταση του φωτισμού.
- Μη χρησιμοποιείτε νέφτι ή βενζίνη για να καθαρίσετε τη λάμπα. Τέτοιοι διαλύτες μπορεί να καταστρέψουν τη λάμπα.

## Δράση αναστροφικού (Εικ. 4)

Το εργαλείο αυτό διαθέτει αναστροφικό για να αλλάζετε την κατεύθυνση περιστροφής. Πατήστε το αναστροφικό από την πλευρά Α για δεξιόστροφη περιστροφή ή από την πλευρά Β για αριστερόστροφη περιστροφή.

Όταν το αναστροφικό βρίσκεται στην ουδέτερη θέση, δεν μπορείτε να πατήσετε τη σκανδάλη-διακόπτη.

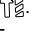
### ΠΡΟΣΟΧΗ:

- Πριν από τη λειτουργία, να ελέγχετε πάντοτε την κατεύθυνση περιστροφής.
- Να χρησιμοποιείτε το αναστροφικό μόνο όταν το εργαλείο είναι εντελώς ακινητοποιημένο. Αν αλλάξετε την κατεύθυνση περιστροφής πριν ακινητοποιηθεί το εργαλείο, μπορεί να προκληθεί βλάβη στο εργαλείο.


- Όταν δεν χειρίζεστε το εργαλείο, να βάζετε πάντοτε το αναστροφικό στην ουδέτερη θέση.

## Επιλογή του τρόπου δράσης

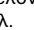
### Περιστροφή με κρούση (Εικ. 5)

Για τρυπάνισμα σε τσιμέντο, τοιχοποιία, κτλ., πιέστε το κουμπί ασφάλισης και περιστρέψτε τη λαβή αλλαγής τρόπου δράσης προς το σύμβολο . Χρησιμοποιήστε μύτη με άκρο βολφραμίου-καρβιδίου.

### Περιστροφή μόνο (Εικ. 6)

Για τρυπάνισμα σε ξύλο, μέταλλο ή πλαστικά, πιέστε το κουμπί ασφάλισης και περιστρέψτε τη λαβή αλλαγής τρόπου δράσης προς το σύμβολο . Χρησιμοποιήστε μύτη για περιστροφικό τρυπάνισμα ή μύτη για ξύλο.

### Κρούση μόνο (Εικ. 7)

Για καλέμισμα, ξύσιμο ή ξήλωμα, πιέστε το κουμπί ασφάλισης και περιστρέψτε τη λαβή αλλαγής τρόπου δράσης στο σύμβολο . Χρησιμοποιήστε βελόνι, ψυχρό καλέμι, καλέμι σφυροκοπήματος, κτλ.

### ΠΡΟΣΟΧΗ:

- Μην περιστρέφετε τη λαβή αλλαγής τρόπου δράσης όταν λειτουργεί το εργαλείο. Θα προκληθεί βλάβη στο εργαλείο.
- Για να αποφεύγετε την ταχεία φθορά του μηχανισμού αλλαγής τρόπου λειτουργίας, βεβαιωθείτε ότι η λαβή αλλαγής τρόπου δράσης πάντα βρίσκεται σε μία από τις τρεις θέσεις τρόπου δράσης.

## Περιοριστής ροπής

Ο περιοριστής ροπής θα ενεργοποιηθεί όταν επιτευχθεί ένα ορισμένο επίπεδο ροπής. Το μοτέρ θα αποδυναμωθεί από τον άξονα εξόδου. Όταν συμβεί αυτό, η μύτη θα σταματήσει να περιστρέφεται.

### ΠΡΟΣΟΧΗ:

- Μόλις ενεργοποιηθεί ο περιοριστής ροπής, απενεργοποιήστε αμέσως το εργαλείο. Έτσι, θα προληφθεί η πρόωρη φθορά του εργαλείου.
- Δεν είναι δυνατή η χρήση πριονιών για οπές με αυτό το εργαλείο. Τείνουν να εγκλωβίζονται ή να σφηνώνουν εύκολα στην οπή. Αυτό θα προκαλέσει τη συχνή ενεργοποίηση του περιοριστή ροπής.

## ΣΥΝΑΡΜΟΛΟΓΗΣΗ

### ΠΡΟΣΟΧΗ:

- Να βεβαιώνετε πάντοτε ότι έχετε σβήσει το εργαλείο και έχετε βγάλει την μπαταρία πριν εκτελέσετε οποιαδήποτε εργασία σε αυτό.

## Πλαινή λαβή (βοηθητική λαβή) (Εικ.8)

### ΠΡΟΣΟΧΗ:

- Να χρησιμοποιείτε πάντα την πλαινή λαβή για να εξασφαλίζετε την ασφάλεια κατά τη λειτουργία. Τοποθετήστε την πλαινή λαβή έτσι ώστε τα δόντια στη λαβή να προσαρμόζονται ανάμεσα στις προεξοχές στο κύριο τμήμα του εργαλείου. Κατόπιν, περιστρέψτε δεξιόστροφα τη λαβή στην επιθυμητή θέση για να τη σφίξετε. Μπορείτε να την

περιστρέψτε κατά 360° ώστε να ασφαλίσει σε οποιαδήποτε θέση.

## Γράσο για μύτες

Επικαλύψτε εκ των προτέρων την κεφαλή του κολάρου μύτες με μια μικρή ποσότητα γράσου για μύτες (περίπου 0,5 έως 1 γρ.). Αυτή η λίπανση της κεφαλής εξασφαλίζει την ομαλή δρόση και τη μακρύτερη διάρκεια λειτουργίας.

## Τοποθέτηση ή αφαίρεση της μύτες

Καθαρίστε το κολάρο μύτες και τοποθετήστε γράσο για μύτες πριν τοποθετήσετε τη μύτη. **(Εικ. 9)**

Τοποθετήστε τη μύτη στο εργαλείο. Περιστρέψτε τη μύτη και σπρώξτε τη προς τα μέσα έως ότου ασφαλίσει. **(Εικ. 10)**

Εάν δεν μπορείτε να σπρώξετε τη μύτη προς τα μέσα, αφαιρέστε την. Τραβήξτε το κάλυμμα κεφαλής προς τα κάτω μερικές φορές. Κατόπιν, τοποθετήστε ξανά τη μύτη. Περιστρέψτε τη μύτη και σπρώξτε τη προς τα μέσα έως ότου ασφαλίσει.

Μετά την τοποθέτηση, να προσπαθείτε πάντοτε να τραβήξετε τη μύτη για να βεβαιωθείτε ότι αυτή είναι ασφαλισμένη στη θέση της.

Για να αφαιρέσετε τη μύτη, τραβήξτε προς τα κάτω το κάλυμμα κεφαλής έως το τέρμα και τραβήξτε τη μύτη προς τα έξω. **(Εικ. 11)**

## Κλίση μύτες (κατά το καλέμισμα, ξύσιμο ή ξήλωμα) (Εικ. 12)

Μπορείτε να ασφαλίσετε τη μύτη στην επιθυμητή κλίση. Για να αλλάξετε την κλίση της μύτες, πιέστε το κουμπί ασφάλισης και περιστρέψτε τη λαβή αλλαγής τρόπου δράσης στο σύμβολο **O**. Περιστρέψτε τη μύτη στην επιθυμητή κλίση.

Πιέστε το κουμπί ασφάλισης και περιστρέψτε τη λαβή αλλαγής τρόπου δράσης στο σύμβολο **T**. Κατόπιν, περιστρέψτε λίγο τη μύτη για να βεβαιωθείτε ότι είναι καλά ασφαλισμένη στη θέση της. **(Εικ. 13)**

## Μετρητής βάθους (Εικ. 14)

Ο μετρητής βάθους είναι χρήσιμος για το τρυπάνισμα οπών με ομοιόμορφο βάθος. Ξεσφίξτε την πλαϊνή λαβή και τοποθετήστε τον μετρητή βάθους στην οπή στην πλαϊνή λαβή. Ρυθμίστε το μετρητή βάθους στο επιθυμητό βάθος και σφίξτε την πλαϊνή λαβή.

### ΣΗΜΕΙΩΣΗ:

- Ο μετρητής βάθους δεν μπορεί να χρησιμοποιηθεί στη θέση όπου ο μετρητής βάθους χτυπάει επάνω στο περίβλημα γραναζιού.

## Κύπελλο σκόνης (Εικ. 15)

Χρησιμοποιήστε το κύπελλο σκόνης για να εμποδίζετε την πτώση της σκόνης επάνω στο εργαλείο και στον εαυτό σας όταν εκτελείτε εργασίες τρυπανίσματος σε ύψος επάνω από το κεφάλι σας. Προσδέστε το κύπελλο σκόνης στη μύτη όπως απεικονίζεται στην εικόνα. Το μέγεθος των

μυτών στις οποίες μπορείτε να προσδέσετε το κύπελλο σκόνης είναι ως εξής:

	Διάμετρος μύτες
Κύπελλο σκόνης 5	6 mm έως 14,5 mm
Κύπελλο σκόνης 9	12 mm έως 16 mm

## ΛΕΙΤΟΥΡΓΙΑ

### Λειτουργία τρυπανίσματος με κρούση (Εικ. 16)

Θέστε τη λαβή αλλαγής τρόπου δράσης στο σύμβολο **T**.

Τοποθετήστε τη μύτη στη θέση που επιθυμείτε να τρυπάνετε και κατόπιν τραβήξτε τη σκανδάλη-διακόπτη.

Μην ασκείτε δύναμη στο εργαλείο. Θα έχετε καλύτερα αποτελέσματα με ελαφριά πίεση.

Να διατηρείτε το εργαλείο στη θέση του και να αποφεύγετε την ολίσθησή του από την οπή.

Μην ασκείτε περισσότερη πίεση σε περίπτωση που η οπή φράξει με θραύσματα ή σωματίδια. Αντ' αυτού, σταματήστε αργά τη λειτουργία του εργαλείου και κατόπιν βγάλτε τη μύτη μερικώς από την οπή. Αν επαναλάβετε τη διαδικασία αυτή μερικές φορές, η οπή θα καθαρίσει και θα μπορείτε να συνεχίσετε κανονικά το τρυπάνισμα.

### ΠΡΟΣΟΧΗ:

- Ασκείται μια τεράστια και ξαφνική δύναμη στρέψης στο εργαλείο/μύτη τη στιγμή που διαπερνάτε η οπή, όταν η οπή φράσσει με θραύσματα και σωματίδια ή όταν το εργαλείο/μύτη χτυπάει ράβδους ενίσχυσης που είναι ενσωματωμένες στο τσιμέντο. Να χρησιμοποιείτε πάντα την πλαϊνή λαβή (βοηθητική λαβή) και, κατά τη λειτουργία, να κρατάτε το εργαλείο καλά και από την πλαϊνή λαβή και από τη λαβή του διακόπτη. Αν δεν το κάνετε αυτό, μπορεί να έχει ως αποτέλεσμα απόλυα ελέγχου του εργαλείου και πιθανώς σοβαρό τραυματισμό.

### ΣΗΜΕΙΩΣΗ:

Ενδεχομένως να προκύψει εκκεντρότητα στην επιστροφή της μύτες όταν θέτετε το εργαλείο σε λειτουργία χωρίς φορτίο. Το εργαλείο κεντράρεται αυτόματα κατά τη λειτουργία. Αυτό δεν επηρεάζει την ακρίβεια του τρυπανίσματος.

### Φοσητήρι (προαιρετικό αξεσουάρ) (Εικ. 17)

Μετά από το τρυπάνισμα της οπής, χρησιμοποιήστε το φοσητήρι για να καθαρίσετε τη σκόνη από την οπή.


### Καλέμισμα/Ξύσιμο/Ξήλωμα (Εικ. 18)

Θέστε τη λαβή αλλαγής τρόπου δράσης στο σύμβολο **T**.

Να κρατάτε το εργαλείο γερά και με τα δύο χέρια. Θέστε το εργαλείο σε λειτουργία και ασκήστε ελαφριά πίεση σε αυτό για να μην αναπηδή ανεξέλεγκτα. Δεν θα αυξηθεί η αποδοτικότητα του εργαλείου αν το πιέζετε πιο δυνατά.

## Τρυπάνισμα σε ξύλο ή μέταλλο (Εικ. 19 και 20)

Χρησιμοποιήστε την προαιρετική διάταξη κεφαλής δράπανου. Όταν την τοποθετείτε, ανατρέξτε στην παράγραφο «Τοποθέτηση ή αφαίρεση της μύτης» που περιγράφεται στην προηγούμενη σελίδα.

Θέστε τη λαβή αλλαγής τρόπου δράσης ώστε η ένδειξη να είναι στραμμένη στο σύμβολο .

### ΠΡΟΣΟΧΗ:

- Μη χρησιμοποιείτε ποτέ «περιστροφή με κρούση» όταν είναι τοποθετημένη στο εργαλείο η διάταξη κεφαλής δράπανου. Μπορεί να προκληθεί βλάβη στη διάταξη κεφαλής δράπανου. Επίσης, η κεφαλή δράπανου θα αποσυνδεθεί και θα πέσει κατά την αναστροφή της κίνησης του εργαλείου.
- Δεν θα επιταχυνθεί το τρυπάνισμα αν πιέζετε υπερβολικά το εργαλείο. Στην πραγματικότητα, αυτή η υπερβολική πίεση απλώς θα προκαλέσει βλάβη στο άκρο της μύτης, θα μειώσει την απόδοση του εργαλείου και θα συντομεύσει την ωφέλιμη διάρκεια ζωής του εργαλείου.
- Ασκείται τεράστια δύναμη στρέψης στο εργαλείο/μύτη τη στιγμή που διαπερνάει η οπή. Κρατήστε το εργαλείο σταθερά και προσέχετε όταν η μύτη ξεκινήσει να διαπερνάει το τεμάχιο εργασίας.
- Μπορείτε να βγάλετε μια μύτη που έχει εμπλακεί ρυθμίζοντας απλώς το αναστροφικό σε αντίστροφη κατεύθυνση περιστροφής ώστε να αποσυρθεί το εργαλείο. Όμως, το εργαλείο μπορεί να αποσυρθεί απότομα αν δεν το κρατάτε σταθερά.
- Να στερεώνετε πάντοτε τα μικρά τεμάχια εργασίας σε μέγκενη ή παρόμοια συσκευή.

## ΣΥΝΤΗΡΗΣΗ

### ΠΡΟΣΟΧΗ:

- Να βεβαιώνετε πάντοτε ότι έχετε σβήσει το εργαλείο και έχετε βγάλει την μπαταρία πριν εκτελέσετε οποιαδήποτε εργασία ελέγχου ή συντήρησης σε αυτό.

## Αλλαγή καρβουνακίων (Εικ. 21)

Να αφαιρείτε και να ελέγχετε τακτικά τα καρβουνάκια.

Να αντικαθιστάτε τα καρβουνάκια όταν έχουν φθαρεί έως την ένδειξη ορίου. Να διατηρείτε τα καρβουνάκια καθαρά και ελεύθερα για να γλιστρούν στις υποδοχές.

Πρέπει να αλλάζετε ταυτόχρονα και τα δύο καρβουνάκια. Να χρησιμοποιείτε μόνο καρβουνάκια ίδιου τύπου.

Για να βγάλετε τα καλύμματα καπακιού υποδοχής, τοποθετήστε την άκρη ενός πλακέ κατασβιδιού στο τμήμα με εγκοπή του εργαλείου και ανυψώστε την. (Εικ. 22)

Με τη βοήθεια ενός κατασβιδιού, βγάλετε τα καπάκια υποδοχής για τα καρβουνάκια.

Βγάλετε τα φθαρμένα καρβουνάκια, τοποθετήστε τα καινούργια και ασφαλίστε τα καπάκια υποδοχής για τα καρβουνάκια. (Εικ. 23)

Τοποθετήστε ξανά τα καλύμματα καπακιού υποδοχής στο εργαλείο.

Για να διατηρείται η ΑΣΦΑΛΕΙΑ και η ΑΞΙΟΠΙΣΤΙΑ του προϊόντος, οι εργασίες επισκευής, καθώς και οποιαδήποτε άλλη εργασία συντήρησης ή ρύθμισης, θα πρέπει να εκτελούνται σε εξουσιοδοτημένα κέντρα εξυπηρέτησης της Makita, και πάντοτε με τη χρήση ανταλλακτικών της Makita.

## ΠΑΡΕΛΚΟΜΕΝΑ

### ΠΡΟΣΟΧΗ:

- Συνιστάται η χρήση των παρακάτω αξεσουάρ και εξαρτημάτων με το εργαλείο της Makita μόνο όπως καθορίζεται στο παρόν εγχειρίδιο. Αν χρησιμοποιήσετε άλλα αξεσουάρ ή εξαρτήματα μπορεί να παρουσιαστεί κίνδυνος για πρόκληση ατομικού τραυματισμού. Να χρησιμοποιείτε τα αξεσουάρ και τα εξαρτήματα μόνο για τον σκοπό για τον οποίο προορίζονται.

Αν χρειάζεστε κάποια βοήθεια ή περισσότερες πληροφορίες σχετικά με τα αξεσουάρ αυτά, απευθυνθείτε στο πλησιέστερο κέντρο εξυπηρέτησης της Makita.

- Μύτες με άκρο SDS-Plus καρβιδίου
- Βελόνι
- Ψυχρό καλέμι
- Καλέμι σφουροκοπήματος
- Καλέμι για αυλάκισμα
- Διάταξη κεφαλής δράπανου
- Κεφαλή δράπανου S13
- Προσαρμογέας κεφαλής
- Κλειδί κεφαλής S13
- Γράσο για μύτες
- Πλαϊνή λαβή
- Μετρητής βάθους
- Φυσητήρι
- Κύπελλο σκόνης
- Εξάρτημα εξαγωγής σκόνης
- Γυαλιά προστασίας
- Πλαστική θήκη μεταφοράς
- Κεφαλή δράπανου χωρίς κλειδί
- Διάφοροι τύποι γνήσιων μπαταριών και φορτιστών της Makita

## ENGLISH

### EC-DECLARATION OF CONFORMITY

We declare under our sole responsibility that this product is in compliance with the following standards of standardized documents;  
EN60745, EN55014 in accordance with Council Directives, 2004/108/EC, 98/37/EC.

## FRANÇAIS

### DÉCLARATION DE CONFORMITÉ CE

Nous déclarons, sous notre entière responsabilité, que ce produit répond aux normes suivantes de documents normalisés :  
EN60745, EN55014 conformément aux Directives du Conseil, 2004/108/EC, 98/37/EC.

## DEUTSCH

### EG-KONFORMITÄTSERKLÄRUNG

Wir erklären unter unserer alleinigen Verantwortlichkeit, dass sich dieses Produkt in Übereinstimmung mit den folgenden Normen der Normdokumente  
EN60745, EN55014 befindet sowie in Übereinstimmung mit den Ratsverordnungen 2004/108/EC, 98/37/EC.

## ITALIANO

### DICHIARAZIONE DI CONFORMITÀ CE

Dichiariamo sotto nostra esclusiva responsabilità che il presente prodotto è conforme alle seguenti norme o documenti normativi:  
EN60745, EN55014 secondo le disposizioni delle direttive del Consiglio, 2004/108/CE, 98/37/CE.

## NEDERLANDS

### EU-VERKLARING VAN CONFORMITEIT

Wij verklaren onder eigen verantwoordelijkheid dat dit product voldoet aan de normen in de volgende genormaliseerde documenten:  
EN60745, EN55014 in overeenstemming met de richtlijnen van de Raad, 2004/108/EC, 98/37/EC.

## ESPAÑOL

### DECLARACIÓN DE CONFORMIDAD DE LA CE

Declaramos bajo nuestra exclusiva responsabilidad que este producto cumple con los siguientes estándares de documentos estandarizados;  
EN60745, EN55014 de acuerdo con las directivas del Consejo, 2004/108/EC, 98/37/EC.

Tomoyasu Kato CE 2006



Director	Amministratore
Directeur	Directeur
Direktor	Director

Responsible manufacturer:	Produttore responsabile:
Fabricant responsable :	Verantwoordelijke fabrikant:
Verantwortlicher Hersteller:	Fabricante responsable:

### Makita Corporation

3-11-8, Sumiyoshi-cho, Anjo, Aichi, JAPAN

Authorized Representative in Europe:	Rappresentanti autorizzati in Europa:
Représentant agréé en Europe :	Erkende vertegenwoordiger in Europa:
Autorisierte Vertretung in Europa:	Representante autorizado en Europa:

### Makita International Europe Ltd.

Michigan Drive, Tongwell, Milton Keynes,  
Bucks MK15 8JD, ENGLAND



## PORTUGUÊS

### EC-DECLARAÇÃO DE CONFORMIDADE

Declaramos, sob a nossa única responsabilidade, que este produto está em conformidade com as seguintes normas de documentos normalizados;  
EN60745, EN55014 em conformidade com as Directivas do Conselho, 2004/108/EC, 98/37/EC.

## ΕΛΛΗΝΙΚΑ

Δηλώνουμε με αποκλειστική ευθύνη μας ότι το προϊόν αυτό συμμορφώνεται με τα ακόλουθα πρότυπα των τυποποιημένων εντύπων:  
EN60745, EN55014 σε συμφωνία με τις Οδηγίες της Επιτροπής, 2004/108/ΕΚ, 98/37/ΕΚ.

## DANSK

### EC-ERKLÆRING VEDRØRENDE OVERHOLDELSE AF STANDARDER

Vi erklærer og tager det fulde ansvar for, at produktet overholder følgende standarder i standardiseringsdokumenterne  
EN60745, EN55014 i overensstemmelse med Rådets direktiver 2004/108/EC, 98/37/EC.

*Tomoyasu Kato* CE 2006



Director  
Direktør

Διευθυντής

Fabricante responsável:  
Ansvarlig fabrikant:

Υπεύθυνος κατασκευαστής:

### **Makita Corporation**

3-11-8, Sumiyoshi-cho, Anjo, Aichi, JAPAN

Representante autorizado na Europa:  
Autoriseret repræsentant i Europa:

Εξουσιοδοτημένος Αντιπρόσωπος στην Ευρώπη:

### **Makita International Europe Ltd.**

Michigan Drive, Tongwell, Milton Keynes,  
Bucks MK15 8JD, ENGLAND

## ENGLISH

For European countries only

### Noise and Vibration

The typical A-weighted noise levels are

sound pressure level: 89 dB (A)

sound power level: 100 dB (A)

Uncertainty: 3 dB (A)

– Wear ear protection.–

The typical weighted root mean square acceleration value is  $8 \text{ m/s}^2$ .

These values have been obtained according to EN60745.

## FRANÇAIS

Pour les pays d'Europe uniquement

### Bruit et vibrations

Les niveaux de bruit pondéré A typiques sont les suivants :

niveau de pression sonore : 89 dB (A)

niveau de puissance sonore : 100 dB (A)

Incertitude : 3 dB (A)

– Portez des protections d'oreilles. –

La valeur d'accélération quadratique pondérée typique est  $8 \text{ m/s}^2$ .

Ces valeurs ont été obtenues selon EN60745.

## DEUTSCH

Nur für europäische Länder

### Geräusch- und Vibrationsentwicklung

Die typischen effektiven Geräuschpegel betragen für

Schalldruckpegel: 89 dB (A)

Schallleistungspegel: 100 dB (A)

Abweichung: 3 dB (A)

– Tragen Sie Gehörschutz. –

Der typische effektive Beschleunigungswert beträgt  $8 \text{ m/s}^2$ .

Diese Werte wurden entsprechend der Norm EN60745 gewonnen.

## ITALIANO

Modello per l'Europa soltanto

### Rumore e vibrazione

I tipici livelli di rumore ponderati "A" sono

livello di pressione sonora: 89 dB (A)

livello di potenza sonora: 100 dB (A)

Variazione: 3 dB (A)

– Indossare una protezione acustica.–

In genere, il valore efficace ponderato dell'accelerazione è di  $8 \text{ m/s}^2$ .

Questi valori sono stati ottenuti in conformità con la norma EN60745.

## NEDERLANDS

Alleen voor Europese landen

### Geluidsniveau en trilling

De typisch, A-gewogen geluidsniveaus zijn

geluidsdruk niveau: 89 dB (A)

geluidsvermogen niveau: 100 dB (A)

Onnauwkeurigheid: 3 dB (A)

– Draag gehoorbescherming.–

De typisch, gewogen, kwadratisch-gemiddelde versnellingswaarde  $8 \text{ m/s}^2$

Deze waarden zijn verkregen volgens EN60745.

## ESPAÑOL

Para países europeos solamente

### Ruido y vibración

Los niveles típicos de ruido ponderado A son

nivel de presión sonora: 89 dB (A)

nivel de potencia sonora: 100 dB (A)

Incertidumbre: 3 dB (A)

– Utilice protectores para los oídos. –

El valor ponderado de aceleración es de  $8 \text{ m/s}^2$ .

Estos valores se han obtenido conforme a EN60745.

Tomoyasu Kato CE 2006



Director

Directeur

Direktor

Amministratore

Directeur

Director

Responsible manufacturer:

Fabricant responsable :

Verantwortlicher Hersteller:

Produttore responsabile:

Verantwoordelijke fabrikant:

Fabricante responsable:

### Makita Corporation

3-11-8, Sumiyoshi-cho, Anjo, Aichi, JAPAN

Authorized Representative in Europe:

Représentant agréé en Europe :

Autorisierte Vertretung in Europa:

Rappresentanti autorizzati in Europa:

Erkende vertegenwoordiger in Europa:

Representante autorizado en Europa:

### Makita International Europe Ltd.

Michigan Drive, Tongwell, Milton Keynes,  
Bucks MK15 8JD, ENGLAND

## PORTUGUÊS

### Só para países Europeus

#### Ruído e vibração

Os níveis acústicos ponderados A típicos são

nível de pressão sonora: 89 dB (A)

nível de potência sonora: 100 dB (A)

Incerteza: 3 dB (A)

– Use protecções para os ouvidos.–

A do valor médio quadrático ponderado da variação da aceleração não é  $8 \text{ m/s}^2$ .

Estes valores foram obtidos segundo a norma EN60745.

## ΕΛΛΗΝΙΚΑ

### Μόνο για χώρες της Ευρώπης

#### Θόρυβος και κραδασμός

Το σύνθηες σταθμισμένο επίπεδο ηχητικής πίεσης είναι:

Επίπεδο ηχητικής πίεσης: 89 dB (A)

Επίπεδο ηχητικής ισχύος: 100 dB (A)

Αβεβαιότητα: 3 dB (A)

– Να φοράτε ωτοασπίδες –

Η τυπική αξία της μετρούμενης ρίζας του μέσου τετραγώνου της επιτάυσης είναι  $8 \text{ m/s}^2$ .

Οι τιμές αυτές έχουν ληφθεί σύμφωνα με το EN60745.

## DANSK

### Kun for lande i Europa

#### Lyd og vibration

De typiske A-vægtede støjniveauer er

lydtryksniveau: 89 dB (A)

lydkraftniveau: 100 dB (A)

usikkerhed: 3 dB (A)

– Bær høreværn. –

Den typiske vægtede effektive accelerationsværdi er  $8 \text{ m/s}^2$ .

Disse værdier er målt i overensstemmelse med EN60745.

Tomoyasu Kato CE 2006



Director  
Direktør

Διευθυντής

Fabricante responsável:  
Ansvarlig fabrikant:

Υπεύθυνος κατασκευαστής:

### Makita Corporation

3-11-8, Sumiyoshi-cho, Anjo, Aichi, JAPAN

Representante autorizado na Europa:  
Autoriseret repræsentant i Europa:

Εξουσιοδοτημένος Αντιπρόσωπος στην Ευρώπη:

### Makita International Europe Ltd.

Michigan Drive, Tongwell, Milton Keynes,  
Bucks MK15 8JD, ENGLAND

Makita Corporation  
Anjo, Aichi, Japan

884692-998