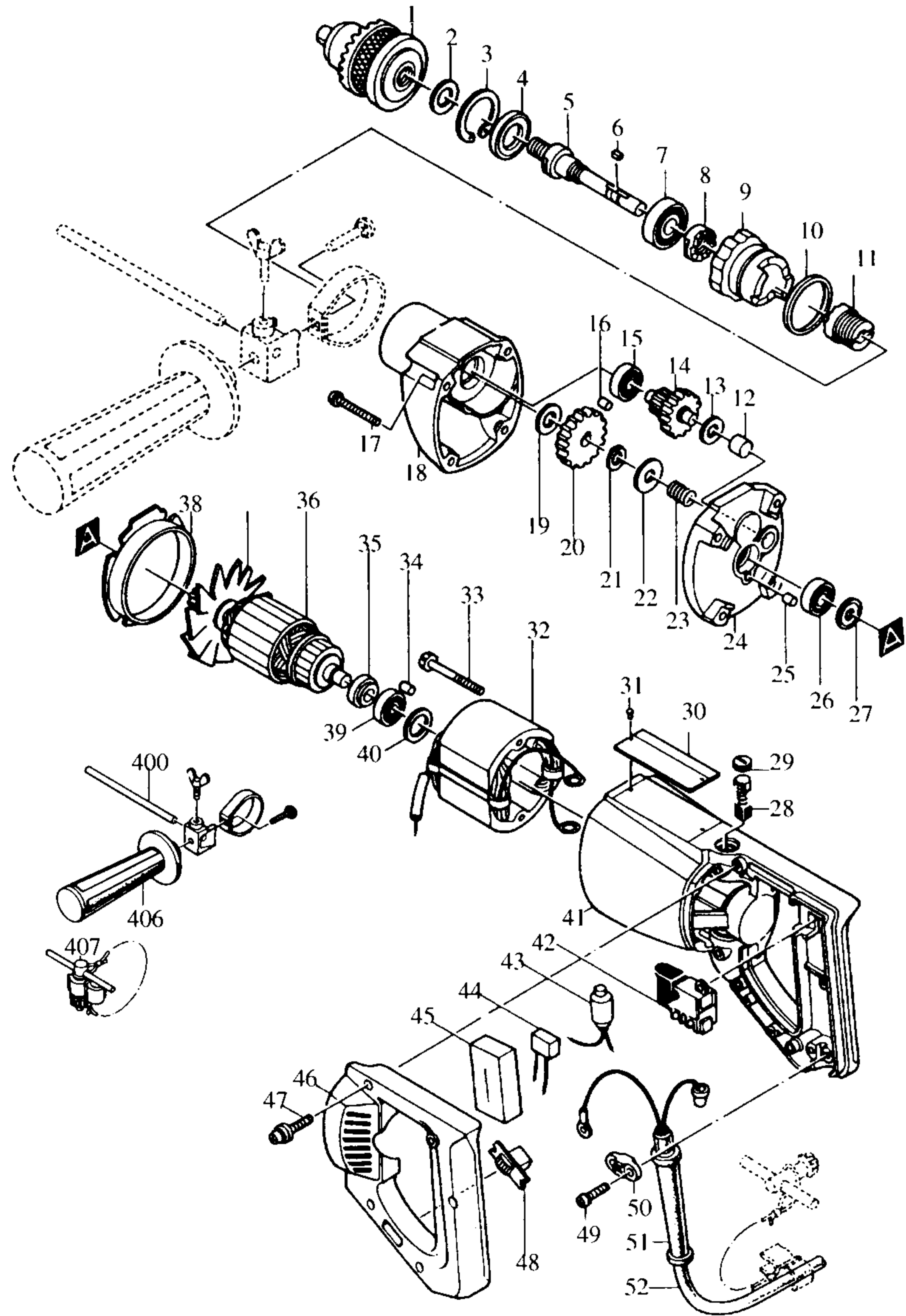


Modell 8419 B
13 MM Schlagbohrmaschine



Bestellnummern

Modell 8419 B

| | | | | | | | |
|----|---|----------|----------------------------|-----|---|----------|-------------------------|
| 1 | Z | P-04329 | ZAHNKRANZBOHRFUTTER S13 | 51 | E | 682504-0 | KNICKSCHUTZ 10-85 |
| 2 | E | 253786-7 | SCHEIBE 14 | 52 | E | P-12918 | ANSCHLUSSLEITUNG 2X1,50 |
| 3 | E | 962151-6 | SICHERUNGSRING R-32 | | | | |
| 4 | E | 213301-9 | DICHTUNG 20 | 400 | E | 321059-7 | TIEFENANSCHLAG |
| 5 | E | 325501-0 | SPINDEL | 406 | E | 123056-7 | GRIFF KOMPLETT |
| 6 | E | 254201-4 | KEIL NR.4 | 407 | Z | P-04363 | BOHRFUTTERSCHLÜSSEL S13 |
| 7 | E | 211201-7 | RILLENKUGELLAGER 6002LLB | | | | |
| 8 | E | 223023-3 | RASTENSCHIBE A | | | | |
| 9 | E | 314098-4 | UMSCHALTRING | | | | |
| 10 | E | 213458-6 | O-RING 34 | | | | |
| 11 | E | 223024-1 | RASTENSCHIBE B | | | | |
| 12 | E | 212003-4 | NADELLAGER BK0810 | | | | |
| 13 | E | 253139-0 | SCHEIBE 8 | | | | |
| 14 | E | 226026-6 | STUFENSTIRNRAD | | | | |
| 15 | E | 211031-6 | RILLENKUGELLAGER 608LLB | | | | |
| 16 | E | 263002-9 | GUMMISTIFT 4 | | | | |
| 17 | E | 911263-2 | KOMBI-SCHRAUBE M5X40 | | | | |
| 18 | E | 156445-1 | GETRIEBEGEHÄUSE | | | | |
| 19 | E | 253084-9 | SCHEIBE 12 | | | | |
| 20 | E | 221236-0 | STIRNRAD 38 | | | | |
| 21 | E | 961006-2 | SICHERUNGSRING S-10 | | | | |
| 22 | E | 253311-4 | SCHEIBE 10 | | | | |
| 23 | E | 231131-6 | DRUCKFEDER 11 | | | | |
| 24 | E | 156330-8 | GETRIEBEGEHÄUSEABDECKUNG | | | | |
| 25 | E | 263005-3 | GUMMISTIFT 6 | | | | |
| 26 | E | 211031-6 | RILLENKUGELLAGER 608LLB | | | | |
| 27 | E | 213002-9 | ISOLIERSCHEIBE 8 | | | | |
| 28 | E | 181500-0 | KOHLEBÜRSTEN CB- 60 | | | | |
| 29 | E | 643550-8 | KOHLEDECKEL 5-8 | | | | |
| 30 | | | | | | | |
| 31 | E | 953106-2 | TYPENSCHILDBEFESTIGUNG 0-5 | | | | |
| 32 | E | 522265-9 | FELD | | | | |
| 33 | E | 911275-5 | SECHSKANT-SCHRAUBE M5X50 | | | | |
| 34 | E | 263002-9 | GUMMISTIFT 4 | | | | |
| 35 | E | 681613-2 | ISOLIERSCHEIBE | | | | |
| 36 | E | 512638-4 | ANKER | | | | |
| 37 | | | | | | | |
| 38 | E | 411234-4 | FELDABDECKUNG | | | | |
| 39 | E | 211031-6 | RILLENKUGELLAGER 608LLB | | | | |
| 40 | E | 253192-6 | SCHEIBE 14 | | | | |
| 41 | E | 159087-0 | MOTORGEHÄUSE | | | | |
| 42 | E | 651235-2 | SCHALTER C2M-A1T | | | | |
| 43 | E | 631010-2 | DIODE | | | | |
| 44 | E | 645173-8 | KONDENSATOR | | | | |
| 45 | E | 685700-9 | SCHAUMGUMMI | | | | |
| 46 | E | 414522-8 | GRIFFSCHALE | | | | |
| 47 | E | 911153-9 | KOMBI-SCHRAUBE M4X28 | | | | |
| 48 | E | 651600-5 | SCHALTER SS106A | | | | |
| 49 | E | 911131-9 | KOMBI-SCHRAUBE M4X18 | | | | |
| 50 | E | 687001-1 | KABELKLEMMPLATTE | | | | |

E=Ersatzteile Januar '97
Z=Zubehör Modell 8419 B