

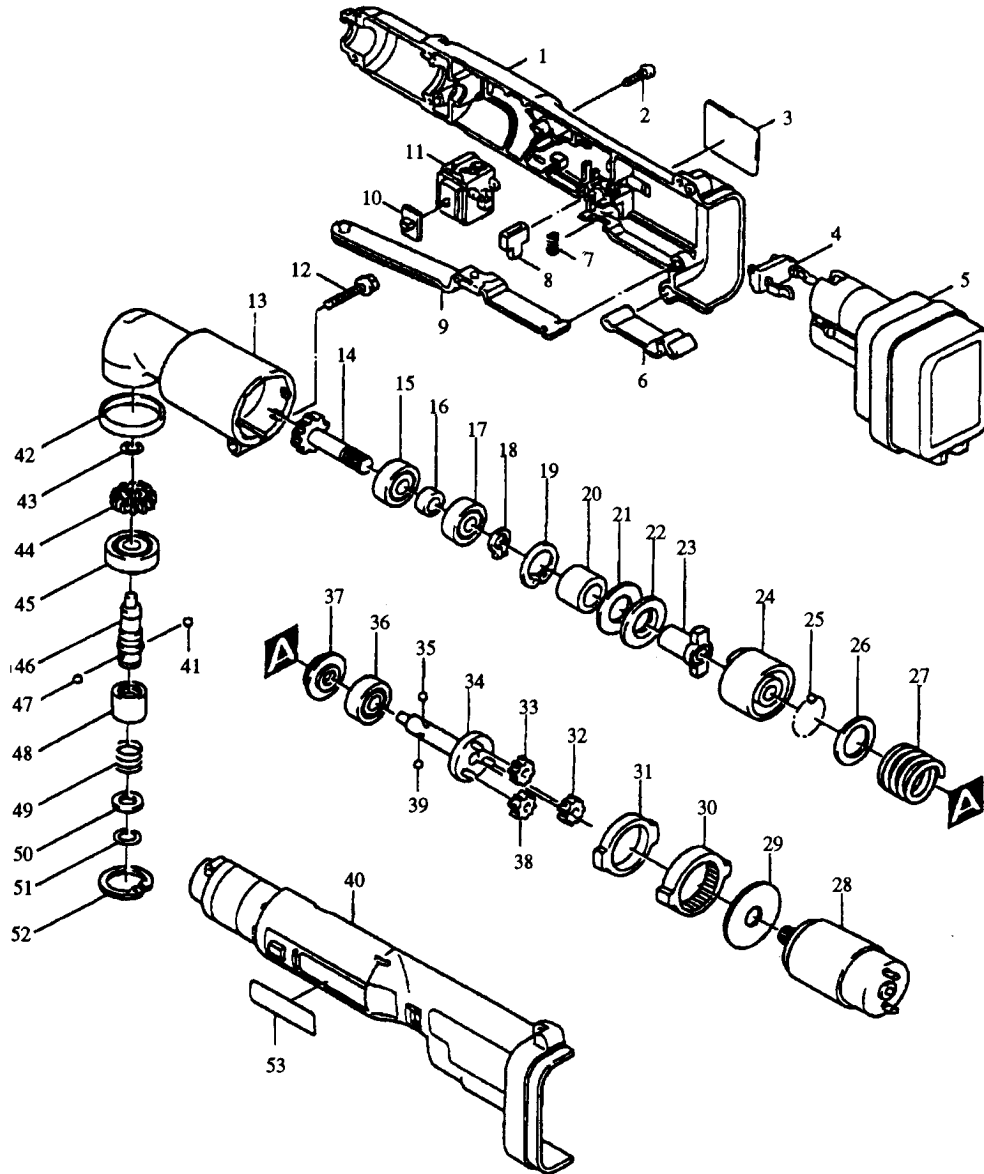
417160-5
152615-0

Bestellnummern

Modell 6940 DW

| | | | | | |
|------|---------------------|---------------------------|------|----------|---------------------|
| 1 E | 182712-8 | GEHÄUSE-SET | 51 E | 231956-8 | SPRENGRING 6 |
| 2 E | 265925-7 | BLECHSCHRAUBE BT 4X20 | 52 E | 962116-8 | SICHERUNGSRING R-28 |
| 3 E | 819063-3 | FIRMENSCHILD | 53 E | 857527-9 | TYPENSCHILD |
| 4 E | 643918-8 | BATTERIEKONTAKT | | | |
| 5 Z | 192019-4 | WECHSELAKKU 9100 | | | |
| 6 E | 344121-1 | BATTERIEHALTER | | | |
| 7 E | 231470-4 | DRUCKFEDER 6 | | | |
| 8 E | 415500-1 | SPERRHEBEL | | | |
| 9 E | 158039-8 | SCHALTHEBEL | | | |
| 10 E | 414740-8 | SCHALTERSCHIEBER | | | |
| 11 E | 651909-5 | ELEKTRONIKSCHALTER C3KA | | | |
| 12 E | 265409-5 | SECHSKANTSCHRAUBE M5x30 | | | |
| 13 E | 152461-1 | GETRIEBEKOPF | | | |
| 14 E | 226720-0 | KEGELRAD 13 | | | |
| 15 E | 211061-7 | RILLENKUGELLAGER 6000 LLB | | | |
| 16 E | 257660-1 | HÜLSE 10 | | | |
| 17 E | 211061-7 | RILLENKUGELLAGER 6000 LLB | | | |
| 18 E | 961006-2 | SICHERUNGSRING S-10 | | | |
| 19 E | 962105-3 | SICHERUNGSRING R-26 | | | |
| 20 E | 257662-7 | FÜHRUNGSHÜLSE 15 | | | |
| 21 E | 261095-0 | GUMMISCHEIBE 21 | | | |
| 22 E | 267120-5 | SCHEIBE 15 | | | |
| 23 E | 322689-7 | SCHLÄGER | | | |
| 24 E | 322688-9 | HAMMER | | | |
| 25 E | 216001-0 | KUGEL 3,5 | | | |
| 26 E | 267121-3 | SCHEIBE 20 | | | |
| 27 E | 233107-9 | DRUCKFEDER 22 | | | |
| 28 E | 629683-3 | GLEICHSTROMMOTOR 9,6 V | | | |
| 29 E | 267053-4 | SCHEIBE 12 | | | |
| 30 E | 226280-2 | HOHLRAD 69 | | | |
| 31 E | 257187-1 | RING 32 | | | |
| 32 E | 226279-7 | PLANETENRAD 29 | | | |
| 33 E | 226279-7 | PLANETENRAD 29 | | | |
| 34 E | 154416-2 | PLANETENRADTRÄGER | | | |
| 35 E | 216002-8 | KUGEL 4,8 | | | |
| 36 E | 211061-7 | RILLENKUGELLAGER 6000 LLB | | | |
| 37 E | 322719-4 | SCHEIBE 10 | | | |
| 38 E | 226279-7 | PLANETENRAD 29 | | | |
| 39 E | 216002-8 | KUGEL 4,8 | | | |
| 40 E | 182712-8 | GEHÄUSE-SET | | | |
| 41 | | | | | |
| 42 E | 262062-8 | GUMMIRING 31 | | | |
| 43 E | 231990-8 | SPRENGRING 9 | | | |
| 44 E | 226721-8 | KEGELRAD 13 | | | |
| 45 E | 211101-1 | RILLENKUGELLAGER 6001LLB | | | |
| 46 E | 323921-2 | SPINDEL | | | |

E=Ersatzteil Juli '99
Z=Zubehör Modell 6940 DW



| | | | | | |
|-----|----------|---------------------|-----|----------|-----------------|
| 001 | 9.242.01 | Gehäuse (Set) | 051 | 9.217.15 | Sprengring 11 |
| 002 | 9.180.23 | Schraube 4x20 | 052 | 9.242.52 | Seegerring R-28 |
| 003 | 9.240.83 | Aufkleber | 053 | 9.242.53 | Leistungsschild |
| 004 | 9.118.03 | Kontaktplatte | | | |
| 005 | 0.612.05 | Wechsel-Akku | | | |
| 006 | 9.241.58 | Halteklammer | | | |
| 007 | 9.170.02 | Druckfeder 6 | | | |
| 008 | 9.242.08 | Einschaltsperr | | | |
| 009 | 9.242.09 | Hebel komplett | | | |
| 010 | 9.209.03 | Hebel | | | |
| 011 | 9.193.26 | Schalter | | | |
| 012 | 9.990.59 | Schraube M5x30 | | | |
| 013 | 9.242.13 | Winkelkopf | | | |
| 014 | 9.242.14 | Antriebswelle 13 | | | |
| 015 | 9.242.15 | Kugellager 6000 | | | |
| 016 | 9.242.16 | Buchse 10 | | | |
| 017 | 9.092.55 | Kugellager 6000LLB | | | |
| 018 | 9.092.04 | Seegerring S-10 | | | |
| 019 | 9.092.19 | Seegerring R-26 | | | |
| 020 | 9.242.20 | Buchse 15 | | | |
| 021 | 9.242.21 | Gummischeibe 21 | | | |
| 022 | 9.242.22 | Unterlegscheibe 15 | | | |
| 023 | 9.242.23 | Döpper | | | |
| 024 | 9.242.24 | Hammer | | | |
| 025 | 9.064.10 | Stahlkugel 3,5 | | | |
| 026 | 9.242.26 | Unterlegscheibe 20 | | | |
| 027 | 9.242.27 | Druckfeder 22 | | | |
| 028 | 9.242.28 | DC Motor 9,6V | | | |
| 029 | 9.162.19 | Unterlegscheibe 12 | | | |
| 030 | 9.242.30 | Zahnkranz 69 | | | |
| 031 | 9.242.31 | Ring 32 | | | |
| 032 | 9.242.32 | Zahnrad 29 | | | |
| 033 | 9.242.32 | Zahnrad 29 | | | |
| 034 | 9.242.34 | Spindel komplett | | | |
| 035 | 9.068.57 | Stahlkugel 4,8 | | | |
| 036 | 9.242.15 | Kugellager 6000 | | | |
| 037 | 9.242.37 | Scheibe 10 | | | |
| 038 | 9.242.33 | Zahnrad 29 | | | |
| 039 | 9.068.57 | Stahlkugel 4,8 | | | |
| 040 | 9.242.01 | Gehäuse (Set) | | | |
| 041 | 9.064.10 | Stahlkugel 3,5 | | | |
| 042 | 9.242.42 | Gummiring 31 | | | |
| 043 | 9.242.43 | Sprengring 6 | | | |
| 044 | 9.242.44 | Antriebskegelrad 13 | | | |
| 045 | 9.192.59 | Kugellager 6001DDW | | | |
| 046 | 9.242.46 | Spindel | | | |
| 047 | 9.064.10 | Stahlkugel 3,5 | | | |
| 048 | 9.242.48 | Buchse | | | |
| 049 | 9.217.17 | Druckfeder 13 | | | |
| 050 | 9.217.16 | Unterlegscheibe 12 | | | |