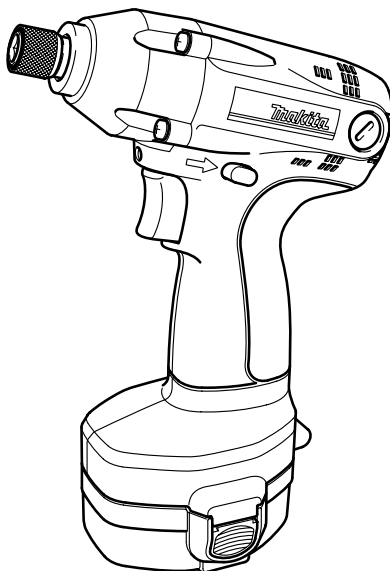
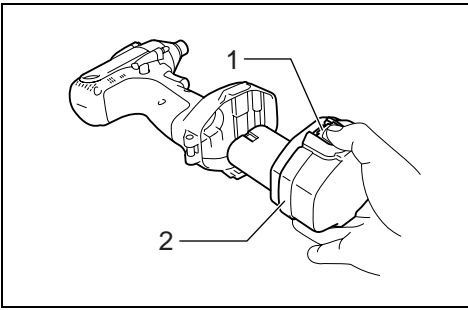




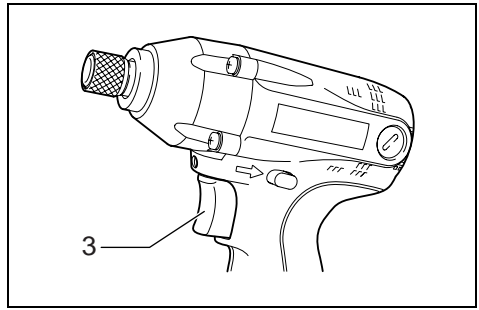
GB	Cordless Impact Driver	Instruction Manual
F	Visseuse à chocs sans fil	Manuel d'instructions
D	Akku-Schlagschrauber	Betriebsanleitung
I	Avvitatore ad impulso a batteria	Istruzioni per l'uso
NL	Accu-slagschroevendraaier	Gebruiksaanwijzing
E	Atornillador de impacto a batería	Manual de instrucciones
P	Berbequim de impacto a bateria	Manual de instruções
DK	Akku slagskrueetrækker	Brugsanvisning
S	Sladdlös hammarskruvdragare	Bruksanvisning
N	Batteridrevet slagtrekker	Bruksanvisning
FIN	Iskevä akkuruuvinväännin	Käyttöohje
GR	Ασύρματό κρουστικό βιδωτράπανο	Οδηγίες χρήσεως

6932FD

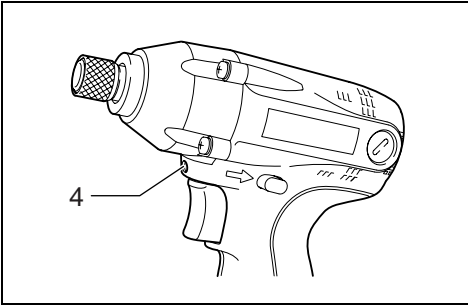




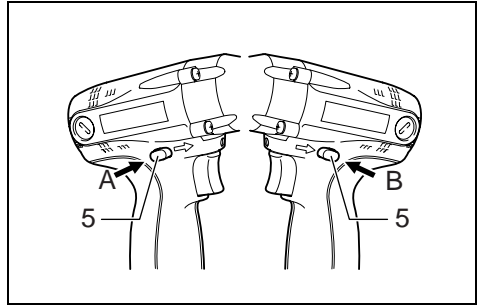
1



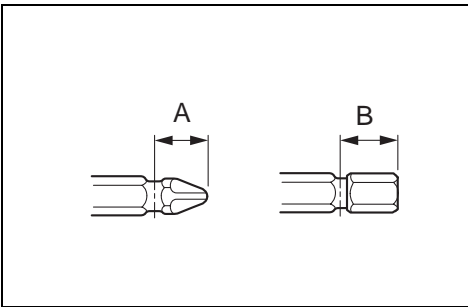
2



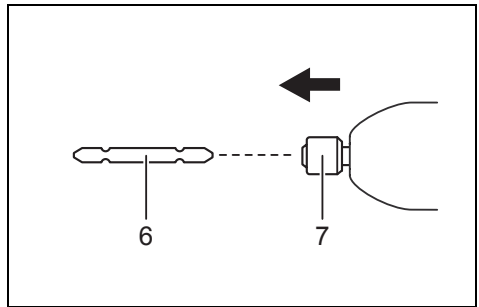
3



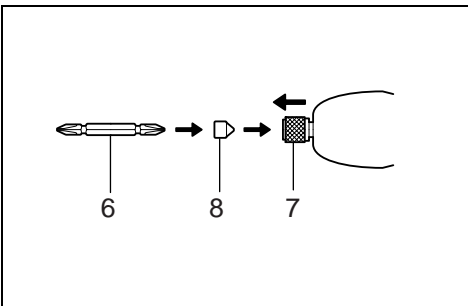
4



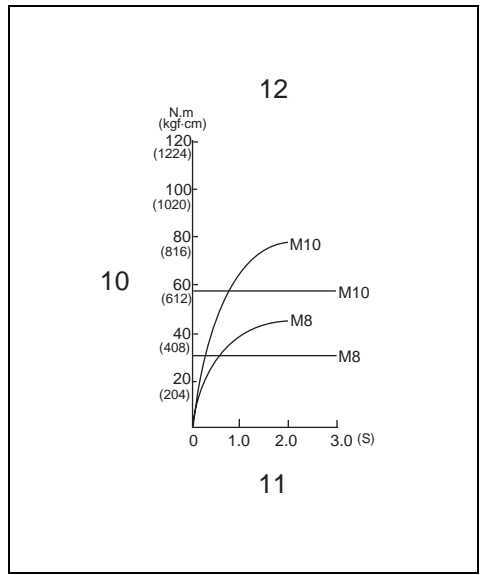
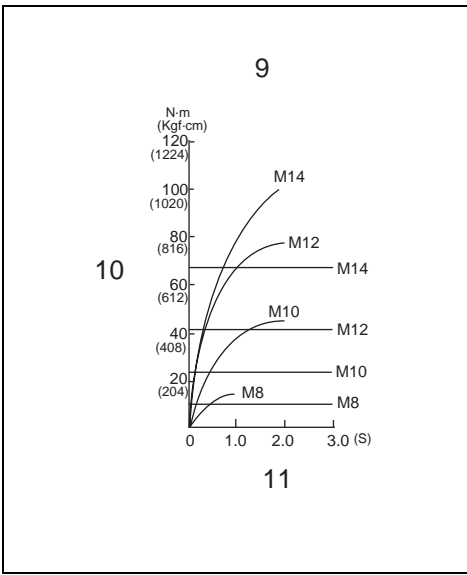
5



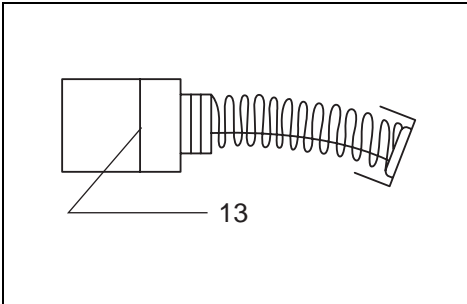
6



7

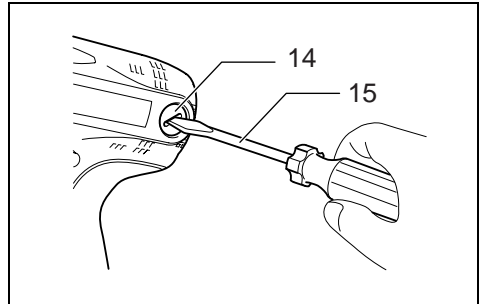


8



10

9



11

Explanation of general view

- | | | |
|--------------------------|----------------------|---------------------|
| 1 Button | 7 Sleeve | 13 Limit mark |
| 2 Battery cartridge | 8 Bit-piece | 14 Brush holder cap |
| 3 Switch trigger | 9 Standard Bolt | 15 Screwdriver |
| 4 Lamp | 10 Fastening torque | |
| 5 Reversing switch lever | 11 Fastening time | |
| 6 Bit | 12 High tensile Bolt | |

SPECIFICATIONS

Model		6932FD
Capacities	Machine screw	4 mm – 8 mm
	Standard bolt	5 mm – 14 mm
	High tensile bolt	5 mm – 10 mm
No load speed (min ⁻¹)		0 – 2,600
Impacts per minute		0 – 3,200
Overall length		165 mm
Net weight		1.7 kg
Rated voltage		D.C. 14.4 V

- Due to our continuing program of research and development, the specifications herein are subject to change without notice.
- Specifications and battery cartridge may differ from country to country.
- Weight, with battery cartridge, according to EPTA-Procedure 01/2003

ENE033-1

Intended use

The tool is intended for screw driving in wood, metal and plastic.

GEA010-1

General Power Tool Safety Warnings

⚠ WARNING Read all safety warnings and all instructions. Failure to follow the warnings and instructions may result in electric shock, fire and/or serious injury.

Save all warnings and instructions for future reference.

GEB054-1

CORDLESS IMPACT DRIVER SAFETY WARNINGS

1. Hold power tool by insulated gripping surfaces, when performing an operation where the fastener may contact hidden wiring. Fasteners contacting a "live" wire may make exposed metal parts of the power tool "live" and could give the operator an electric shock.
2. Always be sure you have a firm footing. Be sure no one is below when using the tool in high locations.
3. Hold the tool firmly.
4. Wear ear protectors.

SAVE THESE INSTRUCTIONS.

WARNING:

DO NOT let comfort or familiarity with product (gained from repeated use) replace strict adherence to safety rules for the subject product. **MISUSE** or failure to follow the safety rules stated in this instruction manual may cause serious personal injury.

ENC004-2

IMPORTANT SAFETY INSTRUCTIONS

FOR BATTERY CARTRIDGE

1. Before using battery cartridge, read all instructions and cautionary markings on (1) battery charger, (2) battery, and (3) product using battery.
2. Do not disassemble battery cartridge.
3. If operating time has become excessively shorter, stop operating immediately. It may result in a risk of overheating, possible burns and even an explosion.
4. If electrolyte gets into your eyes, rinse them out with clear water and seek medical attention right away. It may result in loss of your eyesight.
5. Always cover the battery terminals with the battery cover when the battery cartridge is not used.
6. Do not short the battery cartridge:
 - (1) Do not touch the terminals with any conductive material.
 - (2) Avoid storing battery cartridge in a container with other metal objects such as nails, coins, etc.
 - (3) Do not expose battery cartridge to water or rain.

A battery short can cause a large current flow, overheating, possible burns and even a breakdown.
7. Do not store the tool and battery cartridge in locations where the temperature may reach or exceed 50°C (122°F).
8. Do not incinerate the battery cartridge even if it is severely damaged or is completely worn out. The battery cartridge can explode in a fire.
9. Be careful not to drop or strike battery.
10. Do not use dropped or struck battery.

SAVE THESE INSTRUCTIONS.

Tips for maintaining maximum battery life

1. Charge the battery cartridge before completely discharged. Always stop tool operation and charge the battery cartridge when you notice less tool power.
2. Never recharge a fully charged battery cartridge. Overcharging shortens the battery service life.

3. Charge the battery cartridge with room temperature at 10°C – 40°C (50°F – 104°F). Let a hot battery cartridge cool down before charging it.
4. Charge the Nickel Metal Hydride battery cartridge when you do not use it for more than six months.

FUNCTIONAL DESCRIPTION

CAUTION:

- Always be sure that the tool is switched off and the battery cartridge is removed before adjusting or checking function on the tool.

Installing or removing battery cartridge (Fig. 1)

- Always switch off the tool before insertion or removal of the battery cartridge.
- To remove the battery cartridge, withdraw it from the tool while pressing the buttons on both sides of the cartridge.
- To insert the battery cartridge, align the tongue on the battery cartridge with the groove in the housing and slip it into place. Always insert it all the way until it locks in place with a little click. If not, it may accidentally fall out of the tool, causing injury to you or someone around you.
- Do not use force when inserting the battery cartridge. If the cartridge does not slide in easily, it is not being inserted correctly.

Switch action (Fig. 2)

CAUTION:

- Before inserting the battery cartridge into the tool, always check to see that the switch trigger actuates properly and returns to the "OFF" position when released.

To start the tool, simply pull the switch trigger. Tool speed is increased by increasing pressure on the switch trigger. Release the switch trigger to stop.

Electric brake

This tool is equipped with an electric brake. If the tool consistently fails to quickly stop after switch trigger release, have tool serviced at a Makita service center.

Lighting up the front lamp (Fig. 3)

CAUTION:

- Do not look in the light or see the source of light directly.

Pull the switch trigger to light up the lamp. The lamp keeps on lighting while the switch trigger is being pulled.

NOTE:

- Use a dry cloth to wipe the dirt off the lens of lamp. Be careful not to scratch the lens of lamp, or it may lower the illumination.

Reversing switch action (Fig. 4)

This tool has a reversing switch to change the direction of rotation. Depress the reversing switch lever from the A side for clockwise rotation or from the B side for counter-clockwise rotation.

When the reversing switch lever is in the neutral position, the switch trigger cannot be pulled.

CAUTION:

- Always check the direction of rotation before operation.
- Use the reversing switch only after the tool comes to a complete stop. Changing the direction of rotation before the tool stops may damage the tool.
- When not operating the tool, always set the reversing switch lever to the neutral position.

ASSEMBLY

CAUTION:

- Always be sure that the tool is switched off and the battery cartridge is removed before carrying out any work on the tool.

Installing or removing driver bit or socket bit (Fig. 5, 6 & 7)

Use only the driver bit or socket bit shown in the figure. Do not use any other driver bit or socket bit.

For European and North & South American countries, Australia and New Zealand

A = 12 mm B = 9 mm	Use only these types of bits. Follow the procedure (1). (Note) Bit-piece is not necessary.
-----------------------	---

For other countries

A = 17 mm B = 14 mm	To install these types of bits, follow the procedure (1). (Note) Makita bits are these types.
------------------------	--

A = 12 mm B = 9 mm	To install these types of bits, follow the procedure (2). (Note) Bit-piece is necessary for installing the bit.
-----------------------	--

1. To install the bit, pull the sleeve in the direction of the arrow and insert the bit into the sleeve as far as it will go. Then release the sleeve to secure the bit.
2. To install the bit, pull the sleeve in the direction of the arrow and insert the bit-piece and bit into the sleeve as far as it will go. The bit-piece should be inserted into the sleeve with its pointed end facing in. Then release the sleeve to secure the bit.

To remove the bit, pull the sleeve in the direction of the arrow and pull the bit out firmly.

NOTE:

- If the bit is not inserted deep enough into the sleeve, the sleeve will not return to its original position and the bit will not be secured. In this case, try re-inserting the bit according to the instructions above.

OPERATION

The proper fastening torque may differ depending upon the kind or size of the screw/bolt, the material of the workpiece to be fastened, etc. The relation between fastening torque and fastening time is shown in the figures. (Fig. 8 & 9)

Hold the tool firmly and place the point of the driver bit in the screw head. Apply forward pressure to the tool to the extent that the bit will not slip off the screw and turn the tool on to start operation.

NOTE:

- Use the proper bit for the head of the screw/bolt that you wish to use.
- When fastening screw M8 or smaller, carefully adjust pressure on the switch trigger so that the screw is not damaged.
- Hold the tool pointed straight at the screw.
- If you tighten the screw for a time longer than shown in the figures, the screw or the point of the driver bit may be overstressed, stripped, damaged, etc. Before starting your job, always perform a test operation to determine the proper fastening time for your screw.
- If the tool is operated continuously until the battery cartridge has discharged, allow the tool to rest for 15 minutes before proceeding with a fresh battery.

The fastening torque is affected by a wide variety of factors including the following. After fastening, always check the torque with a torque wrench.

1. When the battery cartridge is discharged almost completely, voltage will drop and the fastening torque will be reduced.
2. Driver bit or socket bit
Failure to use the correct size driver bit or socket bit will cause a reduction in the fastening torque.
3. Bolt
 - Even though the torque coefficient and the class of bolt are the same, the proper fastening torque will differ according to the diameter of bolt.
 - Even though the diameters of bolts are the same, the proper fastening torque will differ according to the torque coefficient, the class of bolt and the bolt length.
4. The manner of holding the tool or the material of driving position to be fastened will affect the torque.
5. Operating the tool at low speed will cause a reduction in the fastening torque.

MAINTENANCE

CAUTION:

- Always be sure that the tool is switched off and the battery cartridge is removed before attempting to perform inspection or maintenance.
- Never use gasoline, benzine, thinner, alcohol or the like. Discoloration, deformation or cracks may result.

Replacing carbon brushes (Fig. 10 & 11)

Remove and check the carbon brushes regularly. Replace when they wear down to the limit mark. Keep the carbon brushes clean and free to slip in the holders. Both carbon brushes should be replaced at the same time. Use only identical carbon brushes.

Use a screwdriver to remove the brush holder caps. Take out the worn carbon brushes, insert the new ones and secure the brush holder caps.

After replacing brushes, insert the battery cartridge into the tool and break in brushes by running tool with no load for about 1 minute. Then check the tool while running and electric brake operation when releasing the switch trigger. If electric brake is not working well, ask your local Makita service center for repair.

To maintain product SAFETY and RELIABILITY, repairs, any other maintenance or adjustment should be performed by Makita Authorized Service Centers, always using Makita replacement parts.

ACCESSORIES

CAUTION:

- These accessories or attachments are recommended for use with your Makita tool specified in this manual. The use of any other accessories or attachments might present a risk of injury to persons. Only use accessory or attachment for its stated purpose.

If you need any assistance for more details regarding these accessories, ask your local Makita Service Center.

- Screw bits
- Various type of Makita genuine batteries and chargers
- Plastic carrying case

ENG905-1

Noise

The typical A-weighted noise level determined according to EN60745:

Sound pressure level (L_{pA}): 92 dB (A)

Sound power level (L_{WA}): 103 dB (A)

Uncertainty (K): 3 dB (A)

Wear ear protection

ENG900-1

Vibration

The vibration total value (tri-axial vector sum) determined according to EN60745:

Work mode: impact tightening of fasteners of the maximum capacity of the tool

Vibration emission (a_{hv}): 13.0 m/s²

Uncertainty (K): 2.0 m/s²

ENG901-1

- The declared vibration emission value has been measured in accordance with the standard test method and may be used for comparing one tool with another.
- The declared vibration emission value may also be used in a preliminary assessment of exposure.

WARNING:

- The vibration emission during actual use of the power tool can differ from the declared emission value depending on the ways in which the tool is used.
- Be sure to identify safety measures to protect the operator that are based on an estimation of exposure in the actual conditions of use (taking account of all parts of the operating cycle such as the times when the tool is switched off and when it is running idle in addition to the trigger time).

For European countries only

EC Declaration of Conformity

We Makita Corporation as the responsible manufacturer declare that the following Makita machine(s):

Designation of Machine: Cordless Impact Driver

Model No./ Type: 6932FD

are of series production and

Conforms to the following European Directives:

2006/42/EC

And are manufactured in accordance with the following standards or standardised documents:

EN60745

The technical documentation is kept by our authorized representative in Europe who is:

Makita International Europe Ltd.

Michigan Drive, Tongwell,

Milton Keynes, MK15 8JD, England

30.1.2009



Tomoyasu Kato
Director

Makita Corporation
3-11-8, Sumiyoshi-cho,
Anjo, Aichi, JAPAN

1	Bouton	7	Manchon	13	Trait de limite d'usure
2	Batterie	8	Porte-embout	14	Bouchons de porte-charbon
3	Gâchette	9	Boulon standard	15	Tournevis
4	Lampe	10	Couple de serrage		
5	Inverseur	11	Temps de serrage		
6	Embout	12	Boulon à haute résistance		

SPÉCIFICATIONS

Modèle		6932FD
Capacités	Vis à machine	4 mm – 8 mm
	Boulon standard	5 mm – 14 mm
	Boulon à haute résistance	5 mm – 10 mm
Vitesse à vide (min ⁻¹)		0 – 2 600
Coups par minute		0 – 3 200
Longueur totale		165 mm
Poids net		1,7 kg
Tension nominale		14,4 V CC

- Etant donné l'évolution constante de notre programme de recherche et de développement, les spécifications contenues dans ce manuel sont sujettes à modification sans préavis.
- Les spécifications et la batterie peuvent être différentes suivant les pays.
- Poids, avec la batterie, conformément à la procédure EPTA-01/2003

ENE033-1

Utilisations

L'outil est conçu pour le vissage dans le bois, le métal et le plastique.

GEA010-1

Consignes de sécurité générales pour outils électriques

⚠ MISE EN GARDE Veuillez lire toutes les mises en garde et toutes les instructions. Il y a risque de choc électrique, d'incendie et/ou de blessure grave si les mises en garde et les instructions ne sont pas respectées.

Conservez toutes les mises en garde et instructions pour référence ultérieure.

GEB054-1

CONSIGNES DE SÉCURITÉ POUR VISSEUSE À CHOCS SANS FIL

1. Saisissez l'outil électrique par ses surfaces de poigne isolées lorsque vous effectuez une opération au cours de laquelle la visseuse peut entrer en contact avec des fils cachés. Le contact avec un fil sous tension mettra les parties métalliques exposées de la visseuse sous tension, causant ainsi un choc électrique chez l'utilisateur.
2. Ayez toujours une assise ferme sous vos pieds. Veillez à ce que personne ne se trouve en-dessous de vous quand vous utilisez l'outil en hauteur.
3. Tenez votre outil fermement.

4. Portez un casque anti-bruit.

CONSERVEZ CES INSTRUCTIONS.

AVERTISSEMENT :

NE vous laissez PAS tromper (au fil d'une utilisation répétée) par un sentiment d'aisance et de familiarité avec le produit, en négligeant le respect rigoureux des consignes de sécurité qui accompagnent le produit en question.

La MAUVAISE UTILISATION de l'outil ou l'ignorance des consignes de sécurité indiquées dans ce manuel d'instructions peut entraîner une blessure grave.

ENC004-2

CONSIGNES DE SÉCURITÉ IMPORTANTES

POUR LA BATTERIE

1. Avant d'utiliser la batterie, lisez toutes les instructions et précautions relatives (1) au chargeur de batterie, (2) à la batterie, et (3) à l'outil utilisant la batterie.
2. Ne démontez pas la batterie.
3. Cessez immédiatement l'utilisation si le temps de fonctionnement devient excessivement court. Il y a risque de surchauffe, de brûlures, voire d'explosion.
4. Si l'électrolyte pénètre dans vos yeux, rincez-les à l'eau claire et consultez immédiatement un médecin. Il y a risque de perte de la vue.
5. Lorsque vous n'utilisez pas la batterie, recouvrez-en toujours les bornes avec le couvre-batterie.
6. Ne court-circuitez pas la batterie :
 - (1) Ne touchez la batterie avec aucun matériau conducteur.
 - (2) Évitez de ranger la batterie dans un conteneur avec d'autres objets métalliques, par exemple des clous, des pièces de monnaie, etc.
 - (3) N'exposez pas la batterie à l'eau ou à la pluie. Un court-circuit de la batterie pourrait provoquer un fort courant, une surchauffe, parfois des brûlures et même une panne.
7. Ne rangez pas l'outil ou la batterie dans des endroits où la température risque d'atteindre ou de dépasser 50°C.
8. Ne jetez pas la batterie au feu même si elle est sérieusement endommagée ou complètement épuisée. La batterie peut exploser au contact du feu.
9. Prenez garde d'échapper ou de heurter la batterie.

10. N'utilisez pas une batterie qui a été échappée ou heurtée.

CONSERVEZ CES INSTRUCTIONS.

Conseils pour assurer la durée de vie optimale de la batterie

1. Rechargez la batterie avant qu'elle ne soit complètement déchargée. Arrêtez toujours l'outil et rechargez la batterie quand vous remarquez que la puissance de l'outil diminue.
2. Ne rechargez jamais une batterie complètement chargée. La surcharge réduit la durée de service de la batterie.
3. Chargez la batterie alors que la température de la pièce se trouve entre 10°C et 40°C. Avant de charger une batterie chaude, laissez-la refroidir.
4. Chargez la batterie au nickel-hydrure métallique lorsqu'elle est restée inutilisée pendant plus de six mois.

PROTECTION DE L'ENVIRONNEMENT (POUR LA SUISSE UNIQUEMENT)

Afin de préserver l'environnement, rappez la batterie usagée aux postes de ramassage officiel.



DESCRIPTION DU FONCTIONNEMENT

ATTENTION :

- Assurez-vous toujours que l'outil est hors tension et que sa batterie est retirée avant de l'ajuster ou de vérifier son fonctionnement.

Installation ou retrait de la batterie (Fig. 1)

- Mettez toujours l'outil hors tension avant d'insérer ou de retirer la batterie.
- Pour retirer la batterie, sortez-la de l'outil tout en appuyant sur les boutons des deux côtés de la batterie.
- Pour insérer la batterie, alignez sa languette sur l'entaille qui se trouve à l'intérieur du carter, puis glissez la batterie pour la mettre en place. Insérez-la toujours bien à fond, jusqu'à ce qu'elle se verrouille en émettant un léger bruit sec. Sinon, elle risque de tomber accidentellement de l'outil, en vous blessant ou en blessant une personne qui se trouve près de vous.
- N'appliquez pas une force excessive lors de l'insertion de la batterie. Si la batterie ne glisse pas aisément, c'est qu'elle n'est pas insérée correctement.

Interrupteur (Fig. 2)

ATTENTION :

- Avant d'insérer la batterie dans l'outil, vérifiez toujours que la gâchette fonctionne bien et revient en position d'arrêt lorsque relâchée.

Pour mettre l'outil en marche, appuyez simplement sur la gâchette. La vitesse de l'outil augmente à mesure que l'on accroît la pression exercée sur la gâchette. Pour l'arrêter, relâchez la gâchette.

Frein électrique

Cet outil est équipé d'un frein électrique. Si à plusieurs reprises l'outil ne s'arrête pas rapidement après le relâchement de la gâchette, faites-le réparer dans un centre de service après-vente Makita.

Allumage de la lampe avant (Fig. 3)

ATTENTION :

- Évitez de regarder directement le faisceau lumineux ou sa source.

Appuyez sur la gâchette pour allumer la lampe. La lampe demeure allumée tant que la pression sur la gâchette est maintenue.

NOTE :

- Utilisez un chiffon sec pour essuyer la saleté qui recouvre la lentille de la lampe. Prenez garde de rayer la lentille de la lampe, pour éviter une diminution de l'éclairage.

Inverseur (Fig. 4)

L'outil possède un inverseur qui permet de changer le sens de rotation. Enfoncez le levier inverseur du côté A pour une rotation dans le sens des aiguilles d'une montre, ou du côté B pour une rotation dans le sens inverse des aiguilles d'une montre.

La pression sur la gâchette n'est pas possible lorsque le levier inverseur se trouve en position neutre.

ATTENTION :

- Vérifiez toujours le sens de rotation avant de mettre l'outil en marche.
- N'actionnez l'inverseur qu'une fois que l'outil est complètement arrêté. Si vous changez le sens de rotation avant l'arrêt de l'outil, vous risquez de l'endommager.
- Lorsque vous n'utilisez pas l'outil, placez toujours le levier inverseur en position neutre.

ASSEMBLAGE

ATTENTION :

- Assurez-vous toujours que l'outil est hors tension et que sa batterie est retirée avant d'effectuer tout travail dessus.

Installation ou retrait de l'embout ou l'embout à douille (Fig. 5, 6 et 7)

Utilisez exclusivement l'embout ou l'embout à douille du modèle indiqué sur la figure. N'utilisez aucun(e) autre embout ou embout à douille.

Pour les pays d'Europe, d'Amérique du Nord et d'Amérique du Sud, l'Australie et la Nouvelle-Zélande

A = 12 mm B = 9 mm	Utilisez uniquement ces types d'embout. Suivez la procédure (1). (Note) Le porte-embout n'est pas nécessaire.
-----------------------	--

Pour autres pays

A = 17 mm B = 14 mm	Pour installer ces types d'embouts, suivez la procédure (1). (Note) Les embouts Makita sont de ces types.
A = 12 mm B = 9 mm	Pour installer ces types d'embouts, suivez la procédure (2). (Note) Une rallonge d'embout sera nécessaire pour l'installation.

1. Pour installer l'embout, tirer le manchon dans le sens de la flèche et introduire l'embout dans le manchon jusqu'au fond. Lâchez alors le manchon pour immobiliser l'embout.

2. Pour installer l'embout, tirez le manchon dans le sens de la flèche puis insérez à fond le porte-embout et l'embout dans le manchon. Le porte-embout doit être inséré dans le manchon avec l'extrémité pointue vers l'intérieur. Relâchez ensuite le manchon pour fixer l'embout.

Pour enlever l'embout, tirez le manchon dans la direction de la flèche et tirez fermement l'embout.

NOTE :

- Si l'embout n'est pas inséré assez profondément dans le manchon, celui-ci ne revient pas à sa position d'origine et l'embout ne se trouve pas bien assuré. En ce cas, insérez à nouveau l'embout comme il est dit ci-dessus.

UTILISATION

Le couple de serrage peut varier en fonction du type ou de la dimension de la vis/du boulon, du matériau de la pièce à fixer, etc. Le rapport entre le couple de serrage et le temps de serrage est donné à la figure. (**Fig. 8 et 9**)

Tenez votre outil fermement et placez la panne de l'embout dans la tête de la vis. Appliquez à l'outil une pression vers l'avant suffisante pour que la panne ne glisse pas hors de la vis et mettez le contact.

NOTE :

- Utilisez l'embout qui convient à la tête de la vis/du boulon utilisé(e).
- Quand vous fixez des vis M8 ou plus petites, réglez délicatement la pression sur la gâchette de façon à ne pas endommager la vis.
- Tenez votre outil bien droit sur la vis.
- Si vous serrez la vis plus longtemps que le temps indiqué dans les figures, la vis ou la pointe de l'embout risque d'être soumise à une force trop grande et de foirer ou être endommagée, etc. Avant de commencer votre travail, effectuez toujours un essai pour connaître le temps de serrage qui convient à la vis.
- Si l'outil est utilisé de manière continue jusqu'à ce que la batterie soit déchargée, laissez-le reposer 15 minutes avant de poursuivre l'opération avec une batterie fraîche.

Le couple de serrage dépend d'un certain nombre de facteurs, comme suit. Une fois le serrage terminé, vérifiez toujours le couple avec une clé dynamométrique.

1. Lorsque la batterie est presque complètement déchargée, la tension tombe et le couple de serrage diminue.
2. Embout ou embout à douille
L'utilisation d'un embout ou un embout à douille de mauvaise dimension entraînera une réduction du couple de serrage.
3. Boulon
 - Même si le coefficient du couple et la catégorie du boulon sont les mêmes, le couple de serrage variera en fonction du diamètre de boulon.
 - Même si les diamètres des boulons sont les mêmes, le couple de serrage variera en fonction du coefficient de couple, de la catégorie du boulon et de la longueur du boulon.
4. Le couple de serrage est affecté par la façon dont vous tenez l'outil ou la pièce, ou par la position de vissage.
5. Le fonctionnement de l'outil à vitesse réduite entraîne une diminution du couple de serrage.

ENTRETIEN

ATTENTION :

- Assurez-vous toujours que l'outil est hors tension et que la batterie est retirée avant d'y effectuer tout travail d'inspection ou d'entretien.
- N'utilisez jamais d'essence, benzine, diluant, alcool ou autre produit similaire. Cela risquerait de provoquer la décoloration, la déformation ou la fissuration de l'outil.

Remplacement des charbons (Fig. 10 et 11)

Retirez et vérifiez régulièrement les charbons. Remplacez-les lorsqu'ils sont usés jusqu'au trait de limite d'usure. Maintenez les charbons propres et en état de glisser aisément dans les porte-charbon. Les deux charbons doivent être remplacés en même temps. N'utilisez que des charbons identiques.

Utilisez un tournevis pour retirer les bouchons de porte-charbon. Enlevez les charbons usés, insérez-en de nouveaux et revissez solidement les bouchons de porte-charbon.

Après avoir remplacé les charbons, insérez la batterie dans l'outil et rodez les brosses en faisant fonctionner l'outil à vide pendant environ 1 minute. Vérifiez ensuite le bon fonctionnement de l'outil, ainsi que l'activation du frein électrique lors du relâchement de la gâchette. Si le frein électrique ne fonctionne pas bien, faites une demande de réparation auprès du centre de service après-vente Makita le plus près.

Pour maintenir la SÉCURITÉ et la FIABILITÉ du produit, les réparations, travaux d'entretien et autres réglages doivent être effectués dans un centre de service Makita agréé ou un centre de service de l'usine Makita, exclusivement avec des pièces de rechange Makita.

ACCESSOIRES

ATTENTION :

- Ces accessoires ou pièces complémentaires sont recommandés pour l'utilisation avec l'outil Makita spécifié dans ce mode d'emploi. L'utilisation de tout autre accessoire ou pièce complémentaire peut comporter un risque de blessure. N'utilisez les accessoires ou pièces qu'aux fins auxquelles ils ont été conçus.

Si vous désirez obtenir plus de détails concernant ces accessoires, veuillez contacter le centre de service après-vente Makita le plus près.

- Embouts de vis
- Les divers types de batteries et chargeurs Makita authentiques
- Étui de transport en plastique

Bruit

Niveau de bruit pondéré A typique, déterminé selon EN60745 :

Niveau de pression sonore (L_{pA}) : 92 dB (A)
 Niveau de puissance sonore (L_{WA}) : 103 dB (A)
 Incertitude (K) : 3 dB (A)

Porter des protecteurs anti-bruit

ENG900-1

Vibrations

Valeur totale de vibrations (somme de vecteur triaxial) déterminée selon EN60745 :

Mode de travail : Serrage avec chocs des vis correspondant à la capacité maximale de l'outil
 Émission de vibrations (a_h) : 13,0 m/s²
 Incertitude (K) : 2,0 m/s²

ENG901-1

- La valeur d'émission de vibrations déclarée a été mesurée conformément à la méthode de test standard et peut être utilisée pour comparer les outils entre eux.
- La valeur d'émission de vibrations déclarée peut aussi être utilisée pour l'évaluation préliminaire de l'exposition.

AVERTISSEMENT :

- L'émission de vibrations lors de l'usage réel de l'outil électrique peut être différente de la valeur d'émission déclarée, suivant la façon dont l'outil est utilisé.
- Les mesures de sécurité à prendre pour protéger l'utilisateur doivent être basées sur une estimation de l'exposition dans des conditions réelles d'utilisation (en tenant compte de toutes les composantes du cycle d'utilisation, comme par exemple le moment de sa mise hors tension, lorsqu'il tourne à vide et le moment de son déclenchement).

Pour les pays d'Europe uniquement**Déclaration de conformité CE**

Makita Corporation, en tant que fabricant responsable, déclare que la ou les machines suivantes :

Désignation de la machine : Visseuse à chocs sans fil
 N° de modèle / Type : 6932FD
 sont produites en série et
sont conformes aux Directives européennes suivantes :

2006/42/CE

et qu'elles sont fabriquées conformément aux normes ou documents normalisés suivants :

EN60745

La documentation technique est conservée par notre représentant agréé en Europe, à savoir :

Makita International Europe Ltd.
 Michigan Drive, Tongwell,
 Milton Keynes, MK15 8JD, Angleterre

30.1.2009



Tomoyasu Kato
 Directeur

Makita Corporation
 3-11-8, Sumiyoshi-cho,
 Anjo, Aichi, JAPAN

Übersicht

1 Knopf	7 Werkzeugaufnahme	13 Verschleißgrenze
2 Blockakku	8 Einsatzhalter	14 Bürstenhalterkappe
3 Ein-Aus-Schalter	9 Standardschraube	15 Schraubendreher
4 Lampe	10 Anzugsmoment	
5 Drehrichtungsumschalter	11 Anzugszeit	
6 Einsatz	12 HV-Schraube	

TECHNISCHE DATEN

Modell		6932FD
Bohrleistung	Maschinenschraube	4 mm – 8 mm
	Standardschraube	5 mm – 14 mm
	HV-Schraube	5 mm – 10 mm
Leerlaufdrehzahl (min ⁻¹)		0 – 2 600
Schlagzahl pro Minute		0 – 3 200
Gesamtlänge		165 mm
Nettogewicht		1,7 kg
Nennspannung		DC 14,4 V

- Wir behalten uns vor, Änderungen im Zuge der Entwicklung und des technischen Fortschritts ohne vorherige Ankündigung vorzunehmen.
- Die technischen Daten und der Blockakku können von Land zu Land unterschiedlich sein.
- Gewicht mit Akku nach EPTA-Verfahren 01/2003

ENE033-1

Vorgesehene Verwendung

Die Maschine ist für das Eindrehen von Schrauben in Holz, Metall und Kunststoff vorgesehen.

GEA010-1

Allgemeine Sicherheitswarnungen für Elektrowerkzeuge

⚠️ WARNUNG Lesen Sie alle Sicherheitswarnungen und Anweisungen durch. Eine Missachtung der unten aufgeführten Warnungen und Anweisungen kann zu einem elektrischen Schlag, Brand und/oder schweren Verletzungen führen.

Bewahren Sie alle Warnungen und Anweisungen für spätere Bezugnahme auf.

GEB054-1

SICHERHEITSWARNUNGEN FÜR AKKU-SCHLAGSCHRAUBER

- Halten Sie das Elektrowerkzeug nur an den isolierten Griffflächen, wenn Sie Arbeiten ausführen, bei denen die Gefahr besteht, dass das Befestigungselement verborgene Kabel. Bei Kontakt mit einem Strom führenden Kabel können die freiliegenden Metallteile des Elektrowerkzeugs ebenfalls Strom führend werden, so dass der Benutzer einen elektrischen Schlag erleiden kann.

- Sorgen Sie für sicheren Stand und halten Sie jederzeit Gleichgewicht. Stellen Sie sicher, dass sich bei Einsatz der Maschine an hochgelegenen Arbeitsplätzen keine Personen darunter aufhalten.
- Halten Sie die Maschine fest.
- Tragen Sie stets einen Gehörschutz.

BEWAHREN SIE DIESE HINWEISE SORGFÄLTIG AUF.

WARNUNG:

Lassen Sie sich NICHT durch Bequemlichkeit oder Vertrautheit mit dem Produkt (durch wiederholten Gebrauch erworben) von der strikten Einhaltung der Sicherheitsregeln für das vorliegende Produkt abhalten.

MISSBRAUCH oder Missachtung der Sicherheitsvorschriften in dieser Anleitung können schwere Verletzungen verursachen.

ENC004-2

WICHTIGE SICHERHEITSVORSCHRIFTEN

FÜR AKKU

- Lesen Sie vor der Benutzung des Akkus alle Anweisungen und Warnhinweise, die an (1) Ladegerät, (2) Akku und (3) Akkuwerkzeug angebracht sind.
- Unterlassen Sie ein Zerlegen des Akkus.
- Falls die Betriebszeit beträchtlich kürzer geworden ist, stellen Sie den Betrieb sofort ein. Andernfalls besteht die Gefahr von Überhitzung, möglichen Verbrennungen und sogar einer Explosion.
- Falls Elektrolyt in Ihre Augen gelangt, waschen Sie sie mit sauberem Wasser aus, und begeben Sie sich unverzüglich in ärztliche Behandlung. Andernfalls können Sie Ihre Sehkraft verlieren.
- Decken Sie die Akkukontakte stets mit der Schutzkappe ab, wenn Sie den Akku nicht benutzen.
- Der Akku darf nicht kurzgeschlossen werden:
 - (1) Die Kontakte dürfen nicht mit leitfähigem Material berührt werden.
 - (2) Lagern Sie den Akku nicht in einem Behälter zusammen mit anderen Metallgegenständen, wie z.B. Nägel, Münzen usw.
 - (3) Setzen Sie den Akku weder Wasser noch Regen aus. Ein Kurzschluss des Akkus verursacht starken Stromfluss, der Überhitzung, Verbrennungen und einen Defekt zur Folge haben kann.
- Lagern Sie Maschine und Akku nicht an Orten, an denen die Temperatur 50°C erreichen oder überschreiten kann.

8. Versuchen Sie niemals, den Akku zu verbrennen, selbst wenn er stark beschädigt oder vollkommen verbraucht ist. Der Akku kann im Feuer explodieren.
9. Achten Sie darauf, dass der Akku nicht fallen gelassen oder Stößen ausgesetzt wird.
10. Verwenden Sie keinen Akku, der fallen gelassen oder erschüttert wurde.

BEWAHREN SIE DIESE HINWEISE SORGFÄLTIG AUF.

Hinweise zur Aufrechterhaltung der maximalen Akku-Nutzungsdauer

1. Laden Sie den Akku, bevor er vollkommen erschöpft ist.
Schalten Sie die Maschine stets aus, und laden Sie den Akku, wenn Sie ein Nachlassen der Maschinenleistung feststellen.
2. Unterlassen Sie das erneute Laden eines voll aufgeladenen Akkus. Überladen führt zu einer Verkürzung der Nutzungsdauer des Akkus.
3. Laden Sie den Akku bei Raumtemperatur zwischen 10°C – 40°C. Lassen Sie einen heißen Akku abkühlen, bevor Sie ihn laden.
4. Der Nickel-Metallhydrid-Akku muss geladen werden, wenn er länger als sechs Monate nicht benutzt worden ist.

UMWELTSCHUTZ

Das Gerät ist mit einem Nickel-Cadmium-Akku ausgerüstet. Um eine umweltgerechte Entsorgung zu gewährleisten, bitten wir Sie, folgende Punkte zu beachten:

- Gemäß Europäischer Batterierichtlinie 91/157/EWG und nationaler Gesetzgebung (Batterieverordnung) muss der verbrauchte Akku bei einer öffentlichen Sammelstelle, bei Ihrem Makita Kundendienst oder Ihrem Fachhändler zum Recycling abgegeben werden.
- Werfen Sie den verbrauchten Akku nicht in den Hausmüll, ins Feuer oder ins Wasser.



(Nur für die Schweiz)

Ihr Beitrag zum Umweltschutz: Bringen Sie bitte die gebrauchte Batterie an eine offizielle Sammelstelle zurück.

FUNKTIONSBESCHREIBUNG

VORSICHT:

- Vergewissern Sie sich vor der Durchführung von Einstellungen oder Funktionsprüfungen der Maschine stets, dass die Maschine ausgeschaltet und der Akku abgenommen ist.

Anbringen und Abnehmen des Akkus (Abb. 1)

- Schalten Sie die Maschine stets aus, bevor Sie den Akku anbringen oder abnehmen.
- Ziehen Sie den Akku zum Abnehmen von der Maschine ab, während Sie die Entriegelungsknöpfe auf beiden Seiten drücken.

- Richten Sie zum Einsetzen des Akkus dessen Führungsfeder auf die Nut im Maschinengehäuse aus, und schieben Sie den Akku hinein. Schieben Sie ihn stets vollständig ein, bis er mit einem hörbaren Klicken einrastet. Anderenfalls kann er aus der Maschine herausfallen und Sie oder umstehende Personen verletzen.
- Wenden Sie beim Einsetzen des Akkus keine Gewalt an. Falls der Akku nicht reibungslos hineingleitet, ist er nicht richtig ausgerichtet.

Schaltefunktion (Abb. 2)

VORSICHT:

- Vergewissern Sie sich vor dem Einsetzen des Akkus in die Maschine stets, dass der Ein-Aus-Schalter ordnungsgemäß funktioniert und beim Loslassen in die AUS-Stellung zurückkehrt.

Zum Einschalten der Maschine einfach den Ein-Aus-Schalter drücken. Die Drehzahl erhöht sich durch verstärkte Druckausübung auf den Ein-Aus-Schalter. Zum Ausschalten lassen Sie den Ein-Aus-Schalter los.

Elektrische Bremse

Diese Maschine ist mit einer elektrischen Bremse ausgestattet. Falls die Maschine nach dem Loslassen des Ein-Aus-Schalters nicht sofort anhält, lassen Sie sie von einer Makita-Kundendienststelle warten.

Einschalten der Frontlampe (Abb. 3)

VORSICHT:

- Blicken Sie nicht direkt in die Lampe oder die Lichtquelle.

Betätigen Sie den Ein-Aus-Schalter, um die Lampe einzuschalten. Die Lampe bleibt erleuchtet, solange der Ein-Aus-Schalter gedrückt gehalten wird.

HINWEIS:

- Wischen Sie Schmutz auf der Lampenlinse mit einem trockenen Tuch ab. Achten Sie sorgfältig darauf, dass Sie die Lampenlinse nicht verkratzen, weil sich sonst die Lichtstärke verringert.

Drehrichtungsumschalterbedienung (Abb. 4)

Diese Maschine besitzt einen Drehrichtungsumschalter. Drücken Sie auf die Seite A des Drehrichtungsumschalters für Rechtsdrehung, und auf die Seite B für Linksdrehung.

In der Neutralstellung des Drehrichtungsumschalters ist der Ein-Aus-Schalter verriegelt.

VORSICHT:

- Prüfen Sie stets die Drehrichtung, bevor Sie mit der Arbeit beginnen.
- Betätigen Sie den Drehrichtungsumschalter erst, nachdem die Maschine völlig zum Stillstand gekommen ist. Durch Umschalten der Drehrichtung bei noch laufender Maschine kann die Maschine beschädigt werden.
- Stellen Sie den Drehrichtungsumschalter stets auf die Neutralstellung, wenn Sie die Maschine nicht benutzen.

MONTAGE

VORSICHT:

- Vergewissern Sie sich vor der Ausführung von Arbeiten an der Maschine stets, dass die Maschine ausgeschaltet und der Akku abgenommen ist.

Montage und Demontage von Einsatzwerkzeugen (Abb. 5, 6 u. 7)

Verwenden Sie nur den in der Abbildung gezeigten Schraubendreher- oder Steckschlüsseleinsatz. Verwenden Sie keinen anderen Schraubendreher- oder Steckschlüsseleinsatz.

Für europäische sowie nord- und südamerikanische Länder, Australien und Neuseeland

A = 12 mm B = 9 mm	Nur diese Einsatztypen verwenden. Wenden Sie Verfahren (1) an. (Hinweis) Einsatzhalter wird nicht benötigt.
-----------------------	---

Für andere Länder

A = 17 mm B = 14 mm	Zur Montage dieser Einsatztypen wenden Sie Verfahren (1) an. (Hinweis) Diese Makita-Einsatztypen sind erhältlich.
A = 12 mm B = 9 mm	Zur Montage dieser Einsatztypen wenden Sie Verfahren (2) an. (Hinweis) Für die Montage des Einsatzes wird ein Einsatzhalter benötigt.

1. Ziehen Sie die Werkzeugaufnahme zum Anbringen des Einsatzes in Pfeilrichtung, und führen Sie den Einsatz bis zum Anschlag in die Werkzeugaufnahme ein. Lassen Sie dann die Werkzeugaufnahme los, um den Einsatz zu sichern.
2. Ziehen Sie die Werkzeugaufnahme zum Anbringen des Einsatzes in Pfeilrichtung, und führen Sie Einsatzhalter und Einsatz bis zum Anschlag in die Werkzeugaufnahme ein. Der Einsatzhalter muss mit der spitzen Seite nach innen in die Werkzeugaufnahme eingeführt werden. Lassen Sie dann die Werkzeugaufnahme los, um den Einsatz zu sichern.

Ziehen Sie die Werkzeugaufnahme zum Abnehmen des Einsatzes in Pfeilrichtung, und ziehen Sie dann den Einsatz kräftig heraus.

HINWEIS:

- Wird der Einsatz nicht tief genug in die Werkzeugaufnahme eingeführt, kehrt die Werkzeugaufnahme nicht zur Ausgangsstellung zurück, so dass der Einsatz nicht eingespannt wird. Versuchen Sie in diesem Fall, den Einsatz wie oben beschrieben neu einzuführen.

BETRIEB

Das korrekte Anzugsmoment hängt u.a. von der Art oder Größe der Schrauben oder der Art der zu verschraubenden Materialien ab. Der Zusammenhang zwischen Anzugsmoment und Anzugszeit ist aus den Diagrammen ersichtlich. (**Abb. 8 u. 9**)

Halten Sie die Maschine mit festem Griff, und setzen Sie die Spitze des Schraubendrehereinsatzes in den Schraubenkopf ein. Üben Sie Vorwärtsdruck auf die Maschine aus, so dass der Einsatz nicht von der Schraube abrutscht, und schalten Sie die Maschine ein, um mit der Schraubarbeit zu beginnen.

HINWEIS:

- Verwenden Sie einen für den Kopf der zu verwendenden Schraube passenden Einsatz.
- Üben Sie beim Anziehen von Schrauben der Größe M8 oder kleiner vorsichtigen Druck auf den Ein-Aus-Schalter aus, damit die Schraube nicht beschädigt wird.
- Halten Sie die Maschine gerade auf die Schraube gerichtet.
- Wird die in den Diagrammen angegebene Anzugszeit überschritten, können die Schraube oder die Spitze des Schraubendrehereinsatzes überlastet, ausgerissen oder beschädigt werden. Führen Sie vor Arbeitsbeginn stets eine Probeverschraubung durch, um die geeignete Anzugszeit für die jeweilige Schraube zu ermitteln.
- Wenn die Maschine im Dauerbetrieb bis zur vollkommene Entladung des Akkus benutzt wurde, lassen Sie die Maschine vor dem Fortsetzen des Betriebs mit einem frischen Akku 15 Minuten lang ruhen.

Das Anzugsmoment unterliegt einer Reihe von Einflüssen, einschließlich der folgenden. Überprüfen Sie das Anzugsmoment nach dem Anziehen stets mit einem Drehmomentschlüssel.

1. Wenn der Akku nahezu erschöpft ist, fällt die Spannung ab, und das Anzugsmoment verringert sich.
2. Schraubendreher- oder Steckschlüsseleinsatz
Die Verwendung eines Schraubendreher- oder Steckschlüsseleinsatzes der falschen Größe bewirkt eine Verringerung des Anzugsmoments.
3. Schraube
 - Selbst wenn der Drehmoment-Koeffizient und der Typ der Schraube gleich sind, ändert sich das Anzugsmoment je nach dem Durchmesser der Schraube.
 - Selbst wenn Schrauben den gleichen Durchmesser haben, ist das korrekte Anzugsmoment je nach Drehmoment-Koeffizient, Typ und Länge der Schraube unterschiedlich.
4. Die Art und Weise, wie die Maschine oder das Material der Verschraubungsposition gehalten wird, beeinflusst das Anzugsmoment.
5. Der Betrieb der Maschine mit einer niedrigen Drehzahl hat eine Reduzierung des Anzugsmoments zur Folge.

WARTUNG

VORSICHT:

- Vergewissern Sie sich vor der Durchführung von Inspektions- oder Wartungsarbeiten stets, dass die Maschine ausgeschaltet und der Akku abgenommen ist.
- Verwenden Sie auf keinen Fall Benzin, Benzol, Verdüner, Alkohol oder dergleichen. Solche Mittel können Verfärbung, Verformung oder Rissbildung verursachen.

Auswechseln der Kohlebürsten (Abb. 10 u. 11)

Die Kohlebürsten müssen regelmäßig entfernt und überprüft werden. Wenn sie bis zur Verschleißgrenze abgenutzt sind, müssen sie erneuert werden. Halten Sie die Kohlebürsten stets sauber, damit sie ungehindert in den Haltern gleiten können. Beide Kohlebürsten sollten gleichzeitig erneuert werden. Verwenden Sie nur identische Kohlebürsten.

Drehen Sie die Bürstenhalterkappen mit einem Schraubendreher heraus. Nehmen Sie die abgenutzten Kohlebürsten heraus, setzen Sie die neuen ein, und drehen Sie dann die Bürstenhalterkappen wieder ein.

Setzen Sie nach dem Auswechseln der Bürsten den Akku in die Maschine ein, um die Bürsten im Leerlauf etwa 1 Minute lang einzuschleifen. Überprüfen Sie dann die Maschine im Betrieb und die Funktion der elektrischen Bremse, wenn Sie den Ein-Aus-Schalter loslassen. Falls die elektrische Bremse nicht einwandfrei funktioniert, lassen Sie sie von Ihrer Makita-Kundendienststelle reparieren.

Um die SICHERHEIT und ZUVERLÄSSIGKEIT dieses Produkts zu gewährleisten, sollten Reparaturen und andere Wartungs- oder Einstellarbeiten nur von Makita-Vertragswerkstätten oder Makita-Kundendienstzentren unter ausschließlicher Verwendung von Makita-Originalersatzteilen ausgeführt werden.

ZUBEHÖR

VORSICHT:

- Die folgenden Zubehörteile oder Vorrichtungen werden für den Einsatz mit der in dieser Anleitung beschriebenen Makita-Maschine empfohlen. Die Verwendung anderer Zubehörteile oder Vorrichtungen kann eine Verletzungsgefahr darstellen. Verwenden Sie Zubehörteile oder Vorrichtungen nur für ihren vorgesehenen Zweck.

Wenn Sie weitere Einzelheiten bezüglich dieser Zubehörteile benötigen, wenden Sie sich bitte an Ihre Makita-Kundendienststelle.

- Schraubendrehereinsätze
- Verschiedene Original-Makita-Akkus und -Ladegeräte
- Plastikoffener

Geräusch

Typischer A-bewerteter Geräuschpegel ermittelt gemäß EN60745:

Schalldruckpegel (L_{pA}): 92 dB (A)

Schalleistungspegel (L_{WA}): 103 dB (A)

Ungewissheit (K): 3 dB (A)

Gehörschutz tragen

ENG900-1

Vibration

Vibrationsgesamt看wert (Drei-Achsen-Vektorsumme) ermittelt gemäß EN60745:

Arbeitsmodus: Schlagschrauben von

Befestigungsteilen der maximalen Kapazität der Maschine

Vibrationsemission (a_{h1}): 13,0 m/s²

Ungewissheit (K): 2,0 m/s²

ENG901-1

- Der angegebene Vibrationsemissionswert wurde im Einklang mit der Standardprüfmethode gemessen und kann für den Vergleich zwischen Maschinen herangezogen werden.
- Der angegebene Vibrationsemissionswert kann auch für eine Bewertung des Gefährdungsgrads verwendet werden.

WARNUNG:

- Die Vibrationsemission während der tatsächlichen Benutzung des Elektrowerkzeugs kann je nach der Benutzungsweise der Maschine vom angegebenen Emissionswert abweichen.
- Identifizieren Sie Sicherheitsmaßnahmen zum Schutz des Benutzers anhand einer Schätzung des Gefährdungsgrads unter den tatsächlichen Benutzungsbedingungen (unter Berücksichtigung aller Phasen des Arbeitszyklus, wie z. B. Ausschalt- und Leerlaufzeiten der Maschine zusätzlich zur Betriebszeit).

ENH101-14

Nur für europäische Länder

EG-Übereinstimmungserklärung

Wir, die Firma Makita als verantwortlicher Hersteller, erklären, dass die folgende(n) Makita-Maschine(n): Bezeichnung der Maschine: Akku-Schlagschrauber Modell-Nr./ Typ: 6932FD der Serienproduktion entstammen und **den folgenden europäischen Richtlinien entsprechen:**

2006/42/EG

und gemäß den folgenden Standards oder standardisierten Dokumenten hergestellt werden:

EN60745

Die technische Dokumentation befindet sich im Bestand unserer autorisierten Vertretung in Europa, nämlich:

Makita International Europe Ltd.

Michigan Drive, Tongwell,

Milton Keynes, MK15 8JD, England

30.1.2009



Tomoyasu Kato
Direktor

Makita Corporation
3-11-8, Sumiyoshi-cho,
Anjo, Aichi, JAPAN

Visione generale

- | | | |
|--------------------------------|------------------------|------------------------------|
| 1 Bottone | 6 Punta | 11 Tempo di serraggio |
| 2 Batteria | 7 Manicotto | 12 Bullone altamente tensile |
| 3 Interruttore | 8 Attacco punta | 13 Segno di limite |
| 4 Lampadina | 9 Bullone standard | 14 Tappo portaspazzola |
| 5 Leva interruttore inversione | 10 Coppia di serraggio | 15 Cacciavite |

DATI TECNICI

Modello		6932FD
Capacità	Vite comune	4 mm – 8 mm
	Bullone standard	5 mm – 14 mm
	Bullone altamente tensile	5 mm – 10 mm
Velocità senza carico (min ⁻¹)		0 – 2.600
Impulsi al minuto		0 – 3.200
Lunghezza totale		165 mm
Peso netto		1,7 kg
Tensione nominale		C.c. 14,4 V

- Per il nostro programma di ricerca e sviluppo continui, i dati tecnici sono soggetti a modifiche senza preavviso.
- I dati tecnici e la cartuccia batteria potrebbero differire da paese a paese.
- Peso, con batteria, secondo la Procedura EPTA 01/2003

ENE033-1

Utilizzo previsto

Questo utensile serve ad avvitare le viti nel legno, metallo e plastica.

GEA010-1

Avvertimenti generali per la sicurezza dell'utensile elettrico

⚠ AVVERTIMENTO Leggere tutti gli avvertimenti per la sicurezza e le istruzioni. La mancata osservanza degli avvertimenti e delle istruzioni può causare scosse elettriche, incendio e/o gravi incidenti.

Conservare tutti gli avvertimenti e le istruzioni per riferimenti futuri.

GEB054-1

AVVERTIMENTI PER LA SICUREZZA PER LA AVVITATORE AD IMPULSO A BATTERIA

1. Tenere l'utensile per le superfici isolate quando si esegue una operazione in cui i dispositivi di chiusura potrebbero fare contatto con fili elettrici nascosti. I dispositivi di chiusura che fanno contatto con un filo elettrico "sotto tensione" potrebbero mettere "sotto tensione" le parti metalliche esposte dell'utensile dando una scossa elettrica all'operatore.
2. Assicurarsi sempre di avere i piedi sul sicuro. Assicurarsi che non c'è nessuno al disotto, quando si usa l'utensile in posizioni alte.
3. Tenere l'utensile ben fermo in mano.
4. Indossare protettori delle orecchie.

CONSERVARE QUESTE ISTRUZIONI.

AVVERTIMENTO:

NON lasciare che comodità o la familiarità d'utilizzo con il prodotto (acquisita con l'uso ripetuto) sostituisca la stretta osservanza delle norme di sicurezza. L'utilizzo SBAGLIATO o la mancata osservanza delle norme di sicurezza di questo manuale di istruzioni potrebbero causare lesioni serie.

ENC004-2

ISTRUZIONI IMPORTANTI DI SICUREZZA

PER LA CARTUCCIA DELLA BATTERIA

1. Prima di usare la cartuccia della batteria, leggere tutte le istruzioni e le avvertenze sul (1) carica-batteria, sulla (2) batteria e sul (3) prodotto che utilizza la batteria.
2. Non smontare la cartuccia della batteria.
3. Se il tempo di utilizzo è diventato molto corto, smettere immediatamente di usare l'utensile. Può risultare un rischio di surriscaldamento, possibili ustioni e addirittura un'esplosione.
4. Se l'elettrolita va negli occhi, risciacquarli con acqua pulita e rivolgersi immediatamente ad un medico. Può risultare la perdita della vista.
5. Coprire sempre i terminali della batteria con il coperchio della batteria quando non si usa la cartuccia della batteria.
6. Non cortocircuitare la cartuccia della batteria:
 - (1) Non toccare i terminali con qualche metallo conduttivo.
 - (2) Evitare di conservare la cartuccia della batteria in un contenitore con altri oggetti metallici come i chiodi, le monete, ecc.
 - (3) Non esporre la cartuccia della batteria all'acqua o alla pioggia.
Un cortocircuito della batteria può causare un grande flusso di corrente, il surriscaldamento, possibili ustioni e addirittura un guasto.
7. Non conservare l'utensile e la cartuccia della batteria in luoghi in cui la temperatura può raggiungere o superare i 50°C.
8. Non incenerire la cartuccia della batteria anche se è gravemente danneggiata o è completamente esaurita. La cartuccia della batteria può esplodere e provocare un incendio.
9. Fare attenzione a non lasciar cadere o a colpire la batteria.
10. Non usare una batteria che è caduta o che ha subito un colpo.

CONSERVARE QUESTE ISTRUZIONI.

Suggerimenti per mantenere la durata massima della batteria

1. Caricare la cartuccia della batteria prima che si scarichi completamente.
Smettere sempre di usare l'utensile e caricare la cartuccia della batteria quando si nota che la potenza dell'utensile è diminuita.
2. Non ricaricare mai una cartuccia della batteria completamente carica. La sovraccarica riduce la durata della batteria.
3. Caricare la cartuccia della batteria con la temperatura ambiente da 10°C a 40°C. Lasciar raffreddare una cartuccia della batteria calda prima di caricarla.
4. Caricare la cartuccia della batteria all'idruro di nickel metallico quando non la si usa per più di sei mesi.

(PER LA SVIZZERA SOLTANTO) PROTEZIONE DELL'AMBIENTE

La Vostra contribuzione per la protezione dell'ambiente:

Porta la batteria al collettivo ufficiale.



DESCRIZIONE FUNZIONALE

ATTENZIONE:

- Accertarsi sempre che l'utensile sia spento e che la batteria sia stata rimossa prima di regolare o di controllare il funzionamento dell'utensile.

Installazione o rimozione della batteria (Fig. 1)

- Spegnerne sempre l'utensile prima di inserire o di rimuovere la batteria.
- Per rimuovere la batteria, estrarla dall'utensile premendo i bottoni su entrambi i fianchi della batteria.
- Per inserire la batteria, allineare l'appendice della batteria con la scanalatura dell'alloggiamento e inserirla in posizione. Inserirla sempre completamente finché si blocca in posizione con uno scatto. In caso contrario, potrebbe cadere accidentalmente fuori dall'utensile causando lesioni all'operatore o a chi è vicino.
- Per inserire la batteria non bisogna usare forza. Se la batteria non entra facilmente, vuol dire che non viene inserita correttamente.

Funzionamento dell'interruttore (Fig. 2)

ATTENZIONE:

- Prima di inserire la batteria nell'utensile, controllare sempre che l'interruttore funzioni correttamente e torni sulla posizione "OFF" quando viene rilasciato.

Per avviare l'utensile, schiacciare semplicemente l'interruttore. La velocità dell'utensile si aumenta aumentando la pressione sull'interruttore. Rilasciare l'interruttore per fermarlo.

Freno elettrico

L'utensile è dotato di un freno elettrico. Se l'utensile continua a non fermarsi velocemente dopo che si è rilasciato l'interruttore, farlo riparare presso un centro di assistenza Makita.

Accensione della lampadina anteriore (Fig. 3)

ATTENZIONE:

- Non guardare direttamente la luce della lampadina.

Schiacciare l'interruttore per accendere la lampadina. La lampadina rimane accesa per tutto il tempo che l'interruttore è schiacciato.

NOTA:

- Usare un panno asciutto per pulire la lente della lampadina. Fare attenzione a non graffiare la lente della lampadina, perché si potrebbe ridurre l'illuminazione.

Funzionamento dell'interruttore di inversione (Fig. 4)

Questo utensile è dotato di un interruttore di inversione, che cambia la direzione di rotazione. Schiacciare la leva interruttore inversione dal lato A per la rotazione in senso orario, o dal lato B per la rotazione in senso antiorario. Quando la leva interruttore inversione si trova sulla posizione neutra, non si può schiacciare l'interruttore.

ATTENZIONE:

- Controllare sempre la direzione di rotazione prima avviare l'utensile.
- Usare l'interruttore di inversione soltanto dopo che l'utensile si è fermato completamente. Se si cambia la direzione di rotazione prima dell'arresto dell'utensile, lo si potrebbe danneggiare.
- Quando non si usa l'utensile, regolare sempre la leva interruttore inversione sulla posizione neutra.

MONTAGGIO

ATTENZIONE:

- Accertarsi sempre che l'utensile sia spento e che la batteria sia stata rimossa prima di qualsiasi intervento sull'utensile.

Installazione o rimozione della punta o bussola (Fig. 5, 6 e 7)

Usare soltanto la punta o la bussola mostrate nella figura. Non usare altre punte o bussole.

Per i paesi europei, America Settentrionale e America Meridionale, l'Australia e la Nuova Zelanda

A = 12 mm B = 9 mm	Usare soltanto questi tipi di punte. Seguire la procedura (1). (Nota) L'attacco punta non è necessario.
-----------------------	---

Per i paesi diversi

A = 17 mm B = 14 mm	Per installare questi tipi di punte, seguire la procedura (1). (Nota) Le punte Makita sono di questi tipi.
A = 12 mm B = 9 mm	Per installare questi tipi di punte, seguire la procedura (2). (Nota) Per l'installazione della punta è necessario l'attacco punta.

1. Per installare la punta, tirare il manicotto nella direzione della freccia e inserire la punta nel manicotto finché non può andare più oltre. Rilasciare poi il manicotto per fissare la punta.

2. Per installare la punta, tirare il manicotto nella direzione della freccia e inserire l'attacco punta e la punta nel manicotto finché non può andare più oltre. L'attacco punta deve essere inserito con la sua estremità appuntita rivolta dentro. Rilasciare poi il manicotto per fissare la punta.

Per rimuovere la punta, tirare il manicotto nella direzione della freccia e tirar fuori decisamente la punta.

NOTA:

- Se la punta non è inserita completamente nel manicotto, questo non torna sulla sua posizione originale e la punta non rimane fissata. In tal caso, provare a inserire di nuovo la punta secondo le istruzioni sopra.

FUNZIONAMENTO

La coppia di serraggio corretta potrebbe differire secondo il tipo o le dimensioni della vite/bullone, il materiale del pezzo da fissare, ecc. Il rapporto tra la coppia e il tempo di serraggio è mostrato nelle figure. (Fig. 8 e 9) Tenere saldamente l'utensile e mettere la punta dell'avvitatore sulla testa della vite. Esercitare una pressione in avanti sull'utensile in modo che la punta non scivoli via dalla vite, e accendere l'utensile per cominciare il lavoro.

NOTE:

- Usare la punta adatta alla testa della vite/bullone che si desidera usare.
- Per fissare le viti M8 o più piccole, regolare con cura la pressione sull'interruttore in modo da non danneggiare la vite.
- Tenere l'utensile puntato diritto sulla vite.
- Se si stringe la vite per un tempo più lungo di quello mostrato nelle figure, la vite o la punta dell'avvitatore potrebbero subire una sollecitazione eccessiva, essere danneggiate, ecc. Prima di cominciare il lavoro, fare sempre una prova per determinare il tempo di serraggio corretto per la vite.
- Se si fa funzionare continuamente l'utensile finché la batteria si scarica, lasciarlo riposare per 15 minuti prima di continuare il lavoro con una nuova batteria.

La coppia di serraggio è influenzata da vari fattori, compresi quelli seguenti. Dopo il serraggio, controllare sempre la coppia con una chiave torsiometrica.

1. Quando la batteria è quasi completamente scarica, la tensione scende e la coppia di serraggio si riduce.
2. Punta o bussola
Se non si usa la punta o la bussola di dimensioni corrette, si causa una riduzione della coppia di serraggio.
3. Bullone
 - Anche se il coefficiente di coppia e la classe del bullone sono gli stessi, la coppia di serraggio corretta differisce secondo il diametro del bullone.
 - Anche se i diametri dei bulloni sono gli stessi, la coppia di serraggio corretta differisce secondo il coefficiente di coppia e la classe e la lunghezza del bullone.
4. La coppia è influenzata da come si tiene l'utensile e dal materiale da fissare.
5. Facendo funzionare l'utensile a bassa velocità si causa una riduzione della coppia di serraggio.

MANUTENZIONE

ATTENZIONE:

- Accertarsi sempre che l'utensile sia spento e che la batteria sia stata rimossa prima dell'intervento di ispezione o manutenzione.
- Mai usare benzina, benzene, solventi, alcol e altre sostanze simili. Potrebbero causare scolorimenti, deformazioni o crepe.

Sostituzione delle spazzole di carbone

(Fig. 10 e 11)

Rimuovere e controllare regolarmente le spazzole di carbone. Sostituirle quando sono usurate fino al segno del limite. Mantenere le spazzole di carbone pulite e libere di slittare nei portaspazzole. Entrambe le spazzole di carbone devono essere sostituite allo stesso tempo. Usare soltanto spazzole di carbone identiche.

Usare un cacciavite per rimuovere i tappi dei portaspazzole. Estrarre le spazzole di carbone usurate, inserire le nuove spazzole e fissare i tappi dei portaspazzole.

Dopo la sostituzione delle spazzole, inserire la batteria nell'utensile e rodare le spazzole facendo girare l'utensile senza carico per 1 minuto circa. Controllare poi l'utensile facendolo girare, e il funzionamento del freno elettrico quando si rilascia l'interruttore. Se il freno elettrico non funziona correttamente, far riparare l'utensile presso un centro di assistenza Makita.

Per preservare la sicurezza e l'affidabilità del prodotto, le riparazioni, la manutenzione o la regolazione devono essere eseguite da un Centro Assistenza Makita autorizzato usando sempre ricambi Makita.

ACCESSORI

ATTENZIONE:

- Questi accessori o attrezzi sono consigliati per l'uso con l'utensile Makita specificato in questo manuale. L'impiego di altri accessori o attrezzi può costituire un rischio di lesioni alle persone. Usare gli accessori soltanto per il loro scopo prefissato.

Per ottenere maggiori dettagli su questi accessori, rivolgersi a un Centro Assistenza Makita autorizzato.

- Punta avvitatore
- Vari tipi di batterie e caricatori genuini Makita
- Valigetta di plastica

Rumore

Il tipico livello di rumore pesato A determinato secondo EN60745:

Livello pressione sonora (L_{pA}): 92 dB (A)

Livello potenza sonora (L_{WA}): 103 dB (A)

Incertezza (K): 3 dB (A)

Indossare i paraorecchi

ENG900-1

Vibrazione

Il valore totale di vibrazione (somma vettore triassiale) determinato secondo EN60745:

Modalità operativa: serraggio a impulsi dei dispositivi di fissaggio della capacità massima dell'utensile

Emissione di vibrazione (a_h): 13,0 m/s²

Incertezza (K): 2,0 m/s²

ENG901-1

- Il valore di emissione delle vibrazioni dichiarato è stato misurato conformemente al metodo di test standard, e può essere usato per paragonare un utensile con un altro.
- Il valore di emissione delle vibrazioni dichiarato può anche essere usato per una valutazione preliminare dell'esposizione.

AVVERTIMENTO:

- L'emissione delle vibrazioni durante l'uso reale dell'utensile elettrico può differire dal valore di emissione dichiarato a seconda dei modi in cui viene usato l'utensile.
- Identificare le misure di sicurezza per la protezione dell'operatore basate sulla stima dell'esposizione nelle condizioni reali d'utilizzo (tenendo presente tutte le parti del ciclo operativo, come le volte in cui l'utensile viene spento e quando gira a vuoto, oltre al tempo di funzionamento).

Modello per l'Europa soltanto**Dichiarazione CE di conformità**

Noi della Makita Corporation, come produttori responsabili, dichiariamo che le macchine Makita seguenti:

Designazione della macchina: Avvitatore ad impulso a batteria

Modello No./Tipo: 6932FD

sono una produzione di serie e

conformi alle direttive europee seguenti:

2006/42/CE

E sono fabbricate conformemente ai seguenti standard o documenti standardizzati:

EN60745

La documentazione tecnica è tenuta dal nostro rappresentante autorizzato in Europa, che è:

Makita International Europe Ltd.

Michigan Drive, Tongwell,

Milton Keynes, MK15 8JD, England

30.1.2009



Tomoyasu Kato
Amministratore

Makita Corporation
3-11-8, Sumiyoshi-cho,
Anjo, Aichi, JAPAN

Verklaring van algemene gegevens

1 Knop	7 Bus	13 Limietmarkering
2 Accu	8 Inzetstuk	14 Dop van koolborstelhouder
3 Trekschakelaar	9 Standaardbout	15 Schroevendraaier
4 Lamp	10 Aandraaimoment	
5 Omkeerschakelaar	11 Aandraaitijd	
6 Bit	12 Bout met hoge trekvastheid	

TECHNISCHE GEGEVENS

Model		6932FD
Capaciteiten	Kolomschroef	4 mm – 8 mm
	Standaardbout	5 mm – 14 mm
	Bout met hoge trekvastheid	5 mm – 10 mm
Toerental onbelast (min ⁻¹)		0 – 2 600
Slagen per minuut		0 – 3 200
Totale lengte		165 mm
Netto gewicht		1,7 kg
Nominale spanning		DC 14,4 V

- In verband met ononderbroken research en ontwikkeling behouden wij ons het recht voor bovenstaande technische gegevens te wijzigen zonder voorafgaande kennisgeving.
- De technische gegevens de accu kunnen van land tot land verschillen.
- Gewicht, inclusief accu, volgens de EPTA-procedure 01/2003

ENE033-1

Doeleinden van gebruik

Dit gereedschap is bedoeld voor het indraaien van schroeven in hout, metaal en kunststof.

GEA010-1

Algemene veiligheidswaarschuwingen voor elektrisch gereedschap

⚠ WAARSCHUWING! Lees alle veiligheidsaanschuwingen en alle instructies. Het niet volgen van de waarschuwingen en instructies kan leiden tot elektrische schokken, brand en/of ernstig letsel.

Bewaar alle waarschuwingen en instructies om in de toekomst te kunnen raadplegen.

GEB054-1

VEILIGHEIDSWAARSCHUWINGEN SPECIFIEK VOOR EEN ACCU-SLAGSCHROEVENDRAAIER

1. Houd elektrisch gereedschap vast bij het geïsoleerde oppervlak van de handgrepen wanneer u werkt op plaatsen waar het bevestigingsmateriaal in aanraking kan komen met verborgen bedrading. Wanneer bevestigingsmaterialen in aanraking komen met onder spanning staande draden, zullen de niet-geïsoleerde metalen delen van het gereedschap onder spanning komen te staan zodat de gebruiker een elektrische schok kan krijgen.

2. Zorg ervoor dat u stevig staat op een vast ondergrond. Bij gebruik van het gereedschap op een hoge plaats dient u ervoor te zorgen dat niemand beneden u aanwezig is.
3. Houd het gereedschap stevig vast.
4. Draag oorbeschermers.

BEWAAR DEZE VOORSCHRIFTEN.

WAARSCHUWING:

Laat u NIET misleiden door een vals gevoel van comfort en bekendheid met het gereedschap (na veelvuldig gebruik) en neem alle veiligheidsvoorschriften van het betreffende gereedschap altijd strikt in acht. VERKEERD GEBRUIK of het niet naleven van de veiligheidsvoorschriften in deze gebruiksaanwijzing kan leiden tot ernstige verwondingen.

ENC004-2

BELANGRIJKE VEILIGHEIDSVORSCHRIFTEN

VOOR ACCU

1. Lees alle voorschriften en waarschuwingen op (1) de acculader, (2) de accu, en (3) het product waarvoor de accu wordt gebruikt, aandachtig door alvorens de acculader in gebruik te nemen.
2. Neem de accu niet uit elkaar.
3. Als de gebruiktijd van een opgeladen accu aanzienlijk korter is geworden, moet u het gebruik ervan onmiddellijk stopzetten. Voortgezet gebruik kan oververhitting, brandwonden en zelfs een ontploffing veroorzaken.
4. Als er elektrolyt in uw ogen is terechtgekomen, spoel dan uw ogen met schoon water en roep onmiddellijk de hulp van een dokter in. Elektrolyt in de ogen kan blindheid veroorzaken.
5. Bedek de accuklemmen altijd met de accucapak wanneer u de accu niet gebruikt.
6. Voorkom kortsluiting van de accu:
 - (1) Raak de accuklemmen nooit aan met een geleidend materiaal.
 - (2) Bewaar de accu niet in een bak waarin andere metalen voorwerpen zoals spijkers, munten e.d. worden bewaard.
 - (3) Stel de accu niet bloot aan water of regen. Kortsluiting van de accu kan oorzaak zijn van een grote stroomafgifte, oververhitting, brandwonden, en zelfs defecten.
7. Bewaar het gereedschap en de accu niet op plaatsen waar de temperatuur kan oplopen tot 50°C of hoger.
8. Werp de accu nooit in het vuur, ook niet wanneer hij zwaar beschadigd of volledig versleten is. De accu kan namelijk ontploffen in het vuur.

9. Wees voorzichtig dat u de accu niet laat vallen en hem niet blootstelt aan schokken of stoten.
10. Gebruik een accu niet meer nadat deze is geval- len of gestoten.

BEWAAR DEZE VOORSCHRIFTEN.

Tips voor een maximale levensduur van de accu

1. Laad de accu op voordat hij volledig ontladen is. Stop het gebruik van het gereedschap en laad de accu op telkens wanneer u vaststelt dat het ver- mogen van het gereedschap is afgenomen.
2. Laad een volledig opgeladen accu nooit opnieuw op. Als u de accu te veel oplaadt, zal hij minder lang meegaan.
3. Laad de accu op bij een kamertemperatuur tus- sen 10°C en 40°C. Laat een warme accu afkoelen alvorens hem op te laden.
4. Laad de nikkel-metaalhydride accu op telkens wanneer u hem langer dan zes maanden niet hebt gebruikt.

BESCHRIJVING VAN DE FUNCTIES

LET OP:

- Zorg altijd dat het gereedschap is uitgeschakeld en de accu ervan is verwijderd alvorens de functies op het gereedschap af te stellen of te controleren.

Installeren of verwijderen van de accu (Fig. 1)

- Schakel het gereedschap altijd uit alvorens de accu te installeren of te verwijderen.
- Om de accu te verwijderen, haalt u hem uit het gereed- schap terwijl u de knoppen op beide zijden van de accu indrukt.
- Om de accu erin te steken, past u de tong op de accu in de groef in het gereedschapshuis, en vervolgens schuift u de accu erin. Schuif de accu altijd zo ver mogelijk erin totdat hij op zijn plaats vastklikt. Als u dit niet goed doet, kan de accu per ongeluk uit het gereed- schap vallen zodat u of anderen in de omgeving ver- wondingen oplopen.
- Probeer nooit om de accu met geweld erin te duwen. Als de accu er niet gemakkelijk ingaat, betekent dit dat u hem niet op de juiste wijze erin steekt.

Werking van de trekschakelaar (Fig. 2)

LET OP:

- Alvorens de accu in het gereedschap te plaatsen, moet u altijd controleren of de trekschakelaar goed werkt en bij het loslaten naar de "OFF" positie terugkeert.

Om het gereedschap te starten, drukt u gewoon de trek- schakelaar in. Hoe harder u de schakelaar indrukt, hoe sneller het gereedschap draait. Laat de schakelaar los om het gereedschap te stoppen.

Elektrische rem

Dit gereedschap is uitgerust met een elektrische rem. Als het herhaaldelijk gebeurt dat het gereedschap na het los- laten van de trekschakelaar niet direct stopt, moet u het gereedschap laten nazien door een Makita servicecen- trum.

Aanzetten van de voorlamp (Fig. 3)

LET OP:

- Kijk niet direct in het lamplicht of in de lichtbron.

Druk de trekschakelaar in om de lamp aan te zetten. De lamp blijft branden zolang als de trekschakelaar wordt ingedrukt.

OPMERKING:

- Gebruik een droge doek om vuil op de lamp eraf te vegen. Pas op dat u geen krassen maakt op de lamp- lens, omdat de verlichtingssterkte daardoor kan ver- minderen.

Werking van de omkeerschakelaar (Fig. 4)

Dit gereedschap heeft een omkeerschakelaar voor het veranderen van de draairichting. Druk de omkeerschake- laar in vanaf zijde A voor rechtse draairichting, of vanaf zijde B voor linkse draairichting.

Wanneer deze schakelaar in de neutrale stand staat, kan de trekschakelaar niet worden ingedrukt.

LET OP:

- Controleer altijd de draairichting alvorens het gereed- schap te starten.
- Verander de stand van de omkeerschakelaar alleen nadat het gereedschap volledig tot stilstand is gekomen. Als u de draairichting verandert terwijl het gereedschap nog draait, kan het gereedschap beschadigd raken.
- Zet de omkeerschakelaar altijd in de neutrale stand wanneer u het gereedschap niet gebruikt.

INEENZETTEN

LET OP:

- Controleer altijd of het gereedschap is uitgeschakeld en de accu ervan is verwijderd alvorens enig werk aan het gereedschap uit te voeren.

Aanbrengen of verwijderen van de schroefbit of schroefdop (Fig. 5, 6 en 7)

Gebruik uitsluitend de schroefbit of schroefdop die hier- onder is afgebeeld. Gebruik geen andere schroefbits of schroefdoppen.

Voor Europese en Noord- en Zuid-Amerikaanse lan- den, Australië en Nieuw-Zeeland

A = 12 mm B = 9 mm	Gebruik alleen dit type bits. Volg proce- dure (1). (Opmerking) Een inzetstuk is niet nodig.
-----------------------	---

Voor andere landen

A = 17 mm B = 14 mm	Volg procedure (1) om dit type bits aan te brengen. (Opmerking) Makita bits zijn van dit type.
A = 12 mm B = 9 mm	Volg procedure (2) om dit type bits aan te brengen. (Opmerking) Voor het aanbrengen van de bit is een inzetstuk nodig.

1. Om de bit aan te brengen, trekt u de bus in de rich- ting van de pijl en dan steekt u de bit zo ver mogelijk in de bus. Laat daarna de bus los om de bit vast te zetten.

- Om de bit aan te brengen, trekt u de bus in de richting van de pijl en dan steekt u het inzetstuk en de bit zo ver mogelijk in de bus. Het inzetstuk dient met zijn gepunte uiteinde naar binnen gekeerd in de bus te worden gestoken. Laat daarna de bus los om de bit vast te zetten.

Om de bit te verwijderen, trekt u de bus in de richting van de pijl en dan trekt u de bit krachtig eruit.

OPMERKING:

- Als de bit niet diep genoeg in de bus wordt gestoken, zal de bus niet naar haar oorspronkelijke positie terugkeren en zal de bit niet goed vastzitten. In dat geval dient u de bit opnieuw erin te steken volgens de bovenstaande procedure.

BEDIENING

Het juiste aandraaimoment kan verschillen afhankelijk van het soort en de maat van de schroef/bout, het materiaal van het te bevestigen werkstuk, enz. De verhouding tussen het aandraaimoment en de aandraaitijd is aangegeven in de figuren. (Fig. 8 en 9)

Houd het gereedschap stevig vast en plaats de punt van de schroefbit in de schroefkop. Oefen zoveel kracht op het gereedschap uit als nodig is om de schroefbit op zijn plaats te houden. Schakel vervolgens het gereedschap in om de bediening te starten.

OPMERKING:

- Gebruik altijd de bit die geschikt is voor de kop van de aan te draaien schroef/bout.
- Voor het vastdraaien van M8 of kleinere schroeven, dient u met zorg de druk op de trekschakelaar te regelen zodat de schroef niet beschadigd wordt.
- Houd het gereedschap altijd recht op de schroef.
- Als u de in de figuren aangegeven aandraaitijden overschrijdt, kan de schroef of de punt van de schroefbit overbelast worden, doldraaien, beschadigd raken, enz. Neem daarom eerst een proefje om de juiste aandraaitijd voor de schroef te bepalen.
- Wanneer u het gereedschap doorlopend gebruikt tot dat de accu leeg is, moet u het gereedschap 15 minuten laten rusten alvorens met een verse accu verder te werken.

Het aandraaimoment wordt beïnvloed door een groot aantal verschillende factoren, waaronder de volgende. Controleer na het vastdraaien altijd het aandraaimoment met een momentsleutel.

- Wanneer de accu bijna leeg is, neemt de spanning af en vermindert het aandraaimoment.
- Schroefbit of schroefdop
Het aandraaimoment vermindert als u niet een schroefbit of schroefdop van de juiste maat gebruikt.
- Bout
 - Zelfs wanneer het koppelcoëfficiënt overeenkomt met de boutklasse, hangt het juiste aandraaimoment af van de boutdiameter.
 - Zelfs wanneer de boutdiameters gelijk zijn, hangt het juiste aandraaimoment af van het koppelcoëfficiënt, de boutklasse en de boutlengte.
- De manier van vasthouden van het gereedschap en de positie waar de schroef in het materiaal wordt gedraaid, hebben een invloed op het aandraaimoment.
- Bij lagere toerentallen wordt ook het aandraaimoment kleiner.

ONDERHOUD

LET OP:

- Zorg altijd dat het gereedschap is uitgeschakeld en de accu ervan is verwijderd alvorens te beginnen met onderhoud of inspectie.
- Gebruik nooit benzine, wasbenzine, thinner, alcohol en dergelijke. Hierdoor het verkleuring, vervormingen en barsten worden veroorzaakt.

Vervangen van de koolborstels (Fig. 10 en 11)

Verwijder en controleer regelmatig de koolborstels. Vervang de koolborstels wanneer ze tot aan de limietmarkering versleten zijn. Houd de koolborstels schoon zodat ze goed in de houders glijden. Beide koolborstels dienen tegelijkertijd te worden vervangen. Gebruik uitsluitend identieke koolborstels.

Gebruik een schroevendraaier om de doppen van de koolborstelhouders te verwijderen. Haal de versleten borstels eruit, steek de nieuwe erin, en zet de doppen weer goed vast.

Steek na het vervangen van de koolborstels de accu in het gereedschap, en laat het gereedschap ongeveer 1 minuut onbelast draaien om de nieuwe koolborstels te doen wennen. Controleer vervolgens de werking van het gereedschap en de werking van de elektrische rem bij het loslaten van de trekschakelaar. Als de elektrische rem niet goed werkt, moet u deze laten repareren in het dichtstbijzijnde Makita servicecentrum.

Om de VEILIGHEID en BETROUWBAARHEID van het product te handhaven, dienen alle reparaties en alle andere onderhoudswerkzaamheden of afstellingen te worden uitgevoerd door een erkend Makita Servicecentrum, en dat uitsluitend met gebruik van Makita vervangingsonderdelen.

ACCESSOIRES

LET OP:

- Deze accessoires of hulpstukken worden aanbevolen voor gebruik met het Makita gereedschap dat in deze gebruiksaanwijzing is beschreven. Bij gebruik van andere accessoires of hulpstukken bestaat er gevaar voor persoonlijke verwonding. Gebruik de accessoires of hulpstukken uitsluitend voor hun bestemde doel.

Raadpleeg het dichtstbijzijnde Makita Servicecentrum voor verder advies of bijzonderheden omtrent deze accessoires.

- Schroefbits
- Diverse types originele Makita accu's en acculaders
- Plastic draagkit

Geluidsniveau

De typisch, A-gewogen geluidsniveaus vastgesteld volgens EN60745:

Geluidsdrukniveau (L_{pA}): 92 dB (A)
 Geluidsenergie-niveau (L_{WA}): 103 dB (A)
 Onnauwkeurigheid (K): 3 dB (A)

Draag oorbeschermers

ENG900-1

Trilling

De totaalwaarde van de trillingen (triaxiale vectorsom) vastgesteld volgens EN60745:

Toepassing: bevestigen met behulp van slagwerking van bevestigingsmiddelen tot de maximale capaciteit van het gereedschap

Trillingsemmissie (a_h): 13,0 m/s²
 Onnauwkeurigheid (K): 2,0 m/s²

ENG901-1

- De opgegeven trillingsemmissiewaarde is gemeten volgens de standaardtestmethode en kan worden gebruikt om dit gereedschap te vergelijken met andere gereedschappen.
- De opgegeven trillingsemmissiewaarde kan ook worden gebruikt voor een beoordeling vooraf van de blootstelling.

WAARSCHUWING:

- De trillingsemmissie tijdens het gebruik van het elektrisch gereedschap in de praktijk kan verschillen van de opgegeven trillingsemmissiewaarde afhankelijk van de manier waarop het gereedschap wordt gebruikt.
- Zorg ervoor dat veiligheidsmaatregelen worden getroffen ter bescherming van de operator die zijn gebaseerd op een schatting van de blootstelling onder praktijkomstandigheden (rekening houdend met alle fasen van de bedrijfscyclus, zoals de tijdsduur gedurende welke het gereedschap is uitgeschakeld en stationair draait, naast de ingeschakelde tijdsduur).

Alleen voor Europese landen**EU-Verklaring van Conformiteit**

Wij, Makita Corporation, als de verantwoordelijke fabrikant, verklaren dat de volgende Makita-machine(s):

Aanduiding van de machine: Accu-slagschroevendraaier

Modelnr./Type: 6932FD

in serie zijn geproduceerd en

Voldoen aan de volgende Europese richtlijnen:

2006/42/EU

En zijn gefabriceerd in overeenstemming met de volgende normen of genormaliseerde documenten:

EN60745

De technische documentatie wordt bewaard door onze erkende vertegenwoordiger in Europa, te weten:

Makita International Europe Ltd.

Michigan Drive, Tongwell,

Milton Keynes, MK15 8JD, Engeland

30.1.2009



Tomoyasu Kato
 Directeur

Makita Corporation
 3-11-8, Sumiyoshi-cho,
 Anjo, Aichi, JAPAN

8. **Nunca incinere el cartucho de batería incluso en el caso de que esté dañado seriamente o ya no sirva en absoluto.**
El cartucho de batería puede explotar si se tira al fuego.
9. **Tenga cuidado de no dejar caer ni golpear el cartucho de batería.**
10. **No utilice una batería que haya dejado caer o golpeado.**

GUARDE ESTAS INSTRUCCIONES.

Consejos para alargar al máximo la vida de servicio de la batería

1. **Cargue el cartucho de batería antes de que se descargue completamente.**
Pare siempre la operación y cargue el cartucho de batería cuando note menos potencia en la herramienta.
2. **No cargue nunca un cartucho de batería que esté completamente cargado.**
La sobrecarga acortará la vida de servicio de la batería.
3. **Cargue el cartucho de batería a temperatura ambiente de 10°C – 40°C. Si un cartucho de batería está caliente, déjelo enfriar antes de cargarlo.**
4. **Cargue el cartucho de batería de hidruro metálico de níquel cuando no lo utilice durante más de seis meses.**

DESCRIPCIÓN DEL FUNCIONAMIENTO

PRECAUCIÓN:

- Asegúrese siempre de que la herramienta esté apagada y el cartucho de batería extraído antes de realizar cualquier ajuste o comprobación en la herramienta.

Instalación o desmontaje del cartucho de batería (Fig. 1)

- Apague siempre la herramienta antes de insertar o extraer el cartucho de batería.
- Para extraer el cartucho de batería, sáquelo de la herramienta mientras presiona los botones a ambos lados del cartucho.
- Para insertar el cartucho de batería, alinee la lengüeta del cartucho de batería con la acanaladura en el alojamiento y deslicelo hasta que encaje en su sitio. Insértelo siempre a tope hasta que se bloquee en su sitio produciendo un pequeño clic. En caso contrario, podrá caerse accidentalmente de la herramienta y ocasionarle heridas a usted o a alguien que esté cerca de usted.
- No emplee fuerza cuando inserte el cartucho de batería. Si el cartucho no se desliza al interior fácilmente, será porque no está siendo insertado correctamente.

Accionamiento del interruptor (Fig. 2)

PRECAUCIÓN:

- Antes de insertar el cartucho de batería en la herramienta, compruebe siempre para cerciorarse de que el gatillo interruptor se acciona debidamente y que vuelve a la posición "OFF" cuando lo suelta.

Para poner en marcha la herramienta, simplemente apriete el gatillo interruptor. La velocidad de la herramienta aumenta incrementando la presión en el gatillo. Suelte el gatillo interruptor para parar.

Freno eléctrico

Esta herramienta está equipada con un freno eléctrico. Si la herramienta dejase de pararse enseguida sistemáticamente después de soltar el gatillo interruptor, pida a un centro de servicio Makita que le hagan el mantenimiento.

Iluminación de la lámpara delantera (Fig. 3)

PRECAUCIÓN:

- No mire a la luz ni vea la fuente de luz directamente.

Apriete el gatillo interruptor para encender la lámpara. La lámpara seguirá encendida mientras el gatillo interruptor esté siendo apretado.

NOTA:

- Utilice un paño seco para quitar la suciedad de la lente de la lámpara. Tenga cuidado de no rayar la lente de la lámpara, porque podrá disminuir la iluminación.

Accionamiento del interruptor de inversión (Fig. 4)

Esta herramienta tiene un interruptor de inversión para cambiar la dirección de giro. Presione hacia dentro la palanca del interruptor de inversión del lado A para giro hacia la derecha o del lado B para giro hacia la izquierda. Cuando la palanca del interruptor de inversión esté en la posición neutral, no se podrá apretar el gatillo interruptor.

PRECAUCIÓN:

- Confirme siempre la dirección de giro antes de la operación.
- Utilice el interruptor de inversión solamente después de que la herramienta se haya parado completamente. Si cambia la dirección de giro antes de que la herramienta se haya parado podrá dañarla.
- Cuando no esté utilizando la herramienta, ponga siempre la palanca del interruptor de inversión en la posición neutral.

MONTAJE

PRECAUCIÓN:

- Asegúrese siempre de que la herramienta esté apagada y el cartucho de batería extraído antes de realizar cualquier trabajo en la herramienta.

Instalación o desmontaje de la punta de atornillar o punta de tubo (Fig. 5, 6 y 7)

Utilice solamente la punta de atornillar o punta de tubo mostrada en la figura. No utilice ninguna otra punta de atornillar o punta de tubo.

Para países de Europa, Norteamérica y Suramérica, Australia y Nueva Zelanda

<p>A = 12 mm B = 9 mm</p>	<p>Utilice solamente este tipo de punta. Siga el procedimiento (1). (Nota) No es necesario el acoplador de punta.</p>
-------------------------------	---

Para otros países

A = 17 mm B = 14 mm	Para instalar este tipo de puntas, siga el procedimiento (1). (Nota) Las puntas Makita son de estos tipos.
A = 12 mm B = 9 mm	Para instalar estos tipos de puntas, siga el procedimiento (2). (Nota) Para instalar la punta es necesario el acoplador de punta.

1. Para instalar la punta, tire del manguito en el sentido de la flecha e inserte la punta en el manguito a tope. Después suelte el manguito para sujetar la punta.
2. Para instalar la punta, tire del manguito en el sentido de la flecha e inserte el acoplador de punta en el manguito a tope. El acoplador de punta deberá ser insertada en el manguito con su extremo puntiagudo hacia el interior. Después suelte el manguito para sujetar la punta.

Para extraer la punta de atornillar, tire del manguito en el sentido de la flecha y tire de la punta de atornillar firmemente.

NOTA:

- Si la punta de atornillar no está suficientemente insertada en el manguito, el manguito no retornara a su posición original y la punta no quedará bien sujeta. En este caso, intente reinsertando la punta de atornillar de acuerdo con las instrucciones indicadas arriba.

OPERACIÓN

La torsión de apriete apropiada podrá variar dependiendo del tipo o tamaño del tornillo/perno, el material de la pieza de trabajo a apretar, etc. La relación entre la torsión de apriete y el tiempo de apriete se muestra en las figuras. (Fig. 8 y 9)

Sujete la herramienta firmemente y coloque la punta de la punta de atornillar en la cabeza del tornillo. Aplique presión frontal a la herramienta suficiente como para que la punta no se deslice del tornillo y encienda la herramienta para comenzar la operación.

NOTA:

- Utilice la punta apropiada para la cabeza del tornillo/perno que desee utilizar.
- Cuando esté apretando un tornillo M8 o más pequeño, ajuste cuidadosamente la presión en el gatillo interruptor para no dañar el tornillo.
- Sujete la herramienta dirigida en línea recta al tornillo.
- Si aprieta el tornillo durante más tiempo que el mostrado en las figuras, el tornillo o la punta de la punta de atornillar podrá sobrefatigarse, estropearse, dañarse, etc. Antes de comenzar su tarea, realice siempre una operación de prueba para determinar la torsión de apriete apropiada para su tornillo.
- Si la herramienta es utilizada continuamente hasta que se haya descargado el cartucho de batería, deje descansar la herramienta durante 15 minutos antes de proceder con una batería fresca.

La torsión de apriete se verá afectada por una amplia variedad de factores, incluidos los siguientes. Después de apretar, compruebe siempre la torsión con una llave dinamométrica.

1. Cuando el cartucho de batería esté casi completamente descargado, caerá la tensión y se reducirá la torsión de apriete.

2. Punta o tubo de atornillar
El no utilizar el tamaño correcto de punta o tubo de atornillar ocasionará una reducción de la torsión de apriete.
3. Perno
 - Aunque el coeficiente de torsión y la clase de perno sean iguales, la torsión de apriete variará de acuerdo con el diámetro del perno.
 - Aunque los diámetros de los pernos sean iguales, la torsión de apriete apropiada variará de acuerdo con el coeficiente de torsión, la clase de perno y la longitud del perno.
4. La manera de sujetar la herramienta o el material o la posición del material a atornillar afectarán a la torsión.
5. La operación de la herramienta a baja velocidad ocasionará una reducción de la torsión de apriete.

MANTENIMIENTO

PRECAUCIÓN:

- Asegúrese siempre de que la herramienta esté apagada y el cartucho de batería extraído antes de intentar realizar una inspección o mantenimiento.
- No utilice nunca gasolina, bencina, disolvente, alcohol o similares. Podría producir descoloración, deformación o grietas.

Reemplazo de las escobillas de carbón

(Fig. 10 y 11)

Extraiga e inspeccione las escobillas de carbón regularmente. Reemplácelas cuando se hayan desgastado hasta la marca límite. Mantenga las escobillas de carbón limpias de forma que entren libremente en los portaescobillas. Deberán reemplazarse ambas escobillas de carbón al mismo tiempo. Utilice únicamente escobillas de carbón idénticas.

Utilice un destornillador para quitar los tapones portaescobillas. Extraiga las escobillas desgastadas, inserte las nuevas y vuelva a colocar los tapones portaescobillas.

Después de reemplazar las escobillas, inserte el cartucho de batería en la herramienta y hágale el rodaje a las escobillas haciendo funcionar la herramienta sin carga durante 1 minuto aproximadamente. Después compruebe la herramienta mientras está en marcha y la operación del freno eléctrico cuando suelte el gatillo interruptor. Si el freno eléctrico no funciona bien, pida a su centro de servicio Makita local que se lo repare.

Para mantener la SEGURIDAD y la FIABILIDAD del producto, las reparaciones y cualquier otro mantenimiento o ajuste deberán ser realizados por los centros de servicio autorizado de Makita, siempre con piezas de repuesto de Makita.

ACCESORIOS

PRECAUCIÓN:

- Estos accesorios o aditamentos están recomendados para su uso con la herramienta Makita especificada en este manual. El uso de cualquier otro accesorio o aditamento puede suponer un riesgo de lesiones personales. Utilice el accesorio o aditamento exclusivamente para su uso declarado.

Si necesita información más detallada sobre estos accesorios, consulte con su centro local de servicio de Makita.

- Puntas de atornillar
- Diferentes tipos de baterías y cargadores genuinos de Makita
- Maletín de transporte de plástico

ENG905-1

Ruido

El nivel de ruido A-ponderado típico determinado de acuerdo con la norma EN60745:

Nivel de presión sonora (L_{pA}): 92 dB (A)

Nivel de potencia sonora (L_{WA}): 103 dB (A)

Error (K): 3 dB (A)

Póngase protectores en los oídos

ENG900-1

Vibración

El valor total de la vibración (suma de vectores triaxiales) determinado de acuerdo con la norma EN60745:

Modo tarea: apretado por impacto de tornillos de la máxima capacidad de la herramienta

Emisión de vibración (a_h): 13,0 m/s²

Error (K): 2,0 m/s²

ENG901-1

- El valor de emisión de vibración declarado ha sido medido de acuerdo con el método de prueba estándar y se puede utilizar para comparar una herramienta con otra.
- El valor de emisión de vibración declarado también se puede utilizar en una valoración preliminar de exposición.

ADVERTENCIA:

- La emisión de vibración durante la utilización real de la herramienta eléctrica puede variar del valor de emisión declarado dependiendo de las formas en las que la herramienta sea utilizada.
- Asegúrese de identificar medidas de seguridad para proteger al operario que estén basadas en una estimación de la exposición en las condiciones reales de utilización (teniendo en cuenta todas las partes del ciclo operativo tal como las veces cuando la herramienta está apagada y cuando está funcionando en vacío además del tiempo de gatillo).

Para países europeos solamente

Declaración de conformidad CE

Makita Corporation como fabricante responsable declara que la(s) siguiente(s) máquina(s) de Makita:
Designación de máquina: Atornillador de impacto a batería

Modelo N°/Tipo: 6932FD

son producidas en serie y

Cumplen con las directivas europeas siguientes:

2006/42/CE

Y que están fabricadas de acuerdo con las normas o documentos normalizados siguientes:

EN60745

Los documentos técnicos los guarda nuestro representante autorizado en Europa cuya persona es:

Makita International Europe Ltd.

Michigan Drive, Tongwell,

Milton Keynes, MK15 8JD, Inglaterra

30.1.2009



Tomoyasu Kato
Director

Makita Corporation
3-11-8, Sumiyoshi-cho,
Anjo, Aichi, JAPAN

1 Botão	6 Broca	12 Parafuso de grande elasticidade
2 Bateria	7 Manga	13 Marca limite
3 Gatilho	8 Extensão de broca	14 Tampa do porta escovas
4 Lâmpada	9 Perno normal	15 Chave de parafusos
5 Alavanca interruptora de inversão	10 Binário de aperto	
	11 Tempo de aperto	

ESPECIFICAÇÕES

Modelo		6932FD
Capacidades	Parafuso de precisão	4 mm – 8 mm
	Perno normal	5 mm – 14 mm
	Parafuso de grande elasticidade	5 mm – 10 mm
Velocidade em vazio (min ⁻¹)		0 – 2.600
Impactos por minuto		0 – 3.200
Comprimento total		165 mm
Peso líquido		1,7 kg
Voltagem nominal		14,4 V CC

- Devido ao nosso programa contínuo de pesquisa e desenvolvimento, as características indicadas neste documento estão sujeitas a alterações sem aviso prévio.
- As especificações e a bateria podem diferir de país para país.
- Peso, com a bateria, de acordo com o Procedimento 01/2003 da EPTA (European Power Tool Association)

ENE033-1

Utilização a que se destina

A ferramenta foi concebida para aparafusamento em madeira, metal e plástico.

GEA010-1

Avisos gerais de segurança para ferramentas eléctricas

⚠ AVISO! Leia todos os avisos de segurança e todas as instruções. O não cumprimento de todos os avisos e instruções pode originar choque eléctrico, incêndio e/ou ferimentos graves.

Guarde todos os avisos e instruções para futuras referências.

GEB054-1

AVISOS DE SEGURANÇA PARA A BERBEQUIM DE IMPACTO A BATERIA

1. **Agarre na ferramenta eléctrica pelas partes isoladas quando executa uma operação em que o parafuso possa entrar em contacto com fios ocultos.** O contacto do parafuso com um fio "ligado" poderá carregar as partes metálicas da ferramenta e causar choque eléctrico no operador.
2. **Certifique-se sempre de que tem os pés bem assentes.**
Certifique-se de que não está ninguém por baixo quando utilizar a ferramenta em locais altos.
3. **Segure a ferramenta firmemente.**

4. **Use protectores nos ouvidos.**

GUARDE ESTAS INSTRUÇÕES.

AVISO:

NÃO permita que conforto ou familiaridade com o produto (adquirido com o uso repetido) substitua a aderência estrita às regras de segurança da ferramenta.

MÁ INTERPRETAÇÃO ou não seguimento das regras de segurança estabelecidas neste manual de instruções pode causar danos pessoais sérios.

ENC004-2

IMPORTANTES INSTRUÇÕES DE SEGURANÇA

PARA A BATERIA

1. **Antes de utilizar a bateria, leia todas as instruções e etiquetas de precaução no (1) carregador de bateria (2) bateria e (3) produto que utiliza a bateria.**
2. **Não abra a bateria.**
3. **Se o tempo de funcionamento se tornar excessivamente curto, pare o funcionamento imediatamente.** Pode resultar em sobreaquecimento, possíveis queimaduras e mesmo explosão.
4. **Se entrar electrólito nos seus olhos, lave-os com água e consulte imediatamente um médico.** Pode resultar em perda de visão.
5. **Cubra sempre os terminais da bateria com a capa da bateria quando a não estiver a utilizar.**
6. **Não corte-circuite a bateria:**
 - (1) Não toque nos terminais com qualquer material condutor.
 - (2) Evite guardar a bateria juntamente com outros objectos metálicos tais como pregos, moedas, etc.
 - (3) Não exponha a bateria à água ou chuva. Um curto-circuito pode ocasionar um enorme fluxo de corrente, sobreaquecimento, possíveis queimaduras e mesmo estragar-se.
7. **Não guarde a ferramenta e a bateria em locais onde a temperatura pode atingir ou exceder 50°C.**
8. **Não queime a bateria mesmo que esteja estragada ou completamente gasta.** A bateria pode explodir no fogo.
9. **Tenha cuidado para não deixar cair ou dar pancadas na bateria.**
10. **Não utilize uma bateria que tenha sido derrubada ou batida.**

GUARDE ESTAS INSTRUÇÕES.

Conselhos para manter a máxima vida útil da bateria

1. Carregue a bateria antes que esteja completamente descarregada. Pare sempre o funcionamento da ferramenta e carregue a bateria quando notar menos poder na ferramenta.
2. Nunca carregue uma bateria completamente carregada. Carregamento excessivo diminui a vida útil da bateria.
3. Carregue a bateria à temperatura ambiente de 10°C – 40°C. Deixe que uma bateria quente arrefeça antes de a carregar.
4. Carregue a bateria de Níquel Metal Hidreto quando não a utilizar durante mais do que seis meses.

DESCRIÇÃO FUNCIONAL

PRECAUÇÃO:

- Certifique-se sempre de que a ferramenta está desligada e a bateria retirada antes de regular ou verificar qualquer função na ferramenta.

Instalar ou retirar a bateria (Fig. 1)

- Desligue sempre a ferramenta antes de colocar ou retirar a bateria.
- Para retirar a bateria, tire-a da ferramenta enquanto pressiona os botões nos dois lados da bateria.
- Para colocar a bateria, alinhe a lingueta na bateria com a ranhura no corpo e deslize-a para o seu lugar. Coloque-a sempre até ao fim, até que fique presa no seu lugar com um pequeno clique. Se assim não for, pode acidentalmente cair da ferramenta, ferindo-o a si ou a alguém perto.
- Não utilize força quando coloca a bateria. Se a bateria não deslizar facilmente é porque não foi colocada correctamente.

Ação do interruptor (Fig. 2)

PRECAUÇÃO:

- Antes de colocar a bateria na ferramenta, verifique que o gatilho funciona correctamente e volta para a posição "OFF" quando libertado.

Para iniciar a ferramenta, carregue simplesmente no gatilho. A velocidade da ferramenta aumenta quando aumenta a pressão no gatilho. Liberte o gatilho para parar.

Travão eléctrico

Esta ferramenta está equipada com um travão eléctrico. Se a ferramenta consistentemente não parar rapidamente quando liberta o gatilho, mande reparar a ferramenta num centro de Assistência da Makita.

Acender a lâmpada da frente (Fig. 3)

PRECAUÇÃO:

- Não olhe para a luz ou para a fonte de iluminação directamente.

Carregue no gatilho para acender a lâmpada. A lâmpada mantém-se acesa enquanto carrega no gatilho.

NOTA:

- Utilize um pano seco para limpar a sujidade das lentes da lâmpada. Tenha cuidado para não riscar as lentes da lâmpada ou pode diminuir a iluminação.

Ação do interruptor de inversão (Fig. 4)

Esta ferramenta tem um interruptor de inversão para mudar a direcção de rotação. Pressione a alavanca do interruptor de inversão no lado A para rotação para a direita e no lado B para rotação para a esquerda. Quando a alavanca do interruptor de inversão está na posição neutra, não pode carregar no gatilho.

PRECAUÇÃO:

- Verifique sempre a direcção de rotação antes da operação.
- Só utilize o interruptor de inversão depois da ferramenta estar completamente parada. Mudar a direcção de rotação antes da ferramenta parar pode estragar a ferramenta.
- Quando não funciona com a ferramenta, coloque sempre a alavanca do interruptor de inversão na posição neutra.

ASSEMBLAGEM

PRECAUÇÃO:

- Certifique-se sempre de que a ferramenta está desligada e a bateria retirada antes de executar qualquer manutenção na ferramenta.

Instalar ou retirar a broca de aparafusar ou a broca de contacto (Fig. 5, 6 e 7)

Utilize só a broca de aparafusar ou a broca de contacto indicada na figura. Não utilize qualquer outro tipo de broca.

Para os países Europeus e da América do Norte e do Sul, Austrália e Nova Zelândia

A = 12 mm B = 9 mm	Utilize só este tipo de broca. Execute o procedimento (1). (Nota) Não necessita de extensão de broca.
-----------------------	--

Para outros países

A = 17 mm B = 14 mm	Para instalar estes tipos de broca, execute o procedimento (1). (Nota) As brocas da Makita são destes tipos.
A = 12 mm B = 9 mm	Para instalar estes tipos de broca execute o procedimento (2). (Nota) Necessita de extensão da broca para a instalar a broca.

1. Para instalar a broca, puxe a manga na direcção da seta e coloque a broca na manga o mais fundo possível. Em seguida solte a manga para prender a broca.
2. Para instalar a broca, puxe a manga na direcção da seta e coloque a extensão da broca e a broca na manga o mais fundo possível. A extensão da broca deve ser colocada na manga com a extremidade pontiaguda virada para a manga. Em seguida liberte a manga para prender a broca.

Para retirar a broca, puxe a manga na direcção da seta e puxe a broca para fora firmemente.

NOTA:

- Se a broca não estiver colocada suficientemente funda na manga, a manga não voltará para a sua posição original e a broca não ficará presa. Neste caso, volte a colocar a broca de acordo com as instruções acima.

OPERAÇÃO

O binário de aperto adequado pode diferir dependendo do tipo e tamanho do parafuso/perno, o material da peça de trabalho a ser apertado, etc. A relação entre o binário de aperto e o tempo de aperto é indicado nas figuras. (Fig. 8 e 9)

Agarre na ferramenta firmemente e coloque a ponta da broca de aparafusar na cabeça do parafuso. Aplique pressão para a frente na ferramenta de modo a que a broca não deslize para fora do parafuso e ligue a ferramenta para começar a operação.

NOTA:

- Utilize a broca correcta para a cabeça do parafuso/perno que deseja utilizar.
- Quando aparafusa um parafuso M8 ou mais pequeno, regule cuidadosamente a pressão no gatilho de modo a que não estrague o parafuso.
- Agarre na ferramenta apontada direita para o parafuso.
- Se apertar o parafuso durante um tempo superior ao indicado nas figuras, o parafuso ou a ponta da broca de aparafusar pode sofrer pressão excessiva, estilhaçar, estragar-se, etc. Antes de iniciar o seu trabalho, execute sempre primeiro um teste para determinar o tempo de aperto adequado para o seu parafuso.
- Se funcionar continuamente com a ferramenta até que a bateria fique descarregada, deixe a ferramenta descansar 15 minutos antes de continuar com uma bateria carregada.

O binário de aperto é afectado por uma enorme variedade de factores incluindo o seguinte. Depois do aperto, verifique sempre o binário com uma chave de binário.

1. Quando a bateria está quase completamente descarregada, a voltagem cairá e o binário de aperto será reduzido.
2. Broca de aparafusar ou broca de contacto
A não utilização do tamanho correcto da broca de aparafusar ou broca de contacto causará redução no binário de aperto.
3. Perno
 - Mesmo que o coeficiente do binário e o tipo do perno sejam o mesmo, o binário de aperto adequado será diferente de acordo com o diâmetro do perno.
 - Mesmo que os diâmetros dos pernos sejam os mesmos, o binário de aperto adequado será diferente de acordo com o coeficiente do binário, o tipo e comprimento do perno.
4. O modo de pegar na ferramenta ou o material na posição a ser aparafusada afectará o binário.
5. Funcionar com a ferramenta a baixa velocidade causará redução do binário de aperto.

MANUTENÇÃO

PRECAUÇÃO:

- Certifique-se sempre de que a ferramenta está desligada e a bateria retirada antes de tentar executar qualquer inspecção ou manutenção.
- Nunca utilize gasolina, benzina, diluente, álcool ou produtos semelhantes. Pode ocorrer a descoloração, deformação ou rachaduras.

Substituição das escovas de carvão (Fig. 10 e 11)

Retire e inspeccione as escovas de carvão regularmente. Substitua-as quando estiverem gastas até à marca limite. Mantenha as escovas de carvão limpas e a deslizarem livremente nos suportes. As duas escovas de carvão devem ser substituídas ao mesmo tempo. Utilize só escovas de carvão idênticas.

Utilize uma chave de parafusos para retirar as tampas do porta escovas. Tire as escovas gastas, coloque as novas e prenda as tampas do porta escovas.

Depois de substituir as escovas, coloque a bateria na ferramenta e liberte as escovas funcionando com a ferramenta em vazio durante cerca de 1 minuto. Em seguida, verifique o funcionamento da ferramenta e o travão eléctrico quando liberta o gatilho. Se o travão eléctrico não funcionar bem, mande reparar num centro de Assistência da Makita.

Para manter a SEGURANÇA e FIABILIDADE, as reparações e outras acções de manutenção ou ajustes devem ser executados pelos Centros de assistência autorizados da Makita, utilizando sempre peças de substituição Makita.

ACESSÓRIOS

PRECAUÇÃO:

- Estes acessórios ou peças são recomendados para utilização com a ferramenta Makita especificada neste manual. A utilização de outros acessórios ou peças pode ser perigosa para as pessoas. Utilize apenas acessórios ou peças para os fins indicados.

Se precisar de ajuda para obter mais informações relativas a estes acessórios, entre em contacto com o centro de assistência Makita local.

- Brocas espirais
- Vários tipos de baterias Makita e carregadores
- Caixa de plástico para transporte

Ruído

A característica do nível de ruído A determinado de acordo com EN60745:

Nível de pressão de som (L_{pA}): 92 dB (A)

Nível do som (L_{WA}): 103 dB (A)

Variabilidade (K): 3 dB (A)

Utilize protectores para os ouvidos**Vibração**

ENG900-1

Valor total da vibração (soma vectorial tri-axial) determinado conforme EN60745:

Modo de funcionamento: aperto com impacto de parafusos de capacidade máxima da ferramenta

Emissão de vibração (a_h): 13,0 m/s²

Variabilidade (K): 2,0 m/s²

ENG901-1

- O valor da emissão de vibração indicado foi medido de acordo com o método de teste padrão e pode ser utilizado para comparar duas ferramentas.
- O valor da emissão de vibração indicado pode também ser utilizado na avaliação preliminar da exposição.

AVISO:

- A emissão de vibração durante a utilização real da ferramenta eléctrica pode diferir do valor de emissão indicado, dependendo das formas como a ferramenta é utilizada.
- Certifique-se de identificar as medidas de segurança para protecção do operador que sejam baseadas em uma estimativa de exposição em condições reais de utilização (considerando todas as partes do ciclo de operação, tal como quando a ferramenta está desligada e quando está a funcionar em marcha lenta além do tempo de accionamento).

Só para países Europeus**Declaração de conformidade CE**

Nós, a Makita Corporation, fabricante responsável, declaramos que a(s) seguinte(s) ferramenta(s) Makita:

Designação da ferramenta: Berbequim de impacto a bateria

Modelos n.º/Tipo: 6932FD

são de produção de série e

Em conformidade com as seguintes directivas europeias:

2006/42/CE

E estão fabricados de acordo com as seguintes normas ou documentos normativos:

EN60745

A documentação técnica é mantida pelo nosso representante autorizado na Europa:

Makita International Europe Ltd.

Michigan Drive, Tongwell,

Milton Keynes, MK15 8JD, Inglaterra

30.1.2009



Tomoyasu Kato
Director

Makita Corporation
3-11-8, Sumiyoshi-cho,
Anjo, Aichi, JAPAN

Illustrationsoversigt

1 Knap	7 Muffe	13 Slidmarkeringen
2 Akku	8 Bitstykke	14 Kulholderdæksel
3 Afbryderknap	9 Standardbolt	15 Skruetrækker
4 Lampe	10 Drejningsmoment	
5 Omløbsvælger	11 Fastspændingstid	
6 Bit	12 Højstyrkebolt	

SPECIFIKATIONER

Model		6932FD
Kapacitet	Maskinskruer	4 mm – 8 mm
	Standardbolt	5 mm – 14 mm
	Højstyrkebolt	5 mm – 10 mm
Omdrejninger ubelastet (min ⁻¹)		0 – 2 600
Slag per minut		0 – 3 200
Længde		165 mm
Vægt		1,7 kg
Spænding		DC 14,4 V

- Ret til tekniske ændringer forbeholdes.
- Specifikationer og akku kan variere fra land til land.
- Vægt inklusive akku, i henhold til EPTA-Procedure 01/2003

ENE033-1

Tilsligtet anvendelse

Denne maskine er beregnet til skruring i træ, metal og plastmaterialer.

GEA010-1

Almindelige sikkerhedsregler for el-værktøj

⚠ ADVARSEL! Læs alle sikkerhedsadvarsler og alle sikkerhedsinstruktioner. Hvis nedenstående advarsler og instruktioner ikke overholdes, kan resultatet blive elektrisk stød, brand og/eller alvorlig personskade.

Gem alle advarsler og instruktioner til fremtidig reference.

GEB054-1

SIKKERHEDSADVARSLER FOR AKKU SLAGSKRUETRÆKKER

1. Hold kun maskinen i de isolerede grebflader, når De udfører arbejde, hvor fastgøringsanordningen kan komme i kontakt med skjulte ledninger. Fastgørelsesanordninger, som kommer i kontakt med en strømførende ledning kan gøre uafdækkede metaldele på maskinen strømførende og give operatøren stød.
2. Sørg for at stå på et fast underlag. Sørg for at der ikke opholder sig personer under arbejdsområdet, når De arbejder i højden.
3. Hold maskinen med begge hænder.
4. Brug høreværn, handsker, sikkerhedsbriller, etc.

GEM DISSE FORSKRIFTER.

ADVARSEL:

LAD IKKE bekvemmelighed eller kendskab til produktet (opnået gennem gentagen brug) forhindre, at sikkerhedsforskrifterne for produktet nøje overholdes.

MISBRUG eller forsømmelse af at følge de i denne brugsvejledning givne sikkerhedsforskrifter kan føre til, at De kommer alvorligt til skade.

ENC004-2

VIKTIGE SIKKERHEDSFORSKRIFTER

FOR AKKU

1. Læs alle instruktioner og advarselmærkater på (1) akkuopladeren, (2) akku og (3) produktet, som anvender akku.
2. Lad være med at skille akkuen ad.
3. Hold straks op med at anvende opladeren, hvis brugstiden er blevet stærkt afkortet. Fortsat anvendelse kan resultere i risiko for overophedning, forbrændinger og endog eksplosion.
4. Hvis du har fået elektrolytvæske i øjnene, skal du straks skylle den ud med rent vand og derefter øjeblikkeligt søge lægehjælp. I modsat fald kan resultatet blive, at du mister synet.
5. Dæk altid akkuterminalerne med akkudækslet, når akkuen ikke anvendes.
6. Vær påpasselig med ikke at komme til at kortslutte akkuen:
 - (1) Rør ikke ved terminalerne med noget ledende materiale.
 - (2) Undgå at opbevare akkuen i en beholder sammen med andre genstande af metal, som for eksempel søm, mønter og lignende.
 - (3) Udsæt ikke akkuen for vand eller regn. Kortslutning af akkuen kan være årsag til en kraftig øgning af strømmen, overophedning, mulige forbrændinger og endog maskinstop.
7. Opbevar ikke maskinen og akkuen på et sted, hvor temperaturen kan nå eller overstige 50°C.
8. Lad være med at brænde akkuen, selv ikke i tilfælde, hvor det har lidt alvorlig skade eller er fuldstændig udtjent. Akkuen kan eksplodere, hvis man forsøger at brænde den.
9. Lad være med at brænde akkuen eller udsætte det for stød.
10. Anvend ikke et akku, der er blevet tabt eller udsat for stød.

GEM DISSE FORSKRIFTER.

Tips til opnåelse af maksimal akku-levetid

1. **Oplad altid akkuen, inden den er helt afladet. Stop altid maskinen og oplad akkuen, hvis det bemærkes, at maskineffekten er dalende.**
2. **Genoplad aldrig en fuldt opladet akku. Overopladning vil afkorte akkuens levetid.**
3. **Oplad akkuen ved stuetemperatur ved 10°C – 40°C. Lad altid en varm batteripatron få tid til at køle af, inden den oplades.**
4. **Oplad nikkel-metal-hybrid akkuen, hvis den ikke skal anvendes i mere end seks måneder.**

FUNKTIONSBESKRIVELSE

FORSIGTIG:

- Sørg altid for at maskinen er slukket, og at akkuen er taget ud, før der udføres justering eller kontrol af funktioner på maskinen.

Isætning og udtagning af akku (Fig. 1)

- Sluk altid for maskinen, før akkuen sættes i eller tages ud.
- For at fjerne akkuen trykkes samtidigt på knapperne på begge sider af akkuen, mens denne trækkes ud af maskinen.
- Isæt akkuen ved at rette dens tunge ind efter rillen i huset. Skyd derefter akkuen helt ind, til den låser på plads med et klik. Hvis akkuen ikke sættes i på denne måde, kan den ved et uheld falde ud af maskinen, og eventuelt forvolde personskade på Dem selv eller personer i nærheden.
- Brug aldrig magt, når akkuen sættes i. Hvis ikke akkuen glider i uden besvær, er det fordi, at den vender forkert.

Afbryderbetjening (Fig. 2)

FORSIGTIG:

- Inden akkuen sættes i maskinen, bør De altid kontrollere, at afbryderknappen fungerer korrekt og returnerer til "OFF" positionen, når den slippes.

For at starte maskinen trykkes der blot på afbryderen. Maskinens hastighed øges ved at øge trykket på afbryderknappen. Slip afbryderen for at stoppe.

Elektrisk bremse

Denne maskine er forsynet med en elektrisk bremse. Hvis maskinen konsekvent ikke stopper hurtigt efter at afbryderknappen er sluppet, bør De få maskinen service-ret på et Makita servicecenter.

Tænd af forlamperne (Fig. 3)

FORSIGTIG:

- Kig aldrig direkte på lyskilden. Lad ikke lyset falde i Deres øjne.

Tryk afbryderknappen ind for at tænde lampen. Lampen bliver ved med at lyse, så længe afbryderknappen holdes inde.

BEMÆRK:

- Anvend en tør klud til at tørre snavs af lampens linse. Undgå at ride lampens linse, da det kan nedsætte lysstyrken.

Omløbsvælgerbetjening (Fig. 4)

Denne maskinen har en omløbsvælger til at skifte omløbsretning. Skub omløbsvælgeren ind fra A-siden for omdrejning med uret, og fra B-siden for omdrejning mod uret.

Når omløbsvælgeren er i neutral stilling, kan afbryderknappen ikke trykkes ind.

FORSIGTIG:

- Kontrollér altid omløbsretningen, inden arbejdet påbegyndes.
- Flyt kun omløbsvælgeren, når maskinen er helt standset. Hvis omløbsretningen ændres, inden maskinen er helt stoppet, kan det beskadige maskinen.
- Sæt altid omløbsvælgeren i neutral stilling, når maskinen ikke anvendes.

SAMLING

FORSIGTIG:

- Sørg altid for at maskinen er slukket, og at akkuen er taget ud, før der udføres noget arbejde på maskinen.

Montering og afmontering af skruebit eller top (Fig. 5, 6 og 7)

Anvend kun de skruebits eller toppe, der er vist i figuren. Anvend aldrig andre typer af skruebits eller toppe.

Gælder lande i Europa, Nordamerika og Sydamerika, Australien og New Zealand

A = 12 mm B = 9 mm	Anvend kun denne type bit. Følg fremgangsmåden (1). (Bemærk) Bitstykke er ikke nødvendig.
-----------------------	---

For andre lande

A = 17 mm B = 14 mm	For at montere disse typer af bits, følges fremgangsmåde (1). (Bemærk) Makita bits tilhører disse typer.
A = 12 mm B = 9 mm	For at montere disse typer af bits, følges fremgangsmåde (2). (Bemærk) Bitstykke er ikke nødvendigt for at montere bitten.

1. For at montere bitten trækkes muffen i pilens retning, og bitten sættes helt ind i muffen. Slip derefter muffen for at låse bitten.
2. For at montere bitten trækkes muffen i pilens retning, og bitstykket og bitten sættes helt ind i muffen. Bitstykket skal sættes i muffen med dets spidse ende indad. Slip derefter muffen for at låse bitten.

For at afmontere bitten trækkes muffen i pilens retning, og bitten trækkes ud med fast hånd.

BEMÆRK:

- Hvis bitten ikke sættes langt nok ind i muffen, vil muffen ikke vende tilbage til dens oprindelige position, og bitten vil ikke blive holdt ordentlig fast. I så tilfælde kan De prøve at isætte bitten igen som beskrevet i instruktionerne ovenfor.

BETJENING

Det korrekte drejningsmoment kan svinge afhængigt af skruens eller boltens type eller størrelse, materialet på emnet, der skal fastgøres, osv. Forholdet mellem drejningsmoment og fastspændingstid er vist i figurerne. (Fig. 8 og 9)

Hold godt fast på maskinen, og anbring spidsen af skrue-trækkerbitten i skrueens hoved. Læg fremadrettet tryk på maskinen, men kun så meget at bitten ikke smutter ud af skruen, og tænd for maskinen for at starte operationen.

BEMÆRK:

- Anvend den korrekte bit passende til hovedet på den skrue eller bolt, som De ønsker at anvende.
- Ved fastspænding af M8 eller mindre skrue skal trykket på afbryderknappen reguleres omhyggeligt, således at skruen ikke blive beskadiget.
- Hold maskinen vinkelret på skruen.
- Hvis skruen spændes i længere tid end vist i ovenstående figurer, kan skruen eller spidsen på skruebitten blive overbelastet, skruet over gevind, ødelagt, osv. Før arbejdet påbegyndes, bør De foretage en prøvetilspænding for at bestemme den korrekte fastspændingstid for Deres skrue type.
- Hvis maskinen anvendes uafbrudt, indtil akkuen er afladet, skal maskinen have lov at hvile i 15 minutter, før der fortsættes med en frisk akku.

Drejningsmomentet påvirkes af en lang række faktorer, herunder de nedenfor nævnte. Kontrollér altid momentet med en momentnøgle efter fastspænding.

1. Når akkuen er næsten helt afladet, falder spændingen og derved reduceres drejningsmomentet.
2. Skrue-trækkerbit eller top
Hvis der ikke bruges den korrekte størrelse skrue-trækkerbit eller top, vil drejningsmomentet blive reduceret.
3. Bolt
 - Selvom momentkoefficienten og bolttypen er den samme, vil det korrekte drejningsmoment variere afhængigt af diameteren på boltten.
 - Selv ved samme bolt diameter kan det korrekte drejningsmoment variere afhængigt af momentkoefficienten, bolttypen og længde.
4. Den måde maskinen holdes på, og materialet på det sted, hvor der fastgøres, vil påvirke drejningsmomentet.
5. Når maskinen anvendes med lav hastighed, reduceres drejningsmomentet.

VEDLIGEHOLDELSE

FORSIGTIG:

- Sørg altid for at maskinen er slukket, og at akkuen er taget ud, før der udføres eftersyn eller vedligeholdelse på maskinen.
- Anvend aldrig benzin, rensebenzin, fortynder, alkohol og lignende. Resultatet kan blive misfarvning, deformation eller revner.

Udskiftning af kul (Fig. 10 og 11)

Udtag og efterse kullene med regelmæssige mellemrum. Udskift kullene, når de er slidt ned til slidmarkeringen. Hold kullene rene og i stand til frit at glide ind i holderne. Begge kul skal udskiftes parvist samtidigt. Anvend kun identiske kulbørster.

Benytt en skrue-trækker til at afmontere kulholderdækslerne. Tag de slidte kul ud, isæt de nye og fastgør derefter kulholderdækslerne.

Efter udskiftning af kullene sættes akkuen i maskinen, og kullene indkøres ved at køre maskinen ubelastet i cirka 1 minut. Kontrollér derefter maskinen, mens den kører, samt virkemåden på den elektriske bremse, når afbryderknappen udløses. Hvis den elektriske bremse ikke virker korrekt, bør De bede Deres lokale Makita servicecenter om at reparere den.

For at opretholde produktets SIKKERHED og PÅLIDELIGHED bør reparation, vedligeholdelse og justering kun udføres af et Makita Service Center med anvendelse af original Makita udskiftningsdele.

TILBEHØR

FORSIGTIG:

- Det følgende tilbehør og ekstraudstyr er anbefalet til brug med Deres Makita maskine, der er beskrevet i denne brugsanvisning. Anvendelse af andet tilbehør eller ekstraudstyr kan udgøre en risiko for personskade. Anvend kun tilbehør og ekstraudstyr til det beskrevne formål.

Hvis De har behov for yderligere detaljer om dette tilbehør, bedes De kontakte Deres lokale Makita Service Center.

- Skruebits
- Forskellige typer af originale Makita-akkuer og opladere
- Plastbæretasken

Lyd

Det typiske A-vægtede støjniveau bestemt i overensstemmelse med EN60745:

Lydtryksniveau (L_{pA}): 92 dB (A)
 Lydeffektniveau (L_{WA}): 103 dB (A)
 Usikkerhed (K): 3 dB (A)

Bær hørevern

ENG900-1

Vibration

Vibrations totalværdi (tre-aksial vektorsum) bestemt i overensstemmelse med EN60745:

Arbejdsindstilling: Slag-stramning af fastgøringsanordninger af maskinens maks. kapacitet
 Vibrationsafgivelse (a_h): 13,0 m/s²
 Usikkerhed (K): 2,0 m/s²

ENG901-1

- Den angivne vibrationsemissionsværdi er blevet målt i overensstemmelse med standardtestmetoden og kan anvendes til at sammenligne en maskine med en anden.
- Den angivne vibrationsemissionsværdi kan også anvendes i en preliminær eksponeringsvurdering.

ADVARSEL:

- Vibrationsemissionen under den faktiske anvendelse af maskinen kan være forskellig fra den erklærede emissionsværdi, afhængigt af den måde, hvorpå maskinen anvendes.
- Sørg for at identificere de sikkerhedsforskrifter til beskyttelse af operatøren, som er baseret på en vurdering af eksponering under de faktiske brugsforhold (med hensyntagen til alle dele i brugscyklen, som f.eks. de gange, hvor maskinen er slukket og når den kører i tomgang i tilgift til afbrydertiden).

Kun for lande i Europa**EU-konformitetserklæring**

Vi, Makita Corporation, erklærer, som den ansvarlige fabrikant, at den (de) følgende Makita maskine(r):

Maskinens betegnelse: Akku slagskrueetrækker
 Model nr./Type: 6932FD

er af serieproduktion og

opfylder betingelserne i de følgende EU-direktiver:
 2006/42/EU

og er fremstillet i overensstemmelse med de følgende standarder eller standardiserede dokumenter:
 EN60745

Den tekniske dokumentation opbevares af vores autoriserede repræsentant i Europa, som er:

Makita International Europe Ltd.
 Michigan Drive, Tongwell,
 Milton Keynes, MK15 8JD, England

30.1.2009



Tomoyasu Kato
 Direktør

Makita Corporation
 3-11-8, Sumiyoshi-cho,
 Anjo, Aichi, JAPAN

Förklaring av allmän översikt

1 Knapp	7 Fästhylsa	13 Slitgränsmarkering
2 Batterikasset	8 Verktygsadaptorn	14 Kolborsthållarlock
3 Strömbrytare (avbrytartyg)	9 Standardbult	15 Skruvmejsel
4 Lampa	10 Åtdragningsmoment	
5 Backlägesomkopplare	11 Åtdragningsstid	
6 Verktyg	12 Bult med hög draghållfasthet	

TEKNISKA DATA

Modell		6932FD
Kapacitet	Maskinskruv	4 mm – 8 mm
	Standardbult	5 mm – 14 mm
	Bult med hög draghållfasthet	5 mm – 10 mm
Obelastat varvtal (min ⁻¹)		0 – 2 600
Slag per minut		0 – 3 200
Total längd		165 mm
Nettovikt		1,7 kg
Märkspänning		14,4 V likström

- På grund av det kontinuerliga programmet för forskning och utveckling, kan här angivna tekniska data ändras utan föregående meddelande.
- Specifikationer och batterikasset kan variera mellan olika länder.
- Vikt, med batterikasset, enligt EPTA-procedur 01/2003

ENE033-1

Avsedda användningsområden

Maskinen är avsedd för att skruva in skruvar i trä, metall och plast.

GEA010-1

Allmänna säkerhetsvarningar för verktygsmaskiner

⚠ VARNING Läs alla säkerhetsvarningar och alla instruktioner. Underlåtenhet att följa varningarna och instruktionerna kan resultera i elektrisk stöt, brand och/eller allvarlig skada.

Spara alla varningar och instruktioner för framtida referens.

GEB054-1

SLADDLÖS HAMMARSKRUVDRAGARENS SÄKERHETSVARNINGAR

1. Håll maskinen i de isolerade greppytorna när du utför ett arbete där det finns risk för att fästelementet kommer i kontakt med dolda kablar. Kontakt med en strömförande kabel kommer att göra maskinens metalldelar strömförande och kan ge användaren en elektrisk stöt.
2. Se alltid till att du står stadigt. Se till att ingen befinner sig under dig vid arbete på hög höjd.
3. Håll maskinen stadigt.
4. Använd hörselskydd.

SPARA DESSA ANVISNINGAR.

VARNING:

LÅT INTE bekvämlighet eller vana vid produkten (från upprepade användning) ersätta strikt iakttagande av den berörda produktens säkerhetsföreskrifter.

OVARSAM hantering eller användning som inte följer säkerhetsanvisningarna i denna bruksanvisning kan orsaka allvarliga personskador.

ENC004-2

VIKTIGA SÄKERHETSANVISNINGAR

FÖR BATTERIKASSETT

1. Innan du börjar använda batteriladdaren bör du läsa alla anvisningar och varningstexter på (1) batteriladdaren, (2) batteriet och (3) den produkt till vilken batteriet används.
2. Tag inte isär batterikassetten.
3. Om driftstiden är kraftigt reducerad bör du avbryta driften omedelbart. Det finns i annat fall risk för överhettning, brännskador och även att batteriet exploderar.
4. Om det skulle komma in elektrolyt i dina ögon bör du tvätta ur ögonen med vatten, och sedan omedelbart söka medicinsk vård. Det finns risk för att du förlorar synen.
5. Se alltid till att batteripolerna är täckta med batteriskyddet när batterikassetten inte används.
6. Kortslut inte batterikassetten:
 - (1) Rör inte vid polerna med något ledande material.
 - (2) Undvik att förvara batterikassetter i samma förvaringsutrymme som andra metallföremål, till exempel spikar, mynt, osv.
 - (3) Utsätt inte batterikassetten för vatten och regn. Om batterikassetten kortslogs kan det leda till ett kraftigt elektriskt flöde, överhettning, brännskador och även att batterikassetten exploderar eller spricker.
7. Förvara inte maskin och batterikassetter på platser där temperaturen kan stiga till eller överskrida 50°C.
8. Batterikassetten får inte eldas upp, även om den skulle vara svårt skadad eller helt utsliten. Den kan explodera om den slängs i en eld.
9. Var försiktig så att du inte tappar batterikassetten eller att den slår emot något.
10. Använd inte ett batteri som har tappats eller utsatts för slag.

SPARA DESSA ANVISNINGAR.

Tips för att upprätthålla batteriets maximala livslängd

1. Ladda upp batterikassetten innan den är fullständigt urladdad.
Stanna alltid maskinen och ladda batterikassetten om du märker att maskinen har dålig kraft.
2. Ladda aldrig upp en fulladdad batterikasset. Överladdning förkortar batteriets bruksliv.
3. Ladda batterikassetten med en omgivande temperatur på 10°C – 40°C. Låt upphettade batterikassetter svalna innan de laddas.
4. Ladda upp nickel-metallhydrid-batterier som inte har använts på mer än sex månader.

FUNKTIONSBESKRIVNING

FÖRSIKTIGHET!

- Se alltid till maskinen är avstängd och batterikassetten urtagen innan du utför några justeringar eller kontrollerar några funktioner på maskinen.

Isättning och uttagning av batterikassetten (Fig. 1)

- Stäng alltid av maskinen innan du sätter i eller tar ur batterikassetten.
- Batterikassetten tas ur genom att dra det från maskinen, samtidigt som du håller knapparna på kassetten båda sidor intryckta.
- Sätt i batterikassetten genom att rikta in dess tunga mot spåret i maskinhöljet, och sedan skjuta det på plats. Sätt alltid i kassetten så långt det går, tills den låser fast i läge med ett litet klickljud. I annat fall kan det hända att kassetten faller ur maskinen och orsakar skador på dig själv eller någon i din närhet.
- Tvinga inte in batterikassetten. Om kassetten inte går in lätt sätter du inte i den på rätt sätt.

Strömbrytarens funktion (Fig. 2)

FÖRSIKTIGHET!

- Kontrollera alltid att strömbrytaren fungerar normalt, och återgår till det avstängda läget "OFF" när den släpps, innan du sätter i batterikassetten i maskinen.

Tryck på strömbrytaren för att starta maskinen. Varvtalet ökar ju mer du trycker in strömbrytaren (avtryckaren). Släpp strömbrytaren för att stanna maskinen.

Elektrisk broms

Maskinen är utrustad med en elektrisk broms. Om maskinen upprepade gånger inte stannar direkt efter att strömbrytaren har släppts bör du lämna in den på service vid ett Makita servicecenter.

Att tända frontlampan (Fig. 3)

FÖRSIKTIGHET!

- Titta inte direkt in i ljuset eller ljuskällan.

Tryck på strömbrytaren för att tända lampan. Lampan fortsätter lysa så länge strömbrytaren är intryckt.

OBSERVERA!

- Använd en torr tygduk för att torka bort smuts från lampans lins. Var försiktig så att du inte repar linsen, eftersom det kan försämra ljusnivån.

Backlägesomkopplarens funktion (Fig. 4)

Maskinen har en backlägesomkopplare, för att ändra rotationsriktningen. Tryck in backlägesomkopplarens sida A för medurs rotation, och sida B för moturs rotation. När backlägesomkopplaren är i neutralt läge går det inte att trycka in strömbrytaren.

FÖRSIKTIGHET!

- Kontrollera alltid rotationsriktningen innan du påbörjar ett arbete.
- Använd aldrig backlägesomkopplaren förrän maskinen har stannat helt. Om rotationsriktningen ändras innan maskinen har stannat helt kan det leda till skador på maskinen.
- Låt alltid backlägesomkopplaren stå i det neutrala läget när maskinen inte används.

SAMMANSÄTTNING

FÖRSIKTIGHET!

- Kontrollera alltid att maskinen är avstängd och att batterikassetten är urtagen innan du utför något arbete på maskinen.

Montering och borttagning av skruvmejslar och hylsnycklar (Fig. 5, 6 och 7)

Använd endast den skruvmejsel eller hylsa som visas i figuren. Använd inga andra typer av skruvverktyg eller hylsverktyg.

För Europa, Nord- och Sydamerika, Australien och Nya Zeeland gäller följande

A = 12 mm B = 9 mm	Använd bara dessa typer av verktygsbitar. Följ procedur (1). (Obs!) Verktygsadapter behövs ej.
-----------------------	---

För övriga länder gäller

A = 17 mm B = 14 mm	För att sätta in dessa typer av verktygsbitar används procedur (1). (Obs!) Makitas verktygsbitar är av dessa typer.
A = 12 mm B = 9 mm	För att sätta in dessa typer av verktygsbitar används procedur (2). (Obs!) Verktygsadapter måste användas för att sätta in verktygsbitar.

1. Dra fästhylsan i pilens riktning för att montera verktyget (skruv- eller hylsverktyget), och för in det så långt det går i fästhylsan. Släpp sedan fästhylsan för att låsa fast verktyget.
2. Dra fästhylsan i pilens riktning för att montera verktyget (skruv- eller hylsverktyget), och för in verktyget och verktygsadaptern så långt det går i fästhylsan. Verktygsadaptern ska föras in i fästhylsan med den spetsiga ändan vänd inåt. Släpp sedan fästhylsan för att låsa fast verktyget.

För att ta bort verktyget drar du fästhylsan i pilens riktning, och drar sedan ut verktyget med ett kraftigt ryck.

OBSERVERA!

- Om verktyget inte sätts i tillräckligt djupt i fästhylsan kommer fästhylsan inte att återgå till sin ursprungliga position, och verktyget är därmed inte fastlåst. Försök i så fall sätta i verktyget igen, i enlighet med beskrivningen ovan.

DRIFT

Det lämpliga åtdragningsmomentet varierar beroende på skruvens/bultens typ och storlek, materialet i arbetsstycket där skruven/bulten ska fästas, osv. Förhållandet mellan åtdragningsmomentet och åtdragningsstiden visas i tabellen. (Fig. 8 och 9)

Håll maskinen i ett stadigt grepp, och placera skruvverktygets spets i skruvhuvudet. Tryck framåt mot maskinen, så att skruvverktyget inte glider av skruven, och sätt sedan på maskinen för att starta arbetet.

OBSERVERA!

- Använd ett verktyg som passar för huvudet på den bult/skruv du avser att använda.
- Vid iskruvning av skruvar av storlek M8 eller mindre bör du vara försiktig när du trycker in strömbrytaren så att skruven inte skadas.
- Håll maskinen riktad rakt (vinkelrätt) mot skruven.
- Om du fortsätter dra i skruven längre än vad som anges i tabellen finns det risk för att skruven eller skruvverktygets spets överansträngs, slits sönder, skadas osv. Genomför alltid en provdragningsförfarande för att avgöra lämplig åtdragningsstid för din skruv innan du påbörjar arbetet.
- Om maskinen används kontinuerligt tills batterikassetten är urladdad, bör du låta maskinen vila i 15 minuter innan du fortsätter arbetet med en ny batterikassett.

Åtdragningsmomentet påverkas av en mängd olika faktorer, bland andra följande. Kontrollera alltid åtdragningen med en nyckel efter avslutat arbete.

1. När batterikassetten är i det närmaste urladdad faller spänningen, och åtdragningsmomentet minskar.
2. Skruvverktyg eller hylsverktyg
Om inte rätt storlek på skruv- eller hylsverktyget används minskar åtdragningsmomentet.
3. Bult
 - Även om bultens åtdragningskoefficienten och bultklass är samma varierar åtdragningsmomentet beroende på bultens diameter.
 - Även om bultarnas diameter är densamma varierar åtdragningsmomentet beroende på bultarnas åtdragningskoefficient, bultklass och längd.
4. Hur du håller maskinen och materialet i det arbetsstycke som du skruvar fast påverkar också åtdragningsmomentet.
5. Om maskinen används på lågt varvtal minskar åtdragningsmomentet.

UNDERHÅLL

FÖRSIKTIGHET!

- Se alltid till att maskinen är avstängd och att batterikassetten är urtagen, innan du utför någon kontroll av eller något underhåll på maskinen.
- Använd aldrig bensen, thinner, alkohol eller liknande. Det kan resultera i missfärgning, deformation eller sprickor.

Utbyte av kolborstar (Fig. 10 och 11)

Ta ur kolborstarna och kontrollera dem med regelbundna intervall. Byt ut dem när de är ner slitna till slitgränsmarkeringen. Se till att kolborstarna är rena, och lätt glider i sina hållare. Båda kolborstarna ska bytas ut samtidigt. Använd endast identiska kolborstar.

Tag bort kolborsthållarnas lock med en skruvmejsel. Tar ur de slitna kolborstarna, sätt i de nya och sätt återigen fast kolborsthållarnas lock.

Sätt i batterikassetten igen efter att kolborstarna har bytts ut, och kör in de nya kolborstarna genom att köra maskinen utan belastning i ungefär 1 minut. Kontrollera sedan maskinens gång, och att den elektriska bromsen fungerar när strömbrytaren släpps. Om den elektriska bromsen inte fungerar tillfredsställande bör du lämna in maskinen till ditt lokala Makita servicecenter för översyn eller reparation.

För att upprätthålla produktens SÄKERHET och PÅLITLIGHET bör alla reparationer, och allt annat underhålls- eller justeringsarbete utföras av en av Makita auktoriserad serviceverkstad, och Makita reservdelar bör alltid användas.

TILLBEHÖR

FÖRSIKTIGHET!

- Dessa tillbehör och tillsatser rekommenderas för användning med den Makita-maskin som anges i den här bruksanvisningen. Om andra tillbehör eller tillsatser används finns det risk för personskador. Använd endast tillbehören och tillsatserna för de ändamål de uttryckligen är avsedda för.

Tillfråga din lokala återförsäljare av Makita-produkter om du behöver ytterligare hjälp med eller mer detaljer angående dessa tillbehör.

- Skruvmejselverktyg
- Olika typer av Makita originalbatterier och -laddare
- Bärväska av plast

Buller

Den typiska A-vägda brusnivån är fastställd i enlighet med EN60745:

Ljudtrycksnivå (L_{pA}): 92 dB (A)
 Ljudeffektnivå (L_{WA}): 103 dB (A)
 Osäkerhet (K): 3 dB (A)

Bär hörselskydd

ENG900-1

Vibration

Vibrationernas totala värde (trippelaxial vektorsumma) bestämd i enlighet med EN60745:

Arbetsläge: slagåtdragning av bult med maskinens maximala kapacitet
 Vibrationsvärde (a_h): 13,0 m/s²
 Osäkerhet (K): 2,0 m/s²

ENG901-1

- Uppgivna vibrationsvärden har mätts enligt standardtestmetod och kan användas för att jämföra olika maskiner.
- Uppgivna vibrationsvärden kan dessutom användas som preliminär bedömning av vibrationsexponering.

WARNING:

- Vibrationsexponering under faktisk användning av maskinen kan skilja sig från uppgivna värden beroende på att maskinen kan användas på olika sätt.
- Vidta skyddsåtgärder för användaren baserat på en bedömning av exponering under aktuella förhållanden (med hänsyn tagen till hela arbetet såsom hur många gånger maskinen stängs av och hur stor del av tiden som den körs obelastad).

Endast för Europa**Försäkran om överensstämmelse (CE)**

Makita Corporation försäkrar i egenskap av ansvarig tillverkare att följande Makita-maskiner:

Maskinbeteckning: Sladdlös hammarskruvdragare
 Model nr./Type: 6932FD
 Här serietillverkade och

Uppfyller följande EU-direktiv:

2006/42/EC

Och är tillverkad i enlighet med följande normer eller normdokument:

EN60745

Teknisk dokumentation finns tillgänglig hos vår auktoriserade representant i Europa:

Makita International Europe Ltd.
 Michigan Drive, Tongwell,
 Milton Keynes, MK15 8JD, England

30.1.2009



Tomoyasu Kato
 Direktör

Makita Corporation
 3-11-8, Sumiyoshi-cho,
 Anjo, Aichi, JAPAN

Forklaring til generell oversikt

1 Knapp	7 Muffe	13 Grensemarkering
2 Batteri	8 Bittstykke	14 Børsteholderhette
3 Startbryter	9 Standardbolt	15 Skrutrekker
4 Lampe	10 Tiltrekkingsmoment	
5 Reversbryter funksjon	11 Tiltrekkingstid	
6 Bitt	12 Høystrekkbolt	

TEKNISKE DATA

Modell		6932FD
Kapasitet	Maskinskruer	4 mm – 8 mm
	Standardbolt	5 mm – 14 mm
	Høystrekkbolt	5 mm – 10 mm
Hastighet uten belastning (min ⁻¹)		0 – 2 600
Slag i minuttet		0 – 3 200
Total lengde		165 mm
Nettovekt		1,7 kg
Klassifisert spenning		DC 14,4 V

- Grunnet det kontinuerlige forsknings- og utviklingsprogrammet, forbeholder vi oss retten til å foreta endringer i tekniske data uten forvarsel.
- Tekniske data og batteri kan variere fra land til land.
- Vekt, med batteri, i henhold til EPTA-prosedyre 01/2003

ENE033-1

Bruksområde

Verktøyet er beregnet til idring av skruer i tre, metall og plast.

GEA010-1

Generelle sikkerhetsanvisninger for elektroverktøy

⚠ ADVARSEL Les alle sikkerhetsrelevante advarsler og alle instruksjoner. Hvis du ikke følger alle advarslene og instruksjonene, kan det føre til elektriske støt, brann og/eller alvorlige helseskader.

Ta vare på alle advarslene og instruksjonene for fremtidig bruk.

GEB054-1

SIKKERHETSANVISNINGER FOR BATTERIDREVT SLAGTREKKER

1. Hold maskinen i de isolerte håndtakene når du utfører en operasjon der festemidlet kan komme i kontakt med skjulte ledninger. Hvis et festemiddel kommer i kontakt med en strømførende ledning, vil også uisolerte deler av maskinen gjøres strømførende og kunne gi operatøren elektrisk støt.
2. Sørg for å ha godt fotfeste. Se etter at det ikke finnes seg noen under når arbeidet foregår i høyden.
3. Hold godt fast i maskinen.
4. Bruk hørselvern.

TA VARE PÅ DISSE SIKKERHETSREGLENE.

ADVARSEL:

IKKE LA hensynet til hva som er “behagelig” eller det faktum at du kjenner produktet godt (etter mange gangers bruk) gjøre deg mindre oppmerksom på sikkerhetsreglene for bruken av det aktuelle produktet. MISBRUK av verktøyet eller mislighold av sikkerhetsreglene i denne brukerhåndboken kan resultere i alvorlige helseskader.

ENC004-2

VIKTIGE SIKKERHETSANVISNINGER

FOR BATTERI

1. Før du begynner å bruke batteriet, må du lese alle anvisninger og forsiktighetsregler på (1) batteriladeren, (2) batteriet og (3) det produktet batteriet skal brukes i.
2. Ikke ta fra hverandre batteriet.
3. Hvis driftstiden er blitt vesentlig kortere, må du omgående slutte å bruke verktøyet. Hvis ikke kan resultatet bli overoppheting, mulige forbrenninger eller til og med en eksplosjon.
4. Hvis du får elektrolytt i øynene, må du skylle dem med store mengder rennende vann og oppsøke lege med én gang. Denne typen uhell kan føre til varig blindhet.
5. Når batteriet ikke er i bruk, må batteripolene alltid være tildekket av batteridekselet.
6. Ikke kortslutt batteriet.
 - (1) Ikke berør batteripolene med ledende materialer.
 - (2) Ikke lagre batteriet i samme beholder som andre metallgjenstander, som for eksempel spiker, mynter osv.
 - (3) Ikke la batteriet komme i kontakt med vann eller regn.
En kortslutning på batteriet kan føre til et kraftig strømstøt, overopphvarming, mulige forbrenninger og til og med til at batteriet går i stykker.
7. Ikke lagre verktøyet og batteriet på steder hvor temperaturen kan komme opp i eller overskride 50°C.
8. Ikke sett fyr på batteriet, ikke engang om det er sterkt skadet eller helt utslitt. Batteriet kan eksplodere hvis det begynner å brenne.
9. Vær forsiktig så du ikke mister batteriet eller utsetter det for slag.
10. Ikke bruk et batteri som har falt i bakken eller har vært utsatt for slag eller støt.

TA VARE PÅ DISSE INSTRUKSENE.

Tips for å opprettholde maksimal batterilevetid

1. Lad batteriet igjen før det er fullstendig utladet. Hold alltid opp å bruke verktøyet når du merker at det er lite strøm på batteriet. Sett batteriet til lading.
2. Et helt oppladet batteri må aldri settes til ny lading. Overopplading forkorter batteriets levetid.
3. Lad opp batteriet ved romtemperatur, dvs. 10°C – 40°C. Hvis batteriet er varmt, må det få avkjøle seg før lading.
4. Lad nikkelmetallhybrid-batteriet når du ikke har brukt det på mer enn seks måneder.

FUNKSJONSBEKRIVELSE

NB!

- Forviss deg alltid om at verktøyet er slått av og at batteriet er fjernet før du justerer verktøyet eller kontrollerer dets funksjoner.

Installere eller fjerne batteriet (Fig. 1)

- Slå alltid av verktøyet før batteriet settes inn eller fjernes.
- Fjern batteriet ved å trekke det ut av verktøyet mens du trykker på knappene på begge sider av batteriet.
- Sett inn batteriet ved å holde tungen på batteriet kantkant med sporet i huset og la det gli på plass. Batteriet må alltid skyves helt inn, til det går i lås med et lite klikk. Hvis ikke, kan det komme til å falle ut av verktøyet og skade deg eller andre personer i nærheten.
- Ikke bruk makt når du setter i batteriet. Hvis batteriet ikke gli lett når det settes inn, betyr det at det ikke settes inn på riktig måte.

Bruke startbryteren (Fig. 2)

NB!

- Før du setter batteriet inn i verktøyet, må du alltid kontrollere at startbryteren starter verktøyet som den skal og går tilbake til "AV"-stilling når den slippes.

Start verktøyet ved å klemme inn startbryteren. Verktøyhastigheten økes ved å øke presset på startbryteren. Slipp startbryteren for å stoppe.

Elektrisk brems

Dette verktøyet er utstyrt med en elektrisk brems. Hvis verktøyet gjentatte ganger ikke stopper etter at startbryteren er sluppet, må det til service i et autorisert Makita-serviceverksted.

Tenne frontlampe (Fig. 3)

NB!

- Unngå å se direkte mot lyset eller rett inn i lyskilden.

Trykk inn startbryteren for å tenne lampen. Lampen lyser så lenge startbryteren holdes inne.

MERKNAD:

- Bruk en tørr klut til å tørke urenheter av lampelinsen. Vær forsiktig så det ikke blir riper i lampelinsen, da dette kan redusere lysstyrken.

Reversere dreieretningen (Fig. 4)

Dette verktøyet har en reversbryter som brukes til å endre dreieretningen. Trykk inn reversbryteren fra A-siden for rotasjon med urviserne, og fra B-siden for rotasjon mot urviserne.

Når reversbryteren er i midtstilling, kan ikke startbryteren trykkes inn.

NB!

- Før verktøyet tas i bruk, må alltid dreieretningen kontrolleres.
- Bruk reversbryteren kun når verktøyet har stoppet helt. Hvis dreieretningen endres før verktøyet har stoppet helt, kan det bli ødelagt.
- Når verktøyet ikke er i bruk, skal reversbryteren alltid stilles i midtstilling.

SAMMENSETTING

NB!

- Forviss deg alltid om at verktøyet er slått av og at batteriet er fjernet før du utfører noe arbeid på verktøyet.

Installere eller fjerne skruebitt eller muffebitt (Fig. 5, 6 og 7)

Bruk kun skruebitt eller muffebitt som vist på figuren. Ikke bruk noen annen type skruebitt eller muffebitt.

For land i Europa og Nord- og Sør-Amerika, Australia og New Zealand

A = 12 mm B = 9 mm	Bruk bare denne bitstypen. Følg prosedyren (1). (Merk) Bitsstykket er ikke påkrevet.
-----------------------	--

For andre land

A = 17 mm B = 14 mm	For å installere disse bitstypene må du følge prosedyren (1). (Merk) Makita-bits er av disse typene.
A = 12 mm B = 9 mm	For å installere disse bitstypene må du følge prosedyren (2). (Merk) Bitsstykket er påkrevet for installering av bitset.

1. Installer bittet ved å trekke muffen i pilens retning og sette det inn i muffen så langt som mulig. Slipp så muffen for å låse fast bittet.
2. Installer bittet ved å trekke muffen i pilens retning og sette bittstykket og bittet inn i muffen så langt de går. Bittstykket settes inn med den spisse enden først. Slipp deretter muffen for å låse fast bittet.

Fjern bittet ved å trekke muffen i pilens retning og trekke bittet ut med en bestemt bevegelse.

MERKNAD:

- Hvis bittet ikke er stukket dypt nok inn i muffen, vil ikke muffen gå tilbake til sin opprinnelige stilling, og bittet vil ikke være låst. I så fall må du prøve å sette inn bittet igjen i samsvar med instruksjonene ovenfor.

BRUK

Riktig tiltrekkingsmoment kan variere, avhengig av typen og størrelsen av skruen/bolten, materialet i det arbeidsstykket som skal festes osv. Forholdet mellom tiltrekkingsmoment og tiltrekkingstid er vist på figurene. (Fig. 8 og 9)

Hold verktøyet i et fast grep og plasser spissen av skruebittet i skruhodet. Legg så mye vekt forover på verktøyet at bittet ikke glir av skruen, og trykk på bryteren for å sette maskinen i gang.

MERKNAD:

- Bruk riktig bitt for hodet til den skruen/bolten du ønsker å bruke.
- Når du skrur inn skruer av M8-størrelse eller mindre, må du forsiktig justere trykket på bryteren, så skruen ikke blir ødelagt.
- Hold verktøyet slik at det peker rett mot skruen.
- Hvis du strammer skruen lengre tid enn vist på figurene, vil skruen eller spissen av skruebittet muligens bli overbelastet, slitt, ødelagt e.l. Før jobben påbegynnes må du alltid teste for å finne riktig tiltrekkingstid for skruen.
- Hvis verktøyet er i kontinuerlig bruk inntil batteriet er utladet, må du la det få 15 minutters hvile før du fortsetter med et nyoppladet batteri.

Tiltrekkingsmomentet påvirkes av en lang rekke faktorer, herunder følgende: Etter at skruen er trukket til, må du alltid kontrollere momentet med en momentnøkkel.

1. Når batteriet er nesten helt utladet, vil spenningen synke, og tiltrekkingsmomentet reduseres.
2. Skruebitt eller muffebitt
Hvis det brukes et skruebitt eller muffebitt av feil størrelse, vil tiltrekkingsmomentet reduseres.
3. Bolt
 - Selv om momentkoeffisienten og boltklassen er den samme, vil riktig tiltrekkingsmoment variere med bolt diameteren.
 - Selv om bolt diameteren er den samme, vil riktig tiltrekkingsmoment variere med momentkoeffisienten, boltklassen og bolt lengden.
4. Måten verktøyet holdes på og materialets posisjon påvirker momentet.
5. Når verktøyet brukes ved lav hastighet, vil tiltrekkingsmomentet reduseres.

VEDLIKEHOLD

NB!

- Forviss deg alltid om at verktøyet er slått av og at batteriet er fjernet før du foretar inspeksjon eller vedlikehold.
- Bruk aldri bensin, rensebensin, tynner, alkohol eller liknende. Dette kan resultere i misfarging, deformasjoner eller sprekke dannelse.

Skifte kullbørster (Fig. 10 og 11)

Fjern og kontroller kullbørstene med jevne mellomrom. Skift dem når de begynner å bli slitt ned mot grensemærkingen. Hold kullbørstene rene, og la dem gli fritt i holderne. Begge kullbørstene bør skiftes samtidig. Bruk kun identiske kullbørster.

Bruk en skrutrekker til å fjerne hettene på børsteholderne. Ta ut de slitte kullbørstene, sett inn de nye og fest hettene på børsteholderne.

Etter at børstene er skiftet, må du sette batteriet i verktøyet og kjøre inn børstene ved å la verktøyet gå uten belastning i ca. 1 minutt. Kontroller verktøyet mens det går, og hvordan den elektriske bremsen virker når startbryteren slippes opp. Hvis den elektriske bremsen ikke virker skikkelig, må du henvende deg til nærmeste autoriserte Makita-serviceverksted for reparasjon.

For å opprettholde produktets SIKKERHET og PÅLITELIGHET, må reparasjoner og annet vedlikeholdsarbeid eller justeringer bare utføres av et Makita-godkjent serviceverksted, og det må alltid benyttes Makita reservedeler.

TILBEHØR

NB!

- Dette tilbehøret eller utstyret anbefales til å brukes med ditt Makita-verktøy som er spesifisert i denne bruksanvisningen. Bruk av annet tilbehør eller utstyr kan medføre risiko for personskader. Tilbehør og utstyr må bare bruk til de formål de er beregnet til.

Kontakt nærmeste Makita-serviceverksted dersom du trenger videre opplysninger angående tilbehøret.

- Skruebitt
- Ulike typer originale batterier og ladere fra Makita
- Verktøykoffert av plast

Støy

Typisk A-vektet lydtrykknivå bestemt i samsvar med EN60745:

Lydtrykknivå (L_{pA}): 92 dB (A)
 Lydstyrkenivå (L_{WA}): 103 dB (A)
 Usikkerhet (K): 3 dB (A)

Bruk hørselvern

ENG900-1

Vibrasjoner

Den totale vibrasjonsverdien (triaksial vektorsum) bestemt i henhold til EN60745:

Arbeidsmåte: slagstramming av festemidler med maskinens maksimale kapasitet
 Genererte vibrasjoner (a_{hv}): 13,0 m/s²
 Usikkerhet (K): 2,0 m/s²

ENG901-1

- Den angitte verdien for de genererte vibrasjonene er blitt målt i samsvar med standardtestmetoden og kan brukes til å sammenlikne et verktøy med et annet.
- Den angitte verdien for de genererte vibrasjonene kan også brukes til en foreløpig vurdering av eksponeringen.

ADVARSEL:

- De genererte vibrasjonene ved faktisk bruk av elektroverktøyet kan avvike fra den oppgitte vibrasjonsverdien, avhengig av hvordan verktøyet brukes.
- Sørg for å identifisere sikkerhetstiltak som er basert på et estimat av eksponeringen under de faktiske bruksforholdene (idet det tas hensyn til alle deler av driftssyklusen, dvs. hvor lenge verktøyet er slått av, hvor lenge det går på tomgang, og hvor lenge startbryteren faktisk holdes trykket), for å beskytte operatøren.

Gjelder bare land i Europa**EF-samsvarserklæring**

Som ansvarlig produsent erklærer vi, Makita Corporation, at følgende Makita-maskin(er):

Maskinbetegnelse: Batteridrevet slagtrekker
 Modellnr./type: 6932FD

Her serieprodusert og

samsvarer med følgende EU-direktiver:
 2006/42/EF

og er produsert i henhold til følgende standarder eller standardiserte dokumenter:

EN60745

Den tekniske dokumentasjonen oppbevares av vår autoriserte representant i Europa, som er:

Makita International Europe Ltd.
 Michigan Drive, Tongwell,
 Milton Keynes, MK15 8JD, England

30.1.2009



Tomoyasu Kato
 Direktor

Makita Corporation
 3-11-8, Sumiyoshi-cho,
 Anjo, Aichi, JAPAN

Yleisselostus

1 Painike	7 Kaulus	13 Rajamerkki
2 Akku	8 Välikappale	14 Harjanpitimen kansi
3 Liipaisinkytkin	9 Vakiopultti	15 Ruuvitalta
4 Lamppu	10 Kiinnitysmomentti	
5 Suunnanvaihtokytkin	11 Kiinnitysaika	
6 Terä	12 Suurlujuuspultti	

TEKNISET TIEDOT

Malli		6932FD
Suorituskyky	Koneruuvi	4 mm – 8 mm
	Vakiopultti	5 mm – 14 mm
	Suurlujuuspultti	5 mm – 10 mm
Tyhjäkäyntinopeus (min ⁻¹)		0 – 2 600
Iskua minuutissa		0 – 3 200
Kokonaispituus		165 mm
Nettopaino		1,7 kg
Nimellisjännite		14,4 V tasavirta

- Jatkuvan tutkimus- ja kehitysohjelman vuoksi pidämme oikeuden muuttaa tässä mainittuja teknisiä ominaisuuksia ilman ennakkoilmoitusta.
- Tekniset tiedot ja akku voivat olla erilaiset eri maissa.
- Paino, akun kanssa, EPTA-Procedure 01/2003:n mukaan

ENE033-1

Käyttötarkoitus

Tämä kone on tarkoitettu ruuvien kiinnittämiseen puuhun, metalliin ja muoviin.

GEA010-1

Sähkötyökalujen yleiset turvavaroitukset

VAROITUS Lue kaikki turvavaroitukset ja kaikki ohjeet. Jos et noudata kaikkia varoituksia ja ohjeita, voi seurauksena olla sähköisku, tulipalo ja/tai vaikea vamma.

Säilytä kaikki varoitukset ja ohjeet myöhempää käyttöä varten.

GEB054-1

ISKEVÄÄ AKKURUUVINVÄÄNNINTÄ KOSKEVAT TURVAVAROITUKSET

1. Tartu laitteeseen eristetyistä tartuntapinnoista tehdessäsi työtä, jossa kiristin voi osua piilossa olevaan johtoon. Jännitteeseen johtoon osuminen johtaa jännitteen vääntimen näkyvillä oleviin metallisiin, jolloin käyttäjä saa sähköiskun.
2. Ota aina tukeva asento. Varmista, että alapuolella ei ole ketään, kun käytät konetta korkeilla paikoilla.
3. Pidä koneesta kiinni lujasti.
4. Käytä kuulosuojaimia.

SÄILYTÄ NÄMÄ KÄYTTÖOHJEET.

VAROITUS:

ÄLÄ anna (koneen jatkuvasta käytöstä saadun) mukavuuden tai tutunomaisuuden häiritä kyseisen tuotteen turvallisuussääntöjen tiukkaa noudattamista.

VÄÄRINKÄYTTÖ tai tässä ohjekirjassa mainittujen turvaohjeiden noudattamatta jättäminen voi aiheuttaa vakavan loukkaantumisen.

ENC004-2

TÄRKEITÄ TURVAOHJEITA

AKKULATAAJALLE

1. Lue kaikki (1) akkulataajan, (2) akun ja (3) akkua käyttävän laitteen ohjeet ja varoitusmerkinnät ennen akkulataajan käyttöä.
2. Älä pura akkua osiinsa.
3. Jos käyttöaika lyhenee huomattavasti, lopeta työskentely välittömästi. Tämä voi aiheuttaa ylikuumenemisen, mahdollisia palovammoja ja jopa räjähdyksen.
4. Jos akkua pölyä pääsee silmiin, huuhtelee ne puhtaalla vedellä ja hakeudu heti lääkäriin. Tämä voi aiheuttaa näön menetyksen.
5. Peitä akkuliittimet aina akkukansilla, kun akkua ei käytetä.
6. Älä kytke akkua oikosulkuun:
 - (1) Älä kosketa liittimiä millään sähköä johtavalla esineellä.
 - (2) Älä säilytä akkua yhdessä metalliesineiden kuten naulojen, kolikoiden tms. kanssa.
 - (3) Suojaa akku vedeltä ja sateelta. Akun oikosulku voi aiheuttaa voimakkaan sähkövirran, ylikuumenemisen, mahdollisia palovammoja ja konerikon.
7. Älä säilytä konetta ja akkua paikoissa, joiden lämpötila voi nousta tai kohota yli 50°C.
8. Älä hävitä akkua polttamalla, vaikka se olisi pahasti vioittunut tai kulunut loppuun. Akku voi räjähtää tulessa.
9. Varo pudottamasta ja kolhimasta akkua.
10. Älä käytä akkua, joka on pudotettu tai jota on kolhaistu.

SÄILYTÄ NÄMÄ OHJEET.

Vihjeitä akun käyttöön maksimoimiseksi

1. Lataa akku ennen kuin se on kokonaan purkautunut. Jos huomaat käyttövoiman heikentyneen, lopeta aina koneen käyttäminen ja lataa akku.
2. Älä koskaan lataa täyteen ladattua akkua. Liiallisen lataaminen lyhentää akun käyttöikää.
3. Lataa akku huoneenlämmössä 10°C – 40°C. Anna kuumen akun jäähtyä ennen sen lataamista.

4. Lataa nikkelimetallihydridiakku, jos sitä ei käytetä yli puoleen vuoteen.

TOIMINTOKUVAUS

VARO:

- Varmista aine ennen koneelle tehtäviä säätöjä ja tarkistuksia, että kone on sammutettu ja akku irrotettu.

Akun kiinnittäminen ja irrottaminen (Kuva 1)

- Sammuta kone aina ennen akun kiinnittämistä ja irrottamista.
- Irrota akku seuraavasti. Vedä se irti koneesta samalla kun pidät akun molemmilla puolilla olevat painikkeet alhaalla.
- Kiinnitä akku seuraavasti. Sovita akun kieleke kotelossa olevaan uraan ja sujauta se paikalleen. Työnnä akku aina kokonaan sisään, kunnes se lukittuu paikalleen kevyesti napsahtaen. Jos et toimi näin, akku voi irrota vahingossa koneesta aiheuttaen itsesi tai sivullisen loukkaantumisen.
- Älä työnnä akkua väkisin sisään. Jos akku ei mene helposti paikalleen, sitä ei ole asetettu oikein paikalleen.

Kytkimen käyttäminen (Kuva 2)

VARO:

- Tarkista aina ennen akun kiinnittämistä koneeseen, että liipaisinkytkin toimii moitteettomasti ja palautuu vapautettaessa "OFF"-asentoon.

Kone käynnistetään yksinkertaisesti painamalla liipaisinkytkintä. Koneen käyntinopeus kasvaa painettaessa liipaisinkytkintä voimakkaammin. Kone pysähtyy vapautettaessa liipaisin.

Sähköjarru

Tämä kone on varustettu sähköjarrulla. Jos kone toistuvasti jättää pysähtymättä vapautettaessa liipaisin, huollata kone Makitan huoltopisteessä.

Etulampun syyttäminen (Kuva 3)

VARO:

- Älä katso suoraan valoon äläkä valolähteeseen.

Paina liipaisinkytkintä syyttääksesi lampun. Lamppu palaa niin kauan kun liipaisinkytkintä painetaan.

HUOMAUTUS:

- Pyyhi lika linssiltä kuivalla liinalla. Varo naarmuttamasta lampun linssiä, koska tämä voi heikentää valotehoa.

Suunnanvaihtokytkimen käyttäminen (Kuva 4)

Koneessa on suunnan vaihtamiseen tarkoitettu suunnanvaihtokytkin. Paina suunnanvaihtokytkintä A-puolelta myötäpäiväistä ja B-puolelta vastapäiväistä pyörimisliikettä varten.

Kun suunnanvaihtokytkin on asentojen välillä, liipaisinkytkintä ei voi painaa.

VARO:

- Tarkista pyörimisliikkeen suunta aina ennen käyttöä.
- Käytä suunnanvaihtokytkintä vasta koneen pysähtytyä kokonaan. Pyörimissuunnan vaihtaminen ennen koneen pysähtymistä voi vioittaa konetta.
- Aseta suunnanvaihtokytkin aina asentojen väliin, kun konetta ei käytetä.

KOKOAMINEN

VARO:

- Varmista aina ennen koneelle tehtäviä toimenpiteitä, että kone on sammutettu ja akku irrotettu.

Talttaterän tai hylsyn kiinnittäminen ja irrottaminen (Kuva 5, 6 ja 7)

Käytä vain kuvan osoittamaa talttaterää tai hylsytä. Älä käytä mitään muuta talttaterää äläkä hylsytä.

Euroopan sekä Pohjois- ja Etelä-Amerikan maat, Australia ja Uusi-Seelanti

A = 12 mm B = 9 mm	Käytä vain tämän tyyppisiä teriä. Noudata kohdan (1) ohjeita. (Huomaa) Teräkappaletta ei tarvita.
-----------------------	---

Muut maat

A = 17 mm B = 14 mm	Kun haluat asentaa tämän tyyppisiä teriä, noudata kohdan (1) ohjeita. (Huomaa) Makitan terät ovat tämän tyyppisiä.
A = 12 mm B = 9 mm	Kun haluat asentaa tämän tyyppisiä teriä, noudata kohdan (2) ohjeita. (Huomaa) Terän kiinnittämiseen tarvitaan teräkappale.

1. Kiinnitä terä seuraavasti. Vedä kaulusta nuolen suuntaan ja työnnä terä istukkaan niin syväälle kuin se menee. Varmista sitten terän kiinnitys vapauttamalla kaulus.
2. Kiinnitä terä seuraavasti. Vedä kaulusta nuolen suuntaan ja työnnä välikappale ja terä istukkaan niin syväälle kuin se menee. Välikappale tulee työntää kaulukseen terävä kärki edellä. Varmista sitten terän kiinnitys vapauttamalla kaulus.

Terä irrotetaan seuraavasti. Vedä kaulusta nuolen suuntaan ja vedä terä napakasti irti.

HUOMAUTUS:

- Jos terää ei työnnetä tarpeeksi syväälle kaulukseen, kaulus ei palaudu alkuperäiseen asentoon eikä terä kiinnity kunnolla. Kiinnitä tällöin terä uudelleen edellä olevien ohjeiden mukaisesti.

KÄYTTÖ

Sopiva kiinnitysmomentti voi vaihdella riippuen ruuvin/pultin tyyppistä ja koosta, kiinnitettävän työkalun materiaalista yms. Kiinnitysmomentin ja kiinnitysajan suhde on esitetty kuvissa. (Kuva 8 ja 9)

Pidä konetta tiukasti ja aseta talttaterän kärki ruuvin kantaan. Paina konetta eteenpäin sen verran, että terä ei luiskahda irti ruuvista ja käynnistä kone.

HUOMAUTUS:

- Valitse käytettävän ruuvin/pultin kannalle sopiva terä.
- Kun kiinnität M8-ruuvia tai pienempää, säädä liipaisinkytkimen painetta varovasti siten, että ruuvi ei vioitu.
- Pidä konetta suoraan ruuvia kohti.
- Jos kiristät ruuvia kuvissa osoitettua pidempään, ruuvi tai talttaterän kärki voi yllirasittua, kuoriutua, vioittua tms. Tee aina ennen työn aloittamista koekinnitys varmistuaksesi ruuville sopivasta kiinnitysajasta.

- Jos konetta käytetään jatkuvasti akun tyhjentymiseen saakka, anna koneen jäähtyä 15 minuutin ajan ennen kuin jatkat uudella akulla.

Kiinnitysmomenttiin vaikuttavat useat seikat, joista seuraavat ovat esimerkkejä. Tarkista kiinnityksen jälkeen momentti aina momenttiavaimella.

1. Kun akun lataus on purkautunut lähes kokonaan, jännite laskee ja kiinnitysmomentti heikkenee.
2. Talttaterä tai hylsy
Väärän kokoisen talttaterän tai hylsyn käyttäminen heikentää kiinnitysmomenttia.
3. Pulltti
 - Vaikka vääntökerroin ja pultin luokitus olisi sama, sopiva kiinnitysmomentti vaihtelee pultin halkaisijan mukaan.
 - Vaikka pulttien halkaisijat ovat samat, sopiva kiinnitysmomentti vaihtelee vääntökertoimen, pultin luokituksen ja pultin pituuden mukaan.
4. Ote koneesta ja kiinnityskohdan materiaali vaikuttavat momenttiin.
5. Koneen käyttäminen alhaisella nopeudella heikentää kiinnitysmomenttia.

HUOLTO

VARO:

- Varmista aina ennen koneen tutkimista ja huoltotöiden tekemistä, että kone on sammutettu ja akku irrotettu.
- Älä koskaan käytä bensiiniä, benseeniä, tinneriä, alkoholia tai vastaavaa. Seurauksena voi olla värinmuutoksia, muodonmuutoksia tai murtumia.

Harjahiilten vaihtaminen (Kuva 10 ja 11)

Irrota ja tarkista harjahiilet säännöllisesti. Vaihda ne, kun ne ovat kuluneet rajamerkkiin saakka. Pidä harjahiilet puhtaina ja vapaina liukumaan pitimissään. Molemmat harjahiilet tulee vaihtaa kerralla. Käytä vain keskenään samanlaisia harjahiiliä.

Irrota harjanpitimen kannet ruuvitaltalla. Irrota kuluneet harjahiilet, aseta uudet paikalleen ja kiinnitä harjanpitimen kannet.

Kun olet vaihtanut harjat, työnnä akku koneeseen ja aja harjat sisään käyttämällä konetta tyhjäkännillä noin yhden minuutin ajan. Tarkista sitten kone sen käydessä sekä jarrun toimivuus vapautettaessa liipaisinkytkin. Jos sähköjarru ei toimi kunnolla, pyydä Makita huoltopistettä korjaamaan vika.

Koneen TURVALLISUUDEN ja KÄYTTÖVARMUUDEN vuoksi korjaukset ja muut kunnossapitotyöt ja säädöt saa suorittaa ainoastaan Makitan valtuuttama huolto käyttäen vain Makitan varaosia.

LISÄVARUSTEET

VARO:

- Näitä lisävarusteita ja -laitteita suositellaan käytettäväksi tässä ohjekirjassa mainitun Makitan koneen kanssa. Minkä tahansa muun lisävarusteen tai -laitteen käyttäminen voi aiheuttaa loukkaantumisvaaran. Käytä lisävarusteita ja -laitteita vain niiden käyttötarkoituksen mukaisesti.

Jos tarvitset yksityiskohtaisempia tietoja näistä lvarusteista, ota yhteys paikalliseen Makitan huoltoon.

- Ruuviterät
- Eri tyyppisiä Makitan alkuperäisiä akkuja ja lataajia
- Muovinen kantokotelo

Melutaso

Tyypillinen A-painotettu melutaso normin EN60745 mukaan on:

- Äänenpainetaso (L_{pA}): 92 dB (A)
- Äänen tehotaso (L_{WA}): 103 dB (A)
- Epävarmuus (K): 3 dB (A)

Käytä kuulosuojaimia

ENG905-1

Tärinä

Tärinän kokonaisarvo (triaksiaalinen vektorisumma) normin EN60745 on:

- Työmoodi: työkalun maksimikapasiteetin mukainen niittien iskukiristys
- Tärinänsäteily (a_{h1}): 13,0 m/s^2
- Epävarmuus (K): 2,0 m/s^2

ENG900-1

ENG901-1

- Ilmoitettu tärinäpäästöarvo on mitattu vakioitettimenetelmän mukaan, ja sitä voidaan käyttää työkalujen vertailuun keskenään.
- Ilmoitettua tärinäpäästöarvoa voidaan käyttää myös altistumisen alustavan arviointiin.

VAROITUS:

- Työkalun käytönaikainen tärinäpäästö voi poiketa ilmoitetusta päästöarvosta työkalun käyttötavan mukaan.
- Muista tutustua käyttäjän suojelemiseen tarkoitettuihin turvallisuustoimenpiteisiin, jotka perustuvat todellisiin käyttöolosuhteisiin (ottaen huomioon kaikki toimintajaksen osat, kuten työkalun sammuttaminen ja sen käynti joutokännillä, liipaisuajan lisäksi).

Vain Euroopan maat**EC-yhdenmukaisuusjulistus**

Makita Corporation julistaa vastuullisen valmistajan ominaisuudessa, että seuraava/seuraavat Makita-kone/-koneet:

Koneen nimi: Iskevä akkuruuvinväänin

Mallinumero/tyyppi: 6932FD

ovat sarjatuotteita ja

Yhdenmukainen seuraavien eurooppalaisten direktiivien kanssa:

2006/42/EC

Ja ne on valmistettu seuraavien standardien tai standardoitujen asiakirjojen mukaisesti:

EN60745

Teknillisestä asiakirjoilla todistamisesta vastaa valtuutamamme edustaja Euroopassa, joka on:

Makita International Europe Ltd.

Michigan Drive, Tongwell,

Milton Keynes, MK15 8JD, England

30.1.2009



Tomoyasu Kato
Johtaja

Makita Corporation
3-11-8, Sumiyoshi-cho,
Anjo, Aichi, JAPAN

Περιγραφή γενικής άποψης

1 Κουμπί	6 Αιχμή	12 Μπουλόνι υψηλού εφελκυσμού
2 Κασέτα μπαταρίας	7 Μανίκι	13 Σημάδι ορίου
3 Σκανδάλη διακόπτη	8 Τεμάχιο-αιχμής	14 Καπάκι θήκης ψήκτρας
4 Λαμπάκι	9 Κανονικό μπουλόνι	15 Καταβίδι
5 Μοχλός διακόπτη αντιστροφής	10 Ροπή στερέωσης	
	11 Χρόνος στερέωσης	

ΤΕΧΝΙΚΑ ΧΑΡΑΚΤΗΡΙΣΤΙΚΑ

Μοντέλο		6932FD
Ικανότητες	Μηχανική βίδα	4 χιλ – 8 χιλ
	Κανονικό μπουλόνι	5 χιλ – 14 χιλ
	Μπουλόνι υψηλού εφελκυσμού	5 χιλ – 10 χιλ
Ταχύτητα χωρίς φορτίο (min ⁻¹)		0 – 2 600
Κτύποι ανά λεπτό		0 – 3 200
Ολικό μήκος		165 χιλ
Βάρος καθαρό		1,7 Χγρ
Καθορισμένο βολτάζ		D.C. 14,4 V

- Λόγω του συνεχιζόμενου προγράμματος έρευνας και ανάπτυξης, οι παρούσες προδιαγραφές υποκείμεται σε αλλαγή χωρίς προειδοποίηση.
- Τα τεχνικά χαρακτηριστικά και η κασέτα μπαταρίας μπορεί να διαφέρουν από χώρα σε χώρα.
- Βάρος, με κασέτα μπαταρίας, σύμφωνα με τη διαδικασία EPTA 01/2003

ENE033-1

Προοριζόμενη χρήση

Το εργαλείο προορίζεται για βιδώματα σε ξύλα, μέταλλα και πλαστικά.

GEA010-1

Γενικές προειδοποιήσεις ασφαλείας για το ηλεκτρικό εργαλείο

⚠ ΠΡΟΕΙΔΟΠΟΙΗΣΗ Διαβάστε όλες τις προειδοποιήσεις ασφαλείας και όλες τις οδηγίες. Η μη τήρηση των προειδοποιήσεων και οδηγιών ενδέχεται να καταλήξει σε ηλεκτροπληξία, πυρκαγιά ή/και σοβαρό τραυματισμό.

Φυλάξτε όλες τις προειδοποιήσεις και τις οδηγίες για μελλοντική παραπομπή.

GEB054-1

ΠΡΟΕΙΔΟΠΟΙΗΣΕΙΣ ΑΣΦΑΛΕΙΑΣ ΓΙΑ ΑΣΥΡΜΑΤΟ ΚΡΟΥΣΤΙΚΟ ΒΙΔΟΤΡΥΠΑΝΟ

1. **Να κρατάτε το ηλεκτρικό εργαλείο από τις λαβές με μόνωση όταν εκτελείτε εργασίες κατά τις οποίες ο σύνδεσμος μπορεί να έρθει σε επαφή με κρυμμένα καλώδια.** Αν ο σύνδεσμος έρθει σε επαφή με κάποιο ηλεκτροφόρο καλώδιο, μπορεί τα εκτεθειμένα μεταλλικά μέρη του ηλεκτρικού εργαλείου να γίνουν κι αυτά ηλεκτροφόρα και να προκληθεί ηλεκτροπληξία στο χειριστή.

2. **Πάντοτε βεβαιώνετε ότι έχετε σταθερή βάση.** Βεβαιώνετε ότι κανείς δεν είναι από κάτω όταν χρησιμοποιείτε το μηχάνημα σε υψηλά μέρη.
3. **Κρατάτε το μηχάνημα σταθερά.**
4. **Φοράτε ωσπίδες.**

ΦΥΛΑΞΤΕ ΑΥΤΕΣ ΤΙΣ ΟΔΗΓΙΕΣ.

ΠΡΟΕΙΔΟΠΟΙΗΣΗ:

ΜΗΝ επιτρέψετε το βαθμό άνεσης ή εξοικείωσης με το προϊόν (λόγω επανειλημμένης χρήσης) να αντικαταστήσει την αυστηρή τήρηση των κανόνων ασφαλείας του παρόντος εργαλείου.

ΚΑΚΗ ΧΡΗΣΗ ή αμέλεια να ακολουθήσετε τους κανόνες ασφαλείας που διατυπώνονται σ'αυτό το εγχειρίδιο οδηγιών μπορεί να προκαλέσει σοβαρό προσωπικό τραυματισμό.

ENC004-2

ΣΗΜΑΝΤΙΚΕΣ ΟΔΗΓΙΕΣ ΑΣΦΑΛΕΙΑΣ

ΓΙΑ ΚΑΣΕΤΑ ΜΠΑΤΑΡΙΑΣ

1. Πριν χρησιμοποιήσετε την κασέτα μπαταρίας, διαβάστε όλες τις οδηγίες και σημειώσεις προφύλαξης (1) στον φορτιστή μπαταρίας, (2) στην μπαταρία και (3) στο προϊόν που χρησιμοποιεί την μπαταρία.
2. Μην αποσυρμολογήσετε την κασέτα μπαταρίας.
3. Εάν ο χρόνος λειτουργίας έχει γίνει υπερβολικά βραχύς, σταματήστε την λειτουργία αμέσως. Αλλιώς, μπορεί να έχει ως αποτέλεσμα κίνδυνο υπερθέρμανσης, πιθανά εγκαύματα ή ακόμη και έκρηξη.
4. Εάν ηλεκτρολύτης μπει στα μάτια σας, ξεπλύνετε τα με καθαρό νερό και ζητήστε ιατρική φροντίδα αμέσως. Αλλιώς, μπορεί να έχει ως αποτέλεσμα απώλεια της όρασης σας.
5. Πάντοτε καλύπτετε τους πόλους της μπαταρίας με το κάλυμμα της μπαταρίας όταν η κασέτα μπαταρίας δεν χρησιμοποιείται.
6. Μην βραχυκυκλώνετε την κασέτα μπαταρίας:
 - (1) Μην αγγίζετε τους πόλους με οτιδήποτε αγώγιμο υλικό.
 - (2) Αποφεύγετε να αποθηκεύετε την κασέτα μπαταρίας μέσα σε ένα δοχείο μαζί με άλλα μεταλλικά αντικείμενα όπως καρφιά, νομίσματα, κλπ.
 - (3) Μην εκθέτε την κασέτα μπαταρίας στο νερό ή στη βροχή.
Ενα βραχυκύκλωμα μπαταρίας μπορεί να προκαλέσει μεγάλη ροή ρεύματος, υπερθέρμανση, πιθανά εγκαύματα ακόμη και σοβαρή βλάβη.

7. Μην αποθηκεύετε το εργαλείο και την κασέτα μπαταρίας σε τοποθεσίες όπου η θερμοκρασία μπορεί να φτάσει ή να ξεπεράσει τους 50°C.
8. Μη καίτε την κασέτα μπαταρίας ακόμη και εάν έχει σοβαρή ζημιά ή είναι εντελώς φθαρμένη. Η κασέτα μπαταρίας μπορεί να εκραγεί στην φωτιά.
9. Προσέχετε να μη ρίξετε κάτω ή χτυπήσετε την μπαταρία.
10. Να μην χρησιμοποιείται μπαταρία που έχει υποστεί πτώση ή κτύπημα.

ΦΥΛΑΞΤΕ ΤΙΣ ΟΔΗΓΙΕΣ ΑΥΤΕΣ.

Συμβουλές για διατήρηση μέγιστης ζωής μπαταρίας

1. Φορτίστε την κασέτα μπαταρίας πριν από την πλήρη αποφόρτιση της. Πάντοτε σταματάτε την λειτουργία του εργαλείου και φορτίζετε την κασέτα μπαταρίας όταν παρατηρείτε μειωμένη ισχύ εργαλείου.
2. Ποτέ μην επαναφορτίζετε μία πλήρως φορτισμένη κασέτα μπαταρίας. Υπερφόρτιση μειώνει την ωφέλιμη ζωή της μπαταρίας.
3. Φορτίζετε την κασέτα μπαταρίας σε θερμοκρασία δωματίου 10°C – 40°C. Αφήστε μία θερμή κασέτα μπαταρίας να κρυώσει πριν την φορτίσετε.
4. Φορτίστε την κασέτα μπαταρίας Μεταλλικού Υδριδίου Νικελίου όταν δεν την χρησιμοποιήσετε για περισσότερο από έξι μήνες.

ΠΕΡΙΓΡΑΦΗ ΛΕΙΤΟΥΡΓΙΑΣ

ΠΡΟΣΟΧΗ:

- Πάντοτε βεβαιώνετε ότι το εργαλείο είναι σβηστό και η κασέτα μπαταρίας έχει αφαιρεθεί πριν ρυθμίσετε ή ελέγξετε κάποια λειτουργία στο εργαλείο.

Τοποθέτηση ή αφαίρεση της κασέτας μπαταρίας (Εικ. 1)

- Πάντοτε σβήνετε το εργαλείο πριν βάλετε ή βγάλετε την κασέτα μπαταρίας.
- Για να βγάλετε την κασέτα μπαταρίας, τραβήχτε την από το εργαλείο ενώ πατάτε τα κουμπιά και στις δύο πλευρές της μπαταρίας.
- Για να βάλετε την κασέτα μπαταρίας, ευθυγραμμίστε την γλωσσίδα στην κασέτα μπαταρίας με την εγκοπή στο περίβλημα και σύρτε την στη θέση της. Πάντοτε εισάγετε την μπαταρία όσο βαθειά μπορεί να πάει μέχρι να κλειδώσει στην θέση της με ένα ελαφρό κλικ. Αλλιώς, μπορεί να πέσει τυχαίως έξω από το εργαλείο, τραυματίζοντας εσάς ή κάποιον άλλον γύρω σας.
- Μη χρησιμοποιείτε δύναμη όταν εισάγετε την κασέτα μπαταρίας. Εάν η κασέτα δεν γλυστράει μέσα εύκολα, δεν εισάγεται με τον σωστό τρόπο.

Δράση διακόπτη (Εικ. 2)

ΠΡΟΣΟΧΗ:

- Πριν βάλετε την κασέτα μπαταρίας μέσα στο εργαλείο, πάντοτε ελέγχετε να δείτε ότι η σκανδάλη διακόπτης ενεργοποιείται κανονικά και επιστρέφει στην θέση "OFF" όταν ελευθερώνεται.

Για να ξεκινήσετε το εργαλείο, απλώς τραβήχτε την σκανδάλη διακόπτη. Η ταχύτητα του εργαλείου αυξάνει αυξανόμενης ενεργοποιείται κανονικά και επιστρέφει στην θέση "OFF" όταν ελευθερώνεται. Ελευθερώστε την σκανδάλη διακόπτη για να σταματήσει.

Ηλεκτρικό φρένο

Αυτό το εργαλείο είναι εφωδιασμένο με ένα ηλεκτρικό φρένο. Εάν το εργαλείο σε συνεχή βάση, δεν μπορεί να σταματήσει αμέσως αφού ελευθερώσετε την σκανδάλη διακόπτη, δώστε το εργαλείο για συντήρηση σε ένα κέντρο συντήρησης της Μάκίτα.

Για να ανάψετε το εμπρόσθιο λαμπάκι (Εικ. 3)

ΠΡΟΣΟΧΗ:

- Μη κυττάζετε το φως ή βλέπετε την πηγή φωτός απευθείας.

Τραβήχτε την σκανδάλη διακόπτη για να ανάψετε το λαμπάκι. Το λαμπάκι συνεχίζει να είναι αναμμένο όσο η σκανδάλη διακόπτης είναι τραβηγμένη.

ΠΑΡΑΤΗΡΗΣΗ:

- Χρησιμοποιήστε ένα στεγνό ύφασμα για να σφουγγίσετε τους ρύπους από τους φακούς του λαμπακιού. Προσέχετε να μη γρατσουνίσετε τους φακούς του, διαφορετικά θα μειωθεί ο φωτισμός.

Δράση διακόπτη αντιστροφής (Εικ. 4)

Αυτό το εργαλείο έχει έναν διακόπτη αντιστροφής για να αλλάξει την διεύθυνση περιστροφής. Πίεστε τον μοχλό διακόπτη αντιστροφής από την πλευρά Α για δεξιόστροφη περιστροφή ή από την πλευρά Β για αριστερόστροφη περιστροφή.

Όταν ο μοχλός διακόπτη αντιστροφής είναι στην ουδέτερη θέση, η σκανδάλη διακόπτης δεν μπορεί να τραβηχθεί.

ΠΡΟΣΟΧΗ:

- Πάντοτε ελέγχετε την διεύθυνση περιστροφής πριν από την λειτουργία.
- Χρησιμοποιείτε τον διακόπτη αντιστροφής μόνο αφού το εργαλείο σταματήσει εντελώς. Αλλαγή της διεύθυνσης περιστροφής πριν το εργαλείο σταματήσει μπορεί να κάνει ζημιά στο εργαλείο.
- Όταν δεν λειτουργείτε το εργαλείο, πάντοτε βάζετε τον μοχλό διακόπτη αντιστροφής στην ουδέτερη θέση.

ΣΥΝΑΡΜΟΛΟΓΗΣΗ

ΠΡΟΣΟΧΗ:

- Πάντοτε βεβαιώνετε ότι το εργαλείο είναι σβηστό και η κασέτα μπαταρίας έχει αφαιρεθεί πριν εκτελέσετε κάποια εργασία στο εργαλείο.

Τοποθέτηση ή αφαίρεση της αιχμής βιδώματος ή της κοίλης αιχμής. (Εικ. 5, 6 και 7)

Χρησιμοποιείτε μόνο την αιχμή βιδώματος ή την κοίλη αιχμή που φαίνονται στην εικόνα. Μη χρησιμοποιείτε οποιαδήποτε άλλη αιχμή βιδώματος ή κοίλη αιχμή.

Για τις χώρες της Ευρώπης, της Βόρειας Αμερικής και της Νότιας Αμερικής, Αυστραλία και Νέα Ζηλανδία

A = 12 χιλ B = 9 χιλ	Χρησιμοποιείτε μόνο αυτόν τον τύπο αιχμής. Ακολουθείστε την διαδικασία (1). (Σημείωση) Τεμάχιο-αιχμής δεν είναι απαραίτητο.
-------------------------	--

Για άλλες χώρες εκτός των ανωτέρω

A = 17 χιλ B = 14 χιλ	Για να τοποθετήσετε αυτούς τους τύπους των αιχμών, ακολουθήστε την διαδικασία (1). (Σημείωση) Οι αιχμές Μάκιτα είναι αυτών των τύπων.
A = 12 χιλ B = 9 χιλ	Για να τοποθετήσετε αυτούς τους τύπους των αιχμών, ακολουθήστε την διαδικασία (2). (Σημείωση) Τεμάχιο-αιχμής είναι απαραίτητο για τοποθέτηση της αιχμής.

1. Για να τοποθετήσετε την αιχμή, τραβήχτε το μανίκι προς την διεύθυνση του βέλους και βάλτε την αιχμή μέσα στο μανίκι όσο βαθειά μπορεί να πάει. Μετά ελευθερώστε το μανίκι για να ασφαλίσετε την αιχμή.
2. Για να τοποθετήσετε την αιχμή, τραβήχτε το μανίκι προς την διεύθυνση του βέλους και βάλτε το τεμάχιο αιχμής και την αιχμή μέσα στο μανίκι όσο βαθειά μπορούν να πάνε. Το τεμάχιο-αιχμής πρέπει να εισαχθεί μέσα στο μανίκι με το μωτερό άκρο προς τα μέσα. Μετά ελευθερώστε το μανίκι για να ασφαλίσετε την αιχμή.

Για να αφαιρέσετε την αιχμή, τραβήχτε το μανίκι προς την διεύθυνση του βέλους και τραβήχτε το μανίκι σταθερά προς τα έξω.

ΠΑΡΑΤΗΡΗΣΗ:

- Εάν η αιχμή δεν έχει εισαχθεί αρκετά βαθειά μέσα στο μανίκι, το μανίκι δεν θα επιστρέψει στην αρχική του θέση και η αιχμή δεν θα ασφαλιστεί. Στην περίπτωση αυτή, προσπαθήστε να επανεισάγετε την αιχμή σύμφωνα με τις παραπάνω οδηγίες.

ΛΕΙΤΟΥΡΓΙΑ

Η κατάλληλη ροπή στερέωσης μπορεί να διαφέρει εξαρτημένη από το είδος ή μέγεθος της βίδας/μπουλονιού, το υλικό του αντικειμένου εργασίας προς στερέωση, κλπ. Η σχέση μεταξύ ροπής στερέωσης και χρόνου στερέωσης φαίνεται στις εικόνες. **(Εικ. 8 και 9)**

Κρατήστε το εργαλείο σταθερά και βάλτε την άκρη της αιχμής βιδώματος στην κεφαλή της βίδας. Εφαρμόστε πίεση προς τα εμπρός στο εργαλείο έτσι ώστε η αιχμή να μη ξεφύγει από την βίδα και ανάψτε το εργαλείο για να αρχίσει η εργασία.

ΠΑΡΑΤΗΡΗΣΗ:

- Χρησιμοποιείτε την κατάλληλη αιχμή για την κεφαλή βίδας/μπουλονιού που επιθυμείτε να χρησιμοποιήσετε.
- Όταν στερεώνετε μία M8 βίδα ή μικρότερη, προσεκτικά ρυθμίστε την πίεση στην σκανδάλη διακόπτη έτσι ώστε η σκανδάλη να μη πάθει ζημιά.
- Κρατάτε το εργαλείο διευθυνόμενο ίσια προς την βίδα.
- Εάν σφίξετε την βίδα για μακρύτερο χρονικό διάστημα από αυτό στις εικόνες, η βίδα ή το σημείο αιχμής βιδώματος μπορεί να υποστεί υπέρταση, αποφλοιώση, ζημιά, κλπ. Πριν αρχίσετε την εργασία σας, πάντοτε εκτελείτε μία δοκιμαστική λειτουργία για να καθορίσετε τον κατάλληλο χρόνο στερέωσης για την βίδα σας.
- Εάν το εργαλείο λειτουργεί συνεχώς, μέχρι εκφόρτωσης της κασέτας μπαταρίας του, αφήστε το εργαλείο να αναπαυθεί για 15 λεπτά πριν προχωρήσετε με μία φρέσκια μπαταρία.

Η ροπή στερέωσης επηρεάζεται από μία μεγάλη ποικιλία παραγόντων που περιλαμβάνουν και τα ακόλουθα. Μετά την στερέωση, πάντοτε ελέγχετε την ροπή με ένα ροπόκλειδο.

1. Όταν η κασέτα μπαταρίας έχει εκφορτιστεί σχεδόν εντελώς, η τάση θα πέσει και η ροπή στερέωσης θα μειωθεί.
2. Αιχμή βιδώματος ή κοίλη αιχμή
Εάν αμελήσετε να χρησιμοποιήσετε το σωστό μέγεθος αιχμής βιδώματος ή κοίλης αιχμής θα προκαλέσει μία μείωση στην ροπή στερέωσης.
3. Μπουλόνι
 - Ακόμη και αν ο συντελεστής ροπής και η κατηγορία μπουλονιού είναι τα ίδια, η κατάλληλη ροπή στερέωσης θα διαφέρει σύμφωνα με την διάμετρο του μπουλονιού.
 - Ακόμη και αν οι διάμετροι των μπουλονιών είναι οι ίδιες, η κατάλληλη ροπή στερέωσης θα διαφέρει σύμφωνα με τον συντελεστή ροπής, την κατηγορία του μπουλονιού και το μήκος του μπουλονιού.
4. Ο τρόπος κρατήματος του εργαλείου ή το υλικό της προς στερέωση θέσης βιδώματος θα επηρεάσει την ροπή.
5. Η λειτουργία του εργαλείου σε χαμηλή ταχύτητα θα προκαλέσει μείωση της ροπής στερέωσης.

ΣΥΝΤΗΡΗΣΗ

ΠΡΟΣΟΧΗ:

- Πάντοτε βεβαιώνετε ότι το εργαλείο είναι σβηστό και η κασέτα μπαταρίας έχει αφαιρεθεί πριν επιχειρήσετε να κάνετε έλεγχο ή συντήρηση.
- Μην χρησιμοποιείτε ποτέ βενζίνη, πετρελαϊκό αιθέρα, διαλυτικό, αλκοόλη ή παρόμοιες ουσίες. Ενδέχεται να προκαλέσει αποχρωματισμός παραμόρφωση ή ρωγμές.

Αντικατάσταση ψηκτρών άνθρακα**(Εικ. 10 και 11)**

Αφαιρείτε και ελέγχετε τις ψήκτρες άνθρακα τακτικά. Αντικαθιστάτε τις όταν φθαρούν μέχρι το σημάδι ορίου. Κρατάτε τις ψήκτρες άνθρακα καθαρές και ελεύθερες να γλιστρούν στις θήκες. Και οι δύο ψήκτρες άνθρακα πρέπει να αντικαθίστανται ταυτόχρονα. Χρησιμοποιείτε μόνο ταυτόσημες ψήκτρες άνθρακα.

Χρησιμοποιείτε ένα καθαρίδι για να αφαιρέσετε τα καπάκια των θηκών των ψηκτρών. Αφαιρέστε τις φθαρμένες ψήκτρες, βάλτε τις νέες και ασφαλίστε τα καπάκια των θηκών των ψηκτρών.

Αφού αντικαταστήσετε τις ψήκτρες, βάλτε την κασέτα μπαταρίας στο εργαλείο και εξοικιώστε τις ψήκτρες λειτουργώντας το εργαλείο για ένα λεπτό χωρίς φορτίο. Μετά ελέγξτε το εργαλείο ενώ τρέχει και την λειτουργία του ηλεκτρικού φρένου όταν ελευθερώνετε την σκανδάλη διακόπτη. Εάν το ηλεκτρικό φρένο δεν λειτουργεί καλά, αποσυνθέψτε στο τοπικό κέντρο σέρβις της Μάκιτα για επισκευή.

Για την διατήρηση της ΑΣΦΑΛΕΙΑΣ και ΑΞΙΟΠΙΣΤΙΑΣ των προϊόντων, επισκευές, οποιαδήποτε άλλη συντήρηση ή ρύθμιση πρέπει να εκτελούνται από τα Εξουσιοδοτημένα Κέντρα Εξυπηρέτησης της Μάκιτα, με χρήση πάντοτε ανταλλακτικών Μάκιτα.

ΑΝΤΑΛΛΑΚΤΙΚΑ**ΠΡΟΣΟΧΗ:**

- Αυτά τα ανταλλακτικά ή προσαρτήματα συνιστώνται για χρήση με το εργαλείο σας της Μάκιτα που περιγράφεται στο χειρίδιο αυτό. Η χρήση οτιδήποτε άλλων ανταλλακτικών ή προσαρτημάτων μπορεί να παρουσιάσουν κίνδυνο τραυματισμού σε άτομα. Χρησιμοποιείτε τα εξαρτήματα ή προσαρτήματα μόνο για την χρήση που προορίζονται.

Εάν χρειάζεστε βοήθεια ή περισσότερες λεπτομέρειες σε σχέση με αυτά τα ανταλλακτικά, ρωτήστε το τοπικό σας κέντρο εξυπηρέτησης της Μάκιτα.

- Αιχμές βιδώματος
- Διάφοροι τύποι αυθεντικών μπαταριών και φορτιστών Μάκιτα
- Πλαστική θήκη μεταφοράς

ENG905-1

Θορύβος

Το τυπικό Α επίπεδο μετρημένου θορύβου καθορίζεται σύμφωνα με το EN60745:

Πίεση ήχου (L_{pA}): 92 dB (A)

Επίπεδο δύναμης ήχου (L_{WA}): 103 dB (A)

Αβεβαιότητα (K): 3 dB (A)

Φοράτε ωτοασπίδες

ENG900-1

Κραδασμός

Η ολική τιμή δόνησης (άθροισμα τρι-αξονικού διανύσματος) καθορίζεται σύμφωνα με το EN60745:

Είδος εργασίας: Κρουστικό σφίξιμο

μπουλονιών με μέγιστη ικανότητα εργαλείου
Εκπομπή δόνησης (a_{h1}): 13,0 m/s²

Αβεβαιότητα (K): 2,0 m/s²

- Η δηλωμένη τιμή εκπομπής κραδασμών έχει μετρηθεί σύμφωνα με την πρότυπη μέθοδο δοκιμής και μπορεί να χρησιμοποιηθεί για τη σύγκριση ενός εργαλείου με άλλο.
- Η δηλωμένη τιμή εκπομπής κραδασμών μπορεί να χρησιμοποιηθεί και στην προκαρκτική αξιολόγηση έκθεσης.

ΠΡΟΕΙΔΟΠΟΙΗΣΗ:

- Η εκπομπή κραδασμών κατά τη χρήση του ηλεκτρικού εργαλείου σε πραγματικές συνθήκες μπορεί να διαφέρει από τη δηλωμένη τιμή εκπομπής ανάλογα με τον τρόπο χρήσης του εργαλείου.
- Φροντίστε να λάβετε τα κατάλληλα μέτρα προστασίας του χειριστή βάσει υπολογισμού της έκθεσης σε πραγματικές συνθήκες χρήσης (λαμβάνοντας υπόψη όλες τις συσιντώσες του κύκλου λειτουργίας όπως τους χρόνους που το εργαλείο είναι εκτός λειτουργίας και όταν βρίσκεται σε αδρανή λειτουργία πέραν του χρόνου ενεργοποίησης).

ENH101-14

Μόνο για χώρες της Ευρώπης**Δήλωση Συμμόρφωσης ΕΚ**

Η Makita Corporation, ως υπεύθυνος κατασκευαστής, δηλώνει ότι το/τα ακόλουθο(α) μηχανήμα(τα) της Makita:

Χαρακτηρισμός μηχανήματος: Ασύρματό κρουστικό βιδοτρύπανο

Αρ. μοντέλου/ Τύπος: 6932FD

είναι εν σειρά παραγωγής και

συμμορφώνονται με τις ακόλουθες Ευρωπαϊκές Οδηγίες:

2006/42/EK

και κατασκευάζονται σύμφωνα με τα ακόλουθα πρότυπα ή έγγραφα τυποποίησης:

EN60745

Η τεχνική τεκμηρίωση φυλάσσεται από τον εξουσιοδοτημένο εκπρόσωπό μας στην Ευρώπη, δηλαδή τη:

Makita International Europe Ltd.

Michigan Drive, Tongwell,

Milton Keynes, MK15 8JD, England

30.1.2009



Tomoyasu Kato

Διευθυντής

Makita Corporation
3-11-8, Sumiyoshi-cho,
Anjo, Aichi, JAPAN

Makita Corporation
Anjo, Aichi, Japan

884503E997

www.makita.com

IDE