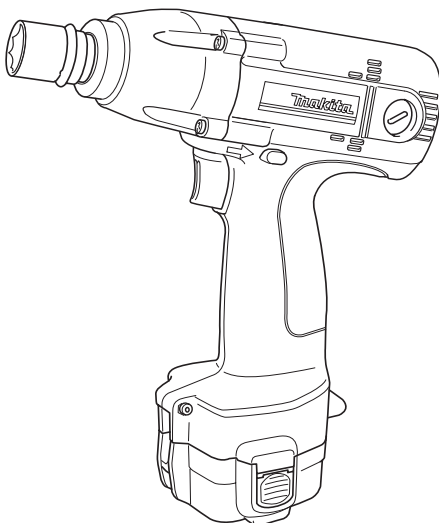
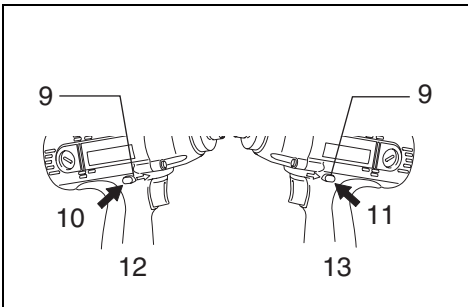
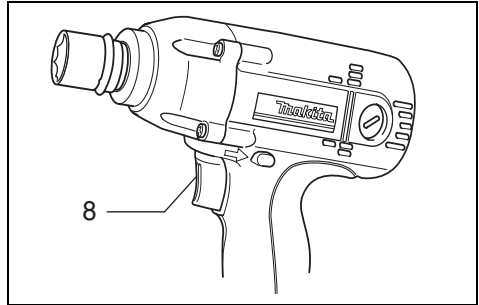
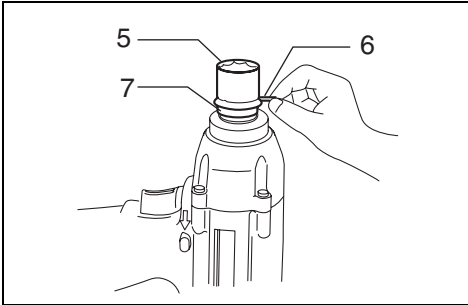
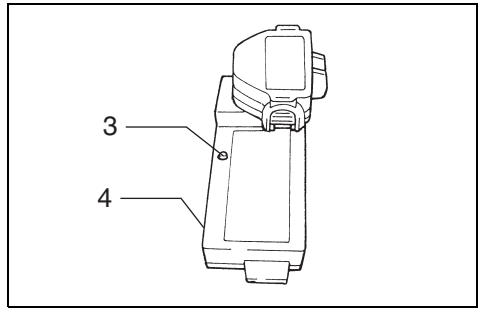
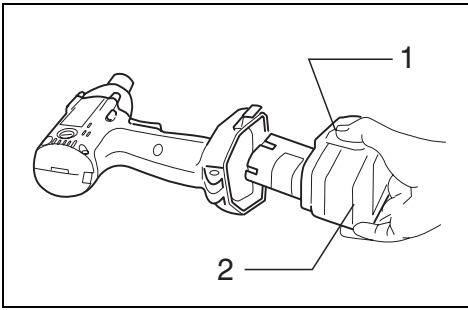


Makita®

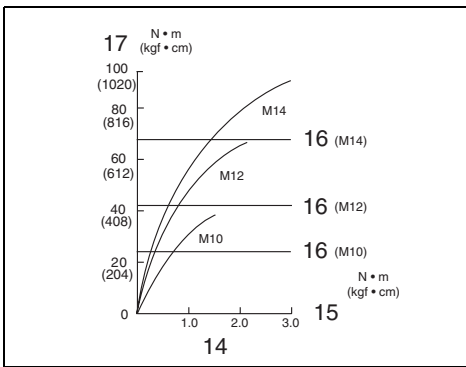
GB	Cordless Impact Wrench	Instruction Manual
F	Boulonneuse sans fil	Manuel d'instructions
D	Akku-schlagschrauber	Betriebsanleitung
I	Avvitatrice ad impulso a batteria	Istruzioni per l'uso
NL	Snoerloze slagmoersleutel	Gebruiksaanwijzing
E	Llave de impacto a batería	Manual de instrucciones
P	Chave de impacto a batería	Manual de instruções
DK	Elektronisk akku slag nøgle	Brugsanvisning
S	Sladdlös mutterdragare	Bruksanvisning
N	Batteridrevet slagskrunøkkel	Bruksanvisning
SF	Akku-iskuvännin	Käyttöohje
GR	Ασύρματο κροστικό κλειδί	Οδηγίες χρήσεως

6918D



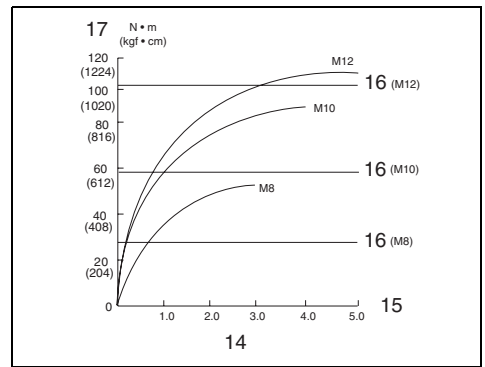


5



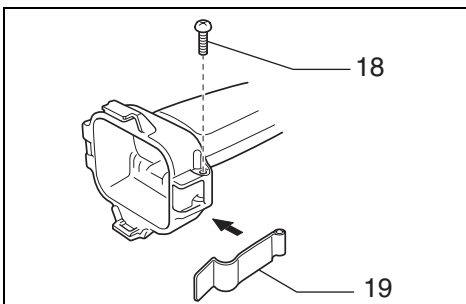
6

- GB** Standard bolt
- F** Boulon standard
- D** Standardschrauben
- I** Bullone standard
- NL** Standaard bout
- E** Tornillo estándar
- P** Porca normal
- DK** Standardbolt
- S** Standardbult
- N** Standardbolt
- SF** Normaali pultti
- GR** Κανονικό μπουλόνι

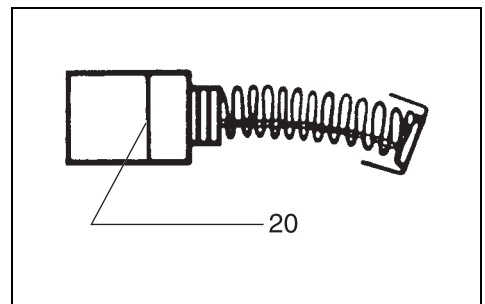


7

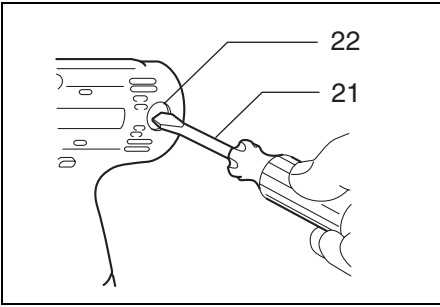
- GB** High tensile bolt
- F** Boulon à haute résistance
- D** HV-Schrauben
- I** Bullone altamente tensile
- NL** Bout met grote treksterkte
- E** Tornillo de alta resistencia
- P** Porca de grande elasticidade
- DK** Kvalitetsstålbolt
- S** Bult met hög hållfasthet
- N** Høy streskkbolt
- SF** Suurvetolujuuspultti
- GR** Μπουλόνι υψηλής εκτατικότητας



8



9



10

Explanation of general view

1 Push button	9 Reversing switch lever	17 Fastening torque
2 Battery cartridge	10 A side	18 Screw
3 Charging light	11 B side	19 Set plate
4 Fast charger	12 Clockwise	20 Limit mark
5 Socket	13 Counterclockwise	21 Screwdriver
6 Pin	14 Fastening time	22 Brush holder cap
7 O-ring	15 Seconds	
8 Switch trigger	16 Proper fastening torque for	

SPECIFICATIONS

Model	6918D
Capacities	
Standard bolt	M8 – M14
High tensile bolt	M6 – M12
Square drive	12.7 mm
No load speed (min ⁻¹)	0 – 2,300
Impacts per minute	0 – 3,000
Max. fastening torque	120 N•m
Overall length	176 mm
Net weight (with battery cartridge)	1.6 kg
Rated voltage	D.C. 12 V

- Due to our continuing program of research and development, the specifications herein are subject to change without notice.
- Note: Specifications may differ from country to country.

Safety Hints

For your own safety, please refer to the enclosed safety instructions.

IMPORTANT SAFETY INSTRUCTIONS FOR CHARGER & BATTERY CARTRIDGE

ENC001-3

1. **SAVE THESE INSTRUCTIONS** — This manual contains important safety and operating instructions for battery charger.
2. Before using battery charger, read all instructions and cautionary markings on (1) battery charger, (2) battery, and (3) product using battery.
3. **CAUTION** — To reduce risk of injury, charge only MAKITA type rechargeable batteries. Other types of batteries may burst causing personal injury and damage.
4. Do not expose charger to rain or snow.
5. Use of an attachment not recommended or sold by the battery charger manufacturer may result in a risk of fire, electric shock, or injury to persons.
6. To reduce risk of damage to electric plug and cord, pull by plug rather than cord when disconnecting charger.
7. Make sure cord is located so that it will not be stepped on, tripped over, or otherwise subjected to damage or stress.
8. Do not operate charger with damaged cord or plug — replace them immediately.
9. Do not operate charger if it has received a sharp blow, been dropped, or otherwise damaged in any way; take it to a qualified serviceman.

10. Do not disassemble charger or battery cartridge; take it to a qualified serviceman when service or repair is required. Incorrect reassembly may result in a risk of electric shock or fire.
11. To reduce risk of electric shock, unplug charger from outlet before attempting any maintenance or cleaning. Turning off controls will not reduce this risk.
12. The battery charger is not intended for use by young children or infirm persons without supervision.
13. Young children should be supervised to ensure that they do not play with the battery charger.
14. If operating time has become excessively shorter, stop operating immediately. It may result in a risk of overheating, possible burns and even an explosion.
15. If electrolyte gets into your eyes, rinse them out with clear water and seek medical attention right away. It may result in loss of your eyesight.

ADDITIONAL SAFETY RULES FOR CHARGER & BATTERY CARTRIDGE

1. Do not charge Battery Cartridge when temperature is BELOW 10°C (50°F) or ABOVE 40°C (104°F).
2. Do not attempt to use a step-up transformer, an engine generator or DC power receptacle.
3. Do not allow anything to cover or clog the charger vents.
4. Always cover the battery terminals with the battery cover when the battery cartridge is not used.
5. Do not short the battery cartridge:
 - (1) Do not touch the terminals with any conductive material.
 - (2) Avoid storing battery cartridge in a container with other metal objects such as nails, coins, etc.
 - (3) Do not expose battery cartridge to water or rain.

A battery short can cause a large current flow, overheating, possible burns and even a breakdown.
6. Do not store the tool and battery cartridge in locations where the temperature may reach or exceed 50°C (122°F).
7. Do not incinerate the battery cartridge even if it is severely damaged or is completely worn out. The battery cartridge can explode in a fire.
8. Be careful not to drop, shake or strike battery.

- Do not charge inside a box or container of any kind. The battery must be placed in a well ventilated area during charging.

OPERATING INSTRUCTIONS

Installing or removing battery cartridge (Fig.1)

- Always switch off the tool before insertion or removal of the battery cartridge.
- To remove the battery cartridge, withdraw it from the tool while pressing the push buttons on both sides of the cartridge.
- To insert the battery cartridge, align the tongue on the battery cartridge with the groove in the housing and slip it into place. Always insert it all the way until it locks in place with a little click. If not, it may accidentally fall out of the tool, causing injury to you or someone around you.
- Do not use force when inserting the battery cartridge. If the cartridge does not slide in easily, it is not being inserted correctly.

ADDITIONAL SAFETY RULES FOR TOOL

ENB025-1

- Be aware that this tool is always in an operating condition, because it does not have to be plugged into an electrical outlet.
- Hold tool by insulated gripping surfaces when performing an operation where the cutting tool may contact hidden wiring. Contact with a “live” wire will also make exposed metal parts of the tool “live” and shock the operator.
- Wear ear protectors.
- Check the socket carefully for wear, cracks or damage before installation.
- Hold the tool firmly.
- Always be sure you have a firm footing.
- Be sure no one is below when using the tool in high locations.
- The proper fastening torque may differ depending upon the kind or size of the bolt. Check the torque with a torque wrench.

SAVE THESE INSTRUCTIONS.

Charging (Fig. 2)

Plug the fast charger into the proper AC voltage source. The charging light will flash in green color. Insert the battery cartridge so that the plus and minus terminals on the battery cartridge are on the same sides as their respective markings on the fast charger. Insert the cartridge fully into the port so that it rests on the charger port floor. When the battery cartridge is inserted, the charging light color will change from green to red and charging will begin. The charging light will remain lit steadily during charging. When the charging light color changes from red to green, the charging cycle is complete. If you leave the battery cartridge in the charger after the charging cycle is complete, the charger will switch into its “trickle charge (maintenance charge)” mode which will last approximately 24 hours. After charging, unplug the charger from the power source. Refer to the table below for the charging time.

Battery type	Capacity (mAh)	Number of cells	Charging time
1222	2,000	10	Approx. 45 min.
1234	2,600	10	Approx. 60 min.
1235	3,000	10	Approx. 70 min.

CAUTION:

- The fast charger is for charging Makita battery cartridge. Never use it for other purposes or for other manufacturer's batteries.
- When you charge a new battery cartridge or a battery cartridge which has not been used for a long period of time, it may not accept a full charge. This is a normal condition and does not indicate a problem. You can recharge the battery cartridge fully after discharging it completely and recharging a couple of times.
- If you charge a battery cartridge from a just-operated tool or battery cartridge which has been left in a location exposed to direct sunlight or heat for a long time, the charging light may flash in red color. If this occurs, wait for a while. Charging will begin after the battery cartridge cools. The battery cartridge will cool faster if you remove the battery cartridge from the fast charger.
- If the charging light flashes alternately in green and red color, a problem exists and charging is not possible. The terminals on the charger or battery cartridge are clogged with dust or the battery cartridge is worn out or damaged.

Trickle charge (Maintenance charge)

If you leave the battery cartridge in the charger to prevent spontaneous discharging after full charge, the charger will switch into its “trickle charge (maintenance charge)” mode and keep the battery cartridge fresh and fully charged.

Tips for maintaining maximum battery life

1. Charge the battery cartridge before completely discharged.
Always stop tool operation and charge the battery cartridge when you notice less tool power.
2. Never recharge a fully charged battery cartridge.
Overcharging shortens the battery service life.
3. Charge the battery cartridge with room temperature at 10°C – 40°C (50°F – 104°F).
Let a hot battery cartridge cool down before charging it.
4. Charge the Nickel Metal Hydride battery cartridge when you do not use it for more than six months.

Selecting correct socket

Always use the correct size socket for bolts and nuts. An incorrect size socket will result in inaccurate and inconsistent fastening torque and/or damage to the bolt or nut.

Installing or removing socket (Fig. 3)

Important:

Always be sure that the tool is switched off and the battery cartridge is removed before installing or removing the socket.

Move the O-ring out of the groove in the socket and remove the pin from the socket. Fit the socket onto the anvil of the tool so that the hole in the socket is aligned with the hole in the anvil. Insert the pin through the hole in the socket and anvil. Then return the O-ring to the original position in the socket groove to retain the pin. To remove the socket, follow the installation procedures in reverse.

Switch action (Fig. 4)

CAUTION:

Before inserting the battery cartridge into the tool, always check to see that the switch trigger actuates properly and returns to the "OFF" position when released.

To start the tool, simply pull the trigger. Tool speed is increased by increasing pressure on the trigger. Release the trigger to stop.

Reversing switch action (Fig. 5)

CAUTION:

- Always check the direction of rotation before operation.
- Use the reversing switch only after the tool comes to a complete stop. Changing the direction of rotation before the tool stops may damage the tool.
- When not operating the tool, always set the reversing switch lever to the neutral position.

This tool has a reversing switch to change the direction of rotation. Depress the reversing switch lever from the A side for clockwise rotation or from the B side for counter-clockwise rotation. When the switch lever is in the neutral position, the switch trigger cannot be pulled.

Operation (Fig. 6 & 7)

The proper fastening torque may differ depending upon the kind or size of the bolt. The relation between fastening torque and fastening time is shown in the figures.

Hold the tool firmly and place the socket over the bolt or nut. Turn the tool on and fasten for the proper fastening time.

NOTE:

- Hold the tool pointed straight at the bolt or nut without applying excessive pressure on the tool.
- Excessive fastening torque may damage the bolt or nut. Before starting your job, always perform a test operation to verify the adequate fastening speed and time for your bolt or nut.

The fastening torque is affected by a wide variety of factors including the following. After fastening, always check the torque with a torque wrench.

1. When the battery cartridge is discharged almost completely, voltage will drop and the fastening torque will be reduced.
2. Socket
 - Failure to use the correct size socket will cause a reduction in the fastening torque.
 - A worn socket (wear on the hex end or square end) will cause a reduction in the fastening torque.
3. Bolt
 - Even though the torque coefficient and the class of bolt are the same, the proper fastening torque will differ according to the diameter of the bolt.
 - Even though the diameters of bolts are the same, the proper fastening torque will differ according to the torque coefficient, the class of bolt and the bolt length.
4. The use of the universal joint or the extension bar somewhat reduces the fastening force of the impact wrench. Compensate by fastening for a longer period of time.
5. Type of materials to be fastened, the manner of holding the tool and the tool speed will affect the torque.

CAUTION:

If the tool is operated continuously until the battery cartridge has discharged, allow the tool to rest for 15 minutes before proceeding with a fresh battery.

Installing set plate (Optional accessory) (Fig. 8)

Always install the set plate when using battery cartridges 1200, 1202 or 1202A. Install the set plate on the tool with the screw provided as shown in figure.

MAINTENANCE

CAUTION:

Always be sure that the tool is switched off and the battery cartridge is removed before carrying out any work on the tool.

Replacement of carbon brushes (Fig. 9 & 10)

Replace carbon brushes when they are worn down to the limit mark. Both identical carbon brushes should be replaced at the same time.

To maintain product safety and reliability, repairs, maintenance or adjustment should be carried out by a Makita Authorized Service Center.

Descriptif

1	Bouton	9	Inverseur	17	Couple de serrage
2	Batterie	10	Côté A	18	Vis
3	Témoin de recharge	11	Côté B	19	Plaque de fixation
4	Chargeur rapide	12	Vers la droite	20	Repère d'usure
5	Douille	13	Vers la gauche	21	Tournevis
6	Tige	14	Temps de serrage	22	Bouchon du porte-charbon
7	Joint torique	15	Secondes		
8	Gâchette	16	Couple de serrage pour		

SPECIFICATIONS

Modèle 6918D

Capacités

Boulon standard	M8 – M14
Boulon à haute résistance	M6 – M12
Tournevis carré	12,7 mm
Vitesse à vide (min ⁻¹)	0 – 2300
Percussions par minute	0 – 3000
Couple de serrage maxi	120 N•m
Longueur hors tout	176 mm
Poids net (avec la batterie)	1,6 kg
Tension nominale	12 VCC

• Etant donné l'évolution constante du programme de recherche et développement, les spécifications contenues dans ce manuel sont susceptibles de changer sans préavis.

• Note : Les spécifications peuvent être différentes suivant les pays.

Recommandations pour la sécurité

Pour votre sécurité, suivez les conseils concernant la sécurité.

PRECAUTIONS TRES IMPORTANTES POUR LE CHARGEUR ET LA BATTERIE

1. SUIVEZ CES INSTRUCTIONS — Ce manuel contient d'importantes instructions relatives à la sécurité et au fonctionnement du chargeur.
2. Avant de vous servir du chargeur, lisez toutes les instructions et précautions relatives (1) au chargeur, (2) à la batterie, et (3) à l'outil utilisant la batterie.
3. ATTENTION — Pour éliminer tout risque, ne chargez que des batteries rechargeables MAKITA. Tout autre type d'accumulateur peut éclater, causant dommages ou blessures.
4. N'exposez pas le chargeur à la pluie ou à la neige.
5. L'utilisation d'un accessoire ni agréé ni vendu par le fabricant du chargeur peut entraîner un risque d'incendie, de décharge électrique ou de blessure.
6. Pour ne pas risquer d'endommager le câble ou la prise, débranchez en tenant la prise plutôt que le câble.
7. Assurez-vous que la position du câble ne l'expose pas à faire trébucher, à être piétiné, ou à forcer de quelque manière que ce soit.
8. N'utilisez pas le chargeur si le câble ou la prise sont en mauvais état — en ce cas, changez ceux-ci immédiatement.

9. N'utilisez pas le chargeur après qu'il ait reçu un choc, soit tombé à terre ou se trouve endommagé en quelque façon ; portez-le d'abord chez un réparateur qualifié.
10. Ne démontez pas le chargeur ou la batterie ; portez-les chez un réparateur qualifié quand une réparation devient nécessaire. Un remontage maladroit peut entraîner une décharge électrique ou un incendie.
11. Afin de réduire les risques de décharge, débranchez le chargeur avant tout entretien ou nettoyage.
12. La batterie ne doit pas être utilisée sans surveillance par des enfants ou des personnes handicapées.
13. Les jeunes enfants devraient être surveillés pour s'assurer qu'ils ne jouent pas avec la batterie.
14. Si la durée de fonctionnement devient excessivement courte, cessez immédiatement l'utilisation. Il pourrait en résulter un risque de surchauffe, une possibilité de blessures, voire une explosion.
15. Si l'électrolyte atteint vos yeux, rincez-les à l'eau claire et consultez immédiatement un médecin. Il pourrait en résulter la perte de la vue.

PRECAUTIONS SUPPLEMENTAIRES POUR LE CHARGEUR ET LA BATTERIE

1. Ne chargez pas la batterie quand la température ambiante est inférieure à 10° C ou supérieure à 40° C.
2. Ne pas alimenter le chargeur
 - via un transformateur
 - via un redresseur
 - par un groupe électrogène.
3. Ne laissez rien recouvrir ou obturer les ouvertures du chargeur.
4. Lorsque vous ne vous servez pas de votre batterie, protégez-en toujours les bornes avec le couvre-batterie.
5. Ne court-circuitez pas la batterie :
 - (1) Ne touchez pas les bornes avec un matériau conducteur.
 - (2) Evitez de ranger la batterie dans un contenant renfermant d'autres objets métalliques, par exemple des clous, des pièces de monnaie, etc.
 - (3) N'exposez pas la batterie à l'eau ou à la pluie. Un court-circuit de la batterie pourrait provoquer un fort courant, une surchauffe, parfois des blessures et même une panne.

6. Ne rangez pas votre outil ou votre batterie dans des endroits où la température risque de dépasser 50° C.
7. Ne brûlez pas batterie même si elle est sévèrement endommagée ou complètement hors d'usage, car elle risque d'exploser au feu.
8. Veillez à ne pas faire tomber, secouer ni heurter la batterie.
9. N'effectuez pas la recharge à l'intérieur d'une boîte ou d'un conteneur de quelque sorte que ce soit. La batterie devra se trouver dans un endroit bien ventilé pendant la recharge.
3. Portez des protections anti-bruit.
4. Veillez à ce que la prise ne soit pas usée, fissurée ou endommagée avant l'installation.
5. Tenez votre outil fermement.
6. Veillez toujours à avoir une bonne assise.
7. Assurez-vous qu'il n'y a personne dessous quand vous utilisez l'outil dans des endroits élevés.
8. Le couple de serrage peut varier en fonction du type et de la dimension du boulon. Vérifiez le couple à l'aide d'une clé dynamométrique.

Protection de l'environnement (Pour la Suisse uniquement)

Afin de préserver l'environnement, rappez la batterie usagée aux postes de ramassage officiel.



PRECAUTIONS SUPPLEMENTAIRES POUR L'OUTIL

1. Ayez bien conscience que l'outil est constamment en état de marche, car il n'a pas à être raccordé au secteur.
2. Tenez les outils par leurs surfaces de saisie isolées lorsque vous effectuez un travail au cours duquel l'outil tranchant risque d'entrer en contact avec un filage caché. Le contact avec un fil électrique sous tension peut mettre les parties non isolées de l'outil sous tension et électrocuter l'utilisateur.

Recharge (Fig. 2)

Branchez le chargeur rapide dans une prise secteur de la tension voulue. Le voyant de charge clignote en vert. Introduisez la batterie de façon que ses bornes positive et négative soient du même côté que leurs indications respectives sur le chargeur rapide lui-même. Enfoncez la batterie à fond dans l'orifice du chargeur de façon qu'elle repose bien à plat sur le fond de l'orifice. Lorsque la batterie est insérée, le voyant de charge passe du vert au rouge et la recharge commence. Le voyant de charge reste allumé en continu pendant toute la durée de la recharge. Quand le témoin de charge passe du rouge au vert, le cycle de recharge est terminé. Si vous laissez la batterie dans le chargeur lorsque le cycle de recharge est terminé, le chargeur passe en mode de "charge de compensation (charge d'entretien)", qui dure environ 24 heures. Après la recharge, débranchez le chargeur de la prise secteur. Les durées de recharge sont indiquées dans le tableau ci-dessous.

Type de batterie	Capacité (mAh)	Nombre d'accus	Durée de recharge
1222	2 000	10	Environ 45 mn
1234	2 600	10	Environ 60 mn
1235	3 000	10	Environ 70 mn

ATTENTION :

- Le chargeur rapide est conçu pour la recharge des batteries Makita. Ne l'utilisez jamais à d'autres fins ni pour des batteries d'autres marques.
- Quand vous chargez une batterie neuve ou une batterie qui n'a pas été utilisée pendant longtemps, elle peut ne pas se recharger complètement. Ceci est normal. Vous pourrez recharger la batterie complètement après l'avoir déchargée à fond puis rechargée deux ou trois fois de suite.
- Si vous rechargez la batterie d'un outil qui vient juste de fonctionner ou une batterie qui est restée en plein soleil ou à la chaleur pendant longtemps, il se peut que le voyant de charge clignote en rouge. Dans ce cas, attendez quelques instants. La recharge commencera lorsque la batterie aura refroidi. La batterie refroidira plus vite si vous la sortez du chargeur.
- Si le témoin de charge clignote alternativement en vert puis en rouge, c'est qu'il y a un problème et que la recharge n'est pas possible. Les bornes du chargeur ou de la batterie sont recouvertes de poussière, ou la batterie est usée ou endommagée.

CONSERVEZ CES INSTRUCTIONS.

MODE D'EMPLOI

Installation et retrait de la batterie (Fig. 1)

- Débranchez toujours l'outil avant d'installer ou de retirer la batterie.
- Pour enlever la batterie, sortez-la de l'outil en appuyant sur les boutons placés de chaque côté de la batterie.
- Pour insérer la batterie, alignez la languette de la batterie sur la rainure du logement, et glissez la batterie à fond jusqu'à ce qu'elle se verrouille dans un déclit. Sinon, la batterie risque de tomber accidentellement de l'outil, ce qui pourrait blesser des personnes.
- Ne forcez jamais quand vous introduisez la batterie. Si la batterie ne rentre pas aisément, c'est que vous ne l'insérez pas correctement.

Charge de compensation (charge d'entretien)

Si vous laissez la batterie dans le chargeur pour éviter toute décharge spontanée après une recharge complète, le chargeur passera au mode de charge de compensation (charge d'entretien) et il maintiendra la batterie constamment fraîche et rechargée à fond.

Conseils pour obtenir la durée de service maximale de la batterie

1. Rechargez la batterie avant qu'elle ne soit complètement déchargée.
Quand vous constatez une baisse de puissance de l'outil, arrêtez-le et rechargez la batterie.
2. Ne rechargez jamais une batterie complètement rechargée.
Une surcharge raccourcira la durée de service de la batterie.
3. Rechargez la batterie à une température ambiante comprise entre 10°C et 40°C.
Avant de recharger une batterie chaude, laissez-la refroidir.
4. Rechargez la batterie à hydrure métallique de nickel lorsqu'elle reste inutilisée pour plus de six mois.

Sélection de la douille

Utilisez toujours une douille de la dimension qui convient pour les boulons et les écrous. Une douille de mauvaise dimension entraînera un couple de serrage imprécis ou inadéquat et/ou endommagera le boulon ou l'écrou.

Installation et retrait de la douille (Fig. 3)

Important :

Vérifiez toujours que le contact est coupé et que la batterie est retirée avant d'installer ou de retirer la douille.

Retirez le joint torique de la rainure de la douille et retirez la tige de la douille. Insérez la douille dans le piton de l'outil de façon que l'orifice de la douille soit aligné sur l'orifice du piton. Insérez la tige dans l'orifice de la douille et dans celui du piton. Puis, ramenez le joint torique à sa position d'origine dans la rainure de la douille pour verrouiller la tige. Pour retirer la douille, procédez dans l'ordre inverse de l'installation.

Interrupteur (Fig. 4)

ATTENTION :

Avant d'insérer la batterie dans l'outil, vérifiez toujours que la gâchette fonctionne correctement et qu'elle revient sur la position "OFF" quand vous la relâchez.

Pour mettre l'outil en marche, tirez simplement sur la gâchette. La vitesse de l'outil augmente quand vous augmentez la pression sur la gâchette. Pour arrêter l'outil, relâchez la gâchette.

Interrupteur d'action inverse (Fig. 5)

ATTENTION :

- Vérifiez toujours le sens de rotation avant de mettre l'outil en marche.
- Attendez que l'outil soit complètement arrêté avant d'utiliser l'inverseur. Vous risquez d'endommager l'outil si vous changez le sens de rotation avant que l'outil ne soit complètement arrêté.
- Lorsque vous ne vous servez pas de l'outil, mettez toujours l'inverseur sur la position neutre.

L'outil possède un inverseur qui permet d'invertir le sens de rotation. Appuyez sur le levier de l'inverseur et déplacez-le à partir du côté A pour une rotation vers la droite, ou à partir du côté B pour une rotation vers la gauche. Lorsque l'inverseur est à la position neutre, il n'est pas possible d'actionner la gâchette.

Fonctionnement (Fig. 6 et 7)

Le couple de serrage peut varier en fonction du type et de la dimension du boulon. Les rapports entre le couple de serrage et le temps de serrage sont indiqués sur les figures.

Tenez l'outil fermement et placez la douille sur le boulon ou sur l'écrou. Mettez l'outil en marche et serrez pendant le temps de serrage voulu.

REMARQUE :

- Tenez l'outil dirigé droit sur le boulon ou l'écrou sans appuyer trop fort sur l'outil.
- Un couple de serrage excessif risque d'endommager le boulon ou l'écrou. Avant de commencer le travail, effectuez toujours un essai pour vérifier que la vitesse et le temps de serrage conviennent pour le boulon ou l'écrou en question.

Le couple de serrage dépend d'un certain nombre de facteurs, comme suit. Une fois le serrage terminé, vérifiez toujours le couple avec une clé dynamométrique.

1. Lorsque la batterie est presque complètement déchargée, la tension tombera et le couple de serrage sera réduit.
2. Douille
 - L'utilisation d'une douille de mauvaise dimension entraînera une réduction du couple de serrage.
 - Une douille usée (usure sur l'extrémité hexagonale ou l'extrémité carrée) entraînera une réduction du couple de serrage.
3. Boulon
 - Même si le coefficient du couple et la catégorie du boulon sont les mêmes, le couple de serrage variera en fonction du boulon.
 - Même si les diamètres de boulon sont les mêmes, le couple de serrage variera en fonction du coefficient de couple, de la catégorie du boulon et de la longueur du boulon.
4. L'utilisation d'un joint universel ou d'une barre de rallonge réduit quelque peu la force de serrage de la boulonneuse. Compenser en serrant plus longtemps.
5. Le type des matériaux à serrer, la manière dont vous tenez l'outil et la vitesse de l'outil auront un effet sur le couple.

ATTENTION :

Si l'outil fonctionne de façon continue jusqu'à ce que la batterie soit complètement déchargée, laissez l'outil reposer pendant 15 minutes avant de recommencer avec une batterie fraîchement rechargée.

Installation de la plaque de fixation (accessoire en option) (Fig. 8)

Installez toujours la plaque de fixation quand vous utilisez des batteries 1200, 1202 ou 1202A. Installez la plaque de fixation sur l'outil à l'aide de la vis fournie comme indiqué sur la figure.

ENTRETIEN

ATTENTION :

Assurez-vous toujours que l'outil est hors tension et que la batterie a été enlevée avant d'effectuer toute intervention sur l'outil.

Remplacement des charbons (Fig. 9 et 10)

Dès que l'un des charbons atteint son repère d'usure, remplacez la paire (par des charbons de même type).

Pour maintenir la sécurité et la fiabilité de l'outil, les réparations, l'entretien ou les réglages doivent être effectués par le Centre d'Entretien Makita.

Übersicht

1	Entriegelungsknopf	9	Drehrichtungsumschalter	17	Anzugsmoment
2	Blockakku	10	Seite A	18	Schraube
3	Ladekontrolleuchte	11	Seite B	19	Halteklammer
4	Schnelladegerät	12	Rechtslauf	20	Verschleißgrenze
5	Steckschlüsseinsatz	13	Linkslauf	21	Schraubendreher
6	Stift	14	Anzugszeit	22	Bürstenhalterkappe
7	O-Ring	15	Sekunden		
8	Ein-Aus-Schalter	16	Korrektes Anzugsmoment für		

TECHNISCHE DATEN

Modell	6918D
Arbeitsleistung	
Standardschraube	M8 – M14
HV-Schraube	M6 – M12
Vierkantantrieb	12,7 mm
Leerlaufdrehzahl (min ⁻¹)	0 – 2 300
Schlagzahl pro Minute	0 – 3 000
Max. Anzugsmoment	120 N•m
Gesamtlänge	176 mm
Nettogewicht (mit Akku)	1,6 kg
Nennspannung	DC 12 V

- Im Zuge der Entwicklung und des technischen Fortschritts behalten wir uns das Recht vor, Änderungen an den technischen Daten ohne Vorankündigung vorzunehmen.
- Hinweis: Die technischen Daten können von Land zu Land unterschiedlich sein.

Sicherheitshinweise

Bitte lesen Sie zu Ihrer eigenen Sicherheit die beiliegenden Sicherheitshinweise durch.

WICHTIGE SICHERHEITSHINWEISE

1. **DIESE ANWEISUNGEN GUT AUFBEWAHREN** — Diese Betriebsanleitung enthält wichtige Sicherheits- und Gebrauchsanweisungen für Ladegeräte.
2. Lesen Sie vor der Benutzung des Ladegerätes alle Anweisungen und Warnhinweise, die auf (1) dem Ladegerät, (2) Akku und (3) Akku-Gerät angebracht sind.
3. **VORSICHT** — Um die Verletzungsgefahr zu reduzieren, dürfen nur Makita-Akkus verwendet werden. Andere Akku-Typen können platzen und Verletzungen oder Sachschäden verursachen.
4. Setzen Sie Ladegerät und Akku weder Regen noch Schnee aus.
5. Die Verwendung von Zubehör, das nicht vom Ladegerät-Hersteller empfohlen oder verkauft wird, kann Feuer, elektrische Schläge oder Verletzungen verursachen.
6. Um Beschädigung des Netzsteckers und Netzkabels zu vermeiden, ziehen Sie beim Trennen des Ladegerätes vom Stromnetz nicht an der Netzanschlußleitung, sondern nur am Netzstecker.
7. Verlegen Sie die Netzanschlußleitung so, daß niemand darauf tritt, darüber stolpert oder sonstigen Belastungen ausgesetzt wird.

8. **Betreiben Sie das Ladegerät nicht mit einer beschädigten Netzanschlußleitung oder Stecker** — beschädigte Teile sind unverzüglich auszuwechsen.
9. **Betreiben Sie das Ladegerät nicht, wenn es starken Erschütterungen ausgesetzt, fallen gelassen oder sonstwie beschädigt wurde.** Bringen Sie es in diesem Fall zu einem qualifizierten Kundendiensttechniker.
10. **Versuchen Sie nicht, das Ladegerät oder den Akku zu zerlegen, sondern bringen Sie es zu einem qualifizierten Kundendiensttechniker, wenn Wartungs- oder Reparaturarbeiten erforderlich sind.** Falscher Zusammenbau kann die Ursache für elektrische Schläge oder Feuer sein.
11. **Um die Gefahr von elektrischen Schlägen auszuschließen, müssen Sie das Ladegerät stets vom Stromnetz trennen, bevor Sie mit Wartungs- oder Reinigungsarbeiten beginnen.**
12. **Das Ladegerät sollte nicht von kleinen Kindern oder gebrechlichen Personen ohne Beaufsichtigung benutzt werden.**
13. **Kleine Kinder sollten beaufsichtigt werden, um sicherzugehen, daß sie nicht mit dem Ladegerät spielen.**
14. **Falls die Betriebszeit beträchtlich kürzer geworden ist, stellen Sie den Betrieb sofort ein.** Anderenfalls besteht die Gefahr von Überhitzung, möglichen Verbrennungen und sogar einer Explosion.
15. **Falls Elektrolyt in Ihre Augen gelangt, waschen Sie sie mit sauberem Wasser aus, und begeben Sie sich unverzüglich in ärztliche Behandlung.** Anderenfalls können Sie Ihre Sehkraft verlieren.

ZUSÄTZLICHE SICHERHEITSGESAMTREGELN FÜR LADEGERÄT UND AKKU

1. Laden Sie den Akku nicht bei Temperaturen unter 10°C oder über 40°C.
2. Schließen Sie das Ladegerät nicht an einen Spartransformator, Generator oder eine Gleichstrom-Steckdose an.
3. Achten Sie darauf, daß die Lüftungsöffnungen des Ladegerätes durch nichts verdeckt oder verstopft werden.
4. Die Kontakte des Akkus außerhalb der Maschine oder des Ladegerätes mit der Kontaktschutzhaube abdecken, um einen Kurzschluß durch metallische Überbrückung zu verhindern.

5. Der Akku darf nicht kurzgeschlossen werden:
 - (1) Die Kontakte dürfen nicht mit leitfähigem Material berührt werden.
 - (2) Lagern Sie den Akku nicht in einem Behälter zusammen mit anderen Metallgegenständen, wie z. B. Nägel, Schrauben, Münzen, usw.
 - (3) Setzen Sie den Akku weder Regen noch Wasser aus.

Ein Kurzschluß des Akkus verursacht starken Stromfluß und dadurch als Folge Überhitzung, die Verbrennungen sowie ein Verschmelzen des Akkus herbeiführen können.

6. Lagern Sie Werkzeug und Akku nicht an Orten, an denen die Temperatur 50°C erreicht oder übersteigt.
7. Versuchen Sie niemals, den Akku zu verbrennen, selbst wenn er stark beschädigt oder vollkommen verbraucht ist. Der Akku kann im Feuer explodieren.
8. Achten Sie darauf, daß der Akku nicht fallen gelassen, Erschütterungen oder Stößen ausgesetzt wird.
9. Laden Sie den Akku niemals innerhalb eines Kartons oder eines geschlossenen Behälters. Der Akku darf nur an einem gut belüfteten Ort geladen werden.

Umweltschutz

Das Gerät ist mit einem Nickel-Cadmium-Akku ausgerüstet. Um eine umweltgerechte Entsorgung zu gewährleisten, bitten wir Sie, folgende Punkte zu beachten:

- Gemäß Europäischer Batterierichtlinie 91/157/EWG und nationaler Gesetzgebung (Batterieverordnung) muß der verbrauchte Akku bei einer öffentlichen Sammelstelle, bei Ihrem Makita Kundendienst oder Ihrem Fachhändler zum Recycling abgegeben werden.
- Werfen Sie den verbrauchten Akku nicht in den Hausmüll, ins Feuer oder ins Wasser.



(Nur für die Schweiz)

- Ihr Beitrag zum Umweltschutz: Bringen Sie bitte die gebrauchte Batterie an eine offizielle Sammelstelle zurück.

ZUSÄTZLICHE SICHERHEITSGEDELN FÜR DIE MASCHINE

1. Beachten Sie, daß diese Maschine stets betriebsbereit ist, da sie nicht erst an eine Netzsteckdose angeschlossen werden muß.
2. Halten Sie die Maschine nur an den isolierten Griffflächen, wenn Sie Arbeiten ausführen, bei denen verborgene Kabel angebohrt werden können. Bei Kontakt mit einem stromführenden Kabel werden die freiliegenden Metallteile der Maschine ebenfalls stromführend, so dass der Benutzer einen elektrischen Schlag erleiden kann.
3. Tragen Sie Gehörschützer.
4. Überprüfen Sie den Steckschlüsseinsatz vor der Montage sorgfältig auf Risse oder Beschädigung.
5. Halten Sie die Maschine mit festem Griff.
6. Achten Sie stets auf sicheren Stand.
7. Vergewissern Sie sich bei Einsatz der Maschine an hochgelegenen Arbeitsplätzen, daß sich keine Personen darunter aufhalten.
8. Das korrekte Anzugsmoment kann je nach Art oder Größe der Schraube unterschiedlich sein. Überprüfen Sie das Anzugsmoment mit einem Drehmomentschlüssel.

BEWAHREN SIE DIESE ANLEITUNG GUT AUF.

BEDIENUNGSANLEITUNG

Anbringen und Abnehmen des Akkus (Abb. 1)

- Schalten Sie die Maschine stets aus, bevor Sie den Akku anbringen oder abnehmen.
- Zum Abnehmen des Akkus ziehen Sie ihn aus der Maschine heraus, während Sie die Entriegelungsknöpfe auf beiden Seiten drücken.
- Zum Einsetzen des Akkus richten Sie die Führungsfeder des Akkus auf die Nut im Maschinengehäuse aus und schieben den Akku hinein. Schieben Sie den Akku stets vollständig ein, bis er mit einem hörbaren Klicken einrastet. Anderenfalls kann er aus der Maschine herausfallen und Sie oder umstehende Personen verletzen.
- Wenden Sie beim Einsetzen des Akkus keine Gewalt an. Falls der Akku nicht reibungslos hineingleitet, ist er nicht richtig ausgerichtet.

Laden (Abb. 2)

Das Ladegerät an die Stromversorgung anschließen. Die Ladekontrolleuchte blinkt grün. Den Akku so einsetzen, daß die Plus- und Minusmarkierungen des Akkus mit den entsprechenden Markierungen auf dem Ladegerät übereinstimmen. Den Akku bis zum Anschlag in das Ladegerät schieben. Die Farbe der Ladekontrolleuchte wechselt von grün auf rot, und der Ladevorgang beginnt. Während des gesamten Ladevorgangs leuchtet die Ladekontrolleuchte. Der Ladevorgang ist abgeschlossen, wenn die Ladekontrolleuchte von rot auf grün wechselt. Wenn die Farbe der Ladekontrollampe von Rot nach Grün wechselt, ist der Ladevorgang beendet. Wird der Akku nach Abschluß des Ladevorgangs im Ladegerät gelassen, schaltet das Ladegerät auf den Erhaltungslademodus um, der etwa 24 Stunden andauert. Nach dem Laden das Ladegerät vom Akku und vom Netz trennen. Die Ladezeiten sind in der nachfolgenden Tabelle aufgeführt.

Akku	Kapazität (mAh)	Anzahl der Zellen	Ladezeit
1222	2 000	10	ca. 45 Min.
1234	2 600	10	ca. 60 Min.
1235	3 000	10	ca. 70 Min.

VORSICHT:

- Verwenden Sie das Makita-Ladegerät ausschließlich zum Laden von Makita-Akkus. Andere Akkus können in diesem Ladegerät nicht aufgeladen werden.
- Wenn der Akku noch neu ist oder über einen längeren Zeitraum nicht verwendet wurde, kann er seine volle Kapazität nicht entfalten. Durch mehrfaches Entladen und anschließendes Laden wird die volle Kapazität wieder erreicht.
- Wenn Sie versuchen, einen noch warmen Akku zu laden, kann die Ladekontrolleuchte u.U. rot blinken. In diesem Fall lassen Sie den Akku abkühlen. Danach den Akku erneut in das Ladegerät einsetzen.
- Wenn die Ladekontrolleuchte abwechselnd grün und rot blinkt, liegt eine Störung vor, der Akku kann nicht aufgeladen werden. Die Kontakte des Ladegerätes bzw. des Akkus sind u.U. verschmutzt, oder der Akku ist beschädigt bzw. verbraucht.

Sickerladung (Erhaltungsladung)

Wird der Akku nach einer vollen Ladung im Ladegerät belassen, um Selbstentladung zu verhüten, schaltet das Ladegerät in den Erhaltungslademodus um, um den Akku frisch und voll geladen zu halten.

Hinweise zur Aufrechterhaltung der maximalen Akku-Nutzungsdauer

1. Laden Sie den Akku, bevor er vollkommen erschöpft ist.
Schalten Sie die Maschine stets aus und laden Sie den Akku, wenn Sie ein Nachlassen der Maschinenleistung feststellen.
2. Unterlassen Sie das erneute Laden eines voll geladenen Akkus.
Überladen führt zu einer Verkürzung der Nutzungsdauer des Akkus.
3. Laden Sie den Akku bei Raumtemperatur zwischen 10°C – 40°C.
Lassen Sie einen heißen Akku abkühlen, bevor Sie ihn laden.
4. Der Nickel-Metallhydrid-Akku muss geladen werden, wenn er länger als sechs Monate nicht benutzt worden ist.

Wahl des korrekten Steckschlüsseinsatzes

Verwenden Sie stets einen passenden Steckschlüssel-einsatz für die jeweiligen Schrauben und Muttern. Ein Steckschlüsseinsatz der falschen Größe bewirkt ein falsches und ungleichmäßiges Anzugsmoment und/oder Beschädigung der Schraube oder Mutter. Näheres zur Steckschlüsselgröße entnehmen Sie bitte dem Zubehörabschnitt.

Montage und Demontage des Steckschlüsseinsatzes (Abb. 3)

Wichtig:

Vergewissern Sie sich vor dem Montieren oder Demontieren des Steckschlüsseinsatzes stets, daß die Maschine ausgeschaltet und der Akku herausgenommen ist.

Den O-Ring aus der Nut im Steckschlüsseinsatz entfernen, und den Stift aus dem Steckschlüsseinsatz herausziehen. Den Steckschlüsseinsatz so in den Flansch der Maschine einsetzen, daß die Bohrung im Steckschlüsseinsatz auf die Bohrung im Flansch ausgerichtet ist. Den Stift durch die Bohrung in Steckschlüsseinsatz und Flansch einführen. Dann den O-Ring wieder in die Nut des Steckschlüsseinsatzes einsetzen, um den Stift zu arretieren. Zum Demontieren des Steckschlüsseinsatzes ist das Montageverfahren umgekehrt anzuwenden.

Schalterbedienung (Abb. 4)

VORSICHT:

Vergewissern Sie sich vor dem Einsetzen des Akkus in die Maschine stets, daß der Ein-Aus-Schalter ordnungsgemäß funktioniert und beim Loslassen in die AUS-Stellung zurückkehrt.

Zum Einschalten der Maschine drücken Sie einfach den Ein-Aus-Schalter. Die Drehzahl erhöht sich durch verstärkte Druckausübung auf den Ein-Aus-Schalter. Zum Ausschalten den Ein-Aus-Schalter loslassen.

Drehrichtungsumschalter (Abb. 5)

VORSICHT:

- Prüfen Sie stets die Drehrichtung, bevor Sie mit der Arbeit beginnen.
- Wechseln Sie niemals die Drehrichtung, bevor der Motor zum Stillstand gekommen ist. Andernfalls kann die Maschine beschädigt werden.
- Stellen Sie den Drehrichtungsumschalter bei Nichtgebrauch der Maschine stets auf die Neutralstellung.

Mit dem Drehrichtungsumschalter kann die Drehrichtung verändert werden. Für Rechtslauf drücken Sie auf die Seite A des Drehrichtungsumschalters, für Linkslauf auf die Seite B. In Neutralstellung des Drehrichtungsumschalters kann der Elektronikschalter verriegelt werden.

Betrieb (Abb. 6 u 7)

Das korrekte Anzugsmoment kann je nach Art und Größe der Schraube unterschiedlich sein. Der Zusammenhang zwischen Anzugsmoment und Anzugszeit ist aus den Abbildungen ersichtlich.

Halten Sie die Maschine mit festem Griff, und setzen Sie den Steckschlüsseinsatz auf die Schraube oder Mutter. Schalten Sie die Maschine ein, und ziehen Sie das Befestigungselement für die korrekte Anzugszeit an.

HINWEIS:

- Halten Sie die Maschine gerade gegen die Schraube oder Mutter, ohne übermäßigen Druck auszuüben.
- Ein zu hohes Anzugsmoment kann zu einer Beschädigung der Schraube oder Mutter führen. Führen Sie vor Arbeitsbeginn stets eine Probeverschraubung durch, um die geeignete Anzugsdrehzahl und Anzugszeit für die jeweilige Schraube oder Mutter zu ermitteln.

Das Anzugsmoment unterliegt einer Reihe von Einflüssen, einschließlich der folgenden. Überprüfen Sie das Anzugsmoment nach dem Anziehen stets mit einem Drehmomentschlüssel.

1. Wenn der Akku nahezu erschöpft ist, fällt die Spannung ab, und das Anzugsmoment verringert sich.
2. Steckschlüsseinsatz
 - Die Verwendung eines Steckschlüsseinsatzes der falschen Größe bewirkt eine Verringerung des Anzugsmoments.
 - Ein abgenutzter Steckschlüsseinsatz (Verschleiß am Sechskant- oder Vierkantende) verursacht eine Verringerung des Anzugsmoments.
3. Schraube
 - Selbst wenn der Drehmoment-Koeffizient und der Typ der Schraube gleich sind, ändert sich das Anzugsmoment je nach dem Durchmesser der Schraube.
 - Selbst wenn Schrauben den gleichen Durchmesser haben, ist das korrekte Anzugsmoment je nach Drehmoment-Koeffizient, Typ und Länge der Schraube unterschiedlich.
4. Durch den Gebrauch des Gelenkaufsatzes oder des Verlängerungsstücks verringert sich die Anzugsleistung des Schlagschraubers etwas. Kompensieren Sie diesen Effekt durch eine etwas längere Anzugszeit.
5. Die Art des zu befestigenden Materials, die Art und Weise, wie die Maschine gehalten wird, und die Maschinendrehzahl beeinflussen das Drehmoment.

VORSICHT:

Wenn die Maschine im Dauerbetrieb bis zur vollständigen Entladung des Akkus verwendet wurde, lassen Sie die Maschine vor dem Fortsetzen des Betriebs mit einem frischen Akku 15 Minuten lang abkühlen.

Anbringen der Halteklammer (Sonderzubehör) (Abb. 8)

Montieren Sie stets die Halteklammer bei Verwendung der Akkus 1200, 1202 oder 1202A. Befestigen Sie die Halteklammer mit der mitgelieferten Schraube an der Maschine, wie in der Abbildung gezeigt.

WARTUNG

VORSICHT:

Vor Arbeiten am Gerät vergewissern Sie sich, daß sich der Schalter in der "OFF"-Position befindet und der Akku aus dem Gerät entfernt ist.

Kohlebürsten wechseln (Abb. 9 u. 10)

Kohlebürsten ersetzen, wenn sie bis auf die Verschleißgrenze abgenutzt sind. Beide Kohlebürsten nur paarweise ersetzen.

Um die Sicherheit und Zuverlässigkeit dieses Gerätes zu gewährleisten, sollten Reparatur-, Wartungs-, und Einstellarbeiten nur von Makita autorisierten Werkstätten oder Kundendienstzentren unter ausschließlicher Verwendung von Makita-Originalersatzteilen ausgeführt werden.

Visione generale

1	Bottone	9	Interruttore di inversione	17	Coppia di serraggio
2	Cartuccia batteria	10	Lato A	18	Vite
3	Spia di carica	11	Lato B	19	Piastrina di fissaggio
4	Caricatore rapido	12	Senso orario	20	Segno limite
5	Presa	13	Senso antiorario	21	Cavviavite
6	Perno	14	Tempo di serraggio	22	Tappo portaspazzole
7	Anello ad O	15	Secondi		
8	Interruttore	16	Coppia di serraggio corretta per		

DATI TECNICI

Modello	6918D
Capacità	
Bullone standard	M8 – M14
Bullone ad alta resistenza a trazione	M6 – M12
Trasmissione quadra	12,7 mm
Velocità a vuoto (min ⁻¹)	0 – 2.300
Numero colpi/min.	0 – 3.000
Coppia di serraggio max.	120 N•m
Lunghezza totale	176 mm
Peso netto (con cartuccia batteria)	1,6 kg
Tensione nominale	C.c. 12V

- Questi dati sono soggetti a modifiche senza avviso a causa del nostro programma di ricerca e sviluppo continui.
- Nota: I dati tecnici potrebbero differire da paese a paese.

Suggerimenti per la sicurezza

Per la propria sicurezza, riferirsi alle istruzioni accluse.

ISTRUZIONI DI SICUREZZA IMPORTANTI PER CARICATORI E BATTERIE A CARTUCCIA

1. **RISPETTARE QUESTE ISTRUZIONI** — Questo manuale contiene importanti regole di sicurezza e di lavorazione per il caricatore delle batterie.
2. Prima di usare il caricatore delle batterie, leggere tutte le istruzioni e precauzioni scritte (1) sul caricatore delle batterie (2) sulle batterie e (3) utensili che usano le batterie.
3. **ATTENZIONE** — Per ridurre il rischio di ferirsi, caricare solamente batterie ricaricabili della Makita. Altri tipi di batterie possono scoppiare causando danni e ferite alle persone.
4. Non esporre il caricatore alla pioggia oppure alla neve.
5. L'uso di un attacco non raccomandato o venduto dal costruttore del caricatore di batterie può diventare la causa d'incendio, di scosse elettriche, oppure di ferite alle persone.
6. Per ridurre il rischio di danneggiare il cavo elettrico o la spina, quando si vuole staccare il cavo dalla presa sul muro non tirare per il cavo ma prendere direttamente la spina in mano.
7. Assicurarsi che il cavo è posato in modo da non essere pestato, attorcigliato oppure messo in condizioni di essere danneggiato oppure stirato.
8. **Non mettere in operazione il caricatore delle batterie con un cavo o una spina in cattive condizioni. Sostituire immediatamente.**

9. **Non mettere in operazione un caricatore quando ha ricevuto una botta, quando è stato fatto cadere, oppure è stato danneggiato in una maniera qualsiasi. Portatelo subito ad un negozio di fiducia per le riparazioni del caso.**
10. **Non smontare il caricatore o le batterie a cartuccia. Portatelo da un negozio di fiducia se è necessario fare qualche riparazione. Un rimontaggio sbagliato può causare scosse elettriche oppure un incendio.**
11. **Per ridurre il rischio di scosse elettriche, staccare il caricatore dalla presa di corrente prima di tentare qualsiasi lavoro di manutenzione oppure di pulizia. Il rischio non sarebbe ridotto col solo distacco dell'interruttore.**
12. **Il caricabatteria non deve essere usato dai bambini o dagli infermi senza supervisione.**
13. **I bambini devono essere sorvegliati perché non giochino con il caricabatteria.**
14. **Se il tempo di funzionamento diventa eccessivamente corto, smettere immediatamente di usare l'utensile, perché potrebbe surriscaldarsi con pericolo di bruciature ed anche di esplosione.**
15. **Se l'elettrolito dovesse finire negli occhi, sciacquarli con acqua pulita e rivolgersi immediatamente a un medico. C'è pericolo di perdita della vista.**

ULTERIORI REGOLE DI SICUREZZA PER CARICATORI E BATTERIE A CARTUCCIA

1. Non caricare le batterie a cartuccia quando la temperatura è sotto i 10° C oppure sopra i 40° C.
2. Non tentare di usare un trasformatore per aumentare la tensione, un generatore oppure qualsiasi sorgente di corrente diretta (DC).
3. Non lasciar coprire oppure intasare le aperture del caricatore.
4. Quando la capsula delle batterie non si usa, coprite sempre i poli della batteria con il copribatteria.
5. **Non cortocircuitare la cartuccia batteria:**
 - (1) Non toccare i terminali con un materiale conduttivo.
 - (2) Evitare di conservare la cartuccia batteria in un contenitore insieme con altri oggetti metallici, come chiodi, monete, ecc.
 - (3) Non esporre la cartuccia batteria all'acqua o alla pioggia.

Un cortocircuito della batteria può causare un grande flusso di corrente, surriscaldamento, possibili bruciature ed anche un guasto.

6. Non immagazzinare l'utensile e le batterie a cartuccia in luoghi dove la temperatura può raggiungere oppure superare i 50° C.
7. Non buttare nel fuoco le batterie a cartuccia anche se sono estremamente danneggiate oppure completamente fuori uso. Le batterie potrebbero esplodere nel fuoco.
8. Stare attenti a non far cadere, agitare o sbattere la batteria.
9. Non caricare la batteria dentro una scatola o un qualsiasi altro contenitore. Durante la carica, la batteria deve trovarsi in un luogo ben ventilato.
3. Indossare una cuffia o auricolari afonizzanti per proteggere l'udito.
4. Prima dell'installazione, controllare con cura che la presa non presenti segni di usura, crepe o danni.
5. Tenere saldamente l'utensile.
6. Accertarsi sempre di avere i piedi saldamente appoggiati.
7. Accertarsi che sotto non ci sia nessuno quando si usa l'utensile in un posto alto.
8. La coppia di serraggio corretta potrebbe differire secondo il tipo e le dimensioni del bullone. Controllare la coppia con una chiave torsiometrica.

**(Per la Svizzera soltanto)
Protezione dell'ambiente**

La Vostra contribuzione per la protezione dell'ambiente:

Porta la batteria al collettivo ufficiale.



CONSERVARE QUESTE ISTRUZIONI.

ISTRUZIONI PER L'USO

Installazione o rimozione della cartuccia batteria (Fig. 1)

- Spegnerne sempre l'utensile prima di inserire o di rimuovere la cartuccia batteria.
- Per rimuovere la cartuccia batteria, estrarla dall'utensile schiacciando i bottoni ad entrambi i lati della batteria.
- Per inserire la cartuccia batteria, allineare l'appendice della cartuccia batteria con la scanalatura dell'alloggiamento e spingerla in posizione. Inserirla sempre completamente finché si blocca in posizione con un leggero scatto. In caso contrario, potrebbe accidentalmente cadere fuori ferendo l'operatore o chi è vicino.
- Non usare forza per inserire la cartuccia batteria. Se non entra facilmente nell'utensile, vuol dire che non è inserita correttamente.

REGOLE ADDIZIONALI DI SICUREZZA PER L'UTENSILE

1. **Tener presente che questo utensile è sempre in condizione di funzionare, in quanto non è necessario collegarlo alla presa di corrente.**
2. **Tenere l'utensile per le superfici di presa isolate quando si esegue una operazione durante la quale potrebbe fare contatto con fili elettrici nascosti. Il contatto con un filo elettrico "sotto tensione" mette anche le parti metalliche dell'utensile "sotto tensione", con pericolo di scosse per l'operatore.**

Carica (Fig. 2)

Collegare la spina del caricatore rapido ad una presa di corrente con la tensione nominale corretta. La spia di carica lampeggia in verde. Inserire la cartuccia batteria in modo che i suoi terminali più e meno si trovino sullo stesso lato dei segni rispettivi sul caricatore rapido. Inserire completamente la cartuccia batteria nella porta, in modo che si trovi adagiata sul pavimento della porta del caricatore. Quando si inserisce la cartuccia batteria, il colore della spia di carica cambia da verde a rosso e la carica comincia. La spia di carica rimane accesa continuamente durante la carica. La carica è completa quando il colore della spia cambia da rosso a verde. Se si lascia la cartuccia batteria nel caricatore dopo il completamento del ciclo di carica, il caricatore si dispone nel modo di "carica centellinare (carica di manutenzione)" che dura circa 24 ore. Dopo la carica, staccare la spina del cavo di alimentazione del caricatore dalla presa di corrente.

Per il tempo di carica, riferirsi alla tabella sotto.

Tipo di batteria	Capacità (mAh)	Numero di celle	Tempo di carica
1222	2.000	10	45 minuti circa
1234	2.600	10	60 minuti circa
1235	3.000	10	70 minuti circa

ATTENZIONE:

- Il caricatore rapido serve a caricare la cartuccia batteria Makita. Non usarlo per altri scopi o per caricare le batterie di un altro fabbricante.
- Quando si carica una nuova cartuccia batteria o una cartuccia batteria che non è stata usata per un lungo periodo di tempo, essa potrebbe non accettare una carica piena. Ciò è normale e non indica un difetto. La cartuccia batteria può essere ricaricata completamente dopo che è stata scaricata completamente e ricaricata un paio di volte.
- Se si ricarica la cartuccia batteria di una motosega appena usata, oppure una cartuccia batteria che è rimasta esposta per un lungo periodo di tempo alla luce diretta del sole o al calore, la spia di carica potrebbe lampeggiare in rosso. In tal caso, aspettare qualche tempo. La carica comincia dopo che la cartuccia batteria si è raffreddata. La cartuccia batteria si raffredda più rapidamente se la si toglie dal caricatore rapido.
- Se la spia di carica lampeggia alternativamente in verde e in rosso, vuol dire che c'è un problema e la carica non è possibile. Probabilmente, i terminali del caricatore o della cartuccia batteria sono intasati di polvere, oppure la cartuccia batteria è usurata o danneggiata.

Carica centellinare (carica di manutenzione)

Se si lascia la cartuccia batteria nel caricatore per evitare la scarica spontanea dopo la carica completa, il caricatore si dispone nel modo di "carica centellinare (carica di manutenzione)" per mantenere la cartuccia batteria completamente carica.

Suggerimenti per preservare al massimo la vita della batteria

1. Caricare la cartuccia batteria prima che si scarichi completamente. Fermare sempre l'utensile e caricare la cartuccia batteria se si nota una diminuzione di potenza dell'utensile.
2. Non si deve mai ricaricare una cartuccia batteria completamente caricata. La carica eccessiva riduce la vita di servizio della batteria.
3. Caricare la cartuccia batteria alla temperatura ambiente di 10°C – 40°C. Lasciar raffreddare una batteria calda prima di caricarla.
4. Caricare la batteria ibrida al nichel-metallo se non la si usa per più di sei mesi.

Selezione della presa corretta

Usare sempre la presa di dimensioni corrette per i bulloni e i dadi. Una presa di dimensioni sbagliate potrebbe produrre una coppia di serraggio imprecisa e inconsistente e/o danneggiare il bullone o il dado.

Installazione o rimozione della presa (Fig. 3)

Importante:

Accertarsi sempre che l'utensile sia spento e che la cartuccia batteria sia stata rimossa prima di installare o di rimuovere la presa.

Spostare l'anello ad O fuori dalla scanalatura della presa, e togliere il perno dalla presa. Montare la presa sulla testata dell'utensile in modo che il foro della presa sia allineato con il foro della testata. Inserire il perno nel foro della presa e della testata. Rimettere poi l'anello ad O nella sua posizione originale nella scanalatura della presa, per bloccare il perno. Per rimuovere la presa, seguire il procedimento opposto di installazione.

Azionamento dell'interruttore (Fig. 4)

ATTENZIONE:

Prima di inserire la cartuccia batteria nell'utensile, accertarsi sempre che l'interruttore funzioni correttamente e torni sulla posizione "OFF" quando viene rilasciato.

Per avviare l'utensile, schiacciare semplicemente il grilletto dell'interruttore. La velocità dell'utensile aumenta con l'aumento della pressione sul grilletto. Rilasciare il grilletto per fermare l'utensile.

Azionamento dell'interruttore di inversione (Fig. 5)

ATTENZIONE:

- Controllare sempre la direzione di rotazione prima di usare l'utensile.
- Usare l'interruttore di inversione soltanto dopo che l'utensile si è arrestato completamente. Il cambiamento della direzione di rotazione prima dell'arresto dell'utensile potrebbe danneggiarlo.
- Posizionare sempre la leva dell'interruttore di inversione sulla posizione neutra quando non si usa l'utensile.

Questo utensile è dotato di un interruttore di inversione, per cambiare la direzione di rotazione. Schiacciare la leva dell'interruttore di inversione dal lato A per la rotazione in senso orario, oppure dal lato B per la rotazione in senso antiorario. Quando la leva dell'interruttore si trova sulla posizione neutra non è possibile schiacciare il grilletto dell'interruttore.

Funzionamento (Figg. 6 e 7)

La coppia di serraggio corretta potrebbe differire secondo il tipo e le dimensioni del bullone. Il rapporto tra la coppia di serraggio e il tempo di serraggio è mostrato nelle figure.

Tenere saldamente l'utensile e mettere la presa sopra il bullone o dado. Avviare l'utensile e stringere per il tempo di serraggio appropriato.

NOTA:

- Tenere l'utensile puntato diritto sul bullone o dado, senza esercitarvi sopra una pressione eccessiva.
- Una coppia di serraggio eccessiva potrebbe danneggiare il bullone o dado. Prima di cominciare il lavoro, fare sempre una prova per verificare la velocità e il tempo di serraggio appropriati per il bullone o dado.

Ci sono vari fattori che influenzano la coppia di serraggio, compresi quelli seguenti. Dopo il serraggio, controllare sempre la coppia con una chiave torsiometrica.

1. Quando la cartuccia batteria è quasi completamente scarica, la tensione cala e la coppia di serraggio si riduce.
2. Presa
 - La coppia di serraggio si riduce se non si usa una presa con le dimensioni corrette.
 - La coppia di serraggio si riduce se si usa una presa usurata (usura dell'estremità esagonale o quadrata).
3. Bullone
 - Anche se il coefficiente di coppia e la classe del bullone sono gli stessi, la coppia di serraggio corretta differisce secondo il diametro del bullone.
 - Anche se il diametro dei bulloni è lo stesso, la coppia di serraggio corretta differisce secondo il coefficiente di coppia, la classe e la lunghezza del bullone.
4. L'uso del giunto universale o della barra di prolunga riduce alquanto la forza della avvitatrice a impatto. Compensare con un tempo di serraggio più lungo.
5. La coppia di serraggio è influenzata dal tipo di materiali da stringere, dal modo di tenere l'utensile e dalla velocità dell'utensile.

ATTENZIONE:

Se si usa in continuazione l'utensile finché la cartuccia batteria si scarica, lasciarlo riposare per 15 minuti prima di continuare con un'altra batteria.

Installazione della piastrina di fissaggio (accessorio opzionale) (Fig. 8)

Installare sempre la piastrina di fissaggio usando le cartucce batteria 1200, 1202 o 1202A. Installarla sull'utensile con la vite in dotazione, come mostrato in figura.

MANUTENZIONE

ATTENZIONE:

Prima di effettuare ogni tipo di lavoro sull'utensile, assicuratevi sempre che essa sia spenta e che la batteria sia rimossa.

Sostituzione delle spazzole di carbone (Fig. 9 e 10)

Sostituire le spazzole di carbone quando sono usurate fino alla linea di delimitazione. Sostituire entrambe le spazzole con tipi di spazzole identici.

Per mantenere la sicurezza e l'affidabilità del prodotto, le riparazioni, la manutenzione o le regolazioni dovrebbero essere eseguite da un centro di assistenza Makita autorizzato.

Verklaring van algemene gegevens

1 Knop	9 Omkeerschakelaar	17 Aantrekoppel
2 Accu	10 A zijde	18 Schroef
3 Oplaadlampje	11 B zijde	19 Sluitplaat
4 Snellader	12 Rechtsom	20 Limietstreep
5 Sok	13 Linksom	21 Schroevendraaier
6 Pen	14 Aantrektijd	22 Borstelhouderdop
7 O-ring	15 Seconden	
8 Trekschakelaar	16 Juist aantrekoppel voor	

TECHNISCHE GEGEVENS

Model	6918D
Capaciteiten	
Standaardbout	M8 – M14
Trekvastebout	M6 – M12
Vierkant	12,7 mm
Toerental onbelast (min ⁻¹)	0 – 2 300
Aantal slagen per minuut	0 – 3 000
Maximaal aantrekoppel	120 N•m
Totale lengte	176 mm
Netto gewicht (accu inbegrepen)	1,6 kg
Nominale spanning	D.C. 12 V

- In verband met ononderbroken research en ontwikkeling behouden wij ons het recht voor bovenstaande technische gegevens te wijzigen zonder voorafgaande kennisgeving.
- Opmerking: De technische gegevens kunnen van land tot land verschillen.

Veiligheidswenken

Volg veiligheidshalve de bijgevoegde veiligheidsvoorschriften nauwkeurig op.

BELANGRIJKE VEILIGHEIDSVOORSCHRIFTEN VOOR GEBRUIK VAN DE BATTERIJLADER EN HET BATTERIJPAK

1. **BEWAAR DEZE VOORSCHRIFTEN** — In deze gebruiksaanwijzing staan belangrijke veiligheids- en bedieningsvoorschriften betreffende de batterijlader (snellader).
2. Lees alle voorschriften en waarschuwingen betreffende (1) de batterijlader, (2) het batterijpak en (3) het gereedschap aandachtig door alvorens de batterijlader in gebruik te nemen.
3. **LET OP** — Om het gevaar voor ongelukken te verminderen, dient u met de snellader uitsluitend MAKITA oplaadbare batterijen te laden. Batterijen van andere merken kunnen gaan barsten en hierdoor verwondingen of schade veroorzaken.
4. Stel de batterijlader niet bloot aan regen of sneeuw.
5. Het gebruik van accessoires die niet door de fabrikant van de batterijlader worden verkocht of aanbevolen, kan brandgevaar, elektrische schok of verwondingen veroorzaken.
6. Om de stekker en het netsnoer niet te beschadigen, trekt u het netsnoer uit het stopcontact door de stekker vast te pakken.

7. Let op dat het snoer zodanig op de grond ligt, dat niemand erop kan stappen of erover kan struikelen en dat er niets op het snoer geplaatst wordt.
8. Gebruik in geen geval de batterijlader als het netsnoer of de stekker beschadigd is. Vervang deze onmiddellijk.
9. Gebruik de batterijlader ook niet als deze gevallen is, aan een zware stoot heeft blootgestaan, of als u vermoedt dat hij beschadigd is. Laat in deze gevallen de batterijlader eerst nakijken.
10. Haal de batterijlader of het batterijpak niet uit elkaar; laat eventuele servicebeurten of reparaties uitsluitend vakkundig uitvoeren. Het onjuist opnieuw in elkaar zetten kan namelijk elektrische schok of brandgevaar opleveren.
11. Om gevaar voor elektrische schok te verminderen, trekt u de stekker uit het stopcontact alvorens de batterijlader te reinigen of een onderhoudsbeurt te geven. Door de batterijlader alleen maar uit te schakelen, vermindert u dit gevaar niet.
12. De acculader is niet bedoeld voor gebruik door kleine kinderen of geestelijk gestoorde waarop geen toezicht wordt gehouden.
13. Houd toezicht op kleine kinderen om te voorkomen dat ze met de acculader spelen.
14. Als de gebruiksduur van de accu bijzonder kort geworden is, moet u het gebruik ervan onmiddellijk stopzetten omdat er anders gevaar is voor oververhitting, brandwonden en zelfs een explosie.
15. Als er elektrolyt in uw ogen is terechtgekomen, moet u deze spoelen met schoon water en onmiddellijk de hulp van een dokter inroepen. Elektrolyt in de ogen kan blindheid veroorzaken.

BIJGEVOEGDE VEILIGHEIDSVOORSCHRIFTEN VOOR GEBRUIK VAN DE BATTERIJLADER EN HET BATTERIJPAK

1. Laad het batterijpak niet op als de temperatuur LAGER is dan 10°C of HOGER dan 40°C.
2. Gebruik voor het laden nooit een step-up transformator, een dynamo of een gelijkstroombrom.
3. Zorg dat de ventilatiegaten van de batterijlader niet afgesloten worden of verstopt raken.
4. Bedek altijd de polen van de accu met het accudeksel wanneer u de accu niet gebruikt.

5. Voorkom kortsluiting van het batterijpak:
 - (1) Raak de aansluitklemmen nooit aan met geleidend materiaal.
 - (2) Bewaar het batterijpak niet op een plaats waar ook andere metalen voorwerpen zoals spijkers, munten e.d. worden bewaard.
 - (3) Stel het batterijpak niet bloot aan water of regen.

Kortsluiting van het batterijpak kan leiden tot een grote stroomafgifte, oververhitting, brandwonden of zelfs tot defecten.
6. Bewaar de batterijlader en het batterijpak niet in plaatsen waar de temperatuur tot 50°C of hoger kan op lopen.
7. Werp zwaar beschadigde of volledig uitgeputte batterijpakken niet in het vuur, omdat een gevaarlijke explosie er het gevolg van kan zijn.
8. Wees voorzichtig dat u het batterijpak niet laat vallen en het niet aan schokken of stoten blootstelt.
9. Laad het batterijpak niet op in een kist, een container e.d. Om het batterijpak op te laden, dient u dit in een goed geventileerde ruimte te plaatsen.

AAVVULLENDE VEILIGHEIDSVOORSCHRIFTEN VOOR HET GEREEDSCHAP

1. Denk eraan dat dit gereedschap altijd gebruiksklaar is, aangezien het niet op een stopcontact hoeft te worden aangesloten.
2. Houd het gereedschap bij de geïsoleerde handgrepen vast wanneer u boort op plaatsen waar de boor op verborgen elektrische bedrading kan stoten. Door contact met een onder spanning staande draad zullen ook de niet-geïsoleerde metalen delen van het gereedschap onder spanning komen te staan, zodat de gebruiker een elektrische schok kan krijgen.

Laden (Fig. 2)

Sluit de snellader aan op een geschikte wisselstroombron (stopcontact). Het laadlampje zal in groen knipperen. Schuif de accu zodanig in de snellader dat de plus en min klemmen op de accu overeenkomen met de plus en min markeringen op de snellader. Schuif de accu zo ver mogelijk in de opening, zodat deze op de bodem van de snellader rust. Wanneer de accu helemaal erin zit, zal de kleur van het laadlampje veranderen van groen in rood en zal het laden beginnen. Tijdens het laden zal het laadlampje gestadig blijven branden. Wanneer de kleur van het oplaadlampje verandert van rood in groen, is het opladen voltooid. Wanneer u een volledig opgeladen accu in de lader laat zitten, zal de lader overschakelen naar de "bijladen (handhaven van de lading)" stand en ongeveer 24 uur in deze stand blijven staan. Trek de stekker van de snellader uit het stopcontact nadat het laden is voltooid. Zie de onderstaande tabel voor de oplaadtijden.

Accu type	Capaciteit (mAh)	Aantal cellen	Oplaadtijd
1222	2 000	10	ca. 45 min.
1234	2 600	10	ca. 60 min.
1235	3 000	10	ca. 70 min.

3. Draag oorbeschermers.
4. Controleer de sok nauwkeurig op slijtage, scheuren of beschadiging alvorens deze op het gereedschap te monteren.
5. Houd het gereedschap stevig vast.
6. Zorg ervoor dat u altijd stevige steun voor de voeten hebt.
7. Controleer of er niemand beneden u aanwezig is wanneer u het gereedschap op een hoge plaats gaat gebruiken.
8. Het juiste aantrekkoppel kan verschillen afhankelijk van de soort of grootte van de bout. Controleer het aantrekkoppel met een momentsleutel.

BEWAAR DEZE VOORSCHRIFTEN.

BEDIENINGSVOORSCHRIFTEN

Installeren of verwijderen van de accu (Fig. 1)

- Schakel het gereedschap altijd uit alvorens de accu te installeren of te verwijderen.
- Om de accu te verwijderen, neemt u deze uit het gereedschap terwijl u de knoppen aan beide zijden van de accu indrukt.
- Om de accu te installeren, past u de tong op de accu in de groef in de houder, en dan schuift u de accu erin. Schuif de accu zo ver mogelijk erin, totdat deze met een klikgeluid vergrendelt. Indien u dit niet doet, kan de accu per ongeluk uit het gereedschap vallen en uzelf of anderen verwonden.
- Als de accu moeilijk in de houder gaat, moet u niet proberen hem met geweld erin te duwen. Indien de accu er niet gemakkelijk ingaat, betekent dit dat u hem niet op de juiste wijze erin steekt.

LET OP:

- De snellader is uitsluitend bestemd voor het laden van Makita accu's. Gebruik deze nooit voor andere doeleinden of voor het laden van accu's van andere fabrikanten.
- Een nieuwe accu of een accu die gedurende lange tijd niet werd gebruikt, kan eventueel niet volledig worden geladen. Dit is normaal en duidt niet op een defect. Nadat de accu enkele keren volledig is ontladen en herladen, kunt u deze weer volledig laden.
- Wanneer u de accu van een zojuist gebruikte machine laadt, of een accu die voor langere tijd aan direct zonlicht of hitte werd blootgesteld, gebeurt het wel eens dat het laadlampje in rood knippert. Wacht in zo'n geval een tijdje. Het laden zal beginnen nadat de accu is afgekoeld. De accu zal sneller afkoelen indien u deze van de snellader verwijderd.
- Indien het laadcontrolelampje afwisselend in groen en rood knippert, wijst dit op een probleem en is laden niet mogelijk. De klemmen op de snellader of op het batterijpak zijn vuil of het batterijpak is versleten of beschadigd.

Bijladen (Handhaven van de lading)

Indien u de accu na volledig opladen in de lader laat zitten om spontaan ontladen te voorkomen, zal de lader overschakelen naar de "bijladen (handhaven van de lading)" stand en zal de accu vers en volledig opgeladen blijven.

Wenken om de accu zo lang mogelijk te doen meegaan

1. Laad de accu op alvorens deze volledig is ontladen.
Stop altijd het gereedschap en laad de accu op wanneer u vaststelt dat het vermogen van het gereedschap vermindert.
2. Laad een volledig opgeladen accu nooit opnieuw op. Door overladen zal de accu minder lang meegaan.
3. Laad de accu bij een kamertemperatuur tussen 10°C en 40°C.
Laat een warme accu afkoelen alvorens deze te laden.
4. Laad de nikkel-metaalhydride accu op wanneer u deze langer dan zes maanden niet gebruikt.

Selecteren van de juiste sok

Gebruik altijd een sok van de juiste maat voor het vastdraaien van bouten en moeren. Het gebruik van een sok van de onjuiste maat zal een onnauwkeurig of onregelmatig aantrekkoppel en/of beschadiging van de bout of moer tot gevolg hebben.

Installeren of verwijderen van de sok (Fig. 3)

Belangrijk:

Controleer altijd of het gereedschap is uitgeschakeld en de accu is verwijderd alvorens de sok te installeren of te verwijderen.

Verwijder de O-ring uit de groef in de sok en verwijder de pen uit de sok. Schuif de sok over het draaistuk van het gereedschap zodat het gat in de sok op één lijn komt met het gat in het draaistuk. Steek de pen door het gat in de sok en in het draaistuk. Breng de O-ring weer op zijn oorspronkelijke plaats in de groef aan, zodat de pen op zijn plaats wordt gehouden. Om de sok te verwijderen, voert u deze procedure in omgekeerde volgorde uit.

Werkning van de trekschakelaar (Fig. 4)

LET OP:

Alvorens de accu in het gereedschap te plaatsen, moet u altijd controleren of de trekschakelaar juist werkt en bij loslaten naar de "OFF" positie terugkeert.

Om het gereedschap te starten, drukt u gewoon de trekschakelaar in. Oefen meer druk uit op de trekschakelaar om het toerental te vermeerderen. Om het gereedschap te stoppen, de trekschakelaar loslaten.

Werkning van de omkeerschakelaar (Fig. 5)

LET OP:

- Controleer altijd de draairichting alvorens het gereedschap te gebruiken.
- Verander de stand van de omkeerschakelaar alleen nadat het gereedschap volledig tot stilstand is gekomen. Indien u de draairichting verandert terwijl de boor nog draait, kan het gereedschap beschadigd raken.
- Zet de omkeerschakelaar altijd in de neutrale stand wanneer u het gereedschap niet gebruikt.

Dit gereedschap heeft een omkeerschakelaar voor het veranderen van de draairichting. Druk de omkeerschakelaar in vanaf zijde A voor rechtse draairichting, of vanaf zijde B voor linkse draairichting. Wanneer deze schakelaar in de neutrale stand staat, kan de trekschakelaar niet worden ingedrukt.

Bediening (Fig. 6 en 7)

Het juiste aantrekkoppel voor de bout hangt af van de soort of grootte van de bout. De verhouding tussen het aantrekkoppel en de aantrektijd is op de grafieken aangegeven.

Houd het gereedschap stevig vast en plaats de sok over de bout of moer. Schakel het gereedschap in en draai de bout of moer in de juiste aantrektijd vast.

OPMERKING:

- Plaats het gereedschap recht op de bout of moer en zorg ervoor dat u niet te veel druk op het gereedschap uitoefent.
- Een te groot aantrekkoppel kan de bout of moer beschadigen. Alvorens het eigenlijke werk te doen, moet u daarom altijd een proefje doen met een gelijke bout of moer voor het vaststellen van de juiste aantreksnelheid en aantrektijd.

Het aantrekkoppel wordt beïnvloed door een aantal verschillende factoren, waaronder de volgende. Controleer na het vastdraaien altijd het aantrekkoppel met een momentsleutel.

1. Wanneer de accu bijna leeg is, neemt het voltage af en vermindert het aantrekkoppel.
2. Sok
 - Het gebruik van een sok van de onjuiste maat zal resulteren in een te laag aantrekkoppel.
 - Een versleten sok (slijtage op het zeskante of vierkante uiteinde) zal resulteren in een te laag aantrekkoppel.
3. Bout
 - Zelfs wanneer de koppelverhouding en de klasse van de bout overeenkomen, kan door verschillen in de diameter van de bouten het juiste aantrekkoppel per bout toch afwijken.
 - Ook al zijn de diameters van twee bouten gelijk, dan kunnen er nog verschillen in het juiste aantrekkoppel van de twee bouten optreden ten gevolge van verschillen in de koppelverhouding en de klasse en lengte van de bouten.
4. Het aantrekkoppel is iets lager wanneer een kogelgewrichtverbinding of verlengstaaf wordt gebruikt. U kunt dit verlies aan aantrekkoppel compenseren door de aantrektijd te verlengen.
5. Het materiaal van de vast te draaien bout of moer, de manier van vasthouden van het gereedschap en het toerental hebben invloed op het aantrekkoppel.

LET OP:

Indien u het gereedschap zonder onderbreking gebruikt totdat de accu is uitgeput, dient u het gereedschap 15 minuten te laten rusten alvorens met een verse accu verder te werken.

Installeren van de sluitplaat (Los verkrijgbaar accessoire) (Fig. 8)

Installeer altijd de sluitplaat wanneer u accu's 1200, 1202 of 1202A gebruikt. Installeer de sluitplaat door middel van de bijgeleverde schroef zoals afgebeeld.

ONDERHOUD

LET OP:

Controleer altijd of het gereedschap is uitgeschakeld en de accu is losgekoppeld vooraleer onderhoud uit te voeren aan het gereedschap.

Vervangen van koolborstels (Fig. 9 en 10)

Vervang de borstels wanneer ze tot aan de aangegeven limiet zijn afgesleten. Beide koolborstels dienen tegelijkertijd te worden vervangen.

Opdat het gereedschap veilig en betrouwbaar blijft, dienen alle reparaties, onderhoud of afstellingen te worden uitgevoerd bij een erkend Makita service centrum.

Explicación de los dibujos

1 Botón	9 Interruptor inversor	16 Para de apriete apropiado para
2 Cartucho de batería	10 Lado A	17 Par de apriete
3 Luz de carga	11 Lado B	18 Tornillo
4 Cargador rápido	12 Rotación hacia la derecha	19 Placa de fijación
5 Manguito	13 Rotación hacia la izquierda	20 Marca de límite
6 Pasador	14 Tiempo de apriete	21 Destornillador
7 Junta tórica	15 Segundos	22 Tapa del portaescobillas
8 Interruptor de gatillo		

ESPECIFICACIONES

Modelo	6918D
Capacidades	
Perno estándar	M8 – M14
Perno de gran resistencia	M6 – M12
Adaptador cuadrado	12,7 mm
Velocidad en vacío (min ⁻¹)	0 – 2.300
Impactos por minuto	0 – 3.000
Par de apriete máximo	120 N•m
Longitud total	176 mm
Peso neto (con cartucho de batería)	1,6 kg
Tensión nominal	CC 12 V

- Debido a un continuado programa de investigación y desarrollo, las especificaciones aquí ofrecidas quedan sujetas a cambios sin previo aviso.
- Nota: Las especificaciones pueden diferir de país a país.

Sugerencias de seguridad

Para su propia seguridad, le rogamos que se refiera a las instrucciones de seguridad incluidas.

INSTRUCCIONES DE SEGURIDAD IMPORTANTES PARA EL CARGADOR Y EL CARTUCHO DE BATERIAS

1. **GUARDE ESTAS INSTRUCCIONES** — Este manual contiene instrucciones de operación y de seguridad importantes para el cargador de baterías.
2. Antes de utilizar el cargador de baterías, lea todas las instrucciones y las indicaciones de precaución (1) del cargador de baterías, (2) de baterías, y (3) del producto que con el que se va a utilizar baterías.
3. **PRECAUCIÓN** — Para reducir el peligro de que se produzcan heridas personales, cargue solamente las baterías recargables del tipo MAKITA. Otros tipos de baterías pueden quemarse pudiendo provocar heridas personales y daños.
4. No exponga el cargador a la lluvia o al agua.
5. La utilización de un acoplamiento no recomendado o no vendido por un fabricante de cargadores de baterías puede resultar provocar un incendio, una descarga eléctrica o heridas personales.
6. Para reducir el peligro de que el enchufe y el cable reciban daños, tire del enchufe y no del cable cuando desconecte el cargador.
7. Asegúrese de que el cable esté localizado de manera que no se tropiece con él ni se pise, y que no esté sujeto a tirones ni otros tipos de daños.

8. No opere el cargador que tenga el cable o el enchufe dañados; reemplácelos inmediatamente.
9. No opere el cargador en el caso de que haya recibido un golpe, se haya caído o esté defectuoso; llévelo a un lugar donde se le pueda practicar un servicio de mantenimiento cualificado.
10. No desmonte el cargador o el cartucho de baterías; cuando se requiera la reparación llévelo a un lugar donde se le pueda practicar un servicio de mantenimiento cualificado. Un montaje incorrecto puede resultar en que se produzca un incendio o una descarga eléctrica.
11. Para reducir el peligro de que se produzca una descarga eléctrica, desenchufe el cargador de la toma de alimentación antes de efectuar el servicio de mantenimiento o la limpieza. El desconectar los controles no reducirá este peligro.
12. El cargador de baterías no ha sido pensado para ser usado por niños ni menores sin ser supervisados.
13. Los padres deberán supervisar a sus hijos pequeños para asegurarse de que no juegan con el cargador de baterías.
14. Si el tiempo de funcionamiento se acorta excesivamente, pare la operación inmediatamente. Podría resultar en un riesgo de recalentamiento, posibles quemaduras e incluso una explosión.
15. Si entra electrolito en sus ojos, aclárelos con agua limpia y solicite atención médica enseguida. Podría resultar en la pérdida de la vista.

NORMAS DE SEGURIDAD ADICIONALES PARA EL CARGADOR Y EL CARTUCHO DE BATERIAS

1. No cargue el cartucho de baterías cuando la temperatura esté por DEBAJO de los 10°C o por ENCIMA de los 40°C.
2. No utilice un transformador elevador de tensión, un generador con motor o un receptáculo de alimentación de CC.
3. No cubra ni obstruya las rejillas de ventilación del cargador con ningún objeto.
4. Cubra siempre los bornes de baterías con la tapa correspondiente cuando no se esté usando el cartucho de baterías.

5. No cortocircuite el cartucho de baterías:
 - (1) No toque los terminales con ningún material conductor.
 - (2) Evite guardar el cartucho de baterías en un recipiente que contenga otros objetos de metal tales como clavos, monedas, etc.
 - (3) No exponga el cartucho de baterías al agua o a la lluvia.
 Un cortocircuito de baterías puede producir una gran circulación de corriente, un sobrecalentamiento, posibles quemaduras o incluso una rotura.
6. No almacene la herramienta ni el cartucho de baterías en lugares donde la temperatura pueda alcanzar o exceder los 50°C.
7. Nunca quemé el cartucho de baterías incluso en el caso de que esté dañado seriamente, ni cuando esté gastado. El cartucho de baterías podrá explotar cuando se tire al fuego.
8. Tenga cuidado para no dejar caer, sacudir o golpear la batería.
9. No la cargue en el interior de una caja o recipiente de cualquier clase. La batería deberá ponerse en un lugar bien ventilado durante la carga.

NORMAS DE SEGURIDAD ADICIONALES PARA LA HERRAMIENTA

1. Tenga presente que está herramienta está siempre en condición de operación, porque no necesita ser enchufada en una toma de corriente eléctrica.
2. Cuando realice una tarea donde la herramienta pueda entrar en contacto con cableado oculto o su propio cable, sujete la herramienta por las superficies de aislamiento aisladas. El contacto con un cable con corriente hará que la corriente circule por las partes metálicas de la herramienta y electrocute al operario.

3. Póngase protectores oídos.
4. Compruebe el con cuidado que el manguito no esté desgastado, agrietado ni dañado antes de instalarlo.
5. Sostenga firmemente la herramienta.
6. Asegúrese siempre de que el piso bajo sus pies sea firme.
7. Asegúrese de que no haya nadie debajo cuando utilice la herramienta en lugares elevados.
8. El par de apriete apropiado podrá variar en función del tipo o tamaño del perno. Compruebe el par de apriete con una llave de torsión.

GUARDE ESTAS INSTRUCCIONES.

INSTRUCCIONES PARA EL FUNCIONAMIENTO

Instalación o extracción del cartucho de batería (Fig. 1)

- Apague siempre la herramienta antes de insertar o extraer el cartucho de batería.
- Para extraer el cartucho de batería, extráigalo de la herramienta a la vez que presiona los botones a ambos lados del mismo.
- Para insertar el cartucho de batería, alinee la pestaña del cartucho de la batería con la acanaladura del alojamiento y deslícelo para colocarlo en su lugar. Insértelo siempre a tope hasta que quede bloqueado en posición produciendo un leve chasquido. En caso contrario, podrá caerse accidentalmente de la herramienta y causarle heridas a usted o a alguien que esté cerca de usted.
- No emplee fuerza para introducir el cartucho de batería. Si el cartucho de batería no se desliza fácilmente, será porque no se está insertando correctamente.

Carga (Fig. 2)

Enchufe el cargador de carga rápida en una toma de corriente alterna (CA) de tensión apropiada. La luz de carga parpadeará en color verde. Inserte el cartucho de batería de forma que los bornes positivo y negativo del cartucho de batería correspondan con las marcas respectivas que hay en el cargador de carga rápida. Inserte el cartucho completamente en la abertura de forma que asiente en la base de la abertura del cargador. Cuando el cartucho esté insertado, el color de la luz de carga cambiará de verde a rojo y la carga comenzará. La luz de carga permanecerá encendida durante la carga. Cuando el color de la luz de carga cambie de rojo a verde, se habrá completado el ciclo de carga. Si deja el cartucho de batería en el cargador después de que se haya completado el ciclo de carga, el cargador cambiará a su modo de "carga lenta (carga de mantenimiento)" que durará aproximadamente 24 horas. Después de la carga, desenchufe el cargador de la toma de corriente. Consulte la tabla de abajo para ver los tiempos de carga.

Tipo de batería	Capacidad (mAh)	Número de celdas	Tiempo de carga
1222	2.000	10	45min. aprox.
1234	2.600	10	60 min. aprox.
1235	3.000	10	70 min. aprox.

PRECAUCIÓN:

- El cargador de carga rápida es para cargar el cartucho de batería Makita. No lo utilice nunca con otro propósito o para cargar baterías de otros fabricantes.
- Cuando cargue un cartucho de batería nuevo o uno que no haya sido utilizado durante mucho tiempo, será posible que no pueda cargarse completamente. Esta es una condición normal y no indica ningún tipo de problema. Podrá volver a cargarlo completamente después de descargarlo en su totalidad y volverlo a cargar unas cuantas veces.
- Si carga un cartucho de batería que acaba de retirar de una herramienta que justo acaba de operar o uno que ha estado expuesto a la luz solar directa o calor durante mucho tiempo, la luz de carga podrá parpadear en color rojo. En este caso, espere algún tiempo. La carga comenzará una vez que el cartucho se enfríe. Éste se enfriará antes si lo saca del cargador.
- Si la luz de carga parpadea alternativamente en verde y rojo, existirá algún problema y no se podrá cargar. Los bornes en el cargador o en el cartucho de batería estarán sucios de polvo o el cartucho podrá estar inservible o estropeado.

Carga lenta (Carga de mantenimiento)

Si deja el cartucho de batería en el cargador para evitar una descarga espontánea después de haberlo cargado completamente, el cargador cambiará a su modo de "carga lenta (carga de mantenimiento)" y mantendrá el cartucho de batería listo y completamente cargado.

Consejos para alargar al máximo la vida de servicio de la batería

1. Cargue el cartucho de batería antes de que se descargue completamente.
Pare la herramienta y cargue el cartucho de batería siempre que note una menor potencia en la herramienta.
2. No cargue nunca un cartucho de batería que esté completamente cargado. La sobrecarga acortará la vida de servicio del cartucho de batería.
3. Cargue el cartucho de batería a una temperatura ambiente de 10°C – 40°C.
Si el cartucho de batería está caliente, déjelo enfriar antes de cargarlo.
4. Cargue el cartucho de batería de hidruro metálico de níquel cuando no lo utilice durante más de seis meses.

Selección del manguito correcto

Utilice siempre el manguito de tamaño correcto para pernos y tuercas. El utilizar un manguito de tamaño incorrecto resultará en un par de apriete impreciso e inconsistente y/o en daños al perno o a la tuerca.

Instalación o extracción del manguito (Fig. 3)

Importante:

Asegúrese siempre de que la herramienta esté apagada y el cartucho de batería extraído antes de instalar o extraer el manguito.

Extraiga la junta tórica de la ranura del manguito y saque el pasador del manguito. Encaje el manguito en el eje de la herramienta de manera que el orificio del manguito quede alineado con el orificio del eje. Introduzca el pasador a través de los orificios del manguito y del eje. Luego vuelva a colocar la junta tórica en su posición original de la ranura del manguito para retener el pasador. Para extraer el manguito, siga el procedimiento de instalación a la inversa.

Accionamiento del interruptor (Fig. 4)

PRECAUCIÓN:

Antes de insertar el cartucho de batería en la herramienta, compruebe siempre que el interruptor de gatillo se acciona debidamente y que vuelve a la posición "OFF" cuando lo suelta.

Para poner en marcha la herramienta, apriete el gatillo simplemente. La velocidad de la herramienta aumenta incrementando la presión en el gatillo. Suelte el gatillo para pararla.

Accionamiento del interruptor inversor (Fig. 5)

PRECAUCIÓN:

- Compruebe siempre la dirección de rotación antes de realizar la operación de trabajo.
- Emplee el conmutador de inversión sólo después de que la herramienta esté completamente parada. Si cambia la dirección de rotación antes de que la herramienta se pare podrá dañarla.
- Cuando no utilice la herramienta, ponga siempre el interruptor de inversión en la posición neutral.

Esta herramienta tiene un conmutador de inversión para cambiar la dirección de rotación. Presione el conmutador de inversión del lado A para que gire hacia la derecha o el del lado B para que gire hacia la izquierda. Cuando el conmutador de inversión esté en la posición neutral, el interruptor de gatillo no podrá ser accionado.

Operación (Fig. 6 y 7)

El par de apriete apropiado podrá variar en función del tipo o tamaño del perno. La relación entre el par de apriete y el tiempo de apriete se muestra en las figuras.

Sostenga la herramienta firmemente y coloque el manguito sobre el perno o la tuerca. Ponga la marcha la herramienta y apriete durante el tiempo de apriete apropiado.

NOTA:

- Sujete la herramienta apuntando con ella en línea recta al perno o tuerca y sin aplicar una presión excesiva sobre la herramienta.
- Un par de apriete excesivo podrá dañar el perno o la tuerca. Antes de comenzar su tarea, realice siempre una operación de prueba para verificar la velocidad y tiempo de apriete adecuados para su perno o tuerca.

El par de apriete se ve afectado por una amplia variedad de factores incluyendo los siguientes. Después del apriete, compruebe siempre el par de apriete con una llave de torsión.

1. Cuando el cartucho de batería se descargue casi por completo, la tensión disminuirá y el par de apriete se reducirá.
2. Manguito
 - El no utilizar el manguito de tamaño apropiado ocasionará una disminución del par de apriete.
 - Un manguito desgastado (en el extremo hexagonal o cuadrado) provocará una disminución del par de apriete.
3. Perno
 - Incluso en el caso de que el coeficiente del par de apriete y el tipo de perno sean los mismos, el par de apriete apropiado diferirá según el diámetro del perno.
 - Incluso en el caso de que los diámetros de los pernos sean los mismos, el par de apriete apropiado diferirá según el coeficiente del par de apriete, el tipo de perno y la longitud del mismo.
4. El empleo de una junta universal o de la barra de extensión reducirá en cierta medida la fuerza de apriete de la llave de impacto. Compénsela apretando durante más tiempo.
5. El tipo de materiales a unir, la forma de sujetar la herramienta y la velocidad de la misma afectarán al par de apriete.

PRECAUCIÓN:

Si utiliza la herramienta continuamente hasta que el cartucho de batería se haya descargado, deje reposar la herramienta durante 15 minutos antes de proceder con una batería nueva.

Instalación de la placa de fijación (accesorio opcional) (Fig. 8)

Instale siempre la placa de fijación cuando utilice los cartuchos de batería 1200, 1202 ó 1202A. Instale la placa de fijación en la herramienta con el tornillo provisto como se muestra en la figura.

MANTENIMIENTO

PRECAUCIÓN:

Asegúrese siempre de que la herramienta está apagada y de que el cartucho de baterías está quitado antes de realizar cualquier trabajo en la herramienta.

Substitución de las escobillas de carbón (Fig. 9 y 10)

Substituya las escobillas de carbón cuando estén desgastadas hasta la marca del límite. Las dos escobillas de carbón idénticas deberían ser substituidas al mismo tiempo.

Para mantener la seguridad y fiabilidad del producto, las reparaciones, el mantenimiento y los ajustes deberán ser realizados por un Centro de Servicio Autorizado de Makita.

Explicação geral

1 Botão	10 Lado A	17 Binário de aperto
2 Cartucho de bateria	11 Lado B	18 Parafuso
3 Luz de carga	12 No sentido dos ponteiros do relógio	19 Placa de apoio
4 Carregor rápido	13 No sentido oposto ao dos ponteiros do relógio	20 Marca limite
5 Bocal	14 Tempo de aperto	21 Chave de fendas
6 Pino	15 Segundos	22 Tampa do porta-escovas
7 Anel em O	16 Binário de aperto apropriado para	
8 Gatilho		
9 Alavanca do interruptor de inversão		

ESPECIFICAÇÕES

Modelo	6918D
Capacidades	
Perno normal	M8 – M14
Perno de alta tensão	M6 – M12
Transmissão quadrada	12,7 mm
Velocidade em vazio (min ⁻¹)	0 – 2.300
Impactos por minutos	0 – 3.000
Binário de aperto máximo	120 N•m
Comprimento total	176 mm
Peso líquido (com a bateria)	1,6 kg
Voltagem nominal	12 V CC

• Devido a um programa de pesquisa e desenvolvimento contínuo, estas especificações podem ser alteradas sem aviso prévio.

• Nota: As especificações podem diferir de país para país.

Instruções de segurança

Para sua segurança leia as instruções anexas.

INSTRUÇÕES DE SEGURANÇA IMPORTANTES PARA O CARREGADOR E BATERIA

- 1. GUARDE ESTAS INSTRUÇÕES** — Este manual contém importantes normas de segurança e de funcionamento do carregador e da bateria.
- Antes de utilizar o carregador leia todas as instruções e recomendações (1) do carregador da bateria, (2) da bateria e (3) da ferramenta.
- PRECAUÇÃO** — Para prevenir o risco de acidentes, carregue só as baterias recarregáveis MAKITA. Outros tipos de baterias poderão explodir e causar danos pessoais e materiais.
- Não exponha o carregador à chuva ou à neve.
- Se utilizar um acoplamento que não seja recomendado ou vendido pelo fabricante do carregador da bateria, poderá provocar um incêndio, um choque eléctrico ou danos pessoais.
- Para não danificar a ficha e o cabo, quando desligar o carregador puxe apenas pela ficha.
- Verifique se o cabo está colocado em local onde não tropece nele nem o pise, e também onde não fique sujeito a puxões ou outros tipos de danos.
- Não ligue à corrente um carregador que tenha o cabo ou a ficha danificados. Substitua-os imediatamente.
- Não utilize um carregador que tenha levado uma pancada, tenha caído ou esteja danificado; leve-o a um serviço de assistência oficial.

- 10. Não desmonte o carregador ou a bateria; quando for necessária uma reparação leve-os a um serviço de assistência oficial. Uma montagem incorrecta poderá provocar um incêndio ou choque eléctrico.**
- 11. Para evitar apanhar um choque eléctrico desligue o carregador da tomada de corrente antes de efectuar qualquer trabalho de manutenção ou de limpeza. Se apenas desligar o carregador e não retirar a ficha da tomada, não evitará o perigo de choques eléctricos.**
- 12. O carregador de bateria não deve ser utilizado por crianças ou por enfermos sem vigilância.**
- 13. Deve vigiar as crianças para se certificar de que não brincam com o carregador.**
- 14. Se o tempo de operação se tornar excessivamente curto, pare imediatamente a operação. Pode resultar em sobreaquecimento, possíveis queimaduras e mesmo uma explosão.**
- 15. Se entrar electrólito nos seus olhos, lave-os com água limpa e procure imediatamente assistência médica. Pode resultar em perda de visão.**

REGRAS DE SEGURANÇA ADICIONAIS PARA O CARREGADOR E BATERIA

- Não carregue a bateria quando a temperatura for **INFERIOR a 10°C** ou **SUPERIOR a 40°C**.
- Não use um transformador, gerador ou acumulador de corrente contínua.
- Não tape nem obstrua a ventilação do carregador.
- Cubra sempre os terminais da bateria com a respectiva tampa quando não estiver a utilizá-la.
- Não provoque um curto-circuito na bateria:
 - (1) Não toque nos terminais com nenhum material condutor.
 - (2) Evite guardar a bateria juntamente com outros objectos metálicos tais como pregos, moedas, etc.
 - (3) Não exponha a bateria à chuva ou à água. Um curto-circuito na bateria pode causar um grande fluxo de corrente, sobreaquecimento, possíveis queimaduras e mesmo uma avaria.
- Não guarde a ferramenta e a bateria em locais onde a temperatura possa atingir ou ultrapassar 50°C.
- Não queime a bateria mesmo se estiver severamente danificada ou completamente gasta. A bateria pode explodir no fogo.
- Tenha cuidado para não deixar cair, agitar ou dar pancadas na bateria.

- Não carregue dentro de uma caixa ou de um recipiente de qualquer tipo. A bateria deve ser colocada num local bem ventilado durante o carregamento.
- Certifique-se de que ninguém está por baixo quando trabalhar em locais altos.
- O acerto do binário pode diferir dependendo do tamanho ou do tipo de parafuso. Verifique o binário com uma chave de binário.

REGRAS DE SEGURANÇA ADICIONAIS PARA A MAQUINA

- Não se esqueça que esta ferramenta está sempre operacional pois não necessita de ser ligada a uma tomada da rede.
- Agarre na ferramenta pelas pegadas isoladas quando executar uma operação em que a ferramenta de corte pode entrar em contacto com qualquer fio eléctrico escondido ou o seu próprio fio. O contacto com um fio “vivo” fará com que as partes de metal expostas fiquem “vivas” e originem um choque no operador.
- Utilize protectores para os ouvidos.
- Verifique cuidadosamente antes da instalação se o bocal está velho, tem falhas ou está estragado.
- Segure na ferramenta firmemente.
- Certifique-se sempre de que os seus pés estão em perfeito equilíbrio.

GUARDE ESTAS INSTRUÇÕES.

INSTRUÇÕES DE FUNCIONAMENTO

Para instalar ou retirar a bateria (Fig. 1)

- Desligue sempre a ferramenta antes de colocar ou retirar a bateria.
- Para retirar a bateria, tire-a da ferramenta enquanto pressiona os botões em ambos os lados da bateria.
- Para colocar a bateria, alinhe a lingueta na bateria com a ranhura na caixa e deslize-a para o seu lugar. Coloque-a sempre até ao fim, até que fique presa no lugar com um clique. Se assim não for, pode acidentalmente cair da ferramenta, ferindo-a a si ou a alguém perto.
- Não force para colocar a bateria. Se a bateria não deslizar facilmente é porque não está colocada correctamente.

Carregamento (Fig. 2)

Ligue o carregador rápido à fonte de corrente CA apropriada. A luz de carregamento pisca em verde. Coloque a bateria de modo a que os terminais mais e menos na bateria estejam do mesmo lado que as marcas respectivas no carregador rápido. Coloque a bateria completamente na entrada de modo a que fique bem assente na superfície da entrada do carregador. Quando a bateria é colocada, a luz de carregamento muda de verde para vermelho e o carregamento começa. A luz de carregamento mantém-se acesa durante o carregamento. Quando a luz de carga muda de vermelho para verde, o ciclo de carregamento está completo. Se deixar a bateria no carregador depois do carregamento acabar, o carregador muda para o modo de “carregamento gota a gota (carregamento de manutenção)” que durará aproximadamente 24 horas. Depois do carregamento, desligue o carregador da fonte de alimentação. Consulte a tabela abaixo para verificar o tempo de carga.

Tipo da bateria	Capacidade (mAh)	Número de células	Tempo de carga
1222	2.000	10	Aprox. 45 min.
1234	2.600	10	Aprox. 60 min.
1235	3.000	10	Aprox. 70 min.

PRECAUÇÃO:

- O carregador rápido é para carregar a bateria Makita. Nunca o utilize para outros fins ou para baterias de outro fabricante.
- Quando carrega uma nova bateria ou uma que não foi carregada durante um longo período de tempo, pode não aceitar uma carga completa. É uma condição normal e não indica um problema. Pode recarregar a bateria completamente depois de a ter descarregado completamente e voltado a carregar algumas vezes.
- Se carregar uma bateria de uma máquina que acabou de trabalhar ou uma bateria que foi deixada exposta ao sol ou ao calor durante muito tempo, a luz de carregamento pode piscar em vermelho. Se isso acontecer espere um pouco. O carregamento começará depois da bateria ter arrefecido. A bateria arrefecerá mais rapidamente se a retirar do carregador rápido.
- Se a luz de carga piscar alternadamente em verde e vermelho, existe um problema e a carga não é possível. Os terminais no carregador ou na bateria estão bloqueados com pó ou a bateria está gasta ou danificada.

Carregamento gota a gota (Carregamento de manutenção)

Se deixar a bateria no carregador para evitar descarga espontânea depois de um carregamento completo, o carregador mudará para o modo de “carregamento gota a gota (carregamento de manutenção)” e manterá a bateria fresca e completamente carregada.

Conselhos para manter a máxima vida útil da bateria

1. Carregue a bateria antes de estar completamente descarregada. Pare sempre o funcionamento da ferramenta e carregue a bateria quando nota diminuição da potência da ferramenta.
2. Nunca carregue uma bateria completamente carregada. Sobrecarregamento diminui a vida útil da bateria.
3. Carregue a bateria à temperatura ambiente de 10°C – 40°C.
Se a bateria estiver quente deixe-a arrefecer antes de a carregar.
4. Carregue a bateria de hidreto de níquel quando não a utilizar durante mais do que seis meses.

Seleção do bocal correcto

Utilize sempre o bocal correcto para os parafusos e porcas. Um tamanho incorrecto do bocal pode originar um binário de aperto incorrecto ou inconsistente e/ou estragar a porca ou o parafuso.

Para instalar ou retirar o bocal (Fig. 3)

Importante:

Certifique-se sempre de que a ferramenta está desligada e o cartucho da bateria retirado antes de colocar ou retirar o bocal. Mova o anel em O para fora da ranhura no bocal e retire o pino do bocal. Assente o bocal na placa de apoio da ferramenta de modo a que o bocal fique alinhado com o orifício na placa de apoio. Em seguida volte a colocar o anel em O na posição original, na ranhura no bocal, para prender o pino. Para retirar o bocal siga inversamente os procedimentos de instalação.

Acção do interruptor (Fig. 4)

PRECAUÇÃO:

Antes de colocar o cartucho de bateria na ferramenta, certifique-se sempre de que o gatilho funciona correctamente e volta para a posição "OFF" quando desligado.

Para ligar a ferramenta, carregue simplesmente no gatilho. A velocidade da ferramenta aumenta quando aumenta a pressão no gatilho. Liberte o gatilho para parar.

Acção do interruptor de inversão (Fig. 5)

PRECAUÇÃO:

- Verifique sempre o sentido de rotação antes da operação.
- Só utilize o comutador de inversão quando a ferramenta estiver completamente parada. Mudar o sentido de rotação antes da ferramenta parar poderá danificá-la.
- Quando não estiver a funcionar com a ferramenta, coloque sempre o comutador de inversão na posição neutra.

Esta ferramenta tem um comutador de inversão para mudar o sentido de rotação. Pressione-o no lado A para rotação à direita ou no lado B para rotação à esquerda. Se o comutador de inversão estiver na posição neutra o gatilho não accionará.

Operação (Fig. 6 e 7)

O binário de aperto adequado pode variar dependendo do tipo e tamanho do parafuso. A relação entre o binário de aperto e o tempo de aperto é indicado nas figuras.

Segure na ferramenta firmemente e coloque o bocal sobre a porca ou o parafuso. Ligue a ferramenta e aperte durante o tempo de aperto apropriado.

NOTA:

- Pegue na ferramenta apontando directamente para a porca ou parafuso sem aplicar força excessiva na ferramenta.
- Binário de aperto excessivo pode estragar a porca ou o parafuso. Antes de começar o trabalho faça um teste para verificar a velocidade de aperto e o tempo adequado para a sua porca ou parafuso.

O binário de aperto é afectado por uma ampla variedade de factores incluindo os seguintes. Depois do aperto verifique sempre o binário com uma chave de binário.

1. Quando o cartucho de bateria está quase completamente descarregado, a voltagem diminuirá e o binário de aperto será reduzido.
2. Bocal
 - A utilização de um tamanho de bocal incorrecto causará uma redução no binário de aperto.
 - Um bocal gasto (na extremidade hexagonal ou quadrada) causará uma redução do binário de aperto.
3. Parafuso
 - Mesmo que o coeficiente do binário de aperto e a classe do parafuso seja a mesma, o binário de aperto adequado será diferente de acordo com o diâmetro do parafuso.
 - Mesmo que os diâmetros dos parafusos sejam os mesmos, o binário de aperto adequado será diferente de acordo com coeficiente do binário, a classe e o comprimento do parafuso.
4. A utilização de uma ligação universal ou de uma barra de extensão reduz a força de aperto da chave de impacto. Compense apertando durante um período mais prolongado.
5. O tipo de materiais a serem apertados, a maneira de pegar na ferramenta e a velocidade da ferramenta afectarão o aperto.

PRECAUÇÃO:

Se a ferramenta funcionar continuamente até que o cartucho da bateria esteja completamente descarregado, deixe a ferramenta descansar durante 15 minutos antes de continuar com uma bateria nova.

Instalação da placa de apoio (acessório opcional) (Fig. 8)

Coloque sempre a placa de apoio quando utiliza os cartuchos de bateria 1200, 1202 ou 1202 A. Coloque a placa de apoio na ferramenta com o parafuso fornecido, como indicado na figura.

MANUTENÇÃO

PRECAUÇÃO:

Certifique-se sempre de que a ferramenta se encontra desligada e de que a bateria foi retirada antes de efectuar qualquer inspecção e manutenção.

Substituição das escovas de carvão (Fig. 9 e 10)

As escovas de carvão devem ser substituídas quando o desgaste atingir a marca limite. Ambas as escovas de carvão devem ser substituídas ao mesmo tempo.

Para salvaguardar a segurança e a fiabilidade do produto, as reparações, manutenção e afinações deverão ser sempre efectuadas por um Centro de Assistência Oficial MAKITA.

Illustrationsoversigt

1 Knap	9 Omløbsvælger	17 Spændemoment
2 Akku	10 A side	18 Skrue
3 Ladelampe	11 B side	19 Låsebøjle
4 Hurtiglader	12 Med uret	20 Slidmarkering
5 Top	13 Mod uret	21 Skruetrækker
6 Stift	14 Fastspændingstid	22 Kulholderdæksel
7 O-ring	15 Sekunder	
8 Afbryderknap	16 Korrekt spændemoment for	

SPECIFIKATIONER

Model	6918D
Kapacitet	
Standard bolt	M8 – M14
Kvalitetsstålbolt	M6 – M12
Firkantdrev	12,7 mm
Omdrejninger (ubelastet) (min ⁻¹)	0 – 2.300
Slag per minut	0 – 3.000
Maks. spændemoment	120 N•m
Længde	176 mm
Vægt (med akku)	1,6 kg
Spænding	DC 12 V

- Ret til tekniske ændringer forbeholdes.
- Bemærk: Data kan variere fra land til land.

Sikkerhedsbestemmelser

Af sikkerhedsgrunde bør De sætte Dem ind i sikkerhedsforskrifterne.

VIGTIGE SIKKERHEDSFORSKRIFTER FOR LADER OG AKKU

1. **GEM DISSE FORSKRIFTER** — Denne brugsanvisning indeholder vigtige sikkerhedsforskrifter og betjeningsvejledninger for laderen.
2. Før laderen anvendes, bør De læse alle instruktationer og advarselmarkeringer på (1) laderen, (2) akku, og (3) produktet, som anvender akku.
3. **ADVARSEL** — For at mindske risikoen for personskade må laderen kun anvendes til opladning af MAKITA genopladelige akku-typer. Andre akku-typer kan sprænges og forårsage personskade eller ødelæggelser.
4. Udsæt ikke laderen for regn eller sne.
5. Brug af tilbehør, der ikke er anbefalet eller solgt af fremstilleren af laderen, kan give risiko for brand, elektrisk stød, eller personskade.
6. For at mindske risikoen for at beskadige netledningen eller dennes stik skal der altid trækkes i stikket og ikke i selve ledningen, når laderen tages ud af stikkontakten.
7. Sørg for, at netledningen er placeret således, at man ikke kommer til at træde på den, falde over den, og således, at den ikke udsættes for anden form for beskadigelse eller belastning.
8. Anvend aldrig laderen, hvis ledningen eller stikket er beskadiget — udskift dem øjeblikkeligt.
9. Anvend aldrig laderen, hvis den er blevet udsat for et voldsomt stød, blevet tabt, eller på anden måde beskadiget. Lad en kvalificeret reparatør se på den.

10. Skil aldrig laderen eller akkuen ad; kontakt en kvalificeret reparatør, når vedligeholdelse eller reparation er påkrævet. Forkert samling kan føre til risiko for elektrisk stød eller brand.
11. For at undgå risiko for elektrisk stød skal laderen altid afbrydes fra stikkontakten, før vedligeholdelse eller rengøring udføres. Denne risiko fjernes ikke ved blot at slukke for kontrollerne.
12. Opladeren er ikke beregnet til at skulle anvendes af børn eller svaglige personer uden opsyn.
13. Små børn bør være under opsyn for at sikre, at de ikke leger med opladeren.
14. Hvis anvendelsestiden bliver ekstrem kort, skal brugen straks afbrydes. Fortsat brug kan ellers resultere i overophedning, mulige forbrændinger og endog eksplosion.
15. Hvis De får elektrolytvæske i øjnene, skal de øjeblikkeligt renses med rigeligt rent vand, hvorefter der straks skal søges læge. Der er risiko for tab af synsevne.

YDERLIGERE SIKKERHEDSFORSKRIFTER FOR LADER OG AKKU

1. Oplad ikke akkuen, når temperaturen er UNDER 10°C, eller OVER 40°C.
2. Forsøg aldrig at anvende en transformator, en generator, eller en jævnstrømsforsyning til opladning.
3. Lad aldrig noget dække eller tilstoppe laderens ventilationshuller.
4. Dæk altid akku-polerne med akku-dækslet, når akkuen ikke anvendes.
5. Kortslut aldrig akkuen:
 - (1) Rør ikke polerne med noget ledende materiale.
 - (2) Undgå opbevaring af akkuen i beholdere sammen med andre metalgenstande, som f.eks. søm, mønter osv.
 - (3) Udsæt aldrig laderen eller akkuen for vand eller regn.
 En kortslutning af akkuen kan forårsage en stor strømudladning, overophedning, forbrænding, og sammenbrud af værktøjet.
6. Opbevar ikke værktøjet og akkuen på steder, hvor temperaturen kan nå eller overskride 50°C.
7. Udsæt ikke akkuen for destruktiv ved forbrænding, også selv om den er slemt beskadiget eller fuldstændig slidt op. Akkuen kan eksplodere i åben ild.
8. Undgå omhyggeligt at tabe, ryste eller støde akkuen.

9. Oplad aldrig med akkuen anbragt i en kasse eller anden form for beholder. Akkuen skal være anbragt på et sted med god ventilation under opladningen.
7. Ved brug af maskinen i større højde bør De sikre Dem, at der ikke opholder sig personer under arbejdsområdet.
8. Det korrekte spændemoment kan svinge afhængigt af boltens type eller størrelse. Kontrollér spændemomentet med en momentnøgle.

YDERLIGERE SIKKERHEDSFORSKRIFTER FOR MASKINEN

1. Vær opmærksom på, at denne maskine altid er i driftsklar tilstand, da den ikke kræver at blive sat til en stikkontakt.
2. Hold kun ved maskinen på de isolerede greb og overflader, når De udfører arbejde, hvor det skærende værktøj kan komme i kontakt med skjulte ledninger. Kontakt med en strømførende ledning vil også gøre uafdækkede metaldele på maskinen strømførende og give operatøren stød.
3. Benyt høreværn.
4. Kontrollér omhyggeligt toppen for slitage, revner eller beskadigelse før montering.
5. Hold godt fast på maskinen.
6. Sørg for, at De altid har sikkert fodfæste.

GEM DISSE FORSKRIFTER.

BETJENINGSFORSKRIFTER

Isætning og udtagning af akku (Fig. 1)

- Sluk altid for maskinen, før isætning og udtagning af akku.
- For at fjerne akkuen trykkes samtidigt på knapperne på begge sider af akkuen, mens denne trækkes ud af maskinen.
- Isæt akkuen ved at rette dens tunge ind efter rillen i huset. Skyde derefter akkuen helt ind til den låser på plads med et klik. Hvis akkuen ikke sættes i på denne måde, kan den ved et uheld falde ud af maskinen, og eventuelt forvolde personskade.
- Brug aldrig magt, når akkuen sættes i. Hvis ikke akkuen glider i uden besvær, er det fordi, at den vender forkert.

Opladning (Fig. 2)

Tilslut opladeren til stikkontakten. Ladelampen blinker grønt. Sæt akkuen i opladeren således at dens plus- og minuspoler passer med de tilsvarende markeringer på opladeren. Skub akkuen så langt ind at den står på bunden af opladeren. Når akkuen er isat, skifter ladelampen fra grønt til rødt og opladningen begynder. Ladelampen forbliver tændt under hele opladningen. Når ladelampens farve skifter fra rødt til grøn, er opladningen afsluttet. Hvis De efterlader akkuen i opladeren, efter at opladningen er afsluttet, skifter opladeren over til kompensationsladning (vedligeholdelsesladning), som fortsætter i cirka 24 timer. Tag akkuen ud og træk stikket til laderen ud af stikkontakten. Se nedenstående tabel vedrørende ladetiden.

Akkue-type	Kapacitet (mAh)	Antal celler	Ladetid
1222	2 000	10	ca. 45 min.
1234	2 600	10	ca. 60 min.
1235	3 000	10	ca. 70 min.

ADVARSEL:

- Opladeren er beregnet til opladning af Makita akkuer. Brug den aldrig til andre formål eller til opladning af akkuer af andre fabrikater.
- Ved opladning af en ny akku eller en akku, der ikke har været brugt længe, kan det ske at akkuen ikke oplades helt. Dette er normalt, og akkuen vil atter kunne oplades helt, når den har været opladet og afladet nogle gange.
- Hvis man forsøger at oplade en akku, der lige har været i brug eller udsat for stærk varme, vil ladelampen evt. blinke rødt. Sker dette kan opladningen først startes, når akkuen er afkølet. Akkuen afkøles hurtigere hvis den tages ud af laderen.
- Hvis ladelampen blinker skiftevis grønt og rødt, er opladning ikke mulig. Polerne på opladeren eller akkuen er ikke rene, akkuen er beskadiget eller akkuen er slidt op.

Kompensationsladning (vedligeholdelsesladning)

Hvis De efterlader akkuen i opladeren for at forebygge spontan afladning efter en fuld opladning, skifter opladeren til dens "kompensationsladning (vedligeholdelsesladning)" funktion, og holder derved akkuen frisk og fuldt opladet.

Tips til sikring af maksimal akku-levetid

1. Oplad akkuen, før den er fuldt afladet.
Stop altid anvendelse af maskinen, og oplad akkuen, når De bemærker reduceret maskinkraft.
2. Oplad aldrig en fuldt opladet akku. Over-opladning forkorter akkuens levetid.
3. Oplad akkuen ved en rumtemperatur på 10°C – 40°C.
Lad en varm akku køle, før den oplades.
4. Oplad nikkel metalhydrid akkuen, når De ikke har anvendt den indenfor et halvt år.

Valg af korrekt top

Anvend altid den korrekte størrelse i top til bolte og møtrikker. En top med forkert størrelse vil give upræcist og ujævn spændemoment og/eller beskadige bolten eller møtrikken.

Montering eller afmontering af top (Fig. 3)

VIGTIGT:

Kontrollér altid at maskinen er slået fra og akkuen fjernet, før toppen monteres eller afmonteres.

Tag O-ringen ud fra rillen i toppen og fjern stiften fra toppen. Sæt toppen på maskinens ambolt, således at hullet i toppen passer med hullet i ambolten. Før stiften ind gennem hullet i toppen og ambolten. Anbring derefter O-ringen på dens oprindelige plads i rillen på toppen for at holde stiften på plads. Toppen afmonteres ved at følge monteringsfremgangsmåden i omvendt orden.

Afbryderknappbetjening (Fig. 4)

FORSIGTIG:

Før akkuen sættes i maskinen, bør De altid kontrollere, at afbryderknappen fungerer korrekt og returnerer til "OFF" positionen, når den slippes.

For at starte maskinen trykkes der blot på afbryderen. Maskinens hastighed øges ved at øge trykket på afbryderen. Slip afbryderen for at stoppe.

Omløbsvælger (Fig. 5)

ADVARSEL:

- Kontrollér altid omløbsretningen før arbejdet påbegyndes.
- Brug kun omløbsvælgeren når maskinen er helt stoppet. Hvis omløbsretningen ændres inden maskinen er helt stoppet, kan det beskadige maskinen.
- Når maskinen ikke anvendes, skal omløbsvælgeren altid være sat i neutral position.

Denne maskine har en omløbsvælger, der kan ændre omløbsretningen. Skub omløbsvælgeren ind fra maskinens højre side for omdrejning med uret (spænde) og ind fra venstre side for omdrejning mod uret (løsne).

Anvendelse (Fig. 6 og 7)

Det korrekte spændemoment kan svinge afhængigt af type eller størrelse på bolten. Forholdet mellem spændemoment og fastgøringstid er vist i figuren.

Hold godt fast på maskinen og placér toppen over bolten eller møtrikken. Tænd for maskinen og tilspænd i den korrekte fastgøringstid.

BEMÆRK:

- Hold maskinen i ret vinkel direkte mod bolten eller møtrikken uden at lægge overdrevent tryk på maskinen.
- For stort spændemoment kan beskadige bolten eller møtrikken. Før arbejdet startes, bør De altid udføre en prøve for at bestemme det tilstrækkelige spændemoment og fastgøringstid for bolten eller møtrikken.

Spændemomentet påvirkes af en række faktorer, inklusive de følgende. Efter fastgøring skal momentet altid kontrolleres med en momentnøgle.

1. Når akkuen er næsten helt afladet, falder spændingen, og spændemomentet reduceres.
2. Top
 - Anvendelse af en forkert størrelse top vil reducere spændemomentet.
 - En slidt top (slitage på sekskantenden eller den fir-kantede ende) vil reducere spændemomentet.
3. Bolt
 - Selv om spændemomentkoefficienten og boltklassen er den samme, vil det korrekte spændemoment afhænge af diameteren på bolten.
 - Selv om diameteren på bolte er den samme, vil det korrekte spændemoment afhænge af spændemomentkoefficienten, boltklassen og boltens længde.
4. Anvendelse af kardanledet eller forlængerstangen reducerer i nogen grad fastgøringskraften på anlagsnøglen. Kompenser for dette ved at fastgøre i længere tid.
5. Typen på materialet der skal fæstnes, måden maskinen holdes, samt maskinens hastighed vil påvirke momentet.

FORSIGTIG:

Hvis maskinen anvendes uafbrudt indtil akkuen er afladet, skal maskinen have lov til hvile i 15 minutter, før der fortsættes med en ny akku.

Montering af låsebøjle (ekstraudstyr) (Fig. 8)

Montrér altid låsebøjlen ved anvendelse af akkuerne 1200, 1202 eller 1202A. Monter låsebøjlen på maskinen med skruen, som vist i figuren.

VEDLIGEHOLDELSE

ADVARSEL:

Sørg altid for at maskinen er slukket, og at akkuen er taget ud før der gennemføres noget arbejde på selve maskinen.

Udskiftning af kul (Fig. 9 og 10)

Udskift maskinens kul når disse er slidt ned til slidgrænsen. De nedslidte kul erstattes med nye originale Makita-kul. Udskift altid kullene parvis.

For at opretholde produktets sikkerhed og pålidelighed, må istandsættelse, vedligeholdelse eller justering kun udføres af et autoriseret Makita service center.

Förklaring av allmän översikt

1 Knapp	9 Rotationsomkopplingsspak	16 Lämpligt åtdragningsmoment för
2 Batterikassett	10 Sida A	17 Åtdragningsmoment
3 Laddningslampa	11 Sida B	18 Skruv
4 Snabbladdare	12 Medurs	19 Hållplatta
5 Hylsa	13 Moturs	20 Slitgränsmarkering
6 Låspinne	14 Åtdragningsstid	21 Skruvmejsel
7 Gummiring	15 Sekunder	22 Kolhållarlock
8 Avtryckare		

TEKNISKA DATA

Modell	6918D
Kapacitet	
Standardbult	M8 – M14
Höghållfasthetsbult	M6 – M12
Fyrkantig borr	12,7 mm
Obelastat varvtal (min ⁻¹)	0 – 2 300
Slagtal per minut	0 – 3 000
Max. åtdragningsmoment	120 N•m
Total längd	176 mm
Nettovikt (med kraftkassett)	1,6 kg
Märkspänning	12 V likström

- På grund av vårt ständiga forsknings- och utvecklingsprogram kan här angivna tekniska data ändras utan föregående meddelande.
- Observera: Tekniska data kan variera från land till land.

Säkerhetstips

Läs igenom de medföljande säkerhetsföreskrifterna för din egen säkerhets skull.

VIKTIGA SÄKERHETSANVISNINGAR FÖR LADDARE OCH BATTERIKASSETT

1. SPARA DESSA ANVISNINGAR — Denna bruksanvisning innehåller viktiga säkerhets- och driftsansvisningar för batteriladdaren.
2. Läs alla anvisningar och säkerhetsmärkningar på (1) batteriladdaren, (2) batteriet och (3) den produkt till vilken batteriet ska användas.
3. ATT OBSERVERA — Ladda endast MAKITA upp-laddningsbara batterier, för att minska risken för skador. Andra typer av batterier kan explodera och orsaka skador på person och egendom.
4. Utsätt inte laddaren för regn eller snö.
5. Att använda tillsatser som inte rekommenderas eller säljs av batteriladdarens tillverkare kan medföra att risk för eldsvåda, elektriska stötar och personsador uppstår.
6. Dra i kontakten istället för i sladden när batteriladdaren ska kopplas ur, för att minska risken för skador på stickkontakten och sladden.
7. Se till att sladden placeras så att ingen trampar eller snubblar på den, eller att den på annat sätt utsätts för skador eller påfrestningar.
8. Använd inte laddaren om sladden eller kontakten är skadade — byt ut dem omedelbart.
9. Använd inte laddaren om den har utsatts för ett kraftigt slag, tappats eller på annat sätt skadats; ta den genast till en kvalificerad servicetekniker.

10. Ta inte isär laddaren eller batterikassetten; lämna dem till en kvalificerad servicetekniker om de är i behov av service eller reparation. Felaktig ihopsättning kan resultera i att det uppstår risk för elektriska stötar och eldsvåda.
11. Dra ut laddaren ur nätuttaget innan något underhåll eller rengöring utförs, för att minska risken för elektriska stötar. Att bara stänga av verktyget med kontrollerna minskar inte denna risk.
12. Batteriladdaren är inte avsedd för att användas av barn eller personer med förståndshandikapp utan uppsyn.
13. Småbarn bör ha sådan tillsyn att de inte leker med batteriladdaren.
14. Avbryt driften omedelbart om drifttiden börjar bli betydligt kortare. Att fortsätta driften kan medföra risk för överhettning, brännskador och även explosion.
15. Tvätta ur ögonen med rent vatten om elektrolytvätska skulle komma in i ögonen, och sök omedelbart medicinsk vård. Att få in elektrolytvätska i ögonen kan resultera i att du förlorar synen.

SÄRSKILDA SÄKERHETSFÖRESKRIFTER FÖR LADDARE OCH BATTERIKASSETT

1. Ladda inte batterikassetten när temperaturen är UNDER 10°C eller ÖVER 40°C.
2. Försök inte använda en spänningsomvandlare, motortransformator eller ett likströmsuttag.
3. Låt ingenting täcka över eller täppa igen laddarens ventilationsuttag.
4. Täck alltid för batteriets kontaktbleck med batterilocket, när batterikassetten inte används.
5. Kortslut inte batterikassetten:
 - (1) Vidrör inte kontaktblecken med något elektriskt ledande föremål.
 - (2) Undvik att förvara batterikassetter i en behållare tillsammans med andra metallföremål som t.ex. spikar, mynt osv.
 - (3) Utsätt inte batteriladdaren för vatten eller regn.
 En kortslutning av batteriet kan orsaka ett kraftigt strömflöde, överhettning, risk för brännskador och även att batteriet totalförstörs.
6. Förvara inte verktyget och batterikassetten på platser där temperaturen kan komma att uppgå till eller överstiga 50°C.
7. Bränn inte upp batterikassetten, även om den är svårt skadad eller fullständigt utsliten. Batterikassetten kan explodera i eld.
8. Var försiktig så att batteriet inte tappas, skakas om eller utsätts för slag.

- Utför inte laddningen inuti en låda eller någon annan typ av behållare. Batteriet måste vara placerat på en plats med god ventilation under uppladdningen.

- Rätt åtdragningsmoment beror på bultens typ och storlek. Kontrollera momentet med en momentnyckel.

SPARA DESSA ANVISNINGAR.

EXTRA SÄKERHETSANVISNINGAR FÖR MASKINEN

- Tänk på att maskinen alltid är i driftklart tillstånd eftersom den inte behöver kopplas in i ett vägguttag.
- Håll verktyget i de isolerade greppytorna vid arbeten där skären riskerar att komma i kontakt med ledningsdragning som inte är synlig. Om verktyget skulle komma i kontakt med en strömförande ledning kommer även de synliga metalldelarna på verktyget att bli strömförande, och därmed ge operatören en elektrisk stöt.
- Bär öronskydd.
- Kontrollera hylsan noggrant efter förslitning, sprickor eller andra skador före installationen.
- Håll maskinen stadigt.
- Var noga med att alltid stå stadigt.
- Kontrollera att ingen befinner sig under dig när du använder maskinen på höga platser.

BRUKSANVISNING

Montering och demontering av batterikassetten (Fig. 1)

- Stäng alltid av maskinen innan du sätter på eller tar ur batterikassetten.
- Ta av batterikassetten genom att dra ut den från maskinen samtidigt som du håller knapparna på kassetten båda sidor intryckta.
- Stick in batterikassetten genom att passa ihop batterikassetten tunga med spåret i höljet och skjuta in den på plats. Skjut alltid in den så långt det går tills den klickar till på plats. Annars finns det risk att den råkar falla ut ur verktyget, vilket kan leda till personskador.
- Tryck aldrig in batterikassetten med våld. Om kassetten inte glider in lätt, beror det på att den är felaktigt isatt.

Laddning (Fig. 2)

Sätt i laddaren i ett passande växelströmsuttag. Laddningslampan blinkar då med grönt sken. Sätt i batterikassetten så att plus- och minuskontakterna på batterikassetten är på samma sida som deras respektive markeringar på snabb-laddaren. För in kassetten fullständigt i laddarens port så att den vilar mot portens botten. När batterikassetten satts i ändras laddningslampans färg från grönt till rött och laddningen påbörjas. Laddningslampan lyser med konstant sken under laddningen. När laddningslampan ändrar färg från rött till grönt är laddningen avslutad. Om du lämnar kraftkassetten i laddaren efter avslutad laddning övergår laddaren till läget "strömladdning (underhållsladdning)" vilket varar i ungefär 24 timmar. Dra ur laddaren kontakt från strömkällan när laddningen är avslutad. Se i tabellen nedan för laddningstid.

Batterityp	Kapacitet (mAh)	Antal celler	Laddningstid
1222	2 000	10	Ca 45 min.
1234	2 600	10	Ca 60 min.
1235	3 000	10	Ca 70 min.

FÖRSIKTIGHET!

- Snabb-laddaren är avsedd för laddning av Makita batterikassett. Använd den inte för andra ändamål eller för att ladda andra tillverkares batterier.
- Vid laddning av en ny batterikassett eller en batterikassett som inte använts under en längre tid kan det inträffa att batterikassetten inte går att ladda fullt. Detta är normalt och betyder inte att något är fel. Batterikassetten kan laddas fullt efter ett att den laddats ur och återuppladdats ett par gånger.
- Vid laddning av en batterikassett från en maskin som just använts eller en batterikassett som har legat på en plats utsatt för direkt solljus eller värme under en längre tid kan det inträffa att laddningslampan blinkar med rött sken. Vänta ett ögonblick om detta skulle inträffa. Laddningen påbörjas efter att batterikassetten har svalnat. Batterikassetten svalnar snabbare om du avlägsnar den från snabb-laddaren.
- Om laddningslampan blinkar med omväxlande grönt och rött sken har ett problem uppstått, och laddning kan inte genomföras. Kontakterna på laddaren eller kraftkassetten är igensatta med damm eller skräp, eller så är kraftkassetten utslitet eller skadad.

Droppladdningsläget (underhållsladdningläget)

Om du lämnar kvar batterikassetten i laddaren för att förhindra spontan urladdning efter en full uppladdning, går laddaren över i "droppladdningsläget (underhållsladdningläget)" för att hålla batterikassetten fräsch och fullt uppladdad.

Tips för att batteriet ska vara så länge som möjligt

1. Ladda upp batterikassetten innan den blivit helt urladdad.
Stanna alltid maskinen och ladda upp batterikassetten om du märker att maskinens kraft sjunker.
2. Ladda aldrig upp en batterikasset som redan är fullt uppladdad. Överuppladdning förkortar batterikassetens bruksliv.
3. Ladda upp batterikassetten vid en rumstemperatur på 10 – 40°C.
Låt batterikassetten svalna om den är varm innan du laddar upp den igen.
4. Ladda upp kraftkassetten, av typ nickel metallhydrid, om du inte använder den på mer än sex månader.

Rätt val av hylsa

Välj alltid en hylsa av rätt storlek för bultar och muttrar. En felaktig hylsstorlek resulterar i ett felaktigt och ojämnt åtdragningsmoment och/eller skador på bulten eller muttern.

Montering och demontering av hylsan (Fig. 3)

Viktigt:

Kontrollera alltid noggrant att maskinen är avstängd och att batterikassetten är uttagen innan du monterar eller demonterar hylsan.

Rulla bort gummiringen från spåret i hylsan och ta bort låspinnen från hylsan. Montera hylsan på drivtappen så att hålet i hylsan befinner sig mitt för hålet i drivtappen. Stick in låspinnen genom hålet i hylsan och drivtappen. Rulla sedan tillbaka gummiringen till sitt ursprungsläge i hylsspåret för att säkra låspinnen. Utför monteringsanvisningarna i omvänd ordning för att demontera hylsan.

Avtryckaren (Fig. 4)

VARNING:

Kontrollera alltid att avtryckaren fungerar som den skall och återgår till avstängt läge när du släpper den, innan du sätter i batterikassetten i maskinen.

Starta maskinen helt enkelt genom att trycka på avtryckaren. Maskinens hastighet ökar med ökat tryck på avtryckaren. Släpp avtryckaren för att stanna maskinen.

Rotationsomkopplaren (Fig. 5)

FÖRSIKTIGHET!

- Kontrollera alltid rotationsriktningen före användning.
- Använd rotationsomkopplaren först efter att maskinen har stannat helt. Ändring av rotationsriktningen innan maskinen har stannat kan orsaka skador på maskinen.
- Ställ alltid rotationsomkopplaren i neutralt läge när maskinen inte är i bruk.

Denna maskin är utrustad med en rotationsomkopplare för att ändra rotationsriktningen. Tryck in rotationsomkopplaren från sida A för medurs rotation, och från sida B för moturs rotation. När rotationsomkopplaren står i neutralt läge kan strömställaren inte tryckas in.

Användningssätt (Fig. 6 och 7)

Rätt åtdragningsmoment beror på bultens typ och storlek. Förhållandet mellan åtdragningsmomentet och åtdragningstiden visas i figurerna.

Håll maskinen stadigt och placera hylsan över bulten eller muttern. Slå på maskinen och dra åt under den föreskrivna åtdragningstiden.

OBSERVERA:

- Håll maskinen riktad rakt mot bulten eller muttern utan att trycka alltför hårt på maskinen.
- Vid alltför stort åtdragningsmoment kan bulten eller muttern skadas. Gör alltid en provdragningsmoment för att kontrollera den lämpligaste åtdragningshastigheten och tiden för den använda bulten eller muttern.

Åtdragningsmomentet beror på en lång rad faktorer inklusive följande. Kontrollera alltid momentet med en momentnyckel efter åtdragningen.

1. När batterikassetten är nästan helt urladdad sjunker spänningen och därmed åtdragningsmomentet.
2. Hylsan
 - Om en hylsa av fel storlek används sjunker åtdragningsmomentet på bultens diameter.
 - Om hylsan är slitet (slitage på den sexkantiga eller den fyrkantiga änden) sjunker åtdragningsmomentet.
3. Bulten
 - Även om momentkoefficienten och bulttypen är densamma, beror det korrekta åtdragningsmomentet på bultens diameter.
 - Även om två bultar har samma diameter beror det korrekta åtdragningsmomentet på momentkoefficienten, bulttypen och bultarnas längd.
4. Om en universalknut eller förlängningsstång används sjunker slagnyckelns åtdragningskraft något. Kompensera genom att dra åt under längre tid.
5. Momentet påverkas även av fästmaterialet, hur maskinen hålls och maskinhastigheten.

VARNING:

Om maskinen används oavbrutet ända tills batterikassetten laddats ur så låt maskinen vila i 15 minuter innan du fortsätter med ett fullt uppladdat batteri.

Montering av hållplattan (separat tillbehör) (Fig. 8)

Montera alltid hållplattan när batterikassetterna 1200, 1202 eller 1202A används. Montera hållplattan på verktyget med hjälp av den medföljande skruven på det sätt som visas i figuren.

UNDERHÅLL

FÖRSIKTIGHET:

Tillse alltid att maskinen är fränkopplad och att batteriet tagits ur maskinen innan Du utför arbete på denna.

Utbyte av kolborstar (Fig. 9 och 10)

Byt ut kolborstarna när de slitits ner till slitagegränsmärkningen. Byt alltid ut båda kolborstarna samtidigt.

För att bibehålla produktens säkerhet och tillförlitlighet, bör alltid reparationer, underhållsservice och justeringar utföras av auktoriserad Makita serviceverkstad.

Forklaring til generell oversikt

1 Knapp	9 Reversbryter	17 Tiltrekningsmoment
2 Batteri	10 A-side	18 Skrue
3 Ladelampe	11 B-side	19 Stilleplate
4 Hurtiglader	12 Medurs	20 Slitasjegrænse
5 Muffe	13 Moturs	21 Skrutrekker
6 Stift	14 Tiltrekningsstid	22 Børsteholderhette
7 O-ring	15 Sekunder	
8 Startbryter	16 Korrekt tiltrekningsmoment for	

SPESIFIKASJONER

Modell	6918D
Kapasiteter	
Standard bolt	M8 – M14
Høystrekkbolt	M6 – M12
Firkantdrev	12,7 mm
Tomgangshastighet (min ⁻¹)	0 – 2 300
Slag per minutt	0 – 3 000
Maks. tiltrekningsmoment	120 N•m
Total lengde	176 mm
Nettovekt (med batteri)	1,6 kg
Klassifisert spenning	DC12 V

• Grunnet det kontinuerlige forsknings- og utviklings-programmet, forbeholder vi oss retten til å foreta endringer i tekniske data uten forvarsel.

• Merk: Tekniske data kan variere fra land til land.

Sikkerhetstips

For din egen sikkerhets skyld ber vi deg lese de medfølgende sikkerhetsreglene.

SIKKERHETSREGLER FOR HURTIGLADER

1. Ta vare på bruksanvisningen — den inneholder viktige sikkerhetsregler og bruksveiledning.
2. Les alle sikkerhetsregler før hurtigladeren taes i bruk.
3. Reduser faren for skader — bruk kun batterier av Makita type. Andre typer batterier kan eksplodere og forårsake skader, både på personer og omgivelsene.
4. Utsett ikke laderen for regn eller snø.
5. Bruk av tilbehør som ikke er anbefalt eller selges av batteriladerens produsent, kan resultere i fare for brann, elektrisk støt eller personskader.
6. Rykk ikke i ledningen for å løsrive støpselet fra kontakten.
7. Sørg for at ledningen ligger slik at ingen trår på eller snubler i den. Hold ledningen unna varme og skarpe kanter.
8. Bruk ikke laderen hvis ledningen eller støpselet er skadet.
9. Har hurtigladeren falt i gulvet eller vært utsatt for slag eller på annen måte vært utsatt for skade, bør den repareres på autorisert verksted.
10. Demonter ikke lader eller batteri på egen hånd. Feil montering kan medføre fare for elektriske støt. La et autorisert verksted utføre reparasjoner hvis nødvendig.
11. Faren for elektriske støt ved rengjøring og vedlikehold reduseres ved å fjerne støpselet fra kontakten. Nullstilling av kontrollbrytere reduserer ikke denne faren.

12. Batteriladeren er ikke beregnet til bruk for mindreårige barn eller personer som trenger oppsyn.
13. Se til at ikke mindreårige barn leker med batteriladeren.
14. Hvis driftstiden blir betraktelig kortere, må driften stanses omgående. Det vil være en risiko for overoppheting, forbrenninger eller til og med en eksplosjon.
15. Skulle du få elektrolytter i øynene, skyll grundig med rent vann og oppsøk lege øyeblikkelig. Det kan være fare for at du mister synet.

SIKKERHETSREGLER FOR LADER OG BATTERI

1. Viktig! Ikke lad batteriet ved temperaturer under +10°C eller over +40°C.
2. Kan ikke brukes med transformator, aggregat eller likeretter.
3. Sørg for at ikke luftehullene er tildekket eller tett igjen (det finnes også luftehull på undersiden).
4. Batteriterminalene må alltid være dekket til med batteridekslet når batteriet ikke er i bruk.
5. Dette kan medføre kortslutning av batteriet:
 - (1) Terminalen må ikke komme i kontakt med strømførende materialer.
 - (2) Unngå å oppbevare batteriet sammen med andre metallgenstander som f. eks. spikre, mynter etc.
 - (3) Batteriet må ikke utsettes for vann eller regn. Et batteri som kortsluttes kan forårsake stor elektrisk strømvang, overoppheting, brannskader og driftsstans.
6. Hverken verktøy eller batteri må oppbevares på steder hvor temperaturen kan nå eller overskride +50°C.
7. Kast ikke batteriet på åpen ild, selv om det er ødelagt eller totalt utslitt. Batteriet kan da eksplodere.
8. Batteriet må ikke falle på gulvet, ristes eller utsettes for slag.
9. Batteriet må ikke lades opp inni en beholder av noe slag. Opplading av batteriet må foregå på et sted hvor ventilasjonen er god.

EKSTRA SIKKERHETSREGLER FOR MASKINEN

1. Vær oppmerksom på at dette verktøyet alltid er klar til bruk ettersom det ikke er nødvendig å kople det til en stikkontakt.
2. Hold verktøyet i de isolerte gripeflatene når arbeid utføres på steder hvor det kan komme i kontakt med skjulte ledninger. Kontakt med en strømførende ledning vil gjøre at eksponerte metalldeleer på selve verktøyet også blir strømførende slik at operatøren utsettes for elektrisk støt.
3. Bruk hørselvern.
4. Sjekk muffen nøye for slitasje, sprekker eller andre skader før den monteres på maskinen.
5. Hold godt fast i maskinen.
6. Sørg alltid for godt feste.
7. Se etter at det ikke befinner seg noen under når arbeidet foregår på stillaser.
8. Korrekt tiltrekningsmoment kan variere avhengig av boltens type og størrelse. Kontroller momentet med en momentnøkkel.

TA VARE PÅ DISSE SIKKERHETSREGLENE.

Lading (Fig. 2)

Kople hurtigladeren til en AC-kontakt. Ladelampen vil blinke grønt. Sett inn batteriet slik at pluss — og minus-terminalene på batteriet er på samme side som respektive markeringer på hurtigladeren. Sett batteriet helt inn i åpningen så det hviler på gulvet i laderen. Når batteriet settes inn, vil ladelampen skifte fra grønn til rød og ladingen begynner. Ladelampen vil lyse hele tiden under ladingen. Når ladelampens farge skifter fra rød til grønn, betyr det at ladesyklusen er fullført. Hvis batteriet blir stående i laderen etter at ladingen er ferdig, vil laderen gå over i "dryppladingsmodus" (vedlikeholdsladning) som vil vare i ca. 24 timer. Etter ladingen må laderen koples fra strømkilden. Se tabellen under om ladetid.

Batteritype	Kapasitet (mAh)	Antall elementer	Ladetid
1222	2 000	10	Ca. 45 min.
1234	2 600	10	Ca. 60 min.
1235	3 000	10	Ca. 70 min.

NB!

- Hurtiglader er til lading av Makita-batterier. Den må ikke brukes til andre formål eller til andre batterimerker.
- Når et nytt batteri eller et batteri som ikke har vært i bruk på lenge skal lades opp, kan det være vanskelig å lade det helt opp. Dette er normalt og er ikke tegn på noe galt. Batteriet kan lades helt opp etter at det har vært helt utladet og oppladet et par ganger.
- Ved opplading av et batteri fra en maskin som nettopp har vært i bruk, eller et batteri som har vært utsatt for direkte sol eller varme i lengre tid, kan ladelampen blinke rødt. Hvis dette skjer venter du en stund. Ladingen vil starte når batteriet er tilstrekkelig avkjølt. Batteriet kjøles raskere av hvis det tas ut av laderen.
- Hvis ladelampen blinker vekselvis i grønt og rødt, tyder det på at noe er galt og lading er derfor ikke mulig. Terminalene på laderen eller batteriet er enten tilstoppet med støv eller batteriet er dødt eller ødelagt.

Drypplading (vedlikeholdslading)

Hvis du lar batteriet bli liggende i laderen for å forhindre utlading etter at det er ladet helt opp, vil laderen gå over i "drypplading"-modus (vedlikeholdslading) så batteriet til enhver tid er fullt oppladet.

Tips for å sikre maksimal batterilevetid

1. Lad batteriet opp før det er helt utladet. Stans maskinen og lad batteriet opp så snart du merker redusert effekt.
2. Lad aldri opp et helt oppladet batteri. Overlading forkorter batteriets levetid.
3. Lad batteriet opp under romtemperatur på 10°C – 40°C. La et varmt batteri få tid til å avkjøles før det lades opp.
4. Nikkelmetallhydrid -batteriet må lades opp når det ikke skal brukes på mer enn 6 måneder.

BRUKSANVISNING

Montering og demontering av batteriet (Fig. 1)

- Maskinen må alltid slås av før batteriet settes inn eller tas ut.
- Batteriet fjernes ved å trekke det ut av verktøyet samtidig som de to knappene på begge sider av batteriet trykkes inn.
- Batteriet monteres ved å samstemme tungen på batteriet med sporet i kammeret og så skyve det på plass. Pass på å skyve det helt inn til det klikker på plass. Hvis ikke kan det komme til å falle ut under bruk og forårsake skader på operatøren eller andre tilstedeværende.
- Batteriet må ikke settes i med makt. Hvis det ikke med letthet gliir på plass, er det fordi det settes inn på feil måte.

Valg av korrekt muffe

Bruk korrekt muffestørrelse til bolter og mutre. Feil størrelse kan resultere i unøyaktig og inkonsekvent tiltrekning og/eller skader på bolt eller mutter.

Montering eller demontering av muffen (Fig. 3)

Viktig:

Verktøyet må alltid være avslått og batteriet fjernet før muffen monteres eller demonteres.

Flytt O-ringen ut av rillen i muffen og fjern stiften fra muffen. Sett muffen på verktøyet anbolt slik at hullet i muffen stemmer overens med hullet i anbolten. Sett inn stiften via hullet i muffen og anbolten. Flytt så O-ringen tilbake til sin opprinnelige posisjon i muffens rille så stiften holdes fast. Muffen demonteres ved å følge monteringsprosedyren i omvendt rekkefølge.

Bryter (Fig. 4)

NB!

Før batteriet settes inn i verktøyet, må du sjekke at bryteren virker som den skal og går tilbake til "OFF" når den slippes.

Maskinen startes ved å trykke inn bryteren. Maskinens hastighet øker med trykket på bryteren. Slipp bryteren for å stoppe.

Reversbryter (Fig. 5)

NB!

- Sjekk alltid rotasjonsretningen før maskinen startes.
- Reverseringshendelen må bare brukes etter at maskinen har stoppet helt. Hvis rotasjonsretningen endres før motoren har stoppet helt, kan det føre til skader på maskinen.
- Når maskinen ikke er i drift må revershendelen alltid settes i nøytral stilling.

Maskinen er utstyrt med en reverseringshendel for å endre rotasjonsretningen. Trykk på hendelen fra A-siden for medurs rotasjon, eller fra B-siden for moturs rotasjon. Når hendelen er i friposisjon, lar startbryteren seg ikke aktivere.

Betjening (Fig. 6 og 7)

Korrekt tiltrekningsmoment kan variere avhengig av boltens type og størrelse. Forholdet mellom tiltrekningsmoment og tiltrekningstid er vist i tabellen.

Hold godt fast i maskinen og plasser muffen over boltene eller mutteren. Slå maskinen på og trekk til med korrekt tiltrekningstid.

MERKNAD:

- Hold maskinen i rett vinkel på boltene eller mutteren uten å øve for stort trykk.
- For stort tiltrekningsmoment kan skade boltene/mutteren. Før det egentlige arbeidet gjøres, bør du alltid foreta en prøve for å finne passende tiltrekningshastighet og -tid til boltene eller mutteren.

Tiltrekningsmomentet påvirkes av forskjellige faktorer inkludert følgende. Etter tiltrekningen bør du alltid sjekke tiltrekningsmomentet med en momentnøkkel.

1. Når batteriet er nesten utgått, vil spenningen synke og tiltrekningsmomentet reduseres.
2. Muffe
 - Hvis det ikke brukes korrekt muffestørrelse, vil tiltrekningsmomentet reduseres.
 - En slitt muffe (slitasje på sekskantenden eller firkantenden) vil forårsake redusert tiltrekningsmoment.
3. Bolt
 - Selv om tiltrekningsfaktoren og boltklassen er den samme, vil tiltrekningsmomentet variere avhengig av bolt diameteren.
 - Selv om bolt diameterene er de samme, vil korrekt tiltrekningsmoment variere avhengig av tiltrekningsfaktoren, boltklassen og bolt lengden.
4. Bruk av universalskjøte eller forlengelsesstang vil til en viss grad redusere tiltrekningsmomentet på slagnøkkelen. Kompenser ved å bruke litt lenger tiltrekningstid.
5. Materiale type som skal fastgjøres, måten verktøyet holdes på og maskin hastigheten vil påvirke momentet.

NB!

Hvis maskinen betjenes kontinuerlig til batteriet går tomt, må maskinen få hvile 15 minutter før du fortsetter med et oppladet batteri.

Montere stilleplaten (ekstra tilbehør) (Fig. 8)

Monter alltid stilleplaten når batteritypene 1200, 1202 eller 1202A benyttes. Monter stilleplaten på verktøyet med den vedlagte skrutrekkeren som vist i figuren.

SERVICE

NB!

Før det utføres arbeidet på maskinen må du alltid forvise seg om at maskinen er slått av og akkumulatoren er tatt ut.

Skifte ut kullbørster (Fig. 9 og 10)

Skifte ut kullbørstene når de er slitt ned til grensemerke-ringen. Begge kullbørstene må skiftes ut samtidig.

For å garantere at maskinen arbeider sikkert og pålitelig bør reparasjoner, servicearbeider eller innstillinger utføres av et autorisert Makita-serviceverksted.

Yleisselostus

1	Painike	9	Suunnanvaihtokytkin	17	Kiinnitysmomentti
2	Akku	10	A-puoli	18	Ruuvi
3	Latausvalo	11	B-puoli	19	Pohjalevy
4	Pikalaturi	12	Myötäpäivään	20	Rajamerkki
5	Holkki	13	Vastapäivään	21	Ruuvitaltta
6	Tappi	14	kiinnitysaika	22	Harjanpitimen kansi
7	O-rengas	15	Sekunnit		
8	Liipaisinkytkin	16	Sopiva kiinnitysmomentti		

TEKNISET TIEDOT

Malli	6918D
Suorituskyky	
Tavallinen ruuvi	M8 – M14
Suurtejuusruuvi	M6 – M12
Nelikulmavääntiö	12,7 mm
Tyhjäkäyntinopeus (min ⁻¹)	0 – 2 300
Iskua minuutissa	0 – 3 000
Suurin kiinnitysmomentti	120 N•m
Kokonaispituus	176 mm
Nettopaino (mukaanlukien akku)	1,6 kg
Nimellisjännite	12 V tasavirta

- Jatkuvan tutkimus- ja kehitysohjelman vuoksi pidämme oikeuden muuttaa tässä mainittuja teknisiä tietoja ilman ennakkoilmoitusta.
- Huomaa: tekniset tiedot voivat vaihdella maittain.

Turvallisuusvihjeitä

Lue liitteenä olevat turvallisuusohjeet oman turvallisuutesi vuoksi.

TÄRKEITÄ TURVAOHJEITA

1. **SÄÄSTÄ KÄYTTÖOHJEET** — Tämä käsikirja sisältää tärkeitä turvaohjeita ja akkularurin käyttöohjeet.
2. Ennen akkularurin käyttöä lue kaikki (1) akkularurin, (2) akun ja (3) koneen käyttöohjeet sekä varoitusmerkinnät niihin kiinnitetyistä kilvistä.
3. **VAROITUS** — Onnettomuuksien välttämiseksi lataa vain MAKITA - merkittyjä, uudelleenladattavia akkuja. Toisenmerkkiset akut voivat ladattaessa räjähtää aiheuttaen mahdollisesti myös henkilööön kohdistuvia onnettomuuksia tai muita vahinkoja.
4. Älä jätä akkularuria vesisateeseen tai lumeen.
5. Laitteen tai koneen käyttö, jota akkularurin valmistaja ei ole suositellut tai toimittanut, voi johtaa tulipalon syttymiseen, sähköiskuun tai onnettomuuksiin sitä käyttävillä henkilöillä.
6. Pistoke- ja kaapelivaurioiden estämiseksi, vedä mieluummin pistokkeesta kuin kaapelista, akkularuria pistorasiasta irrottaessa.
7. Varmista kaapelin sijoitus siten ettei sen päälle voida astua, siihen kompastua tai ettei sitä voida venyttää vetämällä vaurioitteen.
8. Älä käytä akkularuria kaapelin tai pistokkeen vaurioituttua — uusi ne välittömästi.
9. Älä käytä akkularuria jos siihen on kohdistunut kova isku tai muuten mahdollisesti vahingoittunut. Toimita akkularuri ensin sähkölaitehuoltoon tarkistettavaksi.

10. Älä yritä itse korjata akkularuria. Älä pura itse akkularuria tai akkupatruunaa, toimita ne sähkölaitehuoltoon tarkistettavaksi ja tarvittaessa huollettavaksi tai korjattavaksi. Virheellinen kokoonpano voi aiheuttaa sähköiskun tai tulipalon syttymisen.
11. Sähköiskuvaaran estämiseksi, irrota akkularurin pistoke sähköverkon pistorasiasta aina ennen kunnossapitohuollon tai puhdistamisen aloittamista. Virtakatkaisijoiden kääntäminen pois päältä ei poista tätä vaaraa.
12. Akkulataajaa ei ole tarkoitettu nuorten lasten eikä toimintarajoitteisten käytettäväksi ilman valvontaa.
13. Nuorten lasten toimia tulee valvoa sen varmistamiseksi, että he eivät leiki akkulataajalla.
14. Jos käyttöaika lyhenee huomattavasti, lopeta käyttö välittömästi. Tämä voi aiheuttaa ylikuumentumista, mahdollisia palovammoja ja jopa räjähdysten.
15. Jos akkunestettä joutuu silmiin, huuhtelee ne puhtaalla vedellä ja hakeudu heti lääkärin hoitoon. Tämä voi aiheuttaa näön menetyksen.

LISÄ-TURVAOHJEITA AKKULARURIA JA AKKUPARISTOA VARTEN

1. Älä lataa akkuparistoa jos lämpötila on alle + 10°C tai yli + 40°C.
2. Älä yritä lataamista säättömuuntajalla, moottorilaturilla tai tasavirtapistorasialla, käytä vain MAKITA-akkularuria.
3. Älä peitä akkularuria. Estä tuuletusaukkojen tukkeutuminen.
4. Peitä akkuliittimet aina akkukannella, kun akkuja ei käytetä.
5. Älä kytkä akkuja oikosulkuun:
 - (1) Älä kosketa napoja sähköä johtavilla esineillä.
 - (2) Älä säilytä akkuja muiden metalliesineiden joukossa, kuten naulat, kolikot, työkalut, jne.
 - (3) Älä jätä akkuja veteen tai sateeseen. Oikosulku akussa voi aiheuttaa suuren virtahäviön, ylikuumentumisen, mahdollisia palovammoja sekä rikkoutumisen.
6. Älä säilytä konetta ja akkuparistoa kohteissa, joissa lämpötila voi nousta tai ylittää +50°C.
7. Älä hävitä akkuparistoa polttamalla vaikka se olisikin pahoin vaurioitunut tai täydellisesti loppuunkulunut. Akkuparisto voi räjähtää tullaessa.
8. Varo pudottamasta, ravistamasta tai iskemästä akkuja.

9. Älä säilytä akkua laatikossa tai muussa suljetussa tilassa. Akun on oltava latauksen aikana tilassa, jossa on hyvä ilmanvaihto.

KÄYTTÖOHJEET

Akun kiinnittäminen ja irrottaminen (Kuva 1)

- Kytke kone aina POIS päältä ennen akun kiinnittämistä ja irrottamista.
- Irrota akku vetämällä se irti laitteesta samalla kun painat akun molemmilla puolilla olevia painikkeita.
- Akku kiinnitetään sovittamalla akun kieleke kotelossa olevaan uraan ja sujauttamalla se paikalleen. Työnnä akku aina kokonaan sisään, kunnes se lukittuu paikalleen kevyesti napsahtaen. Jos et toimi näin, se saattaa vahingossa irrota laitteesta aiheuttaen itsesi tai sivullisen loukkaantumisen.
- Älä käytä voimaa akun kiinnittämisessä. Jos akku ei liu'u helposti paikalleen, se on asetettu väärin.

LISÄÄ TURVAOHJEITA KONEELLE

1. Muista, että tämä kone on aina toimintavalmiina, koska sitä ei tarvitse liittää seinäpistorasiaan.
2. Pitele laitetta eristetyistä tartuntapinnoista tehdessäsi työtä, jossa laite voi osua piilossa olevaan johtoon. Osuminen jännitteeseen johtoon saa myös näkyvillä olevat metalliosat jännitteiseksi ja aiheuttaa käyttäjälle sähköiskun.
3. Käytä kuulosuojaimia.
4. Tarkista väntiöholkki mahdollisten kulumien, halkeamien ja vaurioiden varalta ennen kiinnittämistä.
5. Pitele konetta tukevasti.
6. Varmista tukeva asento.
7. Varmista, ettei alapuolellasi ole muita henkilöitä käyttäessäsi konetta korkeissa paikoissa.
8. Oikea kiinnitysmomentti saattaa vaihdella ruuvinkoon ja tyyppin mukaan. Tarkista kiinnitysmomentti momenttiavaimella.

SÄILYÄ NÄMÄ KÄYTTÖOHJEET.

Lataaminen (Kuva 2)

Liitä pikalataaja sopivaan vaihtovirtalähteeseen. Latausvalo vilkkuu vihreänä. Työnnä akku paikalleen siten, että sen plus- ja miinusnavat ovat samalla puolella kuin pikalataajan vastaavat merkinnät. Työnnä akku kokonaan aukkoon siten, että se lepää lataajan aukon pohjalla. Kun akku on asetettu paikalleen, latausvalon väri vaihtuu vihreästä punaiseksi ja lataus alkaa. Latausvalo palaa tasaisesti koko latauksen ajan. Kun latausvalon väri vaihtuu punaisesta vihreäksi, lataaminen on päättynyt. Jos akku jätetään laturiin lataamisen päätyttyä, laturi siirtyy "kestolatausmuodolle" (jatkuvalle lataukselle), joka kestää noin 24 tuntia. Kun olet ladannut, irrota lataaja virtalähteestä. Katso latausaika alla olevasta taulukosta.

Akkutyypit	Kapasiteetti (mAh)	Solujen lukumäärä	Latausaika
1222	2 000	10	Noin 45 min.
1234	2 600	10	Noin 60 min.
1235	3 000	10	Noin 70 min.

VARO:

- Pikalataaja on tarkoitettu Makita akkujen lataamiseen. Älä koskaan käytä sitä muihin tarkoituksiin tai muiden valmistajien akkujen lataamiseen.
- Kun lataat uutta akkua tai akkua, jota ei ole käytetty pitkään aikaan, sitä ei ehkä voi ladata täyteen. Tämä on normaalia eikä se ole oire viasta. Akku voidaan ladata täyteen, kun sen lataus on purettu kokonaan ja ladattu muutaman kerran.
- Latausvalo saattaa vilkkua punaisena, kun lataat akkua suoraan vasta käytetystä laitteesta tai akkua, joka on ollut pitkään suorassa auringonvalossa tai kuumuudessa. Jos näin käy, odota hetki. Lataus alkaa, kun akku on jäähtynyt. Akku jäähtyy nopeammin, jos otat akun irti pikalataajasta.
- Jos latausvalo vilkkuu vuorotellen vihreänä ja punaisena, on kyseessä häiriö eikä lataus ole mahdollista. Laturin tai akun liittimet ovat likaiset tai akku on loppuunkulunut tai vioittunut.

Kestolataus

Jos jätät akun laturiin estääksesi itsestään tapahtuvan purkautumisen täyden latauksen jälkeen, laturi siirtyy kestolatausmuodolle ja pitää akun täydessä latauksessa.

Vihjeitä akun parhaan mahdollisen käyttöiän saavuttamiseksi

1. Lataa akku, ennen kuin se on kokonaan tyhjentynyt. Lopeta aina koneen käyttö ja lataa akku, kun huomaat koneen tehon heikkenevän.
2. Älä lataa täyteen ladattua akkua. Liiallinen lataaminen lyhentää akun käyttöikä.
3. Lataa akku huoneenlämmössä 10°C – 40°C. Anna kuumen akun jäähtyä ennen lataamista.
4. Lataa nikkelimetalli-hybridiaakku, jos et käytä sitä yli kuuteen kuukauteen.

Sopivan hylsyn valitseminen

Käytä aina ruuveille ja muttereille oikean kokoista hylsyä. Väärän kokoinen hylsy aiheuttaa epätarkan ja epätasaisen kiinnitysmomentin ja/tai ruuvin tai mutterin vioittumisen.

Hylsyn kiinnittäminen ja irrottaminen (Kuva 3)

Tärkeää:

Varmista aina ennen hylsyn kiinnittämistä ja irrottamista, että kone on sammutettu ja akku irrotettu.

Siirrä O-renkas pois hylsystä olevasta urasta ja irrota tappi hylsystä. Sovita hylsy koneessa olevaan alasimeen siten, että hylsyn reikä tulee alasimen reiän kohdalle. Työnnä tappi hylsyn ja alasimen reiän läpi. Palauta sitten O-renkas alkuperäiselle paikalleen hylsyn urassa saadakseen tapin pysymään paikallaan. Hylsy irrotetaan tekemällä kiinnitystoimet päinvastaisessa järjestyksessä.

Kytkimen käyttäminen (Kuva 3)

VARO:

Varmista aina ennen akun kiinnittämistä koneeseen, että liipaisinkytkin toimii moitteettomasti ja palautuu vapautettaessa "OFF" -asentoon.

Kone käynnistetään yksinkertaisesti painamalla liipaisinta. Koneen käyntinopeus lisääntyy, kun painat liipaisinta kovemmin. Kone pysähtyy, kun vapautat liipaisimen.

Suunnanvaihtokytkin (Kuva 5)

VARO:

- Tarkista aina koneen pyörimissuunta ennen käyttöä.
- Käytä suunnanvaihtokytkintä ainoastaan koneen ollessa täysin pysähdyksissä. Pyörimissuunnan vaihtaminen koneen ollessa käynnissä saattaa vahingoittaa konetta.
- Kun konetta ei käytetä, aseta suunnanvaihtokytkin aina keskiasentoon.

Tässä koneessa on suunnanvaihtokytkin, jonka avulla voidaan vaihtaa pyörimissuuntaa. Työnnä suunnanvaihtokytkintä A-puolelta, kun haluat terän pyörivän myötäpäivään ja B-puolelta, kun haluat terän pyörivän vastapäivään. Kun vipukytkin on keskiasennossa, liipaisinkytkintä ei voi vetää.

Käyttö (Kuvat 6 ja 7)

Sopiva kiinnitysmomentti saattaa vaihdella riippuen ruuvin laadusta tai koosta. Luvut osoittavat kiinnitysmomentin ja kiinnitysajan välisen suhteen.

Pitele konetta tiukasti ja aseta hylsy ruuvin tai mutterin päälle. Käynnistä kone ja kiristä sopivan ajan.

HUOMAA:

- Pitele konetta suoraan ruuvia tai mutteria kohti painamatta liikaa konetta.
- Liian suuri kiinnitysmomentti saattaa vahingoittaa ruuvia tai mutteria. Tee aina koetyö ennen varsinaisen työskentelyn aloittamista varmistaaksesi sopivan kiinnitysnopeuden ja ajan käyttämällesi ruuville tai mutterille.

Kiinnitysmomenttiin vaikuttavat monet eri tekijät, joita ovat mm. seuraavat. Tarkista aina momentti kiristämisen jälkeen momenttiavaimella.

1. Kun akku on lähes kokonaan tyhjentynyt, jännite laskee ja kiinnitysmomentti heikkenee.
2. Hylsy
 - Jos käytetään väärän kokoista hylsyä, kiinnitysmomentti heikkenee.
 - Kulunut hylsy (kulumat kuusio- tai neliöpäässä) aiheuttaa kiinnitysmomentin heikkenemisen.
3. Ruuvi
 - Vaikka momenttikerroin ja ruuvin luokitus ovat samat, sopiva kiinnitysmomentti vaihtelee ruuvin läpimitasta riippuen.
 - Vaikka ruuvin läpimitat ovat samat, sopiva kiinnitysmomentti vaihtelee momenttikertoimesta, ruuvin luokituksesta ja ruuvin pituudesta riippuen.
4. Kardaaniiliitoksen tai jatkotangon käyttö vähentää iskuvääntimen kiinnitysvoimaa jonkin verran. Korvaa tämä vähennys pitemmällä kiinnitysajalla.
5. Kiinnitettävä materiaali, työkalun kiinnipitotapa ja sen nopeus vaikuttavat vääntömomenttiin.

VARO:

Jos konetta käytetään jatkuvasti, kunnes akku on tyhjä, anna koneen levätä 15 minuuttia, ennen kuin jatkat uudella akulla.

Pohjalevyn kiinnittäminen (lisävaruste) (Kuva 8)

Kiinnitä aina pohjalevyä käyttäessäsi akkua 1200, 1202 tai 1202A. Kiinnitä pohjalevy laitteeseen varusteisiin kuuluvalla ruuvilla kuvan osoittamalla tavalla.

HUOLTO

VARO:

Varmistaudu aina ennen kaikkia koneelle suoritettavia töitä, että kone on pysäytetty ja akku irrotettu.

Hiilien vaihto (Kuva 9 ja 10)

Hiilet on vaihdettava kun ne ovat kuluneet kulumisrajaan. Hiilet on vaihdettava aina parittain.

Laitteen käyttövarmuuden ja turvallisuuden vuoksi korjaukset ja muut huolto- ja säätötyöt saa suorittaa ainoastaan Makitan hyväksymä huoltopiste.

Περιγραφή γενικής άποψης

1	Πλήκτρο	9	Διακόπτης αντιστροφής	17	Ροπή στερέωσης
2	Κασέτα μπαταρίας	10	A πλευρά	18	Βίδα
3	Φωτάκι φόρτισης	11	B πλευρά	19	Πλάκα ρύθμισης
4	Ταχυφορτιστής	12	Δεξιόστροφα	20	Οριακό σημάδι
5	Υποδοχή	13	Αριστερόστροφα	21	Κατσαβίδι
6	Πείρος	14	Χρόνος στερέωσης	22	Καπάκι θήκης καρβουνάκι
7	Δακτυλίδι-Ο	15	Δευτερόλεπτα		
8	Σκανδάλη διακόπτης	16	Σωστή ροπή στερέωσης για		

ΤΕΧΝΙΚΑ ΧΑΡΑΚΤΗΡΙΣΤΙΚΑ

Μοντέλο 6918D

Ικανότητες

Κανονικό μπουλόνι	M8 – M14
Υψηλής εκτακτικότητας μπουλόνι	M6 – M12
Τετραγωνικός οδηγός	12,7 χιλ.
Ταχύτητα χωρίς φορτίο (min ⁻¹)	0 – 2.300
Κτύποι ανά λεπτό	0 – 3.000
Μεγ. ροπή στερέωσης	120 N•m
Συνολικό μήκος	176 χιλ.
Βάρος καθαρό (με την κασέτα μπαταρίας)	1,6 Χγρ
Καθορισμένο βολτάζ	D.C.12 V

- Λόγω του συνεχιζόμενου προγράμματος έρευνας και ανάπτυξης, οι παρούσες προδιαγραφές υπόκεινται σε αλλαγή χωρίς προειδοποίηση.
- Παρατήρηση: Τα τεχνικά χαρακτηριστικά μπορεί να διαφέρουν από χώρα σε χώρα.

Υποδείξεις ασφάλειας

Για την προσωπική σας ασφάλεια, ανατρέξτε στις εσωκλειστές οδηγίες ασφάλειας.

ΣΗΜΑΝΤΙΚΕΣ ΟΔΗΓΙΕΣ ΑΣΦΑΛΕΙΑΣ ΓΙΑ ΣΥΣΚΕΥΗ ΦΟΡΤΙΣΗΣ ΚΑΙ ΜΠΑΤΑΡΙΑ

1. **ΦΥΛΑΞΕΤΕ ΑΥΤΕΣ ΤΙΣ ΟΔΗΓΙΕΣ** — Αυτό το εγχειρίδιο περιέχει σημαντικές οδηγίες ασφαλείας και χρήσης της συσκευής φόρτισης.
2. Πριν χρησιμοποιήσετε τη συσκευή φόρτισης, διαβάστε όλες τις οδηγίες και προειδοποιητικά σημεία (1) στην συσκευή φόρτισης, (2) στη μπαταρία, και (3) στη συσκευή που χρησιμοποιεί την μπαταρία.
3. **ΠΡΟΣΟΧΗ** — Για να μειωθεί ο κίνδυνος τραυματισμού, φορτίζετε μόνο μπαταρίες ΜΑΚΙΤΑ επαναφορτιζόμενου τύπου. Μπαταρίες άλλου τύπου μπορεί να εκραγούν, πληγώνοντας σας και προκαλώντας ζημιές.
4. Μην εκθέσετε τη συσκευή φόρτισης σε βροχή ή χιόνι.
5. Χρήση εξαρτήματος που δεν συστήνεται ή δεν πωλείται από τον κατασκευαστή της συσκευής φόρτισης μπορεί να προκαλέσει φωτιά, ηλεκτρικό σοκ, ή να σας τραυματίσει.
6. Για να μειωθεί ο κίνδυνος ζημιάς στην πρίζα και στο καλώδιο, όταν αποσυνδέετε τη συσκευή φόρτισης από την παροχή ρεύματος, πιάνετε και τραβάτε από την πρίζα και όχι από το καλώδιο.
7. Βεβαιωθείτε ότι το καλώδιο βρίσκεται σε θέση που ούτε θα το πατήσουν ούτε θα σκοντάψουν πάνω του ούτε μπορεί να πάθει ζημιά με οποιοδήποτε τρόπο.

8. Μην χρησιμοποιείτε τη συσκευή φόρτισης αν το καλώδιο ή η πρίζα της έχουν πάθει ζημιά — αντικαταστήστε τα αμέσως.
9. Μην χρησιμοποιείτε την συσκευή σε περίπτωση που έχει υποστεί δυνατό κτύπημα, έχει πέσει κάτω, ή έχει πάθει οποιαδήποτε ζημιά. Αναθέστε την επισκευή σε εξουσιοδοτημένο τεχνίτη.
10. Μην αποσυναρμολογείτε τη συσκευή φόρτισης ή τη μπαταρία. Πάρτε την σε εξουσιοδοτημένο τεχνίτη όταν χρειάζεται επισκευή ή σέρβις. Λανθασμένη επανασυναρμολόγηση μπορεί να οδηγήσει σε κίνδυνο ηλεκτρικού σοκ ή φωτιάς.
11. Για να μειωθεί ο κίνδυνος ηλεκτρικού σοκ, αποσυνδέστε τη συσκευή φόρτισης από την παροχή ρεύματος πριν κάνετε οποιαδήποτε συντήρηση ή καθαρισμό της. Μόνο με το να σβήσετε τη συσκευή αυτός ο κίνδυνος δε μειώνεται.
12. Ο φορτιστής μπαταρίας δεν προορίζεται για χρήση από μικρά παιδιά ή άτομα με ασαφή συμπεριφορά χωρίς επίβλεψη.
13. Τα μικρά παιδιά θα πρέπει να επιβλέπονται για να διασφαλισθεί ότι δεν παίζουν με τον φορτιστή μπαταρίας.
14. Εάν ο χρόνος λειτουργίας έχει γίνει πολύ μικρότερος, σταματήστε τη λειτουργία αμέσως. Μπορεί να συμβεί υπερθέρμανση, πιθανώς καψίματα ή ακόμη και έκρηξη.
15. Εάν μπει ηλεκτρολύτης στα μάτια σας, ξεπλύντε τα με καθαρό νερό και απευθυνθείτε σε ένα γιατρό αμέσως. Μπορεί να χάσετε ακόμη και την όραση σας.

ΕΠΙΠΡΟΣΘΕΤΟΙ ΚΑΝΟΝΕΣ ΑΣΦΑΛΕΙΑΣ ΓΙΑ ΣΥΣΚΕΥΗ ΦΟΡΤΙΣΗΣ ΚΑΙ ΜΠΑΤΑΡΙΑ

1. Μην φορτίζετε τη μπαταρία όταν η θερμοκρασία είναι ΚΑΤΩ από 10°C ή ΠΑΝΩ από 40°C.
2. Μην χρησιμοποιείτε ποτέ μετασχηματιστή ανύψωσης τάσης, γεννήτρια, ή υποδοχή συνεχούς ρεύματος.
3. Μην αφήσετε οτιδήποτε να καλύψει ή να μπλοκάρει της οπές εξαερισμού του φορτιστή.
4. Πάντοτε να έχετε τους πόλους της μπαταρίας καλυμμένους με το κάλυμμα της όταν δεν την χρησιμοποιείτε.

5. Μη βραχυκυκλώσετε την κασέτα μπαταρίας:
 - (1) Μην αγγίξετε τους πόλους με κανένα αγώγιμο υλικό.
 - (2) Αποφύγετε την αποθήκευση της κασέτας μπαταρίας σε δοχείο με άλλα μεταλλικά αντικείμενα όπως καρφιά, νομίσματα, κλπ.
 - (3) Μην εκθέτετε την κασέτα μπαταρίας σε νερό ή σε βροχή.
Ένα βραχυκύκλωμα μπαταρίας μπορεί να προκαλέσει μεγάλη ροή ρεύματος, υπερθέρμανση, πιθανά εγκαύματα και ακόμη μηχανική βλάβη.
6. Μη φυλάσσετε τη μηχανή και τη μπαταρία σε μέρη που η θερμοκρασία μπορεί να φθάσει ή να ξεπεράσει τους 50°C.
7. Μη κάψετε την μπαταρία ακόμα και αν έχει πάθει σοβαρές ζημιές ή έχει εντελώς φθαρεί. Η μπαταρία μπορεί να εκραγεί στην φωτιά.
8. Προσέχετε να μη ριζέτε κάτω, ταρακουνήσετε ή χτυπήσετε τη μπαταρία.
9. Μη φορτίσετε τη μπαταρία μέσα σε ένα κουτί ή δοχείο οποιουδήποτε είδους. Η μπαταρία πρέπει να τοποθετηθεί σε ένα καλά εξαεριζόμενο χώρο κατά τη διάρκεια της φόρτισης.

3. Φοράτε ωτασπίδες.
4. Ελέγχετε την υποδοχή προσεκτικά για φθορά, ρωγμές ή ζημιές προ της εγκατάστασης.
5. Κρατάτε το μηχανήμα σταθερά.
6. Βεβαιώνετε ότι έχετε πάντοτε σταθερή βάση στηρίξης ποδιών.
7. Βεβαιώνετε ότι δεν είναι κανείς από κάτω όταν χρησιμοποιείτε το μηχανήμα σε υψηλά μέρη.
8. Η κατάλληλη ροπή στερέωσης μπορεί να διαφέρει εξαρτωμένη από το είδος ή μέγεθος του μπουλονιού. Ελέγξτε τη ροπή με ένα κλειδί ροπής.

ΦΥΛΑΞΕΤΕ ΑΥΤΕΣ ΤΙΣ ΟΔΗΓΙΕΣ.

ΟΔΗΓΙΕΣ ΧΡΗΣΗΣ

Τοποθέτηση ή αφαίρεση της κασέτας μπαταρίας (Εικ. 1)

- Πάντοτε σβήνετε το μηχανήμα πριν τοποθετήσετε ή αφαιρέσετε την κασέτα μπαταρίας.
- Για να αφαιρέσετε τη κασέτα μπαταρίας, τραβήχτε τη έξω από το μηχανήμα ενώ πιέζετε τα πλήκτρα και στις δύο πλευρές της κασέτας.
- Για να τοποθετήσετε τη κασέτα μπαταρίας, ευθυγραμμίστε τη γλώσσα στη κασέτα μπαταρίας με την εγκοπή στο περίβλημα και σύρετε τη στη θέση της. Πάντα βάζετε τη βαθεία μέσα μέχρι να κλειδώσει στη θέση της με ένα μικρό κλικ. Διαφορετικά, μπορεί να πέσει έξω από το μηχανήμα, και να τραυματίσει εσάς ή κάποιον άλλο.
- Μη βάζετε δύναμη όταν τοποθετείτε την κασέτα μπαταρίας. Εάν η κασέτα δεν εισέρχεται με ευκολία, δεν είναι τοποθετημένη σωστά.

ΕΠΙΠΡΟΣΘΕΤΕΣ ΟΔΗΓΙΕΣ ΑΣΦΑΛΕΙΑΣ ΓΙΑ ΤΟ ΜΗΧΑΝΗΜΑ

1. Να έχετε υπόψη ότι αυτό το μηχανήμα βρίσκεται πάντοτε σε κατάσταση λειτουργίας γιατί δε χρειάζεται να συνδεθεί σε ρευματολήπτη.
2. Κρατάτε το μηχανήμα από τις επιφάνειες της μονωμένης λαβής όταν εκτελείτε μια εργασία κατά την οποία το μηχανήμα θα μπορούσε να έρθει σε επαφή με κρυμμένα καλώδια. Επαφή με ένα ηλεκτροφόρο καλώδιο θα μπορούσε να έχει ως αποτέλεσμα να καταστούν και τα εκτεθειμένα μεταλλικά τμήματα του εργαλείου ηλεκτροφόρα και να προκαλέσουν ηλεκτροπληξία στον χειριστή.

Φόρτιση (Εικ. 2)

Συνδέστε το ταχυφορτιστή σε μια κατάλληλη παροχή εναλασσόμενου ρεύματος AC. Το λαμπάκι φότισης θα ανάψει σε χρώμα πράσινο. Τοποθετήστε την κασετίνα μπαταρίας έτσι ώστε ο θετικός και ο αρνητικός πόλος της κασετίνας μπαταρίας να βρίσκονται στις ίδιες πλευρές με τα αντίστοιχα σημεία του ταχυφορτιστή. Τοποθετήστε την κασετίνα πλήρως μέσα στην είσοδο έτσι ώστε να κάθεται πάνω στη βάση της εισόδου του φορτιστή. Όταν η κασετίνα μπαταρίας έχει τοποθετηθεί, το χρώμα στο λαμπάκι φόρτισης θα αλλάξει από πράσινο σε κόκκινο και η φόρτιση θα αρχίσει. Το λαμπάκι φόρτισης θα παραμείνει συνεχώς αναμμένο κατά την διάρκεια της φόρτισης. Όταν το λαμπάκι φόρτισης αλλάξει από πράσινο σε κόκκινο, ο κύκλος φόρτισης έχει συμπληρωθεί. Εάν αφήσετε την κασέτα μπαταρίας στον φορτιστή μετά την συμπλήρωση του κύκλου φόρτισης, ο φορτιστής θα αλλάξει στην διαμόρφωση "στιγμιαία φόρτιση (φόρτιση συντήρησης)" η οποία θα διαρκέσει περίπου για ένα εικοσιτετράωρο.

Μετά την φόρτιση, βγάλτε τον φορτιστή από την πηγή ηλεκτρικού ρεύματος. Ανατρέξτε στον παρακάτω πίνακα για το χρόνο φόρτισης.

Τύπος μπαταρίας	Χωρητικότητα (mAh)	Αριθμός κυψελών	Χρόνος φόρτισης
1222	2.000	10	Περίπου 45 λ.
1234	2.600	10	Περίπου 60 λ.
1235	3.000	10	Περίπου 70 λ.

ΠΡΟΣΟΧΗ:

- Ο ταχυφορτιστής είναι για τη φόρτιση της κασετίνας μπαταρίας Μάκιτα. Ποτέ να μην τον χρησιμοποιήσετε για άλλους σκοπούς ή για άλλες μπαταρίες του κατασκευαστή.
- Όταν φορτίζετε μια καινούργια κασετίνα μπαταρίας ή μια κασετίνα μπαταρίας η οποία δεν έχει χρησιμοποιηθεί για μεγάλο χρονικό διάστημα, μπορεί να μην επιδέχεται πλήρη φόρτιση. Αυτή είναι μια φυσιολογική κατάσταση και δεν υποδεικνύει κάποιο πρόβλημα. Μπορείτε να ξαναφορτίσετε την κασετίνα μπαταρίας πλήρως αφού την ξεφορτίσετε εντελώς και την επαναφορτίσετε δύο φορές.
- Αν φορτίζετε μια κασετίνα μπαταρίας από ένα εντελώς καινούργιο μηχάνημα ή μια κασετίνα μπαταρίας η οποία είχε αφαιρεθεί σε μια θέση εκτεθειμένη στο κατευθινά ηλιακό φως ή στη ζέστη για μεγάλο χρονικό διάστημα, το λαμπάκι φόρτισης μπορεί να αναβοσβήνει σε κόκκινο χρώμα. Αν αυτό συμβεί περιμένετε για λίγο. Η φόρτιση θα ξεκινήσει αφότου η μπαταρία κρυώσει. Η κασετίνα μπαταρίας θα κρυώσει γρηγορότερα αν την βγάλετε από τον ταχυφορτιστή.
- Αν το φώτακι φόρτισης αναβοσβήνει εναλλακτικά με πράσινο και κόκκινο χρώμα, ένα πρόβλημα υπάρχει και η φόρτιση δεν είναι δυνατή. Οι πόλοι του φορτιστή ή της κασέτας μπαταρίας είναι βουλωμένοι από τη σκόνη ή κασέτα μπαταρίας είναι φθαρμένη ή έχει βλάβη.

Στιγμιαία φόρτιση (Φόρτιση συντήρησης)

Εάν έχετε αφήσει την κασέτα μπαταρίας στον φορτιστή για να προλάβετε αυθόρμητη αποφόρτιση μετά από πλήρη φόρτιση, ο φορτιστής θα αλλάξει στη διαμόρφωση της “στιγμιαίας φόρτισης” (φόρτιση συντήρησης) και θα κρατήσει την κασέτα μπαταρίας φρέσκια και πλήρως φορτισμένη.

Συμβουλές για την διατήρηση της μέγιστης ζωής της μπαταρίας

1. Αλλάξτε την κασέτα μπαταρίας πριν αποφορτιστεί τελείως. Πάντα σταματείστε την λειτουργία του μηχανήματος και φορτίστε την κασέτα μπαταρίας όταν παρατηρήσετε μειωμένη δύναμη του μηχανήματος.
2. Ποτέ μην επαναφορτίζετε μια πλήρως φορτισμένη κασέτα μπαταρίας. Η υπερφόρτιση μικραίνει την ωφέλιμη ζωή της μπαταρίας.
3. Φορτίστε την κασέτα μπαταρίας σε θερμοκρασία δωματίου στους 10 C – 40 C. Αφήστε μια ζεστή κασέτα μπαταρίας να κρυώσει προτού την φορτίσετε.
4. Φορτίστε την κασέτα μπαταρίας Νικελίου Μεταλλικού Υδριδίου όταν δεν την έχετε χρησιμοποιήσει για έξι μήνες.

Επιλογή σωστής υποδοχής

Πάντοτε χρησιμοποιείτε το σωστό μέγεθος υποδοχής για μπουλόνια και παξιμάδια. Μια υποδοχή διαφορετικού μεγέθους θα έχει σαν αποτέλεσμα ανακριβή και ασυμβίβαστη ροπή στερέωσης και / ή ζημιά στο μπουλόνι ή στο παξιμάδι.

Τοποθέτηση ή αφαίρεση υποδοχής (Εικ. 3)

Σημαντικό:

Πάντοτε βεβαιώνετε ότι το μηχάνημα είναι σβηστό και η κασέτα μπαταρίας βγαλμένη πριν τοποθετήσετε ή αφαιρέσετε την υποδοχή.

Μετακινήστε το δακτυλίδι-Ο έξω από την χαραγή στην υποδοχή και βγάλτε τον πείρο από την υποδοχή. Βάλτε την υποδοχή επάνω στο αμόνι του μηχανήματος έτσι ώστε η τρύπα στην υποδοχή να ευθυγραμμίζεται με την τρύπα στο αμόνι. Περάστε τον πείρο μέσα από την τρύπα στην υποδοχή και στο αμόνι. Μετά γυρίστε το δακτυλίδι-Ο στην αρχική θέση στη χαραγή της υποδοχής για συγκράτηση του πείρου. Για να αφαιρέσετε την υποδοχή, ακολουθείστε τις διαδικασίες εγκατάστασης αντίστροφα.

Λειτουργία διακόπτη (Εικ. 4)

ΠΡΟΣΟΧΗ:

Πριν βάλετε στο τη κασέτα μπαταρίας στο μηχάνημα, πάντοτε ελέγχετε να δείτε ότι η σκανδάλη διακόπτης ενεργοποιεί κανονικά και επιστρέφει στη θέση “OFF” όταν ελευθερώνεται.

Για να ξεκινήσει το μηχάνημα απλώς πατήστε τη σκανδάλη. Η ταχύτητα του μηχανήματος αυξάνεται με αύξηση της πίεσης στη σκανδάλη. Για να σταματήσει αφήστε τη σκανδάλη.

Αντιστροφή λειτουργίας διακόπτη (Εικ. 5)

ΠΡΟΣΟΧΗ:

- Πάντοτε ελέγχετε τη διεύθυνση περιστροφής πριν από τη λειτουργία.
- Χρησιμοποιείτε το διακόπτη αντιστροφής μόνο αφού το μηχάνημα έχει σταματήσει εντελώς. Αλλαγή της διεύθυνσης περιστροφής πριν το μηχάνημα σταματήσει μπορεί να προκαλέσει ζημιά στο μηχάνημα.
- Όταν δεν λειτουργείτε το μηχάνημα, πάντα να θέτετε το μοχλό διακόπτη αντιστροφής στη νεκρή θέση.

Αυτό το μηχάνημα έχει ένα διακόπτη αντιστροφής για να αλλάζει τη διεύθυνση περιστροφής. Πατήστε το μοχλό διακόπτη αντιστροφής από τη πλευρά Α για δεξιόστροφη περιστροφή ή από την πλευρά Β για αριστερόστροφη. Όταν ο μοχλός διακόπτη είναι στην ουδέτερη θέση, η σκανδάλη διακόπτης δεν μπορεί να τραβηχθεί.

Λειτουργία (Εικ. 6 και 7)

Η κατάλληλη ροπή στερέωσης μπορεί να διαφέρει εξαρτωμένη από το είδος ή το μέγεθος του μπουλονιού. Η σχέση μεταξύ της ροπής στερέωσης και χρόνου στερέωσης φαίνεται στον πίνακα.

Κρατάτε το μηχανήμα σταθερά και τοποθετήστε την υποδοχή επάνω από το μπουλόνι ή παξιμάδι. Ανάψτε το μηχανήμα και στερεώστε για τον κατάλληλο χρόνο στερέωσης.

ΠΑΡΑΤΗΡΗΣΗ:

- Κρατάτε το μηχανήμα διευθυνομένο ίσια προς το μπουλόνι ή στο παξιμάδι χωρίς να εξασκείτε υπερβολική πίεση στο μηχανήμα.
- Υπερβολική ροπή στερέωσης μπορεί να κάνει ζημιά στο μπουλόνι ή στο παξιμάδι. Πριν αρχίσετε τη δουλειά σας, πάντοτε εκτελείτε μια δοκιμαστική λειτουργία για επαλήθευση της επαρκούς ταχύτητας στερέωσης και χρόνου για το μπουλόνι ή το παξιμάδι.

Η ροπή στερέωσης επηρεάζεται από μεγάλη ποικιλία παραγόντων στους οποίους περιλαμβάνονται οι ακόλουθοι. Μετά τη στερέωση, πάντοτε ελέγχετε τη ροπή με ένα κλειδί ροπής.

1. Όταν η κασέτα μπαταρίας εκφορτιστεί σχεδόν εντελώς, η τάση θα πέσει και η ροπή στερέωσης θα μειωθεί.
2. Υποδοχή
 - Μη χρησιμοποίηση του σωστού μεγέθους υποδοχής θα προκαλέσει μείωση στη ροπή στερέωσης.
 - Μια φθαρμένη υποδοχή (φθορά στην εξαγ. άκρη ή στη τετράγωνη άκρη) θα προκαλέσει μείωση στη ροπή στερέωσης.
3. Μπουλόθι
 - Ακόμη και εάν ο συντελεστής ροπής και η κατηγορία του μπουλονιού είναι τα ίδια, η κατάλληλη ροπή στερέωσης θα διαφέρει σύμφωνα με τη διάμετρο του μπουλονιού.
 - Ακόμη και εάν οι διάμετροι μπουλονιών είναι ίδιες, η κατάλληλη ροπή στερέωσης θα διαφέρει σύμφωνα με το συντελεστή ροπής, τη κατηγορία του μπουλονιού και το μήκος του μπουλονιού.
4. Η χρησιμοποίηση της γενικής χρήσης άρθρωσης ή της μπάρας επέκτασης μειώνει κατά κάτι τη δύναμη στερέωσης του κλειδιού κρούσης. Αναπληρώστε στερεώνοντας για μακρύτερη χρονική διάρκεια.
5. Ο τύπος των υλικών προς στερέωση, ο τρόπος κρατήματος του μηχανήματος και η ταχύτητα του μηχανήματος επηρεάζουν τη ροπή.

ΠΡΟΣΟΧΗ:

Εάν το μηχανήμα λειτουργήσει συνεχώς μέχρι εκφόρτισης της κασέτας μπαταρίας, αφήστε το μηχανήμα να αναπαυθεί για 15 λεπτά πριν προχωρήσετε με καινούργια μπαταρία.

Εγκατάσταση της πλάκας ρύθμισης (Προαιρετικό εξάρτημα) (Εικ. 8)

Πάντοτε να εγκαθιστάτε τη πλάκα ρύθμισης όταν χρησιμοποιείτε τις κασέτες μπαταρίας 1200, 1202 ή 1202A. Εγκαταστήστε τη πλάκα ρύθμισης στο μηχανήμα με την παρεχόμενη βίδα όπως φαίνεται στην Εικ.

ΣΥΝΤΗΡΗΣΗ

ΠΡΟΣΟΧΗ:

Πριν την εκτέλεση εργασιών με τη συσκευή διαβεβαιώστε πάντοτε, για το ότι η συσκευή σβήστηκε με απομακρυσμένο το συσσωρευτή.

Αντικατάσταση καρβουνάκια (Εικ. 9 και 10)

Τα καρβουνάκια πρέπει να αντικαθίστανται, όταν έχουν φθαρεί μέχρι το σημείο μαρκαρίσματος. Τα δύο ταυτόσημα καρβουνάκια πρέπει να αντικαθίστανται ταυτόχρονα.

Για τη διασφάλιση της σιγουριάς και αξιοπιστίας των προϊόντων μας πρέπει οι επισκευές, εργασίες συντήρησης ή ρυθμίσεις να εκτελούνται από εξουσιοδοτημένα εργαστήρια σέρβις πελατών Μάκιτα.

GB ACCESSORIES

CAUTION:

These accessories or attachments are recommended for use with your Makita tool specified in this manual. The use of any other accessories or attachments might present a risk of injury to persons. The accessories or attachments should be used only in the proper and intended manner.

F ACCESSOIRES

ATTENTION :

Ces accessoires ou ces fixations sont recommandés pour l'utilisation de l'outil Makita spécifié dans ce manuel. L'utilisation d'autres accessoires ou fixations peut présenter un risque de blessures. Les accessoires ou les fixations ne devront être utilisés que dans le but et de la manière prévus.

D ZUBEHÖR

VORSICHT:

Das mitgelieferte Zubehör ist speziell für den Gebrauch mit dem in dieser Betriebsanleitung angegebenen Makita-Elektrowerkzeug vorgesehen. Bei Verwendung von Fremdzubehör in Verbindung mit dieser Maschine besteht Verletzungsgefahr.

I ACCESSORI

ATTENZIONE:

Gli accessori o raccordi seguenti sono raccomandati per l'uso con l'utensile Makita specificato in questo manuale. L'uso di qualsiasi altro accessorio o raccordo potrebbe causare pericoli di ferite alle persone. Gli accessori o raccordi devono essere usati soltanto nel modo corretto e specificato.

NL ACCESSOIRES

LET OP:

Deze accessoires of hulpstukken zijn aanbevolen voor gebruik met uw Makita gereedschap dat in deze gebruiksaanwijzing is beschreven. Het gebruik van andere accessoires of hulpstukken kan gevaar voor persoonlijke verwondingen opleveren. De accessoires of hulpstukken dienen alleen op de juiste en voorgeschreven manier te worden gebruikt.

E ACCESORIOS

PRECAUCIÓN:

Estos accesorios o acoplamientos están recomendados para usar con la herramienta Makita especificada en este manual. Con el uso de cualquier otro accesorio o acoplamiento se podría correr el riesgo de producir heridas a personas. Los accesorios o acoplamientos deberán usarse solamente de la manera apropiada y para la que han sido designados.

P ACESSÓRIOS

PRECAUÇÃO:

Estes acessórios ou acoplamentos são os recomendados para uso na ferramenta MAKITA especificada neste manual. A utilização de quaisquer outros acessórios ou acoplamento poderá ser perigosa para o operador. Os acessórios ou acoplamentos devem ser utilizados de maneira adequada e apenas para os fins a que se destinam.

DK TILBEHØR

ADVARSEL:

Dette udstyr og tilbehør bør anvendes sammen med Deres Makita maskine, sådan som det er beskrevet i denne vejledning. Anvendelse af andet udstyr eller tilbehør kan medføre personskaade. Tilbehøret bør kun anvendes til det, det er beregnet til.

S TILLBEHÖR

FÖRSIKTIGHET:

Dessa tillbehör eller tillsatser rekommenderas endast för användning tillsammans med din Makita maskin som specificeras i denna bruksanvisning. Användning av andra tillbehör eller tillsatser kan medföra risk för personskador. Tillbehören och tillsatserna får endast användas på lämpligt och där för avsett sätt.

N TILBEHØR

NB!

Dette tilbehøret eller utstyret anbefales til å brukes sammen med din Makita maskin som er spesifisert i denne bruksanvisningen. Bruk av annet tilbehør eller utstyr kan medføre en risiko for personskader. Tilbehør og utstyr må bare brukes som spesifisert og bare til det det er beregnet til.

SF LISÄVARUSTEET

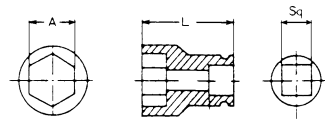
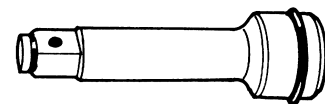
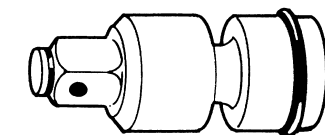
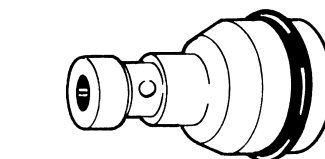
VARO:

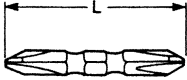
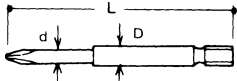
Tässä käyttöohjeessa mainitun Makita-koneen kanssa suositellaan seuraavien lisälaitteiden ja -varusteiden käyttöä. Minkä tahansa muun lisälaitteen tai -varusteen käyttäminen saattaa aiheuttaa loukkaantumisvaaran. Lisälaitteita ja -varusteita tulee käyttää ainoastaan niille sopivalla tavalla.

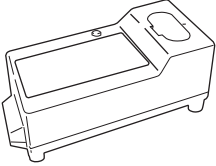
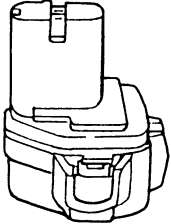
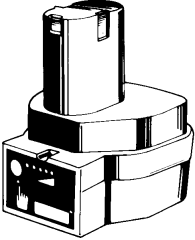
GR ΕΞΑΡΤΗΜΑΤΑ


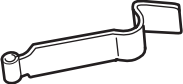


ΠΡΟΣΟΧΗ:

Αυτά τα εξαρτήματα ή προσαρτήματα συνιστώνται για χρήση με το μηχάνημα της Μάκιτα που περιγράφεται στο εγχειρίδιο αυτο. Η χρήση άλλων εξαρτημάτων ή προσαρτημάτων μπορεί να είναι επικίνδυνη για τραυματισμό ατόμων. Τα εξαρτήματα ή προσαρτήματα πρέπει να χρησιμοποιούνται μόνο με το σωστό και προτιθέμενο τρόπο.

<ul style="list-style-type: none"> • Socket (with pin and O-ring) • Douille (avec tige et joint torique) • Steckschlüsseinsatz (mit Stift und O-Ring) • Presa (con perno e anello ad O) • Sok (met pen en O-ring) • Manguito (con pasador y junta tórica) • Bocal (com pino e anel em O) • Top (med stift og O-ring) • Hylsa (med låspinne och gummiring) • Muffe (med stift og O-ring) • Holkki (tappi ja O-rengas) • Υποδοχή (με πείρο και δακτύλιο-O) 																			
A (mm)	12	13	13	14	14	17	17	19	19	19	21	21	21	22	22	23	23	24	24
L (mm)	75	36	52	36.5	52	39	52	40	52	80	41	52	80	42	52	43	52	43.5	52
Sq(mm)	12.7																		
<ul style="list-style-type: none"> • Extension bar (with pin and O-ring) • Barre de rallonge (avec tige et joint torique) • Verlängerungsstücks (mit Stift und O-Ring) • Barra di prolunga (con perno e anello ad O) • Verlengstaaf (met pen en O-ring) • Barra de extensión (con pasador y junta tórica) • Barra de extensão (com pino e anel em O) • Forlængerstangen (med stift og O-ring) • Förlängningsstång (med låspinne och gummiring) • Forlængelsesstang (med stift og O-ring) • Jatkotangon (tappi ja O-rengas) • Μπάρας επέκτασης (με πείρο και δακτύλιο-O) 																			
<ul style="list-style-type: none"> • Universal joint (with pin and O-ring) • Joint universel (avec tige et joint torique) • Gebrauch des Gelenkaufsatzes (mit Stift und O-Ring) • Giunto universale (con perno e anello ad O) • Aantrekkoppel (met pen en O-ring) • Junta universal (con pasador y junta tórica) • Ligaçáo universal (com pino e anel em O) • Knækled (med stift og O-ring) • Universalknut (med låspinne och gummiring) • Universalskjøte (med stift og O-ring) • Kardaaniilitoksen (tappi ja O-rengas) • Γενικής χρήσης άρθρωσης (με πείρο και δακτύλιο-O) 																			
<ul style="list-style-type: none"> • Bit adapter (with pin and O-ring) • Adaptateur de mèche (avec tige et joint torique) • Einsatzadapter (mit Stift und O-Ring) • Adattatore punta (con perno e anello ad O) • Bitadapter (met pen en O-ring) • Adaptador de implemento (con pasador y junta tórica) • Adaptador da broca (com pino e anel em O) • Bit-adapter (med stift og O-ring) • Verktøysadapter (med låspinne och gummiring) • Bitsadapter (med stift og O-ring) • Kärkisovitin (tappi ja O-rengas) • Προσαρμοστής άκρων (με πείρο και δακτύλιο-O) 																			

<ul style="list-style-type: none"> • Phillips bit • Embout Phillips • Kreuzschlitz-Schraubendrehereinsatz • Punta a croce • Phillips schroefbit • Pieza de apriete de punta Phillips • Broca Phillips • Phillips bit • Korsmejsel • Phillips-bits • Ristipääterä • Αιχμή Φίλιπς 																			
<ul style="list-style-type: none"> • Phillips bit • Embout Phillips • Kreuzschlitz-Schraubendrehereinsatz • Punta a croce • Phillips schroefbit • Pieza de apriete de punta Phillips • Broca Phillips • Phillips bit • Korsmejsel • Phillips-bits • Ristipääterä • Αιχμή Φίλιπς 																			
	<table border="1"> <thead> <tr> <th>Bit No.</th> <th colspan="5">L (mm)</th> </tr> </thead> <tbody> <tr> <td>No. 2</td> <td>45</td> <td>65</td> <td>110</td> <td>150</td> <td>250</td> </tr> <tr> <td>No. 3</td> <td>45</td> <td>65</td> <td>110</td> <td></td> <td></td> </tr> </tbody> </table>	Bit No.	L (mm)					No. 2	45	65	110	150	250	No. 3	45	65	110		
Bit No.	L (mm)																		
No. 2	45	65	110	150	250														
No. 3	45	65	110																
<p>Note :</p> <ul style="list-style-type: none"> • Use bit No. 2 when fastening machine screws M4 – M5, or wood screws 3.1 mm – 4.8 mm. • Use bit No. 3 when fastening machine screws M6 – M8, or wood screws 5.1 mm – 6.1 mm. <p>Note :</p> <ul style="list-style-type: none"> • Utilisez l'embout No. 2 pour visser des vis à métaux M4 – M5, ou des vis en bois de 3,1 mm – 4,8 mm. • Utilisez l'embout No. 3 pour visser des vis à métaux M6 – M8, ou des vis en bois de 5,1 mm – 6,1 mm. <p>Hinweis:</p> <ul style="list-style-type: none"> • Einsatzwerkzeug Nr. 2 zum Verschrauben von Maschinenschrauben M4 bis M5 oder Holzschrauben 3,1 mm bis 4,8 mm verwenden. • Einsatzwerkzeug Nr. 3 zum Verschrauben von Maschinenschrauben M6 bis M8 oder Holzschrauben 5,1 mm bis 6,1 mm verwenden. <p>Note:</p> <ul style="list-style-type: none"> • Usare la punta No. 2 per stringere le viti comuni M4 – M5 o le viti per legno da 3,1 mm a 4,8 mm. • Usare la punta No. 3 per stringere le viti comuni M6 – M8 o le viti per legno da 5,1 mm a 6,1 mm. <p>Opmerking:</p> <ul style="list-style-type: none"> • Gebruik schroefbit Nr. 2 voor het vastdraaien van kolomschroeven M4 – M5 of houtschroeven 3,1 mm – 4,8 mm. • Gebruik schroefbit Nr. 3 voor het vastdraaien van kolomschroeven M6 – M8 of houtschroeven 5,1 mm – 6,1 mm. <p>Nota:</p> <ul style="list-style-type: none"> • Emplee el implemento N.º2 cuando vaya a apretar tornillos para máquina M4 M5, o tornillos para madera de 3,1 mm – 4,8 mm de diámetro. • Emplee el implemento N.º3 cuando vaya a apretar tornillos para máquina M6 M8, o tornillos para madera de 5,1 mm – 6,1 mm de diámetro. <p>Nota:</p> <ul style="list-style-type: none"> • Utilize a broca N. 2 quando aperta parafusos de rosca fina M4 – M5, ou parafusos de madeira de 3,1 mm – 4,8 mm. • Utilize a broca N. 3 quando aperta parafusos de rosca fina M6 – M8, ou parafusos de madeira de 5,1 mm – 6,1 mm. <p>Bemærk:</p> <ul style="list-style-type: none"> • Anvend bit nr. 2 til fastspænding af maskinskruer M4 – M5, eller træskruer 3,1 mm – 4,8 mm. • Anvend bit nr. 3 til fastspænding af maskinskruer M6 – M8, eller træskruer 5,1 mm – 6,1 mm. 																			

<p>Observera:</p> <ul style="list-style-type: none"> • Använd verktyg nr. 2 vid åtdragning av maskinskravar M4 – M5, eller träskruvar 3,1 mm – 4,8 mm. • Använd verktyg nr. 3 vid åtdragning av maskinskravar M6 – M8, eller träskruvar 5,1 mm – 6,1 mm. <p>Merknad:</p> <ul style="list-style-type: none"> • Bruk bits Nr.2 ved tiltrekking av maskinskruer M4 – M5, eller treskruer 3,1 mm – 4,8 mm. • Bruk bits Nr.3 ved tiltrekking av maskinskruer M6 – M8, eller treskruer 5,1 mm – 6,1 mm. <p>Huomaa:</p> <ul style="list-style-type: none"> • Käytä terää nro 2, kun kiinnität koneruuveja M4 – M5 tai 3,1 mm – 4,8 mm puuruuveja. • Käytä terää nro 3, kun kiinnität koneruuveja M6 – M8 tai 5,1 mm – 6,1 mm puuruuveja. <p>Παρατήρηση:</p> <ul style="list-style-type: none"> • Χρησιμοποιείστε τηναιχιμή κατσαβιδιού No. 2 όταν στερεώνετε κατσαβιδόβιδες M4 – M5, ή ξυλόβιδες 3,1 χιλ. – 4,8 χιλ. • Χρησιμοποιείστε τηναιχιμή κατσαβιδιού No. 3 όταν στερεώνετε κατσαβιδόβιδες M6 – M8, ή ξυλόβιδες 5,1 χιλ. – 6,1 χιλ. 	
<ul style="list-style-type: none"> • Battery charger Model DC1413 • Chargeur Modèle DC1413 • Ladegerät Modell DC1413 • Carica Batteria Modello DC1413 • Acculader Model DC1413 • Cargador de Batería Modelo DC1413 • Carregador de Bateria Modelo DC1413 • Akku-ladeaggregat Model DC1413 • Batteriladdar Modell DC1413 • Batterilader Modell DC1413 • Akkulataaja malli DC1413 • Φορτιστής μπαταρίας Μοντέλο DC1413 	
<ul style="list-style-type: none"> • Battery cartridge 1222/1234/1235 • Batterie 1222/1234/1235 • Akku 1222/1234/1235 • Cartuccia batteria 1222/1234/1235 • Batterijpak 1222/1234/1235 • Cartucho de batería 1222/1234/1235 • Bateria 1222/1234/1235 • Akku 1222/1234/1235 • Batterikassett 1222/1234/1235 • Batteri 1222/1234/1235 • Akku 1222/1234/1235 • Κασέτα μπαταρίας 1222/1234/1235 	
<ul style="list-style-type: none"> • Battery cartridge 1202A • Batterie 1202A • Akku 1202A • Cartuccia batteria 1202A • Batterijpak 1202A • Cartucho de batería 1202A • Bateria 1202A • Akku 1202A • Batterikassett 1202A • Batteri 1202A • Akku 1202A • Κασέτα μπαταρίας 1202A 	

<ul style="list-style-type: none"> • Battery cover • Cache de batterie • Kontaktschutzkappe • Coperchio batteria • Batterijdeksel • Tapa de la batería • Tampa da bateria • Batteridæksel • Batteriskydd • Batterideksel • Akkusuojaus • Κάλυμμα μπαταρίας 	
<ul style="list-style-type: none"> • Set plate • Capot arrière • Verschlussklammer • Piastra di fissaggio • Stelplaat • Placa de fijación • Placa de apoio • Låseblik • Kassettspärr • Justeringsplate • Pohjalevy • Πλάκα ρύθμισης 	
<ul style="list-style-type: none"> • Plastic carrying case • Mallette de transport en plastique • Transportkoffer • Custodia di trasporto di plastica • Plastic draagtas • Maletín de plástico para el transporte • Caixa plástica para transporte • Transportkuffert • Bärpåska i plast • Bærevæske av plast • Muovinen kantokotelo • Πλαστική θήκη μεταφοράς 	
<ul style="list-style-type: none"> • Shoulder strap • Bandoulière • Tragriemen • Tracolla • Schouderriem • Correa para el hombro • Correia a tiracolo • Skulderrem • Axelrem • Skulderrem • Olkahihna • Λωρίδα ώμου 	

ENGLISH

EC-DECLARATION OF CONFORMITY

The undersigned, Yasuhiko Kanzaki, authorized by Makita Corporation, 3-11-8 Sumiyoshi-Cho, Anjo, Aichi 446-8502 Japan declares that this product

(Serial No. : series production)

manufactured by Makita Corporation in Japan is in compliance with the following standards or standardized documents,

EN50260, EN55014,

in accordance with Council Directives, 89/336/EEC and 98/37/EC.

FRANÇAISE

DÉCLARATION DE CONFORMITÉ CE

Je soussigné, Yasuhiko Kanzaki, mandaté par Makita Corporation, 3-11-8 Sumiyoshi-Cho, Anjo, Aichi 446-8502 Japan, déclare que ce produit

(No. de série: production en série)

fabriqué par Makita Corporation au Japon, est conformes aux normes ou aux documents normalisés suivants,

EN50260, EN55014,

conformément aux Directives du Conseil, 89/336/CEE et 98/37/EG.

DEUTSCH

CE-KONFORMITÄTSERKLÄRUNG

Hiermit erklärt der Unterzeichnete, Yasuhiko Kanzaki, Bevollmächtigter von Makita Corporation, 3-11-8 Sumiyoshi-Cho, Anjo, Aichi 446-8502 Japan, daß dieses von der Firma Makita Corporation in Japan hergestellte Produkt

(Serien-Nr.: Serienproduktion)

gemäß den Ratsdirektiven 89/336/EWG und 98/37/EG mit den folgenden Normen bzw. Normendokumenten übereinstimmen:

EN50260, EN55014.

ITALIANO

DICHIARAZIONE DI CONFORMITÀ CON LE NORME DELLA COMUNITÀ EUROPEA

Il sottoscritto Yasuhiko Kanzaki, con l'autorizzazione della Makita Corporation, 3-11-8 Sumiyoshi-Cho, Anjo, Aichi 446-8502 Japan, dichiara che questo prodotto

(Numero di serie: Produzione in serie)

fabbricato dalla Makita Corporation in Giappone è conforme alle direttive europee riportate di seguito:

EN50260, EN55014

secondo le direttive del Consiglio 89/336/CEE e 98/37/CE.

NEDERLANDS

EG-VERKLARING VAN CONFORMITEIT

De ondergetekende, Yasuhiko Kanzaki, gevolmachtigd door Makita Corporation, 3-11-8 Sumiyoshi-Cho, Anjo, Aichi 446-8502 Japan verklaart dat dit product

(Serienr. : serieproductie)

vervaardigd door Makita Corporation in Japan voldoet aan de volgende normen of genormaliseerde documenten,

EN50260, EN55014

in overeenstemming met de richtlijnen van de Raad 89/336/EEC en 98/37/EC.

ESPAÑOL

DECLARACIÓN DE CONFORMIDAD DE LA CE

El abajo firmante, Yasuhiko Kanzaki, autorizado por Makita Corporation, 3-11-8 Sumiyoshi-Cho, Anjo, Aichi 446-8502 Japan, declara que este producto

(Número de serie: producción en serie)

fabricado por Makita Corporation en Japón cumple las siguientes normas o documentos normalizados,

EN50260, EN55014

de acuerdo con las directivas comunitarias, 89/336/EEC y 98/37/CE.

Yasuhiko Kanzaki CE 2000



Director	Amministratore
Directeur	Directeur
Direktor	Director

MAKITA INTERNATIONAL EUROPE LTD.

Michigan Drive, Tongwell, Milton Keynes,
Bucks MK15 8JD, ENGLAND

PORTUGUÊS

DECLARAÇÃO DE CONFORMIDADE DA CE

O abaixo assinado, Yasuhiko Kanzaki, autorizado pela Makita Corporation, 3-11-8 Sumiyoshi-Cho, Anjo, Aichi 446-8502 Japan, declara que este produto

(N. de série: produção em série)

fabricado pela Makita Corporation no Japão obedece às seguintes normas ou documentos normalizados,

EN50260, EN55014

de acordo com as directivas 89/336/CEE e 98/37/CE do Conselho.

DANSK

EU-DEKLARATION OM KONFORMITET

Undertegnede, Yasuhiko Kanzaki, med fuldmagt fra Makita Corporation, 3-11-8 Sumiyoshi-Cho, Anjo, Aichi 446-8502 Japan, erklærer hermed, at dette produkt

(Løbenummer: serieproduktion)

fremstillet af Makita Corporation i Japan, er i overensstemmelse med de følgende standarder eller normsættende dokumenter,

EN50260, EN55014

i overensstemmelse med Rådets Direktiver 89/336/EEC og 98/37/EC.

SVENSKA

EG-DEKLARATION OM ÖVERENSSTÄMMELSE

Undertecknad, Yasuhiko Kanzaki, auktoriserad av Makita Corporation, 3-11-8 Sumiyoshi-Cho, Anjo, Aichi 446-8502 Japan deklarerar att denna produkt

(serienummer: serieproduktion)

tillverkad av Makita Corporation i Japan, uppfyller kraven i följande standard eller standardiserade dokument,

EN50260, EN55014

i enlighet med EG-direktiven 89/336/EEC och 98/37/EC.

NORSK

EU's SAMSVARS-ERKLÆRING

Undertegnede, Yasuhiko Kanzaki, med fullmakt fra Makita Corporation, 3-11-8 Sumiyoshi-Cho, Anjo, Aichi 446-8502 Japan bekrefter herved at dette produktet

(Serienr. : serieproduksjon)

fabrikert av Makita Corporation, Japan, er i overensstemmelse med følgende standarder eller standardiserede dokumenter:

EN50260, EN55014,

i samsvar med Råds-direktivene, 89/336/EEC og 98/37/EC.

SUOMI

VAKUUTUS EC-VASTAAVUDESTA

Makita Corporation, 3-11-8 Sumiyoshi-Cho, Anjo, Aichi 446-8502 Japan valtuuttamana allekirjoittanut, Yasuhiko Kanzaki, vakuuttaa että tämä tämä tuote

(Sarja nro : sarjan tuotantoa)

valmistanut Makita Corporation Japanissa vastaa seuraavia standardeja tai stardardoituja asiakirjoja

EN50260, EN55014

neuvoston direktiivien 89/336/EEC ja 98/37/EC mukaisesti.

ΕΛΛΗΝΙΚΑ

ΔΗΛΩΣΗ ΣΥΜΜΟΡΦΩΣΗΣ ΕΚ

Ο υπογράφων, Yasuhiko Kanzaki, εξουσιοδοτημένος από την εταιρεία Makita Corporation, 3-11-8 Sumiyoshi-Cho, Anjo, Aichi 446-8502 Japan, δηλώνει ότι αυτό το προϊόν

(Αύξων Αρ.: παραγωγή σειράς)

κατασκευασμένο από την Εταιρεία Makita στην Ιαπωνία, βρίσκεται σε συμφωνία με τα ακόλουθα πρότυπα ή τυποποιημένα έγγραφα,

EN50260, EN55014

σύμφωνα με τις Οδηγίες του Συμβουλίου, 89/336/EEC και 98/37/ΚΕ.

Yasuhiko Kanzaki CE 2000

Director	Direktor
Direktør	Johtaja
Direktör	Διευθυντής

MAKITA INTERNATIONAL EUROPE LTD.

Michigan Drive, Tongwell, Milton Keynes,
Bucks MK15 8JD, ENGLAND

ENGLISH

EC-DECLARATION OF CONFORMITY

The undersigned, Yasuhiko Kanzaki, authorized by Kao Lung Tamura Electronics Co., Ltd. No. 4 Industry 1st Street, Ping Tung Industry District Chiao Nan Li, Ping Tung City, Taiwan declares that this battery charger

(Serial No. : series production)

manufactured by Kao Lung Tamura Electronics Co., Ltd. in Taiwan is in compliance with the following standards or standardized documents,

EN60335, EN55014, EN61000

in accordance with Council Directives, 73/23/EEC and 89/336/EEC.

ITALIANO

DICHIARAZIONE DI CONFORMITÀ CON LE NORME DELLA COMUNITÀ EUROPEA

Il sottoscritto Yasuhiko Kanzaki, con l'autorizzazione della Kao Lung Tamura Electronics Co., Ltd. No. 4 Industry 1st Street, Ping Tung Industry District Chiao Nan Li, Ping Tung City, Taiwan, dichiara che questo caricabatteria

(Numero di serie: Produzione in serie)

fabbricato dalla Kao Lung Tamura Electronics Co., Ltd. in Taiwan è conforme alle direttive europee riportate di seguito:

EN60335, EN55014, EN61000

secondo le direttive del Consiglio 73/23/CEE e 89/336/CEE.

FRANÇAISE

DÉCLARATION DE CONFORMITÉ CE

Je soussigné, Yasuhiko Kanzaki, mandaté par Kao Lung Tamura Electronics Co., Ltd. No. 4 Industry 1st Street, Ping Tung Industry District Chiao Nan Li, Ping Tung City, Taiwan, déclare que ce chargeur de batterie

(No. de série: production en série)

fabriqué par Kao Lung Tamura Electronics Co., Ltd. au Taiwan, est conformes aux normes ou aux documents normalisés suivants,

EN60335, EN55014, EN61000

conformément aux Directives du Conseil, 73/23/CEE et 89/336/CEE.

NEDERLANDS

EG-VERKLARING VAN CONFORMITEIT

De ondergetekende, Yasuhiko Kanzaki, gevolmachtigd door Kao Lung Tamura Electronics Co., Ltd. No. 4 Industry 1st Street, Ping Tung Industry District Chiao Nan Li, Ping Tung City, Taiwan verklaart dat dit accu-oplader

(Serienr. : serieproductie)

vervaardigd door Kao Lung Tamura Electronics Co., Ltd. in Taiwan voldoet aan de volgende normen of genormaliseerde documenten,

EN60335, EN55014, EN61000

in overeenstemming met de richtlijnen van de Raad 73/23/EEC en 89/336/EEC.

DEUTSCH

CE-KONFORMITÄTSERLÄRUNG

Hiermit erklärt der Unterzeichnete, Yasuhiko Kanzaki, Bevollmächtigter von Kao Lung Tamura Electronics Co., Ltd. No. 4 Industry 1st Street, Ping Tung Industry District Chiao Nan Li, Ping Tung City, Taiwan, daß dieses von der Firma Kao Lung Tamura Electronics Co., Ltd. in Taiwan hergestellte Ladegerät

(Serien-Nr.: Serienproduktion)

gemäß den Ratsdirektiven 73/23/EWG und 89/336/EWG mit den folgenden Normen bzw. Normendokumenten übereinstimmen:

EN60335, EN55014, EN61000.

ESPAÑOL

DECLARACIÓN DE CONFORMIDAD DE LA CE

El abajo firmante, Yasuhiko Kanzaki, autorizado por Kao Lung Tamura Electronics Co., Ltd. No. 4 Industry 1st Street, Ping Tung Industry District Chiao Nan Li, Ping Tung City, Taiwan, declara que este cargador de baterías

(Número de serie: producción en serie)

fabricado por Kao Lung Tamura Electronics Co., Ltd. en Taiwan cumple las siguientes normas o documentos normalizados,

EN60335, EN55014, EN61000

de acuerdo con las directivas comunitarias, 73/23/EEC y 89/336/EEC.

Yasuhiko Kanzaki CE 94



Director	Amministratore
Directeur	Directeur
Direktor	Director

MAKITA INTERNATIONAL EUROPE LTD.

Michigan Drive, Tongwell, Milton Keynes,
Bucks MK15 8JD, ENGLAND

PORTUGUÊS

DECLARAÇÃO DE CONFORMIDADE DA CE

O abaixo assinado, Yasuhiko Kanzaki, autorizado pela Kao Lung Tamura Electronics Co., Ltd. No. 4 Industry 1st Street, Ping Tung Industry District Chiao Nan Li, Ping Tung City, Taiwan, declara que este carregador de bateria (N. de série: produção em série)

fabricado pela Kao Lung Tamura Electronics Co., Ltd. no Taiwan obedece às seguintes normas ou documentos normalizados,

EN60335, EN55014, EN61000

de acordo com as directivas 73/23/CEE e 89/336/CEE do Conselho.

DANSK

EU-DEKLARATION OM KONFORMITET

Undertegnede, Yasuhiko Kanzaki, med fuldmagt fra Kao Lung Tamura Electronics Co., Ltd. No. 4 Industry 1st Street, Ping Tung Industry District Chiao Nan Li, Ping Tung City, Taiwan, erklærer hermed, at dette batteriopladeren

(Løbenummer: serieproduktion)

fremstillet af Kao Lung Tamura Electronics Co., Ltd. i Taiwan, er i overensstemmelse med de følgende standarder eller normsættende dokumenter,

EN60335, EN55014, EN61000

i overensstemmelse med Rådets Direktiver 73/23/EEC og 89/336/EEC.

SVENSKA

EG-DEKLARATION OM ÖVERENSSTÄMMELSE

Undertecknad, Yasuhiko Kanzaki, auktoriserad av Kao Lung Tamura Electronics Co., Ltd. No. 4 Industry 1st Street, Ping Tung Industry District Chiao Nan Li, Ping Tung City, Taiwan deklarerar att denna batteriladdaren (serienummer: serieproduktion)

tillverkad av Kao Lung Tamura Electronics Co., Ltd. i Taiwan, uppfyller kraven i följande standard eller standardiserade dokument,

EN60335, EN55014, EN61000

i enlighet med EG-direktiven 73/23/EEC och 89/336/EEC.

NORSK

EU's SAMSVARS-ERKLÆRING

Undertegnede, Yasuhiko Kanzaki, med fullmakt fra Kao Lung Tamura Electronics Co., Ltd. No. 4 Industry 1st Street, Ping Tung Industry District Chiao Nan Li, Ping Tung City, Taiwan bekrefter herved at dette batterilader (Serienr. : serieproduksjon)

fabrikert av Kao Lung Tamura Electronics Co., Ltd., Taiwan, er i overensstemmelse med følgende standarder eller standardisererte dokumenter:

EN60335, EN55014, EN61000,

i samsvar med Råds-direktivene, 73/23/EEC og 89/336/EEC.

SUOMI

VAKUUTUS EC-VASTAAVUDESTA

Kao Lung Tamura Electronics Co., Ltd. No. 4 Industry 1st Street, Ping Tung Industry District Chiao Nan Li, Ping Tung City, Taiwan valtuuttamana allekirjoittanut, Yasuhiko Kanzaki, vakuuttaa että tämä akkulaturi

(Sarja nro : sarjan tuotantoa)

valmistanut Kao Lung Tamura Electronics Co., Ltd. in Taiwan vastaa seuraavia standardeja tai standardoituja asiakirjoja

EN60335, EN55014, EN61000

neuvoston direktiivien 73/23/EEC ja 89/336/EEC mukaisesti.

ΕΛΛΗΝΙΚΑ

ΔΗΛΩΣΗ ΣΥΜΜΟΡΦΩΣΗΣ ΕΚ

Ο υπογράφων, Yasuhiko Kanzaki, εξουσιοδοτημένος από την εταιρεία Kao Lung Tamura Electronics Co., Ltd. No. 4 Industry 1st Street, Ping Tung Industry District Chiao Nan Li, Ping Tung City, Taiwan, δηλώνει ότι αυτό το φορτιστής μπαταρίας

(Αύξων Αρ.: παραγωγή σειράς)

κατασκευασμένο από την Εταιρεία Kao Lung Tamura Electronics Co., Ltd. στην Taiwan, βρίσκεται σε συμφωνία με τα ακόλουθα πρότυπα ή τυποποιημένα έγγραφα,

EN60335, EN55014, EN61000

σύμφωνα με τις Οδηγίες του Συμβουλίου, 73/23/EEC και 89/336/EEC.

Yasuhiko Kanzaki CE 94

Director	Direktor
Direktør	Johtaja
Direktör	Διευθυντής

MAKITA INTERNATIONAL EUROPE LTD.

Michigan Drive, Tongwell, Milton Keynes,
Bucks MK15 8JD, ENGLAND

ENGLISH

Noise and Vibration

The typical A-weighted noise levels are
sound pressure level: 98 dB (A)
sound power level: 111 dB (A)
– Wear ear protection. –

The typical weighted root mean square acceleration value is 9 m/s^2 .

FRANÇAISE

Bruit et vibrations

Les niveaux de bruit pondérés A types sont:
niveau de pression sonore: 98 dB (A)
niveau de puissance du son: 111 dB (A)
– Porter des protecteurs anti-bruit. –
L'accélération pondérée est de 9 m/s^2 .

DEUTSCH

Geräusch- und Vibrationsentwicklung

Die typischen A-bewerteten Geräuschpegel betragen:
Schalldruckpegel: 98 dB (A)
Schalleistungspegel: 111 dB (A)
– Gehörschutz tragen. –
Der gewichtete Effektivwert der Beschleunigung beträgt 9 m/s^2 .

ITALIANO

Rumore e vibrazione

I livelli del rumore pesati secondo la curva A sono:
Livello pressione sonora: 98 dB (A)
Livello potenza sonora: 111 dB (A)
– Indossare i paraorecchi. –
Il valore quadratico medio di accelerazione è di 9 m/s^2 .

NEDERLANDS

Geluidsniveau en trilling

De typische A-gewogen geluidsniveau's zijn
geluidsdrukniveau: 98 dB (A)
geluidsenergie-niveau: 111 dB (A)
– Draag oorbeschermers. –
De typische gewogen effectieve versnellingswaarde is 9 m/s^2 .

ESPAÑOL

Ruido y vibración

Los niveles típicos de ruido ponderados A son
presión sonora: 98 dB (A)
nivel de potencia sonora: 111 dB (A)
– Póngase protectores en los oídos. –
El valor ponderado de la aceleración es de 9 m/s^2 .

PORTUGUÊS

Ruído e Vibração

Os níveis normais de ruído A são
nível de pressão de som: 98 dB (A)
nível do som: 111 dB (A)
– Utilize protetores para os ouvidos –
O valor médio da aceleração é 9 m/s^2 .

DANSK

Lyd og vibration

De typiske A-vægtede lyd-niveauer er
lydtrykkniveau: 98 dB (A)
lydeffektniveau: 111 dB (A)
– Bær høreværn. –
Den vægtede effektive accelerationsværdi er 9 m/s^2 .

SVENSKA

Buller och vibration

De typiska A-vägda bullernivåerna är
ljudtrycksnivå: 98 dB (A)
ljudeffektnivå: 111 dB (A)
– Använd hörselskydd –
Det typiskt vägda effektivvärdet för acceleration är 9 m/s^2 .

NORSK

Støy og vibrasjon

De vanlige A-belastede støynivå er
lydtrykksnivå: 98 dB (A)
lydstyrkenivå: 111 dB (A)
– Benytt hørselvern. –
Den vanlig belastede effektiv-verdi for akselerasjon er 9 m/s^2 .

SUOMI

melutaso ja värinä

Tyypilliset A-painotetut melutasot ovat
äänenpainetaso: 98 dB (A)
äänen tehotaso: 111 dB (A)
– Käytä kuulosuojaimia. –
Tyypillinen kiihtyvyyden painotettu tehollisarvo on 9 m/s^2 .

ΕΛΛΗΝΙΚΑ

Θόρυβος και κραδασμός

Οι τυπικές Α-μετρούμενες εντάσεις ήχου είναι
πίεση ήχου: 98 dB (A)
δύναμη του ήχου: 111 dB (A)
– Φοράτε ωτοασπίδες. –
Η τυπική αξία της μετρούμενης ρίζας του μέσου τετραγώνου της επιτάχυνσης είναι 9 m/s^2 .

Makita Corporation
Anjo, Aichi, Japan
Made in Japan
884316B996

PRINTED IN JAPAN