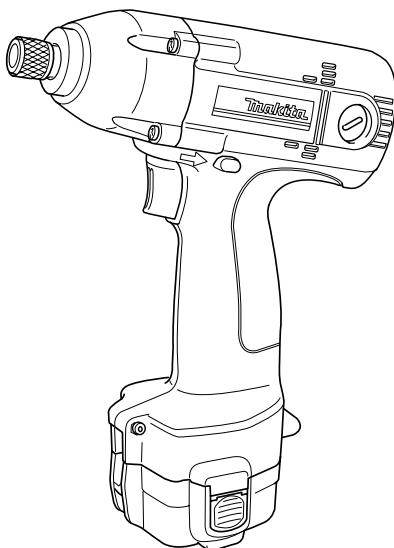
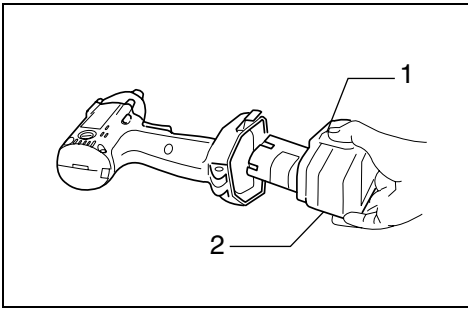


# Makita®

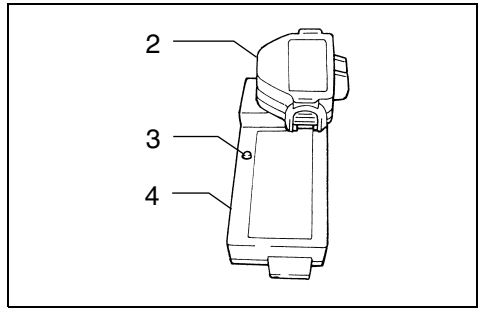
<b>GB</b>	<b>Cordless Impact Driver</b>	<b>Instruction Manual</b>
<b>F</b>	<b>Tournevis à chocs sans fil</b>	<b>Manuel d'instructions</b>
<b>D</b>	<b>Akku-Schlagschrauber</b>	<b>Betriebsanleitung</b>
<b>I</b>	<b>Avvitatrice ad impulso a batteria</b>	<b>Istruzioni per l'uso</b>
<b>NL</b>	<b>Snoerloze slagschroevendraaier</b>	<b>Gebruiksaanwijzing</b>
<b>E</b>	<b>Atornillador de impacto a batería</b>	<b>Manual de instrucciones</b>
<b>P</b>	<b>Parafusadora de impacto a bateria</b>	<b>Manual de instruções</b>
<b>DK</b>	<b>Akku slagskruetrækker</b>	<b>Brugsanvisning</b>
<b>S</b>	<b>Sladdlös slagskruvdragare</b>	<b>Bruksanvisning</b>
<b>N</b>	<b>Accu slagboremaskin</b>	<b>Bruksanvisning</b>
<b>SF</b>	<b>Johdoton iskuväännin</b>	<b>Käyttöohje</b>
<b>GR</b>	<b>Φορητό κρουστικό κατσαβίδι</b>	<b>Οδηγίες χρήσεως</b>

## 6916D

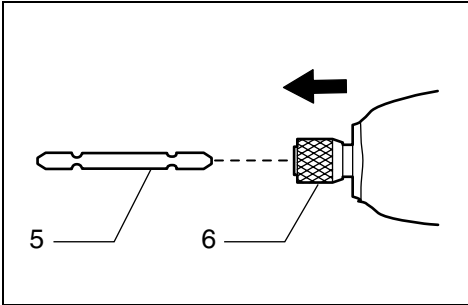




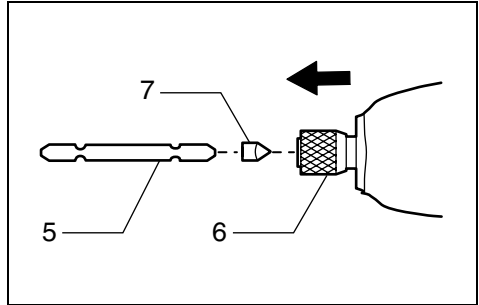
1



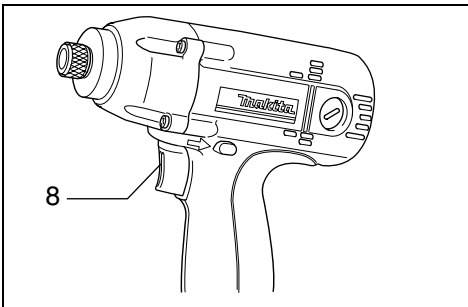
2



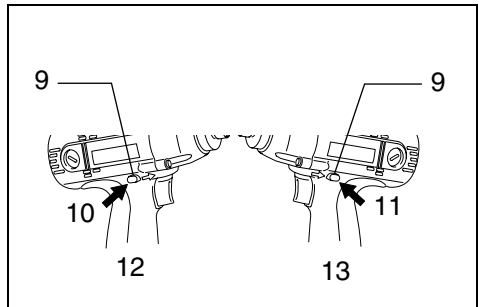
3



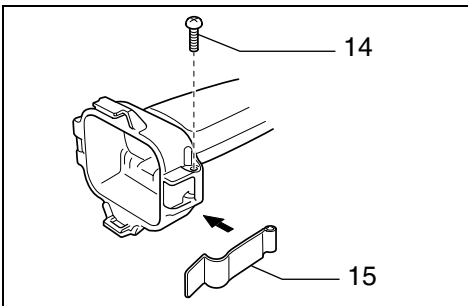
4



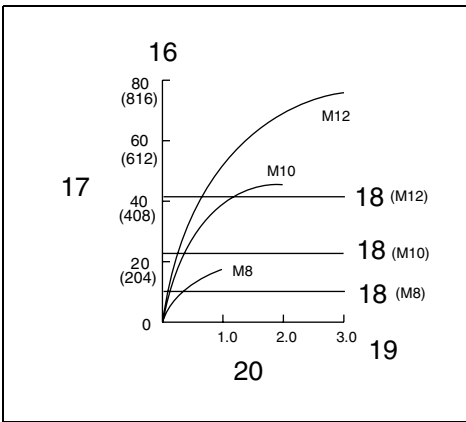
5



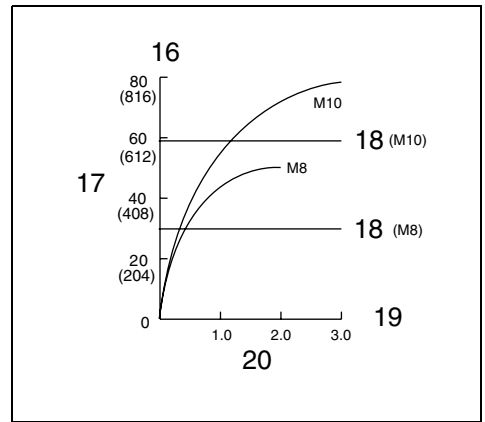
6



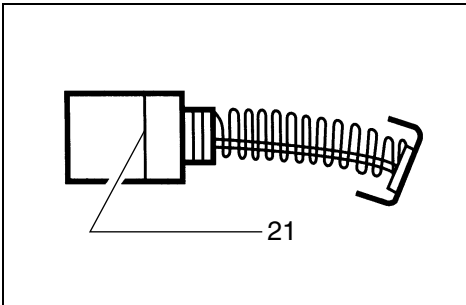
7



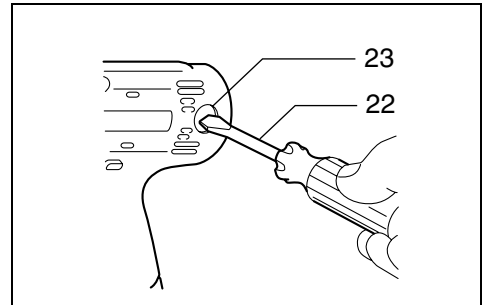
8



9



10



11

**Explanation of general view**

1 Button	9 Reversing switch lever	17 Fastening torque
2 Battery cartridge	10 A side	18 Proper fastening torque for
3 Charging light	11 B side	19 Seconds
4 Fast charger	12 Clockwise	20 Fastening time
5 Bit	13 Counterclockwise	21 Limit mark
6 Sleeve	14 Screw	22 Screwdriver
7 Bit-piece	15 Set plate	23 Brush holder cap
8 Switch trigger	16 N•m	

**SPECIFICATIONS**

<b>Model</b>	<b>6916D</b>
Capacities	
Machine screw .....	M4 – M8
Standard bolt .....	M5 – M12
High tensile bolt .....	M5 – M10
No load speed (min <sup>-1</sup> ) .....	0 – 2,300
Impacts per minute .....	0 – 3,000
Overall length .....	168 mm
Net weight .....	1.5 kg
Rated voltage .....	D.C. 12 V

- Due to our continuing program of research and development, the specifications herein are subject to change without notice.
- Note: Specifications may differ from country to country.

**Safety hints**

For your own safety, please refer to the enclosed safety instructions.

**IMPORTANT SAFETY INSTRUCTIONS FOR CHARGER & BATTERY CARTRIDGE**

ENC001-3

1. **SAVE THESE INSTRUCTIONS** — This manual contains important safety and operating instructions for battery charger.
2. **Before using battery charger, read all instructions and cautionary markings on (1) battery charger, (2) battery, and (3) product using battery.**
3. **CAUTION** — To reduce risk of injury, charge only **MAKITA** type rechargeable batteries. Other types of batteries may burst causing personal injury and damage.
4. **Do not expose charger to rain or snow.**
5. **Use of an attachment not recommended or sold by the battery charger manufacturer may result in a risk of fire, electric shock, or injury to persons.**
6. **To reduce risk of damage to electric plug and cord, pull by plug rather than cord when disconnecting charger.**
7. **Make sure cord is located so that it will not be stepped on, tripped over, or otherwise subjected to damage or stress.**
8. **Do not operate charger with damaged cord or plug — replace them immediately.**

9. **Do not operate charger if it has received a sharp blow, been dropped, or otherwise damaged in any way; take it to a qualified serviceman.**
10. **Do not disassemble charger or battery cartridge; take it to a qualified serviceman when service or repair is required. Incorrect reassembly may result in a risk of electric shock or fire.**
11. **To reduce risk of electric shock, unplug charger from outlet before attempting any maintenance or cleaning. Turning off controls will not reduce this risk.**
12. **The battery charger is not intended for use by young children or infirm persons without supervision.**
13. **Young children should be supervised to ensure that they do not play with the battery charger.**
14. **If operating time has become excessively shorter, stop operating immediately. It may result in a risk of overheating, possible burns and even an explosion.**
15. **If electrolyte gets into your eyes, rinse them out with clear water and seek medical attention right away. It may result in loss of your eyesight.**

**ADDITIONAL SAFETY RULES FOR CHARGER & BATTERY CARTRIDGE**

1. **Do not charge Battery Cartridge when temperature is BELOW 10°C (50°F) or ABOVE 40°C (104°F).**
2. **Do not attempt to use a step-up transformer, an engine generator or DC power receptacle.**
3. **Do not allow anything to cover or clog the charger vents.**
4. **Always cover the battery terminals with the battery cover when the battery cartridge is not used.**
5. **Do not short the battery cartridge:**
  - (1) **Do not touch the terminals with any conductive material.**
  - (2) **Avoid storing battery cartridge in a container with other metal objects such as nails, coins, etc.**
  - (3) **Do not expose battery cartridge to water or rain.**

**A battery short can cause a large current flow, overheating, possible burns and even a breakdown.**
6. **Do not store the tool and battery cartridge in locations where the temperature may reach or exceed 50°C (122°F).**
7. **Do not incinerate the battery cartridge even if it is severely damaged or is completely worn out. The battery cartridge can explode in a fire.**

8. **Be careful not to drop, shake or strike battery.**
9. **Do not charge inside a box or container of any kind. The battery must be placed in a well ventilated area during charging.**

### ADDITIONAL SAFETY RULES FOR TOOL

ENB024-1

1. **Be aware that this tool is always in an operating condition, because it does not have to be plugged into an electrical outlet.**
2. **Hold tool by insulated gripping surfaces when performing an operation where the cutting tool may contact hidden wiring. Contact with a "live" wire will also make exposed metal parts of the tool "live" and shock the operator.**
3. **Always be sure you have a firm footing. Be sure no one is below when using the tool in high locations.**
4. **Hold the tool firmly.**
5. **Wear ear protectors.**

### SAVE THESE INSTRUCTIONS.

#### Charging (Fig. 2)

Plug the fast charger into the proper AC voltage source. The charging light will flash in green color. Insert the battery cartridge so that the plus and minus terminals on the battery cartridge are on the same sides as their respective markings on the fast charger. Insert the cartridge fully into the port so that it rests on the charger port floor. When the battery cartridge is inserted, the charging light color will change from green to red and charging will begin. The charging light will remain lit steadily during charging. When the charging light color changes from red to green, the charging cycle is complete. If you leave the battery cartridge in the charger after the charging cycle is complete, the charger will switch into its "trickle charge (maintenance charge)" mode which will last approximately 24 hours. After charging, unplug the charger from the power source. Refer to the table below for the charging time.

Battery type	Capacity (mAh)	Number of cells	Charging time
1222	2,000	10	Approx. 45 min.
1234	2,600	10	Approx. 60 min.
1235	3,000	10	Approx. 70 min.

#### CAUTION:

- The fast charger is for charging Makita battery cartridge. Never use it for other purposes or for other manufacturer's batteries.
- When you charge a new battery cartridge or a battery cartridge which has not been used for a long period of time, it may not accept a full charge. This is a normal condition and does not indicate a problem. You can recharge the battery cartridge fully after discharging it completely and recharging a couple of times.
- If you charge a battery cartridge from a just-operated tool or battery cartridge which has been left in a location exposed to direct sunlight or heat for a long time, the charging light may flash in red color. If this occurs, wait for a while. Charging will begin after the battery cartridge cools. The battery cartridge will cool faster if you remove the battery cartridge from the fast charger.
- If the charging light flashes alternately in green and red color, a problem exists and charging is not possible. The terminals on the charger or battery cartridge are clogged with dust or the battery cartridge is worn out or damaged.

#### Trickle charge (Maintenance charge)

If you leave the battery cartridge in the charger to prevent spontaneous discharging after full charge, the charger will switch into its "trickle charge (maintenance charge)" mode and keep the battery cartridge fresh and fully charged.

#### Tips for maintaining maximum battery life

1. Charge the battery cartridge before completely discharged. Always stop tool operation and charge the battery cartridge when you notice less tool power.
2. Never recharge a fully charged battery cartridge. Overcharging shortens the battery service life.
3. Charge the battery cartridge with room temperature at 10°C – 40°C (50°F – 104°F). Let a hot battery cartridge cool down before charging it.
4. Charge the Nickel Metal Hydride battery cartridge when you do not use it for more than six months.

## OPERATING INSTRUCTIONS

### Installing or removing battery cartridge (Fig. 1)

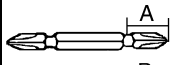
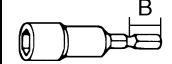
- Always switch off the tool before insertion or removal of the battery cartridge.
- To remove the battery cartridge, withdraw it from the tool while pressing the buttons on both sides of the cartridge.
- To insert the battery cartridge, align the tongue on the battery cartridge with the groove in the housing and slip it into place. Always insert it all the way until it locks in place with a little click. If not, it may accidentally fall out of the tool, causing injury to you or someone around you.
- Do not use force when inserting the battery cartridge. If the cartridge does not slide in easily, it is not being inserted correctly.

## Installing or removing bit

Important: Always be sure that the tool is switched off and the battery cartridge is removed before installing or removing the bit.

Use only the driver bit or socket bit shown in the table below.

Do not use any other driver bit or socket bit.

	A = 17 mm B = 14 mm	To install these types of bits, follow the procedure (1). (Note) Makita bits are these types.
	A = 11 mm B = 9 mm	To install these types of bits, follow the procedure (2). (Note) Bit-piece is necessary for installing the bit.

1. To install the bit, pull the sleeve in the direction of the arrow and insert the bit into the sleeve as far as it will go. Then release the sleeve to secure the bit. **(Fig. 3)**
2. To install the bit, pull the sleeve in the direction of the arrow and insert the bit-piece and the bit into the sleeve as far as it will go. The bit-piece should be inserted into the sleeve with its pointed end facing in. Then release the sleeve to secure the bit. **(Fig. 4)**

To remove the bit, pull the sleeve in the direction of the arrow and pull the bit out firmly.

### NOTE:

If the bit is not inserted deep enough into the sleeve, the sleeve will not return to its original position and the bit will not be secured. In this case, try re-inserting the bit according to the instructions above.

## Switch action (Fig. 5)

**CAUTION:** Before inserting the battery cartridge into the tool, always check to see that the switch trigger actuates properly and returns to the "OFF" position when released.

To start the tool, simply pull the trigger. Tool speed is increased by increasing pressure on the trigger. Release the trigger to stop.

## Reversing switch action (Fig. 6)

### CAUTION:

- Always check the direction of rotation before operation.
- Use the reversing switch only after the tool comes to a complete stop. Changing the direction of rotation before the tool stops may damage the tool.
- When not operating the tool, always set the reversing switch lever to the neutral position.

This tool has a reversing switch to change the direction of rotation. Depress the reversing switch lever from the A side for clockwise rotation or from the B side for counter-clockwise rotation. When the switch lever is in the neutral position, the switch trigger cannot be pulled.

## Installing set plate (Optional accessory) (Fig. 7)

Always install the set plate when using battery cartridges 1200, 1202 or 1202A. Install the set plate on the tool with the screw provided as shown in **Fig. 7**.

## Operation (Fig. 8 & 9)

The proper fastening torque may differ depending upon the kind or size of the screw/bolt, the material of the workpiece to be fastened, etc. The relation between fastening torque and fastening time is shown in **Fig. 8** for standard bolt or **Fig. 9** for high tensile bolt.

Hold the tool firmly and place the point of the driver bit in the screw head. Apply forward pressure to the tool to the extent that the bit will not slip off the screw and turn the tool on to start operation.

### NOTE:

- When fastening screw M8 or smaller, carefully adjust pressure on the switch trigger so that the screw is not damaged.
- Hold the tool pointed straight at the screw.
- If you tighten the screw for a time longer than shown in the figures, the screw or the point of the driver bit may be overstressed, stripped, damaged, etc. Before starting your job, always perform a test operation to determine the proper fastening time for your screw.

The fastening torque is affected by a wide variety of factors including the following. After fastening, always check the torque with a torque wrench.

1. When the battery cartridge is discharged almost completely, voltage will drop and the fastening torque will be reduced.
2. Driver bit or socket bit Failure to use the correct size driver bit or socket bit will cause a reduction in the fastening torque.
3. Bolt
  - Even though the torque coefficient and the class of bolt are the same, the proper fastening torque will differ according to the diameter of bolt.
  - Even though the diameters of bolts are the same, the proper fastening torque will differ according to the torque coefficient, the class of bolt and the bolt length.
4. The manner of holding the tool or the material of driving position to be fastened will affect the torque.
5. Operating the tool at low speed will cause a reduction in the fastening torque.

## **MAINTENANCE**

CAUTION: Always be sure that the tool is switched off and the battery cartridge is removed before carrying out any work on the tool.

### **Replacement of carbon brushes (Fig. 10 & 11)**

Replace carbon brushes when they are worn down to the limit mark. Both identical carbon brushes should be replaced at the same time.

To maintain product safety and reliability, repairs, maintenance or adjustment should be carried out by a Makita Authorized Service Center.

### Descriptif

1 Clip	9 Inverseur	17 Couple de serrage
2 Batterie	10 Côté A	18 Couple de serrage correct pour
3 Témoin de charge	11 Côté B	19 Secondes
4 Chargeur rapide	12 Vers la droite	20 Temps de serrage
5 Embout	13 Vers la gauche	21 Limite d'usure
6 Manchon	14 Vis	22 Tournevis
7 Rallonge d'embout	15 Capot arrière	23 Bouchon du porte-charbon
8 Gâchette	16 N•m	

### SPECIFICATIONS

**Modèle** 6916D

#### Capacités

Vis à métaux .....	M4 – M8
Boulon standard .....	M5 – M12
Boulon à haute résistance .....	M5 – M10
Vitesse à vide (min <sup>-1</sup> ) .....	0 – 2300
Nombre de coups/mn. ....	0 – 3000
Longueur totale .....	168 mm
Poids net .....	1,5 kg
Tension nominale .....	12 V.D.C.

- Etant donné l'évolution constante de notre programme de recherche et de développement, les spécifications contenues dans ce manuel sont sujettes à modification sans préavis.
- Note : Les spécifications peuvent varier suivant les pays.

#### Consignes de sécurité

Pour votre propre sécurité, reportez-vous aux consignes de sécurité qui accompagnent l'outil.

### PRECAUTIONS TRES IMPORTANTES POUR LE CHARGEUR ET LA BATTERIE

1. **SUIVEZ CES INSTRUCTIONS** — Ce manuel contient d'importantes instructions relatives à la sécurité et au fonctionnement du chargeur.
2. Avant de vous servir du chargeur, lisez toutes les instructions et précautions relatives (1) au chargeur, (2) à la batterie, et (3) à l'outil utilisant la batterie.
3. **ATTENTION** — Pour éliminer tout risque, ne chargez que des batteries rechargeables MAKITA. Tout autre type d'accumulateur peut éclater, causant dommages ou blessures.
4. N'exposez pas le chargeur à la pluie ou à la neige.
5. L'utilisation d'un accessoire ni agréé ni vendu par le fabricant du chargeur peut entraîner un risque d'incendie, de décharge électrique ou de blessure.

6. **Pour ne pas risquer d'endommager le câble ou la prise, débranchez en tenant la prise plutôt que le câble.**
7. **Assurez-vous que la position du câble ne l'expose pas à faire trébucher, à être piétiné, ou à forcer de quelque manière que ce soit.**
8. **N'utilisez pas le chargeur si le câble ou la prise sont en mauvais état — en ce cas, changez ceux-ci immédiatement.**
9. **N'utilisez pas le chargeur après qu'il ait reçu un choc, soit tombé à terre ou se trouve endommagé en quelque façon ; portez-le d'abord chez un réparateur qualifié.**
10. **Ne démontez pas le chargeur ou la batterie ; portez-les chez un réparateur qualifié quand une réparation devient nécessaire. Un remontage maladroit peut entraîner une décharge électrique ou un incendie.**
11. **Afin de réduire les risques de décharge, débranchez le chargeur avant tout entretien ou nettoyage.**
12. **La batterie ne doit pas être utilisée sans surveillance par des enfants ou des personnes handicapées.**
13. **Les jeunes enfants devraient être surveillés pour s'assurer qu'ils ne jouent pas avec la batterie.**
14. **Si la durée de fonctionnement devient excessivement courte, cessez immédiatement l'utilisation. Il pourrait en résulter un risque de surchauffe, une possibilité de blessures, voire une explosion.**
15. **Si l'électrolyte atteint vos yeux, rincez-les à l'eau claire et consultez immédiatement un médecin. Il pourrait en résulter la perte de la vue.**



## PRECAUTIONS SUPPLEMENTAIRES POUR LE CHARGEUR ET LA BATTERIE

1. Ne chargez pas la batterie quand la température ambiante est inférieure à 10° ou supérieure à 40°.
2. Ne pas alimenter le chargeur  
— via un transformateur  
— via un redresseur  
— par un groupe électrogène.
3. Ne laissez rien recouvrir ou obturer les ouvertures du chargeur.
4. Lorsque vous ne vous servez pas de votre batterie, protégez-en toujours les bornes avec le couvercle-batterie.
5. Ne court-circuitez pas la batterie :
  - (1) Ne touchez pas les bornes avec un matériau conducteur.
  - (2) Evitez de ranger la batterie dans un contenant renfermant d'autres objets métalliques, par exemple des clous, des pièces de monnaie, etc.
  - (3) N'exposez pas la batterie à l'eau ou à la pluie. Un court-circuit de la batterie pourrait provoquer un fort courant, une surchauffe, parfois des blessures et même une panne.
6. Ne rangez pas votre outil ou votre batterie dans des endroits où la température risque de dépasser 50°.
7. Ne brûlez pas batterie même si elle est sévèrement endommagée ou complètement hors d'usage, car elle risque d'exploser au feu.
8. Veillez à ne pas faire tomber, secouer ni heurter la batterie.
9. N'effectuez pas la recharge à l'intérieur d'une boîte ou d'un conteneur de quelque sorte que ce soit. La batterie devra se trouver dans un endroit bien ventilé pendant la recharge.

### Protection de l'environnement (Pour la Suisse uniquement)

Afin de préserver l'environnement, rappelez la batterie usagée aux postes de ramassage officiel.



### Recharge (Fig. 2)

Branchez le chargeur rapide dans une prise secteur de la tension voulue. Le voyant de charge clignote en vert. Introduisez la batterie de façon que ses bornes positive et négative soient du même côté que leurs indications respectives sur le chargeur rapide lui-même. Enfoncez la batterie à fond dans l'orifice du chargeur de façon qu'elle repose bien à plat sur le fond de l'orifice. Lorsque la batterie est insérée, le voyant de charge passe du vert au rouge et la recharge commence. Le voyant de charge reste allumé en continu pendant toute la durée de la recharge. Quand le témoin de charge passe du rouge au vert, le cycle de recharge est terminé. Si vous laissez la batterie dans le chargeur lorsque le cycle de recharge est terminé, le chargeur passe en mode de "charge de compensation (charge d'entretien)", qui dure environ 24 heures. Après la recharge, débranchez le chargeur de la prise secteur. Les durées de recharge sont indiquées dans le tableau ci-dessous.

Type de batterie	Capacité (mAh)	Nombre d'accus	Durée de recharge
1222	2 000	10	Environ 45 mn
1234	2 600	10	Environ 60 mn
1235	3 000	10	Environ 70 mn

## PRECAUTIONS SUPPLEMENTAIRES POUR L'OUTIL

1. N'oubliez pas que cet outil est toujours en état de fonctionner puisqu'il n'est pas besoin de le brancher pour cela.
2. Tenez les outils par leurs surfaces de saisie isolées lorsque vous effectuez un travail au cours duquel l'outil tranchant risque d'entrer en contact avec un filage caché. Le contact avec un fil électrique sous tension peut mettre les parties non isolées de l'outil sous tension et électrocuter l'utilisateur.
3. Ayez toujours une assise ferme sous vos pieds. Veillez à ce que personne ne se trouve en-dessous de vous quand vous utilisez l'outil en hauteur.
4. Tenez votre outil fermement.
5. Portez un casque anti-bruit.

## CONSERVEZ CES INSTRUCTIONS.

### MODE D'EMPLOI

#### Installation et retrait de la batterie (Fig. 1)

- Mettez toujours l'outil hors tension avant d'installer ou de retirer la batterie.
- Pour retirer la batterie, sortez-la de l'outil en appuyant sur les boutons des deux côtés de la batterie.
- Pour insérer la batterie, alignez la languette de la batterie sur la rainure du logement, et glissez la batterie. Glissez-la bien toujours à fond jusqu'à ce qu'elle se verrouille dans un petit dé clic. Sinon, elle risque de tomber accidentellement de l'outil, ce qui pourrait vous blesser, vous ou d'autres personnes à proximité.
- Ne forcez pas pour la faire entrer. Si elle ne rentre pas facilement, c'est que vous ne l'insérez pas correctement.

#### ATTENTION :

- Le chargeur rapide est conçu pour la recharge des batteries Makita. Ne l'utilisez jamais à d'autres fins ni pour des batteries d'autres marques.
- Quand vous chargez une batterie neuve ou une batterie qui n'a pas été utilisée pendant longtemps, elle peut ne pas se recharger complètement. Ceci est normal. Vous pourrez recharger la batterie complètement après l'avoir déchargée à fond puis rechargée deux ou trois fois de suite.
- Si vous rechargez la batterie d'un outil qui vient juste de fonctionner ou une batterie qui est restée en plein soleil ou à la chaleur pendant longtemps, il se peut que le voyant de charge clignote en rouge. Dans ce cas, attendez quelques instants. La recharge commencera lorsque la batterie aura refroidi. La batterie refroidira plus vite si vous la sortez du chargeur.
- Si le témoin de charge clignote alternativement en vert puis en rouge, c'est qu'il y a un problème et que la recharge n'est pas possible. Les bornes du chargeur ou de la batterie sont recouvertes de poussière, ou la batterie est usée ou endommagée.

#### Charge de compensation (charge d'entretien)

Si vous laissez la batterie dans le chargeur pour éviter toute décharge spontanée après une recharge complète, le chargeur passe en mode de "charge de compensation (charge d'entretien)" pour maintenir la batterie fraîche et rechargée à plein.

#### Conseils pour obtenir la durée de service maximale de la batterie

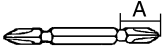
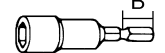
1. Rechargez la batterie avant qu'elle ne soit complètement déchargée.  
Arrêtez toujours l'outil et rechargez la batterie quand vous remarquez que la puissance de l'outil diminue.
2. Ne rechargez jamais une batterie complètement chargée.  
Une surcharge réduira la durée de service de la batterie.
3. Rechargez la batterie à une température ambiante comprise entre 10°C et 40°C.  
Si la batterie est chaude, laissez-la refroidir avant de la recharger.
4. Rechargez la batterie à hydrure métallique de nickel lorsqu'elle reste inutilisée pour plus de six mois.

#### Pose et dépose de l'embout

Important :

Vérifiez toujours que le contact est coupé et que la batterie est retirée avant de mettre ou d'enlever l'embout.

Utilisez exclusivement l'embout ou la douille du modèle indiqué sur le tableau ci-dessous.

	A= 17 mm B= 14 mm	Pour installer ces types d'embouts, suivez la procédure (1). (Note) Les embouts Makita sont de ces types.
	A= 11 mm B= 9 mm	Pour installer ces types d'embouts, suivez la procédure (2). (Note) Une rallonge d'embout sera nécessaire pour l'installation.

1. Pour engager l'embout ou la douille, repoussez la bague vers l'avant (**Fig. 3**), introduisez l'accessoire bien à fond, et relâchez la bague. Procédez de même pour retirer l'embout ou la douille.
2. Tirez la bague dans le sens de la flèche, et introduisez successivement la rallonge d'embout (pointe tournée vers l'arrière), puis l'embout. Engagez la queue de l'embout bien à fond, puis relâchez la bague pour immobiliser l'embout. (**Fig. 4**)

Pour retirer l'embout, tirez la bague dans le sens de la flèche et tirez fermement sur l'embout.

#### NOTE :

Si l'embout n'est pas inséré à fond dans la bague, la bague ne reviendra pas à sa position d'origine et l'embout ne sera pas immobilisé. Dans ce cas, recommencez en suivant les instructions ci-dessus.

## Interrupteur (Fig. 5)

### ATTENTION :

Avant d'insérer la batterie dans l'outil, assurez-vous toujours que la gâchette fonctionne librement et retourne en position "OFF" dès qu'on la relâche.

Pour démarrer, actionnez la gâchette. La vitesse de l'outil s'accroît quand on appuie sur la gâchette. Relâchez-la pour arrêter.

## Inverseur (Fig. 6)

### ATTENTION :

- Vérifiez toujours le sens de rotation avant de mettre l'outil en marche.
- Attendez que l'outil soit complètement arrêté avant d'utiliser l'inverseur. Vous risquez d'endommager l'outil si vous changez le sens de rotation avant que l'outil ne soit complètement arrêté.
- Lorsque vous ne vous servez pas de l'outil, mettez toujours l'inverseur sur la position neutre.

L'outil possède un inverseur qui permet d'invertir le sens de rotation. Appuyez sur le levier de l'inverseur et déplacez-le à partir du côté A pour une rotation vers la droite, ou à partir du côté B pour une rotation vers la gauche. Lorsque l'inverseur est à la position neutre, il n'est pas possible d'actionner la gâchette.

## Installation du capot arrière (accessoire en option) (Fig. 7)

Installez toujours le capot arrière quand vous utilisez les batteries 1200, 1202 ou 1202A. Fixez-le sur l'outil avec la vis fournie, en procédant comme indiqué à la Fig. 7.

## Fonctionnement (Fig. 8 et 9)

Le couple de serrage peut varier en fonction du type ou de la dimension de la vis/du boulon, du matériau de la pièce à fixer, etc. Le rapport entre le couple de serrage et le temps de serrage est donné à la Fig. 8 pour les boulons standard, et à la Fig. 9 pour les boulons à haute résistance.

Tenez votre outil fermement et placez la panne de l'embout dans la tête de la vis. Appliquez à l'outil une pression vers l'avant suffisante pour que la panne ne glisse pas hors de la vis et mettez le contact.

### NOTE :

- Quand vous fixez des vis M8 ou plus petites, réglez délicatement la pression sur la gâchette de façon à ne pas endommager la vis.
- Tenez votre outil bien droit sur la vis.
- Si vous devez serrer la vis durant un temps plus long que celui qu'indiquent les courbes, c'est peut-être que la vis ou l'embout sont comprimés, émoussés, endommagés, etc. Avant de commencer, pratiquez toujours un serrage-test afin de déterminer le temps de serrage correct de votre vis.

Le couple de serrage est affecté par une grande variété de facteurs parmi lesquels figurent les suivants.

Après serrage, vérifiez toujours le couple à l'aide d'une clé dynamométrique.

1. Quand la batterie est presque complètement déchargée, le voltage diminue et le couple de serrage se trouve réduit.
2. Lame de tournevis ou douille Si vous n'utilisez pas une lame de tournevis ou une douille de la dimension correcte, vous diminuerez votre couple de serrage.
3. Boulon
  - Même si le coefficient de couple et le type de boulon sont les mêmes, le couple varie avec le diamètre du boulon.
  - Même si les diamètres des boulons sont les mêmes, le couple de serrage correct diffèrera selon le coefficient de couple, le type de boulon et la longueur du boulon.
4. La façon de tenir l'outil ou la position de serrage sur le matériau affecte également le couple.
5. L'utilisation de l'outil à basse vitesse réduira le couple de serrage.

## ENTRETIEN

### ATTENTION :

Assurez-vous toujours que l'outil est hors tension et que la batterie a été enlevée avant d'effectuer tout travail sur l'outil.

## Remplacement des charbons (Fig. 10 et 11)

Dès que l'un des charbons atteint son repère d'usure, remplacez la paire (par des charbons de même type).

Pour maintenir la sécurité et la fiabilité du produit, les réparations, l'entretien ou les réglages doivent être effectués par le Centre d'Entretien Makita.

**Übersicht**

1 Verriegelungstaste	9 Drehrichtungsumschalter	17 Drehmoment
2 Akku	10 Seite A	18 Richtiges Drehmoment für
3 Ladekontrolleuchte	11 Seite B	19 Sekunden
4 Ladegerät	12 Rechtslauf	20 Einschraubzeit
5 Schraubendrehereinsatz	13 Linkslauf	21 Verschleißgrenze
6 Werkzeugverriegelung	14 Schraube	22 Schraubendreher
7 Ausgleichspitze	15 Verschußklammer	23 Bürstenhalterkappe
8 Elektronikschalter	16 N•m	

**TECHNISCHE DATEN**

**Modell** 6916D

**Arbeitsleistung**

Maschinenschrauben .....	M4 – M8
Standardschraube .....	M5 – M12
Hochfeste-Schrauben .....	M5 – M10
Leerlaufdrehzahl (min <sup>-1</sup> ) .....	0 – 2 300 min <sup>-1</sup>
Leerlaufschlagzahl .....	0 – 3 000 min <sup>-1</sup>
Gesamtlänge .....	168 mm
Gewicht .....	1,5 kg
Nennspannung .....	12 V

- Wir behalten uns vor, Änderungen im Zuge der Entwicklung und des technischen Fortschritts ohne vorherige Ankündigung vorzunehmen.
- Hinweis: Die technischen Daten können von Land zu Land abweichen.

**Sicherheitshinweise**

Lesen und beachten Sie diese Hinweise, bevor Sie das Gerät benutzen.

**WICHTIGE SICHERHEITSHINWEISE**

1. **DIESE ANWEISUNGEN GUT AUFBEWAHREN** — Diese Betriebsanleitung enthält wichtige Sicherheits- und Gebrauchsanweisungen für Ladegeräte.
2. Lesen Sie vor der Benutzung des Ladegerätes alle Anweisungen und Warnhinweise, die auf (1) dem Ladegerät, (2) Akku und (3) Akku-Gerät angebracht sind.
3. **VORSICHT** — Um die Verletzungsgefahr zu reduzieren, dürfen nur Makita-Akkus verwendet werden. Andere Akku-Typen können platzen und Verletzungen oder Sachschäden verursachen.
4. Setzen Sie Ladegerät und Akku weder Regen noch Schnee aus.
5. Die Verwendung von Zubehör, das nicht vom Ladegerät-Hersteller empfohlen oder verkauft wird, kann Feuer, elektrische Schläge oder Verletzungen verursachen.

6. Um Beschädigung des Netzsteckers und Netzkabels zu vermeiden, ziehen Sie beim Trennen des Ladegerätes vom Stromnetz nicht an der Netzanschlußleitung, sondern nur am Netzstecker.
7. Verlegen Sie die Netzanschlußleitung so, daß niemand darauf tritt, darüber stolpert oder sonstigen Belastungen ausgesetzt wird.
8. Betreiben Sie das Ladegerät nicht mit einer beschädigten Netzanschlußleitung oder Stecker — beschädigte Teile sind unverzüglich auszuwechsein.
9. Betreiben Sie das Ladegerät nicht, wenn es starken Erschütterungen ausgesetzt, fallen gelassen oder sonstwie beschädigt wurde. Bringen Sie es in diesem Fall zu einem qualifizierten Kundendiensttechniker.
10. Versuchen Sie nicht, das Ladegerät oder den Akku zu zerlegen, sondern bringen Sie es zu einem qualifizierten Kundendiensttechniker, wenn Wartungs- oder Reparaturarbeiten erforderlich sind. Falscher Zusammenbau kann die Ursache für elektrische Schläge oder Feuer sein.
11. Um die Gefahr von elektrischen Schlägen auszuschließen, müssen Sie das Ladegerät stets vom Stromnetz trennen, bevor Sie mit Wartungs- oder Reinigungsarbeiten beginnen.
12. Das Ladegerät sollte nicht von kleinen Kindern oder gebrechlichen Personen ohne Beaufsichtigung benutzt werden.
13. Kleine Kinder sollten beaufsichtigt werden, um sicherzugehen, daß sie nicht mit dem Ladegerät spielen.
14. Falls die Betriebszeit beträchtlich kürzer geworden ist, stellen Sie den Betrieb sofort ein. Andernfalls besteht die Gefahr von Überhitzung, möglichen Verbrennungen und sogar einer Explosion.
15. Falls Elektrolyt in Ihre Augen gelangt, waschen Sie sie mit sauberem Wasser aus, und begeben Sie sich unverzüglich in ärztliche Behandlung. Andernfalls können Sie Ihre Sehkraft verlieren.

## ZUSÄTZLICHE SICHERHEITSGEDELN FÜR LADEGERÄT UND AKKU

1. Laden Sie den Akku nicht bei Temperaturen unter 10°C oder über 40°C.
2. Schließen Sie das Ladegerät nicht an einen Spartransformator, Generator oder eine Gleichstrom-Steckdose an.
3. Achten Sie darauf, daß die Lüftungsöffnungen des Ladegerätes durch nichts verdeckt oder verstopft werden.
4. Die Kontakte des Akkus außerhalb der Maschine oder des Ladegerätes mit der Kontaktschutzhaube abdecken, um einen Kurzschluß durch metallische Überbrückung zu verhindern.
5. Der Akku darf nicht kurzgeschlossen werden:
  - (1) Die Kontakte dürfen nicht mit leitfähigem Material berührt werden.
  - (2) Lagern Sie den Akku nicht in einem Behälter zusammen mit anderen Metallgegenständen, wie z. B. Nägel, Schrauben, Münzen, usw.
  - (3) Setzen Sie den Akku weder Regen noch Wasser aus.  
Ein Kurzschluß des Akkus verursacht starken Stromfluß und dadurch als Folge Überhitzung, die Verbrennungen sowie ein Verschmelzen des Akkus herbeiführen können.
6. Lagern Sie Werkzeug und Akku nicht an Orten, an denen die Temperatur 50°C erreicht oder übersteigt.
7. Versuchen Sie niemals, den Akku zu verbrennen, selbst wenn er stark beschädigt oder vollkommen verbraucht ist. Der Akku kann im Feuer explodieren.
8. Achten Sie darauf, daß der Akku nicht fallen gelassen, Erschütterungen oder Stößen ausgesetzt wird.
9. Laden Sie den Akku niemals innerhalb eines Kartons oder eines geschlossenen Behälters. Der Akku darf nur an einem gut belüfteten Ort geladen werden.

### Umweltschutz

Das Gerät ist mit einem Nickel-Cadmium-Akku ausgerüstet. Um eine umweltgerechte Entsorgung zu gewährleisten, bitten wir Sie, folgende Punkte zu beachten:

- Gemäß Europäischer Batterierichtlinie 91/157/EWG und nationaler Gesetzgebung (Batterieverordnung) muß der verbrauchte Akku bei einer öffentlichen Sammelstelle, bei Ihrem Makita Kundendienst oder Ihrem Fachhändler zum Recycling abgegeben werden.
- Werfen Sie den verbrauchten Akku nicht in den Hausmüll, ins Feuer oder ins Wasser.



(Nur für die Schweiz)

- Ihr Beitrag zum Umweltschutz: Bringen Sie bitte die gebrauchte Batterie an eine offizielle Sammelstelle zurück.

## ZUSÄTZLICHE SICHERHEITSBESTIMMUNGEN

1. Beachten Sie, daß die Maschine stets betriebsbereit ist, da sie nicht erst an eine Stromquelle angeschlossen werden muß.
2. Halten Sie die Maschine nur an den isolierten Griffflächen, wenn Sie Arbeiten ausführen, bei denen verborgene Kabel angebohrt werden können. Bei Kontakt mit einem stromführenden Kabel werden die freiliegenden Metallteile der Maschine ebenfalls stromführend, so dass der Benutzer einen elektrischen Schlag erleiden kann.
3. Sorgen Sie für sicheren Stand und halten Sie jederzeit Gleichgewicht. Stellen Sie sicher, daß sich bei Einsatz der Maschine an hochgelegenen Arbeitsplätzen keine Personen darunter aufhalten.
4. Halten Sie die Maschine fest.
5. Tragen Sie stets einen Gehörschutz.

### BEWAHREN SIE DIESE HINWEISE SORGFÄLTIG AUF.

### BEDIENUNGSHINWEISE

#### Ein- und Ausbau des Akkus (Abb. 1)

- Schalten Sie vor dem Ein- bzw. Ausbau des Akkus immer das Gerät ab.
- Um den Akku zu entfernen, die Verriegelungstaste an beiden Seiten des Akkus drücken und den Akku aus der Maschine herausziehen.
- Zum Einsetzen des Akkus die Erhebung am Akku-Gehäuse auf die Nut im Maschinengehäuse ausrichten und den Akku hineinschieben, bis er hörbar einrastet, andernfalls kann der Akku herausfallen.
- Beim Einsetzen des Akkus keine Gewalt anwenden. Der Akku muß leicht in das Gerät einzuführen sein, andernfalls überprüfen Sie die Position der Plus- und Minusmarkierungen am Akku und Maschinengehäuse.

## Laden (Abb. 2)

Das Ladegerät an die Stromversorgung anschließen. Die Ladekontrollleuchte blinkt grün. Den Akku so einsetzen, daß die Plus- und Minusmarkierungen des Akkus mit den entsprechenden Markierungen auf dem Ladegerät übereinstimmen. Den Akku bis zum Anschlag in das Ladegerät schieben. Die Farbe der Ladekontrollleuchte wechselt von grün auf rot, und der Ladevorgang beginnt. Während des gesamten Ladevorgangs leuchtet die Ladekontrollleuchte. Der Ladevorgang ist abgeschlossen, wenn die Ladekontrollleuchte von rot auf grün wechselt. Wenn die Farbe der Ladekontrollleuchte von Rot nach Grün wechselt, ist der Ladevorgang beendet. Wird der Akku nach Abschluß des Ladevorgangs im Ladegerät gelassen, schaltet das Ladegerät auf den Erhaltungslademodus um, der etwa 24 Stunden andauert. Nach dem Laden das Ladegerät vom Akku und vom Netz trennen. Die Ladezeiten sind in der nachfolgenden Tabelle aufgeführt.

Akku	Kapazität (mAh)	Anzahl der Zellen	Ladezeit
1222	2 000	10	ca. 45 Min.
1234	2 600	10	ca. 60 Min.
1235	3 000	10	ca. 70 Min.

### VORSICHT:

- Verwenden Sie das Makita-Ladegerät ausschließlich zum Laden von Makita-Akkus. Andere Akkus können in diesem Ladegerät nicht aufgeladen werden.
- Wenn der Akku noch neu ist oder über einen längeren Zeitraum nicht verwendet wurde, kann er seine volle Kapazität nicht entfalten. Durch mehrfaches Entladen und anschließendes Laden wird die volle Kapazität wieder erreicht.
- Wenn Sie versuchen, einen noch warmen Akku zu laden, kann die Ladekontrollleuchte u.U. rot blinken. In diesem Fall lassen Sie den Akku abkühlen. Danach den Akku erneut in das Ladegerät einsetzen.
- Wenn die Ladekontrollleuchte abwechselnd grün und rot blinkt, liegt eine Störung vor, der Akku kann nicht aufgeladen werden. Die Kontakte des Ladegerätes bzw. des Akkus sind u.U. verschmutzt, oder der Akku ist beschädigt bzw. verbraucht.

### Erhaltungsladung

Wird der Akku im Ladegerät gelassen, um Selbstentladung nach einer vollen Ladung zu vermeiden, schaltet das Ladegerät auf den Erhaltungslademodus um, so daß der Akku frisch und voll geladen bleibt.

### Tips zur Erhaltung der maximalen Akkulebensdauer

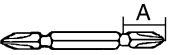
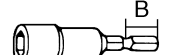
1. Laden Sie den Akku, bevor er vollkommen entladen ist.  
Schalten Sie stets die Maschine aus und laden Sie den Akku, wenn Sie ein Nachlassen der Maschineleistung bemerken.
2. Unterlassen Sie erneutes Laden eines voll geladenen Akkus.  
Überladen verkürzt die Lebensdauer des Akkus.
3. Laden Sie den Akku bei Raumtemperatur (10°C bis 40°C).  
Lassen Sie einen heißen Akku vor dem Laden abkühlen.
4. Der Nickel-Metallhydrid-Akku muss geladen werden, wenn er länger als sechs Monate nicht benutzt worden ist.

### Montage oder Demontage von Einsatzwerkzeugen

#### Wichtig:

Vergewissern Sie sich vor der Montage oder Demontage der Einsatzwerkzeuge, daß das Gerät abgeschaltet und der Akku herausgenommen ist.

Für Deutschland wird die Werkzeugaufnahme nach DIN 3126, Form C6,3 ausgeliefert. Verwenden Sie daher ausschließlich Einsatzwerkzeuge nach dieser Spezifikation.

	A= 17 mm B= 14 mm	Werkzeugaufnahme (außer DIN-Norm) Einsatz wie unter (1) beschrieben
	A= 11 mm B= 9 mm	Werkzeugaufnahme (nach DIN 3126, Form C6,3) Einsatz wie unter (2) beschrieben

1. Zum Einsetzen der Einsatzwerkzeuge die Werkzeugverriegelung in Pfeilrichtung ziehen und das Einsatzwerkzeug bis zum Anschlag in die Werkzeugaufnahme stecken. Anschließend die Werkzeugverriegelung loslassen, um das Einsatzwerkzeug zu sichern. **(Abb. 3)**
2. Zum Einsetzen der Einsatzwerkzeuge die Werkzeugverriegelung in Pfeilrichtung ziehen und die Ausgleichspitze (possible syllable division) zusammen mit dem Einsatzwerkzeug bis zum Anschlag in die Werkzeugaufnahme stecken. Anschließend die Werkzeugverriegelung loslassen, um das Einsatzwerkzeug zu sichern. **(Abb. 4)**

Zum Entfernen des Einsatzwerkzeuges die Werkzeugverriegelung in Pfeilrichtung ziehen und das Einsatzwerkzeug kräftig herausziehen.

## HINWEIS:

Sollte die Werkzeugverriegelung beim Sichern des Einsatzwerkzeuges nicht in die Ausgangsposition zurückkehren (Werkzeug läßt sich wieder herausziehen), ist der Einsatzvorgang zu wiederholen.

### Schalterfunktion (Abb. 5)

#### VORSICHT:

Vor dem Einsetzen des Akkus in die Maschine stets überprüfen, ob der Elektronikschalter ordnungsgemäß funktioniert und beim Loslassen in die AUS-Stellung zurückkehrt.

Zum Einschalten der Maschine den Elektronikschalter drücken, zum Ausschalten den Elektronikschalter loslassen. Die Drehzahl erhöht sich durch verstärkte Druckausübung auf den Elektronikschalter.

### Drehrichtungsumschalter (Abb. 6)

#### VORSICHT:

- Prüfen Sie stets die Drehrichtung, bevor Sie mit der Arbeit beginnen.
- Wechseln Sie niemals die Drehrichtung, bevor der Motor zum Stillstand gekommen ist. Andernfalls kann die Maschine beschädigt werden.
- Stellen Sie den Drehrichtungsumschalter bei Nichtgebrauch der Maschine stets auf die Neutralstellung.

Mit dem Drehrichtungsumschalter kann die Drehrichtung verändert werden. Für Rechtslauf drücken Sie auf die Seite A des Drehrichtungsumschalters, für Linkslauf auf die Seite B. In Neutralstellung des Drehrichtungsumschalters kann der Elektronikschalter verriegelt werden.

### Montage der Verschußklammer (Sonderzubehör) (Abb. 7)

Bei Verwendung des Akkus 1200, 1202 oder 1202A ist die Verschußklammer zu montieren. Befestigen Sie die Verschußklammer wie in **Abb. 7** gezeigt mit der mitgelieferten Schraube.

### Betrieb (Abb. 8 u. 9)

Das richtige Drehmoment wird von der Schraubengröße und -festigkeit, dem Material des Werkstücks usw. bestimmt. **Abb. 8** zeigt den Zusammenhang zwischen Drehmoment und Einschraubzeit für Standardschrauben, **Abb. 9** hochfeste Schrauben.

Setzen Sie den Schraubendrehereinsatz senkrecht in den Schraubenkopf, um eine Beschädigung von Schraubenkopf und Schraubendrehereinsatz zu vermeiden. Den Schraubvorgang mit mäßiger Druckausübung auf den Schraubenkopf durchführen.

## HINWEIS:

- Bei Verwendung von Schrauben/Muttern der Größe M8 oder kleiner führen Sie die Verschraubung mit geringer Drehzahl aus, um ein Abreißen der Schraube zu vermeiden.
- Führen Sie die Maschine senkrecht zur Werkstückoberfläche.
- Wird eine Schraubverbindung nach Erreichen des Drehmomentes weiter angezogen, kann sowohl das Einsatzwerkzeug als auch die Schraubverbindung beschädigt werden. Führen Sie vor Arbeitsbeginn Probeverschraubungen durch, um die richtige Einschraubzeit zu bestimmen.

Nach dem Anzugsvorgang sollte das richtige Drehmoment mit einem Drehmomentschlüssel kontrolliert und ggf. nachgezogen werden. Das Drehmoment unterliegt verschiedener Einflußgrößen und Faktoren wie z. B.

1. Bei nachlassender Akku-Spannung verringert sich das Drehmoment.
2. Schraubendrehereinsatz/Einsatzwerkzeug Werden Schraubenköpfe und Einsatzwerkzeuge bzw. Schraubendrehereinsätze ungleicher Größe oder Typs verwendet, kann das Drehmoment nicht mehr erreicht werden.
3. Schrauben
  - Das Drehmoment ist bei gleichem Schraubentyp bzw. Schraubfall abhängig vom Schraubendurchmesser.
  - Schraubenlänge und Schraubenart bestimmen bei gleichem Schraubdurchmesser das erzielbare Drehmoment.
4. Handhabung der Maschine und Materialart beeinflussen das Drehmoment.
5. Betrieb mit reduzierter Drehzahl (Schlagzahl) vermindert das Drehmoment.

## WARTUNG

#### VORSICHT:

Vor Arbeiten am Gerät vergewissern Sie sich, daß sich der Schalter in der "OFF"-Position befindet und der Akku aus dem Gerät entfernt ist.

### Kohlebürsten wechseln (Abb. 10 u. 11)

Kohlebürsten ersetzen, wenn sie bis auf die Verschleißgrenze abgenutzt sind. Beide Kohlebürsten nur paarweise ersetzen.

Um die Sicherheit und Zuverlässigkeit dieses Gerätes zu gewährleisten, sollten Reparatur-, Wartungs-, und Einstellarbeiten nur von Makita autorisierten Werkstätten oder Kundendienstzentren unter ausschließlicher Verwendung von Makita-Originalersatzteilen ausgeführt werden.

### Visione generale

1	Bottone	9	Interruttore di inversione	17	Coppia di serraggio
2	Cartuccia batteria	10	Lato A	18	Coppia di serraggio corretta per
3	Spia di carica	11	Lato B	19	Secondi
4	Caricatore rapido	12	Senso orario	20	Tempo di serraggio
5	Punta	13	Senso antiorario	21	Segno limite
6	Manicotto	14	Vite	22	Cacciavite
7	Pezzo punta	15	Piastra di fissaggio	23	Tappo portaspazzole
8	Interruttore	16	N•m		

#### DATI TECNICI

**Modello** 6916D

Capacità	
Viti per macchinario .....	M4 – M8
Bullone standard .....	M5 – M12
Bullone altamente duttile .....	M5 – M10
Velocità a vuoto (min <sup>-1</sup> ) .....	0 – 2.300
N°. colpi/min. ....	0 – 3.000
Lunghezza totale .....	168 mm
Peso netto .....	1,5 kg
Tensione nominale .....	12 V DC

- Per il nostro programma di ricerca e sviluppo continui, i dati tecnici sono soggetti a modifiche senza preavviso.
- Nota: I dati tecnici potrebbero differire a seconda del paese di destinazione del modello.

#### Consigli per la sicurezza

Per la vostra sicurezza, riferitevi alle accluse istruzioni per la sicurezza.

#### ISTRUZIONI DI SICUREZZA IMPORTANTI PER CARICATORI E BATTERIE A CARTUCCIA

1. **RISPETTARE QUESTE ISTRUZIONI** — Questo manuale contiene importanti regole di sicurezza e di lavorazione per il caricatore delle batterie.
2. Prima di usare il caricatore delle batterie, leggere tutte le istruzioni e precauzioni scritte (1) sul caricatore delle batterie (2) sulle batterie e (3) utensili che usano le batterie.
3. **ATTENZIONE** — Per ridurre il rischio di ferirsi, caricare solamente batterie ricaricabili della Makita. Altri tipi di batterie possono scoppiare causando danni e ferite alle persone.
4. Non esporre il caricatore alla pioggia oppure alla neve.
5. L'uso di un attacco non raccomandato o venduto dal costruttore del caricatore di batterie può diventare la causa d'incendio, di scosse elettriche, oppure di ferite alle persone.
6. Per ridurre il rischio di danneggiare il cavo elettrico o la spina, quando si vuole staccare il cavo dalla presa sul muro non tirare per il cavo ma prendere direttamente la spina in mano.
7. Assicurarsi che il cavo è posato in modo da non essere pestato, attorcigliato oppure messo in condizioni di essere danneggiato oppure stirato.
8. Non mettere in operazione il caricatore delle batterie con un cavo o una spina in cattive condizioni. Sostituire immediatamente.

9. Non mettere in operazione un caricatore quando ha ricevuto una botta, quando è stato fatto cadere, oppure è stato danneggiato in una maniera qualsiasi. Portatelo subito ad un negozio di fiducia per le riparazioni del caso.
10. Non smontare il caricatore o le batterie a cartuccia. Portatelo da un negozio di fiducia se è necessario fare qualche riparazione. Un rimontaggio sbagliato può causare scosse elettriche oppure un incendio.
11. Per ridurre il rischio di scosse elettriche, staccare il caricatore dalla presa di corrente prima di tentare qualsiasi lavoro di manutenzione oppure di pulizia. Il rischio non sarebbe ridotto col solo distacco dell'interruttore.
12. Il caricabatteria non deve essere usato dai bambini o dagli infermi senza supervisione.
13. I bambini devono essere sorvegliati perché non giochino con il caricabatteria.
14. Se il tempo di funzionamento diventa eccessivamente corto, smettere immediatamente di usare l'utensile, perché potrebbe surriscaldarsi con pericolo di bruciature ed anche di esplosione.
15. Se l'elettrolito dovesse finire negli occhi, sciaccuarli con acqua pulita e rivolgersi immediatamente a un medico. C'è pericolo di perdita della vista.

#### ULTERIORI REGOLE DI SICUREZZA PER CARICATORI E BATTERIE A CARTUCCIA

1. Non caricare le batterie a cartuccia quando la temperatura è sotto i 10° oppure sopra i 40°.
2. Non tentare di usare un trasformatore per aumentare la tensione, un generatore oppure qualsiasi sorgente di corrente diretta (DC).
3. Non lasciar coprire oppure intasare le aperture del caricatore.
4. Quando la capsula delle batterie non si usa, coprite sempre i poli della batteria con il copribatteria.



5. Non cortocircuitare la cartuccia batteria:
  - (1) Non toccare i terminali con un materiale conduttivo.
  - (2) Evitare di conservare la cartuccia batteria in un contenitore insieme con altri oggetti metallici, come chiodi, monete, ecc.
  - (3) Non esporre la cartuccia batteria all'acqua o alla pioggia.

Un cortocircuito della batteria può causare un grande flusso di corrente, surriscaldamento, possibili bruciature ed anche un guasto.
6. Non immagazzinare l'utensile e le batterie a cartuccia in luoghi dove la temperatura può raggiungere oppure superare i 50°.
7. Non buttare nel fuoco le batterie a cartuccia anche se sono estremamente danneggiate oppure completamente fuori uso. Le batterie potrebbero esplodere nel fuoco.
8. Stare attenti a non far cadere, agitare o sbattere la batteria.
9. Non caricare la batteria dentro una scatola o un qualsiasi altro contenitore. Durante la carica, la batteria deve trovarsi in un luogo ben ventilato.

**(Per la Svizzera soltanto)  
Protezione dell'ambiente**

La Vostra contribuzione per la protezione dell'ambiente:  
Porta la batteria al collettivo ufficiale.



**ULTERIORI REGOLE DI SICUREZZA PER L'UTENSILE**

1. Tener presente che questo utensile è sempre in condizione di cominciare la lavorazione perché non ha bisogno di essere inserito in nessuna presa di corrente.
2. Tenere l'utensile per le superfici di presa isolate quando si esegue una operazione durante la quale potrebbe fare contatto con fili elettrici nascosti. Il contatto con un filo elettrico "sotto tensione" mette anche le parti metalliche dell'utensile "sotto tensione", con pericolo di scosse per l'operatore.
3. Assicurarsi sempre di avere i piedi sul sicuro. Assicurarsi che non c'è nessuno aldisotto, quando si usa l'utensile in posizioni alte.
4. Tenere l'utensile ben fermo in mano.
5. Indossare protettori delle orecchie.

**CONSERVATE QUESTE ISTRUZIONI.**

**ISTRUZIONI PER L'USO**

**Installazione o rimozione della cartuccia batteria (Fig. 1)**

- Spegnere sempre la motosega prima di inserire o di rimuovere la cartuccia batteria.
- Per rimuovere la cartuccia batteria, estrarla dalla motosega schiacciando i pulsanti su entrambi i lati della cartuccia.
- Per inserire la cartuccia batteria, allineare la linguetta sulla cartuccia batteria con la scanalatura dell'alloggiamento e spingerla in posizione. Inserirla sempre completamente finché si blocca in posizione con un piccolo scatto. In caso contrario, potrebbe cadere fuori dalla motosega ferendo l'operatore o chi è vicino.
- Non usare forza per inserire la cartuccia batteria. Se non scorre dentro facilmente, vuol dire che non è inserita correttamente.

**Carica (Fig. 2)**

Collegare la spina del caricatore rapido ad una presa di corrente con la tensione nominale corretta. La spia di carica lampeggia in verde. Inserire la cartuccia batteria in modo che i suoi terminali più e meno si trovino sullo stesso lato dei segni rispettivi sul caricatore rapido. Inserire completamente la cartuccia batteria nella porta, in modo che si trovi adagiata sul pavimento della porta del caricatore. Quando si inserisce la cartuccia batteria, il colore della spia di carica cambia da verde a rosso e la carica comincia. La spia di carica rimane accesa continuamente durante la carica. La carica è completa quando il colore della spia cambia da rosso a verde. Se si lascia la cartuccia batteria nel caricatore dopo il completamento del ciclo di carica, il caricatore si dispone nel modo di "carica centellinare (carica di manutenzione)" che dura circa 24 ore. Dopo la carica, staccare la spina del cavo di alimentazione del caricatore dalla presa di corrente.

Per il tempo di carica, riferirsi alla tabella sotto.

Tipo di batteria	Capacità (mAh)	Numero di celle	Tempo di carica
1222	2.000	10	45 minuti circa
1234	2.600	10	60 minuti circa
1235	3.000	10	70 minuti circa

#### ATTENZIONE:

- Il caricatore rapido serve a caricare la cartuccia batteria Makita. Non usarlo per altri scopi o per caricare le batterie di un altro fabbricante.
- Quando si carica una nuova cartuccia batteria o una cartuccia batteria che non è stata usata per un lungo periodo di tempo, essa potrebbe non accettare una carica piena. Ciò è normale e non indica un difetto. La cartuccia batteria può essere ricaricata completamente dopo che è stata scaricata completamente e ricaricata un paio di volte.
- Se si ricarica la cartuccia batteria di una motosega appena usata, oppure una cartuccia batteria che è rimasta esposta per un lungo periodo di tempo alla luce diretta del sole o al calore, la spia di carica potrebbe lampeggiare in rosso. In tal caso, aspettare qualche tempo. La carica comincia dopo che la cartuccia batteria si è raffreddata. La cartuccia batteria si raffredda più rapidamente se la si toglie dal caricatore rapido.
- Se la spia di carica lampeggia alternativamente in verde e in rosso, vuol dire che c'è un problema e la carica non è possibile. Probabilmente, i terminali del caricatore o della cartuccia batteria sono intasati di polvere, oppure la cartuccia batteria è usurata o danneggiata.

#### Carica centellinare (carica di manutenzione)

Se si lasciano le cartucce batteria nel caricatore per evitare che si scarichino da sole dopo una carica completa, il caricatore si dispone nel modo di "carica centellinare (carica di manutenzione)" e mantiene le cartucce batteria completamente cariche.

#### Suggerimenti per prolungare al massimo la vita della cartuccia batteria

1. Caricare la cartuccia batteria prima che si scarichi completamente.  
Smettere sempre di usare l'utensile e caricare la cartuccia batteria quando si nota una diminuzione di potenza dell'utensile.
2. Non si deve mai caricare una cartuccia batteria completamente carica.  
La carica eccessiva riduce la vita di servizio della cartuccia batteria.
3. Caricare la cartuccia batteria ad una temperatura ambiente compresa tra i 10°C e i 40°C.  
Aspettare che una cartuccia batteria calda si raffreddi prima di caricarla.
4. Caricare la batteria ibrida al nichel-metallo se non la si usa per più di sei mesi.

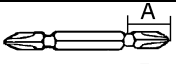

#### Installazione e rimozione della punta

Importante:

Prima di installare o di rimuovere la punta, accertarsi sempre che l'utensile sia spento e che la cartuccia batteria sia stata rimossa.

Usare soltanto la punta o l'attacco esagonale per punta mostrati nella tabella sotto.

Non usare altri tipi di punte o di attacchi esagonali per punte.

	A= 17 mm B= 14 mm	Per fissare questi tipi di punte, seguire la procedura (1). (Nota) Questi tipi sono le punte Makita.
	A= 11 mm B= 9 mm	Per installare questi tipi di punte, seguire la procedura (2). (Nota) Per installare la punta è necessario il distanziatore della punta.

1. Per installare la punta, tirare il manicotto nella direzione della freccia e inserire la punta nel manicotto finché non può andare più oltre. Rilasciare poi il manicotto per fissare la punta. **(Fig. 3)**
2. Per installare la punta, tirare il manicotto nella direzione della freccia e inserire il distanziatore e la punta nel manicotto finché non possono andare più oltre. Il distanziatore della punta deve essere inserito nel manicotto con la punta rivolta verso l'interno. Rilasciare poi il manicotto per fissare la punta. **(Fig. 4)**

Per togliere la punta, tirare il manicotto nella direzione della freccia e tirar fuori con forza la punta.

NOTA:

Se la punta non è inserita abbastanza profondamente nel manicotto, questo non può tornare sulla sua posizione originale e la punta non si fissa. In tal caso, provare a inserire di nuovo la punta seguendo le istruzioni sopra.

## Operazione dell'interruttore (Fig. 5)

### ATTENZIONE:

Prima di inserire le batterie a cartuccia nell'utensile sempre controllare che l'interruttore a grilletto funziona come si deve e ritorna alla posizione OFF quando viene rilasciato.

Per mettere in moto l'utensile semplicemente schiacciare il grilletto. La velocità dell'utensile cresce con l'aumento di pressione sul grilletto dell'interruttore. Per fermarlo lasciare andare il grilletto.

## Funzionamento dell'interruttore di inversione (Fig. 6)

### ATTENZIONE:

- Controllare sempre la direzione di rotazione prima di usare l'utensile.
- Usare l'interruttore di inversione soltanto dopo che l'utensile si è arrestato completamente. Il cambiamento della direzione di rotazione prima dell'arresto dell'utensile potrebbe danneggiarlo.
- Posizionare sempre la leva dell'interruttore di inversione sulla posizione neutra quando non si usa l'utensile.

Questo utensile è dotato di un interruttore di inversione, per cambiare la direzione di rotazione. Schiacciare la leva dell'interruttore di inversione dal lato A per la rotazione in senso orario, oppure dal lato B per la rotazione in senso antiorario. Quando la leva dell'interruttore si trova sulla posizione neutra non è possibile schiacciare il grilletto dell'interruttore.

## Installazione della piastra di fissaggio (accessorio opzionale) (Fig. 7)

Installare sempre la piastra di fissaggio per usare le cartucce batteria 1200, 1202 o 1202A. Installare la piastra di fissaggio sull'utensile con la vite fornita, come mostrato nella Fig. 7.

## Funzionamento (Fig. 8 e 9)

La coppia di serraggio corretta potrebbe differire secondo il tipo o le dimensioni della vite/bullone, il materiale del pezzo da lavorare da fissare, ecc. Il rapporto tra la coppia di serraggio e il tempo di serraggio è mostrato nella Fig. 8 per il bullone standard e nella Fig. 9 per il bullone altamente duttile.

Tenere l'utensile ben fermo e piazzare il taglio della punta sulla testa della vite. Applicare una ulteriore pressione sull'utensile in modo che la punta non slitti fuori della vite e mettere in moto l'utensile per cominciare la lavorazione.

### NOTA:

- Per stringere una vite M8 o più piccola, regolare con cura la pressione sull'interruttore in modo da non danneggiarla.
- Tenere l'utensile puntato direttamente verso la vite.
- Se avvitate la vite per un tempo più lungo che quello indicato nella tabella, la vite oppure il taglio della punta possono essere messe sotto una pressione troppo forte, essere strappate via, venire danneggiate, etc. Prima di cominciare la lavorazione, sempre fare una prova per determinare il tempo adatto di torsione della vostra vite.

La forza di torsione dipende da parecchi fattori tra i quali si possono notare i seguenti.

Dopo aver effettuata la torsione, sempre controllare la torsione con una chiave di torsione.

1. Quando la batteria è quasi completamente scaricata, il voltaggio si abbasserà e anche la forza di torsione sarà ridotta.
2. Punta a taglio oppure punta a mandrino Lo sbaglio nell'uso di una punta a taglio oppure di una punta a mandrino dalle dimensioni non adatte può causare una riduzione nell'azione di torsione.
3. Bullone
  - Sebbene il coefficiente di torsione e la classe del bullone sono gli stessi, la forza di torsione propria differisce a seconda del diametro del bullone.
  - Sebbene i diametri dei bulloni sono gli stessi, la forza propria di torsione dipende dal coefficiente di torsione, la classe dei bulloni e la loro lunghezza.
4. Il modo di tenere l'utensile oppure il materiale nella posizione di stringimento avrà degli effetti sulla torsione.
5. Far funzionare il trapano a bassa velocità significa ridurre la forza di torsione.

## MANUTENZIONE

### ATTENZIONE:

Prima di effettuare ogni tipo di lavoro sull'utensile, assicuratevi sempre che essa sia spenta e che la batteria sia rimossa.

## Sostituzione delle spazzole di carbone (Fig. 10 e 11)

Sostituire le spazzole di carbone quando sono usurate fino alla linea di delimitazione. Sostituire entrambe le spazzole con tipi di spazzole identici.

Per mantenere la sicurezza e l'affidabilità del prodotto, le riparazioni, la manutenzione o le regolazioni dovrebbero essere eseguite da un centro di assistenza Makita autorizzato.

**Verklaring van algemene gegevens**

1 Knop	9 Omkeerschakelaar	17 Aandraaikoppel
2 Batterijpak	10 A zijde	18 Juist aandraaikoppel voor
3 Oplaadlampje	11 B zijde	19 Seconden
4 Snellader	12 Rechtsom	20 Vastdraaitijd
5 Schroefbit	13 Linksom	21 Limietmarkering
6 Bus	14 Schroef	22 Schroevendraaier
7 Inzetstuk	15 Stelplaat	23 Borstelhouderkap
8 Trekschakelaar	16 N•m	

**TECHNISCHE GEGEVENS**

<b>Model</b>	<b>6916D</b>
Capaciteit	
Machineschroef .....	M4 – M8
Standaardbout .....	M5 – M12
Bout met hoge trekvastheid .....	M5 – M10
Toerental onbelast/min. ....	0 – 2 300
Aantal slagen/min. ....	0 – 3 000
Totale lengte .....	168 mm
Netto gewicht .....	1,5 kg
Nominale spanning .....	DC 12 V

- In verband met ononderbroken research en ontwikkeling behouden wij ons het recht voor bovenstaande technische gegevens te wijzigen zonder voorafgaande kennisgeving.
- Opmerking: De technische gegevens kunnen van land tot land verschillen.

**Veiligheidswenken**

Voor uw veiligheid dient u de bijgevoegde Veiligheidsvoorschriften nauwkeurig op te volgen.

**BELANGRIJKE  
VEILIGHEIDSVoORSCHRIFTEN VOOR  
GEBRUIK VAN DE BATTERIJLADER EN HET  
BATTERIJPAK**

1. **BEWAAR DEZE VoORSCHRIFTEN** — In deze gebruiksaanwijzing staan belangrijke veiligheids- en bedieningsvoorschriften betreffende de batterijlader (snellader).
2. Lees alle voorschriften en waarschuwingen betreffende (1) de batterijlader, (2) het batterijpak en (3) het gereedschap aandachtig door alvorens de batterijlader in gebruik te nemen.
3. **LET OP** — Om het gevaar voor ongelukken te verminderen, dient u met de snellader uitsluitend MAKITA oplaadbare batterijen te laden. Batterijen van andere merken kunnen gaan barsten en hierdoor verwondingen of schade veroorzaken.
4. Stel de batterijlader niet bloot aan regen of sneeuw.
5. Het gebruik van accessoires die niet door de fabrikant van de batterijlader worden verkocht of aanbevolen, kan brandgevaar, elektrische schok of verwondingen veroorzaken.
6. Om de stekker en het netsnoer niet te beschadigen, trekt u het netsnoer uit het stopcontact door de stekker vast te pakken.
7. Let op dat het snoer zodanig op de grond ligt, dat niemand erop kan stappen of erover kan struikelen en dat er niets op het snoer geplaatst wordt.

8. Gebruik in geen geval de batterijlader als het netsnoer of de stekker beschadigd is. Vervang deze onmiddellijk.
9. Gebruik de batterijlader ook niet als deze gevallen is, aan een zware stoot heeft blootgestaan, of als u vermoedt dat hij beschadigd is. Laat in deze gevallen de batterijlader eerst nakijken.
10. Haal de batterijlader of het batterijpak niet uit elkaar; laat eventuele servicebeurten of reparaties uitsluitend vakkundig uitvoeren. Het onjuist opnieuw in elkaar zetten kan namelijk elektrische schok of brandgevaar opleveren.
11. Om gevaar voor elektrische schok te verminderen, trekt u de stekker uit het stopcontact alvorens de batterijlader te reinigen of een onderhoudsbeurt te geven. Door de batterijlader alleen maar uit te schakelen, vermindert u dit gevaar niet.
12. De acculader is niet bedoeld voor gebruik door kleine kinderen of geestelijk gestoorden waarop geen toezicht wordt gehouden.
13. Houd toezicht op kleine kinderen om te voorkomen dat ze met de acculader spelen.
14. Als de gebruiksduur van de accu bijzonder kort geworden is, moet u het gebruik ervan onmiddellijk stopzetten omdat er anders gevaar is voor oververhitting, brandwonden en zelfs een explosie.
15. Als er elektrolyt in uw ogen is terechtgekomen, moet u deze spoelen met schoon water en onmiddellijk de hulp van een dokter inroepen. Elektrolyt in de ogen kan blindheid veroorzaken.

## BIJGEVOEGDE VEILIGHEIDSVOORSCHRIFTEN VOOR GEBRUIK VAN DE BATTERIJLADER EN HET BATTERIJPAK

1. Laad het batterijpak niet op als de temperatuur LAGER is dan 10°C of HOGER dan 40°C.
2. Gebruik voor het laden nooit een step-up transformator, een dynamo of een gelijkstroombron.
3. Zorg dat de ventilatiegaten van de batterijlader niet afgesloten worden of verstopt raken.
4. Bedek altijd de polen van de accu met het accudeksel wanneer u de accu niet gebruikt.
5. Voorkom kortsluiting van het batterijpak:
  - (1) Raak de aansluitklemmen nooit aan met geleidend materiaal.
  - (2) Bewaar het batterijpak niet op een plaats waar ook andere metalen voorwerpen zoals spijkers, munten e.d. worden bewaard.
  - (3) Stel het batterijpak niet bloot aan water of regen.Kortsluiting van het batterijpak kan leiden tot een grote stroomafgifte, oververhitting, brandwonden of zelfs tot defecten.
6. Bewaar de batterijlader en het batterijpak niet in plaatsen waar de temperatuur tot 50°C of hoger kan op lopen.
7. Werp zwaar beschadigde of volledig uitgeputte batterijpakken niet in het vuur, omdat een gevaarlijke explosie er het gevolg van kan zijn.
8. Wees voorzichtig dat u het batterijpak niet laat vallen en het niet aan schokken of stoten blootstelt.
9. Laad het batterijpak niet op in een kist, een container e.d. Om het batterijpak op te laden, dient u dit in een goed geventileerde ruimte te plaatsen.

### Laden (Fig. 2)

Sluit de snellader aan op een geschikte wisselstroombron (stopcontact). Het laadlampje zal in groen knipperen. Schuif de accu zodanig in de snellader dat de plus en min klemmen op de accu overeenkomen met de plus en min markeringen op de snellader. Schuif de accu zo ver mogelijk in de opening, zodat deze op de bodem van de snellader rust. Wanneer de accu helemaal erin zit, zal de kleur van het laadlampje veranderen van groen in rood en zal het laden beginnen. Tijdens het laden zal het laadlampje gestadig blijven branden. Wanneer de kleur van het oplaadlampje verandert van rood in groen, is het opladen voltooid. Wanneer u een volledig opgeladen accu in de lader laat zitten, zal de lader overschakelen naar de "bijladen (handhaven van de lading)" stand en ongeveer 24 uur in deze stand blijven staan. Trek de stekker van de snellader uit het stopcontact nadat het laden is voltooid. Zie de onderstaande tabel voor de oplaadtijden.

Accu type	Capaciteit (mAh)	Aantal cellen	Oplaadtijd
1222	2 000	10	ca. 45 min.
1234	2 600	10	ca. 60 min.
1235	3 000	10	ca. 70 min.

## BIJGEVOEGDE VEILIGHEIDSVOORSCHRIFTEN VOOR DE MACHINE

1. Wees op uw hoede. Dit gereedschap is altijd gereed voor gebruik, aangezien het niet op een stopcontact hoeft te worden aangesloten.
2. Houd het gereedschap bij de geïsoleerde handgrepen vast wanneer u boort op plaatsen waar de boor op verborgen elektrische bedrading kan stoten. Door contact met een onder spanning staande draad zullen ook de niet-geïsoleerde metalen delen van het gereedschap onder spanning komen te staan, zodat de gebruiker een elektrische schok kan krijgen.
3. Zorg ervoor dat u stevig staat op een vast ondergrond. Bij gebruik van het gereedschap op een hoge plaats dient u ervoor te zorgen dat niemand beneden u aanwezig is.
4. Houd het gereedschap stevig vast.
5. Draag oorbeschermers.

### BEWAAR DEZE VOORSCHRIFTEN.

### BEDIENINGSVOORSCHRIFTEN

#### Installeren of verwijderen van de accu (Fig. 1)

- Schakel de machine altijd uit alvorens de accu te installeren of te verwijderen.
- Om de accu te verwijderen, neemt u deze uit de machine terwijl u de knoppen aan beide zijden van de accu indrukt.
- Om de accu te installeren, past u de tong op de accu in de groef in het machinehuis, en dan schuift u de accu naar binnen. Schuif de accu zo ver mogelijk erin, totdat deze met een klinkgeluid vergrendelt. Indien u dit niet doet, kan de accu per ongeluk uit de machine vallen en uzelf of anderen in uw omgeving verwonden.
- Gebruik geen overmatige kracht wanneer u de accu erin steekt. Indien de accu niet gemakkelijk naar binnen schuift, betekent dit dat deze niet juist erin is gestoken.

#### LET OP:

- De snellader is uitsluitend bestemd voor het laden van Makita accu's. Gebruik deze nooit voor andere doeleinden of voor het laden van accu's van andere fabrikanten.
- Een nieuwe accu of een accu die gedurende lange tijd niet werd gebruikt, kan eventueel niet volledig worden geladen. Dit is normaal en duidt niet op een defect. Nadat de accu enkele keren volledig is ontladen en herladen, kunt u deze weer volledig laden.
- Wanneer u de accu van een zojuist gebruikte machine laadt, of een accu die voor langere tijd aan direct zonlicht of hitte werd blootgesteld, gebeurt het wel eens dat het laadlampje in rood knippert. Wacht in zo'n geval een tijdje. Het laden zal beginnen nadat de accu is afgekoeld. De accu zal sneller afkoelen indien u deze van de snellader verwijdert.
- Indien het laadcontrolelampje afwisselend in groen en rood knippert, wijst dit op een probleem en is laden niet mogelijk. De klemmen op de snellader of op het batterijpak zijn vuil of het batterijpak is versleten of beschadigd.

#### Bijladen (Handhaven van de lading)

Wanneer u een volledig opgeladen accu in de lader laat zitten om spontaan ontladen te voorkomen, zal de lader overschakelen naar de "Bijladen (Handhaven van de lading)" stand waardoor de accu vers en in volledig opgeladen toestand wordt gehouden.

#### Wenken om een maximale levensduur van de accu te handhaven

1. Laad de accu op alvorens deze volledig is ontladen.  
Stop het gebruik van het gereedschap en laad de accu op telkens wanneer u vaststelt dat het vermogen van het gereedschap verminderd is.
2. Laad een volledig opgeladen accu nooit opnieuw op.  
Wanneer u de accu te veel oplaadt, zal deze minder lang meegaan.
3. Laad de accu op bij een kamertemperatuur tussen 10°C en 40°C.  
Laat een warme accu afkoelen alvorens deze op te laden.
4. Laad de nikkel-metaalhydride accu op wanneer u deze langer dan zes maanden niet gebruikt.

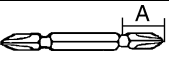
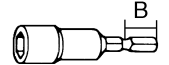
#### Aanbrengen of verwijderen van de schroefbit

Belangrijk:

Controleer altijd of de machine is uitgeschakeld en het batterijpak is verwijderd, alvorens de schroefbit aan te brengen of te verwijderen.

Gebruik alleen de schroefbit of schroefdop die in de onderstaande tabel is afgebeeld.

Gebruik geen andere schroefbit of schroefdop.

	A = 17 mm B = 14 mm	Voor het aanbrengen van dit type schroefbits, volg procedure (1). (Opmerking) Makita schroefbits zijn van dit type.
	A = 11 mm B = 9 mm	Voor het aanbrengen van dit soort schroefdoppen, volg procedure (2). (Opmerking) Voor het aanbrengen van de schroefdop is een inzetstuk nodig.

1. Om de schroefbit aan te brengen, trek de bus in de richting van de pijl en steek dan de schroefbit zo ver mogelijk erin. Laat daarna de bus los om de schroefbit vast te zetten. **(Fig. 3)**
2. Om de schroefdop aan te brengen, trek de bus in de richting van de pijl en steek dan het inzetstuk en de schroefdop zo ver mogelijk erin. Het inzetstuk dient met zijn gepunte uiteinde naar zijn gepunte uiteinde naar binnen gekeerd in de bus te worden gestoken. Laat daarna de bus los om de schroefdop vast te zetten. **(Fig. 4)**

Om de schroefbit/dop te verwijderen, trek de bus in de richting van de pijl en trek dan de schroefbit/dop eruit.

OPMERKING:

Indien de schroefbit niet diep genoeg in de bus wordt gestoken, zal de bus niet naar zijn oorspronkelijke positie terugkeren en zal de schroefbit niet goed vastzitten. In dat geval dient u de schroefbit opnieuw erin te steken volgens de bovenstaande aanwijzingen.

## Werking van de schakelaar (Fig. 5)

LET OP:

Alvorens het batterijpak in het gereedschap te plaatsen, controleert u altijd eerst even of de trekschakelaar behoorlijk funktioneert en bij het loslaten naar de "OFF" positie terugkeert.

Om het gereedschap te starten hoeft u de trekschakelaar slechts in te drukken. U kunt de snelheid van het gereedschap opvoeren door de trekschakelaar dieper in te drukken. Laat de trekschakelaar los om het gereedschap te stoppen.

## Werking van de omkeerschakelaar (Fig. 6)

LET OP:

- Controleer altijd de draairichting alvorens het gereedschap te gebruiken.
- Verander de stand van de omkeerschakelaar alleen nadat het gereedschap volledig tot stilstand is gekomen. Indien u de draairichting verandert terwijl de boor nog draait, kan het gereedschap beschadigd raken.
- Zet de omkeerschakelaar altijd in de neutrale stand wanneer u het gereedschap niet gebruikt.

Dit gereedschap heeft een omkeerschakelaar voor het veranderen van de draairichting. Druk de omkeerschakelaar in vanaf zijde A voor rechtse draairichting, of vanaf zijde B voor linkse draairichting. Wanneer deze schakelaar in de neutrale stand staat, kan de trekschakelaar niet worden ingedrukt.

## Installeren van de stelplaat (Los verkrijgbaar accessoire) (Fig. 7)

Installeer altijd de stelplaat wanneer u batterijpakken 1200, 1202 of 1202A gebruikt. Installeer de stelplaat met behulp van de bijgeleverde schroef op de machine, zoals afgebeeld in Fig. 7.

## Bediening (Fig. 8 en 9)

Het juiste aandraaikoppel kan verschillen afhankelijk van het soort en de maat van de schroef/bout, het materiaal van het te bevestigen werkstuk, enz. De verhouding tussen het aandraaikoppel en de vastdraaitijd is aangegeven in Fig. 8 voor de standaardbout, en in Fig. 9 voor de bout met hoge trekvastheid.

Houd het gereedschap stevig vast en plaats de punt van de schroefbit in de schroefkop. Oefen zoveel kracht op het gereedschap uit als nodig is om de schroefbit op z'n plaats te houden. Schakel vervolgens het gereedschap in om de werkzaamheden te starten.

OPMERKING:

- Wanneer u schroef M8 of een schroef van een kleinere maat aantrekt, dient u de druk op de trekschakelaar voorzichtig aan te passen om beschadiging van de schroef te voorkomen.
- Houd het gereedschap altijd haaks.
- Wanneer u de in de figuren aangegeven vastdraaitijden overschrijdt, kan de schroef doldraaien of de schroefkop of de punt van de schroefbit beschadigd worden. Het verdient daarom aanbeveling eerst een proefje te nemen voor het vaststellen van de juiste vastdraaitijd.

Het aandraaikoppel wordt beïnvloed door een groot aantal verschillende factoren, waaronder de volgende.

Kontroleer na het vastdraaien altijd het aandraaikoppel met een momentsleutel.

1. Wanneer het batterijpak bijna leeg is, neemt het voltage af en vermindert het aandraaikoppel.
2. Schroefbit of schroefkop Gebruikt u niet de juiste maat dan heeft een vermindering van de aandraaikoppel plaats.
3. Bout
  - In geval het koppelcoefficient overeenkomt met de boutklasse, hangt het juiste aandraaikoppel af van de boutdiameter.
  - In geval de boutdiameters gelijk zijn, hangt het juiste aandraaikoppel af van het koppelcoefficient, de boutklasse en de boutlengte.
4. De manier van vasthouden van het gereedschap en de positie waarin de schroef in het materiaal vastgedraaid wordt, beïnvloeden het koppel.
5. Bij lagere toerentallen wordt ook het aandraaikoppel kleiner.

## ONDERHOUD

LET OP:

Controleer altijd of de machine is uitgeschakeld en de accu is losgekoppeld vooraleer onderhoud uit te voeren aan de machine.

## Vervangen van koolborstels (Fig. 10 en 11)

Vervang de borstels wanneer ze tot aan de aangegeven limiet zijn afgesleten. Beide koolborstels dienen tegelijkertijd te worden vervangen.

Opdat het gereedschap veilig en betrouwbaar blijft, dienen alle reparaties, onderhoud of afstellingen te worden uitgevoerd bij een erkend Makita service centrum.

**Explicación de los dibujos**

1 Botón	9 Interruptor inversor	17 Torsión de apriete
2 Cartucho de batería	10 Lado A	18 Torsión de apriete correcta para
3 Luz de carga	11 Lado B	19 Segundos
4 Cargador de carga rápida	12 Rotación hacia la derecha	20 Tiempo de apriete
5 Pieza de apriete	13 Rotación hacia la izquierda	21 Marca de límite
6 Manguito	14 Tornillo	22 Destornillador
7 Pieza complementaria	15 Placa de fijación	23 Tapa del portaescobillas
8 Interruptor de gatillo	16 N•m	

**ESPECIFICACIONES**

**Modelo** 6916D

**Capacidades**

Tornillo de máquina	M4 – M8
Perno estándar	M5 – M12
Perno de gran resistencia a la tracción	M5 – M10
Velocidad en vacío (min <sup>-1</sup> )	0 – 2.300
Impactos por minuto	0 – 3.000
Longitud total	168 mm
Peso neto	1,5 kg
Tensión nominal	CC 12 V

• Debido a un programa continuo de investigación y desarrollo, las especificaciones aquí dadas están sujetas a cambios sin previo aviso.

• Nota: Las especificaciones pueden ser diferentes de país a país.

**Sugerencias de seguridad**

Para su propia seguridad, consulte las instrucciones de seguridad incluidas.

**INSTRUCCIONES DE SEGURIDAD IMPORTANTES PARA EL CARGADOR Y EL CARTUCHO DE BATERÍAS**

- 1. GUARDE ESTAS INSTRUCCIONES** — Este manual contiene instrucciones de operación y de seguridad importantes para el cargador de baterías.
- Antes de utilizar el cargador de baterías, lea todas las instrucciones y las indicaciones de precaución (1) del cargador de baterías, (2) de baterías, y (3) del producto que con el que se va a utilizar baterías.
- PRECAUCIÓN** — Para reducir el peligro de que se produzcan heridas personales, cargue solamente las baterías recargables del tipo MAKITA. Otros tipos de baterías pueden quemarse pudiendo provocar heridas personales y daños.
- No exponga el cargador a la lluvia o al agua.
- La utilización de un acoplamiento no recomendado o no vendido por un fabricante de cargadores de baterías puede resultar provocar un incendio, una descarga eléctrica o heridas personales.
- Para reducir el peligro de que el enchufe y el cable reciban daños, tire del enchufe y no del cable cuando desconecte el cargador.

- 7. Asegúrese de que el cable esté localizado de manera que no se tropiece con él ni se pise, y que no esté sujeto a tirones ni otros tipos de daños.**
- 8. No opere el cargador que tenga el cable o el enchufe dañados; reemplácelos inmediatamente.**
- 9. No opere el cargador en el caso de que haya recibido un golpe, se haya caído o esté defectuoso; llévelo a un lugar donde se le pueda practicar un servicio de mantenimiento cualificado.**
- 10. No desmonte el cargador o el cartucho de baterías; cuando se requiera la reparación llévelo a un lugar donde se le pueda practicar un servicio de mantenimiento cualificado. Un montaje incorrecto puede resultar en que se produzca un incendio o una descarga eléctrica.**
- 11. Para reducir el peligro de que se produzca una descarga eléctrica, desenchufe el cargador de la toma de alimentación antes de efectuar el servicio de mantenimiento o la limpieza. El desconectar los controles no reducirá este peligro.**
- 12. El cargador de baterías no ha sido pensado para ser usado por niños ni menores sin ser supervisados.**
- 13. Los padres deberán supervisar a sus hijos pequeños para asegurarse de que no juegan con el cargador de baterías.**
- 14. Si el tiempo de funcionamiento se acorta excesivamente, pare la operación inmediatamente. Podría resultar en un riesgo de recalentamiento, posibles quemaduras e incluso una explosión.**
- 15. Si entra electrolito en sus ojos, aclárelos con agua limpia y solicite atención médica enseñada. Podría resultar en la pérdida de la vista.**

**NORMAS DE SEGURIDAD ADICIONALES PARA EL CARGADOR Y EL CARTUCHO DE BATERÍAS**

- No cargue el cartucho de baterías cuando la temperatura esté por DEBAJO de los 10°C o por ENCIMA de los 40°C.
- No utilice un transformador elevador de tensión, un generador con motor o un receptáculo de alimentación de CC.
- No cubra ni obstruya las rejillas de ventilación del cargador con ningún objeto.
- Cubra siempre los bornes de baterías con la tapa correspondiente cuando no se esté usando el cartucho de baterías.



5. No cortocircuite el cartucho de baterías:
  - (1) No toque los terminales con ningún material conductor.
  - (2) Evite guardar el cartucho de baterías en un recipiente que contenga otros objetos de metal tales como clavos, monedas, etc.
  - (3) No exponga el cartucho de baterías al agua o a la lluvia.

Un cortocircuito de baterías puede producir una gran circulación de corriente, un sobrecalentamiento, posibles quemaduras o incluso una rotura.
6. No almacene la herramienta ni el cartucho de baterías en lugares donde la temperatura pueda alcanzar o exceder los 50°C.
7. Nunca queme el cartucho de baterías incluso en el caso de que esté dañado seriamente, ni cuando esté gastado. El cartucho de baterías podrá explotar cuando se tire al fuego.
8. Tenga cuidado para no dejar caer, sacudir o golpear la batería.
9. No la cargue en el interior de una caja o recipiente de cualquier clase. La batería deberá ponerse en un lugar bien ventilado durante la carga.

## NORMAS DE SEGURIDAD ADICIONALES PARA LA HERRAMIENTA

1. Tenga presente que esta herramienta siempre está en un estado de operación debido a que no se tiene que enchufar a una toma de alimentación.
2. Cuando realice una tarea donde la herramienta pueda entrar en contacto con cableado oculto o su propio cable, sujete la herramienta por las superficies de aislamiento aisladas. El contacto con un cable con corriente hará que la corriente circule por las partes metálicas de la herramienta y electrocute al operario.

### Carga (Fig. 2)

Enchufe el cargador de carga rápida en una toma de corriente alterna (CA) de tensión apropiada. La luz de carga parpadeará en color verde. Inserte el cartucho de batería de forma que los bornes positivo y negativo del cartucho de batería correspondan con las marcas respectivas que hay en el cargador de carga rápida. Inserte el cartucho completamente en la abertura de forma que asiente en la base de la abertura del cargador. Cuando el cartucho esté insertado, el color de la luz de carga cambiará de verde a rojo y la carga comenzará. La luz de carga permanecerá encendida durante la carga. Cuando el color de la luz de carga cambie de rojo a verde, se habrá completado el ciclo de carga. Si deja el cartucho de batería en el cargador después de que se haya completado el ciclo de carga, el cargador cambiará a su modo de "carga lenta (carga de mantenimiento)" que durará aproximadamente 24 horas. Después de la carga, desenchufe el cargador de la toma de corriente. Consulte la tabla de abajo para ver los tiempos de carga.

Tipo de batería	Capacidad (mAh)	Número de celdas	Tiempo de carga
1222	2.000	10	45 min. aprox.
1234	2.600	10	60 min. aprox.
1235	3.000	10	70 min. aprox.

3. Asegúrese siempre de que el punto de apoyo de sus pies sea firme. Por otro lado, asegúrese de que no haya nadie debajo cuando esté utilizando la herramienta en lugares situados a una cierta altura del suelo.
4. Sostenga la herramienta firmemente.
5. Utilice protectores para los oídos.

**GUARDE ESTAS INSTRUCCIONES.**

## INTRUCCIONES PARA EL FUNCIONAMIENTO

### Instalación o extracción del cartucho de batería (Fig. 1)

- Apague siempre la herramienta antes de insertar o retirar el cartucho de batería.
- Para retirar el cartucho de batería, sáquelo de la herramienta a la vez que presiona los botones a ambos costados del cartucho.
- Para insertar el cartucho de batería, alinee la pestaña del cartucho de batería con la acanaladura del alojamiento y deslícelo hacia adentro. Insértelo siempre a tope de manera que quede fijo en el interior produciendo un ligero chasquido. En caso contrario, podría salirse accidentalmente de la herramienta, pudiéndole causar heridas a usted o a alguien que se encuentre cerca de usted.
- No emplee fuerza para insertar el cartucho de batería. Si no puede deslizarse fácilmente será porque no lo está insertando debidamente.

#### PRECAUCIÓN:

- El cargador de carga rápida es para cargar el cartucho de batería Makita. No lo utilice nunca con otro propósito o para cargar baterías de otros fabricantes.
- Cuando cargue un cartucho de batería nuevo o uno que no haya sido utilizado durante mucho tiempo, será posible que no pueda cargarse completamente. Esta es una condición normal y no indica ningún tipo de problema. Podrá volver a cargarlo completamente después de descargarlo en su totalidad y volverlo a cargar unas cuantas veces.
- Si carga un cartucho de batería que acaba de retirar de una herramienta que justo acaba de operar o uno que ha estado expuesto a la luz solar directa o calor durante mucho tiempo, la luz de carga podrá parpadear en color rojo. En este caso, espere algún tiempo. La carga comenzará una vez que el cartucho se enfríe. Éste se enfriará antes si lo saca del cargador.
- Si la luz de carga parpadea alternativamente en verde y rojo, existirá algún problema y no se podrá cargar. Los bornes en el cargador o en el cartucho de batería estarán sucios de polvo o el cartucho podrá estar inservible o estropeado.

#### Carga continua y lenta (carga de mantenimiento)

Si deja el cartucho de batería en el cargador para evitar que se descargue espontáneamente después de haberlo cargado completamente, el cargador se cambiará a su modo de "carga continua y lenta (carga de mantenimiento)" y mantendrá el cartucho de batería fresco y completamente cargado.

#### Consejos para alargar al máximo la vida de servicio de la batería

1. Cargue el cartucho de batería antes de que se descargue completamente.  
Pare la herramienta y cargue el cartucho de batería siempre que note que se debilita la potencia de la herramienta.
2. Nunca cargue un cartucho de batería que esté completamente cargado.  
El exceso de carga acorta la vida de servicio de la batería.
3. Cargue el cartucho de batería a una temperatura ambiente de 10°C – 40°C.  
Deje que el cartucho de batería se enfríe antes de cargarlo.
4. Cargue el cartucho de batería de hidruro metálico de níquel cuando no lo utilice durante más de seis meses.



#### Instalación o extracción de la pieza de apriete

##### Importante:

Asegúrese siempre de que la alimentación de la herramienta esté desconectada y de que se haya extraído el cartucho de la batería antes de instalar o extraer la pieza de apriete.

Utilice solamente la pieza de apriete tipo destornillador o tipo llave de cubo mostrada en la tabla de abajo.

No utilice ninguna otra pieza de apriete tipo destornillador o tipo llave de cubo.

	A= 17 mm B= 14 mm	Para instalar estos tipos de piezas de apriete, siga el procedimiento (1). (Nota) Las piezas de apriete Makita son de estos tipos.
	A= 11 mm B= 9 mm	Para instalar estos tipos de piezas de apriete, siga el procedimiento (2). (Nota) Para instalar la pieza de apriete se necesita la pieza complementaria.

1. Para instalar la pieza de apriete, tire del manguito en el sentido de la flecha e inserte la pieza de apriete en el manguito todo lo posible. Luego deje libre el manguito para asegurar la pieza de apriete. **(Fig. 3)**
2. Para instalar la pieza de apriete, tire del manguito en el sentido de la flecha e inserte la pieza complementaria y la de apriete en el manguito todo lo posible. La pieza complementaria deberá insertarse en el manguito con el extremo en punta hacia adentro. Luego deje libre el manguito para asegurar la pieza de apriete. **(Fig. 4)**

Para quitar la pieza de apriete, tire del manguito en el sentido de la flecha y sáquela firmemente.

##### NOTA:

Si la pieza de apriete no se inserta lo suficiente en el manguito, éste no volverá a su posición original y la pieza de apriete no quedará asegurada. En este caso, intente volver a insertar la pieza de apriete según las instrucciones de arriba.

### Interruptor de encendido (Fig. 5)

**PRECAUCIÓN:** Antes de insertar el cartucho de la batería en la herramienta, compruebe siempre que el interruptor de gatillo actúe correctamente y que retorne a la posición "OFF" cuando se libera.

Para poner en funcionamiento la herramienta, presione simplemente el disparador. La velocidad de la herramienta se aumenta incrementando la presión en el disparador. Suelte el disparador para detenerla.

### Accionamiento del conmutador de inversión (Fig. 6)

**PRECAUCIÓN:**

- Compruebe siempre la dirección de rotación antes de realizar la operación de trabajo.
- Emplee el conmutador de inversión sólo después de que la herramienta esté completamente parada. Si cambia la dirección de rotación antes de que la herramienta se pare podrá dañarla.
- Cuando no utilice la herramienta, ponga siempre el interruptor de inversión en la posición neutral.

Esta herramienta tiene un conmutador de inversión para cambiar la dirección de rotación. Presione el conmutador de inversión del lado A para que gire hacia la derecha o el del lado B para que gire hacia la izquierda. Cuando el conmutador de inversión esté en la posición neutral, el interruptor de gatillo no podrá ser accionado.

### Instalación de la placa de fijación (accesorio opcional) (Fig. 7)

Instale la placa de fijación siempre que utilice los cartuchos de batería 1200, 1202 ó 1202A. Instálela en la herramienta con el tornillo suministrado de la forma mostrada en la Fig. 7.

### Operación (Fig. 8 y 9)

La torsión de apriete apropiada podrá variar según el tipo o tamaño del tornillo/perno, el material de la pieza de trabajo a apretar, etc. La relación existente entre la torsión de apriete y el tiempo de apriete se muestra en la Fig. 8 para pernos estándar o en la Fig. 9 para pernos de gran resistencia a la tracción.

Sujete firmemente la herramienta y coloque el punto de la broca del destornillador en la cabeza del tornillo. Aplique presión hacia delante en la herramienta para asegurarse de que la broca no se sale del tornillo y conecta la herramienta para iniciar la operación.

**NOTA:**

- Cuando apriete tornillos M8 o más pequeños, aplique presión al interruptor de gatillo con cuidado para no dañar el tornillo.
- Sostenga la herramienta dirigiéndola directamente hacia la tuerca.
- Si aprieta el tornillo durante más tiempo que el mostrado en las figuras, el tornillo o punto del destornillador puedan sobreesforzarse, pelarse, dañarse, etc. Antes de iniciar su trabajo, realice siempre la operación de prueba para determinar el tiempo de apriete correcto de los tornillos.

La torsión de apriete queda afectada por una amplia variedad de factores en los que se incluyen los siguientes. Una vez efectuado el apriete, compruebe siempre la torsión con una llave de apriete.

1. Cuando el cartucho de la batería está desgastado casi totalmente, la tensión caerá y la torsión de apriete se reducirá.
2. Broca del destornillador o broca del receptáculo Los fallos al usar una broca del destornillador del tamaño correcto o broca del receptáculo causarán una reducción de la torsión de apriete.
3. Perno
  - Incluso si el coeficiente de torsión y la clase del perno son los mismos, la torsión de apriete correcta variará de acuerdo con el diámetro del perno.
  - Incluso si los diámetros de los pernos son los mismos, la torsión de apriete correcta variará de acuerdo con el coeficiente de torsión, la clase y la longitud del perno.
4. La forma de sujetar la herramienta o el material afectará la torsión de apriete en la operación.
5. El operar la herramienta a baja velocidad ocasionará una reducción en la torsión de apriete.

## MANTENIMIENTO

**PRECAUCIÓN:**

Asegúrese siempre de que la herramienta está apagada y de que el cartucho de baterías está quitado antes de realizar cualquier trabajo en la herramienta.

### Substitución de las escobillas de carbón (Fig. 10 y 11)

Substituya las escobillas de carbón cuando estén desgastadas hasta la marca del límite. Las dos escobillas de carbón idénticas deberían ser substituidas al mismo tiempo.

Para mantener la seguridad y fiabilidad del producto, las reparaciones, el mantenimiento y los ajustes deberán ser realizados por un Centro de Servicio Autorizado de Makita.

## Explicação geral

1 Botão	10 Lado A	18 Binário de aperto adequado para
2 Bateria	11 Lado B	19 Segundos
3 Luz da carregamento	12 No sentido dos ponteiros do relógio	20 Tempo de aperto
4 Carregador rápido	13 No sentido oposto ao dos ponteiros do relógio	21 Marca limite
5 Broca	14 Parafuso	22 Chave de parafusos
6 Manga	15 Placa de apoio	23 Tampa do suporte da escova
7 Extensão de broca	16 Nm	
8 Gatilho	17 Binário de aperto	
9 Alavanca do interruptor de inversão		

## ESPECIFICAÇÕES

<b>Modelo</b>	<b>6916D</b>
Capacidades	
Parafuso hexagonal .....	M4 – M8
Perno universal .....	M5 – M12
Perno de grande elasticidade .....	M5 – M10
Velocidade em vazio (min <sup>-1</sup> ) .....	0 – 2.300
Impactos por minuto .....	0 – 3.000
Comprimento total .....	168 mm
Peso líquido .....	1,5 kg
Voltagem nominal .....	12 V.C.C.

- Devido a um programa contínuo de pesquisa e desenvolvimento, estas especificações podem ser alteradas sem aviso prévio.
- Nota: As especificações podem variar de país para país.

### Conselhos de segurança

Para sua segurança, leia as instruções anexas.

## II INSTRUÇÕES DE SEGURANÇA IMPORTANTES PARA O CARREGADOR E BATERIA

1. **GUARDE ESTAS INSTRUÇÕES** — Este manual contém importantes normas de segurança e de funcionamento do carregador e da bateria.
2. Antes de utilizar o carregador leia todas as instruções e recomendações (1) do carregador da bateria, (2) da bateria e (3) da ferramenta.
3. **PRECAUÇÃO** — Para prevenir o risco de acidentes, carregue só as baterias recarregáveis MAKITA. Outros tipos de baterias poderão explodir e causar danos pessoais e materiais.
4. Não exponha o carregador à chuva ou à neve.
5. Se utilizar um acoplamento que não seja recomendado ou vendido pelo fabricante do carregador da bateria, poderá provocar um incêndio, um choque eléctrico ou danos pessoais.
6. Para não danificar a ficha e o cabo, quando desligar o carregador puxe apenas pela ficha.
7. Verifique se o cabo está colocado em local onde não tropece nele nem o pise, e também onde não fique sujeito a puxões ou outros tipos de danos.

8. Não ligue à corrente um carregador que tenha o cabo ou a ficha danificados. Substitua-os imediatamente.
9. Não utilize um carregador que tenha levado uma pancada, tenha caído ou esteja danificado; leve-o a um serviço de assistência oficial.
10. Não desmonte o carregador ou a bateria; quando for necessária uma reparação leve-os a um serviço de assistência oficial. Uma montagem incorrecta poderá provocar um incêndio ou choque eléctrico.
11. Para evitar apanhar um choque eléctrico desligue o carregador da tomada de corrente antes de efectuar qualquer trabalho de manutenção ou de limpeza. Se apenas desligar o carregador e não retirar a ficha da tomada, não evitará o perigo de choques eléctricos.
12. O carregador de bateria não deve ser utilizado por crianças ou por enfermos sem vigilância.
13. Deve vigiar as crianças para se certificar de que não brincam com o carregador.
14. Se o tempo de operação se tornar excessivamente curto, pare imediatamente a operação. Pode resultar em sobreaquecimento, possíveis queimaduras e mesmo uma explosão.
15. Se entrar electrolito nos seus olhos, lave-os com água limpa e procure imediatamente assistência médica. Pode resultar em perda de visão.

## REGRAS DE SEGURANÇA ADICIONAIS PARA O CARREGADOR E BATERIA

1. Não carregue a bateria quando a temperatura for INFERIOR a 10°C ou SUPERIOR a 40°C.
2. Não use um transformador, gerador ou acumulador de corrente contínua.
3. Não tape nem obstrua a ventilação do carregador.
4. Cubra sempre os terminais da bateria com a respectiva tampa quando não estiver a utilizá-la.
5. Não provoque um curto-circuito na bateria:
  - (1) Não toque nos terminais com nenhum material condutor.
  - (2) Evite guardar a bateria juntamente com outros objectos metálicos tais como pregos, moedas, etc.
  - (3) Não exponha a bateria à chuva ou à água. Um curto-circuito na bateria pode causar um grande fluxo de corrente, sobreaquecimento, possíveis queimaduras e mesmo uma avaria.

6. Não guarde a ferramenta e a bateria em locais onde a temperatura possa atingir ou ultrapassar 50°C.
  7. Não queime a bateria mesmo se estiver severamente danificada ou completamente gasta. A bateria pode explodir no fogo.
  8. Tenha cuidado para não deixar cair, agitar ou dar pancadas na bateria.
  9. Não carregue dentro de uma caixa ou de um recipiente de qualquer tipo. A bateria deve ser colocada num local bem ventilado durante o carregamento.
3. Certifique-se sempre de que tem os pés bem assentes. Certifique-se de que não está ninguém por baixo quando utilizar a ferramenta em locais altos.
  4. Segure a ferramenta firmemente.
  5. Use protectores nos ouvidos.

## GUARDE ESTAS INSTRUÇÕES.

## INSTRUÇÕES DE FUNCIONAMENTO

### Para colocar ou retirar a bateria (Fig. 1)

- Desligue sempre a máquina antes de colocar ou retirar a bateria.
- Para retirar a bateria, tire-a da máquina enquanto pressiona os botões nos dois lados da bateria.
- Para colocar a bateria, alinhe a lingueta na bateria com a ranhura no corpo e deslize-a para o seu local. Coloque-a sempre até ao fim de modo a que fique presa no seu local com um pequeno clique. Se assim não for, pode acidentalmente cair da máquina, ferindo-o ou a alguém perto de si.
- Não use força quando coloca a bateria. Se a bateria não deslizar facilmente é porque não foi colocada correctamente.

## REGRAS DE SEGURANÇA ADICIONAIS PARA A FERRAMENTA

1. Não se esqueça que esta ferramenta está sempre em condições de funcionamento, pois não necessita de ser ligada a uma tomada de corrente eléctrica.
2. Agarre na ferramenta pelas pegas isoladas quando executar uma operação em que a ferramenta de corte pode entrar em contacto com qualquer fio eléctrico escondido ou o seu próprio fio. O contacto com um fio “vivo” fará com que as partes de metal expostas fiquem “vivas” e originem um choque no operador.

## Carregamento (Fig. 2)

Ligue o carregador rápido à fonte de corrente CA apropriada. A luz de carregamento pisca em verde. Coloque a bateria de modo a que os terminais mais e menos na bateria estejam do mesmo lado que as marcas respectivas no carregador rápido. Coloque a bateria completamente na entrada de modo a que fique bem assente na superfície da entrada do carregador. Quando a bateria é colocada, a luz de carregamento muda de verde para vermelho e o carregamento começa. A luz de carregamento mantém-se acesa durante o carregamento. Quando a luz de carga muda de vermelho para verde, o ciclo de carregamento está completo. Se deixar a bateria no carregador depois do carregamento acabar, o carregador muda para o modo de “carregamento gota a gota (carregamento de manutenção)” que durará aproximadamente 24 horas. Depois do carregamento, desligue o carregador da fonte de alimentação. Consulte a tabela abaixo para verificar o tempo de carga.

Tipo da bateria	Capacidade (mAh)	Número de células	Tempo de carga
1222	2.000	10	Aprox. 45 min.
1234	2.600	10	Aprox. 60 min.
1235	3.000	10	Aprox. 70 min.

## PRECAUÇÃO:

- O carregador rápido é para carregar a bateria Makita. Nunca o utilize para outros fins ou para baterias de outro fabricante.
- Quando carrega uma nova bateria ou uma que não foi carregada durante um longo período de tempo, pode não aceitar uma carga completa. É uma condição normal e não indica um problema. Pode recarregar a bateria completamente depois de a ter descarregado completamente e voltado a carregar algumas vezes.
- Se carregar uma bateria de uma máquina que acabou de trabalhar ou uma bateria que foi deixada exposta ao sol ou ao calor durante muito tempo, a luz de carregamento pode piscar em vermelho. Se isso acontecer espere um pouco. O carregamento começará depois da bateria ter arrefecido. A bateria arrefecerá mais rapidamente se a retirar do carregador rápido.
- Se a luz de carga piscar alternadamente em verde e vermelho, existe um problema e a carga não é possível. Os terminais no carregador ou na bateria estão bloqueados com pó ou a bateria está gasta ou danificada.

## Carregamento gota a gota (carregamento de manutenção)

Se deixar a bateria no carregador para evitar descarga espontânea depois de completamente carregada, o carregador mudará para o modo de “carregamento gota a gota (carregamento de manutenção)” e manterá a bateria fresca e completamente carregada.

## Conselhos para manter a máxima vida útil da bateria

1. Carregue a bateria antes de completamente descarregada.  
Páre sempre a operação e carregue a bateria quando notar diminuição de potência da ferramenta.
2. Nunca recarregue uma bateria completamente carregada.  
Sobrecarregamento diminui a vida útil da bateria.
3. Carregue a bateria à temperatura ambiente de 10°C – 40°C.  
Se a bateria estiver quente deixe-a arrefecer antes de a carregar.
4. Carregue a bateria de hidreto de níquel quando não a utilizar durante mais do que seis meses.

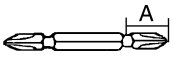

## Instalação ou extracção do bit

Importante:

Certifique-se sempre de que a ferramenta está desligada e a bateria retirada antes de colocar ou retirar o bit.

Utilize unicamente bits como os indicados na tabela abaixo.

Não utilize outros.

	A = 17 mm B = 14 mm	Para colocar este tipo de bits, siga o procedimento (1). (Nota) Os bits da Makita são deste tipo.
	A = 11 mm B = 9 mm	Para colocar este tipo de bits, siga o procedimento (2). (Nota) Necessita de uma ponta postiça para instalar este bit.

1. Para instalar o bit, puxe o aro no sentido da seta e introduza o bit, mais fundo possível. Em seguida solte o aro para segurar o bit. (Fig. 3)
2. Para instalar o bit, puxe o aro no sentido da seta e introduza a ponta postiça e o bit, o mais fundo possível. A ponta postiça deve ser instalada no aro com a extremidade virada para dentro. Seguidamente solte o aro para prender o bit. (Fig. 4)

Para extrair o bit, puxe o aro no sentido da seta e retire o bit puxando-o com força.

NOTA:

Se não introduzir o bit bem fundo no aro, este não voltará à posição de origem e o bit não ficará seguro. Se tal acontecer, volte a introduzi-lo de acordo com as instruções acima indicadas.

## Interruptor (Fig. 5)

PRECAUÇÃO:

Antes de colocar a bateria na ferramenta, verifique sempre se o gatilho funciona adequadamente e volta para a posição "OFF" (desligado) quando o solta.

Para ligar a ferramenta carregue simplesmente no gatilho. A velocidade da ferramenta aumenta se carregar com mais força no gatilho. Solte-o para parar.

## Comutador de inversão (Fig. 6)

PRECAUÇÃO:

- Verifique sempre o sentido de rotação antes da operação.
- Só utilize o comutador de inversão quando a ferramenta estiver completamente parada. Mudar o sentido de rotação antes da ferramenta parar poderá danificá-la.
- Quando não estiver a funcionar com a ferramenta, coloque sempre o comutador de inversão na posição neutra.

Esta ferramenta tem um comutador de inversão para mudar o sentido de rotação. Pressione-o no lado A para rotação à direita ou no lado B para rotação à esquerda. Se o comutador de inversão estiver na posição neutra o gatilho não accionará.

## Colocação da placa de apoio (acessório opcional) (Fig. 7)

Coloque sempre a placa de apoio quando utiliza baterias 1200, 1202 ou 1202A. Coloque a placa de apoio na máquina com o parafuso fornecido, como indicado na Fig. 7.

## Operação (Fig. 8 e 9)

O binário de aperto adequado pode diferir dependendo do tipo ou medida do parafuso/perno, do material da peça de trabalho a ser apertada, etc. A relação entre o binário de aperto e o tempo de aperto é indicada na Fig. 8 para perno universal ou na Fig. 9 para perno de grande elasticidade.

Segure a ferramenta com firmeza e coloque a ponta do bit na cabeça do parafuso. Faça pressão para garantir que o bit não resvala do parafuso e ligue a ferramenta para iniciar a operação.

NOTA:

- Quando aperta parafusos M8 ou mais pequenos, regule cuidadosamente a pressão no gatilho para que não estrague o parafuso.
- Segure a ferramenta colocando-a directamente sobre a cabeça do parafuso.
- Se apertar o parafuso durante mais tempo do que o indicado nos gráficos, poderá danificar ou esforçar demasiado o bit ou o parafuso. Antes da operação final, faça sempre uma experiência para verificar qual o tempo de aperto adequado ao parafuso que vai utilizar.

O binário de aperto é afectado por uma ampla variedade de factores, incluindo os seguintes. Depois da operação, verifique sempre o aperto com uma chave.

1. Quando a bateria estiver quase descarregada, a voltagem diminuirá e o binário de aperto será reduzido.
2. Bit Se a medida do bit não for a adequada provocará uma redução do binário de aperto.
3. Perno
  - Mesmo que o coeficiente do binário e o tipo de perno sejam iguais, o binário de aperto apropriado difere de acordo com o diâmetro do perno.
  - Mesmo que o diâmetro dos pernos seja igual, o binário de aperto apropriado variará consoante o coeficiente do binário, o tipo e comprimento do perno.
4. A superfície de trabalho e o modo como segurar a ferramenta também têm influência no binário de aperto.
5. O binário de aperto será menor se a ferramenta estiver a funcionar a baixa velocidade.

## **MANUTENÇÃO**

### **PRECAUÇÃO:**

Certifique-se sempre de que a ferramenta se encontra desligada e de que a bateria foi retirada antes de efectuar qualquer trabalho na ferramenta.

### **Substituição das escovas de carvão (Fig. 10 e 11)**

As escovas de carvão devem ser substituídas quando o desgaste atingir a marca limite. Ambas as escovas de carvão devem ser substituídas ao mesmo tempo.

Para salvaguardar a segurança e a fiabilidade do produto, as reparações, manutenção e afinações deverão ser sempre efectuadas por um Centro de Assistência Oficial MAKITA.

## Illustrationsoversigt

1 Knap	9 Omløbsvælger	17 Drejningsmoment
2 Akku	10 A side	18 Korrekt drejningsmoment for
3 Ladelampe	11 B side	19 Sekunder
4 Hurtiglader	12 Med uret	20 Fastspændingstid
5 Bit	13 Mod uret	21 Slidmarkering
6 Muffe	14 Skrue	22 Skruetrækker
7 Bitstykke	15 Låseblik	23 Kulholderdæksel
8 Afbryderknap	16 N•m	

## SPECIFIKATIONER

<b>Model</b>	<b>6916D</b>
Kapacitet	
Maskinskrue .....	M4 – M8
Standardbolt .....	M5 – M12
Kvalitetsstålbolt .....	M5 – M10
Omdrejninger ubelastet (min <sup>-1</sup> ) .....	0 – 2300
Slagantal pr. min. ....	0 – 3000
Længde .....	168 mm
Vægt .....	1,5 kg
Spænding .....	12 V

- Ret til tekniske ændringer forbeholdes.
- Bemærk: Data kan variere fra land til land.

## Sikkerhedsbestemmelser

Af sikkerhedsgrunde bør De sætte Dem ind i de medfølgende Sikkerhedsforskrifter.

## VIGTIGE SIKKERHEDSFORSKRIFTER FOR LADER OG AKKU

1. GEM DISSE FORSKRIFTER — Denne brugsanvisning indeholder vigtige sikkerhedsforskrifter og betjeningsvejledninger for laderen.
2. Før laderen anvendes, bør De læse alle instruktioner og advarselmarkeringer på (1) laderen, (2) akku, og (3) produktet, som anvender akku.
3. ADVARSEL — For at mindske risikoen for personskade må laderen kun anvendes til opladning af MAKITA genopladelige akku-typer. Andre akku-typer kan sprænges og forårsage personskade eller ødelæggelser.
4. Udsæt ikke laderen for regn eller sne.
5. Brug af tilbehør, der ikke er anbefalet eller solgt af fremstilleren af laderen, kan give risiko for brand, elektrisk stød, eller personskade.
6. For at mindske risikoen for at beskadige netledningen eller dennes stik skal der altid trækkes i stikket og ikke i selve ledningen, når laderen tages ud af stikkontakten.
7. Sørg for, at netledningen er placeret således, at man ikke kommer til at træde på den, falde over den, og således, at den ikke udsættes for anden form for beskadigelse eller belastning.
8. Anvend aldrig laderen, hvis ledningen eller stikket er beskadiget — udskift dem øjeblikkeligt.
9. Anvend aldrig laderen, hvis den er blevet udsat for et voldsomt stød, blevet tabt, eller på anden måde beskadiget. Lad en kvalificeret reparatør se på den.
10. Skil aldrig laderen eller akkuen ad; kontakt en kvalificeret reparatør, når vedligeholdelse eller reparation er påkrævet. Forkert samling kan føre til risiko for elektrisk stød eller brand.

11. For at undgå risiko for elektrisk stød skal laderen altid afbrydes fra stikkontakten, før vedligeholdelse eller rengøring udføres. Denne risiko fjernes ikke ved blot at slukke for kontrollerne.
12. Opladeren er ikke beregnet til at skulle anvendes af børn eller svaglige personer uden opsyn.
13. Små børn bør være under opsyn for at sikre, at de ikke leger med opladeren.
14. Hvis anvendelsestiden bliver ekstrem kort, skal brugen straks afbrydes. Fortsat brug kan ellers resultere i overophedning, mulige forbrændinger og endog eksplosion.
15. Hvis De får elektrolytvæske i øjnene, skal de øjeblikkeligt renses med rigeligt rent vand, hvorefter der straks skal søges læge. Der er risiko for tab af synsevne.

## YDERLIGERE SIKKERHEDSFORSKRIFTER FOR LADER OG AKKU

1. Oplad ikke akkuen, når temperaturen er UNDER 10°C, eller OVER 40°C.
2. Forsøg aldrig at anvende en transformator, en generator, eller en jævnstrømsforsyning til opladning.
3. Lad aldrig noget dække eller tilstoppe laderens ventilationshuller.
4. Dæk altid akku-polerne med akku-dækslet, når akkuen ikke anvendes.
5. Kortslut aldrig akkuen:
  - (1) Rør ikke polerne med noget ledende materiale.
  - (2) Undgå opbevaring af akkuen i beholdere sammen med andre metalgenstande, som f.eks. søm, mønter osv.
  - (3) Udsæt aldrig laderen eller akkuen for vand eller regn.

En kortslutning af akkuen kan forårsage en stor strømudladning, overophedning, forbrænding, og sammenbrud af værktøjet.
6. Opbevar ikke værktøjet og akkuen på steder, hvor temperaturen kan nå eller overskride 50°C.
7. Udsæt ikke akkuen for destruktion ved forbrænding, også selv om den er slømt beskadiget eller fuldstændig slidt op. Akkuen kan eksplodere i åben ild.
8. Undgå omhyggeligt at tabe, ryste eller støde akkuen.
9. Oplad aldrig med akkuen anbragt i en kasse eller anden form for beholder. Akkuen skal være anbragt på et sted med god ventilation under opladningen.



## YDERLIGERE SIKKERHEDSFORSKRIFTER FOR MASKINEN

1. Vær opmærksom på at maskinen altid er driftsklar, da den ikke behøver at tilsluttes en stikkontakt.
2. Hold kun ved maskinen på de isolerede greb og overflader, når De udfører arbejde, hvor det skærende værktøj kan komme i kontakt med skjulte ledninger. Kontakt med en strømførende ledning vil også gøre uafdækkede metaldele på maskinen strømførende og give operatoren stød.
3. Sørg for at stå på et fast underlag. Sørg for at der ikke opholder sig personer under arbejdsområdet, når De arbejder i højden.
4. Hold maskinen med begge hænder.
5. Brug høreværn, handsker, sikkerhedsbriller, etc.

## GEM DISSE FORSKRIFTER.

### Opladning (Fig. 2)

Tilslut opladeren til stikkontakten. Ladelampen blinker grønt. Sæt akkuen i opladeren således at dens plus- og minuspoler passer med de tilsvarende markeringer på opladeren. Skub akkuen så langt ind at den står på bunden af opladeren. Når akkuen er isat, skifter ladelampen fra grønt til rødt og opladningen begynder. Ladelampen forbliver tændt under hele opladningen. Når ladelampens farve skifter fra rødt til grøn, er opladningen afsluttet. Hvis De efterlader akkuen i opladeren, efter at opladningen er afsluttet, skifter opladeren over til kompensationsladning (vedligeholdelsesladning), som fortsætter i cirka 24 timer. Tag akkuen ud og træk stikket til laderen ud af stikkontakten. Se nedenstående tabel vedrørende ladetiden.

Akkue-type	Kapacitet (mAh)	Antal celler	Ladetid
1222	2 000	10	ca. 45 min.
1234	2 600	10	ca. 60 min.
1235	3 000	10	ca. 70 min.

### ADVARSEL:

- Opladeren er beregnet til opladning af Makita akkuer. Brug den aldrig til andre formål eller til opladning af akkuer af andre fabrikater.
- Ved opladning af en ny akku eller en akku, der ikke har været brugt længe, kan det ske at akkuen ikke oplades helt. Dette er normalt, og akkuen vil atter kunne oplades helt, når den har været opladet og afladet nogle gange.
- Hvis man forsøger at oplade en akku, der lige har været i brug eller udsat for stærk varme, vil ladelampen evt. blinke rødt. Sker dette kan opladningen først startes, når akkuen er afkølet. Akkuen afkøles hurtigere hvis den tages ud af laderen.
- Hvis ladelampen blinker skiftevis grønt og rødt, er opladning ikke mulig. Polerne på opladeren eller akkuen er ikke rene, akkuen er beskadiget eller akkuen er slidt op.

### Kompensationsladning (vedligeholdelsesladning)

Hvis De efterlade akkuen i opladeren for at forebygge spontan afladning efter en fuld opladning, skifter opladeren til dens "kompensationsladning (vedligeholdelsesladning)" funktion, og holder derved akkuen frisk og fuldt opladet.

### Tips til sikring af maksimal akku-levetid

1. Oplad akkuen, før den er fuldt afladet. Stop altid med at bruge maskinen, og oplad akkuen, når De bemærker reduceret maskinkraft.
2. Oplad aldrig en fuldt opladet akku. Over-opladning forkorter akkuens levetid.
3. Oplad akkuen ved en rumtemperatur på 10°C – 40°C. Lad en varm akku køle, før den oplades.
4. Oplad nikkel metalhydrid akkuen, når De ikke har anvendt den indenfor et halvt år.

## ANVENDELSE

### Montering og afmontering af akku (Fig. 1)

- For at fjerne akkuen trykkes samtidigt på knapperne på begge sider af akkuen og den trækkes ud af maskinen.
- For at sætte en ny akku i, placeres denne så fjerer på akkuen passer med noten i åbningen på maskinen. Akkuen skubbes helt i bund indtil den klikker på plads i begge sider. Kontrollér altid at akkuen er helt fastlåst ved at trække i den.
- Brug aldrig magt når akkuen sættes i. Hvis ikke akkuen glider i uden besvær, er det fordi den vender forkert.

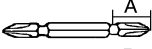

## Montering og afmontering af værktøj

Vigtigt:

Kontrollér altid at maskinen er slukket, og at akkuen er taget ud før der monteres eller afmonteres bits.

Brug kun bits som vist i nedenstående skema.

Brug ikke andre bits-typer.

	A= 17 mm B= 14 mm	For at montere disse typer bits følges fremgangsmåden (1). (Note) Les embouts Makita sont de ces types.
	A= 11 mm B= 9 mm	For at montere disse typer bits følges fremgangsmåden (2) med udlignings-spids.

1. For at montere værktøjet trækkes muffen i pilens retning, og værktøjet sættes helt ind i maskinen. Slip muffen for at låse værktøjet. (Fig. 3)
2. For at montere værktøjet trækkes muffen i pilens retning, værktøjet og udligningsspidsen sættes helt ind i maskinen, udligningsspidsen med den spidse ende indad. Slip muffen for at låse værktøjet. (Fig. 4)

For at afmontere værktøj skal muffen trækkes i pilens retning og værktøjet trækkes ud.

BEMÆRK:

Hvis værktøjet ikke er sat langt nok ind i maskinen, vil muffen ikke returnere til den oprindelige position og låse værktøjet. Check skemaet for type og prøv igen.

### Afbryderfunktion (Fig. 5)

ADVARSEL:

Før akkuen sættes i maskinen skal man altid forvise sig om, at afbryderknappen fungerer fejlfrit og vender tilbage til "OFF"-position, når den slippes.

For start af maskinen trykkes på afbryderen. Hastigheden øges ved at forstærke trykket på afbryderen. Slip afbryderen for at stoppe.

### Omløbsvælger (Fig. 6)

ADVARSEL:

- Kontrollér altid omløbsretningen før arbejdet påbegyndes.
- Brug kun omløbsvælgeren når maskinen er helt stoppet. Hvis omløbsretningen ændres inden maskinen er helt stoppet, kan det beskadige maskinen.
- Når maskinen ikke anvendes, skal omløbsvælgeren altid være sat i neutral position.

Denne maskine har en omløbsvælger, der kan ændre omløbsretningen. Skub omløbsvælgeren ind fra maskinens højre side for omdrejning med uret (spænde) og ind fra venstre side for omdrejning mod uret (løsne).

### Montering af låseblik (ekstraudstyr) (Fig. 7)

Låseblikket skal altid monteres før der kan bruges akku 1200, 1202 eller 1202A. Monter låseblikket med den medfølgende skrue som vist i Fig. 7.

### Betjening (Fig. 8 og 9)

Det korrekte drejningsmoment afhænger af skruernes/boltenes type og størrelse, emnematerialet der skal fastgøres osv. Forholdet mellem drejningsmomentet og fastspændingstiden er vist i Fig. 8 for standardbolte og i Fig. 9 for kvalitetsstålsbolte.

Hold maskinen med begge hænder og sæt værktøjet på skruen. Tryk fremad på maskinen, men kun så meget at værktøjet holdes fast i skruen. Start maskinen.

BEMÆRK:

- Når der fastgøres M8 eller mindre skruer, skal trykket på afbryderkontakten omhyggeligt justeres, så skruen ikke beskadiges.
- Hold maskinen lige på skruen.
- Hvis skruen spændes i længere tid end vist i tabellerne, kan skruen eller værktøjet blive overbelastet, skruet over gevind, ødelagt osv. Før arbejdet påbegyndes bør De foretage en prøve med netop Deres skrue-type, for at fastslå den korrekte fastspændingstid.

Drejningsmomentet påvirkes af en lang række faktorer, herunder følgende.

Kontrollér altid momentet med en momentnøgle.

1. Når akkuen er næsten afladet, falder spændingen og dermed mindskes drejningsmomentet/spændetiden forlænges.
2. Værktøj Hvis der ikke bruges det korrekte værktøj til skrue-typen vil drejningsmomentet reduceres/ spændetiden forlænges.
3. Skrue og bolte
  - Selvom det nominelle drejningsmoment for nogle bolttypen er ens, kan drejningsmomentet/ spændetiden variere med diameteren.
  - Selv ved samme bolt diameter kan drejningsmomentet/spændetiden variere afhængig af bolttype og længde.
4. Den måde maskinen holdes på og det materiale der arbejdes med påvirker drejningsmomentet/ spændetiden.
5. Når maskinen bruges med lav hastighed reduceres drejningsmomentet/spændetiden forlænges.

## **VEDLIGEHOLDELSE**

### **ADVARSEL:**

Kontrollér altid at maskinen er slukket, og at akkuen er taget ud før der foretages noget arbejde på selve maskinen.

### **Udskiftning af kul (Fig. 10 og 11)**

Udskift maskinens kul når disse er slidt ned til slidgrænsen. De nedslidte kul erstattes med nye originale Makita-kul. Udskift altid kullene parvis.

For at opretholde produktets sikkerhed og pålidelighed, bør reparation, vedligeholdelse og justering kun udføres af et autoriseret Makita Service Center.

## Förklaring av allmän översikt

1 Knapp	9 Rotationsomkopplingsspak	17 Åtdragningsmoment
2 Batterikasset	10 Sida A	18 Korrekt
3 Laddningslampa	11 Sida B	åtdragningsmoment för
4 Snabbladdare	12 Medurs	19 Sekunder
5 Mejsel/mutterhylsa	13 Moturs	20 Åtdragningsstid
6 Hylsa	14 Skruv	21 Slitgränsmarkering
7 Adapter	15 Kassettpärr	22 Skruvmejsel
8 Strömställare	16 N•m	23 Kolborsthållare

## TEKNISKA DATA

Modell 6916D

Kapacitet

Maskinskruv .....	M4 – M8
Standardbult .....	M5 – M12
Hög draghållfasthetsbult .....	M5 – M10
Tomgångsvarvtal (min <sup>-1</sup> ) .....	0 – 2 300/min
Antal slag .....	0 – 3 000/min
Total längd .....	168 mm
Nettovikt .....	1,5 kg
Märkspänning .....	12 V DC

- På grund av det kontinuerliga programmet för forskning och utveckling, kan här angivna tekniska data ändras utan föregående meddelande.
- Observera! Tekniska data kan variera i olika länder.

## Säkerhetstips

För din egen säkerhets skull, bör du läsa igenom de medföljande säkerhetsföreskrifterna.

## VIKTIGA SÄKERHETSANVISNINGAR FÖR LADDARE OCH BATTERIKASSETT

1. SPARA DESSA ANVISNINGAR — Denna bruksanvisning innehåller viktiga säkerhets- och drifts-anvisningar för batteriladdaren.
2. Läs alla anvisningar och säkerhetsanmärkningar på (1) batteriladdaren, (2) batteriet och (3) den produkt till vilken batteriet ska användas.
3. ATT OBSERVERA — Ladda endast MAKITA uppladdningsbara batterier, för att minska risken för skador. Andra typer av batterier kan explodera och orsaka skador på person och egendom.
4. Utsätt inte laddaren för regn eller snö.
5. Att använda tillsatser som inte rekommenderas eller säljs av batteriladdarens tillverkare kan medföra att risk för eldsvåda, elektriska stötar och personsador uppstår.
6. Dra i kontakten istället för i sladden när batteriladdaren ska kopplas ur, för att minska risken för skador på stickkontakten och sladden.
7. Se till att sladden placeras så att ingen trampar eller snubblar på den, eller att den på annat sätt utsätts för skador eller påfrestningar.
8. Använd inte laddaren om sladden eller kontakten är skadade — byt ut dem omedelbart.
9. Använd inte laddaren om den har utsatts för ett kraftigt slag, tappats eller på annat sätt skadats; ta den genast till en kvalificerad servicetekniker.
10. Ta inte isär laddaren eller batterikassetten; lämna dem till en kvalificerad servicetekniker om de är i behov av service eller reparation. Felaktig ihopsättning kan resultera i att det uppstår risk för elektriska stötar och eldsvåda.

11. Dra ut laddaren ur nätuttaget innan något underhåll eller rengöring utförs, för att minska risken för elektriska stötar. Att bara stänga av verktyget med kontrollerna minskar inte denna risk.
12. Batteriladdaren är inte avsedd för att användas av barn eller personer med förståndshandikapp utan uppsyn.
13. Småbarn bör ha sådan tillsyn att de inte leker med batteriladdaren.
14. Avbryt driften omedelbart om drifttiden börjar bli betydligt kortare. Att fortsätta driften kan medföra risk för överhettning, brännskador och även explosion.
15. Tvätta ur ögonen med rent vatten om elektrolytvätska skulle komma in i ögonen, och sök omedelbart medicinsk vård. Att få in elektrolytvätska i ögonen kan resultera i att du förlorar synen.

## SÄRSKILDA SÄKERHETSFÖRESKRIFTER FÖR LADDARE OCH BATTERIKASSETT

1. Ladda inte batterikassetten när temperaturen är UNDER 10°C eller ÖVER 40°C.
2. Försök inte använda en spänningsomvandlare, motortransformator eller ett likströmsuttag.
3. Låt ingenting täcka över eller täppa igen laddarens ventilationsuttag.
4. Täck alltid för batteriets kontaktbleck med batterilocket, när batterikassetten inte används.
5. Kortslut inte batterikassetten:
  - (1) Vidrör inte kontaktblecken med något elektriskt ledande föremål.
  - (2) Undvik att förvara batterikassetter i en behållare tillsammans med andra metallföremål som t.ex. spikar, mynt osv.
  - (3) Utsätt inte batteriladdaren för vatten eller regn.

En kortslutning av batteriet kan orsaka ett kraftigt strömflöde, överhettning, risk för brännskador och även att batteriet totalförstörs.
6. Förvara inte verktyget och batterikassetten på platser där temperaturen kan komma att uppgå till eller överstiga 50°C.
7. Bränn inte upp batterikassetten, även om den är svårt skadad eller fullständigt utsliten. Batterikassetten kan explodera i eld.
8. Var försiktig så att batteriet inte tappas, skakas om eller utsätts för slag.
9. Utför inte laddningen inuti en låda eller någon annan typ av behållare. Batteriet måste vara placerat på en plats med god ventilation under uppladdningen.

## OM MILJÖN.

Battericellerna i kraftkassetten innehåller som aktiv komponent den miljöfarliga tungmetallen kadmium och skall enligt lag tas om hand för återvinning, när de är förbrukade.

Lämna in kraftkassetten till inköpsstället eller vilken annan butik som helst med försäljning av uppladdningsbara batterier eller apparater. I landets kommuner finns dessutom återvinnings- eller miljöstationer (bensinstationer, sopstationer m fl), som bl a tar emot Nickel-kadmiumbatterier.

## TILLÄGG TILL SÄKERHETSREGLER FÖR MASKINEN

1. Tänk på att denna maskin alltid är i driftfärdigt läge eftersom den inte behöver kopplas in i ett elektriskt uttag.
2. Håll verktyget i de isolerade greppytorna vid arbeten där skären riskerar att komma i kontakt med ledningsdragnings som inte är synlig. Om verktyget skulle komma i kontakt med en strömförande ledning kommer även de synliga metall-delarna på verktyget att bli strömförande, och därmed ge operatören en elektrisk stöt.

### Laddning (Fig. 2)

Sätt i laddaren i ett passande växelströmsuttag. Laddningslampan blinkar då med grönt sken. Sätt i batterikassetten så att plus- och minuskontaktarna på batterikassetten är på samma sida som deras respektive markeringar på snabb-laddaren. För in kassetten fullständigt i laddarens port så att den vilar mot portens botten. När batterikassetten satts i ändras laddningslampans färg från grönt till rött och laddningen påbörjas. Laddningslampan lyser med konstant sken under laddningen. När laddningslampan ändrar färg från rött till grönt är laddningen avslutad. Om du lämnar kraftkassetten i laddaren efter avslutad laddning övergår laddaren till läget "strömladdning (underhållsladdning)" vilket varar i ungefär 24 timmar. Dra ur laddaren kontakt från strömkällan när laddningen är avslutad. Se i tabellen nedan för laddningstid.

Batterityp	Kapacitet (mAh)	Antal celler	Laddningstid
1222	2 000	10	Ca 45 min.
1234	2 600	10	Ca 60 min.
1235	3 000	10	Ca 70 min.

### FÖRSIKTIGHET!

- Snabb-laddaren är avsedd för laddning av Makita batterikassett. Använd den inte för andra ändamål eller för att ladda andra tillverkares batterier.
- Vid laddning av en ny batterikassett eller en batterikassett som inte använts under en längre tid kan det inträffa att batterikassetten inte går att ladda fullt. Detta är normalt och betyder inte att något är fel. Batterikassetten kan laddas fullt efter ett att den laddats ur och återuppladdats ett par gånger.
- Vid laddning av en batterikassett från en maskin som just använts eller en batterikassett som har legat på en plats utsatt för direkt solljus eller värme under en längre tid kan det inträffa att laddningslampan blinkar med rött sken. Vänta ett ögonblick om detta skulle inträffa. Laddningen påbörjas efter att batterikassetten har svalnat. Batterikassetten svalnar snabbare om du avlägsnar den från snabb-laddaren.
- Om laddningslampan blinkar med omväxlande grönt och rött sken har ett problem uppstått, och laddning kan inte genomföras. Kontaktarna på laddaren eller kraftkassetten är igensatta med damm eller skräp, eller så är kraftkassetten utsliten eller skadad.

### Strömladdning (underhållsladdning)

Laddaren övergår till läget för "strömladdning (underhållsladdning)" om du lämnar kvar batteripaketet i laddaren, för att förhindra att batteriet laddas ur spontant efter en fulladdning, och batteripaketet kan därmed hållas fräscht och fulladdat.

### Tips för att upprätthålla maximal livslängd för batteriet

1. Ladda upp batteripaketet innan det är fullständigt urladdat. Avbryt alltid arbetet som du utför med maskinen, och ladda upp batteripaketet, när du märker att kraften i maskinen minskar.
2. Ladda aldrig ett fulladdat batteripaket. Överladdning minskar batteriets livslängd.

3. Se alltid till att du står stadigt. Se till att ingen befinner sig under dig vid arbete på hög höjd.
4. Håll maskinen stadigt.
5. Använd hörselskydd.

## SPARA DESSA ANVISNINGAR.

## BRUKSANVISNING

### Montering och demontering av batterikassetten (Fig. 1)

- Stäng alltid av maskinen innan batterikassetten sätts fast eller tas bort.
- Dra bort batterikassetten från maskinen samtidigt som knapparna på kassetten båda sidor trycks in vid demontering.
- Passa in tungan på batterikassetten mot skåran i maskinhuset och skjut batterikassetten på plats vid montering. Skjut alltid batterikassetten hela vägen tills den låses fast i läge med ett litet klickljud. Om den inte sitter fast ordentligt kan den lossa och trilla ur maskinen och därmed orsaka skador på dig eller någon annan person i närheten.
- Använd inte våld vid montering av batterikassetten. Om kassetten inte går lätt att skjuta i läge så är den felaktigt monterad.

- Ladda batteripaketet i rumstemperatur vid 10°C – 40°C. Låt ett batteripaket, som har blivit varmt, svalna innan det laddas.
- Ladda upp kraftkassetten, av typ nickel metallhydrid, om du inte använder den på mer än sex månader.

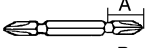
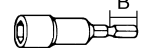
## Montering och demontering av mejsel

Viktigt!

Se alltid till att verktyget är avstängt och batteripaketet avtaget innan mejseln/mutterhylsan monteras eller demonteras.

Använd endast mejsel och mutterhylsa som visas i tabellen nedan.

Använd inte någon annan mejsel eller mutterhylsa.

	A= 17 mm B= 14 mm	Följ monteringsanvisning (1) för att montera denna typ av mejslar/mutterhysor. (Observera) Makitas mejslar/mutterhysor är av denna typ.
	A= 11 mm B= 9 mm	Följ monteringsanvisning (2) för att montera denna typ av mejslar/mutterhysor. (Observera) En adapter är nödvändig för att montera mejseln/mutterhylsan.

- Drag låshylsan i pilens riktning för att montera mejseln/mutterhylsan, och för sedan in låshylsan i låshylsan så långt det går. Släpp sedan låshylsan för att säkra mejseln/mutterhylsan. (Fig. 3)
- Drag låshylsan i pilens riktning för att montera mejseln/mutterhylsan, och för sedan in adaptorn och mejseln/mutterhylsan i låshylsan så långt det går. Adaptorn ska föras in i låshylsan med den spetsiga ändan utåt. Släpp sedan låshylsan för att säkra mejseln/mutterhylsan. (Fig. 4)

Drag låshylsan i pilens riktning för att ta bort mejseln/mutterhylsan, och drag sedan ut mejseln/mutterhylsan med ett kraftigt ryck.

OBSERVERA!

Om mejseln/mutterhylsan inte förs in i tillräckligt långt in i låshylsan återgår inte låshylsan till sitt ursprungliga läge, och mejseln/mutterhylsan kommer då inte att vara ordentligt låst. Försök i så fall att montera mejseln/mutterhylsan på nytt enligt ovanstående monteringsanvisning.

## Strömställarfunktion (Fig. 5)

VARNING!

Kontrollera strömställarens mekaniska funktion genom att trycka in och släppa manöverdonet ett par gånger, innan kraftkassetten monteras.

Tryck helt enkelt på strömställarens manöverdon för att starta maskinen. Varvtalet regleras genom att strömställarens manöverdon trycks in mer eller mindre. Släpp strömställarens manöverdon för att stanna.

## Rotationsomkopplarens funktion (Fig. 6)

FÖRSIKTIGHET!

- Kontrollera alltid rotationsriktningen före användning.
- Använd rotationsomkopplaren först efter att maskinen har stannat helt. Ändring av rotationsriktningen innan maskinen har stannat kan orsaka skador på maskinen.
- Ställ alltid rotationsomkopplaren i neutralt läge när maskinen inte är i bruk.

Denna maskin är utrustad med en rotationsomkopplare för att ändra rotationsriktningen. Tryck in rotationsomkopplaren från sida A för medurs rotation, och från sida B för moturs rotation. När rotationsomkopplaren står i neutralt läge kan strömställaren inte tryckas in.

## Montering av kassettpärr (separat tillbehör) (Fig. 7)

Montera alltid kassettpärr vid användning av batterikassetter 1200, 1202 eller 1202A. Montera kassettpärr på maskinen med de medföljande skruvarna såsom visas i fig. 7.

## Drift (Fig. 8 och 9)

Korrekt åtdragningsmoment kan variera beroende på skruvens/bultens typ och storlek, arbetsstyckets material osv. Förhållandet mellan åtdragningsmoment och åtdragningsstid visas i fig. 8 för standardbultar och i fig. 9 för bultar med hög draghållfasthet.

Håll maskinen i ett stadigt grepp men tryck inte mer än att mejseln säkert hålls kvar i skruvspåret.

OBSERVERA!

- Använd endast mejslar M8 med spets exakt avpassad för det aktuella skruvspåret och försök rikta maskinen i rätt linje med skruven.
- Fel mejsel och sned dragning förstör såväl skruvspår som mejselspets.
- Vid åtdragningsstider överskridande angivna kan skruven och mejseln skadas eller utmattas. Innan monteringen påbörjas, rekommenderas först provdragning för att lära känna rätt åtdragningsmoment i förhållande till dragtiden.

En mängd olika faktorer påverkar åtdragningsmomentet. Här nedan ges några exempel.

- Vid nästan helt urladdad kraftkasset sunker dess spänning, vilket medför lägre åtdragningsmoment.
- Åtdragningsmomentet reduceras också i de fall mejseln och skruven eller hylsan och sexkantsskallen inte matchar varandra.
- Bultar
  - Även om momentkoefficient och bulttyp är desamma, så varierar åtdragningsmomentet med bultens diameter.
  - Även dragtid om bultarnas diameter är densamma, så varierar åtdragningsmomentet med momentkoefficienten, bulttypen och bultens längd

4. Sättet att hålla maskinen relativt bulten, samt det material som bulten ska fästas i, påverkar också åtdragningsmomentet.
5. Att köra maskinen på lågt varvtal orsakar en minskning av åtdragningsmomentet.

## **UNDERHÅLL**

### **VARNING!**

Tillse alltid att maskinen är fränkopplad och att batteriet tagits ur maskinen innan Du utför arbete på denna.

### **Utbyte av kolborstar (Fig. 10 och 11)**

Byt ut kolborstarna när de slitits ner till slitagegränsmarkeringen. Byt alltid ut båda kolborstarna samtidigt.

För att bibehålla produktens säkerhet och tillförlitlighet, bör alltid reparationer, underhållsservice och justeringar utföras av auktoriserad Makita serviceverkstad.

## Forklaring til generell oversikt

1 Knapp	9 Reversbryter	17 Tiltrekningsmoment
2 Batteri	10 A-side	18 Korrekt tiltrekningsmoment for
3 Ladelampe	11 B-side	19 Sekunder
4 Hurtiglader	12 Medurs	20 Tiltrekningsstid
5 Bits	13 Moturs	21 Grensemerke
6 Muffe	14 Skruer	22 Skrutrekker
7 Bitsinnsats	15 Justeringsplate	23 Børsteholderhette
8 Startbryter	16 N•m	

## TEKNISKE DATA

Modell **6916D**

Kapacitet

Maskinskruer .....	M4 – M8
Standardbolt .....	M5 – M12
Høyfastbolt .....	M5 – M10
Hastighet (min <sup>-1</sup> ) .....	0 – 2300
Salag pr. min. ....	0 – 3000
Total lengde .....	168 mm
Netto vekt .....	1,5 kg
Klassifisert spenning .....	D.C. 12V

- Grunnet det kontinuerlige forsknings- og utviklingsprogrammet, forbeholder vi oss retten til å foreta endringer i tekniske data uten forvarsel.
- Merknad: Tekniske data kan variere fra land til land.

## Sikkerhetstips

For din egen sikkerhets skyld ber vi deg lese de medfølgende sikkerhetsreglene.

## SIKKERHETSREGLER FOR HURTIGLADER

1. Ta vare på bruksanvisningen — den inneholder viktige sikkerhetsregler og bruksveiledning.
2. Les alle sikkerhetsregler før hurtigladeren taes i bruk.
3. Reduser faren for skader — bruk kun batterier av Makita type. Andre typer batterier kan eksplodere og forårsake skader, både på personer og omgivelsene.
4. Utsett ikke laderen for regn eller snø.
5. Rykk ikke i ledningen for å løsrive støpselet fra kontakten.
6. Sørg for at ledningen ligger slik at ingen trår på eller snubler i den. Hold ledningen unna varme og skarpe kanter.
7. Bruk ikke laderen hvis ledningen eller støpselet er skadet.
8. Har hurtigladeren falt i gulvet eller vært utsatt for slag eller på annen måte vært utsatt for skade, bør den repareres på autorisert verksted.
9. Demonter ikke lader eller batteri på egen hånd. Feil montering kan medføre fare for elektriske støt. La et autorisert verksted utføre reparasjoner hvis nødvendig.
10. Faren for elektriske støt ved rengjøring og vedlikehold reduseres ved å fjerne støpselet fra kontakten. Nullstilling av kontrollbrytere reduserer ikke denne faren.

11. Batteriladeren er ikke beregnet til bruk for mindreårige barn eller personer som trenger oppsyn.
12. Se til at ikke mindreårige barn leker med batteriladeren.
13. Hvis driftstiden blir betraktelig kortere, må driften stanses omgående. Det vil være en risiko for overoppheting, forbrenninger eller til og med en eksplosjon.
14. Skulle du få elektrolytter i øynene, skyll grundig med rent vann og oppsøk lege øyeblikkelig. Det kan være fare for at du mister synet.

## SIKKERHETSREGLER FOR LADER OG BATTERI

1. Viktig! Ikke lad batteriet ved temperaturer under +10°C eller over +40°C.
  2. Kan ikke brukes med transformator, aggregat eller likeretter.
  3. Sørg for at ikke luftehullene er tildekket eller tett igjen (det finnes også luftehull på undersiden).
  4. Batteriterminalene må alltid være dekket til med batteridekslet når batteriet ikke er i bruk.
  5. Dette kan medføre kortslutning av batteriet:
    - (1) Terminalen må ikke komme i kontakt med strømførende materialer.
    - (2) Unngå å oppbevare batteriet sammen med andre metallgjenstander som f. eks. spikre, mynter etc.
    - (3) Batteriet må ikke utsettes for vann eller regn. Et batteri som kortsluttes kan forårsake stor elektrisk strømgang, overoppheting, brannskader og driftsstans.
  6. Hverken verktøy eller batteri må oppbevares på steder hvor temperaturen kan nå eller overskride +50°C.
  7. Kast ikke batteriet på åpen ild, selv om det er ødelagt eller totalt utslitt. Batteriet kan da eksplodere.
  8. Batteriet må ikke falle på gulvet, ristes eller utsettes for slag.
- Batteriet må ikke lades opp inni en beholder av noe slag. Opplading av batteriet må foregå på et sted hvor ventilasjonen er god.



## EKSTRA SIKKERHETSREGLER FOR MASKINEN

1. Vær oppmerksom på at dette maskinen alltid er klar til bruk ettersom det går på batteri.
2. Hold verktøyet i de isolerte gripeflatene når arbeid utføres på steder hvor det kan komme i kontakt med skjulte ledninger. Kontakt med en strømførende ledning vil gjøre at eksponerte metalldele på selve verktøyet også blir strømførende slik at operatøren utsettes for elektrisk støt.
3. Sørg for å ha godt fotfeste. Se etter at det ikke befinner seg noen under når arbeidet foregår i høyden.
4. Hold godt fast i maskinen.
5. Bruk hørselvern.

## TA VARE PÅ DISSE INSTRUKSENE.

### Lading (Fig. 2)

Kople hurtigladeren til en AC-kontakt. Ladelampen vil blinke grønt. Sett inn batteriet slik at pluss — og minus-terminalene på batteriet er på samme side som respektive markeringer på hurtigladeren. Sett batteriet helt inn i åpningen så det hviler på gulvet i laderen. Når batteriet settes inn, vil ladelampen skifte fra grønn til rød og ladingen begynner. Ladelampen vil lyse hele tiden under ladingen. Når ladelampens farge skifter fra rød til grønn, betyr det at ladesyklusen er fullført. Hvis batteriet blir stående i laderen etter at ladingen er ferdig, vil laderen gå over i "dryppladingsmodus" (vedlikeholdsladning) som vil vare i ca. 24 timer. Etter ladingen må laderen koples fra strømkilden. Se tabellen under om ladetid.

Batteritype	Kapasitet (mAh)	Antall elementer	Ladetid
1222	2 000	10	Ca. 45 min.
1234	2 600	10	Ca. 60 min.
1235	3 000	10	Ca. 70 min.

NB!

- Hurtiglader er til lading av Makita-batterier. Den må ikke brukes til andre formål eller til andre batterimerker.
- Når et nytt batteri eller et batteri som ikke har vært i bruk på lenge skal lades opp, kan det være vanskelig å lade det helt opp. Dette er normalt og er ikke tegn på noe galt. Batteriet kan lades helt opp etter at det har vært helt utladet og oppladet et par ganger.
- Ved opplading av et batteri fra en maskin som nettopp har vært i bruk, eller et batteri som har vært utsatt for direkte sol eller varme i lengre tid, kan ladelampen blinke rødt. Hvis dette skjer venter du en stund. Ladingen vil starte når batteriet er tilstrekkelig avkjølt. Batteriet kjøles raskere av hvis det tas ut av laderen.
- Hvis ladelampen blinker vekselvis i grønt og rødt, tyder det på at noe er galt og lading er derfor ikke mulig. Terminalene på laderen eller batteriet er enten tilstoppet med støv eller batteriet er dødt eller ødelagt.

### Drypplading (vedlikeholdsladning)

Hvis du lar batteriet stå i laderen for å forhindre utlading etter full opplading, vil laderen gå over i "dryppladingsmodus" (vedlikeholdsladning) og holde batteriet i oppladet stand.

### Noen tips for å vedlikeholde batteriets maksimale levetid

1. Lad batteriet opp før det blir helt utladet. Stans maskinen og lad opp batteriet så snart du merker at maskineffekten begynner å synke.
2. Lad aldri opp et helt oppladet batteri. Overopplading vil redusere verktøyets levetid.
3. Lad batteriet opp under romtemperatur på 10°C – 40°C. Et varmt batteri bør avkjøles før det lades opp.
4. Nikkelmetallhydrid -batteriet må lades opp når det ikke skal brukes på mer enn 6 måneder.

## BRUKSANVISNINGER

### Montering eller demontering av batteriet (Fig. 1)

- Sagen må alltid slås av før batteriet settes i eller tas ut.
- Batteriet fjernes ved å trekke det ut av sagen samtidig som knappene på begge sider av batteriet trykkes inn.
- Batteriet settes inn ved å samstemme tungen på batteriet med sporet i saghuset og skyve det på plass. Pass på at batteriet settes helt inn til det låser seg på plass med et lite klikk. Ellers kan det falle ut og utsette brukeren eller eventuelle tilstedeværende for skader.
- Batteriet må ikke settes inn med makt. Hvis det ikke glir lett på plass er det fordi det ikke settes riktig inn.

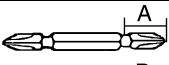
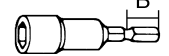
## Montering eller demontering av bits

Viktig!

Se alltid etter at maskinen er avslått og batterienheten fjernet før montering eller demontering av bits.

Bruk kun det bits eller bitsholder som er vist i tabellen under.

Det må ikke brukes andre bits eller bitsholder.

	A = 17 mm B = 14 mm	Disse typer bits monteres ved å følge fremgangsmåte (1). (Merknad) Disse bitsene er Makita-bits.
	A = 11 mm B = 9 mm	Disse typer bits monteres ved å følge fremgangsmåte (2). (Merknad) Bitsholder er nødvendig for å montere bitset.

1. Monter bitset ved å trekke muffen i pilens retning og sette bitset inn i muffen så langt det vil gå. Slipp muffen så bitset sitter fast. (Fig. 3)
2. Monter bitset ved å trekke muffen i pilens retning og sette bitsholderen inn i muffen så langt det vil gå. Bitsholderen føres inn inn muffen med den spisse enden først. Slipp muffen så bitset sitter fast. (Fig. 4)

Bitset demonteres ved trekke muffen i pilens retning og så dra bitset bestemt ut.

MERKNAD:

Hvis bitset ikke føres langt nok inn i muffen, vil muffen ikke kunne gå tilbake til utgangsposisjon og bitset vil ikke sitte fast. Hvis dette skulle skje, setter du bitset inn en gang til ved å følge anvisningen over.

### Bryterposisjoner (Fig. 5)

NB!

Sjekk at startbryteren virker, før batteriet monteres.

Maskinen starter når bryteren klemmes inn. Hastigheten øker med trykket på bryteren. Slipp bryteren for å stoppe.

### Reverseringshendel (Fig. 6)

NB!

- Sjekk alltid rotasjonsretningen før maskinen startes.
- Reverseringshendelen må bare brukes etter at maskinen har stoppet helt. Hvis rotasjonsretningen endres før motoren har stoppet helt, kan det føre til skader på maskinen.
- Når maskinen ikke er i drift må revershendelen alltid settes i nøytral stilling.

Maskinen er utstyrt med en reverseringshendel for å endre rotasjonsretningen. Trykk på hendelen fra A-siden for medurs rotasjon, eller fra B-siden for moturs rotasjon. Når hendelen er i friposisjon, lar startbryteren seg ikke aktivere.

### Montering av justeringsplate (ekstra tilbehør) (Fig. 7)

Justeringsplaten må alltid monteres når batteriene 1200, 1202 eller 1202A brukes. Monter justeringsplaten på maskinen med den vedlagte skruen som vist i fig. 7.

### Bruk (Fig. 8 og 9)

Korrekt tiltrekningsmoment kan variere avhengig av skrues/boltens type og størrelse, materialet som festes, etc. Forholdet mellom tiltrekningsmoment og tiltrekningsstid, er vist i fig. 8 for standard bolt og fig. 9 for høyfastbolt.

Hold godt fast i maskinen og sett spissen på bitset i skruhodet. Legg så mye trykk på bitset at bitset ikke glir av skruhodet og trykk så bryteren for å sette maskinen i gang.

MERKNAD:

- Når M8-skruer eller mindre skal trekkes til, må trykket på startbryteren reguleres så ikke skruen ødelegges.
- Hold maskinen vinkelrett på skruen.
- Hvis skruen trekkes til over lengre tid enn det som vist i tabellen, kan enten skruen eller bitset bli overbelastet, sprette av eller bli ødelagt etc. Før du setter igang med tiltrekking av skruer, bor du foreta en prøvetiltrekking for å finne korrekt tiltrekkingstid.

Tiltrekningsmomentet påvirkes av en rekke faktorer inkludert følgende.

Når tiltrekkingen er ferdig må momentet alltid kontrolleres med momentnøkkel.

1. Når batterienheten er nesten utladet, vil spenningen synke om tiltrekningsmomentet reduseres.
2. Bits eller bitsholder Hvis ikke korrekt borbitt eller muffedritt brukes, vil det forårsake redusert tiltrekningsmoment.
3. Bolt
  - Selv om tiltrekningskoeffisienten og boltklasse er ens, vil korrekt moment variere avhengig av boltens diameter.
  - Selv om boltens diameter er den samme, vil korrekt tiltrekningsmoment variere avhengig av momentkoeffisient, boltklasse og lengde.
4. Måten maskinen holdes på eller materialets posisjon påvirker tiltrekningsmomentet.
5. Når maskinen brukes ved lav hastighet vil tiltrekningsmomentet reduseres.

## SERVICE

NB!

Før det utføres arbeidet på maskinen må du alltid forvise seg om at maskinen er slått av og akkumulatoren er tatt ut.

### Skifte ut kullbørster (Fig. 10 og 11)

Skifte ut kullbørstene når de er slitt ned til grensemarkeringen. Begge kullbørstene må skiftes ut samtidig.

For å garantere at maskinen arbeider sikkert og pålitelig bør reparasjoner, servicearbeid eller innstillinger utføres av et autorisert Makita-serviceverksted.

## Yleiselustus

1	Painike	9	Suunnanvaihtokytkin	17	Kiinnitysmomentti
2	Akku	10	A-puoli	18	Oikea kiinnitysmomentti
3	Latausvalo	11	B-puoli	19	Sekuntia
4	Pikalaturi	12	Myötäpäivään	20	Kiinnitysaika
5	Terä	13	Vastapäivään	21	Rajamerkki
6	Holkki	14	Ruuvi	22	Ruuvitaltta
7	Kärkikappale	15	Pohjalevy	23	Harjanpitimen kansi
8	Liipaisinkytkin	16	N•m		

## TEKNISET TIEDOT

<b>Malli</b>	<b>6916D</b>
Tehot	
Koneruuvi .....	M4 – M8
Tavallinen ruuvi .....	M5 – M12
Suurulujuusruuvi .....	M5 – M10
Joutokäynti (min <sup>-1</sup> ) .....	0 – 2 300
Joutokäyntinopeus/min. ....	0 – 3 000
Kokonaispituus .....	168 mm
Paino .....	1,5 kg
Nimellissännite .....	12 V tasavirta

- Jatkuvan tutkimus- ja kehitysohjelman vuoksi pidämme oikeuden muuttaa tässä mainittuja teknisiä ominaisuuksia ilman ennakkoilmoitusta.
- Huomautus: Tekniset ominaisuudet saattavat vaihdella eri maissa.

## Turvaohjeita

Oman turvallisuutesi vuoksi lue mukana seuraavat turvaohjeet.

## TÄRKEITÄ TURVAOHJEITA

1. **SÄÄSTÄ KÄYTTÖOHJEITA** — Tämä käsikirja sisältää tärkeitä turvaohjeita ja akkulatorin käyttöohjeet.
2. Ennen akkulatorin käyttöä lue kaikki (1) akkulatorin, (2) akun ja (3) koneen käyttöohjeet sekä varoitusmerkinnät niihin kiinnitetyistä kilvistä.
3. **VAROITUS** — Onnettomuuksien välttämiseksi lataa vain MAKITA - merkittyjä, uudelleenladattavia akkuja. Toisenmerkkiset akut voivat ladattaessa räjähtää aiheuttaen mahdollisesti myös henkilöön kohdistuvia onnettomuuksia tai muita vahinkoja.
4. Älä jätä akkulatoria vesisateeseen tai lumeen.
5. Laitteen tai koneen käyttö, jota akkulatorin valmistaja ei ole suositellut tai toimittanut, voi johtaa tulipalon syttymiseen, sähköiskuun tai onnettomuuksiin sitä käytettäville henkilöille.
6. Pistoke- ja kaapelivaurioiden estämiseksi, vedä mieluummin pistokkeesta kuin kaapelista, akkulatoria pistorasiasta irrottaessaasi.
7. Varmista kaapelin sijoitus siten ettei sen päälle voida astua, siihen kompastua tai ettei sitä voida venyttää vetämällä vaurioitteen.
8. Älä käytä akkulatoria kaapelin tai pistokkeen vaurioituttua — uusi ne välittömästi.
9. Älä käytä akkulatoria jos siihen on kohdistunut kova isku tai muuten mahdollisesti vahingoittunut. Toimita akkulatori ensin sähkölaitehuoltoon tarkistettavaksi.

10. Älä yritä itse korjata akkulatoria. Älä pura itse akkulatoria tai akkupatruunaa, toimita ne sähkölaitehuoltoon tarkistettavaksi ja tarvittaessa huollettavaksi tai korjattavaksi. Virheellinen kokoonpano voi aiheuttaa sähköiskun tai tulipalon syttymisen.
11. Sähköiskuvaaran estämiseksi, irrota akkulatorin pistoke sähköverkon pistorasiasta aina ennen kunnossapitohuollon tai puhdistamisen aloittamista. Virtakatkaisijoiden kääntäminen pois päältä ei poista tätä vaaraa.
12. Akkulataajaa ei ole tarkoitettu nuorten lasten eikä toimintarajoitteisten käytettäväksi ilman valvontaa.
13. Nuorten lasten toimia tulee valvoa sen varmistamiseksi, että he eivät leiki akkulataajalla.
14. Jos käyttöaika lyhenee huomattavasti, lopeta käyttö välittömästi. Tämä voi aiheuttaa ylikuumentamista, mahdollisia palovammoja ja jopa räjähdysten.
15. Jos akkunestettä joutuu silmiin, huuhtelee ne puhtaalla vedellä ja hakeudu heti lääkärin hoitoon. Tämä voi aiheuttaa näön menetyksen.

## LISÄ-TURVAOHJEITA AKKULATORIA JA AKKUPARISTOA VARTEN

1. Älä lataa akkuparistoa jos lämpötila on alle + 10°C tai yli + 40°C.
2. Älä yritä lataamista säätömuuntajalla, moottorilaturilla tai tasavirtapistorasialla, käytä vain MAKITA-akkulatoria.
3. Älä peitä akkulatoria. Estä tuuletusaukkojen tukkeutuminen.
4. Peitä akkuliittimet aina akkukannella, kun akkua ei käytetä.
5. Älä kytke akkua oikosulkuun:
  - (1) Älä kosketa napoja sähköä johtavilla esineillä.
  - (2) Älä säilytä akkua muiden metalliesineiden joukossa, kuten naulat, kolikot, työkalut, jne.
  - (3) Älä jätä akkua veteen tai sateeseen. Oikosulku akussa voi aiheuttaa suuren virtahäviön, ylikuumentamisen, mahdollisia palovammoja sekä rikkoutumisen.
6. Älä säilytä konetta ja akkuparistoa kohteissa, joissa lämpötila voi nousta tai ylittää +50°C.
7. Älä hävitä akkuparistoa polttamalla vaikka se olisikin pahoin vaurioitunut tai täydellisesti loppuunkulunut. Akkuparisto voi räjähtää tullaessa.
8. Varo pudottamasta, ravistamasta tai iskemästä akkua.

9. Älä säilytä akkua laatikossa tai muussa suljetussa tilassa. Akun on oltava latauksen aikana tilassa, jossa on hyvä ilmanvaihto.

## LISÄTURVAOHJEITA

1. Muista, että tämä kone on aina toimintavalmis, koska sitä ei tarvitse liittää verkkoon.
2. Pitele laitetta eristetyistä tartuntapinnoista tehdessäsi työtä, jossa laite voi osua piilossa olevaan johtoon. Osuminen jännitteeseen johtoon saa myös näkyvillä olevat metalliosat jännitesiksi ja aiheuttaa käyttäjälle sähköiskun.
3. Ota aina tukeva asento. Varmista, että alapuolella ei ole ketään, kun käytät konetta korkeilla paikoilla.
4. Pidä koneesta kiinni lujasti.
5. Käytä kuulosuojaimia.

## SÄILYÄ NÄMÄ OHJEET.

### Lataaminen (Kuva 2)

Liitä pikalataaja sopivaan vaihtovirtalähteeseen. Latausvalo vilkkuu vihreänä. Työnnä akku paikalleen siten, että sen plus- ja miinusnavat ovat samalla puolella kuin pikalataajan vastaavat merkinnät. Työnnä akku kokonaan aukioon siten, että se lepää lataajan aukon pohjalla. Kun akku on asetettu paikalleen, latausvalon väri vaihtuu vihreästä punaiseksi ja lataus alkaa. Latausvalo palaa tasaisesti koko latauksen ajan. Kun latausvalon väri vaihtuu punaisesta vihreäksi, lataaminen on päättynyt. Jos akku jätetään laturiin lataamisen päätyttyä, laturi siirtyy ”kestolatausmuodolle” (jatkuvalla latauksella), joka kestää noin 24 tuntia. Kun olet ladannut, irrota lataaja virtalähteestä. Katso latausaika alla olevasta taulukosta.

Akkutyyppi	Kapasiteetti (mAh)	Solujen lukumäärä	Latausaika
1222	2 000	10	Noin 45 min.
1234	2 600	10	Noin 60 min.
1235	3 000	10	Noin 70 min.

### VARO:

- Pikalataaja on tarkoitettu Makita akkujen lataamiseen. Älä koskaan käytä sitä muihin tarkoituksiin tai muiden valmistajien akkujen lataamiseen.
- Kun lataat uutta akkua tai akkua, jota ei ole käytetty pitkään aikaan, sitä ei ehkä voi ladata täyteen. Tämä on normaalia eikä se ole oire viasta. Akku voidaan ladata täyteen, kun sen lataus on purettu kokonaan ja ladattu muutaman kerran.
- Latausvalo saattaa vilkkua punaisena, kun lataat akkua suoraan vasta käytetystä laitteesta tai akkua, joka on ollut pitkään suorassa auringonvalossa tai kuumuudessa. Jos näin käy, odota hetki. Lataus alkaa, kun akku on jäähtynyt. Akku jäähtyy nopeammin, jos otat akun irti pikalataajasta.
- Jos latausvalo vilkkuu vuorotellen vihreänä ja punaisena, on kyseessä häiriö eikä lataus ole mahdollista. Laturin tai akun liittimet ovat likaiset tai akku on loppuunkulunut tai vioittunut.

### Heikkovirtalataus

Jos jätät akun laturiin estääksesi akun tyhjenemisen itsestään täyteen lataamisen jälkeen, laturi kytkeytyy heikkovirtalatausmuodolle, joka pitää akun jatkuvasti täydessä latauksessa.

### Vinkkejä akun käyttöiän maksimoimiseksi

1. Lataa akku, ennen kuin se on kokonaan tyhjennyt. Lopeta aina laitteella työskentely ja lataa akku, jos huomaat voiman vähenevän laitteesta.
2. Älä koskaan lataa täyteen ladattua akkua. Liiallinen lataaminen lyhentää akun käyttöikää.
3. Lataa akku huoneenlämmössä 10°C – 40°C. Anna kuuman akun viilentyä ennen sen lataamista.
4. Lataa nikkelimetalli-hybridiaakku, jos et käytä sitä yli kuuteen kuukauteen.

## KÄYTTÖOHJEET

### Akun kiinnittäminen ja irrottaminen (Kuva 1)

- Katkaise koneesta aina virta ennen akun kiinnittämistä ja irrottamista.
- Irrota akku vetämällä se irti koneesta samalla painat sen molemmilla puolilla olevia painikkeita.
- Kiinnitä akku sujauttamalla akun kieli paikalleen kotelon uraan. Työnnä se aina kokonaan sisään, kunnes se lukittuu paikalleen kevyesti napsahtaen. Jos et toimi näin, akku saattaa irrota vahingossa koneesta aiheuttaen itsesi tai jonkun sivullisen loukkaantumisen.
- Älä paina akkua väkisin paikalleen. Jos akku ei mene vaivatta paikalleen, asennustapa on väärä.

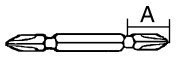
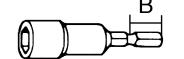
## Terän kiinnittäminen ja irrottaminen

Tärkeää:

Varmista aina ennen terän kiinnittämistä ja irrottamista, että koneesta on katkaistu virta ja että se on irrotettu virtalähteestä.

Käytä ainoastaan alla olevassa taulukossa ilmoitettuja talttateriä ja hylsyteriä.

Älä käytä mitään muita talttateriä tai hylsyteriä.

	A= 17 mm B= 14 mm	Noudata järjestystä (1) kiinnittäessäsi näitä teriä. (Huomautus) Makita-terät ovat tätä tyyppiä.
	A= 11 mm B= 9 mm	Noudata järjestystä (2) kiinnittäessäsi näitä teriä. (Huomautus) Tällaisen terän kiinnittämiseen tarvitaan kärkikappale.

1. Terä kiinnitetään vetämällä kaulusta nuolen osoittamaan suuntaan ja työntämällä terä niin syväälle kaulukseen kuin se menee. Vapauta kaulus lukitaksesi terän paikalleen. **(Kuva 3)**
2. Terä kiinnitetään vetämällä kaulusta nuolen osoittamaan suuntaan ja työntämällä kärkikappale ja terä niin syväälle kaulukseen kuin se menee. Kärkikappale tulee työntää kaulukseen terävä pää edellä. Vapauta kaulus lukitaksesi terän paikalleen. **(Kuva 4)**

Terä irrotetaan vetämällä kaulusta nuolen osoittamaan suuntaan ja vetämällä terä napakasti irti.

**HUOMAUTUS:**

Jos terää ei työnnetä riittävän syväälle kaulukseen, kaulus ei palaudu alkuperäiseen asentoonsa, jolloin terä ei kiinnity paikalleen. Koeta tällöin työntää terä uudelleen paikalleen yllä olevien ohjeiden mukaisesti.

## Katkaisijan toiminta (Kuva 5)

**VARO:**

Ennen akun liittämistä koneeseen, tarkista aina liipasiemen oikea toiminta silmämääräisesti ja että se palautuu POIS ("OFF") asentoon otteesta päästettäessä.

Käynnistä kone painamalla liipaisinta. Koneen pyörimisnopeus kasvaa painaessasi liipaisinta voimakkaammin. Kone pysähtyy, kun vapautat kytkimen.

## Suunnanvaihtokytkimen käyttäminen (Kuva 6)

**VARO:**

- Tarkista aina koneen pyörimissuunta ennen käyttöä.
- Käytä suunnanvaihtokytkintä ainoastaan koneen ollessa täysin pysähdyksissä. Pyörimissuunnan vaihtaminen koneen ollessa käynnissä saattaa vahingoittaa konetta.
- Kun konetta ei käytetä, aseta suunnanvaihtokytkin aina keskiasentoon.

Tässä koneessa on suunnanvaihtokytkin, jonka avulla voidaan vaihtaa pyörimissuuntaa. Työnnä suunnanvaihtokytkintä A-puolelta, kun haluat terän pyörivän myötäpäivään ja B-puolelta, kun haluat terän pyörivän vastapäivään. Kun vipukytkin on keskiasennossa, liipaisinkytkintä ei voi vetää.

## Pohjalevyn asentaminen (lisävaruste) (Kuva 7)

Asenna aina pohjalevy, kun käytät akkua 1200, 1202 tai 1202A. Asenna pohjalevy koneeseen varusteisiin kuuluvalla ruuvilla kuvan 7 osoittamalla tavalla.

## Laitteen käyttäminen (Kuva 8 ja 9)

Sopiva kiinnitysmomentti voi vaihdella riippuen ruuvien/ruuvipulttien tyypistä ja koosta, kiinnitettävän työkalupaleen materiaalista jne. **Kuvassa 8** näkyy kiinnitysmomentin ja kiinnitysajan välinen suhde käytettäessä tavallista ruuvia ja **kuvassa 9** käytettäessä suurleijuuksuuvia.

Pidä koneesta lujasti kiinni ja aseta poranterän kärki ruuvien päähän. Paina konetta sen verran, että terä ei liuisu ruuvilta ja kytkä virta käytön aloittamiseksi.

**HUOMAUTUS:**

- Kun kiinnität M8 tai pienempää ruuvia, säädä varovasti liipaisinkytkimeen kohdistuva paine, jotta ruuvi ei vahingoittuisi.
- Pidä konetta suoraan ruuvia vasten.
- Jos kiristät ruuvia pitemmän aikaa kuin kaavakuvissa on näytetty, ruuvi tai poran terän kärki saattaa painua liikaa, vääntyä tai vahingoittua jne. Ennen kuin aloitat työn, suorita aina testi päätelläksesi ruuville sopivan kiristysajan.

Monet seikat seuraavat mukaanlukien vaikuttavat vääntömomenttiin.

Tarkasta vääntömomentti momenttiavaimella aina kiristuksen jälkeen.

1. Kun akku on melkein lopussa, jännite laskee ja vääntömomentti pienenee.
2. Poranterä tai pistokerä Vääränkokoisen terän käyttö pienentää vääntömomenttia.
3. Pultti
  - Vaikka vääntökerroin ja ruuviluokka ovat samat, oikea vääntömomentti riippuu pultin halkaisijasta.
  - Vaikka pulttien halkaisijat ovat samat, oikea vääntömomentti vaihtelee riippuen vääntökertoimesta, ruuviluokasta ja pultin pituudesta.
4. Koneen pitotapa ja materiaali, johon porataan vaikuttavat vääntömomenttiin.
5. Koneen käyttö pienellä nopeudella pienentää kiristysmomenttia.

## HUOLTO

**VARO:**

Varmistaudu aina ennen kaikkia koneelle suoritettavia töitä, että kone on pysäytetty ja akku irrotettu.

## Hiilien vaihto (Kuva 10 ja 11)

Hiilet on vaihdettava kun ne ovat kuluneet kulumisrajaan. Hiilet on vaihdettava aina parittain.

Laitteen käyttövarmuuden ja turvallisuuden vuoksi korjaukset ja muut huolto- ja säätötööt saa suorittaa ainoastaan Makitan hyväksymä huoltopiste.

## Περιγραφή γενικής άποψης

1	Πλήκτρο	9	Διακόπτης αντιστροφής	17	Ροπή στερέωσης
2	Κασέτα μπαταρίας	10	A πλευρά	18	Κατάλληλη ροπή στερέωσης για
3	Φωτάκι φόρτισης	11	B πλευρά	19	Δευτερόλεπτα
4	Ταχυφορτιστής	12	Δεξιόστροφα	20	Χρόνος στερέωσης
5	Αιχμή	13	Αριστερόστροφα	21	Σημάδι ορίου
6	Μανίκι	14	Βίδα	22	Κατσαβίδι
7	Τμήμα αιχμής	15	Πλάκα ρύθμισης	23	Καπάκι θήκης ψήκτρας
8	Σκανδάλη διακόπτης	16	N*m		

## ΤΕΧΝΙΚΑ ΧΑΡΑΚΤΗΡΙΣΤΙΚΑ

Μοντέλο 6916D

Ικανότητες

Βίδα μηχανής .....	M4 – M8
Κανονικό μπουλόνι .....	M5 – M12
Μπουλόνι υψηλής αντοχής .....	M5 – M10
Ταχύτητα χωρίς φορτίο (min <sup>-1</sup> ) .....	0 – 2.300
Κτύποι ανά λεπτό .....	0 – 3.000
Συνολικό μήκος .....	168 χιλ.
Καθαρό βάρος .....	1,5 Χγρ
Καθορισμένο βολτάζ .....	D.C. 12V

- Λόγω του συνεχιζόμενου προγράμματος έρευνας και ανάπτυξης, οι παρούσες προδιαγραφές υπόκεινται σε αλλαγή χωρίς προειδοποίηση.
- Παρατήρηση: Τα τεχνικά χαρακτηριστικά μπορεί να διαφέρουν από χώρα σε χώρα.

## Υποδείξεις ασφάλειας

Για την προσωπική σας ασφάλεια, ανατρέξτε στις εσώκλειστες οδηγίες ασφάλειας.

## ΣΗΜΑΝΤΙΚΕΣ ΟΔΗΓΙΕΣ ΑΣΦΑΛΕΙΑΣ ΓΙΑ ΣΥΣΚΕΥΗ ΦΟΡΤΙΣΗΣ ΚΑΙ ΜΠΑΤΑΡΙΑ

1. **ΦΥΛΑΞΕΤΕ ΑΥΤΕΣ ΤΙΣ ΟΔΗΓΙΕΣ** — Αυτό το εγχειρίδιο περιέχει σημαντικές οδηγίες ασφάλειας και χρήσης της συσκευής φόρτισης.
2. Πριν χρησιμοποιήσετε τη συσκευή φόρτισης, διαβάστε όλες τις οδηγίες και προειδοποιητικά σημεία (1) στην συσκευή φόρτισης, (2) στη μπαταρία, και (3) στη συσκευή που χρησιμοποιεί την μπαταρία.
3. **ΠΡΟΣΟΧΗ** — Για να μειωθεί ο κίνδυνος τραυματισμού, φορτίζετε μόνο μπαταρίες ΜΑΚΙΤΑ επαναφορτιζόμενου τύπου. Μπαταρίες άλλου τύπου μπορεί να εκραγούν, πληγώνοντας σας και προκαλώντας ζημιές.
4. Μην εκθέσετε τη συσκευή φόρτισης σε βροχή ή χιόνι.
5. Χρήση εξαρτήματος που δεν συστήνεται ή δεν πωλείται από τον κατασκευαστή της συσκευής φόρτισης μπορεί να προκαλέσει φωτιά, ηλεκτρικό σοκ, ή να σας τραυματίσει.
6. Για να μειωθεί ο κίνδυνος ζημιάς στην πρίζα και στο καλώδιο, όταν αποσυνδέετε τη συσκευή φόρτισης από την παροχή ρεύματος, πάντοτε και τραβάτε από την πρίζα και όχι από το καλώδιο.
7. Βεβαιωθείτε ότι το καλώδιο βρίσκεται σε θέση που ούτε θα το πατήσουν ούτε θα σκοντάψουν πάνω του ούτε μπορεί να πάθει ζημιά με οποιοδήποτε τρόπο.

8. Μην χρησιμοποιείτε τη συσκευή φόρτισης αν το καλώδιο ή η πρίζα της έχουν πάθει ζημιά — αντικαταστήστε τα αμέσως.
9. Μην χρησιμοποιείτε την συσκευή σε περίπτωση που έχει υποστεί δυνατό κτύπημα, έχει πέσει κάτω, ή έχει πάθει οποιαδήποτε ζημιά. Αναθέστε την επισκευή σε εξουσιοδοτημένο τεχνίτη.
10. Μην αποσυναρμολογείτε τη συσκευή φόρτισης ή τη μπαταρία. Πάρτε την σε εξουσιοδοτημένο τεχνίτη όταν χρειάζεται επισκευή ή σέρβις. Λανθασμένη επανασυναρμολόγηση μπορεί να οδηγήσει σε κίνδυνο ηλεκτρικού σοκ ή φωτιάς.
11. Για να μειωθεί ο κίνδυνος ηλεκτρικού σοκ, αποσυνδέστε τη συσκευή φόρτισης από την παροχή ρεύματος πριν κάνετε οποιαδήποτε συντήρηση ή καθαρισμό της. Μόνο με το να σβήσετε τη συσκευή αυτός ο κίνδυνος δε μειώνεται.
12. Ο φορτιστής μπαταρίας δεν προορίζεται για χρήση από μικρά παιδιά ή άτομα με ασαφή συμπεριφορά χωρίς επίβλεψη.
13. Τα μικρά παιδιά θα πρέπει να επιβλέπονται για να διασφαλισθεί ότι δεν παίζουν με τον φορτιστή μπαταρίας.
14. Εάν ο χρόνος λειτουργίας έχει γίνει πολύ μικρότερος, σταματήστε τη λειτουργία αμέσως. Μπορεί να συμβεί υπερθέρμανση, πιθανώς καψίματα ή ακόμη και έκρηξη.
15. Εάν μπει ηλεκτρολύτης στα μάτια σας, ξεπλύντε τα με καθαρό νερό και απευθυνθείτε σε ένα γιατρό αμέσως. Μπορεί να χάσετε ακόμη και την όραση σας.

## ΕΠΙΠΡΟΣΘΕΤΟΙ ΚΑΝΟΝΕΣ ΑΣΦΑΛΕΙΑΣ ΓΙΑ ΣΥΣΚΕΥΗ ΦΟΡΤΙΣΗΣ ΚΑΙ ΜΠΑΤΑΡΙΑ

1. Μην φορτίζετε τη μπαταρία όταν η θερμοκρασία είναι ΚΑΤΩ από 10°C ή ΠΑΝΩ από 40°C.
2. Μην χρησιμοποιείτε ποτέ μετασχηματιστή ανύψωσης τάσης, γεννήτρια, ή υποδοχή συνεχούς ρεύματος.
3. Μην αφήσετε οτιδήποτε να καλύψει ή να μπλοκάρει της οπές εξαερισμού του φορτιστή.
4. Πάντοτε να έχετε τους πόλους της μπαταρίας καλυμμένους με το κάλυμμα της όταν δεν την χρησιμοποιείτε.

5. Μη βραχυκυκλώσετε την κασέτα μπαταρίας:
  - (1) Μην αγγίξετε τους πόλους με κανένα αγώγιμο υλικό.
  - (2) Αποφύγετε την αποθήκευση της κασέτας μπαταρίας σε δοχείο με άλλα μεταλλικά αντικείμενα όπως καρφιά, νομίσματα, κλπ.
  - (3) Μην εκθέτετε την κασέτα μπαταρίας σε νερό ή σε βροχή.  
Ενα βραχυκύκλωμα μπαταρίας μπορεί να προκαλέσει μεγάλη ροή ρεύματος, υπερθέρμανση, πιθανά εγκαύματα και ακόμη μηχανική βλάβη.
6. Μη φυλάσσετε τη μηχανή και τη μπαταρία σε μέρη που η θερμοκρασία μπορεί να φθάσει ή να ξεπεράσει τους 50°C.
7. Μη κάψετε την μπαταρία ακόμα και αν έχει πάθει σοβαρές ζημιές ή έχει εντελώς φθαρεί. Η μπαταρία μπορεί να εκραγεί στην φωτιά.
8. Προσέχετε να μη ριζετε κάτω, ταρακουνήσετε ή χτυπήσετε τη μπαταρία.
9. Μη φορτίσετε τη μπαταρία μέσα σε ένα κουτί ή δοχείο οποιουδήποτε είδους. Η μπαταρία πρέπει να τοποθετηθεί σε ένα καλά εξερισμένο χώρο κατά τη διάρκεια της φόρτισης.

## ΕΠΙΠΡΟΣΘΕΤΕΣ ΟΔΗΓΙΕΣ ΑΣΦΑΛΕΙΑΣ ΓΙΑ ΤΟ ΜΗΧΑΝΗΜΑ

1. Έχετε υπόψη σας ότι το μηχανήμα αυτό βρίσκεται πάντοτε σε κατάσταση λειτουργίας, γιατί δεν χρειάζεται να συνδεθεί σε ακροδέκτη ρεύματος.

2. Κρατάτε το μηχανήμα από τις επιφάνειες της μονωμένης λαβής όταν εκτελείτε μια εργασία κατά την οποία το μηχανήμα θα μπορούσε να έρθει σε επαφή με κρυμμένα καλώδια. Επαφή με ένα ηλεκτροφόρο καλώδιο θα μπορούσε να έχει ως αποτέλεσμα να καταστούν και τα εκτεθειμένα μεταλλικά τμήματα του εργαλείου ηλεκτροφόρα και να προκαλέσουν ηλεκτροπληξία στον χειριστή.
3. Πάντοτε βεβαιώνετε ότι έχετε σταθερή βάση. Βεβαιώστε ότι κανείς δεν είναι από κάτω όταν χρησιμοποιείτε το μηχανήμα σε υψηλά μέρη.
4. Κρατάτε το μηχανήμα σταθερά.
5. Φοράτε ωτασπίδες.

## ΦΥΛΑΞΕΤΕ ΑΥΤΕΣ ΤΙΣ ΟΔΗΓΙΕΣ.

## ΟΔΗΓΙΕΣ ΧΡΗΣΗΣ

### Τοποθέτηση ή αφαίρεση της κασετίνας μπαταρίας (Εικ. 1)

- Πάντοτε να κλείνετε το μηχανήμα πριν την εισαγωγή ή την αφαίρεση της κασετίνας μπαταρίας.
- Για την αφαίρεση της κασετίνας μπαταρίας, βγάλτε την από το μηχανήμα καθώς πιέζετε τα πλήκτρα και στις δύο πλευρές της κασετίνας.
- Για να τοποθετήσετε την κασετίνα μπαταρίας, ευθυγραμμίστε την γλωσίδα στην κασετίνα μπαταρίας με την εγκοπή στην υποδοχή και γλιστρήστε τη προς τη θέση της. Πάντοτε εισχωρήσέ τη μέχρι το τέλος μέχρι να κλειδώσει στη θέση της με ένα ελαφρό κλικ. Διαφορετικά, μπορεί τυχαία να βγει έξω από το μηχανήμα, προκαλώντας τον τραυματισμό σε σας ή σε κάποιον που βρίσκεται γύρω σας.
- Μην χρησιμοποιήσετε δύναμη κατά την τοποθέτηση της κασετίνας μπαταρίας. Αν η κασετίνα δεν γλιστρά με ευκολία, δεν έχει τοποθετηθεί σωστά.

## Φόρτιση (Εικ. 2)

Συνδέστε το ταχυφορτιστή σε μια κατάλληλη παροχή εναλλασσόμενου ρεύματος AC. Το λαμπάκι φότισης θα ανάψει σε χρώμα πράσινο. Τοποθετήστε την κασετίνα μπαταρίας έτσι ώστε ο θετικός και ο αρνητικός πόλος της κασετίνας μπαταρίας να βρίσκονται στις ίδιες πλευρές με τα αντίστοιχα σημεία του ταχυφορτιστή. Τοποθετήστε την κασετίνα πλήρως μέσα στην είσοδο έτσι ώστε να κάθεται πάνω στη βάση της εισόδου του φορτιστή. Όταν η κασετίνα μπαταρίας έχει τοποθετηθεί, το χρώμα στο λαμπάκι φόρτισης θα αλλάξει από πράσινο σε κόκκινο και η φόρτιση θα αρχίσει. Το λαμπάκι φόρτισης θα παραμείνει συνεχώς αναμμένο κατά την διάρκεια της φόρτισης. Όταν το λαμπάκι φόρτισης αλλάξει από πράσινο σε κόκκινο, ο κύκλος φόρτισης έχει συμπληρωθεί. Εάν αφήσετε την κασέτα μπαταρίας στον φορτιστή μετά την συμπλήρωση του κύκλου φόρτισης, ο φορτιστής θα αλλάξει στην διαμόρφωση "στιγμιαία φόρτιση (φόρτιση συντήρησης)" η οποία θα διαρκέσει περίπου για ένα εικοσιτετράωρο. Μετά την φόρτιση, βγάλτε τον φορτιστή από την πηγή ηλεκτρικού ρεύματος.

Ανατρέξτε στον παρακάτω πίνακα για το χρόνο φόρτισης.

Τύπος μπαταρίας	Χωρητικότητα (mAH)	Αριθμός κυψελών	Χρόνος φόρτισης
1222	2.000	10	Περίπου 45 λ.
1234	2.600	10	Περίπου 60 λ.
1235	3.000	10	Περίπου 70 λ.

## ΠΡΟΣΟΧΗ:

- Ο ταχυφορτιστής είναι για τη φόρτιση της κασετίνας μπαταρίας Μάκιτα. Ποτέ να μην τον χρησιμοποιήσετε για άλλους σκοπούς ή για άλλες μπαταρίες του κατασκευαστή.
- Όταν φορτίζετε μια καινούργια κασετίνα μπαταρίας ή μια κασετίνα μπαταρίας η οποία δεν έχει χρησιμοποιηθεί για μεγάλο χρονικό διάστημα, μπορεί να μην επιδέχεται πλήρη φόρτιση. Αυτή είναι μια φυσιολογική κατάσταση και δεν υποδεικνύει κάποιο πρόβλημα. Μπορείτε να ξαναφορτίσετε την κασετίνα μπαταρίας πλήρως αφού την ξεφορτίσετε εντελώς και την επαναφορτίσετε δύο φορές.
- Αν φορτίζετε μια κασετίνα μπαταρίας από ένα εντελώς καινούργιο μηχάνημα ή μια κασετίνα μπαταρίας η οποία είχε αφαιρεθεί σε μια θέση εκτεθειμένη στο κατευθείαν ηλιακό φως ή στη ζέστη για μεγάλο χρονικό διάστημα, το λαμπάκι φόρτισης μπορεί να αναβοσβήνει σε κόκκινο χρώμα. Αν αυτό συμβεί περιμένετε για λίγο. Η φόρτιση θα ξεκινήσει αφότου η μπαταρία κρυώσει. Η κασετίνα μπαταρίας θα κρυώσει γρηγορότερα αν την βγάλετε από τον ταχυφορτιστή.
- Εάν το φώτακι φόρτισης αναβοσβήνει εναλλακτικά με πράσινο και κόκκινο χρώμα, ένα πρόβλημα υπάρχει και η φόρτιση δεν είναι δυνατή. Οι πόλοι του φορτιστή ή της κασέτας μπαταρίας είναι βουλωμένοι από τη σκόνη ή κασέτα μπαταρίας είναι φθαρμένη ή έχει βλάβη.

## Στιγμιαία φόρτιση (Φόρτιση συντήρησης)

Εάν έχετε αφήσει την κασέτα μπαταρίας στον φορτιστή για να προλάβετε αυθόρμητη αποφόρτιση μετά από πλήρη φόρτιση, ο φορτιστής θα αλλάξει στη διαμόρφωση της “στιγμιαίας φόρτισης” (φόρτιση συντήρησης) και θα κρατήσει την κασέτα μπαταρίας φρέσκια και πλήρως φορτισμένη.

## Συμβουλές για την διατήρηση της μέγιστης ζωής της μπαταρίας

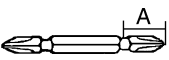
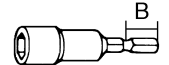
1. Αλλάξτε την κασέτα μπαταρίας πριν αποφορτιστεί τελείως.  
Πάντα σταματήστε την λειτουργία του μηχανήματος και φορτίστε την κασέτα μπαταρίας όταν παρατηρήσετε μειωμένη δύναμη του μηχανήματος.
2. Ποτέ μην επαναφορτίζετε μια πλήρως φορτισμένη κασέτα μπαταρίας.  
Η υπερφόρτιση μικραίνει την ωφέλιμη ζωή της μπαταρίας.
3. Φορτίστε την κασέτα μπαταρίας σε θερμοκρασία δωματίου στους 10°C–40°C.  
Αφήστε μια ζεστή κασέτα μπαταρίας να κρυώσει προτού την φορτίσετε.
4. Φορτίστε την κασέτα μπαταρίας Νικελίου Μεταλλικού Υδριδίου όταν δεν την έχετε χρησιμοποιήσει για έξι μήνες.

## Τοποθέτηση ή αφαίρεση αιχμής

Σημαντικό:

Πάντοτε βεβαιώνετε ότι το μηχάνημα είναι σβηστό και η κασέτα μπαταρίας έχει αφαιρεθεί πριν τοποθετήσετε ή αφαιρέσετε την αιχμή.

Χρησιμοποιείτε μόνο την αιχμή βιδοτρύπανου ή την κοίλη αιχμή που φαίνονται στο παρακάτω πίνακα. Μη χρησιμοποιείτε καμιά άλλη αιχμή βιδοτρύπανου ή κοίλη αιχμή.

	A = 17 χιλ. B = 14 χιλ.	Για να τοποθετήσετε αυτούς τους τύπους αιχμών, ακολουθήστε τη διαδικασία (1). (Παρατήρηση) Οι αιχμές Μάκιτα είναι αυτών των τύπων.
	A = 11 χιλ. B = 9 χιλ.	Για να τοποθετήσετε αυτούς τους τύπους αιχμών, ακολουθήστε τη διαδικασία (2). (Παρατήρηση) Το τμήμα-αιχμής είναι απαραίτητο για τοποθέτηση της αιχμής.

1. Για τοποθέτηση της αιχμής, τραβήχτε το μανίκι κατά τη διεύθυνση του βέλους και βάλτε την αιχμή μέσα στο μανίκι όσο βαθιά μπορεί να πάει. Μετά αφήστε το μανίκι για να στερεώσετε την αιχμή. **(Εικ. 3)**
2. Για τοποθέτηση της αιχμής, τραβήχτε το μανίκι κατά τη διεύθυνση του βέλους και βάλτε το τμήμα-αιχμής μέσα στο μανίκι όσο βαθιά μπορεί να πάει. Το τμήμα-αιχμής πρέπει να εισαχθεί μέσα στο μανίκι με το μυτερό άκρο προς τα μέσα. Μετά αφήστε το μανίκι για να στερεώσετε την αιχμή. **(Εικ. 4)**

Για να αφαιρέσετε την αιχμή, τραβήχτε το μανίκι κατά τη διεύθυνση του βέλους και τραβήχτε το μανίκι προς τα έξω σταθερά.

## ΠΑΡΑΤΗΡΗΣΗ:

Εάν η αιχμή δεν εισχωρήσει αρκετά βαθιά μέσα στο μανίκι, το μανίκι δεν θα γυρίσει στην αρχική του θέση και η αιχμή δεν θα στερεωθεί. Στην περίπτωση αυτή, προσπαθήστε να ξαναβάλετε την αιχμή σύμφωνα με τις παραπάνω οδηγίες.



## Λειτουργία διακόπτη (Εικ. 5)

### ΠΡΟΣΟΧΗ:

Πριν βάλετε τη κασέτα μπαταρίας στο μηχανήμα, πάντοτε ελέγχετε να δείτε ότι ο διακόπτης σκανδάλη ενεργοποιεί κανονικά και επιστρέφει στη θέση "OFF" όταν ελευθερώνεται.

Για να ξεκινήσει το μηχανήμα απλώς τραβήχτε τη σκανδάλη. Η ταχύτητα του μηχανήματος αυξάνεται αυθόρμητα την πίεση στη σκανδάλη. Για να σταματήσει ελευθερώστε τη σκανδάλη.

## Αντιστροφή λειτουργίας διακόπτη (Εικ. 6)

### ΠΡΟΣΟΧΗ:

- Πάντοτε ελέγχετε τη διεύθυνση περιστροφής πριν από τη λειτουργία.
- Χρησιμοποιείτε το διακόπτη αντιστροφής μόνο αφού το μηχανήμα έχει σταματήσει εντελώς. Αλλαγή της διεύθυνσης περιστροφής πριν το μηχανήμα σταματήσει μπορεί να προκαλέσει ζημιά στο μηχανήμα.
- Όταν δεν λειτουργείτε το μηχανήμα, πάντα να θέτετε το μοχλό διακόπτη αντιστροφής στη νεκρή θέση.

Αυτό το μηχανήμα έχει ένα διακόπτη αντιστροφής για να αλλάζει τη διεύθυνση περιστροφής. Πατήστε το μοχλό διακόπτη αντιστροφής από τη πλευρά Α για δεξιόστροφη περιστροφή ή από την πλευρά Β για αριστερόστροφη. Όταν ο μοχλός διακόπτη είναι στην ουδέτερη θέση, η σκανδάλη διακόπτης δεν μπορεί να τραβηχθεί.

## Εγκατάσταση της πλάκας ρύθμισης (Προαιρετικό εξάρτημα) (Εικ. 7)

Πάντοτε να εγκαθιστάτε τη πλάκα ρύθμισης όταν χρησιμοποιείτε τις κασέτες μπαταρίας 1200, 1202 ή 1202A. Εγκαταστήστε τη πλάκα ρύθμισης στο μηχανήμα με την παρεχόμενη βίδα όπως φαίνεται στην **Εικ. 7**.

## Λειτουργία (Εικ. 8 και 9)

Η κατάλληλη ροπή στερέωσης μπορεί να διαφέρει εξαρτώμενη από το είδος ή το μέγεθος της βίδας / μπουλόνι, το υλικό του αντικειμένου εργασίας που πρόκειται να στερεωθεί, κλπ. Η σχέση μεταξύ της ροπής στερέωσης και του χρόνου στερέωσης φαίνεται στην **Εικ. 8** για το κανονικό μπουλόνι ή **Εικ. 9** για το μπουλόνι υψηλής αντοχής.

Κρατάτε το μηχανήμα σταθερά και βάλτε το άκρο της αιχμής του καταβιδιού στο κεφάλι της βίδας. Εφαρμόστε πίεση στο μηχανήμα αρκετή ώστε η αιχμή να μη γλιστρήσει από τη βίδα και ανάψτε το μηχανήμα για να αρχίσει η λειτουργία.

## ΠΑΡΑΤΗΡΗΣΗ:

- Όταν σφίγγετε μια βίδα M8 ή μικρότερη, να ρυθμίσετε προσεκτικά την πίεση στην σκανδάλη διακόπτη έτσι ώστε η βίδα να μην πάθει ζημιά.
- Κρατάτε το μηχανήμα διευθυνόμενο ίσια προς τη βίδα.
- Εάν στερεώσετε τη βίδα για περισσότερο χρονικό διάστημα από το υποδεικνυόμενο στο διάγραμμα, η βίδα ή το άκρο της αιχμής βιδοτράπανο μπορεί να υπερενταθεί, να ξεφύγει, να πάθει ζημιά, κλπ. Πριν αρχίσετε την εργασία σας, πάντοτε εκτελείτε μια δοκιμαστική λειτουργία να διαπιστώσετε το κατάλληλο χρόνο στερέωσης για τη βίδα σας.

Η ροπή στερέωσης επηρεάζεται από μία ευρεία ποικιλία παραγόντων συμπεριλαμβανομένων των ακολούθων.

Μετά τη στερέωση, πάντοτε ελέγχετε τη ροπή με ένα ροπόκλειδο.

1. Όταν η κασέτα μπαταρίας έχει εκφορτιστεί σχεδόν εντελώς, η τάση θα πέσει και η ροπή στερέωσης θα μειωθεί.
2. Αιχμή βιδοτράπανο ή κοίλη αιχμή Εάν δεν χρησιμοποιηθεί το κατάλληλο μέγεθος αιχμής βιδοτράπανο ή κοίλης αιχμής θα προκληθεί μείωση στη ροπή στερέωσης.
3. Μπουλόνι
  - Ακόμη και εάν ο συντελεστής ροπής και η τάξη του μπουλονιού είναι τα ίδια, η κατάλληλη ροπή στερέωσης θα διαφέρει ανάλογα με τη διάμετρο του μπουλονιού.
  - Ακόμη και εάν η διάμετρος του μπουλονιού είναι η ίδια, η κατάλληλη ροπή στερέωσης θα διαφέρει ανάλογα με το συντελεστή ροπής, την τάξη του μπουλονιού και το μήκος του μπουλονιού.
4. Ο τρόπος κρατήματος του εργαλείου ή η θέση βιδώματος του προς στερέωση υλικού επηρεάζει την ροπή.
5. Η λειτουργία του εργαλείου σε χαμηλή ταχύτητα θα προκαλέσει μείωση στη ροπή στερέωσης.

## ΣΥΝΤΗΡΗΣΗ

### ΠΡΟΣΟΧΗ:

Πριν την εκτέλεση εργασιών με τη συσκευή διαβεβαιώστε πάντοτε, για το ότι η συσκευή σβήστηκε με απομακρυσμένο το συσσωρευτή.

## Αντικατάσταση καρβουνάκια (Εικ. 10 και 11)

Τα καρβουνάκια πρέπει να αντικαθίστανται, όταν έχουν φθαρεί μέχρι το σημείο μαρκαρίσματος. Τα δύο ταυτόσημα καρβουνάκια πρέπει να αντικαθίστανται ταυτόχρονα.

Για τη διασφάλιση της σιγουριάς και αξιοπιστίας των προϊόντων μας πρέπει οι επισκευές, εργασίες συντήρησης ή ρυθμίσεις να εκτελούνται από εξουσιοδοτημένα εργαστήρια σέρβις πελατών Μάικτα.

## **GB** ACCESSORIES

---

### CAUTION:

These accessories or attachments are recommended for use with your Makita tool specified in this manual. The use of any other accessories or attachments might present a risk of injury to persons. The accessories or attachments should be used only in the proper and intended manner.

## **F** ACCESSOIRES

---

### ATTENTION :

Ces accessoires ou ces fixations sont recommandés pour l'utilisation de l'outil Makita spécifié dans ce manuel. L'utilisation d'autres accessoires ou fixations peut présenter un risque de blessures. Les accessoires ou les fixations ne devront être utilisés que dans le but et de la manière prévus.

## **D** ZUBEHÖR

---

### VORSICHT:

Das mitgelieferte Zubehör ist speziell für den Gebrauch mit dem in dieser Betriebsanleitung angegebenen Makita-Elektrowerkzeug vorgesehen. Bei Verwendung von Fremdzubehör in Verbindung mit dieser Maschine besteht Verletzungsgefahr.

## **I** ACCESSORI

---

### ATTENZIONE:

Gli accessori o i raccordi seguenti sono raccomandati per l'uso con l'utensile Makita specificato in questo manuale. L'uso di qualsiasi altro accessorio o raccordo potrebbe causare pericoli di ferite alle persone. Gli accessori o i raccordi devono essere usati soltanto nel modo corretto e specificato.

## **NL** ACCESSOIRES

---

### LET OP:

Deze accessoires of hulpstukken zijn aanbevolen voor gebruik met uw Makita gereedschap dat in deze gebruiksaanwijzing is beschreven. Het gebruik van andere accessoires of hulpstukken kan gevaar voor persoonlijke verwondingen opleveren. De accessoires of hulpstukken dienen alleen op de juiste en voorgeschreven manier te worden gebruikt.

## **E** ACCESORIOS

---

### PRECAUCIÓN:

Estos accesorios o acoplamientos están recomendados para usar con la herramienta Makita especificada en este manual. Con el uso de cualquier otro accesorio o acoplamiento se podría correr el riesgo de producir heridas a personas. Los accesorios o acoplamientos deberán usarse solamente de la manera apropiada y para la que han sido designados.

## **P** ACESSÓRIOS

---

### PRECAUÇÃO:

Estes acessórios ou acoplamentos são os recomendados para uso na ferramenta MAKITA especificada neste manual. A utilização de quaisquer outros acessórios ou acoplamento poderá ser perigosa para o operador. Os acessórios ou acoplamentos devem ser utilizados de maneira adequada e apenas para os fins a que se destinam.

## **DK** TILBEHØR

---

### ADVARSEL:

Dette udstyr og tilbehør bør anvendes sammen med Deres Makita maskine, sådan som det er beskrevet i denne vejledning. Anvendelse af andet udstyr eller tilbehør kan medføre personskaade. Tilbehøret bør kun anvendes til det, det er beregnet til.

## **S** TILLBEHÖR

---

### FÖRSIKTIGHET:

Dessa tillbehör eller tillsatser rekommenderas endast för användning tillsammans med din Makita maskin som specificeras i denna bruksanvisning. Användning av andra tillbehör eller tillsatser kan medföra risk för personskador. Tillbehören och tillsatserna får endast användas på lämpligt och där för avsett sätt.

## **N** TILBEHØR

---

### NB!

Dette tilbehøret eller utstyret anbefales til å brukes sammen med din Makita maskin som er spesifisert i denne bruksanvisningen. Bruk av annet tilbehør eller utstyr kan medføre en risiko for personskader. Tilbehør og utstyr må bare brukes som spesifisert og bare til det det er beregnet til.

## **SF** LISÄVARUSTEET

---

### VARO:

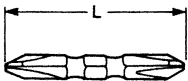
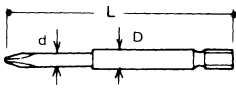
Tässä käyttöohjeessa mainitun Makita-koneen kanssa suositellaan seuraavien lisälaitteiden ja -varusteiden käyttöä. Minkä tahansa muun lisälaitteen tai -varusteen käyttäminen saattaa aiheuttaa loukkaantumisvaaran. Lisälaitteita ja -varusteita tulee käyttää ainoastaan niille sopivalla tavalla.

## **GR** ΕΞΑΡΤΗΜΑΤΑ

---

### ΠΡΟΣΟΧΗ:

Αυτά τα εξαρτήματα ή προσαρτήματα συνιστώνται για χρήση με το μηχάνημα της Μάκιτα που περιγράφεται στο εγχειρίδιο αυτο. Η χρήση άλλων εξαρτημάτων ή προσαρτημάτων μπορεί να είναι επικίνδυνη για τραυματισμό ατόμων. Τα εξαρτήματα ή προσαρτήματα πρέπει να χρησιμοποιούνται μόνο με το σωστό και προτιθέμενο τρόπο.

<ul style="list-style-type: none"> <li>• Phillips bit</li> <li>• Embout Phillips</li> <li>• Kreuzschlitz-Schraubendrehereinsatz</li> <li>• Punta a croce</li> <li>• Phillips schroefbit</li> <li>• Pieza de apriete de punta Phillips</li> <li>• Broca Phillips</li> <li>• Phillips bit</li> <li>• Korsmejsel</li> <li>• Phillips-bits</li> <li>• Ristipääterä</li> <li>• Αιχμή Φίλιπς</li> </ul>																											
<ul style="list-style-type: none"> <li>• Phillips bit</li> <li>• Embout Phillips</li> <li>• Kreuzschlitz-Schraubendrehereinsatz</li> <li>• Punta a croce</li> <li>• Phillips schroefbit</li> <li>• Pieza de apriete de punta Phillips</li> <li>• Broca Phillips</li> <li>• Phillips bit</li> <li>• Korsmejsel</li> <li>• Phillips-bits</li> <li>• Ristipääterä</li> <li>• Αιχμή Φίλιπς</li> </ul>																											
<p>Note :</p> <ul style="list-style-type: none"> <li>• Use bit No. 2 when fastening machine screws M4 – M5, or wood screws 3.1 mm – 4.8 mm.</li> <li>• Use bit No. 3 when fastening machine screws M6 – M8, or wood screws 5.1 mm – 6.1 mm.</li> </ul> <p>Note :</p> <ul style="list-style-type: none"> <li>• Utilisez l'embout No. 2 pour visser des vis à métaux M4 – M5, ou des vis en bois de 3,1 mm – 4,8 mm.</li> <li>• Utilisez l'embout No. 3 pour visser des vis à métaux M6 – M8, ou des vis en bois de 5,1 mm – 6,1 mm.</li> </ul> <p>Hinweis:</p> <ul style="list-style-type: none"> <li>• Einsatzwerkzeug Nr. 2 zum Verschrauben von Maschinenschrauben M4 bis M5 oder Holzschrauben 3,1 mm bis 4,8 mm verwenden.</li> <li>• Einsatzwerkzeug Nr. 3 zum Verschrauben von Maschinenschrauben M6 bis M8 oder Holzschrauben 5,1 mm bis 6,1 mm verwenden.</li> </ul> <p>Note:</p> <ul style="list-style-type: none"> <li>• Usare la punta No. 2 per stringere le viti comuni M4 – M5 o le viti per legno da 3,1 mm a 4,8 mm.</li> <li>• Usare la punta No. 3 per stringere le viti comuni M6 – M8 o le viti per legno da 5,1 mm a 6,1 mm.</li> </ul> <p>Opmerking:</p> <ul style="list-style-type: none"> <li>• Gebruik schroefbit Nr. 2 voor het vastdraaien van kolomenschroeven M4 – M5 of houtschroeven 3,1 mm – 4,8 mm.</li> <li>• Gebruik schroefbit Nr. 3 voor het vastdraaien van kolomenschroeven M6 – M8 of houtschroeven 5,1 mm – 6,1 mm.</li> </ul> <p>Nota:</p> <ul style="list-style-type: none"> <li>• Emplee el implemento N.º2 cuando vaya a apretar tornillos para máquina M4 M5, o tornillos para madera de 3,1 mm – 4,8 mm de diámetro.</li> <li>• Emplee el implemento N.º3 cuando vaya a apretar tornillos para máquina M6 M8, o tornillos para madera de 5,1 mm – 6,1 mm de diámetro.</li> </ul> <p>Nota:</p> <ul style="list-style-type: none"> <li>• Utilize a broca N. 2 quando aberta parafusos de rosca fina M4 – M5, ou parafusos de madeira de 3,1 mm – 4,8 mm.</li> <li>• Utilize a broca N. 3 quando aberta parafusos de rosca fina M6 – M8, ou parafusos de madeira de 5,1 mm – 6,1 mm.</li> </ul> <p>Bemærk:</p> <ul style="list-style-type: none"> <li>• Anvend bit nr. 2 til fastspænding af maskinskruer M4 – M5, eller træskruer 3,1 mm – 4,8 mm.</li> <li>• Anvend bit nr. 3 til fastspænding af maskinskruer M6 – M8, eller træskruer 5,1 mm – 6,1 mm.</li> </ul>	<table border="1"> <thead> <tr> <th>Bit No.</th> <th colspan="5">L (mm)</th> </tr> </thead> <tbody> <tr> <td>No. 2</td> <td>45</td> <td>65</td> <td>110</td> <td>150</td> <td>250</td> </tr> <tr> <td>No. 3</td> <td>45</td> <td>65</td> <td>110</td> <td></td> <td></td> </tr> </tbody> </table> <table border="1"> <thead> <tr> <th>Bit No.</th> <th>L (mm)</th> <th>D (mm)</th> <th>d (mm)</th> </tr> </thead> <tbody> <tr> <td>No. 2</td> <td>82</td> <td>6</td> <td>5</td> </tr> </tbody> </table>	Bit No.	L (mm)					No. 2	45	65	110	150	250	No. 3	45	65	110			Bit No.	L (mm)	D (mm)	d (mm)	No. 2	82	6	5
Bit No.	L (mm)																										
No. 2	45	65	110	150	250																						
No. 3	45	65	110																								
Bit No.	L (mm)	D (mm)	d (mm)																								
No. 2	82	6	5																								

**Observera:**

- Använd verktyg nr. 2 vid åtdragning av maskinskruvor M4 – M5, eller träskruvar 3,1 mm – 4,8 mm.
- Använd verktyg nr. 3 vid åtdragning av maskinskruvor M6 – M8, eller träskruvar 5,1 mm – 6,1 mm.

**Merknad:**

- Bruk bits Nr.2 ved tiltrekking av maskinskruer M4 – M5, eller treskruer 3,1 mm – 4,8 mm.
- Bruk bits Nr.3 ved tiltrekking av maskinskruer M6 – M8, eller trekskruer 5,1 mm – 6,1 mm.

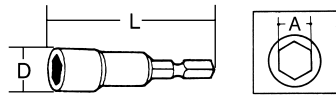
**Huomaa:**

- Käytä terää nro 2, kun kiinnität koneruuveja M4 – M5 tai 3,1 mm – 4,8 mm puuruuveja.
- Käytä terää nro 3, kun kiinnität koneruuveja M6 – M8 tai 5,1 mm – 6,1 mm puuruuveja.

**Παρατήρηση:**

- Χρησιμοποιείστε τηναιχμή κατασβιδιού No. 2 όταν στερεώνετε κατασβιδόβιδες M4 – M5, ή ξυλόβιδες 3,1 χιλ. – 4,8 χιλ.
- Χρησιμοποιείστε τηναιχμή κατασβιδιού No. 3 όταν στερεώνετε κατασβιδόβιδες M6 – M8, ή ξυλόβιδες 5,1 χιλ. – 6,1 χιλ.

- Socket bit
- Embout à douille
- Steckschlüsseinsatz
- Punta con esagono incassato
- Schroefdop
- Llave de cubo
- Broca de encaixe
- Slagtop
- Mutterhylsa
- Muffebits
- Hylsyterä
- Υποδοχέας αιχμής

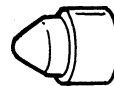


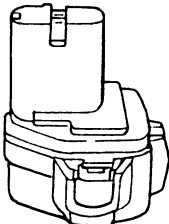
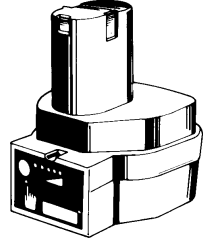

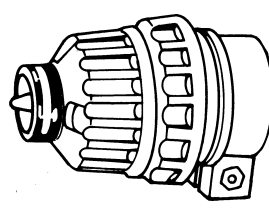
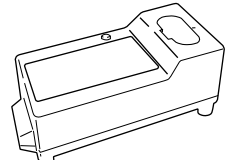
Bolt size	A (mm)	L (mm)	D (mm)
M5	8	55	12.5
M6	10		15
M6	10	70	16
M8	12	86	19
M8	13	55	19
M8	14	55	20
M10	17	55	27

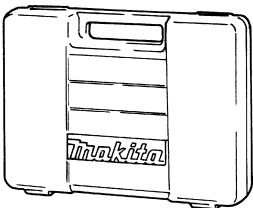
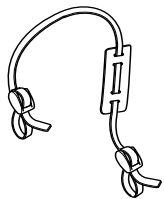
- Set plate
- Capot arrière
- Verschlussklammer
- Piastra di fissaggio
- Stelplaat
- Placa de fijación
- Placa de apoio
- Låseblok
- Kassettspärr
- Justeringsplate
- Pohjalevy
- Πλάκα ρύθμισης



- Bit-piece
- Rallonge d'embout
- Ausgleichspitze
- Pezzo punta
- Inzetstuk
- Pieza complementaria
- Extensão de broca
- Udligningsspids
- Adapter
- Bitsinnsats
- Kärkikappale
- Τμήμα



<ul style="list-style-type: none"> <li>• Battery cartridge 1222/1233/1234/1235</li> <li>• Batterie 1222/1233/1234/1235</li> <li>• Akku 1222/1233/1234/1235</li> <li>• Cartuccia batteria 1222/1233/1234/1235</li> <li>• Batterijpak 1222/1233/1234/1235</li> <li>• Cartucho de batería 1222/1233/1234/1235</li> <li>• Bateria 1222/1233/1234/1235</li> <li>• Akku 1222/1233/1234/1235</li> <li>• Batterikassett 1222/1233/1234/1235</li> <li>• Batteri 1222/1233/1234/1235</li> <li>• Akku 1222/1233/1234/1235</li> <li>• Κασέτα μπαταρίας 1222/1233/1234/1235</li> </ul>	
<ul style="list-style-type: none"> <li>• Battery cartridge 1202A</li> <li>• Batterie 1202A</li> <li>• Akku 1202A</li> <li>• Cartuccia batteria 1202A</li> <li>• Batterijpak 1202A</li> <li>• Cartucho de batería 1202A</li> <li>• Bateria 1202A</li> <li>• Akku 1202A</li> <li>• Batterikassett 1202A</li> <li>• Batteri 1202A</li> <li>• Akku 1202A</li> <li>• Κασέτα μπαταρίας 1202A</li> </ul>	
<ul style="list-style-type: none"> <li>• Battery cover</li> <li>• Cache de batterie</li> <li>• Kontaktschutzkappe</li> <li>• Coperchio batteria</li> <li>• Batterijdeksel</li> <li>• Tapa de la batería</li> <li>• Tampa da bateria</li> <li>• Batteridæksel</li> <li>• Batteriskydd</li> <li>• Batterideksel</li> <li>• Akkusuojaus</li> <li>• Κάλυμμα μπαταρίας</li> </ul>	
<ul style="list-style-type: none"> <li>• Stopper</li> <li>• Pièce d'arrêt</li> <li>• Führungshülse</li> <li>• Fermo</li> <li>• Aanslag</li> <li>• Tope de profundidad</li> <li>• Travão</li> <li>• Stopper</li> <li>• Stopphylsa</li> <li>• Stopper</li> <li>• Pidín</li> <li>• Στόπερ(αναστολεύς)</li> </ul>	
<ul style="list-style-type: none"> <li>• Battery charger Model DC1413</li> <li>• Chargeur Modèle DC1413</li> <li>• Ladegerät Modell DC1413</li> <li>• Carica Batteria Modello DC1413</li> <li>• Acculader Model DC1413</li> <li>• Cargador de Bateria Modelo DC1413</li> <li>• Carregador de Bateria Modelo DC1413</li> <li>• Akku-ladeaggregat Model DC1413</li> <li>• Batteriladdar Modell DC1413</li> <li>• Batterilader Modell DC1413</li> <li>• Akkulataaja malli DC1413</li> <li>• Φορτιστής μπαταρίας Μοντέλο DC1413</li> </ul>	

<ul style="list-style-type: none"> <li>• Plastic carrying case</li> <li>• Mallette de transport en plastique</li> <li>• Transportkoffer</li> <li>• Custodia di trasporto di plastica</li> <li>• Plastic draagtas</li> <li>• Maletín de plástico para el transporte</li> <li>• Caixa plástica para transporte</li> <li>• Transportkuffert</li> <li>• Bärväska i plast</li> <li>• Bærevæske av plast</li> <li>• Muovinen kantokotelo</li> <li>• Πλαστική θήκη μεταφοράς</li> </ul>	
<ul style="list-style-type: none"> <li>• Shoulder strap</li> <li>• Bandoulière</li> <li>• Tragriemen</li> <li>• Tracolla</li> <li>• Schouderriem</li> <li>• Correa para el hombro</li> <li>• Correia a tiracolo</li> <li>• Skulderrem</li> <li>• Axelrem</li> <li>• Skulderrem</li> <li>• Olkahihna</li> <li>• Λωρίδα ώμου</li> </ul>	

## ENGLISH

### EC-DECLARATION OF CONFORMITY

We declare under our sole responsibility that this product is in compliance with the following standards or standardized documents, HD400, EN50144, EN55014, EN61000 in accordance with Council Directives, 73/23/EEC, 89/336/EEC and 98/37/EC.

## FRANÇAISE

### DÉCLARATION DE CONFORMITÉ CE

Nous déclarons sous notre entière responsabilité que ce produit est conforme aux normes ou aux documents standardisés suivants,

HD400, EN50144, EN55014, EN61000 conformément aux Directives du Conseil, 73/23/CEE, 89/336/CEE et 98/37/EG.

## DEUTSCH

### CE-KONFORMITÄTSEKTLÄRUNG

Hiermit erklärt wir unter unserer alleinigen Verantwortung, daß dieses Produkt gemäß den Ratsdirektiven 73/23/EWG, 89/336/EWG und 98/37/EG mit den folgenden Normen bzw. Normendokumenten übereinstimmen:

HD400, EN50144, EN55014, EN61000.

## ITALIANO

### DICHIARAZIONE DI CONFORMITÀ CON LE NORME DELLA COMUNITÀ EUROPEA

Dichiariamo sotto la nostra sola responsabilità che questo prodotto è conforme agli standard o documenti standardizzati seguenti:

HD400, EN50144, EN55014, EN61000 secondo le direttive del Consiglio 73/23/CEE, 89/336/CEE e 98/37/CE.

## NEDERLANDS

### EG-VERKLARING VAN CONFORMITEIT

Wij verklaren hierbij uitsluitend op eigen verantwoordelijkheid dat dit produkt voldoet aan de volgende normen of genormaliseerde documenten,

HD400, EN50144, EN55014, EN61000 in overeenstemming met de richtlijnen van de Raad 73/23/EEC, 89/336/EEC en 98/37/EC.

## ESPAÑOL

### DECLARACIÓN DE CONFORMIDAD DE LA CE

Declaramos bajo nuestra sola responsabilidad que este producto cumple con las siguientes normas o documentos normalizados,

HD400, EN50144, EN55014, EN61000 de acuerdo con las directivas comunitarias, 73/23/EEC, 89/336/EEC y 98/37/CE.

## PORTUGUÊS

### DECLARAÇÃO DE CONFORMIDADE DA CE

Declaramos sob inteira responsabilidade que este produto obedece às seguintes normas ou documentos normalizados,

HD400, EN50144, EN55014, EN61000 de acordo com as directivas 73/23/CEE, 89/336/CEE e 98/37/CE do Conselho.

## DANSK

### EU-DEKLARATION OM KONFORMITET

Vi erklærer hermed på eget ansvar, at dette produkt er i overensstemmelse med de følgende standarder eller normsættende dokumenter,

HD400, EN50144, EN55014, EN61000 i overensstemmelse med Rådets Direktiver 73/23/EEC, 89/336/EEC og 98/37/EC.

## SVENSKA

### EG-DEKLARATION OM ÖVERENSSTÄMMELSE

Under eget ansvar deklarerar vi härmed att denna produkt överensstämmer med följande standardiseringar och standardiserade dokument,

HD400, EN50144, EN55014, EN61000 i enlighet med EG-direktiven 73/23/EEC, 89/336/EEC och 98/37/EC.

## NORSK

### EuS SAMSVARS-ERKLÆRING

Vi erklærer på eget ansvar at dette produktet er i overensstemmelse med følgende standard eller standardiserte dokumenter:

HD400, EN50144, EN55014, EN61000, i samsvar med Råds-direktivene, 73/23/EEC, 89/336/EEC og 98/37/EC.

## SUOMI

### VAKUUTUS EC-VASTAAVUUDESTA

Yksinomaisesti vastuullisina ilmoitamme, että nämä tuote on seuraavien standardien ja standardoitujen dokumenttien mukainen,

HD400, EN50144, EN55014, EN61000 neuvoston direktiivien 73/23/EEC, 89/336/EEC ja 98/37/EC mukaisesti.

## ΕΛΛΗΝΙΚΑ

### ΔΗΛΩΣΗ ΣΥΜΜΟΡΦΩΣΗΣ ΕΚ

Δηλώνουμε υπό την μοναδική μας ευθύνη ότι αυτός ο προϊόν βρίσκεται σε συμφωνία με τα ακόλουθα πρότυπα ή τυποποιημένα έγγραφα,

HD400, EN50144, EN55014, EN61000 σύμφωνα με τις Οδηγίες του Συμβουλίου, 73/23/EEC, 89/336/EEC και 98/37/ΚΕ.

Yasuhiko Kanzaki CE 2000

Director	Director
Directeur	Direktor
Direktor	Direktör
Amministratore	Direktor
Directeur	Johtaja
Director	Διευθυντής

## MAKITA INTERNATIONAL EUROPE LTD.

Michigan Drive, Tongwell, Milton Keynes,  
Bucks MK15 8JD, ENGLAND

**ENGLISH****EC-DECLARATION OF CONFORMITY**

We declare under our sole responsibility that this battery charger is in compliance with the following standards or standardized documents,

EN60335, EN55014, EN61000

in accordance with Council Directives, 73/23/EEC and 89/336/EEC.

**FRANÇAISE****DÉCLARATION DE CONFORMITÉ CE**

Nous déclarons sous notre entière responsabilité que ce chargeur de batterie est conforme aux normes ou aux documents standardisés suivants.

EN60335, EN55014, EN61000

conformément aux Directives du Conseil, 73/23/CEE et 89/336/CEE.

**DEUTSCH****CE-KONFORMITÄTSERKLÄRUNG**

Hiermit erklärt wir unter unserer alleinigen Verantwortung, daß dieses Ladegerät gemäß den Ratsdirektiven 73/23/EWG und 89/336/EWG mit den folgenden Normen bzw. Normendokumenten übereinstimmen:

EN60335, EN55014, EN61000.

**ITALIANO****DICHIARAZIONE DI CONFORMITÀ CON LE NORME DELLA COMUNITÀ EUROPEA**

Dichiariamo sotto la nostra sola responsabilità che questo caricabatteria è conforme agli standard o documenti standardizzati seguenti:

EN60335, EN55014, EN61000

secondo le direttive del Consiglio 73/23/CEE e 89/336/CEE.

**NEDERLANDS****EG-VERKLARING VAN CONFORMITEIT**

Wij verklaren hierbij uitsluitend op eigen verantwoordelijkheid dat deze acculader voldoet aan de volgende normen of genormaliseerde documenten,

EN60335, EN55014, EN61000

in overeenstemming met de richtlijnen van de Raad 73/23/EEC en 89/336/EEC.

**ESPAÑOL****DECLARACIÓN DE CONFORMIDAD DE LA CE**

Declaramos bajo nuestra sola responsabilidad que este cargador de baterías cumple con las siguientes normas o documentos normalizados,

EN60335, EN55014, EN61000

de acuerdo con las directivas comunitarias, 73/23/EEC y 89/336/EEC.

Yasuhiko Kanzaki **CE 94**



Director  
Directeur  
Direktor  
Amministratore  
Directeur  
Director

Director  
Direktør  
Direktör  
Direktor  
Johtaja  
Διευθυντής

**MAKITA INTERNATIONAL EUROPE LTD.**

Michigan Drive, Tongwell, Milton Keynes,  
Bucks MK15 8JD, ENGLAND

**PORTUGUÊS****DECLARAÇÃO DE CONFORMIDADE DA CE**

Declaramos sob inteira responsabilidade que este carregador de bateria obedece às seguintes normas ou documentos normalizados,

EN60335, EN55014, EN61000

de acordo com as directivas 73/23/CEE e 89/336/CEE do Conselho.

**DANSK****EU-DEKLARATION OM KONFORMITET**

Vi erklærer hermed på eget ansvar, at denne akkuoplader er i overensstemmelse med de følgende standardiseringer eller normsættende dokumenter,

EN60335, EN55014, EN61000

i overensstemmelse med Rådets Direktiver 73/23/EEC og 89/336/EEC.

**SVENSKA****EG-DEKLARATION OM ÖVERENSSTÄMMELSE**

Under eget ansvar deklarerar vi härmed att denna batteriladdare överensstämmer med följande standardiseringar och standardiserade dokument,

EN60335, EN55014, EN61000

i enlighet med EG-direktiven 73/23/EEC och 89/336/EEC.

**NORSK****EU's SAMSVARS-ERKLÆRING**

Vi erklærer på eget ansvar at denne batteriladeren er i overensstemmelse med følgende standard eller standardiserede dokumenter:

EN60335, EN55014, EN61000,

i samsvar med Råds-direktivene, 73/23/EEC og 89/336/EEC.

**SUOMI****VAKUUTUS EC-VASTAAVUDESTA**

Yksinomaisesti vastuullisina ilmoitamme, että tämä akkulaturi on seuraavien standardien ja standardoitujen dokumenttien mukainen,

EN60335, EN55014, EN61000

neuvoston direktiivien 73/23/EEC ja 89/336/EC mukaisesti.

**ΕΛΛΗΝΙΚΑ****ΔΗΛΩΣΗ ΣΥΜΜΟΡΦΩΣΗΣ ΕΚ**

Δηλώνουμε υπό την μοναδική μας ευθύνη ότι αυτός ο φορτιστής μπαταρίας βρίσκεται σε συμφωνία με τα ακόλουθα πρότυπα ή τυποποιημένα έγγραφα,

EN60335, EN55014, EN61000

σύμφωνα με τις Οδηγίες του Συμβουλίου, 73/23/EEC και 89/336/ΚΕ.



## ENGLISH

### Noise and Vibration

The typical A-weighted noise levels are  
sound pressure level: 95 dB (A)  
sound power level: 108 dB (A)  
– Wear ear protection. –

The typical weighted root mean square acceleration value is 10 m/s<sup>2</sup>.

## FRANÇAISE

### Bruit et vibrations

Les niveaux de bruit pondérés A types sont:  
niveau de pression sonore: 95 dB (A)  
niveau de puissance du son: 108 dB (A)  
– Porter des protecteurs anti-bruit. –  
L'accélération pondérée est de 10 m/s<sup>2</sup>.

## DEUTSCH

### Geräusch- und Vibrationsentwicklung

Die typischen A-bewerteten Geräuschpegel betragen:  
Schalldruckpegel: 95 dB (A)  
Schalleistungspegel: 108 dB (A)  
– Gehörschutz tragen. –  
Der gewichtete Effektivwert der Beschleunigung beträgt 10 m/s<sup>2</sup>.

## ITALIANO

### Rumore e vibrazione

I livelli del rumore pesati secondo la curva A sono:  
Livello pressione sonora: 95 dB (A)  
Livello potenza sonora: 108 dB (A)  
– Indossare i paraorecchi. –  
Il valore quadratico medio di accelerazione è di 10 m/s<sup>2</sup>.

## NEDERLANDS

### Geluidsniveau en trilling

De typische A-gewogen geluidsniveau's zijn  
geluidsdrukniveau: 95 dB (A)  
geluidsenergie-niveau: 108 dB (A)  
– Draag oorbeschermers. –  
De typische gewogen effectieve versnellingswaarde is 10 m/s<sup>2</sup>.

## ESPAÑOL

### Ruido y vibración

Los niveles típicos de ruido ponderados A son  
presión sonora: 95 dB (A)  
nivel de potencia sonora: 108 dB (A)  
– Póngase protectores en los oídos. –  
El valor ponderado de la aceleración es de 10 m/s<sup>2</sup>.

## PORTUGUÊS

### Ruído e vibração

Os níveis normais de ruído A são  
nível de pressão de som: 95 dB (A)  
nível do som: 108 dB (A)  
– Utilize protetores para os ouvidos –  
O valor médio da aceleração é 10 m/s<sup>2</sup>.

## DANSK

### Lyd og vibration

De typiske A-vægtede lyd niveauer er  
lydtryksniveau: 95 dB (A)  
lydeffektniveau: 108 dB (A)  
– Bær hørevern. –  
Den vægtede effektive accelerationsværdi er 10 m/s<sup>2</sup>.

## SVENSKA

### Buller och vibration

De typiska A-vägda bullernivåerna är  
ljudtrycksnivå: 95 dB (A)  
ljudeffektnivå: 108 dB (A)  
– Använd hörselskydd –  
Det typiskt vägda effektivvärdet för acceleration är 10 m/s<sup>2</sup>.

## NORSK

### Støy og vibrasjon

De vanlige A-belastede støynivå er  
lydtrykksnivå: 95 dB (A)  
lydstyrkenivå: 108 dB (A)  
– Benytt hørselvern. –  
Den vanlig belastede effektiv-verdi for akselerasjon er 10 m/s<sup>2</sup>.

## SUOMI

### Melutaso ja värinä

Tyypilliset A-painotetut melutasot ovat  
äänenpainetaso: 95 dB (A)  
äänen tehotaso: 108 dB (A)  
– Käytä kuulosuojaimia. –  
Tyypillinen kiihtyvyyden painotettu tehollisarvo on 10 m/s<sup>2</sup>.

## ΕΛΛΗΝΙΚΑ

### Θόρυβος και κραδασμός

Οι τυπικές Α-μετρούμενες εντάσεις ήχου είναι  
πίεση ήχου: 95 dB (A)  
δύναμη του ήχου: 108 dB (A)  
– Φοράτε ωτοασπίδες. –  
Η τυπική αξία της μετρούμενης ρίζας του μέσου τετραγώνου της επιτάχυνσης είναι 10 m/s<sup>2</sup>.





**Makita Corporation**  
Anjo, Aichi, Japan  
Made in Japan  
884315B998

PRINTED IN JAPAN