



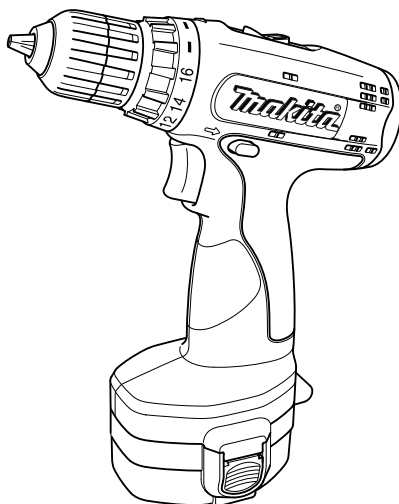
<b>GB</b>	<b>Cordless Driver Drill</b>	<b>Instruction Manual</b>
<b>F</b>	<b>Perceuse-Visseuse sans Fil</b>	<b>Manuel d'instructions</b>
<b>D</b>	<b>Akku-Bohrschrauber</b>	<b>Betriebsanleitung</b>
<b>I</b>	<b>Trapano-avvitatore a batteria</b>	<b>Istruzioni per l'uso</b>
<b>NL</b>	<b>Snoerloze boor-/schroevendraaier</b>	<b>Gebruiksaanwijzing</b>
<b>E</b>	<b>Atornillador Taladro Inalámbrico</b>	<b>Manual de instrucciones</b>
<b>P</b>	<b>Furadeira/ Parafusadeira a Bateria</b>	<b>Manual de instruções</b>
<b>DK</b>	<b>Akku bore-skruemaskine</b>	<b>Brugsanvisning</b>
<b>GR</b>	<b>Βιδορύπανο με μπαταρία</b>	<b>Οδηγίες χρήσεως</b>

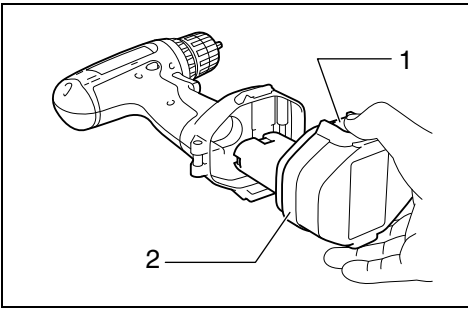
**6260D**

**6270D**

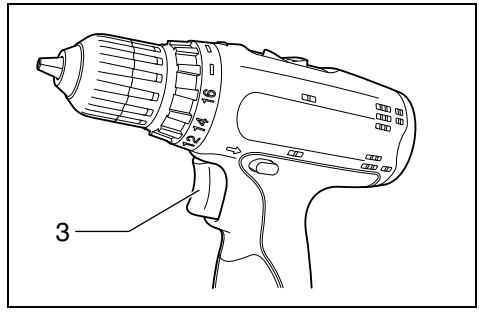
**6280D**

**6390D**

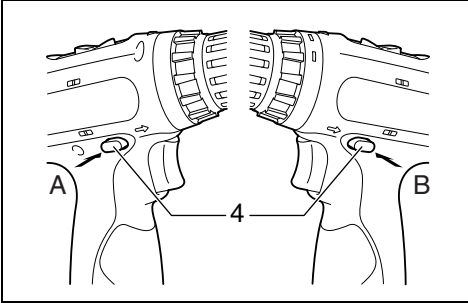




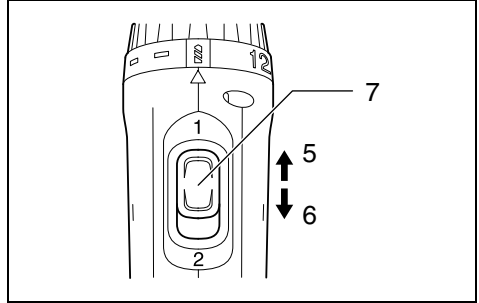
1



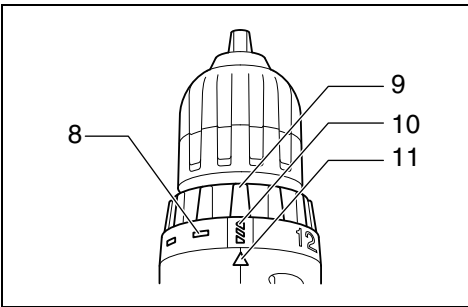
2



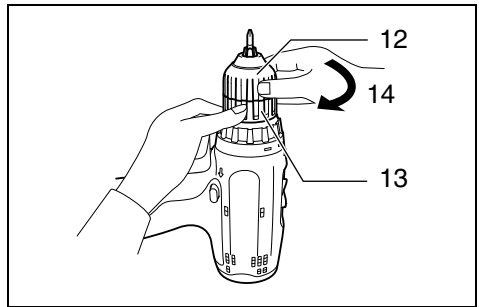
3



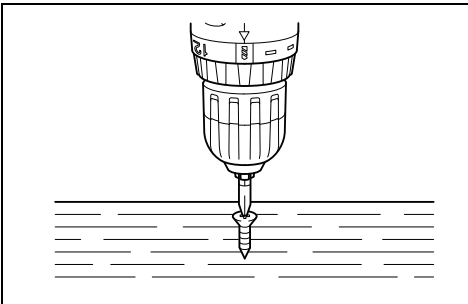
4



5



6



7

**Explanation of general view**

1 Button	6 High speed	11 Pointer
2 Battery cartridge	7 Speed change lever	12 Sleeve
3 Switch trigger	8 Graduations	13 Ring
4 Reversing switch lever	9 Adjusting ring	14 Tighten
5 Low speed	10 Drill marking	

**SPECIFICATIONS**

<b>Model</b>	<b>6260D</b>	<b>6270D</b>	<b>6280D</b>	<b>6390D</b>
Capacities				
Steel .....	10 mm	10 mm	10 mm	13 mm
Wood .....	21 mm	25 mm	25 mm	36 mm
Wood screw .....	5.1 mm x 38 mm	5.1 mm x 63 mm	5.1 mm x 63 mm	6 mm x 75 mm
Machine screw .....	6 mm	6 mm	6 mm	6 mm
No load speed (min <sup>-1</sup> )				
High .....	0 – 1,200	0 – 1,200	0 – 1,200	0 – 1,200
Low .....	0 – 350	0 – 350	0 – 350	0 – 350
Overall length .....	192 mm	192 mm	192 mm	220 mm
Net weight.....	1.4 kg	1.5 kg	1.6 kg	2.1 kg
Rated voltage .....	D.C. 9.6 V	D.C. 12 V	D.C. 14.4 V	D.C. 18 V

GEB051-2

- Due to our continuing program of research and development, the specifications herein are subject to change without notice.
- Specifications and battery cartridge may differ from country to country.
- Weight, with battery cartridge, according to EPTA-Procedure 01/2003

**Intended use**

The tool is intended for drilling and screw driving in wood, metal and plastic.

GEA010-1

**General Power Tool Safety Warnings**

**⚠ WARNING** Read all safety warnings and all instructions. Failure to follow the warnings and instructions may result in electric shock, fire and/or serious injury.

**Save all warnings and instructions for future reference.**

**CORDLESS DRILL SAFETY WARNINGS**

1. **Use auxiliary handle(s), if supplied with the tool.** Loss of control can cause personal injury.
2. **Hold power tool by insulated gripping surfaces, when performing an operation where the cutting accessory may contact hidden wiring.** Cutting accessory contacting a “live” wire may make exposed metal parts of the power tool “live” and could give the operator an electric shock.
3. **Always be sure you have a firm footing.** Be sure no one is below when using the tool in high locations.
4. **Hold the tool firmly.**
5. **Keep hands away from rotating parts.**
6. **Do not leave the tool running. Operate the tool only when hand-held.**
7. **Do not touch the drill bit or the workpiece immediately after operation; they may be extremely hot and could burn your skin.**
8. **Some material contains chemicals which may be toxic. Take caution to prevent dust inhalation and skin contact. Follow material supplier safety data.**

**SAVE THESE INSTRUCTIONS.**

**WARNING:**

**DO NOT** let comfort or familiarity with product (gained from repeated use) replace strict adherence to safety rules for the subject product. **MISUSE** or failure to follow the safety rules stated in this instruction manual may cause serious personal injury.

## IMPORTANT SAFETY INSTRUCTIONS

### FOR BATTERY CARTRIDGE

1. Before using battery cartridge, read all instructions and cautionary markings on (1) battery charger, (2) battery, and (3) product using battery.
2. Do not disassemble battery cartridge.
3. If operating time has become excessively shorter, stop operating immediately. It may result in a risk of overheating, possible burns and even an explosion.
4. If electrolyte gets into your eyes, rinse them out with clear water and seek medical attention right away. It may result in loss of your eyesight.
5. Always cover the battery terminals with the battery cover when the battery cartridge is not used.
6. Do not short the battery cartridge:
  - (1) Do not touch the terminals with any conductive material.
  - (2) Avoid storing battery cartridge in a container with other metal objects such as nails, coins, etc.
  - (3) Do not expose battery cartridge to water or rain.  
A battery short can cause a large current flow, overheating, possible burns and even a breakdown.
7. Do not store the tool and battery cartridge in locations where the temperature may reach or exceed 50°C (122°F).
8. Do not incinerate the battery cartridge even if it is severely damaged or is completely worn out. The battery cartridge can explode in a fire.
9. Be careful not to drop or strike battery.
10. Do not use dropped or struck battery.

### SAVE THESE INSTRUCTIONS.

#### Tips for maintaining maximum battery life

1. Charge the battery cartridge before completely discharged.  
Always stop tool operation and charge the battery cartridge when you notice less tool power.
2. Never recharge a fully charged battery cartridge. Overcharging shortens the battery service life.
3. Charge the battery cartridge with room temperature at 10°C – 40°C (50°F – 104°F). Let a hot battery cartridge cool down before charging it.
4. Charge the Nickel Metal Hydride battery cartridge when you do not use it for more than six months.

#### CAUTION:

- Always be sure that the tool is switched off and the battery cartridge is removed before adjusting or checking function on the tool.

#### Installing or removing battery cartridge (Fig. 1)

- Always switch off the tool before insertion or removal of the battery cartridge.
- To remove the battery cartridge, withdraw it from the tool while pressing the buttons on both sides of the cartridge.
- To insert the battery cartridge, align the tongue on the battery cartridge with the groove in the housing and slip it into place. Always insert it all the way until it locks in place with a little click. If not, it may accidentally fall out of the tool, causing injury to you or someone around you.
- Do not use force when inserting the battery cartridge. If the cartridge does not slide in easily, it is not being inserted correctly.

#### Switch action (Fig. 2)

##### CAUTION:

- Before inserting the battery cartridge into the tool, always check to see that the switch trigger actuates properly and returns to the “OFF” position when released.

To start the tool, simply pull the switch trigger. Tool speed is increased by increasing pressure on the switch trigger. Release the switch trigger to stop.

#### Reversing switch action (Fig. 3)

This tool has a reversing switch to change the direction of rotation. Depress the reversing switch lever from the A side for clockwise rotation or from the B side for counter-clockwise rotation.

When the reversing switch lever is in the neutral position, the switch trigger cannot be pulled.

##### CAUTION:

- Always check the direction of rotation before operation.
- Use the reversing switch only after the tool comes to a complete stop. Changing the direction of rotation before the tool stops may damage the tool.
- When not operating the tool, always set the reversing switch lever to the neutral position.


#### Speed change (Fig. 4)


To change the speed, first switch off the tool and then slide the speed change lever to the “2” side for high speed or “1” side for low speed. Be sure that the speed change lever is set to the correct position before operation. Use the right speed for your job.

##### CAUTION:

- Always set the speed change lever fully to the correct position. If you operate the tool with the speed change lever positioned halfway between the “1” side and “2” side, the tool may be damaged.
- Do not use the speed change lever while the tool is running. The tool may be damaged.

### Adjusting the fastening torque (Fig. 5)

The fastening torque can be adjusted in 17 steps by turning the adjusting ring so that its graduations are aligned with the pointer on the tool body. The fastening torque is minimum when the number 1 is aligned with the pointer, and maximum when the  marking is aligned with the pointer.

The clutch will slip at various torque levels when set at the number 1 to 16. The clutch is designed not to slip at the  marking.

Before actual operation, drive a trial screw into your material or a piece of duplicate material to determine which torque level is required for a particular application.

#### NOTE:

- The adjusting ring does not lock when the pointer is positioned only halfway between the graduations.

### ASSEMBLY

#### CAUTION:

- Always be sure that the tool is switched off and the battery cartridge is removed before carrying out any work on the tool.

### Installing or removing driver bit or drill bit (Fig. 6)

Hold the ring and turn the sleeve counterclockwise to open the chuck jaws. Place the bit in the chuck as far as it will go. Hold the ring firmly and turn the sleeve clockwise to tighten the chuck.

To remove the bit, hold the ring and turn the sleeve counterclockwise.

### OPERATION

#### Screwdriving operation (Fig. 7)

#### CAUTION:

- Adjust the adjusting ring to the proper torque level for your work.

Place the point of the driver bit in the screw head and apply pressure to the tool. Start the tool slowly and then increase the speed gradually. Release the switch trigger as soon as the clutch cuts in.

#### CAUTION:


- Make sure that the driver bit is inserted straight in the screw head, or the screw and/or bit may be damaged.

#### NOTE:

- When driving wood screws, predrill pilot holes to make driving easier and to prevent splitting of the workpiece. See the chart.

Nominal diameter of wood screw (mm)	Recommended size of pilot hole (mm)
3.1	2.0 – 2.2
3.5	2.2 – 2.5
3.8	2.5 – 2.8
4.5	2.9 – 3.2
4.8	3.1 – 3.4
5.1	3.3 – 3.6
5.5	3.7 – 3.9
5.8	4.0 – 4.2
6.1	4.2 – 4.4

#### Drilling operation

First, turn the adjusting ring so that the pointer points to the  marking. Then proceed as follows.

#### Drilling in wood

When drilling in wood, the best results are obtained with wood drills equipped with a guide screw. The guide screw makes drilling easier by pulling the bit into the workpiece.

#### Drilling in metal

To prevent the bit from slipping when starting a hole, make an indentation with a center-punch and hammer at the point to be drilled. Place the point of the bit in the indentation and start drilling.

Use a cutting lubricant when drilling metals. The exceptions are iron and brass which should be drilled dry.

#### CAUTION:

- Pressing excessively on the tool will not speed up the drilling. In fact, this excessive pressure will only serve to damage the tip of your bit, decrease the tool performance and shorten the service life of the tool.
- There is a tremendous force exerted on the tool/bit at the time of hole break through. Hold the tool firmly and exert care when the bit begins to break through the workpiece.
- A stuck bit can be removed simply by setting the reversing switch to reverse rotation in order to back out. However, the tool may back out abruptly if you do not hold it firmly.
- Always secure small workpieces in a vise or similar hold-down device.
- If the tool is operated continuously until the battery cartridge has discharged, allow the tool to rest for 15 minutes before proceeding with a fresh battery.

## MAINTENANCE

### CAUTION:

- Always be sure that the tool is switched off and the battery cartridge is removed before attempting to perform inspection or maintenance.
- Never use gasoline, benzene, thinner, alcohol or the like. Discoloration, deformation or cracks may result.

To maintain product SAFETY and RELIABILITY, repairs, any other maintenance or adjustment should be performed by Makita Authorized Service Centres, always using Makita replacement parts.

## ACCESSORIES

### CAUTION:

- These accessories or attachments are recommended for use with your Makita tool specified in this manual. The use of any other accessories or attachments might present a risk of injury to persons. Only use accessory or attachment for its stated purpose.

If you need any assistance for more details regarding these accessories, ask your local Makita Service Center.

- Drill bits
- Screw bits
- Various type of Makita genuine batteries and chargers
- Rubber pad assembly
- Wool bonnet
- Foam polishing pad
- Plastic carrying case

ENG103-4

### Noise

The typical A-weighted noise level determined according to EN60745:

Sound pressure level ( $L_{pA}$ ): 70 dB (A) or less  
Uncertainty (K): 3 dB (A)

The noise level under working may exceed 80 dB (A)

### Wear ear protection

ENG202-3

### Vibration

The vibration total value (tri-axial vector sum) determined according to EN60745:

Work mode: drilling into metal  
Vibration emission ( $a_{h,D}$ ): 2.5 m/s<sup>2</sup> or less  
Uncertainty (K): 1.5 m/s<sup>2</sup>

ENG901-1

- The declared vibration emission value has been measured in accordance with the standard test method and may be used for comparing one tool with another.
- The declared vibration emission value may also be used in a preliminary assessment of exposure.

### WARNING:

- The vibration emission during actual use of the power tool can differ from the declared emission value depending on the ways in which the tool is used.
- Be sure to identify safety measures to protect the operator that are based on an estimation of exposure in the actual conditions of use (taking account of all parts of the operating cycle such as the times when the tool is switched off and when it is running idle in addition to the trigger time).

ENH1001-14

## For European countries only

### EC Declaration of Conformity

**We Makita Corporation as the responsible manufacturer declare that the following Makita machine(s):**

Designation of Machine: Cordless Driver Drill  
Model No./ Type: 6260D, 6270D, 6280D, 6390D  
are of series production and

**Conforms to the following European Directives:**

2006/42/EC

And are manufactured in accordance with the following standards or standardised documents:

EN60745

The technical documentation is kept by our authorized representative in Europe who is:

Makita International Europe Ltd.  
Michigan Drive, Tongwell,  
Milton Keynes, MK15 8JD, England

30th January 2009



Tomoyasu Kato  
Director

Makita Corporation  
3-11-8, Sumiyoshi-cho,  
Anjo, Aichi, JAPAN

**Descriptif**

1 Bouton	7 Levier de changement de vitesse	12 Manchon
2 Batterie	8 Graduations	13 Bague
3 Gâchette	9 Bague de réglage	14 Serrer
4 Inverseur	10 Repère de perçage	
5 Vitesse réduite	11 Pointeur	
6 Grande vitesse		

**SPÉCIFICATIONS**

Modèle	6260D	6270D	6280D	6390D
Capacités				
Acier .....	10 mm	10 mm	10 mm	13 mm
Bois .....	21 mm	25 mm	25 mm	36 mm
Vis en bois .....	5,1 mm x 38 mm	5,1 mm x 63 mm	5,1 mm x 63 mm	6 mm x 75 mm
Vis à métaux .....	6 mm	6 mm	6 mm	6 mm
Vitesse à vide (min <sup>-1</sup> )				
Grande vitesse .....	0 – 1 200	0 – 1 200	0 – 1 200	0 – 1 200
Vitesse réduite .....	0 – 350	0 – 350	0 – 350	0 – 350
Longueur totale .....	192 mm	192 mm	192 mm	220 mm
Poids net .....	1,4 kg	1,5 kg	1,6 kg	2,1 kg
Tension nominale .....	9,6 VCC	12 VCC	14,4 VCC	18 VCC

- Étant donné l'évolution constante de notre programme de recherche et de développement, les spécifications contenues dans ce manuel sont sujettes à modification sans préavis.
- Les spécifications et la batterie peuvent être différentes suivant les pays.
- Poids, avec la batterie, conformément à la procédure EPTA-01/2003

**Utilisations**

L'outil est prévu pour le perçage et le vissage dans le bois, le métal et le plastique.

GEA010-1

**Consignes de sécurité générales pour outils électriques**

**⚠ MISE EN GARDE** Veuillez lire toutes les mises en garde et toutes les instructions. Il y a risque de choc électrique, d'incendie et/ou de blessure grave si les mises en garde et les instructions ne sont pas respectées.

**Conservez toutes les mises en garde et instructions pour référence ultérieure.**

GEB051-2

**CONSIGNES DE SÉCURITÉ POUR LA PERCEUSE SANS FIL**

1. **Utilisez la ou les poignée(s) auxiliaire(s), si l'outil en possède.** Toute perte de maîtrise comporte un risque de blessure.
2. **Saisissez l'outil électrique par ses surfaces de poigne isolées lorsque vous effectuez une opération au cours de laquelle l'outil tranchant peut entrer en contact avec un câble caché.** Le contact de l'outil tranchant avec un fil sous tension peut mettre les parties métalliques de l'outil électrique sous tension et causer un choc électrique chez l'utilisateur.

3. **Assurez-vous toujours de travailler en position stable.**  
**Lorsque vous utilisez l'outil dans un endroit élevé, assurez-vous qu'il n'y a personne en bas.**
4. **Tenez votre outil fermement.**
5. **Gardez les mains éloignées des pièces en rotation.**
6. **Ne laissez pas l'outil tourner. Ne le faites fonctionner que lorsque vous le tenez.**
7. **Ne touchez pas le foret ni la pièce tout de suite après la coupe, car ils seraient extrêmement chauds et pourraient vous brûler.**
8. **Certains matériaux contiennent des produits chimiques qui peuvent être toxiques. Prenez les précautions nécessaires pour ne pas inhaler les poussières qu'ils dégagent et pour éviter tout contact avec la peau. Conformez-vous aux consignes de sécurité du fabricant.**

**CONSERVEZ CES INSTRUCTIONS.**

**AVERTISSEMENT :**

**NE vous laissez PAS tromper (au fil d'une utilisation répétée) par un sentiment d'aisance et de familiarité avec le produit, en négligeant le respect rigoureux des consignes de sécurité qui accompagnent le produit en question. La MAUVAISE UTILISATION de l'outil ou l'ignorance des consignes de sécurité indiquées dans ce manuel d'instructions peut entraîner une blessure grave.**

ENC004-2

**CONSIGNES DE SÉCURITÉ IMPORTANTES**

**POUR LA BATTERIE**

1. **Avant d'utiliser la batterie, lisez toutes les instructions et précautions relatives (1) au chargeur de batterie, (2) à la batterie, et (3) à l'outil utilisant la batterie.**
2. **Ne démontez pas la batterie.**

3. Cessez immédiatement l'utilisation si le temps de fonctionnement devient excessivement court. Il y a risque de surchauffe, de brûlures, voire d'explosion.
4. Si l'électrolyte pénètre dans vos yeux, rincez-les à l'eau claire et consultez immédiatement un médecin. Il y a risque de perte de la vue.
5. Lorsque vous n'utilisez pas la batterie, recouvrez-en toujours les bornes avec le couvre-batterie.
6. Ne court-circuitez pas la batterie :
  - (1) Ne touchez les bornes avec aucun matériau conducteur.
  - (2) Évitez de ranger la batterie dans un conteneur avec d'autres objets métalliques, par exemple des clous, des pièces de monnaie, etc.
  - (3) N'exposez pas la batterie à l'eau ou à la pluie. Un court-circuit de la batterie pourrait provoquer un fort courant, une surchauffe, parfois des brûlures et même une panne.
7. Ne rangez pas l'outil ou la batterie dans des endroits où la température risque d'atteindre ou de dépasser 50°C.
8. Ne jetez pas la batterie au feu même si elle est sérieusement endommagée ou complètement épuisée. La batterie peut exploser au contact du feu.
9. Prenez garde d'échapper ou de heurter la batterie.
10. N'utilisez pas une batterie qui a été échappée ou heurtée.

## CONSERVEZ CES INSTRUCTIONS.

### Conseils pour assurer la durée de vie optimale de la batterie

1. Rechargez la batterie avant qu'elle ne soit complètement déchargée. Arrêtez toujours l'outil et rechargez la batterie quand vous remarquez que la puissance de l'outil diminue.
2. Ne rechargez jamais une batterie complètement chargée. La surcharge réduit la durée de service de la batterie.
3. Chargez la batterie alors que la température de la pièce se trouve entre 10°C et 40°C. Avant de charger une batterie chaude, laissez-la refroidir.
4. Chargez la batterie au nickel-hydrure métallique lorsqu'elle est restée inutilisée pendant plus de six mois.

### Protection de l'environnement (Pour la Suisse uniquement)

Afin de préserver l'environnement, rappez la batterie usagée aux postes de ramassage officiel.



## DESCRIPTION DU FONCTIONNEMENT

### ATTENTION :

- Assurez-vous toujours que l'outil est hors tension et que sa batterie est retirée avant de l'ajuster ou de vérifier son fonctionnement.

### Installation et retrait de la batterie (Fig. 1)

- Débranchez toujours l'outil avant d'installer ou de retirer la batterie.
- Pour enlever la batterie, sortez-la de l'outil en appuyant sur les boutons placés de chaque côté de la batterie.
- Pour insérer la batterie, alignez la languette de la batterie sur la rainure du logement, et glissez la batterie jusqu'à ce qu'elle se verrouille dans un déclic. Sinon, la batterie risque de tomber accidentellement, ce qui pourrait vous blesser, vous ou d'autres personnes alentour.
- Ne forcez jamais quand vous introduisez la batterie. Si la batterie ne rentre pas aisément, c'est que vous ne l'insérez pas correctement.

### Interrupteur (Fig. 2)

#### ATTENTION :

- Avant de mettre la batterie dans l'outil, vérifiez toujours que la gâchette fonctionne correctement et qu'elle revient sur la position "OFF" quand vous la relâchez.

Pour démarrer l'outil, tirez simplement sur la gâchette. Plus vous appuyez sur la gâchette, plus la vitesse augmente. Pour l'arrêter, relâchez la gâchette.

### Inverseur (Fig. 3)

L'outil possède un inverseur qui permet d'invertir le sens de rotation. Appuyez sur le levier de l'inverseur et déplacez-le à partir du côté A pour une rotation vers la droite, ou à partir du côté B pour une rotation vers la gauche.

Lorsque l'inverseur est à la position neutre, il n'est pas possible d'actionner la gâchette.

#### ATTENTION :

- Vérifiez toujours le sens de rotation avant de mettre l'outil en marche.
- N'actionnez l'inverseur qu'une fois que l'outil est complètement arrêté. Si vous changez le sens de rotation de l'outil avant l'arrêt de l'outil, vous risquez de l'endommager.
- Quand vous n'utilisez pas l'outil, ramenez toujours l'inverseur sur la position neutre.

### Changement de vitesse (Fig. 4)


Pour changer de vitesse, commencez par éteindre l'outil, puis déplacez le levier de changement de vitesse sur le côté "2" pour faire marcher l'outil à grande vitesse, ou sur le côté "1" pour le faire marcher à vitesse réduite. Vérifiez que le levier de changement de vitesse est réglé sur la bonne position avant le travail. Utilisez la vitesse qui convient pour le travail.


#### ATTENTION :

- Réglez toujours le levier de changement de vitesse à fond sur la position voulue. Si vous actionnez l'outil alors que le levier est placé à mi-chemin entre la position "1" et la position "2", vous risquez d'endommager l'outil.
- N'actionnez pas le levier de changement de vitesse pendant que l'outil fonctionne. Cela pourrait endommager l'outil.



### Réglage du couple de serrage (Fig. 5)

Le couple de serrage peut être réglé sur 17 crans à l'aide de la bague de réglage. Tournez la bague de façon que ses graduations soient alignées sur le pointeur du corps de l'outil. Le couple de serrage est minimal lorsque le chiffre 1 est aligné sur le pointeur, et il est maximal lorsque le repère  est aligné sur le pointeur.

L'embrayage glissera à différents niveaux de couple lorsque le couple est réglé entre 1 et 16. L'embrayage est conçu pour ne pas glisser au repère .

Avant de procéder, effectuez toujours un essai dans le matériau de travail ou dans un matériau analogue pour déterminer le temps de serrage qui convient pour le travail en question.

#### NOTE :

- La bague de réglage ne se verrouille pas lorsque le pointeur est placé entre les graduations.

### ASSEMBLAGE

#### ATTENTION :

- Assurez-vous toujours que l'outil est hors tension et que la batterie est sortie avant d'effectuer toute intervention sur l'outil.

### Installation et retrait de l'embout ou du foret (Fig. 6)

Tenez la bague et tournez le manchon vers la gauche pour ouvrir le mandrin. Enfoncez le foret dans le mandrin le plus loin qu'il aille. Tenez solidement la bague et tournez le manchon vers la droite pour serrer le mandrin. Pour retirer le foret, tenez la bague et tournez le manchon vers la gauche.

Lorsque vous n'utilisez pas le foret, rangez-le dans le porte-foret.

### EMPLOI

#### Vissage (Fig. 7)

#### ATTENTION :

- Ajustez la bague de réglage sur le niveau de couple qui convient au travail à effectuer.

Insérez la pointe de l'embout dans la tête de la vis et appuyez sur l'outil. Commencez par faire tourner l'outil lentement, puis augmentez la vitesse progressivement. Relâchez la gâchette dès que la vis est complètement enfoncée.

#### ATTENTION :


- Vérifiez que l'embout est bien enfoncé droit dans la tête de la vis, sinon la vis et/ou le foret risquent d'être endommagés.

#### NOTE:

- Pour enfoncer des vis en bois, le travail sera plus facile si vous commencez par percer des trous pilotes, et vous éviterez ainsi de fendre la pièce. Voyez le tableau ci-dessous.

Diamètre nominal de vis en bois (mm)	Dimension recommandée du trou pilote (mm)
3,1	2,0 – 2,2
3,5	2,2 – 2,5
3,8	2,5 – 2,8
4,5	2,9 – 3,2
4,8	3,1 – 3,4
5,1	3,3 – 3,6
5,5	3,7 – 3,9
5,8	4,0 – 4,2
6,1	4,2 – 4,4

#### Perçage

Tournez d'abord la bague de réglage de sorte que le pointeur indique le repère . Procédez ensuite comme suit.

#### Perçage dans du bois

Pour percer dans du bois, vous obtiendrez les meilleurs résultats avec un foret en bois doté d'une vis de guidage. La vis de guidage facilite le perçage en attirant le foret dans la pièce.

#### Perçage dans du métal

Pour que le foret ne glisse pas quand vous commencez à percer le trou, faites une entaille à l'aide d'un outil à centrer et d'un marteau. Placez la pointe du foret dans l'entaille et commencez à percer.

Pour percer des métaux, utilisez un lubrifiant de coupe. Seuls le fer et le cuivre devront être percés à sec.

#### ATTENTION :

- Vous ne percerez pas plus rapidement en appuyant plus fort sur l'outil. Au contraire, une pression excessive ne pourra qu'endommager la pointe du foret, réduisant ainsi les performances de l'outil et sa durée de vie.
- Il s'exerce une pression considérable sur l'outil/le foret au moment où le trou se perce. Tenez l'outil fermement et faites attention lorsque le foret commence à pénétrer dans la pièce.
- Pour retirer un foret coincé, il suffit de régler l'inverseur dans le sens de rotation inverse, ce qui fait ressortir le foret. Faites attention car l'outil risque de ressortir brusquement si vous ne le tenez pas fermement.
- Si les pièces sont petites, fixez-les toujours dans un étau ou tout autre dispositif de serrage similaire.
- Si l'outil a fonctionné de façon continue jusqu'à ce que la batterie soit déchargée, laissez l'outil reposer pendant 15 minutes avant de recommencer avec une batterie fraîche.

## ENTRETIEN

### ATTENTION :

- Assurez-vous toujours que l'outil est hors tension et que la batterie est sortie avant de procéder à son inspection ou à son entretien.
- N'utilisez jamais d'essence, benzine, diluant, alcool ou autre produit similaire. Cela risquerait de provoquer la décoloration, la déformation ou la fissuration de l'outil.

Pour maintenir la **SÉCURITÉ** et la **FIABILITÉ** du produit, les réparations, travaux d'entretien et autres réglages doivent être effectués dans un centre de service Makita agréé, exclusivement avec des pièces de rechange Makita.

## ACCESSOIRES

### ATTENTION :

- Ces accessoires ou pièces complémentaires sont recommandés pour l'utilisation avec l'outil Makita spécifié dans ce mode d'emploi. L'utilisation de tout autre accessoire ou pièce complémentaire peut comporter un risque de blessure. N'utilisez les accessoires ou pièces qu'aux fins auxquelles ils ont été conçus.

Si vous désirez obtenir plus de détails concernant ces accessoires, veuillez contacter le centre de service après-vente Makita le plus près.

- Forets
- Embouts de vis
- Les divers types de batteries et chargeurs Makita authentiques
- Ensemble de plateau caoutchouc
- Peau de mouton
- Plateau de polissage en mousse
- Mallette de transport en plastique

ENG103-4

### Bruit

Niveau de bruit pondéré A typique, déterminé selon EN60745 :

Niveau de pression sonore ( $L_{pA}$ ) : 70 dB (A) ou moins  
Incertitude (K) : 3 dB (A)

Le niveau de bruit en fonctionnement peut dépasser 80 dB (A)

### Porter des protecteurs anti-bruit

ENG202-3

### Vibrations

Valeur totale de vibrations (somme de vecteur triaxial) déterminée selon EN60745 :

Mode de travail : perçage dans le métal  
Émission de vibrations ( $a_{h,D}$ ) : 2,5 m/s<sup>2</sup> ou moins  
Incertitude (K) : 1,5 m/s<sup>2</sup>

ENG901-1

- La valeur d'émission de vibrations déclarée a été mesurée conformément à la méthode de test standard et peut être utilisée pour comparer les outils entre eux.
- La valeur d'émission de vibrations déclarée peut aussi être utilisée pour l'évaluation préliminaire de l'exposition.

## AVERTISSEMENT :

- L'émission de vibrations lors de l'usage réel de l'outil électrique peut être différente de la valeur d'émission déclarée, suivant la façon dont l'outil est utilisé.
- Les mesures de sécurité à prendre pour protéger l'utilisateur doivent être basées sur une estimation de l'exposition dans des conditions réelles d'utilisation (en tenant compte de toutes les composantes du cycle d'utilisation, comme par exemple le moment de sa mise hors tension, lorsqu'il tourne à vide et le moment de son déclenchement).

ENH101-14

## Pour les pays d'Europe uniquement

### Déclaration de conformité CE

**Makita Corporation, en tant que fabricant responsable, déclare que la ou les machines suivantes :**

Désignation de la machine : Perceuse-Visseuse sans Fil  
N° de modèle / Type : 6260D, 6270D, 6280D, 6390D  
sont produites en série et

**sont conformes aux Directives européennes suivantes :**

2006/42/CE

et qu'elles sont fabriquées conformément aux normes ou documents normalisés suivants :

EN60745

La documentation technique est conservée par notre représentant agréé en Europe, à savoir :

Makita International Europe Ltd.  
Michigan Drive, Tongwell,  
Milton Keynes, MK15 8JD, Angleterre

30 janvier 2009



Tomoyasu Kato  
Directeur

Makita Corporation  
3-11-8, Sumiyoshi-cho,  
Anjo, Aichi, JAPAN

**Übersicht**

1 Akku-Entriegelungsknopf	6 Hohe Drehzahl	11 Markierungspfeil
2 Akku	7 Drehzahlumschalter	12 Werkzeugverriegelung
3 Elektronikschalter	8 Teilstriche	13 Klemmring
4 Drehrichtungsumschalter	9 Einstellring	14 Anziehen
5 Niedrige Drehzahl	10 Bohrsymbol	

**TECHNISCHE DATEN**

Modell	6260D	6270D	6280D	6390D
Bohrleistung				
Stahl .....	10 mm	10 mm	10 mm	13 mm
Holz .....	21 mm	25 mm	25 mm	36 mm
Holzschraube .....	5,1 mm x 38 mm	5,1 mm x 63 mm	5,1 mm x 63 mm	6 mm x 75 mm
Maschinenschraube .....	6 mm	6 mm	6 mm	6 mm
Leerlaufdrehzahl (min <sup>-1</sup> )				
Hoch .....	0 – 1 200	0 – 1 200	0 – 1 200	0 – 1 200
Niedrig .....	0 – 350	0 – 350	0 – 350	0 – 350
Gesamtlänge .....	192 mm	192 mm	192 mm	220 mm
Nettogewicht .....	1,4 kg	1,5 kg	1,6 kg	2,1 kg
Nennspannung .....	DC 9,6 V	DC 12 V	DC 14,4 V	DC 18 V

- Wir behalten uns vor, Änderungen im Zuge der Entwicklung und des technischen Fortschritts ohne vorherige Ankündigung vorzunehmen.
- Die technischen Daten und der Blockakku können von Land zu Land unterschiedlich sein.
- Gewicht mit Akku nach EPTA-Verfahren 01/2003

**Vorgesehene Verwendung**

Das Maschine ist für Bohren und Schrauben in Holz, Metall und Kunststoff vorgesehen.

GEA010-1

6. Lassen Sie die Maschine nicht unbeaufsichtigt laufen. Benutzen Sie die Maschine nur mit Handhaltung.
7. Vermeiden Sie eine Berührung des Bohrereinsatzes oder des Werkstücks unmittelbar nach der Bearbeitung, weil sie dann noch sehr heiß sind und Hautverbrennungen verursachen können.
8. Manche Materialien können giftige Chemikalien enthalten. Treffen Sie Vorsichtsmaßnahmen, um das Einatmen von Arbeitsstaub und Hautkontakt zu verhüten. Befolgen Sie die Sicherheitsdaten des Materialherstellers.

**Allgemeine Sicherheitswarnungen für Elektrowerkzeuge**

**⚠ WARNUNG Lesen Sie alle Sicherheitswarnungen und Anweisungen durch.** Eine Missachtung der unten aufgeführten Warnungen und Anweisungen kann zu einem elektrischen Schlag, Brand und/oder schweren Verletzungen führen.

**Bewahren Sie alle Warnungen und Anweisungen für spätere Bezugnahme auf.**

GEB051-2

**BEWAHREN SIE DIESE HINWEISE SORGFÄLTIG AUF.**

**WARNUNG:**

Lassen Sie sich NICHT durch Bequemlichkeit oder Vertrautheit mit dem Produkt (durch wiederholten Gebrauch erworben) von der strikten Einhaltung der Sicherheitsregeln für das vorliegende Produkt abhalten. **MISSBRAUCH** oder Missachtung der Sicherheitsvorschriften in dieser Anleitung können schwere Verletzungen verursachen.

ENC004-2

**FÜR AKKU-BOHRER-SICHERHEITSWARNUNGEN**

1. Benutzen Sie (einen) Zusatzgriff(e), sofern er (sie) mit dem Werkzeug geliefert wurde(n). Verlust der Kontrolle kann Verletzungen verursachen.
2. Halten Sie Elektrowerkzeuge nur an den isolierten Griffflächen, wenn Sie Arbeiten ausführen, bei denen die Gefahr besteht, dass verborgene Kabel kontaktiert werden. Bei Kontakt mit einem Strom führenden Kabel können die freiliegenden Metallteile des Elektrowerkzeugs ebenfalls Strom führend werden, so dass der Benutzer einen elektrischen Schlag erleiden kann.
3. Achten Sie stets auf sicheren Stand. Vergewissern Sie sich bei Einsatz der Maschine an hochgelegenen Arbeitsplätzen, dass sich keine Personen darunter aufhalten.
4. Halten Sie die Maschine mit festem Griff.
5. Halten Sie die Hände von rotierenden Teilen fern.

**WICHTIGE SICHERHEITSVORSCHRIFTEN**

**FÜR AKKU**

1. Lesen Sie vor der Benutzung des Akkus alle Anweisungen und Warnhinweise, die an (1) Ladegerät, (2) Akku und (3) Akkuwerkzeug angebracht sind.
2. Unterlassen Sie ein Zerlegen des Akkus.
3. Falls die Betriebszeit beträchtlich kürzer geworden ist, stellen Sie den Betrieb sofort ein. Anderenfalls besteht die Gefahr von Überhitzung, möglichen Verbrennungen und sogar einer Explosion.
4. Falls Elektrolyt in Ihre Augen gelangt, waschen Sie sie mit sauberem Wasser aus, und begeben Sie sich unverzüglich in ärztliche Behandlung. Anderenfalls können Sie Ihre Sehkraft verlieren.

5. Decken Sie die Akkukontakte stets mit der Schutzkappe ab, wenn Sie den Akku nicht benutzen.
6. Der Akku darf nicht kurzgeschlossen werden:
  - (1) Die Kontakte dürfen nicht mit leitfähigem Material berührt werden.
  - (2) Lagern Sie den Akku nicht in einem Behälter zusammen mit anderen Metallgegenständen, wie z.B. Nägel, Münzen usw.
  - (3) Setzen Sie den Akku weder Wasser noch Regen aus.  
Ein Kurzschluss des Akkus verursacht starken Stromfluss, der Überhitzung, Verbrennungen und einen Defekt zur Folge haben kann.
7. Lagern Sie Maschine und Akku nicht an Orten, an denen die Temperatur 50°C erreichen oder überschreiten kann.
8. Versuchen Sie niemals, den Akku zu verbrennen, selbst wenn er stark beschädigt oder vollkommen verbraucht ist. Der Akku kann im Feuer explodieren.
9. Achten Sie darauf, dass der Akku nicht fallen gelassen oder Stößen ausgesetzt wird.
10. Verwenden Sie keinen Akku, der fallen gelassen oder erschüttert wurde.

## BEWAHREN SIE DIESE HINWEISE SORGFÄLTIG AUF.

### Hinweise zur Aufrechterhaltung der maximalen Akku-Nutzungsdauer

1. Laden Sie den Akku, bevor er vollkommen erschöpft ist.  
Schalten Sie die Maschine stets aus, und laden Sie den Akku, wenn Sie ein Nachlassen der Maschinenleistung feststellen.
2. Unterlassen Sie das erneute Laden eines voll aufgeladenen Akkus. Überladen führt zu einer Verkürzung der Nutzungsdauer des Akkus.
3. Laden Sie den Akku bei Raumtemperatur zwischen 10°C – 40°C. Lassen Sie einen heißen Akku abkühlen, bevor Sie ihn laden.
4. Der Nickel-Metallhydrid-Akku muss geladen werden, wenn er länger als sechs Monate nicht benutzt worden ist.

### Umweltschutz

Das Gerät ist mit einem Nickel-Cadmium-Akku ausgerüstet. Um eine umweltgerechte Entsorgung zu gewährleisten, bitten wir Sie, folgende Punkte zu beachten:

- Gemäß Europäischer Batterierichtlinie 91/157/EWG und nationaler Gesetzgebung (Batterieverordnung) muss der verbrauchte Akku bei einer öffentlichen Sammelstelle, bei Ihrem Makita Kundendienst oder Ihrem Fachhändler zum Recycling abgegeben werden.
- Werfen Sie den verbrauchten Akku nicht in den Hausmüll, ins Feuer oder ins Wasser.



(Nur für die Schweiz)

- Ihr Beitrag zum Umweltschutz: Bringen Sie bitte die gebrauchte Batterie an eine offizielle Sammelstelle zurück.

## FUNKTIONSBESCHREIBUNG

### VORSICHT:

- Vergewissern Sie sich vor der Durchführung von Einstellungen oder Funktionsprüfungen der Maschine stets, dass die Maschine ausgeschaltet und der Akku abgenommen ist.

### Anbringen und Abnehmen des Akkus (Abb. 1)

- Schalten Sie die Maschine stets aus, bevor Sie den Akku anbringen oder abnehmen.
- Zum Abnehmen des Akkus ziehen Sie ihn aus der Maschine heraus, während Sie die Entrieglungsknöpfe auf beiden Seiten drücken.
- Zum Einsetzen des Akkus richten Sie die Führungsfeder des Akkus auf die Nut im Maschinengehäuse aus und schieben den Akku hinein. Schieben Sie den Akku stets vollständig ein, bis er mit einem hörbaren Klicken einrastet. Anderenfalls kann er aus der Maschine herausfallen und Sie oder umstehende Personen verletzen.
- Wenden Sie beim Einsetzen des Akkus keine Gewalt an. Falls der Akku nicht reibungslos hineingleitet, ist er nicht richtig ausgerichtet.

### Schalterfunktion (Abb. 2)

#### VORSICHT:

- Vergewissern Sie sich vor dem Einsetzen des Akkus in die Maschine stets, dass der Elektronikschalter ordnungsgemäß funktioniert und beim Loslassen in die AUS-Stellung zurückkehrt.

Zum Einschalten der Maschine drücken Sie einfach den Elektronikschalter. Die Drehzahl erhöht sich durch verstärkte Druckausübung auf den Elektronikschalter. Zum Ausschalten lassen Sie den Elektronikschalter los.

### Drehrichtungsumschalter (Abb. 3)

Diese Maschine besitzt einen Drehrichtungsumschalter. Drücken Sie auf die Seite A des Drehrichtungsumschalters für Rechtsdrehung, und auf die Seite B für Linksdrehung.

In der Neutralstellung des Drehrichtungsumschalters ist der Elektronikschalter verriegelt.

#### VORSICHT:

- Prüfen Sie stets die Drehrichtung, bevor Sie mit der Arbeit beginnen.
- Betätigen Sie den Drehrichtungsumschalter erst, nachdem die Maschine zum vollkommenen Stillstand gekommen ist. Anderenfalls kann die Maschine beschädigt werden.
- Wenn Sie die Maschine nicht benutzen, stellen Sie den Drehrichtungsumschalter stets auf die Neutralstellung.


### Drehzahlumschalter (Abb. 4)

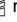
Um die Getriebeuntersetzung zu ändern, schalten Sie zunächst die Maschine aus, und dann schieben Sie den Drehzahlumschalter auf die Stellung "2" für hohe Drehzahl, oder auf die Stellung "1" für niedrige Drehzahl. Vergewissern Sie sich vor Arbeitsbeginn stets, dass sich der Drehzahlumschalter in der korrekten Stellung befindet. Verwenden Sie stets die geeignete Drehzahl für die jeweilige Arbeit.

### VORSICHT:

- Achten Sie stets darauf, dass sich der Drehzahlumschalter vollkommen in seiner jeweiligen Endposition befindet. Wird die Maschine bei einer Zwischenstellung des Schalters zwischen "1" und "2" betrieben, kann die Maschine beschädigt werden.
- Betätigen Sie den Drehzahlumschalter nicht während des Betriebs. Die Maschine kann sonst beschädigt werden.

### Einstellen des Drehmoments (Abb. 5)

Das Drehmoment kann in 17 Stufen eingestellt werden. Drehen Sie dazu den Einstellring so, dass der gewünschte Teilstrich auf den Markierungspfeil am Maschinengehäuse ausgerichtet ist. Stellung 1 ergibt das minimale Drehmoment, während das maximale Drehmoment erzielt wird, wenn der Markierungspfeil auf das Symbol  zeigt.

Die eingebaute Kupplung ist so konstruiert, dass sie bei Erreichen des vorgewählten Drehmoments zwischen 1 und 16 durchrutscht, während sie in der Stellung die Kraftübertragung nicht unterbricht. Die Kupplung ist so konstruiert, dass sie in der Stellung  nicht durchrutscht. Bevor Sie mit der eigentlichen Schraubarbeit beginnen, sollten Sie eine Probeverschraubung mit Ihrem Material oder einem Stück des gleichen Materials durchführen, um das geeignete Drehmoment zu ermitteln.

### HINWEIS:

- Der Einstellring rastet nicht ein, wenn sich der Markierungspfeil in einer Zwischenstellung befindet.

## MONTAGE

### VORSICHT:

- Vor Arbeiten am Gerät vergewissern Sie sich, dass sich der Schalter in der "OFF"-Position befindet und der Akku aus dem Gerät entfernt ist.

### Montage und Demontage von Einsatzwerkzeugen (Abb. 6)

Halten Sie den Klemmring fest und drehen Sie die Werkzeugverriegelung entgegen dem Uhrzeigersinn, um die Bohrfutterbacken zu öffnen. Führen Sie das Einsatzwerkzeug bis zum Anschlag in das Bohrfutter ein. Halten Sie den Klemmring fest und drehen Sie die Werkzeugverriegelung im Uhrzeigersinn, um das Bohrfutter festzuziehen.

Zum Entfernen des Einsatzwerkzeugs halten Sie den Klemmring und drehen die Werkzeugverriegelung entgegen dem Uhrzeigersinn.

## BETRIEB

### Schrauben (Abb. 7)

### VORSICHT:

- Stellen Sie mit dem Einstellring das korrekte Anzugsmoment für Ihre Arbeit ein.

Setzen Sie die Spitze des Schraubendrehereinsatzes in den Schraubenkopf ein und üben Sie Druck auf die Maschine aus. Lassen Sie die Maschine langsam anlaufen, und erhöhen Sie dann die Drehzahl allmählich. Lassen Sie den Elektronikschalter los, sobald die Kupplung ausrückt.

### VORSICHT:


- Achten Sie darauf, dass die Spitze des Schraubendrehereinsatzes senkrecht in den Schraubenkopf eingeführt wird, um eine Beschädigung von Schraube und/oder Einsatz zu vermeiden.

### HINWEIS:

- Beim Eindrehen von Holzschrauben ist das Bohren von Vorbohrungen zu empfehlen, um das Eindrehen zu erleichtern und Spaltung des Werkstücks zu vermeiden. Siehe die nachstehende Tabelle.

Nennendurchmesser der Holzschraube (mm)	Empfohlene Größe der Vorbohrung (mm)
3,1	2,0 – 2,2
3,5	2,2 – 2,5
3,8	2,5 – 2,8
4,5	2,9 – 3,2
4,8	3,1 – 3,4
5,1	3,3 – 3,6
5,5	3,7 – 3,9
5,8	4,0 – 4,2
6,1	4,2 – 4,4

### Bohren

Drehen Sie zunächst den Einstellring, bis der Zeiger auf das Symbol  zeigt. Gehen Sie dann folgendermaßen vor.

### Bohren in Holz

Beim Bohren in Holz lassen sich die besten Ergebnisse mit Holzbohrern erzielen, die mit einer Zentrierspitze ausgestattet sind. Die Zentrierspitze erleichtert das Bohren, da sie den Bohrer in das Werkstück hineinzieht.

### Bohren in Metall

Um Abrutschen des Bohrers beim Anbohren zu vermeiden, empfiehlt es sich, die Bohrstelle mit einem Zentrierkorn anzukörnen. Setzen Sie dann die Spitze des Bohrers in die Vertiefung und beginnen Sie mit dem Bohren.

Verwenden Sie Schneidflüssigkeit beim Bohren von Metall. Eisen und Messing sollten jedoch trocken gebohrt werden.

### VORSICHT:

- Übermäßige Druckausübung auf die Maschine bewirkt keine Beschleunigung der Bohrleistung. Im Gegenteil, übermäßiger Druck führt zu einer Beschädigung der Bohrspitze und damit zu einer Verringerung der Bohrerstandzeit sowie zu einer Verkürzung der Lebensdauer der Maschine.
- Beim Bohrungsdurchbruch wirkt ein hohes Rückdrehmoment auf Maschine und Bohrer. Halten Sie daher die Maschine mit festem Griff und lassen Sie Vorsicht walten, wenn der Bohrer im Begriff ist, aus dem Werkstück auszutreten.
- Ein festsitzender Bohrer lässt sich durch einfaches Umschalten der Drehrichtung wieder herausdrehen. Dabei sollten Sie aber die Maschine gut festhalten, damit sie nicht ruckartig herausgestoßen wird.
- Spannen Sie kleine Werkstücke stets in einen Schraubstock oder eine ähnliche Aufspannvorrichtung ein.

- Wenn die Maschine im Dauerbetrieb bis zur vollkommene Entladung des Akkus verwendet wurde, lassen Sie die Maschine vor dem Fortsetzen des Betriebs mit einem frischen Akku 15 Minuten lang abkühlen.

## WARTUNG

### VORSICHT:

- Vor Arbeiten am Gerät vergewissern Sie sich, dass sich der Schalter in der "OFF"-Position befindet und der Akku aus dem Gerät entfernt ist.
- Verwenden Sie auf keinen Fall Benzin, Benzol, Verdüner, Alkohol oder dergleichen. Solche Mittel können Verfärbung, Verformung oder Rissbildung verursachen.

Um die SICHERHEIT und ZUVERLÄSSIGKEIT dieses Produkts zu gewährleisten, sollten Reparaturen und andere Wartungs- oder Einstellarbeiten nur von Makita-Kundendienstzentren unter ausschließlicher Verwendung von Makita-Originalersatzteilen ausgeführt werden.

## ZUBEHÖR

### VORSICHT:

- Die folgenden Zubehörteile oder Vorrichtungen werden für den Einsatz mit der in dieser Anleitung beschriebenen Makita-Maschine empfohlen. Die Verwendung anderer Zubehörteile oder Vorrichtungen kann eine Verletzungsgefahr darstellen. Verwenden Sie Zubehörteile oder Vorrichtungen nur für ihren vorgesehenen Zweck.

Wenn Sie weitere Einzelheiten bezüglich dieser Zubehörteile benötigen, wenden Sie sich bitte an Ihre Makita-Kundendienststelle.

- Bohrereinsätze
- Schraubendrehereinsätze
- Verschiedene Original-Makita-Akkus und -Ladegeräte
- Schleifteller
- Lammfellhaube
- Schaumstoff-Polierscheibe
- Plastikkoffer

ENG103-4

## Geräusch

Typischer A-bewerteter Geräuschpegel ermittelt gemäß EN60745:

Schalldruckpegel ( $L_{pA}$ ): 70 dB (A) oder weniger  
 Ungewissheit (K): 3 dB (A)

Der Lärmpegel kann während des Betriebs 80 dB (A) überschreiten

## Gehörschutz tragen

ENG202-3

## Vibration

Vibrationsgesamt看wert (Drei-Achsen-Vektorsumme) ermittelt gemäß EN60745:

Arbeitsmodus: Bohren in Metall  
 Vibrationsemission ( $a_{h,D}$ ): 2,5 m/s<sup>2</sup> oder weniger  
 Ungewissheit (K): 1,5 m/s<sup>2</sup>

ENG901-1

- Der angegebene Vibrationsemissionswert wurde im Einklang mit der Standardprüfmethode gemessen und kann für den Vergleich zwischen Maschinen herangezogen werden.
- Der angegebene Vibrationsemissionswert kann auch für eine Vorbewertung des Gefährdungsgrads verwendet werden.

## WARNUNG:

- Die Vibrationsemission während der tatsächlichen Benutzung des Elektrowerkzeugs kann je nach der Benutzungsweise der Maschine vom angegebenen Emissionswert abweichen.
- Identifizieren Sie Sicherheitsmaßnahmen zum Schutz des Benutzers anhand einer Schätzung des Gefährdungsgrads unter den tatsächlichen Benutzungsbedingungen (unter Berücksichtigung aller Phasen des Arbeitszyklus, wie z. B. Ausschalt- und Leerlaufzeiten der Maschine zusätzlich zur Betriebszeit).

ENH101-14

## Nur für europäische Länder

### EG-Übereinstimmungserklärung

**Wir, die Firma Makita als verantwortlicher Hersteller, erklären, dass die folgende(n) Makita-Maschine(n):**

Bezeichnung der Maschine: Akku-Bohrschrauber  
 Modell-Nr./ Typ: 6260D, 6270D, 6280D, 6390D  
 der Serienproduktion entstammen und

**den folgenden europäischen Richtlinien entsprechen:**

2006/42/EG

und gemäß den folgenden Standards oder standardisierten Dokumenten hergestellt werden:

EN60745

Die technische Dokumentation befindet sich im Bestand unserer autorisierten Vertretung in Europa, nämlich:

Makita International Europe Ltd.

Michigan Drive, Tongwell,

Milton Keynes, MK15 8JD, England

30. Januar 2009



Tomoyasu Kato  
 Direktor

Makita Corporation  
 3-11-8, Sumiyoshi-cho,  
 Anjo, Aichi, JAPAN

**Visione generale**

1	Bottone	6	Velocità alta	11	Indice
2	Cartuccia batteria	7	Leva di cambio velocità	12	Manicotto
3	Interruttore	8	Graduazioni	13	Anello
4	Interruttore di inversione	9	Anello di regolazione	14	Per stringere
5	Velocità bassa	10	Segno di foratura		

**DATI TECNICI**

Modello	6260D	6270D	6280D	6390D
Capacità				
Acciaio .....	10 mm	10 mm	10 mm	13 mm
Legno .....	21 mm	25 mm	25 mm	36 mm
Vite per legno .....	5,1 mm x 38 mm	5,1 mm x 63 mm	5,1 mm x 63 mm	6 mm x 75 mm
Vite a ferro .....	6 mm	6 mm	6 mm	6 mm
Velocità a vuoto (min <sup>-1</sup> )				
Alta .....	0 – 1.200	0 – 1.200	0 – 1.200	0 – 1.200
Bassa .....	0 – 350	0 – 350	0 – 350	0 – 350
Lunghezza totale .....	192 mm	192 mm	192 mm	220 mm
Peso netto .....	1,4 kg	1,5 kg	1,6 kg	2,1 kg
Tensione nominale .....	C.c. 9,6 V	C.c. 12 V	C.c. 14,4 V	C.c. 18 V

- Per il nostro programma di ricerca e sviluppo continui, i dati tecnici sono soggetti a modifiche senza preavviso.
- I dati tecnici e la cartuccia batteria potrebbero differire da paese a paese.
- Peso, con batteria, secondo la Procedura EPTA 01/2003

**Utilizzo previsto**

Questo utensile è progettato per la foratura e l'avvitamento delle viti nel legno, metallo e plastica.

GEA010-1

**Avvertimenti generali per la sicurezza dell'utensile elettrico**

**⚠️ AVVERTIMENTO** Leggere tutti gli avvertimenti per la sicurezza e le istruzioni. La mancata osservanza degli avvertimenti e delle istruzioni può causare scosse elettriche, incendio e/o gravi incidenti.

**Conservare tutti gli avvertimenti e le istruzioni per riferimenti futuri.**

GEB051-2

**AVVERTIMENTI PER LA SICUREZZA TRAPANO A BATTERIA**

1. Usare il manico ausiliario, se è in dotazione all'utensile. La perdita di controllo può provocare lesioni personali.
2. Tenere gli utensili elettrici per le superfici di presa isolate quando si eseguono operazioni in cui l'utensile da taglio potrebbe fare contatto con fili elettrici nascosti. Se l'utensile da taglio entra in contatto con un filo elettrico "sotto tensione" mette "sotto tensione" le parti metalliche esposte dell'utensile, dando una scossa all'operatore.
3. Accertarsi sempre di avere i piedi appoggiati saldamente. Accertarsi che non ci sia nessuno sotto quando si usa l'utensile in un posto alto.
4. Tenere saldamente l'utensile.
5. Tenere le mani lontane dalle parti rotanti.
6. Non far funzionare l'utensile senza usarlo. Farlo funzionare soltanto tenendolo in mano.

7. Non toccare la punta del trapano o il pezzo da lavorare immediatamente dopo il lavoro, perché potrebbero essere estremamente caldi e causare bruciature.
8. Alcuni materiali contengono sostanze chimiche che potrebbero essere tossiche. Fare attenzione per evitarne l'inalazione o il contatto con la pelle. Osservare i dati per la sicurezza forniti dal produttore del materiale.

**CONSERVARE QUESTE ISTRUZIONI.**

**AVVERTIMENTO:**

NON lasciare che comodità o la familiarità d'utilizzo con il prodotto (acquisita con l'uso ripetuto) sostituisca la stretta osservanza delle norme di sicurezza. L'utilizzo SBAGLIATO o la mancata osservanza delle norme di sicurezza di questo manuale di istruzioni potrebbero causare lesioni serie.

ENC004-2

**ISTRUZIONI IMPORTANTI DI SICUREZZA**

**PER LA CARTUCCIA DELLA BATTERIA**

1. Prima di usare la cartuccia della batteria, leggere tutte le istruzioni e le avvertenze sul (1) carica-batteria, sulla (2) batteria e sul (3) prodotto che utilizza la batteria.
2. Non smontare la cartuccia della batteria.
3. Se il tempo di utilizzo è diventato molto corto, smettere immediatamente di usare l'utensile. Può risultare un rischio di surriscaldamento, possibili ustioni e addirittura un'esplosione.
4. Se l'elettrolita va negli occhi, risciacquarli con acqua pulita e rivolgersi immediatamente ad un medico. Può risultare la perdita della vista.
5. Coprire sempre i terminali della batteria con il coperchio della batteria quando non si usa la cartuccia della batteria.

6. **Non cortocircuitare la cartuccia della batteria:**
  - (1) Non toccare i terminali con qualche metallo conduttivo.
  - (2) Evitare di conservare la cartuccia della batteria in un contenitore con altri oggetti metallici come i chiodi, le monete, ecc.
  - (3) Non esporre la cartuccia della batteria all'acqua o alla pioggia.  
Un cortocircuito della batteria può causare un grande flusso di corrente, il surriscaldamento, possibili ustioni e addirittura un guasto.
7. **Non conservare l'utensile e la cartuccia della batteria in luoghi in cui la temperatura può raggiungere o superare i 50°C.**
8. **Non incenerire la cartuccia della batteria anche se è gravemente danneggiata o è completamente esaurita. La cartuccia della batteria può esplodere e provocare un incendio.**
9. **Fare attenzione a non lasciar cadere o a colpire la batteria.**
10. **Non usare una batteria che è caduta o che ha subito un colpo.**

## CONSERVARE QUESTE ISTRUZIONI.

### Suggerimenti per mantenere la durata massima della batteria

1. **Caricare la cartuccia della batteria prima che si scarichi completamente.**  
Smettere sempre di usare l'utensile e caricare la cartuccia della batteria quando si nota che la potenza dell'utensile è diminuita.
2. **Non ricaricare mai una cartuccia della batteria completamente carica. La sovraccarica riduce la durata della batteria.**
3. **Caricare la cartuccia della batteria con la temperatura ambiente da 10°C a 40°C. Lasciar raffreddare una cartuccia della batteria calda prima di caricarla.**
4. **Caricare la cartuccia della batteria all'idruro di nickel metallico quando non la si usa per più di sei mesi.**

### (Per la Svizzera soltanto)

#### Protezione dell'ambiente

La Vostra contribuzione per la protezione dell'ambiente:

Porta la batteria al collettivo ufficiale.



## DESCRIZIONE FUNZIONALE

### ATTENZIONE:

- Accertarsi sempre che l'utensile sia spento e che la batteria sia stata rimossa prima di regolare o di controllare il funzionamento dell'utensile.

## Installazione e rimozione della cartuccia batteria (Fig. 1)

- Spegnerne sempre l'utensile prima di inserire o di rimuovere la cartuccia batteria.
- Per rimuovere la cartuccia batteria, toglierla dall'utensile schiacciando i bottoni su entrambi i lati della batteria.
- Per inserire la cartuccia batteria, allineare l'appendice sulla cartuccia batteria con la scanalatura dell'alloggiamento e inserirla in posizione. Inserirla sempre completamente finché non si blocca con un piccolo scatto. In caso contrario, potrebbe cadere dall'utensile con pericolo di ferite per l'operatore o per chi gli è vicino.
- Non usare forza per inserire la cartuccia batteria. Se essa non entra facilmente, vuol dire che non è inserita correttamente.

## Funzionamento dell'interruttore (Fig. 2)

### ATTENZIONE:

- Prima di inserire la cartuccia batteria nell'utensile, accertarsi sempre che l'interruttore funzioni correttamente e ritorni sulla posizione "OFF" quando viene rilasciato.

Per avviare l'utensile, schiacciare semplicemente l'interruttore. La velocità dell'utensile aumenta con l'aumento della pressione del dito sull'interruttore. Rilasciare l'interruttore per fermare l'utensile.

## Funzionamento dell'interruttore di inversione (Fig. 3)

Questo utensile è dotato di un interruttore di inversione, per cambiare la direzione di rotazione. Schiacciare la leva dell'interruttore di inversione dal lato A per la rotazione in senso orario, oppure dal lato B per la rotazione in senso antiorario.

Quando la leva dell'interruttore si trova sulla posizione neutra, non è possibile schiacciare l'interruttore.

### ATTENZIONE:

- Controllare sempre la direzione di rotazione prima di usare l'utensile.
- Usare l'interruttore di inversione soltanto dopo che l'utensile si è fermato completamente. Il cambiamento della direzione di rotazione prima dell'arresto dell'utensile potrebbe danneggiarlo.
- Quando non si usa l'utensile, rimettere sempre la leva dell'interruttore di inversione sulla posizione neutra.

## Cambiamento della velocità (Fig. 4)


Per cambiare la velocità, spegnere prima l'utensile e spingere poi la leva di cambio velocità sul lato "2" per l'alta velocità o sul lato "1" per la bassa velocità. Accertarsi che la leva di cambio velocità sia sulla posizione corretta prima di usare l'utensile. Usare la velocità corretta adatta al lavoro.


### ATTENZIONE:

- Regolare sempre completamente sulla posizione corretta la leva di cambio velocità. Se si usa l'utensile con la leva di cambio velocità posizionata a metà tra il lato "1" e il lato "2", lo si potrebbe danneggiare.
- Non usare la leva di cambio velocità durante il funzionamento dell'utensile, perché si potrebbe danneggiarlo.



### Regolazione della coppia di serraggio (Fig. 5)

La coppia di serraggio può essere regolata in 17 passi girando l'anello di registro in modo da allineare le sue graduazioni con l'indice sul corpo dell'utensile. La coppia di serraggio è minima quando il numero 1 è allineato con l'indice, e massima quando con l'indice è allineato il segno .

La frizione scivola a vari livelli di coppia quando è regolata sui numeri da 1 a 16. La frizione è progettata in modo da non slittare al segno .

Prima di eseguire un lavoro, avvitare una vite di prova nel materiale o in un duplicato del materiale, in modo da determinare il livello di coppia necessario per quella particolare applicazione.

#### NOTA:

- L'anello di regolazione non si blocca quando l'indice è posizionato soltanto su un punto tra le graduazioni.

### MONTAGGIO

#### ATTENZIONE:

- Prima di effettuare ogni tipo di lavoro sull'utensile, assicuratevi sempre che essa sia spenta e che la batteria sia rimossa.

### Installazione o rimozione della punta dell'avvitatore o del trapano (Fig. 6)

Tenere fermo l'anello e girare il manicotto in senso antiorario per aprire le ganasce del mandrino. Inserire la punta nel mandrino finché non può andare più oltre. Tenere saldamente l'anello e girare il manicotto in senso orario per stringere il mandrino.

Per rimuovere la punta, tenere fermo l'anello e girare il manicotto in senso antiorario.

### OPERAZIONE

#### Operazione di avvitamento (Fig. 7)

##### ATTENZIONE:

- Regolare l'anello di regolazione al livello corretto di coppia per il lavoro.

Mettere la punta dell'avvitatore sulla testa della vite ed esercitare una pressione sull'utensile. Avviare l'utensile lentamente, aumentandone poi gradualmente la velocità. Rilasciare l'interruttore non appena la frizione si innesta.

##### ATTENZIONE:


- Accertarsi che la punta dell'avvitatore sia inserita dritta nella testa della vite, perché altrimenti si potrebbe danneggiare la vite e/o la punta.

#### NOTA:

- Per avvitare le viti per legno, praticare prima dei fori guida per facilitare l'avvitamento e prevenire lo scheggiamento del pezzo da lavorare. Vedere la tabella sotto.

Diametro nominale vite per legno (mm)	Diametro raccomandato foro guida (mm)
3,1	2,0 – 2,2
3,5	2,2 – 2,5
3,8	2,5 – 2,8
4,5	2,9 – 3,2
4,8	3,1 – 3,4
5,1	3,3 – 3,6
5,5	3,7 – 3,9
5,8	4,0 – 4,2
6,1	4,2 – 4,4

#### Operazione di foratura

Girare prima l'anello di regolazione in modo che l'indice sia puntato sul segno . Procedere poi come segue.

##### Foratura del legno

Forando il legno si ottengono i risultati migliori con le punte per legno dotate di viti guida. La vite guida facilita la foratura attirando la punta nel pezzo da lavorare.

##### Foratura del metallo

Per evitare che la punta scivoli quando si comincia il foro, fare una intaccatura con un punzone per centri e un martello sul punto da forare. Mettere poi la punta sull'intaccatura e cominciare a forare.

Per forare i metalli, usare un lubrificante di taglio. Le eccezioni sono il ferro e l'ottone, che devono essere trapanati a secco.

##### ATTENZIONE:

- Esercitando una pressione eccessiva sull'utensile non si accelera la foratura. Al contrario, tale pressione eccessiva può soltanto danneggiare la punta e ridurre le prestazioni e la vita dell'utensile.
- Quando la punta trapassa il materiale, l'utensile/punta vengono sottoposti ad una grandissima forza. Tenere saldamente l'utensile e stare molto attenti quando la punta sta per trapassare il materiale.
- Se la punta rimane incastrata, può essere rimossa usando l'interruttore di inversione per invertire la rotazione della punta per estrarla. L'utensile potrebbe però rinculare improvvisamente se non viene tenuto saldamente.
- Fissare sempre i piccoli pezzi da lavorare con una morsa od altro attrezzo simile per bloccarli.
- Se si fa funzionare continuamente l'utensile finché la cartuccia batteria si scarica, lasciarlo riposare per 15 minuti prima di continuare con un'altra batteria.

## MANUTENZIONE

ENG202-3

### ATTENZIONE:

- Prima di cercare di eseguire l'ispezione o la manutenzione, assicuratevi sempre che essa sia spenta e che la batteria sia rimossa.
- Mai usare benzina, benzene, solventi, alcol e altre sostanze simili. Potrebbero causare scolorimenti, deformazioni o crepe.

Per preservare la SICUREZZA e l'AFFIDABILITÀ del prodotto, le riparazioni, la manutenzione o la regolazione devono essere eseguite da un Centro Assistenza Makita autorizzato usando sempre ricambi Makita.

## ACCESSORI

### ATTENZIONE:

- Questi accessori o attrezzi sono consigliati per l'uso con l'utensile Makita specificato in questo manuale. L'impiego di altri accessori o attrezzi può costituire un rischio di lesioni alle persone. Usare gli accessori soltanto per il loro scopo prefissato.

Per ottenere maggiori dettagli su questi accessori, rivolgersi a un Centro Assistenza Makita autorizzato.

- Punte trapano
- Punte avvitatore
- Vari tipi di batterie e caricatori genuini Makita
- Gruppo tampone di gomma
- Cuffia di lana
- Tampone di smerigliatura di schiuma
- Valigetta di plastica

ENG103-4

## Rumore

Il tipico livello di rumore pesato A determinato secondo EN60745:

Livello pressione sonora ( $L_{pA}$ ): 70 dB (A) o meno  
Incertezza (K): 3 dB (A)

Il livello di rumore durante il lavoro potrebbe superare gli 80 dB (A)

**Indossare i paraorecchi**

## Vibrazione

Il valore totale di vibrazione (somma vettore triassiale) determinato secondo EN60745:

Modalità operativa: foratura del metallo  
Emissione di vibrazione ( $a_{n, D}$ ): 2,5  $m/s^2$  o meno  
Incertezza (K): 1,5  $m/s^2$

ENG901-1

- Il valore di emissione delle vibrazioni dichiarato è stato misurato conformemente al metodo di test standard, e può essere usato per paragonare un utensile con un altro.
- Il valore di emissione delle vibrazioni dichiarato può anche essere usato per una valutazione preliminare dell'esposizione.

## AVVERTIMENTO:

- L'emissione delle vibrazioni durante l'uso reale dell'utensile elettrico può differire dal valore di emissione dichiarato a seconda dei modi in cui viene usato l'utensile.
- Identificare le misure di sicurezza per la protezione dell'operatore basate sulla stima dell'esposizione nelle condizioni reali d'utilizzo (tenendo presente tutte le parti del ciclo operativo, come le volte in cui l'utensile viene spento e quando gira a vuoto, oltre al tempo di funzionamento).

ENH101-14

## Modello per l'Europa soltanto

### Dichiarazione CE di conformità

**Noi della Makita Corporation, come produttori responsabili, dichiariamo che le macchine Makita seguenti:**

Designazione della macchina:

Trapano-avvitatore a batteria

Modello No./Tipo: 6260D, 6270D, 6280D, 6390D

sono una produzione di serie e

**conformi alle direttive europee seguenti:**

2006/42/CE

E sono fabbricate conformemente ai seguenti standard o documenti standardizzati:

EN60745

La documentazione tecnica è tenuta dal nostro rappresentante autorizzato in Europa, che è:

Makita International Europe Ltd.

Michigan Drive, Tongwell,

Milton Keynes, MK15 8JD, England

30 gennaio 2009



Tomoyasu Kato  
Amministratore

Makita Corporation  
3-11-8, Sumiyoshi-cho,  
Anjo, Aichi, JAPAN

**Verklaring van algemene gegevens**

1 Knop	6 Hoog toerental	11 Wijzer
2 Accu	7 Toerentalschakelaar	12 Bus
3 Trekschakelaar	8 Schaalverdelingen	13 Ring
4 Omkeerschakelaar	9 Stelling	14 Vastdraaien
5 Laag toerental	10 Boormarkering	

**TECHNISCHE GEGEVENS**

Model	6260D	6270D	6280D	6390D
Capaciteiten				
Staal .....	10 mm	10 mm	10 mm	13 mm
Hout .....	21 mm	25 mm	25 mm	36 mm
Houtschroef .....	5,1 mm x 38 mm	5,1 mm x 63 mm	5,1 mm x 63 mm	6 mm x 75 mm
Kolom Schroef .....	6 mm	6 mm	6 mm	6 mm
Toerental onbelast (min <sup>-1</sup> )				
Hoog .....	0 – 1 200	0 – 1 200	0 – 1 200	0 – 1 200
Laag .....	0 – 350	0 – 350	0 – 350	0 – 350
Totale lengte .....	192 mm	192 mm	192 mm	220 mm
Netto gewicht .....	1,4 kg	1,5 kg	1,6 kg	2,1 kg
Nominale spanning .....	D.C. 9,6 V	D.C. 12 V	D.C. 14,4 V	D.C. 18 V

- In verband met ononderbroken research en ontwikkeling behouden wij ons het recht voor bovenstaande technische gegevens te wijzigen zonder voorafgaande kennisgeving.
- De technische gegevens de accu kunnen van land tot land verschillen.
- Gewicht, inclusief accu, volgens de EPTA-procedure 01/2003

**Doeleinden van gebruik**

Dit gereedschap is bedoeld voor het boren en het indraaien van schroeven in hout, metaal en plastic.

GEA010-1

**Algemene veiligheidswaarschuwingen voor elektrisch gereedschap**

**⚠ WAARSCHUWING** Lees alle veiligheidswaarschuwingen en alle instructies. Het niet volgen van de waarschuwingen en instructies kan leiden tot elektrische schokken, brand en/of ernstig letsel.

**Bewaar alle waarschuwingen en instructies om in de toekomst te kunnen raadplegen.**

GEB051-2

**VEILIGHEIDSWAARSCHUWINGEN VOOR SNOERLOZE BOORMACHINE**

1. **Gebruik de hulphandgreep/hulphandgrepen, als deze bij het gereedschap werden geleverd.** Als u de controle over het gereedschap verliest, kan dit leiden tot ernstig persoonlijk letsel.
2. **Houd elektrisch gereedschap vast aan het geïsoleerde oppervlak van de handgrepen wanneer u werkt op plaatsen waar het slijpaccessoire met verborgen bedrading in aanraking kan komen.** Wanneer het booraccessoire in aanraking komen met onder spanning staande draden, zullen de niet-geïsoleerde metalen delen van het gereedschap onder spanning komen te staan zodat de gebruiker een elektrische schok kan krijgen.

3. **Zorg ervoor dat u altijd stevige steun voor de voeten hebt.**  
**Controleer of er zich niemand beneden u bevindt wanneer u het gereedschap op een hoge plaats gaat gebruiken.**
4. **Houd het gereedschap stevig vast.**
5. **Houd uw handen uit de buurt van de draaiende onderdelen.**
6. **Laat het gereedschap niet achter terwijl het nog in bedrijf is. Bedien het gereedschap alleen wanneer u het met beide handen vasthoudt.**
7. **Raak de boor of het werkstuk niet aan onmiddellijk na het gebruik; deze kunnen erg heet zijn en brandwonden veroorzaken.**
8. **Sommige materialen bevatten chemische stoffen die giftig kunnen zijn. Neem de nodige voorzorgsmaatregelen tegen inademing van stof en contact met de huid. Volg de veiligheidsinstructies van de leverancier van het materiaal op.**

**BEWAAR DEZE VOORSCHRIFTEN.**

**WAARSCHUWING:**

**Laat u NIET misleiden door een vals gevoel van comfort en bekendheid met het gereedschap (na veelvuldig gebruik) en neem alle veiligheidsvoorschriften van het betreffende gereedschap altijd strikt in acht. VERKEERD GEBRUIK of het niet naleven van de veiligheidsvoorschriften in deze gebruiksaanwijzing kan leiden tot ernstige verwondingen.**

## **BELANGRIJKE VEILIGHEIDSVOORSCHRIFTEN**

### **VOOR ACCU**

1. Lees alle voorschriften en waarschuwingen op (1) de acculader, (2) de accu, en (3) het product waarvoor de accu wordt gebruikt, aandachtig door alvorens de acculader in gebruik te nemen.
2. Neem de accu niet uit elkaar.
3. Als de gebruikstijd van een opgeladen accu aanzienlijk korter is geworden, moet u het gebruik ervan onmiddellijk stopzetten. Voortgezet gebruik kan oververhitting, brandwonden en zelfs een ontploffing veroorzaken.
4. Als er elektrolyt in uw ogen is terechtgekomen, spoel dan uw ogen met schoon water en roep onmiddellijk de hulp van een dokter in. Elektrolyt in de ogen kan blindheid veroorzaken.
5. Bedek de accuklemmen altijd met de accukap wanneer u de accu niet gebruikt.
6. Voorkom kortsluiting van de accu:
  - (1) Raak de accuklemmen nooit aan met een geleidend materiaal.
  - (2) Bewaar de accu niet in een bak waarin andere metalen voorwerpen zoals spijkers, munten e.d. worden bewaard.
  - (3) Stel de accu niet bloot aan water of regen. Kortsluiting van de accu kan oorzaak zijn van een grote stroomafgifte, oververhitting, brandwonden, en zelfs defecten.
7. Bewaar het gereedschap en de accu niet op plaatsen waar de temperatuur kan oplopen tot 50°C of hoger.
8. Werp de accu nooit in het vuur, ook niet wanneer hij zwaar beschadigd of volledig versleten is. De accu kan namelijk ontploffen in het vuur.
9. Wees voorzichtig dat u de accu niet laat vallen en hem niet blootstelt aan schokken of stoten.
10. Gebruik een accu niet meer nadat deze is gevalen of gestoten.

### **BEWAAR DEZE VOORSCHRIFTEN.**

#### **Tips voor een maximale levensduur van de accu**

1. Laad de accu op voordat hij volledig ontladen is. Stop het gebruik van het gereedschap en laad de accu op telkens wanneer u vaststelt dat het vermogen van het gereedschap is afgenomen.
2. Laad een volledig opgeladen accu nooit opnieuw op. Als u de accu te veel oplaadt, zal hij minder lang meegaan.
3. Laad de accu op bij een kamertemperatuur tussen 10°C en 40°C. Laat een warme accu afkoelen alvorens hem op te laden.
4. Laad de nikkel-metaalhydride accu op telkens wanneer u hem langer dan zes maanden niet hebt gebruikt.

### **LET OP:**

- Zorg altijd dat het gereedschap is uitgeschakeld en de accu ervan is verwijderd alvorens de functies op het gereedschap af te stellen of te controleren.

### **Installeren of verwijderen van de accu (Fig. 1)**

- Schakel het gereedschap altijd uit alvorens de accu te installeren of te verwijderen.
- Om de accu te verwijderen, neemt u deze uit het gereedschap terwijl u de knoppen aan beide zijden van de accu indrukt.
- Om de accu te installeren, past u de rug op de accu in de groef in de behuizing van het gereedschap, en dan schuift u de accu naar binnen. Schuif de accu zo ver mogelijk erin, totdat deze met een klikgeluid vergrendelt. Indien u dit niet doet, kan de accu per ongeluk uit het gereedschap vallen en uzelf of anderen verwonden.
- Als de accu moeilijk in de houder gaat, moet u niet proberen hem met geweld erin te duwen. Indien de accu er niet gemakkelijk ingaat, betekent dit dat u hem niet op de juiste wijze erin steekt.

### **Werking van de trekschakelaar (Fig. 2)**

#### **LET OP:**

- Alvorens de accu in het gereedschap te plaatsen, moet u altijd controleren of de trekschakelaar juist werkt en bij het loslaten naar de "OFF" positie terugkeert.

Om het gereedschap in te schakelen, drukt u gewoon de trekschakelaar in. Hoe dieper de trekschakelaar wordt ingedrukt, hoe sneller het gereedschap draait. Om het gereedschap uit te schakelen, de trekschakelaar loslaten.

### **Werking van de omkeerschakelaar (Fig. 3)**

Dit gereedschap heeft een omkeerschakelaar voor het veranderen van de draairichting. Druk de omkeerschakelaar in vanaf zijde A voor rechtse draairichting, of vanaf zijde B voor linkse draairichting.

Wanneer deze schakelaar in de neutrale stand staat, kan de trekschakelaar niet worden ingedrukt.

#### **LET OP:**

- Controleer altijd de draairichting alvorens het gereedschap te gebruiken.
- Verander de stand van de omkeerschakelaar alleen nadat het gereedschap volledig tot stilstand is gekomen. Indien u de draairichting verandert terwijl de boor nog draait, kan het gereedschap beschadigd raken.
- Zet de omkeerschakelaar altijd in de neutrale stand wanneer u het gereedschap niet gebruikt.



### Veranderen van het toerental (Fig. 4)

Om het toerental te veranderen, schakelt u eerst het gereedschap uit en dan schuift u de toerentalschakelaar naar de "2" zijde voor hoog toerental, of naar de "1" zijde voor laag toerental. Zorg ervoor dat de toerentalschakelaar in de juiste stand staat alvorens met het werk te beginnen. Gebruik het toerental dat geschikt is voor uw werk.

#### LET OP:

- Schuif de toerentalschakelaar altijd volledig naar de juiste positie. Als u het gereedschap gebruikt met de toerentalschakelaar halverwege tussen de "1" en "2" posities, kan het gereedschap beschadigd raken.
- Verschuif de toerentalschakelaar niet terwijl het gereedschap draait. Hierdoor kan het gereedschap beschadigd raken.

### Instellen van het draaimoment (Fig. 5)

Het draaimoment kan worden ingesteld in 17 stappen door de stelling zodanig te draaien dat zijn schaalverdelingen overeenkomen met de wijzer op het huis van het gereedschap. Het draaimoment is minimaal wanneer het cijfer 1 met de wijzer overeenkomt, en is maximaal wanneer de  markering met de wijzer overeenkomt. Wanneer de stelling op een cijfer van 1 tot 16 is ingesteld, zal de koppeling bij verschillende draaimomentniveaus slippen. De koppeling is ontworpen om niet te slippen bij de  markering.

Alvorens met het eigenlijke werk te beginnen, moet u het geschikte draaimoment bepalen door een proefschroef in uw werkstuk of in een ander stuk van hetzelfde materiaal te schroeven.

#### OPMERKING:

- De stelling vergrendelt niet wanneer de wijzer halverwege tussen de schaalverdelingen is geplaatst.

## INNEENZETTEN

#### LET OP:

- Controleer altijd of het gereedschap is uitgeschakeld en de accu is losgekoppeld vooraleer onderhoud uit te voeren aan het gereedschap.

### Installeren of verwijderen van de schroefbit of boor (Fig. 6)

Houd de ring vast en draai de bus naar links om de klauwen van de boorkop te openen. Steek de boor zo ver mogelijk in de boorkop. Houd daarna de ring weer stevig vast en draai de bus naar rechts om de boorkop vast te zetten.

Om de boor te verwijderen, houdt u de ring vast en draait u de bus naar links.

## BEDIENING

### Indraaien van schroeven (Fig. 7)

#### LET OP:

- Stel de stelling in op het draaimomentniveau dat geschikt is voor uw werk.

Plaats de punt van de schroefbit in de schroefkop en oefen druk op het gereedschap uit. Begin met lage snelheid en voer dan de snelheid geleidelijk op. Laat de trekshakelaar los zodra de koppeling ingrijpt.

#### LET OP:


- Zorg ervoor dat u de schroefbit recht op de schroefkop plaatst, aangezien anders de schroef en/of de schroefbit beschadigd kan worden.

#### OPMERKING:

- Wanneer u houtschroeven indraait, maak dan voorboorgaten in het hout. Dit vergemakkelijkt het inschroeven en voorkomt dat het hout splijt. Zie de onderstaande tabel.

Nominale diameter van houtschroef (mm)	Aanbevolen diameter van voorboorgat (mm)
3,1	2,0 – 2,2
3,5	2,2 – 2,5
3,8	2,5 – 2,8
4,5	2,9 – 3,2
4,8	3,1 – 3,4
5,1	3,3 – 3,6
5,5	3,7 – 3,9
5,8	4,0 – 4,2
6,1	4,2 – 4,4

### Boren

Draai eerst de stelling zodat de wijzer naar de  markering wijst. Ga daarna als volgt te werk.

#### Boren in hout

Voor boren in hout krijgt u de beste resultaten met houtboren die voorzien zijn van een geleideschroef. Het boren gaat dan gemakkelijker aangezien de geleideschroef de boor in het hout trekt.

#### Boren in metaal

Om te voorkomen dat de boor slijpt wanneer u begint te boren, moet u van te voren met een drevel een deukje in het metaal slaan op de plaats waar u wilt boren. Plaats vervolgens de boorpunt in het deukje en start het boren. Gebruik altijd boorolie wanneer u in metaal boort. De enige uitzonderingen zijn ijzer en koper die droog geboord dienen te worden.

#### LET OP:

- Door overmatige druk op het gereedschap uit te oefenen verloopt het boren niet sneller. Integendeel, teveel druk op het gereedschap zal alleen maar de boorpunt beschadigen, de prestatie van het gereedschap verminderen en de gebruiksduur verkorten.
- Wanneer de boor uit het gaatje tevoorschijn komt, wordt een enorme kracht uitgeoefend op het gereedschap en op de boor. Houd daarom het gereedschap stevig vast en wees op uw hoede wanneer de boor door het werkstuk begint te dringen.
- Wanneer de boor klemraakt, keert u met de omkeerschakelaar de draairichting om, om de boor uit het gaatje te krijgen. Het gereedschap kan echter plotseling terugspringen indien u het niet stevig vasthoudt.
- Kleine werkstukken dient u altijd eerst vast te zetten in een klemschroef of iets dergelijks.
- Indien het gereedschap ononderbroken wordt gebruikt totdat de accu is ontladen, dient u het gereedschap 15 minuten te laten rusten alvorens met een nieuwe accu verder te werken.

## ONDERHOUD

ENG202-3

### LET OP:

- Controleer altijd of het gereedschap is uitgeschakeld en de accu is losgekoppeld voordat u begint met inspectie of onderhoud.
- Gebruik nooit benzine, wasbenzine, thinner, alcohol en dergelijke. Hierdoor het verkleuring, vervormingen en barsten worden veroorzaakt.

Om de VEILIGHEID en BETROUWBAARHEID van het product te handhaven, dienen alle reparaties en alle andere onderhoudswerkzaamheden of afstellingen te worden uitgevoerd door een erkend Makita Servicecentrum, en dat uitsluitend met gebruik van Makita vervangingsonderdelen.

## ACCESSOIRES

### LET OP:

- Deze accessoires of hulpstukken worden aanbevolen voor gebruik met het Makita gereedschap dat in deze gebruiksaanwijzing is beschreven. Bij gebruik van andere accessoires of hulpstukken bestaat er gevaar voor persoonlijke verwonding. Gebruik de accessoires of hulpstukken uitsluitend voor hun bestemde doel.

Raadpleeg het dichtstbijzijnde Makita Servicecentrum voor verder advies of bijzonderheden omtrent deze accessoires.

- Boren
- Schroefbits
- Diverse types originele Makita accu's en acculaders
- Rubber steunschijf set
- Wollen poetschijf
- Schuimrubber polijstkussen
- Plastic draagkoffer

ENG103-4

## Geluidsniveau

De typisch, A-gewogen geluidsniveaus vastgesteld volgens EN60745:

Geluidsdrukniveau ( $L_{pA}$ ): 70 dB (A) of lager  
Onnauwkeurigheid (K): 3 dB (A)

Tijdens het werken kan het geluidsniveau 80 dB (A) overschrijden

### Draag oorbeschermers

## Trilling

De totaalwaarde van de trillingen (triaxiale vectorsom) vastgesteld volgens EN60745:

Toepassing: boren in metaal  
Trillingsemmissie ( $a_{h,D}$ ): 2,5 m/s<sup>2</sup> of lager  
Onnauwkeurigheid (K): 1,5 m/s<sup>2</sup>

ENG901-1

- De opgegeven trillingsemmissiewaarde is gemeten volgens de standaardtestmethode en kan worden gebruikt om dit gereedschap te vergelijken met andere gereedschappen.
- De opgegeven trillingsemmissiewaarde kan ook worden gebruikt voor een beoordeling vooraf van de blootstelling.

## WAARSCHUWING:

- De trillingsemmissie tijdens het gebruik van het elektrische gereedschap in de praktijk kan verschillen van de opgegeven trillingsemmissiewaarde afhankelijk van de manier waarop het gereedschap wordt gebruikt.
- Zorg ervoor dat veiligheidsmaatregelen worden getroffen ter bescherming van de operator die zijn gebaseerd op een schatting van de blootstelling onder praktijkomstandigheden (rekening houdend met alle fasen van de bedrijfscyclus, zoals de tijdsduur gedurende welke het gereedschap is uitgeschakeld en stationair draait, naast de ingeschakelde tijdsduur).

ENH101-14

## Aleen voor Europese landen

### EU-Verklaring van Conformiteit

**Wij, Makita Corporation, als de verantwoordelijke fabrikant, verklaren dat de volgende Makita-machine(s):**

Aanduiding van de machine: Snoerloze schroeven-draaier

Modelnr./Type: 6260D, 6270D, 6280D, 6390D  
in serie zijn geproduceerd en

**Voldoen aan de volgende Europese richtlijnen:**  
2006/42/EC

En zijn gefabriceerd in overeenstemming met de volgende normen of genormaliseerde documenten:  
EN60745

De technische documentatie wordt bewaard door onze erkende vertegenwoordiger in Europa, te weten:

Makita International Europe Ltd.  
Michigan Drive, Tongwell,  
Milton Keynes, MK15 8JD, Engeland

30 januari 2009



Tomoyasu Kato  
Directeur

Makita Corporation  
3-11-8, Sumiyoshi-cho,  
Anjo, Aichi, JAPAN

**Explicación de los dibujos**

1 Botón	7 Conmutador de cambio de velocidad	12 Mandril
2 Cartucho de batería	8 Graduaciones	13 Anillo
3 Interruptor de gatillo	9 Anillo de ajuste	14 Apretar
4 Conmutador de inversión	10 Marca para taladrado	
5 Baja velocidad	11 Puntero	
6 Alta velocidad		

**ESPECIFICACIONES**

Modelo	6260D	6270D	6280D	6390D
Capacidades				
Acero .....	10 mm	10 mm	10 mm	13 mm
Madera .....	21 mm	25 mm	25 mm	36 mm
Tornillo para madera .....	5,1 mm x 38 mm	5,1 mm x 63 mm	5,1 mm x 63 mm	6 mm x 75 mm
Tornillo para máquina .....	6 mm	6 mm	6 mm	6 mm
Velocidad en vacío (min <sup>-1</sup> )				
Alta .....	0 – 1.200	0 – 1.200	0 – 1.200	0 – 1.200
Baja .....	0 – 350	0 – 350	0 – 350	0 – 350
Longitud total .....	192 mm	192 mm	192 mm	220 mm
Peso neto .....	1,4 kg	1,5 kg	1,6 kg	2,1 kg
Tensión nominal .....	CC 9,6 V	CC 12 V	CC 14,4 V	CC 18 V

- Debido a un programa continuo de investigación y desarrollo, las especificaciones aquí dadas están sujetas a cambios sin previo aviso.
- Las especificaciones y el cartucho de batería pueden diferir de país a país.
- Peso, con el cartucho de batería, de acuerdo con el procedimiento EPTA 01/2003

**Uso previsto**

La herramienta ha sido prevista para taladrar y atornillar en madera, metal y plástico.

GEA010-1

**Advertencias de seguridad generales para herramientas eléctricas**

**⚠ ADVERTENCIA** Lea todas las advertencias de seguridad y todas las instrucciones. Si no sigue todas las advertencias e instrucciones podrá ocasionar una descarga eléctrica, un incendio y/o heridas graves.

**Guarde todas las advertencias e instrucciones para futuras referencias.**

GEB051-2

**ADVERTENCIAS DE SEGURIDAD PARA EL TALADRO INALÁMBRICO**

1. Utilice el mango(s) auxiliar, si se suministra con la herramienta. Una pérdida del control puede ocasionar heridas personales.
2. Cuando realice una operación en la que el accesorio de corte pueda entrar en contacto con cableado oculto, sujete las herramientas eléctricas por las superficies de asimiento aisladas. El contacto del accesorio de corte con un cable con corriente hará que la corriente circule por las partes metálicas expuestas de la herramienta eléctrica y podrá soltar una descarga eléctrica al operario.

3. **Asegúrese siempre de pisar sobre suelo firme. Asegúrese de que no haya nadie debajo cuando utilice la herramienta en lugares altos.**
4. **Sujete firmemente la herramienta.**
5. **Mantenga las manos alejadas de las partes giratorias.**
6. **No deje la herramienta funcionando. Téngala en marcha solamente cuando esté es sus manos.**
7. **No toque la broca o la pieza de trabajo inmediatamente después de haber trabajado con ellas; podrían estar muy calientes y producirle quemaduras en la piel.**
8. **Algunos materiales contienen sustancias químicas que podrán ser tóxicas. Tenga precaución para evitar la inhalación de polvo y el contacto con la piel. Siga los datos de seguridad del abastecedor del material.**

**GUARDE ESTAS INSTRUCCIONES.**

**ADVERTENCIA:**

**NO** deje que la comodidad o familiaridad con el producto (a base de utilizarlo repetidamente) sustituya la estricta observancia de las normas de seguridad para el producto en cuestión. El **MAL USO** o el no seguir las normas de seguridad establecidas en este manual de instrucciones podrá ocasionar graves heridas personales.

**INSTRUCCIONES DE SEGURIDAD IMPORTANTES****PARA EL CARTUCHO DE BATERÍA**

1. Antes de utilizar el cartucho de batería, lea todas las instrucciones e indicaciones de precaución sobre (1) el cargador de baterías, (2) la batería, y (3) el producto con el que se utiliza la batería.
2. No desarme el cartucho de batería.
3. Si el tiempo de uso del cartucho de batería se acorta demasiado, deje de usarlo inmediatamente. Podría resultar en un riesgo de recalentamiento, posibles quemaduras e incluso una explosión.
4. Si entra electrólito en sus ojos, aclárelos con agua limpia y vea a un médico inmediatamente. Existe el riesgo de poder perder la vista.
5. Cubra siempre los terminales de la batería con la tapa de la batería cuando no esté usando el cartucho de batería.
6. No cortocircuite el cartucho de batería:
  - (1) No toque los terminales con ningún material conductor.
  - (2) Evite guardar el cartucho de batería en un cajón junto con otros objetos metálicos, tales como clavos, monedas, etc.
  - (3) No exponga el cartucho de batería al agua ni a la lluvia.  
Un cortocircuito en la batería puede producir una gran circulación de corriente, un recalentamiento, posibles quemaduras e incluso una rotura de la misma.
7. No guarde la herramienta ni el cartucho de batería en lugares donde la temperatura pueda alcanzar o exceder los 50°C.
8. Nunca incinere el cartucho de batería incluso en el caso de que esté dañado seriamente o ya no sirva en absoluto.  
El cartucho de batería puede explotar si se tira al fuego.
9. Tenga cuidado de no dejar caer ni golpear el cartucho de batería.
10. No utilice una batería que haya dejado caer o golpeado.

**GUARDE ESTAS INSTRUCCIONES.****Consejos para alargar al máximo la vida de servicio de la batería**

1. Cargue el cartucho de batería antes de que se descargue completamente.  
Pare siempre la operación y cargue el cartucho de batería cuando note menos potencia en la herramienta.
2. No cargue nunca un cartucho de batería que esté completamente cargado.  
La sobrecarga acortará la vida de servicio de la batería.
3. Cargue el cartucho de batería a temperatura ambiente de 10°C – 40°C. Si un cartucho de batería está caliente, déjelo enfriar antes de cargarlo.
4. Cargue el cartucho de batería de hidruro metálico de níquel cuando no lo utilice durante más de seis meses.

**PRECAUCIÓN:**

- Asegúrese siempre de que la herramienta esté apagada y el cartucho de batería extraído antes de realizar cualquier ajuste o comprobación en la herramienta.

**Instalación o extracción del cartucho de batería (Fig. 1)**

- Antes de insertar o retirar el cartucho de batería, asegúrese siempre de desconectar la herramienta.
- Para retirar el cartucho de batería, sáquelo de la herramienta mientras presiona los botones a cada lado del mismo.
- Para insertar el cartucho de batería, alinee la lengüeta del cartucho de batería con la acanaladura en el alojamiento y deslícelo hasta alojarlo en su lugar. Insértelo siempre a fondo hasta que quede bloqueado produciendo un ligero chasquido. En caso contrario, podría caerse accidentalmente de la herramienta y causarle heridas a usted o a alguien que se encuentre cerca de usted.
- No fuerce la introducción del cartucho de batería. Si el cartucho no se desliza hacia dentro fácilmente, quiere decir que no está siendo insertado correctamente.

**Accionamiento del interruptor (Fig. 2)****PRECAUCIÓN:**

- Antes de insertar el cartucho de batería, compruebe siempre para ver si el interruptor de gatillo se acciona correctamente y regresa a la posición "OFF" cuando se libera.

Para encender la herramienta, simplemente presione el gatillo. La velocidad de la herramienta aumenta incrementando la presión ejercida en el gatillo. Suelte el gatillo para parar.

**Accionamiento del conmutador de inversión (Fig. 3)**

Esta herramienta tiene un conmutador de inversión para cambiar la dirección de rotación. Presione el conmutador de inversión del lado A para que gire hacia la derecha o del lado B para que gire hacia la izquierda.

Cuando el conmutador de inversión esté en la posición neutra, el interruptor de gatillo no podrá ser accionado.

**PRECAUCIÓN:**

- Compruebe siempre la dirección de rotación antes de realizar la operación de trabajo.
- Emplee el conmutador de inversión sólo después de que la herramienta esté completamente parada. Si cambia la dirección de rotación antes de que la herramienta se pare podrá dañarla.
- Cuando no esté utilizando la herramienta, ponga siempre el conmutador de inversión en la posición neutra.



### Cambio de velocidad (Fig. 4)

Para cambiar de velocidad, primeramente apague la herramienta y deslice el conmutador de cambio de velocidad hacia el lado de la marca "2" para velocidad alta, o hacia el lado de la marca "1" para velocidad baja. Asegúrese de que el conmutador de cambio de velocidad esté correctamente posicionado antes de efectuar la operación de trabajo. Utilice la velocidad correcta para su trabajo.

#### PRECAUCIÓN:

- Ponga siempre el conmutador de cambio de velocidad completamente en la posición correcta. Si opera la herramienta con el conmutador de cambio de velocidad a media distancia entre el lado "2" y el lado "1", la herramienta podría dañarse.
- No utilice el conmutador de cambio de velocidad cuando la herramienta esté funcionando. La herramienta podría dañarse.

### Ajuste del par de apriete (Fig. 5)

El par de apriete puede ajustarse en 17 pasos diferentes girando el anillo de ajuste de forma que sus graduaciones queden alineadas con el puntero marcado en la herramienta. El par de apriete será mínimo cuando el número 1 esté alineado con el puntero, y máximo cuando esté alineada la marca 17.

El embrague patinará a varios niveles de par de torsión cuando esté posicionado en los números 1 a 16. El embrague ha sido diseñado para que no patine en la marca 17.

Antes de efectuar la operación de trabajo real, atornille un tornillo de prueba en el material que esté trabajando o en una pieza del mismo material para determinar el par de torsión requerido para ese trabajo en particular.

#### NOTA:

- El anillo de ajuste no se bloquea cuando el puntero está puesto sólo a medias entre las graduaciones.

### MONTAJE

#### PRECAUCIÓN:

- Asegúrese siempre de que la herramienta está apagada y de que el cartucho de baterías está quitado antes de realizar cualquier trabajo en la herramienta.

### Instalación o extracción del implemento de atornillar o broca (Fig. 6)

Sujete el anillo y gire el mandril hacia la izquierda para abrir las mandíbulas del cabezal. Coloque la broca en el cabezal introduciéndola hasta que llegue al fondo. Sujete firmemente el anillo y gire el mandril hacia la derecha para apretar el cabezal.

Para extraer la broca, sujete el anillo y gire el mandril hacia la izquierda.

### OPERACIÓN

#### Operación de atornillamiento (Fig. 7)

#### PRECAUCIÓN:

- Ajuste el anillo de ajuste al nivel de apriete apropiado para su trabajo.

Coloque la punta del implemento de atornillar en la cabeza del tornillo y aplique presión a la herramienta. Ponga la herramienta en marcha lentamente y luego aumente la velocidad poco a poco. Suelte el gatillo tan pronto como el embrague incida.

#### PRECAUCIÓN:

- Asegúrese de que el implemento de atornillar esté insertado en línea recta en la cabeza del tornillo, o el tornillo y/o el implemento podrían dañarse.

#### NOTA:

- Cuando atornille tornillos para madera, taladre agujeros piloto previamente para que le resulte más fácil taladrar y prevenir que se abra la pieza de trabajo. Consulte el cuadro de abajo.

Diámetro nominal del tornillo para madera (mm)	Diámetro recomendado del agujero piloto (mm)
3,1	2,0 – 2,2
3,5	2,2 – 2,5
3,8	2,5 – 2,8
4,5	2,9 – 3,2
4,8	3,1 – 3,4
5,1	3,3 – 3,6
5,5	3,7 – 3,9
5,8	4,0 – 4,2
6,1	4,2 – 4,4

#### Operación de taladrado

Primero, gire el anillo de ajuste de forma que el puntero quede apuntando a la marca 17. Después proceda de la forma siguiente.

#### Para taladrar madera

Cuando se taladre madera, los mejores resultados se obtendrán con brocas para madera equipadas con tornillo guía. El tornillo guía facilita el taladrado al tirar de la broca hacia el interior de la pieza de trabajo.

#### Para taladrar metal

Para evitar que la broca resbale al comenzar a taladrar, haga una mella con un punzón y martillo en el punto donde vaya a taladrar. Coloque la punta de la broca en la mella y comience a taladrar.

Emplee un lubricante para operaciones de corte cuando taladre metales. Las excepciones son acero y latón que deberán ser taladrados en seco.

**PRECAUCIÓN:**

- Con ejercer una presión excesiva sobre la herramienta no conseguirá taladrar más de prisa. De hecho, esta presión excesiva sólo servirá para dañar la punta de la broca, disminuir el rendimiento de la herramienta y acortar su vida útil.
- Al momento de comenzar a agujerear se ejerce una fuerza tremenda sobre la herramienta/broca. Sujete la herramienta firmemente y tenga cuidado cuando la broca comience a penetrar en la pieza de trabajo.
- Una broca que se haya bloqueado podrá sacarse simplemente poniendo el conmutador de inversión en rotación inversa para retroceder. Sin embargo, la herramienta podría retroceder bruscamente si no la sujetase firmemente.
- Sujete siempre las piezas de trabajo pequeñas en un tornillo de banco o herramienta de sujeción similar.
- Si hace funcionar la herramienta continuamente hasta que se descargue el cartucho de batería, deje que la herramienta descanse durante 15 minutos antes de continuar con una batería fresca.

**MANTENIMIENTO****PRECAUCIÓN:**

- Asegúrese siempre de que la herramienta está apagada y de que el cartucho de baterías está quitado antes de intentar hacer una inspección o mantenimiento.
- No utilice nunca gasolina, bencina, disolvente, alcohol o similares. Podría producir descoloración, deformación o grietas.

Para mantener la SEGURIDAD y la FIABILIDAD del producto, las reparaciones y cualquier otro mantenimiento o ajuste deberán ser realizados por los centros de servicio autorizado de Makita, siempre con piezas de repuesto de Makita.

**ACCESORIOS****PRECAUCIÓN:**

- Estos accesorios o aditamentos están recomendados para su uso con la herramienta Makita especificada en este manual. El uso de cualquier otro accesorio o aditamento puede suponer un riesgo de lesiones personales. Utilice el accesorio o aditamento exclusivamente para su uso declarado.

Si necesita información más detallada sobre estos accesorios, consulte con su centro local de servicio de Makita.

- Brocas
- Puntas de atornillar
- Diferentes tipos de baterías y cargadores genuinos de Makita
- Conjunto de lijadora de goma
- Gorra de algodón
- Tambor de espuma para pulir
- Maletín de transporte de plástico

**Ruido**

El nivel de ruido A-ponderado típico determinado de acuerdo con la norma EN60745:

Nivel de presión sonora ( $L_{pA}$ ): 70 dB (A) o menos  
Error (K): 3 dB (A)

El nivel de ruido en condiciones de trabajo puede que sobrepase los 80 dB (A)

**Póngase protectores en los oídos**

ENG202-3

**Vibración**

El valor total de la vibración (suma de vectores triaxiales) determinado de acuerdo con la norma EN60745:

Modo tarea: taladrado en metal  
Emisión de vibración ( $a_{h,D}$ ): 2,5  $m/s^2$  o menos  
Error (K): 1,5  $m/s^2$

ENG901-1

- El valor de emisión de vibración declarado ha sido medido de acuerdo con el método de prueba estándar y se puede utilizar para comparar una herramienta con otra.
- El valor de emisión de vibración declarado también se puede utilizar en una valoración preliminar de exposición.

**ADVERTENCIA:**

- La emisión de vibración durante la utilización real de la herramienta eléctrica puede variar del valor de emisión declarado dependiendo de las formas en las que la herramienta sea utilizada.
- Asegúrese de identificar medidas de seguridad para proteger al operario que estén basadas en una estimación de la exposición en las condiciones reales de utilización (teniendo en cuenta todas las partes del ciclo operativo tal como las veces cuando la herramienta está apagada y cuando está funcionando en vacío además del tiempo de gatillo).

ENH101-14

**Para países europeos solamente****Declaración de conformidad CE**

**Makita Corporation como fabricante responsable declara que la(s) siguiente(s) máquina(s) de Makita:**

Designación de máquina: Atornillador Taladro Inalámbrico

Modelo N°/Tipo: 6260D, 6270D, 6280D, 6390D  
son producidas en serie y

**Cumplen con las directivas europeas siguientes:**  
2006/42/EC

Y que están fabricadas de acuerdo con las normas o documentos normalizados siguientes:

EN60745

Los documentos técnicos los guarda nuestro representante autorizado en Europa cuya persona es:

Makita International Europe Ltd.  
Michigan Drive, Tongwell,  
Milton Keynes, MK15 8JD, Inglaterra

30 de enero de 2009



Tomoyasu Kato  
Director

Makita Corporation  
3-11-8, Sumiyoshi-cho,  
Anjo, Aichi, JAPAN

**Explicação geral**

1 Botão	6 Alta velocidade	11 Indicador
2 Bateria	7 Selector de velocidade	12 Manga
3 Gatilho do interruptor	8 Graduações	13 Anel
4 Comutador de inversão	9 Anel de regulação	14 Apertar
5 Baixa velocidade	10 Marcação de perfuração	

**ESPECIFICAÇÕES**

Modelo	6260D	6270D	6280D	6390D
Capacidades				
Aço .....	10 mm	10 mm	10 mm	13 mm
Madeira .....	21 mm	25 mm	25 mm	36 mm
Parafuso para madeira .....	5,1 mm x 38 mm	5,1 mm x 63 mm	5,1 mm x 63 mm	6 mm x 75 mm
Parafuso de rosca fina .....	6 mm	6 mm	6 mm	6 mm
Velocidade em vazio (min <sup>-1</sup> )				
Alta .....	0 – 1.200	0 – 1.200	0 – 1.200	0 – 1.200
Baixa .....	0 – 350	0 – 350	0 – 350	0 – 350
Comprimento total .....	192 mm	192 mm	192 mm	220 mm
Peso .....	1,4 kg	1,5 kg	1,6 kg	2,1 kg
Voltagem nominal .....	9,6 V C.C.	12 V C.C.	14,4 V C.C.	18 V C.C.

- Devido a um programa contínuo de pesquisa e desenvolvimento, estas especificações podem ser alteradas sem aviso prévio.
- As especificações e a bateria podem diferir de país para país.
- Peso, com a bateria, de acordo com o Procedimento 01/2003 da EPTA (European Power Tool Association)

GEB051-2

**Utilização pretendida**

A ferramenta foi concebida para perfurar e aparafusar em madeira, metal e plástico.

GEA010-1

**Avisos gerais de segurança para ferramentas eléctricas**

**⚠ AVISO** Leia todas os avisos de segurança e todas as instruções. O não cumprimento de todos os avisos e instruções pode originar choque eléctrico, incêndio e/ou ferimentos graves.

**Guarde todos os avisos e instruções para futuras referências.**

**AVISOS DE SEGURANÇA PARA O APARAFUSADOR A BATERIA**

1. **Utilize a(s) pega(s) auxiliar(es), se fornecida(s) com a ferramenta.** A perda de controlo pode causar danos pessoais.
2. **Agarre na ferramenta eléctrica pelos punhos isolados ao realizar uma operação onde o acessório de corte possa tocar em fios eléctricos escondidos.** O contacto do acessório de corte com um fio "ligado" poderá carregar as partes metálicas da ferramenta e causar choque eléctrico no operador.
3. **Certifique-se sempre de que se mantém equilibrado.**
4. **Certifique-se de que ninguém está por baixo quando trabalhar em locais altos.**
5. **Segure na ferramenta firmemente.**
6. **Mantenha as mãos afastadas das partes rotativas.**
7. **Não deixe a ferramenta a funcionar. Funcione com a ferramenta só quando estiver a agarrá-la.**
8. **Não toque na broca ou na peça de trabalho imediatamente depois da operação; podem estar extremamente quentes e pode queimar-se.**
9. **Alguns materiais contêm químicos que podem ser tóxicos. Tenha cuidado para evitar inalação de pó e contacto com a pele. Cumpra os dados de segurança do fornecedor do material.**

**GUARDE ESTAS INSTRUÇÕES.**

**AVISO:**

**NÃO** permita que conforto ou familiaridade com o produto (adquirido com o uso repetido) substitua a aderência estrita às regras de segurança da ferramenta. **MÁ INTERPRETAÇÃO** ou não seguimento das regras de segurança estabelecidas neste manual de instruções pode causar danos pessoais sérios.

## IMPORTANTES INSTRUÇÕES DE SEGURANÇA

### PARA A BATERIA

1. Antes de utilizar a bateria, leia todas as instruções e etiquetas de precaução no (1) carregador de bateria (2) bateria e (3) produto que utiliza a bateria.
2. Não abra a bateria.
3. Se o tempo de funcionamento se tornar excessivamente curto, pare o funcionamento imediatamente. Pode resultar em sobreaquecimento, possíveis queimaduras e mesmo explosão. Se entrar electrólito nos seus olhos, lave-os com água e consulte imediatamente um médico. Pode resultar em perda de visão.
4. Cubra sempre os terminais da bateria com a capa da bateria quando a não estiver a utilizar.
6. Não corte-circuite a bateria:
  - (1) Não toque nos terminais com qualquer material condutor.
  - (2) Evite guardar a bateria juntamente com outros objectos metálicos tais como pregos, moedas, etc.
  - (3) Não exponha a bateria à água ou chuva. Um curto-circuito pode ocasionar um enorme fluxo de corrente, sobreaquecimento, possíveis queimaduras e mesmo estragar-se.
7. Não guarde a ferramenta e a bateria em locais onde a temperatura pode atingir ou exceder 50°C.
8. Não queime a bateria mesmo que esteja estragada ou completamente gasta. A bateria pode explodir no fogo.
9. Tenha cuidado para não deixar cair ou dar pancadas na bateria.
10. Não utilize uma bateria que tenha sido derrubada ou batida.

### GUARDE ESTAS INSTRUÇÕES.

#### Conselhos para manter a máxima vida útil da bateria

1. Carregue a bateria antes que esteja completamente descarregada. Pare sempre o funcionamento da ferramenta e carregue a bateria quando notar menos poder na ferramenta.
2. Nunca carregue uma bateria completamente carregada. Carregamento excessivo diminui a vida útil da bateria.
3. Carregue a bateria à temperatura ambiente de 10°C – 40°C. Deixe que uma bateria quente arrefeça antes de a carregar.
4. Carregue a bateria de Níquel Metal Hidreto quando não a utilizar durante mais do que seis meses.

## DESCRIÇÃO FUNCIONAL

### PRECAUÇÃO:

- Certifique-se sempre de que a ferramenta está desligada e a bateria retirada antes de regular ou verificar qualquer função na ferramenta.

### Instalar ou retirar a bateria (Fig. 1)

- Desligue sempre a ferramenta antes de colocar ou retirar a bateria.
- Para retirar a bateria, tire-a da ferramenta enquanto pressiona os botões em ambos os lados da bateria.
- Para colocar a bateria, alinhe a lingueta na bateria com a ranhura na caixa e deslize-a para o seu lugar. Coloque-a sempre completamente até que fique presa no lugar com um pequeno clique. Se assim não for, pode acidentalmente cair da ferramenta ferindo-o a si ou alguém próximo.
- Não utilize força quando coloca a bateria. Se a bateria não deslizar facilmente é porque não está colocada correctamente.

### Ação do interruptor (Fig. 2)

#### PRECAUÇÃO:

- Antes de colocar a bateria na ferramenta certifique-se de que o gatilho funciona correctamente e volta para a posição "OFF" (desligado) quando o solta.

Para ligar a ferramenta carregue simplesmente no atilho. A velocidade da ferramenta aumenta quando aumenta a pressão no gatilho. Liberte o gatilho para parar.

### Ação do comutador de inversão (Fig. 3)

Esta ferramenta tem um comutador de inversão para mudar a direcção de rotação. Pressione a alavanca do comutador de inversão no lado A para rotação para a direita ou no lado B para rotação para a esquerda. Quando a alavanca do interruptor está na posição neutra, não pode carregar no gatilho.

#### PRECAUÇÃO:

- Verifique sempre a direcção de rotação antes da operação.
- Só utilize o comutador de inversão quando a ferramenta estiver completamente parada. Mudar a direcção de rotação antes da ferramenta parar pode estragá-la.
- Quando não está a funcionar com a ferramenta, coloque sempre o comutador de inversão na posição neutra.


### Mudança de velocidade (Fig. 4)


Para mudar a velocidade, desligue primeiro a ferramenta e em seguida deslize o selector de velocidade para o lado "2" para alta velocidade ou para o lado "1" para baixa velocidade. Certifique-se de que o selector de velocidade está colocado na posição correcta antes da operação. Utilize a velocidade correcta para o seu trabalho.

#### PRECAUÇÃO:

- Coloque sempre o selector de velocidade completamente na posição correcta. Se trabalhar com a ferramenta com o selector de velocidade colocado no meio entre o lado "1" e o lado "2" pode estragar a ferramenta.
- Não utilize o selector de velocidade enquanto a ferramenta está funcionar. Pode estragar a ferramenta.

### Ajuste do binário de aperto (Fig. 5)

O binário de aperto pode ser ajustado em 17 passos rodando o anel de regulação de modo a que as graduações estejam alinhadas com o indicador no corpo da ferramenta. O binário de aperto é mínimo quando o número 1 está alinhado com o indicador no corpo da ferramenta e máximo quando a marca  está alinhada com o indicador.

Efectuar-se-à o aparafusamento com vários níveis de torção conforme o indicador estiver posicionado nos números 1 a 16. A embraiagem não patinará na marca .

Antes do trabalho real, faça um aparafusamento experimental no material ou numa peça do mesmo material para determinar qual o nível de aperto requerido para um trabalho particular.

#### NOTA:

- O anel de regulação não bloqueia quando o ponteiro está posicionado entre as graduações.

### MONTAGEM

#### PRECAUÇÃO:

- Certifique-se sempre de que a ferramenta se encontra desligada e de que a bateria foi retirada antes de efectuar qualquer inspecção e manutenção.

#### Para colocar ou retirar a broca de aparafusar ou de perfurar (Fig. 6)

Agarre no anel e rode a manga para a esquerda para abrir as garras do mandril. Coloque a broca no mandril até ao mais fundo possível. Pegue firmemente no anel e rode a manga para a direita para apertar o mandril.

Para retirar a broca, pegue no anel e rode a manga para a esquerda.

### OPERAÇÃO

#### Operação de aparafusar (Fig. 7)

#### PRECAUÇÃO:

- Regule o anel de regulação no binário de aperto adequado para o seu trabalho.

Coloque a ponta da broca de aparafusar na cabeça do parafuso e aplique pressão na ferramenta. Comece com a ferramenta devagar e em seguida aumente gradualmente a velocidade. Liberte o gatilho assim que o aperto estiver feito.

#### PRECAUÇÃO:


- Certifique-se de que a broca de aparafusar está colocada direita na cabeça do parafuso ou o parafuso e/ou a broca podem estragar-se.

#### NOTA:

- Quando aparafusa parafusos para madeira, faça primeiro um orifício piloto para tornar o aparafusamento mais simples e evitar que a peça de trabalho lasque. Veja a tabela abaixo.

Díâmetro nominal do parafuso para madeira (mm)	Tamanho recomendado do orifício piloto (mm)
3,1	2,0 – 2,2
3,5	2,2 – 2,5
3,8	2,5 – 2,8
4,5	2,9 – 3,2
4,8	3,1 – 3,4
5,1	3,3 – 3,6
5,5	3,7 – 3,9
5,8	4,0 – 4,2
6,1	4,2 – 4,4

#### Operação de perfuração

Primeiro, rode o anel de regulação de modo a que o ponteiro aponte para a marca . Em seguida proceda como se segue.

#### Perfuração em madeira

Quando perfura em madeira obtém melhores resultados com perfuradores para madeira que tenham um parafuso guia. O parafuso guia torna a perfuração mais fácil empurrando a broca para a peça a trabalhar.

#### Perfuração em metal

Para evitar que a broca deslize quando começa um buraco, faça um entalhe com um furador e martelo no ponto a ser perfurado. Coloque a ponta da broca no entalhe e comece a perfuração.

Utilize um lubrificante para corte quando perfura metal. As excepções são ferro e latão que devem ser perfurados em seco.

#### PRECAUÇÃO:

- Pressão excessiva na ferramenta não aumentará a velocidade de perfuração. De facto, pressão excessiva só servirá para estragar a ponta da broca, diminuir o rendimento da ferramenta e diminuir a sua vida útil.
- É exercida uma enorme força na ferramenta/broca quando acaba o buraco. Agarre na ferramenta firmemente e tenha cuidado quando a broca começa a atravessar a peça de trabalho.
- Se a broca ficar presa, pode retirá-la muito simplesmente colocando o comutador de inversão para inverter a rotação e fazer com que a broca ande para trás. No entanto a ferramenta pode recuar abruptamente se não lhe estiver a pegar firmemente.
- Prenda sempre peças pequenas num torno ou num mecanismo semelhante.
- Se a ferramenta funcionar continuamente até que a bateria esteja descarregada, deixe a ferramenta descansar durante 15 minutos antes de continuar com uma bateria carregada.

## MANUTENÇÃO

ENG202-3

### PRECAUÇÃO:

- Certifique-se sempre de que a ferramenta se encontra desligada e de que a bateria foi retirada antes de executar qualquer inspeção ou manutenção.
- Nunca utilize gasolina, benzina, diluente, álcool ou produtos semelhantes. Pode ocorrer a descoloração, deformação ou rachaduras.

Para manter a SEGURANÇA e FIABILIDADE, as reparações e outras acções de manutenção ou ajustes devem ser executados pelos Centros de assistência autorizados da Makita, utilizando sempre peças de substituição Makita.

## ACESSÓRIOS

### PRECAUÇÃO:

- Estes acessórios ou peças são recomendados para utilização com a ferramenta Makita especificada neste manual. A utilização de outros acessórios ou peças pode ser perigosa para as pessoas. Utilize apenas acessórios ou peças para os fins indicados.

Se precisar de ajuda para obter mais informações relativos a estes acessórios, entre em contacto com o centro de assistência Makita local.

- Brocas de perfurar
- Brocas espirais
- Vários tipos de baterias Makita e carregadores
- Conjunto de almofada de borracha
- Boina de lã
- Almofada de espuma para polir
- Mala de plástico para transporte

ENG103-4

### Ruído

A característica do nível de ruído A determinado de acordo com EN60745:

Nível de pressão de som ( $L_{pA}$ ): 70 dB (A) ou inferior  
Variabilidade (K): 3 dB (A)

O nível de ruído durante o trabalho pode exceder 80 dB (A)

**Utilize protectores para os ouvidos**

## Vibração

Valor total da vibração (soma vectorial tri-axial) determinado conforme EN60745:

Modo de funcionamento: perfuração em metal  
Emissão de vibração ( $a_{h,D}$ ): 2,5 m/s<sup>2</sup> ou inferior  
Variabilidade (K): 1,5 m/s<sup>2</sup>

ENG901-1

- O valor da emissão de vibração indicado foi medido de acordo com o método de teste padrão e pode ser utilizado para comparar duas ferramentas.
- O valor da emissão de vibração indicado pode também ser utilizado na avaliação preliminar da exposição.

### AVISO:

- A emissão de vibração durante a utilização real da ferramenta eléctrica pode diferir do valor de emissão indicado, dependendo das formas como a ferramenta é utilizada.
- Certifique-se de identificar as medidas de segurança para protecção do operador que sejam baseadas em uma estimativa de exposição em condições reais de utilização (considerando todas as partes do ciclo de operação, tal como quando a ferramenta está desligada e quando está a funcionar em marcha lenta além do tempo de accionamento).

ENH101-14

## Só para países Europeus

### Declaração de conformidade CE

**Nós, a Makita Corporation, fabricante responsável, declaramos que a(s) seguinte(s) ferramenta(s) Makita:**

Designação da ferramenta: Furadeira/ Parafusadeira a Bateria

Modelos n°/Tipo: 6260D, 6270D, 6280D, 6390D

são de produção de série e

**Em conformidade com as seguintes directivas europeias:**

2006/42/EC

E estão fabricados de acordo com as seguintes normas ou documentos normativos:

EN60745

A documentação técnica é mantida pelo nosso representante autorizado na Europa:

Makita International Europe Ltd.  
Michigan Drive, Tongwell,  
Milton Keynes, MK15 8JD, Inglaterra

30 de janeiro de 2009



Tomoyasu Kato  
Director

Makita Corporation  
3-11-8, Sumiyoshi-cho,  
Anjo, Aichi, JAPAN

**Illustrationsoversigt**

1 Knap	6 Høj hastighed	11 Viser
2 Akku	7 Hastighedsvælger	12 Omløber
3 Afbryderknap	8 Inddelinger	13 Ring
4 Omdrejningsvælger	9 Justeringsring	14 Stram
5 Lav hastighed	10 Boremarkering	

**SPECIFIKATIONER**

Model	6260D	6270D	6280D	6390D
Kapacitet				
Stål .....	10 mm	10 mm	10 mm	13 mm
Træ .....	21 mm	25 mm	25 mm	36 mm
Træskruer .....	5,1 mm x 38 mm	5,1 mm x 63 mm	5,1 mm x 63 mm	6 mm x 75 mm
Maskinskruer .....	6 mm	6 mm	6 mm	6 mm
Omdrejninger (ubelastet) (min <sup>-1</sup> )				
Høj .....	0 – 1 200	0 – 1 200	0 – 1 200	0 – 1 200
Lav .....	0 – 350	0 – 350	0 – 350	0 – 350
Længde .....	192 mm	192 mm	192 mm	220 mm
Vægt .....	1,4 kg	1,5 kg	1,6 kg	2,1 kg
Spænding .....	DC 9,6 V	DC 12 V	DC 14,4 V	DC 18 V

- Ret til tekniske ændringer forbeholdes.
- Specifikationer og akku kan variere fra land til land.
- Vægt inklusive akku, i henhold til EPTA-Procedure 01/2003

**Tilsigtet anvendelse**

Denne maskine er beregnet til boring og iskrurning af skrueer i træ, metal og plastmaterialer.

GEA010-1

**Almindelige sikkerhedsregler for el-værktøj**

**⚠ ADVARSEL** Læs alle sikkerhedsadvarsler og alle sikkerhedsinstruktioner. Hvis nedenstående advarsler og instruktioner ikke overholdes, kan resultatet blive elektrisk stød, brand og/eller alvorlig personskade.

**Gem alle advarsler og instruktioner til fremtidig reference.**

GEB051-2

**SIKKERHEDSFORSKRIFTER FOR AKKU BOREMASKINE**

1. Anvend hjælpéhåndtag, hvis det (de) følger med maskinen. Personskade kan blive resultatet, hvis De mister herredømmet over maskinen.
2. Hold altid et el-værktøj i dets isolerede håndtagsflader, når du udfører et arbejde, hvor skæreværktøjet kan komme i berøring med skjulte ledninger. Hvis skæreværktøjet kommer i berøring med en strømførende ("live") ledning, kan el-værktøjets udsatte metaldele blive strømførende og give operatøren stød.

3. Sørg for, at De altid har sikkert fodfæste. Ved brug af maskinen i større højde bør De sikre Dem, at der ikke står personer nedenunder arbejdsområdet.
4. Hold maskinen med begge hænder.
5. Hold håndtaget på god afstand af roterende dele.
6. Læg ikke maskinen fra Dem, mens den stadig kører. Maskinen må kun køre, når den holdes med begge hænder.
7. Rør ikke ved bør, skruebit eller emnet lige når arbejdet er afsluttet. Delene kan være ekstremt varme og forårsage forbrændinger.
8. En del materialer indeholder kemikalier, som kan være giftige. Sørg for at forhindre inhalering af støv og kontakt med huden. Følg fabrikantens sikkerhedsforskrifter.

**GEM DISSE FORSKRIFTER.**

**ADVARSEL:**

LAD IKKE bekvemmelighed eller kendskab til produktet (opnået gennem gentagen brug) forhindre, at sikkerhedsforskrifterne for produktet nøje overholdes. MISBRUG eller forsømmelse af at følge de i denne brugsvejledning givne sikkerhedsforskrifter kan føre til, at De kommer alvorligt til skade.

## FUNKTIONSBESKRIVELSE

### VIGTIGE SIKKERHEDSFORSKRIFTER

#### FOR BATTERIPATRON

- Læs alle instruktioner og advarselsmærkater på (1) akku opladeren, (2) akku og (3) produktet, som anvender akku.
- Lad være med at skille akkuen ad.
- Hold straks op med at anvende opladeren, hvis brugstiden er blevet stærkt afkortet. Fortsat anvendelse kan resultere i risiko for overophedning, forbrændinger og endog eksplosion.
- Hvis du har fået elektrolytvæske i øjnene, skal du straks skylle den ud med rent vand og derefter øjeblikkeligt søge lægehjælp. I modsat fald kan resultatet blive, at du mister synet.
- Dæk altid batteriterminalerne med batteridækslet, når batteripatronen ikke anvendes.
- Vær påpasselig med ikke at komme til at kortslutte akkuen:
  - Rør ikke ved terminalerne med noget ledende materiale.
  - Undgå at opbevare akkuen i en beholder sammen med andre genstande af metal, som for eksempel søm, mønter og lignende.
  - Udsæt ikke akkuen for vand eller regn. Kortslutning af akkuen kan være årsag til en kraftig øgning af strømmen, overophedning, mulige forbrændinger og endog maskinstop.
- Opbevar ikke maskinen og akkuen på et sted, hvor temperaturen kan nå eller overstige 50°C.
- Lad være med at brænde akkuen, selv ikke i tilfælde, hvor det har lidt alvorlig skade eller er fuldstændig udtjent. Akkuen kan eksplodere, hvis man forsøger at brænde den.
- Lad være med at brænde akku eller udsætte det for stød.
- Anvend ikke er akku, der er blevet tabt eller udsat for stød.

#### GEM DISSE FORSKRIFTER.

##### Tips til opnåelse af maksimal akku-levetid

- Oplad altid akkuen, inden den er helt afladet. Stop altid maskinen og oplad akkuen, hvis det bemærkes, at maskineffekten er dalende.
- Genoplad aldrig en fuldt opladet akku. Overopladning vil afkorte akkuens levetid.
- Oplad akkuen ved stuetemperatur ved 10°C – 40°C. Lad altid en varm akku få tid til at køle af, inden den oplades.
- Oplad nikkel-metal-hybrid akkuen, hvis den ikke skal anvendes i mere end seks måneder.

#### ADVARSEL:

- Sørg altid for at maskinen er slukket, og at akkuen er taget ud, før der udføres justering eller kontrol af funktioner på maskinen.

#### Montering og afmontering af akku (Fig. 1)

- Kontrollér altid, at maskinen er slået fra, før montering eller afmontering af akkuen.
- For at fjerne akkuen trykkes samtidigt på knapperne på begge sider af akkuen, mens denne trækkes ud af maskinen.
- For at sætte en ny akku i, placeres denne, så fjeren på akkuen passer med noten i åbningen på maskinen. Akkuen skubbes helt i bund, indtil den klikker på plads i begge sider. Kontrollér altid, at akkuen er helt fastlåst ved at trække i den.
- Brug aldrig magt, når akkuen skal sættes i. Hvis ikke akkuen glider i uden besvær, er det fordi, at den vender forkert.

#### Afbryderbetjening (Fig. 2)

##### ADVARSEL:

- Før akkuen sættes i maskinen, bør det altid kontrolleres, at afbryderknappen fungerer korrekt og returnerer til "OFF" positionen, når den slippes.

For at starte maskinen trykkes der blot på afbryderen. Maskinens hastighed øges ved at øge trykket på afbryderen. Slip afbryderen for at stoppe.

#### Omløbsvælger (Fig. 3)

Denne maskinen har en omløbsvælger, der kan ændre omløbsretningen. Skub omløbsvælgeren ind fra A siden for omdrejning med uret, og fra B siden for omdrejning mod uret.

Når omløbsvælgeren er i neutral position, kan afbryderknappen ikke trykkes ind.

##### ADVARSEL:

- Kontrollér altid omløbsretningen, før arbejdet påbegyndes.
- Brug kun omløbsvælgeren, når maskinen er helt stoppet. Hvis omløbsretningen ændres, inden maskinen er helt stoppet, kan det beskadige maskinen.
- Når maskinen ikke er i brug, bør omløbsvælgeren altid sættes i neutral position.

#### Hastighedsvælger (Fig. 4)

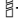
For at ændre hastigheden skal maskinen først slukkes. Skub derefter hastighedsvælgeren helt mod "2" for høj hastighed og helt mod "1" for lav hastighed. Sørg for at hastighedsvælgeren er sat til den korrekte position, før arbejdet påbegyndes. Anvend en passende hastighed til det pågældende arbejde.


##### ADVARSEL:

- Sæt altid hastighedsvælgeren helt i position "1" eller "2". Hvis maskinen anvendes med hastighedsvælgeren i en position mellem "1" og "2", kan det beskadige maskinen.
- Brug ikke hastighedsvælgeren, mens maskinen kører. Maskinen kan blive beskadiget.



### Justering af drejningsmomentet (Fig. 5)

Drejningsmomentet kan justeres i 17 trin ved at dreje justeringsringen, således at dens inddelinger er passet ind efter viseren på maskinhuset. Drejningsmomentet er mindst, når tallet 1 står ud for viseren, og højest, når -symbolet står ud for viseren.

Koblingen vil glide forbi forskellige drejningsmomenter, når der er indstillet mellem 1 og 16. Koblingen er konstrueret således, at den ikke glider ved -symbolet.

Før den egentlige anvendelse påbegyndes, bør De foretage en prøveskrubning i materialet eller et lignende materiale for at fastslå, hvilket drejningsmoment, der er påkrævet til det pågældende arbejde.

#### BEMÆRK:

- Justeringsringen låser ikke, når viseren kun er placeret halvvejs mellem inddelingerne.

### SAMLING

#### ADVARSEL:

- Sørg altid for at maskinen er slukket, og at akkuen er taget ud før der gennemføres noget arbejde på selve maskinen.

### Montering og afmontering af skruebit eller bor (Fig. 6)

Hold løst på ringen og drej omløberen mod uret for at åbne borepatronens kæber. Sæt værktøjet så langt ind i borepatronen som muligt. Hold fast på ringen og drej omløberen med uret for at spænde værktøjet fast.

For at afmontere værktøjet holdes ringen fast og omløberen drejes mod uret.

### BRUG

#### Brug som skruetrækker (Fig. 7)

#### ADVARSEL:

- Indstil justeringsringen til det rigtige drejningsmoment til det arbejde, der skal udføres.

Anbring spidsen af skruebittet i skruehovedet og læg et let tryk på maskinen. Start maskinen og øg gradvist hastigheden. Slip afbryderen, så snart momentkoblingen høres.

#### ADVARSEL:

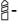
- Skruebittet skal være sat helt ind i skruehovedet, og maskinen skal holdes lige på skruen. Ellers kan skruen/bittet blive beskadiget.

#### BEMÆRK:

- Når der skrues træskruer, bør der laves forboringer for at gøre det nemmere at skruer og for at undgå revnedannelser i emnet. Se nedenstående tabel.

Nominal diameter på træskruer (mm)	Anbefalet diameter på forboring (mm)
3,1	2,0 – 2,2
3,5	2,2 – 2,5
3,8	2,5 – 2,8
4,5	2,9 – 3,2
4,8	3,1 – 3,4
5,1	3,3 – 3,6
5,5	3,7 – 3,9
5,8	4,0 – 4,2
6,1	4,2 – 4,4

#### Boring

Drej først justeringsringen, så viseren viser mod -markeringen. Gå derefter frem som vist herunder.

#### Boring i træ

Ved boring i træ opnås det bedste resultat med træbor udstyret med en centerspids. Centerspidsen gør boringen lettere, idet den trækker boret ind i emnet.

#### Boring i metal

For at forhindre at værktøjet skrider, når der startes på et hul, bør der laves en fordybning med en kørne og en hammer på det sted, hvor hullet skal bores. Placer spidsen af værktøjet i fordybningen og start boringen.

Anvend skæresmørelse, når der bores i metal. Undtaget er jern og messing, som skal bores tørre.

#### ADVARSEL:

- Overdrevent tryk på maskinen vil ikke gøre boringen hurtigere. I virkeligheden vil det kun medvirke til at beskadige spidsen på værktøjet, formindsker maskinens præstation og forkorte maskinens levetid.
- Maskinen/værktøjet udsættes for en voldsom vridningspåvirkning, når der brydes igennem emnet. Hold godt fast på maskinen og udvis forsigtighed, når værktøjet begynder at bryde gennem emnet.
- Et værktøj, der har sat sig fast, kan nemt fjernes ved at sætte omdrejningsvælgeren til modsat omdrejningsretning for at bakke helt ud. Værktøjet kan dog bakke ukontrollabelt ud, hvis der ikke holdes godt fast på maskinen.
- Mindre emner skal fastgøres forsvarligt i en skruestik eller lignende.
- Hvis maskinen anvendes, lige indtil akkuen er opbrugt, bør maskinen hvile i 15 minutter, før der fortsættes med en ny akku.

## VEDLIGEHOJDELSE

ENG103-4

### ADVARSEL:

- Sørq altid for at maskinen er slukket, og at akkuen er taget ud før der gennemføres noget arbejde på selve maskinen.
- Anvend aldrig benzin, rensebenzin, fortynder, alkohol og lignende. Resultatet kan blive misfarvning, deformation eller revner.

For at opretholde produktets SIKKERHED og PÅLIDELIGHED bør reparation, vedligeholdelse og justering kun udføres af et Makita Servicecenter med anvendelse af original Makita udskiftningsdele.

### TILBEHØR

#### ADVARSEL:

- Det følgende tilbehør og ekstraudstyr er anbefalet til brug med Deres Makita maskine, der er beskrevet i denne brugsanvisning. Anvendelse af andet tilbehør eller ekstraudstyr kan udgøre en risiko for personskade. Anvend kun tilbehør og ekstraudstyr til det beskrevne formål.

Hvis De har behov for yderligere detaljer om dette tilbehør, bedes De kontakte Deres lokale Makita Service Center.

- Borebits
- Skruebits
- Forskellige typer af originale Makita-akkuer og opladere
- Gummibagskive
- Uldhætte
- Polérpude (skumgummi)
- Plasttransportkuffert

### Lyd

Det typiske A-vægtede støjniveau bestemt i overensstemmelse med EN60745:

Lydtryksniveau ( $L_{pA}$ ): 70 dB (A) eller mindre  
Usikkerhed (K): 3 dB (A)

Støjniveauet under arbejde kan overstige 80 dB (A)

#### Bær hørevern

ENG202-3

### Vibration

Vibrations totalværdi (tre-aksial vektorsum) bestemt i overensstemmelse med EN60745:

Arbejdsindstilling: boring i metal  
Vibrationsafgivelse ( $a_{h,D}$ ): 2,5 m/s<sup>2</sup> eller mindre  
Usikkerhed (K): 1,5 m/s<sup>2</sup>

ENG901-1

- Den angivne vibrationsemissionsværdi er blevet målt i overensstemmelse med standardtestmetoden og kan anvendes til at sammenligne en maskine med en anden.
- Den angivne vibrationsemissionsværdi kan også anvendes i en preliminær eksponeringsvurdering.

#### ADVARSEL:

- Vibrationsemissionen under den faktiske anvendelse af maskinen kan være forskellig fra den erklærede emissionsværdi, afhængigt af den måde, hvorpå maskinen anvendes.
- Sørq for at identificere de sikkerhedsforskrifter til beskyttelse af operatøren, som er baseret på en vurdering af eksponering under de faktiske brugsforhold (med hensyntagen til alle dele i brugscyklen, som f.eks. de gange, hvor maskinen er slukket og når den kører i tomgang i tilgift til afbrydertiden).

ENH101-14

### Kun for lande i Europa

#### EU-konformitetserklæring

**Vi, Makita Corporation, erklærer, som den ansvarlige fabrikant, at den (de) følgende Makita maskine(r):**

Maskinens betegnelse: Akku bore-skruemaskine  
Model nr./Type: 6260D, 6270D, 6280D, 6390D  
er af serieproduktion og

**opfylder betingelserne i de følgende EU-direktiver:**  
2006/42/EC

og er fremstillet i overensstemmelse med de følgende standarder eller standardiserede dokumenter:  
EN60745

Den tekniske dokumentation opbevares af vores autoriserede repræsentant i Europa, som er:

Makita International Europe Ltd.  
Michigan Drive, Tongwell,  
Milton Keynes, MK15 8JD, England

30. januar 2009



Tomoyasu Kato  
Direktør

Makita Corporation  
3-11-8, Sumiyoshi-cho,  
Anjo, Aichi, JAPAN

**Περιγραφή γενικής άποψης**

1 Κασέτα μπαταρίας	5 Χαμηλή ταχύτητα	10 Σημάδι τρυπανιού
2 Πλήκτρο	6 Υψηλή ταχύτητα	11 Δείκτης
3 Σκανδάλη διακόπτης	7 Μοχλός αλλαγής ταχύτητας	12 Μανίκι
4 Μοχλός αντιστροφής διακόπτη	8 Διαβαθμίσεις	13 Δακτυλίδι
	9 Δακτυλίδι ρύθμισης	14 Σφιξίμο

**ΤΕΧΝΙΚΑ ΧΑΡΑΚΤΗΡΙΣΤΙΚΑ**

<b>Μοντέλο</b>	<b>6260D</b>	<b>6270D</b>	<b>6280D</b>	<b>6390D</b>
Ικανότητες				
Ατσάλι .....	10 χιλ	10 χιλ	10 χιλ	13 χιλ
Ξύλο .....	21 χιλ	25 χιλ	25 χιλ	36 χιλ
Ξυλόβιδα .....	5,1 χιλ x 38 χιλ	5,1 χιλ x 63 χιλ	5,1 χιλ x 63 χιλ	6 χιλ x 75 χιλ
Βίδα μηχανής .....	6 χιλ	6 χιλ	6 χιλ	6 χιλ
Ταχύτητα χωρίς φορτίο (min <sup>-1</sup> )				
Υψηλή .....	0 – 1 200	0 – 1 200	0 – 1 200	0 – 1 200
Χαμηλή .....	0 – 350	0 – 350	0 – 350	0 – 350
Συνολικό μήκος .....	192 χιλ	192 χιλ	192 χιλ	220 χιλ
Καθαρό βάρος .....	1,4 Χγρ	1,5 Χγρ	1,6 Χγρ	2,1 Χγρ
Καθορισμένο βολτάζ .....	D.C. 9,6 V	D.C. 12 V	D.C. 14,4 V	D.C. 18 V

- Λόγω του συνεχιζόμενου προγράμματος έρευνας και ανάπτυξης, οι παρούσες προδιαγραφές υπόκεινται σε αλλαγή χωρίς προειδοποίηση.
- Τα τεχνικά χαρακτηριστικά και η κασέτα μπαταρίας μπορεί να διαφέρουν από χώρα σε χώρα.
- Βάρος, με κασέτα μπαταρίας, σύμφωνα με τη διαδικασία ΕΡΤΑ 01/2003

**Προοριζόμενη χρήση**

Το εργαλείο προορίζεται για τρυπάνισμα και βίδωμα σε ξύλο, μέταλλο και πλαστικά.

GEA010-1

**Γενικές προειδοποιήσεις ασφαλείας για το ηλεκτρικό εργαλείο**

**⚠ ΠΡΟΕΙΔΟΠΟΙΗΣΗ** Διαβάστε όλες τις προειδοποιήσεις ασφαλείας και όλες τις οδηγίες. Η μη τήρηση των προειδοποιήσεων και οδηγιών ενδέχεται να καταλήξει σε ηλεκτροπληξία, πυρκαγιά ή/και σοβαρό τραυματισμό.

**Φυλάξτε όλες τις προειδοποιήσεις και τις οδηγίες για μελλοντική παραπομπή.**

GEB051-2

**ΤΡΥΠΑΝΙ ΜΕ ΜΠΑΤΑΡΙΑ — ΠΡΟΕΙΔΟΠΟΙΗΣΕΙΣ ΑΣΦΑΛΕΙΑΣ**

1. Να χρησιμοποιείτε τη/τις βοηθητική(ές) λαβή(ές), εάν παρέχεται(ονται) με το εργαλείο. Απώλεια ελέγχου μπορεί να προκαλέσει προσωπικό τραυματισμό.

2. **Να κρατάτε τα ηλεκτρικά εργαλεία μόνον από τις μονωμένες επιφάνειες συγκράτησης, κατά την εκτέλεση εργασίας όπου το παρελκόμενο κοπής ενδέχεται να έλθει σε επαφή με κρυφές καλωδιώσεις.** Σε περίπτωση επαφής του παρελκόμενου κοπής με “ηλεκτροφόρο” καλώδιο, ενδέχεται τα εκτεθειμένα μεταλλικά εξαρτήματα του ηλεκτρικού εργαλείου να καταστούν τα ίδια “ηλεκτροφόρα” και να προκαλέσουν ηλεκτροπληξία στο χειριστή.
3. **Πάντοτε να είστε σίγουρος ότι πατάτε σταθερά. Σιγουρευτείτε ότι δεν βρίσκεται κανείς από κάτω όταν χρησιμοποιείτε το μηχάνημα σε υψηλές θέσεις.**
4. **Κρατάτε το μηχάνημα σταθερά.**
5. **Κρατάτε τα χέρια σας μακριά από τα περιστρεφόμενα μέρη.**
6. **Μην αφήνετε το μηχάνημα να λειτουργεί. Χρησιμοποιείτε το μηχάνημα μόνο όταν το κρατάτε.**
7. **Μην αγγίζετε την αιχμή ή το αντικείμενο εργασίας αμέσως μετά τη λειτουργία. Μπορεί να είναι εξαιρετικά θερμά και να σας προκαλέσουν εγκαύματα.**
8. **Μερικά υλικά περιέχουν χημικές ουσίες που μπορεί να είναι τοξικές. Προσέχετε να μην εισπνεύσετε σκόνη και να μην έχετε δερματική επαφή. Ακολουθείστε τις οδηγίες ασφάλειας του προμηθευτή των υλικών.**

**ΦΥΛΑΞΤΕ ΤΙΣ ΟΔΗΓΙΕΣ ΑΥΤΕΣ.**

**ΠΡΟΕΙΔΟΠΟΙΗΣΗ:**

**ΜΗΝ επιτρέψετε το βαθμό άνεσης ή εξοικείωσης με το προϊόν (λόγω επανειλημμένης χρήσης) να αντικαταστήσει την αυστηρή τήρηση των κανόνων ασφαλείας του παρόντος εργαλείου. ΚΑΚΗ ΧΡΗΣΗ ή αμέλεια να ακολουθήσετε τους κανόνες ασφάλειας που διατυπώνονται σ'αυτό το εγχειρίδιο οδηγιών μπορεί να προκαλέσει σοβαρό προσωπικό τραυματισμό.**

## ΣΗΜΑΝΤΙΚΕΣ ΟΔΗΓΙΕΣ ΑΣΦΑΛΕΙΑΣ

### ΓΙΑ ΚΑΣΕΤΑ ΜΠΑΤΑΡΙΑΣ

1. Πριν χρησιμοποιήσετε την κασέτα μπαταρίας, διαβάστε όλες τις οδηγίες και σημειώσεις προφύλαξης (1) στον φορτιστή μπαταρίας, (2) στην μπαταρία και (3) στο προϊόν που χρησιμοποιεί την μπαταρία.
2. Μην αποσυρμολογήσετε την κασέτα μπαταρίας.
3. Εάν ο χρόνος λειτουργίας έχει γίνει υπερβολικά βραχύς, σταματήστε την λειτουργία αμέσως. Αλλιώς, μπορεί να έχει ως αποτέλεσμα κίνδυνο υπερθέρμανσης, πιθανά εγκαύματα ή ακόμη και έκρηξη.
4. Εάν ηλεκτρολύτης μπει στα μάτια σας, ξεπλύνετε τα με καθαρό νερό και ζητήστε ιατρική φροντίδα αμέσως. Αλλιώς, μπορεί να έχει ως αποτέλεσμα απώλεια της όρασης σας.
5. Πάντοτε καλύπτετε τους πόλους της μπαταρίας με το κάλυμμα της μπαταρίας όταν η κασέτα μπαταρίας δεν χρησιμοποιείται.
6. Μην βραχυκυκλώνετε την κασέτα μπαταρίας:
  - (1) Μην αγγίζετε τους πόλους με οτιδήποτε αγώγιμο υλικό.
  - (2) Αποφύγετε να αποθηκεύετε την κασέτα μπαταρίας μέσα σε ένα δοχείο μαζί με άλλα μεταλλικά αντικείμενα όπως καρφιά, νομίσματα, κλπ.
  - (3) Μην εκθέτε την κασέτα μπαταρίας στο νερό ή στη βροχή.  
Ένα βραχυκύκλωμα μπαταρίας μπορεί να προκαλέσει μεγάλη ροή ρεύματος, υπερθέρμανση, πιθανά εγκαύματα ακόμη και σοβαρή βλάβη.
7. Μην αποθηκεύετε το εργαλείο και την κασέτα μπαταρίας σε τοποθεσίες όπου η θερμοκρασία μπορεί να φτάσει ή να ξεπεράσει τους 50°C.
8. Μην καίτε την κασέτα μπαταρίας ακόμη και εάν έχει σοβαρή ζημιά ή είναι εντελώς φθαρμένη. Η κασέτα μπαταρίας μπορεί να εκραγεί στην φωτιά.
9. Προσέχετε να μη ρίξετε κάτω ή χτυπήσετε την μπαταρία.
10. Να μην χρησιμοποιείται μπαταρία που έχει υποστεί πτώση ή κτύπημα.

### ΦΥΛΑΞΤΕ ΤΙΣ ΟΔΗΓΙΕΣ ΑΥΤΕΣ.

#### Συμβουλές για διατήρηση μέγιστης ζωής μπαταρίας

1. Φορτίστε την κασέτα μπαταρίας πριν από την πλήρη αποφόρτιση της.  
Πάντοτε σταματάτε την λειτουργία του εργαλείου και φορτίζετε την κασέτα μπαταρίας όταν παρατηρείτε μειωμένη ισχύ εργαλείου.
2. Ποτέ μην επαναφορτίζετε μία πλήρως φορτισμένη κασέτα μπαταρίας. Υπερφόρτιση μειώνει την ωφέλιμη ζωή της μπαταρίας.
3. Φορτίζετε την κασέτα μπαταρίας σε θερμοκρασία δωματίου 10°C – 40°C. Αφήστε μία θερμή κασέτα μπαταρίας να κρυώσει πριν την φορτίσετε.

4. Φορτίστε την κασέτα μπαταρίας Μεταλλικού Υδριδίου Νικελίου όταν δεν την χρησιμοποιήσετε για περισσότερο από έξι μήνες.

### ΠΕΡΙΓΡΑΦΗ ΛΕΙΤΟΥΡΓΙΑΣ

#### ΠΡΟΣΟΧΗ:

- Πάντοτε βεβαιώνετε ότι το εργαλείο είναι σβηστό και η κασέτα μπαταρίας έχει αφαιρεθεί πριν ρυθμίσετε ή ελέγξετε κάποια λειτουργία στο εργαλείο.

#### Τοποθέτηση ή αφαίρεση της κασέτας μπαταρίας (Εικ. 1)

- Πάντοτε σβήνετε το μηχάνημα πριν τοποθετήσετε ή αφαιρέσετε την κασέτα μπαταρίας.
- Για να αφαιρέσετε τη κασέτα μπαταρίας, τραβήχτε τη έξω από το μηχάνημα ενώ πιέζετε τα πλήκτρα και στις δύο πλευρές της κασέτας.
- Για να τοποθετήσετε τη κασέτα μπαταρίας, ευθυγραμμίστε τη γλώσσα στη κασέτα μπαταρίας με την εγκοπή στο περίβλημα και σύρετε τη στη θέση της. Πάντα βάζετε τη βαθειά μέσα μέχρι να κλειδώσει στη θέση της με ένα μικρό κλικ. Διαφορετικά, μπορεί να πέσει έξω από το μηχάνημα, και να τραυματίσει εσάς ή κάποιον άλλο.
- Μη βάζετε δύναμη όταν τοποθετείτε την κασέτα μπαταρίας. Εάν η κασέτα δεν εισέρχεται με ευκολία, δεν είναι τοποθετημένη σωστά.

#### Λειτουργία διακόπτη (Εικ. 2)

#### ΠΡΟΣΟΧΗ:

- Πριν βάλετε τη κασέτα μπαταρίας μέσα στο μηχάνημα, πάντοτε ελέγχετε να δείτε ότι η σκανδάλη διακόπτη ενεργοποιείται κανονικά και επιστρέφει στη θέση "OFF" όταν ελευθερώνεται.

Για να ξεκινήσει το μηχάνημα, απλά τραβήχτε τη σκανδάλη. Η ταχύτητα του μηχανήματος αυξάνεται αυξανοντας τη πίεση στη σκανδάλη. Αφήστε τη σκανδάλη για να σταματήσει.

#### Αντιστροφή λειτουργίας διακόπτη (Εικ. 3)

Αυτό το μηχάνημα έχει ένα διακόπτη αντιστροφής για να αλλάξει τη διεύθυνση περιστροφής. Πατήστε το μοχλό διακόπτη αντιστροφής από τη πλευρά Α για δεξιόστροφη περιστροφή ή από την πλευρά Β για αριστερόστροφη.

Όταν ο μοχλός διακόπτη είναι στην ουδέτερη θέση, η σκανδάλη διακόπτης δεν μπορεί να τραβηχθεί.

#### ΠΡΟΣΟΧΗ:

- Πάντοτε ελέγχετε τη διεύθυνση περιστροφής πριν από τη λειτουργία.
- Χρησιμοποιείτε το διακόπτη αντιστροφής μόνο αφού το μηχάνημα έχει σταματήσει εντελώς. Αλλαγή της διεύθυνσης περιστροφής πριν το μηχάνημα σταματήσει μπορεί να προκαλέσει ζημιά στο μηχάνημα.
- Όταν δεν χρησιμοποιείται την μηχανήματα, πάντα πρέπει να θέτετε το μοχλό διακόπτη αντιστροφής στην ουδέτερη θέση.



## Αλλαγή ταχύτητας (Εικ. 4)

Για να αλλάξετε την ταχύτητα, πρώτα σβήστε το μηχανήμα και μετά σύρετε το μοχλό αλλαγής ταχύτητας στη πλευρά “2” για υψηλή ταχύτητα ή στη πλευρά “1” για χαμηλή ταχύτητα. Βεβαιώστε ότι ο μοχλός αλλαγής ταχύτητας έχει τοποθετηθεί στη σωστή θέση πριν τη λειτουργία. Χρησιμοποιήστε τη κατάλληλη ταχύτητα για την εργασία σας.

### ΠΡΟΣΟΧΗ:

- Πάντοτα τοποθετείτε μοχλό αλλαγής ταχύτητας ακριβώς στη σωστή θέση. Εάν λειτουργήσετε το μηχανήμα με το μοχλό αλλαγής ταχύτητας στο ενδιάμεσο μεταξύ πλευρών “1” και “2” το μηχανήμα μπορεί να πάθει ζημιά.
- Μη χρησιμοποιείτε το μοχλό αλλαγής ταχύτητας ενώ το μηχανήμα λειτουργεί. Το μηχανήμα μπορεί να πάθει ζημιά.

## Ρύθμιση της ροπής στερέωσης (Εικ. 5)

Η ροπή στερέωσης μπορεί να ρυθμιστεί με 17 βήματα στρίβοντας το δακτυλίδι ρύθμισης έτσι ώστε οι διαβαθμίσεις του να ευθυγραμμίζονται με το δείκτη στο σώμα του μηχανήματος. Η ροπή στερέωσης είναι ελάχιστη όταν ο αριθμός 1 ευθυγραμμίζεται με τον δείκτη, και μέγιστη όταν το σημάδι  ευθυγραμμίζεται με τον δείκτη. Ο συμπλέκτης θα γλιστρήσει σε διάφορες στάθμες ροπής όταν ρυθμιστεί στους αριθμούς 1 έως 16. Ο συμπλέκτης είναι σχεδιασμένος έτσι ώστε να μη γλιστρά στο σημάδι .

Πριν αρχίσετε την πραγματική εργασία σας, βιδώστε μία δοκιμαστική βίδα στο υλικό σας ή σε ένα κομμάτι παρόμοιου υλικού για να διαπιστώσετε ποιά στάθμη ροπής απαιτείται για μία ιδιαίτερη εφαρμογή.

### ΠΑΡΑΤΗΡΗΣΗ:

- Ο ρυθμιστικός δακτύλιος δεν κλειδώνει όταν ο δείκτης είναι τοποθετημένος στο ενδιάμεσο μεταξύ των διαβαθμίσεων.

## ΣΥΝΟΛΟ ΕΡΓΑΛΕΙΟΥ

### ΠΡΟΣΟΧΗ:

- Πριν την εκτέλεση εργασιών με τη συσκευή διαβεβαιώστε πάντοτε, για το ότι η συσκευή σβήστηκε με απομακρυσμένο το συσσωρευτή.

## Τοποθέτηση ή αφαίρεση αιχμής (Εικ. 6)

Κρατείστε το δακτυλίδι και στρίψτε το μανίκι αριστερόστροφα για να ανοίξετε τις σιαγόνες του σφιγκτήρα. Βάλτε την αιχμή στο σφιγκτήρα όσο βαθειά μπορεί να πάει. Κρατείστε το δακτυλίδι σταθερά και στρίψτε το μανίκι δεξιόστροφα για να σφίξετε τον σφιγκτήρα.

Για να αφαιρέσετε την αιχμή, κρατείστε το δακτυλίδι και στρίψτε το μανίκι αριστερόστροφα.

## ΟΔΗΓΙΕΣ ΧΡΗΣΗΣ

## Λειτουργία βιδώματος (Εικ. 7)

### ΠΡΟΣΟΧΗ:

- Ρυθμίστε τον ρυθμιστικό δακτύλιο στο κατάλληλο επίπεδο ροπής για την εργασία σας.

Τοποθετείτε το άκρο της αιχμής βιδοτρύπανου στο κεφάλι της βίδας και εφαρμόστε πίεση στο μηχανήμα. Ξεκινήστε το μηχανήμα αργά και μετά αυξήστε την ταχύτητα βαθμιαία. Αφήστε τη σκανδάλη μόλις ο συμπλέκτης παρέμβει.

### ΠΡΟΣΟΧΗ:

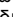
- Βεβαιώστε ότι η αιχμή του βιδοτρύπανου εισέρχεται ίσια στη κεφαλή της βίδας, διαφορετικά η βίδα κατ'αιχμή μπορεί να πάθουν ζημιά.

### ΠΑΡΑΤΗΡΗΣΗ:

- Όταν βιδώνετε ξυλόβιδες, ανοίξτε τρύπες οδηγούς για να κάνετε το βιδώμα ευκολότερο και να αποφύγετε σχίσμο του αντικειμένου εργασίας. Δείτε τον παρακάτω πίνακα.

Ονομαστική διάμ. ξυλόβιδας (χιλ.)	Συνιστώμενο μέγεθος τρύπας οδηγού (χιλ.)
3,1	2,0–2,2
3,5	2,2–2,5
3,8	2,5–2,8
4,5	2,9–3,2
4,8	3,1–3,4
5,1	3,3–3,6
5,5	3,7–3,9
5,8	4,0–4,2
6,1	4,2–4,4

## Λειτουργία τρυπάνισματος

Πρώτα, γυρίστε τον ρυθμιστικό δακτύλιο έτσι ώστε ο δείκτης να είναι στραμμένος προς το σημάδι . Μετά προχωρήστε ως εξής.

### Τρυπάνισμα σε ξύλο

Όταν τρυπανίζετε σε ξύλο, τα καλύτερα αποτελέσματα επιτυγχάνονται με τρυπάνια ξύλου εφοδιασμένα με βίδα οδηγό. Η βίδα οδηγός κάνει το τρυπάνισμα ευκολότερο παρασύροντας την αιχμή μέσα στο αντικείμενο εργασίας.

### Τρυπάνισμα σε μέταλλο

Για να αποφύγετε γλιστρήμα της αιχμής όταν αρχίζετε μία τρύπα, κάντε ένα βαθούλωμα με ένα καλέμι και σφυρί στο σημείο τρυπανισμού. Τοποθετήστε το άκρο της αιχμής στο βαθούλωμα και αρχίστε το τρυπάνισμα.

Χρησιμοποιείτε ένα λιπαντικό κοπής όταν τρυπανίζετε σε μέταλλα. Οι εξαιρέσεις είναι ο σίδηρος και ο μπρούτζος που πρέπει να τρυπανίζονται στεγνά.

**ΠΡΟΣΟΧΗ:**

- Πιέζοντας υπερβολικά στο μηχανήμα δεν θα επιταχύνει το τρυπάνισμα. Στη πραγματικότητα, αυτή η υπερβολική πίεση θα προκαλέσει μόνο ζημιά στο άκρο της αιχμής, θα μειώσει την απόδοση του μηχανήματος και θα βραχύνει τον ωφέλιμο χρόνο χρήσης του μηχανήματος.
- Μία τρομακτική δύναμη εξασκείται στο μηχανήμα/ αιχμή κατά τη στιγμή που το τρυπάνι διαπερνά την τρύπα. Κρατάτε το μηχανήμα σταθερά και προσέχετε πολύ κατά τη στιγμή που το μηχανήμα αρχίζει τη διαπέραση της τρύπας.
- Μία μαγκωμένη αιχμή μπορεί να αφαιρεθεί απλώς βάζοντας το διακόπτη αντιστροφής να αντιστρέψει τη περιστροφή για να αποσπαστεί. Όμως το μηχανήμα μπορεί να αποσπαστεί απότομα εάν δεν το κρατάτε σταθερά.
- Πάντοτε στερεώνετε μικρά αντικείμενα εργασίας σε μία μέγγυνη ή σε παρόμοια συσκευή ακινητοποίησης.
- Εάν το μηχανήμα λειτουργεί συνεχώς μέχρι η κασέτα μπαταρίας αδειάσει, αφήστε το μηχανήμα να αναπαιθεί για 15 λεπτά πριν προχωρήσετε με μία νέα μπαταρία.

**ΣΥΝΤΗΡΗΣΗ****ΠΡΟΣΟΧΗ:**

- Πριν την εκτέλεση εργασιών με τη συσκευή διαβεβαιώνετε πάντοτε, για το ότι η συσκευή σβήστηκε με απομακρυσμένο το συσσωρευτή.
- Μην χρησιμοποιείτε ποτέ βενζίνη, πετρελαϊκό αιθέρα, διαλυτικό, αλκοόλη ή παρόμοιες ουσίες. Ενδέχεται να προκληθεί αποχρωματισμός παραμόρφωση ή ρωγμές.

Για την διατήρηση της ΑΣΦΑΛΕΙΑΣ και ΑΞΙΟΠΙΣΤΙΑΣ του προϊόντος, επισκευές, οποιαδήποτε άλλη συντήρηση ή ρύθμιση πρέπει να εκτελούνται από τα Εξουσιοδοτημένα Κέντρα Εξυπηρέτησης της Μάκιτα, με χρήση πάντοτε ανταλλακτικών Μάκιτα.

**ΑΝΤΑΛΛΑΚΤΙΚΑ****ΠΡΟΣΟΧΗ:**

- Αυτά τα ανταλλακτικά ή προσαρτήματα συνιστώνται για χρήση με το εργαλείο σας της Μάκιτα που περιγράφεται στο εγχειρίδιο αυτό. Η χρήση οτιδήποτε άλλων ανταλλακτικών ή προσαρτημάτων μπορεί να παρουσιάσουν κίνδυνο τραυματισμού σε άτομα.

Εάν χρειάζεστε βοήθεια ή περισσότερες λεπτομέρειες σε σχέση με αυτά τα ανταλλακτικά, ρωτήστε το τοπικό σας κέντρο εξυπηρέτησης της Μάκιτα.

- Αιχμές τρυπανίσματος
- Αιχμές βιδώματος
- Διάφοροι τύποι αυθεντικών μπαταριών και φορτιστών Μάκιτα.
- Σύνολο ελαστικού υποθέματος
- Μάλλινο κάλυμμα
- Αφρώδες στιλβωτικό υπόθεμα
- Πλαστική θήκη μεταφοράς

**Θόρυβος**

Το τυπικό Α επίπεδο μετρημένου θορύβου καθορίζεται σύμφωνα με το EN60745:

Πίεση ήχου ( $L_{pA}$ ): 70 dB(A) ή λιγότερο  
Αβεβαιότητα (K): 3 dB (A)

Η ένταση ήχου υπο συνθήκες εργασίας μπορεί να υπερβεί τα 80 dB (A)

**Φοράτε ωτοασπίδες**

ENG202-3

**Κραδασμός**

Η ολική τιμή δόνησης (άθροισμα τρι-αξονικού διανύσματος) καθορίζεται σύμφωνα με το EN60745:

Είδος εργασίας: τρυπάνισμα σε μέταλλο  
Εκπομπή δόνησης ( $a_{h,D}$ ): 2,5  $m/s^2$  ή λιγότερο  
Αβεβαιότητα (K): 1,5  $m/s^2$

ENG901-1

- Η δηλωμένη τιμή εκπομπής κραδασμών έχει μετρηθεί σύμφωνα με την πρότυπη μέθοδο δοκιμής και μπορεί να χρησιμοποιηθεί για τη σύγκριση ενός εργαλείου με άλλο.
- Η δηλωμένη τιμή εκπομπής κραδασμών μπορεί να χρησιμοποιηθεί και στην προκαταρκτική αξιολόγηση έκθεσης.

**ΠΡΟΕΙΔΟΠΟΙΗΣΗ:**

- Η εκπομπή κραδασμών κατά τη χρήση του ηλεκτρικού εργαλείου σε πραγματικές συνθήκες μπορεί να διαφέρει από τη δηλωμένη τιμή εκπομπής ανάλογα με τον τρόπο χρήσης του εργαλείου.
- Φροντίστε να λάβετε τα κατάλληλα μέτρα προστασίας του χειριστή βάσει υπολογισμού της έκθεσης σε πραγματικές συνθήκες χρήσης (λαμβάνοντας υπόψη όλες τις συνιστώσες του κύκλου λειτουργίας όπως τους χρόνους που το εργαλείο είναι εκτός λειτουργίας και όταν βρίσκεται σε αδρανή λειτουργία πέραν του χρόνου ενεργοποίησης).

**Μόνο για χώρες της Ευρώπης**

**Δήλωση Συμμόρφωσης ΕΚ**

**Η Makita Corporation, ως ο υπεύθυνος κατασκευαστής, δηλώνει ότι το/τα ακόλουθο(α) μηχάνημα(τα) της Makita:**

Χαρακτηρισμός μηχανήματος: Βιδοτρύπανο με μπαταρία

Αρ. μοντέλου/ Τύπος: 6260D, 6270D, 6280D, 6390D

είναι εν σειρά παραγωγή και

**συμμορφώνονται με τις ακόλουθες Ευρωπαϊκές Οδηγίες:**

2006/42/ΕΚ

και κατασκευάζονται σύμφωνα με τα ακόλουθα πρότυπα ή έγγραφα τυποποίησης:

EN60745

Η τεχνική τεκμηρίωση φυλάσσεται από τον εξουσιοδοτημένο εκπρόσωπό μας στην Ευρώπη, δηλαδή τη

Makita International Europe Ltd.

Michigan Drive, Tongwell,

Milton Keynes, MK15 8JD, England (Αγγλία)

30 Ιανουαρίου 2009



Tomoyasu Kato  
Διευθυντής

Makita Corporation  
3-11-8, Sumiyoshi-cho,  
Anjo, Aichi, JAPAN

**Makita Corporation**

Anjo, Aichi, Japan

884535D994