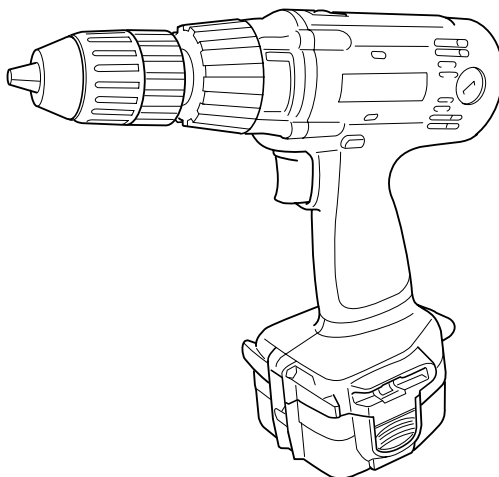
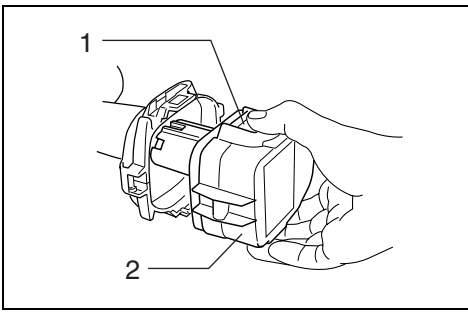


Makita®

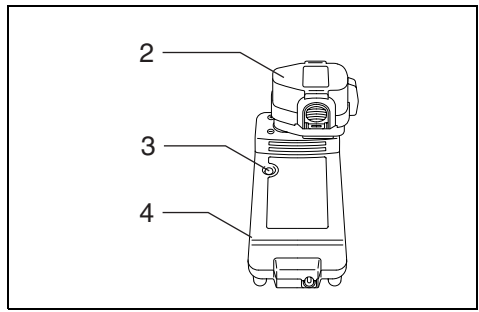
GB	Cordless Driver Drill	Instruction Manual
F	Perceuse-visseuse sans fil	Manuel d'instructions
D	Akku-bohrschrauber	Betriebsanleitung
I	Trapano-avvitatore a batteria	Istruzioni per l'uso
NL	Snoerloze boor-schroevendraaier	Gebruiksaanwijzing
E	Taladro-atornillador a batería	Manual de instrucciones
P	Berbequim aparafusador a bateria	Manual de instruções
DK	Akku bore-skruemaskine	Brugsanvisning
S	Sladdös bormaskin/skruvdragare	Bruksanvisning
N	Akku boreskrutrekker	Bruksanvisning
SF	Akkuporakone	Käyttöohje
GR	Βιδοτρύπανο με μπαταρία	Οδηγίες χρήσεως
TR	Kablosuz matkap	El kitabı

6216D
6236D
6316D
6336D

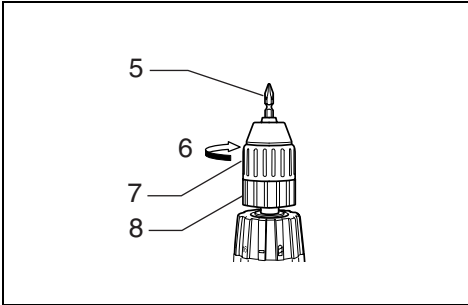




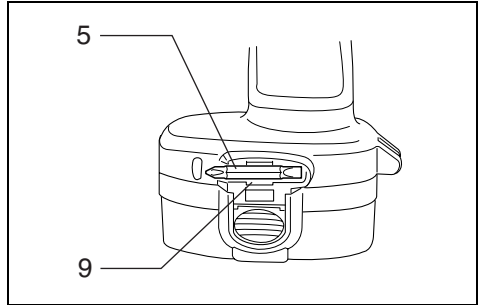
1



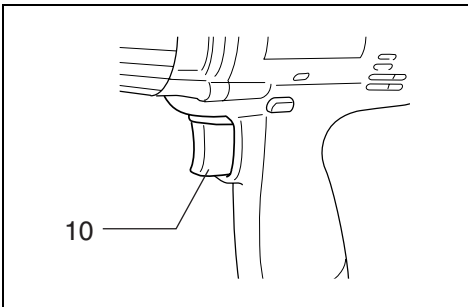
2



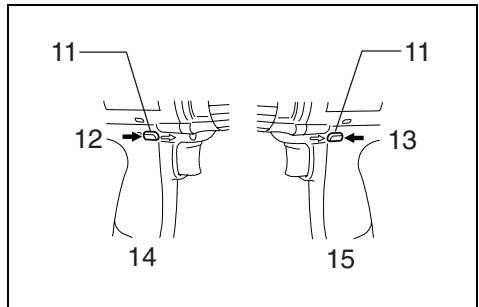
3



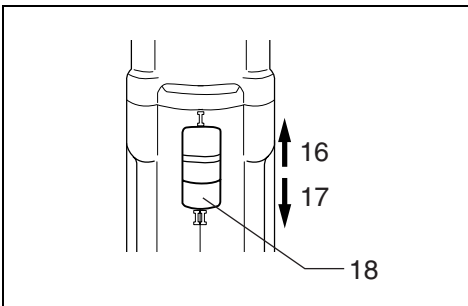
4



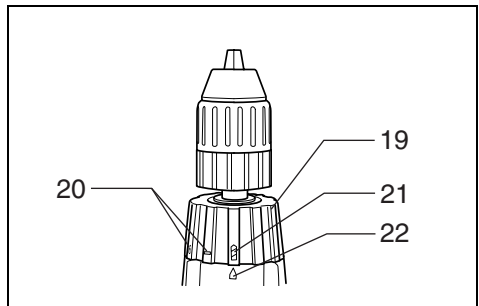
5



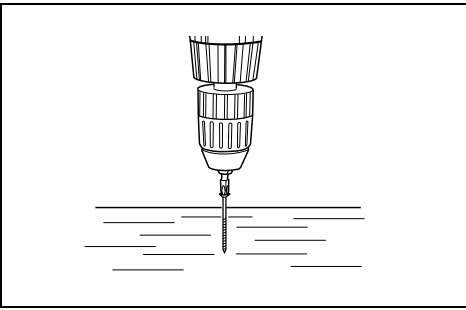
6



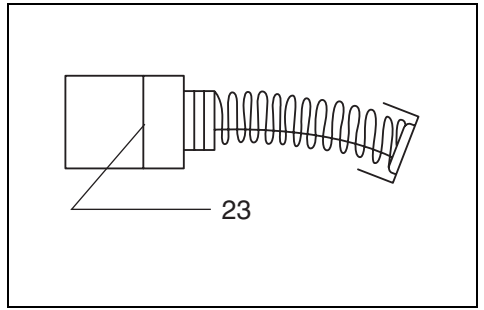
7



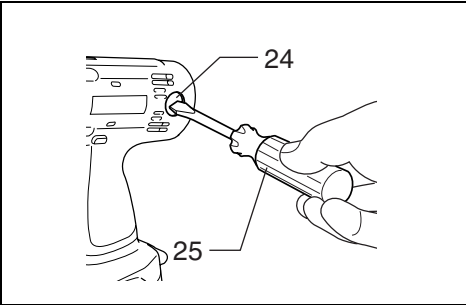
8



9



10



11

Explanation of general view

1 Button	10 Switch trigger	18 Speed change lever
2 Battery cartridge	11 Reversing switch lever	19 Adjusting ring
3 Charging light	12 A side	20 Graduations
4 Battery charger	13 B side	21 Drill marking
5 Bit	14 Clockwise	22 Pointer
6 Tighten	15 Counterclockwise	23 Limit mark
7 Sleeve	16 Low speed	24 Brush holder cap
8 Ring	17 High speed	25 Screwdriver
9 Bit holder		

SPECIFICATIONS

Model	6216D	6236D	6316D	6336D
Capacities				
Steel	10 mm	10 mm	13 mm	13 mm
Wood	30 mm	36 mm	30 mm	36 mm
Wood screw	6 x 75 mm	6 x 75 mm	6 x 75 mm	6 x 75 mm
Machine screw	6 mm	6 mm	6 mm	6 mm
No load speed (min ⁻¹)				
High	0 – 1,300	0 – 1,300	0 – 1,300	0 – 1,300
Low	0 – 400	0 – 400	0 – 400	0 – 400
Overall length	243 mm	243 mm	255 mm	255 mm
Net weight	2.1 kg	2.2 kg	2.2 kg	2.3 kg
Rated voltage	D.C. 12 V	D.C. 14.4 V	D.C. 12 V	D.C. 14.4 V

- Due to our continuing program of research and development, the specifications herein are subject to change without notice.
- Note: Specifications may differ from country to country.

Safety hints

For your own safety, please refer to enclosed safety instructions.

IMPORTANT SAFETY INSTRUCTIONS FOR CHARGER & BATTERY CARTRIDGE

ENC001-3

1. **SAVE THESE INSTRUCTIONS** — This manual contains important safety and operating instructions for battery charger.
2. Before using battery charger, read all instructions and cautionary markings on (1) battery charger, (2) battery, and (3) product using battery.
3. **CAUTION** — To reduce risk of injury, charge only MAKITA type rechargeable batteries. Other types of batteries may burst causing personal injury and damage.
4. Do not expose charger to rain or snow.
5. Use of an attachment not recommended or sold by the battery charger manufacturer may result in a risk of fire, electric shock, or injury to persons.
6. To reduce risk of damage to electric plug and cord, pull by plug rather than cord when disconnecting charger.
7. Make sure cord is located so that it will not be stepped on, tripped over, or otherwise subjected to damage or stress.
8. Do not operate charger with damaged cord or plug — replace them immediately.

9. **Do not operate charger if it has received a sharp blow, been dropped, or otherwise damaged in any way; take it to a qualified serviceman.**
10. **Do not disassemble charger or battery cartridge; take it to a qualified serviceman when service or repair is required. Incorrect reassembly may result in a risk of electric shock or fire.**
11. **To reduce risk of electric shock, unplug charger from outlet before attempting any maintenance or cleaning. Turning off controls will not reduce this risk.**
12. **The battery charger is not intended for use by young children or infirm persons without supervision.**
13. **Young children should be supervised to ensure that they do not play with the battery charger.**
14. **If operating time has become excessively shorter, stop operating immediately. It may result in a risk of overheating, possible burns and even an explosion.**
15. **If electrolyte gets into your eyes, rinse them out with clear water and seek medical attention right away. It may result in loss of your eyesight.**

ADDITIONAL SAFETY RULES FOR CHARGER & BATTERY CARTRIDGE

1. Do not charge Battery Cartridge when temperature is **BELOW 10°C (50°F)** or **ABOVE 40°C (104°F)**.
2. Do not attempt to use a step-up transformer, an engine generator or DC power receptacle.
3. Do not allow anything to cover or clog the charger vents.
4. Always cover the battery terminals with the battery cover when the battery cartridge is not used.

5. **Do not short the battery cartridge:**
 - (1) **Do not touch the terminals with any conductive material.**
 - (2) **Avoid storing battery cartridge in a container with other metal objects such as nails, coins, etc.**
 - (3) **Do not expose battery cartridge to water or rain.**
A battery short can cause a large current flow, overheating, possible burns and even a breakdown.
 6. **Do not store the tool and battery cartridge in locations where the temperature may reach or exceed 50°C (122°F).**
 7. **Do not incinerate the battery cartridge even if it is severely damaged or is completely worn out. The battery cartridge can explode in a fire.**
 8. **Be careful not to drop, shake or strike battery.**
 9. **Do not charge inside a box or container of any kind. The battery must be placed in a well ventilated area during charging.**
3. **Always be sure you have a firm footing.**
 4. **Be sure no one is below when using the tool in high locations.**
 5. **Hole the tool firmly.**
 6. **Keep hands away from rotating parts.**
 7. **Do not leave the tool running. Operate the tool only when hand-held.**
 8. **Do not touch the drill bit or the workpiece immediately after operation; they may be extremely hot and could burn your skin.**

SAVE THESE INSTRUCTIONS.

OPERATING INSTRUCTIONS

Installing or removing battery cartridge (Fig. 1)

- Always switch off the tool before insertion or removal of the battery cartridge.
- To remove the battery cartridge, withdraw it from the tool while pressing the buttons on both sides of the cartridge.
- To insert the battery cartridge, align the tongue on the battery cartridge with the groove in the housing and slip it into place. Always insert it all the way until it locks in place with a little click. If not, it may accidentally fall out of the tool, causing injury to you or someone around you.
- Do not use force when inserting the battery cartridge. If the cartridge does not slide in easily, it is not being inserted correctly.

ADDITIONAL SAFETY RULES FOR TOOL

ENB022-1

1. **Be aware that this tool is always in an operating condition, because it does not have to be plugged into an electrical outlet.**
2. **Hold tool by insulated gripping surfaces when performing an operation where the cutting tool may contact hidden wiring. Contact with a “live” wire will also make exposed metal parts of the tool “live” and shock the operator.**

Charging (Fig. 2)

Plug the battery charger into the proper A/C voltage source. The charging light will flash in green color. Insert the battery cartridge so that the plus and minus terminals on the battery cartridge are on the same sides as their respective markings on the battery charger. Insert the cartridge fully into the port so that it rests on the charger port floor. When the battery cartridge is inserted, the charging light color will change from green to red and charging will begin. The charging light will remain lit steadily during charging. When the charging light color changes from red to green, the charging cycle is complete. If you leave the battery cartridge in the charger after the charging cycle is complete, the charger will switch into its “trickle charge (maintenance charge)” mode. After charging, unplug the charger from the power source.

Refer to the table below for the charging time.

Battery type	Capacity (Ah)	Number of cells	Charging time
1222 (Ni-cd)	2.0	10	Approx. 45 min.
1233 (Ni-MH)	2.2	10	Approx. 50 min.
1234 (Ni-MH)	2.6	10	Approx. 60 min.
1235 (Ni-MH)	3.0	10	Approx. 70 min.
1422 (Ni-cd)	2.0	12	Approx. 45 min.
1433 (Ni-MH)	2.2	12	Approx. 50 min.
1434 (Ni-MH)	2.6	12	Approx. 60 min.
1435 (Ni-MH)	3.0	12	Approx. 70 min.

CAUTION:

- The battery charger is for charging Makita battery cartridge. Never use it for other purposes or for other manufacturer's batteries.
- When you charge a new battery cartridge or a battery cartridge which has not been used for a long period of time, it may not accept a full charge. This is a normal condition and does not indicate a problem. You can recharge the battery cartridge fully after discharging it completely and recharging a couple of times.

- If you charge a battery cartridge from a just-operated tool or a battery cartridge which has been left in a location exposed to direct sunlight or heat for a long time, the charging light may flash in red color. If this occurs, wait for a while. Charging will begin after the battery cartridge cools. The battery cartridge will cool faster if you remove the battery cartridge from the battery charger.
- If the charging light flashes alternately in green and red color, a problem exists and charging is not possible. The terminals on the charger or battery cartridge are clogged with dust or the battery cartridge is worn out or damaged.

Trickle charge (Maintenance charge)

If you leave the battery cartridge in the charger to prevent spontaneous discharging after full charge, the charger will switch into its “trickle charge (maintenance charge)” mode and keep the battery cartridge fresh and fully charged.

Tips for maintaining maximum battery life

1. Charge the battery cartridge before completely discharged.
Always stop tool operation and charge the battery cartridge when you notice less tool power.
2. Never recharge a fully charged battery cartridge.
Overcharging shortens the battery service life.
3. Charge the battery cartridge with room temperature at 10°C – 40°C (50°F – 104°F).
Let a hot battery cartridge cool down before charging it.
4. Charge the Nickel Metal Hydride battery cartridge when you do not use it for more than six months.

Installing or removing driver bit or drill bit (Fig. 3 & 4)

Important:

Always be sure that the tool is switched off and the battery cartridge is removed before installing or removing the bit.

Hold the ring and turn the sleeve counterclockwise to open the chuck jaws. Place the bit in the chuck as far as it will go. Hold the ring firmly and turn the sleeve clockwise to tighten the chuck.

To remove the bit, hold the ring and turn the sleeve counterclockwise. When not using the driver bit, keep it in the bit holders. Bits 45 mm long can be kept there.

Switch action (Fig. 5)

CAUTION:

Before inserting the battery cartridge into the tool, always check to see that the switch trigger actuates properly and returns to the “OFF” position when released.

To start the tool, simply pull the trigger. Tool speed is increased by increasing pressure on the trigger. Release the trigger to stop.

Reversing switch action (Fig. 6)

CAUTION:

- Always check the direction of rotation before operation.
- Use the reversing switch only after the tool comes to a complete stop. Changing the direction of rotation before the tool stops may damage the tool.
- When not operating the tool, always set the reversing switch lever to the neutral position.

This tool has a reversing switch to change the direction of rotation. Depress the reversing switch lever from the A side for clockwise rotation or from the B side for counterclockwise rotation. When the switch lever is in the neutral position, the switch trigger cannot be pulled.


Speed change (Fig. 7)


To change the speed, first switch off the tool and then slide the speed change lever to the “II” side for high speed or “I” side for low speed. Be sure that the speed change lever is set to the correct position before operation. Use the right speed for your job.

CAUTION:

- Always set the speed change lever fully to the correct position. If you operate the tool with the speed change lever positioned half-way between the “I” side and “II” side, the tool may be damaged.
- Do not use the speed change lever while the tool is running. The tool may be damaged.


Adjusting the fastening torque (Fig. 8)

The fastening torque can be adjusted in 17 steps by turning the adjusting ring so that its graduations are aligned with the pointer on the tool body. The fastening torque is minimum when the number 1 is aligned with the pointer, and maximum when the  marking is aligned with the pointer.

The clutch will slip at various torque levels when set at the number 1 to 16. The clutch is designed not to slip at the  marking.

Before actual operation, drive a trial screw into your material or a piece of duplicate material to determine which torque level is required for a particular application.

NOTE:

- The adjusting ring does not lock when the pointer is positioned only half-way between the graduations.
- Do not operate the tool with the adjusting ring set between the number 16 and the  marking. The tool may be damaged.

Screwdriving operation (Fig. 9)

Place the point of the driver bit in the screw head and apply pressure to the tool. Start the tool slowly and then increase the speed gradually. Release the trigger as soon as the clutch cuts in.


NOTE:

- Make sure that the driver bit is inserted straight in the screw head, or the screw and/or bit may be damaged.
- When driving wood screws, predrill pilot holes to make driving easier and to prevent splitting of the workpiece. See the chart below.

Nominal diameter of wood screw (mm)	Recommended size of pilot hole (mm)
3.1	2.0–2.2
3.5	2.2–2.5
3.8	2.5–2.8
4.5	2.9–3.2
4.8	3.1–3.4
5.1	3.3–3.6
5.5	3.7–3.9
5.8	4.0–4.2
6.1	4.2–4.4

- If the tool is operated continuously until the battery cartridge has discharged, allow the tool to rest for 15 minutes before proceeding with a fresh battery.

Drilling operation

First, turn the adjusting ring so that the pointer on the tool body points to the  marking. Then proceed as follows.

• Drilling in wood

When drilling in wood, best results are obtained with wood drills equipped with a guide screw. The guide screw makes drilling easier by pulling the bit into the workpiece.

• Drilling in metal

To prevent the bit from slipping when starting a hole, make an indentation with a centerpunch and hammer at the point to be drilled. Place the point of the bit in the indentation and start drilling. Use a cutting lubricant when drilling metals. The exceptions are iron and brass which should be drilled dry.

CAUTION:

- Pressing excessively on the tool will not speed up the drilling. In fact, this excessive pressure will only serve to damage the tip of your bit, decrease the tool performance and shorten the service life of the tool.
- There is a tremendous force exerted on the tool/bit at the time of hole breakthrough. Hold the tool firmly and exert care when the bit begins to break through the workpiece.
- A stuck bit can be removed simply by setting the reversing switch to reverse rotation in order to back out. However, the tool may back out abruptly if you do not hold it firmly.
- Always secure small workpieces in a vise or similar hold-down device.
- If the tool is operated continuously until the battery cartridge has discharged, allow the tool to rest for 15 minutes before proceeding with a fresh battery.

MAINTENANCE

CAUTION:

Always be sure that the tool is switched off and the battery cartridge is removed before carrying out any work on the tool.

Replacement of carbon brushes (Fig. 10 & 11)

Replace carbon brushes when they are worn down to the limit mark. Both identical carbon brushes should be replaced at the same time.

To maintain product safety and reliability, repairs, maintenance or adjustment should be carried out by a Makita Authorized Service Center.

ACCESSORIES

CAUTION:

- These accessories or attachments are recommended for use with your Makita tool specified in this manual. The use of any other accessories or attachments might present a risk of injury to persons. Only use accessory or attachment for its stated purpose.

If you need any assistance for more details regarding these accessories, ask your local Makita service center.

- Screw bits
- Grip assembly
- Rubber pad assembly
- Foam polishing pad
- Depth gauge
- Wool bonnet
- Various type of Makita genuine batteries and chargers
- Plastic carrying case

Descriptif

1 Bouton	10 Gâchette	18 Levier de changement de vitesse
2 Batterie	11 Inverseur	19 Bague de réglage
3 Témoin de charge	12 Côté A	20 Graduations
4 Chargeur	13 Côté B	21 Repère de perçage
5 Embout	14 Vers la droite	22 Pointeur
6 Serrer	15 Vers la gauche	23 Repère d'usure
7 Manchon	16 Vitesse réduite	24 Bouchon du porte-charbon
8 Bague	17 Grande vitesse	25 Tournevis
9 Porte-embout		

SPECIFICATIONS

Modèle	6216D	6236D	6316D	6336D
Capacités				
Acier	10 mm	10 mm	13 mm	13 mm
Bois	30 mm	36 mm	30 mm	36 mm
Vis en bois	6 x 75 mm	6 x 75 mm	6 x 75 mm	6 x 75 mm
Vis à métaux	6 mm	6 mm	6 mm	6 mm
Vitesse à vide (min ⁻¹)				
Grande vitesse	0 – 1 300	0 – 1 300	0 – 1 300	0 – 1 300
Vitesse réduite	0 – 400	0 – 400	0 – 400	0 – 400
Longueur totale	243 mm	243 mm	255 mm	255 mm
Poids net	2,1 kg	2,2 kg	2,2 kg	2,3 kg
Tension nominale	12 V D.C.	14,4 V D.C.	12 V D.C.	14,4 V D.C.

• Etant donné l'évolution constante de notre programme de recherche et de développement, les spécifications contenues dans ce manuel sont sujettes à modification sans préavis.

• Note : Les spécifications peuvent varier suivant les pays.

Consignes de sécurité

Pour votre propre sécurité, reportez-vous aux consignes de sécurité qui accompagnent l'outil.

PRECAUTIONS TRES IMPORTANTES POUR LE CHARGEUR ET LA BATTERIE

1. SUIVEZ CES INSTRUCTIONS — Ce manuel contient d'importantes instructions relatives à la sécurité et au fonctionnement du chargeur.
2. Avant de vous servir du chargeur, lisez toutes les instructions et précautions relatives (1) au chargeur, (2) à la batterie, et (3) à l'outil utilisant la batterie.
3. ATTENTION — Pour éliminer tout risque, ne chargez que des batteries rechargeables MAKITA. Tout autre type d'accumulateur peut éclater, causant dommages ou blessures.
4. N'exposez pas le chargeur à la pluie ou à la neige.
5. L'utilisation d'un accessoire ni agréé ni vendu par le fabricant du chargeur peut entraîner un risque d'incendie, de décharge électrique ou de blessure.
6. Pour ne pas risquer d'endommager le câble ou la prise, débranchez en tenant la prise plutôt que le câble.

7. Assurez-vous que la position du câble ne l'expose pas à faire trébucher, à être piétiné, ou à forcer de quelque manière que ce soit.
8. N'utilisez pas le chargeur si le câble ou la prise sont en mauvais état — en ce cas, changez ceux-ci immédiatement.
9. N'utilisez pas le chargeur après qu'il ait reçu un choc, soit tombé à terre ou se trouve endommagé en quelque façon ; portez-le d'abord chez un réparateur qualifié.
10. Ne démontez pas le chargeur ou la batterie ; portez-les chez un réparateur qualifié quand une réparation devient nécessaire. Un remontage maladroit peut entraîner une décharge électrique ou un incendie.
11. Afin de réduire les risques de décharge, débranchez le chargeur avant tout entretien ou nettoyage.
12. La batterie ne doit pas être utilisée sans surveillance par des enfants ou des personnes handicapées.
13. Les jeunes enfants devraient être surveillés pour s'assurer qu'ils ne jouent pas avec la batterie.
14. Si la durée de fonctionnement devient excessivement courte, cessez immédiatement l'utilisation. Il pourrait en résulter un risque de surchauffe, une possibilité de blessures, voire une explosion.
15. Si l'électrolyte atteint vos yeux, rincez-les à l'eau claire et consultez immédiatement un médecin. Il pourrait en résulter la perte de la vue.

PRECAUTIONS SUPPLEMENTAIRES POUR LE CHARGEUR ET LA BATTERIE

1. Ne chargez pas la batterie quand la température ambiante est inférieure à 10°C ou supérieure à 40°C.
2. Ne pas alimenter le chargeur
— via un transformateur
— via un redresseur
— par un groupe électrogène.
3. Ne laissez rien recouvrir ou obturer les ouvertures du chargeur.
4. Lorsque vous ne vous servez pas de votre batterie, protégez-en toujours les bornes avec le couvercle-batterie.
5. Ne court-circuitez pas la batterie :
 - (1) Ne touchez pas les bornes avec un matériau conducteur.
 - (2) Evitez de ranger la batterie dans un contenant renfermant d'autres objets métalliques, par exemple des clous, des pièces de monnaie, etc.
 - (3) N'exposez pas la batterie à l'eau ou à la pluie. Un court-circuit de la batterie pourrait provoquer un fort courant, une surchauffe, parfois des blessures et même une panne.
6. Ne rangez pas votre outil ou votre batterie dans des endroits où la température risque de dépasser 50°C.
7. Ne brûlez pas batterie même si elle est sévèrement endommagée ou complètement hors d'usage, car elle risque d'exploser au feu.
8. Veillez à ne pas faire tomber, secouer ni heurter la batterie.
9. N'effectuez pas la recharge à l'intérieur d'une boîte ou d'un conteneur de quelque sorte que ce soit. La batterie devra se trouver dans un endroit bien ventilé pendant la recharge.

Protection de l'environnement (Pour la Suisse uniquement)

Afin de préserver l'environnement, rappez la batterie usagée aux postes de ramassage officiel.



Recharge (Fig. 2)

Branchez le chargeur dans une prise secteur de la tension voulue. Le témoin de charge clignote en vert. Introduisez la batterie de façon que les bornes positive et négative de la batterie soient du même côté que leurs indications respectives sur le chargeur. Enfoncez la batterie à fond dans l'orifice du chargeur de façon qu'elle repose bien à plat sur le fond de l'orifice. Lorsque la batterie est insérée, le témoin de charge passe du vert au rouge et la recharge commence. Le témoin de charge reste allumé en continu pendant toute la durée de la recharge. Quand le témoin de charge passe du rouge au vert, le cycle de recharge est terminé. Si vous laissez la batterie dans le chargeur lorsque le cycle de recharge est terminé, le chargeur passe en mode de "charge de compensation (charge d'entretien)", qui dure environ 24 heures. Après la recharge, débranchez le chargeur de la prise secteur.

CONSIGNES DE SÉCURITÉ ADDITIONNELLES POUR L'OUTIL

1. Soyez conscient du fait que cet outil demeure toujours en état de fonctionner, n'ayant pas à être branché sur une prise d'alimentation.
2. Tenez les outils par leurs surfaces de saisie isolées lorsque vous effectuez un travail au cours duquel l'outil tranchant risque d'entrer en contact avec un filage caché. Le contact avec un fil électrique sous tension peut mettre les parties non isolées de l'outil sous tension et électrocuter l'utilisateur.
3. Assurez-vous toujours de travailler en position stable.
4. Lorsque vous utilisez l'outil dans un endroit élevé, assurez-vous qu'il n'y a personne en bas.
5. Gardez les mains éloignées des pièces en mouvement.
6. Tenez votre outil fermement.
7. Ne laissez pas l'outil tourner. Ne le faites fonctionner que lorsque vous le tenez.
8. Ne touchez pas le foret ou la pièce immédiatement après l'utilisation ; ils peuvent être extrêmement chauds et brûler votre peau.

CONSERVEZ CES INSTRUCTIONS.

MODE D'EMPLOI

Engager et retirer la batterie (Fig. 1)

- L'alimentation doit être coupée (interrupteur à l'arrêt).
- Pour retirer la batterie, sortez-la de l'outil tout en appuyant sur les boutons des deux côtés de la batterie.
- Pour insérer la batterie, alignez la languette de la batterie sur la rainure du logement, et glissez la batterie en place. Insérez-la toujours à fond, jusqu'à ce qu'elle se verrouille dans un léger déclic. Sinon, elle risque de tomber accidentellement de l'outil, ce qui pourrait vous blesser, vous ou d'autres personnes alentour.
- La batterie doit pouvoir être introduite facilement dans son logement ; si tel n'est pas le cas, c'est qu'elle n'est pas présentée dans le bons sens.

Les durées de recharge sont indiquées dans le tableau ci-dessous.

Type de batterie	Capacité (Ah)	Nombre d'accus	Durée de recharge
1222 (Ni-cd)	2,0	10	Environ 45 mn
1233 (Ni-MH)	2,2	10	Environ 50 mn
1234 (Ni-MH)	2,6	10	Environ 60 mn
1235 (Ni-MH)	3,0	10	Environ 70 mn
1422 (Ni-cd)	2,0	12	Approx. 45 min.
1433 (Ni-MH)	2,2	12	Approx. 50 min.
1434 (Ni-MH)	2,6	12	Approx. 60 min.
1435 (Ni-MH)	3,0	12	Approx. 70 min.

ATTENTION :

- Le chargeur est conçu pour la recharge des batteries Makita. Ne l'utilisez jamais à d'autres fins ni pour des batteries d'autres marques.
- Quand vous chargez une batterie neuve ou une batterie qui n'a pas été utilisée pendant longtemps, il se peut qu'elle ne se recharge pas complètement. Ceci est normal. Vous pourrez recharger la batterie complètement après l'avoir déchargée puis rechargée deux ou trois fois de suite.
- Si vous rechargez la batterie d'un outil qui vient juste de fonctionner, ou une batterie qui est restée en plein soleil ou à la chaleur pendant longtemps, il se peut que le témoin de charge clignote en rouge. Dans ce cas, attendez quelques instants. La recharge commencera lorsque la batterie aura refroidi. La batterie refroidira plus vite si vous la sortez du chargeur.
- Si le témoin de charge clignote alternativement en vert puis en rouge, c'est qu'il y a un problème et que la recharge n'est pas possible. Les bornes du chargeur ou de la batterie sont recouvertes de poussière, ou la batterie est usée ou endommagée.

Charge de compensation (charge d'entretien)

Si vous laissez la batterie dans le chargeur pour éviter toute décharge spontanée après une recharge complète, le chargeur passe en mode de "charge de compensation (charge d'entretien)" pour maintenir la batterie fraîche et rechargée à plein.

Conseils pour obtenir la durée de service maximale de la batterie

1. Rechargez la batterie avant qu'elle ne soit complètement déchargée.
Arrêtez toujours l'outil et rechargez la batterie quand vous remarquez que la puissance de l'outil diminue.
2. Ne rechargez jamais une batterie complètement chargée.
Une surcharge réduira la durée de service de la batterie.
3. Rechargez la batterie à une température ambiante comprise entre 10°C et 40°C.
Si la batterie est chaude, laissez-la refroidir avant de la recharger.
4. Rechargez la batterie à hydrure métallique de nickel lorsqu'elle reste inutilisée pour plus de six mois.

Installation et retrait de l'embout ou du foret (Fig. 3 et 4)

Important :

Assurez-vous toujours que l'outil est hors tension et que la batterie est sortie avant d'installer ou de retirer le foret.

Tenez la bague et tournez le manchon du mandrin vers la gauche pour ouvrir le mandrin. Enfoncez le foret dans le mandrin le plus loin possible. Tenez solidement la bague et tournez le manchon vers la droite pour serrer le mandrin.

Pour retirer le foret, tenez la bague et tournez le manchon vers la gauche.

Quand vous ne vous servez pas du foret, laissez-le dans le porte-foret. Vous pourrez y mettre des forets de 45 mm de long.

Interrupteur (Fig. 5)

ATTENTION :

Avant de mettre la batterie dans l'outil, vérifiez toujours que la gâchette fonctionne correctement et qu'elle revient sur la position "OFF" quand vous la relâchez.

Pour démarrer l'outil, il suffit d'appuyer sur la gâchette. Plus vous appuyez sur la gâchette, plus la vitesse de l'outil augmente. Pour arrêter l'outil, relâchez la gâchette.

Inverseur (Fig. 6)

ATTENTION :

- Vérifiez toujours le sens de rotation avant de mettre l'outil en marche.
- Attendez que l'outil soit complètement arrêté avant d'utiliser l'inverseur. Vous risquez d'endommager l'outil si vous changez le sens de rotation avant que l'outil ne soit complètement arrêté.
- Lorsque vous ne vous servez pas de l'outil, mettez toujours l'inverseur à la position neutre.

L'outil possède un inverseur qui permet d'invertir le sens de rotation. Appuyez sur le levier de l'inverseur et déplacez-le à partir du côté A pour une rotation vers la droite, ou à partir du côté B pour une rotation vers la gauche. Lorsque l'inverseur est à la position neutre, il n'est pas possible d'actionner la gâchette.


Changement de vitesse (Fig. 7)


Pour changer de vitesse, commencez par éteindre l'outil, puis déplacez le levier de changement de vitesse sur le côté "II" pour faire marcher l'outil à grande vitesse, ou sur le côté "I" pour le faire marcher à vitesse réduite. Vérifiez que le levier de changement de vitesse est réglé sur la bonne position avant de réutiliser la machine. Utilisez la vitesse qui convient pour le travail.

ATTENTION :


- Réglez toujours le levier de changement de vitesse à fond sur la position voulue. Si vous actionnez l'outil alors que le levier est placé à mi-chemin entre la position "I" et la position "II", vous risquez d'endommager l'outil.
- N'actionnez pas le levier de changement de vitesse pendant que l'outil fonctionne. Cela pourrait endommager l'outil.

Réglage du couple de serrage (Fig. 8)

Le couple de serrage peut être réglé sur 17 crans à l'aide de la bague de réglage. Tournez la bague de façon que ses graduations soient alignées sur le pointeur du corps de l'outil. Le couple de serrage est minimal lorsque le chiffre 1 est aligné sur le pointeur, et il est maximal lorsque le repère  est aligné sur le pointeur.

L'embrayage glissera à différents niveaux de couple lorsque le couple est réglé entre 1 et 16. L'embrayage est conçu pour ne pas glisser sur le repère . Avant de procéder, effectuez toujours un essai dans le matériau de travail ou dans un matériau analogue pour déterminer le temps de serrage qui convient pour le travail en question.

NOTE :

- La bague de réglage ne se verrouille pas si le pointeur se trouve à mi-chemin entre deux graduations.
- Ne faites pas fonctionner l'outil avec la bague de réglage située entre le numéro 16 et le repère . Vous pourriez endommager l'outil.

Vissage (Fig. 9)

Insérez la pointe de l'embout dans la tête de la vis et appuyez sur l'outil. Commencez par faire tourner l'outil lentement, puis augmentez la vitesse progressivement. Relâchez la gâchette dès que la vis est complètement enfoncée.


NOTE :

- Vérifiez que l'embout est bien enfoncé droit dans la tête de la vis, sinon la vis et/ou le foret risquent d'être endommagés.
- Pour enfoncer des vis en bois, le travail sera plus facile si vous commencez par percer des trous pilotes, et vous éviterez ainsi de fendre la pièce. Voyez le tableau ci-dessous.

Diamètre nominal de vis en bois (mm)	Dimension recommandée du trou pilote (mm)
3,1	2,0 – 2,2
3,5	2,2 – 2,5
3,8	2,5 – 2,8
4,5	2,9 – 3,2
4,8	3,1 – 3,4
5,1	3,3 – 3,6
5,5	3,7 – 3,9
5,8	4,0 – 4,2
6,1	4,2 – 4,4

- Si l'outil a fonctionné de façon continue jusqu'à ce que la batterie soit déchargée, laissez l'outil reposer pendant 15 minutes avant de recommencer avec une batterie fraîche.

Perçage

Tout d'abord, réglez la bague de réglage de façon que le pointeur du corps de l'outil soit aligné sur le repère . Puis, procédez comme suit :

- Perçage dans du bois
Pour percer dans du bois, vous obtiendrez les meilleurs résultats avec un foret en bois doté d'une vis de guidage. La vis de guidage facilite le perçage en attirant le foret dans la pièce.
- Perçage dans du métal
Pour éviter que le foret ne glisse quand vous commencez à percer le trou, faites une entaille à l'aide d'un outil à centrer et d'un marteau au point à percer. Placez la pointe du foret dans l'entaille et commencez à percer. Pour percer des métaux, utilisez un lubrifiant de coupe. Seuls le fer et le cuivre devront être percés à sec.

ATTENTION :

- Vous ne percerez pas plus rapidement en appuyant plus fort sur l'outil. Au contraire, une pression excessive ne pourra qu'endommager la pointe du foret, réduisant ainsi les performances de l'outil et sa durée de vie.
- Il s'exerce une pression considérable sur l'outil/le foret au moment où le trou se perce. Tenez l'outil fermement et faites attention lorsque le foret commence à pénétrer dans la pièce.
- Pour retirer un foret coincé, il suffit de régler l'inverseur dans le sens de rotation inverse, ce qui fait ressortir le foret. Faites attention car l'outil risque de ressortir brusquement si vous ne le tenez pas fermement.
- Si les pièces sont de petites dimensions, fixez-les toujours dans un étau ou tout autre dispositif de serrage similaire.
- Si l'outil a fonctionné de façon continue jusqu'à ce que la batterie se soit déchargée, laissez l'outil reposer pendant 15 minutes avant de recommencer avec une batterie fraîche.

ENTRETIEN

ATTENTION :

Assurez-vous toujours que l'outil est hors tension et que la batterie a été enlevée avant d'effectuer toute intervention sur l'outil.

Remplacement des charbons (Fig. 10 et 11)

Dès que l'un des charbons atteint son repère d'usure, remplacez la paire (par des charbons de même type).

Pour votre sécurité et la fiabilité du produit, les réparations, la maintenance de cet appareil doit être confiée à un Centre d'Entretien MAKITA.

ACCESSOIRES

ATTENTION :

- Ces accessoires ou pièces complémentaires sont recommandés pour l'utilisation avec l'outil Makita spécifié dans ce mode d'emploi. L'utilisation de tout autre accessoire ou pièce complémentaire peut comporter un risque de blessure. N'utilisez les accessoires ou pièces qu'aux fins auxquelles ils ont été conçus.

Si vous désirez obtenir plus de détails concernant ces accessoires, veuillez contacter le centre de service après-vente Makita le plus près.

- Embouts de vis
- Ensemble de poignée
- Plateau caoutchouc
- Garniture de polissage en mousse
- Tige de profondeur
- Peau de mouton
- Les divers types de batteries et chargeurs Makita authentiques
- Mallette de transport en plastique

1 Akku-Entriegelungsknopf	10 Elektronikschalter	18 Drehzahlumschalter
2 Akku	11 Drehrichtungsumschalter	19 Drehmoment-Einstellung
3 Ladekontrollleuchte	12 Seite A	20 Drehmoment-Stufen
4 Ladegerät	13 Seite B	21 Symbol "Bohren"
5 Schraubendrehereinsatz	14 Rechtslauf	22 Markierungspfeil
6 Festziehen	15 Linkslauf	23 Verschleißgrenze
7 Werkzeugverriegelung	16 Niedrige Drehzahl	24 Bürstenhalterkappe
8 Klemmring	17 Hohe Drehzahl	25 Schraubendreher
9 Werkzeughalter		

TECHNISCHE DATEN

Modell	6216D	6236D	6316D	6336D
Bohrleistung				
Stahl	10 mm	10 mm	13 mm	13 mm
Holz	30 mm	36 mm	30 mm	36 mm
Holzschrauben	6 x 75 mm	6 x 75 mm	6 x 75 mm	6 x 75 mm
Maschinenschrauben	6 mm	6 mm	6 mm	6 mm
Leerlaufdrehzahl (min ⁻¹)				
Hoch	0 – 1 300	0 – 1 300	0 – 1 300	0 – 1 300
Niedrig	0 – 400	0 – 400	0 – 400	0 – 400
Gesamtlänge	243 mm	243 mm	255 mm	255 mm
Gewicht	2,1 kg	2,2 kg	2,2 kg	2,3 kg
Nennspannung	DC 12 V	DC 14,4 V	DC 12 V	DC 14,4 V

- Wir behalten uns vor, Änderungen im Zuge der Entwicklung und des technischen Fortschritts ohne vorherige Ankündigung vorzunehmen.
- Hinweis: Die technischen Daten können von Land zu Land abweichen.

Sicherheitshinweise

Lesen und beachten Sie diese Hinweise, bevor Sie das Gerät benutzen.

WICHTIGE SICHERHEITSHINWEISE

1. **DIESE ANWEISUNGEN GUT AUFBEWAHREN** — Diese Betriebsanleitung enthält wichtige Sicherheits- und Gebrauchsanweisungen für Ladegeräte.
2. Lesen Sie vor der Benutzung des Ladegerätes alle Anweisungen und Warnhinweise, die auf (1) dem Ladegerät, (2) Akku und (3) Akku-Gerät angebracht sind.
3. **VORSICHT** — Um die Verletzungsgefahr zu reduzieren, dürfen nur Makita-Akkus verwendet werden. Andere Akku-Typen können platzen und Verletzungen oder Sachschäden verursachen.
4. Setzen Sie Ladegerät und Akku weder Regen noch Schnee aus.
5. Die Verwendung von Zubehör, das nicht vom Ladegerät-Hersteller empfohlen oder verkauft wird, kann Feuer, elektrische Schläge oder Verletzungen verursachen.
6. Um Beschädigung des Netzsteckers und Netzkabels zu vermeiden, ziehen Sie beim Trennen des Ladegerätes vom Stromnetz nicht an der Netzanschlußleitung, sondern nur am Netzstecker.
7. Verlegen Sie die Netzanschlußleitung so, daß niemand darauf tritt, darüber stolpert oder sonstigen Belastungen ausgesetzt wird.
8. **Betreiben Sie das Ladegerät nicht mit einer beschädigten Netzanschlußleitung oder**

Stecker — beschädigte Teile sind unverzüglich auszuwechseln.

9. **Betreiben Sie das Ladegerät nicht, wenn es starken Erschütterungen ausgesetzt, fallen gelassen oder sonstwie beschädigt wurde. Bringen Sie es in diesem Fall zu einem qualifizierten Kundendiensttechniker.**
10. **Versuchen Sie nicht, das Ladegerät oder den Akku zu zerlegen, sondern bringen Sie es zu einem qualifizierten Kundendiensttechniker, wenn Wartungs- oder Reparaturarbeiten erforderlich sind. Falscher Zusammenbau kann die Ursache für elektrische Schläge oder Feuer sein.**
11. **Um die Gefahr von elektrischen Schlägen auszuschließen, müssen Sie das Ladegerät stets vom Stromnetz trennen, bevor Sie mit Wartungs- oder Reinigungsarbeiten beginnen.**
12. **Das Ladegerät sollte nicht von kleinen Kindern oder gebrechlichen Personen ohne Beaufsichtigung benutzt werden.**
13. **Kleine Kinder sollten beaufsichtigt werden, um sicherzugehen, daß sie nicht mit dem Ladegerät spielen.**
14. **Falls die Betriebszeit beträchtlich kürzer geworden ist, stellen Sie den Betrieb sofort ein. Andernfalls besteht die Gefahr von Überhitzung, möglichen Verbrennungen und sogar einer Explosion.**
15. **Falls Elektrolyt in Ihre Augen gelangt, waschen Sie sie mit sauberem Wasser aus, und begeben Sie sich unverzüglich in ärztliche Behandlung. Andernfalls können Sie Ihre Sehkraft verlieren.**

ZUSÄTZLICHE SICHERHEITSREGELN FÜR LADEGERÄT UND AKKU

1. Laden Sie den Akku nicht bei Temperaturen unter 10°C oder über 40°C.
2. Schließen Sie das Ladegerät nicht an einen Spartransformator, Generator oder eine Gleichstrom-Steckdose an.
3. Achten Sie darauf, daß die Lüftungsöffnungen des Ladegerätes durch nichts verdeckt oder verstopft werden.
4. Die Kontakte des Akkus außerhalb der Maschine oder des Ladegerätes mit der Kontaktschutzhaube abdecken, um einen Kurzschluß durch metallische Überbrückung zu verhindern.
5. Der Akku darf nicht kurzgeschlossen werden:
 - (1) Die Kontakte dürfen nicht mit leitfähigem Material berührt werden.
 - (2) Lagern Sie den Akku nicht in einem Behälter zusammen mit anderen Metallgegenständen, wie z. B. Nägel, Schrauben, Münzen, usw.
 - (3) Setzen Sie den Akku weder Regen noch Wasser aus.
Ein Kurzschluß des Akkus verursacht starken Stromfluß und dadurch als Folge Überhitzung, die Verbrennungen sowie ein Verschmelzen des Akkus herbeiführen können.
6. Lagern Sie Werkzeug und Akku nicht an Orten, an denen die Temperatur 50°C erreicht oder übersteigt.
7. Versuchen Sie niemals, den Akku zu verbrennen, selbst wenn er stark beschädigt oder vollkommen verbraucht ist. Der Akku kann im Feuer explodieren.
8. Achten Sie darauf, daß der Akku nicht fallen gelassen, Erschütterungen oder Stößen ausgesetzt wird.
9. Laden Sie den Akku niemals innerhalb eines Kartons oder eines geschlossenen Behälters. Der Akku darf nur an einem gut belüfteten Ort geladen werden.

Umweltschutz

Das Gerät ist mit einem Nickel-Cadmium-Akku ausgerüstet. Um eine umweltgerechte Entsorgung zu gewährleisten, bitten wir Sie, folgende Punkte zu beachten:

- Gemäß Europäischer Batterierichtlinie 91/157/EWG und nationaler Gesetzgebung (Batterieverordnung) muß der verbrauchte Akku bei einer öffentlichen Sammelstelle, bei Ihrem Makita Kundendienst oder Ihrem Fachhändler zum Recycling abgegeben werden.
- Werfen Sie den verbrauchten Akku nicht in den Hausmüll, ins Feuer oder ins Wasser.

(Nur für die Schweiz)

- Ihr Beitrag zum Umweltschutz: Bringen Sie bitte die gebrauchte Batterie an eine offizielle Sammelstelle zurück.



ZUSÄTZLICHE SICHERHEITSREGELN FÜR DIE MASCHINE

1. Beachten Sie, dass diese Maschine stets betriebsbereit ist, da sie nicht erst an eine Netzsteckdose angeschlossen werden muss.
2. Halten Sie die Maschine nur an den isolierten Griffflächen, wenn Sie Arbeiten ausführen, bei denen verborgene Kabel angebohrt werden können. Bei Kontakt mit einem stromführenden Kabel werden die freiliegenden Metallteile der Maschine ebenfalls stromführend, so dass der Benutzer einen elektrischen Schlag erleiden kann.
3. Achten Sie stets auf sicheren Stand.
4. Vergewissern Sie sich bei Einsatz der Maschine an hochgelegenen Arbeitsplätzen, dass sich keine Personen darunter aufhalten.
5. Halten Sie die Maschine mit festem Griff.
6. Halten Sie die Hände von rotierenden Teilen fern.
7. Lassen Sie die Maschine nicht unbeaufsichtigt laufen. Benutzen Sie die Maschine nur mit Handhaltung.
8. Vermeiden Sie eine Berührung des Bohreinsatzes oder des Werkstücks unmittelbar nach der Bearbeitung, weil sie dann noch sehr heiß sind und Hautverbrennungen verursachen können.

BEWAHREN SIE DIESE HINWEISE SORGFÄLTIG AUF.

BEDIENUNGSHINWEISE

Ein- und Ausbau des Akkus (Abb. 1)

- Schalten Sie vor dem Ein- bzw. Ausbau des Akkus immer die Maschine ab.
- Um den Akku herauszunehmen, gleichzeitig beide Entriegelungsknöpfe drücken und den Akku aus der Maschine ziehen.
- Zum Einsetzen des Akkus die Erhebung am Akku-Gehäuse in die Nut im Maschinengehäuse ausrichten und den Akku hineinschieben. Stellen Sie sicher, daß der Akku hörbar einrastet, um zu verhindern, daß er herausfällt.
- Beim Einsetzen des Akkus keine Gewalt anwenden. Der Akku muß leicht in die Maschine einzuführen sein.

Laden (Abb. 2)

Das Ladegerät an die Stromversorgung anschließen. Die Ladekontrollleuchte blinkt grün. Den Akku so einsetzen, daß die Plus- und Minusmarkierungen den Akku mit den entsprechenden Markierungen auf dem Ladegerät übereinstimmen. Den Akku bis zum Anschlag in das Ladegerät schieben. Die Farbe der Kontrollleuchte wechselt von grün auf rot, und der Ladevorgang beginnt. Während des Ladevorgangs leuchtet die Ladekontrollleuchte stetig. Wenn die Farbe der Ladekontrollleuchte von Rot nach Grün wechselt, ist der Ladevorgang beendet. Wird der Akku nach Abschluß des Ladevorgangs im Ladegerät gelassen, schaltet das Ladegerät auf den Erhaltungslademodus um. Nach dem Laden das Ladegerät vom Akku und vom Netz trennen.

Die Ladezeiten sind in der nachfolgenden Tabelle aufgeführt.

Akku	Leistung (Ah)	Anzahl der Zellen	Ladezeit
1222 (Ni-cd)	2,0	10	ca. 45 Min.
1233 (Ni-MH)	2,2	10	ca. 50 Min.
1234 (Ni-MH)	2,6	10	ca. 60 Min.
1235 (Ni-MH)	3,0	10	ca. 70 Min.
1422 (Ni-cd)	2,0	12	Approx. 45 min.
1433 (Ni-MH)	2,2	12	Approx. 50 min.
1434 (Ni-MH)	2,6	12	Approx. 60 min.
1435 (Ni-MH)	3,0	12	Approx. 70 min.

VORSICHT:

- Das Ladegerät ist ausschließlich zum Laden von Makita-Akkus vorgesehen. Verwenden Sie es auf keinen Fall für einen anderen Zweck oder zum Laden von Akkus anderer Fabrikate.
- Wenn der Akku noch neu ist oder über einen längeren Zeitraum nicht verwendet wurde, kann er seine volle Kapazität nicht entfalten. Durch mehrfaches Entladen und anschließendes Laden wird die volle Kapazität wieder erreicht.
- Wenn Sie versuchen, einen noch warmen Akku zu laden, leuchtet die Ladekontrollleuchte u. U. rot. In diesem Fall lassen Sie den Akku abkühlen. Danach den Akku erneut in das Ladegerät einsetzen.
- Wenn die Ladekontrollleuchte abwechselnd grün und rot blinkt, liegt eine Störung vor; der Akku kann nicht geladen werden. Die Kontakte des Ladegerätes bzw. des Akkus sind möglicherweise verschmutzt, oder der Akku ist beschädigt bzw. verbraucht.

Erhaltungsladung

Wird der Akku im Ladegerät gelassen, um Selbstentladung nach einer vollen Ladung zu vermeiden, schaltet das Ladegerät auf den Erhaltungslademodus um, so daß der Akku frisch und voll geladen bleibt.

Tips zur Erhaltung der maximalen Akkulebensdauer

1. Laden Sie den Akku, bevor er vollkommen entladen ist. Schalten Sie stets die Maschine aus und laden Sie den Akku, wenn Sie ein Nachlassen der Maschineleistung bemerken.
2. Unterlassen Sie erneutes Laden eines voll geladenen Akkus. Überladen verkürzt die Lebensdauer des Akkus.
3. Laden Sie den Akku bei Raumtemperatur (10°C bis 40°C). Lassen Sie einen heißen Akku vor dem Laden abkühlen.
4. Der Nickel-Metallhydrid-Akku muss geladen werden, wenn er länger als sechs Monate nicht benutzt worden ist.

Montage oder Demontage von Einsatzwerkzeugen (Abb. 3 u. 4)

Wichtig:

Vergewissern Sie sich vor der Montage bzw. Demontage von Einsatzwerkzeugen stets, daß die Maschine abgeschaltet und der Akku herausgenommen ist.

Halten Sie den Klemmring fest und drehen Sie die Werkzeugverriegelung entgegen dem Uhrzeigersinn, um die Bohrfutterbacken zu öffnen. Führen Sie das Einsatzwerkzeug bis zum Anschlag in das Bohrfutter ein. Halten Sie den Klemmring gut fest und drehen Sie die Werkzeugverriegelung entgegen dem Uhrzeigersinn, um das Bohrfutter festzuziehen. Zum Entfernen des Einsatzwerkzeugs halten Sie den Klemmring und drehen die Werkzeugverriegelung entgegen dem Uhrzeigersinn. Für Schraubendrehereinsätze mit einer Gesamtlänge von 45 mm befinden sich zwei Werkzeughalter am Maschinenfuß. Bei Nichtverwendung den Schraubendrehereinsatz in den Werkzeughalter an der Maschine einsetzen.

Schalterfunktion (Abb. 5)

VORSICHT:

Vergewissern Sie sich vor dem Einsetzen des Akkus in die Maschine stets, daß der Elektronikschalter ordnungsgemäß funktioniert und beim Loslassen in die AUS-Stellung zurückkehrt.

Zum Einschalten der Maschine drücken Sie den Elektronikschalter. Die Drehzahl erhöht sich durch verstärkte Druckausübung auf den Elektronikschalter. Zum Ausschalten lassen Sie den Schalter los.

Drehrichtungsumschalter (Abb. 6)

VORSICHT:

- Prüfen Sie stets die Drehrichtung, bevor Sie mit der Arbeit beginnen.
- Wechseln Sie niemals die Drehrichtung, bevor der Motor zum Stillstand gekommen ist. Andernfalls kann die Maschine beschädigt werden.
- Wenn Sie die Maschine nicht benutzen, stellen Sie den Drehrichtungsumschalter stets auf die Neutralstellung.

Mit dem Drehrichtungsumschalter kann die Drehrichtung verändert werden. Für Rechtslauf drücken Sie auf die Seite A des Drehrichtungsumschalters, für Linkslauf auf die Seite B. In Neutralstellung des Drehrichtungsumschalters kann der Elektronikschalter verriegelt werden.



Drehzahlumschalter (Abb. 7)

Um die Getriebeübersetzung zu ändern, schalten Sie die Maschine zunächst aus. Für hohe Drehzahlen und geringes Drehmoment schalten Sie den Drehzahlumschalter in Stellung "II"; für niedrige Drehzahlen und hohes Drehmoment wählen Sie die Stellung "I". Vergewissern Sie sich vor Arbeitsbeginn stets, daß sich der Drehzahlumschalter in der korrekten Stellung befindet. Verwenden Sie stets die geeignete Drehzahl für den jeweiligen Arbeitsvorgang.

VORSICHT:


- Achten Sie stets darauf, den Drehzahlumschalter bis zur Endposition zu schalten. Befindet sich der Schalter beim Betrieb in einer Zwischenstellung zwischen "I" und "II", so kann die Maschine beschädigt werden.
- Betätigen Sie den Drehzahlumschalter nicht während des Betriebs. Anderenfalls kann die Maschine beschädigt werden.

Drehmoment-Einstellung (Abb. 8)

Es können 17 verschiedene Drehmomente durch Drehen des Drehmoment-Einstellrings gewählt werden. Der Markierungspfeil auf dem Einstellring zeigt dabei auf die entsprechende Zahl auf dem Maschinengehäuse. Das Drehmoment hat den Minimalwert bei 1, den Maximalwert, wenn der Markierungspfeil auf das Symbol  zeigt. Die eingebaute Kupplung rutscht bei Erreichen des vorgewählten Drehmomentes zwischen 1 und 16 durch, außer bei Einstellung auf Position .

Vor Arbeitsbeginn sollten Sie eine Probeverschraubung durchführen, um das geeignete Drehmoment zu ermitteln.

HINWEIS:

- Der Einstellring kann nicht arretiert werden, wenn sich der Markierungspfeil zwischen zwei Zahlen befindet.
- Betreiben Sie die Maschine nicht mit einer Drehmomenteinstellung zwischen "16" und Symbol . Andernfalls kann die Maschine beschädigt werden.

Schrauben (Abb. 9)

Setzen Sie die Spitze des Schraubendrehereinsatzes in den Schraubenkopf ein und üben Sie Druck auf die Maschine aus. Lassen Sie die Maschine langsam anlaufen und erhöhen Sie die Drehzahl nach und nach. Lassen Sie den Elektronikschalter los, sobald die Kupplung eingreift.


HINWEIS:

- Achten Sie darauf, daß die Spitze des Schraubendrehereinsatzes senkrecht in den Schraubenkopf eingeführt wird, um eine Beschädigung von Schraube und/oder Schraubendrehereinsatz zu vermeiden.
- Beim Verschrauben von Holzschrauben muß vorgebohrt werden, um das Einschrauben zu erleichtern und ein Spalten des Werkstücks zu verhindern. Vgl. Tabelle unten.

Nenn Durchmesser der Holzschraube (mm)	Empfohlene Größe der Vorbohrung (mm)
3,1	2,0–2,2
3,5	2,2–2,5
3,8	2,5–2,8
4,5	2,9–3,2
4,8	3,1–3,4
5,1	3,3–3,6
5,5	3,7–3,9
5,8	4,0–4,2
6,1	4,2–4,4

- Wenn die Maschine im Dauerbetrieb verwendet wird, und der Akku vollständig entladen wurde, lassen Sie die Maschine vor Verwendung eines geladenen Akkus 15 min. abkühlen.

Bohren

Drehen Sie zunächst den Einstellring, bis der Markierungspfeil am Maschinengehäuse auf die Markierung  zeigt.

- Bohren in Holz
Beim Bohren in Holz lassen sich die besten Ergebnisse mit Holzbohrern erzielen, die mit einer Gewindespitze ausgestattet sind. Die Gewindespitze erleichtert das Bohren, da sie den Bohrer in das Werkstück hineinzieht.
- Bohren in Metall
Damit der Bohrer beim Anbohren nicht verläuft, ist die zu bohrende Stelle mit einem Körner anzukörnen. Dann setzen Sie den Bohrer in die Vertiefung ein und beginnen mit dem Bohren. Verwenden Sie beim Bohren von Metall ein Schneidöl. NE-Metalle werden allerdings ohne Zugabe von Schneidemulsionen bearbeitet.

VORSICHT:

- Ein zu starker Druck auf die Maschine bewirkt keine Beschleunigung der Bohrleistung. Ein zu hoher Schnittdruck führt zu einer Beschädigung der Bohrer Spitze und damit zu Verringerung der Bohrerstandzeit und Überbeanspruchung der Maschine.
- Beim Austritt des Bohrers aus dem Werkstück wirkt ein hohes Rückdrehmoment auf die Maschine. Halten Sie die Maschine gut fest und verringern Sie den Vorschub, wenn der Bohrer durch das Werkstück dringt.
- Ein feststehender Bohrer läßt sich durch Umschalten der Drehrichtung auf Linkslauf wieder herausdrehen. Die Maschine ist gut festzuhalten, da im Linkslauf ein hohes Rückdrehmoment auf die Maschine einwirkt.
- Spannen Sie kleine Werkstücke stets in einen Schraubstock ein oder sichern Sie sie mit einer Schraubzwinge.
- Wenn die Maschine im Dauerbetrieb verwendet wird, und der Akku vollständig entladen wurde, lassen Sie die Maschine vor Verwendung eines geladenen Akkus 15 min. abkühlen.

WARTUNG

VORSICHT:

Vor Arbeiten am Gerät vergewissern Sie sich, daß sich der Schalter in der "OFF"- Position befindet und der Akku aus dem Gerät entfernt ist.

Kohlebürsten wechseln (Abb. 10 u. 11)

Kohlebürsten ersetzen, wenn sie bis auf die Verschleißgrenze abgenutzt sind. Beide Kohlebürsten nur paarweise ersetzen.

Um die Sicherheit und Zuverlässigkeit dieses Gerätes zu gewährleisten, sollten Reparatur-, Wartungs-, und Einstellarbeiten nur von durch Makita autorisierten Werkstätten oder Kundendienstzentren unter ausschließlicher Verwendung von Makita-Originalersatzteilen ausgeführt werden.

ZUBEHÖR

VORSICHT:

- Die folgenden Zubehörteile oder Vorrichtungen werden für den Einsatz mit der in dieser Anleitung beschriebenen Makita-Maschine empfohlen. Die Verwendung anderer Zubehörteile oder Vorrichtungen kann eine Verletzungsgefahr darstellen. Verwenden Sie Zubehörteile oder Vorrichtungen nur für ihren vorgesehenen Zweck.

Wenn Sie weitere Einzelheiten bezüglich dieser Zubehörteile benötigen, wenden Sie sich bitte an Ihre Makita-Kundendienststelle.

- Schraubendrehereinsätze
- Zusatzhandgriff
- Schleifteller
- Schaumstoff-Polierscheibe
- Tiefenanschlag
- Lammfellhaube
- Verschiedene Original-Makita-Akkus und -Ladegeräte
- Plastikkoffer

Visione generale

1 Bottone	10 Interruttore a grilletto	19 Anello di registro
2 Capsula delle batterie	11 Leva interruttore di inversione	20 Graduazioni
3 Luce spia di carica	12 Lato A	21 Segno di foratura
4 Carica Batteria	13 Lato B	22 Indice
5 Punta	14 Senso orario	23 Segno limite
6 Per stringere	15 Senso antiorario	24 Coperchio delle spazzole a carbone
7 Manicotto	16 Velocità bassa	25 Cacciavite
8 Anello	17 Velocità alta	
9 Portapunta	18 Leva di cambio velocità	

DATI TECNICI

Modello	6216D	6236D	6316D	6336D
Capacità				
Acciaio	10 mm	10 mm	13 mm	13 mm
Legno	30 mm	36 mm	30 mm	36 mm
Vite per legno	6 x 75 mm	6 x 75 mm	6 x 75 mm	6 x 75 mm
Vite comune	6 mm	6 mm	6 mm	6 mm
Velocità a vuoto (min ⁻¹)				
Alta	0 – 1.300	0 – 1.300	0 – 1.300	0 – 1.300
Bassa	0 – 400	0 – 400	0 – 400	0 – 400
Lunghezza totale	243 mm	243 mm	255 mm	255 mm
Peso netto	2,1 kg	2,2 kg	2,2 kg	2,3 kg
Tensione nominale	12 V DC	14,4 V DC	12 V DC	14,4 V DC

- Per il nostro programma di ricerca e sviluppo continui, i dati tecnici sono soggetti a modifiche senza preavviso.
- Nota: I dati tecnici potrebbero differire a seconda del paese di destinazione del modello.

Consigli per la sicurezza

Per la vostra sicurezza, riferitevi alle accluse istruzioni per la sicurezza.

ISTRUZIONI DI SICUREZZA IMPORTANTI PER CARICATORI E BATTERIE A CARTUCCIA

1. **RISPETTARE QUESTE ISTRUZIONI** — Questo manuale contiene importanti regole di sicurezza e di lavorazione per il caricatore delle batterie.
2. Prima di usare il caricatore delle batterie, leggere tutte le istruzioni e precauzioni scritte (1) sul caricatore delle batterie (2) sulle batterie e (3) utensili che usano le batterie.
3. **ATTENZIONE** — Per ridurre il rischio di ferirsi, caricare solamente batterie ricaricabili della Makita. Altri tipi di batterie possono scoppiare causando danni e ferite alle persone.
4. Non esporre il caricatore alla pioggia oppure alla neve.
5. L'uso di un attacco non raccomandato o venduto dal costruttore del caricatore di batterie può diventare la causa d'incendio, di scosse elettriche, oppure di ferite alle persone.
6. Per ridurre il rischio di danneggiare il cavo elettrico o la spina, quando si vuole staccare il cavo dalla presa sul muro non tirare per il cavo ma prendere direttamente la spina in mano.
7. **Assicurarsi che il cavo è posato in modo da non essere pestato, attorcigliato oppure messo in condizioni di essere danneggiato oppure stirato.**
8. **Non mettere in operazione il caricatore delle batterie con un cavo o una spina in cattive condizioni. Sostituire immediatamente.**
9. **Non mettere in operazione un caricatore quando ha ricevuto una botta, quando è stato fatto cadere, oppure è stato danneggiato in una maniera qualsiasi. Portatelo subito ad un negozio di fiducia per le riparazioni del caso.**
10. Non smontare il caricatore o le batterie a cartuccia. Portatelo da un negozio di fiducia se è necessario fare qualche riparazione. Un rimontaggio sbagliato può causare scosse elettriche oppure un incendio.
11. Per ridurre il rischio di scosse elettriche, staccare il caricatore dalla presa di corrente prima di tentare qualsiasi lavoro di manutenzione oppure di pulizia. Il rischio non sarebbe ridotto col solo distacco dell'interruttore.
12. Il caricabatteria non deve essere usato dai bambini o dagli infermi senza supervisione.
13. I bambini devono essere sorvegliati perché non giochino con il caricabatteria.
14. Se il tempo di funzionamento diventa eccessivamente corto, smettere immediatamente di usare l'utensile, perché potrebbe surriscaldarsi con pericolo di bruciature ed anche di esplosione.
15. Se l'elettrolito dovesse finire negli occhi, sciacquarli con acqua pulita e rivolgersi immediatamente a un medico. C'è pericolo di perdita della vista.

ULTERIORI REGOLE DI SICUREZZA PER CARICATORI E BATTERIE

A CARTUCCIA

1. Non caricare le batterie a cartuccia quando la temperatura è sotto i 10°C oppure sopra i 40°C.
2. Non tentare di usare un trasformatore per aumentare la tensione, un generatore oppure qualsiasi sorgente di corrente diretta (DC).
3. Non lasciar coprire oppure intasare le aperture del caricatore.
4. Quando la capsula delle batterie non si usa, coprite sempre i poli della batteria con il copri-batteria.
5. Non cortocircuitare la cartuccia batteria:
 - (1) Non toccare i terminali con un materiale conduttivo.
 - (2) Evitare di conservare la cartuccia batteria in un contenitore insieme con altri oggetti metallici, come chiodi, monete, ecc.
 - (3) Non esporre la cartuccia batteria all'acqua o alla pioggia.Un cortocircuito della batteria può causare un grande flusso di corrente, surriscaldamento, possibili bruciature ed anche un guasto.
6. Non immagazzinare l'utensile e le batterie a cartuccia in luoghi dove la temperatura può raggiungere oppure superare i 50°.
7. Non buttare nel fuoco le batterie a cartuccia anche se sono estremamente danneggiate oppure completamente fuori uso. Le batterie potrebbero esplodere nel fuoco.
8. Stare attenti a non far cadere, agitare o sbattere la batteria.
9. Non caricare la batteria dentro una scatola o un qualsiasi altro contenitore. Durante la carica, la batteria deve trovarsi in un luogo ben ventilato.

(Per la Svizzera soltanto)

Protezione dell'ambiente

La Vostra contribuzione per la protezione dell'ambiente:

Porta la batteria al collettivo ufficiale.



Carica (Fig. 2)

Collegare la carica batteria ad una presa di corrente alternata. La spia di carica lampeggerà in verde. Inserire completamente la cartuccia batteria nel suo alloggiamento, in modo che si trovi sul piano dell'alloggiamento di carica. Quando si inserisce la cartuccia batteria, la spia di carica cambia da verde a rossa e la carica comincia. Durante la carica, la spia di carica rimane accesa. La carica è completa quando il colore della spia cambia da rosso a verde. Se si lascia la cartuccia batteria nel caricatore dopo il completamento del ciclo di carica, il caricatore si dispone nel modo di "carica centellinare (carica di manutenzione)". Dopo la carica, staccare il caricatore dalla presa di corrente. Per il tempo di carica, riferirsi alla tabella sotto.

Tipo di batteria	Capacità (Ah)	Numero di celle	Tempo di carica
1222 (Ni-cd)	2,0	10	45 minuti circa
1233 (Ni-MH)	2,2	10	50 minuti circa
1234 (Ni-MH)	2,6	10	60 minuti circa
1235 (Ni-MH)	3,0	10	70 minuti circa
1422 (Ni-cd)	2,0	12	Approx. 45 min.
1433 (Ni-MH)	2,2	12	Approx. 50 min.
1434 (Ni-MH)	2,6	12	Approx. 60 min.
1435 (Ni-MH)	3,0	12	Approx. 70 min.

REGOLE ADDIZIONALI DI SICUREZZA PER L'UTENSILE

1. Tenere presente che questo utensile è sempre in condizioni operative, in quanto non ha bisogno di essere collegato a una presa di corrente.
2. Tenere l'utensile per le superfici di presa isolate quando si esegue una operazione durante la quale potrebbe fare contatto con fili elettrici nascosti. Il contatto con un filo elettrico "sotto tensione" mette anche le parti metalliche dell'utensile "sotto tensione", con pericolo di scosse per l'operatore.
3. Accertarsi sempre di avere i piedi appoggiati saldamente.
4. Accertarsi che non ci siano persone sotto quando si usa l'utensile in un posto alto.
5. Tenere saldamente l'utensile.
6. Tenere le mani lontane dalle parti rotanti.
7. Non appoggiare l'utensile che gira se non viene usato. Farlo funzionare soltanto tenendolo in mano.
8. Non toccare la punta o il pezzo subito dopo una operazione, perché potrebbero essere estremamente caldi e causare bruciature.

CONSERVATE QUESTE ISTRUZIONI.

ISTRUZIONI PER L'USO

Inserzione e rimozione della cartuccia (Fig. 1)

- Spegnere sempre l'utensile prima della inserzione o della rimozione della cartuccia delle batterie.
- Per rimuovere la cartuccia batteria, toglierla dall'utensile premendo i bottoni su entrambi i lati della cartuccia.
- Per inserire la cartuccia batteria, allineare l'appendice della cartuccia batteria con la scanalatura dell'alloggiamento e spingerla in posizione. Inserirla sempre completamente finché non si blocca in posizione con un piccolo scatto, perché altrimenti potrebbe cadere

ATTENZIONE:

- Il caricatore rapido serve a caricare le cartucce batteria Makita. Mai usarlo per altri scopi o per caricare le batterie di altri fabbricanti.
- Quando si carica una nuova cartuccia batteria o una cartuccia batteria che non è stata usata per un lungo periodo di tempo, essa potrebbe non accettare una carica completa. Questa è una condizione normale e non indica un problema. La cartuccia batteria può essere ricaricata completamente dopo che è stata scaricata e ricaricata completamente un paio di volte.
- Se si carica la cartuccia batteria subito dopo aver usato l'utensile, oppure una cartuccia batteria che sia rimasta esposta alla luce diretta del sole per un lungo periodo di tempo, la spia di carica potrebbe lampeggiare in rosso. In tal caso, aspettare qualche tempo. La carica comincia dopo che la cartuccia batteria si è raffreddata. La cartuccia batteria si raffredda più velocemente se la si rimuove dalla carica batteria.
- Se la spia di carica lampeggia alternativamente in verde e in rosso, vuol dire che c'è un problema e la carica non è possibile. Probabilmente, i terminali del caricatore o della cartuccia batteria sono intasati di polvere, oppure la cartuccia batteria è usurata o danneggiata.

Carica centellinare (carica di manutenzione)

Se si lasciano le cartucce batteria nel caricatore per evitare che si scarichino da sole dopo una carica completa, il caricatore si dispone nel modo di "carica centellinare (carica di manutenzione)" e mantiene le cartucce batteria completamente cariche.

Suggerimenti per prolungare al massimo la vita della cartuccia batteria

1. Caricare la cartuccia batteria prima che si scarichi completamente.
Smettere sempre di usare l'utensile e caricare la cartuccia batteria quando si nota una diminuzione di potenza dell'utensile.
2. Non si deve mai caricare una cartuccia batteria completamente carica.
La carica eccessiva riduce la vita di servizio della cartuccia batteria.
3. Caricare la cartuccia batteria ad una temperatura ambiente compresa tra i 10°C e i 40°C.
Aspettare che una cartuccia batteria calda si raffreddi prima di caricarla.
4. Caricare la batteria ibrida al nichel-metallo se non la si usa per più di sei mesi.

Installazione o rimozione della punta dell'avvitatore o del trapano (Fig. 3 e 4)

Importante:

Accertarsi sempre che l'utensile sia spento e la cartuccia batteria rimossa prima di installare o di rimuovere la punta.

Tenere fermo l'anello e girare il manicotto in senso antiorario per aprire le ganasce del mandrino. Inserire la punta nel mandrino finché non può andare più oltre. Tenere saldamente l'anello e girare il manicotto in senso orario per stringere il mandrino.

Per rimuovere la punta, tenere fermo l'anello e girare il manicotto in senso antiorario. Quando non si usa la punta dell'avvitatore, tenerla nel portapunta. Qui si possono tenere le punte di 45 mm.

Funzionamento dell'interruttore (Fig. 5)

ATTENZIONE:

Prima di inserire la cartuccia batteria nell'utensile, accertarsi sempre che l'interruttore funzioni correttamente e ritorni sulla posizione "OFF" quando viene rilasciato.

Per avviare l'utensile, schiacciare semplicemente il grilletto dell'interruttore. La velocità dell'utensile aumenta quando si aumenta la pressione sul grilletto. Rilasciare il grilletto per arrestare l'utensile.

Funzionamento dell'interruttore di inversione (Fig. 6)

ATTENZIONE:

- Controllare sempre la direzione di rotazione prima di usare l'utensile.
- Usare l'interruttore di inversione soltanto dopo che l'utensile si è arrestato completamente. Il cambiamento della direzione di rotazione prima dell'arresto dell'utensile potrebbe danneggiarlo.

- Quando non si usa l'utensile, mettere sempre la leva dell'interruttore di inversione sulla posizione neutra.

Questo utensile è dotato di un interruttore di inversione, per cambiare la direzione di rotazione. Schiacciare la leva dell'interruttore di inversione dal lato A per la rotazione in senso orario, oppure dal lato B per la rotazione in senso antiorario. Quando la leva dell'interruttore si trova sulla posizione neutra non è possibile schiacciare il grilletto dell'interruttore.


Cambiamento di velocità (Fig. 7)


Per cambiare la velocità, spegnere per prima cosa l'utensile e spingere poi la leva di cambio velocità sul lato "II" per l'alta velocità, oppure sul lato "I" per la bassa velocità. Accertarsi che la leva di cambio velocità sia regolata sulla posizione corretta prima di usare l'utensile. Usare la velocità appropriata al lavoro.

ATTENZIONE:

- Regolare sempre completamente la leva di cambio velocità sulla posizione corretta. Se si usa l'utensile con la leva di cambio velocità posizionata a metà tra i lati "I" e "II", l'utensile potrebbe rimanere danneggiato.
- Non usare la leva di cambio velocità durante il funzionamento dell'utensile, perché si potrebbe danneggiarlo.


Regolazione della coppia di serraggio (Fig. 8)

La coppia di serraggio può essere regolata in 17 passi girando l'anello di registro, in modo che le sue graduazioni siano allineate con l'indice sul corpo dell'utensile. La coppia di serraggio è minima quando l'indice è allineato con il numero 1, e massima quando con l'indice è allineato con il segno 

La frizione scivola ai vari livelli di coppia quando il livello è regolato sui numeri da 1 a 16. La frizione è progettata in modo da non slittare al segno .

Prima di eseguire il lavoro, avvitarne una vite di prova nel materiale o in un duplicato del materiale, per determinare il livello di coppia necessario per quella particolare applicazione.

NOTE:

- L'anello di registro non si blocca quando l'indice è posizionato soltanto a metà tra le graduazioni.
- Non usare l'utensile con l'anello di registro regolato tra il numero 16 e il segno , perché lo si potrebbe danneggiare.

Operazione di avvitamento viti (Fig. 9)

Mettere la punta dell'avvitatore sulla testa della vite e applicare una pressione sull'utensile. Avviare lentamente l'utensile e aumentare poi gradualmente la velocità. Rilasciare il grilletto non appena la frizione si innesta.


NOTE:

- Accertarsi che la punta dell'avvitatore sia inserita dritta nella testa della vite, perché altrimenti potrebbe danneggiarsi.
- Per avvitare le viti per legno, praticare prima dei fori guida per facilitare l'avvitamento e prevenire lo scheggiamento del pezzo da lavorare. Vedere la tabella sotto.

Diametro nominale vite per legno (mm)	Diametro raccomandato foro guida (mm)
3,1	2,0 – 2,2
3,5	2,2 – 2,5
3,8	2,5 – 2,8
4,5	2,9 – 3,2
4,8	3,1 – 3,4
5,1	3,3 – 3,6
5,5	3,7 – 3,9
5,8	4,0 – 4,2
6,1	4,2 – 4,4

- Se si fa funzionare continuamente l'utensile finché la cartuccia batteria si scarica, lasciarlo riposare per 15 minuti prima di continuare con un'altra batteria.

Operazione di foratura

Per prima cosa, girare l'anello di registro in modo che l'indice sul corpo dell'utensile sia allineato con il segno . Procedere poi come segue.

- Foratura del legno
Forando il legno si ottengono i risultati migliori con le punte per legno dotate di viti guida. La vite guida facilita la foratura spingendo la punta nel pezzo da lavorare.
- Foratura del metallo
Per evitare che la punta scivoli quando si comincia il foro, fare una intaccatura con la punta centrale e martellare sul punto da forare. Mettere la punta sull'intaccatura e cominciare a trapanare. Per forare i metalli, usare un lubrificante di taglio. Le eccezioni sono il ferro e l'ottone, che devono essere trapanati a secco.

ATTENZIONE:

- Premendo eccessivamente sull'utensile non si accelera la foratura. Al contrario, una pressione eccessiva serve soltanto a danneggiare la punta e a ridurre le prestazioni e la vita dell'utensile.
- Quando la punta trapassa il materiale, l'utensile/punta vengono sottoposti ad una grandissima forza. Tenere saldamente l'utensile e stare molto attenti quando la punta sta per trapassare il materiale.
- Se la punta rimane incastrata, la si può rimuovere regolando semplicemente l'interruttore di inversione sulla rotazione inversa per estrarla. Se però non lo si tiene saldamente, esso potrebbe rinculare improvvisamente.
- Fissare sempre i piccoli pezzi da lavorare con una morsa od altro attrezzo simile per bloccarli.
- Se si fa funzionare continuamente l'utensile finché la cartuccia batteria si scarica, lasciarlo riposare per 15 minuti prima di continuare con un'altra batteria.

MANUTENZIONE

ATTENZIONE:

Prima di effettuare ogni tipo di lavoro sull'utensile, assicuratevi sempre che essa sia spenta e che la batteria sia rimossa.

Sostituzione delle spazzole di carbone

(Fig. 10 e 11)

Sostituire le spazzole di carbone quando sono usurate fino alla linea di delimitazione. Sostituire entrambe le spazzole con tipi di spazzole identici.

Per mantenere la sicurezza e l'affidabilità del prodotto, le riparazioni, la manutenzione o le regolazioni dovrebbero essere eseguite da un centro di assistenza Makita autorizzato.

ACCESSORI

ATTENZIONE:

- Questi accessori o attrezzi sono consigliati per l'uso con l'utensile Makita specificato in questo manuale. L'impiego di altri accessori o attrezzi può costituire un rischio di lesioni alle persone. Usare gli accessori soltanto per il loro scopo prefissato.

Per ottenere maggiori dettagli su questi accessori, rivolgersi a un Centro Assistenza Makita autorizzato.

- Punta avvitatore
- Gruppo manico
- Gruppo tampone di gomma
- Tampone di smerigliatura di schiuma
- Calibro di profondità
- Cuffia di lana
- Vari tipi di batterie e caricatori genuini Makita
- Valigetta di plastica

Verklaring van algemene gegevens

1 Knop	10 Trekschakelaar	19 Afstelring
2 Batterij	11 Omkeerschakelaar	20 Schaalverdelingen
3 Oplaadlampje	12 Zijde A	21 Boormarkering
4 Acculader	13 Zijde B	22 Wijzer
5 Boor	14 Rechtse draairichting	23 Limietaanduiding
6 Vastdraaien	15 Linkse draairichting	24 Koolborsteldop
7 Bus	16 Laag toerental	25 Schroevendraaier
8 Ring	17 Hoog toerental	
9 Boorhouder	18 Toerentalschakelaar	

TECHNISCHE GEGEVENS

Model	6216D	6236D	6316D	6336D
Capaciteiten				
Metaal	10 mm	10 mm	13 mm	13 mm
Hout	30 mm	36 mm	30 mm	36 mm
Hout Schroef	6 x 75 mm	6 x 75 mm	6 x 75 mm	6 x 75 mm
Kolomschroef	6 mm	6 mm	6 mm	6 mm
Toerental onbelast (min ⁻¹)				
Hoog	0 – 1 300	0 – 1 300	0 – 1 300	0 – 1 300
Laag	0 – 400	0 – 400	0 – 400	0 – 400
Totale lengte	243 mm	243 mm	255 mm	255 mm
Netto gewicht	2,1 kg	2,2 kg	2,2 kg	2,3 kg
Nominale spanning	DC 12 V	DC 14,4 V	DC 12 V	DC 14,4 V

- In verband met ononderbroken research en ontwikkeling behouden wij ons het recht voor bovenstaande technische gegevens te wijzigen zonder voorafgaande kennisgeving.
- Opmerking: De technische gegevens kunnen van land tot land verschillen.

Veiligheidswenken

Voor uw veiligheid dient u de bijgevoegde Veiligheidsvoorschriften nauwkeurig op te volgen.

BELANGRIJKE VEILIGHEIDSVOORSCHRIFTEN VOOR GEBRUIK VAN DE BATTERIJLADER EN HET BATTERIJPAK

1. **BEWAAR DEZE VOORSCHRIFTEN** — In deze gebruiksaanwijzing staan belangrijke veiligheids- en bedieningsvoorschriften betreffende de batterijlader (snellader).
2. Lees alle voorschriften en waarschuwingen betreffende (1) de batterijlader, (2) het batterijpak en (3) het gereedschap aandachtig door alvorens de batterijlader in gebruik te nemen.
3. **LET OP** — Om het gevaar voor ongelukken te verminderen, dient u met de snellader uitsluitend MAKITA oplaadbare batterijen te laden. Batterijen van andere merken kunnen gaan barsten en hierdoor verwondingen of schade veroorzaken.
4. Stel de batterijlader niet bloot aan regen of sneeuw.
5. Het gebruik van accessoires die niet door de fabrikant van de batterijlader worden verkocht of aanbevolen, kan brandgevaar, elektrische schok of verwondingen veroorzaken.
6. Om de stekker en het netsnoer niet te beschadigen, trekt u het netsnoer uit het stopcontact door de stekker vast te pakken.

7. **Let op dat het snoer zodanig op de grond ligt, dat niemand erop kan stappen of erover kan struikelen en dat er niets op het snoer geplaatst wordt.**
8. **Gebruik in geen geval de batterijlader als het netsnoer of de stekker beschadigd is. Vervang deze onmiddellijk.**
9. **Gebruik de batterijlader ook niet als deze gevallen is, aan een zware stoot heeft blootgestaan, of als u vermoedt dat hij beschadigd is. Laat in deze gevallen de batterijlader eerst nakijken.**
10. **Haal de batterijlader of het batterijpak niet uit elkaar; laat eventuele servicebeurten of reparaties uitsluitend vakkundig uitvoeren. Het onjuist opnieuw in elkaar zetten kan namelijk elektrische schok of brandgevaar opleveren.**
11. **Om gevaar voor elektrische schok te verminderen, trekt u de stekker uit het stopcontact alvorens de batterijlader te reinigen of een onderhoudsbeurt te geven. Door de batterijlader alleen maar uit te schakelen, vermindert u dit gevaar niet.**
12. **De acculader is niet bedoeld voor gebruik door kleine kinderen of geestelijk gestoorden waarop geen toezicht wordt gehouden.**
13. **Houd toezicht op kleine kinderen om te voorkomen dat ze met de acculader spelen.**
14. **Als de gebruiksduur van de accu bijzonder kort geworden is, moet u het gebruik ervan onmiddellijk stopzetten omdat er anders gevaar is voor oververhitting, brandwonden en zelfs een explosie.**
15. **Als er elektrolyt in uw ogen is terechtgekomen, moet u deze spoelen met schoon water en onmiddellijk de hulp van een dokter inroepen. Elektrolyt in de ogen kan blindheid veroorzaken.**

BIJGEOVOEGDE VEILIGHEIDSVOORSCHRIFTEN VOOR GEBRUIK VAN DE BATTERIJLADER EN HET BATTERIJPAK

1. Laad het batterijpak niet op als de temperatuur LAGER is dan 10°C of HOGER dan 40°C.
2. Gebruik voor het laden nooit een step-up transformator, een dynamo of een gelijkstroombron.
3. Zorg dat de ventilatiegaten van de batterijlader niet afgesloten worden of verstopt raken.
4. Bedek altijd de polen van de accu met het accudeksel wanneer u de accu niet gebruikt.
5. Voorkom kortsluiting van het batterijpak:
 - (1) Raak de aansluitklemmen nooit aan met geleidend materiaal.
 - (2) Bewaar het batterijpak niet op een plaats waar ook andere metalen voorwerpen zoals spijkers, munten e.d. worden bewaard.
 - (3) Stel het batterijpak niet bloot aan water of regen.

Kortsluiting van het batterijpak kan leiden tot een grote stroomafgifte, oververhitting, brandwonden of zelfs tot defecten.
6. Bewaar de batterijlader en het batterijpak niet in plaatsen waar de temperatuur tot 50°C of hoger kan op lopen.
7. Werp zwaar beschadigde of volledig uitgeputte batterijpakken niet in het vuur, omdat een gevaarlijke explosie er het gevolg van kan zijn.
8. Wees voorzichtig dat u het batterijpak niet laat vallen en het niet aan schokken of stoten blootstelt.
9. Laad het batterijpak niet op in een kist, een container e.d. Om het batterijpak op te laden, dient u dit in een goed geventileerde ruimte te plaatsen.

AANVULLENDE VEILIGHEIDSVOORSCHRIFTEN VOOR HET GEREEDSCHAP

1. Denk eraan dat dit gereedschap altijd gebruiksklaar is, aangezien het niet hoeft te worden aangesloten op een stopcontact.

Laden (Fig. 2)

Sluit de acculader aan op een stopcontact. Het laadcontrolelampje zal in groen knipperen. Schuif de accu zodanig in de acculader dat de plus en min klemmen van de accu overeenkomen met de plus en min markeringen op de acculader. Schuif de accu zo ver mogelijk in de opening, zodat het op de bodem van de lader rust. Wanneer de accu helemaal erin zit, zal de kleur van het laadcontrolelampje veranderen van groen in rood en zal het laden beginnen. Tijdens het laden zal het laadcontrolelampje blijven branden. Wanneer de kleur van het oplaadlampje verandert van rood in groen, is het opladen voltooid. Wanneer u een volledig opgeladen accu in de lader laat zitten, zal de lader overschakelen naar de "bijladen (handhaven van de lading)" stand. Trek de stekker van de lader uit het stopcontact nadat het laden is voltooid.

Zie de onderstaande tabel voor de oplaadtijden.

Model van batterijpak	Capaciteit (Ah)	Aantal cellen	Oplaadtijd
1222 (Ni-cd)	2,0	10	ca. 45 min.
1233 (Ni-MH)	2,2	10	ca. 50 min.
1234 (Ni-MH)	2,6	10	ca. 60 min.
1235 (Ni-MH)	3,0	10	ca. 70 min.
1422 (Ni-cd)	2,0	12	Approx. 45 min.
1433 (Ni-MH)	2,2	12	Approx. 50 min.
1434 (Ni-MH)	2,6	12	Approx. 60 min.
1435 (Ni-MH)	3,0	12	Approx. 70 min.

2. Houd het gereedschap bij de geïsoleerde handgrepen vast wanneer u boort op plaatsen waar de boor op verborgen elektrische bedrading kan stoten. Door contact met een onder spanning staande draad zullen ook de niet-geïsoleerde metalen delen van het gereedschap onder spanning komen te staan, zodat de gebruiker een elektrische schok kan krijgen.
3. Zorg ervoor dat u altijd stevige steun voor de voeten hebt.
4. Controleer of er zich niemand onder u bevindt wanneer u het gereedschap op een hoge plaats gaat gebruiken.
5. Houd het gereedschap stevig vast.
6. Houd uw handen uit de buurt van roterende onderdelen.
7. Laat het gereedschap niet achter terwijl het nog in bedrijf is. Laat het gereedschap alleen draaien wanneer u het met beide handen vasthoudt.
8. Raak de boor of het werkstuk niet aan onmiddellijk na het gebruik; deze kunnen zeer heet zijn en brandwonden veroorzaken.

BEWAAR DEZE VOORSCHRIFTEN.

BEDIENINGSVOORSCHRIFTEN

Plaatsen en verwijderen van de accu (Fig. 1)

- Schakel de machine altijd uit voordat een accu geplaatst of verwijderd wordt.
- Om de accu te verwijderen, neemt u het uit het gereedschap terwijl u de knoppen aan beide zijden van de accu indrukt.
- Om de accu te installeren, past u de rug op de accu in de groef in de behuizing van het gereedschap, en dan schuift u de accu naar binnen. Schuif de accu zo ver mogelijk erin, totdat het met een klinkgeluid vergrendelt. Indien u dit niet doet, kan de accu per ongeluk uit het gereedschap vallen en uzelf of anderen verwonden.
- Als de accu moeilijk in de houder komt, probeer het dan niet met geweld in te duwen. Indien de accu er niet gemakkelijk ingaat, dan houdt u het verkeerd om.

LET OP:

- De acculader is uitsluitend bestemd voor het laden van Makita accu's. Gebruik deze nooit voor andere doeleinden of voor het laden van accu's van andere fabrikanten.
- Een nieuwe accu of een accu dat gedurende lange tijd niet werd gebruikt, kan eventueel niet volledig worden geladen. Dit is normaal en duidt niet op een defect. Nadat de accu een paar keer volledig is ontladen, kunt u het weer volledig laden.
- Wanneer u de accu van een zoiest gebruikt gereedschap laadt, of een accu dat voor langere tijd aan direct zonlicht of hitte werd blootgesteld, gebeurt het wel eens dat het laadcontrolelampje in rood knippert. Wacht in zo'n geval een tijdje. Het laden zal beginnen nadat de accu is afgekoeld. De accu zal sneller afkoelen indien u het van de acculader verwijderd.
- Indien het laadcontrolelampje afwisselend in groen en rood knippert, wijst dit op een probleem en is laden niet mogelijk. De klemmen op de snellader of op de accu zijn vuil of de accu is versleten of beschadigd.

Bijladen (Handhaven van de lading)

Wanneer u een volledig opgeladen accu in de lader laat zitten om spontaan ontladen te voorkomen, zal de lader overschakelen naar de "Bijladen (Handhaven van de lading)" stand waardoor de accu vers en in volledig opgeladen toestand wordt gehouden.

Wenken om een maximale levensduur van de accu te handhaven

1. Laad de accu op alvorens deze volledig is ontladen. Stop het gebruik van het gereedschap en laad de accu op telkens wanneer u vaststelt dat het vermogen van het gereedschap verminderd is.
2. Laad een volledig opgeladen accu nooit opnieuw op. Wanneer u de accu te veel oplaadt, zal deze minder lang meegaan.
3. Laad de accu op bij een kamertemperatuur tussen 10°C en 40°C. Laat een warme accu afkoelen alvorens deze op te laden.
4. Laad de nikkel-metaalhydride accu op wanneer u deze langer dan zes maanden niet gebruikt.

Installeren of verwijderen van schroefbit of boor (Fig. 3 en 4)

Belangrijk:

Controleer altijd of het gereedschap is uitgeschakeld en de accu is verwijderd alvorens de boor te installeren of te verwijderen.

Houd de ring vast en draai de bus naar links om de klauwen van de boorkop te openen. Steek de boor zo ver mogelijk in de boorkop. Houd daarna de ring weer stevig vast en draai de bus naar rechts voor het vastzetten van de boorkop.

Voor het verwijderen van de boor, de ring vasthouden en de bus naar links draaien. Bevestig de boor in de boorhouder wanneer u deze niet gebruikt. In de boorhouder kunt u boren met een lengte van maximaal 45 mm plaatsen.

Werking van de trekschakelaar (Fig. 5)

LET OP:

Alvorens de accu in het gereedschap te plaatsen, moet u altijd controleren of de trekschakelaar juist werkt en bij het loslaten naar de "OFF" positie terugkeert.

Om het gereedschap in te schakelen, drukt u gewoon de trekschakelaar in. Hoe dieper de trekschakelaar wordt ingedrukt, hoe sneller het gereedschap draait. Om het gereedschap uit te schakelen, de trekschakelaar loslaten.

Werking van de omkeerschakelaar (Fig. 6)

LET OP:

- Controleer altijd de draairichting alvorens het gereedschap te gebruiken.
- Verander de stand van de omkeerschakelaar alleen nadat het gereedschap volledig tot stilstand is gekomen. Indien u de draairichting verandert terwijl de boor nog draait, kan het gereedschap beschadigd raken.
- Zet de omkeerschakelaar altijd in de neutrale stand wanneer het gereedschap niet wordt gebruikt.

Dit gereedschap heeft een omkeerschakelaar voor het veranderen van de draairichting. Druk de omkeerschakelaar in vanaf zijde A voor rechtse draairichting, of vanaf zijde B voor linkse draairichting. Wanneer deze schakelaar in de neutrale stand staat, kan de trekschakelaar niet worden ingedrukt.


Veranderen van het toerental (Fig. 7)


Om het toerental te veranderen, schakelt u eerst het gereedschap uit en dan schuift u de toerentalschakelaar naar de "II" zijde voor hoog toerental, of naar de "I" zijde voor laag toerental. Zorg ervoor dat de toerentalschakelaar in de juiste stand staat alvorens met het werk te beginnen. Gebruik het toerental dat geschikt is voor uw werk.

LET OP:

- Schuif de toerentalschakelaar altijd volledig naar de juiste positie. Als u het gereedschap gebruikt met de toerentalschakelaar halverwege tussen de "I" en "II" posities, kan het gereedschap beschadigd raken.
- Verschuif de toerentalschakelaar niet terwijl het gereedschap draait. Hierdoor kan het gereedschap beschadigd raken.


Instellen van het draaimoment (Fig. 8)

Het draaimoment kan worden ingesteld in 17 stappen door de stelling zodanig te draaien dat zijn schaalverdelingen overeenkomen met de wijzer op het huis van het gereedschap. Het draaimoment is minimaal wanneer het cijfer 1 met de wijzer overeenkomt, en is maximaal wanneer de  markering met de wijzer overeenkomt.

Wanneer de stelling op een cijfer van 1 tot 16 is ingesteld, zal de koppeling bij verschillende draaimomentniveaus slippen. De koppeling is ontworpen om niet te slippen bij de .

Alvorens met het eigenlijke werk te beginnen, moet u het geschikte draaimoment bepalen door een proefschroef in uw werkstuk of in een ander stuk van hetzelfde materiaal te schroeven.

OPMERKING:

- De stelring vergrendelt niet wanneer de wijzer halfweg tussen de schaalverdelingen staat.
- Gebruik het gereedschap niet met de stelring ingesteld tussen het cijfer 16 en de  markering. Hierdoor kan het gereedschap beschadigd raken.

Indraaien van schroeven (Fig. 9)

Plaats de schroefbit in de boorkop en oefen druk op het gereedschap uit. Begin met lage snelheid en voer dan de snelheid geleidelijk op. Laat de trekschakelaar los zodra de koppeling ingrijpt.


OPMERKING:

- Zorg ervoor dat u de schroefbit recht op de schroefkop plaatst, aangezien anders de schroef en/of de schroefbit beschadigd kan worden.
- Wanneer u houtschroeven indraait, maak dan voorboorgaten in het hout. Dit vergemakkelijkt het vastschroeven en voorkomt dat het hout splijt. Zie de onderstaande tabel.

Nominale diameter van houtschroef (mm)	Aanbevolen diameter voorboorgat (mm)
3,1	2,0–2,2
3,5	2,2–2,5
3,8	2,5–2,8
4,5	2,9–3,2
4,8	3,1–3,4
5,1	3,3–3,6
5,5	3,7–3,9
5,8	4,0–4,2
6,1	4,2–4,4

- Indien het gereedschap ononderbroken wordt gebruikt totdat de accu is ontladen, dient u het gereedschap 15 minuten te laten rusten vooraleer met een nieuwe accu verder te werken.

Boren

Draai eerst de stelring zodat de wijzer op het gereedschap naar de  markering wijst. Ga dan als volgt te werk.

- Boren in hout

Voor boren in hout krijgt u de beste resultaten met houtboren die voorzien zijn van een geleideschroef. Het boren gaat dan gemakkelijker aangezien de geleideschroef de boor in het hout trekt.

- Boren in metaal

Wanneer u begint te boren, gebeurt het vaak dat de boor splijt. Om dit te voorkomen, slaat u van tevoren met een drevel een deukje in het metaal op de plaats waar u wilt boren. Plaats vervolgens de boor in het deukje en start het boren.

Gebruik altijd boorolie wanneer u in metaal boort. De enige uitzonderingen zijn ijzer en koper die droog geboord dienen te worden.

LET OP:

- Door overmatige druk op het gereedschap uit te oefenen verloopt het boren niet sneller. Integendeel, teveel druk op het gereedschap zal alleen maar de boorpunt beschadigen, de prestatie van het gereedschap verminderen en de gebruiksduur verkorten.

- Wanneer de boor uit het gaatje te voorschijn komt, wordt een enorme kracht uitgeoefend op het gereedschap en op de boor. Houd daarom het gereedschap stevig vast en wees op uw hoede wanneer de boor door het werkstuk begint te dringen.
- Wanneer de boor klemraakt, keert u met de omkeerschakelaar de draairichting om, om de boor uit het gaatje te krijgen. Het gereedschap kan echter plotseling terugspringen indien u het niet stevig vasthoudt.
- Kleine werkstukken dient u altijd eerst vast te zetten in een klemschroef of iets dergelijks.
- Indien het gereedschap ononderbroken wordt gebruikt totdat de accu is ontladen, dient u het gereedschap 15 minuten te laten rusten vooraleer met een nieuw accu verder te werken.

ONDERHOUD

LET OP:

Controleer altijd of de machine is uitgeschakeld en de accu is losgekoppeld vooraleer onderhoud uit te voeren aan de machine.

Vervangen van koolborstels (Fig. 10 en 11)

Vervang de borstels wanneer ze tot aan de aangegeven limiet zijn afgesleten. Beide koolborstels dienen tegelijkertijd te worden vervangen.

Opdat het gereedschap veilig en betrouwbaar blijft, dienen alle reparaties, onderhoud of afstellingen te worden uitgevoerd bij een erkend Makita service centrum.

ACCESSOIRES

LET OP:

- Deze accessoires of hulpstukken worden aanbevolen voor gebruik met het Makita gereedschap dat in deze gebruiksaanwijzing is beschreven. Bij gebruik van andere accessoires of hulpstukken bestaat er gevaar voor persoonlijke verwonding. Gebruik de accessoires of hulpstukken uitsluitend voor hun bestemde doel.

Raadpleeg het dichtstbijzijnde Makita Servicecentrum voor verder advies of bijzonderheden omtrent deze accessoires.

- Schroefbits
- Handgreep
- Rubber steunschijf set
- Schuimrubber polijstkussen
- Diepteaanslag
- Wollen poetschijf
- Diverse types originele Makita accu's en acculaders
- Plastic draagkoffer

Explicación de los dibujos

1 Botón	10 Interruptor de gatillo	18 Conmutador de cambio de velocidad
2 Cartucho de baterías	11 Conmutador de inversión	19 Anillo de ajuste
3 Luz de carga	12 Lado A	20 Graduaciones
4 Cargador de batería	13 Lado B	21 Marca para taladrado
5 Implemento de atornillar	14 Rotación hacia la derecha	22 Puntero
6 Apretar	15 Rotación hacia la izquierda	23 Marca de límite
7 Mandril	16 Velocidad baja	24 Tapas de escobillas
8 Anillo	17 Velocidad alta	25 Destornillador
9 Portaimplementos		

ESPECIFICACIONES

Modelo	6216D	6236D	6316D	6336D
Capacidades				
Acero	10 mm	10 mm	13 mm	13 mm
Madera	30 mm	36 mm	30 mm	36 mm
Tornillo para madera	6 x 75 mm	6 x 75 mm	6 x 75 mm	6 x 75 mm
Tornillo para máquina	6 mm	6 mm	6 mm	6 mm
Velocidad en vacío (min ⁻¹)				
Alta	0 – 1.300	0 – 1.300	0 – 1.300	0 – 1.300
Baja	0 – 400	0 – 400	0 – 400	0 – 400
Longitud total	243 mm	243 mm	255 mm	255 mm
Peso neto	2,1 kg	2,2 kg	2,2 kg	2,3 kg
Tensión nominal	CC 12 V	CC 14,4 V	CC 12 V	CC 14,4 V

- Debido a un programa continuo de investigación y desarrollo, las especificaciones aquí dadas están sujetas a cambios sin previo aviso.
- Nota: Las especificaciones pueden ser diferentes de país a país.

Sugerencias de seguridad

Para su propia seguridad, consulte las instrucciones de seguridad incluidas.

INSTRUCCIONES DE SEGURIDAD IMPORTANTES PARA EL CARGADOR Y EL CARTUCHO DE BATERÍAS

1. **GUARDE ESTAS INSTRUCCIONES** — Este manual contiene instrucciones de operación y de seguridad importantes para el cargador de baterías.
2. Antes de utilizar el cargador de baterías, lea todas las instrucciones y las indicaciones de precaución (1) del cargador de baterías, (2) de baterías, y (3) del producto que con el que se va a utilizar baterías.
3. **PRECAUCIÓN** — Para reducir el peligro de que se produzcan heridas personales, cargue solamente las baterías recargables del tipo MAKITA. Otros tipos de baterías pueden quemarse pudiendo provocar heridas personales y daños.
4. No exponga el cargador a la lluvia o al agua.
5. La utilización de un acoplamiento no recomendado o no vendido por un fabricante de cargadores de baterías puede resultar provocar un incendio, una descarga eléctrica o heridas personales.
6. Para reducir el peligro de que el enchufe y el cable reciban daños, tire del enchufe y no del cable cuando desconecte el cargador.

7. **Asegúrese de que el cable esté localizado de manera que no se tropiece con él ni se pise, y que no esté sujeto a tirones ni otros tipos de daños.**
8. **No opere el cargador que tenga el cable o el enchufe dañados; reemplácelos inmediatamente.**
9. **No opere el cargador en el caso de que haya recibido un golpe, se haya caído o esté defectuoso; llévalo a un lugar donde se le pueda practicar un servicio de mantenimiento cualificado.**
10. **No desmonte el cargador o el cartucho de baterías; cuando se requiera la reparación llévalo a un lugar donde se le pueda practicar un servicio de mantenimiento cualificado. Un montaje incorrecto puede resultar en que se produzca un incendio o una descarga eléctrica.**
11. **Para reducir el peligro de que se produzca una descarga eléctrica, desenchufe el cargador de la toma de alimentación antes de efectuar el servicio de mantenimiento o la limpieza. El desconectar los controles no reducirá este peligro.**
12. **El cargador de baterías no ha sido pensado para ser usado por niños ni menores sin ser supervisados.**
13. **Los padres deberán supervisar a sus hijos pequeños para asegurarse de que no juegan con el cargador de baterías.**
14. **Si el tiempo de funcionamiento se acorta excesivamente, pare la operación inmediatamente. Podría resultar en un riesgo de recalentamiento, posibles quemaduras e incluso una explosión.**
15. **Si entra electrolito en sus ojos, aclárelos con agua limpia y solicite atención médica enseguida. Podría resultar en la pérdida de la vista.**

NORMAS DE SEGURIDAD ADICIONALES PARA EL CARGADOR Y EL CARTUCHO DE BATERIAS

1. No cargue el cartucho de baterías cuando la temperatura esté por DEBAJO de los 10°C o por ENCIMA de los 40°C.
2. No utilice un transformador elevador de tensión, un generador con motor o un receptáculo de alimentación de CC.
3. No cubra ni obstruya las rejillas de ventilación del cargador con ningún objeto.
4. Cubra siempre los bornes de baterías con la tapa correspondiente cuando no se esté usando el cartucho de baterías.
5. No cortocircuite el cartucho de baterías:
 - (1) No toque los terminales con ningún material conductor.
 - (2) Evite guardar el cartucho de baterías en un recipiente que contenga otros objetos de metal tales como clavos, monedas, etc.
 - (3) No exponga el cartucho de baterías al agua o a la lluvia.Un cortocircuito de baterías puede producir un gran circulación de corriente, un sobrecalentamiento, posibles quemaduras o incluso una rotura.
6. No almacene la herramienta ni el cartucho de baterías en lugares donde la temperatura pueda alcanzar o exceder los 50°C.
7. Nunca queme el cartucho de baterías incluso en el caso de que esté dañado seriamente, ni cuando esté gastado. El cartucho de baterías podrá explotar cuando se tire al fuego.
8. Tenga cuidado para no dejar caer, sacudir o golpear la batería.
9. No la cargue en el interior de una caja o recipiente de cualquier clase. La batería deberá ponerse en un lugar bien ventilado durante la carga.

Carga (Fig. 2)

Enchufe el cargador de carga batería en una toma de corriente alterna (CA) de tensión apropiada. La luz de carga parpadeará en color verde. Inserte el cartucho de batería de forma que los bornes positivo y negativo en el cartucho de la batería queden en los mismos lados que las marcas respectivas en el cargador de carga batería. Inserte el cartucho completamente en la abertura de forma que asiente en la base de la abertura del cargador. Cuando el cartucho esté insertado, el color de la luz de carga cambiará de verde a rojo y la carga comenzará. La luz de carga permanecerá encendida durante la carga. Cuando el color de la luz de carga cambie de rojo a verde, se habrá completado el ciclo de carga. Si deja el cartucho de batería en el cargador después de que se haya completado el ciclo de carga, el cargador cambiará a su modo de "carga lenta (carga de mantenimiento)". Después de la carga, desenchufe el cargador de la toma de corriente.

NORMAS DE SEGURIDAD ADICIONALES PARA LA HERRAMIENTA

1. Tenga presente que está herramienta está siempre en condición de funcionamiento, porque no necesita ser enchufada en una toma de corriente eléctrica.
2. Cuando realice una tarea donde la herramienta pueda entrar en contacto con cableado oculto o su propio cable, sujete la herramienta por las superficies de asimiento aisladas. El contacto con un cable con corriente hará que la corriente circule por las partes metálicas de la herramienta y electrocute al operario.
3. Asegúrese siempre de pisar sobre suelo firme.
4. Asegúrese de que no haya nadie debajo cuando utilice la herramienta en lugares altos.
5. Sujete la herramienta firmemente.
6. Mantenga las manos alejadas de las piezas giratorias.
7. No deje la herramienta funcionando. Téngala en marcha solamente cuando esté es sus manos.
8. No toque la broca ni la pieza de trabajo inmediatamente después de realizar la tarea; podrían estar muy calientes y producirle quemaduras de piel.

GUARDE ESTAS INSTRUCCIONES.

INTRUCCIONES PARA EL FUNCIONAMIENTO

Insalación o extracción del cartucho de la batería (Fig. 1)

- Antes de insertar o de extraer el cartucho de la batería, asegúrese siempre de desconectar la herramienta.
- Para retirar el cartucho de la batería, sáquelo de la herramienta mientras presiona los botones a cada lado del mismo.
- Para insertar el cartucho de la batería, alinee la lengüeta del cartucho de batería con la acanaladura en el alojamiento y deslícelo hasta alojarlo en su lugar. Insértelo siempre a fondo hasta que quede bloqueado produciendo un ligero chasquido. En caso contrario, podría caerse accidentalmente de la herramienta y causarle heridas a usted o a alguien que se encuentre cerca de usted.
- No fuerce la introducción del cartuchode la batería. Si el cartucho no se desliza hacia adentro fácilmente, quiere decir que no está siendo insertado correctamente.

Consulte la tabla de abajo para ver los tiempos de carga.

Tipo de batería	Capacidad (Ah)	Número de celdas	Tiempo de carga
1222 (Ni-cd)	2,2	10	Approx. 45 min.
1233 (Ni-MH)	2,2	10	Approx. 50 min.
1234 (Ni-MH)	2,6	10	Approx. 60 min.
1235 (Ni-MH)	3,0	10	Approx. 70 min.
1422 (Ni-cd)	2,2	12	Approx. 45 min.
1433 (Ni-MH)	2,2	12	Approx. 50 min.
1434 (Ni-MH)	2,6	12	Approx. 60 min.
1435 (Ni-MH)	3,0	12	Approx. 70 min.

PRECAUCIÓN:

- El cargador de batería es para cargar el cartucho de batería Makita. No lo utilice nunca con otro propósito o para cargar baterías de otros fabricantes.
- Cuando cargue un cartucho de batería nuevo o uno que no haya sido utilizado durante mucho tiempo, será posible que no pueda cargarse completamente. Esta es una condición normal y no indica ningún tipo de problema. Podrá volver a cargarlo completamente después de descargarlo en su totalidad y volverlo a cargar unas cuantas veces.
- Si carga un cartucho de batería que acabe de retirar de una herramienta que justo entonces acaba de operar o uno que ha estado expuesto a la luz solar directa o calor durante mucho tiempo, la luz de carga podrá parpadear en color rojo. Si se diera el caso, espere algún tiempo. La carga comenzará una vez que el cartucho se enfríe. Éste se enfriará antes si lo saca del cargador.
- Si la luz de carga parpadea alternativamente en verde y rojo, existirá algún problema y no se podrá cargar. Los bornes en el cargador o en el cartucho de batería estarán sucios de polvo o el cartucho podrá estar inservible o estropeado.

Carga continua y lenta (carga de mantenimiento)

Si deja el cartucho de batería en el cargador para evitar que se descargue espontáneamente después de haberlo cargado completamente, el cargador se cambiará a su modo de "carga continua y lenta (carga de mantenimiento)" y mantendrá el cartucho de batería fresco y completamente cargado.

Consejos para alargar al máximo la vida de servicio de la batería

1. Cargue el cartucho de batería antes de que se descargue completamente.
Pare la herramienta y cargue el cartucho de batería siempre que note que se debilita la potencia de la herramienta.
2. Nunca cargue un cartucho de batería que esté completamente cargado.
El exceso de carga acorta la vida de servicio de la batería.
3. Cargue el cartucho de batería a una temperatura ambiente de 10°C – 40°C.
Deje que el cartucho de batería se enfríe antes de cargarlo.
4. Cargue el cartucho de batería de hidruro metálico de níquel cuando no lo utilice durante más de seis meses.

Instalación o extracción del implemento de atornillar o broca (Fig. 3 y 4)

Importante:

Asegúrese siempre de que la herramienta esté apagada y que el cartucho de batería haya sido retirado antes de instalar o extraer el implemento.

Sujete el anillo y gire el mandril hacia la izquierda para abrir las mandíbulas del cabezal. Coloque la broca en el cabezal introduciéndola hasta que llegue al fondo. Sujete firmemente el anillo y gire el mandril hacia la derecha para apretar el cabezal.

Para extraer la broca, sujete el anillo y gire el mandril hacia la izquierda. Cuando no utilice el implemento de atornillar, póngalo en el portaimplementos. En él se pueden poner implementos de atornillar de 45 mm de largo.

Accionamiento del interruptor (Fig. 5)

PRECAUCIÓN:

Antes de insertar el cartucho de batería, compruebe siempre para ver si el interruptor de gatillo se acciona correctamente y regresa a la posición "OFF" cuando se libera.

Para encender la herramienta, simplemente presione el gatillo. La velocidad de la herramienta aumenta incrementando la presión ejercida en el gatillo. Suelte el gatillo para parar.

Accionamiento del conmutador de inversión (Fig. 6)

PRECAUCIÓN:

- Compruebe siempre la dirección de rotación antes de realizar la operación de trabajo.
- Emplee el conmutador de inversión sólo después de que la herramienta esté completamente parada. Si cambia la dirección de rotación antes de que la herramienta se pare podrá dañarla.

- Cuando no esté utilizando la herramienta, ponga siempre la palanca del conmutador de inversión en la posición neutra.

Esta herramienta tiene un conmutador de inversión para cambiar la dirección de rotación. Presione el conmutador de inversión del lado A para que gire hacia la derecha o el del lado B para que gire hacia la izquierda. Cuando el conmutador de inversión esté en la posición neutra, el interruptor de gatillo no podrá ser accionado.


Cambio de velocidad (Fig. 7)


Para cambiar de velocidad, primeramente apague la herramienta y deslice el conmutador de cambio de velocidad hacia el lado de la marca " II " para velocidad alta, o hacia el lado de la marca " I " para velocidad baja. Asegúrese de que el conmutador de cambio de velocidad esté correctamente posicionado antes de efectuar la operación de trabajo. Utilice la velocidad correcta para su trabajo.

PRECAUCIÓN:


- Ponga siempre el conmutador de cambio de velocidad completamente en la posición correcta. Si opera la herramienta con el conmutador de cambio de velocidad a media distancia entre el lado " I " y el lado " II ", la herramienta podría dañarse.
- No utilice el conmutador de cambio de velocidad cuando la herramienta esté funcionando. La herramienta podría dañarse.

Ajuste del par de apriete (Fig. 8)

El par de apriete puede ajustarse en 17 pasos diferentes girando el anillo de ajuste de forma que sus graduaciones queden alineadas con el puntero marcado en la herramienta. El par de apriete será mínimo cuando el número 1 esté alineado con el puntero, y máximo cuando esté alineada la marca .

El embrague patinará a varios niveles de par de apriete cuando esté posicionado en los números 1 a 16. El embrague está diseñado para que no patine en la marca . Antes de efectuar la operación de trabajo real, atornille un tornillo de prueba en el material que esté trabajando o en una pieza del mismo material para determinar el par de apriete requerido para ese trabajo en particular.

NOTA:

- El anillo de ajuste no se bloqueará cuando el puntero esté posicionado a media distancia entre las graduaciones.
- No haga funcionar la herramienta con el anillo de ajuste posicionado entre el número 16 y la marca . La herramienta podría dañarse.

Operación de atornillamiento (Fig. 9)

Coloque la punta del implemento de atornillar en la cabeza del tornillo y aplique presión a la herramienta. Ponga la herramienta en marcha lentamente y luego aumente la velocidad poco a poco. Suelte el gatillo tan pronto como el embrague incida.


NOTA:

- Asegúrese de que el implemento de atornillar esté insertado derechamente en la cabeza del tornillo, o el tornillo y/o el implemento podrían dañarse.
- Cuando atornille tornillos para madera, taladre agujeros piloto previamente para que le resulte más fácil taladrar y prevenir que se abra la pieza de trabajo. Consulte el cuadro de abajo.

Diámetro nominal del tornillo para madera (mm)	Diámetro recomendado del agujero piloto (mm)
3,1	2,0–2,2
3,5	2,2–2,5
3,8	2,5–2,8
4,5	2,9–3,2
4,8	3,1–3,4
5,1	3,3–3,6
5,5	3,7–3,9
5,8	4,0–4,2
6,1	4,2–4,4

- Si hace funcionar la herramienta continuamente hasta que se descargue el cartucho de batería, deje que la herramienta descansa durante 15 minutos antes de continuar con una batería fresca.

Operación de taladrado

Primeramente, gire el anillo de ajuste de forma que el puntero marcado en la herramienta quede alineado con la marca . Luego continúe de la forma siguiente.

- Para taladrar madera

Cuando se taladre madera, los mejores resultados se obtendrán con brocas para madera equipadas con tornillo guía. El tornillo guía facilita el taladrado al tirar de la broca hacia el interior de la pieza de trabajo.

- Para taladrar metal

Para evitar que la broca resbale al comenzar a taladrar, haga una mella con un punzón y martillo en el punto donde vaya a taladrar.

Coloque la punta de la broca en la mella y comience a taladrar. Emplee un lubricante para operaciones de corte cuando taladre metales. Las excepciones son acero y latón que deberán ser taladrados en seco.

PRECAUCIÓN:

- Con ejercer una presión excesiva sobre la herramienta no conseguirá taladrar más de prisa. De hecho, esta presión excesiva sólo servirá para dañar la punta de la broca, disminuir el rendimiento de la herramienta y acortar su vida útil.
- Al momento de comenzar a agujerear se ejerce una fuerza tremenda sobre la herramienta/broca. Sujete la herramienta firmemente y tenga cuidado cuando la broca comience a penetrar en la pieza de trabajo.
- Una broca que se haya bloqueado podrá sacarse simplemente poniendo el conmutador de inversión en rotación inversa para retroceder. Sin embargo, la herramienta podría retroceder bruscamente si no la sujetase firmemente.
- Sujete siempre las piezas de trabajo pequeñas en un tornillo de banco o herramienta de sujeción similar.
- Si hace funcionar la herramienta continuamente hasta que se descargue el cartucho de batería, deje que la herramienta descansa durante 15 minutos antes de continuar con una batería fresca.

MANTENIMIENTO

PRECAUCIÓN:

Asegúrese siempre de que la herramienta está apagada y de que el cartucho de baterías está quitado antes de realizar cualquier trabajo en la herramienta.

Substitución de las escobillas de carbón (Fig. 10 y 11)

Substituya las escobillas de carbón cuando estén desgastadas hasta la marca del límite. Las dos escobillas de carbón idénticas deberían ser substituidas al mismo tiempo.

Para mantener la seguridad y fiabilidad del producto, las reparaciones, el mantenimiento y los ajustes deberán ser realizados por un Centro de Servicio Autorizado de Makita.

ACCESORIOS

PRECAUCIÓN:

- Estos accesorios o aditamentos están recomendados para su uso con la herramienta Makita especificada en este manual. El uso de cualquier otro accesorio o aditamento puede suponer un riesgo de lesiones personales. Utilice el accesorio o aditamento exclusivamente para su uso declarado.

Si necesita información más detallada sobre estos accesorios, consulte con su centro local de servicio de Makita.

- Puntas de atornillar
- Conjunto de la empuñadura
- Conjunto de lijadora de goma
- Tambor de espuma para pulir
- Medidor de profundidad
- Gorra de algodón
- Diferentes tipos de baterías y cargadores genuinos de Makita
- Maletín de transporte de plástico

Explicação geral

1 Botão	10 Gatilho do interruptor	18 Selector de velocidade
2 Bateria	11 Comutador de inversão	19 Anel de regulação
3 Luz de carga	12 Lado A	20 Graduações
4 Carregador de bateria	13 Lado B	21 Marcação de perfuração
5 Bit	14 Para a direita	22 Indicador
6 Apertar	15 Para a esquerda	23 Marca limite
7 Aro	16 Baixa velocidade	24 Tampas do porta-escovas
8 Anel	17 Alta velocidade	25 Chave de fendas
9 Suporte do bit		

ESPECIFICAÇÕES

Modelo	6216D	6236D	6316D	6336D
Capacidades				
Aço	10 mm	10 mm	13 mm	13 mm
Madeira	30 mm	36 mm	30 mm	36 mm
Parafuso para madeira	6 x 75 mm	6 x 75 mm	6 x 75 mm	6 x 75 mm
Parafuso hexagonal	6 mm	6 mm	6 mm	6 mm
Velocidade em vazio (min ⁻¹)				
Alta	0 – 1.300	0 – 1.300	0 – 1.300	0 – 1.300
Baixa	0 – 400	0 – 400	0 – 400	0 – 400
Comprimento total	243 mm	243 mm	255 mm	255 mm
Peso	2,1 kg	2,2 kg	2,2 kg	2,3 kg
Voltagem nominal	12 V C.C.	14,4 V C.C.	12 V C.C.	14,4 V C.C.

- Devido a um programa contínuo de pesquisa e desenvolvimento, estas especificações podem ser alteradas sem aviso prévio.
- Nota: As especificações podem variar de país para país.

Conselhos de segurança

Para sua segurança, leia as instruções anexas.

INSTRUÇÕES DE SEGURANÇA IMPORTANTES PARA O CARREGADOR E BATERIA

1. **GUARDE ESTAS INSTRUÇÕES** — Este manual contém importantes normas de segurança e de funcionamento do carregador e da bateria.
2. Antes de utilizar o carregador leia todas as instruções e recomendações (1) do carregador da bateria, (2) da bateria e (3) da ferramenta.
3. **PRECAUÇÃO** — Para prevenir o risco de acidentes, carregue só as baterias recarregáveis MAKITA. Outros tipos de baterias poderão explodir e causar danos pessoais e materiais.
4. Não exponha o carregador à chuva ou à neve.
5. Se utilizar um acoplamento que não seja recomendado ou vendido pelo fabricante do carregador da bateria, poderá provocar um incêndio, um choque eléctrico ou danos pessoais.
6. Para não danificar a ficha e o cabo, quando desligar o carregador puxe apenas pela ficha.
7. Verifique se o cabo está colocado em local onde não tropece nele nem o pise, e também onde não fique sujeito a puxões ou outros tipos de danos.
8. Não ligue à corrente um carregador que tenha o cabo ou a ficha danificados. Substitua-os imediatamente.

9. Não utilize um carregador que tenha levado a pancada, tenha caído ou esteja danificado ; leve-o a um serviço de assistência oficial.
10. Não desmonte o carregador ou a bateria; quando for necessária uma reparação leve-os a um serviço de assistência oficial. Uma montagem incorrecta poderá provocar um incêndio ou choque eléctrico.
11. Para evitar apanhar um choque eléctrico desligue o carregador da tomada de corrente antes de efectuar qualquer trabalho de manutenção ou de limpeza. Se apenas desligar o carregador e não retirar a ficha da tomada, não evitará o perigo de choques eléctricos.
12. O carregador de bateria não deve ser utilizado por crianças ou por enfermos sem vigilância.
13. Deve vigiar as crianças para se certificar de que não brincam com o carregador.
14. Se o tempo de operação se tornar excessivamente curto, pare imediatamente a operação. Pode resultar em sobreaquecimento, possíveis queimaduras e mesmo uma explosão.
15. Se entrar electrólito nos seus olhos, lave-os com água limpa e procure imediatamente assistência médica. Pode resultar em perda de visão.

REGRAS DE SEGURANÇA ADICIONAIS PARA O CARREGADOR E BATERIA

1. Não carregue a bateria quando a temperatura for INFERIOR a 10°C ou SUPERIOR a 40°C.
2. Não use um transformador, gerador ou acumulador de corrente contínua.
3. Não tape nem obstrua a ventilação do carregador.
4. Cubra sempre os terminais da bateria com a respectiva tampa quando não estiver a utilizá-la.

5. Não provoque um curto-circuito na bateria:
 - (1) Não toque nos terminais com nenhum material condutor.
 - (2) Evite guardar a bateria juntamente com outros objectos metálicos tais como pregos, moedas, etc.
 - (3) Não exponha a bateria à chuva ou à água. Um curto-circuito na bateria pode causar um grande fluxo de corrente, sobreaquecimento, possíveis queimaduras e mesmo uma avaria.
 6. Não guarde a ferramenta e a bateria em locais onde a temperatura possa atingir ou ultrapassar 50°C.
 7. Não queime a bateria mesmo se estiver severamente danificada ou completamente gasta. A bateria pode explodir no fogo.
 8. Tenha cuidado para não deixar cair, agitar ou dar pancadas na bateria.
 9. Não carregue dentro de uma caixa ou de um recipiente de qualquer tipo. A bateria deve ser colocada num local bem ventilado durante o carregamento.
3. Certifique-se sempre de que se mantém equilibrado.
 4. Certifique-se de que ninguém está por baixo quando utiliza a ferramenta em locais altos.
 5. Agarre na ferramenta firmemente com as duas mãos.
 6. Mantenha as mãos afastadas das partes rotativas.
 7. Não deixe a ferramenta a funcionar. Funcione com a ferramenta só quando estiver a agarrá-la.
 8. Não toque na broca ou nas partes próximas imediatamente depois da operação; podem estar extremamente quentes e queimar-se.

GUARDE ESTAS INSTRUÇÕES.

INSTRUÇÕES DE FUNCIONAMENTO

Instalação ou extracção da bateria (Fig. 1)

- Desligue sempre a ferramenta antes de colocar ou extrair a bateria.
- Para tirar a bateria, retire-a da ferramenta enquanto pressiona os botões em ambos os lados da bateria.
- Para colocar a bateria, alinhe a saliência na bateria com a ranhura no suporte e deslize-a para o seu lugar. Coloque-a sempre até ao fim, até que fique preso no lugar com um clique. Se assim não for, pode acidentalmente cair da ferramenta, ferindo-o ou a alguém à sua volta.
- Não force a bateria ao introduzi-la. Se não deslizar com facilidade é porque não está a fazê-lo de modo correcto.

REGRAS DE SEGURANÇA ADICIONAIS PARA A BATERIA

1. Lembre-se que esta ferramenta está sempre em condições de funcionamento, porque não necessita de ser ligada a uma tomada de corrente.
2. Agarre na ferramenta pelas pegas isoladas quando executar uma operação em que a ferramenta de corte pode entrar em contacto com qualquer fio eléctrico escondido ou o seu próprio fio. O contacto com um fio “vivo” fará com que as partes de metal expostas fiquem “vivas” e originem um choque no operador.

Carga (Fig. 2)

Ligue o carregador de bateria à tomada de corrente alterna com a voltagem apropriada. A luz de carga pisca em verde. Coloque a bateria de modo que os terminais positivo e negativo coincidam com as respectivas marcas no carregador de bateria. Introduza a bateria até ao fundo do carregador. Quando a bateria está colocada, a luz de carga muda de verde para vermelho e começa a carga. A luz mantém-se acesa durante a carga. Quando a luz de carga muda de vermelho para verde, o ciclo de carregamento está completo. Se deixar a bateria no carregador depois do carregamento acabar, o carregador muda para o modo de “carregamento gota a gota (carregamento de manutenção)”. Em seguida desligue o carregador da tomada de corrente.

Consulte a tabela abaixo para verificar o tempo de carga.

Tipo da bateria	Capacidade (Ah)	Número de células	Tempo de carga
1222 (Ni-cd)	2,0	10	Aprox. 45 min.
1233 (Ni-MH)	2,2	10	Aprox. 50 min.
1234 (Ni-MH)	2,6	10	Aprox. 60 min.
1235 (Ni-MH)	3,0	10	Aprox. 70 min.
1422 (Ni-cd)	2,0	12	Aprox. 45 min.
1433 (Ni-MH)	2,2	12	Aprox. 50 min.
1434 (Ni-MH)	2,6	12	Aprox. 60 min.
1435 (Ni-MH)	3,0	12	Aprox. 70 min.

PRECAUÇÃO:

- O carregador de bateria destina-se a carregar baterias Makita. Nunca o utilize para outros fins ou para baterias de outros fabricantes.
- Quando carregar uma bateria nova ou uma bateria que não foi utilizada durante um longo período de tempo, pode não ser possível carregá-la completamente. Esta situação é normal e não significa qualquer deficiência. Pode carregar a bateria completamente depois de a ter descarregado e carregado algumas vezes.
- Se carregar uma bateria de uma ferramenta que acabou de funcionar ou uma bateria que foi deixada exposta ao sol, a luz de carga pode piscar em vermelho. Se isto acontecer espere um pouco. A carga começa quando a bateria tiver arrefecido. A bateria arrefecerá mais depressa se a retirar do carregador de bateria.
- Se a luz de carga piscar alternadamente em verde e vermelho, existe um problema e a carga não é possível. Os terminais no carregador ou na bateria estão bloqueados com pó ou a bateria está gasta ou danificada.

Carregamento gota a gota (carregamento de manutenção)

Se deixar a bateria no carregador para evitar descarga espontânea depois de completamente carregada, o carregador mudará para o modo de "carregamento gota a gota (carregamento de manutenção)" e manterá a bateria fresca e completamente carregada.

Conselhos para manter a máxima vida útil da bateria

1. Carregue a bateria antes de completamente descarregada.
Páre sempre a operação e carregue a bateria quando notar diminuição de potência da ferramenta.
2. Nunca recarregue uma bateria completamente carregada.
Sobrecarregamento diminui a vida útil da bateria.
3. Carregue a bateria à temperatura ambiente de 10°C – 40°C.
Se a bateria estiver quente deixe-a arrefecer antes de a carregar.
4. Carregue a bateria de hidreto de níquel quando não a utilizar durante mais do que seis meses.

Colocação ou extracção do bit de aparafusar ou da broca de perfuração (Fig. 3 e 4)

Importante:

Certifique-se sempre de que a ferramenta está desligada e a bateria retirada antes de colocar ou retirar a broca.

Segure o anel e rode o aro para a esquerda para abrir as garras do porta-brocas. Introduza a broca até ao fundo do porta-brocas. Segure o anel com firmeza e rode o aro para a direita para apertar o porta-brocas.

Para retirar a broca, segure o anel e rode o aro para a esquerda. Quando não estiver a utilizar o bit de aparafusar guarde-o no suporte próprio existente na ferramenta. Neste suporte poderá guardar bits até ao comprimento máximo de 45 mm.

Interruptor (Fig. 5)

PRECAUÇÃO:

Antes de colocar a bateria na ferramenta certifique-se de que o gatilho funciona correctamente e volta para a posição "OFF" (desligado) quando o solta.

Para ligar a ferramenta carregue simplesmente no gatilho. A velocidade da ferramenta aumenta quando aumenta a pressão no gatilho. Solte o gatilho para parar.

Comutador de inversão (Fig. 6)

PRECAUÇÃO:

- Verifique sempre o sentido de rotação antes da operação.
- Só utilize o comutador de inversão quando a ferramenta estiver completamente parada. Mudar o sentido de rotação antes da ferramenta parar poderá danificá-la.
- Quando não estiver a funcionar com a ferramenta, coloque sempre o comutador de inversão na posição neutra.

Esta ferramenta tem um comutador de inversão para mudar o sentido de rotação. Pressione-o no lado A para rotação à direita ou no lado B para rotação à esquerda. Se o comutador de inversão estiver na posição neutra o gatilho não accionará.

Mudança de velocidade (Fig. 7)

Para mudar a velocidade, desligue primeiro a ferramenta e em seguida deslize o selector de mudança de velocidade para o lado "II" para alta velocidade ou para o lado "I" para baixa velocidade. Certifique-se de que o selector de mudança de velocidade está colocado na posição correcta antes da operação. Utilize a velocidade adequada ao seu trabalho.

PRECAUÇÃO:


- Coloque sempre o selector de mudança de velocidade completamente na posição correcta. Se trabalhar com a ferramenta com o selector de mudança de velocidade colocado no meio entre o lado "I" e o lado "II" poderá danificá-la.
- Não deslize o selector de mudança de velocidade enquanto a ferramenta estiver a funcionar. Poderá danificá-la.

Regulação do binário de aperto (Fig. 8)

O binário de aperto pode ser regulado em 17 posições rodando o anel de regulação de modo a que as graduações fiquem alinhadas com o indicador no corpo da ferramenta. O binário de aperto será mínimo quando o indicador estiver no número 1 e máximo quando estiver no número 5.

Efectuar-se-à o aparafusamento com vários níveis de torção conforme o indicador estiver posicionado nos números 1 a 16. Não actuará quando posicionado na marca para perfuração. Antes da operação final, faça uma experiência introduzindo um parafuso na superfície de trabalho, ou idêntica, a fim de determinar qual o nível de torção mais adequado.

NOTA:

- O anel de regulação não ficará bloqueado se o indicador estiver posicionado entre as graduações.
- Não accione a ferramenta com o anel de regulação colocado entre o número 16 e a marca . Poderá danificá-la.

Aparafusamento (Fig. 9)

Coloque a ponta do bit na cabeça do parafuso e exerça pressão na ferramenta. Comece devagar e em seguida aumente gradualmente a velocidade. Solte o gatilho assim que o aperto estiver efectuado.

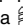
NOTA:

- Certifique-se de que o bit de aparafusar fica introduzido directamente na cabeça do parafuso; caso contrário, o parafuso e/ou o bit poderão danificar-se.
- Quando aparafusar parafusos para madeira, faça primeiro orifícios de referência para facilitar a operação e prevenir estragos na superfície de trabalho. Consulte a tabela abaixo.

Diâmetro nominal do parafuso para madeira (mm)	Tamanho recomendado para o orifício de referência (mm)
3,1	2,0–2,2
3,5	2,2–2,5
3,8	2,5–2,8
4,5	2,9–3,2
4,8	3,1–3,4
5,1	3,3–3,6
5,5	3,7–3,9
5,8	4,0–4,2
6,1	4,2–4,4

- Se a ferramenta funcionar continuamente até que a bateria fique descarregada, deixe-a descansar durante 15 minutos antes de continuar com uma bateria carregada.

Perfuração

Primeiro rode o anel de regulação de modo a que o indicador no corpo da ferramenta fique posicionado na marca . Em seguida faça o seguinte:

- Em madeira
Quando perfurar madeira obterá melhores resultados se utilizar uma broca equipada com uma guia. A guia facilita a perfuração, dirigindo a broca na superfície de trabalho.
- Em metal
Para evitar que a broca resvale quando estiver a iniciar a perfuração, faça uma marca com um punção e um martelo no ponto onde deseje perfurar. Coloque a ponta da broca na marca e comece a perfuração. Quando perfurar metais utilize um lubrificante, excepto em ferro e latão que devem ser perfurados a seco.

PRECAUÇÃO:

- Não acelerará a perfuração se exercer demasiada pressão na ferramenta. Se o fizer, poderá danificar a ponta da broca, diminuir o rendimento e encurtar o tempo de vida útil da ferramenta.
- No momento de atravessar o orifício exercer-se-à uma enorme força na ferramenta/broca. Segure a ferramenta com firmeza e tenha cuidado quando a broca começar a atravessar a superfície de trabalho.
- Para extrair uma broca que tenha ficado presa, coloque o comutador de inversão na posição de rotação em sentido inverso. No entanto, se não a estiver a segurar bem, a ferramenta poderá transmitir uma reacção brusca.
- Se perfurar superfícies pequenas, segure-as sempre com um torno ou dispositivo similar.
- Se a ferramenta funcionar continuamente até que a bateria fique descarregada, deixe-a descansar durante 15 minutos antes de continuar com uma bateria carregada.

MANUTENÇÃO

PRECAUÇÃO:

Certifique-se sempre de que a ferramenta se encontra desligada e de que a bateria foi retirada antes de efectuar qualquer inspecção e manutenção.

Substituição das escovas de carvão (Fig. 10 e 11)

As escovas de carvão devem ser substituídas quando o desgaste atingir a marca limite. Ambas as escovas de carvão devem ser substituídas ao mesmo tempo.

Para manter a segurança e fiabilidade do produto, as reparações, manutenção e afinações deverão ser sempre efectuadas por um Centro de Assistência Oficial Makita.

ACESSÓRIOS

PRECAUÇÃO:

- Estes acessórios ou peças são recomendados para utilização com a ferramenta Makita especificada neste manual. A utilização de outros acessórios ou peças pode ser perigosa para as pessoas. Utilize apenas acessórios ou peças para os fins indicados.

Se precisar de ajuda para obter mais informações relativos a estes acessórios, entre em contacto com o centro de assistência Makita local.

- Brocas espirais
- Conjunto de punho
- Disco flexível de borracha
- Disco de esponja para polimento
- Guia de profundidade
- Boina de lã
- Vários tipos de baterias Makita e carregadores
- Mala de plástico para transporte

Illustrationsoversigt

1	Knap	10	Afbryderknap	18	Hastighedsvælger
2	Akku	11	Omdrejningsvælger	19	Justeringsring
3	Ladelampe	12	Højre side	20	Inddelinger
4	Akku-ladeaggregat	13	Venstre side	21	Boremærkning
5	Bitholder	14	Med uret	22	Viser
6	Stramme	15	Mod uret	23	Slidgrænse
7	Omløber	16	Lav hastighed	24	Kuldæksel
8	Ring	17	Høj hastighed	25	Skruetrækker
9	Borholder				

SPECIFIKATIONER

Model	6216D	6236D	6316D	6336D
Kapacitet				
Stål	10 mm	10 mm	13 mm	13 mm
Træ	30 mm	36 mm	30 mm	36 mm
Træskruer	6 x 75 mm	6 x 75 mm	6 x 75 mm	6 x 75 mm
Maskinskrue	6 mm	6 mm	6 mm	6 mm
Omdrejninger (min ⁻¹)				
Høj	0 – 1 300	0 – 1 300	0 – 1 300	0 – 1 300
Lav	0 – 400	0 – 400	0 – 400	0 – 400
Længde	243 mm	243 mm	255 mm	255 mm
Vægt	2,1 kg	2,2 kg	2,2 kg	2,3 kg
Spænding	D.C. 12 V	D.C. 14,4 V	D.C. 12 V	D.C. 14,4 V

- Ret til tekniske ændringer forbeholdes.
- Bemærk: Data kan variere fra land til land.

Sikkerhedsbestemmelser

Af sikkerhedsgrunde bør De sætte Dem ind i de medfølgende Sikkerhedsforskrifter.

VIGTIGE SIKKERHEDSFORSKRIFTER FOR LADER OG AKKU

1. GEM DISSE FORSKRIFTER — Denne brugsanvisning indeholder vigtige sikkerhedsforskrifter og betjeningsvejledninger for laderen.
2. Før laderen anvendes, bør De læse alle instruktioner og advarselmærkninger på (1) laderen, (2) akku, og (3) produktet, som anvender akku.
3. ADVARSEL — For at mindske risikoen for personskade må laderen kun anvendes til opladning af MAKITA genopladelige akku-typer. Andre akku-typer kan sprænges og forårsage personskade eller ødelæggelser.
4. Udsæt ikke laderen for regn eller sne.
5. Brug af tilbehør, der ikke er anbefalet eller solgt af fremstilleren af laderen, kan give risiko for brand, elektrisk stød, eller personskade.
6. For at mindske risikoen for at beskadige netledningen eller dennes stik skal der altid trækkes i stikket og ikke i selve ledningen, når laderen tages ud af stikkontakten.
7. Sørg for, at netledningen er placeret således, at man ikke kommer til at træde på den, falde over den, og således, at den ikke udsættes for anden form for beskadigelse eller belastning.
8. Anvend aldrig laderen, hvis ledningen eller stikket er beskadiget — udskift dem øjeblikkeligt.
9. Anvend aldrig laderen, hvis den er blevet udsat for et voldsomt stød, blevet tabt, eller på anden måde beskadiget. Lad en kvalificeret reparatør se på den.

10. Skil aldrig laderen eller akkuen ad; kontakt en kvalificeret reparatør, når vedligeholdelse eller reparation er påkrævet. Forkert samling kan føre til risiko for elektrisk stød eller brand.
11. For at undgå risiko for elektrisk stød skal laderen altid afbrydes fra stikkontakten, før vedligeholdelse eller rengøring udføres. Denne risiko fjernes ikke ved blot at slukke for kontrollerne.
12. Opladeren er ikke beregnet til at skulle anvendes af børn eller svaglige personer uden opsyn.
13. Små børn bør være under opsyn for at sikre, at de ikke leger med opladeren.
14. Hvis anvendelsestiden bliver ekstrem kort, skal brugeren straks afbrydes. Fortsat brug kan ellers resultere i overophedning, mulige forbrændinger og endog eksplosion.
15. Hvis De får elektrolytvæske i øjnene, skal de øjeblikkeligt renses med rigeligt rent vand, hvorefter der straks skal søges læge. Der er risiko for tab af synsevne.

YDERLIGERE SIKKERHEDSFORSKRIFTER FOR LADER OG AKKU

1. Oplad ikke akkuen, når temperaturen er UNDER 10°C, eller OVER 40°C.
2. Forsøg aldrig at anvende en transformator, en generator, eller en jævnstrømsforsyning til opladning.
3. Lad aldrig noget dække eller tilstoppe laderens ventilationshuller.
4. Dæk altid akku-polerne med akku-dækslet, når akkuen ikke anvendes.

5. **Kortslut aldrig akkuen:**
 - (1) Rør ikke polerne med noget ledende materiale.
 - (2) Undgå opbevaring af akkuen i beholdere sammen med andre metalgenstande, som f.eks. søm, mønter osv.
 - (3) Udsæt aldrig laderen eller akkuen for vand eller regn.

En kortslutning af akkuen kan forårsage en stor strømudladning, overophedning, forbrænding, og sammenbrud af værktøjet.
6. Opbevar ikke værktøjet og akkuen på steder, hvor temperaturen kan nå eller overskride 50°C.
7. Udsæt ikke akkuen for destruktions ved forbrænding, også selv om den er slemt beskadiget eller fuldstændig slidt op. Akkuen kan eksplodere i åben ild.
8. Undgå omhyggeligt at tabe, ryste eller støde akkuen.
9. Oplad aldrig med akkuen anbragt i en kasse eller anden form for beholder. Akkuen skal være anbragt på et sted med god ventilation under opladningen.

YDERLIGERE SIKKERHEDSFORSKRIFTER FOR MASKINEN

1. Husk på, at denne maskine altid er i driftsklar tilstand, da den ikke kræver at blive sat til en stikkontakt.

Opladning (Fig. 2)

Tilslut opladeren til stikkontakten. Ladelampen blinker grønt. Sæt akkuen i opladeren således at dens plus- og minuspoler passer med de tilsvarende markeringer på opladeren. Skub akkuen så langt ind at den står på bunden af opladeren. Når akkuen er isat, skifter ladelampen fra grønt til rødt og opladningen begynder. Ladelampen forbliver tændt under hele opladningen. Når ladelampens farve skifter fra rødt til grøn, er opladningen afsluttet. Hvis De efterlader akkuen i opladeren, efter at opladningen er afsluttet, skifter opladeren over til kompensationsladning (vedligeholdelsesladning) funktion. Tag akkuen ud og træk stikket til laderen ud af stikkontakten. Se nedenstående tabel vedrørende ladetiden.

Akku-type	Kapacitet (Ah)	Antal celler	Ladetid ved anvendelse
1222 (Ni-cd)	2,0	10	Ca. 45 min.
1233 (Ni-MH)	2,2	10	Ca. 50 min.
1234 (Ni-MH)	2,6	10	Ca. 60 min.
1235 (Ni-MH)	3,0	10	Ca. 70 min.
1422 (Ni-cd)	2,0	12	Ca. 45 min.
1433 (Ni-MH)	2,2	12	Ca. 50 min.
1434 (Ni-MH)	2,6	12	Ca. 60 min.
1435 (Ni-MH)	3,0	12	Ca. 70 min.

ADVARSEL:

- Akku-ladeaggregat er beregnet til opladning af Makita akkuer. Brug den aldrig til andre formål eller til opladning af akkuer af andre fabrikater.
- Ved opladning af en ny akku eller en akku, der ikke har været brugt længe, kan det ske at akkuen ikke oplades helt. Dette er normalt, og akkuen vil atter kunne oplades helt, når den har været opladet og afladet nogle gange.
- Hvis man forsøger at oplade en akku, der lige har været i brug eller udsat for stærk varme, vil ladelampen evt. blinke rødt. Sker dette, kan opladningen først startes, når akkuen er afkølet. Akkuen afkøles hurtigere hvis den tages ud af laderen.

2. Hold kun ved maskinen på de isolerede greb og overflader, når De udfører arbejde, hvor det skærende værktøj kan komme i kontakt med skjulte ledninger. Kontakt med en strømførende ledning vil også gøre uafdækkede metaldele på maskinen strømførende og give operatøren stød.
3. Sørg for, at De altid har sikkert fodfæste.
4. Ved brug af maskinen i større højde bør De sikre Dem, at der ikke står personer nedenunder arbejdsområdet.
5. Hold godt fast på maskinen med begge hænder.
6. Rør aldrig roterende dele med hænderne.
7. Læg ikke maskinen fra Dem, mens den stadig kører. Maskinen må kun køre, når den holdes med begge hænder.
8. Rør ikke ved borebitten eller emnet umiddelbart efter brug. Disse dele kan være ekstremt varme og medføre forbrændinger.

GEM DISSE FORSKRIFTER.

ANVENDELSE

Montering og afmontering af akku (Fig. 1)

- Kontrollér altid, at maskinen er slået fra, før installering eller fjernelse af akkuen.
- For at fjerne akkuen trykkes samtidigt på knapperne på begge sider af akkuen og den trækkes ud af maskinen.
- For at sætte en ny akku i, placeres denne så fjeren på akkuen passer med noten i åbningen på maskinen. Akkuen skubbes helt i bund indtil den klikker på plads i begge sider. Kontrollér altid at akkuen er helt fastlåst ved at trække i den.
- Brug aldrig magt når akkuen sættes i. Hvis ikke akkuen glider i uden besvær, er det fordi den vender forkert.

- Hvis ladelampen blinker skiftevis grønt og rødt, er opladning ikke mulig. Polerne på opladeren eller akkuen er ikke rene, akkuen er beskadiget eller akkuen er slidt op.

Kompensationsladning (vedligeholdelsesladning)

Hvis De efterlade akkuen i opladeren for at forebygge spontan afladning efter en fuld opladning, skifter opladeren til dens "kompensationsladning (vedligeholdelsesladning)" funktion, og holder derved akkuen frisk og fuldt opladet.

Tips til sikring af maksimal akku-levetid

1. Oplad akkuen, før den er fuldt afladet.
Stop altid med at bruge maskinen, og oplad akkuen, når De bemærker reduceret maskinkraft.
2. Oplad aldrig en fuldt opladet akku.
Over-opladning forkorter akkuens levetid.
3. Oplad akkuen ved en rumtemperatur på 10°C – 40°C.
Lad en varm akku køle, før den oplades.
4. Oplad nikkel metalhydrid akkuen, når De ikke har anvendt den indenfor et halvt år.

Montering eller afmontering af værktøj (Fig. 3 og 4)

Vigtigt:

Kontrollér altid at maskinen er slukket, og at akkuen er taget ud, før der monteres eller afmonteres værktøj.

Hold fast på ringen og drej omløberen mod uret for at åbne borepatronens kæber. Sæt værktøjet så langt ind i borepatronen som muligt. Hold fast på ringen og drej omløberen med uret for at spænde værktøjet fast.

For at afmontere værktøjet holdes ringen fast og omløberen drejes mod uret. Når en skruebit ikke bruges, kan den anbringes i bitholderen (max. 45 mm) på maskinen.

Afbryderbetjening (Fig. 5)

ADVARSEL:

Før akkuen sættes i maskinen, bør det altid kontrolleres, at afbryderknappen fungerer korrekt og returnerer til "OFF" positionen, når den slippes.

For at starte maskinen trykkes der blot på afbryderen. Maskinens hastighed øges ved at øge trykket på afbryderen. Slip afbryderen for at stoppe.

Omløbsvælger (Fig. 6)

ADVARSEL:

- Kontrollér altid omløbsretningen før arbejdet påbegyndes.
- Brug kun omløbsvælgeren når maskinen er helt stoppet. Hvis omløbsretningen ændres inden maskinen er helt stoppet, kan det beskadige maskinen.
- Når maskinen ikke er i brug, skal omløbsvælgeren altid sættes til neutral stilling.

Denne maskine har en omløbsvælger, der kan ændre omløbsretningen. Skub omløbsvælgeren ind fra maskinens højre side for omdrejning med uret (spænde) og ind fra venstre side for omdrejning mod uret (løsne).

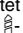
Gearvælger (Fig. 7)


Skub gearvælgeren helt mod "I" for lav hastighed og helt mod "II" for høj hastighed. Sørg for at bruge en passende hastighed til det pågældende arbejde.

ADVARSEL:

- Brug kun gearvælgeren når maskinen er helt stoppet. Hvis gearvælgeren bruges inden maskinen er helt stoppet, kan det beskadige maskinen.
- Sæt altid gearvælgeren helt i position "I" eller "II". Hvis maskinen bruges med gearvælgeren i en position mellem "I" og "II", kan det beskadige maskinen.

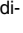
Justering af drejningsmomentet (Fig. 8)

Drejningsmomentet kan justeres i 17 trin ved at dreje justeringsringen således at dens inddelinger er passet ind efter viseren på maskinkroppen. Drejningsmomentet er mindst når tallet 1 står ud for viseren og højest når -symbolet står ud for viseren.

Koblingen vil glide forbi forskellige drejningsmomenter når der er indstillet mellem 1 og 16. Koblingen er konstrueret således at det ikke glider ved -symbolet.

Før boring påbegyndes, bør der foretages en prøveboring i materiale eller lignende materiale for at fastslå, hvilket drejningsmoment, der er påkrævet til det pågældende arbejde.

BEMÆRK:

- Justeringsringen låses ikke hvis viseren kun står halvvejs mellem inddelingerne.
- Betjen ikke maskinen når justeringsringen står mellem tallet 16 og -symbolet. Maskinen kan blive beskadiget.

Brug som skruetrækker (Fig. 9)

Sæt spidsen af bit'en i skruelhovedet og læg et let tryk på maskinen. Start og øg gradvist hastigheden. Slip afbryderen så snart momentkoblingen høres.


BEMÆRK:

- Bit og skrue skal passe 100 % sammen.
- Hold maskinen lige på skruen.
- Når der skrues træskruer, bør der laves forboringer for at gøre det nemmere at skrue og for at undgå revnedannelser i emnet. Se tabellen.

Nominal diameter på træskruer (mm)	Anbefalet diameter på forboring (mm)
3,1	2,0–2,2
3,5	2,2–2,5
3,8	2,5–2,8
4,5	2,9–3,2
4,8	3,1–3,4
5,1	3,3–3,6
5,5	3,7–3,9
5,8	4,0–4,2
6,1	4,2–4,4

- Hvis maskinen anvendes lige indtil akkuen er opbrugt, bør maskinen hvile i 15 minutter før der fortsættes med en ny akku.

Boring

Drej først justeringsringen således at viseren på maskinkroppen peger mod -symbolet. Fortsæt derefter som angivet nedenfor.

- Boring i træ
Ved boring i træ opnås det bedste resultat med træborudstyret med en centerspids. Centerspidsen gør boringen lettere, idet den trækker værktøjet ind i emnet.
- Boring i metal
For at forhindre at værktøjet skrider, når der startes på et hul, bør der laves en fordybning med en kørne og en hammer på det sted, hvor hullet skal bores. Placer spidsen af værktøjet i fordybningen og start boringen. Anvend skæresmørelse, når der bores i metal. Undtaget er jern og messing, som skal bores tørre.

ADVARSEL:

- Overdrevent tryk på maskinen vil ikke gøre boringen hurtigere. I virkeligheden vil det kun medvirke til at beskadige spidsen på værktøjet, og dermed forkorte maskinens levetid.
- Maskinen/værktøjet udsættes for en voldsom vridningspåvirkning, når der brydes igennem emnet. Hold godt fast på maskinen og udvis forsigtighed, når værktøjet begynder at bryde gennem emnet.
- Et værktøj, der har sat sig fast, kan nemt fjernes ved at sætte omdrejningsvælgeren til modsat omdrejningsretning for at bakke helt ud. Værktøjet kan dog bakke ukontrollabelt ud, hvis der ikke holdes godt fast på maskinen.
- Mindre emner skal fastgøres forsvarligt i en skruestik eller lignende.
- Hvis maskinen anvendes lige indtil akkuen er opbrugt, bør maskinen hvile i 15 minutter før der fortsættes med en ny akku.

VEDLIGEHOLDELSE

ADVARSEL:

Sørg altid for at maskinen er slukket, og at akkuen er taget ud før der gennemføres noget arbejde på selve maskinen.

Udskiftning af kul (Fig. 10 og 11)

Udskift maskinens kul når disse er slidt ned til slidgrænsen. De nedslidte kul erstattes med nye originale Makita-kul. Udskift altid kullene parvis.

For at opretholde produktets sikkerhed og pålidelighed, må istandsættelse, vedligeholdelse eller justering kun udføres af et autoriseret Makita service center.

TILBEHØR

ADVARSEL:

- Det følgende tilbehør og ekstraudstyr er anbefalet til brug med Deres Makita maskine, der er beskrevet i denne brugsanvisning. Anvendelse af andet tilbehør eller ekstraudstyr kan udgøre en risiko for personskade. Anvend kun tilbehør og ekstraudstyr til det beskrevne formål.

Hvis De har behov for yderligere detaljer om dette tilbehør, bedes De kontakte Deres lokale Makita Service Center.

- Brocas espirais
- Sidegreb
- Gummibagskive
- Polérpude (skumgummi)
- Dybdeanslag
- Uldhætte
- Forskellige typer af originale Makita-akkuer og opladere
- Plastransportkuffert

Förklaring av allmän översikt

1 Knapp	10 Strömställare	18 Varvtalsomkopplare
2 Kraftkassett	11 Omkopplare för rotationsriktning	19 Inställningsring
3 Laddlampa	12 Sida A	20 Gradering
4 Batteriladdar	13 Sida B	21 Borrmarkering
5 Bits	14 Medurs	22 Pilen
6 Dra åt	15 Moturs	23 Markering
7 Hylsa	16 Lågt varvtal	24 Kolhållarlock
8 Ring	17 Høgt varvtal	25 Spårmejsel
9 Bitshållare		

TEKNISKA DATA

Modell	6216D	6236D	6316D	6336D
Kapacitet				
Stål	10 mm	10 mm	13 mm	13 mm
Trä	30 mm	36 mm	30 mm	36 mm
Tråskruv	6 x 75 mm	6 x 75 mm	6 x 75 mm	6 x 75 mm
Maskinskruv	6 mm	6 mm	6 mm	6 mm
Obelastat varvtal (min ⁻¹)				
Høgt	0 – 1 300	0 – 1 300	0 – 1 300	0 – 1 300
Lågt	0 – 400	0 – 400	0 – 400	0 – 400
Total längd	243 mm	255 mm	243 mm	255 mm
Nettovikt	2,1 kg	2,2 kg	2,2 kg	2,3 kg
Märkspänning	12 V DC	14,4 V DC	12 V DC	14,4 V DC

- På grund av det kontinuerliga programmet för forskning och utveckling, kan här angivna tekniska data ändras utan föregående meddelande.
- Observera! Tekniska data kan variera i olika länder.

Säkerhetstips

För din egen säkerhets skull, bör du läsa igenom de medföljande säkerhetsföreskrifterna.

VIKTIGA SÄKERHETSANVISNINGAR FÖR LADDARE OCH BATTERIKASSETT

1. SPARA DESSA ANVISNINGAR — Denna bruksanvisning innehåller viktiga säkerhets- och driftsanvisningar för batteriladdaren.
2. Läs alla anvisningar och säkerhetsmärkningar på (1) batteriladdaren, (2) batteriet och (3) den produkt till vilken batteriet ska användas.
3. ATT OBSERVERA — Ladda endast MAKITA uppladdningsbara batterier, för att minska risken för skador. Andra typer av batterier kan explodera och orsaka skador på person och egendom.
4. Utsätt inte laddaren för regn eller snö.
5. Att använda tillsatser som inte rekommenderas eller säljs av batteriladdarens tillverkare kan medföra att risk för eldsvåda, elektriska stötar och personsador uppstår.
6. Dra i kontakten istället för i sladden när batteriladdaren ska kopplas ur, för att minska risken för skador på stickkontakten och sladden.
7. Se till att sladden placeras så att ingen trampar eller snubblar på den, eller att den på annat sätt utsätts för skador eller påfrestningar.
8. Använd inte laddaren om sladden eller kontakten är skadade — byt ut dem omedelbart.
9. Använd inte laddaren om den har utsatts för ett kraftigt slag, tappats eller på annat sätt skadats; ta den genast till en kvalificerad servicetekniker.

10. Ta inte isär laddaren eller batterikassetten; lämna dem till en kvalificerad servicetekniker om de är i behov av service eller reparation. Felaktig ihopsättning kan resultera i att det uppstår risk för elektriska stötar och eldsvåda.
11. Dra ut laddaren ur nätuttaget innan något underhåll eller rengöring utförs, för att minska risken för elektriska stötar. Att bara stänga av verktyget med kontrollerna minskar inte denna risk.
12. Batteriladdaren är inte avsedd för att användas av barn eller personer med förståndshandikapp utan uppsyn.
13. Småbarn bör ha sådan tillsyn att de inte leker med batteriladdaren.
14. Avbryt driften omedelbart om drifttiden börjar bli betydligt kortare. Att fortsätta driften kan medföra risk för överhettning, brännskador och även explosion.
15. Tvätta ur ögonen med rent vatten om elektrolytvätska skulle komma in i ögonen, och sök omedelbart medicinsk vård. Att få in elektrolytvätska i ögonen kan resultera i att du förlorar synen.

SÄRSKILDA SÄKERHETSFÖRESKRIFTER FÖR LADDARE OCH BATTERIKASSETT

1. Ladda inte batterikassetten när temperaturen är UNDER 10°C eller ÖVER 40°C.
2. Försök inte använda en spänningsomvandlare, motortransformator eller ett likströmsuttag.
3. Låt ingenting täcka över eller täppa igen laddarens ventilationsuttag.
4. Täck alltid för batteriets kontaktbleck med batterilocket, när batterikassetten inte används.
5. Kortslut inte batterikassetten:
 - (1) Vidrör inte kontaktblecken med något elektriskt ledande föremål.

(2) Undvik att förvara batterikassetter i en behållare tillsammans med andra metallföremål som t.ex. spikar, mynt osv.

(3) Utsätt inte batteriladdaren för vatten eller regn.

En kortslutning av batteriet kan orsaka ett kraftigt strömflöde, överhettning, risk för brännskador och även att batteriet totalförstörs.

6. Förvara inte verktyget och batterikassetten på platser där temperaturen kan komma att uppgå till eller överstiga 50°C.
7. Bränn inte upp batterikassetten, även om den är svårt skadad eller fullständigt utsliten. Batterikassetten kan explodera i eld.
8. Var försiktig så att batteriet inte tappas, skakas om eller utsätts för slag.
9. Utför inte laddningen inuti en låda eller någon annan typ av behållare. Batteriet måste vara placerat på en plats med god ventilation under uppladdningen.

SÄRSKILDA SÄKERHETSFÖRESKRIFTER FÖR VERKTYGET

1. Tänk på att detta verktyg alltid är i driftfärdigt skick, eftersom det inte behöver kopplas in till ett eluttag.
2. Håll verktyget i de isolerade greppytorna vid arbeten där skären riskerar att komma i kontakt med ledningsdragning som inte är synlig. Om verktyget skulle komma i kontakt med en strömförande ledning kommer även de synliga metalldelarna på verktyget att bli strömförande, och därmed ge operatören en elektrisk stöt.

Laddning (Fig. 2)

Sätt i batteriladdaren i ett lämpligt växelströmsuttag. Laddningslampan tänds med ett grönt ljus. Sätt i kraftkassetten så att plus- och minuspolerna på kraftkassetten är på samma sida som respektive markeringar på batteriladdaren. För in kassetten helt och fullt i laddningsurtaget så att den vilar mot laddningsurtagets botten. När kraftkassetten satts i ändras laddningslampans färg från grönt till rött och laddningen påbörjas. Laddningslampan lyser med stadigt sken under hela laddningen. När laddningslampan ändrar färg från rött till grönt är laddningen avslutad. Om du lämnar kraftkassetten i laddaren efter avslutad laddning övergår laddaren till läget "strömladdning (underhållsladdning)". Dra ur laddarens nätkabel från strömkällan efter laddningen.

Se i tabellen nedan för laddningstid.

Batterityp	Kapacitet (Ah)	Antal celler	Laddningstid
1222 (Ni-cd)	2,0	10	Ca 45 min.
1233 (Ni-MH)	2,2	10	Ca 50 min.
1234 (Ni-MH)	2,6	10	Ca 60 min.
1235 (Ni-MH)	3,0	10	Ca 70 min.
1422 (Ni-cd)	2,0	12	Ca 45 min.
1433 (Ni-MH)	2,2	12	Ca 50 min.
1434 (Ni-MH)	2,6	12	Ca 60 min.
1435 (Ni-MH)	3,0	12	Ca 70 min.

FÖRSIKTIGHET:

- Batteriladdaren är avsedd för laddning av Makita kraftkassett. Använd den aldrig för andra ändamål eller för att ladda batterier av andra märken.
- Vid laddning av en ny kraftkassett, eller en kraftkassett som inte använts under lång tid kan det hända att kraftkassetten inte kan laddas fullt. Detta är normalt och indikerar inte någon felaktighet hos laddare eller kassett. Kraftkassetten kan laddas fullt efter att den laddats upp och laddats ur några gånger.

3. Se alltid till att du står stadigt.

4. Se till att det inte står någon under dig, vid arbeten på högt belägna platser.

5. Håll verktyget stadigt.

6. Håll händerna på avstånd från roterande delar.

7. Lämna inte verktyget när det är i gång. Använd endast verktyget när du håller det i händerna.

8. Vidrör inte borret eller arbetsstycket direkt efter avslutat arbete; de kan vara extremt heta, och kan orsaka brännskador.

SPARA DESSA ANVISNINGAR.

BRUKSANVISNING

Montering och demontering av kraftkassetten (Fig. 1)

- Stäng alltid av maskinen innan kraftkassetten monteras eller demonteras.
- Ta bort kraftkassetten genom att dra av den från maskinen samtidigt som du trycker på knapparna på båda sidorna av kassetten.
- Sätt på kraftkassetten genom att passa in tungan på kraftkassetten mot skärans i maskinhuset och skjuta den i läge. Skjut alltid in kraftkassetten ända in tills den låses i läge med ett litet klickljud. Om kraftkassetten inte låses i läge kan den av misstag falla ur sitt läge och därmed orsaka skador på dig själv eller personer i närheten.
- Tvinga inte kraftkassetten i läge vid montering. Om kassetten inte lätt glider i läge utförs inte monteringen korrekt.

- Vid laddning av en kraftkassett från en maskin som just använts, eller en kraftkassett som har legat på en plats utsatt för direkt solljus eller värme under en längre tid kan det hända att laddningslampan blinkar med rött sken. Vänta en stund om detta inträffar. Laddningen påbörjas efter att kraftkassetten svalnat. Kraftkassetten svalnar snabbare om du avlägsnar den från batteriladdaren.
- Om laddningslampan blinkar med omväxlande grönt och rött sken har ett problem uppstått, och laddning kan inte genomföras. Kontaktorna på laddaren eller kraftkassetten är igensatta med damm eller skräp, eller så är kraftkassetten utsliten eller skadad.

Strömladdning (underhållsladdning)

Laddaren övergår till läget för "strömladdning (underhållsladdning)" om du lämnar kvar batteripaketet i laddaren, för att förhindra att batteriet laddas ur spontant efter en fulladdning, och batteripaketet kan därmed hållas fräscht och fulladdat.

Tips för att upprätthålla maximal livslängd för batteriet

1. Ladda upp batteripaketet innan det är fullständigt urladdat. Avbryt alltid arbetet som du utför med maskinen, och ladda upp batteripaketet, när du märker att kraften i maskinen minskar.
2. Ladda aldrig ett fulladdat batteripaket. Överladdning minskar batteriets livslängd.
3. Ladda batteripaketet i rumstemperatur vid 10°C – 40°C. Låt ett batteripaket, som har blivit varmt, svalna innan det laddas.
4. Ladda upp kraftkassetten, av typ nickel metallhydrid, om du inte använder den på mer än sex månader.

Montering och demontering av bits eller borr (Fig. 3 och 4)

Viktigt:

Se alltid till att maskinen är avstängd och kraftkassetten borttagen innan ett verktyg monteras eller demonteras.

Håll i ringen och vrid hylsan moturs för att öppna chucken. För in verktyget i chucken så långt det går. Håll stadigt i ringen och vrid hylsan medurs för att dra åt chucken.

Håll i ringen och vrid hylsan moturs för att demontera verktyget. Förvara bitset i hållaren när det inte används. Bits som är upp till 45 mm långa kan förvaras i hållaren.

Strömställarens funktion (Fig. 5)

FÖRSIKTIGHET:

Kontrollera alltid att strömställaren fungerar normalt och återgår till det avstängda läget ("OFF"-läget) när den släpps innan kraftkassetten sätts i maskinen.

Tryck på strömställaren för att starta maskinen. Varvtalet ökar med ett ökat tryck på strömställaren. Släpp strömställaren för att stanna.

Rotationsomkopplarens funktion (Fig. 6)

FÖRSIKTIGHET:

- Kontrollera alltid rotationsriktningen före användning.
- Använd rotationsomkopplaren först efter att maskinen har stannat helt. Ändring av rotationsriktningen innan maskinen har stannat kan orsaka skador på maskinen.
- Ställ alltid rotationsomkopplaren i det neutrala läget när maskinen inte används.

Denna maskin är utrustad med en rotationsomkopplare för att ändra rotationsriktningen. Tryck in rotationsomkopplaren från sida A för medurs rotation, och från sida B för moturs rotation. När rotationsomkopplaren står i neutralt läge kan strömställaren inte tryckas in.


Ändring av varvtal (Fig. 7)


Stäng först av maskinen och ändra sedan varvtalet (maskinhastigheten) genom att skjuta varvtalsomkopplaren till läget "II" för högt varvtal eller till läget "I" för lågt varvtal. Se noga till att varvtalsomkopplaren är i rätt läge före drift. Använd rätt maskinhastighet för ditt arbete.

FÖRSIKTIGHET:

- Skjut alltid varvtalsomkopplaren fullt till rätt läge. Om maskinen används med varvtalsomkopplaren i ett läge mellan sida "I" och sida "II" kan maskinen skadas.
- Skjut inte på varvtalsomkopplaren medan maskinen är igång. Maskinen kan skadas.


Inställning av åtdragningsmomentet (Fig. 8)

Åtdragningsmomentet kan ställas in i 17 steg genom att vrida på inställningsringen på så sätt att graderingen på inställningsringen är ställd mot pilen på maskinkroppen. Åtdragningsmomentet är lägst när siffran 1 pekar mot pilen, och maximalt när -markeringen står mot pilen.

Kopplingen slirar vid vissa åtdragningsmoment när den är inställd på nummer från 1 till 16. Kopplingen är konstruerad för att inte slira när den är inställd på -markeringen.

Skruva i en skruv på prov i det material du använder, eller i ett överblivet stycke av samma typ, innan det faktiska arbetet påbörjas för att bestämma vilket åtdragningsmoment som är lämpligt för just det arbetsmomentet.

OBSERVERA!

- Inställningsringen läses inte i inställt läge om den är ställd mellan två graderingar.
- Använd inte maskinen om inställningsringen står mellan siffran 16 och -markeringen. Maskinen kan skadas.

Skruvnings (Fig. 9)

Placera spetsen på bitset i skruvhuvudet och anlägg tryck mot maskinen. Starta maskinen sakta, och öka sedan hastigheten gradvis. Släpp strömställaren så snart kopplingen bryter in.


OBSERVERA!

- Se till att bitset sätts i rakt i skruvhuvudet för att inte orsaka skador på skruven och/eller bitset.
- Vid iskruvning av träskruv bör ett ledhål förborras för att underlätta iskruvandet och för att undvika att arbetsstycket spricker. Se i tabellen nedan.

Träskruvens nominella diameter (mm)	Rekommenderad storlek på ledhålet (mm)
3, 1	2,0 – 2,2
3, 5	2,2 – 2,5
3, 8	2,5 – 2,8
4, 5	2,9 – 3,2
4, 8	3,1 – 3,4
5, 1	3,3 – 3,6
5, 5	3,7 – 3,9
5, 8	4,0 – 4,2
6, 1	4,2 – 4,4

- Om maskinen har använts kontinuerligt tills kraftkassetten har laddats ur bör maskinen tillåtas vila i 15 minuter innan arbetet fortsätts med en ny kraftkasset.

Borring

Vrid först inställningsringen så att pilen pekar mot -markeringen. Fortsätt sedan enligt följande.

- Borring i trä
Vid borring i trä erhålles bäst resultat om träborr med ledskruv används. Ledskruven förenklar borringen genom att dra borret in i arbetsstycket.
- Borring i metall
Gör en försänkning med hjälp av en körnare och en hammare där hålet ska vara för att förhindra att borret slinter när borringen påbörjas. Placera spetsen på borret i försänkningen och börja borra.
Använd borrolja vid borring i metall. Undantagen är järn och mässing som ska borras torra.

FÖRSIKTIGHET:

- Ett överdrivet tryck mot maskinen påskyndar inte borringen. I själva verket leder det överdrivna trycket endast till att borrets spets förstörs, maskinens funktion försämras och dess arbetsliv förkortas.
- Vid hålgombrytningen utsätts maskinen/borret för en oerhörd kraft. Håll i maskinen stadigt och var uppmärksam när borret börjar bryta igenom arbetsstycket.
- Ett fastborrat borr kan lossas helt enkelt genom att sätta rotationsomkopplaren i motsatt rotationsriktning för att backa ut borret. Maskinen kan dock backa ut håftigt om du inte håller i den stadigt.
- Fäst alltid små arbetsstycken i ett skruvstäd eller liknande fasthållande anordning.
- Om maskinen har använts kontinuerligt tills kraftkassetten har laddats ur bör maskinen tillåtas vila i 15 minuter innan arbetet fortsätts med en ny kraftkasset.

UNDERHÅLL

FÖRSIKTIGHET:

Tillse alltid att maskinen är fränkopplad och att batteriet tagits ur maskinen innan Du utför arbete på denna.

Utbyte av kolborstar (Fig. 10 och 11)

Byt ut kolborstarna när de slitits ner till slitagegränsmarkeringen. Byt alltid ut båda kolborstarna samtidigt.

För att bibehålla produktens säkerhet och tillförlitlighet, bör alltid reparationer, underhållservice och justeringar utföras av auktoriserad Makita serviceverkstad.

TILLBEHÖR

FÖRSIKTIGHET!

- Dessa tillbehör och tillsatser rekommenderas för användning med den Makita-maskin som anges i den här bruksanvisningen. Om andra tillbehör eller tillsatser används finns det risk för personskador. Använd endast tillbehören och tillsatserna för de ändamål de uttryckligen är avsedda för.

Tillfråga din lokala återförsäljare av Makita-produkter om du behöver ytterligare hjälp med eller mer detaljer angående dessa tillbehör.

- Skruvmejselverktyg
- Handtagssats
- Gummironnellset
- Putsrondell av skumgummi
- Djupanslag
- Polerhätta
- Olika typer av Makita originalbatterier och -laddare
- Bärväska av plast

Forklaring til generell oversikt

1 Knapp	10 Startbryter	18 Hastighetshendel
2 Batteri	11 Reverseringshendel	19 Justeringsring
3 Ladelampe	12 A-side	20 Graderinger
4 Batterilader	13 B-side	21 Boremarkeringer
5 Bits	14 Medurs	22 Viser
6 Trekk til	15 Moturs	23 Slitasjegrense
7 Mansjett	16 Lav hastighet	24 Børsteholderlokk
8 Ring	17 Høy hastighet	25 Skrutrekker
9 Bitsholder		

TEKNISKE DATA

Modell	6216D	6236D	6316D	6336D
Kapasitet				
Stål	10 mm	10 mm	13 mm	13 mm
Tre	30 mm	36 mm	30 mm	36 mm
Treskruer	6 x 75 mm	6 x 75 mm	6 x 75 mm	6 x 75 mm
Maskinskruer	6 mm	6 mm	6 mm	6 mm
Tomgangshastighet (min ⁻¹)				
Høy	0 – 1 300	0 – 1 300	0 – 1 300	0 – 1 300
Lav	0 – 450	0 – 450	0 – 450	0 – 450
Totallengde	243 mm	243 mm	255 mm	255 mm
Netto vekt	2,1 kg	2,2 kg	2,2 kg	2,3 kg
Klassifisert spenning	D.C. 12 V	D.C. 14,4 V	D.C. 12 V	D.C. 14,4 V

- Grunnet det kontinuerlige forsknings- og utviklingsprogrammet, forbeholder vi oss retten til å foreta endringer i tekniske data uten forvarsel.
- Merknad: Tekniske data kan variere fra land til land.

Sikkerhetstips

For din egen sikkerhets skyld ber vi deg lese de medfølgende sikkerhetsreglene.

SIKKERHETSREGLER FOR HURTIGLADER

1. Ta vare på bruksanvisningen — den inneholder viktige sikkerhetsregler og bruksveiledning.
2. Les alle sikkerhetsregler før hurtigladeren taes i bruk.
3. Reduser faren for skader — bruk kun batterier av Makita type. Andre typer batterier kan eksplodere og forårsake skader, både på personer og omgivelsene.
4. Utsett ikke laderen for regn eller snø.
5. Bruk av tilbehør som ikke er anbefalt eller selges av batteriladerens produsent, kan resultere i fare for brann, elektrisk støt eller personskader.
6. Rykk ikke i ledningen for å løsrive støpselet fra kontakten.
7. Sørg for at ledningen ligger slik at ingen trår på eller snubler i den. Hold ledningen unna varme og skarpe kanter.
8. Bruk ikke laderen hvis ledningen eller støpselet er skadet.
9. Har hurtigladeren falt i gulvet eller vært utsatt for slag eller på annen måte vært utsatt for skade, bør den repareres på autorisert verksted.

10. Demonter ikke lader eller batteri på egen hånd. Feil montering kan medføre fare for elektriske støt. La et autorisert verksted utføre reparasjoner hvis nødvendig.
11. Faren for elektriske støt ved rengjøring og vedlikehold reduseres ved å fjerne støpselet fra kontakten. Nullstilling av kontrollbrytere reduserer ikke denne faren.
12. Batteriladeren er ikke beregnet til bruk for mindreårige barn eller personer som trenger oppsyn.
13. Se til at ikke mindreårige barn leker med batteriladeren.
14. Hvis driftstiden blir betraktelig kortere, må driften stanses omgående. Det vil være en risiko for overoppheting, forbrenninger eller til og med en eksplosjon.
15. Skulle du få elektrolytter i øynene, skyll grundig med rent vann og oppsøk lege øyeblikkelig. Det kan være fare for at du mister synet.

SIKKERHETSREGLER FOR LADER OG BATTERI

1. Viktig! Ikke lad batteriet ved temperaturer under +10°C eller over +40°C.
2. Kan ikke brukes med transformator, aggregat eller likeretter.
3. Sørg for at ikke luftehullene er tildekket eller tett igjen (det finnes også luftehull på undersiden).
4. Batteriterminalene må alltid være dekket til med batteridekslet når batteriet ikke er i bruk.

5. Dette kan medføre kortslutning av batteriet:
 - (1) Terminalen må ikke komme i kontakt med strømførende materialer.
 - (2) Unngå å oppbevare batteriet sammen med andre metallgjenstander som f. eks. spikre, mynter etc.
 - (3) Batteriet må ikke utsettes for vann eller regn. Et batteri som kortsluttes kan forårsake stor elektrisk strømvangang, overoppheting, brannskader og driftsstans.
6. Hverken verktøy eller batteri må oppbevares på steder hvor temperaturen kan nå eller overskride +50°C.
7. Kast ikke batteriet på åpen ild, selv om det er ødelagt eller totalt utslitt. Batteriet kan da eksplodere.
8. Batteriet må ikke falle på gulvet, ristes eller utsettes for slag.
9. Batteriet må ikke lades opp inni en beholder av noe slag. Opplading av batteriet må foregå på et sted hvor ventilasjonen er god.
3. Sørg for godt fotfeste.
4. Påse at det ikke befinner seg noen under når verktøyet brukes i høyden
5. Hold forsvarlig fast i verktøyet.
6. Hold hendene unna roterende deler.
7. Forlat ikke verktøyet mens det går. Verktøyet må bare betjenes når det holdes for hånd.
8. Rør aldri borbitset eller arbeidsemnet like etter en arbeidsoperasjon; de kan være ekstremt varme og forårsake forbrenninger.

TA VARE PÅ DISSE INSTRUKSENE.

BRUKSANVISNINGER

Montering og demontering av batteriet (Fig. 1)

- Maskinen må alltid slås av før batteriet settes i eller tas ut.
- Batteriet fjernes fra maskinen ved å trekke det ut samtidig som knappene på begge sider av batteriet trykkes inn.
- Batteriet settes i ved å passe tungen på batteriet inn etter sporet i kammeret og så skyve det på plass. Batteriet må føres helt inn til det låses på plass med et lite klikk. Hvis dette ikke gjøres kan det falle ut mens maskinen er i bruk, og påføre brukeren eller eventuelle tilstedeværende legemsskader.
- Batteriet må ikke settes i med makt. Hvis det ikke med letthet glir på plass er det fordi det settes i på feil måte.

EKSTRA SIKKERHETSREGLER FOR VERKTØY

1. Vær oppmerksom på at dette verktøyet alltid er klar til bruk siden det ikke er nødvendig å kople det til en stikkontakt.
2. Hold verktøyet i de isolerte gripeflatene når arbeid utføres på steder hvor det kan komme i kontakt med skjulte ledninger. Kontakt med en strømførende ledning vil gjøre at eksponerte metalldeleer på selve verktøyet også blir strømførende slik at operatøren utsettes for elektrisk støt.

Lading (Fig. 2)

Kople batteriladeren til strømnettet (AC). Ladelampen blinker grønt. Sett i batteriet slik at pluss (+) og minus (-) er på samme side som respektive markeringer på batteriladeren. Sett batteriet helt inn i i åpningen så det hviler i bunnen på laderen. Når batteriet settes i vil ladelampen skifte farge fra grønn til rød, og ladingen vil begynne. Ladelampen vil lyse så lenge ladingen pågår. Når ladelampens farge skifter fra rød til grønn, betyr det at ladesyklusen er fullført. Hvis batteriet blir stående i laderen etter at ladingen er ferdig, vil laderen gå over i "dryppladingsmodus" (vedlikeholdsladning). Etter ladingen koples laderen fra strømnettet. Se tabellen under om ladetid.

Batteritype	Kapasitet (Ah)	Antall celler	Ladetid
1222 (Ni-cd)	2,0	10	Ca. 45 min.
1233 (Ni-MH)	2,2	10	Ca. 50 min.
1234 (Ni-MH)	2,6	10	Ca. 60 min.
1235 (Ni-MH)	3,0	10	Ca. 70 min.
1422 (Ni-cd)	2,0	12	Ca. 45 min.
1433 (Ni-MH)	2,2	12	Ca. 50 min.
1434 (Ni-MH)	2,6	12	Ca. 60 min.
1435 (Ni-MH)	3,0	12	Ca. 70 min.

NB!

- Batterilader er til lading av Makita batteri. Den må ikke brukes til andre formål eller til batterier av annet fabrikk.
- Ved lading av et nytt batteri eller et som ikke har vært i bruk på en stund, kan det være vanskelig å lade det helt opp. Dette er normalt og ikke tegn på noe galt. Batteriet lar seg lade fullt opp etter at det har vært helt utladet og oppladet igjen et par ganger.
- Hvis du lader opp et batteri fra en maskin som nettopp har vært i bruk, eller et batteri som har vært utsatt for direkte sol eller annen varme, vil ladelampen blinke rødt. Hvis dette skjer, venter du en stund. Ladingen starter når batteriet er avkjølt. Batteriet avkjøles raskere hvis det fjernes fra batteriladeren.

- Hvis ladelampen blinker vekselvis i grønt og rødt, tyder det på at noe er galt og lading er derfor ikke mulig. Terminalene på laderen eller batteriet er enten tilstoppet med støv eller batteriet er dødt eller ødelagt.

Drypppladning (vedlikeholdsladning)

Hvis du lar batteriet stå i laderen for å forhindre utlading etter full opplading, vil laderen gå over i "dryppladningsmodus" (vedlikeholdsladning) og holde batteriet i oppladet stand.

Noen tips for å vedlikeholde batteriets maksimale levetid

1. Lad batteriet opp før det blir helt utladet.
Stans maskinen og lad opp batteriet så snart du merker at maskineffekten begynner å synke.
2. Lad aldri opp et helt oppladet batteri.
Overopplading vil redusere verktøyets levetid.
3. Lad batteriet opp under romtemperatur på 10°C – 40°C.
Et varmt batteri bør avkjøles før det lades opp.
4. Nikkelmetallhydrid -batteriet må lades opp når det ikke skal brukes på mer enn 6 måneder.

Montering eller demontering av bits (Fig. 3 og 4)

Viktig:

Maskinen må alltid være avslått og batteriet fjernet før montering eller demontering av bits.

Hold fast i ringen og drei mansjetten moturs så chuckklørne åpner seg. Sett bitset inn i chucken så langt det kan komme. Hold godt fast i ringen og drei mansjetten medurs så chucken strammes.

Bitset fjernes ved å holde i ringen og dreie mansjetten moturs.

Når skrutrekkerbitset ikke er i bruk, bør det oppbevares i bitsholderne. Bits som er 45 mm og lengre kan oppbevares der.

Bryter (Fig. 5)

NB!

Før batteriet settes inn i maskinen, må det sjekkes at bryteren virker som den skal og går tilbake til "OFF" når den slippes.

Maskinen startes ved å trykke inn startbryteren. Hastigheten øker med trykket på bryteren. Slipp bryteren for å stoppe.

Reverseringshendel (Fig. 6)

NB!

- Sjekk alltid rotasjonsretningen før maskinen startes.
- Reverseringshendelen må bare brukes etter at maskinen har stoppet helt. Hvis rotasjonsretningen endres før motoren har stoppet helt, kan det føre til skader på maskinen.
- Når maskinen ikke er i bruk, må reverseringshendelen stilles i fri (nøytral posisjon).

Maskinen er utstyrt med en reverseringshendel for å endre rotasjonsretningen. Trykk på hendelen fra A-siden for medurs rotasjon, eller fra B-siden for moturs rotasjon. Når hendelen er i friposisjon, lar startbryteren seg ikke aktivere.


Hastighetsendring (Fig. 7)


Hastigheten endres ved å først å slå av maskinen og så skyve hastighetshendelen mot "II"-siden for høy hastighet og mot "I"-siden for lav hastighet. Pass på at hastighetshendelen er i korrekt posisjon før maskinen startes. Velg korrekt hastighet til jobben som skal gjøres.

NB!

- Hastighetshendelen må stilles skikkelig inn på den hastigheten som velges. Hvis maskinen går med bryteren midt mellom "I"- og "II"-siden, kan maskinen ta skade.
- Hastighetshendelen må ikke betjenes mens motoren går. Det kan ødelegge maskinen.


Justering av tiltrekningsmomentet (Fig. 8)

Tiltrekningsmomentet kan justeres i 17 trinn ved å dreie justeringsringen slik at graderingene stemmer overens med viseren på maskinen. Tiltrekningsmomentet er minimalt når viseren er innstilt på nummer 1, og maksimalt når viseren er innstilt på -merket.

Clutchen vil slure på diverse momentnivåer når momentinnstillingen er på mellom 1 og 16. Men den skal ikke slure når maskinen er innstilt på -markeringen.

Før selve arbeidet utføres, bør det foretas en prøve-idring på samme type materiale som skal brukes, for å finne korrekt tiltrekningsmoment.

MERKNAD:

- Justeringsringen låser seg ikke når viseren står halvveis mellom graderingene.
- Maskinen må ikke betjenes med justeringsringen innstilt mellom nummer 16 og -merket. Det kan skade maskinen.

Idring av skruer (Fig. 9)

Plasser bitsspissen i skruhodet og øv trykk på maskinen. Start maskinen langsomt og øk hastigheten gradvis. Slipp bryteren straks clutchen kopler seg inn.


MERKNAD:

- Skrutrekkerbitset må settes i rett på skruhodet ellers kan skruer og/eller bits ødelegges.
- Ved idring av treskruer bør det først bores et ledehull for å gjøre idrivingen lettere og for å hindre oppflising av materialet. Se tabellen under.

Nominell treskruediameter (mm)	Anbefalt ledehullstr. (mm)
3, 1	2,0 – 2,2
3, 5	2,2 – 2,5
3, 8	2,5 – 2,8
4, 5	2,9 – 3,2
4, 8	3,1 – 3,4
5, 1	3,3 – 3,6
5, 5	3,7 – 3,9
5, 8	4,0 – 4,2
6, 1	4,2 – 4,4

- Hvis maskinen går kontinuerlig til batteriet går tomt, må maskinen få hvile i 15 minutter før det fortsettes med et oppladet batteri.

Boring

Først dreies justeringsringen slik at viseren på maskinen peker mot -markeringen. Fortsett som følger:

- Boring i tre
Ved boring i tre, vil beste resultat oppnås med trebor og selvboerende skruer. Den selvboerende skruen gjør boringen lettere ved at bitset dras inn i arbeidsemnet.
- Boring i metall
For å hindre at bitset glipper i starten av hullboringen, lages en liten fordypning med kjørner og hammer der hullet skal være. Sett bitsspissen i fordypningen og start boringen.
Bruk maskinolje ved boring i metall. Unntakene er jern og messing som må tørrbores.

NB!

- For stort trykk på maskinen vil ikke gjøre boringen raskere. Dette vil bare medføre skadet bits, redusert borekapasitet og forkorte boremaskinens brukstid.
- Det utøves voldsomme krefter fra maskinen/bitset idet gjennomboringen skjer. Hold godt fast i maskinen og utvis stor forsiktig når bitset begynner å gå igjennom materialet.
- Et bits som har satt seg fast lar seg lett fjerne ved å sette maskinen i revers så bitset skrur seg ut. Men maskinen kan plutselig slenge tilbake hvis den ikke holdes godt fast.
- Små arbeidsemner må alltid settes fast i en tvinge eller lignende.
- Hvis maskinen går kontinuerlig til batteriet går tomt, må maskinen få hvile i 15 minutter før det fortsettes med et oppladet batteri.

SERVICE

NB!

Før det utføres arbeidet på maskinen må du alltid forvise deg om at maskinen er slått av og akkumulatoren er tatt ut.

Skifte ut kullbørster (Fig. 10 og 11)

Skifte ut kullbørstene når de er slitt ned til grensemarkeringen. Begge kullbørstene må skiftes ut samtidig.

For å garantere at maskinen arbeider sikkert og pålitelig bør reparasjoner, servicearbeider eller innstillinger utføres av et autorisert Makita-serviceverksted.

TILBEHØR

NB!

- Dette tilbehøret eller utstyret anbefales til å brukes med ditt Makita-verktøy som er spesifisert i denne bruksanvisningen. Bruk av annet tilbehør eller utstyr kan medføre risiko for personskader. Tilbehør og utstyr må bare bruk til de formål de er beregnet til.

Kontakt nærmeste Makita-serviceverksted dersom du trenger videre opplysninger angående tilbehøret.

- Skrueritt
- Støttehåndtaksett
- Gummiputemontasje
- Polerpute av skumgummi
- Dybdemåler
- Ullhette
- Ulike typer originale batterier og ladere fra Makita
- Bæreeveske av plast

Yleiselustus

1	Painike	10	Liipaisinkytkin	18	Nopeudenvaihtokytkin
2	Akku	11	Suunnanvaihtokytkin	19	Säätörengas
3	Latausvalo	12	A-puoli	20	Asteikko
4	Akkulataaja	13	B-puoli	21	Poramerkki
5	Terä	14	Myötäpäivään	22	Osoitin
6	Kiristys	15	Vastapäivään	23	Rajamerkki
7	Kaulus	16	Hidas käynti	24	Harjahiilensuojus
8	Rengas	17	Nopea käynti	25	Ruuvitalta
9	Teränpidin				

TEKNISET TIEDOT

Malli	6216D	6236D	6316D	6336D
Suorituskyky				
Teräs	10 mm	10 mm	13 mm	13 mm
Puu	30 mm	36 mm	30 mm	36 mm
Puuruuvi	6 x 75 mm	6 x 75 mm	6 x 75 mm	6 x 75 mm
Koneruuvi	6 mm	6 mm	6 mm	6 mm
Tyhjäkäyntinopeus (min ⁻¹)				
Nopea	0 – 1 300	0 – 1 300	0 – 1 300	0 – 1 300
Hidas	0 – 400	0 – 400	0 – 400	0 – 400
Kokonaispituus	243 mm	243 mm	255 mm	255 mm
Paino	2,1 kg	2,2 kg	2,2 kg	2,3 kg
Nimellisjännite	12 V tasavirta	14,4 V tasavirta	12 V tasavirta	14,4 V tasavirta

- Jatkuvan tutkimus- ja kehitysohjelman vuoksi pidämme oikeuden muuttaa tässä mainittuja teknisiä ominaisuuksia ilman ennakoilmoitusta.
- Huomautus: Tekniset ominaisuudet saattavat vaihdella eri maissa.

Turvaohjeita

Oman turvallisuutesi vuoksi lue mukana seuraavat turvaohjeet.

TÄRKEITÄ TURVAOHJEITA

1. **SÄÄSTÄ KÄYTTÖOHJEET** — Tämä käsikirja sisältää tärkeitä turvaohjeita ja akkulatorin käyttöohjeet.
2. Ennen akkulatorin käyttöä lue kaikki (1) akkulatorin, (2) akun ja (3) koneen käyttöohjeet sekä varoitusmerkinnät niihin kiinnitetystä kilvistä.
3. **VAROITUS** — Onnettomuuksien välttämiseksi lataa vain MAKITA - merkittyjä, uudelleenladattavia akkuja. Toisenmerkkiset akut voivat ladattaessa räjähtää aiheuttaen mahdollisesti myös henkilöön kohdistuvia onnettomuuksia tai muita vahinkoja.
4. Älä jätä akkulatoria vesisateeseen tai lumeen.
5. Laitteen tai koneen käyttö, jota akkulatorin valmistaja ei ole suositellut tai toimitannut, voi johtaa tulipalon syttymiseen, sähköiskuun tai onnettomuuksiin sitä käyttäville henkilöille.
6. Pistoke- ja kaapelivaurioiden estämiseksi, vedä mieluummin pistokkeesta kuin kaapelista, akkulatoria pistorasiasta irrottaessasi.
7. Varmista kaapelin sijoitus siten ettei sen päälle voida astua, siihen kompastua tai ettei sitä voida venyttää vetämällä vaurioitaan.

8. Älä käytä akkulatoria kaapelin tai pistokkeen vaurioituttua — uusi ne välittömästi.
9. Älä käytä akkulatoria jos siihen on kohdistunut kova isku tai muuten mahdollisesti vahingoittunut. Toimita akkulatori ensin sähkölaitehuoltoon tarkistettavaksi.
10. Älä yritä itse korjata akkulatoria. Älä pura itse akkulatoria tai akkupatruunaa, toimita ne sähkölaitehuoltoon tarkistettavaksi ja tarvittaessa huollettavaksi tai korjattavaksi. Virheellinen kokoonpano voi aiheuttaa sähköiskun tai tulipalon syttymisen.
11. Sähköiskuvaaran estämiseksi, irrota akkulatorin pistoke sähköverkon pistorasiasta aina ennen kunnossapitohuollon tai puhdistamisen aloittamista. Virtakatkaisijoiden kääntäminen pois päältä ei poista tätä vaaraa.
12. Akkulataajaa ei ole tarkoitettu nuorten lasten eikä toimintaraajoitteisten käytettäväksi ilman valvontaa.
13. Nuorten lasten toimia tulee valvoa sen varmistamiseksi, että he eivät leiki akkulataajalla.
14. Jos käyttöaika lyhenee huomattavasti, lopeta käyttö välittömästi. Tämä voi aiheuttaa ylikuumenemista, mahdollisia palovammoja ja jopa räjähdysten.
15. Jos akkunestettä joutuu silmiin, huuhtelee ne puhtaalla vedellä ja hakeudu heti lääkärin hoitoon. Tämä voi aiheuttaa näön menetyksen.

LISÄ-TURVAOHJEITA AKKULATURIA JA AKKUPARISTOA VARTEN

1. Älä lataa akkuparistoa jos lämpötila on alle + 10°C tai yli + 40°C.
2. Älä yritä lataamista säätömuuntajalla, moottorilaturilla tai tasavirtapistorasialla, käytä vain MAKITA-akkulaturia.
3. Älä peitä akkulaturia. Estä tuuletusaukkojen tukkeutuminen.
4. Peitä akkuliittimet aina akkukannella, kun akkua ei käytetä.
5. Älä kytke akkua oikosulkuun:
 - (1) Älä kosketa napoja sähköä johtavilla esineillä.
 - (2) Älä säilytä akkua muiden metalliesineiden joukossa, kuten naulat, kolikot, työkalut, jne.
 - (3) Älä jätä akkua veteen tai sateeseen. Oikosulku akussa voi aiheuttaa suuren virtahäviön, ylikuumenemisen, mahdollisia palovammoja sekä rikkoutumisen.
6. Älä säilytä konetta ja akkuparistoa kohteissa, joissa lämpötila voi nousta tai ylittää +50°C.
7. Älä hävitä akkuparistoa polttamalla vaikka se olisikin pahoin vaurioitunut tai täydellisesti loppuunkulunut. Akkuparisto voi räjähtää tuleessa.
8. Varo pudottamasta, ravistamasta tai iskemästä akkua.
9. Älä säilytä akkua laatikossa tai muussa suljetussa tilassa. Akun on oltava latauksen aikana tilassa, jossa on hyvä ilmanvaihto.

Lataaminen (Kuva 2)

Liitä akkulataaja sopivaan vaihtovirtalähteeseen. Latausvalo vilkkuu vihreänä. Työnnä akku paikalleen siten, että akun plus- ja miinusnavat osuvat samalle puolelle kuin niitä vastaavat akkulataaja merkinnät. Työnnä akku kokonaan aukkoon siten, että se lepää laturin aukon pohjalla. Kun akku on työnnetty paikalleen, latausvalon väri vaihtuu vihreästä punaiseksi ja lataaminen alkaa. Latausvalo palaa tasaisesti lataamisen aikana. Kun latausvalon väri vaihtuu punaisesta vihreäksi, lataaminen on päättynyt. Jos akku jätetään laturiin lataamisen päätyttyä, laturi siirtyy "kestolatausmuodolle" (jatkuvalle lataukselle). Kun olet ladannut akun, irrota laturin virtajohto virtalähteestä.

Katso latausaika alla olevasta taulukosta.

Akkutyyppe	Kapasiteetti (Ah)	Kennojen lukumäärä	Latausaika
1222 (Ni-cd)	2,0	10	Noin 45 min.
1233 (Ni-MH)	2,2	10	Noin 50 min.
1234 (Ni-MH)	2,6	10	Noin 60 min.
1235 (Ni-MH)	3,0	10	Noin 70 min.
1422 (Ni-cd)	2,0	12	Noin 45 min.
1433 (Ni-MH)	2,2	12	Noin 50 min.
1434 (Ni-MH)	2,6	12	Noin 60 min.
1435 (Ni-MH)	3,0	12	Noin 70 min.

VARO:

- Akkulataaja on tarkoitettu Makita-akun lataamiseen. Älä koskaan käytä sitä muihin tarkoituksiin tai muiden valmistajien akkujen lataamiseen.
- Kun lataat uuden akun tai akun, jota ei ole käytetty pitkään aikaan, se ei ehkä lataudu täyteen. Tämä on normaalia eikä se ole osoitus viasta. Akku voidaan ladata täyteen, kun se on purettu kokonaan ja ladattu muutaman kerran.

LISÄÄ TURVAOHJEITA TYÖKALULLE

1. Muista, että tämä työkalu on aina käyttövalmiina, koska sitä ei tarvitse kytkeä sähköpistorasiaan.
2. Pitele laitetta eristetyistä tartuntapinnoista tehdessäsi työtä, jossa laite voi osua piilossa olevaan johtoon. Osuminen jännitteeseen johtoon saa myös näkyvillä olevat metalliosat jännitteiseksi ja aiheuttaa käyttäjälle sähköiskun.
3. Varmista aina, että seisot tukevalla jalustalla.
4. Varmista, että allasi ei ole ketään, kun työskentelet korkeissa paikoissa.
5. Pitele laitetta tiukasti.
6. Pidä kädet loitolla pyörivistä osista.
7. Älä jätä konetta käyntiin. Käytä konetta vain sen ollessa käsissäsi.
8. Älä kosketa poranterää äläkä työkalupalletta välittömästi työskentelyn jälkeen. Ne voivat olla erittäin kuumia ja ne voivat polttaa ihoasi.

SÄILYTYÄ NÄMÄ OHJEET.

KÄYTTÖOHJEET

Akun asentaminen tai poistaminen (Kuva 1)

- Kytke kone aina POIS päältä ennen akun asentamista tai poistamista.
- Akku irrotetaan vetämällä se koneesta samalla kun puristat akun molemmilla puolilla olevia painikkeita.
- Akku kiinnitetään asettamalla akussa oleva kieleke kotelon uraan. Työnnä akku aina kokonaan sisään siten, että se napsahtaa kevyesti paikalleen. Jos et toimi näin, akku saattaa pudota vahingossa irti koneesta aiheuttaen itsesi tai jonkun sivullisen loukkaantumisen.
- Älä käytä voimaa asentaessasi akkua. Jos akku ei mene sisään herkästi, se ei ole oikeassa asennossa.

- Jos lataa akun, jota on juuri käytetty koneessa tai pitkään auringonvalolle tai kuumuudelle alttiina olleen akun, latausvalo saattaa vilkkua punaisena. Jos näin käy, odota hetken aikaa. Lataaminen alkaa, kun akku on jäähtynyt. Akku jäähtyy nopeammin, jos irrotat sen akkulataaja.
- Jos latausvalo vilkkuu vuorotellen vihreänä ja punaisena, on kyseessä häiriö eikä lataus ole mahdollista. Laturin tai akun liittimet ovat likaiset tai akku on loppuunkulunut tai vioittunut.

Heikkovirtalataus

Jos jätät akun laturiin estääksesi akun tyhjenemisen itsestään täyteen lataamisen jälkeen, laturi kytketty heikkovirta-latausmuodolle, joka pitää akun jatkuvasti täydessä latauksessa.

Vinkkejä akun käyttöön maksimoimiseksi

1. Lataa akku, ennen kuin se on kokonaan tyhjentynyt. Lopeta aina laitteella työskentely ja lataa akku, jos huomaat voiman vähenevän laitteesta.
2. Älä koskaan lataa täyteen ladattua akkua. Liiallinen lataaminen lyhentää akun käyttöikää.
3. Lataa akku huoneenlämmössä 10°C – 40°C. Anna kuumen akun viilentyä ennen sen lataamista.
4. Lataa nikkelimetalli-hybridiaakku, jos et käytä sitä yli kuuteen kuukauteen.

Vääntöterän ja poranterän kiinnittäminen ja irrottaminen (Kuva 3 ja 4)

Tärkeää:

Varmista aina ennen terän kiinnittämistä ja irrottamista, että kone on sammutettu ja akku irrotettu.

Pidä renkaasta kiinni ja avaa istukan leuat kääntämällä kaulusta vastapäivään. Työnnä terä istukkaan niin syvälle kuin se menee. Pidä rengasta tiukasti paikallaan ja kiristä istukka kääntämällä kaulusta myötäpäivään.

Terä irrotetaan pitämällä rengasta paikallaan ja kääntämällä kaulusta vastapäivään. Kun et käytä vääntöterää, säilytä sitä teränpitiimissä. Niissä voidaan säilyttää 45 mm pituisia teriä.

Katkaisijan käyttäminen (Kuva 5)

VARO:

Ennen kuin kiinnität akun koneeseen, tarkista aina, että liipaisinkytkin toimii moitteettomasti ja että se palautuu vapautettaessa "OFF" -asentoon.

Kone käynnistetään yksinkertaisesti vetämällä liipaisimesta. Kone käy nopeammin, kun liipaisinta painetaan voimakkaammin. Kone pysähtyy vapautettaessa liipaisin.

Suunnanvaihtokytkimen käyttäminen (Kuva 6)

VARO:

- Tarkista aina koneen pyörimissuunta ennen käyttöä.
- Käytä suunnanvaihtokytkintä ainoastaan koneen ollessa täysin pysähdyksissä. Pyörimissuunnan vaihtaminen koneen ollessa käynnissä saattaa vahingoittaa konetta.
- Kun et käytä konetta, aseta suunnanvaihtokytkin aina keskiasentoon.

Tässä koneessa on suunnanvaihtokytkin, jonka avulla voidaan vaihtaa pyörimissuuntaa. Työnnä suunnanvaihtokytkintä A-puolelta, kun haluat terän pyörivän myötäpäivään ja B-puolelta, kun haluat terän pyörivän vastapäivään. Kun vipukytkin on keskiasennossa, liipaisinkytkintä ei voi vetää.

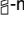
Nopeuden muuttaminen (Kuva 7)

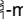
Nopeutta muutetaan sammuttamalla ensin kone ja siirtämällä sitten nopeudenmuuttokytkin "II" -puolelle nopeaa käyntiä varten ja "I" -puolelle hidasta käyntiä varten. Varmista, että nopeudenmuuttokytkin on asetettu oikeaan asentoon ennen työskentelyn aloittamista. Käytä työhösi sopivaa nopeutta.

VARO:

- Aseta nopeudenmuuttokytkin aina kokonaan oikeaan asentoon. Jos konetta käytetään nopeudenmuuttokytkimen ollessa "I" -puolen ja "II" -puolen välissä, kone saattaa vahingoittua.
- Älä käytä nopeudenmuuttokytkintä koneen käydessä. Kone saattaa vahingoittua tästä.

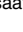
Kiinnitysmomentin säätäminen (Kuva 8)

Kiinnitysmomenttia voidaan säätää 17 portaassa kääntämällä säätörengasta siten, että sen asteikon lukemat osuvat koneen rungossa olevan osoittimen kanssa kohdakkain. Pienin kiinnitysmomentti saadaan, kun osoitin on numeron 1 kohdalla ja suurin, kun osoitin on -merkin kohdalla.

Kytkinjarru alkaa luistaa eri kiinnitysmomenteilla, kun momentti on säädetty välille 1 – 16. Kytkinjarru on tehty siten, että se ei käynnisty -merkin kohdalla.

Kiinnitä koeruuvi työkappaleeseen tai samaa ainetta olevaan toiseen kappaleeseen ennen varsinaisen työskentelyn aloittamista, jotta voisit määrittää juuri näihin oloihin sopivan kiinnitysmomentin.

HUOMAA:

- Säätörengas ei lukitu paikalleen, kun osoitin on asteikon kahden lukeman välillä.
- Älä käytä konetta säätörenkaan ollessa asetettuna numeron 16 ja -merkinnän väliin. Kone saattaa vahingoittua.

Ruuvien kiinnittäminen (Kuva 9)

Aseta vääntöterän kärki ruuvien kantaan ja paina konetta. Käynnistä kone varovasti ja lisää nopeutta vähitellen. Vapauta liipaisin heti, kun kytkinjarru alkaa toimia.


HUOMAA:

- Varmista, että vääntöterä osuu suoraan ruuvien kantaan. Muutoin ruuvi ja/tai terä saattaa vahingoittua.
- Kun kiinnität puuruuveja, poraa koareikiä helpottaaksesi kiinnittämistä ja estääksesi työkappaleen halkeamisen. Katso alla olevaa taulukkoa.

Puuruuvien nimellishalkaisija (mm)	Koareian suositeltava koko (mm)
3, 1	2,0 – 2,2
3, 5	2,2 – 2,5
3, 8	2,5 – 2,8
4, 5	2,9 – 3,2
4, 8	3,1 – 3,4
5, 1	3,3 – 3,6
5, 5	3,7 – 3,9
5, 8	4,0 – 4,2
6, 1	4,2 – 4,4

- Jos konetta käytetään jatkuvasti, kunnes akku on tyhjentynyt, anna koneen levätä 15 minuutin ajan, ennen kuin jatkat työskentelyä uudella akulla.

Poraaminen

Käännä ensin säätörengasta siten, että koneen rungossa oleva osoitin on -merkinnän kohdalla. Toimi sitten seuraavalla tavalla.

- Poraaminen puuhun
Kun poraat puuhun, saat parhaan tuloksen käyttämällä ohjausruuvilla varustettuja puuporia. Ohjausruuvi vetää terän työkappaleeseen, mikä helpottaa poraamista.
- Poraaminen metalliin
Iske porattavaan kohtaan syvennys pistepuikolla ja vasaralla estääksesi terää liukumasta, kun reiän poraaminen alkaa. Aseta terän kärki syvennykseen ja aloita poraaminen.
Käytä lastuamisnestettä, kun poraat metalliin. Poikkeuksen muodostavat rauta ja messinki. Niihin porataan kuivina.

VARO:

- Koneen liiallinen painaminen ei nopeuta poraamista. Itse asiassa tämä vain vahingoittaa terän kärkeä, heikentää koneen toimintaa ja lyhentää koneen käyttöikää.
- Läpiporautumisen hetkellä koneeseen/terään kohdistuu suuri voima. Pitele konetta tiukasti ja ole varovainen, kun terä alkaa työntyä esiin työkappaleen toiselta puolelta.
- Kiinni juuttunut terä voidaan irrottaa yksinkertaisesti asettamalla pyörimissuunta päinvastaiseksi, jolloin terä työntyy ulos. Kone saattaa kuitenkin työntyä taaksepäin äkillisesti, ellei pidä siitä lujasti kiinni.
- Kiinnitä pienet työkappaleet aina ruuvipuristimeen tai vastaavaan pitimeen.
- Jos konetta käytetään jatkuvasti, kunnes akku on tyhjentynyt, anna koneen levätä 15 minuutin ajan, ennen kuin jatkat työskentelyä uudella akulla.

HUOLTO

VARO:

Varmistaudu aina ennen kaikkia koneelle suoritettavia töitä, että kone on pysäytetty ja akku irrotettu.

Hiilien vaihto (Kuva 10 ja 11)

Hiilet on vaihdettava kun ne ovat kuluneet kulumisrajaan. Hiilet on vaihdettava aina parittain.

Laitteen käyttövarmuuden ja turvallisuuden vuoksi korjaukset ja muut huolto- ja säätötöyt saa suorittaa ainoastaan Makitan hyväksymä huoltopiste.

LISÄVARUSTEET

VARO:

- Näitä lisävarusteita ja -laitteita suositellaan käytettäväksi tässä ohjekirjassa mainitun Makitan koneen kanssa. Minkä tahansa muun lisävarusteen tai -laitteen käyttäminen voi aiheuttaa loukkaantumisvaaran. Käytä lisävarusteita ja -laitteita vain niiden käyttötarkoituksen mukaisesti.

Jos tarvitset yksityiskohtaisempia tietoja näistä lvarusteista, ota yhteys paikalliseen Makitan huoltoon.

- Ruuviterät
- Kahvasarja
- Kumilevysarja
- Vaahtokillotuslevy
- Syvyytstulkki
- Villakansi
- Eri tyyppisiä Makitan alkuperäisiä akkuja ja lataajia
- Muovinen kantokotelo

Περιγραφή γενικής άποψης

1	Πλήκτρο	10	Σκανδάλη διακόπτης	18	Μοχλός αλλαγής ταχύτητας
2	Κασέτα μπαταρίας	11	Μοχλός αντιστροφής διακόπτη	19	Δακτυλίδι ρύθμισης
3	Φωτάκι φόρτισης	12	Πλευρά Α	20	Διαβαθμίσεις
4	Φορτιστής Μπαταρίας	13	Πλευρά Β	21	Σημάδι τρυπανιού
5	Αιχμή	14	Δεξιόστροφα	22	Δεικτής
6	Σφίξιμο	15	Αριστερόστροφα	23	Οριακό σημάδι
7	Μανίκι	16	Χαμηλή ταχύτητα	24	Καπάκι θήκης καρβονάκι
8	Δακτυλίδι	17	Υψηλή ταχύτητα	25	Κατασβίδι
9	Θήκη αιχμής				

ΤΕΧΝΙΚΑ ΧΑΡΑΚΤΗΡΙΣΤΙΚΑ

Μοντέλο	6216D	6236D	6316D	6336D
Ικανότητες				
Ατσάλι	10 χιλ	10 χιλ	13 χιλ	13 χιλ
Ξύλο	30 χιλ	36 χιλ	30 χιλ	36 χιλ
Ξυλόβιδα	6 x 75 χιλ	6 x 75 χιλ	6 x 75 χιλ	6 x 75 χιλ
Βίδα μηχανής	6 χιλ	6 χιλ	6 χιλ	6 χιλ
Ταχύτητα χωρίς φορτίο (min ⁻¹)				
Υψηλή	0 – 1.300	0 – 1.300	0 – 1.300	0 – 1.300
Χαμηλή	0 – 400	0 – 400	0 – 400	0 – 400
Συνολικό μήκος	243 χιλ	243 χιλ	255 χιλ	255 χιλ
Καθαρό βάρος	2,1 Χγρ	2,2 Χγρ	2,2 Χγρ	2,3 Χγρ
Καθορισμένο βολτάζ	D.C.12 V	D.C.14,4 V	D.C.12 V	D.C.14,4 V

- Λόγω του συνεχιζόμενου προγράμματος έρευνας και ανάπτυξης, οι παρούσες προδιαγραφές υποδέχονται σε αλλαγή χωρίς προειδοποίηση.
- Παρατήρηση: Τα τεχνικά χαρακτηριστικά μπορεί να διαφέρουν από χώρα σε χώρα.

Υποδείξεις ασφάλειας

Για την προσωπική σας ασφάλεια, ανατρέξτε στις εσωκλειστές οδηγίες ασφάλειας.

ΣΗΜΑΝΤΙΚΕΣ ΟΔΗΓΙΕΣ ΑΣΦΑΛΕΙΑΣ ΓΙΑ ΣΥΣΚΕΥΗ ΦΟΡΤΙΣΗΣ ΚΑΙ ΜΠΑΤΑΡΙΑ

1. **ΦΥΛΑΞΕΤΕ ΑΥΤΕΣ ΤΙΣ ΟΔΗΓΙΕΣ** — Αυτό το εγχειρίδιο περιέχει σημαντικές οδηγίες ασφαλείας και χρήσης της συσκευής φόρτισης.
2. Πριν χρησιμοποιήσετε τη συσκευή φόρτισης, διαβάστε όλες τις οδηγίες και προειδοποιητικά σημεία (1) στην συσκευή φόρτισης, (2) στη μπαταρία, και (3) στη συσκευή που χρησιμοποιεί την μπαταρία.
3. **ΠΡΟΣΟΧΗ** — Για να μειωθεί ο κίνδυνος τραυματισμού, φορτίζετε μόνο μπαταρίες ΜΑΚΙΤΑ επαναφορτιζόμενου τύπου. Μπαταρίες άλλου τύπου μπορεί να εκραγούν, πληγώνοντας σας και προκαλώντας ζημιές.
4. Μην εκθέσετε τη συσκευή φόρτισης σε βροχή ή χιόνι.
5. Χρήση εξαρτήματος που δεν συστήνεται ή δεν πωλείται από τον κατασκευαστή της συσκευής φόρτισης μπορεί να προκαλέσει φωτιά, ηλεκτρικό σοκ, ή να σας τραυματίσει.
6. Για να μειωθεί ο κίνδυνος ζημιάς στην πρίζα και στο καλώδιο, όταν αποσυνδέετε τη συσκευή φόρτισης από την παροχή ρεύματος, πάνετε και τραβάτε από την πρίζα και όχι από το καλώδιο.

7. **Βεβαιωθείτε ότι το καλώδιο βρίσκεται σε θέση που ούτε θα το πατήσουν ούτε θα σκοντάψουν πάνω του ούτε μπορεί να πάθει ζημιά με οποιοδήποτε τρόπο.**
8. **Μη χρησιμοποιείτε τη συσκευή φόρτισης αν το καλώδιο ή η πρίζα της έχουν πάθει ζημιά — αντικαταστήστε τα αμέσως.**
9. **Μη χρησιμοποιείτε την συσκευή σε περίπτωση που έχει υποστεί δυνατό κτύπημα, έχει πέσει κάτω, ή έχει πάθει οποιαδήποτε ζημιά. Αναθέστε την επισκευή σε εξουσιοδοτημένο τεχνίτη.**
10. **Μην αποσυναρμολογείτε τη συσκευή φόρτισης ή τη μπαταρία. Πάρτε την σε εξουσιοδοτημένο τεχνίτη όταν χρειάζεται επισκευή ή σέρβις. Λανθασμένη επανασυναρμολόγηση μπορεί να οδηγήσει σε κίνδυνο ηλεκτρικού σοκ ή φωτιάς.**
11. **Για να μειωθεί ο κίνδυνος ηλεκτρικού σοκ, αποσυνδέστε τη συσκευή φόρτισης από την παροχή ρεύματος πριν κάνετε οποιαδήποτε συντήρηση ή καθαρισμό της. Μόνο με το να σβήσετε τη συσκευή αυτός ο κίνδυνος δε μειώνεται.**
12. **Ο φορτιστής μπαταρίας δεν προορίζεται για χρήση από μικρά παιδιά ή άτομα με ασαθή συμπεριφορά χωρίς επίβλεψη.**
13. **Τα μικρά παιδιά θα πρέπει να επιβλέπονται για να διασφαλισθεί ότι δεν παίζουν με τον φορτιστή μπαταρίας.**
14. **Εάν ο χρόνος λειτουργίας έχει γίνει πολύ μικρότερος, σταματήστε τη λειτουργία αμέσως. Μπορεί να συμβεί υπερθέρμανση, πιθανώς καψίματα ή ακόμη και έκρηξη.**
15. **Εάν μπει ηλεκτρολύτης στα μάτια σας, ξεπλύνετε τα με καθαρό νερό και απευθυνθείτε σε ένα γιατρό αμέσως. Μπορεί να χάσετε ακόμη και την όραση σας.**

ΕΠΙΠΡΟΣΘΕΤΟΙ ΚΑΝΟΝΕΣ ΑΣΦΑΛΕΙΑΣ ΓΙΑ ΣΥΣΚΕΥΗ ΦΟΡΤΙΣΗΣ ΚΑΙ ΜΠΑΤΑΡΙΑ

1. Μην φορτίζετε τη μπαταρία όταν η θερμοκρασία είναι ΚΑΤΩ από 10°C ή ΠΑΝΩ από 40°C.
2. Μην χρησιμοποιείτε ποτέ μετασχηματιστή ανύψωσης τάσης, γεννήτρια, ή υποδοχή συνεχούς ρεύματος.
3. Μην αφήσετε οτιδήποτε να καλύψει ή να μπλοκάρει της οπές εξαερισμού του φορτιστή.
4. Πάντοτε να έχετε τους πόλους της μπαταρίας καλυμμένους με το κάλυμμα της όταν δεν την χρησιμοποιείτε.
5. Μην βραχυκυκλώσετε την κασέτα μπαταρίας:
 - (1) Μην αγγίζετε τους πόλους με κανένα αγώγιμο υλικό.
 - (2) Αποφύγετε την αποθήκευση της κασέτας μπαταρίας σε δοχείο με άλλα μεταλλικά αντικείμενα όπως καρφιά, νομίσματα, κλπ.
 - (3) Μην εκθέτετε την κασέτα μπαταρίας σε νερό ή σε βροχή.Ενα βραχυκύκλωμα μπαταρίας μπορεί να προκαλέσει μεγάλη ροή ρεύματος, υπεθέρμανση, πιθανά εγκαύματα και ακόμη μηχανική βλάβη.
6. Μην φυλάσσετε τη μηχανή και τη μπαταρία σε μέρη που η θερμοκρασία μπορεί να φθάσει ή να ξεπεράσει τους 50°C.
7. Μην κάψετε την μπαταρία ακόμα και αν έχει πάθει σοβαρές ζημιές ή έχει εντελώς φθαρτεί. Η μπαταρία μπορεί να εκραγεί στην φωτιά.
8. Προσέχετε να μη ρίξετε κάτω, ταρακουνήσετε ή χτυπήσετε τη μπαταρία.
9. Μην φορτίσετε τη μπαταρία μέσα σε ένα κουτί ή δοχείο οποιουδήποτε είδους. Η μπαταρία πρέπει να τοποθετηθεί σε ένα καλά εξαεριζόμενο χώρο κατά τη διάρκεια της φόρτισης.

ΕΠΙΠΡΟΣΘΕΤΟΙ ΚΑΝΟΝΕΣ ΑΣΦΑΛΕΙΑΣ ΓΙΑ ΤΟ ΜΗΧΑΝΗΜΑ

1. Να είστε προσεχτικοί διότι αυτό το μηχάνημα είναι πάντοτε σε επιχειρησιακή λειτουργία, επειδή δεν χρειάζεται να συνδεθεί σε μια παροχή ηλεκτρικού ρεύματος.

Φόρτιση (Εικ. 2)

Βάλτε το φορτιστή μπαταρίας σας στην κατάλληλη παροχή εναλασσόμενου ρεύματος. Το φωτάκι φόρτισης θα αναβοσβήνει σε πράσινο χρώμα. Βάλτε τη κασέτα μπαταρίας έτσι ώστε ο θετικός και αρνητικός πόλος στη κασέτα μπαταρίας να βρίσκονται στις ίδιες πλευρές όπως τα αντίστοιχα σημάδια στον φορτιστή μπαταρίας. Βάλτε την κασέτα πλήρως μέσα στην υποδοχή έτσι ώστε να καθίσει στο πάτωμα της υποδοχής του φορτιστή. Όταν η κασέτα μπαταρίας εισαχθεί το φωτάκι φόρτισης θα αλλάξει από πράσινο σε κόκκινο και η φόρτιση θα αρχίσει. Το φωτάκι φόρτισης θα παραμείνει σταθερά αναμμένο κατά τη διάρκεια της φόρτισης. Όταν το λαμπάκι φόρτισης αλλάξει από πράσινο σε κόκκινο, ο κύκλος φόρτισης έχει συμπληρωθεί. Εάν αφήσετε την κασέτα μπαταρίας στον φορτιστή μετά την συμπλήρωση του κύκλου φόρτισης, ο φορτιστής θα αλλάξει στην διαμόρφωση "στιγμιαία φόρτιση (φόρτιση συντήρησης)".

Μετά τη φόρτιση αποσυνδέστε το φορτιστή από τη παροχή ρεύματος.

2. Κρατάτε το μηχάνημα από τις επιφάνειες της μονωμένης λαβής όταν εκτελείτε μια εργασία κατά την οποία το μηχάνημα θα μπορούσε να έρθει σε επαφή με κρυμμένα καλώδια. Επαφή με ένα ηλεκτροφόρο καλώδιο θα μπορούσε να έχει ως αποτέλεσμα να καταστούν και τα εκτεθειμένα μεταλλικά τμήματα του εργαλείου ηλεκτροφόρα και να προκαλέσουν ηλεκτροπληξία στον χειριστή.
3. Πάντοτε να είστε σίγουρος ότι πατάτε σταθερά.
4. Σιγουρευτείτε ότι δεν βρίσκεται κανείς από κάτω όταν χρησιμοποιείτε το μηχάνημα σε υψηλές θέσεις.
5. Κρατάτε το μηχάνημα σταθερά.
6. Μην φέρνετε τα χέρια σας κοντά σε κινούμενα κομμάτια.
7. Μην αφήνετε το μηχάνημα να λειτουργεί. Χρησιμοποιείτε το μηχάνημα μόνο όταν το κρατάτε.
8. Μην αγγίζετε την αιχμή ή κομμάτια κοντά στην αιχμή αμέσως μετά τη λειτουργία, ίσως είναι πάρα πολύ ζεστά και μπορεί να κάψουν το δέρμα σας.

ΦΥΛΑΞΕΤΕ ΑΥΤΕΣ ΤΙΣ ΟΔΗΓΙΕΣ.

ΟΔΗΓΙΕΣ ΧΡΗΣΗΣ

Τοποθέτηση ή αφαίρεση της κασέτας μπαταρίας (Εικ. 1)

- Πάντοτε σβήνετε το μηχάνημα πριν τοποθετήσετε ή αφαιρέσετε την κασέτα μπαταρίας.
- Για να αφαιρέσετε τη κασέτα μπαταρίας, τραβήχτε τη έξω από το μηχάνημα ενώ πιέζετε τα πλήκτρα και στις δύο πλευρές της κασέτας.
- Για να τοποθετήσετε τη κασέτα μπαταρίας, ευθυγραμμίστε τη γλώσσα στη κασέτα μπαταρίας με την γκοπή στο περίβλημα και σύρετε τη στη θέση της. Πάντα βάζετε τη βαθείά μέσα μέχρι να κλειδώσει στη θέση της με ένα μικρό κλικ. Διαφορετικά, μπορεί να πέσει έξω από το μηχάνημα, και να τραυματίσει εσάς ή κάποιον άλλο.
- Μην βάζετε δύναμη όταν τοποθετείτε την κασέτα μπαταρίας. Εάν η κασέτα δεν εισέρχεται με ευκολία, δεν είναι τοποθετημένη σωστά.

Ανατρέξτε στον παρακάτω πίνακα για το χρόνο φόρτισης.

Τύπος μπαταρίας	Χωρητικότητα (Ah)	Αριθμός κυψελών	Χρόνος φόρτισης
1222 (Ni-cd)	2,0	10	Περίπου 45 λ.
1233 (Ni-MH)	2,2	10	Περίπου 50 λ.
1234 (Ni-MH)	2,6	10	Περίπου 60 λ.
1235 (Ni-MH)	3,0	10	Περίπου 70 λ.
1422 (Ni-cd)	2,0	12	Περίπου 45 λ.
1433 (Ni-MH)	2,2	12	Περίπου 50 λ.
1434 (Ni-MH)	2,6	12	Περίπου 60 λ.
1435 (Ni-MH)	3,0	12	Περίπου 70 λ.

ΠΡΟΣΟΧΗ:

- Το μοντέλο φορτιστής μπαταρίας είναι για φόρτιση κασέτας μπαταρίας Μάκιτα. Ποτέ μη το χρησιμοποιήσετε για άλλους σκοπούς ή για φόρτιση μπαταριών άλλων κατασκευαστών.
- Όταν φορτίζετε μία καινούργια κασέτα μπαταρίας, ή μία κασέτα μπαταρίας που δεν έχει χρησιμοποιηθεί για πολύ καιρό, μπορεί να μη δέχεται πλήρη φόρτιση. Αυτή είναι μία κανονική κατάσταση και δεν σημαίνει ότι υπάρχει πρόβλημα. Μπορείτε να επαναφορτίσετε τη κασέτα μπαταρίας πλήρως αφού την εκφορτίσετε τελείως και την επαναφορτίσετε δυο φορές.
- Εάν φορτίζετε μία κασέτα μπαταρίας από ένα μηχάνημα που μόλις χρησιμοποιήθηκε ή μία κασέτα μπαταρίας που έχει εκτεθεί στο άμεσο ηλιακό φως ή σε ζέστη για μεγάλο χρονικό διάστημα, το φωτάκι φόρτισης μπορεί να αναβοσβήνει σε κόκκινο χρώμα. Εάν αυτό συμβεί, περιμένετε για λίγο. Η φόρτιση θα αρχίσει αφού η κασέτα μπαταρίας κρυώσει. Η κασέτα μπαταρίας θα κρυώσει γρηγορότερα αν αφουρέδετε την κασέτα μπαταρίας από τον φορτιστή μπαταρίας.
- Εάν το φωτάκι φόρτισης αναβοσβήνει εναλλακτικά με πράσινο και κόκκινο χρώμα, ένα πρόβλημα υπάρχει και η φόρτιση δεν είναι δυνατή. Οι πόλοι του φορτιστή ή της κασέτας μπαταρίας είναι βουλωμένοι από τη σκόνη ή κασέτα μπαταρίας είναι φθαρμένη ή έχει βλάβη.

Στιγμιαία φόρτιση (Φόρτιση συντήρησης)

Εάν έχετε αφήσει την κασέτα μπαταρίας στον φορτιστή για να προλάβετε αυθόρμητη αποφόρτιση μετά από πλήρη φόρτιση, ο φορτιστής θα αλλάξει στη διαμόρφωση της “στιγμιαίας φόρτισης” (φόρτιση συντήρησης) και θα κρατήσει την κασέτα μπαταρίας φρέσκια και πλήρως φορτισμένη.

Συμβουλές για την διατήρηση της μέγιστης ζωής της μπαταρίας

1. Αλλάξτε την κασέτα μπαταρίας πριν αποφορτιστεί τελείως.
Πάντα σταματήστε την λειτουργία του μηχανήματος και φορτίστε την κασέτα μπαταρίας όταν παρατηρήσετε μειωμένη δύναμη του μηχανήματος.
2. Ποτέ μην επαναφορτίζετε μια πλήρως φορτισμένη κασέτα μπαταρίας.
Η υπερφόρτιση μικραίνει την ωφέλιμη ζωή της μπαταρίας.
3. Φορτίστε την κασέτα μπαταρίας σε θερμοκρασία δωματίου στους 10°C – 40°C.
Αφήστε μια ζεστή κασέτα μπαταρίας να κρυώσει προτού την φορτίσετε.
4. Φορτίστε την κασέτα μπαταρίας Νικελίου Μεταλλικού Υδριδίου όταν δεν την έχετε χρησιμοποιήσει για έξι μήνες.

Τοποθέτηση ή αφαίρεση αιχμής (Εικ. 3 και 4)

Σημαντικό:

Πάντα βεβαιώνετε ότι το μηχάνημα είναι σβηστό και η κασέτα μπαταρίας βγαλμένη πριν τοποθετήσετε ή αφαιρέσετε την αιχμή.

Κρατείστε το δακτυλίδι και στρίψτε το μανίκι αριστερόστροφα για να ανοίξετε τις σιαγόνες του σφικτήρα. Βάλτε την αιχμή στο σφικτήρα όσο βαθιά μπορεί να πάει. Κρατείστε το δακτυλίδι σταθερά και στρίψτε το μανίκι δεξιόστροφα για να σφίξετε τον σφικτήρα.

Για να αφαιρέσετε την αιχμή, κρατείστε το δακτυλίδι και στρίψτε το μανίκι αριστερόστροφα. Όταν δεν χρησιμοποιείτε την αιχμή βιδοτρύπανου, βάζετε τη στη θήκη αιχμών. Αιχμές μέχρι 45 χιλ μήκους μπορούν να φυλάγονται εκεί.

Λειτουργία διακόπτη (Εικ. 5)

ΠΡΟΣΟΧΗ:

Πριν βάλετε τη κασέτα μπαταρίας μέσα στο μηχάνημα, πάντοτε ελέγχετε να δείτε ότι η σκανδάλη διακόπτης ενεργοποιείται κανονικά και επιστρέφει στη θέση “OFF” όταν ελευθερώνεται.

Για να ξεκινήσει το μηχάνημα, απλώς τραβήχτε τη σκανδάλη. Η ταχύτητα του μηχανήματος αυξάνεται αυξάνοντας τη πίεση στη σκανδάλη. Αφήστε τη σκανδάλη για να σταματήσει.

Αντιστροφή λειτουργίας διακόπτη (Εικ. 6)

ΠΡΟΣΟΧΗ:

- Πάντοτε ελέγχετε τη διεύθυνση περιστροφής πριν από τη λειτουργία.
- Χρησιμοποιείτε το διακόπτη αντιστροφής μόνο αφού το μηχάνημα έχει σταματήσει εντελώς. Αλλαγή της διεύθυνσης περιστροφής πριν το μηχάνημα σταματήσει μπορεί να προκαλέσει ζημιά στο μηχάνημα.
- Όταν λειτουργείτε το μηχάνημα, πάντοτε να θέτετε το μοχλό αντιστροφής διακόπτη στην ουδέτερη θέση.

Αυτό το μηχάνημα έχει ένα διακόπτη αντιστροφής για να αλλάξει τη διεύθυνση περιστροφής. Πατήστε το μοχλό διακόπτη αντιστροφής από τη πλευρά Α για δεξιόστροφη περιστροφή ή από την πλευρά Β για αριστερόστροφη. Όταν ο μοχλός διακόπτη είναι στην ουδέτερη θέση, η σκανδάλη διακόπτη δεν μπορεί να τραβηχθεί.


Αλλαγή ταχύτητας (Εικ. 7)


Για να αλλάξετε την ταχύτητα, πρώτα σβήστε το μηχάνημα και μετά σύρετε το μοχλό αλλαγής ταχύτητας στη πλευρά "II" για υψηλή ταχύτητα ή στη πλευρά "I" για χαμηλή ταχύτητα. Βεβαιώνετε ότι ο μοχλός αλλαγής ταχύτητας έχει τοποθετηθεί στη σωστή θέση πριν τη λειτουργία. Χρησιμοποιείτε τη κατάλληλη ταχύτητα για την εργασία σας.

ΠΡΟΣΟΧΗ:

- Πάντοτα τοποθετείτε μοχλό αλλαγής ταχύτητας ακριβώς στη σωστή θέση. Εάν λειτουργήσετε το μηχάνημα με το μοχλό αλλαγής ταχύτητας στο ενδιάμεσο μεταξύ πλευρών "I" και "II" το μηχάνημα μπορεί να πάθει ζημιά.
- Μη χρησιμοποιείτε το μοχλό αλλαγής ταχύτητας ενώ το μηχάνημα λειτουργεί. Το μηχάνημα μπορεί να πάθει ζημιά.


Ρύθμιση της ροπής στερέωσης (Εικ. 8)

Η ροπή στερέωσης μπορεί να ρυθμιστεί με 17 βήματα στρίβοντας το δακτυλίδι ρύθμισης έτσι ώστε οι διαβαθμίσεις του να ευθυγραμμίζονται με το δείκτη στο σώμα του μηχανήματος. Η ροπή στερέωσης είναι ελάχιστη όταν ο αριθμός 1 ευθυγραμμίζεται με τον δείκτη, και μέγιστη όταν το σημάδι  ευθυγραμμίζεται με τον δείκτη.

Ο συμπλέκτης θα γλιστρήσει σε διάφορες στάθμες ροπής όταν ρυθμιστεί στους αριθμούς 1 έως 16. Ο συμπλέκτης είναι σχεδιασμένος να μη γλιστράει στο σημάδι .

Πριν αρχίσετε την πραγματική εργασία σας, βιδώστε μία δοκιμαστική βίδα στο υλικό σας ή σε ένα κομμάτι παρόμοιο υλικού για να διαπιστώσετε ποιά στάθμη ροπής απαιτείται για μία ιδιαίτερη εφαρμογή.

ΠΑΡΑΤΗΡΗΣΗ:

- Το δακτυλίδι ρύθμισης δεν κλειδώνει όταν ο δείκτης είναι τοποθετημένος στο ενδιάμεσο μεταξύ των διαβαθμίσεων.
- Μη λειτουργείτε το μηχάνημα με το δακτυλίδι ρύθμισης τοποθετημένο μεταξύ του αριθμού 16 και του σημαδιού . Το μηχάνημα μπορεί να πάθει ζημιά.

Λειτουργία βιδώματος (Εικ. 9)

Τοποθετείστε το άκρο της αιχμής βιδοτρύπανου στο κεφάλι της βίδας και εφαρμόστε πίεση στο μηχάνημα. Ξεκινήστε το μηχάνημα αργά και μετά αυξήστε την ταχύτητα βαθμιαία. Αφήστε τη σκανδάλη μόλις ο συμπλέκτης παρέμβει.


ΠΑΡΑΤΗΡΗΣΗ:

- Βεβαιώνετε ότι η αιχμή του βιδοτρύπανου εισέρχεται ίσια στη κεφαλή της βίδας, διαφορετικά η βίδα και η αιχμή μπορεί να πάθουν ζημιά.
- Όταν βιδώνετε Ξυλόβιδες, ανοίξτε τρύπες οδηγούς για να κάνετε το βιδώμα ευκολότερο και να αποφύγετε σχίσμο του αντικειμένου εργασίας. Δείτε τον παρακάτω πίνακα.

Όνομαστική διάμ. Ξυλόβιδας (χιλ)	Συνιστώμενο μέγεθος τρύπας οδηγού (χιλ)
3,1	2,0–2,2
3,5	2,2–2,5
3,8	2,5–2,8
4,5	2,9–3,2
4,8	3,1–3,4
5,1	3,3–3,6
5,5	3,7–3,9
5,8	4,0–4,2
6,1	4,2–4,4

- Εάν το μηχάνημα λειτουργεί συνεχώς μέχρι η κασέτα μπαταρίας αδειάσει, αφήστε το μηχάνημα να αναπαυθεί για 15 λεπτά πριν προχωρήσετε με μία νέα μπαταρία.

Λειτουργία τρυπάνισματος

Πρώτα, στρίψτε το δακτυλίδι ρύθμισης έτσι ώστε ο δείκτης στο σώμα του μηχανήματος δείχνει στο σημάδι . Μετά προχωρήστε ως εξής.

- Τρυπάνισμα σε ξύλο
Όταν τρυπανίζετε σε ξύλο, τα καλύτερα αποτελέσματα επιτυγχάνονται με τρυπάνια ξύλου εφοδιασμένα με βίδα οδηγό. Η βίδα οδηγός κάνει το τρυπάνισμα ευκολότερο παρασύροντας την αιχμή μέσα στο αντικείμενο εργασίας.
- Τρυπάνισμα σε μέταλλο
Για να αποφύγετε γλιστρήμα της αιχμής όταν αρχίζετε μία τρύπα, κάντε ένα βαθούλωμα με ένα καλέμι και σφυρί στο σημείο τρυπανισμού. Τοποθετήστε το άκρο της αιχμής στο βαθούλωμα και αρχίστε το τρυπάνισμα.
Χρησιμοποιείτε ένα λιπαντικό κοπής όταν τρυπανίζετε σε μέταλλο. Οι εξαιρέσεις είναι ο σίδηρος και ο μπρούτζος που πρέπει να τρυπανίζονται στεγνά.

ΠΡΟΣΟΧΗ:

- Πιέζοντας υπερβολικά στο μηχάνημα δεν θα επιταχύνει το τρυπάνισμα. Στη πραγματικότητα, αυτή η υπερβολική πίεση θα προκαλέσει μόνο ζημιά στο άκρο της αιχμής, θα μειώσει την απόδοση του μηχανήματος και θα βραχύνει τον ωφέλιμο χρόνο χρήσης του μηχανήματος.

- Μία τρομακτική δύναμη εξασκείται στο μηχανήμα/ αιχμή κατά τη στιγμή που το τρυπάνι διαπερνά την τρύπα. Κρατάτε το μηχανήμα σταθερά και προσέχετε πολύ κατά τη στιγμή που το μηχανήμα αρχίζει τη διαπέραση της τρύπας.
- Μία μαγκωμένη αιχμή μπορεί να αφαιρεθεί απλώς βάζοντας το διακόπτη αντιστροφής να αντιστρέψει τη περιστροφή για να οπισθοδρομήσει. Όμως το μηχανήμα μπορεί να οπισθοδρομήσει απότομα εάν δεν το κρατάτε σταθερά.
- Πάντοτε στερεώνετε μικρά αντικείμενα εργασίας σε μία μέγγενη ή σε παρόμοια συσκευή ακινητοποίησης.
- Εάν το μηχανήμα λειτουργεί συνεχώς μέχρι η κασέτα μπαταρίας αδειάσει, αφήστε το μηχανήμα να αναπαυθεί για 15 λεπτά πριν προχωρήσετε με μία νέα μπαταρία.

ΣΥΝΤΗΡΗΣΗ

ΠΡΟΣΟΧΗ:

Πριν την εκτέλεση εργασιών με τη συσκευή διαβεβαιώνετε πάντοτε, για το ότι η συσκευή σβήστηκε με απομακρυσμένο το συσσωρευτή.

Αντικατάσταση καρβουνάκια (Εικ. 10 και 11)

Τα καρβουνάκια πρέπει να αντικαθίστανται, όταν έχουν φθαρεί μέχρι το σημείο μαρκαρίσματος. Τα δύο ταυτόσημα καρβουνάκια πρέπει να αντικαθίστανται ταυτόχρονα.

Για τη διασφάλιση της σιγουριάς και αξιοπιστίας των προϊόντων μας πρέπει οι επισκευές, εργασίες συντήρησης ή ρυθμίσεις να εκτελούνται από εξουσιοδοτημένα εργαστήρια σέρβις πελατών Μάκιτα.

ΑΝΤΑΛΛΑΚΤΙΚΑ

ΠΡΟΣΟΧΗ:

- Αυτά τα ανταλλακτικά ή προσαρτήματα συνιστώνται για χρήση με το εργαλείο σας της Μάκιτα που περιγράφεται στο εγχειρίδιο αυτό. Η χρήση οτιδήποτε άλλων ανταλλακτικών ή προσαρτημάτων μπορεί να παρουσιάσουν κίνδυνο τραυματισμού σε άτομα.

Εάν χρειάζεστε βοήθεια ή περισσότερες λεπτομέρειες σε σχέση με αυτά τα ανταλλακτικά, ρωτήστε το τοπικό σας κέντρο εξυπηρέτησης της Μάκιτα.

- Αιχμές βιδώματος
- Συναρμολόγηση λαβής
- Σύνολο ελαστικού υποθέματος
- Αφρώδες στιλβωτικό υπόθεμα
- Οδηγός βάθους
- Μάλλινο κάλυμμα
- Διάφοροι τύποι αυθεντικών μπαταριών και φορτιστών Μάκιτα.
- Πλαστική θήκη μεταφοράς

1 Düşme	10 Anahtar tetiği	19 Ayar segmanı
2 PİL kartuşu	11 Ters dönüş mandalı	20 Ayar işaretleri
3 Şarj lambası	12 A tarafı	21 Vidalama işareti
4 Şarj cihazı	13 B tarafı	22 Gösterge
5 Uç	14 Saat yönü	23 Limit işareti
6 Sıkıştırma	15 Saat yönünün tersi	24 Fırça tutucu tıpası
7 Manşon	16 Düşük hız	25 Tornavida
8 Segman	17 Yüksek hız	
9 Uç tutucu	18 Hız değiştirme kolu	

ÖZELLİKLER

Model	6216D	6236D	6316D	6336D
Kapasiteler				
Çelik	10 mm	10 mm	13 mm	13 mm
Tahta	30 mm	36 mm	30 mm	36 mm
Tahta vida	6 x 75 mm	6 x 75 mm	6 x 75 mm	6 x 75 mm
Makina vidası	6 mm	6 mm	6 mm	6 mm
Yüksüz hız (1 / dakika)				
Yüksek	0 – 1,300	0 – 1,300	0 – 1,300	0 – 1,300
Düşük	0 – 400	0 – 400	0 – 400	0 – 400
Toplam uzunluk	243 mm	243 mm	255 mm	255 mm
Net ağırlık	2.1 kg	2.2 kg	2.2 kg	2.3 kg
Belirlenmiş voltaj	D.C. 12 V	D.C. 14.4 V	D.C. 12 V	D.C. 14.4 V

• Sürekli yapılan araştırma ve geliştirmelerden dolayı, burada belirtilen özellikler önceden bildirilmeksizin değişebilir.

• Not: Özellikler ülkeden ülkeye değişebilir.

Güvenlik tavsiyesi

Kendi güvenliğiniz için, lütfen makinenizle beraber gelen güvenlik talimatlarına başvurunuz.

ŞARJ CİHAZI VE PİL KARTUŞU İÇİN ÖNEMLİ GÜVENLİK TALİMATLARI

- BU TALİMATLARI SAKLAYIN** – Bu el kitabı pil şarj cihazı için önemli güvenlik ve çalışma talimatları içerir.
- Şarj cihazınızı kullanmadan önce, şarj cihazı (1), pil (2) ve ürünün (3) üzerindeki uyarı işaretlerini okuyun.
- DİKKAT** – Yaralanma riskini azaltmak için, sadece MAKITA tipi piller ile değiştirin. Diğer tip piller patlayıp kişisel yaralanma ve zarara sebep olabilir.
- Şarj cihazını yağmur ve kara maruz bırakmayın.
- Tavsiye edilmemiş bir üreticinin adaptörünü kullanma, yangın riski, elektrik şok veya kişisel yaralanmalara sebep olabilir.
- Elektrik prizine ve kabloya zarar riskini azaltmak için, şarj cihazının bağlantısını kesmede kabloyu ayırma değil fişten çekme yoluna gidin.
- Kabloyu basılmayacak, takılmayacak ve zarar görmeyecek şekilde yerleştirin.
- Şarj cihazını zarar görmüş kablo ile kullanmayın – kabloyu hemen değiştirin.
- Sert darbe alan, düşen veya başka şekilde zarar görmüş şarj cihazını çalıştırmayın; yetkili servis elemanına götürün.

10. Şarj cihazını veya pili demonte etmeyin, bakım veya tamir gerektiğinde yetkili servis elemanına götürün. Yanlış monte elektrik çarpmasına veya yangın riskine sebep olabilir.

11. Herhangi bir bakım veya temizlik yapacağınız zaman, elektrik çarpması riskini azaltmak için şarj cihazını prizden ayırın. Cihazı kapatmak riski azaltmaz.

12. Şarj cihazı küçük çocuklar ve refakat edilmeyen malullerin kullanması için yapılmamıştır.

13. Küçük çocuklara şarj cihazı ile oynamamaları için nezaret edilmelidir.

ŞARJ CİHAZI VE PİL KARTUŞU İÇİN EK GÜVENLİK KURALLARI

- Pil kartuşunu sıcaklık 10°C'nin altında veya 40°C'nin üstünde iken şarj etmeyin.
- Yükseltici transformatör, jeneratör veya DC (doğru akım) kaynağı kullanmaya kalkmayın.
- Şarj cihazının menfezlerini herhangi bir şey ile örtmeyin veya tıkamayın.
- Pil kartuşunu kullanmadığınız zaman, pilin uçlarını pil kılıfı ile kapatın.
- Pil kartuşunu kısa devre yapmayın.
 - iletken bir malzeme ile pil uçlarına dokunmayın.
 - Pil kartuşunu çivi, metal para vb. gibi diğer metal cisimlerin olduğu kaplarda saklamayın.
 - Pil kartuşunu su veya yağmura maruz bırakmayın.

Pilde kısa devre büyük bir akım boşalmasına, fazla ısınmaya, muhtemel yanıklara ve hatta arızaya sebep olabilir.
- Pil kartuşunu ve makinaları, sıcaklığın 50°C'nin üzerine ulaşabileceği yerlerde saklamayın.

7. Pili kartuşu hayli zarar görse veya tamamen eskise bile kartuşu yakmayın. Pili kartuşu ateşte infilak edebilir.
8. Pili düşürmemeye, sallamamaya ve çarpmamaya dikkat edin.
9. Bir kutunun veya kabin içinde şarj etmeyin. Şarj sırasında pil iyi havalandırılan bir yerde olmalıdır.
6. Ellerinizi dönen parçalardan uzak tutun.
7. Makinayı çalışır durumda bırakmayın. Makinayı yalnızca elinizdeyken çalıştırın.
8. Kullanılan ucu veya iş parçasını işlemden hemen sonra ellemeyin; bunlar çok sıcak olup derinizi yakabilir.

BU TALİMATLARI MUHAFAZA EDİNİZ.

MAKİNA İÇİN EK GÜVENLİK KURALLARI

1. Bu makinanın her zaman çalışma durumunda olduğunu unutmayınız, çünkü bu duruma geçmek için prize takılmasına ihtiyaç yoktur.
2. Elektrik kablolarıyla karşılaşabileceğiniz yerlerde işlem yapıyorsanız, makinayı yalnız yalıtkan tutma yerlerinden tutun. Elektrikli bir kabloya temas olduğunda, makinanın metal parçaları da elektrikli hale gelir ve elektrik çarpması olur.
3. Her zaman yere sağlam basın.
4. Makinayı yüksekte kullandığınızda, altında kimsenin olmadığından emin olun.
5. Makinayı sıkıca tutun.

Şarj etme (Şekil 2)

Şarj cihazını güç kaynağına sokun. Şarj lambası yeşil renkte yanar. Pili kartuşunu üzerindeki artı ve eksi uçlar, şarj cihazının üzerindekiyle aynı yere gelecek şekilde yerleştirin. Kartuşu şarj cihazının tabanına tam oturacak şekilde, yola tam olarak yerleştirin. Pili kartuşu yerleştirildiğinde, şarj lambası yeşilden kırmızıya döner ve şarj başlar. Şarj süresince lamba yanık kalır. Şarj sona erdiğinde lamba kırmızıdan yeşile döner. Şarj süresi yaklaşık bir saattir. Şarj sona erdiğinde, pil kartuşunu şarj cihazında bırakırsanız, şarj cihazı 'yavaş şarj (bakım şarjı)' moduna geçer. Şarjdan sonra, şarj cihazını güç kaynağından ayırın. Şarj süresi için aşağıdaki tabloya bakınız.

Pil tipi	Kapasite (Ah)	Hücre sayısı	Şarj süresi
1222 (Ni-cd)	2.0	10	Yaklaşık 45 dakika
1233 (Ni-MH)	2.2	10	Yaklaşık 50 dakika
1234 (Ni-MH)	2.6	10	Yaklaşık 60 dakika
1235 (Ni-MH)	3.0	10	Yaklaşık 70 dakika
1422 (Ni-cd)	2.0	12	Yaklaşık 45 dakika
1433 (Ni-MH)	2.2	12	Yaklaşık 50 dakika
1434 (Ni-MH)	2.6	12	Yaklaşık 60 dakika
1435 (Ni-MH)	3.0	12	Yaklaşık 70 dakika

DİKKAT:

- Şarj cihazı Makita pil kartuşu içindir. Başka amaçlar ve başka üreticilerin pillerini şarj etmek için kullanmayın.
- Yeni veya uzun bir süre kullanılmamış bir pili şarj etmeye çalıştığınızda, tam dolu şarj edilemeyebilir. Bu durum normaldir ve birkaç defa tam olarak boşaltıp şarj edildiğinde, tam dolu şarj edilir hale gelir.
- Yeni kullanılmış bir cihazdan çıkardığınız veya uzun bir süre güneş ışığında kalmış bir kartuşu şarj etmek için, bir süre bekleyin. Şarj işlemi kartuş soğuduktan sonra başlar. Eğer kartuşu şarj cihazından ayırırsanız, daha çabuk soğur.
- Şarj lambası yeşil ve kırmızı renklere yanıp söniyorsa, bir problem var demektir ve şarj edilemez. Şarj cihazının veya pil kartuşunun terminalleri tozla kaplanmış veya pil kartuşu eskimiş veya bozulmuş demektir.

Yavaş şarj (Bakım şarjı)

Pil kartuşunu, tam boşaldıktan sonra ani boşalmayı önlemek için, şarj cihazının içinde bırakırsanız, şarj cihazı 'yavaş şarj (bakım şarjı)' moduna geçer ve pil kartuşunu taze ve tam dolu tutar.

Uzun pil ömrü için tavsiyeler:

1. Pil kartuşunu tamamen boşalmadan şarj ediniz.
Gücün azaldığını hissederseniz, alet işlemlerini durdurun ve pil kartuşunu şarj ediniz.
2. Tam doldurulmuş bir pil kartuşunu, hiçbir zaman tekrar şarj etmeyiniz.
Fazla şarj etmek pilin hizmet ömrünü azaltır.
3. Pili kartuşunu oda sıcaklığında 10°C – 40°C şarj ediniz.
Şarj etmeden önce, sıcak pil kartuşunun soğumasını bekleyiniz.
4. Nikel Metal Hidrit pil kartuşunu, altı aydan daha uzun süre kullanmazsanız şarj edin.

Vida veya matkap ucunun takılması veya çıkarılması (Şekil 3 ve 4)

Önemli:

Ucu takmadan veya çıkarmadan önce, makinanın kapalı ve pil kartuşunun çıkarılmış olduğundan emin olunuz.

Mandren ağızlarını açmak için, segmanı tutup manşonu saat yönünün tersine çevirin. Ucu mandrenin içinde gidebileceği kadar yerleştirin. Mandreni sıkıştırmak için, segmanı sıkıca tutup manşonu saat yönünde çevirin.

Ucu çıkarmak için, segmanı tutup manşonu saat yönünün tersine çevirin.

Vida ucunu kullanmıyorsanız, uç tutucularda saklayın. 45 mm uzunluğundaki uçlar tutucuda saklanabilir.

Anahtar işlemi (Şekil 5)

DİKKAT:

Makinaya pil kartuşunu yerleştirmeden önce, anahtar tetiğinin düzgün çalıştığını ve serbest bırakıldığında 'OFF' pozisyonuna geldiğini kontrol edin.

Makinayı çalıştırmak için tetiği çekin. Makinanın hızı tetiğin üzerine daha fazla bastırılarak artırılır. Durdurmak için tetiği bırakın.

Anahtar işleminin ters çevrilmesi (Şekil 6)

DİKKAT:

- İşlemden önce her zaman dönme yönünü kontrol edin.
- Ters dönüş mandalını, makina tamamen durduktan sonra kullanın. Makina durmadan dönme yönünü değiştirme makina zarar verebilir.
- Makinayı kullanmaz iken, ters dönüş mandalını nötr pozisyona getirin.

Bu makinanın dönme yönünü değiştirmek için ters dönüş mandalı vardır. Ters dönüş mandalını saat yönü dönüş için A tarafından bastırın, saat yönünün tersi dönüş için B tarafından bastırın. Mandal nötr pozisyonda iken, anahtar tetiği çalışmaz.

Hız değişimi (Şekil 7)

Hızı değiştirmek için, önce makinayı kapatın, sonra yüksek hız için hız değiştirme kolunu 'II' tarafına, düşük hız için de 'I' tarafına getirin. İşlem yapmadan önce, hız değiştirme kolunun doğru pozisyonda olduğundan emin olun. İşiniz için doğru hızı seçin.

DİKKAT:

- Her zaman hız değiştirme kolunu tam olarak doğru pozisyona getirin. Makinayı hız değiştirme kolu 'I' ve 'II' taraflarının arasında bir yerde iken çalıştırırsanız, makina zarar görebilir.
- Makina çalışır durumda iken, hız değiştirme kolunu kullanmayın. Makina zarar görebilir.

Sıkıştırma torkunun ayarlanması (Şekil 8)

Sıkıştırma torku, ayar segmanını çevirip üzerindeki ayar işaretleri makinanın üzerindeki göstere ile aynı hizaya getirilerek, 17 değişik mertebede ayarlanabilir. Sıkıştırma torku, makinanın üzerindeki göstere 1 numaralı göstere ile aynı hizaya getirildiğinde en düşük mertebede, 17 işareti ile aynı hizaya getirildiğinde ise en yüksek mertebededir.

1 ila 16 arasındaki ayarlarda, kavrama değişik tork mertebelerinde kayar. 17 işareti ise kayma olmaz. Gerçek işleme geçmeden önce, o işlem için hangi tork mertebesinin uygun olduğunu anlamak için, malzemenizde veya kopyasından deneme vidalaması yapın.

NOT:

- Göstere ayar işaretlerinin ara yerine getirilirse, ayar segmanı kilitlenmez.
- Makinanızı ayar segmanı 16 ile 17 işareti arasında ayarlanmış halde çalıştırmayın. Makinaya zarar gelebilir.

Vidalama işlemi (Şekil 9)

Makinanın vida ucunu, vidanın üzerine yerleştirin ve makinayı bastırın. Makinayı yavaşça başlatıp, hızı giderek artırın. Kavrama olduğunda tetiği bırakın.


NOT:

- Makina vida ucunun vida başına düz olarak yerleştiğinden emin olunuz, yoksa vida ve/veya uç zedelenebilir.
- Tahta vidaları vidalarken, vidalama işleminin kolaylaşması ve iş parçasının kaymasını önlemek için önceden kılavuz delikler açınız. Aşağıdaki tabloya bakın.

Tahta vidanın itibari çapı (mm)	Kılavuz deliğin büyüklüğü (mm)
3.1	2.0 – 2.2
3.5	2.2 – 2.5
3.8	2.5 – 2.8
4.5	2.9 – 3.2
4.8	3.1 – 3.4
5.1	3.3 – 3.6
5.5	3.7 – 3.9
5.8	4.0 – 4.2
6.1	4.2 – 4.4

- Makina bir pili tamamen bitirecek kadar uzun süreli kullanılmışsa, yeni bir pil ile işleme başlamadan önce 15 dakika kadar makinayı dinlendirin.

Delme işlemi

Önce makina üzerindeki gösterge,  işaretini gösterecek şekilde ayar segmanını çevirin. Daha sonra ise aşağıdaki şekilde işleme devam edin.

- Tahta delerken
Tahta delerken, kılavuz vidalı tahta uçlarıyla en iyi sonuçlar elde edilir. Kılavuz vida, ucu iş parçasına çekmek suretiyle delme işlemini kolaylaştırır.
- Metal delerken
Delik delmeye başlarken, ucun kaymasını engellemek için zımba ve çekici yardımı ile delik açılacak noktaya çentik açın. Çentik üstüne matkap ucunu yerleştirip delmeye başlayın. Metal delerken kesme soğutucusu sıvıyı kullanın. Ancak demir ve çelik istisna olup kuru olarak delinmelidir.

DİKKAT:

- Makinaya aşırı baskı yapıldığında delme işlemi hızlanmayacaktır. Aşırı baskı ucun yıpranmasına, makina performansının düşmesine ve makinanın kullanım ömrünün kılmasına yol açacaktır.
- Delip çıkma sırasında makina ve uç üzerinde çok büyük güç uygulanır. Uç, iş parçasını delip çıkmaya başladığında makinayı sıkı tutun ve dikkat sarf edin. İki elinizle makinayı kontrol edin.
- Sıkışan bir uç, makinayı ters yöne döndürerek kolayca çıkartılabilir. Fakat bu durumda makinayı sıkıca tutmak gerekir, aksi halde makina darbe ile aniden elden çıkabilir.
- Küçük iş parçalarını delerken, mengene ya da benzeri sabit tutucu aletler kullanın.
- Makina bir pili tamamen bitirecek kadar uzun süreli kullanılmışsa, yeni bir pil ile işleme başlamadan önce 15 dakika kadar makinayı dinlendirin.

BAKIM

DİKKAT:

Makinanız üzerinde herhangi bir işlem yapmadan önce, makinanın kapalı ve pil kartuşunun çıkarılmış olduğundan emin olunuz.

Karbon fırçaların değiştirilmesi (Şekil 10 ve 11)

Karbon fırçaları limit çizgisine kadar aşındıklarında değiştirin. Tıpatıp aynı karbon fırçalar aynı anda değiştirilmelidir.

Ürün güvenliği için, makinanın tamir, bakımı ve ayarlama işlemleri Makita Yetkili Servislerince yapılmalıdır.

YARDIMCI MALZEMELER

DİKKAT:

Bu el kitabında belirtilen Makita makinanız ile kullanılması tavsiye edilen yardımcı ve ek malzemeler şunlardır. Belirtilenlerin dışında yardımcı ve ek malzemeler kullanmak, şahıslarda yaralanma riski oluşturabilir. Yardımcı ve ek malzemeler yalnızca uygun şekilde ve bilinçli olarak kullanılmalıdır.

- Vidalama uçları
- Kavrama tertibatı
- Lastik yastık tertibatı
- Köpük cila pedi
- Derinlik mastarı
- Yün bone
- Çeşitli orijinal Makita pilleri ve şarj aletleri
- Plastik taşıma çantası

ENGLISH**EC-DECLARATION OF CONFORMITY**

We declare under our sole responsibility that this product is in compliance with the following standards of standardized documents, EN50260, EN55014 in accordance with Council Directives, 89/336/EEC and 98/37/EC.

FRANÇAISE**DÉCLARATION DE CONFORMITÉ CE**

Nous déclarons sous notre entière responsabilité que ce produit est conforme aux normes des documents standardisés suivants, EN50260, EN55014 conformément aux Directives du Conseil, 89/336/CEE et 98/37/EG.

DEUTSCH**KE-KONFORMITÄTSERKLÄRUNG**

Hiermit erklärt wir unter unserer alleinigen Verantwortung, daß dieses Produkt gemäß den Ratsdirektiven 89/336/EWG und 98/37/EG mit den folgenden Normen von Normendokumenten übereinstimmen:

EN50260, EN55014.

ITALIANO**DICHIARAZIONE DI CONFORMITÀ
CON LE NORME DELLA COMUNITÀ EUROPEA**

Dichiariamo sotto la nostra sola responsabilità che questo prodotto è conforme agli standard di documenti standardizzati seguenti: EN50260, EN55014 secondo le direttive del Consiglio 89/336/CEE e 98/37/CE.

NEDERLANDS**EG-VERKLARING VAN CONFORMITEIT**

Wij verklaren hierbij uitsluitend op eigen verantwoordelijkheid dat dit produkt voldoet aan de volgende normen van genormaliseerde documenten,

EN50260, EN55014

in overeenstemming met de richtlijnen van de Raad 89/336/EEC en 98/37/EC.

ESPAÑOL**DECLARACIÓN DE CONFORMIDAD DE LA CE**

Declaramos bajo nuestra sola responsabilidad que este producto cumple con las siguientes normas de documentos normalizados, EN50260, EN55014 de acuerdo con las directivas comunitarias, 89/336/EEC y 98/37/CE.

PORTUGUÊS**DECLARAÇÃO DE CONFORMIDADE DA CE**

Declaramos sob inteira responsabilidade que este produto obedece às seguintes normas de documentos normalizados, EN50260, EN55014 de acordo com as directivas 89/336/CEE e 98/37/CE do Conselho.

DANSK**EU-DEKLARATION OM KONFORMITET**

Vi erklærer hermed på eget ansvar, at dette produkt er i overensstemmelse med de følgende standarder i de normsættende dokumenter,

EN50260, EN55014

i overensstemmelse med Rådets Direktiver 89/336/EEC og 98/37/EC.

SVENSKA**EG-DEKLARATION OM ÖVERENSSTÄMMELSE**

Under eget ansvar deklarerar vi härmed att denna produkt överensstämmer med följande standardiseringar för standardiserade dokument,

EN50260, EN55014

i enlighet med EG-direktiven 89/336/EEC och 98/37/EC.

NORSK**EU's SAMSVARS-ERKLÆRING**

Vi erklærer på eget ansvar at dette produktet er i overensstemmelse med følgende standard i de standardiserte dokumenter:

EN50260, EN55014,

i samsvar med Råds-direktivene, 89/336/EEC og 98/37/EC.

SUOMI**VAKUUTUS EC-VASTAAVUDESTA**

Yksinomaaisesti vastuullisina ilmoitamme, että tämä tuote on seuraavien standardoitujen dokumenttien standardien mukainen, EN50260, EN55014

neuvoston direktiivien 89/336/EEC ja 98/37/EC mukaisesti.

ΕΛΛΗΝΙΚΑ**ΔΗΛΩΣΗ ΣΥΜΜΟΡΦΩΣΗΣ ΕΚ**

Δηλώνουμε υπό την μοναδική μας ευθύνη ότι αυτό το προϊόν βρίσκεται σε Συμφωνία με τα ακόλουθα πρότυπα τυποποιημένων εγγράφων,

EN50260, EN55014

σύμφωνα με τις Οδηγίες του Συμβουλίου, 89/336/EEC και 98/37/ΕΚ.

TÜRKÇE**AVRUPA KONSEYİ – UYGUNLUK BEYANI**

Bütün sorumluluğu üzerimize alarak, bu ürünün, Avrupa Konseyi Yönergeleri, 89/336/EEC ve 98/37/EC uyarınca, aşağıdaki standartlaştırılmış belgelerdeki standartlara uygunluğuna beyan ederiz:

EN50260, EN55014.

Yasuhiko Kanzaki **CE 2003**



Director

MAKITA INTERNATIONAL EUROPE LTD.

Michigan Drive, Tongwell, Milton Keynes,
Bucks MK15 8JD, ENGLAND

ENGLISH**EC-DECLARATION OF CONFORMITY**

We declare under our sole responsibility that this product is in compliance with the following standards of standardized documents, EN60335, EN55014, EN61000 in accordance with Council Directives, 73/23/EEC and 89/336/EEC.

FRANÇAISE**DÉCLARATION DE CONFORMITÉ CE**

Nous déclarons sous notre entière responsabilité que ce produit est conforme aux normes des documents standardisés suivants, EN60335, EN55014, EN61000 conformément aux Directives du Conseil, 73/23/CEE et 89/336/CEE.

DEUTSCH**CE-KONFORMITÄTSERKLÄRUNG**

Hiermit erkläre ich unter unserer alleinigen Verantwortung, daß dieses Produkt gemäß den Ratsdirektiven 73/23/EWG und 89/336/EWG mit den folgenden Normen von Normendokumenten übereinstimmt:

EN60335, EN55014, EN61000.

ITALIANO**DICHIARAZIONE DI CONFORMITÀ
CON LE NORME DELLA COMUNITÀ EUROPEA**

Dichiariamo sotto la nostra sola responsabilità che questo prodotto è conforme agli standard di documenti standardizzati seguenti:

EN60335, EN55014, EN61000

secondo le direttive del Consiglio 73/23/CEE e 89/336/CEE.

NEDERLANDS**EG-VERKLARING VAN CONFORMITEIT**

Wij verklaren hierbij uitsluitend op eigen verantwoordelijkheid dat dit produkt voldoet aan de volgende normen van genormaliseerde documenten,

EN60335, EN55014, EN61000

in overeenstemming met de richtlijnen van de Raad 73/23/EEC en 89/336/EEC.

ESPAÑOL**DECLARACIÓN DE CONFORMIDAD DE LA CE**

Declaramos bajo nuestra sola responsabilidad que este producto cumple con las siguientes normas de documentos normalizados, EN60335, EN55014, EN61000

de acuerdo con las directivas comunitarias, 73/23/EEC y 89/336/EEC.

PORTUGUÊS**DECLARAÇÃO DE CONFORMIDADE DA CE**

Declaramos sob inteira responsabilidade que este produto obedece às seguintes normas de documentos normalizados, EN60335, EN55014, EN61000 de acordo com as directivas 73/23/CEE e 89/336/CEE do Conselho.

DANSK**EU-DEKLARATION OM KONFORMITET**

Vi erklærer hermed på eget ansvar, at dette produkt er i overensstemmelse med de følgende standarder i de normsættende dokumenter,

EN60335, EN55014, EN61000

i overensstemmelse med Rådets Direktiver 73/23/EEC og 89/336/EEC.

SVENSKA**EG-DEKLARATION OM ÖVERENSSTÄMMELSE**

Under eget ansvar deklarerar vi härmed att denna produkt överensstämmer med följande standardiseringar för standardiserade dokument,

EN60335, EN55014, EN61000

i enlighet med EG-direktiven 73/23/EEC och 89/336/EEC.

NORSK**EU's SAMSVAR-ERKLÆRING**

Vi erklærer på eget ansvar at dette produktet er i overensstemmelse med følgende standard i de standardiserte dokumenter:

EN60335, EN55014, EN61000,

i samsvar med Råds-direktivene, 73/23/EEC og 89/336/EEC.

SUOMI**VAKUUTUS EC-VASTAAVUUDESTA**

Yksinomaisesti vastuullisina ilmoitamme, että tämä tuote on seuraavien standardoitujen dokumenttien standardien mukainen,

EN60335, EN55014, EN61000

neuvoston direktiivien 73/23/EEC ja 89/336/EEC mukaisesti.

ΕΛΛΗΝΙΚΑ**ΔΗΛΩΣΗ ΣΥΜΜΟΡΦΩΣΗΣ EK**

Δηλώνουμε υπό την μοναδική μας ευθύνη ότι αυτό το προϊόν βρίσκεται σε Συμφωνία με τα ακόλουθα πρότυπα τυποποιημένων εγγράφων,

EN60335, EN55014, EN61000

σύμφωνα με τις Οδηγίες του Συμβουλίου, 73/23/EEC και 89/336/EEC.

TÜRKÇE**AVRUPA KONSEYİ – UYGUNLUK BEYANI**

Bütün sorumluluğu üzerimize alarak, bu ürünün, Avrupa Konseyi Yönergeleri, 73/23/EEC ve 89/336/EEC uyarınca, aşağıdaki standartlaştırılmış belgelerdeki standartlara uygunluğuna beyan ederiz:

EN60335, EN55014, EN61000.

Yasuhiko Kanzaki **CE 2003**



Director

MAKITA INTERNATIONAL EUROPE LTD.

Michigan Drive, Tongwell, Milton Keynes,
Bucks MK15 8JD, ENGLAND

ENGLISH**Noise and Vibration**

The typical A-weighted sound pressure level is 71 dB (A).
The noise level under working may exceed 85 dB (A).

– Wear ear protection. –

The typical weighted root mean square acceleration value is not more than 2,5 m/s².

FRANÇAISE**Bruit et vibrations**

Le niveau de pression sonore pondéré A type est de 71 dB (A).
Le niveau de bruit en fonctionnement peut dépasser 85 dB (A).

– Porter des protecteurs anti-bruit. –

L'accélération pondérée ne dépasse pas 2,5 m/s².

DEUTSCH**Geräusch- und Vibrationsentwicklung**

Der typische A-bewertete Schalldruckpegel beträgt 71 dB (A).
Der Lärmpegel kann während des Betriebs 85 dB (A) überschreiten.

– Gehörschutz tragen. –

Der gewichtete Effektivwert der Beschleunigung beträgt nicht mehr als 2,5 m/s².

ITALIANO**Rumore e vibrazione**

Il livello di pressione sonora pesata secondo la curva A è di 71 dB (A).

Il livello di rumore durante il lavoro potrebbe superare gli 85 dB (A).

– Indossare i paraorecchi. –

Il valore quadratico medio di accelerazione non supera i 2,5 m/s².

NEDERLANDS**Geluidsniveau en trilling**

Het typische A-gewogen geluidsdrukniveau is 71 dB (A).

Tijdens het werken kan het geluidsniveau 85 dB (A) overschrijden.

– Draag oorbeschermers. –

De typische gewogen effectieve versnellingswaarde is niet meer dan 2,5 m/s².

ESPAÑOL**Ruido y vibración**

El nivel de presión sonora ponderada A es de 71 dB (A).

El nivel de ruido en condiciones de trabajo puede que sobrepase los 85 dB (A).

– Póngase protectores en los oídos. –

El valor ponderado de la aceleración no sobrepasa los 2,5 m/s².

PORTUGUÊS**Ruído e vibração**

O nível normal de pressão sonora A é 71 dB (A).

O nível de ruído durante o trabalho pode exceder 85 dB (A).

– Utilize protectores para os ouvidos. –

O valor médio da aceleração é inferior a 2,5 m/s².

DANSK**Lyd og vibration**

Det typiske A-vægtede lydtryksniveau er 71 dB (A).

Støjniveauet under arbejde kan overstige 85 dB (A).

– Bær høreværn. –

Den vægtede effektive accelerationsværdi overstiger ikke 2,5 m/s².

SVENSKA**Buller och vibration**

Den typiska A-vägda ljudtrycksnivån är 71 dB (A).

Bullernivån under pågående arbete kan överstiga 85 dB (A).

– Använd hörselskydd. –

Det typiskt vägda effektivvärdet för acceleration överstiger inte 2,5 m/s².

NORSK**Støy og vibrasjon**

Det vanlige A-belastede lydtryksnivå er 71 dB (A).

Under bruk kan støynivået overskride 85 dB (A).

– Benytt hørselvern. –

Den vanlig belastede effektiv-verdi for akselerasjon overskrider ikke 2,5 m/s².

SUOMI**Melutaso ja värinä**

Tyypillinen A-painotettu äänenpainetaso on 71 dB (A). Melutaso työpaikalla saattaa ylittää 85 dB (A).

– Käytä kuulosuojaimia. –

Tyypillinen kiihtyvyyden painotettu tehollisarvo ei ylitä 2,5 m/s².

ΕΛΛΗΝΙΚΑ**Θόρυβος και κραδασμός**

Η τυπική Α-μετρούμενη ηχητική πίεση είναι 71 dB (Α).

Η ένταση ήχου υπο συνθήκες εργασίας μπορεί να υπερβεί τα 85 dB (Α).

– Φοράτε ωτοασπίδες. –

Η τυπική αξία της μετρούμενης ρίζας του μέγρου τετραγώνου της επιτάχυνσης δεν ξεπερνά τα 2,5 m/s².

TÜRKÇE**Gürültü ve titreşimi**

Tipik A-ağırlıklı ses basınç seviyesi 71 dB (A)'dır.

İşlem sırasında gürültü seviyesi 85 dB (A)'yi geçebilir.

– Kulak koruyucusu takın. –

Tipik ağırlıklı karekök ortalama ivme 2,5 m/s² den fazla değildir.

Makita Corporation

884222B921