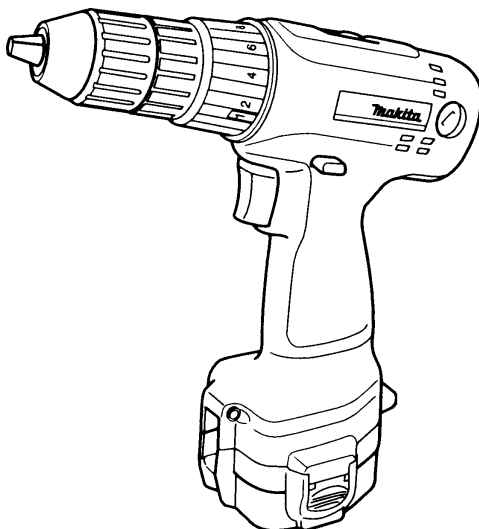
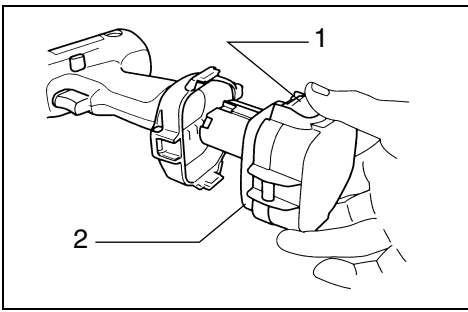


# Makita®

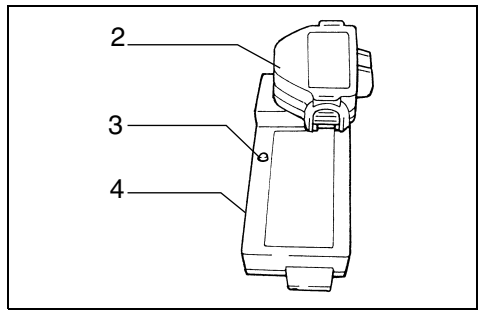
<b>GB</b>	<b>Cordless Driver Drill</b>	<b>Instruction Manual</b>
<b>F</b>	<b>Perceuse-visseuse sans fil</b>	<b>Manuel d'instructions</b>
<b>D</b>	<b>Akku-bohrschrauber</b>	<b>Betriebsanleitung</b>
<b>I</b>	<b>Trapano-avvitatore a batteria</b>	<b>Istruzioni per l'uso</b>
<b>NL</b>	<b>Snoerloze boor-schroevendraaier</b>	<b>Gebruiksaanwijzing</b>
<b>E</b>	<b>Taladro-atornillador a batería</b>	<b>Manual de instrucciones</b>
<b>P</b>	<b>Berbequim aparafusador a bateria</b>	<b>Manual de instruções</b>
<b>DK</b>	<b>Akku bore-skruemaskine</b>	<b>Brugsanvisning</b>
<b>S</b>	<b>Sladdös bormaskin/skruvdragare</b>	<b>Bruksanvisning</b>
<b>N</b>	<b>Akku boreskrutrekker</b>	<b>Bruksanvisning</b>
<b>SF</b>	<b>Akkuporakone</b>	<b>Käyttöohje</b>
<b>GR</b>	<b>Βιδοτρύπανο με μπαταρία</b>	<b>Οδηγίες χρήσεως</b>

**6214D**  
**6314D**

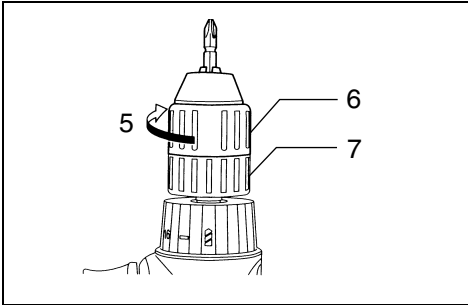




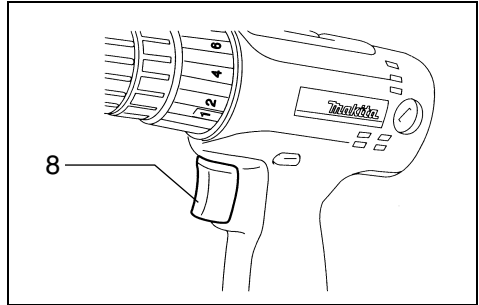
1



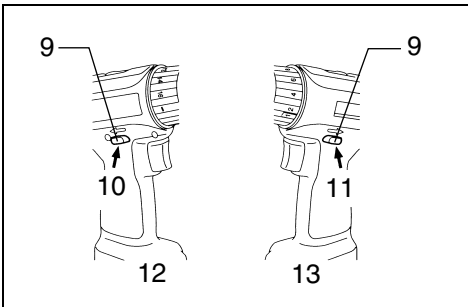
2



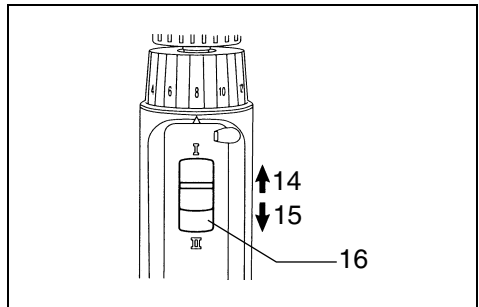
3



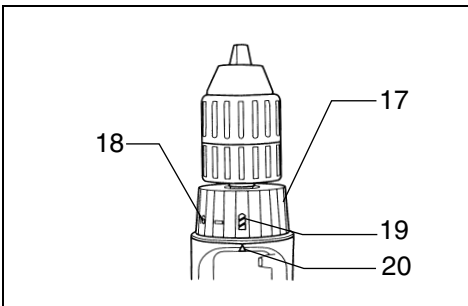
4



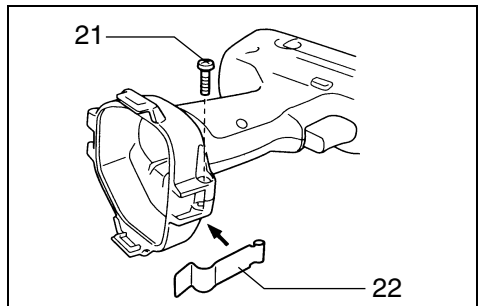
5



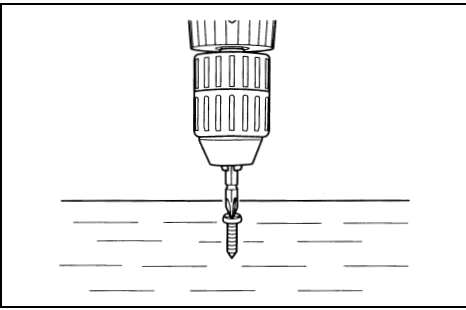
6



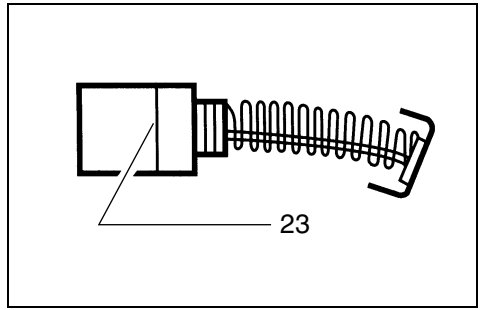
7



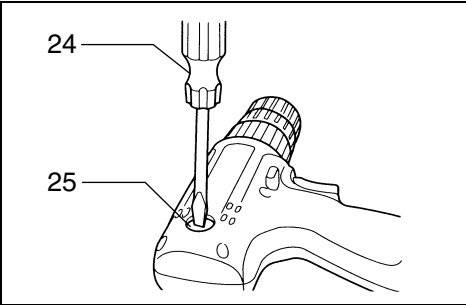
8



9



10



11

Explanation of general view

1 Button	10 A side	19 Drill marking
2 Battery cartridge	11 B side	20 Pointer
3 Charging light	12 Clockwise	21 Screw
4 Fast charger	13 Counterclockwise	22 Set plate
5 Tighten	14 Low speed	23 Limit mark
6 Sleeve	15 High speed	24 Screwdriver
7 Ring	16 Speed change lever	25 Brush holder cap
8 Switch trigger	17 Adjusting ring	
9 Reversing switch lever	18 Graduations	

**SPECIFICATIONS**

Model	6214D	6314D
Capacities		
Steel .....	10 mm	13 mm
Wood .....	21 mm	24 mm
Wood screw .....	6.4 mm x 55 mm	6.4 mm x 55 mm
Tool screw .....	6 mm	6 mm
No load speed (min <sup>-1</sup> )		
High .....	0 – 1,100	0 – 1,100
Low .....	0 – 350	0 – 350
Overall length .....	197 mm	208 mm
Net weight .....	1.7 kg	1.7 kg
Rated voltage .....	D.C. 12 V	D.C.12 V

- Due to the continuing program of research and development, the specifications herein are subject to change without prior notice.
- Note: Specifications may differ from country to country.

**Safety hints**

For your own safety, please refer to enclosed safety instructions.

**IMPORTANT SAFETY INSTRUCTIONS FOR CHARGER & BATTERY CARTRIDGE**

ENC001-3

1. **SAVE THESE INSTRUCTIONS** — This manual contains important safety and operating instructions for battery charger.
2. Before using battery charger, read all instructions and cautionary markings on (1) battery charger, (2) battery, and (3) product using battery.
3. **CAUTION** — To reduce risk of injury, charge only **MAKITA** type rechargeable batteries. Other types of batteries may burst causing personal injury and damage.
4. Do not expose charger to rain or snow.
5. Use of an attachment not recommended or sold by the battery charger manufacturer may result in a risk of fire, electric shock, or injury to persons.
6. To reduce risk of damage to electric plug and cord, pull by plug rather than cord when disconnecting charger.
7. Make sure cord is located so that it will not be stepped on, tripped over, or otherwise subjected to damage or stress.
8. Do not operate charger with damaged cord or plug — replace them immediately.

9. **Do not operate charger if it has received a sharp blow, been dropped, or otherwise damaged in any way; take it to a qualified serviceman.**
10. **Do not disassemble charger or battery cartridge; take it to a qualified serviceman when service or repair is required. Incorrect reassembly may result in a risk of electric shock or fire.**
11. **To reduce risk of electric shock, unplug charger from outlet before attempting any maintenance or cleaning. Turning off controls will not reduce this risk.**
12. **The battery charger is not intended for use by young children or infirm persons without supervision.**
13. **Young children should be supervised to ensure that they do not play with the battery charger.**
14. **If operating time has become excessively shorter, stop operating immediately. It may result in a risk of overheating, possible burns and even an explosion.**
15. **If electrolyte gets into your eyes, rinse them out with clear water and seek medical attention right away. It may result in loss of your eyesight.**

**ADDITIONAL SAFETY RULES FOR CHARGER & BATTERY CARTRIDGE**

1. Do not charge Battery Cartridge when temperature is **BELOW 10°C (50°F)** or **ABOVE 40°C (104°F)**.
2. Do not attempt to use a step-up transformer, an engine generator or DC power receptacle.
3. Do not allow anything to cover or clog the charger vents.
4. Always cover the battery terminals with the battery cover when the battery cartridge is not used.

5. **Do not short the battery cartridge:**
    - (1) **Do not touch the terminals with any conductive material.**
    - (2) **Avoid storing battery cartridge in a container with other metal objects such as nails, coins, etc.**
    - (3) **Do not expose battery cartridge to water or rain.**  
A battery short can cause a large current flow, overheating, possible burns and even a breakdown.
  6. **Do not store the tool and battery cartridge in locations where the temperature may reach or exceed 50°C (122°F).**
  7. **Do not incinerate the battery cartridge even if it is severely damaged or is completely worn out. The battery cartridge can explode in a fire.**
  8. **Be careful not to drop, shake or strike battery.**
  9. **Do not charge inside a box or container of any kind. The battery must be placed in a well ventilated area during charging.**
3. **Always be sure you have a firm footing.**
  4. **Be sure no one is below when using the tool in high locations.**
  5. **Hole the tool firmly.**
  6. **Keep hands away from rotating parts.**
  7. **Do not leave the tool running. Operate the tool only when hand-held.**
  8. **Do not touch the drill bit or the workpiece immediately after operation; they may be extremely hot and could burn your skin.**

**SAVE THESE INSTRUCTIONS.**

**OPERATING INSTRUCTIONS**

**Installing or removing battery cartridge (Fig. 1)**

- Always switch off the tool before insertion or removal of the battery cartridge.
- To remove the battery cartridge, withdraw it from the tool while pressing the buttons on both sides of the cartridge.
- To insert the battery cartridge, align the tongue on the battery cartridge with the groove in the housing and slip it into place. Always insert it all the way until it locks in place with a little click. If not, it may accidentally fall out of the tool, causing injury to you or someone around you.
- Do not use force when inserting the battery cartridge. If the cartridge does not slide in easily, it is not being inserted correctly.

**ADDITIONAL SAFETY RULES FOR TOOL**

ENB022-1

1. **Be aware that this tool is always in an operating condition, because it does not have to be plugged into an electrical outlet.**
2. **Hold tool by insulated gripping surfaces when performing an operation where the cutting tool may contact hidden wiring. Contact with a “live” wire will also make exposed metal parts of the tool “live” and shock the operator.**

**Charging (Fig. 2)**

Plug the fast charger into the proper AC voltage source. The charging light will flash in green color. Insert the battery cartridge so that the plus and minus terminals on the battery cartridge are on the same sides as their respective markings on the fast charger. Insert the cartridge fully into the port so that it rests on the charger port floor. When the battery cartridge is inserted, the charging light color will change from green to red and charging will begin. The charging light will remain lit steadily during charging. When the charging light color changes from red to green, the charging cycle is complete. Refer to the table below for the charging time. If you leave the battery cartridge in the charger after the charging cycle is complete, the charger will switch into its “trickle charge (maintenance charge)” mode which will last approximately 24 hours. After charging, unplug the charger from the power source.

Battery type	Capacity (mAh)	Number of cells	Charging time
1200	1,300	10	Approx. 30 min.
1202, 1202A, 1222	2,000	10	Approx. 45 min.
1233	2,200	10	Approx. 50 min.
1234	2,600	10	Approx. 60 min.
1235	3,000	10	Approx. 70 min.

**CAUTION:**

- The fast charger is for charging Makita battery cartridge. Never use it for other purposes or for other manufacturer's batteries.
- When you charge a new battery cartridge or a battery cartridge which has not been used for a long period of time, it may not accept a full charge. This is a normal condition and does not indicate a problem. You can recharge the battery cartridge fully after discharging it completely and recharging a couple of times.
- If you charge a battery cartridge from a just-operated tool or a battery cartridge which has been left in a location exposed to direct sunlight or heat for a long time, the charging light may flash in red color. If this occurs, wait for a while. Charging will begin after the battery cartridge cools. The battery cartridge will cool faster if you remove the battery cartridge from the fast charger.
- If the charging light flashes alternately in green and red color, a problem exists and charging is not possible. The terminals on the charger or battery cartridge are clogged with dust or the battery cartridge is worn out or damaged.
- If you wish to charge two battery cartridges, allow 15 minutes between chargings on the fast charger.

### Trickle charge (Maintenance charge)

If you leave the battery cartridge in the charger to prevent spontaneous discharging after full charge, the charger will switch into its “trickle charge (maintenance charge)” mode and keep the battery cartridge fresh and fully charged.

### Tips for maintaining maximum battery life

1. Charge the battery cartridge before completely discharged. Always stop tool operation and charge the battery cartridge when you notice less tool power.
2. Never recharge a fully charged battery cartridge. Overcharging shortens the battery service life.
3. Charge the battery cartridge with room temperature at 10°C – 40°C (50°F – 104°F). Let a hot battery cartridge cool down before charging it.
4. Charge the Nickel Metal Hydride battery cartridge when you do not use it for more than six months.

### Installing or removing driver bit or drill bit (Fig. 3)

Important:

Always be sure that the tool is switched off and the battery cartridge is removed before installing or removing the bit.

Hold the ring and turn the sleeve counterclockwise to open the chuck jaws. Place the bit in the chuck as far as it will go. Hold the ring firmly and turn the sleeve clockwise to tighten the chuck.

To remove the bit, hold the ring and turn the sleeve counterclockwise.

### Switch action (Fig. 4)

CAUTION:

Before inserting the battery cartridge into the tool, always check to see that the switch trigger actuates properly and returns to the “OFF” position when released.

To start the tool, simply pull the trigger. Tool speed is increased by increasing pressure on the trigger. Release the trigger to stop.

### Reversing switch action (Fig. 5)

CAUTION:

- Always check the direction of rotation before operation.
- Use the reversing switch only after the tool comes to a complete stop. Changing the direction of rotation before the tool stops may damage the tool.
- When not operating the tool, always set the reversing switch lever to the neutral position.

This tool has a reversing switch to change the direction of rotation. Depress the reversing switch lever from the A side for clockwise rotation or from the B side for counterclockwise rotation. When the switch lever is in the neutral position, the switch trigger cannot be pulled.

### Speed change (Fig. 6)

To change the speed, first switch off the tool and then slide the speed change lever to the “I” side for high speed or “II” side for low speed. Be sure that the speed change lever is set to the correct position before operation. Use the right speed for your job.

CAUTION:

- Always set the speed change lever fully to the correct position. If you operate the tool with the speed change lever positioned half-way between the “I” side and “II” side, the tool may be damaged.
- Do not use the speed change lever while the tool is running. The tool may be damaged.

### Adjusting the fastening torque (Fig. 7)

The fastening torque can be adjusted in 17 steps by turning the adjusting ring so that its graduations are aligned with the pointer on the tool body. The fastening torque is minimum when the number 1 is aligned with the pointer, and maximum when the  $\frac{1}{2}$  marking is aligned with the pointer.

The clutch will slip at various torque levels when set at the number 1 to 16. The clutch is designed not to slip at the  $\frac{1}{2}$  marking.

Before actual operation, drive a trial screw into your material or a piece of duplicate material to determine which torque level is required for a particular application.

NOTE:

Do not operate the tool with the adjusting ring set between the number 16 and the  $\frac{1}{2}$  marking. The tool may be damaged.

### Installing set plate (Fig. 8)

Always install the set plate when using battery cartridges 1200, 1202 or 1202A. Install the set plate on the tool with the screw provided as shown in Fig. 8.

### Screwdriving operation (Fig. 9)

Place the point of the driver bit in the screw head and apply pressure to the tool. Start the tool slowly and then increase the speed gradually. Release the trigger as soon as the clutch cuts in.


NOTE:

- Make sure that the driver bit is inserted straight in the screw head, or the screw and/or bit may be damaged.
- When driving wood screws, predrill pilot holes to make driving easier and to prevent splitting of the workpiece. See the chart below.

Nominal diameter of wood screw (mm)	Recommended size of pilot hole (mm)
3.1	2.0 – 2.2
3.5	2.2 – 2.5
3.8	2.5 – 2.8
4.5	2.9 – 3.2
4.8	3.1 – 3.4
5.1	3.3 – 3.6
5.5	3.6 – 3.9
5.8	4.0 – 4.2
6.1	4.2 – 4.4

- If the tool is operated continuously until the battery cartridge has discharged, allow the tool to rest for 15 minutes before proceeding with a fresh battery.

## Drilling operation

First, turn the adjusting ring so that the pointer on the tool body points to the  marking. Then proceed as follows.

- **Drilling in wood**

When drilling in wood, best results are obtained with wood drills equipped with a guide screw. The guide screw makes drilling easier by pulling the bit into the workpiece.

- **Drilling in metal**

To prevent the bit from slipping when starting a hole, make an indentation with a centerpunch and hammer at the point to be drilled. Place the point of the bit in the indentation and start drilling.

Use a cutting lubricant when drilling metals. The exceptions are iron and brass which should be drilled dry.

### CAUTION:

- Pressing excessively on the tool will not speed up the drilling. In fact, this excessive pressure will only serve to damage the tip of your bit, decrease the tool performance and shorten the service life of the tool.
- There is a tremendous force exerted on the tool/bit at the time of hole breakthrough. Hold the tool firmly and exert care when the bit begins to break through the workpiece.
- A stuck bit can be removed simply by setting the reversing switch to reverse rotation in order to back out. However, the tool may back out abruptly if you do not hold it firmly.
- Always secure small workpieces in a vise or similar hold-down device.
- If the tool is operated continuously until the battery cartridge has discharged, allow the tool to rest for 15 minutes before proceeding with a fresh battery.

## MAINTENANCE

### CAUTION:

Always be sure that the tool is switched off and the battery cartridge is removed before carrying out any work on the tool.

### Replacement of carbon brushes (Fig. 10 & 11)

Replace carbon brushes when they are worn down to the limit mark. Both identical carbon brushes should be replaced at the same time.

To maintain product safety and reliability, repairs, maintenance or adjustment should be carried out by Makita Authorized Service Center.

## Descriptif

1 Bouton	10 Côté A	18 Graduations
2 Batterie	11 Côté B	19 Repère de perçage
3 Témoin de charge	12 Vers la droite	20 Pointeur
4 Chargeur rapide	13 Vers la gauche	21 Vis
5 Serrer	14 Vitesse réduite	22 Plaque de fixation
6 Manchon	15 Grande vitesse	23 Repère d'usure
7 Bague	16 Levier de changement de vitesse	24 Tournevis
8 Gâchette	17 Bague de réglage	25 Bouchon du porte-charbon
9 Inverseur		

## SPECIFICATIONS

Modèle	6214D	6314D
Capacités		
Acier .....	10 mm	13 mm
Bois .....	21 mm	24 mm
Vis en bois .....	6,4 mm x 55 mm	6,4 mm x 55 mm
Vis à métaux .....	6 mm	6 mm
Vitesse à vide (min <sup>-1</sup> )		
Grande vitesse .....	0 – 1 100	0 – 1 100
Vitesse réduite .....	0 – 350	0 – 350
Longueur totale .....	197 mm	208 mm
Poids net .....	1,7 kg	1,7 kg
Tension nominale .....	12 V CC	12 V CC

• Etant donné l'évolution constante de notre programme de recherche et de développement, les spécifications contenues dans ce manuel sont sujettes à modification sans préavis.

• Note : Les spécifications peuvent varier suivant les pays.

### Consignes de sécurité

Pour votre propre sécurité, reportez-vous aux consignes de sécurité qui accompagnent l'outil.

## PRECAUTIONS TRES IMPORTANTES POUR LE CHARGEUR ET LA BATTERIE

1. SUIVEZ CES INSTRUCTIONS — Ce manuel contient d'importantes instructions relatives à la sécurité et au fonctionnement du chargeur.
2. Avant de vous servir du chargeur, lisez toutes les instructions et précautions relatives (1) au chargeur, (2) à la batterie, et (3) à l'outil utilisant la batterie.
3. ATTENTION — Pour éliminer tout risque, ne chargez que des batteries rechargeables MAKITA. Tout autre type d'accumulateur peut éclater, causant dommages ou blessures.
4. N'exposez pas le chargeur à la pluie ou à la neige.
5. L'utilisation d'un accessoire ni agréé ni vendu par le fabricant du chargeur peut entraîner un risque d'incendie, de décharge électrique ou de blessure.
6. Pour ne pas risquer d'endommager le câble ou la prise, débranchez en tenant la prise plutôt que le câble.
7. Assurez-vous que la position du câble ne l'expose pas à faire trébucher, à être piétiné, ou à forcer de quelque manière que ce soit.

8. N'utilisez pas le chargeur si le câble ou la prise sont en mauvais état — en ce cas, changez ceux-ci immédiatement.

9. N'utilisez pas le chargeur après qu'il ait reçu un choc, soit tombé à terre ou se trouve endommagé en quelque façon ; portez-le d'abord chez un réparateur qualifié.

10. Ne démontez pas le chargeur ou la batterie ; portez-les chez un réparateur qualifié quand une réparation devient nécessaire. Un remontage maladroit peut entraîner une décharge électrique ou un incendie.

11. Afin de réduire les risques de décharge, débranchez le chargeur avant tout entretien ou nettoyage.

12. La batterie ne doit pas être utilisée sans surveillance par des enfants ou des personnes handicapées.

13. Les jeunes enfants devraient être surveillés pour s'assurer qu'ils ne jouent pas avec la batterie.

14. Si la durée de fonctionnement devient excessivement courte, cessez immédiatement l'utilisation. Il pourrait en résulter un risque de surchauffe, une possibilité de blessures, voire une explosion.

15. Si l'électrolyte atteint vos yeux, rincez-les à l'eau claire et consultez immédiatement un médecin. Il pourrait en résulter la perte de la vue.

## PRECAUTIONS SUPPLEMENTAIRES POUR LE CHARGEUR ET LA BATTERIE

1. Ne chargez pas la batterie quand la température ambiante est inférieure à 10° ou supérieure à 40°.
2. Ne pas alimenter le chargeur — via un transformateur — via un redresseur — par un groupe électrogène.



3. Ne laissez rien recouvrir ou obturer les ouvertures du chargeur.
4. Lorsque vous ne vous servez pas de votre batterie, protégez-en toujours les bornes avec le couvercle-batterie.
5. Ne court-circuitez pas la batterie :
  - (1) Ne touchez pas les bornes avec un matériau conducteur.
  - (2) Évitez de ranger la batterie dans un conteneur renfermant d'autres objets métalliques, par exemple des clous, des pièces de monnaie, etc.
  - (3) N'exposez pas la batterie à l'eau ou à la pluie. Un court-circuit de la batterie pourrait provoquer un fort courant, une surchauffe, parfois des blessures et même une panne.
6. Ne rangez pas votre outil ou votre batterie dans des endroits où la température risque de dépasser 50°.
7. Ne brûlez pas batterie même si elle est sévèrement endommagée ou complètement hors d'usage, car elle risque d'exploser au feu.
8. Veillez à ne pas faire tomber, secouer ni heurter la batterie.
9. N'effectuez pas la recharge à l'intérieur d'une boîte ou d'un conteneur de quelque sorte que ce soit. La batterie devra se trouver dans un endroit bien ventilé pendant la recharge.

**Protection de l'environnement  
(Pour la Suisse uniquement)**

Afin de préserver l'environnement, rappelez la batterie usagée aux postes de ramassage officiel.



**CONSIGNES DE SÉCURITÉ  
ADDITIONNELLES POUR L'OUTIL**

1. Soyez conscient du fait que cet outil demeure toujours en état de fonctionner, n'ayant pas à être branché sur une prise d'alimentation.
2. Tenez les outils par leurs surfaces de saisie isolées lorsque vous effectuez un travail au cours duquel l'outil tranchant risque d'entrer en contact avec un filage caché. Le contact avec un fil électrique sous tension peut mettre les parties non isolées de l'outil sous tension et électrocuter l'utilisateur.
3. Assurez-vous toujours de travailler en position stable.
4. Lorsque vous utilisez l'outil dans un endroit élevé, assurez-vous qu'il n'y a personne en bas.
5. Gardez les mains éloignées des pièces en mouvement.
6. Tenez votre outil fermement.
7. Ne laissez pas l'outil tourner. Ne le faites fonctionner que lorsque vous le tenez.
8. Ne touchez pas le foret ou la pièce immédiatement après l'utilisation ; ils peuvent être extrêmement chauds et brûler votre peau.

**CONSERVEZ CES INSTRUCTIONS.**

**MODE D'EMPLOI**

**Installation et retrait de la batterie (Fig. 1)**

- Débranchez toujours l'outil avant d'installer ou de retirer la batterie.
- Pour enlever la batterie, sortez-la de l'outil en appuyant sur les boutons placés de chaque côté de la batterie.
- Pour insérer la batterie, alignez la languette de la batterie sur la rainure du logement, et glissez la batterie jusqu'à ce qu'elle se verrouille dans un dé clic. Sinon, la batterie risque de tomber accidentellement, ce qui pourrait vous blesser, vous ou d'autres personnes alentour.
- Ne forcez jamais quand vous introduisez la batterie. Si la batterie ne rentre pas aisément, c'est que vous ne l'insérez pas correctement.

**Recharge (Fig. 2)**

Branchez le chargeur rapide dans une prise secteur de la tension voulue. Le témoin de charge clignote en vert. Introduisez la batterie de façon que les bornes positive et négative soient du même côté que leurs indications respectives sur le chargeur rapide lui-même. Enfoncez la batterie à fond dans l'orifice du chargeur de façon qu'elle repose bien à plat sur le fond de l'orifice. Lorsque la batterie est insérée, le témoin de charge passe du vert au rouge et la recharge commence. Le témoin de charge reste allumé en continu pendant toute la durée de la recharge. Quand le témoin de charge passe du rouge au vert, le cycle de recharge est terminé. Les durées de recharge sont indiquées dans le tableau ci-dessous. Si vous laissez la batterie dans le chargeur lorsque le cycle de recharge est terminé, le chargeur passe en mode de "charge de compensation (charge d'entretien)", qui dure environ 24 heures. Après la recharge, débranchez le chargeur de la prise secteur.

Type de batterie	Capacité (mAh)	Nombre d'accus	Durée de recharge
1200	1 300	10	Environ 30 mn
1202, 1202A, 1222	2 000	10	Environ 45 mn
1233	2 200	10	Environ 50 mn
1234	2600	10	Environ 60 mn
1235	3 000	10	Environ 70 mn

#### ATTENTION :

- Le chargeur rapide est conçu pour la recharge des batteries Makita. Ne l'utilisez jamais à d'autres fins ni pour des batteries d'autres marques.
- Quand vous chargez une batterie neuve ou une batterie qui n'a pas été utilisée pendant longtemps, il se peut qu'elle ne se recharge pas complètement. Ceci est normal. Vous pourrez recharger la batterie complètement après l'avoir déchargée puis rechargée deux ou trois fois de suite.
- Si vous rechargez la batterie d'un outil qui vient juste de fonctionner, ou une batterie qui est restée en plein soleil ou à la chaleur pendant longtemps, il se peut que le témoin de charge clignote en rouge. Dans ce cas, attendez quelques instants. La recharge commencera lorsque la batterie aura refroidi. La batterie refroidira plus vite si vous la sortez du chargeur.
- Si le témoin de charge clignote alternativement en vert puis en rouge, c'est qu'il y a un problème et que la recharge n'est pas possible. Les bornes du chargeur ou de la batterie sont recouvertes de poussière, ou la batterie est usée ou endommagée.
- Si vous voulez recharger deux batteries l'une après l'autre, attendez un quart d'heure entre les deux charges.

#### Charge de compensation (charge d'entretien)

Si vous laissez la batterie dans le chargeur pour éviter toute décharge spontanée après une recharge complète, le chargeur passe en mode de "charge de compensation (charge d'entretien)" pour maintenir la batterie fraîche et rechargée à plein.

#### Conseils pour obtenir la durée de service maximale de la batterie

1. Rechargez la batterie avant qu'elle ne soit complètement déchargée. Arrêtez toujours l'outil et rechargez la batterie quand vous remarquez que la puissance de l'outil diminue.
2. Ne rechargez jamais une batterie complètement chargée. Une surcharge réduira la durée de service de la batterie.
3. Rechargez la batterie à une température ambiante comprise entre 10°C et 40°C. Si la batterie est chaude, laissez-la refroidir avant de la recharger.
4. Rechargez la batterie à hydrure métallique de nickel lorsqu'elle reste inutilisée pour plus de six mois.

#### Installation et retrait de l'embout ou du foret (Fig. 3)

##### Important :

Assurez-vous toujours que l'outil est hors tension et que la batterie est sortie avant d'installer ou de retirer le foret.

Tenez la bague et tournez le manchon vers la gauche pour ouvrir le mandrin. Enfoncez le foret dans le mandrin le plus loin qu'il aille. Tenez solidement la bague et tournez le manchon vers la droite pour serrer le mandrin. Pour retirer le foret, tenez la bague et tournez le manchon vers la gauche.

#### Interrupteur (Fig. 4)

##### ATTENTION :

Avant de mettre la batterie dans l'outil, vérifiez toujours que la gâchette fonctionne correctement et qu'elle revient sur la position "OFF" quand vous la relâchez.

Pour démarrer l'outil, tirez simplement sur la gâchette. Plus vous appuyez sur la gâchette, plus la vitesse augmente. Pour l'arrêter, relâchez la gâchette.

#### Inverseur (Fig. 5)

##### ATTENTION :

- Vérifiez toujours le sens de rotation avant de mettre l'outil en marche.
- N'actionnez l'inverseur qu'une fois que l'outil est complètement arrêté. Si vous changez le sens de rotation de l'outil avant l'arrêt de l'outil, vous risquez de l'endommager.
- Quand vous n'utilisez pas l'outil, ramenez toujours l'inverseur sur la position neutre.

L'outil possède un inverseur qui permet d'invertir le sens de rotation. Appuyez sur le levier de l'inverseur et déplacez-le à partir du côté A pour une rotation vers la droite, ou à partir du côté B pour une rotation vers la gauche. Lorsque l'inverseur est à la position neutre, il n'est pas possible d'actionner la gâchette.


#### Changement de vitesse (Fig. 6)

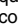
Pour changer de vitesse, commencez par éteindre l'outil, puis déplacez le levier de changement de vitesse sur le côté "II" pour faire marcher l'outil à grande vitesse, ou sur le côté "I" pour le faire marcher à vitesse réduite. Vérifiez que le levier de changement de vitesse est réglé sur la bonne position avant le travail. Utilisez la vitesse qui convient pour le travail.

##### ATTENTION :

- Réglez toujours le levier de changement de vitesse à fond sur la position voulue. Si vous actionnez l'outil alors que le levier est placé à mi-chemin entre la position "I" et la position "II", vous risquez d'endommager l'outil.
- N'actionnez pas le levier de changement de vitesse pendant que l'outil fonctionne. Cela pourrait endommager l'outil.


#### Réglage du couple de serrage (Fig. 7)

Le couple de serrage peut être réglé sur 17 crans à l'aide de la bague de réglage. Tournez la bague de façon que ses graduations soient alignées sur le pointeur du corps de l'outil. Le couple de serrage est minimal lorsque le chiffre 1 est aligné sur le pointeur, et il est maximal lorsque le repère  est aligné sur le pointeur.

L'embrayage glissera à différents niveaux de couple lorsque le couple est réglé entre 1 et 16. L'embrayage est conçu pour ne pas glisser sur le repère .

Avant de procéder, effectuez toujours un essai dans le matériau de travail ou dans un matériau analogue pour déterminer le temps de serrage qui convient pour le travail en question.

##### NOTE :

Ne faites pas fonctionner l'outil avec la bague de réglage située entre le numéro 16 et le repère . Vous pourriez endommager l'outil.

### Installation de la plaque de fixation (Fig. 8)

Il faudra toujours installer la plaque de fixation si vous utilisez les batteries 1200, 1202 ou 1202A. Installez la plaque de fixation sur l'outil à l'aide de la vis fournie, comme indiqué à la Fig. 8.

### Vissage (Fig. 9)

Insérez la pointe de l'embout dans la tête de la vis et appuyez sur l'outil. Commencez par faire tourner l'outil lentement, puis augmentez la vitesse progressivement. Relâchez la gâchette dès que la vis est complètement enfoncée.

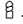
#### NOTE :

- Vérifiez que l'embout est bien enfoncé droit dans la tête de la vis, sinon la vis et/ou le foret risquent d'être endommagés.
- Pour enfoncer des vis en bois, le travail sera plus facile si vous commencez par percer des trous pilotes, et vous éviterez ainsi de fendre la pièce. Voyez le tableau ci-dessous.

Diamètre nominal de vis en bois (mm)	Dimension recommandée du trou pilote (mm)
3,1	2,0 – 2,2
3,5	2,2 – 2,5
3,8	2,5 – 2,8
4,5	2,9 – 3,2
4,8	3,1 – 3,4
5,1	3,3 – 3,6
5,5	3,6 – 3,9
5,8	4,0 – 4,2
6,1	4,2 – 4,4

- Si l'outil a fonctionné de façon continue jusqu'à ce que la batterie soit déchargée, laissez l'outil reposer pendant 15 minutes avant de recommencer avec une batterie fraîche.

### Perçage

Tout d'abord, réglez la bague de réglage de façon que le pointeur du corps de l'outil soit aligné sur le repère . Puis, procédez comme suit.

- Perçage dans du bois  
Pour percer dans du bois, vous obtiendrez les meilleurs résultats avec un foret en bois doté d'une vis de guidage. La vis de guidage facilite le perçage en attirant le foret dans la pièce.
- Perçage dans du métal  
Pour que le foret ne glisse pas quand vous commencez à percer le trou, faites une entaille à l'aide d'un outil à centrer et d'un marteau. Placez la pointe du foret dans l'entaille et commencez à percer.  
Pour percer des métaux, utilisez un lubrifiant de coupe. Seuls le fer et le cuivre devront être percés à sec.

#### ATTENTION :

- Vous ne percerez pas plus rapidement en appuyant plus fort sur l'outil. Au contraire, une pression excessive ne pourra qu'endommager la pointe du foret, réduisant ainsi les performances de l'outil et sa durée de vie.
- Il s'exerce une pression considérable sur l'outil/le foret au moment où le trou se perce. Tenez l'outil fermement et faites attention lorsque le foret commence à pénétrer dans la pièce.
- Pour retirer un foret coincé, il suffit de régler l'inverseur dans le sens de rotation inverse, ce qui fait ressortir le foret. Faites attention car l'outil risque de ressortir brusquement si vous ne le tenez pas fermement.
- Si les pièces sont petites, fixez-les toujours dans un étau ou tout autre dispositif de serrage similaire.
- Si l'outil a fonctionné de façon continue jusqu'à ce que la batterie soit déchargée, laissez l'outil reposer pendant 15 minutes avant de recommencer avec une batterie fraîche.

### ENTRETIEN

#### ATTENTION :

Assurez-vous toujours que l'outil est hors tension et que la batterie a été enlevée avant d'effectuer toute intervention sur l'outil.

### Remplacement des charbons (Fig. 10 et 11)

Dès que l'un des charbons atteint son repère d'usure, remplacez la paire (par des charbons de même type).

Pour votre sécurité et la fiabilité du produit, les réparations, la maintenance de cet appareil doit être confiée à un Centre d'Entretien MAKITA.

## Übersicht

1 Akku-Entriegelungsknopf	10 Seite A	19 Bohrsymbol
2 Akku	11 Seite B	20 Markierungspfeil
3 Ladekontrolleuchte	12 Rechtsdrehung	21 Schraube
4 Ladegerät	13 Linksdrehung	22 Haltebügel
5 Anziehen	14 Niedrige Drehzahl	23 Verschleißgrenze
6 Werkzeugverriegelung	15 Hohe Drehzahl	24 Schraubendreher
7 Klemmring	16 Drehzahlumschalter	25 Bürstenhalterkappe
8 Elektronikschalter	17 Einstellring	
9 Drehrichtungsumschalter	18 Teilstriche	

## TECHNISCHE DATEN

Modell	6214D	6314D
Bohrleistung		
Stahl .....	10 mm	13 mm
Holz .....	21 mm	24 mm
Holzschraube .....	6,4 mm x 55 mm	6,4 mm x 55 mm
Maschinenschraube .....	6 mm	6 mm
Leerlaufdrehzahl (min <sup>-1</sup> )		
Hoch .....	0 – 1 100	0 – 1 100
Niedrig .....	0 – 350	0 – 350
Gesamtlänge .....	197 mm	208 mm
Nettogewicht .....	1,7 kg	1,7 kg
Nennspannung .....	DC 12 V	DC 12 V

- Wir behalten uns vor, Änderungen im Zuge der Entwicklung und des technischen Fortschritts ohne vorherige Ankündigung vorzunehmen.
- Hinweis: Die technischen Daten können von Land zu Land abweichen.

### Sicherheitshinweise

Lesen und beachten Sie diese Hinweise, bevor Sie das Gerät benutzen.

### WICHTIGE SICHERHEITSHINWEISE

1. **DIESE ANWEISUNGEN GUT AUFBEWAHREN** — Diese Betriebsanleitung enthält wichtige Sicherheits- und Gebrauchsanweisungen für Ladegeräte.
2. Lesen Sie vor der Benutzung des Ladegerätes alle Anweisungen und Warnhinweise, die auf (1) dem Ladegerät, (2) Akku und (3) Akku-Gerät angebracht sind.
3. **VORSICHT** — Um die Verletzungsgefahr zu reduzieren, dürfen nur Makita-Akkus verwendet werden. Andere Akku-Typen können platzen und Verletzungen oder Sachschäden verursachen.
4. Setzen Sie Ladegerät und Akku weder Regen noch Schnee aus.
5. Die Verwendung von Zubehör, das nicht vom Ladegerät-Hersteller empfohlen oder verkauft wird, kann Feuer, elektrische Schläge oder Verletzungen verursachen.
6. Um Beschädigung des Netzsteckers und Netzkabels zu vermeiden, ziehen Sie beim Trennen des Ladegerätes vom Stromnetz nicht an der Netzanschlußleitung, sondern nur am Netzstecker.
7. Verlegen Sie die Netzanschlußleitung so, daß niemand darauf tritt, darüber stolpert oder sonstigen Belastungen ausgesetzt wird.

8. **Betreiben Sie das Ladegerät nicht mit einer beschädigten Netzanschlußleitung oder Stecker** — beschädigte Teile sind unverzüglich auszuwechseln.
9. **Betreiben Sie das Ladegerät nicht, wenn es starken Erschütterungen ausgesetzt, fallen gelassen oder sonstwie beschädigt wurde.** Bringen Sie es in diesem Fall zu einem qualifizierten Kundendiensttechniker.
10. Versuchen Sie nicht, das Ladegerät oder den Akku zu zerlegen, sondern bringen Sie es zu einem qualifizierten Kundendiensttechniker, wenn Wartungs- oder Reparaturarbeiten erforderlich sind. Falscher Zusammenbau kann die Ursache für elektrische Schläge oder Feuer sein.
11. Um die Gefahr von elektrischen Schlägen auszuschließen, müssen Sie das Ladegerät stets vom Stromnetz trennen, bevor Sie mit Wartungs- oder Reinigungsarbeiten beginnen.
12. Das Ladegerät sollte nicht von kleinen Kindern oder gebrechlichen Personen ohne Beaufsichtigung benutzt werden.
13. Kleine Kinder sollten beaufsichtigt werden, um sicherzugehen, daß sie nicht mit dem Ladegerät spielen.
14. Falls die Betriebszeit beträchtlich kürzer geworden ist, stellen Sie den Betrieb sofort ein. Andernfalls besteht die Gefahr von Überhitzung, möglichen Verbrennungen und sogar einer Explosion.
15. Falls Elektrolyt in Ihre Augen gelangt, waschen Sie sie mit sauberem Wasser aus, und begeben Sie sich unverzüglich in ärztliche Behandlung. Andernfalls können Sie Ihre Sehkraft verlieren.

## ZUSÄTZLICHE SICHERHEITSGESETZE FÜR LADEGERÄT UND AKKU

1. Laden Sie den Akku nicht bei Temperaturen unter 10°C oder über 40°C.
2. Schließen Sie das Ladegerät nicht an einen Spartransformator, Generator oder eine Gleichstrom-Steckdose an.
3. Achten Sie darauf, daß die Lüftungsöffnungen des Ladegerätes durch nichts verdeckt oder verstopft werden.
4. Die Kontakte des Akkus außerhalb der Maschine oder des Ladegerätes mit der Kontaktschutzhaube abdecken, um einen Kurzschluß durch metallische Überbrückung zu verhindern.
5. Der Akku darf nicht kurzgeschlossen werden:
  - (1) Die Kontakte dürfen nicht mit leitfähigem Material berührt werden.
  - (2) Lagern Sie den Akku nicht in einem Behälter zusammen mit anderen Metallgegenständen, wie z. B. Nägel, Schrauben, Münzen, usw.
  - (3) Setzen Sie den Akku weder Regen noch Wasser aus.  
Ein Kurzschluß des Akkus verursacht starken Stromfluß und dadurch als Folge Überhitzung, die Verbrennungen sowie ein Verschmelzen des Akkus herbeiführen können.
6. Lagern Sie Werkzeug und Akku nicht an Orten, an denen die Temperatur 50°C erreicht oder übersteigt.
7. Versuchen Sie niemals, den Akku zu verbrennen, selbst wenn er stark beschädigt oder vollkommen verbraucht ist. Der Akku kann im Feuer explodieren.
8. Achten Sie darauf, daß der Akku nicht fallen gelassen, Erschütterungen oder Stößen ausgesetzt wird.
9. Laden Sie den Akku niemals innerhalb eines Kartons oder eines geschlossenen Behälters. Der Akku darf nur an einem gut belüfteten Ort geladen werden.

### Umweltschutz

Das Gerät ist mit einem Nickel-Cadmium-Akku ausgerüstet. Um eine umweltgerechte Entsorgung zu gewährleisten, bitten wir Sie, folgende Punkte zu beachten:

- Gemäß Europäischer Batterierichtlinie 91/157/EWG und nationaler Gesetzgebung (Batterieverordnung) muß der verbrauchte Akku bei einer öffentlichen Sammelstelle, bei Ihrem Makita Kundendienst oder Ihrem Fachhändler zum Recycling abgegeben werden.
- Werfen Sie den verbrauchten Akku nicht in den Hausmüll, ins Feuer oder ins Wasser.



(Nur für die Schweiz)

- Ihr Beitrag zum Umweltschutz: Bringen Sie bitte die gebrauchte Batterie an eine offizielle Sammelstelle zurück.

## ZUSÄTZLICHE SICHERHEITSGESETZE FÜR DIE MASCHINE

1. Beachten Sie, dass diese Maschine stets betriebsbereit ist, da sie nicht erst an eine Netzsteckdose angeschlossen werden muss.
2. Halten Sie die Maschine nur an den isolierten Griffflächen, wenn Sie Arbeiten ausführen, bei denen verborgene Kabel angebohrt werden können. Bei Kontakt mit einem stromführenden Kabel werden die freiliegenden Metallteile der Maschine ebenfalls stromführend, so dass der Benutzer einen elektrischen Schlag erleiden kann.
3. Achten Sie stets auf sicheren Stand.
4. Vergewissern Sie sich bei Einsatz der Maschine an hochgelegenen Arbeitsplätzen, dass sich keine Personen darunter aufhalten.
5. Halten Sie die Maschine mit festem Griff.
6. Halten Sie die Hände von rotierenden Teilen fern.
7. Lassen Sie die Maschine nicht unbeaufsichtigt laufen. Benutzen Sie die Maschine nur mit Handhaltung.
8. Vermeiden Sie eine Berührung des Bohreinsatzes oder des Werkstücks unmittelbar nach der Bearbeitung, weil sie dann noch sehr heiß sind und Hautverbrennungen verursachen können.

## BEWAHREN SIE DIESE HINWEISE SORGFÄLTIG AUF.

### BEDIENUNGSHINWEISE

#### Anbringen und Abnehmen des Akkus (Abb. 1)

- Schalten Sie die Maschine stets aus, bevor Sie den Akku anbringen oder abnehmen.
- Zum Abnehmen des Akkus ziehen Sie ihn aus der Maschine heraus, während Sie die Entriegelungsknöpfe auf beiden Seiten drücken.
- Zum Einsetzen des Akkus richten Sie die Führungsfeder des Akkus auf die Nut im Maschinengehäuse aus und schieben den Akku hinein. Schieben Sie den Akku stets vollständig ein, bis er mit einem hörbaren Klicken einrastet. Anderenfalls kann er aus der Maschine herausfallen und Sie oder umstehende Personen verletzen.
- Wenden Sie beim Einsetzen des Akkus keine Gewalt an. Falls der Akku nicht reibungslos hineingleitet, ist er nicht richtig ausgerichtet.

## Laden (Abb. 2)

Schließen Sie das Ladegerät an eine geeignete Netzspannungsquelle an. Die Ladekontrollleuchte blinkt grün. Setzen Sie den Akku so ein, daß sich Plus- und Minuspol auf der gleichen Seite wie die entsprechenden Markierungen am Ladegerät befinden. Führen Sie den Akku bis zum Anschlag in die Öffnung des Ladegerätes ein. Sobald der Akku eingesetzt wird, wechselt die Farbe der Ladekontrollleuchte von Grün nach Rot, und der Ladevorgang beginnt. Die Ladekontrollleuchte leuchtet während des Ladevorgangs ständig. Wenn die Farbe der Ladekontrollleuchte von Rot nach Grün wechselt, ist der Ladevorgang beendet. Die Ladezeiten sind in der nachfolgenden Tabelle aufgeführt. Wird der Akku nach Abschluß des Ladevorgangs im Ladegerät gelassen, schaltet das Ladegerät auf den Erhaltungslademodus um, der etwa 24 Stunden andauert. Nach dem Laden das Ladegerät vom Akku und vom Netz trennen.

Akkutyp	Leistung (mAh)	Anzahl der Zellen	Ladezeit
1200	1 300	10	ca. 30 Min
1202, 1202A, 1222	2 000	10	ca. 45 Min
1233	2 200	10	ca. 50 Min
1234	2 600	10	ca. 60 Min
1235	3 000	10	ca. 70 Min

### VORSICHT:

- Das Schnellaufladegerät ist ausschließlich zum Laden von MAKITA-Akkus vorgesehen. Verwenden Sie es auf keinen Fall für einen anderen Zweck oder zum Laden von Akkus anderer Fabrikate.
- Wenn Sie einen neuen oder längere Zeit unbenutzten Akku laden, wird möglicherweise keine volle Ladung erzielt. Dies ist normal und stellt kein Anzeichen für eine Störung dar. Der Akku läßt sich vollkommen aufladen, nachdem er ein paarmal vollständig entladen und wieder aufgeladen worden ist.
- Wenn Sie einen Akku laden, der von einer kurz zuvor benutzten Maschine abgenommen wurde, oder der längere Zeit direkter Sonnenbestrahlung oder Wärme ausgesetzt war, kann die Ladekontrollleuchte in Rot blinken. Warten Sie in diesem Fall eine Weile. Sobald der Akku abgekühlt ist, wird der Ladevorgang fortgesetzt. Der Akku kühlt schneller ab, wenn Sie ihn aus dem Ladegerät entfernen.
- Falls die Ladekontrollleuchte abwechselnd grün und rot blinkt, liegt eine Störung vor; der Akku kann nicht geladen werden. Möglicherweise sind die Kontakte des Ladegerätes oder des Akkus verschmutzt, oder der Akku ist verbraucht oder beschädigt.
- Wenn zwei Akkus nacheinander geladen werden sollen, lassen Sie das Ladegerät zwischendurch 15 Minuten lang abkühlen.

## Erhaltungsladung

Wird der Akku im Ladegerät gelassen, um Selbstentladung nach einer vollen Ladung zu vermeiden, schaltet das Ladegerät auf den Erhaltungslademodus um, so daß der Akku frisch und voll geladen bleibt.

### Tips zur Erhaltung der maximalen Akkulebensdauer

1. Laden Sie den Akku, bevor er vollkommen entladen ist. Schalten Sie stets die Maschine aus und laden Sie den Akku, wenn Sie ein Nachlassen der Maschineleistung bemerken.
2. Unterlassen Sie erneutes Laden eines voll geladenen Akkus. Überladen verkürzt die Lebensdauer des Akkus.
3. Laden Sie den Akku bei Raumtemperatur (10°C bis 40°C). Lassen Sie einen heißen Akku vor dem Laden abkühlen.
4. Der Nickel-Metallhydrid-Akku muss geladen werden, wenn er länger als sechs Monate nicht benutzt worden ist.

## Montage und Demontage von Einsatzwerkzeugen (Abb. 3)

### Wichtig:

Vergewissern Sie sich vor dem Montieren oder Demontieren von Einsatzwerkzeugen stets, daß die Maschine ausgeschaltet und der Akku herausgenommen ist.

Halten Sie den Klemmring fest und drehen Sie die Werkzeugverriegelung entgegen dem Uhrzeigersinn, um die Bohrfutterbacken zu öffnen. Führen Sie das Einsatzwerkzeug bis zum Anschlag in das Bohrfutter ein. Halten Sie den Klemmring fest und drehen Sie die Werkzeugverriegelung im Uhrzeigersinn, um das Bohrfutter festzuziehen.

Zum Entfernen des Einsatzwerkzeugs halten Sie den Klemmring und drehen die Werkzeugverriegelung entgegen dem Uhrzeigersinn.

## Schalterfunktion (Abb. 4)

### VORSICHT:

Vergewissern Sie sich vor dem Einsetzen des Akkus in die Maschine stets, daß der Elektronikschalter ordnungsgemäß funktioniert und beim Loslassen in die AUS-Stellung zurückkehrt.

Zum Einschalten der Maschine drücken Sie einfach den Elektronikschalter. Die Drehzahl erhöht sich durch verstärkte Druckausübung auf den Elektronikschalter. Zum Ausschalten lassen Sie den Elektronikschalter los.

## Drehrichtungsumschalter (Abb. 5)

### VORSICHT:

- Prüfen Sie stets die Drehrichtung, bevor Sie mit der Arbeit beginnen.
- Betätigen Sie den Drehrichtungsumschalter erst, nachdem die Maschine zum vollkommenen Stillstand gekommen ist. Anderenfalls kann die Maschine beschädigt werden.

- Wenn Sie die Maschine nicht benutzen, stellen Sie den Drehrichtungsumschalter stets auf die Neutralstellung.

Diese Maschine besitzt einen Drehrichtungsumschalter. Drücken Sie auf die Seite A des Drehrichtungsumschalters für Rechtsdrehung, und auf die Seite B für Linksdrehung. In der Neutralstellung des Drehrichtungsumschalters ist der Elektronikschalter verriegelt.

### Drehzahlumschalter (Abb. 6)

Um die Getriebeuntersetzung zu ändern, schalten Sie zunächst die Maschine aus, und dann schieben Sie den Drehzahlumschalter auf die Stellung "II" für hohe Drehzahl, oder auf die Stellung "I" für niedrige Drehzahl. Vergewissern Sie sich vor Arbeitsbeginn stets, daß sich der Drehzahlumschalter in der korrekten Stellung befindet. Verwenden Sie stets die geeignete Drehzahl für die jeweilige Arbeit.

#### VORSICHT:

- Achten Sie stets darauf, daß sich der Drehzahlumschalter vollkommen in seiner jeweiligen Endposition befindet. Wird die Maschine bei einer Zwischenstellung des Schalters zwischen "I" und "II" betrieben, kann die Maschine beschädigt werden.
- Betätigen Sie den Drehzahlumschalter nicht während des Betriebs. Die Maschine kann sonst beschädigt werden.

### Einstellen des Drehmoments (Abb. 7)

Das Drehmoment kann in 17 Stufen eingestellt werden. Drehen Sie dazu die Einstellung so, daß der gewünschte Teilstrich auf den Markierungspfeil am Maschinengehäuse ausgerichtet ist. Stellung 1 ergibt das minimale Drehmoment, während das maximale Drehmoment erzielt wird, wenn der Markierungspfeil auf das Symbol  $\beta$  zeigt.

Die eingebaute Kupplung ist so konstruiert, daß sie bei Erreichen des vorgewählten Drehmoments zwischen 1 und 16 durchrutscht, während sie in der Stellung  $\beta$  die Kraftübertragung nicht unterbricht.

Bevor Sie mit der eigentlichen Schraubarbeit beginnen, sollten Sie eine Probeverschraubung mit Ihrem Material oder einem Stück des gleichen Materials durchführen, um das geeignete Drehmoment zu ermitteln.

#### HINWEIS:

Betreiben Sie die Maschine nicht mit einer Drehmoment-einstellung zwischen 16 und dem Symbol  $\beta$ . Die Maschine kann sonst beschädigt werden.

### Montieren des Haltebügels (Abb. 8)

Montieren Sie stets den Haltebügel bei Verwendung der Akkus 1200, 1202 oder 1202A. Befestigen Sie den Haltebügel mit der mitgelieferten Schraube an der Maschine, wie in **Abb. 8** gezeigt.

### Schrauben (Abb. 9)

Setzen Sie die Spitze des Schraubendrehereinsatzes in den Schraubenkopf ein und üben Sie Druck auf die Maschine aus. Lassen Sie die Maschine langsam anlaufen, und erhöhen Sie dann die Drehzahl allmählich. Lassen Sie den Elektronikschalter los, sobald die Kupplung ausrückt.

#### HINWEIS:

- Achten Sie darauf, daß die Spitze des Schraubendrehereinsatzes senkrecht in den Schraubenkopf eingeführt wird, um eine Beschädigung von Schraube und/oder Einsatz zu vermeiden.
- Beim Eindrehen von Holzschrauben ist das Bohren von Vorböhrungen zu empfehlen, um das Eindrehen zu erleichtern und Spaltung des Werkstücks zu vermeiden. Siehe die nachstehende Tabelle.

Nenndurchmesser der Holzschraube (mm)	Empfohlene Größe der Vorböhrung (mm)
3,1	2,0 – 2,2
3,5	2,2 – 2,5
3,8	2,5 – 2,8
4,5	2,9 – 3,2
4,8	3,1 – 3,4
5,1	3,3 – 3,6
5,5	3,6 – 3,9
5,8	4,0 – 4,2
6,1	4,2 – 4,4

- Wenn die Maschine im Dauerbetrieb bis zur vollkommenen Entladung des Akkus verwendet wurde, lassen Sie die Maschine vor dem Fortsetzen des Betriebs mit einem frischen Akku 15 Minuten lang abkühlen.

### Bohren

Drehen Sie zunächst den Einstellring, bis der Markierungspfeil am Maschinengehäuse auf das Symbol  $\beta$  zeigt. Gehen Sie dann folgendermaßen vor.

- Bohren in Holz  
Beim Bohren in Holz lassen sich die besten Ergebnisse mit Holzbohrern erzielen, die mit einer Zentrierspitze ausgestattet sind. Die Zentrierspitze erleichtert das Bohren, da sie den Bohrer in das Werkstück hineinzieht.
- Bohren in Metall  
Um Abrutschen des Bohrers beim Anbohren zu vermeiden, empfiehlt es sich, die Bohrstelle mit einem Zentriertkorn anzukörnen. Setzen Sie dann die Spitze des Bohrers in die Vertiefung und beginnen Sie mit dem Bohren.  
Verwenden Sie Schneidflüssigkeit beim Bohren von Metall. Eisen und Messing sollten jedoch trocken gebohrt werden.

#### VORSICHT:

- Übermäßige Druckausübung auf die Maschine bewirkt keine Beschleunigung der Bohrleistung. Im Gegenteil, übermäßiger Druck führt zu einer Beschädigung der Bohrspitze und damit zu einer Verringerung der Bohrerstandzeit sowie zu einer Verkürzung der Lebensdauer der Maschine.
- Beim Bohrungsdurchbruch wirkt ein hohes Rückdrehmoment auf Maschine und Bohrer. Halten Sie daher die Maschine mit festem Griff und lassen Sie Vorsicht walten, wenn der Bohrer im Begriff ist, aus dem Werkstück auszutreten.
- Ein festsitzender Bohrer läßt sich durch einfaches Umschalten der Drehrichtung wieder herausdrehen. Dabei sollten Sie aber die Maschine gut festhalten, damit sie nicht ruckartig herausgestoßen wird.

- Spannen Sie kleine Werkstücke stets in einen Schraubstock oder eine ähnliche Aufspannvorrichtung ein.
- Wenn die Maschine im Dauerbetrieb bis zur vollkommenen Entladung des Akkus verwendet wurde, lassen Sie die Maschine vor dem Fortsetzen des Betriebs mit einem frischen Akku 15 Minuten lang abkühlen.

## **WARTUNG**

### **VORSICHT:**

Vor Arbeiten am Gerät vergewissern Sie sich, daß sich der Schalter in der "OFF"- Position befindet und der Akku aus dem Gerät entfernt ist.

### **Kohlebürsten wechseln (Abb. 10 u. 11)**

Kohlebürsten ersetzen, wenn sie bis auf die Verschleißgrenze abgenutzt sind. Beide Kohlebürsten nur paarweise ersetzen.

Um die Sicherheit und Zuverlässigkeit dieses Gerätes zu gewährleisten, sollten Reparatur-, Wartungs-, und Einstellarbeiten nur von Makita autorisierten Werkstätten oder Kundendienstzentren unter ausschließlicher Verwendung von Makita-Originalersatzteilen ausgeführt werden.



### Visione generale

1	Bottone	10	Lato A	19	Segno di foratura
2	Cartuccia batteria	11	Lato B	20	Indice
3	Spia di carica	12	Senso orario	21	Vite
4	Caricatore rapido	13	Senso antiorario	22	Piastrina di fissaggio
5	Per stringere	14	Velocità bassa	23	Segno limite
6	Manicotto	15	Velocità alta	24	Cacciavite
7	Anello	16	Leva di cambio velocità	25	Tappo portaspaZZole a carbone
8	Interruttore	17	Anello di registro		
9	Interruttore di inversione	18	Graduazioni		

### DATI TECNICI

Modello	6214D	6314D
Capacità		
Acciaio .....	10 mm	13 mm
Legno .....	21 mm	24 mm
Vite per legno .....	6,4 mm x 55 mm	6,4 mm x 55 mm
Vite a ferro .....	6 mm	6 mm
Velocità a vuoto (min <sup>-1</sup> )		
Alta .....	0 – 1.100	0 – 1.100
Bassa .....	0 – 350	0 – 350
Lunghezza totale .....	197 mm	208 mm
Peso netto .....	1,7 kg	1,7 kg
Tensione nominale .....	C.c. 12 V	C.c. 12 V

- Per il nostro programma di ricerca e sviluppo continui, i dati tecnici sono soggetti a modifiche senza preavviso.
- Nota: I dati tecnici potrebbero differire a seconda del paese di destinazione del modello.

#### Consigli per la sicurezza

Per la vostra sicurezza, riferitevi alle accluse istruzioni per la sicurezza.

### ISTRUZIONI DI SICUREZZA IMPORTANTI PER CARICATORI E BATTERIE A CARTUCCIA

1. **RISPETTARE QUESTE ISTRUZIONI** — Questo manuale contiene importanti regole di sicurezza e di lavorazione per il caricatore delle batterie.
2. Prima di usare il caricatore delle batterie, leggere tutte le istruzioni e precauzioni scritte (1) sul caricatore delle batterie (2) sulle batterie e (3) utensili che usano le batterie.
3. **ATTENZIONE** — Per ridurre il rischio di ferirsi, caricare solamente batterie ricaricabili della Makita. Altri tipi di batterie possono scoppiare causando danni e ferite alle persone.
4. Non esporre il caricatore alla pioggia oppure alla neve.
5. L'uso di un attacco non raccomandato o venduto dal costruttore del caricatore di batterie può diventare la causa d'incendio, di scosse elettriche, oppure di ferite alle persone.
6. Per ridurre il rischio di danneggiare il cavo elettrico o la spina, quando si vuole staccare il cavo dalla presa sul muro non tirare per il cavo ma prendere direttamente la spina in mano.
7. Assicurarsi che il cavo è posato in modo da non essere pestato, attorcigliato oppure messo in condizioni di essere danneggiato oppure stirato.
8. **Non mettere in operazione il caricatore delle batterie con un cavo o una spina in cattive condizioni. Sostituire immediatamente.**
9. **Non mettere in operazione un caricatore quando ha ricevuto una botta, quando è stato fatto cadere, oppure è stato danneggiato in una maniera qualsiasi. Portatelo subito ad un negozio di fiducia per le riparazioni del caso.**
10. Non smontare il caricatore o le batterie a cartuccia. Portatelo da un negozio di fiducia se è necessario fare qualche riparazione. Un rimontaggio sbagliato può causare scosse elettriche oppure un incendio.
11. Per ridurre il rischio di scosse elettriche, staccare il caricatore dalla presa di corrente prima di tentare qualsiasi lavoro di manutenzione oppure di pulizia. Il rischio non sarebbe ridotto col solo distacco dell'interruttore.
12. Il caricabatteria non deve essere usato dai bambini o dagli infermi senza supervisione.
13. I bambini devono essere sorvegliati perché non giochino con il caricabatteria.
14. Se il tempo di funzionamento diventa eccessivamente corto, smettere immediatamente di usare l'utensile, perché potrebbe surriscaldarsi con pericolo di bruciature ed anche di esplosione.
15. Se l'elettrolito dovesse finire negli occhi, sciacquarli con acqua pulita e rivolgersi immediatamente a un medico. C'è pericolo di perdita della vista.

## ULTERIORI REGOLE DI SICUREZZA PER CARICATORI E BATTERIE

### A CARTUCCIA

1. Non caricare le batterie a cartuccia quando la temperatura è sotto i 10° oppure sopra i 40°.
2. Non tentare di usare un trasformatore per aumentare la tensione, un generatore oppure qualsiasi sorgente di corrente diretta (DC).
3. Non lasciar coprire oppure intasare le aperture del caricatore.
4. Quando la capsula delle batterie non si usa, coprite sempre i poli della batteria con il copri-batteria.
5. Non cortocircuitare la cartuccia batteria:
  - (1) Non toccare i terminali con un materiale conduttivo.
  - (2) Evitare di conservare la cartuccia batteria in un contenitore insieme con altri oggetti metallici, come chiodi, monete, ecc.
  - (3) Non esporre la cartuccia batteria all'acqua o alla pioggia.Un cortocircuito della batteria può causare un grande flusso di corrente, surriscaldamento, possibili bruciature ed anche un guasto.
6. Non immagazzinare l'utensile e le batterie a cartuccia in luoghi dove la temperatura può raggiungere oppure superare i 50°.
7. Non buttare nel fuoco le batterie a cartuccia anche se sono estremamente danneggiate oppure completamente fuori uso. Le batterie potrebbero esplodere nel fuoco.
8. Stare attenti a non far cadere, agitare o sbattere la batteria.
9. Non caricare la batteria dentro una scatola o un qualsiasi altro contenitore. Durante la carica, la batteria deve trovarsi in un luogo ben ventilato.

### (Per la Svizzera soltanto) Protezione dell'ambiente

La Vostra contribuzione per la protezione dell'ambiente:

Porta la batteria al collettivo ufficiale.



## REGOLE ADDIZIONALI DI SICUREZZA PER L'UTENSILE

1. Tenere presente che questo utensile è sempre in condizioni operative, in quanto non ha bisogno di essere collegato a una presa di corrente.
2. Tenere l'utensile per le superfici di presa isolate quando si esegue una operazione durante la quale potrebbe fare contatto con fili elettrici nascosti. Il contatto con un filo elettrico "sotto tensione" mette anche le parti metalliche dell'utensile "sotto tensione", con pericolo di scosse per l'operatore.
3. Accertarsi sempre di avere i piedi appoggiati saldamente.
4. Accertarsi che non ci siano persone sotto quando si usa l'utensile in un posto alto.
5. Tenere saldamente l'utensile.
6. Tenere le mani lontane dalle parti rotanti.
7. Non appoggiare l'utensile che gira se non viene usato. Farlo funzionare soltanto tenendolo in mano.
8. Non toccare la punta o il pezzo subito dopo una operazione, perché potrebbero essere estremamente caldi e causare bruciature.

## CONSERVATE QUESTE ISTRUZIONI.

### ISTRUZIONI PER L'USO

#### Installazione e rimozione della cartuccia batteria (Fig. 1)

- Spegnerne sempre l'utensile prima di inserire o di rimuovere la cartuccia batteria.
- Per rimuovere la cartuccia batteria, toglierla dall'utensile schiacciando i bottoni su entrambi i lati della batteria.
- Per inserire la cartuccia batteria, allineare l'appendice sulla cartuccia batteria con la scanalatura dell'alloggiamento e inserirla in posizione. Inserirla sempre completamente finché non si blocca con un piccolo scatto. In caso contrario, potrebbe cadere dall'utensile con pericolo di ferite per l'operatore o per chi gli è vicino.
- Non usare forza per inserire la cartuccia batteria. Se essa non entra facilmente, vuol dire che non è inserita correttamente.

### Carica (Fig. 2)

Collegare il caricatore rapido ad una presa di corrente alternata. La spia di carica lampeggia in verde. Inserire la cartuccia batteria in modo che i suoi terminali più e meno si trovino allineati con i segni corrispondenti sul caricatore rapido. Inserire completamente la cartuccia batteria nel suo alloggiamento, in modo che si trovi adagiata sul fondo del caricatore. Quando si inserisce la cartuccia batteria, il colore della spia di carica cambia da verde a rosso e la carica comincia. La spia di carica rimane sempre accesa durante la carica. Il ciclo è completo quando la spia di carica cambia da rossa a verde. Per il tempo di carica, riferirsi alla tabella sotto. Se si lascia la cartuccia batteria nel caricatore dopo il completamento del ciclo di carica, il caricatore si dispone nel modo di "carica centellinare (carica di manutenzione)", che dura circa 24 ore. Dopo la carica, staccare la spina del cavo di alimentazione del caricatore dalla presa di corrente.

Tipo di batteria	Capacità (mAh)	Numero di celle	Tempo di carica
1200	1.300	10	30 min. circa
1202, 1202A, 1222	2.000	10	45 min. circa
1233	2.200	10	50 min. circa
1234	2.600	10	60 min. circa
1235	3.000	10	70 min. circa

#### ATTENZIONE:

- Il caricatore rapido serve a caricare le cartucce batteria Makita. Mai usarlo per altri scopi o per caricare le batterie di altri fabbricanti.
- Quando si carica una nuova cartuccia batteria o una cartuccia batteria che non è stata usata per un lungo periodo di tempo, essa potrebbe non accettare una carica completa. Ciò è normale e non indica un problema. La cartuccia batteria può essere ricaricata completamente dopo che è stata scaricata completamente e ricaricata un paio di volte.
- Se si carica una cartuccia batteria subito dopo aver usato l'utensile, oppure una cartuccia batteria che è rimasta a lungo esposta alla luce diretta del sole o al calore, la spia di carica potrebbe lampeggiare in rosso. In tal caso, aspettare qualche tempo. La carica comincia dopo che la cartuccia batteria si è raffreddata. La cartuccia batteria si raffredda più velocemente se la si rimuove dal caricatore rapido.
- Se la spia di carica lampeggia alternativamente in verde e in rosso, vuol dire che c'è un problema e la carica non è possibile. I terminali del caricatore o della cartuccia batteria potrebbero essere intasati di polvere, oppure la cartuccia batteria è usurata o danneggiata.
- Se si desidera caricare due cartucce batteria, aspettare 15 minuti tra le cariche con il caricatore rapido.

#### Carica centellinare (carica di manutenzione)

Se si lasciano le cartucce batteria nel caricatore per evitare che si scarichino da sole dopo una carica completa, il caricatore si dispone nel modo di "carica centellinare (carica di manutenzione)" e mantiene le cartucce batteria completamente cariche.

#### Suggerimenti per prolungare al massimo la vita della cartuccia batteria

1. Caricare la cartuccia batteria prima che si scarichi completamente. Smettere sempre di usare l'utensile e caricare la cartuccia batteria quando si nota una diminuzione di potenza dell'utensile.
2. Non si deve mai caricare una cartuccia batteria completamente carica. La carica eccessiva riduce la vita di servizio della cartuccia batteria.
3. Caricare la cartuccia batteria ad una temperatura ambiente compresa tra i 10°C e i 40°C. Aspettare che una cartuccia batteria calda si raffreddi prima di caricarla.
4. Caricare la batteria ibrida al nichel-metallo se non la si usa per più di sei mesi.

#### Installazione o rimozione della punta dell'avvitatore o del trapano (Fig. 3)

##### Importante:

Accertarsi sempre che l'utensile sia spento e la cartuccia batteria rimossa prima di installare o di rimuovere la punta.

Tenere fermo l'anello e girare il manicotto in senso antiorario per aprire le ganasce del mandrino. Inserire la punta nel mandrino finché non può andare più oltre. Tenere saldamente l'anello e girare il manicotto in senso orario per stringere il mandrino.

Per rimuovere la punta, tenere fermo l'anello e girare il manicotto in senso antiorario.

#### Funzionamento dell'interruttore (Fig. 4)

##### ATTENZIONE:

Prima di inserire la cartuccia batteria nell'utensile, accertarsi sempre che l'interruttore funzioni correttamente e che ritorni sulla posizione "OFF" quando viene rilasciato.

Per avviare l'utensile, schiacciare semplicemente l'interruttore. La velocità dell'utensile aumenta con l'aumento della pressione del dito sull'interruttore. Rilasciare l'interruttore per fermare l'utensile.

#### Funzionamento dell'interruttore di inversione (Fig. 5)

##### ATTENZIONE:

- Controllare sempre la direzione di rotazione prima di usare l'utensile.
- Usare l'interruttore di inversione soltanto dopo che l'utensile si è fermato completamente. Il cambiamento della direzione di rotazione prima dell'arresto dell'utensile potrebbe danneggiarlo.
- Quando non si usa l'utensile, rimettere sempre la leva dell'interruttore di inversione sulla posizione neutra.

Questo utensile è dotato di un interruttore di inversione, per cambiare la direzione di rotazione. Schiacciare la leva dell'interruttore di inversione dal lato A per la rotazione in senso orario, oppure dal lato B per la rotazione in senso antiorario. Quando la leva dell'interruttore si trova sulla posizione neutra, non è possibile schiacciare l'interruttore.

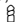
#### Cambiamento della velocità (Fig. 6)


Per cambiare la velocità, spegnere prima l'utensile e spingere poi la leva di cambio velocità sul lato "II" per l'alta velocità o sul lato "I" per la bassa velocità. Accertarsi che la leva di cambio velocità sia sulla posizione corretta prima di usare l'utensile. Usare la velocità corretta adatta al lavoro.

##### ATTENZIONE:

- Regolare sempre completamente sulla posizione corretta la leva di cambio velocità. Se si usa l'utensile con la leva di cambio velocità posizionata a metà tra il lato "I" e il lato "II", lo si potrebbe danneggiare.
- Non usare la leva di cambio velocità durante il funzionamento dell'utensile, perché si potrebbe danneggiarlo.

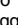
### Regolazione della coppia di serraggio (Fig. 7)

La coppia di serraggio può essere regolata in 17 passi girando l'anello di registro in modo da allineare le sue graduazioni con l'indice sul corpo dell'utensile. La coppia di serraggio è minima quando il numero 1 è allineato con l'indice, e massima quando con l'indice è allineato il segno .

La frizione scivola a vari livelli di coppia quando è regolata sui numeri da 1 a 16. La frizione è progettata in modo da non slittare al segno .

Prima di eseguire un lavoro, avvitare una vite di prova nel materiale o in un duplicato del materiale, in modo da determinare il livello di coppia necessario per quella particolare applicazione.

#### NOTA:

Non usare l'utensile con l'anello di registro regolato tra il numero 16 e il segno , perché altrimenti lo si potrebbe danneggiare.

### Installazione della piastrina di fissaggio (Fig. 8)

Installare sempre la piastrina di fissaggio usando le cartucce batteria 1200, 1202 o 1202A. Installare la piastrina di fissaggio sull'utensile con la vite fornita, come mostrato nella Fig. 8.

### Operazione di avvvitamento (Fig. 9)

Mettere la punta dell'avvitatore sulla testa della vite ed esercitare una pressione sull'utensile. Avviare l'utensile lentamente, aumentandone poi gradualmente la velocità. Rilasciare l'interruttore non appena la frizione si innesta.

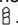
#### NOTA:

- Accertarsi che la punta dell'avvitatore sia inserita dritta nella testa della vite, perché altrimenti si potrebbe danneggiare la vite e/o la punta.
- Per avvitare le viti per legno, praticare prima dei fori guida per facilitare l'avvitamento e prevenire lo scheggiamento del pezzo da lavorare. Vedere la tabella sotto.

Diametro nominale vite per legno (mm)	Diametro raccomandato foro guida (mm)
3,1	2,0 – 2,2
3,5	2,2 – 2,5
3,8	2,5 – 2,8
4,5	2,9 – 3,2
4,8	3,1 – 3,4
5,1	3,3 – 3,6
5,5	3,6 – 3,9
5,8	4,0 – 4,2
6,1	4,2 – 4,4

- Se si fa funzionare continuamente l'utensile finché la cartuccia batteria si scarica, lasciarlo riposare per 15 minuti prima di continuare con un'altra batteria.

### Operazione di foratura

Girare per prima cosa l'anello di registro in modo che l'indice sul corpo dell'utensile sia allineato con il segno . Procedere poi come segue.

- Foratura del legno  
Forando il legno si ottengono i risultati migliori con le punte per legno dotate di viti guida. La vite guida facilita la foratura attirando la punta nel pezzo da lavorare.
- Foratura del metallo  
Per evitare che la punta scivoli quando si comincia il foro, fare una intaccatura con un punzone per centri e un martello sul punto da forare. Mettere poi la punta sull'intaccatura e cominciare a forare.  
Per forare i metalli, usare un lubrificante di taglio. Le eccezioni sono il ferro e l'ottone, che devono essere trapanati a secco.

#### ATTENZIONE:

- Esercitando una pressione eccessiva sull'utensile non si accelera la foratura. Al contrario, tale pressione eccessiva può soltanto danneggiare la punta e ridurre le prestazioni e la vita dell'utensile.
- Quando la punta trapassa il materiale, l'utensile/punta vengono sottoposti ad una grandissima forza. Tenere saldamente l'utensile e stare molto attenti quando la punta sta per trapassare il materiale.
- Se la punta rimane incastrata, può essere rimossa usando l'interruttore di inversione per invertire la rotazione della punta per estrarla. L'utensile potrebbe però rinculare improvvisamente se non viene tenuto saldamente.
- Fissare sempre i piccoli pezzi da lavorare con una morsa od altro attrezzo simile per bloccarli.
- Se si fa funzionare continuamente l'utensile finché la cartuccia batteria si scarica, lasciarlo riposare per 15 minuti prima di continuare con un'altra batteria.

### MANUTENZIONE

#### ATTENZIONE:

Prima di effettuare ogni tipo di lavoro sull'utensile, assicuratevi sempre che essa sia spenta e che la batteria sia rimossa.

### Sostituzione delle spazzole di carbone (Fig. 10 e 11)

Sostituire le spazzole di carbone quando sono usurate fino alla linea di delimitazione. Sostituire entrambe le spazzole con tipi di spazzole identici.

Per mantenere la sicurezza e l'affidabilità del prodotto, le riparazioni, la manutenzione o le regolazioni dovrebbero essere eseguite da un centro di assistenza Makita autorizzato.

Verklaring van algemene gegevens

1 Knop	10 Zijde A	19 Boormarkering
2 Accu	11 Zijde B	20 Wijzer
3 Oplaadlampje	12 Rechtse draairichting	21 Schroef
4 Snellader	13 Linkse draairichting	22 Klemplaatje
5 Vastdraaien	14 Laag toerental	23 Limietaanduiding
6 Bus	15 Hoog toerental	24 Schroevendraaier
7 Ring	16 Toerentalschakelaar	25 Dop van koolborstelhouder
8 Trekschakelaar	17 Stelring	
9 Omkeerschakelaar	18 Schaalverdelingen	

TECHNISCHE GEGEVENS

Model	6214D	6314D
Capaciteiten		
Staal .....	10 mm	13 mm
Hout .....	21 mm	24 mm
Houtschroef .....	6,4 mm x 55 mm	6,4 mm x 55 mm
Kolom Schroef .....	6 mm	6 mm
Toerental onbelast (min <sup>-1</sup> )		
Hoog .....	0 – 1 100	0 – 1 100
Laag .....	0 – 350	0 – 350
Totale lengte .....	197 mm	208 mm
Netto gewicht .....	1,7 kg	1,7 kg
Nominale spanning .....	D.C. 12 V	D.C. 12 V

- In verband met ononderbroken research en ontwikkeling behouden wij ons het recht voor bovenstaande technische gegevens te wijzigen zonder voorafgaande kennisgeving.
- Opmerking: De technische gegevens kunnen van land tot land verschillen.

Veiligheidswenken

Voor uw veiligheid dient u de bijgevoegde Veiligheidsvoorschriften nauwkeurig op te volgen.

**BELANGRIJKE  
VEILIGHEIDSVoORSCHRIFTEN VOOR  
GEBRUIK VAN DE BATTERIJLADER EN HET  
BATTERIJPAK**

1. **BEWAAR DEZE VOORSCHRIFTEN** — In deze gebruiksaanwijzing staan belangrijke veiligheids- en bedieningsvoorschriften betreffende de batterijlader (snellader).
2. Lees alle voorschriften en waarschuwingen betreffende (1) de batterijlader, (2) het batterijpak en (3) het gereedschap aandachtig door alvorens de batterijlader in gebruik te nemen.
3. **LET OP** — Om het gevaar voor ongelukken te verminderen, dient u met de snellader uitsluitend MAKITA oplaadbare batterijen te laden. Batterijen van andere merken kunnen gaan barsten en hierdoor verwondingen of schade veroorzaken.
4. Stel de batterijlader niet bloot aan regen of sneeuw.
5. Het gebruik van accessoires die niet door de fabrikant van de batterijlader worden verkocht of aanbevolen, kan brandgevaar, elektrische schok of verwondingen veroorzaken.
6. Om de stekker en het netsnoer niet te beschadigen, trekt u het netsnoer uit het stopcontact door de stekker vast te pakken.

7. **Let op dat het snoer zodanig op de grond ligt, dat niemand erop kan stappen of erover kan struikelen en dat er niets op het snoer geplaatst wordt.**
8. **Gebruik in geen geval de batterijlader als het netsnoer of de stekker beschadigd is. Vervang deze onmiddellijk.**
9. **Gebruik de batterijlader ook niet als deze gevallen is, aan een zware stoot heeft blootgestaan, of als u vermoedt dat hij beschadigd is. Laat in deze gevallen de batterijlader eerst nakijken.**
10. **Haal de batterijlader of het batterijpak niet uit elkaar; laat eventuele servicebeurten of reparaties uitsluitend vakkundig uitvoeren. Het onjuist opnieuw in elkaar zetten kan namelijk elektrische schok of brandgevaar opleveren.**
11. **Om gevaar voor elektrische schok te verminderen, trekt u de stekker uit het stopcontact alvorens de batterijlader te reinigen of een onderhoudsbeurt te geven. Door de batterijlader alleen maar uit te schakelen, vermindert u dit gevaar niet.**
12. **De acculader is niet bedoeld voor gebruik door kleine kinderen of geestelijk gestoorden waarop geen toezicht wordt gehouden.**
13. **Houd toezicht op kleine kinderen om te voorkomen dat ze met de acculader spelen.**
14. **Als de gebruiksduur van de accu bijzonder kort geworden is, moet u het gebruik ervan onmiddellijk stopzetten omdat er anders gevaar is voor oververhitting, brandwonden en zelfs een explosie.**
15. **Als er elektrolyt in uw ogen is terechtgekomen, moet u deze spoelen met schoon water en onmiddellijk de hulp van een dokter inroepen. Elektrolyt in de ogen kan blindheid veroorzaken.**

## BIJGEVOEGDE VEILIGHEIDSVOORSCHRIFTEN VOOR GEBRUIK VAN DE BATTERIJLADER EN HET BATTERIJPAK

1. Laad het batterijpak niet op als de temperatuur LAGER is dan 10°C of HOGER dan 40°C.
2. Gebruik voor het laden nooit een step-up transformator, een dynamo of een gelijkstroombron.
3. Zorg dat de ventilatiegaten van de batterijlader niet afgesloten worden of verstopt raken.
4. Bedek altijd de polen van de accu met het accudeksel wanneer u de accu niet gebruikt.
5. Voorkom kortsluiting van het batterijpak:
  - (1) Raak de aansluitklemmen nooit aan met geleidend materiaal.
  - (2) Bewaar het batterijpak niet op een plaats waar ook andere metalen voorwerpen zoals spijkers, munten e.d. worden bewaard.
  - (3) Stel het batterijpak niet bloot aan water of regen.Kortsluiting van het batterijpak kan leiden tot een grote stroomafgifte, oververhitting, brandwonden of zelfs tot defecten.
6. Bewaar de batterijlader en het batterijpak niet in plaatsen waar de temperatuur tot 50°C of hoger kan op lopen.
7. Werp zwaar beschadigde of volledig uitgeputte batterijpakken niet in het vuur, omdat een gevaarlijke explosie er het gevolg van kan zijn.
8. Wees voorzichtig dat u het batterijpak niet laat vallen en het niet aan schokken of stoten blootstelt.
9. Laad het batterijpak niet op in een kist, een container e.d. Om het batterijpak op te laden, dient u dit in een goed geventileerde ruimte te plaatsen.

## AANVULLENDE VEILIGHEIDSVOORSCHRIFTEN VOOR HET GEREEDSCHAP

1. Denk eraan dat dit gereedschap altijd gebruiksklaar is, aangezien het niet hoeft te worden aangesloten op een stopcontact.

### Laden (Fig. 2)

Sluit de snellader aan op een stopcontact. Het oplaadlampje zal in groen knipperen. Schuif de accu zodanig in de snellader dat de plus en min klemmen van de accu overeenkomen met de plus en min markeringen op de snellader. Schuif de accu zo ver mogelijk in de opening, zodat deze op de bodem van de lader rust. Wanneer de accu helemaal erin zit, zal de kleur van het oplaadlampje veranderen van groen in rood en zal het laden beginnen. Tijdens het laden zal het oplaadlampje blijven branden. Wanneer de kleur van het oplaadlampje verandert van rood in groen, is de accu volledig opgeladen. Zie de onderstaande tabel voor de oplaadtijden. Indien u de accu na volledig opladen in de snellader laat zitten, zal de snellader overschakelen naar langzaam laden (handhaven van de lading) gedurende ongeveer 24 uur. Trek de stekker van de snellader uit het stopcontact nadat het laden is voltooid.

Accu type	Capaciteit (mAh)	Aantal cellen	Oplaadtijd
1200	1 300	10	ca. 30 min.
1202, 1202A, 1222	2 000	10	ca. 45 min.
1233	2 200	10	ca. 50 min.
1234	2 600	10	ca. 60 min.
1235	3 000	10	ca. 70 min.

2. Houd het gereedschap bij de geïsoleerde handgrepen vast wanneer u boort op plaatsen waar de boor op verborgen elektrische bedrading kan stoten. Door contact met een onder spanning staande draad zullen ook de niet-geïsoleerde metalen delen van het gereedschap onder spanning komen te staan, zodat de gebruiker een elektrische schok kan krijgen.
3. Zorg ervoor dat u altijd stevige steun voor de voeten hebt.
4. Controleer of er zich niemand onder u bevindt wanneer u het gereedschap op een hoge plaats gaat gebruiken.
5. Houd het gereedschap stevig vast.
6. Houd uw handen uit de buurt van roterende onderdelen.
7. Laat het gereedschap niet achter terwijl het nog in bedrijf is. Laat het gereedschap alleen draaien wanneer u het met beide handen vasthoudt.
8. Raak de boor of het werkstuk niet aan onmiddellijk na het gebruik; deze kunnen zeer heet zijn en brandwonden veroorzaken.

## BEWAAR DEZE VOORSCHRIFTEN.

## BEDIENINGSVOORSCHRIFTEN

### Installeren of verwijderen van de accu (Fig. 1)

- Schakel het gereedschap altijd uit alvorens de accu te installeren of te verwijderen.
- Om de accu te verwijderen, neemt u deze uit het gereedschap terwijl u de knoppen aan beide zijden van de accu indrukt.
- Om de accu te installeren, past u de rug op de accu in de groef in de behuizing van het gereedschap, en dan schuift u de accu naar binnen. Schuif de accu zo ver mogelijk erin, totdat deze met een klikgeluid vergrendelt. Indien u dit niet doet, kan de accu per ongeluk uit het gereedschap vallen en uzelf of anderen verwonden.
- Als de accu moeilijk in de houder gaat, moet u niet proberen hem met geweld erin te duwen. Indien de accu er niet gemakkelijk ingaat, betekent dit dat u hem niet op de juiste wijze erin steekt.

#### LET OP:

- De snellader is uitsluitend bestemd voor het laden van Makita accu's. Gebruik deze nooit voor andere doeleinden of voor het laden van accu's van andere fabrikanten.
- Een nieuwe accu of een accu die gedurende lange tijd niet werd gebruikt, kan eventueel niet volledig worden geladen. Dit is normaal en duidt niet op een defect. Nadat de accu een paar keer volledig is ontladen en herladen, kunt u deze weer volledig laden.
- Wanneer u de accu van een zoiest gebruikt gereedschap laadt, of een accu die voor langere tijd aan direct zonlicht of hitte werd blootgesteld, gebeurt het wel eens dat het oplaadlampje in rood knippert. Wacht in zo'n geval een tijdje. Het laden zal beginnen nadat de accu is afgekoeld. De accu zal sneller afkoelen indien u deze van de snellader verwijderd.
- Indien het oplaadlampje afwisselend in groen en rood knippert, wijst dit op een probleem en is laden niet mogelijk. De klemmen op de snellader of op de accu zijn vuil of de accu is versleten of beschadigd.
- Als u twee accu's achtereenvolgens wilt laden, geef dan de snellader tussendoor 15 minuten rust.

#### Bijladen (Handhaven van de lading)

Wanneer u een volledig opgeladen accu in de lader laat zitten om spontaan ontladen te voorkomen, zal de lader overschakelen naar de "Bijladen (Handhaven van de lading)" stand waardoor de accu vers en in volledig opgeladen toestand wordt gehouden.

#### Wenken om een maximale levensduur van de accu te handhaven

1. Laad de accu op alvorens deze volledig is ontladen. Stop het gebruik van het gereedschap en laad de accu op telkens wanneer u vaststelt dat het vermogen van het gereedschap verminderd is.
2. Laad een volledig opgeladen accu nooit opnieuw op. Wanneer u de accu te veel oplaadt, zal deze minder lang meegaan.
3. Laad de accu op bij een kamertemperatuur tussen 10°C en 40°C. Laat een warme accu afkoelen alvorens deze op te laden.
4. Laad de nikkel-metaalhydride accu op wanneer u deze langer dan zes maanden niet gebruikt.

#### Installeren of verwijderen van de schroefbit of boor (Fig. 3)

##### Belangrijk:

Controleer altijd of het gereedschap is uitgeschakeld en de accu is verwijderd alvorens de boor te installeren of te verwijderen.

Houd de ring vast en draai de bus naar links om de klauwen van de boorkop te openen. Steek de boor zo ver mogelijk in de boorkop. Houd daarna de ring weer stevig vast en draai de bus naar rechts om de boorkop vast te zetten.

Om de boor te verwijderen, houdt u de ring vast en draait u de bus naar links.

#### Werking van de trekschakelaar (Fig. 4)

##### LET OP:

Alvorens de accu in het gereedschap te plaatsen, moet u altijd controleren of de trekschakelaar juist werkt en bij het loslaten naar de "OFF" positie terugkeert.

Om het gereedschap in te schakelen, drukt u gewoon de trekschakelaar in. Hoe dieper de trekschakelaar wordt ingedrukt, hoe sneller het gereedschap draait. Om het gereedschap uit te schakelen, de trekschakelaar loslaten.

#### Werking van de omkeerschakelaar (Fig. 5)

##### LET OP:

- Controleer altijd de draairichting alvorens het gereedschap te gebruiken.
- Verander de stand van de omkeerschakelaar alleen nadat het gereedschap volledig tot stilstand is gekomen. Indien u de draairichting verandert terwijl de boor nog draait, kan het gereedschap beschadigd raken.
- Zet de omkeerschakelaar altijd in de neutrale stand wanneer u het gereedschap niet gebruikt.

Dit gereedschap heeft een omkeerschakelaar voor het veranderen van de draairichting. Druk de omkeerschakelaar in vanaf zijde A voor rechtse draairichting, of vanaf zijde B voor linkse draairichting. Wanneer deze schakelaar in de neutrale stand staat, kan de trekschakelaar niet worden ingedrukt.

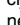
#### Veranderen van het toerental (Fig. 6)

Om het toerental te veranderen, schakelt u eerst het gereedschap uit en dan schuift u de toerentalschakelaar naar de "I" zijde voor hoog toerental, of naar de "II" zijde voor laag toerental. Zorg ervoor dat de toerentalschakelaar in de juiste stand staat alvorens met het werk te beginnen. Gebruik het toerental dat geschikt is voor uw werk.

##### LET OP:

- Schuif de toerentalschakelaar altijd volledig naar de juiste positie. Als u het gereedschap gebruikt met de toerentalschakelaar halverwege tussen de "I" en "II" posities, kan het gereedschap beschadigd raken.
- Verschuif de toerentalschakelaar niet terwijl het gereedschap draait. Hierdoor kan het gereedschap beschadigd raken.

#### Instellen van het draaimoment (Fig. 7)

Het draaimoment kan worden ingesteld in 17 stappen door de stelling zodanig te draaien dat zijn schaalverdelingen overeenkomen met de wijzer op het huis van het gereedschap. Het draaimoment is minimaal wanneer het cijfer 1 met de wijzer overeenkomt, en is maximaal wanneer de  markering met de wijzer overeenkomt. Wanneer de stelling op een cijfer van 1 tot 16 is ingesteld, zal de koppeling bij verschillende draaimomentniveaus slippen. De koppeling is ontworpen om niet te slippen bij de  markering. Alvorens met het eigenlijke werk te beginnen, moet u het geschikte draaimoment bepalen door een proefschroef in uw werkstuk of in een ander stuk van hetzelfde materiaal te schroeven.

#### OPMERKING:

Gebruik het gereedschap niet met de stelring ingesteld tussen het cijfer 16 en de  $\frac{1}{2}$  markering. Hierdoor kan het gereedschap beschadigd raken.

#### Installeren van het klemplaatje (Fig. 8)

Installeer altijd het klemplaatje wanneer u accu's 1200, 1202 of 1202A gebruikt. Monteer het klemplaatje door middel van de bijgeleverde schroef op het gereedschap, zoals afgebeeld in Fig. 8.

#### Indraaien van schroeven (Fig. 9)

Plaats de punt van de schroefbit in de schroefkop en oefen druk op het gereedschap uit. Begin met lage snelheid en voer dan de snelheid geleidelijk op. Laat de trek-schakelaar los zodra de koppeling ingrijpt.

#### OPMERKING:

- Zorg ervoor dat u de schroefbit recht op de schroefkop plaatst, aangezien anders de schroef en/of de schroefbit beschadigd kan worden.
- Wanneer u houtschroeven indraait, maak dan voorboorgaten in het hout. Dit vergemakkelijkt het inschroeven en voorkomt dat het hout splijt. Zie de onderstaande tabel.

Nominale diameter van houtschroef (mm)	Aanbevolen diameter van voorboorgat (mm)
3,1	2,0 – 2,2
3,5	2,2 – 2,5
3,8	2,5 – 2,8
4,5	2,9 – 3,2
4,8	3,1 – 3,4
5,1	3,3 – 3,6
5,5	3,6 – 3,9
5,8	4,0 – 4,2
6,1	4,2 – 4,4

- Indien het gereedschap ononderbroken wordt gebruikt totdat de accu is ontladen, dient u het gereedschap 15 minuten te laten rusten alvorens met een nieuwe accu verder te werken.

#### Boren

Draai eerst de stelring zodat de wijzer op het gereedschap naar de  $\frac{1}{2}$  markering wijst. Ga dan als volgt te werk.

##### • Boren in hout

Voor boren in hout krijgt u de beste resultaten met houtboren die voorzien zijn van een geleideschroef. Het boren gaat dan gemakkelijker aangezien de geleideschroef de boor in het hout trekt.

##### • Boren in metaal

Om te voorkomen dat de boor slijpt wanneer u begint te boren, moet u van te voren met een drevel een deukje in het metaal slaan op de plaats waar u wilt boren. Plaats vervolgens de boorpunt in het deukje en start het boren.

Gebruik altijd boorolie wanneer u in metaal boort. De enige uitzonderingen zijn ijzer en koper die droog geboord dienen te worden.

#### LET OP:

- Door overmatige druk op het gereedschap uit te oefenen verloopt het boren niet sneller. Integendeel, teveel druk op het gereedschap zal alleen maar de boorpunt beschadigen, de prestatie van het gereedschap verminderen en de gebruiksduur verkorten.
- Wanneer de boor uit het gaatje tevoorschijn komt, wordt een enorme kracht uitgeoefend op het gereedschap en op de boor. Houd daarom het gereedschap stevig vast en wees op uw hoede wanneer de boor door het werkstuk begint te dringen.
- Wanneer de boor klemraakt, keert u met de omkeerschakelaar de draairichting om, om de boor uit het gaatje te krijgen. Het gereedschap kan echter plotseling terugspringen indien u het niet stevig vasthoudt.
- Kleine werkstukken dient u altijd eerst vast te zetten in een klemschroef of iets dergelijks.
- Indien het gereedschap ononderbroken wordt gebruikt totdat de accu is ontladen, dient u het gereedschap 15 minuten te laten rusten alvorens met een nieuwe accu verder te werken.

#### ONDERHOUD

##### LET OP:

Controleer altijd of het gereedschap is uitgeschakeld en de accu is losgekoppeld vooraleer onderhoud uit te voeren aan het gereedschap.

#### Vervangen van koolborstels (Fig. 10 en 11)

Vervang de borstels wanneer ze tot aan de aangegeven limiet zijn afgesleten. Beide koolborstels dienen tegelijkertijd te worden vervangen.

Opdat het gereedschap veilig en betrouwbaar blijft, dienen alle reparaties, onderhoud of afstellingen te worden uitgevoerd bij een erkend Makita service centrum.



**Explicación de los dibujos**

1 Botón	10 Lado A	18 Graduaciones
2 Cartucho de batería	11 Lado B	19 Marca para taladrado
3 Luz de carga	12 Rotación hacia la derecha	20 Puntero
4 Cargador rápido	13 Rotación hacia la izquierda	21 Tornillo
5 Apretar	14 Baja velocidad	22 Placa de fijación
6 Mandril	15 Alta velocidad	23 Marca de límite
7 Anillo	16 Conmutador de cambio	24 Destornillador
8 Interruptor de gatillo	de velocidad	25 Tapa del portaescobillas
9 Conmutador de inversión	17 Anillo de ajuste	

**ESPECIFICACIONES**

<b>Modelo</b>	<b>6214D</b>	<b>6314D</b>
Capacidades		
Acero .....	10 mm	13 mm
Madera .....	21 mm	24 mm
Tornillo para madera .....	6,4 mm x 55 mm	6,4 mm x 55 mm
Tornillo para máquina .....	6 mm	6 mm
Velocidad en vacío (min <sup>-1</sup> )		
Alta .....	0 – 1.100	0 – 1.100
Baja .....	0 – 350	0 – 350
Longitud total .....	197 mm	208 mm
Peso neto .....	1,7 kg	1,7 kg
Tensión nominal .....	.CC 12 V	CC 12 V

- Debido a un programa continuo de investigación y desarrollo, las especificaciones aquí dadas están sujetas a cambios sin previo aviso.
- Nota: Las especificaciones pueden ser diferentes de país a país.

**Sugerencias de seguridad**

Para su propia seguridad, consulte las instrucciones de seguridad incluidas.

**INSTRUCCIONES DE SEGURIDAD IMPORTANTES PARA EL CARGADOR Y EL CARTUCHO DE BATERIAS**

1. **GUARDE ESTAS INSTRUCCIONES** — Este manual contiene instrucciones de operación y de seguridad importantes para el cargador de baterías.
2. Antes de utilizar el cargador de baterías, lea todas las instrucciones y las indicaciones de precaución (1) del cargador de baterías, (2) de baterías, y (3) del producto que con el que se va a utilizar baterías.
3. **PRECAUCIÓN** — Para reducir el peligro de que se produzcan heridas personales, cargue solamente las baterías recargables del tipo MAKITA. Otros tipos de baterías pueden quemarse pudiendo provocar heridas personales y daños.
4. No exponga el cargador a la lluvia o al agua.
5. La utilización de un acoplamiento no recomendado o no vendido por un fabricante de cargadores de baterías puede resultar provocar un incendio, una descarga eléctrica o heridas personales.
6. Para reducir el peligro de que el enchufe y el cable reciban daños, tire del enchufe y no del cable cuando desconecte el cargador.
7. **Asegúrese de que el cable esté localizado de manera que no se tropiece con él ni se pise, y que no esté sujeto a tirones ni otros tipos de daños.**
8. **No opere el cargador que tenga el cable o el enchufe dañados; reemplácelos inmediatamente.**
9. **No opere el cargador en el caso de que haya recibido un golpe, se haya caído o esté defectuoso; llévalo a un lugar donde se le pueda practicar un servicio de mantenimiento cualificado.**
10. **No desmonte el cargador o el cartucho de baterías; cuando se requiera la reparación llévelo a un lugar donde se le pueda practicar un servicio de mantenimiento cualificado. Un montaje incorrecto puede resultar en que se produzca un incendio o una descarga eléctrica.**
11. **Para reducir el peligro de que se produzca una descarga eléctrica, desenchufe el cargador de la toma de alimentación antes de efectuar el servicio de mantenimiento o la limpieza. El desconectar los controles no reducirá este peligro.**
12. **El cargador de baterías no ha sido pensado para ser usado por niños ni menores sin ser supervisados.**
13. **Los padres deberán supervisar a sus hijos pequeños para asegurarse de que no juegan con el cargador de baterías.**
14. **Si el tiempo de funcionamiento se acorta excesivamente, pare la operación inmediatamente. Podría resultar en un riesgo de recalentamiento, posibles quemaduras e incluso una explosión.**
15. **Si entra electrolito en sus ojos, aclárelos con agua limpia y solicite atención médica enseguida. Podría resultar en la pérdida de la vista.**

## **NORMAS DE SEGURIDAD ADICIONALES PARA EL CARGADOR Y EL CARTUCHO DE BATERIAS**

1. No cargue el cartucho de baterías cuando la temperatura esté por **DEBAJO** de los 10°C o por **ENCIMA** de los 40°C.
2. No utilice un transformador elevador de tensión, un generador con motor o un receptáculo de alimentación de CC.
3. No cubra ni obstruya las rejillas de ventilación del cargador con ningún objeto.
4. Cubra siempre los bornes de baterías con la tapa correspondiente cuando no se esté usando el cartucho de baterías.
5. No cortocircuite el cartucho de baterías:
  - (1) No toque los terminales con ningún material conductor.
  - (2) Evite guardar el cartucho de baterías en un recipiente que contenga otros objetos de metal tales como clavos, monedas, etc.
  - (3) No exponga el cartucho de baterías al agua o a la lluvia.Un cortocircuito de baterías puede producir una gran circulación de corriente, un sobrecalentamiento, posibles quemaduras o incluso una rotura.
6. No almacene la herramienta ni el cartucho de baterías en lugares donde la temperatura pueda alcanzar o exceder los 50°C.
7. Nunca quemé el cartucho de baterías incluso en el caso de que esté dañado seriamente, ni cuando esté gastado. El cartucho de baterías podrá explotar cuando se tire al fuego.

8. Tenga cuidado para no dejar caer, sacudir o golpear la batería.
9. No la cargue en el interior de una caja o recipiente de cualquier clase. La batería deberá ponerse en un lugar bien ventilado durante la carga.

## **NORMAS DE SEGURIDAD ADICIONALES PARA LA HERRAMIENTA**

1. Tenga presente que está herramienta está siempre en condición de funcionamiento, porque no necesita ser enchufada en una toma de corriente eléctrica.
2. Cuando realice una tarea donde la herramienta pueda entrar en contacto con cableado oculto o su propio cable, sujete la herramienta por las superficies de aislamiento aisladas. El contacto con un cable con corriente hará que la corriente circule por las partes metálicas de la herramienta y electrocute al operario.
3. Asegúrese siempre de pisar sobre suelo firme.
4. Asegúrese de que no haya nadie debajo cuando utilice la herramienta en lugares altos.
5. Sujete la herramienta firmemente.
6. Mantenga las manos alejadas de las piezas giratorias.
7. No deje la herramienta funcionando. Téngala en marcha solamente cuando esté es sus manos.
8. No toque la broca ni la pieza de trabajo inmediatamente después de realizar la tarea; podrían estar muy calientes y producirle quemaduras de piel.

## **INSTRUCCIONES PARA EL FUNCIONAMIENTO**

### **Instalación o extracción del cartucho de batería (Fig. 1)**

- Antes de insertar o retirar el cartucho de batería, asegúrese siempre de desconectar la herramienta.
- Para retirar el cartucho de batería, sáquelo de la herramienta mientras presiona los botones a cada lado del mismo.
- Para insertar el cartucho de batería, alinee la lengüeta del cartucho de batería con la acanaladura en el alojamiento y deslícelo hasta alojarlo en su lugar. Insértelo siempre a fondo hasta que quede bloqueado produciendo un ligero chasquido. En caso contrario, podría caerse accidentalmente de la herramienta y causarle heridas a usted o a alguien que se encuentre cerca de usted.
- No fuerce la introducción del cartucho de batería. Si el cartucho no se desliza hacia dentro fácilmente, quiere decir que no está siendo insertado correctamente.

### **Carga (Fig. 2)**

Enchufe el cargador rápido en una toma de corriente alterna (CA) de tensión apropiada. La luz de carga parpadeará en color verde. Inserte el cartucho de batería de forma que los bornes positivo y negativo del cartucho de batería queden en los mismos lados que las marcas respectivas en el cargador rápido. Inserte el cartucho completamente en la abertura de forma que asiente en la base de la abertura del cargador. Cuando el cartucho esté insertado, el color de la luz de carga cambiará de verde a rojo y la carga comenzará. La luz de carga permanecerá encendida durante la carga. Cuando el color de la luz de carga cambie de rojo a verde, se habrá completado el ciclo de carga. Consulte la tabla de abajo para ver los tiempos de carga. Si deja el cartucho de batería en el cargador después de que se haya completado el ciclo de carga, el cargador cambiará a su modo de "carga lenta (carga de mantenimiento)" que durará aproximadamente 24 horas. Después de la carga, desenchufe el cargador de la toma de corriente.

Tipo de batería	Capacidad (mAh)	Número de celdas	Tiempo de carga
1200	1.300	10	30 min. aprox.
1202, 1202A, 1222	2.000	10	45 min. aprox.
1233	2.200	10	55 min. aprox.
1234	2.600	10	60 min. aprox.
1235	3.000	10	90 min. aprox.

#### PRECAUCIÓN:

- El cargador rápido es para cargar el cartucho de batería Makita. No lo utilice nunca con otro propósito o para cargar baterías de otros fabricantes.
- Cuando cargue un cartucho de batería nuevo o uno que no haya sido utilizado durante mucho tiempo, será posible que no pueda cargarse completamente. Esta es una condición normal y no indica ningún tipo de problema. Podrá volver a cargarlo completamente después de descargarlo en su totalidad y volverlo a cargar unas cuantas veces.
- Si carga un cartucho de batería que acabe de retirar de una herramienta que justo entonces acaba de operar o uno que ha estado expuesto a la luz solar directa o calor durante mucho tiempo, la luz de carga podrá parpadear en color rojo. Si se diera el caso, espere algún tiempo. La carga comenzará una vez que el cartucho se enfríe. Éste se enfriará antes si lo saca del cargador.
- Si la luz de carga parpadea alternativamente en verde y rojo, existirá algún problema y no se podrá cargar. Los bornes en el cargador o en el cartucho de batería estarán sucios de polvo o el cartucho podrá estar inservible o estropeado.
- Si quiere cargar dos cartuchos de batería, espere 15 minutos entre carga y carga cuando use el cargador rápido.

#### Carga continua y lenta (carga de mantenimiento)

Si deja el cartucho de batería en el cargador para evitar que se descargue espontáneamente después de haberlo cargado completamente, el cargador se cambiará a su modo de "carga continua y lenta (carga de mantenimiento)" y mantendrá el cartucho de batería fresco y completamente cargado.

#### Consejos para alargar al máximo la vida de servicio de la batería

1. Cargue el cartucho de batería antes de que se descargue completamente. Pare la herramienta y cargue el cartucho de batería siempre que note que se debilita la potencia de la herramienta.
2. Nunca cargue un cartucho de batería que esté completamente cargado. El exceso de carga acorta la vida de servicio de la batería.
3. Cargue el cartucho de batería a una temperatura ambiente de 10°C – 40°C. Deje que el cartucho de batería se enfríe antes de cargarlo.
4. Cargue el cartucho de batería de hidruro metálico de níquel cuando no lo utilice durante más de seis meses.

#### Instalación o extracción del implemento de atornillar o broca (Fig. 3)

##### Importante:

Asegúrese siempre de que la herramienta esté apagada y que el cartucho de batería haya sido retirado antes de instalar o extraer el implemento.

Sujete el anillo y gire el mandril hacia la izquierda para abrir las mandíbulas del cabezal. Coloque la broca en el cabezal introduciéndola hasta que llegue al fondo. Sujete firmemente el anillo y gire el mandril hacia la derecha para apretar el cabezal.

Para extraer la broca, sujete el anillo y gire el mandril hacia la izquierda.

#### Accionamiento del interruptor (Fig. 4)

##### PRECAUCIÓN:

Antes de insertar el cartucho de batería, compruebe siempre para ver si el interruptor de gatillo se acciona correctamente y regresa a la posición "OFF" cuando se libera.

Para encender la herramienta, simplemente presione el gatillo. La velocidad de la herramienta aumenta incrementando la presión ejercida en el gatillo. Suelte el gatillo para parar.

#### Accionamiento del conmutador de inversión (Fig. 5)

##### PRECAUCIÓN:

- Compruebe siempre la dirección de rotación antes de realizar la operación de trabajo.
- Emplee el conmutador de inversión sólo después de que la herramienta esté completamente parada. Si cambia la dirección de rotación antes de que la herramienta se pare podrá dañarla.
- Cuando no esté utilizando la herramienta, ponga siempre el conmutador de inversión en la posición neutra.

Esta herramienta tiene un conmutador de inversión para cambiar la dirección de rotación. Presione el conmutador de inversión del lado A para que gire hacia la derecha o del lado B para que gire hacia la izquierda. Cuando el conmutador de inversión esté en la posición neutra, el interruptor de gatillo no podrá ser accionado.

#### Cambio de velocidad (Fig. 6)

Para cambiar de velocidad, primeramente apague la herramienta y deslice el conmutador de cambio de velocidad hacia el lado de la marca "II" para velocidad alta, o hacia el lado de la marca "I" para velocidad baja. Asegúrese de que el conmutador de cambio de velocidad esté correctamente posicionado antes de efectuar la operación de trabajo. Utilice la velocidad correcta para su trabajo.

## PRECAUCIÓN:

- Ponga siempre el conmutador de cambio de velocidad completamente en la posición correcta. Si opera la herramienta con el conmutador de cambio de velocidad a media distancia entre el lado "II" y el lado "I", la herramienta podría dañarse.
- No utilice el conmutador de cambio de velocidad cuando la herramienta esté funcionando. La herramienta podría dañarse.

## Ajuste del par de apriete (Fig. 7)

El par de apriete puede ajustarse en 17 pasos diferentes girando el anillo de ajuste de forma que sus graduaciones queden alineadas con el puntero marcado en la herramienta. El par de apriete será mínimo cuando el número 1 esté alineado con el puntero, y máximo cuando esté alineada la marca  $\text{⊕}$ .

El embrague patinará a varios niveles de par de torsión cuando esté posicionado en los números 1 a 16. El embrague está diseñado para que no patine en la marca  $\text{⊕}$ .

Antes de efectuar la operación de trabajo real, atornille un tornillo de prueba en el material que esté trabajando o en una pieza del mismo material para determinar el par de torsión requerido para ese trabajo en particular.

## NOTA:

No haga funcionar la herramienta con el anillo de ajuste posicionado entre el número 16 y la marca  $\text{⊕}$ . La herramienta podría dañarse.

## Instalación de la placa de fijación (Fig. 8)

Cuando utilice los cartuchos de batería 1200, 1202 ó 1202A, instale siempre la placa de fijación. Instale la placa de fijación en la herramienta con el tornillo suministrado como se muestra en la Fig. 8.

## Operación de atornillamiento (Fig. 9)

Coloque la punta del implemento de atornillar en la cabeza del tornillo y aplique presión a la herramienta. Ponga la herramienta en marcha lentamente y luego aumente la velocidad poco a poco. Suelte el gatillo tan pronto como el embrague incida.

## NOTA:

- Asegúrese de que el implemento de atornillar esté insertado en línea recta en la cabeza del tornillo, o el tornillo y/o el implemento podrían dañarse.

- Cuando atornille tornillos para madera, taladre agujeros piloto previamente para que le resulte más fácil taladrar y prevenir que se abra la pieza de trabajo. Consulte el cuadro de abajo.

Diámetro nominal del tornillo para madera (mm)	Diámetro recomendado del agujero piloto (mm)
3,1	2,0 – 2,2
3,5	2,2 – 2,5
3,8	2,5 – 2,8
4,5	2,9 – 3,2
4,8	3,1 – 3,4
5,1	3,3 – 3,6
5,5	3,6 – 3,9
5,8	4,0 – 4,2
6,1	4,2 – 4,4

- Si hace funcionar la herramienta continuamente hasta que se descargue el cartucho de batería, deje que la herramienta descanse durante 15 minutos antes de continuar con una batería fresca.

## Operación de taladrado

Primeramente, gire el anillo de ajuste de forma que el puntero marcado en la herramienta quede alineado con la marca  $\text{⊕}$ . Luego continúe de la forma siguiente.

- Para taladrar madera  
Cuando se taladre madera, los mejores resultados se obtendrán con brocas para madera equipadas con tornillo guía. El tornillo guía facilita el taladrado al tirar de la broca hacia el interior de la pieza de trabajo.
- Para taladrar metal  
Para evitar que la broca resbale al comenzar a taladrar, haga una mella con un punzón y martillo en el punto donde vaya a taladrar. Coloque la punta de la broca en la mella y comience a taladrar.  
Emplee un lubricante para operaciones de corte cuando taladre metales. Las excepciones son acero y latón que deberán ser taladrados en seco.

## PRECAUCIÓN:

- Con ejercer una presión excesiva sobre la herramienta no conseguirá taladrar más de prisa. De hecho, esta presión excesiva sólo servirá para dañar la punta de la broca, disminuir el rendimiento de la herramienta y acortar su vida útil.
- Al momento de comenzar a agujerear se ejerce una fuerza tremenda sobre la herramienta/broca. Sujete la herramienta firmemente y tenga cuidado cuando la broca comience a penetrar en la pieza de trabajo.
- Una broca que se haya bloqueado podrá sacarse simplemente poniendo el conmutador de inversión en rotación inversa para retroceder. Sin embargo, la herramienta podría retroceder bruscamente si no la sujetase firmemente.
- Sujete siempre las piezas de trabajo pequeñas en un tornillo de banco o herramienta de sujeción similar.
- Si hace funcionar la herramienta continuamente hasta que se descargue el cartucho de batería, deje que la herramienta descanse durante 15 minutos antes de continuar con una batería fresca.

## **MANTENIMIENTO**

### **PRECAUCIÓN:**

Asegúrese siempre de que la herramienta está apagada y de que el cartucho de baterías está quitado antes de realizar cualquier trabajo en la herramienta.

### **Substitución de las escobillas de carbón (Fig. 10 y 11)**

Substituya las escobillas de carbón cuando estén desgastadas hasta la marca del límite. Las dos escobillas de carbón idénticas deberían ser substituidas al mismo tiempo.

Para mantener la seguridad y fiabilidad del producto, las reparaciones, el mantenimiento y los ajustes deberán ser realizados por un Centro de Servicio Autorizado de Makita.

## Explicação geral

1 Botão	10 Lado A	19 Marcação de perfuração
2 Bateria	11 Lado B	20 Indicador
3 Luz de carga	12 Para a direita	21 Parafuso
4 Carregador rápido	13 Para a esquerda	22 Placa de apoio
5 Apertar	14 Baixa velocidade	23 Marca limite
6 Manga	15 Alta velocidade	24 Chave de parafusos
7 Anel	16 Selector de velocidade	25 Tampa do porta-escovas
8 Gatilho do interruptor	17 Anel de regulação	
9 Comutador de inversão	18 Graduações	

## ESPECIFICAÇÕES

Modelo	6214D	6314D
Capacidades		
Aço .....	10 mm	13 mm
Madeira .....	21 mm	24 mm
Parafuso para madeira .....	6,4 mm x 55 mm	6,4 mm x 55 mm
Parafuso de rosca fina .....	6 mm	6 mm
Velocidade em vazio (min <sup>-1</sup> )		
Alta .....	0 – 1.100	0 – 1.100
Baixa .....	0 – 350	0 – 350
Comprimento total .....	197 mm	208 mm
Peso .....	1,7 kg	1,7 kg
Voltagem nominal .....	12 V C.C	12 V C.C

- Devido a um programa contínuo de pesquisa e desenvolvimento, estas especificações podem ser alteradas sem aviso prévio.
- Nota: As especificações podem variar de país para país.

### Conselhos de segurança

Para sua segurança, leia as instruções anexas.

## INSTRUÇÕES DE SEGURANÇA IMPORTANTES PARA O CARREGADOR E BATERIA

1. **GUARDE ESTAS INSTRUÇÕES** — Este manual contém importantes normas de segurança e de funcionamento do carregador e da bateria.
2. Antes de utilizar o carregador leia todas as instruções e recomendações (1) do carregador da bateria, (2) da bateria e (3) da ferramenta.
3. **PRECAUÇÃO** — Para prevenir o risco de acidentes, carregue só as baterias recarregáveis MAKITA. Outros tipos de baterias poderão explodir e causar danos pessoais e materiais.
4. Não exponha o carregador à chuva ou à neve.
5. Se utilizar um acoplamento que não seja recomendado ou vendido pelo fabricante do carregador da bateria, poderá provocar um incêndio, um choque eléctrico ou danos pessoais.
6. Para não danificar a ficha e o cabo, quando desligar o carregador puxe apenas pela ficha.
7. Verifique se o cabo está colocado em local onde não tropece nele nem o pise, e também onde não fique sujeito a puxões ou outros tipos de danos.
8. Não ligue à corrente um carregador que tenha o cabo ou a ficha danificados. Substitua-os imediatamente.

9. **Não utilize um carregador que tenha levado uma pancada, tenha caído ou esteja danificado ; leve-o a um serviço de assistência oficial.**
10. **Não desmonte o carregador ou a bateria; quando for necessária uma reparação leve-os a um serviço de assistência oficial. Uma montagem incorrecta poderá provocar um incêndio ou choque eléctrico.**
11. Para evitar apanhar um choque eléctrico desligue o carregador da tomada de corrente antes de efectuar qualquer trabalho de manutenção ou de limpeza. Se apenas desligar o carregador e não retirar a ficha da tomada, não evitará o perigo de choques eléctricos.
12. O carregador de bateria não deve ser utilizado por crianças ou por enfermos sem vigilância.
13. Deve vigiar as crianças para se certificar de que não brincam com o carregador.
14. Se o tempo de operação se tornar excessivamente curto, pare imediatamente a operação. Pode resultar em sobreaquecimento, possíveis queimaduras e mesmo uma explosão.
15. Se entrar electrólito nos seus olhos, lave-os com água limpa e procure imediatamente assistência médica. Pode resultar em perda de visão.

## REGRAS DE SEGURANÇA ADICIONAIS PARA O CARREGADOR E BATERIA

1. Não carregue a bateria quando a temperatura for INFERIOR a 10°C ou SUPERIOR a 40°C.
2. Não use um transformador, gerador ou acumulador de corrente contínua.
3. Não tape nem obstrua a ventilação do carregador.
4. Cubra sempre os terminais da bateria com a respectiva tampa quando não estiver a utilizá-la.

5. Não provoque um curto-circuito na bateria:
  - (1) Não toque nos terminais com nenhum material condutor.
  - (2) Evite guardar a bateria juntamente com outros objectos metálicos tais como pregos, moedas, etc.
  - (3) Não exponha a bateria à chuva ou à água. Um curto-circuito na bateria pode causar um grande fluxo de corrente, sobreaquecimento, possíveis queimaduras e mesmo uma avaria.
6. Não guarde a ferramenta e a bateria em locais onde a temperatura possa atingir ou ultrapassar 50°C.
7. Não queime a bateria mesmo se estiver severamente danificada ou completamente gasta. A bateria pode explodir no fogo.
8. Tenha cuidado para não deixar cair, agitar ou dar pancadas na bateria.
9. Não carregue dentro de uma caixa ou de um recipiente de qualquer tipo. A bateria deve ser colocada num local bem ventilado durante o carregamento.
2. Agarre na ferramenta pelas pegas isoladas quando executar uma operação em que a ferramenta de corte pode entrar em contacto com qualquer fio eléctrico escondido ou o seu próprio fio. O contacto com um fio “vivo” fará com que as partes de metal expostas fiquem “vivas” e originem um choque no operador.
3. Certifique-se sempre de que se mantém equilibrado.
4. Certifique-se de que ninguém está por baixo quando utiliza a ferramenta em locais altos.
5. Agarre na ferramenta firmemente com as duas mãos.
6. Mantenha as mãos afastadas das partes rotativas.
7. Não deixe a ferramenta a funcionar. Funcione com a ferramenta só quando estiver a agarrá-la.
8. Não toque na broca ou nas partes próximas imediatamente depois da operação; podem estar extremamente quentes e queimar-se.

## GUARDE ESTAS INSTRUÇÕES.

### REGRAS DE SEGURANÇA ADICIONAIS PARA A BATERIA

1. Lembre-se que esta ferramenta está sempre em condições de funcionamento, porque não necessita de ser ligada a uma tomada de corrente.

### INSTRUÇÕES DE FUNCIONAMENTO

#### Instalar ou retirar a bateria (Fig. 1)

- Desligue sempre a ferramenta antes de colocar ou retirar a bateria.
- Para retirar a bateria, tire-a da ferramenta enquanto pressiona os botões em ambos os lados da bateria.
- Para colocar a bateria, alinhe a lingueta na bateria com a ranhura na caixa e deslize-a para o seu lugar. Coloque-a sempre completamente até que fique presa no lugar com um pequeno clique. Se assim não for, pode acidentalmente cair da ferramenta ferindo-o a si ou alguém próximo.
- Não utilize força quando coloca a bateria. Se a bateria não deslizar facilmente é porque não está colocada correctamente.

#### Carregamento (Fig. 2)

Ligue o carregador rápido à fonte de corrente CA apropriada. A luz de carga piscará com a cor verde. Coloque a bateria de modo a que os seus terminais mais e menos fiquem no mesmo lado do que as respectivas marcas no carregador rápido. Coloque a bateria completamente no orifício de maneira a que fique bem assente no carregador. Quando a bateria está colocada, a luz de carga muda de verde para vermelho e o carregamento começa. A luz de carga mantém-se acesa durante o carregamento. Quando a luz de carga muda de vermelho para verde, o ciclo de carregamento está completo. Consulte a tabela abaixo para verificar o tempo de carga. Se deixar a bateria no carregador depois do carregamento acabar, o carregador muda para o modo de “carregamento gota a gota (carregamento de manutenção)” que durará aproximadamente 24 horas. Depois do carregamento, desligue o carregador da fonte de alimentação.

Tipo de bateria	Capacidade (mAh)	Número de células	Tempo de carga
1200	1.300	10	Aprox. 30 min.
1202, 1202A, 1222	2.000	10	Aprox. 45 min.
1233	2.200	10	Aprox. 50 min.
1234	2.600	10	Aprox. 60 min.
1235	3.000	10	Aprox. 70 min.

#### PRECAUÇÃO:

- O carregador rápido é para carregar a bateria Makita. Nunca o utilize para outros fins ou para baterias de outro produtos.
- Quando carrega uma bateria nova ou uma que não foi utilizada durante um longo período de tempo, pode não aceitar uma carga completa. É uma condição normal e não indica um problema. Pode carregar a bateria completamente depois de a descarregar e a voltar a carregar algumas vezes.

- Se carregar uma bateria de uma ferramenta que acabou de utilizar ou uma bateria que foi deixada num local exposta a luz solar directa ou calor durante muito tempo, a luz de carga pode piscar em vermelho. Se isto acontecer, espere um pouco. O carregamento inicia-se depois da bateria arrefecer. A bateria arrefecerá mais depressa se o retirar do carregador rápido.
- Se a luz de carga piscar alternadamente em vermelho e verde há um problema e o carregamento não é possível. Os terminais no carregador ou na bateria estão obstruídos com pó ou a bateria está gasta ou danificada.
- Se desejar carregar duas baterias, espere 15 minutos entre os carregamentos no carregador rápido.

### **Carregamento gota a gota (carregamento de manutenção)**

Se deixar a bateria no carregador para evitar descarga espontânea depois de completamente carregada, o carregador mudará para o modo de “carregamento gota a gota (carregamento de manutenção)” e manterá a bateria fresca e completamente carregada.

### **Conselhos para manter a máxima vida útil da bateria**

1. Carregue a bateria antes de completamente descarregada. Páre sempre a operação e carregue a bateria quando notar diminuição de potência da ferramenta.
2. Nunca recarregue uma bateria completamente carregada. Sobrecarregamento diminui a vida útil da bateria.
3. Carregue a bateria à temperatura ambiente de 10°C – 40°C. Se a bateria estiver quente deixe-a arrefecer antes de a carregar.
4. Carregue a bateria de hidreto de níquel quando não a utilizar durante mais do que seis meses.

### **Para colocar ou retirar a broca de aparafusar ou de perfurar (Fig. 3)**

Importante:

Certifique-se sempre de que a ferramenta está desligada e a bateria retirada antes de colocar ou retirar a broca.

Agarre no anel e rode a manga para a esquerda para abrir as garras do mandril. Coloque a broca no mandril até ao mais fundo possível. Pege firmemente no anel e rode a manga para a direita para apertar o mandril. Para retirar a broca, pegue no anel e rode a manga para a esquerda.

### **Ação do interruptor (Fig. 4)**

**PRECAUÇÃO:**

Antes de colocar a bateria na ferramenta certifique-se de que o gatilho funciona correctamente e volta para a posição “OFF” quando libertado.

Para ligar a ferramenta carregue simplesmente no atilho. A velocidade da ferramenta aumenta quando aumenta a pressão no gatilho. Liberte o gatilho para parar.

### **Ação do comutador de inversão (Fig. 5)**

**PRECAUÇÃO:**

- Verifique sempre a direcção de rotação antes da operação.
- Só utilize o comutador de inversão quando a ferramenta estiver completamente parada. Mudar a direcção de rotação antes da ferramenta parar pode estragá-la.
- Quando não está a funcionar com a ferramenta, coloque sempre o comutador de inversão na posição neutra.

Esta ferramenta tem um comutador de inversão para mudar a direcção de rotação. Pressione a alavanca do comutador de inversão no lado A para rotação para a direita ou no lado B para rotação para a esquerda. Quando a alavanca do interruptor está na posição neutra, não pode carregar no gatilho.


### **Mudança de velocidade (Fig. 6)**


Para mudar a velocidade, desligue primeiro a ferramenta e em seguida deslize o selector de velocidade para o lado “II” para alta velocidade ou para o lado “I” para baixa velocidade. Certifique-se de que o selector de velocidade está colocado na posição correcta antes da operação. Utilize a velocidade correcta para o seu trabalho.

**PRECAUÇÃO:**

- Coloque sempre o selector de velocidade completamente na posição correcta. Se trabalhar com a ferramenta com o selector de velocidade colocado no meio entre o lado “I” e o lado “II” pode estragar a ferramenta.
- Não utilize o selector de velocidade enquanto a ferramenta está funcionar. Pode estragar a ferramenta.


### **Ajuste do binário de aperto (Fig. 7)**

O binário de aperto pode ser ajustado em 17 passos rodando o anel de regulação de modo a que as graduações estejam alinhadas com o indicador no corpo da ferramenta. O binário de aperto é mínimo quando o número 1 está alinhado com o indicador no corpo da ferramenta e máximo quando a marca  está alinhada com o indicador.

Efectuar-se-à o aparafusamento com vários níveis de torção conforme o indicador estiver posicionado nos números 1 a 16. Não actuará quando posicionado na na marca .

Antes do trabalho real, faça um aparafusamento experimental no material ou numa peça do mesmo material para determinar qual o nível de aperto requerido para um trabalho particular.

**NOTA:**

Não funcione a ferramenta com o anel de regulação colocado entre o número 16 e a marca . Pode estragar a ferramenta.

### **Colocação da placa de apoio (Fig. 8)**

Coloque sempre a placa de apoio quando utiliza as baterias 1200, 1202 ou 1202A. Coloque a placa de apoio na ferramenta com o parafuso fornecido, como indicado na Fig. 8.



### Operação de aparafusar (Fig. 9)

Coloque a ponta da broca de aparafusar na cabeça do parafuso e aplique pressão na ferramenta. Comece com a ferramenta devagar e em seguida aumente gradualmente a velocidade. Liberte o gatilho assim que o aperto estiver feito.


#### NOTA:

- Certifique-se de que a broca de aparafusar está colocada direita na cabeça do parafuso ou o parafuso e/ou a broca podem estragar-se.
- Quando aparafusa parafusos para madeira, faça primeiro um orifício piloto para tornar o aparafusamento mais simples e evitar que a peça de trabalho lasque. Veja a tabela abaixo.

<b>Diâmetro nominal do parafuso para madeira (mm)</b>	<b>Tamanho recomendado do orifício piloto (mm)</b>
3,1	2,0 – 2,2
3,5	2,2 – 2,5
3,8	2,5 – 2,8
4,5	2,9 – 3,2
4,8	3,1 – 3,4
5,1	3,3 – 3,6
5,5	3,6 – 3,9
5,8	4,0 – 4,2
6,1	4,2 – 4,4

- Se a ferramenta funcionar continuamente até que a bateria esteja descarregada, deixe a ferramenta descansar durante 15 minutos antes de continuar com uma bateria carregada.

### Operação de perfuração

Primeiro, rode o anel de regulação de modo a que o indicador no corpo da ferramenta aponte para a marca . Em seguida faça o que se segue.

- **Perfuração em madeira**  
Quando perfura em madeira obtém melhores resultados com perfuradores para madeira que tenham um parafuso guia. O parafuso guia torna a perfuração mais fácil empurrando a broca para a peça a trabalhar.
- **Perfuração em metal**  
Para evitar que a broca deslize quando começa um buraco, faça um entalhe com um furador e martelo no ponto a ser perfurado. Coloque a ponta da broca no entalhe e comece a perfuração.  
Utilize um lubrificante para corte quando perfura metal. As exceções são ferro e latão que devem ser perfurados em seco.

### PRECAUÇÃO:

- Pressão excessiva na ferramenta não aumentará a velocidade de perfuração. De facto, pressão excessiva só servirá para estragar a ponta da broca, diminuir o rendimento da ferramenta e diminuir a sua vida útil.
- É exercida uma enorme força na ferramenta/broca quando acaba o buraco. Agarre na ferramenta firmemente e tenha cuidado quando a broca começa a atravessar a peça de trabalho.
- Se a broca ficar presa, pode retirá-la muito simplesmente colocando o comutador de inversão para inverter a rotação e fazer com que a broca ande para trás. No entanto a ferramenta pode recuar abruptamente se não lhe estiver a pegar firmemente.
- Prenda sempre peças pequenas num torno ou num mecanismo semelhante.
- Se a ferramenta funcionar continuamente até que a bateria esteja descarregada, deixe a ferramenta descansar durante 15 minutos antes de continuar com uma bateria carregada.

### MANUTENÇÃO

#### PRECAUÇÃO:

Certifique-se sempre de que a ferramenta se encontra desligada e de que a bateria foi retirada antes de efectuar qualquer inspecção e manutenção.

#### Substituição das escovas de carvão (Fig. 10 e 11)

As escovas de carvão devem ser substituídas quando o desgaste atingir a marca limite. Ambas as escovas de carvão devem ser substituídas ao mesmo tempo.

Para manter a segurança e fiabilidade do produto, as reparações, manutenção e afinações deverão ser sempre efectuadas por um Centro de Assistência Oficial Makita.

## Illustrationsoversigt

1 Knap	10 A side	19 Boremarkering
2 Akku	11 B side	20 Viser
3 Ladelampe	12 Med uret	21 Skrue
4 Hurtiglader	13 Mod uret	22 Låsebøjle
5 Stram	14 Lav hastighed	23 Slidgrænse
6 Omløber	15 Høj hastighed	24 Skruetrækker
7 Ring	16 Hastighedsvælger	25 Kuldæksel
8 Afbryderknap	17 Justeringsring	
9 Omdrejningsvælger	18 Inddelinger	

## SPECIFIKATIONER

Model	6214D	6314D
Kapacitet		
Stål .....	10 mm	13 mm
Træ .....	21 mm	24 mm
Træskrue .....	6,4 mm x 55 mm	6,4 mm x 55 mm
Maskinskrue .....	6 mm	6 mm
Omdrejninger (ubelastet) (min <sup>-1</sup> )		
Høj .....	0 – 1 100	0 – 1 100
Lav .....	0 – 350	0 – 350
Længde .....	197 mm	208 mm
Vægt .....	1,7 kg	1,7 kg
Spænding .....	D.C.12 V	D.C.12 V

- Ret til tekniske ændringer forbeholdes.
- Bemærk: Data kan variere fra land til land.

## Sikkerhedsbestemmelser

Af sikkerhedsgrunde bør De sætte Dem ind i de medfølgende Sikkerhedsforskrifter.

## VIGTIGE SIKKERHEDSFORSKRIFTER FOR LADER OG AKKU

1. GEM DISSE FORSKRIFTER — Denne brugsanvisning indeholder vigtige sikkerhedsforskrifter og betjeningsvejledninger for laderen.
2. Før laderen anvendes, bør De læse alle instruktioner og advarselmarkeringer på (1) laderen, (2) akku, og (3) produktet, som anvender akku.
3. ADVARSEL — For at mindske risikoen for personskade må laderen kun anvendes til opladning af MAKITA genopladelige akku-typer. Andre akku-typer kan sprænges og forårsage personskade eller ødelæggelser.
4. Udsæt ikke laderen for regn eller sne.
5. Brug af tilbehør, der ikke er anbefalet eller solgt af fremstilleren af laderen, kan give risiko for brand, elektrisk stød, eller personskade.
6. For at mindske risikoen for at beskadige netledningen eller dennes stik skal der altid trækkes i stikket og ikke i selve ledningen, når laderen tages ud af stikkontakten.
7. Sørg for, at netledningen er placeret således, at man ikke kommer til at træde på den, falde over den, og således, at den ikke udsættes for anden form for beskadigelse eller belastning.
8. Anvend aldrig laderen, hvis ledningen eller stikket er beskadiget — udskift dem øjeblikkeligt.
9. Anvend aldrig laderen, hvis den er blevet udsat for et voldsomt stød, blevet tabt, eller på anden måde beskadiget. Lad en kvalificeret reparatør se på den.

10. Skil aldrig laderen eller akkuen ad; kontakt en kvalificeret reparatør, når vedligeholdelse eller reparation er påkrævet. Forkert samling kan føre til risiko for elektrisk stød eller brand.

11. For at undgå risiko for elektrisk stød skal laderen altid afbrydes fra stikkontakten, før vedligeholdelse eller rengøring udføres. Denne risiko fjernes ikke ved blot at slukke for kontrollerne.
12. Opladeren er ikke beregnet til at skulle anvendes af børn eller svaglige personer uden opsyn.
13. Små børn bør være under opsyn for at sikre, at de ikke leger med opladeren.
14. Hvis anvendelsestiden bliver ekstrem kort, skal brugen straks afbrydes. Fortsat brug kan ellers resultere i overophedning, mulige forbrændinger og endog eksplosion.
15. Hvis De får elektrolytvæske i øjnene, skal det øjeblikkeligt renses med rigeligt rent vand, hvorefter der straks skal søges læge. Der er risiko for tab af synsevne.

## YDERLIGERE SIKKERHEDSFORSKRIFTER FOR LADER OG AKKU

1. Oplad ikke akkuen, når temperaturen er UNDER 10°C, eller OVER 40°C.
2. Forsøg aldrig at anvende en transformator, en generator, eller en jævnstrømsforsyning til opladning.
3. Lad aldrig noget dække eller tilstoppe laderens ventilationshuller.
4. Dæk altid akku-polerne med akku-dækslet, når akkuen ikke anvendes.

5. Kortslut aldrig akkuen:
  - (1) Rør ikke polerne med noget ledende materiale.
  - (2) Undgå opbevaring af akkuen i beholdere sammen med andre metalgenstande, som f.eks. søm, mønter osv.
  - (3) Udsæt aldrig laderen eller akkuen for vand eller regn.  
En kortslutning af akkuen kan forårsage en stor strømudladning, overophedning, forbrænding, og sammenbrud af værktøjet.
6. Opbevar ikke værktøjet og akkuen på steder, hvor temperaturen kan nå eller overskride 50°C.
7. Udsæt ikke akkuen for destruktions ved forbrænding, også selv om den er slemt beskadiget eller fuldstændig slidt op. Akkuen kan eksplodere i åben ild.
8. Undgå omhyggeligt at tabe, ryste eller støde akkuen.
9. Oplad aldrig med akkuen anbragt i en kasse eller anden form for beholder. Akkuen skal være anbragt på et sted med god ventilation under opladningen.

## GEM DISSE FORSKRIFTER.

## ANVENDELSE

### Montering og afmontering af akku (Fig. 1)

- Kontrollér altid, at maskinen er slået fra, før monteringen eller afmontering af akkuen.
- For at fjerne akkuen trykkes samtidigt på knapperne på begge sider af akkuen, mens denne trækkes ud af maskinen.
- For at sætte en ny akku i, placeres denne, så fjeren på akkuen passer med noten i åbningen på maskinen. Akkuen skubbes helt i bund, indtil den klikker på plads i begge sider. Kontrollér altid, at akkuen er helt fastlåst ved at trække i den.
- Brug aldrig magt, når akkuen skal sættes i. Hvis ikke akkuen glider i uden besvær, er det fordi, at den vender forkert.

## YDERLIGERE SIKKERHEDSFORSKRIFTER FOR MASKINEN

1. Husk på, at denne maskine altid er i driftsklar tilstand, da den ikke kræver at blive sat til en stikkontakt.
2. Hold kun ved maskinen på de isolerede greb og overflader, når De udfører arbejde, hvor det skærende værktøj kan komme i kontakt med skjulte ledninger. Kontakt med en strømførende ledning vil også gøre uafdækkede metaldele på maskinen strømførende og give operatøren stød.

### Opladning (Fig. 2)

Tilslut hurtigladeren til den korrekte strømforsyning. Ladelampen blinker grønt. Sæt akkuen i opladeren, således at dens plus- og minuspolerne passer med de tilsvarende markeringer på hurtigladeren. Skub akkuen så langt ind, at den står på bunden af opladeren. Når akkuen er isat, skifter ladelampen fra grønt til rødt, og opladning begynder. Ladelampen forbliver tændt under hele opladningen. Når ladelampens farve skifter fra rødt til grøn, er opladningen afsluttet. Se nedenstående tabel vedrørende ladetiden. Hvis De efterlader akkuen i opladeren, efter at opladningen er afsluttet, skifter opladeren over til kompensationsladning, hvor indstillingen forbliver i cirka 24 timer. Tag akkuen ud og træk stikket til laderen ud af stikkontakten.

Akku-type	Kapacitet (mAh)	Antal celler	Ladetid
1200	1 300	10	Cirka 30 min.
1202, 1202A, 1222	2 000	10	Cirka 45 min.
1233	2 200	10	Cirka 50 min.
1234	2 600	10	Cirka 60 min.
1235	3 000	10	Cirka 70 min.

### ADVARSEL:

- Hurtigladeren er beregnet til opladning af Makita akkuer. Brug den aldrig til andre formål eller til opladning af akkuer af andre fabrikater.
- Ved opladning af en ny akku eller en akku, der ikke har været brugt længe, kan det ske, at akkuen ikke oplades helt. Dette er normalt, og akkuen vil atter kunne oplades helt, når den har været opladet og afladet nogle gange.
- Hvis De forsøger at oplade en akku, der lige har været i brug eller har været efterladt på et sted, hvor den var udsat for direkte sollys eller varme i længere tid, vil ladelampen eventuelt blinke rødt. Sker dette, kan opladningen først startes, når akkuen er afkølet. Akkuen afkøles hurtigere, hvis den tages ud af laderen.
- Hvis ladelampen blinker skiftevis grønt og rødt, er der noget i vejen og opladning er ikke mulig. Polerne på laderen eller akkuen er ikke rene, akkuen er beskadiget eller slidt op.
- Hvis De ønsker at oplade to akkuer, bør opladeren hvile i 15 minutter for afkøling mellem hver opladning.

## Kompensationsladning (vedligeholdelsesladning)

Hvis De efterlade akkuen i opladeren for at forebygge spontan afladning efter en fuld opladning, skifter opladeren til dens "kompensationsladning (vedligeholdelsesladning)" funktion, og holder derved akkuen frisk og fuldt opladet.

### Tips til sikring af maksimal akku-levetid

1. Oplad akkuen, før den er fuldt afladet. Stop altid med at bruge maskinen, og oplad akkuen, når De bemærker reduceret maskinkraft.
2. Oplad aldrig en fuldt opladet akku. Over-opladning forkorter akkuens levetid.
3. Oplad akkuen ved en rumtemperatur på 10°C – 40°C. Lad en varm akku køle, før den oplades.
4. Oplad nikkel metalhydrid akkuen, når De ikke har anvendt den indenfor et halvt år.

### Montering og afmontering af skruebit eller bor (Fig. 3)

Vigtigt:

Kontrollér altid, at maskinen er slukket, og at akkuen er taget ud, før der monteres eller afmonteres værktøj.

Hold løst på ringen og drej omløberen mod uret for at åbne borepatronens kæber. Sæt værktøjet så langt ind i borepatronen som muligt. Hold fast på ringen og drej omløberen med uret for at spænde værktøjet fast.

For at afmontere værktøjet holdes ringen fast og omløberen drejes mod uret.

### Afbryderbetjening (Fig. 4)

ADVARSEL:

Før akkuen sættes i maskinen, bør det altid kontrolleres, at afbryderknappen fungerer korrekt og returnerer til "OFF" positionen, når den slippes.

For at starte maskinen trykkes der blot på afbryderen. Maskinens hastighed øges ved at øge trykket på afbryderen. Slip afbryderen for at stoppe.

### Omløbsvælger (Fig. 5)

ADVARSEL:

- Kontrollér altid omløbsretningen, før arbejdet påbegyndes.
- Brug kun omløbsvælgeren, når maskinen er helt stoppet. Hvis omløbsretningen ændres, inden maskinen er helt stoppet, kan det beskadige maskinen.
- Når maskinen ikke er i brug, bør omløbsvælgeren altid sættes i neutral position.

Denne maskinen har en omløbsvælger, der kan ændre omløbsretningen. Skub omløbsvælgeren ind fra A siden for omdrejning med uret, og fra B siden for omdrejning mod uret. Når omløbsvælgeren er i neutral position, kan afbryderknappen ikke trykkes ind.

### Hastighedsvælger (Fig. 6)

For at ændre hastigheden skal maskinen først slukkes. Skub derefter hastighedsvælgeren helt mod "I" for høj hastighed og helt mod "II" for lav hastighed. Sørg for at hastighedsvælgeren er sat til den korrekte position, før arbejdet påbegyndes. Anvend en passende hastighed til det pågældende arbejde.

ADVARSEL:

- Sæt altid hastighedsvælgeren helt i position "I" eller "II". Hvis maskinen anvendes med hastighedsvælgeren i en position mellem "I" og "II", kan det beskadige maskinen.
- Brug ikke hastighedsvælgeren, mens maskinen kører. Maskinen kan blive beskadiget.

### Justering af drejningsmomentet (Fig. 7)

Drejningsmomentet kan justeres i 17 trin ved at dreje justeringsringen, således at dens inddelinger er passet ind efter viseren på maskinhuset. Drejningsmomentet er mindst, når tallet 1 står ud for viseren, og højest, når  $\beta$  symbolet står ud for viseren.

Koblingen vil glide forbi forskellige drejningsmomenter, når der er indstillet mellem 1 og 16. Koblingen er konstrueret, således at den ikke glider ved  $\beta$  symbolet.

Før den egentlige anvendelse påbegyndes, bør De foretage en prøveskrumning i materialet eller et lignende materiale for at fastslå, hvilket drejningsmoment, der er påkrævet til det pågældende arbejde.

BEMÆRK:

Anvend ikke maskinen, når justeringsringen står mellem nummer 16 og  $\beta$  symbolet. Maskinen kan blive beskadiget.

### Montering af låsebøjle (Fig. 8)

Påsæt altid låsebøjlen, når De anvender akkuerne 1200, 1202 eller 1202A. Montér låsebøjlen på maskinen med den medfølgende skrue, som vist i Fig. 8.

### Brug som skruetrækker (Fig. 9)

Anbring spidsen af skruebittet i skruetallet og læg et let tryk på maskinen. Start maskinen og øg gradvist hastigheden. Slip afbryderen, så snart momentkoblingen høres.


BEMÆRK:

- Skruetallet skal være sat helt ind i skruetallet, og maskinen skal holdes lige på skruen. Ellers kan skruen/bittet blive beskadiget.
- Når der skrues træskruer, bør der laves forboringer for at gøre det nemmere at skrue og for at undgå revnedannelser i emnet. Se nedenstående tabel.

Nominal diameter på træskruer (mm)	Anbefalet diameter på forboring (mm)
3,1	2,0 – 2,2
3,5	2,2 – 2,5
3,8	2,5 – 2,8
4,5	2,9 – 3,2
4,8	3,1 – 3,4
5,1	3,3 – 3,6
5,5	3,6 – 3,9
5,8	4,0 – 4,2
6,1	4,2 – 4,4

- Hvis maskinen anvendes, lige indtil akkuen er opbrugt, bør maskinen hvile i 15 minutter, før der fortsættes med en ny akku.

## Boring

Drej først justeringsringen, således at viseren på maskinhuset peger mod  symbolet. Fortsæt derefter som angivet nedenfor.

- Boring i træ

Ved boring i træ opnås det bedste resultat med træborudstyret med en centerspids. Centerspidsen gør boringen lettere, idet den trækker boret ind i emnet.

- Boring i metal

For at forhindre at værktøjet skrider, når der startes på et hul, bør der laves en fordybning med en kørne og en hammer på det sted, hvor hullet skal bores. Placer spidsen af værktøjet i fordybningen og start boringen. Anvend skæresmørelse, når der bores i metal. Undtaget er jern og messing, som skal bores tørre.

### ADVARSEL:

- Overdrevent tryk på maskinen vil ikke gøre boringen hurtigere. I virkeligheden vil det kun medvirke til at beskadige spidsen på værktøjet, formindske maskinens præstation og forkorte maskinens levetid.
- Maskinen/værktøjet udsættes for en voldsom vridningspåvirkning, når der brydes igennem emnet. Hold godt fast på maskinen og udvis forsigtighed, når værktøjet begynder at bryde gennem emnet.
- Et værktøj, der har sat sig fast, kan nemt fjernes ved at sætte omdrejningsvælgeren til modsat omdrejningsretning for at bakke helt ud. Værktøjet kan dog bakke ukontrollabelt ud, hvis der ikke holdes godt fast på maskinen.
- Mindre emner skal fastgøres forsvarligt i en skruestik eller lignende.
- Hvis maskinen anvendes, lige indtil akkuen er opbrugt, bør maskinen hvile i 15 minutter, før der fortsættes med en ny akku.

## VEDLIGEHOLDELSE

### ADVARSEL:

Sørg altid for at maskinen er slukket, og at akkuen er taget ud før der gennemføres noget arbejde på selve maskinen.

### Udskiftning af kul (Fig. 10 og 11)

Udskift maskinens kul når disse er slidt ned til slidgrænsen. De nedslidte kul erstattes med nye originale Makita-kul. Udskift altid kullene parvis.

For at opretholde produktets sikkerhed og pålidelighed, må istandsættelse, vedligeholdelse eller justering kun udføres af et autoriseret Makita service center.

Förklaring av allmän översikt

1 Knapp	9 Omkopplare	17 Inställningsring
2 Kraftkassett	för rotationsriktning	18 Gradering
3 Laddningslampa	10 Sida A	19 Borrmarkering
4 Snabbladdare	11 Sida B	20 Pil
5 Dra åt	12 Medurs	21 Skruv
6 Hylsa	13 Moturs	22 Kassettpärr
7 Ring	14 Lågt varvtal	23 Slitgränsmarkering
8 Strömställare	15 Högt varvtal	24 Spårmejsel
	16 Varvtalsomkopplare	25 Kolhållarlock

TEKNISKA DATA

Modell	6214D	6314D
Kapacitet		
Stål .....	10 mm	13 mm
Trä .....	21 mm	24 mm
Träskruv .....	6,4 mm x 55 mm	6,4 mm x 55 mm
Maskinskruv .....	6 mm	6 mm
Obelastat varvtal (min <sup>-1</sup> )		
Högt .....	0 – 1 100	0 – 1 100
Lågt .....	0 – 350	0 – 350
Total längd .....	197 mm	208 mm
Nettovikt .....	1,7 kg	1,7 kg
Märkspänning .....	12 V likström	12 V likström

- På grund av det kontinuerliga programmet för forskning och utveckling, kan här angivna tekniska data ändras utan föregående meddelande.
- Observera! Tekniska data kan variera i olika länder.

Säkerhetstips

För din egen säkerhets skull, bör du läsa igenom de medföljande säkerhetsföreskrifterna.

VIKTIGA SÄKERHETSANVISNINGAR FÖR LADDARE OCH BATTERIKASSETT

1. SPARA DESSA ANVISNINGAR — Denna bruksanvisning innehåller viktiga säkerhets- och driftsanvisningar för batteriladdaren.
2. Läs alla anvisningar och säkerhetsanmärkningar på (1) batteriladdaren, (2) batteriet och (3) den produkt till vilken batteriet ska användas.
3. ATT OBSERVERA — Ladda endast MAKITA uppladdningsbara batterier, för att minska risken för skador. Andra typer av batterier kan explodera och orsaka skador på person och egendom.
4. Utsätt inte laddaren för regn eller snö.
5. Att använda tillsatser som inte rekommenderas eller säljs av batteriladdarens tillverkare kan medföra att risk för eldsvåda, elektriska stötar och personskador uppstår.
6. Dra i kontakten istället för i sladden när batteriladdaren ska kopplas ur, för att minska risken för skador på stickkontakten och sladden.
7. Se till att sladden placeras så att ingen trampar eller snubblar på den, eller att den på annat sätt utsätts för skador eller påfrestningar.
8. Använd inte laddaren om sladden eller kontakten är skadade — byt ut dem omedelbart.
9. Använd inte laddaren om den har utsatts för ett kraftigt slag, tappats eller på annat sätt skadats; ta den genast till en kvalificerad servicetekniker.

10. Ta inte isär laddaren eller batterikassetten; lämna dem till en kvalificerad servicetekniker om de är i behov av service eller reparation. Felaktig ihopsättning kan resultera i att det uppstår risk för elektriska stötar och eldsvåda.
11. Dra ut laddaren ur nätuttaget innan något underhåll eller rengöring utförs, för att minska risken för elektriska stötar. Att bara stänga av verktyget med kontrollerna minskar inte denna risk.
12. Batteriladdaren är inte avsedd för att användas av barn eller personer med förståndshandikapp utan uppsyn.
13. Småbarn bör ha sådan tillsyn att de inte leker med batteriladdaren.
14. Avbryt driften omedelbart om drifttiden börjar bli betydligt kortare. Att fortsätta driften kan medföra risk för överhettning, brännskador och även explosion.
15. Tvätta ur ögonen med rent vatten om elektrolytvätska skulle komma in i ögonen, och sök omedelbart medicinsk vård. Att få in elektrolytvätska i ögonen kan resultera i att du förlorar synen.

SÄRSKILDA SÄKERHETSFÖRESKRIFTER FÖR LADDARE OCH BATTERIKASSETT

1. Ladda inte batterikassetten när temperaturen är UNDER 10°C eller ÖVER 40°C.
2. Försök inte använda en spänningsomvandlare, motortransformator eller ett likströmsuttag.
3. Låt ingenting täcka över eller täppa igen laddarens ventilationsuttag.
4. Täck alltid för batteriets kontaktbleck med batterilocket, när batterikassetten inte används.

5. **Kortslut inte batterikassetten:**
  - (1) Vidrör inte kontaktblecken med något elektriskt ledande föremål.
  - (2) Undvik att förvara batterikassetter i en behållare tillsammans med andra metallföremål som t.ex. spikar, mynt osv.
  - (3) Utsätt inte batteriladdaren för vatten eller regn.

En kortslutning av batteriet kan orsaka ett kraftigt strömlöflöde, överhettning, risk för brännskador och även att batteriet totalförstörs.

6. Förvara inte verktyget och batterikassetten på platser där temperaturen kan komma att uppgå till eller överstiga 50°C.
7. Bränn inte upp batterikassetten, även om den är svårt skadad eller fullständigt utsliten. Batterikassetten kan explodera i eld.
8. Var försiktig så att batteriet inte tappas, skakas om eller utsätts för slag.
9. Utför inte laddningen inuti en låda eller någon annan typ av behållare. Batteriet måste vara placerat på en plats med god ventilation under uppladdningen.

## SÄRSKILDA SÄKERHETSFÖRESKRIFTER FÖR VERKTYGET

1. Tänk på att detta verktyg alltid är i driftfärdigt skick, eftersom det inte behöver kopplas in till ett eluttag.
2. Håll verktyget i de isolerade greppytorna vid arbeten där skären riskerar att komma i kontakt med ledningsdragnings som inte är synlig. Om verktyget skulle komma i kontakt med en strömförande ledning kommer även de synliga metalldelarna på verktyget att bli strömförande, och därmed ge operatören en elektrisk stöt.

### Laddning (Fig. 2)

Sätt i snabbbladdaren i ett lämpligt växelströmsuttag. Laddningslampan blinkar med grönt sken. Sätt i kraftkassetten så att plus- och minuspolerna på kraftkassetten är på samma sida som respektive markeringar på snabbbladdaren. För in kraftkassetten helt och fullt i laddningsurtaget så att den vilar mot laddningsurtagets botten. När kraftkassetten har satts i ändrar laddningslampan färg från grönt till rött, och laddningen påbörjas. Laddningslampan lyser med stadigt sken under hela laddningen. När laddningslampans färg ändras från rött till grönt är laddningen avslutad. Se i tabellen nedan för laddningstid. Om du lämnar kraftkassetten i laddaren efter avslutad laddning övergår laddaren till läget "strömladdning (underhållsladdning)" vilket varar i ungefär 24 timmar. Dra ur laddaren kontakt från strömkällan när laddningen är avslutad.

Batterityp	Kapacitet (mAh)	Antal celler	Laddningstid
1200	1 300	10	Cirka 30 min.
1202, 1202A, 1222	2 000	10	Cirka 45 min.
1233	2 200	10	Cirka 50 min.
1234	2 600	10	Cirka 60 min.
1235	3 000	10	Cirka 70 min.

### FÖRSIKTIGHET!

- Snabbbladdaren är avsedd för laddning av Makita kraftkassett. Använd aldrig laddaren för andra ändamål, eller för att ladda batterier från andra tillverkare.
- Vid laddning av en ny kraftkassett, eller en kraftkassett som inte har använts under en lång tid, kan det inträffa att den inte kan laddas fullt. Detta är normalt och indikerar inte att det är något fel. Du kan ladda upp kraftkassetten fullt efter att ha laddat upp och laddat ur den några gånger.
- Vid laddning av en kraftkassett från en maskin som just har använts, eller en kraftkassett som har legat på en plats utsatt för direkt solljus eller värme under en längre tid, kan det inträffa att laddningslampan blinkar med rött sken. Vänta i så fall en liten stund. Laddningen påbörjas efter att kraftkassetten svalnat. Kraftkassetten svalnar fortare om du tar bort den från snabbbladdaren.

3. Se alltid till att du står stadigt.
4. Se till att det inte står någon under dig, vid arbeten på högt belägna platser.
5. Håll verktyget stadigt.
6. Håll händerna på avstånd från roterande delar.
7. Lämna inte verktyget när det är i gång. Använd endast verktyget när du håller det i händerna.
8. Vidrör inte borret eller arbetsstycket direkt efter avslutat arbete; de kan vara extremt heta, och kan orsaka brännskador.

## SPARA DESSA ANVISNINGAR.

### BRUKSANVISNING

#### Montering och demontering av kraftkassetten (Fig. 1)

- Stäng alltid av maskinen innan kraftkassetten sätts i eller tas ur.
- Ta bort kraftkassetten genom att trycka in knapparna på kassetten båda sidor och samtidigt dra av den från maskinen.
- Sätt på kraftkassetten genom att passa in tungan på kraftkassetten mot skären i maskinhuset och sedan skjuta den i läge. Skjut alltid på kraftkassetten hela vägen tills den låses i läge med ett litet klickljud. Om kraftkassetten inte låses i läge kan den av misstag falla ur sitt läge, och därmed orsaka skador på dig själv eller någon person i din närhet.
- Tvinga inte kraftkassetten i läge vid monteringen. Om kassetten inte lätt glider i läge, är den inte monterad på rätt sätt.

- Om laddningslampan blinkar med omväxlande grönt och rött sken har ett problem uppstått, och laddning kan inte genomföras. Kontakterna på laddaren eller kraftkassetten är igensatta med damm eller skräp, eller så är kraftkassetten utslitet eller skadad.
- Om du vill ladda två kraftkassetter i följd bör du låta det gå 15 minuter mellan laddningarna.

### Strörladdning (underhållsladdning)

Laddaren övergår till läget för "strörladdning (underhållsladdning)" om du lämnar kvar batteripaketet i laddaren, för att förhindra att batteriet laddas ur spontant efter en fulladdning, och batteripaketet kan därmed hållas fräscht och fulladdat.

### Tips för att upprätthålla maximal livslängd för batteriet

1. Ladda upp batteripaketet innan det är fullständigt urladdat. Avbryt alltid arbetet som du utför med maskinen, och ladda upp batteripaketet, när du märker att kraften i maskinen minskar.
2. Ladda aldrig ett fulladdat batteripaket. Överladdning minskar batteriets livslängd.
3. Ladda batteripaketet i rumtemperatur vid 10°C – 40°C. Låt ett batteripaket, som har blivit varmt, svalna innan det laddas.
4. Ladda upp kraftkassetten, av typ nickel metallhydrid, om du inte använder den på mer än sex månader.

### Montering och demontering av skruvmejselverktyg eller borr (Fig. 3)

Viktigt!

Se alltid till att maskinen är avstängd och kraftkassetten borttagen innan verktyget monteras eller demonteras.

Håll i ringen och vrid hylsan moturs för att öppna chucken. För in verktyget i chucken så långt det går. Håll stadigt i ringen och vrid hylsan medurs för att dra åt chucken.

Håll i ringen och vrid hylsan moturs för att demontera verktyget.

### Strömställarens funktion (Fig. 4)

FÖRSIKTIGHET!

Kontrollera alltid att strömställaren fungerar normalt och återgår till det avstängda läget "OFF" innan kraftkassetten sätts i maskinen.

Tryck helt enkelt på strömställaren för att starta maskinen. Varvtalet ökar med ett ökat tryck på strömställaren. Släpp strömställaren för att stanna maskinen.

### Rotationsomkopplarens funktion (Fig. 5)

FÖRSIKTIGHET!

- Kontrollera alltid rotationsriktningen före användning.
- Använd rotationsomkopplaren först efter att maskinen har stannat helt. Maskinen kan skadas om rotationsriktningen ändras innan maskinen har stannat.
- Ställ alltid rotationsomkopplaren i neutralt läge när maskinen inte används.

Maskinen är utrustad med en rotationsomkopplare för att ändra rotationsriktningen. Tryck in rotationsomkopplaren från sida A för medurs rotation, och från sida B för moturs rotation. När rotationsomkopplaren står i neutralt läge kan strömställaren inte tryckas in.

### Ändring av varvtal (Fig. 6)

Stäng först av maskinen vid ändring av varvtalet (motorhastigheten), och skjut sedan varvtalsomkopplaren till sida "I" för högt varvtal eller sida "II" för lågt varvtal. Se till att varvtalsomkopplaren står i rätt läge före användning. Använd rätt varvtal för ditt arbete.

FÖRSIKTIGHET!

- Skjut alltid varvtalsomkopplaren helt i läge. Maskinen kan skadas om den används med varvtalsomkopplaren i ett läge mitt emellan sida "I" och sida "II".
- Skjut inte på varvtalsomkopplaren medan maskinen är igång. Maskinen kan skadas.

### Inställning av åtdragningsmomentet (Fig. 7)

Åtdragningsmomentet kan ställas in i 17 steg genom att vrida på inställningsringen så att dess gradering står mot pilen på maskinhuset. Åtdragningsmomentet är lägst när siffran 1 står mot pilen, och maximalt när  $\frac{1}{2}$ -markeringen står mot pilen. Kopplingen bryter in vid respektive åtdragningsmoment när åtdragningsmomentet är inställt på siffrorna 1 till 16. Kopplingen är konstruerad för att inte bryta in när åtdragningsmomentet är inställt på  $\frac{1}{2}$ -markeringen.

Skruva i en skruv på prov i det material du använder eller i ett överblivet stycke av samma typ innan det faktiska arbetet påbörjas för att bestämma vilket åtdragningsmoment som är lämpligt för just det arbetsmomentet.

OBSERVERA!

Använd inte maskinen med inställningsringen ställd i ett läge mellan siffran 16 och  $\frac{1}{2}$ -markeringen. Maskinen kan skadas.

### Montering av kassettpärren (Fig. 8)

Montera alltid kassettpärren när någon av kraftkassetterna 1200, 1202 eller 1202A används. Montera kassettpärren på maskinen med skruven så som visas i **fig. 8**.

### Idragning av skruvar (Fig. 9)

Placera spetsen på skruvmejselverktyget i skruvhuvudet och anlägg tryck mot maskinen. Starta maskinen långsamt och öka sedan hastigheten gradvis. Släpp strömställaren så snart kopplingen bryter in.



## OBSERVERA!

- Se till att skruvverket sätts i rakt i skruvhuvudet för att inte orsaka skador på skruven och/eller verktyget.
- Förborra ledhål vid iskruvning av träskruv för att undvika iskruvandet och för att förhindra att arbetsstycket spricker. Se tabellen nedan.

Träskruvens nominella diameter (mm)	Rekommenderad storlek på ledhålet (mm)
3,1	2,0 – 2,2
3,5	2,2 – 2,5
3,8	2,5 – 2,8
4,5	2,9 – 3,2
4,8	3,1 – 3,4
5,1	3,3 – 3,6
5,5	3,6 – 3,9
5,8	4,0 – 4,2
6,1	4,2 – 4,4

- Om maskinen har använts kontinuerligt tills kraftkassetten har laddats ur, bör maskinen tillåtas vila i 15 minuter innan arbetet fortsätts med en ny kraftkasset.

## Borring

Vrid först inställningsringen så att pilen på maskinhuset pekar mot  $\beta$ -markeringen. Fortsätt sedan enligt följande.

- Borring i trä  
Vid borring i trä uppnås bäst resultat om ett träborr med ledskruv används. Ledskruvorna förenklar borringen genom att dra borret in i arbetsstycket.
- Borring i metall  
Gör en försänkning med hjälp av en körnare och en hammare där hålet ska vara för att förhindra att borret slinter när borringen påbörjas. Placera spetsen på borret i försänkningen och börja borra. Använd borrolja vid borring metall. Undantagen är järn och mässing som ska borras torra.

## FÖRSIKTIGHET!

- Ett överdrivet tryck mot maskinen påskyndar inte borringen. I själva verket leder det överdrivna trycket endast till att borrets spets förstörs, maskinens funktion försämras och dess arbetsliv förkortas.
- Vid hålgombrytningen utsätts maskinen/borret för en oerhörd kraft. Håll i maskinen stadigt och var uppmärksam när borret börjar bryta igenom arbetsstycket.
- Ett fastborrat borr kan lossas helt enkelt genom att sätta rotationsomkopplaren i motsatt rotationsriktning för att backa ut borret. Maskinen kan dock backa ut häftigt om du inte håller i den stadigt.
- Fäst alltid små arbetsstycken i ett skruvstöd eller liknande fasthållande anordning.
- Om maskinen har använts kontinuerligt tills kraftkassetten har laddats ur, bör maskinen tillåtas vila i 15 minuter innan arbetet fortsätts med en ny kraftkasset.

## UNDERHÅLL

### FÖRSIKTIGHET:

Tills se alltid att maskinen är fränkopplad och att kraftkassetten tagits ur maskinen innan Du utför arbete på denna.

### Utbyte av kolborstar (Fig. 10 och 11)

Byt ut kolborstarna när de slitits ner till slitagegränsmarkeringen. Byt alltid ut båda kolborstarna samtidigt.

För att bibehålla produktens säkerhet och tillförlitlighet, bör alltid reparationer, underhållsservice och justeringar utföras av auktoriserad Makita serviceverkstad.

Forklaring til generell oversikt

1 Knapp	10 A-side	19 Børemarkeringer
2 Batteri	11 B-side	20 Viser
3 Ladelampe	12 Medurs	21 Skruer
4 Hurtiglader	13 Moturs	22 Stilleplate
5 Trekk til	14 Lav hastighet	23 Grensemerke
6 Mansjett	15 Høy hastighet	24 Skrutrekker
7 Ring	16 Hastighetshendel	25 Børsteholderhette
8 Startbryter	17 Justeringsring	
9 Reverseringshendel	18 Graderinger	

TEKNISKE DATA

Modell	6214D	6314D
Kapasitet		
Stål .....	10 mm	13 mm
Tre .....	21 mm	24 mm
Treskrue .....	6,4 mm x 55 mm	6,4 mm x 55 mm
Maskinskrue .....	6 mm	6 mm
Tomgangshastighet (min <sup>-1</sup> )		
Høy .....	0 – 1 100	0 – 1 100
Lav .....	0 – 350	0 – 350
Totalengde .....	197 mm	208 mm
Nettovekt .....	1,7 kg	1,7 kg
Klassifisert spenning .....	D.C 12 V	D.C 12 V

- Grunnet det kontinuerlige forsknings- og utviklingsprogrammet, forbeholder vi oss retten til å foreta endringer i tekniske data uten forvarsel.
- Merknad: Tekniske data kan variere fra land til land.

Sikkerhetstips

For din egen sikkerhets skyld ber vi deg lese de medfølgende sikkerhetsreglene.

SIKKERHETSREGLER FOR HURTIGLADER

1. Ta vare på bruksanvisningen — den inneholder viktige sikkerhetsregler og bruksveiledning.
2. Les alle sikkerhetsregler før hurtigladeren taes i bruk.
3. Reduser faren for skader — bruk kun batterier av Makita type. Andre typer batterier kan eksplodere og forårsake skader, både på personer og omgivelsene.
4. Utsett ikke laderen for regn eller snø.
5. Bruk av tilbehør som ikke er anbefalt eller selges av batteriladerens produsent, kan resultere i fare for brann, elektrisk støt eller personskader.
6. Rykk ikke i ledningen for å løsrive støpselet fra kontakten.
7. Sørg for at ledningen ligger slik at ingen trår på eller snubler i den. Hold ledningen unna varme og skarpe kanter.
8. Bruk ikke laderen hvis ledningen eller støpselet er skadet.
9. Har hurtigladeren falt i gulvet eller vært utsatt for slag eller på annen måte vært utsatt for skade, bør den repareres på autorisert verksted.
10. Demonter ikke lader eller batteri på egen hånd. Feil montering kan medføre fare for elektriske støt. La et autorisert verksted utføre reparasjoner hvis nødvendig.

11. Faren for elektriske støt ved rengjøring og vedlikehold reduseres ved å fjerne støpselet fra kontakten. Nullstilling av kontrollbrytere reduserer ikke denne faren.
12. Batteriladeren er ikke beregnet til bruk for mindreårige barn eller personer som trenger oppsyn.
13. Se til at ikke mindreårige barn leker med batteriladeren.
14. Hvis driftstiden blir betraktelig kortere, må driften stanses omgående. Det vil være en risiko for overoppheting, forbrenninger eller til og med en eksplosjon.
15. Skulle du få elektrolytter i øynene, skyll grundig med rent vann og oppsøk lege øyeblikkelig. Det kan være fare for at du mister synet.

SIKKERHETSREGLER FOR LADER OG BATTERI

1. Viktig! Ikke lad batteriet ved temperaturer under +10°C eller over +40°C.
2. Kan ikke brukes med transformator, aggregat eller likeretter.
3. Sørg for at ikke luftehullene er tildekket eller tett igjen (det finnes også luftehull på undersiden).
4. Batteriterminalene må alltid være dekket til med batteridekslet når batteriet ikke er i bruk.
5. Dette kan medføre kortslutning av batteriet:
  - (1) Terminalen må ikke komme i kontakt med strømførende materialer.
  - (2) Unngå å oppbevare batteriet sammen med andre metallgjenstander som f. eks. spikre, mynter etc.
  - (3) Batteriet må ikke utsettes for vann eller regn. Et batteri som kortsluttes kan forårsake stor elektrisk strømgang, overoppheting, brannskader og driftsstans.

6. Hverken verktøy eller batteri må oppbevares på steder hvor temperaturen kan nå eller overskride +50°C.
7. Kast ikke batteriet på åpen ild, selv om det er ødelagt eller totalt utslitt. Batteriet kan da eksplodere.
8. Batteriet må ikke falle på gulvet, ristes eller utsettes for slag.
9. Batteriet må ikke lades opp inni en beholder av noe slag. Opplading av batteriet må foregå på et sted hvor ventilasjonen er god.
4. Påse at det ikke befinner seg noen under når verktøyet brukes i høyden
5. Hold forsvarlig fast i verktøyet.
6. Hold hendene unna roterende deler.
7. Forlat ikke verktøyet mens det går. Verktøyet må bare betjenes når det holdes for hånd.
8. Rør aldri borbitset eller arbeidsemnet like etter en arbeidsoperasjon; de kan være ekstremt varme og forårsake forbrenninger.

## TA VARE PÅ DISSE INSTRUKSENE.

### EKSTRA SIKKERHETSREGLER FOR VERKTØY

1. Vær oppmerksom på at dette verktøyet alltid er klar til bruk siden det ikke er nødvendig å kople det til en stikkontakt.
2. Hold verktøyet i de isolerte gripeflatene når arbeid utføres på steder hvor det kan komme i kontakt med skjulte ledninger. Kontakt med en strømførende ledning vil gjøre at eksponerte metalldele på selve verktøyet også blir strømførende slik at operatøren utsettes for elektrisk støt.
3. Sørg for godt fotfeste.

### BRUKSANVISNINGER

#### Montering og demontering av batteriet (Fig. 1)

- Maskinen må alltid slås av før batteriet settes i eller tas ut.
- Batteriet fjernes fra maskinen ved å trekke det ut samtidig som knappene på begge sider trykkes inn.
- Batteriet settes i ved å passe tungen på batteriet inn etter sporet i kammeret og så skyve det på plass. Batteriet må føres helt inn til det låses på plass med et lite klikk. Hvis dette ikke gjøres kan det falle ut mens maskinen er i bruk og påføre brukeren eller eventuelle tilstedeværende legemsskader.
- Batteriet må ikke settes i med makt. Hvis det ikke med letthet blir på plass er det fordi det settes i på feil måte.

#### Lading (Fig. 2)

Kople hurtigladeren til strømmettet. Ladelampen blinker grønt. Sett i batteriet slik at pluss- og minuspolene på batteriet er på samme side som respektive markeringer på hurtigladeren. Sett batteriet helt inn i åpningen så det hviler i bunnen på laderen. Når batteriet settes i vil lampen skifte farge fra grønn til rød og ladingen vil begynne. Ladelampen vil lyse så lenge ladingen pågår. Når ladelampen skifter farge fra rød til grønn, er ladesyklusen fullført. Se tabellen under om ladetid. Hvis batteriet blir stående i laderen etter at ladingen er ferdig, vil laderen skifte over til "drypplading (vedlikeholdslading)" som varer i ca. 24 timer. Etter ladingen må laderen koples fra strømkilden.

Batteritype	Kapasitet (mAh)	Antall elementer	Ladetid
1200	1 300	10	Ca. 30 min.
1202, 1202A, 1222	2 000	10	Ca. 45 min.
1233	2 200	10	Ca. 50 min.
1234	2 600	10	Ca. 60 min.
1235	3 000	10	Ca. 70 min.

NB!

- Hurtiglader er til lading av Makita batteri. Den må aldri brukes til andre formål eller til lading av batterier av annet format.
- Ved lading av et nytt batteri eller et som ikke har vært i bruk på en stund, kan det være vanskelig å lade det helt opp. Dette er normalt og ikke tegn på noe galt. Batteriet lar seg lade helt opp etter at det har vært helt utladet og oppladet et par ganger.
- Hvis du lader opp et batteri fra en maskin som nettopp har vært i bruk, eller et batteri som har vært utsatt for direkte sol eller annen varme, vil ladelampen blinke rødt. Hvis dette skjer, venter du en stund. Ladingen starter når batteriet er avkjølt. Batteriet avkjøles raskere hvis det fjernes fra hurtigladeren.
- Hvis ladelampen blinker vekselvis i grønt og rødt, tyder det på at noe er galt og lading er derfor ikke mulig. Terminalene på laderen er enten tilstoppet med støv eller batteriet er dødt eller ødelagt.
- Hvis to batterier skal lades opp, må det gå minst 15 minutter mellom hver lading.

#### Drypplading (vedlikeholdslading)

Hvis du lar batteriet stå i laderen for å forhindre utlading etter full opplading, vil laderen gå over i "dryppladningsmodus" (vedlikeholdslading) og holde batteriet i oppladet stand.

## Noen tips for å vedlikeholde batteriets maksimale levetid

1. Lad batteriet opp før det blir helt utladet. Stans maskinen og lad opp batteriet så snart du merker at maskineffekten begynner å synke.
2. Lad aldri opp et helt oppladet batteri. Overopplading vil redusere verktøyet levetid.
3. Lad batteriet opp under romtemperatur på 10°C – 40°C. Et varmt batteri bør avkjøles før det lades opp.
4. Nikkelmetallhydrid -batteriet må lades opp når det ikke skal brukes på mer enn 6 måneder.

## Montering eller demontering av bits (Fig. 3)

Viktig:

Maskinen må alltid være avslått og batteriet fjernet før montering eller demontering av bits.

Hold fast i ringen og drei mansjettens moturs så chuckklørne åpner seg. Sett bitset inn i chucken så langt det kan komme. Hold godt fast i ringen og drei mansjettens medurs så chucken strammes.

Bitset fjernes ved å holde i ringen og dreie mansjettens moturs.

## Bryter (Fig. 4)

NB! Før batteriet settes inn i maskinen, må det sjekkes at bryteren virker som den skal og går tilbake til "OFF" når den slippes.

Maskinen startes ved å trykke på startbryteren. Hastigheten øker med trykket på bryteren. Slipp bryteren for å stoppe.

## Reverseringshendel (Fig. 5)

NB!

- Sjekk alltid rotasjonsretningen før maskinen startes.
- Reverseringshendelen må bare brukes etter at maskinen har stoppet helt. Hvis rotasjonsretningen endres før motoren har stoppet helt, kan det føre til skader på maskinen.
- Når maskinen ikke er i bruk, må reverseringshendelen stilles tilbake til friposisjon.

Denne maskinen er utstyrt med en reverseringshendel for å endre rotasjonsretningen. Trykk på reverseringshendelen fra A-siden for medurs rotasjon, eller fra B-siden for moturs rotasjon. Når hendelen er i friposisjon, lar startbryteren seg ikke aktivere.

## Hastighetsendring (Fig. 6)

Hastigheten endres ved først å slå av maskinen og så skyve hastighetshendelen mot "II"-siden for høy hastighet og mot "I"-siden lav hastighet. Pass på at hastighetshendelen er i korrekt posisjon før maskinen startes. Velg korrekt hastighet til jobben som skal gjøres.

NB!

- Hastighetshendelen må stilles skikkelig inn på den hastigheten som velges. Hvis maskinen går med bryteren mellom "I"- og "II"-siden, kan maskinen ta skade.
- Hastighetshendelen må ikke betjenes mens maskinen går. Det kan ødelegge maskinen.

## Justering av tiltrekningsmomentet (Fig. 7)

Tiltrekningsmomentet kan justeres i 17 trinn ved å dreie justeringsringen slik at graderingene stemmer overens med viseren på maskinen. Tiltrekningsmomentet er minimalt når viseren er innstilt på nummer 1, og maskimalt når viseren er innstilt på β-markeringen.

Clutchen vil slure på diverse momentnivåer når momentinnstillingen er innstilt på mellom 1 og 16. Men den skal ikke slure når maskinen er innstilt på β-markeringen.

Før selve arbeidet utføres, bør det foretas en prøveidring på samme typen materiale som skal brukes, for å finne korrekt tiltrekningsmoment.

MERKNAD:

Maskinen må ikke betjenes med justeringsringen innstilt mellom nummer 16 og β-markeringen. Det kan skade maskinen.

## Montering av stilleplaten (Fig. 8)

Stilleplaten må alltid monteres når batteritypene 1200, 1202 og 1202A brukes. Platen monteres fast på maskinen ved hjelp av den medfølgende skruen som vist i fig. 8.

## Idring av skruer (Fig. 9)

Plasser bitsspissen i skruhodet og øv trykk på maskinen. Start maskinen langsomt og øk hastigheten gradvis. Slipp bryteren straks clutchen kopler seg inn.

MERKNAD:

- Skrutrekkerbitset må settes i rett på skruhodet, ellers kan skruer og/eller bits ødelegges.
- Ved idring av treskruer bør det først bores et ledehull for å gjøre idringen lettere og for å hindre oppflising av materialet. Se tabellen under.

Nominell treskruediamter (mm)	Anbefalt ledehullstr (mm)
3,1	2,0 – 2,2
3,5	2,2 – 2,5
3,8	2,5 – 2,8
4,5	2,9 – 3,2
4,8	3,1 – 3,4
5,1	3,3 – 3,6
5,5	3,6 – 3,9
5,8	4,0 – 4,2
6,1	4,2 – 4,4

- Hvis maskinen går kontinuerlig til batteriet går tomt, må maskinen få hvile i 15 minutter før det fortsettes med et oppladet batteri.

## Boring

Først dreies justeringsringen slik at viseren på maskinen peker mot β-markeringen. Fortsett som følger.

- Boring i tre  
Ved boring i tre, vil beste resultat oppnås med trebor og selvboende skruer. Den selvboende skruen gjør boringen lettere ved at bitset dras inn i arbeidsemnet.
- Boring i metall

For å hindre at bitset glipper i starten av hullboringen, lages det en liten fordypning med kjørner og hammer der hullet skal være. Sett bitsspissen i fordypningen og start boringen.

Bruk maskinolje ved boring i metall. Unntakene er jern og messing som må tørrbores.

NB!

- For stort trykk på maskinen vil ikke resultere i at boringen går raskere. Dette vil medføre skadet bits, redusert borekapasitet og forkorte boremaskinens levetid.
- Det utøves voldsomme krefter fra maskinen/bitset idet gjennomboringen skjer. Hold godt fast maskinen og utvis stor forsiktighet når bitset begynner å gå igjennom materialet.
- Et bits som har satt seg fast lar seg lett fjerne ved å sette maskinen i revers så bitset skrur seg ut. Men maskinen kan plutselig slenge tilbake hvis den ikke holdes godt fast.
- Små arbeidsemner må alltid settes fast i en tvinge eller lignende.
- Hvis maskinen går kontinuerlig til batteriet går tomt, må maskinen få hvile i 15 minutter før det fortsettes med et oppladet batteri.

## SERVICE

NB!

Før det utføres arbeider på maskinen må du alltid forvise seg om at maskinen er slått av og akkumulatoren er tatt ut.

### **Skifte ut kullbørster (Fig. 10 og 11)**

Skifte ut kullbørstene når de er slitt ned til grensemerkingen. Begge kullbørstene må skiftes ut samtidig.

For å garantere at maskinen arbeider sikkert og pålitelig bør reparasjoner, servicearbeider eller innstillinger utføres av et autorisert Makita-serviceverksted.

## Yleisselostus

1 Painike	10 A-puoli	19 Poramerkki
2 Akku	11 B-puoli	20 Osoitin
3 Latausvalo	12 Myötäpäivään	21 Ruuvi
4 Pikalaturi	13 Vastapäivään	22 Asennuslevy
5 Kiristyy	14 Hidas käynti	23 Rajamerkki
6 Kaulus	15 Nopea käynti	24 Ruuvitalta
7 Rengas	16 Nopeudenvaihtokytin	25 Harjanpitimen kansi
8 Liipaisinkytkin	17 Säätörengas	
9 Suunnanvaihtokytin	18 Asteikko	

## TEKNISET TIEDOT

Malli	6214D	6314D
Suorituskyky		
Teräs .....	10 mm	13 mm
Puu .....	21 mm	24 mm
Puuruuvi .....	6,4 mm x 55 mm	6,4 mm x 55 mm
Koneruuvi .....	6 mm	6 mm
Tyhjäkäyntinopeus (min-1)		
Nopea .....	0 – 1 100	0 – 1 100
Hidas .....	0 – 350	0 – 350
Kokonaispituus .....	197 mm	208 mm
Nettopaino .....	1,7 kg	1,7 kg
Nimellisjännite .....	12 V tasavirta	12 V tasavirta

- Jatkuvan tutkimus- ja kehitysohjelman vuoksi pidämme oikeuden muuttaa tässä mainittuja teknisiä ominaisuuksia ilman ennakoimattomista.
- Huomautus: Tekniset ominaisuudet saattavat vaihdella eri maissa.

## Turvaohjeita

Oman turvallisuutesi vuoksi lue mukana seuraavat turvaohjeet.

## TÄRKEITÄ TURVAOHJEITA

1. **SÄÄSTÄ KÄYTTÖOHJEET** — Tämä käsikirja sisältää tärkeitä turvaohjeita ja akkulaturin käyttöohjeet.
2. Ennen akkulaturin käyttöä lue kaikki (1) akkulaturin, (2) akun ja (3) koneen käyttöohjeet sekä varoitusmerkinnät niihin kiinnitetystä kilvistä.
3. **VAROITUS** — Onnettomuuksien välttämiseksi lataa vain MAKITA - merkittyjä, uudelleenladattavia akkuja. Toisenmerkkiset akut voivat ladattaessa räjähtää aiheuttaen mahdollisesti myös henkilöön kohdistuvia onnettomuuksia tai muita vahinkoja.
4. Älä jätä akkulaturia vesisateeseen tai lumeen.
5. Laitteen tai koneen käyttö, jota akkulaturin valmistaja ei ole suositellut tai toimittanut, voi johtaa tulipalon syttymiseen, sähköiskuun tai onnettomuuksiin sitä käyttäville henkilöille.
6. Pistoke- ja kaapelivaurioiden estämiseksi, vedä mieluummin pistokkeesta kuin kaapelista, akkulaturia pistorasiasta irrottaessasi.
7. Varmista kaapelin sijoitus siten ettei sen päälle voida astua, siihen kompastua tai ettei sitä voida venyttää vetämällä vaurioitaen.
8. Älä käytä akkulaturia kaapelin tai pistokkeen vaurioituttua — uusi ne välittömästi.

9. Älä käytä akkulaturia jos siihen on kohdistunut kova isku tai muuten mahdollisesti vahingoittunut. Toimita akkulaturi ensin sähkölaitehuoltoon tarkistettavaksi.

10. Älä yritä itse korjata akkulaturia. Älä pura itse akkulaturia tai akkupatruunaa, toimita ne sähkölaitehuoltoon tarkistettavaksi ja tarvittaessa huollettavaksi tai korjattavaksi. Virheellinen kokoonpano voi aiheuttaa sähköiskun tai tulipalon syttymisen.
11. Sähköiskuvaaran estämiseksi, irrota akkulaturin pistoke sähköverkon pistorasiasta aina ennen kunnossapitohuollon tai puhdistamisen aloittamista. Virtakatkaisijoiden kääntäminen pois päältä ei poista tätä vaaraa.
12. Akkulataajaa ei ole tarkoitettu nuorten lasten eikä toimintarajoitteisten käytettäväksi ilman valvontaa.
13. Nuorten lasten toimia tulee valvoa sen varmistamiseksi, että he eivät leiki akkulataajalla.
14. Jos käyttöaika lyhenee huomattavasti, lopeta käyttö välittömästi. Tämä voi aiheuttaa ylikuumentamista, mahdollisia palovammoja ja jopa räjähdyksen.
15. Jos akkunestettä joutuu silmiin, huuhtelee ne puhtaalla vedellä ja hakeudu heti lääkärin hoitoon. Tämä voi aiheuttaa näön menetyksen.

## LISÄ-TURVAOHJEITA AKKULATURIA JA AKKUPARISTOA VARTEN

1. Älä lataa akkuparistoa jos lämpötila on alle +10°C tai yli +40°C.
2. Älä yritä lataamista säätömuuntajalla, moottorilaturilla tai tasavirtapistorasialla, käytä vain MAKITA-akkulaturia.
3. Älä peitä akkulaturia. Estä tuuletusaukkojen tukkeutuminen.

4. Peitä akkuliittimet aina akkukannella, kun akkua ei käytetä.
5. Älä kytkä akkua oikosulkuun:
  - (1) Älä kosketa napoja sähköä johtavilla esineillä.
  - (2) Älä säilytä akkua muiden metalliesineiden joukossa, kuten naulat, kolikot, työkalut, jne.
  - (3) Älä jätä akkua veteen tai sateeseen. Oikosulku akussa voi aiheuttaa suuren virtahävion, ylikuumentumisen, mahdollisia palovammoja sekä rikkoutumisen.
6. Älä säilytä konetta ja akkuparistoa kohteissa, joissa lämpötila voi nousta tai ylittää +50°C.
7. Älä hävitä akkuparistoa polttamalla vaikka se olisikin pahoin vaurioitunut tai täydellisesti loppuunkulunut. Akkuparisto voi räjähtää tulossa.
8. Varo pudottamasta, ravistamasta tai iskemästä akkua.
9. Älä säilytä akkua laatikossa tai muussa suljetussa tilassa. Akun on oltava latauksen aikana tilassa, jossa on hyvä ilmanvaihto.

## SÄILYTÄ NÄMÄ OHJEET.

## KÄYTTÖOHJEET

### Akun kiinnittäminen ja irrottaminen (Kuva 1)

- Sammuta kone aina ennen akun kiinnittämistä ja irrottamista.
- Akku irrotetaan vetämällä se koneesta samalla kun painetaan akun molemmilla sivuilla olevia painikkeita.
- Akku kiinnitetään asettamalla akun kieleke kotelossa olevaan uraan ja sujauttamalla se paikalleen. Työnnä akku aina perille saakka, kunnes se napsahtaa paikalleen. Jos et toimi näin, akku saattaa vahingossa irrota koneesta aiheuttaen itsesi tai sivullisen loukkaantumisen.
- Älä työnnä akkua väkisin paikalleen. Jos akku ei liu'u helposti paikalleen, ei kiinnitystapa ole oikea.

## LISÄÄ TURVAOHJEITA TYÖKALULLE

1. Muista, että tämä työkalu on aina käyttövalmiina, koska sitä ei tarvitse kytkeä sähköpistorasiaan.
2. Pitele laitetta eristetyistä tartuntapinnoista tehdessäsi työtä, jossa laite voi osua piilossa olevaan johtoon. Osuminen jännitteeseen johtoon saa myös näkyvillä olevat metalliosat jännitteiksi ja aiheuttaa käyttäjälle sähköiskun.

### Lataaminen (Kuva 2)

Kytke pikalaturi sopivaan vaihtovirtalähteeseen. Latausvalo vilkkuu vihreänä. Aseta akku paikalleen siten, että akun plus- ja miinusnavat tulevat samalle puolelle kuin pikalaturin vastaavat merkinnät. Työnnä akku kokonaan aukkoon siten, että se lepää laturin aukon pohjalla. Kun akku on asetettu paikalleen, latausvalon väri vaihtuu vihreästä punaiseksi ja lataus alkaa. Latausvalo palaa tasaisesti koko latauksen ajan. Kun latausvalon väri vaihtuu punaisesta vihreäksi, lataaminen on päättynyt. Katso latausaika alla olevasta taulukosta. Jos akku jätetään laturiin lataamisen päätyttyä, laturi siirtyy "kestolatausmuodolle" (jatkuvalle lataukselle), joka kestää noin 24 tuntia. Kun olet ladannut, irrota lataaja virtalähteestä.

Akkutyyppi	Suorituskyky (mAh)	Solujen lukumäärä	Latausaika
1200	1 300	10	Noin 30 min.
1202, 1202A, 1222	2 000	10	Noin 45 min.
1233	2 200	10	Noin 50 min.
1234	2 600	10	Noin 60 min.
1235	3 000	10	Noin 70 min.

### VARO:

- Pikalaturi on tarkoitettu Makitan akkujen lataamiseen. Älä koskaan käytä sitä muuhun tarkoitukseen tai muiden valmistajien akkujen lataamiseen.
- Kun lataat uuden akun tai akun, jota ei ole käytetty pitkään aikaan, se ei ehkä lataudu täyteen. Tämä on normaalia eikä ole merkki viasta. Akku voidaan ladata täyteen, kun sen lataus on purettu kokonaan ja jälleen ladattu muutaman kerran.
- Jos lataat akkua, jota on juuri käytetty koneessa tai akkua, joka on ollut pitkään suorassa auringonvalossa tai kuumissa tiloissa, latausvalo saattaa vilkkuu punaisena. Jos näin käy, odota hetki. Lataus alkaa akun jäähtyttyä. Akku jäähtyy nopeammin, kun irrotat sen pikalaturista.
- Jos latausvalo vilkkuu vuorotellen vihreänä ja punaisena, on kyseessä vika eikä lataus onnistu. Laturin tai akun liittimet ovat pölyn peitossa tai akku on kulunut loppuun tai vioittunut.
- Jos lataat kaksi akkua peräysten, jätä latauskertojen väliin noin 15 minuutin tauko.

## Heikkovirtalataus

Jos jätät akun laturiin estääksesi akun tyhjenemisen itsestään täyteen lataamisen jälkeen, laturi kytkeytyy heikkovirta-latausmuodolle, joka pitää akun jatkuvasti täydessä latauksessa.

## Vinkkejä akun käyttöiän maksimoimiseksi

1. Lataa akku, ennen kuin se on kokonaan tyhjä. Lopeta aina laitteella työskentely ja lataa akku, jos huomaat voiman vähenävän laitteesta.
2. Älä koskaan lataa täyteen ladattua akkua. Liiallinen lataaminen lyhentää akun käyttöikä.
3. Lataa akku huoneenlämmössä 10°C – 40°C. Anna kuumana akun viilentyä ennen sen lataamista.
4. Lataa nikkelimetalli-hybridiaakku, jos et käytä sitä yli kuuteen kuukauteen.

## Vääntöterän ja poranterän kiinnittäminen ja irrottaminen (Kuva 3)

Tärkeää:

Varmista aina ennen terän kiinnittämistä ja irrottamista, että kone on sammutettu ja akku irrotettu koneesta.

Avaa istukan leuat pitämällä rengasta paikallaan samalla kun käännät kaulusta vastapäivään. Työnää terä niin syvälle istukkaan kuin se menee. Pitele rengasta tiukasti ja käännä kaulusta myötäpäivään kiristääksesi istukan. Terä irrotetaan pitämällä rengasta paikallaan samalla kun kaulusta käännetään vastapäivään.

## Kytkimen käyttäminen (Kuva 4)

VARO:

Tarkista aina ennen akun kiinnittämistä koneeseen, että liipaisinkytkin toimii moitteettomasti ja että se palautuu vapautettaessa "OFF"-asentoon.

Kone käynnistetään yksinkertaisesti painamalla liipaisinta. Koneen käyntinopeus kasvaa puristettaessa liipaisinta voimakkaammin. Kone pysähtyy, kun liipaisin vapautetaan.

## Suunnanvaihtokytkimen käyttäminen (Kuva 5)

VARO:

- Tarkista aina terän pyörimissuunta ennen käyttöä.
- Käytä suunnanvaihtokytkintä ainoastaan koneen ollessa täysin pysähtynyt. Pyörimissuunnan vaihtaminen ennen koneen pysähtymistä saattaa vahingoittaa konetta.
- Aseta suunnanvaihtokytkin keskiasentoon, kun konetta ei käytetä.

Tässä koneessa on suunnanvaihtokytkin, jonka avulla voidaan vaihtaa pyörimissuuntaa. Paina suunnanvaihtokytkimen A-puolelta, kun haluat terän pyörivän myötäpäivään ja B-puolelta kun haluat terän pyörivän vastapäivään. Liipaisinkytkintä ei voi painaa, kun suunnanvaihtokytkin on keskiasennossa.

## Käyntinopeuden muuttaminen (Kuva 6)

Kun haluat muuttaa käyntinopeutta, sammuta ensin kone ja siirrä sitten nopeudenvaihtokytkin "I"-puolelle nopeaa käyntiä varten ja "II"-puolelle hidasta käyntiä varten. Varmista, että nopeudenvaihtokytkin on asetettu oikeaan asentoon ennen työskentelyn aloittamista. Käytä työellesi sopivaa nopeutta.

VARO:

- Aseta nopeudenvaihtokytkin aina oikeaan asentoon. Jos konetta käytetään nopeudenvaihtokytkimen ollessa "I" ja "II" asentojen välissä, kone saattaa vahingoittua.
- Älä käytä nopeudenvaihtokytkintä koneen käydessä. Kone saattaa vahingoittua.

## Kiinnitysmomentin säätäminen (Kuva 7)

Kiinnitysmomenttia voidaan säätää 17 portaassa kääntämällä säätörengasta siten, että sen asteikon lukemat osuvat koneen rungossa olevan osoittimen kanssa kohdakkain. Heikoin kiinnitysmomentti saadaan, kun osoitin on numeron 1 kohdalla ja suurin, kun osoitin on  $\beta$  -merkin kohdalla.

Kytkinjärju alkaa luistaa useilla momenttitasoilla, kun on valittu lukema väliltä 1 – 16. Kytkin on suunniteltu siten, että se ei luista  $\beta$  -merkin kohdalla.

Kiinnitä koeruuvi työkappaleeseen tai samaa ainetta olevaan toiseen kappaleeseen ennen varsinaisen työskentelyn aloittamista määrittääksesi juuri näihin oloihin sopivan kiinnitysmomentin.

HUOMAA:

Älä käytä konetta säätörengaan ollessa lukeman 16 ja  $\beta$  -merkin välissä. Kone saattaa vahingoittua.

## Asennuslevyn kiinnittäminen (Kuva 8)

Kiinnitä aina asennuslevy, kun käytät akkua 1200, 1202 tai 1202A. Kiinnitä asennuslevy koneeseen varusteisiin kuuluvalla ruuvilla kuvan 8 osoittamalla tavalla.

## Ruuvaaminen (Kuva 9)

Aseta vääntöterän kärki ruuvien kantaan ja paina konetta. Käynnistä kone hitaasti ja lisää nopeutta vähitellen. Vapauta liipaisin, kun kytkinjärju käynnistyy.

HUOMAA:


- Varmista, että vääntöterä on asetettu suoraan ruuvien kantaan. Muutoin ruuvi ja/tai terä saattaa vahingoittua.
- Kun kiinnität puuruuveja, poraa koereikiä helpottaaksesi kiinnittämistä ja estääksesi työkappaleen halkeamisen. Katso alla olevaa taulukkoa.

Puuruuvien nimellishalkaisijat (mm)	Koereiän suositeltava koko (mm)
3,1	2,0 – 2,2
3,5	2,2 – 2,5
3,8	2,5 – 2,8
4,5	2,9 – 3,2
4,8	3,1 – 3,4
5,1	3,3 – 3,6
5,5	3,6 – 3,9
5,8	4,0 – 4,2
6,1	4,2 – 4,4

- Jos konetta käytetään jatkuvasti, kunnes akku on tyhjä, anna koneen levätä 15 minuutin ajan, ennen kuin jatkat työskentelyä uudella akulla.



## **Poraaminen**

Käännä ensin säätörengasta siten, että koneen rungossa oleva osoitin on  -merkin kohdalla. Toimi sitten seuraavalla tavalla.

- Poraaminen puuhun  
Kun poraat puuhun, saat parhaan tuloksen käyttämällä ohjausruuvilla varustettuja puuporia. Ohjausruuvi vetää terän työkappaleeseen, mikä helpottaa poraamista.
- Poraaminen metalliin  
Iske porattavaan kohtaan syvennys pistepuikolla ja vasaralla estääksesi terää liukumasta, kun reiän poraaminen alkaa. Aseta terän kärki syvennykseen ja aloita poraaminen.  
Käytä lastuamismestettä, kun poraat metalliin. Poikkeuksen muodostavat rauta ja messinki. Niihin porataan kuivina.

**VARO:**

- Koneen liiallinen painaminen ei nopeuta poraamista. Itse asiassa tämä vain vahingoittaa terän kärkeä, heikentää koneen toimintaa ja lyhentää koneen käyttöikää.
- Läpiporautumisen hetkellä koneeseen/terään kohdistuu suuri voima. Pitelä konetta tiukasti ja ole varovainen, kun terä alkaa työntyä esiin työkappaleen toiselta puolelta.
- Kiinni juuttunut terä voidaan irrottaa yksinkertaisesti asettamalla pyörimissuunta päinvastaiseksi, jolloin terä työntyy ulos. Kone saattaa kuitenkin työntyä taaksepäin äkillisesti, ellei pidä siitä lujasti kiinni.
- Kiinnitit pienet työkappaleet aina ruuvipuristimeen tai vastaavaan pitimeen.
- Jos konetta käytetään jatkuvasti, kunnes akku on tyhjentynyt, anna koneen levätä 15 minuutin ajan, ennen kuin jatkat työskentelyä uudella akulla.

## **HUOLTO**

**VARO:**

Varmistaudu aina ennen kaikkia koneelle suoritettavia töitä, että kone on pysäytetty ja akku irrotettu.

### **Hiilien vaihto (Kuva 10 ja 11)**

Hiilet on vaihdettava kun ne ovat kuluneet kulumisrajaan. Hiilet on vaihdettava aina parittain.

Laitteen käyttövarmuuden ja turvallisuuden vuoksi korjaukset ja muut huolto- ja säätötyöt saa suorittaa ainoastaan Makitan hyväksymä huoltopiste.

## Περιγραφή γενικής άποψης

1	Πλήκτρο	9	Μοχλός αντιστροφής	17	Δακτυλίδι ρύθμισης
2	Κασέτα μπαταρίας		διακόπτη	18	Διαβαθμίσεις
3	Φωτάκι φόρτισης	10	Πλευρά Α	19	Σημάδι τρυπανιού
4	Ταχυφορτιστής	11	Πλευρά Β	20	Δείκτης
5	Σφίξιμο	12	Δεξιόστροφα	21	Βίδα
6	Μανίκι	13	Αριστερόστροφα	22	Πλάκα ρύθμισης
7	Δακτυλίδι	14	Χαμηλή ταχύτητα	23	Οριακό σημάδι
8	Σκανδάλη διακόπτης	15	Υψηλή ταχύτητα	24	Κατσαβίδι
		16	Μοχλός αλλαγής ταχύτητας	25	Καπάκι θήκης καρβουνάκι

## ΤΕΧΝΙΚΑ ΧΑΡΑΚΤΗΡΙΣΤΙΚΑ

Μοντέλο	6214D	6314D
Ικανότητες		
Ατσάλι .....	10 χιλ.	13 χιλ.
Ξύλο .....	21 χιλ.	24 χιλ.
Ευλόβιδα .....	6,4 x 55 χιλ.	6,4 x 55 χιλ.
Βίδα μηχανής .....	6 χιλ.	6 χιλ.
Ταχύτητα χωρίς φορτίο (min <sup>-1</sup> )		
Υψηλή .....	0 – 1.100	0 – 1.100
Χαμηλή .....	0 – 350	0 – 350
Συνολικό μήκος .....	197 χιλ.	208 χιλ.
Καθαρό βάρος .....	1,7 Χγρ.	1,7 Χγρ.
Καθορισμένο βολτάζ .....	D.C. 12 V	D.C. 12 V

- Λόγω του συνεχιζόμενου προγράμματος έρευνας και ανάπτυξης, οι παρούσες προδιαγραφές υπόκεινται σε αλλαγή χωρίς προειδοποίηση.
- Παρατήρηση: Τα τεχνικά χαρακτηριστικά μπορεί να διαφέρουν από χώρα σε χώρα.

## Υποδείξεις ασφάλειας

Για την προσωπική σας ασφάλεια, ανατρέξτε στις εσωκλειστές οδηγίες ασφάλειας.

## ΣΗΜΑΝΤΙΚΕΣ ΟΔΗΓΙΕΣ ΑΣΦΑΛΕΙΑΣ ΓΙΑ ΣΥΣΚΕΥΗ ΦΟΡΤΙΣΗΣ ΚΑΙ ΜΠΑΤΑΡΙΑ

1. ΦΥΛΑΞΕΤΕ ΑΥΤΕΣ ΤΙΣ ΟΔΗΓΙΕΣ — Αυτό το εγχειρίδιο περιέχει σημαντικές οδηγίες ασφαλείας και χρήσης της συσκευής φόρτισης.
2. Πριν χρησιμοποιήσετε τη συσκευή φόρτισης, διαβάστε όλες τις οδηγίες και προειδοποιητικά σημεία (1) στην συσκευή φόρτισης, (2) στη μπαταρία, και (3) στη συσκευή που χρησιμοποιεί την μπαταρία.
3. ΠΡΟΣΟΧΗ — Για να μειωθεί ο κίνδυνος τραυματισμού, φορτίζετε μόνο μπαταρίες ΜΑΚΙΤΑ επαναφορτιζόμενου τύπου. Μπαταρίες άλλου τύπου μπορεί να εκραγούν, πληγώνοντας σας και προκαλώντας ζημιές.
4. Μην εκθέσετε τη συσκευή φόρτισης σε βροχή ή χιόνι.
5. Χρήση εξαρτήματος που δεν συστήνεται ή δεν πωλείται από τον κατασκευαστή της συσκευής φόρτισης μπορεί να προκαλέσει φωτιά, ηλεκτρικό σοκ, ή να σας τραυματίσει.
6. Για να μειωθεί ο κίνδυνος ζημιάς στην πρίζα και στο καλώδιο, όταν αποσυνδέετε τη συσκευή φόρτισης από την παροχή ρεύματος, πιάνετε και τραβάτε από την πρίζα και όχι από το καλώδιο.

7. Βεβαιωθείτε ότι το καλώδιο βρίσκεται σε θέση που ούτε θα το πατήσουν ούτε θα σκοντάψουν πάνω του ούτε μπορεί να πάθει ζημιά με οποιοδήποτε τρόπο.
8. Μη χρησιμοποιείτε τη συσκευή φόρτισης αν το καλώδιο ή η πρίζα της έχουν πάθει ζημιά — αντικαταστήστε τα αμέσως.
9. Μη χρησιμοποιείτε την συσκευή σε περίπτωση που έχει υποστεί δυνατό κτύπημα, έχει πέσει κάτω, ή έχει πάθει οποιαδήποτε ζημιά. Αναθέστε την επισκευή σε εξουσιοδοτημένο τεχνίτη.
10. Μην αποσυναρμολογείτε τη συσκευή φόρτισης ή τη μπαταρία. Πάρτε την σε εξουσιοδοτημένο τεχνίτη όταν χρειάζεται επισκευή ή σέρβις. Λανθασμένη επανασυναρμολόγηση μπορεί να οδηγήσει σε κίνδυνο ηλεκτρικού σοκ ή φωτιάς.
11. Για να μειωθεί ο κίνδυνος ηλεκτρικού σοκ, αποσυνδέστε τη συσκευή φόρτισης από την παροχή ρεύματος πριν κάνετε οποιαδήποτε συντήρηση ή καθαρισμό της. Μόνο με το να σβήσετε τη συσκευή αυτός ο κίνδυνος δε μειώνεται.
12. Ο φορτιστής μπαταρίας δεν προορίζεται για χρήση από μικρά παιδιά ή άτομα με ασαθή συμπεριφορά χωρίς επίβλεψη.
13. Τα μικρά παιδιά θα πρέπει να επιβλέπονται για να διασφαλισθεί ότι δεν παίζουν με τον φορτιστή μπαταρίας.
14. Εάν ο χρόνος λειτουργίας έχει γίνει πολύ μικρότερος, σταματήστε τη λειτουργία αμέσως. Μπορεί να συμβεί υπερθέρμανση, πιθανώς καψίματα ή ακόμη και έκρηξη.
15. Εάν μπει ηλεκτρολύτης στα μάτια σας, ξεπλύντε τα με καθαρό νερό και απευθυνθείτε σε ένα γιατρό αμέσως. Μπορεί να χάσετε ακόμη και την όραση σας.

## ΕΠΙΠΡΟΣΘΕΤΟΙ ΚΑΝΟΝΕΣ ΑΣΦΑΛΕΙΑΣ ΓΙΑ ΣΥΣΚΕΥΗ ΦΟΡΤΙΣΗΣ ΚΑΙ ΜΠΑΤΑΡΙΑ

1. Μη φορτίζετε τη μπαταρία όταν η θερμοκρασία είναι ΚΑΤΩ από 10°C ή ΠΑΝΩ από 40°C.
2. Μη χρησιμοποιείτε ποτέ μετασχηματιστή ανύψωσης τάσης, γεννήτρια, ή υποδοχή συνεχούς ρεύματος.
3. Μην αφήσετε οτιδήποτε να καλύψει ή να μπλοκάρει της οπές εξαερισμού του φορτιστή.
4. Πάντοτε να έχετε τους πόλους της μπαταρίας καλυμμένους με το κάλυμμα της όταν δεν την χρησιμοποιείτε.
5. Μη βραχυκυκλώσετε την κασέτα μπαταρίας:
  - (1) Μην αγγίξετε τους πόλους με κανένα αγώγιμο υλικό.
  - (2) Αποφύγετε την αποθήκευση της κασέτας μπαταρίας σε δοχείο με άλλα μεταλλικά αντικείμενα όπως καρφιά, νομίσματα, κλπ.
  - (3) Μην εκθέτετε την κασέτα μπαταρίας σε νερό ή σε βροχή.Ενα βραχυκύκλωμα μπαταρίας μπορεί να προκαλέσει μεγάλη ροή ρεύματος, υπεθέρμανση, πιθανά εγκαύματα και ακόμη μηχανική βλάβη.
6. Μη φυλάσσετε τη μηχανή και τη μπαταρία σε μέρη που η θερμοκρασία μπορεί να φθάσει ή να ξεπεράσει τους 50°C.
7. Μη κάψετε την μπαταρία ακόμα και αν έχει πάθει σοβαρές ζημιές ή έχει εντελώς φθαρεί. Η μπαταρία μπορεί να εκραγεί στην φωτιά.
8. Προσέχετε να μη ρίξετε κάτω, ταρακουνήσετε ή χτυπήσετε τη μπαταρία.
9. Μη φορτίσετε τη μπαταρία μέσα σε ένα κουτί ή δοχείο οποιουδήποτε είδους. Η μπαταρία πρέπει να τοποθετηθεί σε ένα καλά εξαεριζόμενο χώρο κατά τη διάρκεια της φόρτισης.

## ΕΠΙΠΡΟΣΘΕΤΟΙ ΚΑΝΟΝΕΣ ΑΣΦΑΛΕΙΑΣ ΓΙΑ ΤΟ ΜΗΧΑΝΗΜΑ

1. Να είστε προσεκτικοί διότι αυτό το μηχάνημα είναι πάντοτε σε επιχειρησιακή λειτουργία, επειδή δεν χρειάζεται να συνδεθεί σε μια παροχή ηλεκτρικού ρεύματος.

### Φόρτιση (Εικ. 2)

Βάλτε το ταχυφορτιστή σας στην κατάλληλη παροχή εναλασσόμενου ρεύματος. Το φωτάκι φόρτισης θα αναβοσβήνει σε πράσινο χρώμα. Βάλτε τη κασέτα μπαταρίας έτσι ώστε ο θετικός και αρνητικός πόλος στη κασέτα μπαταρίας να βρίσκονται στις ίδιες πλευρές όπως τα αντίστοιχα σημάδια στον ταχυφορτιστή. Βάλτε την κασέτα πλήρως μέσα στην υποδοχή έτσι ώστε να καθήσει στο πάτωμα της υποδοχής του φορτιστή. Όταν η κασέτα μπαταρίας εισαχθεί το φωτάκι φόρτισης θα αλλάξει από πράσινο σε κόκκινο και η φόρτιση θα αρχίσει. Το φωτάκι φόρτισης θα παραμείνει σταθερά αναμμένο κατά τη διάρκεια της φόρτισης. Όταν το λαμπάκι φόρτισης αλλάξει από πράσινο σε κόκκινο, ο κύκλος φόρτισης έχει συμπληρωθεί. Ανατρέξτε στον παρακάτω πίνακα για το χρόνο φόρτισης. Εάν αφήσετε την κασέτα μπαταρίας στον φορτιστή μετά την συμπλήρωση του κύκλου φόρτισης, ο φορτιστής θα αλλάξει στην διαμόρφωση “στιγμιαία φόρτιση (φόρτιση συντήρησης)” η οποία θα διαρκέσει περίπου για ένα εικοσιτετράωρο. Μετά την φόρτιση, βγάλτε τον φορτιστή από την πηγή ηλεκτρικού ρεύματος.

2. Κρατάτε το μηχάνημα από τις επιφάνειες της μονωμένης λαβής όταν εκτελείτε μια εργασία κατά την οποία το μηχάνημα θα μπορούσε να έρθει σε επαφή με κρυμμένα καλώδια. Επαφή με ένα ηλεκτροφόρο καλώδιο θα μπορούσε να έχει ως αποτέλεσμα να καταστούν και τα εκτεθειμένα μεταλλικά τμήματα του εργαλείου ηλεκτροφόρα και να προκαλέσουν ηλεκτροπληξία στον χειριστή.
3. Πάντοτε να είστε σίγουροι ότι πατάτε σταθερά.
4. Σιγουρευτείτε ότι δεν βρίσκεται κανείς από κάτω όταν χρησιμοποιείτε το μηχάνημα σε υψηλές θέσεις.
5. Κρατάτε το μηχάνημα σταθερά.
6. Μη φέρετε τα χέρια σας κοντά σε κινούμενα κομμάτια.
7. Μην αφήνετε το μηχάνημα να λειτουργεί. Χρησιμοποιείτε το μηχάνημα μόνο όταν το κρατάτε.
8. Μην αγγίζετε την αιχμή ή κομμάτια κοντά στην αιχμή αμέσως μετά τη λειτουργία, ίσως είναι πάρα πολύ ζεστά και μπορεί να κάψουν το δέρμα σας.

## ΦΥΛΑΞΕΤΕ ΑΥΤΕΣ ΤΙΣ ΟΔΗΓΙΕΣ.

### ΟΔΗΓΙΕΣ ΧΡΗΣΗΣ

#### Τοποθέτηση ή αφαίρεση της κασέτας μπαταρίας (Εικ. 1)

- Πάντοτε σβήνετε το μηχάνημα πριν τοποθετήσετε ή αφαιρέσετε την κασέτα μπαταρίας.
- Για να αφαιρέσετε τη κασέτα μπαταρίας, τραβήχτε τη έξω από το μηχάνημα ενώ πιέζετε τα πλήκτρα και στις δύο πλευρές της κασέτας.
- Για να τοποθετήσετε τη κασέτα μπαταρίας, ευθυγραμμίστε τη γλώσσα στη κασέτα μπαταρίας με την γκοπή στο περιβλήμα και σύρετε τη στη θέση της. Πάντα βάζετε τη βαθείά μέσα μέχρι να κλειδώσει στη θέση της με ένα μικρό κλικ. Διαφορετικά, μπορεί να πέσει έξω από το μηχάνημα, και να τραυματίσει εσάς ή κάποιον άλλο.
- Μη βάζετε δύναμη όταν τοποθετείτε την κασέτα μπαταρίας. Εάν η κασέτα δεν εισέρχεται με ευκολία, δεν είναι τοποθετημένη σωστά.

Τύπος μπαταρίας	Χωρητικότητα (mAh)	Αριθμός κυψελών	Χρόνος φόρτισης
1200	1.300	10	Περίπου 30 λ.
1202, 1202A, 1222	2.000	10	Περίπου 45 λ.
1233	2.200	10	Περίπου 50 λ.
1234	2.600	10	Περίπου 60 λ.
1235	3.000	10	Περίπου 70 λ.

#### ΠΡΟΣΟΧΗ:

- Το μοντέλο ταχυφορτιστή είναι για φόρτιση κασέτας μπαταρίας Μάκιτα. Ποτέ μη το χρησιμοποιήσετε για άλλους σκοπούς ή για φόρτιση μπαταριών άλλων κατασκευαστών.
- Όταν φορτίζετε μία καινούργια κασέτα μπαταρίας, ή μία κασέτα μπαταρίας που δεν έχει χρησιμοποιηθεί για πολύ καιρό, μπορεί να μη δέχεται πλήρη φόρτιση. Αυτή είναι μία κανονική κατάσταση και δεν σημαίνει ότι υπάρχει πρόβλημα. Μπορείτε να επαναφορτίσετε τη κασέτα μπαταρίας πλήρως αφού την εκφορτίσετε τελείως και την επαναφορτίσετε δύο φορές.
- Εάν φορτίζετε μία κασέτα μπαταρίας από ένα μηχάνημα που μόλις χρησιμοποιήθηκε ή μία κασέτα μπαταρίας που έχει εκτεθεί στο άμεσο ηλιακό φως ή σε ζέστη για μεγάλο χρονικό διάστημα, το φωτάκι φόρτισης μπορεί να αναβοσβήνει σε κόκκινο χρώμα. Εάν αυτό συμβεί, περιμένετε για λίγο. Η φόρτιση θα αρχίσει αφού η κασέτα μπαταρίας κρυώσει. Η κασέτα μπαταρίας θα κρυώσει γρηγορότερα αν αφουρέδε τη την κασέτα μπαταρίας από τον ταχυφορτιστή.
- Εάν το φωτάκι φόρτισης αναβοσβήνει εναλλακτικά με πράσινο και κόκκινο χρώμα, ένα πρόβλημα υπάρχει και η φόρτιση δεν είναι δυνατή. Οι πόλοι του φορτιστή ή της κασέτας μπαταρίας είναι βουλωμένοι από τη σκόνη ή κασέτα μπαταρίας είναι φθαρμένη ή έχει βλάβη.
- Εάν επιθυμείτε να φορτίσετε διαδοχικά δύο κασέτες μπαταριών, δώστε στο φορτιστή χρόνο 15 λεπτών μεταξύ των δύο φορτίσεων για να κρυώσει. Αλλάξτε την κασέτα μπαταρίας πριν αποφορτιστεί τελείως.

#### Στιγμιαία φόρτιση (Φόρτιση συντήρησης)

Εάν έχετε αφήσει την κασέτα μπαταρίας στον φορτιστή για να προλάβετε αυθόρμητη αποφόρτιση μετά από πλήρη φόρτιση, ο φορτιστής θα αλλάξει στη διαμόρφωση της “στιγμιαίας φόρτισης” (φόρτιση συντήρησης) και θα κρατήσει την κασέτα μπαταρίας φρέσκια και πλήρως φορτισμένη.

#### Συμβουλές για την διατήρηση της μέγιστης ζωής της μπαταρίας

1. Αλλάξτε την κασέτα μπαταρίας πριν αποφορτιστεί τελείως. Πάντα σταματήστε την λειτουργία του μηχανήματος και φορτίστε την κασέτα μπαταρίας όταν παρατηρήσετε μειωμένη δύναμη του μηχανήματος.
2. Ποτέ μην επαναφορτίζετε μια πλήρως φορτισμένη κασέτα μπαταρίας. Η υπερφόρτιση μικραίνει την ωφέλιμη ζωή της μπαταρίας.
3. Φορτίστε την κασέτα μπαταρίας σε θερμοκρασία δωματίου στους 10°C – 40°C. Αφήστε μια ζεστή κασέτα μπαταρίας να κρυώσει προτού την φορτίσετε.
4. Φορτίστε την κασέτα μπαταρίας Νικελίου Μεταλλικού Υδριδίου όταν δεν την έχετε χρησιμοποιήσει για έξι μήνες.

#### Τοποθέτηση ή αφαίρεση αιχμής (Εικ. 3)

##### Σημαντικό:

Πάντα βεβαιώνετε ότι το μηχάνημα είναι σβηστό και η κασέτα μπαταρίας βγαλμένη πριν τοποθετήσετε ή αφαιρέσετε την αιχμή.

Κρατείστε το δακτυλίδι και στρίψτε το μανίκι αριστερόστροφα για να ανοίξετε τις σιαγόνες του σφικτήρα. Βάλτε την αιχμή στο σφικτήρα όσο βαθειά μπορεί να πάει. Κρατείστε το δακτυλίδι σταθερά και στρίψτε το μανίκι δεξιόστροφα για να σφίξετε τον σφικτήρα.

Για να αφαιρέσετε την αιχμή, κρατείστε το δακτυλίδι και στρίψτε το μανίκι αριστερόστροφα.

#### Λειτουργία διακόπτη (Εικ. 4)

##### ΠΡΟΣΟΧΗ:

Πριν βάλετε τη κασέτα μπαταρίας μέσα στο μηχάνημα, πάντοτε ελέγχετε να δείτε ότι η σκανδάλη διακόπτης ενεργοποιείται κανονικά και επιστρέφει στη θέση “OFF” όταν ελευθερώνεται.

Για να ξεκινήσει το μηχάνημα, απλώς τραβήχτε τη σκανδάλη. Η ταχύτητα του μηχανήματος αυξάνεται αυξανοντας τη πίεση στη σκανδάλη. Αφήστε τη σκανδάλη για να σταματήσει.

## Αντιστροφή λειτουργίας διακόπτη (Εικ. 5)

ΠΡΟΣΟΧΗ:

- Πάντοτε ελέγχετε τη διεύθυνση περιστροφής πριν από τη λειτουργία.
- Χρησιμοποιείτε το διακόπτη αντιστροφής μόνο αφού το μηχάνημα έχει σταματήσει εντελώς. Αλλαγή της διεύθυνσης περιστροφής πριν το μηχάνημα σταματήσει μπορεί να προκαλέσει ζημιά στο μηχάνημα.
- Όταν δεν χρησιμοποιείται την μηχανή, πάντα πρέπει να θέτετε το μοχλό διακόπτη αντιστροφής στην ουδέτερη θέση.

Αυτό το μηχάνημα έχει ένα διακόπτη αντιστροφής για να αλλάξει τη διεύθυνση περιστροφής. Πατήστε το μοχλό διακόπτη αντιστροφής από τη πλευρά Α για δεξιόστροφη περιστροφή ή από την πλευρά Β για αριστερόστροφη. Όταν ο μοχλός διακόπτη είναι στην ουδέτερη θέση, η σκανδάλη διακόπτης δεν μπορεί να τραβηχθεί.

## Αλλαγή ταχύτητας (Εικ. 6)

Για να αλλάξετε την ταχύτητα, πρώτα σβήστε το μηχάνημα και μετά σύρετε το μοχλό αλλαγής ταχύτητας στη πλευρά "II" για υψηλή ταχύτητα ή στη πλευρά "I" για χαμηλή ταχύτητα. Βεβαιώστε ότι ο μοχλός αλλαγής ταχύτητας έχει τοποθετηθεί στη σωστή θέση πριν τη λειτουργία. Χρησιμοποιείτε τη κατάλληλη ταχύτητα για την εργασία σας.

ΠΡΟΣΟΧΗ:

- Πάντοτα τοποθετείτε μοχλό αλλαγής ταχύτητας ακριβώς στη σωστή θέση. Εάν λειτουργήσετε το μηχάνημα με το μοχλό αλλαγής ταχύτητας στο ενδιάμεσο μεταξύ πλευρών "I" και "II" το μηχάνημα μπορεί να πάθει ζημιά.
- Μη χρησιμοποιείτε το μοχλό αλλαγής ταχύτητας ενώ το μηχάνημα λειτουργεί. Το μηχάνημα μπορεί να πάθει ζημιά.

## Ρύθμιση της ροπής στερέωσης (Εικ. 7)

Η ροπή στερέωσης μπορεί να ρυθμιστεί με 17 βήματα στρίβοντας το δακτυλίδι ρύθμισης έτσι ώστε οι διαβαθμίσεις του να ευθυγραμμίζονται με το δείκτη στο σώμα του μηχανήματος. Η ροπή στερέωσης είναι ελάχιστη όταν ο αριθμός 1 ευθυγραμμίζεται με τον δείκτη, και μέγιστη όταν το σημάδι β̄ ευθυγραμμίζεται με τον δείκτη.

Ο συμπλέκτης θα γλιστρήσει σε διάφορες στάθμες ροπής όταν ρυθμιστεί στους αριθμούς 1 έως 16. Ο συμπλέκτης είναι σχεδιασμένος να μη γλιστράει στο σημάδι β̄.

Πριν αρχίσετε την πραγματική εργασία σας, βιδώστε μία δοκιμαστική βίδα στο υλικό σας ή σε ένα κομμάτι παρόμοιου υλικού για να διαπιστώσετε ποιά στάθμη ροπής απαιτείται για μία ιδιαίτερη εφαρμογή.

ΠΑΡΑΤΗΡΗΣΗ:

Μη λειτουργείτε το μηχάνημα με το δακτυλίδι ρύθμισης τοποθετημένο μεταξύ του αριθμού 16 και του σημάδιου β̄. Το μηχάνημα μπορεί να πάθει ζημιά.

## Εγκατάσταση της πλάκας ρύθμισης (Εικ. 8)

Πάντοτε να εγκαθιστάτε τη πλάκα ρύθμισης όταν χρησιμοποιείτε τις κασέτες μπαταρίας 1200, 1202 ή 1202Α. Εγκαταστήστε τη πλάκα ρύθμισης στο μηχάνημα με την παρεχόμενη βίδα όπως φαίνεται στην Εικ. 8.

## Λειτουργία βιδώματος (Εικ. 9)

Τοποθετείτε το άκρο της αιχμής βιδοτρύπανου στο κεφάλι της βίδας και εφαρμόστε πίεση στο μηχάνημα. Ξεκινήστε το μηχάνημα αργά και μετά αυξήστε την ταχύτητα βαθμιαία. Αφήστε τη σκανδάλη μόλις ο συμπλέκτης παρέμβει.

ΠΑΡΑΤΗΡΗΣΗ:

- Βεβαιώστε ότι η αιχμή του βιδοτρύπανου εισέρχεται ίσια στη κεφαλή της βίδας, διαφορετικά η βίδα και η αιχμή μπορεί να πάθουν ζημιά.
- Όταν βιδώνετε ξυλόβιδες, ανοίξτε τρύπες οδηγούς για να κάνετε το βίδωμα ευκολότερο και να αποφύγετε σχίσιμο του αντικειμένου εργασίας. Δείτε τον παρακάτω πίνακα.

Ονομαστική διάμ. ξυλόβιδας (χιλ.)	Συνιστώμενο μέγεθος τρύπας οδηγού (χιλ.)
3,1	2,0 – 2,2
3,5	2,2 – 2,5
3,8	2,5 – 2,8
4,5	2,9 – 3,2
4,8	3,1 – 3,4
5,1	3,3 – 3,6
5,5	3,6 – 3,9
5,8	4,0 – 4,2
6,1	4,2 – 4,4

- Εάν το μηχάνημα λειτουργεί συνεχώς μέχρι η κασέτα μπαταρίας αδειάσει, αφήστε το μηχάνημα να αναπαυθεί για 15 λεπτά πριν προχωρήσετε με μία νέα μπαταρία.

## Λειτουργία τρυπάνισματος

Πρώτα, στρίψτε το δακτυλίδι ρύθμισης έτσι ώστε ο δείκτης στο σώμα του μηχανήματος δείχνει στο σημάδι β̄. Μετά προχωρήστε ως εξής:

- Τρυπάνισμα σε ξύλο  
Όταν τρυπανίζετε σε ξύλο, τα καλύτερα αποτελέσματα επιτυγχάνονται με τρυπάνια ξύλου εφοδιασμένα με βίδα οδηγό. Η βίδα οδηγός κάνει το τρυπάνισμα ευκολότερο παρασύροντας την αιχμή μέσα στο αντικείμενο εργασίας.
- Τρυπάνισμα σε μέταλλο  
Για να αποφύγετε γλιστρήματα της αιχμής όταν αρχίζετε μία τρύπα, κάντε ένα βαθούλωμα με ένα καλέμι και σφυρί στο σημείο τρυπανισμού. Τοποθετήστε το άκρο της αιχμής στο βαθούλωμα και αρχίστε το τρυπάνισμα.  
Χρησιμοποιείτε ένα λιπαντικό κοπής όταν τρυπανίζετε σε μέταλλο. Οι εξαιρέσεις είναι ο σίδηρος και ο μπρούτζος που πρέπει να τρυπανίζονται στεγνά.

#### ΠΡΟΣΟΧΗ:

- Πιέζοντας υπερβολικά στο μηχάνημα δεν θα επιταχύνει το τρυπάνισμα. Στη πραγματικότητα, αυτή η υπερβολική πίεση θα προκαλέσει μόνο ζημιά στο άκρο της αιχμής, θα μειώσει την απόδοση του μηχανήματος και θα βραχύνει τον ωφέλιμο χρόνο χρήσης του μηχανήματος.
- Μία τρομακτική δύναμη εξασκείται στο μηχάνημα/ αιχμή κατά τη στιγμή που το τρυπάνι διαπερνά την τρύπα. Κρατάτε το μηχάνημα σταθερά και προσέχετε πολύ κατά τη στιγμή που το μηχάνημα αρχίζει τη διαπέραση της τρύπας.
- Μία μαγκωμένη αιχμή μπορεί να αφαιρεθεί απλώς βάζοντας το διακόπτη αντιστροφής να αντιστρέψει τη περιστροφή για να οπισθοδρομήσει. Όμως το μηχάνημα μπορεί να οπισθοδρομήσει απότομα εάν δεν το κρατάτε σταθερά.
- Πάντοτε στερεώνετε μικρά αντικείμενα εργασίας σε μία μέγγενη ή σε παρόμοια συσκευή ακινητοποίησης.
- Εάν το μηχάνημα λειτουργεί συνεχώς μέχρι η κασέτα μπαταρίας αδειάσει, αφήστε το μηχάνημα να αναπαυθεί για 15 λεπτά πριν προχωρήσετε με μία νέα μπαταρία.

#### ΣΥΝΤΗΡΗΣΗ

##### ΠΡΟΣΟΧΗ:

Πριν την εκτέλεση εργασιών με τη συσκευή διαβεβαιώστε πάντοτε, για το ότι η συσκευή σβήστηκε με απομακρυσμένο το συσσωρευτή.

##### **Αντικατάσταση καρβουνάκια (Εικ. 10 και 11)**

Τα καρβουνάκια πρέπει να αντικαθίστανται, όταν έχουν φθαρεί μέχρι το σημείο μαρκαρίσματος. Τα δύο ταυτόσημα καρβουνάκια πρέπει να αντικαθίστανται ταυτόχρονα.

Για τη διασφάλιση της σιγουριάς και αξιοπιστίας των προϊόντων μας πρέπει οι επισκευές, εργασίες συντήρησης ή ρυθμίσεις να εκτελούνται από εξουσιοδοτημένα εργαστήρια σέρβις πελατών Μάκιτα.

## **GB** ACCESSORIES

---

### **CAUTION:**

These accessories or attachments are recommended for use with your Makita tool specified in this manual. The use of any other accessories or attachments might present a risk of injury to persons. The accessories or attachments should be used only in the proper and intended manner.

## **F** ACCESSOIRES

---

### **ATTENTION :**

Ces accessoires ou ces fixations sont recommandés pour l'utilisation de l'outil Makita spécifié dans ce manuel. L'utilisation d'autres accessoires ou fixations peut présenter un risque de blessures. Les accessoires ou les fixations ne devront être utilisés que dans le but et de la manière prévus.

## **D** ZUBEHÖR

---

### **VORSICHT:**

Das mitgelieferte Zubehör ist speziell für den Gebrauch mit dem in dieser Betriebsanleitung angegebenen Makita-Elektrowerkzeug vorgesehen. Bei Verwendung von Fremdzubehör in Verbindung mit dieser Maschine besteht Verletzungsgefahr.

## **I** ACCESSORI

---

### **ATTENZIONE:**

Gli accessori o raccordi seguenti sono raccomandati per l'uso con l'utensile Makita specificato in questo manuale. L'uso di qualsiasi altro accessorio o raccordo potrebbe causare pericoli di ferite alle persone. Gli accessori o raccordi devono essere usati soltanto nel modo corretto e specificato.

## **NL** ACCESSOIRES

---

### **LET OP:**

Deze accessoires of hulpstukken zijn aanbevolen voor gebruik met uw Makita gereedschap dat in deze gebruiksaanwijzing is beschreven. Het gebruik van andere accessoires of hulpstukken kan gevaar voor persoonlijke verwondingen opleveren. De accessoires of hulpstukken dienen alleen op de juiste en voorgeschreven manier te worden gebruikt.

## **E** ACCESORIOS

---

### **PRECAUCIÓN:**

Estos accesorios o acoplamientos están recomendados para usar con la herramienta Makita especificada en este manual. Con el uso de cualquier otro accesorio o acoplamiento se podría correr el riesgo de producir heridas a personas. Los accesorios o acoplamientos deberán usarse solamente de la manera apropiada y para la que han sido designados.

## **P** ACESSÓRIOS

---

### **PRECAUÇÃO:**

Estes acessórios ou acoplamentos são os recomendados para uso na ferramenta MAKITA especificada neste manual. A utilização de quaisquer outros acessórios ou acoplamento poderá ser perigosa para o operador. Os acessórios ou acoplamentos devem ser utilizados de maneira adequada e apenas para os fins a que se destinam.

## **DK** TILBEHØR

---

### **ADVARSEL:**

Dette udstyr og tilbehør bør anvendes sammen med Deres Makita maskine, sådan som det er beskrevet i denne vejledning. Anvendelse af andet udstyr eller tilbehør kan medføre personskade. Tilbehøret bør kun anvendes til det, det er beregnet til.

## **S** TILLBEHÖR

---

### **FÖRSIKTIGHET:**

Dessa tillbehör eller tillsatser rekommenderas endast för användning tillsammans med din Makita maskin som specificeras i denna bruksanvisning. Användning av andra tillbehör eller tillsatser kan medföra risk för personskador. Tillbehören och tillsatserna får endast användas på lämpligt och där för avsett sätt.

## **N** TILBEHØR

---

### **NB!**

Dette tilbehøret eller utstyret anbefales til å brukes sammen med din Makita maskin som er spesifisert i denne bruksanvisningen. Bruk av annet tilbehør eller utstyr kan medføre en risiko for personskader. Tilbehør og utstyr må bare brukes som spesifisert og bare til det det er beregnet til.

## **SF** LISÄVARUSTEET

---

### **VARO:**

Tässä käyttöohjeessa mainitun Makita-koneen kanssa suositellaan seuraavien lisälaitteiden ja -varusteiden käyttöä. Minkä tahansa muun lisälaitteen tai -varusteen käyttäminen saattaa aiheuttaa loukkaantumisvaaran. Lisälaitteita ja -varusteita tulee käyttää ainoastaan niille sopivalla tavalla.

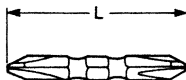
## **GR** ΕΞΑΡΤΗΜΑΤΑ

---

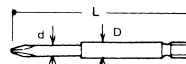
### **ΠΡΟΣΟΧΗ:**

Αυτά τα εξαρτήματα ή προσαρτήματα συνιστώνται για χρήση με το μηχάνημα της Μάκιτα που περιγράφεται στο εγχειρίδιο αυτο. Η χρήση άλλων εξαρτημάτων ή προσαρτημάτων μπορεί να είναι επικίνδυνη για τραυματισμό ατόμων. Τα εξαρτήματα ή προσαρτήματα πρέπει να χρησιμοποιούνται μόνο με το σωστό και προτιθέμενο τρόπο.

- Phillips bit
- Embout Phillips
- Kreuzschlitz-Schraubendrehereinsatz
- Punta a croce
- Phillips schroefbit
- Pieza de apriete de punta Phillips
- Broca Phillips
- Phillips bit
- Korsmejsel
- Phillips-bits
- Ristipääterä
- Αιχμή Φίλιπς



Bit No.	L (mm)			
No. 1	65			
No. 2	45	65	110	150
No. 3	45	65	110	



Bit No.	L (mm)	D (mm)	d (mm)
No. 2	82	6	5

**Note:**

- Use bit No. 1 when fastening machine screws M3, or wood screws 2.1 mm – 2.7 mm.
- Use bit No. 2 when fastening machine screws M4 – M5, or wood screws 3.1 mm – 4.8 mm.
- Use bit No. 3 when fastening machine screws M6 – M8, or wood screws 5.1 mm – 6.1 mm.

**Note :**

- Utilisez un foret No. 1 avec des vis à métaux M3, ou des vis en bois de 2,1 mm – 2,7 mm.
- Utilisez un foret No. 2 avec des vis à métaux M4 – M5, ou des vis en bois de 3,1 mm – 4,8 mm.
- Utilisez un foret No. 3 avec des vis à métaux M6, ou des vis en bois de 5,1 mm – 6,1 mm.

**Hinweise:**

- Einsatz Nr. 1 zum Eindrehen von Maschinenschrauben M3 oder Holzschrauben von 2,1 – 2,7 mm verwenden.
- Einsatz Nr. 2 zum Eindrehen von Maschinenschrauben M4 – M5 oder Holzschrauben von 3,1 – 4,8 mm verwenden.
- Einsatz Nr. 3 zum Eindrehen von Maschinenschrauben M6 oder Holzschrauben von 5,1 – 6,1 mm verwenden.

**Note:**

- Usare la punta No. 1 per il serraggio delle viti a ferro M3 o viti per legno di 2,1 mm – 2,7 mm.
- Usare la punta No. 2 per il serraggio delle viti a ferro M4 – M5 o viti per legno di 3,1 mm – 4,8 mm.
- Usare la punta No. 3 per il serraggio delle viti a ferro M6 o viti per legno di 5,1 mm – 6,1 mm.

**Opmerking:**

- Gebruik bit Nr. 1 voor het vastdraaien van kolomschroeven M3, of houtschroeven 2,1 mm – 2,7 mm.
- Gebruik bit Nr. 2 voor het vastdraaien van kolomschroeven M4 – M5, of houtschroeven 3,1 mm – 4,8 mm.
- Gebruik bit Nr. 3 voor het vastdraaien van kolomschroeven M6, of houtschroeven 5,1 mm – 6,1 mm.

**Notas:**

- Utilice la punta N.º 1 cuando apriete tornillos M3 para máquina, o tornillos de 2,1 – 2,7 mm para madera.
- Utilice la punta N.º 2 cuando apriete tornillos M4 – M5 para máquina, o tornillos de 3,1 – 4,8 mm para madera.
- Utilice la punta N.º 3 cuando apriete tornillos M6 para máquina, o tornillos de 5,1 – 6,1 mm para madera.



**Nota:**

- Utilize a broca N.1 quando aperta parafusos de rosca fina M3, ou parafusos para madeira de 2,1 mm – 2,7 mm.
- Utilize a broca N.2 quando aperta parafusos de rosca fina M4 – M5, ou parafusos para madeira de 3,1 mm – 4,8 mm.
- Utilize a broca N. 3 quando aperta parafusos de rosca fina M6, ou parafusos para madeira de 5,1 mm – 6,1 mm.

**Bemærk:**

- Anvend bit nr. 1, når der fastspændes M3 maskinskruer, eller 2,1 mm til 2,7 mm træskruer.
- Anvend bit nr. 2, når der fastspændes M4 – M5 maskinskruer, eller 3,1 mm til 4,8 mm træskruer.
- Anvend bit nr. 3, når der fastspændes M6 maskinskruer, eller 5,1 mm til 6,1 mm træskruer.

**Observera!**

- Använd mejsel nr. 1 vid åtdragning av maskinskrivar M3, eller träskruvar 2,1 mm – 2,7 mm.
- Använd mejsel nr. 2 vid åtdragning av maskinskrivar M4 – M5, eller träskruvar 3,1 mm – 4,8 mm.
- Använd mejsel nr. 3 vid åtdragning av maskinskrivar M6, eller träskruvar 5,1 mm – 6,1 mm.

**Merknad:**

- Bruk bits nr. 1 ved tiltrekking av maskinskruer M3, eller treskruer 2,1 – 2,7 mm.
- Bruk bits nr. 2 ved tiltrekking av maskinskruer M4 – M5, eller treskruer 3,1 – 4,8 mm.
- Bruk bits nr. 3 ved tiltrekking av maskinskruer M6, eller treskruer 5,1 – 6,1 mm.

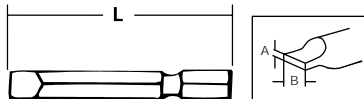
**Huomaa:**

- Käytä terää numero 1, kun kiinnität koneruuveja M3 tai 2,1 mm – 2,7 mm puuruuveja.
- Käytä terää numero 2, kun kiinnität koneruuveja M4 – M5 tai 3,1 mm – 4,8 mm puuruuveja.
- Käytä terää numero 3, kun kiinnität koneruuveja M6 tai 5,1 mm–6,1 mm puuruuveja.

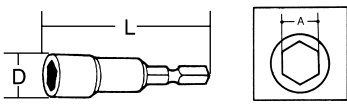
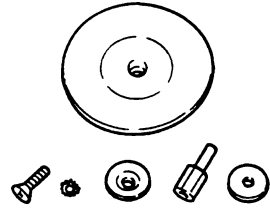
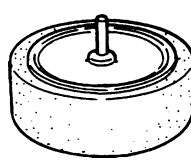
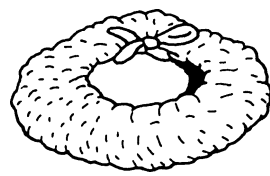
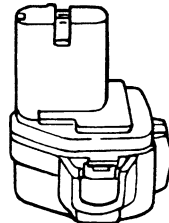
**Παρατήρηση:**

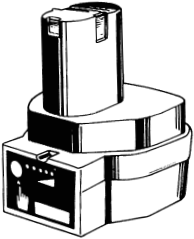

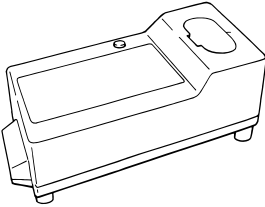
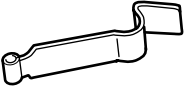

- Χρησιμοποιείτε την αιχμή κατσαβιδιού No. 1 όταν στερεώνετε κατσαβιδόβιδες M3, ή ξυλόβιδες 2,1χιλ. – 2,7χιλ.
- Χρησιμοποιείτε την αιχμή κατσαβιδιού No. 2 όταν στερεώνετε κατσαβιδόβιδες M4 – M5, ή ξυλόβιδες 3,1χιλ. – 4,8χιλ.
- Χρησιμοποιείτε την αιχμή κατσαβιδιού No. 3 όταν στερεώνετε κατσαβιδόβιδες M6, ή ξυλόβιδες 5,1χιλ. – 6,1χιλ.

- Slotted bit
- Foret à fente
- Langschlitzzeinsatz
- Punta scanalata
- Gesleufde bit
- Punta plana
- Broca de ranhura
- Kærvbit
- Spårmejsel
- Bits med spor
- Uratalta
- Αιχμή πλην



A (mm)	B (mm)	L (mm)
0.6	5	45
		82
0.8	6	70
		70
1.0	6.35	45
1.2	8	70

<ul style="list-style-type: none"> <li>• Socket bit</li> <li>• Foret à douille</li> <li>• Steckschlüsseleinsatz</li> <li>• Punta a bussola</li> <li>• Dopbit</li> <li>• Llave de vaso</li> <li>• Broca de encaixe</li> <li>• Topbit</li> <li>• Hylsnyckel</li> <li>• Hulbits</li> <li>• Hylsyterä</li> <li>• Αιχμή κατασβιδιού με φωλιά</li> </ul>	 <table border="1" data-bbox="572 247 1014 395"> <thead> <tr> <th>Bolt size</th> <th>A (mm)</th> <th>L (mm)</th> <th>D (mm)</th> </tr> </thead> <tbody> <tr> <td>M4</td> <td>7</td> <td rowspan="3">55</td> <td>11</td> </tr> <tr> <td>M5</td> <td>8</td> <td>12.5</td> </tr> <tr> <td>M6</td> <td>10</td> <td>15</td> </tr> </tbody> </table>	Bolt size	A (mm)	L (mm)	D (mm)	M4	7	55	11	M5	8	12.5	M6	10	15
Bolt size	A (mm)	L (mm)	D (mm)												
M4	7	55	11												
M5	8		12.5												
M6	10		15												
<ul style="list-style-type: none"> <li>• Rubber pad assembly</li> <li>• Plateau caoutchouc</li> <li>• Schleifteller</li> <li>• Gruppo tampone di gomma</li> <li>• Rubber steunschijf set</li> <li>• Conjunto de lijadora de goma</li> <li>• Disco flexível de borracha</li> <li>• Gummibagskive</li> <li>• Gummirondelel-set</li> <li>• Gummiputemontasje</li> <li>• Kumilevysarja</li> <li>• Σύνολο ελαστικού υποθέματος</li> </ul>															
<ul style="list-style-type: none"> <li>• Foam polishing pad 125</li> <li>• Garniture de polissage en mousse 125</li> <li>• Schaumstoff-Polierscheibe 125</li> <li>• Tampone di smerigliatura di schiuma 125</li> <li>• Schuimrubber polijstkussen 125</li> <li>• Tambor de espuma para pulir 125</li> <li>• Disco de esponja para polimento 125</li> <li>• Polérpude (skumgummi) 125</li> <li>• Putsondell av skumgummi 125</li> <li>• Polerpute av skumgummi 125</li> <li>• Vaahtokillotuslevy 125</li> <li>• Αφρώδες σιλβωτικό υπόθεμα 125</li> </ul>															
<ul style="list-style-type: none"> <li>• Wool bonnet 100</li> <li>• Peau de mouton 100</li> <li>• Lammfellhaube 100</li> <li>• Cuffia di lana 100</li> <li>• Wollen poetschijf 100</li> <li>• Gorra de algodón 100</li> <li>• Boina de lã 100</li> <li>• Uldhætte 100</li> <li>• Polerhätta 100</li> <li>• Ullhette 100</li> <li>• Villakansi 100</li> <li>• Μάλλινο κάλυμμα 100</li> </ul>															
<ul style="list-style-type: none"> <li>• Battery cartridge 1222/1233/1234/1235</li> <li>• Batterie 1222/1233/1234/1235</li> <li>• Akku 1222/1233/1234/1235</li> <li>• Cartuccia batteria 1222/1233/1234/1235</li> <li>• Batterijpak 1222/1233/1234/1235</li> <li>• Cartucho de batería 1222/1233/1234/1235</li> <li>• Bateria 1222/1233/1234/1235</li> <li>• Akku 1222/1233/1234/1235</li> <li>• Kraftkassett 1222/1233/1234/1235</li> <li>• Batteri 1222/1233/1234/1235</li> <li>• Akku 1222/1233/1234/1235</li> <li>• Κασέτα μπαταρίας 1222/1233/1234/1235</li> </ul>															

<ul style="list-style-type: none"> <li>• Battery cartridge 1202A</li> <li>• Batterie 1202A</li> <li>• Akku 1202A</li> <li>• Cartuccia batteria 1202A</li> <li>• Batterijpak 1202A</li> <li>• Cartucho de batería 1202A</li> <li>• Bateria 1202A</li> <li>• Akku 1202A</li> <li>• Kraftkassett 1202A</li> <li>• Batteri 1202A</li> <li>• Akku 1202A</li> <li>• Κασέτα μπαταρίας 1202A</li> </ul>	
<ul style="list-style-type: none"> <li>• Battery cover</li> <li>• Couvercle de batterie</li> <li>• Kontaktschutzkappe</li> <li>• Coperchio batteria</li> <li>• Batterijkapje</li> <li>• Tapa de la batería</li> <li>• Cobertura da bateria</li> <li>• Akkukappe</li> <li>• Kraftskydd</li> <li>• Batterideksel</li> <li>• Akkusuojus</li> <li>• Κάλυμμα μπαταρίας</li> </ul>	
<ul style="list-style-type: none"> <li>• Battery charger DC1413</li> <li>• Chargeur de batterie DC1413</li> <li>• Ladegerät DC1413</li> <li>• Caricabatteria DC1413</li> <li>• Acculader DC1413</li> <li>• Cargador de batería DC1413</li> <li>• Carregador de bateria DC1413</li> <li>• Oplader DC1413</li> <li>• Batteriladdare DC1413</li> <li>• Batterilader DC1413</li> <li>• Akkulaturi DC1413</li> <li>• Φορτιστής μπαταρίας 1413</li> </ul>	
<ul style="list-style-type: none"> <li>• Set plate</li> <li>• Plaque de fixation</li> <li>• Haltebügel</li> <li>• Piastrina di fissaggio</li> <li>• Klemplaatje</li> <li>• Placa de fijación</li> <li>• Placa de apoio</li> <li>• Låsebøjle</li> <li>• Kassettspärr</li> <li>• Stilleplate</li> <li>• Asennuslevy</li> <li>• Πλάκα ρύθμισης</li> </ul>	
<ul style="list-style-type: none"> <li>• Plastic carrying case</li> <li>• Mallette de transport en plastique</li> <li>• Transportkoffer</li> <li>• Valigetta di trasporto in plastica</li> <li>• Plastic koffer</li> <li>• Maletín de plástico para el transporte</li> <li>• Caixa plástica para transporte</li> <li>• Transportkuffert</li> <li>• Bärväska av plast</li> <li>• Bæreveske av plast</li> <li>• Muovinen kantokotelo</li> <li>• Πλαστική θήκη μεταφοράς</li> </ul>	

## ENGLISH

### EC-DECLARATION OF CONFORMITY

The undersigned, Yasuhiko Kanzaki, authorized by Makita Corporation, 3-11-8 Sumiyoshi-Cho, Anjo, Aichi 446-8502 Japan declares that this product

(Serial No. : series production)

manufactured by Makita Corporation in Japan is in compliance with the following standards or standardized documents,

EN50260, EN55014

in accordance with Council Directives, 89/336/EEC and 98/37/EC.

## FRANÇAISE

### DÉCLARATION DE CONFORMITÉ CE

Je soussigné, Yasuhiko Kanzaki, mandaté par Makita Corporation, 3-11-8 Sumiyoshi-Cho, Anjo, Aichi 446-8502 Japan, déclare que ce produit

(No. de série: production en série)

fabriqué par Makita Corporation au Japon, est conformes aux normes ou aux documents normalisés suivants,

EN50260, EN55014

conformément aux Directives du Conseil, 89/336/CEE et 98/37/EG.

## DEUTSCH

### CE-KONFORMITÄTSERKLÄRUNG

Hiermit erklärt der Unterzeichnete, Yasuhiko Kanzaki, Bevollmächtigter von Makita Corporation, 3-11-8 Sumiyoshi-Cho, Anjo, Aichi 446-8502 Japan, daß dieses von der Firma Makita Corporation in Japan hergestellte Produkt

(Serien-Nr.: Serienproduktion)

gemäß den Ratsdirektiven 89/336/EWG und 98/37/EG mit den folgenden Normen bzw. Normendokumenten übereinstimmen:

EN50260, EN55014.

## ITALIANO

### DICHIARAZIONE DI CONFORMITÀ CON LE NORME DELLA COMUNITÀ EUROPEA

Il sottoscritto Yasuhiko Kanzaki, con l'autorizzazione della Makita Corporation, 3-11-8 Sumiyoshi-Cho, Anjo, Aichi 446-8502 Japan, dichiara che questo prodotto

(Numero di serie: Produzione in serie)

fabbricato dalla Makita Corporation in Giappone è conforme alle direttive europee riportate di seguito:

EN50260, EN55014

secondo le direttive del Consiglio 89/336/CEE e 98/37/CE.

## NEDERLANDS

### EG-VERKLARING VAN CONFORMITEIT

De ondergetekende, Yasuhiko Kanzaki, gevoelmachtigd door Makita Corporation, 3-11-8 Sumiyoshi-Cho, Anjo, Aichi 446-8502 Japan verklaart dat dit produkt

(Seriennr. : serieproductie)

vervaardigd door Makita Corporation in Japan voldoet aan de volgende normen of genormaliseerde documenten,

EN50260, EN55014

in overeenstemming met de richtlijnen van de Raad 89/336/EEC en 98/37/EC.

## ESPAÑOL

### DECLARACIÓN DE CONFORMIDAD DE LA CE

El abajo firmante, Yasuhiko Kanzaki, autorizado por Makita Corporation, 3-11-8 Sumiyoshi-Cho, Anjo, Aichi 446-8502 Japan, declara que este producto

(Número de serie: producción en serie)

fabricado por Makita Corporation en Japón cumple las siguientes normas o documentos normalizados,

EN50260, EN55014

de acuerdo con las directivas comunitarias, 89/336/EEC y 98/37/CE.

Yasuhiko Kanzaki CE 98



Director      Amministratore  
Directeur     Directeur  
Direktor      Director

## MAKITA INTERNATIONAL EUROPE LTD.

Michigan Drive, Tongwell, Milton Keynes,  
Bucks MK15 8JD, ENGLAND

## PORTUGUÊS

### DECLARAÇÃO DE CONFORMIDADE DA CE

O abaixo assinado, Yasuhiko Kanzaki, autorizado pela Makita Corporation, 3-11-8 Sumiyoshi-Cho, Anjo, Aichi 446-8502 Japan, declara que este produto (N. de série: produção em série) fabricado pela Makita Corporation no Japão obedece às seguintes normas ou documentos normalizados, EN50260, EN55014 de acordo com as directivas 89/336/CEE e 98/37/CE do Conselho.

## DANSK

### EU-DEKLARATION OM KONFORMITET

Undertegnede, Yasuhiko Kanzaki, med fuldmagt fra Makita Corporation, 3-11-8 Sumiyoshi-Cho, Anjo, Aichi 446-8502 Japan, erklærer hermed, at dette produkt (Løbenummer: serieproduktion) fremstillet af Makita Corporation i Japan, er i overensstemmelse med de følgende standarder eller normsættende dokumenter, EN50260, EN55014 i overensstemmelse med Rådets Direktiver, 89/336/EEC og 98/37/EC.

## SVENSKA

### EG-DEKLARATION OM ÖVERENSSTÄMMELSE

Undertecknad, Yasuhiko Kanzaki, auktoriserad av Makita Corporation, 3-11-8 Sumiyoshi-Cho, Anjo, Aichi 446-8502 Japan deklarerar att denna produkt (serienummer: serieproduktion) tillverkad av Makita Corporation i Japan, uppfyller kraven i följande standard eller standardiserade dokument, EN50260, EN55014 i enlighet med EG-direktiven 89/336/EEC och 98/37/EC.

## NORSK

### EU's SAMSVARS-ERKLÆRING

Undertegnede, Yasuhiko Kanzaki, med fullmakt fra Makita Corporation, 3-11-8 Sumiyoshi-Cho, Anjo, Aichi 446-8502 Japan bekrefter herved at dette produktet (Serienr. : serieproduksjon) fabrikert av Makita Corporation, Japan, er i overensstemmelse med følgende standarder eller standardiserte dokumenter: EN50260, EN55014, i samsvar med Råds-direktivene, 89/336/EEC og 98/37/EC.

## SUOMI

### VAKUUTUS EC-VASTAAVUUDESTA

Makita Corporation, 3-11-8 Sumiyoshi-Cho, Anjo, Aichi 446-8502 Japan valtuuttamana allekirjoittanut, Yasuhiko Kanzaki, vakuuttaa että tämä tämä tuote (Sarja nro : sarjan tuotantoa) valmistanut Makita Corporation Japanissa vastaa seuraavia standardeja tai standardoituja asiakirjoja EN50260, EN55014 neuvoston direktiivien 89/336/EEC ja 98/37/EC mukaisesti.

## ΕΛΛΗΝΙΚΑ

### ΔΗΛΩΣΗ ΣΥΜΜΟΡΦΩΣΗΣ ΕΚ

Ο υπογράφων, Yasuhiko Kanzaki, εξουσιοδοτημένος από την εταιρεία Makita Corporation, 3-11-8 Sumiyoshi-Cho, Anjo, Aichi 446-8502 Japan, δηλώνει ότι αυτό το προϊόν (Αύξων Αρ.: παραγωγή σειράς) κατασκευασμένο από την Εταιρεία Makita στην Ιαπωνία, βρίσκεται σε συμφωνία με τα ακόλουθα πρότυπα ή τυποποιημένα έγγραφα, EN50260, EN55014 σύμφωνα με τις Οδηγίες του Συμβουλίου, 89/336/EEC και 98/37/ΚΕ.

Yasuhiko Kanzaki CE 98



Director	Direktor
Direktør	Johtaja
Direktör	Διευθυντής

## MAKITA INTERNATIONAL EUROPE LTD.

Michigan Drive, Tongwell, Milton Keynes,  
Bucks MK15 8JD, ENGLAND

## ENGLISH

### EC-DECLARATION OF CONFORMITY

The undersigned, Yasuhiko Kanzaki, authorized by Kao Lung Tamura Electronics Co., Ltd. No. 4 Industry 1st Street, Ping Tung Industry District Chiao Nan Li, Ping Tung City, Taiwan declares that this battery charger

(Serial No. : series production)

manufactured by Kao Lung Tamura Electronics Co., Ltd. in Taiwan is in compliance with the following standards or standardized documents,

EN60335, EN55014, EN61000

in accordance with Council Directives, 73/23/EEC and 89/336/EEC.

## ITALIANO

### DICHIARAZIONE DI CONFORMITÀ CON LE NORME DELLA COMUNITÀ EUROPEA

Il sottoscritto Yasuhiko Kanzaki, con l'autorizzazione della Kao Lung Tamura Electronics Co., Ltd. No. 4 Industry 1st Street, Ping Tung Industry District Chiao Nan Li, Ping Tung City, Taiwan, dichiara che questo caricabatteria

(Numero di serie: Produzione in serie)

fabbricato dalla Kao Lung Tamura Electronics Co., Ltd. in Taiwan è conforme alle direttive europee riportate di seguito:

EN60335, EN55014, EN61000

secondo le direttive del Consiglio 73/23/CEE e 89/336/CEE.

## FRANÇAISE

### DÉCLARATION DE CONFORMITÉ CE

Je soussigné, Yasuhiko Kanzaki, mandaté par Kao Lung Tamura Electronics Co., Ltd. No. 4 Industry 1st Street, Ping Tung Industry District Chiao Nan Li, Ping Tung City, Taiwan, déclare que ce chargeur de batterie

(No. de série: production en série)

fabriqué par Kao Lung Tamura Electronics Co., Ltd. au Taiwan, est conformes aux normes ou aux documents normalisés suivants,

EN60335, EN55014, EN61000

conformément aux Directives du Conseil, 73/23/CEE et 89/336/CEE.

## NEDERLANDS

### EG-VERKLARING VAN CONFORMITEIT

De ondergetekende, Yasuhiko Kanzaki, gevolmachtigd door Kao Lung Tamura Electronics Co., Ltd. No. 4 Industry 1st Street, Ping Tung Industry District Chiao Nan Li, Ping Tung City, Taiwan verklaart dat dit accu-oplader

(Serienr. : serieproductie)

vervaardigd door Kao Lung Tamura Electronics Co., Ltd. in Taiwan voldoet aan de volgende normen of genormaliseerde documenten,

EN60335, EN55014, EN61000

in overeenstemming met de richtlijnen van de Raad 73/23/EEC en 89/336/EEC.

## DEUTSCH

### CE-KONFORMITÄTSERKLÄRUNG

Hiermit erklärt der Unterzeichnete, Yasuhiko Kanzaki, Bevollmächtigter von Kao Lung Tamura Electronics Co., Ltd. No. 4 Industry 1st Street, Ping Tung Industry District Chiao Nan Li, Ping Tung City, Taiwan, daß dieses von der Firma Kao Lung Tamura Electronics Co., Ltd. in Taiwan hergestellte Ladegerät

(Serien-Nr.: Serienproduktion)

gemäß den Ratsdirektiven 73/23/EWG und 89/336/EWG mit den folgenden Normen bzw. Normendokumenten übereinstimmen:

EN60335, EN55014, EN61000.

## ESPAÑOL

### DECLARACIÓN DE CONFORMIDAD DE LA CE

El abajo firmante, Yasuhiko Kanzaki, autorizado por Kao Lung Tamura Electronics Co., Ltd. No. 4 Industry 1st Street, Ping Tung Industry District Chiao Nan Li, Ping Tung City, Taiwan, declara que este cargador de baterías

(Número de serie: producción en serie)

fabricado por Kao Lung Tamura Electronics Co., Ltd. en Taiwan cumple las siguientes normas o documentos normalizados,

EN60335, EN55014, EN61000

de acuerdo con las directivas comunitarias, 73/23/EEC y 89/336/EEC.

Yasuhiko Kanzaki CE 94



Director Amministratore  
Directeur Directeur  
Direktor Director

## MAKITA INTERNATIONAL EUROPE LTD.

Michigan Drive, Tongwell, Milton Keynes,  
Bucks MK15 8JD, ENGLAND

## PORTUGUÊS

### DECLARAÇÃO DE CONFORMIDADE DA CE

O abaixo assinado, Yasuhiko Kanzaki, autorizado pela Kao Lung Tamura Electronics Co., Ltd. No. 4 Industry 1st Street, Ping Tung Industry District Chiao Nan Li, Ping Tung City, Taiwan, declara que este carregador de bateria (N. de série: produção em série)

fabricado pela Kao Lung Tamura Electronics Co., Ltd. no Taiwan obedece às seguintes normas ou documentos normalizados,

EN60335, EN55014, EN61000

de acordo com as directivas 73/23/CEE e 89/336/CEE do Conselho.

## DANSK

### EU-DEKLARATION OM KONFORMITET

Undertegnede, Yasuhiko Kanzaki, med fuldmagt fra Kao Lung Tamura Electronics Co., Ltd. No. 4 Industry 1st Street, Ping Tung Industry District Chiao Nan Li, Ping Tung City, Taiwan, erklærer hermed, at dette batteriopladeren

(Løbenummer: serieproduktion)

fremstillet af Kao Lung Tamura Electronics Co., Ltd. i Taiwan, er i overensstemmelse med de følgende standarder eller normsættende dokumenter,

EN60335, EN55014, EN61000

i overensstemmelse med Rådets Direktiver 73/23/EEC og 89/336/EEC.

## SVENSKA

### EG-DEKLARATION OM ÖVERENSSTÄMMELSE

Undertecknad, Yasuhiko Kanzaki, auktoriserad av Kao Lung Tamura Electronics Co., Ltd. No. 4 Industry 1st Street, Ping Tung Industry District Chiao Nan Li, Ping Tung City, Taiwan deklarerar att denna batteriladdaren (serienummer: serieproduktion)

tillverkad av Kao Lung Tamura Electronics Co., Ltd. i Taiwan, uppfyller kraven i följande standard eller standardiserade dokument,

EN60335, EN55014, EN61000

i enlighet med EG-direktiven 73/23/EEC och 89/336/EEC.

## NORSK

### EU's SAMSVARS-ERKLÆRING

Undertegnede, Yasuhiko Kanzaki, med fullmakt fra Kao Lung Tamura Electronics Co., Ltd. No. 4 Industry 1st Street, Ping Tung Industry District Chiao Nan Li, Ping Tung City, Taiwan bekrefter herved at dette batterilader (Serienr. : serieproduksjon)

fabrikeret av Kao Lung Tamura Electronics Co., Ltd., Taiwan, er i overensstemmelse med følgende standarder eller standardiserte dokumenter:

EN60335, EN55014, EN61000,

i samsvar med Råds-direktivene, 73/23/EEC og 89/336/EEC.

## SUOMI

### VAKUUTUS EC-VASTAAVUUESTA

Kao Lung Tamura Electronics Co., Ltd. No. 4 Industry 1st Street, Ping Tung Industry District Chiao Nan Li, Ping Tung City, Taiwan valtuuttamana allekirjoittanut, Yasuhiko Kanzaki, vakuuttaa että tämä akkulatori

(Sarja nro : sarjan tuotantoa)

valmistanut Kao Lung Tamura Electronics Co., Ltd. in Taiwan vastaa seuraavia standardeja tai stardardoituja asiakirjoja

EN60335, EN55014, EN61000

neuvoston direktiivien 73/23/EEC ja 89/336/EEC mukaisesti.

## ΕΛΛΗΝΙΚΑ

### ΔΗΛΩΣΗ ΣΥΜΜΟΡΦΩΣΗΣ ΕΚ

Ο υπογράφων, Yasuhiko Kanzaki, εξουσιοδοτημένος από την εταιρεία Kao Lung Tamura Electronics Co., Ltd. No. 4 Industry 1st Street, Ping Tung Industry District Chiao Nan Li, Ping Tung City, Taiwan, δηλώνει ότι αυτό το φορτιστής μπαταρίας (Αύξων Αρ.: παραγωγή σειράς)

κατασκευασμένο από την Εταιρεία Kao Lung Tamura Electronics Co., Ltd. στην Taiwan, βρίσκεται σε συμφωνία με τα ακόλουθα πρότυπα ή τυποποιημένα έγγραφα,

EN60335, EN55014, EN61000

σύμφωνα με τις Οδηγίες του Συμβουλίου, 73/23/EEC και 89/336/EEC.

Yasuhiko Kanzaki CE 94

Director	Direktor
Direktör	Johtaja
Direktör	Διευθυντής

## MAKITA INTERNATIONAL EUROPE LTD.

Michigan Drive, Tongwell, Milton Keynes,  
Bucks MK15 8JD, ENGLAND

## ENGLISH

### Noise and Vibration

The typical A-weighted sound pressure level is 71 dB (A).

The noise level under working may exceed 85 dB (A).

– Wear ear protection. –

The typical weighted root mean square acceleration value is not more than 2,5 m/s<sup>2</sup>.

## FRANÇAISE

### Bruit et vibrations

Le niveau de pression sonore pondéré A type est de 71 dB (A).

Le niveau de bruit en fonctionnement peut dépasser 85 dB (A).

– Porter des protecteurs anti-bruit. –

L'accélération pondérée ne dépasse pas 2,5 m/s<sup>2</sup>.

## DEUTSCH

### Geräusch- und Vibrationsentwicklung

Der typische A-bewertete Schalldruckpegel beträgt 71 dB (A). Der Lärmpegel kann während des Betriebs 85 dB (A) überschreiten.

– Gehörschutz tragen. –

Der gewichtete Effektivwert der Beschleunigung beträgt nicht mehr als 2,5 m/s<sup>2</sup>.

## ITALIANO

### Rumore e vibrazione

Il livello di pressione sonora pesata secondo la curva A è di 71 dB (A).

Il livello di rumore durante il lavoro potrebbe superare gli 85 dB (A).

– Indossare i paraorecchi. –

Il valore quadratico medio di accelerazione non supera i 2,5 m/s<sup>2</sup>.

## NEDERLANDS

### Geluidsniveau en trilling

Het typische A-gewogen geluidsdrukniveau is 71 dB (A).

Tijdens het werken kan het geluidsniveau 85 dB (A) overschrijden.

– Draag oorbeschermers. –

De typische gewogen effectieve versnellingswaarde is niet meer dan 2,5 m/s<sup>2</sup>.

## ESPAÑOL

### Ruido y vibración

El nivel de presión sonora ponderada A es de 71 dB (A).

El nivel de ruido en condiciones de trabajo puede que sobrepase los 85 dB (A).

– Póngase protectores en los oídos. –

El valor ponderado de la aceleración no sobrepasa los 2,5 m/s<sup>2</sup>.

## PORTUGUÊS

### Ruído e vibração

O nível normal de pressão sonora A é 71 dB (A).

O nível de ruído durante o trabalho pode exceder 85 dB (A).

– Utilize protetores para os ouvidos –

O valor médio da aceleração é inferior a 2,5 m/s<sup>2</sup>.

## DANSK

### Lyd og vibration

Det typiske A-vægtede lydtryksniveau er 71 dB (A).

Støjniveauet under arbejde kan overstige 85 dB (A).

– Bær høreværn. –

Den vægtede effektive accelerationsværdi overstiger ikke 2,5 m/s<sup>2</sup>.

## SVENSKA

### Buller och vibration

Den typiska A-vägdga ljudtrycksnivån är 71 dB (A).

Bullernivån under pågående arbete kan överstiga 85 dB (A).

– Använd hörselskydd –

Det typiskt vägdga effektivvärdet för acceleration överstiger inte 2,5 m/s<sup>2</sup>.

## NORSK

### Støy og vibrasjon

Det vanlige A-belastede lydtryksnivå er 71 dB (A).

Under bruk kan støynivået overskride 85 dB (A).

– Benytt hørselvern. –

Den vanlig belastede effektiv-verdi for akselerasjon overskrider ikke 2,5 m/s<sup>2</sup>.

## SUOMI

### Melutaso ja värinä

Tyypillinen A-painotettu äänenpainetaso on 71 dB (A).

Melutaso työpaikalla saattaa ylittää 85 dB (A).

– Käytä kuulosuojaimia. –

Tyypillinen kiihtyvyyden painotettu tehollisarvo ei ylitä 2,5 m/s<sup>2</sup>.

## ΕΛΛΗΝΙΚΑ

### Θόρυβος και κραδασμός

Η τυπική Α-μετρούμενη ηχητική πίεση είναι 71 dB (A).

Η ένταση ήχου υπο συνθήκες εργασίας μπορεί να υπερβεί τα 85 dB (A).

– Φοράτε ωτοασπίδες. –

Η τυπική αξία της μετρούμενης ρίζας του μέσου τετραγώνου της επιτάχυνσης δεν ξεπερνά τα 2,5 m/s<sup>2</sup>.

















**Makita Corporation**

Anjo, Aichi, Japan

Made in Japan

884180C995