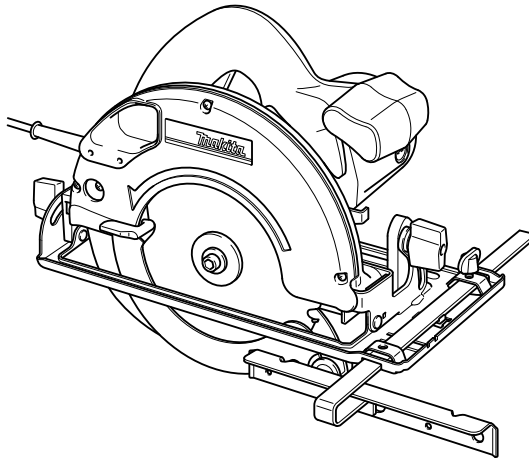
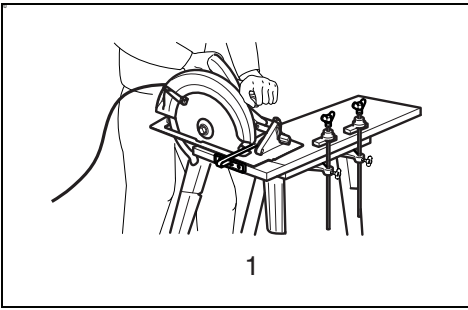




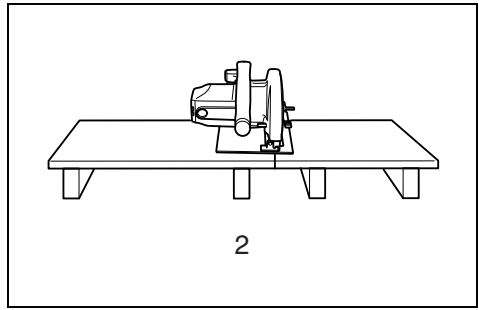
<b>GB</b>	<b>Circular Saw</b>	<b>Instruction Manual</b>
<b>F</b>	<b>Scie circulaire</b>	<b>Manuel d'instructions</b>
<b>D</b>	<b>Handkreissäge</b>	<b>Betriebsanleitung</b>
<b>I</b>	<b>Sega circolare</b>	<b>Istruzioni per l'uso</b>
<b>NL</b>	<b>Cirkelzaagmachine</b>	<b>Gebruiksaanwijzing</b>
<b>E</b>	<b>Sierra circular</b>	<b>Manual de instrucciones</b>
<b>P</b>	<b>Serra circular</b>	<b>Manual de instruções</b>
<b>DK</b>	<b>Rundsav</b>	<b>Brugsanvisning</b>
<b>GR</b>	<b>Δισκοπρίονο</b>	<b>Οδηγίες χρήσεως</b>

**5603R**  
**5703R**  
**5705R**  
**5903R**  
**5103R**  
**5143R**

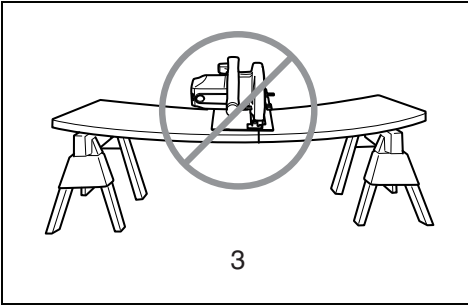




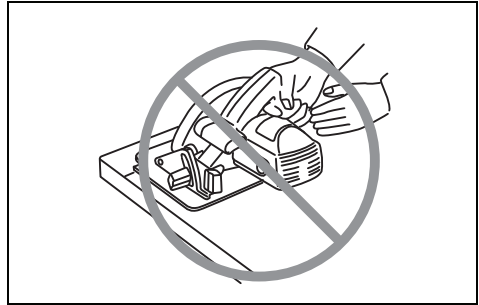
**1** 000157



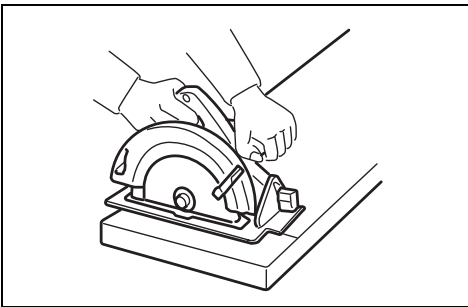
**2** 000154



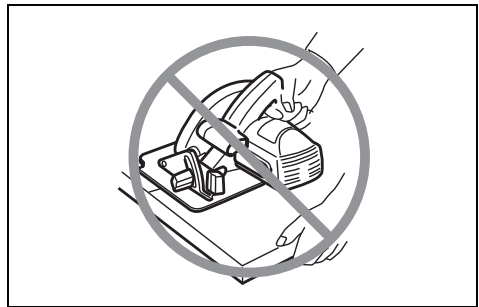
**3** 000156



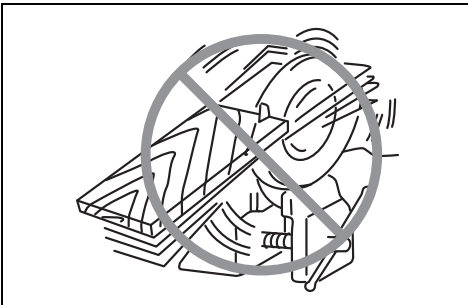
**4** 000194



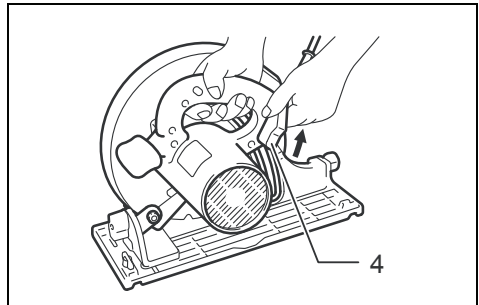
**5** 000147



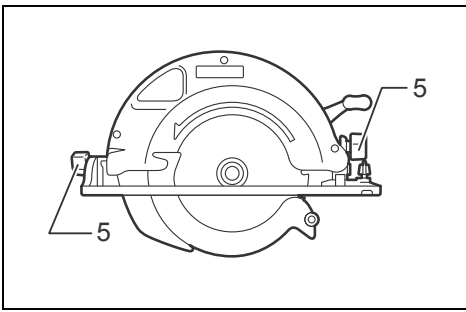
**6** 000150



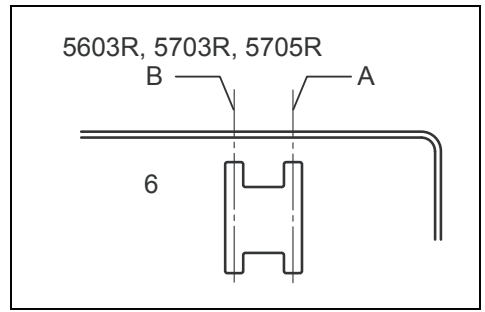
**7** 000029



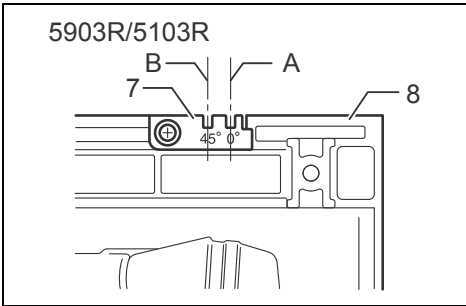
**8** 005392



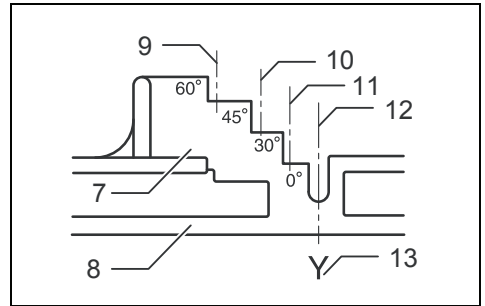
**9** 005393



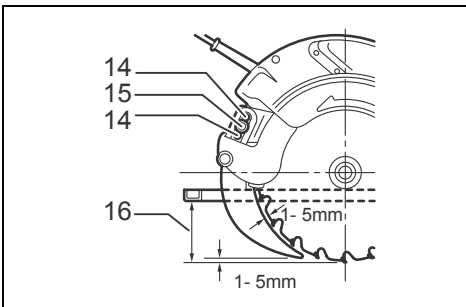
**10** 005394



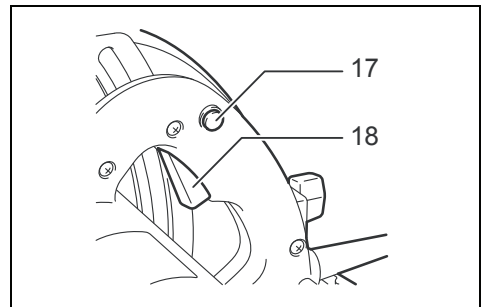
**11** 005449



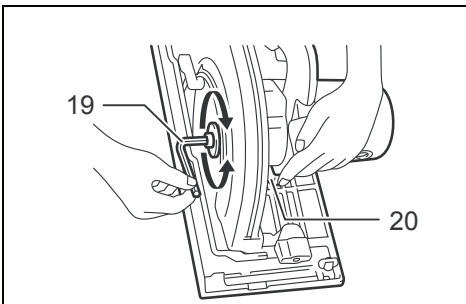
**12** 005396



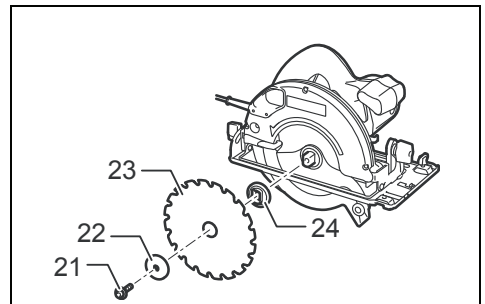
**13** 005397



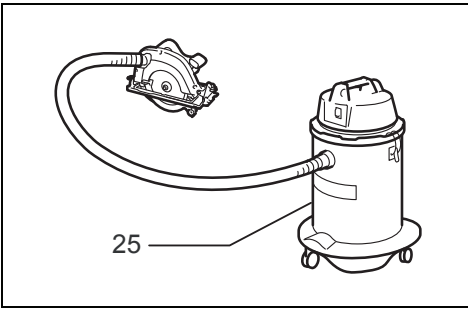
**14** 005398



**15** 005399

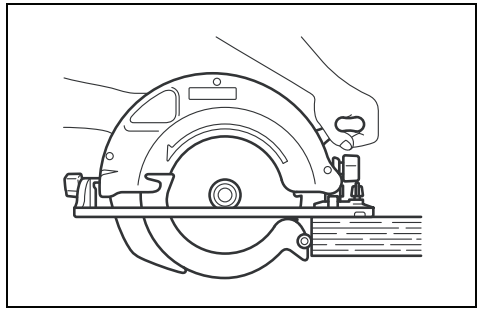


**16** 005400



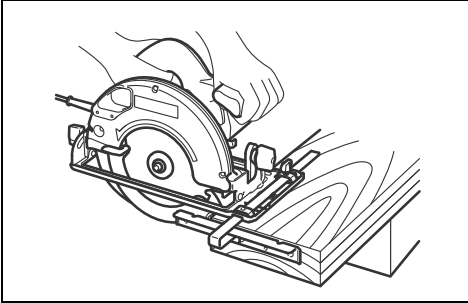
**17**

005414



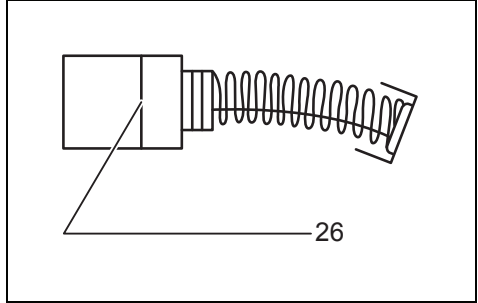
**18**

005401



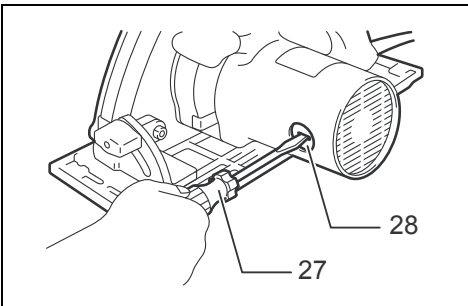
**19**

005402



**20**

001145



**21**

005403

**Explanation of general view**

- |   |  |    |   |    |                      |
|---|--|----|---|----|----------------------|
| 1 | A typical illustration of proper hand support, workpiece support, and supply cord routing (if applicable). | 8  | Base  | 19 | Hex wrench           |
| 2 | To avoid kickback, do support board or panel near the cut.   | 9  | 60° angle cuts                                    | 20 | Shaft lock           |
| 3 | Do not support board or panel away from the cut.   | 10 | 45° angle cuts                                    | 21 | Hex socket head bolt |
| 4 | Lever  | 11 | 30° angle cuts                                    | 22 | Outer flange         |
| 5 | Clamping screw   | 12 | Straight cuts                                     | 23 | Saw blade            |
| 6 | Base plate   | 13 | Blade   | 24 | Inner flange         |
| 7 | Top guide  | 14 | Setting protuberances                             | 25 | Vacuum cleaner       |
|   |  | 15 | Hex socket head bolt (For adjusting riving knife) | 26 | Limit mark           |
|   |  | 16 | Cutting depth                                     | 27 | Screwdriver          |
|   |  | 17 | Lock-off button                                   | 28 | Brush holder cap     |
|   |  | 18 | Switch trigger                                    |    |                      |

**SPECIFICATIONS**

Model	5603R	5703R	5705R	5903R	5103R	5143R	
Blade diameter	165 mm	190 mm	190 mm	235 mm	270 mm	355 mm	
Max. cutting depth	at 90°	54 mm	66 mm	66 mm	85 mm	100 mm	130 mm
	at 45°	38 mm	46 mm	46 mm	64 mm	73 mm	90 mm
No load speed (min <sup>-1</sup> )	5,000	4,800	4,800	4,500	3,800	2,700	
Overall length	330 mm	356 mm	356 mm	400 mm	442 mm	607 mm	
Net weight	4.9 kg	5.7 kg	5.7 kg	7.2 kg	9.4 kg	14.0 kg	
Safety class	 II	 II	 II	 II	 II	 II	

GEB029-5

- Due to our continuing program of research and development, the specifications herein are subject to change without notice.
- Specifications may differ from country to country.
- Weight according to EPTA-Procedure 01/2003

ENE078-2

**Intended use**

The tool is intended for performing lengthways and crossways straight cuts and miter cuts with angles in wood while in firm contact with the workpiece. With appropriate Makita genuine saw blades, other materials can also be sawed.

ENF002-2

**Power supply**

The tool should be connected only to a power supply of the same voltage as indicated on the nameplate, and can only be operated on single-phase AC supply. They are double-insulated and can, therefore, also be used from sockets without earth wire.

GEA010-1

**General Power Tool Safety Warnings**

**⚠ WARNING** Read all safety warnings and all instructions. Failure to follow the warnings and instructions may result in electric shock, fire and/or serious injury.

**Save all warnings and instructions for future reference.**

**CIRCULAR SAW SAFETY WARNINGS**

**Cutting procedures**

1. **⚠ DANGER: Keep hands away from cutting area and the blade. Keep your second hand on auxiliary handle, or motor housing.** If both hands are holding the saw, they cannot be cut by the blade.
2. **Do not reach underneath the workpiece.** The guard cannot protect you from the blade below the workpiece.
3. **Adjust the cutting depth to the thickness of the workpiece.** Less than a full tooth of the blade teeth should be visible below the workpiece.
4. **Never hold piece being cut in your hands or across your leg. Secure the workpiece to a stable platform.** It is important to support the work properly to minimize body exposure, blade binding, or loss of control. (Fig. 1)
5. **Hold the power tool by insulated gripping surfaces only, when performing an operation where the cutting tool may contact hidden wiring or its own cord.** Contact with a “live” wire will also make exposed metal parts of the power tool “live” and could give the operator an electric shock.
6. **When ripping, always use a rip fence or straight edge guide.** This improves the accuracy of cut and reduces the chance of blade binding.
7. **Always use blades with correct size and shape (diamond versus round) of arbor holes.** Blades that do not match the mounting hardware of the saw will run eccentrically, causing loss of control.

8. **Never use damaged or incorrect blade washers or bolt.** The blade washers and bolt were specially designed for your saw, for optimum performance and safety of operation.

#### **Kickback causes and related warnings**

- kickback is a sudden reaction to a pinched, bound or misaligned saw blade, causing an uncontrolled saw to lift up and out of the workpiece toward the operator;
- when the blade is pinched or bound tightly by the kerf closing down, the blade stalls and the motor reaction drives the unit rapidly back toward the operator;
- if the blade becomes twisted or misaligned in the cut, the teeth at the back edge of the blade can dig into the top surface of the wood causing the blade to climb out of the kerf and jump back toward the operator.

Kickback is the result of saw misuse and/or incorrect operating procedures or conditions and can be avoided by taking proper precautions as given below.

9. **Maintain a firm grip with both hands on the saw and position your arms to resist kickback forces. Position your body to either side of the blade, but not in line with the blade.** Kickback could cause the saw to jump backwards, but kickback forces can be controlled by the operator, if proper precautions are taken.
10. **When blade is binding, or when interrupting a cut for any reason, release the trigger and hold the saw motionless in the material until the blade comes to a complete stop. Never attempt to remove the saw from the work or pull the saw backward while the blade is in motion or kickback may occur.** Investigate and take corrective actions to eliminate the cause of blade binding.
11. **When restarting a saw in the workpiece, centre the saw blade in the kerf and check that saw teeth are not engaged into the material.** If saw blade is binding, it may walk up or kickback from the workpiece as the saw is restarted.
12. **Support large panels to minimize the risk of blade pinching and kickback.** Large panels tend to sag under their own weight. Supports must be placed under the panel on both sides, near the line of cut and near the edge of the panel. (Fig. 2 & 3)
13. **Do not use dull or damaged blades.** Unsharpened or improperly set blades produce narrow kerf causing excessive friction, blade binding and kickback.
14. **Blade depth and bevel adjusting locking levers must be tight and secure before making cut.** If blade adjustment shifts while cutting, it may cause binding and kickback.
15. **Use extra caution when sawing into existing walls or other blind areas.** The protruding blade may cut objects that can cause kickback.
16. **ALWAYS hold the tool firmly with both hands. NEVER place your hand or fingers behind the saw.** If kickback occurs, the saw could easily jump backwards over your hand, leading to serious personal injury. (Fig. 4)
17. **Never force the saw. Push the saw forward at a speed so that the blade cuts without slowing.** Forcing the saw can cause uneven cuts, loss of accuracy, and possible kickback.

#### **Lower guard function**

18. **Check lower guard for proper closing before each use. Do not operate the saw if lower guard does not move freely and close instantly. Never clamp or tie the lower guard into the open position.** If saw is accidentally dropped, lower guard may be bent. Raise the lower guard with the retracting handle and make sure it moves freely and does not touch the blade or any other part, in all angles and depths of cut.
19. **Check the operation of the lower guard spring. If the guard and the spring are not operating properly, they must be serviced before use.** Lower guard may operate sluggishly due to damaged parts, gummy deposits, or a build-up of debris.
20. **Lower guard may be retracted manually only for special cuts such as “plunge cuts” and “compound cuts”. Raise lower guard by retracting handle and as soon as blade enters the material, the lower guard must be released.** For all other sawing, the lower guard should operate automatically.
21. **Always observe that the lower guard is covering the blade before placing saw down on bench or floor.** An unprotected, coasting blade will cause the saw to walk backwards, cutting whatever is in its path. Be aware of the time it takes for the blade to stop after switch is released.
22. **To check lower guard, open lower guard by hand, then release and watch guard closure. Also check to see that retracting handle does not touch tool housing.** Leaving blade exposed is VERY DANGEROUS and can lead to serious personal injury.

#### **Riving knife function**

23. **Use the appropriate saw blade for the riving knife.** For the riving knife to function, the body of the blade must be thinner than the riving knife and the cutting width of the blade must be wider than the thickness of the riving knife.
24. **Adjust the riving knife as described in this instruction manual.** Incorrect spacing, positioning and alignment can make the riving knife ineffective in preventing kickback.
25. **Always use the riving knife except when plunge cutting.** Riving knife must be replaced after plunge cutting. Riving knife causes interference during plunge cutting and can create kickback.
26. **For the riving knife to work, it must be engaged in the workpiece.** The riving knife is ineffective in preventing kickback during short cuts.
27. **Do not operate the saw if riving knife is bent.** Even a light interference can slow the closing rate of a guard.

#### **Additional safety warnings**

28. **Use extra caution when cutting damp wood, pressure treated lumber, or wood containing knots.** Maintain smooth advancement of tool without decrease in blade speed to avoid overheating the blade tips.
29. **Do not attempt to remove cut material when blade is moving. Wait until blade stops before grasping cut material.** Blades coast after turn off.

30. Avoid cutting Nails. Inspect for and remove all nails from lumber before cutting.
31. Place the wider portion of the saw base on that part of the workpiece which is solidly supported, not on the section that will fall off when the cut is made. As examples, Fig. 5 illustrates the RIGHT way to cut off the end of a board, and Fig. 6 the WRONG way. If the workpiece is short or small, clamp it down. DO NOT TRY TO HOLD SHORT PIECES BY HAND! (Fig. 5 & 6)
32. Before setting the tool down after completing a cut, be sure that the lower guard has closed and the blade has come to a complete stop.
33. Never attempt to saw with the circular saw held upside down in a vise. This is extremely dangerous and can lead to serious accidents. (Fig. 7)
34. Some material contains chemicals which may be toxic. Take caution to prevent dust inhalation and skin contact. Follow material supplier safety data.
35. Do not stop the blades by lateral pressure on the saw blade.
36. Always use blades recommended in this manual. Do not use any abrasive wheels.
37. Keep blade sharp and clean. Gum and wood pitch hardened on blades slows saw and increases potential for kickback. Keep blade clean by first removing it from tool, then cleaning it with gum and pitch remover, hot water or kerosene. Never use gasoline.
38. Wear a dust mask and hearing protection when use the tool.

## SAVE THESE INSTRUCTIONS.

### WARNING:

DO NOT let comfort or familiarity with product (gained from repeated use) replace strict adherence to safety rules for the subject product. MISUSE or failure to follow the safety rules stated in this instruction manual may cause serious personal injury.

## FUNCTIONAL DESCRIPTION

### CAUTION:

- Always be sure that the tool is switched off and unplugged before adjusting or checking function on the tool.

### Adjusting depth of cut (Fig. 8)

#### CAUTION:

- After adjusting the depth of cut, always tighten the lever securely.

Loosen the lever on the depth guide and move the base up or down. At the desired depth of cut, secure the base by tightening the lever.

For cleaner, safer cuts, set cut depth so that no more than one blade tooth projects below workpiece. Using proper cut depth helps to reduce potential for dangerous KICKBACKS which can cause personal injury.

### Bevel cutting (Fig. 9)

#### For model 5603R, 5703R, 5705R, 5903R, 5103R

Loosen the clamping screws in front and back, and tilt the tool to the desired angle for bevel cuts (0° – 45°). Secure the clamping screws tightly in front and back after making the adjustment.

#### For model 5143R

Loosen the clamping screw in front and tilt the tool to the desired angle for bevel cuts (0° – 60°). Secure the clamping screw tightly in front after making the adjustment.

### Sighting

#### For 5603R, 5703R, 5705R, 5903R, 5103R

(Fig. 10 & 11)

For straight cuts, align the A position on the front of the base with your cutting line. For 45° bevel cuts, align the B position with it.

#### For 5143R (Fig. 12)

Align your sight line with either the 0° notch for straight cutting or the 30° notch for 30° angle cuts or the 45° notch for 45° angle cuts or the 60° notch for 60° angle cuts.

### Riving knife adjustment (Fig. 13)

Use the hex wrench to loosen the hex socket head bolt for the riving knife adjustment, then raise the lower blade guard. Move the riving knife up or down over the two protruberances for settings indicated in the figure, so as to obtain the proper clearance between the riving knife and saw blade.

### CAUTION:

- Ensure that the riving knife is adjusted such that:
  - The distance between the riving knife and the toothed rim of the saw blade is not more than 5 mm. The toothed rim does not extend more than 5 mm beyond the lower edge of the riving knife.

### Switch action (Fig. 14)

#### CAUTION:

- Before plugging in the tool, always check to see that the switch trigger actuates properly and returns to the "OFF" position when released.

To prevent the switch trigger from being accidentally pulled, a lock-off button is provided. To start the tool, push in the lock-off button and pull the switch trigger. Release the switch trigger to stop.

## ASSEMBLY

### CAUTION:

- Always be sure that the tool is switched off and unplugged before carrying out any work on the tool.

### Removing or installing saw blade (Fig. 15 & 16)

The following blade can be used with this tool.

Model	Max. dia.	Min. dia.	Blade thickness	Kerf
5603R	165 mm	150 mm	1.6 mm or less	1.9 mm or more
5703R, 5705R	190 mm	170 mm	1.6 mm or less	1.9 mm or more
5903R	235 mm	210 mm	1.7 mm or less	2.1 mm or more
5103R	270 mm	260 mm	1.8 mm or less	2.2 mm or more
5143R	355 mm	350 mm	2.3 mm or less	2.7 mm or more

006481

The thickness of the riving knife is 1.8 mm for Models 5603R, 5703R and 5705R or 2.0 mm for Models for 5903R and 5103R or 2.5 mm for Model 5143R.

**CAUTION:**

- Do not use saw blades which do not comply with the characteristics specified in these instructions.
- Do not use saw blades the disc of which is thicker or the set of which is smaller than the thickness of the riving knife.

**CAUTION:**

- Be sure the blade is installed with teeth pointing up at the front of the tool.
- Use only the Makita wrench to install or remove the blade.
- Never depress the shaft lock while the saw is running.

To remove the blade, press the shaft lock fully so that the blade cannot revolve and use the hex wrench to loosen the hex bolt counterclockwise. Then remove the hex bolt, outer flange and blade.

To install the blade, follow the removal procedure in reverse. **BE SURE TO TIGHTEN THE HEX BOLT CLOCKWISE SECURELY.**

When changing blade, make sure to also clean upper and lower blade guards of accumulated sawdust. Such efforts do not, however, replace the need to check lower guard operation before each use.

**Connecting a vacuum cleaner (Fig. 17)**

When you wish to perform clean cutting operation, connect a Makita vacuum cleaner to your tool. Install the joint on the tool using the screws. Then connect a hose of the vacuum cleaner to the joint as shown in the figure.

**OPERATION**

**CAUTION:**

- Be sure to move the tool forward in a straight line gently. Forcing or twisting the tool will result in overheating the motor and dangerous kickback, possibly causing severe injury.

Hold the tool firmly. The tool is provided with both a front grip and rear handle. Use both to best grasp the tool. If both hands are holding saw, they cannot be cut by the blade. Set the base on the workpiece to be cut without the blade making any contact. Then turn the tool on and wait until the blade attains full speed. Now simply move the tool forward over the workpiece surface, keeping it flat and advancing smoothly until the sawing is completed.

To get clean cuts, keep your sawing line straight and your speed of advance uniform. If the cut fails to properly follow your intended cut line, do not attempt to turn or force the tool back to the cut line. Doing so may bind the blade and lead to dangerous kickback and possible serious injury. Release switch, wait for blade to stop and then withdraw tool. Realign tool on a new cut line, and start cut again. Attempt to avoid positioning which exposes operator to chips and wood dust being ejected from saw. Use eye protection to help avoid injury. **(Fig. 18)**

**CAUTION:**

- The riving knife should always be used except when plunging in the middle of the workpiece.

**Rip fence (Guide rule) (Fig. 19)**

The handy rip fence allows you to do extra-accurate straight cuts. Simply slide the rip fence up snugly against the side of the workpiece and secure it in position with the screw on the front of the base. It also makes repeated cuts of uniform width possible.

**MAINTENANCE**

**CAUTION:**

- Always be sure that the tool is switched off and unplugged before attempting to perform inspection or maintenance.
- Never use gasoline, benzine, thinner, alcohol or the like. Discoloration, deformation or cracks may result.

**Replacing carbon brushes (Fig. 20 & 21)**

Remove and check the carbon brushes regularly. Replace when they wear down to the limit mark. Keep the carbon brushes clean and free to slip in the holders. Both carbon brushes should be replaced at the same time. Use only identical carbon brushes.

Use a screwdriver to remove the brush holder caps. Take out the worn carbon brushes, insert the new ones and secure the brush holder caps.

To maintain product SAFETY and RELIABILITY, repairs, any other maintenance or adjustment should be performed by Makita Authorized Service Centers, always using Makita replacement parts.

**OPTIONAL ACCESSORIES**

**CAUTION:**

- These accessories or attachments are recommended for use with your Makita tool specified in this manual. The use of any other accessories or attachments might present a risk of injury to persons. Only use accessory or attachment for its stated purpose.

If you need any assistance for more details regarding these accessories, ask your local Makita Service Center.

- Saw blades
- Rip fence (Guide rule)
- Hex wrench
- Joint

**NOTE:**

- Some items in the list may be included in the tool package as standard accessories. They may differ from country to country.



**Noise**

The typical A-weighted noise level determined according to EN60745:

**Model 5603R, 5703R**

Sound pressure level ( $L_{pA}$ ): 93 dB (A)

Sound power level ( $L_{WA}$ ): 104 dB (A)

Uncertainty (K): 3 dB (A)

**Model 5705R, 5143R**

Sound pressure level ( $L_{pA}$ ): 94 dB (A)

Sound power level ( $L_{WA}$ ): 105 dB (A)

Uncertainty (K): 3 dB (A)

**Model 5903R**

Sound pressure level ( $L_{pA}$ ): 95 dB (A)

Sound power level ( $L_{WA}$ ): 106 dB (A)

Uncertainty (K): 3 dB (A)

**Model 5103R**

Sound pressure level ( $L_{pA}$ ): 97 dB (A)

Sound power level ( $L_{WA}$ ): 108 dB (A)

Uncertainty (K): 3 dB (A)

**Wear ear protection**

ENG900-1

**Vibration**

The vibration total value (tri-axial vector sum) determined according to EN60745:

**Model 5603R**

Work mode: cutting wood

Vibration emission ( $a_{h,W}$ ): 2.5 m/s<sup>2</sup> or less

Uncertainty (K): 1.5 m/s<sup>2</sup>

**Model 5103R, 5143R**

Work mode: cutting wood

Vibration emission ( $a_{h,W}$ ): 2.5 m/s<sup>2</sup> or less

Uncertainty (K): 1.5 m/s<sup>2</sup>

Work mode: cutting metal

Vibration emission ( $a_{h,M}$ ): 2.5 m/s<sup>2</sup> or less

Uncertainty (K): 1.5 m/s<sup>2</sup>

**Model 5703R**

Work mode: cutting wood

Vibration emission ( $a_{h,W}$ ): 3.5 m/s<sup>2</sup>

Uncertainty (K): 1.5 m/s<sup>2</sup>

**Model 5903R**

Work mode: cutting wood

Vibration emission ( $a_{h,W}$ ): 3.0 m/s<sup>2</sup>

Uncertainty (K): 1.5 m/s<sup>2</sup>

Work mode: cutting metal

Vibration emission ( $a_{h,M}$ ): 4.0 m/s<sup>2</sup>

Uncertainty (K): 1.5 m/s<sup>2</sup>

**Model 5705R**

Work mode: cutting wood

Vibration emission ( $a_{h,W}$ ): 2.5 m/s<sup>2</sup>

Uncertainty (K): 1.5 m/s<sup>2</sup>

- The declared vibration emission value has been measured in accordance with the standard test method and may be used for comparing one tool with another.
- The declared vibration emission value may also be used in a preliminary assessment of exposure.

**WARNING:**

- The vibration emission during actual use of the power tool can differ from the declared emission value depending on the ways in which the tool is used.
- Be sure to identify safety measures to protect the operator that are based on an estimation of exposure in the actual conditions of use (taking account of all parts of the operating cycle such as the times when the tool is switched off and when it is running idle in addition to the trigger time).

ENH101-16

**For European countries only****EC Declaration of Conformity**

**We Makita Corporation as the responsible manufacturer declare that the following Makita machine(s):**

Designation of Machine: Circular Saw

Model No./ Type:

5603R, 5703R, 5705R, 5903R, 5103R, 5143R

are of series production and

**Conforms to the following European Directives:**

2006/42/EC

And are manufactured in accordance with the following standards or standardised documents:

EN60745

The technical documentation is kept by:

Makita International Europe Ltd.

Technical Department,

Michigan Drive, Tongwell,

Milton Keynes, Bucks MK15 8JD, England

30.1.2009



Tomoyasu Kato

Director

Makita Corporation



3-11-8, Sumiyoshi-cho,

Anjo, Aichi, 446-8502, JAPAN

**Descriptif**

- |   |  |    |  |    |                          |
|---|--|----|--|----|--------------------------|
| 1 | Illustration typique de la bonne façon de tenir l'outil, de soutenir la pièce et de placer le cordon d'alimentation (si applicable). | 6  | Plaque de base   | 18 | Gâchette                 |
| 2 | Pour éviter les chocs en retour, soutenez planches ou panneaux près de la ligne de coupe.  | 7  | Guidage supérieur  | 19 | Clé hexagonale           |
| 3 | Ne soutenez pas planches ou panneaux trop loin de la ligne de coupe.   | 8  | Base   | 20 | Blocage de l'arbre       |
| 4 | Levier   | 9  | Coupes à angle de 60°  | 21 | Boulon à tête hexagonale |
| 5 | Vis de serrage   | 10 | Coupes à angle de 45°  | 22 | Flasque extérieure       |
|   |  | 11 | Coupes à angle de 30°  | 23 | Lame de scie             |
|   |  | 12 | Coupes droites   | 24 | Flasque intérieure       |
|   |  | 13 | Lame   | 25 | Aspirateur               |
|   |  | 14 | Saillies de réglage  | 26 | Trait de limite d'usure  |
|   |  | 15 | Boulon à tête hexagonale (pour le réglage du couteau diviseur) | 27 | Tournevis                |
|   |  | 16 | Profondeur de coupe  | 28 | Bouchon du porte-charbon |
|   |  | 17 | Bouton de sécurité   |    |                          |

**SPÉCIFICATIONS**

Modèle	5603R	5703R	5705R	5903R	5103R	5143R	
Diamètre de lame	165 mm	190 mm	190 mm	235 mm	270 mm	355 mm	
Profondeur maximum de coupe	a 90°	54 mm	66 mm	66 mm	85 mm	100 mm	130 mm
	a 45°	38 mm	46 mm	46 mm	64 mm	73 mm	90 mm
Vitesse à vide (min <sup>-1</sup> )	5 000	4 800	4 800	4 500	3 800	2 700	
Longueur totale	330 mm	356 mm	356 mm	400 mm	442 mm	607 mm	
Poids net	4,9 kg	5,7 kg	5,7 kg	7,2 kg	9,4 kg	14,0 kg	
Catégorie de sécurité	 /II	 /II	 /II	 /II	 /II	 /II	

• Étant donné l'évolution constante de notre programme de recherche et de développement, les spécifications contenues dans ce manuel sont sujettes à modification sans préavis.

- Les spécifications peuvent varier suivant les pays.
- Poids selon la procédure EPTA 01/2003

ENF078-2

**Utilisations**

L'outil est conçu pour effectuer des coupes rectilignes en longueur ou en biais, ainsi que pour des coupes d'onglet avec angle dans le bois tout en restant fermement en contact avec la pièce à travailler. Avec d'authentiques lames de scie Makita appropriées, il est aussi possible de scier d'autres matériaux.

ENF002-2

**Alimentation**

L'outil ne devra être raccordé qu'à une alimentation de la même tension que celle qui figure sur la plaque signalétique, et il ne pourra fonctionner que sur un courant secteur monophasé. Réalisé avec une double isolation, il peut de ce fait être branché sur une prise sans mise à la terre.

GEA010-1

**Consignes de sécurité générales pour outils électriques**

**⚠ MISE EN GARDE** Veuillez lire toutes les mises en garde et toutes les instructions. Il y a risque de choc électrique, d'incendie et/ou de blessure grave si les mises en garde et les instructions ne sont pas respectées.

**Conservez toutes les mises en garde et instructions pour référence ultérieure.**

GEB029-5

**CONSIGNES DE SÉCURITÉ POUR SCIE CIRCULAIRE**

**Procédures de coupe**

1. **⚠ DANGER : Gardez vos mains à l'écart de la zone de coupe et de la lame. Laissez votre deuxième main sur la poignée auxiliaire ou le carter du moteur.** Vous ne risquez pas de vous couper les mains si vous les utilisez toutes les deux pour tenir la scie.
2. **Ne placez aucune partie de votre corps sous la pièce à travailler.** Le protecteur ne peut pas vous protéger contre la lame sous la pièce à travailler.
3. **Réglez la profondeur de coupe suivant l'épaisseur de la pièce à travailler.** La partie de la lame visible sous la pièce à travailler doit être moindre qu'une dent de lame complète.
4. **Ne tenez jamais la pièce avec les mains ou contre la jambe. Immobilisez la pièce contre une surface stable.** Il est important que la pièce soit soutenue correctement pour minimiser l'exposition du corps, les pincements de lame et les pertes de maîtrise. (Fig. 1)
5. **Saisissez l'outil électrique uniquement par ses surfaces de poigne isolées lorsque vous effectuez des travaux au cours desquels l'outil tranchant peut entrer en contact avec des fils cachés ou avec le cordon d'alimentation de l'outil.** Le contact avec un fil "sous tension" mettra également "sous tension" les parties métalliques exposées de l'outil électrique, pouvant ainsi causer un choc électrique chez l'utilisateur.

6. **Lors du sciage en long utilisez toujours un garde parallèle ou un guide de coupe rectiligne.** La coupe sera plus précise et cela réduira les risques de pincement de la lame.
7. **Utilisez toujours des lames dont l'orifice central est de taille et de forme (diamantée ou circulaire) appropriée.** Si la lame utilisée n'est pas conçue pour la scie, elle tournera de manière excentrique et vous perdrez la maîtrise de l'outil.
8. **N'utilisez jamais de rondelles ou boulons endommagés ou inadéquats.** Les rondelles et le boulon de la lame ont été conçus exclusivement pour votre scie, afin d'assurer une performance optimale et une utilisation sûre.

#### **Causes des chocs en retour et avertissements concernant ces derniers**

- le choc en retour est une réaction soudaine de l'outil lorsque la lame est coincée, pincée ou désalignée, et la scie, hors de contrôle, se soulève alors et quitte la pièce en se dirigeant vers l'utilisateur ;
- lorsque la lame se coince ou est pincée par le trait de scie qui se referme sur elle, la lame se bloque et la réaction du moteur entraîne la projection de l'outil à grande vitesse vers l'utilisateur ;
- si la lame se tord ou se désaligne par rapport à la ligne de coupe, les dents arrière risquent de s'enfoncer dans la surface du bois et la lame de quitter le trait de scie en reculant brusquement vers l'utilisateur.

Le choc en retour est le résultat d'une utilisation inadéquate de la scie et/ou de procédures ou conditions d'utilisation incorrectes ; on peut l'éviter en prenant des précautions adéquates, indiquées ci-dessous.

9. **Maintenez une poigne ferme à deux mains sur la scie, et placez vos bras de sorte qu'ils puissent résister à la force du choc en retour. Placez-vous d'un côté ou de l'autre de la lame, jamais dans sa ligne de coupe.** Le choc en retour peut faire bondir la scie vers l'arrière, mais l'utilisateur pourra alors maîtriser la force du choc en retour s'il prend les précautions nécessaires.
10. **Si la lame se pince ou si vous interrompez la coupe pour une raison quelconque, libérez la gâchette et maintenez la scie immobile dans le matériau jusqu'à l'arrêt complet de la lame. N'essayez jamais de retirer la scie de la pièce ou de la faire reculer alors que la lame tourne encore, autrement il y a risque de choc en retour.** Identifiez la cause du pincement de la lame et prenez les mesures correctives pour éliminer ladite cause.
11. **Avant de redémarrer la scie dans la pièce, centrez la lame dans le trait de scie et assurez-vous que les dents ne pénètrent pas dans le matériau.** Si la lame se pince au moment du redémarrage de l'outil, elle risque de remonter jusqu'à l'utilisateur ou de causer un choc en retour.
12. **Placez un dispositif de soutien sous les grands panneaux pour réduire les risques de pincement et de choc en retour.** Les panneaux de grande dimension ont tendance à s'affaisser sous leur propre poids. Des dispositifs de soutien doivent être installés sous le panneau, de chaque côté, près de la ligne de coupe et près des bords du panneau. (Fig. 2 et 3)
13. **N'utilisez pas des lames émoussées ou endommagées.** Les lames mal affûtées ou mal posées produisent un trait de scie étroit, entraînant une friction excessive, le pincement de la lame et un choc en retour.
14. **Les leviers de verrouillage de la profondeur de coupe et du réglage de coupe en biseau doivent être serrés de manière ferme et sûre avant de procéder à la coupe.** Il y a risque de pincement et de choc en retour si les réglages de la lame changent pendant la coupe.
15. **Soyez tout particulièrement prudent lorsque vous sciez dans un mur ou autre surface derrière laquelle peuvent se trouver des objets non visibles.** La lame peut causer un choc en retour en entrant en contact avec ces objets.
16. **Tenez TOUJOURS l'outil fermement à deux mains. Ne posez JAMAIS une main ou des doigts derrière la lame.** En cas de choc en retour, l'outil pourrait facilement bondir vers l'arrière et passer sur votre main, vous infligeant une blessure grave. (Fig. 4)
17. **Ne forcez jamais la scie. Faites avancer la scie à une vitesse permettant à la lame de tourner sans perte de vitesse.** Le fait de forcer la scie peut résulter en des coupes inégales, une perte de précision et un choc en retour.

#### **Fonctionnement du carter de protection inférieur**

18. **Avant chaque utilisation, assurez-vous que le carter de protection inférieur ferme bien. N'utilisez pas la scie si le carter de protection inférieur ne se déplace pas librement et ne se referme pas immédiatement. Évitez d'immobiliser ou fixer le carter de protection inférieur en position ouverte.** Le carter de protection inférieur risque de plier si vous échappez la scie par accident. Soulevez le carter de protection inférieur à l'aide de la poignée rétractable et assurez-vous qu'il se déplace librement sans entrer en contact avec la lame ou toute autre partie de la scie, et ce quel que soit l'angle ou la profondeur de coupe.
19. **Vérifiez le fonctionnement du ressort du carter de protection inférieur. Le carter de protection et le ressort doivent être réparés avant l'utilisation s'ils ne fonctionnent pas correctement.** Le fonctionnement du carter de protection inférieur peut être ralenti par des pièces endommagées, des dépôts gluants ou l'accumulation de débris.
20. **Il est possible de rétracter manuellement le carter de protection inférieur pour les coupes spéciales telles que les "coupes en plongée" et les "coupes combinées".** Soulevez le carter de protection inférieur à l'aide de la poignée rétractable et libérez-le dès que la lame entre en contact avec le matériau. Pour tout autre type de coupe, il faut laisser le carter de protection inférieur fonctionner automatiquement.
21. **Assurez-vous toujours que le carter de protection inférieur recouvre la lame avant de poser la scie sur l'établi ou le plancher.** La scie risque de se déplacer vers l'arrière en coupant tout ce qui se trouve sur sa trajectoire si la lame n'est pas recouverte du protecteur et tourne encore. N'oubliez pas qu'il faut un certain temps avant que la lame ne s'arrête une fois la gâchette libérée.

22. Pour vérifier que le carter de protection inférieur se referme bien, ouvrez-le manuellement et relâchez-le. Assurez-vous également que la poignée rétractable ne touche pas le carter de l'outil. Une lame exposée est TRÈS DANGEREUSE et peut causer de graves blessures.

#### Fonctionnement du couteau diviseur

23. Utilisez une lame de scie qui convient au couteau diviseur utilisé. Pour que le couteau diviseur fonctionne, il faut que le corps de la lame soit plus mince que le couteau diviseur, et que la largeur de coupe de la lame soit supérieure à l'épaisseur du couteau diviseur.
24. Réglez le couteau diviseur de la façon décrite dans ce manuel d'instructions. Un espacement, positionnement ou alignement incorrect peut empêcher le couteau diviseur d'éviter les chocs en retour.
25. Utilisez toujours le couteau diviseur, sauf lors des coupes en plongée. Vous devez remettre le couteau diviseur en place après une coupe en plongée. Le couteau diviseur nuit au travail de coupe en plongée et peut provoquer un choc en retour.
26. Pour fonctionner, le couteau diviseur doit être engagé dans la pièce. Le couteau diviseur ne peut pas prévenir les chocs en retour lors des coupes courtes.
27. N'utilisez pas la scie si le couteau diviseur est plié. Même un léger obstacle peut ralentir la vitesse de fermeture du carter.

#### Consignes de sécurité supplémentaires

28. Soyez encore plus prudent pour couper du bois mouillé, du bois traité sous pression ou du bois qui contient des nœuds. Pour éviter que le tranchant de la lame ne surchauffe, faites avancer l'outil à une vitesse régulière sans ralentissement de la vitesse de rotation de la lame.
29. N'essayez pas de retirer le matériau coupé pendant que la lame tourne. Attendez l'arrêt total de la lame avant de saisir le bout de matériau coupé. La lame continue de tourner même une fois le contact coupé.
30. Prenez garde aux clous pendant la coupe. Avant de couper dans le bois de construction, inspectez-le et retirez-en tous les clous.
31. Placez la partie la plus grande du socle de la scie sur la partie de la pièce qui est solidement soutenue, non sur celle qui tombera une fois la coupe terminée. À titre d'exemples, la Fig. 5 illustre la BONNE façon de couper l'extrémité d'une planche, tandis que la Fig. 6 illustre la MAUVAISE façon. Si la pièce est courte ou petite, placez-la dans un dispositif de serrage. N'ESSAYEZ PAS DE TENIR LES COURTES PIÈCES UNIQUEMENT AVEC LA MAIN ! (Fig. 5 et 6)
32. Avant de déposer l'outil une fois la coupe terminée, assurez-vous que le carter de protection inférieur est fermé et que la lame est parfaitement immobile.
33. N'essayez jamais de scier en plaçant la scie circulaire à l'envers dans un étai. Cela est très dangereux et peut entraîner un accident grave. (Fig. 7)

34. Certains matériaux contiennent des substances chimiques qui peuvent être toxiques. Prenez les précautions nécessaires pour ne pas inhaler les poussières qu'ils dégagent et pour éviter tout contact avec la peau. Conformez-vous aux consignes de sécurité du fabricant du matériau.
35. N'appliquez jamais de pression latérale sur la lame pour l'arrêter.
36. Utilisez toujours les lames recommandées dans ce manuel. N'utilisez pas de disques abrasifs.
37. Maintenez la lame bien affûtée et propre. Les dépôts de colle et les copeaux de bois qui durcissent contre la lame ralentissent la scie et entraînent une augmentation des risques de choc en retour. Pour nettoyer la lame, retirez-la d'abord de l'outil, puis nettoyez-la avec un décapant, de l'eau chaude ou du kérosène. N'utilisez jamais d'essence.
38. Portez un masque antipoussières et des protections d'oreilles lorsque vous utilisez l'outil.

#### CONSERVEZ CES INSTRUCTIONS.

##### AVERTISSEMENT :

NE vous laissez PAS tromper (au fil d'une utilisation répétée) par un sentiment d'aisance et de familiarité avec le produit, en négligeant le respect rigoureux des consignes de sécurité qui accompagnent le produit en question. La MAUVAISE UTILISATION de l'outil ou l'ignorance des consignes de sécurité indiquées dans ce manuel d'instructions peut entraîner une blessure grave.

#### DESCRIPTION DU FONCTIONNEMENT

##### ATTENTION :

- Assurez-vous toujours que l'outil est hors tension et débranché avant de l'ajuster ou de vérifier son fonctionnement.

##### Réglage de la profondeur de coupe (Fig. 8)

##### ATTENTION :

- Après avoir ajusté la profondeur de coupe, serrez toujours fermement le levier.

Desserrez le levier situé sur le guidage de profondeur et déplacez la base vers le haut ou vers le bas. À la profondeur de coupe désirée, fixez la base en serrant le levier. Pour obtenir des coupes plus propres et plus sûres, réglez la profondeur de coupe de sorte que pas plus d'une dent de lame ne dépasse sous la pièce. L'utilisation d'une profondeur de coupe adéquate aide à réduire les risques de dangereux CHOCS EN RETOUR et de blessure.

##### Coupe en biseau (Fig. 9)

##### Pour le modèle 5603R, 5703R, 5705R, 5903R, 5103R

Desserrez les vis de serrage à l'avant et à l'arrière, et inclinez l'outil sur l'angle désiré pour les coupes en biseau (0° à 45°). Fixez fermement les vis de serrage à l'avant et à l'arrière après avoir effectué le réglage.

##### Pour le modèle 5143R

Desserrez la vis de serrage à l'avant, et inclinez l'outil sur l'angle désiré pour les coupes en biseau (0° à 60°). Fixez fermement la vis de serrage à l'avant après avoir effectué le réglage.

## Visée

### Pour 5603R, 5703R, 5705R, 5903R, 5103R (Fig. 10 et 11)

Pour les coupes rectilignes, alignez sur la ligne de coupe la position A à l'avant de la base. Pour les coupes en biseau de 45°, alignez la position B sur la ligne de coupe.

### Pour 5143R (Fig. 12)

Alignez votre ligne de visée sur l'encoche de 0° pour les coupes droites, ou bien sur l'encoche de 30° pour les coupes à angle de 30°, l'encoche de 45° pour les coupes à angle de 45° ou l'encoche de 60° pour les coupes à angle de 60°.

## Réglage du couteau diviseur (Fig. 13)

Pour régler le couteau diviseur, desserrez le boulon à tête hexagonale à l'aide de la clé hexagonale, puis relevez le protecteur de lame inférieur. Déplacez le couteau diviseur vers le haut ou vers le bas sur les deux saillies pour obtenir les réglages indiqués dans la figure, de façon à obtenir l'écart approprié entre le couteau diviseur et la lame de scie.

### ATTENTION :

- Assurez-vous que le couteau diviseur est réglé de façon que : La distance entre le couteau diviseur et le rebord denté de la lame ne dépasse pas 5 mm. Le rebord denté de la lame ne dépasse pas de plus de 5 mm du bord inférieur du couteau diviseur.

## Interrupteur (Fig. 14)

### ATTENTION :

- Avant de brancher l'outil, assurez-vous toujours que la gâchette fonctionne correctement et revient en position d'arrêt une fois relâchée.

Un bouton de sécurité est fourni pour prévenir l'activation accidentelle de la gâchette. Pour faire démarrer l'outil, enfoncez le bouton de sécurité et appuyez sur la gâchette. Pour arrêter l'outil, relâchez la gâchette.

## ASSEMBLAGE

### ATTENTION :

- Avant d'effectuer toute intervention sur l'outil, assurez-vous toujours qu'il est hors tension et débranché.

## Pose et dépose de la lame (Fig. 15 et 16)

Avec cet outil, vous pouvez utiliser les lames suivantes :

Modèle	Dia. max.	Dia. min.	Épaisseur de lame	Entaille
5603R	165 mm	150 mm	1,6 mm ou moins	1,9 mm ou plus
5703R, 5705R	190 mm	170 mm	1,6 mm ou moins	1,9 mm ou plus
5903R	235 mm	210 mm	1,7 mm ou moins	2,1 mm ou plus
5103R	270 mm	260 mm	1,8 mm ou moins	2,2 mm ou plus
5143R	355 mm	350 mm	2,3 mm ou moins	2,7 mm ou plus

006481

L'épaisseur du couteau diviseur est de 1,8 mm pour les modèles 5603R, 5703R et 5705R, de 2,0 mm pour les modèles 5903R et 5103R ou de 2,5 mm pour le modèle 5143R.

## ATTENTION :

- Ne vous servez pas de lames dont les caractéristiques ne correspondent pas à celles spécifiées sur cette notice.
- Ne vous servez pas de lames dont le disque est plus épais ou dont le jeu est plus petit que l'épaisseur du couteau diviseur.

## ATTENTION :

- Assurez-vous que la lame est installée avec les dents orientées vers le haut à l'avant de l'outil.
- Utilisez exclusivement la clé Makita pour poser ou retirer la lame.
- N'appuyez jamais sur le blocage de l'arbre pendant que la scie tourne.

Pour retirer la lame, appuyez sur le blocage de l'arbre complètement de sorte que la lame ne puisse pas tourner et utilisez la clé pour desserrer le boulon hexagonal en le tournant dans le sens contraire des aiguilles d'une montre. Retirez ensuite le boulon hexagonal, le flasque extérieur et la lame.

Pour installer la lame, suivez la procédure de retrait en sens inverse. ASSUREZ-VOUS D'AVOIR FERMEMENT SERRÉ LE BOULON HEXAGONAL, DANS LE SENS DES AIGUILLES D'UNE MONTRE.

Lorsque vous changez la lame, n'oubliez pas d'enlever aussi la sciure de bois accumulée sur les protecteurs de lame supérieur et inférieur. Même après ce nettoyage, vous devez quand même vérifier le bon fonctionnement du protecteur de lame inférieur avant chaque utilisation.

## Raccorder un aspirateur (Fig. 17)

Pour effectuer un sciage propre, raccordez un aspirateur Makita à l'outil. Installez le raccord sur l'outil à l'aide des vis. Puis, raccordez le tuyau de l'aspirateur au raccord, tel qu'illustré.

## OPÉRATION

### ATTENTION :

- Assurez-vous de déplacer l'outil doucement vers l'avant, en ligne droite. Le fait de forcer ou de tordre l'outil entraînera une surchauffe du moteur et un dangereux choc en retour, risquant de provoquer une blessure grave.

Tenez l'outil fermement. L'outil est équipé d'une poignée avant et d'une poignée arrière. Utilisez les deux poignées pour mieux tenir l'outil. De plus, lorsque la scie est saisie à deux mains, celles-ci ne risquent pas d'être coupées par la lame. Placez la base de l'outil sur la pièce à couper de sorte que la lame n'entre pas en contact avec quoi que ce soit. Mettez ensuite l'outil sous tension et attendez que la lame atteigne sa pleine vitesse. Déplacez ensuite simplement l'outil vers l'avant sur la surface de la pièce, en le maintenant à plat et en le faisant avancer doucement jusqu'à ce que la coupe soit terminée.

Pour obtenir des coupes propres, maintenez la ligne de coupe bien droite et la vitesse de progression constante. Si la lame dévie de la ligne de coupe prévue, ne tentez pas de modifier la course de l'outil pour le forcer à revenir sur la ligne de coupe. Vous risqueriez de plier la lame et de provoquer un dangereux choc en retour pouvant causer une blessure grave. Relâchez la gâchette, attendez jusqu'à l'arrêt complet de la lame, puis retirez l'outil. Réalignez l'outil sur une nouvelle ligne de coupe, puis poursuivez la coupe. Évitez toute position vous exposant aux copeaux et sciures de bois éjectés par la scie. Portez un protecteur pour la vue afin d'éviter les blessures. (Fig. 18)

#### ATTENTION :

- Le couteau diviseur devra toujours être utilisé, sauf lorsque vous attaquez une pièce par le milieu.

#### Garde parallèle (règle de guidage) (Fig. 19)

Un garde parallèle pratique vous permet d'effectuer des coupes rectilignes d'une extrême précision. Faites simplement glisser le garde parallèle le long du côté de la pièce en le maintenant en position à l'aide de la vis de serrage située à l'avant de la base. Cela permet également d'effectuer plusieurs coupes d'une largeur uniforme.

## ENTRETIEN

#### ATTENTION :

- Assurez-vous toujours que l'outil est hors tension et débranché avant d'y effectuer tout travail d'inspection ou d'entretien.
- N'utilisez jamais d'essence, de benzine, de diluant, d'alcool ou produits similaires. Il y a risque de décoloration, de déformation ou de fissuration.

#### Remplacement des charbons (Fig. 20 et 21)

Retirez et vérifiez régulièrement les charbons. Remplacez-les lorsqu'ils sont usés jusqu'au trait de limite d'usure. Maintenez les charbons propres et en état de glisser aisément dans les porte-charbon. Les deux charbons doivent être remplacés en même temps. N'utilisez que des charbons identiques.

Retirez les bouchons de porte-charbon à l'aide d'un tournevis. Enlevez les charbons usés, insérez-en de nouveaux et revissez solidement les bouchons de porte-charbon.

Pour maintenir la SÉCURITÉ et la FIABILITÉ du produit, les réparations, travaux d'entretien et autres réglages doivent être effectués dans un centre de service après-vente Makita agréé, exclusivement avec des pièces de rechange Makita.

## ACCESSOIRES EN OPTION

#### ATTENTION :

- Ces accessoires ou pièces complémentaires sont recommandés pour l'utilisation avec l'outil Makita spécifié dans ce mode d'emploi. L'utilisation de tout autre accessoire ou pièce peut comporter un risque de blessure. N'utilisez les accessoires ou pièces qu'aux fins mentionnées dans le présent mode d'emploi.

Si vous désirez obtenir plus de détails concernant ces accessoires, veuillez contacter le centre de service après-vente Makita le plus près.

- Lames
- Garde parallèle (règle de guidage)
- Clé hexagonale
- Raccord

#### NOTE :

- Il se peut que certains éléments de la liste soient compris dans l'emballage de l'outil en tant qu'accessoires standard. Ils peuvent varier d'un pays à l'autre.

ENG905-1

#### Bruit

Niveau de bruit pondéré A typique, déterminé selon EN60745 :

##### Modèle 5603R, 5703R

Niveau de pression sonore ( $L_{pA}$ ) : 93 dB (A)

Niveau de puissance sonore ( $L_{WA}$ ) : 104 dB (A)

Incertitude (K) : 3 dB (A)

##### Modèle 5705R, 5143R

Niveau de pression sonore ( $L_{pA}$ ) : 94 dB (A)

Niveau de puissance sonore ( $L_{WA}$ ) : 105 dB (A)

Incertitude (K) : 3 dB (A)

##### Modèle 5903R

Niveau de pression sonore ( $L_{pA}$ ) : 95 dB (A)

Niveau de puissance sonore ( $L_{WA}$ ) : 106 dB (A)

Incertitude (K) : 3 dB (A)

##### Modèle 5103R

Niveau de pression sonore ( $L_{pA}$ ) : 97 dB (A)

Niveau de puissance sonore ( $L_{WA}$ ) : 108 dB (A)

Incertitude (K) : 3 dB (A)

#### Porter des protecteurs anti-bruit

**Vibrations**

Valeur totale de vibrations (somme de vecteur triaxial) déterminée selon EN60745 :

**Modèle 5603R**

Mode de travail : coupe du bois

Émission de vibrations ( $a_{h,w}$ ) : 2,5 m/s<sup>2</sup> ou moins

Incertitude (K) : 1,5 m/s<sup>2</sup>

**Modèle 5103R, 5143R**

Mode de travail : coupe du bois

Émission de vibrations ( $a_{h,w}$ ) : 2,5 m/s<sup>2</sup> ou moins

Incertitude (K) : 1,5 m/s<sup>2</sup>

Mode de travail : coupe du métal

Émission de vibrations ( $a_{h,M}$ ) : 2,5 m/s<sup>2</sup> ou moins

Incertitude (K) : 1,5 m/s<sup>2</sup>

**Modèle 5703R**

Mode de travail : coupe du bois

Émission de vibrations ( $a_{h,w}$ ) : 3,5 m/s<sup>2</sup>

Incertitude (K) : 1,5 m/s<sup>2</sup>

**Modèle 5903R**

Mode de travail : coupe du bois

Émission de vibrations ( $a_{h,w}$ ) : 3,0 m/s<sup>2</sup>

Incertitude (K) : 1,5 m/s<sup>2</sup>

Mode de travail : coupe du métal

Émission de vibrations ( $a_{h,M}$ ) : 4,0 m/s<sup>2</sup>

Incertitude (K) : 1,5 m/s<sup>2</sup>

**Modèle 5705R**

Mode de travail : coupe du bois

Émission de vibrations ( $a_{h,w}$ ) : 2,5 m/s<sup>2</sup>

Incertitude (K) : 1,5 m/s<sup>2</sup>

ENG901-1

- La valeur d'émission de vibrations déclarée a été mesurée conformément à la méthode de test standard et peut être utilisée pour comparer les outils entre eux.
- La valeur d'émission de vibrations déclarée peut aussi être utilisée pour l'évaluation préliminaire de l'exposition.

**AVERTISSEMENT :**

- L'émission de vibrations lors de l'usage réel de l'outil électrique peut être différente de la valeur d'émission déclarée, suivant la façon dont l'outil est utilisé.
- Les mesures de sécurité à prendre pour protéger l'utilisateur doivent être basées sur une estimation de l'exposition dans des conditions réelles d'utilisation (en tenant compte de toutes les composantes du cycle d'utilisation, comme par exemple le moment de sa mise hors tension, lorsqu'il tourne à vide et le moment de son déclenchement).

**Pour les pays d'Europe uniquement****Déclaration de conformité CE**

**Makita Corporation, en tant que fabricant responsable,**

**déclare que la ou les machines suivantes :**

Désignation de la machine : Scie circulaire

N° de modèle / Type :

5603R, 5703R, 5705R, 5903R, 5103R, 5143R

sont produites en série et

**sont conformes aux Directives européennes suivantes :**

2006/42/CE

et qu'elles sont fabriquées conformément aux normes ou documents normalisés suivants :

EN60745

La documentation technique est conservée par :

Makita International Europe Ltd.

Service technique,

Michigan Drive, Tongwell,

Milton Keynes, Bucks MK15 8JD, Angleterre

30.1.2009



Tomoyasu Kato

Directeur

Makita Corporation



3-11-8, Sumiyoshi-cho,

Anjo, Aichi, 446-8502, JAPAN

**Übersicht**

- |   |  |    |  |    |                        |
|---|--|----|--|----|------------------------|
| 1 | Typische Abbildung der korrekten Handhaltung, Werkstück-Abstützung und Netzkabel-Zuführung (falls zutreffend). | 7  | Schnittskala   | 18 | Ein-Aus-Schalter       |
| 2 | Anordnung der Werkstückunterlagen zur Vermeidung von Rückschlag.   | 8  | Grundplatte  | 19 | Inbusschlüssel         |
| 3 | Werkstück nicht zu weit von der Schnittstelle abstützen.   | 9  | 60°-Schnitte   | 20 | Spindelarretierung     |
| 4 | Hebel  | 10 | 45°-Schnitte   | 21 | Innensechskantschraube |
| 5 | Klemmschraube  | 11 | 30°-Schnitte   | 22 | Außenflansch           |
| 6 | Grundplatte  | 12 | Für rechteckige Schnitte                               | 23 | Sägeblatt              |
|   |  | 13 | Sägeblatt  | 24 | Innenflansch           |
|   |  | 14 | Einstellvorsprünge                                     | 25 | Staubsauger            |
|   |  | 15 | Innensechskantschraube (zum Einstellen des Spaltkeils) | 26 | Verschleißgrenze       |
|   |  | 16 | Schnitttiefe   | 27 | Schraubendreher        |
|   |  | 17 | Einschaltsperrle                                       | 28 | Bürstenhalterkappe     |

**TECHNISCHE DATEN**

Modell	5603R	5703R	5705R	5903R	5103R	5143R	
Sägeblattdurchmesser	165 mm	190 mm	190 mm	235 mm	270 mm	355 mm	
Max. Schnitttiefe	bei 90°	54 mm	66 mm	66 mm	85 mm	100 mm	130 mm
	bei 45°	38 mm	46 mm	46 mm	64 mm	73 mm	90 mm
Leerlaufdrehzahl (min <sup>-1</sup> )	5 000	4 800	4 800	4 500	3 800	2 700	
Gesamtlänge	330 mm	356 mm	356 mm	400 mm	442 mm	607 mm	
Nettogewicht	4,9 kg	5,7 kg	5,7 kg	7,2 kg	9,4 kg	14,0 kg	
Sicherheitsklasse	 /II	 /II	 /II	 /II	 /II	 /II	

GEB029-5

- Wir behalten uns vor, Änderungen im Zuge der Entwicklung und des technischen Fortschritts ohne vorherige Ankündigung vorzunehmen.
- Die technischen Daten können von Land zu Land abweichen.
- Gewicht nach EPTA-Verfahren 01/2003

ENE078-2

**Vorgesehene Verwendung**

Die Maschine ist für Geradschnitte in Längs- und Quer- richtung sowie für schräge Gehrungsschnitte in Holz vor- gesehen, wobei sie in festem Kontakt mit dem Werkstück bleibt. Mit geeigneten Original-Makita-Sägeblättern kön- nen auch andere Materialien gesägt werden.

ENF002-2

**Netzanschluss**

Die Maschine sollte nur an eine Stromquelle angeschlos- sen werden, deren Spannung mit der Angabe auf dem Typenschild übereinstimmt, und kann nur mit Einphasen- Wechselstrom betrieben werden. Diese sind doppelt schutzisoliert und können daher auch an Steckdosen ohne Erdleiter verwendet werden.

GEA010-1

**Allgemeine Sicherheitswarnungen für Elektrowerkzeuge**

**⚠️ WARNUNG Lesen Sie alle Sicherheitswarnungen und Anweisungen durch.** Eine Missachtung der unten aufgeführten Warnungen und Anweisungen kann zu einem elektrischen Schlag, Brand und/oder schweren Verletzungen führen.

**Bewahren Sie alle Warnungen und Anweisungen für spätere Bezugnahme auf.**

**SICHERHEITSWARNUNGEN FÜR HANDKREISSÄGE**

**Schneidverfahren**

1. **⚠️ GEFAHR: Halten Sie Ihre Hände vom Schnittbereich und dem Sägeblatt fern. Halten Sie mit der zweiten Hand den Zusatzgriff oder das Motorgehäuse.** Wenn beide Hände die Säge halten, können sie nicht durch das Sägeblatt verletzt werden.
2. **Fassen Sie nicht unter das Werkstück.** Die Schutzhaube bietet keinen Schutz auf der Unterseite des Werkstücks.
3. **Stellen Sie die Schnitttiefe auf die Dicke des Werkstücks ein.** Das Sägeblatt darf nicht mehr als eine Zahnlänge auf der Unterseite überstehen.
4. **Halten Sie das zu schneidende Werkstück niemals in Ihren Händen oder auf den Beinen. Sichern Sie das Werkstück auf einer stabilen Plattform.** Es ist wichtig, das Werkstück sachgemäß abzustützen, um Körperaussetzung, Klemmen des Sägeblatts oder Verlust der Kontrolle auf ein Minimum zu reduzieren. **(Abb. 1)**
5. **Halten Sie das Elektrowerkzeug nur an den isolierten Griffflächen, wenn Sie Arbeiten ausführen, bei denen die Gefahr besteht, dass verborgene Kabel oder das eigene Kabel kontaktiert werden.** Bei Kontakt mit einem Strom führenden Kabel können die freiliegenden Metallteile des Elektrowerkzeugs ebenfalls Strom führend werden, so dass der Benutzer einen elektrischen Schlag erleiden kann.



6. **Verwenden Sie beim Längssägen stets einen Parallelanschlag oder ein Richtlineal.** Dadurch wird die Schnittgenauigkeit verbessert und die Gefahr von Sägeblatt-Klemmen reduziert.
7. **Verwenden Sie stets Sägeblätter, deren Spindelbohrung die korrekte Größe und Form (rautenförmig oder rund) hat.** Sägeblätter, die nicht genau auf den Montageflansch der Säge passen, rotieren exzentrisch und verursachen den Verlust der Kontrolle.
8. **Verwenden Sie niemals beschädigte oder falsche Sägeblattscheiben oder -schrauben.** Die Sägeblattscheiben und -schrauben sind speziell für Ihre Säge vorgesehen, um optimale Leistung und Betriebssicherheit zu gewährleisten.
12. **Stützen Sie große Platten ab, um die Gefahr von Klemmen und Rückschlagen des Sägeblatts auf ein Minimum zu reduzieren.** Große Platten neigen dazu, unter ihrem Eigengewicht durchzuhängen. Die Stützen müssen beidseitig und in der Nähe der Schnittlinie und in der Nähe der Plattenkante unter der Platte platziert werden. (Abb. 2 u. 3)
13. **Verwenden Sie keine stumpfen oder beschädigten Sägeblätter.** Unschärfe oder falsch angebrachte Sägeblätter erzeugen einen schmalen Sägeschlitz, der übermäßige Reibung, Sägeblatt-Klemmen und Rückschlag verursacht.
14. **Die Sägeblatttiefen- und Neigungseinstellungs-Arretierhebel müssen fest angezogen und gesichert sein, bevor der Schnitt ausgeführt wird.** Falls sich die Sägeblatteinstellung während des Sägens verstellt, kann es zu Klemmen und Rückschlag kommen.

#### **Rückschlagsursachen und damit zusammenhängende Warnungen**

- Ein Rückschlag ist eine plötzliche Reaktion auf ein eingeklemmtes, schleifendes oder falsch ausgerichtetes Sägeblatt, der ein unkontrolliertes Anheben und Herauspringen der Säge aus dem Werkstück in Richtung der Bedienungsperson verursacht.
- Wenn das Sägeblatt durch den sich schließenden Sägeschlitz eingeklemmt oder festgehalten wird, bleibt das Sägeblatt stehen, und die Motorreaktion drückt die Säge plötzlich in Richtung der Bedienungsperson zurück.
- Falls das Sägeblatt im Schnitt verdreht oder versetzt wird, können sich die Zähne an der Hinterkante des Sägeblatts in die Oberfläche des Holzstücks bohren, so dass sich das Sägeblatt aus dem Sägeschlitz heraushebt und in Richtung der Bedienungsperson zurückspringt.

Rückschlag ist das Resultat falscher Handhabung der Säge und/oder falscher Arbeitsverfahren oder Bedingungen und kann durch Anwendung der nachstehenden Vorsichtsmaßnahmen vermieden werden.

9. **Halten Sie die Säge mit beiden Händen fest, und positionieren Sie Ihre Arme so, dass sie die Rückschlagkräfte auffangen. Stellen Sie sich so, dass sich Ihr Körper seitlich vom Sägeblatt befindet, nicht auf gleicher Linie mit dem Sägeblatt.** Rückschlag kann Zurückspringen der Säge verursachen; doch wenn geeignete Vorsichtsmaßnahmen getroffen werden, können die Rückschlagkräfte von der Bedienungsperson unter Kontrolle gehalten werden.
10. **Falls das Sägeblatt klemmt oder der Schnitt aus irgendeinem Grund unterbrochen wird, lassen Sie den Ein-Aus-Schalter los, und halten Sie die Säge bewegungslos im Werkstück, bis das Sägeblatt zum völligen Stillstand kommt. Versuchen Sie niemals, die Säge bei noch rotierendem Sägeblatt vom Werkstück abzunehmen oder zurückzuziehen, weil es sonst zu einem Rückschlag kommen kann.** Nehmen Sie eine Überprüfung vor, und treffen Sie Abhilfemaßnahmen, um die Ursache von Sägeblatt-Klemmen zu beseitigen.
11. **Wenn Sie die Säge bei im Werkstück befindlichem Sägeblatt wieder einschalten, zentrieren Sie das Sägeblatt im Sägeschlitz, und vergewissern Sie sich, dass die Sägezähne nicht mit dem Werkstück im Eingriff sind.** Falls das Sägeblatt klemmt, kann es beim Wiedereinschalten der Säge aus dem Werkstück herausschnellen oder zurückspringen.
15. **Lassen Sie beim Sägen in vorhandene Wände oder andere tote Winkel besondere Vorsicht walten.** Das vorstehende Sägeblatt kann Objekte durchschneiden, die Rückschlag verursachen können.
16. **Halten Sie das Werkzeug IMMER mit beiden Händen fest. Fassen Sie mit Ihrer Hand oder Ihren Fingern NIEMALS hinter die Säge.** Falls Rückschlag auftritt, besteht die Gefahr, dass die Säge über Ihre Hand zurückspringt und schwere Verletzungen verursacht. (Abb. 4)
17. **Wenden Sie keine Gewalt auf die Säge an. Schieben Sie die Säge mit einer Geschwindigkeit vor, dass das Sägeblatt nicht abgeremst wird.** Gewaltanwendung kann ungleichmäßige Schnitte, Verlust der Genauigkeit und möglichen Rückschlag verursachen.

#### **Funktion der Schutzhaube**

18. **Überprüfen Sie die Schutzhaube vor jeder Benutzung auf einwandfreies Schließen. Betreiben Sie die Säge nicht, falls sich die Schutzhaube nicht ungehindert bewegt und sofort schließt. Die Schutzhaube darf auf keinen Fall in der geöffneten Stellung festgeklemmt oder festgebunden werden.** Wird die Säge versehentlich fallen gelassen, kann die Schutzhaube verbogen werden. Heben Sie die Schutzhaube mit dem Rückzugriff an, und vergewissern Sie sich, dass sie sich ungehindert bewegt und bei allen Winkel- und Schnitttiefe-Einstellungen nicht mit dem Sägeblatt oder irgendeinem anderen Teil in Berührung kommt.
19. **Überprüfen Sie die Funktion der Schutzhaubenfeder. Falls Schutzhaube und Feder nicht einwandfrei funktionieren, müssen die Teile vor der Benutzung gewartet werden.** Falls beschädigte Teile, klebrige Ablagerungen oder Schmutzansammlung vorhanden sind, kann die Schutzhaube schwergängig werden.
20. **Die Schutzhaube sollte nur für spezielle Schnitte, wie "Tauschnitte" und "Compound-schnitte", manuell zurückgezogen werden. Heben Sie die Schutzhaube mit dem Rückzughebel an, und sobald das Sägeblatt in das Werkstück eindringt, muss die Schutzhaube losgelassen werden.** Für alle anderen Sägearbeiten sollte die Schutzhaube automatisch betätigt werden.

21. Vergewissern Sie sich stets, dass die Schutzhaube das Sägeblatt verdeckt, bevor Sie die Säge auf der Werkbank oder dem Boden ablegen. Ein ungeschützt auslaufendes Sägeblatt bewirkt Rückwärtskriechen der Säge und schneidet alles, was sich in seinem Weg befindet. Berücksichtigen Sie die Auslaufzeit des Sägeblatts bis zum Stillstand nach dem Loslassen des Ein-Aus-Schal- ters.
22. Öffnen Sie die Schutzhaube probeweise von Hand, und achten Sie beim Loslassen darauf, dass sie sich einwandfrei schließt. Vergewissern Sie sich auch, dass der Rückzugriff nicht mit dem Werkzeuggehäuse in Berührung kommt. Die Bloßstellung des Sägeblatts ist SEHR GEFÄHR- LICH und kann zu schweren Verletzungen führen.

#### Funktion des Spaltkeils

23. Verwenden Sie ein geeignetes Sägeblatt für den Spaltkeil. Damit der Spaltkeil seine Aufgabe erfüllen kann, muss das Sägeblatt dünner als der Spaltkeil sein, und die Schnittbreite des Sägeblatts muss brei- ter als die Dicke des Spaltkeils sein.
24. Stellen Sie den Spaltkeil gemäß der Beschrei- bung in dieser Anleitung ein. Falscher Abstand sowie falsche Positionierung und Ausrichtung kön- nen die Rückschlagverhütungsfunktion des Spalt- keils unwirksam machen.
25. Der Spaltkeil ist, außer beim Tauschschneiden, immer zu verwenden. Nach dem Tauschschneiden muss der Spaltkeil wieder angebracht werden. Beim Tauschschneiden verursacht der Spaltkeil Berührung und kann Rückschläge erzeugen.
26. Damit der Spaltkeil seine Aufgabe erfüllt, muss er in das Werkstück eingreifen. Bei kurzen Schnit- ten ist die Rückschlagverhütungsfunktion des Spalt- keils unwirksam.
27. Betreiben Sie die Säge nicht mit verbogenem Spaltkeil. Selbst leichte Berührung kann die Schließgeschwindigkeit der Schutzhaube verlangsamen.

#### Zusätzliche Sicherheitswarnungen

28. Lassen Sie beim Schneiden von feuchtem Holz, druckbehandeltem Bauholz oder Astholz beson- dere Vorsicht walten. Behalten Sie einen gleichmä- ßigen Vorschub der Maschine bei, ohne dass sich die Sägeblattzahl verringert, um Überhitzen der Sägeblattzähne zu vermeiden.
29. Versuchen Sie nicht, abgeschnittenes Material bei rotierendem Sägeblatt zu entfernen. Warten Sie, bis das Sägeblatt zum Stillstand kommt, bevor Sie abgeschnittenes Material wegnehmen. Das Sägeblatt läuft nach dem Ausschalten noch nach.
30. Vermeiden Sie das Schneiden von Nägeln. Über- prüfen Sie Bauholz vor dem Schneiden auf Nägel, und entfernen Sie etwaige Nägel.
31. Setzen Sie den breiteren Teil der Grundplatte auf den fest abgestützten Teil des Werkstücks, nicht auf den Teil, der nach dem Schnitt herunterfällt. Als Beispiel stellt Abb. 5 dar, wie man das Ende eines Bretts RICHTIG abschneidet, und Abb. 6, wie man es FALSCH macht. Kurze oder kleine Werkstücke müssen eingespannt werden. VER- SUCHEN SIE NICHT, KURZE WERKSTÜCKE MIT DER HAND ZU HALTEN! (Abb. 5 u. 6)

32. Setzen Sie die Maschine nach dem Schneiden erst ab, nachdem sich die Schutzhaube geschlossen hat und das Sägeblatt völlig zum Stillstand gekommen ist.
33. Versuchen Sie niemals, die Handkreissäge zum Sägen verkehrt herum in einen Schraubstock einzuspannen. Dies ist sehr gefährlich und kann zu schweren Unfällen führen. (Abb. 7)
34. Manche Materialien können giftige Chemikalien enthalten. Treffen Sie Vorsichtsmaßnahmen, um das Einatmen von Arbeitsstaub und Hautkontakt zu verhüten. Befolgen Sie die Sicherheitsdaten des Materialherstellers.
35. Bremsen Sie die Säge nicht durch seitlichen Druck auf das Sägeblatt ab.
36. Verwenden Sie immer die in dieser Anleitung empfohlenen Sägeblätter. Verwenden Sie keine Schleifscheiben.
37. An den Sägeblättern haftendes und verhärtetes. Gummi und Harz verlangsamen die Säge und erhöh- en die Rückschlaggefahr. Halten Sie das Sägeblatt sauber, indem Sie es von der Maschine abmontie- ren, und dann mit Gummi- und Harzentferner, hei- ßem Wasser oder Petroleum reinigen. Verwenden Sie niemals Benzin.
38. Tragen Sie bei der Benutzung des Werkzeugs eine Staubmaske und einen Gehörschutz.

#### BEWAHREN SIE DIESE HINWEISE SORGFÄLTIG AUF.

##### WARNUNG:

Lassen Sie sich NICHT durch Bequemlichkeit oder Vertrautheit mit dem Produkt (durch wiederholten Gebrauch erworben) von der strikten Einhaltung der Sicherheitsregeln für das vorliegende Produkt abhal- ten. MISSBRAUCH oder Missachtung der Sicher- heitsvorschriften in dieser Anleitung können schwere Verletzungen verursachen.

#### FUNKTIONSBESCHREIBUNG

##### VORSICHT:

- Vergewissern Sie sich vor jeder Einstellung oder Funk- tionsprüfung der Maschine stets, dass sie ausgeschal- tet und vom Stromnetz getrennt ist.

##### Einstellen der Schnitttiefe (Abb. 8)

##### VORSICHT:

- Ziehen Sie den Hebel nach der Einstellung der Schnitt- tiefe stets fest an.

Den Hebel an der Tiefeneinstellung lösen und die Grund- platte nach oben oder unten verstellen. Arretieren Sie die Grundplatte an der gewünschten Schnitttiefe durch Fest- ziehen des Hebels.

Um sauberere, sicherere Schnitte auszuführen, stellen Sie die Schnitttiefe so ein, dass nicht mehr als ein Säge- blattzahn unter das Werkstück übersteht. Die Einstellung der korrekten Schnitttiefe trägt zu einer Reduzierung gefährlicher RÜCKSCHLÄGE bei, die Körperverletzun- gen verursachen können.

## Gehrungsschnitt (Abb. 9)

### Für Modell 5603R, 5703R, 5705R, 5903R, 5103R

Lösen Sie die Klemmschrauben auf der Vorder- und Rückseite, und neigen Sie die Maschine für Gehrungsschnitte auf den gewünschten Winkel ( $0^\circ - 45^\circ$ ). Ziehen Sie die Klemmschrauben auf der Vorder- und Rückseite nach der Einstellung wieder fest.

### Für Modell 5143R

Lösen Sie die Klemmschrauben auf der Vorderseite, und neigen Sie die Maschine für Gehrungsschnitte auf den gewünschten Winkel ( $0^\circ - 60^\circ$ ). Ziehen Sie die Klemmschrauben auf der Vorderseite nach der Einstellung wieder fest.

## Schnittmarkierung

### Für 5603R, 5703R, 5705R, 5903R, 5103R

#### (Abb. 10 u. 11)

Richten Sie für Geradschnitte die Position A auf der Vorderseite der Grundplatte auf die Schnittlinie aus. Richten Sie für  $45^\circ$ -Gehrungsschnitte die Position B auf die Linie aus.

### Für 5143R (Abb. 12)

Richten Sie Ihre Visierlinie entweder auf die  $0^\circ$ -Kerbe für Geradschnitte oder die  $30^\circ$ -Kerbe für  $30^\circ$ -Winkelschnitte, die  $45^\circ$ -Kerbe für  $45^\circ$ -Winkelschnitte oder die  $60^\circ$ -Kerbe für  $60^\circ$ -Winkelschnitte aus.

## Einstellung des Spaltkeils (Abb. 13)

Lösen Sie die Innensechskantschraube zur Einstellung des Spaltkeils mit dem Inbusschlüssel, und heben Sie dann die untere Schutzhaube an. Bewegen Sie den Spaltkeil über die zwei Vorsprünge nach oben oder unten, wie in der Abbildung gezeigt, um den korrekten Abstand zwischen Spaltkeil und Sägeblatt zu erzielen.

### VORSICHT:

- Vergewissern Sie sich, dass der Spaltkeil wie folgt eingestellt ist: Der Abstand des Spaltkeils zum Zahnkranz des Sägeblatts darf nicht größer als 5 mm sein. Der Zahnkranz darf nicht mehr als 5 mm über die Unterkante des Spaltkeils überstehen.

## Schalterfunktion (Abb. 14)

### VORSICHT:

- Vergewissern Sie sich vor dem Anschließen der Maschine an das Stromnetz stets, dass der Ein-Aus-Schalter ordnungsgemäß funktioniert und beim Loslassen in die AUS-Stellung zurückkehrt.

Um versehentliche Betätigung des Ein-Aus-Schalters zu verhüten, ist die Maschine mit einem Einschaltsperrknopf ausgestattet. Zum Starten der Maschine den Ein-Aus-Schalter bei gedrücktem Einschaltsperrknopf betätigen. Zum Ausschalten den Ein-Aus-Schalter loslassen.

## MONTAGE

### VORSICHT:

- Vergewissern Sie sich vor der Ausführung von Arbeiten an der Maschine stets, dass sie ausgeschaltet und vom Stromnetz getrennt ist.

## Montage und Demontage des Sägeblatts

### (Abb. 15 u. 16)

Sägeblätter der folgenden Abmessungen können mit dieser Maschine verwendet werden.

Modell	Max. Durchm.	Min. Durchm.	Sägeblatt-dicke	Schnitt-breite
5603R	165 mm	150 mm	max. 1,6 mm	min. 1,9 mm
5703R, 5705R	190 mm	170 mm	max. 1,6 mm	min. 1,9 mm
5903R	235 mm	210 mm	max. 1,7 mm	min. 2,1 mm
5103R	270 mm	260 mm	max. 1,8 mm	min. 2,2 mm
5143R	355 mm	350 mm	max. 2,3 mm	min. 2,7 mm

006481

Die Dicke des Spaltkeils beträgt 1,8 mm für Modell 5603R, 5703R und 5705R oder 2,0 mm für Modell 5903R und 5103R oder 2,5 mm für Modell 5143R.

### VORSICHT:

- Sägeblätter, die nicht den hier angegebenen Spezifikationen entsprechen, dürfen nicht verwendet werden.
- Verwenden Sie keine Sägeblätter, deren Dicke größer oder deren Schnittbreite kleiner als die Dicke des Spaltkeils ist.

### VORSICHT:

- Vergewissern Sie sich, dass das Sägeblatt so montiert ist, dass die Zähne auf der Vorderseite der Maschine nach oben zeigen.
- Verwenden Sie nur den mitgelieferten Makita-Steckschlüssel zum Montieren und Demontieren von Sägeblättern.
- Drücken Sie keinesfalls die Spindelarretierung bei laufender Säge.

Zum Demontieren des Sägeblatts die Spindelarretierung vollständig drücken, um das Sägeblatt am Drehen zu hindern, und dann die Sechskantschraube mit dem Inbusschlüssel durch Linksdrehen lösen. Dann Sechskantschraube, Außenflansch und Sägeblatt abnehmen.

Zum Montieren des Sägeblatts ist das Demontageverfahren umgekehrt anzuwenden. DIE SECHSKANTSCHRAUBE IM UHRZEIGERSINN FESTZIEHEN.

Säubern Sie bei einem Sägeblattwechsel unbedingt auch die obere und untere Schutzhaube von angesammeltem Sägemehl. Diese Arbeit erübrigt jedoch nicht die Notwendigkeit, die Funktion der unteren Schutzhaube vor jedem Gebrauch zu überprüfen.

## Anschließen eines Staubsaugers (Abb. 17)

Um saubere Schneidarbeiten durchzuführen, schließen Sie einen Makita-Staubsauger an Ihre Maschine an. Befestigen Sie den Stutzen mit den Schrauben an der Maschine. Schließen Sie dann den Schlauch eines Staubsaugers an den Stutzen an, wie in der Abbildung gezeigt.

## BETRIEB

### VORSICHT:

- Schieben Sie die Maschine in einer geraden Linie sachte vor. Zu starkes Drücken oder Verdrehen der Maschine führt zu Überhitzen des Motors und gefährlichem Rückschlag, der möglicherweise schwere Verletzungen verursachen kann.

Halten Sie die Maschine mit festem Griff. Die Maschine ist mit einem vorderen und hinteren Griff ausgestattet. Benutzen Sie beide Griffe, um die Maschine optimal zu halten. Wenn beide Hände die Säge halten, können sie nicht durch das Sägeblatt verletzt werden. Setzen Sie die Grundplatte auf das zu schneidende Werkstück auf, ohne dass das Sägeblatt mit dem Werkstück in Berührung kommt. Schalten Sie dann die Maschine ein und warten Sie, bis das Sägeblatt die volle Drehzahl erreicht hat. Schieben Sie die Maschine nun flach und gleichmäßig über die Werkstückoberfläche vorwärts, bis der Schnitt vollendet ist.

Um saubere Schnitte zu erzielen, halten Sie eine gerade Schnittlinie und eine gleichmäßige Vorschubgeschwindigkeit ein. Falls der Schnitt sich nicht genau mit Ihrer beabsichtigten Schnittlinie deckt, versuchen Sie nicht, die Maschine zu drehen oder zur Schnittlinie zurückzudrücken. Dies könnte zu Klemmen des Sägeblatts und gefährlichem Rückschlag führen, was schwere Verletzungen verursachen kann. Lassen Sie den Schalter los, und warten Sie, bis das Sägeblatt zum Stillstand kommt, bevor Sie die Maschine zurückziehen. Richten Sie die Maschine auf eine neue Schnittlinie aus, und beginnen Sie einen neuen Schnitt. Vermeiden Sie eine Positionierung, bei der Sie den von der Säge herausgeschleuderten Spänen und dem Holzstaub ausgesetzt sind. Tragen Sie eine Schutzbrille, um Augenverletzungen zu verhindern. **(Abb. 18)**

### VORSICHT:

- Der Spaltkeil muss, außer bei Tauchschnitten, immer ordnungsgemäß montiert sein.

### Parallelanschlag (Richtlineal) (Abb. 19)

Der praktische Parallelanschlag ermöglicht die Ausführung besonders genauer Geradschnitte. Schieben Sie einfach den Parallelanschlag gegen die Seite des Werkstücks, und sichern Sie ihn mit der Schraube an der Vorderseite der Grundplatte. Außerdem ermöglicht er wiederholte Schnitte von gleichförmiger Breite.

## WARTUNG

### VORSICHT:

- Denken Sie vor der Durchführung von Überprüfungen oder Wartungsarbeiten stets daran, die Maschine auszuschnallen und vom Stromnetz zu trennen.
- Verwenden Sie auf keinen Fall Benzin, Benzol, Verdünnern, Alkohol oder dergleichen. Solche Mittel können Verfärbung, Verformung oder Rissbildung verursachen.

### Kohlebürsten wechseln (Abb. 20 u. 21)

Die Kohlebürsten müssen regelmäßig entfernt und überprüft werden. Wenn sie bis zur Verschleißgrenze abgenutzt sind, müssen sie erneuert werden. Halten Sie die Kohlebürsten stets sauber, damit sie ungehindert in den Haltern gleiten können. Beide Kohlebürsten sollten gleichzeitig erneuert werden. Verwenden Sie nur identische Kohlebürsten.

Drehen Sie die Bürstenhalterkappen mit einem Schraubendreher heraus. Die abgenutzten Kohlebürsten herausnehmen, die neuen einsetzen, und dann die Bürstenhalterkappen wieder eindrehen.

Um die SICHERHEIT und ZUVERLÄSSIGKEIT dieses Produkts zu gewährleisten, sollten Reparaturen und andere Wartungs- oder Einstellarbeiten nur von Makita-Kundendienstzentren unter ausschließlicher Verwendung von Makita-Originalersatzteilen ausgeführt werden.

## SONDERZUBEHÖR

### VORSICHT:

- Die folgenden Zubehörteile oder Vorrichtungen werden für den Einsatz mit der in dieser Anleitung beschriebenen Makita-Maschine empfohlen. Die Verwendung anderer Zubehörteile oder Vorrichtungen kann eine Verletzungsgefahr darstellen. Verwenden Sie Zubehörteile oder Vorrichtungen nur für ihren vorgesehenen Zweck.

Wenn Sie weitere Einzelheiten bezüglich dieser Zubehörteile benötigen, wenden Sie sich bitte an Ihre Makita-Kundendienststelle.

- Sägeblätter
- Parallelanschlag (Richtlineal)
- Inbusschlüssel
- Stützen

### HINWEIS:

- Manche Teile in der Liste können als Standardzubehör im Werkzeugsatz enthalten sein. Sie können von Land zu Land unterschiedlich sein.

### Geräusch

ENG905-1

Typischer A-bewerteter Geräuschpegel ermittelt gemäß EN60745:

#### Modell 5603R, 5703R

Schalldruckpegel ( $L_{pA}$ ): 93 dB (A)  
Schalleistungspegel ( $L_{WA}$ ): 104 dB (A)  
Ungewissheit (K): 3 dB (A)

#### Modell 5705R, 5143R

Schalldruckpegel ( $L_{pA}$ ): 94 dB (A)  
Schalleistungspegel ( $L_{WA}$ ): 105 dB (A)  
Ungewissheit (K): 3 dB (A)

#### Modell 5903R

Schalldruckpegel ( $L_{pA}$ ): 95 dB (A)  
Schalleistungspegel ( $L_{WA}$ ): 106 dB (A)  
Ungewissheit (K): 3 dB (A)

#### Modell 5103R

Schalldruckpegel ( $L_{pA}$ ): 97 dB (A)  
Schalleistungspegel ( $L_{WA}$ ): 108 dB (A)  
Ungewissheit (K): 3 dB (A)

### Gehörschutz tragen

**Vibration**

Vibrationsgesamtwert (Drei-Achsen-Vektorsumme)  
ermittelt gemäß EN60745:

**Modell 5603R**

Arbeitsmodus: Schneiden von Holz  
Vibrationsemission ( $a_{h,w}$ ): 2,5 m/s<sup>2</sup> oder weniger  
Ungewissheit (K): 1,5 m/s<sup>2</sup>

**Modell 5103R, 5143R**

Arbeitsmodus: Schneiden von Holz  
Vibrationsemission ( $a_{h,w}$ ): 2,5 m/s<sup>2</sup> oder weniger  
Ungewissheit (K): 1,5 m/s<sup>2</sup>

Arbeitsmodus: Schneiden von Metall  
Vibrationsemission ( $a_{h,m}$ ): 2,5 m/s<sup>2</sup> oder weniger  
Ungewissheit (K): 1,5 m/s<sup>2</sup>

**Modell 5703R**

Arbeitsmodus: Schneiden von Holz  
Vibrationsemission ( $a_{h,w}$ ): 3,5 m/s<sup>2</sup>  
Ungewissheit (K): 1,5 m/s<sup>2</sup>

**Modell 5903R**

Arbeitsmodus: Schneiden von Holz  
Vibrationsemission ( $a_{h,w}$ ): 3,0 m/s<sup>2</sup>  
Ungewissheit (K): 1,5 m/s<sup>2</sup>

Arbeitsmodus: Schneiden von Metall  
Vibrationsemission ( $a_{h,m}$ ): 4,0 m/s<sup>2</sup>  
Ungewissheit (K): 1,5 m/s<sup>2</sup>

**Modell 5705R**

Arbeitsmodus: Schneiden von Holz  
Vibrationsemission ( $a_{h,w}$ ): 2,5 m/s<sup>2</sup>  
Ungewissheit (K): 1,5 m/s<sup>2</sup>

ENG901-1

- Der angegebene Vibrationsemissionswert wurde im Einklang mit der Standardprüfmethode gemessen und kann für den Vergleich zwischen Maschinen herangezogen werden.
- Der angegebene Vibrationsemissionswert kann auch für eine Vorbewertung des Gefährungsgrads verwendet werden.

**WARNUNG:**

- Die Vibrationsemission während der tatsächlichen Benutzung des Elektrowerkzeugs kann je nach der Benutzungsweise der Maschine vom angegebenen Emissionswert abweichen.
- Identifizieren Sie Sicherheitsmaßnahmen zum Schutz des Benutzers anhand einer Schätzung des Gefährungsgrads unter den tatsächlichen Benutzungsbedingungen (unter Berücksichtigung aller Phasen des Arbeitszyklus, wie z. B. Ausschalt- und Leerlaufzeiten der Maschine zusätzlich zur Betriebszeit).

**Nur für europäische Länder****EG-Übereinstimmungserklärung**

**Wir, die Firma Makita als verantwortlicher Hersteller, erklären, dass die folgende(n) Makita-Maschine(n):**  
Bezeichnung der Maschine: Handkreissäge  
Modell-Nr./ Typ:

5603R, 5703R, 5705R, 5903R, 5103R, 5143R  
der Serienproduktion entstammen und

**den folgenden europäischen Richtlinien entsprechen:**  
2006/42/EG

und gemäß den folgenden Standards oder standardisierten Dokumenten hergestellt werden:

EN60745

Die technische Dokumentation befindet sich im Bestand von:

Makita International Europe Ltd.  
Technische Abteilung,  
Michigan Drive, Tongwell,  
Milton Keynes, Bucks MK15 8JD, England

30.1.2009



Tomoyasu Kato  
Direktor

Makita Corporation  
3-11-8, Sumiyoshi-cho,  
Anjo, Aichi, 446-8502, JAPAN

**Visione generale**

- |   |   |    |  |    |                             |
|---|---|----|--|----|-----------------------------|
| 1 | Illustrazione tipica del modo corretto di tenere le mani, di supportare il pezzo, e di orientare il cavo di alimentazione (se possibile). | 6  | Piastra base   | 17 | Bottone di sblocco          |
| 2 | Per evitare i contraccolpi è necessario supportare la tavola o pannello vicino al taglio.   | 7  | Guida superiore  | 18 | Interruttore                |
| 3 | Non supportare la tavola o pannello lontano dal taglio.   | 8  | Base   | 19 | Chiave esagonale            |
| 4 | Leva  | 9  | Per tagli ad angolo di 60°                                 | 20 | Bloccaggio albero           |
| 5 | Vite di fermo   | 10 | Per tagli ad angolo di 45°                                 | 21 | Bullone con testa esagonale |
|   |   | 11 | Per tagli ad angolo di 30°                                 | 22 | Flangia esterna             |
|   |   | 12 | Tagli dritti   | 23 | Lama                        |
|   |   | 13 | Lama   | 24 | Flangia interna             |
|   |   | 14 | Sporgenze di regolazione                                   | 25 | Aspiratore                  |
|   |   | 15 | Bullone con testa esagonale (per la regolazione del cuneo) | 26 | Segno limite                |
|   |   | 16 | Profondità di taglio                                       | 27 | Cacciavite                  |
|   |   |    |  | 28 | Tappo portaspaZZole         |

**DATI TECNICI**

Modello		5603R	5703R	5705R	5903R	5103R	5143R
Diametro lama		165 mm	190 mm	190 mm	235 mm	270 mm	355 mm
Massima profondità di taglio	a 90°	54 mm	66 mm	66 mm	85 mm	100 mm	130 mm
	a 45°	38 mm	46 mm	46 mm	64 mm	73 mm	90 mm
Velocità a vuoto (min <sup>-1</sup> )		5.000 mm	4.800 mm	4.800 mm	4.500 mm	3.800 mm	2.700 mm
Lunghezza totale		330 mm	356 mm	356 mm	400 mm	442 mm	607 mm
Peso netto		4,9 kg	5,7 kg	5,7 kg	7,2 kg	9,4 kg	14,0 kg
Classe di sicurezza							

- Per il nostro programma di ricerca e sviluppo continui, i dati tecnici sono soggetti a modifiche senza preavviso.
- I dati tecnici potrebbero differire a seconda del paese di destinazione del modello.
- Peso in base alla procedura EPTA 01/2003

ENE078-2

**Utilizzo previsto**

Questo utensile è progettato per i tagli dritti in lunghezza e incrociati, e per i tagli obliqui con angoli nel legno durante il saldo contatto con il pezzo. Con le lame Makita genuine appropriate, si possono segare anche altri materiali.

ENF002-2

**Alimentazione**

L'utensile deve essere collegato soltanto a una fonte di alimentazione con la stessa tensione di quella indicata sulla targhetta del nome, e può funzionare soltanto con la corrente alternata monofase. Esse hanno un doppio isolamento, per cui possono essere usate con le prese senza messa a terra.

GEA010-1

**Avvertimenti generali per la sicurezza dell'utensile elettrico**

**⚠ AVVERTIMENTO Leggere tutti gli avvertimenti per la sicurezza e le istruzioni.** La mancata osservanza degli avvertimenti e delle istruzioni può causare scosse elettriche, incendio e/o gravi incidenti.

**Conservare tutti gli avvertimenti e le istruzioni per riferimenti futuri.**

GEB029-5

**AVVERTIMENTI PER LA SICUREZZA PER LA SEGA CIRCOLARE**

**Procedure di taglio**

1. **⚠ PERICOLO: Tenere via le mani dall'area di taglio e dalla lama. Tenere l'altra mano sul manico secondario o alloggiamento del motore.** Se si tiene la sega con entrambe le mani, esse non possono essere tagliate dalla lama.
2. **Non mettere le mani sotto il pezzo.** La protezione non protegge dalla lama sotto il pezzo. Non cercare di rimuovere il materiale tagliato mentre la lama è in movimento.
3. **Regolare la profondità di taglio secondo lo spessore del pezzo.** Sotto il pezzo dovrebbe essere visibile meno di un intero dente della lama.
4. **Mai tenere in mano o con una gamba il pezzo che viene tagliato. Fissarlo a una piattaforma stabile.** È importante supportare il pezzo correttamente, per minimizzare l'esposizione del corpo, l'incastarsi della lama o la perdita di controllo. (Fig. 1)
5. **Tenere l'utensile elettrico soltanto per le superfici di presa isolate quando si esegue una operazione in cui la lama potrebbe fare contatto con fili elettrici nascosti o con il suo stesso cavo.** Il contatto con un filo elettrico "sotto tensione" mette "sotto tensione" le parti metalliche esposte dell'utensile e potrebbe dare una scossa all'operatore.
6. **Per fendere, usare sempre una guida pezzo o una guida per bordi dritti.** Ciò migliora la precisione di taglio e riduce il rischio che la lama rimanga incastrata.

7. **Usare sempre lame (diamantate o rotonde) con le dimensioni e la forma del foro dell'albero corrette.** Le lame con l'hardware di montaggio della sega diverso girano eccentricamente, causando la perdita di controllo.
8. **Mai usare rondelle o bulloni delle lame inadatti.** Le rondelle e i bulloni delle lame sono stati progettati appositamente per le prestazioni ottimali e per la sicurezza d'utilizzo di questo utensile.
16. **Tenere SEMPRE saldamente l'utensile con entrambe le mani. MAI mettere le mani o le dita dietro la sega.** Se si verifica un contraccolpo, la sega potrebbe facilmente rimbalzare indietro sulle mani, causando lesioni personali serie. (Fig. 4)
17. **Mai forzare la sega. Spingere avanti la sega a una velocità tale che la lama tagli senza rallentare.** Se si forza la sega, si possono causare tagli irregolari, perdita di precisione e possibili contraccolpi.

#### Cause dei contraccolpi e relativi avvertimenti

- il contraccolpo è la reazione improvvisa di una lama incastrata, bloccata o disallineata, che causa un sollevamento incontrollato della sega fuori dal pezzo e verso l'operatore.
- quando la lama è incastrata o bloccata strettamente dal taglio che si chiude, essa si ferma e la reazione del motore spinge rapidamente indietro l'utensile verso l'operatore.
- se la lama diventa storta o disallineata nel taglio, i denti sul bordo posteriore della lama possono entrare nella superficie superiore del legno facendola uscire dal taglio e rimbalzare indietro verso l'operatore.

Il contraccolpo è il risultato dell'uso sbagliato e/o scorretto delle procedure o condizioni d'utilizzo, e può essere evitato usando le precauzioni indicate sotto.

9. **Mantenere una presa solida con entrambe le mani sulla sega, e posizionare le braccia in modo da resistere alla forza del contraccolpo. Posizionare il corpo a fianco della lama, e non allineato con essa.** Il contraccolpo potrebbe far saltare indietro la sega, ma la sua forza può essere controllata dall'operatore se vengono prese le precauzioni appropriate.
  10. **Se la lama rimane incastrata, oppure se per un qualsiasi motivo si interrompe il taglio, rilasciare l'interruttore e mantenere ferma la sega finché non si arresta completamente. Mai cercare di di rimuovere la lama dal pezzo o tirarla indietro mentre si muove, perché altrimenti si potrebbe verificare un contraccolpo.** Controllare e rimediare per eliminare la causa dell'incastramento della lama.
  11. **Per riavviare la sega nel pezzo, allineare la lama nel taglio e controllare che i denti della sega non siano dentro il pezzo.** Se la lama è incastrata, potrebbe rialzarsi o rinculare quando la sega viene riavviata.
  12. **Supportare i grandi pannelli per minimizzare il rischio che la lama rimanga incastrata e i contraccolpi.** I grandi pannelli tendono ad affossarsi sotto il loro stesso peso. Bisogna mettere dei supporti ad entrambi i lati del pannello, vicino alla linea di taglio e ai bordi del pannello. (Fig. 2 e 3)
  13. **Non usare lame ottuse o danneggiate.** Le lame non affilate o non montate correttamente producono un taglio stretto causando una frizione eccessiva, l'incastramento della lama e contraccolpi.
  14. **Le leve di blocco e di regolazione della profondità della lama e dell'angolo di taglio a sbieco devono essere fissate prima del taglio.** Se la regolazione della lama si sposta durante il taglio, potrebbe causare il suo incastrarsi o un contraccolpo.
  15. **Fare particolarmente attenzione segnando nelle pareti esistenti o altre aree cieche.** La lama che sporge potrebbe tagliare oggetti che possono causare contraccolpi.
- #### Funzione della protezione inferiore
18. **Controllare sempre che la protezione inferiore si chiuda correttamente prima dell'uso. Non far funzionare la sega se la protezione inferiore non si sposta liberamente e non si chiude istantaneamente. Non si deve mai bloccare o legare la protezione inferiore aperta.** Se la sega dovesse cadere, la protezione inferiore potrebbe storcersi. Sollevare la protezione inferiore con il manico retrattile e accertarsi che si muova liberamente e che non tocchi la lama o alcuna altra parte, a tutti gli angoli e profondità di taglio.
  19. **Controllare il funzionamento della molla della protezione inferiore. Se la protezione e la molla non funzionano correttamente, devono essere riparate prima dell'uso.** La protezione inferiore potrebbe funzionare lentamente a causa di parti danneggiate, depositi gommosi o accumulazione di scorie.
  20. **La protezione inferiore deve essere fatta rientrare manualmente soltanto per i tagli speciali, come i "tagli con perforazione" e i "tagli misti". Sollevare la protezione inferiore usando il manico retrattile, e rilasciarla non appena la lama entra nel materiale.** Con tutti gli altri tagli la protezione inferiore dovrebbe funzionare automaticamente.
  21. **Accertarsi sempre che la protezione inferiore copra la lama prima di posare la sega sul banco di lavoro o sul pavimento.** La lama non protetta che gira fa rimbalzare indietro la sega, tagliando tutto ciò che si trova sul suo percorso. Notare il tempo necessario alla lama per fermarsi dopo che si è rilasciato l'interruttore.
  22. **Per controllare la protezione inferiore, aprirla a mano e rilasciarla poi guardando come si chiude. Controllare anche che il manico retrattile non tocchi l'alloggiamento dell'utensile.** È MOLTO PERICOLOSO lasciare la lama esposta, con serio rischio di lesioni personali.
- #### Funzione del coltello divisore
23. **Usare la lama appropriata al coltello separatore.** Per il funzionamento del coltello separatore, il corpo della lama deve essere più sottile del coltello, e la larghezza di taglio della lama deve essere più ampia dello spessore del coltello.
  24. **Regolare il coltello separatore come descritto in questo manuale di istruzioni.** La spaziatura, posizionamento o allineamento sbagliati possono impedire al coltello separatore di evitare i contraccolpi.
  25. **Usare sempre il coltello separatore, eccetto che per il taglio con perforazione.** Il coltello separatore deve essere sostituito dopo il taglio con separazione. Il coltello separatore causa interferenza durante il taglio con perforazione, e può causare contraccolpi.

26. **Affinché il coltello separatore possa funzionare, deve fare contatto con il pezzo.** Il coltello separatore non può impedire i contraccolpi con i tagli corti.
27. **Non usare la sega se il coltello separatore è storto.** Anche una piccola interferenza può rallentare la velocità di chiusura di una protezione.

#### Norme addizionali per la sicurezza

28. **Fare particolarmente attenzione quando si taglia il legno bagnato, il legno compensato o il legno contenente nodi.** Mantenere un avanzamento scorrevole dell'utensile senza ridurre la velocità della lama, per evitare il surriscaldamento del filo della lama.
29. **Non cercare di rimuovere il materiale tagliato mentre la lama è in movimento. Aspettare che la lama si sia fermata prima di prendere il materiale tagliato.** La lama continua a girare dopo lo spegnimento.
30. **Evitare di tagliare i chiodi. Ispezionare il legno e rimuovere tutti i chiodi prima del taglio.**
31. **Mettere la parte più ampia della base della sega sulla parte del pezzo supportata solidamente, e non sulla sezione che cade quando si è eseguito il taglio. Come esempi, la Fig. 5 mostra il modo CORRETTO di tagliare l'estremità di una tavola, e la Fig. 6 il modo SBAGLIATO. Se il pezzo è corto o piccolo, bloccarlo. NON CERCARE DI TENERE IN MANO I PEZZI PICCOLI! (Fig. 5 e 6)**
32. **Prima di mettere giù l'utensile al completamento di un taglio, accertarsi che la protezione inferiore si sia chiusa e che la lama si sia fermata completamente.**
33. **Non si deve mai cercare di segare con la sega circolare tenuta capovolta in una morsa. Ciò è estremamente pericoloso e può causare seri incidenti. (Fig. 7)**
34. **Alcuni materiali contengono sostanze chimiche che possono essere tossiche. Fare attenzione per evitare l'inalazione della polvere e il contatto con la pelle. Osservare i dati sulla sicurezza del fornitore del materiale.**
35. **Non fermare la lama esercitando una pressione laterale su di essa.**
36. **Usare sempre le lame consigliate in questo manuale. Non usare nessun tipo di lama abrasiva.**
37. **Mantenere la lama affilata e pulita.** La colla e la pece di legno indurite sulla lama rallentano la lama e aumentano la possibilità dei contraccolpi. Mantenere pulita la lama togliendola prima dall'utensile, e pulirla poi con un agente di rimozione della colla e pece di legno, acqua calda o cherosene. Mai usare benzina.
38. **Usando l'utensile, indossare una mascherina antipolvere e protezioni per l'udito.**

#### CONSERVATE QUESTE ISTRUZIONI.

##### AVVERTIMENTO:

**NON lasciare che comodità o la familiarità d'utilizzo con il prodotto (acquisita con l'uso ripetuto) sostituisca la stretta osservanza delle norme di sicurezza. L'utilizzo SBAGLIATO o la mancata osservanza delle norme di sicurezza di questo manuale di istruzioni potrebbero causare lesioni serie.**

## DESCRIZIONE DEL FUNZIONAMENTO

### ATTENZIONE:

- Accertarsi sempre che l'utensile sia spento e staccato dalla presa di corrente prima di regolare o controllare le sue funzioni.

### Regolazione della profondità di taglio (Fig. 8)

#### ATTENZIONE:

- Dopo aver regolato la profondità di taglio, stringere sempre saldamente la leva.

Allentare la leva sulla guida di taglio e spostate in su o in giù la base. Stringere saldamente la leva alla profondità di taglio desiderata.

Per dei tagli più puliti e sicuri, regolare la profondità di taglio in modo che da sotto il pezzo non sporga più di un dente della lama. L'utilizzo della profondità di taglio corretta riduce il rischio di potenziali CONTRACCOLPI pericolosi che possono causare lesioni all'operatore.

### Taglio a sbieco (Fig. 9)

#### Per modello 5603R, 5703R, 5705R, 5903R, 5103R

Allentare le viti di fermo davanti e dietro, e inclinare l'utensile all'angolo desiderato per i tagli a unghia (da 0° a 45°). Fissare saldamente le viti di fermo davanti e dietro dopo la regolazione.

#### Per modello 5143R

Allentare la vite di fermo davanti, e inclinare l'utensile all'angolo desiderato per i tagli a unghia (da 0° a 60°). Fissare saldamente le viti di fermo davanti dopo la regolazione.

### Taglio diritto

#### Per 5603R, 5703R, 5705R, 5903R, 5103R

##### (Fig. 10 e 11)

Per i tagli diritti, allineare la posizione A sul davanti della base sulla linea di taglio desiderata. Per i tagli a sbieco di 45°, allineare su di essa la posizione B.

#### Per 5143R (Fig. 12)

Allineare la linea di visione con la tacca di 0° per il taglio diritto, la tacca di 30° per il taglio inclinato di 30°, la tacca di 45° per il taglio inclinato di 45° o la tacca di 60° per il taglio inclinato di 60°.

### Regolazione del cuneo (Fig. 13)

Usare la chiave esagonale per allentare il bullone con testa esagonale per regolare il cuneo, e sollevare poi le protezioni inferiori della lame. Spostare il cuneo su o giù sopra le due sporgenze di regolazione indicate nella figura, in modo da ottenere il gioco corretto tra il cuneo e la lama.

#### ATTENZIONE:

- Accertarsi che il cuneo sia regolato in modo che:  
La distanza tra il cuneo e il bordo dentato della lama non superi i 5 mm.  
Il bordo dentato non sporga di oltre 5 mm oltre la punta del cuneo.



## Funzionamento dell'interruttore (Fig. 14)

### ATTENZIONE:

- Prima di collegare l'utensile alla presa di corrente, controllare sempre che l'interruttore funzioni correttamente e che torni sulla posizione "OFF" quando viene rilasciato.

L'utensile è provvisto del bottone di sblocco per evitare che l'interruttore venga schiacciato accidentalmente. Per avviare l'utensile, spingere dentro il bottone di sblocco e schiacciare l'interruttore. Rilasciare l'interruttore per fermarlo.

## MONTAGGIO

### ATTENZIONE:

- Accertarsi sempre che l'utensile sia spento e staccato dalla presa di corrente prima di qualsiasi intervento su di esso.

### Rimozione o installazione della lama (Fig. 15 e 16)

Con questo utensile si possono usare le lame seguenti.

Modello	Diametro massimo	Diametro minimo	Spessore lama	Spessore taglio
5603R	165 mm	150 mm	1,6 mm o meno	1,9 mm o più
5703R, 5705R	190 mm	170 mm	1,6 mm o meno	1,9 mm o più
5903R	235 mm	210 mm	1,7 mm o meno	2,1 mm o più
5103R	270 mm	260 mm	1,8 mm o meno	2,2 mm o più
5143R	355 mm	350 mm	2,3 mm o meno	2,7 mm o più

006481

Lo spessore del cuneo è di 1,8 mm per i modelli 5603R, 5703R e 5705R, di 2,0 mm per i modelli 5903R e 5103R, di 2,5 mm per il modello 5143R.

### ATTENZIONE:

- Non usare lame che non sono conformi alle caratteristiche specificate in queste istruzioni.
- Non usare lame con un disco più spesso o con un insieme inferiore allo spessore del cuneo.

### ATTENZIONE:

- Accertarsi di installare la lama con i denti rivolti in alto sulla parte anteriore dell'utensile.
- Per l'installazione o la rimozione della lama si deve usare soltanto la chiave Makita.
- Il blocco albero non deve mai essere schiacciato mentre la sega sta funzionando.

Per rimuovere la lama, premere completamente il bloccaggio albero in modo che la lama non possa girare e usare la chiave per girare in senso antiorario il bullone esagonale. Rimuovere poi il bullone esagonale, la flangia esterna e la lama.

Per installare la lama, seguire il procedimento opposto di rimozione. RICORDARSI DI STRINGERE SALDAMENTE IN SENSO ORARIO IL BULLONE ESAGONALE.

Quando si cambia la lama, si deve anche togliere la segatura dalle protezioni superiore e inferiore della lama. Tale azione non sostituisce però la necessità di controllare il funzionamento della protezione inferiore prima di ogni utilizzo.

### Collegamento dell'aspiratore (Fig. 17)

Per eseguire delle operazioni di taglio pulite, collegare un aspiratore Makita all'utensile. Installare il giunto sull'utensile usando le viti. Collegare poi il manicotto dell'aspiratore al giunto, come mostrato nella illustrazione.

## FUNZIONAMENTO

### ATTENZIONE:

- Spostare delicatamente l'utensile in avanti in linea retta. Sforzando o storcendo l'utensile, si possono causare il surriscaldamento del motore e pericolosi contraccolpi, con conseguente possibilità di seri incidenti.

Tenere l'utensile saldamente. Esso è provvisto sia di una impugnatura anteriore che di un manico posteriore. Usarli entrambi per afferrare l'utensile. Se si tiene l'utensile con entrambe le mani, esse non possono essere tagliate dalla lama. Mettere la base sul pezzo da tagliare senza che la lama faccia alcun contatto. Avviare poi l'utensile e aspettare che lama abbia raggiunto la velocità massima. Spostare poi semplicemente l'utensile in avanti sopra la superficie del pezzo, mantenendolo piatto e facendolo avanzare scorrevolmente fino al completamento del taglio.

Per ottenere dei tagli puliti, mantenere dritta la linea di taglio e uniforme la velocità di avanzamento. Se l'utensile non riesce a mantenersi correttamente sulla linea di taglio desiderata, non si deve cercare di riportarlo forzatamente sulla linea di taglio. Ciò potrebbe far incastrare la lama e causare pericolosi contraccolpi con possibilità di seri incidenti. Rilasciare l'interruttore, aspettare che la lama si fermi e ritirare poi l'utensile. Riallineare l'utensile sulla nuova linea di taglio e cominciare di nuovo il taglio. Cercare di evitare una posizione che esponga l'operatore ai trucioli e alla segatura espulsi dalla sega. Come aiuto per evitare lesioni, indossare occhiali di protezione. (Fig. 18)

### ATTENZIONE:

- Il cuneo va sempre usato, eccetto quando si comincia il taglio da una parte interna del pezzo.

### Guida pezzo (righello guida) (Fig. 19)

La comoda guida pezzo permette di fare dei tagli dritti con extra precisione. Spingere semplicemente la guida pezzo contro il fianco del pezzo e fissarla in posizione con la vite sul davanti della base. Essa permette anche di fare ripetutamente tagli di larghezza uniforme.

## MANUTENZIONE

### ATTENZIONE:

- Accertarsi sempre che l'utensile sia spento e staccato dalla presa di corrente prima di qualsiasi intervento di ispezione o di manutenzione.
- Mai usare benzina, benzene, solventi, alcol e altre sostanze simili. Potrebbero causare scolorimenti, deformazioni o crepe.

### Sostituzione delle spazzole di carbone

#### (Fig. 20 e 21)

Rimuovere e controllare regolarmente le spazzole di carbone. Sostituirle se sono usurate fino al segno di limite. Mantenere sempre le spazzole di carbone pulite e facili da inserire nei portaspazzole. Le spazzole di carbone devono essere sostituite entrambe allo stesso tempo. Usare soltanto spazzole di carbone identiche.

Usare un cacciavite per rimuovere i tappi dei portaspazzole. Estrarre le spazzole di carbone usurate, inserire quelle nuove e fissare i tappi dei portaspazzole.

Per mantenere la SICUREZZA e l'AFFIDABILITÀ del prodotto, le riparazioni, la manutenzione o le regolazioni dovrebbero essere eseguite da un centro di assistenza Makita autorizzato, sempre con i pezzi di ricambio di Makita.

## ACCESSORI OPZIONALI

### ATTENZIONE:

- Questi accessori o attrezzi sono consigliati per l'uso con l'utensile Makita specificato in questo manuale. L'impiego di altri accessori o attrezzi può costituire un rischio di lesioni alle persone. Usare gli accessori soltanto per il loro scopo prefissato.

Per maggiori dettagli e l'assistenza, rivolgersi al Centro Assistenza Makita locale.

- Lame sega
- Guida pezzo (righello guida)
- Chiave esagonale
- Giunto

### NOTA:

- Alcuni articoli nella lista potrebbero essere inclusi nell'imballo dell'utensile come accessori standard. Essi potrebbero differire da Paese a Paese.

ENG905-1

## Rumore

Il tipico livello di rumore pesato A determinato secondo EN60745:

### Modello 5603R, 5703R

Livello pressione sonora ( $L_{pA}$ ): 93 dB (A)

Livello potenza sonora ( $L_{WA}$ ): 104 dB (A)

Incertezza (K): 3 dB (A)

### Modello 5705R, 5143R

Livello pressione sonora ( $L_{pA}$ ): 94 dB (A)

Livello potenza sonora ( $L_{WA}$ ): 105 dB (A)

Incertezza (K): 3 dB (A)

### Modello 5903R

Livello pressione sonora ( $L_{pA}$ ): 95 dB (A)

Livello potenza sonora ( $L_{WA}$ ): 106 dB (A)

Incertezza (K): 3 dB (A)

### Modello 5103R

Livello pressione sonora ( $L_{pA}$ ): 97 dB (A)

Livello potenza sonora ( $L_{WA}$ ): 108 dB (A)

Incertezza (K): 3 dB (A)

### Indossare i paraorecchi

ENG900-1

## Vibrazione

Il valore totale di vibrazione (somma vettore triassiale) determinato secondo EN60745:

### Modello 5603R

Modalità operativa: taglio del legno

Emissione di vibrazione ( $a_{h, w}$ ): 2,5 m/s<sup>2</sup> o meno

Incertezza (K): 1,5 m/s<sup>2</sup>

### Modello 5103R, 5143R

Modalità operativa: taglio del legno

Emissione di vibrazione ( $a_{h, w}$ ): 2,5 m/s<sup>2</sup> o meno

Incertezza (K): 1,5 m/s<sup>2</sup>

Modalità operativa: taglio del metallo

Emissione di vibrazione ( $a_{h, M}$ ): 2,5 m/s<sup>2</sup> o meno

Incertezza (K): 1,5 m/s<sup>2</sup>

### Modello 5703R

Modalità operativa: taglio del legno

Emissione di vibrazione ( $a_{h, w}$ ): 3,5 m/s<sup>2</sup>

Incertezza (K): 1,5 m/s<sup>2</sup>

### Modello 5903R

Modalità operativa: taglio del legno

Emissione di vibrazione ( $a_{h, w}$ ): 3,0 m/s<sup>2</sup>

Incertezza (K): 1,5 m/s<sup>2</sup>

Modalità operativa: taglio del metallo

Emissione di vibrazione ( $a_{h, M}$ ): 4,0 m/s<sup>2</sup>

Incertezza (K): 1,5 m/s<sup>2</sup>

### Modello 5705R

Modalità operativa: taglio del legno

Emissione di vibrazione ( $a_{h, w}$ ): 2,5 m/s<sup>2</sup>

Incertezza (K): 1,5 m/s<sup>2</sup>

- Il valore di emissione delle vibrazioni dichiarato è stato misurato conformemente al metodo di test standard, e può essere usato per paragonare un utensile con un altro.
- Il valore di emissione delle vibrazioni dichiarato può anche essere usato per una valutazione preliminare dell'esposizione.

#### **AVVERTIMENTO:**

- L'emissione delle vibrazioni durante l'uso reale dell'utensile elettrico può differire dal valore di emissione dichiarato a seconda dei modi in cui viene usato l'utensile.
- Identificare le misure di sicurezza per la protezione dell'operatore basate sulla stima dell'esposizione nelle condizioni reali d'utilizzo (tenendo presente tutte le parti del ciclo operativo, come le volte in cui l'utensile viene spento e quando gira a vuoto, oltre al tempo di funzionamento).

ENH101-16

### **Modello per l'Europa soltanto**

#### **Dichiarazione CE di conformità**

**Noi della Makita Corporation, come produttori responsabili, dichiariamo che le macchine Makita seguenti:**

Designazione della macchina: Sega circolare

Modello No./Tipo:

5603R, 5703R, 5705R, 5903R, 5103R, 5143R

sono una produzione di serie e

**conformi alle direttive europee seguenti:**

2006/42/CE

E sono fabbricate conformemente ai seguenti standard o documenti standardizzati:

EN60745

La documentazione tecnica è tenuta da:

Makita International Europe Ltd.

Assistenza tecnica,

Michigan Drive, Tongwell,

Milton Keynes, Bucks MK15 8JD, England

30.1.2009



Tomoyasu Kato

Amministratore

Makita Corporation



3-11-8, Sumiyoshi-cho,

Anjo, Aichi, 446-8502, JAPAN

**Verklaring van algemene gegevens**

1 Een typische afbeelding van goede handplaatsing, werkstuk-ondersteuning en netsnoerroute (indien van toepassing).	7 Bovengeleider	17 Ontgrendelknop
2 Om terugslag te voorkomen, ondersteun de plank of plaat dicht bij de snijlijn.	8 Zool	18 Trekschakelaar
3 Plaats de ondersteuning niet te ver van de snijlijn.	9 60° schuine zaagsneden	19 Zeskantsleutel
4 Hendel	10 45° schuine zaagsneden	20 Asvergrendeling
5 Klemschroef	11 30° schuine zaagsneden	21 Zeskantbout
6 Grondplaat	12 Rechte zaagsneden	22 Buitenflens
	13 Zaagblad	23 Zaagblad
	14 Uitsteeksels voor afstelling van het spouwmes	24 Binnenflens
	15 Zeskantbout (Voor afstelling van het spouwmes)	25 Stofzuiger
	16 Snijdiepte	26 Limietaanduiding
		27 Schroevendraaier
		28 Borstelhouderdop

**TECHNISCHE GEGEVENS**

Model	5603R	5703R	5705R	5903R	5103R	5143R	
Bladdiameter	165 mm	190 mm	190 mm	235 mm	270 mm	355 mm	
Max. zaagdiepte	bij 90°	54 mm	66 mm	66 mm	85 mm	100 mm	130 mm
	bij 45°	38 mm	46 mm	46 mm	64 mm	73 mm	90 mm
Toerental onbelast (min <sup>-1</sup> )	5 000	4 800	4 800	4 500	3 800	2 700	
Totale lengte	330 mm	356 mm	356 mm	400 mm	442 mm	607 mm	
Netto gewicht	4,9 kg	5,7 kg	5,7 kg	7,2 kg	9,4 kg	14,0 kg	
Veiligheidsklasse	 /II	 /II	 /II	 /II	 /II	 /II	

GEB029-5

- In verband met ononderbroken research en ontwikkeling behouden wij ons het recht voor bovenstaande technische gegevens te wijzigen zonder voorafgaande kennisgeving.
- De technische gegevens kunnen van land tot land verschillen.
- Gewicht volgens de EPTA-procedure 01/2003

ENE078-2

**Doeleinden van gebruik**

Het gereedschap is bedoeld voor het rechtzagen in lengterichting en in dwarsrichting en voor het verstekzagen van hoeken in hout terwijl het gereedschap stevig tegen het werkstuk wordt gehouden. Met de geschikte originele Makita zaagbladen kunt u ook andere materialen zagen.

ENF002-2

**Stroomvoorziening**

Het gereedschap mag alleen worden aangesloten op een stroombron van hetzelfde voltage als aangegeven op de naamplaat, en kan alleen op enkel-fase wisselstroom worden gebruikt. Het gereedschap is dubbel-geïsoleerd volgens de Europese standaard en kan derhalve ook op een niet-geaard stopcontact worden aangesloten.

GEA010-1

**Algemene veiligheidswaarschuwingen voor elektrisch gereedschap**

**⚠ WAARSCHUWING! Lees alle veiligheidswaarschuwingen en alle instructies.** Het niet volgen van de waarschuwingen en instructies kan leiden tot elektrische schokken, brand en/of ernstig letsel.

**Bewaar alle waarschuwingen en instructies om in de toekomst te kunnen raadplegen.**

**VEILIGHEIDSVORSCHRIFTEN  
CIRKELZAAGMACHINE**

**Werkwijze bij het zagen**

1. **⚠ GEVAAR: Houd uw handen uit de buurt van het zaaggebied en het zaagblad. Houd met uw andere hand de voorhandgreep of de behuizing van het gereedschap vast.** Als u de cirkelzaag met beide handen vasthoudt, kunt u nooit in uw handen zagen.
2. **Reik nooit met uw handen onder het werkstuk.** De beschermkap kan u niet beschermen onder het werkstuk tegen het zaagblad.
3. **Stel de zaagdiepte in overeenkomstig de dikte van het werkstuk.** Minder dan een volledige tandhoogte dient onder het werkstuk uit te komen.
4. **Houd het werkstuk waarin wordt gezaagd nooit vast met uw handen of benen. Zorg dat het werkstuk stabiel is ten opzichte van de ondergrond.** Het is belangrijk het werkstuk goed te ondersteunen om de kans te minimaliseren dat uw lichaam eraan blootgesteld wordt, het zaagblad vastloopt of u de controle over het gereedschap verliest. (Fig. 1)
5. **Houd het elektrisch gereedschap uitsluitend vast aan de geïsoleerde handgrepen wanneer u werkt op plaatsen waar het zaaggereedschap met verborgen bedrading of met zijn eigen snoer in aanraking kan komen.** Als een draad die onder stroom staat wordt gezaagd, komen de metalen delen van het gereedschap ook onder stroom te staan en kunt u een gevaarlijke elektrische schok krijgen.

6. **Gebruik bij het schulpen altijd de breedtegeleider of de langseleider.** Hierdoor wordt de nauwkeurigheid van het zagen vergroot en de kans op vastlopen van het zaagblad verkleint.
7. **Gebruik altijd zaagbladen met doorngaten van de juiste afmetingen en vorm (diamand of rond).** Zaagbladen die niet goed passen op de bevestigingsmiddelen van de cirkelzaag, zullen excentrisch draaien waardoor u de controle over het gereedschap verliest.
8. **Gebruik nooit een beschadigde of verkeerde bouten en ringen om het zaagblad mee te bevestigen.** De bouten en ringen voor de bevestiging van het zaagblad zijn speciaal ontworpen voor gebruik met uw cirkelzaag voor optimale prestaties en veilig gebruik.
13. **Gebruik een bot of beschadigd zaagblad niet meer.** Niet-geslepen of verkeerd gezette tanden maken een smalle zaagsnede wat leidt tot grote wrijving, vastlopen en terugslag.
14. **De vergrendelhendels voor het instellen van de zaagbladdiepte en verstelhoek moeten vastzitten alvorens te beginnen met zagen.** Als de instellingen van het zaagblad zich tijdens het zagen wijzigen, kan dit leiden tot vastlopen of terugslag.
15. **Wees extra voorzichtig wanneer u een "blinde" zaagsnede maakt in een bestaande wand of een andere plaats waarvan u de onderkant niet kunt zien.** Het zaagblad zou iets hards kunnen raken, met als gevolg een gevaarlijke terugslag.

#### **Oorzaken van terugslag en aanverwante waarschuwingen**

- Terugslag is een plotselinge reactie op een bekneld, vastgelopen of niet-uitgelijnd zaagblad, waardoor de oncontroleerbare cirkelzaag omhoog, uit het werkstuk en in de richting van de gebruiker gaat.
- Wanneer het zaagblad bekneld raakt of vastloopt doordat de zaagsnede naar beneden toe smaller wordt, vertraagt het zaagblad en komt als reactie de motor snel omhoog in de richting van de gebruiker.
- Als het zaagblad gebogen of niet-uitgelijnd raakt in de zaagsnede, kunnen de tanden aan de achterrand van het zaagblad zich in het bovenoppervlak van het hout vreten, waardoor het zaagblad uit de zaagsnede klimt en omhoog springt in de richting van de gebruiker.

Terugslag is het gevolg van misgebruik van de cirkelzaag en/of onjuiste gebruiksprocedures of -omstandigheden, en kan worden voorkomen door goede voorzorgsmaatregelen te treffen, zoals hieronder vermeld:

9. **Houd de cirkelzaag stevig vast met beide handen en houdt uw armen zodanig dat een terugslag wordt opgevangen.** Plaats uw lichaam zijwaarts versprongen van het zaagblad en niet in een rechte lijn erachter. Door terugslag kan de cirkelzaag achterwaarts springen, maar de kracht van de terugslag kan met de juiste voorzorgsmaatregelen door de gebruiker worden opgevangen.
10. **Wanneer het zaagblad vastloopt, of wanneer u om een of andere reden het zagen onderbreekt, laat u de aan/uit-schakelaar los en houdt u de cirkelzaag stil in het materiaal totdat het zaagblad volledig tot stilstand is gekomen.** Probeer nooit het zaagblad uit het werkstuk te halen of de cirkelzaag naar achteren te trekken, terwijl het zaagblad nog draait omdat hierdoor een terugslag kan optreden. Onderzoek waarom het zaagblad is vastgelopen en tref afdoende maatregelen om de oorzaak ervan op te heffen.
11. **Wanneer u de cirkelzaag weer inschakelt terwijl het zaagblad in het werkstuk zit, plaatst u het zaagblad in het midden van de zaagsnede en controleert u dat de tanden niet in het materiaal grijpen.** Als het zaagblad is vastgelopen, kan wanneer de cirkelzaag wordt ingeschakeld het zaagblad uit het werkstuk lopen of terugslaan.
12. **Ondersteun grote platen om de kans te minimaliseren dat het zaagblad bekneld raakt of terugslaat.** Grote platen neigen door te zakken onder hun eigen gewicht. U moet de plaat ondersteunen aan beide zijranden, vlakbij de zaaglijn en vlakbij het uiteinde. (Fig. 2 en 3)
16. **Houd het gereedschap ALTIJD met beide handen stevig vast. Plaats NOOIT uw hand of vingers achter het zaagblad.** Als een terugslag optreedt, kan het zaagblad gemakkelijk achteruit en over uw hand springen waardoor ernstig persoonlijk letsel ontstaat. (Fig. 4)
17. **Dwing de cirkelzaag nooit. Duw de cirkelzaag vooruit met een snelheid waarbij het zaagblad niet vertraagt.** Als u het zaagblad dwingt, kan dat leiden tot een ongelijkmatige zaagsnede, verminderde nauwkeurigheid en mogelijke terugslag.

#### **Functie van de onderste beschermkap**

18. **Controleer voor ieder gebruik of de onderste beschermkap goed sluit. Gebruik de cirkelzaag niet als de onderste beschermkap niet vrij kan bewegen en onmiddellijk sluit. Zet de onderste beschermkap nooit vast in de geopende stand.** Als u de cirkelzaag per ongeluk laat vallen, kan de onderste beschermkap worden verbogen. Til de onderste beschermkap op aan de terugtrekhandel en controleer dat deze vrij kan bewegen en niet het zaagblad of enig ander onderdeel raakt, onder alle verstekhoeken en op alle zaagdiepten.
19. **Controleer de werking van de veer van de onderste beschermkap. Als de beschermkap en de veer niet goed werken, dienen deze te worden gerepareerd voordat de cirkelzaag wordt gebruikt.** De onderste beschermkap kan traag werken als gevolg van beschadigde onderdelen, gom- of hardafzetting, of opeenhoping van vuil.
20. **De onderste beschermkap mag alleen handmatig worden ingetrokken in speciale gevallen, zoals een "blinde" of gecompliceerde zaagsnede.** Licht de onderste beschermkap op door de hendel in te trekken en laat dan de beschermkap los zodra het zaagblad het materiaal aangrijpt. Voor alle andere zaagsneden moet u de onderste beschermkap automatisch laten werken.
21. **Let er altijd op dat de onderste beschermkap het zaagblad bedekt voordat u de cirkelzaag op een werkbak of vloer neerlegt.** Een onbeschermd zaagblad dat nog nadraait, zal de cirkelzaag achteruit doen lopen waarbij alles op zijn weg wordt gezaagd. Denk aan de tijd die het duurt nadat de cirkelzaag is uitgeschakeld voordat het zaagblad stilstaat.
22. **U kunt de onderste beschermkap controleren, door deze met de hand te openen, los te laten en te kijken hoe hij sluit. Controleer tevens of de terugtrekhandel de behuizing van het gereedschap niet raakt.** Het zaagblad onbeschermd laten is UITERST GEVAARLIJK en kan leiden tot ernstig persoonlijk letsel.

## Functie van het spouwmes

23. **Gebruik het geschikte zaagblad voor het spouwmes dat wordt gebruikt.** Om het spouwmes goed te laten werken, moet het zaagblad dunner zijn dan het spouwmes, maar moet de snijbreedte van het zaagblad breder zijn dan de dikte van het spouwmes.
24. **Stel het spouwmes in zoals beschreven in deze gebruiksaanwijzing.** Door een onjuiste afstand, positie of uitlijning, zal het spouwmes eventuele terugslag niet effectief kunnen voorkomen.
25. **Gebruik het spouwmes altijd, behalve bij het maken van een "blinde" zaagsnede.** Het spouwmes moet worden teruggeplaatst nadat de "blinde" zaagsnede is gemaakt. Het spouwmes zit in de weg bij het maken van een "blinde" zaagsnede en kan terugslag veroorzaken.
26. **Voor een goede werking van het spouwmes, moet het in het werkstuk lopen.** Het spouwmes is niet effectief in het voorkomen van terugslag tijdens korte zaagsneden.
27. **Bedien de zaag niet als het spouwmes verbogen is.** Zelfs bij heel licht aanlopen kan de sluitsnelheid van een beschermkap worden verlaagd.

## Aanvullende veiligheidsvoorschriften

28. **Wees extra voorzichtig bij het zagen in nat hout, druk-behandeld timmerhout en hout met knoesten.** Zorg dat de cirkelzaag steeds soepel vooruit beweegt zonder dat de snelheid van het zaagblad lager wordt, om oververhitting van de zaagtanden te voorkomen.
29. **Probeer niet afgezaagd materiaal te verwijderen terwijl het zaagblad nog draait. Wacht totdat het zaagblad volledig tot stilstand is gekomen voordat u het afgezaagde materiaal vastpakt.** Het zaagblad draait nog na nadat het gereedschap is uitgeschakeld.
30. **Vorkom dat u in spijkers zaag. Inspecteer het hout op spijkers en verwijder deze zonnodig voordat u begint te zagen.**
31. **Plaats het bredere deel van de zool van de cirkelzaag op het deel van het werkstuk dat goed is ondersteund, en niet op het deel dat omlaag valt nadat de zaagsnede gemaakt is. Als voorbeeld laat afbeelding 5 zien hoe u het uiteinde van een plank GOED afzaagt, en afbeelding 6 hoe u dit VERKEERD doet. Als het werkstuk kort of smal is, klemt u het vast. PROBEER NOOIT EEN KORT WERKSTUK IN UW HANDEN VAST TE HOUDEN! (Fig. 5 en 6)**
32. **Voordat u het gereedschap neerlegt na het voltooiën van een zaagsnede, controleert u dat de onderste beschermkap gesloten is en het zaagblad volledig tot stilstand is gekomen.**
33. **Probeer nooit te zagen waarbij de cirkelzaag ondersteboven in een bankschroef is geklemd. Dit is uiterst gevaarlijk en kan leiden tot ernstig persoonlijk letsel. (Fig. 7)**
34. **Sommige materialen bevatten chemische stoffen die giftig kunnen zijn. Neem voorzorgsmaatregelen tegen het inademen van stof en contact met de huid. Volg de veiligheidsinstructies van de leverancier van het materiaal op.**
35. **Breng het zaagblad niet tot stilstand door zijdelings op het zaagblad te drukken.**

36. **Gebruik altijd zaagbladen die in deze gebruiksaanwijzing aanbevolen worden. Gebruik geen slijpschijven.**
37. **Houd het zaagblad scherp en schoon.** Gom of hars dat op het zaagblad is opgedroogd vertraagt het zaagblad en verhoogt de kans op terugslag. Houd het zaagblad schoon door dit eerst van het gereedschap te demonteren en het vervolgens schoon te maken met een reinigingsmiddel voor gom en hars, heet water of kerosine. Gebruik nooit benzine.
38. **Draag een stofmasker en gehoorbescherming tijdens gebruik van het gereedschap.**

## BEWAAR DEZE VOORSCHRIFTEN.

### WAARSCHUWING:

Laat u NIET misleiden door een vals gevoel van comfort en bekendheid met het gereedschap (na veelvuldig gebruik) en neem alle veiligheidsvoorschriften van het betreffende gereedschap altijd strikt in acht. **VERKEERD GEBRUIK** of het niet naleven van de veiligheidsvoorschriften in deze gebruiksaanwijzing kan leiden tot ernstige verwondingen.

## BESCHRIJVING VAN DE FUNCTIES

### LET OP:

- Controleer altijd of het gereedschap is uitgeschakeld en zijn stekker uit het stopcontact is verwijderd alvorens de functies op het gereedschap te controleren of af te stellen.

### De zaagdiepte instellen (Fig. 8)

#### LET OP:

- Nadat u de zaagdiepte hebt ingesteld, zet u de hendel altijd stevig vast.

Zet de hendel op de dieptegeleider los en beweeg de grondplaat op of neer. Zet de zool vast op de gewenste zaagdiepte door de hendel vast te draaien.

Voor een schonere, veiligere zaagsnede, stelt u de zaagdiepte zodanig in dat niet meer dan een tandhoogte door het werkstuk heen steekt. Door de zaagdiepte goed in te stellen, verkleint u de kans op een potentieel gevaarlijke TERUGSLAG, en daarmee op persoonlijk letsel.

### Verticaal verstekzagen (Fig. 9)

#### Voor de model 5603R, 5703R, 5705R, 5903R, 5103R

Draai de klemschroeven aan de voor- en achterkant los en kantel het gereedschap in de gewenste hoek voor verticaal-verstekzagen (0° t/m 45°). Draai na het instellen de klemschroeven aan de voor- en achterkant stevig aan.

#### Voor de model 5143R

Draai de klemschroef aan de voorkant los en kantel het gereedschap in de gewenste hoek voor verticaal-verstekzagen (0° t/m 60°). Draai na het instellen de klemschroef aan de voorkant stevig aan.

### Zichtlijn

#### Voor 5603R, 5703R, 5705R, 5903R, 5103R

#### (Fig. 10 en 11)

Voor recht zagen lijnt u de positie A op de voorkant van de zool uit met de zaaglijn. Voor verticaal verstekzagen onder een hoek van 45°, gebruikt u hiervoor positie B.

### Voor 5143R (Fig. 12)

Lijn uw zichtlijn uit met 0°-nok voor recht zagen, met de 30°-nok voor verticaal verstekzagen onder een hoek van 30°, met de 45°-nok voor verticaal verstekzagen onder een hoek van 45°, of met de 60°-nok voor verticaal verstekzagen onder een hoek van 60°.

### Afstellen van het spouwmes (Fig. 13)

Draai met de zeskantsleutel de zeskantbout voor afstelling van het spouwmes los, en breng dan de onderste beschermkap omhoog. Beweeg het spouwmes naar omhoog of naar omlaag over de twee uitsteeksels voor afstelling van het spouwmes aangegeven in de afbeelding om de juiste afstand tussen het spouwmes en het zaagblad te krijgen.

#### LET OP:

- Zorg ervoor dat het spouwmes zo wordt afgesteld dat: De afstand tussen het spouwmes en de zaagtandrand niet groter is dan 5 mm. De zaagtandrand niet verder dan 5 mm voorbij de onderrand van het spouwmes uitsteekt.

### Werking van de aan/uit-schakelaar (Fig. 14)

#### LET OP:

- Controleer altijd, voordat u de stekker in het stopcontact steekt, of de aan/uit-schakelaar op de juiste manier schakelt en weer terugkeert naar de uit-stand nadat deze is losgelaten.

Om te voorkomen dat de aan/uit-schakelaar per ongeluk wordt bediend, is een uit-vergrendelknop aangebracht. Om het gereedschap te starten, drukt u de uit-vergrendelknop in en haalt u de aan/uit-schakelaar aan. Laat de aan/uit-schakelaar los om het gereedschap te stoppen.

### INNEENZETTEN

#### LET OP:

- Zorg altijd dat het gereedschap is uitgeschakeld en dat zijn stekker uit het stopcontact is verwijderd alvorens enig werk aan het gereedschap uit te voeren.

### Verwijderen of installeren van het zaagblad (Fig. 15 en 16)

Voor dit gereedschap kunnen de volgende zaagbladen worden gebruikt.

Model	Max. diam.	Min. diam.	Zaagblad-dikte	Zaagsnede
5603R	165 mm	150 mm	1,6 mm of minder	1,9 mm of meer
5703R, 5705R	190 mm	170 mm	1,6 mm of minder	1,9 mm of meer
5903R	235 mm	210 mm	1,7 mm of minder	2,1 mm of meer
5103R	270 mm	260 mm	1,8 mm of minder	2,2 mm of meer
5143R	355 mm	350 mm	2,3 mm of minder	2,7 mm of meer

006481

De dikte van het spouwmes is 1,8 mm voor Modellen 5603R, 5703R en 5705R, 2,0 mm voor Modellen 5903R en 5103R, 2,5 mm voor Model 5143R.

#### LET OP:

- Gebruik geen zaagbladen die niet beantwoorden aan de in deze gebruiksaanwijzing vermelde specificaties.
- Gebruik geen zaagbladen waarvan het blad dikker, of de snijbreedte (zetting van de tanden) minder is dan de dikte van het spouwmes.

#### LET OP:

- Verzeker u ervan dat het zaagblad zodanig wordt aangebracht dat de tanden aan de voorkant van het gereedschap omhoog wijzen.
- Gebruik uitsluitend de Makita-steeksleutel voor het aanbrengen en verwijderen van het zaagblad.
- Druk nooit de asvergrendeling in terwijl de zaag draait.

Als u het zaagblad wilt verwijderen, drukt u eerst de asvergrendeling helemaal in zodat het zaagblad niet meer kan draaien, en gebruikt u vervolgens de steeksleutel om de zeskantbout linksom los te draaien. Verwijder tenslotte de zeskantbout, de buitenflens en het zaagblad.

Om het zaagblad aan te brengen, volgt u de procedure in omgekeerde volgorde. ZORG ERVOOR DAT U DE ZESKANTBOUT RECHTSOM STEVIG VASTDRAAIT.

Vergeet niet tijdens het verwisselen van het zaagblad ook de bovenste en onderste beschermkappen te ontdoen van opgehoopt zaagsel. Ondanks dergelijk onderhoud blijft het noodzakelijk de werking van de onderste beschermkap voor ieder gebruik te controleren.

### Een stofzuiger aansluiten (Fig. 17)

Om de zaagomgeving schoon te houden, kunt u een Makita-stofzuiger op dit gereedschap aansluiten. Monteer de aansluitmond met behulp van de schroeven op het gereedschap. Sluit vervolgens de stofzuigerslang aan op de aansluitmond, zoals aangegeven in de afbeelding.

## BEDIENING

### LET OP:

- Duw het gereedschap voorzichtig in een rechte lijn naar voren. Als u het gereedschap dwing of verdraait, zal de motor oververhit raken en het gereedschap gevaarlijk terugslaan waardoor ernstig letsel kan worden veroorzaakt.

Houd het gereedschap stevig vast. Het gereedschap is voorzien van zowel een voorhandgreep als een achterhandgreep. Gebruik beide om het gereedschap zo goed mogelijk vast te houden. Als u de cirkelzaag met beide handen vasthoudt, kunt u nooit in uw handen zagen. Plaats eerst de zool op het werkstuk dat u wilt zagen, zonder dat het zaagblad het werkstuk raakt. Schakel vervolgens het gereedschap in en wacht totdat het zaagblad op volle snelheid draait. Duw het gereedschap nu gewoon naar voren over het oppervlak van het werkstuk, houd het daarbij vlak, en duw gelijkmatig totdat het zagen klaar is.

Zorg voor een schone zaagsnede door een rechte zaaglijn en een constante voortgaande snelheid. Als de zaagsnede niet verloopt volgens de voorgenomen zaaglijn, mag u niet proberen het gereedschap iets te draaien of te dwingen terug te keren naar de zaaglijn. Als u dit doet, kan het zaagblad vastlopen en een gevaarlijke terugslag optreden met mogelijk ernstig persoonlijk letsel tot gevolg. Laat de aan/uit-schakelaar los, wacht tot het zaagblad tot stilstand is gekomen en trek vervolgens het gereedschap terug. Lijn het gereedschap opnieuw uit met een nieuwe zaaglijn en begin weer te zagen. Probeer te vermijden dat door de positie van het gereedschap de gebruiker wordt blootgesteld aan zaagsel en spaanders die door het gereedschap worden uitgeworpen. Gebruik oogbescherming om verwonding te voorkomen. (Fig. 18)

### LET OP:

- Het spouwmes moet altijd worden gebruikt, behalve voor invalzaagwerk.

### Breedtegeleider (liniaal) (Fig. 19)

Met de handige breedtegeleider kunt u extra nauwkeurig recht zagen. Schuif gewoon de breedtegeleider strak tegen de zijkant van het werkstuk en zet deze op zijn plaats vast met behulp van de schroef op de voorkant van de zool van het gereedschap. Op deze manier is het tevens mogelijk een zaagbeweging te herhalen met identieke breedte.

## ONDERHOUD

### LET OP:

- Zorg altijd dat het gereedschap is uitgeschakeld en zijn stekker uit het stopcontact is verwijderd alvorens te beginnen met inspectie of onderhoud.
- Gebruik nooit benzine, wasbenzine, thinner, alcohol en dergelijke. Dat kan verkleuring, vervormingen en barsten veroorzaken.

### Vervangen van koolborstels (Fig. 20 en 21)

Verwijder en controleer regelmatig de koolborstels. Vervang de koolborstels wanneer ze tot aan de limietmarkering versleten zijn. Houd de koolborstels schoon, zodat ze gemakkelijk in de houders glijden. Beide koolborstels dienen gelijktijdig te worden vervangen. Gebruik uitsluitend gelijksoortige koolborstels.

Gebruik een schroevendraaier om de kappen van de koolborstelhouders te verwijderen. Haal de versleten koolborstels eruit, schuif de nieuwe erin, en zet daarna de kappen weer goed vast.

Om de VEILIGHEID en BETROUWBAARHEID van het product te handhaven, dienen alle reparaties en alle andere onderhoudswerkzaamheden of afstellingen te worden uitgevoerd door een erkend Makita Servicecentrum, en dat uitsluitend met gebruik van Makita vervangingsonderdelen.

## OPTIONELE ACCESSOIRES

### LET OP:

- Deze accessoires of hulpstukken worden aanbevolen voor gebruik met het Makita gereedschap dat in deze gebruiksaanwijzing wordt beschreven. Het gebruik van andere accessoires of hulpstukken kan gevaar voor persoonlijke verwonding opleveren. Gebruik de accessoires of hulpstukken uitsluitend voor het gespecificeerde doel.

Wenst u meer informatie over deze accessoires, neem dan contact op met het dichtstbijzijnde Makita servicecentrum.

- Zaagbladen
- Breedtegeleider (liniaal)
- Zeskantsleutel
- Aansluitmond

### OPMERKING:

- Sommige onderdelen in deze lijst kunnen bij het gereedschap zijn meegeleverd als standaard-accessoires. Deze kunnen van land tot land verschillen.



**Geluidsniveau**

De typisch, A-gewogen geluidsniveaus vastgesteld volgens EN60745:

**Model 5603R, 5703R**

Geluidsdrukniveau ( $L_{pA}$ ): 93 dB (A)  
 Geluidsenergie-niveau ( $L_{WA}$ ): 104 dB (A)  
 Onnauwkeurigheid (K): 3 dB (A)

**Model 5705R, 5143R**

Geluidsdrukniveau ( $L_{pA}$ ): 94 dB (A)  
 Geluidsenergie-niveau ( $L_{WA}$ ): 105 dB (A)  
 Onnauwkeurigheid (K): 3 dB (A)

**Model 5903R**

Geluidsdrukniveau ( $L_{pA}$ ): 95 dB (A)  
 Geluidsenergie-niveau ( $L_{WA}$ ): 106 dB (A)  
 Onnauwkeurigheid (K): 3 dB (A)

**Model 5103R**

Geluidsdrukniveau ( $L_{pA}$ ): 97 dB (A)  
 Geluidsenergie-niveau ( $L_{WA}$ ): 108 dB (A)  
 Onnauwkeurigheid (K): 3 dB (A)

**Draag oorbeschermers**

ENG900-1

**Trilling**

De totaalwaarde van de trillingen (triaxiale vectorsom) vastgesteld volgens EN60745:

**Model 5603R**

Bedrijfsfunctie: spaanplaat zagen  
 Trillingsemisatie ( $a_{h, w}$ ): 2,5 m/s<sup>2</sup> of lager  
 Onnauwkeurigheid (K): 1,5 m/s<sup>2</sup>

**Model 5103R, 5143R**

Bedrijfsfunctie: spaanplaat zagen  
 Trillingsemisatie ( $a_{h, w}$ ): 2,5 m/s<sup>2</sup> of lager  
 Onnauwkeurigheid (K): 1,5 m/s<sup>2</sup>

Bedrijfsfunctie: zagen in metaal

Trillingsemisatie ( $a_{h, M}$ ): 2,5 m/s<sup>2</sup> of lager  
 Onnauwkeurigheid (K): 1,5 m/s<sup>2</sup>

**Model 5703R**

Bedrijfsfunctie: spaanplaat zagen  
 Trillingsemisatie ( $a_{h, w}$ ): 3,5 m/s<sup>2</sup>  
 Onnauwkeurigheid (K): 1,5 m/s<sup>2</sup>

**Model 5903R**

Bedrijfsfunctie: spaanplaat zagen  
 Trillingsemisatie ( $a_{h, w}$ ): 3,0 m/s<sup>2</sup>  
 Onnauwkeurigheid (K): 1,5 m/s<sup>2</sup>

Bedrijfsfunctie: zagen in metaal

Trillingsemisatie ( $a_{h, M}$ ): 4,0 m/s<sup>2</sup>  
 Onnauwkeurigheid (K): 1,5 m/s<sup>2</sup>

**Model 5705R**

Bedrijfsfunctie: spaanplaat zagen  
 Trillingsemisatie ( $a_{h, w}$ ): 2,5 m/s<sup>2</sup>  
 Onnauwkeurigheid (K): 1,5 m/s<sup>2</sup>

- De opgegeven trillingsemisiewaarde is gemeten volgens de standaardtestmethode en kan worden gebruikt om dit gereedschap te vergelijken met andere gereedschappen.
- De opgegeven trillingsemisiewaarde kan ook worden gebruikt voor een beoordeling vooraf van de blootstelling.

**WAARSCHUWING:**

- De trillingsemisatie tijdens het gebruik van het elektrisch gereedschap in de praktijk kan verschillen van de opgegeven trillingsemisiewaarde afhankelijk van de manier waarop het gereedschap wordt gebruikt.
- Zorg ervoor dat veiligheidsmaatregelen worden getroffen ter bescherming van de operator die zijn gebaseerd op een schatting van de blootstelling onder praktijkomstandigheden (rekening houdend met alle fasen van de bedrijfscyclus, zoals de tijdsduur gedurende welke het gereedschap is uitgeschakeld en stationair draait, naast de ingeschakelde tijdsduur).

ENH101-16

**Alleen voor Europese landen****EU-Verklaring van Conformiteit**

**Wij, Makita Corporation, als de verantwoordelijke fabrikant, verklaren dat de volgende Makita-machine(s):**

Aanduiding van de machine: Cirkelzaagmachine

Modelnr./Type:

5603R, 5703R, 5705R, 5903R, 5103R, 5143R

in serie zijn geproduceerd en

**Voldoen aan de volgende Europese richtlijnen:**  
 2006/42/EC

En zijn gefabriceerd in overeenstemming met de volgende normen of genormaliseerde documenten:  
 EN60745

De technische documentatie wordt bewaard door:

Makita International Europe Ltd.

Technische afdeling,

Michigan Drive, Tongwell,

Milton Keynes, Bucks MK15 8JD, Engeland

30.1.2009



Tomoyasu Kato

Directeur

Makita Corporation

3-11-8, Sumiyoshi-cho,  
 Anjo, Aichi, 446-8502, JAPAN

**Explicación de los dibujos**

- |  |  |                                    |
|--|--|------------------------------------|
| 1 Una ilustración típica del correcto apoyo de las manos, apoyo de la pieza de trabajo, y tendido del cable de alimentación (si es aplicable). | 6 Placa base   | 17 Botón de desbloqueo             |
| 2 Para evitar contragolpes, apoye el tablero o panel cerca del punto de corte.   | 7 Guía superior  | 18 Interruptor de gatillo          |
| 3 No apoye el tablero o panel en puntos alejados de la parte a cortar.   | 8 Base   | 19 Llave hexagonal                 |
| 4 Palanca  | 9 Cortes en ángulo de 60°  | 20 Seguro del eje                  |
| 5 Tornillo de apriete  | 10 Cortes en ángulo de 45°   | 21 Perno de cabeza hueca hexagonal |
|  | 11 Cortes en ángulo de 30°   | 22 Brida exterior                  |
|  | 12 Cortes rectos   | 23 Hoja de sierra                  |
|  | 13 Hoja  | 24 Brida interior                  |
|  | 14 Salientes de ajuste   | 25 Aspiradora                      |
|  | 15 Perno de cabeza hueca hexagonal (para ajustar la cuchilla abridora) | 26 Marca de límite                 |
|  | 16 Profundidad de corte  | 27 Destornillador                  |
|  |  | 28 Tapón de escobilla              |

**ESPECIFICACIONES**

Modelo	5603R	5703R	5705R	5903R	5103R	5143R	
Diámetro de la hoja	165 mm	190 mm	190 mm	235 mm	270 mm	355 mm	
Profundidad de corte máxima	a 90°	54 mm	66 mm	66 mm	85 mm	100 mm	130 mm
	a 45°	38 mm	46 mm	46 mm	64 mm	73 mm	90 mm
Velocidad en vacío (min <sup>-1</sup> )	5.000	4.800	4.800	4.500	3.800	2.700	
Longitud total	330 mm	356 mm	356 mm	400 mm	442 mm	607 mm	
Peso neto	4,9 kg	5,7 kg	5,7 kg	7,2 kg	9,4 kg	14,0 kg	
Clase de seguridad	 /II	 /II	 /II	 /II	 /II	 /II	

- Debido a un programa continuo de investigación y desarrollo, las especificaciones aquí dadas están sujetas a cambios sin previo aviso.
- Las especificaciones pueden ser diferentes de país a país.
- Peso de acuerdo con el procedimiento EPTA 01/2003

ENF078-2

**Uso previsto**

La herramienta ha sido prevista para realizar cortes rectos longitudinales y transversales y cortes en inglete con diferentes ángulos en madera mientras es mantenida en firme contacto con la pieza de trabajo. Con las hojas de sierra genuinas de Makita apropiadas, también se pueden aserrar otros materiales.

ENF002-2

**Alimentación**

La herramienta solamente debe ser conectada a una fuente de alimentación de la misma tensión que la indicada en la placa de características, y solamente puede ser utilizada con alimentación de CA monofásica. La herramienta está doblemente aislada y, por consiguiente, también puede utilizarse con tomas de corriente sin conductor de puesta a tierra.

GEA010-1

**Advertencias de seguridad generales para herramientas eléctricas**

**⚠ ¡ADVERTENCIA! Lea todas las advertencias de seguridad y todas las instrucciones.** Si no sigue todas las advertencias e instrucciones podrá ocasionar una descarga eléctrica, un incendio y/o heridas graves.

**Guarde todas las advertencias e instrucciones para futuras referencias.**

GEB029-5

**ADVERTENCIAS DE SEGURIDAD PARA SIERRA CIRCULAR**

**Procedimientos de corte**

1. **⚠ ¡PELIGRO: Mantenga las manos alejadas del área de corte y del disco. Mantenga su segunda mano sobre el mango auxiliar o sobre el alojamiento del motor.** Si ambas manos están sujetando la sierra, no habrá peligro de que el disco las corte.
2. **No se ponga debajo de pieza de trabajo durante la tarea.** El protector de disco no podrá protegerle del disco por debajo de la pieza de trabajo.
3. **Ajuste la profundidad de corte al grosor de la pieza de trabajo.** Por debajo de la pieza de trabajo deberá sobresalir menos de un diente completo del disco.
4. **No sujete nunca con las manos ni entre las piernas la pieza que esté cortando. Sujete la pieza de trabajo en una plataforma estable.** Es muy importante que apoye la pieza de trabajo debidamente para minimizar la exposición del cuerpo, el estancamiento del disco, o la pérdida de control. (Fig. 1)
5. **Cuando realice una operación en la que el implemento de corte pueda entrar en contacto con cableado oculto o con su propio cable, sujete la herramienta eléctrica por las superficies de aislamiento aisladas solamente.** El contacto con un cable con corriente también hará que la corriente circule por las partes metálicas expuestas de la herramienta eléctrica y podrá soltar una descarga eléctrica al operario.

6. **Cuando haga cortes al hilo, utilice siempre una guía lateral o un listón recto.** Esto mejora la precisión del corte y reduce la posibilidad de que el disco se estanque.
7. **Utilice siempre discos con agujero central de tamaño y forma correctos (diamante y redondo).** Los discos cuyo agujero central no coincida con el dispositivo de montaje de la sierra girarán excéntricamente y ocasionarán la pérdida del control.
8. **No utilice nunca arandelas o pernos de disco dañados o incorrectos.** Las arandelas y el perno de disco han sido diseñados especialmente para su sierra, y con ellos se logran un rendimiento y seguridad de operación óptimos.

#### **Causas de los retrocesos bruscos y advertencias relacionadas**

- El retroceso brusco es una reacción repentina debida a un aprisionamiento, estancamiento o desalineación del disco, que hace que la sierra se levante y salga incontrolada de la pieza de trabajo hacia el operario.
- cuando el disco queda aprisionado o estancado firmemente debido al cierre de la hendidura, el disco se inmoviliza y la reacción del motor empuja la sierra bruscamente hacia atrás contra el operario;
- si el disco se retuerce o desalinea en el corte, los dientes del borde trasero del disco pueden morder la superficie de la madera haciendo que el disco se salga de la hendidura y salte hacia atrás contra el operario.

Los retrocesos bruscos se deben a un mal uso de la sierra y/o a procedimientos o condiciones de trabajo incorrectos y pueden evitarse tomando las precauciones indicadas a continuación.

9. **Sujete la sierra firmemente con ambas manos y posicione los brazos de forma que pueda resistir las fuerzas de un retroceso brusco. Posicione su cuerpo a uno de los costados del disco, pero no en línea con el disco.** Los retrocesos bruscos pueden hacer que la sierra salte hacia atrás, pero las fuerzas de los retrocesos bruscos las puede controlar el operario tomando las debidas precauciones.
10. **Cuando note que el disco se estanca, o cuando quiera interrumpir un corte por cualquier razón, suelte el gatillo y mantenga la sierra inmóvil en el material hasta que el disco se pare completamente. No intente nunca extraer el disco de la pieza de trabajo ni tirar de la sierra hacia atrás mientras el disco esté moviéndose porque podrá ocasionar un retroceso brusco.** Investigue y tome medidas correctivas para eliminar la causa del estancamiento del disco.
11. **Cuando vaya a poner otra vez en marcha la sierra en la pieza de trabajo, centre el disco en la hendidura y compruebe que los dientes del mismo no estén enganchados en el material.** Si el disco está atascado, podrá salirse de la pieza de trabajo o retroceder bruscamente al poner de nuevo en marcha la sierra.
12. **Apoye los paneles grandes para minimizar el riesgo de que el disco se estanque y retroceda bruscamente.** Los paneles grandes tienden a combarse con su propio peso. Deberá poner apoyos debajo del panel a ambos lados, cerca de la línea de corte y cerca de los bordes del panel. (Fig. 2 y 3)
13. **No utilice discos mellados o dañados.** Los discos desafilados o mal ajustados producen una hendidura estrecha que ocasiona excesiva fricción, estancamiento del disco y retrocesos bruscos.
14. **Las palancas de fijación de los ajustes de profundidad y de bisel del disco deben ser apretadas y sujetadas antes de realizar el corte.** Si el ajuste del disco cambia durante el corte, podrá ocasionar un estancamiento y retroceso brusco.
15. **Extreme las precauciones cuando sierre en paredes existentes u otras áreas ciegas.** La parte sobresaliente del disco podrá cortar objetos que pueden ocasionar un retroceso brusco.
16. **Sujete SIEMPRE la herramienta firmemente con ambas manos. No ponga NUNCA la mano ni los dedos detrás de la sierra.** Si se produce un retroceso brusco, la sierra podrá saltar fácilmente hacia atrás sobre su mano, causándole graves heridas personales. (Fig. 4)
17. **No fuerce nunca la sierra. Empuje la sierra hacia delante a una velocidad a la que el disco corte sin frenarse.** Si fuerza la sierra podrá ocasionar cortes irregulares, pérdida de precisión, y posibles retrocesos bruscos.

#### **Función del protector inferior**

18. **Compruebe el protector inferior para confirmar que se cierra debidamente antes de cada uso. No utilice la sierra si el protector inferior no se mueve libremente y se cierra instantáneamente. No sujete ni ate nunca el protector inferior en la posición abierta.** Si deja caer accidentalmente la sierra, el protector inferior podrá doblarse. Levante el protector inferior con la manivela retráctil y asegúrese de que se mueve libremente y que no toca el disco ni ninguna otra parte, en todos los ángulos y profundidades de corte.
19. **Compruebe el funcionamiento del resorte del protector inferior. Si el protector de disco y el resorte no funcionan debidamente, deberá arreglarlos antes de utilizar la herramienta.** El protector inferior podrá funcionar lentamente debido a partes dañadas y a acumulaciones pegajosas o de residuos.
20. **El protector inferior puede retraerse manualmente sólo para cortes especiales, tales como “cortes por hundimiento” y “cortes compuestos”. Levante el protector inferior con la manivela retráctil y tan pronto como el disco entre en el material, deberá liberarse el protector inferior.** Para todos los demás cortes, el protector inferior deberá funcionar automáticamente.
21. **Antes de dejar la sierra en el banco o en el suelo, observe siempre que el protector inferior esté cubriendo el disco.** Un disco desprotegido, girando por inercia, hará que la sierra se desplace hacia atrás, cortando todo lo que encuentre a su paso. Tenga presente el tiempo que el disco tarda en pararse después de soltar el interruptor.
22. **Para comprobar el protector inferior, ábralo con la mano, después suéltelo y observe que se cierra. Compruebe también para asegurarse de que la manivela retráctil no toca la carcasa de la herramienta.** El dejar el disco expuesto es MUY PELIGROSO y puede acarrear heridas personales graves.

## Función de la cuchilla abridora

23. **Utilice la hoja de sierra apropiada para la cuchilla abridora.** Para que la cuchilla abridora funcione, el cuerpo del disco deberá ser más fino que la cuchilla abridora y la anchura del corte del disco deberá ser más ancha que el grosor de la cuchilla abridora.
24. **Ajuste la cuchilla abridora como se describe en este manual de instrucciones.** Un incorrecto espaciado, posicionamiento o alineación podrá hacer que la cuchilla abridora resulte ineficaz en la prevención de retrocesos bruscos.
25. **Utilice la cuchilla abridora siempre excepto cuando haga corte por hundimiento.** Se deberá reponer la cuchilla abridora después de hacer un corte por hundimiento. La cuchilla abridora ocasiona interferencia durante el corte por hundimiento y puede crear retrocesos bruscos.
26. **Para que la cuchilla abridora funcione, deberá estar realizando su función en la pieza de trabajo.** La cuchilla abridora resulta ineficaz en la prevención de retrocesos bruscos cuando se hacen cortes cortos.
27. **No utilice la sierra si la cuchilla abridora está doblada.** Incluso una leve interferencia puede amornar la velocidad de cierre de un protector.

## Advertencias de seguridad adicionales

28. **Preste atención especial cuando corte madera húmeda, madera tratada a presión, o madera que tenga nudos.** Mantenga uniforme el avance de la herramienta sin que disminuya la velocidad del disco para evitar recalentar los dientes del disco.
29. **No intente retirar material cortado cuando el disco esté moviéndose. Espere hasta que el disco se pare antes de agarrar el material cortado.** Los discos siguen girando por inercia después de apagar la herramienta.
30. **Evite cortar clavos. Inspeccione la madera y quite todos los clavos antes de realizar el corte.**
31. **Ponga la porción más ancha de la base de la sierra en la parte de la pieza de trabajo que esté solidamente apoyada, no en la sección que caerá cuando se haga el corte. Como ejemplos, la Fig. 5 muestra la forma CORRECTA de cortar el extremo de un tablero, y la Fig. 6 la forma INCORRECTA. Si la pieza de trabajo es corta o pequeña, amordácela. ¡NO INTENTE SUJETAR PIEZAS PEQUEÑAS CON LA MANO! (Fig. 5 y 6)**
32. **Antes de dejar la herramienta después de completar un corte, asegúrese de que el protector inferior se ha cerrado y que el disco se ha parado completamente.**
33. **No intente nunca serrar con la sierra circular sujeta al revés en un tornillo de banco. Es sumamente peligroso y puede ocasionar graves accidentes. (Fig. 7)**
34. **Algunos materiales contienen sustancias químicas que podrán ser tóxicas. Tenga precaución para evitar la inhalación de polvo y el contacto con la piel. Siga los datos de seguridad del abastecedor del material.**
35. **No pare el disco haciendo presión lateral en el disco.**
36. **Utilice siempre los discos recomendados en este manual. No utilice ningún disco abrasivo.**

37. **Mantenga el disco afilado y limpio.** La cola y la resina de madera endurecidas en el disco frenan la sierra y aumentan las posibilidades de que se produzcan retrocesos bruscos. Mantenga el disco limpio desmontándolo primero de la herramienta, y limpiándolo después con un producto para quitar colas y resina; agua caliente o queroseno. No utilice nunca gasolina.

38. **Póngase máscara y protección para los oídos cuando utilice la herramienta.**

## GUARDE ESTAS INSTRUCCIONES.

### ADVERTENCIA:

**NO deje que la comodidad o familiaridad con el producto (a base de utilizarlo repetidamente) sustituya la estricta observancia de las normas de seguridad para el producto en cuestión. El MAL USO o el no seguir las normas de seguridad establecidas en este manual de instrucciones podrá ocasionar graves heridas personales.**

## DESCRIPCIÓN DEL FUNCIONAMIENTO

### PRECAUCIÓN:

- Asegúrese siempre de que la herramienta esté apagada y desenchufada antes de intentar realizar cualquier tipo de ajuste o comprobación en la ella.

### Ajuste de la profundidad de corte (Fig. 8)

#### PRECAUCIÓN:

- Después de ajustar la profundidad de corte, apriete siempre la palanca firmemente.

Afloje la palanca de la guía de profundidad y mueva la base hacia arriba y hacia abajo. En la profundidad de corte deseada, fije la base apretando el tornillo de apriete.

Para obtener cortes más limpios y seguros, ajuste la profundidad de corte de forma que no sobresalga más de un diente del disco de sierra por debajo de la pieza de trabajo. La utilización de una profundidad de corte apropiada ayuda a reducir la posibilidad de que se produzcan peligrosos RETROCESOS BRUSCOS que pueden ocasionar heridas personales.

### Corte en bisel (Fig. 9)

#### Para el modelo 5603R, 5703R, 5705R, 5903R, 5103R

Para hacer cortes en bisel, afloje los tornillos de apriete de adelante y atrás, e incline la herramienta hasta el ángulo deseado ( $0^\circ - 45^\circ$ ). Después de hacer el ajuste apriete firmemente los tornillos de apriete de adelante y atrás.

#### Para el modelo 5143R

Para hacer cortes en bisel, afloje el tornillo de apriete de adelante, e incline la herramienta hasta el ángulo deseado ( $0^\circ - 60^\circ$ ). Después de hacer el ajuste apriete firmemente el tornillo de apriete de adelante.

### Guía visual

#### Para 5603R, 5703R, 5705R, 5903R, 5103R

##### (Fig. 10 y 11)

Para cortes rectos, alinee la posición A de la parte delantera de la base con la línea de corte. Para cortes en bisel a  $45^\circ$ , alinee la posición B con la misma.

### Para 5143R (Fig. 12)

Alinee su línea visual con la muesca de 0° para cortes rectos o la muesca de 30° para cortes en ángulo de 30° o la muesca de 45° para cortes en ángulo de 45° o la muesca de 60° para cortes en ángulo de 60°.

### Ajuste de la cuchilla abridora (Fig. 13)

Afloje el perno de cabeza hueca hexagonal de ajuste de la cuchilla abridora con la llave hexagonal, después suba el protector de disco inferior. Mueva la cuchilla abridora hacia arriba o abajo sobre los dos salientes de ajuste indicados en la figura, para obtener la holgura apropiada entre la cuchilla abridora y la hoja de sierra.

#### PRECAUCIÓN:

- Cerciórese de que la cuchilla abridora esté ajustada de forma que: La distancia entre la cuchilla abridora y el círculo dentado de la hoja de sierra no sea de más de 5 mm. El círculo dentado no sobresalga más de 5 mm por fuera del borde inferior de la cuchilla abridora.

### Accionamiento del interruptor (Fig. 14)

#### PRECAUCIÓN:

- Antes de enchufar la herramienta, compruebe siempre para cerciorarse de que el gatillo interruptor se acciona debidamente y que vuelve a la posición "OFF" cuando lo suelta.

Para evitar que el gatillo pueda accionarse accidentalmente, se ha provisto un botón de desbloqueo. Para poner en marcha la herramienta, presione hacia dentro el botón de desbloqueo y apriete el gatillo interruptor. Suelte el gatillo interruptor para parar.

### MONTAJE

#### PRECAUCIÓN:

- Asegúrese siempre de que la herramienta esté apagada y desenchufada antes de realizar cualquier trabajo en la herramienta.

### Desmontaje o instalación de la hoja de sierra (Fig. 15 y 16)

Con esta herramienta se podrán usar las siguientes hojas de sierra.

Modelo	Diámetro máximo	Diámetro mínimo	Grosor de la hoja	Corte
5603R	165 mm	150 mm	1,6 mm o menos	1,9 mm o más
5703R, 5705R	190 mm	170 mm	1,6 mm o menos	1,9 mm o más
5903R	235 mm	210 mm	1,7 mm o menos	2,1 mm o más
5103R	270 mm	260 mm	1,8 mm o menos	2,2 mm o más
5143R	355 mm	350 mm	2,3 mm o menos	2,7 mm o más

006481

El grosor de cuchilla abridora es de 1,8 mm para los modelos 5603R, 5703R y 5705R, o 2,0 mm para los modelos 5903R y 5103R, o 2,5 mm para el modelo 5143R.

#### PRECAUCIÓN:

- No utilice hojas de sierra que no cumplan con las características especificadas en estas instrucciones.
- No utilice hojas de sierra cuyo disco sea más grueso o que el conjunto del mismo sea más pequeño que el espesor de la cuchilla abridora.

#### PRECAUCIÓN:

- Asegúrese de que el disco esté instalado con los dientes orientados hacia arriba en la parte frontal de la herramienta.
- Utilice solamente la llave Makita para instalar o desmontar el disco.
- No baje nunca el bloqueo del eje mientras la sierra esté funcionando.

Para quitar el disco, presione el seguro del eje completamente de forma que el disco no pueda girar y afloje el perno hexagonal girándolo en sentido contrario a las agujas del reloj con la llave hexagonal. Después quite el perno hexagonal, la brida exterior y el disco.

Para instalar el disco, siga el procedimiento de desmontaje a la inversa. **ASEGÚRESE DE APRETAR EL PERNO HEXAGONAL EN EL SENTIDO DE LAS AGUJAS DEL RELOJ FIRMEMENTE.**

Quando cambie el disco, asegúrese también de limpiar el serrín acumulado en los protectores de disco superior e inferior. Sin embargo, esta tarea no exime de la necesidad de comprobar la operación del protector inferior antes de cada uso.

### Conexión de un aspirador (Fig. 17)

Quando quiera realizar una operación de corte limpia, conecte un aspirador Makita a su herramienta. Instale el adaptador en la herramienta utilizando los tornillos. Después conecte la manguera del aspirador al adaptador como se muestra en la figura.

## OPERACIÓN

### PRECAUCIÓN:

- Asegúrese de mover la herramienta hacia delante en línea recta y suavemente. El forzar o torcer la herramienta producirá un recalentamiento del motor y un peligroso retroceso brusco, causando posiblemente graves heridas.

Sujete la herramienta firmemente. La herramienta está provista de empuñadura delantera y mango trasero. Utilice ambos para sujetar de forma óptima la herramienta. Si ambas manos están sujetando la herramienta, no habrá peligro de que las corte el disco. Coloque la base sobre la pieza de trabajo a cortar sin el disco haciendo contacto alguno. Después encienda la herramienta y espere hasta que adquiera plena velocidad. Ahora simplemente mueva la herramienta hacia delante sobre la superficie de la pieza de trabajo, manteniéndola plana y avanzando suavemente hasta completar el corte.

Para obtener cortes limpios, mantenga la línea de corte recta y la velocidad de avance uniforme. Si se desvía de la línea de corte prevista, no intente girar ni forzar la herramienta para hacerla volver a la línea de corte. Esta acción podría inmovilizar el disco y ocasionar un peligroso retroceso brusco y posibles heridas graves. Suelte el interruptor, espere hasta que el disco se pare y después retire la herramienta. Realinee la herramienta en una nueva línea de corte, y comience el corte de nuevo. Hay que evitar posturas en las que el operario quede expuesto a las virutas y el serrín que expulsa la sierra. Utilice protección para los ojos para ayudar a evitar heridas. (Fig. 18)

### PRECAUCIÓN:

- La cuchilla abridora deberá utilizarse siempre excepto cuando comience a cortar la pieza de trabajo por el medio.

### Guía lateral (Regla guía) (Fig. 19)

La útil guía lateral le permite hacer cortes rectos extra-precisos. Simplemente saque la guía lateral deslizándola hasta ajustarla bien contra el costado de la pieza de trabajo y sujétela en posición con el tornillo de la parte delantera de la base. Con ella también se pueden hacer cortes repetidos de anchura uniforme.

## MANTENIMIENTO

### PRECAUCIÓN:

- Asegúrese siempre de que la herramienta esté apagada y desenchufada antes de intentar realizar la inspección o el mantenimiento.
- No utilice nunca gasolina, bencina, disolvente, alcohol o similares. Podría producir decoloración, deformación o grietas.

### Substitución de las escobillas de carbón

#### (Fig. 20 y 21)

Extraiga e inspeccione regularmente las escobillas de carbón. Sustitúyalas cuando se hayan gastado hasta la marca límite. Mantenga las escobillas de carbón limpias de forma que entren libremente en los portaescobillas. Ambas escobillas de carbón deberán ser sustituidas al mismo tiempo. Utilice únicamente escobillas de carbón idénticas.

Utilice un destornillador para quitar las tapas del portaescobillas. Extraiga las escobillas desgastadas, inserte las nuevas y fije las tapas del portaescobillas.

Para mantener la SEGURIDAD y la FIABILIDAD del producto, las reparaciones y cualquier otro mantenimiento o ajuste deberán ser realizados por los centros de servicio autorizado de Makita, siempre con piezas de repuesto de Makita.

## ACCESORIOS OPCIONALES

### PRECAUCIÓN:

- Estos accesorios o acoplamientos están recomendados para utilizar con la herramienta Makita especificada en este manual. El empleo de otros accesorios o acoplamientos conllevará un riesgo de sufrir heridas personales. Utilice los accesorios o acoplamientos solamente para su fin establecido.

Si necesita cualquier ayuda para más detalles en relación con estos accesorios, pregunte al centro de servicio Makita local.

- Discos de sierra
- Guía lateral (Regla guía)
- Llave hexagonal
- Adaptador

### NOTA:

- Algunos elementos de la lista podrán estar incluidos en el paquete de la herramienta como accesorios estándar. Pueden variar de un país a otro.

ENG905-1

### Ruido

El nivel de ruido A-ponderado típico determinado de acuerdo con la norma EN60745:

#### Modelo 5603R, 5703R

Nivel de presión sonora ( $L_{pA}$ ): 93 dB (A)

Nivel de potencia sonora ( $L_{WA}$ ): 104 dB (A)

Error (K): 3 dB (A)

#### Modelo 5705R, 5143R

Nivel de presión sonora ( $L_{pA}$ ): 94 dB (A)

Nivel de potencia sonora ( $L_{WA}$ ): 105 dB (A)

Error (K): 3 dB (A)

#### Modelo 5903R

Nivel de presión sonora ( $L_{pA}$ ): 95 dB (A)

Nivel de potencia sonora ( $L_{WA}$ ): 106 dB (A)

Error (K): 3 dB (A)

#### Modelo 5103R

Nivel de presión sonora ( $L_{pA}$ ): 97 dB (A)

Nivel de potencia sonora ( $L_{WA}$ ): 108 dB (A)

Error (K): 3 dB (A)

**Póngase protectores en los oídos**

## Vibración

El valor total de la vibración (suma de vectores triaxiales) determinado de acuerdo con la norma EN60745:

### Modelo 5603R

Modo tarea: corte de madera

Emisión de vibración ( $a_{h,w}$ ): 2,5 m/s<sup>2</sup> o menos

Error (K): 1,5 m/s<sup>2</sup>

### Modelo 5103R, 5143R

Modo tarea: corte de madera

Emisión de vibración ( $a_{h,w}$ ): 2,5 m/s<sup>2</sup> o menos

Error (K): 1,5 m/s<sup>2</sup>

Modo tarea: corte de metal

Emisión de vibración ( $a_{h,m}$ ): 2,5 m/s<sup>2</sup> o menos

Error (K): 1,5 m/s<sup>2</sup>

### Modelo 5703R

Modo tarea: corte de madera

Emisión de vibración ( $a_{h,w}$ ): 3,5 m/s<sup>2</sup>

Error (K): 1,5 m/s<sup>2</sup>

### Modelo 5903R

Modo tarea: corte de madera

Emisión de vibración ( $a_{h,w}$ ): 3,0 m/s<sup>2</sup>

Error (K): 1,5 m/s<sup>2</sup>

Modo tarea: corte de metal

Emisión de vibración ( $a_{h,m}$ ): 4,0 m/s<sup>2</sup>

Error (K): 1,5 m/s<sup>2</sup>

### Modelo 5705R

Modo tarea: corte de madera

Emisión de vibración ( $a_{h,w}$ ): 2,5 m/s<sup>2</sup>

Error (K): 1,5 m/s<sup>2</sup>

ENG901-1

- El valor de emisión de vibración declarado ha sido medido de acuerdo con el método de prueba estándar y se puede utilizar para comparar una herramienta con otra.
- El valor de emisión de vibración declarado también se puede utilizar en una valoración preliminar de exposición.

## ADVERTENCIA:

- La emisión de vibración durante la utilización real de la herramienta eléctrica puede variar del valor de emisión declarado dependiendo de las formas en las que la herramienta sea utilizada.
- Asegúrese de identificar medidas de seguridad para proteger al operario que estén basadas en una estimación de la exposición en las condiciones reales de utilización (teniendo en cuenta todas las partes del ciclo operativo tal como las veces cuando la herramienta está apagada y cuando está funcionando en vacío además del tiempo de gatillo).

## Para países europeos solamente

## Declaración de conformidad CE

**Makita Corporation como fabricante responsable declara que la(s) siguiente(s) máquina(s) de Makita:**

Designación de máquina: Sierra circular

Modelo N°/Tipo:

5603R, 5703R, 5705R, 5903R, 5103R, 5143R

son producidas en serie y

**Cumplen con las directivas europeas siguientes:**

2006/42/EC

Y que están fabricadas de acuerdo con las normas o documentos normalizados siguientes:

EN60745

Los documentos técnicos los guarda:

Makita International Europe Ltd.

Departamento técnico,

Michigan Drive, Tongwell,

Milton Keynes, Bucks MK15 8JD, Inglaterra

30.1.2009



Tomoyasu Kato

Director

Makita Corporation



3-11-8, Sumiyoshi-cho,

Anjo, Aichi, 446-8502, JAPAN

**Explicação geral**

1	Uma ilustração típica do suporte manual, do suporte da peça e da colocação dos fios (se necessário).	7	Guia superior	18	Gatilho
2	Para evitar recuo, segure a superfície de trabalho junto à zona do corte.	8	Base	19	Chave hexagonal
3	Não segure a superfície de trabalho nas extremidades fora da zona do corte.	9	Cortes com ângulo de 60°	20	Travão do eixo
4	Alavanca	10	Cortes com ângulo de 45°	21	Perno com encaixe hexagonal
5	Parafuso de fixação	11	Cortes com ângulo de 30°	22	Falange exterior
6	Placa base	12	Cortes direitos	23	Lâmina da serra
		13	Lâmina	24	Falange interior
		14	Protuberâncias para ajuste	25	Aspirador
		15	Perno com encaixe hexagonal (Para regulação da lâmina de abrir)	26	Marca limite
		16	Profundidade de corte	27	Chave de parafusos
		17	Botão de segurança	28	Tampa do porta-escovas

**ESPECIFICAÇÕES**


Modelo	5603R	5703R	5705R	5903R	5103R	5143R	
Diâmetro da lâmina	165 mm	190 mm	190 mm	235 mm	270 mm	355 mm	
Profundidade máxima de corte	a 90°	54 mm	66 mm	66 mm	85 mm	100 mm	130 mm
	a 45°	38 mm	46 mm	46 mm	64 mm	73 mm	90 mm
Velocidade em vazio (min <sup>-1</sup> )	5.000	4.800	4.800	4.500	3.800	2.700	
Comprimento total	330 mm	356 mm	356 mm	400 mm	442 mm	607 mm	
Peso líquido	4,9 kg	5,7 kg	5,7 kg	7,2 kg	9,4 kg	14,0 kg	
Classe de segurança	 /II	 /II	 /II	 /II	 /II	 /II	

- Devido a um programa contínuo de pesquisa e desenvolvimento, estas especificações podem ser alteradas sem aviso prévio.
- As especificações podem variar de país para país.
- Peso de acordo com o Procedimento 01/2003 da EPTA (European Power Tool Association)

GEB029-5

**AVISOS DE SEGURANÇA DA SERRA CIRCULAR**

**Procedimentos de corte**

1.  **PERIGO: Mantenha as mãos afastadas da área de corte e da lâmina. Mantenha a outra mão na pega auxiliar ou na caixa do motor.** Se as duas mãos estiverem a pegar na serra, não podem ser cortadas pela lâmina.
2. **Não toque na superfície inferior da serra.** O resguardo não o protege da lâmina debaixo da peça de trabalho.
3. **Regule a profundidade do corte com a espessura da peça de trabalho.** Menos do que um dente da lâmina deve ser visível sob a peça de trabalho.
4. **Nunca agarre na peça a ser cortada com as suas mãos ou em cima das pernas. Prenda a peça de trabalho a uma superfície estável.** É importante suportar a peça correctamente para minimizar a exposição do corpo, a lâmina encravar ou perda de controlo. (Fig. 1)
5. **Agarre na ferramenta eléctrica somente pelas partes isoladas quando executa uma operação em que a ferramenta de corte pode entrar em contacto com um fio escondido ou com o seu próprio cabo.** O contacto com um fio “vivo” também fará com as partes metálicas expostas da ferramenta eléctrica fiquem “vivas” e pode causar choque eléctrico no operador.
6. **Em escarificação use sempre uma guia paralela ou uma guia recta.** Melhora a precisão do corte e reduz a possibilidade da lâmina encravar.

ENE078-2

**Utilização pretendida**

A ferramenta foi concebida para executar cortes direitos e cruzados e cortes de esquadria com ângulos em madeira enquanto se mantém em firme contacto com a peça de trabalho. Também pode serrar outros materiais com lâminas apropriadas genuínas da Makita.


ENF002-2

**Alimentação**

A ferramenta só deve ser ligada a uma fonte de alimentação com a mesma voltagem da indicada na placa de características e só funciona com alimentação CA monofásica. Tem um sistema de isolamento duplo e pode, por isso, utilizar tomadas sem ligação à terra.

GEA010-1

**Avisos gerais de segurança para ferramentas eléctricas**

 **AVISO! Leia todos os avisos de segurança e todas as instruções.** O não cumprimento de todos os avisos e instruções pode originar choque eléctrico, incêndio e/ou ferimentos graves.

**Guarde todos os avisos e instruções para futuras referências.**



7. **Use sempre lâminas com o tamanho e forma correcta (de diamante ou arredondados) dos orifícios de suporte.** Lâminas que não correspondam às especificações de montagem da serra trabalharão mal causando perda de controlo.
8. **Nunca use arruelas ou Pernos de lâmina estragados ou incorrectos.** As arruelas e Pernos da lâmina foram concebidos para a sua serra, para maior rendimento e segurança na operação.
16. **Agarre SEMPRE na ferramenta firmemente com as duas mãos. NUNCA coloque a sua mão ou dedos atrás da serra.** Se ocorrer recuo, a serra pode facilmente saltar para trás sobre a sua mão, ocasionando danos sérios. (Fig. 4)
17. **Nunca force a serra. Empurre a serra para a frente a uma velocidade em que a lâmina corte sem enfraquecer.** Forçar a serra pode causar cortes desiguais, perda de precisão e possível recuo.

#### Causas e avisos sobre recuos

- recuo é uma reacção súbita a uma lâmina da serra presa, entortada ou mal alinhada, que causa com que a serra descontrolada se leve para fora da peça de trabalho em direcção ao operador.
- quando a lâmina fica presa ou torta pelo fecho do corte, a lâmina atola e a reacção do motor atira a ferramenta para trás, para o operador.
- se a lâmina ficar torta ou mal alinhada no corte, os dentes na extremidade traseira da lâmina podem perfurar a superfície superior da madeira causando com que a lâmina salte do corte em direcção ao operador.

O recuo é o resultado de má utilização e/ou procedimentos ou condições de operação incorrectas e pode ser evitado tomando as precauções adequadas como indicado abaixo.

9. **Mantenha a serra bem agarrada com as duas mãos e posicione os braços para resistir às forças de recuo. Posicione o seu corpo num dos lados da lâmina, mas não alinhado com a lâmina.** O recuo pode fazer com que a serra salte para trás, mas as forças de recuo podem ser controladas pelo operador, se tomar as precauções apropriadas.
10. **Quando a lâmina está presa ou quando por qualquer razão interrompe um corte, solte o gatilho e agarre na serra sem se mexer no material até que a lâmina pare completamente. Nunca tente retirar a serra do trabalho ou puxar a serra para trás enquanto a lâmina está em movimento, pois pode ocorrer recuo.** Investigue e execute as acções correctivas para eliminar as causas da lâmina encravar.
11. **Quando volta a ligar a serra numa peça de trabalho, centre a lâmina da serra no corte e confirme que os dentes da serra não estão presos no material.** Se a lâmina da serra estiver encravada, pode saltar ou recuar da peça de trabalho quando liga a serra.
12. **Suporte painéis longos para minimizar o risco da lâmina prender e recuar.** Painéis longos tendem a ceder sob o próprio peso. Os suportes devem ser colocados sob o painel, nos dois lados, perto da linha de corte e perto da extremidade. (Fig. 2 e 3)
13. **Não utilize lâminas rumbas ou estragadas.** Lâminas não afiadas ou mal colocadas podem produzir um corte estreito causando excessiva fricção, encravamento da lâmina e recuo.
14. **As alavancas de ajuste de profundidade e ângulo de corte devem estar apertadas e presas antes de fazer o corte.** Se o ajuste altera durante o corte, pode causar encravamento e recuo.
15. **Tenha cuidado especialmente ao serrar em paredes existentes ou outras áreas ocultas.** A lâmina saliente pode cortar objectos que podem originar recuo.

#### Função do resguardo inferior

18. **Verifique se o resguardo inferior fecha bem antes de cada utilização. Não funcione com a ferramenta se o resguardo inferior não se movimentar livremente e fechar instantaneamente. Nunca prenda o resguardo inferior na posição de aberto.** Se deixar cair a serra, o resguardo inferior pode ficar torto. Levante o resguardo inferior com a pega retratora e certifique-se de que se movimenta livremente e não toca na lâmina ou em qualquer outra parte, em todos os ângulos e profundidades de corte.
19. **Verifique o funcionamento da mola do resguardo inferior. Se o resguardo e a mola não estiverem a funcionar correctamente, devem ser reparados antes da utilização.** O resguardo inferior pode funcionar mal devido a partes estragadas, depósitos pastosos ou acumulação de fragmentos.
20. **O resguardo inferior deve ser retraído manualmente só para cortes especiais, como “cortes penetrantes” e “cortes compostos”. Levante o resguardo inferior com a pega retratora e assim que a lâmina entrar no material, o resguardo inferior deve ser liberado.** Para todos os demais cortes, o resguardo inferior deve funcionar automaticamente.
21. **Certifique-se sempre de que o resguardo inferior está a cobrir a lâmina antes de colocar a serra na bancada ou no chão.** Uma lâmina sem protecção, a rodar por inércia, fará com que a serra recue cortando tudo no seu caminho. Preste atenção ao tempo que a lâmina leva a parar depois de soltar o gatilho.
22. **Para inspeccionar o resguardo inferior abra-o com a mão e veja como é que o resguardo fecha.** Certifique-se também de que a pega retratora não toca na caixa da ferramenta. Deixar a lâmina exposta é MUITO PERIGOSO e pode originar danos pessoais sérios.

#### Função da lâmina de abrir

23. **Utilize a lâmina da serra correcta para a lâmina de abrir.** Para que a lâmina de abrir funcione, o corpo da lâmina deve ser mais fina do que a lâmina de abrir e a largura de corte da lâmina deve ser maior do que a espessura da lâmina de abrir.
24. **Regule a lâmina de abrir como descrito neste manual de instruções.** Espaçamento, posicionamento e alinhamento incorrecto, pode causar que a lâmina de abrir seja ineficaz na prevenção de recuo.
25. **Utilize sempre a lâmina de abrir, excepto quando executa corte penetrante.** A lâmina de abrir deve ser substituída depois de executar corte penetrante. A lâmina de abrir causa interferência durante o corte penetrante e pode causar recuo.
26. **Para que a lâmina de abrir funcione deve estar engatada na peça de trabalho.** A lâmina de abrir não é eficaz na prevenção de recuo durante cortes curtos.

27. Não funcione com a serra se a lâmina de abrir estiver dobrada. Mesmo uma pequena interferência pode diminuir a velocidade de fecho de um resguardo.

#### Avisos adicionais de segurança

28. Tenha precaução extra quando corta madeira húmida, tratada com pressão ou que tenha nós. Mantenha o avanço suave da ferramenta sem diminuir a velocidade da lâmina para evitar o superaquecimento das pontas da serra.
29. Não tente retirar material cortado quando a lâmina está em movimento. Espere até que a lâmina esteja completamente parada antes de pegar no material cortado. A lâmina continua a rodar depois de desligar a ferramenta.
30. Evite cortar pregos. Inspeccione e retire todos os pregos da madeira antes de cortar.
31. Coloque a porção mais larga da base da serra na parte da peça de trabalho que está firmemente suportada, não na secção que cairá quando faz o corte. Como exemplos, a Fig. 5 o modo CORRECTO de cortar a extremidade de uma placa e a Fig. 6 o modo INCORRECTO. Se a peça de trabalho for curta ou pequena, prenda-a. NÃO TENDE AGARRAR PEÇAS PEQUENAS COM A MÃO! (Fig. 5 e 6)
32. Antes de colocar a ferramenta de lado depois de terminar um corte, certifique-se de que o resguardo inferior fechou e que a lâmina está completamente parada.
33. Nunca tente serrar com a serra circular presa ao contrário num torno. É extremamente perigoso e pode originar acidentes graves. (Fig. 7)
34. Alguns materiais contêm químicos que podem ser tóxicos. Tenha cuidado para não inalar pó e contactar a pele. Siga as instruções de segurança do fornecedor.
35. Não pare as lâminas com pressão lateral na lâmina da serra.
36. Utilize sempre lâminas recomendadas neste material. Não utilize discos abrasivos.
37. Mantenha a lâmina afiada e limpa. Resíduos acumulados e pastosos tornam a serra mais lenta e aumentam a possibilidade de recuo. Mantenha a lâmina limpa retirando-a primeiro da serra e limpando-a com detergente, água quente ou querosene. Nunca use gasolina.
38. Use uma máscara contra o pó e protecção para os ouvidos quando utiliza a ferramenta.

#### GUARDE ESTAS INSTRUÇÕES.

#### AVISO:

**NÃO permita que conforto ou familiaridade com o produto (adquirido com o uso repetido) substitua a aderência estrita às regras de segurança da ferramenta. MÁ INTERPRETAÇÃO ou não seguimento das regras de segurança estabelecidas neste manual de instruções pode causar danos pessoais sérios.**

#### DESCRIÇÃO DO FUNCIONAMENTO

##### PRECAUÇÃO:

- Certifique-se sempre de que a ferramenta está desligada e com a ficha retirada da tomada, antes de proceder a afinações ou de verificar o funcionamento respectivo.

##### Regulação da profundidade do corte (Fig. 8)

##### PRECAUÇÃO:

- Depois de regular a profundidade de corte, aperte sempre seguramente a alavanca.

Levante a alavanca no guia de profundidade e movimente a base para cima e para baixo. Na profundidade de corte desejada, prenda a base apertando a alavanca. Para cortes limpos e seguros, regule a profundidade de corte de forma que apenas um dente da serra fique saliente embaixo da peça de trabalho. Utilizar a profundidade de corte correcta ajuda a reduzir o risco de RECUOS perigosos que podem causar ferimentos pessoais.

##### Corte de bisel (Fig. 9)

##### Para modelo 5603R, 5703R, 5705R, 5903R, 5103R

Liberte os parafusos de fixação à frente e atrás e incline a ferramenta para o ângulo desejado para cortes de bisel (0° – 45°). Prenda firmemente os parafusos de fixação à frente e atrás depois de fazer a regulação.

##### Para modelo 5143R

Liberte o parafuso de fixação à frente e incline a ferramenta para o ângulo desejado para cortes de bisel (0° – 60°). Prenda firmemente o parafuso de fixação à frente depois de fazer a regulação.

##### Mira

##### Para 5603R, 5703R, 5705R, 5903R, 5103R

##### (Fig. 10 e 11)

Para cortes direitos alinhe a posição A na frente da base com a sua linha de corte. Para cortes de bisel de 45°, alinhe a posição B.

##### Para 5143R (Fig. 12)

Alinhe a linha de mira com o entalhe 0° para cortes direitos ou com o entalhe 30° para cortes com ângulo de 30°, entalhe 45° para cortes com ângulo de 45° ou entalhe 60° para cortes com ângulo de 60°.

##### Regulação da lâmina de abrir (Fig. 13)

Utilize a chave hexagonal para libertar o perno com encaixe hexagonal de regulação da lâmina de abrir e em seguida levante o protector inferior. Movimente a lâmina de abrir para cima ou para baixo sobre as duas protuberâncias para os ajustes indicados na figura, de modo a obter a abertura adequada entre a lâmina de abrir e a lâmina da serra.

## PRECAUÇÃO:

- Certifique-se de que a lâmina de abrir está ajustada de maneira que:

A distância entre a lâmina de abrir e o aro dentado da lâmina da serra não seja superior a 5 mm. O aro dentado não ultrapasse mais do que 5 mm a aresta inferior da lâmina de abrir.

## Ação do interruptor (Fig. 14)

### PRECAUÇÃO:

- Antes de ligar a ferramenta à corrente, verifique sempre se o gatilho funciona correctamente e volta para a posição "OFF" quando libertado.

Para evitar que o gatilho seja acidentalmente accionado, existe um botão de segurança. Para iniciar a ferramenta, empurre o botão de segurança e carregue no gatilho. Liberte o gatilho para parar.

## ASSEMBLAGEM

### PRECAUÇÃO:

- Certifique-se sempre de que a ferramenta está desligada e com a ficha retirada da tomada antes de executar qualquer manutenção na ferramenta.

## Para retirar ou instalar o lâmina da serra (Fig. 15 e 16)

Os seguintes lâminas podem ser utilizados com esta ferramenta.

Modelo	Diâm. máx.	Diâm. min.	Espessura da lâmina	Corte
5603R	165 mm	150 mm	1,6 mm ou menos	1,9 mm ou mais
5703R, 5705R	190 mm	170 mm	1,6 mm ou menos	1,9 mm ou mais
5903R	235 mm	210 mm	1,7 mm ou menos	2,1 mm ou mais
5103R	270 mm	260 mm	1,8 mm ou menos	2,2 mm ou mais
5143R	355 mm	350 mm	2,3 mm ou menos	2,7 mm ou mais

006481

A espessura da lâmina de abrir é de 1,8 mm para os modelos 5603R, 5703R e 5705R, 2,0 mm para os modelos 5903R e 5103R, ou 2,5 mm para o modelo 5143R.

### PRECAUÇÃO:

- Não utilize discos de corte que não respeitem as características especificadas nestas instruções.
- Não utilize discos de corte cuja espessura máxima seja inferior à espessura da lâmina de abrir.

### PRECAUÇÃO:

- Certifique-se de que a lâmina está instalada com os dentes apontados para a frente da ferramenta.
- Utilize só a chave da Makita para instalar ou retirar a lâmina.
- Nunca pressione o travão do eixo com a serra em funcionamento.

Para retirar a lâmina, pressione o travão do eixo completamente de modo a que a lâmina não se mova e utilize a chave hexagonal para soltar o perno hexagonal para a esquerda. Em seguida retire o perno hexagonal, fialange exterior e lâmina.

Para instalar a lâmina, execute inversamente o procedimento de a retirar. **CERTIFIQUE-SE DE QUE APERTA FIRMEMENTE O PERNO HEXAGONAL PARA A DIREITA.**

Quando trocando a lâmina, certifique-se também de que limpa o pó de serra acumulado nos protectores superior e inferior. No entanto, essas providências não substituem a necessidade de verificar o funcionamento do protector inferior antes de cada utilização.

## Para ligar um aspirador (Fig. 17)

Quando deseja executar uma operação de corte limpa, ligue um aspirador Makita à ferramenta. Instale a junta na ferramenta utilizando os parafusos. A seguir, ligue a mangueira do aspirador à junta, como ilustrado.

## OPERAÇÃO

### PRECAUÇÃO:

- Certifique-se de que desloca a ferramenta para a frente, suavemente numa linha direita. Forçar ou torcer a ferramenta originará sobreaquecimento do motor e recuo perigoso, podendo causar danos graves.

Agarre na ferramenta firmemente. A ferramenta é fornecida com um punho frontal e uma pega traseira. Utilize os dois para melhor agarrar na ferramenta. Se as duas mãos estiverem a agarrar na serra não poderão ser cortadas pela lâmina. Coloque a base na peça de trabalho a ser cortada sem que a lâmina faça qualquer contacto. Em seguida ligue a ferramenta e espere até que a lâmina atinja a velocidade máxima. Depois desloque a ferramenta para a frente sobre a superfície da peça de trabalho, mantendo-a plana e avançando suavemente até que o corte esteja terminado.

Para obter cortes limpos, mantenha a linha de corte direita e a velocidade de avanço uniforme. Se o corte falhar de seguir correctamente a linha de corte pretendida, não tente forçar a ferramenta para voltar atrás na linha de corte. Pode dobrar a lâmina e originar recuo perigoso e possíveis danos graves. Liberte o gatilho, espere que a lâmina pare e em seguida retire a ferramenta. Volte a alinhar a ferramenta numa nova linha de corte, e inicie o corte outra vez. Tente evitar posicionar de modo a que o operador fique exposto a aparas e pó da madeira ejetados pela serra. Use protectores para os olhos para evitar danos. **(Fig. 18)**

### PRECAUÇÃO:

- Deve utilizar sempre a lâmina de abrir, excepto quando inicia o corte no meio da superfície de trabalho.

## Guia paralela (Régua guia) (Fig. 19)

A guia paralela permite-lhe executar cortes direitos extra-precisos. Deslize simplesmente a guia paralela para cima contra o lado da peça de trabalho e prenda-a na posição com o parafuso na frente da base. Também torna possível cortes repetidos com espessura uniforme.

## MANUTENÇÃO

ENG905-1

### PRECAUÇÃO:

- Certifique-se sempre de que a ferramenta está desligada e com a ficha retirada da tomada antes de tentar proceder à inspeção, ou à manutenção da ferramenta.
- Nunca utilize gasolina, benzeno, diluente, álcool ou produtos semelhantes. Pode ocorrer a descoloração, deformação ou rachaduras.

### Substituição das escovas de carvão (Fig. 20 e 21)

Retire e verifique regularmente as escovas de carvão. Substitua-as quando estiverem gastas até à marca limite. Mantenha as escovas de carvão limpas e a deslizar nos suportes. As duas escovas de carvão devem ser substituídas ao mesmo tempo. Só utilize escovas de carvão idênticas.

Utilize uma chave de parafusos para retirar as tampas do porta-escovas. Retire as escovas de carvão usadas, coloque as novas e prenda as tampas dos porta-escovas.

Para manter a SEGURANÇA e FIABILIDADE, as reparações e outras acções de manutenção ou ajustes devem ser executados pelos Centros de assistência autorizados da Makita, utilizando sempre peças de substituição Makita.

## ACESSÓRIOS OPCIONAIS

### PRECAUÇÃO:

- Estes acessórios ou acoplamentos são os recomendados para uso na ferramenta Makita especificada neste manual. A utilização de qualquer outro acessório ou acoplamento poderá ser perigosa para o operador. Os acessórios ou acoplamentos devem ser utilizados de maneira adequada e apenas para os fins a que se destinam.

No caso de necessitar ajuda para mais detalhes sobre estes acessórios, consulte ao departamento de assistência local da Makita.

- Lâminas da serra
- Guia paralela (Régua guia)
- Chave hexagonal
- Junta

### NOTA:

- Alguns itens da lista podem estar incluídos na embalagem da ferramenta como acessórios padrão. Eles podem variar de país para país.

## Ruído

A característica do nível de ruído A determinado de acordo com EN60745:

### Modelo 5603R, 5703R

Nível de pressão de som ( $L_{pA}$ ): 93 dB (A)  
Nível do som ( $L_{WA}$ ): 104 dB (A)  
Variabilidade (K): 3 dB (A)

### Modelo 5705R, 5143R

Nível de pressão de som ( $L_{pA}$ ): 94 dB (A)  
Nível do som ( $L_{WA}$ ): 105 dB (A)  
Variabilidade (K): 3 dB (A)

### Modelo 5903R

Nível de pressão de som ( $L_{pA}$ ): 95 dB (A)  
Nível do som ( $L_{WA}$ ): 106 dB (A)  
Variabilidade (K): 3 dB (A)

### Modelo 5103R

Nível de pressão de som ( $L_{pA}$ ): 97 dB (A)  
Nível do som ( $L_{WA}$ ): 108 dB (A)  
Variabilidade (K): 3 dB (A)

### Utilize protectores para os ouvidos

ENG900-1

## Vibração

O valor total da vibração (soma vectorial tri-axial) determinado de acordo com EN60745:

### Modelo 5603R

Modo de funcionamento: cortar madeira  
Emissão de vibração ( $a_{h,W}$ ): 2,5 m/s<sup>2</sup> ou inferior  
Variabilidade (K): 1,5 m/s<sup>2</sup>

### Modelo 5103R, 5143R

Modo de funcionamento: cortar madeira  
Emissão de vibração ( $a_{h,W}$ ): 2,5 m/s<sup>2</sup> ou inferior  
Variabilidade (K): 1,5 m/s<sup>2</sup>

Modo de funcionamento: cortar metal

Emissão de vibração ( $a_{h,M}$ ): 2,5 m/s<sup>2</sup> ou inferior  
Variabilidade (K): 1,5 m/s<sup>2</sup>

### Modelo 5703R

Modo de funcionamento: cortar madeira  
Emissão de vibração ( $a_{h,W}$ ): 3,5 m/s<sup>2</sup>  
Variabilidade (K): 1,5 m/s<sup>2</sup>

### Modelo 5903R

Modo de funcionamento: cortar madeira  
Emissão de vibração ( $a_{h,W}$ ): 3,0 m/s<sup>2</sup>  
Variabilidade (K): 1,5 m/s<sup>2</sup>

Modo de funcionamento: cortar metal

Emissão de vibração ( $a_{h,M}$ ): 4,0 m/s<sup>2</sup>  
Variabilidade (K): 1,5 m/s<sup>2</sup>

### Modelo 5705R

Modo de funcionamento: cortar madeira  
Emissão de vibração ( $a_{h,W}$ ): 2,5 m/s<sup>2</sup>  
Variabilidade (K): 1,5 m/s<sup>2</sup>

- O valor da emissão de vibração indicado foi medido de acordo com o método de teste padrão e pode ser utilizado para comparar duas ferramentas.
- O valor da emissão de vibração indicado pode também ser utilizado na avaliação preliminar da exposição.

**AVISO:**

- A emissão de vibração durante a utilização real da ferramenta eléctrica pode diferir do valor de emissão indicado, dependendo das formas como a ferramenta é utilizada.
- Certifique-se de identificar as medidas de segurança para protecção do operador que sejam baseadas em uma estimativa de exposição em condições reais de utilização (considerando todas as partes do ciclo de operação, tal como quando a ferramenta está desligada e quando está a funcionar em marcha lenta além do tempo de accionamento).

ENH101-16

**Só para países Europeus**

**Declaração de conformidade CE**

**Nós, a Makita Corporation, fabricante responsável, declaramos que a(s) seguinte(s) ferramenta(s)**

**Makita:**

Designação da ferramenta: Serra circular

Modelos n.º/Tipo:

5603R, 5703R, 5705R, 5903R, 5103R, 5143R

são de produção de série e

**Em conformidade com as seguintes directivas europeias:**

2006/42/EC

E estão fabricados de acordo com as seguintes normas ou documentos normativos:

EN60745

A documentação técnica é mantida pela:

Makita International Europe Ltd.

Departamento técnico,

Michigan Drive, Tongwell,

Milton Keynes, Bucks MK15 8JD, Inglaterra

30.1.2009



Tomoyasu Kato

Director

Makita Corporation

3-11-8, Sumiyoshi-cho,

Anjo, Aichi, 446-8502, JAPAN

**Illustrationsoversigt**

1	En typisk illustration af korrekt håndstøtte, støtte af arbejdsstykket og føring af ledningen (hvis en sådan anvendes).	7	Topguide	18	Afbryderknop
2	Understøt plader eller paneler tæt ved savestedet for at undgå tilbagespring.	8	Grundplade	19	Topnøgle
3	Understøt ikke plader eller paneler langt fra savestedet.	9	60° vinkelsnit	20	Skaftlås
4	Håndtag	10	45° vinkelsnit	21	Sekskantsbolt
5	Fastgørelsesskrue	11	30° vinkelsnit	22	Ydre flange
6	Grundplade	12	Lige snit	23	Savblad
		13	Klinge	24	Indre flange
		14	Knopper til indstilling	25	Støvsuger
		15	Sekskantsbolt (til justering af spaltekniv)	26	Slidgrænse
		16	Skæredybde	27	Skruetrækker
		17	Aflåseknop	28	Kulholderdæksel

**SPECIFIKATIONER**

Model	5603R	5703R	5705R	5903R	5103R	5143R	
Klingediameter	165 mm	190 mm	190 mm	235 mm	270 mm	355 mm	
Maksimal skæredybde	90°	54 mm	66 mm	66 mm	85 mm	100 mm	130 mm
	45°	38 mm	46 mm	46 mm	64 mm	73 mm	90 mm
Omdrejninger (min <sup>-1</sup> )	5 000	4 800	4 800	4 500	3 800	2 700	
Længde	330 mm	356 mm	356 mm	400 mm	442 mm	607 mm	
Vægt	4,9 kg	5,7 kg	5,7 kg	7,2 kg	9,4 kg	14,0 kg	
Sikkerhedsklasse	□/II	□/II	□/II	□/II	□/II	□/II	

GEB029-5

- På grund af vores kontinuerlige forskningsprogrammer og udvikling, kan hosstående specifikationer blive ændret uden varsel.
- Specifikationer kan variere fra land til land.
- Vægt i henhold til EPTA-Procedure 01/2003

ENE078-2

**Tilsigtet anvendelse**

Denne maskine er beregnet til at lave lige skæringer i længden og bredden og geringskskæringer med vinkler i træ med maskinen i tæt berøring med arbejdsstykket. Med passende, ægte Makita savblad kan der også saves i andre materialer.

ENF002-2

**Strømforsyning**

Maskinen må kun tilsluttes en strømforsyning med den samme spænding, som den der er angivet på typeskiltet, og kan kun anvendes med enkeltfaset vekselstrømforsyning. Den er dobbeltisoleret og kan derfor også anvendes fra kontakter uden jordledning.

GEA010-1

**Almindelige sikkerhedsregler for el-værktøj**

**⚠ ADVARSEL! Læs alle sikkerhedsadvarsler og alle sikkerhedsinstruktioner.** Hvis nedenstående advarsler og instruktioner ikke overholdes, kan resultatet blive elektrisk stød, brand og/eller alvorlig personskade.

**Gem alle advarsler og instruktioner til fremtidig reference.**

**SIKKERHEDSREGLER FOR RUNDSAV**

**Fremgangsmåde for skæring**

1. **⚠ FARE: Hold hænderne på god afstand af klinggen. Hold den anden hånd på hjælpehåndtaget eller motorhuset.** Hvis De holder saven med begge hænder, kan klinggen ikke komme til at skære i dem.
2. **Ræk ikke ned under arbejdsstykket.** Beskyttelseskærmen kan ikke beskytte Dem mod klinggen neden under arbejdsstykket.
3. **Juster skæredybden til tykkelsen af arbejdsstykket.** Mindre end en hel tand i klingetænderne bør være synlig under arbejdsstykket.
4. **Hold aldrig det arbejdsstykke, som skæres, i hænderne eller over benet. Fastgør arbejdsstykket til en stabil overflade.** Det er vigtigt at understøtte arbejdsstykket ordentligt for at minimere faren for kropskontakt, klingebinding og tab af herredømmet over maskinen. (Fig. 1)
5. **Hold kun maskinen i dens isolerede grebflader, når De udfører et stykke arbejde, hvor maskinen kan komme i berøring med skjulte ledninger eller dens egen ledning.** Kontakt med en strømførende ledning vil desuden bevirke, at synlige metaldele også bliver strømførende, hvorved operatøren kan få stød.
6. **Ved kløvning skal der altid anvendes et parallellanslag eller et lige kantanslag.** Dette vil forbedre nøjagtigheden og nedsætte risikoen for at klinggen binder.

7. **Anvend altid klinger af korrekt størrelse og form (diamant eller rund) i dornhuller.** Klinger, som ikke passer til savens monteringsdele vil køre excentrisk, hvilken vil medføre tab af herredømmet over maskinen.
8. **Anvend aldrig beskadigede eller forkerte spændeskiver og bolte.** Klingens spændeskiver og bolte er specielt fremstillede til Deres sav og til optimal ydelse og sikker anvendelse.

#### Årsager til tilbageslag og relaterede advarsler

- tilbageslag er en pludselig reaktion på en fastklemt, bundet eller fejlrrettet savklinge, som bevirker, at en ukontrolleret sav løftes op og ud af arbejdsstykket i retning mod operatøren,
- når klingen er fastklemt eller bundet stramt ved at savsnittet lukkes, vil klingen gå i stå og motorreaktionen vil drive enheden hurtigt tilbage i retning mod operatøren,
- hvis klingen bøjes eller fejlrrettes i skæresnittet, kan tænderne på bagkanten af klingen grave sig ind i træets overflade, hvorved klingen kan smutte ud af savsnittet og springe tilbage i retning mod operatøren.

Tilbageslag er et resultat af forkert anvendelse af saven/eller forkert fremgangsmåde for anvendelse eller tilstande og kan undgås ved at man tager de rigtige forholdsregler som vist herunder.

9. **Oprethold et fast greb med begge hænder på saven og hold armene således, at tilbageslagskraften modvirkes. Stil Dem på begge sider af klingen, men ikke på linje med den.** Tilbageslag kan bevirke, at saven springer bagud, men tilbageslagskraften kan kontrolleres af operatøren, hvis han tager de rigtige forholdsregler.
10. **Hvis bladet binder eller hvis skæringen af en eller anden årsag afbrydes, skal afbryderkontakten slippes og saven skal holdes stationær i materialet, indtil klingen er helt standstø. Sørg aldrig at fjerne saven fra arbejdsstykket eller trække saven bagud, mens klingen er i bevægelse, da dette kan medføre tilbageslag.** Undersøg situationen og træf afhjælpningsforanstaltninger til at eliminere årsagen til at klingen binder.
11. **Når saven genstartes i arbejdsstykket, skal den centeres midt i savsnittet og det skal kontrolleres, at savtænderne ikke er i kontakt med materialet.** Hvis savklingen binder, er der risiko for, at den bevæger sig opad eller slår tilbage fra arbejdsstykket, når saven startes igen.
12. **Anvend store støtteplader til at minimere risikoen for fastklemning af klingen og tilbageslag.** Store plader har tendens til at synke under deres egen vægt. Støtter skal anbringes under pladerne på begge sider, i nærheden af skærelinjen og kanten af pladen. (Fig. 2 og 3)
13. **Anvend ikke sløve og beskadigede klinger.** Uskærpede eller forkert monterede klinger frembringer et snævert savsnit, som medfører at klingen binder og der opstår tilbageslag.
14. **Låsegrebene til klingedybde og skrånitindstilling skal være stramme og sikre, inden skæringen påbegyndes.** Hvis klingeindstillingen ændrer sig under skæringen, kan der opstå binding og tilbageslag.
15. **Vær særlig forsigtig, når der saves ind i eksisterende vægge eller andre skjulte områder.** Savklingen, som stikker frem, kan komme til at skære i genstande, hvilket kan medføre tilbageslag.
16. **Hold ALTID fast i maskinen med begge hænder. Anbring ALDRIG Deres hånd eller fingre bag saven.** Hvis der opstår tilbageslag, kan saven nemt springe bagud over Deres hånd, hvorved der kan ske alvorlig personskade. (Fig. 4)
17. **Pres aldrig saven. Tryk saven fremad med en hastighed, så klingen skærer uden at hastigheden sænkes.** Hvis De gør det, kan der opstå uensartede skæringer, tab af præcision, og muligt tilbageslag.

#### Funktion af nederste beskyttelsesskærm

18. **Kontroller, at den nederste beskyttelsesskærm lukker korrekt inden hver brug. Anvend ikke saven, hvis den nederste beskyttelsesskærm ikke bevæger sig frit og lukker med det samme. Den nederste beskyttelsesskærm må aldrig fastspændes eller fastbindes i den åbne stilling.** Hvis saven ved et uheld tabes, kan den nederste beskyttelsesskærm blive bøjet. Hæv den nederste beskyttelsesskærm med tilbagetrækningshåndtaget og kontroller, at den bevæger sig frit og ikke kommer i berøring med klingen eller andre dele i alle vinkler og skæredybder.
19. **Kontroller funktionen af den nederste skærmfjeder. Hvis skærmen og fjederen ikke fungerer korrekt, skal de serviceres inden brugen.** Den nederste beskyttelsesskærm kan fungere trægt på grund af beskadigede dele, gummiaflejringer eller ansamling af affaldsstoffer.
20. **Det nederste beskyttelsesskærm kan kun trækkes tilbage manuelt for specielle skæringer, som f.eks. "stikskæringer" og "miterskæringer".** Hæv den nederste beskyttelsesskærm ved hjælp af tilbagetrækningshåndtaget, og så snart klingen går ind i materialet, skal den nederste skærm automatisk udløses. For al anden savning, bør den nederste beskyttelsesskærm fungere automatisk.
21. **Sørg altid for, at den nederste beskyttelsesskærm dækker klingen, inden saven anbringes på bænk eller gulv.** En ubeskyttet, roterende klinge vil bevirke, at saven bevæger sig bagud og skærer i alt, hvad der er i dens bane. Vær opmærksom på den tid, det tager for klingen at stoppe, efter at afbryderkontakten er sluppet.
22. **For at kontrollere den nederste beskyttelsesskærm, skal man åbne den med hånden og derefter slippe den og bekræfte lukningen af skærmen.** Kontroller ligeledes, at tilbagetrækningshåndtaget ikke kommer i berøring med maskinhuset. At efterlade klingen synlig kan være MEGET FARLIGT og føre til alvorlig personskade.

#### Funktion af spaltekniv

23. **Anvend det rigtige savblad til spaltekniven.** For at spaltekniven skal kunne arbejde, skal klingen være tyndere end spaltekniven og klingens skærebredde skal være bredere end spalteknivens tykkelse.
24. **Indstil spaltekniven som beskrevet i denne brugsanvisning.** Føjagtig afstand, placering og indstilling kan bevirke, at spaltekniven ikke kan forhindre tilbageslag.
25. **Anvend altid spaltekniven, undtagen ved udførelse af "stikskæring".** Spaltekniven skal skiftes ud med en ny efter "stikskæring". Spaltekniven frembringer interferens under "stikskæring" og kan forårsage tilbageslag.

26. **For at spaltekniven skal kunne arbejde, skal den være inde i arbejdsstykket.** Spaltekniven kan ikke forhindre tilbageslag under korte skæringer.
27. **Anvend ikke saven, hvis spaltekniven er bøjet.** Selv en let interferens kan nedsætte beskyttelseskærmens lukkehastighed.

#### Supplerende sikkerhedsforskrifter

28. **Vær ekstra forsigtig, hvis De skærer i fugtigt træ, trykbehandlet tømmer eller træ, som har knaster.** Før maskinen jævnt frem uden at mindske klingens hastighed, således at overophedning af klingens takker undgås.
29. **Forsøg ikke at fjerne afskåret materiale, mens klingen roterer. Vent indtil klingen er standset, inden De fjerner afskåret materiale.** Klingens fortsætter med at rotere, efter at der er slukket for maskinen.
30. **Undgå søm, når De skærer. Se efter om der er søm i tommeret og fjern i bekræftende fald alle søm, inden skæringen påbegyndes.**
31. **Anbring den bredeste del af savbasen på den del af arbejdsstykket, som er solidt understøttet, ikke på den del, som vil falde af, når skæringen er fuldført. Eksempelvis viser Fig. 5 den RIGTIGE måde at skære enden af et bræt af på, og Fig. 6 viser den FORKERTE måde. Hvis arbejdsstykket er kort eller lille, skal det spændes fast. FØRSØG IKKE AT HOLDE KORTE ARBEJDSSTYKKER FAST MED HÅNDEN! (Fig. 5 og 6)**
32. **Inden De lægger maskinen fra Dem efter at have fuldført en skæring, skal De være sikker på, at den nederste beskyttelseskærm er lukket og at klingen er standset fuldstændigt.**
33. **Forsøg aldrig at save med rundsaven holdt på hovedet i en skruetvinge. Dette er yderst farligt og kan føre til alvorlige ulykker. (Fig. 7)**
34. **Noget materiale indeholder visse kemikalier, som kan være giftige. Vær påpasselig med ikke at indånde støv, og undgå hudkontakt. Følg fabrikantens sikkerhedsdata.**
35. **Stop ikke klingerne ved hjælp af lateralt tryk på savklingen.**
36. **Anvend altid de i denne brugsvejledning anbefalede klinger. Anvend ikke slibeskiver.**
37. **Hold altid klingen skarp og ren.** Gummi og træbeg, som er størknet på klingen, gør saven langsommere og øger risikoen for tilbageslag. Hold altid klingen ren ved først at tage den af maskinen og derefter rengøre den med en gummi- og begfjerner, varmt vand eller petroleum. Benzin må aldrig anvendes.
38. **Bær altid støvmaske og høreværn, når De anvender maskinen.**

#### GEM DISSE FORSKRIFTER.

##### ADVARSEL:

LAD IKKE bekvemmelighed eller kendskab til produktet (opnået gennem gentagen brug) forhindre, at sikkerhedsforskrifterne for produktet nøje overholdes. MISBRUG eller forsømmelse af at følge de i denne brugsvejledning givne sikkerhedsforskrifter kan føre til, at De kommer alvorligt til skade.

## FUNKTIONSBESKRIVELSE

### FORSIGTIG:

- Kontroller altid, at maskinen er slået fra, og at netstikket er trukket ud, før der udføres justeringer eller funktioner kontrolleres på denne maskine.

### Justering af skæredybde (Fig. 8)

#### FORSIGTIG:

- Spænd altid håndtaget forsvarligt til efter justering af skæredybden.

Løs håndtaget på dybdeguiden og bevæg grundpladen op eller ned. Ved den ønskede skæredybde gøres grundpladen fast ved at spænde armen til.

Renere og sikrere skæringer kan opnås, hvis man indstiller skæredybden således, at ikke flere end en enkelt savtand stikker ud under arbejdsstykket. Anvendelse af en rigtig skæredybde bidrager til at reducere risikoen for farlige TILBAGESLAG, som kan medføre kvæstelser.

### Geringssnit (Fig. 9)

#### For model 5603R, 5703R, 5705R, 5903R, 5103R

Løsn fastspændingsskruerne fortil og bagtil, og hæld maskinen til den ønskede vinkel ved geringssnit (0° – 45°). Spænd fastspændingsskruerne godt til fortil og bagtil, når indstillingen er udført.

#### For model 5143R

Løsn fastgørelsesskruerne fortil, og hæld maskinen til den ønskede vinkel ved geringssnit (0° – 60°). Spænd fastgørelsesskruerne godt til fortil, når indstillingen er udført.

### Snitlinjer

#### For 5603R, 5703R, 5705R, 5903R, 5103R

##### (Fig. 10 og 11)

Ved lige snit rettes A-positionen på forkanten af grundpladen ind efter snitlinjen. Ved 45° geringssnit rettes B-positionen ind efter den.

#### For 5143R (Fig. 12)

Ret snitlinjen ind efter 0° hakket for en lige snitlinje på 30° hakket for 30° vinkelsnit eller 45° hakket for 45° vinkelsnit eller 60° hakket for 60° vinkelsnit.

### Justering af spaltekniven (Fig. 13)

Anvend topnøglen til at løsne sekskantbolten til justering af spaltekniven, og hæv dernæst det nederste beskyttelsedæksel. Flyt spaltekniven op eller ned over de to knopper til indstilling, som illustreret, således at der bliver passende afstand mellem spaltekniven og savbladet.

#### FORSIGTIG:

- Kontroller, at spaltekniven er justeret således at: Afstanden mellem spaltekniven og savbladets tænder ikke overstiger 5 mm. Savbladets tænder ikke kommer mere end 5 mm nedenfor spalteknivens nederste kant.

### Afbryderkontakt (Fig. 14)

#### FORSIGTIG:

- Før maskinen sættes til stikkontakten, bør De altid kontrollere, at afbryderknappen fungerer korrekt og retunerer til "OFF"-positionen, når den slippes.

Til forhindring af utilsigtet indtrykning af afbryderknappen, er maskinen udstyret med aflåseknep. For at starte maskinen, skal man trykke aflåseknappen ind og trykke på afbryderknappen. Slip afbryderknappen for at stoppe.



## SAMLING

### FORSIGTIG:

- Sørg altid for, at maskinen er afbrudt og taget ud af forbindelse, inden der udføres noget arbejde på maskinen.

### Afmontering eller montering af savblad (Fig. 15 og 16)

Det følgende savblad kan anvendes i denne maskine.

Model	Max. diameter	Min. diameter	Savbladsbredde	Skærebredde
5603R	165 mm	150 mm	1,6 mm eller mindre	1,9 mm eller mere
5703R, 5705R	190 mm	170 mm	1,6 mm eller mindre	1,9 mm eller mere
5903R	235 mm	210 mm	1,7 mm eller mindre	2,1 mm eller mere
5103R	270 mm	260 mm	1,8 mm eller mindre	2,2 mm eller mere
5143R	355 mm	350 mm	2,3 mm eller mindre	2,7 mm eller mere

006481

Bredden på spaltekniven er 1,8 mm for modellerne 5603R, 5703R og 5705R eller 2,0 mm for modellerne 5903R og 5103R eller 2,5 mm for model til 5143R.

### FORSIGTIG:

- Anvend ikke savblade, der ikke modsvarer de her angivne specifikationer.
- Anvend ikke savblade, hvis skive er tykkere eller hvis savspør er smallere end tykkelsen på spaltekniven.

### FORSIGTIG:

- Sørg for at montere savbladet med dets tænder vendende opad på den forreste del af maskinen.
- Anvend kun Makita-nøglen til montering og afmontering af savbladet.
- Tryk aldrig skaftlåsen ned, mens saven er i gang.

For at afmontere bladet, skal De trykke helt ned på skaftlåsen, så savbladet ikke kan rotere, og anvende nøglen til at løsne sekskantbolten i retningen mod uret. Fjern derefter sekskantbolten, den ydre flange og savbladet.

For at montere savbladet, skal De følge proceduren for afmontering i modsat rækkefølge. **SØRG FOR AT STRAMME SEKSKANTBOLTEN FAST I RETNINGEN MED URET.**

Når savbladet skiftes ud, skal man sørge for samtidigt at fjerne savsmuld fra det øverste og nederste beskyttelsesdæksel. Disse tiltag kan dog ikke erstatte nødvendigheden af at det nederste beskyttelsesdæksels funktionsgang kontrolleres inden hver brug.

### Tilslutning af en støvsuger (Fig. 17)

Når De ønsker at udføre savning, uden at det snavser så meget, kan De tilslutte en Makita-støvsuger til maskinen. Monter koblingen på maskinen ved hjælp af skruerne. Slut derefter støvsugerens slange til koblingen som vist på illustrationen.

## BETJENING

### FORSIGTIG:

- Sørg for at føre maskinen forsigtigt frem i en lige linje. Hvis maskinen tvinges eller drejes, vil resultatet blive overophedning af motoren og farligt tilbageslag med risiko for personskade.

Hold godt fast i maskinen. Maskinen er udstyret med både et fronthåndtag og et baghåndtag. Anvend begge, så det bedste greb om maskinen opnås. Hvis De holder i maskinen med begge hænder, kan De ikke skære dem på savbladet. Indstil grundpladen på arbejdsområdet til skæring uden at savbladet kommer i kontakt. Tænd derefter for maskinen og vent indtil savbladet er kommet op på fuld hastighed. Bevæg nu ganske enkelt maskinen fremad og henover arbejdsområdets overflade, idet De holder den fladt og fremfører den jævnt, indtil savningen er fuldført.

For at opnå rene snit, skal De holde savelinjen lige og fremføringshastigheden jævn. Hvis snittet ikke følger Deres planlagte snitlinje på korrekt vis, må De ikke forsøge at dreje eller tvinge maskinen tilbage til snitlinjen. Dette kan låse bladet og føre til farlige tilbageslag og eventuel personskade. Slip afbryderen og vent til savbladet er stoppet og træk derefter maskinen tilbage. Sæt maskinen ud for en ny snitlinje og begynd at save igen. Prøv at undgå en placering, som udsætter operatøren for spån og savsmuld, som frembringes af saven. Anvend øjenbeskyttelse, så tilskadekomst undgås. (Fig. 18)

### FORSIGTIG:

- Spaltekniven bør altid anvendes, undtagen når savningen begyndes midt i emnet.

### Parallellanslag (styreskinne) (Fig. 19)

Det praktiske parallellanslag gør det muligt at udføre særligt nøjagtige lige snit. De behøver blot at trykke parallellanslaget helt op mod siden af arbejdsområdet og fastgøre det i stilling med skruen foran på grundpladen. Det muliggør også gentagen savning med ens bredde.

## VEDLIGEHOLDELSE

### FORSIGTIG:

- Kontrollér altid, at maskinen er slået fra, og at netstikket er trukket ud, før der udføres eftersyn eller vedligeholdelse.
- Anvend aldrig benzin, rensebenzin, fortynder, alkohol og lignende. Resultatet kan blive misfarvning, deformation eller revner.

### Udskiftning af kul (Fig. 20 og 21)

Udtag og efterse kullene med regelmæssige mellemrum. Udskift kullene, når de er slidt ned til slidmarkeringen. Hold kullene rene og i stand til frit at glide ind i holderne. Begge kul skal udskiftes parvist samtidigt. Anvend kun identiske kulbørster.

Benyt en skruetrækker til at afmontere kulholderdækslerne. Tag de slidte kul ud, isæt de nye og fastgør derefter kulholderdækslerne.

For at opretholde produktets SIKKERHED og PÅLIDELIGHED bør reparation, vedligeholdelse og justering kun udføres af et Makita Service Center med anvendelse af originale Makita udskiftingsdele.

## EKSTRAUDSTYR

### FORSIGTIG:

- Det i denne manual specificerede tilbehør og anordninger anbefales til brug sammen med Deres Makita maskine. Brug af andet tilbehør og andre anordninger kan udgøre en risiko for personskade. Anvend kun tilbehør og anordninger til de beskrevne formål.

Hvis De behøver assistance eller yderligere detaljer om dette tilbehør, bedes De kontakte Deres lokale Makita servicecenter.

- Savblade
- Parallelslagslag (styreskinne)
- Topnøgle
- Kobling

### BEMÆRK:

- Nogle ting på denne liste kan være inkluderet i værktøjspakken som standardtilbehør. Det kan være forskellige fra land til land.

ENG905-1

### Lyd

Det typiske A-vægtede støjniveau bestemt i overensstemmelse med EN60745:

#### Model 5603R, 5703R

Lydtryksniveau ( $L_{pA}$ ): 93 dB (A)  
Lydeffektniveau ( $L_{WA}$ ): 104 dB (A)  
Usikkerhed (K): 3 dB (A)

#### Model 5705R, 5143R

Lydtryksniveau ( $L_{pA}$ ): 94 dB (A)  
Lydeffektniveau ( $L_{WA}$ ): 105 dB (A)  
Usikkerhed (K): 3 dB (A)

#### Model 5903R

Lydtryksniveau ( $L_{pA}$ ): 95 dB (A)  
Lydeffektniveau ( $L_{WA}$ ): 106 dB (A)  
Usikkerhed (K): 3 dB (A)

#### Model 5103R

Lydtryksniveau ( $L_{pA}$ ): 97 dB (A)  
Lydeffektniveau ( $L_{WA}$ ): 108 dB (A)  
Usikkerhed (K): 3 dB (A)

#### Bær høreværn

ENG900-1

### Vibration

Vibrations totalværdi (tre-aksial vektorsum) bestemt i overensstemmelse med EN60745:

#### Model 5603R

Arbejdsindstilling: skæring af træ  
Vibrationsafgivelse ( $a_{h, w}$ ): 2,5 m/s<sup>2</sup> eller mindre  
Usikkerhed (K): 1,5 m/s<sup>2</sup>

#### Model 5103R, 5143R

Arbejdsindstilling: skæring af træ  
Vibrationsafgivelse ( $a_{h, w}$ ): 2,5 m/s<sup>2</sup> eller mindre  
Usikkerhed (K): 1,5 m/s<sup>2</sup>

Arbejdsindstilling: skæring i metal

Vibrationsafgivelse ( $a_{h, M}$ ): 2,5 m/s<sup>2</sup> eller mindre  
Usikkerhed (K): 1,5 m/s<sup>2</sup>

#### Model 5703R

Arbejdsindstilling: skæring af træ  
Vibrationsafgivelse ( $a_{h, w}$ ): 3,5 m/s<sup>2</sup>  
Usikkerhed (K): 1,5 m/s<sup>2</sup>

#### Model 5903R

Arbejdsindstilling: skæring af træ  
Vibrationsafgivelse ( $a_{h, w}$ ): 3,0 m/s<sup>2</sup>  
Usikkerhed (K): 1,5 m/s<sup>2</sup>

Arbejdsindstilling: skæring i metal  
Vibrationsafgivelse ( $a_{h, M}$ ): 4,0 m/s<sup>2</sup>  
Usikkerhed (K): 1,5 m/s<sup>2</sup>

#### Model 5705R

Arbejdsindstilling: skæring af træ  
Vibrationsafgivelse ( $a_{h, w}$ ): 2,5 m/s<sup>2</sup>  
Usikkerhed (K): 1,5 m/s<sup>2</sup>

ENG901-1

- Den angivne vibrationsemissionsværdi er blevet målt i overensstemmelse med standardtestmetoden og kan anvendes til at sammenligne en maskine med en anden.
- Den angivne vibrationsemissionsværdi kan også anvendes i en preliminær eksponeringsvurdering.

### ADVARSEL:

- Vibrationsemissionen under den faktiske anvendelse af maskinen kan være forskellig fra den erklærede emissionsværdi, afhængigt af den måde, hvorpå maskinen anvendes.
- Sørg for at identificere de sikkerhedsforskrifter til beskyttelse af operatøren, som er baseret på en vurdering af eksponering under de faktiske brugsforhold (med hensyntagen til alle dele i brugscyklens, som f.eks. de gange, hvor maskinen er slukket og når den kører i tomgang i tilgift til afbrydertiden).

ENH101-16

### Kun for lande i Europa

### EU-konformitetserklæring

**Vi, Makita Corporation, erklærer, som den ansvarlige fabrikant, at den (de) følgende Makita maskine(r):**

Maskinens betegnelse: Rundsav

Model nr./Type:

5603R, 5703R, 5705R, 5903R, 5103R, 5143R

er af serieproduktion og

**opfylder betingelserne i de følgende EU-direktiver:**

2006/42/EC

og er fremstillet i overensstemmelse med de følgende standarder eller standardiserede dokumenter:

EN60745

Den tekniske dokumentation opbevares af:

Makita International Europe Ltd.

Teknisk afdeling,

Michigan Drive, Tongwell,

Milton Keynes, Bucks MK15 8JD, England

30.1.2009



Tomoyasu Kato

Direktør

Makita Corporation

3-11-8, Sumiyoshi-cho,

Anjo, Aichi, 446-8502, JAPAN

**Περιγραφή γενικής άποψης**

- |   |  |    |   |    |                             |
|---|--|----|---|----|-----------------------------|
| 1 | Τυπική απεικόνιση της κατάλληλης στήριξης χεριών, στήριξης αντικειμένου εργασίας και διαδρομής ηλεκτρικού καλωδίου (αν υπάρχει). | 5  | Βίδα σύσφιξης   | 17 | Κουμπί απασφάλισης          |
| 2 | Για την αποφυγή κλωστήματος προς τα πίσω υποστηρίξτε την σανίδα ή τις πλάκες κοντά στο κόψιμο.                                   | 6  | Πλάκα Βάσης   | 18 | Σκανδάλη διακόπτης          |
| 3 | Μην υποστηρίζετε την σανίδα ή τις πλάκες μακριά από το κόψιμο.   | 7  | Οδηγός κορυφής  | 19 | Εξαγωνικό κλειδί            |
| 4 | Μοχλός   | 8  | Βάση  | 20 | Κλειδωμα άξονα              |
|   |  | 9  | Κοπές γωνίας 60°  | 21 | Βίδα εξαγωνικής κεφαλής     |
|   |  | 10 | Κοπές γωνίας 45°  | 22 | Εξωτερική φλάντζα           |
|   |  | 11 | Κοπές γωνίας 30°  | 23 | Λάμα τροχού                 |
|   |  | 12 | Ευθείες κοπές   | 24 | Εσωτερική φλάντζα           |
|   |  | 13 | Λάμα  | 25 | Ηλεκτρική σκούπα            |
|   |  | 14 | Ρύθμιση προεξοχής   | 26 | Σημάδι οριού                |
|   |  | 15 | Βίδα εξαγωνικής κεφαλής (για ρύθμιση του μαχαιριού κοπής) | 27 | Κατσαβίδι                   |
|   |  | 16 | Βάθος κοπής   | 28 | Κάλυμμα συγκρατητή βούρτσας |

**ΤΕΧΝΙΚΑ ΧΑΡΑΚΤΗΡΙΣΤΙΚΑ**

Μοντέλο	5603R	5703R	5705R	5903R	5103R	5143R	
Διάμετρος λάμας	165 χιλ.	190 χιλ.	190 χιλ.	235 χιλ.	270 χιλ.	355 χιλ.	
Μεγ. βάθος κοπής	Σε 90°	54 χιλ.	66 χιλ.	66 χιλ.	85 χιλ.	100 χιλ.	130 χιλ.
	Σε 45°	38 χιλ.	46 χιλ.	46 χιλ.	64 χιλ.	73 χιλ.	90 χιλ.
Ταχύτητα χωρίς φορτίο (λεπ <sup>-1</sup> )	5.000	4.800	4.800	4.500	3.800	2.700	
Ολικό μήκος	330 χιλ.	356 χιλ.	356 χιλ.	400 χιλ.	442 χιλ.	607 χιλ.	
Καθαρό βάρος	4,9 Χγρ	5,7 Χγρ	5,7 Χγρ	7,2 Χγρ	9,4 Χγρ	14,0 Χγρ	
Κατηγορία ασφάλειας	 // I	 // I	 // I	 // I	 // I	 // I	

- Λόγω του συνεχιζόμενου προγράμματος έρευνας και ανάπτυξης, οι παρούσες προδιαγραφές υπόκεινται σε αλλαγή χωρίς προειδοποίηση.
- Τα τεχνικά χαρακτηριστικά μπορεί να διαφέρουν από χώρα σε χώρα.
- Βάρος σύμφωνα με διαδικασία EPTA 01/2003

GEB029-5

ENE078-2

**Προοριζόμενη χρήση**

Το εργαλείο προορίζεται για εκτέλεση, κατά μήκος και εγκάρσιως, ίσιας και λοξής κοπής με γωνίες σε ξύλο ενώ βρίσκεται σε σταθερή επαφή με το τεμάχιο εργασίας. Με κατάλληλες γνήσιες λάμες τροχού της Makita, μπορείτε να πριονίσετε και άλλα υλικά.

ENF002-2

**Ρευματοδότηση**

Το εργαλείο πρέπει να συνδέεται μόνο σε ηλεκτρική παροχή της ίδιας τάσης με αυτήν που αναγράφεται στην πινακίδα ονομαστικών τιμών και μπορεί να λειτουργήσει μόνο με εναλλασσόμενο μονοφασικό ρεύμα. Τα εργαλεία αυτά έχουν διπλή μόνωση και κατά συνέπεια, μπορούν να συνδεθούν σε ακροδέκτες χωρίς σύρμα γείωσης.

G6A010-1

**Γενικές προειδοποιήσεις ασφαλείας για το ηλεκτρικό εργαλείο**

**⚠ ΠΡΟΕΙΔΟΠΟΙΗΣΗ Διαβάστε όλες τις προειδοποιήσεις ασφαλείας και όλες τις οδηγίες.** Η μη τήρηση των προειδοποιήσεων και οδηγιών ενδέχεται να καταλήξει σε ηλεκτροπληξία, πυρκαγιά ή/και σοβαρό τραυματισμό.

**Φυλάξτε όλες τις προειδοποιήσεις και τις οδηγίες για μελλοντική παραπομπή.**

**ΠΡΟΕΙΔΟΠΟΙΗΣΕΙΣ ΑΣΦΑΛΕΙΑΣ ΓΙΑ ΤΟ ΔΙΣΚΟΠΡΙΟΝΟ**

**Διαδικασίες κοπή**

1. **⚠ ΚΙΝΔΥΝΟ:** Κρατάτε τα χέρια σας μακριά από την περιοχή κοπής και την λάμα. Κρατάτε το άλλο σας χέρι πάνω στην βοηθητική λαβή, ή στο περιβλήμα κινητήρα. Εάν και τα δύο χέρια κρατάνε το πριόνι, δεν μπορεί να κοπούν από την λάμα.
2. **Μην απλώνετε τα χέρια σας κάτω από το τεμάχιο εργασίας.** Ο προφυλακτήρας δεν μπορεί να σας προστατεύσει από την λεπίδα κάτω από το τεμάχιο εργασίας.
3. **Ρυθμίστε το βάθος κοπής σύμφωνα με το πάχος του τεμαχίου εργασίας.** Λιγότερο από ένα ολόκληρο δόντι από τα δόντια της λάμας πρέπει να φαίνεται κάτω από το τεμάχιο εργασίας.
4. **Ποτέ μη κρατάτε ένα κομμάτι που κόβετε στα χέρια σας ή πάνω στο πόδι σας. Ασφαλίστε το τεμάχιο εργασίας σε σταθερή πλατφόρμα.** Είναι σημαντικό να υποστηρίξετε το τεμάχιο εργασίας κατάλληλα για να ελαχιστοποιήσετε την έκθεση του σώματος, εμπλοκή λάμας, ή απώλεια ελέγχου. (Εικ. 1)

5. **Να κρατάτε το ηλεκτρικό εργαλείο μόνο από τις μονωμένες λαβές κατά την εκτέλεση εργασίας όπου το εργαλείο κοπής ενδέχεται να έλθει σε επαφή με κρυμμένα καλώδια ή με το δικό του καλώδιο τροφοδοσίας.** Αν γίνει επαφή με κάποιο “ηλεκτροφόρο” καλώδιο, τα εκτεθειμένα μεταλλικά μέρη του ηλεκτρικού εργαλείου θα γίνουν και αυτά “ηλεκτροφόρα” και μπορεί να προκληθεί ηλεκτροπληξία στο χειριστή.
6. **Όταν σχίζετε πάντοτε χρησιμοποιείτε ένα φράχτη σχίσματος ή οδηγό ίσιας άκρης.** Αυτό βελτιώνει την ακρίβεια της κοπής και μειώνει την πιθανότητα εμπλοκής λάμας.
7. **Πάντοτε χρησιμοποιείτε λάμες με σωστό μέγεθος και σχήμα (ρόμβου έναντι σφαιρικού) οπών εγκατάστασης.** Οι λάμες που δεν ταιριάζουν με τον εξοπλισμό εγκατάστασης του πριονιού θα λειτουργούν εκκέντρως, προκαλώντας απώλεια ελέγχου.
8. **Ποτέ μη χρησιμοποιήσετε ελαττωματικές ροδέλες λάμας ή μπουλόνια.** Οι ροδέλες και μπουλόνια λάμας έχουν σχεδιαστεί ειδικά για το πριόνι σας, για βέλτιστη απόδοση και ασφάλεια λειτουργίας.

#### **Αιτίες κλοστήματος και σχετικές προειδοποιήσεις**

- οπισθολάκτισμα είναι μία ξαφνική αντίδραση σε μία τσιμπημένη, πιασμένη ή κακώς ευθυγραμμισμένη λάμα πριονιού, που προκαλεί ένα ανεξέλεγκτο σήκωμα του πριονιού και έξοδο από το τεμάχιο εργασίας προς την μεριά του χειριστή.
- όταν η λάμα είναι τσιμπημένη ή πιασμένη σφιγχτά από την τομή που κλείνει, η λάμα ακινητοποιείται και η αντίδραση του κινητήρα οδηγεί την μονάδα ταχώς πίσω προς τον χειριστή.
- εάν η λάμα στρεβλωθεί ή χάσει την ευθυγράμμιση της στην κοπή, τα δόντια στο πίσω μέρος της άκρης της λάμας μπορεί να σκάσουν στην άνω επιφάνεια του ξύλου κάνοντας την λάμα να αναρριχηθεί έξω από την τομή και να πηδήξει πίσω προς τον χειριστή.

Το οπισθολάκτισμα είναι το αποτέλεσμα κακής χρήσης του πριονιού και/ή εσφαλμένων διαδικασιών ή συνθηκών λειτουργίας και μπορεί να αποφευχθεί λαμβάνοντας κατάλληλες προφυλάξεις όπως δίνονται παρακάτω.

9. **Διατηρείτε ένα καλό πιάσιμο και με τα δύο χέρια στο πριόνι και τοποθετήστε τους βραχίονές σας έτσι ώστε να αντιστέκονται στις δυνάμεις οπισθολακτίσματος. Τοποθετήστε το σώμα σας από οποιοδήποτε πλευρά της λάμας αλλά όχι σε ευθεία με την λάμα.** Το οπισθολάκτισμα θα μπορούσε να κάνει το πριόνι να πηδήξει προς τα πίσω, αλλά οι δυνάμεις οπισθολακτίσματος μπορεί να ελεγχθούν από τον χειριστή, εάν παρθούν οι κατάλληλες προφυλάξεις.
10. **Όταν η λάμα πάνει, ή όταν διακόπεται μία κοπή για οποιοδήποτε λόγο, ελευθερώστε την σκανδάλη και κρατήστε το πριόνι ακίνητο στο υλικό μέχρι που η λεπίδα φθάνει σε μία πλήρη στάση. Ποτέ μην επιχειρήσετε να αφαιρέσετε το πριόνι από το τεμάχιο εργασίας ή να τραβήξετε το πριόνι προς τα πίσω ενώ η λάμα βρίσκεται σε κίνηση αλλιώς οπισθολάκτισμα μπορεί να συμβεί.** Ελέγξτε και πάρτε διορθωτικά μέτρα για να εξαλείψετε την αιτία πιασίματος λάμας.
11. **Όταν επανεκκινείτε ένα πριόνι στο τεμάχιο εργασίας, βάλτε την λάμα πριονιού στο κέντρο της τομής και ελέγξτε ότι τα δόντια πριονιού δεν έχουν εμπλακεί μέσα στο υλικό.** Εάν η λάμα πριονιού πιάνει, μπορεί να πάει επάνω ή οπισθολακτίσει από το τεμάχιο εργασίας όπως το πριόνι επανεκκινεί.
12. **Υποστηρίξτε μεγάλα τεμάχια για να ελαχιστοποιήσετε τον κίνδυνο τσιμπήματος της λάμας και οπισθολακτίσματος.** Μεγάλα τεμάχια τείνουν να λυγίζουν κάτω από το βάρος τους. Υποστηρίγματα πρέπει να τοποθετούνται κάτω από το τεμάχιο και στις δύο πλευρές, κοντά στην γραμμή κοπής και κοντά στην άκρη του τεμαχίου. (Εικ. 2 και 3)
13. **Μη χρησιμοποιείτε λάμες αμβλυμένες ή με ζημιές.** Ατρόχιστες λάμες ή ακατάλληλα τοποθετημένες λάμες δημιουργούν στενή τομή προκαλώντας υπερβολική τριβή, πιάσιμο λάμας και οπισθολάκτισμα.
14. **Οι κλειδαίτοι μοχλοί ρύθμισης βάθους λάμας και κωνικότητας πρέπει να είναι σφικτοί και ασφαλείς πριν από την κοπή.** Εάν η ρύθμιση λάμας μετακινείται κατά την κοπή, μπορεί να προκληθεί πιάσιμο και οπισθολάκτισμα.
15. **Δώστε μεγάλη προσοχή όταν πριονίζετε σε υπάρχοντες τοίχους ή άλλες τυφλές περιοχές.** Εάν η λάμα προεξέχει, μπορεί να κόψει αντικείμενα που θα προκαλέσουν το κλόστημά του.
16. **ΠΑΝΤΟΤΕ κρατάτε το εργαλείο σταθερά με τα δύο χέρια. ΠΟΤΕ μη βάλτε το χέρι σας ή τα δάκτυλά σας πίσω από το πριόνι.** Εάν συμβεί οπισθολάκτισμα, το πριόνι μπορεί εύκολα να πηδήξει προς τα πίσω πάνω από το χέρι σας, οδηγώντας σε σοβαρό προσωπικό τραυματισμό. (Εικ. 4)
17. **Ποτέ μη εξαναγκάσετε το πριόνι. Σπρώχτε το πριόνι προς τα εμπρός με ταχύτητα έτσι ώστε η λάμα κόβει χωρίς να επιβραδύνεται.** Ο εξαναγκασμός του πριονιού μπορεί να προκαλέσει ανώμαλες κοπές, απώλεια ακρίβειας, και πιθανό οπισθολάκτισμα.

#### **Λειτουργία κάτω προφυλακτήρα**

18. **Ελέγξτε τον κάτω προφυλακτήρα για κατάλληλο κλείσιμο πριν από κάθε χρήση. Μη λειτουργείτε το πριόνι εάν ο κάτω προφυλακτήρας δεν κινείται ελεύθερα και κλείνει στιγμιαία.** Ποτέ μη σφίξτε ή δέστε τον κάτω προφυλακτήρα στην ανοικτή θέση. Εάν το πριόνι πέσει τυχαίως, ο κάτω προφυλακτήρας μπορεί να λυγίσει. Σηκώστε τον κάτω προφυλακτήρα με την λαβή απόσυρσης και βεβαιωθείτε ότι κινείται ελεύθερα και δεν αγγίζει την λάμα ή οποιοδήποτε άλλο μέρος, σε όλες τις γωνίες και βάθη κοπών.
19. **Ελέγξτε την λειτουργία του ελατηρίου κάτω προφυλακτήρα.** Εάν ο προφυλακτήρας και το ελατήριο δεν λειτουργούν κατάλληλα, πρέπει να συντηρηθούν πριν την χρήση. Ο κάτω προφυλακτήρας μπορεί να λειτουργεί αργά λόγω τμημάτων με ζημιές, αποθέματα κόλλας, ή συσσώρευσης απορριμμάτων.

20. Μπορείτε να μαζέψετε το κάτω προστατευτικό με το χέρι μόνο για ειδικά κοψίματα, όπως “βαθιά κοψίματα” και “σύνθετα κοψίματα”. Ανεβάζετε το κάτω προστατευτικό με τη βοήθεια της ανασυρόμενης λαβής και, μόλις η λάμα εισέλθει στο υλικό, απελευθερώστε το κάτω προστατευτικό. Για κάθε άλλη εργασία πριονίσματος, το κάτω προστατευτικό πρέπει να λειτουργεί αυτόματα.
21. Πάντοτε βεβαιώνετε ότι ο κάτω προφυλακτήρας καλύπτει την λάμα πριν τοποθετήσετε το πριόνι κάτω στον πάγκο ή στο πάτωμα. Μιά απροσάτευτη, περιστρεφόμενη λάμα θα κάνει το πριόνι να κινηθεί προς τα πίσω, κόβοντας ότι βρίσκεται στην τροχιά του. Να είστε ενήμεροι για τον χρόνο που χρειάζεται για την λάμα να σταματήσει αφού ο διακόπτης έχει αφαιρεθεί.
22. Για να ελέγξετε τον κάτω προφυλακτήρα, ανοίχτε τον κάτω προφυλακτήρα με το χέρι, κατόπιν ελευθερώστε και παρακολουθείστε το κλείσιμο του προφυλακτήρα. Επίσης ελέγξτε να δείτε ότι η λαβή απόσυρσης δεν αγγίζει το περίβλημα του εργαλείου. Είναι ΠΟΛΥ ΕΠΙΚΙΝΔΥΝΟ να αφήνετε την λάμα εκτεθειμένη και μπορεί να οδηγήσει σε σοβαρό προσωπικό τραυματισμό.

#### Λειτουργία μαχαιριού κοπής

23. Χρησιμοποιήστε τη κατάλληλη λάμα τροχού για τη λεπίδα τεμαχισμού. Για τη λειτουργία της λεπίδας τεμαχισμού, το σώμα της λάμας πρέπει να είναι πιο λεπτό από τη λεπίδα τεμαχισμού και το πλάτος κοπής της λάμας πρέπει να είναι πιο μεγάλο από το πάχος της λεπίδας τεμαχισμού.
24. Ρυθμίστε το μαχαίρι σχισίματος όπως περιγράφεται σ' αυτές τις οδηγίες χρήσεως. Εσφαλμένο διάστημα, θέση και ευθυγράμμιση μπορεί να κάνουν το μαχαίρι σχισίματος αναποτελεσματικό στην πρόληψη οπισθολακτίσματος.
25. Πάντοτε χρησιμοποιείτε το μαχαίρι σχισίματος εκτός από κόπες βυθίσεως. Το μαχαίρι σχισίματος πρέπει να αντικαθίσταται μετά από κοπή βυθίσεως. Το μαχαίρι σχισίματος προκαλεί παρεμβολή κατά την κοπή βυθίσεως και μπορεί να προκαλέσει οπισθολακτίσμα.
26. Για να λειτουργήσει το μαχαίρι σχισίματος, πρέπει να έχει εμπλακεί στο τεμάχιο εργασίας. Το μαχαίρι σχισίματος είναι αναποτελεσματικό στην πρόληψη οπισθολακτίσματος κατά τις κοντές κοπές.
27. Μη λειτουργείτε το πριόνι εάν το μαχαίρι σχισίματος είναι λυγισμένο. Ακόμη και μία ελαφρά παρεμβολή μπορεί να επιβραδύνει το ρυθμό κλεισίματος του προφυλακτήρα.

#### Πρόσθετες προειδοποιήσεις ασφάλειας

28. Δώστε μεγάλη προσοχή όταν κόβετε υγρό ξύλο, ξυλεία επεξεργασμένη με πίεση, ή ξύλο που περιέχει κόμπους. Διατηρήστε ομαλή προώθηση του εργαλείου χωρίς να μειώνετε την ταχύτητα της λάμας, προκειμένου να αποφύγετε την υπερθέρμανση των άκρων της λάμας.
29. Μην επιχειρήσετε να αφαιρέσετε κομμένο υλικό όταν η λάμα κινείται. Περιμένετε μέχρι να σταματήσει η λάμα πριν πάσετε κομμένο υλικό. Οι λάμες περιστρέφονται και μετά το σβήσιμο.
30. Αποφεύγετε την κοπή καρφιών. Ελέγξτε και αφαιρέστε όλα τα καρφιά από την ξυλεία πριν από την κοπή.
31. Τοποθετήστε το πλατύτερο τμήμα της βάσης πριονιού σε εκείνο το τμήμα του τεμαχίου εργασίας που είναι στερεά υποστηριζόμενο, όχι στο τμήμα που θα πέσει όταν γίνει η κοπή. Ως παραδείγματα, Εικ. 5 δείχνει τον ΣΩΣΤΟ τρόπο να αποκόψετε την άκρη μιας σανίδας, και η Εικ. 6 τον ΛΑΘΟΣ τρόπο. Εάν το τεμάχιο εργασίας είναι κοντό και μικρό, συγκρατήστε το κάτω. ΜΗ ΠΡΟΣΠΑΘΕΙΤΕ ΝΑ ΚΡΑΤΑΤΕ ΜΙΚΡΑ ΤΕΜΑΧΙΑ ΜΕ ΤΟ ΧΕΡΙ. (Εικ. 5 και 6)
32. Πριν αφήσετε κάτω το εργαλείο αφού συμπληρώσετε μία κοπή, βεβαιώνετε ότι ο κάτω προφυλακτήρας έχει κλείσει και η λάμα έχει σταματήσει τελείως.
33. Ποτέ μη προσπαθείτε να πριονίσετε με το δισκοπριονο κρατημένο ανάποδα σε μία μέγγενη. Αυτό είναι εξαιρετικά επικίνδυνο και μπορεί να οδηγήσει σε σοβαρά ατυχήματα. (Εικ. 7)
34. Μερικά υλικά περιέχουν χημικά τα οποία μπορεί να είναι τοξικά. Προσέχετε να αποφεύγετε την εισπνοή σκόνης και δερματική επαφή. Ακολουθείτε τα δεδομένα ασφάλειας του προμηθευτή υλικού.
35. Μη σταματάτε τις λάμες με πλευρική πίεση στην λάμα πριονιού.
36. Πάντοτε χρησιμοποιείτε λάμες συνιστώμενες στο εγχειρίδιο αυτό. Μη χρησιμοποιείτε αποξεστικούς τροχούς.
37. Κρατάτε την λάμα αιχμηρή και καθαρή. Σκληροποιημένη κόλλα και σκόνη ξύλου στις λάμες επιβραδύνει το πριόνι και αυξάνει την πιθανότητα λακτισμάτων. Κρατάτε την λάμα καθαρή αφαιρώντας την πρώτα από το εργαλείο, μετά καθαρίζοντας την με διαλυτή κόλλας και ξυλόσκονης, ξεστό νερό ή κηροζίνη. Ποτέ μη χρησιμοποιείτε βενζίνη.
38. Φοράτε μάσκα σκόνης και γυαλιστέρια όταν χρησιμοποιείτε το εργαλείο.

#### ΦΥΛΑΞΕΤΕ ΑΥΤΕΣ ΤΙΣ ΟΔΗΓΙΕΣ.

#### ΠΡΟΕΙΔΟΠΟΙΗΣΗ:

ΜΗΝ επιτρέψετε το βαθμό άνεσης ή εξοικείωσης με το προϊόν (λόγω επανειλημμένης χρήσης) να αντικαταστήσει την αυστηρή τήρηση των κανόνων ασφαλείας του παρόντος εργαλείου. ΚΑΚΗ ΧΡΗΣΗ ή αμέλεια να ακολουθήσετε τους κανόνες ασφαλείας που διατυπώνονται σ'αυτό το εγχειρίδιο οδηγιών μπορεί να προκαλέσει σοβαρό προσωπικό τραυματισμό.

## ΠΕΡΙΓΡΑΦΗ ΛΕΙΤΟΥΡΓΙΑΣ

### ΠΡΟΣΟΧΗ:

- Πάντοτε να είστε σίγουροι ότι το εργαλείο είναι σβηστό και απασυνδεδεμένο από το ρεύμα πριν ρυθμίσετε ή ελέγξετε κάποια λειτουργία στο εργαλείο.

### Ρύθμιση βάθους κοπής (Εικ. 8)

#### ΠΡΟΣΟΧΗ

- Αφού ρυθμίσετε το βάθος κοπής, πάντοτε σφίγγετε το μοχλό με ασφάλεια.

Λασκαίρετε το μοχλό στον οδηγό βάθους και μετακινήστε τη βάση επάνω ή κάτω. Στο επιθυμητό βάθος κοπής, ασφαλίστε την βάση σφίγγοντας την βίδα σύσφιξης.

Για πιο καθαρές, ασφαλείς τομές, καθορίστε το βάθος της τομής ώστε να μην προεξέχουν περισσότερα από ένα δόντια της λεπίδας, κάτω από το τεμάχιο εργασίας. Η χρήση κατάλληλου βάθους τομής βοηθά στη μείωση της πιθανότητας για επικινδύνες ΑΝΑΚΡΟΥΣΕΙΣ (οπισθοακτίσματα) που μπορούν να προκαλέσουν προσωπικό τραυματισμό.

### Λοξή κοπή (Εικ. 9)

#### Για Μοντέλο 5603R, 5703R, 5705R, 5903R, 5103R

Χαλαρώστε τις βίδες σύσφιξης μπρος και πίσω και δώστε κλίση στο εργαλείο στην επιθυμητή γωνία για λοξές τομές (φάλτσα) (0° – 45°). Σφίξτε καλά τις βίδες σύσφιξης μπρος και πίσω μετά από την ρύθμιση.

#### Για Μοντέλο 5143R

Χαλαρώστε τις βίδες σύσφιξης μπροστά και δώστε κλίση στο εργαλείο στην επιθυμητή γωνία για λοξές τομές (φάλτσα) (0° – 60°). Σφίξτε καλά τις βίδες σύσφιξης μπροστά μετά από την ρύθμιση.

### Κάτοψη

#### Για 5603R, 5703R, 5705R, 5903R, 5103R

##### (Εικ. 10 και 11)

Για ίσιες κοπές, ευθυγραμμίστε την θέση Α στο εμπρόσθιο της βάσης με την γραμμή κοπής σας. Για λοξές κοπές 45°, ευθυγραμμίστε την θέση Β με αυτήν.

#### Για 5143R (Εικ. 12)

Ευθυγραμμίστε τη γραμμή οπτικής επαφής με την εγκοπή 0° για κοπή σε ευθεία γραμμή ή με την εγκοπή 30° για κοπή υπό γωνία 30° ή με την εγκοπή 45° για κοπή υπό γωνία 45° ή με την εγκοπή 60° για κοπή υπό γωνία 60°.

### Ρύθμιση μαχαίριου κοπής (Εικ. 13)

Χρησιμοποιείτε το εξαγωνικό κλειδί για να χαλαρώσετε το μπουλόνι εξαγωνικής υποδοχής κεφαλής για τη ρύθμιση της λεπίδας τροχού, και έπειτα σηκώστε το κάλυμμα ασφαλείας. Μετακινήστε τη λεπίδα τροχού επάνω ή κάτω πάνω από τις δύο προεξοχές για ρυθμίσεις που φαίνονται στην εικόνα, έτσι ώστε να υπάρχει ο κατάλληλος χώρος μεταξύ της λεπίδας τροχού και της λάμας τροχού.

#### ΠΡΟΣΟΧΗ:

- Βεβαιωθείτε ότι το μαχαίρι κοπής έχει ρυθμιστεί έτσι ώστε:

Η απόσταση μεταξύ του μαχαίριου κοπής και του οδοντωτού άκρου της λάμας του τροχού δεν είναι περισσότερο από 5 χιλ. Το οδοντωτό άκρο δεν εκτείνεται περισσότερο από 5 χιλ. πέραν της χαμηλότερης άκρης του μαχαίριου κοπής.

## Λειτουργία διακόπτη (Εικ. 14)

### ΠΡΟΣΟΧΗ:

- Πριν συνδέσετε το εργαλείο στο ηλεκτρικό, πάντοτε ελέγχετε να δείτε ότι η σκανδάλη διακόπτης ενεργοποιείται κανονικά και επιστρέφει στην θέση "OFF" όταν ελευθερώνεται.

Για να αποτραπεί τυχαία πίεση της σκανδάλης ενεργοποίησης, παρέχεται ένα κουμπί ασφάλισης. Για να ενεργοποιήσετε το εργαλείο, πιέστε το κουμπί ασφάλισης προς τα μέσα και στη συνέχεια πιέστε τη σκανδάλη ενεργοποίησης. Ελευθερώστε τη σκανδάλη ενεργοποίησης για να διακόψετε τη λειτουργία.

## ΣΥΝΑΡΜΟΛΟΓΗΣΗ

### ΠΡΟΣΟΧΗ:

- Πάντοτε να σιγουρεύεστε ότι το εργαλείο είναι σβηστό και απασυνδεδεμένο πριν εκτελέσετε οποιαδήποτε εργασία στο εργαλείο.

### Απομάκρυνση ή εγκατάσταση της λάμας τροχού (Εικ. 15 και 16)

Οι ακόλουθες λάμες μπορούν να χρησιμοποιηθούν με αυτό το μηχάνημα.

Μοντέλο	Μεγ. διαμ.	Ελαχ. διαμ.	Πάχος λάμας	Εγκοπή
5603R	165 χιλ.	150 χιλ.	1,6 χιλ. ή λιγότερο	1,9 χιλ. ή περισσότερο
5703R, 5705R	190 χιλ.	170 χιλ.	1,6 χιλ. ή λιγότερο	1,9 χιλ. ή περισσότερο
5903R	235 χιλ.	210 χιλ.	1,7 χιλ. ή λιγότερο	2,1 χιλ. ή περισσότερο
5103R	270 χιλ.	260 χιλ.	1,8 χιλ. ή λιγότερο	2,2 χιλ. ή περισσότερο
5143R	355 χιλ.	350 χιλ.	2,3 χιλ. ή λιγότερο	2,7 χιλ. ή περισσότερο

006481

Το πάχος του μαχαίριου κοπής είναι 1,8 χιλ. για τα μοντέλα 5603R, 5703R και 5705R ή 2,0 χιλ. για τα μοντέλα 5903R και 5103R ή 2,5 χιλ. για το μοντέλο 5143R.

#### ΠΡΟΣΟΧΗ:

- Μη χρησιμοποιείτε λάμες τροχού που δεν ανταποκρίνονται στις προδιαγραφές που αναφέρονται στις οδηγίες αυτές.
- Μη χρησιμοποιείτε λάμες τροχού ο δίσκος των οποίων είναι παχύτερος του ή των οποίων η οδόντωση είναι μικρότερη από το πάχος του μαχαίριου κοπής.

#### ΠΡΟΣΟΧΗ:

- Βεβαιωθείτε ότι η λάμα έχει τοποθετηθεί με τα δόντια κατευθυνόμενα προς τα πάνω στο εμπρόσθιο μέρος του εργαλείου.
- Χρησιμοποιείτε μόνο το κλειδί Μάκιτα για τοποθέτηση ή αφαίρεση της λάμας.
- Μην πιέζετε τη διάταξη κλειδώματος άξονα, ενόσω το δισκοπρίνο βρίσκεται σε λειτουργία.

Για να αφαιρέσετε την λάμα πατήστε το κλειδίωμα άξονα εντελώς έτσι ώστε η λάμα να μη μπορεί να περιστραφεί και χρησιμοποιείτε το κλειδί για να χαλαρώσετε το εξάγωνο μπουλόνι αριστερόστροφα. Μετά αφαιρέστε το εξάγωνο μπουλόνι, την εξωτερική φλάντζα και τη λάμα.

Για να τοποθετήσετε την λάμα, ακολουθείστε την διαδικασία αφαίρεσης αντίστροφα. **ΒΕΒΑΙΩΘΕΙΤΕ ΟΤΙ ΣΦΙΞΑΤΕ ΤΟ ΕΞΑΓΩΝΟ ΜΠΟΥΛΟΝΙ ΑΡΙΣΤΕΡΟΣΤΡΟΦΑ ΜΕ ΑΣΦΑΛΕΙΑ.**

Κατά την αντικατάσταση της λεπίδας, φροντίστε επίσης για τον καθαρισμό των προστατευτικών της λεπίδας στο πάνω και κάτω μέρος από συσσωρευμένα πριονίδια. Αυτές οι ενέργειες, πάντως, δεν αντικαθιστούν την ανάγκη ελέγχου της λειτουργίας του προστατευτικού στο κάτω μέρος πριν από κάθε χρήση.

#### **Σύνδεση ηλεκτρικής σκούπας (Εικ. 17)**

Όταν επιθυμείτε να εκτελέσετε καθαρές κοπές, συνδέστε μια ηλεκτρική σκούπα Makita στο εργαλείο σας. Τοποθετήστε το σύνδεσμο στήριξης στο εργαλείο χρησιμοποιώντας τις βίδες. Στη συνέχεια συνδέστε έναν ευκαμπτο σωλήνα της ηλεκτρικής σκούπας στο σύνδεσμο στήριξης όπως υποδεικνύεται στην εικόνα.

### **ΛΕΙΤΟΥΡΓΙΑ**

#### **ΠΡΟΣΟΧΗ:**

- Βεβαιωθείτε ότι μετακινείτε το εργαλείο απαλά προς τα εμπρός σε μία ευθεία γραμμή. Εξαναγκασμός ή στρίψιμο του εργαλείου θα προκαλέσει υπερθέρμανση του κινητήρα και επικίνδυνο οπισθολάκτισμα με πιθανότητα πρόκλησης σοβαρού τραυματισμού.

Κρατάτε το εργαλείο σταθερά. Το εργαλείο παρέχεται με εμπρόσθια λαβή και με πίσω χειρολαβή. Χρησιμοποιείτε και τις δύο για καλό κράτημα του εργαλείου. Εάν και τα δύο χέρια κρατάνε το εργαλείο, δεν μπορεί να τραυματιστούν από την λάμα. Ρυθμίστε την βάση στο τεμάχιο εργασίας που πρόκειται να κοπεί χωρίς η λάμα να κάνει καμιά επαφή. Μετά ανάψτε το εργαλείο και περιμένετε μέχρι η λάμα να αποκτήσει πλήρη ταχύτητα. Τώρα απλώς κινείτε το εργαλείο προς τα εμπρός πάνω στην επιφάνεια του τεμαχίου εργασίας, κρατώντας το επίπεδο και προωθώντας το απαλά μέχρι να συμπληρωθεί η κοπή.

Για να έχετε καθαρές κοπές, κρατάτε την γραμμή κοπής ευθεία και την ταχύτητα προώθησης ομοιόμορφη. Εάν η κοπή παρεκκλίνει από την επιθυμητή γραμμή κοπής, μην επιχειρήσετε να στρίψετε ή εξαναγκάσετε το εργαλείο πίσω στην γραμμή κοπής. Κάνοντάς το μπορεί να πιαστεί η λάμα και να οδηγήσει σε επικίνδυνο οπισθολάκτισμα ή πιθανό σοβαρό τραυματισμό. Ελευθερώστε τον διακόπτη, περιμένετε να σταματήσει η λάμα και μετά τραβήχτε το εργαλείο. Ευθυγραμμίστε πάλι το εργαλείο σε μία νέα γραμμή κοπής, και ξαναρχίστε την κοπή. Προσπαθείστε να αποφύγετε θέσεις που εκθέτουν τον χειριστή στα πριονίδια και ξυλόσκονη που εκτινάσσονται από το πριόνι. Χρησιμοποιείτε προστατευτικά οφθαλμών για να αποφύγετε τραυματισμό. **(Εικ. 18)**

#### **ΠΡΟΣΟΧΗ:**

- Το μαχαίρι κοπής θα πρέπει να χρησιμοποιείται πάντα εκτός από τη περίπτωση που αρχίζετε κοπή στο μέσο του αντικείμενου εργασίας.

#### **Φράκτης σχισίματος (Κανόνας οδηγός) (Εικ. 19)**

Ο βολικός φράκτης σχισίματος σας επιτρέπει να κάνετε εξαιρετικά ακριβείς ίσιες κοπές. Απλώς σύρτε τον φράκτη σχισίματος επάνω εφάρμοστα στην πλευρά του τεμαχίου εργασίας και ασφαλίστε το στη θέση του με την βίδα στο εμπρόσθιο μέρος της βάσης. Επίσης καθιστά δυνατό να εκτελεστούν επαναληπτικές κοπές με ομοιόμορφο πλάτος.

### **ΣΥΝΤΗΡΗΣΗ**

#### **ΠΡΟΣΟΧΗ:**

- Πάντοτε να σιγουρεύεστε ότι το εργαλείο είναι σβηστό και αποσυνδεδεμένο από το ρεύμα πριν επιχειρήσετε να κάνετε επιθεώρηση ή συντήρηση.
- Μην χρησιμοποιείτε ποτέ βενζίνη, πετρελαϊκό αιθέρα, διαλυτικό, αλκοόλη ή παρόμοιες ουσίες. Ενδέχεται να προκληθεί αποχρωματισμός, παραμόρφωση ή ρωγμές.

#### **Αντικατάσταση στα καρβουνάκια (Εικ. 20 και 21)**

Αφαιρείτε και ελέγχετε τις ψήκτρες άνθρακος τακτικά. Αντικαταστήτε όταν φθαρούν μέχρι το σημάδι ορίου. Κρατάτε τις ψήκτρες καθαρές και ελεύθερες να γλιστρούν στις θήκες. Και οι δύο ψήκτρες άνθρακα πρέπει να αντικαθίστανται ταυτόχρονα. Χρησιμοποιείτε μόνο όμοιες ψήκτρες. Χρησιμοποιήστε ένα κατσαβίδι για να αφαιρέσετε τα καπάκια της θήκης ψήκτρας. Αφαιρέστε τις φθαρμένες ψήκτρες, βάλτε τις καινούργιες και ασφαλίστε τα καπάκια της θήκης ψήκτρας.

Για την διατήρηση της ΑΣΦΑΛΕΙΑΣ και ΑΞΙΟΠΙΣΤΙΑΣ του προϊόντος, επισκευές, οποιαδήποτε άλλη συντήρηση ή ρύθμιση πρέπει να εκτελούνται από τα Εξουσιοδοτημένα Κέντρα Εξυπηρέτησης της Μάκιτα, με χρήση πάντοτε ανταλλακτικών Μάκιτα.

### **ΠΡΟΑΙΡΕΤΙΚΑ ΕΞΑΡΤΗΜΑΤΑ**

#### **ΠΡΟΣΟΧΗ:**

- Αυτά τα εξαρτήματα ή προσαρτήματα συνιστώνται για χρήση με το εργαλείο Μάκιτα που περιγράφηκε στις οδηγίες αυτές. Η χρήση οτιδήποτε άλλων εξαρτημάτων ή προσαρτημάτων μπορεί να προκαλέσει κίνδυνο τραυματισμού σε άτομα. Χρησιμοποιείτε τα εξαρτήματα ή προσαρτήματα μόνο για την χρήση που προορίζονται.

Εάν χρειάζεστε οποιαδήποτε βοήθεια για περισσότερες πληροφορίες σε σχέση με αυτά τα εξαρτήματα, αποτανθείτε στο τοπικό σας κέντρο εξυπηρέτησης Μάκιτα.

- Λάμες πριονιού
- Φράκτης σχισίματος (Κανόνας οδηγός)
- Εξαγωνικό κλειδί
- Σύνδεσμος στήριξης

#### **ΠΑΡΑΡΤΗΣΗ:**

- Μερικά στοιχεία στη λίστα μπορεί να συμπεριλαμβάνονται στη συσκευασία εργαλείου ως στάνταρ εξαρτήματα. Μπορεί να διαφέρουν ανάλογα με τη χώρα.

**Θόρυβος**

Το τυπικό Α επίπεδο μετρημένου θορύβου καθορίζεται σύμφωνα με το EN60745:

**Μοντέλο 5603R, 5703R**

Στάθμη πίεσης ήχου ( $L_{pA}$ ): 93 dB (A)  
Στάθμη δύναμης ήχου ( $L_{WA}$ ): 104 dB (A)  
Αβεβαιότητα (K): 3 dB (A)

**Μοντέλο 5705R, 5143R**

Στάθμη πίεσης ήχου ( $L_{pA}$ ): 94 dB (A)  
Στάθμη δύναμης ήχου ( $L_{WA}$ ): 105 dB (A)  
Αβεβαιότητα (K): 3 dB (A)

**Μοντέλο 5903R**

Στάθμη πίεσης ήχου ( $L_{pA}$ ): 95 dB (A)  
Στάθμη δύναμης ήχου ( $L_{WA}$ ): 106 dB (A)  
Αβεβαιότητα (K): 3 dB (A)

**Μοντέλο 5103R**

Στάθμη πίεσης ήχου ( $L_{pA}$ ): 97 dB (A)  
Στάθμη δύναμης ήχου ( $L_{WA}$ ): 108 dB (A)  
Αβεβαιότητα (K): 3 dB (A)

**Φοράτε ωτοασπίδες**

ENG9000-1

**Κραδασμός**

Η ολική τιμή δόνησης (άθροισμα τρι-αξονικού διανύσματος) καθορίζεται σύμφωνα με το EN60745:

**Μοντέλο 5603R**

Είδος εργασίας: κοπή ξύλων  
Εκπομπή δόνησης ( $a_{h, w}$ ): 2,5 m/s<sup>2</sup> ή λιγότερο  
Αβεβαιότητα (K): 1,5 m/s<sup>2</sup>

**Μοντέλο 5103R, 5143R**

Είδος εργασίας: κοπή ξύλων  
Εκπομπή δόνησης ( $a_{h, w}$ ): 2,5 m/s<sup>2</sup> ή λιγότερο  
Αβεβαιότητα (K): 1,5 m/s<sup>2</sup>

Είδος εργασίας: κοπή μετάλλου

Εκπομπή δόνησης ( $a_{h, M}$ ): 2,5 m/s<sup>2</sup> ή λιγότερο  
Αβεβαιότητα (K): 1,5 m/s<sup>2</sup>

**Μοντέλο 5703R**

Είδος εργασίας: κοπή ξύλων  
Εκπομπή δόνησης ( $a_{h, w}$ ): 3,5 m/s<sup>2</sup>  
Αβεβαιότητα (K): 1,5 m/s<sup>2</sup>

**Μοντέλο 5903R**

Είδος εργασίας: κοπή ξύλων  
Εκπομπή δόνησης ( $a_{h, w}$ ): 3,0 m/s<sup>2</sup>  
Αβεβαιότητα (K): 1,5 m/s<sup>2</sup>

Είδος εργασίας: κοπή μετάλλου

Εκπομπή δόνησης ( $a_{h, M}$ ): 4,0 m/s<sup>2</sup>  
Αβεβαιότητα (K): 1,5 m/s<sup>2</sup>

**Μοντέλο 5705R**

Είδος εργασίας: κοπή ξύλων  
Εκπομπή δόνησης ( $a_{h, w}$ ): 2,5 m/s<sup>2</sup>  
Αβεβαιότητα (K): 1,5 m/s<sup>2</sup>

- Η δηλωμένη τιμή εκπομπής κραδασμών έχει μετρηθεί σύμφωνα με την πρότυπη μέθοδο δοκιμής και μπορεί να χρησιμοποιηθεί για τη σύγκριση ενός εργαλείου με άλλο.
- Η δηλωμένη τιμή εκπομπής κραδασμών μπορεί να χρησιμοποιηθεί και στην προκαταρκτική αξιολόγηση έκθεσης.

**ΠΡΟΕΙΔΟΠΟΙΗΣΗ:**

- Η εκπομπή κραδασμών κατά τη χρήση του ηλεκτρικού εργαλείου σε πραγματικές συνθήκες μπορεί να διαφέρει από τη δηλωμένη τιμή εκπομπής ανάλογα με τον τρόπο χρήσης του εργαλείου.
- Φροντίστε να λάβετε τα κατάλληλα μέτρα προστασίας του χειριστή βάσει υπολογισμού της έκθεσης σε πραγματικές συνθήκες χρήσης (λαμβάνοντας υπόψη όλες τις συνιστώσες του κύκλου λειτουργίας όπως τους χρόνους που το εργαλείο είναι εκτός λειτουργίας και όταν βρίσκεται σε αδρανή λειτουργία πέραν του χρόνου ενεργοποίησης).

ENH101-16

**Μόνο για χώρες της Ευρώπης****Δήλωση Συμμόρφωσης ΕΚ**

**H Makita Corporation, ως ο υπεύθυνος κατασκευαστής, δηλώνει ότι το/τα ακόλουθο(α) μηχανήμα(τα) της Makita:**

Χαρακτηρισμός μηχανήματος: Δισκοπρίονο  
Αρ. μοντέλου/ Τύπος:  
5603R, 5703R, 5705R, 5903R, 5103R, 5143R

είναι εν σειρά παραγωγή και

**συμμορφώνονται με τις ακόλουθες Ευρωπαϊκές Οδηγίες:**

2006/42/ΕΚ

και κατασκευάζονται σύμφωνα με τα ακόλουθα πρότυπα ή έγγραφα τυποποίησης:  
EN60745

Το τεχνικό πληροφοριακό υλικό διατηρείται από:

Makita International Europe Ltd.  
Technical Department (Τεχνικό Τμήμα),  
Michigan Drive, Tongwell,  
Milton Keynes, Bucks MK15 8JD, England (Αγγλία)

30.1.2009



Tomoyasu Kato  
Διευθυντής

Makita Corporation  
3-11-8, Sumiyoshi-cho,  
Anjo, Aichi, 446-8502, JAPAN

**Makita Corporation**  
Anjo, Aichi, Japan