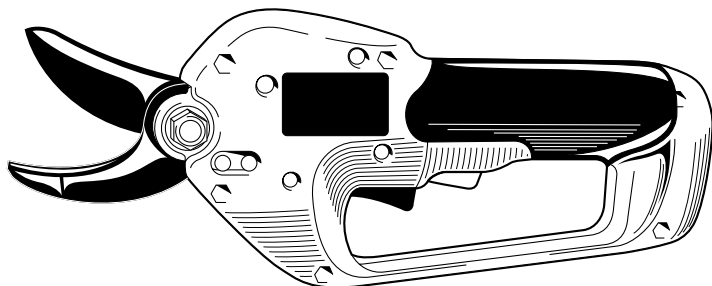




GB	Battery-Powered Pruning Shears	Instruction Manual
F	Sécateur à batterie	Manuel d'instructions
D	Akku-Astscherer	Betriebsanleitung
I	Forbici per potare a batteria	Istruzioni d'uso
NL	Accu-snoeischaar	Gebruiksaanwijzing
E	Tijeras de podar a batería	Manual de instrucciones
P	Tesouras de podar a bateria	Manual de instruções
DK	Akku grensaks	Brugsanvisning
S	Batteridrivnen sekator	Bruksanvisning
N	Batteridrevet grensaks	Bruksanvisning
SF	Akkukäyttöiset oksasakset	Käyttöohje
GR	Ψαλίδι κλαδέματος με μπαταρία	Οδηγίες Χρήσεως

4604D **4604DW**

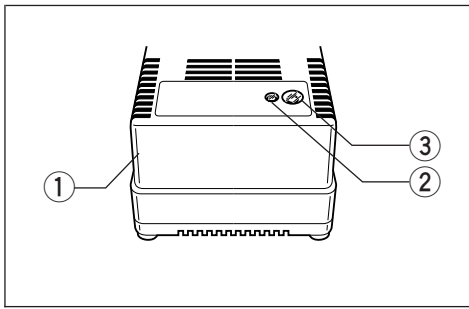


4604DW

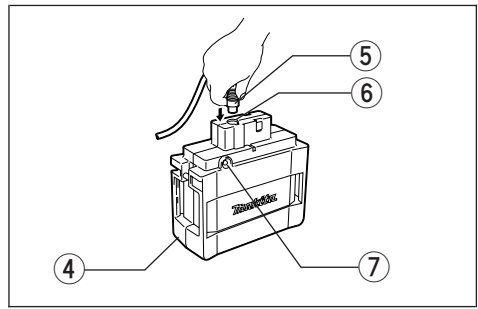
With charger
Avec chargeur
Mit Ladegerät
Con caricatore

Met acculader
Con cargador
Com carregador
Med oplader

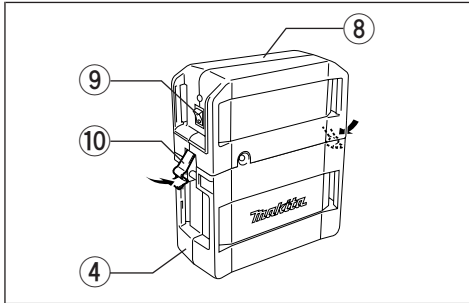
Inkl. laddare
Med lader
Lataaja
Με Φορτιστής



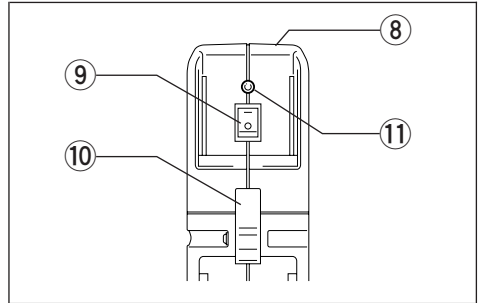
1



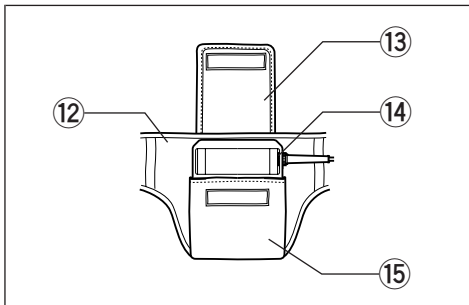
2



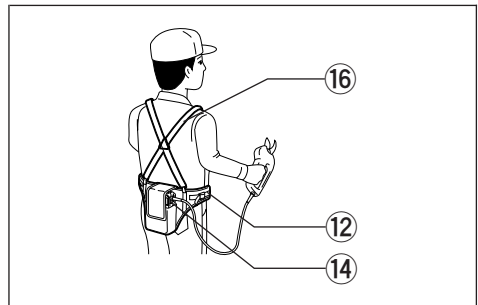
3



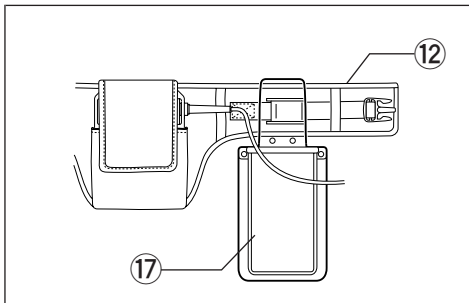
4



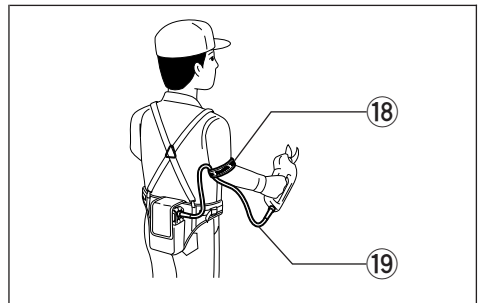
5



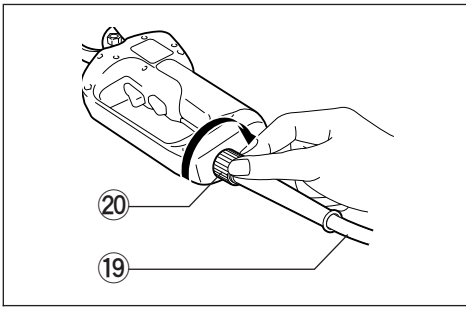
6



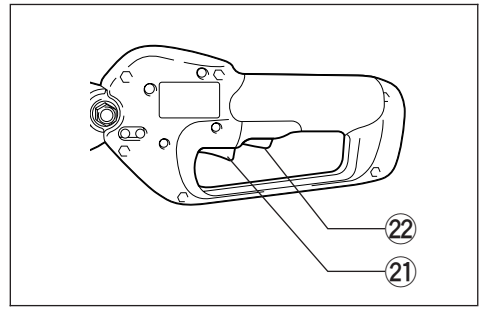
7



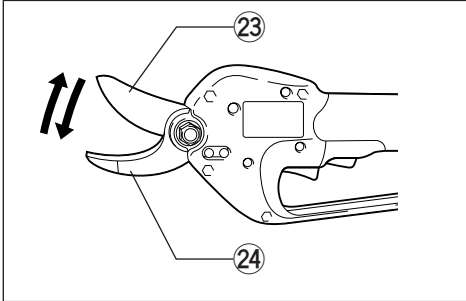
8



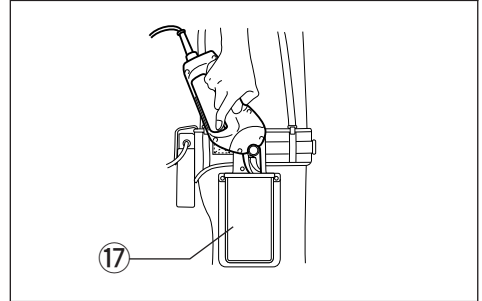
9



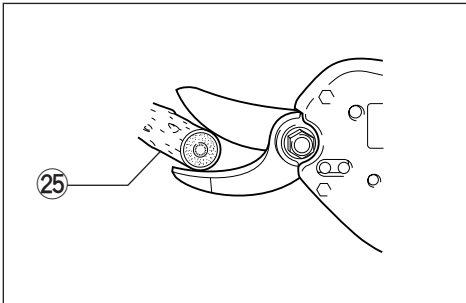
10



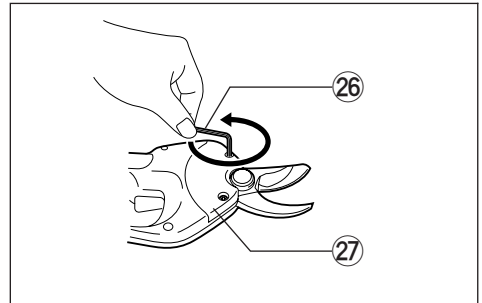
11



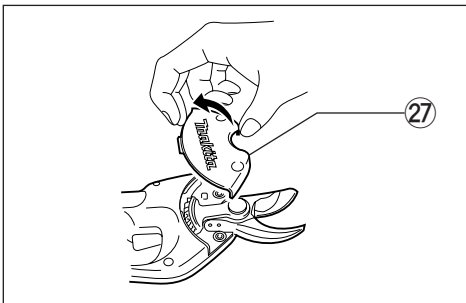
12



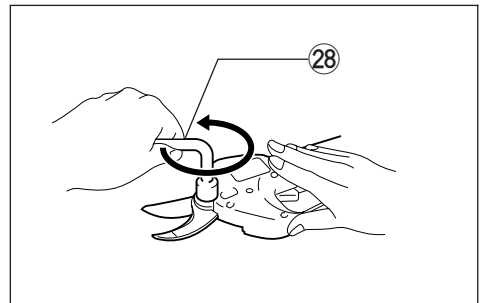
13



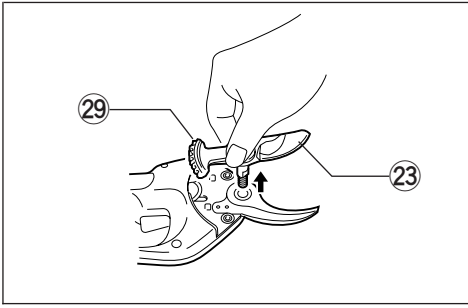
14



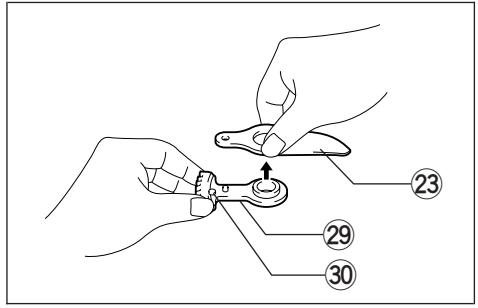
15



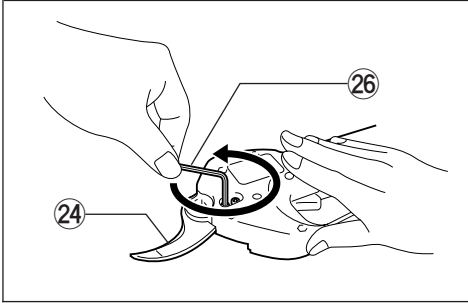
16



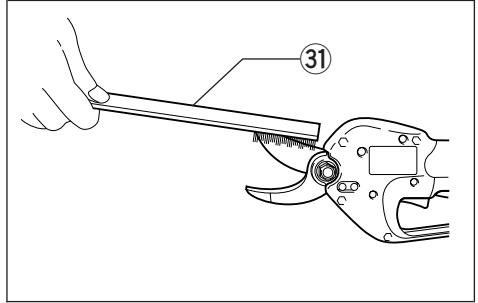
17



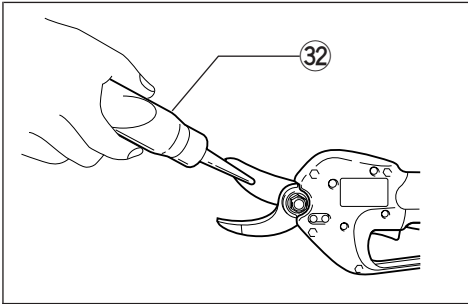
18



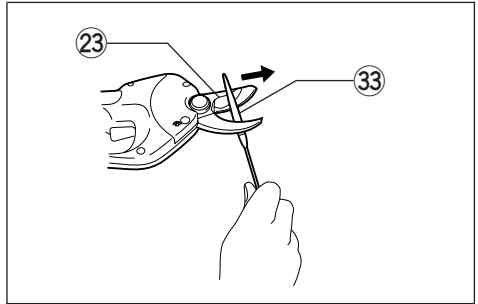
19



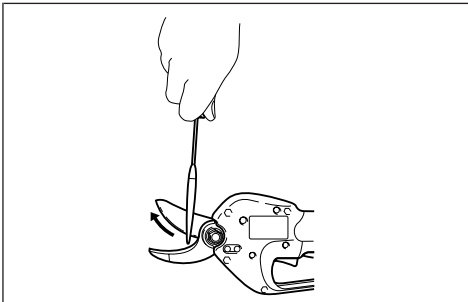
20



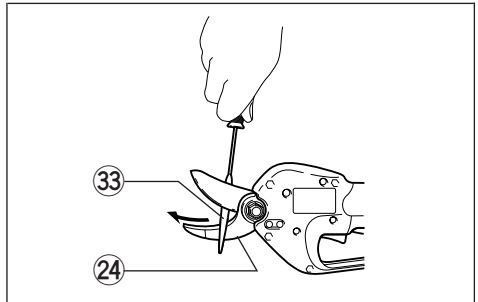
21



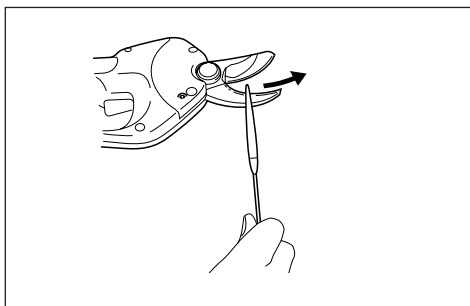
22



23



24



25

Symbols

The following show the symbols used for the machine. Be sure that you understand their meaning before use.

Symboles

Nous donnons ci-dessous les symboles utilisés pour l'outil. Assurez-vous que vous en avez bien compris la signification avant d'utiliser l'outil.

Symbole

Die folgenden Symbole werden für die Maschine verwendet. Machen Sie sich vor der Benutzung unbedingt mit ihrer Bedeutung vertraut.

Simboli

Per questo utensile vengono usati i simboli seguenti. Bisogna capire il loro significato prima di usare l'utensile.

Symboelen

Voor dit gereedschap worden de volgende symbolen gebruikt. Zorg ervoor dat u de betekenis van deze symbolen begrijpt alvorens het gereedschap te gebruiken.

Símbolos

A continuación se muestran los símbolos utilizados con esta herramienta. Asegúrese de que entienda su significado antes de usarla.

Símbolos

O seguinte mostra os símbolos utilizados para a ferramenta. Certifique-se de que compreende o seu significado antes da utilização.

Symboler

Nedenstående symboler er anvendt i forbindelse med denne maskine. Vær sikker på, at De har forstået symbolernes betydning, før maskinen anvendes.

Symboler

Det följande visar de symboler som används för den här maskinen. Se noga till att du förstår deras innebörd innan maskinen används.

Symbolene

Følgende viser de symbolene som brukes for maskinen. Det er viktig å forstå betydningen av disse før maskinen tas i bruk.

Symbolit

Alla on esitetty koneessa käytetyt symbolit. Opettele näiden merkitys, ennen kuin käytät konetta.

Σύμβολα

Τα ακόλουθα δείχνουν τα σύμβολα που χρησιμοποιούνται για το μηχάνημα. Βεβαιωθείτε ότι καταλαβαίνετε τη σημασία τους πριν από τη χρήση.



- Do not use in rain.
- N'utilisez pas sous la pluie.
- Nicht bei Regen benutzen.
- Non usare sotto la pioggia.
- Niet in de regen gebruiken.
- No las utilice bajo la lluvia.
- Não utilize à chuva
- Må ikke bruges i regnvejr.
- Använd inte i regn.
- Må ikke brukes i regnvær
- Älä käytä sateessa.
- Μην το χρησιμοποιείτε στη βροχή



- Do not drop or strike controller.
- Ne faites pas tomber et ne heurtez pas le contrôleur.
- Steuergerät nicht fallenlassen oder anstoßen.
- Non far cadere o sbattere l'unità di controllo.
- De bedieningseenheid niet laten vallen en niet aan stoten blootstellen.
- No deje caer ni golpee el controlador.
- Não deixe cair ou dê pancadas no controlador
- Kontrollenheden må ikke tabes eller udsættes for stød.
- Tappa inte och slå inte till kontrollenheten.
- Kontrollenheten må ikke utsettes for slag eller mistes ned.
- Älä pudota äläkä iske ohjainta.
- Μη ρίχνετε κάτω ή χτυπάτε τον ελεγκτή

① Charger DC4600	⑫ Waist belt	⑳ Upper shear blade
② Charging light	⑬ Pocket lid	㉑ Lower shear blade
③ Start button	⑭ Controller connector	㉒ Branch
④ Battery 4600	⑮ Waist belt pocket	㉓ Hex wrench
⑤ Charging plug	⑯ Suspenders	㉔ Blade cover
⑥ Charging connector	⑰ Holster	㉕ Socket wrench
⑦ Restart button	⑱ Arm band	㉖ Blade holder
⑧ Controller C4600	⑲ Connection cord	㉗ Magnet
⑨ Switch	㉔ Female plug	㉘ Brush
⑩ Buckle	㉕ Switch trigger	㉙ Machine oil
⑪ Pilot lamp	㉖ Lock-off lever	㉚ Diamond file

SPECIFICATIONS

Model	4604D
Max. cutting capacity	30 mm in diameter
Overall length	286 mm
Rated voltage	D.C. 24 V
Net weight	
Shears	1.0 kg
Controller C4600	0.3 kg
Battery 4600	2.0 kg
Charging time	Approx. 1 hr.

- Due to our continuing program of research and development, the specifications herein are subject to change without notice.
- Note: Specifications may differ from country to country.

Safety hints

For your own safety, please refer to the enclosed safety instructions.

IMPORTANT SAFETY INSTRUCTIONS FOR CHARGER & BATTERY

1. **SAVE THESE INSTRUCTIONS** — This manual contains important safety and operating instructions for battery charger.
2. **Before using battery charger, read all instructions and cautionary markings on (1) battery charger, (2) battery, and (3) product using battery.**
3. **CAUTION** — To reduce risk of injury, charge only MAKITA type rechargeable batteries. Other types of batteries may burst causing personal injury and damage.
4. Do not expose charger to rain or snow.
5. Use of an attachment not recommended or sold by the battery charger manufacturer may result in a risk of fire, electric shock, or injury to persons.
6. To reduce risk of damage to electric plug and cord, pull by plug rather than cord when disconnecting charger.
7. Make sure cord is located so that it will not be stepped on, tripped over, or otherwise subjected to damage or stress.
8. Do not operate charger with damaged cord or plug — replace them immediately.

9. Do not operate charger if it has received a sharp blow, been dropped, or otherwise damaged in any way; take it to a qualified serviceman.
10. Do not disassemble charger or battery; take it to a qualified serviceman when service or repair is required. Incorrect reassembly may result in a risk of electric shock or fire.
11. To reduce risk of electric shock, unplug charger from outlet before attempting any maintenance or cleaning. Turning off controls will not reduce this risk.

ADDITIONAL SAFETY RULES FOR CHARGER & BATTERY

1. Do not charge battery when it or air temperature is below 10°C (50°F) or above 40°C (104°F).
2. Do not charge or leave battery in a location exposed to direct sunlight.
3. Do not attempt to use a step-up transformer, an engine generator or DC power receptacle.
4. Do not allow anything to cover or clog the charger vents.
5. Do not short the battery:
 - (1) Do not touch the terminals with any conductive material.
 - (2) Avoid storing battery in a container with other metal objects such as nails, coins, etc.
 - (3) Do not expose battery to water or rain. A battery short can cause a large current flow, overheating, possible burns and even a breakdown. Always cover the battery terminals with the battery cover when the battery is not used.
6. Do not incinerate the Battery even if it is severely damaged or is completely worn out. The battery can explode in a fire.
7. Be careful not to drop, shake or strike battery.
8. Do not charge inside a box or container of any kind. The battery must be placed in a well ventilated area during charging.

ADDITIONAL SAFETY RULES FOR BATTERY-POWERED PRUNING SHEARS

1. This machine is for pruning branches. Do not use it for any job except that for which it is intended.
2. Don't use the machine or perform battery charging operations in the rain.
3. Don't leave the machine in rain or wet locations.
4. Keep bystanders well away from your work area.
5. Be careful not to catch foreign matter between the blades. If the blades are jammed with foreign matter, immediately switch off the machine and disconnect the battery from the machine. Then remove the foreign matter from the blades.
6. Never hold the branch you are pruning with your free hand. Keep your free hand away from the cutting area. Never touch the blades, they are very sharp and you may cut yourself.
7. Don't force the machine to make it cut. You could slip and injure yourself or cut something else unintentionally.
8. Avoid cutting electrical wires that may be hidden.
9. Always check the blades carefully before operation.
10. Handle the blades with extreme care to prevent cuts or injury from the blades.
11. Disconnect the battery from the machine after each use and before attempting to perform inspection or maintenance.
12. When not in use, always keep the machine in its holster.

SAVE THESE INSTRUCTIONS.

OPERATING INSTRUCTIONS

Charging (Fig. 1 & 2)

Charge the battery 4600 with the Makita charger DC4600 before use. Plug the charger into the power receptacle and connect the charging plug into the charging connector on the battery. Press the start button (red) on the charger. The charging light will come on and charging will begin. When the charging light goes out after about one hour, the charging will be completed. If the charging light goes out within one minute after pressing the start button, the battery is dead. Replace it with a new one. After charging, disconnect the charging plug from the battery and power receptacle.

CAUTION:

- Remove the controller from the battery when charging.
- Do not keep the start button depressed with tape, etc. The circuit will not function properly and a malfunction of the charger may result.
- Use only Makita charger DC4600 to charge the battery 4600. The use of any other chargers may cause damage to the battery.

- When you charge a new battery or a battery which has not been used for a long period, it may not accept a full charge. This is a normal condition and does not indicate a problem. You can recharge the battery fully after discharging it completely a couple of times.

Overcurrent relay (Fig. 2)

The overcurrent relay is built into the battery to prevent a battery short-circuit. When the overcurrent relay actuates, the battery cannot be used. Press the restart button on the battery to use it again. If the overcurrent relay actuates frequently, there may be something wrong with the battery, charger, controller or shears themselves. Send them to your dealer or a Makita Service Center to have them inspected and/or repaired.

Installing controller on battery (Fig. 3 & 4)

First, make sure that the controller is switched off. Install the controller on the battery and fasten it with the buckles.

Connecting connection cord to controller

Connect the male plug of the connection cord to the controller connector and turn the screw clockwise to secure the male plug in place.

Putting battery into waist belt pocket (Fig. 5 & 6)

After installing the controller on the battery, put the battery with the controller into your waist belt pocket so that the controller connector will point toward your hand with which you operate the shears. Then cover the battery with the pocket lid to keep them from accidentally falling out of your pocket during operation.

Wearing waist belt (Fig. 6)

Attach a pair of suspenders on the waist belt. Wear the waist belt and adjust the length of suspenders and waist belt so that the battery will be positioned on your back at waist height.

Installing holster (Fig. 7)

Install the holster on the waist belt as shown in Fig. 7. It should be positioned on the side where your hand operates the shears.

Wearing arm band (Fig. 8)

Attach the arm band to your arm. When wearing it, slip the connection cord through the arm band as shown in Fig. 8 to keep it out of the way.

Connecting connection cord to shears (Fig. 9)

Connect the female plug of the connection cord to the shear connector and turn the screw clockwise to secure the female plug in place.

NOTE:

If you connect or disconnect the connection cord with the controller switched on, the pilot lamp will blink red and green alternately. When this occurs, the shears will not start even if you pull the switch trigger. Switch off the controller and then switch it on again to start the shears. (Fig. 4)

Switch action

CAUTION:

- Before connecting the battery to the shears, always check to see that the switch trigger actuates properly and returns to the "OFF" position when released.
- Do not pull the switch trigger without depressing the lock-off lever. It can cause switch breakage.

Switch on the controller by pressing the upper (I) side of the switch. The pilot lamp will start to blink green. Then pull the switch trigger and release it once. The upper shear blade will start to move up as soon as you release the switch trigger and will stop at the highest (wide open) position. In case that the upper shear blade has already opened, it will keep that position with the first trigger operation. The pilot lamp will remain green continuously. From the next trigger operation, you can cut branches. (Fig. 4)

To prevent the switch trigger from being accidentally pulled, a lock-off lever is provided. To start the shears, depress the lock-off lever and pull the switch trigger. To stop the shears, release the switch trigger. (Fig. 10)

When the switch trigger is pulled and held, the upper shear blade will move down and stop at the closed position. When the switch trigger is released, the upper shear blade will move up and stop at the highest (wide open) position. (Fig. 11)

Putting shears in holster (Fig. 12)

Switch off the controller by pressing the lower (O) side of the switch while keeping the switch trigger pulled. The upper shear blade will stop at the closed position. Put the shears in the holster with the upper shear blade at the closed position.

Pruning operation (Fig. 13)

CAUTION:

- Never operate the shears in an awkward posture. This may cause a serious injury.
- Never hold the branch you are pruning with your free hand. Keep your free hand away from the cutting area. The blades are very sharp and you may cut yourself.

Cut branches one by one as shown in Fig. 13. The maximum thickness of branches which can be cut with these shears is about 30 mm. Maintain your proper footing and balance at all times.

After use, switch off the controller and disconnect the connection cord from the shears and the controller. Store the shears in dry, high or locked-up place – out of reach of children.

Overload protecting mechanism

Both the shears and the controller are equipped with an overload protecting mechanism. If the motor is locked for more than three seconds, this mechanism will actuate to stop the shears. Also, the pilot lamp on the controller will start to blink red and green alternately. To resume operation, switch off the controller by pressing the lower (O) side of the switch, then switch it on again.

NOTE:

Do not operate the shears in such a way that this mechanism actuates frequently. The motor may be damaged.

Pilot lamp on controller (Fig. 4)

The pilot lamp will start to blink or remain green when the controller is switched on (the upper (I) side of the switch is pressed). If the pilot lamp indicates the following conditions, proceed as follows.

1. If the pilot lamp blinks red and green alternately, the overload protecting mechanism has been actuated or the connection cord is not firmly connected. Switch off the controller and do the following:
 - a) If the motor is locked for more than three seconds, just switch on the controller.
 - b) If the connection cord is not connected firmly, connect the connection cord firmly and then switch on the controller.
2. If the pilot lamp blinks red, the inside of the controller is too hot. Switch off the controller and wait for a while to cool it down. Then switch it on.
3. If the pilot lamp remains red continuously, the battery voltage is too low. Charge the battery.
4. If the pilot lamp is neither green or red:
 - a) The battery is completely discharged. Charge the battery.
 - b) The overcurrent relay has actuated. Press the restart button.

If the pilot lamp does not start to blink green even after you perform the above procedures, there is something wrong with the shears, connection cord, controller or battery. Switch off the controller and disconnect the connection cord from the shears and the controller. Remove the controller from the battery. Send the shears, connection cord, controller and battery to your dealer or a Makita Service Center to have them inspected and/or repaired.

Replacing shear blades

CAUTION:

Always be sure that the controller is switched off and the connection cord is disconnected from the shears.

The shear blades can be replaced irrespective of the upper shear blade position.

Use the hex wrench provided to remove the two hex socket head bolts which secure the blade cover. (Fig. 14)

Remove the blade cover. (Fig. 15)

Use the socket wrench provided to remove the hex lock nut. The flat washer will come off together with the hex lock nut. **(Fig. 16)**

Remove the round head bolt, blade holder and upper shear blade. **(Fig. 17)**

Remove the upper shear blade from the blade holder. Be careful not to allow any foreign matter to attach to the magnet on the blade holder and do not damage it. **(Fig. 18)**

Use the hex wrench provided to remove the two hex socket head bolts which secure the lower shear blade. Then remove the lower shear blade. **(Fig. 19)**

To install the shear blades, follow the removal procedures in reverse. Do not remove grease around the gear.

MAINTENANCE

CAUTION:

Always be sure that the controller is switched off and the connection cord is disconnected from the shears.

Blade maintenance (Fig. 20 & 21)

NOTE:

Before and after operation, check the shear blades carefully.

After operation, clean off the blades with a stiff brush. Then wipe the blades with a cloth and coat them with machine oil.

CAUTION:

Failure to perform blade maintenance may cause excessive blade friction and shorten the operating time per battery charge.

Sharpening blades

Upper shear blade

Apply the flat surface of the diamond file to the blade edge. Push the diamond file in the direction of the arrow to sharpen along the entire blade edge. Maintain the same flat contact with the file consistently along the entire blade edge. **(Fig. 22)**

Apply the flat surface of the diamond file lightly to the reverse side of the blade. Move the diamond file in the direction of the arrow to remove burrs. **(Fig. 23)**

Lower shear blade

Apply the round surface of the diamond file to the blade edge. Push the diamond file in the direction of the arrow to sharpen along the entire blade edge. **(Fig. 24)**

Apply the flat surface of the diamond file lightly to the opposite side of the blade. Move the diamond file in the direction of the arrow to remove burrs. **(Fig. 25)**

To maintain product safety and reliability, repairs, maintenance or adjustment should be carried out by Makita Authorized Service Center.

GUARANTEE

We guarantee Makita machines in accordance with statutory/country-specific regulations. Damage attributable to normal wear and tear, overload or improper handling will be excluded from the guarantee. In case of complaint, please send the machine, undismantled, with the enclosed GUARANTEE CERTIFICATE, to your dealer or the Makita Service Center.

① Chargeur DC4600	⑫ Ceinture	⑳ lame supérieure (mobile)
② Voyant de charge	⑬ Couverture de poche	㉑ lame inférieure (fixe)
③ Bouton de démarrage	⑭ Connecteur de contrôleur	㉒ Branche
④ Batterie 4600	⑮ Poche de ceinture	㉓ Clé hexagonale
⑤ Fiche de charge	⑯ Bretelles	㉔ Carter de lame
⑥ Connecteur de charge	⑰ Gaine	㉕ Clé à douille
⑦ Bouton de réarmement	⑱ Attache de bras	㉖ Support de lame
⑧ Contrôleur C4600	⑲ Cordon de raccordement	㉗ Aimant
⑨ Interrupteur	⑳ Fiche femelle	㉘ Brosse
⑩ Boucle	㉑ Gâchette	㉙ Huile de machine
⑪ Témoin	㉒ Levier de blocage	㉚ Lime diamantée

SPECIFICATIONS

Modèle	4604D
Capacité de coupe max.	30 mm de diamètre
Longueur hors tout	286 mm
Tension nominale	CC 24 V
Poids net	
Sécateur	1,0 kg
Contrôleur C4600	0,3 kg
Batterie 4600	2,0 kg
Recharge	1 heure

- Etant donné l'évolution constante de notre programme de recherche et de développement, les spécifications contenues dans ce manuel sont sujettes à modification sans préavis.
- NOTE : Les spécifications peuvent varier suivant les pays.

Consignes de sécurité

Pour votre propre sécurité, reportez-vous aux consignes de sécurité qui accompagnent l'outil.

PRECAUTIONS TRES IMPORTANTES POUR LE CHARGEUR ET LA BATTERIE

1. SUIVEZ CES INSTRUCTIONS — Ce manuel contient d'importantes instructions relatives à la sécurité et au fonctionnement du chargeur.
2. Avant d'utiliser le chargeur, prenez connaissance de toutes les instructions et mises en garde qui concernent (1) le chargeur, (2) la batterie et (3) le sécateur lui-même.
3. ATTENTION — Ce chargeur est conçu exclusivement pour la charge des batteries MAKITA. Son utilisation pour tout autre accumulateur peut entraîner son éclatement, et causer des avaries et des blessures.
4. N'exposez pas le chargeur à la pluie ou à la neige.
5. L'utilisation d'un accessoire non recommandé ni vendu par le fabricant du chargeur peut entraîner un risque d'incendie, de décharge électrique ou de blessure.
6. Pour débrancher le chargeur, tirez sur la prise et non sur le câble.
7. Assurez-vous que la position du câble ne l'expose pas à faire trébucher, à être piétiné, ou à forcer de quelque manière que ce soit.

8. N'utilisez pas le chargeur si le câble ou la prise sont en mauvais état — en ce cas, changez ceux-ci immédiatement.
9. N'utilisez pas le chargeur après qu'il ait reçu un choc, soit tombé à terre ou ait été endommagé d'une manière quelconque; portez-le d'abord chez un réparateur qualifié.
10. Ne démontez pas le chargeur ; ne tentez pas d'ouvrir la batterie : si nécessaire, confiez les à un réparateur qualifié. Un mauvais remontage peut déclencher une décharge électrique ou dégénérer en incendie.
11. Avant toute intervention sur le chargeur, débranchez-le. Seule cette mesure est de nature à éliminer le risque de décharge électrique.

PRECAUTIONS SUPPLEMENTAIRES POUR LE CHARGEUR ET LA BATTERIE

1. Ne rechargez pas la batterie si la batterie ou la température ambiante sont inférieures à 10°C ou supérieures à 40°C.
2. Ne pas charger ni abandonner une batterie en plein soleil.
3. Le chargeur doit être branché directement au réseau secteur alternatif pour lequel il est conçu : n'utilisez ni transformateur ni redresseur. Ne le branchez pas sur un groupe électrogène.
4. Veillez à ce que les orifices de ventilation du chargeur restent libres et dégagés.
5. Faites en sorte de ne jamais exposer la batterie à un court-circuit :
 - (1) Ne reliez jamais les bornes avec un objet conducteur.
 - (2) Ne rangez pas la batterie parmi des objets métalliques (clous, pièces de momaie, etc...)
 - (3) N'exposez la batterie ni à la pluie ni à la neige.

Mise en court-circuit, la batterie peut déclencher un courant de forte intensité, une surchauffe, et avarier la machine.

Recouvrez toujours les bornes de la batterie avec le cache de batterie lorsque vous ne vous servez pas de la batterie.

6. Même si elle est définitivement hors d'usage, ne jetez pas la batterie au feu : elle risque d'exploser.
7. La batterie n'est pas conçue pour supporter des chocs violents : évitez-lui les chutes.
8. Ne faites pas fonctionner le chargeur dans un espace confiné. Pendant la charge, la batterie doit bénéficier d'une bonne ventilation.

Protection de l'environnement (Pour la Suisse uniquement)

Afin de préserver l'environnement, rendez la batterie usagée à HEBOR S.A. pour recyclage.



REGLES DE SECURITE SUPPLEMENTAIRES POUR LE SECATEUR A BATTERIE

1. Cet outil a une destination viticole et horticole. Il est formellement déconseillé de l'employer pour un autre usage.
2. N'utilisez ni le sécateur ni son chargeur sous la pluie.
3. D'une manière générale, maintenez le sécateur à l'écart de toute source d'humidité.
4. Ménagez une aire de sécurité autour de votre zone de travail en invitant tout autre personne à rester à l'écart.
5. Si le libre jeu des lames se trouve entravé par un obstacle ou un débris, commencez par arrêter le sécateur et par débrancher la batterie. Alors seulement vous pouvez retirer ce qui fait obstacle.
6. Ne tenez jamais la branche que vous êtes en train d'élaguer avec votre main libre. Eloignez votre main libre de la zone de coupe. Ne touchez jamais les lames, car elles sont très affûtées et pourraient vous couper.
7. Ne forcez jamais sur l'outil pour le faire couper. Vous risqueriez de glisser et de vous blesser ou de couper autre chose sans le vouloir.
8. Attention de ne pas couper des câbles électriques qui pourraient être dissimulés.
9. Examinez soigneusement les lames avant chaque emploi.
10. Manipulez les lames avec de grandes précautions pour ne pas vous couper ou vous blesser.
11. Déconnectez le câble de batterie après chaque usage et avant une inspection ou un entretien.
12. Lorsque l'outil n'est pas utilisé, le garder dans son étui.

CONSERVEZ CES INSTRUCTIONS.

MODE D'EMPLOI

Recharge (Fig. 1 et 2)

Rechargez la batterie 4600 avec le chargeur Makita DC4600 avant l'utilisation. Branchez le chargeur rapide dans la prise d'alimentation et la fiche de charge dans le connecteur de charge de la batterie. Appuyez sur le bouton de démarrage (rouge) du chargeur. Le voyant de charge s'allume et la recharge commence. Lorsque le voyant de charge s'éteint environ une heure plus tard, la recharge est terminée. Si le voyant de charge s'éteint moins d'une minute après que vous ayez appuyé sur le bouton de démarrage, c'est que la batterie est morte. Remplacez-la par une neuve. Lorsque la recharge est terminée, débranchez la fiche de charge de la batterie et de la prise d'alimentation.

ATTENTION :

- Sortez le contrôleur de la batterie pour la recharge.
- Ne maintenez pas le bouton de démarrage enfoncé avec du ruban adhésif, etc. Le circuit ne fonctionnerait pas correctement, et il risque de se produire une anomalie du chargeur.
- Utilisez exclusivement le chargeur Makita DC4600 pour recharger la batterie 4600. L'utilisation de tout autre chargeur risque d'endommager la batterie.
- Quand vous chargez une batterie neuve ou une batterie qui n'a pas été utilisée pendant longtemps, elle peut ne pas se recharger complètement. Ceci est normal. Vous pourrez recharger la batterie complètement après l'avoir déchargée puis rechargée deux ou trois fois de suite.

Relais de surintensité (Fig. 2)

Un relais de surintensité est incorporé à la batterie pour éviter tout court-circuit de la batterie. Lorsque le relais de surintensité se déclenche, la batterie ne fonctionne pas. Pour réutiliser la batterie, appuyez sur le bouton de réarmement. Si le relais de surintensité se déclenche fréquemment, c'est probablement qu'il y a une anomalie dans la batterie, le chargeur, le contrôleur ou le sécateur proprement dit. Expédiez-les à votre revendeur ou à votre service après-vente Makita pour les faire vérifier et/ou réparer.

Installation du contrôleur sur la batterie (Fig. 3 et 4)

Tout d'abord, assurez-vous que le contrôleur est éteint. Installez le contrôleur sur la batterie et fixez-le avec les boucles.

Raccordement du cordon de raccordement au contrôleur

Raccordez la fiche mâle du cordon de raccordement au connecteur du contrôleur et tournez la vis vers la droite pour fixer la fiche mâle en place.

Insertion de la batterie dans la poche de ceinture (Fig. 5 et 6)

Après avoir fixé le contrôleur sur la batterie, mettez la batterie avec le contrôleur monté dessus dans votre poche de ceinture de façon que le connecteur de contrôleur soit dirigé vers la main avec laquelle vous utilisez le sécateur. Puis, recouvrez la batterie avec le couvercle de la poche pour les empêcher de tomber accidentellement de la poche pendant l'utilisation.

Port de la ceinture (Fig. 6)

Fixez une paire de bretelles à la ceinture. Mettez la ceinture et réglez la longueur des bretelles et de la ceinture de façon que la batterie se trouve sur votre dos, à la hauteur de la ceinture.

Installation de la gaine (Fig. 7)

Installez la gaine sur la ceinture comme indiqué à la Fig. 7. Elle devra se trouver sur le côté de la main avec laquelle vous utilisez le sécateur.

Port de l'attache de bras (Fig. 8)

Fixez l'attache de bras sur votre bras. Pour la porter, faites passer le cordon de raccordement dans l'attache de bras comme indiqué à la Fig. 8 pour qu'elle ne vous gêne pas pendant le travail.

Raccordement du cordon de raccordement au sécateur (Fig. 9)

Raccordez la fiche femelle du cordon de raccordement au connecteur du sécateur et tournez la vis vers la droite pour fixer la fiche femelle en place.

NOTE :

Si vous raccordez ou débranchez le cordon de raccordement alors que le contrôleur est allumé, le témoin clignotera alternativement en rouge et en vert. Dans ce cas, le sécateur ne se mettra pas en marche même si vous tirez sur la gâchette. Éteignez le contrôleur puis rallumez-le pour mettre le sécateur en marche. (Fig. 4)

Interrupteur

ATTENTION :

- Avant de raccorder la batterie au sécateur, vérifiez toujours que la gâchette fonctionne correctement et qu'elle revient sur la position "OFF" quand vous la relâchez.
- Ne tirez pas sur la gâchette sans appuyer d'abord sur le levier de blocage. Vous pourriez casser l'interrupteur.

Allumez le contrôleur en appuyant sur le côté supérieur (I) de l'interrupteur. Le témoin se met à clignoter en vert. Puis, tirez sur la gâchette et relâchez-la une fois. La lame supérieure du sécateur commence à monter dès que vous relâchez la gâchette et elle s'arrête à la position de levage maximal (grand ouverte). Si la lame supérieure est déjà ouverte, elle le restera lors de la première action de la gâchette. Le témoin reste allumé en vert. À la prochaine action de la gâchette, vous pouvez commencer à couper les branches. (Fig. 4)

Pour empêcher tout déclenchement accidentel de la gâchette, un levier de blocage est prévu. Pour mettre le sécateur en marche, appuyez sur le levier de blocage et tirez sur la gâchette. Pour arrêter le sécateur, relâchez la gâchette. (Fig. 10)

Lorsque vous maintenez la gâchette tirée, la lame supérieure descend et elle s'arrête en position de fermeture. Quand vous relâchez la gâchette, la lame supérieure monte et elle s'arrête à la position de levage maximal (grand ouverte). (Fig. 11)

Mise du sécateur dans la gaine (Fig. 12)

Éteignez le contrôleur en appuyant sur le côté inférieur (O) de l'interrupteur tout en maintenant la gâchette tirée. La lame supérieure s'arrête en position de fermeture. Mettez le sécateur dans la gaine avec la lame supérieure en position de fermeture.

Elagage (Fig. 13)

ATTENTION :

- N'utilisez jamais le sécateur dans une position peu commode. Vous pourriez gravement vous blesser.
- Ne tenez jamais la branche que vous êtes en train de couper avec votre main libre. Éloignez votre main libre de la zone de coupe. Les lames sont très coupantes et vous pourriez vous couper.

Coupez les branches une par une, comme indiqué à la Fig. 13. Avec ce sécateur, vous pouvez couper des branches d'une épaisseur maximale de 30 mm. Conservez une bonne assise et un bon équilibre à tout moment.

Après l'utilisation, éteignez le contrôleur et débranchez le cordon de raccordement au niveau du sécateur et du contrôleur. Rangez le sécateur dans un lieu sec, en hauteur ou verrouillé - hors de portée des jeunes enfants.

Mécanisme de protection contre les surcharges

Le sécateur et le contrôleur sont tous deux équipés d'un mécanisme de protection contre les surcharges. Si le moteur se bloque pendant plus de trois secondes, ce mécanisme se déclenche pour arrêter le sécateur. Au même moment, le témoin du contrôleur se met à clignoter alternativement en rouge et en vert. Pour reprendre le fonctionnement, éteignez le contrôleur en appuyant sur le côté inférieur (O) de l'interrupteur, puis allumez-le à nouveau.

NOTE :

N'utilisez pas le sécateur de façon que le mécanisme se déclenche fréquemment. Vous pourriez endommager le moteur.

Témoin du contrôleur (Fig. 4)

Le témoin se met à clignoter ou il reste allumé en vert lorsque le contrôleur est allumé (le côté supérieur (I) de l'interrupteur est enfoncé). Si le témoin s'allume comme suit, effectuez les opérations ci-dessous.

1. Si le témoin clignote alternativement en rouge et en vert, c'est que le mécanisme de protection contre les surcharges s'est déclenché ou que le cordon de raccordement n'est pas branché à fond. Eteignez le contrôleur et procédez comme suit :
 - a) Si le moteur s'est bloqué pendant plus de trois secondes, éteignez simplement le contrôleur.
 - b) Si le cordon de raccordement n'est pas branché à fond, rebranchez-le à fond, puis allumez le contrôleur.
2. Si le témoin clignote en rouge, c'est que l'intérieur du contrôleur est trop chaud. Eteignez le contrôleur et attendez quelques instants qu'il refroidisse. Puis rallumez-le.
3. Si le témoin reste constamment allumé en rouge, c'est que la tension de la batterie est insuffisante. Rechargez la batterie.
4. Si le témoin n'est ni vert ni rouge :
 - a) La batterie est complètement déchargée. Rechargez-la.
 - b) Le relais de surintensité s'est déclenché. Appuyez sur le bouton de réarmement.

Si le témoin ne se met pas à clignoter en vert bien que vous ayez effectué les corrections ci-dessus, c'est qu'il y a un problème avec le sécateur, le cordon de raccordement, le contrôleur ou la batterie. Eteignez le contrôleur et débranchez le cordon de raccordement au niveau du sécateur et du contrôleur. Expédiez le sécateur, le cordon de raccordement, le contrôleur et la batterie à votre revendeur ou à votre service après-vente Makita pour les faire vérifier et/ou réparer.

Remplacement des lames

ATTENTION :

Assurez-vous toujours que le contrôleur est éteint et le cordon de raccordement débranché du sécateur.

Vous pouvez remplacer les lames quelle que soit la position de la lame supérieure.

Retirez les boulons à tête creuse à 6 pans qui fixent le carter de lame avec la clé hexagonale fournie.

(Fig. 14)

Retirez le carter de lame. (Fig. 15)

Retirez le contre-écrou hexagonal avec la clé à douille fournie. La rondelle plate s'enlève en même temps que le contre-écrou hexagonal. (Fig. 16)

Retirez le boulon à tête ronde, le support de lame et la lame supérieure. (Fig. 17)

Retirez la lame supérieure du support de lame. Veillez à ce qu'aucun corps étranger n'adhère à l'aimant du support de lame, et faites attention de ne pas l'endommager. (Fig. 18)

Retirez les deux boulons à tête creuse à 6 pans qui fixent la lame inférieure avec la clé hexagonale fournie. Puis, retirez la lame inférieure. (Fig. 19) Pour installer les lames, procédez dans l'ordre inverse. N'enlevez pas la graisse autour de l'engrenage.

ENTRETIEN

ATTENTION :

Assurez-vous toujours que le contrôleur est éteint et le cordon de raccordement débranché du sécateur.

Entretien des lames (Fig. 20 et 21)

NOTE :

Avant et après l'utilisation, vérifiez attentivement les lames.

Après l'utilisation, nettoyez les lames avec une brosse dure. Puis essuyez les lames avec un chiffon et enduisez-les d'huile de machine.

ATTENTION :

Si vous n'entretenez pas suffisamment les lames, cela provoquera une friction excessive des lames et réduira la durée de fonctionnement par recharge de la batterie.

Affûtage des lames

Lame supérieure

Appliquez la partie plate de la lime diamantée sur le tranchant. Déplacez la lime dans le sens de la flèche pour que l'affûtage soit pratiqué sur toute la longueur du fil. Maintenez la lime bien à plat. (Fig. 22)

Appliquez légèrement la partie plate de la lime diamantée sur l'autre face de la lame. Déplacez la lime dans le sens de la flèche pour enlever le morfil. (Fig. 23)

Lame inférieure

Appliquez la partie ronde de la lime diamantée sur le tranchant. Déplacez la lime dans le sens de la flèche pour que l'affûtage soit pratiqué sur toute la longueur du fil. (Fig. 24)

Appliquez légèrement la partie plate de la lime diamantée sur l'envers de la lame. Déplacez la lime dans le sens de la flèche pour enlever le morfil. (Fig. 25)

Pour maintenir la sécurité et la fiabilité du produit, les réparations, l'entretien ou les réglages doivent être effectués par le Centre d'Entretien Makita.

GARANTIE

Les outils Makita sont garantis en accord avec les règlements et les lois de chaque pays. Les dommages imputables à une usure par détérioration naturelle, une surcharge ou une manipulation incorrecte ne sont pas couverts par la garantie. En cas de réclamation, envoyer l'outil, sans le démonter et avec le CERTIFICAT DE GARANTIE inclus, à son revendeur ou à un centre de réparation Makita.

- | | | |
|----------------------|-------------------------|-------------------|
| ① Ladegerät DC4600 | ⑫ Gürtel | ⑳ Obermesser |
| ② Ladekontrolleuchte | ⑬ Taschenklappe | ㉑ Untermesser |
| ③ Starttaste | ⑭ Steuergeräteanschluss | ㉒ Ast |
| ④ Akku 4600 | ⑮ Gürteltasche | ㉓ Inbusschlüssel |
| ⑤ Ladestecker | ⑯ Träger | ㉔ Messerabdeckung |
| ⑥ Ladebuchse | ⑰ Halfter | ㉕ Steckschlüssel |
| ⑦ Neustartknopf | ⑱ Armbinde | ㉖ Messerhalter |
| ⑧ Steuergerät C4600 | ⑲ Verbindungskabel | ㉗ Magnet |
| ⑨ Schalter | ⑳ Kupplungsstecker | ㉘ Bürste |
| ⑩ Schnalle | ㉑ Ein-Aus-Schalter | ㉙ Maschinenöl |
| ⑪ Kontrollampe | ㉒ Einschaltsperr | ㉚ Diamantfeile |

TECHNISCHE DATEN

Modell	4604D
Max. Schnittleistung \varnothing	30 mm
Gesamtlänge	286 mm
Nennspannung	DC 24 V
Nettogewicht	
Schere	1,0 kg
Steuergerät C4600	0,3 kg
Akku 4600	2,0 kg
Ladezeit	1 Std.

- Wir behalten uns vor, Änderungen im Zuge der Entwicklung und des technischen Fortschritts ohne vorherige Anündigung vorzunehmen.
- Hinweis: Die technischen Daten können von Land zu Land abweichen.

Sicherheitshinweise

Lesen und beachten Sie diese Hinweise, bevor Sie das Gerät benutzen.

WICHTIGE SICHERHEITSHINWEISE

1. **DIESE ANWEISUNGEN GUT AUFBEWAHREN.** Diese Betriebsanleitung enthält wichtige Sicherheits- und Gebrauchsanweisungen für Ladegeräte.
2. **Lesen Sie vor der Benutzung des Ladegerätes alle Anweisungen und Warnhinweise, die auf (1) dem Ladegerät, (2) Akku und (3) Akku-Gerät angebracht sind.**
3. **VORSICHT** — Um die Verletzungsgefahr zu reduzieren, dürfen nur Makita-Akkus verwendet werden. Andere Akku-Typen können plätzen und Verletzungen oder Sachschäden verursachen.
4. **Setzen Sie Ladegerät and Akku weder Regen noch Schnee aus.**
5. **Die Verwendung von Zubehör, das nicht vom Ladegerät-Hersteller empfohlen oder verkauft wird, kann Feuer, elektrische Schläge oder Verletzungen verursachen.**
6. **Um Beschädigung des Netzsteckers und Netzkabels zu vermeiden, ziehen Sie beim Trennen des Ladegerätes vom Stromnetz nicht an der Netzanschlußleitung, sondern nur am Netzstecker.**

7. **Verlegen Sie die Netzanschlußleitung so, daß niemand darauf tritt, darüber stolpert oder sonstigen Belastungen ausgesetzt wird.**
8. **Betreiben Sie das Ladegerät nicht mit einer beschädigten Netzanschlußleitung oder Stecker — beschädigte Teile sind unverzüglich auszuwechseln.**
9. **Betreiben Sie das Ladegerät nicht, wenn es starken Erschütterungen ausgesetzt, fallen gelassen oder sonstwie beschädigt wurde. Bringen Sie es in diesem Fall zu einem qualifizierten Kundendiensttechniker.**
10. **Versuchen Sie nicht, das Ladegerät oder den Akku zu zerlegen, sondern bringen Sie es zu einem qualifizierten Kundendiensttechniker, wenn Wartungs- oder Reparaturarbeiten erforderlich sind. Falscher Zusammenbau kann die Ursache für elektrische Schläge oder Feuer sein.**
11. **Um die Gefahr von elektrischen Schlägen auszuschließen, müssen Sie das Ladegerät stets vom Stromnetz trennen, bevor Sie mit Wartungs- oder Reinigungsarbeiten beginnen.**

ZUSÄTZLICHE SICHERHEITSBESTIMMUNGEN FÜR LADEGERÄT UND AKKU

1. **Unterlassen Sie das Laden des Akkus bei einer Akku-oder Lufttemperatur unter 10°C oder über 40°C.**
2. **Den Akku nicht direkter Sonneneinstrahlung aussetzen.**
3. **Schließen Sie das Ladegerät nicht an einen Spartransformator, Generator oder eine Gleichstrom-Steckdose an.**
4. **Achten Sie darauf, daß die Lüftungsöffnungen des Ladegerätes durch nichts verdeckt oder verstopft werden.**

5. Der Akku darf nicht kurzgeschlossen werden:
 - (1) Die Kontakte dürfen nicht mit leitfähigem Material berührt werden.
 - (2) Lagern Sie den Akku nicht in einem Behälter zusammen mit anderen Metallgegenständen, wie z. B. Nägel, Schrauben, Münzen, usw.
 - (3) Setzen Sie den Akku weder Regen noch Wasser aus.

Ein Kurzschluß des Akkus verursacht starken Stromfluß und dadurch als Folge Überhitzung, die Verbrennungen sowie ein Verschmelzen des Akkus herbeiführen können.

Decken Sie die Akkukontakte stets mit der Schutzkappe ab, wenn Sie den Akku nicht benutzen.

6. Versuchen Sie niemals, den Akku zu verbrennen, selbst wenn er stark beschädigt oder vollkommen verbraucht ist. Der Akku kann im Feuer explodieren.
7. Achten Sie darauf, daß der Akku nicht fallen gelassen, Erschütterungen oder Stößen ausgesetzt wird.
8. Laden Sie den Akku niemals innerhalb eines Kartons oder eines geschlossenen Behälters. Der Akku darf nur an einem gut belüfteten Ort geladen werden.

Umweltschutz

Das Gerät ist mit einem Nickel-Cadmium-Akku ausgerüstet. Um eine umweltgerechte Entsorgung zu gewährleisten, bitten wir Sie, folgende Punkte zu beachten:

- Geben Sie den verbrauchten Akku bei einer örtlichen Entsorgungsstelle oder beim Makita Kundendienst zum Recycling ab.
- Werfen Sie den verbrauchten Nickel-Cadmium-Akku nicht in den Hausmüll, ins Feuer oder ins Wasser.



ZUSÄTZLICHE SICHERHEITSBESTIMMUNGEN FÜR AKKU-REBSCHEREN

1. Die Maschine nur zum Schneiden von Ästen verwenden. Jede darüber hinaus gehende Verwendung gilt als nicht bestimmungsgemäß.
2. Die Maschine nicht bei Regen betreiben bzw. den Akku laden.
3. Die Maschine nicht Regen oder Feuchtigkeit aussetzen.
4. Bewahren Sie stets einen Sicherheitsabstand zu anderen Personen.
5. Schnittreste zwischen den Messern können die Maschine blockieren. Vor dem Entfernen der Schnittreste schalten Sie die Maschine aus und trennen den Akku von der Maschine.

6. Halten Sie niemals den Ast, den Sie abschneiden, mit Ihrer freien Hand. Halten Sie Ihre freie Hand vom Schnittbereich fern. Vermeiden Sie jegliche Berührung mit den Messern, da die Schneiden sehr scharf sind und Verletzungen verursachen können.
7. Versuchen Sie nicht mit erhöhter Kraftanstrengung oder Ausübung von Gewalt den Schnittvorgang durchzuführen. Es besteht die Gefahr des Abrutschens und als Folge Verletzungen bzw. unkontrolliertes Schneiden.
8. Achten Sie beim Schneiden auf verborgene elektrische Leitungen.
9. Vor Benutzung der Maschine Messer sorgfältig kontrollieren.
10. Vermeiden Sie jegliche Berührung mit den Messern. Es besteht Verletzungsgefahr durch scharfe Messerschneiden.
11. Vor jeglichen Inspektions- und Wartungsarbeiten Akku von der Maschine trennen.
12. Nach Benutzung den Messerschutz aufstecken.

BEWAHREN SIE DIESE HINWEISE SORGFÄLTIG AUF.

BEDIENUNGSHINWEISE

Laden (Abb. 1 u. 2)

Den Akku 4600 vor Gebrauch mit dem Makita Ladegerät DC4600 laden. Das Ladegerät an eine Netzsteckdose anschließen, und den Ladestecker in die Ladebuchse des Akkus stecken. Die Starttaste (rot) am Ladegerät drücken. Die Ladekontrollleuchte leuchtet auf, und der Ladevorgang beginnt. Wenn die Ladekontrollleuchte nach etwa einer Stunde erlischt, ist der Ladevorgang abgeschlossen. Falls die Ladekontrollleuchte innerhalb einer Minute nach dem Drücken der Starttaste erlischt, ist der Akku tot. Ersetzen Sie ihn durch einen neuen. Nach dem Laden den Ladestecker vom Akku, und das Ladegerät von der Netzsteckdose abziehen.

VORSICHT:

- Entfernen Sie das Steuergerät während des Ladevorgangs vom Akku.
- Fixieren Sie die Starttaste nicht mit Klebeband usw. in der eingerasteten Stellung. Anderenfalls funktioniert die Schaltung nicht einwandfrei, und es kann zu einer Funktionsstörung des Ladegerätes kommen.
- Verwenden Sie nur das Makita Ladegerät DC4600 zum Laden des Akkus 4600. Die Verwendung irgendwelcher anderer Ladegeräte kann zu einer Beschädigung des Akkus führen.
- Wenn Sie einen neuen oder längere Zeit unbenutzten Akku laden, wird möglicherweise keine volle Ladung erzielt. Dies ist normal und stellt kein Anzeichen für eine Störung dar. Der Akku läßt sich vollkommen aufladen, nachdem er ein paarmal vollständig entladen worden ist.

Überstromrelais (Abb. 2)

Zum Schutz des Akkus vor Kurzschluß ist ein Überstromrelais in den Akku eingebaut. Wenn das Überstromrelais aktiviert wird, kann der Akku nicht benutzt werden. Drücken Sie den Neustartknopf am Akku, um ihn wieder einsatzfähig zu machen.

Falls das Überstromrelais häufig aktiviert wird, liegt möglicherweise eine Störung in Akku, Ladegerät, Steuergerät oder der Schere selbst vor. Bringen Sie die Schere zu Ihrem Händler oder einer Makita Kundendienststelle, um sie überprüfen und/oder reparieren zu lassen.

Anbringen des Steuergerätes am Akku (Abb. 3 u. 4)

Vergewissern Sie sich zuerst, daß das Steuergerät ausgeschaltet ist. Das Steuergerät am Akku anbringen und mit den Schnallen befestigen.

Anschließen des Verbindungskabels an das Steuergerät

Den Stecker des Verbindungskabels in die Buchse des Steuergerätes stecken, und die Schraube zur Sicherung des Steckers im Uhrzeigersinn drehen.

Einsetzen des Akkus in die Gürteltasche (Abb. 5 u. 6)

Schieben Sie den Akku mit dem angebrachten Steuergerät in die Gürteltasche, so daß der Steuergeräteaanschluß zu der Hand weist, mit der Sie die Schere halten. Schließen Sie dann die Taschenklappe, um versehentliches Herausfallen des Akkus aus der Tasche während der Arbeit zu verhüten.

Anlegen des Gürtels (Abb. 6)

Befestigen Sie die Träger am Gürtel. Legen Sie den Gürtel an und stellen Sie die Länge der Träger und des Gürtels so ein, daß sich der Akku in Taillenhöhe auf Ihrem Rücken befindet.

Anbringen des Halfters (Abb. 7)

Bringen Sie das Halfter am Gürtel an, wie in **Abb. 7** gezeigt. Es sollte auf der Seite der Hand angebracht werden, mit der Sie die Schere halten.

Anlegen der Armbinde (Abb. 8)

Bringen Sie die Armbinde an Ihrem Arm an. Führen Sie das Verbindungskabel durch die angelegte Armbinde, wie in **Abb. 8** gezeigt, damit es nicht hinderlich ist.

Anschließen des Verbindungskabels an die Schere (Abb. 9)

Die Steckbuchse des Verbindungskabels an den Steckverbinder der Schere anschließen, und die Schraube zur Sicherung der Steckbuchse im Uhrzeigersinn drehen.

HINWEIS:

Wird das Verbindungskabel bei eingeschaltetem Steuergerät angeschlossen oder abgetrennt, blinkt die Kontrolllampe abwechselnd rot und grün. In diesem Fall läßt sich die Schere trotz Betätigung des Ein-Aus-Schalters nicht einschalten. Schalten Sie das Steuergerät aus und wieder ein, um die Schere einschalten zu können. (**Abb. 4**)

Schalterbedienung

VORSICHT:

- Vergewissern Sie sich vor dem Anschluß des Akkus an die Schere stets, daß der Ein-Aus-Schalter einwandfrei funktioniert und bei Loslassen in die AUS-Stellung zurückkehrt.
- Betätigen Sie den Ein-Aus-Schalter nicht, ohne die Einschaltsperrung zu drücken. Anderenfalls kann der Schalter beschädigt werden.

Das Steuergerät durch Drücken der oberen Seite (I) des Schalters einschalten. Die Kontrolllampe beginnt, grün zu blinken. Dann den Ein-Aus-Schalter drücken und wieder loslassen. Das Obermesser bewegt sich nach oben, sobald der Ein-Aus-Schalter losgelassen wird, und bleibt in der Hochstellung (ganz geöffnet) stehen. Falls das Obermesser bereits geöffnet ist, bleibt es beim ersten Drücken des Ein-Aus-Schalters in dieser Stellung. Die Kontrolllampe leuchtet ständig grün. Ab der nächsten Schalterbetätigung können Sie Äste schneiden. (**Abb. 4**)

Um versehentliche Betätigung des Ein-Aus-Schalters zu verhüten, ist die Maschine mit einer Einschaltsperrung ausgestattet. Zum Einschalten der Schere muß die Einschaltsperrung zusammen mit dem Ein-Aus-Schalter gedrückt werden. Zum Ausschalten der Schere lassen Sie den Ein-Aus-Schalter los. (**Abb. 10**)

Wird der Ein-Aus-Schalter gedrückt gehalten, bewegt sich das Obermesser nach unten und bleibt in der geschlossenen Stellung stehen. Wird der Ein-Aus-Schalter losgelassen, bewegt sich das Obermesser nach oben und bleibt in der Hochstellung (ganz geöffnet) stehen. (**Abb. 11**)

Aufbewahren der Schere im Halfter (Abb. 12)

Das Steuergerät durch Drücken der unteren Seite (O) des Schalters ausschalten, während Sie den Ein-Aus-Schalter gedrückt halten. Das Obermesser bleibt in der geschlossenen Stellung stehen. Stecken Sie die Schere mit geschlossenem Obermesser in das Halfter.

Schneiden (Abb. 13)

VORSICHT:

- Betreiben Sie die Schere niemals in einer ungünstigen Haltung. Dies kann zu schweren Verletzungen führen.
- Halten Sie niemals den Ast, den Sie abschneiden, mit Ihrer freien Hand. Halten Sie Ihre freie Hand vom Schnittbereich fern. Die Messer sind sehr scharf und können Verletzungen verursachen.

Schneiden Sie Äste einzeln ab, wie in **Abb. 13** gezeigt. Mit dieser Schere können Äste von maximal 30 mm Dicke abgeschnitten werden. Achten Sie stets auf sicheren Stand und gute Balance. Schalten Sie das Steuergerät nach der Arbeit aus, und trennen Sie das Verbindungskabel von Schere und Steuergerät. Bewahren Sie die Schere an einem trockenen, hochgelegenen oder abschließbaren Ort auf — außer Reichweite von Kindern.

Überlastschutz

Schere und Steuergerät sind mit einem Überlastschutz ausgestattet. Falls der Motor länger als drei Sekunden blockiert wird, schaltet dieser Mechanismus die Schere aus. Außerdem blinkt die Kontrollampe am Steuergerät abwechselnd rot und grün. Um den Betrieb fortzusetzen, das Steuergerät durch Drücken der unteren Seite (O) des Schalters ausschalten, und dann wieder einschalten.

HINWEIS:

Vermeiden Sie häufiges Aktivieren dieses Mechanismus durch Überlastung der Schere. Der Motor kann sonst beschädigt werden.

Kontrollampe am Steuergerät (Abb. 4)

Wenn das Steuergerät eingeschaltet wird (durch Drücken der oberen Seite (I) des Schalters), beginnt die Kontrollampe zu blinken oder grün zu leuchten. Falls die Kontrollampe einen der nachstehend beschriebenen Zustände anzeigt, ergreifen Sie eine der folgenden Maßnahmen.

1. Falls die Kontrollampe abwechselnd rot und grün blinkt, ist der Überlastschutz aktiviert worden, oder das Verbindungskabel ist nicht richtig angeschlossen. Schalten Sie das Steuergerät aus, und gehen Sie folgendermaßen vor:
 - a) Falls der Motor länger als drei Sekunden blockiert wird, einfach das Steuergerät einschalten.
 - b) Falls das Verbindungskabel nicht richtig angeschlossen ist, das Kabel richtig anschließen, und dann das Steuergerät einschalten.
2. Falls die Kontrollampe rot blinkt, ist die Temperatur im Steuergerät zu hoch. Schalten Sie das Steuergerät aus, und lassen Sie es eine Zeitlang abkühlen, bevor Sie es wieder einschalten.
3. Falls die Kontrollampe ständig rot leuchtet, ist die Akkuspannung zu niedrig. Laden Sie den Akku.
4. Falls die Kontrollampe weder grün noch rot leuchtet:
 - a) Der Akku ist völlig entladen. Laden Sie den Akku.
 - b) Das Überstromrelais ist aktiviert worden. Drücken Sie den Neustartknopf.

Falls die Kontrollampe trotz Ausführung der obigen Schritte nicht grün blinkt, liegt eine Störung in Schere, Verbindungskabel, Steuergerät oder Akku vor. Schalten Sie das Steuergerät aus, und trennen Sie das Verbindungskabel von Schere und Steuergerät. Nehmen Sie das Steuergerät vom Akku ab. Bringen Sie Schere, Verbindungskabel, Steuergerät und Akku zu Ihrem Händler oder einer Makita Kundendienststelle, um sie überprüfen und/oder reparieren zu lassen.

Auswechseln der Messer

VORSICHT:

Vergewissern Sie sich stets, daß das Steuergerät ausgeschaltet und das Verbindungskabel von der Schere getrennt ist.

Die Messer können ungeachtet der Stellung des Obermessers ausgewechselt werden.

Die zwei Innensechskantschrauben, mit denen die Messerabdeckung befestigt ist, mit dem mitgelieferten Inbusschlüssel entfernen. **(Abb. 14)**

Die Messerabdeckung abnehmen. **(Abb. 15)**

Die Sechskant-Sicherungsmutter mit dem mitgelieferten Steckschlüssel entfernen. Die Unterlegscheibe läßt sich zusammen mit der Sechskant-Sicherungsmutter abnehmen. **(Abb. 16)**
Rundkopfschraube, Messerhalter und Obermesser entfernen. **(Abb. 17)**

Das Obermesser vom Messerhalter abnehmen. Sorgfältig darauf achten, daß keine Fremdkörper an dem Magneten des Messerhalters haften, und daß er nicht beschädigt wird. **(Abb. 18)**

Die zwei Innensechskantschrauben, mit denen das Untermesser befestigt ist, mit dem mitgelieferten Inbusschlüssel entfernen. Dann das Untermesser abnehmen. **(Abb. 19)**

Zur Montage der Messer das Demontageverfahren umgekehrt anwenden. Nicht das Fett um das Zahnrad entfernen.

WARTUNG

VORSICHT:

Vergewissern Sie sich stets, daß das Steuergerät ausgeschaltet und das Verbindungskabel von der Schere getrennt ist.

Messerwartung (Abb. 20 u. 21)

HINWEIS:

Unterziehen Sie die Messer vor und nach der Arbeit einer sorgfältigen Überprüfung.

Reinigen Sie die Messer nach der Arbeit mit einer harten Bürste. Anschließend die Messer mit einem Tuch abwischen und mit Maschinenöl konservieren.

VORSICHT:

Eine Vernachlässigung der Messerwartung kann zu übermäßiger Messerreibung führen und die Betriebszeit pro Akkuladung verkürzen.

Schärfen der Messer

Obermesser

Die Messerschneide mit der flachen Seite der Diamantfeile schleifen. Die Diamantfeile in Pfeilrichtung bewegen, um die Schneide über ihre ganze Länge zu schleifen. Den gleichen flachen Kontakt mit der Feile über die gesamte Länge der Schneide beibehalten. **(Abb. 22)**

Die Rückseite des Messers leicht mit der flachen Seite der Feile schleifen. Die Diamantfeile in Pfeilrichtung bewegen, um Grate zu entfernen. **(Abb. 23)**

Untermesser

Die Messerschneide mit der runden Seite der Diamantfeile schleifen. Die Diamantfeile in Pfeilrichtung bewegen, um die Schneide über ihre ganze Länge zu schleifen. **(Abb. 24)**

Die Rückseite des Messers leicht mit der flachen Seite der Feile schleifen. Die Diamantfeile in Pfeilrichtung bewegen, um Grate zu entfernen. **(Abb. 25)**

Um die Sicherheit und Zuverlässigkeit dieses Gerätes zu gewährleisten, sollten Reparatur-, Wartungs- und Einstellarbeiten nur von durch Makita autorisierten Werkstätten oder Kundendienstzentren unter ausschließlicher Verwendung von Makita-Originalersatzteilen ausgeführt werden.

GARANTIE

Für Makita-Elektrowerkzeuge gewähren wir Garantie gemäß den gesetzlichen/länderspezifischen Bestimmungen. Von der Garantie ausgeschlossen sind Schäden, die auf gebrauchsbedingten Verschleiß, Überlastung oder unsachgemäße Behandlung zurückzuführen sind. Bei Beanstandungen senden Sie bitte das unzerlegte Gerät zusammen mit dem beigefügten GARANTIESCHEIN an Ihren Händler oder die Makita-Kundendienstzentrale.

① Caricatore DC4600	⑫ Cintura	⑳ Lama superiore
② Spia di carica	⑬ Copertura tasca	㉑ Lama inferiore
③ Bottone di avvio	⑭ Connettore unità di controllo	㉒ Ramo
④ Batteria 4600	⑮ Tasca cintura	㉓ Chiave esagonale
⑤ Spina di carica	⑯ Bretelle	㉔ Coperchio lame
⑥ Connettore di carica	⑰ Fondina	㉕ Chiave a bussola
⑦ Bottone di riavvio	⑱ Bracciale	㉖ Supporto lame
⑧ Unità di controllo C4600	⑲ Cavo di collegamento	㉗ Calamita
⑨ Interruttore	㉑ Spina femmina	㉘ Spazzola
⑩ Fibbia	㉒ Interruttore	㉙ Lubrificante
⑪ Spia	㉓ Leva di sicurezza	㉚ Lima diamantata

DATI TECNICI

Modello	4604D
Capacità massima di taglio	30 mm di diametro
Lunghezza generale	286 mm
Tensione nominale:	C.c. 24 V
Peso netto	
Forbici	1,0 kg
Unità di controllo C4600	0,3 kg
Batteria 4600	2,0 kg
Tempo di carica	1 ora

- Per il nostro programma di ricerca e sviluppo continui, i dati tecnici sono soggetti a modifiche senza preavviso.
- Nota: I dati tecnici potrebbero differire a seconda del paese di destinazione del modello.

Consigli per la sicurezza

Per la vostra sicurezza, riferitevi alle accluse istruzioni per la sicurezza.

ISTRUZIONI DI SICUREZZA IMPORTANTI PER CARICATORI E BATTERIE

1. **RISPETTARE QUESTE ISTRUZIONI** — Questo manuale contiene importanti regole di sicurezza e di lavorazione per il caricatore delle batterie.
2. Prima di usare il caricatore delle batterie, leggere tutte le istruzioni e precauzioni scritte (1) sul caricatore delle batterie (2) sulle batterie e (3) utensili che usano le batterie.
3. **ATTENZIONE.** Per ridurre il rischio di ferirsi, caricare solamente batterie ricaricabili della Makita. Altri tipi di batterie possono scoppiare causando danni e ferite alle persone.
4. Non esporre il caricatore alla pioggia oppure alla neve.
5. L'uso di un attacco non raccomandato o non venduto dal costruttore del caricatore di batterie può diventare la causa d'incendio, di scosse elettriche, oppure di ferite alle persone.
6. Per ridurre il rischio di danneggiare il cavo elettrico o la spina, quando si vuole staccare il cavo dalla presa sul muro non tirare per il cavo ma prendere direttamente la spina in mano.

7. Assicurarsi che il cavo è posato in modo da non essere pestato, attorcigliato oppure messo in condizioni di essere danneggiato oppure stirato.
8. Non mettere in operazione il caricatore delle batterie con un cavo o una spina in cattive condizioni. Sostituire immediatamente.
9. Non mettere in operazione un caricatore quando ha ricevuto una botta, quando è stato fatto cadere, oppure è stato danneggiato in una maniera qualsiasi. Portatelo subito ad un negozio di fiducia per le riparazioni del caso.
10. Non smontare il caricatore o le batterie. Portatelo da un negozio di fiducia se è necessario fare qualche riparazione. Un rimontaggio sbagliato può causare scosse elettriche oppure un incendio.
11. Per ridurre il rischio di scosse elettriche, staccare il caricatore dalla presa di corrente prima di tentare qualsiasi lavoro di manutenzione oppure di pulizia. Il rischio non sarebbe ridotto col solo distacco dell'interruttore.

ULTERIORI REGOLE DI SICUREZZA PER CARICATORI E BATTERIE

1. Non caricare le batterie a cartuccia quando esse o la temperatura dell'aria sono sotto i 10° oppure sopra i 40°.
2. Non caricare nè lasciare la batteria in luoghi esposti alla luce del sole diretta.
3. Non tentare di usare un trasformatore per aumentare la tensione, un generatore oppure qualsiasi sorgente di corrente diretta (DC).
4. Non lasciar coprire oppure intasare le aperture del caricatore.

5. Non mettere in corto circuito le batterie a cartuccia.
 - (1) Non toccare le estremità dei fili con nessun tipo di materiale conduttivo.
 - (2) Quando non si usa la cartuccia delle batterie evitare di metterla dentro scatole che contengono altri oggetti metallici come potrebbero essere chiodi, parti minute, etc.
 - (3) Non esporre la cartuccia delle batterie all'acqua oppure alla pioggia.

Un corto circuito può causare un grosso flusso corrente, surriscaldamento, bruciature oppure rotture.
Coprire sempre i terminali della batteria con il coperchio della batteria quando non si usa la batteria.
6. Non buttare nel fuoco le batterie a cartuccia anche se sono estremamente danneggiate oppure completamente fuori uso. Le batterie potrebbero esplodere nel fuoco.
7. Stare attenti a non far cadere, agitare o colpire la batteria.
8. Non caricare la batteria all'interno di una scatola o di un contenitore. Durante la ricarica, la batteria deve trovarsi in un luogo ben ventilato.

ULTERIORI REGOLE DI SICUREZZA PER FORBICI per POTARE a BATTERIA

1. Questo attrezzo è usato per potare i rami. Non usarlo per lavori diversi da quelli intesi.
2. Non usare questo attrezzo né si effettuino le operazioni di ricarica della batteria quando piove.
3. Non lasciare l'attrezzo sotto la pioggia oppure in posti umidi.
4. Non lasciare che nessuno si avvicini alla zona di lavoro.
5. Fare attenzione a non permettere che materiale estraneo venga ad inserirsi tra le lame. Se del materiale estraneo si inserisce tra le lame, staccare l'interruttore e smontare le batterie dall'attrezzo. Quindi rimuovere il materiale estraneo dalle lame.
6. Non tenere mai con la mano libera il ramo che si sta potando. Tenere la mano libera lontana dall'area di taglio. Non toccare mai le lame, perché sono molto affilate e c'è pericolo di tagliarsi.
7. Non forzare l'attrezzo perché tagli. Potrebbe scivolare e postreste ferirvi.
8. Evitare di tagliare cavi elettrici che potrebbero trovarsi nascosti.
9. Controllare sempre con molta attenzione le lame prima di adoperare l'attrezzo.
10. Maneggiare le lame con grande attenzione per evitare di tagliarsi o ferirsi.
11. Scollegare la batteria dall'attrezzo dopo l'uso e prima di effettuare le operazioni di ispezione e di manutenzione.

12. Tenere sempre l'attrezzo nella sua guaina quando non viene usato.

CONSERVATE QUESTE ISTRUZIONI.

ISTRUZIONI PER L'USO

Carica (Fig. 1 e 2)

Caricare la batteria 4600 con il caricatore DC4600 Makita prima dell'uso. Collegare il caricatore alla presa di corrente e inserire la spina di carica nel connettore di carica della batteria. Premere il bottone di avvio (rosso) sul caricatore. La spia di carica si accende e la carica comincia. Quando la spia di carica si spegne dopo circa un'ora, la carica è completa. Se la spia di carica si spegne entro un minuto dalla pressione del bottone di avvio, vuol dire che la batteria è morta. Sostituirla con un'altra nuova. Dopo la carica, staccare la spina di carica dalla batteria e dalla presa di corrente.

ATTENZIONE:

- Rimuovere l'unità di controllo dalla batteria quando si carica.
- Non mantenere premuto il bottone di avvio con del nastro adesivo, ecc., perché altrimenti il circuito non funziona correttamente e si potrebbe verificare un malfunzionamento del caricatore.
- Per caricare la batteria 4600, usare soltanto il caricatore DC4600 Makita. L'uso di qualsiasi altro caricatore potrebbe danneggiare la batteria.
- Quando si carica una nuova batteria o una batteria che non è stata usata per un lungo periodo di tempo, essa potrebbe non accettare una carica piena. Ciò è normale e non indica un problema. La batteria può essere ricaricata completamente dopo che è stata scaricata completamente due o tre volte.

Relè di sovracorrente (Fig. 2)

Il relè di sovracorrente è incorporato nella batteria per prevenire un cortocircuito della batteria. Quando scatta il relè di sovracorrente, non si può usare la batteria. Per usare di nuovo la batteria, premere il bottone di riavvio. Se il relè di sovracorrente scatta frequentemente, vuol dire che c'è qualcosa che non va con la batteria, il caricatore, l'unità di controllo o le forbici stesse. Spedirli allora al rivenditore o a un centro di assistenza Makita per farli controllare e/o riparare.

Installazione dell'unità di controllo sulla batteria (Figg. 3 e 4)

Accertarsi per prima cosa che l'unità di controllo sia spenta. Installare l'unità di controllo sulla batteria e fissarla con le fibbie.

Connessione del cavo di collegamento all'unità di controllo

Collegare la spina maschio del cavo di collegamento al connettore dell'unità di controllo e girare la vite in senso orario per fissare la spina in posizione.

Sistemazione della batteria nella tasca della cintura (Fig. 5 e 6)

Dopo aver installato l'unità di controllo sulla batteria, mettere la batteria con l'unità di controllo nella tasca della cintura con il connettore dell'unità di controllo rivolto verso la mano che usa le forbici. Coprire poi la batteria con la copertura della tasca per evitare che cadano dalla tasca durante l'uso.

Modo di indossare la cintura (Fig. 6)

Attaccare le bretelle alla cintura. Indossare la cintura e regolare la lunghezza delle bretelle e della cintura in modo che la batteria venga a trovarsi sulla schiena all'altezza dei fianchi.

Installazione della fondina (Fig. 7)

Installare la fondina sulla cintura come mostrato nella Fig. 7. Essa deve essere posizionata sul lato dove si usano le forbici.

Modo di indossare il bracciale (Fig. 8)

Infilare il bracciale sul braccio. Quando lo si indossa, far passare il cavo di collegamento attraverso il bracciale come mostrato nella Fig. 8, in modo che non intralci.

Connessione del cavo di collegamento alle forbici (Fig. 9)

Collegare la spina femmina del cavo di collegamento al connettore delle forbici e girare la vite in senso orario per fissarla in posizione.

NOTA:

Se si collega o stacca il cavo di collegamento con l'unità di controllo spenta, la spia lampeggia alternativamente rossa e verde. In tal caso, le forbici non si avviano anche se si schiaccia l'interruttore. Spegnerne l'unità di controllo e riaccenderla per avviare le forbici. (Fig. 4)

Azionamento dell'interruttore

ATTENZIONE:

- Prima di collegare la batteria alle forbici, controllare sempre che l'interruttore funzioni correttamente e torni sulla posizione "OFF" quando viene rilasciato.
- Non schiacciare l'interruttore senza premere prima la leva di sicurezza, perché ciò potrebbe causare un guasto.

Accendere l'unità di controllo premendo il lato superiore (I) dell'interruttore. La spia comincia a lampeggiare verde. Schiacciare poi una volta l'interruttore e rilasciarlo. La lama superiore delle forbici comincia a muoversi non appena si rilascia l'interruttore e si arresta sulla posizione più alta (completamente aperta). Se la lama superiore è già aperta, essa rimane in quella posizione quando si schiaccia per la prima volta l'interruttore. La spia rimane continuamente verde. I rami possono essere tagliati con l'azionamento successivo dell'interruttore. (Fig. 4)

Per prevenire che l'interruttore venga schiacciato accidentalmente c'è una leva di sicurezza. Per avviare le forbici, schiacciare prima la leva di sicurezza e poi l'interruttore. Per fermare le forbici, rilasciare l'interruttore. (Fig. 10)

Se si mantiene premuto l'interruttore, la lama superiore delle forbici si abbassa e si arresta nella posizione di chiusura. Quando si rilascia l'interruttore, la lama superiore si sposta in su e si arresta sulla posizione di apertura massima. (Fig. 11)

Modo di mettere le forbici nella fondina (Fig. 12)

Accendere l'unità di controllo premendo il lato superiore (O) dell'interruttore mantenendo schiacciato l'interruttore. La lama superiore si arresta sulla posizione di chiusura. Mettere le forbici nella fondina con la lama superiore nella posizione di chiusura.

Operazione di potatura (Fig. 13)

ATTENZIONE:

- Mai usare le forbici da una posizione difficile, perché potrebbe causare lesioni serie.
- Mai tenere il ramo che si pota con la mano libera. Tenere la mano libera lontana dall'area di potatura. Le lame sono molto taglienti e c'è pericolo di tagliarsi.

Tagliare i rami uno alla volta, come mostrato nella Fig. 13. Lo spessore massimo dei rami che possono essere tagliati con queste forbici è di circa 30 mm. Mantenere sempre i piedi appoggiati saldamente e il corpo correttamente bilanciato.

Dopo l'uso, spegnere l'unità di controllo e staccare il cavo di collegamento dalle forbici e dall'unità di controllo. Conservare le forbici in un luogo asciutto, alto o chiuso a chiave, fuori dalla portata dei bambini.

Meccanismo di protezione dal sovraccarico

Sia le forbici che l'unità di controllo sono dotati di un meccanismo di protezione dal sovraccarico. Se il motore si blocca per più di 3 secondi, questo meccanismo interviene per fermare le forbici. Inoltre, la spia dell'unità di controllo comincia a lampeggiare alternativamente rossa e verde. Per continuare il lavoro, spegnere l'unità di controllo premendo il lato inferiore (O) dell'interruttore e riaccenderla.

NOTA:

Non far funzionare le forbici in modo da causare l'intervento frequente di questo meccanismo, perché altrimenti si potrebbe danneggiare il motore.

Spia sull'unità di controllo (Fig. 4)

La spia comincia a lampeggiare o rimane verde quando si accende l'unità di controllo (premendo il lato superiore (I) dell'interruttore). Se la spia indica le condizioni seguenti, procedere come segue.

1. Se la spia lampeggia alternativamente rossa e verde, vuol dire che il meccanismo di protezione dal sovraccarico è intervenuto o che il cavo di alimentazione non è collegato saldamente. Spegnerne l'unità di controllo e fare quanto segue:
 - a) Se il motore si blocca per più di 3 secondi, accendere semplicemente l'unità di controllo.
 - b) Se il cavo di alimentazione non è collegato saldamente, collegarlo saldamente e accendere poi l'unità di controllo.

2. Se la spia lampeggia rossa, vuol dire che l'interno dell'unità di controllo è troppo caldo. Spegnerne l'unità di controllo, aspettare che si raffreddi e poi accenderla.
3. Se la spia rimane continuamente rossa, vuol dire che la batteria è debole. Caricarla.
4. Se la spia non è né verde né rossa:
 - a) La batteria è completamente scarica. Caricarla.
 - b) Il relè di sovracorrente è scattato. Premere il bottone di riavvio.

Se la spia non comincia a lampeggiare verde anche dopo che si è proceduto come sopra, vuol dire che c'è qualcosa di sbagliato con le forbici, il cavo di alimentazione, l'unità di controllo o la batteria. Spegnerne l'unità di controllo e staccare il cavo di alimentazione dalle forbici e dall'unità di controllo. Rimuovere la batteria dall'unità di controllo. Portare o spedire le forbici, il cavo di alimentazione, l'unità di controllo e la batteria dal rivenditore o un centro di servizio Makita per farli ispezionare e/o riparare.

Sostituzione delle lame

ATTENZIONE:

Accertarsi sempre che l'unità di controllo sia spenta e il cavo di alimentazione staccato dalle forbici.

Le lame delle forbici possono essere sostituite indipendentemente dalla posizione della lama superiore. Usare la chiave esagonale in dotazione per togliere i due bulloni con testa esagonale che fissano il coperchio delle lame. **(Fig. 14)**

Rimuovere il coperchio delle lame. **(Fig. 15)**

Usare la chiave a bussola in dotazione per togliere il controdado esagonale. La rondella piatta viene via con il controdado. **(Fig. 16)**

Togliere il bullone con testa rotonda, il supporto delle lame e la lama superiore. **(Fig. 17)**

Rimuovere la lama superiore dal supporto. Fare attenzione che sostanze estranee non rimangano attaccate alla calamita del supporto delle lame, e a non danneggiarlo. **(Fig. 18)**

Usare la chiave esagonale in dotazione per togliere i due bulloni con testa esagonale che fissano la lama inferiore. Rimuovere poi la lama inferiore. **(Fig. 19)**

Per installare le lame, seguire il procedimento opposto di rimozione. Non togliere il grasso sull'ingranaggio.

MANUTENZIONE

ATTENZIONE:

Accertarsi sempre che l'unità di controllo sia spenta e il cavo di alimentazione staccato dalle forbici.

Manutenzione delle lame (Fig. 20 e 21)

NOTA:

Prima e dopo l'uso, controllare con cura le lame.

Dopo l'uso, pulire le lame con una spazzola dura. Strofinarle poi con un panno e cospargerle di lubrificante.

ATTENZIONE:

La mancata manutenzione causa l'attrito eccessivo delle lame e riduce il tempo operativo per ogni carica della batteria.

Affilatura delle lame

Lama superiore

Applicare la superficie piatta della lima diamantata al bordo della lama. Spingere la lima nella direzione della freccia per affilare lungo l'intero bordo della lama. Mantenere consistentemente lo stesso contatto piatto della lima lungo l'intero bordo della lama. **(Fig. 22)**

Applicare leggermente la superficie piatta della lima diamantata al lato opposto della lama. Spostare la lima nella direzione della freccia per togliere le bave. **(Fig. 23)**

Lama inferiore

Applicare la superficie rotonda della lima diamantata al bordo della lama. Spingere la lima nella direzione della freccia per affilare lungo l'intero bordo della lama. **(Fig. 24)**

Applicare leggermente la superficie piatta della lima diamantata al lato opposto della lama. Spostare la lima nella direzione della freccia per togliere le bave. **(Fig. 25)**

Per mantenere la sicurezza e l'affidabilità del prodotto, le riparazioni, la manutenzione o le regolazioni dovrebbero essere eseguite da un centro di assistenza Makita autorizzato.

GARANZIA

Garantiamo che gli utensili Makita sono in conformità con le leggi ed i regolamenti specifici del paese. Danni attribuibili al normale consumo, a rotture, a sovraccarichi o a utilizzazione erranea, sono esclusi dalla garanzia. In caso di reclamo inviate l'utensile, senza smontarlo, assieme al CERTIFICATO DI GARANZIA in dotazione, al rivenditore o al Centro di Servizio Makita.

- | | | |
|---------------------------|------------------------------------|------------------------|
| ① Acculader DC4600 | ⑬ Zakklep | ②③ Bovenste schaarblad |
| ② Oplaadlampje | ⑭ Aansluiting op bedieningseenheid | ②④ Onderste schaarblad |
| ③ Startknop | ⑮ Heupgordelzak | ②⑤ Tak |
| ④ Accu 4600 | ⑯ Schouderband | ②⑥ Inbussleutel |
| ⑤ Oplaadstekker | ⑰ Holster | ②⑦ Schaarbladdeksel |
| ⑥ Opladaansluiting | ⑱ Armband | ②⑧ Dopsleutel |
| ⑦ Herstartknop | ⑲ Aansluitkabel | ②⑨ Schaarbladhouder |
| ⑧ Bedieningseenheid C4600 | ⑳ Contrastekker | ③⑩ Magneet |
| ⑨ Schakelaar | ㉑ Trekschakelaar | ③① Borstel |
| ⑩ Gesp | ㉒ Ontgrendelknop | ③② Machineolie |
| ⑪ Controlelampje | | ③③ Diamantvijl |
| ⑫ Heupgordel | | |

TECHNISCHE GEGEVENS

Model	4604D
Max. snoeikapaciteit	30 mm in diameter
Totale lengte	286 mm
Nominale spanning	Gelijkstroom 24 V
Netto gewicht	
Schaar	1,0 kg
Bedieningseenheid C4600	0,3 kg
Accu 4600	2,0 kg
Oplaadtijd	1 UUR

- In verband met ononderbroken research en ontwikkeling behouden wij ons het recht voor bovenstaande technische gegevens te wijzigen zonder voorafgaande kennisgeving.
- Opmerking: De technische gegevens kunnen van land tot land verschillen.

Veiligheidswenken

Voor uw veiligheid dient u de bijgevoegde Veiligheidsvoorschriften nauwkeurig op te volgen.

BELANGRIJKE VEILIGHEIDSVORSCHRIFTEN VOOR LADER EN AKKU

1. **BEWAAR DEZE VOORSCHRIFTEN** — Deze gebruiksaanwijzing bevat belangrijke veiligheids- en bedieningsvoorschriften voor de akkulader.
2. Alvorens de akkulader te gebruiken, dient u alle aanwijzingen en waarschuwingen die zijn aangebracht op (1) de akkulader, (2) de accu en (3) het produkt waarvoor de accu wordt gebruikt, te lezen.
3. **LET OP** — Om het gevaar voor verwondingen te beperken, mag u enkel MAKITA oplaadbare accu's opladen. Accu's van een ander fabrikaat kunnen barsten en verwondingen en beschadiging veroorzaken.
4. Stel de lader niet bloot aan regen of sneeuw.
5. Het gebruik van een hulpstuk dat door de fabrikant van de akkulader niet wordt aanbevolen of niet wordt verkocht, kan resulteren in gevaar voor brand, elektrische schok of verwonding van personen.

6. Om beschadiging van het netsnoer en de stekker te voorkomen, dient u aan de stekker te trekken, en niet aan het snoer, om de aansluiting van de lader op het stopcontact te verbreken.
7. Zorg ervoor dat het netsnoer zodanig is geplaatst dat niemand erop kan trappen of erover kan struikelen, en dat het niet aan beschadiging of druk is blootgesteld.
8. Gebruik de lader niet met een beschadigd netsnoer of stekker — vervang deze onmiddellijk.
9. Gebruik de lader niet indien deze aan een harde stoot werd blootgesteld, op de grond is gevallen, of een andere vorm van beschadiging heeft opgelopen; breng deze naar een bevoegde monteur.
10. Neem de akkulader of de accu niet uit elkaar; breng deze naar een bevoegde monteur wanneer onderhoud of reparatie nodig is. Onjuist opnieuw ineenzetten kan resulteren in gevaar voor elektrische schok of brand.
11. Om elektrische schok te voorkomen, de stekker van de akkulader uit het stopcontact halen alvorens met onderhoud of reinigen te beginnen. Het gevaar voor elektrische schok wordt niet voorkomen door de machine enkel uit te schakelen.

AANVULLENDE VEILIGHEIDSVORSCHRIFTEN VOOR LADER EN AKKU

1. Laad de accu niet op wanneer de accutemperatuur of de omgevingstemperatuur lager dan 10°C of hoger dan 40°C is.
2. Laad de accu niet op en laat hem niet achter op plaatsen waar hij aan direct zonlicht is blootgesteld.
3. Sluit de lader nooit aan op een verhogings-transformator, aggregaat of gelijkstroombron.
4. Zorg ervoor dat de ventilatiegaten van de akkulader door niets worden afgedekt of verstopt.

5. Sluit de accu niet kort:
 - (1) Breng de akkuklemmen nooit in aanraking met een geleidend materiaal.
 - (2) Plaats de accu niet in een bak samen met metalen voorwerpen zoals spijkers, munten, enz.
 - (3) Stel de accu niet bloot aan water of regen. Een kortsluiting van de accu kan oorzaak zijn van een grote stroomafgifte, oververhitting, mogelijke brandwonden en zelfs een defect. Bedek altijd de accuklemmen met het accudeksel wanneer de accu niet wordt gebruikt.
6. Werp de accu nooit in het vuur, zelfs niet wanneer hij zwaar beschadigd of volkomen versleten is. De accu kan dan immers ontploffen.
7. Wees voorzichtig dat u de accu niet laat vallen en hem niet aan schokken of stoten blootstelt.
8. Laad de accu niet op in een bak of container. Laad hem uitsluitend op in een goed geventileerde ruimte.

AANVULLENDE VEILIGHEIDSVOORSCHRIFTEN VOOR DE AKKU- SNOEISCHAAR

1. Deze machine is voor het snoeien van takken. Gebruik de machine niet voor een ander soort werk.
2. Gebruik de machine niet en laad de accu niet op in de regen.
3. Laat de machine niet achter in de regen of op natte plaatsen.
4. Houd omstanders uit de buurt van uw werk-omgeving.
5. Zorg ervoor dat geen vreemde voorwerpen tussen de schaarbladen blijven zitten. Indien de schaarbladen vanwege vreemde voorwerpen klem zitten, dient u de machine onmiddellijk uit te schakelen en de accu van de machine los te koppelen. Verwijder dan de vreemde voorwerpen uit de schaarbladen.
6. Houd de tak die u aan het snoeien bent nooit met uw vrije hand vast. Houd uw vrije hand weg van de plaats waar u snoeit. Raak de schaarbladen nooit aan, aangezien deze scherp zijn en snijwonden kunnen veroorzaken.
7. Forceer de machine niet om iets af te snijden. U zou kunnen uitglijden en verwondingen oplopen of ongewild iets anders afsnijden.
8. Pas op dat u niet snijdt in mogelijk verborgen elektrische draden.
9. Controleer altijd zorgvuldig de schaarbladen alvorens de machine te gebruiken.
10. Behandel de schaarbladen met de grootste voorzichtigheid om snijwonden of verwonding te voorkomen.
11. Koppel de accu los van de machine na elk gebruik en ook telkens voordat u begint met inspectie of onderhoud.
12. Houd de machine altijd in zijn holster wanneer u deze niet gebruikt.

Bewaar deze voorschriften.

BEDIENINGSVOORSCHRIFTEN

Opladen (Fig. 1 en 2)

Laad de accu 4600 vóór het gebruik op met de Makita acculader DC4600. Sluit de acculader aan op een stopcontact en steek de oplaadstekker in de oplaadaansluiting op de accu. Druk de startknop (rood) op de acculader in. Het oplaadlampje gaat branden en het opladen begint. Wanneer het oplaadlampje na ongeveer één uur uitgaat, is het opladen voltooid. Indien het oplaadlampje binnen één minuut na het indrukken van de startknop uitgaat, is de accu versleten. Vervang de accu door een nieuwe. Na het opladen, dient u de acculader los te koppelen van de accu en van het stopcontact.

LET OP:

- Koppel de bedieningseenheid los van de accu alvorens deze op te laden.
- Houd de startknop niet ingedrukt met plakband e.d., omdat de schakeling dan niet juist zal werken en de acculader defect kan raken.
- Gebruik voor het opladen van de accu 4600 uitsluitend de Makita acculader DC4600. Het gebruik van een andere lader kan beschadiging van de accu veroorzaken.
- Wanneer u een nieuwe accu oplaadt, of een accu die gedurende lange tijd niet werd gebruikt, kan het gebeuren dat u deze niet volledig kunt opladen. Dit is normaal en duidt niet op een defect. De accu kan weer volledig worden opgeladen nadat deze enkele keren volledig is ontladen.

Overstroomrelais (Fig. 2)

Een overstroomrelais is in de accu ingebouwd om een kortsluiting van de accu te voorkomen. Wanneer het overstroomrelais wordt bekrachtigd, kan de accu niet worden gebruikt. Druk de herstartknop op de accu in om deze weer te kunnen gebruiken. Indien het overstroomrelais vaak wordt bekrachtigd, is het mogelijk dat er iets mankeert aan de accu, de acculader, de bedieningseenheid of de schaar zelf. Stuur deze op naar uw handelaar of naar een Makita Servicecentrum voor inspectie en/of reparatie.

De bedieningseenheid installeren op de accu (Fig. 3 en 4)

Zorg ervoor dat de bedieningseenheid is uitgeschakeld. Installeer de bedieningseenheid op de accu en zet deze vast met de gespen.

De aansluitkabel naar de bedieningseenheid aansluiten

Sluit de mannetjesstekker van de aansluitkabel aan op de aansluiting op de bedieningseenheid en draai de schroef naar rechts om de mannetjesstekker goed vast te zetten.

De accu in de heupgordelzak plaatsen (Fig. 5 en 6)

Nadat de bedieningseenheid op de accu is geïnstalleerd, plaatst u de accu samen met de bedieningseenheid in uw heupgordelzak, en wel zodanig dat de aansluiting van de bedieningseenheid wijst naar de hand waarmee u de schaar zult bedienen. Doe daarna de zakklep over de accu toe om te voorkomen dat de accu en de bedieningseenheid tijdens de bediening per toeval uit de zak vallen.

Aandoen van de heupgordel (Fig. 6)

Bevestig een schouderband (bretels) aan de heupgordel. Doe de heupgordel aan en stel de lengte van de schouderband en de heupgordel zodanig af dat de accu op heuphoogte op uw rug wordt gedragen.

Aanbrengen van de holster (Fig. 7)

Installeer de holster op de heupgordel zoals afgebeeld in Fig. 7. De holster moet geïnstalleerd worden aan de zijde waar uw hand de schaar zal bedienen.

Aandoen van de armband (Fig. 8)

Bevestig de armband aan uw arm. Wanneer u de armband gebruikt, moet u de aansluitkabel door de lus in de armband steken om deze uit de weg te houden zoals afgebeeld in Fig. 8.

De aansluitkabel aansluiten op de schaar (Fig. 9)

Sluit de contrastekker van de aansluitkabel aan op de aansluiting op de schaar en draai de schroef naar rechts om de contrastekker goed vast te zetten.

OPMERKING:

Indien u de aansluitkabel aansluit of loskoppelt terwijl de bedieningseenheid is ingeschakeld, zal het controlelampje afwisselend in rood en groen knipperen. Wanneer dit gebeurt, zal de schaar niet starten ook al wordt de trekschakelaar ingedrukt. Schakel de bedieningseenheid uit en daarna weer in om de schaar te kunnen starten. (Fig. 4)

Werking van de schakelaar

LET OP:

- Alvorens u de accu op de schaar aansluit, moet u altijd eerst controleren of de trekschakelaar juist werkt en bij loslaten naar de "OFF" positie terugkeert.
- Druk de trekschakelaar niet in zonder eerst de ontgrendelknop in te drukken. Als u dit doet, kan de schakelaar breken.

Schakel de bedieningseenheid in door de bovenzijde (I) van de schakelaar in te drukken. Het controlelampje zal beginnen te knipperen in groen. Druk daarna de trekschakelaar eenmaal in en laat hem dan los. Het bovenste schaarblad zal omhooggaan zodra u de trekschakelaar loslaat en zal stoppen in de hoogste (volledig open) stand. Indien het bovenste schaarblad reeds geopend is, zal het na de eerste bediening van de trekschakelaar in de geopende positie blijven staan. Het controlelampje zal blijven branden in groen. U kunt daarna beginnen met snoeien door de trekschakelaar nogmaals in te drukken. (Fig. 4)

Een ontgrendelknop is voorzien om te voorkomen dat de trekschakelaar per toeval wordt ingedrukt. Om de schaar aan te zetten, eerst de ontgrendelknop en daarna de trekschakelaar indrukken. Om de schaar af te zetten, de trekschakelaar loslaten. (Fig. 10)

Wanneer u de trekschakelaar indrukt en ingedrukt houdt, zal het bovenste schaarblad omlaaggaan en in de gesloten positie stoppen. Wanneer u de trekschakelaar loslaat, zal het bovenste schaarblad omhooggaan en in de hoogste (volledig open) positie stoppen. (Fig. 11)

De schaar in de holster plaatsen (Fig. 12)

Schakel de bedieningseenheid uit door de onderzijde (O) van de schakelaar in te drukken terwijl u de trekschakelaar ingedrukt houdt. Het bovenste schaarblad zal stoppen in de gesloten positie. Plaats de schaar in de holster met het bovenste schaarblad in de gesloten positie.

Snoeien (Fig. 13)

LET OP:

- Gebruik de schaar nooit in een moeilijke houding, aangezien dit ernstige verwonding kan veroorzaken.
- Houd de tak die u aan het snoeien bent nooit met uw vrije hand vast. Houd uw vrije hand weg van de plaats waar u snoeit. De schaarbladen zijn uiterst scherp en kunnen snijwonden veroorzaken.

Snoei de takken een voor een zoals afgebeeld in Fig. 13. De maximale dikte van de takken die u met deze schaar kunt afsnijden is ongeveer 30 mm. Zorg dat u altijd goede steun voor de voeten hebt en goed uw evenwicht bewaart.

Schakel na het gebruik de bedieningseenheid uit en koppel de aansluitkabel los van de schaar en van de bedieningseenheid. Berg de schaar op in een droge, hoge of afgesloten plaats, buiten het bereik van kinderen.

Beveiligingsmechanisme tegen overbelasting

Zowel de schaar als de bedieningseenheid zijn voorzien van een beveiligingsmechanisme tegen overbelasting. Indien de motor langer dan 3 seconden geblokkeerd is, zal dit mechanisme geactiveerd worden om de schaar te stoppen. Het controlelampje op de bedieningseenheid zal dan afwisselend in rood en groen knipperen. Om de bediening te hervatten, schakel eerst de bedieningseenheid uit door de onderzijde (O) van de schakelaar in te drukken, en schakel deze daarna opnieuw in.

OPMERKING:

Gebruik de schaar niet op zulke wijze dat dit mechanisme vaak wordt geactiveerd. Hierdoor kan de motor beschadigd raken.

Controlelampje op de bedieningseenheid (Fig. 4)

Wanneer de bedieningseenheid wordt ingeschakeld (de bovenzijde (I) van de schakelaar wordt ingedrukt), zal het controlelampje beginnen te knipperen of blijven branden in groen. Indien het controlelampje een van de onderstaande condities aangeeft, dient u het volgende te doen.

1. Indien het controlelampje afwisselend in rood en groen knippert, is het beveiligingsmechanisme tegen overbelasting geactiveerd of is de aansluitkabel niet stevig aangesloten. Schakel de bedieningseenheid uit en doe het volgende:
 - a) Indien de motor langer dan 3 seconden geblokkeerd is, schakelt u gewoon de bedieningseenheid in.
 - b) Indien de aansluitkabel niet stevig is aangesloten, sluit u deze stevig aan en daarna schakelt u de bedieningseenheid in.
2. Indien het controlelampje in rood knippert, is de bedieningseenheid oververhit. Schakel de bedieningseenheid uit en wacht een tijdje om deze te laten afkoelen. Schakel hem daarna opnieuw in.
3. Indien het controlelampje gestadig in rood brandt, is de accuspanning te laag. Laad de accu op.
4. Indien het controlelampje noch groen of rood is:
 - a) De accu is volledig ontladen. Laad de accu op.
 - b) Het overstroomrelais is bekrachtigd. Druk de herstartknop in.

Indien het controlelampje na het uitvoeren van de bovenstaande procedures nog steeds niet begint te knipperen in groen, mankeert er iets aan de schaar, de aansluitkabel, de bedieningseenheid of de accu. Schakel de bedieningseenheid uit en koppel de aansluitkabel los van de schaar en van de bedieningseenheid. Maak de bedieningseenheid los van de accu. Stuur de schaar, de aansluitkabel, de bedieningseenheid en de accu op naar uw handelaar of naar een Makita Servicecentrum voor inspectie en/of reparatie.

Vervangen van de schaarbladen

LET OP:

Zorg altijd ervoor dat de bedieningseenheid is uitgeschakeld en de aansluitkabel is losgekoppeld van de schaar.

De schaarbladen kunnen worden vervangen ongeacht de positie van het bovenste schaarblad.

Gebruik de bijgeleverde inbussleutel voor het verwijderen van de twee zeskante borgmoeren waarmee het schaarbladdeksel is vastgezet. **(Fig. 14)**

Verwijder het schaarbladdeksel. **(Fig. 15)**

Gebruik de bijgeleverde dopsleutel voor het verwijderen van de zeskante borgmoer. De platte sluitring zal meekomen met de zeskante borgmoer. **(Fig. 16)**

Verwijder de bout met ronde kop, de schaarbladhouder en het bovenste schaarblad. **(Fig. 17)**

Verwijder het bovenste schaarblad van de schaarbladhouder. Pas op dat er geen vreemde voorwerpen blijven hangen aan de magneet op de schaarbladhouder, en beschadig de magneet niet. **(Fig. 18)**

Gebruik de bijgeleverde inbussleutel voor het verwijderen van de twee zeskantbouten waarmee het onderste schaarblad is vastgezet. Verwijder daarna het onderste schaarblad. **(Fig. 19)**

Om de nieuwe schaarbladen aan te brengen, voert u de procedures voor het verwijderen in de omgekeerde volgorde uit. Verwijder het vet rond de tandwielkast niet.

ONDERHOUD

LET OP:

Zorg altijd ervoor dat de bedieningseenheid is uitgeschakeld en de aansluitkabel is losgekoppeld van de schaar.

Onderhoud van de schaarbladen **(Fig. 20 en 21)**

OPMERKING:

Inspecteer de schaarbladen zorgvuldig zowel voor als na het gebruik.

Na elk gebruik moet u de schaarbladen met een harde borstel schoonborstelen. Veeg de schaarbladen daarna schoon met een doek en breng een laag machineolie erop aan.

LET OP:

Slecht onderhoud van de schaarbladen kan overmatige schaarbladfrictie veroorzaken, zodat de gebruiksduur per acculading korter wordt.

Aanscherpen van de schaarbladen

Bovenste schaarblad

Leg het platte vlak van de diamantvijl op de schaarbladrand. Duw de diamantvijl in de richting van het pijltje om de hele bladrand aan te scherpen. Behoud tijdens het aanscherpen constant hetzelfde vlakke contact tussen de vijl en de hele schaarbladrand. **(Fig. 22)**

Druk het platte vlak van de diamantvijl lichtjes tegen de keerzijde van het schaarblad. Beweeg de diamantvijl in de richting van het pijltje om bramen te verwijderen. **(Fig. 23)**

Onderste schaarblad

Leg het ronde vlak van de diamantvijl op de schaarbladrand. Duw de diamantvijl in de richting van het pijltje om de hele bladrand aan te scherpen. **(Fig. 24)** Druk het platte vlak van de diamantvijl lichtjes tegen de keerzijde van het schaarblad. Beweeg de diamantvijl in de richting van het pijltje om bramen te verwijderen. **(Fig. 25)**

Opdat het gereedschap veilig en betrouwbaar blijft, dienen alle reparaties, onderhoud of afstellingen te worden uitgevoerd bij een erkend Makita service centrum.

GARANTIE

Wij garanderen dat Makita machines voldoen aan de wettelijke voorschriften van uw land. Uitgesloten van de garantie zijn beschadigingen veroorzaakt door normale slijtage, overbelasting of misbruik. In geval van klachten wordt u verzocht de machine, ongedemonteerd, op te sturen naar uw handelaar of Makita service centrum, samen met het bijgesloten GARANTIEBEWIJS.

- ① Cargador DC4600
- ② Luz de carga
- ③ Botón de inicio
- ④ Batería 4600
- ⑤ Clavija de carga
- ⑥ Conector de carga
- ⑦ Botón de reinicio
- ⑧ Controlador C4600
- ⑨ Interruptor
- ⑩ Hebilla
- ⑪ Lámpara piloto

- ⑫ Cinturón
- ⑬ Tapa del bolsillo
- ⑭ Conector del controlador
- ⑮ Bolsillo del cinturón
- ⑯ Tirantes
- ⑰ Funda
- ⑱ Banda para el brazo
- ⑲ Cable de conexión
- ⑳ Clavija hembra
- ㉑ Interruptor de gatillo
- ㉒ Palanca de desbloqueo

- ㉓ Cuchilla superior
- ㉔ Cuchilla inferior
- ㉕ Rama
- ㉖ Llave hexagonal
- ㉗ Tapa de las cuchillas
- ㉘ Llave de tubo
- ㉙ Portacuchilla
- ㉚ Imán
- ㉛ Cepillo
- ㉜ Aceite para máquinas
- ㉝ Lima adiamantada

ESPECIFICACIONES

Modelo	4604D
Capacidad máxima de corte	30 mm en diámetro
Longitud total	286 mm
Tensión nominal	24 V CC
Peso neto	
Tijeras	1,0 kg.
Controlador C4600	0,3 kg.
Batería 4600	2,0 kg.
Tiempo de carga	1 HORA

- Debido a un programa continuo de investigación y desarrollo, las especificaciones aquí dadas están sujetas a cambios sin previo aviso.
- Nota: Las especificaciones pueden ser diferentes de país a país.

Sugerencias de seguridad

Para su propia seguridad, consulte las instrucciones de seguridad incluidas.

INSTRUCCIONES DE SEGURIDAD IMPORTANTES PARA CARGADOR & BATERIA

1. **GUARDE ESTAS INSTRUCCIONES** — Este manual contiene instrucciones de operación y de seguridad importantes para el cargador de la batería.
2. Antes de utilizar el cargador de la batería, lea todas las instrucciones y las indicaciones de precaución (1) del cargador de la batería, (2) de la batería, y (3) del producto que con el que se va a utilizar la batería.
3. **PRECAUCIÓN** — Para reducir el peligro de que se produzcan heridas personales, cargue solamente las baterías recargables del tipo MAKITA. Otros tipos de baterías pueden quemarse pudiendo provocar heridas personales o daños.
4. No exponga el cargador a la lluvia o al agua.
5. La utilización de un acoplamiento no recomendado o no vendido por un fabricante de cargadores de baterías puede resultar provocar un incendio, una descarga eléctrica, o heridas personales.
6. Para reeducir el peligro de que el enchufe y el cable reciban daños, tire del enchufe y no del cable cuando desconecte el cargador.

7. **Asegúrese de que el cable esté localizado de manera que no se tropiece con él, ni se pise y que no esté sujeto a tirones ni otros tipos de daños.**
8. **No opere el cargador que tenga el cable o el enchufe dañados — reemplácelos inmediatamente.**
9. **No opere el cargador en el caso de que haya recibido un golpe, se haya caído o esté defectuoso; llévelo a un lugar donde se le pueda practicar un servicio de mantenimiento cualificado.**
10. **No desmonte el cargador o la batería; cuando se requiera la reparación llévelo a un lugar donde se le pueda practicar un servicio de mantenimiento cualificado. Un montaje incorrecto puede resultar en que se produzca un incendio o una descarga eléctrica.**
11. **Para reducir el peligro de que se produzca una descarga eléctrica, desenchufe el cargador de la toma de alimentación antes de efectuar el servicio de mantenimiento o la limpieza. El desconectar los controles no reducirá este peligro.**

NORMAS DE SEGURIDAD ADICIONALES PARA CARGADOR & BATERIA

1. No cargue la batería cuando la temperatura de la misma o del aire sea más baja de 10°C o más alta de 40°C.
2. No cargar ni dejar la batería en lugares en que pudiera quedar expuesta a los rayos directos del sol.
3. No utilice un transformador elevador de tensión, un generador con motor o un receptáculo de alimentación de CC.
4. No cubra ni obstruya las rejillas de ventilación del cargador con ningún objeto.
5. Un cortocircuito de la batería puede producir una gran circulación de corriente, un sobrecalentamiento, posibles quemaduras, o incluso una rotura.

- (1) No toque los terminales con ningún tipo de material conductor.
 - (2) Evite el almacenamiento la batería en un recipiente que contenga otros objetos de metal como pueden ser clavos, moneas, etc.
 - (3) No exponga la batería a la lluvia o al agua. Un cortocircuito de baterías puede producir una gran circulación de corriente, un sobrecalentamiento, posibles quemaduras o incluso una rotura.
- Tape siempre los terminales de la batería con la tapa de batería cuando no utilice la batería.
6. Nunca queme el cartucho de la batería incluso en el caso de que esté dañado seriamente ni cuando esté gastado. La batería puede explotar cuando se tire al fuego.
 7. Tenga cuidado de no dejar caer, agitar o golpear la batería.
 8. No cargue la batería dentro de una caja o contenedor de ningún tipo. La batería deberá estar en un lugar bien ventilado durante la carga.

NORMAS DE SEGURIDAD ADICIONALES PARA PODADERA CON BATERÍA

1. Esta herramienta es para podar ramas. No usarla para ningún otro fin fuera del que al que está destinada.
2. No utilice la herramienta ni tampoco cargue la batería bajo la lluvia.
3. No dejar la podadera bajo la lluvia ni en ambientes mojados.
4. Cuide de que los que miran estén bien lejos del lugar donde usted trabaja.
5. Cuidar de no atrapar material extraño entre las cuchillas. En caso de amontonarse material extraño entre las cuchillas, parar la podadera y desconectar la batería de la misma. Después de ello, quitar el material acumulado en las cuchillas.
6. No coja nunca con la mano libre la rama que está cortando. Mantenga la mano libre alejada de la zona de corte. No toque nunca las cuchillas, porque están muy afiladas y podría cortarse.
7. No forzar la podadera para que corte. Usted podría resbalar y lastimarse.
8. Cuidar de no cortar cables eléctricos que pudiese haber escondidos.
9. Revise siempre con cuidado las cuchillas antes de usar la herramienta.
10. Manipule las cuchillas con mucho cuidado para no cortarse o herirse con las mismas.
11. Desconecte la batería de la herramienta cada vez que acabe de usarla y antes de ponerse a hacer inspecciones o reparaciones.
12. Cuando no utilice la herramienta, guárdela siempre en su funda.

GUARDE ESTAS INSTRUCCIONES.

INSTRUCCIONES PARA EL FUNCIONAMIENTO

Carga (Fig. 1 y 2)

Cargue la batería 4600 con el cargador MAKITA DC4600 antes de utilizarla. Enchufe el cargador en la toma de corriente y conecte la clavija de carga en el conector de carga de la batería. Presione el botón de inicio (rojo) en el cargador. La luz de carga se encenderá y comenzará la carga. Cuando la luz de carga se apague después de aproximadamente una hora, se habrá completado la carga. Si la luz de carga no se apaga en el transcurso de un minuto después de presionar el botón de inicio, la batería estará fuera de uso. Reemplácela por otra nueva. Después de la carga, desconecte la clavija de carga de la batería y de la toma de corriente.

PRECAUCIÓN:

- Cuando cargue la batería, retire el controlador de la batería.
- No mantenga presionado el botón de inicio con una cinta adhesiva, etc. El circuito no funcionará debidamente y podrá ocasionar un malfuncionamiento del cargador.
- Utilice únicamente el cargador MAKITA DC4600 para cargar la batería 4600. El uso de cualquier otro cargador podrá ocasionar daños a la batería.
- Cuando cargue una batería nueva o una batería que no haya sido utilizada durante largo tiempo, ésta podrá no cargarse completamente. Esto es una condición normal y no indica problema alguno. Podrá volver a cargarla totalmente después de descargarla completamente unas cuantas veces.

Relé de sobrecorriente (Fig. 2)

El relé de sobrecorriente está incorporado en la batería para evitar un cortocircuito en ella. Cuando se accione el relé de sobrecorriente, la batería no se podrá usar. Para volver a usarla, presione el botón de reinicio. Si el relé de sobrecorriente se acciona frecuentemente, podrá ser que haya algo mal en la batería, cargador, controlador o en las mismas tijeras. Envíelos a su distribuidor o centro de servicio Makita para que se los inspeccionen y/o se los reparen.

Instalación del controlador en la batería (Fig. 3 y 4)

Primero, asegúrese de que el controlador esté apagado. Instale el controlador en la batería y sujételo con las hebillas.

Conexión del cable de conexión al controlador

Conecte la clavija macho del cable de conexión al conector del controlador y gire el tornillo hacia la derecha para sujetar la clavija hembra en posición.

Colocación de la batería en el bolsillo del cinturón (Fig. 5 y 6)

Después de instalar el controlador en la batería, ponga la batería con el controlador en el bolsillo del cinturón de forma que el conector del controlador quede mirando hacia la mano con la que vaya a operar las tijeras. Luego cubra la batería con la tapa del bolsillo para evitar que se caigan accidentalmente del bolsillo durante la operación.

Colocación del cinturón (Fig. 6)

Coloque unos tirantes en el cinturón. Póngase el cinturón y ajuste la longitud de los tirantes y el cinturón de forma que la batería quede posicionada a sus espaldas a la altura de la cintura.

Instalación de la funda (Fig. 7)

Instale la funda en el cinturón como se muestra en la Fig. 7. Deberá quedar posicionada en el lado de la mano con la que vaya a operar las tijeras.

Colocación de la banda para el brazo (Fig. 8)

Coloque la banda para el brazo en su brazo. Cuando la tenga puesta, pase el cable de conexión a través de la banda para el brazo como se muestra en la Fig. 8 para que no le estorbe.

Conexión del cable de conexión a las tijeras (Fig. 9)

Conecte la clavija hembra del cable de conexión al conector de las tijeras y gire el tornillo hacia la derecha para sujetar la clavija hembra en posición.

NOTA:

Si conecta o desconecta el cable de conexión con el controlador encendido, la lámpara piloto parpadeará en rojo y verde alternativamente. Cuando esto ocurra, las tijeras no se pondrán en marcha aunque apriete el interruptor de gatillo. Apague el controlador y luego enciéndalo de nuevo para poner en marcha las tijeras. (Fig. 4)

Accionamiento del interruptor

PRECAUCIÓN:

- Antes de conectar la batería a las tijeras, confirme siempre para asegurarse de que el interruptor se acciona debidamente y de que vuelve a la posición "OFF" cuando lo suelta.
- No apriete el interruptor de gatillo sin presionar la palanca de desbloqueo. De hacerlo podrá romper el gatillo.

Encienda el controlador presionando el lado superior (I) del interruptor. La lámpara piloto empezará a parpadear en verde. Luego apriete el interruptor de gatillo y suéltelo. La cuchilla superior de las tijeras comenzará a moverse hacia arriba en cuanto suelte el interruptor de gatillo y se parará en la posición más alta (completamente abierta). En el caso de que la cuchilla superior ya esté abierta, se mantendrá en esa posición al accionar por primera vez el gatillo. La lámpara piloto seguirá encendida en verde continuamente. A partir de la siguiente operación del gatillo, podrá cortar ramas. (Fig. 4)

Para evitar que el interruptor de gatillo pueda ser accionado accidentalmente, se ha provisto una palanca de desbloqueo. Para poner en marcha las tijeras, meta la palanca de bloqueo y apriete el interruptor de gatillo. Para parar las tijeras, suelte el interruptor de gatillo. (Fig. 10)

Cuando mantenga presionado el interruptor de gatillo, la cuchilla superior se moverá hacia abajo y se parará en la posición cerrada. Cuando suelte el interruptor de gatillo, la cuchilla superior se moverá hacia arriba y se parará en la posición más alta (completamente abierta). (Fig. 11)

Colocación de las tijeras en la funda (Fig. 12)

Apague el controlador presionando el lado inferior (O) del interruptor mientras mantiene apretado el interruptor de gatillo. La cuchilla superior se parará en la posición cerrada. Ponga las tijeras en la funda con la cuchilla superior en posición cerrada.

Operación de podado (Fig. 13)

PRECAUCIÓN:

- No utilice nunca las tijeras en una posición incómoda. Ello podrá ocasionarle una herida grave.
- No sujete nunca con la mano libre la rama que esté podando. Mantenga la mano libre alejada de la zona de corte. Las cuchillas están muy afiladas y podría cortarse.

Corte las ramas una a una como se muestra en la Fig. 13. Con estas tijeras se pueden cortar ramas de un grosor máximo de unos 30 mm. Mantenga sus pies sobre suelo firme y el equilibrio en todo momento.

Después de utilizar las tijeras, apague el controlador y desconecte el cable de conexión de las tijeras y del controlador. Guarde las tijeras en un lugar seco, alto o cerrado con llave, donde los niños no puedan alcanzarlas.

Mecanismo protector de sobrecarga

Tanto las tijeras como el controlador están equipados con un mecanismo de sobrecarga. Si el motor se queda bloqueado durante más de tres segundos, se accionará el mecanismo para parar las tijeras. Además, la lámpara piloto del controlador empezará a parpadear en rojo y verde alternativamente. Para reanudar la operación, apague el controlador presionando el lado inferior (O) del interruptor, y luego enciéndalo otra vez.

NOTA:

No utilice las tijeras de tal forma que el mecanismo se accione frecuentemente. El motor podrá dañarse.

Lámpara piloto del controlador (Fig. 4)

La lámpara piloto empezará a parpadear o se mantendrá encendida en verde cuando encienda el controlador (presione el lado superior (I) del interruptor). Si la lámpara piloto indica las siguientes condiciones, prosiga de la forma siguiente.

1. Si la lámpara piloto parpadea en rojo y verde alternativamente, el mecanismo protector de sobrecarga se habrá accionado o el cable de conexión no estará conectado firmemente. Apague el controlador y haga lo siguiente:
 - a) Si el motor se queda bloqueado durante más de tres segundos, encienda el controlador únicamente.
 - b) Si el cable de conexión no está conectado firmemente, conéctelo firmemente y luego encienda el controlador.
2. Si la lámpara piloto se enciende en rojo, el interior del controlador estará muy caliente. Apague el controlador y espere un rato hasta que se enfríe. Luego enciéndalo.
3. Si la lámpara piloto se mantiene encendida continuamente en rojo, la tensión de la batería será muy baja. Cargue la batería.
4. Si el color de la lámpara piloto no es rojo ni verde:
 - a) La batería estará completamente descargada. Cargue la batería.
 - b) Se habrá accionado el relé de sobrecorriente. Presione el botón de reinicio.

Si la lámpara piloto no empieza a parpadear en verde incluso después de haber realizado los procedimientos de arriba, podrá ser que haya algo mal en las tijeras, cable de conexión, controlador o en la batería. Apague el controlador y desconecte el cable de conexión de las tijeras y del controlador. Retire el controlador de la batería. Envíe las tijeras, cable de conexión, controlador y batería a su distribuidor o centro de servicio Makita para que se los inspeccionen y/o se los reparen.

Reemplazo de las cuchillas

PRECAUCIÓN:

Asegúrese siempre de que el controlador esté apagado y de que el cable de conexión esté desconectado de las tijeras.

Las cuchillas de las tijeras pueden ser reemplazadas independientemente de la posición de la cuchilla superior.

Quite los dos pernos de cabeza hueca hexagonal que sujetan la tapa de las cuchillas con la llave hexagonal suministrada. (Fig. 14)

Quite la tapa de las cuchillas. (Fig. 15)

Quite la contratuerca hexagonal con la llave de tubo suministrada. La arandela plana saldrá junto con la contratuerca hexagonal. (Fig. 16)

Quite el perno de cabeza redonda, el portacuchilla y la cuchilla superior. (Fig. 17)

Quite la cuchilla superior del portacuchilla. Tenga cuidado para no permitir que se adhiera ninguna materia extraña al imán del portacuchilla y de no dañarlo. (Fig. 18)

Quite los dos pernos de cabeza hueca hexagonal que

sujetan la cuchilla inferior con la llave hexagonal suministrada. Luego quite la cuchilla inferior. (Fig. 19) Para instalar las cuchillas, siga el procedimiento de desmontaje a la inversa. No quite la grasa alrededor del mecanismo.

MANTENIMIENTO

PRECAUCIÓN:

Asegúrese siempre de que el controlador esté apagado y de que el cable de conexión esté desconectado de las tijeras.

Mantenimiento de las cuchillas (Fig. 20 y 21)

NOTA:

Inspeccione cuidadosamente las cuchillas antes y después de la operación.

Después de usar las tijeras, limpie las cuchillas con un cepillo duro. Luego limpie las cuchillas con un paño y recúbrelas con aceite para máquinas.

PRECAUCIÓN:

El no realizar al mantenimiento a las cuchillas podrá ocasionar una fricción excesiva en ellas y acortar el tiempo de operación por carga de batería.

Afilado de las cuchillas

Cuchilla superior

Aplique la superficie plana de la lima adiamantada al filo de la cuchilla. Empuje la lima adiamantada en el sentido de la flecha para afilar a lo largo de todo el filo de la cuchilla. (Fig. 22)

Aplique la superficie plana de la lima adiamantada ligeramente por el lado inverso de la cuchilla. Mueva la lima adiamantada en el sentido de la flecha para retirar las rebabas. (Fig. 23)

Cuchilla inferior

Aplique la superficie redonda de la lima adiamantada al filo de la cuchilla. Empuje la lima adiamantada en el sentido de la flecha para afilar a lo largo de todo el filo de la cuchilla. (Fig. 24)

Aplique la superficie plana de la lima adiamantada ligeramente por el lado inverso de la cuchilla. Mueva la lima adiamantada en el sentido de la flecha para retirar las rebabas. (Fig. 25)

Para mantener la seguridad y fiabilidad del producto, las reparaciones, el mantenimiento y los ajustes deberán ser realizados por un Centro de Servicio Autorizado de Makita.

GARANTÍA

Las herramientas de Makita quedan garantizadas en conformidad con las regulaciones específicas de las leyes vigentes/países. Los daños imputables a desgaste y roturas normales, a sobrecarga o a un manejo indebido de las herramientas quedan excluidos de la garantía. En caso de reclamación, se ruega enviar la herramienta, sin desmontarla y con el CERTIFICADO DE GARANTÍA adjunto, al distribuidor de la localidad o al Centro de Servicio Makita.

- | | | |
|-----------------------|---------------------------|-----------------------|
| ① Carregador DC4600 | ⑫ Cinto | ⑳ Lâmina superior |
| ② Luz de carregamento | ⑬ Cobertura da algeibra | ㉑ Lâmina inferior |
| ③ Botão de início | ⑭ Conector do controlador | ㉒ Ramo |
| ④ Bateria 4600 | ⑮ Algeibra do cinto | ㉓ Chave hexagonal |
| ⑤ Ficha de carga | ⑯ Suspensórios | ㉔ Cobertura da lâmina |
| ⑥ Conector de carga | ⑰ Bolsa | ㉕ Chave de fendas |
| ⑦ Botão de arranque | ⑱ Braçadeira | ㉖ Suporte da lâmina |
| ⑧ Controlador C4600 | ⑲ Fio de ligação | ㉗ Magnete |
| ⑨ Interruptor | ⑳ Ficha fêmea | ㉘ Escova |
| ⑩ Fivela | ㉑ Gatilho | ㉙ Óleo |
| ⑪ Lâmpada piloto | ㉒ Botão de bloqueio | ㉚ Lima diamantada |

ESPECIFICAÇÕES

Modelo	4604D
Diâmetro máximo de corte	30 mm
Comprimento total	286 mm
Voltagem	24 V C.C.
Peso líquido	
Tesouras	1,0 kg
Controlador C4600	0,3 kg
Bateria 4600	2,0 kg
Tempo de carga	Aprox. 1 hora

- Devido a um programa contínuo de pesquisa e desenvolvimento, estas especificações podem ser alteradas sem aviso prévio.
- Nota: As especificações podem variar de país para país.

Conselhos de segurança

Para sua segurança, leia as instruções anexas.

INSTRUÇÕES DE SEGURANÇA IMPORTANTES PARA O CARREGADOR E BATERIA

1. **GUARDE ESTAS INSTRUÇÕES** — Este manual contém importantes instruções de funcionamento e segurança do carregador da bateria.
2. Antes de utilizar o carregador da bateria, leia atentamente todas as instruções de segurança e recomendações (1) do carregador da bateria, (2) da bateria e (3) da ferramenta.
3. **PRECAUÇÃO** — A fim de evitar danos pessoais, carregue só as baterias recarregáveis MAKITA. Outros tipos de baterias poderão queimar-se e provocar acidentes pessoais e danos materiais.
4. Não molhe o carregador nem o exponha à chuva.
5. Se utilizar um acoplamento que não seja recomendado ou vendido por um fabricante de carregadores de baterias, poderá provocar um incêndio, um choque eléctrico ou danos pessoais.
6. Para desligar o carregador puxe pela ficha e não pelo cabo, para não o estragar.

7. Verifique se o cabo está colocado em local onde não tropece nele nem o pise, e também onde não fique sujeito a puxões ou outros tipos de danos.
8. Não ligue à corrente um carregador que tenha o cabo ou a ficha danificados. Substitua-os imediatamente.
9. Não utilize um carregador que tenha levado uma pancada, tenha caído ou esteja defeituoso; leve-o a um centro de assistência oficial.
10. Não desmonte o carregador e a bateria; quando for necessária uma reparação leve-os a um centro de assistência oficial. Uma montagem incorrecta poderá provocar incêndio ou choque eléctrico.
11. Para prevenir choques eléctricos desligue o carregador da tomada de corrente antes de efectuar qualquer trabalho de manutenção ou de limpeza. Se desligar só o carregador sem o retirar da tomada de corrente não evitará o perigo de choques eléctricos.

NORMAS DE SEGURANÇA ADICIONAIS PARA O CARREGADOR E BATERIA

1. Não carregue a bateria quando a sua temperatura ou a temperatura ambiente é inferior a 10°C ou superior a 40°C.
2. Não carregue a bateria nem a deixe em local directamente exposta aos raios solares.
3. Não use um transformador, gerador ou acumulador de corrente contínua.
4. Não tape nem obstrua as grelhas de ventilação do carregador.

5. Não provoque um curto-circuito da bateria:
 - (1) Não toque nos terminais com materiais condutores.
 - (2) Não guarde a bateria num local onde existam outros objectos de metal, tais como pregos, moedas, etc.
 - (3) Não molhe a bateria nem a exponha à chuva.

Um curto-circuito da bateria pode provocar uma sobrecarga de corrente, um aquecimento excessivo e possíveis queimaduras ou avarias.

Cubra sempre os terminais da bateria com a cobertura da bateria quando não a está a utilizar.
6. Não queime as baterias mesmo que estejam muito danificadas ou gastas. Podem explodir em contacto com o fogo.
7. Tenha cuidado para não deixar cair, sacudir ou dar pancadas na bateria.
8. Não carregue a bateria dentro de uma caixa ou qualquer outro recipiente. A bateria deve ser colocada numa área bem ventilada durante a carga.

NORMAS DE SEGURANÇA ADICIONAIS PARA A TESOURA DE PODAR A BATERIA

1. Esta ferramenta serve para podar ramos. Utilize-a de maneira adequada e apenas para o fim a que se destina.
2. Não utilize a ferramenta nem carregue a bateria debaixo de chuva.
3. Não exponha a tesoura de podar à chuva nem a guarde em locais húmidos ou molhados.
4. As pessoas não intervenientes deverão manter-se afastadas da área de serviço.
5. Tenha cuidado para que as lâminas não cortem objectos estranhos. Se isso acontecer, desligue a tesoura e extraia a bateria. Seguidamente retire os fragmentos que possam ter ficado acumulados nas lâminas.
6. Nunca agarre no ramo que está a cortar com a sua mão livre. Mantenha a sua mão livre afastada da área de corte. Nunca toque nas lâminas, são muitos afiadas e pode cortar-se.
7. Não exerça pressão na tesoura para cortar. Pode escorregar e provocar danos pessoais.
8. Tenha cuidado para não cortar fios de corrente eléctrica que possam estar encobertos.
9. Antes de utilizar a tesoura inspecione as lâminas com cuidado.
10. Manuseie as lâminas com cuidado para prevenir cortes ou ferimentos.
11. Desligue a bateria da ferramenta após cada utilização e antes de efectuar uma inspecção ou manutenção.
12. Quando não necessitar da ferramenta guarde-a sempre dentro do coldre.

GUARDE ESTAS INSTRUÇÕES.

INSTRUÇÕES DE FUNCIONAMENTO

Carregamento (Fig. 1 e 2)

Carregue a bateria 4600 com o carregador Makita DC4600 antes de a utilizar. Ligue o carregador à fonte de alimentação e ligue a ficha de carga ao conector de carga na bateria. Pressione o botão de início (vermelho) no carregador. A luz de carga acende-se e começa o carregamento. Quando a luz de carga se apagar ou depois de uma hora, o carregamento está terminado. Se a luz de carga se apagar no espaço de um minuto depois de pressionar o botão de início, a bateria está morta. Substitua-a por uma nova. Depois do carregamento, desligue a ficha de carga da bateria e da fonte de alimentação.

PRECAUÇÃO:

- Retire o controlador da bateria durante o carregamento.
- Não mantenha o botão de início pressionado com fita adesiva, etc. O circuito não funcionará correctamente e pode originar mau funcionamento do carregador.
- Utilize só o carregador Makita DC4600 para carregar a bateria 4600. A utilização de qualquer outro carregador poderá estragar a bateria.
- Quando carrega uma bateria nova ou uma bateria que não foi utilizada durante um longo período de tempo, pode não aceitar uma carga completa. É uma condição normal e não indica um problema. Pode voltar a carregar completamente a bateria depois de a descarregar completamente algumas vezes.

Relé de corrente alta (Fig. 2)

Existe na máquina um relé de corrente alta para evitar um curto-circuito. Quando o relé de corrente alta actua, não pode utilizar a bateria. Pressione o botão de arranque na bateria para a utilizar outra vez. Se o relé de corrente alta actuar frequentemente, pode haver qualquer coisa errada com a bateria, carregador, controlador ou mesmo com as tesouras. Mande-as ao seu concessionário ou um centro de Assistência da Makita para inspecção e/ou reparação.

Intalação do controlador na bateria (Fig. 3 e 4)

Primeiro certifique-se de que o controlador está desligado. Instale o controlador na bateria e aperte-o com as fivelas.

Ligação do fio de ligação ao controlador

Ligue a ficha macho do fio de ligação ao conector do controlador e rode o parafuso para a direita para prender a ficha macho no seu lugar.

Colocação da bateria na algebeira do cinto (Fig. 5 e 6)

Depois de instalar o controlador na bateria, coloque a bateria com o controlador na algebeira do cinto de modo a que o conector do controlador esteja apontado para a sua mão com que vai funcionar com as tesouras. Em seguida cubra a bateria com a cobertura da algebeira para evitar que acidentalmente caia durante a operação.

Uso do cinto (Fig. 6)

Prenda um par de suspensórios ao cinto. Aperte o cinto e regule o comprimento dos suspensórios e do cinto de modo a que a bateria fique posicionada atrás, à altura da cintura.

Instalação da bolsa (Fig. 7)

Instale a bolsa no cinto como indicado na Fig. 7. Deve ser posicionada no lado onde a sua mão funciona com as tesouras.

Uso da braçadeira (Fig. 8)

Coloque a braçadeira no seu braço. Quando a usa, coloque o fio de ligação na braçadeira como indicado na Fig. 8 para o manter afastado.

Ligação do fio de ligação às tesouras (Fig. 9)

Ligue a ficha fêmea do fio de ligação ao conector das tesouras e rode o parafuso para a direita para prender a ficha fêmea no seu lugar.

NOTA:

Se ligar ou desligar o fio de ligação com o controlador desligado, a lâmpada piloto piscará em vermelho e verde alternadamente. Quando isto acontecer, as tesouras não começam a funcionar mesmo que carregue no gatilho. Desligue o controlador e volta a ligá-lo outra vez para as tesouras funcionarem. (Fig. 4)

Acção do interruptor

PRECAUÇÃO:

- Antes de ligar a bateria às tesouras verifique sempre se o gatilho funciona correctamente e volta para a posição "OFF" quando libertado.
- Não carregue no gatilho sem ter pressionado o botão de bloqueio. Pode estragar o gatilho.

Ligue o controlador pressionando o lado superior (I) do interruptor. A lâmpada piloto começa a piscar em verde. Em seguida carregue no gatilho e solte-o uma vez. A lâmina superior começa a movimentar-se para cima assim que solta o gatilho e parará na posição mais alta (completamente aberta). No caso da lâmina superior já estar aberta, mantém-se nessa posição com a primeira operação do gatilho. A lâmpada piloto mantém continuamente em verde. A partir da próxima operação do gatilho poderá cortar ramos. (Fig. 4)

Para evitar que o gatilho seja acidentalmente accionado existe um botão de bloqueio. Para ligar as tesouras, pressione o botão de bloqueio e carregue no gatilho. Para parar as tesouras, liberte o gatilho. (Fig. 10)

Quando está carregado e preso, a lâmina superior move para baixo e pára na posição fechada. Quando liberta o gatilho, a lâmina superior move para cima e pára na posição mais alta (completamente aberta). (Fig. 11)

Colocação das tesouras na bolsa (Fig. 12)

Desligue o controlador pressionando o lado inferior (O) do interruptor enquanto mantém o gatilho carregado. A lâmina superior parará na posição fechada.

Podar (Fig.13)

PRECAUÇÃO:

- Nunca trabalhe com as tesouras numa posição esquisita. Pode aleijar-se seriamente.
- Nunca pegue no ramo que está a podar com a mão que está livre. Mantenha a sua mão livre afastada da área de corte. As lâminas são muito afiadas e pode cortar-se.

Corte os ramos um por um como indicado na Fig. 13. A espessura máxima dos ramos que podem ser cortados com estas tesouras é de cerca de 30 mm. Mantenha-se sempre bem equilibrado.

Depois da utilização, desligue o controlador e desligue o fio de ligação das tesouras e do controlador. Guarde as tesouras num local seco, alto e fechado - fora do alcance de crianças.

Mecanismo de protecção de sobrecarga

Tanto as tesouras como o controlador estão equipados com um mecanismo de protecção de sobrecarga. Se o motor estiver bloqueado durante mais do que três segundos, este mecanismo actuará para parar as tesouras. Também a lâmpada piloto no controlador começa a piscar em vermelho e verde alternadamente. Para recomear o funcionamento, desligue o controlador pressionando o lado inferior (O) do interruptor e volte a ligá-lo outra vez.

NOTA:

Não funcione com as tesouras de modo a que este mecanismo funcione frequentemente. Pode estragar o motor.

Lâmpada piloto no controlador (Fig. 4)

A lâmpada piloto começa a piscar ou mantém-se verde quando o controlador está ligado (o lado superior (I) do interruptor está pressionado). Se a lâmpada piloto indicar as condições seguintes, proceda como se segue.

1. Se a lâmpada piloto piscar em vermelho e verde alternadamente, o mecanismo de protecção de sobrecarga actuou ou o fio de ligação não está ligado firmemente. Desligue o controlador e execute o seguinte:
 - a) Se o motor estiver bloqueado durante mais do que três segundos, desligue o controlador.
 - b) Se o fio de ligação não estiver ligado correctamente, ligue o fio de ligação firmemente e em seguida desligue o controlador.
2. Se a lâmpada piloto piscar em vermelho, o interior do controlador está muito quente. Desligue o controlador e espere um pouco até que arrefeça. Em seguida ligue-o.

3. Se a lâmpada piloto se manter continuamente em vermelho, a voltagem da bateria está muito baixa. Carregue a bateria.
4. Se a lâmpada piloto não estiver nem verde nem vermelha:
 - a) A bateria está completamente descarregada. Carregue a bateria.
 - b) O relé de corrente alta actuou. Pressione o botão de arranque.

Se a lâmpada piloto não começar a piscar em verde mesmo que tenha executado os procedimentos anteriores, há qualquer coisa errada com as tesouras, fio de ligação, controlador ou bateria. Desligue o controlador e retire o fio de ligação das tesouras e do controlador. Retire o controlador da bateria. Mande as tesouras, fio de ligação, controlador e bateria ao seu concessionário ou Serviço de Assistência da Makita para as inspeccionar e/ou reparar.

Substituição das lâminas da tesoura

PRECAUÇÃO:

Certifique-se sempre de que o controlador está desligado e o fio de ligação desligado das tesouras.

As lâminas das tesouras podem ser substituídas independentemente da posição da lâmina superior. Utilize a chave hexagonal fornecida para retirar os dois pernos de cabeça hexagonal que prendem a cobertura da lâmina. **(Fig. 14)**

Retire a cobertura da lâmina. **(Fig. 15)**

Utilize a chave hexagonal fornecida para retirar a porca hexagonal. A arruela plana sairá juntamente com a porca hexagonal. **(Fig. 16)**

Retire o perno de cabeça redonda, suporte da lâmina e lâmina superior. **(Fig. 17)**

Retire a lâmina superior do suporte da lâmina. Tenha cuidado para não permitir que qualquer matéria estranha se pegue ao magnete no suporte da lâmina e o estrague. **(Fig. 18)**

Utilize a chave hexagonal fornecida para retirar os dois pernos de cabeça hexagonal que prendem a lâmina inferior. Em seguida retire a lâmina. **(Fig. 19)** Para montar as lâminas das tesouras, execute inversamente o procedimento de as retirar. Não tire o óleo à volta da engrenagem.

MANUTENÇÃO

PRECAUÇÃO:

Certifique-se sempre de que o controlador está desligado e o fio de ligação desligado das tesouras.

Manutenção da lâmina (Fig. 20 e 21)

NOTA:

Antes e depois da operação, inspeccione cuidadosamente as lâminas das tesouras.

Depois da operação, limpe as lâminas com um escova dura. Em seguida limpe as lâminas com um pano e unte-as com óleo.

PRECAUÇÃO:

Se não tiver os devidos cuidados com as lâminas poderá causar fricção excessiva das lâminas e diminuir o tempo de funcionamento por carga da bateria.

Afiar as lâminas

Lâmina superior

Coloque a superfície plana da lima diamantada no fio da lâmina. Empurre a lima na direcção da seta para afiar ao longo de todo o fio da lâmina. Mantenha o mesmo contacto plano com a lima consistentemente ao longo de todo o fio da lâmina. **(Fig. 22)**

Coloque suavemente a superfície plana da lima no lado contrário da lâmina. Movimente a lima diamantada na direcção da seta para retirar as aparas. **(Fig. 23)**

Lâmina inferior

Coloque a superfície plana da lima diamantada no fio da lâmina. Empurre a lima na direcção da seta para afiar ao longo de todo o fio da lâmina. **(Fig. 24)**

Coloque suavemente a superfície plana da lima no lado contrário da lâmina. Movimente a lima diamantada na direcção da seta para retirar as aparas. **(Fig. 25)**

Para salvaguardar a segurança e a fiabilidade do produto, as reparações, manutenção e afinações deverão ser sempre efectuadas por um Centro de Assistência Autorizado MAKITA.

GARANTIA

Garantimos as ferramentas Makita de acordo com as regulamentações específicas do país. Estão excluídos da garantia os danos causados pelo desgaste normal, sobrecarga ou utilização inadequada da ferramenta. Em caso de reclamação, queira por favor enviar a ferramenta, sem a desmontar, juntamente com o CERTIFICADO DE GARANTIA anexo, ao seu distribuidor ou ao Serviço de Assistência da Makita.

① Oplader DC4600	⑫ Bælte	⑳ Overkniv
② Ladelampe	⑬ Lommeklap	㉑ Underkniv
③ Startknap	⑭ Stik på kontrolenhed	㉒ Gren
④ Akku 4600	⑮ Bæltelomme	㉓ Umbrakonøgle
⑤ Opladningsstik	⑯ Seler	㉔ Knivafskærming
⑥ Opladningskontakt	⑰ Hylster	㉕ Topnøgle
⑦ Genstarteknap	⑱ Armbånd	㉖ Knivholder
⑧ Kontrolenhed C4600	⑲ Forbindelsesledning	㉗ Magnet
⑨ Afbryder	⑳ Hunstik	㉘ Børste
⑩ Spænde	㉑ Afbryderkontakt	㉙ Maskinolie
⑪ Pilotlampe	㉒ Spærrearm	㉚ Diamantfil

SPECIFIKATIONER

Model	4604D
Max. skærekapacitet	30 mm i diameter
Længde	286 mm
Nominal spænding	DC 24V
Vægt	
Saks	1,0 kg
Kontrolenhed C4600	0,3 kg
Akku 4600	2,0 kg
Ladetid	ca. 1 t.

- Ret til tekniske ændringer forbeholdes.
- Bemærk: Data kan variere fra land til land.

Sikkerhedsbestemmelser

Af sikkerhedsgrunde bør De sætte Dem ind i de medfølgende Sikkerhedsforskrifter.

VIGTIGE SIKKERHEDSFORSKRIFTER FOR OPLADER OG AKKU

1. **GEM DISSE FORSKRIFTER** — Denne brugsanvisning indeholder vigtige sikkerhedsforskrifter og betjeningsvejledninger.
2. **Før brug** bør De læse alle instruktioner og advarselmarkeringer vedrørende (1) oplader, (2) akku og (3) maskine.
3. **ADVARSEL** — Opladeren må kun bruges til opladning af originale genopladelige Makita akku-typer. Andre akku-typer kan sprænges og forårsage personskade eller ødelæggelser.
4. Udsæt ikke opladeren for regn eller sne.
5. Brug af tilbehør, der ikke er anbefalet eller solgt af Makita, kan medføre risiko for elektrisk stød, brand eller personskade.
6. For at minimere risikoen for skade på ledning og netstik, skal De altid trække i netstikket og ikke i ledningen, når opladeren tages ud af stikkontakten.
7. Sørg for at netledningen er placeret således, at man ikke træder på den, falder over den eller på anden måde kan beskadige den.
8. Brug aldrig opladeren hvis ledningen eller stikket er beskadiget — udskift omgående delene.
9. Brug aldrig opladeren hvis den har fået et voldsomt slag, er blevet tabt eller på anden måde er beskadiget.

10. **Skil aldrig opladeren eller akkuen ad.** Kontakt en kvalificeret reparatør når reparation eller vedligeholdelse er påkrævet. Forkert samling kan medføre risiko for elektrisk stød eller brand.
11. **For at undgå risiko for elektrisk stød skal opladeren altid tages ud af stikkontakten, før den rengøres eller vedligeholdes.** Denne risiko fjernes ikke ved blot at slukke for opladeren.

YDERLIGERE

SIKKERHEDSFORSKRIFTER FOR OPLADER OG AKKU

1. Oplad ikke akkuen, når lufttemperaturen er under 10°C eller OVER 40°C.
2. Brug aldrig en transformator, generator eller jævnstrømsforsyning til opladning.
3. Sørg for at opladerens ventilationsåbninger ikke tildækkes.
4. Sæt altid beskyttelsesdækslet over akkuens poler, når den ikke er i brug.
5. Kortslut aldrig akkuen:
 - (1) Rør ikke polerne med noget ledende materiale.
 - (2) Opbevar ikke akkuen sammen med genstande af metal, som f.eks. som og skruer.
 - (3) Udsæt aldrig akkuen eller opladeren for vand eller regn.

En kortslutning af akkuen forårsager en voldsom strømudladning, der kan medføre overophedning, brand eller ødelæggelse af maskinen.

Dæk altid akkupolerne med akkulåget, når akkuen ikke anvendes.

6. Opbevar ikke akkuen eller maskinen på steder hvor temperaturen kan komme over 50°C.
7. Akkuen indeholder cadmium og er dermed miljøaffald, den må ikke bortskaffes med almindeligt husholdningsaffald. Den må ikke brændes, da den kan eksplodere i åben ild. Akkuen skal, når den er udtjent, deponeres for genbrug. Spørg forhandleren om de gældende regler.
8. Udsæt ikke akkuen for slag eller andre voldsomme fysiske påvirkninger.

9. Oplad ikke akkuen i en kasse eller anden form for beholder. Akkuen skal oplades på et sted med god ventilation.

YDERLIGERE SIKKERHEDSFORSKRIFTER FOR MASKINEN

1. Vær opmærksom på at maskinen altid er driftsklar, da den ikke behøver at tilsluttes en stikkontakt.
2. Denne maskine er beregnet til grenklipping. Brug den kun til dette formål og ikke til andet.
3. Udsæt ikke maskinen for direkte regn eller sne. Oplad den altid på et tørt sted.
4. Sørg for at stå på et fast underlag. Sørg for at der ikke opholder sig personer for tæt på eller under arbejdsområdet, hvis De arbejder i højden.
5. Undgå at fremmedlegemer sætter sig fast mellem knivene. Såfremt knivene blokeres, skal De omgående slukke for maskinen og afmontere akkuen. Først da kan fremmedlegemet mellem knivene fjernes.
6. Hold aldrig med den frie hånd om den gren der skal klippes. Den frie hånd må ikke være i nærheden af klippestedet. Rør aldrig knivene, de er meget skarpe, og De kan skære Dem.
7. Brug ikke magt når der klippes. Det kan medføre at De glider og skader Dem selv eller utilsigtet klipper i andre ting.
8. Undgå at klippe i skjulte el-ledninger.
9. Kontrollér altid kniven omhyggeligt før brug.
10. De bør altid være forsigtig i omgangen med knivene for at undgå at skade Dem selv.
11. Efter endt brug skal akkuen altid afmonteres. Dette gælder også ved inspektion og vedligeholdelse.
12. Når maskinen ikke er i brug skal den altid opbevares i bæltehylsteret.

GEM DISSE FORSKRIFTER.

ANVENDELSE

Opladning (Fig. 1 og 2)

Oplad akku 4600 med Makita oplader DC4600 før brug. Tilslut opladeren til stikkontakten og tilslut opladningsstikket til opladningskontakten på akkuen. Tryk på startknappen (rød) på opladeren. Ladelampen vil tænde og opladningen begynder. Når ladelampen slukker efter ca. 1 time, er opladningen afsluttet. Hvis ladelampen slukker indenfor 1 minut, efter at der er trykket på startknappen, er akkuen slidt op. Udskift den med en ny original akku. Afmontrér opladningsstikket fra akkuen og stikkontakten efter opladning.

FORSIGTIG:

- Fjern kontrolenheden fra akkuen under opladning.
- Hold ikke startknappen inde med tape eller lignende. Kredsløbet vil ikke fungere korrekt, hvorfor opladeren kan virke forkert.
- Benyt kun Makita oplader DC4600 til opladning af akku 4600. Brug af andre opladere kan beskadige akkuen.
- Ved opladning af en ny akku eller en akku, der ikke har været brugt længe, kan det ske, at akkuen ikke oplades helt. Dette er normalt. Akkuen vil atter kunne oplades helt, når den har været opladet og afladet nogle gange.

Overstrømsbeskyttelsesanordning (Fig. 2)

Overstrømsbeskyttelsesanordning er indbygget i akkuen for at forbygge kortslutning af akkuen. Når overstrømsbeskyttelsesanordningen aktiveres, kan akkuen ikke anvendes. Tryk på genstarteknapen på akkuen for igen at anvende denne. Hvis overstrømsbeskyttelsesanordningen ofte aktiveres, kan der være noget i vejen med akkuen, oplader, kontrolenheden eller selve saksen. Send delene ind til Deres forhandler eller et Makita værksted for at få dem efterset og/eller repareret.

Montering af kontrolenhed på akku (Fig. 3 og 4)

Kontrollér først, at kontrolenheden er slukket. Monter kontrolenheden på akkuen og fastgør den med spænderne.

Tilslutning af forbindelsesledningen til kontrolenheden

Tilslut forbindelsesledningens hanstik til kontrolenhedens stik og drej skruen med uret for at holde hanstikket på plads.

Anbring akkuen i bæltelommen (Fig. 5 og 6)

Efter at kontrolenheden er monteret på akkuen, anbringes akkuen med kontrolenheden i Deres bæltelomme, således at kontrolenhedens stik vender ud mod den hånd, som De anvender til at betjene saksen. Dæk dernæst akkuen med lommeklappen, således at enheden ikke ved et uheld falder ud af lommen under brugen.

Bælte (Fig. 6)

Anvend et par seler til at holde bæltet oppe. Tag bæltet på og justér længden på selerne og bæltet, således at akkuen er placeret på Deres ryg i taljehøjde.

Montering af hylster (Fig. 7)

Monter hylstret på bæltet som illustreret i Fig. 7. Hylstret skal være anbragt på samme side som den hånd, med hvilken De betjener saksen.

Armbånd (Fig. 8)

Sæt armbåndet på armen. Før forbindelsesledningen gennem armbåndet som illustreret i Fig. 8, så ledningen ikke kommer i vejen under brugen.

Tilslutning af forbindelsesledningen til saksen (Fig. 9)

Tilslut hunstikket på forbindelsesledningen til stikket på saksen og drej skruen med uret for at holde hunstikket på plads.

BEMÆRK:

Hvis De monterer eller afmonterer forbindelsesledningen, mens kontrolenheden er tændt, vil pilotlampen skiftevis blinke rødt og grønt. Hvis dette sker, vil saksen ikke starte, selv om De trykker på afbryderkontakten. Sluk kontrolenheden og tænd den dernæst igen for at starte saksen. (Fig. 4)

Afbryderbetjening

FORSIGTIG:

- Før akkuen forbindes til saksen bør det altid kontrolleres, at afbryderkontakten fungerer korrekt og returnerer til "OFF" positionen, når den slippes.
- Tryk ikke på afbryderkontakten uden at trykke på spærre-armen. Det kan medføre beskadigelse af kontakten.

Tænd kontrolenheden ved at trykke på den øverste (I) del af kontakten. Pilotlampen begynder at blinke grønt. Tryk dernæst på afbryderkontakten og slip den igen. Overkniven bevæger sig op, så snart De slipper afbryderkontakten, og stopper i øverste (og fuldt åbne) position. Hvis overkniven allerede er åbnet, vil den forblive i denne position under første betjening af afbryderkontakten. Pilotlampen lyser konstant grønt. Fra næste betjening af afbryderkontakten er det nu muligt at klippe grene. (Fig. 4)

Maskinen er forsynet med en spærrearm, der forhindrer, at afbryderkontakten kan aktiveres utilsigtet. For at starte maskinen trykkes spærrearmen ind og holdes inde, hvorefter der trykkes på afbryderkontakten. Slip afbryderkontakten for at stoppe. (Fig. 10) Når afbryderkontakten holdes inde, bevæger overkniven sig ned og stopper i lukket position. Hvis afbryderkontakten slippes, vil overkniven returnere og blive stående i øverste (og fuldt åbne) position. (Fig. 11)

Anbringelse af saksen i hylstret (Fig. 12)

Sluk for kontrolenheden ved at trykke på den nederste (O) del af kontakten samtidig med at afbryderkontakten holdes inde. Overkniven vil stoppe i lukket position. Stik saksen i hylstret med overkniven i lukket position.

Beskæring (Fig. 13)

FORSIGTIG:

- Anvend aldrig saksen i en akavet stilling. Det kan give anledning til alvorlig tilskadekomst.
- Benyt aldrig Deres frie hånd til at holde ved den gren, der beskæres. Hold Deres frie hånd væk fra skæreamrådet. Knivene er meget skarpe, og De kan nemt skære Dem selv.

Skær grene en efter en som vist i Fig. 13. Den maksimale grentykkelse, der kan skæres med denne saks, er cirka 30 mm. Sørg hele tiden for at have sikkert fodfæste og balance.

Efter brug slukkes kontrolenheden og forbindelsesledningen afmonteres fra saksen og kontrolenheden. Opbevar saksen på et højt, tørt og aflåst sted, der er utilgængeligt for børn.

Overlastsikring

Både saksen og kontrolenheden har en overlastsikring. Hvis motoren blokeres i mere end tre sekunder, aktiveres overlastsikringen og stopper saksen. Pilotlampen på kontrolenheden vil også begynde at blinke skiftevis rødt og grønt. For at starte igen slukkes kontrolenheden ved at trykke på den nederste (O) del af kontakten, hvorefter den tændes igen.

BEMÆRK:

Brug ikke saksen på en sådan måde, at overlastsikringen hyppigt udløses. Det kan medføre beskadigelse af motoren.

Pilotlampe på kontrolenheden (Fig. 4)

Pilotlampen begynder at blinke eller lyser konstant grønt, når kontrolenheden tændes (med et tryk på den øverste (I) del af kontakten). Gå frem som beskrevet, hvis pilotlampen angiver følgende tilstande.

1. Hvis pilotlampen blinker skiftevis rødt og grønt, er overlastsikringen blevet aktiveret eller forbindelsesledningen er ikke korrekt tilsluttet. Sluk for kontrolenheden og udfør følgende:
 - a) Hvis motoren er blokeret i mere end tre sekunder, tændes der blot for kontrolenheden.
 - b) Hvis forbindelsesledningen ikke er korrekt tilsluttet, sættes den sikkert i, hvorefter kontrolenheden tændes.
2. Hvis pilotlampen blinker rødt, er temperaturen for høj inde i kontrolenheden. Sluk for kontrolenheden og vent til den er afkølet. Tænd den derefter igen.
3. Hvis pilotlampen lyser konstant rødt, er spændingen lav i akkuen. Oplad akkuen.
4. Hvis pilotlampen hverken er rød eller grøn:
 - a) Akkuen er helt afladet. Oplad akkuen.
 - b) Overlastsikringen er aktiveret. Tryk på genstarteknappen.

Hvis pilotlampen ikke begynder at blinke grønt, selv efter udførelse af ovenstående handlinger, er der noget i vejen med saksen, forbindelsesledningen, kontrolenheden eller akkuen. Sluk for kontrolenheden og afmonter forbindelsesledningen fra saksen og kontrolenheden. Fjern kontrolenheden fra akkuen. Send saksen, forbindelsesledningen, kontrolenheden og akkuen ind til Deres forhandler eller et Makita værksted for at få dem efterset og/eller repareret.

Udskiftning af knivene

FORSIGTIG:

Forvis Dem altid om, at kontrolenheden er slukket og forbindelsesledningen afmonteret fra saksen.

Knivene kan udskiftes uanset overknivens position. Benyt den medfølgende umbrakonøgle til at fjerne de to umbrakoskruer, der holder knivafskærmning.

(Fig. 14)

Fjern knivafskærmning. (Fig. 15)

Benyt den medfølgende topnøgle til at fjerne låsemøtrikken. Spændeskiven går af sammen med låsemøtrikken. (Fig. 16)

Fjern rundhovedbolt, knivholderen og overkniven.

(Fig. 17)

Fjern overkniven fra knivholderen. Pas på at der ikke sætter sig fremmedlegemer på magneten på knivholderen, og undgå at beskadige denne. (Fig. 18)

Benyt den medfølgende umbrakonøgle til at fjerne de to umbrakoskruer, der holder underkniven. Fjern dernæst underkniven. (Fig. 19)

Montér knivene ved at følge afmonteringsfremgangsmåden i omvendt orden. Fjern ikke smøringen fra omkring gearet.

VEDLIGEHOLDELSE

FORSIGTIG:

Sørg altid for at kontrolenheden er slukket og forbindelsesledning afmonteret fra saksen.

Vedligeholdelse af knivene (Fig. 20 og 21)

BEMÆRK:

Efterse knivene omhyggeligt før og efter brug.

Rengør knivene med en stiv børste efter endt brug. Tør knivene af med en klud og smør dem ind i olie.

FORSIGTIG:

Vedligeholdes knivene ikke medfører det unødvendig friktion og belastning, hvilket afkorter driftstiden per opladning.

Slibning af knivene

Overkniv

Brug diamantfilens flade side. Læg den mod knivens æg og skub i pilens retning. Hold filen i samme vinkel i hele knivens længde. (Fig. 22)

Brug diamantfilens flade side. Læg den let mod knivens bagside og skub i pilens retning for at fjerne evt. grater. (Fig. 23)

Underkniv

Brug diamantfilens runde side. Læg den mod knivens æg og skub i pilens retning. Hold filen i samme vinkel i hele knivens længde. (Fig. 24)

Brug diamantfilens flade side. Læg den let mod knivens bagside og skub i pilens retning for at fjerne evt. grater. (Fig. 25)

For at opretholde produktets sikkerhed og pålidelighed, må istandsættelse, vedligeholdelse eller justering kun udføres af et autoriseret Makita service center.

GARANTI

Makita yder garanti på maskinen i overensstemmelse med de lovmæssige krav, gældende i Deres land. Undtaget fra garantien er skader, der er forårsaget af brugsbetinget slid, overlast eller ukorrekt anvendelse. Hvis der er fejl ved maskinen, bedes De sende det komplette maskin sammen med vedlagte GARANTIBEVIS til Deres forhandler eller et Makita Service Center.

① Laddare DC4600	⑫ Midjebälte	⑳ Övre sekretörblad
② Laddningslampa	⑬ Ficklock	㉑ Undre sekretörblad
③ Startknapp	⑭ Uttag för kontrollenhet	㉒ Gren
④ Batteri 4600	⑮ Midjebältets ficka	㉓ Sexkantnyckel
⑤ Laddningskontakt	⑯ Hängslen	㉔ Bladskydd
⑥ Laddningsuttag	⑰ Hölster	㉕ Hylsnyckel
⑦ Omstartknapp	⑱ Armband	㉖ Bladhållare
⑧ Kontrollenhet C4600	⑲ Anslutningskabel	㉗ Magnet
⑨ Strömbrytare	⑳ Honkontakt	㉘ Borste
⑩ Spänne	㉑ Strömställare	㉙ Maskinolja
⑪ Pilotlampa	㉒ Säkerhetsspärr	㉚ Diamantfil

TEKNISKA DATA

Modell	4604D
Maximal skärkapacitet	30 mm i diameter
Total längd	286 mm
Märkspänning	24 V likström
Nettovikt	
Sekatör	1,0 kg
Kontrollenhet C4600	0,3 kg
Batteri 4600	2,0 kg
Laddtid	1 timme

- På grund av det kontinuerliga programmet för forskning och utveckling, kan här angivna tekniska data ändras utan föregående meddelande.
- Observera: Tekniska data kan variera i olika länder.

Säkerhetstips

För din egen säkerhets skull, bör du läsa igenom de medföljande säkerhetsföreskrifterna.

VIKTIGA SÄKERHETSINSTRUKTIONER FÖR LADDARE & BATTERI

1. SPARA DESSA INSTRUKTIONER — Denna bruksanvisning innehåller viktiga säkerhets- och driftsinstruktioner för batteriladdare.
2. Läs alla instruktioner och varningstexter på (1) batteriladdare, (2) batteri och (3) den produkt till vilken batteriet används.
3. FÖRSIKTIGHET — Ladda endast MAKITA uppladdningsbara batterier för att minska risken för skador. Andra typer av batterier kan spricka och orsaka personskador och andra skador.
4. Utsätt inte laddaren för regn eller snö.
5. Användning av tillsatser eller tillbehör som inte rekommenderas eller säljs av batteriladdarens tillverkare kan medföra risk för brand, elektriska stötar och personskador.
6. Dra i kontakten snarare än i sladden när laddaren kopplas ur för att minska risken för skador på elkontakten och elsladden.
7. Se till att sladden ligger så att ingen trampar på den eller snubblar över den, eller på annat sätt utsätts för skador eller påverkan.
8. Använd inte laddaren om kontakten eller sladden är skadade - byt ut dem genast.

9. Använd inte laddaren om den har utsatts för ett kraftigt slag, tappats eller på annat sätt skadats; tag den till en auktoriserad serviceverkstad.
10. Plocka inte isär laddare och batteri; tag dem till en auktoriserad serviceverkstad för reparation och underhåll. Felaktig ihopsättning kan medföra risk för elektriska stötar och eldsvåda.
11. Koppla ur laddaren från nätuttaget innan rengöring eller översyn utförs för att minska risken för elektriska stötar. Att stänga av maskinen endast med knapparna minskar inte denna risk.

EXTRA SÄKERHETSREGLER FÖR LADDARE & BATTERI

1. Ladda inte batteriet när det, eller lufttemperaturen, är under 10°C eller över 40°C.
2. Ladda inte batteriet, och låt det inte ligga i direkt solljus.
3. Arslut inte laddaren till en spänningsomvandlare, motorgenerator eller likströmsuttag.
4. Se till att ingenting täcker för eller sätts igen i laddarens ventilationshål.
5. Kortslut inte batteriet;
 - (1) Vidrör inte kontaktytorna med föremål av ledande material.
 - (2) Undvik att förvara batteriet i en behållare tillsammans med andra metallföremål så som spikar, mynt etc.
 - (3) Utsätt inte batteriet för vatten eller regn. En kortslutning av batteriet kan orsaka ett stort spänningsflöde, överhettning, risk för brännskador och även att batteriet blir oanvändbart. Täck alltid batteriterminalerna med batteriskyddet när batteriet inte används.
6. Bränn inte upp batteriet även om det skulle vara svårt skadat eller helt utslitet. Batteriet kan explodera i eld.
7. Var försiktig så att batteriet inte tappas, skakas om eller utsätts för slag och stötar.

- Ladda inte batteriet om det ligger i en låda eller behållare av något slag. Batteriet måste placeras på en plats med god ventilation vid laddning.
- OM MILJÖN...**
Battericellerna i kraftkassetten innehåller som aktiv komponent den miljöfarliga tungmetallen kadmium och skall enligt lag tas om hand för återvinning, när de är förbrukade.
Lämna in kraftkassetten till inköpsstället eller vilken annan butik som helst med försäljning av uppladdningsbara batterier eller apparater. I landets kommuner finns dessutom återvinningseller miljöstationer (bensinstationer, sopstationer m fl), som bl a tar emot Nickel-kadmiumbatterier.

EXTRA SÄKERHETSREGLER FÖR BATTERIDRIVEN SEKATÖR

- Denna maskin är avsedd för beskärning av grenar. Använd den inte till annat än vad den är avsedd för.
- Använd inte maskinen, och ladda inte batteriet i regn.
- Lämna inte maskinen i regn eller på våta platser.
- Håll personer i närheten på säkert avstånd från ditt arbetsområde.
- Var försiktig så att inte främmande föremål kommer emellan bladen. Slå genast av maskinen och tag bort batteriet från maskinen om något skulle fastna mellan bladen. Avlägsna sedan det hindrande föremålet från bladen.
- Håll aldrig den gren som du beskär med din fria hand. Håll den fria handen på avstånd från det område som beskärs. Vidrör aldrig bladen. De är väldigt skarpa och du kan skära dig.
- Tvinga inte maskinen att genomföra klippet. Du kan halka eller slinta och skada dig eller råka klippa av något annat utan avsikt.
- Undvik att klippa av gömda elektriska sladdar.
- Kontrollera alltid bladen noggrant före användning.
- Handskas varsamt med bladen för att undvika skärsår eller andra skador orsakade av bladen.
- Koppla bort batteriet från maskinen efter varje användning och före översyn eller underhåll.
- Förvara alltid maskinen i dess hölster när det inte används.

SPARA DESSA ANVISNINGAR.

BRUKSANVISNING

Laddning (Fig. 1 och 2)

Ladda batteriet 4600 med Makita laddare DC4600 före användning. Sätt i laddaren i strömuttaget, och anslut laddningskontakten i batteriets laddningsuttag. Tryck på startknappen (röd) på laddaren. Laddningslampan tänds och laddningen börjar. När laddningslampan slocknar efter ungefär en timme är laddningen avslutad. Om laddningslampan slocknar inom en minut efter att startknappen tryckts in, så är batteriet utslitet. Byt ut det mot ett nytt. Dra ur laddningskontakten från batteriet och strömuttaget efter laddning.

FÖRSIKTIGHET!

- Ta bort kontrollenheten från batteriet vid laddning.
- Håll inte startknappen intryckt med tejp e.d. Kretsen fungerar inte normalt, och funktionsstörningar kan uppstå på laddaren.
- Använd endast Makita laddare DC4600 för att ladda batteriet 4600. Om andra laddare används kan skador uppstå på batteriet.
- När du laddar ett nytt batteri eller ett batteri som inte använts på länge, kan det inträffa att batteriet inte kan fulladdas. Detta är normalt och indikerar inte något problem. Du kan ladda upp batteriet helt efter att ha laddat ur det några gånger.

Överslagsrelä (Fig. 2)

Överslagsreläet är inbyggt i batteriet för att förhindra en kortslutning av batteriet. När överslagsreläet har slagit till kan batteriet inte användas. Tryck på omstartsknappen på batteriet för att använda det igen. Om överslagsreläet slår till ofta kan det vara något fel på batteriet, laddaren, kontrollenheten eller själva sekatören. Skicka in dem till din återförsäljare eller ett Makita servicecenter för inspektion och/eller reparation.

Att installera kontrollenheten på batteriet (Fig. 3 och 4)

Kontrollera först att kontrollenheten är avstängd. Installera kontrollenheten på batteriet, och fäst den med spännet.

Att ansluta anslutningskabeln till kontrollenheten

Anslut anslutningskabelns hankontakt till kontrollenhetens uttag, och vrid skruven medurs för att fästa hankontakten i läge.

Att stoppa ner batteriet i midjebältets ficka (Fig. 5 och 6)

Stoppa ner batteriet med kontrollenheten i midjebältets ficka efter att kontrollenheten har installerats på batteriet, så att kontrollenhetens uttag pekar mot den hand som du använder för att arbeta med sekatören. Täck sedan batteriet med ficklocket så att det inte faller ur fickan av en olyckshändelse under driften.

Att bära midjebältet (Fig. 6)

Fäst ett par hängslen på midjebältet. Sätt på dig midjebältet, och justera hängslenas och midjebältets längd så att batteriet kommer mot din rygg i midjehöjd.

Att montera hölstret (Fig. 7)

Montera hölstret på midjebältet så som visas i fig. 7. Det bör placeras på den sida, vars hand du använder för att arbeta med sekatören.

Att bära armband (Fig. 8)

Fäst armbandet på din arm. För anslutningskabeln genom armbandet när du har det på dig, så som visas i fig. 8, för att hålla kabeln ur vägen.

Att ansluta anslutningskabeln till sekatören (Fig. 9)

Anslut anslutningskabelns honkontakt till sekatörens uttag, och vrid skruven medurs för att fästa honkontakten i läge.

OBSERVERA:

Om du ansluter eller kopplar ur anslutningskabeln medan kontrollenheten är på kommer pilotlampan att blinka med omväxlande rött och grönt ljus. Sekatören startar inte om detta inträffar, även om du trycker på strömställaren. Stäng av kontrollenheten och sätt på den igen för att starta sekatören. (Fig. 4)

Strömställarens funktion

FÖRSIKTIGHET!

- Kontrollera alltid att strömställaren fungerar normalt och återgår till det avstängda läget "OFF" när den släpps, innan batteriet ansluts till sekatören.
- Tryck inte på strömställaren utan att först trycka in säkerhetsspärren. Det kan orsaka att strömställaren går sönder.

Sätt på kontrollenheten genom att trycka på strömbrytarens övre del (I). Pilotlampan börjar blinka med grönt ljus. Tryck sedan en gång på strömställaren, och släpp den igen. Det övre sekatörbladet börjar röra sig uppåt, så snart du släppt strömställaren, och stannar i det högsta (vidöppna) läget. I fall det övre sekatörbladet redan har öppnats kommer det att behålla denna position vid den första intryckningen av strömställaren. Pilotlampan lyser med kontinuerligt grönt ljus. Vid nästa intryckning av strömställaren kan du klippa grenar. (Fig. 4)

Maskinen är försedd med en säkerhetsspärr för att förhindra att strömställaren trycks in av misstag. Tryck in säkerhetsspärren och tryck på strömställaren för att starta sekatören. Släpp strömställaren för att stanna sekatören. (Fig. 10)

Om strömställaren hålls intryckt kommer det övre sekatörbladet att röra sig nedåt, och stanna i det stängda läget. När strömställaren släpps rör sig det övre sekatörbladet uppåt och stannar i det högsta (vidöppna) läget. (Fig. 11)

Att stoppa ner sekatören i hölstret (Fig. 12)

Stäng av kontrollenheten genom att trycka på strömbrytarens nedre del (O), medan du håller strömställaren intryckt. Det övre sekatörbladet stannar i det stängda läget. Stoppa ner sekatören i hölstret, med det övre sekatörbladet i stängt läge.

Beskärningsarbete (Fig. 13)

FÖRSIKTIGHET!

- Använd aldrig sekatören i en onaturlig ställning. Det kan orsaka allvarliga skador.
- Håll aldrig i den gren som du beskär med din fria hand. Håll din fria hand på avstånd från sekatörens verkningsområde. Bladen är mycket skarpa, och du kan skära dig.

Klipp grenar en efter en, så som visas i fig. 13. Den maximala tjockleken på grenar som kan klippas med denna sekator är ungefär 30 mm. Upprätthåll alltid stadigt fotfäste och god balans.

Stäng av kontrollenheten och koppla ur anslutningskabeln från sekatören och kontrollenheten efter användning. Förvara sekatören på en torr, och högt belägen eller låst plats – utom räckhåll för barn.

Överbelastningskydd

Både sekatören och kontrollenheten är utrustade med en mekanism för skydd mot överbelastning. Om motorn låses i mer än tre sekunder slår denna mekanism till och stannar sekatören. Pilotlampan på kontrollenheten börjar också att blinka med omväxlande rött och grönt ljus. Stäng av kontrollenheten genom att trycka på strömbrytarens nedre del (O).

OBSERVERA:

Använd inte sekatören på ett sådant sätt att denna mekanism ofta slår till. Motorn kan skadas.

Pilotlampan på kontrollenheten (Fig. 4)

Pilotlampan börjar blinka, eller lyser med grönt ljus när kontrollenheten sätts på (strömbrytarens övre del (I) trycks in). Fortsätt enligt de anvisningar som följer, om pilotlampan indikerar något av de följande tillstånden.

1. Om pilotlampan blinkar med omväxlande rött och grönt ljus har överbelastningsmekanismen slagit till eller så är anslutningskabeln inte ordentligt isatt. Stäng av kontrollenheten och utför följande:
 - a) Slå bara på kontrollenheten igen, om motorn har varit låst i mer än tre sekunder.
 - b) Sätt i anslutningskabeln ordentligt och sätt sedan på kontrollenheten, om anslutningskabeln inte satt i ordentligt.
2. Om pilotlampan blinkar med rött ljus är kontrollenheten för varm inuti. Stäng av kontrollenheten och vänta ett tag för att låta den svalna. Sätt sedan på den.
3. Om pilotlampan lyser med konstant rött ljus är batteriströmmen för låg. Ladda batteriet.
4. Om pilotlampan varken lyser med rött eller grönt ljus:
 - a) Batteriet är helt urladdat. Ladda batteriet.
 - b) Överslagsreläet har slagit till. Tryck på omstartsknappen.

Om pilotlampan inte börjar blinka med grönt ljus trots att ovanstående åtgärder vidtagits är det något fel på sekätören, anslutningskabeln, kontrollenheten eller batteriet. Stäng av kontrollenheten och koppla ur anslutningskabeln från sekätören och kontrollenheten. Ta bort kontrollenheten från batteriet. Skicka in sekätören, anslutningskabeln, kontrollenheten och batteriet till din återförsäljare eller ett Makita servicecenter för inspektion och/eller reparation.

Byte av sekätörblad

FÖRSIKTIGHET!

Se alltid till att kontrollenheten är avstängd och att anslutningskabeln är urkopplad från sekätören.

Sekätörbladen kan bytas oavsett i vilket läge det övre sekätörbladet befinner sig i.

Använd den medföljande sexkantsnyckeln för att ta bort de två bultarna med sexkants huvud, vilka håller fast bladskyddet. **(Fig. 14)**

Ta bort bladskyddet. **(Fig. 15)**

Använd den medföljande hylsnyckeln för att ta bort låsmuttern. Plattbrickan lossnar också tillsammans med låsmuttern. **(Fig. 16)**

Ta bort bulten med runt huvud, bladhållaren och det övre sekätörbladet. **(Fig. 17)**

Ta bort det övre sekätörbladet från bladhållaren. Var försiktig så att inga främmande partiklar fastnar på bladhållarens magnet och skadar den. **(Fig. 18)**

Använd den medföljande sexkantsnyckeln för att ta bort de två bultarna med sexkants huvud, vilka håller fast det undre sekätörbladet. Ta sedan bort det undre sekätörbladet. **(Fig. 19)**

Montera sekätörbladen genom att följa demonteringsanvisningen i omvänd ordning. Ta inte bort fett runt växeln.

UNDERHÅLL

FÖRSIKTIGHET!

Se alltid till att kontrollenheten är avstängd och att anslutningskabeln är urkopplad från sekätören.

Underhåll av bladen **(Fig. 20 och 21)**

OBSERVERA

Kontrollera sekätörbladen noggrant före och efter användning.

Rengör bladen med en hård borste efter användning. Torka därefter av bladen med en tygduk, och bestryk dem med maskinolja.

FÖRSIKTIGHET!

Om underhåll av bladen inte genomförs kan det orsaka förhöjd bladfriktion och minskad användningstid per batteriladdning.

Slipning av bladen

Övre sekätörbladet

Anlägg diamantfilens flata sida mot bladets egg. Tryck diamantfilen i pilens riktning och slipa längs bladets hela längd. **(Fig. 22)**

Anlägg diamantfilens flata sida lätt mot bladets andra sida. För diamantfilen i pilens riktning för att ta bort sliprand och ojämnheter. **(Fig. 23)**

Undre sekätörbladet

Anlägg diamantfilens runda sida mot bladets egg. Tryck diamantfilen i pilens riktning och slipa längs bladets hela längd. **(Fig. 24)**

Anlägg diamantfilens flata sida lätt mot bladets motsatta sida. För diamantfilen i pilens riktning för att ta bort sliprand och ojämnheter. **(Fig. 25)**

För att bibehålla produktens säkerhet och tillförlitlighet, bör alltid reparationer, underhållsservice och justeringar utföras av auktoriserad Makita serviceverkstad.

GARANTI

Vi ger garantier för MAKITA's maskiner enligt lagstadgade föreskrifter i olika länder. Skador och felaktigheter som kan hänföras till normal förslitning, överbelastning och felaktig hantering omfattas ej av denna garanti. Vid reklamation skall du sända in hela maskinen, icke isärtagen, tillsammans med det bifogade GARANTIBEIVSET (och kvitto/faktura), till din återförsäljare eller till en auktoriserad MAKITA serviceverkstad.

① Lader DC4600	⑫ Magebelte	⑳ Øvre saksblad
② Ladelampe	⑬ Lommedeksel	㉑ Nedre saksblad
③ Startknapp	⑭ Kontrollenhets kontakt	㉒ Gren
④ Batteri 4600	⑮ Lomme i magebelte	㉓ Sekskantnøkkel
⑤ Ladeplugg	⑯ Bukseseler	㉔ Bladdeksel
⑥ Ladekontakt	⑰ Hylster	㉕ Pipenøkkel
⑦ Gjenstarterknapp	⑱ Armbånd	㉖ Bladholder
⑧ Kontrollenhet C4600	⑲ Koplingsledning	㉗ Magnet
⑨ Bryter	㉔ Hunplugg	㉘ Børste
⑩ Spenne	㉕ Startbryter	㉙ Maskinolje
⑪ Kontrolllampe	㉖ Sperrehendel	㉚ Diamantfil

TEKNISKE DATA

Modell	4604D
Maks. beskæringskapasitet	30 mm i diameter
Total lengde	286 mm
Klassifisert spenning	DC 24V
Nettovekt	
Grensaks	1.0 kg
Kontrollenhet	0.3 kg
Batteri 4600	2.0 kg
Ladetid	1 time

- Grunnet det kontinuerlige forsknings- og utviklingsprogrammet, forbeholder vi oss retten til å foreta endringer i tekniske data uten forvarsel.
- Merk: Tekniske data kan variere fra land til land.

Sikkerhetstips

For din egen sikkerhets skyld ber vi deg lese de medfølgende sikkerhetsreglene.

VIKTIGE SIKKERHETSREGLER FOR LADER & BATTERI

1. TA VARE PÅ DISSE SIKKERHETSREGLENE — Bruksanvisningen inneholder viktige sikkerhetsregler og bruksanvisninger for batteriladeren.
2. Før laderen tas i bruk, må alle instruksjoner og advarsler på (1) batteriladeren, (2) batteriet og (3) produktet som batteriet skal brukes til, leses.
3. NB! — Reduser risikoen for skader, lad bare opp MAKITA-oppladbare batterier. Andre batterityper kan eksplodere og forårsake personskader og ødeleggelser.
4. Laderen må ikke utsettes for regn eller snø.
5. Bruk av utstyr som ikke anbefales eller selges av batteriladerens produsent, kan resultere i brannfare, elektrisk støt eller personskader.
6. Dra alltid i selve pluggen og ikke i ledningen for å få støpselet ut av stikkkontakten så skader unngås.
7. Sørg for å plassere ledningen slik at den ikke trækkes på, snubles i eller på annen måte utsettes for belastninger.
8. Laderen må ikke brukes med skadet ledning eller plugg — defekte deler må skiftes ut omgående.

9. Laderen må ikke brukes hvis den har vært utsatt for et kraftig slag, har falt i gulvet, eller er skadet på annen måte; få den sjekket hos kvalifisert fagpersonell.
10. Batteriladeren eller batteriet må ikke plukkes fra hverandre; overlatt service eller reparasjonsarbeid til kvalifisert fagpersonell. Feilaktig sammensetting kan forårsake elektrisk støt eller brann.
11. For å redusere faren for elektrisk støt må laderen koples fra stikkkontakten før eventuelt vedlikehold eller rengjøring. Det er ikke nok å slå av kontrollene.

EKSTRA SIKKERHETSREGLER FOR LADER OG BATTERI

1. Batteriet må ikke lades opp når det eller lufttemperaturen er under 10°C eller over 40°C.
2. Batteriet må ikke lades opp eller bli liggende i direkte sollys.
3. Det må ikke brukes en opptransformator, motorgenerator eller likestrømskontakt.
4. Ventilasjonshullene må ikke tilstoppes eller dekkes til.
5. Batteriet må ikke kortsluttes:
 - (1) Terminalene må ikke berøres med noe som helst ledende materiale.
 - (2) Batteriet må ikke oppbevares i en beholder sammen med andre metallgjenstander som f.eks. spikre, mynter, e.l.
 - (3) Batteriet må ikke utsettes for vann eller regn.
 Hvis batteriet skulle kortslutte kan det forårsake stor strømavgang, overoppheting, eventuelle forbrenninger eller ødelagt lader.
6. Selv om batteriet er helt ødelagt eller utgått, må det ikke kasseres ved brenning. Det kan eksplodere.
7. Pass på at batteriet ikke faller i gulvet, rystes eller utsettes for slag.

8. Oppladingen må ikke foregå inni en boks eller beholder av noe slag. Batteriet må plasseres på et godt ventilert sted under oppladingen.

EKSTRA SIKKERHETSREGLER FOR BATTERIDREVET BESKJÆRINGSSAKS

1. Denne maskinen er beregnet til beskæring av kvister. Må ikke brukes til annet enn det den er laget for.
2. Maskinen må ikke brukes eller batteriet lades opp i regnvær.
3. Maskinen må ikke bli liggende i regnvær eller på våte steder.
4. Hold eventuelle tilstedeværende på god avstand.
5. Vær varsom så ikke fremmedlegemer setter seg fast i knivene. Hvis noe har satt seg fast, må maskinen slås av omgående og batteriet koples fra. Fjern deretter fremmedlegemet.
6. Hold aldri grenen som skal beskæres med den frie hånden. Hold hendene unna beskæringssområdet. Rør aldri knivene, de er meget skarpe og kan forårsake kuttskader.
7. Press aldri maskinen til å skjære noe den ikke kan klare. Du kan miste fotfestet og komme til skade eller beskæres noe helt annet enn du hadde tenkt.
8. Vær varsom så skjulte elektriske kabler ikke kuttes over.
9. Kontroller knivene nøye før bruk.
10. Knivene må behandles med stor forsiktighet så skader unngås.
11. Kople batteriet fra maskinen etter hver gangs bruk og før inspeksjon eller vedlikeholdsarbeid.
12. Når maskinen ikke er i bruk bør den oppbevares i hylsteret.

TA VARE PÅ DISSE INSTRUKSENE.

BRUKSANVISNINGER

Lading (Fig. 1 og 2)

Lad batteri 4600 opp med Makita lader DC4600 før bruk. Kople laderen til en stikkontakt og kople ladepluggen til ladekontakten på batteriet. Trykk på startknappen (rød) på laderen. Ladelampen tennes og ladingen begynner. Når ladelampen slukker etter ca. en time, er ladingen fullført. Hvis ladelampen slukker innen ett minutt etter at startknappen er trykket, betyr det at batteriet er dødt. Skift ut med et nytt. Etter ladingen koples ladepluggen fra batteriet og stikkontakten.

NB!

- Kople kontrollenheten fra batteriet ved lading.
- Startknappen må ikke holdes inntrykket ved hjelp av tape, etc. Kretsen vil ikke fungere skikkelig og det kan medvirke til at laderen svikter.
- Bruk bare Makita lader DC4600 til lading av batteri 4600. Bruk av andre ladere kan forårsake at batteriet ødelegges.
- Når du lader opp et nytt batteri eller et batteri som ikke har vært brukt på en lang stund, kan det være vanskelig å lade det helt opp. Dette er normalt og ikke tegn på noe galt. Batteriet kan lades helt opp etter at det har vært helt utladet et par ganger.

Overstrømsrele (Fig. 2)

Overstrømsreleet er innebygd i batteriet for å forhindre at batteriet kortsletter. Når overstrømsreleet utløses, kan batteriet ikke brukes. Trykk på startknappen på batteriet for å bruke det igjen. Hvis overstrømsreleet aktiveres ofte, kan det være tegn på et det er noe galt med batteriet, laderen, kontrollenheten eller selve grensaksen. Be et Makita serviceverksted om inspeksjon og/eller reparasjon av utstyret.

Installere kontrollenheten på batteriet (Fig. 3 og 4)

Se først til at kontrollenheten er avslått. Monter kontrollenheten på batteriet og fest den med spennene.

Kople kontaktleddningen til kontrollenheten

Kople hanpluggen på kontaktleddningen på kontrollenhets kontakt og drei skruen medurs for å feste hanpluggen på plass.

Sette batteriet i lommen på magebeltet (Fig. 5 og 6)

Etter at kontrollenheten er montert på batteriet, plasseres batteriet med kontrollenhet i lommen på magebeltet slik at kontakten på kontrollenheten peker mot den hånden som betjener grensaksen. Dekk deretter til batteriet med lommedekslet slik at det ikke faller ut av lommen under bruk.

Bruke magebeltet (Fig. 6)

Fest et par bukseseler på magebeltet. Ta magebeltet på og reguler lengden på selene og beltet slik at batteriet kommer bak på ryggen i hoftehøyde.

Montere hylsteret (Fig. 7)

Monter hylsteret på magebeltet som vist i **fig. 7**. Det skal være på den siden hvor hånden betjener grensaksen.

Bruke armbåndet (Fig. 8)

Ta armbåndet på. Ved bruk smettes koplingsledningen gjennom armbåndet som vist i **fig. 8** så den kommer ut av veien.

Kople koplingsledningen til grensaksen (Fig. 9)

Kople hunpluggen på tilkopplingsledningen til sakskontaktet og drei skruen medurs så hunpluggen festes på plass.

MERKNAD:

Hvis kopplingsledningen koples til eller fra når kontrollenheten er påslått, vil kontrollampen blinke vekselvis i rødt og grønt. Når dette skjer vil grensaksen ikke starte selv om startbryteren aktiveres. Slå kontrollenheten av og så på igjen for å starte grensaksen. (Fig. 4)

Bryter

NB!

- Før batteriet koples til grensaksen må du alltid sjekke at startbryteren virker som den skal og går tilbake til "OFF" når den slippes.
- Trykk ikke inn startbryteren uten å trykke inn sperrehendelen. Det kan ødelegge bryteren.

Slå kontrollenheten på ved å trykke på den øvre delen (I) av bryteren. Kontrollampen begynner å blinke grønt. Trykk inn startbryteren og slipp den en gang. Det øvre bladet begynner å bevege seg oppover straks du slipper bryteren og stopper i høyeste posisjon (helt åpen). Hvis saksbladet allerede har åpnet seg vil den stå i denne posisjonen ved første bryterbetjening. Kontrollampen vil lyse grønt kontinuerlig. Når bryteren betjenes neste gang kan du begynne å skjære grener. (Fig. 4)

For å forhindre at startbryteren aktiveres ved et uhell, er grensaksen utstyrt med en sperreknapp. Grensaksen startes ved å trykke inn sperreknappen og så startbryteren. Og den stoppes ved å slippe startbryteren. (Fig. 10)

Når startbryteren trykkes inn og holdes der, vil det øvre bladet bevege seg nedover og stoppe i lukket posisjon. Når startbryteren slippes vil det øvre saksbladet bevege seg oppover og stoppe i høyeste posisjon (helt åpen). (Fig. 11)

Sette grensaksen i hylsteret (Fig. 12)

Slå kontrollenheten av ved å trykke på den nedre delen (O) av bryteren samtidig som startbryteren holdes inntrykket. Det øvre bladet vil stoppe i lukket posisjon. Plasser grensaksen i hylsteret med det øvre bladet i lukket posisjon.

Beskjæring (Fig. 13)

NB!

- Sørg for godt fotfeste og balanse når grensaksen betjenes så en alvorlig ulykke unngås.
- Hold aldri grenen som skal beskjæres med den frie hånden. Hold den frie hånden unna beskjæringsområdet. Bladene er veldig skarpe og kan forårsake kuttskader.

Skjær grenene en og en om gangen som vist i **fig. 13**. Maksimal tykkelse på grener som kan beskjæres med denne grensaksen er cirka 30 mm. Sørg hele tiden for godt fotfeste og balanse.

Etter bruk slås kontrollenheten av og kopplingsledningen koples fra grensaksen og kontrollenheten. Oppbevar grensaksen på et tørt sted som er høyt opp eller som kan låses - utenfor barns rekkevidde.

Overbelastningsvern

Både grensaksen og kontrollenheten er utstyrt med en beskyttelsesmekanisme ved overbelastning. Hvis motoren låser seg i mer enn tre sekunder, vil denne mekanismen aktiveres for å stoppe grensaksen. I tillegg vil kontrollampen begynne å blinke vekselvis i rødt og grønt. Arbeidet kan fortsettes ved å slå kontrollenheten av ved å trykke på den nedre delen (O) av bryteren og så på igjen.

MERKNAD:

Bruk ikke grensaksen på en slik måte at denne mekanismen aktiveres for ofte. Motoren kan ta skade.

Kontrollampe på kontrollenheten (Fig. 4)

Kontrollampen vil begynne å blinke eller lyse konstant grønt når kontrollenheten slås på (øvre del (I) av bryteren trykkes). Hvis kontrollampen angir følgende forhold, går du frem som følger.

1. Hvis kontrollampen blinker vekselvis i rødt og grønt, betyr det at overbelastningsvernet er aktivert eller at kopplingsledningen ikke er skikkelig tilkople. Slå kontrollenheten av og gjør som følger:
 - a) Hvis motoren er låst i mer enn tre sekunder, slår du bare på kontrollenheten.
 - b) Hvis kopplingsledningen ikke er skikkelig tilkople, kople du den skikkelig til og slår kontrollenheten på.
2. Hvis kontrollampen blinker rødt, er innsiden av kontrollenheten for varm. Slå kontrollenheten av og vent en stund til den er avkjølet. Slå den så på igjen.
3. Hvis kontrollampen fortsetter å lyse rødt, er batteriets voltspenning for lav. Lad opp batteriet.
4. Hvis kontrollampen lyser verken grønt eller rødt:
 - a) Batteriet er helt utladet. Lad batteriet opp.
 - b) Overstrømsreleet er aktivert. Trykk på gjenstarterknappen.

Hvis kontrollampen ikke begynner å blinke grønt selv om du utfører prosedyrene nevnt over, er det noe galt med grensaksens kopplingsledning, kontrollenheten eller batteriet. Slå kontrollenheten av og kople kopplingsledningen fra grensaksen og kontrollenheten. Demonter kontrollenheten fra batteriet. Lever grensaksen, kopplingsledningen, kontrollenheten og batteriet inn til forhandleren eller et Makita-serviceverksted for inspeksjon og/eller reparasjon.

Utskifting av saksblad

NB!

Se alltid til at kontrollenheten er avslått og koplingsledningen er koplet fra grensaksen.

Saksbladene kan skiftes ut uavhengig av øvre bladsaksposisjon.

Bruk den vedlagte sekskantnøkkelen til å fjerne de to sekskantboltene som holder bladdekslet på plass.

(Fig. 14)

Fjern bladdekslet. **(Fig. 15)**

Bruk den vedlagte pipenøkkelen til å fjerne den sekskantede låsemutteren med. Den flate underlagskiven vil løsne sammen med låsemutteren. **(Fig. 16)**

Fjern den runde hodebolten, bladholderen og øvre saksblad. **(Fig. 17)**

Fjern det øvre saksbladet fra bladholderen. Pass på at ikke fremmedlegemer setter seg fast på magneten på bladholderen og vær forsiktig så den ikke kommer til skade. **(Fig. 18)**

Bruk den vedlagte sekskantnøkkelen til å fjerne de to sekskantboltene som holder nedre saksblad på plass.

Fjern nedre saksblad. **(Fig. 19)**

Saksbladene monteres ved å følge demonteringsprosedyren i omvendt rekkefølge. Fettet som er rundt giret må ikke fjernes.

SERVICE

NB!

Se alltid til at kontrollenheten er avslått og koplingsledningen er koplet fra grensaksen.

Vedlikehold av blad **(Fig. 20 og 21)**

MERKNAD:

Før og etter bruk må bladene sjekkes grundig.

Etter bruk rengjøres bladene med en stiv børste.

Tørk deretter bladene med en klut og smør med maskinolje.

NB!

Hvis ikke bladene vedlikeholdes kan det føre til alt for stor bladfriksjon og redusere driftstiden per batterilading.

Kvessing av blad

Øvre saksblad

Plasser den flate siden av diamantfilen på bladeggen. Skyv diamantfilen i pilens retning og slip langs hele bladeggen. Oppretthold den samme flate kontakten med filen konsekvent langs hele bladeggen. **(Fig. 22)**

Plasser den flate siden av diamantfilen lett mot den motsatte siden av bladet. Beveg diamantfilen i pilens retning for å fjerne grat. **(Fig. 23)**

Nedre saksblad

Plasser den runde siden av diamantfilen på bladeggen. Skyv diamantfilen i pilens retning og slip langs hele bladeggen. **(Fig. 24)**

Plasser den flate siden av diamantfilen lett mot den motsatte siden av bladet. Beveg diamantfilen i pilens retning for å fjerne grat. **(Fig. 25)**

For å garantere at maskinen arbeider sikkert og pålitelig bør reparasjoner, servicearbeider eller innstillinger utføres av et autorisert Makita-serviceverksted.

GARANTI

Vi gir garanti på MAKITA's maskiner i henhold til lovfestede forskrifter i det enkelte land. Skader og feilaktigheter som kan henføres til normal slitasje, overbelastning eller feil bruk omfattes ikke av denne garanti. Ved reklamasjon skal komplett maskin, ikke demontert, sammen med vedlagte GARANTIKORT, samt kvittering eller innkjøpsbevis, sendes inn til din forhandler eller til et autorisert Makita-verksted.

① Lataaja DC4600	⑫ Lantiovyö	⑳ Saksien yläterä
② Latausvalo	⑬ Taskuläppä	㉑ Saksien alaterä
③ Käynnistyspainike	⑭ Ohjaimen liitin	㉒ Oksa
④ Akku 4600	⑮ Lantiovyön tasku	㉓ Kuusioavain
⑤ Latauspistoke	⑯ Olkaimet	㉔ Terän suojus
⑥ Latausliitin	⑰ Tuppi	㉕ Hylsyavain
⑦ Uudelleenkäynnistyspainike	⑱ Käsivarsinauha	㉖ Teränpidin
⑧ Ohjain C4600	⑲ Liitosjohto	㉗ Magneetti
⑨ Kytkin	㉒ Naarasliitin	㉘ Harja
⑩ Solki	㉓ Liipaisinkytkin	㉙ Koneöljy
⑪ Merkkilamppu	㉔ Lukituksen vapautuskytkin	㉚ Timantiviilla

TEKNISET TIEDOT

Malli	4604D
Suurin leikattava oksa	läpimitta 30 mm
Kokonaispituus	286 mm
Nimellisyännitte tasavirta	24 V
Nettopaino	
Sakset	1,0 kg
Ohjain C4600	0,3 kg
Akku 4600	2,0 kg
Latausaika	1 tunti

- Jatkuvan tutkimus- ja kehitysohjelman vuoksi pidämme oikeuden muuttaa tässä mainittuja teknisiä ominaisuuksia ilman ennakkoilmoitusta.
- Huomaa: Tekniset ominaisuudet saattavat vaihdella eri maissa.

Turvaohjeita

Oman turvallisuutesi vuoksi lue mukana seuraavat turvaohjeet.

TÄRKEITÄ TURVAOHJEITA LATURILLE JA AKULLE

1. **SÄILYÄ NÄMÄ OHJEET** — Tämä käyttöohje sisältää tärkeitä turva- ja käyttöohjeita akkulaturille.
2. Ennen kuin käytät akkulaturia, lue kaikki (1) akkulaturin, (2) akun ja (3) akulla käytettävän laitteen ohjeet ja varoitusmerkinnot.
3. **VARO** — Loukkaantumisriskin pienentämiseksi lataa ainoastaan MAKITA-tyyppisiä ladattavia akkuja. Muun tyyppiset akut saattavat räjähtää aiheuttaen loukkaantumisen ja esinevahinkoja.
4. Älä saata laturia alttiiksi sateelle ja lumelle.
5. Muun kuin akkulaturin valmistajan suositteleman tai myymän lisälaitteen käyttäminen saattaa aiheuttaa tulipalo-, sähköisku- tai loukkaantumisaaran.
6. Sähköpistokkeen ja -johdon vahingoittumisen välttämiseksi vedä aina pistokkeesta äläkä johdosta irrottaessasi laturin virtalähteestä.
7. Pidä huolta, että johto on sijoitettu siten, että sen päälle ei astuta, siihen ei kompastuta eikä se muutenkaan ole vaurioitumiselle tai kulumiselle alttiina.

8. Älä käytä laturia vaurioituneella johdolla tai pistokkeella, vaan vaihda ne välittömästi uusiin.
9. Älä käytä laturia, jos siihen on kohdistunut voimakas isku, jos se on pudonnut tai muutoin vaurioitunut. Vie se pätevälle huoltohenkilölle.
10. Älä pura laturia äläkä akkua osiinsa. Vie ne pätevälle huoltohenkilölle niiden ollessa huollon tai korjauksen tarpeessa. Väärin tehty kokoaminen saattaa aiheuttaa sähköisku- tai tulipalovaaran.
11. Sähköiskuvaaran välttämiseksi irrota laturipistorasiasta ennen kunnossapitotöitä ja puhdistusta. Virran katkaiseminen ei poista tätä vaaraa.

LISÄTURVAOHJEITA LATURILLE JA AKULLE

1. Älä lataa akkua, kun sen tai ilman lämpötila on alle 10°C tai yli 40°C.
2. Älä lataa akkua suorassa auringonvalossa äläkä jätä sitä paikkaan, jossa aurinko voi paistaa siihen.
3. Älä käytä jännitteennostomuuntajaa, moottori-generaattoria äläkä tasavirtapistorasiaa.
4. Älä peitä äläkä tuki laturin ilma-aukkoja.
5. Älä kytke laturia oikosulkuun:
 - (1) Älä kosketa napoja millään sähköjohtavalla esineellä.
 - (2) Älä säilytä akkua yhdessä muiden metalliesineiden kuten naulojen, kolikoiden tms. kanssa.
 - (3) Älä käytä akkua vedessä tai sateessa. Akun kytkeminen oikosulkuun saattaa aiheuttaa voimakkaan sähkövirran, ylikuumentumista, mahdollisia palovammoja sekä laitteen rikkoutumisen.
6. Älä hävitä akkua polttamalla, vaikka se olisi pahasti vioittunut tai kokonaan kulunut. Akku saattaa räjähtää tuleessa.
7. Älä pudota, ravista äläkä iske akkua mihinkään.

8. Älä lataa akkua laatikon tms. sisällä. Akku on sijoitettava latauksen ajaksi paikkaan, jossa on hyvä ilmanvaihto.

LISÄTURVAOHJEITA AKKUKÄYTTÖISILLE OKSASAKSILLE

1. Tämä laite on tarkoitettu oksien katkomiseen. Älä käytä sitä muihin tarkoituksiin, kuin mihin se on tehty.
2. Älä käytä laitetta äläkä lataa akkua sateessa.
3. Älä jätä laitetta sateeseen tai kosteisiin tiloihin.
4. Älä päästä ulkopuolisia työskentelyalueesi lähelle.
5. Pidä huolta, että terien väliin ei joudu vieraita esineitä. Jos terät jumiutuvat vieraasta esineestä, sammuta laite välittömästi ja irrota akku. Poista sitten terien väliin jäänyt esine.
6. Älä koskaan pidä vapaalla kädellä kiinni oksasta, jota olet leikkaamassa. Pidä vapaa käsi poissa leikkausalueelta. Älä koske teriin, sillä ne ovat terävät ja voit leikata itseäsi niillä.
7. Älä pakota laitetta leikkaamaan. Otteesi saattaa lipsahtaa, jolloin voit loukata itsesi tai leikata vahingossa jotakin muuta.
8. Varo leikkaamasta mahdollisesti näkymättömissä olevia sähköjohtoja.
9. Tarkasta terät aina huolellisesti ennen käyttöä.
10. Käsittele teriä erityisen varovasti välttääksesi terien aiheuttamat viillot ja loukkaantumiset.
11. Irrota akku laitteesta aina käytön jälkeen ja ennen kuin tutkit tai kunnostat laitetta.
12. Kun et käytä laitetta, säilytä sitä aina kotelossaan.

SÄILYTÄ NÄMÄ OHJEET.

KÄYTTÖOHJEET

Lataaminen (Kuvat 1 ja 2)

Lataa akku 4600 ennen käyttöä Makita lataajalla DC4600. Liitä lataaja pistorasiaan ja liitä latauspistoke akussa olevaan latausliittimeen. Paina lataajassa olevaa käynnistyspainiketta (punainen). Latausvalo syttyy ja lataaminen alkaa. Kun latausvalo sammuu noin tunnin kuluttua, lataus on valmis. Jos latausvalo sammuu minuutin kuluessa käynnistyspainikkeen painamisesta, akku on käyttökelvoton. Vaihda akku uuteen. Kun olet lopettanut lataamisen, irrota latauspistoke akusta ja pistorasiasta.

VARO:

- Irrota ohjain akusta latauksen ajaksi.
- Älä pidä käynnistyspainiketta alapainettuna teipillä tms. Virtapiiri ei toimi kunnolla ja lataaja voi joutua epäkuntoon.
- Käytä akun 4600 lataamiseen ainoastaan Makitan lataajaa DC4600. Minkä tahansa muun lataajan käyttäminen saattaa vioittaa akkua.

- Kun lataat uutta akkua tai akkua, jota ei ole käytetty pitkään aikaan, se ei ehkä lataudu täyteen. Tämä on normaalia ei se ole merkki viasta. Akku latautuu täyteen, kun se on kokonaan purettu latauksesta muutamia kertoja.

Ylivirtarele (Kuva 2)

Akussa on sisään rakennettu ylivirtarele, joka suojaa akun oikosululta. Akkua ei voida käyttää ylivirtareleen ollessa toiminnassa. Akku saadaan jälleen käyttöön painamalla siinä olevaa uudelleenkäynnistyspainiketta. Jos ylivirtarele käynnistyy usein, akussa, lataajassa, ohjaimessa tai itse saksissa saattaa olla vikaa. Lähetä ne jälleenmyyjällesi tai Makitan huoltoon tutkittaviksi ja/tai korjattaviksi.

Ohjaimen asentaminen akkuun (Kuvat 3 ja 4)

Varmista ensin, että ohjain on sammutettu. Kiinnitä ohjain akkuun ja kiristä se paikalleen soljilla.

Liitosjohdon liittäminen ohjaimen

Liitä liitosjohdon urosliitin ohjaimen liittimeen ja varmista urosliittimen kiinnitys kääntämällä ruuvia myötäpäivään.

Akun laittaminen lantiovyön taskuun

(Kuvat 5 ja 6)

Kun olet kiinnittänyt ohjaimen akkuun, laita ohjain ja akku lantiovyön taskuun siten, että ohjaimen liitin osoittaa sitä kättä kohden, jolla käytät saksia. Peitä sitten akku taskuläpällä estääksesi akkua ja ohjainta putoamasta taskusta käytön aikana.

Lantiovyön käyttäminen (Kuva 6)

Kiinnitä olkaimet lantiovyöhön. Pue lantiovyö yllesi ja säädä olkainten ja vyön pituus siten, että akku tulee selkääsi lantion korkeudelle.

Tupen kiinnittäminen (Kuva 7)

Kiinnitä tuppi lantiovyöhön kuvan 7 osoittamalla tavalla. Tuppi tulee sijoittaa sen käden puolelle, jolla saksia käytetään.

Käsivarsinauhan käyttäminen (Kuva 8)

Kiinnitä käsivarsinauha käsivarteen. Kun käytät käsivarsinauhaa, sujauta liitosjohto käsivarsinauhan läpi kuvan 8 osoittamalla tavalla pitääksesi sen poissa tieltä.

Liitosjohdon liittäminen saksiiin (Kuva 9)

Liitä liitosjohdon naarasliitin saksien liittimeen ja varmista naarasliittimen kiinnitys kääntämällä ruuvia myötäpäivään.

HUOMAA:

Jos liität tai irrotat liitosjohdon ohjaimen ollessa kytkettynä päälle, merkkilamppu vilkkuu vuorotellen punaisena ja vihreänä. Kun näin tapahtuu, sakset eivät käynnisty vaikka painat liipaisinkytkintä. Sammuta ohjain ja kytk se sitten uudelleen päälle käynnistäksesi sakset. (Kuva 4)

Kytkimen käyttäminen

VARO:

- Varmista aina ennen akun kiinnittämistä saksiin, että liipaisinkytkin toimii moitteettomasti ja palautuu vapautettaessa "OFF" -asentoon.
- Älä paina liipaisinkytkintä painamatta lukituksen vapautuskytkintä alas. Tämä saattaa rikkoa kytkimen.

Kytke ohjain päälle painamalla kytkimen yläpuolta (I). Merkkilamppu alkaa vilkkua vihreänä. Paina sitten liipaisinkytkintä ja vapauta se kertaalleen. Saksien yläterä alkaa liikkua heti, kun vapautat liipaisinkytkimen ja se pysähtyy ylimpään (kokonaan auki olevaan) asentoon. Jos saksien yläterä on jo auennut, se pysyy tässä asennossa liipaisimen ensimmäisellä painalluksella. Merkkilamppu palaa jatkuvasti vihreänä. Seuraavalla liipaisimen painalluksella voit leikata oksia. **(Kuva 4)**

Liipaisinkytkimen tahattoman painamisen estämiseksi laite on varustettu liipaisimen vapautuskytkimellä. Sakset käynnistetään pitämällä lukituksen vapautuskytkin alaspainettuna ja painamalla liipaisinkytkintä. Sakset pysäytetään vapauttamalla liipaisinkytkin. **(kuva 10)**

Kun liipaisinkytkintä pidetään painettuna, saksien yläterä liikkuu alas ja pysähtyy suljettuun asentoon. Kun liipaisinkytkin vapautetaan, saksien yläterä liikkuu ylös ja pysähtyy ylimpään (kokonaan auki olevaan) asentoon. **(Kuva 11)**

Saksien asettaminen tuppeen (Kuva 12)

Sammuta ohjain painamalla kytkimen alapuolta (O) pitäen samalla liipaisinkytkimen painettuna. Saksien yläterä pysähtyy suljettuun asentoon. Työnnä sakset tuppeen yläterä suljetussa asennossa.

Oksien katkaiseminen (Kuva 13)

VARO:

- Älä koskaan käytä saksia hankalassa asennossa. Tämä voi johtaa vakavaan loukkaantumiseen.
- Älä koskaan pidä vapaalla kädellä kiinni oksasta, jota olet katkaisemassa. Pidä kädet loitolla leikkauskohdasta. Terät ovat erittäin terävät ja voit leikata itseäsi niillä.

Katkaise oksat yksi kerrallaan **kuvan 13** osoittamalla tavalla. Näillä saksilla katkaistavien oksien suurin mahdollinen paksuus on noin 30 mm. Säilytä aina hyvä jalansija ja tasapaino.

Kun olet lopettanut käytön, sammuta ohjain ja irrota liitosjohto saksista ja ohjaimesta. Säilytä sakset kuivassa, korkealla olevassa tai lukitussa paikassa, johon lapset eivät pääse käsiksi.

Ylikuormituksen suojausmekanismi

Sekä sakset että ohjain on varustettu ylikuormituksen suojausmekanismilla. Jos moottori lukkiutuu yli kolmen sekunnin ajaksi, tämä mekanismi pysäyttää moottorin automaattisesti. Tällöin ohjaimessa oleva merkkilamppu alkaa vilkkua vuorotellen punaisena ja vihreänä. Kun haluat jatkaa työskentelyä, sammuta ohjain painamalla kytkimen alapuolta (O) ja kytke se sitten jälleen päälle.

HUOMAA:

Älä käytä saksia siten, että tämä toiminto käynnistyy usein. Moottori saattaa vioittua.

Ohjaimessa oleva merkkilamppu (Kuva 4)

Merkkilamppu alkaa vilkkua tai palaa tasaisesti vihreänä, kun ohjain kytketään päälle (painettaessa kytkimen yläpuolta (I)). Jos merkkilamppu osoittaa jotakin seuraavista tiloista, toimi seuraavasti.

1. Jos merkkilamppu vilkkuu vuorotellen punaisena ja vihreänä, ylikuormituksen suojausmekanismi on käynnistynyt tai liitosjohto ei ole tiukasti kiinni. Sammuta ohjain ja tee seuraavat toimet:
 - a) Jos moottori lukkiutuu yli kolmen sekunnin ajaksi, kytke ohjain yksinkertaisesti päälle.
 - b) Jos liitosjohto ei ole tiukasti kiinni, liitä liitosjohto tiukasti ja kytke sitten ohjain päälle.
2. Jos merkkilamppu vilkkuu punaisena, ohjaimen sisäosa on liian kuuma. Sammuta ohjain ja anna sen jäähtyä jonkin aikaa. Kytke sitten ohjain päälle.
3. Jos merkkilamppu palaa jatkuvasti punaisena, akun jännite on liian pieni. Lataa akku.
4. Jos merkkilamppu ei ole vihreä eikä punainen:
 - a) Akku on kokonaan purkautunut. Lataa akku.
 - b) Ylivirtarele on toiminut. Paina uudelleenkäynnistyspainiketta.

Jos merkkilamppu ei ala vilkkua vihreänä yllämainittujen toimenpiteiden tekemisen jälkeen, on saksissa, liitosjohdossa, ohjaimessa tai akussa jotain vikaa. Sammuta ohjain ja irrota liitosjohto saksista ja ohjaimesta. Irrota ohjain akusta. Lähetä sakset, liitosjohto, ohjain ja akku jälleenmyyjällesi tai Makitan huoltoon tutkittaviksi ja/tai korjattaviksi.

Saksien terien vaihtaminen

VARO:

Varmista aina, että ohjain on sammutettu ja liitosjohto irrotettu saksista.

Saksien terät voidaan vaihtaa riippumatta saksien yläterän asennosta.

Irrota terän suojuksen paikallaan pitävät kaksi kuusiosuopullia varusteisiin kuuluvalla kuusioavaimella. **(Kuva 14)**

Irrota terän suojus. **(Kuva 15)**

Irrota kuusiosuopullin varusteisiin kuuluvalla kuusioavaimella. Aluslevy irtoaa yhdessä kuusiosuopullin kanssa. **(Kuva 16)**

Irrota pyöreäpäinen ruuvi, terän tuppia ja saksien yläterä. **(Kuva 17)**

Irrota saksien yläterä terän pitimestä. Varo, ettei mikään vieras esine tartu terän pitimessä olevaan magneettiin ja vioita sitä. **(Kuva 18)**

Irrota saksien alaterän paikallaan pitävät kaksi kuusiopulttia varusteisiin kuuluvalla kuusioavaimella.

Irrota sitten saksien alaterä. **(Kuva 19)**

Saksien terä kiinnitetään tekemällä irrotustoimet päinvastaisessa järjestyksessä. Älä poista hammaspyörän ympärillä olevaa rasvaa.

HUOLTO

VARO:

Varmista aina, että ohjain on sammutettu ja liitosjohto irrotettu saksista.

Terien kunnossapito (Kuvat 20 ja 21)

HUOMAA:

Tarkista saksien terät huolellisesti ennen ja jälkeen käytön.

Kun olet lopettanut käytön, puhdista terät jäykällä harjalla. Pyyhi sitten terät kankaalla ja voitele ne koneöljyllä.

VARO:

Jos teriä ei pidetä kunnossa, saattaa seurauksena olla tavallista suurempi terien välinen kitka ja akun latauksen keston lyheneminen.

Terien teroittaminen

Saksien yläterä

Aseta timanttiviilan tasainen pinta terän särmää vasten. Työnnä timanttiviilaa nuolen suuntaan ja teroita terän koko pituudelta. Vedä viila tasaisena terää särmää vasten koko terän mitalta. **(kuva 22)**

Aseta timanttiviilan tasainen pinta kevyesti terän toiselle puolelle. Poista rosot työntämällä timanttiviilaa nuolen suuntaan. **(kuva 23)**

Saksien alaterä

Aseta timanttiviilan pyöreä pinta terän särmää vasten. Työnnä timanttiviilaa nuolen suuntaan ja teroita terän koko pituudelta. **(kuva 24)**

Aseta timanttiviilan tasainen pinta kevyesti terän toiselle puolelle. Poista rosot työntämällä timanttiviilaa nuolen suuntaan. **(kuva 25)**

Laitteen käyttövarmuuden ja turvallisuuden vuoksi korjaukset ja muut huolto- ja säätötyöt saa suorittaa ainoastaan Makitan hyväksymä huoltopiste.

TAKUU

Takaamme Makita-laitteet kunkin maan lakisääteisten määräysten mukaisesti. Takuu ei kata normaalista kulumisesta, ylikuormituksesta tai virheellisestä käsittelystä johtuvia vaurioita. Jos valittamisen aihetta ilmenee, pyydämme lähettämään purkamattoman laitteen yhdessä oheisen TAKUUTODISTUKSEN kanssa kauppiallesi tai Makitan huoltokeskukseen.

- | | | |
|------------------------|------------------------------|------------------------|
| ① Φορτιστής DC4600 | ⑬ Κάλυμμα τσέπης | ⑳ Κάλυμμα λειπίδος |
| ② Φωτάκι φόρτισης | ⑭ Σύνδεσμος ελεγκτή | ㉑ Κλαδί |
| ③ Κουμπί εκκίνησης | ⑮ Τσέπη ζώνης κορμού | ㉒ Εξαγωνικό κλειδί |
| ④ Μπαταρία 4600 | ⑯ Αμορτισέρ | ㉓ Κάλυμμα λειπίδος |
| ⑤ Βύσμα φόρτισης | ⑰ Θήκη | ㉔ Κλειδί θήκης |
| ⑥ Σύνδεσμος φόρτισης | ⑱ Ταινία χεριού | ㉕ Συγκρατητής λειπίδος |
| ⑦ Κουμπί επανεκκίνησης | ⑲ Καλώδιο σύνδεσης | ⑳ Μαγνήτης |
| ⑧ Ελεγκτής C4600 | ㉑ Θυληκό βύσμα | ㉖ Βούρτσα |
| ⑨ Διακόπτης | ㉒ Σκανδάλη διακόπτης | ㉗ Λάδι μηχανής |
| ⑩ Πόρπη | ㉓ Πλήκτρο απασφάλισης | ㉘ Διαμαντένια λίμα |
| ⑪ Λάμπα πιλότος | ㉔ Επάνω κομμάτι της λειπίδος | |
| ⑫ Ζώνη κορμού | ψαλιδιού | |

ΤΕΧΝΙΚΑ ΧΑΡΑΚΤΗΡΙΣΤΙΚΑ

Μοντέλο	4604D
Μεγ.ικανότητα κοπής	30 χιλ σε διάμετρο
Συνολικό μήκος	286 χιλ
Καθορισμένο βολτάζ	Συνεχές ρεύμα 24s
Καθαρό βάρος	
Ψαλίδι	1.0 χγρ.
Ελεγκτής X4600	0.3 χγρ.
Μπαταρία 4600	2.0 χγρ.
Χρόνος φόρτισης	Περίπου 1 ώρα

- Λόγω του συνεχιζόμενου προγράμματος έρευνας και ανάπτυξης, οι παρούσες προδιαγραφές υπόκεινται σε αλλαγή χωρίς προειδοποίηση.
- Παρατήρηση: Τα τεχνικά χαρακτηριστικά μπορεί να διαφέρουν από χώρα σε χώρα.

Υποδείξεις ασφάλειας

Για την προσωπική σας ασφάλεια, ανατρέξτε στις εσώκλειστες Οδηγίες ασφάλειας.

ΣΗΜΑΝΤΙΚΕΣ ΟΔΗΓΙΕΣ ΑΣΦΑΛΕΙΑΣ ΓΙΑ ΦΟΡΤΙΣΤΗ ΚΑΙ ΜΠΑΤΑΡΙΑ

1. **ΦΥΛΑΞΤΕ ΤΙΣ ΟΔΗΓΙΕΣ ΑΥΤΕΣ** Αυτό το εγχειρίδιο παρέχει σημαντικές οδηγίες για την ασφάλεια και λειτουργία του φορτιστή μπαταρίας.
2. Πριν χρησιμοποιήσετε το φορτιστή μπαταρίας, διαβάστε όλες τις οδηγίες και προειδοποιητικές σημειώσεις (1) στο φορτιστή μπαταρίας, (2) στη μπαταρία και (3) στα προϊόντα που χρησιμοποιούν τη μπαταρία.
3. **ΠΡΟΣΟΧΗ.** Για αποφυγή πιθανότητας τραυματισμού, φορτίζετε μόνο επαναφορτιζόμενες μπαταρίες ΜΑΚΙΤΑ. Άλλου τύπου μπαταρίες μπορεί να εκραγούν προκαλώντας τραυματισμό προσώπων και ζημιές.
4. Μην εκθέτετε το φορτιστή στη βροχή ή στο χιόνι.
5. Χρήση ενός εξαρτήματος που δεν συνιστάται ή δεν πουλιέται από τον κατασκευαστή του φορτιστή μπορεί να προκαλέσει φωτιά, ηλεκτροπληξία, ή τραυματισμό προσώπων.

6. Για να αποφύγετε πιθανή ζημιά στο ηλεκτρικό καλώδιο και ακροδέκτη, τραβάτε τον ακροδέκτη και όχι το καλώδιο όταν αποσυνδέετε το φορτιστή.
7. Σιγουρευτείτε ότι το καλώδιο είναι τοποθετημένο έτσι ώστε δεν πατιέται, δεν μπερδεύεται στα πόδια ή δεν υπόκειται σε καμιά ζημιά ή υπέρταση.
8. Μη χρησιμοποιείτε τον φορτιστή με χαλασμένο καλώδιο ή ακροδέκτη — αντικαταστήστε τα αμέσως.
9. Μη χρησιμοποιείτε το φορτιστή εάν έχει χτυπηθεί, έχει πέσει κάτω ή έχει υποστεί βλάβη με οποιοδήποτε τρόπο. Αποανθείτε σε εξουσιοδοτημένο τεχνίτη.
10. Μην αποσυναρμολογήσετε το φορτιστή ή τη μπαταρία. Αποανθείτε σε εξουσιοδοτημένο τεχνίτη όταν απαιτείται συντήρηση ή επισκευή. Εσφαλμένη επανασυναρμολόγηση μπορεί να προκαλέσει φωτιά ή ηλεκτροπληξία.
11. Για να αποφύγετε κίνδυνο ηλεκτροπληξίας, αποσυνδέστε το φορτιστή από την παροχή ρεύματος πριν εκτελέσετε οποιαδήποτε εργασία συντήρησης ή καθαρίσματος. Κλείσιμο των ρυθμιστικών δεν απομακρύνει αυτό το κίνδυνο.

ΕΠΙΠΡΟΣΘΕΤΟΙ ΚΑΝΟΝΕΣ ΑΣΦΑΛΕΙΑΣ ΓΙΑ ΦΟΡΤΙΣΤΗ ΚΑΙ ΜΠΑΤΑΡΙΑ

1. Μη φορτίζετε τη μπαταρία όταν η θερμοκρασία της ή η θερμοκρασία περιβάλλοντος είναι κάτω από τους 10°C ή πάνω από τους 40°C.
2. Μη φορτίσετε ή αφήσετε τη μπαταρία σε μία τοποθεσία εκτεθειμένη σε άμεσο ηλιακό φως.
3. Μην επιχειρήσετε να χρησιμοποιήσετε ανοδικό μετασχηματιστή γεννήτρια μηχανής ή υποδοχέα DC ρεύματος.
4. Μη σκεπάσετε ή βουλώσετε με τίποτα τις οπές αερισμού του φορτιστή.

- Μη βραχυκυκλώνετε τη κασέτα μπαταρίας.
 - (1) Μην αγγίζετε τα τερματικά με κανένα αγώγιμο υλικό.
 - (2) Αποφεύγετε την αποθήκευση της κασέτας μπαταρίας σε κουτιά με άλλα μεταλλικά αντικείμενα, όπως καρφιά, νομίσματα, κλπ.
 - (3) Μην εκθέτετε τη θήκη μπαταρίας στο νερό ή στη βροχή.

Ενα βραχυκύκλωμα μπαταρίας μπορεί να προκαλέσει μεγάλη ροή ρεύματος, υπερθέρμανση, πιθανά εγκαύματα ακόμη και κατάρρευση.

Πάντοτε να καλύπτετε τους πόλους της μπαταρίας με το κάλυμμα της μπαταρίας όταν η μπαταρία δεν χρησιμοποιείται.

- Μη ριζέτε στη φωτιά τη μπαταρία ακόμη και αν είναι πολύ κατεστραμμένη ή τελειώς άχρηστη. Η μπαταρία μπορεί να εκραγεί στη φωτιά.
- Προσέχετε να μη ριζέτε κάτω, τινάζετε ή χτυπήσετε τη μπαταρία.
- Μη φορτίσετε μέσα σε κουτί ή σε οτιδήποτε δοχείο. Η μπαταρία πρέπει να βρίσκεται σε μια καλά αεριζόμενη περιοχή κατά τη διάρκεια της φόρτισης.

ΕΠΙΠΡΟΣΘΕΤΟΙ ΚΑΝΟΝΕΣ ΑΣΦΑΛΕΙΑΣ ΓΙΑ ΚΛΑΔΕΥΤΙΚΟ ΨΑΛΛΙΔΙ ΜΕ ΜΠΑΤΑΡΙΑ

- Αυτό το μηχάνημα είναι για κλάδεμα κλαδιών. Μη το χρησιμοποιήσετε για καμιά άλλη εργασία εκτός από αυτή που προορίζεται.
- Μη χρησιμοποιείτε το μηχάνημα ή κάνετε φόρτιση μπαταρίας στη βροχή.
- Μην αφήνετε το μηχάνημα στη βροχή ή σε υγρές θέσεις.
- Κρατάτε τους παρευρισκόμενους μακριά από τη περιοχή εργασίας.
- Προσέχετε να μη πιάσετε ξένη ύλη μεταξύ των λαμών. Εάν οι λάμες πιάσουν ξένο υλικό, αμέσως σβήστε το μηχάνημα και αποσυνδέστε τη μπαταρίνα από το μηχάνημα. Μετά αφαιρέστε τη ξένη ύλη από τις λάμες.
- Ποτέ μην κρατάτε το κλαδί το οποίο κλαδεύετε με το ελεύθερο σας χέρι. Κρατήστε το ελεύθερο σας χέρι μακριά από την περιοχή κοπής. Μην αγγίζετε τις λάμες, είναι πολύ κοφτερές και μπορεί να κοπείτε.
- Μη ζορίζετε το μηχάνημα να κόψει. Μπορεί να γλιστρίσετε και να τραυματιστείτε ή να κόψετε κάτι άλλο χωρίς να το θέλετε.
- Αποφύγετε το κόψιμο ηλεκτρικών καλωδίων που μπορεί να είναι κρυμμένα.
- Πάντοτε ελέγχετε τις λάμες προσεκτικά πριν τη λειτουργία.
- Χειρίζετε τις λάμες με εξαιρετική προσοχή για να αποφύγετε κοψίματα ή τραυματισμούς.
- Αποσυνδέετε τη μπαταρία από το μηχάνημα μετά από κάθε χρήση και πριν εκτελέσετε επιθεώρηση ή συντήρηση.
- Όταν δεν χρησιμοποιείτε το μηχάνημα κρατάτε το μέσα στη θήκη του.

ΦΥΛΑΞΕΤΕ ΑΥΤΕΣ ΤΙΣ ΟΔΗΓΙΕΣ.

ΟΔΗΓΙΕΣ ΧΡΗΣΗΣ

Φόρτιση (Εικ. 1 και 2)

Φορτίστε την μπαταρία 4600 με τον φορτιστή Μάκιτα DC4600 πριν από τη χρήση. Συνδέστε το φορτιστή στην παροχή ενέργειας και συνδέστε το βύσμα φόρτισης στον σύνδεσμο φόρτισης στην μπαταρία. Πιέστε το κουμπί εκκίνησης (κόκκινο) στον φορτιστή. Το φωτάκι φόρτισης θα ανάψει και η φόρτιση θα ξεκινήσει. Όταν το φωτάκι φόρτισης σβήσει έπειτα από μια ώρα περίπου, η φόρτιση έχει ολοκληρωθεί. Εάν το φωτάκι φόρτισης σβήσει έπειτα από ένα λεπτό μετά την πίεση του κουμπιού εκκίνησης, η μπαταρία έχει εξαντλήσει την ωφέλιμη ζωή της. Αντικαταστήστε την με μια καινούρια. Μετά την φόρτιση, αποσυνδέστε το βύσμα φόρτισης από την μπαταρία και την παροχή ενέργειας.

ΠΡΟΣΟΧΗ:

- Απομακρύνετε τον ελεγκτή από την μπαταρία κατά τη διάρκεια της φόρτισης.
- Μην κρατάτε το κουμπί εκκίνησης πιεσμένο με ταίνια, κ.τ.λ. Το κύκλωμα δεν θα λειτουργήσει κανονικά και μια δυσλειτουργία του φορτιστή ίσως συμβεί.
- Χρησιμοποιείτε μόνο φορτιστή Μάκιτα DC4600 για να φορτίσετε την μπαταρία 4600. Η χρήση κάθε άλλου φορτιστή ίσως προκαλέσει ζημιά στην μπαταρία.
- Όταν φορτίζετε μια καινούρια μπαταρία ή μια μπαταρία που δεν έχει χρησιμοποιηθεί για μακρό χρονικό διάστημα, ίσως η πλήρης φόρτιση να μην είναι δυνατή. Αυτό είναι μια κανονική κατάσταση και δεν αποτελεί πρόβλημα. Μπορείτε να επαναφορτίσετε την μπαταρία πλήρως αφού την αποφορτίσετε πλήρως δυο - τρεις φορές.

Ασφάλεια υπερφόρτωσης (Εικ. 2)

Η ασφάλεια υπερφόρτωσης είναι ενσωματωμένη στην μπαταρία για να προλάβει ένα βραχυκύκλωμα της μπαταρίας. Όταν η ασφάλεια υπερφόρτωσης ενεργοποιηθεί, η μπαταρία δεν μπορεί να χρησιμοποιηθεί. Πιέστε το κουμπί επανεκκίνησης στην μπαταρία για να την χρησιμοποιήσετε ξανά. Εάν η ασφάλεια υπερφόρτωσης ενεργοποιείται συχνά, ίσως υπάρχει κάποιο πρόβλημα με την μπαταρία, το φορτιστή, τον ελεγκτή ή το ψαλλίδι. Στείλτε τα στο κατάστημα που τα αγοράσατε ή σε ένα Κέντρο Σέρβις της Μάκιτα για να ελεγχθούν ή/και να επιδιορθωθούν.

Εγκατάσταση του ελεγκτή στην μπαταρία (Εικ. 3 και 4)

Πρώτα, σιγουρευτείτε ότι ο ελεγκτής είναι σβηστός. Εγκαταστήστε τον ελεγκτή στην μπαταρία και σφίξτε τον με την πόρπη.

Σύνδεση του καλωδίου σύνδεσης στον ελεγκτή

Συνδέστε το αρσενικό βύσμα του καλωδίου σύνδεσης στον σύνδεσμο του ελεγκτή και γυρίστε την βίδα δεξιόστροφα για να ασφαλίσετε το αρσενικό βύσμα.

Τοποθέτηση της μπαταρίας στην τσέπη της ζώνης κορμού (Εικ. 5 και 6)

Αφού εγκαταστήσετε τον ελεγκτή στην μπαταρία, τοποθετήστε την μπαταρία με τον ελεγκτή στην τσέπη της ζώνης κορμού έτσι ώστε ο σύνδεσμος του ελεγκτή θα δείχνει προς το χέρι με το οποίο θα λειτουργήσετε το ψαλίδι. Επειτα καλύψτε την μπαταρία με το κάλυμμα της τσέπης για να μην πέσει έξω κατά λάθος όταν χρησιμοποιείτε το ψαλίδι.

Φορώντας τη ζώνη κορμού (Εικ. 6)

Προσκολλήστε ένα ζευγάρι αμορτισέρ στην ζώνη κορμού. Φορέστε την ζώνη κορμού και ρυθμίστε το μήκος των αμορτισέρ και της ζώνης κορμού έτσι ώστε η μπαταρία θα είναι τοποθετημένη πίσω στο ύψος της μέσης.

Τοποθέτηση της θήκης (Εικ. 7)

Τοποθετείστε την θήκη στην ζώνη κορμού όπως φαίνεται στην **Εικ. 7**. Θα πρέπει να είναι τοποθετημένη στην πλευρά του χεριού που λειτουργεί το ψαλίδι.

Φορώντας την ταινία χεριού (Εικ. 8)

Προσκολλήστε την ταινία χεριού στον βραχίονα σας. Όταν την φοράτε, περάστε το καλώδιο σύνδεσης μέσα από την ταινία χεριού όπως φαίνεται στην **Εικ. 8** για να μην προεξέχει.

Σύνδεση του καλωδίου σύνδεσης στο ψαλίδι (Εικ. 9)

Συνδέστε το θηλυκό βύσμα του καλωδίου σύνδεσης στον σύνδεσμο του ψαλιδιού και γυρίστε την βίδα δεξιόστροφα για να ασφαλίσετε το θηλυκό βύσμα.

ΣΗΜΕΙΩΣΗ:

Εάν συνδέσετε ή αποσυνδέσετε το καλώδιο σύνδεσης με τον ελεγκτή αναμμένο, η λάμπα πιλότος θα αναβοσβήνει σε εναλλασσόμενο κόκκινο και πράσινο χρώμα. Εάν συμβεί αυτό, το ψαλίδι δεν θα ξεκινάσει ακόμη και εάν πιέσετε την σκανδάλη διακόπτη. Σβήστε τον ελεγκτή και ανάψτε τον ξανά για να εκκινήσετε το ψαλίδι. **(Εικ. 4)**

Διαδικασία εκκίνησης

ΠΡΟΣΟΧΗ:

- Προτού συνδέσετε την μπαταρία στο ψαλίδι, πάντοτε να ελέγχετε ότι η σκανδάλη διακόπτης λειτουργεί κανονικά και επιστρέφει στη θέση "OFF" όταν απελευθερώνεται.
- Μην τραβάτε τη σκανδάλη διακόπτη χωρίς να έχει αποσυμπίεσει το πλήκτρο απασφάλισης. Μπορεί να προκληθεί σπάσιμο της σκανδάλης.

Ανάψτε τον ελεγκτή πιέζοντας την επάνω πλευρά (I) του διακόπτη. Η λάμπα πιλότος θα αρχίσει να αναβοσβήνει πράσινη. Επειτα τραβήξτε τη σκανδάλη διακόπτη και απελευθερώστε την μια φορά. Το επάνω κομμάτι της λεπίδος του ψαλιδιού θα αρχίσει να κινείται προς τα πάνω μόλις απελευθερώσετε τη σκανδάλη διακόπτη και θα σταματήσει στην υψηλότερη (πλέον ανοιχτή) θέση. Σε περίπτωση που το επάνω κομμάτι της λεπίδος του ψαλιδιού έχει ήδη ανοίξει, θα κρατήσει αυτή τη θέση στην πρώτη λειτουργία της σκανδάλης. Η λάμπα πιλότος θα παραμείνει πράσινη συνεχώς. Από την επόμενη λειτουργία της σκανδάλης, μπορείτε να κόψετε κλαδιά. **(Εικ. 4)**

Για να προληφθεί ένα κατά λάθος τράβηγμα της σκανδάλης, ένα κουμπί απασφάλισης παρέχεται. Για να εκκινήσετε το ψαλίδι, αποσυμπίεστε το κουμπί απασφάλισης και τραβήξτε τη σκανδάλη διακόπτη. Για να σταματήσετε το ψαλίδι, απελευθερώστε τη σκανδάλη διακόπτη **(Εικ. 10)** Όταν η σκανδάλη διακόπτης τραβηχτεί και κρατηθεί, το επάνω κομμάτι της λεπίδος του ψαλιδιού θα κινηθεί κάτω και θα σταματήσει στην πιο κλειστή θέση. Όταν η σκανδάλη διακόπτης απελευθερωθεί, το επάνω κομμάτι της λεπίδος του ψαλιδιού θα κινηθεί προς τα επάνω και θα σταματήσει στην υψηλότερη (πλέον ανοιχτή) θέση. **(Εικ. 11)**

Τοποθέτηση του ψαλιδιού στη θήκη (Εικ. 12)

Σβήστε τον ελεγκτή πιέζοντας την κάτω πλευρά (0) του διακόπτη καθώς κρατάτε τη σκανδάλη διακόπτη τραβηγμένη. Το επάνω κομμάτι της λεπίδος του ψαλιδιού θα σταματήσει στην πιο κλειστή θέση. Τοποθετείστε το ψαλίδι στην θήκη με το επάνω μέρος της λεπίδος του ψαλιδιού στην πιο κλειστή θέση.

Λειτουργία πριονίσματος (Εικ. 13)

ΠΡΟΣΟΧΗ:

- Ποτέ μη χρησιμοποιείτε το ψαλίδι έχοντας μια περιεργή στάση. Αυτό μπορεί να προκαλέσει σοβαρό τραυματισμό.
- Ποτέ μην κρατάτε το κλαδί που κλαδεύετε με το ελεύθερο σας χέρι. Κρατείστε το ελεύθερο χέρι σας μακριά από την περιοχή κοπής. Οι λεπίδες είναι πολύ κοφτερές και μπορεί να κοπείται.

Κόψτε τα κλαδιά ένα ένα όπως φαίνεται στην **Εικ. 13**. Το μέγιστο πάχος κλαδιών που μπορούν να κοπούν με αυτό το ψαλίδι είναι περίπου 30 χιλ. Διατηρείστε την κατάλληλη στάση και ισορροπία του σωματός σας συνεχώς.

Μετά τη χρήση, σβήστε τον ελεγκτή και αποσυνδέστε το καλώδιο σύνδεσης από το ψαλίδι και τον ελεγκτή. Αποθηκεύστε το ψαλίδι σε ένα ξερό, ψηλό ή κλειδωμένο μέρος — σε μέρος που δεν μπορούν να το φθάσουν παιδιά.

Μηχανισμός προστασίας από υπερφόρτωση

Και το ψαλίδι και ο ελεγκτής είναι εφοδιασμένα με ένα μηχανισμό προστασίας από υπερφόρτωση. Εάν ο κινητήρας είναι μπλοκαρισμένος για περισσότερο από τρία δευτερόλεπτα, αυτός ο μηχανισμός θα ενεργοποιηθεί για να σταματήσει το ψαλίδι. Ακόμη, η λάμπα πιλότος στον ελεγκτή θα αρχίσει να αναβοσβήνει σε πράσινο και κόκκινο χρώμα. Για να επαναλάβετε τη λειτουργία, σβήστε τον ελεγκτή πιέζοντας την κάτω πλευρά (0) του διακόπτη και ανάψτε τον ξανά.

ΣΗΜΕΙΩΣΗ:

Μην λειτουργείτε το ψαλίδι κατά τέτοιο τρόπο που ο μηχανισμός να ενεργοποιείται συχνά. Ο κινητήρας ίσως καταστραφεί.

Λάμπα πιλότος στον ελεγκτή (Εικ. 4)

Η λάμπα πιλότος θα αρχίσει να αναβοσβήνει ή θα παραμείνει πράσινη όταν ο ελεγκτής είναι αναμμένος (η επάνω πλευρά (I) του διακόπτη είναι πιεσμένη) Εάν η λάμπα πιλότος υποδεικνύει τις ακόλουθες συνθήκες, ενεργείστε ως ακολούθως.

1. Εάν η λάμπα πιλότος αναβοσβήνει σε πράσινο και κόκκινο χρώμα, ο μηχανισμός προστασίας από υπερφόρτωση έχει ενεργοποιηθεί ή το καλώδιο σύνδεσης δεν είναι καλά συνδεδεμένο. Σβήστε τον ελεγκτή και κάντε τα ακόλουθα:
 - a) Εάν ο κινητήρας είναι μπλοκαρισμένος για περισσότερο από τρία δευτερόλεπτα, απλώς ανάψτε τον ελεγκτή.
 - b) Εάν το καλώδιο σύνδεσης δεν είναι καλά συνδεδεμένο, συνδέστε το καλώδιο καλά και έπειτα ανάψτε τον ελεγκτή.
2. Εάν η λάμπα οδηγός αναβοσβήνει σε χρώμα κόκκινο, το εσωτερικό του ελεγκτή είναι υπερβολικά ζεστό. Σβήστε τον ελεγκτή και περιμένετε για λίγο μέχρι να κρυώσει. Επειτα ανάψτε τον.
3. Εάν η λάμπα οδηγός παραμένει αναμμένη σε χρώμα κόκκινο συνεχώς, το βολτάζ της μπαταρίας είναι πολύ χαμηλό. Φορτίστε την μπαταρία.
4. Εάν η λάμπα πιλότος δεν είναι ούτε πράσινη ούτε κόκκινη:
 - a) Η μπαταρία είναι εντελώς αποφορτισμένη. Φορτίστε την μπαταρία.
 - b) Η ασφάλεια υπερφόρτωσης έχει ενεργοποιηθεί. Πιέστε το κουμπί επανεκκίνησης.

Εάν η λάμπα οδηγός δεν αρχίσει να αναβοσβήνει σε χρώμα πράσινο ακόμη και αφού έχετε εκτελέσει τις παραπάνω διαδικασίες, υπάρχει κάποιο πρόβλημα με το ψαλίδι, το καλώδιο σύνδεσης, τον ελεγκτή ή την μπαταρία. Σβήστε τον ελεγκτή και αποσυνδέστε το καλώδιο σύνδεσης από το ψαλίδι και τον ελεγκτή. Απομακρύνετε τον ελεγκτή από την μπαταρία. Στείλτε το ψαλίδι, το καλώδιο σύνδεσης, τον ελεγκτή και την μπαταρία στο κατάστημα που τα αγοράσατε ή σε ένα κέντρο Σέρβρις της Μάκιτα για να ελεγχθούν ή/και να επιδιορθωθούν.

Αντικατάσταση των λεπίδων του ψαλιδιού

ΠΡΟΣΟΧΗ:

Πάντοτε να είστε σίγουροι ότι ο ελεγκτής είναι σβηστός και το καλώδιο σύνδεσης αποσυνδεδεμένο από το ψαλίδι.

Οι λεπίδες του ψαλιδιού μπορούν να αντικατασταθούν ανεξάρτητα από την θέση του επάνω κομματιού της λεπίδος του ψαλιδιού.

Χρησιμοποιείτε το εξαγωνικό κλειδί που παρέχεται για να απομακρύνετε τις δύο βίδες εξαγωνικής κεφαλής που συγκρατούν το κάλυμμα της λεπίδος. **(Εικ. 14)**

Απομακρύνετε το κάλυμμα της λεπίδος **(Εικ. 15)** Χρησιμοποιείτε το κλειδί θήκης που παρέχεται για να απομακρύνετε το εξαγωνικό παξιμάδι. Η επίπεδη ροδέλα θα βγει μαζί με το εξαγωνικό παξιμάδι. **(Εικ. 16)**

Απομακρύνετε τη βίδα στρογγυλής κεφαλής, τον συγκρατητή λεπίδος και το επάνω κομμάτι της λεπίδος του ψαλιδιού. **(Εικ. 17)**

Απομακρύνετε το επάνω κομμάτι της λεπίδος του ψαλιδιού από τον συγκρατητή λεπίδος. Προσέχετε να μην ακουμπήσει κάποιο ξένο υλικό τον μαγνήτη στον συγκρατητή της λεπίδος και τον καταστρέψει. **(Εικ. 18)**

Χρησιμοποιείτε το εξαγωνικό κλειδί που παρέχεται για να απομακρύνετε τις δύο βίδες εξαγωνικής κεφαλής που συγκρατούν κάτω κομμάτι της λεπίδος του ψαλιδιού. Επειτα απομακρύνετε το κάτω κομμάτι της λεπίδος του ψαλιδιού. **(Εικ. 19)**

Για να εγκαταστήσετε τις λεπίδες του ψαλιδιού, ακολουθείστε την διαδικασία απομάκρυνσης αντίστροφα. Μην απομακρύνετε τον γράσσο που βρίσκεται στο γρανάζι.

ΣΥΝΤΗΡΗΣΗ:

ΠΡΟΣΟΧΗ:

Πάντοτε να είστε σίγουροι ότι ο ελεγκτής είναι σβηστός και το καλώδιο σύνδεσης αποσυνδεδεμένο από το ψαλίδι.

Συντήρηση λεπίδος (Εικ. 20 και 21)

ΣΗΜΕΙΩΣΗ:

Προτού και μετά τη λειτουργία, ελέγξτε τις λεπίδες του ψαλιδιού προσεκτικά.

Μετά τη λειτουργία, καθαρίστε τη λεπίδα με μια σκληρή βούρτσα. Επειτα σκουπίστε τις λεπίδες με ένα ύφασμα και αλείψτε την με λάδι μηχανής.

ΠΡΟΣΟΧΗ:

Εάν δεν συντηρήσετε την λεπίδα κατάλληλα, ίσως έχει ως αποτέλεσμα υπερβολική τριβή και μείωση του χρόνου λειτουργίας ανά φόρτιση της μπαταρίας.

Τρόχισμα των λεπίδων

Επάνω κομμάτι της λεπίδος του ψαλιδιού

Εφαρμόστε την επίπεδη επιφάνεια της διαμαντένιας λίμας στο άκρο της λεπίδος. Πιέστε τη διαμαντένια λίμα στην κατεύθυνση του βέλους για να τροχίσετε κατά μήκος ολόκληρο το άκρο της λεπίδος. Διατηρείστε την ίδια επίπεδη επαφή με τη λάμα σταθερά κατά μήκος ολόκληρου του άκρου της λεπίδος. (Εικ. 22)

Εφαρμόστε την επίπεδη επιφάνεια της διαμαντένιας λάμας ελαφρώς στην πίσω πλευρά της λεπίδος. Κινείστε την διαμαντένια λάμα στην κατεύθυνση του βέλους για να απομακρύνετε τα γρέτζια. (Εικ. 23)

Κάτω κομμάτι της λεπίδος του ψαλιδιού

Εφαρμόστε την στρογγυλή επιφάνεια της διαμαντένιας λίμας στο άκρο της λεπίδος. Πιέστε τη διαμαντένια λίμα στην κατεύθυνση του βέλους για να τροχίσετε κατά μήκος ολόκληρο το άκρο της λεπίδος. (Εικ. 24)

Εφαρμόστε την επίπεδη επιφάνεια της διαμαντένιας λάμας ελαφρώς στην πίσω πλευρά της λεπίδος. Κινείστε την διαμαντένια λάμα στην κατεύθυνση του βέλους για να απομακρύνετε τα γρέτζια. (Εικ. 25)

Για τη διασφάλιση της σιγουριάς και αξιοπιστίας των προϊόντων μας πρέπει οι επισκευές, εργασίες συντήρησης ή ρυθμίσεις να εκτελούνται από εξουσιοδοτημένα εργαστήρια σέρβις πελατών Μάκιτα.

ΕΓΓΥΗΣΗ

Αναλαμβάνουμε την εγγύηση των μηχανημάτων Μάκιτα σύμφωνα με τις νομικές/εθνικο-ειδικές οδηγίες. Ζημιές προερχόμενες από φυσική φθορά, υπερφόρτωση ή ακατάλληλη μεταχείριση αποκλείονται από την εγγύηση. Σε περίπτωση προβλήματος, παρακαλούμε στείλετε το μηχάνημα, συναρμολογημένο, μαζί με το εσώκλειστο ΠΙΣΤΟΠΟΙΗΤΙΚΟ ΕΓΓΥΗΣΗΣ, στο μεταπωλητή σας ή στο Κέντρο Εξυπηρέτησης Μάκιτα.

GB ACCESSORIES

CAUTION:

These accessories or attachments are recommended for use with your Makita machine specified in this manual. The use of any other accessories or attachments might present a risk of injury to persons. The accessories or attachments should be used only in the proper and intended manner.

F ACCESSOIRES

ATTENTION :

Ces accessoires ou ces fixations sont recommandés pour l'utilisation de l'outil Makita spécifié dans ce manuel. L'utilisation d'autres accessoires ou fixations peut présenter un risque de blessures. Les accessoires ou les fixations ne devront être utilisés que dans le but et de la manière prévus.

D ZUBEHÖR

VORSICHT:

Das mitgelieferte Zubehör ist speziell für den Gebrauch mit dem in dieser Betriebsanleitung angegebenen Makita-Elektrowerkzeug vorgesehen. Bei Verwendung von Fremdzubehör in Verbindung mit dieser Maschine besteht Verletzungsgefahr.

I ACCESSORI

ATTENZIONE:

Gli accessori o raccordi seguenti sono raccomandati per l'uso con l'utensile Makita specificato in questo manuale. L'uso di qualsiasi altro accessorio o raccordo potrebbe causare pericoli di ferite alle persone. Gli accessori o raccordi devono essere usati soltanto nel modo corretto e specificato.

NL ACCESSOIRES

LET OP:

Deze accessoires of hulpstukken zijn aanbevolen voor gebruik met uw Makita gereedschap dat in deze gebruiksaanwijzing is beschreven. Het gebruik van andere accessoires of hulpstukken kan gevaar voor persoonlijke verwondingen opleveren. De accessoires of hulpstukken dienen alleen op de juiste en voorgeschreven manier te worden gebruikt.

E ACCESORIOS

PRECAUCIÓN:

Estos accesorios o acoplamientos están recomendados para usar con la herramienta Makita especificada en este manual. Con el uso de cualquier otro accesorio o acoplamiento se podría correr el riesgo de producir heridas a personas. Los accesorios o acoplamientos deberán usarse solamente de la manera apropiada y para la que ha sido designados.

P ACESSÓRIOS

PRECAUÇÃO:

Estes acessórios ou acoplamentos são os recomendados para utilização na ferramenta Makita especificada neste manual. A utilização de quaisquer outros acessórios ou acoplamentos poderá ser perigosa para o operador. Os acessórios ou acoplamentos deverão ser utilizados de maneira adequada e apenas para os fins a que se destinam.

DK TILBEHØR

ADVARSEL:

Dette udstyr og tilbehør bør anvendes sammen med Deres Makita maskine, sådan som det er beskrevet i denne vejledning. Anvendelse af andet udstyr eller tilbehør kan medføre personskade. Tilbehøret bør kun anvendes til det, det er beregnet til.

S TILLBEHÖR

FÖRSIKTIGHET:

Dessa tillbehör eller tillsatser rekommenderas endast för användning tillsammans med din Makita maskin som specificeras i denna bruksanvisning. Användning av andra tillbehör eller tillsatser kan medföra risk för personskador. Tillbehören och tillsatserna får endast användas på lämpligt och där för avsett sätt.

N TILBEHØR

NB!

Dette tilbehøret eller utstyret anbefales til å brukes sammen med din Makita maskin som er spesifisert i denne bruksanvisningen. Bruk av annet tilbehør eller utstyr kan medføre en risiko for personskader. Tilbehør og utstyr må bare brukes som spesifisert og bare til det det er beregnet til.

SF LISÄVARUSTEET


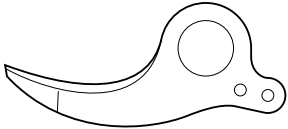
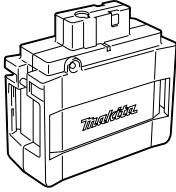
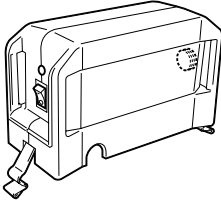
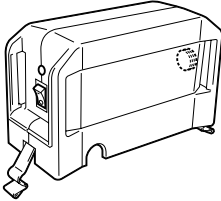
VARO:

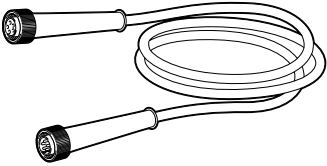

Tässä käyttöohjeessa mainitun Makita-koneen kanssa suositellaan seuraavien lisälaitteiden ja -varusteiden käyttöä. Minkä tahansa muun lisälaitteen tai -varusteen käyttäminen saattaa aiheuttaa loukkaantumisvaaran. Lisälaitteita ja -varusteita tulee käyttää ainoastaan niille sopivalla tavalla.

GR ΕΞΑΡΤΗΜΑΤΑ

ΠΡΟΣΟΧΗ:

Αυτά τα εξαρτήματα ή προσαρτήματα συνιστώνται για χρήση με το μηχάνημα της Μάκιτα που περιγράφεται στο εγχειρίδιο αυτο. Η χρήση άλλων εξαρτημάτων ή προσαρτημάτων μπορεί να είναι επικίνδυνη για τραυματισμό ατόμων. Τα εξαρτήματα ή προσαρτήματα πρέπει να χρησιμοποιούνται μόνο με το σωστό και προτιθέμενο τρόπο.

<ul style="list-style-type: none"> • Upper shear blade • Lame supérieure • Obermesser • Lama superiore • Bovenste schaarblad • Cuchilla superior • Lâmina superior • Överkniv • Övre sekatorblad • Øvre saksblad • Saksien yläterä • Επάνω κομμάτι της λεπίδος του ψαλιδιού 	
<ul style="list-style-type: none"> • Lower shear blade • Lame inférieure • Untermesser • Lama inferiore • Onderste schaarblad • Cuchilla inferior • Lâmina inferior • Underkniv • Undre sekatorblad • Nedre saksblad • Saksien aläterä • Κάτω κομμάτι της λεπίδος του ψαλιδιού 	
<ul style="list-style-type: none"> • Battery 4600 • Batterie 4600 • Akku 4600 • Batteria 4600 • Accu 4600 • Bateria 4600 • Bateria 4600 • Akku 4600 • Batteri 4600 • Batteri 4600 • Akku 4600 • Μπαταρία 4600 	
<ul style="list-style-type: none"> • Charger DC4600 • Chargeur DC4600 • Ladegerät DC4600 • Caricatore DC4600 • Acculader DC4600 • Cargador DC4600 • Carregador DC4600 • Oplader DC4600 • Laddare DC4600 • Lader DC 4600 • Lataaja DC4600 • Φορτιστής DC4600 	
<ul style="list-style-type: none"> • Controller C4600 • Contrôleur C4600 • Steuergerät C4600 • Unità di controllo C4600 • Bedieningseenheid C4600 • Controlador C4600 • Controlador C4600 • Kontrolenhet C4600 • Kontrollenhet • Kontrollenhet C4600 • Ohjain C4600 • Ελεγκτής C4600 	

<ul style="list-style-type: none"> • Connection cord • Cordon de raccordement • Verbindungskabel • Cavo di collegamento • Aansluitkabel • Cable de conexión • Fio de ligação • Forbindelsesledning • Anslutningskabel • Kopplingsledning • Liitosjohto • Καλώδιο σύνδεσης 	
<ul style="list-style-type: none"> • Diamond file • Lime diamantée • Diamantfeile • Lima diamantata • Diamantvijl • Lima adiamantada • Lima diamantada • Diamantfil • Diamantfil • Diamantfil • Timanttiviila • Διαμαντένια λάμα 	
<ul style="list-style-type: none"> • Machine oil • Huile de machine • Maschinenöl • Lubrificante • Machineolie • Aceite para máquinas • Oleo • Maskinolie • Maskinolja • Maskinolje • Koneöljy • Λάδι μηχανής 	
<ul style="list-style-type: none"> • Socket wrench 3 – 13 (with hex wrench) • Clé à douille 3 – 13 (avec clé hexagonale) • Steckschlüssel 3 – 13 (mit Inbusschlüssel) • Chiave a bussola 3 – 13 (con chiave esagonale) • Dopsleutel 3 – 13 (met inbussleutel) • Llave de tubo 3 – 13 (con llave hexagonal) • Chave de tubo 3 – 13 (com chave hexagonal) • Tørnøggle 3 – 13 (med umbrakonøggle) • Hylsnyckel 3 – 13 (med sexkantsnyckel) • Røpenøkkel 3 – 13 (med sekskantnøkkel) • Hylsyavain 3 – 13 (kuusioavaimella) • Θήκη κλειδιού 3 – 13 (με εξαγωνικό κλειδί) 	
<ul style="list-style-type: none"> • Waist belt • Ceinture • Gürtel • Cintura • Heupgordel • Cinturón • Cinto • Bælte • Midjebälte • Magebelte • Lantiovyo • Ζώνη κορμού 	

<ul style="list-style-type: none"> • Suspenders • Bretelles • Träger • Bretelle • Schouderband (bretels) • Tirantes • Suspensórios • Seler • Hängslen • Bukseseler • Olkaimet • Αμορτισέρ 	
<ul style="list-style-type: none"> • Holster • Gaine • Halfter • Fondina • Holster • Funda • Bolsa • Hylster • Hölster • Hylster • Tuppi • Θήκη 	
<ul style="list-style-type: none"> • Arm band • Attache de bras • Armbinde • Bracciale • Armband • Banda para el brazo • Braçadeira • Armbånd • Armband • Armbånd • Käsivarsinauha • Ταβία χεριού 	
<ul style="list-style-type: none"> • Plastic carrying case • Mallette de transport en plastique • Tragekoffer • Valigetta di plastica • Plastic draagkoffer • Maletín de plástico • Mala de plástico para transporte • Bæretaske, kunststof • Bärpåska i plast • Bæreeveske i plast • Muovinen kantokotelo • Πλαστική θήκη μεταφοράς 	
<ul style="list-style-type: none"> • Battery cover • Cache de batterie • Schutzkappe • Coperchio batteria • Accudeksel • Tapa de la batería • Cobertura da bateria • Batterilág • Batteriskydd • Batterideksel • Akkusuojaus • Κάλυμμα μπαταρίας 	

ENGLISH**EC-DECLARATION OF CONFORMITY**

The undersigned, Yasuhiko Kanzaki, authorized by Makita Corporation, 3-11-8 Sumiyoshi-Cho, Anjo, Aichi, 446 Japan declares that this product

(Serial No. : series production)

manufactured by Makita Corporation in Japan is in compliance with the following standards or standardized documents,

EN50260, EN55014

in accordance with Council Directives, 89/336/EEC and 98/37/EC.

ITALIANO**DICHIARAZIONE DI CONFORMITÀ CON LE NORME DELLA COMUNITÀ EUROPEA**

Il sottoscritto Yasuhiko Kanzaki, con l'autorizzazione della Makita Corporation, 3-11-8 Sumiyoshi-Cho, Anjo, Aichi, 446 Japan, dichiara che questo prodotto

(Numero di serie: Produzione in serie)

fabbricato dalla Makita Corporation in Giappone è conforme alle direttive europee riportate di seguito:

EN50260, EN55014

secondo le direttive del Consiglio 89/336/CEE e 98/37/CE.

FRANÇAISE**DÉCLARATION DE CONFORMITÉ CE**

Je soussigné, Yasuhiko Kanzaki, mandaté par Makita Corporation, 3-11-8 Sumiyoshi-Cho, Anjo, Aichi, 446 Japan, déclare que ce produit

(No. de série: production en série)

fabriqué par Makita Corporation au Japon, est conformes aux normes ou aux documents normalisés suivants,

EN50260, EN55014

conformément aux Directives du Conseil, 89/336/CEE et 98/37/EG.

NEDERLANDS**EG-VERKLARING VAN CONFORMITEIT**

De ondergetekende, Yasuhiko Kanzaki, gevolmachtigd door Makita Corporation, 3-11-8 Sumiyoshi-Cho, Anjo, Aichi, 446 Japan verklaart dat dit produkt

(Serienr. : serieproductie)

vervaardigd door Makita Corporation in Japan voldoet aan de volgende normen of genormaliseerde documenten,

EN50260, EN55014

in overeenstemming met de richtlijnen van de Raad 89/336/EEC en 98/37/EC.

DEUTSCH**CE-KONFORMITÄTSERKLÄRUNG**

Hiermit erklärt der Unterzeichnete, Yasuhiko Kanzaki, Bevollmächtigter von Makita Corporation, 3-11-8 Sumiyoshi-Cho, Anjo, Aichi, 446 Japan, daß dieses von der Firma Makita Corporation in Japan hergestellte Produkt

(Serien-Nr.: Serienproduktion)

gemäß den Ratsdirektiven 89/336/EGW und 98/37/EG mit den folgenden Normen bzw. Normendokumenten übereinstimmen:

EN50260, EN55014.

ESPAÑOL**DECLARACIÓN DE CONFORMIDAD DE LA CE**

El abajo firmante, Yasuhiko Kanzaki, autorizado por Makita Corporation, 3-11-8 Sumiyoshi-Cho, Anjo, Aichi, 446 Japan, declara que este producto

(Número de serie: producción en serie)

fabricado por Makita Corporation en Japón cumple las siguientes normas o documentos normalizados,

EN50260, EN55014

de acuerdo con las directivas comunitarias, 89/336/EEC y 98/37/CE.

Yasuhiko Kanzaki **CE 99**



Director Amministratore
 Directeur Directeur
 Direktor Director

MAKITA INTERNATIONAL EUROPE LTD.

Michigan Drive, Tongwell, Milton Keynes,
 Bucks MK15 8JD, U.K.

PORTUGUÊS

DECLARAÇÃO DE CONFORMIDADE DA CE

O abaixo assinado, Yasuhiko Kanzaki, autorizado pela Makita Corporation, 3-11-8 Sumiyoshi-Cho, Anjo, Aichi, 446 Japan, declara que este produto (N. de série: produção em série) fabricado pela Makita Corporation no Japão obedece às seguintes normas ou documentos normalizados, EN50260, EN55014 de acordo com as directivas 89/336/CEE e 98/37/CE do Conselho.

NORSK

EU's SAMSVARS-ERKLÆRING

Undertegnede, Yasuhiko Kanzaki, med fullmakt fra Makita Corporation, 3-11-8 Sumiyoshi-Cho, Anjo, Aichi, 446 Japan bekrefter herved at dette produktet (Serienr. : serieproduksjon) fabrikert av Makita Corporation, Japan, er i overensstemmelse med følgende standarder eller standardiserte dokumenter: EN50260, EN55014, i samsvar med Råds-direktivene, 89/336/EEC og 98/37/EC.

DANSK

EU-DEKLARATION OM KONFORMITET

Undertegnede, Yasuhiko Kanzaki, med fuldmagt fra Makita Corporation, 3-11-8 Sumiyoshi-Cho, Anjo, Aichi, 446 Japan, erklærer hermed, at dette produkt (Løbenummer: serieproduktion) fremstillet af Makita Corporation i Japan, er i overensstemmelse med de følgende standarder eller normsættende dokumenter, EN50260, EN55014 i overensstemmelse med Rådets Direktiver 89/336/EEC og 98/37/EC.

SUOMI

VAKUUTUS EC-VASTAAVUUDESTA

Makita Corporation, 3-11-8 Sumiyoshi-Cho, Anjo, Aichi, 446 Japan valtuuttamana allekirjoittanut, Yasuhiko Kanzaki, vakuuttaa että tämä tuote (Sarja nro : sarjan tuotantoa) valmistanut Makita Corporation Japanissa vastaa seuraavia standardeja tai stardardoituja asiakirjoja EN50260, EN55014 neuvoston direktiivien 89/336/EEC ja 98/37/EC mukaisesti.

SVENSKA

EG-DEKLARATION OM ÖVERENSSTÄMMELSE

Undertecknad, Yasuhiko Kanzaki, auktoriserad av Makita Corporation, 3-11-8 Sumiyoshi-Cho, Anjo, Aichi, 446 Japan deklarerar att denna produkt (serienummer: serieproduktion) tillverkad av Makita Corporation i Japan, uppfyller kraven i följande standard eller standardiserade dokument, EN50260, EN55014 i enlighet med EG-direktiven 89/336/EEC och 98/37/EC.

ΕΛΛΗΝΙΚΑ

ΔΗΛΩΣΗ ΣΥΜΜΟΡΦΩΣΗΣ ΕΚ

Ο υπογράφων, Yasuhiko Kanzaki, εξουσιοδοτημένος από την εταιρεία Makita Corporation, 3-11-8 Sumiyoshi-Cho, Anjo, Aichi, 446 Japan, δηλώνει ότι αυτό το προϊόν (Αύξων Αρ.: παραγωγή σειράς) κατασκευασμένο από την Εταιρεία Makita στην Ιαπωνία, βρίσκεται σε συμφωνία με τα ακόλουθα πρότυπα ή τυποποιημένα έγγραφα, EN50260, EN55014, σύμφωνα με τις Οδηγίες του Συμβουλίου, 89/336/EEC και 98/37/ΚΕ.

Yasuhiko Kanzaki

CE 99



Director Direktor
Direktør Johtaja
Direktör Διευθυντής

MAKITA INTERNATIONAL EUROPE LTD.
Michigan Drive, Tongwell, Milton Keynes,
Bucks MK15 8JD, U.K.

ENGLISH**EC-DECLARATION OF CONFORMITY**

The undersigned, Yasuhiko Kanzaki, authorized by Makita Corporation, 3-11-8 Sumiyoshi-Cho, Anjo, Aichi, 446 Japan declares that this charger

(Serial No. : series production)

manufactured by Makita Corporation in Japan is in compliance with the following standards or standardized documents,

EN60335, EN55014, EN61000*

in accordance with Council Directives, 73/23/EEC and 89/336/EEC.

*from 1st Jan. 2001

FRANÇAISE**DÉCLARATION DE CONFORMITÉ CE**

Je soussigné, Yasuhiko Kanzaki, mandaté par Makita Corporation, 3-11-8 Sumiyoshi-Cho, Anjo, Aichi, 446 Japan, déclare que ce chargeur

(No. de série: production en série)

fabriqué par Makita Corporation au Japon, est conformes aux normes ou aux documents normalisés suivants,

EN60335, EN55014, EN61000*

conformément aux Directives du Conseil, 73/23/CEE et 89/336/CEE.

*(Le) 1^{er} janvier 2001

DEUTSCH**CE-KONFORMITÄTSERKLÄRUNG**

Hiermit erklärt der Unterzeichnete, Yasuhiko Kanzaki, Bevollmächtigter von Makita Corporation, 3-11-8 Sumiyoshi-Cho, Anjo, Aichi, 446 Japan, daß dieses von der Firma Makita Corporation in Japan hergestellte Ladegerät

(Serien-Nr.: Serienproduktion)

gemäß den Ratsdirektiven 73/23/EWG und 89/336/EWG mit den folgenden Normen bzw. Normendokumenten übereinstimmen:

EN60335, EN55014, EN61000*.

*gültig ab 1. Januar 2001

Yasuhiko Kanzaki

CE 99



Director Amministratore
 Directeur Directeur
 Direktor Director

MAKITA INTERNATIONAL EUROPE LTD.
 Michigan Drive, Tongwell, Milton Keynes,
 Bucks MK15 8JD, U.K.

ITALIANO**DICHIARAZIONE DI CONFORMITÀ CON LE NORME DELLA COMUNITÀ EUROPEA**

Il sottoscritto Yasuhiko Kanzaki, con l'autorizzazione della Makita Corporation, 3-11-8 Sumiyoshi-Cho, Anjo, Aichi, 446 Japan, dichiara che questo caricatore

(Numero di serie: Produzione in serie)

fabbricato dalla Makita Corporation in Giappone è conforme alle direttive europee riportate di seguito:

EN60335, EN55014, EN61000*

secondo le direttive del Consiglio 73/23/CEE e 89/336/CEE.

*1 gennaio 2001

NEDERLANDS**EG-VERKLARING VAN CONFORMITEIT**

De ondergetekende, Yasuhiko Kanzaki, gevolmachtigd door Makita Corporation, 3-11-8 Sumiyoshi-Cho, Anjo, Aichi, 446 Japan verklaart dat dit lader

(Serienr. : serieproductie)

vervaardigd door Makita Corporation in Japan voldoet aan de volgende normen of genormaliseerde documenten.

EN60335, EN55014, EN61000*

in overeenstemming met de richtlijnen van de Raad 73/23/EEC en 89/336/EEC.

*1 januari, 2001

ESPAÑOL**DECLARACIÓN DE CONFORMIDAD DE LA CE**

El abajo firmante, Yasuhiko Kanzaki, autorizado por Makita Corporation, 3-11-8 Sumiyoshi-Cho, Anjo, Aichi, 446 Japan, declara que este cargador

(Número de serie: producción en serie)

fabricado por Makita Corporation en Japón cumple las siguientes normas o documentos normalizados,

EN60335, EN55014, EN61000*

de acuerdo con las directivas comunitarias, 73/23/EEC y 89/336/EEC.

*1 de enero de 2001

PORTUGUÊS**DECLARAÇÃO DE CONFORMIDADE DA CE**

O abaixo assinado, Yasuhiko Kanzaki, autorizado pela Makita Corporation, 3-11-8 Sumiyoshi-Cho, Anjo, Aichi, 446 Japan, declara que este carregador (N. de série: produção em série) fabricado pela Makita Corporation no Japão obedece às seguintes normas ou documentos normalizados, EN60335, EN55014, EN61000* de acordo com as directivas 73/23/CEE e 89/336/CEE do Conselho.

*1 de Janeiro de 2001

DANSK**EU-DEKLARATION OM KONFORMITET**

Undertegnede, Yasuhiko Kanzaki, med fuldmagt fra Makita Corporation, 3-11-8 Sumiyoshi-Cho, Anjo, Aichi, 446 Japan, erklærer hermed, at dette lader (Løbenummer: serieproduktion) fremstillet af Makita Corporation i Japan, er i overensstemmelse med de følgende standarder eller normsættende dokumenter, EN60335, EN55014, EN61000* i overensstemmelse med Rådets Direktiver 73/23/EEC og 89/336/EEC.

*1. January, 2001

SVENSKA**EG-DEKLARATION OM ÖVERENSSTÄMMELSE**

Undertecknad, Yasuhiko Kanzaki, auktoriserad av Makita Corporation, 3-11-8 Sumiyoshi-Cho, Anjo, Aichi, 446 Japan deklarerar att denna laddare (serienummer: serieproduktion) tillverkad av Makita Corporation i Japan, uppfyller kraven i följande standard eller standardiserade dokument, EN60335, EN55014, EN61000* i enlighet med EG-direktiven 73/23/EEC och 89/336/EEC.

*1 januari 2001

Yasuhiko Kanzaki



Director Direktor
Direktør Johtaja
Direktör Διευθυντής

MAKITA INTERNATIONAL EUROPE LTD.
Michigan Drive, Tongwell, Milton Keynes,
Bucks MK15 8JD, U.K.

NORSK**EU's SAMSVARS-ERKLÆRING**

Undertegnede, Yasuhiko Kanzaki, med fullmakt fra Makita Corporation, 3-11-8 Sumiyoshi-Cho, Anjo, Aichi, 446 Japan bekrefter herved at dette lader (Serienr. : serieproduksjon) fabrikert av Makita Corporation, Japan, er i overensstemmelse med følgende standarder eller standardiserte dokumenter: EN60335, EN55014, EN61000*, i samsvar med Råds-direktivene, 73/23/EEC og 89/336/EEC.

*1. januar 2001

SUOMI**VAKUUTUS EC-VASTAAVUUDESTA**

Makita Corporation, 3-11-8 Sumiyoshi-Cho, Anjo, Aichi, 446 Japan valtuuttamana allekirjoittanut, Yasuhiko Kanzaki, vakuuttaa että tämä laturi (Sarja nro : sarjan tuotantoa) valmistanut Makita Corporation Japanissa vastaa seuraavia standardeja tai standardoituja asiakirjoja EN60335, EN55014, EN61000* neuvoston direktiivien 73/23/EEC ja 89/336/EEC mukaisesti.

*1. tammikuuta 2001

ΕΛΛΗΝΙΚΑ**ΔΗΛΩΣΗ ΣΥΜΜΟΡΦΩΣΗΣ ΕΚ**

Ο υπογράφων, Yasuhiko Kanzaki, εξουσιοδοτημένος από την εταιρεία Makita Corporation, 3-11-8 Sumiyoshi-Cho, Anjo, Aichi, 446 Japan, δηλώνει ότι αυτό το φορτιστής (Αύξων Αρ.: παραγωγή σειράς) κατασκευασμένο από την Εταιρεία Makita στην Ιαπωνία, βρίσκεται σε συμφωνία με τα ακόλουθα πρότυπα ή τυποποιημένα έγγραφα, EN60335, EN55014, EN61000*, σύμφωνα με τις Οδηγίες του Συμβουλίου, 73/23/EEC και 89/336/EEC.

*1ης Ιανουαρίου 2001

ENGLISH

Noise And Vibration Of Model 4604D

The typical A-weighted sound pressure level is not more than 70 dB (A).

The noise level under working may exceed 85 dB (A).

— Wear ear protection. —

The typical weighted root mean square acceleration value is not more than 2.5 m/s².

FRANÇAISE

Bruit et vibrations du modèle 4604D

Le niveau de pression sonore pondéré A type ne dépasse pas 70 dB (A).

Le niveau de bruit en fonctionnement peut dépasser 85 dB (A).

— Porter des protecteurs anti-bruit. —

L'accélération pondérée ne dépasse pas 2,5 m/s².

DEUTSCH

Geräusch- und Vibrationsentwicklung des Modells 4604D

Der typische A-bewertete Schalldruckpegel beträgt nicht mehr als 70 dB (A).

Der Lärmpegel kann während des Betriebs 85 dB (A) überschreiten.

— Gehörschutz tragen. —

Der gewichtete Effektivwert der Beschleunigung beträgt nicht mehr als 2,5 m/s².

ITALIANO

Rumore e vibrazione del modello 4604D

Il livello di pressione sonora pesata secondo la curva A non supera i 70 dB (A).

Il livello di rumore durante il lavoro potrebbe superare gli 85 dB (A).

— Indossare i paraorecchi. —

Il valore quadratico medio di accelerazione non supera i 2,5 m/s².

NEDERLANDS

Geluidsniveau en trilling van het model 4604D

Het typische A-gewogen geluidsdrukniveau is niet meer dan 70 dB (A).

Tijdens het werken kan het geluidsniveau 85 dB (A) overschrijden.

— Draag oorbeschermers. —

De typische gewogen effectieve versnellingswaarde is niet meer dan 2,5 m/s².

ESPAÑOL

Ruido y vibración del modelo 4604D

El nivel de presión sonora ponderada A no sobrepasa los 70 dB (A).

El nivel de ruido en condiciones de trabajo puede que sobrepase los 85 dB (A).

— Póngase protectores en los oídos. —

El valor ponderado de la aceleración no sobrepasa los 2,5 m/s².

PORTUGUÊS

Ruído e Vibração do Modelo 4604D

O nível normal de pressão sonora A é inferior a 70 dB (A).

O nível de ruído durante o trabalho pode exceder 85 dB (A).

— Utilize protectores para os ouvidos —

O valor médio da aceleração é inferior a 2,5 m/s².

DANSK

Lyd og vibration fra model 4604D

Det typiske A-vægtede lydtryksniveau overstiger ikke 70 dB (A).

Støjniveauet under arbejde kan overstige 85 dB (A).

— Bær høreværn. —

Den vægtede effektive accelerationsværdi overstiger ikke 2,5 m/s².

SVENSKA

Buller och vibration hos modell 4604D

Den typiska A-vägda ljudtrycksnivån överstiger inte 70 dB (A).

Bullernivån under pågående arbete kan överstiga 85 dB (A).

— Använd hörselskydd —

Det typiskt vägda effektivvärdet för acceleration överstiger inte 2,5 m/s².

NORSK

Støy og vibrasjon fra modell 4604D

Det vanlige A-belastede lydtrykksnivå overskrider ikke 70 dB (A).

Under bruk kan støynivået overskride 85 dB (A).

— Benytt hørselvern —

Den vanlig belastede effektiv-verdi for akselerasjon overskrider ikke 2,5 m/s².

SUOMI

Mallin melutus ja värinä 4604D

Tyyppillinen A-painotettu äänenpainetaso ei ylitä 70 dB (A).

Melutus työpaikalla saattaa ylittää 85 dB (A).

— Käytä kuulosuojaimia. —

Tyyppillinen kiihtyvyyden painotettu tehollisarvo ei ylitä 2,5 m/s².

ΕΛΛΗΝΙΚΑ

Θόρυβος Και Κραδασμός του μοντέλου 4604D

Η τυπική Α-μετρούμενη ηχητική πίεση δεν ξεπερνά τα 70 dB (Α).

Η ένταση ήχου υπο συνθήκες εργασίας μπορεί να υπερβεί τα 85 dB (Α).

— Φοράτε ωτοασπίδες. —

Η τυπική αξία της μετρούμενης ρίζας του μέσου τετραγώνου της επιτάχυνσης δεν ξεπερνά τα 2,5 m/s².

Makita Corporation

Anjo, Aichi, Japan

Made in Japan

884249A995