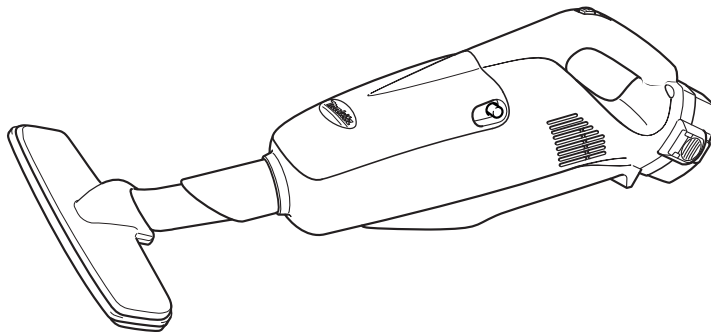
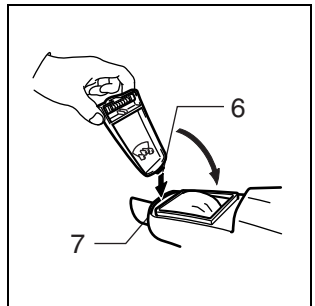
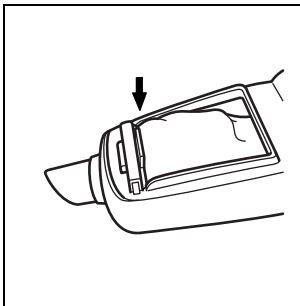
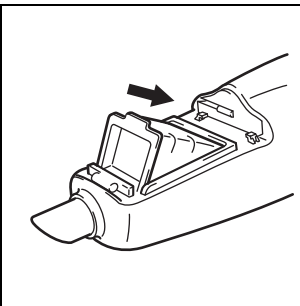
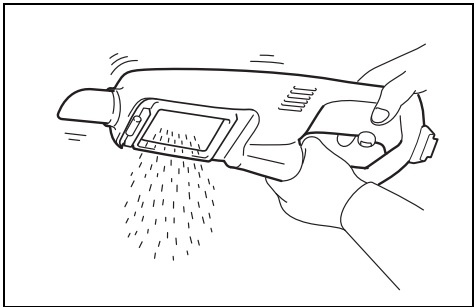
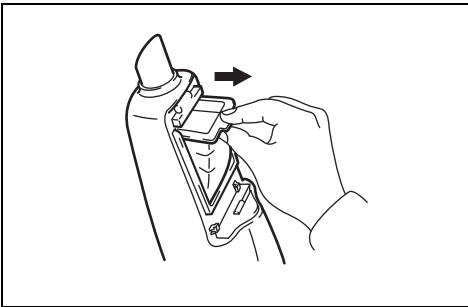
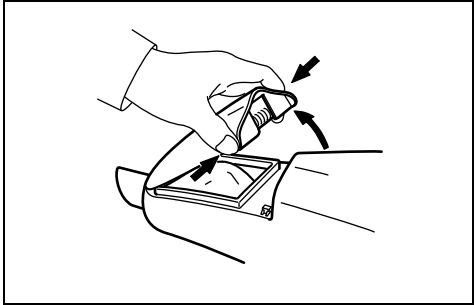
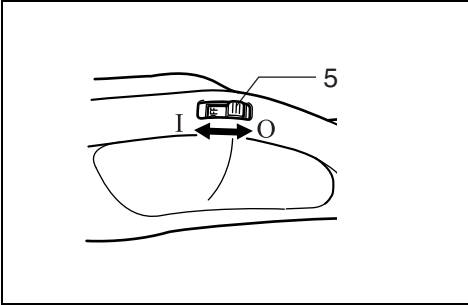
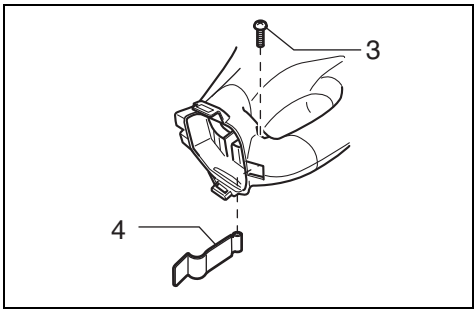
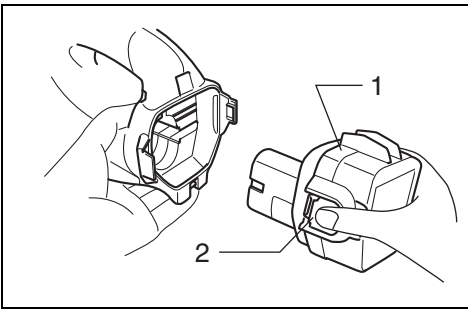




GB	Cordless Cleaner	Instruction Manual
F	Aspirateur sans fil	Manuel d'instructions
D	Akku-Staubsauger	Betriebsanleitung
I	Aspiratore a batteria	Istruzioni per l'uso
NL	Snoerloze stofzuiger	Gebruiksaanwijzing
E	Aspiradora sin cable	Manual de instrucciones
P	Aspirador a bateria	Manual de instruções
DK	Akku støvsuger	Brugsanvisning
S	Sladdlös dammsugare	Bruksanvisning
N	Batteristøvsuger	Bruksanvisning
FIN	Akku-pölynimuri	Käyttöohje
GR	Φορητή ηλεκτρική σκούπα	Οδηγίες χρήσεως

4013D
4033D

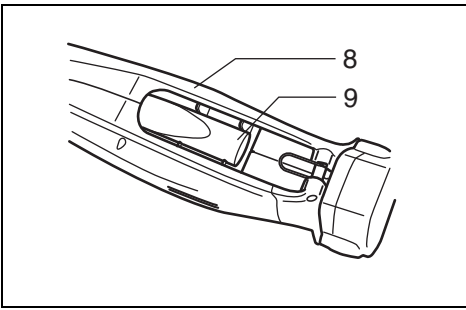




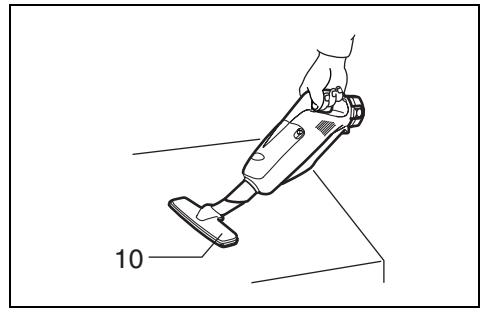
7

8

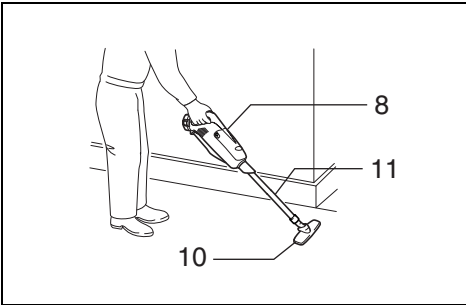
9



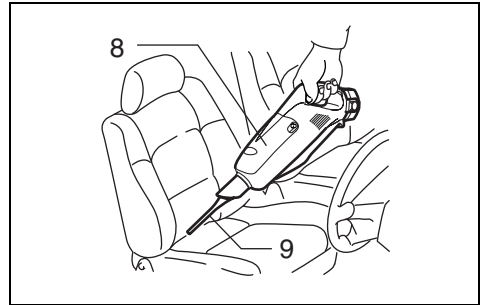
10



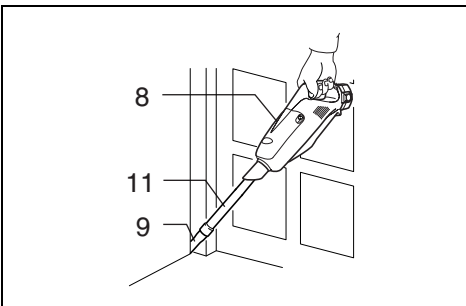
11



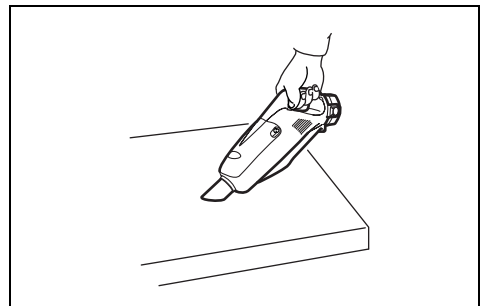
12



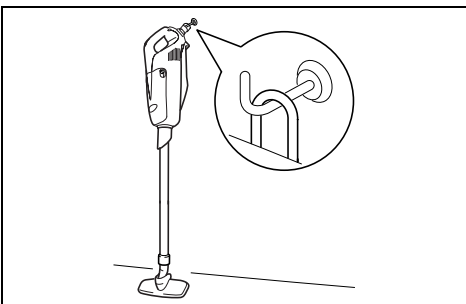
13



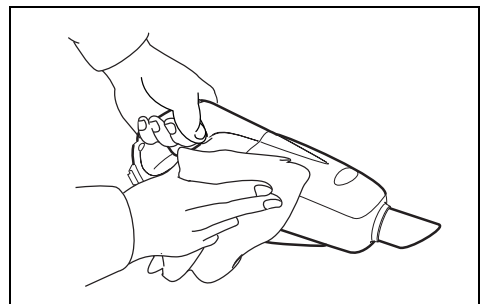
14



15



16



17

Symbols

The followings show the symbols used for the equipment. Be sure that you understand their meaning before use.

Symboles

Nous donnons ci-dessous les symboles utilisés pour l'outil. Assurez-vous que vous en avez bien compris la signification avant d'utiliser l'outil.

Symbole

Die folgenden Symbole werden für die Maschine verwendet. Machen Sie sich vor der Benutzung unbedingt mit ihrer Bedeutung vertraut.

Simboli

Per questo utensile vengono usati i simboli seguenti. Bisogna capire il loro significato prima di usare l'utensile.

Symolen

Voor dit gereedschap worden de volgende symbolen gebruikt. Zorg ervoor dat u de betekenis van deze symbolen begrijpt alvorens het gereedschap te gebruiken.

Símbolos

A continuación se muestran los símbolos utilizados con esta herramienta. Asegúrese de que entienda su significado antes de usarla.

Símbolos

O seguinte mostra os símbolos utilizados para a ferramenta. Certifique-se de que compreende o seu significado antes da utilização.

Symboler

Nedenstående symboler er anvendt i forbindelse med denne maskine. Vær sikker på, at De har forstået symbolernes betydning, før maskinen anvendes.

Symboler

Det följande visar de symboler som används för den här maskinen. Se noga till att du förstår deras innebörd innan maskinen används.

Symbolene

Følgende viser de symbolene som brukes for maskinen. Det er viktig å forstå betydningen av disse før maskinen tas i bruk.

Symbolit

Alla on esitetty koneessa käytetyt symbolit. Opettele näiden merkitys, ennen kuin käytät konetta.

Σύμβολα

Τα ακόλουθα δείχνουν τα σύμβολα που χρησιμοποιούνται για το μηχάνημα. Βεβαιωθείτε ότι καταλαβαίνετε τη σημασία τους πριν από τη χρήση.



- Read instruction manual.
- Lire le mode d'emploi.
- Bitte Bedienungsanleitung lesen.
- Leggete il manuale di istruzioni.
- Lees de gebruiksaanwijzing.
- Lea el manual de instrucciones.
- Leia o manual de instruções.
- Læs brugsanvisningen.
- Läs bruksanvisningen.
- Les bruksanvisingen.
- Katso käyttöohjeita.
- Διαβάστε τις οδηγίες χρήσης.



Cd
Ni-MH
Li-ion

- Only for EU countries
Do not dispose of electric equipment or battery pack together with household waste material!
In observance of European Directive 2002/96/EC on waste electric and electronic equipment, 2006/66/EC on batteries and accumulators and waste batteries and accumulators and their implementation in accordance with national laws, electric equipment and battery pack that have reached the end of their life must be collected separately and returned to an environmentally compatible recycling facility.
- Uniquement pour les pays de l'UE
Ne pas jeter les appareils électriques et les batteries avec les ordures ménagères !
Conformément aux directives européennes 2002/96/CE (relative aux déchets d'équipements électriques et électroniques) et 2006/66/CE (relative aux piles et accumulateurs ainsi qu'aux déchets de piles et accumulateurs), ainsi qu'à leur application en conformité avec les lois nationales, les appareils électriques et batteries qui ont atteint la fin de leur durée de service doivent être collectés séparément et renvoyés à un établissement de recyclage respectueux de l'environnement.
- Nur für EG-Länder
Werfen Sie Elektrogeräte oder Akkus nicht in den Hausmüll!
Gemäß der Europäischen Richtlinie 2002/96/EG über Elektro- und Elektronik-Altgeräte, 2006/66/EG über Batterien, Akkus sowie verbrauchte Batterien und Akkus und ihre Umsetzung gemäß den Landesgesetzen müssen Elektrogeräte und Akkus, die das Ende ihrer Lebensdauer erreicht haben, getrennt gesammelt und einer umweltgerechten Recycling-Einrichtung zugeführt werden.

- Soltanto per i Paesi dell'unione europea
Questo apparecchio elettrico o la batteria non devono essere gettati via con i rifiuti domestici.
In osservanza alla Direttiva Europea 2002/96/CE sugli apparecchi elettrici ed elettronici di scarto, 2006/66/CE sulle batterie e gli accumulatori, e sulle batterie e gli accumulatori esausti, e la sua implementazione secondo le leggi locali, gli apparecchi elettrici e le batterie che hanno raggiunto la fine della loro vita di servizio devono essere raccolti separatamente e portati in un centro di smaltimento ecocompatibile.
- Alleen voor EU-landen
Geef elektrisch gereedschap of accu's niet met het huisvuil mee!
Volgens de Europese richtlijn 2002/96/EC inzake oude elektrische en elektronische apparaten, richtlijn 2006/66/EC inzake batterijen en accu's en wegwerpbatterijen, en de toepassing daarvan binnen de nationale wetgeving, dienen gebruikte elektrische apparaten en accu's die het einde van hun levensduur hebben bereikt, gescheiden te worden ingezameld en te worden afgevoerd naar een recyclebedrijf dat voldoet aan de geldende milieu-eisen.
- Sólo para países de la Unión Europea
¡No tire aparatos eléctricos ni baterías a la basura con los residuos domésticos!
En conformidad con la Directiva Europea 2002/96/EC sobre residuos de aparatos eléctricos y electrónicos y la Directiva Europea 2006/66/EC sobre baterías y acumuladores y residuos de baterías y de acumuladores y su aplicación de acuerdo con la legislación nacional, los aparatos eléctricos y las baterías cuya vida útil haya llegado a su fin se deberán recoger por separado y trasladar a una planta de reciclaje que cumpla con las exigencias ecológicas.
- Apenas para os países da União Europeia
Não deite equipamentos eléctricos nem baterias no lixo doméstico!
De acordo com as directivas europeias 2002/96/CE sobre ferramentas eléctricas e electrónicas usadas e 2006/66/CE sobre baterias e respectivos resíduos e a implementação dessas directivas conforme a lei nacional, as ferramentas eléctricas e as baterias que atingem o fim de sua vida útil devem ser recolhidas em separado e encaminhadas a uma instalação de reciclagem compatível com os regulamentos sobre o meio ambiente.
- Gælder kun lande i EU
Undlad at bortskaffe elektrisk udstyr eller akkuer sammen med almindeligt husholdningsaffald.
I henhold til EU-direktiv 2002/96/EC angående brugt elektrisk og elektronisk udstyr, 2006/66/EC angående batterier og akkumulatører og brugte batterier og iværksættelse af bortskaffelse af batterier og akkumulatører i overensstemmelse med nationale love, skal elektrisk udstyr og akkuer, der har nået slutningen af deres levetid, indsamles separat og afhændes til en genbrugsfacilitet, som er miljømæssigt kompatibel.
- Endast för EU
Släng inte elektrisk utrustning eller batterier tillsammans med hushållsavfall!
Enligt EU-direktiven 2002/96/EG om avfall som utgörs av eller innehåller elektriska eller elektroniska produkter (WEEE) och 2006/66/EG om batterier och akkumulatörer och förbrukade batterier och ackumulatörer samt dess tillämpningar i nationell lagstiftning måste förbrukad elektrisk utrustning och batterier samlas in separat och lämnas in till en godkänd återvinningsstation.
- Kun for EU-land
Kast aldri elektriske produkter eller batterier i husholdningsavfallet!
I henhold til EU-direktiv 2002/96/EF om kasserte elektriske og elektroniske produkter og direktiv 2006/66/EF om batterier og akkumulatører og brukte batterier og akkumulatører, og deres iverksetting i samsvar med nasjonale lover, må elektriske produkter og batterier som ikke lenger skal brukes, samles separat og returneres til et miljøvennlig gjenvinningsanlegg.
- Koskee vain EU-maita
Älä hävitä sähkölaitteita tai akkuja tavallisen kotitalousjätteen mukana!
Vanhoja sähkö- ja elektroniikkalaitteita koskevan EU-direktiivin 2002/96/EY ja paristoja ja akkuja sekä käytettyjä paristoja ja akkuja koskevan direktiivin 2006/66/EY ja niiden maakohtaisten sovellusten mukaisesti käytetyt sähkölaitteet ja akut on toimitettava ongelmajätteiden keräyspisteeseen ja ohjattava ympäristöstävälliseen kierrätykseen.
- Μόνο για χώρες ΕΕ
Μην απορρίπτετε ηλεκτρικό εξοπλισμό ή μπαταρίες μαζί με τα οικιακά απόβλητα!
Σύμφωνα με την Ευρωπαϊκή Οδηγία 2002/96/ΕΚ περί αποβλήτων ειδών ηλεκτρικού και ηλεκτρονικού εξοπλισμού και την Οδηγία 2006/66/ΕΚ περί μπαταριών και συσσωρευτών και αποβλήτων μπαταριών και συσσωρευτών και την εφαρμογή τους σύμφωνα με την εθνική νομοθεσία, απαιτείται συλλογή του ηλεκτρικού εξοπλισμού και των μπαταριών, το όριο ζωής των οποίων έχει λήξει, ξεχωριστά και επιστροφή τους σε εγκατάσταση ανακύκλωσης συμβατή με την προστασία του περιβάλλοντος.

Explanation of general view

1 Battery cartridge	5 Switch lever	9 Corner nozzle
2 Push button	6 Hook	10 Nozzle
3 Screw	7 Front lip	11 Extension wand (Straight pipe)
4 Set plate	8 Cleaner body	

SPECIFICATIONS

Model	4013D	4033D
Capacities	0.5 L	0.5 L
Continuous use (with battery 1222/1422)	Approx. 14 min.	Approx. 14 min.
Overall length	465 mm	473 mm
Net weight	0.89 kg	0.89 kg
Rated voltage	D.C. 12 V	D.C. 14.4 V

- Due to our continuing program of research and development, the specifications herein are subject to change without notice.
- Note: Specifications may differ from country to country.

Intended use

The tool is intended for collecting dry dust.

IMPORTANT SAFETY INSTRUCTIONS

ENAA005-2

When using an electrical appliance, basic precautions should always be followed, including the following:

READ ALL INSTRUCTIONS BEFORE USING THIS APPLIANCE.

WARNING – To reduce the risk of fire, electric shock or injury:

1. Do not expose to rain. Store indoors.
2. Do not allow to be used as a toy. Close attention is necessary when used by or near children.
3. Use only as described in this manual. Use only manufacturer's recommended attachments.
4. Do not use with damaged battery. If appliance is not working as it should, has been dropped, damaged, left outdoors, or dropped into water, return it to a service center.
5. Do not handle appliance with wet hands.
6. Do not put any object into openings. Do not use with any opening blocked; keep free of dust, lint, hair, and anything that may reduce air flow.
7. Keep hair, loose clothing, fingers, and all parts of body away from openings and moving parts.
8. Turn off all controls before removing the battery.
9. Use extra care when cleaning on stairs.
10. Do not use to pick up flammable or combustible liquids, such as gasoline, or use in areas where they may be present.
11. Use only the charger supplied by the manufacturer to recharge.
12. Do not pick up anything that is burning or smoking, such as cigarettes, matches, or hot ashes.
13. Do not use without filters in place.
14. Do not charge the battery outdoors.
15. Children should be supervised to ensure that they do not play with the appliance.

16. This appliance is not intended for use by persons (including children) with reduced physical, sensory or mental capabilities, or lack of experience and knowledge, unless they have been given supervision or instruction concerning use of the appliance by a person responsible for their safety.

SAVE THESE INSTRUCTIONS.

This appliance is intended for household use.

ADDITIONAL SAFETY RULES

ENB114-1

1. Read this instruction manual and the charger instruction manual carefully before use.
2. Do not pick up wet materials, lit cigarettes or the like.
3. Stop operation immediately if you notice anything abnormal.
4. If you drop or strike the cleaner, check it carefully for cracks or damage before operation.
5. Do not bring close to stoves or other heat sources.
6. Do not block the intake hole or vent holes.

SAVE THESE INSTRUCTIONS.

IMPORTANT SAFETY INSTRUCTIONS FOR CHARGER & BATTERY CARTRIDGE

ENC004-1

1. Before using battery cartridge, read all instructions and cautionary markings on (1) battery charger, (2) battery, and (3) product using battery.
2. Do not disassemble battery cartridge.
3. If operating time has become excessively shorter, stop operating immediately. It may result in a risk of overheating, possible burns and even an explosion.
4. If electrolyte gets into your eyes, rinse them out with clear water and seek medical attention right away. It may result in loss of your eyesight.
5. Always cover the battery terminals with the battery cover when the battery cartridge is not used.

6. **Do not short the battery cartridge:**
 - (1) **Do not touch the terminals with any conductive material.**
 - (2) **Avoid storing battery cartridge in a container with other metal objects such as nails, coins, etc.**
 - (3) **Do not expose battery cartridge to water or rain.**
A battery short can cause a large current flow, overheating, possible burns and even a breakdown.
7. **Do not store the tool and battery cartridge in locations where the temperature may reach or exceed 50°C (122°F).**
8. **Do not incinerate the battery cartridge even if it is severely damaged or is completely worn out. The battery cartridge can explode in a fire.**
9. **Be careful not to drop or strike battery.**

SAVE THESE INSTRUCTIONS.

Tips for maintaining maximum battery life

1. **Charge the battery cartridge before completely discharged.**
Always stop tool operation and charge the battery cartridge when you notice less tool power.
2. **Never recharge a fully charged battery cartridge. Overcharging shortens the battery service life.**
3. **Charge the battery cartridge with room temperature at 10°C – 40°C (50°F – 104°F). Let a hot battery cartridge cool down before charging it.**
4. **Charge the Nickel Metal Hydride battery cartridge when you do not use it for more than six months.**

OPERATING INSTRUCTIONS

Installing or removing battery cartridge (Fig. 1)

- Always switch off the cleaner before insertion or removal of the battery cartridge.
- To remove the battery cartridge, withdraw it from the cleaner while pressing the buttons on both sides of the cartridge.
- To insert the battery cartridge, align the tongue on the battery cartridge with the groove in the housing and slip it into place. Always insert it all the way until it locks in place with a little click. If not, it may accidentally fall out of the cleaner, causing injury to you or someone around you.
- Do not use force when inserting the battery cartridge. If the cartridge does not slide in easily, it is not being inserted correctly.

Installing set plate (optional accessory) for 4013D only (Fig. 2)

Always install the set plate when using battery cartridges 1200, 1202 or 1202A. Install the set plate on the cleaner with the screw provided.

Charging

Charge the battery cartridge with your Makita charger properly before use.

Following batteries can be used for this cleaner;

Model	Battery type	Capacity (mAh)	Number of cells
4013D	1200, 1220	1300	10
	1202, 1222, 1202A	2000	10
	1234	2600	10
	1235, 1235A	3000	10
4033D	1420	1300	12
	1422	2000	12
	1434	2600	12
	1435	3000	12

Switch action (Fig. 3)

CAUTION:

- Always be sure that the dust bag or paper pack is installed properly in the cleaner before use. Improper installation may allow dust to enter the motor, resulting in malfunction of the cleaner.
- Always switch off the cleaner after each use to prevent damage to the cleaner and to lengthen the service life of the batteries.

To start the cleaner, slide the switch lever forward to the " I " position.

To stop the cleaner, slide the switch lever back to the " O " position.

Dust disposal

CAUTION:

Empty the cleaner before it becomes too full, or the suction force weakens.

Depress the buttons and open the front cover. **(Fig. 4)**

Take the dust bag out of the cleaner carefully so that the contents will not spill out. Empty the contents out of the dust bag. **(Fig. 5)**

Also empty out the dust inside the cleaner itself. Failure to do so may cause the sponge filter to be clogged or the motor to be damaged. **(Fig. 6)**

Installing dust bag

Place the dust bag into the cleaner cavity. **(Fig. 7)**

Insert the holder of the dust bag all the way into the slots in the cleaner cavity. **(Fig. 8)**

CAUTION:

Forgetting to install the dust bag, failure to insert the holder of the dust bag all the way into the slots or using a broken or ripped bag, may allow dust to get into the motor. This may result in motor failure.

Hook the front cover onto the front lip of the cleaner. Then close the front cover. **(Fig. 9)**

NOTE:

- When installing the paper filter, follow the same procedures for the dust bag.
- Always unfold a new paper filter before installing it on the cleaner.

Corner nozzle storage (Fig. 10)

When the not in use, the corner nozzle can be conveniently stored in the cleaner body.

Cleaning (Suction)

Nozzle (Fig. 11)

Attach the nozzle to clean off tables, desks, furniture, etc. Nozzle slips on easily.

Nozzle + Extension wand (Straight pipe) (Fig. 12)

The extension wand fits in between the nozzle and the cleaner itself. This arrangement is convenient for cleaning a floor while standing erect.

Corner nozzle (Fig. 13)

Fit on the corner nozzle for cleaning corners and crevices of a car or furniture.

Corner nozzle + Extension wand (Straight pipe) (Fig. 14)

In tight quarters where the cleaner itself cannot squeeze in, or in high places hard to reach, use this arrangement. Possible to suck dust without nozzle, too. **(Fig. 15)**

MAINTENANCE

CAUTION:

Always be sure that the cleaner is switched off and the battery cartridge is removed before carrying out any work on the cleaner.

After use (Fig. 16)

When storing the cleaner, hang it from a nail using the convenient hanger in back.

Cleaning (Fig. 17)

From time to time wipe off the outside (cleaner body) of the cleaner using a cloth dampened in soapy water. Never use gasoline, benzine, alcohol, thinner or the like. Discoloration or cracks may result.

Wash the dust bag in soapy water occasionally. Dry it out thoroughly before use. An insufficiently dried bag may cause poor suction and shorten the service life of the motor.

To maintain product safety and reliability, repairs, maintenance or adjustment should be carried out by a Makita Authorized Service Center.

ACCESSORIES

CAUTION:

• These accessories or attachments are recommended for use with your Makita tool specified in this manual. The use of any other accessories or attachments might present a risk of injury to persons. Only use accessory or attachment for its stated purpose.

If you need any assistance for more details regarding these accessories, ask your local Makita service center.

- Extension wand (Straight pipe)
- Nozzle
- Nozzle for carpet
- Corner nozzle
- Shelf brush
- Flexible hose
- Paper filter
- Battery cover
- Battery cartridge 1200/1220/1202/1222/1202A/1234/1235/1235A
- Battery cartridge 1420/1422/1434/1435
- Set plate
- Battery charger Model DC1411
- Fast charger DC1439

Descriptif

1	Batterie	5	Interrupteur	9	Bec suceur
2	Bouton-poussoir	6	Crochet	10	Suceur plat
3	Vis	7	Arête avant	11	Tuyau rigide
4	Plaque de fixation	8	Corps de l'aspirateur		

SPECIFICATIONS

Modèle	4013D	4033D
Capacité	0,5 L	0,5 L
Utilisation continue (avec une batterie 1222/1422).....	14 min. environ	14 min. environ
Longueur totale	465 mm	473 mm
Poids net	0,89 kg	0,89 kg
Tension nominale	12 V D.C.	14,4 V D.C.

- Etant donné l'évolution constante de notre programme de recherche et de développement, les spécifications contenues dans ce manuel sont sujettes à modification sans préavis.
- Note : Les spécifications peuvent varier suivant les pays.

Utilisations

L'outil est conçu pour le dépoussiérage à sec.

IMPORTANTES CONSIGNES DE SÉCURITÉ

EN A005-2

Lors de l'utilisation d'un appareil électrique, certaines précautions élémentaires s'imposent en tout temps, dont les suivantes.

LIRE TOUTES LES INSTRUCTIONS AVANT D'UTILISER CET APPAREIL.

AVERTISSEMENT – Pour réduire les risques d'incendie, de choc électrique et de blessure :

1. Ne pas exposer à la pluie. Ranger à l'intérieur.
2. Ne pas laisser utiliser comme jouet. Une surveillance étroite est requise lors de l'utilisation par un enfant ou près d'un enfant.
3. Utiliser uniquement de la façon décrite dans ce manuel. Utiliser uniquement les accessoires recommandés par le fabricant.
4. Ne pas utiliser avec une batterie endommagée. Si l'appareil ne fonctionne pas comme il devrait, s'il a été échappé, endommagé, laissé à l'extérieur ou échappé dans l'eau, le renvoyer à un centre de service après-vente.
5. Ne pas manipuler l'appareil avec les mains mouillées.
6. N'insérer aucun objet dans les ouvertures. Ne pas utiliser si l'une des ouvertures est bloquée ; toujours enlever les poussières, charpies, cheveux et autres corps étrangers pouvant affecter la circulation de l'air.
7. Garder les cheveux, vêtements amples, doigts et toute autre partie du corps à l'écart des ouvertures et des pièces en mouvement.
8. Désactiver toutes les commandes avant de retirer la batterie.
9. Être tout particulièrement prudent lorsque l'on passe l'aspirateur dans un escalier.

10. Ne pas utiliser pour collecter des liquides inflammables ou combustibles tels que l'essence, ou dans des zones où de tels liquides peuvent être présents.
11. Pour charger la batterie, utiliser uniquement le chargeur fourni par le fabricant.
12. Ne collecter aucune substance enflammée ou qui dégage de la fumée, telles que cigarettes, allumettes ou cendres chaudes.
13. Ne pas utiliser sans avoir posé les filtres.
14. Ne pas charger la batterie à l'extérieur.
15. Les enfants doivent être surveillés pour s'assurer qu'ils ne jouent pas avec l'appareil.
16. Cet appareil n'est pas conçu pour l'utilisation par des personnes (y compris les enfants) à capacités physiques, sensorielles ou mentales réduites, ni par des personnes ne possédant pas l'expérience et les connaissances nécessaires, à moins qu'elles n'aient reçu, d'une personne responsable de leur sécurité, des directives ou instructions sur l'utilisation de l'appareil.

CONSERVER CES INSTRUCTIONS.

Cet appareil est conçu pour l'utilisation à l'intérieur.

CONSIGNES DE SÉCURITÉ ADDITIONNELLES

EN B114-1

1. Lire attentivement ce manuel d'instructions et celui du chargeur avant l'utilisation.
2. N'aspirez pas de matériaux humides, cigarettes allumées, ni aucun autre objet incandescent.
3. Dès que vous remarquez quoi que ce soit d'anormal, arrêtez immédiatement l'aspirateur.
4. Si vous laissez tomber l'aspirateur ou que vous le heurtez, vérifiez qu'il n'est pas fendu ou endommagé avant de l'utiliser.
5. N'approchez pas l'aspirateur d'un appareil de chauffage ni d'aucun autre appareil dégageant de la chaleur.
6. Ne bouchez pas l'orifice d'arrivée d'air ni les ouïes d'aération.

CONSERVEZ CES INSTRUCTIONS.

PRÉCAUTIONS IMPORTANTES POUR LE CHARGEUR ET LA BATTERIE

ENC004-1

1. Avant d'utiliser la batterie, lisez toutes les instructions et précautions relatives (1) au chargeur de batterie, (2) à la batterie, et (3) à l'outil utilisant la batterie.
2. Ne démontez pas la batterie.
3. Cessez immédiatement l'utilisation si le temps de fonctionnement devient excessivement court. Il y a un risque de surchauffe, de brûlures, voire d'explosion.
4. Si l'électrolyte pénètre dans vos yeux, rincez-les à l'eau claire et consultez immédiatement un médecin. Il y a un risque de perte de la vue.
5. Lorsque vous n'utilisez pas la batterie, recouvrez-en toujours les bornes avec le couvre-batterie.
6. Ne court-circuitez pas la batterie :
 - (1) Ne touchez les bornes avec aucun matériau conducteur.
 - (2) Évitez de ranger la batterie dans un conteneur avec d'autres objets métalliques, par exemple des clous, des pièces de monnaie, etc.
 - (3) N'exposez pas la batterie à l'eau ou à la pluie. Un court-circuit de la batterie pourrait provoquer un fort courant, une surchauffe, parfois des brûlures et même une panne.
7. Ne rangez pas l'outil ou la batterie dans des endroits où la température risque d'atteindre ou de dépasser 50°C.
8. Ne jetez pas la batterie au feu même si elle est sérieusement endommagée ou complètement épuisée. La batterie peut exploser au contact du feu.
9. Prenez garde d'échapper ou de heurter la batterie.

CONSERVEZ CES INSTRUCTIONS.

Conseils pour assurer la durée de vie optimale de la batterie

1. Rechargez la batterie avant qu'elle ne soit complètement déchargée. Arrêtez toujours l'outil et rechargez la batterie quand vous remarquez que la puissance de l'outil diminue.
2. Ne rechargez jamais une batterie complètement chargée. La surcharge réduit la durée de service de la batterie.
3. Chargez la batterie alors que la température de la pièce se trouve entre 10°C et 40°C. Avant de charger une batterie chaude, laissez-la refroidir.
4. Chargez la batterie au nickel-hydrure métallique lorsqu'elle est restée inutilisée pendant plus de six mois.

Protection de l'environnement (Pour la Suisse uniquement)

Afin de préserver l'environnement, rappez la batterie usagée aux postes de ramassage officiel.



MODE D'EMPLOI

Installation ou retrait de la batterie (Fig. 1)

- Mettez toujours l'aspirateur hors tension avant d'insérer ou de retirer la batterie.
- Pour retirer la batterie, sortez-la de l'aspirateur tout en appuyant sur les boutons des deux côtés de la batterie.
- Pour insérer la batterie, alignez la languette de la batterie sur la rainure du logement, et glissez la batterie en place. Insérez-la toujours à fond, jusqu'à ce qu'elle se verrouille dans un léger déclic. Sinon, elle risque de tomber accidentellement de l'aspirateur, ce qui pourrait vous blesser, vous ou d'autres personnes alentour.
- N'essayez pas d'insérer la batterie de force. Si elle ne glisse pas facilement, c'est qu'elle n'est pas correctement insérée.

Installation de la plaque de fixation (accessoire en option) pour modèle 4013D uniquement (Fig. 2)

Installez toujours la plaque de fixation lorsque vous utilisez des batteries 1200, 1202 ou 1202A. Installez la plaque de fixation à l'aide de la vis fournie.

Recharge

Avant l'utilisation, veuillez bien charger la batterie avec votre chargeur Makita.

Les batteries suivantes peuvent être utilisées avec cet aspirateur.

Modèle	Type de batterie	Capacité (mAh)	Nombre d'éléments
4013D	1200, 1220	1300	10
	1202, 1222, 1202A	2000	10
	1234	2600	10
	1235, 1235A	3000	10
4033D	1420	1300	12
	1422	2000	12
	1434	2600	12
	1435	3000	12

Interrupteur (Fig. 3)

ATTENTION :

- Vérifiez toujours que le sac à poussière (tissu ou papier) est correctement installé à l'intérieur de l'aspirateur avant l'utilisation. S'il n'est pas parfaitement à sa place, il y a un risque de pénétration de poussière dans le moteur, pouvant entraîner une panne.
- Éteignez toujours l'aspirateur après chaque utilisation pour éviter tout dommage de l'aspirateur et rallonger la durée de vie des batteries.

Pour faire fonctionner l'aspirateur, faites glisser l'interrupteur vers l'avant sur la position "I".

Pour arrêter l'aspirateur, ramenez l'interrupteur vers l'arrière sur la position "O".

Evacuation de la poussière

ATTENTION :

Pour conserver une puissance d'aspiration satisfaisante, il est recommandé de vider la poussière avant que l'aspirateur soit plein.

Appuyez sur les boutons et ouvrez le couvercle avant. (Fig. 4)

Sortez délicatement le sac à poussière, de façon que son contenu ne se renverse pas. Videz-le. (Fig. 5)

Videz également la poussière qui se trouve à l'intérieur de l'aspirateur proprement dit. Sinon, vous risquez de boucher le filtre de mousse ou d'endommager le moteur. (Fig. 6)

Fixation du sac à poussière

Placez le sac à poussière dans la cavité de l'aspirateur. (Fig. 7)

Insérez le support du sac à poussière à fond dans les fentes prévues à cet effet dans la cavité de l'aspirateur. (Fig. 8)

ATTENTION :

Si vous oubliez d'installer le sac à poussière, que vous n'insérez pas le support du sac à poussière à fond dans les fentes ou que vous utilisez un sac à poussière crevé ou déchiré, la poussière risque d'arriver dans le moteur et de l'avarier.

Engagez le couvercle avant sur l'arrête avant de l'aspirateur. Puis, refermez le couvercle avant. (Fig. 9)

NOTE :

- Pour installer le sac en papier, procédez comme pour le sac en tissu.
- Un sac en papier neuf doit toujours être déplié avant d'être mis en service.

Rangement du bec suceur (Fig. 10)

Lorsqu'il n'est pas utilisé, le bec suceur peut être rangé dans le corps de l'aspirateur.

Utilisation

Suceur plat seul (Fig. 11)

Pour les surfaces dégagées (tables, meubles, etc...).

Suceur plat et tuyau rigide (Fig. 12)

Le tuyau rigide s'insère entre le suceur plat et l'aspirateur proprement dit. Ceci permet de nettoyer le plancher sans se baisser.

Bec suceur (Fig. 13)

Fixez le bec suceur pour nettoyer les coins et les interstices d'une voiture ou d'un meuble.

Bec suceur + tuyau rigide (Fig. 14)

Cette combinaison est intéressante pour les endroits d'accès malaisés, ou pour nettoyer en hauteur.

Il est également possible d'aspirer la poussière sans utiliser le bec. (Fig. 15)

ENTRETIEN

ATTENTION :

Assurez-vous toujours que l'aspirateur est hors tension et que la batterie a été enlevée avant d'effectuer toute intervention sur l'aspirateur.

Après utilisation (Fig. 16)

Lorsque vous rangez l'aspirateur, suspendez-le à un clou par le crochet pratique situé à l'arrière de l'appareil.

Nettoyage (Fig. 17)

De temps à autre, essayez l'extérieur (le corps) de l'aspirateur avec un chiffon imbibé d'eau savonneuse. Ne jamais utiliser de gazoline, benzine, alcool, diluant ou produit similaire. Il y a risque de décoloration ou de fissures.

Lavez de temps à autre le sac à poussière dans de l'eau savonneuse. Laissez-le sécher complètement avant de le réutiliser. Un sac encore humide risque de diminuer les performances d'aspiration et de réduire la durée de vie du moteur.

Pour votre sécurité et la fiabilité du produit, les réparations, la maintenance de cet appareil doit être confiée à un Centre d'Entretien MAKITA.

ACCESSOIRES

ATTENTION :

- Ces accessoires ou pièces complémentaires sont recommandés pour l'utilisation avec l'outil Makita spécifié dans ce mode d'emploi. L'utilisation de tout autre accessoire ou pièce peut comporter un risque de blessure. N'utilisez les accessoires ou pièces qu'aux fins mentionnées dans le présent mode d'emploi.

Si vous désirez obtenir plus de détails concernant ces accessoires, veuillez contacter le centre de service après-vente Makita le plus près.

- Tuyau rigide
- Suceur plat
- Suceur plat pour moquette
- Bec suceur
- Brosse à étagère
- Flexible
- Sac en papier
- Couvercle de batterie
- Batterie
1200/1220/1202/1222/1202A/1234/1235/1235A
- Batterie 1420/1422/1434/1435
- Plaque de fixation
- Chargeur Modèle DC1411
- Chargeur rapide DC1439

Übersicht

1 Akku	5 Schalthebel	9 Fugendüse
2 Verriegelungstaste (Akku)	6 Haken	10 Bodendüse
3 Schraube	7 Vorsprung	11 Saugrohr
4 Verschlussklammer	8 Gerätegehäuse	

TECHNISCHE DATEN

Modell	4013D	4033D
Füllvolumen	0,5 L	0,5 L
Betriebszeit pro Akkuladung (mit Akku 1222/1422)	ca. 14 min.	ca. 14 min.
Gesamtlänge	465 mm	473 mm
Gewicht	0,89 kg	0,89 kg
Nennspannung	DC 12 V	DC 14,4 V

- Wir behalten uns vor, Änderungen im Zuge der Entwicklung und des technischen Fortschritts ohne vorherige Ankündigung vorzunehmen.
- Hinweis: Die technischen Daten können von Land zu Land abweichen.

Vorgesehene Verwendung

Die Maschine ist für das Absaugen von Trockenstaub vorgesehen.

WICHTIGE SICHERHEITSVORSCHRIFTEN

ENAO05-2

Bei der Verwendung eines Elektrogerätes sind grundsätzliche Vorsichtsmaßnahmen, einschließlich der folgenden, stets zu beachten:

LESEN SIE ALLE ANWEISUNGEN VOR DER BENUTZUNG DIESES GERÄTES.

WARNUNG – Zur Reduzierung von Brand-, Stromschlag- oder Verletzungsgefahr:

1. Das Gerät keinem Regen aussetzen. In Innenräumen aufbewahren.
2. Das Gerät darf nicht als Spielzeug benutzt werden. Wenn das Gerät von Kindern oder in deren Nähe benutzt wird, ist besondere Vorsicht geboten.
3. Nur gemäß der Beschreibung in dieser Anleitung benutzen. Nur vom Hersteller empfohlene Zusatzvorrichtungen verwenden.
4. Nicht mit beschädigtem Akku benutzen. Falls das Gerät nicht ordnungsgemäß funktioniert, fallen gelassen, beschädigt, im Freien liegen gelassen wurde oder ins Wasser gefallen ist, bringen Sie es zu einer Kundendienststelle.
5. Fassen Sie das Gerät nicht mit nassen Händen an.
6. Stecken Sie keine Gegenstände in die Öffnungen. Benutzen Sie das Gerät nicht mit einer blockierten Öffnung; halten Sie es frei von Staub, Fusseln, Haaren und Fremdkörpern, die den Luftstrom behindern können.
7. Halten Sie Haare, lose Kleidung, Finger und alle Körperteile von den Öffnungen und beweglichen Teilen fern.
8. Schalten Sie sämtliche Bedienelemente aus, bevor Sie den Akku abnehmen.
9. Lassen Sie bei der Reinigung von Treppen besondere Vorsicht walten.

10. Verwenden Sie das Gerät nicht zum Aufsaugen von brennbaren oder feuergefährlichen Flüssigkeiten, wie z. B. Benzin, und benutzen Sie es auch nicht in der Nähe solcher Flüssigkeiten.
11. Verwenden Sie nur das vom Hersteller gelieferte Ladegerät zum Aufladen.
12. Saugen Sie keine brennenden oder rauchenden Gegenstände auf, wie z. B. Zigaretten, Streichhölzer oder heiße Asche.
13. Benutzen Sie das Gerät nicht ohne Filter.
14. Laden Sie den Akku nicht im Freien.
15. Kinder sollten beaufsichtigt werden, um sicherzugehen, dass sie nicht mit dem Gerät spielen.
16. Dieses Gerät ist nicht für den Gebrauch durch Personen (einschließlich Kindern) mit verminderten körperlichen oder geistigen Fähigkeiten oder mangelnder Erfahrung und Kenntnis vorgesehen, es sei denn, sie haben eine Betreuung oder Unterweisung im Gebrauch des Gerätes von einer Person erhalten, die für ihre Sicherheit verantwortlich ist.

DIESE ANWEISUNGEN AUFBEWAHREN.

Dieses Gerät ist für Haushaltsgebrauch vorgesehen.

ZUSÄTZLICHE SICHERHEITSBESTIMMUNGEN FÜR DAS GERÄT

ENB114-1

1. Lesen Sie diese Gebrauchsanleitung und die Gebrauchsanleitung des Ladegerätes vor der Benutzung durch.
2. Saugen Sie keine nassen Materialien, brennende Zigaretten und dergleichen auf.
3. Brechen Sie den Betrieb sofort ab, wenn Sie irgendetwas Ungewöhnliches bemerken.
4. Falls Sie den Staubsauger fallen lassen oder anstoßen, überprüfen Sie ihn vor der Benutzung sorgfältig auf Risse oder Beschädigung.
5. Bringen Sie das Gerät nicht in die Nähe von Öfen oder anderen Wärmequellen.
6. Blockieren Sie nicht die Einlassöffnung oder die Belüftungsöffnungen.

BEWAHREN SIE DIESE HINWEISE SORGFÄLTIG AUF.

WICHTIGE SICHERHEITSVORSCHRIFTEN FÜR LADEGERÄT UND AKKU

ENC004-1

1. Lesen Sie vor der Benutzung des Akkus alle Anweisungen und Warnhinweise, die an (1) Ladegerät, (2) Akku und (3) Akkuwerkzeug angebracht sind.
2. Unterlassen Sie ein Zerlegen des Akkus.
3. Falls die Betriebszeit beträchtlich kürzer geworden ist, stellen Sie den Betrieb sofort ein. Anderenfalls besteht die Gefahr von Überhitzung, möglichen Verbrennungen und sogar einer Explosion.
4. Falls Elektrolyt in Ihre Augen gelangt, waschen Sie sie mit sauberem Wasser aus, und begeben Sie sich unverzüglich in ärztliche Behandlung. Anderenfalls können Sie Ihre Sehkraft verlieren.
5. Decken Sie die Akkukontakte stets mit der Schutzkappe ab, wenn Sie den Akku nicht benutzen.
6. Der Akku darf nicht kurzgeschlossen werden:
 - (1) Die Kontakte dürfen nicht mit leitfähigem Material berührt werden.
 - (2) Lagern Sie den Akku nicht in einem Behälter zusammen mit anderen Metallgegenständen, wie z.B. Nägel, Münzen usw.
 - (3) Setzen Sie den Akku weder Wasser noch Regen aus.
Ein Kurzschluss des Akkus verursacht starken Stromfluss, der Überhitzung, Verbrennungen und einen Defekt zur Folge haben kann.
7. Lagern Sie Maschine und Akku nicht an Orten, an denen die Temperatur 50°C erreichen oder überschreiten kann.
8. Versuchen Sie niemals, den Akku zu verbrennen, selbst wenn er stark beschädigt oder vollkommen verbraucht ist. Der Akku kann im Feuer explodieren.
9. Achten Sie darauf, dass der Akku nicht fallen gelassen oder Stößen ausgesetzt wird.

BEWAHREN SIE DIESE HINWEISE SORGFÄLTIG AUF.

Hinweise zur Aufrechterhaltung der maximalen Akku-Nutzungsdauer

1. Laden Sie den Akku, bevor er vollkommen erschöpft ist.
Schalten Sie die Maschine stets aus, und laden Sie den Akku, wenn Sie ein Nachlassen der Maschinenleistung feststellen.
2. Unterlassen Sie das erneute Laden eines voll aufgeladenen Akkus. Überladen führt zu einer Verkürzung der Nutzungsdauer des Akkus.
3. Laden Sie den Akku bei Raumtemperatur zwischen 10°C – 40°C. Lassen Sie einen heißen Akku abkühlen, bevor Sie ihn laden.
4. Der Nickel-Metallhydrid-Akku muss geladen werden, wenn er länger als sechs Monate nicht benutzt worden ist.

Umweltschutz

Das Gerät ist mit einem Nickel-Cadmium-Akku ausgerüstet. Um eine umweltgerechte Entsorgung zu gewährleisten, bitten wir Sie, folgende Punkte zu beachten:

- Gemäß Europäischer Batterierichtlinie 91/157/EWG und nationaler Gesetzgebung (Batterieverordnung) muss der verbrauchte Akku bei einer öffentlichen Sammelstelle, bei Ihrem Makita Kundendienst oder Ihrem Fachhändler zum Recycling abgegeben werden.
- Werfen Sie den verbrauchten Akku nicht in den Hausmüll, ins Feuer oder ins Wasser.



(Nur für die Schweiz)

Ihr Beitrag zum Umweltschutz: Bringen Sie bitte die gebrauchte Batterie an eine offizielle Sammelstelle zurück.

BEDIENUNGSHINWEISE

Anbringen und Abnehmen des Akkus (Abb. 1)

- Schalten Sie den Staubsauger stets aus, bevor Sie den Akku anbringen oder abnehmen.
- Um den Akku herauszunehmen, drücken Sie gleichzeitig beide Verriegelungstasten des Akkus.
- Zum Einsetzen des Akkus die Erhebung am Akku-Gehäuse in die Nut im Maschinengehäuse ausrichten und den Akku hineinschieben. Stellen Sie sicher, dass der Akku hörbar einrastet, um zu verhindern, dass er herausfällt.
- Wenden Sie beim Einsetzen des Akkus keine Gewalt an. Falls der Akku nicht reibungslos hineingleitet, ist er nicht richtig ausgerichtet.

Anbringen der Verschlussklammer (Sonderzubehör) nur für Modell 4013D (Abb. 2)

Montieren Sie stets die Verschlussklammer bei Verwendung der Akkus 1200, 1202 oder 1202A. Befestigen Sie die Verschlussklammer mit der mitgelieferten Schraube an der Maschine.

Laden

Laden Sie den Akku vor Gebrauch mit dem Makita-Ladegerät richtig auf.

Die folgenden Akkus können für diesen Staubsauger verwendet werden:

Modell	Akku	Leistung (mAh)	Anzahl der Zellen
4013D	1200, 1220	1300	10
	1202, 1222, 1202A	2000	10
	1234	2600	10
	1235, 1235A	3000	10
4033D	1420	1300	12
	1422	2000	12
	1434	2600	12
	1435	3000	12

Schalterfunktion (Abb. 3)

VORSICHT:

- Vergewissern Sie sich vor dem Betrieb stets, dass der Staubbeutel oder der Papierbehälter richtig befestigt ist. Bei fehlerhafter Befestigung kann Staub in den Motor eindringen und eine Betriebsstörung des Gerätes verursachen.
- Schalten Sie das Gerät nach dem Gebrauch stets aus, um eine Beschädigung zu vermeiden und die Lebensdauer des Akkus zu verlängern.

Zum Einschalten des Staubsaugers schieben Sie den Schalthebel nach vorn auf die Stellung "I". Zum Ausschalten des Staubsaugers schieben Sie den Schalthebel nach hinten auf die Stellung "O".

Entleeren des Gerätes

VORSICHT:

Entleeren Sie das Gerät beim ersten Anzeichen von nachlassender Saugkraft und bevor die Füllgrenze des Gerätes erreicht wird.

Drücken Sie die Verschlussknöpfe und entfernen Sie den vorderen Gerätedeckel. (Abb. 4)

Entfernen Sie den Staubbeutel vorsichtig aus dem Gerät, damit kein Schmutz herausfällt, und entleeren Sie den Staubbeutel. (Abb. 5)

Reinigen Sie auch den inneren Gerätebereich und den Zusatzfilter. Durch Verschmutzung des Zusatzfilters können Motorschäden verursacht werden. (Abb. 6)

Befestigen des Staubbeutels

Setzen Sie den Staubbeutel in die Staubbeutelkammer ein. (Abb. 7)

Führen Sie den Klemmrahmen des Staubbeutels in die Nut der Staubbeutelkammer ein. (Abb. 8)

VORSICHT:

Wird das Gerät ohne eingesetzten Staubbeutel betrieben, der Klemmrahmen des Staubbeutels nicht bis zum Anschlag in die Nut eingeführt oder ein gerissener Beutel verwendet, kann Staub in den Motor eindringen und Motordefekte verursachen.

Setzen Sie den Gerätedeckel in den Gehäusevorsprung ein und schließen Sie den Gerätedeckel bis zum Einrasten der Verschlussknöpfe. (Abb. 9)

HINWEIS:

- Setzen Sie den Papierfilter wie in Abschnitt "Befestigen des Staubbeutels" ein.
- Vor Einsatz eines neuen Papierfilters ist dieser zu entfalten.

Aufbewahrung der Fugendüse (Abb. 10)

Bei Nichtgebrauch kann die Fugendüse zweckmäßigerweise im Staubsaugergehäuse aufbewahrt werden.

Betrieb

Bodendüse (Abb. 11)

Zum Saugen von ebenen Flächen verwenden Sie die Bodendüse.

Bodendüse und Saugrohr (Abb. 12)

Zur Verwendung für Überkopfarbeiten bzw. zur Erhöhung der Reichweite verwenden Sie Bodendüse und Saugrohr.

Das Verlängerungsrohr kann zwischen Bodendüse und Gerät montiert werden. Durch die Anordnung liegt der Schwerpunkt direkt beim Bedienenden.

Fugendüse (Abb. 13)

Die Fugendüse eignet sich für schwer zu saugende Materialien (z. B. Sand) und das Ausaugen von Ritzen.

Fugendüse und Saugrohr (Abb. 14)

Für schwer zugängliche bzw. höhergelegene Stellen können Sie das Saugrohr zwischen Fugendüse und Gerät montieren.

Staubsaugen ohne Düse ist ebenfalls möglich. (Abb. 15)

WARTUNG

VORSICHT:

Vor Arbeiten am Gerät vergewissern Sie sich, dass sich der Schalter in der "OFF"-Position befindet und der Akku aus dem Gerät entfernt ist.

Aufhängevorrichtung (Abb. 16)

Hängen Sie den Staubsauger zur Aufbewahrung mit dem praktischen Aufhänger an der Rückseite an einen Nagel.

Reinigen (Abb. 17)

Die Gehäuseteile können bei Bedarf mit einem in milder Seifenlauge angefeuchteten weichen Tuch gereinigt werden. Verwenden Sie auf keinen Fall Benzin, Benzol, Alkohol, Verdünner oder dergleichen. Solche Mittel können eine Verfärbung oder Risse verursachen.

Waschen Sie den Staubbeutel von Zeit zu Zeit in Seifenlauge aus. Trocknen Sie den Beutel gründlich vor erneutem Gebrauch. Ein feuchter Staubbeutel kann die Saugleistung beeinträchtigen und die Lebensdauer des Motors verkürzen.

Um die Sicherheit und Zuverlässigkeit dieses Gerätes zu gewährleisten, sollten Reparatur-, Wartungs- und Einstellarbeiten nur von durch Makita autorisierten Werkstätten oder Kundendienstzentren unter ausschließlicher Verwendung von Makita-Originalersatzteilen ausgeführt werden.

ZUBEHÖR

VORSICHT:

- Die folgenden Zubehörteile oder Vorrichtungen werden für den Einsatz mit der in dieser Anleitung beschriebenen Makita-Maschine empfohlen. Die Verwendung anderer Zubehörteile oder Vorrichtungen kann eine Verletzungsgefahr darstellen. Verwenden Sie Zubehörteile oder Vorrichtungen nur für ihren vorgesehenen Zweck.

Wenn Sie weitere Einzelheiten bezüglich dieser Zubehörteile benötigen, wenden Sie sich bitte an Ihre Makita-Kundendienststelle.

- Saugrohr
- Bodendüse
- Bürstendüse
- Fugendüse
- Regalbürste
- Flexibler Schlauch
- Papierfilter
- Kontaktschutzkappe
- Akku 1200/1220/1202/1222/1202A/1234/1235/1235A
- Akku 1420/1422/1434/1435
- Verschlussklammer
- Ladegerät Modell DC1411
- Ladegerät DC1439

Visione generale

1 Capsula delle batterie	5 Leva interruttore	9 Convogliatore per angoli
2 Bottone	6 Gancio	10 Convogliatore
3 Vite	7 Orlo anteriore	11 Tubo di estensione
4 Piastrina di fissaggio	8 Corpo aspiratore	

DATI TECNICI

Modello	4013D	4033D
Capacità	0,5 L	0,5 L
Operazione continua (con batteria 1222/1422)	circa 14 min.	circa 14 min.
Lunghezza totale	465 mm	473 mm
Peso netto	0,89 kg	0,89 kg
Tensione nominale	12 V DC	14,4 V DC

- Per il nostro programma di ricerca e sviluppo continui, i dati tecnici sono soggetti a modifiche senza preavviso.
- Nota: I dati tecnici potrebbero differire a seconda del paese di destinazione del modello.

Utilizzo previsto

Questo utensile è progettato per la raccolta della polvere secca.

ISTRUZIONI IMPORTANTI PER LA SICUREZZA

ENNA005-2

Utilizzando un elettrodomestico bisogna sempre seguire le precauzioni di base, comprese quelle seguenti:

LEGGERE TUTTE LE ISTRUZIONI PRIMA DI USARE QUESTO ELETTRODOMESTICO.

ATTENZIONE – Per ridurre il rischio d'incendio, scosse elettriche o incidenti:

1. Non esporre questo elettrodomestico alla pioggia. Conservarlo in interni.
2. Non permettere che venga usato come giocattolo. È necessaria una stretta sorveglianza se viene usato da o vicino a bambini.
3. Usarlo soltanto come descritto in questo manuale. Usare soltanto gli accessori consigliati dal produttore.
4. Non usarlo con una batteria danneggiata. Se questo elettrodomestico non funziona come dovrebbe, se è caduto, è danneggiato, è rimasto all'aperto o è caduto in acqua, portarlo a un centro di assistenza ai clienti.
5. Non maneggiare questo elettrodomestico con le mani bagnate.
6. Non inserire alcun oggetto nelle aperture. Non usarlo con una qualsiasi apertura bloccata. Mantenerlo esente da polvere, filacce, capelli e tutto ciò che potrebbe ridurre il flusso dell'aria.
7. Tenere i capelli, gli abiti ampi e tutte le parti del corpo lontani dalle aperture e dalle parti mobili.
8. Disattivare tutti i comandi prima di rimuovere la batteria.
9. Fare particolarmente attenzione durante la pulizia delle scale.
10. Questo elettrodomestico non deve essere usato per aspirare sostanze infiammabili o combustibili, come la benzina, o dove esse potrebbero essere presenti.

11. Per la ricarica, usare soltanto il caricatore fornito dal produttore.
12. Questo elettrodomestico non deve essere usato per aspirare oggetti che bruciano o fumanti, come le sigarette, i fiammiferi o le ceneri calde.
13. Non usarlo senza i filtri in posizione.
14. Non caricare la batteria all'aperto.
15. I bambini vanno sorvegliati, per essere sicuri che non giochino con l'elettrodomestico.
16. Questo elettrodomestico non deve essere usato da persone (bambini compresi) con capacità fisiche, sensoriali o mentali ridotte, o senza esperienza e conoscenza, a meno che non ci sia un supervisore o che abbiano ricevuto istruzioni riguardo all'uso dell'elettrodomestico da una persona responsabile della loro incolumità.

CONSERVARE QUESTE ISTRUZIONI.

Questo elettrodomestico è progettato per l'utilizzo domestico.

REGOLE ADDIZIONALI PER LA SICUREZZA

ENB114-1

1. Leggere attentamente questo manuale di istruzioni e il manuale di istruzioni del caricatore prima dell'uso.
2. Non aspirare oggetti bagnati, sigarette accese e simili.
3. Smettere immediatamente di usare l'aspiratore se si nota qualcosa di anormale.
4. Se si lascia cadere l'aspiratore o se dovesse subire un colpo, controllare con cura che non sia crepato o danneggiato prima di usarlo.
5. Non avvicinare l'aspiratore alle stufe o alle sorgenti di calore.
6. Non bloccare il foro di aspirazione o i fori di ventilazione.

CONSERVARE QUESTE ISTRUZIONI.

ISTRUZIONI IMPORTANTI DI SICUREZZA PER IL CARICABATTERIA E LA CARTUCCIA DELLA BATTERIA

ENC004-1

1. Prima di usare la cartuccia della batteria, leggere tutte le istruzioni e le avvertenze sul (1) carica-batteria, sulla (2) batteria e sul (3) prodotto che utilizza la batteria.

- Non smontare la cartuccia della batteria.
- Se il tempo di utilizzo è diventato molto corto, smettere immediatamente di usare l'utensile. Può risultare un rischio di surriscaldamento, possibili ustioni e addirittura un'esplosione.
- Se l'elettrolito va negli occhi, risciacquarli con acqua pulita e rivolgersi immediatamente ad un medico. Può risultare la perdita della vista.
- Coprire sempre i terminali della batteria con il coperchio della batteria quando non si usa la cartuccia della batteria.
- Non cortocircuitare la cartuccia della batteria:
 - Non toccare i terminali con qualche metallo conduttivo.
 - Evitare di conservare la cartuccia della batteria in un contenitore con altri oggetti metallici come i chiodi, le monete, ecc.
 - Non esporre la cartuccia della batteria all'acqua o alla pioggia.
 Un cortocircuito della batteria può causare un grande flusso di corrente, il surriscaldamento, possibili ustioni e addirittura un guasto.
- Non conservare l'utensile e la cartuccia della batteria in luoghi in cui la temperatura può raggiungere o superare i 50°C.
- Non incenerire la cartuccia della batteria anche se è gravemente danneggiata o è completamente esaurita. La cartuccia della batteria può esplodere e provocare un incendio.
- Fare attenzione a non lasciar cadere o a colpire la batteria.

CONSERVARE QUESTE ISTRUZIONI.

Suggerimenti per mantenere la durata massima della batteria

- Caricare la cartuccia della batteria prima che si scarichi completamente. Smettere sempre di usare l'utensile e caricare la cartuccia della batteria quando si nota che la potenza dell'utensile è diminuita.
- Non ricaricare mai una cartuccia della batteria completamente carica. La sovraccarica riduce la durata della batteria.
- Caricare la cartuccia della batteria con la temperatura ambiente da 10°C a 40°C. Lasciar raffreddare una cartuccia della batteria calda prima di caricarla.
- Caricare la cartuccia della batteria all'idruro di nickel metallico quando non la si usa per più di sei mesi.

(PER LA SVIZZERA SOLTANTO) PROTEZIONE DELL'AMBIENTE

La Vostra contribuzione per la protezione del ambiente:

Porta la batteria al collettivo ufficiale.



ISTRUZIONI PER L'USO

Installazione o rimozione della cartuccia batteria (Fig. 1)

- Spegnere sempre l'aspiratore prima di inserire o togliere la cartuccia batteria.

- Per rimuovere la cartuccia batteria, toglierla dall'aspiratore premendo i bottoni su entrambi i lati della cartuccia.
- Per inserire la cartuccia batteria, allineare l'appendice della cartuccia batteria con la scanalatura dell'alloggiamento e spingerla in posizione. Inserirla sempre completamente finché non si blocca in posizione con un piccolo scatto, perché altrimenti potrebbe cadere dall'aspiratore causando ferite all'utente o a chi è vicino.
- Non usare forza quando si inserisce la cartuccia batteria. Se la cartuccia batteria non scorre facilmente, significa che non è stata inserita correttamente.

Installazione della piastrina di fissaggio (accessorio opzionale) per modello 4013D soltanto (Fig. 2)

Installare sempre la piastrina di fissaggio usando le cartucce batteria 1200, 1202 o 1202A. Installare la piastrina di fissaggio sulla macchina con la vite fornita.

Carica

Caricare correttamente la cartuccia batteria con il caricatore Makita prima dell'uso.

Con questo aspiratore si possono usare le batterie seguenti:

Modello	Tipo di batteria	Capacità (mAh)	Numero di celle
4013D	1200, 1220	1300	10
	1202, 1222, 1202A	2000	10
	1234	2600	10
	1235, 1235A	3000	10
4033D	1420	1300	12
	1422	2000	12
	1434	2600	12
	1435	3000	12

Funzionamento dell'interruttore (Fig. 3)

ATTENZIONE:

- Accertarsi sempre che il sacchetto della polvere o il sacchetto di carta siano installati correttamente nell'aspiratore prima di usarlo. L'installazione sbagliata potrebbe far entrare la polvere nel motore, causando un difetto di funzionamento dell'aspiratore.
- Spegnere sempre l'aspiratore ogni volta dopo l'uso, per impedire che si danneggi e per prolungare la vita di servizio della batteria.

Per avviare l'aspiratore, spingere la leva dell'interruttore in avanti sulla posizione "I".

Per arrestare l'aspiratore, spingere la leva dell'interruttore indietro sulla posizione "O".

Eliminazione della polvere

ATTENZIONE:

Svuotare l'aspiratore prima che diventi troppo pieno, perché altrimenti la forza di aspirazione si riduce.

Premere i pulsanti e aprire il coperchio anteriore. (Fig. 4) Tirar fuori con cura il sacchetto della polvere dall'aspiratore, in modo da non spanderne il contenuto. Svuotare poi il sacchetto della polvere. (Fig. 5)

Svuotare la polvere anche dall'interno dell'aspiratore stesso. Se non si fa ciò, il filtro di spugna potrebbe intarsi danneggiando il motore. (Fig. 6)

Installazione del sacchetto della polvere

Sistemare il sacchetto della polvere nella cavità dell'aspiratore. (Fig. 7)

Inserire completamente il supporto del sacchetto della polvere nelle fessure della cavità dell'aspiratore. (Fig. 8)

ATTENZIONE:

Se si dimentica di installare il sacchetto della polvere, se non si inserisce completamente il supporto del sacchetto della polvere nelle fessure o se si usa un sacchetto rotto o strappato, la polvere potrebbe entrare nel motore. Ciò potrebbe danneggiare il motore.

Agganciare il coperchio anteriore al bordo anteriore dell'aspiratore. Chiudere poi il coperchio anteriore. (Fig. 9)

NOTA:

- Per installare il sacchetto di carta, usare lo stesso procedimento di installazione del sacchetto della polvere.
- Dispiegare sempre il sacchetto di carta prima di installarlo nell'aspiratore.

Immagazzinaggio del bocchettone per angoli

(Fig. 10)

Quando non viene usato, il bocchettone per angoli può essere comodamente riposto nel corpo dell'aspiratore.

Pulizia (aspirazione)

Convogliatore (Fig. 11)

Attaccare il convogliatore per ripulitura di tavole, tavoli, mobili, etc. Il convogliatore scivola facilmente.

Convogliatore + tubo di estensione (tubo diritto)

(Fig. 12)

Il tubo di estensione va montato tra il convogliatore e l'aspiratore. Questa combinazione è comoda per pulire il pavimento restando eretti.

Convogliatore per angoli (Fig. 13)

Montare il convogliatore per angoli per pulire gli angoli e gli interstizi dell'automobile o di un mobile.

Convogliatore per angoli + tubo di estensione

(tubo diritto) (Fig. 14)

Usare questa combinazione per pulire gli ambienti ristretti dove l'aspiratore non può entrare, oppure i posti alti difficili da raggiungere.

La polvere può essere aspirata anche senza il bocchettone. (Fig. 15)

MANUTENZIONE

ATTENZIONE:

Prima di effettuare ogni tipo di lavoro sull'aspiratore, assicurarsi sempre che essa sia spenta e che la batteria sia rimossa.

Dopo l'uso (Fig. 16)

Quando si mette via l'aspiratore, appenderlo ad un chiodo usando il comodo gancio sul retro.

Pulizia (Fig. 17)

Pulire periodicamente l'esterno (corpo) dell'aspiratore usando un panno inumidito con acqua saponata. Non si devono mai usare benzina, benzolo, alcol, solventi od altri prodotti simili. Essi possono causare scolorimenti o crepe.

Lavare ogni tanto il sacchetto della polvere con acqua saponata. Asciugarlo completamente prima di riusarlo. Se esso non è sufficientemente asciutto, potrebbe causare una scarsa aspirazione e ridurre la vita di servizio del motore.

Per mantenere la sicurezza e l'affidabilità del prodotto, le riparazioni, la manutenzione o le regolazioni dovrebbero essere eseguite da un centro di assistenza Makita autorizzato.

ACCESSORI

ATTENZIONE:

- Per l'utensile specificato in questo manuale, si consigliano questi accessori o ricambi. L'utilizzo di altri accessori o ricambi può costituire un pericolo. Usare soltanto gli accessori o ricambi specificati per il loro utilizzo.

Per maggiori dettagli e l'assistenza, rivolgersi al Centro Assistenza Makita locale.

- Tubo di estensione (tubo diritto)
- Convogliatore
- Convogliatore per tappeti
- Convogliatore per angoli
- Spazzola per scaffali
- Tubo flessibile
- Sacchetto di carta
- Coperchio batteria
- Cartuccia batteria
1200/1220/1202/1222/1202A/1234/1235/1235A
- Cartuccia batteria 1420/1422/1434/1435
- Piastra di regolazione
- Carica Batteria Modello DC1411
- Caricatore rapido DC1439

Verklaring van algemene gegevens

1 Batterij	5 Aan/uit schakelaar	9 Hoekmondstuk
2 Drukknop	6 Haak	10 Mondstuk
3 Schroef	7 Voorlip	11 Verlengstuk
4 Sluitplaat	8 Stofzuigerlichaam	

TECHNISCHE GEGEVENS

Model	4013D	4033D
Capaciteit	0,5 L	0,5 L
Continu gebruik (met accu 1222/1422)	ca. 14 min.	ca. 14 min.
Totale lengte	465 mm	473 mm
Netto gewicht	0,89 kg	0,89 kg
Nominale spanning	DC12 V	DC14,4 V

- In verband met ononderbroken research en ontwikkeling behouden wij ons het recht voor bovenstaande technische gegevens te wijzigen zonder voorafgaande kennisgeving.
- Opmerking: De technische gegevens kunnen van land tot land verschillen.

Doeleinden van gebruik

Het gereedschap is bedoeld voor het verzamelen van droog stof.

BELANGRIJKE VEILIGHEIDSINSTRUCTIES

ENA005-2

Bij het gebruik van een elektrisch apparaat, moeten basisvoorzorgsmaatregelen altijd worden genomen, waaronder de volgende:

LEES ALLE INSTRUCTIES ALVORENS DIT APPARAAT TE GEBRUIKEN.

WAARSCHUWING – Om de kans op brand of een elektrische schok te verkleinen:

1. Stel niet bloot aan regen. Bewaar binnenshuis.
2. Sta niet toe dat ermee gespeeld wordt. Let goed op bij gebruik in de buurt van kinderen.
3. Gebruik uitsluitend zoals beschreven in deze gebruiksaanwijzing. Gebruik uitsluitend hulpstukken aanbevolen door de fabrikant.
4. Gebruik nooit met een beschadigde accu. Als het apparaat niet werkt zoals het zou moeten werken, is gevallen, is beschadigd buiten heeft gelegen of in het water is gevallen, stuurt u het terug naar een servicecentrum.
5. Hanteer het apparaat niet met natte handen.
6. Steek geen voorwerpen in de openingen. Gebruik het apparaat niet wanneer een opening verstopt zit, houd het apparaat vrij van stof, pluizen, haar en alles wat de luchtdoorstroming kan hinderen.
7. Houd haar, loshangende kleding, vingers en alle lichaamsdelen uit de buurt van de openingen en bewegende delen.
8. Schakel alle knoppen uit alvorens de accu eraf te halen.
9. Wees extra voorzichtig bij gebruik op een trap.
10. Zuig geen ontvlambare of brandbare vloeistoffen, zoals benzine, op en gebruik het niet op plaatsen waar deze aanwezig kunnen zijn.

11. Gebruik voor het opladen uitsluitend de acculader die door de fabrikant werd geleverd.
12. Zuig niets op dat brandt of rookt, zoals sigaretten, lucifers of hete as.
13. Gebruik het apparaat niet zonder dat de filters zijn aangebracht.
14. Laad de accu niet buitenshuis op.
15. Kinderen moeten onder toezicht staan om ervoor te zorgen dat ze niet met het gereedschap spelen.
16. Dit gereedschap is niet bedoeld voor gebruik door personen (waaronder kinderen) met een lichamelijke, zintuiglijke of geestelijke beperking, of een gebrek aan kennis en ervaring, behalve indien zij onder toezicht staan van, of instructies aangaande het gebruik van het apparaat krijgen van een persoon die verantwoordelijk is voor hun veiligheid.

BEWAAR DEZE INSTRUCTIES.

Dit apparaat is bedoeld voor huishoudelijk gebruik.

AANVULLENDE VEILIGHEIDSVOORSCHRIFTEN

ENB114-1

1. Lees deze gebruiksaanwijzing en die van de acculader voor gebruik aandachtig door.
2. Zuig geen natte voorwerpen, brandende peuken e.d. op.
3. Schakel de stofzuiger uit zodra u iets abnormaals opmerkt.
4. Indien u de stofzuiger hebt laten vallen of deze tegen iets hebt gestoten, dient u hem zorgvuldig op scheuren of beschadiging te controleren alvorens hem opnieuw te gebruiken.
5. Breng de stofzuiger niet in de nabijheid van verwarmingsapparaten of andere hittebronnen.
6. Zorg ervoor dat de inlaatopening of de ventilatieopeningen niet worden afgesloten.

BEWAAR DEZE VOORSCHRIFTEN.

BELANGRIJKE VEILIGHEIDSVORSCHRIFTEN VOOR ACCULADER EN ACCU

ENC004-1

1. Lees alle voorschriften en waarschuwingen op (1) de acculader, (2) de accu, en (3) het product waarvoor de accu wordt gebruikt, aandachtig door alvorens de acculader in gebruik te nemen.
2. Neem de accu niet uit elkaar.
3. Als de gebruikstijd van een opgeladen accu aanzienlijk korter is geworden, moet u het gebruik ervan onmiddellijk stopzetten. Voortgezet gebruik kan oververhitting, brandwonden en zelfs een ontploffing veroorzaken.
4. Als er elektrolyt in uw ogen is terechtgekomen, spoel dan uw ogen met schoon water en roep onmiddellijk de hulp van een dokter in. Elektrolyt in de ogen kan blindheid veroorzaken.
5. Bedek de acculemmen altijd met de accupak wanneer u de accu niet gebruikt.
6. Voorkom kortsluiting van de accu:
 - (1) Raak de acculemmen nooit aan met een geleidend materiaal.
 - (2) Bewaar de accu niet in een bak waarin andere metalen voorwerpen zoals spijkers, munten e.d. worden bewaard.
 - (3) Stel de accu niet bloot aan water of regen. Kortsluiting van de accu kan oorzaak zijn van een grote stroomafgifte, oververhitting, brandwonden, en zelfs defecten.
7. Bewaar het gereedschap en de accu niet op plaatsen waar de temperatuur kan oplopen tot 50°C of hoger.
8. Werp de accu nooit in het vuur, ook niet wanneer hij zwaar beschadigd of volledig versleten is. De accu kan namelijk ontploffen in het vuur.
9. Wees voorzichtig dat u de accu niet laat vallen en hem niet blootstelt aan schokken of stoten.

Bewaars deze voorschriften.

Tips voor een maximale levensduur van de accu

1. Laad de accu op voordat hij volledig ontladen is. Stop het gebruik van het gereedschap en laad de accu op telkens wanneer u vaststelt dat het vermogen van het gereedschap is afgenomen.
2. Laad een volledig opgeladen accu nooit opnieuw op. Als u de accu te veel oplaadt, zal hij minder lang meegaan.
3. Laad de accu op bij een kamertemperatuur tussen 10°C en 40°C. Laat een warme accu afkoelen alvorens hem op te laden.
4. Laad de nikkel-metaalhydride accu op telkens wanneer u hem langer dan zes maanden niet hebt gebruikt.

BEDIENINGSVORSCHRIFTEN

Installeren of verwijderen van het batterijpak (Fig. 1)

- Schakel de stofzuiger altijd uit alvorens het batterijpak te installeren of te verwijderen.
- Om de accu te verwijderen, neemt u het uit de stofzuiger terwijl u de knoppen aan beide zijden van de accu indrukt.

- Om de accu te installeren, past u de rug op de accu in de groef in de behuizing van het gereedschap, en dan schuift u de accu naar binnen. Schuif de accu zo ver mogelijk erin, totdat het met een klinkgeluid vergrendelt. Indien u dit niet doet, kan de accu per ongeluk uit de stofzuiger vallen en uzelf of anderen verwonden.
- Probeer niet om het batterijpak met geweld erin te duwen. Indien het batterijpak niet gemakkelijk erin schuift, betekent dit dat u het verkeerd erin steekt.

Installeren van de sluitplaat (los verkrijgbaar) alleen voor 4013D (Fig. 2)

Installeer altijd de sluitplaat wanneer u accu's 1200, 1202 of 1202A gebruikt. Gebruik de bijgeleverde schroef om de sluitplaat aan het gereedschap te bevestigen.

Laden

Laad de accu vóór het gebruik correct op met uw Makita acculader.

Met deze stofzuiger kunt u de volgende accu's gebruiken:

Model	Batterij-model	Capaciteit (mAh)	Aantal cellen
4013D	1200, 1220	1300	10
	1202, 1222, 1202A	2000	10
	1234	2600	10
	1235, 1235A	3000	10
4033D	1420	1300	12
	1422	2000	12
	1434	2600	12
	1435	3000	12

Werking van de schakelaar (Fig. 3)

LET OP:

- Controleer vóór het gebruik altijd of de stofzak of het papierpak juist in de stofzuiger zijn geïnstalleerd. Bij verkeerde installatie kan stof in de motor binnendringen, zodat de stofzuiger defect raakt.
- Schakel de stofzuiger na elk gebruik uit om beschadiging van de stofzuiger te voorkomen en de levensduur van de batterijen te verlengen.

Om de stofzuiger aan te zetten, schuif de aan/uit schakelaar naar voren naar de "I" positie.

Om de stofzuiger af te zetten, schuif de aan/uit schakelaar terug naar de "O" positie.

Ledigen

LET OP:

Ledig de stofzuiger voordat hij te vol raakt, aangezien anders de zuigkracht vermindert.

Druk de knoppen in en open het voordeksel. (Fig. 4)

Neem de stofzak voorzichtig uit de stofzuiger, zodat de inhoud niet wordt gemorst. Ledig de stofzak. (Fig. 5)

Verwijder ook het stof uit de stofzuiger zelf. Als u dit niet doet, kan het sponsfilter verstopt raken of de motor beschadigd raken. (Fig. 6)

Installeren van de stofzak

Plaats de stofzak in de stofzuigerholte. (Fig. 7)

Steek de stofzakhouder zo ver mogelijk in de sleuven in de stofzuigerholte. (Fig. 8)

LET OP:

Indien u de stofzak vergeet aan te brengen, de stofzakhouder niet goed in de sleuven steekt, of een kapotte of gescheurde stofzak gebruikt, kan er stof in de motor binnendringen. Dit kan motordefect veroorzaken.

Haak het voordeksel aan de voorlip van de stofzuiger. Sluit dan het voordeksel. (Fig. 9)

OPMERKING:

- De werkwijze voor het installeren van een papierpak is dezelfde als voor de stofzak.
- Vouw een nieuw papierpak altijd eerst open alvorens het in de stofzuiger te installeren.

Opbergen van het hoekmondstuk (Fig. 10)

Wanneer u het hoekmondstuk niet gebruikt, kunt u het handig opbergen in het stofzuigerlichaam.

Stofzuigen

Mondstuk (Fig. 11)

Bevestig het mondstuk op de stofzuiger voor het schoonmaken van tafels, stoelen en ander meubilair. Het mondstuk is gemakkelijk in te schuiven.

Mondstuk + verlengstuk (rechte buis) (Fig. 12)

Het verlengstuk dient tussen het mondstuk en de stofzuiger te worden bevestigd. Deze schikking is gemakkelijk voor het schoonmaken van een vloer terwijl u rechtop staat.

Hoekmondstuk (Fig. 13)

Bevestig het hoekmondstuk voor het schoonmaken van hoeken en spleten in het interieur van een auto of meubilair.

Hoekmondstuk + verlengstuk (rechte buis) (Fig. 14)

Gebruik deze schikking in nauwe ruimten waar nauwelijks plaats is voor de stofzuiger of op hooggelegen, moeilijk te bereiken plaatsen.

U kunt ook stof opzuigen zonder het mondstuk te gebruiken. (Fig. 15)

ONDERHOUD

LET OP:

Controleer altijd of de stofzuiger is uitgeschakeld en de accu is losgekoppeld vooraleer onderhoud uit te voeren aan de stofzuiger.

Na het gebruik (Fig. 16)

Berg de stofzuiger op door de haak op de achterzijde van de stofzuiger aan een spijker te hangen.

Reinigen (Fig. 17)

Reinig de buitenkant (behuizing) van de stofzuiger regelmatig met een doek die met zeepsop is bevochtigd. Gebruik nooit benzine, wasbenzine, alcohol, thinner, enz. Hierdoor kunnen verkleuring optreden of kunnen barsten worden veroorzaakt.

Was de stofzak regelmatig in zeepsop. Laat goed drogen alvorens opnieuw te gebruiken. Een onvoldoende gedroogde stofzak kan slechte zuigkracht veroorzaken en de levensduur van de motor verkorten.

Opdat het gereedschap veilig en betrouwbaar blijft, dienen alle reparaties, onderhoud of afstellingen te worden uitgevoerd bij een erkend Makita service centrum.

ACCESSOIRES

LET OP:

- Deze accessoires of hulpstukken worden aanbevolen voor gebruik met het Makita gereedschap dat in deze gebruiksaanwijzing wordt beschreven. Het gebruik van andere accessoires of hulpstukken kan gevaar voor persoonlijke verwonding opleveren. Gebruik de accessoires of hulpstukken uitsluitend voor het gespecificeerde doel.

Wenst u meer informatie over deze accessoires, neem dan contact op met het dichtstbijzijnde Makita servicecentrum.

- Verlengstuk (rechte buis)
- Mondstuk
- Mondstuk voor tapijt
- Hoekmondstuk
- Borstel voor schoonmaken van planken
- Buigzame buis
- Papierpak
- Batterijkapje
- Batterijpak
1200/1220/1202/1222/1202A/1234/1235 /1235A
- Batterijpak 1420/1422/1434/1435
- Stelplaat
- Acculader Model DC1411
- Snellader DC1439

Explicación de los dibujos

1	Cartucho de baterías	5	Palanca de conmutación	9	Boquilla para esquinas
2	Botón pulsador	6	Gancho	10	Boquilla
3	Tornillo	7	Borde delantero	11	Varilla de extensión
4	Placa de fijación	8	Caja de la aspiradora		

ESPECIFICACIONES

Modelo	4013D	4033D
Capacidades	0,5 L	0,5 L
Uso continuado (con la batería 1222/1422)	aprox. 14 min.	aprox. 14 min.
Longitud total	465mm	473 mm
Peso neto	0,89kg	0,89 kg
Tensión nominal	CC 12 V	CC 14,4V

- Debido a un programa continuo de investigación y desarrollo, las especificaciones aquí dadas están sujetas a cambios sin previo aviso.
- Nota: Las especificaciones pueden ser diferentes de país a país.

Uso previsto

La herramienta ha sido prevista para recoger polvo seco.

INSTRUCCIONES DE SEGURIDAD IMPORTANTES

ENAA005-2

Quando se utiliza un aparato eléctrico, siempre se deben tomar precauciones básicas, incluidas las siguientes:

LEA TODAS LAS INSTRUCCIONES ANTES DE UTILIZAR EL APARATO.

ADVERTENCIA - Para reducir el riesgo de sufrir un incendio, una descarga eléctrica o heridas:

1. No exponga el aparato a la lluvia. Almacene el aparato en interiores.
2. No permita que el aparato sea utilizado como juguete. Es necesario prestar mucha atención cuando el aparato es utilizado cerca de niños.
3. Utilice el aparato solamente de la forma descrita en este manual. Utilice solamente los accesorios recomendados por el fabricante.
4. No utilice el aparato con una batería dañada. Si el aparato no está funcionando como es debido, si se ha dejado caer, se ha dañado, se ha dejado en exteriores, o se ha caído al agua, llévelo a un centro de servicio.
5. No maneje el aparato con las manos mojadas.
6. No ponga ningún objeto dentro de las aberturas. No utilice el aparato con ninguna de sus aberturas bloqueada; manténgalo libre de polvo, hilachas, pelo, y cualquier cosa que pueda reducir la circulación del aire.
7. Mantenga el pelo, ropa holgada, dedos, y todas las partes del cuerpo alejadas de las aberturas y partes en movimiento.
8. Desactive todos los controles antes de extraer la batería.
9. Utilice cuidado especial cuando limpie en escaleras.
10. No utilice el aparato para recoger líquidos inflamables o combustibles, tal como gasolina, ni en áreas donde pueda haber tales líquidos.

11. Utilice solamente el cargador suministrado por el fabricante para recargar.

12. No recoja nada que esté quemándose o echando humo, tal como cigarrillos, cerillas, o cenizas calientes.

13. No utilice el aparato sin los filtros instalados.

14. No cargue la batería en exteriores.

15. Los niños pequeños deberán ser supervisados para asegurarse de que no juegan con el aparato.

16. Este aparato no ha sido pensado para ser usado por personas (incluidos niños) con sus capacidades físicas, sensoriales o mentales mermadas, o sin experiencia y conocimiento, a menos que una persona responsable de su seguridad la supervise o les dé instrucciones sobre el uso del aparato.

GUARDE ESTAS INSTRUCCIONES.

Este aparato ha sido previsto para ser utilizado en el hogar.

NORMAS DE SEGURIDAD ADICIONALES

ENB114-1

1. Lea este manual de instrucciones y el manual de instrucciones del cargador atentamente antes de utilizar el aparato.
2. Nos aspire materiales mojados, cigarrillos encendidos o cosas por el estilo.
3. Pare la herramienta inmediatamente si nota algo anormal.
4. Si deja caer o golpea la aspiradora, compruebe cuidadosamente antes de usarla a ver si tiene alguna grieta o se ha dañado.
5. No acerque la aspiradora a estufas u otras fuentes de calor.
6. No bloquee el agujero de entrada de aire o los agujeros de ventilación.

GUARDE ESTAS INSTRUCCIONES.

INSTRUCCIONES DE SEGURIDAD IMPORTANTES PARA EL CARGADOR Y CARTUCHO DE BATERÍA

ENC004-1

- Antes de utilizar el cartucho de batería, lea todas las instrucciones e indicaciones de precaución sobre (1) el cargador de baterías, (2) la batería, y (3) el producto con el que se utiliza la batería.
- No desarme el cartucho de batería.
- Si el tiempo de uso del cartucho de batería se acorta demasiado, deje de usarlo inmediatamente. Podría resultar en un riesgo de recalentamiento, posibles quemaduras e incluso una explosión.
- Si entra electrolito en sus ojos, aclárelos con agua limpia y vea a un médico inmediatamente. Existe el riesgo de poder perder la vista.
- Cubra siempre los terminales de la batería con la tapa de la batería cuando no esté usando el cartucho de batería.
- No cortocircuite el cartucho de batería:
 - No toque los terminales con ningún material conductor.
 - Evite guardar el cartucho de batería en un cajón junto con otros objetos metálicos, tales como clavos, monedas, etc.
 - No exponga el cartucho de batería al agua ni a la lluvia.
Un cortocircuito en la batería puede producir una gran circulación de corriente, un recalentamiento, posibles quemaduras e incluso una rotura de la misma.
- No guarde la herramienta ni el cartucho de batería en lugares donde la temperatura pueda alcanzar o exceder los 50°C.
- Nunca incinere el cartucho de batería incluso en el caso de que esté dañado seriamente o ya no sirva en absoluto. El cartucho de batería puede explotar si se tira al fuego.
- Tenga cuidado de no dejar caer ni golpear el cartucho de batería.

GUARDE ESTAS INSTRUCCIONES.

Consejos para alargar al máximo la vida de servicio de la batería

- Cargue el cartucho de batería antes de que se descargue completamente.
Pare siempre la operación y cargue el cartucho de batería cuando note menos potencia en la herramienta.
- No cargue nunca un cartucho de batería que esté completamente cargado.
La sobrecarga acortará la vida de servicio de la batería.
- Cargue el cartucho de batería a temperatura ambiente de 10°C – 40°C. Si un cartucho de batería está caliente, déjelo enfriar antes de cargarlo.
- Cargue el cartucho de batería de hidruro metálico de níquel cuando no lo utilice durante más de seis meses.

INTRUCCIONES PARA EL FUNCIONAMIENTO

Instalación o extracción del cartucho de batería (Fig. 1)

- Apague siempre la aspiradora antes de insertar o extraer el cartucho de batería.
- Para retirar el cartucho de la batería, saquélo de la aspiradora mientras presiona los botones a cada lado del mismo.
- Para insertar el cartucho de la batería, alinee la lengüeta del cartucho de batería con la acanaladura en el alojamiento y deslícelo hasta alojarlo en su lugar. Insértelo siempre a fondo hasta que quede bloqueado produciendo un ligero chasquido. En caso contrario, podría caerse accidentalmente de la aspiradora y causarle heridas a usted o a alguien que se encuentre cerca de usted.
- No inserte a la fuerza el cartucho de batería. Si el cartucho no entra fácilmente, éste no estará introduciéndose correctamente.

Instalación de la placa de fijación (acesorio opcional) para 4013D solamente (Fig. 2)

Instale siempre la placa de fijación cuando utilice los cartuchos de baterías 1200, 1202 ó 1202A. Instale la placa de fijación en la máquina empleando los tornillos suministrados.

Carga

Cargue debidamente el cartucho de batería con el cargador Makita antes del uso.

Para este limpiador se pueden utilizar las siguientes baterías:

Modelo	Tipo de batería	Capacidad (mAh)	Número de elementos
4013D	1200, 1220	1300	10
	1202, 1222, 1202A	2000	10
	1234	2600	10
	1235, 1235A	3000	10
4033D	1420	1300	12
	1422	2000	12
	1434	2600	12
	1435	3000	12

Funcionamiento del interruptor (Fig. 3)

PRECAUCIÓN:

- Antes de utilizar la aspiradora, asegúrese siempre de que la bolsa de recogida de polvo o bolsa de papel esté debidamente instalada en la aspiradora. Una instalación defectuosa podría permitir la entrada de polvo en el motor, resultando en un funcionamiento defectuoso de la aspiradora.
- Apague siempre la herramienta después de cada vez que la use para evitar dañarla y para alargar la vida útil de las baterías.

Para poner en funcionamiento la aspiradora, deslice la palanca de conmutación hacia la posición "I".

Para detener la aspiradora, deslice la palanca de conmutación hacia la posición "O".

Para vaciar el polvo recogido

PRECAUCIÓN:

Vacíe la aspiradora antes de que se llene demasiado, porque, de lo contrario, disminuiría la fuerza de aspiración.

Presione los botones y abra la tapa delantera. (Fig. 4)

Saque con cuidado la bolsa de recogida de polvo de la aspiradora de manera que no se derrame el contenido. Vacíe el contenido de la bolsa. (Fig. 5)

Vacíe también el polvo de dentro de la aspiradora en sí. De lo contrario, el filtro de esponja podría obstruirse o dañarse el motor. (Fig. 6)

Instalación de la bolsa de recogida de polvo

Coloque la bolsa dentro de la cavidad de la aspiradora. (Fig. 7)

Inserte el soporte de la bolsa de recogida de polvo hasta el fondo de la acanaladuras de la cavidad de la aspiradora. (Fig. 8)

PRECAUCIÓN:

Si se olvidase de instalar la bolsa de recogida de polvo, no introdujese el soporte de la bolsa de recogida de polvo hasta el fondo de la acanaladuras o usase una bolsa rota o rasgada, el polvo podría entrar en el motor. Esto podría causar un fallo en el motor.

Enganche la tapa delantera en el borde delantero de la aspiradora. Luego cierre la tapa delantera. (Fig. 9)

NOTA:

- Cuando instale la bolsa de papel, siga el mismo procedimiento que para la bolsa de recogida de polvo.
- Despliegue siempre la nueva bolsa de papel antes instalarla en la aspiradora.

Conservación de la boquilla para esquinas (Fig. 10)

Cuando no la utilice, la boquilla para esquinas podrá guardarse convenientemente en el cuerpo de la aspiradora.

Limpieza (aspiración)

Boquilla (Fig. 11)

Coloque la boquilla al limpiar mesas, muebles etc. La boquilla entra con facilidad.

Boquilla + varilla de extensión (tubo recto) (Fig. 12)

La varilla de extensión se coloca entre la boquilla y la aspiradora misma. Este arreglo es práctico para limpiar un suelo sin necesidad de agacharse.

Boquilla para esquinas (Fig. 13)

Coloque la boquilla para esquinas al limpiar esquinas o hendiduras de un coche o muebles.

Boquilla para esquinas + varilla de extensión (tubo recto) (Fig. 14)

En lugares estrechos donde no sea posible introducir la aspiradora, o en lugares altos difíciles de alcanzar, se podrá recurrir a este arreglo.

También se puede aspirar polvo sin colocar la boquilla.

(Fig. 15)

MANTENIMIENTO

PRECAUCIÓN:

Asegúrese siempre de que la aspiradora está apagada y de que el cartucho de baterías está quitado antes de realizar cualquier trabajo en la aspiradora.

Después de usar la aspiradora (Fig. 16)

Cuando guarde el aspirador, cuélguelo de un clavo utilizando el colgador conveniente de la parte posterior.

Limpieza (Fig. 17)

Limpie de vez en cuando el exterior (la caja) de la aspiradora con un paño humedecido en agua con jabón. No utilice nunca gasolina, bencina, alcohol, disolvente o similares. Podría producir decoloración o grietas.

Lave de vez en cuando la bolsa de recogida de polvo en agua con jabón. Séquela completamente antes de utilizarla. Una bolsa de recogida de polvo insuficientemente seca podría causar una succión deficiente y acortar la vida útil del motor.

Para mantener la seguridad y fiabilidad del producto, las reparaciones, el mantenimiento y los ajustes deberán ser realizados por un Centro de Servicio Autorizado de Makita.

ACCESORIOS

PRECAUCIÓN:

- Estos accesorios o acoplamientos están recomendados para utilizar con su herramienta Makita especificada en este manual. El empleo de cualesquiera otros accesorios o acoplamientos conllevará un riesgo de sufrir heridas personales. Utilice los accesorios o acoplamientos solamente para su fin establecido.

Si necesita cualquier ayuda para más detalles en relación con estos accesorios, pregunte a su centro de servicio Makita local.

- Varilla de extensión (tubo recto)
- Boquilla
- Boquilla para alfombra
- Boquilla para esquinas
- Cepillo para repisas
- Tubo flexible
- Bolsa de papel
- Tapa de la batería
- Cartucho de batería
1200/1220/1202/1222/1202A/1234/1235/1235A
- Cartucho de batería 1420/1422/1434/1435
- Tope
- Cargador de Batería Modelo DC1411
- Cargador rápido DC1439

Explicação geral

1 Bateria	5 Alavanca interruptora	9 Bocal para cantos
2 Botão de pressão	6 Gancho	10 Bocal
3 Parafuso	7 Aba frontal	11 Vara de extensão
4 Placa de apoio	8 Corpo do aspirador	

ESPECIFICAÇÕES

Modelo	4013D	4033D
Capacidade	0,5 L	0,5 L
Funcionamento contínuo (com a bateria 1222/1422)	aprox. 14 min.	aprox. 14 min.
Comprimento total	465 mm	473 mm
Peso	0,89 kg	0,89 kg
Voltagem nominal	12 V C.C.	14,4 V C.C.

- Devido a um programa contínuo de pesquisa e desenvolvimento, estas especificações podem ser alteradas sem aviso prévio.
- Nota: As especificações podem variar de país para país.

Utilização a que se destina

A ferramenta foi concebida para aspirar poeira seca.

IMPORTANTES INSTRUÇÕES DE SEGURANÇA

EN A005-2

Quando utiliza aparelhos eléctricos, deve-se sempre observar as precauções básicas, inclusive as seguintes:

LEIA TODAS AS INSTRUÇÕES ANTES DE UTILIZAR ESTE APARELHO.

AVISO - Para reduzir o risco de incêndio, choque eléctrico ou ferimentos:

1. Não exponha à chuva. Guarde dentro de casa.
2. Não permita que seja utilizado como brinquedo. Tenha cuidado especialmente quando o aparelho for utilizado por crianças ou próximo delas.
3. Utilize-o somente de acordo com as instruções deste manual. Utilize somente os acessórios recomendados pelo fabricante.
4. Não utilize com uma bateria danificada. Se o aparelho não funcionar correctamente, for derrubado, danificado, deixado ao ar livre ou cair na água, leve-o ao centro de assistência.
5. Não manuseie o aparelho com as mãos molhadas.
6. Não coloque nenhum objecto nas aberturas. Não o utilize com uma abertura bloqueada; mantenha-o limpo, sem poeira, pêlos, cabelos ou qualquer outra coisa que possa reduzir o fluxo de ar.
7. Mantenha os cabelos, roupas largas, dedos e outras partes do corpo afastadas das aberturas e das peças em movimento.
8. Desligue todos os controlos antes de retirar a bateria.
9. Tenha cuidado especialmente ao limpar escadas.

10. Não utilize para aspirar líquidos inflamáveis ou combustíveis, tal como gasolina, nem utilize em áreas onde esses produtos podem estar presentes.
11. Utilize somente o carregador fornecido pelo fabricante para recarregar.
12. Não utilize para aspirar algo que está a queimar ou a soltar fumo, tal como cigarros, fósforos ou cinzas quentes.
13. Não utilize sem os filtros devidamente instalados.
14. Não carregue a bateria ao ar livre.
15. Deve-se supervisionar as crianças para que elas não brinquem com a ferramenta.
16. Esta ferramenta não é para ser utilizada por pessoas (inclusive crianças) com capacidades físicas, sensoriais ou mentais reduzidas ou sem experiência e conhecimento, a menos que sejam supervisionadas ou recebam instruções da pessoa responsável pela segurança sobre a utilização da ferramenta.

GUARDE ESTAS INSTRUÇÕES.

Este aparelho destina-se à utilização doméstica.

REGRAS DE SEGURANÇA ADICIONAIS

EN B114-1

1. Antes de utilizar o aparelho, leia cuidadosamente este manual de instruções bem como o manual do carregador.
2. Não aspire materiais molhados, cigarros acesos ou semelhantes.
3. Pare o funcionamento imediatamente se notar qualquer anomalia.
4. Se deixar cair o aspirador ou for atingido por qualquer coisa, verifique cuidadosamente qualquer falha ou estrago antes da operação.
5. Não o aproxime de fornos ou outras fontes de calor.
6. Não bloqueie o orifício de entrada ou os orifícios de ventilação.

GUARDE ESTAS INSTRUÇÕES.

IMPORTANTES INSTRUÇÕES DE SEGURANÇA PARA O CARREGADOR E BATERIA

ENC004-1

1. Antes de utilizar a bateria, leia todas as instruções e etiquetas de precaução no (1) carregador de bateria (2) bateria e (3) produto que utiliza a bateria.
2. Não abra a bateria.
3. Se o tempo de funcionamento se tornar excessivamente curto, páre o funcionamento imediatamente. Pode resultar em sobreaquecimento, possíveis queimaduras e mesmo explosão.
4. Se entrar electrólito nos seus olhos, lave-os com água e consulte imediatamente um médico. Pode resultar em perda de visão.
5. Cubra sempre os terminais da bateria com a capa da bateria quando a não estiver a utilizar.
6. Não corte-circuite a bateria:
 - (1) Não toque nos terminais com qualquer material condutor.
 - (2) Evite guardar a bateria juntamente com outros objectos metálicos tais como pregos, moedas, etc.
 - (3) Não exponha a bateria à água ou chuva. Um curto-circuito pode ocasionar um enorme fluxo de corrente, sobreaquecimento, possíveis queimaduras e mesmo estragar-se.
7. Não guarde a ferramenta e a bateria em locais onde a temperatura pode atingir ou exceder 50°C.
8. Não queime a bateria mesmo que esteja estragada ou completamente gasta. A bateria pode explodir no fogo.
9. Tenha cuidado para não deixar cair ou dar pancadas na bateria.

GUARDE ESTAS INSTRUÇÕES.

Conselhos para manter a máxima vida útil da bateria

1. Carregue a bateria antes que esteja completamente descarregada. Páre sempre o funcionamento da ferramenta e carregue a bateria quando notar menos poder na ferramenta.
2. Nunca carregue uma bateria completamente carregada. Carregamento excessivo diminui a vida útil da bateria.
3. Carregue a bateria à temperatura ambiente de 10°C – 40°C. Deixe que uma bateria quente arrefeça antes de a carregar.
4. Carregue a bateria de Níquel Metal Hídrico quando não a utilizar durante mais do que seis meses.

INSTRUÇÕES DE FUNCIONAMENTO

Para colocar ou retirar a bateria (Fig. 1)

- Desligue sempre o aspirador antes de colocar ou retirar a bateria.
- Para tirar a bateria, retire-a do aspirador enquanto pressiona os botões em ambos os lados da bateria.

- Para colocar a bateria, alinhe a saliência na bateria com a ranhura no suporte e deslize-a para o seu lugar. Coloque-a sempre até ao fim, até que fique preso no lugar com um clique. Se assim não for, pode acidentalmente cair do aspirador, ferindo-o ou a alguém à sua volta.
- Não force para colocar a bateria. Se a bateria não deslizar facilmente é porque não está a ser colocada correctamente.

Colocação da placa de apoio (acessório opcional) apenas para o modelo 4013D (Fig. 2)

Coloque sempre a placa de apoio quando utiliza baterias 1200, 1202 ou 1202A. Coloque a placa de apoio na máquina com o parafuso fornecido.

Carregamento

Carregue a bateria correctamente com o seu carregador Makita antes da utilização.

Pode carregar as seguintes baterias para o aspirador:

Modelo	Tipo de bateria	Capacidade (mAh)	Número de células
4013D	1200, 1220	1300	10
	1202, 1222, 1202A	2000	10
	1234	2600	10
	1235, 1235A	3000	10
4033D	1420	1300	12
	1422	2000	12
	1434	2600	12
	1435	3000	12

Acção do interruptor (Fig. 3)

PRECAUÇÃO:

- Certifique-se sempre de que o saco do pó ou de papel está colocado correctamente no aspirador antes da utilização. Má colocação pode originar entrada de pó no motor e estragar o aspirador.
- Desligue sempre o aspirador depois de cada utilização para evitar estragar o aspirador e aumentar a vida útil das baterias.

Para ligar o aspirador, deslize a alavanca interruptora para a frente, para a posição "I".

Para parar o aspirador, deslize a alavanca interruptora para trás, para a posição "O".

Disposição do pó

PRECAUÇÃO:

Esvazie o aspirador antes que fique muito cheio ou a força de sucção diminui.

Pressione os botões e abra a cobertura central. (Fig. 4) Retire cuidadosamente o saco de pó do aspirador de modo a não entornar o conteúdo. Esvazie o saco do pó. (Fig. 5)

Tire também o pó de dentro do aspirador. Se não o fizer pode bloquear o filtro de esponja ou estragar o motor. (Fig. 6)

Colocação do saco do pó

Coloque o saco do pó na cavidade do aspirador. (Fig. 7)
Coloque o suporte do saco do pó até ao fim nas ranhuras da cavidade do aspirador. (Fig. 8)

PRECAUÇÃO:

Esquecer de colocar o saco do pó, não colocar o suporte do saco do pó até ao fim nas ranhuras ou utilizar um saco roto ou estragado pode fazer com que pó entre no motor. Pode estragar o motor.

Enganche a cobertura frontal na aba frontal do aspirador. Em seguida feche a cobertura frontal. (Fig. 9)

NOTA:

- Quando coloca o saco de papel siga os mesmos procedimentos que para o saco para o pó.
- Abra sempre o saco de papel novo antes de o colocar no aspirador.

Armazenamento do bocal para cantos (Fig. 10)

Quando não estiver em utilização, o bocal para cantos pode ser guardado convenientemente dentro do corpo do aspirador.

Limpeza (Sucção)

Bocal (Fig. 11)

Instale o bocal para limpar mesas, secretárias, móveis, etc. O bocal coloca-se facilmente.

Bocal + Vara de extensão (tubo direito) (Fig. 12)

A vara de extensão é colocada entre o bocal e o aspirador. É muito conveniente para aspirar o chão sem se baixar.

Bocal para cantos (Fig. 13)

Coloque o bocal para cantos para limpar cantos ou frinchas num automóvel ou em mobílias.

Bocal para cantos + Vara de extensão (tubo direito) (Fig. 14)

Em locais estreitos, onde o aspirador não pode entrar, ou locais altos de difícil acesso, utilize esta combinação. Também é possível aspirar pó sem o bocal. (Fig. 15)

MANUTENÇÃO

PRECAUÇÃO:

Certifique-se sempre de que o aspirador se encontra desligado e de que a bateria foi retirada antes de efectuar qualquer inspecção e manutenção.

Depois da utilização (Fig. 16)

Quando guarda o aspirador, pendure-o num prego utilizando o gancho existente na parte posterior.

Limpeza (Fig. 17)

De tempos a tempos limpe o exterior (corpo) do aspirador com um pano humedecido em água e sabão. Nunca utilize gasolina, benzina, álcool, diluente nem produtos semelhantes. Pode ocorrer a descoloração ou rachaduras.

Ocasionalmente lave o saco do pó em água e sabão. Seque-o completamente antes da utilização. Se o saco estiver mal seco pode originar má sucção e diminuir a vida útil do motor.

Para manter a segurança e fiabilidade do produto, as reparações, manutenção e afinações deverão ser sempre efectuadas por um Centro de Assistência Autorizado Oficial Makita.

ACESSÓRIOS

PRECAUÇÃO:

- Estes acessórios ou acoplamentos são os recomendados para uso na ferramenta MAKITA especificada neste manual. A utilização de qualquer outro acessórios ou acoplamento poderá ser perigosa para o operador. Os acessórios ou acoplamentos devem ser utilizados de maneira adequada e apenas para os fins a que se destinam.

No caso de necessitar ajuda para mais detalhes sobre estes acessórios, consulte ao departamento de assistência local da Makita.

- Vara de extensão (tubo direito)
- Bocal
- Bocal para carpetes
- Bocal para cantos
- Escova para prateleiras
- Tubo flexível
- Saco de papel
- Cobertura da bateria
- Bateria
1200/1220/1202/1222/1202A/1234/1235/1235A
- Bateria 1420/1422/1434/1435
- Placa de apoio
- Carregador de Bateria Modelo DC1411
- Carregador rápido Modelo DC1439

Illustrationsoversigt

1 Akku	5 Afbryderknop	9 Fugemundstykke
2 Trykknop	6 Krog	10 Mundstykke
3 Skruer	7 Forkant	11 Forlængerrør
4 Låsebøjle	8 Støvsugerhus	

SPECIFIKATIONER

Model	4013D	4033D
Kapacitet	0,5 L	0,5 L
Driftstid pr. opladning (med akku 1222/1422)	ca. 14 min.	ca. 14 min.
Længde	465 mm	473 mm
Vægt	0,89 kg	0,89 kg
Spænding	DC 12 V	DC 14,4 V

- Ret til tekniske ændringer forbeholdes.
- Bemærk: Data kan variere fra land til land.

Tilsigtedeelse

Denne støvsuger er beregnet til opugning af tørt støv.

VIGTIGE SIKKERHEDSFORSKRIFTER

ENEA005-2

Når et elektrisk apparat anvendes, bør de elementære sikkerhedsregler altid følges, inklusive følgende:

LÆS ALLE INSTRUKTIONER INDEN DETTE APPARAT TAGES IBRUG.

ADVARSEL - Risikoen for brand, elektrisk stød og tilskadekomst kan reduceres ved at man iagttager følgende:

1. Udsæt ikke støvsugeren for regn. Opbevar støvsugeren inden døre.
2. Støvsugeren må ikke anvendes som legetøj. Nøje overvågning er nødvendig, hvis støvsugeren anvendes af eller i nærheden af børn.
3. Anvend kun støvsugeren som beskrevet i denne brugsvejledning. Anvend kun tilbehørsdele, som anbefales af fabrikanten.
4. Anvend ikke støvsugeren med et beskadiget batteri. Hvis støvsugeren ikke virker som den skal, er blevet tabt, efterladt uden døre eller har været under vand, skal den indleveres til et service-center til eftersyn.
5. Rør ikke ved støvsugeren med våde hænder.
6. Stik ikke nogen genstande ind i åbningerne. Anvend ikke støvsugeren med blokerede åbninger. Hold den fri for støv, frug, hår og alt hvad der kan hindre luftstrømmen.
7. Hold hår, løse beklædningsgenstande og alle kroppsdele på god afstand af åbningerne og de bevægende dele.
8. Deaktiver alle kontroller, inden batteriet tages ud.
9. Udvis ekstra forsigtighed ved rengøring på trapper.
10. Anvend ikke støvsugeren til at opsuge antændelige eller brændbare væsker, som for eksempel benzin, og anvend ikke støvsugeren på steder, hvor disse væsker kan forefindes.
11. Anvend kun den oplader, som leveres af fabrikanten til genopladning.

12. Opsug ikke noget, som brænder eller ryger, som for eksempel cigaretter, tændstikker eller varm aske.
13. Anvend ikke støvsugeren uden at filterne er sat på plads.
14. Oplad ikke batteriet uden døre.
15. Børn skal til enhver tid være under opsyn, så det sikres, at de ikke leger med støvsugeren.
16. Denne støvsuger er ikke beregnet til at anvendes af personer (inklusive børn) med nedsatte fysiske, opfattelsesmæssige eller mentale evner, med mindre de er under opsyn eller har modtaget instruktioner i, hvordan støvsugeren anvendes, af en person, som er ansvarlig for deres sikkerhed.

GEM DISSE INSTRUKTIONER

Denne støvsuger er beregnet til husholdningsbrug.

SUPPLERENDE SIKKERHEDSREGLER

ENB114-1

1. Læs denne brugsvejledning og instruktionerne for opladning grundigt inden brugen.
2. Brug aldrig maskinen til varm aske, varme metalspåner eller væske.
3. Sluk øjeblikkeligt for støvsugeren, hvis De bemærker noget unormalt.
4. Hvis maskinen har været udsat for slag eller andre voldsomme fysiske påvirkninger, skal den før brug undersøges omhyggeligt for revner og andre beskadigelser.
5. Udsæt ikke maskinen for ekstrem varme fra f.eks. brændeovn og lignende.
6. Blokér ikke maskinen sugehul eller ventilationsåbninger.

GEM DISSE INSTRUKTIONER

VIGTIGE SIKKERHEDSFORSKRIFTER FOR OPLADER & BATTERIPATRON

ENC004-1

1. Læs alle instruktioner og advarselmærkater på (1) batteriopladeren, (2) batteriet og (3) produktet, som anvender batterier.
2. Lad være med at skille batteripatronen ad.

- Hold straks op med at anvende opladeren, hvis brugstiden er blevet stærkt afkortet. Fortsat anvendelse kan resultere i risiko for overophedning, forbrændinger og endog eksplosion.
- Hvis du har fået batterielektrolyt i øjnene, skal du straks skylle den ud med rent vand og derefter øjeblikkeligt søge lægehjælp. I modsat fald kan resultatet blive, at du mister synet.
- Dæk altid batteriterminalerne med batteridækslet, når batteripatronen ikke anvendes.
- Vær påpasselig med ikke at komme til at kortslutte batteripatronen:
 - Rør ikke ved terminalerne med noget ledende materiale.
 - Undgå at opbevare batteripatronen i en beholder sammen med andre genstande af metal, som for eksempel søm, mønter og lignende.
 - Udsæt ikke batteripatronen for vand eller regn.
 Kortslutning af batteriet kan være årsag til en kraftig øgning af strømmen, overophedning, mulige forbrændinger og endog maskinstop.
- Opbevar ikke maskinen og batteripatronen på et sted, hvor temperaturen kan nå eller overstige 50°C.
- Lad være med at brænde batteriet, selv ikke i tilfælde, hvor det har lidt alvorlig skade eller er fuldstændig udtjent. Batteripatronen kan eksplodere, hvis man forsøger at brænde den.
- Lad være med at brænde batteriet eller udsætte det for stød.

GEM DENNE BRUGSANVISNING.

Tips til opnåelse af maksimal batterilevetid

- Oplad altid batteripatronen, inden den er helt afladet.
Stop altid maskinen og oplad batteripatronen, hvis det bemærkes, at maskineffekten er dalende.
- Genoplad aldrig en fuldt opladet batteripatron. Overopladning vil afkorte batteriets levetid.
- Oplad batteripatronen ved stuetemperatur ved 10°C – 40°C. Lad altid en varm batteripatron få tid til at køle af, inden den oplades.
- Oplad nikkel-metal-hybrid batteripatronen, hvis den ikke skal anvendes i mere end seks måneder.

ANVENDELSE

Isætning og udtagning af akku (Fig. 1)

- Sluk altid for støvsugeren, før isætning og udtagning af akku.
- For at fjerne akkuen trykkes samtidigt på knapperne på begge sider af akkuen og den trækkes ud af støvsugeren.
- For at sætte en ny akku i, placeres denne så fjeren på akkuen passer med noten i åbningen på støvsugeren. Akkuen skubbes helt i bund indtil den klikker på plads i begge sider. Kontrollér altid at akkuen er helt fastlåst ved at trække i den.
- Brug aldrig magt, når akkuen sættes i. Hvis ikke akkuen glider i uden besvær, er det fordi, at den vender forkert.

Montering af låsebøjle (ekstraudstyr) kun for 4013D (Fig. 2)

Monter altid låsebøjlen ved anvendelse af akkuerne 1200, 1202 eller 1202A. Monter låsebøjlen på maskinen ved hjælp af de medfølgende skruer.

Opladning

Oplad akkuen korrekt ved hjælp af Deres Makita oplader før brug.

Følgende akkuer kan benyttes til denne støvsuger.

Model	Akku-type	Kapacitet (mAh)	Antal celler
4013D	1200, 1220	1300	10
	1202, 1222, 1202A	2000	10
	1234	2600	10
	1235, 1235A	3000	10
4033D	1420	1300	12
	1422	2000	12
	1434	2600	12
	1435	3000	12

Afbryderbetjening (Fig. 3)

ADVARSEL:

- For anvendelse bør det kontrolleres, at støvposen eller papirposen er korrekt monteret i støvsugeren. Hvis disse ikke korrekt monteret, kan der trænge støv ind i motoren, hvilket kan resultere i beskadigelse af støvsugeren.
- Sluk altid for sugeren efter brug for at forhindre beskadigelse af sugeren og for at forlænge akkuens brugstid.

For at starte støvsugeren skydes afbryderknappen frem til "I" position.

For at stoppe støvsugeren skydes afbryderknappen tilbage til "O" position.

Tømning

ADVARSEL:

Tøm støvsugeren før den bliver for fuld, ellers mindskes sugeeffekten.

Tryk knapperne ind og åbn fordækslet. (Fig. 4)

Tag forsigtigt posen ud så indholdet ikke spildes. Tøm posen, engangsposer smides ud. (Fig. 5)

Rengør også støvsugeren indvendig. Hvis dette ikke gøres, tilstoppes maskinens støvfilter og maskinens effekt nedsættes eller motoren bliver ødelagt. (Fig. 6)

Montering af støvposen

Sæt posen ind i støvsugerens hulrum. (Fig. 7)

Sæt posens holder helt ind i noterne. (Fig. 8)

ADVARSEL:

Hvis maskinen bruges uden støvpose, med en revnet pose eller hvis posen ikke er rigtig isat, kan der trænge støv ind i motoren og maskinen kan ødelægges.

Hægt fordækslet på forkanten på støvsugeren. Luk fordækslet. (Fig. 9)

BEMÆRK:

- Når der monteres en papirpose, følges de samme instruktioner som for støvposen.

- Fold altid en ny papirpose ud før den monteres i sugeren.

Opbevaring af fugemundstykke (Fig. 10)

Når fugemundstykket ikke er i brug, kan det bekvemt opbevares i støvsugerens hus.

Støvsugning

Alm. mundstykke (Fig. 11)

Sæt mundstykket direkte på maskinen når møbler og borde skal støvsuges.

Alm. mundstykke + forlængerrør (Fig. 12)

Sæt forlængerrøret mellem maskine og mundstykke når der støvsuges gulv.

Fugemundstykke (Fig. 13)

Brug fugemundstykket når der skal støvsuges i hjørner og sprækker.

Fugemundstykke + forlængerrør (Fig. 14)

Brug fugemundstykke og forlængerrør når der skal støvsuges i hjørner og sprækker, der sidder højt eller lavt.

Det er også muligt at suge støv, uden at mundstykket anvendes. (Fig. 15)

VEDLIGEHOLDELSE

ADVARSEL:

Sørg altid for at støvsugeren er slukket, og at akkuen er taget ud før der gennemføres noget arbejde på selve støvsugeren.

Efter brug (Fig. 16)

Når støvsugeren skal opbevares, kan den hænges op på et søm ved hjælp af den bekvemme ophængsanordning anbragt bagerst på maskinen.

Rengøring (Fig. 17)

Tør ydersiden af støvsugeren (støvsugerhuset) af fra tid til anden med en klud, som er fugtet med sæbevand. Anvend aldrig benzin, rensebenzin, alkohol, fortynder og lignende substanser. Resultatet kan blive misfarvning eller revner.

For at opretholde produktets sikkerhed og pålidelighed, må istandsættelse, vedligeholdelse eller justering kun udføres af et autoriseret Makita service center.

TILBEHØR

FORSIGTIG:

- Det i denne manual specificerede tilbehør og anordninger anbefales til brug sammen med Deres Makita maskine. Brug af andet tilbehør og andre anordninger kan udgøre en risiko for personskaade. Anvend kun tilbehør og anordninger til de beskrevne formål.

Hvis De behøver assistance eller yderligere detaljer om dette tilbehør, bedes De kontakte Deres lokale Makita servicecenter.

- Forlængerrør (lige rør)
- Mundstykke
- Mundstykke til tæppe
- Fugemundstykke
- Børstemundstykke
- Flexslange
- Papirpose
- Akkukappe
- Akku 1200/1220/1202/1222/1202A/1234/1235 /1235A
- Akku 1420/1422/1434/1435
- Indstillingsplade
- Akku-ladeaggregat Model DC1411
- Hurtiglader DC1439

Förklaring av allmän översikt

1 Kraftkasset	5 Strömbrytarknäpp	9 Elementmunstycke
2 Tryckspärr	6 Krok	10 Munstycke
3 Skruv	7 Fronttapp	11 Förlängningsrör
4 Läsplatta	8 Dammsugarkropp	

TEKNISKA DATA

Modell	4013D	4033D
Kapacitet	0,5 L	0,5 L
Sugtid (med batteri 1222/1422)	ca 14 min.	ca 14 min.
Total längd	465 mm	473 mm
Nettovikt	0,89 kg	0,89 kg
Märkspänning	12 V DC	14,4 V DC

- På grund av det kontinuerliga programmet för forskning och utveckling, kan här angivna tekniska data ändras utan föregående meddelande.
- Observera! Tekniska data kan variera i olika länder.

Avsedda användningsområden

Maskinen är avsedd för uppsugning av torrt damm.

VIKTIGA SÄKERHETSANVISNINGAR

ENAO05-2

Vid användning av en elektrisk utrustning ska alltid grundläggande säkerhetsregler följas, bland annat följande:

LÄS ALLA INSTRUKTIONER INNAN UTRUSTNINGEN ANVÄNDS.

VARNING - För att minska risken för brand, stöt eller skada:

1. Utsätt inte utrustningen för regn. Förvara den inomhus.
2. Låt den inte användas som leksak. Var särskilt uppmärksam när den används i närheten av barn.
3. Använd endast i enlighet med den här bruksanvisningen. Använd endast tillverkarens rekommenderade fästen.
4. Använd inte om batteriet är skadat. Om utrustningen inte fungerar som den ska, om den har tappats, skadats, legat utomhus eller tappats i vatten ska den lämnas in till ett servicecenter.
5. Hantera inte i utrustningen med våta händer.
6. För inte in föremål i någon av öppningarna. Använd inte om någon öppning är tilltäppt; håll den fri från damm, ludd, hårstrån och annat som kan minska luftflödet.
7. Håll ditt hår, löst sittande kläder, fingrar och andra kroppsdelar borta från öppningar och rörliga delar.
8. Stäng av apparaten helt innan batterier byts.
9. Var särskilt försiktig vid dammsugning av trappor.
10. Sug inte upp brandfarliga eller brännbara vätskor såsom bensin och använd inte apparaten i närheten av sådana.
11. Ladda upp batteriet endast med den laddare som tillverkaren levererade tillsammans med apparaten.
12. Sug inte upp något som brinner eller ryker såsom cigaretter, tändstickor och het aska.

13. Använd inte utan att filtret sitter på plats.
14. Ladda inte batteriet utomhus.
15. Tillse att inte barn leker med apparaten.
16. Den här apparaten är inte avsedd att användas av personer med fysiska, sensoriska eller mentala handikapp eller andra (såsom barn) som saknar erfarenhet eller kunskap såvida inte dessa övervakas eller handleds av någon säkerhetsansvarig.

SPARA DESSA ANVISNINGAR.

Denna apparat är avsedd för hushållsbruk.

YTTERLIGARE SKYDDSÅTGÄRDER

ENB114-1

1. Läs denna bruksanvisning och laddarens bruksanvisning noga före användning.
2. Sug inte upp våta material, tända cigaretter eller liknande.
3. Avbryt omedelbart om något inte fungerar som det ska.
4. Om dammsugaren har tappats eller utsatts för slag måste du kontrollera att den inte har skadats eller fått sprickor innan du använder den på nytt.
5. Håll borta från spisar och andra värmekällor.
6. Blockera inte hål för luftintag eller ventilation.

SPARA DESSA ANVISNINGAR.

VIKTIGA SÄKERHETSANVISNINGAR FÖR LADDARE OCH BATTERIKASSETT

ENCO04-1

1. Innan du börjar använda batteriladdaren bör du läsa alla anvisningar och varningstexter på (1) batteriladdaren, (2) batteriet och (3) den produkt till vilken batteriet används.
2. Tag inte isär batterikassetten.
3. Om driftstiden är kraftigt reducerad bör du avbryta driften omedelbart. Det finns i annat fall risk för överhettning, brännskador och även att batteriet exploderar.
4. Om det skulle komma in elektrolyt i dina ögon bör du tvätta ur ögonen med vatten, och sedan omedelbart söka medicinsk vård. Det finns risk för att du förlorar synen.
5. Se alltid till att batteripolerna är täckta med batteriskyddet när batterikassetten inte används.

6. **Kortslut inte batterikassetten:**
 - (1) Rör inte vid polerna med något ledande material.
 - (2) Undvik att förvara batterikassetter i samma förvaringsutrymme som andra metallföremål, till exempel spikar, mynt, osv.
 - (3) Rysätt inte batterikassetten för vatten och regn.
Om batterikassetten kortsluts kan det leda till ett kraftigt elektriskt flöde, överhettning, brännskador och även att batterikassetten exploderar eller spricker.
7. Förvara inte maskin och batterikassetter på platser där temperaturen kan stiga till eller överskrida 50°C.
8. Batterikassetten får inte eldas upp, även om den skulle vara svårt skadad eller helt utsliten. Den kan explodera om den slängs i en eld.
9. Var försiktig så att du inte tappar batterikassetten eller att den slår emot något.

SPARA DESSA ANVISNINGAR.

Tips för att upprätthålla batteriets maximala livslängd

1. Ladda upp batterikassetten innan den är fullständigt urladdad.
Stanna alltid maskinen och ladda batterikassetten om du märker att maskinen har dålig kraft.
2. Ladda aldrig upp en fulladdad batterikasset. Överladdning förkortar batteriets brukslik.
3. Ladda batterikassetten med en omgivande temperatur på 10°C – 40°C. Låt upphettade batterikassetter svalna innan de laddas.
4. Ladda upp nickel-metallhydrid-batterier som inte har använts på mer än sex månader.

BRUKSANVISNING

Montering och borttagning av batterikassetten (Fig. 1)

- Stäng alltid av dammsugaren innan batterikassetten sätts i eller tas ur.
- Ta bort kraftkassetten genom att dra av den från dammsugaren samtidigt som du trycker på knapparna på båda sidorna av kassetten.
- Sätt på kraftkassetten genom att passa in tungan på kraftkassetten mot skåran i maskinhuset och skjuta den i läge. Skjut alltid in kraftkassetten ända in tills den låses i läge med ett litet klickljud. Om kraftkassetten inte låses i läge kan den av misstag falla ur sitt läge och därmed orsaka skador på dig själv eller personer i närheten.
- Tvinga inte in batterikassetten när den sätts i. Om batterikassetten in lätt glider i läge sätts den inte i korrekt.

Montering av läsplattan (extra tillbehör) gäller endast för 4013D (Fig. 2)

Montera alltid läsplattan vid användning av kraftkassetterna 1200, 1202 eller 1202A. Montera läsplattan på maskinen med den medföljande skruven.

Laddning

Ladda batterikassetten ordentligt med din Makita batteriladdare före användning.

Följande batterier kan användas till den här dammsugaren.

Modeller	Batterityp	Kapacitet (mAh)	Antal celler
4013D	1200, 1220	1300	10
	1202, 1222, 1202A	2000	10
	1234	2600	10
	1235, 1235A	3000	10
4033D	1420	1300	12
	1422	2000	12
	1434	2600	12
	1435	3000	12

Strömbrytarens funktion (Fig. 3)

FÖRSIKTIGHET:

- Se alltid till att dammbehållaren eller pappersbehållaren är ordentligt isatt i dammsugaren före användning. Felaktig isättning kan resultera i att damm och skräp kommer in i motorn och orsakar driftstörningar hos dammsugaren.
- Stäng alltid av dammsugaren efter varje användningstillfälle för att förhindra skador på dammsugaren, och för att förlänga batteriernas livslängd.

Skjut strömbrytarknappen framåt till läget "I" för att starta dammsugaren.

Skjut tillbaka strömbrytarknappen till läget "O" för att stänga av dammsugaren.

Tömning av dammbehållaren

FÖRSIKTIGHET:

Töm dammsugaren innan den blir överfull för att förhindra att sugkapaciteten minskar.

Tryck in knapparna och öppna frontluckan. (Fig. 4)

Lyft försiktigt ut dammbehållaren ur dammsugaren så att innehållet inte spills ut. Töm påsen på dess innehåll. (Fig. 5)

Töm också ut damm som finns inne i själva dammsugaren. Om dammet inte avlägsnas kan det orsaka att skumgummifiltret sätts igen och att motorn skadas. (Fig. 6)

Montering av dammbehållaren

Placera dammbehållaren i dammsugarens hålighet. (Fig. 7)

Sätt i dammbehållarens hållare hela vägen i spåren i dammsugarens hålighet. (Fig. 8)

FÖRSIKTIGHET:

Om dammbehållaren glöms att sättas i, eller om dammbehållarens hållare inte sätts i hela vägen i spåren eller om en trasig eller sönderriven dammbehållare används kan det komma in damm i motorn. Detta kan resultera i motorhaveri.

Haka fast frontluckan på dammsugarens fronttapp. Stäng sedan frontluckan. (Fig. 9)

OBSERVERA!

- Följ samma monteringsanvisning som för dammbehållaren vid montering pappersbehållare.

- Veckla alltid ut en ny pappersbehållare innan den monteras på dammsugaren.

Förvaring av hörnmunstycket (Fig. 10)

När hörnmunstycket inte används kan det praktiskt förvaras i dammsugarkroppen.

Rengöring (insug)

Munstycke (Fig. 11)

Montera munstycket direkt till dammsugaren vid användning på bord, bänkar, stolar och andra högt belägna ytor.

Munstycke + förlängningsrör (rakt rör) (Fig. 12)

Förlängningsröret monteras mellan munstycket och själva dammsugaren. Det är praktiskt att använda så att man kan stå rakt vid golvsättning.

Elementmunstycke (Fig. 13)

Använd elementmunstycket vid rengöring i hörnor eller springor på en bil eller en möbel.

Elementmunstycke + förlängningsrör (rakt rör)

(Fig. 14)

Denna kombination kan användas i trånga utrymmen där dammsugaren är för stor för att komma åt och på höga ställen som är svåra att nå.

Det går även att dammsuga utan munstycket. (Fig. 15)

UNDERHÅLL

FÖRSIKTIGHET:

Tillse alltid att dammsugaren är fränkopplad och att batteriet tagits ur dammsugaren innan Du utför arbete på denna.

Efter användning (Fig. 16)

Förvara dammsugaren hängande på en spik, med hjälp av den praktiska upphängningsanordningen på baksidan.

Rengöring (Fig. 17)

Torka av dammsugarens utsida (dammsugarkroppen) då och då med en trasa som är fuktad i tvålatten. Använd inte bensin, lacknafta, alkohol, thinner eller liknande. Det kan leda till missfärgning och sprickor.

Tvätta ibland dammbehållaren i tvålatten. Låt den torka ordentligt innan den används igen. En dåligt torkad dammbehållare kan orsaka dålig sugförmåga och förkorta motorns livslängd.

För att bibehålla produktens säkerhet och tillförlitlighet, bör alltid reparationer, underhållsservice och justeringar utföras av auktoriserad Makita serviceverkstad.

TILLBEHÖR

FÖRSIKTIGHET:

- Dessa tillbehör och tillsatser rekommenderas för att användas tillsammans med den Makita-maskin som anges i denna bruksanvisning. Om några andra tillbehör eller tillsatser används kan det uppstå risk för personskador. Använd endast tillbehören och tillsatserna för de syften de är avsedda för.

Kontakta ditt lokala Makita servicecenter om du behöver hjälp med ytterligare detaljer om dessa tillbehör.

- Förlängningsrör (rakt rör)
- Munstycke
- Munstycke för mattor
- Elementmunstycke
- Hyllborste
- Böjbar slang
- Pappersbehållare
- Kraftskydd
- Kraftkasset
- 1200/1220/1202/1222/1202A/1234/1235/1235A
- Kraftkasset 1420/1422/1434/1435
- Stållplatta
- Batteriladdar Modell DC1411
- Snabbbladdare DC1439

Forklaring til generell oversikt

1	Batteri	5	Bryterhendel	9	Smalt munnstykke
2	Trykknapp	6	Krok	10	Munnstykke
3	Skruer	7	Forkant	11	Forlengelsesrør
4	Stilleplate	8	Støvsuger		

TEKNISKE DATA

Modell	4013D	4033D
Kapasitet	0,5 L	0,5 L
Kontinuerlig bruk (med batteri 1222/1422)	ca. 14 min.	ca. 14 min.
Total lengde	465 mm	473 mm
Netto vekt	0,89 kg	0,89 kg
Klassifisert spenning	D.C. 12 V	D.C. 14,4 V

- Grunnet det kontinuerlige forsknings- og utviklingsprogrammet, forbeholder vi oss retten til å foreta endringer i tekniske data uten forvarsel.
- Merknad: Tekniske data kan variere fra land til land.

Bruksområde

Verktøyet er beregnet på oppsamling av tørt støv.

VIKTIG SIKKERHETSANVISNINGER

ENA005-2

Når du bruker et elektrisk apparat, må du alltid følge de grunnleggende sikkerhetsanvisningene, inklusive de nedenstående:

LES ALLE ANVISNINGENE FØR DU BEGYNNER Å BRUKE DETTE APPARATET.

ADVARSEL – For å redusere brannfaren og faren for elektrisk støt eller helseskade:

1. Må ikke utsettes for regn. Oppbevares innendørs.
2. Må ikke brukes som leketøy. Vær ekstra oppmerksom når apparatet brukes av eller i nærheten av barn.
3. Må kun brukes som angitt i denne håndboken. Bruk bare tilbehør som er anbefalt av produsenten.
4. Må ikke brukes med ødelagt batteri. Hvis apparatet ikke virker som det skal, er blitt mistet i bakken, ødelagt, gjenglemt utendørs eller mistet i vann, må du levere det inn til et servicesenter.
5. Ikke håndter apparatet med våte hender.
6. Ikke putt gjenstander inn i åpningene. Må ikke brukes hvis noen av åpningene er blokkert; må holdes fri for støv, lo, hår og alt annet som kan redusere luftstrømmen.
7. Hold hår, løstsittende klær, fingrene og alle kroppsdeler unna åpninger og bevegelige deler.
8. Slå av alle kontrollere før du tar ut batteriet.
9. Vær ekstra forsiktig når du gjør rent i trapper.
10. Må ikke brukes til å ta opp brennbare eller eksplosive væsker, som bensin, og må heller ikke brukes i områder hvor disse kan forekomme.
11. Lading må kun foregå med den laderen som fulgte med fra produsenten.
12. Ikke plukk opp noe som brenner eller ryker, som sigaretter, fyrstikker eller varm aske.
13. Må ikke brukes uten at filterne er på plass.
14. Ikke lad batteriet utendørs.

15. Pass på at barn ikke leker med apparatet.
16. Denne enheten er ikke beregnet på bruk av personer (inklusive barn) med nedsatt sanseevne eller reduserte mentale evner, eller mangel på erfaring og kunnskap, med mindre disse personene har fått innføring eller opplæring i bruk av enheten av en person som er ansvarlig for sikkerheten deres.

TA VARE PÅ DISSE ANVISNINGENE.

Denne enheten er beregnet på å brukes i husholdningen.

EKSTRA SIKKERHETSREGLER

ENB114-1

1. Les både denne og laderens bruksanvisning nøye før bruk.
2. Støvsugeren må ikke brukes til oppsuging av våte gjenstander, tente sigaretter eller lignende.
3. Slå støvsugeren av omgående hvis noe unormalt oppdages.
4. Hvis støvsugeren faller i gulvet, må den sjekkes for sprekker eller andre skader før den tas i bruk.
5. Støvsugeren må holdes unna ovner eller andre varmekilder.
6. Inntaks- eller ventilasjonshull må ikke blokkeres.

TA VARE PÅ DISSE ANVISNINGENE.

VIKTIGE SIKKERHETSANVISNINGER FOR LADER OG BATTERI

ENC004-1

1. Før du begynner å bruke batteriet, må du lese alle anvisninger og forsiktighetsregler på (1) batteriladeren, (2) batteriet og (3) det produktet batteriet skal brukes i.
2. Ikke ta fra hverandre batteriet.
3. Hvis driftstiden er blitt vesentlig kortere, må du omgående slutte å bruke verktøyet. Hvis ikke kan resultatet bli overoppheting, mulige forbrenninger eller til og med en eksplosjon.
4. Hvis du får elektrolytt i øynene, må du skylle dem med store mengder rennende vann og oppsøke lege med én gang. Denne typen uhell kan føre til varig blindhet.
5. Når batteriet ikke er i bruk, må batteripolene alltid være tildekket av batteridekselet.

6. Ikke kortslutt batteriet.

- (1) Ikke berør batteripolene med ledende materialer.
- (2) Ikke lagre batteriet i samme beholder som andre metallgjenstander, som for eksempel spiker, mynter osv.
- (3) Ikke la batteriet komme i kontakt med vann eller regn.

En kortslutning av batteriet kan føre til et kraftig strømstøt, overoppvarming, mulige forbrenninger og til og med til at batteriet går i stykker.

7. Ikke lagre verktøyet og batteriet på steder hvor temperaturen kan komme opp i eller overskride 50°C.
8. Ikke sett fyr på batteriet, ikke engang om det er sterkt skadet eller helt utslitt. Batteriet kan eksplodere hvis det begynner å brenne.
9. Vær forsiktig så du ikke mister batteriet eller utsetter det for slag.

TA VARE PÅ DISSE ANVISNINGENE.

Tips for å opprettholde maksimal batterilevetid

1. Lad batteriet igjen for det er fullstendig utladet. Hold alltid opp å bruke verktøyet når du merker at det er lite strøm på batteriet. Sett batteriet til lading.
2. Et helt oppladet batteri må aldri settes til ny lading. Overopplading forkorter batteriets levetid.
3. Lad opp batteriet ved romtemperatur, dvs. 10°C – 40°C. Hvis batteriet er varmt, må det få avkjøle seg før lading.
4. Lad nikkelmetallhybrid-batteriet når du ikke har brukt det på mer enn seks måneder.

BRUKSANVISNINGER

Montering eller demontering av batteriet (Fig. 1)

- Støvsugeren må alltid slås av før batteriet settes i eller tas ut.
- Batteriet fjernes fra støvsugeren ved å trekke det ut samtidig som knappene på begge sider av batteriet trykkes inn.
- Batteriet settes i ved å passe tungen på batteriet inn etter sporet i kammeret og så skyve det på plass. Batteriet må føres helt inn til det låses på plass med et lite klikk. Hvis dette ikke gjøres kan det falle ut mens støvsugeren er i bruk, og påføre brukeren eller eventuelle tilstedeværende legemsskader.
- Batteriet må ikke settes i med makt. Hvis det ikke med letthet glir på plass er det fordi det settes i på feil måte.

Montere stilleplaten (ekstraustyr) kun gjelder 4013D (Fig. 2)

Stilleplaten må alltid monteres når batteri 1200, 1202 eller 1202A brukes. Monter stilleplaten på maskinen med den vedlagte skruen.

Lading

Lad batteriet skikkelig opp med Makita-laderen før bruk. Følgende batterier kan brukes til denne støvsugeren:

Modeller	Batteritype	Kapasitet (mAh)	Antall celler
4013D	1200, 1220	1300	10
	1202, 1222, 1202A	2000	10
	1234	2600	10
	1235, 1235A	3000	10
4033D	1420	1300	12
	1422	2000	12
	1434	2600	12
	1435	3000	12

Bryter (Fig. 3)

NB!

- Støvposen eller papirposen må alltid være skikkelig montert på støvsugeren før bruk. Feil montering kan få støv til å trenge inn i motoren og ødelegge støvsugeren.
- Støvsugeren må alltid slås av etter bruk så skader unngås og batterienes brukstid ikke reduseres.

Støvsugeren startes ved å skyve bryterhendelen forover mot "I"-posisjonen.

Støvsugeren stoppes ved å skyve bryterhendelen tilbake mot "O"-posisjonen.

Tømming av støv

NB!

Tøm støvposen når den er full, ellers vil sugeevnen reduseres.

Trykk inn knappene for å åpne frontdekslet. (Fig. 4)

Ta støvposen forsiktig ut av støvsugeren så innholdet ikke faller ut. Tøm posen. (Fig. 5)

Tøm også selve støvsugeren for støv som har satt seg fast på innsiden. Hvis dette ikke gjøres kan støv stoppe til filteret og ødelegge motoren. (Fig. 6)

Montering av støvposen

Sett støvposen inn i hulrommet på støvsugeren. (Fig. 7) Sett støvposeholderen helt inn i åpningene i hulrommet på støvposen. (Fig. 8)

NB!

Hvis du skulle glemme å montere støvposen på sugeren, ikke sette støvsugens holder helt inn i åpningene eller bruke en flerret eller ødelagt pose, kan støv trenge inn i motoren og forårsake motortrøbbel.

Monter frontdekslet fast på forkanten av støvsugeren. Lukk frontdekslet igjen. (Fig. 9)

MERKNAD:

- Ved montering av papirposen følges samme fremgangsmåte som for støvposen.
- Ny papirpose må alltid brettes ut før den monteres på støvsugeren.

Oppbevaring av hjørnemunnstykke (Fig. 10)

Når hjørnemunnstykket ikke er i bruk, kan det oppbevares på selve støvsugeren.

Rengjøring (suging)

Munnstykke (Fig. 11)

Ved rengjøring av bord, pulter, møbler, etc., er munnstykket et praktisk hjelpemiddel.

Munnstykke + forlengelsesrør (rett rør) (Fig. 12)

Forlengelsesrøret kan settes på mellom munnstykket og selve støvsugeren. Dette er praktisk til rengjøring av gulv siden du ikke behøver å bøye deg.

Smalt munnstykke (Fig. 13)

Praktisk til rengjøring av hjørner og sprekker i en bilkupe eller på møbler.

Smalt munnstykke + forlengelsesrør (rett rør) (Fig. 14)

Til steder der det er vanskelig å komme til, eller steder høyt oppe.

Støv kan også suges opp uten munnstykket. (Fig.15)

VEDLIKEHOLD

NB!

Før det utføres arbeider på støvsugeren må du alltid forvise seg om at støvsugeren er slått av og akkumulatoren er tatt ut.

Etter bruk (Fig. 16)

Når støvsugeren settes til oppbevaring, henges den på veggen på en spiker fra kroken på baksiden.

Rengjøring (Fig. 17)

Fra tid til annen bør støvsugeren tørkes utvendig med en klut som er godt oppvridd i såpevann. Bruk aldri bensin, rensbensin, alkohol, tynner eller liknende. Dette kan resultere i misfarging eller sprekkdannelse.

Vask støvposen i såpevann med jevne mellomrom. La posen tørke skikkelig før bruk. Hvis posen brukes før den er helt tørr, vil sugeevnen reduseres og motorens brukstid forkortes.

For å garantere at maskinen arbeider sikkert og pålitelig bør reparasjoner, servicearbeider eller innstillinger utføres av et autorisert Makita-serviceverksted.

TILLEGGSUTSTYR

ADVARSEL:

- Tilleggsutstyr eller tilbehør som anbefales for din Makita-maskin er spesifisert i denne bruksanvisningen. Bruk av annet tilleggsutstyr eller tilbehør enn dette kan øke risikoen for personskader. Tilleggsutstyr eller annet tilbehør må bare brukes for de formål det er beregnet for.

Hvis du har behov for flere detaljer som gjelder dette ekstrautstyret, spør ditt lokale Makita servicesenter om hjelp.

- Forlengelsesrør (rett rør)
- Munnstykke
- Teppemunnstykke
- Smalt munnstykke
- Hyllekost
- Bøyelig slange
- Papirpose
- Batterideksel
- Batteri 1200/1220/1202/1222/1202A/1234/1235/1235A
- Batteri 1420/1422/1434/1435
- Stilleplate
- Batterilader Modell DC1411
- Hurtiglader DC1439

Yleisselostus

1 Akku	5 Vipukytkin	9 Rakosuulake
2 Painike	6 Koukku	10 Suulake
3 Ruuvi	7 Etureuna	11 Jatkoputki
4 Pohjalevy	8 Imurin runko	

TEKNISET TIEDOT

Malli	4013D	4033D
Imuteho	0,5 L	0,5 L
Jatkuva käyttö (akulla 1222/1422)	noin 14 min.	noin 14 min.
Kokonaispituus	465 mm	473 mm
Paino	0,89 kg	0,89 kg
Nimellisjännite	12 V tasavirta	14,4 V tasavirta

- Jatkuvan tutkimus- ja kehitysohjelman vuoksi pidämme oikeuden muuttaa tässä mainittuja teknisiä ominaisuuksia ilman ennakkoilmoitusta.
- Huomautus: Tekniset ominaisuudet saattavat vaihdella eri maissa.

Käyttötarkoitus

Kone on tarkoitettu kuivien roskien keräämiseen.

TÄRKEITÄ TURVAOHJEITA

ENAO05-2

Sähkölaitetta käytettäessä on aina noudatettava muun muassa seuraavia perustavia ohjeita:

LUE KAIKKI KÄYTTÖOHJEET ENNEN TÄMÄN LAITTEEN KÄYTTÄMISTÄ.

VAROITUS – Tulipalon, sähköiskun tai tapaturman estämiseksi:

- Älä altista laitetta sateelle. Säilytä se sisätiloissa.
- Älä anna käyttää laitetta leluna. Erityinen tarkkaavaisuus on tarpeen, kun lapset käyttävät laitetta tai sitä käytetään heidän lähellään.
- Käytä vain tässä ohjekirjassa kuvatulla tavalla. Käytä vain valmistajan suosittelemia lisälaitteita.
- Älä käytä, jos akku on vaurioitunut. Jos laite ei toimi oikein, jos se on pudonnut, vaurioitunut, jäänyt ulos tai pudonnut veteen, palauta se huoltokeskukseen.
- Älä käsittele laitetta märin käsin.
- Älä pane mitään esineitä aukkoihin. Älä käytä, jos jokin aukko on tukossa. Pidä puhtaana pölystä, nukasta, karvoista ja kaikesta, joka voi heikentää ilmavirtaa.
- Pidä hiukset, väljät vaatteet, sormet ja kaikki ruumiinosat etäällä aukoista ja liikkuvista osista.
- Sammuta kaikki säätimet ennen akun irrottamista.
- Ole erityisen varovainen, kun siivoat portaissa.
- Älä imuroi tulenarkoja tai palavia nesteitä, kuten bensiiniä, tai käytä alueilla, joilla niitä voi esiintyä.
- Käytä lataukseen vain valmistajan toimittamaa laturia.
- Älä imuroi mitään palavaa tai savuavaa, kuten savukkeita, tulitikkuja tai kuumaa tuhkaa.
- Älä käytä laitetta, jos suodattimet eivät ole paikoillaan.
- Älä lataa akkua ulkona.

15. Lapsia on valvottava sen varmistamiseksi, että he eivät leiki laitteella.

16. Tätä laitetta ei ole tarkoitettu sellaisten henkilöiden (lapset mukaan lukien) käyttöön, joilla on heikentyneitä fyysisiä, aisti- tai henkisiä kykyjä tai joilta puuttuu kokemus ja tieto, ellei heidän turvallisuudestaan vastaava henkilö ole valvonut ja opastanut heitä laitteen käytystä.

SÄILYÄ NÄMÄ OHJEET.

Tämä laite on tarkoitettu kotitalouskäyttöön.

LISÄTURVAOHJEITA IMURILLE

ENB114-1

- Lue tämä ohjekirja ja laturin ohjekirja huolellisesti ennen käyttöä.
- Älä imuroi märkiä roskea, palavia savukkeita tms.
- Lopeta laitteen käyttäminen välittömästi, jos havaitset jotain tavallisuudesta poikkeavaa.
- Jos pudotat imurin tai kolhit sitä, tarkasta laite huolellisesti mahdollisten murtumien tai vaurioiden varalta, ennen kuin käytät sitä.
- Pidä imuri loitolla uuneista ja muista lämpölähteistä.
- Älä peitä ilmanottoaukkoa tai ilmanpoistoaukkoja.

SÄILYÄ NÄMÄ OHJEET.

TÄRKEITÄ TURVAOHJEITA AKULLE JA AKKULATAAJALLE

ENC004-1

- Lue kaikki (1) akkulataajan, (2) akun ja (3) akkua käyttävän laitteen ohjeet ja varoitusmerkinnät ennen akkulataajan käyttöä.
- Älä pura akkua osiinsa.
- Jos käyttöaika lyhenee huomattavasti, lopeta työskentely välittömästi. Tämä voi aiheuttaa ylikuumenemisen, mahdollisia palovammoja ja jopa räjähdyksen.
- Jos akkuhappoa pääsee silmiin, huuhtelee ne puhtaalla vedellä ja hakeudu heti lääkäriin. Tämä voi aiheuttaa näön menetyksen.
- Peitä akkuliittimet aina akkukansilla, kun akkua ei käytetä.

6. Älä kytkä akkua oikosulkuun:
 - (1) Älä kosketa liittimiä millään sähköä johtavalla esineellä.
 - (2) Älä säilytä akkua yhdessä metalliesineiden kuten nauhojen, kolikoiden tms. kanssa.
 - (3) Suojaa akku vedeltä ja sateelta. Akun oikosulku voi aiheuttaa voimakkaan sähkövirran, ylikuumentumisen, mahdollisia palovammoja ja konerikon.
7. Älä säilytä konetta ja akkua paikoissa, joiden lämpötila voi nousta tai kohota yli 50°C.
8. Älä hävitä akkua polttamalla, vaikka se olisi pahasti vioittunut tai kulunut loppuun. Akku voi räjähtää tulessa.
9. Varo pudottamasta ja kolhimasta akkua.

SÄILYTÄ NÄMÄ OHJEET.

Vihjeitä akun käyttöiän maksimoimiseksi

1. Lataa akku ennen kuin se on kokonaan purkautunut.
Jos huomaat käyttövoiman heikentyneen, lopeta aina koneen käyttäminen ja lataa akku.
2. Älä koskaan lataa täyteen ladattua akkua. Liiallinen lataaminen lyhentää akun käyttöikää.
3. Lataa akku huoneenlämmössä 10°C – 40°C. Anna kuumen akkun jäähtyä ennen sen lataamista.
4. Lataa nikkelimetallihydridiakku, jos sitä ei käytetä yli puoleen vuoteen.

KÄYTTÖOHJEET

Akun kiinnittäminen ja irrottaminen (Kuva 1)

- Sammuta imuri aina ennen akun kiinnittämistä ja irrottamista.
- Akku irrotetaan vetämällä se koneesta samalla kun puristat akun molemmilla puolilla olevia painikkeita.
- Akku kiinnitetään asettamalla akussa oleva kieleke koteloon uraan. Työnnä akku aina kokonaan sisään siten, että se napsahtaa kevyesti paikalleen. Jos et toimi näin, akku saattaa pudota vahingossa irti koneesta aiheuttaen itsesi tai jonkun sivullisen loukkaantumisen.
- Älä käytä voimaa painaessasi akkua paikalleen. Jos akku ei mene helposti paikalleen, sitä ei ole kiinnitetty oikein.

Pohjalevyn kiinnittäminen (lisävaruste) vain mallissa 4013D (Kuva 2)

Kiinnitä aina pohjalevy käyttäessäsi akkua 1200, 1202 tai 1202A. Kiinnitä pohjalevy koneeseen varusteisiin kuuluvalla ruuvilla.

Lataaminen

Lataa akku Makita lataajalla kunnolla ennen käyttöä. Tässä imurissa voidaan käyttää seuraavia akkuja;

Malli	Akkutyyppi	Kapasiteetti (mAh)	Kennojen lukumäärä
4013D	1200, 1220	1300	10
	1202, 1222, 1202A	2000	10
	1234	2600	10
	1235, 1235A	3000	10
4033D	1420	1300	12
	1422	2000	12
	1434	2600	12
	1435	3000	12

Katkaisijan käyttäminen (Kuva 3)

VARO:

- Varmista aina ennen imurin käyttämistä, että pölypussi tai paperipussi on oikein asennettu. Väärin asennettu pussi voi päästää roskia moottoriin, mikä saattaa aiheuttaa imurin joutumisen epäkuntoon.
- Sammuta imuri aina jokaisen käyttökerran jälkeen. Näin estetään imurin vioittuminen ja akkujen käyttöikä pitenee.

Pölynimuri käynnistetään siirtämällä vipukytkintä eteenpäin asentoon "I".

Pölynimuri pysäytetään siirtämällä vipukytkin takaisin asentoon "O".

Roskien poistaminen

VARO:

Tyhjennä imuri ennen liiallista täyttymistä, tai imuteho heikkenee.

Purista painikkeita ja avaa etukansi. (Kuva 4)

Irrota pölypussi imurista varoen, jotta pussin sisältö ei valuisi ulos. Tyhjennä roskat pölypussista. (Kuva 5)

Poista myös itse imurin sisällä olevat roskat. Jos et toimi näin, sienisuodatin saattaa tukkeutua tai moottori vahingoittua. (Kuva 6)

Pölypussin kiinnittäminen

Aseta pölypussi imurissa olevaan aukkoon. (Kuva 7)

Työnnä pölypussin pidin kokonaan imurissa olevan aukon rakoihin. (Kuva 8)

VARO:

Jos pölypussia ei kiinnitetä paikalleen, pölypussin pidintä ei työnnetä kokonaan rakoihin tai jos käytetään rikki-näistä tai repeytyneitä pussia, moottoriin saattaa päästä roskia. Tämä saattaa aiheuttaa moottorin rikkoutumisen. Pujota etukansi kiinni imurin etureunaan. Sulje sitten etukansi. (Kuva 9)

HUOMAA:

- Noudata pölypussille annettuja ohjeita kiinnittäessäsi paperipussia.
- Levitä uusi paperipussi aina auki, ennen kuin kiinnität sen imuriin.

Rakosuulakkeen säilyttäminen (Kuva 10)

Kun rakosuulake ei ole käytössä, sitä voidaan säilyttää kätevästi pölynimurin rungossa.

Imurointi

Suutin (Kuva 11)

Liitä suutin puhdistaussasi pöytiä, hyllyjä, huonekaluja jne. Suutin asentuu helposti.

Suulake + jatkoputki (suora putki) (Kuva 12)

Jatkoputki sopii suulakkeen ja imurin väliin. Tästä on apua imuroitaessa lattiaa seisten.

Rakosuulake (Kuva 13)

Kiinnitä rakosuulake imuroidessasi nurkkia tai auton tai huonekalun rakoja.

Rakosuulake + jatkoputki (suora putki) (Kuva 14)

Käytä tätä yhdistelmää ahtaissa nurkissa, joihin imuri ei mahdu ja kurkotellessasi korkeisiin paikkoihin.

Öly ja roskat voidaan kerätä ilmiin suutinta.

Roskia voidaan imuroida myös ilman suulaketta.

(Kuva 15)

KUNNOSSAPITO

VARO:

Varmistaudu aina ennen kaikkia koneelle suoritettavia töitä, että kone on pysäytetty ja akku irrotettu.

Käytön jälkeen (Kuva 16)

Kun varastoit imurin, ripusta se imurin takana olevalla ripustimella koukkuun.

Puhdistaminen (Kuva 17)

Pyyhi imurin ulkopinnat (imurin runko) silloin tällöin saippuaveteen kostutetulla liinalla. Älä koskaan käytä bensiiniä, bentseeniä, alkoholia, tinneriä tai vastaavaa. Seurauksena voi olla värinmuutoksia tai murtumia.

Pese pölypussi silloin tällöin saippuavedellä. Kuivaa se perusteellisesti ennen käyttöä. Riittämättömästi kuivattu pölypussi saattaa aiheuttaa imutehon heikkenemistä ja lyhentää moottorin käyttöikää.

Laitteen käyttövarmuuden ja turvallisuuden vuoksi korjaukset ja muut huolto- ja säätötyöt saa suorittaa ainoastaan Makitan hyväksymä huoltopiste.

LISÄVARUSTEET

VARO:

- Näitä lisävarusteita ja -laitteita suositellaan käytettäväksi tässä ohjekirjassa mainitun Makitan koneen kanssa. Minkä tahansa muun lisävarusteen tai -laitteen käyttäminen voi aiheuttaa loukkaantumisvaaran. Käytä lisävarusteita ja -laitteita vain niiden käyttötarkoituksen mukaisesti.

Jos tarvitset apua tai yksityiskohtaisempia tietoja seuraavista lisävarusteista, ota yhteys paikalliseen Makitan huoltoon.

- Jatkoputki (suora putki)
- Suulake
- Mattosuulake
- Rakosuulake
- Hyllyharja
- Joustava letku
- Paperipussi
- Akkusuojaus
- Akku 1200/1220/1202/1222/1202A/1234/1235/1235A
- Akku 1420/1422/1434/1435
- Pohjalevy
- Akkulataaja malli DC1411
- Pikalaturi DC1439

Περιγραφή γενικής άποψης

1	Κασέτα μπαταρίας	5	Μοχλός διακόρτη	9	Στόμιο γωνιών
2	Πλήκτρο	6	Αγκιστρον	10	Στόμιο
3	Βίδα	7	Μπροστινό χείλος	11	Ράβδος επέκτασης
4	Σετ πλάκας	8	Σώμα σκούπας		

ΤΕΧΝΙΚΑ ΧΑΡΑΚΤΗΡΙΣΤΙΚΑ

Μοντέλο	4013D	4033D
Χωρητικότητα	0,5 λίτ	0,5 λίτ
Συνεχής χρήση (με μπαταρία 1222/1422)	περίπου 14 λεπ.	περίπου 14 λεπ.
Συνολικό μήκος	465 χιλ.	473 χιλ.
Καθαρό βάρος	0,89 Χγρ	0,89 Χγρ
Καθορισμένο βολτάζ.....	D.C. 12V	D.C. 14,4V

• Λόγω του συνεχιζόμενου προγράμματος έρευνας και ανάπτυξης, οι παρούσες προδιαγραφές υπόκεινται σε αλλαγή χωρίς προειδοποίηση.

• Παρατήρηση: Τα τεχνικά χαρακτηριστικά μπορεί να διαφέρουν από χώρα σε χώρα.

Προωρισμένη χρήση

Το εργαλείο προορίζεται για συλλογή ξηρής σκόνης.

ΣΗΜΑΝΤΙΚΕΣ ΟΔΗΓΙΕΣ ΑΣΦΑΛΕΙΑΣ

EN A005-2

Κατά τη χρήση μιας ηλεκτρικής συσκευής, θα πρέπει να τηρούνται πάντα οι βασικές προφυλάξεις, συμπεριλαμβανομένων των ακόλουθων:

ΔΙΑΒΑΣΤΕ ΟΛΕΣ ΤΙΣ ΟΔΗΓΙΕΣ ΠΡΙΝ ΑΠΟ ΤΗ ΧΡΗΣΗ ΑΥΤΗΣ ΤΗΣ ΣΥΣΚΕΥΗΣ.

ΠΡΟΕΙΔΟΠΟΙΗΣΗ – Προς μείωση του κινδύνου πυρκαγιάς, ηλεκτροπληξίας ή τραυματισμού:

1. Να μην εκτίθεται σε βροχή. Να φυλάσσεται σε εσωτερικό χώρο.
2. Δεν επιτρέπεται η χρήση της ως παιχνίδι. Απαιτείται ιδιαίτερη προσοχή κατά τη χρήση από ή κοντά σε παιδιά.
3. Να χρησιμοποιείται μόνο σύμφωνα με τις οδηγίες του παρόντος εγχειριδίου. Να χρησιμοποιούνται μόνο τα παρελκόμενα που συνιστά ο κατασκευαστής.
4. Να μη χρησιμοποιείται με μπαταρία που έχει υποστεί βλάβη. Εάν η συσκευή δεν λειτουργεί όπως θα έπρεπε, έχει υποστεί πτώση ή βλάβη, έχει αφεθεί σε εξωτερικό χώρο ή έχει πέσει μέσα σε νερό, να επιστραφεί σε κέντρο σέρβις.
5. Μη χειρίζεστε τη συσκευή με βρεγμένα χέρια.
6. Μην τοποθετείτε κανένα αντικείμενο μέσα στις οπές. Μη την χρησιμοποιείτε εάν παρουσιαστεί έμφραξη κάποιου ανοίγματος, να την διατηρείτε χωρίς ίχνη σκόνης, χνούδια, τρίχες και οτιδήποτε ενδέχεται να προκαλέσει μείωση της ροής του αέρα.
7. Φροντίστε ώστε να μην πλησιάζετε τις οπές και τα κινούμενα εξαρτήματα της συσκευής σε μαλλιά, χαλαρά είδη ρουχισμού, δάχτυλα και όλα τα μέρη του σώματος.
8. Να απενεργοποιείτε όλα τα στοιχεία ελέγχου πριν από την αφαίρεση της μπαταρίας.
9. Να προσέχετε ιδιαίτερα, όταν καθαρίζετε σκαλοπάτια.

10. Να μη χρησιμοποιείται για τη συλλογή εύφλεκτων ή καύσιμων υγρών, όπως βενζίνη, ή να χρησιμοποιείται σε χώρους παρουσία αυτών.

11. Για επαναφόρτιση, να χρησιμοποιείται μόνο ο φορτιστής που παρέχεται από τον κατασκευαστή.

12. Να μη χρησιμοποιείται για τη συλλογή οποιουδήποτε αντικείμενου καίγεται ή αναδίδει καπνό, όπως τσιγάρα, σπίρτα ή θερμές στάχτες.

13. Να μη χρησιμοποιείται χωρίς τη χρήση φίλτρων.

14. Μη φορτίζετε τη μπαταρία σε εξωτερικό χώρο.

15. Τα παιδιά θα πρέπει να επιτηρούνται, ώστε να διασφαλιστεί ότι δεν θα χρησιμοποιήσουν τη συσκευή ως παιχνίδι.

16. Η συσκευή αυτή δεν προορίζεται για χρήση από άτομα (συμπεριλαμβανομένων παιδιών) με μειωμένες σωματικές, αισθητικές ή διανοητικές ικανότητες, ή έλλειψη πείρας και γνώσεων, εκτός αν υπόκεινται σε επιτήρηση ή τους έχουν δοθεί οδηγίες που αφορούν τη χρήση της συσκευής, από το άτομο που είναι υπεύθυνο για την ασφάλειά τους.

ΦΥΛΑΞΤΕ ΑΥΤΕΣ ΤΙΣ ΟΔΗΓΙΕΣ.

Η συσκευή αυτή προορίζεται για οικιακή χρήση.

ΕΠΙΠΛΕΟΝ ΚΑΝΟΝΕΣ ΑΣΦΑΛΕΙΑΣ

EN B114-1

1. Διαβάστε προσεκτικά το παρόν εγχειρίδιο χρήσης όπως και το εγχειρίδιο χρήσης του φορτιστή πριν από τη χρήση.
2. Μη συλλέξετε υγρά υλικά, αναμμένα τσιγάρα ή παρόμοια.
3. Σταματήστε τη λειτουργία αμέσως αν παρατηρήσετε οτιδήποτε αφύσικο.
4. Εάν ριζέτε ή χτυπήσετε τη σκούπα, ελέγξτε τη για ρωγμές ή ζημιά πριν από τη λειτουργία.
5. Μη τη βάζετε κοντά σε θερμάστρες ή άλλες πηγές θερμότητας.
6. Μη φράζετε την τρύπα εισόδου ή τις τρύπες εξαερισμού.

ΦΥΛΑΞΤΕ ΤΙΣ ΟΔΗΓΙΕΣ ΑΥΤΕΣ.

ΣΗΜΑΝΤΙΚΕΣ ΟΔΗΓΙΕΣ ΑΣΦΑΛΕΙΑΣ ΓΙΑ ΦΟΡΤΙΣΤΗ ΚΑΙ ΚΑΣΕΤΑ ΜΠΑΤΑΡΙΑΣ

ENC004-1

1. Πριν χρησιμοποιήσετε την κασέτα μπαταρίας, διαβάστε όλες τις οδηγίες και σημειώσεις προφύλαξης (1) στον φορτιστή μπαταρίας, (2) στην μπαταρία και (3) στο προϊόν που χρησιμοποιείτε την μπαταρία.
2. Μην αποσυρναρμολογήσετε την κασέτα μπαταρίας.
3. Εάν ο χρόνος λειτουργίας έχει γίνει υπερβολικά βραχύς, σταματήστε την λειτουργία αμέσως. Αλλιώς, μπορεί να έχει ως αποτέλεσμα κίνδυνο υπερθέρμανσης, πιθανά εγκαύματα ή ακόμη και έκρηξη.
4. Εάν ηλεκτρολύτης μπορεί στα μάτια σας, ξεπλύνετε τα με καθαρό νερό και ζητήστε ιατρική φροντίδα αμέσως. Αλλιώς, μπορεί να έχει ως αποτέλεσμα απώλεια της όρασης σας.
5. Πάντοτε καλύπτετε τους πόλους της μπαταρίας με το κάλυμμα της μπαταρίας όταν η κασέτα μπαταρίας δεν χρησιμοποιείται.
6. Μην βραχυκυκλώνετε την κασέτα μπαταρίας:
 - (1) Μην αγγίζετε τους πόλους με οτιδήποτε αγώγιμο υλικό.
 - (2) Αποφύγετε να αποθηκεύετε την κασέτα μπαταρίας μέσα σε ένα δοχείο μαζι με άλλα μεταλλικά αντικείμενα όπως καρφιά, νομίσματα, κλπ.
 - (3) Μην εκθέτε την κασέτα μπαταρίας στο νερό ή στη βροχή.Ενα βραχυκύκλωμα μπαταρίας μπορεί να προκαλέσει μεγάλη ροή ρεύματος, υπερθέρμανση, πιθανά εγκαύματα ακόμη και σοβαρή βλάβη.
7. Μην αποθηκεύετε το εργαλείο και την κασέτα μπαταρίας σε τοποθεσίες όπου η θερμοκρασία μπορεί να φτάσει ή να ξεπεράσει τους 50°C.
8. Μην καίτε την κασέτα μπαταρίας ακόμη και εάν έχει σοβαρή ζημιά ή είναι εντελώς φθαρμένη. Η κασέτα μπαταρίας μπορεί να εκραγεί στην φωτιά.
9. Προσέχετε να μη ριζέτε κάτω ή χτυπήσετε την μπαταρία.

ΦΥΛΑΞΤΕ ΤΙΣ ΟΔΗΓΙΕΣ ΑΥΤΕΣ.

Συμβουλές για διατήρηση μέγιστης ζωής μπαταρίας

1. Φορτίζετε την κασέτα μπαταρίας πριν από την πλήρη αποφόρτιση της. Πάντοτε σταματάτε την λειτουργία του εργαλείου και φορτίζετε την κασέτα μπαταρίας όταν παρατηρείτε μειωμένη ισχύ εργαλείου.
2. Ποτέ μην επαναφορτίζετε μία πλήρως φορτισμένη κασέτα μπαταρίας. Υπερφόρτιση μειώνει την ωφέλιμη ζωή της μπαταρίας.
3. Φορτίζετε την κασέτα μπαταρίας σε θερμοκρασία δωματίου 10°C – 40°C. Αφήστε μία θερμή κασέτα μπαταρίας να κρυώσει πριν την φορτίσετε.
4. Φορτίστε την κασέτα μπαταρίας Μεταλλικού Υδριδίου Νικελίου όταν δεν την χρησιμοποιήσετε για περισσότερο από έξι μήνες.

ΟΔΗΓΙΕΣ ΧΡΗΣΗΣ

Εγκατάσταση ή απομάκρυνση της κασέτας μπαταρίας (Εικ. 1)

- Πάντοτε να σβήνετε τη σκούπα προτού εγκαταστήσετε ή απομακρύνετε την κασέτα μπαταρίας.
- Για να αφαιρέσετε τη κασέτα μπαταρίας, τραβήχτε τη έξω από το μηχανήμα ενώ πιέζετε τα πλήκτρα και στις δύο πλευρές της κασέτας.
- Για να τοποθετήσετε τη κασέτα μπαταρίας, ευθυγραμμίστε τη γλώσσα στη κασέτα μπαταρίας με την εγκοπή στο περίβλημα και σύρετε τη στη θέση της. Πάντα βάζετε τη βαθειά μέσα μέχρι να κλειδώσει στη θέση της με ένα μικρό κλικ. Διαφορετικά, μπορεί να πέσει έξω από το μηχανήμα, και να τραυμαίσει εσάς ή κάποιον άλλο.
- Μη χρησιμοποιείτε δύναμη όταν τοποθετείτε την κασέτα μπαταρίας. Εάν η κασέτα μπαταρίας δεν μπαίνει εύκολα, αυτό συμβαίνει επειδή δεν τοποθετείται σωστά.

Εγκατάσταση της πλάκας σετ (προαιρετικό ανταλλακτικό) μόνο για 4013D (Εικ. 2)

Πάντοτε να χρησιμοποιείτε την πλάκα σετ όταν χρησιμοποιείτε τις κασέτες μπαταρίας 1200, 1202, ή 1202A. Εγκαταστήστε την πλάκα σετ στο μηχανήμα με την βίδα που παρέχεται.

Φόρτιση

Φορτίστε κατάλληλα την κασέτα μπαταρίας με τον φορτιστή Μακίτα πριν από τη χρήση.

Οι ακόλουθες μπαταρίες μπορούν να χρησιμοποιηθούν για αυτή τη σκούπα.

Μοντέλο	Τύπος μπαταρίας	Χωρητικότητα	Αριθμός κυψελών
4013D	1200, 1220	1300	10
	1202, 1222, 1202A	2000	10
	1234	2600	10
	1235, 1235A	3000	10
4033D	1420	1300	12
	1422	2000	12
	1434	2600	12
	1435	3000	12

Λειτουργία διακόπτη (Εικ. 3)

ΠΡΟΣΟΧΗ:

- Πάντοτε να σιγουρεύεστε ότι ο σάκκος σκόνης ή ο χάρτινος πάκος είναι κατάλληλα τοποθετημένοι στην σκούπα πριν τη χρήση. Η λανθασμένη τοποθέτηση μπορεί να επιτρέψει τη σκόνη να μπει στο μοτέρ, προκαλώντας την δυσλειτουργία της σκούπας.
- Πάντοτε να κλείνετε την σκούπα μετά τη χρήση για την αποφυγή ζημιάς στην σκούπα και για την επιμήκυνση του χρόνου ζωής των μπαταριών.

Για να ξεκινήσετε τη σκούπα αναρρόφησης, σύρετε τον μοχλό διακόπτη προς τα εμπρός στη θέση "1". Για να σταματήσετε τη σκούπα αναρρόφησης, σύρετε τον μοχλό διακόπτη προς τα πίσω στη θέση "0".

Αδειασμα σκόνης

ΠΡΟΣΟΧΗ:

Αδειάστε τη σκούπα πριν γεμίσει πλήρως, διαφορετικά η δύναμη απορρόφησης μειώνεται.

Πιέστε τα πλήκτρα και ανοίξτε το μπροστινό κάλυμμα. **(Εικ. 4)**

Βγάλτε το σάκκο σκόνης από τη σκούπα προσεκτικά ώστε να μη χυθούν τα περιεχόμενα. Αδειάστε τα περιεχόμενα από το σάκκο σκόνης. **(Εικ. 5)**

Επίσης αδειάστε τη σκόνη μέσα από την ίδια τη σκούπα. Εάν δεν το κάνετε αυτό μπορεί να βουλώσει το σπογγώδες φίλτρο ή να πάθει ζημιά το μοτέρ. **(Εικ. 6)**

Τοποθέτηση σάκκου σκόνης

Τοποθετήστε το σάκκο σκόνης μέσα στη κοιλότητα της σκούπας. **(Εικ. 7)**

Βάλτε τη θήκη του σάκκου σκόνης πλήρως μέσα στις σχισμές της κοιλότητας της σκούπας. **(Εικ. 8)**

ΠΡΟΣΟΧΗ:

Αν ξεχάσετε να τοποθετήσετε το σάκκο σκόνης, ή δε βάλετε τη θήκη του σάκκου σκόνης καλά μέσα στις σχισμές, ή αν χρησιμοποιήσετε ένα σπασμένο ή σχισμένο σάκκο, σκόνη μπορεί να πάει στο μοτέρ. Αυτό μπορεί να προκαλέσει βλάβη στο μοτέρ.

Αγκιστρώστε το μπροστινό κάλυμμα πάνω στο μπροστινό χείλος της σκούπας. Μετά κλείστε το μπροστινό κάλυμμα. **(Εικ. 9)**

ΠΑΡΑΤΗΡΗΣΗ:

- Όταν τοποθετείτε το χάρτινο πάκο, ακολουθείτε τις ίδιες διαδικασίες για το σάκκο σκόνης.
- Πάντοτε ξεδιπλώνετε ένα νέο χάρτινο πάκο πριν το τοποθετήσετε στη σκούπα.

Αποθήκευση του ακροφυσίου γωνιών (Εικ. 10)

Όταν δεν χρησιμοποιείται, το ακροφύσιο γωνιών μπορεί να αποθηκευτεί πολύ βολικά στο σώμα της σκούπας.

Καθάρισμα (Απορρόφηση)

Στόμιο (Εικ. 11)

Προσαρμόστε το στόμιο για καθαρισμό τραπεζιών, γραφείων, επίπλων, κλπ. Το στόμιο προσαρμόζεται εύκολα.

Στόμιο + Ράβδος επέκτασης (Ισιος σωλήνας) (Εικ. 12)

Η ράβδος επέκτασης προσαρμόζεται μεταξύ του στομιού και της ίδιας της σκούπας. Αυτή η διάταξη είναι βολική για καθαρισμό του πατώματος από όρθια στάση.

Στόμιο γωνιών (Εικ. 13)

Προσαρμόστε το στόμιο γωνιών για καθαρισμό γωνιών και σχισμών αυτοκινήτων ή επίπλων.

Στόμιο γωνιών + Ράβδος επέκτασης

(Ισιος σωλήνας) (Εικ. 14)

Σε χώρους πολύ στενούς όπου η σκούπα δε χωράει να περάσει, ή σε ψηλά μέρη που είναι δύσκολο να φθάσει κανείς, χρησιμοποιείτε αυτή τη διάταξη.

Είναι επίσης δυνατό να γίνει αναρρόφηση σκόνης χωρίς το ακροφύσιο. **(Εικ. 15)**

ΣΥΝΤΗΡΗΣΗ

ΠΡΟΣΟΧΗ:

Πριν την εκτέλεση εργασιών με τη συσκευή διαβεβαιώστε πάντοτε, για το ότι η συσκευή σβήστηκε με απομακρυσμένο το συσσωρευτή.

Μετά τη χρήση (Εικ. 16)

Όταν αποθηκεύετε τη σκούπα, κρεμάστε την από ένα καρφί χρησιμοποιώντας το βολικό κρεμαστάρι.

Καθάρισμα (Εικ. 17)

Από καιρό σε καιρό σφουγγίζετε το εξωτερικό (σώμα σκούπας) της σκούπας με ένα πανί βουτηγμένο σε σαπουνάδα. Μην χρησιμοποιείτε ποτέ βενζίνη, πετρελαϊκό αιθέρα, αλκοόλη, διαλυτικό ή παρόμοιες ουσίες. Ενδέχεται να προκληθεί αποχρωματισμός ή ρωγμές.

Πλύνετε πότε-πότε το σάκκο σκόνης με σαπουνάδα. Στεγνώστε το σάκκο εντελώς πριν τη χρήση. Ένας μη καλά στεγνωμένος σάκκος μπορεί να προκαλέσει κακή απορρόφηση και να μειώσει τη ζωή του μοτέρ.

Για τη διασφάλιση της ισιουριάς και αξιοπιστίας των προϊόντων μας πρέπει οι επισκευές, εργασίες συντήρησης ή ρυθμίσεις να εκτελούνται από εξουσιοδοτημένα εργαστήρια σέρβις πελατών Μάκιτα.

ΕΞΑΡΤΗΜΑΤΑ

ΠΡΟΣΟΧΗ:

- Αυτά τα εξαρτήματα ή προσαρτήματα συνιστώνται για χρήση με το εργαλείο Μάκιτα που περιγράφηκε στις οδηγίες αυτές. Η χρήση οτιδήποτε άλλων εξαρτημάτων ή προσαρτημάτων μπορεί να προκαλέσει κίνδυνο τραυματισμού σε άτομα. Χρησιμοποιείτε τα εξαρτήματα ή προσαρτήματα μόνο για την χρήση που προορίζονται.

Εάν χρειάζεστε οποιαδήποτε βοήθεια για περισσότερες πληροφορίες σε σχέση με αυτά τα εξαρτήματα, απαντήστε στο τοπικό σας κέντρο εξυπηρέτησης Μάκιτα.

- Ράβδος επέκτασης (Ισιος σωλήνας)
- Στόμιο
- Στόμιο για χαλί
- Στόμιο γωνιών
- Βούρτσρα ραφιού
- Ευλύγιστος σωλήνας
- Χάρτινος πάκος
- Κάλυμμα μπαταρίας
- Κασέτα μπαταρίας
1200/1220/1202/1222/1202A/1234/1235/1235A
- Κασέτα μπαταρίας 1420/1422/1434/1435
- Σετ πλάκας
- Φορτιστής μπαταρίας Μοντέλο DC1411
- Ταχυφορτιστής DC1439

Makita Corporation

Anjo, Aichi, Japan

4013D-12L-1009