

Original Instruction Manual
Instructions d'emploi d'origine
Originalbetriebsanleitung
Manuale di istruzioni originale
Originele gebruiksaanwijzing
Instrucciones de manejo originales
Instruções de serviço original
Original brugsanvisning
Πρωτότυπο εγχειρίδιο οδηγιών
Orijinal Kullanım Kılavuzu

Important:

Read this instruction manual carefully before putting the Petrol String Trimmer into operation and strictly observe the safety regulations!
Preserve instruction manual carefully!

Important :

Veillez lire attentivement ce mode d'emploi avant d'utiliser la débroussailleuse thermique, et respectez strictement les consignes de sécurité !
Veillez à conserver ce mode d'emploi !

Wichtig:

Lesen Sie vor Verwendung des Motor-Rasentrimmers diese Bedienungsanleitung aufmerksam durch und halten Sie die Sicherheitsregeln strikt ein!
Bewahren Sie diese Bedienungsanleitung sorgfältig auf!

Importante:

Leggere attentamente il presente manuale di istruzioni prima di mettere in funzione il tagliabordi a benzina e rispettare rigorosamente le normative sulla sicurezza.
Conservare con cura il manuale di istruzioni.

Belangrijk:

Lees deze gebruiksaanwijzing aandachtig door voordat u de benzinegraskantmaaier in gebruik neemt en houdt u te allen tijde aan de veiligheidsinstructies!
Bewaar deze gebruiksaanwijzing zorgvuldig!

Importante:

Lea atentamente este manual de instrucciones antes de utilizar la desbrozadora y cumpla estrictamente la normativa de seguridad.
Conserve el manual de instrucciones con cuidado.

Importante:

Leia cuidadosamente este manual de instruções antes de utilizar a Roçadeira A Gasolina e cumpra todas as normas de segurança!
Guarde este manual de instruções num local seguro!

Vigtigt:

Læs denne brugsanvisning omhyggeligt igennem inden du anvender den benzindrevne trådtrimmer og overhold sikkerhedsregulativerne til mindste detalje!

Gem denne brugsanvisning omhyggeligt!

Σημαντικό:

Διαβάστε αυτό το εγχειρίδιο οδηγιών προσεκτικά πριν θέσετε σε λειτουργία το βενζινοκίνητο χλοοκοπτικό και τηρήστε με ακρίβεια τους κανονισμούς ασφαλείας!

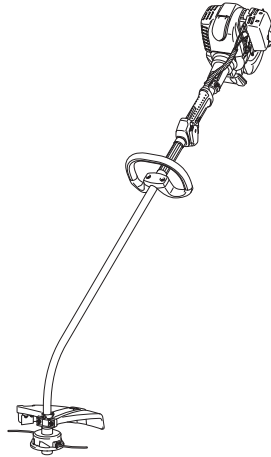
Διατηρήστε με προσοχή το εγχειρίδιο οδηγιών!

Önemli:

Benzinli Misinalı Yan Tırpanı kullanmaya başlamadan önce bu kullanım kılavuzunu dikkatli bir şekilde okuyun ve güvenlik talimatlarını sıkı bir şekilde takip edin!

Kullanım kılavuzunu dikkatli şekilde saklayın!

LT-245.4



DOLMAR



Thank you very much for purchasing the DOLMAR Outdoor Power Equipment. We are pleased to recommend to you the DOLMAR product which is the result of a long development program and many years of knowledge and experience. Please read this booklet which refers in detail to the various points that will demonstrate its outstanding performance. This will assist you to obtain the best possible result from your DOLMAR product.



Table of Contents	Page
Symbols.....	2
Safety instructions.....	3
Technical data.....	6
Designation of parts.....	7
Mounting of handle.....	8
Mounting of protector.....	8
Mounting of nylon cutting head.....	8
Before start of operation.....	9
Points in operation and how to stop.....	11
The nylon cutting head.....	12
Servicing instructions.....	14
Storage.....	17

SYMBOLS

You will note the following symbols when reading the instructions manual.

	Read instruction manual and follow the warnings and safety precautions!		Wear protective helmet, eye and ear protection.
	Take particular care and attention!		Top permissible tool speed
	Forbidden!		Fuel (Gasoline)
	Keep distance!		Engine-manual start
	Flying object hazard!		Emergency stop
	No smoking!		First Aid
	No open flame!		ON/START
	Protective gloves must be worn!		OFF/STOP
	Wear sturdy boots with nonslip soles. Steeltoed safety boots are recommended!		Never use metal blades
	Keep the area of operation clear of all persons and pets!		

SAFETY INSTRUCTIONS

General Instructions

- Read this instruction manual to become familiar with handling of the equipment. Users insufficiently informed will risk danger to themselves as well as others due to improper handling.
- It is recommended only to lend the equipment to people who have proven to be experienced. Always hand over the instruction manual.
- First users should ask the dealer for basic instructions to familiarize oneself with the handling of string trimmers.
- Children and young persons aged under 18 years must not be allowed to operate this equipment. Persons over the age of 16 years may however use the device for the purpose of being trained while under supervision of a qualified trainer.
- Use with the utmost care and attention.
- Operate only if you are in good physical condition. Perform all work calmly and carefully. The user has to accept liability for others.
- Never use this equipment after consumption of alcohol or drugs, or if feeling tired or ill.
- National regulation can restrict the use of the machine.

Intended use of the machine

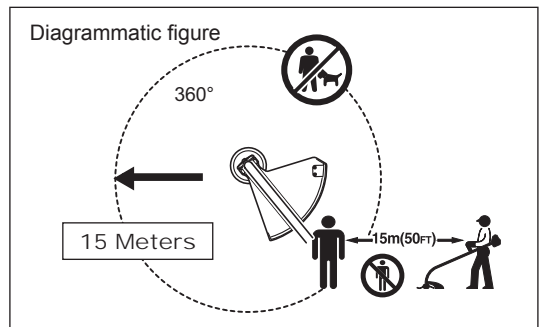
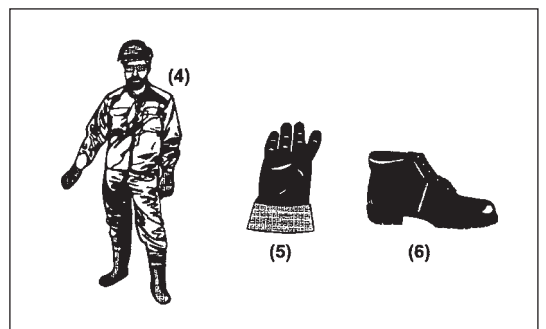
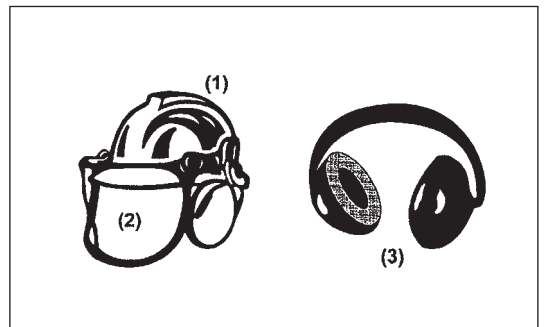
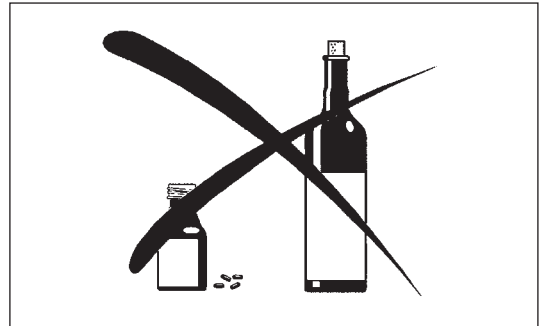
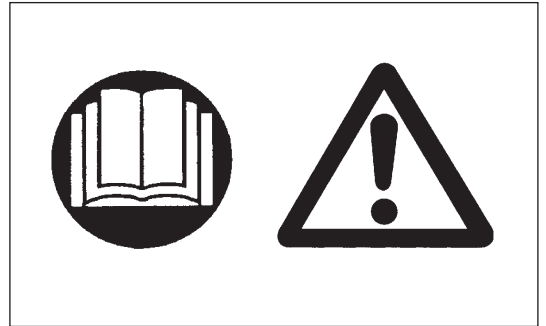
- This equipment is only intended for cutting grass and light weeds. It should not be used for any other purpose such as edging or hedge cutting as this may cause injury.

Personal protective equipment

- The clothing worn should be functional and appropriate, i.e. it should be tight-fitting but not cause hindrance. Do not wear either jewelry or clothing which could become entangled with bushes or shrubs.
- In order to avoid either head-, eye-, hand- or foot injuries as well as to protect your hearing the following protective equipment and protective clothing must be used during operation.
- Always wear a helmet where there is a risk of falling objects. The protective helmet (1) is to be checked at regular intervals for damage and is to be replaced at the latest after 5 years. Use only approved protective helmets.
- The visor (2) of the helmet (or alternatively goggles) protects the face from flying debris and stones. During operation always wear goggles, or a visor to prevent eye injuries.
- Wear adequate noise protection equipment to avoid hearing impairment (ear muffs (3), ear plugs etc.).
- The work overalls (4) protect against flying stones and debris. We strongly recommend that the user wears work overalls.
- Gloves (5) are part of the prescribed equipment and must always be worn during operation.
- When using the equipment, always wear sturdy shoes (6) with a non-slip sole. This protects against injuries and ensures a good footing.

Starting up the Petrol String Trimmer

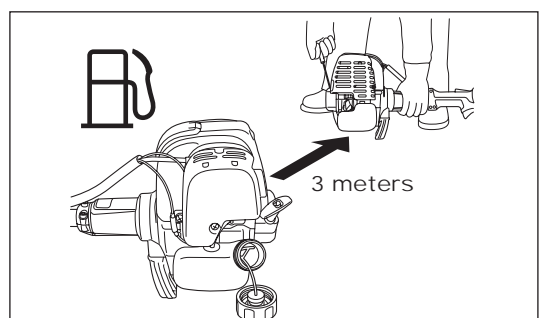
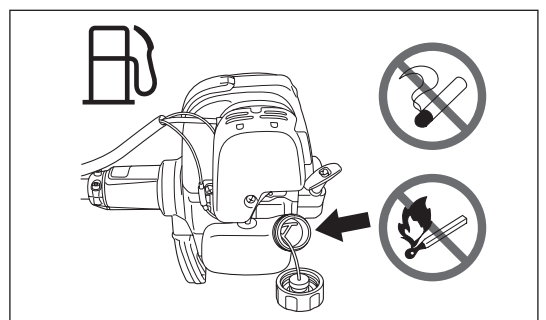
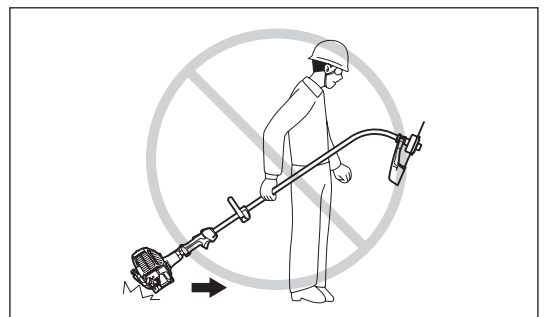
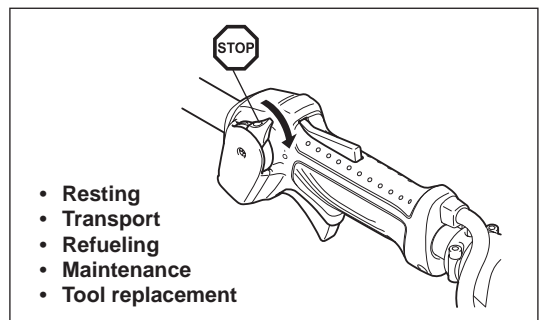
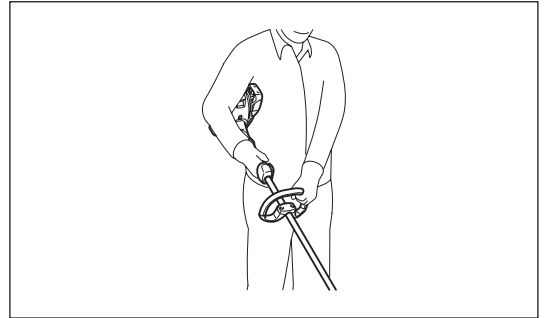
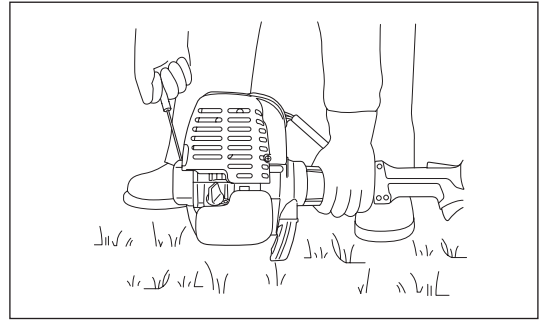
- Please make sure that there are no children or other people within a working range of 15 meters (50 ft), also pay attention to any animals in the working vicinity.
- Before use always check the equipment is safe for operation: Check the security of the cutting attachment, the throttle lever for easy action and check for proper functioning of the throttle lever lock.
- Rotation of the cutting attachment during idling speed is not allowed. Check with your dealer for adjustment if in doubt. Check for clean and dry handles and test the function of the start/stop switch.



- Start the Petrol String Trimmer only in accordance with the instructions.
- Do not use any other methods for starting the engine!
- Use the Petrol String Trimmer and the tools only for such applications as specified.
- Only start the engine, after the entire assembly is done. Operation of the device is only permitted after all the appropriate accessories are attached!
- Before starting make sure that the cutting attachment has no contact with hard objects such as branches, stones etc. as the cutting attachment will revolve when starting.
- The engine is to be switched off immediately in case of any engine problems.
- Should the cutting attachment hit stones or other hard objects, immediately switch off the engine and inspect the cutting attachment.
- Inspect the cutting attachment at short regular intervals for damage (detection of hairline cracks by means of tapping-noise test).
- If the equipment gets heavy impact or fall, check the condition before continuing work. Check the fuel system for fuel leakage and the controls and safety devices for malfunction. If there is any damage or doubt, ask our authorized service center for the inspection and repair.
- During operation always hold the Petrol String Trimmer with both hands. Never hold the Petrol String Trimmer with one hand during use. Always ensure a safe footing.
- Operate the equipment in such a manner as to avoid inhalation of the exhaust gases. Never run the engine in enclosed rooms (risk of gas poisoning). Carbon monoxide is an odorless gas.
- Switch off the engine when resting and when leaving the equipment unattended, and place it in a safe location to prevent danger to others or damage to the machine.
- Never put the hot Petrol String Trimmer onto dry grass or onto any combustible materials.
- Always install the approved cutting attachment guard onto the equipment before starting the engine. Otherwise contact with the cutting attachment may cause serious injury.
- All protective installations and guards supplied with the machine must be used during operation.
- Never operate the engine with faulty exhaust muffler.
- Shut off the engine during transport.
- Ensure safe position of the equipment during car transportation to avoid fuel leakage.
- When transporting, ensure that the fuel tank is completely empty.
- When unloading the equipment from the truck, never drop the Engine to the ground or this may severely damage the fuel tank.
- Except in case of emergency, never drop or cast the equipment to the ground or this may severely damage the equipment.
- Remember to lift the entire equipment from the ground when moving the equipment. Dragging the fuel tank is highly dangerous and will cause damage and leakage of fuel, possibly causing fire.

Refueling

- Shut off the engine during refueling, keep away from open flames and do not smoke.
- Avoid skin contact with mineral oil products. Do not inhale fuel vapor. Always wear protective gloves during refueling. Change and clean protective clothing at regular intervals.
- Take care not to spill either fuel or oil in order to prevent soil contamination (environmental protection). Clean the Petrol String Trimmer immediately after fuel has been spilt.
- Avoid any fuel contact with your clothing. Change your clothing instantly if fuel has been spilt on it (to prevent clothing catching fire).
- Inspect the fuel cap at regular intervals making sure that it can be securely fastened and does not leak.
- Carefully tighten the fuel tank cap. Change location to start the engine (at least 3 meters away from the place of refueling).
- Never refuel in closed rooms. Fuel vapors accumulate at ground level (risk of explosions).
- Only transport and store fuel in approved containers. Make sure the fuel stored is not accessible to children.



Method of operation

- Only use in good light and visibility. During the winter season beware of slippery or wet areas, ice and snow (risk of slipping). Always ensure a safe footing.
- Never cut above waist height.
- Never stand on a ladder.
- Never climb up into trees to perform cutting operation.
- Never work on unstable surfaces.
- Remove sand, stones, nails etc. found within the working range.
- Before commencing cutting, the cutting attachment must have reached full working speed.
- Swing the Petrol String Trimmer evenly.
If grass or branches get caught between the cutting attachment and guard, always stop the engine before cleaning. Otherwise unintentional attachment rotation may cause serious injury.
- Take a rest to prevent loss of control caused by fatigue. We recommend to take a 10 to 20-minute rest every hour.



Cutting attachments

- Never use metal blades including metal multi-piece pivoting chains and flail blades. Otherwise blade contact may cause serious injury.

Vibration

- People with poor circulation who are exposed to excessive vibration may experience injury to blood vessels or the nervous system. Vibration may cause the following symptoms to occur in the fingers, hands or wrists: "Falling asleep" (numbness), tingling, pain, stabbing sensation, alteration of skin color or of the skin. If any of these symptoms occur, see a physician!
- To reduce the risk of "white finger disease", keep your hands warm during operation and well maintain the equipment and accessories.



Maintenance instructions

- Have your equipment serviced by our authorized service center, always using only genuine replacement parts. Incorrect repair and poor maintenance can shorten the life of the equipment and increase the risk of accidents.
- The condition of the equipment, in particular of the cutting attachment of the protective devices must be checked before commencing work.
- Turn off the engine and remove spark plug connector when replacing cutting attachments, and also when cleaning the cutter or cutting attachment.
- Pay attention to the environment. Avoid unnecessary throttle operation for less pollution and noise emissions. Adjust the carburetor correctly.
- Clean the equipment at regular intervals and check that all screws and nuts are well tightened.
- Never service or store the equipment in the vicinity of naked flames.
- Always store the equipment in locked rooms and with an emptied fuel tank.



Observe the relevant accident prevention instructions issued by the relevant trade associations and by the insurance companies. Do not perform any modifications to the equipment as this will endanger your safety.

The performance of maintenance or repair work by the user is limited to those activities as described in the instruction manual. All other work is to be done by an Authorized Service Agent. Use only genuine spare parts and accessories released and supplied by DOLMAR. Use of non-approved accessories and tools means increased risk of accidents. DOLMAR will not accept any liability for accidents or damage caused by the use of non-approved cutting attachments and fixing devices of cutting attachments, or accessories.

First Aid

In case of accident make sure that a first-aid box is available in the vicinity of the cutting operations. Immediately replace any item taken from the first aid box.

When asking for help, please give the following information:

- Place of accident
- What happened
- Number of injured persons
- Kind of injuries
- Your name



TECHNICAL DATA LT-245.4

Model		LT-245.4		
		Loop handle		
Dimensions: length x width x height (without cutting attachment)	mm	1,623 x 290 x 464		
Cutting diameter	mm	412		
Mass (without plastic guard and cutting attachment)	kg	4.9		
Volume (fuel tank)	L	0.5		
Volume (oil reservoir)	L	0.08		
Engine displacement	cm ³	24.5		
Maximum engine performance	kw	0.71 at 7,000 min ⁻¹		
Engine speed at recommended max. spindle speed	min ⁻¹	10,000		
Maximum rotational frequency of the spindle	min ⁻¹	7,750		
Maximum fuel consumption	kg/h	0.33		
Maximum specific fuel consumption	g/kwh	408		
Idling speed	min ⁻¹	3,000		
Clutch engagement speed	min ⁻¹	3,750		
Carburetor	type	WALBRO WYL		
Ignition system	type	Solid state ignition		
Spark plug	type	NGK CMR4A		
Electrode gap	mm	0.7 - 0.8		
Vibration per ISO 22867	Right handle (Rear grip)	a _{hv eq}	m/s ²	5.4
		Uncertainty K	m/s ²	1.0
	Left handle (Front grip)	a _{hv eq}	m/s ²	5.3
		Uncertainty K	m/s ²	0.9
Sound pressure level average to ISO 22868	L _{PA eq}	dBA	93.3	
	Uncertainty K	dBA	2.8	
Sound power level average to ISO 22868	L _{WA eq}	dBA	102.5	
	Uncertainty K	dBA	1.7	
Fuel	Automobile gasoline			
Engine Oil	SAE 10W-30 oil of API Classification, Class SF or higher (4-stroke engine for automobile)			

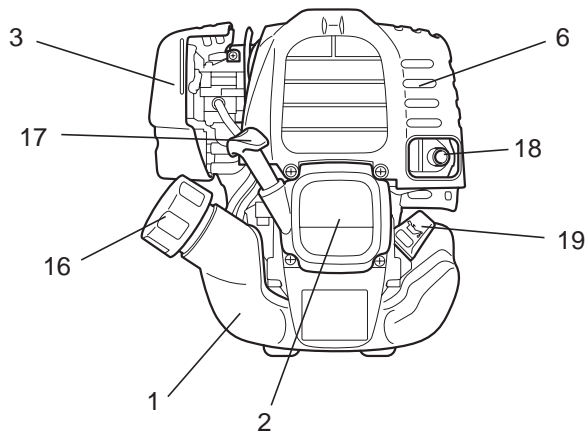
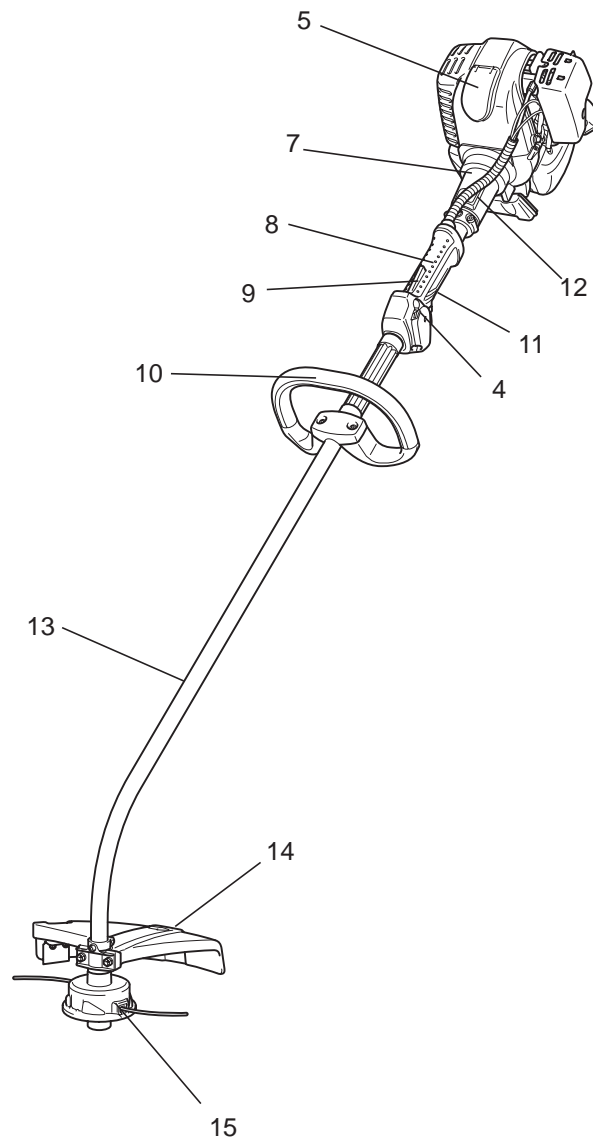
EC DECLARATION OF CONFORMITY

For European countries only

The EC declaration of conformity is included as Annex A to this instruction manual.

DESIGNATION OF PARTS

LT-245.4



GB	DESIGNATION OF PARTS
1	Fuel tank
2	Rewind starter
3	Air cleaner
4	I-O switch (on/off)
5	Spark plug
6	Exhaust muffer
7	Clutch case
8	Rear grip
9	Lock-off lever
10	Handle
11	Throttle lever
12	Control cable
13	Shaft
14	Protector (Cutting attachment guard)
15	Nylon cutting head
16	Fuel tank cap
17	Starter knob
18	Exhaust pipe
19	Oil gauge

MOUNTING OF HANDLE

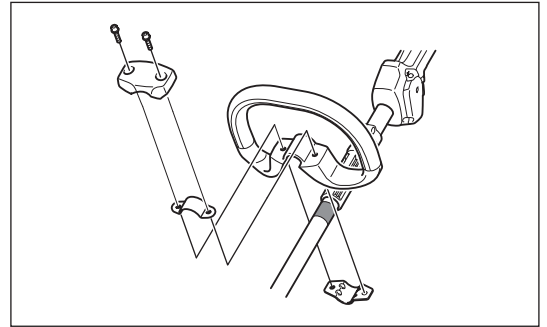
⚠ CAUTION: Before doing any work on the equipment, always stop the engine and pull the spark plug connector off the spark plug. Always wear protective gloves!

⚠ CAUTION: Start the engine only after having assembled it completely.

For machines with loop handle

- Fix the loop handle on the shaft as shown.
- Make sure that the spacer on the shaft pipe is located between the grip assembly and the other grip. Do not remove or shrink the spacer.

NOTE: In some countries, the spacer is not provided with the tool. In that case, align the handle to further side of the line which is indicated by the arrow marks.



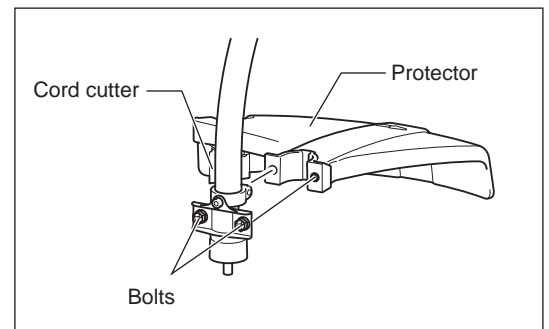
MOUNTING OF PROTECTOR

To meet the applicable safety provisions, only the tool/protector combinations as indicated in the table must be used.

⚠ CAUTION: Do not touch the cord cutter on the protector. Touching the cord cutter with bare hands may result in injury.

The protector must be installed to maintain the nylon-cutting-cord length and protect the operator from thrown stones and debris. Install the protector as the following steps.

1. Set the protector so that the rib on the shaft fits into the groove on the protector.
2. Tighten two bolts.



MOUNTING OF NYLON CUTTING HEAD

⚠ WARNING: Never use cutting blades.

Be sure to use genuine DOLMAR nylon cutting head.

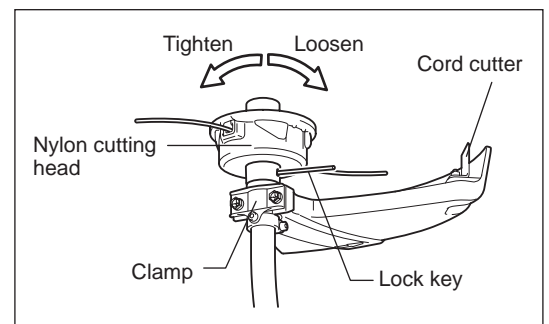
- If the nylon cutting head hits against a stone during operation, stop the engine and check the nylon cutting head immediately.

⚠ CAUTION: Do not touch the cord cutter on the protector. Touching the cord cutter with bare hands may result in injury.

Mount a nylon cutting head as the following steps.

1. Insert the lock key through the hole on the clamp. Rotate them with pushing the lock key in until they are locked.
2. Screw a nylon cutting head onto the shaft by turning it clockwise. Make sure that it is mounted securely.
3. Remove the lock key.

To remove the nylon cutting head, turn it counterclockwise.



BEFORE START OF OPERATION

Inspection and refill of engine oil

- Perform the following procedure, with the engine cooled down.
- While keeping the engine level, remove the oil gauge, and confirm that the oil is filled within the upper and lower limit marks. When the oil is in short in such a way that the oil gauge touches the oil only by its tip, in particular with the oil gauge remaining inserted in the crankcase without screwing-in (Fig. 1), refill new oil near the port (Fig. 2).
- For reference, the oil refill time is about 10h (10 times or 10 tanks of oil refill).
If the oil changes in color or mixes with dirt, replace it with new one. (For the interval and method of replacement, refer to P. 14)

Recommended oil: SAE 10W-30 oil of API Classification, Class SF or higher (4-stroke engine for automobile)

Oil volume: Approx. 0.08L

NOTE: If the engine is not kept upright, oil may go into around the engine, and may be refilled excessively.
If the oil is filled above the limit, the oil may be contaminated or may catch fire with white smoke.

Point 1 in Replacement of oil: “Oil gauge”

- Remove dust or dirt near the oil refill port, and detach the oil gauge.
- Keep the detached oil gauge free of sand or dust. Otherwise, any sand or dust adhering to the oil gauge may cause irregular oil circulation or wear on the engine parts, which will result in troubles.
- As an example to keep the oil gauge clean, it is recommended to insert the oil gauge on its knob side into the engine cover, as shown in Fig. 3.

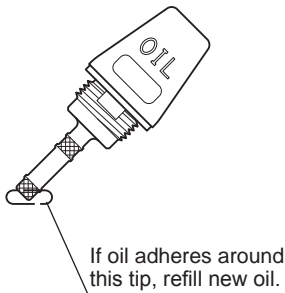


Fig. 1

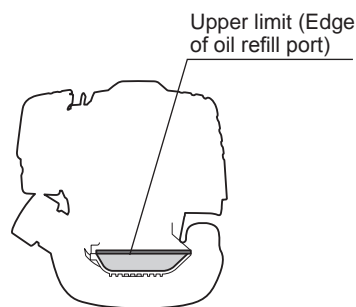


Fig. 2

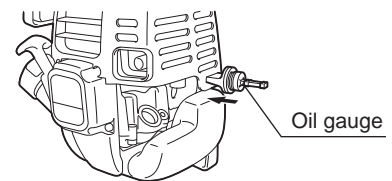
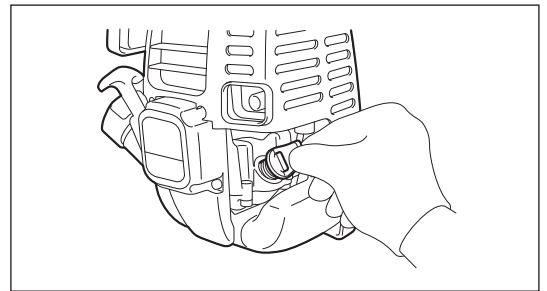
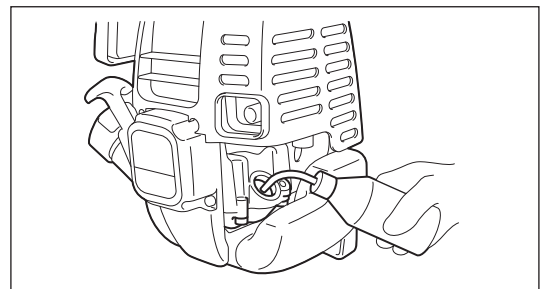


Fig. 3

(1) Keep the engine level, and detach the oil gauge.



(2) Fill oil up to the edge of the oil refill port. (Refer to Fig. 2.)
Feed oil with the lubricant refill container.



(3) Securely tighten the oil gauge. Insufficient tightening may cause oil leakage.

Note

- Do not replace oil with the engine in a tilted position.
- Filling with oil while engine is tilted leads to overfilling which causes oil contamination and/or white smoke.

Point 2 in Replacement of oil: "If oil spills out"

- If oil spills out between the fuel tank and engine main unit, the oil is sucked into through the cooling air intake port, which will contaminate the engine. Be sure to wipe out spilt oil before start of operation.

REFUELING

Handling of fuel

It is necessary to handle fuel with utmost care. Fuel may contain substances similar to solvents. Refueling must be performed in a sufficiently ventilated room or in the open air. Never inhale fuel vapor, and keep fuel away from you. If you touch fuel repeatedly or for a long time, the skin becomes dry, which may cause skin disease or allergy. If fuel enters into the eye, clean the eye with fresh water. If your eye remains still irritated, consult your doctor.

Storage period of fuel

Fuel should be used up within a period of 4 weeks, even if it is kept in a special container in a well-ventilated shade. Otherwise, fuel may deteriorate in one day.

STORAGE OF MACHINE AND REFILL TANK

- Keep the machine and tank at a cool place free from direct sunshine.
- Never keep the fuel in a car.

Fuel

The engine is a four-stroke engine. Be sure to use an unleaded automobile gasoline 87 or higher octane ((R+M)/2). It may contain no more than 10% alcohol (E-10).

Points for fuel

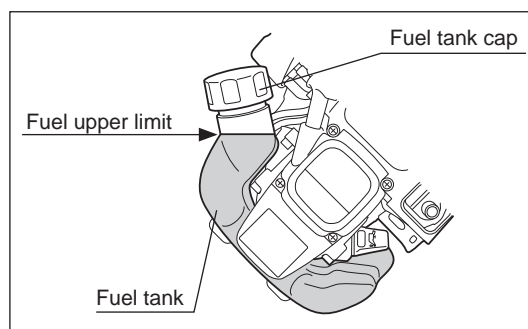
- Never use a gasoline mixture which contains engine oil. Otherwise, it will cause excessive carbon accumulation or mechanical troubles.
- Use of deteriorated oil will cause irregular startup.

Refueling

⚠ WARNING: INFLAMMABLES STRICTLY PROHIBITED

Gasoline used: Unleaded automobile gasoline, 87 or higher octane. No more than 10% alcohol (E-10).

- Loosen the tank cap a little so that there will be no difference in atmospheric pressure.
 - Detach the tank cap, and refuel, discharging air by tilting the fuel tank so that the refuel port will be oriented upward. (Never refill fuel full to the oil refill port.)
 - Wipe well the periphery of the tank cap to prevent foreign matter from entering into the fuel tank.
 - After refueling, securely tighten the tank cap.
- If there is any flaw or damage on the tank cap, replace it.
 - The tank cap is consumable, and therefore should be renewed every two to three years.



POINTS IN OPERATION AND HOW TO STOP

Observe the applicable accident prevention regulations!

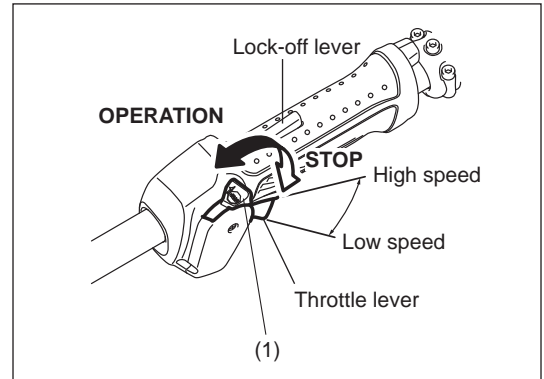


STARTING

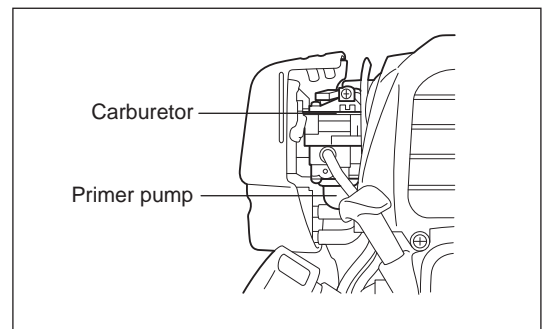
Move at least 3 m away from the place of refueling. Place the unit on the ground taking care that the cutting attachment does not come into contact with the ground or any other objects.

A: Cold start

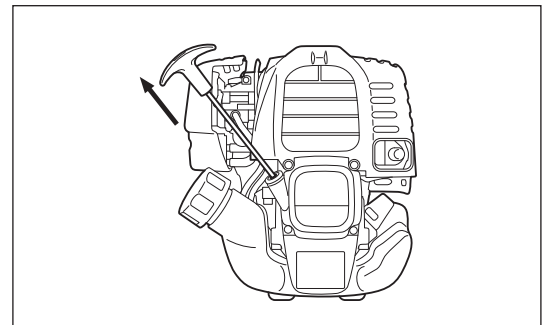
- 1) Set this machine on a flat space.
- 2) Set the I-O switch (1) to OPERATION.



- 3) Primer pump
Continue to push the primer pump until fuel enters into the primer pump. (In general, fuel enters into the primer pump by 7 to 10 pushes.)
If the primer pump is pushed excessively, an excess of gasoline returns to the fuel tank.



- 4) Recoil starter
Pull the start knob gently until it is hard to pull (compression point). Then, return the start knob, and pull it strongly.
Never pull the rope to the full. Once the start knob is pulled, never release your hand immediately. Hold the start knob until it returns to its original point.



- 5) Warm-up operation
Continue warm-up operation for 2 to 3 minutes.

NOTE: In case of excessive fuel intake (flooding), remove the spark plug and pull the starter handle slowly to remove excess fuel. Also, dry the electrode section of the spark plug.

B: Startup after warm-up operation

- 1) Push the primer pump repeatedly.
- 2) Keep the throttle lever at the idling position.
- 3) Pull the recoil starter strongly.
- 4) If it is difficult to start the engine, open the throttle by about 1/3.

Attention in Operation

When the engine is operated upside down, white smoke may come out from the muffler.

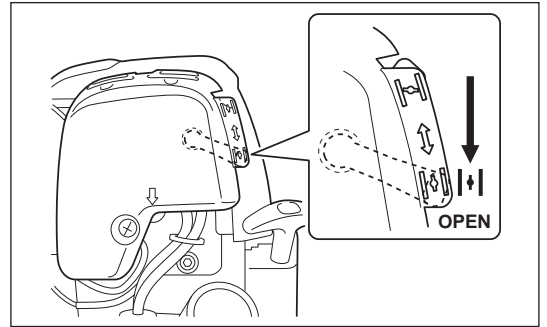
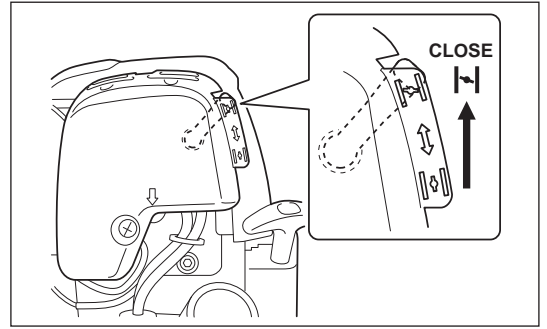
At times, such as winter, when starting the engine **is difficult**

Operate choke lever with the following procedure when starting engine.

- After implementing startup steps 1) to 3), set choke lever to the CLOSE position.
- Implement startup step 4) and start engine.
- Once engine starts, set choke lever to the OPEN position.
- Implement startup step 5) and complete warm up.

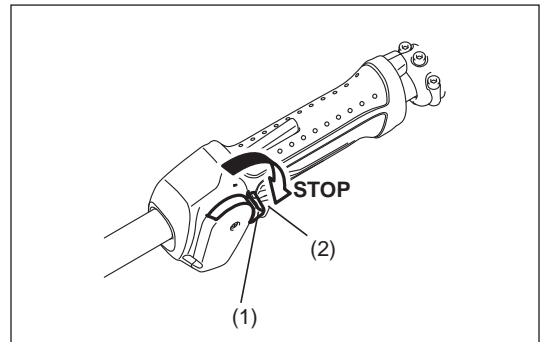
⚠ CAUTION: If a bang (explosive sound) is heard and the engine stops, or the just-started engine stalls before the choke lever is operated, return the choke lever to the OPEN position, and pull the starter knob a few times again to start the engine.

⚠ CAUTION: If the choke lever is left in the CLOSE position, and the starter knob merely pulled repeatedly, too much fuel will be sucked in, and the engine will become difficult to start.



STOPPING

- 1) Release the throttle lever (2) fully, and when the engine rpm has lowered, set the I-O switch to STOP the engine will now stop.
- 2) Be aware that the cutting head may not stop immediately and allow it to slow down fully.

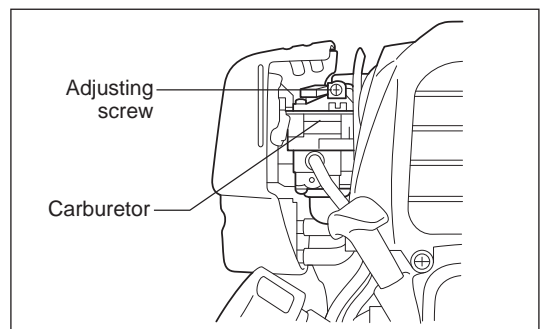


ADJUSTMENT OF LOW-SPEED ROTATION (IDLING)

When it is necessary to adjust the low-speed rotation (idling), perform it by the carburetor adjusting screw.

CHECKUP OF LOW-SPEED ROTATION

- Set the low-speed rotation to 3,000 min⁻¹.
If it is necessary to change the low speed rotation (idle) speed, use a phillips head screw driver on the screw illustrated on the right.
- Turn the adjusting screw to the right, and the engine rotation will increase. Turn the adjusting screw to the left, and the engine rotation will drop.
- The carburetor is generally adjusted before shipment. If it is necessary to readjust it, please contact Authorized Service Agent.



THE NYLON CUTTING HEAD

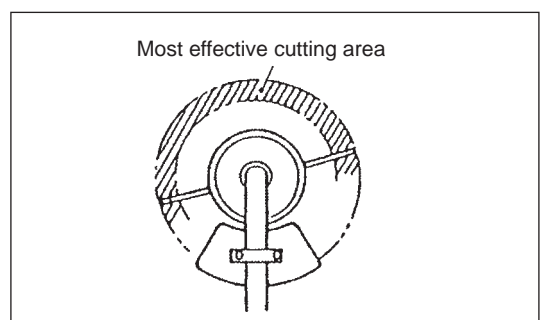
During operation, use the tip of the nylon cutting cord for cut.

Feeding the nylon cutting cord

As the nylon cutting cord is worn and shortened with the cutting operation, the operator needs to feed it manually.

To feed the nylon cutting cord, tap the nylon cutting head on the ground while it rotates around 6,000 min⁻¹.

NOTE: If the nylon cutting cord does not feed out, rewind it.



Replacing the nylon cord

⚠ WARNING: Make sure that the cover of the nylon cutting head is secured to the housing properly as described below. Failure to properly secure the cover may cause the nylon cutting head to fly apart resulting in serious personal injury.

Press inward on the housing latches and lift upward to remove the cover. Discard any of the remaining nylon cord.

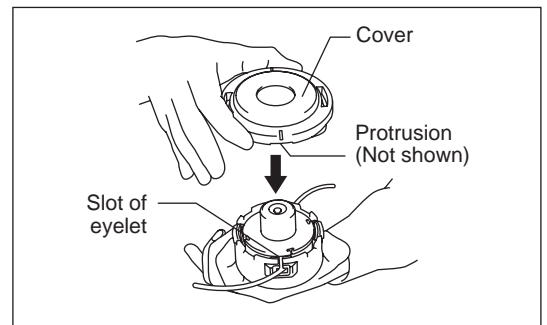
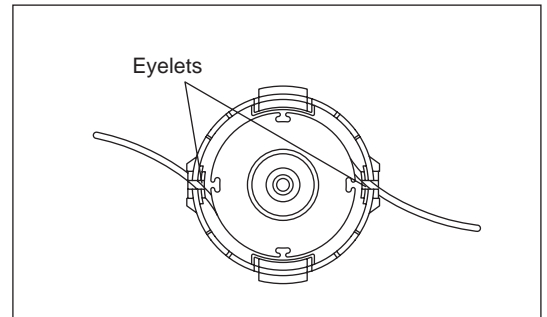
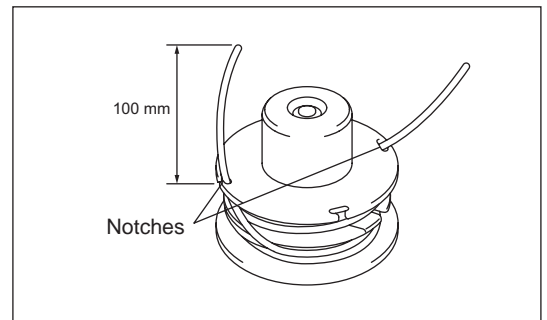
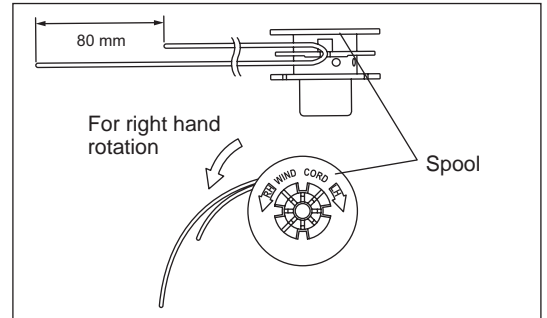
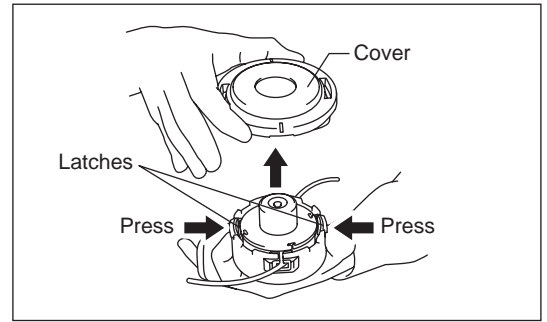
Hook the middle of the new nylon cord to the notch located at the center of the spool between the 2 channels provided for the nylon cord. One side of the cord should be about 80 mm longer than the other side.

Wind both ends firmly around the spool in the direction marked on the head for right hand direction indicated by RH.

Wind all but about 100 mm of the cords, leaving the ends temporarily hooked through a notch on the side of the spool.

Mount the spool in the housing so that the grooves and protrusions on the spool match up with those in the housing. Now, unhook the ends of the cord from their temporary position and feed the cords through the eyelets to come out of the housing.

Align the protrusion on the underside of the cover with the slots of the eyelets. Then push cover firmly onto the housing to secure it. Make sure the latches fully spread in the cover.



SERVICING INSTRUCTIONS

⚠ CAUTION: Before doing any work on the equipment, always stop the engine and pull the plug cap off the spark plug (see “checking the spark plug”).
Always wear protective gloves!

To ensure a long service life and to avoid any damage to the equipment, the following servicing operations should be performed at regular intervals.

Daily checkup and maintenance

- Before operation, check the machine for loose screws or missing parts. Pay particular attention to the tightness of the nylon cutting head.
- Before operation, always check for clogging of the cooling air passage and the cylinder fins. Clean them if necessary.
- Perform the following work daily after use:
 - Clean the equipment externally and inspect for damage.
 - Clean the air filter. When working under extremely dusty conditions, clean the filter the several times a day.
 - Check the nylon cutting head for damage and make sure it is firmly mounted.
 - Check that there is sufficient difference between idling and engagement speed to ensure that the cutting attachment is at a standstill while the engine is idling (if necessary reduce idling speed).
If under idling conditions the tool should still continue to run, consult your nearest Authorized Service Agent.
- Check the functioning of the I-O switch, the lock-off lever, the throttle lever, and the lock button.

REPLACEMENT OF ENGINE OIL

Deteriorated engine oil will shorten the life of the sliding and rotating parts to a great extent. Be sure to check the period and quantity of replacement.



ATTENTION: In general, the engine main unit and engine oil still remain hot just after the engine is stopped. In replacement of oil, confirm that the engine main unit and engine oil are sufficiently cooled down. Otherwise, there may remain a risk of scald.

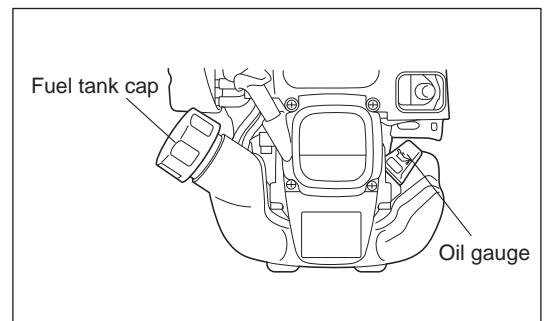
NOTE: If the oil filled above the limit, it may be contaminated or may catch fire with white smoke.

Interval of replacement: Initially, every 20 operating hours, and subsequently every 50 operating hours

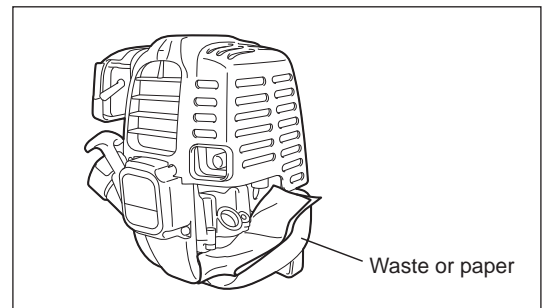
Recommended oil: SAE10W-30 oil of API Classification SF Class or higher (4-stroke engine oil for automobile)

In replacement, perform the following procedure.

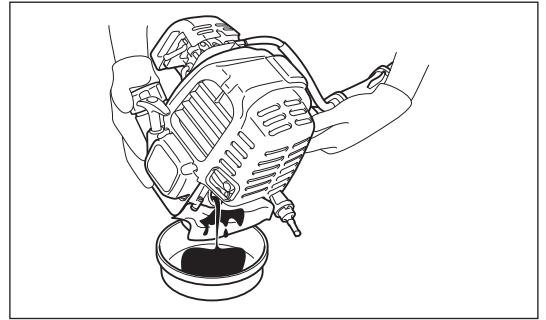
- 1) Confirm that the tank cap is tightened securely.
- 2) Detach the oil gauge.
Keep the oil gauge free from dust or dirt.



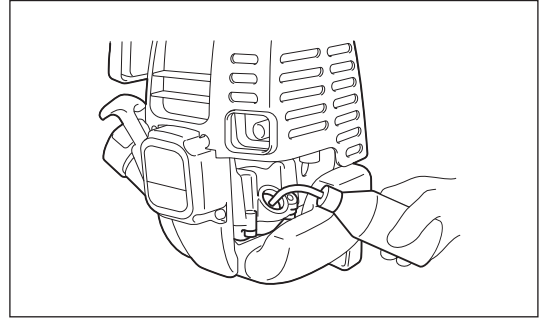
- 3) Place waste or paper near the oil refill port.



- 4) Detach the oil gauge, and drain oil, tilting the main unit toward the oil refill port.
Drain oil in a container for orderly disposal.



- 5) Keep the engine level, and feed new oil up to the edge of the oil refill port. In refill, use a lubricant refill container.
- 6) After refill, securely tighten the oil gauge. Insufficient tightening of the oil gauge will lead to oil leakage.



POINTS ON OIL

- Never discard replaced engine oil in garbage, earth or sewage ditch. Disposal of oil is regulated by law. In disposal, always follow the relevant laws and regulations. For any points remaining unknown, contact Authorized Service Agent.
- Oil will deteriorate even when it is kept unused. Perform inspection and replacement at regular intervals (replace with new oil every 6 months).

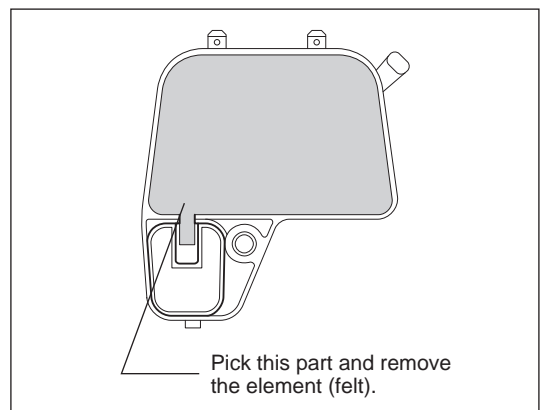
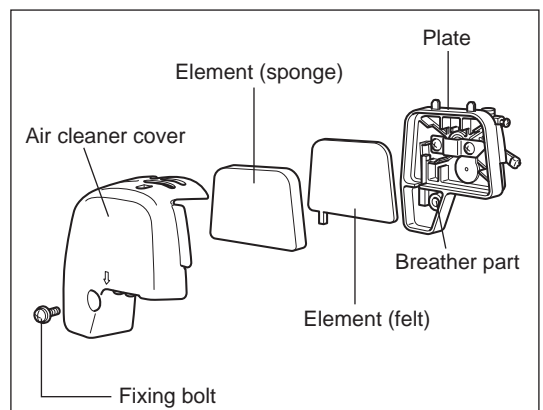
CLEANING OF AIR CLEANER



DANGER: INFLAMMABLES STRICTLY PROHIBITED

Interval of Cleaning and Inspection: Daily (every 10 operating hours)

- Turn the choke lever to the full close side, and keep the carburetor off from dust or dirt.
- Remove the air cleaner cover-fixing bolts.
- Pull the cover lower side and detach the air cleaner cover.
- If oil adheres to the element (sponge), squeeze it firmly.
- For heavy contamination:
 - 1) Remove the element (sponge), immerse it in warm water or in waterdiluted neutral detergent, and dry it completely.
 - 2) Clean the element (felt) with gasoline, and dry it completely.
- Before attaching the element, be sure to dry it completely. Insufficient drying of the element may lead to difficult startup.
- Wipe out with waste cloth, oil adhering around the air cleaner cover and plate breather.
- Immediately after cleaning is finished, attach the cleaner cover and tighten it with fixing bolts. (In remounting, first place the upper claw, and then the lower claw.)



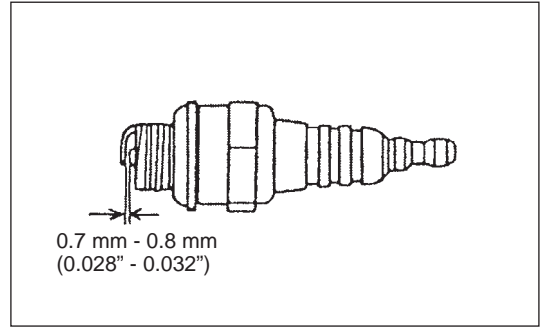
Points in Handling Air Cleaner Element

- Clean the element several times a day, if excessive dust adheres to it.
- If operation continues with the element remaining not cleared of oil, oil in the air cleaner may fall outside, resulting in oil contamination.

CHECKING THE SPARK PLUG

- Only use the supplied universal wrench to remove or to install the spark plug.
- The gap between the two electrodes of the spark plug should be 0.7 - 0.8 mm (0.028" - 0.032"). If the gap is too wide or too narrow, adjust it. If the spark plug is clogged or contaminated, clean it thoroughly or replace it.

⚠ CAUTION: Never touch the spark plug connector while the engine is running (danger of high voltage electric shock).



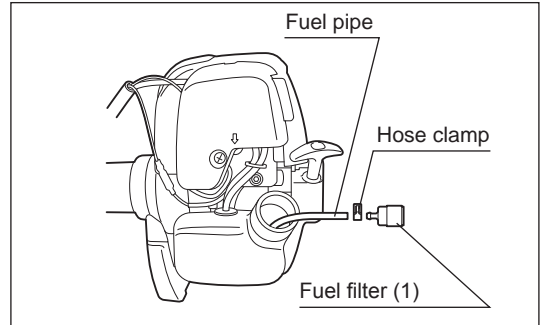
CLEANING OF FUEL FILTER

⚠ WARNING: INFLAMMABLES STRICTLY PROHIBITED

Interval of Cleaning and Inspection: Monthly (every 50 operating hours)

Suction head in the fuel tank

- The fuel filter (1) of the suction head is used to filter the fuel required by the carburetor.
- A periodical visual inspection of the fuel filter is to be conducted. For that purpose open the tank cap, use a wire hook and pull out the suction head through the tank opening. Filters found to have hardened, been polluted or clogged up are to be replaced.
- Insufficient fuel supply can result in the admissible maximum speed being exceeded. It is therefore important to replace the fuel filter at least quarterly to ensure satisfactory fuel supply to the carburetor.



REPLACEMENT OF FUEL PIPE

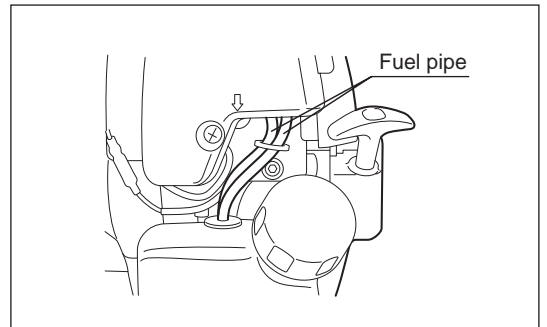
⚠ CAUTION: INFLAMMABLES STRICTLY PROHIBITED

Interval of Cleaning and Inspection: Daily (every 10 operating hours)

Replacement: Annually (every 200 operating hours)

Replace the fuel pipe every year, regardless of operating frequency. Fuel leakage may lead to fire.

If any leakage is detected during inspection, replace the fuel pipe immediately.



INSPECTION OF BOLTS, NUTS AND SCREWS

- Retighten loose bolts, nuts, etc.
- Check for fuel and oil leakage.
- Replace damaged parts with new ones for safety operation.

CLEANING OF PARTS

- Keep the engine always clean.
- Keep the cylinder fins free of dust or dirt. Dust or dirt adhering to the fins will cause piston seizure.

REPLACEMENT OF GASKETS AND PACKINGS

In reassembling after the engine is dismantled, be sure to replace the gaskets and packings with new ones.

Any maintenance of adjustment work that is not included and described in this manual is only to be performed by Authorized Service Agents.

STORAGE



WARNING: When draining the fuel, be sure to stop the engine and make sure that the engine cools down. Just after stopping the engine, it may still be hot with possibility of burns, inflammability and fire.



ATTENTION: When the machine is kept out of operation for a long time, drain up all fuel from the fuel tank and carburetor, and keep it at a dry and clean place.

- Drain fuel from the fuel tank and carburetor according to the following procedure:
 - 1) Remove the fuel tank cap, and drain fuel completely.
If there is any foreign matter remaining in the fuel tank, remove it completely.
 - 2) Pull out the fuel filter from the refill port using a wire.
 - 3) Push the primer pump until fuel is drained from there, and drain fuel coming into the fuel tank.
 - 4) Put the filter to the fuel tank, and securely tighten the fuel tank cap.
 - 5) Then, continue to operate the engine until it stops.
- Remove the spark plug, and drip several drops of engine oil through the spark plug hole.
- Gently pull the starter handle so that engine oil will spread over the engine, and attach the spark plug.
- In general, store the machine in horizontal position. If it is not possible, place the machine as the motor unit comes below the cutting tool. Otherwise engine oil may leak from inside.
- Always pay attention to storing the machine in a safe place to prevent machine damage and personal injury.
- Keep the drained fuel in a special container in a well-ventilated shade.

Attention after long-time storage

- Before startup after long-time shutdown, be sure to replace oil (refer to P 14). Oil will deteriorate while the machine is kept out of operation.

Fault location

Fault	System	Observation	Cause
Engine not starting or with difficulty	Ignition system	Ignition spark O.K.	Fault in fuel supply or compression system, mechanical defect
		No ignition spark	STOP-switch operated, wiring fault or short circuit, spark plug or connector defective, ignition module faulty
	Fuel supply	Fuel tank filled	Incorrect choke position, carburetor defective, fuel supply line bent or blocked, fuel dirty
	Compression	No compression when pulled over	Cylinder bottom gasket defective, crankshaft seals damaged, cylinder or piston rings defective or improper sealing of spark plug
Warm start problems	Mechanical fault	Starter not engaging	Broken starter spring, broken parts inside of the engine
		Tank filled ignition spark existing	Carburetor contaminated, have it cleaned
Engine starts but dies	Fuel supply	Tank filled	Incorrect idling adjustment, carburetor contaminated Fuel tank vent defective, fuel supply line interrupted, cable or STOP-switch faulty
Insufficient performance	Several systems may simultaneously be affected	Engine idling poor	Air filter contaminated, carburetor contaminated, muffler clogged, exhaust duct in the cylinder clogged

Item	Operating time								Corresponding P
		Before operation	After lubrication	Daily (10h)	30h	50h	200h	Shutdown/rest	
Engine oil	Inspect	○							9
	Replace					○ ^{*1}			14
Tightening parts (bolt, nut)	Inspect	○							16
Fuel tank	Clean/inspect	○							—
	Drain fuel							○ ^{*3}	17
Throttle lever	Check function		○						—
Stop switch	Check function		○						12
Cutting attachment	Inspect	○		○					8
Low-speed rotation	Inspect/adjust			○					12
Air cleaner	Clean			○					15
Ignition plug	Inspect			○					16
Cooling air inlet	Clean/inspect			○					16
Fuel pipe	Inspect			○					16
	Replace						◎ ^{*2}		—
Fuel filter	Clean/replace					○			16
Clearance between air intake valve and air discharge valve	Adjust						◎ ^{*2}		—
Engine overhaul							◎ ^{*2}		—
Carburetor	Drain fuel							○ ^{*3}	17

*1 Perform initial replacement after 20h operation.

*2 For the 200 operating hour inspection, request Authorized Service Agent or a machine shop.

*3 After emptying the fuel tank, continue to run the engine and drain fuel in the carburetor.

TROUBLESHOOTING

Before making a request for repairs, check for trouble by yourself. If any abnormality is found, control your machine according to the description of this manual. Never tamper or dismount any part contrary to the description. For repairs, contact Authorized Service Agent or local dealership.

State of abnormality	Probable cause (malfunction)	Remedy
Engine does not start	Failure to operate primer pump	Push 7 to 10 times
	Low pulling speed of starter rope	Pull strongly
	Lack of fuel	Feed fuel
	Clogged fuel filter	Clean
	Bent fuel tube	Straighten fuel tube
	Deteriorated fuel	Deteriorated fuel makes starting more difficult. Replace with new fuel. (Recommended replacement: 1 month)
	Excessive suction of fuel	Set throttle lever from medium speed to high speed, and pull starter handle until engine starts. Once engine starts, nylon cutting head starts rotating. Pay full attention to nylon cutting head. If engine will not start still, remove spark plug, make electrode dry, and reassemble them as they originally are. Then, start as specified.
	Detached plug cap	Attach securely
	Contaminated spark plug	Clean
	Abnormal clearance of spark plug	Adjust clearance
	Other abnormality of spark plug	Replace
	Abnormal carburetor	Make request for inspection and maintenance.
	Starter rope cannot be pulled	Make request for inspection and maintenance.
Abnormal drive system	Make request for inspection and maintenance.	
Engine stops soon Engine speed does not increase	Insufficient warm-up	Perform warm-up operation
	Choke lever is set to "CLOSE" although engine is warmed up.	Set to "OPEN"
	Clogged fuel filter	Clean
	Contaminated or clogged air cleaner	Clean
	Abnormal carburetor	Make request for inspection and maintenance.
	Abnormal drive system	Make request for inspection and maintenance.
The cutting attachment does not rotate. ↓ Stop engine immediately!	The cutting attachment is not tightened securely.	Tighten the cutting attachment securely.
	A twig is caught between the cutting attachment and the protector.	Remove the foreign matter.
	The drive system does not work properly.	Ask Dolmar authorized service center to inspect and repair it.
The unit vibrates abnormally. ↓ Stop engine immediately!	The cutting attachment is broken.	Replace the cutting attachment with new one.
	The cutting attachment is not tightened securely.	Tighten the cutting attachment securely.
	One end of nylon cutting cord has been broken and the nylon cutting head got unbalanced.	Feed the nylon cutting cord with tapping the nylon cutting head on the ground.
	The drive system does not work properly.	Ask Dolmar authorized service center to inspect and repair it.
The cutting attachment does not stop. ↓ Stop engine immediately!	The power unit does not work properly.	Refer to the instruction manual of the power unit.
Engine does not stop ↓ Run engine at idling, and set choke lever to CLOSE	Detached connector	Attach securely
	Abnormal electric system	Make request for inspection and maintenance.
The nylon cutting cord does not feed.	The cord is used up or tangled in the spool.	Rewind the cord.
	The cord cutter on the protector is damaged or missing.	Ask Dolmar authorized service center to replace the cord cutter.
	The cord extends past the protector.	Rewind the cord.

When the engine does not start after warm-up operation:

If there is no abnormality found for the check items, open the throttle by about 1/3 and start the engine.

Merci beaucoup d'avoir acheté cet appareil électrique pour l'extérieur de DOLMAR. Nous sommes ravis de vous recommander ce produit DOLMAR, résultat d'un long programme de développement et de nombreuses années d'expérience et de connaissances.

Veillez lire ce livret qui explique en détails les nombreuses caractéristiques qui en font un outil d'une performance exceptionnelle. Il vous aidera à obtenir les meilleurs résultats possibles de votre produit DOLMAR.



Table des matières	Page
Symboles.....	20
Consignes de sécurité.....	21
Données techniques.....	24
Nomenclature des pièces.....	25
Montage de la poignée.....	26
Montage du protecteur.....	26
Montage de la tête à fils de nylon.....	26
Avant de commencer.....	27
Avertissements concernant le fonctionnement et la procédure d'arrêt.....	29
La tête à fils de nylon.....	30
Instructions d'entretien.....	32
Entreposage.....	35

SYMBOLES

Le mode d'emploi contient les symboles suivants.

	Lisez le mode d'emploi et suivez les avertissements et les précautions de sécurité !		Portez un casque protecteur, des lunettes de protection et des protège-oreilles.
	Faites preuve de prudence et de vigilance !		Vitesse d'outil maximale autorisée
	Interdit !		Carburant (Essence)
	Restez à distance !		Démarrage manuel du moteur
	Danger d'objets volants !		Arrêt d'urgence
	Ne fumez pas !		Premiers secours
	Pas de flammes nues !		SOUS TENSION/DÉMARRAGE
	Portez des gants de protection !		HORS TENSION/ARRÊT
	Portez des bottes de sécurité équipées de semelles antidérapantes. Les bottes de sécurité à doigts de pieds métalliques sont recommandées !		N'utilisez jamais de lames en métal
	Éloignez les personnes et les animaux du lieu de travail !		

CONSIGNES DE SÉCURITÉ

Instructions générales

- Lisez ce mode d'emploi pour vous familiariser avec l'utilisation de l'appareil. Sans ces informations, vous risquez de vous mettre en danger ou de blesser d'autres personnes à cause d'une utilisation incorrecte.
- Il est préférable de ne prêter l'appareil qu'à des personnes expérimentées. Prêtez-leur systématiquement le mode d'emploi.
- Veuillez d'abord solliciter des instructions de base auprès du vendeur, afin de vous familiariser avec le fonctionnement d'une débroussailleuse thermique.
- Les enfants et les adolescents de moins de 18 ans ne doivent pas utiliser cet appareil. Les personnes de plus de 16 ans peuvent l'utiliser à des fins de formation, mais sous la supervision d'un formateur agréé.
- Faites preuve d'une extrême vigilance et attention.
- Utilisez l'appareil uniquement si vous êtes en bonne condition physique. Effectuez tout le travail avec calme et prudence. Vous êtes responsable par rapport aux autres personnes.
- N'utilisez jamais cet appareil après avoir consommé de l'alcool ou de la drogue, ou bien si vous vous sentez fatigué ou malade.
- Les lois en vigueur peuvent restreindre l'utilisation de l'outil.

Utilisation prévue de l'outil

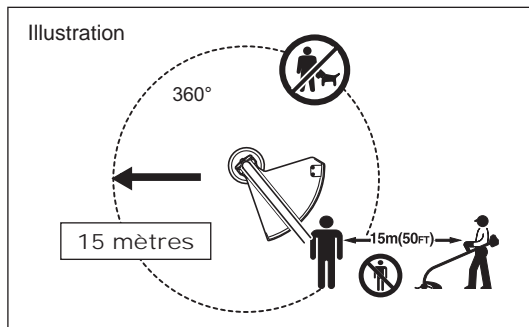
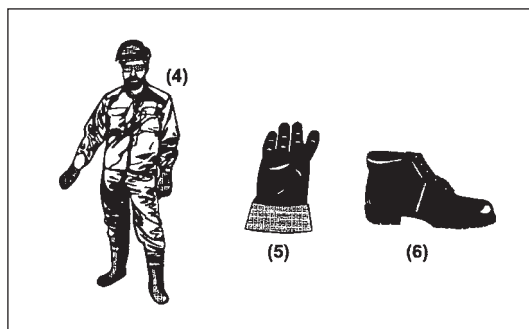
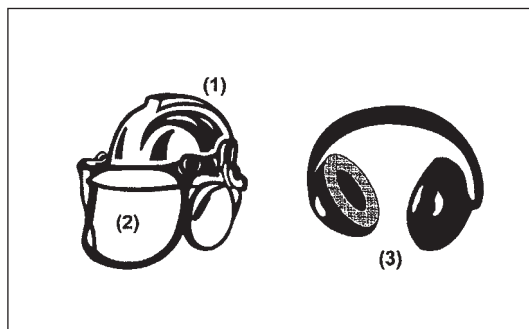
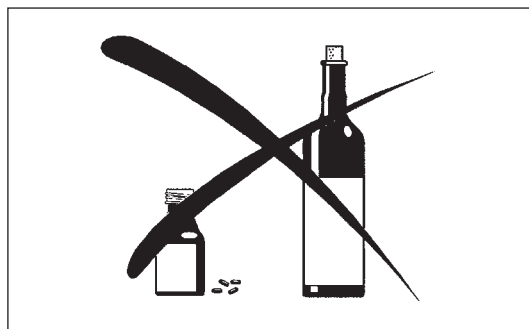
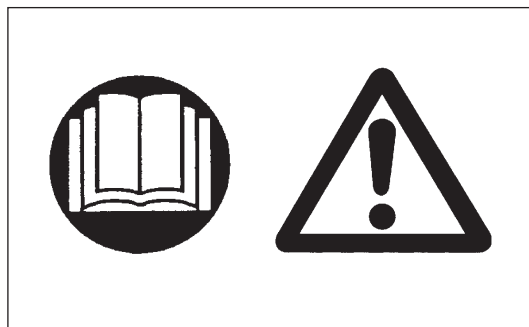
- Cet appareil est destiné uniquement à couper le gazon et les mauvaises herbes. Il ne doit pas être utilisé à d'autres fins, telles que la taille des bordures ou des haies, car cela comporte un risque de blessure.

Équipement de protection individuelle

- Les vêtements que vous portez doivent être fonctionnels et adaptés, c'est-à-dire qu'ils doivent être près du corps, sans pour autant gêner vos mouvements. Ne portez pas de bijoux ou de vêtements qui pourraient s'em mêler dans les taillis ou les petits arbustes.
- L'équipement de protection suivant ainsi que les vêtements de protection doivent être utilisés afin d'éviter des blessures au pied, à la main, aux yeux et à la tête ainsi que pour protéger votre ouïe durant l'utilisation.
- Portez toujours un casque en cas de risque de chute d'objets. Le casque de protection (1) doit être vérifié à intervalles réguliers pour parer à d'éventuels dommages et il doit être remplacé au plus tard tous les 5 ans. N'utilisez que des casques de protection agréés.
- La visière (2) du casque (ou alternativement les lunettes) protège le visage des débris et des pierres qui volent. Pendant l'utilisation, portez toujours des lunettes de protection ou une visière pour éviter toute blessure aux yeux.
- Portez un équipement de protection antibruit adéquat afin d'éviter toute perte auditive (coquilles antibruit (3), bouchons d'oreille etc.).
- Les vêtements de travail (4) protègent contre les débris et les pierres qui volent. Nous vous recommandons fortement de porter des vêtements de travail.
- Les gants (5) font partie de l'équipement prescrit et doivent toujours être portés pendant l'utilisation.
- Lorsque vous utilisez l'appareil, portez toujours des chaussures robustes (6) équipées de semelles anti-dérapantes. Elles vous protégeront des blessures éventuelles et vous assureront une bonne stabilité.

Démarrage de la débroussailleuse thermique

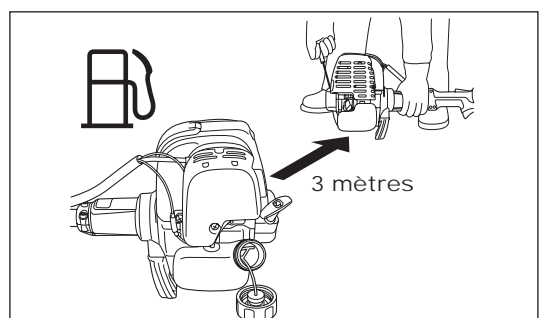
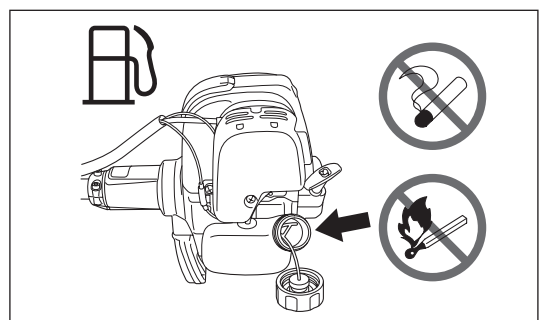
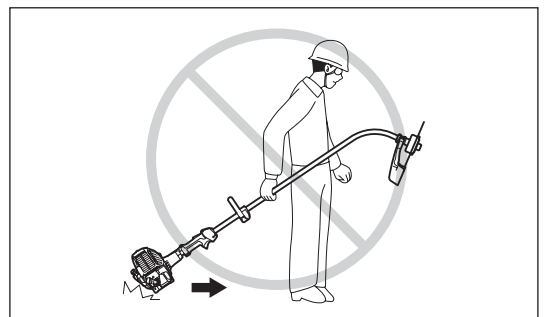
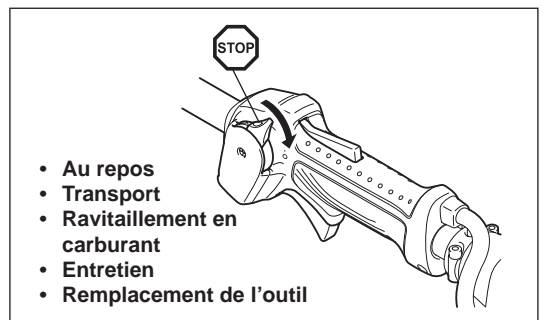
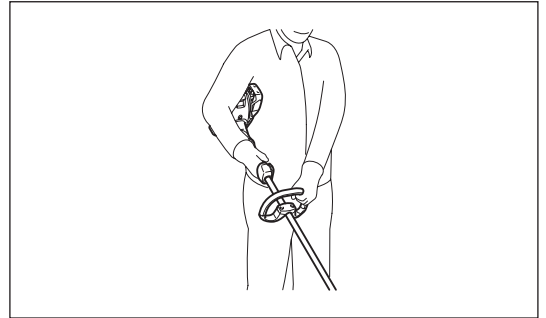
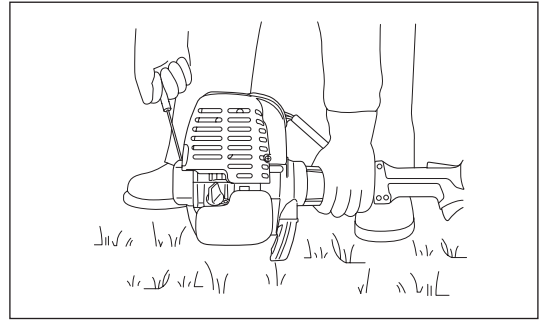
- Éloignez les personnes et les enfants du lieu de travail à une distance minimum de 15 mètres (50 pieds) et faites attention aux animaux qui pourraient se trouver à proximité.
- Avant l'utilisation, vérifiez toujours que l'appareil ne présente aucun danger : Vérifiez la sécurité de l'accessoire de coupe, la maniabilité du levier d'accélération ainsi que le bon fonctionnement du verrouillage du levier d'accélération.
- Il est interdit de faire tourner l'accessoire de coupe lorsque l'appareil fonctionne au ralenti. En cas de doute, vérifiez le réglage avec votre revendeur. Vérifiez que les poignées sont propres et sèches et que l'interrupteur marche/arrêt fonctionne correctement.



- Ne démarrez la débroussailleuse thermique qu'en conformité avec les instructions.
- Ne démarrez pas le moteur selon une autre méthode !
- Utilisez uniquement la débroussailleuse thermique et les outils pour les usages indiqués.
- Ne démarrez le moteur qu'après avoir procédé au montage complet de l'appareil. Le fonctionnement de l'outil n'est autorisé qu'une fois l'ensemble des accessoires fixés !
- Avant de démarrer, assurez-vous que l'accessoire de coupe n'entre pas en contact avec des objets durs, tels que des branches, des pierres, etc. et qu'elle tournera au démarrage.
- En cas de problème avec le moteur, éteignez-le immédiatement.
- Si l'accessoire de coupe frappe des pierres ou d'autres objets durs, éteignez de suite le moteur et examinez l'accessoire de coupe.
- Examinez l'accessoire de coupe à intervalles réguliers courts pour vous assurer qu'elle n'est pas endommagée (détection de fissures capillaires en utilisant le test de tapping).
- En cas de chute ou d'impact de l'appareil, vérifiez qu'il est en bon état avant de poursuivre le travail. Vérifiez qu'il n'y a pas de fuite de carburant dans le circuit d'alimentation, et que les commandes et dispositifs de sécurité fonctionnent correctement. En cas de dommage ou de doute, demandez à un centre d'entretien agréé d'examiner et de réparer l'outil.
- Durant l'utilisation, tenez toujours la débroussailleuse thermique avec les deux mains. Ne tenez jamais la débroussailleuse thermique d'une seule main durant l'utilisation.
Assurez-vous toujours d'avoir une bonne stabilité.
- Utilisez l'appareil de façon à éviter d'inhaler les gaz d'échappement. Ne faites jamais tourner le moteur dans une pièce confinée (risque d'intoxication aux gaz). Le monoxyde de carbone est un gaz inodore.
- Éteignez le moteur lorsque vous faites une pause ou laissez l'appareil sans surveillance, et placez-le dans un endroit sûr pour éviter de mettre en danger les autres personnes ou d'endommager l'outil.
- Ne placez jamais la débroussailleuse thermique chaude sur de l'herbe sèche ou des matériaux combustibles.
- Installez toujours l'accessoire de coupe approuvé sur l'appareil avant de démarrer le moteur. Sinon, un contact avec l'accessoire de coupe pourrait causer de graves blessures.
- Vous devez utiliser toutes les installations protectives et protections fournies avec l'outil durant l'utilisation.
- Ne faites jamais fonctionner le moteur si le pot d'échappement est endommagé.
- Éteignez le moteur durant le transport.
- Pour éviter toute fuite de carburant, assurez-vous que l'appareil est bien fixé lors des transports en voiture.
- Lors du transport, assurez-vous que le réservoir de carburant est complètement vide.
- Lorsque vous déchargez l'appareil du coffre, ne faites jamais tomber le moteur au sol, car cela risquerait d'endommager le réservoir de carburant.
- Sauf en cas d'urgence, ne laissez jamais tomber l'appareil et ne le jetez pas sur le sol, au risque de l'endommager grièvement.
- Veillez à soulever l'ensemble du matériel du sol lorsque vous le déplacez. Il est très dangereux de traîner le réservoir de carburant : cela risque de créer des fuites de carburant, voire un incendie.

Ravitaillement en carburant

- Lors du ravitaillement en carburant, coupez le moteur, éloignez-le des flammes nues et ne fumez pas.
- Évitez tout contact entre la peau et l'essence. N'inhaliez pas les vapeurs de carburant. Portez toujours des gants de protection durant le ravitaillement en carburant. Changez et nettoyez régulièrement les vêtements de protection.
- Veillez à ne pas renverser de carburant ou d'huile, afin d'éviter toute contamination du sol (protection environnementale). Nettoyez la débroussailleuse thermique immédiatement si vous renversez du carburant.
- Évitez tout contact entre vos vêtements et le carburant. Si vous renversez du carburant sur vos vêtements, changez-en immédiatement (pour éviter que vos vêtements ne prennent feu).
- Vérifiez régulièrement le bouchon du réservoir pour vous assurer qu'il est bien fermé et ne fuit pas.
- Serrez soigneusement le bouchon du réservoir de carburant. Déplacez-vous pour démarrer le moteur (éloignez-vous à au moins 3 mètres de l'endroit où vous avez fait le plein).
- Ne faites jamais le plein dans une pièce confinée. Les vapeurs de carburant s'accumulent au niveau du sol (risque d'explosions).
- Transportez et stockez le carburant uniquement dans des conteneurs agréés. Assurez-vous que les enfants ne peuvent pas accéder au carburant.



Mode d'emploi

- N'utilisez l'appareil que si les conditions d'éclairage et de luminosité sont satisfaisantes. En hiver, soyez attentif aux zones glissantes ou mouillées, au verglas et à la neige (risque de glissade). Assurez-vous toujours d'avoir une bonne stabilité.
- Ne coupez jamais à une hauteur supérieure aux épaules.
- Ne montez jamais sur une échelle.
- Ne montez jamais dans un arbre pour procéder à la coupe.
- Ne travaillez jamais sur des surfaces instables.
- Enlevez le sable, les pierres, les clous etc., trouvés à l'intérieur du périmètre de travail.
- Avant de commencer à couper, l'accessoire de coupe doit avoir atteint sa vitesse de fonctionnement maximale.
- Balancez la débroussailleuse thermique de manière régulière. Si de l'herbe ou des branches sont coincées entre l'accessoire de coupe et le carter, coupez toujours le moteur avant de procéder au nettoyage. Sinon la rotation imprévue de l'accessoire pourrait causer de graves blessures.
- Reposez-vous pour éviter toute perte de contrôle due à la fatigue. Il est recommandé de faire une pause de 10 à 20 minutes toutes les heures.

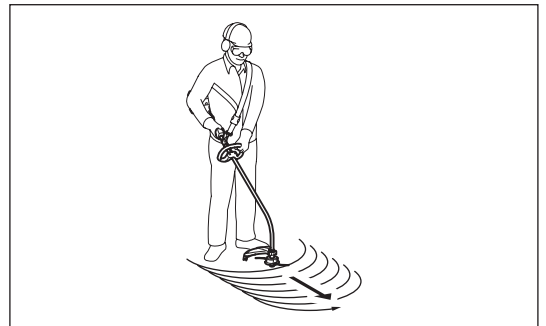


Accessoires de coupe

- N'utilisez jamais de lames en métal, dont les chaînes pivotantes en métal et les lames batteuses. Le contact de la lame pourrait causer de graves blessures.

Vibrations

- Les personnes souffrant de troubles circulatoires peuvent subir des blessures au niveau des vaisseaux sanguins ou du système nerveux si elles sont exposées à des vibrations excessives. Les vibrations peuvent entraîner les symptômes suivants aux doigts, mains ou poignets : engourdissement, picotements, douleur, sensation lancinante, altération de la couleur ou de l'aspect de la peau. Si l'un ou l'autre de ces symptômes apparaît, consultez un médecin !
- Afin de réduire le risque de syndrome des vibrations du système main-bras, gardez vos mains au chaud et maintenez correctement l'appareil et ses accessoires.



Instructions d'entretien

- L'entretien de votre appareil doit être effectué par l'un de nos centres d'entretien agréés et seules des pièces de rechange authentiques doivent être utilisées. Une réparation incorrecte et un entretien défectueux peuvent réduire la durée de vie de l'appareil et accroître le risque d'accidents.
- Avant d'utiliser l'appareil, vérifiez son état, et notamment l'accessoire de coupe et les dispositifs de protection.
- Éteignez le moteur et retirez le connecteur de bougies lorsque vous remplacez l'accessoire de coupe ou nettoyez le découpeur ou l'accessoire de coupe.
- Respectez l'environnement. Pour réduire la pollution et les émissions sonores, évitez tout fonctionnement inutile du papillon des gaz. Réglez correctement le carburateur.
- Nettoyez régulièrement l'appareil et vérifiez que l'ensemble des vis et des écrous est bien serré.
- Ne procédez jamais à l'entretien de l'appareil et ne le rangez pas à proximité de flammes nues.
- Rangez toujours l'appareil dans une pièce fermée, après avoir vidé le réservoir de carburant.



Respectez les instructions de prévention d'accident publiées par les associations commerciales et les compagnies d'assurance. N'effectuez aucune modification sur l'appareil, au risque de mettre votre sécurité en danger.

L'exécution de l'entretien ou des réparations par l'utilisateur est limitée aux activités décrites dans le mode d'emploi. Toute autre tâche doit être réalisée par un agent d'entretien agréé. N'utilisez que des pièces de rechange et des accessoires d'origine fournis par DOLMAR.

L'utilisation d'accessoires ou d'outils non agréés augmente les risques d'accident.

DOLMAR n'acceptera aucune responsabilité pour les accidents ou les dommages causés par l'utilisation d'accessoires de coupe ou de dispositifs de fixation pour accessoires de coupe non agréés ou bien d'autres accessoires.

Premiers secours

En cas d'accident, assurez-vous qu'une trousse de premiers secours se trouve à proximité des opérations de coupe. Remplacez immédiatement tout article pris dans la trousse de premiers secours.

Lorsque vous demandez de l'aide, veuillez fournir les renseignements suivants :

- Lieu de l'accident
- Ce qui s'est passé
- Nombre de personnes blessées
- Types de blessures
- Votre nom



DONNÉES TECHNIQUES LT-245.4

Modèle		LT-245.4		
		Poignée fermée		
Dimensions : longueur x largeur x hauteur (sans l'accessoire de coupe)		mm	1 623 x 290 x 464	
Diamètre de coupe		mm	412	
Poids (sans la protection plastique et l'accessoire de coupe)		kg	4,9	
Volume (réservoir de carburant)		L	0,5	
Volume (réservoir d'huile)		L	0,08	
Déplacement du moteur		cm ³	24,5	
Performances maximales du moteur		kw	0,71 à 7 000 min ⁻¹	
Vitesse du moteur à la vitesse max. recommandée de l'axe		min ⁻¹	10 000	
Fréquence de rotation maximale de l'axe		min ⁻¹	7 750	
Consommation maximale de carburant		kg/h	0,33	
Consommation maximale spécifique de carburant		g/kwh	408	
Ralenti		min ⁻¹	3 000	
Vitesse d'engagement de l'embrayage		min ⁻¹	3 750	
Carburateur		type	WALBRO WYL	
Système d'allumage		type	Allumage à semi-conducteur	
Bougie d'allumage		type	NGK CMR4A	
Distance entre les électrodes		mm	0,7 - 0,8	
Vibrations selon la norme ISO 22867	Poignée droite (Prise arrière)	a _{hv eq}	m/s ²	5,4
		Incertitude K	m/s ²	1,0
	Poignée gauche (Prise avant)	a _{hv eq}	m/s ²	5,3
		Incertitude K	m/s ²	0,9
Moyenne du niveau de pression acoustique selon la norme ISO 22868	L _{PA eq}	dBA	93,3	
		Incertitude K	dBA	2,8
Moyenne du niveau de puissance acoustique selon la norme ISO 22868	L _{WA eq}	dBA	102,5	
		Incertitude K	dBA	1,7
Carburant		Essence automobile		
Huile du moteur		Huile SAE 10W-30 de classe API, Classe SF ou supérieure (moteur 4 temps pour automobile)		

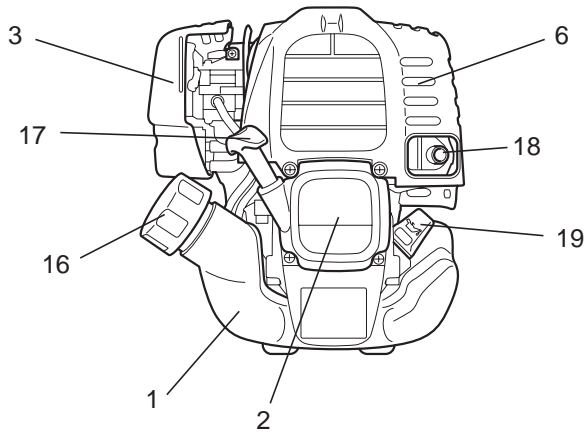
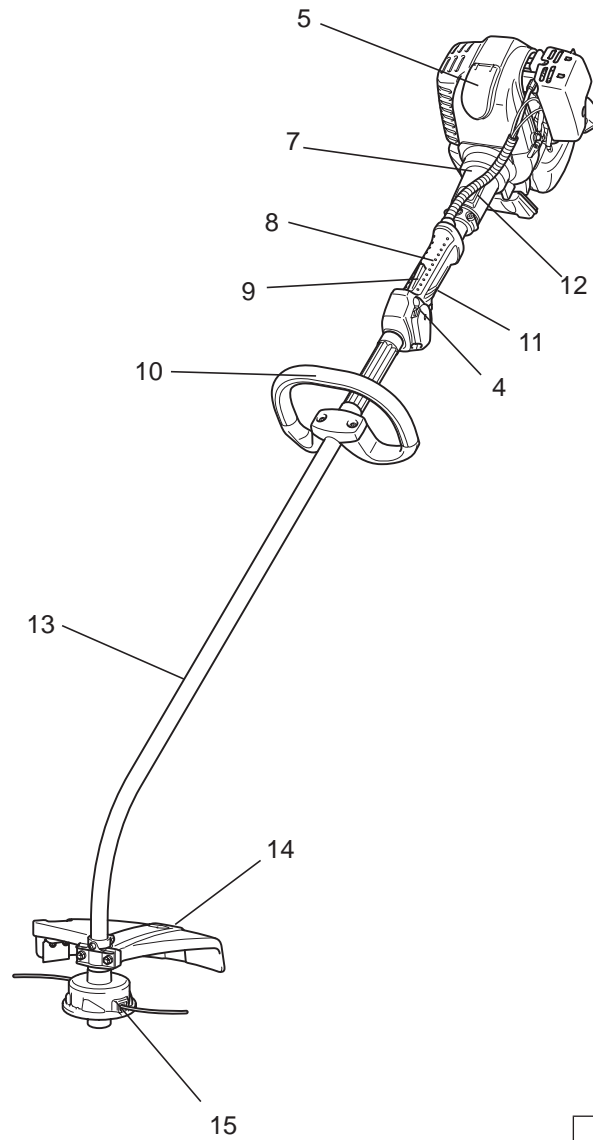
DÉCLARATION DE CONFORMITÉ CE

Pour les pays d'Europe uniquement

La Déclaration de conformité CE figure en Annexe A du présent mode d'emploi.

NOMENCLATURE DES PIÈCES

LT-245.4



F	NOMENCLATURE DES PIÈCES
1	Réservoir de carburant
2	Démarrreur à rappel
3	Filtre à air
4	Interrupteur I-O (marche/arrêt)
5	Bougie d'allumage
6	Pot d'échappement
7	Carter d'embrayage
8	Prise arrière
9	Levier de verrouillage
10	Poignée
11	Levier d'accélération
12	Câble de contrôle
13	Arbre
14	Protecteur (carter de l'accessoire de coupe)
15	Tête à fils de nylon
16	Bouchon du réservoir de carburant
17	Bouton de démarrage
18	Tuyau d'échappement
19	Jauge d'huile

MONTAGE DE LA POIGNÉE

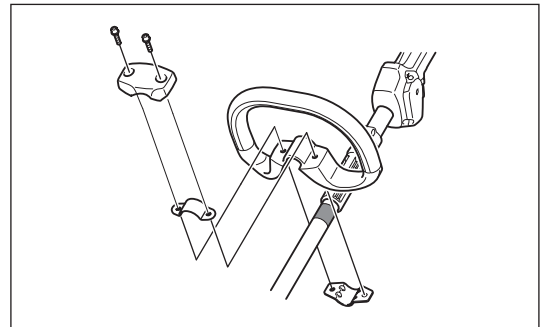
⚠ ATTENTION : Avant d'intervenir d'une quelconque manière sur l'appareil, éteignez toujours le moteur et débranchez le connecteur des bougies.
Portez toujours des gants de protection !

⚠ ATTENTION : Ne démarrez le moteur qu'après l'avoir complètement monté.

Pour les modèles d'outils avec poignée fermée

- Fixez la poignée fermée sur l'arbre, comme illustré.
- Assurez-vous que l'espaceur du tuyau de l'arbre est situé entre l'ensemble de la prise et l'autre prise. Ne retirez pas ou ne réduisez pas l'espaceur.

REMARQUE : Dans certains pays, l'espaceur n'est pas fourni avec l'outil. Dans ce cas, alignez la poignée le plus à droite possible de la ligne indiquée par les flèches.



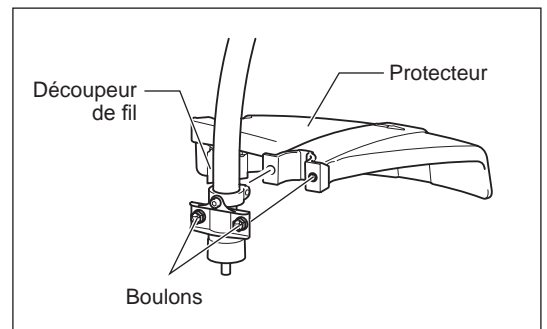
MONTAGE DU PROTECTEUR

Pour satisfaire aux règles de sécurité en vigueur, utilisez uniquement l'outil/le protecteur comme indiqué dans le tableau.

⚠ ATTENTION : Ne touchez pas le découpeur de fil situé sur le protecteur. Si vous le touchez à mains nues, vous risquez de vous blesser.

Le protecteur doit absolument être installé. Il permet au fil de coupe en nylon de conserver sa longueur, et il vous protège des jets de pierres et de débris. Pour installer le protecteur, procédez comme indiqué ci-dessous.

1. Mettez le protecteur en place de manière à ce que la nervure de l'arbre s'insère dans le creux du protecteur.
2. Serrez les deux boulons.



MONTAGE DE LA TÊTE À FILS DE NYLON

⚠ AVERTISSEMENT : N'utilisez jamais de lames de coupe.

Assurez-vous d'utiliser une tête à fils de nylon DOLMAR.

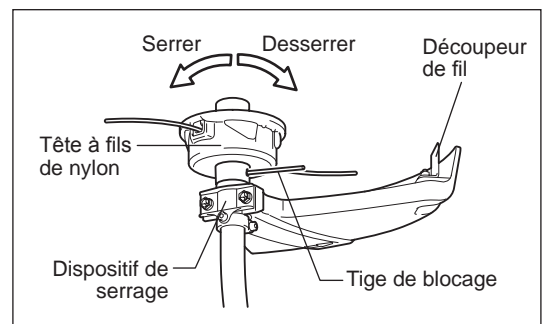
- Si la tête à fil de nylon heurte une pierre durant l'utilisation, arrêtez le moteur et vérifiez la tête à fil de nylon immédiatement.

⚠ ATTENTION : Ne touchez pas le découpeur de fil situé sur le protecteur. Si vous le touchez à mains nues, vous risquez de vous blesser.

Pour monter une tête à fils de nylon, procédez comme suit :

1. Introduisez la tige de blocage dans le trou du dispositif de serrage. Faites-les tourner tout en enfonçant la tige de blocage, jusqu'à ce que l'ensemble soit bloqué.
2. Vissez une tête à fils de nylon sur l'arbre en la tournant dans le sens horaire. Assurez-vous qu'elle est correctement vissée.
3. Retirez la tige de blocage.

Pour ôter la tête à fils de nylon, dévissez-la en la tournant dans le sens antihoraire.



AVANT DE COMMENCER

Inspection et remplissage de l'huile moteur

- Lorsque le moteur est froid, procédez comme suit.
- En conservant le moteur à plat, retirez la jauge d'huile, puis confirmez que le niveau d'huile se situe entre les limites haute et basse. Lorsqu'il manque de l'huile et que seule la pointe de la jauge d'huile touche l'huile, notamment quand la jauge serte insérée dans le carter du moteur sans se visser (Fig. 1), versez de l'huile neuve dans l'orifice du réservoir (Fig. 2).
- À titre d'information, il convient de remplir le réservoir d'huile toute les 10 heures d'utilisation environ (10 fois ou 10 remplissages du réservoir d'huile).
Si l'huile change de couleur ou contient de la saleté, remplacez-la. (Pour la fréquence et la méthode de vidange, référez-vous à la page 32)

Huile recommandée : Huile SAE 10W-30 de classe API, Classe SF ou supérieure (moteur 4 temps pour automobile)

Volume d'huile : environ 0,08 L

REMARQUE : Si le moteur n'est pas à plat, de l'huile pourrait se verser autour du moteur, ou le remplissage pourrait être excessif.

Si le niveau d'huile est rempli au-delà de la limite, l'huile pourrait être contaminée ou risquerait de s'enflammer en provoquant de la fumée blanche.

Point n°1 du remplacement de l'huile : « Jauge d'huile »

- Retirez la poussière ou les saletés entourant l'orifice du réservoir d'huile, puis ôtez la jauge d'huile.
- Veillez à ce que la jauge d'huile n'entre pas en contact avec du sable ou de la poussière. Dans le cas contraire, les impuretés adhérant à la jauge d'huile pourrait empêcher la bonne circulation de l'huile ou abimer des pièces du moteur, ce qui provoquerait des problèmes.
- Pour assurer la propreté de la jauge d'huile, nous vous recommandons de l'insérer du côté poignée dans le capot du moteur, comme indiqué à la Figure 3.

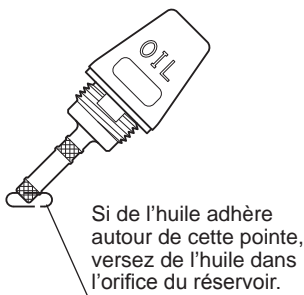


Fig. 1

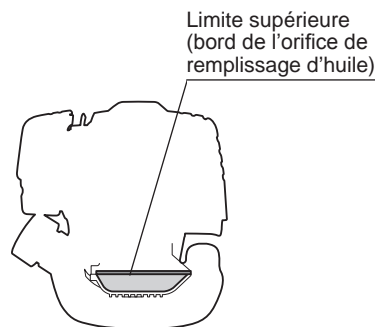


Fig. 2

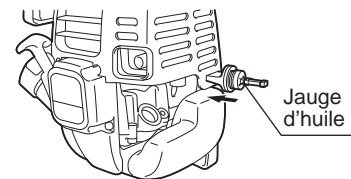
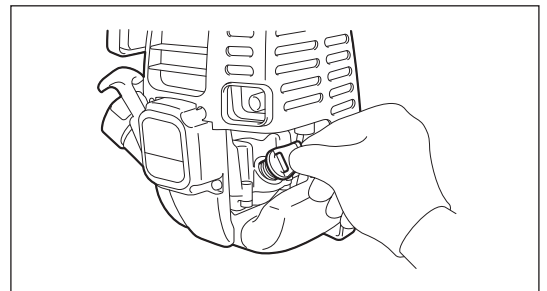
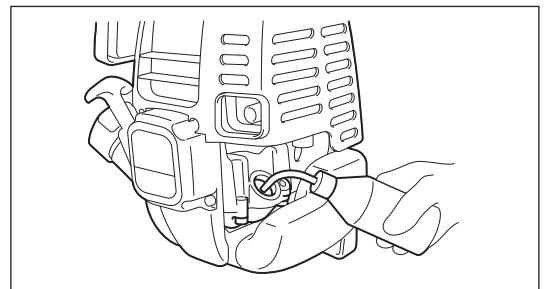


Fig. 3

(1) Gardez le moteur à plat et enlevez la jauge d'huile.



(2) Remplissez le réservoir d'huile jusqu'au bord de son orifice. (Voir Fig. 2.)
Ajoutez de l'huile avec la bouteille de remplissage de lubrifiant.



(3) Vissez fermement la jauge d'huile. Un vissage insuffisant pourrait provoquer une fuite d'huile.

Remarque

- Ne remplacez pas l'huile lorsque le moteur est en position inclinée.
- Le remplissage d'huile avec le moteur incliné risque de provoquer un remplissage trop important, entraînant la contamination de l'huile et/ou de la fumée blanche.

Point n°2 du remplacement de l'huile : « En cas de débordement d'huile »

- Si de l'huile se répand entre le réservoir de carburant et le bloc principal du moteur, elle risque d'être aspirée dans le port d'entrée de l'air de refroidissement, contaminant le moteur. Veillez à nettoyer l'huile qui a débordé avant toute utilisation.

RAVITAILLEMENT EN CARBURANT

Manipulation du carburant

Veillez à manipuler le carburant avec la plus grande prudence. Il peut contenir des substances similaires aux solvants. Pour faire le plein, placez-vous dans une pièce suffisamment ventilée ou à l'extérieur. N'inhalez jamais les vapeurs de carburant et restez à distance du carburant. En cas de contact répété ou prolongé de votre peau avec du carburant, elle peut se dessécher, entraînant des maladies de peau ou des allergies. En cas de contact du carburant avec un œil, rincez celui-ci à l'eau claire. Si votre œil reste irrité, consultez votre médecin.

Durée de stockage du carburant

Le carburant doit être utilisé dans les 4 semaines, même s'il est conservée dans un bidon spécial dans un endroit ombragé et bien ventilé. Dans le cas contraire, le carburant peut se détériorer en une journée.

STOCKAGE DE LA MACHINE ET REMPLISSAGE DU RÉSERVOIR

- Conservez la machine et le réservoir dans un endroit frais et abrité des rayons directs du soleil.
- Ne conservez jamais le carburant dans un véhicule.

Carburant

Le moteur est un moteur à quatre temps. Veillez à utiliser de l'essence automobile sans plomb à indice d'octane 87 ou supérieur ((R+M)/2). Elle peut contenir 10 % d'alcool au maximum (E-10).

Avertissements concernant le carburant

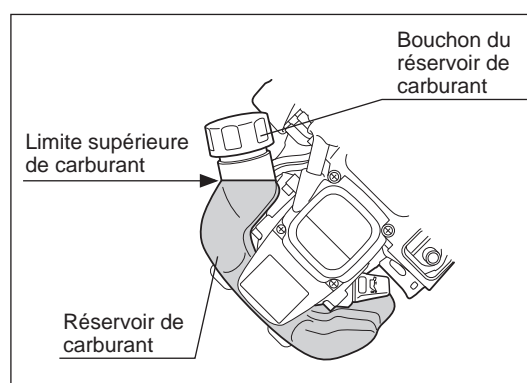
- N'utilisez jamais de mélange de carburant contenant de l'huile moteur. Cela pourrait créer une accumulation excessive de carbone ou des pannes mécaniques.
- L'utilisation d'huile détériorée peut provoquer des démarrages irréguliers du moteur.

Ravitaillement en carburant

⚠ AVERTISSEMENT : PRODUITS INFLAMMABLES STRICTEMENT INTERDITS

Essence utilisée : Essence automobile sans plomb, à indice d'octane 87 ou plus élevé. 10 % d'alcool au maximum (E-10).

- Dévissez le bouchon du réservoir afin qu'il n'y ait pas de différence de pression.
- Retirez le bouchon du réservoir et remplissez le réservoir de carburant en l'inclinant de manière à en chasser l'air, l'orifice dirigé vers le haut. (Ne remplissez jamais le réservoir de carburant jusqu'à ce qu'il déborde sur l'orifice de remplissage d'huile.)
- Essuyez bien le tour du bouchon du réservoir de carburant pour éviter l'introduction de tout corps étranger dans le réservoir de carburant.
- Après avoir fait le plein, serrez à fond le bouchon du réservoir.
- En cas de défaut ou de dommages au niveau du bouchon du réservoir, remplacez-le.
- Le bouchon du réservoir est une pièce d'usure : il convient donc de le remplacer tous les deux à trois ans.



AVERTISSEMENTS CONCERNANT LE FONCTIONNEMENT ET LA PROCÉDURE D'ARRÊT

Respectez les réglementations en vigueur en matière de prévention des accidents !

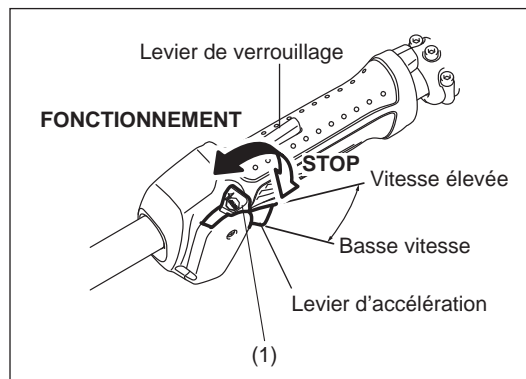


DÉMARRAGE

Éloignez-vous d'au moins 3 mètres de l'endroit où vous avez procédé au ravitaillement en carburant. Placez l'appareil au sol en veillant à ce que l'accessoire de coupe n'entre pas en contact avec le sol ou tout autre objet.

A : Démarrage à froid

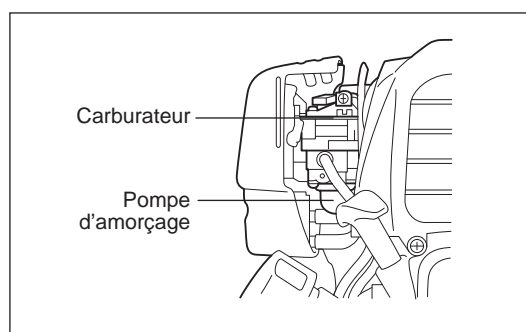
- 1) Déposez la machine sur une surface plane.
- 2) Réglez l'interrupteur I-O (1) sur FONCTIONNEMENT.



- 3) Pompe d'amorçage

Continuez à appuyer sur la pompe d'amorçage jusqu'à ce que le carburant pénètre à l'intérieur de celle-ci. (En général, le carburant pénètre dans la pompe d'amorçage après 7 à 10 pressions.)

Si vous appuyez trop sur la pompe d'amorçage, un surplus de carburant retourne au réservoir de carburant.



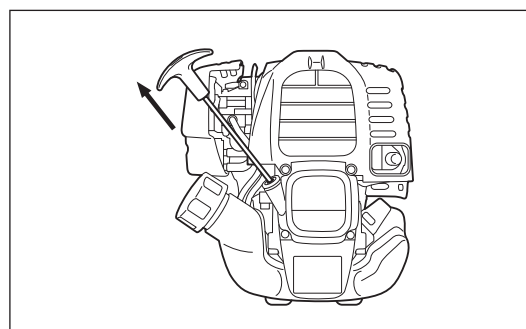
- 4) Démarreur

Tirez doucement le bouton du démarreur, jusqu'à ce qu'il résiste (point de compression). Ensuite, repoussez le bouton du démarreur, puis tirez-le fortement.

Ne tirez jamais entièrement la corde. Une fois le bouton du démarreur tiré, n'enlevez jamais votre main immédiatement. Tenez le bouton jusqu'à ce qu'il retourne à sa position initiale.

- 5) Opération de chauffage

Continuez à faire chauffer le moteur pendant 2 à 3 minutes.



REMARQUE : Si une entrée de carburant excessive (noyage) se produit, enlevez la bougie et tirez la poignée de démarrage lentement pour retirer l'excès de carburant. Séchez également l'électrode de la bougie.

B : Démarrage après avoir fait chauffer le moteur

- 1) Appuyez plusieurs fois sur la pompe d'amorçage.
- 2) Laissez le levier d'accélération en position de ralenti.
- 3) Tirez avec force sur le démarreur.
- 4) Si le moteur est difficile à démarrer, ouvrez les gaz d'environ 1/3.

Mise en garde lors du fonctionnement

Lorsque le moteur est utilisé à l'envers, de la fumée blanche peut s'échapper du silencieux.

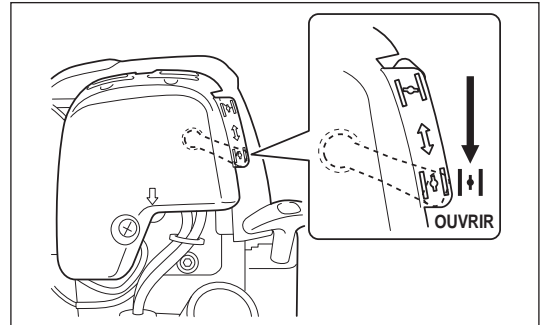
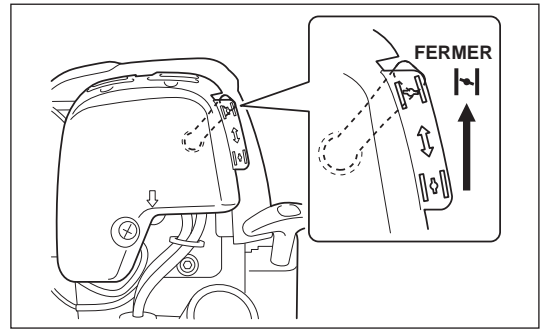
Parfois, notamment en hiver, lorsque le démarrage du moteur est difficile

Actionnez le levier de l'étrangleur en procédant comme suit lors du démarrage du moteur.

- Après avoir exécuté les étapes de démarrage 1) à 3), placez le levier de l'étrangleur en position FERMER.
- Exécutez l'étape 4) et démarrez le moteur.
- Lorsque le moteur démarre, réglez le levier d'étrangleur en position OUVRIR.
- Exécutez l'étape de démarrage 5) et continuez à chauffer le moteur.

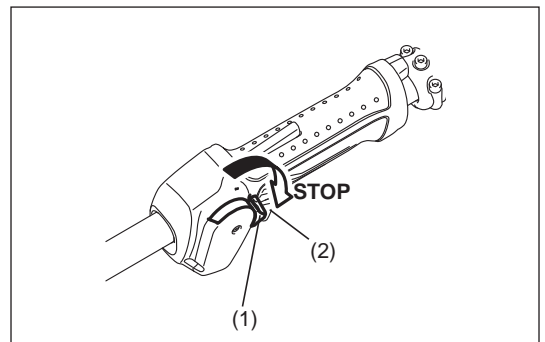
⚠ ATTENTION : Si vous entendez un bruit d'explosion et si le moteur s'arrête, ou si le moteur que vous venez de démarrer cale avant que vous utilisiez le levier d'étrangleur, remplacez le levier d'étrangleur en position OUVRIR, puis tirez plusieurs fois sur le bouton du démarreur pour démarrer le moteur.

⚠ ATTENTION : Si le levier d'étrangleur est maintenu en position FERMER et si le bouton d'étrangleur est enfoncé plusieurs fois, une quantité trop importante de carburant sera aspirée et le démarrage du moteur deviendra difficile.



ARRÊT

- 1) Relâchez entièrement le levier d'accélération (2) et lorsque la vitesse de rotation du moteur a diminué, placez l'interrupteur I-O en position STOP pour couper le moteur.
- 2) Attention, il est possible que la tête à fils de nylon ne s'arrête pas immédiatement, laissez-la ralentir jusqu'à ce qu'elle s'arrête.

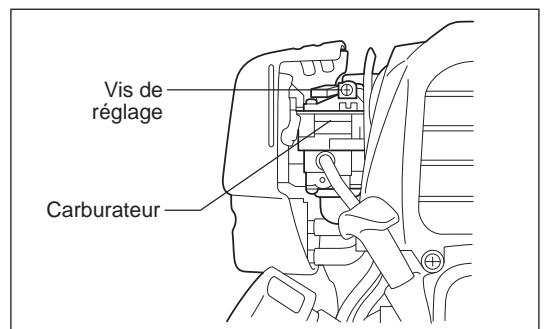


RÉGLAGE DE LA ROTATION À BAS RÉGIME (RALENTI)

Lorsque cela est nécessaire, réglez le ralenti en utilisant la vis de réglage du carburateur.

VÉRIFICATION DE LA ROTATION À BAS RÉGIME (RALENTI)

- Réglez le ralenti sur 3 000 min⁻¹.
S'il s'avère nécessaire de changer la vitesse de rotation (ralenti), placez un tournevis cruciforme sur la vis, comme illustré à droite.
- Pour augmenter la vitesse de rotation du moteur, tournez la vis de réglage vers la droite. Pour la diminuer, tournez la vis de réglage vers la gauche.
- Le carburateur est généralement réglé juste avant d'être expédié. S'il s'avère nécessaire de le régler, contactez un agent d'entretien agréé.



LA TÊTE À FILS DE NYLON

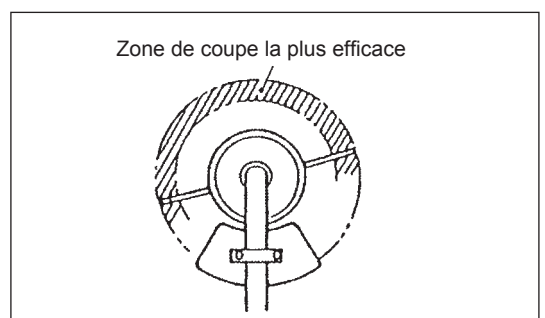
Servez-vous des extrémités des fils de coupe en nylon pour réaliser la coupe.

Allongement des fils de coupe en nylon

Au fur et à mesure de l'utilisation, les fils de coupe en nylon s'usent et se raccourcissent, c'est pourquoi il faut les rallonger manuellement.

Pour ce faire, tapez la tête à fils de nylon sur le sol pendant qu'elle tourne à 6 000 min⁻¹ environ.

REMARQUE : Si le fil de coupe en nylon ne sort pas, réenroulez-le.



Remplacement du fil en nylon

⚠ AVERTISSEMENT : Assurez-vous que le couvercle de la tête à fils de nylon est correctement fixée au bloc, comme décrit ci-dessous. Si le couvercle n'est pas correctement fixé, la tête à fils de nylon risque de se détacher et provoquer des blessures graves.

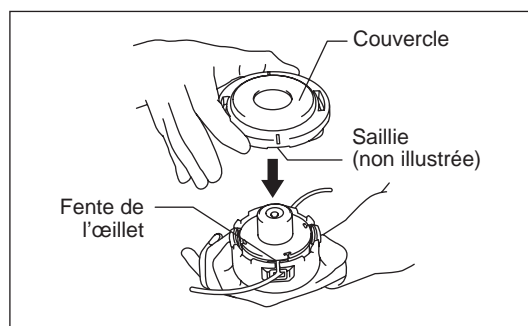
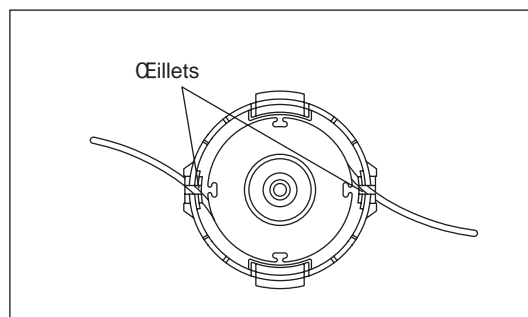
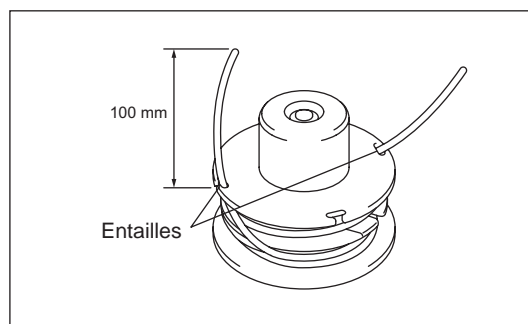
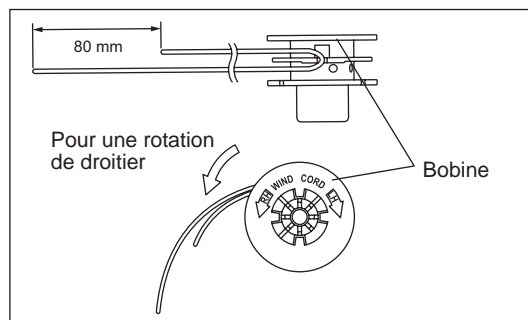
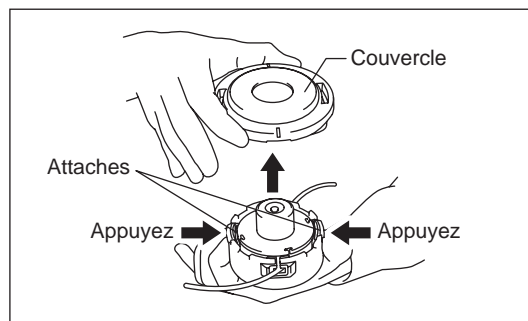
Enfoncez les attaches du bloc et soulevez-le pour le retirer. Débarrassez-vous du fil de nylon restant.

Insérez le milieu du nouveau fil de nylon dans l'entaille située au centre de la bobine entre les 2 canaux destinés au fil de nylon. L'un des côtés du fil doit être plus long que l'autre d'environ 80 mm. Enroulez bien les deux extrémités sur la bobine dans le sens indiqué sur la tête pour le sens de droitier indiqué par RH.

Embobinez tout le fil sauf environ 100 mm, en laissant les extrémités temporairement accrochées à travers l'entaille sur le côté de la bobine.

Montez la bobine dans le bloc afin que ses rainures et saillies soient alignées avec celles du bloc. Ensuite, décrochez les extrémités du fil de son emplacement temporaire et glissez les fils à travers les œillets pour qu'ils sortent du bloc.

Alignez la partie saillante sur le dessous du couvercle avec les trous des œillets. Poussez ensuite fermement le couvercle pour qu'il s'enclenche dans le bloc. Assurez-vous que les attaches se déploient bien sur le couvercle.



INSTRUCTIONS D'ENTRETIEN

⚠ ATTENTION : Avant tout travail sur l'appareil, arrêtez toujours le moteur et débranchez le connecteur des bougies (voir « Vérification de la bougie »).
Portez toujours des gants de protection !

Afin d'assurer une longue durée de vie et éviter d'endommager le matériel, effectuez régulièrement les opérations d'entretien suivantes.

Vérification et entretien journaliers

- Avant utilisation, vérifiez qu'il ne manque aucune pièce et que les vis sont bien serrées. Veillez particulièrement à bien serrer les vis de la tête à fils de nylon.
- Avant l'utilisation, vérifiez que les fentes de refroidissement à air et des cylindres ne sont pas bouchées.
Au besoin, nettoyez-les.
- Effectuez les opérations suivantes après chaque utilisation :
 - Nettoyez l'extérieur de l'appareil et vérifiez qu'il n'est pas endommagé.
 - Nettoyez le filtre à air. Nettoyez le filtre à air plusieurs fois par jour lorsque vous travaillez dans des conditions très poussiéreuses.
 - Vérifiez si la tête à fils de nylon a été endommagée et assurez-vous qu'elle est bien montée.
 - Vérifiez que la différence entre les vitesses de fonctionnement et du ralenti est suffisante pour garantir l'arrêt de l'accessoire de coupe lorsque le moteur est au ralenti (au besoin, réduisez la vitesse du ralenti).
Si l'outil continue à fonctionner lorsque la machine est au ralenti, consultez l'agent d'entretien agréé le plus proche.
- Vérifiez que l'interrupteur I-O, le levier de verrouillage, le levier d'accélération et le bouton de verrouillage fonctionnent correctement.

REMPACEMENT DE L'HUILE DE MOTEUR

Une huile moteur détériorée réduit grandement la durée de vie des pièces mobiles. Veillez à vérifier la fréquence et la quantité des remplacements.



ATTENTION : En général, le bloc principal du moteur et l'huile moteur restent brûlants juste après l'arrêt du moteur. Pour la vidange de l'huile, vérifiez que le bloc principal du moteur et l'huile de moteur ont suffisamment refroidi. Sinon, vous risquez de vous brûler.

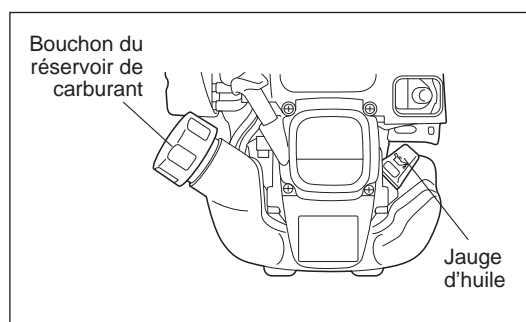
REMARQUE : Si le niveau d'huile dépasse la limite, l'huile risque d'être contaminée ou de s'enflammer en produisant de la fumée blanche.

Intervalle de remplacement : Au départ, toutes les 20 heures de fonctionnement et ensuite, toutes les 50 heures de fonctionnement

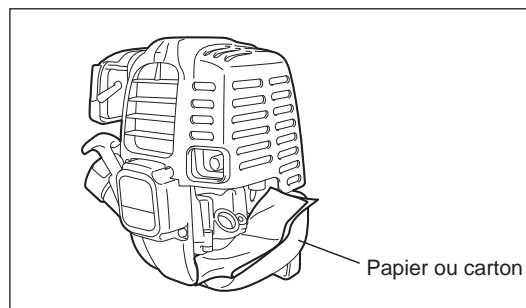
Huile recommandée : Huile SAE 10W-30 de classe API, Classe SF ou supérieure (moteur 4 temps pour automobile)

Vous pouvez également procéder comme suit.

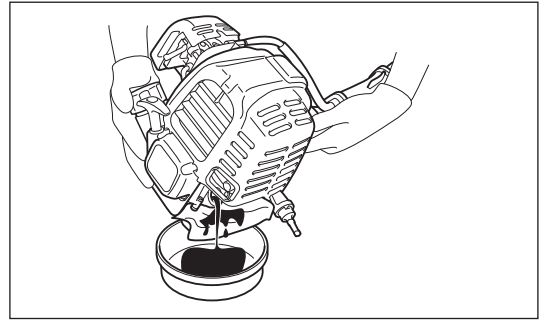
- 1) Assurez-vous que le bouchon du réservoir est bien serré.
- 2) Enlevez la jauge d'huile.
Conservez la jauge d'huile à l'abri de la poussière et des saletés.



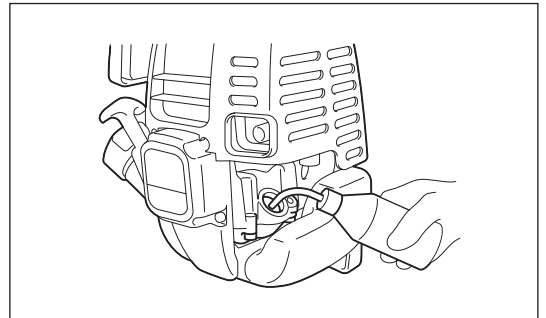
- 3) Placez du papier ou un carton à côté de l'orifice de remplissage d'huile.



- 4) Enlevez la jauge d'huile et le filtre à huile en inclinant le bloc principal dans la direction de l'orifice de remplissage d'huile.
Placez le filtre à huile dans un emballage pour vous en débarrasser correctement.



- 5) Gardez le moteur à plat et remplissez le réservoir d'huile jusqu'au bord de son orifice.
Pour le remplissage, utilisez une bouteille de remplissage de lubrifiant.
- 6) Après le remplissage, vissez fermement la jauge d'huile. Un vissage insuffisant de la jauge d'huile pourrait provoquer une fuite d'huile.



AVERTISSEMENTS CONCERNANT L'HUILE

- Ne jetez jamais d'huile moteur à la poubelle, sur la terre ou dans les égouts. Débarrassez-vous de l'huile en suivant la législation. Respectez toujours la loi en vigueur. Pour tout éclaircissement, contactez un agent d'entretien agréé.
- L'huile se détériore, même lorsqu'elle n'est pas utilisée. Effectuez régulièrement des inspections et des remplacements (vidangez l'huile tous les 6 mois).

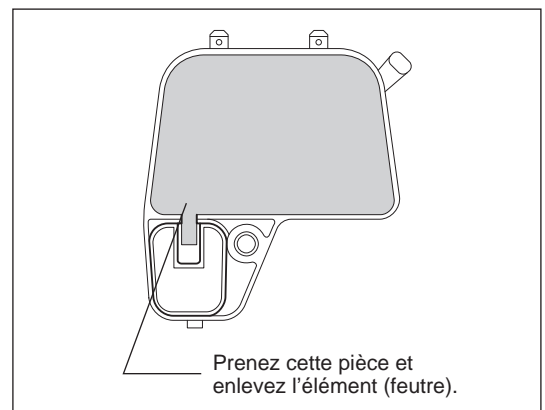
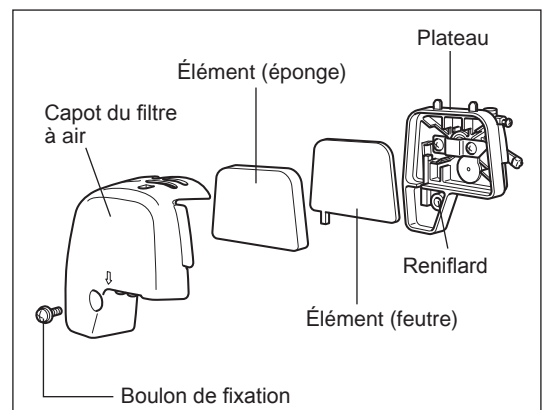
NETTOYAGE DU FILTRE À AIR



DANGER : PRODUITS INFLAMMABLES STRICTEMENT INTERDITS

Intervalle de nettoyage et d'inspection : tous les jours (toutes les 10 heures d'utilisation)

- Tournez le levier d'étrangleur vers le côté complètement fermé et éloignez le carburateur de toute poussière ou saleté.
- Retirez les boulons de fixation du couvercle du filtre à air.
- Tirez la partie inférieure du couvercle et enlevez le capot du filtre à air.
- Si de l'huile adhère à l'élément (éponge), serrez-le à fond.
- En cas de contamination importante :
 - 1) Retirez l'élément (éponge), plongez-le dans de l'eau chaude ou dans un détergeant neutre dilué à l'eau, et séchez-le complètement.
 - 2) Nettoyez l'élément (feutre) à l'essence, et séchez-le complètement.
- Avant de remettre l'élément en place, assurez-vous qu'il est complètement sec. Un séchage insuffisant de l'élément pourrait provoquer un démarrage difficile.
- Nettoyez avec un chiffon l'huile adhérent autour du capot du filtre à air et du reniflard du plateau.
- Immédiatement après avoir terminé le nettoyage, remettez en place le capot du filtre à air et fixez-le à l'aide des boulons de fixation. (Pour le remettre en place, commencez par le haut, puis le bas.)



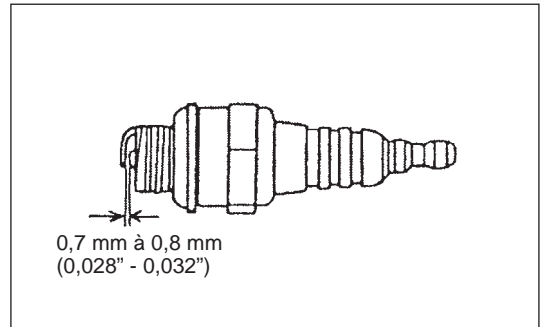
Avertissement relatif à la manipulation de l'élément du filtre à air

- Nettoyez l'élément plusieurs fois par jour si une quantité de poussière trop importante y adhère.
- Si vous poursuivez l'utilisation alors que l'élément restant contient encore de l'huile, il est possible que l'huile présente dans le filtre à air soit expulsée à l'extérieur et contamine le terrain.

VÉRIFICATION DE LA BOUGIE

- N'utilisez que la clé universelle fournie pour retirer ou installer la bougie.
- L'écartement entre les deux électrodes de la bougie doit être compris entre 0,7 et 0,8 mm (0,028" et 0,032"). Réglez l'écartement s'il est trop large ou trop étroit. Si la bougie est bouchée ou contaminée, nettoyez-la complètement ou remplacez-la.

⚠ ATTENTION : Ne touchez jamais le connecteur de la bougie lorsque le moteur est en marche (danger de choc électrique haute tension).



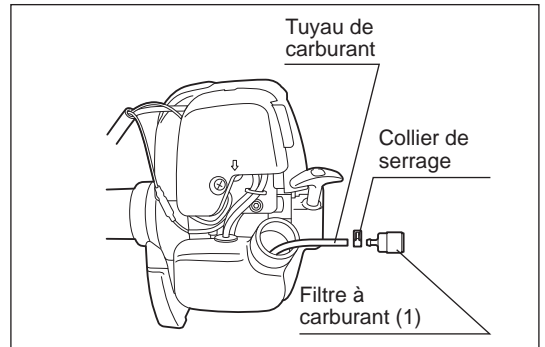
NETTOYAGE DU FILTRE À CARBURANT

**⚠ AVERTISSEMENT : PRODUITS INFLAMMABLES
STRICTEMENT INTERDITS**

Intervalle de nettoyage et d'inspection : tous les mois (toutes les 50 heures d'utilisation)

Crépine d'aspiration dans le réservoir de carburant

- Le filtre à carburant (1) de la crépine d'aspiration permet de filtrer le carburant nécessaire au carburateur.
- Une inspection visuelle périodique du filtre à carburant doit être effectuée. Pour ce faire, dévissez le bouchon du réservoir, utilisez un crochet à fil et retirez la crépine d'aspiration à travers l'orifice du réservoir. Les filtres qui sont devenus rigides, qui ont été pollués ou bouchés doivent être remplacés.
- Une alimentation insuffisante en carburant peut entraîner un excès de la vitesse maximale permise. Il est donc important de remplacer le filtre à carburant au moins tous les trois mois pour assurer une alimentation satisfaisante en carburant dans le carburateur.



REPLACEMENT DU TUYAU DE CARBURANT

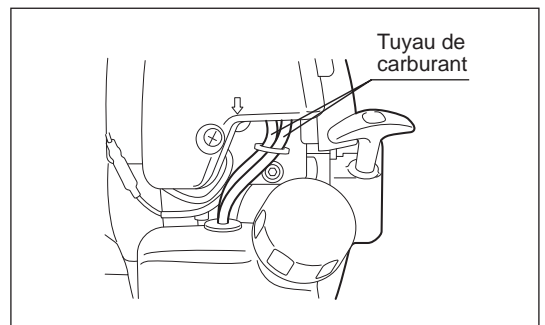
**⚠ ATTENTION : PRODUITS INFLAMMABLES
STRICTEMENT INTERDITS**

Intervalle de nettoyage et d'inspection : tous les jours (toutes les 10 heures d'utilisation)

Remplacement : tous les ans (toutes les 200 heures d'utilisation)

Remplacez le tuyau de carburant tous les ans, quelle que soit la fréquence d'utilisation. Une fuite de carburant peut provoquer un incendie.

Si vous détectez une fuite pendant une inspection, remplacez immédiatement le tuyau de carburant.



INSPECTION DES BOULONS, ÉCROUS ET VIS

- Resserrez les boulons, écrous, etc. desserrés.
- Vérifiez l'absence de fuite de carburant et d'huile.
- Remplacez les pièces endommagées par des pièces neuves afin de garantir un fonctionnement en toute sécurité.

NETTOYAGE DES PIÈCES

- Conservez toujours le moteur propre.
- Conservez les ailettes de cylindre dépourvues de poussière et saleté. Si de la poussière ou des saletés adhèrent aux ailettes, cela peut créer des dommages aux pistons.

REPLACEMENT DE JOINTS STATIQUES ET DE TAMPONS AMORTISSEURS

Lorsque vous remontez le moteur après l'avoir démonté, n'oubliez pas de remplacer les joints statiques et les tampons amortisseurs par des pièces neuves.

Tout autre type d'entretien ou travail de réglage non inclus et décrit dans ce manuel doit être effectué par des agents de réparations agréés uniquement.

ENTREPOSAGE



AVERTISSEMENT : Pour vidanger le carburant, veillez à arrêter le moteur et à vous assurer qu'il a refroidi.
Juste après avoir été arrêté, il est possible que le moteur soit encore chaud et provoque des brûlures ou un incendie.



ATTENTION : Si vous prévoyez de ne pas utiliser l'appareil pendant une longue période, vidangez le réservoir de carburant et le carburateur, et entreposez l'appareil dans un endroit sec et propre.

- Pour vidanger le réservoir de carburant et le carburateur, procédez comme suit :
 - 1) Retirez le bouchon du réservoir de carburant, et vidangez le carburant entièrement. S'il reste un corps étranger dans le réservoir, retirez-le complètement.
 - 2) Retirez le filtre à carburant de l'orifice de remplissage à l'aide d'un fil.
 - 3) Appuyez sur la pompe d'amorçage jusqu'à ce que le carburant soit entièrement vidé et vidangez le carburant qui arrive dans le réservoir de carburant.
 - 4) Placez le filtre sur le réservoir de carburant, et vissez à fond le bouchon du réservoir de carburant.
 - 5) Ensuite, faites tourner le moteur jusqu'à ce qu'il s'arrête.
- Retirez la bougie et versez plusieurs gouttes d'huile moteur dans le logement de la bougie.
- Tirez doucement la poignée du démarreur afin que l'huile moteur se répande sur le moteur, puis remettez la bougie en place.
- En général, entreposez l'appareil en position horizontale. Si cela n'est pas possible, placez l'appareil de sorte que le bloc-moteur se trouve sous l'outil de coupe. Dans le cas contraire, de l'huile moteur risque de couler depuis l'intérieur.
- Veillez également à entreposer l'appareil en lieu sûr afin d'éviter de l'endommager et de vous blesser.
- Entreposez l'essence vidangée dans un bidon spécial, dans un endroit bien ventilé.

Attention après un entreposage pendant une longue période

- Avant de démarrer l'appareil après un long arrêt, veillez à remplacer l'huile (voir à la page 32). L'huile se détériore lorsque l'appareil ne fonctionne pas pendant une longue période.

Résolution de pannes

Panne	Système	Observation	Cause
Le moteur ne démarre pas, ou difficilement	Système d'allumage	Étincelle d'allumage O.K.	Panne de l'alimentation en carburant ou du système de compression, panne mécanique
		Pas d'étincelle d'allumage	Interrupteur STOP commandé, panne de câblage ou court-circuit, bougie ou connecteur défectueux, module d'allumage défectueux
	Alimentation en carburant	Réservoir de carburant plein	Position incorrecte de l'étrangleur, carburateur défectueux, ligne d'alimentation en carburant courbée ou bloquée, carburant encrassé
	Compression	Pas de compression lors de la mise en route	Joint inférieur du cylindre défectueux, joints d'étanchéité du vilebrequin endommagés, cylindre ou segments de piston défectueux ou mauvaise étanchéité de la bougie
Problèmes de démarrage à chaud	Panne mécanique	Le démarreur ne s'enclenche pas	Ressort du démarreur cassé, pièces cassées à l'intérieur du moteur
		Réservoir plein, bougie d'allumage en place	Carburateur contaminé, nettoyez-le
Le moteur démarre mais s'éteint	Alimentation en carburant	Réservoir rempli	Mauvais réglage du ralenti, carburateur contaminé Prise d'air du réservoir de carburant défectueuse, conduite d'alimentation en carburant interrompue, câble ou interrupteur STOP défectueux
Performances insuffisantes	Plusieurs systèmes peuvent être affectés simultanément	Mauvais ralenti du moteur	Filtre à air contaminé, carburateur contaminé, silencieux bouché, conduit d'échappement du cylindre bouché

Élément	Durée de fonctionnement								
		Avant utilisation	Après lubrification	Tous les jours (10 h)	30 h	50 h	200 h	Arrêt/ repos	P correspondante
Huile moteur	Inspecter	○							27
	Remplacer					○*1			32
Serrage des pièces (boulon, écrou)	Inspecter	○							34
Réservoir de carburant	Nettoyer/ inspecter	○							—
	Vidanger le carburant							○*3	35
Levier d'accélération	Vérifier le fonctionnement		○						—
Interrupteur d'arrêt	Vérifier le fonctionnement		○						30
Accessoire de coupe	Inspecter	○		○					26
Rotation au ralenti	Inspecter/ régler			○					30
Filtre à air	Nettoyer			○					33
Bougie d'allumage	Inspecter			○					34
Entrée d'air de refroidissement	Nettoyer/ inspecter			○					34
Tuyau de carburant	Inspecter			○					34
	Remplacer						⊙*2		—
Filtre à carburant	Nettoyer/ remplacer					○			34
Espace entre les valves d'entrée et de sortie d'air	Régler						⊙*2		—
Révision du moteur							⊙*2		—
Carburateur	Vidanger le carburant							○*3	35

*1 Effectuez un remplacement initial après 20 heures d'utilisation.

*2 Demandez à un atelier de mécanique ou un agent d'entretien agréé d'effectuer l'entretien après 200 heures d'utilisation.

*3 Après avoir vidé le réservoir de carburant, continuez à faire fonctionner le moteur et purgez le carburant situé dans le carburateur.

RÉSOLUTION DE PROBLÈMES

Avant d'envoyer votre appareil en réparation, vérifiez si vous pouvez régler le problème vous-même. Si vous découvrez une anomalie, commandez votre appareil selon les descriptions de ce mode d'emploi. Ne démontez et ne modifiez aucune pièce d'une manière contraire à la description. Pour toute réparation, contactez un agent d'entretien agréé ou un revendeur local.

Problème	Cause probable (dysfonctionnement)	Solution
Le moteur ne démarre pas	Oubli d'activation de la pompe d'amorçage	Appuyer 7 à 10 fois
	Tirage lent de la corde du démarreur	Tirer plus fort
	Panne de carburant	Faire le plein
	Filtre de carburant bouché	Nettoyer
	Tube de carburant plié	Redresser le tube de carburant
	Carburant détérioré	Du carburant détérioré rend le démarrage plus difficile. Remplacez-le par du carburant neuf. (Remplacement recommandé : 1 fois par mois)
	Aspiration excessive du carburant	Régler le levier d'accélération de la vitesse moyenne à la vitesse élevée et tirer sur la poignée de démarrage jusqu'à ce que le moteur démarre. Une fois le moteur démarré, la tête à fils de nylon commence à tourner. Faites très attention à la tête à fils de nylon. Si le moteur ne démarre toujours pas, retirer la bougie, sécher l'électrode et ré-assembler ces éléments comme ils l'étaient à l'origine. Ensuite, démarrer comme indiqué.
	Protecteur de bougie débranché	Le brancher solidement
	Bougie contaminée	Nettoyer
	Espacement anormal de la bougie	Régler l'espacement
	Autre problème de la bougie	Remplacer
	Carburateur anormal	Faire une demande d'examen et d'entretien.
	Impossible de tirer la corde de démarrage	Faire une demande d'examen et d'entretien.
Entraînement anormal	Faire une demande d'examen et d'entretien.	
Le moteur s'arrête rapidement La vitesse du moteur n'augmente pas	Réchauffement insuffisant	Réchauffer le moteur
	Le levier d'étrangleur est en position « FERMER » alors que le moteur est chaud.	Le régler sur « OUVRIR ».
	Filtre de carburant bouché	Nettoyer
	Filtre à air contaminé ou bouché	Nettoyer
	Carburateur anormal	Faire une demande d'examen et d'entretien.
	Entraînement anormal	Faire une demande d'examen et d'entretien.
L'accessoire de coupe ne tourne pas.	L'accessoire de coupe n'est pas bien fixée.	Fixez correctement l'accessoire de coupe.
	Une brindille est coincée entre l'accessoire de coupe et le protecteur.	Retirez le corps étranger.
	Le système d'entraînement ne fonctionne pas correctement.	Demandez à un centre d'entretien agréé Dolmar de l'examiner et de le réparer.
L'appareil vibre anormalement.	L'accessoire de coupe est cassée.	Remplacez l'accessoire de coupe.
	L'accessoire de coupe n'est pas bien fixée.	Fixez correctement l'accessoire de coupe.
	Une extrémité des fils de coupe en nylon est cassée et la tête à fils de nylon est déséquilibrée.	Rallongez le fil de coupe en nylon en tapant la tête à fils de nylon sur le sol.
	Le système d'entraînement ne fonctionne pas correctement.	Demandez à un centre d'entretien agréé Dolmar de l'examiner et de le réparer.
L'accessoire de coupe ne s'arrête pas.	Le groupe moteur ne fonctionne pas correctement.	Se reporter au mode d'emploi du groupe moteur.
Le moteur ne s'arrête pas	Connecteur débranché	Le brancher solidement
	Système électrique anormal	Faire une demande d'examen et d'entretien.
Faites tourner le moteur au ralenti et réglez le levier d'étrangleur sur FERMER		
Le fil de coupe en nylon ne sort pas.	Il n'y a plus de fil, ou il est emmêlé dans la bobine.	Réenroulez le fil.
Le fil de coupe en nylon n'est pas coupé à la bonne longueur.	Le découpeur de fil situé sur le protecteur est endommagé ou manquant.	Demandez à un centre d'entretien agréé Dolmar de remplacer le découpeur de fil.
	Le fil dépasse du protecteur.	Réenroulez le fil.

Lorsque le moteur ne démarre pas après avoir été réchauffé :

Si aucun problème n'apparaît après vérification, ouvrez l'étrangleur d'environ 1/3 et démarrez le moteur.

Herzlichen Glückwunsch, dass Sie sich für den Kauf eines motorbetriebenen Werkzeugs von DOLMAR entschieden haben. Wir freuen uns, Ihnen den Motor-Rasentrimmer von DOLMAR anbieten zu können; diese Erzeugnisse sind das Ergebnis eines langen Entwicklungsprogramms und vieler Jahre an Erkenntnissen und Erfahrungen.

Lesen Sie diese Broschüre mit detaillierten Informationen zu den verschiedenen Punkten, die die herausragende Leistung demonstrieren, aufmerksam durch. So können Sie die bestmöglichen Ergebnisse mit Ihrem Produkt von DOLMAR erzielen.



Inhaltsverzeichnis	Seite
Symbole.....	38
Sicherheitsvorschriften	39
Technische Daten	42
Bezeichnung der Bauteile.....	43
Montieren des Griffs	44
Montieren des Schutzes	44
Montieren des Nylon-Schneidkopfes.....	44
Vor dem Betrieb.....	45
Wichtige Betriebsschritte und Stoppen des Werkzeugs.....	47
Der Nylon-Schneidkopf.....	48
Wartungsanweisungen	50
Aufbewahrung	53

SYMBOLE

Beim Lesen der Bedienungsanleitung werden Ihnen die folgenden Symbole begegnen:

	Bitte lesen Sie die Bedienungsanleitung und befolgen Sie die Warnungen und Sicherheitshinweise!		Tragen Sie Schutzhelm, Schutzbrille und Gehörschutz.
	Besondere Aufmerksamkeit erforderlich!		Maximal zulässige Werkzeugdrehzahl
	Verboten!		Kraftstoff (Benzin)
	Halten Sie Abstand!		Manueller Motorstart
	Gefahr durch herumfliegende Gegenstände!		Not-Aus
	Rauchen verboten!		Erste Hilfe
	Umgang mit offenen Flammen verboten!		EIN / START
	Tragen Sie Schutzhandschuhe!		AUS / STOPP
	Tragen Sie festes Schuhwerk mit rutschfesten Sohlen. Empfohlen werden Arbeitsschutzschuhe mit Stahlkappen!		Verwenden Sie niemals Schneidwerkzeuge aus Metall!
	Im Arbeitsbereich dürfen sich keine anderen Personen und keine Tiere aufhalten!		

SICHERHEITSVORSCHRIFTEN

Allgemeine Sicherheitsregeln

- Lesen Sie diese Bedienungsanleitung durch und machen Sie sich mit dem Umgang mit diesem Werkzeug vertraut. Unzureichend informierte Benutzer können bei einem unsachgemäßen Umgang mit dem Werkzeug sich und andere gefährden.
- Sie sollten das Werkzeug nur an Personen verleihen, die nachweislich über Erfahrungen im Umgang mit derartigen Werkzeugen verfügen. Überreichen Sie stets auch diese Bedienungsanleitung.
- Erstanwender sollten sich von ihrem Händler grundlegende Anleitungen geben lassen, um im Umgang mit einem Rasentrimmer vertraut zu werden.
- Kindern und Jugendlichen unter 18 Jahren ist die Bedienung dieses Werkzeugs untersagt. Personen über 16 Jahre dürfen das Werkzeug für Übungszwecke verwenden, jedoch nur unter Aufsicht eines entsprechend qualifizierten Anleiters.
- Verwenden Sie dieses Werkzeug stets mit äußerster Vorsicht und Aufmerksamkeit.
- Betreiben Sie dieses Werkzeug nur, wenn Sie in guter physischer Verfassung sind. Führen Sie alle Arbeiten ruhig und mit Vorsicht aus. Die Bedienperson ist gegenüber Dritten haftbar.
- Betreiben Sie dieses Werkzeug nie unter dem Einfluss von Alkohol und/oder Medikamenten, oder wenn Sie müde oder krank sind.
- Die Erlaubnis zur Verwendung dieses Werkzeugs kann durch örtlich geltende Gesetze und Bestimmungen eingeschränkt sein.

Verwendungszweck des Werkzeugs

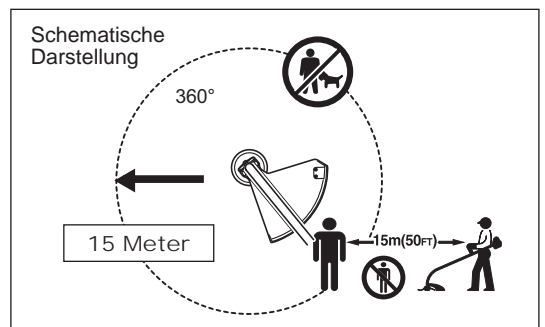
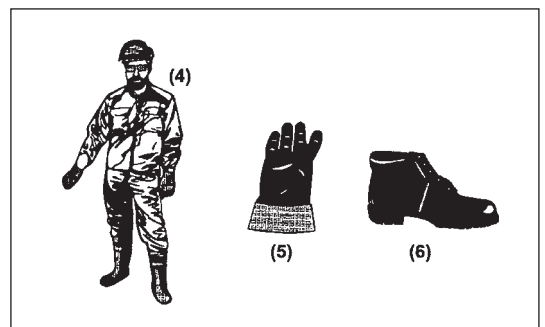
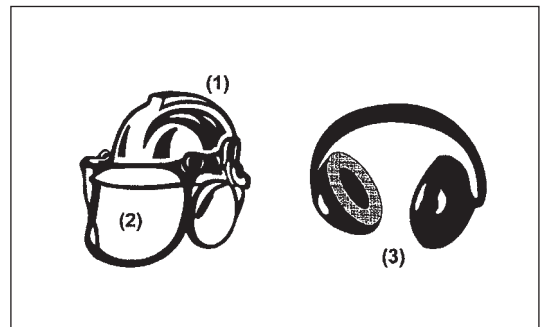
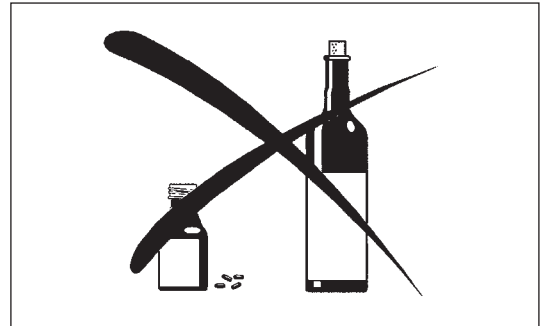
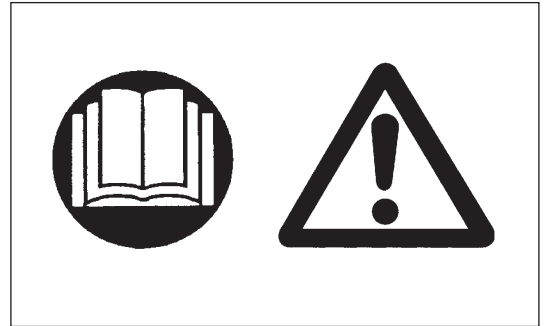
- Dieses Werkzeug darf ausschließlich für das Schneiden von Gras und leichtem Unkrautbewuchs verwendet werden. Das Werkzeug darf nicht für andere Zwecke verwendet werden, beispielsweise zum Beschneiden von Einfassungen oder Hecken, da dies zu Verletzungen führen kann.

Persönliche Schutzausrüstung

- Tragen Sie zweckmäßige und geeignete Kleidung, d. h. die Kleidung sollte am Körper anliegen, ohne Behinderungen zu verursachen. Tragen Sie keinen Schmuck. Tragen Sie keine Kleidung, mit der Sie sich in Büschen oder Gestrüpp verfangen können.
- Zur Vermeidung von Verletzungen von Gehör, Augen, Händen und Füßen, aber auch um Ihre Hörleistung während des Betriebs zu schützen, müssen Sie während der Bedienung des Werkzeugs die folgenden Schutzausrüstungen oder Schutzkleidungen tragen.
- Tragen Sie stets einen Helm, wenn die Gefahr herabfallender Gegenstände besteht. Der Schutzhelm (1) muss regelmäßig auf Beschädigungen überprüft und spätestens alle 5 Jahre ausgetauscht werden. Verwenden Sie ausschließlich zugelassene Schutzhelme.
- Das Visier (2) des Helms (oder alternativ eine Schutzbrille) schützt das Gesicht vor herumfliegenden Fremdkörpern und Steinen. Tragen Sie während des Betriebs des Werkzeugs eine Schutzbrille oder ein Visier, um Verletzungen der Augen zu vermeiden.
- Tragen Sie einen angemessenen Gehörschutz, um eine Schädigung des Gehörs zu vermeiden (Gehörschutzkapseln (3), Gehörschutzstöpsel usw.).
- Arbeitsanzüge (4) schützen gegen herumfliegende Steine und Fremdkörper. Wir empfehlen dringend, dass der Bediener einen Arbeitsanzug trägt.
- Handschuhe (5) sind Bestandteil der vorgeschriebenen Ausrüstung und müssen stets bei Bedienung dieses Werkzeugs getragen werden.
- Tragen Sie beim Arbeiten mit dem Werkzeug stets feste Schuhe (6) mit rutschfesten Sohlen. Derartige Schuhe schützen vor Verletzungen und geben einen sicheren Halt.

Starten des Motor-Rasentrimmers

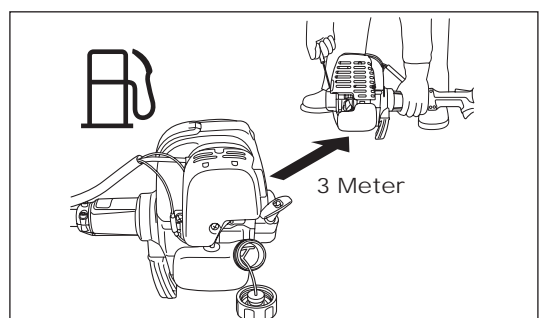
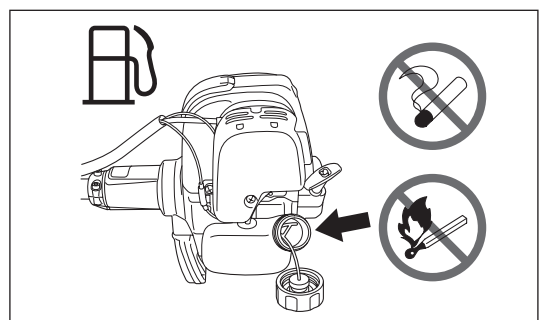
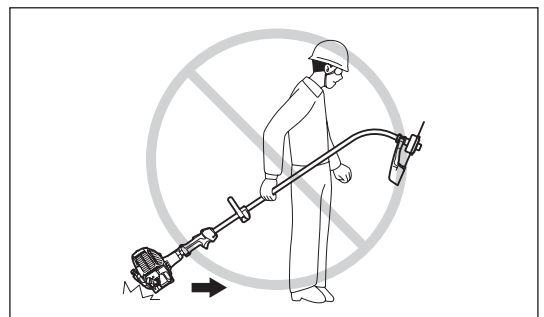
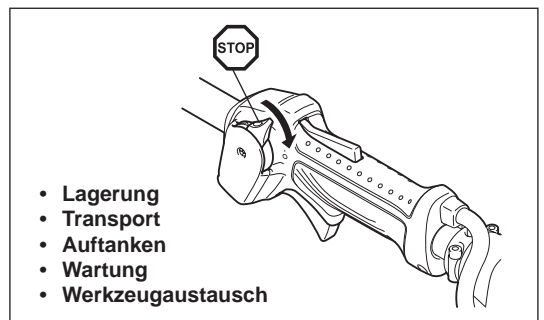
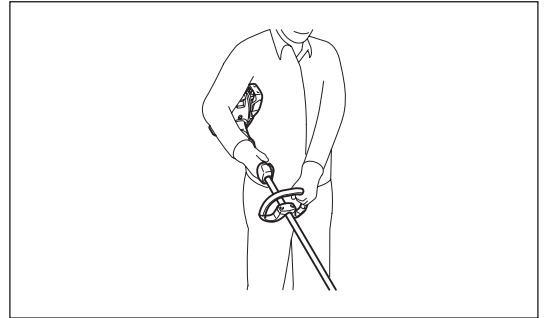
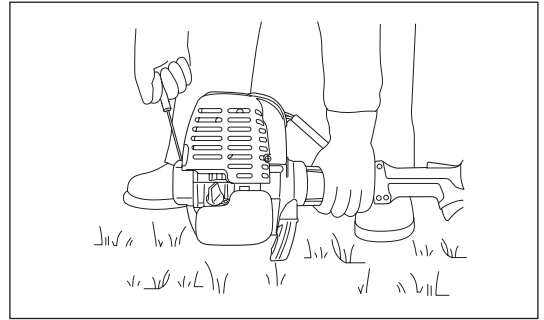
- Vergewissern Sie sich, dass sich in einem Arbeitsbereich von 15 m keine Kinder oder andere Personen aufhalten, achten Sie außerdem auf Tiere im Arbeitsbereich.
- Überprüfen Sie vor jeder Verwendung, dass das Werkzeug betriebssicher ist. Prüfen Sie die Sicherheit des Schneidwerkzeugs, den Gashebel auf einfache Bedienung und die Arretierung des Gashebels auf ordnungsgemäße Funktion.
- Im Leerlauf darf sich das Schneidwerkzeug nicht drehen. Wenden Sie sich bei Bedenken an Ihren Händler, um die Einstellungen zu überprüfen. Sorgen Sie dafür, dass die Griffe sauber und trocken sind, und testen Sie die Funktion des Start-/Stopschalters.



- Starten Sie den Motor-Rasentrimmer ausschließlich wie in der Bedienungsanleitung vorgegeben.
- Starten Sie den Motor auf keine andere Weise!
- Verwenden Sie den Motor-Rasentrimmer und die Werkzeuge nur für die angegebenen Zwecke.
- Starten Sie den Motor nur, wenn das Werkzeug vollständig zusammengebaut ist. Der Betrieb des Werkzeugs ist nur gestattet, wenn alles dazugehörige Zubehör anmontiert ist!
- Stellen Sie vor dem Starten sicher, dass das Schneidwerkzeug keine harten Gegenstände (Geäst, Steine usw.) berührt, da sich das Schneidwerkzeug beim Starten dreht.
- Bei Motorproblemen muss der Motor sofort ausgeschaltet werden.
- Sollte das Schneidwerkzeug Steine oder andere harte Gegenstände treffen, schalten Sie sofort den Motor aus und überprüfen Sie das Schneidwerkzeug.
- Überprüfen Sie das Schneidwerkzeug in regelmäßigen, kurzen Intervallen. Prüfen Sie mit einem Klopfest auf Haarrisse.
- Wenn das Werkzeug einem starken Stoß ausgesetzt wurde oder heruntergefallen ist, überprüfen Sie den Zustand des Werkzeugs, bevor Sie die Arbeiten fortsetzen. Überprüfen Sie das Kraftstoffsystem auf Leckagen und die Bedienelemente und Sicherheitseinrichtungen auf Fehlfunktionen. Wenn Sie einen Schaden bemerken oder sich nicht sicher sind, wenden Sie sich zur Inspektion und Reparatur an unser Ihr autorisiertes Servicecenter.
- Halten Sie den Motor-Rasentrimmer während des Betriebs stets mit beiden Händen. Halten Sie den Motor-Rasentrimmer während des Betriebs niemals mit nur einer Hand.
Sorgen Sie immer für einen sicheren Stand.
- Betreiben Sie das Werkzeug stets so, dass Sie keine Abgase einatmen. Betreiben Sie den Motor niemals in geschlossenen Räumen (Gefahr einer Gasvergiftung). Kohlenmonoxid ist ein geruchloses Gas.
- Schalten Sie den Motor aus, wenn Sie das Werkzeug ablegen, oder wenn Sie das Werkzeug unbeaufsichtigt lassen, und lagern Sie das Werkzeug immer an einem sicheren Ort, um Verletzungen anderer Personen und Beschädigungen des Werkzeugs zu vermeiden.
- Legen Sie den heißen Motor-Rasentrimmer niemals auf trockenem Gras oder auf sonstigen brennbaren Materialien ab.
- Bringen Sie stets den Schneidwerkzeugschutz am Werkzeug an, bevor Sie den Motor starten. Andernfalls kann der Kontakt mit dem Schneidwerkzeug schwere Verletzungen verursachen.
- Während des Betriebs müssen alle mit dem Werkzeug gelieferten Schutzvorrichtungen und Abdeckungen verwendet werden.
- Betreiben Sie den Motor niemals mit beschädigtem Auspuffschalldämpfer.
- Schalten Sie den Motor während des Transports aus.
- Sorgen Sie bei Transport des Werkzeugs in einem Fahrzeug für eine sichere Ablage, um das Austreten von Kraftstoff zu vermeiden.
- Sorgen Sie dafür, dass beim Transport der Kraftstofftank des Werkzeugs vollständig leer ist.
- Setzen Sie beim Abladen des Motor-Rasentrimmers von einem LKW den Motor niemals hart auf den Boden auf; dadurch kann der Kraftstofftank beschädigt werden.
- Lassen Sie das Werkzeug nur in einem Notfall auf den Boden fallen, da dadurch das Werkzeug beschädigt werden kann.
- Heben Sie beim Bewegen immer das gesamte Werkzeug vom Boden an. Ein Ziehen am Kraftstofftank ist äußerst gefährlich und kann zu Beschädigung des Kraftstofftanks oder zum Auslaufen von Kraftstoff führen und ggf. einen Brand verursachen.

Auftanken

- Schalten Sie den Motor aus, halten Sie den Motor von offenen Flammen fern und rauchen Sie während des Auftankens nicht.
- Vermeiden Sie Hautkontakt mit Mineralölprodukten. Atmen Sie die Kraftstoffdämpfe nicht ein. Tragen Sie zum Betanken immer Schutzhandschuhe. Wechseln und reinigen Sie Schutzkleidung regelmäßig.
- Stellen Sie zur Vermeidung einer Kontaminierung des Erdbodens (Umweltschutz) sicher, dass kein Kraftstoff und kein Öl in das Erdreich eindringt. Wischen Sie verschütteten Kraftstoff unverzüglich vom Motor-Rasentrimmer ab.
- Achten Sie darauf, dass Ihre Kleidung nicht in Kontakt mit Kraftstoff kommt. Falls Ihre Kleidung in Kontakt mit Kraftstoff kommt, wechseln Sie die Kleidung sofort (Brandgefahr!).
- Überprüfen Sie den Tankdeckel regelmäßig auf ordnungsgemäßen Sitz und auf Dichtheit.
- Schrauben Sie den Deckel des Kraftstofftanks ordnungsgemäß fest. Entfernen Sie sich mindesten 3 m vom Ort des Betankens, bevor Sie den Motor starten.
- Betanken Sie das Werkzeug niemals in geschlossenen Räumen. Andernfalls kann es aufgrund der Ansammlung von Kraftstoffdampf auf dem Boden zu einer Explosion kommen.
- Transportieren und lagern Sie Kraftstoff ausschließlich in dafür zugelassenen Behältern. Stellen Sie sicher, dass Kinder keinen Zugang zu gelagertem Kraftstoff haben.



Handhabung

- Verwenden Sie das Werkzeug nur bei guten Licht- und Sichtverhältnissen. Achten Sie im Winter auf rutschige oder nasse Bereiche, z. B. auf vereiste oder schneebedeckte Flächen (Rutschgefahr). Sorgen Sie immer für einen sicheren Stand.
- Schneiden Sie niemals über Schulterhöhe.
- Schneiden Sie niemals auf einer Leiter stehend.
- Klettern Sie niemals auf Bäume, um mit dem Werkzeug zu schneiden.
- Arbeiten Sie niemals auf nicht stabilen Flächen.
- Entfernen Sie Sand, Steine, Nägel usw. aus dem Arbeitsbereich.
- Vergewissern Sie sich vor Beginn des Schnitts, dass das Schneidwerkzeug die volle Arbeitsdrehzahl erreicht hat.
- Schwenken Sie den Motor-Rasentrimmer gleichmäßig. Falls sich Gras oder Äste zwischen dem Schneidwerkzeug und dem Schutz verfangen, stoppen Sie vor dem Reinigen stets den Motor. Andernfalls kann der Kontakt mit dem Schneidwerkzeug schwere Verletzungen verursachen.
- Legen Sie regelmäßig Pausen ein, damit es nicht zu einem Kontrollverlust aufgrund von Ermüdungserscheinungen kommt. Wir empfehlen, jede Stunde eine Pause von 10 bis 20 Minuten einzulegen.

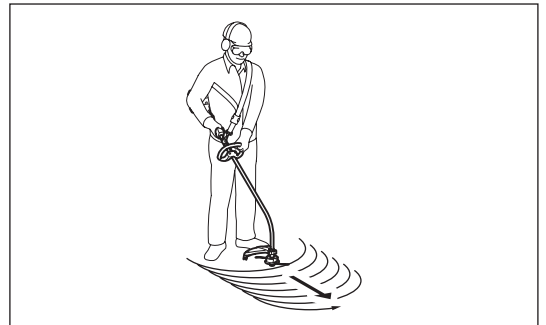


Schneidwerkzeuge

- Verwenden Sie niemals Metallblätter, auch keine metallischen, mehrteiligen Pivotketten und Schlegelmesser. Andernfalls kann es bei Kontakt mit den Schneidwerkzeugen zu schweren Verletzungen kommen.

Schwingung

- Wenn sich Personen mit Durchblutungsstörungen zu starken mechanischen Schwingungen aussetzen, kann es zu Schädigungen von Blutgefäßen und/oder Nervensystem kommen. Folgende Symptome können durch Vibrationen an Fingern, Händen oder Handgelenken auftreten: „Einschlafen“ von Körperteilen (Taubheit), Kribbeln, Schmerz, Stechen, Veränderung von Hautfarbe oder Haut. Falls eines dieser Symptome auftritt, suchen Sie einen Arzt auf!
- Um das Risiko der „Weißfingerkrankheit“ zu verringern, halten Sie Ihre Hände während des Arbeitens warm und warten und pflegen Sie das Werkzeug und Zubehörteile gut.



Wartungsanweisungen

- Lassen Sie Ihr Werkzeug durch unser autorisiertes Servicecenter warten, verwenden Sie stets nur originale Ersatzteile. Unsachgemäße Reparatur- und Wartungsarbeiten können die Lebenszeit des Werkzeugs verkürzen und das Unfallrisiko erhöhen.
- Überprüfen Sie immer den Zustand des Werkzeugs, insbesondere des Schneidwerkzeugs und der Schutzvorrichtungen, bevor Sie mit der Arbeit beginnen.
- Schalten Sie den Motor aus und entfernen Sie den Zündkerzenstecker, bevor Sie das Schneidwerkzeug austauschen, aber auch bevor Sie den Rasentrimmer oder das Schneidwerkzeug reinigen.
- Nehmen Sie Rücksicht auf die Umwelt und auf Ihre Nachbarn. Vermeiden Sie ein unnötiges Betätigen des Gashebels, damit Umweltbelastung und Geräusentwicklung so gering wie möglich gehalten werden. Achten Sie auf eine korrekte Vergasereinstellung.
- Reinigen Sie das Werkzeug regelmäßig und überprüfen Sie, ob alle Schrauben und Muttern fest angezogen sind.
- Das Ausführen von Arbeiten am Werkzeug oder das Lagern des Werkzeugs in der Nähe offener Flammen ist verboten.
- Lagern Sie das Werkzeug in einem abgeschlossenen Raum und nur mit geleertem Kraftstofftank.



Beachten Sie die geltenden Bestimmungen zur Verhinderung von Unfällen, die von den zuständigen Berufsorganisationen und von Versicherungsunternehmen herausgebracht werden. Nehmen Sie keinerlei technische Veränderungen am Werkzeug vor, da dies Ihre Sicherheit gefährden würde.

Der Bediener darf nur die in dieser Bedienungsanleitung beschriebenen Wartungs- und Reparaturarbeiten durchführen. Alle anderen Arbeiten müssen von autorisiertem Wartungspersonal durchgeführt werden. Verwenden Sie ausschließlich originale Ersatz- und Zubehörteile, die von DOLMAR freigegeben sind und geliefert werden. Die Verwendung nicht freigegebener Zubehörteile und Werkzeuge führt zu einem erhöhten Unfallrisiko. DOLMAR übernimmt keine Haftung für Unfälle oder Schäden, die durch die Verwendung nicht genehmigter Schneidwerkzeuge, Befestigungen der Schneidwerkzeuge und Zubehörteile verursacht werden.

Erste Hilfe

Stellen Sie für den Fall eines Unfalls sicher, dass in der Nähe der Schneidarbeiten ein Erste-Hilfe-Kasten verfügbar ist. Ersetzen Sie aus dem Erste-Hilfe-Kasten entnommene Materialien sofort.

Machen Sie folgende Angaben, wenn Sie Hilfe anfordern:

- Ort des Unfalls
- Was ist passiert
- Anzahl der verletzten Personen
- Art der Verletzungen
- Ihr Name



TECHNISCHE DATEN LT-245.4

Modell		LT-245.4		
		Bügelgriff		
Abmessungen: Länge x Breite x Höhe (ohne Schneidwerkzeug)		mm	1.623 x 290 x 464	
Schneiddurchmesser		mm	412	
Gewicht (ohne Kunststoffschutz und Schneidwerkzeug)		kg	4,9	
Volumen (Kraftstofftank)		l	0,5	
Volumen (Öltank)		l	0,08	
Motor-Hubraum		cm ³	24,5	
Maximale Motorleistung		kW	0,71 bei 7.000 min ⁻¹	
Motordrehzahl bei empfohlener max. Wellendrehzahl		min ⁻¹	10.000	
Maximale Drehzahl der Welle		min ⁻¹	7.750	
Maximaler Kraftstoffverbrauch		kg/h	0,33	
Maximaler spezifischer Kraftstoffverbrauch		g/kWh	408	
Leerlaufdrehzahl		min ⁻¹	3.000	
Drehzahl für Kupplungseingriff		min ⁻¹	3.750	
Vergaser		Typ	WALBRO WYL	
Zündungssystem		Typ	Halbleiterzündung	
Zündkerze		Typ	NGK CMR4A	
Elektrodenabstand		mm	0,7 bis 0,8	
Schwingungen nach ISO 22867	Rechter Griff (Hinterer Griff)	a _{hv eq}	m/s ²	5,4
		Abweichung K	m/s ²	1,0
	Linker Griff (Vorderer Griff)	a _{hv eq}	m/s ²	5,3
		Abweichung K	m/s ²	0,9
Durchschnittlicher Schalldruckpegel nach ISO 22868		L _{PA eq}	dBA	93,3
		Abweichung K	dBA	2,8
Durchschnittlicher Schalleistungspegel nach ISO 22868		L _{WA eq}	dBA	102,5
		Abweichung K	dBA	1,7
Kraftstoff		Fahrzeugbenzin		
Motorenöl		SAE 10W-30 Öl der API-Klassifikation, Klasse SF oder höher (Viertaktmotor für Autos)		

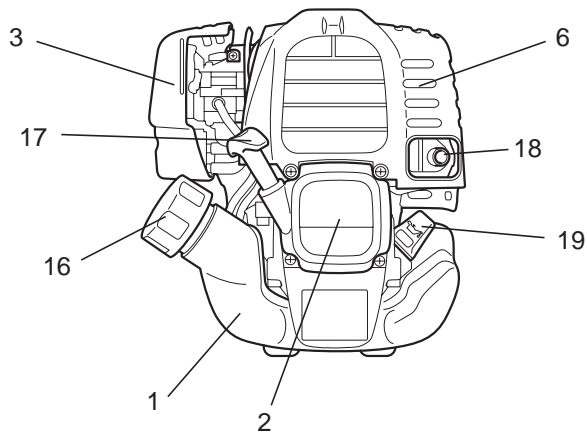
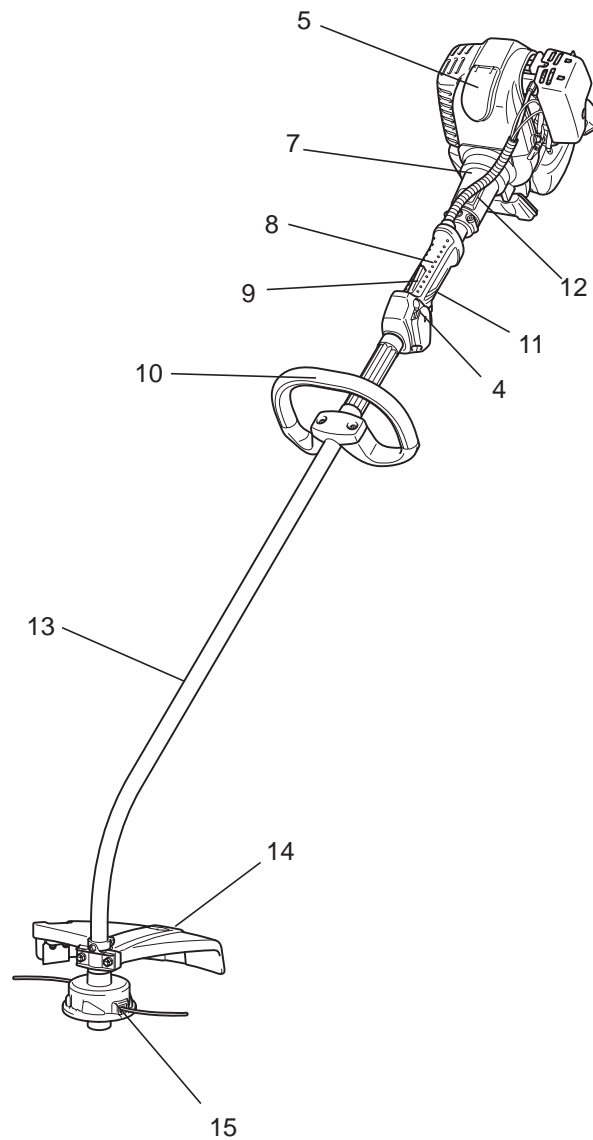
EG-KONFORMITÄTSERKLÄRUNG

Nur für europäische Länder

Die EG-Konformitätserklärung liegt dieser Betriebsanleitung als Anhang A bei.

BEZEICHNUNG DER BAUTEILE

LT-245.4



D	BEZEICHNUNG DER BAUTEILE
1	Kraftstofftank
2	Seilspulstarter
3	Luftfilter
4	I/O-Schalter (EIN/AUS)
5	Zündkerze
6	Abgasschalldämpfer
7	Kupplungsgehäuse
8	Hinterer Griff
9	Arretierhebel
10	Griff
11	Gashebel
12	Regelungskabel
13	Welle
14	Schutz (Schutz für Schneidwerkzeug)
15	Nylon-Schneidkopf
16	Deckel des Kraftstofftanks
17	Starterknopf
18	Abgasleitung
19	Ölstandsanzeige

MONTIEREN DES GRIFFS

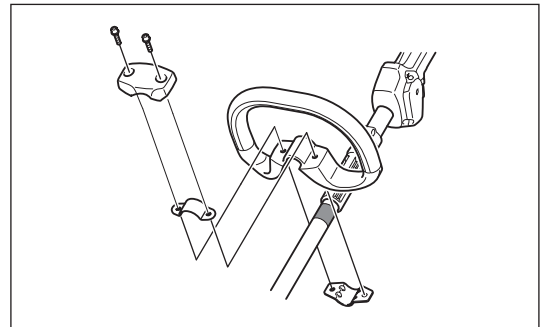
⚠ ACHTUNG: Stoppen Sie vor allen Arbeiten am Werkzeug den Motor und ziehen Sie den Zündkerzenstecker von der Zündkerze. Tragen Sie immer Schutzhandschuhe!

⚠ ACHTUNG: Stellen Sie vor dem Starten sicher, dass das Werkzeug wieder vollständig zusammengebaut ist.

Für Modelle mit Bügelgriff

- Befestigen Sie den Bügelgriff wie dargestellt an der Welle.
- Vergewissern Sie sich, dass sich das Distanzstück an der Welle zwischen dem Griff und dem anderen Griff befindet. Entfernen oder kürzen Sie das Distanzstück nicht.

HINWEIS: In einigen Ländern wird das Distanzstück nicht mit dem Werkzeug geliefert. Richten Sie in diesem Fall den Handgriff weiter zur Seite aus, die durch Pfeilmarkierungen gekennzeichnet ist.



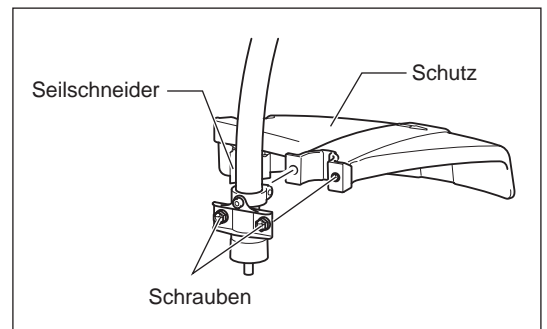
MONTIEREN DES SCHUTZES

Zur Einhaltung der geltenden Sicherheitsstandards dürfen nur die in dieser Übersicht aufgezeigten Werkzeug/Schutz-Kombinationen verwendet werden.

⚠ ACHTUNG: Erfassen Sie den Seilschneider nicht am Schutz. Durch das Berühren des Seilschneiders mit bloßen Händen können Sie sich verletzen.

Der Schutz muss montiert werden, um die Länge des Nylon-Schneidseils zu halten und den Bediener gegen umherfliegende Steine und Gegenstände zu schützen. Führen Sie die folgenden Schritte aus, um den Schutz zu montieren:

1. Setzen Sie den Schutz so an, dass die Rippung an der Welle in die Kerbe am Schutz passt.
2. Ziehen Sie die zwei Schrauben fest.



MONTIEREN DES NYLON-SCHNEIDKOPFES

⚠ WARNUNG: Verwenden Sie niemals Metallschneidwerkzeuge!

Vergewissern Sie sich, dass Sie einen originalen Nylon-Schneidkopf von DOLMAR verwenden.

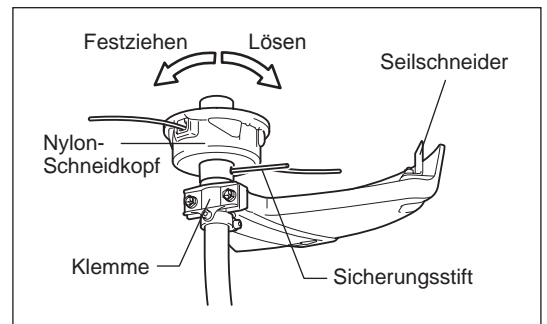
- Falls der Nylon-Schneidkopf während des Betriebs gegen Steine schlägt, stoppen Sie den Motor und überprüfen Sie den Nylon-Schneidkopf sofort.

⚠ ACHTUNG: Erfassen Sie den Seilschneider nicht am Schutz. Durch das Berühren des Seilschneiders mit bloßen Händen können Sie sich verletzen.

Führen Sie die folgenden Schritte aus, um einen Nylon-Schneidkopf zu montieren.

1. Setzen Sie den Sicherungsstift durch das Loch in der Klemme ein. Drehen Sie diese und drücken Sie den Sicherungsstift hinein, bis diese verriegelt sind.
2. Schrauben Sie einen Nylon-Schneidkopf auf die Welle, indem Sie den Schneidkopf im Uhrzeigersinn drehen. Vergewissern Sie sich, dass der Schneidkopf sicher befestigt ist.
3. Entfernen Sie den Sicherungsstift.

Wenn Sie den Nylon-Schneidkopf entfernen möchten, drehen Sie ihn gegen den Uhrzeigersinn.



Inspektion und Nachfüllen von Motorenöl

- Gehen Sie dazu wie folgt vor, wenn der Motor abgekühlt ist.
- Entfernen Sie bei Beibehaltung des Antriebsniveaus die Ölstandsanzeige und überprüfen Sie, dass der Ölstand zwischen den oberen und unteren Begrenzungsmarken liegt.
Wenn der Ölstand so niedrig sein sollte, dass nur die Spitze der Ölstandsanzeige das Öl berührt, vor allem bei in das Motorgehäuse eingesteckter, aber nicht festgeschraubter Ölstandsanzeige (Abb. 1), füllen Sie Öl über die Öffnung nach (Abb. 2).
- Die Ölnachfüllzeit beträgt etwa 10 h (10 Mal oder 10 Tanks Ölnachfüllung).
Falls das Öl seine Farbe ändert oder sich mit Schmutz vermischt, ersetzen Sie es durch neues Öl. (Weitere Informationen zum Intervall und der Methode des Ölwechsels finden Sie auf Seite 50.)

Empfohlenes Öl: SAE 10W-30 Öl der API-Klassifikation, Klasse SF oder höher (Viertaktmotor für Autos)

Ölmenge: ca. 0,08 l

HINWEIS: Falls der Motor nicht aufrecht gehalten wird, kann Öl rund um den Motor fließen, sodass zuviel Öl nachgefüllt wird.
Falls zu viel Öl eingefüllt wird, kann das Öl verschmutzt werden oder Feuer fangen und weiß rauchen.

Punkt 1 beim Ölwechsel: „Ölstandsanzeige“

- Entfernen Sie Staub und Schmutz um den Öleinfüllstutzen und entfernen Sie die Ölstandsanzeige.
- Halten Sie die entfernte Ölstandsanzeige frei von Sand und Staub. Andernfalls kann an der Ölstandsanzeige anheftender Sand oder Staub eine abnormale Ölzirkulation oder einen Verschleiß der Motorteile und Probleme verursachen.
- Um die Ölstandsanzeige sauber zu halten, wird empfohlen, diese an der Knäufseite in die Motorabdeckung einzusetzen (siehe Abb. 3).

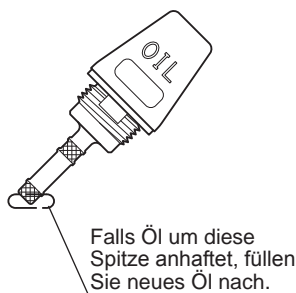


Abb. 1

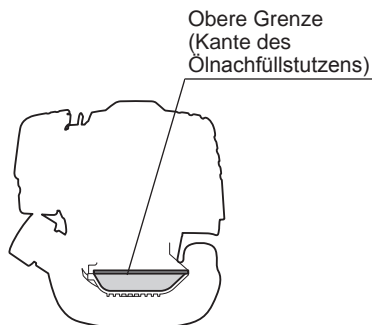


Abb. 2

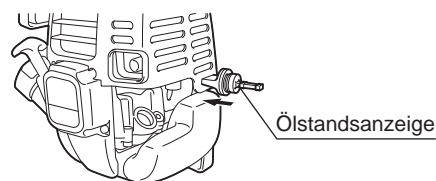
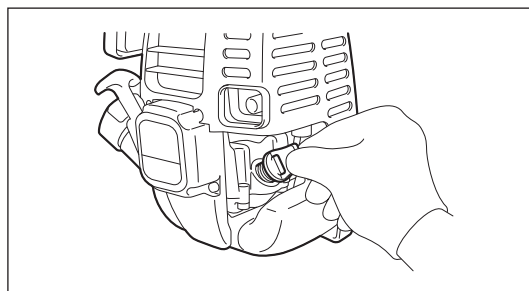
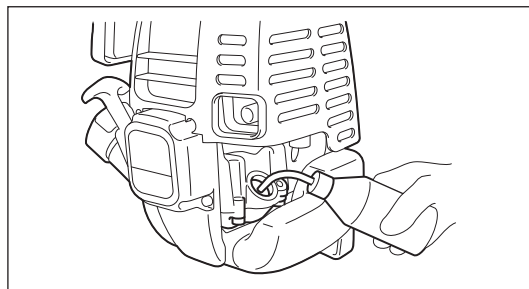


Abb. 3

(1) Halten Sie das Antriebsniveau und trennen Sie die Ölstandsanzeige ab.



(2) Füllen Sie Öl bis zur Kante des Ölnachfüllstutzens auf. (Siehe Abb. 2.)
Füllen Sie Öl über den Schmiermittel-Nachfüllcontainer ein.



(3) Ziehen Sie die Ölstandsanzeige fest. Bei unzureichendem Festziehen kann Öl auslaufen.

Hinweis

- Wechseln Sie das Öl nicht in geneigter Position des Motors.
- Beim Auffüllen von Öl mit dem Motor in einer geneigten Position wird zu viel Öl aufgefüllt, und es kann zu Ölverschmutzungen und/oder Ölnebelbildung kommen.

Punkt 2 beim Ölwechsel: „Falls Öl ausläuft“

- Falls Öl zwischen Kraftstofftank und Motorenhauptblock ausläuft, wird das Öl über den Kühllufteinlass angesaugt, sodass der Motor verunreinigt wird. Vergewissern Sie sich, dass Sie vor dem Start des Betriebs alles ausgelaufene Öl abgewischt haben.

AUFTANKEN

Umgang mit Kraftstoff

Beim Umgang mit Kraftstoff ist äußerste Vorsicht geboten. Kraftstoffe können Lösungsmitteln ähnliche Substanzen enthalten. Tanken Sie nur in einem gut belüfteten Raum oder im Freien auf. Atmen Sie Kraftstoffdämpfe nicht ein, und vermeiden Sie jeglichen Körperkontakt mit Kraftstoff. Durch anhaltenden oder wiederholten Hautkontakt wird Ihre Haut trocken, und es kann zu Hauterkrankungen oder allergischen Reaktionen kommen. Falls Kraftstoff in Ihre Augen gelangt, reinigen Sie die Augen sofort mit frischem Wasser. Falls die Augenirritation anhält, suchen Sie einen Arzt auf.

Aufbewahrungszeitraum von Kraftstoff

Kraftstoff sollte innerhalb eines Zeitraums von 4 Wochen verwendet werden, auch wenn er in einem speziellen Kanister an einem gut belüfteten, schattigen Ort gelagert wird. Andernfalls kann sich der Kraftstoff schon innerhalb eines Tages zersetzen.

LAGERUNG DES WERKZEUGS UND AUFTANKEN

- Lagern Sie das Werkzeug und den Tank an einem kühlen Ort ohne direkte Sonneneinstrahlung.
- Bewahren Sie Kraftstoff niemals in einem Kraftfahrzeug auf.

Kraftstoff

Bei dem Motor handelt es sich um einen Viertaktmotor. Verwenden Sie ausschließlich einen unverbleiten Fahrzeugkraftstoff mit mindestens 87 Oktan ((R+M)/2). Der Alkoholanteil darf maximal 10 % (E-10) betragen.

Wichtige Punkte beim Tanken

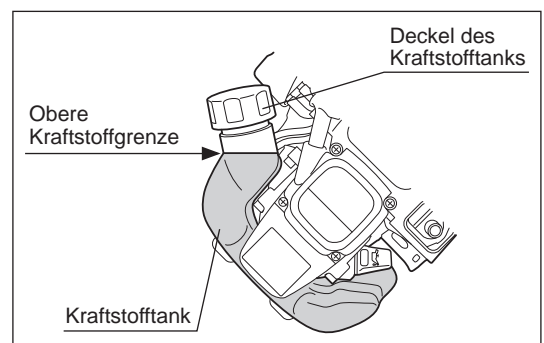
- Verwenden Sie niemals ein Gemisch aus Benzin und Motorenöl. Andernfalls treten übermäßige Kohleablagerungen oder mechanische Probleme auf.
- Die Verwendung von zersetztem Öl führt zu einem ungleichförmigen Anlaufen.

Auftanken

⚠️ WARNUNG: UMGANG MIT OFFENEN FLAMMEN STRENGSTENS VERBOTEN!

Verwendetes Benzin: Bleifreies Fahrzeugbenzin mit mindestens 87 Oktan. Alkoholanteil maximal 10 % (E-10).

- Öffnen Sie den Tankdeckel ein wenig, um einen Druckausgleich zu gewährleisten.
- Entfernen Sie den Tankdeckel. Tanken Sie auf und leiten Sie die Luft ab, indem Sie den Kraftstofftank neigen, sodass der Nachfüllstutzen nach oben zeigt. (Füllen Sie Kraftstoff niemals bis zum Ölnachfüllstutzen.)
- Wischen Sie um den Tankdeckel gut sauber, damit keine Fremdkörper in den Kraftstofftank eindringen können.
- Schrauben Sie nach dem Auftanken den Tankdeckel sicher fest.
- Falls der Tankdeckel einen Riss oder eine Beschädigung aufweist, ersetzen Sie den Deckel.
- Der Tankdeckel ist ein Verschleißartikel und sollte daher alle zwei bis drei Jahre durch einen neuen Deckel ersetzt werden.



WICHTIGE BETRIEBSSCHRITTE UND STOPPEN DES WERKZEUGS

Beachten Sie die geltenden Bestimmungen zur Unfallverhütung!

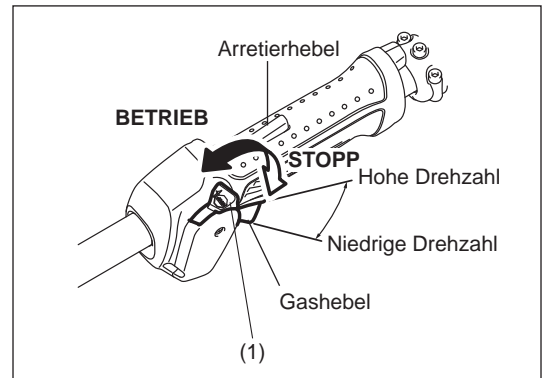


EINSCHALTEN

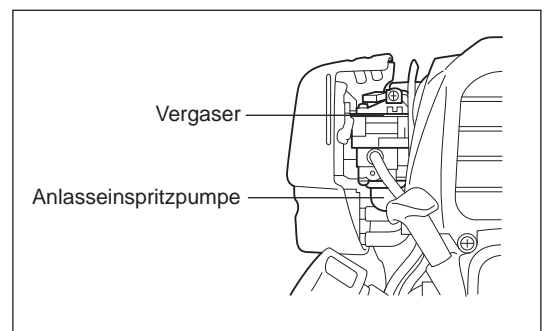
Bewegen Sie sich mindestens 3 m von dem Platz des Auftankens weg. Legen Sie das Werkzeug auf einem sauberen Untergrund ab und achten Sie darauf, dass das Schneidwerkzeug nicht in Kontakt mit dem Erdboden oder anderen Gegenständen kommt.

A: Kaltstart

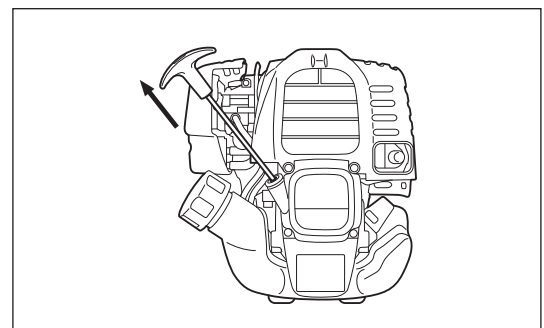
- 1) Legen Sie das Werkzeug auf einer ebenen Fläche ab.
- 2) Stellen Sie den I/O-Schalter (1) auf BETRIEB.



- 3) Anlasseinspritzpumpe
Drücken Sie die Anlasseinspritzpumpe so lange, bis Kraftstoff in die Anlasseinspritzpumpe eintritt. (Im Allgemeinen tritt Kraftstoff nach 7 bis 10 Pumpvorgängen in die Anlasseinspritzpumpe ein.)
Falls die Anlasseinspritzpumpe zu lange gedrückt wird, fließt das überflüssige Benzin zurück in den Kraftstofftank.



- 4) Seilzugstarter
Ziehen Sie langsam den Startergriff, bis dieser schwer zu ziehen ist (Verdichtungspunkt). Lassen Sie den Startergriff anschließend in die Ausgangsposition zurückkehren und ziehen Sie den Startergriff nun kräftig. Ziehen Sie das Seil niemals ganz heraus. Lassen Sie beim Ziehen den Startergriff niemals unvermittelt los. Halten Sie den Startergriff, bis der Startergriff in die ursprüngliche Lage zurückgekehrt ist.
- 5) Aufwärmbetrieb
Setzen Sie den Aufwärmbetrieb für 2 bis 3 Minuten fort.



HINWEIS: Falls zu viel Kraftstoff in den Motor gelangt ist („Absaufen“), schrauben Sie die Zündkerze heraus und ziehen Sie langsam am Startergriff, damit der überflüssige Kraftstoff aus dem Motor austritt. Trocknen Sie außerdem die Elektroden der Zündkerze.

B: Anlaufen nach dem Aufwärmbetrieb

- 1) Drücken Sie die Anlasseinspritzpumpe wiederholt.
- 2) Halten Sie den Gashebel in der Leerlaufposition.
- 3) Ziehen Sie den Seilzugstarter kräftig.
- 4) Falls sich der Motor schwer starten lässt, öffnen Sie den Gashebel um 1/3.

Achtung bei Betrieb

Wird der Motor in umgedrehter Position betrieben, kann aus dem Schalldämpfer weißer Rauch austreten.

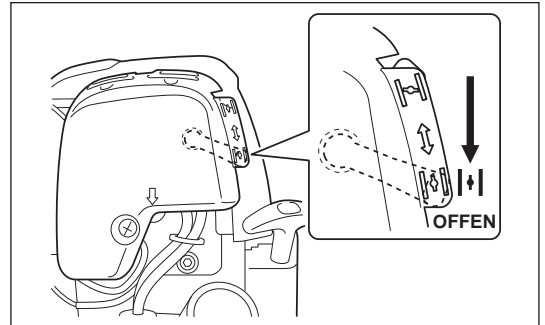
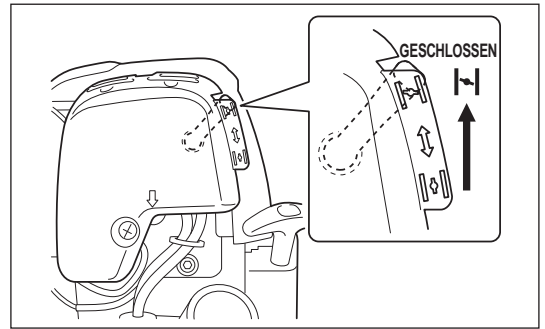
Manchmal, zum Beispiel im Winter, lässt sich der Motor schwer starten

Betätigen Sie beim Starten des Motors den Choke-Hebel wie folgt.

- Stellen Sie nach Ausführen der Schritte 1) bis 3) für den Start den Choke-Hebel auf die Position GESCHLOSSEN.
- Führen Sie Startschritt 4) aus und starten Sie den Motor.
- Stellen Sie nach dem Starten des Motors den Choke-Hebel auf die Position OFFEN.
- Führen Sie Startschritt 5) aus und beenden Sie das Aufwärmen.

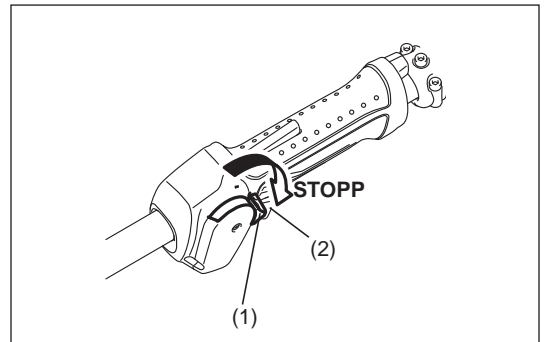
⚠ ACHTUNG: Falls Sie einen Knall (Explosionsgeräusch) hören und der Motor stoppt, oder der soeben gestartete Motor aus geht, bevor Sie den Choke-Hebel betätigen, bringen Sie den Choke-Hebel zurück in die Position OFFEN und ziehen Sie den Startergriff einige weitere Male, um den Motor zu starten.

⚠ ACHTUNG: Falls sich der Choke-Hebel in der Position GESCHLOSSEN befindet, und der Startergriff nun wiederholt gezogen wurde, wird zu viel Kraftstoff angesaugt, und der Motor wird schwer zu starten sein.



STOPPEN

- 1) Lassen Sie den Gashebel (2) vollkommen los, und drücken Sie, wenn sich die Motordrehzahl verlangsamt hat, den I/O-Schalter in die Position STOPP, um den Motor zu stoppen.
- 2) Beachten Sie, dass der Schneidkopf nicht sofort stoppt, und prüfen Sie, ob dieser von selbst langsamer wird.

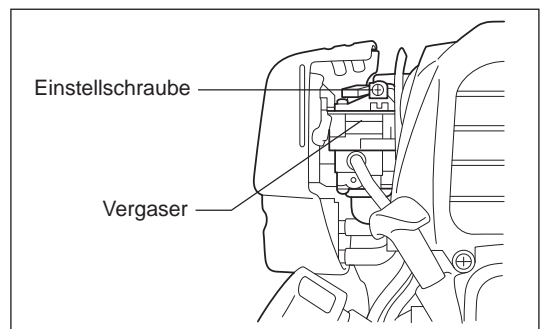


EINSTELLEN DER NIEDRIGEN DREHZAHL (LEERLAUF)

Passen Sie die Leerlaufdrehzahl bei Bedarf mit Hilfe der Vergaser-Einstellschraube an.

ÜBERPRÜFEN DER NIEDRIGEN DREHZAHL

- Stellen Sie die Leerlaufdrehzahl auf 3.000 min^{-1} ein.
Wenn die niedrige Drehzahl (Leerlaufdrehzahl) nach gestellt werden muss, setzen Sie einen Kreuzschlitz-Schraubendreher auf die rechts dargestellte Schraube auf.
- Drehen Sie die Einstellschraube nach rechts, um die Motordrehzahl zu erhöhen. Drehen Sie die Einstellschraube nach links, um die Motordrehzahl zu verringern.
- Grundsätzlich wurde der Vergaser vor dem Versand eingestellt. Falls eine Neueinstellung erforderlich ist, wenden Sie sich bitte an ein autorisiertes Servicezentrum.



DER NYLON-SCHNEIDKOPF

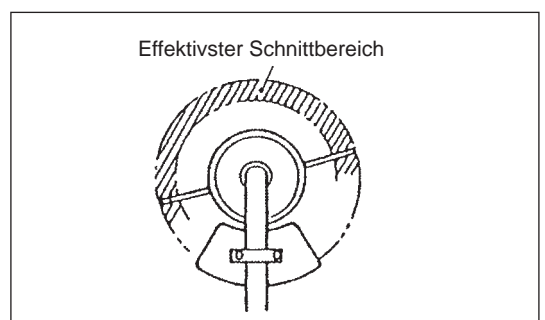
Nutzen Sie während des Betriebs die Spitze des Nylon-Schneidseils zum Schneiden.

Vorschieben des Nylon-Schneidseils

Wenn das Nylon-Schneidseil verschlissen und durch das Schneiden gekürzt ist, muss der Bediener das Seil manuell vorschieben.

Zum Vorschieben des Nylon-Schneidseils tippen Sie den Nylon-Schneidkopf gegen den Boden, während dieser sich mit einer Drehzahl von ca. 6.000 min^{-1} dreht.

HINWEIS: Falls das Nylon-Schneidseil nicht vorgeschoben wird, wickeln Sie es ab.



Ersetzen des Nylonseils

⚠️ WARNUNG: Vergewissern Sie sich, dass die Abdeckung des Nylon-Schneidkopfes ordnungsgemäß auf dem Gehäuse gesichert ist (siehe folgende Beschreibung). Bei unsachgemäß gesicherter Abdeckung kann der Nylon-Schneidkopf auseinander fliegen und schwere Verletzungen verursachen.

Drücken Sie die Laschen am Gehäuse und ziehen Sie die Abdeckung nach oben ab. Entfernen Sie die noch vorhandenen Reste des Nylonseils.

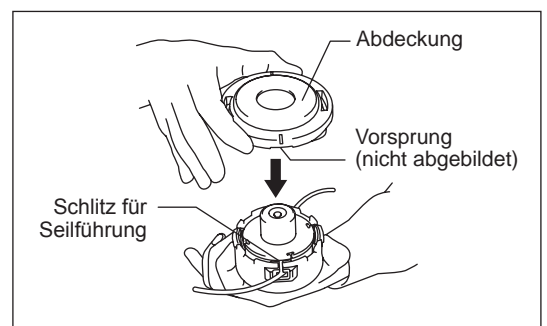
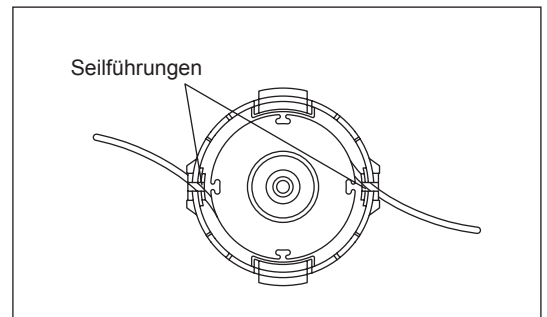
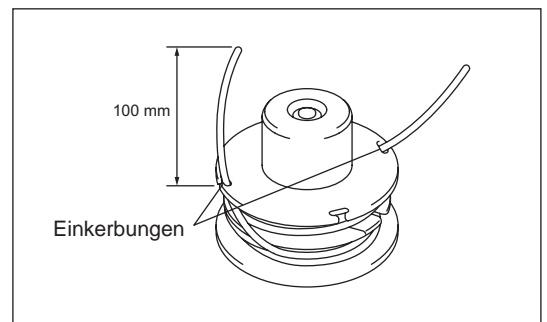
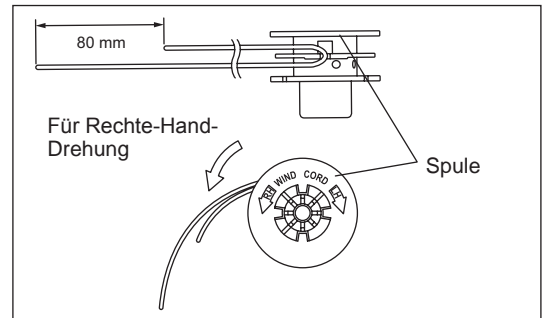
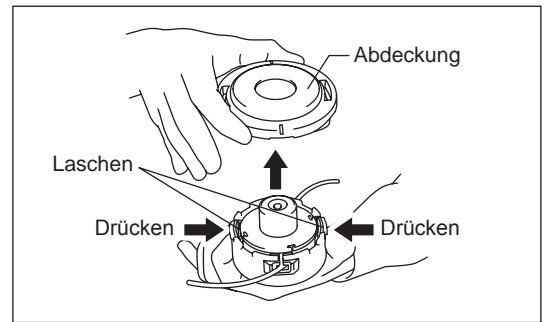
Haken Sie die Mitte des neuen Nylonseils in die Einkerbung in der Mitte der Spule zwischen den 2 Kanälen für das Nylonseil ein. Eine Seite des Seils muss ca. 80 mm länger sein als das andere Ende.

Wickeln Sie beide Enden fest und in Richtung Rechtsdrehung (markiert durch „RH“ auf dem Spulenkopf) um die Spule.

Wickeln Sie etwa 100 mm des Seils um die Spule und lassen Sie die Enden vorübergehend in der Einkerbung an der Seite der Spule eingehängt.

Montieren Sie die Spule in dem Gehäuse so, dass die Kerben und Vorsprünge an der Spule mit denen im Gehäuse übereinstimmen. Haken Sie nun die Enden des Seils aus ihrer vorübergehenden Positionen aus, und führen Sie das Seil durch die Seilführungen, sodass die Seile aus dem Gehäuse herausragen.

Richten Sie den Vorsprung an der Unterseite der Abdeckung an den Schlitzen der Seilführungen aus. Drücken Sie dann die Abdeckung fest auf das Gehäuse. Vergewissern Sie sich, dass die Laschen richtig in der Abdeckung sitzen.



WARTUNGSANWEISUNGEN

- ⚠ ACHTUNG:** Stoppen Sie vor allen Arbeiten am Werkzeug den Motor und ziehen Sie den Zündkerzenstecker von der Zündkerze (siehe „Überprüfen der Zündkerze“).
Tragen Sie immer Schutzhandschuhe!

Führen Sie die folgenden Wartungsarbeiten regelmäßig durch, um eine lange Lebenszeit des Werkzeugs zu erzielen und Beschädigungen am Werkzeug zu vermeiden.

Tägliche Inspektionen und Wartungsarbeiten

- Überprüfen Sie vor dem Betrieb das Werkzeug auf gelockerte Schrauben und fehlende Teile. Achten Sie insbesondere darauf, dass der Nylon-Schneidkopf ordnungsgemäß und fest sitzt.
- Sorgen Sie vor jedem Betrieb dafür, dass die Kühlluftdurchgänge und Zylinderlamellen frei sind. Reinigen Sie diese bei Bedarf.
- Führen Sie die folgenden Wartungsarbeiten täglich nach der Arbeit durch:
 - Reinigen Sie das Werkzeug äußerlich und überprüfen Sie das Werkzeug auf Beschädigungen.
 - Reinigen Sie den Luftfilter. Wenn Sie unter sehr staubigen Bedingungen arbeiten, reinigen Sie den Filter mehrmals am Tag.
 - Untersuchen Sie den Nylon-Schneidkopf auf Beschädigungen und überprüfen Sie den Schneidkopf auf festen Sitz.
 - Prüfen Sie, ob der Unterschied zwischen Leerlauf- und Betriebsdrehzahlen ausreichend ist, sodass das Schneidwerkzeug bei Leerlauf des Motors im Stillstand ist (reduzieren Sie bei Bedarf die Leerlaufdrehzahl).
Falls sich das Werkzeug während des Leerlaufs des Motors weiter dreht, wenden Sie sich an das nächste autorisierte Servicezentrum.
- Prüfen Sie den I/O-Schalter, den Arretierhebel, den Gashebel und die Verriegelungstaste auf ordnungsgemäße Funktion.

WECHSELN DES MOTORENÖLS

Zersetztes Motorenöl verkürzt die Lebensdauer der gleitenden und rotierenden Teile in großem Maße. Prüfen Sie daher den Zeitraum und die Menge für den Wechsel.



ACHTUNG: Im Allgemeinen sind der Motorhauptblock und das Motorenöl nach dem unmittelbaren Stopp des Motors noch heiß. Überprüfen Sie bei einem Ölwechsel, dass der Motorhauptblock und das Motorenöl ausreichend abgekühlt sind. Andernfalls besteht Verbrennungsgefahr.

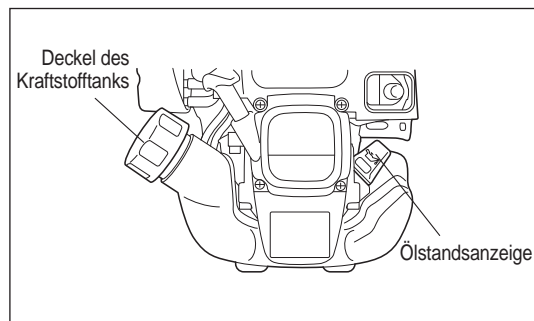
HINWEIS: Falls zu viel Öl eingefüllt wird, kann das Öl verschmutzt werden oder mit weißem Rauch Feuer fangen.

Intervall für den Ölwechsel: Zu Beginn alle 20 Betriebsstunden und anschließend alle 50 Betriebsstunden

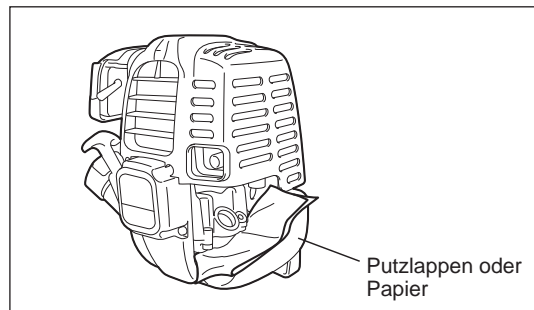
Empfohlenes Öl: SAE 10W-30 Öl der API-Klassifikation, Klasse SF oder höher (Viertaktmotor für Autos)

Gehen Sie zum Ölwechsel wie folgt vor.

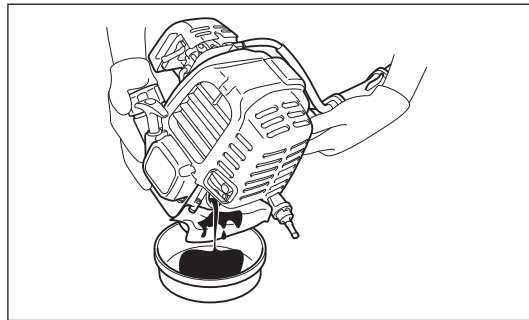
- 1) Überprüfen Sie, dass der Tankdeckel sicher festgezogen ist.
- 2) Entfernen Sie die Ölstandsanzeige.
Halten Sie die Ölstandsanzeige frei von Sand und Staub.



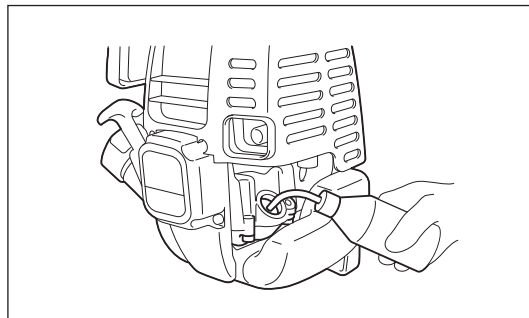
- 3) Bringen Sie am Ölnachfüllstutzen einen alten Lappen oder Papier an.



- 4) Trennen Sie die Ölstandsanzeige, lassen Sie das Öl ab, indem Sie den Hauptblock in Richtung Ölnachfüllstutzen neigen. Leiten Sie das Öl für eine ordnungsgemäße Entsorgung in einen Kanister ab.



- 5) Halten Sie das Antriebsniveau, und füllen Sie Öl bis zur Kante des Ölnachfüllstutzens auf. Verwenden Sie zum Nachfüllen einen Schmiermittel-Nachfüllcontainer.
6) Ziehen Sie nach dem Nachfüllen die Ölstandsanzeige fest. Bei unzureichendem Festziehen der Ölstandsanzeige kann Öl auslaufen.



WICHTIGE PUNKTE ZUM ÖL

- Entsorgen Sie abgelassenes Motorenöl niemals über den Hausmüll, in die Erde oder in Abwassersysteme. Die Altölentsorgung ist gesetzlich geregelt. Halten Sie bei der Entsorgung stets die entsprechenden Gesetze und Bestimmungen ein. Wenden Sie sich bei Unklarheiten an ein autorisiertes Servicezentrum.
- Öl zersetzt sich, auch wenn es nicht verwendet wird. Führen Sie regelmäßig eine Überprüfung und einen Ölwechsel durch (Ölwechsel alle 6 Monate).

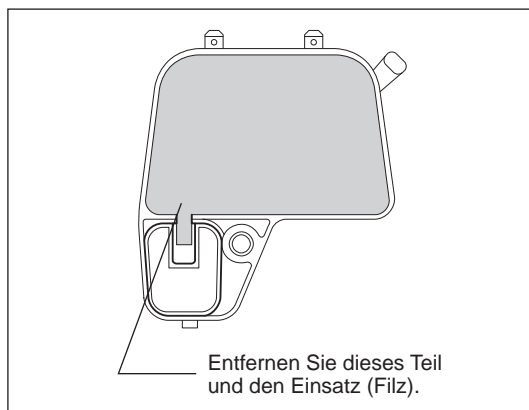
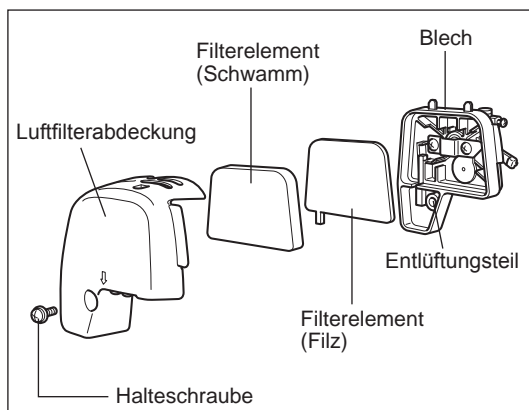
REINIGEN DES LUFTFILTERS



GEFAHR: UMGANG MIT OFFENEN FLAMMEN STRENGSTENS VERBOTEN!

Intervall für Reinigung und Inspektion: Täglich (alle 10 Betriebsstunden)

- Drehen Sie den Choke-Hebel vollständig zu, und halten Sie den Vergaser fern von Staub oder Schmutz.
- Entfernen Sie die Halteschraube der Luftfilterabdeckung.
- Ziehen Sie die untere Seite der Abdeckung und nehmen Sie die Luftfilterabdeckung ab.
- Falls Öl am Filterelement (Schwamm) anhaftet, drücken Sie dieses fest aus.
- Bei starker Verschmutzung:
 - 1) Entnehmen Sie das Filterelement (Schwamm), tauchen Sie es in warmes Wasser oder in Wasser mit verdünntem neutralem Reinigungsmittel, und lassen Sie das Filterelement anschließend vollständig trocknen.
 - 2) Reinigen Sie das Filterelement (Filz) mit Benzin, und lassen Sie das Filterelement vollständig trocknen.
- Lassen Sie das Filterelement vollständig trocknen, bevor Sie das Filterelement wieder einbauen. Bei unzureichender Trocknung der Einsätze können Schwierigkeiten beim Starten des Motors auftreten.
- Wischen Sie anhaftendes Öl um die Luftfilterabdeckung und die Entlüftung mit einem Putzlappen ab.
- Bringen Sie unmittelbar nach dem Reinigen den Luftfilterdeckel wieder an und sichern Sie den Deckel mittels Halteschraube. (Bringen Sie bei der Wiedermontage zuerst die obere Klemme und dann die untere Klemme wieder an.)



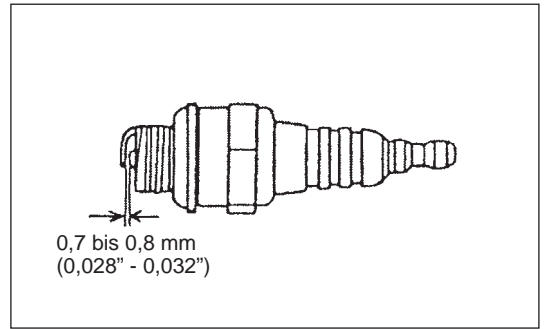
Wichtige Punkte beim Umgang mit dem Luftfilterelement

- Reinigen Sie das Filterelement mehrere Male am Tag, falls übermäßig Staub anhaftet.
- Falls der Betrieb mit einem ölverschmutzten Filterelement fortgesetzt wird, kann Öl aus dem Luftfilter austreten und zu einer Ölverschmutzung führen.

ÜBERPRÜFEN DER ZÜNDKERZE

- Verwenden Sie nur den mitgelieferten Universalschraubenschlüssel, um die Zündkerze zu entfernen oder einzubauen.
- Der Abstand zwischen den Elektroden der Zündkerze sollte zwischen 0,7 und 0,8 mm liegen. Wenn der Abstand zu klein oder zu groß ist, korrigieren Sie den Abstand. Falls die Zündkerze verschmutzt oder verstopft ist, reinigen Sie diese gründlich oder ersetzen Sie sie.

⚠ ACHTUNG: Berühren Sie den Zündkerzenstecker niemals, wenn der Motor läuft (Gefahr eines Hochspannungsschlags).



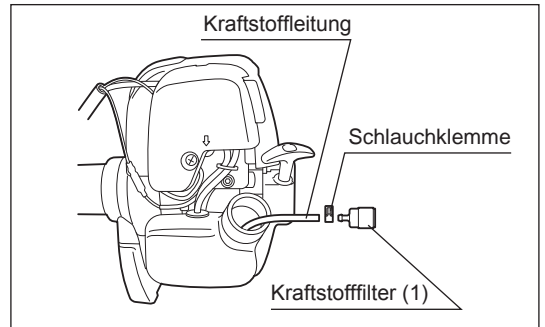
REINIGEN DES KRAFTSTOFFFILTERS

⚠ WARNUNG: UMGANG MIT OFFENEN FLAMMEN STRENGSTENS VERBOTEN!

Intervall für Reinigung und Inspektion: Monatlich (alle 50 Betriebsstunden)

Ansaugkopf im Kraftstofftank

- Der vom Vergaser benötigte Kraftstoff wird über den Kraftstofffilter (1) des Ansaugkopfes gefiltert.
- Führen Sie regelmäßig eine Sichtprüfung des Kraftstofffilters durch. Für die Inspektion des Filters öffnen Sie den Tankdeckel, und ziehen Sie mit einem Drahthaken den Ansaugkopf durch die Tanköffnung. Ersetzen Sie den Filter, falls dieser verhärtet, verschmutzt oder verstopft ist.
- Eine unzureichende Kraftstoffzufuhr kann dazu führen, dass die maximal zulässige Drehzahl überschritten wird. Aus diesem Grund ist wichtig, dass der Kraftstofffilter mindestens quartalsweise ersetzt wird, um eine zufriedenstellende Kraftstoffzufuhr zum Vergaser zu gewährleisten.

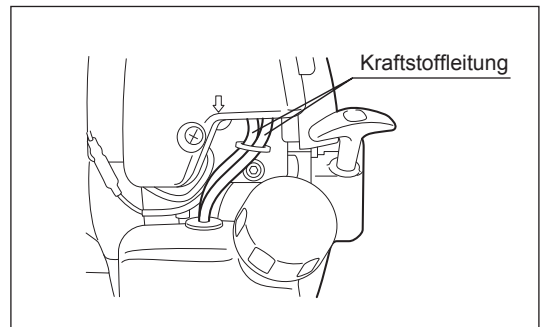


AUSTAUSCHEN DER KRAFTSTOFFLEITUNG

⚠ ACHTUNG: UMGANG MIT OFFENEN FLAMMEN STRENGSTENS VERBOTEN!

Intervall für Reinigung und Inspektion: Täglich (alle 10 Betriebsstunden)
Austausch: Jährlich (alle 200 Betriebsstunden)

Tauschen Sie die Kraftstoffleitung jährlich aus, unabhängig von der Betriebsdauer. Kraftstofflecks können einen Brand verursachen. Falls Sie bei der Inspektion ein Leck entdecken, tauschen Sie die Kraftstoffleitung sofort aus.



INSPEKTION DER BOLZEN, MUTTERN UND SCHRAUBEN

- Ziehen Sie lose Schrauben, Muttern usw. wieder fest.
- Prüfen Sie auf Kraftstoff- und Öllecks.
- Tauschen Sie beschädigte Teile durch neue aus, damit ein sicherer Betrieb gegeben ist.

REINIGEN DER BAUTEILE

- Halten Sie den Motor stets sauber.
- Halten Sie die Zylinderlamellen frei von Sand und Staub. An den Lamellen anhaftender Staub und Schmutz kann zu einem Festfressen des Kolbens führen.

AUSTAUSCHEN DER DICHTUNGEN UND VERBINDUNGEN

Vergewissern Sie sich bei der Wiedermontage des Motors, dass Sie die Dichtungen und Dichtungsmassen durch neue ersetzen. Alle Wartungsarbeiten oder Einstellungen, die in diesem Handbuch nicht beschrieben wurden, müssen von autorisierten Servicezentren durchgeführt werden.

AUFBEWAHRUNG



WARNUNG: Stellen Sie vor dem Ableiten des Kraftstoffs sicher, dass der Motor gestoppt ist und dass sich der Motor ausreichend abgekühlt hat. Unmittelbar nach dem Stoppen des Motors ist dieser heiß und es besteht Verbrennungs-, Entzündungs- und Feuergefahr.



ACHTUNG: Wenn das Werkzeug für längere Zeit nicht betrieben wird, lassen Sie den gesamten Kraftstoff aus dem Tank und dem Vergaser ab, und lagern Sie das Werkzeug an einem trockenen und sauberen Ort.

- Gehen Sie zum Ablassen des Kraftstoffs aus dem Tank und dem Vergaser wie folgt vor:
 - 1) Entfernen Sie den Deckel des Kraftstofftanks und lassen Sie den Kraftstoff vollständig ab. Entfernen Sie ggf. im Kraftstofftank zurückbleibende Fremdkörper.
 - 2) Ziehen Sie den Kraftstofffilter mit einem Draht aus dem Nachfüllstutzen.
 - 3) Drücken Sie die Anlasseinspritzpumpe, bis der Kraftstoff von hier abgeleitet wurde und leiten Sie den in den Kraftstofftank gelangten Kraftstoff ab.
 - 4) Setzen Sie den Filter wieder in den Kraftstofftank ein und ziehen Sie den Deckel des Kraftstofftanks sicher fest.
 - 5) Betreiben Sie das Werkzeug weiter bis es stoppt.
- Entfernen Sie die Zündkerze und geben Sie einige wenige Tropfen Öl in die Zündkerzenöffnung.
- Ziehen Sie anschließend den Startergriff leicht, sodass das Öl die Innenseite des Motors bedeckt und ziehen Sie dann die Zündkerze fest.
- Lagern Sie das Gerät grundsätzlich in waagerechter Position oder mit der Motoreinheit nach unten zeigend. Andernfalls kann enthaltenes Motoröl auslaufen.
- Achten Sie dabei auf einen sicheren Stand des Gerätes, um ein Umfallen und damit Verletzungen und Beschädigungen an Mensch oder Maschine zu vermeiden.
- Bewahren Sie den abgelassenen Kraftstoff in einen speziellen Behälter an einem gut belüfteten und schattigen Platz auf.

Maßnahmen nach einer längeren Lagerung

- Tauschen Sie nach einer längeren Lagerung vor dem Start des Motors das Öl aus (siehe S. 50). Öl zersetzt sich, auch wenn das Werkzeug nicht verwendet wird.

Fehlerposition

Problem	System	Beobachtung	Ursache
Motor startet nicht oder mit Schwierigkeiten	Zündungssystem	Zündfunken OK	Fehler in der Kraftstoffversorgung oder im Verdichtungssystem, mechanischer Defekt
		Kein Zündfunke	STOPP-Schalter betätigt, Verdrahtung fehlerhaft oder kurzgeschlossen, Zündkerze oder Zündkerzenstecker defekt, Zündmodul fehlerhaft
	Kraftstoffzufuhr	Kraftstofftank gefüllt	Falsche Choke-Position, Vergaser defekt, Kraftstoff-Zufuhrleitung verbogen oder blockiert, Kraftstoff verschmutzt
	Verdichtung	Keine Verdichtung beim Durchziehen	Zylinderkopfdichtung defekt, Kurbelwellendichtungen beschädigt, Zylinder oder Kolbenringe defekt oder ungeeignete Dichtung an der Zündkerze
Warmstartprobleme	Mechanischer Fehler	Starter greift nicht ein	Gebrochene Starterfeder, gebrochene Teile innerhalb des Motors
		Tank gefüllt, Zündfunken vorhanden	Vergaser verschmutzt, wurde gereinigt
Motor startet, geht jedoch aus	Kraftstoffzufuhr	Tank gefüllt	Fehlerhafte LeerlaufEinstellung, Vergaser verschmutzt Entlüftung des Kraftstofftanks verstopft, Kraftstoff-Zufuhrleitung unterbrochen, Kabel oder STOPP-Schalter defekt
Unzureichende Leistung	Möglicherweise sind mehrere Systeme gleichzeitig betroffen	Motorleerlauf zu gering	Luffilter verschmutzt, Vergaser verschmutzt, Schalldämpfer verstopft, Auslasskanal im Zylinder verstopft

Betriebsdauer Position		Vor Betrieb	Nach Schmierung	Taglich (10 h)	30 h	50 h	200 h	Abschalten/ Lagerung	Siehe Seite
Motorenol	Inspizieren	○							45
	Austauschen					○*1			50
Festziehen von Teilen (Schraube, Mutter)	Inspizieren	○							52
Kraftstofftank	Reinigen / Inspizieren	○							—
	Kraftstoff ablassen							○*3	53
Gashebel	Funktion uberprufen		○						—
Stoppeschalter	Funktion uberprufen		○						48
Schneidwerkzeug	Inspizieren	○		○					44
Leerlaufdrehzahl	Inspizieren / Einstellen			○					48
Luftfilter	Reinigen			○					51
Zundkerze	Inspizieren			○					52
Kuhllufteinlass	Reinigen / Inspizieren			○					52
Kraftstoffleitung	Inspizieren			○					52
	Austauschen						⊙*2		—
Kraftstofffilter	Reinigen / Austauschen					○			52
Abstand zwischen Luftenlassventil und Luftauslassventil	Einstellen						⊙*2		—
Motoruberholung							⊙*2		—
Vergaser	Kraftstoff ablassen							○*3	53

*1 Fuhren Sie einen ersten Wechsel nach 20 Betriebsstunden durch.

*2 Geben Sie die Inspektion nach 200 Betriebsstunden bei einem autorisierten Servicezentrum oder bei einer Motoren-Fachwerkstatt in Auftrag.

*3 Lassen Sie nach dem Leeren des Kraftstofftanks den Motor laufen, damit auch der Kraftstoff im Vergaser verbraucht wird.

FEHLERSUCHE

Überprüfen Sie ein Problem selbst, bevor Sie eine Reparatur anfordern. Falls eine Abnormalität auftritt, regeln Sie das Werkzeug anhand der Beschreibung in diesem Handbuch. Missbrauchen Sie das Werkzeug nicht und demontieren Sie keine Teile entgegen der Beschreibung. Wenden Sie sich für Reparaturen an ein autorisiertes Servicezentrum oder einen Vertreter vor Ort.

Abnormalitätsstatus	Mögliche Ursache (Fehlfunktion)	Abhilfe
Motor startet nicht	Anlassenspritzpumpe nicht betätigt	Drücken Sie die Pumpe 7 bis 10 Mal.
	Niedrige Ziehgeschwindigkeit des Starterseils	Ziehen Sie kräftig.
	Kraftstoffmangel	Führen Sie Kraftstoff zu.
	Verstopfter Kraftstofffilter	Reinigen
	Verbogene Kraftstoffleitung	Begradigen Sie die Kraftstoffleitung.
	Zersetzter Kraftstoff	Überalterter Kraftstoff erschwert das Starten. Ersetzen Sie den Kraftstoff durch neuen. (Empfohlenes Austauschintervall: 1 Monat)
	Übermäßige Kraftstoffansaugung	Stellen Sie den Gashebel von mittlerer Drehzahl auf hohe Drehzahl ein und ziehen Sie den Startergriff, bis der Motor startet. Nach dem Start des Motors beginnt sich der Nylon-Schneidkopf zu drehen. Achten Sie auf den Nylon-Schneidkopf. Falls der Motor nicht startet, entfernen Sie die Zündkerze, trocknen Sie die Elektrode ab und montieren Sie sie wieder wie vorher. Starten Sie wie angegeben.
	Zündkerzenstecker gelöst	Schließen Sie den Steckverbinder an.
	Verschmutzte Zündkerze	Reinigen
	Abnormaler Abstand der Zündkerzenelektroden	Stellen Sie den Abstand ein.
	Andere Abnormalität der Zündkerze	Austauschen
	Abnormaler Vergaser	Fordern Sie eine Inspektion und Wartung an.
	Starterseil kann nicht gezogen werden	Fordern Sie eine Inspektion und Wartung an.
Abnormales Antriebssystem	Fordern Sie eine Inspektion und Wartung an.	
Motor stoppt gleich Motordrehzahl erhöht sich nicht	Unzureichendes Aufwärmen	Führen Sie einen Aufwärmbetrieb durch.
	Choke-Hebel ist auf „GESCHLOSSEN“ eingestellt, obwohl der Motor vorgewärmt wurde	Stellen Sie den Hebel auf „OFFEN“ ein.
	Verstopfter Kraftstofffilter	Reinigen
	Verschmutzter oder verstopfter Luftfilter	Reinigen
	Abnormaler Vergaser	Fordern Sie eine Inspektion und Wartung an.
	Abnormales Antriebssystem	Fordern Sie eine Inspektion und Wartung an.
Das Schneidwerkzeug dreht sich nicht. ↓ Motor sofort stoppen!	Das Schneidwerkzeug ist nicht sicher festgezogen.	Ziehen Sie das Schneidwerkzeug fest.
	Ein Zweig hat sich zwischen dem Schneidwerkzeug und dem Schutz verfangen.	Entfernen Sie die Fremdkörper.
	Das Antriebssystem arbeitet nicht korrekt.	Wenden Sie sich zur Inspektion und Reparatur an Ihr autorisiertes Dolmar Servicecenter.
Das Werkzeug vibriert unnormal. ↓ Motor sofort stoppen!	Das Schneidwerkzeug ist gebrochen.	Ersetzen Sie das Schneidwerkzeug durch ein neues.
	Das Schneidwerkzeug ist nicht sicher festgezogen.	Ziehen Sie das Schneidwerkzeug fest.
	Ein Ende des Nylon-Schneidseils ist zerrissen, wodurch der Nylon-Schneidkopf eine Unwucht aufweist.	Schieben Sie das Nylon-Schneidseil durch Tippen des Nylon-Schneidkopfes auf den Boden nach.
	Das Antriebssystem arbeitet nicht korrekt.	Wenden Sie sich zur Inspektion und Reparatur an Ihr autorisiertes Dolmar Servicecenter.
Das Schneidwerkzeug stoppt nicht. ↓ Motor sofort stoppen!	Der Antrieb arbeitet nicht korrekt.	Siehe Bedienungsanleitung zum Antrieb.
Motor stoppt nicht ↓ Betreiben Sie den Motor im Leerlauf und stellen Sie den Choke-Hebel auf GESCHLOSSEN ein.	Abgetrennter Steckverbinder	Schließen Sie den Steckverbinder an.
	Abnormales Elektriksystem	Fordern Sie eine Inspektion und Wartung an.
Das Nylon-Schneidseil wird nicht nachgeschoben.	Das Seil ist aufgebraucht oder in der Spule verwickelt.	Wickeln Sie das Seil auf.
Das Nylon-Schneidseil ist nicht auf der richtigen Länge abgeschnitten.	Der Seilschneider am Schutz ist beschädigt oder fehlt.	Wenden Sie sich zum Austauschen des Seilschneiders an Ihr autorisiertes Dolmar Servicecenter.
	Das Seil ist länger als der Schutz.	Wickeln Sie das Seil auf.

Wenn der Motor nach dem Aufwärmen nicht startet:

Falls bei den überprüften Elementen eine Abnormalität auftritt, öffnen Sie den Gashebel um 1/3 und starten Sie den Motor.

Complimenti per l'acquisto del presente utensile DOLMAR per l'uso all'aperto. Siamo lieti di consigliare ai clienti questo prodotto DOLMAR, frutto di un lungo programma di sviluppo e di numerosi anni di esperienza e conoscenza. Si prega di leggere il presente opuscolo, contenente riferimenti dettagliati alle diverse operazioni che ne dimostreranno le eccellenti prestazioni. In questo modo sarà possibile ottenere i migliori risultati possibili dal prodotto DOLMAR.



Indice	Pagina
Simboli.....	56
Istruzioni per la sicurezza.....	57
Dati tecnici.....	60
Denominazione dei componenti.....	61
Montaggio dell'impugnatura.....	62
Montaggio del dispositivo di protezione.....	62
Montaggio della testina di taglio in nylon.....	62
Prima dell'avviamento.....	63
Informazioni utili sul funzionamento e sull'arresto.....	65
La testina di taglio in nylon.....	66
Istruzioni per la manutenzione.....	68
Stoccaggio.....	71

SIMBOLI

Nel manuale di istruzioni sono utilizzati i simboli riportati di seguito:

	Leggere il manuale di istruzioni e attenersi alle avvertenze e alle precauzioni per la sicurezza!		Indossare il casco di protezione e i dispositivi di protezione per occhi e orecchie.
	Prestare particolare cura e attenzione!		Velocità massima ammessa dell'utensile max 10000min ⁻¹
	Vietato!		Carburante (benzina)
	Mantenere la distanza di sicurezza!		Avviamento manuale del motore
	Pericolo di oggetti scagliati!		Arresto di emergenza
	Vietato fumare!		Pronto soccorso
	Divieto di fiamme libere!		ACCENSIONE/AVVIAMENTO
	Indossare guanti di protezione!		SPEGNIMENTO/ARRESTO
	Indossare calzature pesanti con soles antiscivolo. Si consigliano scarpe di sicurezza con puntale in metallo!		Non utilizzare lame in metallo
	Allontanare persone e animali dall'area di lavoro!		

ISTRUZIONI PER LA SICUREZZA

Istruzioni generali

- È consigliabile leggere il presente manuale di istruzioni per acquisire familiarità con l'utensile. Gli operatori non informati possono mettere in pericolo se stessi e altre persone a seguito di un uso improprio.
- Si consiglia di concedere in prestito l'utensile solo a persone di comprovata esperienza. Consegnare sempre anche il manuale di istruzioni.
- Gli operatori alle prime armi devono richiedere le istruzioni di base al rivenditore per familiarizzare con l'utilizzo dei tagliabordi.
- L'uso dell'utensile non deve essere consentito ai bambini o comunque alle persone di età inferiore a 18 anni. Alle persone con almeno 16 anni può tuttavia essere consentito l'uso dell'utensile per scopi di addestramento, sempre sotto la supervisione di un istruttore qualificato.
- Utilizzare con la massima cura e attenzione.
- L'utensile deve essere azionato solo da persone in buone condizioni fisiche. Eseguire tutto il lavoro con calma e attenzione. L'utente si assume la responsabilità anche delle altre persone.
- Non utilizzare l'utensile dopo l'assunzione di alcol o droghe, né se ci si sente stanchi o indisposti.
- Le normative nazionali possono fissare limiti all'uso dell'utensile.

Uso previsto dell'utensile

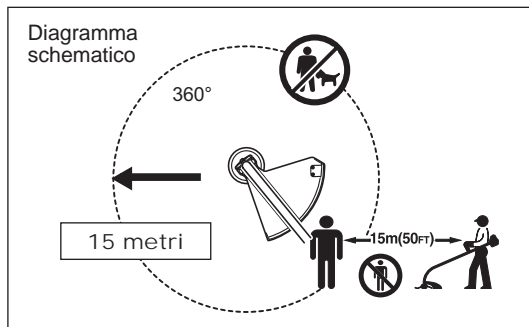
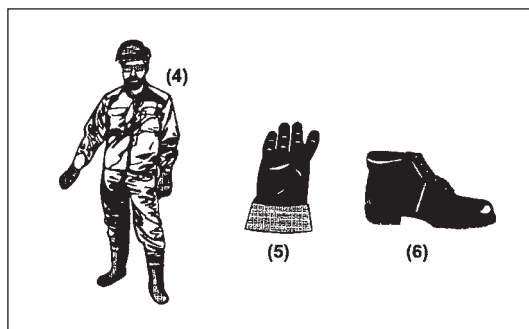
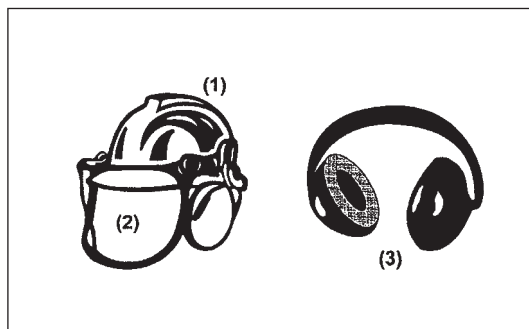
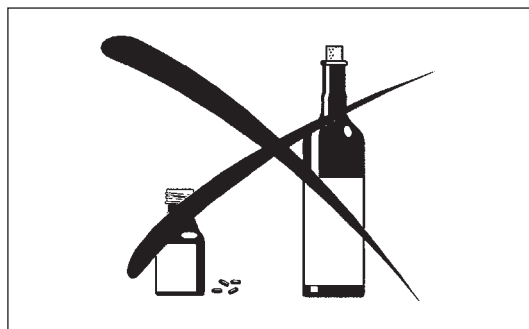
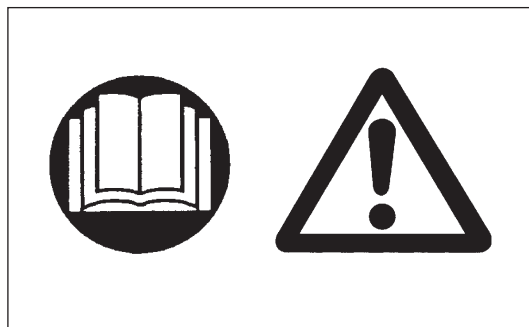
- L'utensile è destinato esclusivamente al taglio di erba ed erbacce. Non deve essere utilizzato per alcun altro scopo, ad esempio la rifinitura di bordi o la potatura di siepi, in quanto potrebbero verificarsi danni alla persona.

Dispositivi di protezione personali

- L'abbigliamento deve essere funzionale e adeguato, vale a dire aderente ma non di ostacolo. Non indossare gioielli o abiti che possono rimanere impigliati in cespugli o arbusti.
- Per evitare danni al capo, agli occhi, alle mani o ai piedi, nonché per proteggere l'udito, è indispensabile indossare i seguenti dispositivi e indumenti protettivi durante il lavoro.
- Indossare sempre un casco se esiste il pericolo di caduta di oggetti. Il casco di protezione (1) deve essere controllato periodicamente per verificare la presenza di danni e deve essere sostituito al più tardi ogni 5 anni. Utilizzare solo caschi di protezione omologati.
- La visiera (2) del casco (o gli occhiali di protezione) protegge il volto da detriti e sassi scagliati. Per evitare danni alla vista è fondamentale indossare sempre gli occhiali di protezione o una visiera durante il lavoro.
- Indossare dispositivi di protezione acustica adeguati per evitare danni all'udito (cuffie isolanti (3), tappi per le orecchie e così via).
- La tuta da lavoro integrale (4) protegge da pietre e detriti scagliati dall'utensile. Si consiglia fortemente di indossare una tuta da lavoro integrale.
- I guanti (5) sono parte dell'equipaggiamento prescritto e devono sempre essere indossati durante il lavoro.
- Indossare sempre calzature pesanti (6) con suola antiscivolo durante l'uso dell'utensile. Consentono la protezione dagli infortuni e garantiscono la corretta stabilità.

Avviamento del tagliabordi a benzina

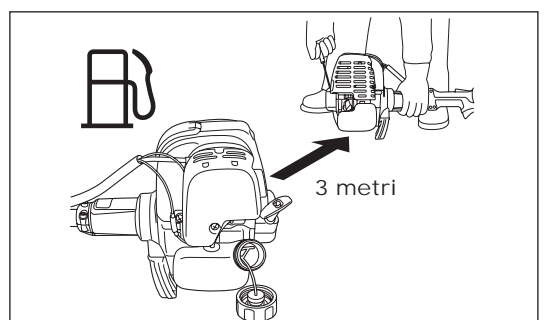
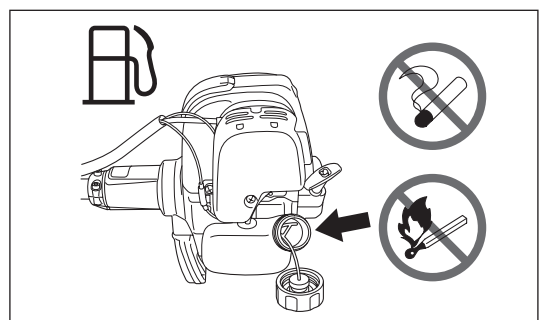
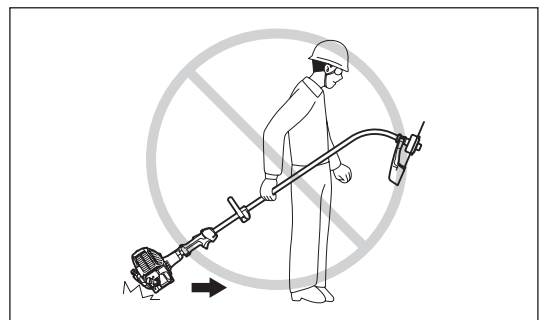
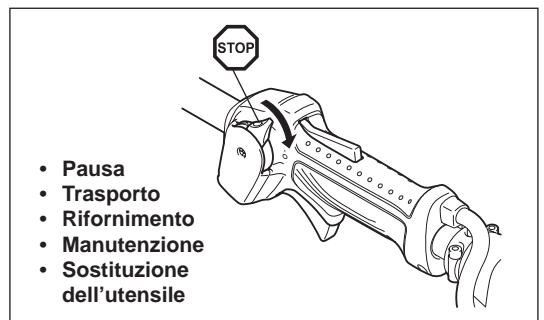
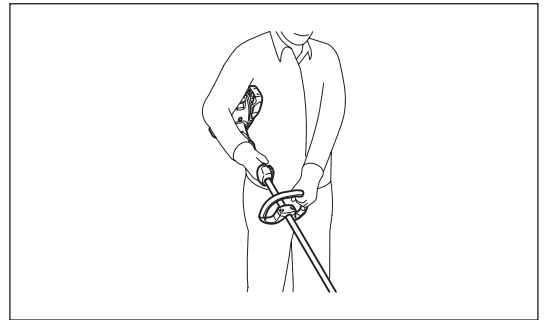
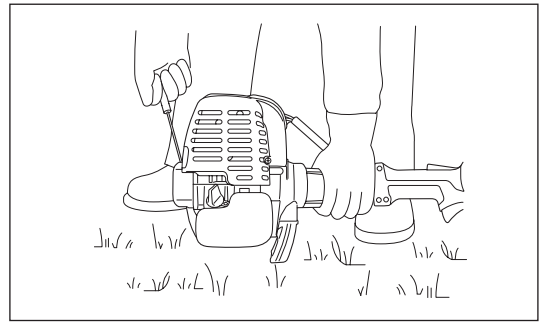
- Assicurarsi che non vi siano bambini o altre persone in un raggio di 15 m dal luogo di lavoro; prestare attenzione anche alla presenza di animali.
- Prima dell'uso, verificare sempre che l'apparecchio non presenti fattori di rischio per la sicurezza:
Verificare la sicurezza dell'accessorio di taglio, quindi controllare che la leva dell'acceleratore possa essere azionata facilmente e che la relativa sicura funzioni correttamente.
- L'accessorio di taglio non deve ruotare quando il motore è al minimo. In caso di dubbi, rivolgersi al rivenditore per la regolazione. Controllare che le impugnature siano pulite e asciutte, quindi verificare la funzionalità dell'interruttore di avviamento e arresto.



- Avviare il tagliabordi a benzina nel pieno rispetto delle istruzioni.
- Non utilizzare altri metodi per avviare il motore.
- Utilizzare il tagliabordi a benzina e gli utensili solo per le operazioni specificate.
- Avviare il motore solo dopo aver montato interamente l'utensile. Il funzionamento del dispositivo è consentito solo dopo il montaggio di tutti gli accessori appropriati.
- Prima dell'avviamento, assicurarsi che l'accessorio di taglio non sia a contatto con corpi rigidi quali rami, pietre e così via, in quanto l'accessorio inizierà a ruotare subito dopo l'avviamento.
- Il motore deve essere spento immediatamente in caso di problemi del motore.
- Nel caso in cui l'accessorio di taglio colpisca pietre o altri corpi rigidi, è necessario spegnere immediatamente il motore e ispezionare l'accessorio.
- Controllare regolarmente la presenza di danni sull'accessorio di taglio (per rilevare eventuali crepe è sufficiente picchiettare leggermente).
- Se l'utensile cade o subisce un impatto violento, verificarne le condizioni prima di proseguire il lavoro. Verificare che l'impianto di alimentazione del carburante sia privo di perdite e che i dispositivi di sicurezza funzionino correttamente. In caso di danni o dubbi, richiedere l'ispezione e la riparazione presso il nostro centro di assistenza autorizzato.
- Durante l'uso, tenere sempre il tagliabordi a benzina con entrambe le mani. Non tenere mai il tagliabordi a benzina con una sola mano. Assicurarsi sempre di avere una buona presa a terra.
- Utilizzare l'utensile in maniera tale da evitare l'inalazione dei gas di scarico. Non azionare mai il motore in ambienti chiusi (pericolo di avvelenamento da gas). Il monossido di carbonio è un gas inodore.
- Spegnere il motore durante le pause o quando si lascia incustodito l'utensile, riponendolo in un luogo sicuro per impedire danni ad altre persone o all'utensile stesso.
- Non appoggiare il tagliabordi a benzina ancora caldo sull'erba secca o su materiali combustibili.
- Installare sempre la guardia dell'accessorio da taglio approvata sull'utensile stesso prima di avviare il motore. In caso contrario, il contatto con l'accessorio da taglio può provocare gravi lesioni personali.
- Durante il lavoro devono essere utilizzate tutti i dispositivi di protezione forniti con l'utensile.
- Non avviare il motore se la marmitta è difettosa.
- Spegnere il motore durante il trasporto.
- Verificare che l'utensile rimanga in una posizione sicura durante il trasporto in auto, onde evitare perdite di carburante.
- Durante il trasporto, assicurarsi che il serbatoio del carburante sia completamente vuoto.
- Durante l'operazione di scarico dell'utensile dall'autocarro, non lasciar cadere a terra il motore onde evitare gravi danni al serbatoio del carburante.
- Tranne che in caso di emergenza, non lasciar cadere o gettare l'utensile a terra: potrebbe danneggiarsi gravemente.
- Per spostare l'utensile è necessario sollevarlo sempre completamente dal suolo. Il trascinarsi del serbatoio del carburante è molto pericoloso e può causare danni o perdite di carburante, con conseguente pericolo di incendio.

Rifornimento

- Durante il rifornimento è fondamentale spegnere il motore, tenersi lontani dalle fiamme libere e non fumare.
- Evitare il contatto dei prodotti a base di oli minerali con la cute. Non inalare i vapori del carburante. Indossare sempre i guanti di protezione durante il rifornimento. Sostituire e pulire l'abbigliamento protettivo a intervalli regolari.
- Prestare attenzione a non lasciar fuoriuscire il carburante o l'olio, onde evitare la contaminazione del terreno (protezione dell'ambiente). Pulire immediatamente il tagliabordi a benzina in caso di fuoriuscite di carburante.
- Evitare il contatto del carburante con i capi di vestiario. Cambiarsi immediatamente in caso di contatto con il carburante (per evitare che gli abiti prendano fuoco).
- Controllare regolarmente il tappo del serbatoio del carburante per assicurarsi che sia correttamente serrato e che non perda.
- Serrare con cura il tappo del serbatoio del carburante. Cambiare luogo per avviare il motore (almeno 3 metri dal punto di rifornimento).
- Non effettuare il rifornimento in ambienti chiusi. I vapori del carburante si accumulano a livello del terreno (pericolo di esplosioni).
- Trasportare e conservare il carburante solo in contenitori omologati. Assicurarsi che il carburante riposto non sia accessibile ai bambini.



Modalità di funzionamento

- Utilizzare l'utensile solo in buone condizioni di illuminazione e visibilità. Durante la stagione invernale prestare attenzione alle aree scivolose o umide, al ghiaccio e alla neve (pericolo di scivolamento). Verificare sempre di avere un buon equilibrio.
- Non eseguire tagli a un'altezza superiore a quella della vita.
- Non utilizzare l'utensile da una scala.
- Non arrampicarsi sugli alberi per eseguire l'operazione di taglio.
- Non lavorare su superfici instabili.
- Rimuovere sabbia, pietre, chiodi, ecc. dall'area di lavoro.
- Prima del taglio è necessario che l'accessorio di taglio abbia raggiunto la massima velocità operativa.
- Far oscillare il tagliabordi a benzina in maniera uniforme. Se erba o sterpaglie restano impigliate tra l'accessorio da taglio e la guardia, arrestare sempre il motore prima di effettuare la pulizia. In caso contrario, una rotazione involontaria dell'accessorio può causare gravi lesioni personali.
- Riposarsi spesso per evitare la perdita di controllo causata dall'affaticamento. Si consiglia di fare una pausa di 10-20 minuti ogni ora.

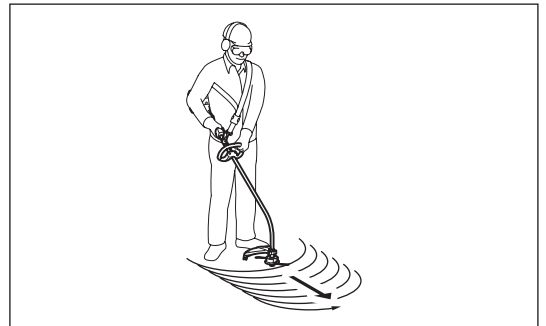


Accessori di taglio

- Non utilizzare altri tipi di lame metalliche, comprese catene metalliche componibili con perno e lame con flagelli. In caso contrario, il contatto con la lama può causare gravi danni alla persona.

Vibrazione

- Se esposti a vibrazioni eccessive, gli operatori che soffrono di insufficienza venosa possono riportare danni ai vasi sanguigni o al sistema nervoso. Le vibrazioni possono causare i seguenti sintomi alle dita, alle mani o ai polsi: sonnolenza (torpore), formicolio, dolore, fitte acute, alterazione della pelle o del colorito. Consultare un medico non appena si manifestano tali sintomi.
- Per ridurre il rischio di "sindrome delle dita bianche da vibrazione", tenere le mani al caldo durante l'uso dell'utensile e mantenere l'utensile e gli accessori in buone condizioni.



Istruzioni per la manutenzione

- Per l'assistenza, rivolgersi al nostro centro servizi autorizzato utilizzando solo parti di ricambio originali. Una riparazione errata o una manutenzione insufficiente possono accorciare la vita utile dell'utensile, aumentando il rischio di incidenti.
- Verificare le condizioni dell'utensile, in particolare dell'accessorio di taglio e dei dispositivi di protezione, prima di iniziare il lavoro.
- Spegner il motore e staccare la candela per sostituire l'accessorio di taglio e per pulire l'utensile da taglio o l'accessorio di taglio stesso.
- Prestare attenzione all'ambiente. Evitare di azionare inutilmente l'acceleratore al fine di ridurre l'inquinamento e le emissioni acustiche. Regolare correttamente il carburatore.
- Pulire regolarmente l'utensile e controllare che tutte le viti e i dadi siano correttamente serrati.
- Non riporre l'utensile e non effettuare la manutenzione in prossimità di fiamme libere.
- Conservare sempre l'utensile in ambienti chiusi a chiave e dopo aver svuotato il serbatoio del carburante.



Rispettare le istruzioni di prevenzione degli incidenti fornite dalle associazioni di categoria e dalle compagnie di assicurazioni. Non apportare modifiche all'utensile, onde evitare di mettere a repentaglio la propria sicurezza.

Le attività di manutenzione o di riparazione a carico dell'operatore sono limitate a quelle descritte nel presente manuale di istruzioni. Qualsiasi altra operazione deve essere eseguita da un rappresentante autorizzato dell'assistenza. Utilizzare esclusivamente ricambi e accessori originali forniti da DOLMAR.

L'uso di accessori e utensili non approvati può aumentare il pericolo di incidenti.

DOLMAR declina ogni responsabilità per danni o incidenti causati dall'uso di accessori di taglio e relativi dispositivi di fissaggio non approvati.

Pronto soccorso

Assicurarsi che nelle vicinanze del luogo di lavoro sia disponibile una cassetta di pronto soccorso, necessaria qualora si verificano infortuni. Sostituire immediatamente qualunque articolo prelevato dalla cassetta di pronto soccorso.

Nel momento in cui si richiede assistenza è indispensabile fornire le seguenti informazioni:

- Luogo dell'incidente
- Che cosa è accaduto
- Numero di persone coinvolte
- Tipo di infortuni
- Nome e cognome



DATI TECNICI LT-245.4

Modello		LT-245.4		
		Impugnatura ad anello		
Dimensioni: lunghezza x larghezza x altezza (senza accessorio di taglio)	mm	1.623 x 290 x 464		
Diametro di taglio	mm	412		
Peso (senza protezione in plastica e accessorio di taglio)	kg	4,9		
Volume (serbatoio del carburante)	l	0,5		
Volume (serbatoio dell'olio)	l	0,08		
Cilindrata del motore	cm ³	24,5		
Prestazioni massime del motore	kW	0,71 a 7.000 min ⁻¹		
Regime del motore alla velocità massima consigliata del mandrino	min ⁻¹	10.000		
Frequenza di rotazione massima del mandrino	min ⁻¹	7.750		
Consumo massimo di carburante	kg/ora	0,33		
Consumo massimo specifico di carburante	g/kWh	408		
Velocità al minimo	min ⁻¹	3.000		
Velocità di innesto della frizione	min ⁻¹	3.750		
Carburatore	tipo	WALBRO WYL		
Sistema di accensione	tipo	Accensione a stato solido		
Candela	tipo	NGK CMR4A		
Distanza tra gli elettrodi	mm	0,7 - 0,8		
Vibrazioni secondo ISO 22867	Impugnatura destra (impugnatura posteriore)	a _{hv eq}	m/s ²	5,4
		Variazione (K)	m/s ²	1,0
	Impugnatura sinistra (impugnatura anteriore)	a _{hv eq}	m/s ²	5,3
		Variazione (K)	m/s ²	0,9
Livello di pressione sonora medio in base a ISO 22868	L _{PA eq}	dBA	93,3	
	Variazione (K)	dBA	2,8	
Livello di potenza sonora medio in base a ISO 22868	L _{WA eq}	dBA	102,5	
	Variazione (K)	dBA	1,7	
Carburante	Benzina per automobili			
Olio motore	Olio SAE 10W-30 di classificazione API, classe SF o superiore (motore a quattro tempi per automobili)			

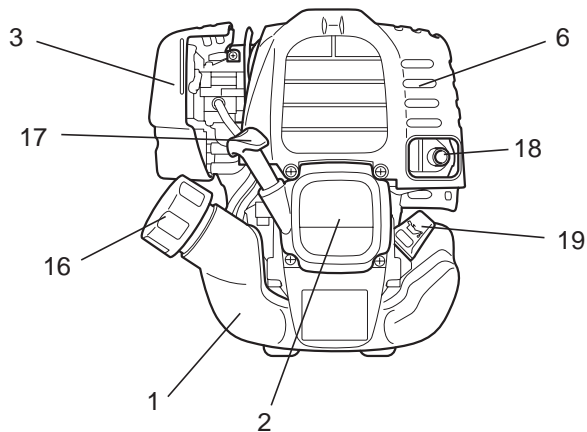
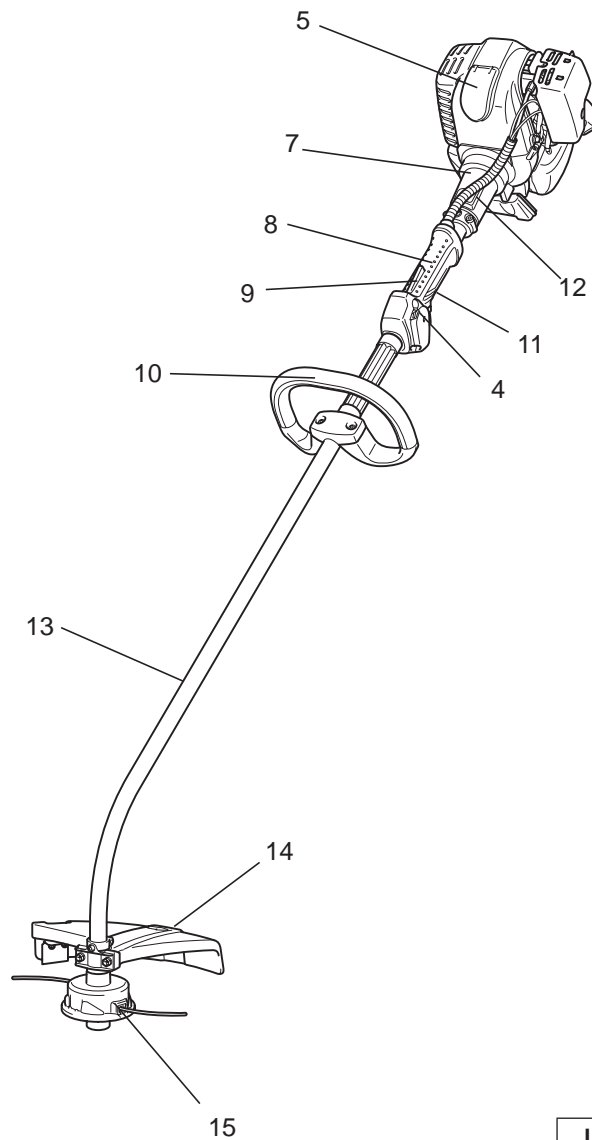
DICHIARAZIONE DI CONFORMITÀ CE

Solo per i paesi europei

La dichiarazione di conformità CE è inclusa nell'Allegato A di questo manuale di istruzioni.

DENOMINAZIONE DEI COMPONENTI

LT-245.4



I	DENOMINAZIONE DEI COMPONENTI
1	Serbatoio del carburante
2	Avviamento con autoavvolgente
3	Filtro dell'aria
4	Interruttore I-O (on/off)
5	Candela
6	Marmitta
7	Telaio della frizione
8	Impugnatura posteriore
9	Sicura di accensione
10	Impugnatura
11	Leva dell'acceleratore
12	Cavo di comando
13	Albero
14	Dispositivo di protezione (guardia dell'accessorio da taglio)
15	Testina da taglio in nylon
16	Tappo del serbatoio del carburante
17	Manopola di avviamento
18	Tubo di scarico
19	Indicatore del livello dell'olio

MONTAGGIO DELL'IMPUGNATURA

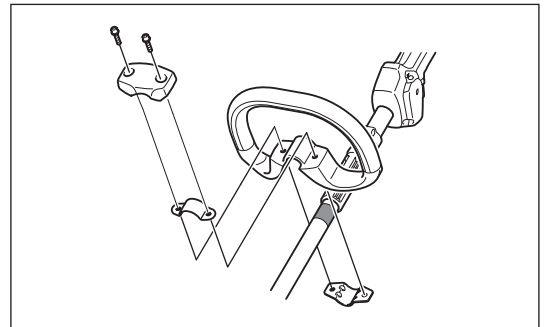
⚠ ATTENZIONE: Prima di effettuare qualunque operazione sull'utensile è fondamentale spegnere il motore e staccare la candela. Indossare sempre i guanti di protezione.

⚠ ATTENZIONE: Avviare il motore solo dopo aver montato interamente l'utensile.

Per gli utensili con impugnatura ad anello

- Fissare l'impugnatura ad anello all'albero, come mostrato nella figura.
- Assicurarsi che il distanziatore sull'albero sia posizionato tra le due impugnature. Non rimuovere o accorciare il distanziatore.

NOTA: In alcuni paesi, il distanziatore non è fornito in dotazione con l'utensile. In tal caso, posizionare l'impugnatura all'estremità della linea in corrispondenza dei simboli delle frecce.



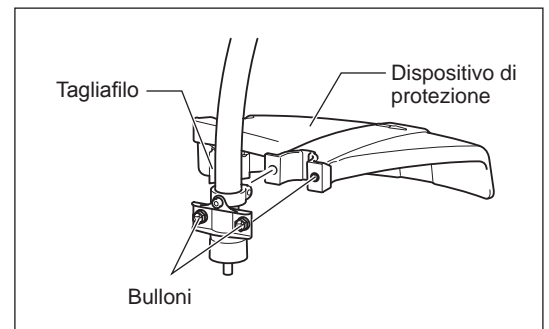
MONTAGGIO DEL DISPOSITIVO DI PROTEZIONE

Per soddisfare le vigenti normative sulla sicurezza occorre utilizzare esclusivamente le combinazioni utensile/dispositivo di protezione indicate nella tabella.

⚠ ATTENZIONE: Non toccare il tagliafilo sul dispositivo di protezione. Il contatto con il tagliafilo a mani nude potrebbe causare infortuni.

Il dispositivo di protezione deve essere installato per mantenere la lunghezza del filo di taglio in nylon e per proteggere l'operatore da pietre e detriti scagliati dall'utensile. Procedere come segue per montare il dispositivo di protezione.

1. Posizionare il dispositivo di protezione in modo che la costa sull'albero penetri nella scanalatura sul dispositivo di protezione.
2. Serrare due bulloni.



MONTAGGIO DELLA TESTINA DI TAGLIO IN NYLON

⚠ AVVERTENZA: Non utilizzare lame di taglio.

Utilizzare esclusivamente testine di taglio in nylon originali DOLMAR.

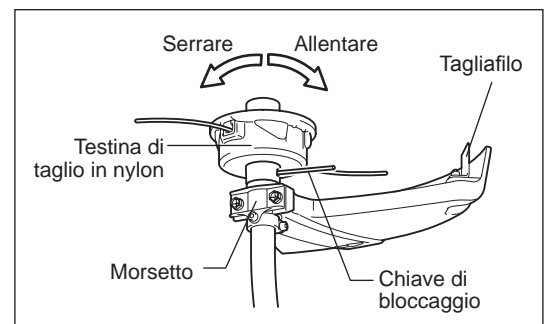
- Se la testina di taglio in nylon colpisce una pietra durante l'uso, spegnere il motore e controllare subito la testina di taglio in nylon.

⚠ ATTENZIONE: Non toccare il tagliafilo sul dispositivo di protezione. Il contatto con il tagliafilo a mani nude potrebbe causare infortuni.

Procedere come segue per montare una testina di taglio in nylon.

1. Inserire la chiave di bloccaggio nel foro sul morsetto. Ruotarla premendo la chiave di bloccaggio fino a bloccarla.
2. Avvitare una testina di taglio in nylon sull'albero ruotandola in senso orario. Assicurarsi che sia montata in modo sicuro.
3. Rimuovere la chiave di bloccaggio.

Per rimuovere la testina di taglio in nylon è sufficiente ruotarla in senso antiorario.



PRIMA DELL'AVVIAMENTO

Ispezione e rabbocco dell'olio motore

- Effettuare la seguente procedura a motore freddo.
- Mantenendo il motore in piano, rimuovere l'indicatore del livello dell'olio e verificare che la quantità di olio sia compresa tra i limiti superiore e inferiore.
Se manca olio (l'indicatore del livello dell'olio tocca l'olio solo con la punta o rimane inserito nel carter senza avvitarlo (Fig. 1)), rabboccare l'olio dallo sportello (Fig. 2).
- Il tempo indicativo di rabbocco dell'olio è pari a circa 10 ore (10 volte o 10 serbatoi di rabbocco olio).
Sostituire l'olio se cambia colore o viene a contatto con della sporcizia. Per informazioni sull'intervallo e sul metodo di sostituzione, vedere a pag. 68.

Olio consigliato: Olio SAE 10W-30 di classificazione API, classe SF o superiore (motore a quattro tempi per automobili)

Volume dell'olio: Circa 0,08 l

NOTA: Se il motore non è in piano, è possibile che l'olio entri in circolo nel motore e il rabbocco effettuato sia eccessivo.
Se l'olio viene rabboccato oltre il limite, possono verificarsi contaminazioni o incendi che producono fumo bianco.

Punto 1 della sostituzione dell'olio - "Indicatore del livello dell'olio"

- Rimuovere polvere e sporco nelle vicinanze dello sportello di rabbocco e staccare l'indicatore di livello dell'olio.
- Evitare il contatto dell'indicatore di livello dell'olio con sabbia o polvere. Diversamente, la sabbia o la polvere che hanno aderito all'indicatore possono provocare una circolazione irregolare dell'olio o determinare l'usura delle parti del motore, con conseguenti problemi.
- Per mantenere pulito l'indicatore di livello dell'olio, inserire l'indicatore a lato della manopola nel coperchio del motore, come mostrato in Fig. 3.



Fig. 1

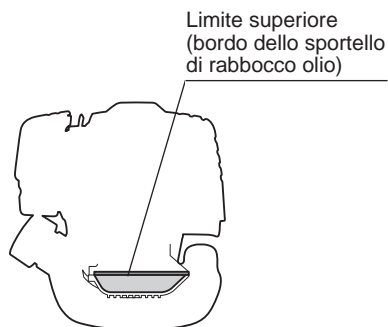


Fig. 2

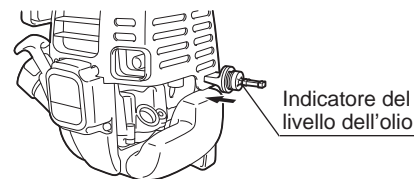
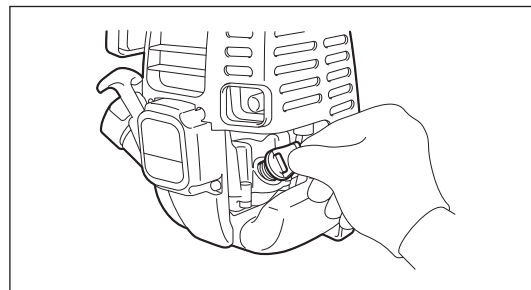
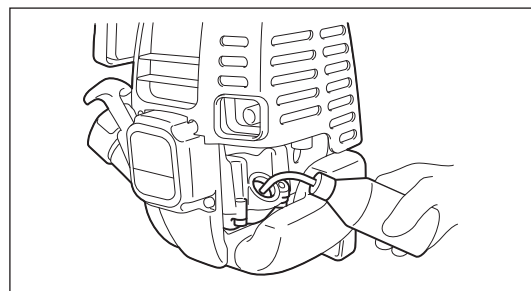


Fig. 3

(1) Mantenere il motore in piano e staccare l'indicatore di livello dell'olio.



(2) Rabboccare l'olio fino al limite dello sportello di rabbocco olio. Vedere la Fig. 2.
Inserire l'olio utilizzando il contenitore di rabbocco del lubrificante.



(3) Serrare l'indicatore di livello dell'olio. Un serraggio insufficiente può causare perdite d'olio.

Nota

- Non sostituire l'olio se il motore è in posizione inclinata.
- Il rabbocco effettuato con il motore inclinato può portare a un eccessivo riempimento, causando la contaminazione dell'olio e/o la produzione di fumo bianco.

Punto 2 della sostituzione dell'olio - "Fuoriuscite d'olio"

- Se dovesse fuoriuscire e penetrare tra il serbatoio del carburante e il gruppo principale del motore, l'olio verrebbe aspirato dall'apertura di aspirazione dell'aria di raffreddamento, contaminando il motore. Pulire eventuali fuoriuscite d'olio prima di mettere in funzione l'utensile.

RIFORNIMENTO

Gestione del carburante

È necessario trattare sempre il carburante con la massima attenzione. Il carburante può contenere sostanze simili ai solventi. Il rifornimento deve avvenire in un ambiente ben aerato o all'aria aperta. Non inalare i vapori e mantenere il carburante a distanza dal proprio corpo. Un contatto ripetuto o prolungato con il carburante può seccare la pelle, provocando fastidi o allergie. Qualora il carburante entri a contatto con gli occhi, lavare gli occhi con acqua fresca. Se l'irritazione oculare persiste, consultare un medico.

Periodo di conservazione del carburante

Il carburante deve essere utilizzato entro 4 settimane, anche se viene conservato in contenitori appositi e in ambienti ben ventilati e in ombra. In caso contrario, il carburante può deteriorarsi in un giorno.

CONSERVAZIONE DELL'UTENSILE E RIFORNIMENTO DEL SERBATOIO

- Conservare l'utensile e il serbatoio in un luogo fresco e non esposto alla luce diretta del sole.
- Non conservare il carburante all'interno di un'automobile.

Carburante

Il motore dell'utensile è a quattro tempi. Utilizzare benzina senza piombo per automobili con almeno 87 ottani ((R+M)/2). Non deve contenere più del 10% di alcol (E-10).

Informazioni utili sul carburante

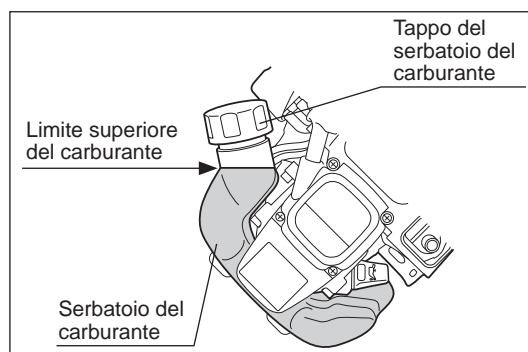
- Non utilizzare una miscela di benzina e olio motore. In caso contrario potrebbe verificarsi un accumulo eccessivo di carbonio con conseguenti problemi meccanici.
- L'uso di olio deteriorato può causare un avviamento irregolare.

Rifornimento

⚠ AVVERTENZA: DIVIETO DI UTILIZZO DI INFIAMMABILI

Benzina utilizzata: Benzina senza piombo per automobili con almeno 87 ottani.
Non più del 10% di alcol (E-10).

- Allentare leggermente il tappo del serbatoio per riequilibrare la pressione atmosferica.
 - Rimuovere il tappo del serbatoio ed effettuare il rifornimento, scaricando l'aria con un'inclinazione del serbatoio del carburante tale da consentire che il bocchettone sia rivolto verso l'alto. Non rabboccare carburante fino a raggiungere il bocchettone di rifornimento dell'olio.
 - Pulire il tappo del serbatoio per evitare la penetrazione di corpi estranei nel serbatoio del carburante.
 - Serrare il tappo del serbatoio una volta completato il rifornimento.
- Se il tappo del serbatoio presenta danni o difetti è necessario sostituirlo.
 - Il tappo del serbatoio è un materiale di consumo, pertanto deve essere sostituito ogni due o tre anni.



INFORMAZIONI UTILI SUL FUNZIONAMENTO E SULL'ARRESTO

Rispettare le normative vigenti per la prevenzione degli infortuni.

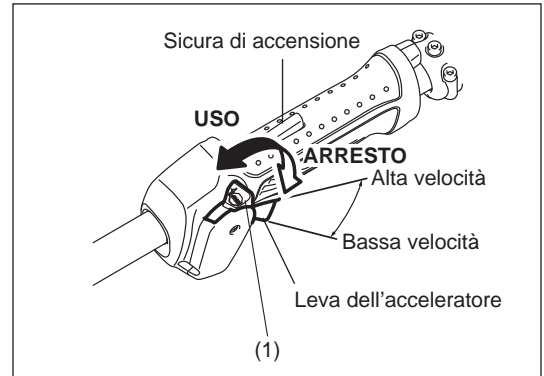


AVVIAMENTO

Allontanarsi di almeno 3 metri dal punto di rifornimento. Appoggiare l'utensile sul terreno, assicurandosi che l'accessorio di taglio non sia a contatto con il terreno o con qualunque altro oggetto.

A: Avviamento a freddo

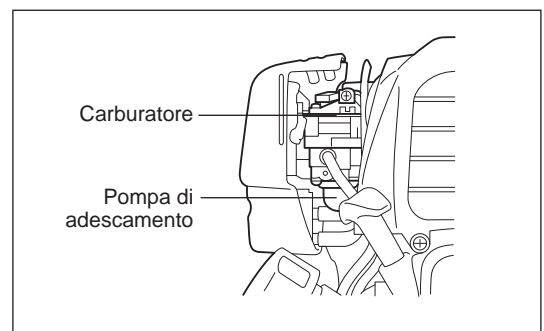
- 1) Appoggiare l'utensile su una zona in pianura.
- 2) Portare l'interruttore I-O (1) nella posizione di USO.



- 3) Pompa di adescamento

Continuare a premere la pompa di adescamento fin quando il carburante affluisce nella pompa. In generale, il carburante entra nella pompa di adescamento dopo 7-10 pressioni.

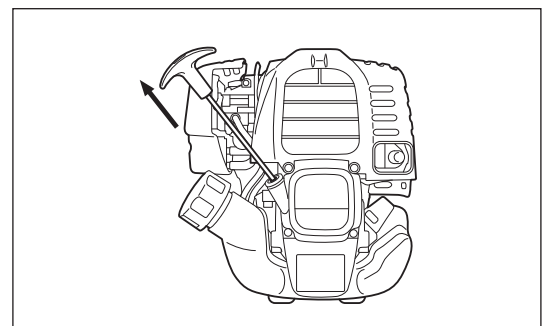
Se la pompa di adescamento viene premuta eccessivamente, l'eccesso di benzina ritorna nel serbatoio del carburante.



- 4) Starter manuale

Tirare delicatamente la manopola di avviamento fin quando non risulta difficile da tirare (punto di compressione). A questo punto, riportare la manopola nella posizione iniziale e tirarla con forza.

Evitare di tirare completamente la corda. Una volta tirata la manopola di avviamento, non togliere immediatamente la mano. Accompagnare la manopola di avviamento finché non ritorna nella posizione originale.



- 5) Operazione di riscaldamento

Continuare l'operazione di riscaldamento per 2 o 3 minuti.

NOTA: In caso di eccessivo afflusso di carburante, staccare la candela e tirare lentamente l'impugnatura di avviamento per eliminare il carburante in eccesso. Asciugare quindi la sezione degli elettrodi della candela.

B: Avviamento dopo l'operazione di riscaldamento

- 1) Premere più volte la pompa di adescamento.
- 2) Mantenere la leva dell'acceleratore nella posizione di folle.
- 3) Tirare con forza lo starter manuale.
- 4) Se l'avviamento del motore risulta difficoltoso, aprire l'acceleratore di circa 1/3.

Avvertenza

Se il motore viene capovolto mentre è in funzione potrebbe fuoriuscire del fumo bianco dalla marmitta.

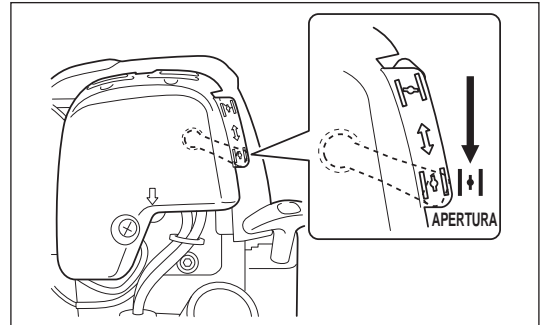
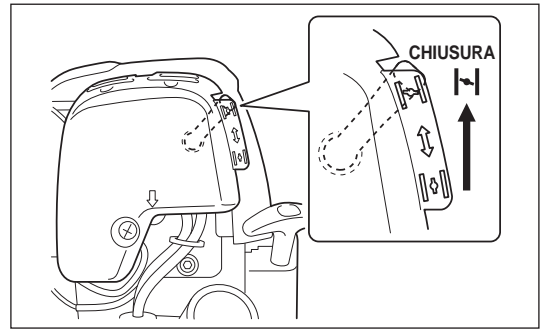
Se l'avviamento del motore è difficoltoso, ad esempio in inverno

Azionare la leva del dispositivo di avviamento con la seguente procedura durante l'avviamento del motore.

- Dopo aver svolto i passaggi da 1) a 3), portare la leva del dispositivo di avviamento nella posizione di chiusura.
- Eseguire il passaggio 4) e avviare il motore.
- Una volta avviato il motore, portare la leva del dispositivo di avviamento nella posizione di apertura.
- Eseguire il passaggio 5) e completare il riscaldamento.

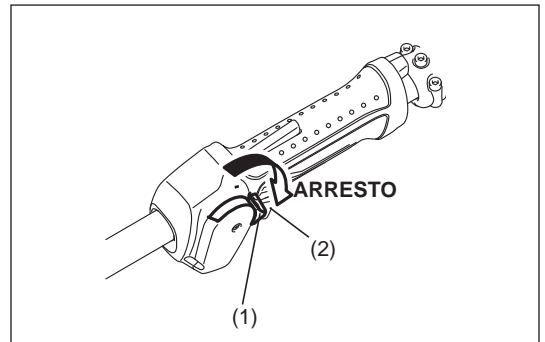
⚠ ATTENZIONE: Se l'utensile produce un suono di esplosione e il motore si ferma, oppure se il motore appena avviato entra in stallo prima che venga azionata la leva del dispositivo di avviamento, riportare tale leva nella posizione di apertura e tirare alcune volte la manopola di avviamento per avviare il motore.

⚠ ATTENZIONE: Se la leva del dispositivo di avviamento rimane nella posizione di chiusura mentre la manopola di avviamento viene tirata ripetutamente, è possibile che venga aspirato troppo carburante e che il motore risulti difficile da avviare.



ARRESTO

- 1) Rilasciare completamente la leva dell'acceleratore (2) e, una volta ridotto il regime del motore, portare l'interruttore I-O nella posizione di arresto. Il motore si spegne.
- 2) La testina di taglio potrebbe non fermarsi immediatamente; attendere che rallenti del tutto.

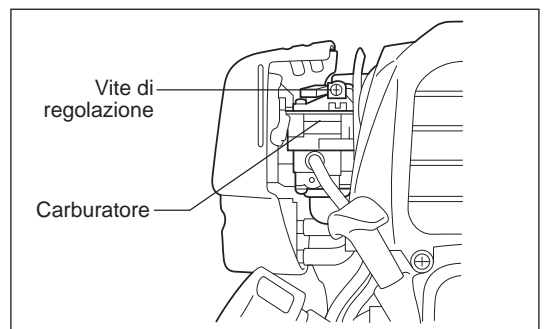


REGOLAZIONE DELLA ROTAZIONE A BASSA VELOCITÀ (MINIMO)

Se fosse necessario regolare la rotazione a bassa velocità (minimo), effettuare la modifica utilizzando la vite di regolazione del carburatore.

CONTROLLO DELLA ROTAZIONE A BASSA VELOCITÀ

- Impostare la rotazione a bassa velocità su 3.000 min⁻¹.
Se fosse necessario cambiare la velocità di rotazione a bassa velocità (minimo), regolare la vite mostrata a destra con un cacciavite a stella.
- Ruotare la vite di regolazione a destra per aumentare la rotazione del motore. Ruotare la vite di regolazione a sinistra per diminuire la rotazione del motore.
- Il carburatore viene generalmente regolato prima della spedizione. In caso di ulteriori regolazioni, rivolgersi al centro assistenza autorizzato di zona.



LA TESTINA DI TAGLIO IN NYLON

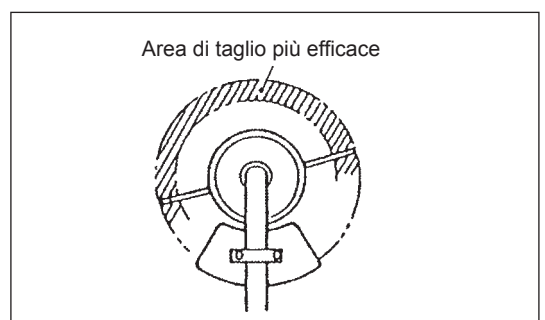
Durante le operazioni utilizzare la punta del filo di taglio in nylon.

Alimentazione del filo di taglio in nylon

Quando il filo di taglio in nylon è usurato e si è accorciato a causa dell'uso, è necessario che l'operatore lo alimenti manualmente.

Per alimentare il filo di taglio in nylon è sufficiente battere la testina di taglio in nylon sul terreno fino a ottenere una rotazione di circa 6.000 min⁻¹.

NOTA: Se il filo di taglio in nylon non viene alimentato è necessario riavvolgerlo.



Sostituzione del filo in nylon

⚠ AVVERTENZA: Assicurarsi che il coperchio della testina da taglio in nylon sia fissato correttamente sull'alloggiamento, come descritto di seguito. Il mancato fissaggio del coperchio può causare un distacco della testina di taglio in nylon, con conseguenti gravi danni alla persona.

Premere i ganci di arresto dell'alloggiamento verso l'interno e sollevarli verso l'alto per rimuovere il coperchio. Gettare il filo di nylon rimanente.

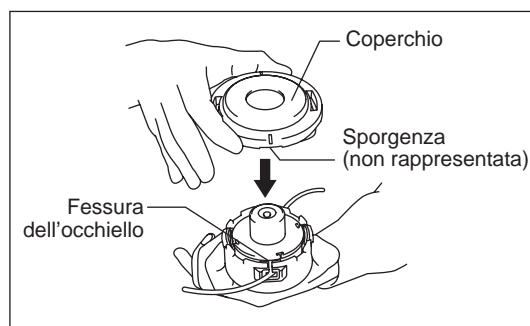
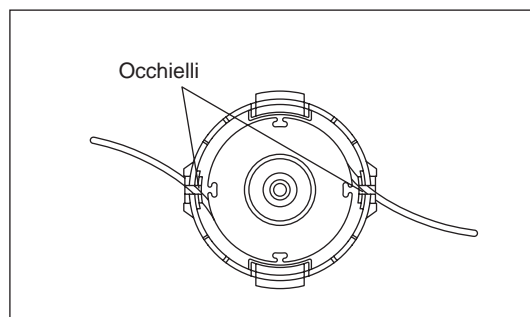
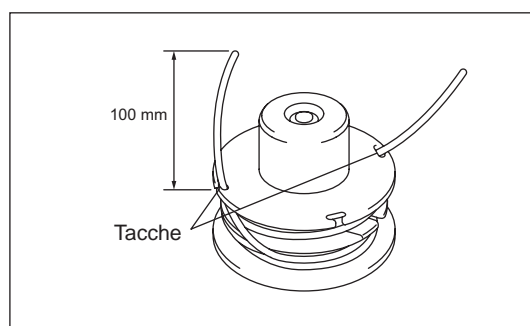
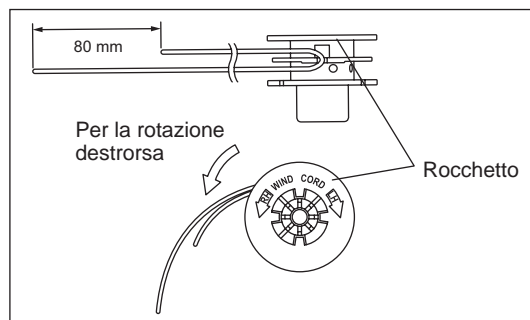
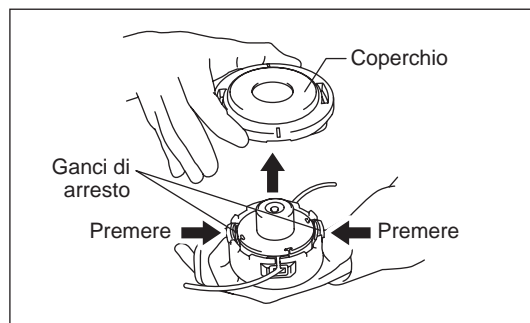
Agganciare la parte centrale del nuovo filo di nylon alla tacca posta al centro del rocchetto tra i due canali forniti per il filo di nylon. Un capo del filo deve essere più lungo di circa 80 mm rispetto all'altro capo.

Avvolgere saldamente entrambe le estremità intorno al rocchetto nella direzione indicata sulla testina per la direzione destrorsa (RH).

Avvolgere tutto il filo, tranne 100 mm, lasciando le estremità temporaneamente agganciate alla tacca sul fianco del rocchetto.

Montare il rocchetto nell'alloggiamento in modo che le scanalature e le sporgenze del rocchetto corrispondano a quelle dell'alloggiamento. Sganciare le estremità del filo dalla loro posizione temporanea e passarle attraverso gli occhielli, in modo che fuoriescano dall'alloggiamento.

Allineare la sporgenza sul lato inferiore del coperchio con le fessure degli occhielli. Spingere saldamente il coperchio sull'alloggiamento per fissarlo. Assicurarsi che i ganci di arresto si estendano completamente sul coperchio.



ISTRUZIONI PER LA MANUTENZIONE

⚠ ATTENZIONE: Prima di effettuare qualunque operazione sull'utensile è fondamentale spegnere il motore e staccare la candela (vedere "Controllo della candela").
Indossare sempre i guanti di protezione.

Per garantire una vita utile prolungata ed evitare danni all'utensile, è opportuno effettuare periodicamente le seguenti operazioni di manutenzione.

Controllo e manutenzione giornalieri

- Prima dell'uso, controllare l'utensile alla ricerca di viti allentate o parti mancanti. Prestare particolare attenzione alla regolazione della testina di taglio in nylon.
- Prima dell'uso, verificare che il passaggio dell'aria di raffreddamento e le alette del cilindro non siano intasati. Effettuare la pulizia, se necessario.
- Eseguire le seguenti operazioni di manutenzione giornaliere dopo l'uso:
 - Pulire esternamente l'utensile e verificare la presenza di danni.
 - Pulire il filtro dell'aria. Se il lavoro avviene in ambienti particolarmente polverosi è bene pulire il filtro più volte al giorno.
 - Controllare eventuali danni alla testina di taglio in nylon e verificare che sia montata saldamente.
 - Controllare che vi sia una differenza sufficiente tra il minimo e la velocità di innesto, in modo che l'accessorio di taglio sia fermo quando il motore è al minimo (se necessario è possibile ridurre la velocità al minimo).
- Se in condizioni di minimo l'utensile è ancora in funzione, rivolgersi al centro assistenza autorizzato di zona.
- Controllare il funzionamento dell'interruttore I-O, della sicura di accensione, della leva dell'acceleratore e del pulsante di bloccaggio.

SOSTITUZIONE DELL'OLIO MOTORE

L'olio motore deteriorato riduce notevolmente la durata delle parti scorrevoli e rotanti. Controllare quindi il periodo e la quantità della sostituzione.



ATTENZIONE: In generale, il gruppo principale del motore e l'olio motore rimangono caldi dopo l'arresto del motore. Prima di sostituire l'olio, verificare che il gruppo principale del motore e l'olio motore si siano raffreddati. Diversamente, è possibile procurarsi ustioni.

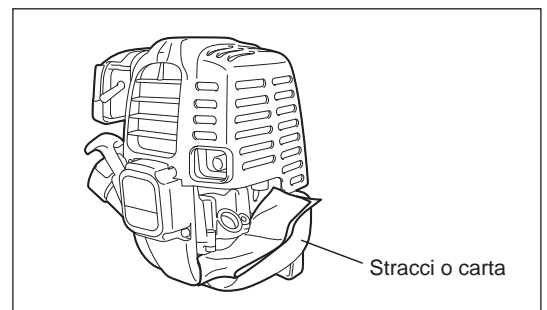
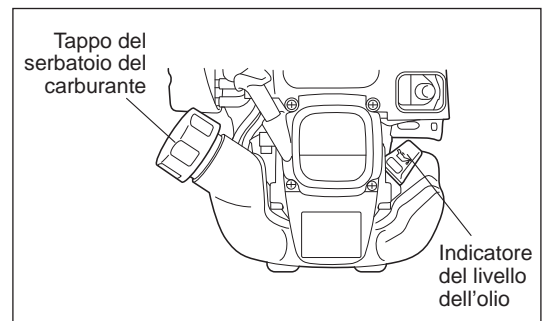
NOTA: Se l'olio supera il limite possono verificarsi contaminazioni o incendi che producono fumo bianco.

Intervallo di sostituzione: Inizialmente dopo 20 ore di funzionamento, successivamente ogni 50 ore di funzionamento

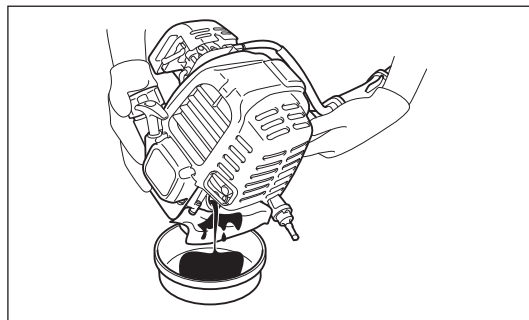
Olio consigliato: Olio SAE 10W-30 di classificazione API, classe SF o superiore (motore a quattro tempi per automobili)

Per la sostituzione attenersi alla seguente procedura.

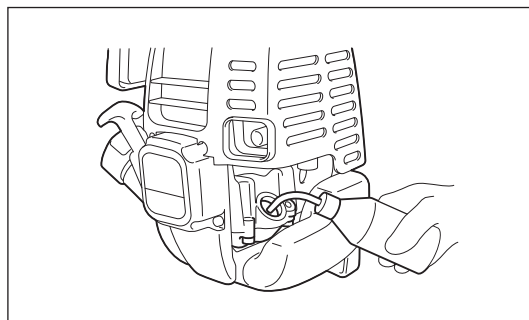
- 1) Verificare che il tappo del serbatoio sia serrato.
- 2) Rimuovere l'indicatore di livello dell'olio.
Evitare il contatto dell'indicatore di livello dell'olio con polvere o sporcizia.
- 3) Posizionare degli stracci o della carta in prossimità dello sportello di rabbocco dell'olio.



- 4) Staccare l'indicatore di livello dell'olio e scaricare l'olio inclinando l'unità principale verso lo sportello di rabbocco. Scaricare l'olio in un contenitore per un corretto smaltimento.



- 5) Mantenere il motore in piano e rabboccare l'olio fino al limite dello sportello di rabbocco olio. Per il rabbocco, utilizzare un contenitore di rabbocco del lubrificante.
- 6) Dopo il rabbocco, serrare l'indicatore di livello dell'olio. Un serraggio insufficiente dell'indicatore di livello dell'olio può provocare perdite d'olio.



INFORMAZIONI UTILI SULL'OLIO

- Non gettare l'olio motore sostituito nella spazzatura, nel terreno o nei tombini. Lo smaltimento dell'olio è regolamentato dalle leggi. Per lo smaltimento attenersi sempre a leggi e regolamenti in vigore. Per qualsiasi informazione rivolgersi al rappresentante autorizzato dell'assistenza.
- L'olio si deteriora anche se resta inutilizzato. Eseguire l'ispezione e la sostituzione a intervalli regolari (sostituire l'olio ogni sei mesi).

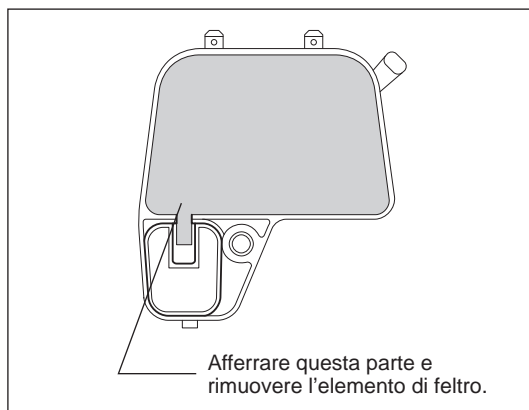
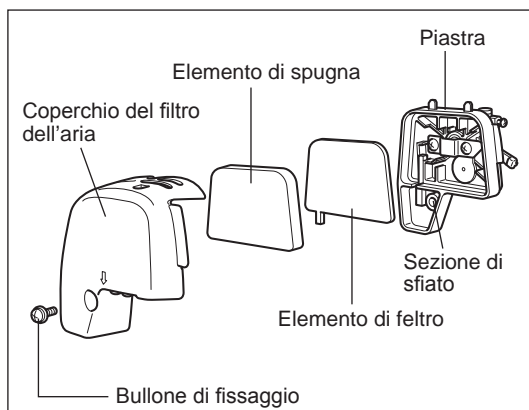
PULIZIA DEL FILTRO DELL'ARIA



PERICOLO: DIVIETO DI UTILIZZO DI INFIAMMABILI

Intervallo di pulizia ed ispezione: Quotidiana (ogni 10 ore di funzionamento)

- Ruotare la leva del dispositivo di avviamento in modo che sia completamente chiusa e tenere il carburatore lontano da polvere e sporcizia.
- Rimuovere i bulloni di fissaggio del coperchio del filtro dell'aria.
- Tirare il lato inferiore del coperchio e staccare il coperchio del filtro dell'aria.
- Se l'olio dovesse aderire all'elemento, strizzare la spugna con forza.
- In caso di grave contaminazione:
 - 1) Rimuovere l'elemento di spugna, immergerlo in acqua calda o in acqua con detergente neutro e lasciarlo asciugare completamente.
 - 2) Pulire l'elemento di feltro con della benzina e lasciarlo asciugare completamente.
- Lasciar asciugare completamente l'elemento prima di rimontarlo. Un'asciugatura insufficiente dell'elemento può influire sul corretto avviamento del motore.
- Pulire l'olio intorno al coperchio del filtro dell'aria e alla piastra di sfiato con degli stracci.
- Al termine della pulizia, applicare il coperchio del filtro e serrarlo con i bulloni di fissaggio. Durante il rimontaggio è necessario inserire prima la pinza superiore e poi quella inferiore.



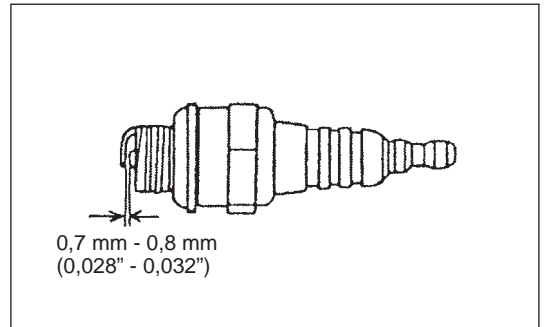
Come maneggiare l'elemento del filtro dell'aria

- Pulire l'elemento più volte al giorno se la polvere che vi aderisce è eccessiva.
- Se si continua a utilizzare il filtro senza rimuovere l'olio in eccesso dall'elemento, è possibile l'olio all'interno del filtro dell'aria fuoriesca provocando una contaminazione dell'olio.

CONTROLLO DELLA CANDELA

- Utilizzare esclusivamente la chiave universale in dotazione per rimuovere o montare la candela.
- Lo spazio fra i due elettrodi della candela deve essere compreso tra 0,7 e 0,8 mm. Se la distanza è superiore o inferiore a questo intervallo è necessario regolarla. Se la candela è ostruita o contaminata occorre pulirla accuratamente o sostituirla.

⚠ ATTENZIONE: Non toccare mai il cavo della candela mentre il motore è in moto (pericolo di scossa elettrica ad alta tensione).



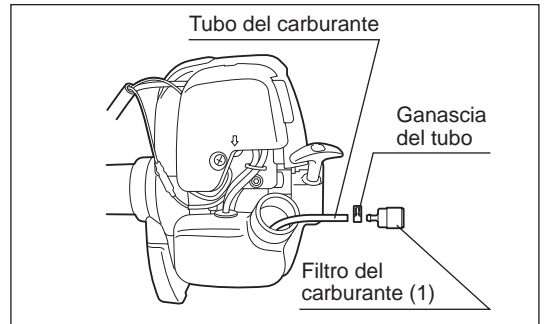
PULIZIA DEL FILTRO DEL CARBURANTE

⚠ AVVERTENZA: DIVIETO DI UTILIZZO DI INFIAMMABILI

Intervallo di pulizia ed ispezione: Mensile (ogni 50 ore di funzionamento)

Testina di aspirazione nel serbatoio del carburante

- Il filtro del carburante (1) della testina di aspirazione è utilizzato per filtrare il carburante richiesto dal carburatore.
- È opportuna un'ispezione visiva periodica del filtro del carburante. A tale scopo, aprire il tappo del serbatoio e, utilizzando un gancio metallico, estrarre la testina di aspirazione attraverso l'apertura. I filtri induriti, contaminati oppure ostruiti devono essere sostituiti.
- Un afflusso insufficiente di carburante potrebbe portare al superamento della velocità massima consentita. Si consiglia pertanto di sostituire il filtro del carburante con una frequenza almeno trimestrale, in modo da garantire un'erogazione costante del carburante al carburatore.



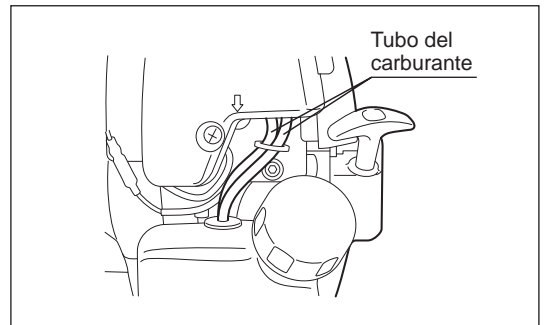
SOSTITUZIONE DEL TUBO DEL CARBURANTE

⚠ ATTENZIONE: DIVIETO DI UTILIZZO DI INFIAMMABILI

Intervallo di pulizia ed ispezione: Quotidiana (ogni 10 ore di funzionamento)

Sostituzione: Annuale (ogni 200 ore di funzionamento)

Sostituire il tubo del carburante una volta l'anno, indipendentemente dalla frequenza di utilizzo. Le perdite di carburante possono dare luogo a incendi. Se vengono rilevate perdite durante l'ispezione, sostituire immediatamente il tubo del carburante.



ISPEZIONE DI BULLONI, DADI E VITI

- Serrare bulloni, dadi e viti allentati.
- Verificare se vi sono perdite di carburante e olio.
- Sostituire le parti danneggiate per garantire la sicurezza.

PULIZIA DEI COMPONENTI

- Il motore deve essere mantenuto sempre pulito.
- Rimuovere costantemente la polvere e la sporcizia dalle alette del cilindro. La polvere o la sporcizia che aderisce alle alette può causare il grippaggio del pistone.

SOSTITUZIONE DELLE GUARNIZIONI

Sostituire le guarnizioni ogni volta che si smonta e rimonta il motore.

Qualunque attività di manutenzione o di regolazione non descritta nel presente manuale deve essere affidata ai rappresentanti autorizzati dell'assistenza.

STOCCAGGIO



AVVERTENZA: Per scaricare il carburante, il motore deve essere spento e freddo. Subito dopo l'arresto, il motore è ancora caldo e può causare ustioni e incendi.



ATTENZIONE: Se l'utensile non deve essere utilizzato per un periodo prolungato, scaricare tutto il carburante dal serbatoio e dal carburatore e conservare l'utensile in un ambiente pulito e asciutto.

- Scaricare il carburante dal serbatoio e dal carburatore attenendosi alla procedura riportata di seguito:
 - 1) Rimuovere il tappo del serbatoio del carburante e scaricare completamente il carburante.
Se nel serbatoio rimangono corpi estranei, rimuoverli completamente.
 - 2) Estrarre il filtro del carburante dallo sportello di rabbocco utilizzando un filo.
 - 3) Premere la pompa di adescamento fino a scaricare tutto il carburante al suo interno, quindi scaricare il carburante penetrato nel serbatoio.
 - 4) Inserire il filtro nel serbatoio del carburante e serrare il relativo tappo.
 - 5) Lasciare il motore in funzione fino all'arresto.
- Staccare la candela e lasciar cadere diverse gocce di olio motore nel foro della candela.
- Tirare delicatamente l'impugnatura di avviamento per far circolare l'olio nel motore, quindi inserire la candela.
- In linea generale, riporre l'apparecchio in posizione orizzontale. Se ciò non è possibile, posizionare l'apparecchio affinché l'unità motore sia sotto l'utensile da taglio. In caso contrario, l'olio motore potrebbe fuoriuscire dall'interno.
- Prestare sempre attenzione alla conservazione dell'apparecchio in un luogo sicuro per prevenire danni all'apparecchio e lesioni personali.
- Conservare il carburante scaricato in un contenitore speciale posto in un ambiente ben aerato.

Attenzioni dopo una lunga conservazione

- Prima dell'avviamento dopo una fase di inutilizzo prolungata è opportuno sostituire l'olio (vedere a pag. 68). L'olio si deteriora anche se l'utensile resta inutilizzato.

Individuazione dei guasti

Guasto	Sistema	Osservazione	Causa
Il motore non si avvia o si avvia con difficoltà	Sistema di accensione	Scintilla di accensione presente	Guasto nell'alimentazione del carburante o nel sistema di compressione, difetto meccanico
		Nessuna scintilla di accensione	Interruttore di arresto azionato, errore di cablaggio o corto circuito, candela o connettore difettoso, modulo di accensione guasto
	Alimentazione del carburante	Serbatoio del carburante riempito	Posizione del dispositivo di avviamento non corretta, carburatore difettoso, linea di alimentazione del carburante piegata o bloccata, carburante sporco
	Compressione	Nessuna compressione	Guarnizione inferiore del cilindro difettosa, guarnizioni dell'albero motore danneggiate, anelli del cilindro o del pistone difettosi, tenuta difettosa della candela
Problemi nell'avviamento a caldo	Guasto meccanico	Starter non innestato	Molla dello starter rotta, parti danneggiate all'interno del motore
		Serbatoio pieno, scintilla di accensione presente	Carburatore contaminato, effettuare la pulizia
Il motore si avvia ma si spegne immediatamente	Alimentazione del carburante	Serbatoio riempito	Regolazione del minimo errata, carburatore contaminato Apertura del serbatoio del carburante difettosa, linea di alimentazione del carburante interrotta, cavo o interruttore di arresto difettosi
Prestazioni insufficienti	Possono essere interessati più sistemi contemporaneamente	Minimo scadente del motore	Filtro dell'aria contaminato, carburatore contaminato, marmitta intasata, condotto di scarico del cilindro intasato

Componente	Tempo di funzionamento	Prima dell'uso	Dopo la lubrificazione	Ogni giorno (10 ore)	30 ore	50 ore	200 ore	Arresto/riposo	P corrispondente
Olio motore	Ispezione	○							63
	Sostituire					○*1			68
Serraggio dei componenti (bullone, dado)	Ispezionare	○							70
Serbatoio del carburante	Pulire/ ispezionare	○							—
	Scaricare il carburante							○*3	71
Leva dell'acceleratore	Controllare il funzionamento		○						—
Interruttore di arresto	Controllare il funzionamento		○						66
Accessorio di taglio	Ispezionare	○		○					62
Rotazione a bassa velocità	Ispezionare/ regolare			○					66
Filtro dell'aria	Pulire			○					69
Candela di accensione	Ispezionare			○					70
Ingresso aria di raffreddamento	Pulire/ ispezionare			○					70
Tubo del carburante	Ispezionare			○					70
	Sostituire						◎*2		—
Filtro del carburante	Pulire/ sostituire					○			70
Distanza tra la valvola di ingresso e la valvola di scarico dell'aria	Regolare						◎*2		—
Surriscaldamento del motore							◎*2		—
Carburatore	Scaricare il carburante							○*3	71

*1 Eseguire la sostituzione iniziale dopo 20 ore di funzionamento.

*2 Per l'ispezione dopo 200 ore di funzionamento rivolgersi a un rappresentante autorizzato dell'assistenza o a un'officina.

*3 Dopo aver svuotato il serbatoio del carburante, lasciare il motore in funzione e drenare il carburante nel carburatore.

RISOLUZIONE DEI PROBLEMI

Prima di richiedere una riparazione è opportuno individuare il problema autonomamente. Se viene rilevata un'anomalia, controllare la macchina secondo la descrizione nel presente manuale. Non smontare o manomettere le parti non indicate nella descrizione. Per le riparazioni rivolgersi all'agente autorizzato dell'assistenza o al rivenditore di zona.

Anomalia	Probabile causa (problema di funzionamento)	Soluzione
Il motore non si avvia	Impossibile utilizzare la pompa di adescamento	Premere da 7 a 10 volte
	Velocità di tiraggio ridotta della corda di avviamento	Tirare con forza
	Mancanza di carburante	Rifornire di carburante
	Filtro del carburante intasato	Pulire
	Tube del carburante piegato	Raddrizzare il tubo del carburante
	Carburante deteriorato	Il carburante deteriorato rende difficoltoso l'avviamento. Sostituire con carburante nuovo. (Sostituzione consigliata: 1 mese)
	Aspirazione eccessiva di carburante	Portare la leva dell'acceleratore dalla posizione di velocità media alla posizione di velocità alta e tirare l'impugnatura di avviamento fino ad avviare il motore. Dopo l'avviamento del motore, la testina da taglio in nylon inizia a ruotare. Prestare la massima attenzione alla testina da taglio in nylon. Se il motore ancora non si avvia, staccare la candela, asciugare l'elettrodo e rimontarla come in origine. Procedere quindi all'avviamento come specificato.
	Tappo della candela staccato	Attaccarlo saldamente
	Candela contaminata	Pulire
	Distanza anomala della candela	Regolare la distanza
	Altra anomalia della candela	Sostituire
	Carburatore anomalo	Richiedere l'ispezione e la manutenzione.
	Impossibile tirare la corda di avviamento	Richiedere l'ispezione e la manutenzione.
	Sistema di comando anomalo	Richiedere l'ispezione e la manutenzione.
Il motore si arresta subito La velocità del motore non aumenta	Riscaldamento insufficiente	Eseguire l'operazione di riscaldamento
	La leva del dispositivo di avviamento è nella posizione di chiusura anche se il motore è stato riscaldato.	Portarla nella posizione di apertura
	Filtro del carburante intasato	Pulire
	Filtro dell'aria contaminato o intasato	Pulire
	Carburatore anomalo	Richiedere l'ispezione e la manutenzione.
L'accessorio di taglio non ruota.	L'accessorio di taglio non è ben serrato.	Serrare correttamente l'accessorio di taglio.
	Un ramoscello è impigliato tra l'accessorio di taglio e il dispositivo di protezione.	Rimuovere il corpo estraneo.
	Il sistema di trasmissione non funziona correttamente.	Richiedere l'ispezione e la riparazione al centro assistenza autorizzato DOLMAR.
L'unità vibra in modo anomalo.	L'accessorio di taglio è rotto.	Sostituire l'accessorio di taglio.
	L'accessorio di taglio non è ben serrato.	Serrare correttamente l'accessorio di taglio.
	Un'estremità del filo di taglio in nylon si è rotta e la testina di taglio in nylon non è più bilanciata.	Alimentare il filo di taglio in nylon battendo la testina di taglio in nylon sul terreno.
	Il sistema di trasmissione non funziona correttamente.	Richiedere l'ispezione e la riparazione al centro assistenza autorizzato DOLMAR.
L'accessorio di taglio non si ferma.	Il gruppo di alimentazione non funziona correttamente.	Consultare il manuale di istruzioni del gruppo di alimentazione.
Il motore non si arresta	Connettore staccato	Attaccarlo saldamente
	Impianto elettrico anomalo	Richiedere l'ispezione e la manutenzione.
Avviare il motore al minimo e portare la leva del dispositivo di avviamento nella posizione di chiusura		
Il filo di taglio in nylon non viene alimentato.	Il filo è terminato o è incastrato nel rocchetto.	Riavvolgere il filo.
	Il tagliafilo sul dispositivo di protezione è danneggiato o mancante.	Rivolgersi al centro assistenza autorizzato DOLMAR per la sostituzione del tagliafilo.
Il filo di taglio in nylon non è stato tagliato alla giusta lunghezza.	Il filo si estende oltre il dispositivo di protezione.	Riavvolgere il filo.

Se il motore non si avvia dopo l'operazione di riscaldamento:

Se non vengono rilevate anomalie, aprire l'acceleratore di circa 1/3 e avviare il motore.

Hartelijk dank voor uw aankoop van dit gemotoriseerd tuingereedschap van DOLMAR. Met trots bevelen wij u dit gereedschap van DOLMAR van harte aan als resultaat van een langdurig ontwikkelingsprogramma en jarenlange kennis en ervaring.

Lees deze handleiding met daarin nauwkeurige beschrijvingen van de diverse punten die zijn hoogstaande prestaties demonstreren. Hierdoor bent u in staat de best mogelijke resultaten te behalen die het gereedschap van DOLMAR u kan bieden.



Inhoud	Pagina
Symbolen.....	74
Veiligheidsinstructies	75
Technische gegevens.....	78
Namen van onderdelen	79
De handgreep monteren.....	80
De beschermkap monteren	80
De nylondraad-snijkop monteren.....	80
Vóór het begin van het werk.....	81
Tips voor gebruik en procedure voor stoppen	83
De nylondraad-snijkop.....	84
Onderhoudsinstructies.....	86
Opslag	89

SYMBOLLEN

Let op de volgende symbolen wanneer u de gebruiksaanwijzing leest.

	Lees de gebruiksaanwijzing en volg de waarschuwingen en veiligheidsvoorzorgsmaatregelen op!		Draag een veiligheidshelm, oog- en gehoorbescherming.
	Besteed bijzondere zorg en aandacht!		Toegestaan maximumtoerental
	Verboden!		Brandstof (benzine)
	Houd afstand!		Motor handmatig starten
	Gevaar voor rondvliegende voorwerpen!		Noodstop
	Verboden te roken!		EHBO
	Geen open vuur!		AAN/START
	Veiligheidshandschoenen vereist!		UIT/STOP
	Draag stevige schoenen met antislipzolen. Veiligheidsschoenen met stalen neuzen worden aanbevolen!		Gebruik nooit een metalen snijblad
	Houd mensen en huisdieren weg van het werkgebied!		

VEILIGHEIDSINSTRUCTIES

Algemene instructies

- Lees deze gebruiksaanwijzing om u bekend te maken met de juiste manier van omgaan met het gereedschap. Gebruikers die onvoldoende geïnformeerd zijn, lopen de kans zichzelf en anderen in gevaar te brengen als gevolg van onjuist omgaan met het multifunctionele aandrijfsysteem.
- Het verdient aanbeveling het gereedschap uitsluitend uit te lenen aan mensen die bewezen hebben ervaren te zijn. Geef altijd de gebruiksaanwijzing mee.
- Onervaren gebruikers dienen de dealer te vragen om basisinstructies om zichzelf bekend te maken met het omgaan met een graskantmaaier.
- Laat geen kinderen of jonge mensen die jonger zijn dan 18 jaar met het gereedschap werken. Jongeren die ouder zijn dan 16 jaar mogen echter het gereedschap gebruiken om te oefenen terwijl ze onder toezicht staan van een gekwalificeerde begeleider.
- Gebruik het gereedschap met de hoogst mogelijke zorg en aandacht.
- Gebruik het gereedschap alleen als u in goede lichamelijke conditie bent. Werk altijd rustig en voorzichtig. De gebruiker is aansprakelijk ten opzichte van anderen.
- Gebruik dit gereedschap nooit na het gebruik van alcohol of drugs, of wanneer u zich moe of ziek voelt.
- Het gebruik van het gereedschap kan landelijk gereguleerd zijn.

Bedoeld gebruik van het gereedschap

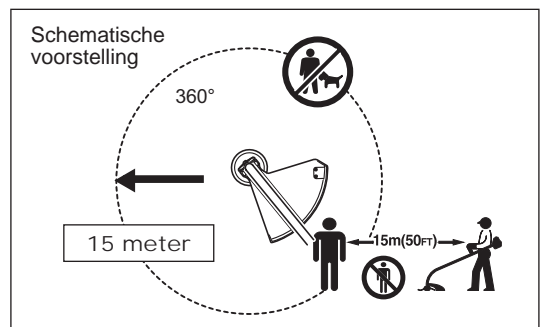
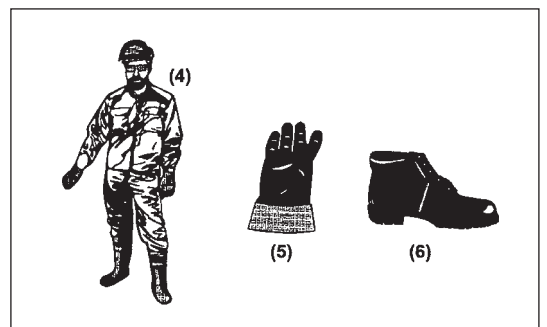
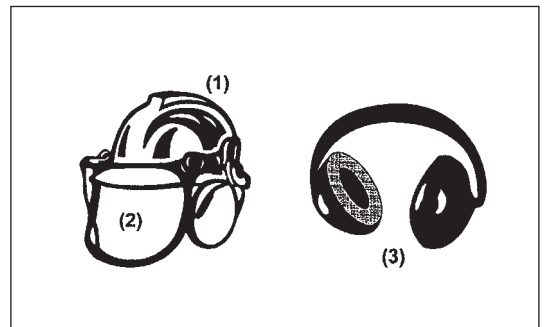
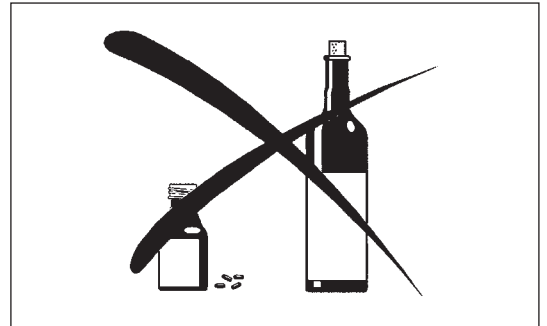
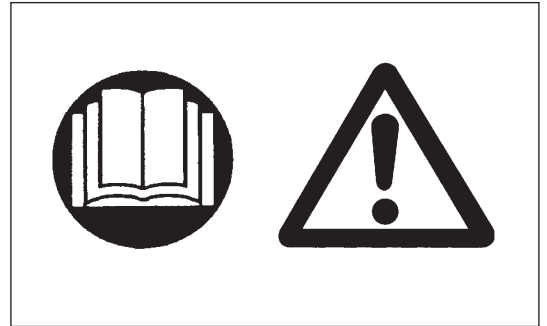
- Het gereedschap is uitsluitend bedoeld voor het maaien van gras en kleine onkruiden. Het mag niet worden gebruikt voor enig ander doel, zoals randen bijwerken of heggen snoeien, aangezien dit tot letsel kan leiden.

Persoonlijke-veiligheidsuitrusting

- De te dragen kleding dient functioneel en geschikt te zijn, d.w.z. nauwsluitend zonder te hinderen. Draag geen juwelen of kleding die in de struiken kunnen verstrikt raken.
- Om tijdens het gebruik letsels aan hoofd, ogen, handen of voeten te voorkomen en uw gehoor te beschermen, moeten de volgende veiligheidsuitrusting en beschermende kleding worden gebruikt terwijl u werkt.
- Draag altijd een helm wanneer het risico bestaat op vallende objecten. U moet de veiligheidshelm (1) regelmatig controleren op schade en uiterlijk na 5 jaar worden vervangen. Gebruik alleen goedgekeurde veiligheidshelmen.
- Het spatscherm (2) van de helm (of de veiligheidsbril) beschermt het gezicht tegen rondvliegend afval en opspringende stenen. Draag tijdens het gebruik altijd een veiligheidsbril of een spatscherm om letsel aan de ogen te voorkomen.
- Draag geschikte uitrusting om u te beschermen tegen het lawaai en gehoorbeschadiging te voorkomen (oorbeschermers (3), oordopjes, enz.).
- Een werkoverall (4) beschermt tegen rondvliegend afval en opspringende stenen. Wij raden u sterk aan een werkoverall te dragen.
- Handschoenen (5) maken deel uit van de voorgeschreven uitrusting en moeten altijd worden gedragen tijdens het gebruik.
- Draag tijdens gebruik van het gereedschap altijd stevige schoenen (6) met een antislipzool. Dit beschermt u tegen letsel en garandeert dat u stevig staat.

De benzinegraskantmaaier starten

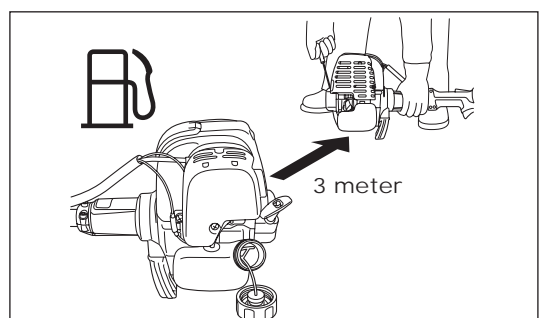
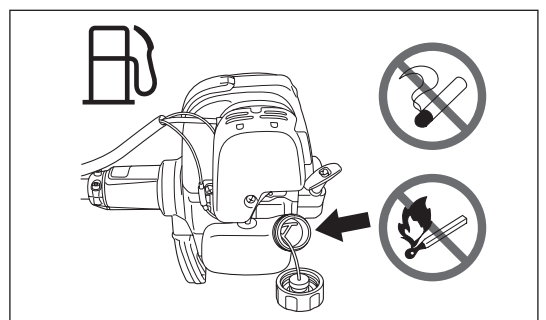
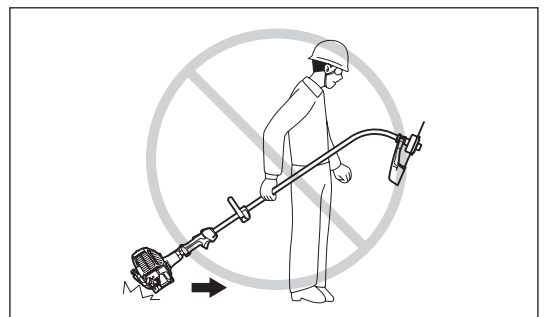
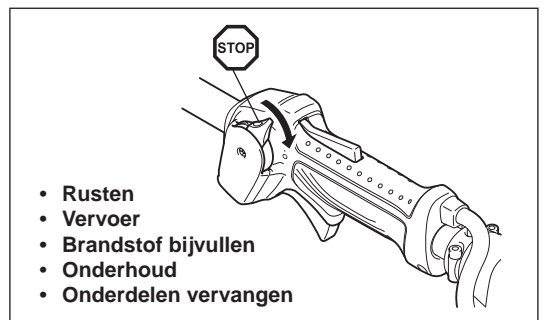
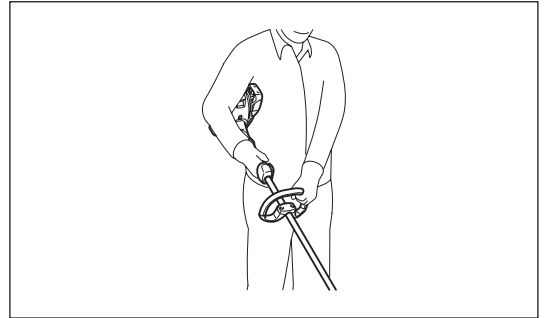
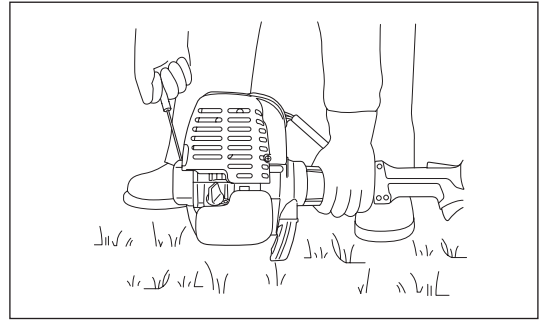
- Controleer of er geen kinderen of andere mensen aanwezig zijn binnen een werkbereik van 15 meter (50 feet) en let ook op of er geen dieren in de werkomgeving zijn.
- Controleer voor gebruik altijd of het gereedschap veilig is om te gebruiken. Controleer de bevestiging van het snijgereedschap, controleer of de gashendel gemakkelijk kan worden bediend, en controleer of de gashendelvergrendeling goed werkt.
- Het snijgereedschap mag niet draaien bij stationair motortoerental. Neem bij twijfel contact op met uw dealer voor afstelling. Controleer of de handgrepen schoon en droog zijn en test de werking van de stopschakelaar.



- Start de benzinegraskantmaaier alleen op de manier beschreven in de instructies.
- Gebruik geen enkele andere methode om de motor te starten!
- Gebruik de benzinegraskantmaaier en de gereedschappen uitsluitend voor de beschreven toepassingen.
- Start de motor van de benzinegraskantmaaier alleen nadat deze volledig is gemonteerd. Het gereedschap mag uitsluitend worden gebruikt nadat alle toepasselijke toebehoren zijn gemonteerd!
- Controleer vóór het starten of het snijgarnituur geen contact maakt met harde voorwerpen, zoals takken, stenen, enz., omdat tijdens het starten het snijgarnituur zal ronddraaien.
- De motor moet onmiddellijk uitgeschakeld worden in geval van enige motorstoring.
- Als het snijgarnituur stenen of andere objecten raakt, moet u de motor onmiddellijk uitschakelen en het snijgarnituur controleren.
- Controleer het snijgarnituur regelmatig op beschadiging (inspecteren op haarscheurtjes met de klopgekluidentest).
- Nadat tegen het gereedschap is gestoten of het is gevallen, controleert u de conditie van het gereedschap voordat u de werkzaamheden hervat. Controleer het brandstofsysteem op brandstoflekkage, en de bedieningselementen en veiligheidsvoorzieningen op een juiste werking. Als enige beschadiging zichtbaar is of u twijfelt, vraagt u ons erkende servicecentrum om inspectie en reparatie.
- Houd de benzinegraskantmaaier altijd met beide handen vast tijdens het gebruik. Houd de benzinegraskantmaaier nooit met slechts één hand vast tijdens het gebruik.
Zorg er altijd voor dat u stevig staat.
- Gebruik het gereedschap zo, dat u geen uitlaatgassen kunt inademen. Laat de motor nooit draaien in een gesloten vertrek (kans op gasverstikking). Koolmonoxide is een geurloos gas.
- Schakel de motor uit tijdens pauzes en wanneer u het gereedschap onbeheerd achterlaat, en leg hem op een veilige plaats om gevaar voor anderen en beschadiging van het gereedschap te voorkomen.
- Leg nooit een warme benzinegraskantmaaier op droog gras of enige andere ontvlambare materialen.
- Breng altijd een goedgekeurde beschermkap van het snijgarnituur aan op het gereedschap voordat u de motor start. Als u dat niet doet, kan aanraking van het snijgarnituur leiden tot ernstig persoonlijk letsel.
- De hele veiligheidsuitrusting en alle beschermkappen die bij het gereedschap zijn geleverd, moeten tijdens het werk worden gebruikt.
- Gebruik het gereedschap nooit met een defecte uitlaatdemper.
- Schakel de motor uit tijdens het vervoer.
- Leg tijdens vervoer per auto het gereedschap op een veilige plaats om te voorkomen dat er brandstof uit lekt.
- Wanneer u het gereedschap vervoert, moet u ervoor zorgen dat de brandstoftank volledig leeg is.
- Let erop dat bij het uitladen van het gereedschap uit de auto de motor niet op de grond valt omdat hierdoor de brandstoftank ernstig kan worden beschadigd.
- Behalve in noodgevallen mag u het gereedschap nooit op de grond laten vallen of weggooien omdat hierdoor het gereedschap zwaar beschadigd kan raken.
- Let erop dat u het volledige gereedschap van de grond tilt wanneer u het verplaatst. Het is bijzonder gevaarlijk de brandstoftank over de grond te slepen en dit zal beschadiging en lekkage veroorzaken die kan leiden tot brand.

Brandstof bijvullen

- Schakel de motor uit alvorens brandstof bij te vullen, blijf uit de buurt van open vuur en rook niet.
- Vermijd huidcontact met minerale-olieproducten. Adem de brandstofdampen niet in. Draag altijd veiligheidshandschoenen tijdens het bijvullen van de brandstof. Zorg dat u de beschermende kleding regelmatig vervangt en reinigt.
- Wees voorzichtig geen brandstof of olie te morsen om bodemverontreiniging te voorkomen (milieubescherming). Reinig de benzinegraskantmaaier onmiddellijk nadat brandstof erop is gemorst.
- Vermijd dat brandstof in aanraking komt met uw kleding. Kleed u onmiddellijk om als brandstof op uw kleding is gemorst (om te voorkomen dat de kleding vlam vat).
- Inspecteer de brandstofvuldop regelmatig om zeker te zijn dat de dop stevig kan worden aangedraaid en niet lekt.
- Draai de brandstofvuldop stevig vast. Verplaats het gereedschap voordat u de motor start (tenminste 3 meters afstand tot de plaats waar brandstof is bijgevuld.)
- Vul nooit brandstof bij in een gesloten vertrek. Brandstofdampen verzamelen zich vlak boven de vloer (risico van explosie.)
- Vervoer en bewaar brandstof alleen in goedgekeurde tanks. Zorg dat de opgeslagen brandstof niet toegankelijk is voor kinderen.



Gebruiksmethode

- Gebruik het gereedschap alleen bij goed licht en zicht. Wees in de winter bedacht op gladde of natte plaatsen, ijs en sneeuw (gevaar voor uitglijden). Zorg er altijd voor dat u stevig staat.
- Maai nooit boven heuphoogte.
- Werk nooit vanaf een ladder.
- Klim nooit in een boom om daar met het gereedschap te werken.
- Werk nooit op onstabiele oppervlakken.
- Verwijder zand, stenen, nagels, enz. die u binnen uw werkbereik vindt.
- Voordat u begint te maaien, moet het snijgarnituur op maximaal toerental draaien.
- Beweeg de benzinegraskantmaaier gelijkmatig heen en weer. Als gras of takken bekneld raken tussen het snijgarnituur en de beschermkap, zet u altijd de motor uit voordat u ze verwijderd. Als u dat toch doet, kan door onbedoeld draaien van het snijgarnituur ernstig letsel ontstaan.
- Neem een pauze om te voorkomen dat u door vermoeidheid de controle over het gereedschap verliest. Wij adviseren u ieder uur 10 tot 20 minuten te rusten.



Snijgarnituur

- Gebruik nooit metalen snijbladen, waaronder metalen meerdelige kettingen en vlegelmessen. Als u dat toch doet kan door aanraking van het snijblad ernstig letsel ontstaan.

Trillingen

- Personen met een slechte bloedsomloop die worden blootgesteld aan sterke trillingen, kunnen verwondingen aan bloedvaten of het zenuwstelsel oplopen. Trillingen kunnen de volgende symptomen veroorzaken in de vingers, handen of polsen: "slapen" (ongevoeligheid), tintelingen, pijn, stekend gevoel, veranderen van huidskleur of van de huid. Als een van deze symptomen zich voordoet, raadpleegt u uw huisarts!
- Om de kans op deze "witte-vingerziekte" te verkleinen, houdt u uw handen warm tijdens het werk en onderhoudt u het gereedschap en de accessoires goed.



Onderhoudsinstructies

- Laat uw gereedschap onderhouden door ons erkende servicecentrum dat altijd uitsluitend gebruikmaakt van originele vervangingsonderdelen. Onjuiste reparatie en slecht onderhoud kan de levensduur van het gereedschap verkorten en de kans op ongevallen vergroten.
- De toestand van het gereedschap, met name van het snijgarnituur en de veiligheidsuitrusting, moeten worden gecontroleerd voor aanvang van de werkzaamheden.
- Schakel de motor uit en trek de bougiekap eraf wanneer u het snijgarnituur vervangt, en wanneer u de maaier of het snijgarnituur schoonmaakt.
- Denk aan het milieu. Vermijd onnodig gebruik van de gashendel zodat minder uitlaatgassen en geluid worden geproduceerd. Stel de carburateur goed af.
- Maak het gereedschap regelmatig schoon en controleer of alle bouten en moeren stevig zijn vastgedraaid.
- Onderhoud of bewaar het gereedschap niet in de buurt van open vuur.
- Bewaar het gereedschap altijd in een afgesloten ruimte en met een lege brandstoftank.



Volg de relevante instructies voor het voorkomen van ongevallen die door de relevante beroepsverenigingen en verzekeringsmaatschappijen zijn uitgegeven.

Breng geen wijzigingen aan het gereedschap aan, omdat hiermee uw veiligheid gevaar loopt.

Het uitvoeren van onderhoud of reparaties door de gebruiker is beperkt tot de activiteiten die in de gebruiksaanwijzing zijn beschreven. Alle andere werkzaamheden moet worden uitgevoerd door een erkend servicecentrum. Gebruik uitsluitend originele vervangingsonderdelen en accessoires die zijn vervaardigd en geleverd door DOLMAR.

Het gebruik van niet-goedgekeurde accessoires en gereedschappen leidt tot een verhoogde kans op ongevallen.

DOLMAR aanvaardt geen enkele aansprakelijkheid voor ongevallen of schade veroorzaakt door het gebruik van een niet-goedgekeurd snijgarnituur, bevestigingsmiddelen voor snijgarnituur of accessoires.

EHBO

Zorg dat er altijd een EHBO-does beschikbaar is in de buurt waar er wordt gemaaid om eerste hulp te bieden bij eventuele ongevallen. Vervang onmiddellijk elk item dat uit de EHBO-does is genomen.

Geef de volgende informatie wanneer u hulp inroept:

- Plaats van het ongeval
- Beschrijving van het ongeval
- Aantal gewonden
- Soort letsels
- Uw naam



TECHNISCHE GEGEVENS LT-245.4

Model		LT-245.4		
		Beugelhandgreep		
Afmetingen: lengte x breedte x hoogte (zonder snijgarnituur)	mm	1.623 x 290 x 464		
Maaidiameter	mm	412		
Gewicht (zonder kunststofbeschermer en snijgarnituur)	kg	4,9		
Volume (brandstoftank)	l	0,5		
Volume (oliereservoir)	l	0,08		
Cilinderinhoud	cm ³	24,5		
Maximaal motorvermogen	kW	0,71 bij 7.000 min ⁻¹		
Motortoerental bij aanbevolen max. astoerental	min ⁻¹	10.000		
Maximaal astoerental	min ⁻¹	7.750		
Maximaal brandstofverbruik	kg/u	0,33		
Maximaal specifiek brandstofverbruik	g/kwh	408		
Stationair toerental	min ⁻¹	3.000		
Toerental op aangrijppunt van koppeling	min ⁻¹	3.750		
Carburateur	type	WALBRO WYL		
Ontstekingsstelsel	type	Transistorontsteking		
Bougie	type	NGK CMR4A		
Elektrodenafstand	mm	0,7 - 0,8		
Trillingen volgens ISO 22867	Rechterhandgreep (Achterste handvat)	$a_{hv\ eq}$	m/s ²	5,4
		Onzekerheid (K)	m/s ²	1,0
	Linkerhandgreep (Voorste handvat)	$a_{hv\ eq}$	m/s ²	5,3
		Onzekerheid (K)	m/s ²	0,9
Gemiddeld geluidsdruk niveau volgens ISO 22868		$L_{PA\ eq}$	dB (A)	93,3
		Onzekerheid (K)	dB (A)	2,8
Gemiddeld geluidsvermogen niveau volgens ISO 22868		$L_{WA\ eq}$	dB (A)	102,5
		Onzekerheid (K)	dB (A)	1,7
Brandstof		Benzine voor auto's		
Motorolie		SAE 10W-30 olie volgens API-classificatie, SF-klasse of beter (4-taktmotorolie voor auto's)		

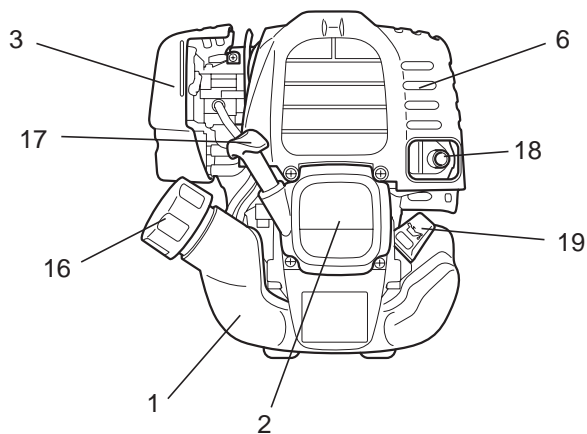
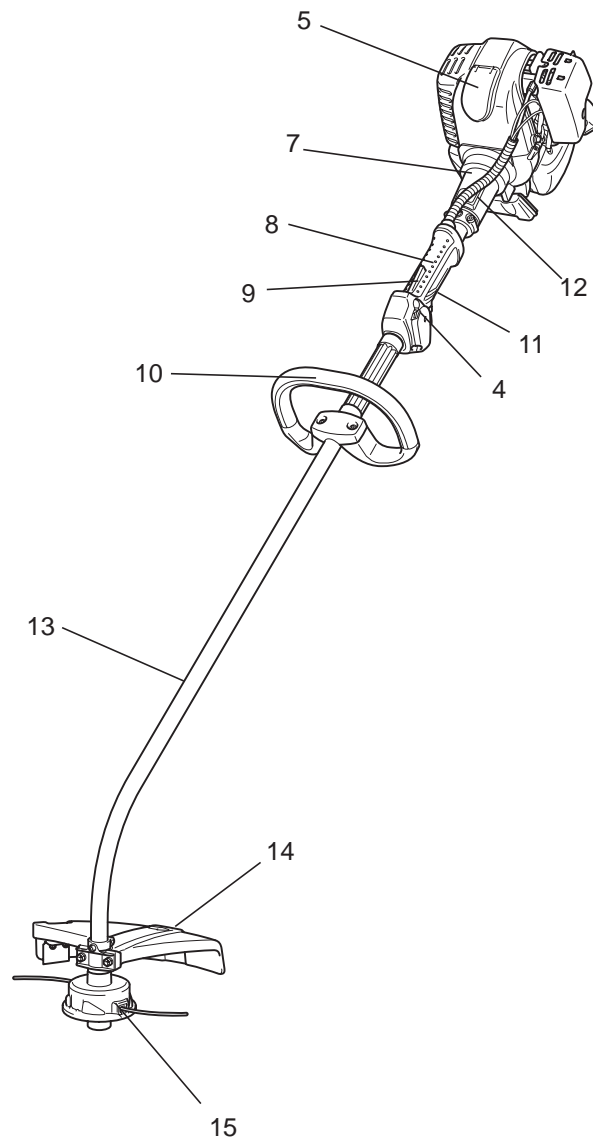
EU-VERKLARING VAN CONFORMITEIT

Alleen voor Europese landen

De EU-verklaring van conformiteit is opgenomen als Bijlage A in deze instructiehandleiding.

NAMEN VAN ONDERDELEN

LT-245.4



NL	NAMEN VAN ONDERDELEN
1	Brandstoftank
2	Trekstartinrichting
3	Luchtfilter
4	Stopschakelaar (stop - bedrijf)
5	Bougie
6	Uitlaatdemper
7	Koppelingshuis
8	Achterste handvat
9	Uit-vergrendelhendel
10	Handgreep
11	Gashendel
12	Gaskabel
13	Schacht
14	Beschermkap (beschermkap van snijgarnituur)
15	Nylondraad-snijkop
16	Brandstofvuldop
17	Trekstarthandgreep
18	Uitlaatpijp
19	Oliepeilstok

DE HANDGREEP MONTEREN

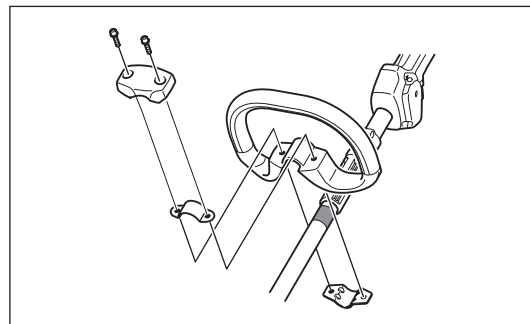
⚠ LET OP: Voordat u werkzaamheden uitvoert aan het gereedschap, moet u altijd de motor uitzetten en de bougiekap van de bougie aftrekken.
Draag altijd veiligheidshandschoenen!

⚠ LET OP: Start de motor alleen nadat hij volledig is gemonteerd.

Voor gereedschappen met een beugelhandgreep

- Bevestig de beugelhandgreep aan de schacht zoals afgebeeld.
- Zorg ervoor dat de afstandshouder zich op de schachtas bevindt tussen de beugelhandgreep en de achterhandgreep. Verwijder of verkort de afstandshouder niet.

OPMERKING: In sommige landen wordt de afstandshouder niet bij het gereedschap geleverd. Lijn in dat geval de handgreep uit met de verste lijn aangegeven door de pijlmarkeringen.



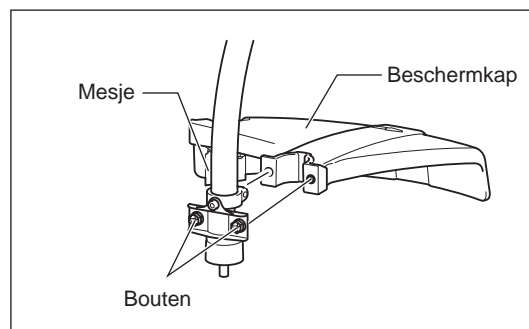
DE BESCHERMKAP MONTEREN

In naleving van de toepasselijke veiligheidsregels mogen uitsluitend de gereedschap/beschermkap-combinaties worden gebruikt die in de afbeelding worden aangegeven.

⚠ LET OP: Raak het mesje in de beschermkap niet aan. Als u het mesje met blote handen aanraakt, kunt u zich verwonden.

De beschermkap moet worden aangebracht om de nylondraad op de juiste lengte te houden en om de gebruiker te beschermen tegen opgeworpen stenen en vuil. Breng de beschermkap aan volgens de onderstaande stappen.

1. Plaats de beschermkap zodanig dat de rib op de schacht valt in de groef van de beschermkap.
2. Draai de twee bouten vast.



DE NYLONDRAAD-SNIJKOP MONTEREN

⚠ WAARSCHUWING: Gebruik nooit een snijblad.

Gebruik altijd een originele DOLMAR-nylondraad-snijkop.

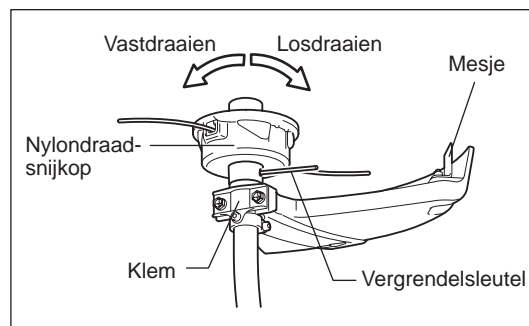
- Als de nylondraad-snijkop een steen raakt tijdens het gebruik, moet u de motor onmiddellijk uitzetten en de nylondraad-snijkop controleren.

⚠ LET OP: Raak het mesje in de beschermkap niet aan. Als u het mesje met blote handen aanraakt, kunt u zich verwonden.

Breng een nylondraad-snijkop aan volgens de onderstaande stappen.

1. Steek de vergrendelsleutel in het gat in de klem. Draai hem rond terwijl u de vergrendelsleutel naar binnen duwt tot ze zijn vergrendeld.
2. Schroef een nylondraad-snijkop op de schacht door het rechtsom te draaien. Controleer of hij stevig is gemonteerd.
3. Haal de vergrendelsleutel eruit.

Om de nylondraad-snijkop eraf te halen, draait u hem linksom.



VÓÓR HET BEGIN VAN HET WERK

Controleren en bijvullen van de motorolie

- Voer de volgende procedure uit bij koude motor.
- Houd de motor horizontaal, verwijder de oliepeilstok en controleer of het oliepeil tussen de bovenste en onderste merktekens staat. Als het oliepeil zo laag staat dat alleen de punt van de peilstok de olie raakt, ook wanneer de oliepeilstok in het motorblok is gestoken zonder deze vast te draaien (zie afb. 1), vult u via de olieulopening nieuwe olie bij (zie afb. 2).
- Ter informatie, na ongeveer iedere 10 bedrijfsuren moet olie worden bijgevoerd (10 keer of 10 tanks met bijgevoerde olie). Als de olie door vuil van kleur is veranderd, ververs u de vuile olie door nieuwe. (Raadpleeg pagina 86 voor informatie over het verversingsinterval en de verversingsprocedure.)

Aanbevolen olie: SAE 10W-30 olie van API-classificatie, SF-klasse of beter (4-taktmotorolie voor auto's)

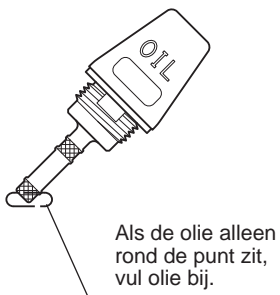
Hoeveelheid olie: Ongeveer 0,08 liter

OPMERKING: Als de motor niet horizontaal wordt gehouden, kan de olie binnenin de motor terecht komen en te veel worden bijgevoerd.

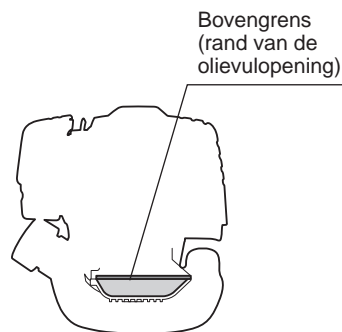
Als de olie tot boven het bovenste merkteken wordt bijgevoerd, kan de olie gemorst worden en vlam vatten waarbij witte rook vrijkomt.

Tip 1 bij het verversen van de olie: "Oliepeilstok"

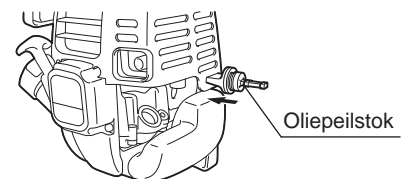
- Verwijder stof of vuil rondom de olieulopening en draai de oliepeilstok eruit.
- Zorg ervoor dat geen zand of stof op de oliepeilstok komt. Als dit toch gebeurt, kan het zand of stof dat aan de oliepeilstok kleeft leiden tot een onregelmatige oliecirculatie of slijtage van de motoronderdelen, waardoor storingen kunnen ontstaan.
- Een manier om de oliepeilstok schoon te houden is om de draaiknop van de oliepeilstok in de motorafdekking te steken, zoals aangegeven in afbeelding 3.



Afb. 1

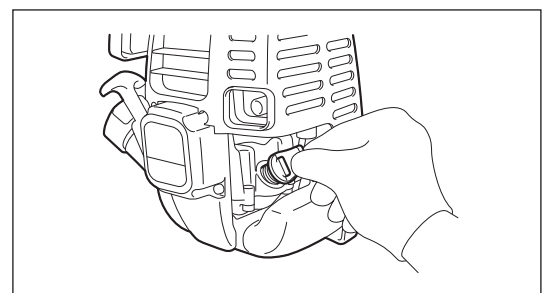


Afb. 2

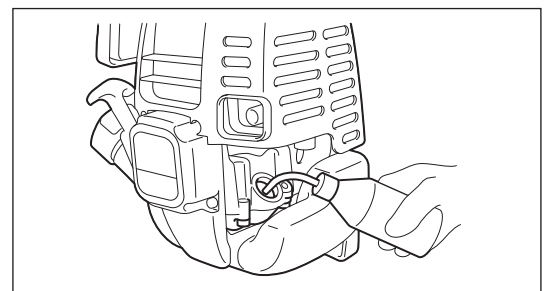


Afb. 3

(1) Houd de motor horizontaal en draai de oliepeilstok eruit.



(2) Vul de olie bij tot aan de rand van de olieulopening. (Zie afb. 2.)
Vul olie bij vanuit een olieulflles.



(3) Draai de oliepeilstok stevig vast. Bij onvoldoende vastdraaien kan olie eruit lekken.

Opmerking

- Ververs de olie niet met de motor in een gekantelde positie.
- Als olie wordt bijgevuld terwijl de motor is gekanteld, kan te veel olie worden bijgevuld waardoor verontreiniging en/of witte rook wordt veroorzaakt.

Tip 2 bij het verversen van de olie: "Olielekkage"

- Als olie eruit lekt tussen de brandstoftank en het motorblok, wordt de olie via de koelluchtinlaatopening naar binnen gezogen waardoor de motor verontreinigd raakt. Veeg gelekte olie af voordat u met het werk begint.

BRANDSTOF BIJVULLEN

Omgaan met brandstof

Het is noodzakelijk uiterst voorzichtig om te gaan met brandstof. Brandstof kan stoffen bevatten die ook in oplosmiddelen voorkomen. Het bijvullen van brandstof moet gebeuren in een vertrek met een voldoende goede ventilatie of in de open lucht. Adem nooit brandstofdampen in en houd afstand tot de brandstof. Als uw huid herhaaldelijk in aanraking komt met brandstof gedurende een lange tijd, wordt uw huid droog, waardoor een huidziekte of allergie kan ontstaan. Als brandstof in uw oog komt, spoelt u uw oog uit met schoon water. Als uw oog daarna blijft irriteren, raadpleegt u een dokter.

Bewaartermijn van brandstof

Brandstof dient binnen een periode van 4 weken te worden opgebruikt, ook wanneer de brandstof wordt bewaard in een speciale jerrycan op een goed geventileerde plaats in de schaduw.

Anders kan de brandstof binnen één dag verslechteren.

OPSLAG VAN MAAIER EN JERRYCAN

- Bewaar het gereedschap en de jerrycan op een koele plaats uit direct zonlicht.
- Bewaar brandstof nooit in een auto.

Brandstof

De motor is een viertaktmotor. Gebruik uitsluitend loodvrije benzine voor auto's met een octaangehalte van 87 of hoger ((R+M)/2). De benzine mag niet meer dan 10% alcohol bevatten (E-10).

Tips voor het omgaan met brandstof

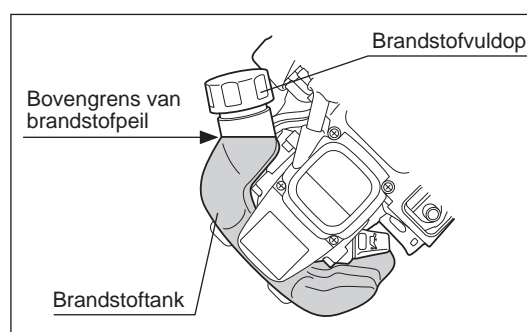
- Gebruik nooit mengsmering, waarin motorolie zit. Als u dat doet, zal buitensporige koolafzetting of mechanische storing optreden.
- Als verslechterde olie wordt gebruikt, zal dat leiden tot onregelmatig starten.

Brandstof bijvullen

⚠ WAARSCHUWING: STRENG VERBODEN VOOR ONTBRANDBARE MATERIALEN

Gebruikte benzine: Loodvrije benzine voor auto's met een octaangehalte van 87 of hoger. Niet meer dan 10% alcohol (E-10).

- Draai de brandstofvuldop een klein stukje los zodat een verschil in luchtdruk wordt opgeheven.
 - Draai de brandstofvuldop eraf, vul brandstof bij en laat de lucht uit de brandstoftank stromen door de brandstoftank iets te kantelen zodat de brandstofvulopening recht omhoog wijst. (Vul nooit brandstof bij via de olievlopening.)
 - Veeg rondom de brandstofvuldop goed schoon om te voorkomen dat vreemde stoffen in de brandstoftank kunnen vallen.
 - Na het bijvullen van brandstof draait u de brandstofvuldop weer vast.
- Als enige onvolkomenheid of schade aan de brandstofvuldop wordt geconstateerd, moet deze worden vervangen.
 - De brandstofvuldop is een verbruiksartikel en moet daarom iedere twee tot drie jaar worden vervangen.



TIPS VOOR GEBRUIK EN PROCEDURE VOOR STOPPEN

Volg de toepasselijke voorschriften voor ongevallenpreventie!

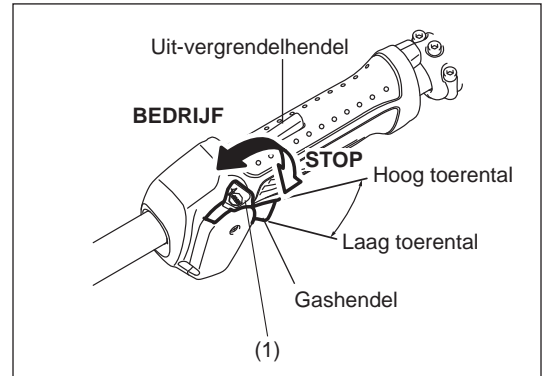


STARTEN

Houd ten minste 3 meters afstand tot de plaats waar brandstof is bijgevuld. Plaats het gereedschap op de grond en zorg ervoor dat de snijgarnituur de grond of andere voorwerpen niet raakt.

A: Startprocedure bij koude motor

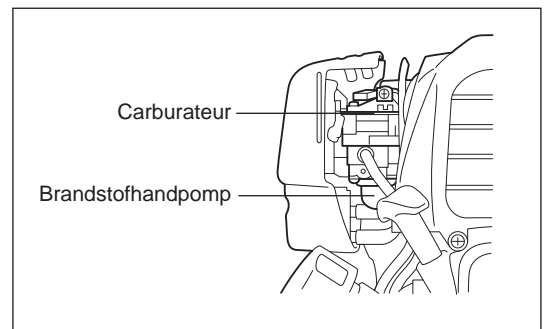
- 1) Plaats het gereedschap op een vlakke ondergrond.
- 2) Zet de stopschakelaar (1) in de stand **BEDRIJF**.



- 3) Brandstofhandpomp

Blijf op de brandstofhandpomp drukken tot de brandstof in de brandstofhandpomp stroomt. (Over het algemeen stroomt de brandstof in de brandstofhandpomp na 7 tot 10 keer duwen.)

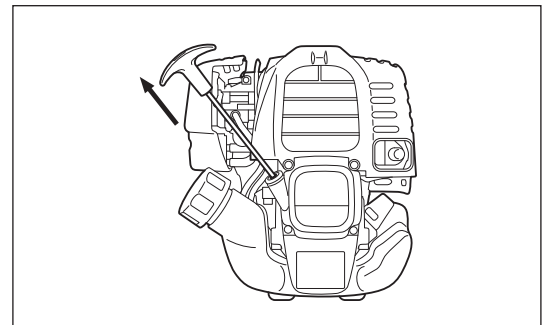
Als te vaak op de brandstofhandpomp wordt gedrukt, vloeit het overschot aan brandstof terug naar de brandstoftank.



- 4) Trekstartinrichting

Trek voorzichtig aan de trekstarthandgreep tot u weerstand voelt (compressiepunt). Laat de trekstarthandgreep terugtrekken en trek er vervolgens krachtig aan.

Trek nooit door tot aan het einde van het trekstartkoord. Nadat aan de trekstarthandgreep is getrokken, mag u hem niet onmiddellijk loslaten. Houd de trekstarthandgreep vast tot het trekstartkoord is opgewonden in de trekstartinrichting.



- 5) Opwarmen

Laat de motor gedurende 2 tot 3 minuten opwarmen.

OPMERKING: In geval van een overmatige brandstoftoevoer (verzuipen), verwijdert u de bougie en trekt u langzaam aan de trekstarthandgreep om overtollige brandstof te verwijderen. Maak ook het elektrodengedeelte van de bougie droog.

B: Startprocedure bij warme motor

- 1) Druk herhaaldelijk op de brandstofhandpomp.
- 2) Laat de gashendel in de stand voor stationair draaien staan.
- 3) Trek krachtig aan de trekstarthandgreep.
- 4) Als de motor moeilijk te starten is, zet u de chokehendel ongeveer 1/3 open.

Waarschuwing bij de bediening

Als de motor ondersteboven wordt gebruikt, kan witte rook uit de uitlaatpijp komen.

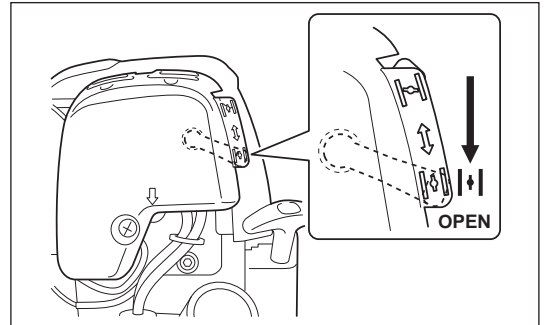
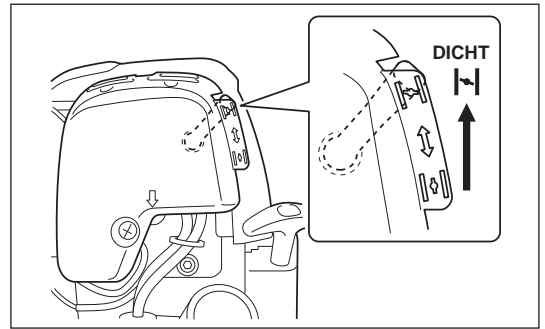
Wanneer de motor moeilijk te starten is, zoals in de winter

Gebruik de chokehendel volgens de volgende procedure om de motor te starten.

- Nadat de stappen 1) tot en met 3) van de startprocedure zijn uitgevoerd, zet u de chokehendel in de stand DICHT.
- Voer stap 4) van de startprocedure uit en start de motor.
- Nadat de motor is gestart, zet u de chokehendel in de stand OPEN.
- Voer stap 5) van de startprocedure uit en voltooi het opwarmen.

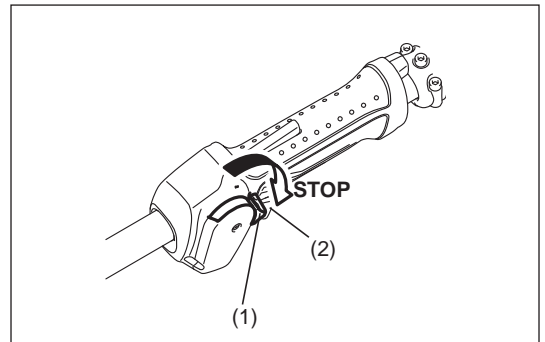
⚠ LET OP: Wanneer een dreun (geluid van een explosie) wordt gehoord en de motor afslaat, of de zojuist gestarte motor afslaat voordat de chokehendel wordt bediend, zet u de chokehendel terug in de stand OPEN, en trekt u weer enkele keren aan de trekstarthandgreep om de motor te starten.

⚠ LET OP: Als de chokehendel in de stand DICHT blijft staan en alleen enkele keren aan de trekstarthandgreep wordt getrokken, wordt te veel brandstof aangezogen en zal de motor moeilijk te starten zijn.



STOP

- 1) Laat de gashendel (2) volledig los en, nadat het motortoerental is afgenomen, duw de stopschakelaar (1) naar de stand "STOP" om de motor uit te schakelen.
- 2) Bedenk dat het snijgarnituur wellicht niet onmiddellijk stopt en laat het volledig uitdraaien.

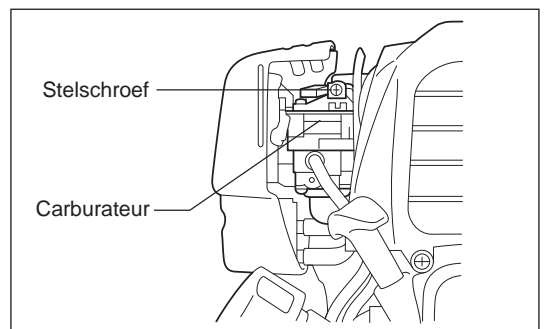


HET LAAG TOERENTAL (VOOR STATIONAIR DRAAIEN) AFSTELLEN

Als het nodig is het laag toerental (voor stationair draaien) af te stellen, doet u dit met behulp van de stelschroef op de carburateur.

HET LAAG TOERENTAL CONTROLEREN

- Stel het laag toerental af op 3.000 toeren min⁻¹.
Als het nodig is het laag (stationair) toerental af te stellen, gebruikt u een kruiskopschroevendraaier en draait u de stelschroef in de afbeelding rechts.
- Draai de stelschroef rechtsonder om het motortoerental te verhogen. Draai de stelschroef linksom om het motortoerental te verlagen.
- De carburator is over het algemeen goed afgesteld vóór aflevering aan de klant. Mocht het toch nodig zijn deze opnieuw af te stellen, neemt u contact op met een erkend servicecentrum.



DE NYLONDRAAD-SNIJKOP

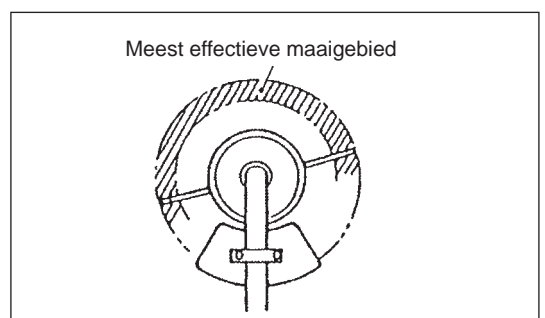
Gebruik tijdens het werk de punt van de nylondraad om te maaien.

De nylondraad aanvoeren

Als de nylondraad versleten en kort is geworden door het maaien, moet de gebruiker deze handmatig aanvoeren.

Om de nylondraad aan te voeren, stoot u de snijkop tegen de grond terwijl deze ronddraait met ongeveer 6.000 min⁻¹.

OPMERKING: Als de nylondraad niet wordt aangevoerd, wikkelt u deze opnieuw op.



De nylondraad vervangen

⚠ WAARSCHUWING: Controleer of het deksel van de nylondraad-snijkop goed op de behuizing is bevestigd, zoals hieronder beschreven. Als u het deksel niet stevig bevestigt, kan de nylondraad-snijkop uit elkaar vliegen en ernstig persoonlijk letsel veroorzaken.

Druk de vergrendelnokken van de behuizing naar binnen om het deksel eraf te tillen. Gooi eventueel resterende nylondraad weg.

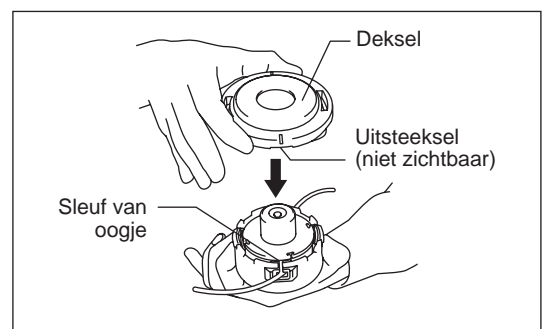
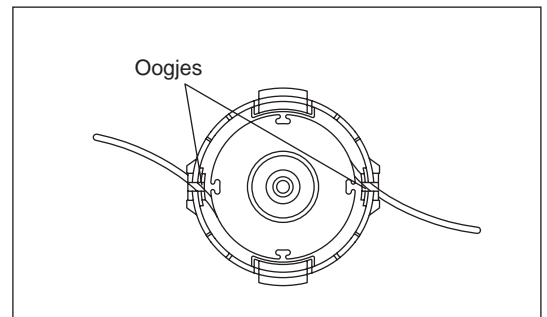
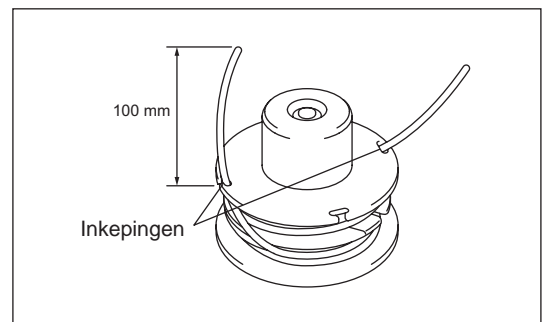
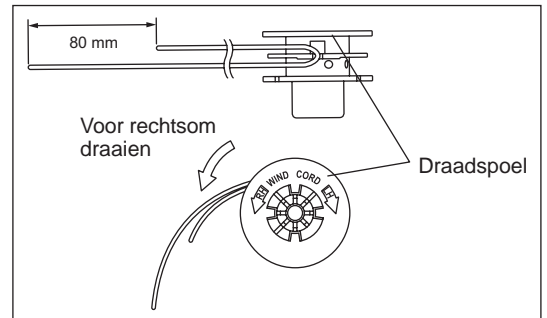
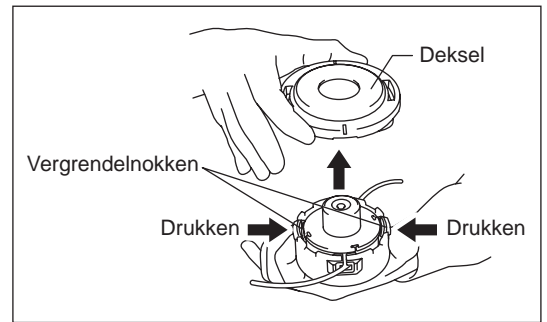
Haak het midden van de nieuwe nylondraad in de inkeping in het midden van de draadspoel tussen de 2 kanalen waarin de nylondraad moet worden opgewikkeld. Eén uiteinde van de nylondraad moet ongeveer 80 mm langer zijn dan het andere uiteinde.

Wikkel beide uiteinden stevig op de draadspoel in de richting aangegeven op de snijkop met RH voor rechterwikkeldrichting.

Wikkel op 100 mm na de volledige lengte van de nylondraad op de draadspoel, en haak de uiteinden tijdelijk in de inkeping in de zijkant van de draadspoel.

Plaats de draadspoel zodanig in de behuizing dat de groeven en uitsteeksels op de draadspoel overeenkomen met die in de behuizing. Maak nu de uiteinden van de nylondraad los uit hun tijdelijke positie en voer de nylondraden door de oogjes zodat ze uit de behuizing steken.

Lijn het uitsteeksel op de onderkant van het deksel uit met de sleuven naar de oogjes. Druk daarna het deksel stevig op de behuizing zodat hij wordt vergrendeld. Controleer of de vergrendelnokken zich volledig spreiden in het deksel.



ONDERHOUDSINSTRUCTIES

⚠ LET OP: Voordat u werkzaamheden uitvoert aan het gereedschap, moet u altijd de motor uitschakelen en de bougiekap van de bougie aftrekken (zie "De bougie controleren").
Draag altijd veiligheidshandschoenen!

Om een lange levensduur te garanderen en eventuele schade aan het gereedschap te voorkomen, moeten de volgende onderhoudswerkzaamheden regelmatig uitgevoerd worden.

Dagelijkse controle en onderhoud

- Controleer het gereedschap voor het gebruik op losse bouten of ontbrekende onderdelen. Let er met name goed op of de nylon-snijkop goed vastgedraaid is.
- Controleer voor gebruik altijd op verstopping van de koelluchtinlaatopening en de koelribben van de cilinder. Maak deze plaatsen zo nodig schoon.
- Voer de volgende werkzaamheden dagelijks uit na het gebruik:
 - Reinig de buitenkant van het gereedschap en inspecteer op beschadigingen.
 - Maak het luchtfilter schoon. Als onder extreem stoffige omstandigheden wordt gewerkt, moet het filter meerdere keren per dag worden gereinigd.
 - Controleer de nylondraad-snijkop op schade en controleer of hij stevig bevestigd is.
 - Controleer of er voldoende verschil is tussen het stationair toerental en het aangrijptoeental om zeker te zijn dat het snijgarnituur stilstaat wanneer de motor stationair draait (verlaag zo nodig het stationair toerental).
In het geval het hulpstuk bij stationair toerental blijft draaien, neemt u contact op met het dichtstbijzijnde, erkende servicecentrum.
- Controleer de werking van de stopschakelaar, de uit-vergrendelhendel, de gashendel, en de vergrendelingsknop.

MOTOROLIE VERVERSEN

Verslechterde motorolie verkort sterk de levensduur van de draaiende delen van de motor. Controleer het verversingsinterval en de bijvulhoeveelheid.



LET OP: Over het algemeen zijn de motor zelf en de motorolie heet kort nadat de motor is uitgeschakeld. Alvorens de motorolie te verversen, controleert u op de motor zelf en de motorolie voldoende zijn afgekoeld. Als u dit niet doet, bestaat de kans op verbranding.

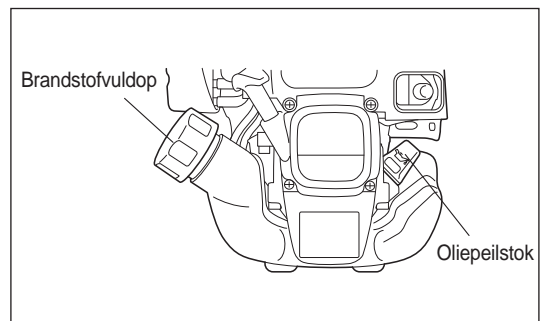
OPMERKING: Als de olie tot boven het bovenste merkteken wordt bijgevuld, kan de olie gemorst worden en vlam vatten waarbij witte rook vrijkomt.

Verversingsinterval: In eerste instantie iedere 20 bedrijfsuren, en daarna iedere 50 bedrijfsuren.

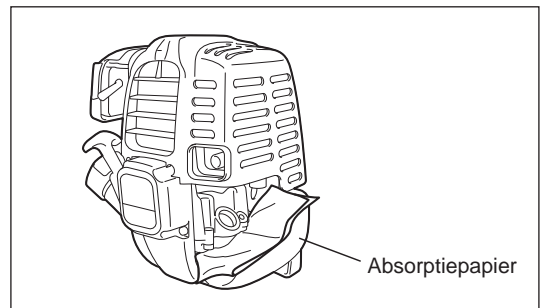
Aanbevolen olie: SAE 10W-30 olie van API-classificatie, SF-klasse of beter (4-taktmotorolie voor auto's)

Volg de onderstaande procedure om de olie te verversen.

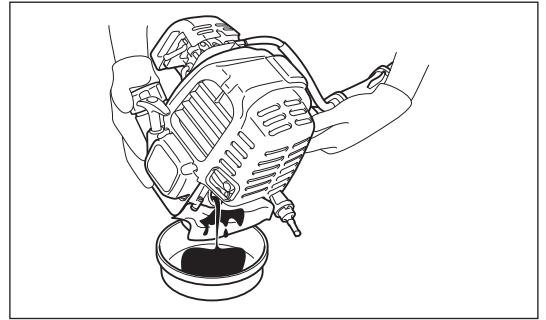
- 1) Controleer of de brandstofvuldop stevig vastgedraaid is.
- 2) Draai de oliepeilstok los en trek hem eruit.
Zorg ervoor dat de oliepeilstok schoon blijft.



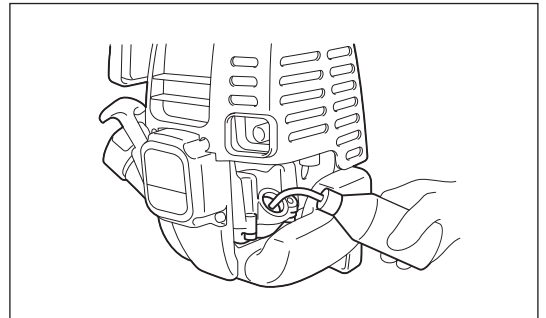
- 3) Leg absorptiepapier rondom de oliëvulopening.



- 4) Draai de oliepeilstok los, trek hem eruit, en tap de olie af door de motor te kantelen zodat de olievulopening onder zit. Laat de olie in een bak lopen zodat u de olie op de juiste wijze kunt weggooien.



- 5) Plaats de motor horizontaal en vul met nieuwe olie tot aan de rand van de olievulopening. Gebruik voor het bijvullen een olievulflles.
- 6) Draai na het bijvullen de oliepeilstok stevig vast. Bij onvoldoende vastdraaien van de oliepeilstok kan olie eruit lekken.



TIPS VOOR HET OMGAAN MET OLIE

- Gooi verbruikte motorolie nooit weg met het afval, op de grond, of in een rioolput. Het weggooien van olie is bij wet geregeld. Houd u bij het weggooien altijd aan de betreffende wetten en regelgeving. In het geval u hierover vragen heeft, neemt u contact op met een erkend servicecentrum.
- Olie verslechtert, ook wanneer de olie niet wordt gebruikt. Controleer en ververs de olie regelmatig (ververs de olie iedere 6 maanden).

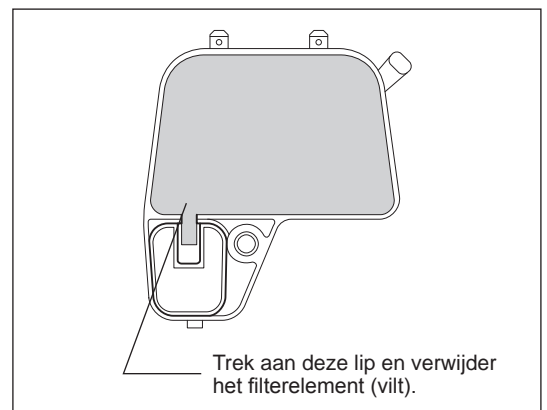
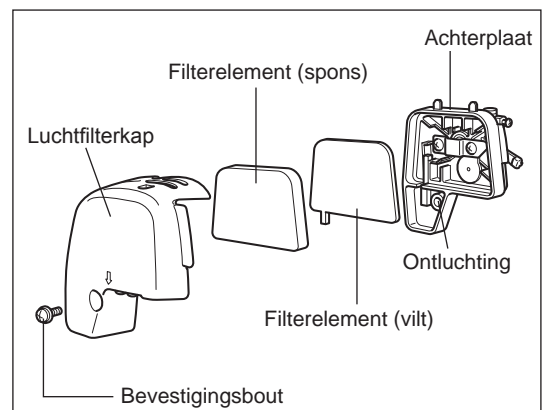
HET LUCHTFILTER REINIGEN



GEVAAR: STRENG VERBODEN VOOR ONTBRANDBARE MATERIALEN

Controle- en reinigingsinterval: Dagelijks (iedere 10 bedrijfsuren)

- Zet met de chokehendel de choke helemaal dicht en houd de carburateur vrij van stof of vuil.
- Verwijder de bevestigingsbout van de luchtfilterkap.
- Trek aan de onderrand van de luchtfilterkap en haal de luchtfilterkap eraf.
- Als er olie op het filterelement (spons) zit, knijpt u deze goed uit.
- In geval van ernstige verontreiniging:
 - 1) Verwijder het filterelement (spons), dompel het in warm water of in een oplossing van een mild schoonmaakmiddel in water, en droog het grondig.
 - 2) Reinig het filterelement (vilt) met benzine en droog het grondig.
- Alvorens het filterelement terug te plaatsen, moet het grondig droog zijn. Als het luchtfilterelement onvoldoende droog wordt teruggeplaatst, kan dat leiden tot moeilijk starten.
- Veeg olie die rondom de luchtfilterkap en achterplaat zit af met een poetsdoek.
- Onmiddellijk nadat het schoonmaken klaar is, plaatst u de luchtfilterkap terug en draait u de bevestigingsbout vast. (Plaats bij het monteren eerst de bovenrand en daarna de onderrand.)



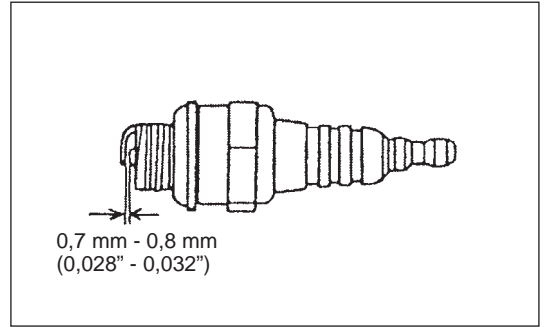
Tips voor het omgaan met het luchtfilterelement

- Reinig het filterelement meerdere keren per dag als onder extreem stoffige omstandigheden wordt gewerkt.
- Als u blijft doorwerken terwijl het filterelement vervuild is met olie, kan de olie buiten het luchtfilter terechtkomen en tot olieverontreiniging leiden.

DE BOUGIE CONTROLEREN

- Gebruik alleen de bijgeleverde moersleutel om de ontstekingsbougie te verwijderen of te installeren.
- De afstand tussen de twee elektroden van de bougie moet 0,7 tot 0,8 mm (0,028" - 0,032") bedragen. Als de afstand te groot of te klein is, moet u deze aanpassen. Als de elektroden van de bougie verstopt of vervuild zijn, moet u deze grondig schoonmaken of de bougie vervangen.

⚠ LET OP: Raak de bougiekap nooit aan terwijl de motor draait (gevaar van elektrische schok door hoogspanning).



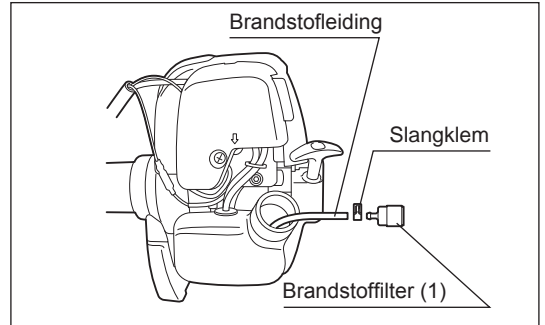
HET BRANDSTOFFILTER REINIGEN

⚠ WAARSCHUWING: STRENG VERBODEN VOOR ONTBRANDBARE MATERIALEN

Controle- en reinigingsinterval: Maandelijks (iedere 50 bedrijfsuren)

Zuigkop in brandstoftank

- Het brandstoffilter (1) op de zuigkop wordt gebruikt om de brandstof die door de carburateur wordt aangezogen, te filteren.
- Het brandstoffilter moet regelmatig visueel worden gecontroleerd. Hiertoe draait u de brandstofvuldop eraf en gebruikt u een draadhaak om de zuigkop uit de brandstofvulopening te trekken. Als het brandstoffilter hard is geworden, of vervuild of verstopt is, moet het worden vervangen.
- Onvoldoende brandstoftoevoer kan ervoor zorgen dat het maximale toegelaten toerental wordt overschreden. Het is daarom belangrijk het brandstoffilter iedere drie maanden te vervangen om verzekerd te zijn van een goede brandstoftoevoer naar de carburateur.

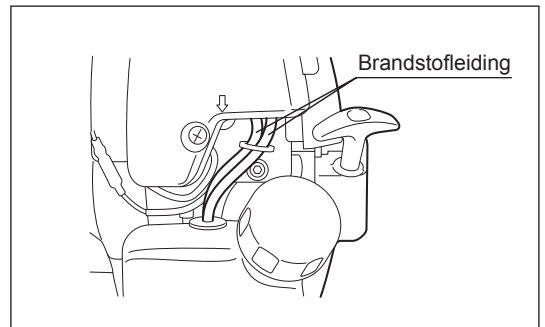


DE BRANDSTOFLEIDING VERVANGEN

⚠ LET OP: STRENG VERBODEN VOOR ONTBRANDBARE MATERIALEN

Controle- en reinigingsinterval: Dagelijks (iedere 10 bedrijfsuren) Vervanging: Jaarlijks (iedere 200 bedrijfsuren)

Vervang de brandstofleiding ieder jaar, ongeacht de gebruiksfrequentie. Brandstoflekkage kan brand veroorzaken. Als tijdens de inspectie een lekkage wordt gevonden, vervangt u de brandstofleiding onmiddellijk.



DE BOUTEN, MOEREN EN SCHROEVEN INSPECTEREN

- Draai losse bouten, moeren, enz., weer vast.
- Controleer op brandstof- en olie lekkage.
- Vervang beschadigde onderdelen door nieuwe voor een veilig gebruik.

DE ONDERDELEN REINIGEN

- Houd de motor altijd schoon.
- Houd de koelribben van de cilinder vrij van stof en vuil. Stof en vuil dat zich tussen de koelribben ophoopt, zal leiden tot het vastlopen van de zuiger.

DE AFDICHTINGEN EN PAKKINGEN VERVANGEN

Nadat de motor uit elkaar is gehaald, moeten bij het weer in elkaar zetten altijd de afdichtingen en pakkingen worden vervangen door nieuwe. Alle onderhouds- of aanpassingswerkzaamheden die niet in deze gebruiksaanwijzing zijn beschreven, mogen alleen worden uitgevoerd door erkende servicecentra.



WAARSCHUWING: Controleer of de motor is uitgeschakeld en afgekoeld voordat u begint met het aftappen van de brandstof. Vlak na het uitschakelen van de motor, kan deze nog heet zijn en brandwonden, ontbranding of brand veroorzaken.



LET OP: Als het gereedschap gedurende een lange tijd niet gebruikt gaat worden, tapt u alle brandstof uit de brandstoftank en carburateur, en slaat u het op een droge, schone plaats op.

- Tap de brandstof af uit de brandstoftank en carburateur aan de hand van de volgende procedure:
 - 1) Draai de brandstofvuldop eraf en tap de brandstof volledig af.
Als een vreemde substantie is achtergebleven in de brandstoftank, verwijdert u deze volledig.
 - 2) Trek met behulp van een draadhaak het brandstoffilter uit de brandstofvulopening.
 - 3) Druk op de brandstofhandpomp totdat de brandstof daaruit en in de brandstoftank stroomt.
 - 4) Plaats het brandstoffilter in de brandstoftank en draai de brandstofvuldop stevig vast.
 - 5) Laat de motor vervolgens draaien tot deze afslaat.
- Verwijder de bougie en breng enkele druppels motorolie via het bougiegat in de cilinder.
- Trek voorzichtig aan de trekstarthandgreep zodat de motorolie zich door de motor verspreidt, en monteer daarna de bougie weer.
- Normaal gesproken bergt u het gereedschap horizontaal op. Als dit niet mogelijk is, plaatst u het gereedschap zodanig dat de motor zich lager bevindt dan het snijgarnituur. Anders kan motorolie van binnenuit lekken.
- Let er altijd op dat u het gereedschap op een veilige plaats opbergt om beschadiging van het gereedschap en persoonlijk letsel te voorkomen.
- Bewaar de afgetapte brandstof in een speciale jerrycan op een goed geventileerde plaats in de schaduw.

Aandachtspunt na langdurige opslag

- Alvorens de motor na langdurige stilstand opnieuw te starten, moet de olie worden ververs (zie pag. 86). De olie verslechtert terwijl het gereedschap niet in gebruik is.

Storingzoeken

Probleem	Systeem	Waarneming	Oorzaak
Motor start niet of moeilijk	Ontstekingsstelsel	Ontstekingsvonk OK	Fout in brandstoftoevoer of compressiestelsel, mechanisch defect
		Geen ontstekingsvonk aanwezig	Stopschakelaar ingeschakeld, bedradingsfout of kortsluiting, bougie of bougiekap defect, ontstekingsmodule defect
	Brandstoftoevoersysteem	Brandstoftank is vol	Onjuiste stand van chokehendel, carburateur defect, brandstofleiding geknikt of verstopt, brandstof vuil
	Compressie	Geen compressie bij aantrekken	Cilindervoetpakking defect, krukasafdichtingen beschadigd, cilinder of zuigerveren defect, of slechte afdichting van bougie
Problemen bij starten van warme motor	Mechanisch defect	Starter grijpt niet aan	Gebroken startveer, gebroken onderdelen binnenin de motor
		Brandstoftank vol, ontstekingsvonk aanwezig	Carburateur is vervuild. Laat deze schoonmaken
Motor start, maar slat af	Brandstoftoevoersysteem	Brandstoftank is vol	Verkeerde afstelling stationair draaien, carburateur vervuild
Onvoldoende prestaties			Ontluchting brandstoftank defect, brandstofleiding niet open, gaskabel of stopschakelaar defect
	Mogelijk zijn meerdere systemen tegelijk de oorzaak	Slecht stationair lopen	Luchtfilter is vervuild, carburateur is vervuild, uitlaatdemper is verstopt, uitlaatkanaal in de cilinder is verstopt

Item	Gebruikstijd								
		Voor gebruik	Na smeren	Dagelijks (10 uur)	30 uur	50 uur	200 uur	Langdurige opslag	Zie pagina
Motorolie	Inspecteren	○							81
	Vervangen					○*1			86
Vastdraaien (bouten, moeren, enz.)	Inspecteren	○							88
Brandstoftank	Reinigen/inspecteren	○							—
	Brandstof aftappen							○*3	89
Gashendel	Werking controleren		○						—
Stopschakelaar	Werking controleren		○						84
Snijgarnituur	Inspecteren	○		○					80
Laag toerental	Inspecteren/afstellen			○					84
Luchtfilter	Reinigen			○					87
Bougie	Inspecteren			○					88
Koelluchtinlaat	Reinigen/inspecteren			○					88
Brandstofleiding	Inspecteren			○					88
	Vervangen						◎*2		—
Brandstoffilter	Reinigen/vervangen					○			88
Afstand tussen luchtinlaatklep en luchtuitlaatklep	Afstellen						◎*2		—
Motor reviseren							◎*2		—
Carburateur	Brandstof aftappen							○*3	89

*1 Eerste keer verversen na 20 bedrijfsuren.

*2 Vraag een erkend servicecentrum of een machinewerkplaats om de inspectie na 200 bedrijfsuren uit te voeren.

*3 Na het aftappen van de brandstoftank, laat u de motor draaien om de brandstof in de carburateur op te gebruiken.

PROBLEMEN OPLOSSEN

Alvorens een verzoek voor reparatie in te dienen, controleer u de storing zelf aan de hand van de onderstaande tabel. Als een probleem is gevonden, repareert u het gereedschap aan de hand van de beschrijvingen in deze gebruiksaanwijzing. Probeer nooit enig onderdeel te demonteren of repareren in strijd met de beschrijvingen. Voor reparatie neemt u contact op met een erkend servicecentrum of uw plaatselijke dealer.

Probleemomschrijving	Mogelijke oorzaak (storing)	Oplossing
Motor start niet.	De brandstofhandpomp werd niet ingedrukt.	Druk deze 7 tot 10 keer in.
	Te zwak trekken aan de trekstarthandgreep.	Trek krachtig.
	Gebrek aan brandstof.	Vul brandstof bij.
	Verstopt brandstoffilter.	Reinig.
	Verbogen brandstofleiding	Repareer de brandstofleiding.
	Verslechterde brandstof.	De verslechterde brandstof bemoeilijkt het starten. Vervang de brandstof door nieuwe. (Aanbevolen vervangingsinterval: 1 maand.)
	Buitensporige toevoer van brandstof.	Verander de stand van de gashendel van middelhoog toerental naar hoog toerental en trek aan de trekstarthandgreep tot de motor start. Nadat de motor is gestart, begint de nylondraad-snijkop te draaien. Let goed op de nylondraad-snijkop. Als de motor nog steeds niet start, draait u de bougie eruit, maakt u de elektroden droog, en monteert u de bougie weer. Start vervolgens zoals beschreven.
	Bougiekap ligt eraf.	Bevestig stevig.
	Vervuilde bougie.	Reinig.
	Verkeerde elektrodenafstand van bougie.	Stel de elektrodenafstand af.
	Ander probleem met de bougie.	Vervang.
	Probleem met de carburateur.	Dien een verzoek in voor inspectie en onderhoud.
	Trekstarthandgreep kan niet worden uitgetrokken.	Dien een verzoek in voor inspectie en onderhoud.
Probleem met aandrijving.	Dien een verzoek in voor inspectie en onderhoud.	
Motor slaat snel af. Motortoerental neemt niet toe.	Onvoldoende opgewarmd.	Warm de motor op.
	Chokehendel staat in de stand DICHT ondanks dat de motor opgewarmd is.	Zet in de stand OPEN.
	Verstopt brandstoffilter.	Reinig.
	Vervuild of verstopt luchtfilter.	Reinig.
	Probleem met de carburateur.	Dien een verzoek in voor inspectie en onderhoud.
	Probleem met aandrijving.	Dien een verzoek in voor inspectie en onderhoud.
Het snijgarnituur draait niet. ↓ Zet de motor onmiddellijk uit!	Het snijgarnituur is niet stevig bevestigd.	Draai het snijgarnituur stevig vast.
	Een twijg zit klem tussen het snijgarnituur en de beschermkap.	Verwijder het vreemde voorwerp.
	De aandrijving werkt niet goed.	Vraag een erkend Dolmar-servicecentrum om het te inspecteren en repareren.
Het gereedschap trilt abnormaal sterk. ↓ Zet de motor onmiddellijk uit!	Het snijgarnituur is kapot.	Vervang het snijgarnituur door een nieuwe.
	Het snijgarnituur is niet stevig bevestigd.	Draai het snijgarnituur stevig vast.
	Eén uiteinde van de nylonraden is gebroken en de snijkop is uit balans geraakt.	Voer de nylondraad aan door de snijkop op de grond te stoten.
	De aandrijving werkt niet goed.	Vraag een erkend Dolmar-servicecentrum om het te inspecteren en repareren.
Het snijgarnituur stopt niet. ↓ Zet de motor onmiddellijk uit!	Het aandrijfsysteem werkt niet goed.	Raadpleeg de gebruiksaanwijzing van het aandrijfsysteem.
Motor slaat niet af. ↓ Laat de motor stationair draaien en zet de chokehendel in de stand DICHT.	Stekker losgeraakt.	Bevestig stevig.
	Probleem met elektrisch systeem.	Dien een verzoek in voor inspectie en onderhoud.
De nylondraad wordt niet aangevoerd.	De nylondraad is opgebruikt of binnenin de draadspoel in de knoop geraakt.	Wikkel de nylondraad opnieuw op.
De nylondraad is niet op de juiste lengte afgesneden.	Het mesje in de beschermkap is beschadigd of ontbreekt.	Vraag een erkend Dolmar-servicecentrum om het mesje te vervangen.
	De nylondraad steekt buiten de beschermkap uit.	Wikkel de nylondraad opnieuw op.

Als de motor niet start ondanks dat deze opgewarmd is:

Als bij het doorlopen van de controlepunten geen probleem wordt gevonden, zet u de chokehendel ongeveer 1/3 open en start u de motor.

Muchas gracias por comprar el equipo motorizado para exteriores de DOLMAR. Nos complace recomendarle el producto DOLMAR, que es el resultado de un largo programa de desarrollo y muchos años de investigación y experiencia. Lea este folleto que explica en detalle los diferentes aspectos que demostrarán su excelente rendimiento. Le ayudará a obtener los mejores resultados posibles del producto de DOLMAR.



Tabla de contenido	Página
Símbolos.....	92
Instrucciones de seguridad.....	93
Datos técnicos.....	96
Denominación de las piezas.....	97
Montaje del asidero.....	98
Montaje del protector.....	98
Montaje del cabezal de corte de nylon.....	98
Antes del uso.....	99
Aspectos del manejo y cómo parar la máquina.....	101
Cabezal de corte de nylon.....	102
Instrucciones de servicio.....	104
Almacenamiento.....	107

SÍMBOLOS

Cuando lea el manual de instrucciones se encontrará con los siguientes símbolos.

	Lea el manual de instrucciones y respete las advertencias y las precauciones de seguridad		Utilice un casco de seguridad y protección para los ojos y oídos.
	Preste especial cuidado y atención		Máxima velocidad permitida de la herramienta
	Prohibido		Combustible (Gasolina)
	Mantenga la distancia		Encendido manual del motor
	Peligro de que salgan despedidos objetos		Parada de emergencia
	No fume		Primeros auxilios
	No la acerque a llamas		ENCENDIDO/ARRANQUE
	Deben utilizarse guantes protectores		APAGADO/PARADA
	Utilice botas robustas con suela antideslizante. Se recomienda utilizar botas de seguridad con puntera de acero		Nunca utilice cuchillas de metal
	Mantenga el área de operaciones libre de personas y animales		

INSTRUCCIONES DE SEGURIDAD

Instrucciones generales

- Lea este manual de instrucciones para familiarizarse con el manejo del equipo. Los usuarios con una información insuficiente se pondrán en riesgo a ellos mismos y pondrán en riesgo a otros a causa de un manejo incorrecto.
- Se recomienda prestar el equipo solamente a personas con experiencia comprobada. Entregue siempre el manual de instrucciones.
- Los usuarios que utilizan por primera vez la máquina deben pedir al distribuidor instrucciones básicas para familiarizarse con el manejo de desbrozadoras.
- No se debe permitir que los niños o las personas de menos de 18 años utilicen este equipo. No obstante, las personas de más de 16 años pueden usar el dispositivo con finalidades de aprendizaje bajo la supervisión de un instructor cualificado.
- Utilice el equipo con el máximo cuidado y la máxima atención.
- Utilícelo solamente si se encuentra en buen estado físico. Realice todo el trabajo con calma y con cuidado. El usuario tiene que aceptar la responsabilidad por otros.
- Nunca utilice este equipo tras consumir alcohol o medicamentos o si se siente cansado o enfermo.
- Las normativas nacionales pueden restringir el uso de la máquina.

Uso previsto de la máquina

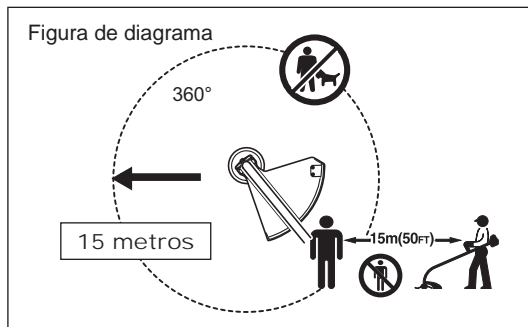
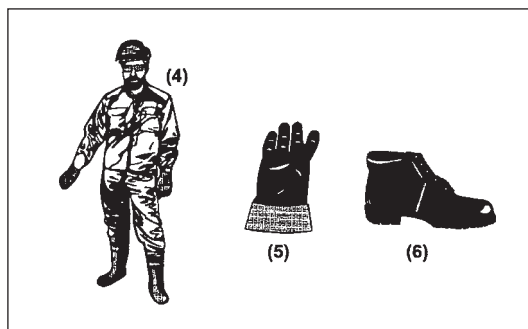
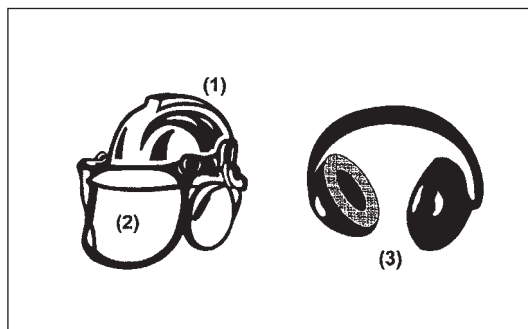
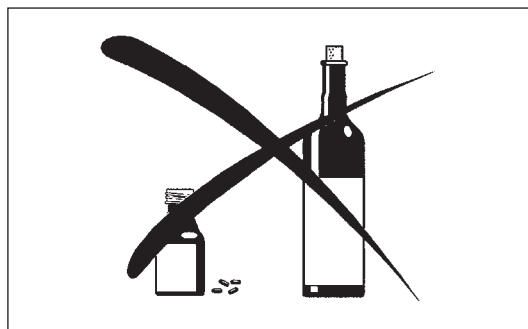
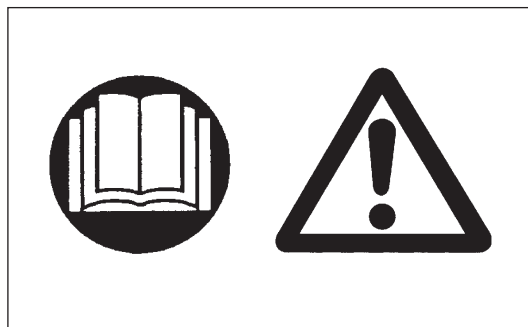
- Este equipo solamente se ha diseñado para cortar hierba y malas hierbas pequeñas. No se debe utilizar con ninguna otra finalidad, como canteado o cortado de setos, ya que se podrían causar lesiones.

Equipo de protección personal

- Debe llevarse ropa funcional y apropiada, es decir, debe ser ajustada pero sin que sea incómoda. No lleve joyas ni prendas que puedan engancharse en arbustos o maleza.
- Para evitar lesiones en la cabeza, los ojos, las manos o los pies y para proteger los oídos, debe llevarse el siguiente equipo y la siguiente ropa de protección durante las operaciones.
- Utilice siempre un casco cuando haya riesgo de caída de objetos. Debe comprobarse periódicamente si el casco protector (1) tiene algún daño y se debe sustituir como máximo después de 5 años. Utilice solamente cascos protectores homologados.
- El visor (2) del casco (o, como alternativa, las gafas de seguridad) protege la cara de piedras y objetos que salen despedidos. Durante las operaciones utilice gafas de seguridad o un visor para evitar lesiones en los ojos.
- Utilice un equipo de protección acústica adecuado para evitar daños en el oído (protectores de oído (3), tapones para los oídos, etc.).
- El mono de trabajo (4) protege contra piedras y otros objetos que salen despedidos. Recomendamos utilizar un mono de trabajo.
- Los guantes (5) son parte del equipo obligatorio y siempre se deben utilizar durante las operaciones.
- Cuando utilice el equipo, utilice siempre zapatos robustos (6) con una suela que no resbale. De esta manera se protegerá contra lesiones y se asegurará de que los pies estén en una posición firme.

Puesta en marcha de la desbrozadora

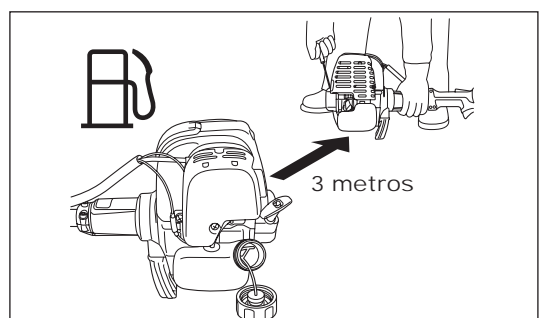
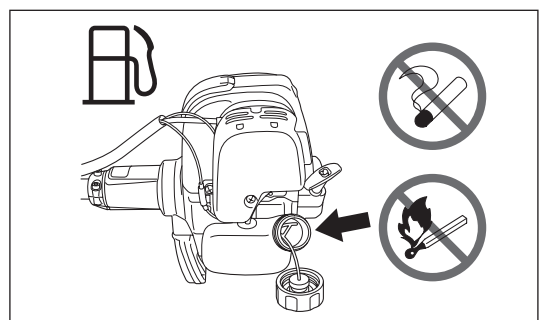
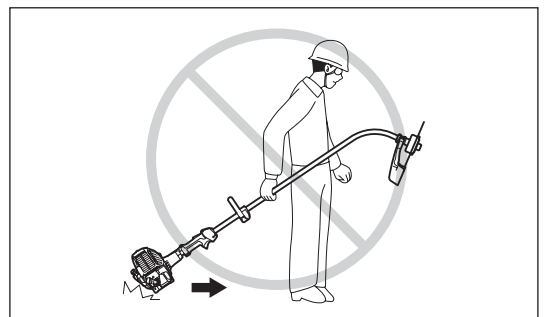
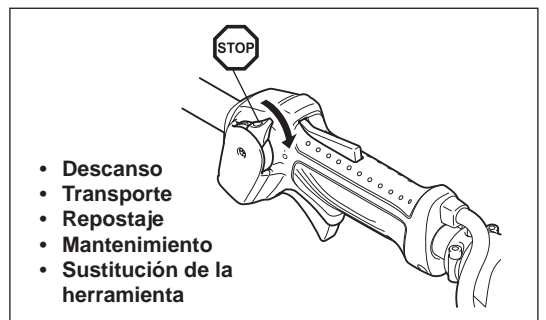
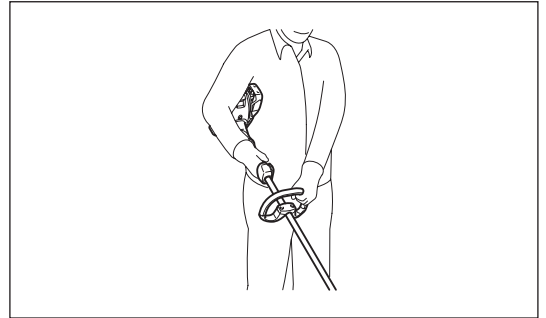
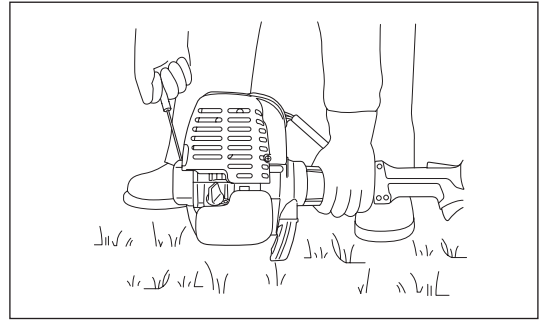
- Asegúrese de que no haya niños u otras personas en un área de trabajo de 15 metros (50 pies) y preste atención también a cualquier animal que pueda estar cerca del lugar de trabajo.
- Antes del uso, compruebe que el equipo permita realizar las operaciones con seguridad: Compruebe la seguridad del accesorio de corte, el accionamiento sencillo de la palanca de la mariposa de gases y el correcto funcionamiento del bloqueo de la palanca de la mariposa de gases.
- No se permite el giro del accesorio de corte mientras funciona en vacío. Consulte los ajustes con su distribuidor en caso de duda. Compruebe que los asideros estén limpios y secos y pruebe el funcionamiento del interruptor de arranque/parada.



- Ponga en marcha la desbrozadora únicamente de acuerdo con las instrucciones.
- No utilice ningún otro método para poner en marcha el motor.
- Utilice la desbrozadora y las herramientas únicamente para las aplicaciones especificadas.
- Ponga en marcha el motor únicamente después de montar todo el conjunto. Solamente se permite utilizar el dispositivo después de conectar todos los accesorios adecuados.
- Antes de la puesta en marcha, asegúrese de que el accesorio de corte no esté en contacto con objetos duros tales como ramas, piedras, etc. ya que el accesorio de corte girará al poner en marcha la máquina.
- El motor se debe apagar inmediatamente si experimenta algún problema.
- Si el accesorio de corte golpea piedras u otros objetos duros, apague el motor inmediatamente e inspecciónelo.
- Inspeccione periódicamente el accesorio de corte para comprobar si hay daños (compruebe si hay grietas finas mediante pruebas de sonido).
- Si el equipo recibe un fuerte impacto o cae, compruebe su estado antes de continuar con el trabajo. Compruebe si hay fugas en el sistema de combustible y si los dispositivos de seguridad funcionan correctamente. Si hay daños o en caso de duda, solicite a nuestro centro de servicio autorizado que realice una inspección y reparación.
- Durante el manejo, sujete siempre la desbrozadora con ambas manos. Nunca sujete la desbrozadora con una mano durante el uso. Asegúrese siempre de que sus pies se encuentran en una posición segura.
- Utilice el equipo de forma que no inhale los gases de escape. Nunca haga funcionar el motor en lugares cerrados (riesgo de envenenamiento por gas). El monóxido de carbono es un gas inodoro.
- Apague el motor cuando descanse y cuando deje el equipo sin atender, y deje la herramienta en un lugar seguro para evitar un peligro para otras personas o que se dañe la herramienta.
- No deje nunca la desbrozadora sobre hierba seca o materiales combustibles.
- Instale siempre la protección del accesorio de corte aprobada en el equipo antes de poner en marcha el motor. De lo contrario, el contacto con el accesorio de corte puede provocar lesiones graves.
- Todas las piezas de protección y las protecciones suministradas con la máquina deben utilizarse durante el funcionamiento.
- Nunca haga funcionar el motor con un silenciador de escape defectuoso.
- Apague el motor durante el transporte.
- Asegúrese de que el equipo esté en una posición segura durante el transporte en un vehículo para evitar fugas de combustible.
- Durante el transporte, asegúrese de que el depósito de combustible esté completamente vacío.
- Cuando descargue el equipo de un camión, nunca deje caer el motor al suelo, ya que se puede dañar gravemente el depósito de combustible.
- Excepto en caso de emergencia, nunca deje caer ni lance el equipo hacia el suelo, ya que el equipo se puede dañar gravemente.
- No olvide levantar todo el equipo del suelo cuando lo mueva. Arrastrar el depósito de combustible es muy peligroso y causará daños, fugas de combustible y posiblemente un incendio.

Repostaje

- Apague el motor durante el repostaje, manténgase alejado de las llamas y no fume.
- Evite el contacto de la piel con productos de aceite mineral. No inhale el vapor de combustible. Utilice siempre guantes de protección durante el repostaje. Cambie y limpie regularmente la ropa protectora.
- Tenga cuidado de no derramar combustible o aceite para evitar la contaminación del suelo (protección medioambiental). Limpie la desbrozadora inmediatamente después del derrame de combustible.
- Evite el contacto del combustible con su ropa. Cambie la ropa inmediatamente si se ha derramado combustible sobre ella (para evitar que la ropa se incendie).
- Inspeccione periódicamente la tapa del depósito de combustible para asegurarse de que se puede apretar firmemente y que no tiene fugas.
- Apriete con cuidado la tapa del depósito de combustible. Cambie de lugar para poner en marcha el motor (como mínimo a 3 metros de distancia del lugar de repostaje).
- Nunca reposte en lugares cerrados. Los vapores de combustible se acumulan a nivel del suelo (riesgo de explosiones).
- El combustible solamente se debe transportar y almacenar en recipientes homologados. Asegúrese de que el combustible almacenado no esté al alcance de los niños.



Método de trabajo

- Utilice la desbrozadora únicamente con buenas condiciones de iluminación y visibilidad. Durante el invierno tenga cuidado con las áreas húmedas o resbaladizas, hielo y nieve (riesgo de resbalar). Asegúrese siempre de que sus pies se encuentran en una posición segura.
- No corte nunca por encima de la altura de la cintura.
- Nunca se suba a una escalera.
- No se suba a árboles mientras realice la operación de corte.
- No trabaje nunca en superficies inestables.
- Elimine la arena, piedras, clavos, etc. que se encuentren en el área de trabajo.
- Antes de comenzar a cortar, el accesorio de corte debe alcanzar la velocidad de trabajo completa.
- Balancee la desbrozadora uniformemente.
Si se atascan césped o ramas entre el accesorio de corte y la protección, detenga siempre el motor antes de la limpieza. De lo contrario, el giro accidental del accesorio puede provocar lesiones graves.
- Descanse para evitar la pérdida de control causada por la fatiga.
Recomendamos descansar de 10 a 20 minutos cada hora.

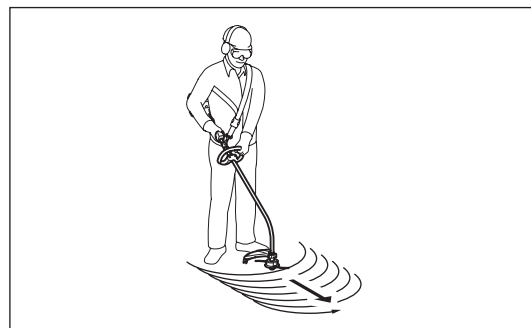


Accesorios de corte

- Nunca utilice cuchillas de metal, incluyendo cadenas oscilantes de varias piezas de metal y cuchillas trilladoras. De lo contrario, el contacto con la cuchilla puede provocar lesiones graves.

Vibración

- Las personas con problemas circulatorios que están expuestas a vibraciones excesivas pueden sufrir lesiones en los vasos sanguíneos o en el sistema nervioso. La vibración puede provocar los siguientes síntomas en los dedos, manos o muñecas: “adormecimiento”, hormigueo, dolor, sensación punzante, alteración del color de la piel o de la piel. Si sufre alguno de estos síntomas, acuda a un médico.
- Para reducir el riesgo de “enfermedad de dedos blancos”, mantenga las manos calientes durante el uso y realice un buen mantenimiento del equipo y los accesorios.



Instrucciones de mantenimiento

- Haga que su equipo sea sometido a tareas de mantenimiento en nuestro centro de servicio autorizado, utilizando siempre y de forma exclusiva recambios originales. Una reparación incorrecta y un mantenimiento deficiente pueden acortar la vida útil del equipo y aumentar el riesgo de accidentes.
- Antes de iniciar el trabajo se debe comprobar el estado del equipo, especialmente de los dispositivos de protección del accesorio de corte.
- Apague el motor y quite el conector de la bujía cuando sustituya los accesorios de corte y también cuando limpie la herramienta o el accesorio de corte.
- Preste atención al medioambiente. Evite el uso innecesario de la palanca de la mariposa de gases para reducir la contaminación y las emisiones de ruido. Ajuste el carburador correctamente.
- Limpie el equipo periódicamente y compruebe que todos los tornillos y tuercas estén bien apretados.
- Nunca repare o almacene el equipo cerca de llamas vivas.
- Guarde siempre el equipo en habitaciones cerradas con llave y con el depósito de combustible vacío.



Respete las instrucciones aplicables de prevención de accidentes emitidas por las compañías de seguros y las asociaciones comerciales relevantes.

No realice ninguna modificación en el equipo, ya que esto pondría en peligro su seguridad.

Los trabajos de mantenimiento o reparación que puede realizar el usuario se limitan a las actividades descritas en este manual de instrucciones. Todos los demás trabajos los realiza un agente de servicio autorizado. Utilice únicamente accesorios y piezas de repuesto genuinos suministrados por DOLMAR.

El uso de accesorios y herramientas que no se hayan aprobado implica un mayor riesgo de accidentes.

DOLMAR no acepta ninguna responsabilidad por los accidentes o los daños causados por el uso de accesorios de corte no aprobados, por la reparación de los accesorios de corte o por accesorios.

Primeros auxilios

En caso de accidente, asegúrese de que cerca del lugar en el que se realicen las operaciones de corte esté disponible un botiquín de primeros auxilios. Reponga inmediatamente cualquier artículo que tome del botiquín de primeros auxilios.

Cuando solicite ayuda, proporcione la siguiente información:

- Lugar del accidente
- Qué ha ocurrido
- Número de personas heridas
- Tipo de lesiones
- Su nombre



DATOS TÉCNICOS DE LT-245.4

Modelo		LT-245.4		
		Asidero circular		
Dimensiones: largo x ancho x alto (sin accesorio de corte)	mm	1.623 x 290 x 464		
Diámetro de corte	mm	412		
Peso (sin protector de plástico ni accesorio de corte)	kg	4,9		
Volumen (depósito de combustible)	L	0,5		
Volumen (depósito de aceite)	L	0,08		
Cilindrada del motor	cm ³	24,5		
Potencia máxima del motor	kw	0,71 a 7.000 min ⁻¹		
Velocidad del motor a la velocidad máxima recomendada del husillo	min ⁻¹	10.000		
Frecuencia de giro máxima del husillo	min ⁻¹	7.750		
Consumo máximo de combustible	kg/h	0,33		
Consumo máximo de combustible especificado	g/kwh	408		
Velocidad de ralentí	min ⁻¹	3.000		
Velocidad de acoplamiento de embrague	min ⁻¹	3.750		
Carburador	tipo	WALBRO WYL		
Sistema de encendido	tipo	Encendido de estado sólido		
Bujía	tipo	NGK CMR4A		
Separación entre electrodos	mm	0,7 - 0,8		
Vibración de acuerdo con ISO 22867	Asidero derecho (Empuñadura trasera)	a _{h_v eq}	m/s ²	5,4
		Incertidumbre K	m/s ²	1,0
	Asidero izquierdo (Empuñadura delantera)	a _{h_v eq}	m/s ²	5,3
		Incertidumbre K	m/s ²	0,9
Nivel de presión acústica media según ISO 22868	L _{PA eq}	dBA	93,3	
		Incertidumbre K	dBA	2,8
Nivel de potencia acústica media según ISO 22868	L _{WA eq}	dBA	102,5	
		Incertidumbre K	dBA	1,7
Combustible	Gasolina de automoción			
Aceite de motor	Aceite SAE 10W-30 de Clasificación API, Clase SF o superior (motor de cuatro tiempos para automoción)			

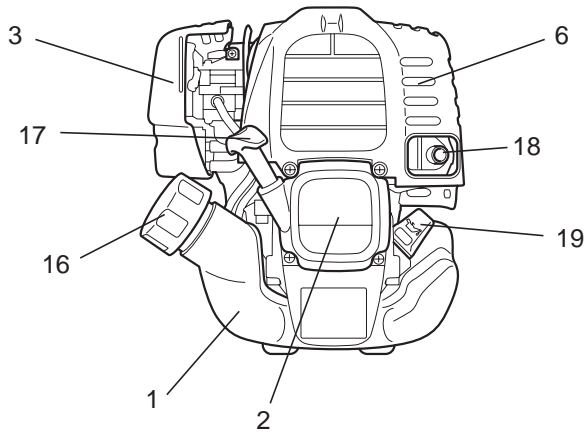
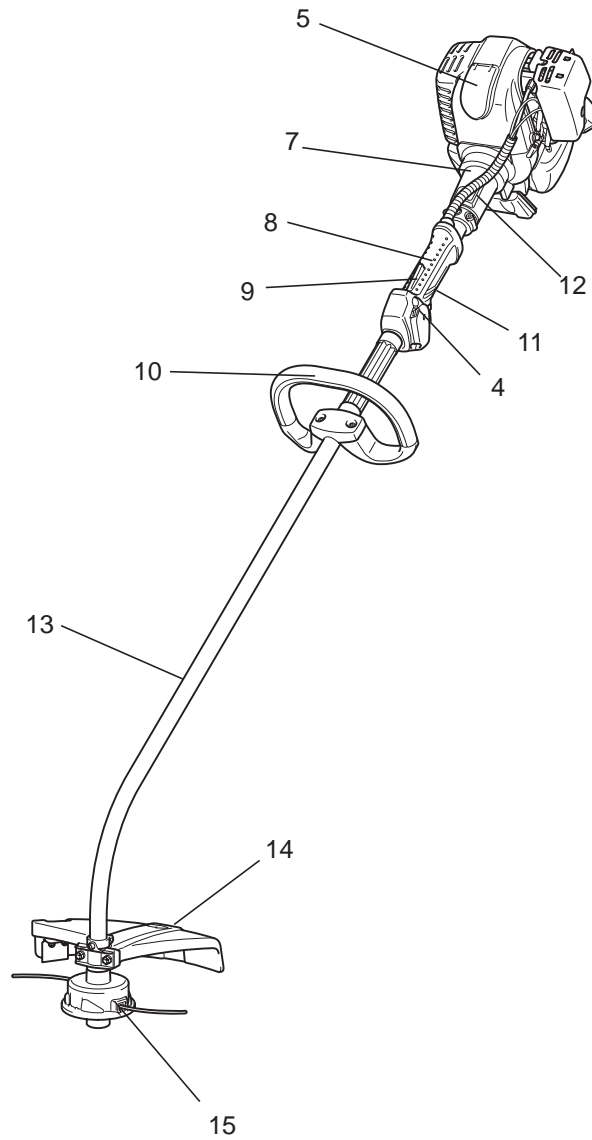
DECLARACIÓN DE CONFORMIDAD DE LA CE

Sólo para países europeos

La Declaración de conformidad de la CE se incluye como Anexo A en este manual de instrucciones.

DENOMINACIÓN DE LAS PIEZAS

LT-245.4



E	DENOMINACIÓN DE LAS PIEZAS
1	Depósito de combustible
2	Arrancador de retroceso
3	Filtro de aire
4	Interruptor I-O (encendido/apagado)
5	Bujía
6	Silenciador de escape
7	Caja del embrague
8	Empuñadura trasera
9	Palanca de desbloqueo
10	Asidero
11	Palanca de la mariposa de gases
12	Cable de control
13	Eje
14	Protector (protección del accesorio de corte)
15	Cabezal de corte de nylon
16	Tapa del depósito de combustible
17	Empuñadura de arranque
18	Tubo de escape
19	Varilla indicadora de nivel de aceite

MONTAJE DEL ASIDERO

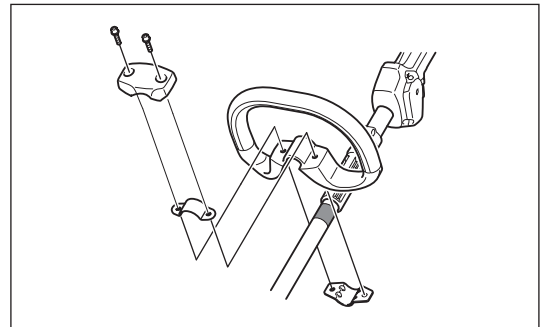
⚠ PRECAUCIÓN: Antes de realizar un trabajo en el equipo, detenga siempre el motor y desconecte el conector de la bujía. Utilice siempre guantes de protección.

⚠ PRECAUCIÓN: Ponga en marcha el equipo únicamente después de haberlo montado completamente.

Para máquinas con asidero circular

- Fije el asidero circular en el eje tal y como se muestra.
- Asegúrese de que el separador del tubo del eje se encuentre entre el ensamblaje de la empuñadura y la otra empuñadura. No retire ni encoja el separador.

NOTA: En algunos países, el separador no se proporciona con la herramienta. En ese caso, alinee el asidero más allá de la línea que se indica con marcas de flecha.



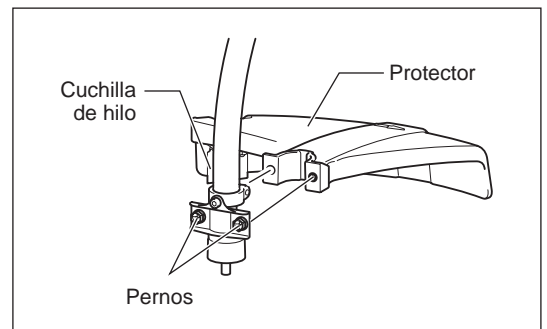
MONTAJE DEL PROTECTOR

Para cumplir con las disposiciones de seguridad apropiadas, solamente se deben utilizar las combinaciones de herramienta/ protector indicadas en la tabla.

⚠ PRECAUCIÓN: No toque la cuchilla de hilo del protector. Si toca la cuchilla de hilo con las manos desnudas puede sufrir lesiones.

Se debe instalar el protector para mantener la longitud del hilo de corte de nylon y proteger al operario de piedras y pequeños fragmentos que puedan salir despedidos. Instale el protector siguiendo estos pasos.

1. Ajuste el protector de forma que el montante del eje encaje en la ranura del protector.
2. Apriete los dos pernos.



MONTAJE DEL CABEZAL DE CORTE DE NYLON

⚠ ADVERTENCIA: Nunca utilice cuchillas de corte.

Asegúrese de utilizar un cabezal de corte de nylon auténtico de DOLMAR.

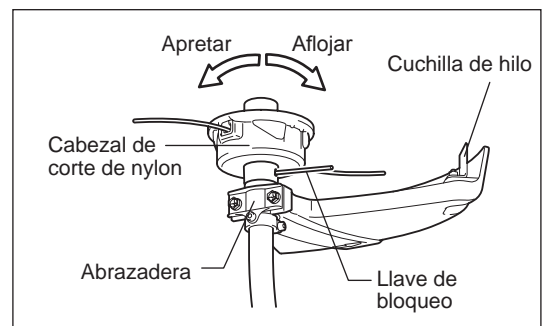
– Si el cabezal de corte de nylon golpea una piedra durante el uso, detenga el motor y compruebe el cabezal de corte de nylon inmediatamente.

⚠ PRECAUCIÓN: No toque la cuchilla de hilo del protector. Si toca la cuchilla de hilo con las manos desnudas puede sufrir lesiones.

Monte un cabezal de corte de nylon siguiendo estos pasos.

1. Inserte la llave de bloqueo a través del orificio de la abrazadera. Gírela empujando la llave de bloqueo hasta que se bloquee.
2. Atornille el cabezal de corte de nylon en el eje girándolo en el sentido de las agujas del reloj. Asegúrese de que esté montado de forma segura.
3. Retire la llave de bloqueo.

Para extraer el cabezal de corte de nylon, gírela en el sentido contrario a las agujas del reloj.



Inspección y rellenado del aceite de motor

- Realice el siguiente procedimiento con el motor frío.
- Con el motor nivelado, retire la varilla indicadora del nivel de aceite y compruebe que el aceite se encuentre entre las marcas del límite superior e inferior.
Cuando el nivel del aceite sea bajo y la varilla indicadora del nivel de aceite sólo toque el aceite con su punta, en concreto con la varilla indicadora del nivel de aceite insertada en el cárter sin atornillar (Fig. 1), rellene con aceite nuevo (Fig. 2).
- Como referencia, el tiempo de rellenado de aceite es de unas 10 horas (10 veces o 10 depósitos de rellenado de aceite).
Si el aceite cambia de color o se mezcla con suciedad, sustitúyalo con uno nuevo. (Para conocer el intervalo y el método de sustitución, consulte la P 104)

Aceite recomendado: Aceite SAE 10W-30 de Clasificación API, Clase SF o superior (motor de 4 tiempos para automoción)

Volumen de aceite: Aprox. 0,08 L

NOTA: Si el motor no se mantiene en posición vertical, el aceite puede entrar en el motor y se puede rellenar en exceso.
Si se llena aceite por encima del límite, puede contaminarse o incendiarse y provocar un humo blanco.

Punto 1 de la sustitución de aceite: “Varilla indicadora de nivel de aceite”

- Retire el polvo o la suciedad de alrededor de la abertura de rellenado de aceite y extraiga la varilla indicadora del nivel de aceite.
- Mantenga la varilla indicadora del nivel de aceite libre de tierra o suciedad. De lo contrario, la tierra o la suciedad que se adhiera a la varilla indicadora del nivel de aceite puede causar una circulación irregular de aceite o un desgaste en las piezas del motor, lo que puede provocar problemas.
- Como ejemplo para mantener la varilla indicadora del nivel de aceite limpia, se recomienda insertar la varilla indicadora por el lado de sujeción en la cubierta del motor, tal y como se muestra en la Fig. 3.

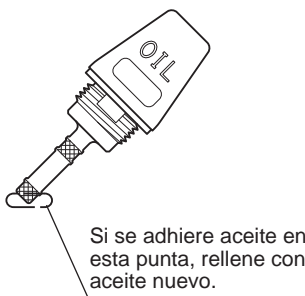


Fig. 1

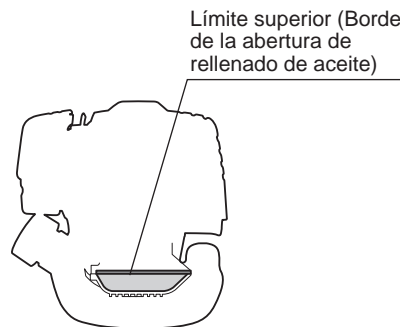


Fig. 2

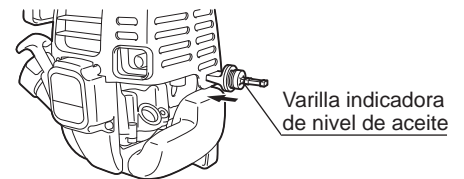
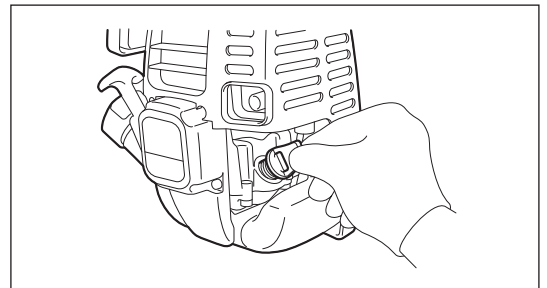
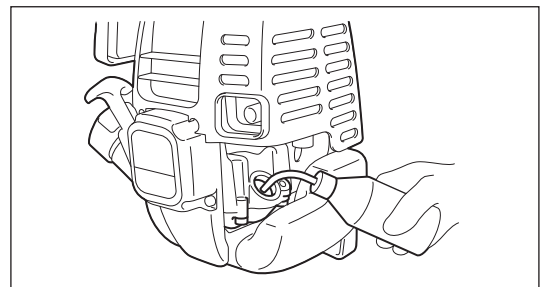


Fig. 3

- (1) Mantenga el motor nivelado y extraiga la varilla indicadora del nivel de aceite.



- (2) Llene aceite hasta el borde de la abertura de rellenado de aceite. (Consulte la Fig. 2).
Introduzca el aceite con el contenedor de llenado de lubricante.



- (3) Apriete firmemente la varilla indicadora del nivel de aceite. Un apriete insuficiente puede causar fugas de aceite.

Nota

- No rellene aceite con el motor en una posición inclinada.
- Si se rellena aceite con el motor inclinado se producirá un exceso de llenado, que provocará contaminación por aceite y/o humo blanco.

Punto 2 de la sustitución de aceite: “Si se derrama aceite”

- Si se derrama aceite entre el depósito de combustible y la unidad principal del motor, el aceite se succiona a través de la abertura de entrada de aire, lo que contaminará el motor. Asegúrese de limpiar el aceite derramado antes de empezar a utilizar la herramienta.

REPOSTAJE

Manejo del combustible

Tenga el máximo cuidado cuando maneje el combustible. El combustible puede contener sustancias similares a los disolventes. Reposte en una habitación bien ventilada o al aire libre. No inhale el vapor de combustible y evite cualquier contacto con el combustible. El contacto prolongado de la piel con estos productos hará que la piel se reseque, lo que puede provocar enfermedades en la piel o alergias. Si el combustible entra en contacto con los ojos, límpielos con agua potable. Si sus ojos siguen irritados, acuda inmediatamente a un médico.

Período de almacenamiento del combustible

El combustible debe utilizarse en un período de 4 semanas, aunque se conserve en un contenedor especial a la sombra en una zona bien ventilada.

De lo contrario, el combustible se puede deteriorar en un día.

ALMACENAMIENTO DE LA MÁQUINA Y DEL DEPÓSITO DE RELLENADO

- Mantenga la máquina y el depósito en un lugar fresco alejado de la luz directa del sol.
- No guarde nunca el combustible en un vehículo.

Combustible

El motor es un motor de cuatro tiempos. Asegúrese de utilizar gasolina de automoción sin plomo de 87 octanos o más ((R+M)/2). No puede contener más de un 10% de alcohol (E-10).

Observaciones sobre el combustible

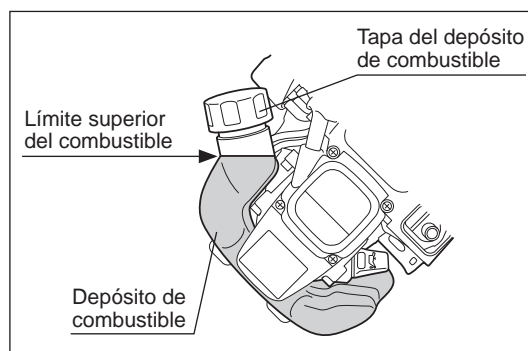
- Nunca utilice una mezcla de gasolina que contenga aceite de motor. De lo contrario, provocará una acumulación excesiva de carbonilla o problemas mecánicos.
- El uso de aceite deteriorado provocará un arranque irregular.

Repostaje

⚠ ADVERTENCIA: LOS MATERIALES INFLAMABLES ESTÁN ESTRUCTAMENTE PROHIBIDOS

Gasolina utilizada: Gasolina de automoción sin plomo, de 87 octanos o más.
No más de un 10% de alcohol (E-10).

- Afloje un poco la tapa del depósito para que no haya ninguna diferencia de presión atmosférica.
 - Suelte la tapa del depósito y reposte, descargando el aire inclinando el depósito de combustible de forma que la abertura de repostaje esté orientada hacia arriba. (Nunca rellene combustible en la abertura de relleno de aceite.)
 - Limpie bien la periferia de la tapa del depósito para evitar que entren objetos extraños en el depósito de combustible.
 - Tras el repostaje, apriete firmemente la tapa del depósito.
- Si hay defectos o daños en la tapa del depósito, sustitúyala.
 - La tapa del depósito es desechable y, por lo tanto, se debe renovar cada dos o tres años.



ASPECTOS DEL MANEJO Y CÓMO PARAR LA MÁQUINA

Respete las normativas de prevención de accidentes en vigor.

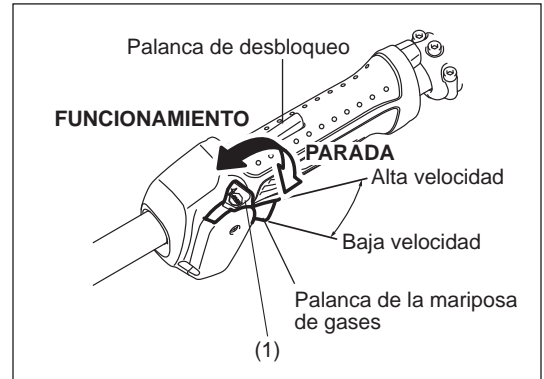


ARRANQUE

Aléjese 3 m como mínimo del lugar de repostaje. Coloque la unidad en el suelo, teniendo cuidado de que el accesorio de corte no entre en contacto con el suelo o con otros objetos.

A: Arranque en frío

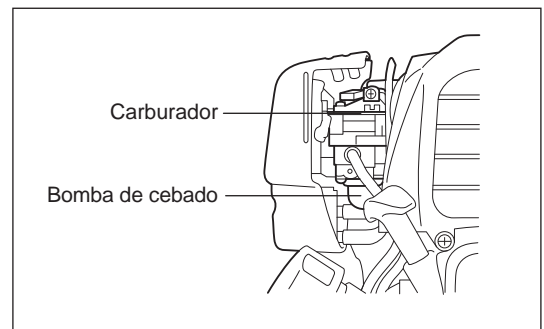
- 1) Coloque la máquina sobre una superficie plana.
- 2) Ajuste el interruptor I-O (1) en FUNCIONAMIENTO.



- 3) Bomba de cebado

Siga accionando la bomba de cebado hasta que el combustible entre en ella. (En general, el combustible entra en la bomba de cebado con 7 a 10 pulsaciones.)

Si se acciona la bomba de cebado en exceso, el exceso de gasolina vuelve al depósito de combustible.



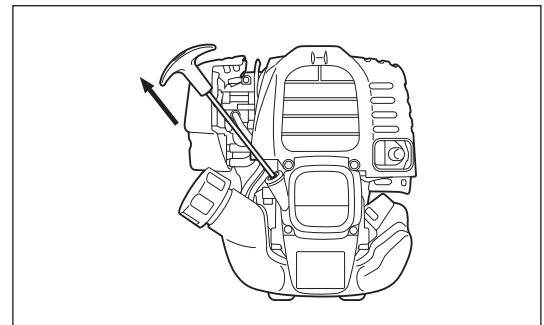
- 4) Arrancador de retroceso

Tire lentamente de la empuñadura de arranque hasta que note cierta resistencia (punto de compresión). A continuación, devuelva la empuñadura de arranque a su posición y tire con fuerza de ella.

Nunca tire por completo de la cuerda de arranque. Cuando haya tirado de la empuñadura de arranque, no la suelte inmediatamente. Sujete la empuñadura de arranque hasta que vuelva a su posición original.

- 5) Operación de calentamiento

Continúe con la operación de calentamiento durante 2 ó 3 minutos.



NOTA: Si se produce una entrada excesiva de combustible (inundación), extraiga la bujía y tire lentamente de la empuñadura de arranque para eliminar el exceso de combustible. Asimismo, seque la sección del electrodo de la bujía.

B: Arranque después de la operación de calentamiento

- 1) Pulse la bomba de cebado repetidamente.
- 2) Mantenga la palanca de la mariposa de gases en la posición de ralentí.
- 3) Tire del arrancador de retroceso con fuerza.
- 4) Si resulta difícil arrancar el motor, abra la mariposa de gases 1/3.

Atención durante el funcionamiento

Cuando el motor se utiliza boca abajo, es posible que salga humo blanco del silenciador.

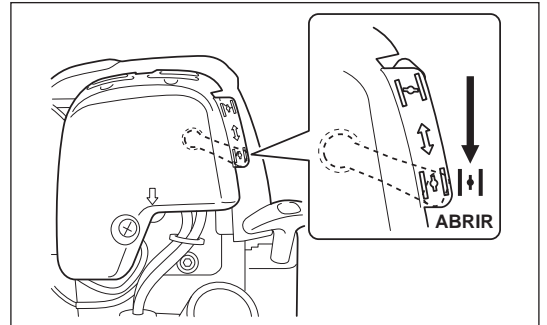
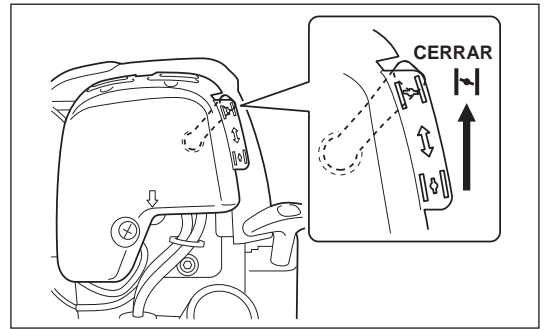
En ocasiones, como en invierno, cuando resulte **difícil poner en marcha el motor**

Utilice la palanca del estrangulador con el siguiente procedimiento cuando ponga en marcha el motor.

- Tras aplicar los pasos de arranque 1) a 3), ajuste la posición de la palanca del estrangulador en la posición CERRAR.
- Aplique el paso de arranque 4) y ponga en marcha el motor.
- Cuando haya puesto en marcha el motor, ajuste la palanca del estrangulador en la posición ABRIR.
- Aplique el paso 5) de arranque y complete el calentamiento.

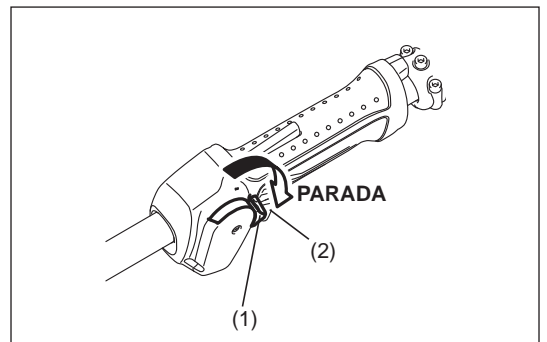
⚠ PRECAUCIÓN: Si se oye un estallido (sonido de explosión) y el motor se detiene, o el motor que se acaba de poner en marcha se cala antes de accionar la palanca del estrangulador, devuelva la palanca del estrangulador a la posición ABRIR y tire de la empuñadura de arranque unas cuantas veces para poner en marcha el motor.

⚠ PRECAUCIÓN: Si la palanca del estrangulador se coloca en la posición CERRAR y se tira repetidamente de la empuñadura de arranque, se succionará demasiado combustible y el motor tendrá dificultades para ponerse en marcha.



PARADA

- 1) Suelte la palanca de la mariposa de gases (2) completamente y, cuando se hayan reducido las RPM del motor, ajuste el interruptor I-O en la posición "PARADA" para detener el motor.
- 2) Tenga en cuenta que es posible que el cabezal de corte no se detenga inmediatamente y permita que reduzca su velocidad hasta detenerse.

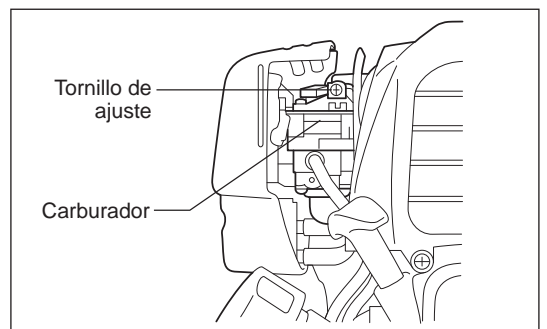


AJUSTE DE LA ROTACIÓN DE BAJA VELOCIDAD (RALENTÍ)

Cuando sea necesario ajustar la rotación a baja velocidad (ralentí), hágalo mediante el tornillo de ajuste del carburador.

COMPROBACIÓN DE LA ROTACIÓN A BAJA VELOCIDAD

- Ajuste la rotación a baja velocidad en 3.000 min⁻¹.
Si resulta necesario cambiar la velocidad de giro baja (ralentí), utilice un destornillador de punta Phillips en el tornillo que se muestra en la ilustración de la derecha.
- Gire el tornillo de ajuste hacia la derecha y aumentará la rotación del motor. Gire el tornillo de ajuste hacia la izquierda y se reducirá la rotación del motor.
- El carburador se suele ajustar antes del envío. Si es necesario volver a ajustarlo, póngase en contacto con un agente de servicio autorizado.



CABEZAL DE CORTE DE NYLON



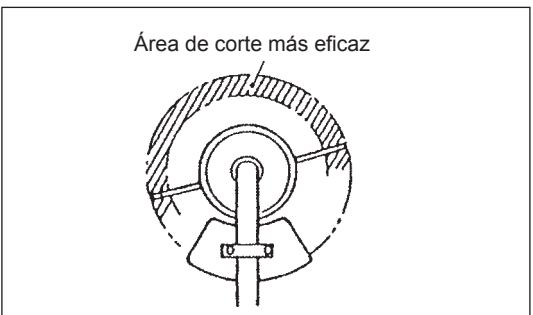
Durante el uso, utilice la punta del hilo de corte de nylon para realizar el corte.

Extensión del hilo de corte de nylon

A medida que el hilo de corte de nylon se gasta y se acorta con la operación de corte, el operario debe extenderlo manualmente.

Para extender el hilo de corte de nylon, golpee suavemente el cabezal de corte de nylon contra el suelo mientras gira aproximadamente a 6.000 min⁻¹.

NOTA: Si el hilo de corte de nylon no se extiende, rebóínelo.



Reemplazo del hilo de nylon

⚠ ADVERTENCIA: Asegúrese de que la cubierta del cabezal de corte de nylon esté fijada al alojamiento correctamente como se describe más abajo. Si la cubierta no se fija correctamente, el cabezal de corte de nylon puede salir despedido y provocar graves lesiones personales.

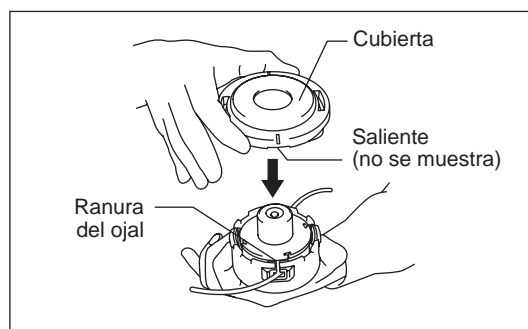
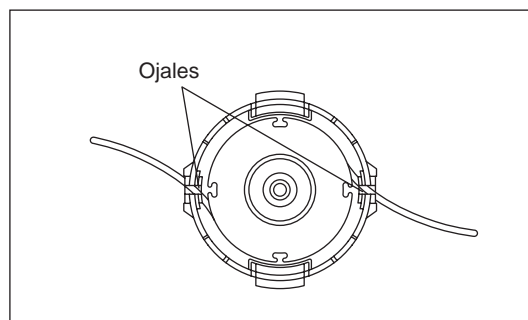
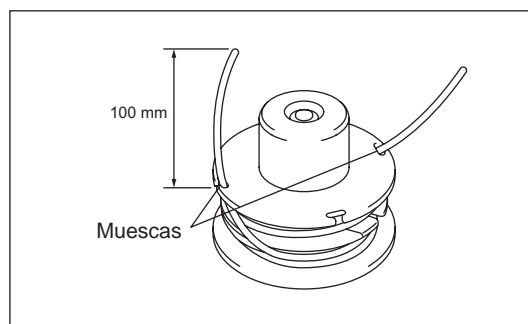
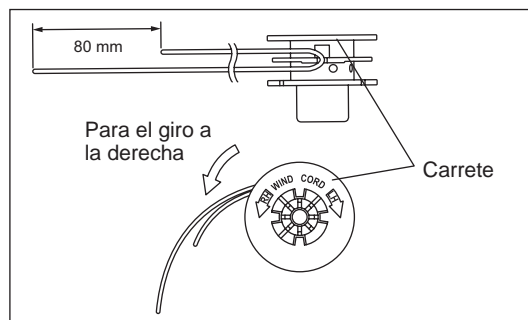
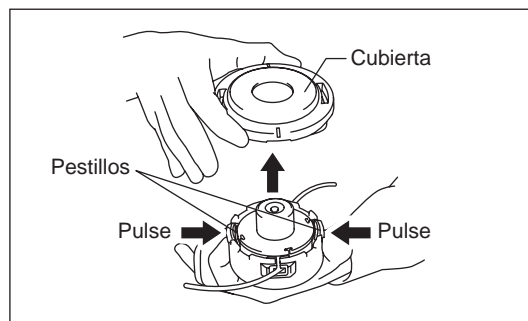
Presione hacia dentro los pestillos del alojamiento y tire hacia arriba para extraer la cubierta. Descarte el hilo de nylon restante.

Enganche la mitad del nuevo hilo de nylon en la muesca que se encuentra en el centro del carrete entre los 2 canales proporcionados para el hilo de nylon. Un lado del hilo debe ser unos 80 mm más largo que el otro lado. Enrolle ambos extremos firmemente alrededor del carrete en la dirección marcada en el cabezal para la dirección derecha, indicada con RH.

Enrolle la totalidad del hilo, excepto unos 100 mm, dejando los extremos temporalmente enganchados alrededor de la muesca del lateral del carrete.

Monte el carrete en el alojamiento de forma que las ranuras y los salientes del carrete coincidan con los del alojamiento. Ahora desenganche los extremos del hilo de su posición temporal y haga pasar los hilos por los ojales hasta que sobresalgan del alojamiento.

Alinee el saliente del lado inferior de la cubierta con las ranuras de los ojales. A continuación, presione firmemente la cubierta en el alojamiento para fijarla. Asegúrese de que los pestillos están totalmente extendidos en la cubierta.



INSTRUCCIONES DE SERVICIO

⚠ PRECAUCIÓN: Antes de realizar algún trabajo en el equipo, detenga siempre el motor y desconecte el conector de la bujía (consulte “comprobación de la bujía”).
Utilice siempre guantes de protección.

Para garantizar una larga vida útil y para evitar daños en el equipo, realice las siguientes operaciones de mantenimiento periódicamente.

Inspección diaria y mantenimiento

- Antes de la puesta en funcionamiento, compruebe la máquina por si tiene tornillos flojos o si faltan piezas. Preste especial atención al apriete del cabezal de corte de nylon.
- Antes de la puesta en funcionamiento, compruebe siempre que el conducto de paso de aire de refrigeración y las aletas del cilindro no estén obstruidas.
Límpielos si es necesario.
- Realice diariamente las siguientes operaciones tras el uso:
 - Limpie el equipo externamente y busque si hay daños.
 - Limpie el filtro de aire. Cuando trabaje en condiciones extremas de polvo, limpie el filtro varias veces al día.
 - Compruebe si el cabezal de corte de nylon está estropeado y asegúrese de que se haya montado firmemente.
 - Compruebe que haya una diferencia suficiente entre la velocidad de ralentí y la velocidad de trabajo para garantizar que el accesorio de corte esté parado mientras el motor funciona al ralentí (si es necesario, reduzca la velocidad de ralentí).
Si en las condiciones de ralentí la herramienta sigue funcionando, consulte con su agente de servicio autorizado más cercano.
- Compruebe el funcionamiento del interruptor I-O, la palanca de desbloqueo, la palanca de la mariposa de gases y el botón de bloqueo.

SUSTITUCIÓN DEL ACEITE DEL MOTOR

El aceite de motor deteriorado acortará en gran medida la duración de las partes deslizantes y giratorias. Asegúrese de comprobar el período y la cantidad de reemplazo.



ATENCIÓN: En general, la unidad principal del motor y el aceite de motor permanecen calientes después de apagar el motor.
Al reemplazar el aceite, compruebe que la unidad principal del motor y el aceite de motor se hayan enfriado suficientemente. De lo contrario, puede haber un riesgo de quemaduras.

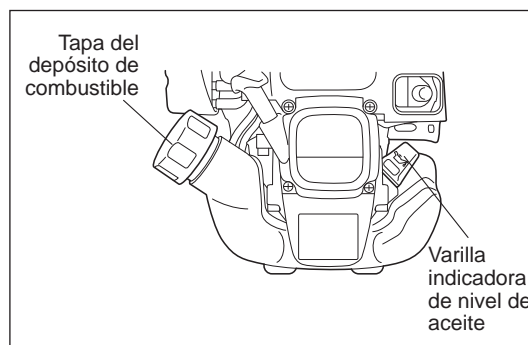
NOTA: Si se llena aceite por encima del límite, puede contaminarse o incendiarse y provocar un humo blanco.

Intervalo de sustitución: Inicialmente, cada 20 horas de funcionamiento y posteriormente cada 50 horas de funcionamiento

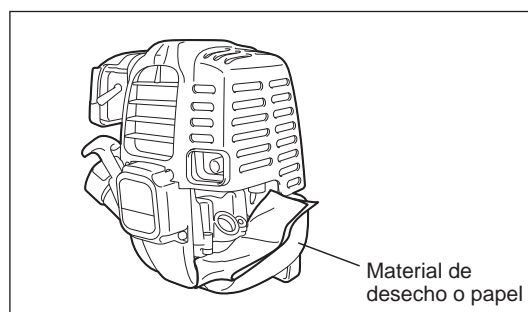
Aceite recomendado: Aceite SAE10W-30 de Clasificación API Clase SF o superior (aceite de motor de 4 tiempos para automoción)

Para el reemplazo, siga este procedimiento.

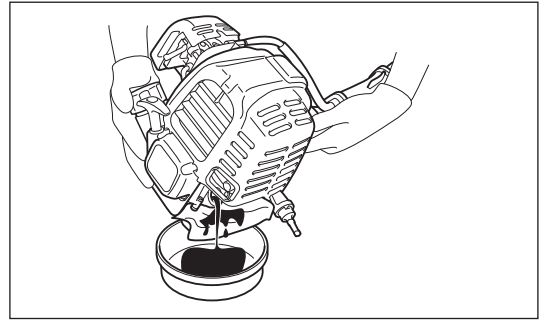
- 1) Compruebe que la tapa del depósito esté apretada de forma segura.
- 2) Extraiga la varilla indicadora del nivel de aceite.
Mantenga la varilla indicadora del nivel de aceite libre de polvo o suciedad.



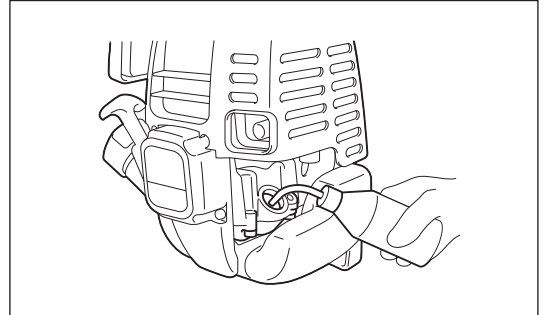
- 3) Coloque el material de desecho o un papel cerca de la abertura de rellenado de aceite.



- 4) Retire la varilla indicadora de aceite y drene el aceite, inclinando la unidad principal hacia la abertura de rellenado de aceite. Drene el aceite en un contenedor para su eliminación controlada.



- 5) Mantenga el motor nivelado y añada nuevo aceite hasta el borde de la abertura de rellenado de aceite. Para rellenar utilice un contenedor de rellenado de lubricante.
- 6) Tras el rellenado, apriete firmemente la varilla indicadora del nivel de aceite. Un apriete insuficiente de la varilla indicadora del nivel de aceite provocará fugas de aceite.



ASPECTOS SOBRE EL ACEITE

- Nunca deseche el aceite de motor reemplazado en la basura convencional, en el suelo o en la red de alcantarillado. La eliminación de los desechos de aceite está regulada por ley. Para eliminar esos desechos, siga las leyes y normativas aplicables. Si tiene alguna duda, póngase en contacto con un agente de servicio autorizado.
- El aceite se deteriorará aunque se guarde sin utilizar. Realice la inspección y el reemplazo a intervalos periódicos (reemplace con aceite nuevo cada 6 meses).

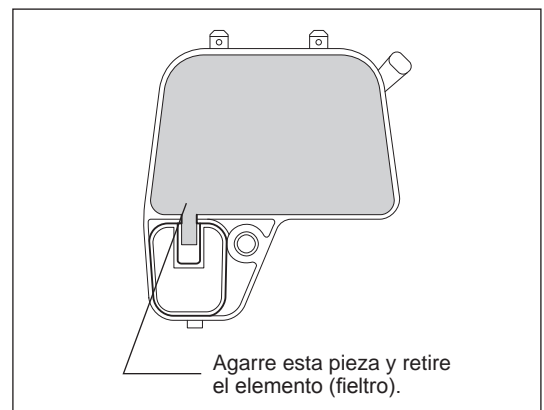
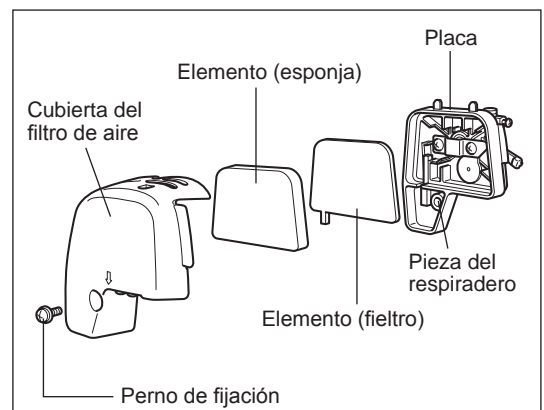
LIMPIEZA DEL FILTRO DE AIRE



PELIGRO: LOS MATERIALES INFLAMABLES ESTÁN ESTRUCTAMENTE PROHIBIDOS

Intervalo de limpieza e inspección: Diariamente (cada 10 horas de uso)

- Gire la palanca del estrangulador hasta el lado de cierre total y mantenga el carburador alejado del polvo o de la suciedad.
- Extraiga los pernos de fijación de la cubierta del filtro de aire.
- Tire del lado inferior de la cubierta y extraiga la cubierta del filtro de aire.
- Si se ha adherido aceite al elemento (esponja), apriételo con fuerza.
- Si está muy contaminado:
 - 1) Retire el elemento (esponja), sumérgalo en agua caliente o en detergente neutro diluido en agua y séquelo completamente.
 - 2) Limpie el elemento (fieltro) con gasolina y séquelo completamente.
- Antes de montar el elemento, asegúrese de secarlo completamente. Un secado insuficiente del elemento puede provocar dificultades para arrancar.
- Limpie con un paño desechable el aceite adherido alrededor de la cubierta del filtro de aire y del respiradero de la placa.
- Inmediatamente tras finalizar la limpieza, monte la cubierta del filtro y apriétela con pernos de fijación. (Para volver a montar, primero coloque el gancho superior y después el gancho inferior.)



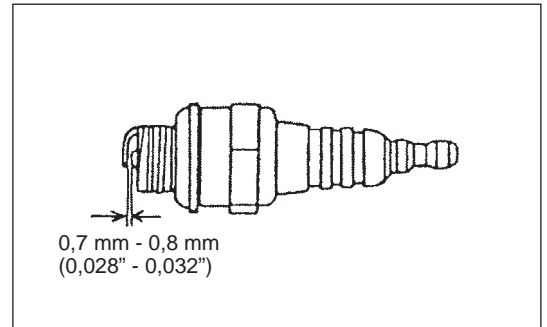
Aspectos sobre el manejo del elemento del filtro de aire

- Limpie el elemento varias veces al día si se adhiere a él un exceso de suciedad.
- Si se continúa con el uso sin limpiar de aceite el elemento, el aceite del filtro de aire puede caer en el exterior y provocar contaminación de aceite.

COMPROBACIÓN DE LA BUJÍA

- Utilice solamente la llave de vaso suministrada para quitar o poner la bujía.
- La holgura entre los dos electrodos de la bujía debe ser de 0,7 a 0,8 mm. Si la holgura es demasiado grande o pequeña, ajústela. Si la bujía está obstruida o contaminada, límpiela minuciosamente o reemplácela.

⚠ PRECAUCIÓN: Nunca toque el conector de la bujía mientras el motor está funcionando (peligro de recibir una descarga eléctrica de alta tensión).



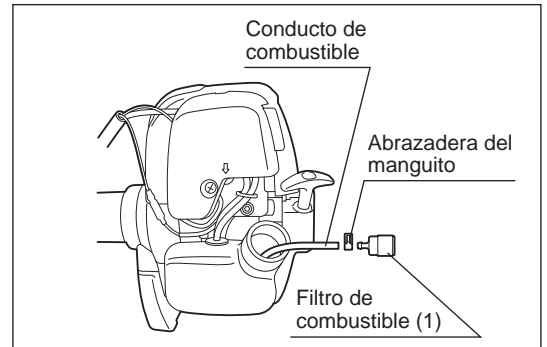
LIMPIEZA DEL FILTRO DE COMBUSTIBLE

⚠ ADVERTENCIA: LOS MATERIALES INFLAMABLES ESTÁN ESTRICTAMENTE PROHIBIDOS

Intervalo de limpieza e inspección: Mensualmente (cada 50 horas de uso)

Cabezal de succión en el depósito de combustible

- El filtro de combustible (1) del cabezal de succión se utiliza para filtrar el combustible necesario para el carburador.
- Debe realizarse una inspección visual periódica del filtro de combustible. Para ello, abra la tapa del depósito y utilice un gancho de alambre para extraer el cabezal de succión a través de la abertura del depósito. Los filtros que se han endurecido, contaminado u obstruido se deben reemplazar.
- Un suministro de combustible insuficiente puede tener como resultado que se sobrepase la velocidad máxima permitida. Por lo tanto, es importante reemplazar el filtro de combustible como mínimo trimestralmente para garantizar un suministro satisfactorio de combustible al carburador.



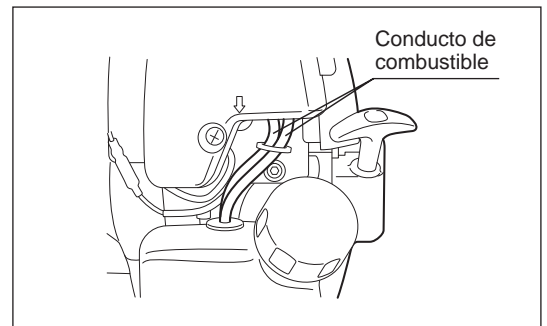
REEMPLAZO DEL CONDUCTO DE COMBUSTIBLE

⚠ PRECAUCIÓN: LOS MATERIALES INFLAMABLES ESTÁN ESTRICTAMENTE PROHIBIDOS

Intervalo de limpieza e inspección: Diariamente (cada 10 horas de uso)

Sustitución: Anualmente (cada 200 horas de uso)

Reemplace el conducto de combustible cada año, independientemente de la frecuencia de utilización. La fuga de combustible puede provocar un incendio. Si se detecta una fuga durante la inspección, reemplace el conducto de combustible inmediatamente.



INSPECCIÓN DE LOS PERNOS, LAS TUERCAS Y LOS TORNILLOS

- Reapriete los pernos, tuercas, etc. flojos.
- Compruebe si hay fugas de combustible y aceite.
- Reemplace las piezas dañadas con piezas nuevas para garantizar un uso seguro.

LIMPIEZA DE LAS PIEZAS

- Mantenga el motor siempre limpio.
- Mantenga las aletas del cilindro libres de polvo o suciedad. El polvo o la suciedad adheridos a las aletas provocarán el gripado del pistón.

REEMPLAZO DE LAS JUNTAS Y RETENES

Cuando vuelva a montar el motor tras desmontarlo, asegúrese de reemplazar las juntas y los retenes por unos nuevos.

Cualquier mantenimiento o trabajo de ajuste que no se describa en este manual solamente deben realizarlo agentes de servicio autorizados.

ALMACENAMIENTO



ADVERTENCIA: Cuando drene el combustible, asegúrese de detener el motor y comprobar que se haya enfriado.
El motor puede estar aún caliente justo después de detenerlo y puede causar quemaduras, es inflamable y puede provocar un fuego.



ATENCIÓN: Cuando la herramienta no se vaya a usar durante mucho tiempo, drene todo el combustible del depósito de combustible y el carburador y manténgalo en un lugar seco y limpio.

- Drene el combustible del depósito de combustible y del carburador de acuerdo con el siguiente procedimiento:
 - 1) Extraiga la tapa del depósito de combustible y drene el combustible completamente.
Si queda algún objeto extraño en el depósito de combustible, retírelo completamente.
 - 2) Extraiga el filtro de combustible de la abertura de rellenado mediante un alambre.
 - 3) Presione la bomba de combustible hasta que se haya drenado el combustible y drene el combustible que entra en el depósito de combustible.
 - 4) Coloque el filtro en el depósito de combustible y fije firmemente la tapa del depósito de combustible.
 - 5) A continuación, continúe con la máquina encendida hasta que el motor se detenga.
- Extraiga la bujía y aplique varias gotas de aceite de motor a través del orificio de la bujía.
- Tire suavemente de la empuñadura de arranque para que el aceite de motor se extienda por el motor y, a continuación, vuelva a colocar la bujía.
- En general, almacene la máquina en posición horizontal. Si no es posible, coloque la máquina con la unidad del motor debajo de la herramienta de corte. De lo contrario, se puede verter aceite de motor del interior.
- Preste siempre atención al almacenamiento de la máquina en un lugar seguro para evitar daños a la máquina y daños personales.
- Mantenga el combustible drenado en un contenedor especial en una zona a la sombra y bien ventilada.

Atención tras un almacenamiento prolongado

- Antes de poner en marcha la herramienta tras estar apagada durante un período de tiempo prolongado, asegúrese de reemplazar el aceite (consulte la P 104). El aceite se deteriorará durante el tiempo que la máquina haya permanecido sin utilizar.

Localización de averías

Avería	Sistema	Observación	Causa
El motor no se enciende o lo hace con dificultad	Sistema de encendido	Chispa de encendido correcta No hay chispa de encendido	Avería en el sistema de suministro de combustible o compresión, defecto mecánico Se ha utilizado el interruptor de PARADA, avería del cableado o cortocircuito, bujía o conector defectuoso, módulo de encendido defectuoso
	Suministro de combustible	Depósito de combustible lleno	Posición incorrecta del estrangulador, carburador defectuoso, línea de suministro de combustible doblada o bloqueada, combustible sucio
	Compresión	No hay compresión	La junta inferior del cilindro es defectuosa, los retenes del cigüeñal están dañados, el cilindro o los segmentos del pistón están dañados o el sellado de la bujía es incorrecto
Problemas de arranque en caliente	Avería mecánica	El arrancador no funciona Depósito lleno, se produce la chispa de encendido	Muelle del arrancador roto, piezas rotas dentro del motor Carburador sucio, límpielo
El motor arranca pero se para	Suministro de combustible	Depósito lleno	Ajuste del ralentí incorrecto, carburador sucio Ventilación del depósito de combustible defectuosa, línea de suministro de combustible interrumpida, cable o interruptor de PARADA defectuoso
Rendimiento insuficiente	Varios sistemas pueden verse afectados simultáneamente	Bajo ralentí del motor	Filtro de aire sucio, carburador sucio, silenciador obstruido, conducto de escape del cilindro obstruido

Elemento	Tiempo de funcionamiento	Antes del uso	Después de la lubricación	Diariamente (10 h)	30 h	50 h	200 h	Apagado/descanso	P correspondiente
Aceite de motor	Inspeccione	○							99
	Debe sustituirse					○*1			104
Apretar piezas (perno, tuerca)	Inspeccione	○							106
Depósito de combustible	Limpie/inspeccione	○							—
	Vacíe el combustible							○*3	107
Palanca de la mariposa de gases	Compruebe el funcionamiento		○						—
Interruptor de parada	Compruebe el funcionamiento		○						102
Accesorio de corte	Inspeccione	○		○					98
Rotación a baja velocidad	Inspeccione/ajuste			○					102
Filtro de aire	Limpie			○					105
Bujía	Inspeccione			○					106
Entrada de aire de refrigeración	Limpie/inspeccione			○					106
Conducto de combustible	Inspeccione			○					106
	Debe sustituirse						◎*2		—
Filtro de combustible	Limpie/debe sustituirse					○			106
Holgura entre la válvula de entrada de aire y la válvula de descarga de aire	Ajuste						◎*2		—
Revisión del motor							◎*2		—
Carburador	Vacíe el combustible							○*3	107

*1 Realice el reemplazo inicial tras 20 horas de uso.

*2 Para la inspección de las 200 horas de uso, contacte con un Agente de servicio autorizado de Dolmar o un taller mecánico.

*3 Tras vaciar el depósito de combustible, continúe haciendo funcionar el motor y drene el combustible del carburador.

LOCALIZACIÓN Y SOLUCIÓN DE AVERÍAS

Antes de realizar una solicitud de reparación, compruebe usted mismo el problema. Si encuentra una anomalía, controle la máquina de acuerdo con la descripción de este manual. Nunca manipule ni desmonte ninguna pieza de forma contraria a la descripción. Si es necesario realizar reparaciones, póngase en contacto con un agente de servicio autorizado o un distribuidor local.

Estado anómalo	Causa probable (mal funcionamiento)	Solución
El motor no se enciende	No se ha accionado la bomba de cebado	Púlsela de 7 a 10 veces
	Se ha tirado del cable del arrancador a baja velocidad	Tire con fuerza
	Falta de combustible	Reposte combustible
	Filtro de combustible obstruido	Limpie
	Tubo de combustible doblado	Enderece el tubo de combustible
	Combustible deteriorado	El combustible deteriorado hace que la puesta en marcha sea más difícil. Reemplácelo con combustible nuevo. (Reemplazo recomendado: 1 mes)
	Succión de combustible excesiva	Ajuste la palanca de la mariposa de gases entre una velocidad media y alta y tire de la empuñadura de arranque hasta que se ponga en marcha el motor. Cuando se haya puesto en marcha el motor, el cabezal de corte de nylon empezará a girar. Preste atención al cabezal de corte de nylon. Si el motor sigue sin encenderse, extraiga la bujía, seque el electrodo y vuelva a montarla en su posición original. A continuación, arranque como se ha especificado.
	Tapa de la bujía suelta	Acóplelo firmemente
	Bujía sucia	Limpie
	Holgura anómala de la bujía	Ajústela
	Otras anomalías de la bujía	Debe sustituirse
	Anomalía del carburador	Solicite que se realice la inspección y mantenimiento.
	No se puede tirar de la cuerda del arrancador	Solicite que se realice la inspección y mantenimiento.
Anomalía del sistema de transmisión	Solicite que se realice la inspección y mantenimiento.	
El motor se para al poco tiempo La velocidad del motor no aumenta	Calentamiento insuficiente	Realice la operación de calentamiento
	La palanca del estrangulador está ajustada en "CERRAR" aunque el motor se ha calentado.	Ajústela en "ABRIR"
	Filtro de combustible obstruido	Limpie
	Filtro de aire sucio u obstruido	Limpie
	Anomalía del carburador	Solicite que se realice la inspección y mantenimiento.
	Anomalía del sistema de transmisión	Solicite que se realice la inspección y mantenimiento.
El accesorio de corte no gira. ↓ Pare el motor inmediatamente.	El accesorio de corte no se ha apretado firmemente.	Apriete el accesorio de corte firmemente.
	Hay una pequeña rama atrapada entre el accesorio de corte y el protector.	Retire el objeto extraño.
	El sistema de transmisión no funciona correctamente.	Solicite a un centro de servicio autorizado de Dolmar una inspección y reparación.
La unidad vibra de forma anómala. ↓ Pare el motor inmediatamente.	El accesorio de corte está roto.	Sustituya el accesorio de corte con uno nuevo.
	El accesorio de corte no se ha apretado firmemente.	Apriete el accesorio de corte firmemente.
	Un extremo del hilo de corte de nylon se ha roto y el cabezal de corte de nylon está desequilibrado.	Extienda el hilo de corte de nylon golpeando suavemente el cabezal de corte contra el suelo.
	El sistema de transmisión no funciona correctamente.	Solicite a un centro de servicio autorizado de Dolmar una inspección y reparación.
El accesorio de corte no se detiene. ↓ Pare el motor inmediatamente.	El grupo motor no funciona correctamente.	Consulte el manual de instrucciones del grupo motor.
El motor no se para ↓ Haga funcionar el motor al ralenti y ajuste la palanca del estrangulador en CERRAR	Conector desconectado	Acóplelo firmemente
	Anomalía del sistema eléctrico	Solicite que se realice la inspección y mantenimiento.
El hilo de corte de nylon no se extiende.	Se ha usado todo el hilo o está enredado en el carrete.	Rebobine el hilo.
El hilo de corte de nylon no se corta a la longitud correcta.	Falta la cuchilla de hilo del protector o está dañada.	Solicite a un centro de servicio autorizado de Dolmar que sustituya la cuchilla de hilo.
	El hilo se extiende más allá del protector.	Rebobine el hilo.

Cuando el motor no se ponga en marcha tras la operación de calentamiento:

Si no hay ninguna anomalía en los elementos comprobados, abra la mariposa de gases 1/3 y ponga en marcha el motor.

Obrigado por ter adquirido o Equipamento Eléctrico para Exteriores da DOLMAR. Temos o orgulho de recomendar um produto DOLMAR que é o resultado de um longo programa de desenvolvimento e muitos anos de conhecimento e experiência.

Leia esta brochura cuidadosamente que se refere em pormenor aos vários pontos que irão demonstrar o fantástico desempenho. Irá ajudá-lo a obter os melhores resultados possíveis do seu produto DOLMAR.



Índice	Página
Símbolos.....	110
Instruções de segurança	111
Dados técnicos	114
Designação de peças	115
Montagem da pega.....	116
Montagem do protector	116
Montagem da cabeça de corte em nylon	116
Antes de iniciar o funcionamento	117
Pontos sobre o funcionamento e como parar.....	119
A cabeça de corte em nylon	120
Instruções de serviço.....	122
Armazenamento	125

SÍMBOLOS

Tome atenção aos seguintes símbolos ao ler o manual de instruções.

	Leia o manual de instruções e siga os avisos e as precauções de segurança!		Use um capacete e protecção para os olhos e ouvidos.
	Tenha um cuidado e atenção especiais!		Velocidade máxima admissível da ferramenta
	Proibido!		Combustível (Gasolina)
	Mantenha-se afastado!		Arranque manual do motor
	Perigo de objectos voadores!		Paragem de emergência
	Proibido fumar!		Primeiros-socorros
	Sem chamas abertas!		LIGAR/ARRANCAR
	Deve utilizar luvas de protecção!		DESLIGAR/PARAR
	Use botas resistentes com solas não derrapantes. Recomenda-se a utilização de botas de segurança com biqueira de aço!		Nunca utilize lâminas metálicas
	Mantenha a área de funcionamento livre de pessoas e animais!		

INSTRUÇÕES DE SEGURANÇA

Instruções gerais

- Leia este manual de instruções para se familiarizar com o manuseamento do equipamento. Utilizar este equipamento sem entender como operá-lo correctamente pode resultar em ferimentos graves em si ou em outros.
- É aconselhável emprestar o equipamento apenas a pessoas que demonstraram ter experiência. Empréstimo sempre este manual de instruções ao mesmo tempo.
- Se é a primeira vez que utiliza uma roçadeira, consulte o seu revendedor para instruções básicas.
- Crianças e pessoas novas com menos de 18 anos não devem operar este equipamento. Pessoas com mais de 16 anos podem, no entanto, utilizar o dispositivo para efeitos de treino, apenas durante a supervisão de um formador qualificado.
- Utilize com o máximo de cuidado e atenção.
- Opere apenas se estiver em boas condições físicas. Efectue todos os trabalhos com calma e cuidado. O utilizador deve aceitar a responsabilidade pelos que estão em sua volta.
- Nunca utilize o equipamento após o consumo de álcool ou drogas, ou se estiver cansado ou doente.
- As regulamentações nacionais podem proibir a utilização da máquina.

Utilização pretendida da máquina

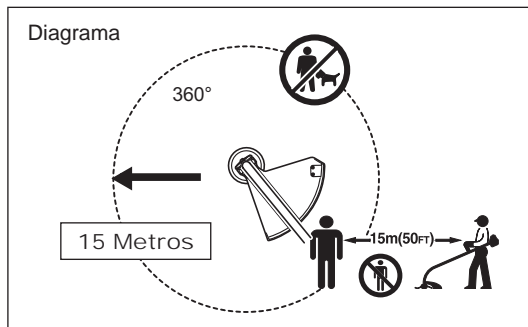
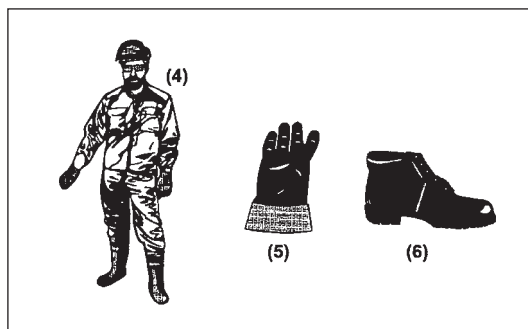
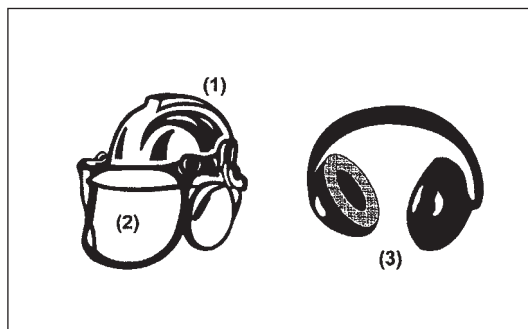
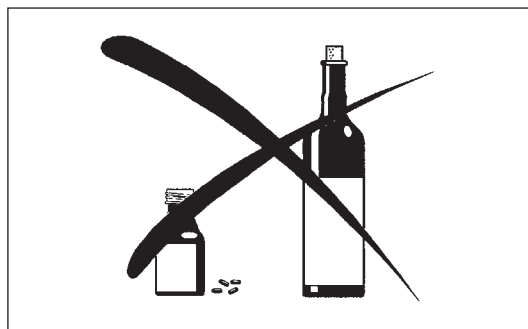
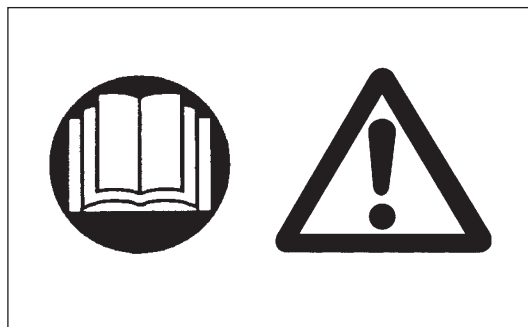
- Este equipamento destina-se apenas a cortar relva e ervas daninhas pequenas. Não deve ser utilizado para outros fins como aparar sebes, uma vez que pode causar ferimentos.

Equipamento de protecção pessoal

- Utilize sempre roupas que sejam funcionais e apropriadas ao seu trabalho, isto é, que fiquem justas mas não demasiado apertadas ao ponto de causar um movimento desconfortável. Não utilize joalharia ou roupas que possam ficar presas nos arbustos.
- Para evitar ferimentos na cabeça, olhos, mãos ou pés, assim como para proteger a sua audição, deve utilizar o seguinte equipamento e roupa de protecção durante o funcionamento.
- Utilize um capacete sempre que existir risco de queda de objectos. Deve verificar regularmente se existem danos no capacete protector (1) e deve substituí-lo, no mínimo, após 5 anos. Utilize apenas capacetes protectores aprovados.
- O visor (2) do capacete (ou óculos, em alternativa) protege a face de resíduos e pedras. Durante a utilização, utilize sempre óculos ou um visor para evitar ferimentos oculares.
- Use equipamento de protecção contra ruído adequado para evitar deficiências auditivas (protector auditivo (3), tampões para os ouvidos etc.).
- Os fatos-macaco (4) protegem contra pedras e resíduos. Recomendamos vivamente que o utilizador use fatos-macaco.
- As luvas (5) fazem parte do equipamento indicado e devem ser sempre utilizadas durante a utilização.
- Ao usar o equipamento, use sempre sapatos resistentes (6) com uma sola não derrapante. Estes sapatos protegem contra ferimentos e asseguram um bom apoio.

Iniciar a Roçadeira A Gasolina

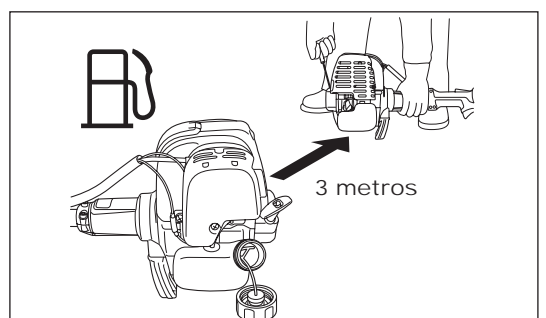
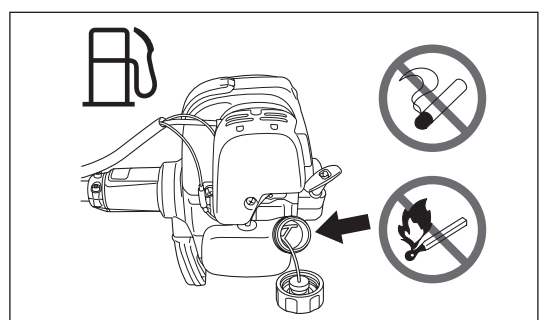
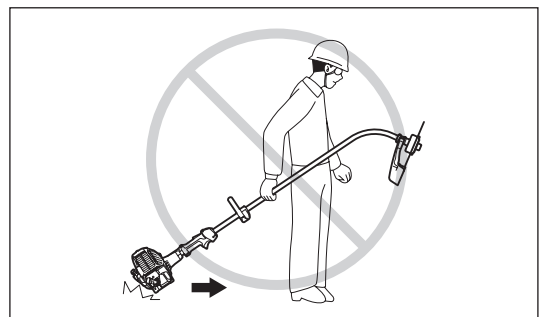
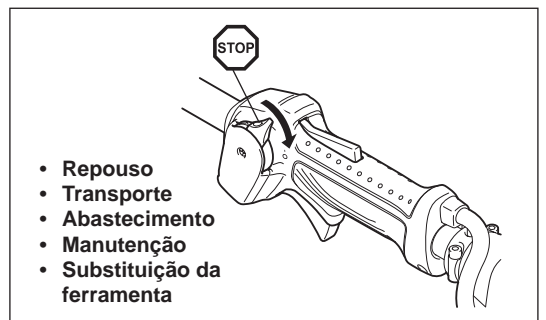
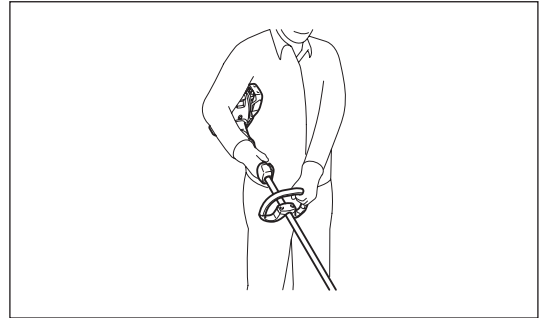
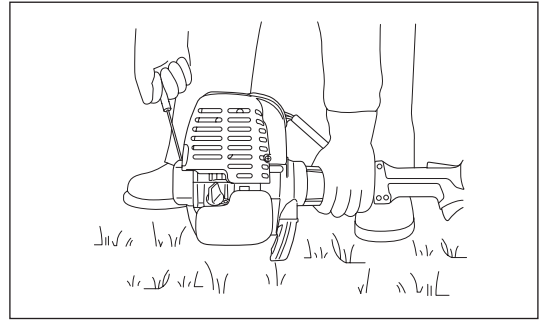
- Certifique-se de que não há crianças ou outras pessoas a trabalhar num raio de 15 metros (50 pés), tome também atenção a animais nas proximidades.
- Antes da utilização, certifique-se sempre de que o equipamento está seguro: Certifique-se de que o implemento de corte é seguro, de que a alavanca do acelerador pode ser operada facilmente e de que o bloqueio da alavanca do acelerador está a funcionar correctamente.
- A rotação do implemento de corte durante a marcha lenta é proibida. Consulte o seu revendedor se achar que o equipamento pode precisar de ajustes. Certifique-se de que as pegas estão limpas e secas e de que o botão de arranque/paragem está a funcionar correctamente.



- Ligue a Roçadeira A Gasolina apenas de acordo com as instruções.
- Não utilize outros métodos para arrancar o motor!
- Utilize a Roçadeira A Gasolina e as ferramentas apenas para essas aplicações como especificado.
- Ligue o motor apenas após a conclusão da montagem. Não opere o equipamento até que todos os acessórios apropriados estejam fixos!
- Antes de arrancar, certifique-se de que o implemento de corte não está em contacto com objectos duros como ramos, pedras etc., uma vez que o implemento de corte irá rodar ao arrancar.
- Desligue o motor imediatamente se ocorrer algum tipo de problema no motor.
- Caso o implemento de corte atinja pedras ou outros objectos duros, desligue imediatamente o motor e inspecione o implemento de corte.
- Inspeccione o implemento de corte em intervalos curtos regulares para se certificar de que não está danificada (detecção de fissuras utilizando o teste do toque).
- Se o equipamento sofrer um impacto ou queda, verifique o seu estado antes de continuar a trabalhar. Verifique o sistema de combustível por fugas de combustível e os comandos e dispositivos de segurança por avarias. Se existirem danos ou dúvidas, solicite o nosso centro de assistência autorizado para a inspecção e reparação.
- Durante o funcionamento, segure sempre a Roçadeira A Gasolina com ambas as mãos. Nunca segure na Roçadeira A Gasolina com uma mão durante a utilização. Certifique-se sempre de que tem um apoio seguro.
- Opere o equipamento de maneira a evitar a inalação dos gases de escape. Nunca arranque o motor num espaço fechado (risco de envenenamento por gás). O monóxido de carbono é um gás sem odor.
- Desligue sempre o motor quando estiver em repouso, ou se pretende deixar o equipamento sem vigilância, e coloque-o num local seguro para evitar ferimentos a outras pessoas e danos no equipamento.
- Nunca coloque a Roçadeira A Gasolina sobre a relva seca ou em quaisquer outros materiais combustíveis.
- Instale sempre o resguardo do implemento de corte aprovado no equipamento antes de ligar o motor. Caso contrário, o contacto com o implemento de corte pode causar ferimentos graves.
- Todas as instalações de protecção e resguardos fornecidos com esta máquina devem ser usados durante o funcionamento.
- Nunca opere o motor se o silenciador de escape estiver avariado.
- Desligue o motor durante o transporte.
- Certifique-se de que o equipamento está seguro durante o transporte automóvel, de modo a evitar fugas de combustível.
- Durante o transporte, certifique-se de que o depósito de combustível está totalmente vazio.
- Quando descarregar o equipamento, nunca deixe cair o motor no chão, uma vez que tal pode danificar gravemente o depósito de combustível.
- Excepto em caso de emergência, nunca deixe cair nem atire o equipamento ao chão uma vez que isto pode danificá-lo gravemente.
- Lembre-se de levantar todo o equipamento do chão ao movê-lo. Arrastar o equipamento no seu depósito de combustível é muito perigoso e pode causar uma fuga de combustível, o que pode resultar num incêndio.

Abastecimento

- Desligue o motor durante o reabastecimento de combustível, mantenha-se longe das chamas abertas e não fume.
- Certifique-se de que produtos de óleo mineral não entram em contacto com a pele. Não inale o vapor do combustível. Use sempre luvas protectoras durante o reabastecimento. Mude e limpe a roupa protectora em intervalos regulares.
- Para evitar contaminação do solo (protecção ambiental), certifique-se de que não derrama combustível ou óleo no chão. Limpe a Roçadeira A Gasolina imediatamente após o derramamento de combustível.
- Certifique-se de que o combustível não entra em contacto com as roupas. Se o combustível entrar em contacto com as suas roupas, mude essas roupas imediatamente (para evitar um incêndio).
- Inspeccione a tampa de combustível em intervalos regulares para se certificar de que está bem seguro e não pinga.
- Aperte, com cuidado, a tampa do depósito de combustível. Mude de local para arrancar o motor (pelo menos a 3 metros de distância de onde reabasteceu).
- Nunca reabasteça num espaço fechado. Os vapores de combustível acumulam ao nível do solo (risco de explosões).
- Transporte e armazene o combustível apenas em recipientes aprovados. Certifique-se de que o combustível armazenado não é acessível a crianças.



Método de funcionamento

- Utilize apenas com boa luz e visibilidade. Durante a época de Inverno, tenha cuidado com áreas escorregadias ou molhadas, gelo e neve (risco de escorregar). Certifique-se sempre de que tem um apoio seguro.
- Nunca corte acima da altura dos ombros.
- Nunca suba para uma escada.
- Nunca trepe árvores para efectuar uma operação de corte.
- Nunca trabalhe em superfícies instáveis.
- Remova areia, pedras, pregos etc encontrados na área de trabalho.
- Antes de começar a cortar, certifique-se de que o implemento de corte atingiu a velocidade de funcionamento completa.
- Oscile a Roçadeira A Gasolina de maneira uniforme. Se relva ou ramos ficarem presos entre o implemento de corte e o resguardo, desligue sempre o motor antes da limpeza. Caso contrário, a rotação não intencional do implemento pode provocar ferimentos graves.
- Descanse para evitar a perda de controlo causada pela fadiga. É aconselhável descansar 10 a 20 minutos por cada hora.

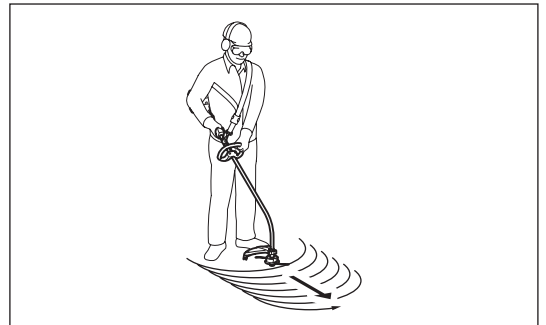


Implementos de corte

- Nunca utilize lâminas metálicas incluindo correntes oscilantes metálicas de várias peças e lâminas tipo mangual. Caso contrário, o contacto com a lâmina pode provocar ferimentos graves.

Vibração

- As pessoas com má circulação que sejam expostas a vibrações excessivas podem sofrer ferimentos nos vasos sanguíneos ou no sistema nervoso. As vibrações podem causar os seguintes sintomas nos dedos, mãos ou pulsos: “Adormecimento” (falta de sensação), formigueiro, dor, sensação de picadas, alteração da cor da pele ou da própria pele. Se ocorrer qualquer um destes sintomas, consulte um médico!
- Para reduzir o risco de “doença de Raynaud”, mantenha as suas mãos quentes durante a operação e tenha sempre o equipamento e os acessórios limpos.



Instruções de manutenção

- Solicite o nosso centro de assistência autorizado para efectuar a manutenção do equipamento, utilizando sempre peças de reposição genuínas. Uma reparação incorrecta e uma manutenção fraca podem encurtar a vida útil do equipamento e aumentar o risco de acidentes.
- O estado do equipamento, em particular do implemento de corte dos dispositivos de protecção e tem de ser verificado antes de iniciar o trabalho.
- Desligue o motor e remova o conector da vela de ignição ao substituir ou afiar os implementos de corte, e também ao limpar a roçadeira ou implemento de corte.
- Tenha cuidado com o ambiente. Evite utilizar desnecessariamente o acelerador para reduzir as emissões de poluição e ruído. Afine correctamente o carburador.
- Limpe o equipamento em intervalos regulares e certifique-se de que todos os parafusos estão bem apertados.
- Nunca efectue manutenção ou guarde o equipamento perto de chamas.
- Guarde sempre o equipamento em salas fechadas e com um depósito de combustível esvaziado.



Observe as instruções de prevenção de acidentes relevantes emitidas pelas associações comerciais relevantes e companhias de seguros. Não efectue quaisquer modificações no equipamento, pois isto estará a comprometer a sua segurança.

O desempenho do trabalho de manutenção ou reparação pelo utilizador é limitado às actividades descritas no manual de instruções. O resto do trabalho deverá ser efectuado por um Agente de Serviço Autorizado. Utilize apenas partes sobressalentes genuínas e acessórios lançados e fornecidos pela DOLMAR.

Utilizar acessórios e ferramentas não aprovados provocará um risco maior de acidentes.

A DOLMAR não aceitará qualquer responsabilização por acidentes ou danos provocados pela utilização de implementos de corte não aprovados e dispositivos de fixação de implementos de corte ou acessórios.

Primeiros-socorros

Em caso de acidente, certifique-se de que uma caixa de primeiros socorros está disponível nas proximidades das operações de corte. Substitua imediatamente qualquer item retirado da caixa de primeiros socorros.

Ao pedir ajuda, forneça a seguinte informação:

- Local do acidente
- O que aconteceu?
- Número de pessoas feridas
- Tipo de ferimentos
- O seu nome



DADOS TÉCNICOS LT-245.4

Modelo		LT-245.4		
		Pega fechada		
Dimensões: comprimento x largura x altura (sem o implemento de corte)		mm	1.623 x 290 x 464	
Diâmetro de corte		mm	412	
Massa (sem resguardo de plástico e implemento de corte)		kg	4,9	
Volume (depósito de combustível)		L	0,5	
Volume (depósito de óleo)		L	0,08	
Deslocamento do motor		cm ³	24,5	
Desempenho máximo do motor		kw	0,71 a 7.000 min ⁻¹	
Velocidade do motor a velocidade de rotação máxima recomendada		min ⁻¹	10.000	
Rotação de frequência máxima do eixo		min ⁻¹	7.750	
Máximo consumo de combustível		kg/h	0,33	
Máximo consumo de combustível específico		g/kwh	408	
Velocidade em marcha lenta		min ⁻¹	3.000	
Velocidade da embraiagem		min ⁻¹	3.750	
Carburador		tipo	WALBRO WYL	
Sistema de ignição		tipo	Ignição de estado sólido	
Vela de ignição		tipo	NGK CMR4A	
Separação de eléctrodos		mm	0,7 - 0,8	
Vibração por ISO 22867	Pega direita (Cabo traseiro)	a _{hv eq}	m/s ²	5,4
		Incerteza K	m/s ²	1,0
	Pega esquerda (Cabo dianteiro)	a _{hv eq}	m/s ²	5,3
		Incerteza K	m/s ²	0,9
Média do nível de pressão sonora de acordo com ISO 22868	L _{PA eq}	dBA	93,3	
		Incerteza K	dBA	2,8
Média do nível de potência sonora de acordo com ISO 22868	L _{WA eq}	dBA	102,5	
		Incerteza K	dBA	1,7
Combustível		Gasolina		
Óleo do motor		Óleo 10W-30 SAE de classificação API, Classe SF ou superior (motor a 4 tempos para automóvel)		

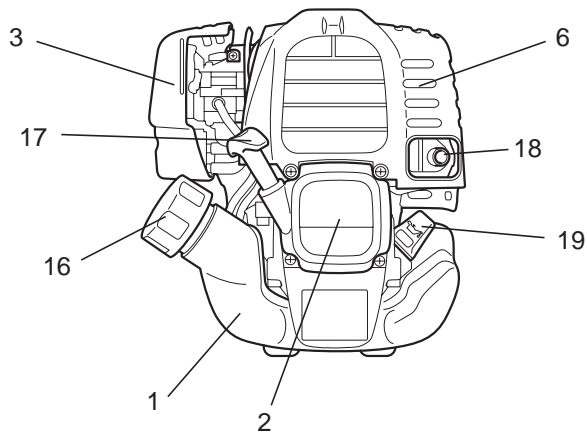
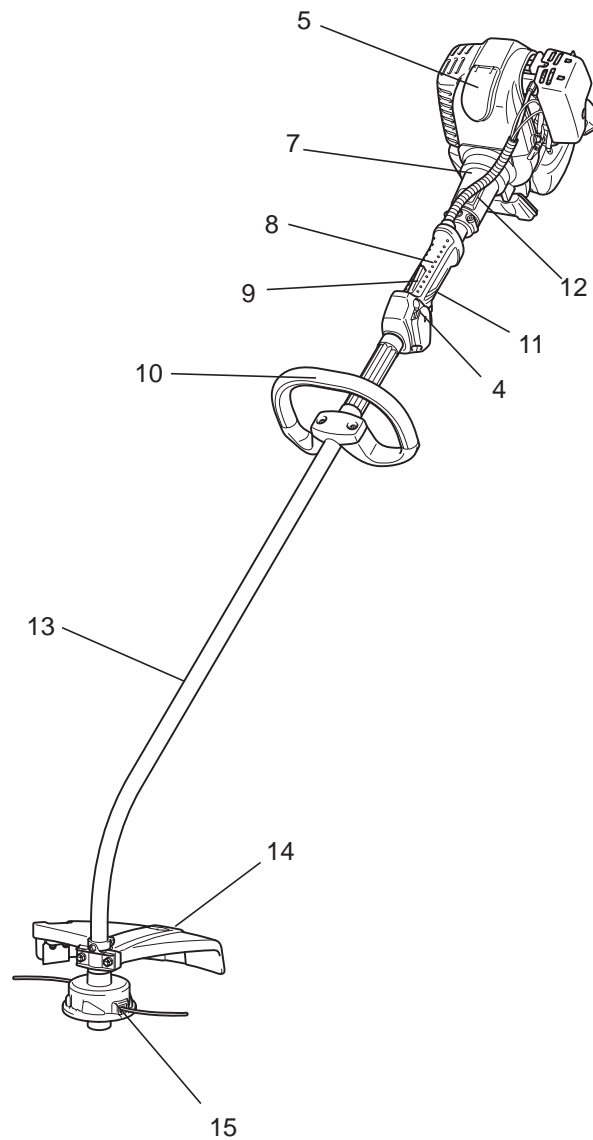
DECLARAÇÃO DE CONFORMIDADE CE

Apenas para países europeus

A declaração de conformidade CE está incluída como Anexo A neste manual de instruções.

DESIGNAÇÃO DE PEÇAS

LT-245.4



P	DESIGNAÇÃO DE PEÇAS
1	Depósito de combustível
2	Arrancador de rebobinamento
3	Filtro
4	Botão I-O (ligar/desligar)
5	Vela de ignição
6	Silenciador de escape
7	Embraiagem
8	Cabo traseiro
9	Alavanca de bloqueio
10	Pega
11	Alavanca do acelerador
12	Cabo de controlo
13	Eixo
14	Protector (Resguardo do implemento de corte)
15	Cabeça de corte em nylon
16	Tampa do depósito de combustível
17	Manípulo de arranque
18	Tubo de escape
19	Indicador do nível de óleo

MONTAGEM DA PEGA

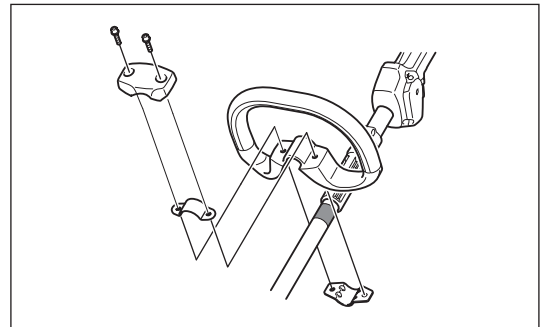
⚠ PRECAUÇÃO: Antes de efectuar qualquer trabalho no equipamento, desligue sempre o motor e retire o conector da vela de ignição da vela de ignição. Use sempre luvas de protecção!

⚠ PRECAUÇÃO: Ligue o motor unicamente após a montagem completa.

Para máquinas com modelos de pega fechada

- Fixe a pega fechada no eixo, como mostrado.
- Certifique-se de que o espaçador no tubo do eixo está situado entre o conjunto da pega e a outra pega. Não remova nem encolha o espaçador.

NOTA: Em certos países, o espaçador não é fornecido com a ferramenta. Nesse caso, alinhe a pega com o lado mais afastado da linha, indicado pelas setas.



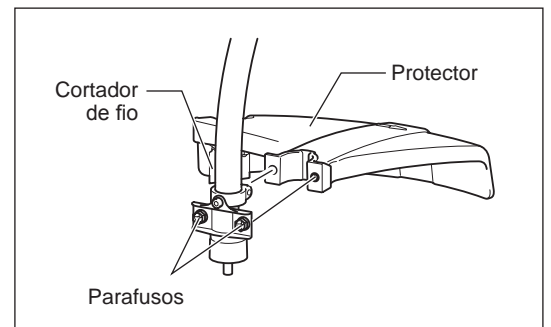
MONTAGEM DO PROTECTOR

Para obedecer às provisões de segurança aplicáveis, apenas devem ser utilizadas as combinações de ferramenta/protector indicadas na tabela.

⚠ PRECAUÇÃO: Não toque no cortador de fio no protector. Tocar no cortador de fio com as mãos desprotegidas pode resultar em ferimentos.

O protector deve estar instalado para manter o comprimento do fio de corte em nylon e proteger o operador contra a projecção de pedras e detritos. Coloque o protector da seguinte forma.

1. Coloque o protector de forma a que a saliência no eixo encaixe na ranhura no protector.
2. Aperte os dois parafusos.



MONTAGEM DA CABEÇA DE CORTE EM NYLON

⚠ AVISO: Nunca utilize lâminas de corte.

Certifique-se de que utiliza cabeças de corte em nylon da DOLMAR genuínas.

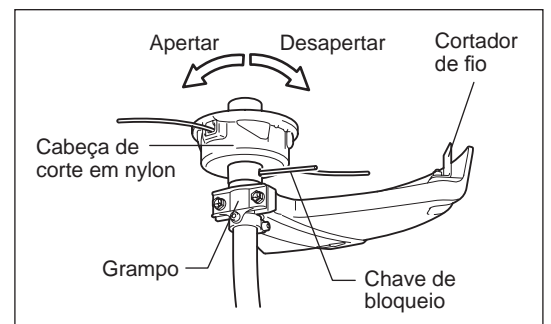
- Se a cabeça de corte em nylon for de encontro a uma pedra durante o funcionamento, pare o motor e verifique a cabeça de corte em nylon imediatamente.

⚠ PRECAUÇÃO: Não toque no cortador de fio no protector. Tocar no cortador de fio com as mãos desprotegidas pode resultar em ferimentos.

Coloque a cabeça de corte em nylon da seguinte forma.

1. Insira a chave de bloqueio através do orifício no grampo. Rode-os enquanto prime a chave de bloqueio, até que tranquem.
2. Aperte uma cabeça de corte em nylon no eixo, rodando para a direita. Certifique-se de que está bem fixa.
3. Retire a chave de bloqueio.

Para remover a cabeça de corte em nylon, rode-a para a esquerda.



ANTES DE INICIAR O FUNCIONAMENTO

Inspecção e reabastecimento de óleo do motor

- Execute o procedimento seguinte, com o motor arrefecido.
- Enquanto mantém o motor nivelado, retire o indicador do nível de óleo e confirme que o óleo é abastecido dentro das marcas de limite máximo e mínimo.
Quando o nível de óleo estiver tão baixo que o óleo só alcança a ponta do indicador do nível de óleo, particularmente com o indicador do nível de óleo introduzido no cárter sem aparafusar (Fig. 1), reabasteça óleo novo perto da entrada (Fig. 2).
- Para referência, o tempo de abastecimento de óleo é cerca de 10 h (10 vezes ou 10 depósitos de abastecimento de óleo).
Se o óleo mudar de cor ou misturar-se com sujidade, substitua por um óleo novo. (Para o intervalo e método de substituição, consulte P 122)

Óleo recomendado: Óleo 10W-30 SAE de classificação API, Classe SF ou superior (motor a 4 tempos para automóvel)

Volume de óleo: Aprox. 0,08 L

NOTA: Se o motor não for mantido na vertical, o óleo pode entrar em torno do motor e abastecer de forma excessiva.
Se o óleo estiver acima do limite, o óleo pode estar contaminado ou pode incendiar-se com fumo branco.

Ponto 1 sobre a Substituição do óleo: “Indicador do nível de óleo”

- Retire qualquer sujidade perto da entrada de abastecimento do óleo e desencaixe o indicador do nível de óleo.
- Mantenha o indicador do nível de óleo limpo. Caso contrário, qualquer sujidade que adira ao indicador do nível de óleo pode causar uma circulação de óleo irregular ou desgaste nas peças do motor, que irá resultar em problemas.
- Como exemplo para manter o indicador do nível de óleo limpo, é aconselhável introduzir o indicador do nível de óleo do lado do manípulo na tampa do motor, como mostrado na Fig 3.

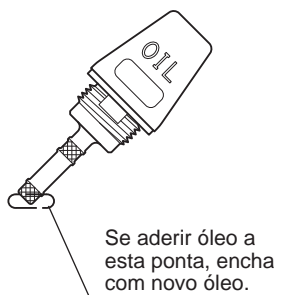


Fig. 1

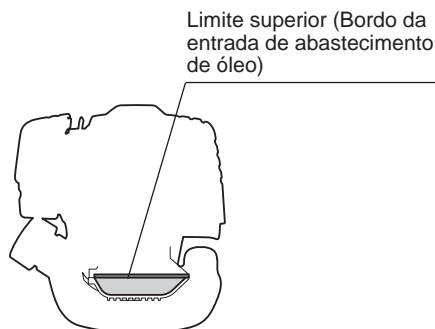


Fig. 2

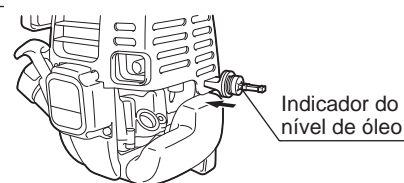
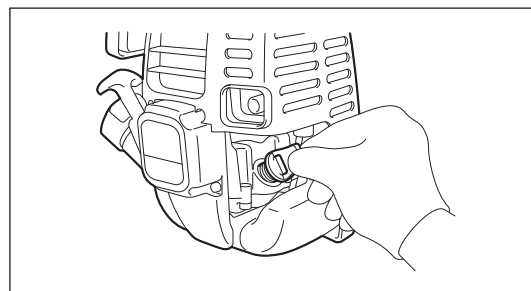
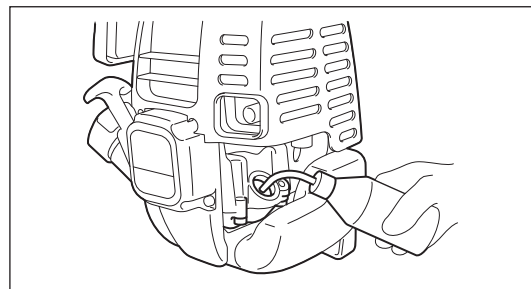


Fig. 3

(1) Mantenha o motor nivelado e desencaixe o indicador do nível de óleo.



(2) Abasteça óleo até ao bordo da entrada de abastecimento de óleo.
(Consulte a Fig. 2).
Introduza óleo com o recipiente de abastecimento de lubrificante.



(3) Aperte de forma segura o indicador do nível de óleo. Um aperto insuficiente pode causar fugas de óleo.

Nota

- Não substitua o óleo com o motor numa posição inclinada.
- Abastecer com óleo enquanto o motor está inclinado resulta no abastecimento excessivo que causa contaminação de óleo e/ou fumo branco.

Ponto 2 sobre a Substituição do óleo: “Em caso de derrames de óleo”

- Em caso de derrames de óleo entre o depósito de combustível e a unidade principal do motor, o óleo é aspirado pela porta de entrada do ar de refrigeração, que irá contaminar o motor. Certifique-se de que limpa o óleo derramado antes de iniciar o funcionamento.

ABASTECIMENTO

Lidar com o combustível

É necessário muito cuidado ao lidar com o combustível. O combustível pode conter substâncias semelhantes a solventes. O abastecimento tem de ser executado numa sala bem ventilada ou no exterior. Não inale vapores do combustível e evite qualquer contacto de combustível ou óleo com a sua pele. O contacto prolongado da sua pele com o combustível fará com que a sua pele fique extremamente seca, o que pode resultar em doenças de pele ou alergia. Se entrar combustível nos seus olhos, lave-os imediatamente com água limpa. Se os seus olhos ainda estiverem irritados, consulte imediatamente um médico.

Período de abastecimento de combustível

O combustível deve ser utilizado num período de 4 semanas, mesmo se for mantido num recipiente especial num local bem ventilado. Caso contrário, o combustível pode deteriorar-se num dia.

ARMAZENAMENTO DA MÁQUINA E DEPÓSITO DE ABASTECIMENTO

- Mantenha a máquina e o depósito num local fresco sem luz solar directa.
- Nunca guarde o combustível num carro.

Combustível

O motor é um motor a quatro tempos. Utilize gasolina para automóveis sem chumbo com 87 ou mais octanas ((R+M)/2). Não pode conter mais de 10% de álcool (E-10).

Observações sobre o combustível

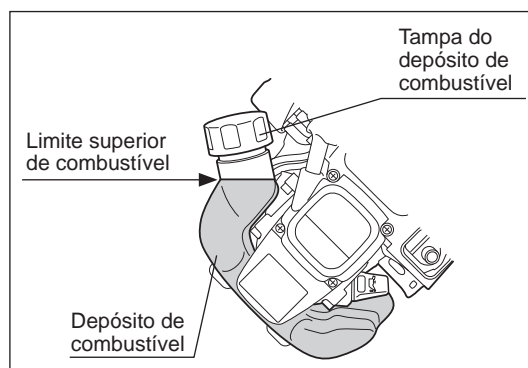
- Nunca utilize uma mistura de gasolina com óleo do motor. Caso contrário, causa uma acumulação excessiva de carbono ou problemas mecânicos.
- A utilização de óleo deteriorado irá causar um arranque irregular.

Abastecimento

⚠ AVISO: INFLAMÁVEIS ESTRITAMENTE PROIBIDOS

Gasolina usada: Gasolina para automóveis sem chumbo, 87 ou mais octanas.
Não superior a 10% de álcool (E-10).

- Desaperte a tampa do depósito de modo a não haver diferenças na pressão atmosférica.
- Desencaixe a tampa do depósito e abasteça, descarregar o ar inclinando o depósito de combustível de modo a que a entrada de abastecimento esteja na vertical. (Nunca abasteça combustível ao máximo na entrada de abastecimento de óleo.)
- Limpe rigorosamente a área em torno da tampa do depósito para evitar que entre sujidade no depósito de combustível.
- Após o abastecimento, aperte bem a tampa do depósito.
- Se a tampa do depósito tiver falhas ou danos, substitua-a.
- A tampa do depósito é consumível e, por isso, deve ser substituída a cada dois ou três anos.



PONTOS SOBRE O FUNCIONAMENTO E COMO PARAR

Leia os regulamentos sobre prevenção de acidentes aplicáveis!

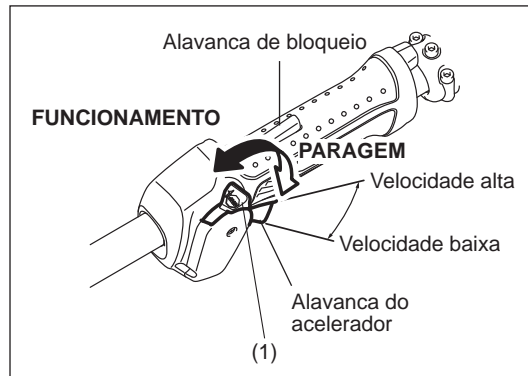


INÍCIO

Desloque no mínimo 3 m longe do local de abastecimento. Coloque a unidade no chão, tendo cuidado para que o implemento de corte não entre em contacto com o chão ou quaisquer outros objectos.

A: Arranque a frio

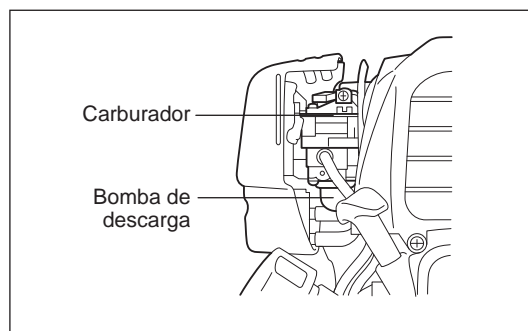
- 1) Monte esta máquina num espaço plano.
- 2) Regule o botão I-O (1) para FUNCIONAMENTO.



- 3) Bomba de descarga

Continue a empurrar a bomba de descarga até o combustível entrar na bomba de descarga. (Normalmente, o combustível entra na bomba de descarga após 7 a 10 empurrões.)

Se a bomba de descarga for empurrada em demasia, um excesso de gasolina regressa ao depósito de combustível.



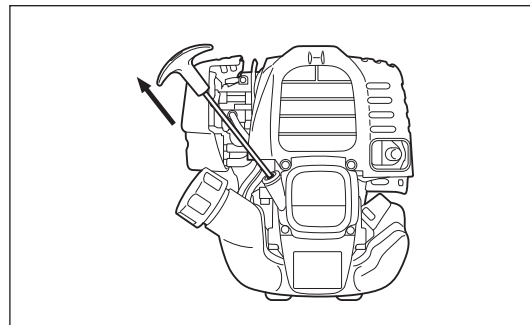
- 4) Fio de arranque

Puxe o manípulo de arranque suavemente até ficar difícil de puxar (ponto de compressão). De seguida, alivie o manípulo de arranque e puxe com força.

Nunca puxe a corda ao máximo. Assim que o manípulo de arranque for puxado, nunca solte a mão imediatamente. Segure o manípulo de arranque até este voltar ao ponto de origem.

- 5) Operação de aquecimento

Continue a operação de aquecimento durante 2 a 3 minutos.



NOTA: Em caso de entrada excessiva de combustível (afogamento), remova a vela de ignição e puxe a pega de arranque lentamente para remover o combustível em excesso. Também deverá limpar a secção dos eléctrodos da vela de ignição.

B: Arranque após operação de aquecimento

- 1) Empurre a bomba de descarga repetidamente.
- 2) Mantenha a alavanca do acelerador na posição de marcha lenta.
- 3) Puxe o fio de arranque com força.
- 4) Se for difícil arrancar o motor, abra o regulador de velocidade cerca de 1/3.

Atenção durante a utilização

Quando o motor for utilizado virado ao contrário, pode sair fumo branco do escape.

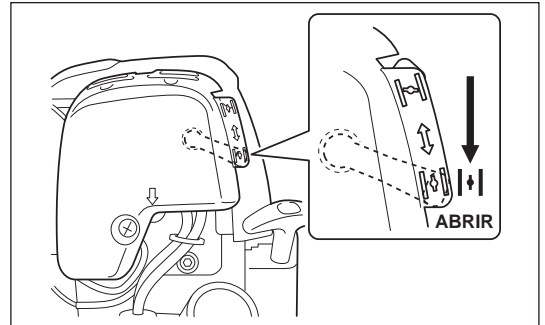
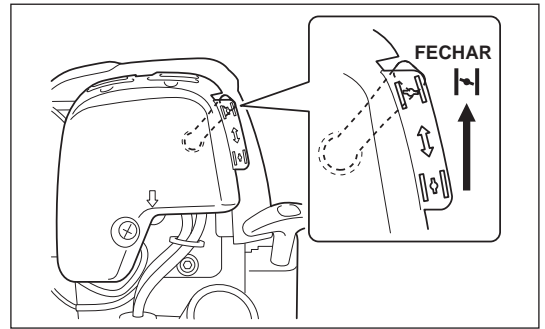
Em certos períodos, como o Inverno, quando é difícil ligar o motor

Utilize a alavanca do afogador com o procedimento seguinte ao ligar o motor.

- Após implementar os passos de arranque 1) a 3), coloque a alavanca do afogador na posição FECHAR.
- Implemente o passo de arranque 4) e ligue o motor.
- Assim que o motor arrancar, coloque a alavanca do afogador na posição ABRIR.
- Implemente o passo de arranque 5) e conclua o aquecimento.

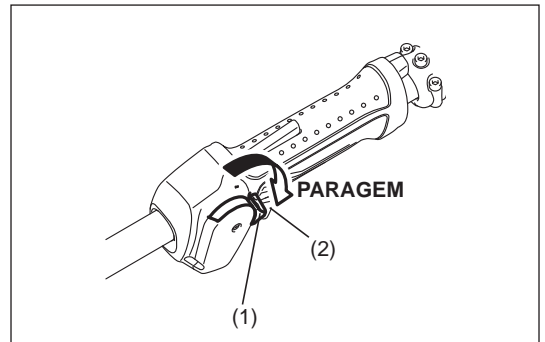
⚠ PRECAUÇÃO: Se ouvir um estouro (som explosivo) e o motor parar ou se o motor acabado de ligar parar antes de utilizar a alavanca do afogador, coloque a alavanca do afogador na posição ABRIR e puxe o manípulo de arranque algumas vezes para ligar o motor.

⚠ PRECAUÇÃO: Se a alavanca do afogador permanecer na posição FECHAR e se simplesmente puxar várias vezes o manípulo de arranque, será aspirado demasiado combustível e o motor terá dificuldades ao ligar.



PARAR

- 1) Solte totalmente a alavanca do acelerador (2) e quando as rpm do motor tiverem baixado, regule o botão I-O para PARAGEM, o motor irá parar.
- 2) Note que a cabeça de corte poderá não parar imediatamente e deixe sempre que ela abrande e pare completamente por si própria.

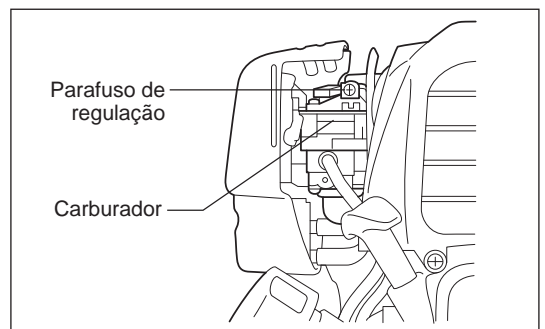


AJUSTE DE ROTAÇÃO DE BAIXA VELOCIDADE (MARCHA LENTA)

Quando é necessário ajustar a rotação de baixa velocidade (marcha lenta), efectue através do parafuso de regulação do carburador.

VERIFICAÇÃO DA ROTAÇÃO DE BAIXA VELOCIDADE

- Regule a rotação de baixa velocidade para 3.000 min⁻¹. Se for necessário alterar a rotação de baixa velocidade (ralenti), utilize uma chave de fendas phillips no parafuso ilustrado à direita.
- Rode o parafuso de regulação para a direita e a rotação do motor irá aumentar. Rode o parafuso de regulação para a esquerda e a rotação do motor irá diminuir.
- O carburador é normalmente regulado antes do envio. Se for necessário reajustá-lo, contacte um Agente de Serviço Autorizado.



A CABEÇA DE CORTE EM NYLON

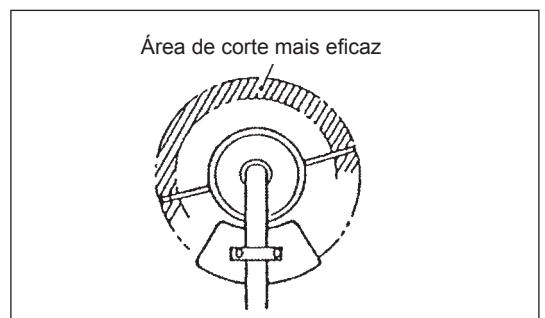
Durante o funcionamento, utilize a ponta do fio de corte em nylon para cortar.

Alimentar o fio de corte em nylon

À medida que o fio de corte em nylon se gasta e fica mais curto com a operação de corte, o operador tem de o alimentar manualmente.

Para alimentar o fio de corte em nylon, toque a cabeça de corte em nylon no chão enquanto estiver a rodar a cerca de 6.000 min⁻¹.

NOTA: Se o fio de corte em nylon não sair, rebobine-o.



Substituir o fio de nylon

⚠ AVISO: Certifique-se de que a tampa da cabeça de corte em nylon está fixa à armação adequadamente, como descrito abaixo. A má fixação da tampa pode fazer com que a cabeça de corte em nylon seja projectada resultando em ferimentos pessoais graves.

Pressione as linguetas da armação e levante para retirar a tampa. Elimine qualquer fio de nylon restante.

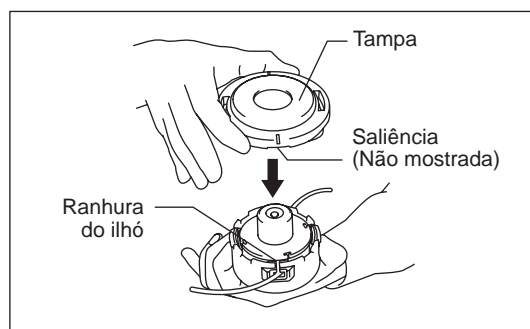
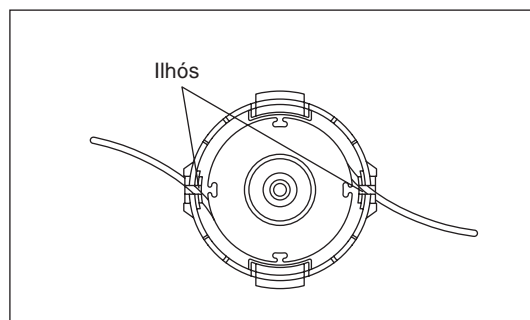
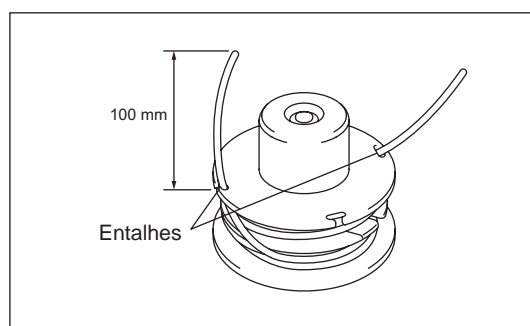
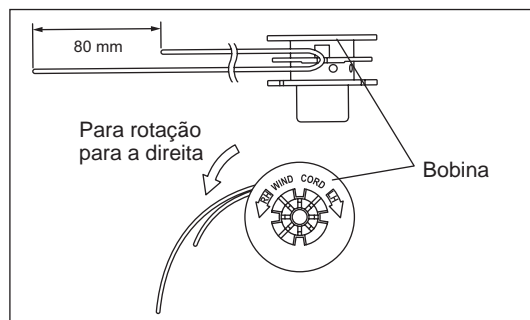
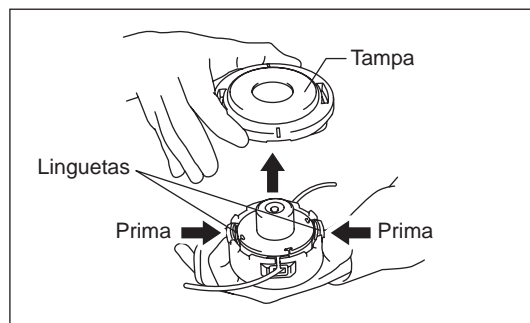
Engate o meio do novo fio de nylon no entalhe situado no centro da bobina entre os 2 canais fornecidos para o fio de nylon. Um lado do fio deve ser cerca de 80 mm maior do que o outro lado.

Enrole ambas as extremidades na bobina no sentido marcado na cabeça para direcção para a direita, indicada por RH.

Enrole tudo excepto cerca de 100 mm dos fios, deixando as extremidades temporariamente presa através do entalhe no lado da bobina.

Monte a bobina na armação para que as ranhuras e as saliências na bobina correspondam com as da armação. Agora, desengate as extremidades do fio da posição temporária e forneça os fios pelos ilhós para saírem pela armação.

Alinhe a saliência no lado inferior da tampa com as ranhuras dos ilhós. De seguida, empurre firmemente na armação para a fixar. Certifique-se de que as linguetas estão totalmente espalhadas na tampa.



INSTRUÇÕES DE SERVIÇO

⚠ PRECAUÇÃO: Antes de efectuar qualquer trabalho no equipamento, desligue sempre o motor e retire a tampa da vela de ignição (ver "verificar a vela de ignição").
Use sempre luvas de protecção!

Para garantir um longo tempo de funcionamento e para evitar quaisquer danos no equipamento, as seguintes operações de serviço devem ser executadas em intervalos regulares.

Inspeção e manutenção diárias

- Antes do funcionamento, verifique se existem parafusos soltos na máquina ou se faltam peças. Tome atenção ao aperto da cabeça de corte em nylon.
- Antes do funcionamento, verifique sempre a passagem de ar de refrigeração e as alhetas do cilindro por obstruções. Limpe-as se necessário.
- Efectue o seguinte trabalho diariamente após a utilização:
 - Limpe o equipamento externamente e inspecione por danos.
 - Limpe o filtro de ar. Ao trabalhar em condições de muito pó, limpe o filtro várias vezes por dia.
 - Verifique se a cabeça de corte em nylon está danificada e certifique-se de que está devidamente montada.
 - Verifique se existe diferença suficiente entre as velocidades de marcha lenta e de embraiagem para se certificar de que o implemento de corte está num ponto de imobilização enquanto o motor está em marcha lenta (se necessário, reduza a velocidade de marcha lenta). Se em condições de marcha lenta a ferramenta ainda continuar a funcionar, consulte o Agente de Serviço Autorizado mais próximo.
- Verifique o funcionamento do botão I-O, a alavanca de bloqueio, a alavanca do acelerador e o botão de bloqueio.

SUBSTITUIÇÃO DO ÓLEO DO MOTOR

Um óleo do motor deteriorado irá encurtar muito a vida útil das peças deslizantes e rotativas. Certifique-se de que verifica o período e quantidade de substituição.



ATENÇÃO: Normalmente, a unidade principal do motor e o óleo do motor ainda permanecem quentes logo após a paragem do motor. Aquando da substituição do óleo, confirme que a unidade principal do motor e o óleo do motor estão suficientemente arrefecidos. Caso contrário, pode existir um risco de queimadura.

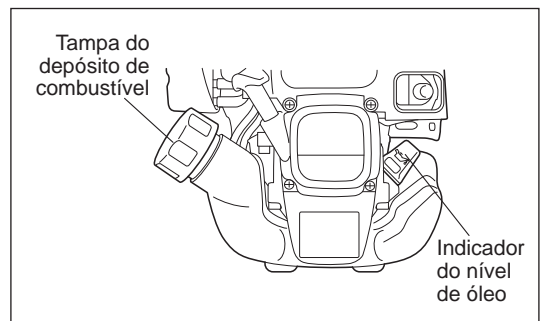
NOTA: Se o óleo estiver acima do limite, pode estar contaminado ou pode incendiar-se com fumo branco.

Intervalo de substituição: Inicialmente, após 20 horas de funcionamento e, depois, a cada 50 horas de funcionamento

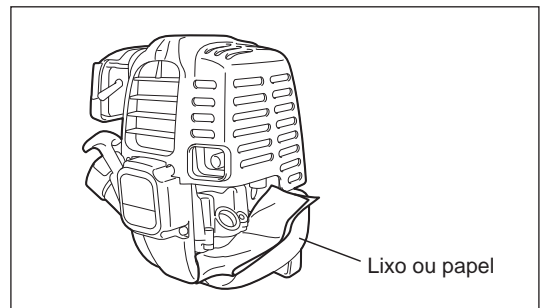
Óleo recomendado: Óleo 10W-30 SAE de classificação API, Classe SF ou superior (motor a 4 tempos para automóvel)

Aquando da substituição, execute o procedimento seguinte.

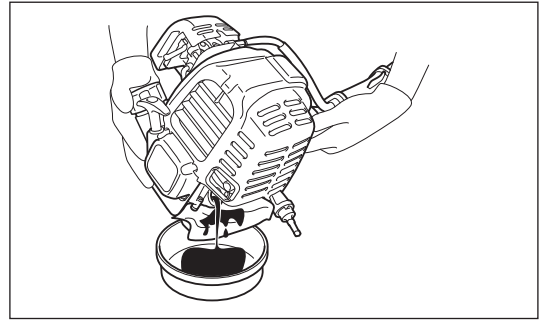
- 1) Confirme que a tampa do depósito está bem apertada.
- 2) Desencaixe o indicador do nível de óleo.
Mantenha o indicador do nível de óleo limpo.



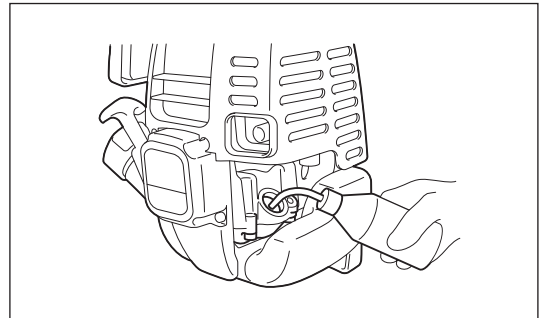
- 3) Coloque lixo ou papel perto da entrada de abastecimento do óleo.



- 4) Desencaixe o indicador do nível de óleo, e drene o óleo, inclinando a unidade principal para a entrada de abastecimento de óleo. Drene o óleo num recipiente para uma eliminação adequada.



- 5) Mantenha o motor nivelado e abasteça óleo até ao bordo da entrada de abastecimento de óleo. Aquando do abastecimento, utilize um recipiente de abastecimento de lubrificante.
- 6) Após o abastecimento, aperte de forma segura o indicador do nível de óleo. Um aperto insuficiente do indicador do nível de óleo irá originar fugas de óleo.



PONTOS SOBRE O ÓLEO

- Nunca elimine o óleo do motor substituído no lixo, terra ou sarjeta. A eliminação do óleo está regulada por lei. Aquando da eliminação, siga sempre as respectivas leis e regulações. Para quaisquer pontos que permaneçam desconhecidos, contacte o Agente de Serviço Autorizado.
- O óleo irá deteriorar mesmo quando não é utilizado. Execute a inspeção e a substituição a intervalos regulares (substitua por óleo novo a cada 6 meses).

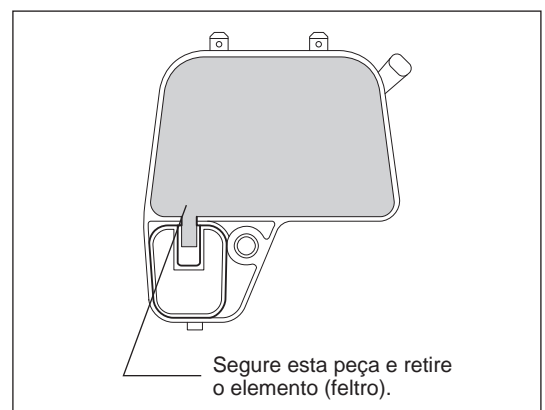
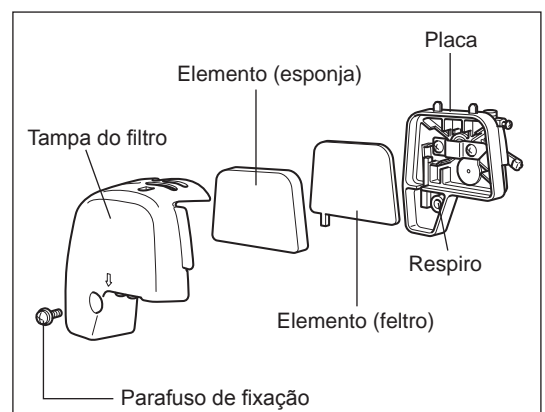
LIMPEZA DO FILTRO



PERIGO: INFLAMÁVEIS ESTRITAMENTE PROIBIDOS

Intervalo de limpeza e inspeção: Diariamente (a cada 10 horas de funcionamento)

- Rode a alavanca do afogador para o lado totalmente fechado e mantenha o carburador longe de qualquer pó ou sujidade.
- Remova os parafusos de fixação da tampa do filtro.
- Coloque o lado inferior da tampa e desencaixe a tampa do filtro.
- Se o óleo aderir ao elemento (esponja), esprema-o firmemente.
- Em caso de forte contaminação:
 - 1) Retire o elemento (esponja), coloque-o dentro de água quente ou detergente neutro solúvel na água e seque-o por completo.
 - 2) Limpe o elemento (feltro) com gasolina e seque-o por completo.
- Antes de encaixar o elemento, certifique-se de o seca por completo. Uma secagem incompleta do elemento pode provocar um arranque difícil.
- Limpe com um pano de desperdícios o óleo residual em torno da tampa do filtro e do respiro da placa.
- Imediatamente após o final da limpeza, encaixe a tampa do filtro e aperte-a com parafusos de fixação. (Aquando da montagem, coloque primeiro a garra superior e depois a garra inferior.)



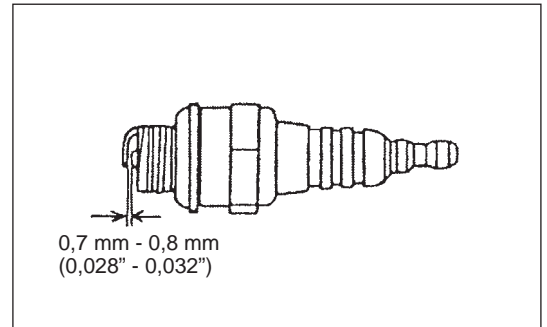
Pontos sobre o manuseamento do elemento do filtro

- Limpe o elemento várias vezes ao dia, em caso de excesso de pó.
- Se o funcionamento continuar com o elemento ainda com óleo, o óleo no filtro pode transbordar resultando em contaminação do óleo.

VERIFICAR A VELA DE IGNIÇÃO

- Utilize apenas a chave universal fornecida para remover ou instalar a vela de ignição.
- O espaço entre os dois eléctrodos da vela de ignição deverá estar a 0,7 – 0,8 mm. Se o espaço for demasiado largo ou estreito, ajuste-o. Se a vela de ignição estiver entupida ou contaminada, limpe-a rigorosamente ou substitua-a.

⚠ PRECAUÇÃO: Nunca toque no conector da vela de ignição enquanto o motor estiver a trabalhar (perigo de choque eléctrico de alta tensão).



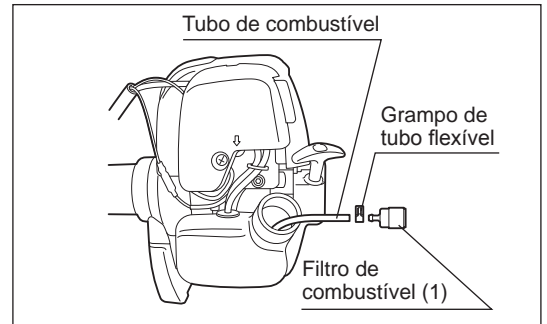
LIMPEZA DO FILTRO DE COMBUSTÍVEL

⚠ AVISO: INFLAMÁVEIS ESTRITAMENTE PROIBIDOS

Intervalo de limpeza e inspecção: Mensalmente (a cada 50 horas de funcionamento)

Cabeça de sucção no depósito de combustível

- O filtro de combustível (1) da cabeça de sucção é utilizado para filtrar o combustível requerido pelo carburador.
- Deve ser efectuada uma inspecção periódica do filtro de combustível. Para isso, abra a tampa do depósito, utilize um gancho metálico e retire a cabeça de sucção pela abertura do depósito. Os filtros que estiverem duros, poluídos ou obstruídos, devem ser substituídos.
- Um fornecimento de combustível insuficiente pode resultar no exceder da velocidade máxima permitível. Por isso, é importante substituir o filtro de combustível a cada três meses para garantir um fornecimento adequado de combustível para o carburador.



SUBSTITUIÇÃO DO TUBO DE COMBUSTÍVEL

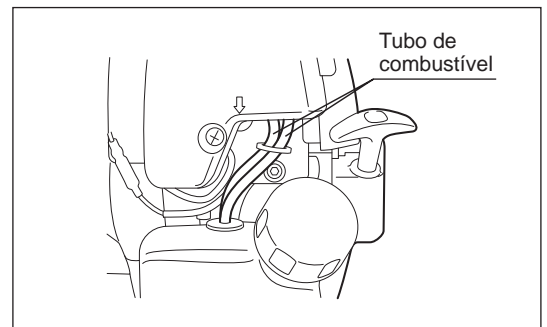
⚠ PRECAUÇÃO: INFLAMÁVEIS ESTRITAMENTE PROIBIDOS

Intervalo de limpeza e inspecção: Diariamente (a cada 10 horas de funcionamento)

Substituição: Anualmente (a cada 200 horas de funcionamento)

Substitua o tubo de combustível todos os anos, independentemente da frequência de funcionamento. As fugas de combustível podem provocar um incêndio.

Se detectar alguma fuga durante a inspecção, substitua o tubo de combustível imediatamente.



INSPECÇÃO DE PARAFUSOS E PORCAS

- Reaperte parafusos e porcas desapertados, etc.
- Inspeccione por fugas de combustível e óleo.
- Substitua as peças danificadas por peças novas para um funcionamento seguro.

LIMPEZA DAS PEÇAS

- Mantenha sempre o motor limpo.
- Mantenha as alhetas do cilindro limpas. O pó ou sujidade que adira às alhetas irá causar falha do êmbolo.

SUBSTITUIÇÃO DAS JUNTAS E EMPANQUES

Aquando da montagem após o motor estar desmontado, certifique-se de que substitui as juntas e os empanques por uns novos. Qualquer manutenção de ajuste que não esteja incluído e descrito neste manual deve ser efectuada apenas pelos Agentes de Serviço Autorizados.

ARMAZENAMENTO



AVISO: Quando purgar o combustível, certifique-se de que pára o motor e deixa o motor arrefecer.
Logo após a paragem do motor, este pode ainda estar quente correndo o risco de queimaduras, inflamabilidade e incêndio.



ATENÇÃO: Quando a máquina não é utilizada durante um longo período, purgue todo o combustível do depósito de combustível e carburador e guarde-a num local seco e limpo.

- Purgue o combustível do depósito de combustível e carburador de acordo com o procedimento seguinte:
 - 1) Retire a tampa do depósito de combustível e purgue o combustível por completo.
Se restar algumas substâncias estranhas no depósito de combustível, retire-as por completo.
 - 2) Retire o filtro de combustível da entrada de abastecimento utilizando um fio.
 - 3) Empurre a bomba de descarga até purgar combustível e purgue o combustível que entra no depósito de combustível.
 - 4) Coloque novamente o filtro no depósito de combustível e aperte bem a tampa do depósito de combustível.
 - 5) De seguida, continue a operar o motor até parar.
- Retire a vela de ignição e goteje várias gotas de óleo do motor pelo orifício da vela de ignição.
- Puxe suavemente a pega de arranque para que o óleo do motor se espalhe pelo motor e encaixe a vela de ignição.
- No geral, armazene a máquina na posição horizontal. Se não for possível, coloque a máquina de modo a que o motor fique abaixo da ferramenta de corte. Caso contrário, pode ocorrer uma fuga de óleo do motor.
- Tenha sempre o cuidado de armazenar a máquina num local seguro para evitar danos na mesma e ferimentos pessoais.
- Guarde o combustível purgado num recipiente especial num local bem ventilado.

Atenção após armazenamento de longa duração

- Antes do arranque após paragem de longa duração, certifique-se de que substitui o óleo (consulte P 122). O óleo irá deteriorar enquanto a máquina não é utilizada.

Identificação de falhas

Avaria	Sistema	Observação	Causa
O motor não arranca ou arranca com dificuldade	Sistema de ignição	Ignição por vela O.K.	Avaria no fornecimento de combustível ou sistema de compressão, defeito mecânico
		Sem ignição por vela	Funcionamento através do botão STOP, avaria na cablagem ou curto-circuito, vela de ignição ou conector defeituoso, módulo de ignição avariado
	Fornecimento de combustível	Depósito de combustível enchido	Posição do afogador incorrecta, carburador defeituoso, linha de fornecimento do combustível dobrada ou bloqueada, combustível sujo
	Compressão	Sem compressão quando parada	Junta inferior do cilindro defeituosa, vedantes da cambota danificados, anéis do pistão ou do cilindro defeituosos ou vedação imprópria da vela de ignição.
Problemas no arranque a quente	Avaria mecânica	Dispositivo de arranque não engrenado	Mola do dispositivo de arranque partida, peças partidas dentro do motor
		Depósito cheio vela de ignição existente	Carburador contaminado, limpe-o
O motor arranca mas morre	Fornecimento de combustível	Depósito cheio	Ajuste da marcha lenta incorrecto, carburador contaminado Ventilação do depósito de combustível defeituosa, linha de fornecimento de combustível interrompida, cabo ou botão STOP avariado
Desempenho insuficiente	Vários sistemas podem estar afectados em simultâneo	Marcha lenta do motor fraca	Filtro de ar contaminado, carburador contaminado, silenciador entupido, conduta de escape no cilindro entupida

Item	Tempo de funcionamento	Antes do funcionamento	Após lubrificação	Diária (10h)	30h	50h	200h	Paragem/repouso	P correspondente
Óleo do motor	Inspeccione	○							117
	Substitua					○*1			122
Peças de aperto (parafuso, porca)	Inspeccione	○							124
Depósito de combustível	Limpe/inspeccione	○							—
	Drenar o combustível							○*3	125
Alavanca do acelerador	Verifique função		○						—
Interruptor de paragem	Verifique função		○						120
Implemento de corte	Inspeccione	○		○					116
Rotação a baixa velocidade	Inspeccione/ajuste			○					120
Filtro	Limpe			○					123
Vela de ignição	Inspeccione			○					124
Entrada do ar de arrefecimento	Limpe/inspeccione			○					124
Tubo de combustível	Inspeccione			○					124
	Substitua						⊙*2		—
Filtro de combustível	Limpe/substitua					○			124
A folga entre a válvula de entrada de ar e a válvula de descarga de ar	Ajuste						⊙*2		—
Revisão do motor							⊙*2		—
Carburador	Drenar o combustível							○*3	125

*1 Efectue a substituição inicial após 20 horas de funcionamento.

*2 Para a inspecção de 200 horas de funcionamento, contacte o Agente de Serviço Autorizado ou loja da máquina.

*3 Após esvaziar o depósito de combustível, deixe o motor em funcionamento e purgue o combustível no carburador.

RESOLUÇÃO DE PROBLEMAS

Antes de efectuar um pedido para reparações, verifique você mesmo o problema. Se encontrar uma anomalia, controle a máquina de acordo com a descrição neste manual. Nunca altere nem desmonte qualquer peça contrária à descrição. Para reparações, contacte o Agente de Serviço Autorizado ou concessionário local.

Estado de anomalia	Causa provável (avaria)	Solução
O motor não arranca	Falha ao operar a bomba de descarga	Empurre 7 a 10 vezes
	Velocidade de puxo baixa da corda de arranque	Puxe com força
	Falta de combustível	Forneça combustível
	Filtro de combustível obstruído	Limpe
	Tubo de combustível dobrado	Endireite o tubo de combustível
	Combustível deteriorado	O combustível deteriorado torna o arranque mais difícil. Substitua por combustível novo. (Substituição recomendada: 1 mês)
	Aspiração excessiva de combustível	Regule a alavanca do acelerador de velocidade média para velocidade elevada e puxe a pega de arranque até o motor arrancar. Assim que o motor arrancar, a cabeça de corte em nylon começa a rodar. Preste muita atenção à cabeça de corte em nylon. Se mesmo assim o motor não pegar, retire a vela de ignição, seque o eléctrodo e monte-os da forma original. De seguida, ligue como especificado.
	Tampa da vela desencaixada	Encaixe bem
	Vela de ignição contaminada	Limpe
	Folga anómala da vela de ignição	Ajuste a folga
	Outra anomalia da vela de ignição	Substitua
	Carburador anómalo	Peça uma inspecção e manutenção.
	A corda de arranque não pode ser puxada	Peça uma inspecção e manutenção.
	Sistema de accionamento anómalo	Peça uma inspecção e manutenção.
O motor pára rapidamente A velocidade do motor não aumenta	Aquecimento insuficiente	Execute a operação de aquecimento
	A alavanca do afogador está regulada para "FECHAR" apesar do motor estar quente.	Regule para "ABRIR"
	Filtro de combustível obstruído	Limpe
	Filtro contaminado ou obstruído	Limpe
	Carburador anómalo	Peça uma inspecção e manutenção.
O implemento de corte não roda.	Sistema de accionamento anómalo	Peça uma inspecção e manutenção.
	O implemento de corte não está bem apertado.	Aperte bem o implemento de corte.
	Ficou preso um galho entre o implemento de corte e o protector.	Retire as substâncias estranhas.
Pare o motor imediatamente!	O sistema de accionamento não funciona correctamente.	Peça ao centro de assistência autorizado Dolmar inspeccionar e reparar.
A unidade vibra de forma anómala.	O implemento de corte está partido.	Substitua o implemento de corte por um novo.
	O implemento de corte não está bem apertado.	Aperte bem o implemento de corte.
	Uma extremidade do fio de corte em nylon quebrou e a cabeça de corte em nylon ficou desequilibrada.	Alimente o fio de corte de nylon tocando a cabeça de corte em nylon no chão.
	O sistema de accionamento não funciona correctamente.	Peça ao centro de assistência autorizado Dolmar inspeccionar e reparar.
Pare o motor imediatamente!	A unidade de alimentação não funciona correctamente.	Consulte o manual de instruções da unidade de alimentação.
O implemento de corte não pára.		
Pare o motor imediatamente!		
O motor não pára	Conector desencaixado	Encaixe bem
	Sistema eléctrico anómalo	Peça uma inspecção e manutenção.
Coloque o motor em marcha lenta e regule a alavanca do afogador para FECHAR		
O fio de corte em nylon não é alimentado.	O fio está gasto ou emaranhado na bobina.	Rebobine o fio.
O fio de corte em nylon não tem o comprimento correcto.	O cortador de fio no protector está danificado ou em falta.	Peça ao centro de assistência autorizado Dolmar para substituir o cortador de fio.
	O fio está para lá do protector.	Rebobine o fio.

Quando o motor não arranca após a operação de aquecimento:

Se não encontrar nenhuma anomalia nos itens de verificação, abra o regulador de velocidade cerca de 1/3.



Tak fordi du har købt en DOLMAR udendørsmaskine. Vi er glade for at kunne anbefale dig dette DOLMAR-produkt, der er resultatet af et langt udviklingsprogram og mange års viden og erfaring. Læs venligst dette hæfte der i detaljer gennemgår de forskellige punkter, som demonstrerer maskinens fremragende ydeevne. Det vil gøre dig i stand til at opnå det bedst mulige resultat med dit DOLMAR-produkt.



Indhold	Side
Symboler	128
Sikkerhedsanvisninger	129
Tekniske data.....	132
Delenes betegnelser.....	133
Montering af håndtag.....	134
Montering af afskærmning.....	134
Montering af nylontrimmerhoved.....	134
Inden anvendelse	135
Punkter vedrørende betjening og stopprocedure	137
Nylontrimmerhovedet	138
Vedligeholdelsesinstruktioner	140
Opbevaring.....	143

SYMBOLER

Du skal være opmærksom på følgende symboler, når du læser brugsanvisningen.

	Læs brugsanvisningen og overhold advarsels- og sikkerhedsforholdsreglerne!		Bær hjelm, øjen- og høreværn.
	Vær særlig forsigtig og opmærksom!		Maksimal tilladelig hastighed for værktøj max 10000min ⁻¹
	Forbudt!		Brændstof (Benzin)
	Hold afstand!		Manuel start af motor
	Risiko for flyvende genstande!		Nødstop
	Rygning forbudt!		Førstehjælp
	Brug af åben ild forbudt!		TÆNDT/START
	Der skal anvendes beskyttelsehandsker!		SLUKKET/STOP
	Anvend kraftige støvler med skridsikre såler. Sikkerhedssko med stål-næse anbefales!		Anvend aldrig metallklinger
	Hold arbejdsområdet fri for personer og dyr!		

SIKKERHEDSANVISNINGER

Generelle retningslinjer

- Læs denne brugsanvisning så du bliver fortrolig med håndteringen af maskinen. Brugere, som ikke kender tilstrækkeligt til anvendelsen, er til fare for dem selv og andre pga. forkert håndtering af maskinen.
- Det anbefales kun at udlåne maskinen til personer, som har erfaring med håndtering af sådanne maskiner. Overdrag altid brugsanvisningen.
- Førstegangsbrugere bør bede forhandleren om grundlæggende instrukser for at få kendskab til håndteringen af en trådtrimmer.
- Børn og personer under 18 år må ikke anvende maskinen. Personer over 16 må anvende maskinen til træningsformål under vejledning af en kvalificeret underviser.
- Anvend maskinen med allerstørste omhu og opmærksomhed.
- Anvend kun maskinen hvis du er ved godt helbred. Udfør alt arbejde roligt og forsigtigt. Brugeren har ansvaret for andre.
- Anvend aldrig denne maskine efter indtagelse af alkohol eller medicin, eller hvis du føler dig træt eller dårligt tilpas.
- Nationale bestemmelser kan begrænse brugen af maskinen.

Beregnet brug af maskinen

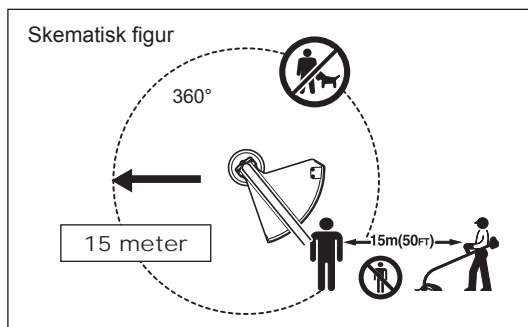
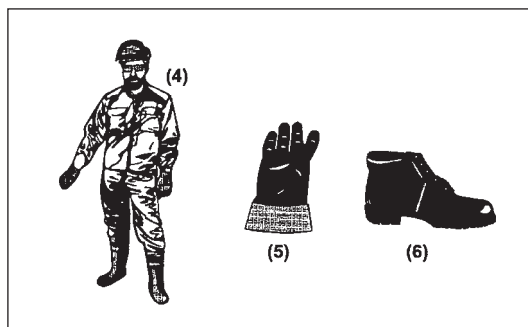
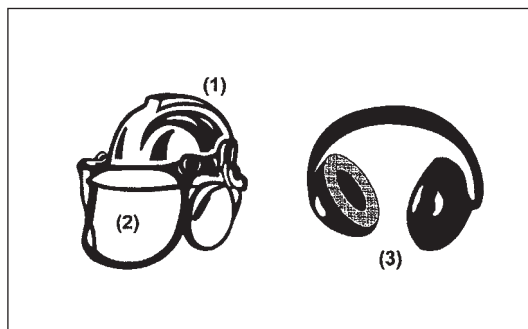
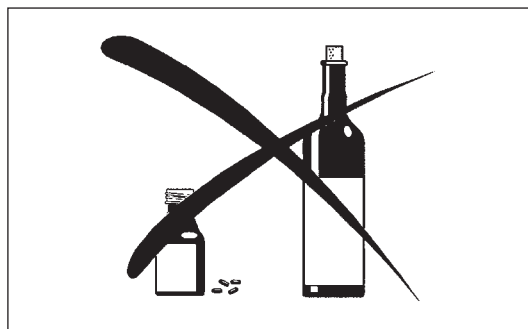
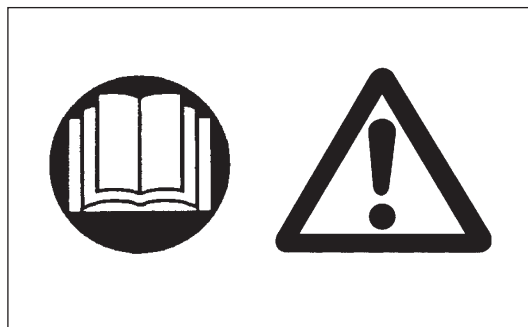
- Denne maskine er kun beregnet til klipning af græs og mindre ukrudt. Den må ikke bruges til andre formål som f.eks. kantafretning eller hækkeklipning, eftersom det kan medføre personskader.

Personligt sikkerhedsudstyr

- Der skal bæres funktionelt og passende tøj, dvs. det bør sidde tæt, men ikke være til hindring. Bær ikke smykker eller tøj, der kan sidde fast i buske eller krat.
- For at undgå skader på hoved, øjne, hænder eller fødder samt for at beskytte din hørelse, skal du altid bære følgende sikkerhedsudstyr og beskyttelsesbeklædning under anvendelsen.
- Bær altid en hjelm på steder hvor der er risiko for, at ting falder ned. Beskyttelsehjelm (1) skal med jævne mellemrum efterses for skader, og skal udskiftes mindst hvert 5 år. Brug kun godkendte beskyttelseshjelme.
- Hjelmens visir (2) (eller alternativt beskyttelsesbriller) beskytter ansigtet mod flyvende afskårne dele og sten. Der skal der altid anvendes beskyttelsesbriller eller et visir under anvendelsen for at forhindre øjenskader.
- Anvend passende midler til beskyttelse mod støj for at undgå hørenedsættelse (hørevern (3) ørepropper m.v.).
- Arbejdsoveralls (4) beskytter mod flyvende sten og afskårne stykker. Vi anbefaler på det kraftigste, at brugeren anvender arbejdsoveralls.
- Handsker (5) er en del af det foreskrevne udstyr og skal altid bæres under anvendelsen.
- Når du anvender maskinen, skal du altid have solide sko (6) med skridsikre såler på. Dette beskytter mod skader og sikrer et godt fodfæste.

Start af den benzindrevne trådtrimmer

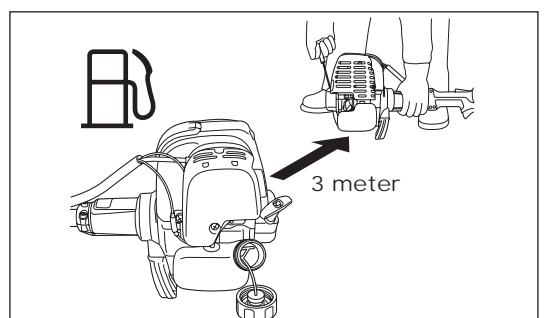
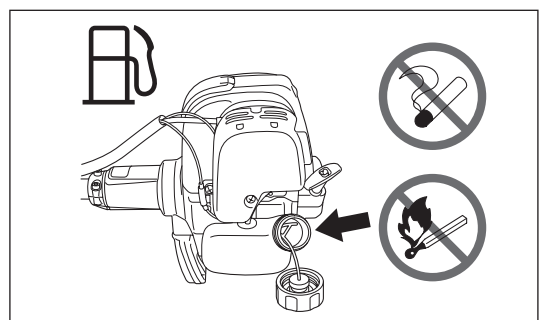
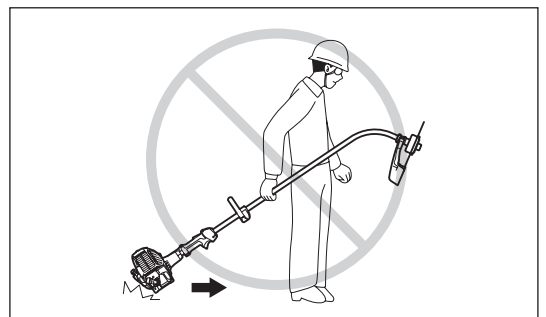
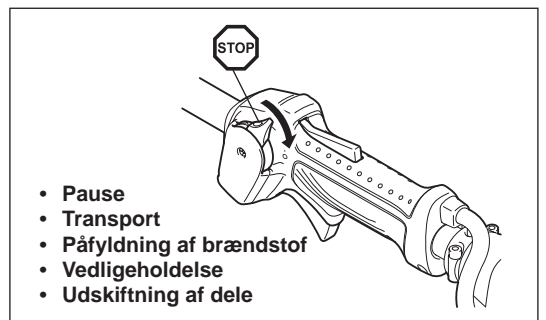
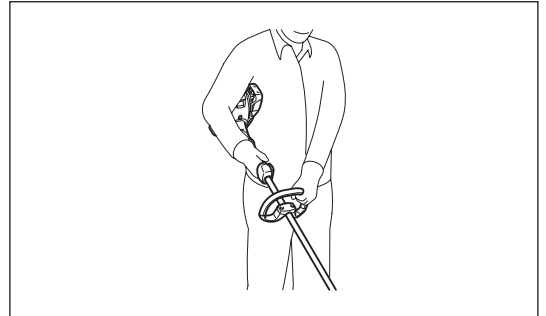
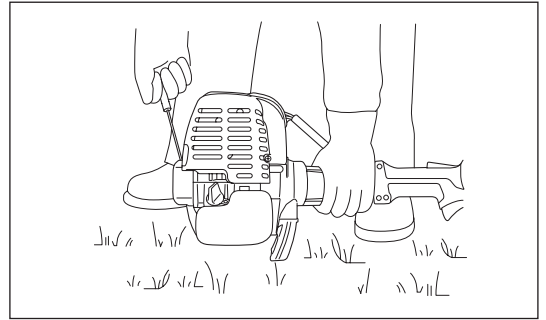
- Sørg venligst for, at der ikke er nogen børn eller andre personer inden for et arbejdsområde på 15 meter, samt vær opmærksom på eventuelle dyr i nærheden af arbejdsområdet.
- Før arbejdet påbegyndes, skal du altid kontrollere, at maskinen er klar til drift: Kontroller sikkerheden af skæreudstyret, om gashåndtaget glider nemt, samt kontroller at gashåndtagslåsen virker.
- Skæreudstyret må ikke rotere i tomgang. Forhør dig hos din forhandler angående justering, hvis du er i tvivl. Sørg for, at håndtagene er rene og tørre og test funktionen af start/stop-kontakten.



- Start kun den benzindrevne trådtrimmer som beskrevet i brugsanvisningen.
- Benyt ikke andre metoder til at starte motoren med!
- Brug kun den benzindrevne trådtrimmer og værktøjerne til de specificerede anvendelser.
- Start kun motoren, når monteringen er fuldstændig udført. Det er kun tilladt at anvende maskinen, efter alt tilbehøret er monteret!
- Inden du starter, skal du sikre dig, at skæreudstyret ikke er i kontakt med hårde objekter som f.eks. grene, sten eller lignende, eftersom skæreudstyret drejer rundt, når du starter.
- Motoren skal øjeblikkeligt slås fra i tilfælde af motorproblemer.
- Skulle skæreudstyret ramme sten eller andre hårde objekter, skal du straks slukke for motoren og efterse skæreudstyret.
- Efterse skæreudstyret for skader med korte jævne mellemrum (efterse for hårridses vha. banke-støj-testen).
- Hvis maskinen bliver udsat for stærkt tryk eller tabes, skal du kontrollere dens tilstand, inden du fortsætter arbejdet. Kontroller brændstofsyste­met for brændstoflækage samt betjenings- og sikkerhedsudstyr for funktionsfejl. Hvis der er nogen skader eller tvivlsspørgsmål, skal du bede vores autoriserede servicecenter om at foretage eftersyn og reparation.
- Den benzindrevne trådtrimmer skal altid holdes med begge hænder under brug. Hold aldrig den benzindrevne trådtrimmer med kun én hånd under brug. Sørg altid for at have et godt fodfæste.
- Anvend maskinen på en sådan måde, at du undgår at indånde udstødningsgasserne. Lad aldrig motoren køre i indelukkede rum (risiko for gasforgiftning). Kulilte er en lugtfri gas.
- Sluk for motoren under pauser og når maskinen efterlades uden opsyn, og placer den på et sikkert sted for at forhindre at den er til fare for andre, eller maskinen beskadiges.
- Læg aldrig den varme benzindrevne trådtrimmer på tørt græs eller andet letantændeligt materiale.
- Monter altid den godkendte skærm for skæreudstyret på maskinen, inden du starter motoren. Ellers kan kontakt med skæreudstyret muligvis medføre alvorlig personskade.
- Alle sikkerhedsinstallationer og skærme, der følger med maskinen, skal anvendes under betjeningen.
- Anvend aldrig motoren med en defekt lyddæmper.
- Sluk for motoren under transport.
- Sørg for at placere maskinen sikkert under biltransport for at undgå brændstoflækage.
- Sørg for at brændstoftanken er helt tom under transport.
- Når maskinen tages af vognen, må motoren aldrig tabes på jorden, eftersom dette kan medføre alvorlig beskadigelse af brændstoftanken.
- Undtagen i nødstilfælde må du aldrig tabe eller kaste maskinen ned på jorden, ellers kan dette beskadige maskinen alvorligt.
- Husk altid at løfte hele maskinen op fra jorden, når du flytter den. Det er yderst farligt at trække brændstoftanken hen over jorden, og det kan forårsage skader samt lækage af brændstof, der muligvis kan medføre brandudvikling.

Påfyldning af brændstof

- Sluk for motoren under påfyldning af brændstof, hold maskinen væk fra åben ild, samt undlad ryge.
- Undgå hudkontakt med mineralske olieprodukter. Indånd ikke brændstofdampe. Bær altid beskyttelseshandsker under påfyldning af brændstof. Skift og rens beskyttelsesbeklædningen med jævne mellemrum.
- Pas på ikke at spilde hverken brændstof eller olie for at forhindre forurening af jorden (miljøbeskyttelse). Rengør straks den benzindrevne trådtrimmer, efter der er spildt brændstof.
- Undgå at få brændstof på tøjet. Skift øjeblikkeligt tøj, hvis der kommer brændstof på (for at undgå at der går ild i tøjet).
- Efterse brændstofdækslet med jævne mellemrum for at sikre, at det kan lukkes ordentligt, og der ikke lækker brændstof ud.
- Stram omhyggeligt brændstoftankens dæksel til. Skift sted inden motoren startes (mindst 3 meter væk fra stedet for brændstofpåfyldningen).
- Påfyld aldrig brændstof i lukkede rum. Der kan ophobes brændstofdampe i jordhøjde (risiko for eksplosion).
- Foretag kun transport og opbevaring af brændstof i godkendte beholdere. Sørg for, at brændstof opbevares således, at børn ikke har adgang til det.



Betjeningsmetode

- Brug kun maskinen i god belysning og med godt udsyn. I vintersæsonen skal du være på vagt overfor glatte eller våde områder, is og sne (der er risiko for at falde). Sørg altid for at have et godt fodfæste.
- Skær aldrig over hoftehøjde.
- Stå aldrig på en stige med maskinen.
- Kravl aldrig op i træer for at klippe eller skære.
- Arbejd aldrig på ustabile overflader.
- Fjern sand, sten, søm m.v. som findes inden for arbejdsområdet.
- Inden foretagelse af skærearbejde skal skæreudstyret have nået op på fuld arbejdshastighed.
- Foretag ensartet svingning af den benzindrevne trådtrimmer. Hvis der sætter sig græs eller grene fast mellem skæreudstyret og afskærmningen, skal du altid standse motoren inden rengøring. Ellers kan utilsigtet rotation af udstyr muligvis forårsage alvorlige personskader.
- Hold pauser for at forhindre tab af kontrol pga. træthed. Vi anbefaler, at du tager en 10 til 20 minutters pause hver time.

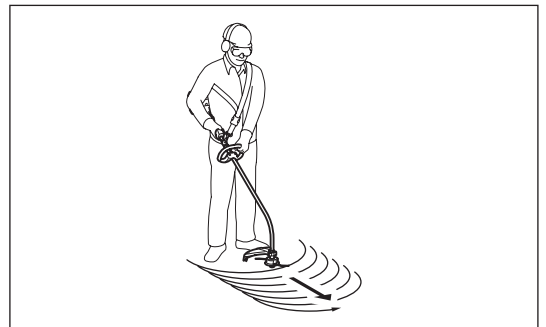


Skæreudstyr

- Brug aldrig andre metalklinger, herunder pivoterende flerstykkede metalkæder og tærseklinger. Ellers kan kontakt med klinger forårsage alvorlige personskader.

Vibration

- Personer med dårligt blodomløb, der udsættes for kraftige vibrationer, risikerer beskadigelse af blodkar eller nervesystemet. Vibrationer kan medføre følgende symptomer i fingre, hænder eller håndled: Leddet "sover" (følelsesløshed), prikken, smerte, stikken, ændring af hudfarven eller af huden. Søg læge, hvis nogle af disse symptomer opstår!
- For at reducere risikoen for "hvide fingre" skal du holde dine hænder varme under anvendelsen og vedligeholde maskinen og tilbehøret på ordentlig vis.



Vedligeholdelsesvejledning

- Få din maskine serviceeret af dit autoriserede servicecenter og anvend altid kun originale reservedele. Forkert reparation og dårlig vedligeholdelse kan forkorte maskinens levetid og forøge risikoen for uheld.
- Maskinens tilstand, især beskyttelsesanordningerne for skæreudstyret, skal kontrolleres inden brug.
- Sluk for motoren og fjern tændrørshætten, når du udskifter eller sliber skæreudstyr, samt også når du rengør kniven eller skæreudstyret.
- Vær opmærksom på omgivelserne. Undgå unødvendig aktivering af gashåndtaget for mindre luft- og støjforurening. Foretag korrekt justering af karburatoren.
- Rengør maskinen med jævne mellemrum og kontroller, at alle skruer og møtrikker er strammet ordentligt til.
- Foretag aldrig service eller opbevaring af maskinen i nærheden af åben ild.
- Opbevar altid maskinen på et aflåst sted og med en tom brændstoffank.



Overhold de relevante vejledninger angående ulykkesforebyggelse som udgives af de pågældende brancheforeninger og forsikringsfirmaer. Af sikkerhedshensyn skal man ikke foretage ændringer på maskinen.

Udførelsen af vedligeholdelsesarbejde eller reparationer af brugeren er begrænset til de ting, der er beskrevet i brugsanvisningen. Alt andet arbejde skal udføres af en godkendt serviceagent. Brug kun ægte reservedele og tilbehør som forhandles og leveres af DOLMAR. Brug af ikke-godkendt tilbehør og værktøjer kan forøge risikoen for uheld. DOLMAR påtager sig intet ansvar for ulykker eller skader, der er opstået på grund af brug af ikke-godkendt skæreudstyr, fastgørelsesmidler til skæreudstyr eller tilbehør.

Førstehjælp

I tilfælde af en ulykke skal du sørge for at have en førstehjælpskasse i nærheden af det sted, hvor du udfører skærearbejde. Erstat straks de ting der benyttes fra førstehjælpskassen.

Oplys venligst følgende hvis du tilkalder hjælp:

- Sted for ulykke
- Hvad der er sket
- Antallet af tilskadede personer
- Hvilke skader det drejer sig om
- Dit navn



TEKNISKE DATA LT-245.4

Model		LT-245.4		
		Bøjlehåndtag		
Mål: længde x bredde x højde (uden skæreudstyr)	mm	1.623 x 290 x 464		
Skærediameter	mm	412		
Vægt (uden plasticskærm og skæreudstyr)	kg	4,9		
Volumen (brændstoftank)	l	0,5		
Volumen (oliebeholder)	l	0,08		
Motorvolumen	cm ³	24,5		
Maksimal motorydelse	kw	0,71 ved 7.000 min ⁻¹		
Motorhastighed ved anbefalet maksimal spindelhastighed	min ⁻¹	10.000		
Maksimal spindelrotationsfrekvens	min ⁻¹	7.750		
Maksimalt brændstofforbrug	kg/t	0,33		
Maksimalt specifikt brændstofforbrug	g/kwt	408		
Tomgangshastighed	min ⁻¹	3.000		
Omdrejningstal ved indkobling	min ⁻¹	3.750		
Karburator	type	WALBRO WYL		
Tænding	type	Integreret tænding		
Tændrør	type	NGK CMR4A		
Elektrodeafstand	mm	0,7 - 0,8		
Vibration pr. ISO 22867	Højre håndtag (Bagerste greb)	$a_{hv\ eq}$	m/s ²	5,4
		Usikkerhed K	m/s ²	1,0
	Venstre håndtag (Forreste greb)	$a_{hv\ eq}$	m/s ²	5,3
		Usikkerhed K	m/s ²	0,9
Gennemsnitligt lydtryksniveau iht. ISO 22868		$L_{PA\ eq}$	dBA	93,3
		Usikkerhed K	dBA	2,8
Gennemsnitligt lydstyrkeniveau iht. ISO 22868		$L_{WA\ eq}$	dBA	102,5
		Usikkerhed K	dBA	1,7
Brændstof		Almindelig benzin		
Motorolie		SAE 10W-30 olie under API-klassificering, Klasse SF eller højere (4-takts bilmotor)		

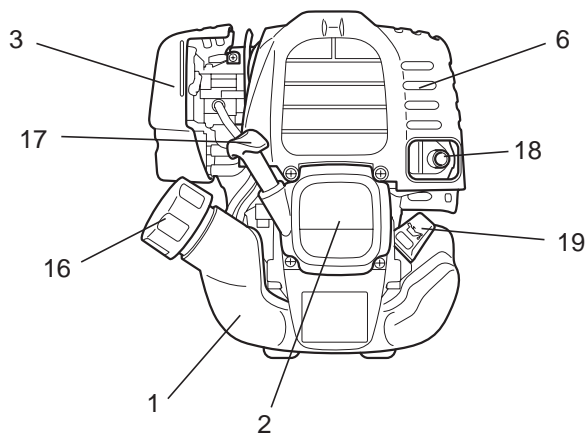
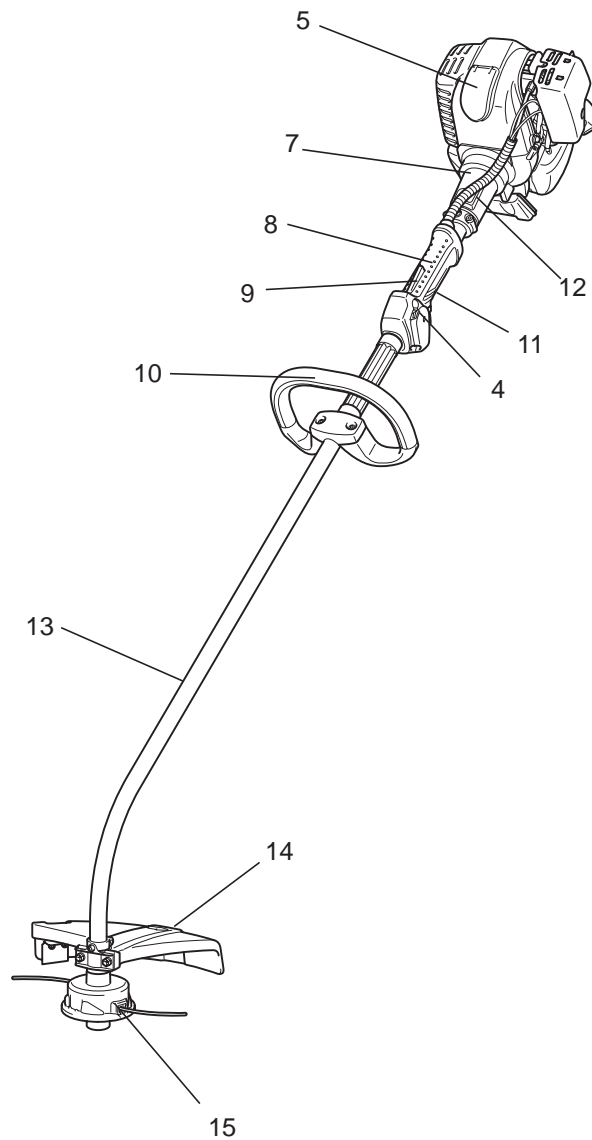
EF-OVERENSSTEMMELSESERKLÆRING

Kun for lande i Europa

EF-overensstemmelseserklæringen er inkluderet som appendiks A til denne betjeningsvejledning.

DELENES BETEGNELSER

LT-245.4



DK	DELENES BETEGNELSER
1	Brændstoftank
2	Startsnor
3	Luffilter
4	I-O kontakt (tænd/sluk)
5	Tændrør
6	Lyddæmper
7	Koblingshus
8	Bagerste greb
9	Aflåsemekanisme
10	Håndtag
11	Gashåndtag
12	Styrekabel
13	Skaft
14	Afskærmning (Skærm for skæreudstyr)
15	Nylontrimmerhoved
16	Brændstoftankdæksel
17	Starthåndtag
18	Udstødningsrør
19	Oliemålerpind

MONTERING AF HÅNDTAG

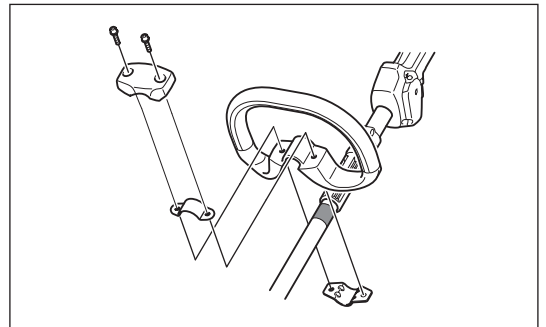
⚠ FORSIGTIG: Inden du udfører arbejde på maskinen, skal du altid stoppe motoren og fjerne tændrørshætten fra tændrøret. Bær altid beskyttelseshandsker!

⚠ FORSIGTIG: Start kun maskinen efter den er helt samlet.

Til maskiner med bøjlehåndtag

- Fastgør bøjlehåndtaget på skaftet som vist.
- Sørg for at afstandsstykket på skaftet er placeret mellem grebets montering og det andet greb. Du må hverken fjerne eller formindske afstandsstykket.

BEMÆRK: I visse lande følger afstandsstykket ikke med maskinen. I det tilfælde skal du rette håndtaget ind med den fjerne side af linjen, der angives med pilemærkerne.



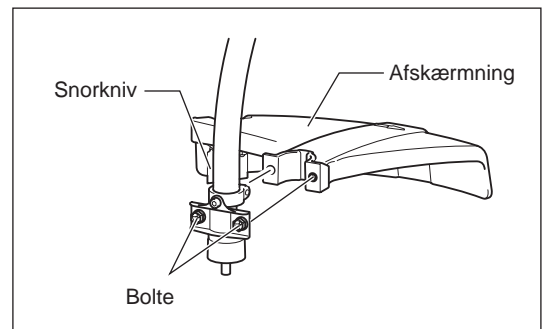
MONTERING AF AFSKÆRMNING

For at leve op til de gældende sikkerhedsbestemmelser må der kun anvendes de kombinationer af værktøj/afskærmning, som er angivet i tabellen.

⚠ FORSIGTIG: Rør ikke ved snorkniven på afskærmningen. Hvis du rører ved snorkniven med bare hænder, kan det medføre tilskadekomst.

Afskærmningen skal installeres for at bevare længden af nylontrimmersnoren og beskytte brugeren mod udkastede sten og afskårne stykker. Installer afskærmningen i henhold til følgende trin.

1. Placer afskærmningen så stiveren på skaftet passer ind i rillen på afskærmningen.
2. Spænd to bolte.



MONTERING AF NYLONTRIMMERHOVED

⚠ ADVARSEL: Anvend aldrig klinger.

Sørg for, at du anvender et ægte DOLMAR-nylontrimmerhoved.

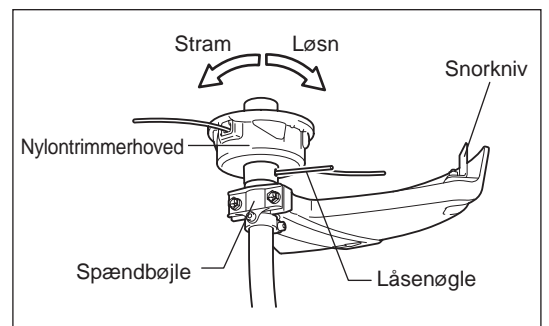
- Hvis nylontrimmerhovedet rammer mod en sten under arbejdet, skal du stoppe motoren og øjeblikkeligt undersøge nylontrimmerhovedet.

⚠ FORSIGTIG: Rør ikke ved snorkniven på afskærmningen. Hvis du rører ved snorkniven med bare hænder, kan det medføre tilskadekomst.

Monter et nylontrimmerhoved i henhold til følgende trin.

1. Sæt låsenøglen ind gennem hullet i spændbøjlen. Roter dem ved at trykke på låsenøglen, indtil de er låst.
2. Skru et nylontrimmerhoved på skaftet ved at dreje det med uret. Sørg for at det ordentligt monteret.
3. Fjern låsenøglen.

For at fjerne nylontrimmerhovedet skal du dreje det mod uret.



Eftersyn og opfyldning af motorolie

- Udfør den følgende procedure med afkølet motor.
- Med motoren holdt vandret, fjern oliemålerpinden og kontroller at olien er fyldt op til mellem de øvre og nedre grænsemærker. Når der mangler olie på maskinen, sådan at oliemålerpinden kun rører ved olien med spidsen, især med oliemålerpinden indsat i krumtaphuset uden iskruning (Fig. 1), påfyldes ny olie til op i nærheden af åbningen (Fig. 2).
- Som reference skal der påfyldes olie hver 10 timer (10 gange eller 10 tanke pr. oliepåfyldning). Hvis olien skifter farve, eller der kommer snavs i, skal den udskiftes med ny olie. (For udskiftningsinterval og metode, se side 140)

Anbefalet olie: SAE 10W-30 olie under API-klassifikation, klasse SF eller højere (4-takts bilmotor)

Olievolumen: Ca. 0,08 l

BEMÆRK: Hvis motoren ikke holdes i oprejt stilling, kan olie bevæge sig rundt i motoren, og der fyldes muligvis for meget på. Hvis der påfyldes olie over grænsen, kan olien blive beskidt og eventuelt antændes med afgivelse af hvid røg til følge.

Punkt 1 i Udskiftning af olie: "Oliemålerpind"

- Fjern støv og snavs i nærheden af oliepåfyldningsåbningen og fjern oliemålerpinden.
- Sørg for at holde den udtagne oliemålerpind fri for sand og støv. I modsat fald kan sand eller støv, der sidder fast på oliemålerpinden medføre irregulær oliecirculation eller slid på motordelene, hvilket kan forårsage problemer.
- Som et eksempel på hvordan oliemålerpinden kan holdes ren, anbefales det at indsætte oliemålerpindens greb i motordækslet som vist i Fig. 3.

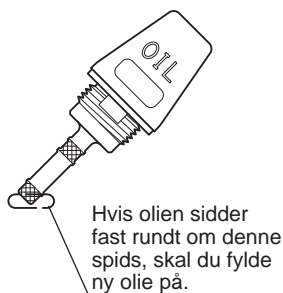


Fig. 1

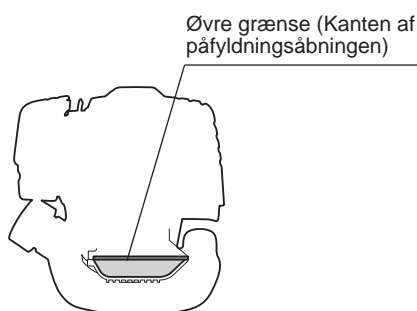


Fig. 2

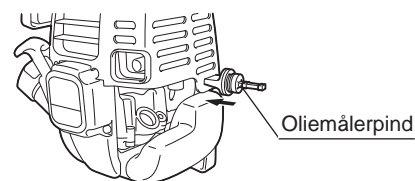
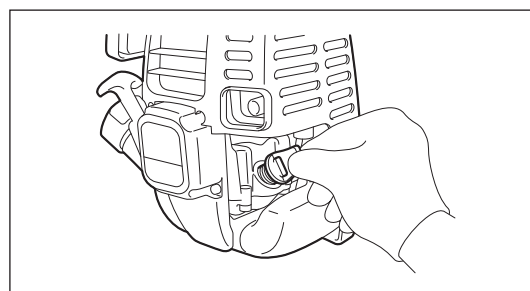
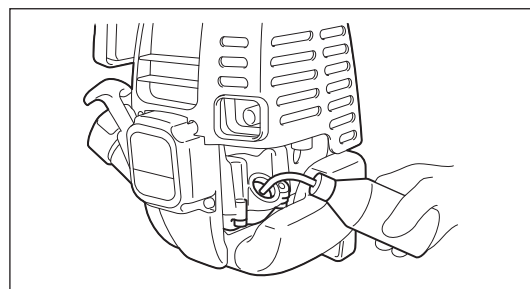


Fig. 3

(1) Hold motoren vandret og fjern oliemålerpinden.



(2) Fyld olie op til kanten af oliepåfyldningsåbningen. (Se Fig. 2). Påfyld olien med smøremiddelbeholderen.



(3) Stram oliemålerpinden ordentligt til. Der kan spildes olie, hvis det ikke strammes ordentligt.

Bemærk

- Skift ikke olie, mens motoren er i en vippet position.
- Påfyldes der olie, mens motoren er vippet, medfører det overopfyldning, hvilket forårsager olieforurening og/eller hvid røg.

Punkt 2 i Udskiftning af olie: "Hvis der spildes olie"

- Hvis der spildes olie mellem brændstoftanken og motoren, suges olien ind gennem luftafkølingsindtaget, hvilket kan forurene motoren. Sørg for at tørre spildt olie af inden start af maskinen.

PÅFYLDNING AF BRÆNDSTOF

Håndtering af brændstof

Det er nødvendigt at håndtere brændstof med stor forsigtighed. Brændstof kan indeholde substanser, der minder om opløsningsmidler. Påfyldning af brændstof skal udføres i et tilstrækkeligt ventileret rum eller i fri luft. Indhaler aldrig brændstoffdampe og hold brændstof væk fra dig. Hvis du rører gentagne gange ved brændstof, eller i lang tid, bliver huden tør, og det kan muligvis medføre hudsygdomme eller allergi. Hvis du får brændstof i øjet, skal du rense øjet med rent vand. Hvis det stadig er irriteret, skal du kontakte en læge.

Opbevaringsperiode for brændstof

Brændstof bør opbruges inden for 4 uger, selvom det opbevares i en særlig beholder på et sted i skyggen med god udluftning. Ellers kan brændstoffet nedbrydes på en dag.

OPBEVARING AF MASKINE OG GENOPFYLDNINGSTANK

- Opbevar maskinen og tanken på et køligt sted uden for direkte sollys.
- Opbevar aldrig brændstoffet i en bil.

Brændstof

Motoren er en firetakts motor. Sørg for, at anvende almindelig blyfri benzin, oktan 87 eller højere ((R+M)/2). Det må ikke indeholde mere end 10 % alkohol (E-10).

Punkter angående brændstof

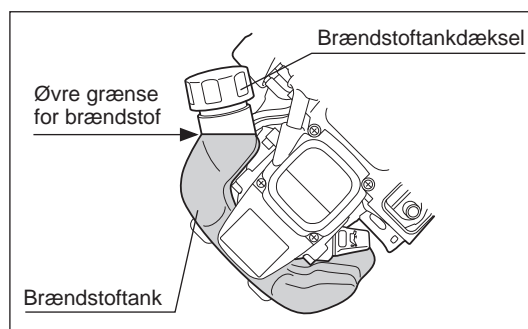
- Brug aldrig en benzinblanding der indeholder motorolie. I modsat fald vil det medføre en for stor kulophobning eller mekaniske problemer.
- Brug af gammel olie medfører startproblemer.

Påfyldning af brændstof

⚠ ADVARSEL: BRÆNDBARE STOFFER ER STRENGT FORBUDT

Anvendt benzin: Almindelig blyfri benzin, oktan 87 eller højere. Ikke mere end 10 % alkohol (E-10).

- Løsn tankdækslet en lille smule, sådan at der ikke er nogen forskel i atmosfærisk tryk.
 - Tag tankdækslet af, påfyld brændstof og luk luften ud ved at tippe brændstoftanken sådan at brændstofåbningen vender opad. (Fyld aldrig brændstof i oliepåfyldningsåbningen.)
 - Tør tankdækslet ordentligt af for at forhindre fremmedlegemer i at komme ned i brændstoftanken.
 - Efter påfyldning af brændstof strammes tankdækslet ordentligt til.
- Hvis der er revner eller skader på tankdækslet, skal det udskiftes.
 - Tankdækslet er en forbrugsdel og bør derfor altid udskiftes efter to til tre år.



PUNKTER VEDRØRENDE BETJENING OG STOPPROCEDURE

Overhold de gældende bestemmelser for ulykkesforebyggelse!

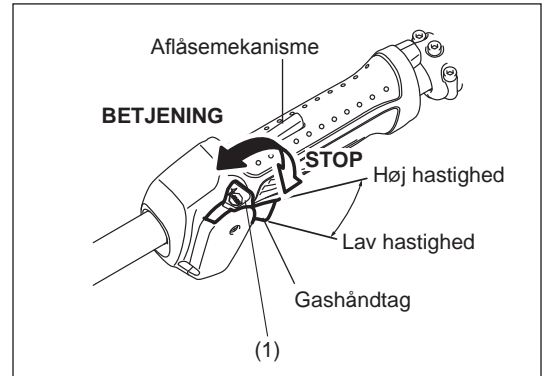


START

Gå mindst 3 m væk fra stedet for brændstofpåfyldningen. Placer enheden på jorden mens du passer på, at skæreudstyret ikke kommer i kontakt med jorden eller andre genstande.

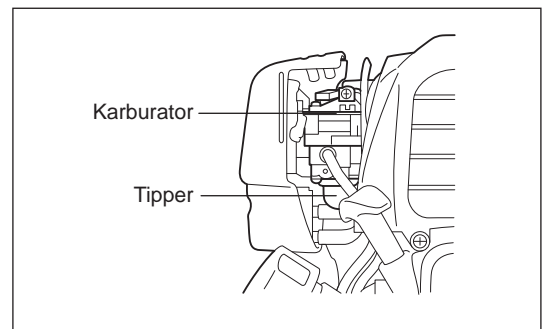
A: Koldstart

- 1) Placer maskinen på et plant område.
- 2) Sæt I-O kontakten (1) på BETJENING.



- 3) Tipper

Fortsæt med at trykke på tipperen indtil der kommer brændstof ind i tipperen. (Normalt kommer der brændstof ind i tipperen efter 7 til 10 tryk.) Hvis der trykkes for meget på tipperen, vender det overskydende brændstof tilbage til brændstoftanken.



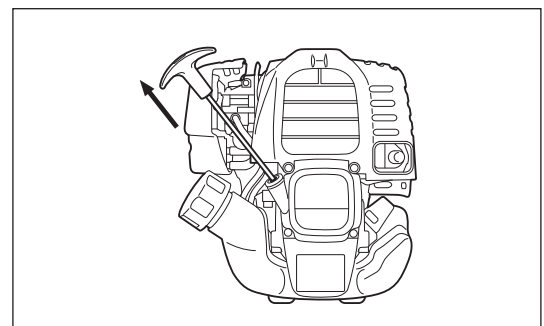
- 4) Rekylstarter

Træk forsigtigt i starthåndtaget indtil det bliver hårdt at trække i (kompressionspunktet). Før derefter starthåndtaget tilbage, og træk hårdt i det.

Træk aldrig snoren helt ud. Når først starthåndtaget er trukket, må du aldrig slippe med det samme. Hold i starthåndtaget indtil det vender tilbage til den oprindelige position.

- 5) Opvarmning

Fortsæt opvarmning i 2 til 3 minutter.



BEMÆRK: Hvis der er opstået et for stort brændstofindtag (oversvømmelse), skal du fjerne tændrøret og trække langsomt i starthåndtaget for at fjerne det overskydende brændstof. Tør også tændrørets elektrodedel af.

B: Opstart efter opvarmning

- 1) Tryk gentagne gange på tipperen.
- 2) Hold gashåndtaget på tomgangspositionen.
- 3) Træk hårdt i rekylstarteren.
- 4) Hvis det er svært at starte motoren, skal du åbne gashåndtaget med cirka en 1/3.

Vær opmærksom på følgende under betjening

Når motoren betjenes, mens den er vendt på hovedet, kommer der muligvis hvid røg ud fra lyddæmperen.

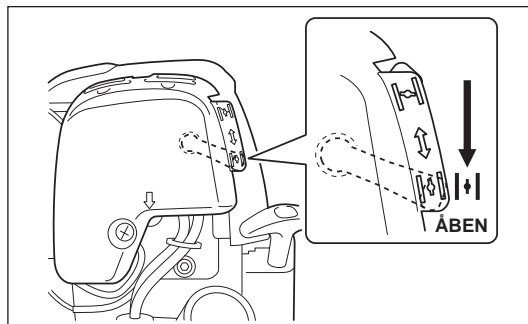
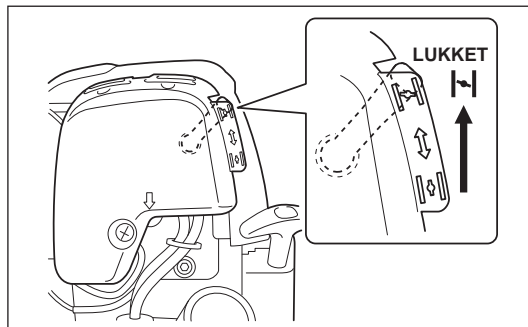
Når det er vanskeligt at starte motoren som f.eks. om vinteren

Betjen chokerhåndtaget vha. den følgende procedure, når motoren startes.

- Efter udførelse af starttrinene 1) til 3) skal du indstille chokerhåndtaget på LUKKET-positionen.
- Udfør starttrin 4) og start motoren.
- Når først motoren starter, indstilles chokerhåndtaget på ÅBEN-positionen.
- Udfør starttrin 5) og gennemfør opvarmningen.

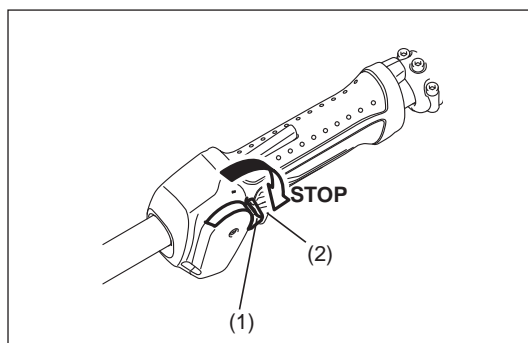
⚠ FORSIGTIG: Hvis der høres et knald (eksploderende lyd), og motoren stopper, eller den netop startede motor går i stå, inden chokerhåndtaget betjenes, sættes chokerhåndtaget tilbage på ÅBEN-positionen, hvorefter du skal trække et par gange i starthåndtaget igen for at starte motoren.

⚠ FORSIGTIG: Hvis chokerhåndtaget lades være i LUKKET-positionen, og der blot trækkes gentagne gange i starthåndtaget, suges der for meget brændstof ind, og det bliver svært at starte motoren.



STOPPROCEDURE

- 1) Slip gashåndtaget (2) helt, og når motorens omdrejninger er faldet, skal du skubbe I-O kontakten over på STOP for at standse motoren.
- 2) Vær opmærksom på at skærehovedet muligvis ikke stopper øjeblikkeligt, og giv det tid til at bremse helt ned.

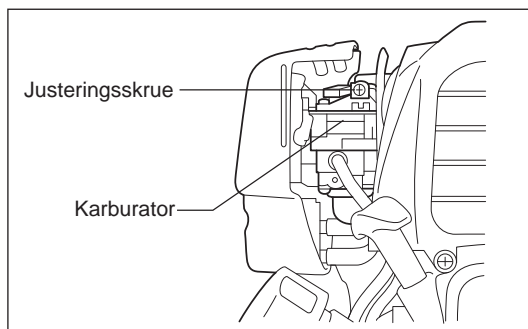


JUSTERING AF OMDREJNINGER VED LAV HASTIGHED (TOMGANG)

Når det er nødvendigt at justere omdrejningerne ved lav hastighed (tomgang), skal du justere på karburatorens justeringsskruer.

KONTROL AF OMDREJNINGER VED LAV HASTIGHED

- Indstil omdrejningerne ved lav hastighed til 3.000 min⁻¹. Hvis det er nødvendigt at ændre omdrejningerne ved lav hastighed (tomgang), skal du anvende en phillips-skrueetrækker til skruen illustreret til højre.
- Drej justeringsskruen til højre for at forøge motoromdrejningerne. Drej justeringsskruen til venstre for at sænke motoromdrejningerne.
- Karburatoren justeres almindeligvis inden afsendelse. Hvis det er nødvendigt at justere den igen, skal du kontakte en godkendt serviceagent.



NYLONTRIMMERHOVEDET

Under anvendelsen skal du bruge spidsen af nylontrimmersnoren til at skære med.

Fremføring af nylontrimmersnoren

Efterhånd som nylontrimmersnoren slides og forkortes under arbejdet, er brugeren nødt til at fremføre den manuelt.

For at fremføre nylontrimmersnoren skal du banke nylontrimmerhovedet ned i jorden, mens det roterer rundt 6.000 min⁻¹.

BEMÆRK: Hvis nylontrimmersnoren ikke fremføres, skal den spoles tilbage.



Udskiftning af nylonspor

⚠ ADVARSEL: Sørg for, at nylontrimmerhovedets dæksel er ordentligt fastgjort til huset som beskrevet nedenfor. Fastgøres dækslet ikke ordentligt, kan det medføre, at nylontrimmerhovedet flyver af med alvorlige personskader til følge.

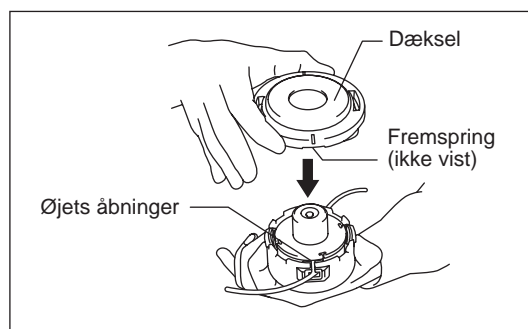
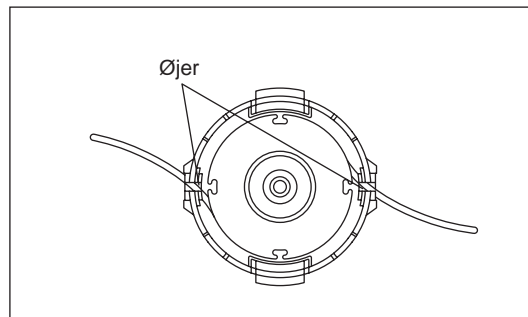
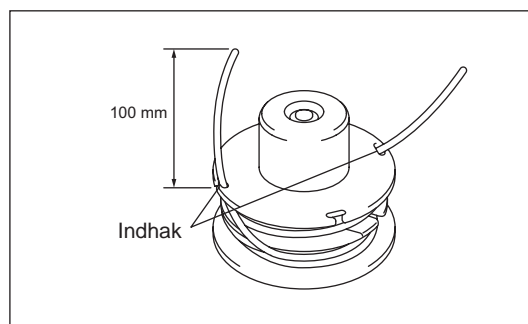
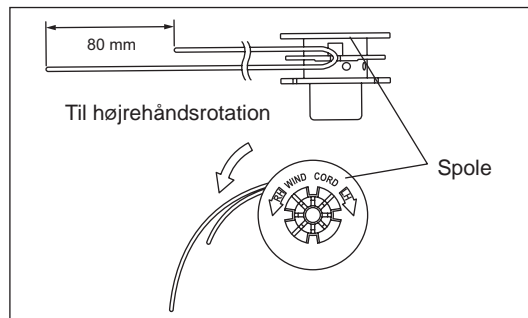
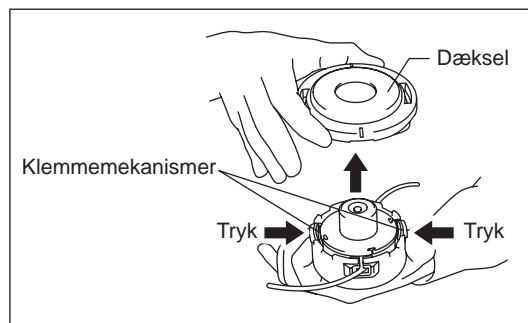
Tryk ind på klemmekanismerne på huset og løft op for at fjerne dækslet. Smid den resterende nylonspor ud.

Hægt midten af den nye nylonspor på indhaket i midten af spolen mellem de 2 kanaler til nylonsporen. Den ene side af snoren bør være cirka 80 mm længere end den anden side. Vikl begge ender tæt omkring spolen i den retning på hovedet som er markeret for højrehåndsretning, angivet med RH.

Vikl snorene helt op på nær cirka 100 mm, og lad midlertidigt enderne være hæftet gennem indhaket på siden af spolen.

Monter spolen i huset sådan at rillerne og fremspringene på spolen matcher dem i huset. Hægt derefter enderne på snoren af fra deres midlertidige placering og før snorene gennem øjerne, sådan at de kommer ud af huset.

Ret fremspringet på undersiden af dækslet ind med øjernes åbninger. Tryk derefter dækslet ordentligt ind på huset, sådan at det sidder fast. Sørg for, at klemmekanismerne hæfter dækslet ordentligt fast.



VEDLIGEHOVELSESINSTRUKTIONER

⚠ FORSIGTIG: Inden du udfører noget arbejde på maskinen, skal du altid stoppe motoren og fjerne tændrørshætten fra tændrøret (se "kontrol af tændrøret").
Bær altid beskyttelseshandsker!

Udfør følgende vedligeholdelse med jævne mellemrum for at sikre en lang brugslevetid og for at undgå skader på maskinen.

Dagligt eftersyn og vedligeholdelse

- Kontroller inden brug maskinen for løse skruer eller manglende dele. Vær især opmærksom på spændingen af nylonsnoren.
- Inden anvendelse, kontroller altid for tilstopning af luftafkølingskanalen og cylinderrubberne. Rengør dem om nødvendigt.
- Udfør dagligt følgende vedligeholdelse efter brug:
 - Rengør maskinen udvendigt og undersøg for skader.
 - Rens luftfilteret. Rens filteret flere gange om dagen, når du arbejder i ekstremt støvede omgivelser.
 - Kontroller nylontrimmerhovedet for skader og sørg for, at det er ordentligt monteret.
 - Kontroller, om der er tilstrækkelig forskel mellem tomgang- og arbejdshastigheder for at sikre, at skæredstyret ikke bevæger sig, når motoren er i tomgang (hvis det er nødvendigt, skal du reducere tomgangshastigheden). Hvis værktøjet stadig kører under tomgang, skal du konsultere den nærmeste godkendte serviceagent.
- Kontroller funktionen af I-O kontakten, aflåsemekanisme, gashåndtaget og låseknappen.

UDSKIFTNING AF MOTOROLIE

Gammel motorolie forkorter drastisk levetiden for glidende og roterende dele. Sørg for at kontrollere udskiftningstid og kvantitet.



BEMÆRK: Generelt er motoren og motorolien stadig meget varm lige efter, at motoren er stoppet. Ved udskiftning af olien skal du sørge for, at motoren og motorolien er tilstrækkeligt afkølet. Eller er der risiko for forbrænding.

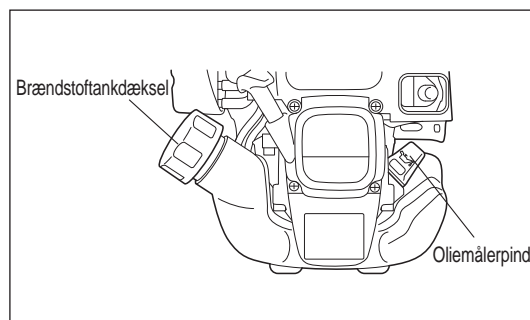
BEMÆRK: Hvis der påfyldes olie over grænsen, kan olien blive beskidt og eventuelt antændes med afgivelse af hvid røg til følge.

Udskiftningsinterval: Første gang efter 20 timers drift og efterfølgende efter hver 50 timers drift

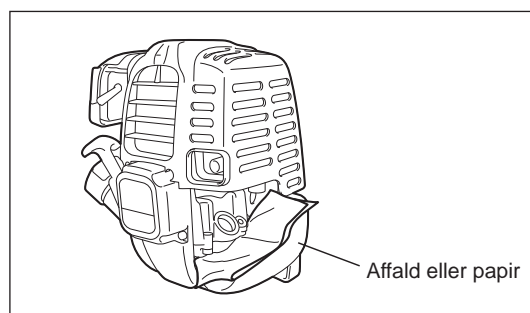
Anbefalet olie: SAE 10W-30 olie under API-klassifikation, klasse SF eller højere (4-takts bilmotor)

For udskiftning, udfør følgende procedure.

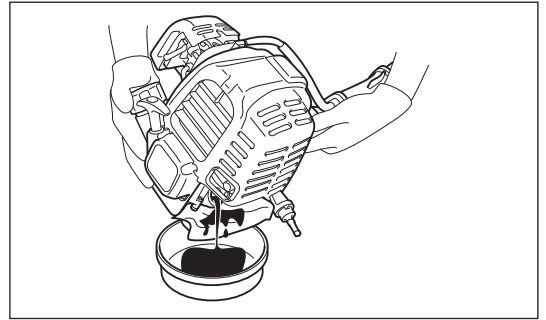
- 1) Bekræft, at tankdækslet er strammet ordentligt til.
- 2) Fjern oliemålerpinden.
Hold oliemålerpinden fri for støv og snavs.



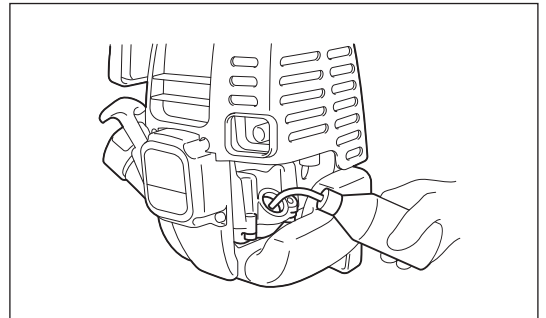
- 3) Placer noget affald eller papir i nærheden af oliepåfyldningsåbningen.



- 4) Fjern oliemålerpinden og tøm olien ud med maskinen tippet over mod oliepåfyldningsåbningen.
Tøm olien ud i en beholder, så den kan bortskaffes korrekt.



- 5) Hold motoren vandret og fyld ny olie op til kanten af oliepåfyldningsåbningen.
Brug en smøremiddelbeholder ved genopfyldning.
- 6) Stram oliemålerpinden ordentligt til efter genopfyldning. Utilstrækkelig stramning af oliemålerpinden medfører olielækage.



PUNKTER VEDRØRENDE OLIE

- Smid aldrig skiftet motorolie ud sammen med almindeligt affald, på jorden eller i kloakken. Bortskaffelse af olie er reguleret via loven. De relevante love og bestemmelser skal altid følges ved bortskaffelse af olie. Kontakt en godkendt serviceagent ved tvivlspørgsmål.
- Olien nedbrydes, selvom den ikke bruges. Udfør eftersyn og udskiftning med jævne intervaller (udskift med ny olie hver 6. måned).

RENGØRING AF LUFTFILTER



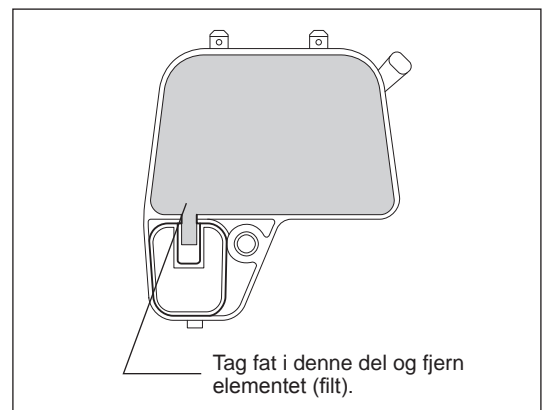
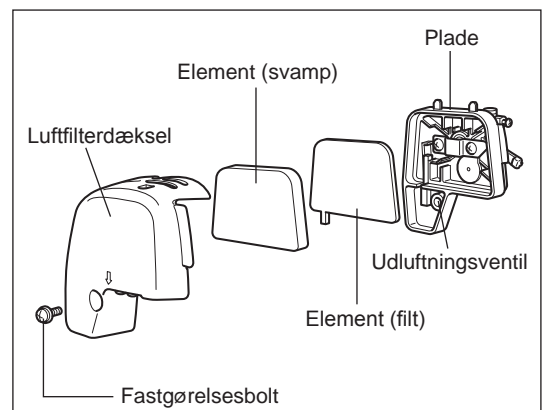
FARE: BRÆNDBARE STOFFER ER STRENGT FORBUDT

Interval for rengøring og eftersyn: Dagligt (hver 10. driftstime)

- Drej chokerhåndtaget helt over til den lukkede side og hold karburatoren fri fra støv og snavs.
- Fjern boltene der fastgør luftfilterdækslet.
- Træk i den nederste side af luftfilterdækslet og tag det af.
- Hvis der sidder olie fast på elementet (svampen), skal den vrides grundigt.
- Når det er meget beskidt:
 - 1) Tag elementet (svampen) af, dyp den ned i varmt vand eller et neutralt rengøringsmiddel fortyndet med vand, og tør den fuldstændigt.
 - 2) Rengør elementet (filt) med benzin og tør det fuldstændigt.
- Sørg for at elementet er helt tørt, inden du sætter det på igen. Utilstrækkelig tørring af elementet kan gøre det svært at starte.
- Tør derefter olie, der sidder omkring luftfilterdækslet og pladens udluftningsventil, af med en klud.
- Monter straks luftfilterdækslet og spænd fastgørelsesboltene til, når rengøringen er afsluttet. (Ved genmonteringen placeres den øvre tap først og derefter den nedre tap.)

Punkter vedrørende håndtering af luftfilterelementet

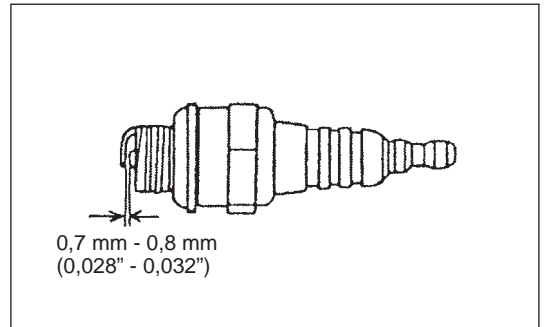
- Rengør elementet flere gange om dagen, hvis der sætter sig meget støv i filteret.
- Hvis maskinen fortsat anvendes, uden at elementet rengøres for olie, kan olien i luftfilteret muligvis falde ud og resultere i olieforurening.



KONTROL AF TÆNDRØRET

- Anvend kun den medfølgende skiftenøgle til at afmontere og montere tændrøret med.
- Afstanden mellem tændrørets to elektroder bør være på 0,7 - 0,8 mm (0,028" - 0,032"). Hvis afstanden er for stor eller for lille, skal du justere den. Hvis tændrøret er sodet til eller beskidt, skal du rense det ordentligt og eller udskifte det.

⚠ FORSIGTIG: Rør aldrig ved tændrørshætten, mens motoren kører (der er risiko for elektrisk stød med høj spænding).



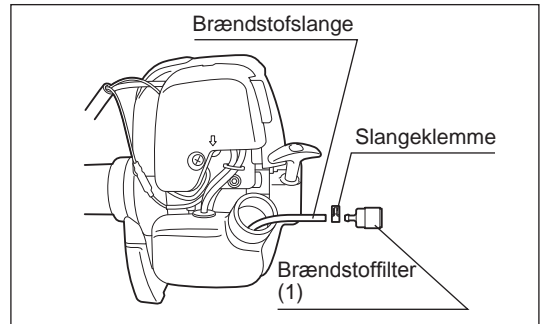
RENGØRING AF BRÆNDSTOFFILTER

⚠ ADVARSEL: BRÆNDBARE STOFFER ER STRENGT FORBUDT

Interval for rengøring og eftersyn: Hver måned (hver 50. driftstime)

Sugehoved i brændstoftanken

- Sugehovedets brændstoffilter (1) anvendes til at filtrere det brændstof, som karburatoren behøver.
- Der skal med mellemrum foretages visuelt eftersyn af brændstoffilteret. For at efterse filteret, skal du åbne tankdækslet og bruge en trådkrog til at trække sugehovedet ud gennem tankåbningen. Filtre, der er blevet hårde, forurenede eller tilstoppede, skal udskiftes.
- Utilstrækkelig brændstofførelse kan medføre, at den maksimalt tilladte hastighed overstiges. Det er derfor vigtigt, at udskifte brændstoffilteret mindst en gang i kvartalet for at sikre tilfredsstillende brændstofførelse til karburatoren.



UDSKIFTNING AF BRÆNDSTOFSLANGE

⚠ FORSIGTIG: BRÆNDBARE STOFFER ER STRENGT FORBUDT

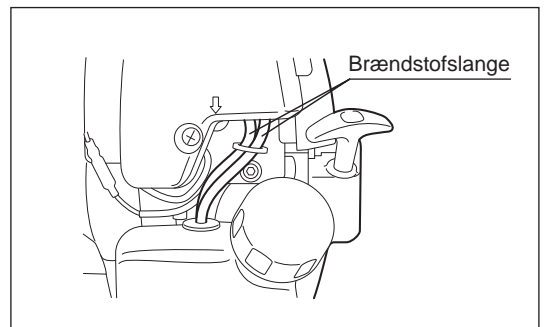
Interval for rengøring og eftersyn: Dagligt (hver 10. driftstime)

Udskiftning: Årligt (hver 200. driftstime)

Udskift brændstofslangen hvert år uanset antallet af driftstimer.

Brændstoflækage kan føre til brand.

Hvis der opdages utætheder under inspektion, skal brændstofslangen straks udskiftes.



EFTERSYN AF BOLTE, MØTRIKKER OG SKRUE

- Efterspænd løse bolte, møtrikker osv.
- Kontroller for brændstof- og olielækage.
- Udskift beskadigede dele med nye for sikker betjening.

RENGØRING AF DELE

- Hold altid motoren ren.
- Hold altid cylinderribberne fri for støv og snavs. Støv eller snavs der sidder fast på ribberne kan forårsage stempelstop.

UDSKIFTNING AF TÆTNINGER OG PAKNINGER

Når maskinen samles igen efter at have været adskilt, skal du sørge for at udskifte tætningerne og pakningerne med nye.

Alt vedligeholdelses- eller justeringsarbejde, der ikke er inkluderet og beskrevet i denne brugsanvisning, må kun udføres af autoriserede serviceagenter.

OPBEVARING



ADVARSEL: Når maskinen skal tømmes for brændstof, skal du sørge for at stoppe motoren og sikre dig, at motoren er kølet af.
Når motoren lige er stoppet, er den stadig varm, og der er risiko for forbrændinger, antændelighed og brand.



BEMÆRK: Når maskinen ikke skal anvendes i længere tid, skal du tømme al brændstoffet ud af tanken og karburatoren, og opbevare den på et tørt og rent sted.

- Tøm brændstoftanken og karburatoren for brændstof i henhold til den følgende procedure:
 - 1) Tag tankdækslet af og tøm alt brændstoffet ud.
Hvis der er fremmedlegemer/snavs tilbage i brændstoftanken, skal det fjernes fuldstændigt.
 - 2) Træk brændstoffilteret ud gennem påfyldningsåbningen med en metaltråd.
 - 3) Tryk på tipperen indtil brændstoffet er tømt ud fra den, og udtøm derefter det brændstof der kom ind i brændstoftanken.
 - 4) Placer filteret tilbage i brændstoftanken og stram brændstoftankdækslet ordentligt til.
 - 5) Lad derefter motoren køre indtil den stopper.
- Fjern tændrøret og dryp adskillige dråber motorolie ned gennem tændrørshullet.
- Træk forsigtigt i starthåndtaget så motorolien spredes ud i motoren, og sæt tændrøret på.
- Maskinen bør generelt opbevares i vandret position. Hvis det ikke er muligt, skal maskinen placeres med motorenheden under skæreværktøjet. Ellers kan der muligvis lække motorolie ud indefra.
- Sørg altid for at opbevare maskinen på et sikkert sted for at forhindre maskinskader og personskafer.
- Opbevar det udtømte brændstof i særlig beholder på et sted i skygge med god ventilation.

Bemærk efter lang tids opbevaring

- Inden start efter lang tids opbevaring skal du sørge for at udskifte olien (se S 140). Olien nedbrydes, mens maskinen ikke anvendes.

Lokalisering af fejl

Fejl	System	Observation	Årsag
Motoren starter ikke, eller har svært ved det	Tænding	Tændingsgnist OK	Fejl i brændstofføforslen eller kompressionssystemet, mekanisk fejl
		Ingen tændingsgnist	Betjening af STOP-kontakten, fejl i ledningsnettet eller kortslutning, tændrør eller tændrørshætte defekt, fejl i tændmodul
	Brændstofføforsel	Brændstoftank fuld	Forkert chokerposition, karburator defekt, brændstofslange bøjet eller blokeret, brændstof beskidt
Problemer ved varmstart Motor starter, men dør	Kompression	Ingen kompression ved træk	Cylinderbundpakning defekt, beskadigede krumtapakselpakninger, cylinder eller stempelringe beskadigede eller tændrørspakning ikke tæt
	Mekanisk fejl	Starter griber ikke fat	Starterfjederen er i stykker, dele inde i motoren er i stykker
Manglende ydeevne	Brændstofføforsel	Fuld tank, med tændgnist	Snavset karburator, få den rensat
		Brændstof i tanken	Forkert tomgangsjustering, karburator snavset Tankudluftningsventil defekt, brændstofslangen afbrudt, kabel eller STOP-kontakt defekt
Manglende ydeevne	Flere systemer kan være samtidigt påvirkede	Dårlig motortomgang	Luftfilter snavset, karburator snavset, lyddæmper tilstoppet, udstødningskanal i cylinderen tilstoppet

Del \ Driftstid		Inden brug	Efter smøring	Dagligt (10 t)	30 t	50 t	200 t	Sluk/pause	Se side
Motorolie	Efterse	○							135
	Udskift					○*1			140
Fastgørende dele (bolte, møtrikker)	Efterse	○							142
Brændstoftank	Rengør/ efterse	○							—
	Tøm for brændstof							○*3	143
Gashåndtag	Kontroller funktion		○						—
Stop-kontakt	Kontroller funktion		○						138
Skæreudstyr	Efterse	○		○					134
Omdrejninger ved lav hastighed	Efterse/juster			○					138
Luftfilter	Rengør			○					141
Tændrør	Efterse			○					142
Køleluftindtag	Rengør/ efterse			○					142
Brændstofslange	Efterse			○					142
	Udskift						◎*2		—
Brændstoffilter	Rengør/udskift					○			142
Afstand mellem luftindtagsventilen og luftudledningsventilen	Juster						◎*2		—
Motoreftersyn							◎*2		—
Karburator	Tøm for brændstof							○*3	143

*1 Foretag første udskiftning efter 20 timers brug.

*2 Ved 200 driftstimers-eftersynet skal du henvende dig til en godkendt serviceagent eller en maskinforretning.

*3 Efter tømning af brændstoftanken skal du lade motoren fortsætte med at køre og tømme karburatoren for brændstof.

FEJLFINDING

Kontroller selv for fejl, inden du anmoder om reparation. Hvis du finder noget unormalt, skal du kontrollere maskinen i henhold til beskrivelsen i denne brugsanvisning. Undlad at pille ved eller afmontere dele i strid med beskrivelsen. Kontakt en godkendt serviceagent eller lokal forhandler.

Problem	Sandsynlig årsag (funktionsfejl)	Afhjælpning
Motoren starter ikke	Tipperen er ikke blevet anvendt	Tryk 7 til 10 gange
	Langsom træk hastighed ved træk i startersnoren	Træk hårdt til
	Mangel på brændstof	Påfyld brændstof
	Tilstoppet brændstoffilter	Rengør
	Bøjet brændstofslange	Ret brændstofslangen ud
	Gammelt brændstof	Gammelt brændstof gør det svært at starte. Udskift med nyt brændstof. (Anbefalet udskiftning: 1 måned)
	For stort brændstofindtag	Sæt gashåndtaget fra medium hastighed til høj hastighed, og træk i starthåndtaget, indtil motoren starter. Nylontrimmerhovedet begynder at rotere, så snart motoren starter. Vær meget opmærksom på nylontrimmerhovedet. Hvis motoren stadig ikke starter, fjern tændrørshætten, tør elektroden af, og saml dem igen. Start derefter som anvist.
	Aftaget tændrørshætte	Sæt den ordentligt på
	Snavset tændrør	Rengør
	Unormal tændrørsafstand	Juster afstanden
	Andre problemer med tændrør	Udskift
	Unormal karburator	Anmod om eftersyn og vedligeholdelse.
	Startersnor kan ikke trækkes ud	Anmod om eftersyn og vedligeholdelse.
Unormalt drivsystem	Anmod om eftersyn og vedligeholdelse.	
Motoren stopper hurtigt Motorhastigheden stiger ikke	Utilstrækkelig opvarmning	Foretag opvarmning
	Chokerhåndtaget er sat på "LUKKET"-positionen, selvom motoren er varmet op.	Sæt den til "ÅBEN"
	Tilstoppet brændstoffilter	Rengør
	Snavset og tilstoppet luftfilter	Rengør
	Unormal karburator	Anmod om eftersyn og vedligeholdelse.
Unormalt drivsystem	Anmod om eftersyn og vedligeholdelse.	
Skæreudstyret roterer ikke. ↓ Stop straks motoren!	Skæreudstyret er ikke strammet ordentligt.	Stram skæreudstyret ordentligt.
	Der sidder en gren fast mellem skæreudstyret og afskærmningen.	Fjern fremmedlegemerne.
	Drivsystemet fungerer ikke ordentligt.	Bed et autoriseret Dolmar-servicecenter om at efterse og reparere det.
Enheden vibrerer unormalt. ↓ Stop straks motoren!	Skæreudstyret er i stykker.	Udskift skæreudstyret med et nyt.
	Skæreudstyret er ikke strammet ordentligt.	Stram skæreudstyret ordentligt.
	Den ene ende af nylontrimmersnoren er knækket, og nylontrimmerhovedet er blevet ubalanceret.	Fremfør nylontrimmersnoren ved at banke nylontrimmerhovedet ned i jorden.
Drivsystemet fungerer ikke ordentligt.	Drivsystemet fungerer ikke ordentligt.	Bed et autoriseret Dolmar-servicecenter om at efterse og reparere det.
	Drivenheden fungerer ikke ordentligt.	Se i brugsanvisningen til drivenheden.
Skæreudstyret stopper ikke. ↓ Stop straks motoren!	Drivenheden fungerer ikke ordentligt.	Se i brugsanvisningen til drivenheden.
	Drivenheden fungerer ikke ordentligt.	Se i brugsanvisningen til drivenheden.
Motoren stopper ikke ↓ Kør motoren i tomgang og sæt chokerhåndtaget til LUKKET	Løsrevet kontakt	Sæt den ordentligt på
	Unormalt el-system	Anmod om eftersyn og vedligeholdelse.
Nylontrimmersnoren fremføres ikke.	Snoren er opbrugt eller snoet i spolen.	Spol snoren tilbage.
	Snoren er opbrugt eller snoet i spolen.	Spol snoren tilbage.
Nylontrimmersnoren skæres ikke af på den korrekte længde.	Snorkniven på afskærmningen er beskadiget eller mangler.	Bed et autoriseret Dolmar-servicecenter om at udskifte snorkniven.
	Snoren går længere ud end afskærmningen.	Spol snoren tilbage.

Når motoren ikke starter efter foretagelse af opvarmning:

Hvis der ikke er fundet noget unormalt blandt de kontrollerede punkter, skal du åbne gashåndtaget cirka 1/3 og starte motoren.

Σας ευχαριστούμε πολύ που αγοράσατε αυτή τη μηχανοκίνητη συσκευή εξωτερικού χώρου της DOLMAR. Βρισκόμαστε στην ευχάριστη θέση να σας συστήσουμε αυτό το προϊόν της DOLMAR, το οποίο είναι το αποτέλεσμα ενός μακρού προγράμματος ανάπτυξης και πολλών χρόνων γνώσεων και εμπειρίας. Παρακαλώ διαβάστε αυτό το φυλλάδιο το οποίο αναφέρεται λεπτομερώς στα διάφορα σημεία που θα επιδείξουν την εξαιρετική του απόδοση. Αυτό θα σας βοηθήσει να αποκτήσετε τα καλύτερα δυνατά αποτελέσματα από αυτό το προϊόν της DOLMAR.



Πίνακας περιεχομένων

Σελίδα

Σύμβολα	146
Οδηγίες ασφαλείας	147
Τεχνικά στοιχεία	150
Καθορισμός εξαρτημάτων	151
Στερέωση του χερουλιού	152
Στερέωση του προφυλακτήρα	152
Στερέωση της νάιλον κεφαλής κοπής	152
Πριν από το ξεκίνημα της λειτουργίας	153
Σημειώσεις για το χειρισμό και πως να γίνει το σταμάτημα	155
Η νάιλον κεφαλή κοπής	156
Οδηγίες σέρβις	158
Αποθήκευση	161

ΣΥΜΒΟΛΑ

Χρειάζεται να προσέξετε τα παρακάτω σύμβολα όταν διαβάζετε το εγχειρίδιο οδηγιών.

	Διαβάστε το εγχειρίδιο οδηγιών και ακολουθήστε τις προειδοποιήσεις και τα μέτρα ασφαλείας!		Να φοράτε προστατευτικό κράνος και προστατευτικά ματιών και αυτιών.
	Δώστε ιδιαίτερη φροντίδα και προσοχή!		Ανώτερη επιτρεπτή ταχύτητα του εργαλείου
	Απαγορεύεται!		Καύσιμο (Βενζίνη)
	Διατηρήστε μια απόσταση!		Κινητήρας-χειροκίνητη εκκίνηση
	Κίνδυνος εκτίναξης αντικειμένων!		Διακοπή έκτακτης ανάγκης
	Απαγορεύεται το κάπνισμα!		Πρώτες βοήθειες
	Όχι γυμνές φλόγες!		ΕΝΕΡΓΟΠΟΙΗΣΗ/ΕΚΚΙΝΗΣΗ
	Πρέπει να φοριούνται προστατευτικά γάντια!		ΑΠΕΝΕΡΓΟΠΟΙΗΣΗ/ΣΤΑΜΑΤΗΜΑ
	Φοράτε ανθεκτικές μπότες με αντιολισθητικές σόλες. Συνιστανται μπότες ασφαλείας με ενίσχυση στα άκρα των δακτύλων!		Ποτέ μην χρησιμοποιήσετε μεταλλικές λάμες.
	Κρατήστε μακριά από την περιοχή εργασίας όλα τα άτομα και τα ζώα!		

ΟΔΗΓΙΕΣ ΑΣΦΑΛΕΙΑΣ

Γενικές οδηγίες

- Διαβάστε αυτό το εγχειρίδιο οδηγιών για να εξοικειωθείτε με τον χειρισμό της συσκευής. Οι χρήστες οι οποίοι δεν διαθέτουν επαρκή ενημέρωση θα θέσουν σε κίνδυνο τους εαυτούς τους και τους άλλους λόγω του ακατάλληλου χειρισμού.
- Συνιστάται να δανειζέτε τη συσκευή μόνο στα άτομα που έχουν αποδεδειγμένη εμπειρία στο χειρισμό της.
Πάντοτε να παραδίδεται το εγχειρίδιο οδηγιών.
- Οι χρήστες που το χρησιμοποιούν για πρώτη φορά θα πρέπει να ζητούν από τον μεταπωλητή τις βασικές οδηγίες για να εξοικειωθούν με το χειρισμό των χλοοκοπτικών.
- Στα παιδιά και στα νεαρά άτομα κάτω των 18 ετών δεν θα πρέπει να τους επιτρέπεται η χρήση της συσκευής. Τα άτομα με ηλικία πάνω από 16 ετών θα μπορούσαν να χρησιμοποιήσουν την συσκευή για εκπαιδευτικούς σκοπούς, κάτω από την επίβλεψη ενός έμπειρου εκπαιδευτή.
- Χρησιμοποιήστε με τη μεγαλύτερη δυνατή φροντίδα και προσοχή.
- Χειριστείτε μόνο όταν βρίσκεστε σε καλή φυσική κατάσταση. Εκτελέστε όλες τις εργασίες με ηρεμία και προσοχή. Ο χρήστης θεωρείται υπεύθυνος για τους άλλους.
- Ποτέ να μην χρησιμοποιήσετε αυτή τη συσκευή μετά από την κατανάλωση αλκοόλ ή φαρμάκων, ή εάν αισθάνεστε κουρασμένοι ή είστε ασθενείς.
- Η εθνική νομοθεσία μπορεί να περιορίζει τη χρήση του μηχανήματος.

Προοριζόμενη χρήση του μηχανήματος

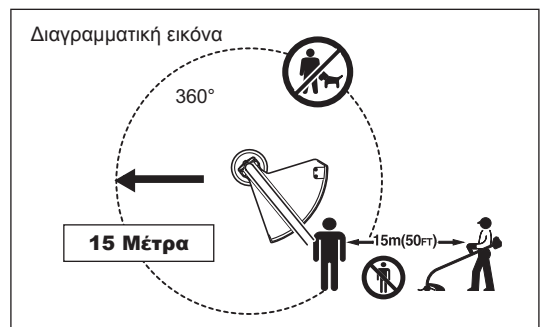
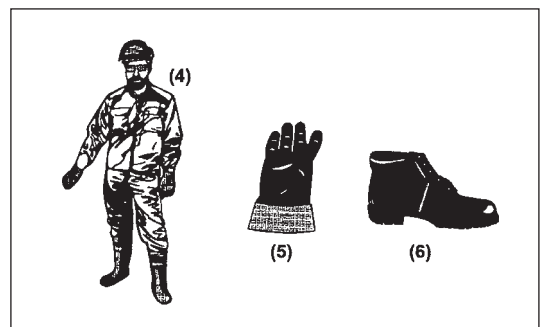
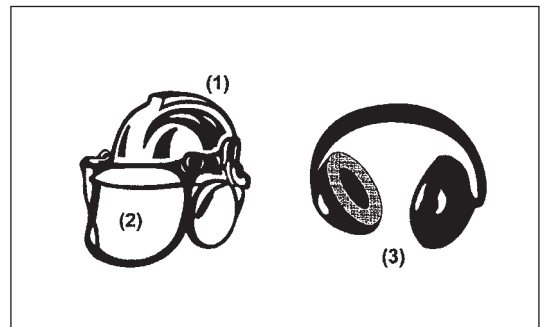
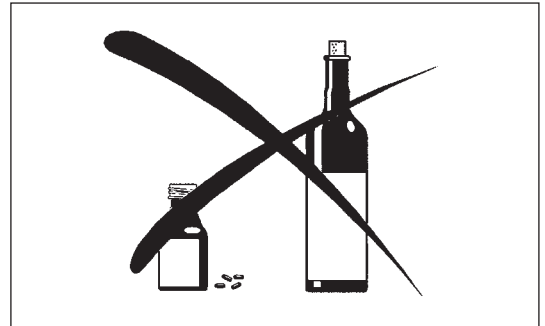
- Η συσκευή αυτή προορίζεται μόνο για την κοπή γρασιδιού και ελαφριάς βλάστησης. Δεν πρέπει να χρησιμοποιηθεί για άλλους σκοπούς όπως κοπή κήρων ή φρακτών επειδή μπορεί να προκαλέσει τραυματισμό.

Προσωπικός προστατευτικός εξοπλισμός

- Ο ρουχισμός που φοράτε θα πρέπει να είναι λειτουργικός και κατάλληλος, δηλαδή να είναι εφαρμοστός αλλά να μην σας παρεμποδίζει. Μην φοράτε κοσμήματα ή ρούχα τα οποία μπορούν να μπλεχτούν μέσα στους θάμνους ή στους βάλτους.
- Για την προστασία του τραυματισμού της κεφαλής, των ματιών, ή των ποδιών καθώς επίσης και την προστασία της ακοής κατά την λειτουργία, θα πρέπει να χρησιμοποιηθεί ο παρακάτω προστατευτικός εξοπλισμός και ο προστατευτικός ρουχισμός κατά τον χειρισμό της συσκευής.
- Πάντοτε να φοράτε κράνος όπου υπάρχει ο κίνδυνος της πτώσης αντικειμένων. Το κράνος (1) θα πρέπει να ελέγχεται για την ύπαρξη ζημιάς κατά τακτικά χρονικά διαστήματα και θα πρέπει να αντικατασταθεί τουλάχιστον μετά από 5 χρόνια. Χρησιμοποιείτε μόνο εγκεκριμένα προστατευτικά κράνη.
- Η προσωπίδα (2) του κράνου (ή εναλλακτικά προστατευτικά γυαλιά) προστατεύει το πρόσωπο από τα θραύσματα και τις πέτρες που ίπτανται. Κατά τον χειρισμό, πάντοτε να φοράτε προστατευτικά γυαλιά ή προσωπίδα για την αποφυγή του τραυματισμού των ματιών.
- Φοράτε τον απαραίτητο εξοπλισμό προστασίας ενάντια στο θόρυβο για την αποφυγή πρόκλησης βλάβης στην ακοή (προστατευτικά επικαλύμματα αυτιών (3), ωτοασπίδες κτλ.).
- Η φόρμα εργασίας (4) προστατεύει από τις πέτρες και τα θραύσματα που ίπτανται. Σας συστήνουμε ανεπιφύλακτα την χρήση της φόρμας εργασίας από το χρήστη.
- Τα γάντια (5) αποτελούν μέρος του συνιστώμενου εξοπλισμού και πρέπει πάντοτε να φοριούνται κατά το χειρισμό.
- Κατά την χρήση της συσκευής, πάντοτε να φοράτε ανθεκτικά παπούτσια (6) με αντιολισθητικές σόλες. Αυτά προστατεύουν έναντι των τραυματισμών και διασφαλίζουν το καλό πάτημα.

Εκκίνηση του βενζινοκίνητου χλοοκοπτικού

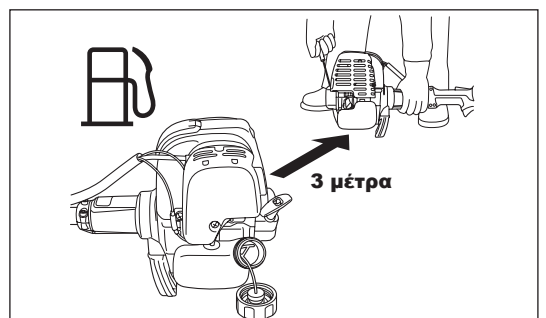
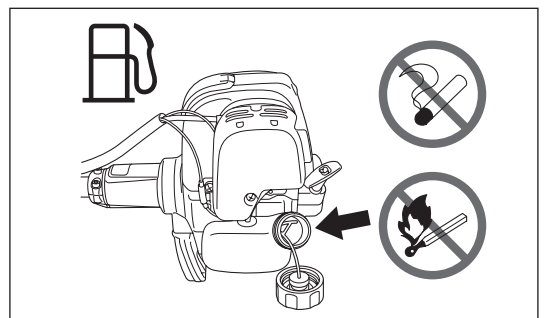
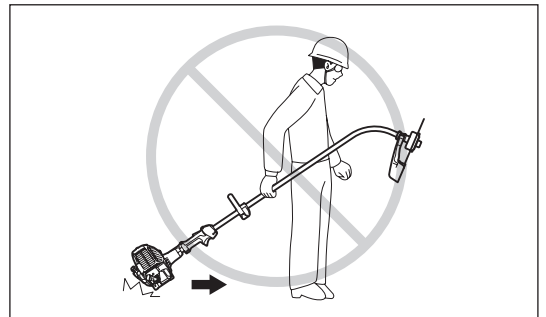
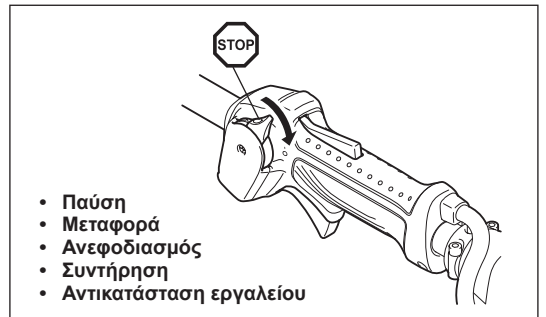
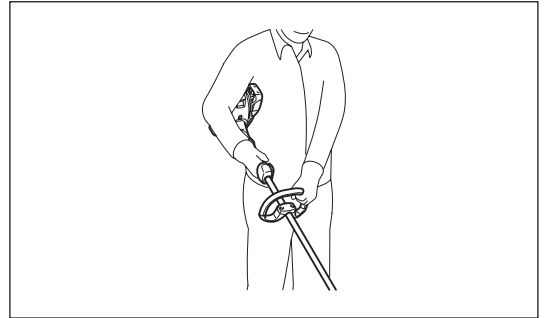
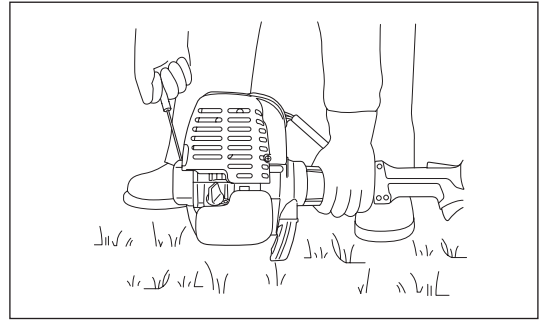
- Φροντίστε ώστε να μην υπάρχουν παιδιά ή άλλα άτομα μέσα σε μια απόσταση εργασίας 15 μέτρων (50 ποδιών), επίσης δώστε προσοχή στα οποιαδήποτε ζώα μέσα στην περιοχή εργασίας.
- Πριν από τη χρήση ελέγχετε πάντοτε ότι η συσκευή είναι ασφαλής για εργασία: Ελέγξτε την ασφάλεια του κοπτικού προσαρτήματος, το μοχλό του γκαζιού για την ευκολία δράσης και ελέγξτε την κατάλληλη λειτουργικότητα της ασφάλειας του μοχλού του γκαζιού.
- Απαγορεύεται η περιστροφή του κοπτικού προσαρτήματος κατά το ρελαντί. Εάν έχετε αμφιβολία απευθυνθείτε στον μεταπωλητή σας για τη ρύθμιση. Ελέγξτε τα χερούλια ώστε να είναι καθαρά και ξηρά και δοκιμάστε τη λειτουργία του διακόπτη εκκίνησης/σταματήματος.



- Ξεκινήστε το βενζινοκίνητο χλοοκοπτικό μόνο σύμφωνα με τις οδηγίες.
- Μην χρησιμοποιήσετε οποιεσδήποτε άλλες μεθόδους για να ξεκινήσετε τον κινητήρα!
- Χρησιμοποιήστε το βενζινοκίνητο χλοοκοπτικό και τα εργαλεία μόνο για τις καθορισμένες εφαρμογές.
- Ξεκινήστε τον κινητήρα μόνο αφότου ολοκληρωθεί πλήρως η συναρμολόγηση. Η λειτουργία της συσκευής επιτρέπεται μόνο αφότου συνδεθούν όλα τα κατάλληλα εξαρτήματα!
- Πριν το ξεκίνημα, βεβαιωθείτε ότι το κοπτικό προσάρτημα δεν βρίσκεται σε επαφή με σκληρά αντικείμενα όπως κλαδιά, πέτρες κτλ επειδή το κοπτικό προσάρτημα θα περιστραφεί κατά την εκκίνηση.
- Ο κινητήρας σβήνει αμέσως στην περίπτωση που συμβούν μηχανικά προβλήματα.
- Εάν το κοπτικό προσάρτημα χτυπήσει πέτρες ή άλλα σκληρά αντικείμενα, αμέσως κλείστε τον κινητήρα και επιθεωρήστε το κοπτικό προσάρτημα.
- Επιθεωρείτε το κοπτικό προσάρτημα για ζημιά ανά τακτά και σύντομα διαστήματα (διάγνωση λεπτών ρωγμών χρησιμοποιώντας το τεστ ήχου που παράγεται από την κρούση).
- Εάν η συσκευή χτυπήσει δυνατά κατά την πτώση, ελέγξτε την κατάσταση πριν συνεχίσετε την εργασία. Ελέγξτε το σύστημα καυσίμου για ύπαρξη διαρροής καυσίμου αλλά και τα χειριστήρια και τις διατάξεις ασφαλείας για ύπαρξη δυσλειτουργίας. Εάν υπάρχει οποιαδήποτε ζημιά ή αν έχετε αμφιβολίες, επικοινωνήστε με το δικό μας εξουσιοδοτημένο κέντρο εξυπηρέτησης για επιθεώρηση και επισκευή.
- Κατά τον χειρισμό, πάντοτε να κρατάτε το βενζινοκίνητο χλοοκοπτικό και με τα δυο σας χέρια. Ποτέ να μην κρατάτε το βενζινοκίνητο χλοοκοπτικό με το ένα χέρι κατά τη χρήση.
Πάντοτε να έχετε ένα ασφαλές πάτημα.
- Να χειρίζεστε τη συσκευή με τέτοιο τρόπο ώστε να αποφεύγετε την εισπνοή των καυσαερίων. Ποτέ να μην λειτουργήσετε τον κινητήρα σε κλειστά δωμάτια (υπάρχει κίνδυνος δηλητηρίασης από αέρια). Το μονοξείδιο του άνθρακα είναι ένα άοσμο αέριο.
- Σβήνετε τον κινητήρα όταν σταματάτε κατά την ανάπαυση και όταν παραμένει η συσκευή χωρίς επίβλεψη, και τοποθετήστε τη σε ένα ασφαλές χώρο για την αποφυγή πρόκλησης κινδύνου σε άλλους ή ζημιάς στο μηχάνημα.
- Ποτέ να μην τοποθετείτε το βενζινοκίνητο χλοοκοπτικό όταν είναι ζεστό πάνω σε ξερά χόρτα ή πάνω σε άλλα εύφλεκτα υλικά.
- Πάντοτε να εγκαθιστάτε τον εγκεκριμένο προφυλακτήρα του κοπτικού προσαρτήματος πάνω στη συσκευή πριν την εκκίνηση του κινητήρα. Διαφορετικά η επαφή με το κοπτικό προσάρτημα μπορεί να προκαλέσει σοβαρό τραυματισμό.
- Όλα τα προστατευτικά συγκροτήματα και προφυλακτήρες που παρέχονται με το μηχάνημα πρέπει να χρησιμοποιούνται κατά τη λειτουργία.
- Ποτέ να μην χειρίζεστε τον κινητήρα με ένα σιγαστήρα της εξάτμισης που έχει πάθει ζημιά.
- Κλείστε τον κινητήρα κατά την μεταφορά.
- Διασφαλίστε την ασφαλή τοποθέτηση της συσκευής κατά την μεταφορά με αυτοκίνητο για την αποφυγή της διαρροής καυσίμου.
- Κατά την μεταφορά, διασφαλίστε ότι το ρεζερβουάρ καυσίμου είναι εντελώς άδειο.
- Κατά την εκφόρτωση της συσκευής από την καρότσα, ποτέ να μην ρίξετε κάτω τον κινητήρα στο έδαφος επειδή αν το κάνετε αυτό μπορεί να προκληθεί σοβαρή βλάβη στο ρεζερβουάρ καυσίμου.
- Εκτός από την περίπτωση της έκτακτης ανάγκης, ποτέ να μην ρίξετε ή να πετάξετε τη συσκευή στο έδαφος επειδή αν το κάνετε αυτό μπορεί να προκληθεί σοβαρή ζημιά στη συσκευή.
- Θυμηθείτε να σηκώνετε ολόκληρο τον κινητήρα από το έδαφος όταν μετακινείτε τη συσκευή. Το σύστημα του ρεζερβουάρ καυσίμου είναι πολύ επικίνδυνο και θα προκαλέσει ζημιά και διαρροή καυσίμου, προκαλώντας πιθανόν την πυρκαγιά.

Ανεφοδιασμός

- Κατά τον ανεφοδιασμό καυσίμου σβήστε τον κινητήρα, να είστε μακριά από τις γυμνές φλόγες και να μην καπνίζετε.
- Αποφύγετε την επαφή του δέρματος με προϊόντα ορυκτών λαδιών. Μην εισπνέετε τον ατμό του καυσίμου. Πάντοτε να φοράτε προστατευτικά γάντια κατά τον ανεφοδιασμό καυσίμου. Αλλάξτε και καθαρίζετε τον προστατευτικό ρουχισμό σε τακτικά διαστήματα.
- Δώστε προσοχή ώστε να μην ρίξετε κάτω καύσιμο ή λάδια για την αποφυγή της ρύπανσης του εδάφους (προστασία του περιβάλλοντος). Καθαρίστε το βενζινοκίνητο χλοοκοπτικό αμέσως μετά την διασπορά του καυσίμου.
- Αποφύγετε την οποιαδήποτε επαφή του καυσίμου με τα ρούχα σας. Αλλάξτε το ρουχισμό σας αμέσως μετά την πτώση του καυσίμου επάνω του (για την αποφυγή της πρόκλησης φωτιάς στα ρούχα σας).
- Επιθεωρήστε την τάπα του καυσίμου ανά τακτά διαστήματα για να διασφαλίσετε ότι μπορεί να στερεωθεί σταθερά και ότι δεν παρουσιάζει διαρροή.
- Προσεκτικά σφίξτε την τάπα του ρεζερβουάρ καυσίμου. Αλλάξτε θέση για την εκκίνηση του κινητήρα (τουλάχιστον 3 μέτρα μακριά από τον χώρο του ανεφοδιασμού).
- Ποτέ να μην ανεφοδιάζετε σε κλειστά δωμάτια. Οι ατμοί του καυσίμου συσσωρεύονται στο επίπεδο του εδάφους (κίνδυνος εκρήξεων).
- Να μεταφέρετε και να αποθηκεύετε το καύσιμο σε κατάλληλα δοχεία. Φροντίστε ώστε το αποθηκευμένο καύσιμο να μην είναι προσβάσιμο στα παιδιά.



Μέθοδος Λειτουργίας

- Χρησιμοποιήστε μόνο κάτω από καλό φωτισμό και ορατότητα. Κατά τη διάρκεια της εποχής του χειμώνα δώστε προσοχή στις περιοχές που είναι υγρές και γλιστρούν, πάγος και χιόνι (κίνδυνος ολισθηρότητας). Πάντοτε να έχετε ένα ασφαλές πάτημα.
- Ποτέ μην κόβετε επάνω από το ύψος της μέσης σας.
- Ποτέ να μην στέκεστε πάνω σε μια σκάλα.
- Ποτέ να μην σκαρφαλώνετε σε δέντρα για να εκτελέσετε εργασίες κοπής.
- Ποτέ να μην εργάζεστε πάνω σε ασταθείς επιφάνειες.
- Αφαιρέστε την άμμο, τις πέτρες, τα καρφιά κτλ που βρίσκονται μέσα στο εύρος της περιοχής εργασίας.
- Πριν το ξεκίνημα της κοπής, το κοπτικό προσάρτημα θα πρέπει να έχει αποκτήσει την πλήρη ταχύτητα λειτουργίας.
- Ταλαντώνετε το βενζινοκίνητο χλοοκοπτικό ομοιόμορφα. Αν γρασίδι ή κλαδιά μπλεχτούν μεταξύ του κοπτικού προσαρτήματος και του προφυλακτήρα, να σταματάτε πάντοτε τον κινητήρα πριν από τον καθαρισμό. Διαφορετικά η ακούσια περιστροφή του προσαρτήματος μπορεί να προκαλέσει σοβαρό τραυματισμό.
- Ξεκουραστείτε για να μην χάσετε τον έλεγχο λόγω κόπησης. Σας συνιστούμε να κάνετε 10 έως 20 λεπτά διάλειμμα κάθε ώρα.



Προσαρτήματα κοπής

- Ποτέ να μην χρησιμοποιήσετε μεταλλικές λάμες συμπεριλαμβανομένων των μεταλλικών περιστροφικών αλυσίδων πολλαπλών τμημάτων και των αλωνιστικών λαμών. Διαφορετικά η επαφή με τη λάμα μπορεί να προκαλέσει σοβαρό τραυματισμό.

Δόνηση

- Τα άτομα με κακό κυκλοφορικό σύστημα τα οποία εκτίθενται σε υπερβολικούς κραδασμούς μπορεί να παρουσιάσουν βλάβη στα αιμοφόρα αγγεία ή στο νευρικό σύστημα. Οι κραδασμοί ενδέχεται να προκαλέσουν τα ακόλουθα συμπτώματα στα δάχτυλα, τα χέρια ή τους καρπούς: "Κοίμισμα" (μούδιασμα), μυρμήγκιασμα, πόνος, σουβλιές, αλλαγή χρώματος ή υφής του δέρματος. Εάν έχετε οποιαδήποτε από αυτά τα συμπτώματα, επισκεφτείτε ένα γιατρό!
- Για την ελάττωση του κινδύνου της "ασθένειας των άσπρων δακτύλων", διατηρήστε τα χέρια σας ζεστά κατά την λειτουργία και διατηρήστε σε καλή κατάσταση τη συσκευή και τα εξαρτήματα.



Οδηγίες συντήρησης

- Επισκευάζετε τη συσκευή σας στο δικό μας εξουσιοδοτημένο κέντρο σέρβις, χρησιμοποιώντας πάντοτε αυθεντικά ανταλλακτικά. Η λανθασμένη επισκευή και η φτωχή συντήρηση μπορεί να μειώσει την διάρκεια της ωφέλιμης ζωής της συσκευής και να αυξήσει τον κίνδυνο ατυχημάτων.
- Η κατάσταση της συσκευής, ιδιαίτερα του κοπτικού προσαρτήματος των προστατευτικών συσκευών, θα πρέπει να ελέγχεται πριν από την έναρξη της εργασίας.
- Κλείστε τον κινητήρα και αφαιρέστε το σύνδεσμο του μπουζί κατά την αντικατάσταση ή το ακόνισμα των κοπτικών προσαρτημάτων και επίσης κατά τον καθαρισμό του κόφτη ή του κοπτικού προσαρτήματος.
- Δώστε προσοχή στο περιβάλλον. Αποφύγετε την άσκοπη λειτουργία του γκαζιού για λιγότερη ρύπανση και εκπομπές θορύβου. Ρυθμίστε το καρμπυρατέρ σωστά.
- Καθαρίστε τη συσκευή ανά τακτά διαστήματα και ελέγξτε ότι όλες οι βίδες και τα παξιμάδια είναι καλά σφιγμένα.
- Ποτέ να μην κάνετε τη συντήρηση ή την αποθήκευση της συσκευής κοντά σε γυμνές φλόγες.
- Πάντοτε να αποθηκεύετε τη συσκευή σε κλειδωμένα δωμάτια με άδειο το ρεζερβουάρ καυσίμου.



Τηρήστε τις σχετικές οδηγίες αποτροπής ατυχήματος που εκδίδονται από τις σχετικές εμπορικές ενώσεις και από τις ασφαλιστικές εταιρίες. Μην εκτελέσετε καμιά τροποποίηση στη συσκευή επειδή αυτό θα θέσει σε κίνδυνο την ασφάλειά σας.

Η εκτέλεση των εργασιών συντήρησης και επισκευής από το χρήστη περιορίζονται τις δραστηριότητες που περιγράφονται στο εγχειρίδιο οδηγιών. Όλες οι άλλες εργασίες πρέπει να γίνονται από ένα εξουσιοδοτημένο αντιπρόσωπο του σέρβις. Χρησιμοποιήστε μόνο τα αυθεντικά ανταλλακτικά και αξεσουάρ που διατίθενται και παρέχονται από τη DOLMAR.

Η χρήση μη εγκεκριμένων εξαρτημάτων και εργαλείων συνεπάγεται τον αυξημένο κίνδυνο ατυχημάτων.

Η DOLMAR δεν θα δεχθεί την οποιαδήποτε ευθύνη για ατυχήματα ή φθορά που προκλήθηκε από τη χρήση μη εγκεκριμένων κοπτικών προσαρτημάτων και συσκευών στερέωσης των κοπτικών προσαρτημάτων ή αξεσουάρ.

Πρώτες βοήθειες

Για την περίπτωση ατυχήματος, φροντίστε να υπάρχει διαθέσιμο ένα κουτί πρώτων βοηθειών στην περιοχή όπου εκτελούνται οι εργασίες κοπής. Αντικαταστήστε αμέσως το οποιοδήποτε αντικείμενο που πάρθηκε από το κουτί των πρώτων βοηθειών.

Όταν ζητάτε βοήθεια, παρακαλώ παράσχετε τις ακόλουθες πληροφορίες:

- Τόπος του ατυχήματος
- Τι συνέβη
- Αριθμός τραυματισμένων ατόμων
- Είδος των τραυμάτων
- Το όνομά σας



ΤΕΧΝΙΚΑ ΣΤΟΙΧΕΙΑ LT-245.4

Μοντέλο		LT-245.4		
		Χερούλι σε σχήμα βρόγχου		
Διαστάσεις: μήκος x πλάτος x ύψος (χωρίς το κοπτικό προσάρτημα)	mm	1.623 x 290 x 464		
Διάμετρος κοπής	mm	412		
Βάρος (χωρίς πλαστικό προφυλακτήρα και κοπτικό προσάρτημα)	kg	4,9		
Όγκος (ρεζερβουάρ καυσίμου)	L	0,5		
Όγκος (ρεζερβουάρ λαδιού)	L	0,08		
Εκτόπισμα κινητήρα	cm ³	24,5		
Μέγιστη απόδοση κινητήρα	kw	0,71 στις 7.000 min ⁻¹		
Ταχύτητα κινητήρα στη συνιστώμενη μέγιστη ταχύτητα του άξονα	min ⁻¹	10.000		
Μέγιστη περιστροφική συχνότητα του άξονα	min ⁻¹	7.750		
Μέγιστη κατανάλωση καυσίμου	kg/h	0,33		
Μέγιστη ειδική κατανάλωση καυσίμου	g/kwh	408		
Ταχύτητα ρελαντί	min ⁻¹	3.000		
Ταχύτητα εμπλοκής συμπλέκτη	min ⁻¹	3.750		
Καρμπιρατέρ	τύπος	WALBRO WYL		
Σύστημα ανάφλεξης	τύπος	Ανάφλεξη στερεάς κατάστασης		
Μπουζί	τύπος	NGK CMR4A		
Διάκενο ηλεκτροδίων	mm	0,7 - 0,8		
Δόνηση σύμφωνα με το ISO 22867	Δεξιό χερούλι (Πίσω λαβή)	a _{hν eq}	m/s ²	5,4
		Αβεβαιότητα K	m/s ²	1,0
	Αριστερό χερούλι (Μπροστινή λαβή)	a _{hν eq}	m/s ²	5,3
		Αβεβαιότητα K	m/s ²	0,9
Στάθμη ηχητικής πίεσης αντιπροσωπευτική του ISO 22868	L _{PA eq}	dBA	93,3	
	Αβεβαιότητα K	dBA	2,8	
Στάθμη ηχητικής ισχύος αντιπροσωπευτική του ISO 22868	L _{WA eq}	dBA	102,5	
	Αβεβαιότητα K	dBA	1,7	
Καύσιμο		Βενζίνη αυτοκινήτου		
Λάδι κινητήρα		Λάδι SAE 10W-30 της κατηγορίας API, Κλάση SF ή υψηλότερη (4-χρονος κινητήρας για αυτοκίνητα)		

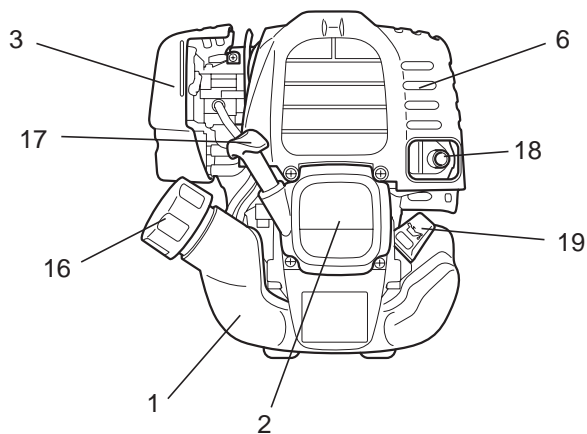
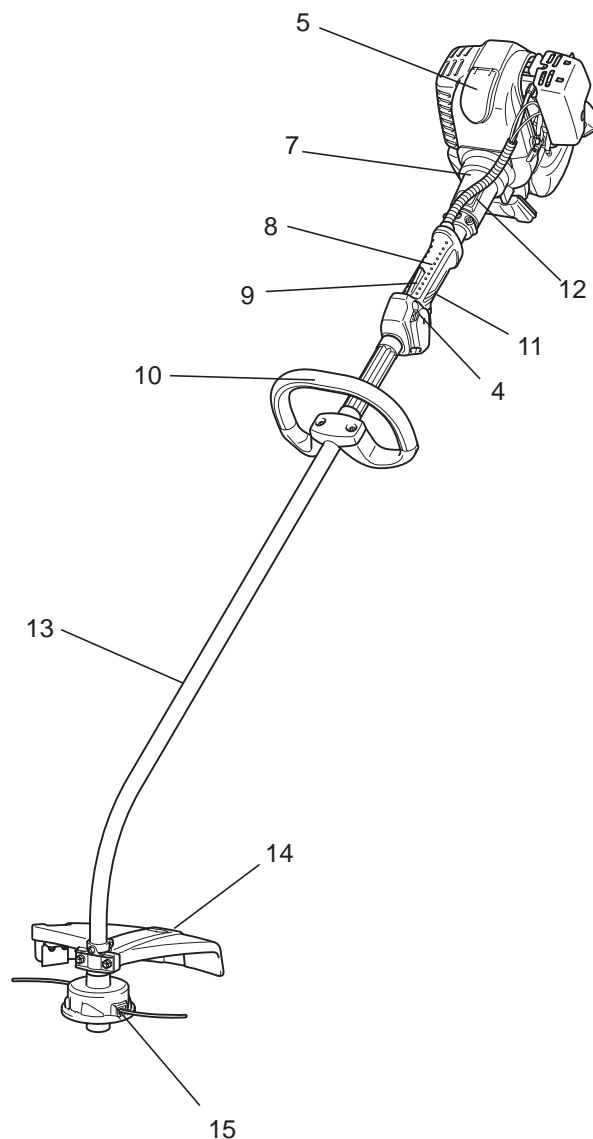
ΕΚ – ΔΗΛΩΣΗ ΣΥΜΜΟΡΦΩΣΗΣ

Για τις ευρωπαϊκές χώρες μόνο

Η δήλωση συμμόρφωσης ΕΚ περιλαμβάνεται ως παράρτημα Α σε αυτό το εγχειρίδιο οδηγιών.

ΚΑΘΟΡΙΣΜΟΣ ΕΞΑΡΤΗΜΑΤΩΝ

LT-245.4



GR	ΚΑΘΟΡΙΣΜΟΣ ΕΞΑΡΤΗΜΑΤΩΝ
1	Ρεζερβουάρ καυσίμου
2	Εκκινήτριας ανατύλιξης
3	Φίλτρο αέρα
4	I-O διακόπτης (ανοικτός/κλειστός)
5	Μπουζί
6	Σιγαστήρας εξάτμισης
7	Θήκη συμπλέκτη
8	Πίσω λαβή
9	Μοχλός κλειδώματος
10	Χερούλι
11	Μοχλός γκαζιού
12	Καλώδιο χειρισμού
13	Άξονας
14	Προφυλακτήρας (Προφυλακτήρας κοπτικού προσαρτήματος)
15	Νάιλον κεφαλή κοπής
16	Τάπα ρεζερβουάρ καυσίμου
17	Λαβή εκκινήτρια
18	Σωλήνας εξάτμισης
19	Δείκτης λαδιού

ΣΤΕΡΕΩΣΗ ΤΟΥ ΧΕΡΟΥΛΙΟΥ

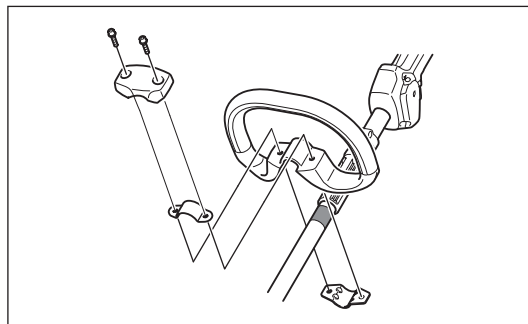
⚠ ΠΡΟΣΟΧΗ: Πριν κάνετε την οποιαδήποτε εργασία πάνω στη συσκευή, πάντοτε να σταματάτε τον κινητήρα και να αποσυνδέετε το σύνδεσμο του μπουζί από το μπουζί.
Να φοράτε πάντα προστατευτικά γάντια!

⚠ ΠΡΟΣΟΧΗ: Να ξεκινάτε τον κινητήρα μόνο μετά την πλήρη συναρμολόγηση.

Για μηχανήματα με χερούλι σε σχήμα βρόγχου

- Στερεώστε το χερούλι σχήματος βρόγχου πάνω στον άξονα όπως δείχνεται.
- Βεβαιωθείτε ότι το διαχωριστικό στον άξονα του σωλήνα βρίσκεται μεταξύ του συγκροτήματος της λαβής και της άλλης λαβής. Μην αφαιρέσετε ή συμπιύξετε το διαχωριστικό.

ΣΗΜΕΙΩΣΗ: Σε ορισμένες χώρες, το διαχωριστικό δεν παρέχεται με το εργαλείο. Στην περίπτωση αυτή, ευθυγραμμίστε το χερούλι στην πιο πέρα πλευρά της γραμμής που υποδεικνύεται από τα σημάδια των βελών.



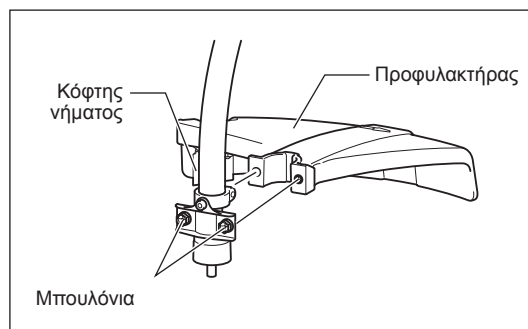
ΣΤΕΡΕΩΣΗ ΤΟΥ ΠΡΟΦΥΛΑΚΤΗΡΑ

Για εναρμόνιση με τις διατάξεις ασφαλείας, πρέπει να χρησιμοποιηθούν μόνο οι συνδυασμοί εργαλείου/προφυλακτήρα που αναφέρονται στον πίνακα.

⚠ ΠΡΟΣΟΧΗ: Μην αγγίζετε τον κόφτη του νήματος στον προφυλακτήρα.
Το άγγιγμα του κόφτη του νήματος με γυμνά χέρια μπορεί να προκαλέσει τραυματισμό.

Ο προφυλακτήρας πρέπει να τοποθετηθεί για να διατηρήσει το μήκος του νάilon κοπτικού νήματος και για να προστατεύει τον χειριστή από τις εκτινασόμενες πέτρες και θραύσματα. Συναρμολογήστε τον προφυλακτήρα σύμφωνα με τα παρακάτω βήματα.

1. Τοποθετήστε τον προφυλακτήρα έτσι ώστε η ράβδωση του άξονα να ταιριάζει με την εγκοπή στον προφυλακτήρα.
2. Σφίξτε τα δυο μπουλόνια.



ΣΤΕΡΕΩΣΗ ΤΗΣ ΝΑΙΛΟΝ ΚΕΦΑΛΗΣ ΚΟΠΗΣ

⚠ ΠΡΟΕΙΔΟΠΟΙΗΣΗ: Ποτέ μην χρησιμοποιήσετε κοπτικές λάμες.

Φροντίστε να χρησιμοποιήσετε μια αυθεντική νάilon κεφαλή κοπής της DOLMAR.

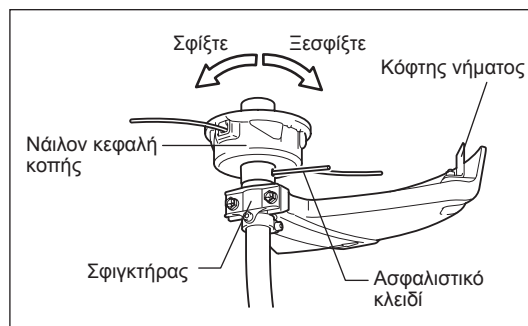
- Εάν η νάilon κεφαλή κοπής χτυπήσει μια πέτρα κατά τη λειτουργία, σταματήστε τον κινητήρα και ελέγξτε αμέσως την κεφαλή κοπής.

⚠ ΠΡΟΣΟΧΗ: Μην αγγίζετε τον κόφτη του νήματος στον προφυλακτήρα.
Το άγγιγμα του κόφτη του νήματος με γυμνά χέρια μπορεί να προκαλέσει τραυματισμό.

Στερεώστε την νάilon κεφαλή κοπής σύμφωνα με τα παρακάτω βήματα.

1. Εισάγετε το ασφαλιστικό κλειδί μέσα από την τρύπα στο σφιγκτήρα. Περιστρέψτε τα σπρώχνοντας προς τα μέσα το ασφαλιστικό κλειδί ως ότου να κλειδώσουν.
2. Βιδώστε μια νάilon κεφαλή κοπής πάνω στον άξονα περιστρέφοντάς την δεξιόστροφα. Βεβαιωθείτε ότι είναι ασφαλώς στερεωμένη.
3. Αφαιρέστε το ασφαλιστικό κλειδί.

Για να αφαιρέσετε τη νάilon κεφαλή κοπής, περιστρέψτε την αριστερόστροφα.



ΠΡΙΝ ΑΠΟ ΤΟ ΞΕΚΙΝΗΜΑ ΤΗΣ ΛΕΙΤΟΥΡΓΙΑΣ

Έλεγχος και αναπλήρωση του λαδιού του κινητήρα

- Εκτελέστε την παρακάτω διαδικασία, με κρύο τον κινητήρα.
- Κρατώντας τον κινητήρα επίπεδο, αφαιρέστε τον δείκτη του λαδιού και επιβεβαιώστε ότι υπάρχει λάδι μεταξύ των σημαδιών του πάνω και του κάτω ορίου.
Όταν δεν υπάρχει μεγάλη ποσότητα λαδιού, έτσι ώστε ο δείκτης του λαδιού μόλις να αγγίζει το λάδι με την άκρη του, ιδιαίτερα με τον δείκτη του λαδιού να παραμένει βυθισμένος στο στροφαλοθάλαμο χωρίς βίδωμα (Εικ. 1), γεμίστε με καινούργιο λάδι κοντά στην τρύπα (Εικ. 2).
- Ως αναφορά, ο χρόνος αναπλήρωσης του λαδιού είναι περίπου 10 ώρες (10 φορές ή 10 δοχεία για την αναπλήρωση λαδιού).
Εάν αλλάξει το χρώμα του λαδιού ή αναμειχθεί με βρωμιά, αντικαταστήστε το με καινούργιο. (Για το διάστημα και την μέθοδο αντικατάστασης, ανατρέξτε στη Σ. 158)

Συνιστώμενο λάδι: SAE 10W-30 λάδι Κατηγορίας API, Κλάση SF ή υψηλότερη (4-χρονος κινητήρας για αυτοκίνητα)

Όγκος λαδιού: Περίπου 0,08L

ΣΗΜΕΙΩΣΗ: Εάν ο κινητήρας δεν κρατηθεί όρθιος, το λάδι μπορεί να μπει γύρω από τον κινητήρα και να γεμίσει υπερβολικά.
Εάν το λάδι γεμίσει πάνω από το όριο, το λάδι μπορεί να ρυπανθεί ή να πιάσει φωτιά με άσπρο καπνό.

1η παρατήρηση στην αντικατάσταση του λαδιού: “Δείκτης λαδιού”

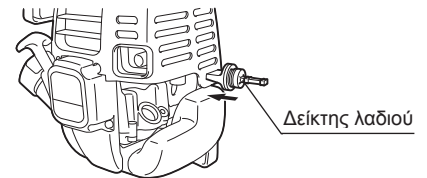
- Αφαιρέστε τη σκόνη ή την βρωμιά κοντά στην τρύπα ανεφοδιασμού του λαδιού, και αποσυνδέστε τον δείκτη λαδιού.
- Διατηρήστε τον δείκτη λαδιού που έχετε βγάλει καθαρό από άμμο και σκόνη. Διαφορετικά, η οποιαδήποτε άμμος ή σκόνη κολλήσει στον δείκτη του λαδιού μπορεί να προκαλέσει την μη φυσιολογική κυκλοφορία του λαδιού ή την φθορά των τμημάτων του κινητήρα, το οποίο θα προκαλέσει προβλήματα.
- Ως παράδειγμα για να διατηρήσετε το δείκτη λαδιού καθαρό, συνιστάται να βάζετε τον δείκτη λαδιού με την πλευρά της λαβής του μέσα στο κάλυμμα του κινητήρα, όπως δείχνεται στην Εικ. 3.



Εικ. 1

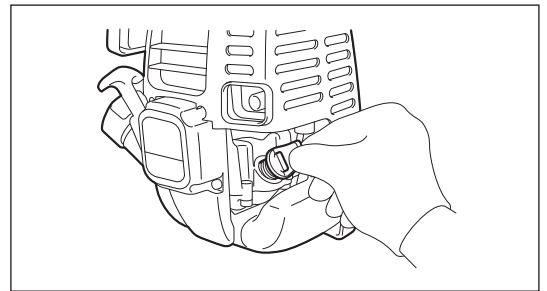


Εικ. 2

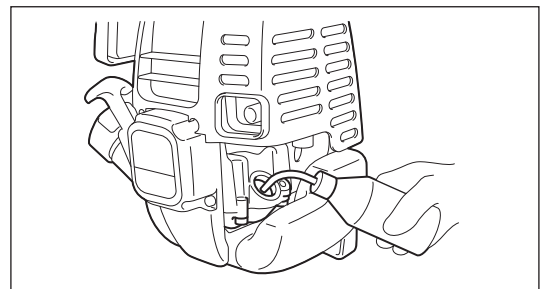


Εικ. 3

- (1) Κρατήστε τον κινητήρα επίπεδο και αποσυνδέστε το δείκτη λαδιού.



- (2) Γεμίστε λάδι μέχρι το άκρο της τρύπας ανεφοδιασμού του λαδιού. (Ανατρέξτε στην Εικ. 2).
Γεμίστε με λάδι χρησιμοποιώντας το δοχείο γεμίσματος λιπαντικού.



- (3) Σφίξτε καλά το δείκτη λαδιού. Το ανεπαρκές σφίξιμο μπορεί να προκαλέσει τη διαρροή λαδιού.

Σημείωση

- Μην αντικαταστήσετε το λάδι έχοντας τον κινητήρα υπό κλίση.
- Το γέμισμα με του λαδιού με τον κινητήρα υπό κλίση προσθέτει μια ποσότητα λαδιού μεγαλύτερη από την κανονική που προκαλεί την ρύπανση του λαδιού και/ή τον άσπρο καπνό.

2η παρατήρηση στην αντικατάσταση του λαδιού: “Εάν το λάδι χυθεί έξω”

- Εάν το λάδι χυθεί έξω μεταξύ του ρεζερβουάρ καυσίμου και της κύριας μονάδας του κινητήρα, το λάδι απορροφάται μέσα στη θύρα εισαγωγής του ψυκτικού αέρα, και θα προκληθεί ρύπανση του κινητήρα. Φροντίστε να σκουπίσετε το λάδι που έχει χυθεί πριν την έναρξη της λειτουργίας.

ΑΝΕΦΟΔΙΑΣΜΟΣ

Χειρισμός καυσίμου

Είναι απαραίτητο να χειρίζεστε το καύσιμο με τη μεγαλύτερη δυνατή προσοχή. Το καύσιμο μπορεί να περιέχει ουσίες όμοιες με τους διαλύτες. Ο ανεφοδιασμός πρέπει να γίνεται σε ένα επαρκώς αεριζόμενο δωμάτιο ή σε ένα ανοικτό χώρο. Ποτέ να μην εισπνέετε τους ατμούς του καυσίμου και κρατήστε μακριά σας το καύσιμο. Εάν αγγίξετε το καύσιμο επαναλαμβανόμενα για μακρό χρονικό διάστημα το δέρμα γίνεται ξηρό, και μπορεί να προκαλέσει ασθένεια του δέρματος ή αλλεργία. Εάν το καύσιμο μπει στο μάτι καθαρίστε το με καθαρό νερό. Εάν το μάτι σας παραμείνει ερεθισμένο, συμβουλευτείτε το γιατρό σας.

Χρονική περίοδος αποθήκευσης του καυσίμου

Το καύσιμο πρέπει να χρησιμοποιείται μέσα σε μια περίοδο 4 εβδομάδων, ακόμη και αν είναι φυλαγμένο σε ειδικό δοχείο σε μια καλά αεριζόμενη σκιερή περιοχή.

Διαφορετικά, το καύσιμο μπορεί να αλλοιωθεί σε μια μέρα.

ΑΠΟΘΗΚΕΥΣΗ ΤΟΥ ΜΗΧΑΝΗΜΑΤΟΣ ΚΑΙ ΤΟΥ ΔΟΧΕΙΟΥ ΑΝΕΦΟΔΙΑΣΜΟΥ

- Φυλάξτε το μηχάνημα και το δοχείο σε ένα ψυχρό χώρο μακριά από το απευθείας ηλιακό φως.
- Ποτέ να μην φυλάσσετε το καύσιμο μέσα στο αμάξι.

Καύσιμο

Ο κινητήρας είναι ένας τετράχρονος κινητήρας. Φροντίστε να χρησιμοποιήσετε βενζίνη αυτοκινήτου 87 οκτανίων ή περισσότερων ((R+M)/2). Δεν πρέπει να περιέχει περισσότερο από 10% αλκοόλη (E-10).

Σημειώσεις για το καύσιμο

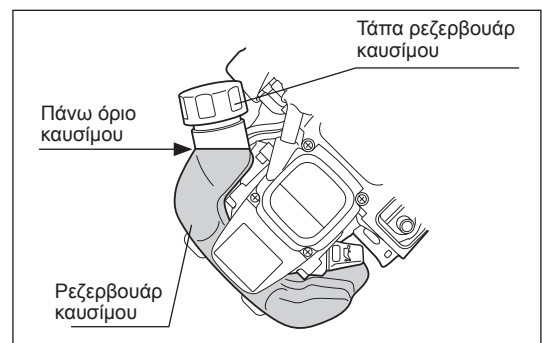
- Ποτέ να μην χρησιμοποιήσετε ένα μείγμα βενζίνης που περιέχει λάδι μηχανής. Διαφορετικά, θα προκληθεί υπερβολική συσσώρευση άνθρακα ή μηχανικά προβλήματα.
- Η χρήση αλλοιωμένου λαδιού θα προκαλέσει τη μη φυσιολογική εκκίνηση.

Ανεφοδιασμός

⚠ ΠΡΟΕΙΔΟΠΟΙΗΣΗ: ΟΙ ΕΥΦΛΕΚΤΕΣ ΟΥΣΙΕΣ ΑΠΑΓΟΡΕΥΟΝΤΑΙ ΑΥΣΤΗΡΑ

Χρησιμοποιούμενη βενζίνη: Αμόλυβδη βενζίνη αυτοκινήτων, 87 οκτάνια ή περισσότερα. Όχι περισσότερο από 10% αλκοόλη (E-10).

- Ξεσφίξτε λίγο την τάπα του ρεζερβουάρ έτσι ώστε να μην υπάρχει διαφορά στην ατμοσφαιρική πίεση.
- Αποσπάστε την τάπα του ρεζερβουάρ, και ανεφοδιάστε, εκτονώνοντας τον αέρα γέροντας το ρεζερβουάρ καυσίμου έτσι ώστε η τρύπα ανεφοδιασμού να βλέπει προς τα πάνω. (Ποτέ να μην γεμίζετε το καύσιμο πλήρως έως την τρύπα ανεφοδιασμού του λαδιού.)
- Σκουπίστε καλά την περιφέρεια της τάπας του ρεζερβουάρ για να αποτρέψετε στα ξένα σώματα να μπουν μέσα στο ρεζερβουάρ καυσίμου.
- Μετά τον ανεφοδιασμό, σφίξτε καλά την τάπα του ρεζερβουάρ.
- Εάν υπάρχει κάποια ανωμαλία ή ζημιά στην τάπα του ρεζερβουάρ, αντικαταστήστε τη.
- Η τάπα του ρεζερβουάρ είναι αναλώσιμο και επομένως θα πρέπει να αντικαθίσταται κάθε δυο με τρία χρόνια.



ΣΗΜΕΙΩΣΕΙΣ ΓΙΑ ΤΟ ΧΕΙΡΙΣΜΟ ΚΑΙ ΠΩΣ ΝΑ ΓΙΝΕΙ ΤΟ ΣΤΑΜΑΤΗΜΑ

Να τηρείτε τους ισχύοντες κανονισμούς πρόληψης ατυχημάτων!

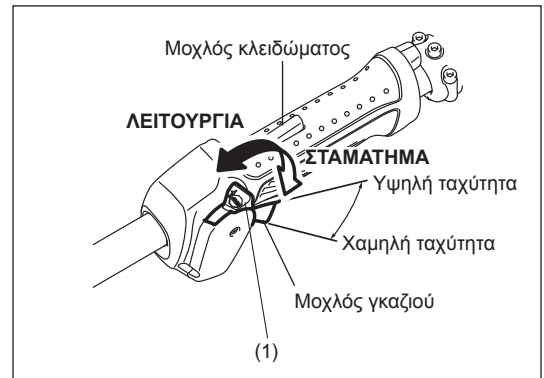


ΞΕΚΙΝΗΜΑ

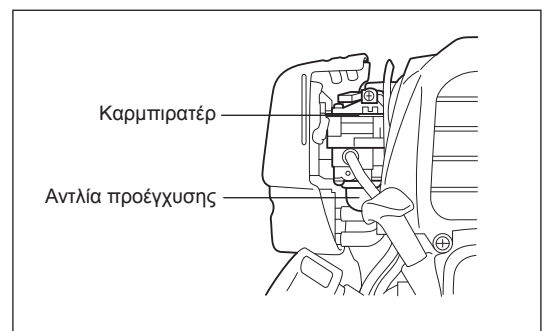
Μετακινηθείτε τουλάχιστον 3 μέτρα μακριά από το σημείο ανεφοδιασμού με καύσιμο. Τοποθετήστε τη συσκευή στο έδαφος προσέχοντας ώστε το κοπτικό προσάρτημα να μην έρχεται σε επαφή με το έδαφος ή με άλλα αντικείμενα.

A: Εκκίνηση εν ψυχρώ

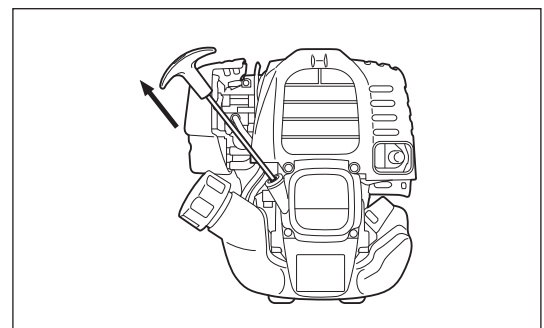
- 1) Τοποθετήστε αυτό το μηχανήμα σε μια επίπεδη επιφάνεια.
- 2) Τοποθετήστε το διακόπτη I-O (1) στη θέση ΛΕΙΤΟΥΡΓΙΑ.



- 3) Αντλία προέγχυσης
Συνεχίστε να σπρώχνεται την αντλία προέγχυσης έως ότου το καύσιμο να εισέλθει μέσα στην αντλία προέγχυσης. (Γενικά, το καύσιμο εισέρχεται μέσα στην αντλία προέγχυσης με 7 έως 10 σπρωξίματα.)
Εάν η αντλία προέγχυσης σπρωχτεί υπερβολικά, η περίσσεια ποσότητα βενζίνης επιστρέφει στο ρεζερβουάρ καυσίμου.



- 4) Εκκινήτριας ανατύλιξης
Τραβήξτε τη λαβή του εκκινήτρια ελαφρά έως ότου καταστεί δύσκολο το τράβηγμα (σημείο συμπίεσης). Στην συνέχεια επιστρέψτε τη λαβή εκκίνησης, και τραβήξτε την δυνατά.
Ποτέ να μην τραβήξετε το σχοινί μέχρι τέρμα. Όταν τραβηχτεί η λαβή του εκκινήτρια, ποτέ να μην ελευθερώσετε το χέρι σας αμέσως. Κρατήστε τη λαβή του εκκινήτρια έως ότου να επιστρέψει στο αρχικό της σημείο.
- 5) Λειτουργία προθέρμανσης
Συνεχίστε τη λειτουργία προθέρμανσης για 2 έως 3 λεπτά.



ΣΗΜΕΙΩΣΗ: Εάν εισέλθει υπερβολική ποσότητα καυσίμου (μπούκωμα), αφαιρέστε το μπουζί και τραβήξτε το χερούλι του εκκινήτρια αργά για να αφαιρέσετε το υπερβολικό καύσιμο. Επίσης, στεγνώστε το τμήμα του ηλεκτροδίου του μπουζιού.

B: Εκκίνηση μετά την λειτουργία προθέρμανσης

- 1) Σπρώξτε επαναλαμβανόμενα την αντλία προέγχυσης.
- 2) Κρατήστε τον μοχλό του γκαζιού στη θέση του ρελαντί.
- 3) Τραβήξτε γερά τον εκκινήτρια ανατύλιξης.
- 4) Εάν είναι δύσκολη η εκκίνηση του κινητήρα, ανοίξτε το γκάζι στο 1/3 περίπου.

Προσοχή κατά τη λειτουργία

Όταν ο κινητήρας λειτουργεί κρατώντας τον ανάποδα, μπορεί να βγαίνει άσπρος καπνός από το σιγαστήρα.

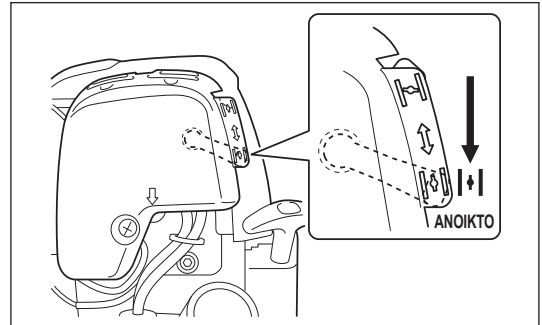
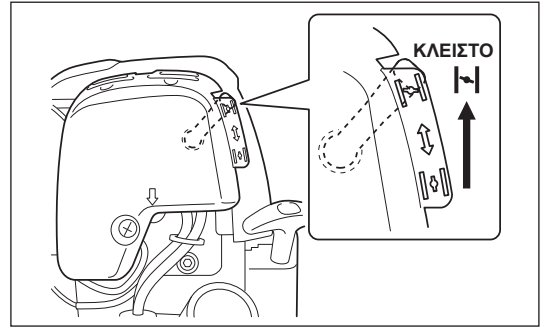
Σε κάποιες φορές, όπως το χειμώνα, που η εκκίνηση του κινητήρα είναι δύσκολη

Λειτουργήστε το μοχλό του τσοκ με την ακόλουθη διαδικασία κατά την εκκίνηση του κινητήρα.

- Αφού εκτελέσετε τα βήματα της εκκίνησης 1) έως 3), τοποθετήστε το μοχλό του τσοκ στην ΚΛΕΙΣΤΗ θέση.
- Εκτελέστε το βήμα εκκίνησης 4) και ξεκινήστε τον κινητήρα.
- Όταν ξεκινήσει ο κινητήρας, τοποθετήστε τον μοχλό του τσοκ στην ΑΝΟΙΚΤΗ θέση.
- Εκτελέστε το βήμα εκκίνησης 5) και ολοκληρώστε το ζέσταμα.

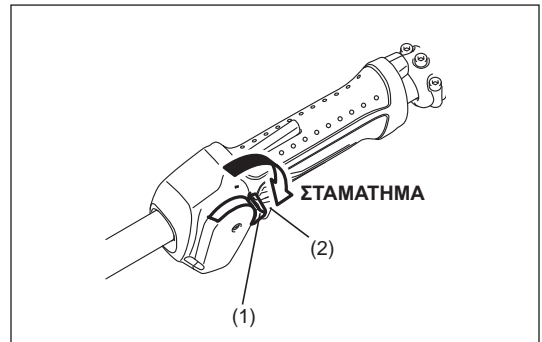
⚠ ΠΡΟΣΟΧΗ: Αν ακουστεί ένα μπαγκ (εκρηκτικός θόρυβος) και σταματήσει ο κινητήρας, ή αν σταματήσει ο κινητήρας πριν από το χειρισμό του μοχλού του τσοκ, επιστρέψτε τον μοχλό του τσοκ στην ΑΝΟΙΚΤΗ θέση και στη συνέχεια, τραβήξτε τη λαβή του εκκινητήρα μερικές φορές για να ξεκινήσει ο κινητήρας.

⚠ ΠΡΟΣΟΧΗ: Αν ο μοχλός του τσοκ παραμείνει στην ΚΛΕΙΣΤΗ θέση, και η λαβή εκκινητήρα απλά τραβηχτεί επαναλαμβανόμενα, θα εισέλθει παραπάνω ποσότητα καυσίμου και ο κινητήρας θα είναι δύσκολο να ξεκινήσει.



ΣΤΑΜΑΤΗΜΑ

- 1) Αφήστε εντελώς το μοχλό του γκαζιού (2), και μετά όταν οι στροφές του κινητήρα χαμηλώσουν, ρυθμίστε το διακόπτη I-O στη θέση ΣΤΑΣΗΣ και ο κινητήρας τώρα θα σταματήσει.
- 2) Έχετε υπόψη ότι η κεφαλή κοπής μπορεί να μην σταματήσει αμέσως και αφήστε την να σταματήσει εντελώς.

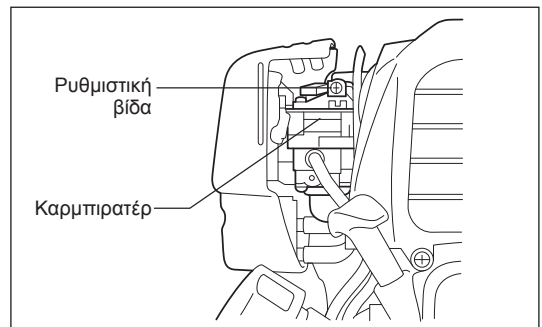


ΡΥΘΜΙΣΗ ΤΗΣ ΠΕΡΙΣΤΡΟΦΗΣ ΧΑΜΗΛΗΣ ΤΑΧΥΤΗΤΑΣ (ΡΕΛΑΝΤΙ)

Όταν είναι απαραίτητο να ρυθμίσετε την περιστροφή χαμηλής ταχύτητας (ρελαντί), εκτελέστε την από τη βίδα ρύθμισης του καρμπυρατέρ.

ΕΛΕΓΧΟΣ ΤΗΣ ΠΕΡΙΣΤΡΟΦΗΣ ΧΑΜΗΛΗΣ ΤΑΧΥΤΗΤΑΣ

- Ρυθμίστε την περιστροφή χαμηλής ταχύτητας στις 3.000 min⁻¹. Εάν είναι απαραίτητο να αλλάξετε την χαμηλή περιστροφική ταχύτητα (ρελαντί), χρησιμοποιήστε ένα κατσαβίδι για βίδες κεφαλής phillips πάνω στη βίδα που δείχνεται στα δεξιά.
- Στρέψτε την ρυθμιστική βίδα προς τα δεξιά, και η περιστροφή του κινητήρα θα αυξηθεί. Στρέψτε την ρυθμιστική βίδα προς τα αριστερά, και η περιστροφή του κινητήρα θα μειωθεί.
- Το καρμπυρατέρ είναι γενικά ρυθμισμένο πριν την αποστολή. Εάν είναι απαραίτητη η επαναρρύθμιση, παρακαλούμε επικοινωνήστε με ένα εξουσιοδοτημένο αντιπρόσωπο του σέρβις.



Η ΝΑΪΛΟΝ ΚΕΦΑΛΗ ΚΟΠΗΣ

Κατά τη λειτουργία, χρησιμοποιήστε την άκρη του νάιλον κοπτικού νήματος για την κοπή.

Τροφοδοσία του νάιλον κοπτικού νήματος

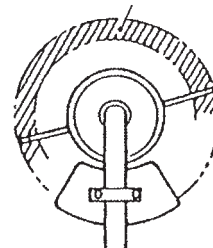
Επειδή το νάιλον κοπτικό νήμα φθείρεται και γίνεται κοντύτερο με τη λειτουργία κοπής, απαιτείται η χειροκίνητη τροφοδοσία του από το χειριστή.

Για την τροφοδοσία του νάιλον κοπτικού νήματος, κτυπήστε την κεφαλή κοπής στο έδαφος καθώς αυτή περιστρέφεται στις 6.000 min⁻¹.

ΣΗΜΕΙΩΣΗ: Αν το νάιλον κοπτικό νήμα δεν τροφοδοτείται προς τα έξω, επαναυλιξτε το.



Η πιο αποτελεσματική περιοχή κοπής



Αντικατάσταση του νάιλον νήματος

⚠ ΠΡΟΕΙΔΟΠΟΙΗΣΗ: Φροντίστε ώστε το κάλυμμα της νάιλον κεφαλής κοπής να είναι στερεωμένο κατάλληλα στη θήκη όπως περιγράφεται παρακάτω. Αν δεν ασφαλίσετε κατάλληλα το κάλυμμα, μπορεί να προκληθεί η εκτόξευση της νάιλον κεφαλής κοπής προκαλώντας το σοβαρό προσωπικό τραυματισμό.

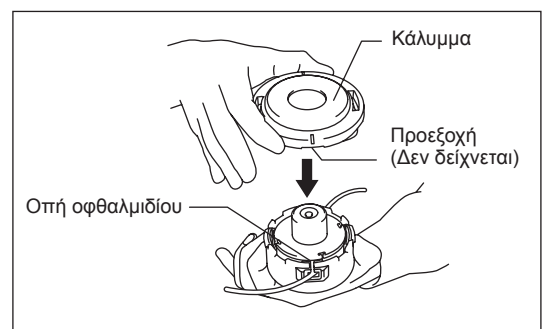
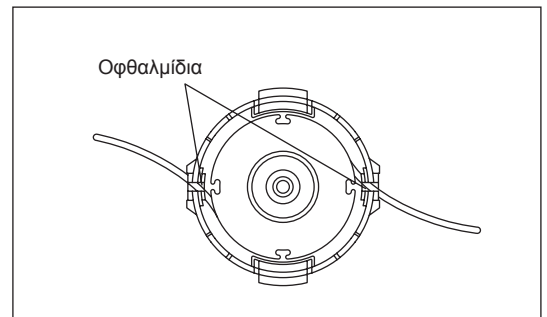
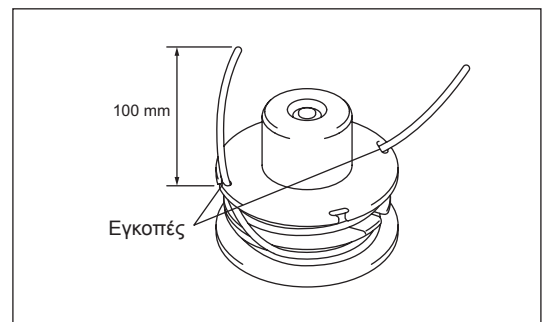
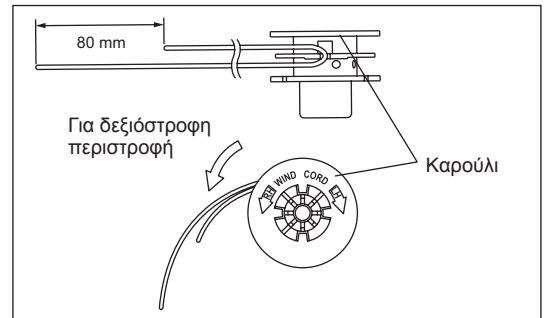
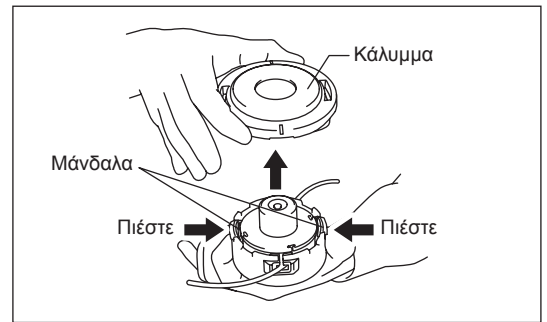
Πιέστε τα μάνδαλα στη θήκη προς τα μέσα και ανυψώστε για να αφαιρέσετε το κάλυμμα. Απορρίψτε το οποιαδήποτε νάιλον νήμα που έχει απομείνει.

Αγκιστρώστε το κέντρο του καινούργιου νάιλον νήματος στην εγκοπή στο κέντρο του καρουλιού ανάμεσα στα 2 κανάλια που παρέχονται για το νάιλον νήμα. Η μια πλευρά του νήματος πρέπει να είναι 80 mm μακρύτερη από την άλλη πλευρά. Τυλίξτε και τα δυο άκρα καλά γύρω από το καρούλι προς την διεύθυνση που δείχνεται πάνω στην κεφαλή για δεξιόστροφη κατεύθυνση που υποδεικνύεται από το RH.

Τυλίξτε γύρω όλο το νήμα εκτός από ένα μήκος 100 mm, αφήνοντας προσωρινά τα αγκιστρωμένα άκρα μέσα στην εγκοπή στο πλάι του καρουλιού.

Στερεώστε το καρούλι μέσα στη θήκη έτσι ώστε οι αυλακώσεις και οι προεξοχές του καρουλιού να ταιριάζουν με αυτές της θήκης. Τώρα, απαγκιστρώστε τα άκρα του νήματος από την προσωρινή τους θέση και περάστε τα νήματα μέσα στα οφθαλμίδια για να βγουν έξω από την θήκη.

Ταιριάστε την προεξοχή στην κάτω πλευρά του καλύμματος με τις εγκοπές των οφθαλμιδίων. Στη συνέχεια σπρώξτε το κάλυμμα καλά πάνω στην θήκη για το ασφαλίσετε. Φροντίστε ώστε τα μάνταλα να εκκίνονται πλήρως πάνω στο κάλυμμα.



ΟΔΗΓΙΕΣ ΣΕΡΒΙΣ

ΠΡΟΣΟΧΗ: Πριν κάνετε την οποιαδήποτε εργασία πάνω στη συσκευή, πάντοτε να σταματάτε τον κινητήρα και να αποσυνδέετε την πίπα του μπουζί από το μπουζί (δείτε την ενότητα "έλεγχος του μπουζί").
Να φοράτε πάντα προστατευτικά γάντια!

Για την διασφάλιση της μεγάλης διάρκειας ζωής και της αποφυγής της ζημιάς στη συσκευή, εκτελείτε κατά τακτά διαστήματα τις παρακάτω εργασίες συντήρησης.

Καθημερινός έλεγχος και συντήρηση

- Πριν την λειτουργία, ελέγξτε την συσκευή για ξεσφιγμένες βίδες ή εξαρτήματα που λείπουν. Δώστε ιδιαίτερη προσοχή στο σφίξιμο της νάιλον κεφαλής κοπής.
- Πριν από την λειτουργία, πάντοτε να ελέγχετε για την ύπαρξη βουλώματος στους αεραγωγούς ψύξης και στα πτερύγια του κυλίνδρου. Καθαρίστε τα εάν είναι απαραίτητο.
- Εκτελέστε τις παρακάτω εργασίες συντήρησης καθημερινά μετά την χρήση:
 - Καθαρίστε εξωτερικά τη συσκευή και επιθεωρήστε τη για την ύπαρξη ζημιάς.
 - Καθαρίστε το φίλτρο αέρα. Κατά την εργασία υπό συνθήκες με πολύ σκόνη, καθαρίστε το φίλτρο αρκετές φορές την μέρα.
 - Ελέγξτε την νάιλον κεφαλή κοπής για ζημιά και βεβαιωθείτε ότι είναι καλά στερεωμένη.
 - Ελέγξτε για να διαπιστώσετε ότι υπάρχει επαρκής διαφορά μεταξύ των ταχυτήτων του ρελαντί και της λειτουργίας και να διασφαλίσετε ότι το κοπτικό προσάρτημα είναι σταματημένο όταν ο κινητήρας βρίσκεται στο ρελαντί (εάν είναι απαραίτητο, ελαττώστε την ταχύτητα του ρελαντί). Εάν στο ρελαντί το εργαλείο συνεχίσει να λειτουργεί, συμβουλευτείτε τον εξουσιοδοτημένο αντιπρόσωπο του σέρβις.
- Ελέγξτε για να διαπιστώσετε ότι ο διακόπτης I-O, ο μοχλός κλειδώματος, ο μοχλός γκαζιού, και το κουμπί ασφάλισης λειτουργούν σωστά.

ΑΝΤΙΚΑΤΑΣΤΑΣΗ ΤΟΥ ΛΑΔΙΟΥ ΤΟΥ ΚΙΝΗΤΗΡΑ

Το αλλοιωμένο λάδι του κινητήρα θα μικρύνει τη διάρκεια ζωής των εξαρτημάτων που ολισθαίνουν και περιστρέφονται κατά μεγάλο βαθμό. Φροντίστε να ελέγχετε την περίοδο και την ποσότητα της αντικατάστασης.



ΠΡΟΣΟΧΗ: Γενικά, η κύρια μονάδα του κινητήρα και το λάδι του κινητήρα παραμένουν ακόμη ζεστά αμέσως μετά το σταμάτημα του κινητήρα. Κατά την αντικατάσταση του λαδιού, επιβεβαιώστε ότι η κύρια μονάδα του κινητήρα και το λάδι του κινητήρα έχουν επαρκώς κρυώσει. Διαφορετικά υπάρχει ο κίνδυνος εγκαύματος.

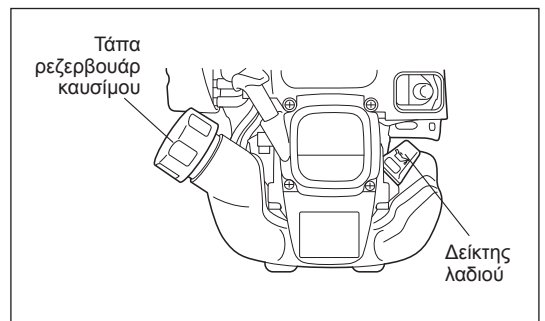
ΣΗΜΕΙΩΣΗ: Εάν το λάδι γεμίσει πάνω από το όριο, το λάδι μπορεί να ρυπανθεί ή να πιάσει φωτιά με άσπρο καπνό.

Διάστημα αντικατάστασης: Αρχικά, μετά από 20 ώρες λειτουργίας, και στη συνέχεια κάθε 50 ώρες λειτουργίας.

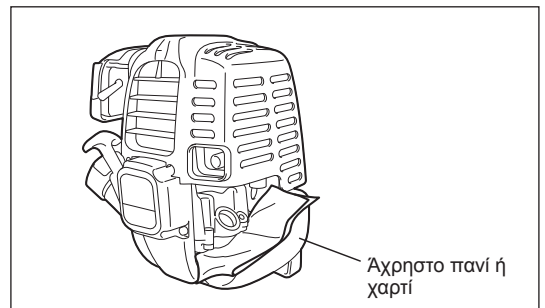
Συνιστώμενο λάδι: SAE 10W-30 λάδι Κατηγορίας API Κλάση SF ή υψηλότερη (4-χρονος κινητήρας για αυτοκίνητα)

Κατά την αντικατάσταση εκτελέστε την παρακάτω διαδικασία.

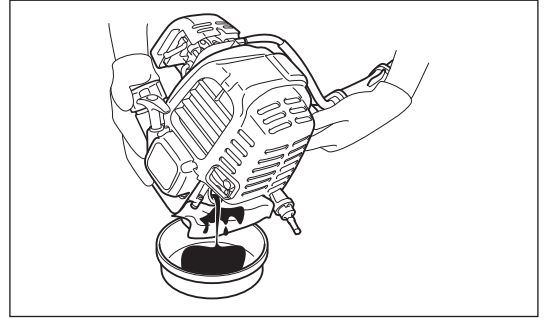
- 1) Επιβεβαιώστε ότι η τάπα του ρεζερβουάρ καυσίμου.
- 2) Αποσυνδέστε τον δείκτη λαδιού.
Διατηρήστε καθαρό το δείκτη λαδιού από σκόνη ή βρωμιά.



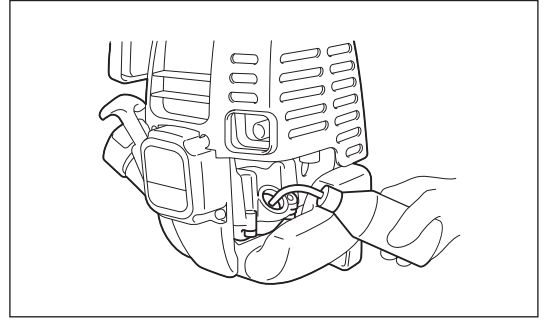
- 3) Τοποθετήστε το άχρηστο πανί ή το χαρτί στην τρύπα ανεφοδιασμού λαδιού.



- 4) Αποσυνδέστε το δείκτη λαδιού, και αποστραγγίστε το λάδι, γέρνοντας την κύρια μονάδα προς το μέρος της τρύπας ανεφοδιασμού του λαδιού. Αποστραγγίστε το λάδι σε ένα δοχείο για την κανονική απόρριψή του.



- 5) Διατηρήστε τον κινητήρα επίπεδο και γεμίστε με καινούργιο λάδι έως το χείλος της τρύπας ανεφοδιασμού λαδιού. Κατά τον ανεφοδιασμό, χρησιμοποιήστε ένα δοχείο ανεφοδιασμού λιπαντικού.
- 6) Μετά τον ανεφοδιασμό, σφίξτε καλά το δείκτη λαδιού. Το ανεπαρκές σφίξιμο του δείκτη λαδιού θα προκαλέσει την διαρροή λαδιού.



ΣΗΜΕΙΩΣΕΙΣ ΓΙΑ ΤΟ ΛΑΔΙ

- Ποτέ να μην πετάξετε το παλιό λάδι στα σκουπίδια, στο έδαφος ή στην αποχέτευση. Η απόρριψη του λαδιού υπόκειται στην νομοθεσία. Κατά την απόρριψη, πάντοτε να ακολουθείτε τους σχετικούς νόμους και κανονισμούς. Εάν δεν γνωρίζετε κάποια στοιχεία, επικοινωνήστε με τον εξουσιοδοτημένο αντιπρόσωπο του σέρβις.
- Το λάδι θα αλλοιωθεί ακόμη και αν το φυλάξετε αχρησιμοποίητο. Εκτελέστε τον έλεγχο και την αντικατάσταση σε τακτά διαστήματα (αντικαταστήστε με καινούργιο λάδι κάθε 6 μήνες).

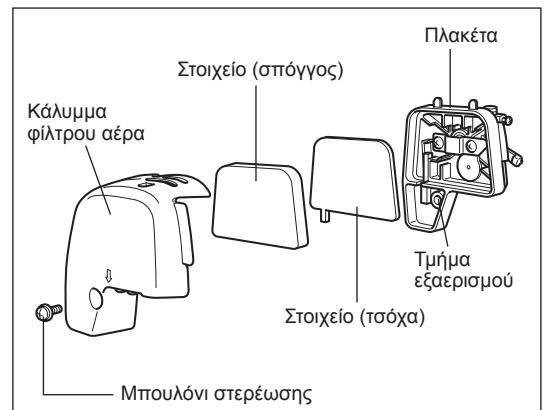
ΚΑΘΑΡΙΣΜΟΣ ΦΙΛΤΡΟΥ ΑΕΡΑ



ΚΙΝΔΥΝΟΣ: ΟΙ ΕΥΦΛΕΚΤΕΣ ΟΥΣΙΕΣ ΑΠΑΓΟΡΕΥΟΝΤΑΙ ΑΥΣΤΗΡΑ

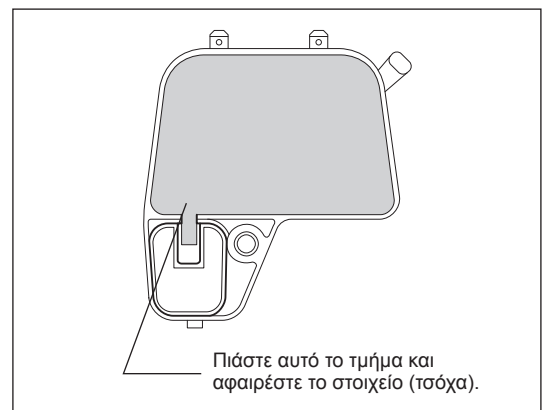
Χρονικό διάστημα καθαρισμού και επιθεώρησης: Καθημερινά (κάθε 10 ώρες λειτουργίας)

- Στρέψτε το μοχλό του τσοκ στην πλήρως κλειστή πλευρά και κρατήστε το καρμπιρατέρ καθαρό από βρωμιά ή σκόνη.
- Αφαιρέστε τα μπουλόνια στερέωσης του καλύμματος του φίλτρου αέρα.
- Τραβήξτε το κάτω μέρος του καλύμματος και αποσυνδέστε το κάλυμμα του φίλτρου αέρα.
- Εάν έχει κολλήσει στο στοιχείο (σπόγγος) λάδι, πιέστε το καλά.
- Για μεγάλη ρύπανση:
 - 1) Αφαιρέστε το στοιχείο (σπόγγος), βυθίστε το σε ζεστό νερό ή σε νερό με διαλυμένο ουδέτερο απορρυπαντικό, και στεγνώστε το εντελώς.
 - 2) Καθαρίστε το στοιχείο (τσόχα) με βενζίνη, και στεγνώστε το εντελώς.
- Πριν συνδέσετε το στοιχείο, φροντίστε να το στεγνώσετε εντελώς. Το ανεπαρκές στέγνωμα του στοιχείου μπορεί να οδηγήσει στην δυσκολία στην εκκίνηση.
- Σκουπίστε με ένα άχρηστο πανί το λάδι που είναι κολλημένο γύρω από το κάλυμμα του φίλτρου αέρα και το έλασμα αερισμού.
- Αμέσως μετά την ολοκλήρωση του καθαρισμού, συνδέστε το κάλυμμα του στοιχείου καθαρισμού και σφίξτε το με τα μπουλόνια στερέωσης. (Κατά την επανατοποθέτηση, πρώτα τοποθετήστε την πάνω προεξοχή, και στη συνέχεια την κάτω προεξοχή.)



Σημειώσεις για το χειρισμό του στοιχείου του φίλτρου αέρα

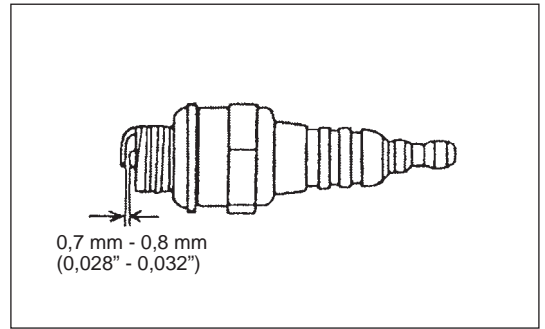
- Καθαρίστε το στοιχείο αρκετές φορές την ημέρα, εάν κολλάει πάνω του υπερβολική σκόνη.
- Εάν συνεχιστεί η λειτουργία με το στοιχείο να παραμένει βρώμικο από λάδι, το λάδι από το φίλτρο αέρα μπορεί να πέσει έξω ρυπαίνοντας.



ΕΛΕΓΧΟΣ ΤΟΥ ΜΠΟΥΖΙ

- Χρησιμοποιήστε μόνο το παρεχόμενο κλειδί γενικής χρήσης για την αφαίρεση ή την τοποθέτηση του μπουζί.
- Το διάκενο μεταξύ των δυο ηλεκτροδίων του μπουζί πρέπει να είναι 0,7-0,8 mm (0,028" - 0,032"). Διορθώστε το διάκενο εάν είναι πολύ μεγάλο ή μικρό. Εάν το μπουζί είναι βουλωμένο ή ρυπαρό, καθαρίστε το καλά ή αντικαταστήστε το.

⚠ ΠΡΟΣΟΧΗ: Ποτέ να μην αγγίζετε το σύνδεσμο του μπουζί καθώς λειτουργεί ο κινητήρας (υπάρχει κίνδυνος ηλεκτροπληξίας από την υψηλή τάση).



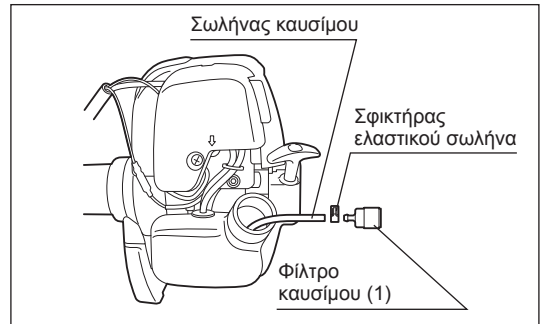
ΚΑΘΑΡΙΣΜΑ ΦΙΛΤΡΟΥ ΚΑΥΣΙΜΟΥ

⚠ ΠΡΟΕΙΔΟΠΟΙΗΣΗ: ΟΙ ΕΥΦΛΕΚΤΕΣ ΟΥΣΙΕΣ ΑΠΑΓΟΡΕΥΟΝΤΑΙ ΑΥΣΤΗΡΑ

Χρονικό διάστημα καθαρισμού και επιθεώρησης: Μηνιαία (κάθε 50 ώρες λειτουργίας)

Κεφαλή αναρρόφησης στο ρεζερβουάρ καυσίμου

- Το φίλτρο καυσίμου (1) της κεφαλής αναρρόφησης χρησιμοποιείται για το φιλτράρισμα του καυσίμου που απαιτείται από το καρμπυρατέρ.
- Θα πρέπει να γίνεται ένα οπτικός έλεγχος του φίλτρου καυσίμου περιοδικά. Για το σκοπό αυτό, ανοίξτε την τάπα του ρεζερβουάρ, χρησιμοποιήστε ένα συρματένιο άγκιστρο και τραβήξτε έξω την κεφαλή αναρρόφησης μέσα από το άνοιγμα του ρεζερβουάρ. Τα φίλτρα που έχουν σκληράνει, ρυπανθεί ή έχουν βουλώσει πρέπει να αντικαθίστανται.
- Η ανεπαρκής παροχή καυσίμου μπορεί να προκαλέσει την υπέρβαση της μέγιστης επιτρεπόμενης ταχύτητας. Είναι επομένως σημαντική η αντικατάσταση του φίλτρου καυσίμου τουλάχιστον ανά τρίμηνο για να διασφαλιστεί η ικανοποιητική παροχή καυσίμου στο καρμπυρατέρ.



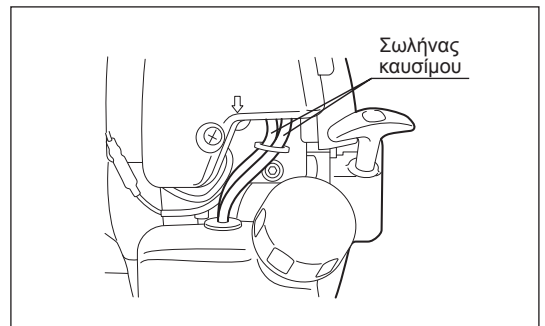
ΑΝΤΙΚΑΤΑΣΤΑΣΗ ΤΗΣ ΣΩΛΗΝΑΣ ΚΑΥΣΙΜΟΥ

⚠ ΠΡΟΣΟΧΗ: ΟΙ ΕΥΦΛΕΚΤΕΣ ΟΥΣΙΕΣ ΑΠΑΓΟΡΕΥΟΝΤΑΙ ΑΥΣΤΗΡΑ

Χρονικό διάστημα καθαρισμού και επιθεώρησης: Καθημερινή αντικατάσταση (κάθε 10 ώρες λειτουργίας)

Αντικατάσταση: Ετήσια (κάθε 200 ώρες λειτουργίας)

Αντικαταστήστε την σωλήνα καυσίμου κάθε χρόνο, ανεξάρτητα από την συχνότητα χρήσης. Η διαρροή καυσίμου μπορεί να οδηγήσει στην πυρκαγιά. Εάν ανιχνευτεί η οποιαδήποτε διαρροή κατά την επιθεώρηση, αντικαταστήστε αμέσως την σωλήνα καυσίμου.



ΕΠΙΘΕΩΡΗΣΗ ΜΠΟΥΛΟΝΙΩΝ, ΠΑΞΙΜΑΔΙΩΝ ΚΑΙ ΒΙΔΩΝ

- Σφίξτε ξανά τα χαλαρά μπουλόνια, παξιμάδια κτλ.
- Ελέγξτε για την περίπτωση διαρροής καυσίμου και λαδιού.
- Αντικαταστήστε τα φθαρμένα εξαρτήματα με καινούργια για μια ασφαλή λειτουργία.

ΚΑΘΑΡΙΣΜΟΣ ΕΞΑΡΤΗΜΑΤΩΝ

- Διατηρήστε τον κινητήρα πάντοτε καθαρό.
- Καθαρίστε τα πτερύγια του κυλίνδρου καθαρά από σκόνη ή βρωμιά. Η κολλημένη σκόνη ή βρωμιά στα πτερύγια θα προκαλέσει το σφήνωμα του πιστονιού.

ΑΝΤΙΚΑΤΑΣΤΑΣΗ ΦΛΑΝΤΖΩΝ ΚΑΙ ΣΤΟΙΧΕΙΩΝ ΣΥΝΑΡΜΟΛΟΓΗΣΗΣ

Κατά την επανασυναρμολόγηση του κινητήρα μετά από την αποσυναρμολόγηση του, φροντίστε να αντικαταστήσετε όλες τις φλάντζες και τα στοιχεία συναρμολόγησης με καινούργια.

Η οποιαδήποτε εργασία συντήρησης ή ρύθμισης που δεν συμπεριλαμβάνεται και δεν περιγράφεται σε αυτό το εγχειρίδιο θα πρέπει να εκτελείται μόνο από τους Εξουσιοδοτημένους Αντιπροσώπους του Σέρβις.

ΑΠΟΘΗΚΕΥΣΗ



ΠΡΟΕΙΔΟΠΟΙΗΣΗ: Κατά την αποστράγγιση του καυσίμου, φροντίστε να είναι σταματημένος ο κινητήρας και να είναι κρύος. Μετά το σταμάτημα, ο κινητήρας μπορεί να είναι ακόμη ζεστός με την πιθανότητα πρόκλησης εγκαύματος, αναφλεξιμότητας και πυρκαγιάς.



ΠΡΟΣΟΧΗ: Όταν το μηχάνημα πρόκειται να μείνει εκτός λειτουργίας για μεγάλο χρονικό διάστημα, αποστραγγίστε όλο το καύσιμο από το ρεζερβουάρ καυσίμου και το καρμπυρατέρ, και στην συνέχεια φυλάξτε το σε ένα ξηρό και καθαρό μέρος.

- Αποστραγγίστε το καύσιμο από το ρεζερβουάρ καυσίμου και το καρμπυρατέρ σύμφωνα με την παρακάτω διαδικασία:
 - 1) Αφαιρέστε το καπάκι του ρεζερβουάρ καυσίμου, και αποστραγγίστε εντελώς το καύσιμο. Εάν υπάρχει το οποιοδήποτε ξένο σώμα μέσα στο ρεζερβουάρ καυσίμου, αφαιρέστε το εντελώς.
 - 2) Τραβήξτε έξω το φίλτρο καυσίμου από την τρύπα ανεφοδιασμού χρησιμοποιώντας ένα σύρμα.
 - 3) Σπρώξτε την αντλία προέγχυσης έως ότου αποστραγγιστεί το καύσιμο από εκεί, και το αποστραγγισμένο καύσιμο να μπει μέσα στο ρεζερβουάρ καυσίμου.
 - 4) Τοποθετήστε το φίλτρο στο ρεζερβουάρ καυσίμου, και σφίξτε καλά το καπάκι του ρεζερβουάρ καυσίμου.
 - 5) Στη συνέχεια συνεχίστε να λειτουργείτε τον κινητήρα έως ότου σταματήσει.
- Αφαιρέστε το μπουζί και ρίξτε αρκετές σταγόνες λαδιού κινητήρα μέσα στην τρύπα του μπουζί.
- Τραβήξτε με προσοχή το χερούλι του εκκινήρα έτσι ώστε το λάδι του κινητήρα να απλωθεί πάνω από τον κινητήρα και συνδέστε το μπουζί.
- Σε γενικές γραμμές, αποθηκεύστε το μηχάνημα σε οριζόντια θέση. Εάν αυτό δεν είναι δυνατόν, τοποθετήστε το μηχάνημα έτσι ώστε η μονάδα του κινητήρα να βρίσκεται κάτω από το κοπτικό εργαλείο. Διαφορετικά το λάδι του κινητήρα μπορεί να διαρρεύσει από το εσωτερικό.
- Πάντοτε να δίνετε προσοχή στην αποθήκευση του μηχανήματος σε ένα ασφαλές μέρος για να αποτραπεί η ζημιά στο μηχάνημα και ο προσωπικός τραυματισμός.
- Διατηρήστε το αποστραγγισμένο καύσιμο μέσα σε ένα ειδικό δοχείο σε ένα καλά αεριζόμενο χώρο υπό σκιά.

Προσοχή μετά από μια παρατεταμένη αποθήκευση

- Πριν την εκκίνηση μετά από ένα παρατεταμένο διάστημα διακοπής, φροντίστε να αντικαταστήσετε το λάδι (ανατρέξτε στη Σ 158). Το λάδι θα αλλοιωθεί κατά το διάστημα στο οποίο το μηχάνημα δεν βρίσκεται σε λειτουργία.

Εντοπισμός σφάλματος

Σφάλμα	Σύστημα	Παρατήρηση	Αιτία
Ο κινητήρας δεν ξεκινά ή ξεκινά με δυσκολία	Σύστημα ανάφλεξης	Σπινθήρας ανάφλεξης ΕΝΤΑΞΕΙ Δεν υπάρχει σπινθήρας ανάφλεξης	Σφάλμα στην παροχή καυσίμου ή στο σύστημα συμπίεσης, μηχανική βλάβη Ο διακόπτης ΣΤΑΣΗΣ είναι ενεργοποιημένος, σφάλμα καλωδίωσης ή βραχυκύκλωμα, ελαττωματικό μπουζί ή σύνδεσμος, βλάβη στο σύστημα ανάφλεξης
	Τροφοδοσία καυσίμου	Γεμάτο ρεζερβουάρ καυσίμου	Λανθασμένη θέση του τσοκ, ελαττωματικό καρμπυρατέρ, σωλήνας παροχής καυσίμου λυγισμένος ή μπλοκαρισμένος, βρώμικο καύσιμο
	Συμπίεση	Καμιά συμπίεση κατά το τράβηγμα	Ελαττωματική η κάτω στεγανοποιητική φλάντζα του κυλίνδρου, φθαρμένα στεγανοποιητικά του στροφαλοφόρου, ελαττωματικοί δακτύλιοι του κυλίνδρου ή του πιστονιού ή ακατάλληλη στεγανοποίηση του μπουζί
	Μηχανική βλάβη	Ο εκκινήρας δεν λειτουργεί	Σπασμένο ελατήριο του εκκινήρα, σπασμένα εξαρτήματα μέσα στον κινητήρα
Προβλήματα θερμής εκκίνησης		Γεμάτο το ρεζερβουάρ, ύπαρξη σπίθας ανάφλεξης	Ρυπαρό καρμπυρατέρ, καθαρίστε το
Ο κινητήρας ξεκινά αλλά σβήνει	Τροφοδοσία καυσίμου	Ρεζερβουάρ γεμάτο	Λανθασμένη ρύθμιση του καρμπυρατέρ, βρώμικο καρμπυρατέρ Ελαττωματικό άνοιγμα του ρεζερβουάρ καυσίμου, διακοπή στο σωλήνα παροχής καυσίμου, ελαττωματικό καλώδιο ή διακόπτης ΣΤΑΣΗΣ
Ανεπαρκής απόδοση	Πολλά συστήματα μπορεί να είναι ταυτόχρονα ελαττωματικά	Ανεπαρκές ρελαντί του κινητήρα	Βρώμικο φίλτρο αέρα, βρώμικο καρμπυρατέρ, σιγαστήρας βουλωμένος, αγωγός εξάτμισης βουλωμένος

Χρόνος λειτουργίας Στοιχείο		Πριν τη λειτουργία	Μετά τη λειτουργία	Καθημερινά (10 ώρες)	30 ώρες	50 ώρες	200 ώρες	Σβήσιμο/ διακοπή	Αντίστοιχη Σ
Λάδι κινητήρα	Επιθεώρηση	○							153
	Αντικατάσταση					○*1			158
Σφίξιμο εξαρτημάτων (μπουλόνι, παξιμάδι)	Επιθεώρηση	○							160
Ρεζερβουάρ καυσίμου	Καθάρισμα/ επιθεώρηση	○							—
	Αποστράγγιση καυσίμου							○*3	161
Μοχλός γκαζιού	Έλεγχος λειτουργίας		○						—
Διακόπτης διακοπής	Έλεγχος λειτουργίας		○						156
Εξάρτημα κοπής	Επιθεώρηση	○		○					152
Περιστροφή χαμηλής ταχύτητας	Επιθεώρηση/ ρύθμιση			○					156
Φίλτρο αέρα	Καθαρίστε			○					159
Μπουζί	Επιθεώρηση			○					160
Είσοδος ψυκτικού αέρα	Καθάρισμα/ επιθεώρηση			○					160
Σωλήνας καυσίμου	Επιθεώρηση			○					160
	Αντικατάσταση						◎*2		—
Φίλτρο καυσίμου	Καθαρισμός/ αντικατάσταση					○			160
Διάκενο μεταξύ της βαλβίδας εισαγωγής και της βαλβίδας εκκένωσης	Ρυθμίστε						◎*2		—
Λεπτομερής επιθεώρηση κινητήρα							◎*2		—
Καρμπιρατέρ	Αποστράγγιση καυσίμου							○*3	161

*1 Εκτελέστε την αρχική αντικατάσταση μετά από 20 ώρες λειτουργίας.

*2 Για την επιθεώρηση των 200 ωρών, απευθυνθείτε σε ένα Εξουσιοδοτημένο Αντιπρόσωπο του Σέρβις ή σε ένα συνεργείο.

*3 Μετά το άδειασμα του ρεζερβουάρ καυσίμου, συνεχίστε τη λειτουργία του κινητήρα για την αποστράγγιση του καυσίμου στο καρμπιρατέρ.

ΕΠΙΛΥΣΗ ΠΡΟΒΛΗΜΑΤΩΝ

Πριν ζητήσετε βοήθεια για επισκευές, ελέγξτε το πρόβλημα μόνοι σας. Εάν βρεθεί κάποια ανωμαλία, χειριστείτε το μηχάνημά σας σύμφωνα με τα όσα περιγράφονται σε αυτό το εγχειρίδιο. Ποτέ μην προσπαθήσετε να αποσυναρμολογήσετε το οποιοδήποτε εξάρτημα ενάντια σε όσα περιγράφονται. Για επισκευές, ελάτε σε επαφή με τον εξουσιοδοτημένο αντιπρόσωπο του σέρβις ή την τοπική αντιπροσωπεία.

Κατάσταση προβλήματος	Πιθανή αιτία (δυσλειτουργία)	Αποκατάσταση
Ο κινητήρας δεν ξεκινά	Αστοχία λειτουργίας της αντλίας προέγχυσης	Σπρώξτε 7 με 10 φορές.
	Χαμηλή ταχύτητα τραβήγματος του κορδονιού του εκκινητήρα	Τραβήξτε πιο δυνατά
	Έλλειψη καυσίμου	Προσθέστε καύσιμο
	Βουλωμένο φίλτρο καυσίμου	Καθαρίστε
	Λυγισμένος σωλήνας καυσίμου	Ισιώστε το σωλήνα καυσίμου
	Αλλοιωμένο καύσιμο	Το αλλοιωμένο καύσιμο καθιστά την εκκίνηση πιο δύσκολη. Αντικαταστήστε με καινούργιο καύσιμο. (Συνιστώμενη αντικατάσταση: 1 μήνας)
	Υπερβολική αναρρόφηση καυσίμου	Τοποθετήστε το μοχλό του γκαζιού από την ενδιάμεση ταχύτητα στην υψηλή ταχύτητα και τραβήξτε το χερούλι του εκκινητήρα έως ότου να ξεκινήσει ο κινητήρας. Όταν ξεκινήσει ο κινητήρας, η νάιλον κεφαλή κοπής αρχίζει να περιστρέφεται. Δώστε μεγάλη προσοχή στην νάιλον κεφαλή κοπής. Εάν ο κινητήρας δεν ξεκινά ακόμη, αφαιρέστε το μπουζί, στεγνώστε το ηλεκτρόδιο, και επανατοποθετήστε τα στην αρχική τους θέση. Στη συνέχεια, ξεκινήστε όπως έχει καθοριστεί προηγουμένως.
	Αποσυνδεδεμένο καπάκι του μπουζί	Συνδέστε τον καλά
	Ρυπαρό μπουζί	Καθαρίστε
	Μη φυσιολογικό διάκενο του μπουζί	Ρυθμίστε το διάκενο
	Άλλη ανωμαλία του μπουζί	Αντικατάσταση
	Μη φυσιολογικό καρμπρατέρ	Ζητήστε την επιθεώρηση και συντήρηση.
	Το κορδόνι του εκκινητήρα δεν μπορεί να τραβηχτεί	Ζητήστε την επιθεώρηση και συντήρηση.
	Μη φυσιολογικό σύστημα μετάδοσης	Ζητήστε την επιθεώρηση και συντήρηση.
Ο κινητήρας σταματά γρήγορα Η ταχύτητα του κινητήρα δεν αυξάνεται	Ανεπαρκές ζεσταμα	Εκτελέστε την λειτουργία προθέρμανσης
	Ο μοχλός του τσοκ είναι τοποθετημένος στο "ΚΛΕΙΣΤΟ" παρότι έχει ζεσταθεί ο κινητήρας.	Τοποθετήστε στο "ΑΝΟΙΚΤΟ"
	Βουλωμένο φίλτρο καυσίμου	Καθαρίστε
	Ρυπαρό ή βουλωμένο φίλτρο αέρα	Καθαρίστε
	Μη φυσιολογικό καρμπρατέρ	Ζητήστε την επιθεώρηση και συντήρηση.
Το κοπτικό προσάρτημα δεν περιστρέφεται.	Μη φυσιολογικό σύστημα μετάδοσης	Ζητήστε την επιθεώρηση και συντήρηση.
	Το κοπτικό προσάρτημα δεν είναι σφιγμένο καλά.	Σφίξτε καλά το κοπτικό προσάρτημα.
	Έχει μπλοκάρει ένα κλαδί μεταξύ του κοπτικού προσαρτήματος και του προφυλακτήρα. Το σύστημα κίνησης δεν λειτουργεί σωστά.	Αφαιρέστε το ξένο αντικείμενο. Ζητήστε από ένα εξουσιοδοτημένο κέντρο σέρβις της Dolmar να το επιθεωρήσει και να το επισκευάσει.
Η μονάδα υφίσταται ανώμαλη δόνηση.	Σταματήστε τον κινητήρα αμέσως!	
	Έχει σπάσει το κοπτικό προσάρτημα.	Αντικαταστήστε το κοπτικό προσάρτημα με ένα καινούργιο.
	Το κοπτικό προσάρτημα δεν είναι σφιγμένο καλά.	Σφίξτε καλά το κοπτικό προσάρτημα.
	Ένα μέρος του νάιλον κοπτικού νήματος έχει σπάσει και η νάιλον κεφαλή κοπής δεν έχει ισορροπία. Το σύστημα κίνησης δεν λειτουργεί σωστά.	Τροφοδοτήστε το νάιλον κοπτικό νήμα κτυπώντας την νάιλον κεφαλή κοπής στο έδαφος. Ζητήστε από ένα εξουσιοδοτημένο κέντρο σέρβις της Dolmar να το επιθεωρήσει και να το επισκευάσει.
Το κοπτικό προσάρτημα δεν σταματά.	Η βενζινοκίνητη μονάδα δεν λειτουργεί σωστά.	Ανατρέξτε στο εγχειρίδιο χειρισμού της βενζινοκίνητης μονάδας.
Ο κινητήρας δεν σταματά	Σταματήστε τον κινητήρα αμέσως!	
	Αποκολλημένος συνδετήρας Μη φυσιολογικό ηλεκτρικό σύστημα	Συνδέστε τον καλά Ζητήστε την επιθεώρηση και συντήρηση.
Το νάιλον κοπτικό νήμα δεν τροφοδοτείται.	Λειτουργήστε τον κινητήρα στο ρελαντί και τοποθετήστε τον μοχλό του τσοκ στο ΚΛΕΙΣΤΟ	
	Το νήμα έχει εξαντληθεί ή έχει μπλοκάρει στο καρούλι.	Επανατυλίξτε το νήμα.
Το νάιλον κοπτικό νήμα δεν κόβεται στο σωστό μήκος.	Ο κόφτης του νήματος στον προφυλακτήρα έχει πάθει ζημιά ή δεν υπάρχει.	Ζητήστε από ένα εξουσιοδοτημένο κέντρο εξυπηρέτησης της Dolmar να αντικαταστήσει τον κόφτη του νήματος.
	Το νήμα προεκτεινόμενο περνά τον προφυλακτήρα.	Επανατυλίξτε το νήμα.

Όταν ο κινητήρας δεν ξεκινά μετά την λειτουργία προθέρμανσης:

Εάν δεν υπάρχει καμιά ανωμαλία στα σημεία ελέγχου, ανοίξτε το γκάζι περίπου στο 1/3 και ξεκινήστε τον κινητήρα.

DOLMAR Benzinli Misinalı Yan Tırpanı satın aldığınız için teşekkür ederiz. Uzun bir geliştirme programının ve yılların bilgi ve birikiminin bir sonucu olarak ortaya çıkan bu DOLMAR ürününü sizlere sunmaktan mutluluk duyuyoruz. Makinenin üstün performansta kullanılması için birçok konuyla ilgili ayrıntılı bilgilerin bulunduğu bu kılavuzu lütfen dikkatlice okuyun. Bu kılavuz, DOLMAR ürününden mümkün olan en iyi sonuçları almanıza yardımcı olacaktır.



İçindekiler

Sayfa

Simgeler	164
Güvenlik talimatları	165
Teknik veriler.....	168
Parçaların gösterimi.....	169
Sapın takılması	170
Koruyucunun takılması	170
Misinali kesme başlığinin takılması.....	170
Çalışmaya başlamadan önce	171
Çalıştırma ve durdurmayla ilgili uyarılar.....	173
Misinali kesme başlığı.....	174
Servis talimatları	176
Saklama.....	179

SİMGELER

Bu kullanım kılavuzunu okurken karşılaştığınız simgeler aşağıda açıklanmıştır.

	Kullanım kılavuzunu okuyun ve uyarı ve güvenlik önlemlerini dikkate alın!		Koruyucu baret, gözlük ve kulaklık kullanın.
	Gerekli önlemleri alın ve dikkatli olun!		İzin verilen maksimum makine devri max 10000min ⁻¹
	Yasak!		Yakıt (Benzin)
	Mesafe bırakın!		Motorun manuel çalıştırılması
	Sıçrayan yabancı madde tehlikesi!		Acil durdurma
	Sigara içmek yasaktır!		İlk Yardım
	Açık alev yasaktır!		AÇIK/ÇALIŞIYOR
	Mutlaka koruyucu eldiven takılmalıdır!		KAPALI/DURUYOR
	Altı kaymayan sağlam ayakkabılar giyin. Çelik uçlu koruyucu ayakkabılar tavsiye edilir!		Kesinlikle metal bıçaklar kullanmayın
	İnsanları ve hayvanları çalışma alanından uzak tutun!		

GÜVENLİK TALİMATLARI

Genel Talimatlar

- Makinenin nasıl çalıştırılacağını öğrenmek için bu kullanım kılavuzunu okuyun. Yetersiz bilgiye sahip kullanıcılar, yanlış kullanım neticesinde hem kendilerini, hem de başkalarını tehlikeye atarlar.
- Bu makinenin yalnızca deneyimi olan kişilere verilmesi önerilir. Her zaman kullanım kılavuzunu da makineyle birlikte verin.
- Benzinli misinalı yan tırpanı ilk defa kullanacak olanlar, tanıtması ve nasıl kullanılacağı konusunda temel bilgiler vermesi için satıcısına danışmalıdır.
- Çocuklar ve 18 yaşının altındaki gençlerin bu makineyi kullanmasına kesinlikle izin verilmemelidir. 16 yaşının üzerindeki gençler bu makineyi deneyimli bir eğitmen gözetiminde yalnızca eğitim amacıyla kullanabilir.
- Bu makineyi çok dikkatli ve titiz bir şekilde kullanın.
- Bu makineyi yalnızca fiziksel olarak iyi durumdayken çalıştırın. Tüm işlerinizi sakın ve dikkatli bir şekilde yürütün. Başkalarının sorumluluğu da kullanıcıya aittir.
- Bu makineyi kesinlikle alkol, uyuşturucu veya ilaç kullandıktan sonra veya kendinizi yorgun veya hasta hissediyorsanız kullanmayın.
- Bazı ulusal yönetmelikler makinenin kullanımını kısıtlayabilir.

Makinenin amaçlanan kullanımı

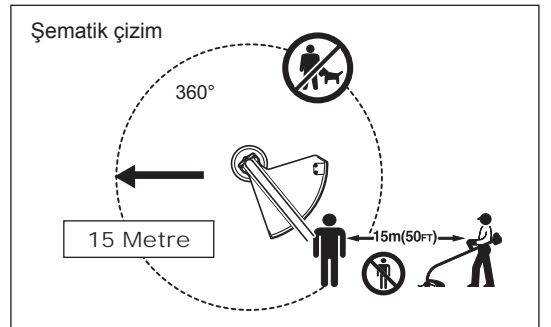
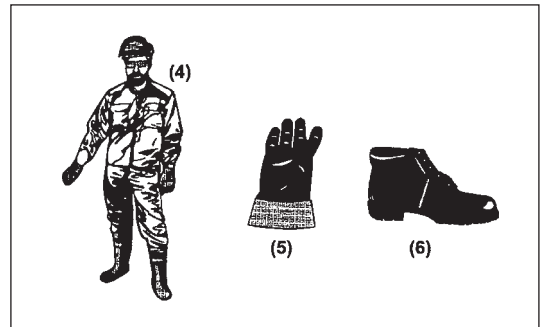
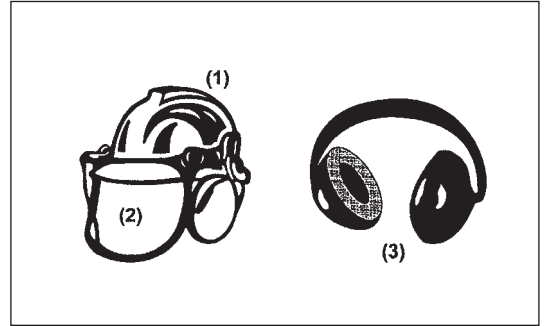
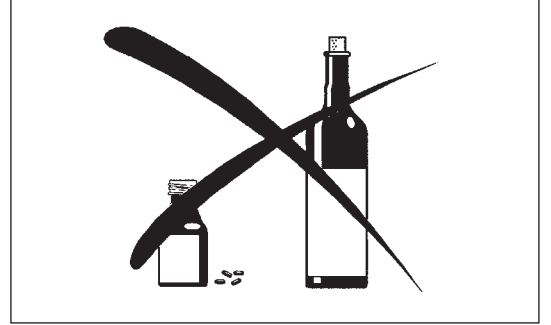
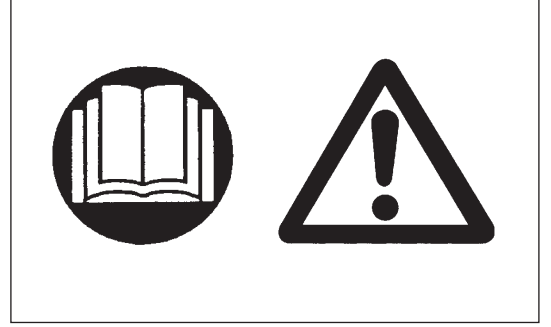
- Bu makine yalnızca çim ve küçük dalların kesilmesi içindir. Bu makine kesinlikle kenar kesimi veya çit budama gibi başka bir amaçla kullanılmamalıdır, aksi takdirde yaralanmalar meydana gelebilir.

Kişisel koruyucu ekipmanlar

- Kullanım sırasında giyilen kıyafetler işlevsel ve uygun olmalıdır, yani bol veya hareket kabiliyetini sınırlandıracak kadar dar olmamalıdır. Çalılara, fundalara ve makineye takılabileceğinden takı kullanmayın ve bol kıyafetler giymeyin.
- Baş, göz, el ve ayak yaralanmalarını önlemek ve kulaklarınızı korumak için, bu makinenin çalıştırılması sırasında aşağıdaki koruyucu ekipmanlar ve koruyucu kıyafetler kullanılmalıdır.
- Üzerinize bir şey düşme riski varsa mutlaka koruyucu baret takın. Koruyucu baret (1), olası hasarlara karşı düzenli aralıklarla kontrol edilmeli ve en geç 5 yılda bir değiştirilmelidir. Yalnızca onaylı koruyucu baretleri kullanın.
- Koruyucu baretin siperliği (2) (veya alternatif olarak koruyucu gözlükler) yüzünüzü sıçrayan yabancı madde ve taşlara karşı koruyacaktır. Çalışma sırasında mutlaka koruyucu gözlük veya yüz koruyucu kullanın.
- Olası duyma bozukluklarını önlemek için koruyucu kulaklık (3), kulak tıkacı vs. gibi gürültüye karşı koruyucu ekipmanlar kullanın.
- İş önlüğü (4) sizi sıçrayan taşlara ve yabancı maddelere karşı koruyacaktır. Kullanıcının iş önlüğü giymesi önerilir.
- Eldivenler (5) koruyucu ekipmanlardan biridir ve çalışma sırasında mutlaka takılmalıdır.
- Makineyi kullanırken, daima altı kaymayan sağlam ayakkabılar (6) giyin. Böylece, yere sağlam basabilir ve olası yaralanmaları önleyebilirsiniz.

Benzinli Misinalı Yan Tırpanın Çalıştırılması

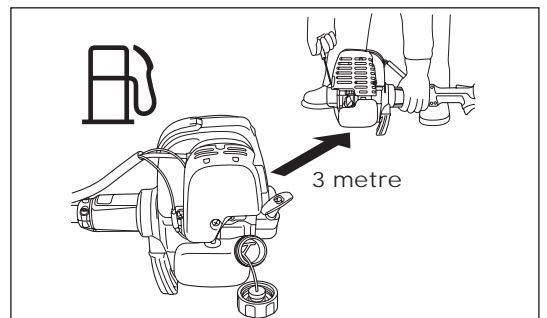
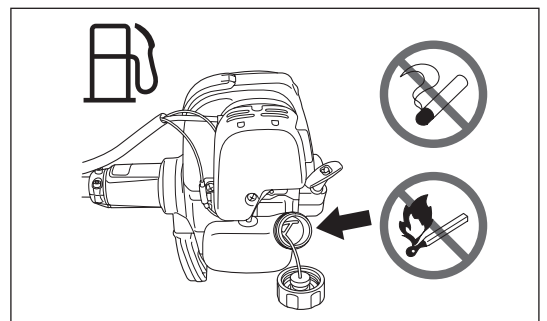
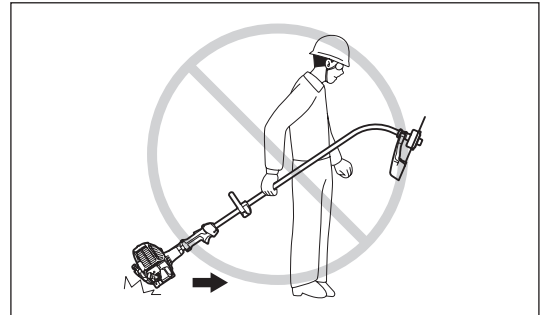
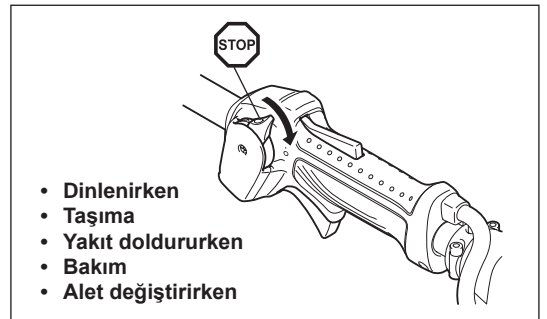
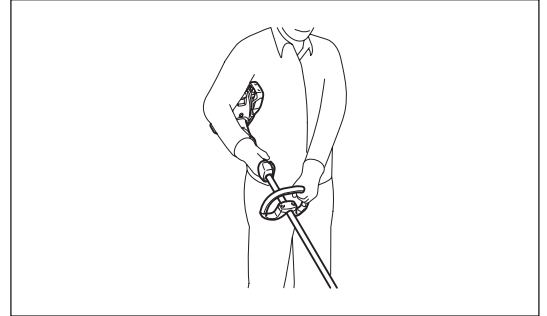
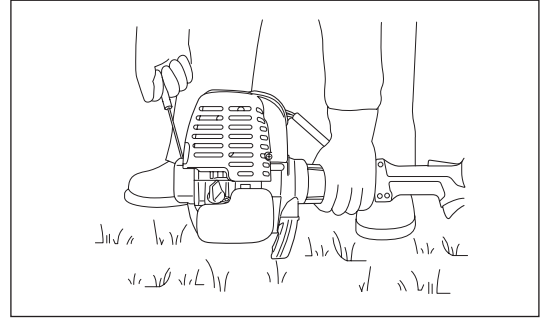
- 15 metrelik (50 fit) çalışma alanında insanların ve özellikle de çocukların bulunmadığından emin olun. Ayrıca, çalışma alanının çevresindeki hayvanlara da dikkat edin.
- Çalışmaya başlamadan önce, makinenin güvenli çalıştığını kontrol edin: Kesici ataşmanın güvenli olduğunu, kısma mandalının kolay çalıştığını ve kısma mandalı kilidinin işlevini doğru şekilde yerine getirdiğini kontrol edin.
- Kesici ataşmanın rölanti hızda hareket etmesi kabul edilemeyecek bir durumdur. Şüphelendiğiniz ayarlar hakkında satıcınıza danışın. Kolların temiz ve kuru olduğunu kontrol edin ve başlatma/durdurma düğmesinin çalışmasını test edin.



- Benzinli Misinalı Yan Tırpanı mutlaka talimatlara uygun olarak çalıştırın.
- Motoru çalıştırmak için başka bir yöntem kullanmayın!
- Benzinli Misinalı Yan Tırpanı ve aletleri yalnızca belirtilen uygulamalarda kullanın.
- Motoru yalnızca montaj ve kurulum işlemleri eksiksiz tamamlandıktan sonra çalıştırın. Makinenin çalıştırılmasına yalnızca tüm gerekli aksesuarlar takıldıktan sonra izin verilmelidir!
- Kesici ataşmanı kullanmaya başlamadan önce, kesici ataşmanın dal, taş vb. gibi sert cisimlere temas etmediğinden emin olun, aksi takdirde çalıştırma sırasında kesici ataşman dönecektir.
- Herhangi bir motor probleminde motoru derhal durdurun.
- Kesici ataşmanın taşa veya benzeri sert bir cisme çarpması halinde, derhal motoru kapalı konuma getirin ve kesici ataşmanı kontrol edin.
- Kesici ataşmanda hasar olup olmadığını kısa aralıklarla düzenli olarak kontrol edin (tıklatma-gürültü testi kullanılarak kılcal çatlaklar tespit edilebilir).
- Makine ağır bir darbe alırsa veya düşerse, çalışmaya devam etmeden önce durumunu kontrol edin. Yakıt kaçağı olup olmadığını tespit etmek için yakıt sistemini ve arıza olup olmadığını tespit etmek için kontrol ve güvenlik cihazlarını kontrol edin. Herhangi bir hasar veya şüphelendiğiniz bir durum varsa, yetkili servis merkezimize kontrol ve onarım talebinde bulunun.
- Çalıştırma sırasında Benzinli Misinalı Yan Tırpanı her iki elinizle tutun. Kullanım sırasında Benzinli Misinalı Yan Tırpanı kesinlikle tek elinizle tutmayın.
Her zaman yere sağlam ve dengeli basın.
- Makineyi egzoz gazlarını solumayacak şekilde çalıştırın. Motoru kesinlikle kapalı ortamlarda çalıştırmayın (gaz zehirlenmesi riski vardır). Karbon monoksit kokusuz bir gazdır.
- İnsanların veya makinenin zarar görmesini önlemek için, dinlenirken veya makinenin başından ayrılırken motoru durdurun ve güvenli bir yere kaldırın.
- Benzinli Misinalı Yan Tırpanı sıcakken kesinlikle kuru otları veya tutuşabilir maddelerin üzerine bırakmayın.
- Motoru çalıştırmadan önce mutlaka makineye onaylı kesici ataşman muhafazasını takın. Aksi takdirde, kesici ataşmana temas edilmesi durumunda ciddi yaralanmalar meydana gelebilir.
- Çalıştırma sırasında, makineyle birlikte verilen tüm koruyucu ekipmanlar ve muhafazalar kullanılmalıdır.
- Çıkış susturucusu arızalı bir motoru kesinlikle çalıştırmayın.
- Makineyi taşıırken motoru kapalı konuma getirin.
- Araçla taşıırken, olası yakıt kaçaıklarını önlemek için makinenin güvenli şekilde yerleştirildiğinden emin olun.
- Nakliye öncesi, yakıt deposunun tamamen boş olduğundan emin olun.
- Makineyi kamyondaya indirirken, Motoru yere düşürmemeye çalışın, aksi takdirde yakıt deposu ciddi şekilde hasar görebilir.
- Acil durumlar dışında makineyi kesinlikle yere atmayın veya bırakmayın; aksi takdirde makine ciddi şekilde hasar görebilir.
- Makineyi taşıırken kesinlikle sürmemeniz gerektiğini unutmayın. Yakıt deposunun yere sürünmesi çok tehlikelidir ve yakıt deposunun hasar görmesine, yakıt kaçağına ve hatta yangına yol açabilir.

Yakıt doldururken

- Yakıt doldururken motoru kapatın, makineyi açık alevlerden uzaklaştırın ve sigara içmeyin.
- Madeni yağ ürünlerinin cildinize temas etmesine izin vermeyin. Yakıt buharını solumayın. Yakıt doldururken daima koruyucu eldiven takın. Koruyucu kıyafetlerinizi düzenli aralıklarla değiştirin ve temizleyin.
- Toprağın kirlenmesini önlemek (çevreyi korumak) için yakıt veya yağ dökülmemesine dikkat edin. Yakıt dökülürse, Benzinli Misinalı Yan Tırpanı derhal temizleyin.
- Yakıtın kıyafetlerinize bulaşmasına izin vermeyin. Yakıt dökülürse (kıyafetlerinizin tutuşmaması için) kıyafetlerinizi derhal değiştirin.
- Yakıt kapağının sağlam şekilde kapandığından ve yakıt kaçırmadığından emin olmak için düzenli aralıklarla kontrol edin.
- Yakıt deposu kapağını dikkatli bir şekilde sıkın. Motoru çalıştırmak için yerinizi değiştirin (yakıt doldurduğunuz yerden en az 3 metre uzağa gitmelisiniz).
- Kesinlikle kapalı odalarda yakıt doldurmayın. Yakıt buharı zemin seviyesinde birikebilir (patlama riski).
- Yakıtları yalnızca onaylı kaplarda taşıyın ve saklayın. Saklanan yakıt çocukların erişemeyeceğinden emin olun.



Çalıştırma yöntemi

- Makineyi yalnızca iyi aydınlatılan ve görüşün açık olduğu yerlerde kullanın. Kış mevsiminde kaygan veya ıslak alanlara, buz ve kara dikkat edin (kayma riski). Her zaman yere sağlam ve dengeli basın.
- Asla bel hizanızın üzerinde kesim yapmayın.
- Kesinlikle merdiven üzerinde çalışmayın.
- Kesim yapmak üzere ağaca çıkmayın.
- Dengesiz zeminler üzerinde kesinlikle çalışmayın.
- Çalışma alanı içerisinde bulunan kum, taş, çivi vs. gibi yabancı maddeleri temizleyin.
- Kesim işlemine başlamadan önce, kesici ataşmanın tam çalışma hızına ulaşmasını bekleyin.
- Benzinli Misinalı Yan Tırpanı dengeli bir şekilde iletin. Kesici ataşman ile muhafaza arasına ot veya dal sıkışması durumunda, temizlemeye başlamadan önce mutlaka motoru durdurun. Aksi takdirde, ataşmanın kazara dönmesi ciddi yaralanmalara neden olabilir.
- Yorgunluk nedeniyle kontrolünüzü kaybetmemek için düzenli olarak mola verin. Her saat başı 10 ila 20 dakika mola vermenizi öneririz.

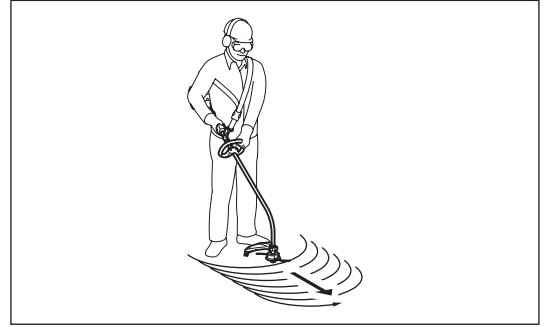


Kesici ataşmanlar

- Birbirine bağlı metal zincirlerden meydana gelen ve tek bıçaklı parçalar da dahil kesinlikle metal bıçaklar kullanmayın. Aksi takdirde, bıçak teması neticesinde ciddi yaralanmalar meydana gelebilir.

Titreşim

- Kan dolaşımı zayıf olan kişilerin aşırı titreşime maruz kalması, damarların veya sinir sisteminin zarar görmesine yol açabilir. Titreşim parmaklarda, ellerde ve bileklerde şu semptomlara neden olabilir: “Uyuşma” (hissizlik), karıncalanma, ağrı, batma hissi, cilt renginin veya cildin değişmesi. Bu semptomlardan herhangi biri ortaya çıkarsa, doktora başvurun!
- “Beyaz parmak hastalığı” riskini düşürmek için, çalışma sırasında ellerinizi sıcak tutun ve makine ve aksesuarların bakımını gerektiği şekilde gerçekleştirin.



Bakım talimatları

- Makinenizin servisinin daima yetkili servis merkezimizde yalnızca orijinal yedek parçalar kullanılarak yapılmasını sağlayın. Yanlış onarımlar ve bakım makinenin ömrünün kılmasına ve kaza risklerinin artmasına yol açabilir.
- Çalışmaya başlanılmadan önce makinenin, özellikle de kesme ataşmasının ve koruyucu cihazların durumu kontrol edilmelidir.
- Kesici ataşmanları değiştirirken veya bilerken ve ayrıca kesici aleti veya ataşmanı temizlerken mutlaka motoru durdurun ve buji konektörünü çıkartın.
- Çevreye duyarlı olun. Kirliliğin ve gürültü emisyonunun azaltılması için kısma mandalını gereksiz yere kullanmaktan kaçının. Karbüratörü doğru şekilde ayarlayın.
- Makineyi düzenli aralıklarla temizleyin ve tüm vidalarının ve somunlarının sağlam şekilde sıkıldığından emin olun.
- Çıplak alevlerin yakınında kesinlikle makineyi çalıştırmayın veya servis çalışması yapmayın.
- Makineyi daima yakıt deposu boşaltıldıktan sonra kilitle odalarda muhafaza edin.



İlgili ticaret birlikleri ve sigorta şirketleri tarafından belirtilen kaza önleme talimatlarını dikkate alın. Güvenliğinizi riske atmamak için, makinede kesinlikle herhangi bir değişiklik yapmayın.

Kullanıcı tarafından gerçekleştirilecek bakım veya onarım çalışmaları yalnızca bu kullanım kılavuzunda açıklanan işlemlerle sınırlıdır. Diğer tüm çalışmalar Yetkili Servis Personeli tarafından gerçekleştirilecektir. Yalnızca DOLMAR tarafından üretilen ve tedarik edilen orijinal yedek parçaları ve aksesuarları kullanın.

Onaylanmamış aksesuar ve aletlerin kullanılması kaza riskini artırır.

DOLMAR, onaylanmamış ataşmanların kullanımından ve cihaz, kesici ataşman veya aksesuarların takılmasından kaynaklanabilecek kaza ve hasarlardan dolayı sorumluluk kabul etmeyecektir.

İlk Yardım

Bir kaza durumuna karşı ilk yardım çantasının kesim çalışmasının yapıldığı yere yakın olduğundan emin olun. İlk yardım kutusundan bir şey alındığında derhal yerine yenisini koyun.

Yardım isterken, lütfen şu bilgileri verin:

- Kazanın yeri
- Ne olduğu
- Yaralı kişi sayısı
- Yaralanma tipi
- Adınız



LT-245.4 TEKNİK VERİLER

Model		LT-245.4		
		Yuvarlak saplı		
Boyutlar: uzunluk x genişlik x yükseklik (kesici ataşman olmadan)	mm	1.623 x 290 x 464		
Kesme çapı	mm	412		
Ağırlık (plastik muhafaza ve kesici ataşman olmadan)	kg	4,9		
Hacim (yakıt deposu)	L	0,5		
Hacim (yağ haznesi)	L	0,08		
Motor hacmi	cm ³	24,5		
Maksimum motor performansı	kw	7.000 dak ⁻¹ 'de 0,71		
Önerilen maks. mil hızında motor devri	dak ⁻¹	10.000		
Maksimum mil dönüş frekansı	dak ⁻¹	7.750		
Maksimum yakıt tüketimi	kg/sa	0,33		
Maksimum özgül yakıt tüketimi	g/kwh	408		
Rölanti hızı	dak ⁻¹	3.000		
Kavrama hızı	dak ⁻¹	3.750		
Karbüratör	tipi	WALBRO WYL		
Ateşleme sistemi	tipi	Katı fazda ateşleme		
Buji	tipi	NGK CMR4A		
Elektrot boşluğu	mm	0,7 - 0,8		
ISO 22867'ye göre titreşim	Sağ sap (Arka kavrama)	a _{hv eş}	m/sn ²	5,4
		Belirsizlik (K)	m/sn ²	1,0
	Sol sap (Ön kavrama)	a _{hv eş}	m/sn ²	5,3
		Belirsizlik (K)	m/sn ²	0,9
ISO 22868'e göre ortalama ses basıncı seviyesi	L _{PA eş}	dBA	93,3	
	Belirsizlik (K)	dBA	2,8	
ISO 22868'e göre ortalama ses gücü seviyesi	L _{WA eş}	dBA	102,5	
	Belirsizlik (K)	dBA	1,7	
Yakıt		Otomobil yakıtı		
Motor Yağı		API Sınıfı SAE 10W-30 SF Sınıfı ve üzeri (4 zamanlı otomobil motoru)		

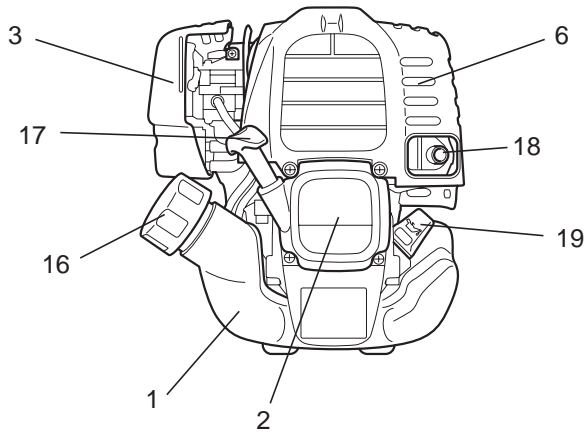
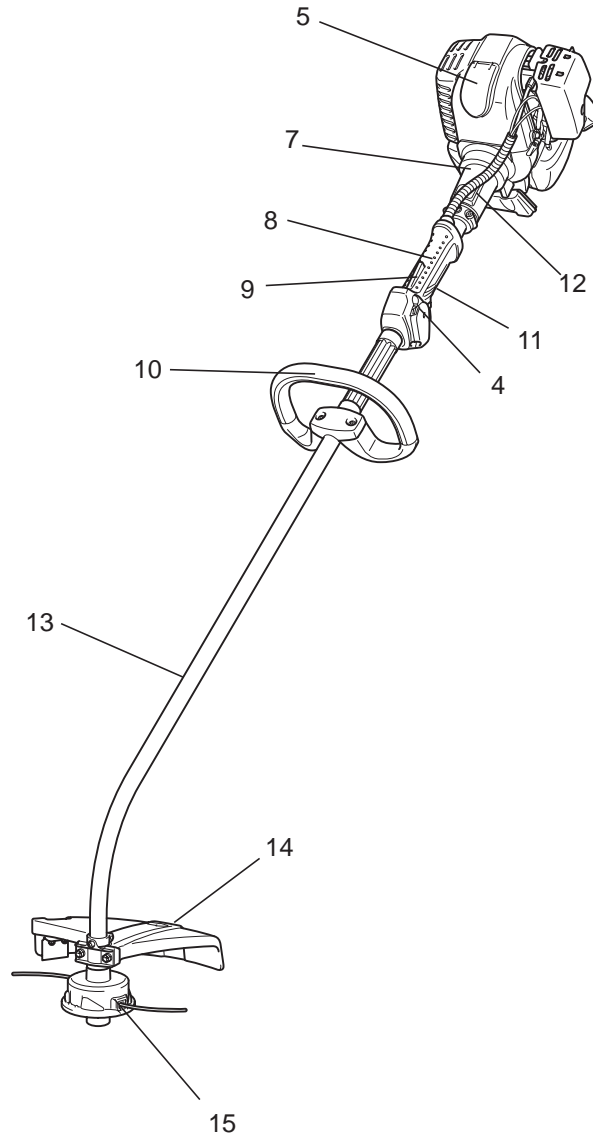
AT UYGUNLUK BEYANI

Yalnızca Avrupa ülkeleri için

AT uygunluk beyanı bu kullanım kılavuzunun Ek A'sında verilmiştir.

PARÇALARIN GÖSTERİMİ

LT-245.4



TR	PARÇALARIN GÖSTERİMİ
1	Yakıt deposu
2	Geri sarmalı marş
3	Hava temizleyici
4	Açma/kapama düğmesi (açık/kapalı)
5	Buji
6	Egzoz susturucusu
7	Kavrama kutusu
8	Arka kavrama
9	Kilit açma mandalı
10	Sap
11	Kısma mandalı
12	Kontrol kablosu
13	Şaft
14	Koruyucu (Kesici ataşman muhafazası)
15	Misinalı kesme başlığı
16	Yakıt deposu kapağı
17	Marş kolu
18	Egzoz borusu
19	Yağ göstergesi

SAPIN TAKILMASI

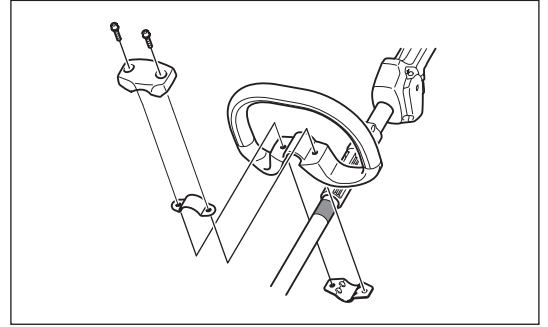
⚠ DİKKAT: Makine üzerinde herhangi bir çalışma yapmadan önce, mutlaka motoru durdurun ve buji üzerindeki buji konektörünü çıkartın. Daima koruyucu eldiven takın!

⚠ DİKKAT: Motoru yalnızca doğru şekilde takıldıktan sonra çalıştırın.

Yuvarlak saplı makineler için

- Yuvarlak sapı gösterildiği gibi şafta takın.
- Şaft borusu üzerindeki ara parçanın, kavrama tertibatı ile diğer kavrama arasında olduğundan emin olun. Ara parçayı çıkarmayın veya sıkıştırmayın.

NOT: Bazı ülkelerde ara parça makineyle birlikte verilmez. Bu durumda, sapı ok işaretleriyle gösterilen çizginin uzak tarafına hizalayın.



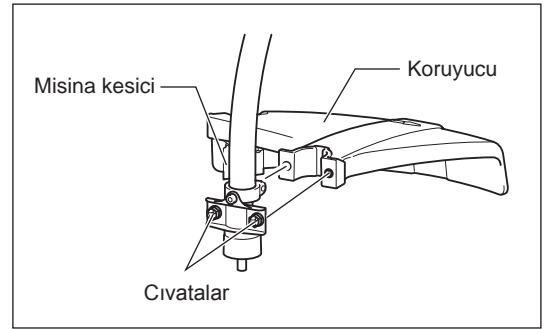
KORUYUCUNUN TAKILMASI

İlgili güvenlik kurallarının karşılanması için, yalnızca tabloda belirtilen alet/koruyucu kombinasyonları kullanılmalıdır.

⚠ DİKKAT: Koruyucu üzerindeki misina kesiciye dokunmayın. Misina kesiciye çıplak elle dokunulması yaralanmalara yol açabilir.

Koruyucu mutlaka misina uzunluğu sabit kalacak ve operatörü fırlayan taş ve yabancı maddelere karşı koruyabilecek şekilde takılmalıdır. Koruyucu takmak için aşağıda açıklanan adımları takip edin.

1. Koruyucuyu, şaft kenarı koruyucu üzerindeki yuvaya oturacak şekilde yerleştirin.
2. İki adet civatayı sıkın.



MİSİNALI KESME BAŞLIĞININ TAKILMASI

⚠ UYARI: Kesinlikle kesme bıçakları kullanmayın.

Orijinal DOLMAR misinalı kesme başlığı kullanıldığından emin olun.

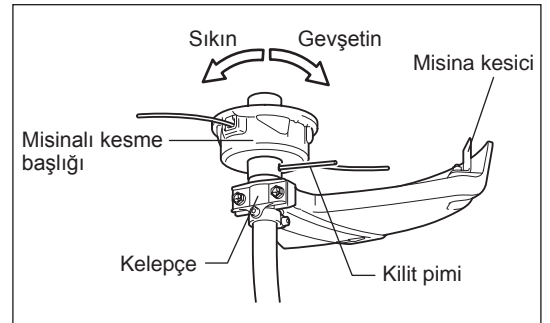
- Misinalı kesme başlığı çalışma sırasında taşa çarparsa, derhal motoru durdurun ve misinalı kesme başlığı kontrol edin.

⚠ DİKKAT: Koruyucu üzerindeki misina kesiciye dokunmayın. Misina kesiciye çıplak elle dokunulması yaralanmalara yol açabilir.

Misinalı kesme başlığını takmak için aşağı açıklanan adımları takip edin.

1. Kilit pimini kelepçe üzerindeki delikten sokun. Kilit pimine bastırarak bu iki parçayı döndürün ve bu şekilde kilit piminin yerine oturmasını sağlayın.
2. Misinalı kesme başlığını saat yönünde döndürerek şafta vidalayın. Sağlam şekilde takıldığından emin olun.
3. Kilit pimini çıkartın.

Misinalı kesme başlığını çıkartmak için, saat yönünün tersine çevirin.



ÇALIŞMAYA BAŞLAMADAN ÖNCE

Motor yağının kontrolü ve doldurulması

- Aşağıdaki prosedürü motor soğuduktan sonra uygulayın.
- Motoru düz bir şekilde tutarken, yağ göstergesini çıkartın ve mevcut yağın üst ve alt sınır işaretleri arasında olduğunu kontrol edin. Özellikle yağ göstergesi krank kutusuna vidalanmadan takılıyken yağa yalnızca yağ göstergesinin uç kısmı dokunuyorsa (Şekil 1), yağ miktarı azalmıştır. Bu durumda yağ doldurma deliğinin kenarına kadar yeni yağ doldurun (Şekil 2).
- Referans olarak, yağ doldurma süresi yaklaşık 10 saat (10 defa veya 10 depo yağ doldurma) olarak kabul edilebilir. Yağın rengi değişir veya içerisine pislik karışırsa, yağı tamamen değiştirin. (Yağ değiştirme sıklığı ve yöntemi için, bkz. sayfa 176)

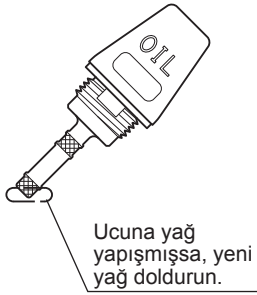
Önerilen yağ: API Sınıfı SAE 10W-30, SF Sınıfı ve üzeri (4 zamanlı otomobil motoru)

Yağ hacmi: Yaklaşık 0,08 l

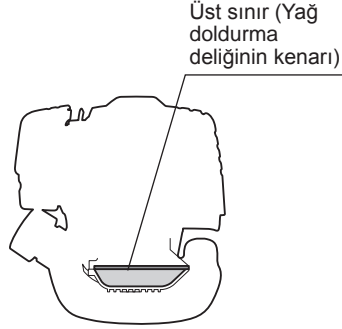
NOT: Motor düz tutulmazsa, motor etrafına yağ gidebilir ve aşırı miktarda yağ doldurulabilir. Yağ üst sınırın üzerinde doldurulursa, kirlenebilir veya beyaz bir duman çıkartarak yanabilir.

Yağ değişimiyle ilgili uyarı 1: “Yağ göstergesi”

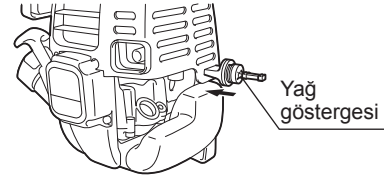
- Yağ doldurma deliğinin etrafındaki tozları ve kirleri temizleyin ve yağ göstergesini çıkartın.
- Çıkartılan yağ göstergesine kum veya toz bulaşmasına izin vermeyin. Aksi takdirde, yağ göstergesine bulaşan kum veya toz düzensiz yağ sirkülasyonuna veya motor parçalarında aşınmaya ve neticesinde arızalara yol açabilir.
- Yağ göstergesinin temiz kalması için, yağ göstergesinin Şekil 3'te gösterildiği gibi motor kapağının marş kolu tarafına takılması önerilir.



Şekil 1

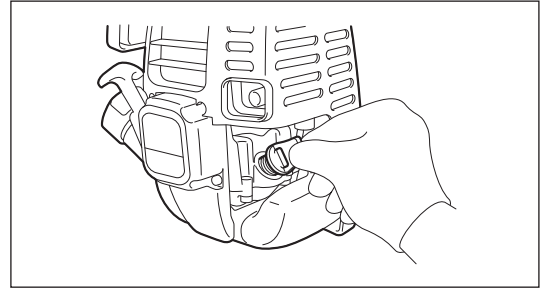


Şekil 2

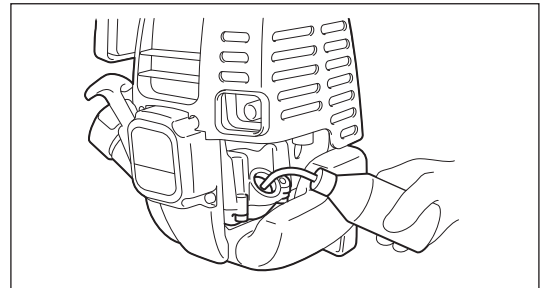


Şekil 3

(1) Motoru düz tutun ve yağ göstergesini çıkartın.



(2) Yağ doldurma deliğinin kenarına kadar yağ doldurun. (Bkz. Şekil 2). Yağı yağ doldurma kabıyla doldurun.



(3) Yağ göstergesini sağlam şekilde sıkın. Yeterince sıkılmaması, yağ kaçağına neden olabilir.

Not

- Motordaki yağı yatık bir konumda değiştirmeyin.
- Motor yatık vaziyetteyken yağ doldurulması, aşırı yağ olmasına ve neticesine yağ kirlenmesine ve/veya beyaz dumana yol açabilir.

Yağ değişimiyle ilgili uyarı 2: “Yağ dökülürse”

- Yakıt deposu ile motor ana ünitesi arasına yağ dökülürse yağ, soğutma havası giriş portuna çekilerek motorun kirlenmesine neden olur. Çalıştırmadan önce dökülen yağın temizlendiğinden emin olun.

YAKIT DOLDURMA

Yakıtın taşınması

Yakıtın mutlaka çok dikkatli bir şekilde taşınması gerekir. Yakıtlar, çözücülere benzer maddeler içerebilir. Yakıt doldurma işlemi mutlaka yeterince havalandırılan bir odada veya açık havada gerçekleştirilmelidir. Yakıt buharını kesinlikle solumayın ve yakıtı kendinizden uzakta tutun. Yakıt sürekli veya uzun bir süre temas ederseniz, cildiniz kuruyabilir ve neticesinde cilt hastalıkları veya alerjisi meydana gelebilir. Yakıt gözünüze kaçarsa, gözünüzü temiz suyla yıkayın. Gözünüzdeki tahrişin devam etmesi halinde, doktora başvurun.

Yakıt depolama süresi

İyi havalandırılan ve doğrudan güneş görmeyen bir yerde özel bir kaptaki saklanması bile yakıtın 4 hafta içerisinde tüketilmesi gerekir. Aksi takdirde, yakıt bir günde dahi bozulabilir.

MAKİNENİN MUHAFAZASI VE DEPONUN DOLDURULMASI

- Makineyi ve depoyu doğrudan güneş ışığı almayan, serin bir yerde muhafaza edin.
- Yakıtı kesinlikle araç içerisinde bırakmayın.

Yakıt

Makinede dört zamanlı bir motor bulunur. 87 oktan ve üzeri ((R+M)/2) kurşunsuz otomobil benzini kullanıldığından emin olun. Alkol içeriği maksimum %10 (E-10) olmalıdır.

Yakıtla ilgili uyarılar

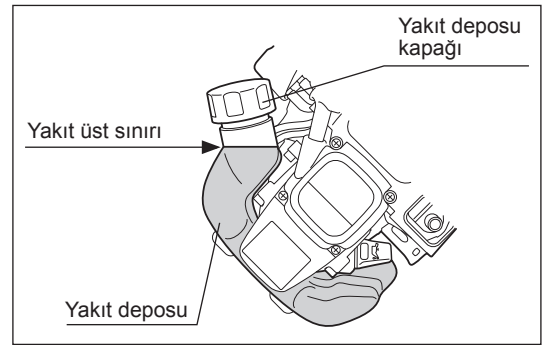
- Kesinlikle motor yağı içeren benzin karışımları kullanmayın. Aksi takdirde, aşırı karbon birikimi veya mekanik hasarlar meydana gelebilir.
- Bozulmuş yakıt kullanılması, çalışma sorunlarına yol açabilir.

Yakıt doldururken

⚠ UYARI: TUTUŞABİLİR MADDELERİN KULLANILMASI KESİNLİKLE YASAKTIR

Kullanılacak benzin: 87 oktan ve üzeri kurşunsuz otomobil benzini. Alkol içeriği maksimum %10 (E-10).

- Depo kapağını atmosfer basıncında hiçbir değişiklik olmayacak şekilde bir miktar gevşetin.
- Depo kapağını çıkartın ve yakıt doldurun. Bu işlem sırasında yakıt doldurma deliği yukarı bakacak şekilde yakıt deposunu eğerek depo içerisinde havanın boşalmasını sağlayın. (Kesinlikle doldurma deliğinin ağzına kadar yakıt doldurmayın.)
- Yabancı maddelerin yakıt deposuna girmesini önlemek için, depo kapağının çevresini iyice temizleyin.
- Yakıt doldurduktan sonra, depo kapağını sıkıca kapatın.
- Depo kapağında kusur veya hasar varsa, değiştirin.
- Depo kapağının bir sarf malzemedir ve bu nedenle her iki ila üç yılda bir değiştirilmelidir.



ÇALIŞTIRMA VE DURDURMAYLA İLGİLİ UYARILAR

İlgili kaza önleme yönetmeliklerini dikkate alın!

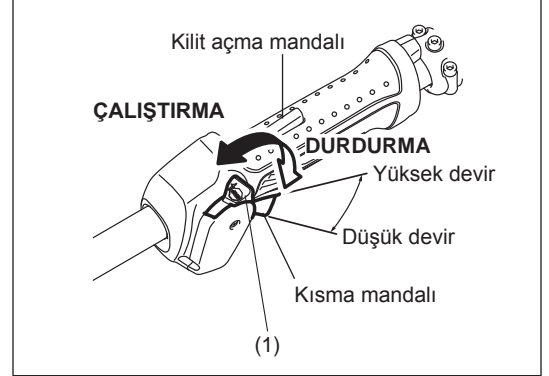


ÇALIŞTIRMA

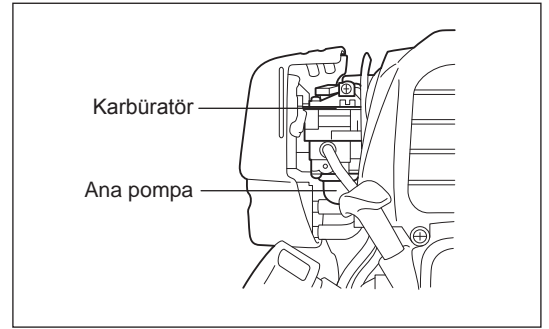
Makineyi yakıt doldurduğunuz yerden en az 3 metre uzağa taşıyın. Makineyi yere koyarken kesici ataşmanın, zeminle veya diğer yabancı cisimlerle temas etmemesine dikkat edin.

A: Soğuk çalıştırma

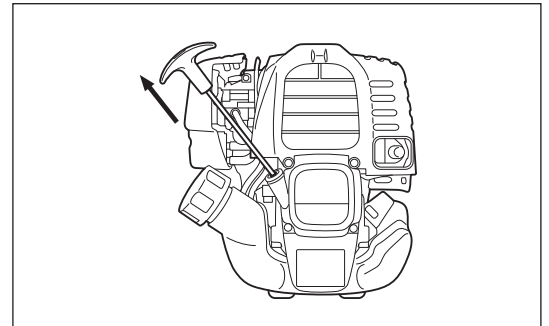
- 1) Makineyi düz bir zemin üzerine yerleştirin.
- 2) Açma/kapama düğmesini (1) ÇALIŞTIRMA konumuna getirin.



- 3) Ana pompa
Yakıt ana pompaya girene kadar ana pompaya bastırmaya devam edin.
(Genel olarak yakıt, ana pompaya 7 ila 10 defa basıldığında ana pompaya girer.)
Ana pompaya çok fazla basılırsa, fazla benzin yakıt deposuna geri döner.



- 4) Geri sarmalı marş
Marş kolunu gerilim hissedilene (sıkışma noktasına) kadar yavaşça çekin.
Ardından, marş kolunu bırakın ve güçlü bir şekilde çekin.
İpi kesinlikle sonuna kadar çekmeyin. Marş kolu çekildikten sonra, marş kolunu hemen bırakmayın. Marş kolu başlangıçtaki konumuna dönene kadar bekleyin.



- 5) Isıtma çalıştırması
Isıtma çalıştırmasını 2 ila 3 dakika boyunca sürdürün.

NOT: Aşırı yakıt çekilmesi (taşma) durumunda, bujiyi çıkartın ve aşırı yakıtı boşaltmak için marş kolunu yavaşça çekin. Ayrıca, bujinin elektrot bölümünü kurutun.

B: Isıtma çalıştırması sonrası başlatma

- 1) Ana pompaya arka arkaya bastırın.
- 2) Kısma mandalını rölanti konumunda tutun.
- 3) Geri sarmalı marş güçlü bir şekilde çekin.
- 4) Motor zor çalışıyorsa, kısma mandalını yaklaşık 1/3 oranında açın.

Çalışma Sırasında Dikkat Edin!

Motor baş aşığı konumda çalışırken, susturucudan beyaz duman gelebilir.

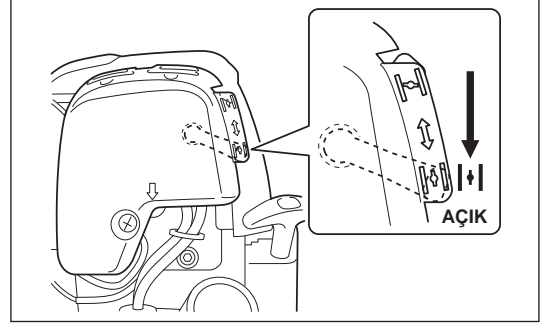
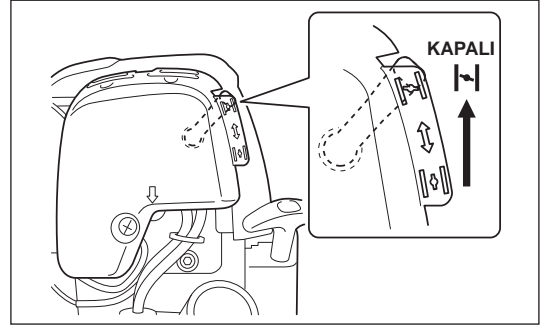
Örneğin kış aylarında vb. motorun çalışması zorlaşır

Motoru çalıştırırken jikle kolunu aşağıdaki prosedürü takip ederek çalıştırın.

- 1) ila 3) arasındaki işlemleri uyguladıktan sonra, jikle kolunu KAPALI konuma getirin.
- 4) no.lu çalıştırma adımını uygulayın ve motoru çalıştırın.
- Motor çalıştıktan sonra, jikle kolunu AÇIK konuma getirin.
- 5) no.lu çalıştırma adımını uygulayın ve motorun ısınmasını bekleyin.

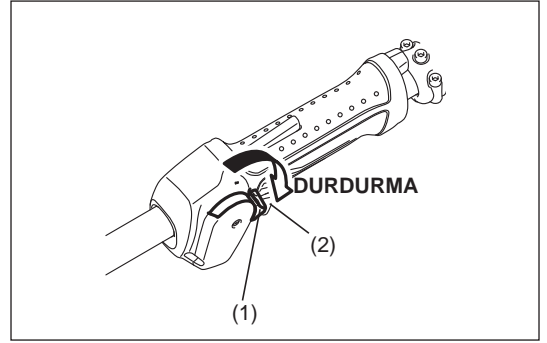
⚠ DİKKAT: Bir ses (patlama sesi) duyulur ve motor durursa veya henüz çalışmaya başlayan motor jikle kolu çekilmeden durursa, jikle kolunu tekrar AÇIK konuma getirin ve motoru tekrar çalıştırmak için marş kolunu birkaç defa çekin.

⚠ DİKKAT: Jikle kolu KAPALI konumda bırakılırsa ve marş kolu arka arkaya çok fazla çekilirse, çok fazla yakıt emilir ve motorun çalışması zorlaşır.



DURDURMA

- 1) Kısma mandalını (2) tam olarak açın ve motor dvr/dak değeri düştüğünde açma/kapama düğmesini DURDURMA konumuna getirin; motor derhal duracaktır.
- 2) Kesme başlığının hemen durmayabileceğine dikkat edin ve tamamen yavaşlaması için bekleyin.

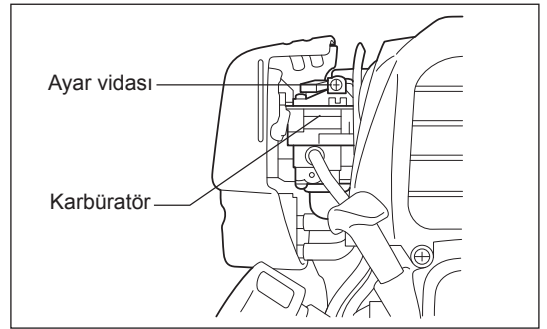


DÜŞÜK DEVİRLİ DÖNÜŞ (RÖLANTİ) AYARI

Düşük devirli dönüş (rölanti) ayarı yapılması gerekiyorsa, bu işlemi karbüratör ayar vidasıyla gerçekleştirin.

DÜŞÜK DEVİRLİ DÖNÜŞ KONTROLÜ

- Düşük devir dönüş hızını 3.000 dak⁻¹ olarak ayarlayın. Düşük devir dönüş (rölanti) hızının değiştirilmesi gerekirse, sağ taraftaki şekilde gösterildiği gibi yıldız uçlu bir tornavida ile vidayı ayarlayın.
- Ayar vidasının sağa çevrilmesi, motor dönüş hızını arttıracaktır. Ayar vidasının sola çevrilmesi ise motor dönüş hızını düşürecektir.
- Karbüratör genel olarak nakliye öncesi ayarlanır. Yeniden ayarlanması gerekiyorsa, lütfen Yetkili Servis Merkezine danışın.



MİSİNALI KESME BAŞLIĞI

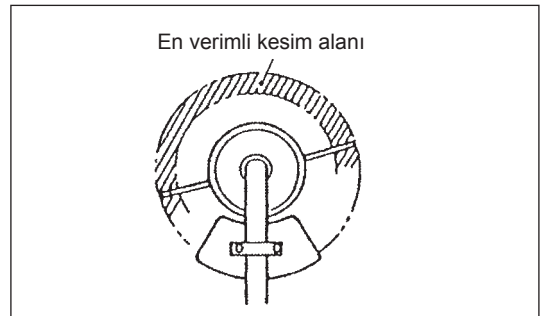
Çalışma sırasında kesim için misinanın uç kısmını kullanın.

Misinin açılması

Kesim çalışması sırasında misina aşınıp kıaldığından, operatörün misinayı manuel olarak açması gerekir.

Misinayı açmak için, yaklaşık 6.000 dak⁻¹ hızda dönerken misinalı kesme başlığını hafifçe yere vurun.

NOT: Misina açılmazsa, tekrar sarın.



Misinin deęiştirilmesi

⚠ UYARI: Misinalı kesme başlığı kapağının aşağıdaki şekilde gösterildiği gibi muhafazaya sağlam şekilde sabitlendiğinden emin olun. Kapağın sağlam şekilde takılmaması, misinalı kesme başlığının çıkarak ciddi yaralanmalara yol açmasına neden olabilir.

Kapağı çıkartmak için, muhafaza mandallarını içeri ve ardından yukarı doğru bastırın. Kalan misinaları atın.

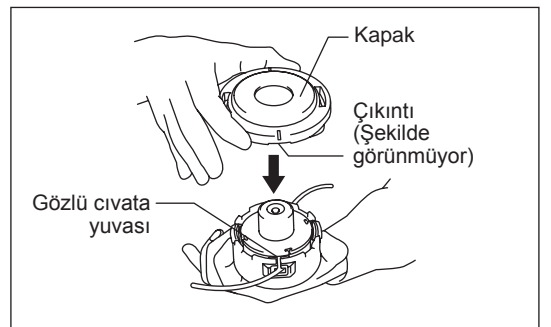
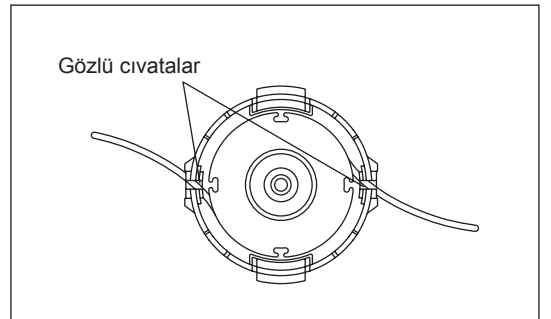
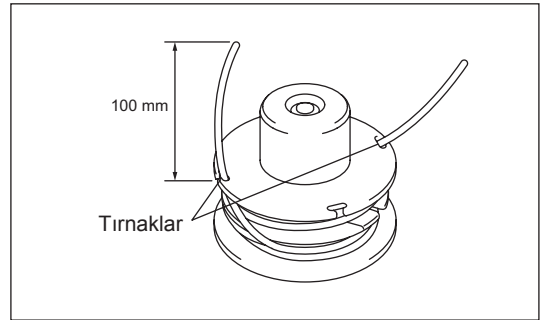
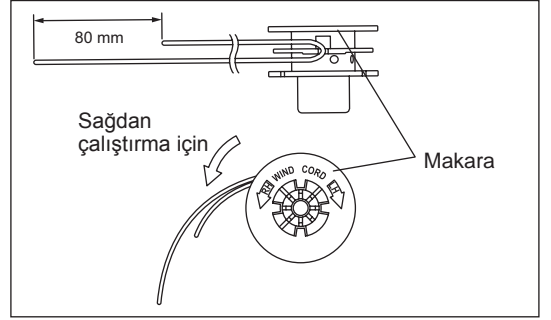
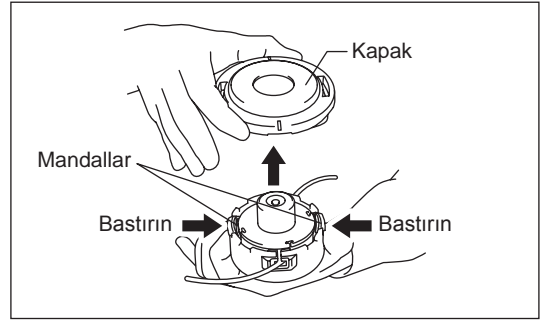
Yeni misinanın ortasını makara merkezine misinanın geçirilmesi için yeterli olan 2 kanal arasındaki tırnaklardan geçirin. Misinanın bir ucu, diğer ucundan yaklaşık 80 mm daha uzun olmalıdır.

Misinin her iki ucunu makaraya sağ taraftan çalıştırma için başlık üzerinde RH ile gösterilen yönde sarın.

100 mm kalana kadar misinanın tamamını sarın ve bu sırada misina uçlarının geçici olarak makaranın kenarındaki tırnakta takılı kalmasını sağlayın.

Makarayı, makara üzerindeki yuva ve çıkıntılar muhafaza üzerindekiyle eşleşecek şekilde muhafazaya yerleştirin. Ardından, misinanın uçlarını geçici konumlarından çıkartın ve bu uçları, muhafazadan çıkması için gözlü civata deliklerinden geçirin.

Kapağın altındaki çıkıntıyla gözlü civata deliklerini aynı hizaya getirin. Ardından, sabitlemek üzere kapağı muhafazaya sıkıca bastırın. Kilit mandalarının kapağa tam olarak oturduğundan emin olun.



SERVİS TALİMATLARI

⚠ DİKKAT: Makine üzerinde herhangi bir çalışma yapmadan önce, mutlaka motoru durdurun ve buji konektörünü bujiden çıkartın (bkz. "bujinin kontrolü").
Daima koruyucu eldiven takın!

Makinenin uzun ömürlü olması ve olası hasarların önlenmesi için, düzenli aralıklarla aşağıda açıklanan servis çalışmaları gerçekleştirilmelidir.

Günlük kontrol ve bakımlar

- Çalışmaya başlamadan önce, makinede gevşek vida veya eksik parça olup olmadığını kontrol edin. Özellikle, misina kesme başlığının doğru şekilde sıkılmasına dikkat edin.
- Çalışma öncesi mutlaka soğutucu hava geçişinin ve silindir kanatlarının tıkalı olmadığını kontrol edin. Gerekirse, bu parçaları temizleyin.
- Her gün kullanım sonrası şu işlemleri gerçekleştirin:
 - Makinenin dış kısmını temizleyin ve hasar olup olmadığını kontrol edin.
 - Hava filtresini temizleyin. Aşırı tozlu ortamlarda çalışıyorsanız, filtreyi günde birkaç defa temizleyin.
 - Misina kesme başlığında hasar olmadığını ve bu parçaların sağlam şekilde takıldığını kontrol edin.
 - Motor rölantideyken kesici ataşmanın duracağından emin olmak için, rölanti ile kavrama hızları arasında yeterli fark olduğundan emin olun (gerekirse, rölanti hızını düşürün).
Rölanti koşulunda kesici parça dönmeye devam ediyorsa, en yakın Yetkili Servis Merkezine danışın.
- Açma/kapama düğmesinin, kilit açma mandalının, kısma mandalının ve kilit düğmesinin doğru çalıştığını kontrol edin.

MOTOR YAĞININ DEĞİŞTİRİLMESİ

Bozulmuş motor yağı kullanılması, kayar ve döner parçaların ömrünü ciddi şekilde kısaltır. Değiştirme aralıklarını ve miktarını kontrol ettiğinizden emin olun.



DİKKAT: Genel olarak, motor durduktan hemen sonra motor ana ünitesi ve motor yağı hala sıcaktır. Yağ değiştirilirken, motor ana ünitesinin ve motor yağının yeterince soğuduğundan emin olun. Aksi takdirde, yanık riski ortaya çıkabilir.

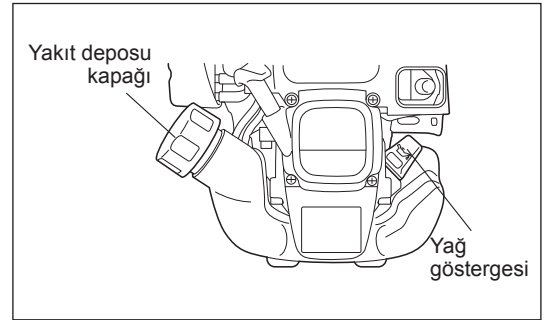
NOT: Yağ üst sınırın üzerinde doldurulursa, kirlenebilir veya beyaz bir duman çıkartarak yanabilir.

Değiştirme sıklığı: Başlangıçta ilk 20 saatin sonunda ve daha sonra her 50 çalışma saatinde bir

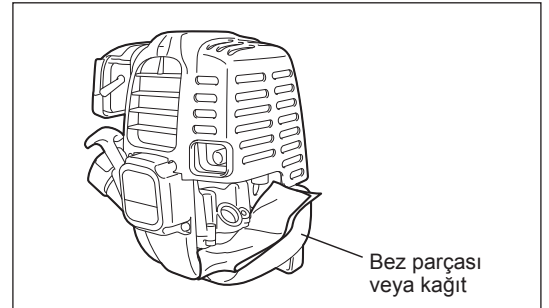
Önerilen yağ: API Sınıfı SAE 10W-30 yağ, SF Sınıfı ve üzeri (4 zamanlı otomobil motor yağı)

Yağ değiştirirken aşağıdaki prosedürü takip edin.

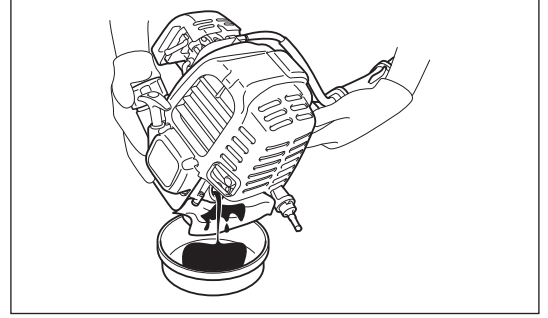
- 1) Depo kapağının sıkıca kapalı olduğunu kontrol edin.
- 2) Yağ göstergesini çıkartın.
Çıkartılan yağ göstergesine kum veya toz bulaşmasına izin vermeyin.



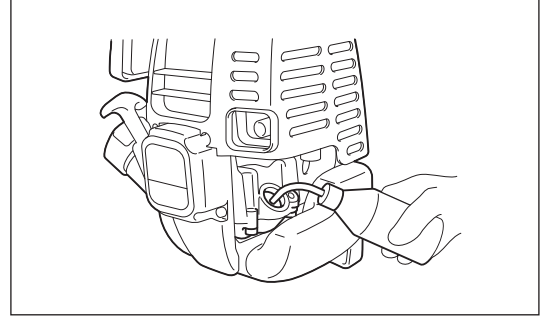
- 3) Yağ doldurma deliğinin çevresine bez parçası veya kağıt yerleştirin.



- 4) Yağ göstergesini çıkartın ve ana gövdeyi yağ doldurma deliğine doğru yatırarak yağı boşaltın.
Doğru şekilde bertaraf etmek üzere, yağı uygun bir kaba boşaltın.



- 5) Motoru düz tutun ve yağ doldurma deliğinin kenarına kadar yeni yağ doldurun.
Bu işlem sırasında uygun bir yağ doldurma kabı kullanın.
- 6) Yağı doldurduktan sonra, yağ göstergesini sağlam şekilde sıkın. Yağ göstergesinin yeterince sıkılmaması, yağ kaçağına yol açar.



YAĞLA İLGİLİ UYARILAR

- Boşaltılan motor yağını kesinlikle çöpe, toprağa veya kanalizasyon giderine dökmeyin. Yağın bertarafı ilgili kanunlara uygun şekilde gerçekleştirilmelidir. Yağın bertarafı için daima ilgili kanun ve yönetmeliklere riayet edin. Bilinmeyen hususlarla ilgili olarak daima Yetkili Servis Personeline danışın.
- Kullanılmadan saklansa dahi yağ zamanla bozulur. Düzenli aralıklarla yağı kontrol edin ve değiştirin (her 6 ayda bir yeni yağla değiştirin).

HAVA TEMİZLEYİCİSİNİN TEMİZLENMESİ



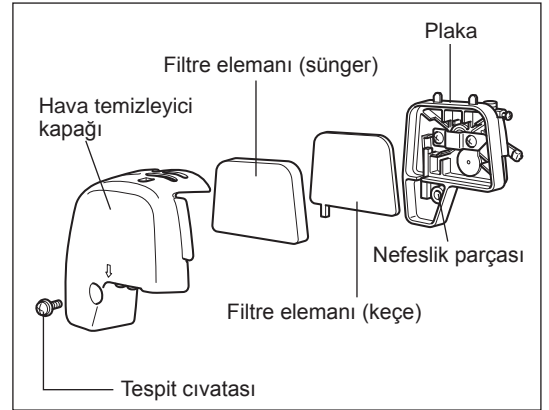
TEHLİKE: TUTUŞABİLİR MADDELERİN KULLANILMASI KESİNLİKLE YASAKTIR

Temizlik ve Kontrol Aralığı: Günlük (her 10 çalışma saatinin sonunda)

- Jikle kolunu tamamen kapalı konuma çevirin ve karbüratördeki toz ve pislikleri temizleyin.
- Hava temizleyici kapağı tespit civatalarını çıkartın.
- Kapağı alt tarafa çekin ve hava temizleyicisi kapağını çıkartın.
- Filtre elemanına (süngere) yağ yapışmışsa, dikkatlice temizleyin.
- Aşırı kirlenmişse:
 - 1) Filtre elemanını (sünger) çıkartın, sıcak suya veya doğal deterjanlı suya batırın ve ardından tamamen kurutun.
 - 2) Filtre elemanını (keçe) temizleyin ve tamamen kurutun.
- Filtre elemanını geri takmadan önce, tamamen kurduğundan emin olun. Filtre elemanının yeterli şekilde kurutulmaması, makinenin zor çalışmasına neden olabilir.
- Hava temizleyicisi kapağına ve plaka nefesliğine bulaşan yağları bir bez parçasıyla temizleyin.
- Temizleme işlemi bitirdikten hemen sonra, temizleyici kapağını takın ve tespit civatalarıyla sıkın. (Geri montaj sırasında önce üst tırnağı ve ardından alt tırnağı takın.)

Hava Temizleyici Elemanı İlgili Uyarılar

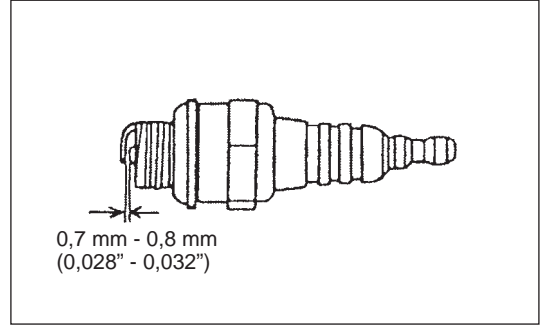
- Aşırı derecede toz yapışmışsa, elemanı günde birkaç defa değiştirin.
- Filtre elemanındaki yağ temizlenmeden çalışmaya devam edilirse, hava temizleyicideki yağ dışarı akabilir ve yağ kirlenmesine yol açabilir.



BUJİNİN KONTROLÜ

- Bujiyi sökmek ve takmak için yalnızca ürünle birlikte verilen standart anahtar kullanın.
- Bujinin iki elektrotu arasındaki boşluk 0,7 ila 0,8 mm (0,028" ila 0,032") olmalıdır. Boşluk çok geniş veya dar olursa, ayarlayın. Buji tıkanırsa veya kirlenirse, iyice temizleyin veya değiştirin.

⚠ DİKKAT: Motor çalışırken buji konektörüne kesinlikle dokunmayın (yüksek gerilimde elektrik çarpması tehlikesi).



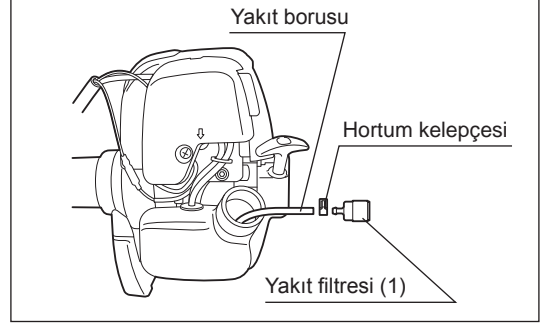
YAKIT FİLTRESİNİN TEMİZLENMESİ

⚠ UYARI: TUTUŞABİLİR MADDELERİN KULLANILMASI KESİNLİKLE YASAKTIR

Temizlik ve Kontrol Aralığı: Aylık (her 50 çalışma saatinin sonunda)

Yakıt deposundaki emiş başlığı

- Emiş başlığındaki yakıt filtresi (1), karbüratör tarafından ihtiyaç duyulan yakıtın filtrelenmesi için kullanılır.
- Yakıt filtresi düzenli aralıklarla gözle kontrol edilmelidir. Bunun için, depo kapağını açın ve ardından bir tel kanca yardımıyla emiş başlığını depo açıklığından çekerek çıkartın. Sertleştiği, kirlendiği veya tıkanıp tespit edilen filtreler mutlaka değiştirilmelidir.
- Yetersiz yakıt beslenmesi, kabul edilebilir maksimum hızın aşılmasına neden olabilir. Bu nedenle, karbüratöre yeterli yakıt beslenmesi için yakıt filtresinin en az üç ayda bir değiştirilmesi gerekir.



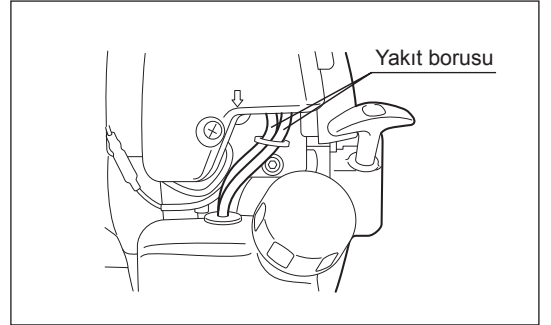
YAKIT BORUSUNUN DEĞİŞTİRİLMESİ

⚠ DİKKAT: TUTUŞABİLİR MADDELERİN KULLANILMASI KESİNLİKLE YASAKTIR

Temizlik ve Kontrol Aralığı: Günlük (her 10 çalışma saatinin sonunda)

Değiştirme: Yıllık (her 200 çalışma saatinin sonunda)

Çalıştırma sıklığı ne olursa olsun, yakıt borusunu her yıl değiştirin. Aksi takdirde, yakıt kaçağı nedeniyle yangın tehlikesi ortaya çıkabilir. Kontroller sırasında herhangi bir kaçak tespit ederseniz, yakıt borusunu derhal değiştirin.



CIVATA, SOMUN VE VİDALARIN KONTROLÜ

- Gevşek civataları, somunları vb. sıkın.
- Yakıt veya yağ kaçağı olup olmadığını kontrol edin.
- Güvenli çalıştırma için, hasarlı parçaları yenileriyle değiştirin.

PARÇALARIN TEMİZLENMESİ

- Motoru daima temiz tutun.
- Silindir açıklıklarına kum veya toz bulaşmasına izin vermeyin. Açıklıklara yapışan toz veya kir, pistonun sıkışmasına neden olur.

CONTA VE SALMASTRALARIN DEĞİŞTİRİLMESİ

Motor söküldükten sonra geri monte edilirken, conta ve salmastraların yenileriyle değiştirildiğinden emin olun.

Bu kılavuzda belirtilmeyen veya açıklanmayan tüm bakım ve ayar çalışmaları mutlaka yalnızca Yetkili Servis Personeli tarafından yapılmalıdır.



UYARI: Yakıtı boşaltırken, motoru durdurduğunuzdan ve motorun soğuduğundan emin olun. Motor durduktan hemen sonra sıcak olabilir ve yanık, tutuşma ve yangın riski içerir.



DİKKAT: Makine uzun bir süre çalıştırılmayacaksa, yakıt deposu ve karbüratördeki yakıtı tamamen boşaltın ve kuru ve temiz bir yerde muhafaza edin.

- Yakıt deposu ve karbüratördeki yakıtı aşağıdaki prosedürü takip ederek boşaltın:
 - 1) Yakıt deposu kapağını çıkartın ve yakıtı tamamen boşaltın.
Yakıt deposunda yabancı madde kalırsa, tamamen temizleyin.
 - 2) Yakıt filtresini bir tel yardımıyla doldurma deliğinden çıkartın.
 - 3) Yakıt tamamen boşalana kadar pompaya bastırın ve yakıt deposundan çıkan yakıtı bir kaba alın.
 - 4) Filtreyi yakıt deposuna geri takın ve yakıt deposu kapağını sıkıca kapatın.
 - 5) Arıandan, motoru durana kadar çalıştırmaya devam edin.
- Bujiyi çıkartın ve birkaç damla motor yağının buji deliğinden damlamasını sağlayın.
- Marş kolunu, motora motor yağı dağılacak şekilde yavaşça çekin ve bujii takın.
- Genel olarak, motoru yatay konumda muhafaza edin. Mümkün değilse, makineyi motor ünitesi, kesici aletin altına gelecek şekilde yerleştirin. Aksi takdirde, içeride motor yağı kaçağı meydana gelebilir.
- Makine hasarlarını ve yaralanmaları önlemek için, makineyi daima güvenli bir yerde muhafaza etmeye dikkat edin.
- Çıkan yakıtı doğrudan güneş ışığı almayan ve iyi havalandırılan bir yerde özel bir kaba alın.

Uzun süre depolama sonrası dikkat edilmesi gerekenler

- Uzun bir süre depoda kaldıktan sonra ilk defa çalıştırmadan önce yağı değiştirdiğinizden emin olun (bkz. sayfa 176). Makinenin çalışmadığı sürede yağ bozulmuştur.

Arıza tespiti

Arıza	Sistem	Gözlem	Nedeni
Motor çalışmıyor veya zor çalışıyor	Ateşleme sistemi	Ateşleme kıvılcımı çıkıyor	Yakıt besleme veya sıkıştırma sistemi arızası veya mekanik bir arıza mevcuttur
		Ateşleme kıvılcımı çıkmıyor	DURDURMA düğmesine basılmıştır, kablolama hatalı veya kısa devre yapmıştır, buji veya konektör arızalıdır, ateşleme modülü arızalıdır
	Yakıt besleme	Yakıt deposu doludur	Jikle konumu yanlış, karbüratör arızalıdır, yakıt besleme hattı bükülmüş veya tıkanmıştır, yakıt kirlidir
	Sıkıştırma	Çekildiğinde sıkışma olmuyor	Silindirin alt contası yıpranmıştır, krank mili contaları hasar görmüştür, silindir veya piston halkaları arızalıdır veya buji sızdırmazlığı hatalıdır
Sıcak başlatma sorunları	Mekanik arıza	Marş basmıyor	Marş ipi kopmuştur, motor içindeki parçalar bozulmuştur
		Depo dolu ve ateşleme kıvılcımı çıkıyor	Karbüratör kirlidir, temizletin
Motor çalışıyor, ancak hemen duruyor	Yakıt besleme	Depo dolu	Rölanti ayarı yanlış, karbüratör kirlenmiştir Yakıt deposu hava alma tertibatı arızalıdır, yakıt besleme hattı kesilmiştir, kablo veya DURDURMA düğmesi arızalıdır
Düşük performans	Aynı anda birkaç sistem etkilenmiş olabilir	Motor rölantide zayıf çalışıyor	Hava filtresi kirlenmiştir, karbüratör kirlenmiştir, susturucu tıkanmıştır, silindirdeki çıkış kanalı tıkanmıştır

Parça	Çalışma süresi	Çalışma öncesi	Yağlama sonrası	Günlük (10 sa)	30 sa	50 sa	200 sa	Kapalıyken/ dinlenirken	Karşılık gelen P
Motor yağı	Kontrol edin	○							171
	Değiştirin					○*1			176
Parçaları sıkın (cıvata, somun)	Kontrol edin	○							178
Yakıt deposu	Temizleyin/ kontrol edin	○							—
	Yakıtı boşaltın							○*3	179
Kısma mandalı	Çalışma kontrolü		○						—
Durdurma düğmesi	Çalışma kontrolü		○						174
Kesici ataşman	Kontrol edin	○		○					170
Düşük devirli dönüş	Kontrol edin/ ayarlayın			○					174
Hava temizleyici	Temizleyin			○					177
Buji	Kontrol edin			○					178
Soğutucu hava girişi	Temizleyin/ kontrol edin			○					178
Yakıt borusu	Kontrol edin			○					178
	Değiştirin						◎*2		—
Yakıt filtresi	Temizleyin/ değiştirin					○			178
Hava giriş vanası ile hava deşarj vanası arasındaki boşluk	Ayarlayın						◎*2		—
Motor bakımı							◎*2		—
Karbüratör	Yakıtı boşaltın							○*3	179

*1 İlk değiştirmeyi 20 saatlik çalışma sonrasında gerçekleştirin.

*2 200 saatlik çalışma süresinin sonunda kontrolün Yetkili Servis veya makine mağazası tarafından gerçekleştirilmesini sağlayın.

*3 Yakıt deposunu boşalttıktan sonra, motoru çalıştırmaya devam edin ve karbüratördeki yakıtın tamamen boşalmasını bekleyin.

SORUN GİDERME

Onarım talebinde bulunmadan, lütfen sorunu önce kendiniz kontrol edin. Herhangi bir anormal durum tespit ettiğinizde, makinenizi bu kılavuzda verilen açıklamalara göre kontrol edin. Hiçbir parçayı açıklamaların aksine bir şekilde değiştirmeyin ve sökmeyin. Onarım için, Yetkili Servis Merkezine veya satıcınıza başvurun.

Anormal durum	Olası nedeni (arıza)	Çözüm
Motor çalışmıyor	Yakıt pompası çalışmıyordur	7 ila 10 defa basın
	Marş ipini çekme hızınız yavaştır	Güçlü şekilde çekin
	Yakıt azdır	Yakıt doldurun
	Yakıt filtresi tıkanmıştır	Temizleyin
	Yakıt tüpü eğilmiştir	Yakıt tüpünü düzleştirin
	Yakıt kirlenmiştir	Yakıtın kirlenmesi, motorun çalışmasını zorlaştırır. Yeni yakıt doldurun. (Önerilen değiştirme sıklığı: 1 ay)
	Yakıt emişi aşırıdır	Kısma mandalını orta devirden yüksek devire getirin ve motor çalışana kadar marş kolunu çekin. Motor çalışmaya başladığında, misinalı kesme başlığı da dönmeye başlar. Misinalı kesme başlığına çok dikkat edin. Motor hala çalışmazsa, bujiyi çıkartın, elektrotun kurumasını sağlayın ve bu parçaları tekrar başlangıçtaki gibi geri takın. Ardından, belirtildiği gibi çalıştırmayı deneyin.
	Buji kapağı çıkmıştır	Sağlam şekilde takın
	Buji kirlenmiştir	Temizleyin
	Buji açıklığı normal değildir	Açıklığı ayarlayın
	Bujide başka bir sorun vardır	Değiştirin
	Karbüratör normal çalışmıyordur	Kontrol ve bakım talebinde bulunun.
	Marş ipi çekilemiyor	Kontrol ve bakım talebinde bulunun.
	Tahrik sistemi normal çalışmıyordur	Kontrol ve bakım talebinde bulunun.
Motor hemen duruyor Motor devri yükselmiyor	Isınma yetersizdir	Isınma prosedürünü uygulayın
	Motor ısınmasına rağmen, jikle kolu "KAPALI" konumdadır.	"AÇIK" konumuna getirin
	Yakıt filtresi tıkanmıştır	Temizleyin
	Hava temizleyici kirlenmiş veya tıkanmıştır	Temizleyin
	Karbüratör normal çalışmıyordur	Kontrol ve bakım talebinde bulunun.
	Tahrik sistemi normal çalışmıyordur	Kontrol ve bakım talebinde bulunun.
	Kesme ataşmanı dönmüyor. ↓ Motoru derhal durdurun!	Kesme ataşmanı sağlam şekilde sıkılmamıştır.
Kesme ataşmanı ile koruyucu arasına bir dal sıkışmıştır.		Yabancı maddeyi çıkartın.
Tahrik sistemi doğru şekilde çalışmıyordur.		Bu parçayı kontrol etmesi ve onarması için Dolmar yetkili servis merkezine başvurun.
Makine anormal titreşimli çalışıyor. ↓ Motoru derhal durdurun!		Kesme ataşmanı kırılmıştır.
	Kesme ataşmanı sağlam şekilde sıkılmamıştır.	Kesme ataşmanını sağlam şekilde sıkın.
	Misinanın bir ucu kopmuş ve misinalı kesme başlığı dengesiz duruma gelmiştir.	Misina kesme başlığını hafifçe yere vurarak misinayı açın.
	Tahrik sistemi doğru şekilde çalışmıyordur.	Bu parçayı kontrol etmesi ve onarması için Dolmar yetkili servis merkezine başvurun.
Kesme ataşmanı durmuyor. ↓ Motoru derhal durdurun!	Güç başlığı doğru şekilde çalışmıyordur.	Güç başlığının kullanım kılavuzuna bakın.
	Motor durmuyor ↓ Motoru rölantide çalıştırın ve jikle kolunu KAPALI konuma getirin	Konektör çıkmıştır
Elektrik sistemi normal çalışmıyordur		Kontrol ve bakım talebinde bulunun.
Misina açılmıyor.	Misina bitmiştir veya makarada karışmıştır.	Misinayı tekrar sarın.
Misina doğru uzunlukta kesilmemiştir.	Koruyucu üzerinde misina kesici yoktur veya hasar görmüştür.	Misina kesiciyi değiştirmesi için Dolmar yetkili servis merkezine başvurun.
	Misina, koruyucuyu geçecek kadar açılmıştır.	Misinayı tekrar sarın.

Isınma prosedürü uygulandıktan sonra, motor çalışmıyorsa:

Kontrol edilen parçalarda herhangi bir anormal durum tespit edilmezse, kısma mandalını yaklaşık 1/3 tur açın ve motoru çalıştırın.

Makita Europe N.V. Jan-Baptist Vinkstraat 2,
3070 Kortenberg, Belgium

Makita Corporation 3-11-8, Sumiyoshi-cho,
Anjo, Aichi 446-8502 Japan