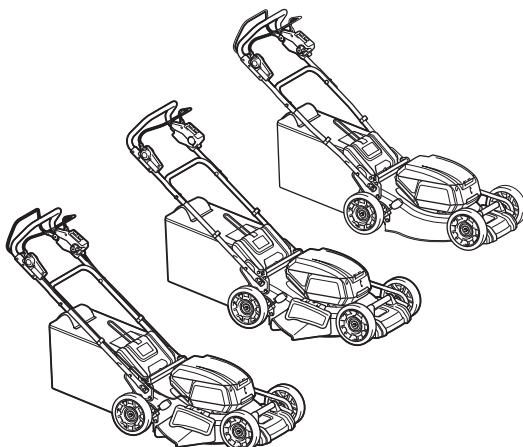


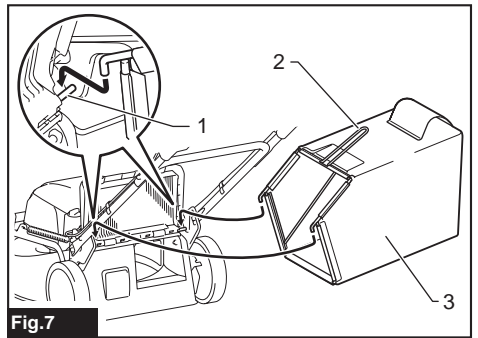
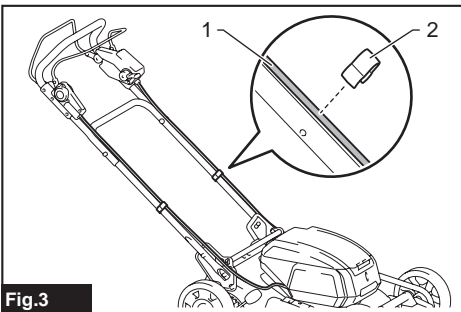
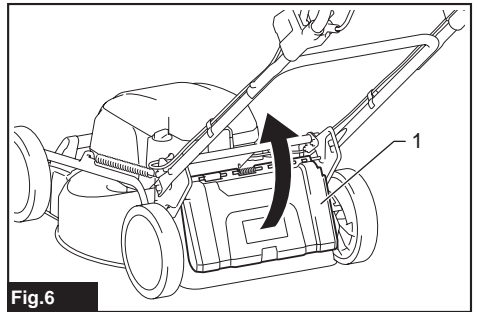
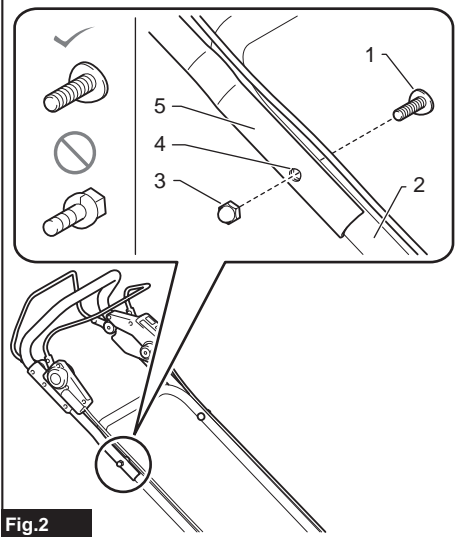
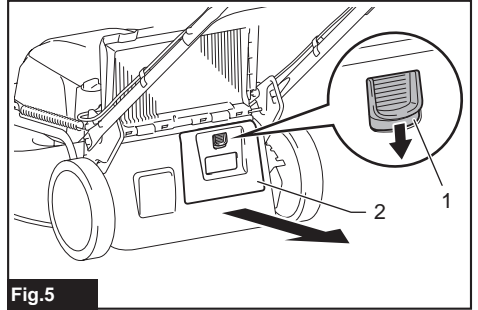
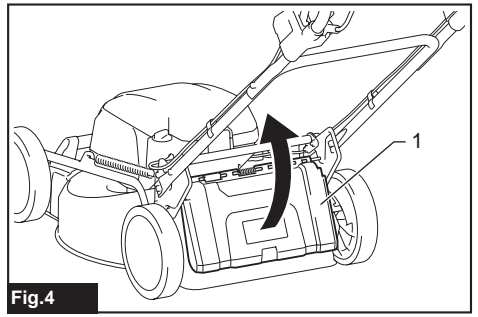
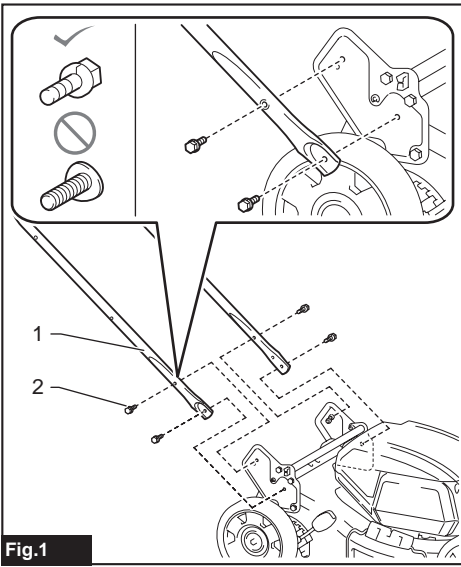
DOLMAR



EN	Cordless Lawn Mower	INSTRUCTION MANUAL	9
FR	Tondeuse Sans Fil	MANUEL D'INSTRUCTIONS	21
DE	Akku Rasenmäher	BETRIEBSANLEITUNG	34
IT	Tosaerba a batteria	ISTRUZIONI PER L'USO	48
NL	Accugrasmaaier	GEBRUIKSAANWIJZING	61
ES	Cortadora de Césped	MANUAL DE INSTRUCCIONES	74
PT	Cortadora de Grama a Bateria	MANUAL DE INSTRUÇÕES	87
DA	Akku-plæneklipper	BRUGSANVISNING	100
EL	Μηχανή γκαζόν με μπαταρία	ΕΓΧΕΙΡΙΔΙΟ ΟΔΗΓΙΩΝ	112
TR	Akülü Çim Biçme Makinası	KULLANMA KILAVUZU	126

AM3846
AM3653
AM3753





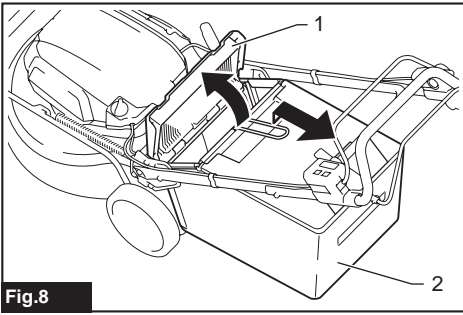


Fig.8

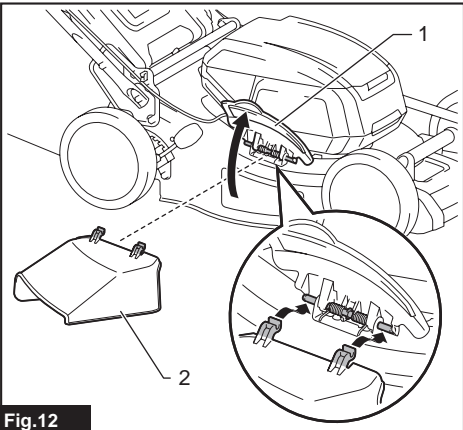


Fig.12

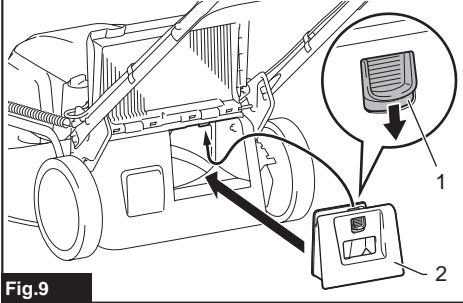


Fig.9

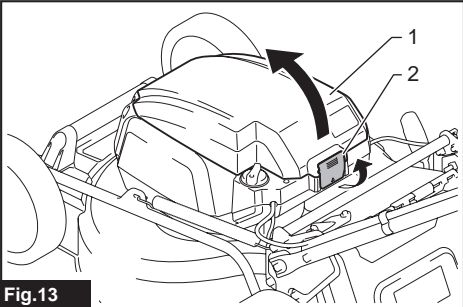


Fig.13

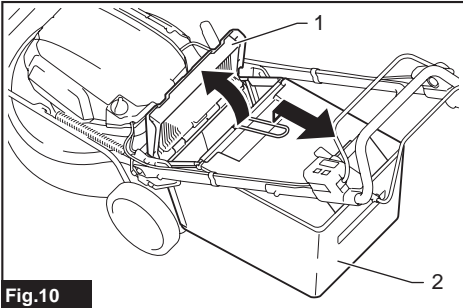


Fig.10

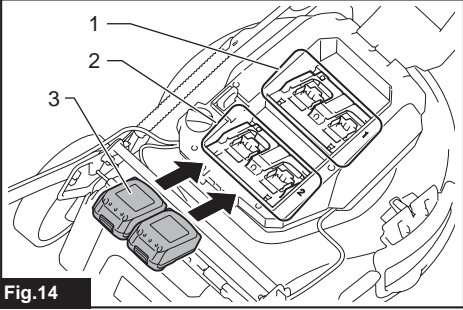


Fig.14

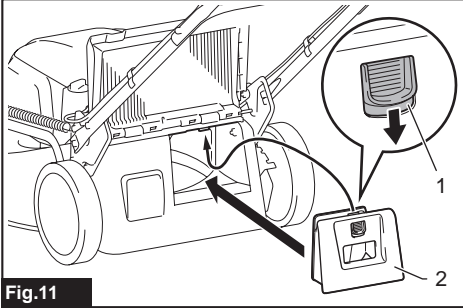


Fig.11

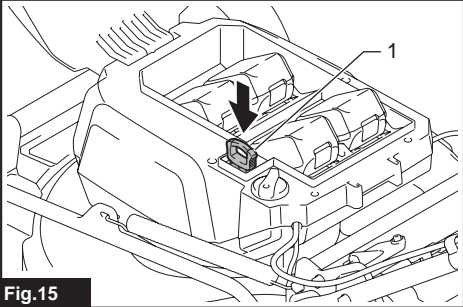


Fig.15

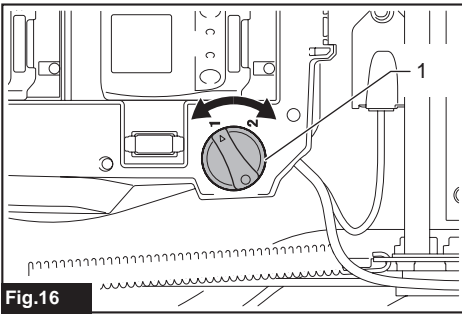


Fig.16

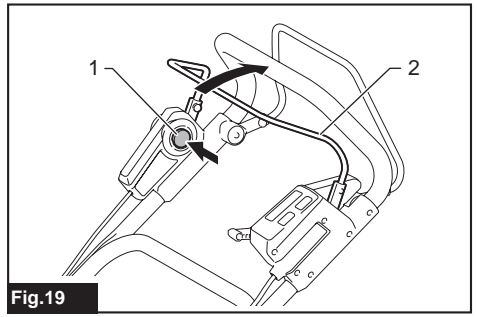


Fig.19

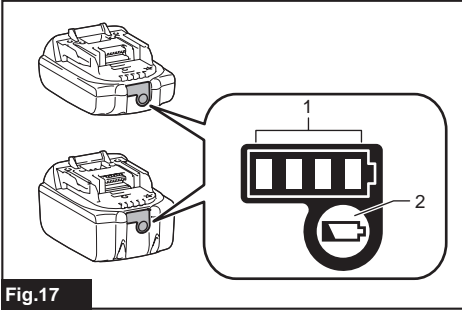


Fig.17

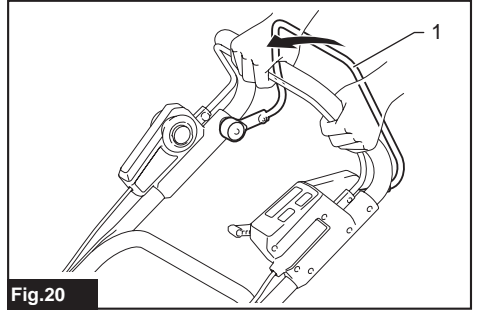


Fig.20

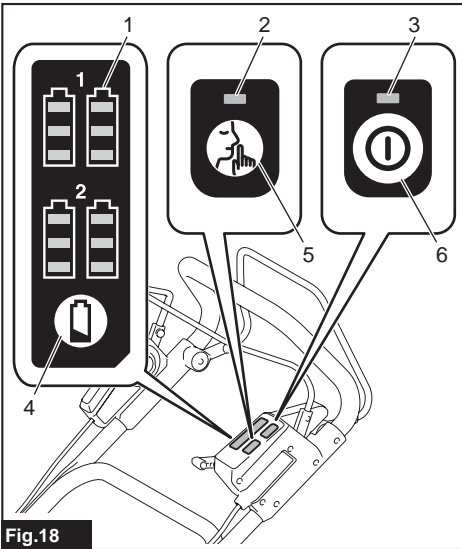


Fig.18

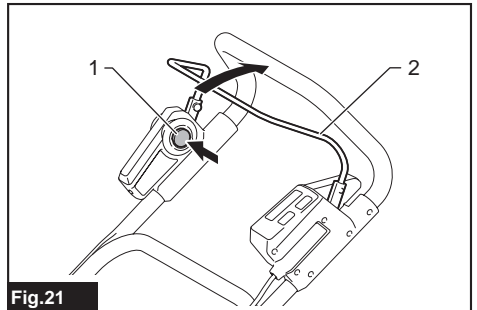


Fig.21

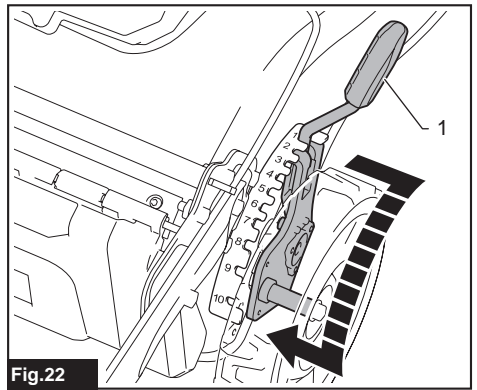


Fig.22

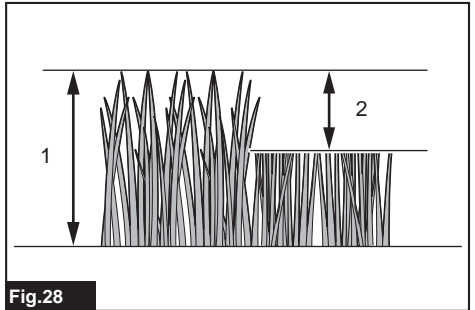
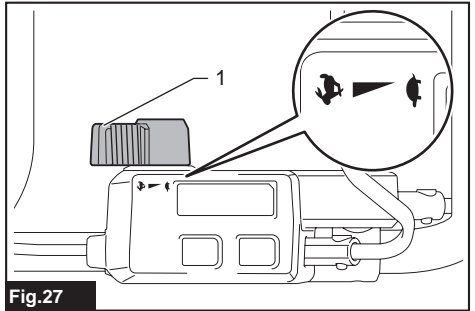
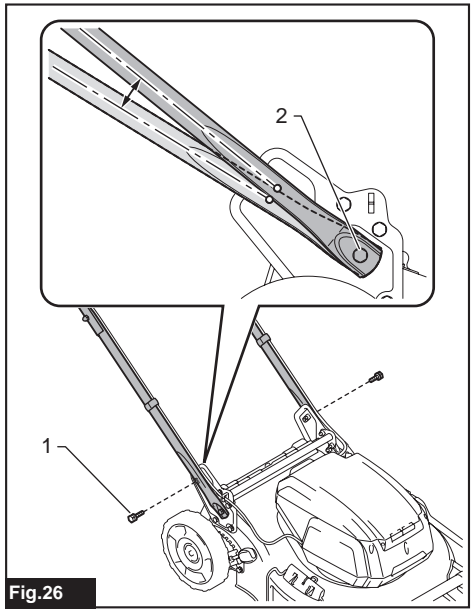
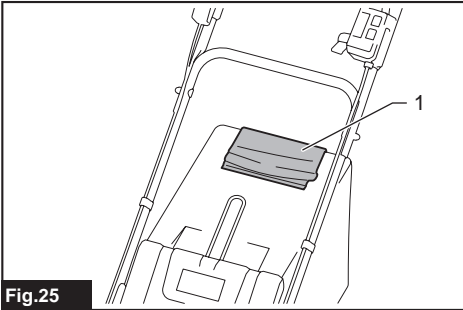
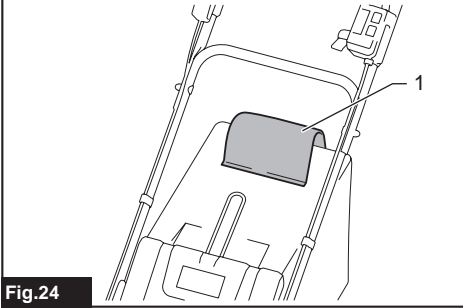
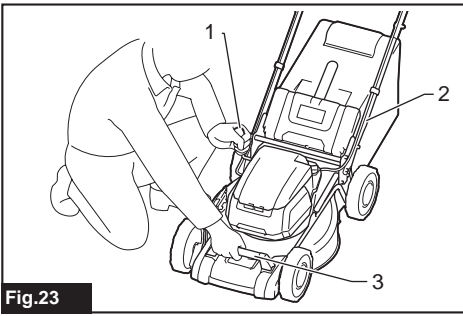




Fig.29

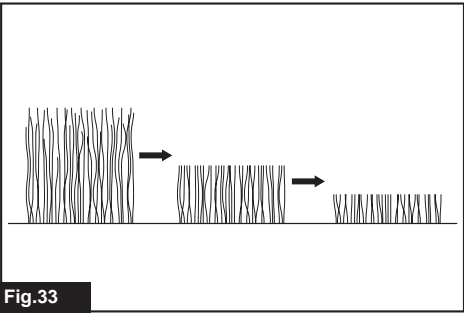


Fig.33

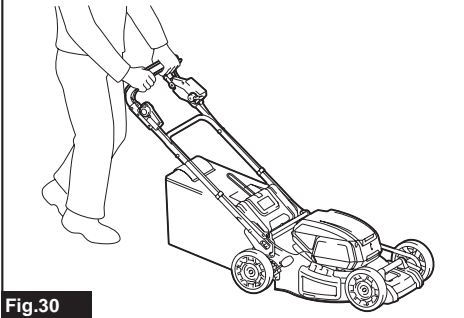


Fig.30

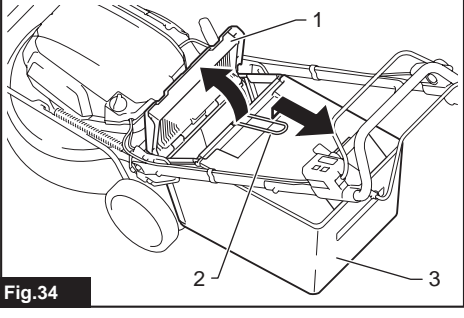


Fig.34

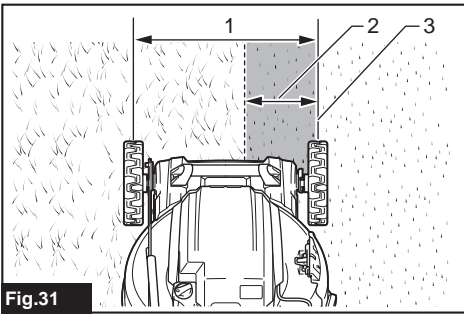


Fig.31

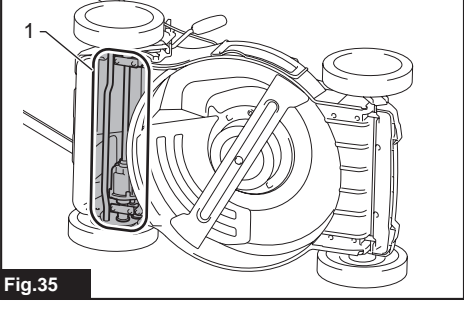


Fig.35

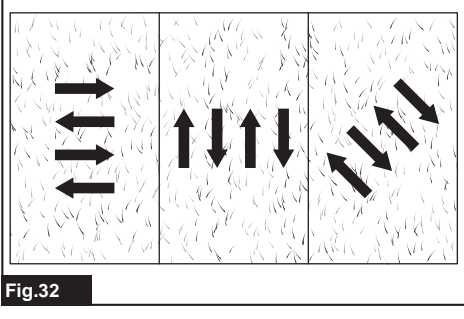


Fig.32

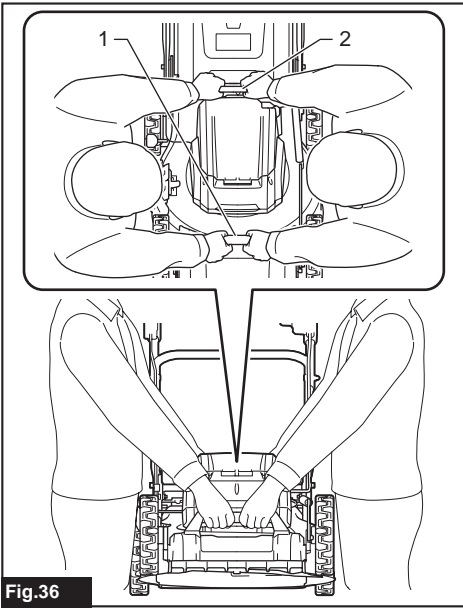


Fig.36

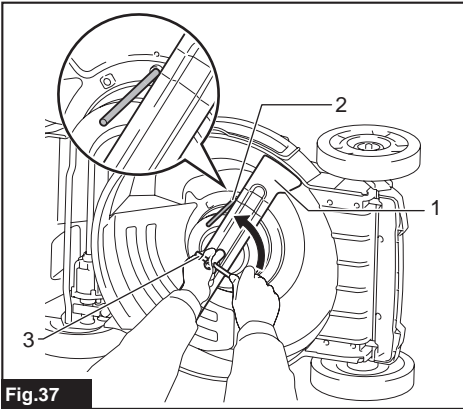


Fig.37

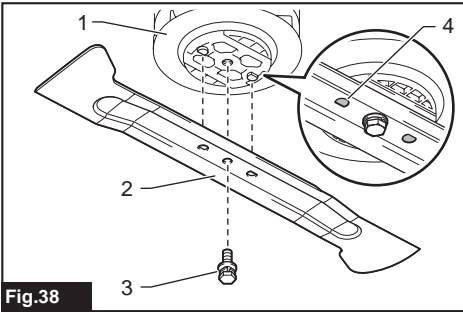


Fig.38

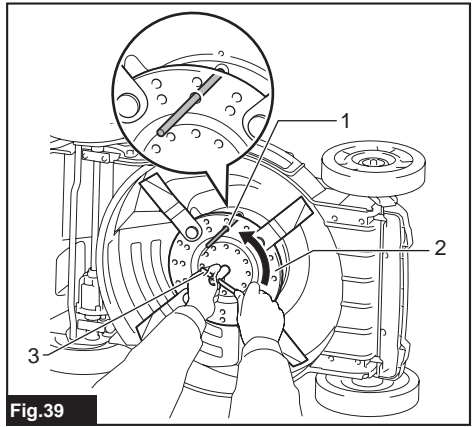


Fig.39

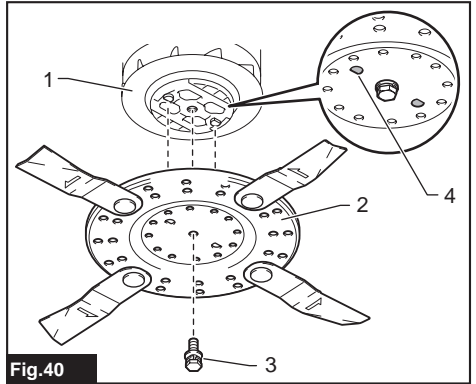


Fig.40

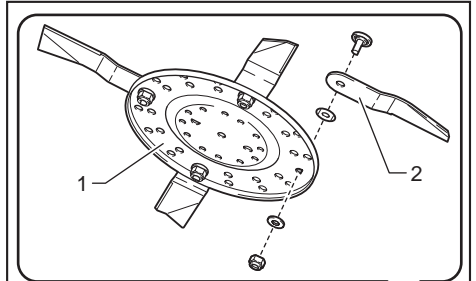


Fig.41

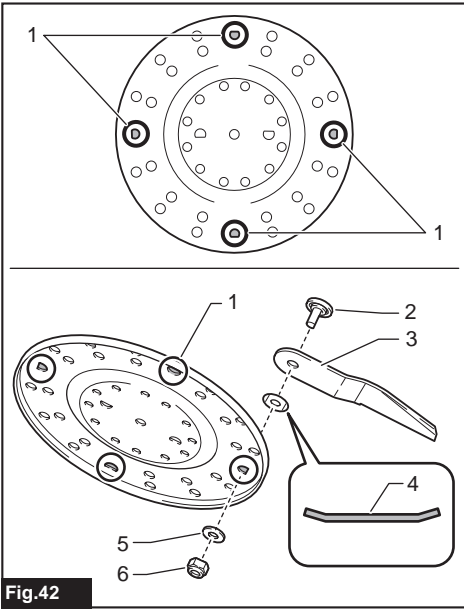


Fig.42

SPECIFICATIONS

Model:		AM3846	AM3653	AM3753
Mowing width (blade diameter)		460 mm	534 mm	
No load speed		2,500 min ⁻¹	2,300 min ⁻¹	
Maximum speed		3,300 min ⁻¹	2,800 min ⁻¹	
Part number of replacement mower blade	Straight mower blade	191D51-9	191D52-7	
	Swing back mower blades *1	191D49-6	191D50-1	
	Swing back mower blades *2	191D47-0	191D48-8	
Dimensions (L x W x H)		L: 1,610 mm to 1,690 mm W: 535 mm H: 980 mm to 1,095 mm	L: 1,630 mm to 1,715 mm W: 590 mm H: 990 mm to 1,095 mm	
Traveling speed		2.5 - 5.0 km/h	–	2.5 - 5.0 km/h
Rated voltage		D.C. 36 V		
Net weight	When straight mower blade is installed	35.3 - 39.0 kg	35.5 - 39.3 kg	39.0 - 42.8 kg
	When swing back mower blades are installed	36.0 - 39.7 kg	36.2 - 40.0 kg	39.7 - 43.5 kg
Protection degree		IPX4		

*1. Base plate and individual mower blades.

*2. Individual mower blades only.

- Due to our continuing program of research and development, the specifications herein are subject to change without notice.
- Specifications may differ from country to country.
- The weight may differ depending on the attachment(s), including the battery cartridge. The lightest and heaviest combination, according to EPTA-Procedure 01/2014, are shown in the table.

Applicable battery cartridge

BL1815N / BL1820 / BL1820B / BL1830 / BL1830B / BL1840 / BL1840B / BL1850 / BL1850B / BL1860B

- Some of the battery cartridges listed above may not be available depending on your region of residence.

⚠ WARNING: Only use the battery cartridges listed above. Use of any other battery cartridges may cause injury and/or fire.

Symbols

The followings show the symbols used for the equipment. Be sure that you understand their meaning before use.

	Take particular care and attention.
	Read instruction manual.
	Danger; be aware of thrown objects.
	The distance between the tool and bystanders must be at least 15 m.
	Never put your hands and feet near the blade under the mower. Blades continue to rotate after the motor is switched off.
	Remove the lock key before inspecting, adjusting, cleaning, servicing, leaving and storing the mower.

	Electrical hazard. Contact with water can cause electric shock.
	Do not pour water.
	<p>Ni-MH Li-ion</p> <p>Only for EU countries Do not dispose of electric equipment or battery pack together with household waste material! In observance of the European Directives, on Waste Electric and Electronic Equipment and Batteries and Accumulators and their implementation in accordance with national laws, electric equipment and batteries and battery pack(s) that have reached the end of their life must be collected separately and returned to an environmentally compatible recycling facility.</p>

Intended use

The machine is intended for lawn mowing.

Noise

The typical A-weighted noise level determined according to EN60335-2-77:

NOTE: The values have been measured with the mower equipped with the straight mower blade.

Model AM3846

Sound pressure level (L_{pA}) : 82.7 dB(A)

Sound power level (L_{WA}) : 90.9 dB (A)

Uncertainty (K) : 3 dB(A)

Model AM3653

Sound pressure level (L_{pA}) : 78.1 dB(A)

Sound power level (L_{WA}) : 90.4 dB (A)

Uncertainty (K) : 3 dB(A)

Model AM3753

Sound pressure level (L_{pA}) : 78.1 dB(A)

Sound power level (L_{WA}) : 90.4 dB (A)

Uncertainty (K) : 3 dB(A)

The noise level under working may exceed 80 dB (A).

NOTE: The declared noise emission value(s) has been measured in accordance with a standard test method and may be used for comparing one tool with another.

NOTE: The declared noise emission value(s) may also be used in a preliminary assessment of exposure.

⚠ WARNING: Wear ear protection.

⚠ WARNING: The noise emission during actual use of the power tool can differ from the declared value(s) depending on the ways in which the tool is used especially what kind of workpiece is processed.

⚠ WARNING: Be sure to identify safety measures to protect the operator that are based on an estimation of exposure in the actual conditions of use (taking account of all parts of the operating cycle such as the times when the tool is switched off and when it is running idle in addition to the trigger time).

Vibration

The vibration total value (tri-axial vector sum) determined according to EN60335-2-77:

NOTE: The values have been measured with the mower equipped with the straight mower blade.

Model AM3846

Vibration emission (a_h) : 2.5 m/s² or less

Uncertainty (K) : 1.5 m/s²

Model AM3653

Vibration emission (a_h) : 2.5 m/s² or less

Uncertainty (K) : 1.5 m/s²

Model AM3753

Vibration emission (a_h) : 2.5 m/s² or less

Uncertainty (K) : 1.5 m/s²

NOTE: The declared vibration total value(s) has been measured in accordance with a standard test method and may be used for comparing one tool with another.

NOTE: The declared vibration total value(s) may also be used in a preliminary assessment of exposure.

⚠ WARNING: The vibration emission during actual use of the power tool can differ from the declared value(s) depending on the ways in which the tool is used especially what kind of workpiece is processed.

⚠ WARNING: Be sure to identify safety measures to protect the operator that are based on an estimation of exposure in the actual conditions of use (taking account of all parts of the operating cycle such as the times when the tool is switched off and when it is running idle in addition to the trigger time).

EC Declaration of Conformity

For European countries only

The EC declaration of conformity is included as Annex A to this instruction manual.

SAFETY WARNINGS

IMPORTANT SAFETY INSTRUCTIONS

⚠ WARNING: Read all safety warnings and all instructions. Failure to follow the warnings and instructions may result in electric shock, fire and/or serious injury.

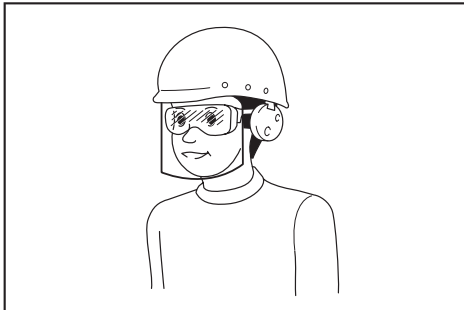
Save all warnings and instructions for future reference.

Training

1. Read the instructions carefully. Be familiar with the controls and the proper use of the mower.
2. Never allow children or people unfamiliar with these instructions to use the mower. Local regulations can restrict the age of the operator.
3. Never operate the mower while people, especially children, or pets are nearby.
4. Keep in mind that the operator or user is responsible for accidents or hazards occurring to other people or their property.
5. Children should be supervised to ensure that they do not play with the mower.
6. Physical condition - Do not operate mower while under the influence of drugs, alcohol, or any medication.

Preparation

1. While operating the mower, always wear substantial footwear and long trousers. Do not operate the mower when barefoot or wearing open sandals. Avoid wearing clothing or jewelry that is loose fitting or that has hanging cords or ties. They can be caught in moving parts.
2. Before use, always visually inspect the mower for damaged, missing or misplaced guards or shields.
3. Be sure the area is clear of other people before mowing. Stop mower if anyone enters the area.
4. Do not insert the lock key into mower until it is ready to be used.
5. Always wear protective goggles to protect your eyes from injury when using power tools. The goggles must comply with ANSI Z87.1 in the USA, EN 166 in Europe, or AS/NZS 1336 in Australia/New Zealand. In Australia/New Zealand, it is legally required to wear a face shield to protect your face, too.



It is an employer's responsibility to enforce the use of appropriate safety protective equipments by the tool operators and by other persons in the immediate working area.

6. Check the blades or blade bolts carefully for cracks or damage before operation. Replace cracked or damaged blades or blade bolts immediately.
7. Remove foreign matters such as rocks, wire, bottles, bones and large sticks from the work area before mowing to prevent personal injury or damage to the mower.
8. Objects struck by the mower blade can cause severe injuries to persons. The lawn should always be carefully examined and cleared of all objects prior to each mowing.
9. Watch for holes, ruts, bumps, rocks, or other hidden objects. Uneven terrain could cause a slip and fall accident. Tall grass can hide obstacles.
10. Do not insert or remove the lock key in the rain.
11. Use personal protective equipment. Always wear eye protection. Protective equipment such as a dust mask, non-skid safety shoes, hard hat or hearing protection used for appropriate conditions will reduce personal injuries.

Operation

1. Do not overreach. Keep the balance at all times. Always be sure of the footing on slopes. Walk, never run.
2. Stop the mower and remove the lock key, and make sure that all moving parts have come to a complete stop:
 - whenever you leave the mower,
 - before clearing blockages or unclogging chute,
 - before checking, cleaning or working on the mower,
 - after striking a foreign object. Inspect the mower for damage and make repairs before restarting and operating the mower,
 - whenever the mower starts vibrating abnormally.
3. Never operate the mower with defective guards or shields, or without safety devices, for example deflectors and/or grass basket, in place.
4. Avoid using the mower in bad weather conditions especially when there is a risk of lightning.
5. Wear eye protection and stout shoes at all times while operating the mower.
6. Operate the mower only in daylight or in good artificial light.
7. Switch on the mower carefully according to instructions and with feet well away from the blade(s).
8. Take care against injury to feet and hands from the mower blades.
9. Always ensure that the ventilation openings are kept clear of debris.
10. Mow across the face of slopes, never up and down. Exercise extreme caution when changing direction on slopes. Do not mow excessively steep slopes.
11. Use extreme caution when reversing or pulling the mower towards you.
12. Stop the blade(s) if the mower has to be tilted for transportation when crossing surfaces other than grass, and when transporting the mower to and from the area to be used.
13. Do not tilt the mower when switching on the motor, except if the mower has to be tilted for starting. In this case, do not tilt it more than absolutely necessary and lift only the part, which is away from the operator. Always ensure that both hands are in the operating position before returning the mower to the ground.
14. Do not put hands or feet near or under rotating parts. Keep clear of the discharge opening at all times.
15. Do not transport the mower while the mower is turned on.
16. Avoid operating the mower in wet grass.
17. Always keep a firm hold on the handle.
18. Don't grasp the exposed cutting blades or cutting edges when picking up or holding the mower.

19. **Keep hands and feet away from rotating blades. Caution - Blades coast after the mower is switched off.**
 20. **Stop operation immediately if you notice anything unusual. Switch off the mower and remove the lock key. Then inspect the mower.**
 21. **Never attempt to make cutting height adjustments while mower is running if the mower has cutting height adjustment feature.**
 22. **Release switch lever and wait for blade rotation to stop before crossing driveways, walks, roads, and any gravel-covered areas. Also remove the lock key if you leave the mower, reach to pick up or remove something out of your way, or for any other reason that may distract you from what you are doing.**
 23. **If the mower strikes a foreign object, follow these steps:**
 - Stop the mower, release the switch lever and wait until the blade comes to a complete stop.
 - Remove the lock key and the battery cartridge.
 - Thoroughly inspect the mower for any damage.
 - Replace the blade if it is damaged in any way. Repair any damage before restarting and continuing to operate the mower.
 24. **Do not start the mower when standing in front of the discharge opening.**
 25. **If the mower starts to vibrate abnormally (check immediately)**
 - inspect for damage,
 - replace or repair any damaged parts,
 - check for and tighten any loose parts.
 26. **Never direct discharged material toward anyone. Avoid discharging material against a wall or obstruction. Material may ricochet back toward the operator. Stop the blade when crossing gravel surfaces.**
 27. **Do not pull the mower backwards unless absolutely necessary.** When you are compelled to back the mower from a fence or other similar obstruction, look down and behind before and while moving backwards.
 28. **Shut the motor off and wait until the blade comes to a complete stop before removing the grass catcher.** Beware that the blades coast after turn off.
 29. **When you use the machine on muddy ground, wet slope, or slippery place, pay attention to your footing.**
 30. **Avoid working in poor environment where increased user fatigue is expected.**
 31. **Do not use the machine in bad weather where visibility is limited.** Failure to do so may cause fall or incorrect operation due to low visibility.
 32. **Do not submerge the machine into a puddle.**
 33. **When wet leaves or dirt adhere to the suction mouth (ventilation window) due to rain, remove them.**
 34. **Do not use the machine in the snow.**
 35. **If the cut-off grass is wet, it is likely to be clogged inside of the machine. Check the condition of the machine regularly, and remove the adhered grass as necessary.**
 36. **When operating the machine, pay attention to piping and wiring.**
 37. **Do not use a corded power supply such as battery adapter or portable power pack with this machine.** The cable of such power supply may hinder the operation and result in personal injury.
- ### Maintenance and storage
1. **Replace worn or damaged parts for safety. Use only genuine replacement parts and accessories.**
 2. **Inspect and maintain the mower regularly.**
 3. **When not in use, store the mower out of the reach of children.**
 4. **Keep all nuts, bolts, and screws tight to be sure the equipment is in safe working condition.**
 5. **Check the grass basket frequently for wear or deterioration. For storage, always make sure the grass basket is empty. Replace a worn grass basket with a new factory replacement for safety.**
 6. **Use only the manufacturer genuine blades specified in this manual.**
 7. **Be careful during adjustment of the mower to prevent entrapment of the fingers between moving blades and fixed parts of the mower.**
 8. **Check the blade mounting bolt at frequent intervals for proper tightness.**
 9. **Always allow the mower to cool down before storing.**
 10. **When servicing the blades be aware that, even though the power source is switched off, the blades can still be moved.**
 11. **Never remove or tamper with safety devices. Check their proper operation regularly. Never do anything to interfere with the intended function of a safety device or to reduce the protection provided by a safety device.**
 12. **Do not leave the machine unattended outdoors in the rain.**
 13. **Do not wash the machine with high pressure water.**
 14. **When washing the machine, be sure to remove the battery and lock key and close the battery cover, and pour water toward the bottom of the machine to which the blade is attached.**
 15. **When storing the machine, avoid direct sunlight and rain, and store it in a place where it does not get hot or humid.**
 16. **Perform inspection or maintenance in a place where rain can be avoided.**
 17. **After using the machine, remove the adhered dirt and dry the machine completely before storing.** Depending on the season or the area, there is a risk of malfunction due to freezing.
- ### Battery tool use and care
1. **Recharge only with the charger specified by the manufacturer.** A charger that is suitable for one type of battery pack may create a risk of fire when used with another battery pack.
 2. **Use power tools only with specifically designated battery packs.** Use of any other battery packs may create a risk of injury and fire.
 3. **When battery pack is not in use, keep it away from other metal objects, like paper clips, coins, keys, nails, screws or other small metal objects, that can make a connection from one terminal to another.** Shorting the battery terminals together may cause burns or a fire.

4. **Under abusive conditions, liquid may be ejected from the battery; avoid contact. If contact accidentally occurs, flush with water. If liquid contacts eyes, additionally seek medical help.** Liquid ejected from the battery may cause irritation or burns.
5. **Do not use a battery pack or tool that is damaged or modified.** Damaged or modified batteries may exhibit unpredictable behaviour resulting in fire, explosion or risk of injury.
6. **Do not expose a battery pack or tool to fire or excessive temperature.** Exposure to fire or temperature above 130 °C may cause explosion.
7. **Follow all charging instructions and do not charge the battery pack or tool outside the temperature range specified in the instructions.** Charging improperly or at temperatures outside the specified range may damage the battery and increase the risk of fire.

Electrical and battery safety

1. **Do not dispose of the battery(ies) in a fire.** The cell may explode. Check with local codes for possible special disposal instructions.
2. **Do not open or mutilate the battery(ies).** Released electrolyte is corrosive and may cause damage to the eyes or skin. It may be toxic if swallowed.
3. **Do not charge battery in rain, or in wet locations.**
4. **Do not charge the battery outdoors.**
5. **Do not handle charger, including charger plug, and charger terminals with wet hands.**
6. **Do not replace the battery in the rain.**
7. **Do not wet the terminal of battery with liquid such as water, or submerge the battery. Do not leave the battery in the rain, nor charge, use, or store the battery in a damp or wet place.** If the terminal gets wet or liquid enters inside of battery, the battery may be short circuited and there is a risk of overheat, fire, or explosion.
8. **After removing the battery from the machine or charger, be sure to attach the battery cover to the battery and store it in a dry place.**
9. **Do not replace the battery with wet hands.**

Service

1. **Have your power tool serviced by a qualified repair person using only identical replacement parts.** This will ensure that the safety of the power tool is maintained.
2. **Never service damaged battery packs.** Service of battery packs should only be performed by the manufacturer or authorized service providers.

SAVE THESE INSTRUCTIONS.

⚠ WARNING: DO NOT let comfort or familiarity with product (gained from repeated use) replace strict adherence to safety rules for the subject product.

MISUSE or failure to follow the safety rules stated in this instruction manual may cause serious personal injury.

Important safety instructions for battery cartridge

1. **Before using battery cartridge, read all instructions and cautionary markings on (1) battery charger, (2) battery, and (3) product using battery.**
2. **Do not disassemble battery cartridge.**
3. **If operating time has become excessively shorter, stop operating immediately. It may result in a risk of overheating, possible burns and even an explosion.**
4. **If electrolyte gets into your eyes, rinse them out with clear water and seek medical attention right away. It may result in loss of your eyesight.**
5. **Do not short the battery cartridge:**
 - (1) **Do not touch the terminals with any conductive material.**
 - (2) **Avoid storing battery cartridge in a container with other metal objects such as nails, coins, etc.**
 - (3) **Do not expose battery cartridge to water or rain.**

A battery short can cause a large current flow, overheating, possible burns and even a breakdown.

6. **Do not store the tool and battery cartridge in locations where the temperature may reach or exceed 50 °C (122 °F).**
7. **Do not incinerate the battery cartridge even if it is severely damaged or is completely worn out. The battery cartridge can explode in a fire.**
8. **Be careful not to drop or strike battery.**
9. **Do not use a damaged battery.**
10. **The contained lithium-ion batteries are subject to the Dangerous Goods Legislation requirements.** For commercial transports e.g. by third parties, forwarding agents, special requirement on packaging and labeling must be observed. For preparation of the item being shipped, consulting an expert for hazardous material is required. Please also observe possibly more detailed national regulations. Tape or mask off open contacts and pack up the battery in such a manner that it cannot move around in the packaging.
11. **When disposing the battery cartridge, remove it from the tool and dispose of it in a safe place. Follow your local regulations relating to disposal of battery.**
12. **Use the batteries only with the products specified by Makita.** Installing the batteries to non-compliant products may result in a fire, excessive heat, explosion, or leak of electrolyte.
13. **If the tool is not used for a long period of time, the battery must be removed from the tool.**

SAVE THESE INSTRUCTIONS.

⚠ CAUTION: Only use genuine Makita batteries. Use of non-genuine Makita batteries, or batteries that have been altered, may result in the battery bursting causing fires, personal injury and damage. It will also void the Makita warranty for the Makita tool and charger.

Tips for maintaining maximum battery life

1. Charge the battery cartridge before completely discharged. Always stop tool operation and charge the battery cartridge when you notice less tool power.
2. Never recharge a fully charged battery cartridge. Overcharging shortens the battery service life.
3. Charge the battery cartridge with room temperature at 10 °C - 40 °C (50 °F - 104 °F). Let a hot battery cartridge cool down before charging it.
4. Charge the battery cartridge if you do not use it for a long period (more than six months).

ASSEMBLY

⚠ WARNING: Always be sure that the lock key and battery cartridge are removed before carrying out any work on the mower. Failure to remove the lock key and the battery cartridge may result in serious personal injury from accidental start-up.

⚠ WARNING: Never start the mower unless it is completely assembled. Operation of the machine in a partially assembled state may result in serious personal injury from accidental start-up.

Installing the handle

NOTICE: When installing handles, position the cords so that they are not caught by anything between the handles. If the cord is damaged, the mower switch may not work.

1. Align the holes in the lower handle with the holes in the mower body, and then tighten 4 bolts temporarily.
▶ **Fig.1:** 1. Lower handle 2. Bolt
2. Firmly tighten 4 bolts which were temporarily tightened in step 1 using box wrench 13.
3. Align the hole in the lower handle with the hole in the upper handle, then insert the bolt from inside, and then tighten the nut from outside with box wrench 13. Perform the same procedure on the other side.
▶ **Fig.2:** 1. Bolt 2. Lower handle 3. Nut 4. Hole 5. Upper handle

⚠ CAUTION: Hold the upper handle firmly so that it does not drop off your hand. Otherwise, the handle may fall and cause an injury.

4. Attach the holders to the handle.

Align the protrusions on the holder with the holes on the handle so that the protrusions fit in the holes. Position the cords as shown in the figure.

▶ **Fig.3:** 1. Cord 2. Holder

Removing the mulching plug

1. Open the rear cover.
▶ **Fig.4:** 1. Rear cover
2. Remove the mulching plug while holding down the lever.
▶ **Fig.5:** 1. Lever 2. Mulching plug

Installing or removing the grass basket

To install the grass basket, follow the steps below.

1. Open the rear cover.
▶ **Fig.6:** 1. Rear cover
2. Hold the handle of the grass basket, and then hook the grass basket on the rod of the mower body as shown in the figure.
▶ **Fig.7:** 1. Rod 2. Handle 3. Grass basket

To remove the grass basket, open the rear cover, and then remove the grass basket by holding the handle.

Attaching the mulching plug

1. Open the rear cover, and then remove the grass basket.
▶ **Fig.8:** 1. Rear cover 2. Grass basket
2. Attach the mulching plug while holding down the lever, and then release the lever to lock the mulching plug.
▶ **Fig.9:** 1. Lever 2. Mulching plug

Attaching the discharge attachment

For AM3653/AM3753

1. Open the rear cover, and then remove the grass basket.
▶ **Fig.10:** 1. Rear cover 2. Grass basket
2. Attach the mulching plug while holding down the lever, and then release the lever to lock the mulching plug.
▶ **Fig.11:** 1. Lever 2. Mulching plug
3. Open the right side cover, and then attach the discharge attachment.
Insert the hooks of the discharge attachment under the rod of the right side cover.
▶ **Fig.12:** 1. Right side cover 2. Discharge attachment

FUNCTIONAL DESCRIPTION

Installing or removing battery cartridge

⚠ CAUTION: Always switch off the machine before installing or removing of the battery cartridge.

⚠ CAUTION: Hold the machine and the battery cartridge firmly when installing or removing battery cartridge. Failure to hold the machine and the battery cartridge firmly may cause them to slip off your hands and result in damage to the machine and battery cartridge and a personal injury.

⚠ CAUTION: Make sure that you lock the battery cover before use. Otherwise, mud, dirt, or water may cause damage to the product or the battery cartridge.

⚠ CAUTION: Always install the battery cartridge fully until the red indicator cannot be seen. If not, it may accidentally fall out of the machine, causing injury to you or someone around you.

⚠ CAUTION: Do not install the battery cartridge forcibly. If the cartridge does not slide in easily, it is not being inserted correctly.

NOTE: The machine does not work with only one battery cartridge.

To install the battery cartridge;

1. Pull up the locking lever, and then open the battery cover.
▶ **Fig.13:** 1. Battery cover 2. Locking lever
2. Align the tongue on the battery cartridge with the slot on the machine, and then slide the cartridge until it locks in place with a little click.
▶ **Fig.14:** (1) Battery port 1 (2) Battery port 2 (3) Battery cartridge

NOTE: Install at least 2 battery cartridges to battery port 1 or battery port 2.

3. Insert the lock key in the place shown in the figure as far as it will go.

▶ **Fig.15:** 1. Lock key

4. Close the battery cover and push it until it is latched with the locking lever.

To remove the battery cartridge;

1. Pull up the locking lever and open the battery cover.
2. Pull out the battery cartridge from the machine while sliding the button on the front of the cartridge.
3. Pull out the lock key.
4. Close the battery cover.

Switching the battery cartridges

▶ **Fig.16:** 1. Battery selection switch

The machine uses 2 battery cartridges for operation at a time. Up to 4 battery cartridges can be installed to the machine. Before operating the machine, select the battery port 1 or battery port 2 by turning the battery selection switch.

NOTE: If only 2 battery cartridges are installed to the machine, be sure to select the battery port to which the battery cartridges are installed using the battery selection switch.

Machine / battery protection system

The machine is equipped with a machine/battery protection system. This system automatically cuts off power to the motor to extend machine and battery life. The machine will automatically stop during operation if the machine or battery is placed under one of the following conditions:

Overload protection

When the battery is operated in a manner that causes it to draw an abnormally high current, the machine automatically stops and the main power lamp blinks in green. In this situation, turn the machine off and stop the application that caused the machine to become overloaded. Then turn the machine on to restart.

Overheat protection

When the machine or battery is overheated, the machine stops automatically and the main power lamp lights up in red. In this case, let the machine and battery cool before turning the machine on again.

Overdischarge protection








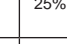

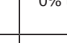

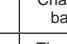

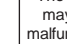



When the battery capacity is not enough, the machine stops automatically and the main power lamp blinks in red. In this case, remove the battery from the machine and charge the battery cartridges or change the battery cartridges to fully charged ones.

Indicating the remaining battery capacity

Only for battery cartridges with the indicator

▶ **Fig.17:** 1. Indicator lamps 2. Check button

Press the check button on the battery cartridge to indicate the remaining battery capacity. The indicator lamps light up for a few seconds.

Indicator lamps			Remaining capacity
 Lighted	 Off	 Blinking	
			75% to 100%
			50% to 75%
			25% to 50%
			0% to 25%
			Charge the battery.
			The battery may have malfunctioned.
			

NOTE: Depending on the conditions of use and the ambient temperature, the indication may differ slightly from the actual capacity.

Control panel

The control panel has the main power switch, the mode switching button, and the indicator of remaining battery capacity.

- **Fig.18:** 1. Battery indicator 2. Mode switching lamp 3. Main power lamp 4. Check button 5. Mode switching button 6. Main power switch

Main power switch

⚠ WARNING: Always turn off the main power switch when not in use.

To turn on the machine, press the main power switch. The main power lamp lights up in green. To turn off the machine, press the main power switch again.

NOTE: If the main power lamp lights up in red or blinks in red or green, refer to the instructions for machine/battery protection system.







NOTE: This machine employs the auto power-off function. To avoid unintentional start up, the main power switch will automatically shut down when the switch lever and drive lever (if equipped) are not pulled for a certain period after the main power switch is turned on.

Mode switching button

You can switch the operating mode by pressing the mode switching button. When the machine is turned on, the machine starts up in the normal mode. When you press the mode switching button, the machine shifts to the noise reduction mode and the mode switching lamp lights up in green. In the noise reduction mode, you can decrease the noise at mowing. When you press the mode switching button again, the machine returns to the normal mode.

Indicating the remaining battery capacity

Press the check button to indicate the remaining battery capacities. The battery indicators correspond to each battery.

Battery indicator status		Remaining battery capacity
On	Off	
		50% - 100%
		20% - 50%
		0% - 20%

NOTE: The indicator lamps for remaining battery capacity is just for a reference. The actual battery capacity may differ depending on the usage conditions.

NOTE: Before you press the check button to indicate the remaining battery capacities, stop the machine.

Switch action

⚠ WARNING: Before installing the battery cartridge, always check to see that the switch lever actuates properly and returns to the original position when released. Operating the machine with a switch that does not actuate properly can lead to loss of control and serious personal injury.

NOTE: The mower does not start without pressing the switch button even the switch lever is pulled.

NOTE: Mower may not start due to the overload when you try to mow long or dense grass at a time. Increase the mowing height in this case.

This mower is equipped with the lock key and handle switch. If you notice anything unusual with either of the lock key or switch, stop the operation immediately and have them checked by your nearest Makita/Dolmar Authorized Service Center.

For AM3846/AM3753

1. Install the battery cartridges. Insert the lock key, and then close the battery cover.
2. Select the battery cartridges used for operation by turning the battery selection switch.
3. Press the main power switch.
4. Pull the switch lever toward you while holding down the switch button. Release the switch button as soon as the motor starts running.

► **Fig.19:** 1. Switch button 2. Switch lever

NOTE: If the lock key is not inserted, the power lamp blinks in green when you pull the switch lever.

5. While holding the switch lever, push the drive lever forward and hold it to drive the rear wheels.

► **Fig.20:** 1. Drive lever

NOTE: You can drive the rear wheels by pushing the drive lever forward and hold it without pulling the switch lever.

6. Release the drive lever and the switch lever to stop the machine.

For AM3653

1. Install the battery cartridges. Insert the lock key into the interlock switch and then close the battery cover.
2. Select the battery cartridges used for operation by turning the battery selection switch.
3. Press the main power switch.
4. Pull the switch lever toward you while holding down the switch button. Release the switch button as soon as the motor starts running.

► **Fig.21:** 1. Switch button 2. Switch lever

NOTE: If the lock key is not inserted, the power lamp blinks in green when you pull the switch lever.

5. Release the switch lever to stop the motor.

Adjusting the mowing height

⚠ WARNING: Never put your hand or leg under the mower body when adjusting the mowing height.

⚠ WARNING: Always make sure that the lever fits in the groove properly before operation.

The mowing height can be adjusted in the range of between 20 mm and 100 mm.

Remove the lock key, and then pull the mowing height adjusting lever outward of the mower body and move it to your desired mowing height.

► **Fig.22:** 1. Mowing height adjusting lever

The table below shows the relationship between the number on the mower body and the approximate mowing height.

Number	Mowing height
1	20 mm
2	26 mm
3	32 mm
4	39 mm
5	47 mm
6	55 mm
7	63 mm
8	74 mm
9	86 mm
10	100 mm

Hold the front grip or the lower handle with one hand, and then move the mowing height adjusting lever with the other hand.

► **Fig.23:** 1. Mowing height adjusting lever 2. Lower handle 3. Front grip

NOTE: The mowing height figures should be used just as a guideline. Depending on the conditions of the lawn or the ground, the actual lawn height may become slightly different from the set height.

NOTE: Try a test mowing of grass in a less conspicuous place to get your desired height.

Grass level indicator

Grass level indicator shows the volume of mowed grass. When the grass basket is not full, the indicator floats while the blades are running.

► **Fig.24:** 1. Grass level indicator

When the grass basket is almost full, the indicator does not float while the blades are running. In this case, stop the operation immediately and empty the basket.

► **Fig.25:** 1. Grass level indicator

NOTE: This indicator is a rough guide. Depending on the conditions of inside of the basket, this indicator may not work properly.

Adjusting the handle height

⚠ CAUTION: Before removing the bolts, hold the upper handle firmly. Otherwise, the handle may fall and cause an injury.

The handle height can be adjusted in two levels.

1. Remove the upper bolts of the lower handle using box wrench 13, and then loosen the lower bolts.

► **Fig.26:** 1. Upper bolt 2. Lower bolt

2. Adjust the handle height, and then tighten the upper and lower bolts firmly.

Adjusting the traveling speed

For AM3846/AM3753

► **Fig.27:** 1. Speed lever

The traveling speed can be adjusted with the speed lever. To decrease the speed, pull the lever toward you, and to increase the speed, turn the lever forward.

Using mulching plug

The mulching plug allows you to return the cut grass to the ground without gathering the cut grass in the grass basket. When you operate the machine with the mulching plug, be sure to remove the grass basket.

NOTICE: When using the machine with the mulching plug, make sure that the total length of grass is 30 mm or more, or the cut length is 15 mm or less.

► **Fig.28:** (1) 30 mm or more (2) 15 mm or less

Using discharge attachment

For AM3653/AM3753

The discharge attachment allows you to discharge the cut grass to the ground from the right side of the machine without gathering the cut grass in the grass basket. When you operate the machine with the discharge attachment, be sure to install the mulching plug and remove the grass basket.

Electronic function

The machine is equipped with the electronic functions for easy operation.

- Constant speed control of blade rotation
Electronic speed control for obtaining constant speed. Possible to get fine finish, because the rotating speed is kept constant even under load condition.
- Soft start at driving
The soft-start function minimizes start-up shock, and makes the machine start smoothly.
- Electric brake
This machine is equipped with an electric brake. If the machine consistently fails to quickly stop the mower blades after releasing the switch lever, have the machine serviced at Makita/Dolmar Authorized Service Center.

OPERATION

Mowing

▲WARNING: Before mowing, clear away sticks and stones from mowing area. Furthermore, clear away any weeds from mowing area in advance.

▲WARNING: Always wear the safety goggles or safety glasses with side shields when operating the mower.

▲CAUTION: If the cut grass or foreign object blocks up inside of the mower body, be sure to remove the lock key and battery cartridge and wear gloves before removing the grass or foreign object.

NOTICE: Use this machine for mowing lawn only. Do not mow weeds with this machine.

► Fig.29

Firmly hold the handle with both hands when mowing. The mowing speed guideline is approximately 7 to 14 meters per 10 seconds.

► Fig.30

The center lines of the front wheels are guidelines to mowing width. Using the center lines as guidelines, mow in strips. Overlap by one half to one third the previous strip to mow the lawn evenly.

► Fig.31: 1. Mowing width 2. Overlapping area
3. Center line

Change the mowing direction each time to prevent the grass grain pattern from forming in just one direction.

► Fig.32

Periodically check the grass basket for mowed grass. Empty the grass before it becomes full. Before every periodical check, be sure to stop the mower then remove the lock key and the battery cartridge.

NOTICE: Using the mower with the grass basket full prevents smooth blade rotation and places an extra load on the motor, which may cause breakdown.

Mowing a long-grass lawn

Do not try to cut long grass all at once. Instead, mow the lawn in steps. Leave a day or two between mowings until the lawn becomes evenly short.

► Fig.33

NOTE: Mowing long grass to a short length all at once may cause the grass to die. The cut grass may also block up inside of the mower body.

Emptying the grass basket

▲WARNING: To reduce a risk of accident, regularly check the grass basket for any damage or weakened strength. Replace the grass basket if necessary.

1. Release the switch lever and drive lever (for AM3846/AM3753), or release the switch lever (for AM3653).
2. Remove the lock key.
3. Open the rear cover and take out the grass basket by holding the handle.
► Fig.34: 1. Rear cover 2. Handle 3. Grass basket
4. Empty the grass basket.

MAINTENANCE

▲WARNING: Always be sure that the lock key and battery cartridge are removed from the mower before storing or carrying the mower or attempting to perform inspection or maintenance.

▲WARNING: Always remove the lock key when the mower is not in use. Store the lock key in a safe place out of reach of children.

▲WARNING: Wear gloves when performing inspection or maintenance.

▲WARNING: Always wear the safety goggles or safety glasses with side shields when performing inspection or maintenance.

NOTICE: Never use gasoline, benzine, thinner, alcohol or the like. Discoloration, deformation or cracks may result.

To maintain product SAFETY and RELIABILITY, repairs, any other maintenance or adjustment should be performed by Makita/Dolmar Authorized or Factory Service Centers, always using Makita/Dolmar replacement parts.

Maintenance

1. Remove the lock key and battery cartridges, and then close the battery cover.
2. Put the mower on its side so that the mowing height adjusting lever comes to the upper side. Clean grass clippings accumulated on the underside of mower deck.
3. Pour water toward the bottom of the machine to which the blade is attached.

NOTICE: Do not wash the machine with high pressure water.

4. Check all nuts, bolts, screws, etc. for tightness.
5. Inspect moving parts for damage, breakage, and wear. Damaged or missing parts should be repaired or replaced.
6. Store the mower in a safe place out of the reach of children.

For AM3846/AM3753

NOTICE: Do not pour water to the area shown in the figure. Pouring water to the motor unit may cause a malfunction of the machine.

► Fig.35: 1. Area where water should not be poured

Carrying the mower

When carrying the mower, hold the front grip and rear grip with two people as shown in the figure.

► **Fig.36:** 1. Front grip 2. Rear grip

Storing

Store mower indoors in a cool, dry and locked place. Don't store the mower and charger in locations where the temperature may reach or exceed 40 °C.

Removing or installing the mower blade

⚠ WARNING: The blade coasts for a few seconds after releasing the switch. Do not start any operation until the blade comes to a complete stop.

⚠ WARNING: Always remove the lock key and battery cartridge when removing or installing the blade. Failure to remove the lock key and battery cartridge may cause a serious injury.

⚠ WARNING: Always wear gloves when handling the blade.

Removing the mower blade

For models equipped with straight mower blade

1. Put the mower on its side so that the mowing height adjusting lever comes to the upper side.
2. To lock the blade, insert the pin into a hole on the mower body.
3. Turn the bolt counterclockwise with box wrench 17.
► **Fig.37:** 1. Mower blade 2. Pin 3. Box wrench
4. Remove the bolt, and then mower blade.
► **Fig.38:** 1. Blade support 2. Mower blade 3. Bolt 4. Protrusion

NOTICE: When installing the mower blade, make sure that the protrusions on the blade support fit in the holes in the mower blade.

For models equipped with swing back mower blades

1. Put the mower on its side so that the mowing height adjusting lever comes to the upper side.
2. To lock the base plate, insert the pin into a hole on the mower body through a hole on the base plate.
3. Turn the bolt counterclockwise with box wrench 17.
► **Fig.39:** 1. Pin 2. Base plate 3. Box wrench
4. Remove the bolt, and then base plate.
► **Fig.40:** 1. Blade support 2. Base plate 3. Bolt 4. Protrusion

NOTICE: When installing the mower blades, make sure that the protrusions on the blade support fit in the holes in the base plate.

5. To remove the individual mower blade, turn the bolt counterclockwise with box wrench 17 while holding the base plate.

► **Fig.41:** 1. Base plate 2. Mower blade 3. Box wrench

6. Remove the nut, washer, spring washer, mower blade, and bolt in order.

► **Fig.42:** 1. Bolt hole 2. Bolt 3. Mower blade 4. Spring washer 5. Washer 6. Nut

NOTICE: When tightening the nuts to install the individual mower blades, apply 30 N•m as tightening torque.

NOTICE: When installing the individual mower blade, be sure to attach the spring washer in the direction as shown in the figure.

NOTICE: When installing the individual mower blade, be sure to insert the bolts into the bolt holes shown in the figure.

Installing the mower blade

⚠ WARNING: Install the mower blade carefully. It has a top/bottom facing.

⚠ WARNING: Tighten the bolt clockwise firmly to secure the blade.

⚠ WARNING: Make sure that the mower blade and all the fixing parts are installed correctly and tightened securely.

⚠ WARNING: When you replace the blades, always follow the instructions provided in this manual.

NOTICE: After installing the mower blades, remove the pin from the mower body.

To install the mower blades, perform the removal procedure in reverse.

TROUBLESHOOTING

Before asking for repairs, conduct your own inspection first. If you find a problem that is not explained in the manual, do not attempt to disassemble the machine. Instead, ask Makita/Dolmar Authorized Service Centers, always using Makita/Dolmar replacement parts for repairs.

State of abnormality	Probable cause (malfunction)	Remedy
Mower does not start.	Two battery cartridges are not installed.	Install two charged battery cartridges.
	Battery problem (under voltage)	Recharge the battery cartridge. If recharging is not effective, replace battery cartridge.
	The lock key is not inserted.	Insert the lock key.
	Battery selection switch is not in the correct position.	Select the battery port to which the battery cartridges are installed using the battery selection switch.
Motor stops running after a little use.	Battery's charge level is low.	Recharge the battery cartridge. If recharging is not effective, replace battery cartridge.
	Cutting height is too low.	Increase the cutting height.
	Cut grass is clogged in the mower.	Remove the clogged grass from the mower.
Motor does not reach maximum RPM.	Battery cartridge is installed improperly.	Install the battery cartridge as described in this manual.
	Battery power is dropping.	Recharge the battery cartridge. If recharging is not effective, replace battery cartridge.
	The drive system does not work correctly.	Ask your local authorized service center for repair.
Mower blade does not rotate: ⇒ stop the mower immediately!	Foreign object such as a branch is jammed near the blade.	Remove the foreign object.
	The drive system does not work correctly.	Ask your local authorized service center for repair.
Abnormal vibration: ⇒ stop the mower immediately!	Blade is imbalanced, excessively or unevenly worn.	Replace the blade.

OPTIONAL ACCESSORIES

⚠ CAUTION: These accessories or attachments are recommended for use with your Makita/Dolmar tool specified in this manual. The use of any other accessories or attachments might present a risk of injury to persons. Only use accessory or attachment for its stated purpose.

If you need any assistance for more details regarding these accessories, ask your local Makita/Dolmar Service Center.

- Mower blade
- Makita/Dolmar genuine battery and charger

NOTE: Some items in the list may be included in the product package as standard accessories. They may differ from country to country.

SPÉCIFICATIONS

Modèle :		AM3846	AM3653	AM3753
Largeur de tonte (diamètre de la lame)		460 mm	534 mm	
Vitesse à vide		2 500 min ⁻¹	2 300 min ⁻¹	
Vitesse maximale		3 300 min ⁻¹	2 800 min ⁻¹	
Numéro de référence de la lame de tondeuse de remplacement	Lame de tondeuse droite	191D51-9	191D52-7	
	Lames de tondeuse à basculement arrière *1	191D49-6	191D50-1	
	Lames de tondeuse à basculement arrière *2	191D47-0	191D48-8	
Dimensions (L x l x H)		L : 1 610 mm à 1 690 mm l : 535 mm H : 980 mm à 1 095 mm	L : 1 630 mm à 1 715 mm l : 590 mm H : 990 mm à 1 095 mm	
Vitesse de déplacement		2,5 - 5,0 km/h	-	2,5 - 5,0 km/h
Tension nominale		36 VCC		
Poids net	Avec la lame de tondeuse droite installée	35,3 - 39,0 kg	35,5 - 39,3 kg	39,0 - 42,8 kg
	Avec les lames de tondeuse à basculement arrière installées	36,0 - 39,7 kg	36,2 - 40,0 kg	39,7 - 43,5 kg
Degré de protection		IPX4		

- *1. Plaque du socle et lames de tondeuse individuelles. *2. Lames de tondeuse individuelles uniquement.
- Étant donné l'évolution constante de notre programme de recherche et de développement, les spécifications contenues dans ce manuel sont sujettes à modification sans préavis.
 - Les spécifications peuvent varier suivant les pays.
 - Le poids peut être différent selon les accessoires, notamment la batterie. Les associations la plus légère et la plus lourde, conformément à la procédure EPTA 01/2014, sont indiquées dans le tableau.

Batterie applicable






BL1815N / BL1820 / BL1820B / BL1830 / BL1830B / BL1840 / BL1840B / BL1850 / BL1850B / BL1860B





- Certaines batteries répertoriées ci-dessus peuvent ne pas être disponibles selon la région où vous résidez.

⚠ AVERTISSEMENT : N'utilisez que les batteries répertoriées ci-dessus. L'utilisation de n'importe quelle autre batterie peut provoquer des blessures et/ou un incendie.

Symboles

Vous trouverez ci-dessous les symboles utilisés pour l'appareil. Veuillez à comprendre leur signification avant toute utilisation.

	Veuillez être prudent et rester attentif.
	Lire le mode d'emploi.
	Danger ; prendre garde aux projections d'objets.
	La distance entre l'outil et les personnes présentes doit être d'au moins 15 m.
	Ne mettez jamais les mains ou les pieds près de la lame sous la tondeuse. Les lames continuent de tourner une fois le moteur coupé.

	Retirez la clé de sécurité avant d'inspecter, de régler, de nettoyer, de réparer, de laisser sans surveillance ou de ranger la tondeuse.
	Risque électrique. Le contact avec l'eau présente un risque d'électrocution.
	Ne pas verser d'eau.
	Pour les pays de l'Union européenne uniquement Ne jetez pas les appareils électriques ou les batteries avec vos ordures ménagères ! Conformément aux directives européennes relatives aux déchets d'équipements électriques et électroniques et aux piles et accumulateurs ainsi qu'aux déchets de piles et d'accumulateurs et leur mise en œuvre conformément aux lois nationales, les équipements électriques, les piles et les batteries en fin de vie doivent faire l'objet d'une collecte sélective et être confiés à une usine de recyclage respectueuse de l'environnement.

Utilisations

La machine est conçue pour tondre la pelouse.

Bruit

Niveau de bruit pondéré A typique, déterminé selon EN60335-2-77 :

NOTE : Les valeurs ont été mesurées avec la tondeuse équipée de la lame de tondeuse droite.

Modèle AM3846

Niveau de pression sonore (L_{pA}) : 82,7 dB (A)
Niveau de puissance sonore (L_{WA}) : 90,9 dB (A)
Incertitude (K) : 3 dB (A)

Modèle AM3653

Niveau de pression sonore (L_{pA}) : 78,1 dB (A)
Niveau de puissance sonore (L_{WA}) : 90,4 dB (A)
Incertitude (K) : 3 dB (A)

Modèle AM3753

Niveau de pression sonore (L_{pA}) : 78,1 dB (A)
Niveau de puissance sonore (L_{WA}) : 90,4 dB (A)
Incertitude (K) : 3 dB (A)

Le niveau de bruit en fonctionnement peut dépasser 80 dB (A).

NOTE : La ou les valeurs d'émission de bruit déclarées ont été mesurées conformément à la méthode de test standard et peuvent être utilisées pour comparer les outils entre eux.

NOTE : La ou les valeurs d'émission de bruit déclarées peuvent aussi être utilisées pour l'évaluation préliminaire de l'exposition.

AVERTISSEMENT : Portez un serre-tête antibruit.

AVERTISSEMENT : L'émission de bruit lors de l'usage réel de l'outil électrique peut être différente de la ou des valeurs déclarées, suivant la façon dont l'outil est utilisé, particulièrement selon le type de pièce usinée.

AVERTISSEMENT : Les mesures de sécurité à prendre pour protéger l'utilisateur doivent être basées sur une estimation de l'exposition dans des conditions réelles d'utilisation (en tenant compte de toutes les composantes du cycle d'utilisation, comme par exemple le moment de sa mise hors tension, lorsqu'il tourne à vide et le moment de son déclenchement).

Vibrations

Valeur totale de vibrations (somme de vecteur triaxial) déterminée selon EN60335-2-77 :

NOTE : Les valeurs ont été mesurées avec la tondeuse équipée de la lame de tondeuse droite.

Modèle AM3846

Émission de vibrations (a_h) : 2,5 m/s² ou moins
Incertitude (K) : 1,5 m/s²

Modèle AM3653

Émission de vibrations (a_h) : 2,5 m/s² ou moins
Incertitude (K) : 1,5 m/s²

Modèle AM3753

Émission de vibrations (a_h) : 2,5 m/s² ou moins
Incertitude (K) : 1,5 m/s²

NOTE : La ou les valeurs de vibration totales déclarées ont été mesurées conformément à la méthode de test standard et peuvent être utilisées pour comparer les outils entre eux.

NOTE : La ou les valeurs de vibration totales déclarées peuvent aussi être utilisées pour l'évaluation préliminaire de l'exposition.

AVERTISSEMENT : L'émission de vibrations lors de l'usage réel de l'outil électrique peut être différente de la ou des valeurs déclarées, suivant la façon dont l'outil est utilisé, particulièrement selon le type de pièce usinée.

AVERTISSEMENT : Les mesures de sécurité à prendre pour protéger l'utilisateur doivent être basées sur une estimation de l'exposition dans des conditions réelles d'utilisation (en tenant compte de toutes les composantes du cycle d'utilisation, comme par exemple le moment de sa mise hors tension, lorsqu'il tourne à vide et le moment de son déclenchement).

Déclaration de conformité CE

Pour les pays européens uniquement

La déclaration de conformité CE est fournie en Annexe A à ce mode d'emploi.

CONSIGNES DE SÉCURITÉ

CONSIGNES DE SÉCURITÉ IMPORTANTES

AVERTISSEMENT : Lisez toutes les consignes de sécurité et toutes les instructions. Il y a un risque d'électrocution, d'incendie et/ou de graves blessures si les mises en garde et les instructions ne sont pas respectées.

Conservez toutes les mises en garde et instructions pour référence ultérieure.

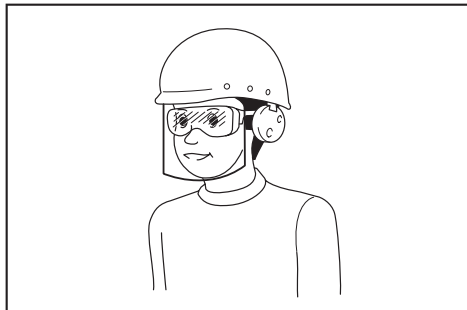
Formation

1. Lisez attentivement les instructions. Familiarisez-vous avec les commandes et la bonne utilisation de la tondeuse.
2. Ne laissez jamais les enfants ou les personnes qui ne sont pas familiarisées avec ces instructions utiliser la tondeuse. Les réglementations locales peuvent spécifier un âge minimum pour l'utilisation.
3. N'utilisez jamais la tondeuse alors que des personnes — et tout particulièrement des enfants — ou des animaux domestiques se trouvent à proximité.
4. Gardez à l'esprit que l'opérateur ou l'utilisateur est responsable des accidents ou risques encourus par les personnes ou leur propriété.
5. Les enfants doivent être sous la surveillance d'un adulte afin de s'assurer qu'ils ne jouent pas avec la tondeuse.

6. **Condition physique - N'utilisez pas la tondeuse après avoir consommé une drogue, de l'alcool ou un médicament.**

Préparatifs

1. **Pendant l'utilisation de la tondeuse, portez toujours des chaussures résistantes et un pantalon long. N'utilisez pas la tondeuse pieds nus ou avec des sandales qui laissent les pieds partiellement découverts. Évitez de porter des vêtements et bijoux amples ou dotés de cordons ou attaches qui pendent. Les pièces mobiles risqueraient de les happer.**
2. **Avant utilisation, inspectez toujours visuellement la tondeuse pour vérifier que les carters ou écrans de protection ne sont pas endommagés, manquants ou égarés.**
3. **Assurez-vous qu'il n'y a personne à proximité avant de commencer à tondre. Arrêtez la tondeuse si quelqu'un s'approche.**
4. **N'insérez la clé de sécurité dans la tondeuse qu'une fois celle-ci prête pour l'utilisation.**
5. **Pour protéger vos yeux des blessures lorsque vous utilisez un outil électrique, portez toujours des lunettes de protection, lesquelles doivent être conformes à ANSI Z87.1 aux États-Unis, EN 166 en Europe ou AS/NZS 1336 en Australie/Nouvelle-Zélande. En Australie/Nouvelle-Zélande, la loi exige également le port d'un écran facial pour se protéger le visage.**



L'employeur est responsable d'imposer le port d'équipements de sécurité appropriés par les utilisateurs de l'outil et par les autres personnes se trouvant à proximité de la zone de travail.

6. **Vérifiez soigneusement l'absence de fissures ou de dommages sur les lames ou les boulons des lames avant l'utilisation. Remplacez immédiatement les lames ou les boulons des lames fissurés ou abîmés.**
7. **Pour éviter de vous blesser ou d'abîmer la tondeuse, enlevez les corps étrangers tels que pierres, câbles, bouteilles, os et gros bouts de bois dans la zone de travail avant de commencer à tondre.**
8. **Les objets heurtés par la lame de tondeuse peuvent provoquer de graves blessures. Pensez toujours à inspecter soigneusement le gazon et à retirer tous les objets avant de tondre.**

9. **Prenez garde aux trous, ornières, bosses, pierres ou autres objets cachés. Un terrain irrégulier est propice aux glissades et aux chutes. L'herbe haute peut masquer les obstacles.**
10. **N'insérez ni ne retirez la clé de sécurité sous la pluie.**
11. **Utilisez un équipement de protection individuelle. Portez toujours une protection oculaire. Les équipements de sécurité tels que les masques contre les poussières, les chaussures de sécurité antidérapantes, les casques ou les protecteurs d'oreilles utilisés pour les conditions appropriées réduiront les blessures.**

Fonctionnement

1. **Ne vous penchez pas trop loin. Maintenez toujours votre équilibre. Assurez-vous toujours d'être en position stable dans les pentes. Ne courez jamais ; marchez.**
2. **Arrêtez la tondeuse, retirez la clé de sécurité et assurez-vous que toutes les pièces mobiles sont parfaitement arrêtées :**
 - chaque fois que vous laissez la tondeuse sans surveillance,
 - avant de retirer un objet bloqué ou de déboucher la goulotte,
 - avant d'effectuer la vérification, le nettoyage ou l'entretien de la tondeuse,
 - après avoir heurté un corps étranger. Avant de redémarrer et d'utiliser la tondeuse, vérifiez l'absence de dommages et effectuez les réparations nécessaires,
 - chaque fois que la tondeuse se met à vibrer de manière inhabituelle.
3. **N'utilisez jamais la tondeuse si ses carters ou écrans de protection ne fonctionnent pas, ou si ses dispositifs de sécurité (tels que les déflecteurs et/ou le bac à herbe) ne sont pas posés.**
4. **Évitez d'utiliser la tondeuse par mauvais temps, particulièrement en cas d'orage.**
5. **Portez toujours une protection oculaire et des chaussures solides pendant que vous utilisez la tondeuse.**
6. **N'utilisez la tondeuse qu'à la lumière du jour ou sous un bon éclairage artificiel.**
7. **Démarrez la tondeuse prudemment, en suivant les instructions et en gardant les pieds bien à l'écart de la ou des lames.**
8. **Prenez garde de ne pas vous blesser les pieds et les mains avec les lames de la tondeuse.**
9. **Assurez-vous toujours que les bouches d'aération ne sont pas obstruées par des débris.**
10. **Tondez toujours les pentes latéralement, jamais de haut en bas ou vice-versa. Soyez très prudent lorsque vous changez de direction dans les pentes. Ne tondez pas dans les pentes trop abruptes.**
11. **Soyez très prudent lorsque vous faites reculer la tondeuse ou la tirez vers vous.**
12. **Immobilisez la ou les lames si vous devez incliner la tondeuse pour la transporter en traversant une surface autre que du gazon, et lorsque vous transportez la tondeuse vers ou hors de la zone d'utilisation.**

13. **N'inclinez pas la tondeuse en allumant le moteur, sauf si la tondeuse doit être inclinée pour le démarrage. Le cas échéant, ne l'inclinez pas plus que nécessaire et ne soulevez que la partie opposée à vous. Avant de ramener la tondeuse au sol, veillez à ce que vos deux mains soient toujours en position d'utilisation.**
14. **Ne mettez pas les mains ou les pieds près des pièces en rotation, ou sous celles-ci. Restez en tout temps à l'écart de l'ouverture de décharge.**
15. **Ne transportez pas la tondeuse pendant qu'elle tourne.**
16. **Évitez d'utiliser la tondeuse sur de l'herbe mouillée.**
17. **Tenez toujours la poignée fermement.**
18. **Ne saisissez pas les lames de coupe exposées ou les bords tranchants pour soulever ou tenir la tondeuse.**
19. **Gardez mains et pieds à l'écart des lames en rotation. Attention - Les lames continuent de tourner une fois la tondeuse éteinte.**
20. **Cessez immédiatement l'utilisation si vous remarquez quoi que ce soit d'inhabituel. Coupez le contact de la tondeuse et retirez la clé de sécurité. Inspectez ensuite la tondeuse.**
21. **N'essayez jamais de régler la hauteur de coupe pendant que la tondeuse tourne si celle-ci est pourvue d'une fonction de réglage de la hauteur de coupe.**
22. **Libérez le levier d'interrupteur et attendez que la lame ait cessé de tourner avant de traverser une allée, un trottoir, une route ou une zone recouverte de gravier. Pensez également à retirer la clé de sécurité si vous laissez la tondeuse sans surveillance, si vous vous penchez pour ramasser ou enlever un objet qui fait obstacle, ou pour toute autre raison pouvant vous distraire de votre travail.**
23. **Si la tondeuse heurte un corps étranger, procédez comme suit :**
 - Arrêtez la tondeuse, libérez le levier d'interrupteur et attendez que la lame ait complètement cessé de tourner.
 - Retirez la clé de sécurité et la batterie.
 - Inspectez minutieusement la tondeuse pour vous assurer qu'elle n'a subi aucun dommage.
 - Si la lame est abîmée, remplacez-la. Réparez tout dégât avant de redémarrer et de continuer à utiliser la tondeuse.
24. **Ne vous tenez pas devant l'ouverture de décharge pour démarrer la tondeuse.**
25. **Si la tondeuse se met à vibrer anormalement (vérifiez immédiatement)**
 - inspectez les dommages,
 - remplacez ou réparez les pièces endommagées,
 - vérifiez et resserrez les pièces mal serrées.
26. **Ne dirigez jamais le matériau déversé en direction d'une personne. Évitez de déverser le matériau contre un mur ou une obstruction. Le matériau peut ricocher en arrière en direction de l'utilisateur. Arrêtez la lame lorsque vous traversez des surfaces couvertes de gravier.**
27. **Ne tirez pas la tondeuse en arrière sauf en cas de nécessité absolue.** Lorsque vous êtes obligé de retirer la tondeuse d'une clôture ou d'autres obstacles semblables, regardez vers le bas et l'arrière avant et pendant que vous reculez.
28. **Coupez le moteur et patientez jusqu'à ce que la lame soit complètement arrêtée avant de retirer le collecteur d'herbe.** Soyez conscient que la lame continue de tourner même après la mise hors tension.
29. **Lorsque vous utilisez la machine sur un sol boueux, une pente trempée ou un endroit glissant, faites attention de ne pas perdre l'équilibre.**
30. **Évitez de travailler dans un piètre environnement susceptible d'accroître la fatigue de l'utilisateur.**
31. **N'utilisez pas la machine par mauvais temps avec une visibilité réduite.** Le non-respect de cette précaution pourrait entraîner votre chute ou un fonctionnement incorrect en raison de la faible visibilité.
32. **Ne plongez pas la machine dans une flaque.**
33. **Si des feuilles mouillées ou des saletés se collent sur la bouche d'aspiration (ouverture d'aération) en raison de la pluie, retirez-les.**
34. **N'utilisez pas la machine dans la neige.**
35. **Si l'herbe coupée est mouillée, elle risque de se coincer dans la machine. Vérifiez régulièrement l'état de la machine et retirez l'herbe collée au besoin.**
36. **Lorsque vous utilisez la machine, faites attention à la tuyauterie et au câblage.**
37. **N'utilisez pas de source d'alimentation câblée comme un adaptateur de batterie ou un support d'alimentation portable avec cette machine.** Le câble de ce type de source d'alimentation pourrait gêner le fonctionnement et provoquer des blessures corporelles.

Entretien et rangement

1. **Pour votre propre sécurité, remplacez les pièces usées ou endommagées. Utilisez exclusivement des pièces de rechange et accessoires authentiques.**
2. **Procédez régulièrement à l'inspection et à l'entretien de la tondeuse.**
3. **Lorsque vous ne l'utilisez pas, rangez la tondeuse hors de portée des enfants.**
4. **Gardez tous les écrous, boulons et vis bien serrés pour garantir le fonctionnement sûr de l'équipement.**
5. **Inspectez régulièrement le bac à herbe pour vérifier l'absence d'usure ou de détérioration. Avant le rangement, assurez-vous toujours que le bac à herbe est vide. Si le bac à herbe est usé, remplacez-le par un bac de rechange neuf pour votre sécurité.**
6. **Utilisez exclusivement les lames authentiques du fabricant spécifiées dans ce mode d'emploi.**
7. **Lorsque vous réglez la tondeuse, évitez de vous coincer les doigts entre les lames en mouvement et les pièces fixes de la tondeuse.**
8. **Vérifiez régulièrement le boulon de montage de la lame pour vous assurer qu'il est bien serré.**

9. Laissez toujours refroidir la tondeuse avant de ranger.
10. Lors de l'entretien des lames, gardez à l'esprit qu'elles peuvent tourner même si la source d'alimentation est coupée.
11. Ne retirez ni ne modifiez jamais les dispositifs de sécurité. Vérifiez régulièrement leur bon fonctionnement. Ne faites jamais quoi que ce soit susceptible d'entraver la fonction prévue d'un dispositif de sécurité ou de réduire la protection assurée par un dispositif de sécurité.
12. Ne laissez pas la machine sans surveillance à l'extérieur sous la pluie.
13. Ne lavez pas la machine avec de l'eau sous pression.
14. Lorsque vous lavez la machine, veillez à retirer la batterie et la clé de sécurité, et à refermer le couvercle de batterie, puis versez l'eau vers la partie inférieure de la machine sur laquelle la lame est fixée.
15. Lorsque vous rangez la machine, évitez les endroits exposés aux rayons directs du soleil ou à la pluie, et rangez-la dans un endroit tempéré et sec.
16. Procédez à l'inspection ou à l'entretien de la machine dans un endroit non affecté par la pluie.
17. Après avoir utilisé la machine, retirez la saleté collée et séchez-la complètement avant de la ranger. Selon la saison ou la région, le gel peut présenter un risque de dysfonctionnement.

Utilisation et entretien des outils fonctionnant sur batterie

1. **Rechargez la batterie uniquement avec le chargeur spécifié par le fabricant.** Un chargeur qui est adapté à un type spécifique de batterie peut présenter un risque d'incendie s'il est utilisé avec un autre type de batterie.
2. **Utilisez un outil électrique uniquement avec la batterie spécifiquement indiquée.** L'utilisation de toute autre batterie peut présenter un risque de blessure et d'incendie.
3. **Lorsque vous n'utilisez pas la batterie, tenez-la à l'écart des objets métalliques, comme des trombones, pièces de monnaie, clés, clous, vis ou autres petits objets métalliques, susceptibles de créer une connexion entre deux bornes.** Court-circuiter les bornes d'une batterie entre elles peut provoquer des brûlures ou un incendie.
4. **Dans des conditions d'utilisation inadéquate, il peut y avoir une fuite de l'électrolyte de la batterie.** Le cas échéant, évitez tout contact avec ce liquide. En cas de contact accidentel, rincez à l'eau. Si le liquide pénètre dans les yeux, consultez par ailleurs un médecin. Le liquide s'échappant de la batterie peut provoquer une irritation ou des brûlures.
5. **N'utilisez pas une batterie ou un outil s'ils sont endommagés ou modifiés.** Une batterie endommagée ou modifiée peut avoir un comportement imprévisible susceptible d'entraîner un incendie, une explosion ou des blessures.
6. **N'exposez pas la batterie ou l'outil au feu ou à une température excessive.** L'exposition au feu ou à une température supérieure à 130 °C peut provoquer une explosion.

7. **Respectez toutes les instructions de charge et ne chargez pas la batterie ou l'outil en dehors de la plage de température indiquée dans les instructions.** Une charge incorrecte ou à une température en dehors de la plage indiquée peut endommager la batterie et augmenter le risque d'incendie.

Sécurité électrique et sécurité des batteries

1. **Ne jetez pas la ou les batteries au feu.** L'élément de la pile pourrait exploser. Consultez les codes locaux pour de possibles instructions de mise au rebut spéciales.
2. **N'ouvrez ni ne manipulez la ou les batteries.** L'électrolyte qui s'échappe de la batterie est corrosif et peut irriter la peau ou les yeux. Il peut être toxique en cas d'ingestion.
3. **Ne chargez pas la batterie sous la pluie ou dans un endroit mouillé.**
4. **Ne pas charger la batterie à l'extérieur.**
5. **Ne manipulez pas le chargeur, y compris la fiche du chargeur et les bornes du chargeur avec les mains mouillées.**
6. **Ne remplacez pas la batterie sous la pluie.**
7. **Ne mouillez pas la borne de la batterie avec un liquide comme de l'eau, ni ne plongez la batterie dans un liquide. Ne laissez pas la batterie sous la pluie et évitez de charger, utiliser ou ranger la batterie dans un endroit humide ou mouillé.** Si la borne est mouillée ou si un liquide pénètre à l'intérieur de la batterie, un court-circuit est possible et risque de provoquer une sur-chauffe, un incendie ou une explosion.
8. **Après avoir retiré la batterie de la machine ou du chargeur, veillez à fixer le couvercle de batterie sur la batterie et à la ranger dans un endroit sec.**
9. **Ne remplacez pas la batterie avec les mains mouillées.**

Dépannage

1. **Confiez la réparation de votre outil électrique à un réparateur qualifié qui utilise des pièces de rechange identiques.** La sécurité de l'outil électrique sera ainsi préservée.
2. **Ne dépannez jamais les batteries endommagées.** Le dépannage des batteries doit être effectué uniquement par le fabricant ou un dépanneur agréé.

CONSERVEZ CES INSTRUCTIONS.

⚠ AVERTISSEMENT : NE vous laissez PAS tromper (au fil d'une utilisation répétée) par un sentiment d'aisance et de familiarité avec le produit, en négligeant le respect rigoureux des consignes de sécurité qui accompagnent le produit en question.

La MAUVAISE UTILISATION de l'outil ou l'ignorance des consignes de sécurité indiquées dans ce mode d'emploi peut entraîner de graves blessures.

Consignes de sécurité importantes pour la batterie

1. Avant d'utiliser la batterie, lisez toutes les instructions et précautions relatives (1) au chargeur de batterie, (2) à la batterie, et (3) au produit utilisant la batterie.
2. Ne démontez pas la batterie.
3. Cessez immédiatement l'utilisation si le temps de fonctionnement devient excessivement court. Il y a risque de surchauffe, de brûlures, voire d'explosion.
4. Si l'électrolyte pénètre dans vos yeux, rincez-les à l'eau claire et consultez immédiatement un médecin. Il y a risque de perte de la vue.
5. Ne court-circuitez pas la batterie :
 - (1) Ne touchez les bornes avec aucun matériau conducteur.
 - (2) Évitez de ranger la batterie dans un conteneur avec d'autres objets métalliques, par exemple des clous, des pièces de monnaie, etc.
 - (3) N'exposez pas la batterie à l'eau ou à la pluie.

Un court-circuit de la batterie peut provoquer une intensité de courant élevée, une surchauffe, parfois des brûlures et même une panne.
6. Ne rangez pas l'outil et la batterie dans un endroit où la température risque d'atteindre ou de dépasser 50 °C.
7. Ne jetez pas la batterie au feu même si elle est sérieusement endommagée ou complètement épuisée. La batterie peut exploser au contact du feu.
8. Évitez de laisser tomber ou de cogner la batterie.
9. N'utilisez pas la batterie si elle est endommagée.
10. **Les batteries au lithium-ion contenues sont soumises aux exigences de la législation sur les marchandises dangereuses.**

Lors du transport commercial par des tierces parties ou des transitaires par exemple, des exigences spécifiques en matière d'étiquetage et d'emballage doivent être respectées.

Pour la préparation de l'article expédié, il est nécessaire de consulter un expert en matériau dangereux. Veuillez également respecter les réglementations nationales susceptibles d'être plus détaillées.

Recouvrez les contacts exposés avec du ruban adhésif ou du ruban de masquage et emballez la batterie de telle sorte qu'elle ne puisse pas bouger dans l'emballage.
11. Lors de la mise au rebut de la batterie, retirez-la de l'outil et jetez-la en lieu sûr. Suivez les réglementations locales en matière de mise au rebut des batteries.
12. Utilisez les batteries uniquement avec les produits spécifiés par Makita. L'insertion de batteries dans des produits non conformes peut provoquer un incendie, une chaleur excessive, une explosion ou une fuite de l'électrolyte.

13. Lorsque vous n'utilisez pas l'outil pendant une période prolongée, la batterie doit être retirée de l'outil.

CONSERVEZ CES INSTRUCTIONS.

⚠ ATTENTION : N'utilisez que des batteries Makita d'origine. L'utilisation de batteries de marque autre que Makita ou de batteries modifiées peut provoquer l'explosion des batteries, ce qui présente un risque d'incendie, de dommages matériels et corporels. Cela annulera également la garantie Makita pour l'outil et le chargeur Makita.

Conseils pour assurer la durée de vie optimale de la batterie

1. Chargez la batterie avant qu'elle ne soit complètement déchargée. Arrêtez toujours l'outil et rechargez la batterie quand vous remarquez que la puissance de l'outil diminue.
2. Ne rechargez jamais une batterie complètement chargée. La surcharge réduit la durée de service de la batterie.
3. Chargez la batterie à une température ambiante comprise entre 10 °C et 40 °C. Avant de charger une batterie chaude, laissez-la refroidir.
4. Rechargez la batterie si elle est restée inutilisée pendant une période prolongée (plus de six mois).

ASSEMBLAGE

⚠ AVERTISSEMENT : Avant toute intervention sur la tondeuse, assurez-vous toujours que la clé de sécurité et la batterie sont retirées. En ne retirant pas la clé de sécurité et la batterie, vous risqueriez de vous blesser grièvement en cas de démarrage accidentel.

⚠ AVERTISSEMENT : Ne démarrez la tondeuse que si ses pièces sont toutes montées. En utilisant une machine alors que ses pièces ne sont pas toutes montées, vous risqueriez de vous blesser grièvement en cas de démarrage accidentel.

Installation de la poignée

REMARQUE : Lors de l'installation des poignées, placez les cordons de sorte qu'ils courent librement entre les poignées. Si un cordon est endommagé, l'interrupteur de la tondeuse peut ne pas fonctionner.

1. Alignez les trous de la poignée inférieure avec les trous sur le corps de la tondeuse, puis serrez provisoirement les 4 boulons.
► Fig.1: 1. Poignée inférieure 2. Boulon
2. Serrez fermement les 4 boulons qui ont été provisoirement serrés à l'étape 1 au moyen d'une clé à œil 13.

3. Alignez le trou sur la poignée inférieure avec le trou sur la poignée supérieure, insérez le boulon de l'intérieur, puis serrez l'écrou de l'extérieur avec la clé à œil 13. Répétez la même procédure de l'autre côté.

► **Fig.2:** 1. Boulon 2. Poignée inférieure 3. Écrou
4. Trou 5. Poignée supérieure

⚠ ATTENTION : Tenez fermement la poignée supérieure de manière à ne pas la lâcher. Sinon, la poignée pourrait tomber et provoquer une blessure.

4. Fixez les supports à la poignée.

Alignez les parties saillantes sur le support avec les trous sur la poignée de sorte qu'elles s'insèrent dans les trous. Placez les cordons comme illustré sur la figure.

► **Fig.3:** 1. Cordon 2. Support

Retrait de l'insert broyeur

1. Ouvrez le couvercle arrière.

► **Fig.4:** 1. Couvercle arrière

2. Retirez l'insert broyeur tout en maintenant abaissé le levier.

► **Fig.5:** 1. Levier 2. Insert broyeur

Installation ou retrait du bac à herbe

Suivez les étapes ci-dessous pour installer le bac à herbe.

1. Ouvrez le couvercle arrière.

► **Fig.6:** 1. Couvercle arrière

2. Tenez la poignée du bac à herbe, puis accrochez le bac à herbe sur la tige du corps de la tondeuse comme illustré sur la figure.

► **Fig.7:** 1. Tige 2. Poignée 3. Bac à herbe

Pour retirer le bac à herbe, ouvrez le couvercle arrière, puis retirez le bac à herbe en tenant la poignée.

Fixation de l'insert broyeur

1. Ouvrez le couvercle arrière, puis retirez le bac à herbe.

► **Fig.8:** 1. Couvercle arrière 2. Bac à herbe

2. Fixez l'insert broyeur tout en maintenant le levier abaissé, puis relâchez le levier pour verrouiller l'insert broyeur.

► **Fig.9:** 1. Levier 2. Insert broyeur

Fixation de l'accessoire d'évacuation

Pour AM3653/AM3753

1. Ouvrez le couvercle arrière, puis retirez le bac à herbe.

► **Fig.10:** 1. Couvercle arrière 2. Bac à herbe

2. Fixez l'insert broyeur tout en maintenant le levier abaissé, puis relâchez le levier pour verrouiller l'insert broyeur.

► **Fig.11:** 1. Levier 2. Insert broyeur

3. Ouvrez le couvercle latéral droit, puis fixez l'accessoire d'évacuation.

Insérez les crochets de l'accessoire d'évacuation sous la tige du couvercle latéral droit.

► **Fig.12:** 1. Couvercle latéral droit 2. Accessoire d'évacuation

DESCRIPTION DU FONCTIONNEMENT

Insertion ou retrait de la batterie

⚠ ATTENTION : Éteignez toujours la machine avant de mettre en place ou de retirer la batterie.

⚠ ATTENTION : Tenez fermement la machine et la batterie lors de la mise en place ou du retrait de la batterie. Si vous ne tenez pas fermement la machine et la batterie, elles peuvent vous glisser des mains, et s'abîmer ou vous blesser.

⚠ ATTENTION : Veillez à verrouiller le couvercle de batterie avant toute utilisation. Autrement, la boue, les saletés ou l'eau risquent d'endommager le produit ou la batterie.

⚠ ATTENTION : Insérez toujours la batterie à fond, jusqu'à ce que le voyant rouge ne soit plus visible. Sinon, elle risque de tomber accidentellement de la machine, ce qui peut blesser l'utilisateur ou une autre personne.

⚠ ATTENTION : Ne forcez pas pour insérer la batterie. Si elle ne glisse pas facilement, c'est que vous ne l'insérez pas correctement.

NOTE : La machine ne peut pas fonctionner avec une seule batterie.

Pour mettre la batterie en place ;

1. Tirez le levier de verrouillage vers le haut, puis ouvrez le couvercle de batterie.

► **Fig.13:** 1. Couvercle de batterie 2. Levier de verrouillage

2. Alignez la languette de la batterie sur la fente de la machine, puis faites glisser la batterie jusqu'à ce qu'elle se verrouille en place (vous devez entendre un léger déclic).

► **Fig.14:** (1) Orifice pour batterie 1 (2) Orifice pour batterie 2 (3) Batterie

NOTE : Installez au moins deux batteries dans l'orifice pour batterie 1 ou l'orifice pour batterie 2.

3. Insérez à fond la clé de sécurité à l'emplacement indiqué sur la figure.

► **Fig.15:** 1. Clé de sécurité

4. Fermez le couvercle de batterie et appuyez dessus jusqu'à ce qu'il soit verrouillé par le levier de verrouillage.

Pour retirer la batterie :

1. Tirez le levier de verrouillage vers le haut et ouvrez le couvercle de batterie.

2. Retirez la batterie de la machine en faisant glisser le bouton à l'avant de la batterie.

3. Tirez sur la clé de sécurité pour la retirer.

4. Fermez le couvercle de batterie.

Commutation des batteries

► Fig.16: 1. Commutateur de sélection de batterie

La machine utilise deux batteries à la fois pour fonctionner. Il est possible d'installer jusqu'à quatre batteries sur la machine. Avant d'utiliser la machine, sélectionnez l'orifice pour batterie 1 ou l'orifice pour batterie 2 en tournant le commutateur de sélection de batterie.

NOTE : Si seules deux batteries sont installées dans la machine, veillez à sélectionner l'orifice pour batterie dans lequel les batteries sont installées au moyen du commutateur de sélection de batterie.

Système de protection de la machine/batterie

La machine est dotée d'un système de protection de la machine/batterie. Ce système met automatiquement hors tension le moteur pour accroître l'autonomie de la machine et de la batterie. Si la machine ou la batterie se trouve dans l'une des situations suivantes, la machine cessera automatiquement de fonctionner :

Protection contre la surcharge

Lorsque le mode d'utilisation de la batterie entraîne un appel de courant anormalement élevé, la machine s'arrête automatiquement et le témoin d'alimentation principale clignote en vert. Dans ce cas, éteignez la machine et arrêtez la tâche ayant provoqué sa surcharge. Puis rallumez la machine pour reprendre la tâche.

Protection contre la surchauffe

En cas de surchauffe de la machine ou de la batterie, la machine s'arrête automatiquement et le témoin d'alimentation principale s'allume en rouge. Dans ce cas, laissez la machine et la batterie refroidir avant de rallumer la machine.

Protection contre la décharge totale de la batterie

Si la charge de la batterie est insuffisante, la machine s'arrête automatiquement et le témoin d'alimentation principale clignote en rouge. Dans ce cas, retirez la batterie de la machine et chargez-la, ou bien remplacez la batterie par une batterie complètement chargée.

Indication de la charge restante de la batterie

Uniquement pour les batteries avec voyant lumineux

► Fig.17: 1. Témoins 2. Bouton de vérification

Appuyez sur le bouton de vérification sur la batterie pour indiquer la charge restante de la batterie. Les témoins s'allument pendant quelques secondes.

Témoins			Charge restante
Allumé	Éteint	Clignotant	
■ ■ ■ ■			75 % à 100 %
■ ■ ■ □			50 % à 75 %
■ ■ □ □			25 % à 50 %
■ □ □ □			0 % à 25 %
■ □ □ □	□ □ □ □		Chargez la batterie.
■ ■ □ □	□ □ □ □	↑ ↓	Anomalie possible de la batterie.

NOTE : Selon les conditions d'utilisation et la température ambiante, l'indication peut être légèrement différente de la capacité réelle.

Tableau de commande

Le tableau de commande comprend l'interrupteur d'alimentation principale, le bouton de changement de mode et le témoin de capacité restante de la batterie.

► Fig.18: 1. Témoin de la batterie 2. Témoin de changement de mode 3. Témoin d'alimentation principale 4. Bouton de vérification 5. Bouton de changement de mode 6. Interrupteur d'alimentation principale

Interrupteur d'alimentation principale

AVERTISSEMENT : Mettez toujours l'interrupteur principal en position d'arrêt lorsque vous n'utilisez pas l'outil.

Pour allumer la machine, appuyez sur l'interrupteur d'alimentation principale. Le témoin d'alimentation principale s'allume en vert. Pour éteindre la machine, appuyez à nouveau sur l'interrupteur d'alimentation principale.

NOTE : Si le témoin d'alimentation principale s'allume en rouge ou clignote en rouge ou en vert, consultez les instructions du système de protection de la machine/batterie.






NOTE : Cette machine dispose d'une fonction de mise hors tension automatique. Pour éviter tout démarrage intempestif, l'interrupteur d'alimentation principale effectuée automatiquement une mise hors tension lorsque le levier d'interrupteur et le levier de conduite (le cas échéant) ne sont pas enclenchés pendant un certain temps après actionnement de l'interrupteur d'alimentation principale.

Bouton de changement de mode

Vous pouvez changer le mode de fonctionnement en appuyant sur le bouton de changement de mode. Lorsque la machine est mise sous tension, elle démarre en mode normal. Lorsque vous enfoncez le bouton de changement de mode, la machine bascule sur le mode de réduction du bruit et le témoin de changement de mode s'allume en vert. En mode de réduction du bruit, vous pouvez diminuer le bruit pendant la tonte. Lorsque vous enfoncez à nouveau le bouton de changement de mode, la machine revient au mode normal.

Indication de la charge restante de la batterie

Appuyez sur le bouton de vérification pour indiquer la charge restante de la batterie. Les témoins de batterie correspondent à chaque batterie.

Statut du témoin de la batterie		Capacité restante de la batterie
 Allumé	 Éteint	
		50 % à 100 %
		20 % à 50 %
		0 % à 20 %

NOTE : Le voyant lumineux indiquant la charge restante de la batterie est à titre indicatif uniquement. La charge réelle de la batterie peut être différente selon les conditions d'utilisation.

NOTE : Avant d'appuyer sur le bouton de vérification pour indiquer la charge restante de la batterie, arrêtez la machine.

Fonctionnement de la gâchette

⚠ AVERTISSEMENT : Avant de mettre la batterie en place, vérifiez toujours que le levier d'interrupteur fonctionne correctement et revient en position initiale une fois libéré. L'utilisation de la machine alors que l'interrupteur est défectueux comporte un risque de perte de contrôle et de graves blessures.

NOTE : Même si vous tirez sur le levier d'interrupteur, la tondeuse ne démarre pas si vous n'appuyez pas sur le bouton d'interrupteur.

NOTE : La tondeuse peut ne pas démarrer en raison d'une surcharge si vous essayez de tondre de l'herbe haute ou dense en une fois. Augmentez la hauteur de tonte dans ce cas.

Cette tondeuse est équipée d'une clé de sécurité et d'un interrupteur de poignée. Si vous constatez une anomalie sur la clé de sécurité ou l'interrupteur, cessez immédiatement l'utilisation et faites-les vérifier par le centre de service après-vente Makita/Dolmar agréé le plus proche.

Pour AM3846/AM3753

1. Mettez les batteries en place. Insérez la clé de sécurité, puis refermez le couvercle de batterie.
2. Sélectionnez les batteries utilisées pour le fonctionnement en tournant le commutateur de sélection de batterie.
3. Appuyez sur l'interrupteur d'alimentation principale.
4. Tirez le levier d'interrupteur vers vous tout en maintenant enfoncé le bouton d'interrupteur. Libérez le bouton d'interrupteur dès que le moteur se met à tourner.

► **Fig.19:** 1. Bouton d'interrupteur 2. Levier d'interrupteur

NOTE : Si la clé de sécurité n'est pas insérée, le témoin d'alimentation clignote en vert lorsque vous tirez sur le levier d'interrupteur.

5. Tout en tenant le levier d'interrupteur, poussez le levier de conduite vers l'avant et tenez-le pour activer les roues arrière.

► **Fig.20:** 1. Levier de conduite

NOTE : Vous pouvez activer les roues arrière en poussant le levier de conduite vers l'avant et le tenir sans enclencher le levier d'interrupteur.

6. Libérez le levier de conduite et le levier d'interrupteur pour arrêter la machine.

Pour AM3653

1. Mettez les batteries en place. Insérez la clé de sécurité dans l'interrupteur d'interverrouillage puis fermez le couvercle de batterie.
2. Sélectionnez les batteries utilisées pour le fonctionnement en tournant le commutateur de sélection de batterie.
3. Appuyez sur l'interrupteur d'alimentation principale.
4. Tirez le levier d'interrupteur vers vous tout en maintenant enfoncé le bouton d'interrupteur. Libérez le bouton d'interrupteur dès que le moteur se met à tourner.

► **Fig.21:** 1. Bouton d'interrupteur 2. Levier d'interrupteur

NOTE : Si la clé de sécurité n'est pas insérée, le témoin d'alimentation clignote en vert lorsque vous tirez sur le levier d'interrupteur.

5. Pour couper le moteur, libérez le levier d'interrupteur.

Réglage de la hauteur de tonte

⚠ AVERTISSEMENT : Ne mettez jamais une main ou une jambe sous la tondeuse pendant que vous réglez la hauteur de tonte.

⚠ AVERTISSEMENT : Avant l'utilisation, assurez-vous toujours que le levier se loge bien dans la rainure.

La hauteur de tonte est réglable dans une plage comprise entre 20 mm et 100 mm.

Retirez la clé de sécurité, puis tirez sur le levier de réglage de la hauteur de tonte vers l'extérieur du corps de la tondeuse et déplacez-le sur la hauteur de tonte souhaitée.

► **Fig.22:** 1. Levier de réglage de la hauteur de tonte

Le tableau ci-dessous indique le rapport entre le numéro sur le corps de la tondeuse et la hauteur de tonte approximative.

Numéro	Hauteur de tonte
1	20 mm
2	26 mm
3	32 mm
4	39 mm
5	47 mm
6	55 mm
7	63 mm
8	74 mm
9	86 mm
10	100 mm

Tenez la poignée avant ou la poignée inférieure d'une main, puis déplacez le levier de réglage de la hauteur de tonte de l'autre.

► **Fig.23:** 1. Levier de réglage de la hauteur de tonte
2. Poignée inférieure 3. Poignée avant

NOTE : Les chiffres de la hauteur de tonte doivent être utilisés à titre indicatif. Selon l'état de la pelouse ou du sol, la hauteur réelle du gazon peut être légèrement différente de la hauteur définie.

NOTE : Faites un essai de tonte en un point peu visible pour vérifier si vous obtenez la hauteur de tonte désirée.

Témoin de niveau d'herbe

Le témoin de niveau d'herbe indique le volume d'herbe tondu. Lorsque le bac à herbe n'est pas plein, l'indicateur flotte pendant que les lames tournent.

► **Fig.24:** 1. Témoin de niveau d'herbe

Lorsque le bac à herbe est presque plein, l'indicateur ne flotte pas pendant que les lames tournent. Dans ce cas, cessez immédiatement d'utiliser la machine et videz le bac.

► **Fig.25:** 1. Témoin de niveau d'herbe

NOTE : Le témoin donne une indication approximative. Suivant les conditions à l'intérieur du bac, il se peut que le témoin ne fonctionne pas correctement.

Réglage de la hauteur de la poignée

⚠ ATTENTION : Avant de retirer les boulons, tenez fermement la poignée supérieure. Sinon, la poignée pourrait tomber et provoquer une blessure.

La hauteur de la poignée peut être réglée selon deux niveaux.

1. Retirez les boulons supérieurs de la poignée inférieure au moyen de la clé à œil 13, puis desserrez les boulons inférieurs.

► **Fig.26:** 1. Boulon supérieur 2. Boulon inférieur

2. Réglez la hauteur de la poignée, puis serrez fermement les boulons supérieurs et inférieurs.

Réglage de la vitesse de déplacement

Pour AM3846/AM3753

► **Fig.27:** 1. Levier de vitesse

La vitesse de déplacement peut être réglée avec le levier de vitesse. Pour diminuer la vitesse, tirez le levier vers vous, tandis que pour l'augmenter, tournez le levier vers l'avant.

Utilisation de l'insert broyeur

L'insert broyeur vous permet d'évacuer l'herbe coupée au sol sans la collecter dans le bac à herbe. Lorsque vous utilisez la machine avec l'insert broyeur, veillez à retirer le bac à herbe.

REMARQUE : Lors de l'utilisation de la machine avec l'insert broyeur, assurez-vous que la hauteur totale de l'herbe est de 30 mm ou plus, ou que la longueur de coupe est de 15 mm ou moins.

► **Fig.28:** (1) 30 mm ou plus (2) 15 mm ou moins

Utilisation de l'accessoire d'évacuation

Pour AM3653/AM3753

L'accessoire d'évacuation vous permet d'évacuer l'herbe coupée au sol par le côté droit de la machine sans la collecter dans le bac à herbe. Lorsque vous utilisez la machine avec l'accessoire d'évacuation, veillez à installer l'insert broyeur et à retirer le bac à herbe.

Fonction électronique

La machine est munie de fonctions électroniques pour faciliter l'utilisation.

- Contrôle de vitesse constante de la rotation de la lame
Commande électronique de la vitesse pour obtenir une vitesse constante. Permet d'obtenir une finition précise puisque la vitesse de rotation est maintenue constante même en condition de charge.
- Démarrage en douceur
La fonction de démarrage en douceur minimise le choc au démarrage et permet de démarrer la machine en douceur.
- Frein électrique
Cette machine est équipée d'un frein électrique. Si systématiquement la machine n'arrive pas à arrêter rapidement les lames de tondeuse après le relâchement du levier d'interrupteur, faites réparer la machine dans un centre de service après-vente Makita/Dolmar agréé.

UTILISATION

Tonte

⚠AVERTISSEMENT : Avant de commencer à tondre, enlevez les bouts de bois et les cailloux de la zone à tondre. Enlevez également les mauvaises herbes au préalable de la zone à tondre.

⚠AVERTISSEMENT : Lorsque vous utilisez la tondeuse, portez toujours des lunettes de sécurité ou lunettes à coques à écrans latéraux.

⚠ATTENTION : Si de l'herbe coupée ou un objet étranger se coince dans le corps de la tondeuse, veillez à retirer la clé de sécurité et la batterie, et à porter des gants avant de retirer l'herbe ou l'objet étranger.

REMARQUE : Utilisez cette machine exclusivement pour tondre la pelouse. N'utilisez pas cette machine pour couper des mauvaises herbes.

► Fig.29

Pendant la tonte, tenez fermement la poignée à deux mains. La vitesse de tonte indicative est d'environ 7 à 14 mètres toutes les 10 secondes.

► Fig.30

Les lignes de centrage des roues avant donnent une indication de la largeur de tonte. En utilisant les lignes de centrage à titre indicatif, tondez en bandes. Chevauchez la bande précédente de la moitié à un tiers, afin de tondre la pelouse uniformément.

► **Fig.31**: 1. Largeur de tonte 2. Surface de chevauchement 3. Ligne de centrage

Changez chaque fois le sens de la tonte pour éviter que le motif de l'herbe ne se forme que dans un sens.

► Fig.32

Vérifiez régulièrement l'herbe tondue dans le bac à herbe. Videz le bac à herbe avant qu'il ne soit plein. Avant chaque contrôle périodique, veillez à arrêter la tondeuse et à enlever la clé de sécurité et la batterie.

REMARQUE : Si vous continuez d'utiliser la tondeuse alors que le bac à herbe est plein, la lame ne pourra pas tourner librement et le moteur sera surchargé, ce qui comporte un risque de panne.

Tonte d'un gazon à herbe haute

N'essayez pas de couper l'herbe haute en une fois. Tondez plutôt la pelouse par étapes. Espacez les tontes d'un jour ou deux, jusqu'à ce que le gazon soit uniformément court.

► Fig.33

NOTE : L'herbe haute risque de s'étioiler si vous la coupez très court d'un seul coup. L'herbe coupée peut également bloquer le mécanisme interne de la tondeuse.

Vidange du bac à herbe

⚠AVERTISSEMENT : Pour réduire les risques d'accident, assurez-vous régulièrement que le bac à herbe n'est pas endommagé ou affaibli. Remplacez le bac à herbe au besoin.

1. Relâchez le levier d'interrupteur et le levier de conduite (pour AM3846/AM3753), ou relâchez le levier d'interrupteur (pour AM3653).

2. Retirez la clé de sécurité.

3. Ouvrez le couvercle arrière et retirez le bac à herbe en tenant la poignée.

► **Fig.34**: 1. Couvercle arrière 2. Poignée 3. Bac à herbe

4. Videz le bac à herbe.

ENTRETIEN

⚠AVERTISSEMENT : Assurez-vous toujours que la clé de sécurité et la batterie sont retirées de la tondeuse avant de la ranger, de la transporter ou d'en faire l'inspection ou l'entretien.

⚠AVERTISSEMENT : Retirez toujours la clé de sécurité lorsque vous n'utilisez pas la tondeuse. Rangez la clé de sécurité dans un emplacement sûr, hors de la portée des enfants.

⚠AVERTISSEMENT : Portez des gants lorsque vous effectuez l'inspection ou l'entretien.

⚠AVERTISSEMENT : Portez toujours des lunettes de sécurité ou lunettes à coques à écrans latéraux lorsque vous procédez à l'inspection ou l'entretien de la machine.

REMARQUE : N'utilisez jamais d'essence, benzine, diluant, alcool ou autre produit similaire. Cela risquerait de provoquer la décoloration, la déformation ou la fissuration de l'outil.

Pour maintenir la SÉCURITÉ et la FIABILITÉ du produit, les réparations, travaux d'entretien et autres réglages doivent être effectués dans un centre de service Makita/Dolmar ou agréé par Makita/Dolmar, exclusivement avec des pièces de rechange Makita/Dolmar.

Entretien

1. Retirez la clé de sécurité et la batterie, puis refermez le couvercle de batterie.

2. Basculez la tondeuse sur le côté pour que le levier de réglage de la hauteur de tonte se place sur le dessus. Enlevez l'herbe coupée accumulée sous le plateau de la tondeuse.

3. Versez l'eau vers la partie inférieure de la machine sur laquelle la lame est fixée.

REMARQUE : Ne lavez pas la machine avec de l'eau sous pression.

4. Assurez-vous que les écrous, boulons, vis et autres sont bien serrés.

- Vérifiez l'absence de dommages, de bris et d'usure sur les pièces mobiles. Les pièces endommagées ou manquantes doivent être réparées ou remplacées.
- Rangez la tondeuse en lieu sûr, hors de portée des enfants.

Pour AM3846/AM3753

REMARQUE : Ne versez pas d'eau sur la zone comme illustré sur la figure. Verser de l'eau dans l'ensemble moteur peut provoquer un dysfonctionnement de la machine.

- **Fig.35:** 1. Zone où l'eau ne doit pas être versée

Transport de la tondeuse

Lorsque vous transportez la tondeuse, tenez à deux la poignée avant et la poignée arrière comme illustré sur la figure.

- **Fig.36:** 1. Poignée avant 2. Poignée arrière

Stockage

Rangez la tondeuse à l'intérieur, dans un endroit frais, sec et verrouillé. Ne rangez pas la tondeuse et le chargeur dans un endroit où la température peut atteindre ou dépasser 40 °C.

Pose ou dépose de la lame de tondeuse

⚠AVERTISSEMENT : La lame continue de tourner pendant quelques secondes après la libération de l'interrupteur. Ne démarrez aucune opération tant que la lame n'est pas complètement arrêtée.

⚠AVERTISSEMENT : Avant de déposer ou de poser la lame, retirez toujours la clé de sécurité et la batterie. Vous risquez une grave blessure si vous ne retirez pas la clé de sécurité et la batterie.

⚠AVERTISSEMENT : Portez toujours des gants pour manipuler la lame.

Retrait de la lame de tondeuse

Pour les modèles équipés d'une lame de tondeuse droite

- Basculez la tondeuse sur le côté pour que le levier de réglage de la hauteur de tonte se place sur le dessus.
- Pour verrouiller la lame, insérez la broche dans un trou sur le corps de la tondeuse.
- Tournez le boulon dans le sens inverse des aiguilles d'une montre avec la clé à œil 17.
► **Fig.37:** 1. Lame de tondeuse 2. Broche 3. Clé à œil
- Retirez le boulon, puis la lame de tondeuse.
► **Fig.38:** 1. Support de lame 2. Lame de tondeuse 3. Boulon 4. Partie saillante

REMARQUE : Lorsque vous installez la lame de tondeuse, assurez-vous que les parties saillantes sur le support de lame s'insèrent dans les trous sur la lame de tondeuse.

Pour les modèles équipés de lames de tondeuse à basculement arrière

- Basculez la tondeuse sur le côté pour que le levier de réglage de la hauteur de tonte se place sur le dessus.
- Pour verrouiller la plaque du socle, insérez la broche dans un trou sur le corps de la tondeuse à travers un orifice sur la plaque du socle.
- Tournez le boulon dans le sens inverse des aiguilles d'une montre avec la clé à œil 17.
► **Fig.39:** 1. Broche 2. Plaque du socle 3. Clé à œil
- Retirez le boulon, puis la plaque du socle.
► **Fig.40:** 1. Support de lame 2. Plaque du socle 3. Boulon 4. Partie saillante

REMARQUE : Lorsque vous installez les lames de tondeuse, assurez-vous que les parties saillantes sur le support de lame s'insèrent dans les trous sur la plaque du socle.

- Pour retirer la lame de tondeuse individuelle, tournez le boulon dans le sens inverse des aiguilles d'une montre avec la clé à œil 17 tout en tenant la plaque du socle.
► **Fig.41:** 1. Plaque du socle 2. Lame de tondeuse 3. Clé à œil
- Retirez l'écrou, la rondelle, la rondelle élastique, la lame de tondeuse et le boulon dans cet ordre.
► **Fig.42:** 1. Orifice pour boulon 2. Boulon 3. Lame de tondeuse 4. Rondelle élastique 5. Rondelle 6. Écrou

REMARQUE : Lors du serrage des écrous pour installer les lames de tondeuse individuelles, appliquez un couple de serrage de 30 N•m.

REMARQUE : Lorsque vous installez la lame de tondeuse individuelle, veillez à fixer la rondelle élastique dans le sens illustré sur la figure.

REMARQUE : Lorsque vous installez la lame de tondeuse individuelle, veillez à insérer les boulons dans les orifices pour boulon illustrés sur la figure.

Mise en place de la lame de tondeuse

⚠AVERTISSEMENT : Installez la lame de tondeuse soigneusement. Elle présente une face supérieure et une face inférieure.

⚠AVERTISSEMENT : Pour fixer la lame, serrez fermement le boulon en tournant dans le sens des aiguilles d'une montre.

⚠AVERTISSEMENT : Assurez-vous que la lame de tondeuse et toutes les pièces de fixation sont correctement installées et solidement serrées.

⚠AVERTISSEMENT : Lorsque vous remplacez les lames, suivez toujours les instructions fournies dans ce mode d'emploi.

REMARQUE : Après avoir installé les lames de tondeuse, retirez la broche du corps de la tondeuse.

Pour installer les lames de tondeuse, réalisez la procédure de dépose en sens inverse.

GUIDE DE DÉPANNAGE

Avant de faire une demande de réparation, effectuez d'abord vous-même une inspection. Si vous rencontrez un problème non documenté dans le mode d'emploi, n'essayez pas de démonter la machine. Demandez plutôt à un centre de service après-vente Makita/Dolmar agréé d'effectuer la réparation au moyen de pièces de rechange Makita/Dolmar.

État d'anomalie	Cause probable (dysfonctionnement)	Solution
La tondeuse ne démarre pas.	Les deux batteries ne sont pas installées.	Installez les deux batteries chargées.
	Problème de batterie (tension insuffisante)	Rechargez la batterie. Si vous n'arrivez pas à recharger la batterie, remplacez-la.
	La clé de sécurité n'est pas insérée.	Insérez la clé de sécurité.
Le moteur s'arrête au bout d'un court moment.	La charge de la batterie est faible.	Rechargez la batterie. Si vous n'arrivez pas à recharger la batterie, remplacez-la.
	La hauteur de coupe est trop basse.	Augmentez la hauteur de coupe.
	L'herbe coupée bouche la tondeuse.	Retirez l'herbe qui bouche la tondeuse.
Le moteur ne tourne pas à plein régime.	La batterie n'est pas bien installée.	Suivez les instructions de ce mode d'emploi pour installer la batterie.
	La batterie faiblit.	Rechargez la batterie. Si vous n'arrivez pas à recharger la batterie, remplacez-la.
	Le mécanisme d'entraînement ne fonctionne pas bien.	Demandez à votre centre de service après-vente agréé d'effectuer la réparation.
La lame de tondeuse ne tourne pas : ⇒ arrêtez immédiatement la tondeuse !	Un corps étranger, tel qu'une branche, est coincé près de la lame.	Retirez le corps étranger.
	Le mécanisme d'entraînement ne fonctionne pas bien.	Demandez à votre centre de service après-vente agréé d'effectuer la réparation.
Vibrations anormales : ⇒ arrêtez immédiatement la tondeuse !	La lame est déséquilibrée, trop usée ou usée de manière inégale.	Remplacez la lame.

ACCESSOIRES EN OPTION

⚠ ATTENTION : Ces accessoires ou fixations sont recommandés pour l'utilisation avec l'outil Makita/Dolmar spécifié dans ce manuel. L'utilisation d'autres accessoires ou fixations peut présenter un risque de blessures. N'utilisez les accessoires ou fixations qu'aux fins auxquelles ils ont été conçus.

Pour obtenir plus de détails concernant ces accessoires, contactez votre centre de service après-vente local Makita/Dolmar.

- Lame de tondeuse
- Batterie et chargeur de marque Makita/Dolmar

NOTE : Il se peut que certains éléments de la liste soient compris dans l'emballage du produit en tant qu'accessoires standard. Ils peuvent varier d'un pays à l'autre.

TECHNISCHE DATEN

Modell:		AM3846	AM3653	AM3753
Mähbreite (Messerdurchmesser)		460 mm	534 mm	
Leerlaufdrehzahl		2.500 min ⁻¹	2.300 min ⁻¹	
Maximaldrehzahl		3.300 min ⁻¹	2.800 min ⁻¹	
Teilenummer des Ersatz-Mähermessers	Gerades Mähermesser	191D51-9	191D52-7	
	Rückschwenk-Mähermesser *1	191D49-6	191D50-1	
	Rückschwenk-Mähermesser *2	191D47-0	191D48-8	
Abmessungen (L x B x H)		L: 1.610 mm bis 1.690 mm B: 535 mm H: 980 mm bis 1.095 mm	L: 1.630 mm bis 1.715 mm B: 590 mm H: 990 mm bis 1.095 mm	
Fahrgeschwindigkeit		2,5 - 5,0 km/h	-	2,5 - 5,0 km/h
Nennspannung		36 V Gleichstrom		
Nettogewicht	Wenn gerades Mähermesser montiert ist	35,3 - 39,0 kg	35,5 - 39,3 kg	39,0 - 42,8 kg
	Wenn Rückschwenk-Mähermesser montiert sind	36,0 - 39,7 kg	36,2 - 40,0 kg	39,7 - 43,5 kg
Schutzgrad		IPX4		

*1. Grundplatte und individuelle Mähermesser.

*2. Nur individuelle Mähermesser.

- Wir behalten uns vor, Änderungen der technischen Daten im Zuge der Entwicklung und des technischen Fortschritts ohne vorherige Ankündigung vorzunehmen.
- Die technischen Daten können von Land zu Land unterschiedlich sein.
- Das Gewicht kann abhängig von dem Aufsatz (den Aufsätzen), einschließlich des Akkus, unterschiedlich sein. Die leichteste und die schwerste Kombination, gemäß dem EPTA-Verfahren 01/2014, sind in der Tabelle angegeben.

Zutreffende Akkus

BL1815N / BL1820 / BL1820B / BL1830 / BL1830B / BL1840 / BL1840B / BL1850 / BL1850B / BL1860B

- Einige der oben aufgelisteten Akkus sind je nach Ihrem Wohngebiet eventuell nicht erhältlich.

⚠️ WARNUNG: Verwenden Sie nur die oben aufgeführten Akkus. Bei Verwendung irgendwelcher anderer Akkus besteht Verletzungs- und/oder Brandgefahr.

Symbole

Nachfolgend werden die für das Gerät verwendeten Symbole beschrieben. Machen Sie sich vor der Benutzung mit ihrer Bedeutung vertraut.

	Besondere Umsicht und Aufmerksamkeit erforderlich.
	Betriebsanleitung lesen.
	Gefahr durch herausgeschleuderte Objekte.
	Der Abstand zwischen dem Werkzeug und Umstehenden sollte mindestens 15 m betragen.
	Halten Sie niemals Ihre Hände und Füße in die Nähe des Messers unter dem Mäher. Die Messer drehen sich nach dem Ausschalten des Motors noch weiter.
	Entfernen Sie den Sperrschlüssel, bevor Sie den Mäher überprüfen, einstellen, reinigen, warten, verlassen und lagern.



Elektrische Gefährdung. Kontakt mit Wasser kann einen elektrischen Schlag verursachen.



Nicht mit Wasser übergießen.



Ni-MH
Li-ion

Nur für EU-Länder
Werfen Sie Elektrogeräte oder Akkus nicht in den Hausmüll!
Unter Einhaltung der Europäischen Richtlinie über Elektro- und Elektronik-Altgeräte, Batterien, Akkus sowie verbrauchte Batterien und Akkus und ihre Umsetzung gemäß den Landesgesetzen müssen Elektrogeräte und Batterien bzw. Akkus, die das Ende ihrer Lebensdauer erreicht haben, getrennt gesammelt und einer umweltgerechten Recycling-Einrichtung zugeführt werden.

Vorgesehene Verwendung

Die Maschine ist für Rasenmähen vorgesehen.

Geräusch

Typischer A-bewerteter Geräuschpegel ermittelt gemäß EN60335-2-77:

HINWEIS: Die Werte wurden an dem mit dem geraden Mähmesser ausgestatteten Mäher gemessen.

Modell AM3846

Schalldruckpegel (L_{pA}): 82,7 dB (A)
Schalleistungspegel (L_{WA}): 90,9 dB (A)
Messunsicherheit (K): 3 dB (A)

Modell AM3653

Schalldruckpegel (L_{pA}): 78,1 dB (A)
Schalleistungspegel (L_{WA}): 90,4 dB (A)
Messunsicherheit (K): 3 dB (A)

Modell AM3753

Schalldruckpegel (L_{pA}): 78,1 dB (A)
Schalleistungspegel (L_{WA}): 90,4 dB (A)
Messunsicherheit (K): 3 dB (A)

Der Geräuschpegel kann während des Betriebs 80 dB (A) überschreiten.

HINWEIS: Der (Die) angegebene(n) Schallemissionswert(e) wurde(n) im Einklang mit der Standardprüfmethode gemessen und kann (können) für den Vergleich zwischen Werkzeugen herangezogen werden.

HINWEIS: Der (Die) angegebene(n) Schallemissionswert(e) kann (können) auch für eine Vorbewertung des Gefährdungsgrads verwendet werden.

⚠️ WARNUNG: Einen Gehörschutz tragen.

⚠️ WARNUNG: Die Schallemission während der tatsächlichen Benutzung des Elektrowerkzeugs kann je nach der Benutzungsweise des Werkzeugs, und speziell je nach der Art des bearbeiteten Werkstücks, von dem (den) angegebenen Wert(en) abweichen.

⚠️ WARNUNG: Identifizieren Sie Sicherheitsmaßnahmen zum Schutz des Benutzers anhand einer Schätzung des Gefährdungsgrads unter den tatsächlichen Benutzungsbedingungen (unter Berücksichtigung aller Phasen des Arbeitszyklus, wie z. B. Ausschalt- und Leerlaufzeiten des Werkzeugs zusätzlich zur Betriebszeit).

Schwingungen

Schwingungsgesamtwert (Drei-Achsen-Vektorsumme) ermittelt gemäß EN60335-2-77:

HINWEIS: Die Werte wurden an dem mit dem geraden Mähmesser ausgestatteten Mäher gemessen.

Modell AM3846

Schwingungsemission (a_n): 2,5 m/s² oder weniger
Messunsicherheit (K): 1,5 m/s²

Modell AM3653

Schwingungsemission (a_n): 2,5 m/s² oder weniger
Messunsicherheit (K): 1,5 m/s²

Modell AM3753

Schwingungsemission (a_n): 2,5 m/s² oder weniger
Messunsicherheit (K): 1,5 m/s²

HINWEIS: Der (Die) angegebene(n) Vibrationsgesamtwert(e) wurde(n) im Einklang mit der Standardprüfmethode gemessen und kann (können) für den Vergleich zwischen Werkzeugen herangezogen werden.

HINWEIS: Der (Die) angegebene(n) Vibrationsgesamtwert(e) kann (können) auch für eine Vorbewertung des Gefährdungsgrads verwendet werden.

⚠️ WARNUNG: Die Vibrationsemission während der tatsächlichen Benutzung des Elektrowerkzeugs kann je nach der Benutzungsweise des Werkzeugs, und speziell je nach der Art des bearbeiteten Werkstücks, von dem (den) angegebenen Emissionswert(en) abweichen.

⚠️ WARNUNG: Identifizieren Sie Sicherheitsmaßnahmen zum Schutz des Benutzers anhand einer Schätzung des Gefährdungsgrads unter den tatsächlichen Benutzungsbedingungen (unter Berücksichtigung aller Phasen des Arbeitszyklus, wie z. B. Ausschalt- und Leerlaufzeiten des Werkzeugs zusätzlich zur Betriebszeit).

EG-Konformitätserklärung

Nur für europäische Länder

Die EG-Konformitätserklärung ist als Anhang A in dieser Bedienungsanleitung enthalten.

SICHERHEITSWARNUNGEN

WICHTIGE SICHERHEITSVORSCHRIFTEN

⚠️ WARNUNG: Lesen Sie alle Sicherheitswarnungen und Anweisungen durch. Eine Missachtung der unten aufgeführten Warnungen und Anweisungen kann zu einem elektrischen Schlag, Brand und/oder schweren Verletzungen führen.

Bewahren Sie alle Warnungen und Anweisungen für spätere Bezugnahme auf.

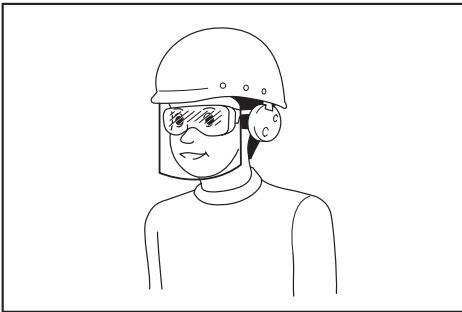
Einarbeitung

1. Lesen Sie die Anweisungen sorgfältig durch. Machen Sie sich mit der Bedienung und dem korrekten Gebrauch des Mähers vertraut.
2. Kinder oder Personen, die nicht mit dieser Anleitung vertraut sind, dürfen den Mäher keinesfalls benutzen. Örtliche Vorschriften können das Alter der Bedienungsperson einschränken.
3. Betreiben Sie den Mäher keinesfalls, während sich Personen, besonders Kinder, oder Haustiere in der Nähe aufhalten.

4. Der Bediener oder Benutzer ist verantwortlich für Verletzungen oder Sachschäden, die an Personen oder ihrem Eigentum entstehen.
5. Kinder sollten beaufsichtigt werden, um sicherzugehen, dass sie nicht mit dem Mäher spielen.
6. Körperliche Verfassung - Betreiben Sie den Mäher nicht unter dem Einfluss von Drogen, Alkohol oder Medikamenten.

Vorbereitung

1. Tragen Sie während der Benutzung des Mähers stets kräftiges Schuhwerk und eine lange Hose. Betreiben Sie den Mäher nicht barfuß oder mit offenen Sandalen. Vermeiden Sie das Tragen von Kleidungsstücken oder Schmucksachen, die lose sitzen oder herunterhängende Schnüre oder Bänder haben. Diese können von beweglichen Teilen erfasst werden.
2. Unterziehen Sie den Mäher vor Gebrauch immer einer Sichtprüfung auf beschädigte, fehlende oder deplatzierte Schutzhauben oder Abschirmungen.
3. Vergewissern Sie sich, dass sich keine anderen Personen im Arbeitsbereich aufhalten, bevor Sie mit dem Mähen beginnen. Stellen Sie den Mäher ab, falls jemand den Arbeitsbereich betritt.
4. Stecken Sie den Sperrschlüssel nicht eher in den Mäher, bis dieser betriebsbereit ist.
5. Tragen Sie stets eine Schutzbrille, um Ihre Augen bei Verwendung von Elektrowerkzeugen vor Verletzung zu schützen. Die Brille muss der Vorschrift ANSI Z87.1 in den USA, EN 166 in Europa oder AS/NZS 1336 in Australien/Neuseeland entsprechen. In Australien/Neuseeland ist das Tragen eines Gesichtsschutzes gesetzlich vorgeschrieben, um auch Ihr Gesicht zu schützen.



Der Arbeitgeber ist dafür verantwortlich, den Gebrauch von angemessener Schutzausrüstung für die Werkzeugbenutzer und andere Personen im unmittelbaren Arbeitsbereich durchzusetzen.

6. Überprüfen Sie die Messer oder die Messerschrauben vor dem Betrieb sorgfältig auf Risse oder Beschädigung. Wechseln Sie gerissene oder beschädigte Messer oder Messerschrauben unverzüglich aus.

7. Entfernen Sie vor dem Mähen Fremdkörper, wie Steine, Draht, Flaschen, Knochen und große Äste, vom Arbeitsbereich, um Personenschäden und Beschädigung des Mähers zu verhüten.
8. Vom Mähermesser herausgeschleuderte Gegenstände können schwere Personenverletzungen verursachen. Der Rasen ist vor jedem Mähen sorgfältig zu überprüfen und von allen Objekten zu räumen.
9. Achten Sie auf Löcher, Furchen, Bodenwellen, Steine oder sonstige verborgene Objekte. Unebenes Gelände könnte einen Unfall durch Ausrutschen und Hinfallen verursachen. Hohes Gras kann Hindernisse verbergen.
10. Unterlassen Sie Einstecken oder Abziehen des Sperrschlüssels im Regen.
11. Benutzen Sie persönliche Schutzausrüstung. Tragen Sie stets einen Augenschutz. Sachgemäßer Gebrauch von Schutzausrüstung (z. B. Staubmaske, rutschfeste Sicherheitsschuhe, Helm und Gehörschutz) trägt zu einer Reduzierung der Verletzungsgefahr bei.

Betrieb

1. Übernehmen Sie sich nicht. Achten Sie stets auf gute Balance. Achten Sie an Hängen immer auf einen sicheren Stand. Stets gehen, niemals laufen.
2. Halten Sie den Mäher an, entfernen Sie den Sperrschlüssel, und vergewissern Sie sich, dass alle beweglichen Teile zu einem vollständigen Stillstand gekommen sind:
 - wann immer Sie den Mäher verlassen,
 - bevor Sie Blockierungen beseitigen oder den Auswurf frei machen,
 - bevor Sie den Mäher überprüfen, reinigen oder daran arbeiten,
 - nach dem Auftreffen auf einen Fremdkörper.
 Überprüfen Sie den Mäher auf Beschädigung, und führen Sie Reparaturen durch, bevor Sie den Mäher wieder starten und in Betrieb nehmen,
 - wann immer der Mäher ungewöhnlich zu vibrieren beginnt.
3. Betreiben Sie den Mäher niemals mit defekten Schutzklappen oder Abschirmungen oder ohne Sicherheitsvorrichtungen, wie z. B. Abweiser und/oder Graskorb.
4. Vermeiden Sie die Benutzung des Mähers bei schlechten Witterungsverhältnissen, besonders bei Blitzschlaggefahr.
5. Tragen Sie während der Benutzung des Mähers stets einen Augenschutz und robuste Schuhe.
6. Betreiben Sie den Mäher nur bei Tageslicht oder hellem Kunstlicht.
7. Schalten Sie den Mäher gemäß den Anweisungen vorsichtig ein, während Ihre Füße einen ausreichenden Sicherheitsabstand von dem (den) Messer(n) haben.
8. Hüten Sie sich vor Fuß- und Handverletzungen durch die Mähermesser.
9. Achten Sie stets darauf, dass die Belüftungsöffnungen frei von Unrat sind.

10. Mähen Sie Hänge nur seitwärts, niemals auf und ab. Gehen Sie bei Richtungsänderungen auf Hängen äußerst vorsichtig vor. Mähen Sie keine sehr steilen Hänge.
11. Lassen Sie äußerste Vorsicht walten, wenn Sie den Mäher rückwärts betreiben oder auf sich zu ziehen.
12. Halten Sie das (die) Messer an, wenn der Mäher zum Transportieren gekippt werden muss, wenn andere Flächen als Rasen überquert werden müssen, und wenn der Mäher zu und vom Arbeitsbereich transportiert werden muss.
13. Neigen Sie den Mäher nicht, wenn Sie den Motor einschalten, außer wenn der Mäher zum Starten geneigt werden muss. Neigen Sie den Mäher in diesem Fall nicht mehr als absolut notwendig, und heben Sie nur den vom Bediener abgewandten Teil an. Achten Sie stets darauf, dass sich beide Hände an der Arbeitsposition befinden, bevor Sie den Mäher wieder auf den Boden stellen.
14. Halten Sie Ihre Hände oder Füße nicht in die Nähe von rotierenden Teilen oder darunter. Bleiben Sie stets von der Auswurföffnung fern.
15. Transportieren Sie den Mäher nicht in eingeschaltetem Zustand.
16. Vermeiden Sie die Benutzung des Mähers in nassem Gras.
17. Halten Sie den Bügelgriff stets mit festem Griff.
18. Fassen Sie nicht die freiliegenden Schneidmesser oder die Schneidkanten an, wenn Sie den Mäher anheben oder halten.
19. Halten Sie Hände und Füße von den rotierenden Messern fern. Vorsicht - Die Messer drehen sich nach dem Ausschalten des Mähers noch weiter.
20. Brechen Sie den Betrieb sofort ab, wenn Sie irgendetwas Ungewöhnliches bemerken. Schalten Sie den Mäher aus, und ziehen Sie den Sperrschlüssel ab. Überprüfen Sie dann den Mäher.
21. Versuchen Sie niemals, Einstellungen der Schnithöhe bei laufendem Mäher durchzuführen, wenn der Mäher eine Funktion zum Einstellen der Schnithöhe besitzt.
22. Lassen Sie den Schalthebel los, und warten Sie, bis das Messer zum Stillstand gekommen ist, bevor Sie Einfahrten, Gehwege, Straßen und schotterbedeckte Flächen überqueren. Ziehen Sie den Sperrschlüssel auch ab, wenn Sie den Mäher verlassen, wenn Sie sich bücken, um etwas aufzuheben oder aus dem Weg zu räumen, oder in irgendeiner anderen Situation, bei der Sie von Ihrer Arbeit abgelenkt werden könnten.
23. Falls der Rasenmäher auf einen Fremdkörper stößt, gehen Sie folgendermaßen vor:
 - Stellen Sie den Mäher ab, lassen Sie den Schalthebel los, und warten Sie, bis das Messer zum vollständigen Stillstand kommt.
 - Entfernen Sie den Sperrschlüssel und den Akku.
- Überprüfen Sie den Mäher gründlich auf etwaige Beschädigung.
- Tauschen Sie das Messer aus, falls es in irgendeiner Weise beschädigt ist. Reparieren Sie etwaige Schäden, bevor Sie den Mäher wieder in Betrieb nehmen und weiter benutzen.
24. Starten Sie den Mäher nicht, wenn Sie vor der Auswurföffnung stehen.
25. Falls der Mäher beginnt, ungewöhnlich heftig zu vibrieren (sofort überprüfen),
 - auf Beschädigung überprüfen,
 - beschädigte Teile austauschen oder reparieren,
 - prüfen, ob lose Teile vorhanden sind, und diese festziehen.
26. Richten Sie den Materialauswurf niemals auf Personen. Vermeiden Sie Auswerfen von Material gegen eine Wand oder eine Behinderung. Das Material könnte auf den Bediener zurückprallen. Halten Sie das Messer an, wenn Sie Schotterflächen überqueren.
27. Ziehen Sie den Mäher nicht rückwärts, wenn dies nicht unbedingt notwendig ist. Wenn Sie gezwungen sind, den Mäher von einem Zaun oder einer ähnlichen Behinderung zurückzuziehen, schauen Sie nach unten und hinten, bevor und während Sie sich rückwärts bewegen.
28. Stellen Sie den Motor ab, und warten Sie, bis das Messer zu einem vollständigen Stillstand kommt, bevor Sie den Grasfänger entfernen. Beachten Sie, dass die Messer nach dem Ausschalten nachlaufen.
29. Wenn Sie die Maschine auf schlammigem Boden, auf einem nassen Hang oder an einem schlüpfrigen Ort benutzen, achten Sie auf Ihren Stand.
30. Vermeiden Sie Arbeiten in ungünstiger Umgebung, wo mit erhöhter Benutzerermüdung zu rechnen ist.
31. Benutzen Sie die Maschine nicht bei schlechtem Wetter, wo die Sichtverhältnisse eingeschränkt sind. Anderenfalls kann es zu einem Sturz oder falschem Betrieb wegen schlechter Sichtverhältnisse kommen.
32. Tauchen Sie die Maschine nicht in einen Tümpel ein.
33. Wenn nasse Blätter oder Schmutz aufgrund von Regen an der Saugöffnung (Belüftungsfenster) haften, entfernen Sie diese.
34. Benutzen Sie die Maschine nicht im Schnee.
35. Falls das gemähte Gras nass ist, ist die Wahrscheinlichkeit groß, dass es die Innenseite der Maschine verstopft. Überprüfen Sie den Zustand der Maschine regelmäßig, und entfernen Sie bei Bedarf das anhaftende Gras.
36. Achten Sie beim Betreiben der Maschine auf Rohrleitungen und Kabel.
37. Verwenden Sie keine verkabelte Stromversorgung, wie z. B. einen Akku-Adapter oder eine rückentragbare Akku-Bank, mit dieser Maschine. Anderenfalls kann das Kabel einer solchen Stromversorgung den Betrieb behindern und Personenschäden verursachen.

Wartung und Lagerung

1. Tauschen Sie verschlissene oder beschädigte Teile zur Sicherheit aus. Verwenden Sie nur Original-Ersatzteile und -Zubehör.
2. Überprüfen und warten Sie den Mäher regelmäßig.
3. Bewahren Sie den Mäher bei Nichtgebrauch außer Reichweite von Kindern auf.
4. Achten Sie auf festen Sitz aller Muttern, Bolzen und Schrauben, um sicherzugehen, dass sich das Gerät in einwandfreiem Arbeitszustand befindet.
5. Überprüfen Sie den Graskorb oft auf Verschleiß oder Verschlechterung. Vergewissern Sie sich vor der Lagerung stets, dass der Graskorb leer ist. Tauschen Sie einen verschlissenen Graskorb zur Sicherheit gegen ein neues Original-Ersatzteil aus.
6. Verwenden Sie nur die in dieser Anleitung angegebenen Originalmesser des Herstellers.
7. Lassen Sie während der Einstellung des Mähers Vorsicht walten, um Einklemmen der Finger zwischen den beweglichen Messern und den feststehenden Teilen des Mähers zu verhüten.
8. Überprüfen Sie die Messerbefestigungsschraube in regelmäßigen Abständen auf festen Sitz.
9. Lassen Sie den Mäher vor der Lagerung stets abkühlen.
10. Wenn Sie die Messer warten, bedenken Sie, dass sich die Messer immer noch bewegen können, selbst wenn die Stromquelle abgeschaltet ist.
11. Versuchen Sie niemals, Sicherheitsvorrichtungen zu entfernen oder zu manipulieren. Überprüfen Sie regelmäßig ihre ordnungsgemäße Funktion. Unterlassen Sie jegliche Beeinträchtigung der beabsichtigten Funktion einer Sicherheitsvorrichtung oder eine Verringerung des von einer Sicherheitsvorrichtung bereitgestellten Schutzes.
12. Lassen Sie die Maschine nicht unbeaufsichtigt im Freien bei Regen stehen.
13. Waschen Sie die Maschine nicht mit Hochdruck-Wasserstrahl.
14. Wenn Sie die Maschine waschen, entfernen Sie unbedingt den Akku und den Sperrschlüssel, schließen Sie die Akkuabdeckung, und gießen Sie Wasser in Richtung der Unterseite der Maschine, an der das Messer angebracht ist.
15. Lagern Sie die Maschine nicht an einem Ort, der direktem Sonnenlicht und Regen ausgesetzt ist, sondern an einem Ort, an dem es nicht heiß oder feucht wird.
16. Führen Sie Inspektions- oder Wartungsarbeiten an einem Ort durch, wo Regen vermieden werden kann.
17. Nachdem Sie die Maschine benutzt haben, entfernen Sie den anhaftenden Schmutz, und lassen Sie die Maschine vor der Lagerung vollständig trocknen. Je nach Jahreszeit oder Gebiet besteht die Gefahr einer Funktionsstörung durch Gefrieren.

Gebrauch und Pflege von Akkuwerkzeugen

1. Laden Sie den Akku nur mit dem vom Hersteller vorgeschriebenen Ladegerät. Ein Ladegerät, das für einen Akkutyp geeignet ist, kann bei Verwendung mit einem anderen Akku eine Brandgefahr darstellen.
2. Benutzen Sie Elektrowerkzeuge nur mit den ausdrücklich vorgeschriebenen Akkus. Bei Verwendung irgendwelcher anderer Akkus besteht Verletzungs- und Brandgefahr.
3. Bewahren Sie den Akku bei Nichtgebrauch nicht zusammen mit Metallgegenständen, wie Büroklammern, Münzen, Schlüsseln, Nägeln, Schrauben, und anderen kleinen Metallteilen auf, welche die Kontakte kurzschließen können. Kurzschließen der Akkukontakte kann Verbrennungen oder einen Brand verursachen.
4. Bei Missbrauch kann Flüssigkeit aus dem Akku austreten. Vermeiden Sie Kontakt mit dieser Flüssigkeit. Falls Sie versehentlich mit der Flüssigkeit in Berührung kommen, spülen Sie die betroffenen Stellen mit Wasser ab. Falls die Flüssigkeit in die Augen gelangt, suchen Sie zusätzlich ärztliche Hilfe auf. Die vom Akku austretende Flüssigkeit kann Hautreizungen oder Verätzungen verursachen.
5. Verwenden Sie keinen Akku und auch kein Werkzeug, der (das) beschädigt oder modifiziert ist. Beschädigte oder modifizierte Akkus können unvorhersehbares Verhalten zeigen, das zu einem Brand, einer Explosion oder Verletzungsgefahr führen kann.
6. Setzen Sie einen Akku oder ein Werkzeug nicht Feuer oder übermäßigen Temperaturen aus. Bei Einwirkung von Feuer oder Temperaturen über 130 °C kann es zu einer Explosion kommen.
7. Befolgen Sie alle Ladeanweisungen, und laden Sie den Akku bzw. das Werkzeug nicht außerhalb des in den Anweisungen angegebenen Temperaturbereichs. Wird der Ladevorgang unsachgemäß oder bei Temperaturen außerhalb des angegebenen Bereichs durchgeführt, kann es zu einer Beschädigung des Akkus und erhöhter Brandgefahr kommen.

Sicherheit der Elektrik und des Akkus

1. Werfen Sie den (die) Akku(s) nicht ins Feuer. Die Zelle könnte explodieren. Prüfen Sie die örtlichen Vorschriften für mögliche spezielle Entsorgungsanweisungen.
2. Versuchen Sie nicht, den (die) Akku(s) zu öffnen oder zu verstümmeln. Freigesetzter Elektrolyt ist korrosiv und kann Schäden an Augen oder Haut verursachen. Falls er verschluckt wird, kann er giftig sein.
3. Laden Sie den Akku nicht im Regen oder an nassen Orten.
4. Laden Sie den Akku nicht im Freien.
5. Fassen Sie das Ladegerät, einschließlich des Ladegerätesteckers und der Ladegeräteanschlüsse, nicht mit nassen Händen an.
6. Tauschen Sie den Akku nicht im Regen aus.

7. Vermeiden Sie Benetzen der Akkukontakte mit einer Flüssigkeit, wie z. B. Wasser, oder Untertauchen des Akkus. Lassen Sie den Akku nicht im Regen stehen, und unterlassen Sie Laden, Benutzen oder Lagern des Akkus an einem feuchten oder nassen Ort. Falls die Kontakte nass werden, oder eine Flüssigkeit in den Akku eindringt, kann der Akku kurzgeschlossen werden, und es besteht Überhitzungs-, Brand- oder Explosionsgefahr.
8. Nachdem Sie den Akku von der Maschine oder vom Ladegerät entfernt haben, bringen Sie unbedingt die Akkuabdeckung am Akku an, und lagern Sie ihn an einem trockenen Ort.
9. Tauschen Sie den Akku nicht mit nassen Händen aus.

Wartung

1. Lassen Sie Ihr Elektrowerkzeug nur unter Verwendung identischer Ersatzteile von einem qualifizierten Wartungstechniker warten. Dadurch wird die Aufrechterhaltung der Sicherheit des Elektrowerkzeugs gewährleistet.
2. Beschädigte Akkus dürfen auf keinen Fall gewartet werden. Die Wartung von Akkus darf nur vom Hersteller oder von einer Vertragswerkstatt durchgeführt werden.

DIESE ANWEISUNGEN AUFBEWAHREN.

⚠️ WARNUNG: Lassen Sie sich NICHT durch Bequemlichkeit oder Vertrautheit mit dem Produkt (durch wiederholten Gebrauch erworben) von der strikten Einhaltung der Sicherheitsregeln für das vorliegende Produkt abhalten.

MISSBRAUCH oder Missachtung der Sicherheitsvorschriften in dieser Anleitung können schwere Verletzungen verursachen.

Wichtige Sicherheitsanweisungen für Akku

1. Lesen Sie vor der Benutzung des Akkus alle Anweisungen und Warnhinweise, die an (1) Ladegerät, (2) Akku und (3) Akkuwerkzeug angebracht sind.
2. Unterlassen Sie ein Zerlegen des Akkus.
3. Falls die Betriebszeit beträchtlich kürzer geworden ist, stellen Sie den Betrieb sofort ein. Anderenfalls besteht die Gefahr von Überhitzung, möglichen Verbrennungen und sogar einer Explosion.
4. Falls Elektrolyt in Ihre Augen gelangt, waschen Sie sie mit sauberem Wasser aus, und begeben Sie sich unverzüglich in ärztliche Behandlung. Anderenfalls können Sie Ihre Sehkraft verlieren.
5. Der Akku darf nicht kurzgeschlossen werden:
 - (1) Die Kontakte dürfen nicht mit leitfähigem Material berührt werden.
 - (2) Lagern Sie den Akku nicht in einem Behälter zusammen mit anderen Metallgegenständen, wie z. B. Nägeln, Münzen usw.

- (3) Setzen Sie den Akku weder Wasser noch Regen aus.

Ein Kurzschluss des Akkus verursacht starken Stromfluss, der Überhitzung, mögliche Verbrennungen und einen Defekt zur Folge haben kann.

6. Lagern Sie das Werkzeug und den Akku nicht an Orten, an denen die Temperatur 50 °C erreichen oder überschreiten kann.
7. Versuchen Sie niemals, den Akku zu verbrennen, selbst wenn er stark beschädigt oder vollkommen verbraucht ist. Der Akku kann im Feuer explodieren.
8. Achten Sie darauf, dass der Akku nicht fallen gelassen oder Stößen ausgesetzt wird.
9. Benutzen Sie keine beschädigten Akkus.
10. Die enthaltenen Lithium-Ionen-Akkus unterliegen den Anforderungen der Gefahrgut-Gesetzgebung.

Für kommerzielle Transporte, z. B. durch Dritte oder Spediteure, müssen besondere Anforderungen zu Verpackung und Etikettierung beachtet werden.

Zur Vorbereitung des zu transportierenden Artikels ist eine Beratung durch einen Experten für Gefahrgut erforderlich. Bitte beachten Sie möglicherweise ausführlichere nationale Vorschriften. Überkleben oder verdecken Sie offene Kontakte, und verpacken Sie den Akku so, dass er sich in der Verpackung nicht umher bewegen kann.

11. Entfernen Sie den Akku zum Entsorgen vom Werkzeug, und entsorgen Sie ihn an einem sicheren Ort. Befolgen Sie die örtlichen Vorschriften bezüglich der Entsorgung von Akkus.
12. Verwenden Sie die Akkus nur mit den von Makita angegebenen Produkten. Das Einsetzen der Akkus in nicht konforme Produkte kann zu einem Brand, übermäßiger Hitzebildung, einer Explosion oder Auslaufen von Elektrolyt führen.
13. Soll das Werkzeug längere Zeit nicht benutzt werden, muss der Akku vom Werkzeug entfernt werden.

DIESE ANWEISUNGEN AUFBEWAHREN.

⚠️ VORSICHT: Verwenden Sie nur Original-Makita-Akkus. Die Verwendung von Nicht-Original-Makita-Akkus oder von Akkus, die abgeändert worden sind, kann zum Bersten des Akkus und daraus resultierenden Bränden, Personenschäden und Beschädigung führen. Außerdem wird dadurch die Makita-Garantie für das Makita-Werkzeug und -Ladegerät ungültig.

Hinweise zur Aufrechterhaltung der maximalen Akku-Nutzungsdauer

1. Laden Sie den Akku, bevor er vollkommen erschöpft ist. Schalten Sie das Werkzeug stets aus, und laden Sie den Akku, wenn Sie ein Nachlassen der Werkzeuggesteuerung feststellen.

2. Unterlassen Sie erneutes Laden eines voll aufgeladenen Akkus. Überladen führt zu einer Verkürzung der Nutzungsdauer des Akkus.
3. Laden Sie den Akku bei Raumtemperatur zwischen 10 – 40 °C. Lassen Sie einen heißen Akku abkühlen, bevor Sie ihn laden.
4. Der Akku muss geladen werden, wenn er lange Zeit (länger als sechs Monate) nicht benutzt wird.

MONTAGE

⚠️ WARNUNG: Vergewissern Sie sich stets, dass der Sperrschlüssel abgezogen ist und die Akkus entfernt worden sind, bevor Sie irgendwelche Arbeiten am Mäher ausführen. Wird das Entfernen des Sperrschlüssels und das Abnehmen der Akkus unterlassen, kann es zu schweren Personenschäden durch versehentliches Anlaufen kommen.

⚠️ WARNUNG: Starten Sie den Mäher niemals, wenn er nicht vollständig zusammengebaut ist. Der Betrieb der Maschine in teilweise zusammengebautem Zustand kann zu schweren Personenschäden durch versehentliches Anlaufen führen.

Montieren des Bügelgriffs

ANMERKUNG: Positionieren Sie die Kabel beim Montieren der Griffstangen so, dass sie nicht durch irgendwelche Teile zwischen den Griffstangen erfasst werden. Falls das Kabel beschädigt wird, funktioniert der Mäherschalter eventuell nicht.

1. Richten Sie die Löcher im unteren Bügelgriff auf die Löcher in der Mähereinheit aus, und ziehen Sie dann 4 Schrauben provisorisch an.
▶ **Abb.1:** 1. Unterer Bügelgriff 2. Schraube
2. Ziehen Sie die in Schritt 1 provisorisch angezogenen 4 Schrauben mit dem Steckschlüssel 13 fest.
3. Richten Sie das Loch im unteren Bügelgriff auf das Loch im oberen Bügelgriff aus, führen Sie dann die Schraube von innen ein, und ziehen Sie die Mutter mit dem Steckschlüssel 13 von außen an. Führen Sie den gleichen Vorgang auf der anderen Seite durch.
▶ **Abb.2:** 1. Schraube 2. Unterer Bügelgriff 3. Mutter 4. Loch 5. Oberer Bügelgriff

⚠️ VORSICHT: Halten Sie den oberen Bügelgriff gut fest, damit er Ihnen nicht aus der Hand rutscht. Anderenfalls kann der Bügelgriff herunterfallen und Verletzungen verursachen.

4. Bringen Sie die Halter am Bügelgriff an.
Richten Sie die Vorsprünge am Halter auf die Löcher am Bügelgriff aus, so dass die Vorsprünge in die Löcher passen. Positionieren Sie die Kabel, wie in der Abbildung gezeigt.
▶ **Abb.3:** 1. Kabel 2. Halter

Entfernen des Mulchstopfens

1. Öffnen Sie die Rückabdeckung.
▶ **Abb.4:** 1. Rückabdeckung
2. Entfernen Sie den Mulchstopfen, während Sie den Hebel niederhalten.
▶ **Abb.5:** 1. Hebel 2. Mulchstopfen

Montieren und Demontieren des Graskorbs

Befolgen Sie zum Montieren des Graskorbs die nachstehenden Schritte.

1. Öffnen Sie die Rückabdeckung.
▶ **Abb.6:** 1. Rückabdeckung
2. Halten Sie den Griff des Graskorbs, und hängen Sie dann den Graskorb an die Stange der Mähereinheit, wie in der Abbildung gezeigt.
▶ **Abb.7:** 1. Stange 2. Griff 3. Graskorb

Zum Entfernen des Graskorbs öffnen Sie die Rückabdeckung, und nehmen Sie dann den Graskorb ab, indem Sie den Griff halten.

Anbringen des Mulchstopfens

1. Öffnen Sie die Rückabdeckung, und nehmen Sie dann den Graskorb ab.
▶ **Abb.8:** 1. Rückabdeckung 2. Graskorb
2. Bringen Sie den Mulchstopfen an, während Sie den Hebel niedergedrückt halten, und lassen Sie dann den Hebel los, um den Mulchstopfen zu verriegeln.
▶ **Abb.9:** 1. Hebel 2. Mulchstopfen

Anbringen des Auswerfaufsatzes

Für AM3653/AM3753

1. Öffnen Sie die Rückabdeckung, und nehmen Sie dann den Graskorb ab.
▶ **Abb.10:** 1. Rückabdeckung 2. Graskorb
2. Bringen Sie den Mulchstopfen an, während Sie den Hebel niedergedrückt halten, und lassen Sie dann den Hebel los, um den Mulchstopfen zu verriegeln.
▶ **Abb.11:** 1. Hebel 2. Mulchstopfen
3. Öffnen Sie die rechte Seitenabdeckung, und bringen Sie dann den Auswerfaufsatz an.
Führen Sie die Haken des Auswerfaufsatzes unter die Stange der rechten Seitenabdeckung ein.
▶ **Abb.12:** 1. Rechte Seitenabdeckung 2. Auswerfaufsatz

FUNKTIONSBESCHREIBUNG

Anbringen und Abnehmen des Akkus

⚠ VORSICHT: Schalten Sie die Maschine stets aus, bevor Sie den Akku anbringen oder abnehmen.

⚠ VORSICHT: Halten Sie die Maschine und den Akku beim Anbringen oder Abnehmen des Akkus sicher fest. Wenn Sie die Maschine und den Akku nicht sicher festhalten, können sie Ihnen aus den Händen rutschen, was zu einer Beschädigung der Maschine und des Akkus und zu Personenschäden führen kann.

⚠ VORSICHT: Verriegeln Sie unbedingt die Akkuabdeckung vor Gebrauch. Anderenfalls können Schlamm, Schmutz oder Wasser eine Beschädigung des Produkts oder der Akkus verursachen.

⚠ VORSICHT: Schieben Sie die Akkus stets bis zum Anschlag ein, bis die rote Anzeige nicht mehr sichtbar ist. Andernfalls kann er versehentlich aus der Maschine herausfallen und Sie oder umstehende Personen verletzen.

⚠ VORSICHT: Unterlassen Sie Gewaltanwendung beim Anbringen der Akkus. Falls die Akkus nicht reibungslos hineingleiten, sind sie nicht richtig ausgerichtet.

HINWEIS: Die Maschine funktioniert nicht mit nur einem Akku.

Zum Einsetzen der Akkus:

1. Ziehen Sie den Verriegelungshebel hoch, und öffnen Sie dann die Akkuabdeckung.
▶ **Abb.13:** 1. Akkuabdeckung 2. Verriegelungshebel
2. Richten Sie die Feder am Akku auf den Schlitz an der Maschine aus, und schieben Sie dann den Akku hinein, bis er mit einem leisen Klicken einrastet.
▶ **Abb.14:** (1) Akkudock 1 (2) Akkudock 2 (3) Akku

HINWEIS: Setzen Sie mindestens 2 Akkus in Akkudock 1 oder Akkudock 2 ein.

3. Führen Sie den Sperrschlüssel bis zum Anschlag in den in der Abbildung gezeigten Schlitz ein.
▶ **Abb.15:** 1. Sperrschlüssel
4. Schließen Sie die Akkuabdeckung, und drücken Sie sie an, bis sie mit dem Verriegelungshebel einrastet.

Zum Entfernen des Akkus:

1. Ziehen Sie den Verriegelungshebel hoch, und öffnen Sie die Akkuabdeckung.
2. Ziehen Sie den Akku aus der Maschine heraus, während Sie den Knopf an der Vorderseite des Akkus verschieben.
3. Ziehen Sie den Sperrschlüssel heraus.
4. Schließen Sie die Akkuabdeckung.

Umschalten zwischen den Akkus

▶ **Abb.16:** 1. Akku-Wahlschalter

Die Maschine verwendet jeweils 2 Akkus für den Betrieb. Bis zu 4 Akkus können in die Maschine eingesetzt werden. Wählen Sie vor dem Betrieb der Maschine das Akkudock 1 oder das Akkudock 2 durch Drehen des Akku-Wahlschalters aus.

HINWEIS: Sind nur 2 Akkus in die Maschine eingesetzt, wählen Sie mit dem Akku-Wahlschalter unbedingt das Akkudock aus, in das die Akkus eingesetzt sind.

Maschinen-/Akku-Schutzsystem

Die Maschine ist mit einem Maschinen-/Akku-Schutzsystem ausgestattet. Dieses System schaltet die Stromversorgung des Motors automatisch ab, um die Lebensdauer von Maschine und Akku zu verlängern. Die Maschine bleibt während des Betriebs automatisch stehen, wenn die Maschine oder der Akku einer der folgenden Bedingungen unterliegt:

Überlastschutz

Wird der Akku auf eine Weise benutzt, die eine ungewöhnlich hohe Stromaufnahme bewirkt, bleibt die Maschine automatisch stehen, und die Hauptbetriebslampe blinkt in Grün. Schalten Sie in dieser Situation die Maschine aus, und brechen Sie die Anwendung ab, die eine Überlastung der Maschine verursacht hat. Schalten Sie dann die Maschine wieder ein, um sie neu zu starten.

Überhitzungsschutz

Wenn die Maschine oder der Akku überhitzt wird, bleibt die Maschine automatisch stehen, und die Hauptbetriebslampe leuchtet in Rot auf. Lassen Sie die Maschine und den Akku in diesem Fall abkühlen, bevor Sie die Maschine wieder einschalten.

Überentladungsschutz









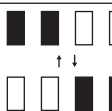
Wenn die Akkukapazität nicht ausreicht, bleibt die Maschine automatisch stehen, und die Hauptbetriebslampe blinkt in Rot. Entfernen Sie in diesem Fall die Akkus aus der Maschine, und laden Sie die Akkus auf, oder tauschen Sie die Akkus gegen voll aufgeladene aus.

Anzeigen der Akku-Restkapazität

Nur für Akkus mit Anzeige

▶ **Abb.17:** 1. Anzeigelampen 2. Prüftaste

Drücken Sie die Prüftaste am Akku, um die Akku-Restkapazität anzuzeigen. Die Anzeigelampen leuchten wenige Sekunden lang auf.

Anzeigelampen			Restkapazität
 Erleuchtet	 Aus	 Blinkend	
			75% bis 100%
			50% bis 75%
			25% bis 50%
			0% bis 25%
			Den Akku aufladen.
			Möglicherweise liegt eine Funktionsstörung im Akku vor.

HINWEIS: Abhängig von den Benutzungsbedingungen und der Umgebungstemperatur kann die Anzeige geringfügig von der tatsächlichen Kapazität abweichen.

Bedienfeld

Das Bedienfeld weist den Hauptbetriebsschalter, die Betriebsart-Umschalttaste und die Akku-Restkapazitätsanzeige auf.

- **Abb.18:** 1. Akku-Anzeige 2. Betriebsart-Umschalttastenlampe
3. Hauptbetriebslampe 4. Prüftaste
5. Betriebsart-Umschalttaste
6. Hauptbetriebsschalter

Hauptbetriebsschalter

⚠️ WARNUNG: Schalten Sie den Hauptbetriebsschalter stets aus, wenn das Werkzeug nicht benutzt wird.

Zum Einschalten der Maschine drücken Sie den Hauptbetriebsschalter. Die Hauptbetriebslampe leuchtet in Grün auf. Zum Ausschalten der Maschine drücken Sie den Hauptbetriebsschalter erneut.

HINWEIS: Falls die Hauptbetriebslampe in Rot aufleuchtet oder in Rot oder Grün blinkt, nehmen Sie auf die Anweisungen für das Maschinen-/Akku-Schutzsystem Bezug.






HINWEIS: Diese Maschine verwendet die Abschaltautomatik. Um unbeabsichtigtes Anlaufen zu vermeiden, wird der Hauptbetriebsschalter automatisch abgeschaltet, wenn der Schalthebel und der Antriebsbügel (sofern vorhanden) eine bestimmte Zeitlang nach dem Einschalten des Hauptbetriebsschalters nicht betätigt wird.

Betriebsart-Umschalttaste

Durch Drücken der Betriebsart-Umschalttaste können Sie die Betriebsart wechseln. Beim Einschalten wird die Maschine im Normalmodus hochgefahren. Wenn Sie die Betriebsart-Umschalttaste drücken, wechselt die Maschine in den Geräuschreduzierungsmodus, und die Betriebsart-Umschalttastenlampe leuchtet in Grün auf. Im Geräuschreduzierungsmodus können Sie das Geräusch beim Mähen verringern. Wenn Sie die Betriebsart-Umschalttaste erneut drücken, kehrt die Maschine in den Normalmodus zurück.

Anzeigen der Akku-Restkapazität

Drücken Sie die Prüftaste, um die Akku-Restkapazität anzuzeigen. Jedem Akku sind eigene Akku-Anzeigen zugeordnet.

Status der Akku-Anzeige		Akku-Restkapazität
 Ein	 Aus	
		50% - 100%
		20% - 50%
		0% - 20%

HINWEIS: Die Anzeigelampen für die Akku-Restkapazität dienen lediglich als Referenz. Die tatsächliche Akkukapazität kann abhängig von den Benutzungsbedingungen abweichen.

HINWEIS: Stoppen Sie die Maschine, bevor Sie die Prüftaste drücken, um die Akku-Restkapazität anzuzeigen.

Schalterfunktion

⚠️ WARNUNG: Vergewissern Sie sich vor dem Einsetzen der Akkus stets, dass der Schalthebel ordnungsgemäß funktioniert und beim Loslassen in die Ausgangsstellung zurückkehrt. Der Betrieb der Maschine mit einem fehlerhaften Schalter kann zum Verlust der Kontrolle und zu schweren Personenschäden führen.

HINWEIS: Der Mäher startet nicht, ohne den Schaltknopf zu drücken, selbst wenn der Schalthebel betätigt wird.

HINWEIS: Der Mäher startet möglicherweise nicht aufgrund der Überlastung, wenn Sie versuchen, langes oder dichtes Gras in einem Durchgang zu mähen. Erhöhen Sie in diesem Fall die Mähhöhe.

Dieser Mäher ist mit einem Sperrschlüssel und Griffschalter ausgestattet. Falls Sie etwas Ungewöhnliches beim Sperrschlüssel oder Schalter bemerken, stoppen Sie den Betrieb unverzüglich, und lassen Sie die Teile vom nächsten autorisierten Makita/Dolmar-Servicecenter überprüfen.

Für AM3846/AM3753

1. Setzen Sie die Akkus ein. Führen Sie den Sperrschlüssel ein, und schließen Sie dann die Akkuabdeckung.
 2. Wählen Sie die für den Betrieb zu benutzenden Akku durch Drehen des Akku-Wahlschalters aus.
 3. Drücken Sie den Hauptbetriebsschalter.
 4. Ziehen Sie den Schalthebel auf sich zu, während Sie den Schaltknopf gedrückt halten. Lassen Sie den Schaltknopf los, sobald der Motor anläuft.
- **Abb.19:** 1. Schaltknopf 2. Schalthebel

HINWEIS: Wird der Sperrschlüssel nicht eingesteckt, blinkt die Betriebslampe beim Betätigen des Schalthebels in Grün.

5. Drücken Sie den Antriebsbügel bei angezogenem Schalthebel nach vorn, und halten Sie ihn dort, um die Hinterräder anzutreiben.
- **Abb.20:** 1. Antriebsbügel

HINWEIS: Sie können die Hinterräder antreiben, indem Sie den Antriebsbügel nach vorn drücken und halten, ohne den Schalthebel anzuziehen.

6. Lassen Sie den Antriebsbügel und den Schalthebel los, um die Maschine anzuhalten.

Für AM3653

1. Setzen Sie die Akkus ein. Stecken Sie den Sperrschlüssel in den Verriegelungsschalter, und schließen Sie dann die Akkuabdeckung.
 2. Wählen Sie die für den Betrieb zu benutzenden Akku durch Drehen des Akku-Wahlschalters aus.
 3. Drücken Sie den Hauptbetriebsschalter.
 4. Ziehen Sie den Schalthebel auf sich zu, während Sie den Schaltknopf gedrückt halten. Lassen Sie den Schaltknopf los, sobald der Motor anläuft.
- **Abb.21:** 1. Schaltknopf 2. Schalthebel

HINWEIS: Wird der Sperrschlüssel nicht eingesteckt, blinkt die Betriebslampe beim Betätigen des Schalthebels in Grün.

5. Lassen Sie den Schalthebel los, um den Motor zu stoppen.

Einstellen der Mähhöhe

⚠ WARNUNG: Halten Sie niemals Ihre Hand oder Ihren Fuß unter die Mähereinheit, wenn Sie die Mähhöhe einstellen.

⚠ WARNUNG: Vergewissern Sie sich stets, dass der Hebel einwandfrei in der Führungsnut sitzt, bevor Sie den Mäher in Betrieb nehmen.

Die Mähhöhe kann innerhalb des Bereichs zwischen 20 mm und 100 mm eingestellt werden.

Ziehen Sie den Sperrschlüssel ab, ziehen Sie dann den Mähhöhen-Einstellhebel von der Mähereinheit nach außen, und stellen Sie ihn auf die gewünschte Mähhöhe.

► **Abb.22:** 1. Mähhöhen-Einstellhebel

Die nachstehende Tabelle zeigt die Beziehung zwischen der Nummer an der Mähereinheit und der ungefähren Mähhöhe.

Nummer	Mähhöhe
1	20 mm
2	26 mm
3	32 mm
4	39 mm
5	47 mm
6	55 mm
7	63 mm
8	74 mm
9	86 mm
10	100 mm

Halten Sie den vorderen Griff oder den unteren Bügelgriff mit einer Hand, und verstellen Sie dann den Mähhöhen-Einstellhebel mit der anderen Hand.

► **Abb.23:** 1. Mähhöhen-Einstellhebel 2. Unterer Bügelgriff 3. Vorderer Griff

HINWEIS: Die Zahlen der Mähhöhe dienen lediglich als Orientierungshilfe. Je nach den Bedingungen des Rasens oder des Bodens kann die tatsächliche Rasenhöhe geringfügig von der eingestellten Höhe abweichen.

HINWEIS: Machen Sie einen Mähtest an einer unauffälligeren Stelle des Rasens, um die gewünschte Höhe zu erhalten.

Grasfüllstandsanzeige

Die Grasfüllstandsanzeige zeigt die Menge des gemähten Grasses an. Wenn der Graskorb nicht voll ist, schwimmt der Indikator, während die Messer rotieren.

► **Abb.24:** 1. Grasfüllstandsanzeige

Wenn der Graskorb fast voll ist, schwimmt der Indikator nicht, während die Messer rotieren. Brechen Sie in diesem Fall den Betrieb sofort ab, und leeren Sie den Korb.

► **Abb.25:** 1. Grasfüllstandsanzeige

HINWEIS: Diese Anzeige ist eine grobe Orientierungshilfe. Je nach den Bedingungen im Korb funktioniert diese Anzeige u. U. nicht richtig.

Einstellen der Bügelgriffhöhe

⚠ VORSICHT: Bevor Sie die Schrauben entfernen, halten Sie den oberen Bügelgriff fest. Anderenfalls kann der Bügelgriff herunterfallen und Verletzungen verursachen.

Die Bügelgriffhöhe kann in zwei Stufen eingestellt werden.

1. Entfernen Sie die oberen Schrauben des unteren Bügelgriffs mit dem Steckschlüssel 13, und lösen Sie dann die unteren Schrauben.

► **Abb.26:** 1. Obere Schraube 2. Untere Schraube

2. Stellen Sie die Bügelgriffhöhe ein, und ziehen Sie denn die oberen und unteren Schrauben fest.

Einstellen der Fahrgeschwindigkeit

Für AM3846/AM3753

► **Abb.27:** 1. Geschwindigkeits-Einstellhebel

Die Fahrgeschwindigkeit kann mit dem Geschwindigkeits-Einstellhebel eingestellt werden. Um die Geschwindigkeit zu verringern, ziehen Sie den Hebel auf sich zu, und um die Geschwindigkeit zu erhöhen, drehen Sie den Hebel nach vorn.

Verwendung des Mulchstopfens

Der Mulchstopfen ermöglicht es Ihnen, das abgeschnittene Gras auf den Boden zurückzuführen, ohne es im Graskorb aufzusammeln. Wenn Sie die Maschine mit dem Mulchstopfen betreiben, nehmen Sie unbedingt den Graskorb ab.

ANMERKUNG: Wenn Sie die Maschine mit dem Mulchstopfen benutzen, vergewissern Sie sich, dass die Gesamtlänge des Grasses 30 mm oder mehr, oder die Schnittlänge 15 mm oder weniger beträgt.

► **Abb.28:** (1) 30 mm oder mehr (2) 15 mm oder weniger

Verwendung des Auswerfaufsatzes

Für AM3653/AM3753

Der Auswerfaufsatz ermöglicht es Ihnen, das abgeschnittene Gras von der rechten Seite der Maschine auf den Boden zurückzuführen, ohne es im Graskorb aufzusammeln. Wenn Sie die Maschine mit dem Auswerfaufsatz betreiben, montieren Sie unbedingt den Mulchstopfen, und nehmen Sie den Graskorb ab.

Elektronikfunktionen

Für komfortablen Betrieb ist die Maschine mit Elektronikfunktionen ausgestattet.

- Konstantdrehzahlregelung der Messerdrehung Elektronische Drehzahlregelung zur Aufrechterhaltung einer konstanten Drehzahl. Feine Oberflächengüte wird ermöglicht, weil die Drehzahl selbst unter Belastung konstant gehalten wird.
- Sanftanlauf beim Fahren Die Sanftanlauf-Funktion reduziert Anlaufstöße auf ein Minimum und bewirkt ruckfreies Anlaufen der Maschine.
- Elektrische Bremse Diese Maschine ist mit einer elektrischen Bremse ausgestattet. Falls die Maschine ständig versagt, die Mähermesser nach dem Loslassen des Schalthebels schnell anzuhalten, lassen Sie die Maschine von einem autorisierten Makita/Dolmar-Servicecenter warten.

BETRIEB

Mähen

⚠️ WARNUNG: Bevor Sie mit dem Mähen beginnen, entfernen Sie Äste und Steine vom Mähbereich. Beseitigen Sie vorher auch jegliches Unkraut im Mähbereich.

⚠️ WARNUNG: Tragen Sie bei der Benutzung des Mähers stets eine Schutzbrille mit Seitenschützern.

⚠️ VORSICHT: Falls das gemähte Gras oder Fremdkörper die Innenseite der Mähereinheit blockieren, entfernen Sie unbedingt den Sperrschlüssel und die Akkus, und ziehen Sie Handschuhe an, bevor Sie das Gras oder den Fremdkörper entfernen.

ANMERKUNG: Verwenden Sie diese Maschine nur zum Mähen von Rasen. Mähen Sie kein Unkraut mit dieser Maschine.

► **Abb.29**

Halten Sie den Bügelgriff beim Mähen mit beiden Händen fest. Die Richtlinie der Mähgeschwindigkeit liegt bei ungefähr 7 bis 14 Meter pro 10 Sekunden.

► **Abb.30**

Die Mittellinien der Vorderräder sind die Richtlinien für die Mähbreite. Mähen Sie in Streifen, indem Sie die Mittellinien als Richtlinien verwenden. Überlappen Sie den vorhergehenden Streifen um eine Hälfte bis ein Drittel, um den Rasen gleichmäßig zu mähen.

► **Abb.31:** 1. Mähbreite 2. Überlappungsbereich 3. Mittellinie

Wechseln Sie jedes Mal die Mährichtung, um zu verhindern, dass sich eine Grasmaserung nur in einer Richtung bildet.

► **Abb.32**

Überprüfen Sie die Höhe des gemähten Grasses im Graskorb regelmäßig. Entleeren Sie den Graskorb, bevor er ganz voll wird. Stellen Sie vor jeder regelmäßigen Kontrolle den Mäher ab, und entfernen Sie Sperrschlüssel und Akkus.

ANMERKUNG: Die Benutzung des Mähers mit vollem Graskorb verhindert eine reibungslose Messerdrehung und übt eine zusätzliche Last auf den Motor aus, die zu einem Ausfall führen kann.

Mähen eines Rasens mit hohem Gras

Versuchen Sie nicht, langes Gras in einem Durchgang zu schneiden. Mähen Sie den Rasen statt dessen in mehreren Durchgängen. Lassen Sie ein oder zwei Tage zwischen den Mähdurchgängen offen, bis der Rasen gleichmäßig kurz wird.

► **Abb.33**

HINWEIS: Der Versuch, langes Gras in einem Durchgang auf eine kurze Länge zu mähen, kann dazu führen, dass das Gras abstirbt. Außerdem kann das gemähte Gras die Innenseite der Mähereinheit blockieren.

Leeren des Graskorb

⚠️ WARNUNG: Um die Unfallgefahr zu reduzieren, sollten Sie den Graskorb regelmäßig auf Beschädigung oder Abschwächung überprüfen. Tauschen Sie den Graskorb nötigenfalls aus.

1. Lassen Sie den Schalthebel und Antriebsbügel (für AM3846/AM3753) bzw. den Schalthebel (für AM3653) los.
2. Entfernen Sie den Sperrschlüssel.
3. Öffnen Sie die Rückabdeckung, und nehmen Sie den Graskorb an seinem Griff heraus.
▶ **Abb.34:** 1. Rückabdeckung 2. Griff 3. Graskorb
4. Leeren Sie den Graskorb.

WARTUNG

⚠️ WARNUNG: Vergewissern Sie sich stets, dass Sperrschlüssel und Akkus vom Mäher entfernt worden sind, bevor Sie den Mäher lagern oder tragen oder eine Inspektion oder Wartung durchführen.

⚠️ WARNUNG: Ziehen Sie stets den Sperrschlüssel ab, wenn Sie den Mäher nicht benutzen. Bewahren Sie den Sperrschlüssel an einem sicheren Ort außer Reichweite von Kindern auf.

⚠️ WARNUNG: Tragen Sie Handschuhe zur Durchführung von Inspektions- oder Wartungsarbeiten.

⚠️ WARNUNG: Tragen Sie bei der Durchführung von Inspektions- oder Wartungsarbeiten stets eine Schutzbrille mit Seitenschützern.

ANMERKUNG: Verwenden Sie auf keinen Fall Benzin, Waschbenzin, Verdünner, Alkohol oder dergleichen. Solche Mittel können Verfärbung, Verformung oder Rissbildung verursachen.

Um die SICHERHEIT und ZUVERLÄSSIGKEIT des Produkts zu gewährleisten, sollten Reparaturen und andere Wartungs- oder Einstellarbeiten nur von Makita/Dolmar-Vertragswerkstätten oder Kundendienstzentren unter ausschließlicher Verwendung von Makita/Dolmar-Originalersatzteilen ausgeführt werden.

Wartung

1. Entfernen Sie den Sperrschlüssel und die Akkus, und schließen Sie dann die Akkuabdeckung.
2. Kippen Sie den Mäher auf seine Seite, so dass der Mähhöhen-Einstellhebel oben liegt. Beseitigen Sie an der Unterseite des Mäherdecks angesammelten Grasschnitt.
3. Gießen Sie Wasser in Richtung der Unterseite der Maschine, an der das Messer angebracht ist.

ANMERKUNG: Waschen Sie die Maschine nicht mit Hochdruck-Wasserstrahl.

4. Überprüfen Sie alle Muttern, Bolzen, Schrauben usw. auf festen Sitz.
5. Überprüfen Sie die beweglichen Teile auf Beschädigung, Bruch und Verschleiß. Beschädigte oder fehlende Teile sind zu reparieren oder zu ersetzen.
6. Lagern Sie den Mäher an einem sicheren Ort außer Reichweite von Kindern.

Für AM3846/AM3753

ANMERKUNG: Übergießen Sie den in der Abbildung gezeigten Bereich nicht mit Wasser. Übergießen der Motoreinheit mit Wasser kann eine Funktionsstörung der Maschine verursachen.

- ▶ **Abb.35:** 1. Bereich, der nicht mit Wasser übergossen werden darf

Tragen des Mähers

Halten Sie zum Tragen des Mähers den vorderen Griff und den hinteren Griff mit zwei Personen, wie in der Abbildung gezeigt.

- ▶ **Abb.36:** 1. Vorderer Griff 2. Hinterer Griff

Lagerung

Lagern Sie den Mäher an einem kühlen, trockenen und abschließbaren Ort. Lagern Sie Mäher und Ladegerät nicht an Orten, an denen die Temperatur 40 °C erreichen oder überschreiten kann.

Demontieren oder Montieren des Mähermessers

⚠️ WARNUNG: Das Messer dreht sich nach dem Loslassen des Schalters noch einige Sekunden weiter. Warten Sie mit der Ausführung von Arbeiten, bis das Messer zu einem vollständigen Stillstand kommt.

⚠️ WARNUNG: Entfernen Sie stets den Sperrschlüssel und die Akkus, bevor Sie das Messer demontieren oder montieren. Werden Sperrschlüssel und Akkus nicht entfernt, kann es zu schweren Verletzungen kommen.

⚠️ WARNUNG: Tragen Sie stets Handschuhe bei der Handhabung des Messers.

Entfernen des Mähermessers

Für Modelle mit geradem Mähermesser

1. Kippen Sie den Mäher auf seine Seite, so dass der Mähhöhen-Einstellhebel oben liegt.
2. Um das Messer zu blockieren, stecken Sie den Stift in ein Loch an der Mähereinheit.
3. Drehen Sie die Schraube mit dem Steckschlüssel 17 entgegen dem Uhrzeigersinn.
▶ **Abb.37:** 1. Mähermesser 2. Stift 3. Steckschlüssel
4. Entfernen Sie die Schraube, und nehmen Sie dann das Mähermesser ab.
▶ **Abb.38:** 1. Messerhalter 2. Mähermesser 3. Schraube 4. Vorsprung

ANMERKUNG: Vergewissern Sie sich beim Montieren des Mähermessers, dass die Vorsprünge am Messerhalter in die Löcher im Mähermesser passen.

Für Modelle mit Rückschwenk-Mähermesser

1. Kippen Sie den Mäher auf seine Seite, so dass der Mähhöhen-Einstellhebel oben liegt.
2. Um die Grundplatte zu blockieren, führen Sie den Stift durch ein Loch in der Grundplatte in ein Loch an der Mähereinheit ein.
3. Drehen Sie die Schraube mit dem Steckschlüssel 17 entgegen dem Uhrzeigersinn.
► **Abb.39:** 1. Stift 2. Grundplatte 3. Steckschlüssel
4. Entfernen Sie die Schraube, und nehmen Sie dann die Grundplatte ab.
► **Abb.40:** 1. Messerhalter 2. Grundplatte
3. Schraube 4. Vorsprung

ANMERKUNG: Vergewissern Sie sich beim Montieren der Mähermesser, dass die Vorsprünge am Messerhalter in die Löcher in der Grundplatte passen.

5. Um die einzelnen Mähermesser zu entfernen, drehen Sie die Schraube mit dem Steckschlüssel 17 entgegen dem Uhrzeigersinn, während Sie die Grundplatte festhalten.
► **Abb.41:** 1. Grundplatte 2. Mähermesser
3. Steckschlüssel
6. Entfernen Sie Mutter, Unterlegscheibe, Federscheibe, Mähermesser und Schraube der Reihe nach.
► **Abb.42:** 1. Schraubenbohrung 2. Schraube
3. Mähermesser 4. Federscheibe
5. Unterlegscheibe 6. Mutter

ANMERKUNG: Ziehen Sie die Muttern zum Montieren der einzelnen Mähermesser mit einem Anzugsmoment von 30 N•m an.

ANMERKUNG: Bringen Sie die Federscheibe beim Montieren der einzelnen Mähermesser unbedingt in der in der Abbildung gezeigten Richtung an.

ANMERKUNG: Führen Sie die Schrauben beim Montieren der einzelnen Mähermesser unbedingt in die in der Abbildung gezeigten Schraubenbohrungen ein.

Installieren des Mähermessers

⚠️ WARNUNG: Montieren Sie das Mähermesser sorgfältig. Das Messer hat eine Ober- und Unterseite.

⚠️ WARNUNG: Ziehen Sie dann die Schraube zur Sicherung des Messers im Uhrzeigersinn fest.

⚠️ WARNUNG: Vergewissern Sie sich, dass das Mähermesser und alle Befestigungsteile korrekt montiert und sicher festgezogen sind.

⚠️ WARNUNG: Befolgen Sie beim Auswechseln der Messer stets die Anweisungen in dieser Anleitung.

ANMERKUNG: Denken Sie nach dem Montieren der Mähermesser daran, den Stift von der Mähereinheit zu entfernen.

Zum Montieren der Mähermesser wenden Sie das Demontageverfahren umgekehrt an.

FEHLERSUCHE

Bevor Sie den Reparaturdienst anrufen, führen Sie zunächst Ihre eigene Inspektion durch. Falls Sie ein Problem finden, das nicht in der Anleitung erläutert wird, versuchen Sie nicht, die Maschine zu zerlegen. Wenden Sie sich stattdessen an autorisierte Makita/Dolmar-Kundendienstzentren, und achten Sie darauf, dass stets Makita/Dolmar-Ersatzteile für Reparaturen verwendet werden.

Zustand der Unregelmäßigkeit	Wahrscheinliche Ursache (Funktionsstörung)	Abhilfemaßnahme
Der Mäher startet nicht.	Es sind nicht beide Akkus eingesetzt.	Setzen Sie zwei geladene Akkus ein.
	Akkustörung (Unterspannung)	Laden Sie die Akkus auf. Falls Laden nichts nützt, tauschen Sie die Akkus aus.
	Der Sperrschlüssel ist nicht eingesteckt.	Stecken Sie den Sperrschlüssel ein.
Der Motor bleibt nach kurzer Zeit stehen.	Der Akku-Wahlschalter steht nicht in der korrekten Position.	Wählen Sie das Akkudock, in das die Akkus eingesetzt sind, mit dem Akku-Wahlschalter aus.
	Der Ladestand der Akkus ist niedrig.	Laden Sie die Akkus auf. Falls Laden nichts nützt, tauschen Sie die Akkus aus.
	Die Schnitthöhe ist zu niedrig.	Vergrößern Sie die Schnitthöhe.
Der Motor erreicht die Maximaldrehzahl nicht.	Grasschnitt hat sich im Mäher angesammelt.	Entfernen Sie das angesammelte Gras vom Mäher.
	Die Akkus sind falsch eingesetzt.	Setzen Sie die Akkus gemäß der Beschreibung in dieser Anleitung ein.
	Die Akkuleistung lässt nach.	Laden Sie die Akkus auf. Falls Laden nichts nützt, tauschen Sie die Akkus aus.
Das Mähermesser dreht sich nicht: ⇒ Stoppen Sie den Mäher unverzüglich!	Das Antriebssystem funktioniert nicht korrekt.	Wenden Sie sich bezüglich einer Reparatur an Ihr autorisiertes Kundendienstzentrum.
	Ein Fremdkörper, wie z. B. ein Ast, hat sich in der Nähe des Messers verklemmt.	Entfernen Sie den Fremdkörper.
Ungewöhnliche Vibration: ⇒ Stoppen Sie den Mäher unverzüglich!	Das Antriebssystem funktioniert nicht korrekt.	Wenden Sie sich bezüglich einer Reparatur an Ihr autorisiertes Kundendienstzentrum.
	Das Messer ist unausgebalanciert, übermäßig oder ungleichmäßig abgenutzt.	Tauschen Sie das Messer aus.

SONDERZUBEHÖR

⚠ VORSICHT: Die folgenden Zubehörteile oder Vorrichtungen werden für den Einsatz mit dem in dieser Anleitung beschriebenen Makita/Dolmar-Werkzeug empfohlen. Die Verwendung anderer Zubehörteile oder Vorrichtungen kann eine Verletzungsgefahr darstellen. Verwenden Sie Zubehörteile oder Vorrichtungen nur für ihren vorgesehenen Zweck.

Wenn Sie weitere Einzelheiten bezüglich dieser Zubehörteile benötigen, wenden Sie sich bitte an Ihre Makita/Dolmar-Kundendienststelle.

- Mähermesser
- Original-Makita/Dolmar-Akku und -Ladegerät

HINWEIS: Manche Teile in der Liste können als Standardzubehör im Produktpaket enthalten sein. Sie können von Land zu Land unterschiedlich sein.

DATI TECNICI

Modello:		AM3846	AM3653	AM3753
Larghezza di taglio (diametro lama)		460 mm	534 mm	
Velocità a vuoto		2.500 min ⁻¹	2.300 min ⁻¹	
Velocità massima		3.300 min ⁻¹	2.800 min ⁻¹	
Numero parte della lama di sostituzione per tosaerba	Lama diritta per tosaerba	191D51-9	191D52-7	
	Lame rientranti per tosaerba *1	191D49-6	191D50-1	
	Lame rientranti per tosaerba *2	191D47-0	191D48-8	
Dimensioni (L x P x A)		L: da 1.610 mm a 1.690 mm P: 535 mm A: da 980 mm a 1.095 mm	L: Da 1.630 mm a 1.715 mm P: 590 mm A: Da 990 mm a 1.095 mm	
Velocità di movimento		2,5 - 5,0 km/h	-	2,5 - 5,0 km/h
Tensione nominale		36 V C.C.		
Peso netto	Quando è installata la lama diritta per tosaerba	35,3 - 39,0 kg	35,5 - 39,3 kg	39,0 - 42,8 kg
	Quando sono installate le lame rientranti per tosaerba	36,0 - 39,7 kg	36,2 - 40,0 kg	39,7 - 43,5 kg
Grado di protezione		IPX4		

*1. Piastra di base e lame singole per tosaerba.

*2. Solo lame singole per tosaerba.

- A causa del nostro programma continuativo di ricerca e sviluppo, i dati tecnici sono soggetti a modifiche senza preavviso.
- I dati tecnici possono variare da nazione a nazione.
- Il peso può variare a seconda dell'accessorio o degli accessori, inclusa la cartuccia della batteria. La combinazione più leggera e quella più pesante, secondo la procedura EPTA 01/2014, sono indicate nella tabella.

Cartuccia della batteria applicabile


BL1815N / BL1820 / BL1820B / BL1830 / BL1830B / BL1840 / BL1840B / BL1850 / BL1850B / BL1860B


- Alcune cartucce delle batterie elencate sopra potrebbero non essere disponibili a seconda della propria area geografica di residenza.


⚠ AVVERTIMENTO: Utilizzare solo le cartucce delle batterie elencate sopra. L'utilizzo di altre cartucce delle batterie potrebbe causare lesioni personali e/o un incendio.


Simboli


La figura seguente mostra i simboli utilizzati per l'apparecchio. Accertarsi di comprendere il loro significato prima dell'uso.


 Adottare cura e attenzione particolari.

 Leggere il manuale d'uso.

 Pericolo; fare attenzione agli oggetti scagliati.

 La distanza tra l'utensile e gli astanti deve essere di almeno 15 m.

 Non posizionare mai mani e piedi in prossimità della lama sotto il tosaerba. Le lame continuano a girare dopo lo spegnimento del motore.

 Rimuovere la chiave di blocco prima di ispezionare, regolare, pulire, sottoporre a manutenzione, lasciare e riporre il tosaerba.



Pericolo di natura elettrica. Il contatto con acqua può causare scosse elettriche.



Non versare acqua.



Solo per le nazioni dell'EU
Non smaltire apparecchiature elettriche o batterie insieme ai rifiuti domestici!
In osservanza delle Direttive Europee sui rifiuti di apparecchiature elettriche ed elettroniche (RAEE), sulle batterie e gli accumulatori, nonché sulle batterie e gli accumulatori esausti, e dell'implementazione di tali direttive in conformità alle leggi locali, gli apparecchi elettrici e la/lle batteria/e che hanno raggiunto la fine della loro vita utile devono essere raccolti separatamente e conferiti a una struttura di smaltimento ecocompatibile.

Utilizzo previsto

La macchina è destinata alla tosatura di prati.

Rumore

Livello tipico di rumore pesato A determinato in base allo standard EN60335-2-77:

NOTA: I valori sono stati misurati con la lama dritta per tosaerba montata sul tosaerba.

Modello AM3846

Livello di pressione sonora (L_{pA}): 82,7 dB (A)
Livello di potenza sonora (L_{WA}): 90,9 dB (A)
Incertezza (K): 3 dB (A)

Modello AM3653

Livello di pressione sonora (L_{pA}): 78,1 dB (A)
Livello di potenza sonora (L_{WA}): 90,4 dB (A)
Incertezza (K): 3 dB (A)

Modello AM3753

Livello di pressione sonora (L_{pA}): 78,1 dB (A)
Livello di potenza sonora (L_{WA}): 90,4 dB (A)
Incertezza (K): 3 dB (A)

Il livello del rumore nelle condizioni di lavoro può superare gli 80 dB (A).

NOTA: Il valore o i valori dichiarati delle emissioni di rumori sono stati misurati in conformità a un metodo standard di verifica, e possono essere utilizzati per confrontare un utensile con un altro.

NOTA: Il valore o i valori dichiarati delle emissioni di rumori possono venire utilizzati anche per una valutazione preliminare dell'esposizione.

AVVERTIMENTO: Indossare protezioni per le orecchie.

AVVERTIMENTO: L'emissione di rumori durante l'utilizzo effettivo dell'utensile elettrico può variare rispetto al valore o ai valori dichiarati, a seconda dei modi in cui viene utilizzato l'utensile e specialmente a seconda di che tipo di pezzo venga lavorato.

AVVERTIMENTO: Accertarsi di identificare misure di sicurezza per la protezione dell'operatore che siano basate su una stima dell'esposizione nelle condizioni effettive di utilizzo (tenendo conto di tutte le parti del ciclo operativo, ad esempio del numero di spegnimenti dell'utensile e di quando giri a vuoto, oltre al tempo di attivazione).

Vibrazioni

Valore totale delle vibrazioni (somma vettoriale triassiale) determinato in base allo standard EN60335-2-77:

NOTA: I valori sono stati misurati con la lama dritta per tosaerba montata sul tosaerba.

Modello AM3846

Emissione di vibrazioni (a_h): 2,5 m/s² o inferiore
Incertezza (K): 1,5 m/s²

Modello AM3653

Emissione di vibrazioni (a_h): 2,5 m/s² o inferiore
Incertezza (K): 1,5 m/s²

Modello AM3753

Emissione di vibrazioni (a_h): 2,5 m/s² o inferiore
Incertezza (K): 1,5 m/s²

NOTA: Il valore o i valori complessivi delle vibrazioni dichiarati sono stati misurati in conformità a un metodo standard di verifica, e possono essere utilizzati per confrontare un utensile con un altro.

NOTA: Il valore o i valori complessivi delle vibrazioni dichiarati possono venire utilizzati anche per una valutazione preliminare dell'esposizione.

AVVERTIMENTO: L'emissione delle vibrazioni durante l'utilizzo effettivo dell'utensile elettrico può variare rispetto al valore o ai valori dichiarati, a seconda dei modi in cui viene utilizzato l'utensile, specialmente a seconda di che tipo di pezzo venga lavorato.

AVVERTIMENTO: Accertarsi di identificare misure di sicurezza per la protezione dell'operatore che siano basate su una stima dell'esposizione nelle condizioni effettive di utilizzo (tenendo conto di tutte le parti del ciclo operativo, ad esempio del numero di spegnimenti dell'utensile e di quando giri a vuoto, oltre al tempo di attivazione).

Dichiarazione di conformità CE

Solo per i paesi europei

La dichiarazione di conformità CE è inclusa nell'Allegato A al presente manuale di istruzioni.

AVVERTENZE DI SICUREZZA

ISTRUZIONI DI SICUREZZA IMPORTANTI

AVVERTIMENTO: Leggere tutte le avvertenze relative alla sicurezza e tutte le istruzioni. La mancata osservanza delle avvertenze e delle istruzioni può risultare in scosse elettriche, incendi e/o gravi lesioni personali.

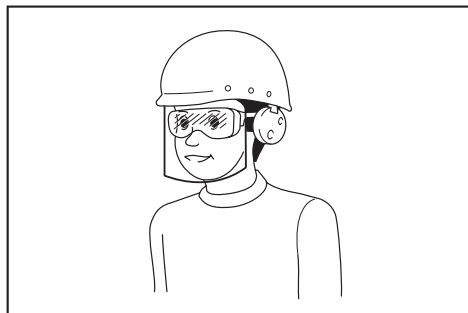
Conservare tutte le avvertenze e le istruzioni come riferimento futuro.

Addestramento

1. Leggere con attenzione le istruzioni. Familiarizzare con i controlli e con l'utilizzo corretto del tosaerba.
2. Non consentire mai l'uso del tosaerba a bambini o persone che non abbiano familiarità con le presenti istruzioni. Le normative locali vigenti potrebbero limitare l'età dell'operatore.
3. Non far funzionare mai il tosaerba in presenza di persone, specialmente bambini, o di animali nelle vicinanze.
4. Tenere presente che l'operatore o l'utilizzatore è responsabile degli incidenti o dei pericoli che possono capitare ad altre persone o alle loro proprietà.
5. I bambini devono essere sorvegliati, per accertarsi che non giochino con il tosaerba.
6. Condizione fisica - Non utilizzare il tosaerba sotto l'effetto di droghe, alcolici o di qualsiasi farmaco.

Preparazione

1. Durante il funzionamento del tosaerba, indossare sempre calzature robuste e pantaloni lunghi. Non far funzionare il tosaerba a piedi nudi o indossando sandali aperti. Evitare di indossare indumenti o gioielli non aderenti o che includano cordoni o legacci pendenti. Potrebbero restare impigliati nelle parti mobili.
2. Prima dell'uso, ispezionare sempre visivamente il tosaerba alla ricerca di eventuali protezioni o barriere danneggiate, mancanti o smarrite.
3. Prima di tagliare l'erba, accertarsi che non vi siano altre persone nell'area di lavoro. Qualora qualcuno entri nell'area di lavoro, arrestare il tosaerba.
4. Non inserire la chiave di blocco nel tosaerba fino al momento in cui quest'ultimo è pronto per l'uso.
5. Indossare sempre occhiali protettivi per proteggere gli occhi da lesioni personali, quando si utilizzano utensili elettrici. Gli occhiali devono essere conformi allo standard ANSI Z87.1 negli Stati Uniti, allo standard EN 166 in Europa o allo standard AS/NZS 1336 in Australia/Nuova Zelanda. In Australia/Nuova Zelanda, è obbligatorio per legge indossare anche una visiera per proteggere il volto.



È responsabilità del datore di lavoro far rispettare l'utilizzo delle attrezzature protettive di sicurezza appropriate da parte degli operatori degli utensili e di altre persone nell'area di lavoro e nelle immediate vicinanze.

6. Prima dell'uso, controllare con cura che le lame o i bulloni delle lame non presentino spaccature o altri danni. Sostituire immediatamente lame o bulloni delle lame spaccati o danneggiati.
7. Prima di tagliare l'erba, rimuovere oggetti estranei quali sassi, cavi, bottiglie, ossi e grossi stecchi dall'area di lavoro, per evitare lesioni personali o danni al tosaerba.
8. Gli oggetti colpiti dalla lama del tosaerba possono causare gravi lesioni alle persone. Il prato va sempre esaminato attentamente e ripulito da tutti gli oggetti, prima di ciascun taglio.
9. Fare attenzione a buche, solchi, cunette, pietre o altri oggetti nascosti. Un terreno irregolare potrebbe causare un incidente dovuto a scivolamento e caduta. L'erba alta può nascondere ostacoli.
10. Non inserire o rimuovere la chiave di blocco sotto la pioggia.

11. Utilizzare attrezzature di protezione personale. Indossare sempre occhiali di protezione. Attrezzature di protezione quali maschere anti-polvere, scarpe di sicurezza antiscivolo, elmetti o protezioni per le orecchie utilizzati per le condizioni appropriate riducono le lesioni personali.

Funzionamento

1. Non allungarsi eccessivamente. Mantenere sempre l'equilibrio. Accertarsi sempre di mantenere i piedi appoggiati saldamente sui pendii. Camminare, non correre mai.
2. Spegnerne il tosaerba e rimuovere la chiave di blocco, quindi accertarsi che tutte le parti mobili si siano arrestate completamente:
 - ogni volta che si lascia il tosaerba,
 - prima di rimuovere le occlusioni o di disostruire lo scivolo,
 - prima di controllare, pulire o lavorare sul tosaerba,
 - dopo che il tosaerba ha colpito un oggetto estraneo. Ispezionare il tosaerba alla ricerca di danni ed effettuare le riparazioni prima di riavviarlo e di farlo funzionare,
 - ogni volta che il tosaerba inizia a vibrare in modo anomalo.
3. Non utilizzare mai il tosaerba con protezioni o barriere difettose, oppure senza aver montato i dispositivi di sicurezza, ad esempio i deflettori e/o il cestello erba.
4. Evitare di utilizzare il tosaerba in condizioni meteorologiche avverse, specialmente quando sussiste il rischio di fulmini.
5. Indossare sempre protezioni per gli occhi e scarpe resistenti mentre si utilizza il tosaerba.
6. Far funzionare il tosaerba esclusivamente di giorno o con una buona illuminazione artificiale.
7. Accendere con attenzione il tosaerba seguendo le istruzioni e con i piedi ben lontani dalle lame.
8. Fare attenzione a prevenire lesioni personali a mani e piedi causate dalle lame del tosaerba.
9. Accertarsi sempre di mantenere le aperture di ventilazione libere da detriti.
10. Tagliare l'erba di traverso lungo la faccia dei pendii, mai procedendo su e giù. Fare la massima attenzione quando si cambia direzione sui pendii. Non tagliare l'erba su pendii eccessivamente ripidi.
11. Adottare estrema cautela quando si inverte il movimento o si tira il tosaerba verso di sé.
12. Arrestare le lame, qualora sia necessario inclinare il tosaerba per il trasporto quando si intende attraversare superfici non erbose, nonché quando lo si trasporta sul luogo di utilizzo e lo si porta via da quest'ultimo.
13. Non inclinare il tosaerba quando si accende il motore, tranne quando è necessario inclinarlo per avviarlo. In questo caso, non inclinarlo più di quanto sia assolutamente necessario, e sollevare solo la parte lontana dall'operatore. Accertarsi sempre che entrambe le mani siano nella posizione d'uso, prima di riportare il tosaerba al suolo.
14. Non mettere le mani o i piedi in prossimità delle parti in rotazione o sotto queste ultime. Restare sempre a distanza dall'apertura di scarico.

15. **Non trasportare il tosaerba mentre è acceso.**
16. Evitare di far funzionare il tosaerba sull'erba bagnata.
17. Mantenere sempre una salda presa sul manubrio.
18. Quando si intende sollevare o mantenere il tosaerba, non afferrare mai le lame o i bordi taglienti esposti.
19. Tenere mani e piedi lontani dalle lame in rotazione. **Attenzione:** le lame continuano a girare per inerzia, dopo lo spegnimento del tosaerba.
20. Arrestare immediatamente l'uso qualora si noti qualcosa di anomalo. Spegner il tosaerba e rimuovere la chiave di blocco. Quindi, ispezionare il tosaerba.
21. Qualora il tosaerba disponga della funzione di regolazione dell'altezza di taglio, non tentare mai di effettuare regolazioni dell'altezza di taglio mentre il tosaerba è in funzione.
22. Rilasciare la leva interruttore e attendere l'arresto della rotazione della lama prima di attraversare vialetti d'accesso, marciapiedi, strade e qualsiasi terreno coperto di ghiaia. Rimuovere la chiave di blocco anche se si intende lasciare il tosaerba, sporgersi per sollevare o rimuovere qualcosa dal suo percorso, o per qualsiasi altro motivo che potrebbe distrarre l'operatore da ciò che si sta facendo.
23. Qualora il tosaerba colpisca un oggetto estraneo, attenersi alla procedura seguente:
 - Arrestare il tosaerba, rilasciare la leva interruttore e attendere che la lama si arresti completamente.
 - Rimuovere la chiave di blocco e la cartuccia della batteria.
 - Ispezionare attentamente il tosaerba alla ricerca di eventuali danni.
 - Sostituire la lama, qualora presenti un qualsiasi danno. Riparare eventuali danni prima di riavviare e continuare a utilizzare il tosaerba.
24. Non avviare il tosaerba mentre si sta in piedi davanti all'apertura di scarico.
25. Qualora il tosaerba inizi a vibrare in modo anomalo (controllare immediatamente)
 - ispezionarlo alla ricerca di eventuali danni,
 - sostituire o riparare eventuali parti danneggiate,
 - controllare e serrare eventuali parti allentate.
26. **Non rivolgere mai il materiale che viene scaricato verso alcuna persona. Evitare di scaricare il materiale contro pareti oppure ostacoli.** Il materiale potrebbe rimbalzare verso l'operatore. Arrestare la lama quando si intende attraversare superfici di ghiaia.
27. **Non tirare il tosaerba all'indietro, se non assolutamente necessario.** Quando si è costretti a far arretrare il tosaerba da una recinzione o un altro ostacolo simile, guardare in basso e all'indietro, prima e durante il movimento all'indietro.
28. **Spegner il motore e attendere che la lama si sia arrestata completamente, prima di rimuovere il raccoglitore erba.** Fare attenzione: le lame continuano a muoversi per inerzia, dopo lo spegnimento.
29. Quando si utilizza la macchina su suolo fangoso, pendii bagnati o ubicazioni scivolose, fare attenzione al proprio appoggio sui piedi.
30. Evitare di lavorare in un ambiente inadeguato in cui si preveda un maggiore affaticamento per l'utente.
31. **Non utilizzare la macchina in condizioni di tempo avverso in cui la visibilità sia limitata.** La mancata osservanza di questa indicazione potrebbe causare cadute o funzionamento errato a causa della scarsa visibilità.
32. **Non immergere la macchina in una pozzanghera.**
33. Quando foglie bagnate o sporco aderiscono alla bocca di aspirazione (finestralla di ventilazione) a causa della pioggia, rimuoverle.
34. **Non utilizzare la macchina nella neve.**
35. Qualora l'erba tagliata sia bagnata, è probabile che resti intasata all'interno della macchina. Controllare a intervalli regolari la condizione della macchina, e rimuovere l'erba rimasta attaccata, se necessario.
36. Quando si utilizza la macchina, fare attenzione a tubazioni e cablaggi elettrici.
37. **Non utilizzare un alimentatore con cavo, ad esempio un adattatore per batterie o un gruppo di alimentazione portatile, insieme a questa macchina.** Il cavo di alimentatori di questo tipo potrebbe interferire con il funzionamento e risultare in lesioni personali.

Manutenzione e conservazione

1. Per la massima sicurezza, sostituire le parti usurate o danneggiate. Utilizzare esclusivamente pezzi di ricambio e accessori originali.
2. Ispezionare ed eseguire la manutenzione del tosaerba a intervalli regolari.
3. Conservare il tosaerba fuori dalla portata dei bambini, quando non è in uso.
4. Mantenere serrati tutti i bulloni, i dadi e le viti, per assicurare che l'apparecchio sia in condizioni di lavoro sicure.
5. Controllare spesso se il cestello erba presenti segni di usura o di deterioramento. Prima di riporre il cestello erba, accertarsi sempre che sia vuoto. Per garantire la sicurezza, sostituire un cestello erba usurato con un nuovo ricambio di fabbrica.
6. Utilizzare esclusivamente le lame originali del produttore specificate nel presente manuale.
7. Fare attenzione durante la regolazione del tosaerba, in modo da evitare che le dita restino incastrate tra le lame in movimento e le parti fisse del tosaerba.
8. Controllare a intervalli frequenti che il bullone di montaggio della lama sia serrato correttamente.
9. Lasciare sempre raffreddare il tosaerba prima di riporlo.
10. Prima di un intervento sulle lame, tenere presente che, anche se la fonte di alimentazione è disattivata, le lame possono venire comunque spostate.
11. **Non rimuovere né manomettere i dispositivi di sicurezza.** Controllare a intervalli regolari che funzionino correttamente. Non fare alcunché per interferire con la funzione designata di un dispositivo di sicurezza o per ridurre la protezione fornita da un dispositivo di sicurezza.
12. **Non lasciare la macchina incustodita all'aperto sotto la pioggia.**

13. **Non lavare la macchina con acqua ad alta pressione.**
14. **Quando si intende lavare la macchina, accertarsi di rimuovere la batteria e la chiave di blocco e chiudere il coperchio batterie, quindi versare l'acqua verso il lato inferiore della macchina, su cui è montata la lama.**
15. **Quando si intende riporre la macchina, evitare la luce solare diretta e la pioggia, e riporla in un'ubicazione in cui non sia soggetta a temperature estremamente elevate o umidità.**
16. **Effettuare l'ispezione e la manutenzione in un'ubicazione in cui si possa evitare la pioggia.**
17. **Dopo aver utilizzato la macchina, rimuovere lo sporco rimasto attaccato e far asciugare completamente la macchina prima di riporla.**
A seconda della stagione o della zona, sussiste il rischio di malfunzionamento dovuto a congelamento.

Uso e manutenzione degli strumenti a batterie

1. **Ricaricare solo con il caricabatterie specificato dal produttore.** Un caricabatterie appropriato per un tipo di batteria potrebbe creare un rischio di incendio, se utilizzato con un'altra batteria.
2. **Utilizzare gli utensili elettrici solo con le batterie specificamente designate.** L'uso di qualsiasi altra batteria potrebbe creare un rischio di lesioni personali e incendi.
3. **Quando la batteria non è in uso, tenerla lontana da altri oggetti metallici, quali graffette, monete, chiavi, chiodi, viti o altri piccoli oggetti metallici, che potrebbero fare contatto tra terminali diversi.** Il cortocircuito dei terminali della batteria può causare ustioni o incendi.
4. **In condizioni di uso improprio, la batteria potrebbe emettere un liquido: evitare il contatto con tale liquido. Qualora si verifici un contatto accidentale con il liquido, lavare abbondantemente con acqua. Qualora il liquido entri in contatto con gli occhi, richiedere anche assistenza medica.** Il liquido espulso dalla batteria può causare irritazioni o ustioni.
5. **Non utilizzare una batteria o un utensile che siano danneggiati o che siano stati modificati.** Batterie danneggiate o modificate potrebbero mostrare un comportamento imprevedibile che può risultare in incendi, esplosioni o nel rischio di lesioni personali.
6. **Non esporre una batteria o un utensile al fuoco o a temperature eccessive.** L'esposizione al fuoco o a temperature superiori ai 130 °C potrebbe causare un'esplosione.
7. **Attenersi a tutte le istruzioni relative alla carica e non caricare la batteria o l'utensile al di fuori della gamma di temperature specificata nelle istruzioni.** Una carica inappropriata o a temperature al di fuori della gamma specificata potrebbe danneggiare la batteria e incrementare il rischio di incendio.

Sicurezza elettrica e della batteria

1. **Non smaltire le batterie nel fuoco.** La cella potrebbe esplodere. Controllare le normative locali per eventuali istruzioni speciali relative allo smaltimento.

2. **Non aprire né fare a pezzi le batterie.** L'elettrolita rilasciato è corrosivo, e potrebbe causare danni agli occhi o alla pelle. Inoltre, potrebbe essere tossico, se inghiottito.
3. **Non caricare la batteria sotto la pioggia o in condizioni di bagnato.**
4. **Non caricare la batteria all'aperto.**
5. **Non maneggiare con le mani bagnate il carica-batterie, inclusa la spina del caricabatterie e i terminali di quest'ultimo.**
6. **Non sostituire la batteria sotto la pioggia.**
7. **Non far bagnare i terminali della batteria con liquidi, ad esempio con acqua, né sommergere la batteria. Non lasciare la batteria sotto la pioggia e non caricarla, utilizzarla o riporla in un'ubicazione umida o bagnata.** Qualora i terminali si bagnino o del liquido penetri all'interno della batteria, quest'ultima potrebbe venire cortocircuitata, e sussiste il rischio di surriscaldamento, incendio o esplosione.
8. **Dopo aver rimosso la batteria dalla macchina o dal caricabatterie, accertarsi di applicare il cappuccio della batteria su quest'ultima e di riporre la batteria in un'ubicazione asciutta.**
9. **Non sostituire la batteria con le mani bagnate.**

Assistenza tecnica

1. **Per l'assistenza tecnica relativa all'utensile elettrico, rivolgersi a un riparatore qualificato che utilizzi solo pezzi di ricambio identici.** In tal modo, si garantisce che la sicurezza dell'utensile elettrico venga preservata.
2. **Non effettuare mai interventi di assistenza su batterie danneggiate.** Gli interventi di assistenza relativi alle batterie vanno effettuati esclusivamente dal produttore o da centri di assistenza autorizzati.

CONSERVARE LE PRESENTI ISTRUZIONI.

AVVERTIMENTO: NON lasciare che la comodità o la familiarità d'uso con il prodotto (acquisita con l'uso ripetuto) sostituiscano la stretta osservanza delle norme di sicurezza.

L'USO IMPROPRIO o la mancata osservanza delle norme di sicurezza riportate nel presente manuale di istruzioni potrebbero causare lesioni personali gravi.

Istruzioni di sicurezza importanti per la cartuccia della batteria

1. **Prima di utilizzare la cartuccia della batteria, leggere tutte le istruzioni e le avvertenze riportate (1) sul caricabatteria, (2) sulla batteria e (3) sul prodotto che utilizza la batteria.**
2. **Non smontare la cartuccia della batteria.**
3. **Qualora il tempo di utilizzo si riduca eccessivamente, interrompere immediatamente l'utilizzo dell'utensile. In caso contrario, si può incorrere nel rischio di surriscaldamento, possibili ustioni e persino un'esplosione.**

4. Qualora l'elettrolita entri in contatto con gli occhi, sciacquarli con acqua pulita e richiedere immediatamente assistenza medica. Questa eventualità può risultare nella perdita della vista.
5. Non cortocircuitare la cartuccia della batteria:
 - (1) Non toccare i terminali con alcun materiale conduttivo.
 - (2) Evitare di conservare la cartuccia della batteria in un contenitore insieme ad altri oggetti metallici quali chiodi, monete, e così via.
 - (3) Non esporre la cartuccia della batteria all'acqua o alla pioggia.
6. Non conservare l'utensile e la cartuccia della batteria in ubicazioni in cui la temperatura possa raggiungere o superare i 50°C.
7. Non incenerire la cartuccia della batteria anche qualora sia gravemente danneggiata o completamente esaurita. La cartuccia della batteria può esplodere se a contatto con il fuoco.
8. Fare attenzione a non far cadere e a non colpire la batteria.
9. Non utilizzare una batteria danneggiata.
10. Le batterie a ioni di litio contenute sono soggette ai requisiti del regolamento sul trasporto di merci pericolose (Dangerous Goods Legislation).

Per trasporti commerciali, ad esempio da parte di terzi o spedizionieri, è necessario osservare dei requisiti speciali sull'imballaggio e sull'etichetta.

Per la preparazione dell'articolo da spedire, è richiesta la consulenza di un esperto in materiali pericolosi. Attenersi anche alle normative nazionali, che potrebbero essere più dettagliate.

Nastrare o coprire i contatti aperti e imballare la batteria in modo tale che non si possa muovere liberamente all'interno dell'imballaggio.

11. Quando si intende smaltire la cartuccia della batteria, rimuoverla dall'utensile e smaltirla in un luogo sicuro. Attenersi alle normative locali relative allo smaltimento della batteria.
12. Utilizzare le batterie esclusivamente con i prodotti specificati da Makita. L'installazione delle batterie in prodotti non compatibili potrebbe risultare in incendi, calore eccessivo, esplosioni o perdite di liquido elettrolitico.
13. Se l'utensile non viene utilizzato per un periodo di tempo prolungato, la batteria deve essere rimossa dall'utensile.

CONSERVARE LE PRESENTI ISTRUZIONI.

ATTENZIONE: Utilizzare solo batterie originali Makita. L'utilizzo di batterie Makita non originali, o di batterie che siano state alterate, potrebbe risultare nello scoppio della batteria, causando incendi, lesioni personali e danni. Inoltre, ciò potrebbe invalidare la garanzia Makita per l'utensile e il caricabatterie Makita.

Suggerimenti per preservare la durata massima della batteria

1. Caricare la cartuccia della batteria prima che si scarichi completamente. Smettere sempre di utilizzare l'utensile e caricare la cartuccia della batteria quando si nota che la potenza dell'utensile è diminuita.
2. Non ricaricare mai una cartuccia della batteria completamente carica. La sovraccarica riduce la vita utile della batteria.
3. Caricare la cartuccia della batteria a una temperatura ambiente compresa tra 10°C e 40°C. Lasciar raffreddare una cartuccia della batteria prima di caricarla.
4. Caricare la cartuccia della batteria se non la si è utilizzata per un periodo di tempo prolungato (più di sei mesi).

MONTAGGIO

AVVERTIMENTO: Accertarsi sempre che la chiave di blocco e la cartuccia della batteria siano state rimosse prima di eseguire qualsiasi intervento sul tosaerba. La mancata rimozione della chiave di blocco e della cartuccia della batteria potrebbe risultare in gravi lesioni personali dovute all'avvio accidentale.

AVVERTIMENTO: Non avviare mai il tosaerba se non è stato completamente montato. L'uso della macchina in uno stato di montaggio parziale potrebbe risultare in gravi lesioni personali dovute all'avvio accidentale.

Installazione del manubrio

AVVISO: Quando si installano i manubri, posizionare i cavi in modo che non restino impigliati in alcunché tra i manubri. Qualora il cavo sia danneggiato, l'interruttore del tosaerba potrebbe non funzionare.

1. Allineare i fori sul manubrio inferiore con i fori sul corpo del tosaerba, quindi serrare temporaneamente i 4 bulloni.

► Fig.1: 1. Manubrio inferiore 2. Bullone
2. Serrare saldamente i 4 bulloni che sono stati serrati temporaneamente al punto 1 utilizzando la chiave a tubo 13.
3. Allineare il foro nel manubrio inferiore con il foro nel manubrio superiore, inserire il bullone dall'interno, quindi serrare il dado dall'esterno con la chiave a tubo 13. Eseguire la stessa procedura dall'altro lato.

► Fig.2: 1. Bullone 2. Manubrio inferiore 3. Dado 4. Foro 5. Manubrio superiore

ATTENZIONE: Tenere saldamente il manubrio superiore in modo da non farlo cadere dalla mano. In caso contrario, il manubrio potrebbe cadere e causare lesioni personali.

4. Montare i fermacavi sul manubrio.

Allineare le sporgenze sul fermacavo con i fori sul manubrio, in modo che le sporgenze entrino nei fori. Posizionare i cavi elettrici come indicato nella figura.

► **Fig.3:** 1. Cavo elettrico 2. Fermacavo

Rimozione dell'adattatore per pacciamatura

1. Aprire lo sportellino posteriore.

► **Fig.4:** 1. Sportellino posteriore

2. Rimuovere l'adattatore per pacciamatura mentre si tiene premuta verso il basso la leva.

► **Fig.5:** 1. Leva 2. Adattatore per pacciamatura

Installazione o rimozione del cestello erba

Per installare il cestello erba, attenersi alla procedura seguente.

1. Aprire lo sportellino posteriore.

► **Fig.6:** 1. Sportellino posteriore

2. Afferrare la maniglia del cestello erba, quindi agganciare quest'ultimo alla barra del corpo del tosa-erba, come indicato nella figura.

► **Fig.7:** 1. Barra 2. Maniglia 3. Cestello erba

Per rimuovere il cestello erba, aprire lo sportellino posteriore, quindi rimuovere il cestello erba tenendolo per la maniglia.

Montaggio dell'adattatore per pacciamatura

1. Aprire lo sportellino posteriore, quindi rimuovere il cestello erba.

► **Fig.8:** 1. Sportellino posteriore 2. Cestello erba

2. Montare l'adattatore per pacciamatura mentre si tiene premuta la leva, quindi rilasciare la leva per bloccare l'adattatore per pacciamatura.

► **Fig.9:** 1. Leva 2. Adattatore per pacciamatura

Montaggio dell'accessorio di scarico

Per i modelli AM3653/AM3753

1. Aprire lo sportellino posteriore, quindi rimuovere il cestello erba.

► **Fig.10:** 1. Sportellino posteriore 2. Cestello erba

2. Montare l'adattatore per pacciamatura mentre si tiene premuta la leva, quindi rilasciare la leva per bloccare l'adattatore per pacciamatura.

► **Fig.11:** 1. Leva 2. Adattatore per pacciamatura

3. Aprire lo sportellino sul lato destro, quindi montare l'accessorio di scarico.

Inserire i ganci dell'accessorio di scarico sotto la barra dello sportellino sul lato destro.

► **Fig.12:** 1. Sportellino sul lato destro 2. Accessorio di scarico

DESCRIZIONE DELLE FUNZIONI

Installazione o rimozione della cartuccia della batteria

⚠ATTENZIONE: Spegnerne sempre la macchina prima di installare o rimuovere la cartuccia della batteria.

⚠ATTENZIONE: Mantenere saldamente la macchina e la cartuccia della batteria, quando si intende installare o rimuovere quest'ultima. Qualora non si mantengano saldamente la macchina e la cartuccia della batteria, queste ultime potrebbero scivolare dalle mani, con la possibilità di causare un danneggiamento della macchina e della cartuccia della batteria, nonché lesioni personali.

⚠ATTENZIONE: Prima dell'uso, accertarsi di aver bloccato il coperchio batterie. In caso contrario, fango, sporco o acqua potrebbero danneggiare il prodotto o la cartuccia della batteria.

⚠ATTENZIONE: Installare sempre fino in fondo la cartuccia della batteria, fino a quando l'indicatore rosso non è più visibile. In caso contrario, la batteria potrebbe cadere accidentalmente fuori dalla macchina, causando lesioni personali all'operatore o alle persone circostanti.

⚠ATTENZIONE: Non installare forzatamente la cartuccia della batteria. Qualora la batteria non si inserisca scorrendo agevolmente, vuol dire che non viene inserita correttamente.

NOTA: La macchina non funziona con una sola cartuccia della batteria.

Per installare la cartuccia della batteria:

1. Tirare verso l'alto la leva di blocco, quindi aprire il coperchio batterie.

► **Fig.13:** 1. Coperchio batterie 2. Leva di blocco

2. Allineare la linguetta sulla cartuccia della batteria con l'alloggiamento sulla macchina, quindi far scorrere la cartuccia fino a quando si innesta in sede con un piccolo scatto.

► **Fig.14:** (1) Alloggiamento per batterie 1
(2) Alloggiamento per batterie 2
(3) Cartuccia della batteria

NOTA: Installare almeno 2 cartucce delle batterie nell'alloggiamento per batterie 1 o nell'alloggiamento per batterie 2.

3. Inserire la chiave di blocco per tutta la sua lunghezza nella sede mostrata nella figura.

► **Fig.15:** 1. Chiave di blocco

4. Chiudere il coperchio batterie e premerlo fino a quando viene agganciato dalla leva di blocco.

Per rimuovere la cartuccia della batteria:

1. Tirare verso l'alto la leva di blocco, quindi aprire il coperchio batterie.

2. Estrarre la cartuccia della batteria dalla macchina, facendo scorrere allo stesso tempo il pulsante sulla parte anteriore della cartuccia.

3. Estrarre la chiave di blocco.

4. Chiudere il coperchio batterie.

Commutazione delle cartucce delle batterie

► **Fig.16:** 1. Commutatore di selezione della batteria

La macchina utilizza 2 cartucce delle batterie contemporaneamente per il funzionamento. È possibile installare un massimo di 4 cartucce delle batterie nella macchina. Prima di utilizzare la macchina, selezionare l'alloggiamento per batterie 1 o l'alloggiamento per batterie 2 ruotando il commutatore di selezione della batterie.

NOTA: Se nella macchina sono installate solo 2 cartucce delle batterie, accertarsi di selezionare l'alloggiamento delle batterie in cui sono installate le cartucce delle batterie, mediante il commutatore di selezione delle batterie.

Sistema di protezione della macchina e della batteria

La macchina è dotata di un sistema di protezione della macchina stessa e della batteria. Questo sistema interrompe automaticamente l'alimentazione al motore per prolungare la vita utile della macchina e delle batterie. La macchina si arresta automaticamente durante il funzionamento, qualora la macchina o una batteria vengano a trovarsi in una delle condizioni seguenti:

Protezione dal sovraccarico

Quando una batteria viene utilizzata in un modo che causi un assorbimento di corrente elevato in modo anomalo, la macchina si arresta automaticamente e l'indicatore luminoso di accensione principale lampeggia in verde. In questa circostanza, spegnere la macchina e interrompere l'applicazione che ha causato il sovraccarico della macchina. Quindi, accendere la macchina per ricominciare.

Protezione dal surriscaldamento

Quando la macchina o una batteria sono surriscaldate, l'utensile si arresta automaticamente, e l'indicatore luminoso di accensione principale si illumina in rosso. In tal caso, lasciar raffreddare la macchina e la batteria, prima di riaccendere la macchina.

Protezione dalla sovraccarica

Quando la carica delle batterie non è sufficiente, la macchina si arresta automaticamente, e l'indicatore luminoso di accensione principale lampeggia in rosso. In questo caso, rimuovere le batterie dalla macchina e caricare le cartucce delle batterie o sostituirle con cartucce delle batterie completamente cariche.

Indicazione della carica residua della batteria

Solo per cartucce delle batterie dotate di indicatore

► **Fig.17:** 1. Indicatori luminosi 2. Pulsante di controllo
Premere il pulsante di controllo sulla cartuccia della batteria per indicare la carica residua della batteria. Gli indicatori luminosi si illuminano per alcuni secondi.

Indicatori luminosi			Carica residua
■ Illuminato	□ Spento	▬ Lampeggiante	
■ ■ ■ ■			Dal 75% al 100%
■ ■ ■ □			Dal 50% al 75%
■ ■ □ □			Dal 25% al 50%
■ □ □ □			Dallo 0% al 25%
▬ □ □ □			Caricare la batteria.
■ ■ □ □			La batteria potrebbe essersi guastata.
□ □ ■ ■	↑ ↓		

NOTA: A seconda delle condizioni d'uso e della temperatura ambiente, l'indicazione potrebbe variare leggermente rispetto alla carica effettiva.

Quadro comandi

Il quadro comandi contiene l'interruttore di accensione principale, il pulsante di commutazione della modalità e l'indicatore della carica residua delle batterie.

► **Fig.18:** 1. Indicatore della batteria 2. Indicatore luminoso di commutazione della modalità 3. Indicatore luminoso di accensione principale 4. Pulsante di controllo 5. Pulsante di commutazione della modalità 6. Interruttore di accensione principale

Interruttore di accensione principale

AVVERTIMENTO: Disattivare sempre l'interruttore di accensione principale quando l'utensile non è in uso.

Per accendere la macchina, premere l'interruttore di accensione principale. L'indicatore luminoso di accensione principale si illumina in verde. Per spegnere la macchina, premere di nuovo l'interruttore di accensione principale.

NOTA: Qualora l'indicatore luminoso di accensione principale si illumini in rosso o lampeggi in rosso o in verde, consultare le istruzioni del sistema di protezione della macchina o delle batterie.






NOTA: Questa macchina utilizza una funzione di spegnimento automatico. Per evitare l'avvio accidentale, l'interruttore di accensione principale si disattiva automaticamente quando la leva interruttore e la leva di avanzamento (se in dotazione) non vengono premute per un determinato periodo di tempo, dopo che l'interruttore di accensione principale è stato attivato.

Pulsante di commutazione della modalità

È possibile commutare la modalità operativa premendo il pulsante di commutazione della modalità. Quando si accende la macchina, quest'ultima si avvia in modalità normale. Quando si preme il pulsante di commutazione della modalità, la macchina passa alla modalità di riduzione del rumore, e l'indicatore luminoso di commutazione della modalità si illumina in verde. In modalità di riduzione del rumore, è possibile ridurre il rumore durante la tosatura. Quando si preme di nuovo il pulsante di commutazione della modalità, la macchina torna alla modalità normale.

Indicazione della carica residua della batteria

Premere il pulsante di controllo per indicare le cariche residue delle batterie. Gli indicatori delle batterie corrispondono alle rispettive batterie.

Stato dell'indicatore della batteria		Carica residua della batteria
 Acceso	 Spento	
		Dal 50% al 100%
		Dal 20% al 50%
		Dallo 0% al 20%

NOTA: Gli indicatori luminosi della carica residua delle batterie rappresentano solo un'indicazione di massima. La carica effettiva delle batterie può variare a seconda delle condizioni di utilizzo.

NOTA: Prima di premere il pulsante di controllo per indicare la carica residua delle batterie, arrestare la macchina.

Funzionamento dell'interruttore

⚠AVVERTIMENTO: Prima di installare la cartuccia della batteria, controllare sempre che la leva interruttore funzioni correttamente e che torni sulla sua posizione originale quando viene rilasciata. L'utilizzo della macchina con un interruttore che non funzioni correttamente può portare alla perdita di controllo e a gravi lesioni personali.

NOTA: Il tosaerba non si avvia se non si preme il pulsante interruttore, anche se si tira la leva interruttore.

NOTA: Il tosaerba potrebbe non avviarsi a causa di un sovraccarico, quando si tenta di tagliare erba lunga o densa in una sola sessione. In tal caso, regolare l'altezza di taglio.

Questo tosaerba è dotato di una chiave di blocco e di un interruttore sul manubrio. Qualora si noti qualcosa di anomalo in relazione alla chiave di blocco o all'interruttore, interrompere immediatamente l'utilizzo e farli controllare dal centro di assistenza autorizzato Makita/Dolmar più vicino.

Per i modelli AM3846/AM3753

1. Installare le cartucce delle batterie. Inserire la chiave di blocco, quindi chiudere il coperchio batterie.
2. Selezionare le cartucce delle batterie utilizzate per il funzionamento ruotando il commutatore di selezione delle batterie.
3. Premere l'interruttore di accensione principale.
4. Tirare la leva interruttore verso di sé mentre si tiene premuto il pulsante interruttore. Rilasciare il pulsante interruttore non appena il motore inizia ad avviarsi.

► **Fig.19:** 1. Pulsante interruttore 2. Leva interruttore

NOTA: Qualora la chiave di blocco non sia inserita, l'indicatore luminoso di accensione lampeggia in verde quando si preme la leva interruttore.

5. Mentre si continua a mantenere in posizione la leva interruttore, spingere la leva di avanzamento in avanti e mantenerla in posizione per far avanzare le ruote posteriori.

► **Fig.20:** 1. Leva di avanzamento

NOTA: È possibile far avanzare le ruote posteriori spingendo in avanti la leva di avanzamento e mantenendola in posizione senza tirare la leva interruttore.

6. Per arrestare la macchina, rilasciare la leva di avanzamento e la leva interruttore.

Per il modello AM3653

1. Installare le cartucce delle batterie. Inserire la chiave di blocco nell'interruttore asservito, quindi chiudere il coperchio batterie.
2. Selezionare le cartucce delle batterie utilizzate per il funzionamento ruotando il commutatore di selezione delle batterie.
3. Premere l'interruttore di accensione principale.
4. Tirare la leva interruttore verso di sé mentre si tiene premuto il pulsante interruttore. Rilasciare il pulsante interruttore non appena il motore inizia ad avviarsi.

► **Fig.21:** 1. Pulsante interruttore 2. Leva interruttore

NOTA: Qualora la chiave di blocco non sia inserita, l'indicatore luminoso di accensione lampeggia in verde quando si preme la leva interruttore.

5. Per arrestare il motore, rilasciare la leva interruttore.

Regolazione dell'altezza di taglio

⚠AVVERTIMENTO: Non mettere mai le mani o le gambe sotto il corpo del tosaerba quando si intende regolare l'altezza di taglio.

⚠AVVERTIMENTO: Accertarsi sempre che la leva entri correttamente nella scanalatura prima dell'uso.

È possibile regolare l'altezza di taglio nella gamma compresa tra 20 mm e 100 mm.

Rimuovere la chiave di blocco, quindi tirare la leva di regolazione dell'altezza di taglio verso l'esterno del corpo del tosaerba e spostarla sull'altezza di taglio desiderata.

► **Fig.22:** 1. Leva di regolazione dell'altezza di taglio

La tabella seguente mostra il rapporto tra il numero sul corpo del tosaerba e l'altezza di taglio approssimativa.

Numero	Altezza di taglio
1	20 mm
2	26 mm
3	32 mm
4	39 mm
5	47 mm
6	55 mm
7	63 mm
8	74 mm
9	86 mm
10	100 mm

Mantenere l'impugnatura anteriore o il manubrio inferiore con una sola mano, quindi spostare la leva di regolazione dell'altezza di taglio con l'altra mano.

► **Fig.23:** 1. Leva di regolazione dell'altezza di taglio
2. Manubrio inferiore 3. Impugnatura anteriore

NOTA: I valori dell'altezza di taglio vanno utilizzati solo come indicazione di massima. A seconda delle condizioni del prato o del terreno, l'altezza effettiva del prato potrebbe diventare leggermente diversa da quella impostata.

NOTA: Effettuare un taglio di prova dell'erba in un'ubicazione meno in evidenza, in modo da ottenere l'altezza desiderata.

Indicatore livello erba

L'indicatore livello erba mostra il volume dell'erba tagliata. Quando il cestello erba non è pieno, l'indicatore fluttua mentre le lame sono in funzione.

► **Fig.24:** 1. Indicatore livello erba

Quando il cestello erba è quasi pieno, l'indicatore non fluttua mentre le lame sono in funzione. In tal caso, interrompere immediatamente il funzionamento e svuotare il cestello.

► **Fig.25:** 1. Indicatore livello erba

NOTA: Questo indicatore è una guida approssimativa. A seconda delle condizioni all'interno del cestello, questo indicatore potrebbe non funzionare correttamente.

Regolazione dell'altezza del manubrio

ATTENZIONE: Prima di rimuovere i bulloni, mantenere saldamente il manubrio superiore. In caso contrario, il manubrio potrebbe cadere e causare lesioni personali.

È possibile regolare l'altezza del manubrio su due livelli.

1. Rimuovere i bulloni superiori del manubrio inferiore utilizzando la chiave a tubo 13, quindi allentare i bulloni inferiori.

► **Fig.26:** 1. Bullone superiore 2. Bullone inferiore

2. Regolare l'altezza del manubrio, quindi serrare saldamente i bulloni superiori e inferiori.

Regolazione della velocità di movimento

Per i modelli AM3846/AM3753

► **Fig.27:** 1. Leva della velocità

È possibile regolare la velocità di movimento con la leva della velocità. Per ridurre la velocità, tirare la leva verso di sé; per aumentarla, ruotare la leva in avanti.

Uso dell'adattatore per pacciamatura

L'adattatore per pacciamatura consente di far ricadere l'erba tagliata al suolo senza raccoglierla nel cestello erba. Quando si utilizza la macchina con l'adattatore per pacciamatura, accertarsi di rimuovere il cestello erba.

AVVISO: Quando si intende utilizzare la macchina con l'adattatore per pacciamatura, accertarsi che la lunghezza complessiva dell'erba sia pari o superiore a 30 mm, oppure che la lunghezza tagliata sia pari o inferiore a 15 mm.

► **Fig.28:** (1) Almeno 30 mm (2) 15 mm o meno

Uso dell'accessorio di scarico

Per i modelli AM3653/AM3753

L'accessorio di scarico consente di scaricare l'erba tagliata sul suolo dal lato destro della macchina, senza raccogliere l'erba tagliata nel cestello erba. Quando si utilizza la macchina con l'accessorio di scarico, accertarsi di installare l'adattatore per pacciamatura e rimuovere il cestello erba.

Funzione elettronica

La macchina è dotata di funzioni elettroniche per facilitare l'uso.

- Controllo della velocità costante di rotazione delle lame
Controllo elettronico della velocità per ottenere una velocità costante. È possibile ottenere una finitura precisa, poiché la velocità di rotazione viene mantenuta costante anche in condizioni di carico.
- Funzione di avvio "morbido" dell'avanzamento
La funzione di avvio morbido riduce al minimo l'impatto all'avvio, e fa avviare delicatamente la macchina.
- Freno elettrico
Questa macchina è dotata di un freno elettrico. Qualora la macchina non riesca ripetutamente ad arrestare rapidamente le lame del tosaerba dopo il rilascio della leva interruttore, far sottoporre a riparazione la macchina presso un centro di assistenza Makita/Dolmar.

FUNZIONAMENTO

Taglio dell'erba

⚠AVVERTIMENTO: Prima di tagliare l'erba, rimuovere gli stecchi e i sassi dall'area di taglio. Inoltre, rimuovere preventivamente eventuali erbacce dall'area di taglio.

⚠AVVERTIMENTO: Indossare sempre occhiali od occhialoni di sicurezza con protezioni laterali, quando si utilizza il tosaerba.

⚠ATTENZIONE: Qualora l'erba tagliata o un corpo estraneo ostruisca l'interno del corpo del tosaerba, accertarsi di rimuovere la chiave di blocco e la cartuccia della batteria, e indossare i guanti prima di rimuovere l'erba o il corpo estraneo.

AVVISO: Utilizzare questa macchina solo per la tosatura di prati. Non tagliare erbacce con questa macchina.

► Fig.29

Tenere saldamente il manubrio con entrambe le mani durante il taglio dell'erba. La velocità di taglio indicativa va da 7 a 14 metri circa ogni 10 secondi.

► Fig.30

Le linee centrali delle ruote anteriori fungono da riferimenti per la larghezza di taglio. Utilizzando le linee centrali come riferimenti, tagliare l'erba a strisce. Per tagliare in modo uniforme il prato, sovrapporre ogni striscia a quella precedente per una parte che vada da una metà a un terzo.

► Fig.31: 1. Larghezza di taglio 2. Area di sovrapposizione 3. Linea centrale

Cambiare la direzione di taglio ogni volta, per evitare che si formi uno schema di venature d'erba in un'unica direzione.

► Fig.32

Controllare a intervalli regolari la quantità di erba tagliata nel cestello erba. Svuotare l'erba prima che il cestello si riempia. Prima di ogni controllo periodico, accertarsi di arrestare il tosaerba, quindi rimuovere la chiave di blocco e la cartuccia della batteria.

AVVISO: L'uso del tosaerba con il cestello erba pieno impedisce una rotazione fluida della lama ed esercita un'ulteriore pressione sul motore, che potrebbe causare un guasto.

Taglio di un prato con erba alta

Non tentare di tagliare l'erba alta in una singola passata. Tagliare il prato in sessioni, invece. Lasciar passare uno o due giorni tra una tosatura e l'altra, fino ad accorciare il prato in modo uniforme.

► Fig.33

NOTA: Qualora si tagli corti l'erba alta in una singola passata, l'erba potrebbe morire. Inoltre, l'erba tagliata potrebbe ammassarsi e formare un'ostruzione all'interno del corpo del tosaerba.

Svuotamento del cestello erba

⚠AVVERTIMENTO: Per ridurre il rischio di un incidente, verificare a intervalli regolari l'eventuale presenza di danni o di indebolimenti della robustezza del cestello erba. Se necessario, sostituire il cestello erba.

1. Rilasciare la leva interruttore e la leva di avanzamento (per i modelli AM3846/AM3753), oppure rilasciare la leva interruttore (per il modello AM3653).

2. Rimuovere la chiave di blocco.

3. Aprire lo sportellino posteriore ed estrarre il cestello erba tenendolo per la maniglia.

► Fig.34: 1. Sportellino posteriore 2. Manico 3. Cestello erba

4. Svuotare il cestello erba.

MANUTENZIONE

⚠AVVERTIMENTO: Accertarsi sempre di aver rimosso la chiave di blocco e la cartuccia della batteria dal tosaerba prima di riporre o trasportare il tosaerba, oppure prima di tentare di eseguire un intervento di ispezione o di manutenzione.

⚠AVVERTIMENTO: Rimuovere sempre la chiave di blocco quando il tosaerba non è in uso. Conservare la chiave di blocco in un luogo sicuro, fuori della portata dei bambini.

⚠AVVERTIMENTO: Indossare dei guanti quando si intende eseguire l'ispezione o la manutenzione.

⚠AVVERTIMENTO: Indossare sempre occhiali od occhialoni di sicurezza con protezioni laterali, quando si intende eseguire ispezioni o manutenzione.

AVVISO: Non utilizzare mai benzina, benzene, solventi, alcol o altre sostanze simili. In caso contrario, si potrebbero causare scolorimenti, deformazioni o crepe.

Per preservare la SICUREZZA e l'AFFIDABILITÀ del prodotto, le riparazioni e qualsiasi altra manutenzione o regolazione vanno eseguite da centri di assistenza autorizzati Makita/Dolmar, utilizzando sempre pezzi di ricambio Makita/Dolmar.

Manutenzione

1. Rimuovere la chiave di blocco e le cartucce delle batterie, quindi chiudere il coperchio batterie.

2. Sistemare il tosaerba su un fianco in modo che la leva di regolazione dell'altezza di taglio si trovi sul lato superiore. Pulire i frammenti tagliati di erba accumulati sul lato inferiore della carrozzeria del tosaerba.

3. Versare dell'acqua verso il lato inferiore della macchina, su cui è montata la lama.

AVVISO: Non lavare la macchina con acqua ad alta pressione.

4. Controllare che tutti i dadi, i bulloni, le viti, e così via, siano serrati saldamente.

5. Ispezionare le parti mobili per individuare danni, rotture o usura. Le parti danneggiate o mancanti vanno riparate o sostituite.

6. Riporre il tosaerba in un luogo sicuro, fuori dalla portata dei bambini.

Per i modelli AM3846/AM3753

AVVISO: Non versare acqua sull'area indicata nella figura. Qualora si versi acqua sull'unità motore, si potrebbe causare un malfunzionamento della macchina.

► **Fig.35:** 1. Area su cui non deve essere versata acqua

Trasporto del tosaerba

Quando si intende trasportare il tosaerba, mantenere l'impugnatura anteriore e l'impugnatura posteriore con due persone, come indicato nella figura.

► **Fig.36:** 1. Impugnatura anteriore 2. Impugnatura posteriore

Conservazione

Riporre il tosaerba al chiuso, in un luogo fresco, asciutto e chiuso a chiave. Non riporre il tosaerba e il caricabatterie in ubicazioni in cui la temperatura possa raggiungere o superare i 40 °C.

Rimozione o installazione della lama del tosaerba

⚠AVVERTIMENTO: La lama continua a girare per inerzia per alcuni secondi dopo che si è rilasciato l'interruttore. Non iniziare l'operazione fino all'arresto completo della lama.

⚠AVVERTIMENTO: Rimuovere sempre la chiave di blocco e la cartuccia della batteria quando si intende rimuovere o installare la lama. La mancata rimozione della chiave di blocco e della cartuccia della batteria potrebbe causare gravi lesioni personali.

⚠AVVERTIMENTO: Indossare sempre dei guanti quando si maneggia la lama.

Rimozione della lama del tosaerba

Per i modelli dotati di lama dritta per tosaerba

1. Sistemare il tosaerba su un fianco in modo che la leva di regolazione dell'altezza di taglio si trovi sul lato superiore.

2. Per bloccare la lama, inserire il perno in un foro sul corpo del tosaerba.

3. Ruotare il bullone in senso antiorario con la chiave a tubo 17.

► **Fig.37:** 1. Lama del tosaerba 2. Perno 3. Chiave a tubo

4. Rimuovere il bullone e quindi la lama del tosaerba.

► **Fig.38:** 1. Supporto della lama 2. Lama del tosaerba 3. Bullone 4. Sporgenza

AVVISO: Quando si intende installare la lama del tosaerba, accertarsi che le sporgenze sul supporto della lama entrino nei fori presenti nella lama del tosaerba.

Per i modelli dotati di lame rientranti per tosaerba

1. Sistemare il tosaerba su un fianco in modo che la leva di regolazione dell'altezza di taglio si trovi sul lato superiore.

2. Per bloccare la piastra di base, inserire il perno in un foro sul corpo del tosaerba attraverso un foro nella piastra di base.

3. Ruotare il bullone in senso antiorario con la chiave a tubo 17.

► **Fig.39:** 1. Perno 2. Piastra di base 3. Chiave a tubo

4. Rimuovere il bullone e quindi la piastra di base.

► **Fig.40:** 1. Supporto della lama 2. Piastra di base 3. Bullone 4. Sporgenza

AVVISO: Quando si intende installare le lame del tosaerba, accertarsi che le sporgenze sul supporto delle lame entrino nei fori presenti sulla piastra di base.

5. Per rimuovere una singola lama del tosaerba, ruotare il bullone in senso antiorario con la chiave a tubo 17, mentre si tiene ferma la piastra di base.

► **Fig.41:** 1. Piastra di base 2. Lama del tosaerba 3. Chiave a tubo

6. Rimuovere il dado, la rondella, la rondella elastica, la lama del tosaerba e il bullone, in quest'ordine.

► **Fig.42:** 1. Foro per bullone 2. Bullone 3. Lama del tosaerba 4. Rondella elastica 5. Rondella 6. Dado

AVVISO: Quando si intende serrare i dadi per installare le singole lame del tosaerba, applicare una coppia di serraggio pari a 30 N•m.

AVVISO: Quando si intende installare una singola lama del tosaerba, accertarsi di montare la rondella elastica nella direzione indicata nella figura.

AVVISO: Quando si intende installare una singola lama del tosaerba, accertarsi di inserire i bulloni negli appositi fori mostrati nella figura.

Installazione della lama del tosaerba

⚠AVVERTIMENTO: Installare con cautela la lama del tosaerba. La lama ha una faccia superiore e una inferiore.

⚠AVVERTIMENTO: Serrare saldamente il bullone in senso orario per fissare la lama.

⚠AVVERTIMENTO: Accertarsi che la lama del tosaerba e tutte le parti di fissaggio siano installate correttamente e serrate saldamente.

⚠AVVERTIMENTO: Quando si sostituiscono le lame, seguire sempre le istruzioni fornite nel presente manuale.

AVVISO: Dopo aver installato le lame del tosaerba, rimuovere il perno dal corpo del tosaerba.

Per installare le lame del tosaerba, eseguire la procedura di rimozione al contrario.

RISOLUZIONE DEI PROBLEMI

Prima di richiedere riparazioni, eseguire un'ispezione personalmente. Qualora si rilevi un problema che non sia illustrato nel manuale, non tentare di smontare la macchina. Rivolgersi, invece, ai centri di assistenza autorizzati Makita/Dolmar, utilizzando sempre pezzi di ricambio Makita/Dolmar per le riparazioni.

Stato di anomalia	Causa probabile (guasto)	Azione correttiva
Il tosaerba non si avvia.	Le due cartucce delle batterie non sono installate.	Installare due cartucce delle batterie cariche.
	Problema delle batterie (tensione insufficiente)	Ricaricare la cartuccia della batteria. Qualora la ricarica non abbia effetto, sostituire la cartuccia della batteria.
	La chiave di blocco non è inserita.	Inserire la chiave di blocco.
	Il commutatore di selezione delle batterie non si trova sulla posizione corretta.	Selezionare l'alloggiamento delle batterie in cui sono installate le cartucce delle batterie, mediante il commutatore di selezione delle batterie.
Il motore si arresta dopo un breve utilizzo.	Il livello di carica della batteria è basso.	Ricaricare la cartuccia della batteria. Qualora la ricarica non abbia effetto, sostituire la cartuccia della batteria.
	L'altezza di taglio è troppo bassa.	Aumentare l'altezza di taglio.
	L'erba tagliata è intasata nel tosaerba.	Rimuovere l'erba intasata dal tosaerba.
Il motore non raggiunge i giri/minuto massimi.	La cartuccia della batteria non è installata correttamente.	Installare la cartuccia della batteria come descritto nel presente manuale.
	La carica delle batterie si sta riducendo.	Ricaricare la cartuccia della batteria. Qualora la ricarica non abbia effetto, sostituire la cartuccia della batteria.
	Il sistema di trasmissione non funziona correttamente.	Chiedere la riparazione al proprio centro di assistenza autorizzato locale.
La lama del tosaerba non gira: ⇒ arrestare immediatamente il tosaerba!	Un oggetto estraneo, ad esempio un ramoscello, è incastrato vicino alla lama.	Rimuovere l'oggetto estraneo.
	Il sistema di trasmissione non funziona correttamente.	Chiedere la riparazione al proprio centro di assistenza autorizzato locale.
Vibrazione anomala: ⇒ arrestare immediatamente il tosaerba!	La lama è sbilanciata, usurata eccessivamente o in modo disomogeneo.	Sostituire la lama.

ACCESSORI OPZIONALI

⚠ATTENZIONE: Questi accessori o componenti aggiuntivi sono consigliati per l'utilizzo con l'utensile Makita/Dolmar specificato nel presente manuale. L'utilizzo di qualsiasi altro accessorio o componente aggiuntivo potrebbe presentare un rischio di lesioni personali. Utilizzare l'accessorio o il componente aggiuntivo esclusivamente per lo scopo a cui è destinato.

Qualora sia necessaria assistenza per ulteriori dettagli relativi a questi accessori, rivolgersi al centro di assistenza Makita/Dolmar locale.

- Lama del tosaerba
- Batteria e caricabatterie originali Makita/Dolmar

NOTA: Alcuni articoli nell'elenco potrebbero essere inclusi in dotazione nella confezione dell'utensile come accessori di serie. Tali articoli potrebbero variare da nazione a nazione.

TECHNISCHE GEGEVENS

Model:		AM3846	AM3653	AM3753
Maaibreedte (diameter van snijblad)		460 mm	534 mm	
Nullasttoerental		2.500 min ⁻¹	2.300 min ⁻¹	
Maximumtoerental		3.300 min ⁻¹	2.800 min ⁻¹	
Onderdeelnummer van vervangings snijblad van grasmaaier	Recht snijblad van de grasmaaier	191D51-9	191D52-7	
	Zwenkende snijbladen van de grasmaaier *1	191D49-6	191D50-1	
	Zwenkende snijbladen van de grasmaaier *2	191D47-0	191D48-8	
Afmetingen (l x b x h)		L: 1.610 mm t/m 1.690 mm B: 535 mm H: 980 mm t/m 1.095 mm	L: 1.630 mm tot 1.715 mm B: 590 mm H: 990 mm tot 1.095 mm	
Rijsnelheid		2,5 of 5,0 km/h	-	2,5 of 5,0 km/h
Nominale spanning		36 V gelijkstroom		
Nettogewicht	Wanneer het rechte snijblad van de grasmaaier is aangebracht	35,3 - 39,0 kg	35,5 - 39,3 kg	39,0 - 42,8 kg
	Wanneer de zwenkende snijbladen van de grasmaaier zijn aangebracht	36,0 - 39,7 kg	36,2 - 40,0 kg	39,7 - 43,5 kg
Beschermingsklasse		IPX4		

- *1. Grondplaat en afzonderlijke snijbladen van de grasmaaier. *2. Alleen afzonderlijke snijbladen van de grasmaaier.
- In verband met ononderbroken research en ontwikkeling, behouden wij ons het recht voor de bovenstaande technische gegevens zonder voorafgaande kennisgeving te wijzigen.
 - De technische gegevens kunnen van land tot land verschillen.
 - Het gewicht kan verschillen afhankelijk van de hulpstukken, waaronder de accu. De lichtste en zwaarste combinatie, overeenkomstig de EPTA-procedure 01/2014, worden getoond in de tabel.

Toepasselijke accu's






BL1815N / BL1820 / BL1820B / BL1830 / BL1830B / BL1840 / BL1840B / BL1850 / BL1850B / BL1860B

- Sommige van de hierboven vermelde accu's zijn mogelijk niet leverbaar afhankelijk van waar u woont.

WAARSCHUWING: Gebruik uitsluitend de accu's die hierboven worden genoemd. Gebruik van enige andere accu kan leiden tot letsel en/of brand.

Symbolen

Hieronder staan de symbolen die voor het gereedschap worden gebruikt. Zorg ervoor dat u weet wat ze betekenen alvorens het gereedschap te gebruiken.

	Wees vooral voorzichtig en let goed op.
	Lees de gebruiksaanwijzing.
	Gevaar: let op weggeworpen voorwerpen.
	Omstanders moeten een afstand van zeker 15 meter bewaren tot het gereedschap.
	Breng nooit uw handen of voeten dichtbij het snijblad onder de grasmaaier. Het snijblad blijft nadraaien nadat de motor is uitgeschakeld.

	Verwijder de contactsleutel vóór het inspecteren, bijstellen, reinigen, onderhouden, achterlaten of opbergen van de grasmaaier.
	Elektrisch gevaar. Contact met water kan een elektrische schok veroorzaken.
	Giet er geen water op.
	Alleen voor EU-landen Geef elektrisch gereedschap en accu's niet met het huisvuil mee! Volgens de Europese richtlijn inzake oude elektrische en elektronische apparaten, en inzake batterijen en accu's en oude batterijen en accu's, en de toepassing daarvan binnen de nationale wetgeving, dienen elektrisch gereedschap, accu's en batterijen die het einde van hun levensduur hebben bereikt, gescheiden te worden ingezameld en te worden afgevoerd naar een recyclebedrijf dat voldoet aan de geldende milieu-eisen.

Gebruiksdoelinden

De machine is bedoeld om het gazon te maaien.

Geluidsniveau

De typische, A-gewogen geluidsniveaus zijn gemeten volgens EN60335-2-77:

OPMERKING: De waarden zijn gemeten met de grasmaaier uitgerust met een recht snijblad van de grasmaaier.

Model AM3846

Geluidsdruk niveau (L_{pA}): 82,7 dB (A)
Geluidsvermogen niveau (L_{WA}): 90,9 dB (A)

Onzekerheid (K): 3 dB (A)

Model AM3653

Geluidsdruk niveau (L_{pA}): 78,1 dB (A)
Geluidsvermogen niveau (L_{WA}): 90,4 dB (A)

Onzekerheid (K): 3 dB (A)

Model AM3753

Geluidsdruk niveau (L_{pA}): 78,1 dB (A)
Geluidsvermogen niveau (L_{WA}): 90,4 dB (A)

Onzekerheid (K): 3 dB (A)

Het geluidsniveau kan tijdens gebruik hoger worden dan 80 dB (A).

OPMERKING: De opgegeven geluidsemisiewaarde(n) is/zijn gemeten volgens een standaardtestmethode en kan/kunnen worden gebruikt om dit gereedschap te vergelijken met andere gereedschappen.

OPMERKING: De opgegeven geluidsemisiewaarde(n) kan/kunnen ook worden gebruikt voor een beoordeling vooraf van de blootstelling.

⚠ WAARSCHUWING: Draag gehoorbescherming.

⚠ WAARSCHUWING: De geluidsemisie tijdens het gebruik van het elektrisch gereedschap in de praktijk kan verschillen van de opgegeven waarde(n) afhankelijk van de manier waarop het gereedschap wordt gebruikt, met name van het soort werkstuk waarmee wordt gewerkt.

⚠ WAARSCHUWING: Zorg ervoor dat veiligheidsmaatregelen worden getroffen ter bescherming van de gebruiker die zijn gebaseerd op een schatting van de blootstelling onder praktijkomstandigheden (rekening houdend met alle fasen van de bedrijfscyclus, zoals de tijdsduur gedurende welke het gereedschap is uitgeschakeld en stationair draait, naast de ingeschakelde tijdsduur).

Trilling

De totale trillingswaarde (triaxiale vectorsom) zoals vastgesteld volgens EN60335-2-77:

OPMERKING: De waarden zijn gemeten met de grasmaaier uitgerust met een recht snijblad van de grasmaaier.

Model AM3846

Trillingsemisie (a_h): 2,5 m/s² of lager
Onzekerheid (K): 1,5 m/s²

Model AM3653

Trillingsemisie (a_h): 2,5 m/s² of lager
Onzekerheid (K): 1,5 m/s²

Model AM3753

Trillingsemisie (a_h): 2,5 m/s² of lager
Onzekerheid (K): 1,5 m/s²

OPMERKING: De totale trillingswaarde(n) is/zijn gemeten volgens een standaardtestmethode en kan/kunnen worden gebruikt om dit gereedschap te vergelijken met andere gereedschappen.

OPMERKING: De opgegeven totale trillingswaarde(n) kan/kunnen ook worden gebruikt voor een beoordeling vooraf van de blootstelling.

⚠ WAARSCHUWING: De trillingsemisie tijdens het gebruik van het elektrisch gereedschap in de praktijk kan verschillen van de opgegeven waarde(n) afhankelijk van de manier waarop het gereedschap wordt gebruikt, met name van het soort werkstuk waarmee wordt gewerkt.

⚠ WAARSCHUWING: Zorg ervoor dat veiligheidsmaatregelen worden getroffen ter bescherming van de gebruiker die zijn gebaseerd op een schatting van de blootstelling onder praktijkomstandigheden (rekening houdend met alle fasen van de bedrijfscyclus, zoals de tijdsduur gedurende welke het gereedschap is uitgeschakeld en stationair draait, naast de ingeschakelde tijdsduur).

EG-verklaring van conformiteit

Alleen voor Europese landen

De EG-verklaring van conformiteit is bijgevoegd als Bijlage A bij deze gebruiksaanwijzing.

VEILIGHEIDSWAARSCHUWINGEN

BELANGRIJKE VEILIGHEIDSVORSCHRIFTEN

⚠ WAARSCHUWING: Lees alle veiligheidswaarschuwingen en alle instructies. Het niet volgen van de waarschuwingen en instructies kan leiden tot elektrische schokken, brand en/of ernstig letsel.

Bewaar alle waarschuwingen en instructies om in de toekomst te kunnen raadplegen.

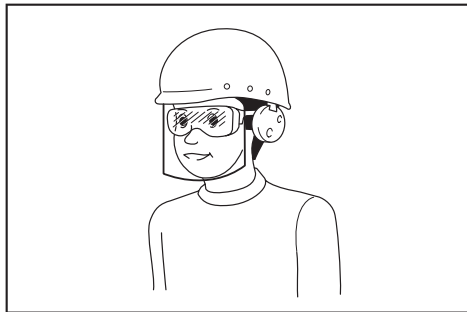
Instructie

1. Lees de gebruiksaanwijzingen aandachtig door. Zorg dat u vertrouwd bent met de bedieningsorganen en het correcte gebruik van de grasmaaier.
2. Laat nooit kinderen of anderen die niet vertrouwd zijn met deze instructies de grasmaaier bedienen. De toegestane leeftijd van gebruikers kan ook zijn vastgelegd in de plaatselijke wetgeving.
3. Gebruik de grasmaaier nooit met personen, in het bijzonder kinderen, of huisdieren dicht in de buurt.
4. Onthoud dat de bediener of gebruiker aansprakelijk is voor ongelukken met letsel aan andere personen of schade aan hun eigendommen.
5. Houd toezicht op kinderen om te zorgen dat ze niet met de grasmaaier gaan spelen.

6. **Lichamelijke conditie - Gebruik de grasmaaier niet onder de invloed van alcohol, stimulerende of verdovende middelen, of na het innemen van medicijnen.**

Vorbereidingen

1. **Draag bij gebruik van de grasmaaier altijd stevig schoeisel en een lange broek. Gebruik de grasmaaier niet wanneer u op blote voeten loopt of open sandalen draagt. Draag geen juwelen of kleding die erg ruim valt of waarvan koordjes of bandjes los bungelen. Deze kunnen door de bewegende delen gegrepen worden.**
2. **Inspecteer de grasmaaier vóór gebruik altijd visueel op beschadigde, ontbrekende of verkeerd gemonteerde beschermkappen of schilden.**
3. **Zorg dat er geen andere personen in de buurt zijn voordat u met maaien begint. Stop de grasmaaier wanneer er iemand nadert.**
4. **Steek de contactsleutel pas in de grasmaaier wanneer die klaar voor gebruik is.**
5. **Draag tijdens het gebruik van elektrisch gereedschap altijd een veiligheidsbril om uw ogen te beschermen tegen letsel. De bril moet voldoen aan ANSI Z87.1 in de Verenigde Staten, aan EN 166 in Europa, en aan AS/NZS 1336 in Australië en Nieuw-Zeeland. In Australië en Nieuw-Zeeland is het wettelijk verplicht om tevens een spatscherm te dragen om uw gezicht te beschermen.**



Het is de verantwoordelijkheid van de werkgever om ervoor te zorgen dat geschikte beschermingsmiddelen gebruikt worden door de gebruikers van het gereedschap en anderen in de onmiddellijke omgeving van de werkplek.

6. **Controleer vóór gebruik zorgvuldig de snijbladen en de bouten van de snijbladen op barsten of andere beschadigingen. Vervang gebarsten of beschadigde snijbladen of bouten van de snijbladen onmiddellijk.**
7. **Verwijder vóór het maaien eerst obstakels en voorwerpen zoals stenen, ijzerdraad, glas, botten en grote takken uit uw werkgebied, om schade aan de grasmaaier en persoonlijk letsel te voorkomen.**
8. **Als het snijblad van de grasmaaier een voorwerp raakt, kan ernstig letsel worden veroorzaakt. Controleer altijd vóór het maaien het gras voor voorwerpen die hinder of gevaar kunnen veroorzaken en verwijder ze op afdoende wijze.**

9. **Kijk uit voor kuilen, sporen, hobbels, stenen en andere verborgen voorwerpen. Ongelijkmatig terrein kan leiden tot uitglijden en vallen. In lang gras kunnen obstakels verborgen zitten.**
10. **Terwijl het regent mag u de contactsleutel niet erin steken of verwijderen.**
11. **Gebruik persoonlijke-veiligheidsmiddelen. Draag altijd oogbescherming.** Veiligheidsmiddelen, zoals stofmaskers, slipvaste veiligheidsschoenen, veiligheidshelm en gehoorbescherming, gebruikt in toepasselijke situaties, dragen bij tot vermindering van persoonlijk letsel.

Bediening

1. **Reik niet te ver. Zorg altijd voor een goede balans. Zorg altijd dat u stevig staat op hellingen. Loop gewoon en ren niet.**
2. **Schakel de grasmaaier uit, verwijder de contactsleutel, en verzeker u ervan dat alle bewegende delen volledig tot stilstand zijn gekomen:**
 - wanneer u de grasmaaier achterlaat;
 - voor het opheffen van een blokkering of het vrijmaken van het uitwerpkanaal;
 - voor het controleren, reinigen of werken aan de grasmaaier;
 - na het raken van een vreemd voorwerp.**Inspecteer de grasmaaier op beschadigingen en voer reparatiewerkzaamheden uit alvorens de grasmaaier opnieuw te starten en te bedienen,**
 - als de grasmaaier op ongebruikelijke manier begint te trillen.
3. **Gebruik de grasmaaier in geen geval wanneer de beveiligingskappen of schermen defect zijn, of wanneer beveiligingsdelen zoals de keerschotten en/of grasmand afwezig zijn.**
4. **Vermijd het gebruik van de grasmaaier onder slechte weersomstandigheden, met name wanneer de kans op bliksem bestaat.**
5. **Draag tijdens het gebruik van de grasmaaier altijd oogbescherming en stevige schoenen.**
6. **Gebruik de grasmaaier alleen bij daglicht of helder kunstlicht.**
7. **Schakel de grasmaaier zorgvuldig in volgens de voorschriften, met uw voeten op veilige afstand van de snijblad(en).**
8. **Wees voorzichtig uw handen en voeten niet te verwonden aan het snijblad.**
9. **Zorg er altijd voor dat de ventilatieopeningen vrij zijn van vuil.**
10. **Maai altijd horizontaal langs een glooiing, nooit omhoog en omlaag. Wees uiterst voorzichtig wanneer u op een hellend vlak van richting verandert. Probeer niet om te maaien op al te steile hellingen.**
11. **Wees uiterst voorzichtig wanneer u de grasmaaier achteruit laat rijden of naar u toe trekt.**
12. **Stop de snijblad(en) wanneer u de grasmaaier moet kantelen om hem te verplaatsen over een ander oppervlak dan gras, en ook wanneer u de grasmaaier vervoert van of naar het te maaien terrein.**

13. **Kantel de grasmaaier niet wanneer u de motor inschakelt, behalve wanneer het noodzakelijk is de grasmaaier iets te kantelen om de motor te starten. In dat geval kantelt u hem niet verder dan strikt noodzakelijk en tilt u alleen het van u afgerichte deel iets omhoog. Zorg er altijd voor dat u beide handen op de bedieningspositie houdt voordat u de grasmaaier weer op de grond laat zakken.**
 14. **Plaats nooit uw handen of voeten onder of vlakbij de draaiende onderdelen. Blijf steeds uit de buurt van de uitwerpopening.**
 15. **Vervoer de grasmaaier niet terwijl de grasmaaier is ingeschakeld.**
 16. **Gebruik de grasmaaier niet wanneer het gras nat is.**
 17. **Houd de handgreep altijd stevig vast.**
 18. **Raak het snijblad of andere scherpe randen niet aan bij het optillen of dragen van de grasmaaier.**
 19. **Houd uw handen en voeten uit de buurt van het draaiende snijblad. Let op - Het snijblad blijft nadraaien nadat de grasmaaier is uitgeschakeld.**
 20. **Stop onmiddellijk met het gebruik wanneer u iets vreemds opmerkt. Schakel de grasmaaier uit en verwijder de contactsleutel. Inspecteer vervolgens de grasmaaier.**
 21. **Als de grasmaaier is uitgerust met een maaihoogte-instelling, mag u nooit de maaihoogte veranderen terwijl de grasmaaier draait.**
 22. **Laat de schakelhendel los en wacht tot het snijblad gestopt is voordat u een tuinpad, trottoir, oprijlaan, straat of weg oversteekt, of enig terrein waar grind ligt. Verwijder de contactsleutel ook wanneer u de grasmaaier even achterlaat, wanneer u een eindje verder iets moet oprapen, of als u om enige andere reden afgeleid bent van waar u mee bezig was.**
 23. **Als de grasmaaier een vreemd voorwerp raakt, gaat u als volgt te werk:**
 - Stop de grasmaaier, laat de schakelhendel los en wacht tot het snijblad helemaal tot stilstand is gekomen.
 - Verwijder de contactsleutel en de accu.
 - Controleer de grasmaaier zorgvuldig op beschadigingen.
 - Vervang het snijblad als het op enige wijze beschadigd is. Repareer alle beschadigingen voordat u de grasmaaier opnieuw start en in gebruik neemt.
 24. **Start de grasmaaier niet terwijl u recht voor de uitwerpopening staat.**
 25. **Als de grasmaaier abnormaal gaat trillen of schudden (onmiddellijk controleren)**
 - inspecteer op schade;
 - vervang of repareer alle beschadigde delen;
 - controleer op loszittende delen en zet die goed vast.
 26. **Richt het uitgeworpen materiaal nooit op iemand. Voorkom dat materiaal wordt uitgeworpen tegen een muur of obstakel. Het materiaal kan terugkaatsen naar de gebruiker. Zet het snijblad stil wanneer u een verharde ondergrond oversteekt.**
 27. **Trek de grasmaaier niet naar achteren behalve indien absoluut noodzakelijk. Wanneer u niet anders kan dan de grasmaaier achteruit te bewegen vanaf een afrastering of andere, soortgelijke obstructie, kijkt u omlaag en naar achter de grasmaaier vóór en tijdens het achteruit bewegen.**
 28. **Schakel de motor uit en wacht tot het snijblad volledig tot stilstand is gekomen, voordat u de grasvanger verwijdert. Denk eraan dat het snijblad blijft nalopen nadat de grasmaaier is uitgeschakeld.**
 29. **Als u het gereedschap op een modderige ondergrond, natte helling of gladde plaats gebruikt, let u erop dat u stevig staat.**
 30. **Vermijd werken in een ongunstige omgeving waarin een verhoogde vermoeidheid van de gebruiker kan worden verwacht.**
 31. **Gebruik het gereedschap niet bij slecht weer waarin het zicht beperkt is. Als u dit toch doet, kan dat een val of verkeerde bediening veroorzaken als gevolg van het slechte zicht.**
 32. **Dompel het gereedschap niet onder in een waterplas.**
 33. **Wanneer natte bladeren of vuil blijft kleven aan de aanzuigmond (ventilatieopening) als gevolg van de regen, verwijdert u deze.**
 34. **Gebruik het gereedschap niet in de sneeuw.**
 35. **Als het maaisel nat is, hoopt het zich waarschijnlijk op aan de binnenkant van het gereedschap. Controleer regelmatig de staat van het gereedschap en verwijder zo nodig het aanklevende gras.**
 36. **Let bij het gebruik van het gereedschap op leidingen en kabels.**
 37. **Gebruik geen bekabelde voeding, zoals een accuadaper of draagbare voedingseenheid met dit gereedschap. De kabel van een dergelijke voeding kan het gebruik hinderen waardoor persoonlijk letsel wordt veroorzaakt.**
- Onderhoud en opslag**
1. **Vervang alle versleten of beschadigde onderdelen, voor uw veiligheid. Gebruik uitsluitend originele vervangingsonderdelen en accessoires.**
 2. **Inspecteer en onderhoud de grasmaaier regelmatig.**
 3. **Indien niet in gebruik, bewaart u de grasmaaier buiten bereik van kinderen.**
 4. **Zorg dat alle moeren, bouten en schroeven stevig zijn aangedraaid, om het gereedschap veilig te kunnen gebruiken.**
 5. **Controleer veelvuldig de grasmand op slijtage en beschadigingen. Voor de opslag, verzekert u uzelf ervan dat de grasmand leeg is. Vervang een versleten grasmand uit veiligheidsoverwegingen altijd door een origineel, nieuw vervangingsonderdeel.**
 6. **Gebruik uitsluitend de in deze handleiding door de fabrikant voorgeschreven snijbladen.**
 7. **Wees uiterst voorzichtig tijdens het bijstellen van de grasmaaier om te voorkomen dat uw vingers bekneld raken tussen het draaiende snijblad en de vaste delen van de grasmaaier.**

8. **Controleer veelvuldig of de snijbladbevestigingsbout stevig vast zit.**
9. **Laat de grasmaaier altijd eerst afkoelen voordat u hem opbergt.**
10. **Onthoud goed bij onderhoud aan de snijbladen dat ook als de stroom is uitgeschakeld, de snijbladen nog wel kunnen bewegen.**
11. **Haal de veiligheidsvoorzieningen niet uit elkaar en knoei er niet aan. Controleer regelmatig of ze correct werken. Doe nooit iets dat de beoogde werking van een veiligheidsvoorziening hindert of de bescherming die een veiligheidsvoorziening biedt vermindert.**
12. **Laat het gereedschap niet onbeheerd buiten in de regen staan.**
13. **Was het gereedschap niet met water onder hoge druk.**
14. **Als u het gereedschap wast, verwijdert u de accu en contactsleutel en sluit u het accudeksel, en giet u water op de onderkant van het gereedschap waaraan het snijblad is bevestigd.**
15. **Wanneer u de machine opbergt, vermijdt u direct zonlicht en regen, en bergt u het op een plaats op die niet heet of vochtig wordt.**
16. **Voer inspectie en onderhoud uit op een plaats waar regen kan worden vermeden.**
17. **Nadat u het gereedschap hebt gebruikt, verwijdert u het aanklevende vuil en laat u het gereedschap volledig drogen voordat u hem opbergt.** Afhankelijk van het seizoen of gebied, bestaat de kans op een storing als gevolg van bevriezing.

Gebruik en verzorging van gereedschap dat op een accu werkt

1. **Laad alleen op met de acculader aanbevolen door de fabrikant.** Een acculader die geschikt is voor een bepaald type accu, kan brandgevaar opleveren indien gebruikt met een ander type accu.
2. **Gebruik elektrisch gereedschap uitsluitend met de daarvoor bestemde accu.** Gebruik van andere accu's kan gevaar voor letsel of brandgevaar opleveren.
3. **Als de accu niet wordt gebruikt, houdt u deze uit de buurt van metalen voorwerpen, zoals paperclips, muntgeld, sleutels, spijkers, schroeven en andere kleine metalen voorwerpen die een kortsluiting kunnen veroorzaken tussen de accupolen.** Kortsluiting tussen de accupolen kan leiden tot brandwonden of brand.
4. **Onder zware gebruiksomstandigheden kan vloeistof uit de accu komen. Voorkom aanraking! Als u er per ongeluk mee in aanraking komt, spoelt u het er met water af.** Als de vloeistof in uw ogen komt, raadpleegt u tevens een arts. Vloeistof uit de accu kan irritatie en brandwonden veroorzaken.
5. **Gebruik geen accu of gereedschap dat beschadigd of gewijzigd is.** Beschadigde of gewijzigde accu's kunnen onvoorspelbaar gedrag vertonen dat kan leiden tot brand, explosie of gevaar van letsel.

6. **Stel een accu of gereedschap niet bloot aan vuur of buitensporige temperaturen.** Blootstelling aan vuur of temperaturen hoger dan 130 °C kunnen een explosie veroorzaken.
7. **Volg alle oplaadinstructies en laad de accu of het gereedschap niet op buiten het temperatuurbereik opgegeven in de instructies.** Verkeerd opladen of bij een temperatuur buiten het opgegeven bereik kan de accu beschadigen en de kans op brand vergroten.

Elektrische veiligheid en accu

1. **Werp de accu('s) niet in een vuur.** De accu kan exploderen. Raadpleeg de lokale regelgeving voor mogelijke speciale verwerkingsvereisten.
2. **Open of vervorm de accu('s) niet.** Het elektrolyt is agressief en kan letsel toebrengen aan de ogen en huid. Het kan giftig zijn bij inslikken.
3. **Laad de accu niet op in de regen of op een natte plaats.**
4. **Laad de accu niet buitenshuis op.**
5. **Raak de lader, inclusief de stekker en de contacten van de lader, niet met natte handen aan.**
6. **Vervang de accu niet in de regen.**
7. **Laat de aansluitpunten van de accu niet nat worden met een vloeistof, zoals water, en dompel de accu niet onder.** Laat de accu niet in de regen liggen en laad of berg de accu niet op een vochtige of natte plaats op. Als de aansluitpunten nat worden of vloeistof binnendringt in de accu, kan kortsluiting ontstaan in de accu en bestaat de kans op oververhitting, brand of explosie.
8. **Nadat de accu vanaf het gereedschap of de acculader is verwijderd, vergeet u niet het accudeksel op de accu te bevestigen en deze op een droge plaats op te bergen.**
9. **Vervang de accu niet met natte handen.**

Reparatie

1. **Laat uw elektrisch gereedschap repareren door een vakbekwame reparateur die gebruik maakt van uitsluitend identieke vervangingsonderdelen.** Zo bent u ervan verzekerd dat de veiligheid van het elektrisch gereedschap behouden blijft.
2. **Repareer nooit een beschadigde accu.** Het repareren van een accu mag uitsluitend worden uitgevoerd door de fabrikant of een erkend servicecentrum.

BEWAAR DEZE VOORSCHRIFTEN.

⚠️ WAARSCHUWING: Laat u NIET misleiden door een vals gevoel van comfort en bekendheid met het gereedschap (na veelvuldig gebruik) en neem alle veiligheidsvoorschriften van het betreffende gereedschap altijd strikt in acht.

VERKEERD GEBRUIK of het niet naleven van de veiligheidsvoorschriften in deze gebruiksaanwijzing kan leiden tot ernstige verwondingen.

Belangrijke veiligheidsinstructies voor een accu

1. Lees alle voorschriften en waarschuwingen op (1) de acculader, (2) de accu, en (3) het product waarvoor de accu wordt gebruikt, alvorens de accu in gebruik te nemen.
2. Neem de accu niet uit elkaar.
3. Als de gebruikstijd van een opgeladen accu aanzienlijk korter is geworden, moet u het gebruik ervan onmiddellijk stopzetten. Voortgezet gebruik kan oververhitting, brandwonden en zelfs een ontploffing veroorzaken.
4. Als elektrolyt in uw ogen is terechtgekomen, spoelt u uw ogen met schoon water en roept u onmiddellijk de hulp van een dokter in. Elektrolyt in de ogen kan blindheid veroorzaken.
5. Voorkom kortsluiting van de accu:
 - (1) Raak de acculemmen nooit aan met een geleidend materiaal.
 - (2) Bewaar de accu niet in een bak waarin andere metalen voorwerpen zoals spijkers, munten e.d. worden bewaard.
 - (3) Stel de accu niet bloot aan water of regen. Kortsluiting van de accu kan oorzaak zijn van een grote stroomafgifte, oververhitting, brandwonden, en zelfs defecten.
6. Bewaar het gereedschap en de accu niet op plaatsen waar de temperatuur kan oplopen tot 50°C of hoger.
7. Werp de accu nooit in het vuur, ook niet wanneer hij zwaar beschadigd of volledig versleten is. De accu kan ontploffen in het vuur.
8. Wees voorzichtig dat u de accu niet laat vallen en hem niet blootstelt aan schokken of stoten.
9. Gebruik nooit een beschadigde accu.
10. De bijgeleverde lithium-ionbatterijen zijn onderhevig aan de vereisten in de wetgeving omtrent gevaarlijke stoffen.

Voor commercieel transport en dergelijke door derden en transporteurs moeten speciale vereisten ten aanzien van verpakking en etikettering worden nageleefd.

Als voorbereiding van het artikel dat wordt getransporteerd is het noodzakelijk een expert op het gebied van gevaarlijke stoffen te raadplegen. Houd u tevens aan mogelijk strengere nationale regelgeving.

Blootliggende contactpunten moeten worden afgedekt met tape en de accu moet zodanig worden verpakt dat deze niet kan bewegen in de verpakking.
11. Wanneer u de accu wilt weggoaien, verwijdert u de accu vanaf het gereedschap en gooit u hem op een veilige manier weg. Volg bij het weggoaien van de accu de plaatselijke voorschriften.
12. Gebruik de accu's uitsluitend met de gereedschappen die door Makita zijn aanbevolen. Als de accu's worden aangebracht in niet-compatibele gereedschappen, kan dat leiden tot brand, buitensporige warmteontwikkeling, een explosie of lekkage van elektrolyt.

13. Als u het gereedschap gedurende een lange tijd niet denkt te gaan gebruiken, moet de accu vanaf het gereedschap worden verwijderd.

BEWAAR DEZE INSTRUCTIES.

⚠ LET OP: Gebruik uitsluitend originele Makita accu's. Het gebruik van niet-originele accu's, of accu's die zijn gewijzigd, kan ertoe leiden dat de accu ontploft en brand, persoonlijk letsel en schade veroorzaakt. Ook vervalt daarmee de garantie van Makita op het gereedschap en de lader van Makita.

Tips voor een maximale levensduur van de accu

1. Laad de accu op voordat hij volledig ontladen is. Stop het gebruik van het gereedschap en laad de accu op telkens wanneer u vaststelt dat het vermogen van het gereedschap is afgenomen.
2. Laad een volledig opgeladen accu nooit opnieuw op. Te lang opladen verkort de levensduur van de accu.
3. Laad de accu op bij een omgevingstemperatuur tussen 10°C en 40°C. Laat een warme accu afkoelen alvorens hem op te laden.
4. Laad de accu op als u deze gedurende een lange tijd (meer dan zes maanden) niet gaat gebruiken.

MONTAGE

⚠ WAARSCHUWING: Zorg er altijd voor dat de contactsleutel en de accu zijn verwijderd, alvorens u enig werk aan de grasmaaier gaat uitvoeren. Als u de contactsleutel en de accu niet verwijdert, kan dat leiden tot ernstig persoonlijk letsel als de grasmaaier plotseling zou starten.

⚠ WAARSCHUWING: Start nooit de grasmaaier voordat het geheel naar behoren is gemonteerd. Het apparaat in een gedeeltelijk gemonteerde toestand bedienen, kan na per ongeluk inschakelen leiden tot ernstig persoonlijk letsel.

De handgreep aanbrengen

KENNISGEVING: Bij het aanbrengen van de handgrepen leidt u de kabels zodat ze niet bekneld raken door iets tussen de handgrepen. Als de kabel beschadigd is, werkt mogelijk de schakelaar van de grasmaaier niet.

1. Lijn de openingen in de onderste handgreep uit met de openingen in het maai dek en draai daarna de 4 bouten tijdelijk vast.
► Fig.1: 1. Onderste handgreep 2. Bout
2. Draai de 4 bouten die in stap 1 tijdelijk waren vastgedraaid nu stevig vast met behulp van pijpsleutel 13.
3. Lijn de opening in de onderste handgreep uit met de opening in de bovenste handgreep en steek vervolgens de bout vanaf de binnenkant erdoor, en draai daarna de moer vanaf de buitenkant vast met pijpsleutel 13. Voer dezelfde procedure uit aan de andere kant.
► Fig.2: 1. Bout 2. Onderste handgreep 3. Moer
4. Opening 5. Bovenste handgreep

⚠ LET OP: Houd de bovenste handgreep stevig vast, zodat deze niet uit uw hand valt. Anders kan de handgreep vallen en letsel veroorzaken.

4. Bevestig de kabelklem aan de handgreep.

Lijn de uitstekende nokken op de houder uit met de openingen in de handgreep zodat de uitstekende nokken in de openingen passen. Geleid de kabels zoals aangegeven in de afbeelding.

► **Fig.3:** 1. Kabel 2. Kabelklem

Het mulch-inzetstuk verwijderen

1. Open de achterklep.

► **Fig.4:** 1. Achterklep

2. Verwijder het mulch-inzetstuk terwijl u de hendel omlaag houdt.

► **Fig.5:** 1. Hendel 2. Mulch-inzetstuk

De grasmand aanbrengen en verwijderen

Om de grasmand aan te brengen, volgt u de onderstaande stappen.

1. Open de achterklep.

► **Fig.6:** 1. Achterklep

2. Pak het handvat van de grasmand vast en haak vervolgens de grasmand aan de stang van het maai-dek, zoals aangegeven in de afbeelding.

► **Fig.7:** 1. Stang 2. Handvat 3. Grasmand

Om de grasmand te verwijderen, opent u de achterklep en verwijdert u vervolgens de grasmand door het handvat vast te pakken.

Het mulch-inzetstuk aanbrengen

1. Open de achterklep en verwijder de grasmand.

► **Fig.8:** 1. Achterklep 2. Grasmand

2. Breng het mulch-inzetstuk aan terwijl u de hendel omlaag houdt en laat daarna de hendel los om het mulch-inzetstuk te vergrendelen.

► **Fig.9:** 1. Hendel 2. Mulch-inzetstuk

Het uitworp-hulpstuk aanbrengen

Voor AM3653/AM3753

1. Open de achterklep en verwijder de grasmand.

► **Fig.10:** 1. Achterklep 2. Grasmand

2. Breng het mulch-inzetstuk aan terwijl u de hendel omlaag houdt en laat daarna de hendel los om het mulch-inzetstuk te vergrendelen.

► **Fig.11:** 1. Hendel 2. Mulch-inzetstuk

3. Open de rechterzijklep en breng daarna het uitworp-hulpstuk aan.

Steek de haken van het uitworp-hulpstuk onder de stang van de rechterzijklep.

► **Fig.12:** 1. Rechterzijklep 2. Uitworp-hulpstuk

BESCHRIJVING VAN DE FUNCTIES

De accu aanbrengen en verwijderen

⚠ LET OP: Schakel het gereedschap altijd uit voordat u de accu aanbrengt of verwijdert.

⚠ LET OP: Houd het apparaat en de accu stevig vast tijdens het aanbrengen of verwijderen van de accu. Als u het apparaat en de accu niet stevig vasthoudt, kunnen deze uit uw handen glijpen waardoor het apparaat of de accu kan worden beschadigd of persoonlijk letsel kan worden veroorzaakt.

⚠ LET OP: Zorg dat u voor gebruik het accudeksel stevig afsluit. Anders zou er modder, vuil en water in kunnen komen en het gereedschap of de accu kunnen beschadigen.

⚠ LET OP: Schuif de accu altijd volledig naar binnen totdat het rode deel niet meer zichtbaar is. Als u dit niet doet, kan de accu per ongeluk uit het apparaat vallen en letsel veroorzaken bij u of anderen in uw omgeving.

⚠ LET OP: Druk de accu er niet met kracht in. Als de accu er niet soepel in schuift, houdt u die waarschijnlijk in de verkeerde stand.

OPMERKING: Het apparaat werkt niet met slechts één accu.

De accu aanbrengen:

1. Trek de vergrendelhendel omhoog en open daarna het accudeksel.

► **Fig.13:** 1. Accudeksel 2. Vergrendelhendel

2. Lijn de lip op de accu uit met de gleuf in het apparaat en schuif daarna de accu erin tot deze met een klikgeluid op zijn plaats wordt vergrendeld.

► **Fig.14:** (1) Accupoort 1 (2) Accupoort 2 (3) Accu

OPMERKING: Breng minstens 2 accu's aan in accupoort 1 of accupoort 2.

3. Steek de contactsleutel in op de plaats die in de afbeelding is aangegeven, zover de sleutel gaat.

► **Fig.15:** 1. Contactsleutel

4. Sluit het accudeksel en duw erop totdat hij wordt vergrendeld met de borghendel.

De accu verwijderen:

1. Trek de vergrendelhendel omhoog en open het accudeksel.

2. Trek de accu uit het apparaat terwijl u de knop aan de voorkant van de accu verschuift.

3. Trek de contactsleutel eruit.

4. Sluit het accudeksel.

De accu's omschakelen

► **Fig.16:** 1. Accukeuzeschakelaar

Het apparaat gebruikt 2 accu's tegelijkertijd. Maximaal 4 accu's kunnen in het apparaat worden aangebracht. Alvorens het apparaat te gebruiken, selecteert u accupoort 1 of accupoort 2 door de accukeuzeschakelaar te draaien.

OPMERKING: Als slechts 2 accu's in het apparaat zijn aangebracht, verzekert u zich ervan de accupoort te selecteren waarin de accu's zijn aangebracht met behulp van de accukeuzeschakelaar.

Beveiligingssysteem voor apparaat/accu

Het apparaat is uitgerust met een beveiligingssysteem voor apparaat/accu. Dit systeem schakelt automatisch de voeding naar de motor uit om de levensduur van het apparaat en de accu te verlengen. Het apparaat kan tijdens het gebruik automatisch stoppen als het apparaat of de accu aan één van de volgende omstandigheden wordt blootgesteld:

Overbelastingsbeveiliging

Als de accu wordt gebruikt op een manier waardoor een abnormaal hoge stroom wordt getrokken, stopt het apparaat automatisch en knippert het bedrijfslampje groen. Wanneer dat gebeurt, schakelt u het apparaat uit en stopt u de toepassing die ertoe leidde dat het apparaat overbelast raakte. Schakel vervolgens het apparaat in om het weer te starten.

Oververhittingsbeveiliging

Wanneer het apparaat of de accu oververhit is, stopt het apparaat automatisch en gaat het bedrijfslampje rood branden. In dat geval laat u het apparaat en de accu afkoelen, voordat u het apparaat opnieuw inschakelt.

Beveiliging tegen te ver ontladen

Als de acculading onvoldoende is, stopt het apparaat automatisch en knippert het bedrijfslampje rood. Verwijder in dat geval de accu vanaf het apparaat en laad de accu's op of vervang de accu's door volledig opgeladen accu's.

De resterende acculading controleren

Alleen voor accu's met indicatorlampjes

► **Fig.17:** 1. Indicatorlampjes 2. Testknop

Druk op de testknop op de accu om de resterende acculading te zien. De indicatorlampjes branden gedurende enkele seconden.

Indicatorlampjes			Resterende acculading
Brandt	Uit	Knippert	
			75% tot 100%
			50% tot 75%
			25% tot 50%
			0% tot 25%
			Laad de accu op.
			Er kan een storing zijn opgetreden in de accu.

OPMERKING: Afhankelijk van de gebruiksomstandigheden en de omgevingstemperatuur, is het mogelijk dat de aangegeven acculading verschilt van de werkelijke acculading.

Bedieningspaneel

Op het bedieningspaneel bevinden zich de hoofdschakelaar, de functieschakelknop en de indicatoren van de resterende acculading.

► **Fig.18:** 1. Accu-indicatorlampje 2. Functieschakellamp 3. Bedrijfslampje 4. Testknop 5. Functieschakelknop 6. Hoofdschakelaar

Hoofdschakelaar

WAARSCHUWING: Zet altijd de hoofdschakelaar uit indien niet in gebruik.

Om het gereedschap in te schakelen, drukt u op de hoofdschakelaar. Het bedrijfslampje brandt groen. Om het gereedschap uit te schakelen, drukt u nogmaals op de hoofdschakelaar.

OPMERKING: Als het bedrijfslampje rood brandt, of rood of groen knippert, raadpleegt u de instructies voor het apparaat/accubeveiligingssysteem.

OPMERKING: Dit gereedschap maakt gebruik van de automatische uitschakelfunctie. Om onbedoeld starten te voorkomen wordt de hoofdschakelaar automatisch uitgeschakeld wanneer de schakelhendel en de aandrijfhendel (indien aanwezig) niet worden ingeknepen binnen een bepaalde tijdsduur nadat de hoofdschakelaar is ingeschakeld.

Functieschakelknop

U kunt de bedieningsfunctie veranderen door op de functieschakelknop te drukken. Wanneer het gereedschap wordt ingeschakeld, start het gereedschap in de normale functie. Als u op de functieschakelknop drukt, schakelt het apparaat om naar de geluidsonderdrukkingsfunctie en gaat de functieschakellamp groen branden. In de geluidsonderdrukkingsfunctie kunt u het geluidsniveau tijdens het grasmaaien verlagen. Als u nogmaals op de functieschakelknop drukt, keert het gereedschap terug naar de normale functie.

De resterende acculading controleren

Druk op de testknop om de resterende acculadingen te zien. De accu-indicatorlampjes geven per accu de resterende acculading aan.

Toestand van accu-indicator		Resterende acculading
Aan	Uit	
		50% tot 100%
		20% tot 50%
		0% tot 20%

OPMERKING: De indicatorlampjes voor de resterende acculading dienen slechts ter referentie. De daadwerkelijke acculading kan verschillen afhankelijk van de gebruiksomstandigheden.

OPMERKING: Stop het apparaat voordat u op de testknop drukt om de resterende acculadingen weer te geven.

De trekkerschakelaar gebruiken

⚠ WAARSCHUWING: Alvorens u de accu aanbrengt, controleert u eerst of de schakelhendel goed werkt en bij loslaten automatisch naar de oorspronkelijke stand terugkeert. Bediening van het apparaat met een schakelaar die niet goed werkt kan leiden tot ongecontroleerde bewegingen, met kans op ernstig lichamenlijk letsel.

OPMERKING: De grasmaaier start niet zonder dat u de schakelknop indrukt, ook al trekt u de schakelhendel in.

OPMERKING: De grasmaaier start mogelijk niet vanwege overbelasting wanneer u lang of dicht gras in één keer probeert te maaien. Stel in dat geval de maaiahogte hoger in.

Deze grasmaaier is voorzien van een contactsleutel en een handgreepeschakelaar. Als er iets niet in orde is met de contactsleutel of de schakelaar, stopt u onmiddellijk het gebruik en laat u ze controleren bij uw dichtstbijzijnde erkende Makita/Dolmar-servicecentrum.

Voor AM3846/AM3753

1. Breng de accu's aan. Plaats de contactsleutel en sluit daarna het accudeksel.
 2. Selecteer de accu's die moeten worden gebruikt door de accukeuzeschakelaar te draaien.
 3. Druk op de hoofdschakelaar.
 4. Trek de schakelhendel naar u toe terwijl u de schakelknop ingedrukt houdt. Laat de schakelknop los zodra de motor begint te draaien.
- **Fig.19:** 1. Schakelknop 2. Schakelhendel

OPMERKING: Als de contactsleutel niet is geplaatst, knippert het bedrijfslampje groen wanneer u de schakelhendel inknijpt.

5. Terwijl u de schakelhendel vasthoudt, duwt u de aandrijfhendel naar voren en houdt u deze vast om de achterwielen aan te drijven.
- **Fig.20:** 1. Aandrijfhendel

OPMERKING: U kunt de achterwielen aandrijven door de aandrijfhendel naar voren te duwen en deze vast te houden zonder de schakelhendel naar u toe te trekken.

6. Laat de aandrijfhendel en de schakelhendel los om het apparaat te stoppen.

Voor AM3653

1. Breng de accu's aan. Steek de contactsleutel in het contactslot en sluit dan het accudeksel.
2. Selecteer de accu's die moeten worden gebruikt door de accukeuzeschakelaar te draaien.

3. Druk op de hoofdschakelaar.

4. Trek de schakelhendel naar u toe terwijl u de schakelknop ingedrukt houdt. Laat de schakelknop los zodra de motor begint te draaien.

► **Fig.21:** 1. Schakelknop 2. Schakelhendel

OPMERKING: Als de contactsleutel niet is geplaatst, knippert het bedrijfslampje groen wanneer u de schakelhendel inknijpt.

5. Laat de schakelhendel los om de motor te stoppen.

De maaiahogte instellen

⚠ WAARSCHUWING: Plaats bij het instellen van de maaiahogte nooit uw hand of voet onder de grasmaaierbehuizing.

⚠ WAARSCHUWING: Controleer vóór het gebruik zorgvuldig of de hendel juist in de gleuf valt.

De maaiahogte is instelbaar binnen een bereik van 20 mm tot 100 mm.

Verwijder de contactsleutel en trek vervolgens de maaiahogte-instelhendel tot buiten het maaidek en verplaats deze naar de gewenste maaiahogte.

► **Fig.22:** 1. Maaiahogte-instelhendel

De onderstaande tabel toont het verband tussen het cijfer op het maaidek en de maaiahogte bij benadering.

Cijfer	Maaiahogte
1	20 mm
2	26 mm
3	32 mm
4	39 mm
5	47 mm
6	55 mm
7	63 mm
8	74 mm
9	86 mm
10	100 mm

Houd het voorhandvat of de onderste handgreep met één hand vast en verplaats vervolgens de maaiahogte-instelhendel met de andere hand.

► **Fig.23:** 1. Maaiahogte-instelhendel 2. Onderste handgreep 3. Voorhandvat

OPMERKING: De waarden voor de maaiahogte mogen slechts als richtlijn worden gebruikt. Afhankelijk van de toestand van het gazon en de ondergrond, kan de daadwerkelijke gazonhoogte iets afwijken van de ingestelde hoogte.

OPMERKING: Met een maaiproef in een minder opvallende plaats kunt u door uitproberen de gewenste hoogte vinden.

Grasniveau-indicator

De grasniveau-indicator geeft de hoeveelheid gemaaid gras aan. Zolang de grasmand nog niet vol is, zal de indicator blijven zweven terwijl de snijbladen draaien.

► **Fig.24:** 1. Grasniveau-indicator

Wanneer de grasmand bijna vol is, zal de indicator niet meer zweven terwijl de snijbladen draaien. In dat geval stopt u onmiddellijk het gebruik en leegt u de grasmand.

► **Fig.25:** 1. Grasniveau-indicator

OPMERKING: Deze indicator is slechts een grove richtlijn. Afhankelijk van de toestand binnenin de grasmand, werkt deze indicator niet altijd goed.

De hoogte van de handgreep afstellen

⚠ LET OP: Voordat u de bouten verwijderd, houdt u de bovenste handgreep stevig vast. Anders kan de handgreep vallen en letsel veroorzaken.

De hoogte van de handgreep kan worden afgesteld op twee hoogten.

1. Verwijder de bovenste bouten uit de onderste handgreep met behulp van pijpsleutel 13 en draai daarna de onderste bouten los.

► **Fig.26:** 1. Bovenste bout 2. Onderste bout

2. Stel de hoogte van de handgreep af en draai daarna de bovenste en onderste bouten stevig vast.

De rijnsnelheid afstellen

Voor AM3846/AM3753

► **Fig.27:** 1. Snelheidshendel

De rijnsnelheid kan worden ingesteld met behulp van de snelheidshendel. Om de snelheid te verlagen, trekt u de hendel naar u toe, en om de snelheid te verhogen kantelt u de hendel naar voren.

Het mulch-inzetstuk gebruiken

Het mulch-inzetstuk maakt het mogelijk om het maaisel naar de grond terug te voeren zonder het maaisel op te vangen in de grasmand. Wanneer u het apparaat met het mulch-inzetstuk gebruikt, moet u de grasmand verwijderen.

KENNISGEVING: Wanneer u het apparaat met het mulch-inzetstuk gebruikt, verzekert u zich ervan dat de totale lengte van het gras 30 mm of meer is, of de maailengte 15 mm of minder is.

► **Fig.28:** (1) 30 mm of meer (2) 15 mm of minder

Het uitwerp-hulpstuk gebruiken

Voor AM3653/AM3753

Het uitwerp-hulpstuk maakt het mogelijk om het maaisel aan de rechterkant van de machine op de grond te werpen zonder het maaisel op te vangen in de grasmand. Wanneer u het apparaat met het uitwerp-hulpstuk gebruikt, moet u het mulch-inzetstuk aanbrengen en de grasmand verwijderen.

Elektronische functies

Het gereedschap is uitgerust met elektronische aansturing voor een gemakkelijke bediening.

- Constante-toerentalregeling van snijblad
Elektronische toerentalregeling voor het aanhouden van een constant toerental. Maakt een onbepaalde afwerking mogelijk omdat het toerental zelfs onder belasting constant blijft.
- Zachte-start bij aandrijving
De functie zachte-start minimaliseert de startshock en laat het gereedschap geleidelijk starten.
- Elektrische rem
Dit apparaat is voorzien van een elektrische rem. Als het apparaat constant niet in staat is de snijbladen van de grasmaaier snel stil te zetten nadat de schakelhendel is losgelaten, laat u het apparaat onderhouden door een erkend Makita/Dolmar-servicecentrum.

BEDIENING

Maaien

⚠ WAARSCHUWING: Voor het maaien verwijderd u alle takken en stenen van het te maaien terrein. Bovendien kunt u beter ook van tevoren alle onkruid uit het te maaien grasveld wieden.

⚠ WAARSCHUWING: Draag bij het maaien altijd een beschermende bril of een veiligheidsbril met volledig gesloten zijkantbescherming.

⚠ LET OP: Als het maaisel of een vreemd voorwerp zich ophoopt binnenin het maaidek, moet u eerst de contactsleutel en accu verwijderen, en handschoenen aantrekken voordat u het maaisel of vreemde voorwerp verwijderd.

KENNISGEVING: Gebruik deze machine alleen voor het maaien van een gazon. Maai geen onkruid met deze machine.

► **Fig.29**

Houd bij het maaien de handgreep met beide handen stevig vast. De richtlijn voor de maaisnelheid is ongeveer 7 tot 14 meter per 10 seconden.

► **Fig.30**

De middellijnen van de voorwielen kunnen worden gebruikt als richtlijn voor de maaibreedte. Gebruik de middellijnen als richtlijn bij het maaien in banen. Overlap elke baan met de helft of een derde van de breedte van de vorige baan om het gazon gelijkmatig te maaien.

► **Fig.31:** 1. Maaibreedte 2. Overlapping 3. Middellijn

Verander de maairichting bij elke baan om te voorkomen dat het graspatroon in één richting wordt gevormd.

► **Fig.32**

Controleer regelmatig het gemaaid gras in de grasmand. Leeg de grasmand voordat deze vol raakt. Vóór elke periodieke inspectie dient u de grasmaaier uit te schakelen en daarna de contactsleutel en de accu te verwijderen.

KENNISGEVING: Als u de grasmaaier gebruikt met een volle grasmand kan het snijblad niet soepel draaien, hetgeen de motor overmatig belast, waardoor de kans op defecten toeneemt.

Maaien van erg lang gras

Probeer niet om lang gras in één keer te maaien. Maai in plaats daarvan het gazon in meerdere maai beurten. Laat een dag of twee tussen de maai beurten, tot het gazon gelijkmatig kort is.

► Fig.33

OPMERKING: Als u erg lang gras in één keer helemaal kort maait, kan het gras afsterven. Tevens kan de binnenkant van het maaidek verstopt raken door het gemaaid gras.

De grasmand legen

WAARSCHUWING: Om ongelukken te voorkomen, controleert u regelmatig de grasmand op schade of verzakking door slijtage. Vervang zo nodig de grasmand.

1. Laat de schakelhendel en de aandrijfhendel los (voor AM3846/AM3753), of laat de schakelhendel los (voor AM3653).

2. Verwijder de contactsleutel.

3. Open de achterklep en verwijder de grasmand door het handvat vast te pakken.

► Fig.34: 1. Achterklep 2. Handvat 3. Grasmand

4. Leeg de grasmand.

ONDERHOUD

WAARSCHUWING: Zorg altijd dat de contactsleutel en de accu uit de grasmaaier zijn verwijderd voordat u de grasmaaier opbergt of draagt, of voordat u inspectie of onderhoud gaat verrichten.

WAARSCHUWING: Verwijder altijd de contactsleutel wanneer de grasmaaier niet in gebruik is. Bewaar de contactsleutel op een veilige plaats, buiten bereik van kinderen.

WAARSCHUWING: Draag handschoenen bij het verrichten van inspectie of onderhoud.

WAARSCHUWING: Draag bij het verrichten van inspectie of onderhoud altijd een beschermende bril of een veiligheidsbril met zijkappen.

KENNISGEVING: Gebruik nooit benzine, wasbenzine, thinner, alcohol en dergelijke. Hierdoor kunnen verkleuring, vervormingen en barsten worden veroorzaakt.

Om de VEILIGHEID en BETROUWBAARHEID van het product te handhaven, dienen alle reparaties, onderhoud en afstellingen te worden uitgevoerd door een erkend Makita/Dolmar-servicecentrum of het fabriekservicecentrum, en altijd met gebruikmaking van originele Makita/Dolmar-ervangingsonderdelen.

Onderhoud

1. Verwijder de contactsleutel en accu's en sluit daarna het accudeksel.

2. Leg de grasmaaier zodanig op zijn zijkant dat de maaihogte-instelhendel bovenop komt. Reinig het maaisel dat zich heeft opgehoopt op de onderkant van het maaidek.

3. Giet water op de onderkant van het gereedschap waaraan het snijblad is bevestigd.

KENNISGEVING: Was het gereedschap niet met water onder hoge druk.

4. Controleer of alle moeren, bouten, schroeven enz. stevig vast zitten.

5. Inspecteer de bewegende onderdelen op schade, defecten en slijtage. Beschadigde of ontbrekende onderdelen moeten worden gerepareerd of vervangen.

6. Berg de grasmaaier op een veilige plaats op buiten bereik van kinderen.

Voor AM3846/AM3753

KENNISGEVING: Giet geen water op het gedeelte aangegeven in de afbeelding. Als u water giet op de motoreenheid kan een storing in het apparaat worden veroorzaakt.

► Fig.35: 1. Gebied waar geen water op mag worden gegoten

De grasmaaier dragen

Wanneer u de grasmaaier draagt, houdt u het voorhandvat en achterhandvat met twee personen vast, zoals aangegeven in de afbeelding.

► Fig.36: 1. Voorhandvat 2. Achterhandvat

Opbergen

Berg de grasmaaier binnenshuis op, in een koele, droge en afgesloten ruimte. Berg de grasmaaier en de accu niet op op een plaats waar de temperatuur tot 40 °C of hoger kan oplopen.

Het snijblad van de grasmaaier aanbrengen of verwijderen

WAARSCHUWING: Nadat de schakelhendel is losgelaten, blijft het snijblad nog enkele seconden nadraaien. Voer geen enkele handeling uit voordat het snijblad volledig tot stilstand is gekomen.

WAARSCHUWING: Verwijder altijd eerst de contactsleutel en de accu voordat u het snijblad gaat verwijderen of aanbrengen. Als u de contactsleutel en de accu niet verwijdert, kan dat leiden tot ernstig letsel.

WAARSCHUWING: Draag bij het hanteren van het snijblad altijd handschoenen.

Het snijblad van de grasmaaier verwijderen

Voor modellen uitgerust met een recht snijblad van de grasmaaier

1. Leg de grasmaaier zodanig op zijn zijkant dat de maaihoogte-instelhendel bovenop komt.
2. Om het snijblad te blokkeren, steekt u de pen in een opening in het maaidek.
3. Draai de bout linksom met pijpsleutel 17.
► **Fig.37:** 1. Snijblad van de grasmaaier 2. Pen 3. Pijpsleutel
4. Verwijder de bout en daarna het snijblad van de grasmaaier.
► **Fig.38:** 1. Snijbladvoet 2. Snijblad van de grasmaaier 3. Bout 4. Uitstekende nok

KENNISGEVING: Bij het aanbrengen van het snijblad van de grasmaaier, verzekert u zich ervan dat de uitstekende nokken op de snijbladvoet in de openingen van het snijblad van de grasmaaier vallen.

Voor modellen uitgerust met zwenkende snijbladen van de grasmaaier

1. Leg de grasmaaier zodanig op zijn zijkant dat de maaihoogte-instelhendel bovenop komt.
2. Om de grondplaat te blokkeren steekt u de pen door een opening in de grondplaat in een opening in het maaidek.
3. Draai de bout linksom met pijpsleutel 17.
► **Fig.39:** 1. Pen 2. Grondplaat 3. Pijpsleutel
4. Verwijder de bout en daarna de grondplaat.
► **Fig.40:** 1. Snijbladvoet 2. Grondplaat 3. Bout 4. Uitstekende nok

KENNISGEVING: Bij het aanbrengen van de snijbladen van de grasmaaier, verzekert u zich ervan dat de uitstekende nokken op de snijbladvoet in de openingen van de grondplaat vallen.

5. Om één snijblad van de grasmaaier te verwijderen, draait u de bout linksom met behulp van pijpsleutel 17 terwijl u de grondplaat vasthoudt.
► **Fig.41:** 1. Grondplaat 2. Snijblad van de grasmaaier 3. Pijpsleutel
6. Verwijder de moer, de ring, de veerring, het snijblad van de grasmaaier en de bout, in die volgorde.
► **Fig.42:** 1. Boutgat 2. Bout 3. Snijblad van de grasmaaier 4. Veerring 5. Ring 6. Moer

KENNISGEVING: Bij het aanbrengen van de afzonderlijke snijbladen van de grasmaaier, draait u de moeren vast met een aanhaalkoppel van 30 N•m.

KENNISGEVING: Bij het aanbrengen van één snijblad van de grasmaaier, verzekert u zich ervan dat de veerring aan te brengen in de richting zoals aangegeven in de afbeelding.

KENNISGEVING: Bij het aanbrengen van één snijblad van de grasmaaier, verzekert u zich ervan dat de bout in een boutgat te steken dat is aangegeven in de afbeelding.

Het snijblad van de grasmaaier monteren

WAARSCHUWING: Breng het snijblad van de grasmaaier zorgvuldig aan. Het heeft een boven- en onderkant.

WAARSCHUWING: Draai de bout rechtsom stevig aan om het snijblad vast te zetten.

WAARSCHUWING: Zorg ervoor dat het snijblad van de grasmaaier en alle bevestigingsdelen correct zijn aangebracht en stevig zijn vastgezet.

WAARSCHUWING: Als u het snijblad vangt, volgt u altijd de instructies die in deze handleiding worden gegeven.

KENNISGEVING: Na het aanbrengen van de snijbladen van de grasmaaier, verwijdert u de pen uit het maaidek.

Om de snijbladen van de grasmaaier aan te brengen, volgt u de verwijderingsprocedure in omgekeerde volgorde.

PROBLEMEN OPLOSSEN

Alvorens u verzoekt om reparatie, kunt u zelf als volgt het probleem opsporen en oplossen. Als u een probleem ondervindt dat niet in deze gebruiksaanwijzing wordt beschreven, mag u niet proberen het apparaat uit elkaar te halen. Vraag in plaats daarvan een erkend Makita/Dolmar-servicecentrum het gereedschap te repareren, en altijd met gebruikmaking van originele Makita/Dolmar-vervangingsonderdelen.

Probleemomschrijving	Waarschijnlijke oorzaak (storing)	Oplossing
De grasmaaier start niet.	Er zijn nog niet twee volle accu's aangebracht.	Plaats twee opgeladen accu's.
	Probleem met de accu (onvoldoende spanning)	Laad de accu op. Als het opladen geen effect heeft, vervangt u de accu.
	De contactsleutel is niet ingestoken.	Steek de contactsleutel er in.
Na kortstondig gebruik stopt de motor al gauw.	De accu is bijna leeg.	Laad de accu op. Als het opladen geen effect heeft, vervangt u de accu.
	De maaihoogte is te laag.	Vergroot de maaihoogte.
	Maaisel heeft zich opgehoopt in de grasmaaier.	Verwijder het opgehoopte maaisel vanaf de grasmaaier.
Het maximale motortoerental wordt niet bereikt.	De accu is niet juist aangebracht.	Breng de accu aan zoals beschreven in deze handleiding.
	De accuspanning valt weg.	Laad de accu op. Als het opladen geen effect heeft, vervangt u de accu.
	Het aandrijfsysteem werkt niet goed.	Vraag uw plaatselijke erkende servicecentrum om reparatie.
Het snijblad van de grasmaaier draait niet rond: ⇒ stop de grasmaaier onmiddellijk!	Een vreemd voorwerp, zoals een tak, is vastgeraakt dichtbij het snijblad.	Verwijder het vreemde voorwerp.
	Het aandrijfsysteem werkt niet goed.	Vraag uw plaatselijke erkende servicecentrum om reparatie.
Abnormale trillingen: ⇒ stop de grasmaaier onmiddellijk!	Het snijblad is niet meer gebalanceerd, of overmatig of ongelijkmatig gesleten.	Vervang het snijblad.

OPTIONELE ACCESSOIRES

⚠ LET OP: Deze accessoires of hulpstukken worden aanbevolen voor gebruik met het Makita/Dolmar-gereedschap dat in deze gebruiksaanwijzing wordt beschreven. Het gebruik van andere accessoires of hulpstukken kan gevaar voor persoonlijk letsel opleveren. Gebruik de accessoires of hulpstukken uitsluitend voor de aangegeven doeleinden.

Mocht u meer informatie willen hebben over deze accessoires, dan kunt u contact opnemen met uw plaatselijke Makita/Dolmar-servicecentrum.

- Snijblad van de grasmaaier
- Originele accu en acculader van Makita/Dolmar

OPMERKING: Sommige items op de lijst kunnen zijn inbegrepen in de doos van het product als standaard toebehoren. Deze kunnen van land tot land verschillen.

ESPECIFICACIONES

Modelo:		AM3846	AM3653	AM3753
Anchura de la siega (diámetro de la cuchilla)		460 mm	534 mm	
Velocidad en vacío		2.500 min ⁻¹	2.300 min ⁻¹	
Velocidad máxima		3.300 min ⁻¹	2.800 min ⁻¹	
Número de pieza de cuchilla de cortacésped de recambio	Cuchilla de cortacésped recta	191D51-9	191D52-7	
	Cuchillas de cortacésped retroscilantes *1	191D49-6	191D50-1	
	Cuchillas de cortacésped retroscilantes *2	191D47-0	191D48-8	
Dimensiones (La x An x Al)		La: 1.610 mm a 1.690 mm An: 535 mm Al: 980 mm a 1.095 mm	La: 1.630 mm a 1.715 mm An: 590 mm Al: 990 mm a 1.095 mm	
Velocidad de desplazamiento		2,5 - 5,0 km/h	-	2,5 - 5,0 km/h
Tensión nominal		CC 36 V		
Peso neto	Cuando hay instalada una cuchilla de cortacésped recta	35,3 - 39,0 kg	35,5 - 39,3 kg	39,0 - 42,8 kg
	Cuando hay instaladas cuchillas de cortacésped retroscilantes	36,0 - 39,7 kg	36,2 - 40,0 kg	39,7 - 43,5 kg
Grado de protección		IPX4		

- *1. Placa de la base y cuchillas de cortacésped individuales. *2. Cuchillas de cortacésped individuales solamente.
- Debido a nuestro continuado programa de investigación y desarrollo, las especificaciones aquí dadas están sujetas a cambios sin previo aviso.
 - Las especificaciones pueden ser diferentes de país a país.
 - El peso puede variar dependiendo del accesorio(s), incluyendo el cartucho de batería. La combinación menos pesada y la más pesada, de acuerdo con el procedimiento EPTA 01/2014, se muestran en la tabla.

Cartucho de batería aplicable

BL1815N / BL1820 / BL1820B / BL1830 / BL1830B / BL1840 / BL1840B / BL1850 / BL1850B / BL1860B

- Algunos de los cartuchos de batería indicados arriba puede que no estén disponibles dependiendo de su región de residencia.

⚠ ADVERTENCIA: Utilice solamente los cartuchos de batería listados arriba. La utilización de cualquier otro cartucho de batería puede ocasionar heridas y/o un incendio.

Símbolos

A continuación se muestran los símbolos utilizados con este equipo. Asegúrese de que entiende su significado antes de usarlo.

	Preste cuidado y atención especiales.
	Lea el manual de instrucciones.
	Peligro; sea consciente de que salen objetos lanzados.
	La distancia entre la herramienta y los transeúntes deberá ser de 15 m por lo menos.
	No ponga nunca sus manos ni pies cerca de la cuchilla debajo del cortacésped. Las cuchillas siguen girando después de apagar el motor.

	Retire la llave de bloqueo antes de inspeccionar, ajustar, limpiar, hacer el servicio de mantenimiento, dejar y almacenar el cortacésped.
	Riesgo eléctrico. El contacto con agua puede ocasionar una descarga eléctrica.
	No vierta agua.
	Sólo para países de la Unión Europea ¡No deseche los aparatos eléctricos o baterías junto con los residuos domésticos! De conformidad con las Directivas Europeas, sobre residuos de aparatos eléctricos y electrónicos y baterías y acumuladores y residuos de baterías y acumuladores y su aplicación de acuerdo con la legislación nacional, los aparatos eléctricos y pilas y baterías cuya vida útil haya llegado a su fin deberán ser recogidos por separado y trasladados a una planta de reciclaje que cumpla con las exigencias ecológicas.

Uso previsto

La máquina ha sido prevista para segar césped.

Ruido

El nivel de ruido A-ponderado típico determinado de acuerdo con la norma EN60335-2-77:

NOTA: Los valores han sido medidos con el cortacésped equipado con la cuchilla de cortacésped recta.

Modelo AM3846

Nivel de presión sonora (L_{pA}) : 82,7 dB (A)

Nivel de potencia sonora (L_{WA}) : 90,9 dB (A)

Error (K) : 3 dB (A)

Modelo AM3653

Nivel de presión sonora (L_{pA}) : 78,1 dB (A)

Nivel de potencia sonora (L_{WA}) : 90,4 dB (A)

Error (K) : 3 dB (A)

Modelo AM3753

Nivel de presión sonora (L_{pA}) : 78,1 dB (A)

Nivel de potencia sonora (L_{WA}) : 90,4 dB (A)

Error (K) : 3 dB (A)

El nivel de ruido en situación de trabajo puede exceder 80 dB (A).

NOTA: El valor (o los valores) de emisión de ruido declarado ha sido medido de acuerdo con un método de prueba estándar y se puede utilizar para comparar una herramienta con otra.

NOTA: El valor (o valores) de emisión de ruido declarado también se puede utilizar en una valoración preliminar de exposición.

⚠ ADVERTENCIA: Póngase protectores para oídos.

⚠ ADVERTENCIA: La emisión de ruido durante la utilización real de la herramienta eléctrica puede variar del valor (o los valores) de emisión declarado dependiendo de las formas en las que la herramienta sea utilizada, especialmente qué tipo de pieza de trabajo se procesa.

⚠ ADVERTENCIA: Asegúrese de identificar medidas de seguridad para proteger al operario que estén basadas en una estimación de la exposición en las condiciones reales de utilización (teniendo en cuenta todas las partes del ciclo operativo como las veces cuando la herramienta está apagada y cuando está funcionando en vacío además del tiempo de gatillo).

Vibración

El valor total de la vibración (suma de vectores triaxiales) determinado de acuerdo con la norma EN60335-2-77:

NOTA: Los valores han sido medidos con el cortacésped equipado con la cuchilla de cortacésped recta.

Modelo AM3846

Emisión de vibración (a_h) : 2,5 m/s² o menos

Error (K) : 1,5 m/s²

Modelo AM3653

Emisión de vibración (a_h) : 2,5 m/s² o menos

Error (K) : 1,5 m/s²

Modelo AM3753

Emisión de vibración (a_h) : 2,5 m/s² o menos

Error (K) : 1,5 m/s²

NOTA: El valor (o los valores) total de emisión de vibración declarado ha sido medido de acuerdo con un método de prueba estándar y se puede utilizar para comparar una herramienta con otra.

NOTA: El valor (o los valores) total de emisión de vibración declarado también se puede utilizar en una valoración preliminar de exposición.

⚠ ADVERTENCIA: La emisión de vibración durante la utilización real de la herramienta eléctrica puede variar del valor (o los valores) de emisión declarado dependiendo de las formas en las que la herramienta sea utilizada, especialmente qué tipo de pieza de trabajo se procesa.

⚠ ADVERTENCIA: Asegúrese de identificar medidas de seguridad para proteger al operario que estén basadas en una estimación de la exposición en las condiciones reales de utilización (teniendo en cuenta todas las partes del ciclo operativo como las veces cuando la herramienta está apagada y cuando está funcionando en vacío además del tiempo de gatillo).

Declaración CE de conformidad

Para países europeos solamente

La declaración CE de conformidad está incluida como Anexo A de esta manual de instrucciones.

ADVERTENCIAS DE SEGURIDAD

INSTRUCCIONES DE SEGURIDAD IMPORTANTES

⚠ ADVERTENCIA: Lea todas las advertencias de seguridad y todas las instrucciones. Si no sigue las advertencias e instrucciones podrá resultar en una descarga eléctrica, un incendio y/o heridas graves.

Guarde todas las advertencias e instrucciones para futuras referencias.

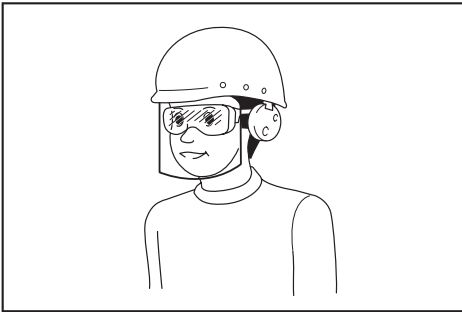
Capacitación

1. Lea las instrucciones atentamente. Familiarícese con los controles y el uso apropiado del cortacésped.
2. No permita nunca que niños o gente no familiarizada con estas instrucciones utilicen el cortacésped. Los reglamentos locales pueden restringir la edad del operario.
3. No utilice nunca el cortacésped cuando haya gente, especialmente niños o animales domésticos cerca.
4. Tenga en cuenta que el operario o usuario es el responsable de los accidentes o riesgos ocasionados a otras personas o propiedades de las mismas.

5. Los niños pequeños deberán ser supervisados para asegurarse de que no juegan con el cortacésped.
6. Condición física - No utilice el cortacésped bajo la influencia de drogas, alcohol, o cualquier medicación.

Preparación

1. Mientras utiliza el cortacésped póngase siempre calzado robusto y pantalones largos. No utilice el cortacésped cuando esté descalzo o lleve puestas sandalias abiertas. Evite ponerse ropa o joyas que queden holgadas o que tengan cordones colgando o corbatas. Pueden engancharse en las piezas que se mueven.
2. Antes de utilizar, inspeccione siempre visualmente el cortacésped por si está dañado, o tiene protectores o escudos sin colocar o mal colocados.
3. Asegúrese de que el área está despejada de gente antes de segar. Detenga el cortacésped si entra alguien en el área.
4. No inserte la llave de bloqueo en el cortacésped hasta que esté listo para ser utilizado.
5. Póngase siempre gafas de protección para proteger sus ojos de heridas cuando utilice herramientas eléctricas. Las gafas de protección deben cumplir con las normas ANSI Z87.1 en los Estados Unidos de América, EN 166 en Europa, o AS/NZS 1336 en Australia/Nueva Zelanda. En Australia/Nueva Zelanda, se requiere, también, legalmente ponerse pantalla facial para proteger la cara.



Es una responsabilidad del empresario imponer a los operarios de la herramienta y a otras personas en las inmediaciones del área de trabajo el uso de equipos de protección de seguridad apropiados.

6. Compruebe las cuchillas o los pernos de la cuchilla cuidadosamente por si tienen grietas o daños antes de comenzar la operación. Reemplace las cuchillas o los pernos de la cuchilla agrietados o dañados inmediatamente.
7. Retire los objetos extraños tales como rocas, alambres, botellas, huesos y palos largos del área de trabajo antes de segar para evitar heridas personales o daños al cortacésped.
8. Los objetos golpeados por la cuchilla de cortacésped pueden ocasionar graves heridas personales. El césped deberá ser siempre examinado atentamente y despejado de todos los objetos antes de cada siega.

9. Tenga cuidado con los orificios, surcos, rocas, u otros objetos ocultos. El terreno desnivelado puede ocasionar un accidente por resbalamiento y caída. La hierba alta puede ocultar obstáculos.
10. No inserte o retire la llave de bloqueo en la lluvia.
11. Utilice equipo de protección personal. Póngase siempre protección para los ojos. El equipo de protección como máscara contra el polvo, zapatos de seguridad antideslizantes, casco rígido y protección para los oídos utilizado en las condiciones apropiadas reducirá el riesgo de sufrir heridas personales.

Operación

1. No trabaje donde no alcance. Mantenga el equilibrio en todo momento. Asegúrese siempre de que en pendientes apoya bien los pies. Camine, nunca corra.
2. Detenga el cortacésped y retire la llave de bloqueo, y asegúrese de que todas las piezas que se mueven se hayan parado completamente:
 - siempre que vaya a dejar el cortacésped,
 - antes de retirar obstrucciones o desatascar la tolva,
 - antes de comprobar, limpiar o trabajar en el cortacésped,
 - después de haber golpeado un objeto extraño. Inspeccione el cortacésped por si está dañado y haga las reparaciones antes de volver a poner en marcha y utilizar el cortacésped,
 - siempre que el cortacésped comience a vibrar de forma anormal.
3. No utilice nunca el cortacésped con protectores o escudos defectuosos, o sin los dispositivos de seguridad, por ejemplo, deflectores y/o la cesta para hierba, en su sitio.
4. Evite utilizar el cortacésped en malas condiciones meteorológicas especialmente cuando haya riesgo de relámpagos.
5. Póngase protección para los ojos y zapatos robustos en todo momento mientras maneja el cortacésped.
6. Utilice el cortacésped solamente en luz diurna o con buena luz artificial.
7. Encienda el cortacésped con cuidado de acuerdo con las instrucciones y con los pies bien alejados de la(s) cuchilla(s).
8. Tenga cuidado de no herirse los pies y las manos con las cuchillas de cortacésped.
9. Asegúrese siempre de que las aberturas de ventilación están libres de residuos.
10. Siegue a través de la cara de la pendiente, nunca de arriba a abajo. Extreme las precauciones cuando cambie de dirección en pendientes. No siegue en cuestas empinadas excesivamente.
11. Utilice mucha precaución cuando retroceda o tire del cortacésped hacia usted.
12. Detenga la(s) cuchilla(s) si el cortacésped tiene que ser inclinado para transportarlo cuando atraviese superficies que no sean de hierba, y cuando transporte el cortacésped hasta o desde el área donde lo utiliza.

13. **No incline el cortacésped cuando vaya a encender el motor, excepto si el cortacésped tiene que ser inclinado para arrancarlo. En este caso, no lo incline más de lo absolutamente necesario y levante solamente la parte que está alejada del operario. Asegúrese siempre de que ambas manos están en la posición de operación antes de volver a poner el cortacésped en el suelo.**
14. **No ponga las manos ni los pies cerca o debajo de las piezas giratorias. Manténgase alejado de la abertura de descarga en todo momento.**
15. **No transporte el cortacésped mientras el cortacésped está encendido.**
16. **Evite utilizar el cortacésped en hierba mojada.**
17. **Sujete siempre firmemente el asidero.**
18. **No agarre las cuchillas de corte o bordes de corte expuestos cuando recoja o sujete el cortacésped.**
19. **Mantenga las manos y los pies alejados de las cuchillas giratorias. Precaución - Las cuchillas siguen girando por inercia después de apagar el cortacésped.**
20. **Detenga la operación inmediatamente si nota algo inusual. Apague el cortacésped y retire la llave de bloqueo. Después inspeccione el cortacésped.**
21. **No intente nunca realizar ajustes de altura de corte mientras el cortacésped está en marcha si el cortacésped tiene función de ajuste de altura de corte.**
22. **Suelte la palanca interruptor y espere a que la cuchilla deje de girar antes de cruzar caminos de acceso, paseos, carreteras, o cualquier área cubierta con gravilla. Retire también la llave de bloqueo si deja el cortacésped, si se adelanta para recoger o retirar algo del camino, o por cualquier otra razón que pueda distraerle de lo que está haciendo.**
23. **Si el cortacésped golpea un objeto extraño, siga estos pasos:**
 - Detenga el cortacésped, suelte la palanca interruptor y espere hasta que la cuchilla se haya detenido completamente.
 - Retire la llave de bloqueo y el cartucho de batería.
 - Inspeccione detenidamente el cortacésped por si tiene algún daño.
 - Reemplace la cuchilla si tiene cualquier tipo de daño. Repare cualquier daño antes de volver a poner en marcha y continuar utilizando el cortacésped.
24. **No ponga en marcha el cortacésped cuando se encuentre enfrente de la abertura de descarga.**
25. **Si el cortacésped comienza a vibrar anormalmente (compruebe inmediatamente)**
 - inspeccione por si hay daños,
 - sustituya o repare cualquier pieza dañada,
 - compruebe si hay alguna pieza floja y apriétela.
26. **No dirija el material expulsado hacia alguien. Evite expulsar material contra una pared u obstrucción. El material puede rebotar hacia el operario. Detenga la cuchilla cuando cruce superficies de grava.**
27. **No tire del cortacésped hacia atrás a menos que sea absolutamente necesario. Cuando se vea obligado a retroceder el cortacésped desde una valla u otra obstrucción similar, mire hacia abajo y hacia atrás antes y mientras se mueve hacia atrás.**
28. **Apague el motor y espere hasta que la cuchilla se haya parado completamente antes de retirar el receptor de hierba. Tenga en cuenta que las cuchillas continúan moviéndose después de apagar.**
29. **Cuando utilice la máquina en suelo enlodado, pendiente mojada, o lugar resbaladizo, preste atención a donde pisa.**
30. **Evite trabajar en un entorno poco adecuado donde se espere que la fatiga del usuario aumente.**
31. **No utilice la máquina en mal tiempo donde la visibilidad es limitada. En caso contrario podrá ocasionar una caída u operación incorrecta debido a la poca visibilidad.**
32. **No sumerja la máquina en un charco.**
33. **Cuando se adhieran hojas mojadas o suciedad a la boca de succión (ventanilla de ventilación) debido a la lluvia, retírelas.**
34. **No utilice la máquina en la nieve.**
35. **Si la hierba cortada está mojada, es probable que se atasque dentro de la máquina. Compruebe la condición de la máquina regularmente, y retire la hierba adherida según sea necesario.**
36. **Cuando opere la máquina, preste atención a las tuberías y el cableado.**
37. **No utilice un suministro de alimentación con cable como un adaptador de batería o unidad portátil de alimentación eléctrica con esta máquina. El cable de tal suministro de alimentación puede dificultar la operación y resultar en heridas personales.**

Mantenimiento y almacenamiento

1. **Sustituya las piezas gastadas o dañadas por seguridad. Utilice solamente piezas de repuesto y accesorios genuinos.**
2. **Inspeccione y haga el mantenimiento al cortacésped regularmente.**
3. **Cuando no se esté utilizando, guarde el cortacésped fuera del alcance de los niños.**
4. **Mantenga todas las tuercas, pernos y tornillos apretados para asegurarse de que el equipo está en condiciones de trabajo seguras.**
5. **Compruebe la cesta para hierba con frecuencia por si está desgastada o deteriorada. Al almacenar, asegúrese siempre de que la cesta para hierba está vacía. Reemplace la cesta para hierba si está gastada con una de recambio nueva de fábrica por seguridad.**
6. **Utilice solamente las cuchillas genuinas del fabricante especificadas en este manual.**
7. **Tenga cuidado durante el ajuste del cortacésped para evitar pillarse los dedos entre las cuchillas que se mueven y las piezas fijas del cortacésped.**
8. **Compruebe el perno de montaje de la cuchilla a intervalos frecuentes para ver que está bien apretado.**
9. **Deje siempre que el cortacésped se enfríe antes de almacenarlo.**
10. **Cuando haga el mantenimiento a las cuchillas, sea consciente de que, aunque la fuente de alimentación esté apagada, las cuchillas todavía se pueden mover.**

11. **No retire ni manipule nunca los dispositivos de seguridad. Compruebe su correcto funcionamiento regularmente. No haga nunca nada que interfiera con la función prevista del dispositivo de seguridad ni reduzca la protección proporcionada por el dispositivo de seguridad.**
12. **No deje la máquina sin atender en exteriores en la lluvia.**
13. **No lave la máquina con agua a mucha presión.**
14. **Cuando vaya a lavar la máquina, asegúrese de retirar la batería y la llave de bloqueo y cerrar la tapa de la batería, y vierta agua hacia la parte inferior de la máquina en la que está colocada la cuchilla.**
15. **Cuando almacene la máquina, evite la luz solar directa y la lluvia, y almacénala en un lugar donde no se caliente o humedezca.**
16. **Realice la inspección o el mantenimiento en un lugar donde se pueda evitar la lluvia.**
17. **Después de utilizar la máquina, retire la suciedad adherida y seque la máquina completamente antes de almacenarla.** Dependiendo de la estación del año o el área, existe el riesgo de un mal funcionamiento debido a la congelación.

Utilización y cuidado de la herramienta a batería

1. **Cargue la batería solamente con el cargador especificado por el fabricante.** Un cargador que es apropiado para un tipo de batería puede crear un riesgo de incendio cuando se utiliza con otra batería.
2. **Utilice las herramientas eléctricas solamente con las baterías designadas específicamente para ellas.** La utilización de cualquier otra batería puede crear un riesgo de heridas o incendio.
3. **Cuando la batería no esté siendo utilizada, guárdela alejada de otros objetos metálicos, como sujetapapeles, monedas, llaves, clavos, tornillos u otros objetos metálicos pequeños, que puedan hacer conexión entre un terminal y el otro.** Si se cortocircuitan entre sí los terminales de la batería podrán producirse quemaduras o un incendio.
4. **En condiciones abusivas, es posible que salga expulsado líquido de la batería; evite el contacto con él. Si se produce un contacto accidental, enjuague con agua. Si el líquido entra en los ojos, además de enjuagarlos, solicite asistencia médica.** El líquido expulsado de la batería puede ocasionar irritación y quemaduras.
5. **No utilice una batería o herramienta que esté dañada o modificada.** Las baterías dañadas o modificadas pueden comportarse de forma impredecible resultando en un incendio, explosión o riesgo de heridas.
6. **No exponga una batería o herramienta al fuego o a temperatura excesiva.** La exposición al fuego o a una temperatura superior a los 130 °C puede ocasionar una explosión.
7. **Siga todas las instrucciones de carga y no cargue la batería o la herramienta fuera del rango de temperatura especificado en las instrucciones.** Cargar incorrectamente o a temperaturas fuera del rango especificado puede dañar la batería y aumentar el riesgo de incendio.

Seguridad eléctrica y de la batería

1. **No deseche la batería(s) arrojándola al fuego.** La célula puede explotar. Compruebe los códigos locales por si hay instrucciones para el posible desecho especial.
2. **No abra o mute la batería(s).** El electrolito liberado es corrosivo y puede ocasionar daño a los ojos o a la piel. Puede ser tóxico si se traga.
3. **No cargue la batería bajo la lluvia, o en lugares mojados.**
4. **No cargue la batería en exteriores.**
5. **No maneje el cargador, incluida la clavija del cargador, y los terminales del cargador con las manos mojadas.**
6. **No reemplace la batería en la lluvia.**
7. **No moje el terminal de la batería con líquido tal como agua, ni sumerja la batería. No deje la batería en la lluvia, ni cargue, utilice, o almacene la batería en un lugar húmedo o mojado.** Si el terminal se moja o si entra líquido al interior de la batería, la batería podrá cortocircuitarse y existe el riesgo de recalentamiento, incendio, o explosión.
8. **Después de retirar la batería de la máquina o el cargador, asegúrese de colocar la tapa de la batería en la batería y guárdela en un lugar seco.**
9. **No reemplace la batería con las manos mojadas.**

Servicio

1. **Haga que su herramienta eléctrica sea servida por una persona de reparación cualificada utilizando solamente piezas de repuesto idénticas.** De esta forma la herramienta eléctrica seguirá siendo segura.
2. **No haga nunca el mantenimiento a baterías dañadas.** El mantenimiento de las baterías debe ser realizado solamente por el fabricante o proveedores de servicio autorizados.

GUARDE ESTAS INSTRUCCIONES.

⚠️ ADVERTENCIA: NO deje que la comodidad o familiaridad con el producto (a base de utilizarlo repetidamente) sustituya la estricta observancia de las normas de seguridad para el producto en cuestión.

El MAL USO o el no seguir las normas de seguridad establecidas en este manual de instrucciones podrá ocasionar graves heridas personales.

Instrucciones de seguridad importantes para el cartucho de batería

1. **Antes de utilizar el cartucho de batería, lea todas las instrucciones e indicaciones de precaución sobre (1) el cargador de baterías, (2) la batería, y (3) el producto con el que se utiliza la batería.**
2. **No desarme el cartucho de batería.**
3. **Si el tiempo de uso se acorta demasiado, cese la operación inmediatamente. Podría resultar en un riesgo de recalentamiento, posibles quemaduras e incluso una explosión.**

4. Si entra electrolito en sus ojos, aclárelos con agua limpia y acuda a un médico inmediatamente. Existe el riesgo de poder perder la vista.
5. No cortocircuite el cartucho de batería:
 - (1) No toque los terminales con ningún material conductor.
 - (2) Evite guardar el cartucho de batería en un cajón junto con otros objetos metálicos, como clavos, monedas, etc.
 - (3) No exponga el cartucho de batería al agua ni a la lluvia.

Un cortocircuito en la batería puede producir una gran circulación de corriente, un recalentamiento, posibles quemaduras e incluso una rotura de la misma.

6. No guarde la herramienta y el cartucho de batería en lugares donde la temperatura pueda alcanzar o exceder los 50 °C.
7. Nunca incinere el cartucho de batería incluso en el caso de que esté dañado seriamente o ya no sirva en absoluto. El cartucho de batería puede explotar si se tira al fuego.
8. Tenga cuidado de no dejar caer ni golpear el cartucho de batería.
9. No utilice una batería dañada.
10. Las baterías de litio-ion contenidas están sujetas a los requisitos de la Legislación para Materiales Peligrosos.

Para transportes comerciales, p.ej., por terceras personas y agentes de transportes, se deberán observar requisitos especiales para el empaquetado y etiquetado.

Para la preparación del artículo que se va a enviar, se requiere consultar con un experto en materiales peligrosos. Por favor, observe también la posibilidad de reglamentos nacionales más detallados.

Cubra con cinta aislante o enmascare los contactos expuestos y empaquete la batería de tal manera que no se pueda mover alrededor dentro del embalaje.

11. Para desechar el cartucho de batería, retírelo de la herramienta y deséchelo en un lugar seguro. Siga los reglamentos locales referentes al desecho de la batería.
12. Utilice las baterías solamente con los productos especificados por Makita. La instalación de las baterías en productos no compatibles puede resultar en un incendio, calor excesivo, explosión, o fuga de electrolito.
13. Si la herramienta no va a ser utilizada durante un periodo de tiempo largo, la batería deberá ser retirada de la herramienta.

GUARDE ESTAS INSTRUCCIONES.

⚠PRECAUCIÓN: Utilice solamente baterías genuinas de Makita. La utilización de baterías no genuinas de Makita, o baterías que han sido alteradas, puede resultar en una explosión de la batería ocasionando incendios, heridas personales y daños. También anulará la garantía de Makita para la herramienta y el cargador de Makita.

Consejos para alargar al máximo la vida de servicio de la batería

1. Cargue el cartucho de batería antes de que se descargue completamente. Detenga siempre la operación y cargue el cartucho de batería cuando note menos potencia en la herramienta.
2. No cargue nunca un cartucho de batería que esté completamente cargado. La sobrecarga acortará la vida de servicio de la batería.
3. Cargue el cartucho de batería a temperatura ambiente de 10 °C - 40 °C. Si un cartucho de batería está caliente, déjelo enfriar antes de cargarlo.
4. Cargue el cartucho de batería si no lo utiliza durante un periodo de tiempo prolongado (más de seis meses).

MONTAJE

⚠ADVERTENCIA: Asegúrese siempre de que la llave de bloqueo y el cartucho de batería han sido retirados antes de realizar cualquier trabajo en el cortacésped. Si no retira la llave de bloqueo y el cartucho de batería podrá resultar en graves heridas personales a causa de un arranque accidental.

⚠ADVERTENCIA: No ponga nunca el cortacésped a menos que esté completamente ensamblado. La utilización de la máquina en un estado parcialmente ensamblado podrá resultar en graves heridas personales a causa de un arranque accidental.

Instalación del asidero

AVISO: Cuando instale los asideros, posicione los cables de forma que no sean pillados con ninguna cosa entre los asideros. Si el cable está dañado, es posible que el interruptor del cortacésped no responda.

1. Alinee los orificios del asidero inferior con los orificios del cuerpo del cortacésped, y después apriete los 4 pernos temporalmente.

► Fig.1: 1. Asidero inferior 2. Perno

2. Apriete firmemente los 4 pernos que fueron apretados temporalmente en el paso 1 utilizando la llave de tubo de 13.

3. Alinee el orificio del asidero inferior con el orificio del asidero superior, después inserte el perno desde dentro, y después apriete la tuerca desde fuera con la llave de tubo de 13. Realice el mismo procedimiento en el otro lado.

► Fig.2: 1. Perno 2. Asidero inferior 3. Tuerca 4. Orificio 5. Asidero superior

⚠PRECAUCIÓN: Sujete el asidero superior firmemente de forma que no se le caiga de la mano. De lo contrario, el asidero podrá caerse y ocasionar heridas.

4. Coloque los soportes en el asidero.

Alinee las protuberancias del soporte con los orificios del asidero de manera que las protuberancias encajen en los orificios. Posicione los cables como se muestra en la figura.

► **Fig.3:** 1. Cable 2. Soporte

Desmontaje de la tapadera de mullidor

1. Abra la cubierta posterior.

► **Fig.4:** 1. Cubierta posterior

2. Retire la tapadera de mullidor mientras mantiene bajada la palanca.

► **Fig.5:** 1. Palanca 2. Tapadera de mullidor

Instalación o desmontaje de la cesta para hierba

Para instalar la cesta para hierba, siga los pasos de abajo.

1. Abra la cubierta posterior.

► **Fig.6:** 1. Cubierta posterior

2. Sujete el asidero de la cesta para hierba, y después enganche la cesta para hierba en el vástago del cuerpo del cortacésped como se muestra en la figura.

► **Fig.7:** 1. Vástago 2. Asidero 3. Cesta para hierba

Para retirar la cesta para hierba, abra la cubierta posterior, y después retire la cesta para hierba sujetando el asidero.

Colocación de la tapadera de mullidor

1. Abra la cubierta posterior, y después retire la cesta para hierba.

► **Fig.8:** 1. Cubierta posterior 2. Cesta para hierba

2. Coloque la tapadera de mullidor mientras mantiene bajada la palanca, y después libere la palanca para bloquear la tapadera de mullidor.

► **Fig.9:** 1. Palanca 2. Tapadera de mullidor

Colocación del accesorio de descarga

Para AM3653/AM3753

1. Abra la cubierta posterior, y después retire la cesta para hierba.

► **Fig.10:** 1. Cubierta posterior 2. Cesta para hierba

2. Coloque la tapadera de mullidor mientras mantiene bajada la palanca, y después libere la palanca para bloquear la tapadera de mullidor.

► **Fig.11:** 1. Palanca 2. Tapadera de mullidor

3. Abra la cubierta del lado derecho, y después coloque el accesorio de descarga.

Inserte los ganchos del accesorio de descarga debajo del vástago de la cubierta del lado derecho.

► **Fig.12:** 1. Cubierta del lado derecho 2. Accesorio de descarga

DESCRIPCIÓN DEL FUNCIONAMIENTO

Instalación o extracción del cartucho de batería

⚠PRECAUCIÓN: Apague siempre la máquina antes de instalar o retirar el cartucho de batería.

⚠PRECAUCIÓN: Sujete la máquina y el cartucho de batería firmemente cuando instale o extraiga el cartucho de batería. Si no sujeta la máquina y el cartucho de batería firmemente podrá ocasionar que se deslicen de sus manos y resultar en daños a la máquina y el cartucho de batería y heridas personales.

⚠PRECAUCIÓN: Asegúrese de que ha bloqueado la tapa de la batería antes de la utilización. De lo contrario, el barro, la suciedad o el agua podrán ocasionar daños a la herramienta o al cartucho de batería.

⚠PRECAUCIÓN: Instale siempre el cartucho de batería completamente hasta que no pueda verse el indicador rojo. En caso contrario, podrá caerse accidentalmente de la máquina y ocasionarle heridas a usted o a alguien alrededor de usted.

⚠PRECAUCIÓN: No instale el cartucho de batería empleando fuerza. Si el cartucho no se desliza al interior fácilmente, será porque no está siendo insertado correctamente.

NOTA: La máquina no funciona con un cartucho de batería solamente.

Para instalar el cartucho de batería;

1. Alce la palanca de bloqueo, y después abra la tapa de la batería.

► **Fig.13:** 1. Tapa de la batería 2. Palanca de bloqueo

2. Alinee la lengüeta del cartucho de batería con la ranura de la máquina y después deslice el cartucho hasta que se bloquee en su sitio con un pequeño chasquido.

► **Fig.14:** (1) Puerto de batería 1 (2) Puerto de batería 2 (3) Cartucho de batería

NOTA: Instale al menos 2 cartuchos de batería en el puerto de batería 1 o puerto de batería 2.

3. Inserte la llave de bloqueo en el lugar mostrado en la figura a tope.

► **Fig.15:** 1. Llave de bloqueo

4. Cierre la tapa de la batería y presiónela hasta que se quede trincada con la palanca de bloqueo.

Para retirar el cartucho de batería;

1. Alce la palanca de bloqueo y abra la tapa de la batería.

2. Saque el cartucho de batería de la máquina mientras desliza el botón de la parte frontal del cartucho.

3. Saque la llave de bloqueo.

4. Cierre la tapa de la batería.

Cambio de cartuchos de batería

► Fig.16: 1. Conmutador de selección de batería

La máquina utiliza 2 cartuchos de batería al mismo tiempo para la operación. En la máquina se pueden instalar hasta 4 cartuchos de batería. Antes de operar la máquina, seleccione el puerto de batería 1 o puerto de batería 2 girando el conmutador de selección de batería.

NOTA: Si solamente hay instalados 2 cartuchos de batería en la máquina, asegúrese de seleccionar el puerto de batería en el que están instalados los cartuchos de batería utilizando el conmutador de selección de batería.

Sistema de protección de la máquina/batería

La máquina está equipada con un sistema de protección de la máquina/batería. Este sistema corta automáticamente la alimentación al motor para alargar la vida útil de la máquina y la batería. La máquina se detendrá automáticamente durante la operación si la máquina o la batería es puesta en una de las condiciones siguientes:

Protección contra sobrecarga

Cuando la batería sea utilizada de una manera que dé lugar a que tenga que absorber una corriente anormalmente alta, la máquina se detendrá automáticamente y la lámpara de alimentación principal parpadeará en verde. En esta situación, apague la máquina y detenga la tarea que ocasiona la sobrecarga de la máquina. Después encienda la máquina para volver a empezar.

Protección contra el recalentamiento

Cuando la máquina o la batería se recalienta, la máquina se detiene automáticamente y la lámpara de alimentación principal se ilumina en rojo. En este caso, deje que la máquina y la batería se enfríen antes de encender la máquina otra vez.

Protección contra descarga excesiva










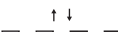
Cuando la capacidad de batería no sea suficiente, la máquina se detendrá automáticamente y la lámpara de alimentación principal parpadeará en rojo. En este caso, retire la batería de la máquina y cargue los cartuchos de batería o cambie los cartuchos de batería con unos completamente cargados.

Modo de indicar la capacidad de batería restante

Solamente para cartuchos de batería con el indicador

► Fig.17: 1. Lámparas indicadoras 2. Botón de comprobación

Presione el botón de comprobación en el cartucho de batería para indicar la capacidad de batería restante. Las lámparas indicadoras se iluminan durante unos pocos segundos.

Lámparas indicadoras			Capacidad restante
 Iluminada	 Apagada	 Parpadeando	
			75% a 100%
			50% a 75%
			25% a 50%
			0% a 25%
			Cargue la batería.
			Puede que la batería no esté funcionando bien.
			

NOTA: Dependiendo de las condiciones de utilización y de la temperatura ambiente, la indicación podrá variar ligeramente de la capacidad real.

Panel de control

El panel de control tiene el interruptor de alimentación principal, el botón de cambio de modo, y el indicador de capacidad de batería restante.

► Fig.18: 1. Indicador de batería 2. Lámpara de cambio de modo 3. Lámpara de alimentación principal 4. Botón de comprobación 5. Botón de cambio de modo 6. Interruptor de alimentación principal

Interruptor de alimentación principal

ADVERTENCIA: Desactive siempre el interruptor de alimentación principal cuando la herramienta no esté siendo utilizada.

Para encender la máquina, presione el interruptor de alimentación principal. La lámpara de alimentación principal se ilumina en verde. Para apagar la máquina, presione el interruptor de alimentación principal otra vez.

NOTA: Si la lámpara de alimentación principal se ilumina en rojo o parpadea en rojo o verde, consulte las instrucciones para el sistema de protección de la máquina/batería.






NOTA: Esta máquina emplea la función de desconexión automática de la alimentación. Para evitar una puesta en marcha no intencionada, el interruptor de alimentación principal se inhabilita automáticamente cuando no se aprietan la palanca interruptor y la palanca de impulsión (si se ha equipado) durante un cierto periodo de tiempo después de activar el interruptor de alimentación principal.

Botón de cambio de modo

Puede cambiar el modo de operación presionando el botón de cambio de modo. Cuando se enciende la máquina, esta se pone en marcha en el modo normal. Cuando presione el botón de cambio de modo, la máquina cambiará al modo de reducción de ruido y la lámpara de cambio de modo se iluminará en verde. En el modo de reducción de ruido, puede reducir el ruido cuando siega. Cuando presione el botón de cambio de modo otra vez, la máquina volverá al modo normal.

Modo de indicar la capacidad de batería restante

Presione el botón de comprobación para indicar las capacidades de batería restantes. Los indicadores de batería corresponden a cada batería.

Estado del indicador de batería		Capacidad de batería restante
 Encendido	 Apagado	
		50% - 100%
		20% - 50%
		0% - 20%

NOTA: Las lámparas de indicación para la capacidad de batería restante es solamente para tener una referencia. La capacidad de batería real puede variar dependiendo de las condiciones de utilización.

NOTA: Antes de presionar el botón de comprobación para indicar las capacidades de batería restante, detenga la máquina.

Accionamiento del interruptor

⚠ADVERTENCIA: Antes de instalar el cartucho de batería, compruebe siempre para cerciorarse de que la palanca interruptor se acciona debidamente y que vuelve a la posición original cuando la suelta. La operación de la máquina con un interruptor que no se acciona debidamente puede dar lugar a la pérdida de control y heridas personales graves.

NOTA: El cortacésped no se pone en marcha sin apretar el botón interruptor aunque se apriete la palanca interruptor.

NOTA: Es posible que el cortacésped no se ponga en marcha debido a la sobrecarga cuando usted intente segar hierba larga o densa de una vez. En este caso aumente la altura de siega.

Este cortacésped está equipado con la llave de bloqueo y el interruptor de asidero. Si nota algo inusual con la llave de bloqueo o el interruptor, detenga la operación inmediatamente y haga que se los comprueben en el centro de servicio autorizado Makita/Dolmar más cercano.

Para AM3846/AM3753

1. Instale los cartuchos de batería. Inserte la llave de bloqueo, y después cierre la tapa de la batería.
2. Seleccione los cartuchos de batería utilizados para la operación girando el conmutador de selección de batería.
3. Presione el interruptor de alimentación principal.
4. Tire de la palanca interruptor hacia usted mientras mantiene presionado el botón interruptor. Suelte el botón interruptor tan pronto como el motor se ponga en marcha.

► Fig.19: 1. Botón interruptor 2. Palanca interruptor

NOTA: Si la llave de bloqueo no está insertada, la lámpara de alimentación parpadeará en verde cuando apriete la palanca interruptor.

5. Mientras sujeta la palanca interruptor, empuje la palanca de impulsión hacia delante y sujétela para impulsar las ruedas traseras.

► Fig.20: 1. Palanca de impulsión

NOTA: Puede impulsar las ruedas traseras empujando la palanca de impulsión hacia delante y sujetándola sin apretar la palanca interruptor.

6. Libere la palanca de impulsión y la palanca interruptor para detener la máquina.

Para AM3653

1. Instale los cartuchos de batería. Inserte la llave de bloqueo en el interruptor de enclavamiento y después cierre la tapa de la batería.
2. Seleccione los cartuchos de batería utilizados para la operación girando el conmutador de selección de batería.
3. Presione el interruptor de alimentación principal.
4. Tire de la palanca interruptor hacia usted mientras mantiene presionado el botón interruptor. Suelte el botón interruptor tan pronto como el motor se ponga en marcha.

► Fig.21: 1. Botón interruptor 2. Palanca interruptor

NOTA: Si la llave de bloqueo no está insertada, la lámpara de alimentación parpadeará en verde cuando apriete la palanca interruptor.

5. Suelte la palanca interruptor para parar el motor.

Ajuste de la altura de siega

⚠ADVERTENCIA: No ponga nunca su mano o pierna debajo del cuerpo del cortacésped cuando ajuste la altura de siega.

⚠ADVERTENCIA: Asegúrese siempre de que la palanca encaja en la ranura debidamente antes de la operación.

La altura de siega se puede ajustar en el rango de entre 20 mm y 100 mm.

Retire la llave de bloqueo, y después empuje la palanca de ajuste de la altura de siega hacia afuera del cuerpo del cortacésped y muévela hasta la altura de siega que desee.

► **Fig.22:** 1. Palanca de ajuste de la altura de siega

La tabla de abajo muestra la relación entre el número en el cuerpo del cortacésped y la altura de siega aproximada.

Número	Altura de siega
1	20 mm
2	26 mm
3	32 mm
4	39 mm
5	47 mm
6	55 mm
7	63 mm
8	74 mm
9	86 mm
10	100 mm

Sujete la empuñadura delantera o el asidero inferior con una mano, y después mueva la palanca de ajuste de la altura de siega con la otra mano.

► **Fig.23:** 1. Palanca de ajuste de la altura de siega
2. Asidero inferior 3. Empuñadura delantera

NOTA: Las cifras de altura de siega deben ser utilizadas solamente como guía. Dependiendo de las condiciones del césped o el suelo, la altura real del césped podrá ser ligeramente diferente de la altura ajustada.

NOTA: Realice una prueba segando hierba en un lugar menos notorio para obtener la altura deseada.

Indicador del nivel de la hierba

El indicador del nivel de la hierba muestra el volumen de la hierba segada. Cuando la cesta para hierba no está llena, el indicador flota mientras las cuchillas están en marcha.

► **Fig.24:** 1. Indicador del nivel de la hierba

Cuando la cesta para hierba está casi llena, el indicador no flota mientras las cuchillas están en marcha. En este caso, detenga la operación inmediatamente y vacíe la cesta.

► **Fig.25:** 1. Indicador del nivel de la hierba

NOTA: Este indicador es una guía aproximada. Dependiendo de las condiciones del interior de la cesta, este indicador puede no funcionar debidamente.

Ajuste de la altura del asidero

⚠PRECAUCIÓN: Antes de retirar los pernos, sujete el asidero superior firmemente. De lo contrario, el asidero podrá caerse y ocasionar heridas.

La altura del asidero se puede ajustar en dos niveles.

1. Retire los pernos superiores del asidero inferior utilizando la llave de tubo de 13, y después afloje los pernos inferiores.

► **Fig.26:** 1. Perno superior 2. Perno inferior

2. Ajuste la altura del asidero, y después apriete los pernos superiores e inferiores firmemente.

Ajuste de la velocidad de desplazamiento

Para AM3846/AM3753

► **Fig.27:** 1. Palanca de velocidad

La velocidad de desplazamiento se puede ajustar con la palanca de velocidad. Para reducir la velocidad, tire de la palanca hacia usted, y para aumentar la velocidad, gire la palanca hacia adelante.

Utilización de la tapadera de mullidor

La tapadera de mullidor le permite devolver la hierba cortada al suelo sin recogerla en la cesta para hierba. Cuando utilice la máquina con la tapadera de mullidor, asegúrese de retirar la cesta para hierba.

AVISO: Cuando utilice la máquina con la tapadera de mullidor, asegúrese de que la longitud total de la hierba es de 30 mm o más, o que la longitud cortada es de 15 mm o menos.

► **Fig.28:** (1) 30 mm o más (2) 15 mm o menos

Utilización del accesorio de descarga

Para AM3653/AM3753

El accesorio de descarga le permite descargar la hierba cortada al suelo desde el lado derecho de la máquina sin recogerla en la cesta para hierba. Cuando utilice la máquina con el accesorio de descarga, asegúrese de instalar la tapadera de mullidor y retirar la cesta para hierba.

Función electrónica

La máquina está equipada con funciones electrónicas para facilitar la operación.

- Control para velocidad constante del giro de la cuchilla
Control de velocidad electrónico para obtener una velocidad constante. Se puede obtener un acabado fino, porque la velocidad de giro se mantiene constante incluso en condición de carga.
- Inicio suave en puesta en marcha
La función de inicio suave minimiza el golpe del arranque, y hace que la máquina se ponga en marcha suavemente.
- Freno eléctrico
Esta máquina está equipada con un freno eléctrico. Si la máquina consistentemente deja de parar rápidamente las cuchillas del cortacésped después de liberar la palanca interruptor, haga que la máquina sea servida en un centro de servicio autorizado Makita/Dolmar.

OPERACIÓN

Siega

⚠️ ADVERTENCIA: Antes de segar, retire los palos y piedras del área de la siega. Además, retire cualquier maleza del área de la siega de antemano.

⚠️ ADVERTENCIA: Póngase siempre gafas de seguridad o gafas de protección con escudos laterales cuando utilice el cortacésped.

⚠️ PRECAUCIÓN: Si la hierba cortada o un objeto extraño bloquea el interior del cuerpo del cortacésped, asegúrese de retirar la llave de bloqueo y el cartucho de batería y de ponerse guantes antes de retirar la hierba u objeto extraño.

AVISO: Utilice esta máquina solamente para segar césped. No siegue maleza con esta máquina.

► Fig.29

Sujete firmemente el asidero con ambas manos cuando siegue. La pauta de la velocidad de segado es de aproximadamente 7 a 14 metros por 10 segundos.

► Fig.30

Las líneas del centro de las ruedas delanteras sirven de guías para la anchura de segado. Utilizando las líneas del centro como guías, siegue en franjas. Solape la mitad o un tercio de la franja anterior para segar el césped uniformemente.

► **Fig.31:** 1. Anchura de segado 2. Área de solapamiento 3. Línea del centro

Cambie la dirección del segado cada vez para evitar que el patrón de crecimiento de la hierba se forme en una dirección solamente.

► Fig.32

Compruebe periódicamente la cesta para hierba para ver la hierba segada. Vacíe la cesta para hierba antes de que se llene. Antes de cada comprobación periódica, asegúrese de parar el cortacésped y después retirar la llave de bloqueo y el cartucho de batería.

AVISO: La utilización del cortacésped con la cesta para hierba llena impide el giro uniforme de la cuchilla y añade una carga extra al motor, que puede ocasionar una avería.

Siega de un césped largo

No intente cortar césped largo todo de una vez. En su lugar, siegue el césped en varios pasos. Deje un día o dos entre las siegas hasta que el césped esté uniformemente corto.

► Fig.33

NOTA: El segar hierba larga a una longitud corta de una sola vez puede ocasionar que la hierba se muera. La hierba cortada también podrá bloquear el interior del cuerpo del cortacésped.

Vaciado de la cesta para hierba

⚠️ ADVERTENCIA: Para reducir el riesgo de un accidente, compruebe regularmente la cesta para hierba por si tiene algún daño o resistencia debilitada. Reemplace la cesta para hierba si es necesario.

1. Libere la palanca interruptor y la palanca de impulsión (para AM3846/AM3753), o libere la palanca interruptor (para AM3653).
 2. Retire la llave de bloqueo.
 3. Abra la cubierta posterior y extraiga la cesta para hierba sujetando el mango.
- **Fig.34:** 1. Cubierta posterior 2. Asidero 3. Cesta para hierba
4. Vacíe la cesta para hierba.

MANTENIMIENTO

⚠️ ADVERTENCIA: Asegúrese siempre de que la llave de bloqueo y el cartucho de batería han sido retirados del cortacésped antes de almacenar o transportar el cortacésped o intentar realizar la inspección o el mantenimiento.

⚠️ ADVERTENCIA: Retire siempre la llave de bloqueo cuando el cortacésped no esté siendo utilizado. Almacene la llave de bloqueo en un lugar seguro fuera del alcance de los niños.

⚠️ ADVERTENCIA: Póngase guantes cuando realice la inspección o el mantenimiento.

⚠️ ADVERTENCIA: Póngase siempre gafas de seguridad o gafas de protección con escudos laterales cuando realice la inspección o el mantenimiento.

AVISO: No utilice nunca gasolina, bencina, disolvente, alcohol o similares. Podría producir descoloración, deformación o grietas.

Para mantener la SEGURIDAD y FIABILIDAD del producto, las reparaciones, y cualquier otra tarea de mantenimiento o ajuste deberán ser realizadas en centros de servicio autorizados o de fábrica de Makita/Dolmar, empleando siempre piezas de recambio Makita/Dolmar.

Mantenimiento

1. Retire la llave de bloqueo y los cartuchos de batería, y después cierre la tapa de la batería.
2. Ponga el cortacésped sobre su costado de forma que la palanca de ajuste de la altura de siega quede en el lado superior. Limpie los recortes de hierba acumulados en la parte inferior del bastidor del cortacésped.
3. Vierta agua hacia la parte inferior de la máquina en la que está colocada la cuchilla.

AVISO: No lave la máquina con agua a mucha presión.

4. Compruebe todas las tuercas, pernos, tornillos, etc., para ver que están bien apretados.
5. Inspeccione las piezas que se mueven para ver si están dañadas, rotas, y gastadas. Las partes dañadas o perdidas deberán ser reparadas o reemplazadas.

6. Almacene el cortacésped en un lugar seguro fuera del alcance de los niños.

Para AM3846/AM3753

AVISO: No vierta agua en el área mostrada en la figura. Si vierte agua en la unidad del motor podrá ocasionar un mal funcionamiento de la máquina.

- **Fig.35:** 1. Área donde no se debe verter agua

Transporte del cortacésped

Cuando transporte el cortacésped, sujete la empuñadura delantera y la empuñadura trasera entre dos personas como se muestra en la figura.

- **Fig.36:** 1. Empuñadura delantera 2. Empuñadura trasera

Almacenamiento

Almacéne el cortacésped en interiores en un lugar fresco, seco y cerrado con llave. No almacene el cortacésped y el cargador en lugares donde la temperatura pueda alcanzar o exceder los 40 °C.

Desmontaje o instalación de la cuchilla de cortacésped

⚠ADVERTENCIA: La cuchilla sigue girando por inercia durante unos cuantos segundos después de soltar el interruptor. No comience ninguna operación hasta que la cuchilla se haya detenido completamente.

⚠ADVERTENCIA: Retire siempre la llave de bloqueo y el cartucho de batería cuando vaya a desmontar o instalar la cuchilla. Si no retira la llave de bloqueo y el cartucho de batería podrá ocasionar una herida grave.

⚠ADVERTENCIA: Póngase siempre guantes cuando maneje la cuchilla.

Desmontaje de la cuchilla de cortacésped

Para modelos equipados con cuchilla de cortacésped recta

1. Ponga el cortacésped sobre su costado de forma que la palanca de ajuste de la altura de siega quede en el lado superior.
2. Para bloquear la cuchilla, inserte el pasador en el orificio del cuerpo del cortacésped.
3. Gire el perno hacia la izquierda con la llave de tubo de 17.
► **Fig.37:** 1. Cuchilla de cortacésped 2. Pasador 3. Llave de tubo
4. Retire el perno, y después la cuchilla de cortacésped.
► **Fig.38:** 1. Soporte de la cuchilla 2. Cuchilla de cortacésped 3. Perno 4. Saliente

AVISO: Cuando instale la cuchilla de cortacésped, asegúrese de que las protuberancias del soporte de la cuchilla encajan en los orificios de la cuchilla de cortacésped.

Para modelos equipados con cuchillas de cortacésped retroscilantes

1. Ponga el cortacésped sobre su costado de forma que la palanca de ajuste de la altura de siega quede en el lado superior.
2. Para bloquear la placa de la base, inserte el pasador en un orificio del cuerpo del cortacésped a través de un orificio de la placa de la base.
3. Gire el perno hacia la izquierda con la llave de tubo de 17.
► **Fig.39:** 1. Pasador 2. Placa de la base 3. Llave de tubo
4. Retire el perno, y después la placa de la base.
► **Fig.40:** 1. Soporte de la cuchilla 2. Placa de la base 3. Perno 4. Saliente

AVISO: Cuando instale las cuchillas de cortacésped, asegúrese de que las protuberancias del soporte de la cuchilla encajan en los orificios de la placa de la base.

5. Para retirar la cuchilla de cortacésped individual, gire el perno hacia la izquierda con la llave de tubo de 17 mientras sujeta la placa de la base.
► **Fig.41:** 1. Placa de la base 2. Cuchilla de cortacésped 3. Llave de tubo
6. Retire la tuerca, la arandela, la arandela de resorte, la cuchilla de cortacésped, y el perno en ese orden.
► **Fig.42:** 1. Orificio para perno 2. Perno 3. Cuchilla de cortacésped 4. Arandela de resorte 5. Arandela 6. Tuerca

AVISO: Cuando apriete las tuercas para instalar las cuchillas de cortacésped individuales, aplique 30 N•m como par de apriete.

AVISO: Cuando instale la cuchilla de cortacésped individual, asegúrese de colocar la arandela de resorte en la dirección mostrada en la figura.

AVISO: Cuando instale la cuchilla de cortacésped individual, asegúrese de insertar los pernos en los orificios para pernos mostrados en la figura.

Instalación de la cuchilla de cortacésped

⚠ADVERTENCIA: Instale la cuchilla de cortacésped con cuidado. Ésta tiene una orientación hacia arriba/abajo.

⚠ADVERTENCIA: Apriete el perno girándolo hacia la derecha firmemente para sujetar la cuchilla.

⚠ADVERTENCIA: Asegúrese de que la cuchilla de cortacésped y todas las partes de fijación están instaladas correctamente y apretadas firmemente.

⚠ADVERTENCIA: Cuando reemplace las cuchillas, siga siempre las instrucciones provistas en este manual.

AVISO: Después de instalar las cuchillas de cortacésped, retire el pasador del cuerpo del cortacésped.

Para instalar las cuchillas de cortacésped, realice el procedimiento de desmontaje a la inversa.

SOLUCIÓN DE PROBLEMAS

Antes de solicitar reparaciones, realice su propia inspección en primer lugar. Si encuentra un problema que no está explicado en el manual, no intente desmontar la máquina. En su lugar, pregunte en centros de servicio autorizados de Makita/Dolmar, utilizando siempre piezas de recambio Makita/Dolmar para las reparaciones.

Estado de anomalía	Causa probable (mal funcionamiento)	Remedio
El cortacésped no se pone en marcha.	No hay instalados dos cartuchos de batería.	Instale dos cartuchos de batería cargados.
	Problema de batería (poca tensión)	Recargue el cartucho de batería. Si la recarga no se realiza efectivamente, reemplace el cartucho de batería.
	La llave de bloqueo no está insertada.	Inserte la llave de bloqueo.
	El conmutador de selección de batería no está en la posición correcta.	Seleccione el puerto de batería en el que están instalados los cartuchos de batería utilizando el conmutador de selección de batería.
El motor se para después de usarlo un poco.	El nivel de carga de la batería es bajo.	Recargue el cartucho de batería. Si la recarga no se realiza efectivamente, reemplace el cartucho de batería.
	La altura de corte es muy baja.	Aumente la altura de corte.
	Hay hierba atascada en el cortacésped.	Retire la hierba atascada del cortacésped.
El motor no alcanza el máximo de RPM.	El cartucho de batería está instalado incorrectamente.	Instale el cartucho de batería como se describe en este manual.
	La potencia de la batería está cayendo.	Recargue el cartucho de batería. Si la recarga no se realiza efectivamente, reemplace el cartucho de batería.
	El sistema de accionamiento no funciona correctamente.	Pida a su centro de servicio autorizado local que se lo reparen.
La cuchilla de cortacésped no gira: ⇒ ¡detenga el cortacésped inmediatamente!	Se han atascado objetos extraños tales como una rama cerca de la cuchilla.	Retire el objeto extraño.
	El sistema de accionamiento no funciona correctamente.	Pida a su centro de servicio autorizado local que se lo reparen.
Vibración anormal: ⇒ ¡detenga el cortacésped inmediatamente!	La cuchilla está desequilibrada, excesivamente o desigualmente gastada.	Reemplace la cuchilla.

ACCESORIOS OPCIONALES

⚠PRECAUCIÓN: Estos accesorios o acoplamientos están recomendados para utilizar con su herramienta Makita/Dolmar especificada en este manual. La utilización de cualquier otro accesorio o acoplamiento puede presentar un riesgo de heridas a personas. Utilice los accesorios o acoplamientos solamente para su fin establecido.

Si necesita cualquier ayuda para conocer más detalles en relación con estos accesorios, pregunte al centro de servicio Makita/Dolmar local.

- Cuchilla de cortacésped
- Batería y cargador genuinos de Makita/Dolmar

NOTA: Algunos elementos de la lista podrán estar incluidos en el paquete del producto como accesorios estándar. Pueden variar de un país a otro.

ESPECIFICAÇÕES

Modelo:		AM3846	AM3653	AM3753
Largura do corte de relva (diâmetro da lâmina)		460 mm	534 mm	
Velocidade em vazio		2.500 min ⁻¹	2.300 min ⁻¹	
Velocidade máxima		3.300 min ⁻¹	2.800 min ⁻¹	
Número de peça da lâmina do cortador de relva sobresselente	Lâmina reta do cortador de relva	191D51-9	191D52-7	
	Lâminas oscilantes de retorno do cortador de relva *1	191D49-6	191D50-1	
	Lâminas oscilantes de retorno do cortador de relva *2	191D47-0	191D48-8	
Dimensões (C x L x A)		C: 1.610 mm a 1.690 mm L: 535 mm A: 980 mm a 1.095 mm	C: 1.630 mm a 1.715 mm L: 590 mm A: 990 mm a 1.095 mm	
Velocidade de deslocação		2,5 - 5,0 km/h	-	2,5 - 5,0 km/h
Tensão nominal		C.C. 36 V		
Peso líquido	Quando está instalada a lâmina reta do cortador de relva	35,3 - 39,0 kg	35,5 - 39,3 kg	39,0 - 42,8 kg
	Quando estão instaladas as lâminas oscilantes de retorno do cortador de relva	36,0 - 39,7 kg	36,2 - 40,0 kg	39,7 - 43,5 kg
Grau de proteção		IPX4		

*1. Chapa da base e lâminas individuais do cortador de relva.

*2. Apenas lâminas individuais do cortador de relva.

- Devido a um programa contínuo de pesquisa e desenvolvimento, estas especificações estão sujeitas a alteração sem aviso prévio.
- As especificações podem variar de país para país.
- O peso poderá diferir em função do acessório(s), incluindo a bateria. A combinação mais leve e mais pesada, de acordo com o Procedimento EPTA 01/2014, é apresentada na tabela.

Bateria aplicável

BL1815N / BL1820 / BL1820B / BL1830 / BL1830B / BL1840 / BL1840B / BL1850 / BL1850B / BL1860B

- Algumas das baterias listadas acima poderão não estar disponíveis, dependendo da sua região de residência.

AVISO: Utilize apenas as baterias listadas acima. A utilização de quaisquer outras baterias pode causar ferimentos e/ou um incêndio.

Símbolos

A seguir são apresentados os símbolos utilizados para o equipamento. Certifique-se de que compreende o seu significado antes de utilizar o equipamento.



Tenha especial cuidado e atenção.



Leia o manual de instruções.



Perigo, cuidado com os objetos arremessados.



Deve-se manter uma distância de pelo menos 15 m entre a ferramenta e os espetadores.



Nunca aproxime as mãos ou os pés da lâmina localizada em baixo do cortador de relva. As lâminas continuam a rodar depois de desligar o motor.



Remova a chave de segurança antes de realizar qualquer inspeção, ajuste, limpeza ou manutenção e antes de sair de ao pé do cortador de relva ou quando o armazenar.



Perigo elétrico. O contacto com a água pode causar choque elétrico.



Não verta água.



Ni-MH
Li-ion

Apenas para países da UE
Não elimine equipamentos elétricos ou baterias juntamente com o material residual doméstico!
Em cumprimento com as Diretivas Europeias relativas aos resíduos de equipamentos elétricos e eletrónicos e pilhas e acumuladores e baterias e acumuladores e resíduos de pilhas e acumuladores e a sua implementação de acordo com as leis nacionais, o equipamento elétrico e as baterias e pacote(s) de bateria(s) que atingiram o fim de vida têm de ser recolhidos separadamente e devolvidos a instalações de reciclagem compatíveis a nível ambiental.

Utilização a que se destina

A máquina serve para cortar a relva.

Ruído

A característica do nível de ruído A determinado de acordo com a EN60335-2-77:

NOTA: Os valores foram medidos com o cortador de relva equipado com a lâmina reta do cortador de relva.

Modelo AM3846

Nível de pressão acústica (L_{pA}): 82,7 dB (A)
Nível de potência acústica (L_{WA}): 90,9 dB (A)
Variabilidade (K): 3 dB (A)

Modelo AM3653

Nível de pressão acústica (L_{pA}): 78,1 dB (A)
Nível de potência acústica (L_{WA}): 90,4 dB (A)
Variabilidade (K): 3 dB (A)

Modelo AM3753

Nível de pressão acústica (L_{pA}): 78,1 dB (A)
Nível de potência acústica (L_{WA}): 90,4 dB (A)
Variabilidade (K): 3 dB (A)

O nível de ruído durante o funcionamento pode exceder 80 dB (A).

NOTA: O(s) valor(es) da emissão de ruído indicado(s) foi medido de acordo com um método de teste padrão e pode ser utilizado para comparar duas ferramentas.

NOTA: O(s) valor(es) da emissão de ruído indicado(s) pode também ser utilizado na avaliação preliminar da exposição.

AVISO: Utilize protetores auriculares.

AVISO: A emissão de ruído durante a utilização real da ferramenta elétrica pode diferir do(s) valor(es) indicado(s), dependendo das formas como a ferramenta é utilizada, especialmente o tipo de peça de trabalho que é processada.

AVISO: Certifique-se de identificar as medidas de segurança para proteção do operador que sejam baseadas em uma estimativa de exposição em condições reais de utilização (considerando todas as partes do ciclo de operação, tal como quando a ferramenta está desligada e quando está a funcionar em marcha lenta além do tempo de acionamento).

Vibração

Valor total da vibração (soma vetorial tri-axial) determinado de acordo com a EN60335-2-77:

NOTA: Os valores foram medidos com o cortador de relva equipado com a lâmina reta do cortador de relva.

Modelo AM3846

Emissão de vibração (a_h): 2,5 m/s² ou menos
Variabilidade (K): 1,5 m/s²

Modelo AM3653

Emissão de vibração (a_h): 2,5 m/s² ou menos
Variabilidade (K): 1,5 m/s²

Modelo AM3753

Emissão de vibração (a_h): 2,5 m/s² ou menos
Variabilidade (K): 1,5 m/s²

NOTA: O(s) valor(es) total(ais) de vibração indicado(s) foi medido de acordo com um método de teste padrão e pode ser utilizado para comparar duas ferramentas.

NOTA: O(s) valor(es) total(ais) de vibração indicado(s) pode também ser utilizado na avaliação preliminar da exposição.

AVISO: A emissão de vibração durante a utilização real da ferramenta elétrica pode diferir do(s) valor(es) indicado(s), dependendo das formas como a ferramenta é utilizada, especialmente o tipo de peça de trabalho que é processada.

AVISO: Certifique-se de identificar as medidas de segurança para proteção do operador que sejam baseadas em uma estimativa de exposição em condições reais de utilização (considerando todas as partes do ciclo de operação, tal como quando a ferramenta está desligada e quando está a funcionar em marcha lenta além do tempo de acionamento).

Declaração de conformidade da CE

Apenas para os países europeus

A declaração de conformidade da CE está incluída como Anexo A neste manual de instruções.

AVISOS DE SEGURANÇA

INSTRUÇÕES DE SEGURANÇA IMPORTANTES

AVISO: Leia todos os avisos de segurança e todas as instruções. O não cumprimento de todos os avisos e instruções pode originar choque elétrico, incêndio e/ou ferimentos graves.

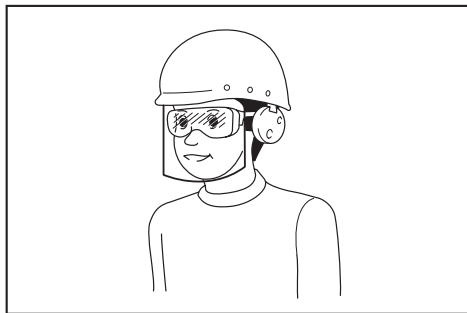
Guarde todos os avisos e instruções para futuras referências.

Formação

1. Leia atentamente as instruções. Familiarize-se com os controles e a utilização adequada do cortador de relva.
2. Nunca permita que crianças nem pessoas não familiarizadas com estas instruções utilizem o cortador de relva. A idade do operador pode ser restringida de acordo com os regulamentos locais.
3. Nunca utilize o cortador de relva se as pessoas, especialmente crianças, ou animais estiverem por perto.
4. Lembre-se de que o operador ou utilizador é responsável por acidentes ou riscos que ocorram a outras pessoas ou que danifiquem a propriedade alheia.
5. Deve supervisionar as crianças para garantir que elas não brinquem com o cortador de relva.
6. Condição física - Não opere o cortador de relva se estiver sob a influência de drogas, bebidas alcoólicas ou qualquer medicamento.

Preparação

1. Utilize sempre calçado apropriado e calças compridas quando utilizar o cortador de relva. Não utilize o cortador de relva se estiver descalço ou calçando sandálias abertas. Evite vestir roupas largas, usar joias soltas ou com pingentes ou gravatas. Podem ficar presas nas peças em movimento.
2. Antes da utilização, inspecione sempre visualmente o cortador de relva quanto a resguardos ou protetores danificados, em falta ou mal colocados.
3. Certifique-se de que não há outras pessoas na área antes de cortar a relva. Pare o cortador de relva se alguém entrar na área.
4. Não insira a chave de segurança no cortador de relva antes de estar pronto a ser utilizado.
5. Use sempre óculos de proteção para proteger os seus olhos contra lesões quando utilizar ferramentas elétricas. Os óculos de proteção devem cumprir os requisitos da ANSI Z87.1 nos EUA, EN 166 na Europa ou AS/NZS 1336 na Austrália/ Nova Zelândia. Na Austrália/Nova Zelândia, é legalmente obrigatório o uso de um protetor facial para proteger o seu rosto também.



Cabe ao empregador a responsabilidade de impor o uso de equipamentos de proteção e segurança apropriados por parte dos operadores de ferramentas e por parte de outras pessoas na área de trabalho imediata.

6. Verifique cuidadosamente as lâminas ou os Pernos da lâmina para ver se estão rachados ou danificados antes da operação. Substitua imediatamente as lâminas ou os Pernos da lâmina rachados ou danificados.
7. Antes de começar a cortar a relva, remova os objetos estranhos como pedras, fios, garrafas, ossos e paus grandes da área de trabalho para evitar ferimentos pessoais ou danos no cortador de relva.
8. Os objetos atingidos pela lâmina do cortador de relva podem provocar ferimentos graves nas pessoas. O relvado deve ser sempre cuidadosamente inspecionado e limpo de todos os objetos antes de cada corte da relva.
9. Esteja atento a orifícios, sulcos, colisões, rochas ou outros objetos ocultos. O terreno irregular pode provocar um acidente de escorregamento e queda. A relva alta pode ocultar obstáculos.
10. Não insira ou remova a chave de segurança à chuva.

11. Utilize equipamento de proteção pessoal. Use sempre óculos de proteção. Os equipamentos de proteção, como uma máscara contra a poeira, calçado de segurança antiderrapante, capacete ou proteção auricular utilizados para as condições adequadas, reduzirão os ferimentos pessoais.

Operação

1. Não se estique demasiado. Mantenha sempre o equilíbrio. Assegure-se sempre do seu posicionamento em declives. Caminhe, nunca corra.
2. Pare o cortador de relva e remova a chave de segurança, e assegure que todas as peças móveis pararam completamente:
 - sempre que se afastar do cortador de relva,
 - antes de limpar bloqueios ou desentupir a saída de relva,
 - antes de verificar, limpar ou trabalhar no cortador de relva,
 - depois de bater num objeto estranho.Inspeção o cortador de relva quanto a danos e repare-o antes de reiniciar e operar o cortador de relva,
 - sempre que o cortador de relva começar a vibrar de forma invulgar.
3. Nunca opere o cortador de relva com resguardos ou protetores defeituosos ou sem os dispositivos de segurança instalados, por exemplo, os defletores e/ou o coletor de relva.
4. Evite utilizar o cortador de relva em más condições atmosféricas, especialmente quando houver risco de relâmpagos.
5. Use sempre proteção ocular e calçado robusto enquanto opera o cortador de relva.
6. Opere o cortador de relva só durante o dia ou com boa iluminação artificial.
7. Ligue cuidadosamente o cortador de relva, de acordo com as instruções e com os pés bem afastados da(s) lâmina(s).
8. Previna-se contra ferimentos nos pés e nas mãos provocados pelas lâminas do cortador de relva.
9. Garanta sempre que as aberturas de ventilação são mantidas livres de resíduos.
10. Em terrenos inclinados, corte a relva transversalmente, nunca para cima e para baixo. Tenha muito cuidado ao mudar de direção em declives. Não corte relva em terrenos extremamente inclinados.
11. Tenha muito cuidado quando inverter ou puxar o cortador de relva na sua direção.
12. Pare a(s) lâmina(s) se tiver de inclinar o cortador de relva para o transportar quando cruzar áreas não relvadas e quando transportar o cortador de relva de e para a área onde será utilizado.
13. Não incline o cortador de relva quando ligar o motor, a menos que tenha de inclinar o cortador de relva para o ligar. Neste caso, não o incline mais do que o necessário e levante apenas a parte que está afastada do operador. Assegure sempre que tem as duas mãos na posição operacional antes de voltar a colocar o cortador de relva no chão.

14. Não ponha as mãos ou pés perto nem debaixo das peças rotativas. Mantenha-se sempre afastado da abertura de descarga.
 15. Não transporte o cortador de relva enquanto está ligado.
 16. Evite operar o cortador de relva em relva molhada.
 17. Segure o guiador sempre com firmeza.
 18. Não agarre nas lâminas de corte expostas nem nos bordos cortantes quando levantar ou segurar o cortador de relva.
 19. Mantenha as mãos e os pés afastados das lâminas rotativas. Precaução - As lâminas continuam a rodar depois de desligar o cortador de relva.
 20. Pare imediatamente a operação se observar algo fora do normal. Desligue o cortador de relva e remova a chave de segurança. Em seguida, inspecione o cortador de relva.
 21. Nunca tente fazer ajustes na altura de corte enquanto o cortador de relva está em funcionamento se o cortador de relva dispuser da funcionalidade de ajuste da altura de corte.
 22. Liberte a alavanca do interruptor e espere que a lâmina pare de rodar antes de atravessar zonas pavimentadas, passeios, ruas ou qualquer área com gravilha. Retire também a chave de segurança quando se afastar do cortador de relva, quando se esticar para apanhar ou remover qualquer objeto do caminho ou por qualquer outro motivo que possa distraí-lo do que está a fazer.
 23. Se o cortador de relva bater num objeto estranho, siga os passos abaixo:
 - Pare o cortador de relva, liberte a alavanca do interruptor e aguarde até a lâmina parar completamente.
 - Retire a chave de segurança e a bateria.
 - Inspeção cuidadosamente o cortador de relva para ver se apresenta algum dano.
 - Substitua a lâmina se apresentar qualquer tipo de dano. Repare qualquer dano antes de reiniciar e continuar a utilizar o cortador de relva.
 24. Não ligue o cortador de relva quando estiver em frente da abertura de descarga.
 25. Se o cortador de relva começar a vibrar anormalmente (verifique imediatamente)
 - inspecione quanto a danos,
 - substitua ou repare as peças danificadas,
 - verifique se há peças soltas e aperte-as.
 26. Nunca aponte o material descarregado na direção de outras pessoas. Evite descarregar material contra uma parede ou obstrução. O material pode fazer ricochete de volta na direção do operador. Pare a lâmina quando cruzar superfícies de gravilha.
 27. Não puxe o cortador de relva para trás a menos que seja absolutamente necessário. Quando é obrigado a mover o cortador de relva para trás relativamente a uma cerca ou outra obstrução semelhante, olhe para baixo e para trás antes de se mover para trás e enquanto se move para trás.
 28. Desligue o motor e aguarde até a lâmina parar completamente antes de retirar o apanhador de relva. Tenha cuidado, pois as lâminas continuam a rodar após desligar.
 29. Quando utilizar a máquina em terreno lamacento, declives húmidos ou local escorregadio, preste atenção ao seu posicionamento.
 30. Evite trabalhar num ambiente adverso no qual se preveja um aumento da fadiga do utilizador.
 31. Não utilize a máquina em más condições atmosféricas, nas quais a visibilidade seja limitada. Caso contrário, pode ocorrer a queda ou a operação incorreta devido a baixa visibilidade.
 32. Não submerja a máquina numa poça.
 33. Quando folhas molhadas ou sujidade aderirem à boca de sucção (janela de ventilação) devido a chuva, remova-as.
 34. Não utilize a máquina na neve.
 35. Se a relva cortada estiver molhada, é provável que esteja a entupir a máquina. Verifique o estado da máquina regularmente e remova a relva aderida, conforme necessário.
 36. Quando utilizar a máquina, preste atenção à tubagem e cablagem.
 37. Não utilize uma fonte de alimentação com fio como um adaptador da bateria ou adaptador de baterias tipo mochila com esta máquina. O cabo de tal fonte de alimentação pode impedir a operação e resultar em ferimentos pessoais.
- Manutenção e armazenamento**
1. Como medida de segurança, substitua as peças desgastadas ou danificadas. Utilize apenas acessórios e peças de substituição originais.
 2. Inspeção e realize a manutenção do cortador de relva regularmente.
 3. Quando não estiver em utilização, guarde o cortador de relva fora do alcance das crianças.
 4. Mantenha todas as porcas, pernos e parafusos apertados para garantir que o equipamento está em condições de trabalho seguras.
 5. Verifique o coletor de relva frequentemente para ver se apresenta desgaste ou deterioração. Quando armazenar, certifique-se sempre que o coletor de relva está vazio. Substitua um coletor de relva desgastado por uma peça de substituição nova, de fábrica, para sua segurança.
 6. Utilize só as lâminas originais do fabricante especificadas neste manual.
 7. Tenha muito cuidado durante o ajuste do cortador de relva para evitar prender os dedos entre as lâminas em movimento e as peças fixas do cortador de relva.
 8. Inspeção o perno de montagem da lâmina em intervalos frequentes para verificar se está bem apertado.
 9. Deixe sempre o cortador de relva arrefecer antes de o guardar.
 10. Ao fazer a manutenção nas lâminas lembre-se que, apesar de a fonte de alimentação estar desligada, as lâminas podem continuar a mover-se.

11. **Nunca remova ou manipule dispositivos de segurança. Verifique com regularidade se estão a funcionar corretamente. Nunca realize qualquer ação que interfira com a função pretendida de um dispositivo de segurança ou que reduza a proteção proporcionada por um dispositivo de segurança.**
12. **Não deixe a máquina sem supervisão no exterior à chuva.**
13. **Não lave a máquina com água a alta pressão.**
14. **Quando lavar a máquina, certifique-se de que remova a bateria e a chave de segurança e feche a tampa da bateria e verte água na direção da parte inferior da máquina na qual a lâmina está presa.**
15. **Quando guardar a máquina, evite a luz solar direta e a chuva e guarde-a num local onde não fique quente ou húmido.**
16. **Realize a inspeção ou a manutenção num local no qual possa evitar-se a chuva.**
17. **Após utilizar a máquina, remova a sujidade aderida e seque a máquina completamente antes de guardá-la.** Dependendo da estação do ano ou da área, existe um risco de avaria devido a congelamento.

Utilização e cuidados com a ferramenta a bateria

1. **Recarregue apenas com o carregador especificado pelo fabricante.** Um carregador adequado para um tipo de bateria pode criar um risco de incêndio quando utilizado com outra bateria.
2. **Utilize as ferramentas elétricas apenas com as baterias especificamente designadas.** A utilização de uma bateria diferente pode criar um risco de ferimentos e de incêndio.
3. **Quando a bateria não está a ser utilizada, mantenha-a afastada de outros objetos metálicos, como cliques, moedas, chaves, pregos, parafusos ou outros objetos metálicos pequenos que possam fazer a ligação entre os dois terminais.** Colocar os terminais da bateria em curto-circuito um com o outro pode provocar queimaduras ou um incêndio.
4. **Em condições abusivas, o líquido pode ser ejetado da bateria; evite o contacto com o mesmo. Se ocorrer um contacto acidental, lave com água. Se o líquido entrar em contacto com os olhos, procure também assistência médica.** O líquido ejetado da bateria pode provocar irritações ou queimaduras.
5. **Não utilize um conjunto de baterias ou uma ferramenta que se encontrem danificados ou modificados.** As baterias danificadas ou modificadas poderão exibir um comportamento imprevisível, resultando em incêndio, explosão ou risco de lesão.
6. **Não exponha um conjunto de baterias ou uma ferramenta a incêndio ou temperatura excessiva.** A exposição a incêndio ou a uma temperatura superior a 130 °C poderá causar uma explosão.
7. **Siga todas as instruções de carregamento e não carregue o conjunto de baterias ou ferramenta fora da amplitude de temperaturas especificada nas instruções.** O carregamento impróprio ou a temperaturas fora da amplitude especificada poderá danificar a bateria e aumentar o risco de incêndio.

Segurança elétrica e da bateria

1. **Não elimine a(s) bateria(s) no fogo.** A célula pode explodir. Verifique com os códigos locais as possíveis instruções de eliminação especiais.
2. **Não abra nem mutile a(s) bateria(s).** O eletrólito libertado é corrosivo e pode provocar danos nos olhos ou na pele. Pode ser tóxico se for engolido.
3. **Não carregue a bateria sob chuva ou em locais húmidos.**
4. **Não carregue a bateria ao ar livre.**
5. **Não toque no carregador, incluindo a ficha do carregador e os terminais do carregador, com as mãos molhadas.**
6. **Não substitua a bateria à chuva.**
7. **Não molhe o terminal da bateria com líquido, tal como água, nem submerja a bateria. Não deixe a bateria à chuva nem carregue, utilize ou guarde a bateria num local húmido ou molhado.** Se o terminal ficar molhado ou entrar líquido para a bateria, a bateria pode entrar em curto-circuito e existe um risco de sobreaquecimento, incêndio ou explosão.
8. **Após remover a bateria da máquina ou do carregador, certifique-se de que prende a tampa da bateria à bateria e guarde-a num local seco.**
9. **Não substitua a bateria com as mãos molhadas.**

Assistência

1. **A ferramenta elétrica deve receber assistência por parte de pessoal qualificado que utilize apenas peças de substituição idênticas.** Isto garantirá que a segurança da ferramenta elétrica é mantida.
2. **Nunca repare conjuntos de baterias danificados.** A reparação de conjuntos de baterias apenas deve ser realizada pelo fabricante ou por prestadores de serviços autorizados.

GUARDE ESTAS INSTRUÇÕES.

⚠️ AVISO: NÃO permita que o conforto ou a familiaridade com o produto (adquirido com o uso repetido) substitua a adesão estrita às regras de segurança da ferramenta.

A MÁ INTERPRETAÇÃO ou o não seguimento das regras de segurança estabelecidas neste manual de instruções pode causar danos pessoais graves.

Instruções de segurança importantes para a bateria

1. **Antes de utilizar a bateria, leia todas as instruções e etiquetas de precaução no (1) carregador de bateria (2) bateria e (3) produto que utiliza a bateria.**
2. **Não abra a bateria.**
3. **Se o tempo de funcionamento se tornar excessivamente curto, pare o funcionamento imediatamente. Pode resultar em sobreaquecimento, possíveis queimaduras e mesmo explosão.**

4. Se entrar eletrólito nos seus olhos, lave-os com água e consulte imediatamente um médico. Pode resultar em perda de visão.
5. Não coloque a bateria em curto-circuito:
 - (1) Não toque nos terminais com qualquer material condutor.
 - (2) Evite guardar a bateria juntamente com outros objetos metálicos tais como pregos, moedas, etc.
 - (3) Não exponha a bateria à água ou chuva. Um curto-circuito pode ocasionar um enorme fluxo de corrente, sobreaquecimento, possíveis queimaduras e mesmo estragar-se.
6. Não guarde a ferramenta e a bateria em locais onde a temperatura pode atingir ou exceder 50°C.
7. Não queime a bateria mesmo que esteja estragada ou completamente gasta. A bateria pode explodir no fogo.
8. Tenha cuidado para não deixar cair ou dar pancadas na bateria.
9. Não utilize uma bateria danificada.
10. As baterias de íões de lítio contidas na ferramenta são sujeitas aos requisitos da DGL (Dangerous Goods Legislation - Legislação de bens perigosos).
Para o transporte comercial, por exemplo, por terceiros ou agentes de expedição, têm de ser observados os requisitos referentes à embalagem e etiquetagem.
Para preparação do artigo a ser expedido, é necessário consultar um perito em materiais perigosos. Tenha ainda em conta a possibilidade de existirem regulamentos nacionais mais detalhados.
11. Quando eliminar a bateria, remova-a da ferramenta e elimine-a num local seguro. Siga os regulamentos locais relacionados com a eliminação de baterias.
12. Utilize as baterias apenas com os produtos especificados pela Makita. Instalar as baterias em produtos não-conformes poderá resultar num incêndio, calor excessivo, explosão ou fuga de eletrólito.
13. Se a ferramenta não for utilizada durante um período de tempo prolongado, a bateria deve ser removida da ferramenta.

GUARDE ESTAS INSTRUÇÕES.

⚠️PRECAUÇÃO: Utilize apenas baterias genuínas da Makita. A utilização de baterias não genuínas da Makita ou de baterias que foram alteradas, pode resultar no rebentamento da bateria provocando incêndios, ferimentos pessoais e danos. Além disso, anulará da garantia da Makita no que se refere à ferramenta e ao carregador Makita.

Conselhos para manter a máxima vida útil da bateria

1. Carregue a bateria antes que esteja completamente descarregada. Pare sempre o funcionamento da ferramenta e carregue a bateria quando notar menos poder na ferramenta.
2. Nunca carregue uma bateria completamente carregada. Carregamento excessivo diminui a vida útil da bateria.
3. Carregue a bateria à temperatura ambiente de 10°C – 40°C. Deixe que uma bateria quente arrefeça antes de a carregar.
4. Carregue a bateria se não a utilizar durante um longo período de tempo (mais de seis meses).

MONTAGEM

⚠️AVISO: Verifique sempre se a chave de segurança e a bateria foram removidas antes de executar qualquer trabalho no cortador de relva. Se não retirar a chave de segurança e a bateria, pode ocorrer um arranque acidental e resultar em ferimentos pessoais graves.

⚠️AVISO: Nunca ligue o cortador de relva a menos que esteja completamente montado. A operação da máquina num estado parcialmente montado pode resultar em ferimentos pessoais graves provocados pelo arranque acidental.

Instalar o guiador

OBSERVAÇÃO: Quando instalar os guidores, posicione os cabos de forma que não fiquem presos em nada entre os guidores. Se o cabo estiver danificado, o interruptor do cortador de relva pode não funcionar.

1. Alinhe os orifícios no guiador inferior com os orifícios na estrutura do cortador de relva e, em seguida, aperte os 4 pernos temporariamente.
▶ **Fig.1:** 1. Guiador inferior 2. Perno
2. Aperte firmemente os 4 pernos que foram apertados temporariamente no passo 1 utilizando a chave de caixa 13.
3. Alinhe o orifício no guiador inferior com o orifício no guiador superior e, em seguida, insira o perno a partir de dentro e prenda a porca a partir de fora com a chave de caixa 13. Realize o mesmo procedimento no outro lado.
▶ **Fig.2:** 1. Perno 2. Guiador inferior 3. Porca 4. Orifício 5. Guiador superior

⚠️PRECAUÇÃO: Segure firmemente o guiador superior para que não caia da sua mão. Caso contrário, o guiador pode cair e causar uma lesão.

4. Coloque os fixadores ao guiador.
Alinhe as saliências no fixador com os orifícios no guiador de modo que as saliências encaixem nos orifícios. Posicione os cabos como indicado na figura.
▶ **Fig.3:** 1. Cabo 2. Fixador

Remover a tampa para mulching

1. Abra a tampa traseira.

► **Fig.4:** 1. Tampa traseira

2. Remova a tampa para mulching enquanto pressiona a alavanca para baixo.

► **Fig.5:** 1. Alavanca 2. Tampa para mulching

Instalar ou remover o coletor de relva

Para instalar o coletor de relva, siga os passos seguintes.

1. Abra a tampa traseira.

► **Fig.6:** 1. Tampa traseira

2. Segure o puxador do coletor de relva e, em seguida, enganche o coletor de relva na haste da estrutura do cortador de relva conforme ilustrado na figura.

► **Fig.7:** 1. Haste 2. Puxador 3. Coletor de relva

Para remover o coletor de relva, abra a tampa traseira e, em seguida, retire o coletor de relva segurando pelo puxador.

Prender a tampa para mulching

1. Abra a tampa traseira e, em seguida, remova o coletor de relva.

► **Fig.8:** 1. Tampa traseira 2. Coletor de relva

2. Prenda a tampa para mulching enquanto pressiona a alavanca para baixo e, em seguida, solte a alavanca para bloquear a tampa para mulching.

► **Fig.9:** 1. Alavanca 2. Tampa para mulching

Prender o acessório de descarga

Para AM3653/AM3753

1. Abra a tampa traseira e, em seguida, remova o coletor de relva.

► **Fig.10:** 1. Tampa traseira 2. Coletor de relva

2. Prenda a tampa para mulching enquanto pressiona a alavanca para baixo e, em seguida, solte a alavanca para bloquear a tampa para mulching.

► **Fig.11:** 1. Alavanca 2. Tampa para mulching

3. Abra a tampa do lado direito e, em seguida, prenda o acessório de descarga.

Insira os ganchos do acessório de descarga por baixo da haste da tampa do lado direito.

► **Fig.12:** 1. Tampa do lado direito 2. Acessório de descarga

DESCRIÇÃO FUNCIONAL

Instalação ou remoção da bateria

⚠PRECAUÇÃO: Desligue sempre a máquina antes de instalar ou retirar a bateria.

⚠PRECAUÇÃO: Segure firmemente a máquina e a bateria quando instalar ou remover a bateria. Se não segurar firmemente a máquina e a bateria pode fazer com que escorreguem das suas mãos resultando em danos na máquina e na bateria e ferimentos pessoais.

⚠PRECAUÇÃO: Certifique-se de que tranca a tampa da bateria antes de utilizar a ferramenta. Caso contrário a lama, sujidade ou água podem provocar danos no produto ou na bateria.

⚠PRECAUÇÃO: Instale sempre a bateria até encaixar no lugar, ou seja, até não conseguir ver o indicador vermelho. Caso contrário, pode cair acidentalmente para fora da máquina, causando ferimentos a si ou a alguém próximo de si.

⚠PRECAUÇÃO: Não instale a bateria forçando-a. Se a bateria não entrar com facilidade, é porque não está a inseri-la corretamente.

NOTA: A máquina não funciona com apenas uma bateria.

Para instalar a bateria:

1. Puxe a alavanca de bloqueio para cima e, em seguida, abra a tampa da bateria.

► **Fig.13:** 1. Tampa da bateria 2. Alavanca de bloqueio

2. Alinhe a lingueta na bateria com a ranhura na máquina e, em seguida, deslize a bateria até bloquear no lugar com um pequeno clique.

► **Fig.14:** (1) Entrada da bateria 1 (2) Entrada da bateria 2 (3) Bateria

NOTA: Instale, pelo menos, 2 baterias na entrada da bateria 1 ou 2.

3. Insira a chave de segurança como indicado na ilustração o mais fundo possível.

► **Fig.15:** 1. Chave de segurança

4. Feche a tampa da bateria e empurre-a até travar com a alavanca de bloqueio.

Para remover a bateria:

1. Puxe a alavanca de bloqueio para cima e abra a tampa da bateria.

2. Retire a bateria da máquina enquanto desliza o botão na frente da bateria.

3. Retire a chave de segurança.

4. Feche a tampa da bateria.

Trocar as baterias

► **Fig.16:** 1. Interruptor de seleção da bateria

A máquina utiliza 2 baterias para o funcionamento de cada vez. É possível instalar até 4 baterias na máquina. Antes de utilizar a máquina, selecione a entrada da bateria 1 ou 2 rodando o interruptor de seleção da bateria.

NOTA: Se apenas estiverem instaladas 2 baterias na máquina, certifique-se de que seleciona a entrada da bateria na qual as baterias estão instaladas utilizando o interruptor de seleção da bateria.

Sistema de proteção da máquina / bateria

A máquina está equipada com um sistema de proteção da máquina/bateria. Este sistema desliga automaticamente a alimentação do motor para prolongar a vida útil da máquina e da bateria. A máquina para automaticamente durante o funcionamento se a máquina ou a bateria for colocada numa das seguintes condições:

Proteção contra sobrecarga

Quando a bateria é utilizada de uma forma que causa a absorção de uma corrente anormalmente alta, a máquina para automaticamente e a lâmpada de alimentação principal pisca a verde. Nesta situação, desligue a máquina e pare a aplicação que causou a sobrecarga da máquina. Em seguida, ligue a máquina para reiniciar.

Proteção contra sobreaquecimento

Quando a máquina ou a bateria estiver sobreaquecida, a máquina para automaticamente e a lâmpada de alimentação principal acende a vermelho. Neste caso, deixe a máquina e a bateria arrefecerem antes de ligar novamente a máquina.

Proteção contra descarga excessiva

Quando a capacidade da bateria não for suficiente, a máquina para automaticamente e a lâmpada de alimentação principal pisca a vermelho. Neste caso, remova a bateria da máquina e carregue as baterias ou substitua as baterias por baterias totalmente carregadas.

Indicação da capacidade restante da bateria

Apenas para baterias com indicador

► Fig. 17: 1. Luzes indicadoras 2. Botão de verificação

Prima o botão de verificação na bateria para indicar a capacidade restante da bateria. As luzes indicadoras acendem durante alguns segundos.

Luzes indicadoras			Capacidade restante
Aceso	Apagado	A piscar	
			75% a 100%
			50% a 75%
			25% a 50%
			0% a 25%
			Carregar a bateria.
			A bateria pode estar avariada.

NOTA: Dependendo das condições de utilização e da temperatura ambiente, a indicação pode ser ligeiramente diferente da capacidade real.

Painel de controlo

O painel de controlo possui o interruptor de alimentação principal, o botão de mudança de modo e o indicador da capacidade restante da bateria.

► Fig. 18: 1. Indicador da bateria 2. Luz de mudança de modo 3. Lâmpada de alimentação principal 4. Botão de verificação 5. Botão de mudança de modo 6. Interruptor de alimentação principal

Interruptor de alimentação principal

AVISO: Desligue sempre o interruptor de alimentação principal quando não estiver a ser utilizado.

Para ligar a máquina, prima o interruptor de alimentação principal. A lâmpada de alimentação principal acende a verde. Para desligar a máquina, prima novamente o interruptor de alimentação principal.

NOTA: Se a lâmpada de alimentação principal acender a vermelho ou piscar a vermelho ou a verde, consulte as instruções relativas ao sistema de proteção da máquina/bateria.




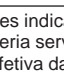
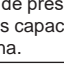

NOTA: Esta máquina utiliza a função de desconexão automática. Para evitar o arranque não intencional, o interruptor de alimentação principal desliga automaticamente quando a alavanca do interruptor e a alavanca de acionamento (se equipada) não forem puxadas durante um determinado período de tempo, depois de se ligar o interruptor de alimentação principal.

Botão de mudança de modo

Pode mudar o modo de funcionamento ao pressionar o botão de mudança de modo. Quando a máquina estiver ligada, a máquina efetua o arranque no modo normal. Quando pressiona o botão de mudança de modo, a máquina muda para o modo de redução do ruído e a luz de mudança de modo acende a verde. No modo de redução do ruído, pode diminuir o ruído durante o corte de relva. Ao pressionar novamente o botão de mudança de modo, a máquina retorna ao modo normal.

Indicação da capacidade restante da bateria

Prima o botão de verificação para indicar a capacidade restante das baterias. Os indicadores da bateria correspondem a cada bateria.

Indicador de estado da bateria		Capacidade restante da bateria
Aceso	Apagado	
		50% - 100%
		20% - 50%
		0% - 20%

NOTA: As luzes indicadoras para a restante capacidade da bateria servem apenas de referência. A capacidade efetiva da bateria poderá diferir em função das condições de utilização.

NOTA: Antes de pressionar o botão de verificação para indicar as capacidades restantes das baterias, pare a máquina.

Ação do interruptor

⚠AVISO: Antes de instalar a bateria, verifique sempre se a alavanca do interruptor funciona corretamente e volta à posição original quando é libertada. Utilizar a máquina com um interruptor que não aciona corretamente pode provocar a perda de controlo e ferimentos pessoais graves.

NOTA: O cortador de relva não liga se não carregar no botão do interruptor, mesmo que tenha puxado a alavanca do interruptor.

NOTA: O cortador de relva pode não arrancar devido a sobrecarga, quando tenta cortar relva longa ou densa de uma vez. Aumente a altura do corte, neste caso.

Este cortador de relva está equipado com chave de segurança e interruptor no guiador. Se observar alguma coisa fora do normal com a chave de segurança ou o interruptor, pare a operação imediatamente e peça para serem inspecionados no centro de assistência técnica autorizado da Makita/Dolmar mais próximo.

Para AM3846/AM3753

1. Instale as baterias. Insira a chave de segurança e, em seguida, feche a tampa da bateria.
2. Selecione as baterias utilizadas para o funcionamento rodando o interruptor de seleção da bateria.

3. Pressione o interruptor de alimentação principal.
 4. Puxe a alavanca do interruptor na sua direção enquanto pressiona o botão do interruptor para baixo. Liberte o botão do interruptor assim que o motor começar a funcionar.
- **Fig.19:** 1. Botão do interruptor 2. Alavanca do interruptor

NOTA: Se a chave de segurança não estiver inserida, a lâmpada de alimentação fica intermitente a verde quando puxa a alavanca do interruptor.

5. Enquanto segura a alavanca do interruptor, empurre a alavanca de acionamento para a frente e segure-a para acionar as rodas traseiras.
- **Fig.20:** 1. Alavanca de acionamento

NOTA: Pode acionar as rodas traseiras empurrando a alavanca de acionamento para a frente e segurando-a sem puxar a alavanca do interruptor.

6. Solte a alavanca de acionamento e a alavanca do interruptor para parar a máquina.

Para AM3653

1. Instale as baterias. Insira a chave de segurança dentro do interruptor de interligação e feche a tampa da bateria.
 2. Selecione as baterias utilizadas para o funcionamento rodando o interruptor de seleção da bateria.
 3. Pressione o interruptor de alimentação principal.
 4. Puxe a alavanca do interruptor na sua direção enquanto pressiona o botão do interruptor para baixo. Liberte o botão do interruptor assim que o motor começar a funcionar.
- **Fig.21:** 1. Botão do interruptor 2. Alavanca do interruptor

NOTA: Se a chave de segurança não estiver inserida, a lâmpada de alimentação fica intermitente a verde quando puxa a alavanca do interruptor.

5. Liberte a alavanca do interruptor para parar o motor.

Ajustar a altura do corte

⚠AVISO: Nunca ponha as mãos ou pernas por baixo do corpo do cortador de relva quando ajustar a altura do corte.

⚠AVISO: Verifique sempre se a alavanca encaixa devidamente dentro da ranhura antes da operação.

A altura do corte da relva pode ser ajustada num intervalo entre 20 mm e 100 mm.

Remova a chave de segurança e, em seguida, puxe a alavanca de ajuste da altura do corte em direção ao exterior da estrutura do cortador de relva e mova-a para a altura de corte da relva pretendida.

- **Fig.22:** 1. Alavanca de ajuste da altura do corte

A tabela seguinte apresenta a relação entre o número na estrutura do cortador de relva e a altura aproximada de corte da relva.

Número	Altura de corte da relva
1	20 mm
2	26 mm
3	32 mm
4	39 mm
5	47 mm
6	55 mm
7	63 mm
8	74 mm
9	86 mm
10	100 mm

Segure a pega dianteira ou o guiador inferior com uma mão e, em seguida, mova a alavanca de ajuste da altura do corte com a outra mão.

► **Fig.23:** 1. Alavanca de ajuste da altura do corte
2. Guiador inferior 3. Pega dianteira

NOTA: Os valores de altura de corte devem ser utilizados como orientação. Dependendo das condições do relvado ou do chão, a altura real da relva pode diferir ligeiramente da altura definida.

NOTA: Faça um teste de corte da relva num local menos evidente para obter a altura desejada.

Indicador do nível da relva

O indicador de nível da relva mostra o volume de relva cortada. Quando o coletor de relva não está cheio, o indicador flutua enquanto as lâminas estão a funcionar.

► **Fig.24:** 1. Indicador do nível da relva

Quando o coletor de relva está quase cheio, o indicador não flutua enquanto as lâminas estão a funcionar. Neste caso, pare a operação imediatamente e esvazie o coletor.

► **Fig.25:** 1. Indicador do nível da relva

NOTA: Este indicador é um guia pouco seguro. Dependendo das condições do interior do coletor, este indicador pode não funcionar corretamente.

Ajustar a altura do guiador

⚠PRECAUÇÃO: Antes de remover os pernos, segure firmemente o guiador superior. Caso contrário, o guiador pode cair e causar uma lesão.

A altura do guiador pode ser ajustada em dois níveis.

1. Remova os pernos superiores do guiador inferior utilizando a chave de caixa 13 e, em seguida, solte os pernos inferiores.

► **Fig.26:** 1. Perno superior 2. Perno inferior

2. Ajuste a altura do guiador e, em seguida, aperte firmemente os pernos superiores e inferiores.

Ajustar a velocidade de deslocação

Para AM3846/AM3753

► **Fig.27:** 1. Alavanca de velocidade

A velocidade de deslocação pode ser ajustada com a alavanca de velocidade. Para diminuir a velocidade, puxe a alavanca na sua direção, e para aumentar a velocidade, rode a alavanca para a frente.

Utilizar a tampa para mulching

A tampa para mulching permite-lhe devolver a relva cortada ao solo sem reunir a relva cortada no coletor de relva. Quando utilizar a máquina com a tampa para mulching, certifique-se de que remove o coletor de relva.

OBSERVAÇÃO: Quando utilizar a máquina com a tampa para mulching, certifique-se de que o comprimento total da relva é de 30 mm ou mais ou que o comprimento de corte é de 15 mm ou menos.

► **Fig.28:** (1) 30 mm ou mais (2) 15 mm ou menos

Utilizar o acessório de descarga

Para AM3653/AM3753

O acessório de descarga permite-lhe descarregar a erva cortada para o solo desde o lado direito da máquina sem reunir a erva cortada no coletor de relva. Quando utilizar a máquina com o acessório de descarga, certifique-se de que instala a tampa para mulching e remove o coletor de relva.

Função eletrónica

A máquina está equipada com as funções eletrónicas para operação fácil.

- Controlo de velocidade constante da rotação da lâmina
Controlo de velocidade eletrónico para obtenção da velocidade constante. É possível obter acabamento fino porque a velocidade de rotação é mantida constante sob carga.
- Arranque suave para condução
A função de arranque suave minimiza o choque de arranque e faz com que a máquina arranque suavemente.
- Travão elétrico
Esta máquina está equipada com um travão elétrico. Se a máquina consistentemente não parar rapidamente as lâminas do cortador de relva após a libertação da alavanca do interruptor, solicite a reparação da máquina num centro de assistência técnica autorizado da Makita/Dolmar.

OPERAÇÃO

Cortar a relva

⚠AVISO: Antes de cortar a relva, retire os paus e pedras da área que vai cortar. Remova também as ervas daninhas da área antes de cortar.

⚠AVISO: Utilize sempre óculos de segurança ou proteção com proteções laterais quando operar o cortador de relva.

⚠PRECAUÇÃO: Se a relva cortada ou objeto estranho ficarem bloqueados no interior da estrutura do cortador de relva, certifique-se de que remove a chave de segurança e a bateria e use luvas antes de remover a relva ou o objeto estranho.

OBSERVAÇÃO: Utilize esta máquina apenas para cortar relva. Não corte ervas daninhas com esta máquina.

► Fig.29

Agarre firmemente o guiador com as duas mãos para cortar a relva. A orientação de velocidade de corte da relva é de aproximadamente 7 a 14 metros por 10 segundos.

► Fig.30

As linhas centrais das rodas frontais são orientações para a largura de corte da relva. Utilizando as linhas centrais como orientações, corte a relva em faixas. Sobreponha metade a um terço da faixa anterior para cortar a relva uniformemente.

► Fig.31: 1. Largura de corte da relva 2. Área de sobreposição 3. Linha central

Altere a direção de corte da relva de cada vez que cortar a relva, de modo a impedir a formação do padrão de veio da relva apenas numa direção.

► Fig.32

Verifique periodicamente o coletor de relva para ver se tem relva cortada. Esvazie o coletor de relva antes de ficar cheio. Certifique-se de que para o cortador de relva e retire a chave de segurança e a bateria antes de cada inspeção periódica.

OBSERVAÇÃO: Utilizar o cortador de relva com o coletor de relva cheio impede a rotação suave da lâmina e sobrecarrega o motor, o que pode provocar avarias.

Cortar relva alta

Não tente cortar relva alta de uma só vez. Em vez disso, corte a relva por etapas. Deixe um dia ou dois de intervalo entre os cortes da relva, até que a relva fique curta uniformemente.

► Fig.33

NOTA: Cortar a relva alta numa altura muito curta de uma só vez pode matar a relva. A relva cortada também pode bloquear o interior do corpo do cortador de relva.

Esvaziar o coletor de relva

AVISO: Para reduzir o risco de acidentes, inspecione regularmente o coletor de relva para ver se não está danificado ou enfraquecido. Substitua o coletor de relva, se for necessário.

1. Solte a alavanca do interruptor e a alavanca de acionamento (para AM3846/AM3753) ou solte a alavanca do interruptor (para AM3653).

2. Retire a chave de segurança.

3. Abra a tampa traseira e retire o coletor de relva segurando pelo puxador.

► Fig.34: 1. Tampa traseira 2. Guiador 3. Coletor de relva

4. Esvazie o coletor de relva.

MANUTENÇÃO

AVISO: Certifique-se sempre de que a chave de segurança e a bateria estão retiradas do cortador de relva antes de o armazenar ou transportar ou tentar realizar uma inspeção ou manutenção.

AVISO: Retire sempre a chave de segurança quando não estiver a utilizar o cortador de relva. Guarde a chave de segurança num lugar seguro fora do alcance de crianças.

AVISO: Use luvas quando efetuar uma inspeção ou manutenção.

AVISO: Utilize sempre óculos de segurança ou de proteção com proteções laterais quando realizar a inspeção ou manutenção.

OBSERVAÇÃO: Nunca utilize gasolina, benzina, diluente, álcool ou produtos semelhantes. Pode ocorrer a descoloração, deformação ou rachaduras.

Para manter a SEGURANÇA e a FIABILIDADE do produto, as reparações, quaisquer outros trabalhos de manutenção ou de ajuste devem ser executados pelos centros de assistência autorizados ou de fábrica da Makita/Dolmar, utilizando sempre peças de substituição Makita/Dolmar.

Manutenção

1. Remova a chave de segurança e as baterias e, em seguida, feche a tampa da bateria.
2. Coloque o cortador de relva de lado de forma que a alavanca de ajuste da altura do corte fique na parte de cima. Limpe os resíduos de relva acumulados na parte de baixo do chassis do cortador de relva.
3. Verta água na direção da parte inferior da máquina na qual a lâmina está presa.

OBSERVAÇÃO: Não lave a máquina com água a alta pressão.

4. Verifique se todas as porcas, parafusos, etc. estão bem apertados.
5. Inspeccione as peças móveis para ver se estão danificadas, partidas ou desgastadas. As peças danificadas ou em falta devem ser reparadas ou substituídas.
6. Armazene o cortador de relva num local seguro fora do alcance das crianças.

Para AM3846/AM3753

OBSERVAÇÃO: Não verta água na área apresentada na figura. Verter água na unidade do motor pode provocar o mau funcionamento da máquina.

► Fig.35: 1. Área em que a água não deve ser vertida

Transportar o cortador de relva

Quando transportar o cortador de relva, segure a pega dianteira e a pega traseira recorrendo a duas pessoas conforme ilustrado na figura.

► Fig.36: 1. Pega dianteira 2. Pega traseira

Armazenamento

Guarde o cortador de relva num local interior, fresco e seco e que possa ser trancado. Não guarde o cortador de relva nem o carregador em locais onde a temperatura possa atingir ou exceder 40 °C.

Retirar ou instalar a lâmina do cortador de relva

⚠️ AVISO: A lâmina continua a girar lentamente durante alguns segundos, depois de se libertar o interruptor. Não inicie qualquer operação até a lâmina estar completamente parada.

⚠️ AVISO: Retire sempre a chave de segurança e a bateria antes de remover ou instalar a lâmina. Se não retirar a chave de segurança e a bateria pode provocar ferimentos graves.

⚠️ AVISO: Use sempre luvas para manusear a lâmina.

Remover a lâmina do cortador de relva

Para modelos equipados com lâmina reta do cortador de relva

1. Coloque o cortador de relva de lado de forma que a alavanca de ajuste da altura do corte fique na parte de cima.

2. Para bloquear a lâmina, insira o pino num orifício na estrutura do cortador de relva.

3. Rode o perno para a esquerda com a chave de caixa 17.

► **Fig.37:** 1. Lâmina do cortador de relva 2. Pino 3. Chave de caixa

4. Remova o perno e, em seguida, a lâmina do cortador de relva.

► **Fig.38:** 1. Suporte da lâmina 2. Lâmina do cortador de relva 3. Perno 4. Saliência

OBSERVAÇÃO: Quando instalar a lâmina do cortador de relva, certifique-se de que as saliências no suporte da lâmina encaixam nos orifícios na lâmina do cortador de relva.

Para modelos equipados com lâminas oscilantes de retorno do cortador de relva

1. Coloque o cortador de relva de lado de forma que a alavanca de ajuste da altura do corte fique na parte de cima.

2. Para bloquear a chapa da base, insira o pino num orifício na estrutura do cortador de relva através de um orifício na chapa da base.

3. Rode o perno para a esquerda com a chave de caixa 17.

► **Fig.39:** 1. Pino 2. Chapa da base 3. Chave de caixa

4. Remova o perno e, em seguida, a chapa da base.

► **Fig.40:** 1. Suporte da lâmina 2. Chapa da base 3. Perno 4. Saliência

OBSERVAÇÃO: Quando instalar as lâminas do cortador de relva, certifique-se de que as saliências no suporte da lâmina encaixam nos orifícios na chapa da base.

5. Para remover a lâmina individual do cortador de relva, rode o perno para a esquerda com a chave de caixa 17 enquanto segura a chapa da base.

► **Fig.41:** 1. Chapa da base 2. Lâmina do cortador de relva 3. Chave de caixa

6. Retire a porca, a anilha, a arruela de pressão, a lâmina do cortador de relva e o perno por esta ordem.

► **Fig.42:** 1. Orifício para perno 2. Perno 3. Lâmina do cortador de relva 4. Arruela de pressão 5. Anilha 6. Porca

OBSERVAÇÃO: Quando apertar as porcas para instalar as lâminas individuais do cortador de relva, aplique 30 N•m como binário de aperto.

OBSERVAÇÃO: Quando instalar a lâmina individual do cortador de relva, certifique-se de que fixa a arruela de pressão na direção ilustrada na figura.

OBSERVAÇÃO: Quando instalar a lâmina individual do cortador de relva, certifique-se de que insere os pernos nos orifícios para pernos apresentados na figura.

Instalar a lâmina do cortador de relva

⚠️ AVISO: Instale cuidadosamente a lâmina do cortador de relva. Ela tem uma superfície superior/inferior.

⚠️ AVISO: Aperte o perno rodando com firmeza para a direita para prender a lâmina.

⚠️ AVISO: Certifique-se de que a lâmina do cortador de relva e todas as peças de fixação estão instaladas corretamente e apertadas de forma segura.

⚠️ AVISO: Quando substituir as lâminas, siga sempre as instruções fornecidas neste manual.

OBSERVAÇÃO: Após instalar as lâminas do cortador de relva, remova o pino da estrutura do cortador de relva.

Para instalar as lâminas do cortador de relva, execute o procedimento de remoção pela ordem inversa.

RESOLUÇÃO DE PROBLEMAS

Antes de pedir uma reparação, realize primeiro a sua própria inspeção. Se encontrar um problema que não esteja explicado no manual, não tente desmontar a máquina. Em vez disso, solicite eventuais reparações aos centros de assistência técnica autorizados da Makita/Dolmar, utilizando sempre peças de substituição Makita/Dolmar.

Estado da anomalia	Causa provável (avaria)	Correção
O cortador de relva não liga.	Não estão instaladas duas baterias.	Instale duas baterias carregadas.
	Problema com a bateria (tensão baixa)	Recarregue a bateria. Se recarregar a bateria não solucionar o problema, substitua a bateria.
	A chave de segurança não está inserida.	Insira a chave de segurança.
	O interruptor de seleção da bateria não se encontra na posição correta.	Selecione a entrada da bateria na qual as baterias estão instaladas utilizando o interruptor de seleção da bateria.
O motor para de funcionar depois de pouco tempo de utilização.	O nível da carga da bateria está baixo.	Recarregue a bateria. Se recarregar a bateria não solucionar o problema, substitua a bateria.
	A altura do corte é muito baixa.	Aumente a altura de corte.
	A relva cortada está entupida no cortador de relva.	Remova a relva entupida do cortador de relva.
O motor não atinge as RPM máximas.	A bateria não está instalada corretamente.	Instale a bateria como descrito neste manual.
	A potência da bateria está a diminuir.	Recarregue a bateria. Se recarregar a bateria não solucionar o problema, substitua a bateria.
	O sistema de acionamento não funciona corretamente.	Solicite o conserto num centro de assistência técnica autorizado local.
A lâmina do cortador de relva não roda: ⇒ pare imediatamente o cortador de relva!	Um objeto estranho, como um ramo, está encravado perto da lâmina.	Remova o objeto estranho.
	O sistema de acionamento não funciona corretamente.	Solicite o conserto num centro de assistência técnica autorizado local.
Vibração anormal: ⇒ pare imediatamente o cortador de relva!	A lâmina está desequilibrada, desgastada excessivamente ou de maneira irregular.	Substitua a lâmina.

ACESSÓRIOS OPCIONAIS

⚠ PRECAUÇÃO: Estes acessórios ou implementos são recomendados para utilização com a sua ferramenta Makita/Dolmar especificada neste manual. A utilização de outros acessórios ou implementos pode representar um risco de lesões físicas. Utilize apenas acessórios ou implementos para os respetivos fins previstos.

Se necessitar de ajuda para obter mais informações sobre estes acessórios, solicite os serviços do centro de assistência Makita/Dolmar local.

- Lâmina do cortador de relva
- Bateria e carregador genuínos da Makita/Dolmar

NOTA: Alguns itens na lista poderão estar incluídos na embalagem do produto como acessórios padrão. Podem diferir de país para país.

SPECIFIKATIONER

Model:		AM3846	AM3653	AM3753
Klippebredde (diameter af bladet)		460 mm	534 mm	
Omdrejninger uden belastning		2.500 min ⁻¹	2.300 min ⁻¹	
Maks. hastighed		3.300 min ⁻¹	2.800 min ⁻¹	
Artikelnummer på reserveblad til plæneklipper	Lige plæneklipperblad	191D51-9	191D52-7	
	Tilbagesvingsplæneklipperblade *1	191D49-6	191D50-1	
	Tilbagesvingsplæneklipperblade *2	191D47-0	191D48-8	
Mål (L x B x H)		L: 1.610 mm til 1.690 mm B: 535 mm H: 980 mm til 1.095 mm	L: 1.630 mm til 1.715 mm B: 590 mm H: 990 mm til 1.095 mm	
Kørehastighed		2,5 - 5,0 km/h	-	2,5 - 5,0 km/h
Mærkespænding		36 V DC		
Nettovægt	Når der er installeret et lige plæneklipperblad	35,3 - 39,0 kg	35,5 - 39,3 kg	39,0 - 42,8 kg
	Når der er installeret tilbagesvingsplæneklipperblade	36,0 - 39,7 kg	36,2 - 40,0 kg	39,7 - 43,5 kg
Beskyttelsesgrad		IPX4		

*1. Grundplade og enkelte plæneklipperblade.

*2. Kun enkelte plæneklipperblade.

- På grund af vores kontinuerlige forsknings- og udviklingsprogrammer kan hosstående specifikationer blive ændret uden varsel.
- Specifikationer kan variere fra land til land.
- Vægten kan være anderledes afhængigt af tilbehøret, inklusive akkuen. Den letteste og tungeste kombination i henhold til EPTA-procedure 01/2014 er vist i tabellen.

Anvendelig akku







BL1815N / BL1820 / BL1820B / BL1830 / BL1830B / BL1840 / BL1840B / BL1850 / BL1850B / BL1860B




- Nogle af de akkuer, der er angivet ovenfor, er muligvis ikke tilgængelige, afhængigt af hvilket område du bor i.

⚠ ADVARSEL: Brug kun de akkuer, der er angivet ovenfor. Brug af andre akkuer kan medføre personskaade og/eller brand.

Symboler

Følgende viser de symboler, der anvendes til udstyret. Vær sikker på, at De forstår betydningen af symbolerne før brugen.

	Udvis særlig forsigtighed og opmærksomhed.
	Læs betjeningsvejledningen.
	Fare; pas på kastede genstande.
	Afstanden mellem maskinen og omkringstående skal være mindst 15 m.
	Anbring aldrig hænder og fødder i nærheden af bladet under plæneklipperen. Bladene fortsætter med at rotere, efter at der slukkes for motoren.
	Fjern låsenøglen, inden De inspicerer, justerer, rengør, servicerer og forlader plæneklipperen eller stiller den til opbevaring.

	Elektrisk risiko. Kontakt med vand kan medføre elektrisk stød.
	Hæld ikke vand på.
 Ni-MH Li-ion	Kun for lande inden for EU Bortskaf ikke elektrisk udstyr eller akkuen sammen med almindeligt husholdningsaffald! I overensstemmelse med EU-direktiverne vedrørende Affald af elektrisk og elektronisk udstyr samt Batterier og akkumulatører og deres anvendelse i overensstemmelse med nationale love skal elektrisk udstyr og batterier og batteripakker, der har nået slutningen af deres levetid, indsamles separat og returneres til en miljøvenlig genbrugsstation.

Tilsligtet anvendelse

Maskinen er beregnet til at slå græs.

Støj

Det typiske A-vægtede støjniveau bestemt i overensstemmelse med EN60335-2-77:

BEMÆRK: Værdierne er blevet målt med plæneklipperen udstyret med det lige plæneklipperblad.

Model AM3846

Lydtryksniveau (L_{pA}): 82,7 dB (A)
Lydeffektniveau (L_{WA}): 90,9 dB (A)
Usikkerhed (K): 3 dB (A)

Model AM3653

Lydtryksniveau (L_{pA}): 78,1 dB (A)
Lydeffektniveau (L_{WA}): 90,4 dB (A)
Usikkerhed (K): 3 dB (A)

Model AM3753

Lydtryksniveau (L_{pA}): 78,1 dB (A)
Lydeffektniveau (L_{WA}): 90,4 dB (A)
Usikkerhed (K): 3 dB (A)

Støjniveauet under arbejdet kan overskride 80 dB (A).

BEMÆRK: De(n) angivne støjemissionsværdi(er) er målt i overensstemmelse med en standardtestmetode og kan anvendes til at sammenligne en maskine med en anden.

BEMÆRK: De(n) angivne støjemissionsværdi(er) kan også anvendes i en præliminær eksponeringsvurdering.

⚠ ADVARSEL: Bær høreværn.

⚠ ADVARSEL: Støjemissionen under den faktiske anvendelse af maskinen kan være forskellig fra de(n) angivne værdi(er), afhængigt af den måde hvorpå maskinen anvendes, især den type arbejdsemne der behandles.

⚠ ADVARSEL: Sørg for at identificere de sikkerhedsforskrifter til beskyttelse af operatøren, som er baseret på en vurdering af eksponering under de faktiske brugsforhold (med hensyntagen til alle dele i brugscyklussen, f.eks. de gange, hvor maskinen er slukket, og når den kører i tomgang i tilgift til afbrydertiden).

Vibration

Vibrationens totalværdi (tre-aksial vektorsum) bestemt i overensstemmelse med EN60335-2-77:

BEMÆRK: Værdierne er blevet målt med plæneklipperen udstyret med det lige plæneklipperblad.

Model AM3846

Vibrationsemission (a_h): 2,5 m/s² eller mindre
Usikkerhed (K): 1,5 m/s²

Model AM3653

Vibrationsemission (a_h): 2,5 m/s² eller mindre
Usikkerhed (K): 1,5 m/s²

Model AM3753

Vibrationsemission (a_h): 2,5 m/s² eller mindre
Usikkerhed (K): 1,5 m/s²

BEMÆRK: De(n) angivne totalværdi(er) for vibration er målt i overensstemmelse med en standardtestmetode og kan anvendes til at sammenligne en maskine med en anden.

BEMÆRK: De(n) angivne totalværdi(er) for vibration kan også anvendes i en præliminær eksponeringsvurdering.

⚠ ADVARSEL: Vibrationsemissionen under den faktiske anvendelse af maskinen kan være forskellig fra de(n) angivne værdi(er), afhængigt af den måde hvorpå maskinen anvendes, især den type arbejdsemne der behandles.

⚠ ADVARSEL: Sørg for at identificere de sikkerhedsforskrifter til beskyttelse af operatøren, som er baseret på en vurdering af eksponering under de faktiske brugsforhold (med hensyntagen til alle dele i brugscyklussen, f.eks. de gange, hvor maskinen er slukket, og når den kører i tomgang i tilgift til afbrydertiden).

EF-overensstemmelseserklæring

Kun for lande i Europa

EF-overensstemmelseserklæringen er inkluderet som Bilag A i denne brugsanvisning.

SIKKERHEDSADVARSLER

VIGTIGE SIKKERHEDSFORSKRIFTER

⚠ ADVARSEL: Læs alle sikkerhedsadvarsler og alle sikkerhedsinstruktioner. Hvis nedenstående advarsler og instruktioner ikke overholdes, kan det medføre elektrisk stød, brand og/eller alvorlig personskade.

Gem alle advarsler og instruktioner til fremtidig reference.

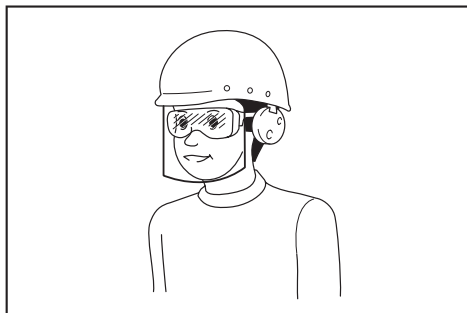
Op læring

1. Læs instruktionerne omhyggeligt. Vær bekendt med kontrollerne og den korrekte brug af plæneklipperen.
2. Lad aldrig børn eller personer, som ikke er bekendt med disse instruktioner, anvende plæneklipperen. Operatørens alder kan være begrænset af lokale bestemmelser.
3. Anvend aldrig plæneklipperen, hvis der er personer, især børn, eller kæledyr i nærheden.
4. Husk, at operatøren eller brugeren er ansvarlig for ulykker eller farlige situationer, som andre personer eller deres ejendom udsættes for.
5. Børn bør være under opsyn for at sikre, at de ikke leger med plæneklipperen.
6. Fysisk tilstand - anvend ikke plæneklipperen under indflydelse af narkotika, alkohol eller nogen form for medicin.

Forberedelse

1. Under anvendelse af plæneklipperen skal De altid bære solidt fodtøj og lange bukser. Anvend ikke plæneklipperen med bare fødder eller åbne sandaler. Undgå at bære løst tøj eller smykker med løsthængende kæder eller slips. Disse kan sætte sig fast i de bevægelige dele.

2. Inden brug skal du altid visuelt efterse plæneklipperen for beskadigede, manglende eller forkert anbragte beskyttelsesskærme eller afskærmninger.
3. Sørg for, at der ikke er nogen personer i arbejdsområdet, inden arbejdet påbegyndes. Stop plæneklipperen, hvis der kommer nogen ind i området.
4. Sæt ikke låsenøglen i plæneklipperen, før den er klar til brug.
5. Bær altid beskyttelsesbriller for at beskytte dine øjne mod skader, når du bruger maskiner. Beskyttelsesbrillerne skal overholde ANSI Z87.1 i USA, EN 166 i Europa eller AS/NZS 1336 i Australien/New Zealand. I Australien/New Zealand er det desuden påbudt ved lov at bære ansigtsskærm for at beskytte dit ansigt.



Det er arbejdsgiverens ansvar at påbyde brugerne af maskinen samt andre personer i det umiddelbare arbejdsområde at bære passende sikkerhedsbeskyttelsesudstyr.

6. Inspicer omhyggeligt bladene eller boltene til bladene for revner og beskadigelse inden brugen. Revnede eller beskadigede blade eller bolte til bladene skal straks skiftes ud.
7. Fjern fremmedlegemer såsom sten, ståltråd, flasker, ben eller store kæppe fra arbejdsområdet inden klipningen for at undgå personskade og skade på plæneklipperen.
8. Genstande, der rammes af plæneklipperbladet, kan forårsage alvorlig personskade. Plænen bør altid undersøges omhyggeligt, og alle genstande skal fjernes inden hver plæneklipning.
9. Se efter huller, hjulspor, buler, sten eller andre skjulte genstande. Ujævnt terræn kan forårsage et uheld, hvor du glider og falder. Højt græs kan skjule forhindringer.
10. Undlad at indsætte eller fjerne låsenøglen i regnvej.
11. Bær personligt beskyttelsesudstyr. Brug altid beskyttelsesbriller. Beskyttelsesudstyr som f.eks. støvmaske, skridsikre sko, hjelm eller høreværn, der benyttes under de relevante forhold, forebygger personskade.

Drift

1. Stræk dig ikke for langt. Bevar til enhver tid balancen. Sørg altid for et godt fodfæste på skråninger. Gå, løb aldrig.
2. Stop plæneklipperen og fjern låsenøglen, og sørg for, at alle bevægelige dele er stoppet helt:

- når De forlader plæneklipperen,
 - inden rengøring af tilstopninger eller rensning af rende,
 - inden inspektion, rengøring eller arbejde på plæneklipperen,
 - efter et fremmedlegeme er ramt. Inspicér plæneklipperen for beskadigelser, og udfør reparationer, inden du igen starter og anvender plæneklipperen,
 - når plæneklipperen begynder at vibrere unormalt.
3. Anvend aldrig plæneklipperen med defekte dæksler eller skjolde eller uden sikkerhedsanordninger, f.eks. deflektor og/eller græskurv, på plads.
 4. Undgå at bruge plæneklipperen i dårligt vejr, især hvis der er risiko for lynnedslag.
 5. Bær til enhver tid øjebeskyttelse og solide sko, når du betjener plæneklipperen.
 6. Anvend kun plæneklipperen i dagslys eller i god kunstig belysning.
 7. Vær påpasselig med at starte plæneklipperen i overensstemmelse med instruktionerne og med fødderne på god afstand af bladet (bladene).
 8. Pas på personskade på fødder og hænder fra plæneklipperbladene.
 9. Sørg altid for, at ventilationsåbningerne holdes fri for rester.
 10. Kør plæneklipperen på tværs af skråninger, aldrig op og ned ad dem. Vær yderst forsigtig, når De skifter retning på skråninger. Anvend ikke plæneklipperen på meget stejle skråninger.
 11. Vær yderst forsigtig, når De bakker eller trækker plæneklipperen imod Dem selv.
 12. Stop bladet (bladene), hvis plæneklipperen skal vippes i transportøjemed, når andre overflader end græs krydses, og når plæneklipperen transporteres til og fra det område, hvor den skal anvendes.
 13. Vip ikke plæneklipperen, når De tænder for motoren, undtagen hvis plæneklipperen skal vippes for at starte den. I dette tilfælde må den ikke vippes mere end absolut nødvendigt, og kun den del, der vender væk fra operatøren, må løftes. Sørg altid for, at begge hænder er i betjeningspositionen, før plæneklipperen sættes tilbage på jorden.
 14. Anbring ikke hænder og fødder i nærheden af eller under de roterende dele. Hold Dem til enhver tid på god afstand af uledningsåbningen.
 15. Transportér ikke plæneklipperen, mens der er tændt for den.
 16. Anvend ikke plæneklipperen i vådt græs.
 17. Hold altid godt fast i håndtaget.
 18. Tag ikke fat i de blotlagte skærebåde eller skærekanten, når plæneklipperen løftes eller holdes.
 19. Hold hænder og fødder på god afstand af de roterende blade. Forsigtig - bladene fortsætter med at dreje rundt, efter at der er slukket for plæneklipperen.

20. Hold straks op med brugen, hvis noget usædvanligt opdages. Sluk for plæneklipperen, og tag låsenøglen ud. Inspicér derefter plæneklipperen.
 21. Forsøg aldrig at foretage indstillinger af klippehøjden, mens plæneklipperen er i gang, hvis plæneklipperen har en funktion til justering af klippehøjde.
 22. Frigør afbryderarmen, og vent, til bladene er holdt op med at dreje rundt, inden der køres over indkørsler, stier, veje og grusbelagte områder. Fjern ligeledes låsenøglen, hvis De forlader plæneklipperen, rækker ud for at samle noget op eller for at få det af vejen eller af andre årsager, der kan distrahere Dem fra det, som De er i gang med.
 23. Hvis plæneklipperen rammer et fremmedlegeme, skal nedenstående trin følges:
 - Stop plæneklipperen, frigør afbryderarmen, og vent, indtil bladet er standset helt.
 - Fjern låsenøglen og akkuen.
 - Inspicér plæneklipperen grundigt for beskadigelse.
 - Skift bladet ud, hvis det på nogen måde er beskadiget. Reparér enhver skade, inden De igen starter plæneklipperen og fortsætter med at anvende den.
 24. Start ikke plæneklipperen, mens De står foran udlædningsåbningen.
 25. Hvis plæneklipperen begynder at vibrere unormalt (kontrollér straks)
 - inspicér for beskadigelse,
 - udskift eller reparér alle beskadigede dele,
 - kontrollér, om der er løse dele, og stram dem i så fald.
 26. Ret aldrig udkastet materiale mod nogen. Undgå udkastning af materiale mod en mur eller forhindring. Materiale kan blive kastet tilbage mod operatøren. Stop bladet når der køres over grusoverflader.
 27. Undlad at trække plæneklipperen tilbage medmindre det er absolut nødvendigt. Når du er nødt til at bakke plæneklipperen tilbage fra et hegn eller lignende forhindring, skal du se ned og bagud, før og mens du bevæger dig baglæns.
 28. Sluk for motoren, og vent indtil bladet er helt standset, før du fjerner græsfangeren. Vær opmærksom på, at bladene bevæger sig, efter at der er slukket.
 29. Vær opmærksom på Deres fodfæste, hvis De bruger maskinen på mudret jord, en våd skråning eller et glat sted.
 30. Undlad at arbejde i et dårligt arbejdsmiljø, hvor øget brugertræthed kan forventes.
 31. Undlad at bruge maskinen i dårligt vejr, hvor sigtbarheden er nedsat. Ellers kan det medføre, at De falder, eller forkert betjening på grund af dårlig sigtbarhed.
 32. Undlad at nedsænke maskinen i en vandpyt.
 33. Hvis vådt græs eller snavs sætter sig fast i sugåbningen (ventilationsvinduet) på grund af regn, skal De fjerne dem.
 34. Brug ikke maskinen i snevejr.
 35. Hvis det afklippede græs er vådt, vil det sandsynligvis sætte sig fast inde i maskinen. Kontrollér regelmæssigt maskinens tilstand, og fjern fastklæbet græs efter behov.
 36. Ved betjening af maskinen skal du være opmærksom på rør og ledninger.
 37. Brug ikke en ledningsstilslettet strømforsyning som fx en batteriadapter eller bærbar strømforsyningsenhed med denne maskine. Ledningen til en sådan strømforsyning kan muligvis hindre brugen og forårsage personskade.
- Vedligeholdelse og opbevaring**
1. Skift af sikkerhedsårsager slidte eller beskadigede dele ud med nye. Anvend kun originale udskiftningsdele og originalt tilbehør.
 2. Inspicér og vedligehold plæneklipperen regelmæssigt.
 3. Når den ikke er brugt, skal du opbevare plæneklipperen utilgængeligt for børn.
 4. Hold alle møtrikker, bolte og skruer stramme for at sikre, at udstyret er i sikker funktionsstand.
 5. Inspicér hyppigt græskurven for slitage eller forringelse. Kontrollér altid, at græskurven er tom inden opbevaring. Skift af sikkerhedsgrunde en udtjent græskurv ud med en fabriksny.
 6. Anvend kun originale blade fra fabrikanten, som er specificeret i denne brugsanvisning.
 7. Vær påpasselig, når plæneklipperen justeres, således at De ikke får fingrene i klemme mellem plæneklipperens roterende blade og de faste dele.
 8. Kontrollér med jævne mellemrum bladets befæstelsesbolt for den rigtige stramning.
 9. Lad altid plæneklipperen køle af, inden den stilles til opbevaring.
 10. Når De servicerer bladene, skal De være opmærksom på, at bladene stadig kan bevæge sig, selv om der er slukket for maskinen.
 11. Fjern eller ændr aldrig sikkerhedsanordningen. Kontrollér regelmæssigt at de fungerer ordentligt. Gør aldrig noget som kan interferere med den tilsigtede funktion af en sikkerhedsanordning eller for at reducere beskyttelsen fra en sikkerhedsanordning.
 12. Lad ikke maskinen ligge uovervåget udendørs i regnvejr.
 13. Undlad at vaske maskinen med højtryksvand.
 14. Når De vasker maskinen, skal De fjerne batteriet og låsenøglen og lukke akku-dækslet og hælde vand mod bunden af maskinen, hvor bladet er monteret.
 15. Undgå direkte sollys og regn ved opbevaring af maskinen, og opbevar den på et sted, hvor det ikke bliver varmt eller fugtigt.
 16. Udfør inspektion eller vedligeholdelse på et sted, hvor der er ly for regn.
 17. Når maskinen har været i brug, skal De fjerne fastsiddende snavs og tørre maskinen helt, før den opbevares. Afhængigt af årstiden eller området er der risiko for fejlfunktion på grund af frost.
- Brug og vedligeholdelse af batteriet**
1. Oplad kun med den oplader, som producenten angiver. En oplader, der passer til én type batteri, kan forårsage brand, hvis den anvendes med et andet batteri.

2. **Brug kun el-værktøjer sammen med de tilhørende batteripakker.** Brug af andre batteripakker kan forårsage personskade og brand.
3. **Når batteripakker ikke anvendes, skal de holdes borte fra andre metalgenstande som papirclips, mønter, nøgler, søm, skruer og andre små metalgenstande, der kan skabe forbindelse mellem terminalerne.** Hvis batteriets terminaler kortsluttes, kan det forårsage brand.
4. **I tilfælde af misbrug kan der sprøjte væske ud fra batteriet. Undgå kontakt. Skyl med vand, hvis De kommer i kontakt med væsken. Søg læge, hvis De får væske i øjet.** Væske, der sprøjter ud fra batteriet, kan medføre irritation eller forbrændinger.
5. **Undlad at bruge en akku eller maskine, der er beskadiget eller ændret.** Beskadigede eller ændrede batterier kan fungere uforudsigeligt og medføre brand, eksplosion eller risiko for personskade.
6. **Undlad at udsætte en akku eller maskine for brand eller høje temperaturer.** Udsættelse for brand eller temperaturer på over 130 °C kan medføre eksplosion.
7. **Følg alle instruktioner vedrørende opladning, og undlad at oplade akkuen eller maskinen uden for det temperaturinterval, der er angivet i instruktionerne.** Opladning, der udføres forkert eller ved temperaturer uden for det angivne temperaturinterval, kan beskadige batteriet og medføre øget risiko for brand.

Elektrisk sikkerhed og batterisikkerhed

1. **Undlad at kaste batterierne i åben ild.** Cellen kan eksplodere. Tjek de lokale regler for eventuelle særlige instruktioner vedrørende bortskafløse.
2. **Undlad at åbne eller mishandle batterierne.** Lækket elektrolyt er ætsende og kan medføre skader på øjnene eller huden. Den kan være giftig, hvis den indtages.
3. **Undlad at oplade batteriet i regnvejr eller under våde forhold.**
4. **Oplad ikke batteriet uden døre.**
5. **Håndter ikke oplader, herunder opladerstik, og opladerterminaler med våde hænder.**
6. **Undlad at udskifte batteriet i regnvejr.**
7. **Undgå at gøre batteriets terminal våd med væsker som f.eks. vand eller at nedsænke batteriet.** Undlad at lade batteriet ligge i regnvejr eller at oplade, bruge eller opbevare batteriet på et fugtigt eller vådt sted. Hvis terminalen bliver våd, eller der kommer væske ind i batteriet, kan batteriet blive kortslettet, og der er risiko for overophedning, brand eller eksplosion.
8. **Når De har fjernet batteriet fra maskinen eller opladeren, skal De sørge for at montere akku-dækslet på batteriet og opbevare det på et tørt sted.**
9. **Undlad at udskifte batteriet med våde hænder.**

Service

1. **Få udført service på el-værktøjet hos en autoriseret mekaniker, og brug kun tilsvarende reservedele.** Derved vedligeholdes el-værktøjets sikkerhed.

2. **Udfør aldrig service på beskadigede akkuer.** Service på akkuer må kun udføres af producenten eller af autoriserede reparatører.

GEM DENNE BRUGSANVISNING.

⚠ ADVARSEL: LAD IKKE bekvemmelighed eller kendskab til produktet (opnået gennem gentagen brug) forhindre, at sikkerhedsforskrifterne for produktet nøje overholdes.

MISBRUG eller forsømmelse af at følge de i denne brugsvejledning givne sikkerhedsforskrifter kan føre til, at De kommer alvorligt til skade.

Vigtige sikkerhedsinstruktioner for akkuen

1. **Læs alle instruktioner og advarselsmærkater på (1) akku-opladeren, (2) akkuen og (3) produktet, som anvender akku.**
2. **Lad være med at skille akkuen ad.**
3. **Hold straks op med anvendelsen, hvis brugstiden er blevet stærkt afkortet.** Fortsat anvendelse kan resultere i risiko for overophedning, forbrændinger og endog eksplosion.
4. **Hvis De har fået elektrolytvæske i øjnene, skal De straks skylle den ud med rent vand og derefter øjeblikkeligt søge lægehjælp.** I modsat fald kan De miste synet.
5. **Vær påpasselig med ikke at komme til at kortslutte akkuen:**
 - (1) **Rør ikke ved terminalerne med noget ledende materiale.**
 - (2) **Undgå at opbevare akkuen i en beholder sammen med andre genstande af metal, for eksempel søm, mønter og lignende.**
 - (3) **Udsæt ikke akkuen for vand eller regn.** Kortslutning af akkuen kan forårsage en kraftig øgning af strømmen, overophedning, mulige forbrændinger og endog værktøjstop.
6. **Opbevar ikke værktøjet og akkuen på et sted, hvor temperaturen kan nå eller overstige 50 °C.**
7. **Lad være med at brænde akkuen, selv ikke i tilfælde, hvor den har lidt alvorlig skade eller er fuldstændig udtjent.** Akkuen kan eksplodere, hvis man forsøger at brænde den.
8. **Lad være med at brænde akkuen eller udsætte den for stød.**
9. **Anvend ikke en beskadiget akku.**
10. **De indbyggede litium-ion-batterier er underlagt lovkrav vedrørende farligt gods.** Ved kommerciel transport, f.eks. af tredjeparts transportselskaber, skal særlige krav til forpakning og mærkning overholdes. Ved forberedelse af udstyret til forsendelse skal du kontakte en ekspert i farligt gods. Overhold også eventuel mere detaljeret national lovgivning. Tape eller tildæk åbne kontakter, og pak batteriet på en måde, så det ikke kan flytte sig rundt i pakningen.
11. **Når akkuen bortskafløses, skal du fjerne den fra maskinen og bortskafløse den på et sikkert sted.** Følg de lokale love vedrørende bortskafløsen af batterier.

12. Brug kun batterierne med de produkter, som Makita specificerer. Hvis batterierne installeres i ikke-kompatible produkter, kan det medføre brand, kraftig varme, eksplosion eller udsivning af elektrolyt.
13. Hvis maskinen ikke skal bruges i længere tid ad gangen, skal du fjerne batteriet fra maskinen.

GEM DENNE BRUGSANVISNING.

⚠FORSIGTIG: Brug kun originale batterier fra Makita. Brug af uoriginale Makita-batterier, eller batterier som er blevet ændret, kan muligvis medføre brud på batteriet, hvilket kan forårsage brand, personskade eller beskadigelse. Det ugyldiggør også Makita-garantien for Makita-maskinen og opladeren.

Tips til opnåelse af maksimal akku-levetid

1. Oplad akkuen, inden den er helt afladet. Stop altid værktøjet, og oplad akkuen, hvis De bemærker, at værktøjeffekten er aftagende.
2. Genoplad aldrig en fuldt opladet akku. Overopladning vil afkorte akkuens levetid.
3. Oplad akkuen ved stuetemperatur ved 10 °C - 40 °C. Lad altid en varm akku få tid til at køle af, inden den oplades.
4. Oplad akkuen, hvis De ikke skal bruge den i længere tid (mere end seks måneder).

SAMLING

⚠ADVARSEL: Vær altid sikker på, at låsenøglen og akkuen er fjernet, inden De udfører noget arbejde på plæneklipperen. Hvis De ikke fjerner låsenøglen og akkuen, kan det medføre alvorlig personskade forårsaget af utilsigtet start.

⚠ADVARSEL: Start aldrig plæneklipperen, medmindre den er fuldstændig samlet. Anvendelse af maskinen i kun delvist samlet tilstand kan medføre alvorlig personskade forårsaget af utilsigtet start.

Montering af håndtaget

BEMÆRKNING: Når der monteres håndtag, skal ledningerne placeres således, at de ikke sætter sig fast i noget mellem håndtagene. Hvis ledningen er beskadiget, fungerer plæneklipperens afbryder muligvis ikke.

1. Juster hullerne på det nederste håndtag ind i forhold til hullerne i plæneklipperens karosseri, og stram derefter 4 bolte midlertidigt til.
 - Fig.1: 1. Nederste håndtag 2. Bolt
2. Stram de 4 bolte som var midlertidigt strammet i trin 1 vha. topnøgle 13.
3. Juster hullet i det nederste håndtag med hullet i det øverste håndtag, og indsæt derefter boltene indefra, og stram derefter møtrikken udefra med topnøgle 13. Udfør den samme procedure på den anden side.
 - Fig.2: 1. Bolt 2. Nederste håndtag 3. Møtrik 4. Hul 5. Øverste håndtag

⚠FORSIGTIG: Hold godt fast i det øverste håndtag, så det ikke glider ud af hånden på Dem. Ellers kan håndtaget falde og forårsage personskade.

4. Fastgør holderne til håndtaget.

Ret fremspringene på holderen ind med hullerne på håndtaget, så fremspringene passer ind i hullerne. Placer ledningerne som vist på illustrationen.

► Fig.3: 1. Ledning 2. Holder

Afmontering af komposteringsproppen

1. Åbn bagdækslet.

► Fig.4: 1. Bagdæksel

2. Afmonter komposteringsproppen, idet armen holdes nede.

► Fig.5: 1. Arm 2. Komposteringsprop

Montering eller afmontering af græskurven

Følg nedenstående fremgangsmåde for at montere græskurven.

1. Åbn bagdækslet.

► Fig.6: 1. Bagdæksel

2. Hold i håndtaget på græskurven og sæt derefter krogen på græskurven på stangen på plæneklipperens karosseri som vist i illustrationen.

► Fig.7: 1. Stang 2. Håndtag 3. Græskurve

For at fjerne græskurven skal du åbne bagdækslet og derefter fjerne græskurven ved at holde i håndtaget.

Montering af komposteringsproppen

1. Åbn bagdækslet, og fjern derefter græskurven.

► Fig.8: 1. Bagdæksel 2. Græskurve

2. Monter komposteringsproppen, idet armen holdes nede, og slip derefter armen for at låse komposteringsproppen fast.

► Fig.9: 1. Arm 2. Komposteringsprop

Montering af udledningstilbehør

For AM3653/AM3753

1. Åbn bagdækslet, og fjern derefter græskurven.

► Fig.10: 1. Bagdæksel 2. Græskurve

2. Monter komposteringsproppen, idet armen holdes nede, og slip derefter armen for at låse komposteringsproppen fast.

► Fig.11: 1. Arm 2. Komposteringsprop

3. Åbn dækslet i højre side, og monter derefter udledningstilbehøret.

Sæt krogen på udledningstilbehøret under stangen på dækslet i højre side.

► Fig.12: 1. Dæksel i højre side 2. Udledningstilbehør

FUNKTIONSBESKRIVELSE

Isætning eller fjernelse af akkuen

⚠️FORSIGTIG: Sluk altid for maskinen, før du monterer eller fjerner akkuen.

⚠️FORSIGTIG: Hold maskinen og akkuen fast, når du monterer eller fjerner akkuen. Hvis du ikke holder maskinen og akkuen fast, kan de glide ud af dine hænder og resultere i skader på maskinen, akkuen og en personskada.

⚠️FORSIGTIG: Sørg for, at akku-dækslet er låst inden brugen. Ellers kan mudder, snavs eller vand øve skade på produktet eller akkuen.

⚠️FORSIGTIG: Installer altid akkuen helt, så den røde indikator ikke kan ses. Ellers kan den falde ud af maskinen ved et uheld og forårsage personskada på dig eller personer i nærheden.

⚠️FORSIGTIG: Installer ikke akkuen med magt. Hvis akkuen ikke glider nemt ind, betyder det, at den ikke sættes korrekt ind.

BEMÆRK: Maskinen fungerer ikke med kun én akku.

Installation af akkuen:

1. Træk låsearmen op, og åbn derefter akku-dækslet.

▶ **Fig.13:** 1. Akku-dæksel 2. Låsearm

2. Justér tungen på akkuen med åbningen på maskinen, og skub derefter akkuen, indtil den låses på plads med et lille klik.

▶ **Fig.14:** (1) Batteriport 1 (2) Batteriport 2 (3) Akku

BEMÆRK: Installer mindst 2 akkuer til batteriport 1 eller batteriport 2.

3. Sæt låsenøglen så langt ind, som den kan komme, på det sted, der vises på illustrationen.

▶ **Fig.15:** 1. Låsenøgle

4. Luk akku-dækslet, og tryk på det, indtil det går i indgreb med låsearmen.

Sådan fjerner du akkuen;

1. Træk låsearmen op, og åbn akku-dækslet.

2. Træk akkuen ud fra maskinen, mens der skubbes på knappen på forsiden af akkuen.

3. Træk låsenøglen ud.

4. Luk akku-dækslet.

Skift af akkuer

▶ **Fig.16:** 1. Kontakt til valg af batteri

Maskinen anvender 2 akkuer til betjening på samme tid. Der kan indsættes op til 4 akkuer i maskinen. Før maskinen betjenes, skal du vælge batteriporten 1 eller batteriporten 2 ved at dreje på kontakten til valg af batteri.

BEMÆRK: Hvis der kun er indsat 2 akkuer i maskinen, skal du sørge for at vælge den batteriport, som akkuerne er indsat i, vha. kontakten til valg af batteri.

Beskyttelsessystem til maskinen/batteriet

Maskinen er udstyret med et beskyttelsessystem til maskinen/batteriet. Dette system afbryder automatisk strømmen til motoren for at forlænge maskinens og batteriets levetid. Maskinen stopper automatisk under brugen, hvis maskinen eller batteriet udsættes for et af følgende forhold:

Overbelastningsbeskyttelse

Hvis batteriet anvendes på en måde, der bevirker, at det forbruger en unormal mængde strøm, vil maskinen automatisk stoppe, og hovedstrømlampen blinker grønt. Sluk i så fald for maskinen, og stop den anvendelse, der medførte, at maskinen blev overbelastet. Tænd derefter for maskinen for at starte den igen.

Beskyttelse mod overophedning

Hvis maskinen eller batteriet er overophedet, stopper maskinen automatisk, og hovedstrømlampen lyser rødt. Lad i så fald maskinen og batteriet køle af, før der tændes for maskinen igen.

Beskyttelse mod overafledning

















Hvis batteriladningen er for lav, stopper maskinen automatisk, og hovedstrømlampen blinker rødt. Fjern i så fald batteriet fra maskinen, og lad akkuerne op, eller udskift akkuerne med nogle, der er fuldt opladet.

Indikation af den resterende batteriladning

Kun til akkuer med indikatoren

▶ **Fig.17:** 1. Indikatorlamper 2. Kontrolknap

Tryk på kontrolknappen på akkuen for at få vist den resterende batteriladning. Indikatorlampen lyser i nogle sekunder.

Indikatorlamper			Resterende ladning
 Tændt	 Slukket	 Blinker	
			75% til 100%
			50% til 75%
			25% til 50%
			0% til 25%
			Genoplad batteriet.
			Der er muligvis fejl i batteriet.
			

BEMÆRK: Afhængigt af brugsforholdene og den omgivende temperatur kan indikationen afvige en smule fra den faktiske ladning.

Kontrolpanel

Kontrolpanelet har hovedafbryderen, knappen til tilstandsvalg og indikatoren for resterende batteriladning.

- **Fig.18:** 1. Batteriindikator 2. Lampe til tilstandsvalg 3. Hovedstrømlampe 4. Kontrolknop 5. Knap til tilstandsvalg 6. Hovedafbryder

Hovedafbryder

⚠ ADVARSEL: Sluk altid for hovedafbryderen, når maskinen ikke bruges.

Tryk på hovedafbryderen for at tænde for maskinen. Hovedstrømlampen lyser grønt. Tryk på hovedafbryderen igen for at slukke for maskinen.

BEMÆRK: Hvis hovedstrømlampen lyser rødt, eller den blinker rødt eller grønt, skal du se i instruktionerne til beskyttelsessystemet til maskinen/batteriet.






BEMÆRK: Denne maskine har en funktion til automatisk slukning. For at undgå utilsigtet start slukker hovedafbryderen automatisk, når der ikke trykkes på afbryderarmen og drevarmen (hvis udstyret dermed) i en vis periode, efter at der tændes for hovedafbryderen.

Knap til tilstandsvalg

De kan skifte driftstilstand ved at trykke på knappen til tilstandsvalg. Når der tændes for maskinen, starter maskinen i normal tilstand. Når du trykker på knappen til tilstandsvalg, skifter maskinen til den støjreducerende tilstand, og lampen til tilstandsvalg lyser grønt. I den støjreducerende tilstand kan du reducere støjen under græsslåning. Når De trykker på knappen til tilstandsvalg igen, skifter maskinen til normal tilstand.

Indikation af den resterende batteriladning

Tryk på kontrolknappen for at få vist de resterende batteriladning. Batteriindikatorerne svarer til hvert enkelt batteri.

Akku-indikatorstatus		Resterende batteriladning
 Tændt	 Slukket	
		50 % - 100 %
		20 % - 50 %
		0 % - 20 %

BEMÆRK: Indikatorlamperne for den resterende batterikapacitet er kun til reference. Den faktiske batterikapacitet kan variere afhængigt af brugsforholdene.

BEMÆRK: Inden du trykker på kontrolknappen for at få vist den resterende batteriladning, skal du stoppe maskinen.

Afbryderbetjening

⚠ ADVARSEL: Inden akkuen installeres, skal De altid kontrollere, at afbryderarmen fungerer, som den skal, og returnerer til udgangsstillingen, når den slippes. Anvendelse af maskinen med en afbryder, der ikke fungerer korrekt, kan føre til, at man mister herredømmet over maskinen med alvorlig personskade som følge.

BEMÆRK: Plæneklipperen starter ikke, uden at De trykker på afbryderknappen, selv hvis afbryderarmen trækkes.

BEMÆRK: Plæneklipperen starter muligvis ikke pga. overbelastning, hvis De forsøger at slå højt eller tæt græs samtidig. Forøg i så fald klippehøden.

Denne plæneklipper er udstyret med låsenøglen og håndtagsskappen. Hvis du bemærker noget usædvanligt med enten låsenøglen eller afbryderen, skal du straks stoppe anvendelsen og få dem eftersat hos nærmeste autoriserede Makita/Dolmar Servicecenter.

For AM3846/AM3753

1. Installer akkuerne. Sæt låsenøglen i og luk derefter akku-dækslet.
2. Vælg de akkuer, som anvendes til betjeningen, ved at dreje på kontakten til valg af batteri.
3. Tryk på hovedafbryderen.
4. Træk afbryderarmen ind mod dig, mens du holder ned på afbryderknappen. Frigør afbryderknappen, så snart motoren begynder at køre.

► **Fig.19:** 1. Afbryderknop 2. Afbryderarm

BEMÆRK: Hvis låsenøglen ikke er indsat, blinker strømlampen grønt, når De trækker i afbryderarmen.

5. Skub drevarmen fremad, idet der trykkes på afbryderarmen, og hold den for at dreje baghjulene.

► **Fig.20:** 1. Drevarm

BEMÆRK: Du kan dreje baghjulene ved at skubbe drevarmen fremad og holde den uden at trække i afbryderarmen.

6. Slip drevarmen og afbryderarmen for at stoppe maskinen.

For AM3653

1. Installer akkuerne. Sæt låsenøglen ind i blokeringsomskifteren, og luk derefter akku-dækslet.
2. Vælg de akkuer, som anvendes til betjeningen, ved at dreje på kontakten til valg af batteri.
3. Tryk på hovedafbryderen.
4. Træk afbryderarmen ind mod dig, mens du holder ned på afbryderknappen. Frigør afbryderknappen, så snart motoren begynder at køre.

► **Fig.21:** 1. Afbryderknop 2. Afbryderarm

BEMÆRK: Hvis låsenøglen ikke er indsat, blinker strømlampen grønt, når De trækker i afbryderarmen.

5. Slip afbryderarmen for at stoppe motoren.

Indstilling af klippehøjden

⚠ ADVARSEL: Stik aldrig en hånd eller et ben ind under plæneklipperen, når De indstiller klippehøjden.

⚠ ADVARSEL: Sørg altid for, at armen passer ordentligt ind i rillen inden brugen.

Klippehøjden kan indstilles inden for et interval mellem 20 mm og 100 mm.

Fjern låsenøglen, og træk derefter justeringsarmen til klippehøjde udad på plæneklipperens karosseri, og flyt den til den ønskede klippehøjde.

► **Fig.22:** 1. Justeringsarm til klippehøjde

Tabellen nedenfor viser forholdet mellem nummeret på plæneklipperens karosseri og den omtrentlige klippehøjde.

Nummer	Klippehøjde
1	20 mm
2	26 mm
3	32 mm
4	39 mm
5	47 mm
6	55 mm
7	63 mm
8	74 mm
9	86 mm
10	100 mm

Hold det forreste greb eller det nederste håndtag med den ene hånd, og flyt derefter justeringsarmen til klippehøjde med den anden hånd.

► **Fig.23:** 1. Justeringsarm til klippehøjde 2. Nederste håndtag 3. Forreste greb

BEMÆRK: Tallene for klippehøjde må kun bruges som retningslinje. Afhængigt af brugsforholdene på plænen eller jorden kan den faktiske græshøjde afvige en smule i forhold til den indstillede højde.

BEMÆRK: Udfør en testklipning på et mindre iøjnefaldende sted for at opnå den ønskede højde.

Græsniveauindikator

Græsniveauindikatoren viser mængden af det klippede græs. Når græskurven ikke er fuld, vil indikatoren bevæge sig, mens bladene kører.

► **Fig.24:** 1. Græsniveauindikator

Når græskurven næsten er fuld, bevæger indikatoren sig ikke, mens bladene kører. Hold i dette tilfælde straks op med anvendelsen og tøm kurven.

► **Fig.25:** 1. Græsniveauindikator

BEMÆRK: Denne indikator er en omtrentlig retningslinje. Det er ikke sikkert, at indikatoren fungerer korrekt, det afhænger af forholdene i kurven.

Indstilling af håndtagets højde

⚠ FORSIGTIG: Hold godt fast i det øverste håndtag, før boltene fjernes. Ellers kan håndtaget falde og forårsage personskade.

Højden af håndtaget kan indstilles til to niveauer.

1. Fjern de øverste bolte på det nederste håndtag vha. topnøgle 13, og løsn derefter de nederste bolte.
► **Fig.26:** 1. Øverste bolt 2. Nederste bolt

2. Juster håndtagshøjden og tilspænd derefter de øverste og nederste bolte.

Justering af kørehastigheden

For AM3846/AM3753

► **Fig.27:** 1. Hastighedsarm

Kørehastigheden kan justeres med hastighedsarmen. For at sænke hastigheden skal du trække armen ind mod dig selv, og for at forøge hastigheden skal du dreje armen fremad.

Brug af komposteringsproppen

Med komposteringsproppen kan du returnere det afklippede græs til jorden uden at samle det afklippede græs i græskurven. Når du bruger maskinen sammen med komposteringsproppen, skal du sørge for at fjerne græskurven.

BEMÆRKNING: Når maskinen anvendes med komposteringsproppen, skal du sørge for, at den samlede græslængde er 30 mm eller mere, eller skærelængden er 15 mm eller mindre.

► **Fig.28:** (1) 30 mm eller mere (2) 15 mm eller mindre

Brug af udledningstilbehør

For AM3653/AM3753

Med udledningstilbehøret kan De udlede det afklippede græs til jorden fra højre side af maskinen uden at samle det afklippede græs i græskurven. Når du bruger maskinen sammen med udledningstilbehøret, skal du sørge for at montere komposteringsproppen og fjerne græskurven.

Elektronisk funktion

Maskinen er udstyret med elektroniske funktioner for nem betjening.

- Konstant hastighedskontrol for bladrotation
Elektronisk hastighedskontrol til at sikre konstant hastighed. Det er muligt at få en pæn finish, fordi omdrejningshastigheden holdes konstant selv under belastning.
- Blød start ved kørsel
Funktionen til blød start minimerer stødet ved start og får maskinen til at starte blødt.
- Elektrisk bremse
Denne maskine er udstyret med en elektrisk bremse. Hvis maskinen konsekvent undlader at stoppe plæneklipperbladene hurtigt, efter afbryderarmen er sluppet, skal maskinen efterses hos et autoriseret Makita/Dolmar-servicecenter.

ANVENDELSE

Klipning

⚠ ADVARSEL: Fjern grene og sten fra klippingsområdet inden klippingen. Fjern også på forhånd alt ukrudt fra klippingsområdet.

⚠ ADVARSEL: Bær altid beskyttelsesbriller eller sikkerhedsbriller med sideafskærmning, når De anvender plæneklipperen.

⚠ FORSIGTIG: Hvis afklippet græs eller et fremmedlegeme sætter sig fast inde i maskinens kabinet, skal De sørge for at fjerne låsenøglen og akkuen og bære handsker, før De fjerner græsset eller fremmedlegemet.

BEMÆRKNING: Brug kun denne maskine til at slå græs. Undlad at klippe ukrudt med maskinen.

► Fig.29

Hold godt fast i håndtaget med begge hænder, når De klipper græs. Retningslinjen for græsklippingshastighed er cirka 7 til 14 meter for hver 10 sekunder.

► Fig.30

Centerstregerne på forhjulene er retningslinjer for klippebredden. Klip i striber, idet centerstregerne bruges som retningslinjer. Overlap med halvdelen til en tredjedel af den forrige stribe for at klippe plænen jævnt.

► Fig.31: 1. Klippingsbredde 2. Overlappende område 3. Centerstreg

Skift klippingsretning hver gang for at forhindre, at græsmønstret kun dannes i én retning.

► Fig.32

Kontroller regelmæssigt græskurven for bortklippet græs. Tøm græskurven, før den bliver fuld. Inden hver periodisk kontrol skal De sørge for at stoppe plæneklipperen og derefter fjerne låsenøglen og akkuen.

BEMÆRKNING: Hvis plæneklipperen anvendes med græskurven fuld, kan der ikke opnås problemfri rotation af bladet, og motoren udsættes for ekstra belastning, hvilket kan føre til sammenbrud.

Klipning af en plæne med højt græs

Forsøg ikke at slå langt græs på én gang. Slå i stedet græsset i trin. Lad der gå en dag eller to mellem klippingerne, indtil plænen er ensartet kort.

► Fig.33

BEMÆRK: Klipning af højt græs til en kort længde i en enkelt arbejdsgang kan bevirke, at græsset dør. Det afklippede græs kan også blokere plæneklipperens indvendige dele.

Tømning af græskurven

⚠ ADVARSEL: For at reducere risikoen for ulykker skal De med jævne mellemrum efterse græskurven for beskadigelse eller forringet styrke. Udskift om nødvendigt græskurven.

1. Slip afbryderarmen og drevarmen (for AM3846/AM3753), eller slip afbryderarmen (for AM3653).

2. Fjern låsenøglen.

3. Åbn bagdækslet, og tag græskurven ud ved at holde i håndtaget.

► Fig.34: 1. Bagdæksel 2. Håndtag 3. Græskurv

4. Tøm græskurven.

VEDLIGEHOLDELSE

⚠ ADVARSEL: Sørg altid for, at låsenøglen og akkuen er fjernet fra plæneklipperen, inden den stilles til opbevaring, eller De bærer plæneklipperen, eller inden De foretager inspektion eller vedligeholdelse.

⚠ ADVARSEL: Fjern altid låsenøglen, når plæneklipperen ikke er i brug. Opbevar låsenøglen på et sikkert sted, hvor børn ikke kan få fat i den.

⚠ ADVARSEL: Bær altid handsker under udførelse af inspektion eller vedligeholdelse.

⚠ ADVARSEL: Bær altid beskyttelsesbriller eller sikkerhedsbriller med sideafskærmning, før De foretager inspektion eller vedligeholdelse.

BEMÆRKNING: Anvend aldrig benzin, rensebenzin, fortynder, alkohol og lignende. Det kan medføre misfarvning, deformation eller revner.

For at holde produktet SIKKERT og PÅLIDELIGT skal reparationer samt al anden vedligeholdelse eller justering udføres af Makita/Dolmar autoriserede servicecentre eller fabriksservicecentre, og der skal altid benyttes Makita-/Dolmar-reservedele.

Vedligeholdelse

1. Fjern låsenøglen og akkuerne, og luk derefter akku-dækslet.

2. Læg plæneklipperen på siden, så justeringsarmen til klippehøjden er på oversiden. Fjern græsafklip, der har samlet sig på undersiden af klippeskiven.

3. Hæld vand mod bunden af maskinen, hvor bladet er fastgjort.

BEMÆRKNING: Undlad at vaske maskinen med højtryksvand.

4. Kontrollér, at alle møtrikker, bolte, skruer osv. er strammet.

5. Inspicér de bevægelige dele for beskadigelse, brud og slitage. Beskadigede eller manglende dele skal repareres eller udskiftes.

6. Opbevar plæneklipperen på et sikkert sted, der er utilgængeligt for børn.

For AM3846/AM3753

BEMÆRKNING: Hæld ikke vand på området vist i illustrationen. Hældes der vand på motoren-heden, kan det muligvis medføre en funktionsfejl på maskinen.

► **Fig.35:** 1. Område, hvor der ikke må hældes vand på

Sådan bæres plæneklipperen

Når plæneklipperen bæres, skal to personer holde i det forreste greb og bagerste greb som vist i illustrationen.

► **Fig.36:** 1. Forreste greb 2. Bageste greb

Opbevaring

Opbevar plæneklipperen indendørs på et køligt, tørt og aflåst sted. Opbevar ikke plæneklipperen og opladeren på steder, hvor temperaturen kan komme op på eller overstige 40 °C.

Afmontering eller montering af plæneklipperbladet

⚠ ADVARSEL: Bladet drejer rundt i et par sekunder, efter at afbryderen er frigjort. Undlad at starte nogen betjening, før bladet er standset helt.

⚠ ADVARSEL: Fjern altid låsenøglen og akkuen, når bladet afmonteres eller monteres. Forsømmelse af at fjerne låsenøglen og akkuen kan medføre alvorlig personskade.

⚠ ADVARSEL: Brug altid handsker, når De håndterer bladet.

Fjernelse af plæneklipperbladet

For modeller udstyret med lige plæneklipperblad

1. Læg plæneklipperen på siden, så justeringsarmen til klippehøjden er på oversiden.
2. For at låse bladet sættes en stift ind i et hul på plæneklipperens karosseri.
3. Drej bolten i retningen mod uret med topnøgle 17.
► **Fig.37:** 1. Plæneklipperblad 2. Stift 3. Topnøgle
4. Fjern bolten og derefter plæneklipperbladet.
► **Fig.38:** 1. Bladunderstøttelse 2. Plæneklipperblad 3. Bolt 4. Fremspringende del

BEMÆRKNING: Når du monterer plæneklipperbladet, skal du sørge for, at fremspringende dele på bladunderstøttelsen passer ind i hullerne i plæneklipperbladet.

For modeller udstyret med tilbagesvingplæneklipperblade

1. Læg plæneklipperen på siden, så justeringsarmen til klippehøjden er på oversiden.
2. For at låse grundpladen sættes en stift ind i et hul på plæneklipperens karosseri gennem et hul på grundpladen.
3. Drej bolten i retningen mod uret med topnøgle 17.
► **Fig.39:** 1. Stift 2. Grundplade 3. Topnøgle
4. Fjern bolten og derefter grundpladen.
► **Fig.40:** 1. Bladunderstøttelse 2. Grundplade 3. Bolt 4. Fremspringende del

BEMÆRKNING: Når du monterer plæneklipperbladene, skal du sørge for, at fremspringene på bladunderstøttelsen passer ind i hullerne i grundpladen.

5. Drej bolten mod urets retning vha. topnøgle 17, idet grundpladen holdes nede, for at fjerne det enkelte plæneklipperblad.
► **Fig.41:** 1. Grundplade 2. Plæneklipperblad 3. Topnøgle
6. Fjern møtrikken, spændeskiven, fjederskiven, plæneklipperbladet og bolten i rækkefølge.
► **Fig.42:** 1. Bolthul 2. Bolt 3. Plæneklipperblad 4. Fjederskive 5. Spændeskive 6. Møtrik

BEMÆRKNING: Når du strammer møtrikkerne for at montere enkelte plæneklipperblade, skal du anvende 30 N•m som tilspændingsmoment.

BEMÆRKNING: Når du monterer det enkelte plæneklipperblad, skal du sørge for at fastgøre fjederskiven i retningen som vist på figuren.

BEMÆRKNING: Når du monterer det enkelte plæneklipperblad, skal du sørge for at sætte boltene ind i bolthullerne som vist på figuren.

Montering af plæneklipperbladet

⚠ ADVARSEL: Monter plæneklipperbladet med forsigtighed. Det har en øverste og nederste flade.

⚠ ADVARSEL: Stram bolten godt til i retningen med uret for at fastgøre bladet.

⚠ ADVARSEL: Sørg for, at plæneklipperbladet og alle fastgørelsesdelene er monteret korrekt og strammet godt til.

⚠ ADVARSEL: Følg altid instruktionerne i denne brugsanvisning, når De udskifter bladene.

BEMÆRKNING: Efter montering af plæneklipperbladene skal du fjerne stiften fra plæneklipperens karosseri.

For at montere plæneklipperbladene skal du udføre proceduren for afmontering i modsat rækkefølge.

FEJLFINDING

Udfør selv en inspektion, inden De anmoder om reparation. Hvis du opdager et problem, som ikke er forklaret i brugsanvisningen, må du ikke forsøge at skille maskinen ad. Henvend dig i stedet til et autoriseret Makita/Dolmar-servicecenter, og benyt altid Makita-/Dolmar-reservedele til reparation.

Unormal tilstand	Sandsynlig årsag (fej)l	Afhjælpning
Plæneklipperen starter ikke.	Der er ikke installeret to akkuer.	Installer to opladede akkuer.
	Akku-problem (underspænding)	Genoplad akkuen. Udskift akkuen, hvis genopladningen ikke er effektiv.
	Låsenøglen er ikke sat i.	Sæt låsenøglen i.
	Kontakt til valg af batteri er ikke i den korrekte position.	Vælg den batteriport, som akkuerne er indsat i, vha. kontakten til valg af batteri.
Motoren stopper efter kort tids brug.	Akkuens ladeniveau er lavt.	Genoplad akkuen. Udskift akkuen, hvis genopladningen ikke er effektiv.
	Klippehøjden er for lav.	Forøg klippehøjden.
	Afskåret græs er tilstoppet i plæneklipperen.	Fjern det tilstoppede græs fra plæneklipperen.
Maks. antal omdrejninger pr. minut (RPM) nås ikke.	Akkuen er ikke sat ordentligt i.	Installér akkuen som beskrevet i denne brugsanvisning.
	Akkuens effekt mindskes.	Genoplad akkuen. Udskift akkuen, hvis genopladningen ikke er effektiv.
	Drivsystemet fungerer ikke korrekt.	Få et lokalt, autoriseret servicecenter til at reparere det.
Plæneklipperbladet roterer ikke: ⇒ Stop øjeblikkeligt plæneklipperen!	Et fremmedlegeme, f.eks. en gren, har sat sig fast i nærheden af bladet.	Fjern fremmedlegemet.
	Drivsystemet fungerer ikke korrekt.	Få et lokalt, autoriseret servicecenter til at reparere det.
Unormal vibration: ⇒ Stop øjeblikkeligt plæneklipperen!	Bladet er ubalanceret, ekstremt eller uensartet slidt.	Skift bladet ud med et nyt.

EKSTRAUDSTYR

⚠ FORSIGTIG: Dette udstyr eller tilbehør anbefales til brug med den Makita-/Dolmar-maskine, der er beskrevet i denne brugsanvisning. Brug af andet udstyr eller tilbehør kan medføre risiko for personskade. Brug kun udstyr eller tilbehør til det formål, det er beregnet til.

Hvis du vil have flere oplysninger om dette tilbehør, bedes du kontakte dit lokale Makita/Dolmar servicecenter.

- Plæneklipperblad
- Original Makita/Dolmar akku og oplader

BEMÆRK: Nogle ting på denne liste kan være inkluderet i produktpakken som standardtilbehør. De kan være forskellige fra land til land.

ΠΡΟΔΙΑΓΡΑΦΕΣ

Μοντέλο:		AM3846	AM3653	AM3753
Πλάτος κουρέματος (διάμετρος λάμας)		460 mm	534 mm	
Ταχύτητα χωρίς φορτίο		2.500 min ⁻¹	2.300 min ⁻¹	
Μέγιστη ταχύτητα		3.300 min ⁻¹	2.800 min ⁻¹	
Αριθμός εξαρτήματος της ανταλλακτικής λάμας της μηχανής γκαζόν	Ίσια λάμα μηχανής γκαζόν	191D51-9	191D52-7	
	Λάμες μηχανής γκαζόν με μηχανισμό υποχώρησης *1	191D49-6	191D50-1	
	Λάμες μηχανής γκαζόν με μηχανισμό υποχώρησης *2	191D47-0	191D48-8	
Διαστάσεις (Μ x Π x Υ)		M: 1.610 mm έως 1.690 mm Π: 535 mm Υ: 980 mm έως 1.095 mm	M: 1.630 mm έως 1.715 mm Π: 590 mm Υ: 990 mm έως 1.095 mm	
Ταχύτητα πορείας		2,5 - 5,0 km/h	-	2,5 - 5,0 km/h
Ονομαστική τάση		D.C. 36 V		
Καθαρό βάρος	Όταν είναι τοποθετημένη ίσια λάμα μηχανής γκαζόν	35,3 - 39,0 kg	35,5 - 39,3 kg	39,0 - 42,8 kg
	Όταν είναι τοποθετημένες λάμες μηχανής γκαζόν με μηχανισμό υποχώρησης	36,0 - 39,7 kg	36,2 - 40,0 kg	39,7 - 43,5 kg
Βαθμός προστασίας		IPX4		

*1. Πλάκα βάσης και μεμονωμένες λάμες μηχανής γκαζόν.

*2. Μόνο μεμονωμένες λάμες μηχανής γκαζόν.

- Λόγω του συνεχιζόμενου προγράμματος έρευνας και ανάπτυξης, οι προδιαγραφές αυτές υπόκεινται σε αλλαγές χωρίς προειδοποίηση.
- Τα τεχνικά χαρακτηριστικά μπορεί να διαφέρουν από χώρα σε χώρα.
- Το βάρος μπορεί να διαφέρει ανάλογα με τα προσαρτήματα, συμπεριλαμβάνοντας την κασέτα μπαταριών. Ο ελαφρύτερος και ο βαρύτερος συνδυασμός, σύμφωνα με τη διαδικασία EPTA 01/2014, παρουσιάζονται στον πίνακα.

Ισχύουσα κασέτα μπαταριών


BL1815N / BL1820 / BL1820B / BL1830 / BL1830B / BL1840 / BL1840B / BL1850 / BL1850B / BL1860B


- Ορισμένες από τις κασέτες μπαταριών που αναγράφονται παραπάνω ίσως να μην είναι διαθέσιμες, ανάλογα με τη τοποθεσία κατοικίας σας.


⚠ ΠΡΟΕΙΔΟΠΟΙΗΣΗ: Να χρησιμοποιείτε μόνο τις κασέτες μπαταριών που παρατίθενται ανωτέρω. Η χρήση οποιασδήποτε άλλης κασέτας μπαταριών μπορεί να προκαλέσει τραυματισμό ή/και πυρκαγιά.


Σύμβολα

Παρακάτω παρουσιάζονται τα σύμβολα που χρησιμοποιούνται για τον εξοπλισμό. Βεβαιωθείτε ότι κατανοείτε τη σημασία τους πριν από τη χρήση.

 Απαιτούνται ιδιαίτερη φροντίδα και προσοχή.

 Διαβάστε το εγχειρίδιο οδηγιών.

 Κίνδυνος. Να προσέχετε για εκτοξευόμενα αντικείμενα.

 Η απόσταση ανάμεσα στο εργαλείο και τους παρευρισκόμενους πρέπει να είναι τουλάχιστον 15 μέτρα.



Μη βάζετε ποτέ τα χέρια ή τα πόδια σας κοντά στη λάμα κάτω από τη μηχανή γκαζόν. Οι λάμες συνεχίζουν να περιστρέφονται μετά την απενεργοποίηση του μοτέρ.



Βγάλτε το κλειδί ασφαλίσης πριν εκτελέσετε εργασίες επιθεώρησης, ρύθμισης, καθαρισμού και σέρβις στη μηχανή γκαζόν και πριν απομακρυνθείτε από τη μηχανή γκαζόν ή την αποθηκεύσετε.



Ηλεκτρικός κίνδυνος. Η επαφή με νερό μπορεί να προκαλέσει ηλεκτροπληξία.



Μην χύνετε νερό.



Μόνο για τις χώρες της ΕΕ
Μην απορρίπτετε ηλεκτρικό εξοπλισμό ή την μπαταρία μαζί με τα οικιακά απορρίμματα!
Σύμφωνα με τις Ευρωπαϊκές Οδηγίες για τον απόβλητο ηλεκτρικό και ηλεκτρονικό εξοπλισμό και τις μπαταρίες και συσσωρευτές και τις απόβλητες μπαταρίες και συσσωρευτές και την ενσωμάτωση τους σύμφωνα με την εθνική νομοθεσία, ο ηλεκτρικός εξοπλισμός και η μπαταρία και τα πακέτα μπαταριών που έχουν φτάσει το τέλος ζωής τους πρέπει να συλλέγονται ξεχωριστά και να επιστρέφονται σε εγκαταστάσεις περιβαλλοντικά συμβατής ανακύκλωσης.

Προοριζόμενη χρήση

Το μηχανήμα προορίζεται για το κούρεμα γκαζόν.

Θόρυβος

Το τυπικό Α επίπεδο καταμετρημένου θορύβου καθορίζεται σύμφωνα με το EN60335-2-77:

ΠΑΡΑΤΗΡΗΣΗ: Οι τιμές έχουν μετρηθεί με τη μηχανή γκαζόν εξοπλισμένη με την ίσια λάμα μηχανής γκαζόν.

Μοντέλο AM3846

Στάθμη ηχητικής πίεσης (L_{pA}): 82,7 dB (A)
Στάθμη ηχητικής ισχύος (L_{WA}): 90,9 dB (A)
Αβεβαιότητα (K): 3 dB (A)

Μοντέλο AM3653

Στάθμη ηχητικής πίεσης (L_{pA}): 78,1 dB (A)
Στάθμη ηχητικής ισχύος (L_{WA}): 90,4 dB (A)
Αβεβαιότητα (K): 3 dB (A)

Μοντέλο AM3753

Στάθμη ηχητικής πίεσης (L_{pA}): 78,1 dB (A)
Στάθμη ηχητικής ισχύος (L_{WA}): 90,4 dB (A)
Αβεβαιότητα (K): 3 dB (A)

Η ένταση θορύβου υπό συνθήκες εργασίας μπορεί να υπερβεί τα 80 dB (A).

ΠΑΡΑΤΗΡΗΣΗ: Η δηλωμένη τιμή(ές) εκπομπής θορύβου έχει μετρηθεί σύμφωνα με την πρότυπη μέθοδο δοκιμής και μπορεί να χρησιμοποιηθεί για τη σύγκριση ενός εργαλείου με κάποιο άλλο.

ΠΑΡΑΤΗΡΗΣΗ: Η δηλωμένη τιμή(ές) εκπομπής θορύβου μπορεί να χρησιμοποιηθεί και στην προκαταρκτική αξιολόγηση της έκθεσης.

ΠΡΟΕΙΔΟΠΟΙΗΣΗ: Να φοράτε ωτασπίδες.

ΠΡΟΕΙΔΟΠΟΙΗΣΗ: Η εκπομπή θορύβου κατά τη χρήση του ηλεκτρικού εργαλείου σε πραγματικές συνθήκες μπορεί να διαφέρει από τη δηλωμένη τιμή(ές) ανάλογα με τους τρόπους χρήσης του εργαλείου, ιδιαίτερα το είδος του τεμαχίου εργασίας που υπόκειται επεξεργασία.

ΠΡΟΕΙΔΟΠΟΙΗΣΗ: Φροντίστε να λάβετε τα κατάλληλα μέτρα προστασίας του χειριστή βάσει ενός υπολογισμού της έκθεσης σε πραγματικές συνθήκες χρήσης (λαμβάνοντας υπόψη όλες τις συνιστώσες του κύκλου λειτουργίας όπως τους χρόνους που το εργαλείο είναι εκτός λειτουργίας και όταν βρίσκεται σε αδρανή λειτουργία πέραν του χρόνου ενεργοποίησης).

Κραδασμός

Η ολική τιμή δόνησης (άθροισμα τρι-αξονικού διανύσματος) καθορίζεται σύμφωνα με το EN60335-2-77:

ΠΑΡΑΤΗΡΗΣΗ: Οι τιμές έχουν μετρηθεί με τη μηχανή γκαζόν εξοπλισμένη με την ίσια λάμα μηχανής γκαζόν.

Μοντέλο AM3846

Εκπομπή δόνησης (a_h): 2,5 m/s² ή λιγότερο
Αβεβαιότητα (K): 1,5 m/s²

Μοντέλο AM3653

Εκπομπή δόνησης (a_h): 2,5 m/s² ή λιγότερο
Αβεβαιότητα (K): 1,5 m/s²

Μοντέλο AM3753

Εκπομπή δόνησης (a_h): 2,5 m/s² ή λιγότερο
Αβεβαιότητα (K): 1,5 m/s²

ΠΑΡΑΤΗΡΗΣΗ: Η δηλωμένη τιμή(ές) συνολικών κραδασμών έχει μετρηθεί σύμφωνα με την πρότυπη μέθοδο δοκιμής και μπορεί να χρησιμοποιηθεί για τη σύγκριση ενός εργαλείου με κάποιο άλλο.

ΠΑΡΑΤΗΡΗΣΗ: Η δηλωμένη τιμή(ές) συνολικών κραδασμών μπορεί να χρησιμοποιηθεί και στην προκαταρκτική αξιολόγηση της έκθεσης.

ΠΡΟΕΙΔΟΠΟΙΗΣΗ: Η εκπομπή κραδασμών κατά τη χρήση του ηλεκτρικού εργαλείου σε πραγματικές συνθήκες μπορεί να διαφέρει από τη δηλωμένη τιμή(ές) εκπομπής ανάλογα με τους τρόπους χρήσης του εργαλείου, ιδιαίτερα το είδος του τεμαχίου εργασίας που υπόκειται επεξεργασία.

ΠΡΟΕΙΔΟΠΟΙΗΣΗ: Φροντίστε να λάβετε τα κατάλληλα μέτρα προστασίας του χειριστή βάσει ενός υπολογισμού της έκθεσης σε πραγματικές συνθήκες χρήσης (λαμβάνοντας υπόψη όλες τις συνιστώσες του κύκλου λειτουργίας όπως τους χρόνους που το εργαλείο είναι εκτός λειτουργίας και όταν βρίσκεται σε αδρανή λειτουργία πέραν του χρόνου ενεργοποίησης).

Δήλωση συμμόρφωσης ΕΚ

Μόνο για χώρες της Ευρώπης

Η δήλωση συμμόρφωσης ΕΚ περιλαμβάνεται ως Παράρτημα Α στο παρόν εγχειρίδιο οδηγιών.

ΠΡΟΕΙΔΟΠΟΙΗΣΕΙΣ ΑΣΦΑΛΕΙΑΣ

ΣΗΜΑΝΤΙΚΕΣ ΟΔΗΓΙΕΣ ΑΣΦΑΛΕΙΑΣ

ΠΡΟΕΙΔΟΠΟΙΗΣΗ: Διαβάστε όλες τις προειδοποιήσεις για την ασφάλεια και όλες τις οδηγίες. Η μη τήρηση των προειδοποιήσεων και οδηγιών μπορεί να καταλήξει σε ηλεκτροπληξία, πυρκαγιά ή/και σοβαρό τραυματισμό.

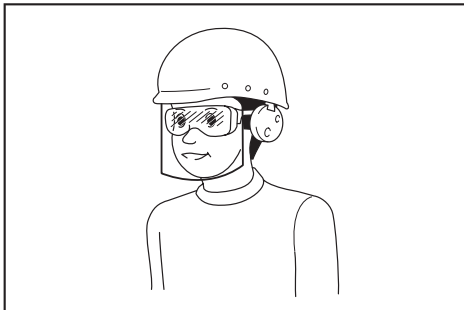
Φυλάξτε όλες τις προειδοποιη- σεις και τις οδηγίες για μελλο- ντική παραπομπή.

Εκπαίδευση

1. Διαβάστε τις οδηγίες προσεκτικά. Εξοικειωθείτε με τα χειριστήρια και τη σωστή χρήση της μηχανής γκαζόν.
2. Μην αφήνετε ποτέ παιδιά ή άτομα που δεν γνωρίζουν αυτές τις οδηγίες να χρησιμοποιούν τη μηχανή γκαζόν. Μπορεί να υπάρχει περιορισμός ηλικίας για το χειριστή βάσει τοπικών κανονισμών.
3. Μη χειρίζεστε ποτέ τη μηχανή γκαζόν όταν άλλα άτομα, ειδικά παιδιά ή κατοικίδια, βρίσκονται σε κοντινή απόσταση.
4. Να θυμάστε ότι ο χειριστής ή ο χρήστης είναι υπεύθυνος για ατυχήματα ή κινδύνους που υφίστανται άλλα άτομα ή η ιδιοκτησία τους.
5. Τα παιδιά θα πρέπει να επιτηρούνται για να εξασφαλιστεί ότι δεν παίζουν με τη μηχανή γκαζόν.
6. Σωματική κατάσταση - Μη χειρίζεστε τη μηχανή γκαζόν υπό την επήρεια ναρκωτικών, αλκοόλ ή άλλων φαρμάκων.

Προετοιμασία

1. Κατά το χειρισμό της μηχανής γκαζόν να φοράτε πάντα κατάλληλα υποδήματα και μακρύ παντελόνι. Μη χειρίζεστε τη μηχανή γκαζόν ζυπόλυτοι ή με ανοικτά σαντάλια. Αποφεύγετε να φοράτε ρούχα ή κοσμήματα που είναι χαλαρά ή έχουν κορδόνια ή σκοινιά που κρέμονται. Μπορεί να πιαστούν στα κινούμενα μέρη.
2. Πριν τη χρήση, πάντα να επιθεωρείτε οπτικά τη μηχανή γκαζόν για προστατευτικά ή καλύμματα με ζημιά, που λείπουν ή έχουν τοποθετηθεί λανθασμένα.
3. Βεβαιωθείτε ότι στην περιοχή δεν υπάρχουν άλλα άτομα πριν ξεκινήσετε να κουρεύετε το γκαζόν. Σβήστε τη μηχανή γκαζόν αν εισέλθει κάποιος στην περιοχή.
4. Μην εισαγάγετε το κλειδί ασφάλισης στη μηχανή γκαζόν μέχρι να είναι έτοιμη για χρήση.
5. Να φοράτε πάντα προστατευτικά γυαλιά να συμμορφώνονται με το πρότυπο ANSI Z87.1 στις ΗΠΑ, το πρότυπο EN 166 στην Ευρώπη ή το πρότυπο AS/NZS 1336 στην Αυστραλία/Νέα Ζηλανδία. Στην Αυστραλία/Νέα Ζηλανδία, απαιτείται από το νόμο να φοράτε και προσωπίδα για την προστασία του προσώπου σας.



Ο εργοδότης έχει την ευθύνη να επιβάλλει τη χρήση κατάλληλου προστατευτικού εξοπλισμού ασφαλείας από τους χειριστές του εργαλείου και από άλλα άτομα που βρίσκονται στην άμεση περιοχή εργασίας.

6. Πριν από τη λειτουργία, να ελέγχετε προσεκτικά τις λάμες ή τα μπουλόνια λαμών για ραγίσματα ή ζημιά. Να αντικαθιστάτε αμέσως τις ραγισμένες ή κατεστραμμένες λάμες ή μπουλόνια λαμών.
7. Απομακρύνετε ξένα υλικά όπως πέτρες, κλώδια, μπουκάλια, κόκαλα και μεγάλα ξύλα από την περιοχή εργασίας πριν από το κούρεμα του γκαζόν για την αποφυγή προσωπικού τραυματισμού ή πρόκλησης ζημιάς στη μηχανή γκαζόν.
8. Τα αντικείμενα στα οποία έχει προσκρούσει η λάμα της μηχανής γκαζόν μπορεί να προκαλέσουν σοβαρό τραυματισμό σε ανθρώπους. Πρέπει να εξετάζετε προσεκτικά το γκαζόν και να απομακρύνετε όλα τα αντικείμενα που εμποδίζουν πριν από το κάθε κούρεμα του γκαζόν.
9. Προσέχετε για τρύπες, αυλάκια, εξογκώματα, πέτρες ή άλλα κρυφά αντικείμενα. Το ανομοιόμορφο έδαφος μπορεί να προκαλέσει ατύχημα ολίσθησης και πτώσης. Το ψηλό γρασίδι μπορεί να κλύβει εμπόδια.
10. Μην τοποθετείτε ή αφαιρείτε το κλειδί ασφάλισης στη βροχή.
11. Να χρησιμοποιείτε ατομικό εξοπλισμό προστασίας. Να φοράτε πάντα προστασία ματιών. Εάν χρησιμοποιείτε το σωστό προστατευτικό εξοπλισμό, όπως προσωπίδα κατά της σκόνης, αντιοιδηθητικά παπούτσια ασφαλείας, κράνος ή προστατευτικό ακοής, ανάλογα με τις συνθήκες, θα μειωθεί ο κίνδυνος πρόκλησης προσωπικών τραυματισμών.

Λειτουργία

1. Μην τεντώνεστε υπερβολικά. Να στέκεστε πάντοτε ισορροπημένα. Να είστε πάντα βέβαιοι ότι έχετε καλό πάτημα σε πλαγιές. Να περπατάτε, να μην τρέχετε ποτέ.
2. Σταματήστε τη μηχανή γκαζόν και βγάλτε το κλειδί ασφάλισης, και βεβαιωθείτε ότι όλα τα κινούμενα μέρη έχουν ακινητοποιηθεί πλήρως:
 - κάθε φορά που απομακρύνετε από τη μηχανή γκαζόν,
 - πριν καθαρίσετε εμπόδια ή ξεφράξετε τη χροάνη,
 - πριν ελέγξετε ή καθαρίσετε τη μηχανή γκαζόν ή πριν εκτελέσετε εργασίες σε αυτή,
 - μετά από την πρόσκρουση σε ξένο αντικείμενο. Επιθεωρήστε τη μηχανή γκαζόν για την ύπαρξη ζημιάς και πραγματοποιήστε τις επιδιορθώσεις πριν την επανεκκίνηση και τη χρήση της,
 - όποτε η μηχανή γκαζόν αρχίσει να δονείται μη φυσιολογικά.
3. Μη χειρίζεστε ποτέ τη μηχανή γκαζόν με ελαττωματικά προστατευτικά ή καλύμματα ή χωρίς τις διατάξεις ασφαλείας, για παράδειγμα, διατάξεις παρεκτροπής ή/και καλάθι γρασιδιού, στη θέση τους.

4. Αποφύγετε τη χρήση της μηχανής γκαζόν σε άσχημες καιρικές συνθήκες, ειδικά όταν υπάρχει κίνδυνος κεραυνών.
5. Να φοράτε πάντα προστατευτικά ματιών και ανθεκτικά παπούτσια όταν χειρίζεστε τη μηχανή γκαζόν.
6. Να χειρίζεστε τη μηχανή γκαζόν μόνο όταν έχει ακόμα φως έξω ή με καλό τεχνητό φωτισμό.
7. Ενεργοποιήστε προσεκτικά τη μηχανή γκαζόν σύμφωνα με τις οδηγίες και με τα πόδια σας μακριά από τις λάμες.
8. Να προσέχετε ώστε να μην τραυματίσετε τα πόδια και τα χέρια σας από τις λάμες της μηχανής γκαζόν.
9. Να βεβαιώνετε πάντα ότι οι οπές εξαερισμού είναι καθαρές.
10. Να κινήστε κατά πλάτος της πρόσοψης της πλαγιάς, ποτέ προς τα επάνω ή κάτω. Να είστε ιδιαίτερα προσεκτικοί όταν αλλάζετε κατεύθυνση σε πλαγιές. Μην κουρευείτε το γκαζόν σε εξαιρετικά απότομες πλαγιές.
11. Να είστε ιδιαίτερα προσεκτικοί όταν κινείστε προς τα πίσω ή τραβάτε τη μηχανή γκαζόν προς το μέρος σας.
12. Οι λάμες πρέπει να είναι ακινητοποιημένες όταν πρέπει να γείρετε τη μηχανή γκαζόν για μεταφορά κατά τη διέλευση επιφανειών εκτός από το γκαζόν και κατά τη μεταφορά της μηχανής γκαζόν από και προς την περιοχή όπου θα χρησιμοποιηθεί.
13. Μη γέρνετε τη μηχανή γκαζόν όταν ενεργοποιείτε το μοτέρ, εκτός αν πρέπει να γέρνετε τη μηχανή γκαζόν για την έναρξη. Σε αυτή την περίπτωση, μην τη γέρνετε περισσότερο από όσο είναι απολύτως απαραίτητο και να σηκώνετε μόνο το τμήμα που βρίσκεται μακριά από το χειριστή. Να εξασφαλίζετε πάντα ότι και τα δύο χέρια βρίσκονται στη λειτουργική θέση πριν επιστρέψετε τη μηχανή γκαζόν στο έδαφος.
14. Μη βάζετε τα χέρια ή τα πόδια σας κοντά ή κάτω από περιστρεφόμενα μέρη. Μείνετε μακριά από το άνοιγμα εκκένωσης κάθε στιγμή.
15. Μη μεταφέρετε τη μηχανή γκαζόν ενώ είναι ενεργοποιημένη.
16. Αποφεύγετε το χειρισμό της μηχανής γκαζόν σε βρεγμένο γκαζόν.
17. Να κρατάτε πάντα τη λαβή σταθερά.
18. Μην πιάνετε τις εκτεθειμένες λάμες κοπής ή τα κοπτικά άκρα όταν σηκώνετε ή κρατάτε τη μηχανή γκαζόν.
19. Διατηρείτε τα χέρια και τα πόδια σας μακριά από τις περιστρεφόμενες λάμες. Προσοχή - Οι λάμες συνεχίζουν να περιστρέφονται μετά την απενεργοποίηση της μηχανής γκαζόν.
20. Διακόψτε αμέσως τη λειτουργία αν παρατηρήσετε οτιδήποτε ασυνήθιστο. Σβήστε τη μηχανή γκαζόν και βγάλτε το κλειδί ασφάλισης. Στη συνέχεια, επιθεωρήστε τη μηχανή γκαζόν.
21. Μην επιχειρήσετε ποτέ να κάνετε ρυθμίσεις του ύψους κοπής ενώ η μηχανή γκαζόν βρίσκεται σε λειτουργία, στην περίπτωση που η μηχανή γκαζόν διαθέτει δυνατότητα ρύθμισης ύψους κοπής.
22. Αφήστε το μοχλό διακόπτη και περιμένετε μέχρι να σταματήσει η περιστροφή της λάμας πριν διασχίσετε ιδιωτικούς δρόμους, πεζοδρόμια, δρόμους και οποιαδήποτε περιοχή που είναι καλυμμένη με χαλίκια. Επίσης βγάλτε το κλειδί ασφάλισης αν απομακρυνθείτε από τη μηχανή γκαζόν, αν σκύψετε για να πιάσετε ή να απομακρύνετε κάτι από μπροστά σας ή για οποιονδήποτε άλλο λόγο που μπορεί να αποσπάσει την προσοχή σας από αυτό που κάνετε.
23. Αν η μηχανή γκαζόν χτυπήσει σε ένα ξένο αντικείμενο, ακολουθήστε τα εξής βήματα:
 - Σβήστε τη μηχανή γκαζόν, αφήστε το μοχλό διακόπτη και περιμένετε μέχρι να σταματήσει πλήρως να περιστρέφεται η λάμα.
 - Βγάλτε το κλειδί ασφάλισης και την κασέτα μπαταρίας.
 - Επιθεωρήστε καλά τη μηχανή γκαζόν για τυχόν ζημιά.
 - Αντικαταστήστε τη λάμα αν έχει υποστεί ζημιά με οποιονδήποτε τρόπο. Επισκευάστε κάθε ζημιά πριν την επανέναρξη και συνεχίστε να χρησιμοποιείτε τη μηχανή γκαζόν.
24. Μην ενεργοποιείτε τη μηχανή γκαζόν όταν στέκεστε μπροστά από το άνοιγμα εκκένωσης.
25. Αν η μηχανή γκαζόν αρχίσει να δονείται με ασυνήθιστο τρόπο (ελέγξτε αμέσως)
 - επιθεωρήστε για ζημιά,
 - αντικαταστήστε ή επισκευάστε τα κατεστραμμένα μέρη,
 - ελέγξτε για χαλαρά μέρη και σφίξτε τα ανάλογα.
26. Μην κατευθύνετε ποτέ το υλικό εκκένωσης προς κανένα άτομο. Αποφύγετε την εκκένωση υλικού επάνω σε τοίχο ή εμπόδιο. Το υλικό μπορεί να αναπηδήσει προς τον χειριστή. Σταματήστε τη λάμα όταν περνάτε επιφάνειες με χαλίκι.
27. Μην τραβήξετε τη μηχανή γκαζόν προς τα πίσω εκτός αν είναι απολύτως απαραίτητο. Όταν είστε αναγκασμένοι να μετακινήσετε τη μηχανή γκαζόν προς τα πίσω από φράχτη ή άλλο παρόμοιο εμπόδιο, κοιτάξτε κάτω και προς τα πίσω πριν μετακινηθείτε προς τα πίσω αλλά και ενώ μετακινείστε προς τα πίσω.
28. Σβήστε το μοτέρ και περιμένετε να σταματήσει να κινείται εντελώς η λάμα πριν βγάλετε τον συγκρατήρα χορταριού. Προσέχετε επειδή οι λάμες περιστρέφεται ελεύθερα μετά το σβήσιμο.
29. Όταν χρησιμοποιείτε το μηχανήμα σε λασπώδη έδαφος, βρεγμένες κλίσεις ή ολισθηρό μέρος, να προσέχετε το πάτημά σας.
30. Αποφεύγετε να εργάζεστε σε κακό περιβάλλον, όπου αναμένεται αυξημένη κόπωση του χρήστη.
31. Μη χρησιμοποιείτε το μηχανήμα σε άσχημες καιρικές συνθήκες, όταν η ορατότητα είναι περιορισμένη. Αν δεν τηρήσετε αυτή την προειδοποίηση, μπορεί να προκληθεί πτώση ή λανθασμένη λειτουργία λόγω χαμηλής ορατότητας.
32. Μην βυθίζετε το μηχανήμα σε λακούβα.
33. Όταν βρεγμένα φύλλα ή χύμα κολλούν στο στόμιο αναρρόφησης (παράθυρο εξαερισμού) λόγω βροχής, αφαιρέστε τα.
34. Μην χρησιμοποιείτε το μηχανήμα στο χιόνι.

35. Αν το κομμένο γκαζόν είναι βρεγμένο, είναι πιθανό να φράξει στο εσωτερικό του μηχανήματος. Να ελέγχετε την κατάσταση του μηχανήματος τακτικά, και αφαιρέστε το προσκολλημένο γρασιδί όπως απαιτείται.
36. Προσέξτε τους σωλήνες και τα καλώδια κατά το χειρισμό του μηχανήματος.
37. Μην χρησιμοποιείτε ηλεκτρική παροχή με καλώδιο, όπως προσαρμογέα μπαταριών ή φορητή ηλεκτρική τροφοδότηση, με αυτό το μηχανήμα. Το καλώδιο τέτοιας ηλεκτρικής παροχής μπορεί να δυσκολέψει τη λειτουργία και να προκαλέσει τραυματισμό.
15. Όταν αποθηκεύετε το μηχανήμα, να αποφεύγετε την άμεση ηλιοβολή και τη βροχή, και να το αποθηκεύσετε σε ένα μέρος όπου δεν υπάρχει πολύ ζεστή και υγρασία.
16. Εκτελέστε τις εργασίες επιθεώρησης και συντήρησης σε ένα μέρος όπου μπορεί να αποφευχθεί η βροχή.
17. Μετά τη χρήση του μηχανήματος, αφαιρέστε το προσκολλημένο χώμα και στεγνώστε το μηχανήμα εντελώς πριν την αποθήκευση. Ανάλογα με την εποχή ή την περιοχή, υπάρχει κίνδυνος δυσλειτουργίας λόγω παγώματος.

Συντήρηση και αποθήκευση

1. Αντικαταστήστε τα φθαρμένα ή κατεστραμμένα μέρη για ασφάλεια. Να χρησιμοποιείτε μόνο γνήσια ανταλλακτικά εξαρτήματα και αξεσουάρ.
2. Επιθεωρήστε και συντηρήστε τη μηχανή γκαζόν τακτικά.
3. Όταν δεν χρησιμοποιείται, αποθηκεύστε τη μηχανή γκαζόν μακριά από παιδιά.
4. Διατηρείτε σφικτά όλα τα παξιμάδια, τα μπουλόνια και τις βίδες για να βεβαιωθείτε ότι ο εξοπλισμός βρίσκεται σε ασφαλή λειτουργική κατάσταση.
5. Να ελέγχετε συχνά το καλάθι γρασιδιού για φθορά ή υποβάθμιση. Κατά την αποθήκευση, να φροντίζετε πάντα ώστε το καλάθι γρασιδιού να είναι άδειο. Να αντικαθιστάτε ένα φθαρμένο καλάθι γρασιδιού με ένα καινούργιο εργοστασιακό ανταλλακτικό, για λόγους ασφαλείας.
6. Να χρησιμοποιείτε μόνο γνήσιες λάμες του κατασκευαστή που καθορίζονται σε αυτό το εγχειρίδιο.
7. Προσέχετε κατά τη διάρκεια ρυθμίσεων στη μηχανή γκαζόν για την αποφυγή πείδευσης δακτύλων μεταξύ των κινούμενων λαμών και των σταθερών μερών της μηχανής γκαζόν.
8. Ελέγξτε σε τακτικά διαστήματα αν το μπουλόνι στερέωσης λάμας είναι καλά σφηνωμένο.
9. Να αφήνετε πάντα τη μηχανή γκαζόν να κρυσώσει πριν την αποθήκευση.
10. Κατά την εκτέλεση εργασιών σέρβις στις λάμες, να γνωρίζετε ότι οι λάμες μπορεί να συνεχίζουν να κινούνται παρότι η τροφοδοσία απενεργοποιήθηκε.
11. Ποτέ μην αφαιρείτε ή παραβιάζετε τις συσκευές ασφαλείας. Να ελέγχετε τακτικά τη σωστή λειτουργία τους. Μην κάνετε ποτέ τίποτα για να παρεμβείτε με την προοριζόμενη λειτουργία μιας συσκευής ασφαλείας ή να μειώσετε την προστασία που παρέχεται από μια συσκευή ασφαλείας.
12. Μην αφήνετε το μηχανήμα χωρίς επιτήρηση σε εξωτερικούς χώρους στη βροχή.
13. Μην πλένετε το μηχανήμα με νερό υψηλής πίεσης.
14. Όταν πλένετε το μηχανήμα, φροντίστε να αφαιρέσετε την μπαταρία και το κλειδί ασφάλισης καθώς και να κλείσετε το κάλυμμα μπαταριών, και ρίξτε νερό προς το κάτω μέρος του μηχανήματος όπου είναι συνδεδεμένη η λάμα.

Χρήση και φροντίδα μπαταριών

1. Να επαναφορτίζετε τις μπαταρίες μόνο με το φορτιστή που καθορίζεται από τον κατασκευαστή. Ένας φορτιστής που είναι κατάλληλος για μια συγκεκριμένη μπαταρία μπορεί να δημιουργήσει κίνδυνο πυρκαγιάς όταν χρησιμοποιείται με μια άλλη μπαταρία.
2. Να χρησιμοποιείτε ηλεκτρικά εργαλεία μόνο με ειδικά καθορισμένες μπαταρίες. Η χρήση κάθε άλλης μπαταρίας μπορεί να δημιουργήσει κίνδυνο τραυματισμού ή πυρκαγιάς.
3. Όταν δεν χρησιμοποιείται η κασέτα μπαταριών, διατηρήστε τη μακριά από άλλα μεταλλικά αντικείμενα, όπως συνδετήρες, κέρματα, κλειδιά, καρφιά, βίδες ή άλλα μικρά μεταλλικά αντικείμενα, με τα οποία μπορεί να δημιουργηθεί σύνδεση από τον έναν ακροδέκτη στον άλλον. Το βραχυκύκλωμα των ακροδεκτών της μπαταρίας μπορεί να προκαλέσει εγκαύματα ή πυρκαγιά.
4. Υπό συνθήκες κατάχρησης, μπορεί να εξαχθεί υγρό από την μπαταρία. Να αποφεύγετε την επαφή. Εάν συμβεί επαφή κατά λάθος, εκπλύνετε με νερό. Εάν το υγρό έρθει σε επαφή με τα μάτια, αναζητήστε και ιατρική βοήθεια. Το υγρό που εξάγεται από την μπαταρία μπορεί να προκαλέσει ερεθισμό ή εγκαύματα.
5. Μην χρησιμοποιείτε μια κασέτα μπαταριών ή εργαλείο που έχει καταστραφεί ή τροποποιηθεί. Οι κατεστραμμένες ή τροποποιημένες μπαταρίες μπορεί να παρουσιάσουν απρόβλεπτη συμπεριφορά που έχει ως αποτέλεσμα πυρκαγιά, έκρηξη ή κίνδυνο τραυματισμού.
6. Μην εκθέτετε την κασέτα μπαταριών ή το εργαλείο σε πυρκαγιά ή υπερβολικά υψηλή θερμοκρασία. Η έκθεση στην πυρκαγιά ή στη θερμοκρασία άνω των 130 °C μπορεί να προκαλέσει έκρηξη.
7. Ακολουθήστε όλες τις οδηγίες φόρτισης και μην φορτίσετε την κασέτα μπαταριών ή το εργαλείο εκτός του θερμοκρασιακού εύρους που καθορίζεται στις οδηγίες. Η λανθασμένη φόρτιση ή η φόρτιση σε θερμοκρασίες εκτός του καθορισμένου εύρους μπορεί να προκαλέσει ζημιά στην μπαταρία και να αυξήσει τον κίνδυνο πυρκαγιάς.

Ηλεκτρική ασφάλεια και ασφάλεια μπαταρίας

1. Μην απορρίπτετε την μπαταρία(ιες) στη φωτιά. Το κελί μπορεί να εκραγεί. Συμβουλευτείτε τους τοπικούς κώδικες για πιθανές ειδικές οδηγίες απόρριψης.
2. Μην απορρίπτετε και μην καταστρέψετε την μπαταρία(ιες). Ο ηλεκτρολύτης που εκλύεται είναι διαβρωτικός και μπορεί να προκαλέσει ζημιά στα μάτια ή στο δέρμα. Σε περίπτωση κατάπτωσης, μπορεί να είναι τοξικό.

3. Μην φορτίζετε την μπαταρία στη βροχή, αλλά ούτε σε υγρές τοποθεσίες.
4. Μην φορτίζετε τη μπαταρία σε εξωτερικό χώρο.
5. Μην χειρίζεστε τον φορτιστή, συμπεριλαμβανομένου του φινι φορτιστή, και τους ακροδέκτες φορτιστή με βρεγμένα χέρια.
6. Μην αλλάζετε την μπαταρία στη βροχή.
7. Μην βρέχετε τον πόλο της μπαταρίας με υγρό, όπως το νερό, και μη βυθίζετε την μπαταρία σε υγρό. Μην αφήνετε την μπαταρία στη βροχή, και μην φορτίζετε, χρησιμοποιείτε ή αποθηκεύετε την μπαταρία σε υγρό ή βρεγμένο μέρος. Αν ο πόλος βρεχτεί ή εισέλθει υγρό στο εσωτερικό της μπαταρίας, η μπαταρία μπορεί να βραχυκυκλώσει και να υπάρχει κίνδυνος υπερθέρμανσης, πυρκαγιάς ή έκρηξης.
8. Αφού αφαιρέσετε την μπαταρία από το μηχάνημα ή τον φορτιστή, φροντίστε να συνδέσετε το κάλυμμα μπαταριών στην μπαταρία και να την αποθηκεύσετε σε στεγνό μέρος.
9. Μην αλλάζετε την μπαταρία με βρεγμένα χέρια.

Σέρβις

1. Να φροντίζετε το σέρβις του ηλεκτρικού εργαλείου σας να γίνεται από αρμόδιο επαγγελματία χρησιμοποιώντας μόνο γνήσια ανταλλακτικά. Έτσι θα είστε σίγουροι για τη διατήρηση της ασφάλειας του ηλεκτρικού εργαλείου.
2. Μην εκτελείτε ποτέ εργασίες σέρβις σε κατεστραμμένες κασέτες μπαταριών. Οι εργασίες σέρβις των κασετών μπαταριών θα πρέπει να εκτελούνται μόνο από τον κατασκευαστή ή από εξουσιοδοτημένους παρόχους σέρβις.

ΦΥΛΑΞΤΕ ΤΙΣ ΟΔΗΓΙΕΣ ΑΥΤΕΣ.

⚠ ΠΡΟΕΙΔΟΠΟΙΗΣΗ: ΜΗΝ επιτρέψετε στην άνεση ή στην εξοικείωσή σας με το προϊόν (που αποκτήθηκε από επανειλημμένη χρήση) να αντικαταστήσει την αυστηρή τήρηση των κανόνων ασφαλείας του παρόντος εργαλείου.

Η ΛΑΝΘΑΣΜΕΝΗ ΧΡΗΣΗ ή η αμέλεια να ακολουθήσετε τους κανόνες ασφαλείας που διατυπώνονται στο παρόν εγχειρίδιο οδηγιών μπορεί να προκαλέσει σοβαρό προσωπικό τραυματισμό.

Σημαντικές οδηγίες ασφαλείας για κασέτα μπαταριών

1. Πριν χρησιμοποιήσετε την κασέτα μπαταριών, διαβάστε όλες τις οδηγίες και σημειώσεις προφύλαξης (1) στον φορτιστή μπαταριών, (2) στην μπαταρία και (3) στο προϊόν που χρησιμοποιεί την μπαταρία.
2. Μην αποσυναρμολογήσετε την κασέτα μπαταριών.
3. Εάν ο χρόνος λειτουργίας έχει γίνει υπερβολικά βραχύς, σταματήστε τη λειτουργία αμέσως. Αλλιώς, μπορεί να έχει ως αποτέλεσμα κίνδυνο υπερθέρμανσης, πιθανά εγκαύματα ή ακόμη και έκρηξη.
4. Εάν ηλεκτρολύτης μπει στα μάτια σας, ξεπλύνετε τα με καθαρό νερό και ζητήστε ιατρική φροντίδα αμέσως. Αλλιώς, μπορεί να έχει ως αποτέλεσμα απώλεια της όρασης σας.

5. Μην βραχυκυκλώνετε την κασέτα μπαταριών:
 - (1) Μην αγγίζετε τους πόλους με οτιδήποτε αγώγιμο υλικό.
 - (2) Αποφεύγετε να αποθηκεύετε την κασέτα μπαταριών μέσα σε ένα δοχείο μαζί με άλλα μεταλλικά αντικείμενα όπως καρφιά, νομίσματα, κλπ.
 - (3) Μην εκθέτετε την κασέτα μπαταριών στο νερό ή στη βροχή.
 Ένα βραχυκύκλωμα μπαταρίας μπορεί να προκαλέσει μεγάλη ροή ρεύματος, υπερθέρμανση, πιθανά εγκαύματα ακόμη και σοβαρή βλάβη.
6. Μην αποθηκεύετε το εργαλείο και την κασέτα μπαταριών σε τοποθεσίες όπου η θερμοκρασία μπορεί να φτάσει ή να ξεπεράσει τους 50°C.
7. Μην καίτε την κασέτα μπαταριών ακόμη και εάν έχει σοβαρή ζημιά ή είναι εντελώς φθαρμένη. Η κασέτα μπαταριών μπορεί να εκραγεί στη φωτιά.

8. Προσέχετε να μη ρίξετε κάτω ούτε να χτυπήσετε την μπαταρία.
9. Μην χρησιμοποιείτε μπαταρία που έχει υποστεί ζημιά.
10. Οι μπαταρίες ιόντων λιθίου που περιέχονται υπόκεινται στις απαιτήσεις της νομοθεσίας για επικίνδυνα αγαθά.

Για εμπορικές μεταφορές, για παράδειγμα από τρίτα μέρη, πρέπει να τηρούνται οι διαμεταφορές, οι ειδικές απαιτήσεις στη συσκευασία και η επισήμανση.

- Για προετοιμασία του στοιχείου που αποστέλλεται, είναι απαραίτητο να συμβουλευτείτε έναν ειδικό για επικίνδυνα υλικά. Επίσης, τηρήστε τους πιθανούς, πιο αναλυτικούς εθνικούς κανονισμούς. Καλύψτε με αυτοκόλλητη ταινία ή κρύψτε τις ανοικτές επαφές και συσκευάστε την μπαταρία με τρόπο που να μην μπορεί να μετακινείται μέσα στη συσκευασία.
11. Όταν απορρίπτετε την κασέτα μπαταριών, αφαιρέστε την από το εργαλείο και διαθέστε την σε ένα ασφαλές μέρος. Τηρήστε τους τοπικούς κανονισμούς που σχετίζονται με τη διάθεση της μπαταρίας.
 12. Χρησιμοποιήστε τις μπαταρίες μόνο με τα προϊόντα που καθορίζει η Makita. Αν τοποθετήσετε τις μπαταρίες σε μη συμβατά προϊόντα μπορεί να έχει ως αποτέλεσμα πυρκαγιά, υπερβολική θερμότητα, έκρηξη ή διαρροή ηλεκτρολύτη.
 13. Αν δεν χρησιμοποιείτε το εργαλείο για μεγάλο χρονικό διάστημα, πρέπει να βγάλετε την μπαταρία από το εργαλείο.

ΦΥΛΑΞΤΕ ΤΙΣ ΟΔΗΓΙΕΣ ΑΥΤΕΣ.

⚠ ΠΡΟΣΟΧΗ: Να χρησιμοποιείτε μόνο γνήσιες μπαταρίες της Makita. Η χρήση μη γνήσιων μπαταριών Makita, ή μπαταριών που έχουν τροποποιηθεί, μπορεί να έχει ως αποτέλεσμα τη ρήξη της μπαταρίας, προκαλώντας πυρκαγιά, προσωπικό τραυματισμό και βλάβη. Επίσης, θα ακυρωθεί η εγγύηση της Makita για το εργαλείο και φορτιστή Makita.

Συμβουλές για τη διατήρηση της μέγιστης ζωής μπαταρίας

1. Φορτίζετε την κασέτα μπαταριών πριν από την πλήρη αποφόρτιση της. Πάντοτε να σταματάτε τη λειτουργία του εργαλείου και να φορτίζετε την κασέτα μπαταριών όταν παρατηρείτε μειωμένη ισχύ εργαλείου.
2. Ποτέ μην επαναφορτίζετε μια πλήρως φορτισμένη κασέτα μπαταριών. Η υπερφόρτιση μειώνει την ωφέλιμη ζωή της μπαταρίας.
3. Να φορτίζετε την κασέτα μπαταριών σε θερμοκρασία δωματίου, δηλαδή στους 10°C έως 40°C. Αφήστε μια θερμή κασέτα μπαταριών να κρυώσει πριν την φορτίσετε.
4. Να φορτίζετε την κασέτα μπαταριών εάν δεν τη χρησιμοποιείτε για μεγάλη χρονική περίοδο (περισσότερο από έξι μήνες).

ΣΥΝΑΡΜΟΛΟΓΗΣΗ

▲ ΠΡΟΕΙΔΟΠΟΙΗΣΗ: Να βεβαιώνετε πάντα ότι έχετε βγάλει το κλειδί ασφάλισης και την κασέτα μπαταριών πριν πραγματοποιείτε οποιαδήποτε εργασία στη μηχανή γκαζόν. Αν δεν βγάλετε το κλειδί ασφάλισης και την κασέτα μπαταριών μπορεί να έχει ως αποτέλεσμα σοβαρό προσωπικό τραυματισμό από τυχαία εκκίνηση.

▲ ΠΡΟΕΙΔΟΠΟΙΗΣΗ: Μη βάζετε ποτέ μπροστά τη μηχανή γκαζόν αν δεν είναι πλήρως συναρμολογημένη. Η λειτουργία του μηχανήματος σε μερικούς συναρμολογημένη κατάσταση μπορεί να έχει ως αποτέλεσμα σοβαρό προσωπικό τραυματισμό από τυχαία έναρξη.

Τοποθέτηση της λαβής

ΕΙΔΟΠΟΙΗΣΗ: Όταν τοποθετείτε τις λαβές, τοποθετήστε τα καλώδια για να μην πιστώσουν από οπιδήχστε μεταξύ των λαβών. Αν το καλώδιο είναι κατεστραμμένο, ο διακόπτης της μηχανής γκαζόν μπορεί να μη λειτουργεί.

1. Ευθυγραμμίστε τις οπές στην κάτω λαβή με τις οπές στο κύριο τμήμα της μηχανής γκαζόν, και μετά σφίξτε προσωρινά τα 4 μπουλόνια.
▶ **Εικ.1:** 1. Κάτω λαβή 2. Μπουλόνι
2. Σφίξτε καλά τα 4 μπουλόνια που σφίξατε προσωρινά στο βήμα 1 χρησιμοποιώντας το σωληνωτό κλειδί 13.
3. Ευθυγραμμίστε την οπή στην κάτω λαβή με την οπή στην άνω λαβή, μετά εισαγάγετε το μπουλόνι από την εσωτερική πλευρά και μετά σφίξτε το παξιμάδι από την εξωτερική πλευρά με το σωληνωτό κλειδί 13. Εκτελέστε την ίδια διαδικασία στην άλλη πλευρά.
▶ **Εικ.2:** 1. Μπουλόνι 2. Κάτω λαβή 3. Παξιμάδι 4. Οπή 5. Άνω λαβή

▲ ΠΡΟΣΟΧΗ: Κρατήστε καλά την άνω λαβή για να μην πέσει από το χέρι σας. Διαφορετικά, η λαβή μπορεί να πέσει και να προκληθεί τραυματισμός.

4. Προσαρτήστε τους υποδοχείς στις λαβές.

Ευθυγραμμίστε τις προεξοχές στον υποδοχέα με τις οπές στη λαβή, έτσι ώστε οι προεξοχές να εφαρμόζονται στις οπές. Τοποθετήστε τα καλώδια όπως απεικονίζεται στην εικόνα.

▶ **Εικ.3:** 1. Καλώδιο 2. Υποδοχέας

Αφαίρεση του προσαρτήματος εδαφοκάλυψης

1. Ανοίξτε το πίσω κάλυμμα.
▶ **Εικ.4:** 1. Πίσω κάλυμμα
2. Αφαιρέστε το προσάρτημα εδαφοκάλυψης κρατώντας πατημένο το μοχλό.
▶ **Εικ.5:** 1. Μοχλός 2. Προσάρτημα εδαφοκάλυψης

Τοποθέτηση ή αφαίρεση του καλαθιού γρασιδιού

Για να τοποθετήσετε το καλάθι γρασιδιού, ακολουθήστε τα παρακάτω βήματα.

1. Ανοίξτε το πίσω κάλυμμα.
▶ **Εικ.6:** 1. Πίσω κάλυμμα
2. Κρατήστε τη λαβή του καλαθιού γρασιδιού και μετά γαντζώστε το καλάθι γρασιδιού στη ράβδο του κυρίου τμήματος της μηχανής γκαζόν όπως απεικονίζεται στην εικόνα.
▶ **Εικ.7:** 1. Ράβδος 2. Λαβή 3. Καλάθι γρασιδιού

Για να αφαιρέσετε το καλάθι γρασιδιού, ανοίξτε το πίσω κάλυμμα και μετά αφαιρέστε το καλάθι γρασιδιού κρατώντας τη λαβή.

Σύνδεση του προσαρτήματος εδαφοκάλυψης

1. Ανοίξτε το πίσω κάλυμμα και μετά αφαιρέστε το καλάθι γρασιδιού.
▶ **Εικ.8:** 1. Πίσω κάλυμμα 2. Καλάθι γρασιδιού
2. Συνδέστε το προσάρτημα εδαφοκάλυψης κρατώντας πατημένο το μοχλό, και μετά αφήστε το μοχλό για να ασφαλίσετε το προσάρτημα εδαφοκάλυψης.
▶ **Εικ.9:** 1. Μοχλός 2. Προσάρτημα εδαφοκάλυψης

Σύνδεση του προσαρτήματος εκκένωσης

Για **AM3653/AM3753**

1. Ανοίξτε το πίσω κάλυμμα και μετά αφαιρέστε το καλάθι γρασιδιού.
▶ **Εικ.10:** 1. Πίσω κάλυμμα 2. Καλάθι γρασιδιού
2. Συνδέστε το προσάρτημα εδαφοκάλυψης κρατώντας πατημένο το μοχλό, και μετά αφήστε το μοχλό για να ασφαλίσετε το προσάρτημα εδαφοκάλυψης.
▶ **Εικ.11:** 1. Μοχλός 2. Προσάρτημα εδαφοκάλυψης
3. Ανοίξτε το δεξιό πλαϊνό κάλυμμα και μετά προσαρτήστε το προσάρτημα εκκένωσης.

Εισαγάγετε τους γάντζους του προσαρτήματος εκκένωσης κάτω από τη ράβδο του δεξιού πλαϊνού καλύμματος.

▶ **Εικ.12:** 1. Δεξιό πλαϊνό κάλυμμα 2. Προσάρτημα εκκένωσης

ΠΕΡΙΓΡΑΦΗ ΛΕΙΤΟΥΡΓΙΑΣ

Τοποθέτηση ή αφαίρεση της κασέτας μπαταριών

▲ ΠΡΟΣΟΧΗ: Να σβήνετε πάντα το μηχάνημα πριν τοποθετήσετε ή αφαιρέσετε την κασέτα μπαταριών.

▲ ΠΡΟΣΟΧΗ: Κρατήστε το μηχάνημα και την κασέτα μπαταριών σταθερά κατά την τοποθέτηση ή την αφαίρεση της κασέτας μπαταριών. Αν δεν κρατάτε σταθερά το μηχάνημα και την κασέτα μπαταριών, μπορεί να γλιστρήσουν από τα χέρια σας και να προκληθεί ζημιά στο μηχάνημα και την κασέτα μπαταριών και τραυματισμός.

▲ ΠΡΟΣΟΧΗ: Βεβαιωθείτε να ασφαλίσετε το κάλυμμα μπαταριών πριν από τη χρήση. Διαφορετικά, η λάσπη, η σκόνη ή το νερό μπορεί να προκαλέσουν ζημιά στο προϊόν ή στην κασέτα μπαταριών.

▲ ΠΡΟΣΟΧΗ: Να τοποθετείτε πάντα την κασέτα μπαταριών πλήρως μέχρι να μην βλέπετε την κόκκινη ένδειξη. Σε αντίθετη περίπτωση, μπορεί να πέσει κατά λάθος από το μηχάνημα και να τραυματίσει εσάς ή κάποιον παρευρισκόμενο.

▲ ΠΡΟΣΟΧΗ: Μην τοποθετείτε την κασέτα μπαταριών με βία. Αν η κασέτα δεν εισέρχεται με ευκολία, δεν είναι τοποθετημένη σωστά.

ΠΑΡΑΤΗΡΗΣΗ: Το μηχάνημα δεν λειτουργεί με μόνο μια κασέτα μπαταριών.

Για να τοποθετήσετε την κασέτα μπαταριών:

1. Τραβήξτε το μοχλό ασφάλισης προς τα πάνω και μετά ανοίξτε το κάλυμμα μπαταριών.
▶ **Εικ.13:** 1. Κάλυμμα μπαταριών 2. Μοχλός ασφάλισης
2. Ευθυγραμμίστε τη γλωττίδα της κασέτας μπαταριών με τη σχισμή στο μηχάνημα, και μετά σύρετε την κασέτα μέχρι να ασφαλίσει στη θέση της με ένα χαρακτηριστικό ήχο.
▶ **Εικ.14:** 1. Θύρα μπαταριών 1 (2) Θύρα μπαταριών 2 (3) Κασέτα μπαταριών

ΠΑΡΑΤΗΡΗΣΗ: Τοποθετήστε τουλάχιστον 2 κασέτες μπαταριών στη θύρα μπαταριών 1 ή στη θύρα μπαταριών 2.

3. Εισαγάγετε το κλειδί ασφάλισης στη θέση που απεικονίζεται στην εικόνα μέχρι τέρμα.
▶ **Εικ.15:** 1. Κλειδί ασφάλισης
4. Κλείστε το κάλυμμα μπαταριών και ωθήστε το μέχρι να ασφαλίσει με το μοχλό ασφάλισης.

Για να αφαιρέσετε την κασέτα μπαταριών:

1. Τραβήξτε το μοχλό ασφάλισης προς τα πάνω και ανοίξτε το κάλυμμα μπαταριών.
2. Τραβήξτε έξω την κασέτα μπαταριών από το μηχάνημα ενώ σύρετε το κουμπί στο μπροστινό μέρος της κασέτας.
3. Τραβήξτε προς τα έξω το κλειδί ασφάλισης.
4. Κλείστε το κάλυμμα μπαταριών.

Αλλαγή των κασετών μπαταριών

▶ **Εικ.16:** 1. Διακόπτης επιλογής μπαταρίας

Για να λειτουργήσει, το μηχάνημα χρησιμοποιεί 2 κασέτες μπαταριών. Μπορούν να τοποθετηθούν μέχρι 4 κασέτες μπαταριών στο μηχάνημα. Πριν θέσετε σε λειτουργία το μηχάνημα, επιλέξτε τη θύρα μπαταριών 1 ή τη θύρα μπαταριών 2 περιστρέφοντας το διακόπτη επιλογής μπαταρίας.

ΠΑΡΑΤΗΡΗΣΗ: Αν στο μηχάνημα είναι τοποθετημένες μόνο 2 κασέτες μπαταριών, επιλέξτε οπωσδήποτε τη θύρα μπαταριών στην οποία είναι τοποθετημένες οι κασέτες μπαταριών χρησιμοποιώντας το διακόπτη επιλογής μπαταρίας.

Σύστημα προστασίας μηχανήματος / μπαταρίας

Το μηχάνημα είναι εξοπλισμένο με ένα σύστημα προστασίας μηχανήματος / μπαταρίας. Αυτό το σύστημα αποκόπτει αυτόματα την ισχύ προς το μοτέρ για να παραταθεί η διάρκεια ζωής του μηχανήματος και της μπαταρίας. Το μηχάνημα σταματάει αυτόματα κατά τη διάρκεια της λειτουργίας αν το μηχάνημα ή η μπαταρία βρεθούν κάτω από τις παρακάτω συνθήκες:

Προστασία υπερφόρτωσης

Όταν η μπαταρία λειτουργεί με τρόπο που προκαλεί την κατανάλωση ασυνήθιστα υψηλού ηλεκτρικού ρεύματος, το μηχάνημα σταματάει αυτόματα και η λυχνία κύριας λειτουργίας αναβοσβήνει με πράσινο χρώμα. Σε αυτή την κατάσταση, απενεργοποιήστε το μηχάνημα και διακόψτε την εφαρμογή που προκαλεί την υπερφόρτωση του μηχανήματος. Μετά, ενεργοποιήστε το μηχάνημα για επανεκκίνηση.

Προστασία υπερθέρμανσης

Όταν το μηχάνημα ή η μπαταρία υπερθερμανθεί, το μηχάνημα σταματάει αυτόματα και η λυχνία κύριας λειτουργίας ανάβει με κόκκινο χρώμα. Σε αυτή την περίπτωση, αφήστε το μηχάνημα και την μπαταρία να κρυώσουν πριν ενεργοποιήσετε ξανά το μηχάνημα.

Προστασία υπερβολικής αποφόρτισης

Όταν η χωρητικότητα μπαταρίας δεν είναι αρκετή, το μηχάνημα σταματάει αυτόματα και η λυχνία κύριας λειτουργίας αναβοσβήνει με κόκκινο χρώμα. Σε αυτή την περίπτωση, βγάλτε την μπαταρία από το μηχάνημα και φορτίστε τις κασέτες μπαταριών ή αλλάξτε τις κασέτες μπαταριών με πλήρως φορτισμένες.

Εμφάνιση υπολειπόμενης χωρητικότητας μπαταρίας

Μόνο για κασέτες μπαταρίας με την ενδεικτική λυχνία

► **Εικ.17:** 1. Ενδεικτικές λυχνίες 2. Κουμπί ελέγχου

Πίστετε το κουμπί ελέγχου στην κασέτα μπαταριών για να υποδείξετε την υπολειπόμενη χωρητικότητα μπαταρίας. Οι ενδεικτικές λυχνίες ανάβουν για λίγα δευτερόλεπτα.

Ενδεικτικές λυχνίες			Υπολειπόμενη χωρητικότητα
Αναμμένες	Σβηστές	Αναβοσβήνουν	
■ ■ ■ ■			75% έως 100%
■ ■ ■ □			50% έως 75%
■ ■ □ □			25% έως 50%
■ □ □ □			0% έως 25%
▬ □ □ □			Φορτίστε την μπαταρία.
■ ■ □ □			Μπορεί να προέκυψε δυσλειτουργία στην μπαταρία.
□ □ ■ ■			

ΠΑΡΑΤΗΡΗΣΗ: Ανάλογα με τις συνθήκες χρήσης και τη θερμοκρασία περιβάλλοντος, η ένδειξη μπορεί να διαφέρει λίγο από την πραγματική χωρητικότητα.

Πίνακας ελέγχου

Ο πίνακας ελέγχου διαθέτει τον διακόπτη κύριας λειτουργίας, το κουμπί αλλαγής τρόπου λειτουργίας και την ένδειξη υπολειπόμενης χωρητικότητας μπαταρίας.

► **Εικ.18:** 1. Ένδειξη μπαταρίας 2. Λυχνία αλλαγής τρόπου λειτουργίας 3. Λυχνία κύριας λειτουργίας 4. Κουμπί ελέγχου 5. Κουμπί αλλαγής τρόπου λειτουργίας 6. Διακόπτης κύριας λειτουργίας

Διακόπτης κύριας λειτουργίας

▲ΠΡΟΕΙΔΟΠΟΙΗΣΗ: Να απενεργοποιείτε πάντα το διακόπτη κύριας λειτουργίας όταν δεν χρησιμοποιείτε το εργαλείο.

Για να ενεργοποιήσετε το μηχάνημα, πατήστε το διακόπτη κύριας λειτουργίας. Η λυχνία κύριας λειτουργίας ανάβει με πράσινο χρώμα. Για να απενεργοποιήσετε το μηχάνημα, πατήστε ξανά το διακόπτη κύριας λειτουργίας.

ΠΑΡΑΤΗΡΗΣΗ: Αν η λυχνία κύριας λειτουργίας ανάψει με κόκκινο χρώμα ή αναβοσβήνει με κόκκινο ή πράσινο χρώμα, ανατρέξτε στις οδηγίες για το σύστημα προστασίας μηχανήματος/μπαταρίας.

ΠΑΡΑΤΗΡΗΣΗ: Αυτό το μηχάνημα χρησιμοποιεί τη λειτουργία αυτόματης απενεργοποίησης. Για να αποφευχθεί η ακούσια εκκίνηση, ο διακόπτης κύριας λειτουργίας κλείνει αυτόματα αν δεν τραβήξετε το μοχλό διακόπτη και το μοχλό κίνησης (αν υπάρχει) για συγκεκριμένη περίοδο μετά την ενεργοποίηση του διακόπτη κύριας λειτουργίας.

Κουμπί αλλαγής τρόπου λειτουργίας

Μπορείτε να αλλάξετε τον τρόπο λειτουργίας αν πατήσετε το κουμπί αλλαγής τρόπου λειτουργίας. Όταν το μηχάνημα είναι ενεργοποιημένο, το μηχάνημα εκκινείται σε κανονικό τρόπο λειτουργίας. Όταν πατήσετε το κουμπί αλλαγής τρόπου λειτουργίας, το μηχάνημα μεταβαίνει στη λειτουργία μείωσης θορύβου και η λυχνία αλλαγής τρόπου λειτουργίας ανάβει με πράσινο χρώμα. Στη λειτουργία μείωσης θορύβου μπορείτε να μειώσετε το θόρυβο όταν κουρεύετε το γκαζόν. Όταν πατήσετε ξανά το κουμπί αλλαγής τρόπου λειτουργίας, το μηχάνημα επιστρέφει στον κανονικό τρόπο λειτουργίας.

Υπόδειξη υπόλοιπης χωρητικότητας μπαταρίας

Πίστετε το κουμπί ελέγχου για να εμφανιστεί η υπόλοιπη χωρητικότητα της μπαταρίας. Οι ενδείξεις μπαταριών αντιστοιχούν σε κάθε μπαταρία.

Κατάσταση ένδειξης μπαταριών		Υπολειπόμενη χωρητικότητα μπαταρίας
Αναμμένη	Σβηστή	
		50% - 100%
		20% - 50%
		0% - 20%

ΠΑΡΑΤΗΡΗΣΗ: Η ενδεικτική λυχνία για την υπολειπόμενη χωρητικότητα μπαταρίας προορίζεται μόνο για αναφορά. Η πραγματική χωρητικότητα της μπαταρίας μπορεί να διαφέρει ανάλογα με τις συνθήκες χρήσης.

ΠΑΡΑΤΗΡΗΣΗ: Πριν πατήσετε το κουμπί ελέγχου για να εμφανιστεί η υπόλοιπη χωρητικότητα της μπαταρίας, σταματήστε το μηχάνημα.

Δράση διακόπτη

▲ΠΡΟΕΙΔΟΠΟΙΗΣΗ: Πριν τοποθετήσετε την κασέτα μπαταριών, να ελέγχετε πάντοτε ότι ο μοχλός διακόπτη ενεργοποιείται κανονικά και επιστρέφει στην αρχική θέση όταν ελευθερώνεται. Η λειτουργία του μηχανήματος με διακόπτη που δεν ενεργοποιείται σωστά μπορεί να οδηγήσει σε απώλεια ελέγχου και σοβαρό τραυματισμό.

ΠΑΡΑΤΗΡΗΣΗ: Η μηχανή γκαζόν δεν ενεργοποιείται αν δεν πατήσετε το κουμπί διακόπτη ακόμα και αν έχετε τραβήξει το μοχλό διακόπτη.

ΠΑΡΑΤΗΡΗΣΗ: Η μηχανή γκαζόν δεν ξεκινάει λόγω της υπερφόρτωσης που συμβαίνει όταν προσπαθείτε να κουρέψετε πολύ μακρύ ή πυκνό γκαζόν με τη μία. Στην περίπτωση αυτή αυξήστε το ύψος κουρέματος.

Αυτή η μηχανή γκαζόν είναι εξοπλισμένη με κλειδί ασφάλισης και διακόπτη λαβής. Αν παρατηρήσετε οτιδήποτε ασυνήθιστο με το κλειδί ασφάλισης ή το διακόπτη, διακόψτε αμέσως τη λειτουργία και φροντίστε να ελεγχθούν από το πλησιέστερο εξουσιοδοτημένο κέντρο εξυπηρέτησης της Makita/Dolmar.

Για AM3846/AM3753

1. Τοποθετήστε τις κασέτες μπαταριών. Εισαγάγετε το κλειδί ασφάλισης, και μετά κλείστε το κάλυμμα μπαταριών.
2. Επιλέξτε τις κασέτες μπαταριών που χρησιμοποιούνται για τη λειτουργία περιστρέφοντας το διακόπτη επιλογής μπαταρίας.
3. Πατήστε το διακόπτη κύριας λειτουργίας.
4. Τραβήξτε το μοχλό διακόπτη προς το μέρος σας κρατώντας πατημένο το κουμπί διακόπτη. Αφήστε το κουμπί διακόπτη μόλις πάρει μπροστά το μοτέρ.
► **Εικ.19:** 1. Κουμπί διακόπτη 2. Μοχλός διακόπτη

ΠΑΡΑΤΗΡΗΣΗ: Αν το κλειδί ασφάλισης δεν έχει εισαχθεί, η λυχνία λειτουργίας αναβοσβήνει με πράσινο χρώμα όταν τραβάτε το μοχλό διακόπτη.

5. Ενώ κρατάτε το μοχλό διακόπτη, ωθήστε το μοχλό κίνησης προς τα εμπρός και κρατήστε τον για να δώσετε κίνηση στους πίσω τροχούς.
► **Εικ.20:** 1. Μοχλός κίνησης

ΠΑΡΑΤΗΡΗΣΗ: Μπορείτε να δώσετε κίνηση στους πίσω τροχούς, ωθώντας το μοχλό κίνησης προς τα εμπρός και κρατώντας τον χωρίς να τραβάτε το μοχλό διακόπτη.

6. Για να σταματήσετε το μηχανήμα, αφήστε το μοχλό κίνησης και το μοχλό διακόπτη.

Για AM3653

1. Τοποθετήστε τις κασέτες μπαταριών. Εισαγάγετε το κλειδί ασφάλισης στο διακόπτη αλληλασφάλισης και μετά κλείστε το κάλυμμα μπαταριών.
2. Επιλέξτε τις κασέτες μπαταριών που χρησιμοποιούνται για τη λειτουργία περιστρέφοντας το διακόπτη επιλογής μπαταρίας.
3. Πατήστε το διακόπτη κύριας λειτουργίας.
4. Τραβήξτε το μοχλό διακόπτη προς το μέρος σας κρατώντας πατημένο το κουμπί διακόπτη. Αφήστε το κουμπί διακόπτη μόλις πάρει μπροστά το μοτέρ.
► **Εικ.21:** 1. Κουμπί διακόπτη 2. Μοχλός διακόπτη

ΠΑΡΑΤΗΡΗΣΗ: Αν το κλειδί ασφάλισης δεν έχει εισαχθεί, η λυχνία λειτουργίας αναβοσβήνει με πράσινο χρώμα όταν τραβάτε το μοχλό διακόπτη.

5. Για να σταματήσετε το μοτέρ, αφήστε το μοχλό διακόπτη.

Ρύθμιση του ύψους κουρέματος

▲ ΠΡΟΕΙΔΟΠΟΙΗΣΗ: Μη βάζετε ποτέ το χέρι ή το πόδι σας κάτω από τη μονάδα της μηχανής γκαζόν όταν ρυθμίζετε το ύψος κουρέματος.

▲ ΠΡΟΕΙΔΟΠΟΙΗΣΗ: Να βεβαιώνετε πάντα ότι ο μοχλός προσαρμόζεται σωστά στην εγκοπή πριν από τη λειτουργία.

Το ύψος κουρέματος μπορεί να ρυθμιστεί στο εύρος από 20 mm έως 100 mm.

Αφαιρέστε το κλειδί ασφάλισης και μετά τραβήξτε το μοχλό ρύθμισης ύψους κουρέματος προς την εξωτερική πλευρά του κύριου τμήματος της μηχανής γκαζόν και μετακινήστε τη στο ύψος κουρέματος που επιθυμείτε.
► **Εικ.22:** 1. Μοχλός ρύθμισης ύψους κουρέματος

Για τη σχέση μεταξύ του αριθμού στο κύριο τμήμα της μηχανής γκαζόν και του προσαρμοστικού ύψους κουρέματος, ανατρέξτε στον παρακάτω πίνακα.

Αριθμός	Ύψος κουρέματος
1	20 mm
2	26 mm
3	32 mm
4	39 mm
5	47 mm
6	55 mm
7	63 mm
8	74 mm
9	86 mm
10	100 mm

Κρατήστε την μπροστινή λαβή ή την κάτω λαβή με το ένα χέρι και μετά μετακινήστε το μοχλό ρύθμισης ύψους κουρέματος με το άλλο χέρι.

- **Εικ.23:** 1. Μοχλός ρύθμισης ύψους κουρέματος
2. Κάτω λαβή 3. Μπροστινή λαβή

ΠΑΡΑΤΗΡΗΣΗ: Οι τιμές του ύψους κουρέματος πρέπει να χρησιμοποιούνται μόνο ως οδηγός. Ανάλογα με τις συνθήκες χρήσης του γκαζόν ή του εδάφους, το πραγματικό ύψος γκαζόν μπορεί να διαφέρει λίγο από το ρυθμισμένο ύψος.

ΠΑΡΑΤΗΡΗΣΗ: Κάντε ένα δοκιμαστικό κόψιμο του γκαζόν σε ένα λιγότερο εμφανές μέρος για να πετύχετε το επιθυμητό ύψος.

Ένδειξη στάθμης γρασιδιού

Η ένδειξη στάθμης γρασιδιού δείχνει τον όγκο του κουρεμένου γρασιδιού. Όταν το καλάθι γρασιδιού δεν είναι γεμάτο, η ένδειξη αιωρείται όσο λειτουργούν οι λάμες.
► **Εικ.24:** 1. Ένδειξη στάθμης γρασιδιού

Όταν το καλάθι γρασιδιού είναι σχεδόν γεμάτο, η ένδειξη δεν αιωρείται όσο λειτουργούν οι λάμες. Σε αυτή την περίπτωση, διακόψτε αμέσως τη λειτουργία και αδειάστε το καλάθι.

- **Εικ.25:** 1. Ένδειξη στάθμης γρασιδιού

ΠΑΡΑΤΗΡΗΣΗ: Αυτή η ένδειξη είναι ένας πρόχειρος οδηγός. Ανάλογα με τις συνθήκες στο εσωτερικό του καλαθιού, αυτή η ένδειξη μπορεί να μη λειτουργεί σωστά.

Ρύθμιση του ύψους λαβής

⚠ ΠΡΟΣΟΧΗ: Πριν αφαιρέσετε τα μπουλόνια, κρατήστε καλά την άνω λαβή. Διαφορετικά, η λαβή μπορεί να πέσει και να προκληθεί τραυματισμός.

Το ύψος λαβής μπορεί να ρυθμιστεί σε δύο επίπεδα.

1. Αφαιρέστε τα άνω μπουλόνια της κάτω λαβής χρησιμοποιώντας το σπληνωτό κλειδί 13 και χαλαρώστε τα κάτω μπουλόνια.

► **Εικ.26:** 1. Άνω μπουλόνι 2. Κάτω μπουλόνι

2. Ρυθμίστε το ύψος λαβής και μετά σφίξτε καλά τα άνω και κάτω μπουλόνια.

Ρύθμιση της ταχύτητας πορείας

Για **AM3846/AM3753**

► **Εικ.27:** 1. Μοχλός ταχύτητας

Η ταχύτητα πορείας μπορεί να ρυθμιστεί με το μοχλό ταχύτητας. Για να μειώσετε την ταχύτητα, τραβήξτε το μοχλό προς το μέρος σας και, για να αυξήσετε την ταχύτητα, περιστρέψτε το μοχλό προς τα εμπρός.

Χρήση του προσαρτήματος εδαφοκάλυψης

Το προσάρτημα εδαφοκάλυψης σας επιτρέπει να επιστρέψετε το κομμένο γκαζόν στο έδαφος χωρίς να μαζέψετε το κομμένο γκαζόν μέσα στο καλάθι γρασιδιού. Όταν θέτετε το μηχάνημα σε λειτουργία με προσάρτημα εδαφοκάλυψης, βεβαιωθείτε να αφαιρέσετε το καλάθι γρασιδιού.

ΕΙΔΟΠΟΙΗΣΗ: Όταν χρησιμοποιείτε το μηχάνημα με προσάρτημα εδαφοκάλυψης, βεβαιωθείτε ότι το συνολικό μήκος του γρασιδιού είναι 30 mm ή μεγαλύτερο, ή το μήκος κοπής είναι 15 mm ή μικρότερο.

► **Εικ.28:** (1) 30 mm ή μεγαλύτερο (2) 15 mm ή λιγότερο

Χρήση του προσαρτήματος εκκένωσης

Για **AM3653/AM3753**

Το προσάρτημα εκκένωσης σας επιτρέπει να εκκένωνετε το κομμένο γκαζόν στο έδαφος από τη δεξιά πλευρά του μηχανήματος χωρίς να μαζέψετε το κομμένο γκαζόν μέσα στο καλάθι γρασιδιού. Όταν χειρίζεστε το μηχάνημα με προσάρτημα εκκένωσης, τοποθετήστε οπωσδήποτε το προσάρτημα εδαφοκάλυψης και αφαιρέστε το καλάθι γρασιδιού.

Ηλεκτρονική λειτουργία

Το μηχάνημα είναι εξοπλισμένο με ηλεκτρονικές λειτουργίες για εύκολη λειτουργία.

- Έλεγχος σταθερής ταχύτητας περιστροφής λάμας Ηλεκτρονικός έλεγχος ταχύτητας για επίτευξη σταθερής ταχύτητας. Μπορείτε να έχετε ένα κομψό αποτέλεσμα επειδή η ταχύτητα περιστροφής διατηρείται σταθερή ακόμα και όταν το εργαλείο υποβάλλεται σε φόρτο.
- Ομαλή εκκίνηση κατά την κίνηση Η λειτουργία ομαλής εκκίνησης ελαχιστοποιεί τον κραδασμό κατά την εκκίνηση και καθιστά την εκκίνηση του μηχανήματος ομαλή.

- Ηλεκτρικό φρένο Το μηχάνημα αυτό είναι εξοπλισμένο με ηλεκτρικό φρένο. Αν το μηχάνημα αποτυγχάνει συνεχώς να σταματήσει γρήγορα τις λάμες της μηχανής γκαζόν όταν αφήνετε το μοχλό διακόπτη, αναθέστε την επισκευή του μηχανήματος σε εξουσιοδοτημένο κέντρο εξυπηρέτησης της Makita/Dolmar.

ΛΕΙΤΟΥΡΓΙΑ

Κούρεμα γκαζόν

⚠ ΠΡΟΕΙΔΟΠΟΙΗΣΗ: Πριν κούρεψετε το γκαζόν, καθαρίστε τα ζύλα και τις πέτρες από την περιοχή που θα κούρεψετε. Επιπλέον, καθαρίστε εκ των προτέρων τυχόν αγριόχορτα από την περιοχή που θα κούρεψετε.

⚠ ΠΡΟΕΙΔΟΠΟΙΗΣΗ: Να φοράτε πάντα προστατευτικά γυαλιά-προσωπίδες ή γυαλιά ασφαλείας με πλαινά προστατευτικά όταν χειρίζεστε τη μηχανή γκαζόν.

⚠ ΠΡΟΣΟΧΗ: Αν το κομμένο γκαζόν ή κάποιο ξένο αντικείμενο κολλήσει μέσα στο κύριο τμήμα της μηχανής γκαζόν, βεβαιωθείτε να αφαιρέσετε το κλειδί ασφάλισης και την κασέτα μπαταριών και να φορέσετε γάντια πριν αφαιρέσετε το γρασίδι ή το ξένο αντικείμενο.

ΕΙΔΟΠΟΙΗΣΗ: Χρησιμοποιήστε αυτό το μηχάνημα μόνο για το κούρεμα του γκαζόν. Μην κουρεύετε αγριόχορτα με αυτό το μηχάνημα.

► **Εικ.29**

Κατά το κούρεμα, να κρατάτε τη λαβή σταθερά με τα δύο χέρια. Η ενδεικτική ταχύτητα κούρεματος είναι περίπου 7 έως 14 μέτρα ανά 10 δευτερόλεπτα.

► **Εικ.30**

Οι κεντρικές γραμμές των μπροστινών τροχών αποτελούν οδηγούς για το πλάτος κούρεματος. Χρησιμοποιώντας τις κεντρικές γραμμές ως οδηγούς, να κουρεύετε το γκαζόν σε λωρίδες. Επικαλύψτε το μισό ή το ένα τρίτο της προηγούμενης λωρίδας για να πετύχετε ομοιόμορφο κούρεμα του γκαζόν.

► **Εικ.31:** 1. Πλάτος κούρεματος 2. Περιοχή επικάλυψης 3. Κεντρική γραμμή

Να αλλάζετε την κατεύθυνση κούρεματος κάθε φορά για να εμποδίσετε την ανάπτυξη των σπόρων γρασιδιού μόνο προς μία κατεύθυνση.

► **Εικ.32**

Να ελέγχετε περιοδικά το καλάθι γρασιδιού για κούρεμένο γρασίδι. Αδειάστε το καλάθι γρασιδιού πριν γεμίσει. Πριν από κάθε περιοδικό έλεγχο, βεβαιωθείτε να σβήσετε τη μηχανή γκαζόν και μετά να βγάλετε το κλειδί ασφάλισης και την κασέτα μπαταριών.

ΕΙΔΟΠΟΙΗΣΗ: Η χρήση της μηχανής γκαζόν με το καλάθι γρασιδιού γεμάτο αποτρέπει την ομαλή περιστροφή της λάμας και θέτει επιπλέον φορτίο στο μοτέρ, το οποίο μπορεί να προκαλέσει βλάβη.

Κούρεμα μακριού γκαζόν

Μην προσπαθείτε να κουρέψετε μακρύ γκαζόν με τη μία. Αντ' αυτού, κουρέψτε το γκαζόν σε στάδια. Αφήστε μία ή δύο μέρες ανάμεσα στα κουρέματα, μέχρι το γκαζόν να είναι ομοιόμορφα κοντό.

► **Εικ.33**

ΠΑΡΑΤΗΡΗΣΗ: Αν κουρέψετε το μακρύ γκαζόν κοντό με τη μία μπορεί να έχει ως αποτέλεσμα να νεκρωθεί το γκαζόν. Το κομμένο χορτάρι μπορεί επίσης να φράξει το εσωτερικό της μονάδας της μηχανής γκαζόν.

Άδειασμα του καλάθιού γρασιδιού

▲ ΠΡΟΕΙΔΟΠΟΙΗΣΗ: Για τη μείωση του κινδύνου πρόκλησης ατυχήματος, να ελέγχετε τακτικά το καλάθι γρασιδιού για τυχόν ζημιά ή μειωμένη αντοχή. Αντικαταστήστε το καλάθι γρασιδιού, αν απαιτείται.

1. Αφήστε το μοχλό διακόπτη και το μοχλό κίνησης (για AM3846/AM3753) ή αφήστε το μοχλό διακόπτη (για AM3653).

2. Βγάλτε το κλειδί ασφάλισης.

3. Ανοίξτε το πίσω κάλυμμα και βγάλτε το καλάθι γρασιδιού ενώ κρατάτε τη λαβή.

► **Εικ.34:** 1. Πίσω κάλυμμα 2. Λαβή 3. Καλάθι γρασιδιού

4. Αδειάστε το καλάθι γρασιδιού.

ΣΥΝΤΗΡΗΣΗ

▲ ΠΡΟΕΙΔΟΠΟΙΗΣΗ: Να βεβαιώνετε πάντα ότι έχετε βγάλει το κλειδί ασφάλισης και την κασέτα μπαταριών από τη μηχανή γκαζόν πριν από την αποθήκευση ή τη μεταφορά της μηχανής γκαζόν καθώς και πριν επιχειρήσετε να εκτελέσετε εργασίες επιθεώρησης ή συντήρησης.

▲ ΠΡΟΕΙΔΟΠΟΙΗΣΗ: Να αφαιρείτε πάντοτε το κλειδί ασφάλισης όταν δεν χρησιμοποιείτε τη μηχανή γκαζόν. Φυλάξτε το κλειδί ασφάλισης σε ένα ασφαλές μέρος μακριά από παιδιά.

▲ ΠΡΟΕΙΔΟΠΟΙΗΣΗ: Να φοράτε γάντια όταν εκτελείτε εργασίες επιθεώρησης ή συντήρησης.

▲ ΠΡΟΕΙΔΟΠΟΙΗΣΗ: Να φοράτε πάντα προστατευτικά γυαλιά-προσωπίδες ή γυαλιά ασφαλείας με πλαϊνά προστατευτικά όταν εκτελείτε εργασίες επιθεώρησης ή συντήρησης.

ΕΙΔΟΠΟΙΗΣΗ: Μην χρησιμοποιείτε ποτέ βενζίνη, πετρελαϊκό αιθέρα, διαλυτικό, αλκοόλη ή παρόμοιες ουσίες. Μπορεί να προκληθεί αποχρωματισμός, παραμόρφωση ή ρωγμές.

Για τη διατήρηση της ΑΣΦΑΛΕΙΑΣ και ΑΞΙΟΠΙΣΤΙΑΣ του προϊόντος, οι επισκευές και οποιαδήποτε άλλη εργασία συντήρησης ή ρύθμισης πρέπει να εκτελούνται από εξουσιοδοτημένα ή εργοστασιακά κέντρα εξυπηρέτησης της Makita/Dolmar, χρησιμοποιώντας πάντα ανταλλακτικά της Makita/Dolmar.

Συντήρηση

1. Αφαιρέστε το κλειδί ασφάλισης και τις κασέτες μπαταριών, και μετά κλείστε το κάλυμμα μπαταριών.
2. Τοποθετήστε τη μηχανή γκαζόν στο πλάι ώστε ο μοχλός ρύθμισης ύψους κουρέματος να τοποθετηθεί στην άνω πλευρά. Καθαρίστε τα μικρά κομμάτια χορταριού που έχουν συσσωρευτεί στο κάτω μέρος της βάσης της μηχανής γκαζόν.
3. Ρίξτε νερό προς το κάτω μέρος του μηχανήματος όπου είναι συνδεδεμένη η λάμα.

ΕΙΔΟΠΟΙΗΣΗ: Μην πλένετε το μηχάνημα με νερό υψηλής πίεσης.

4. Ελέγξτε αν είναι σφικτά όλα τα παξιμάδια, μπουλόνια, βίδες κ.λπ.
5. Επιθεωρήστε τα κινούμενη μέρη για ζημιά, σπάσιμο και φθορά. Τα μέρη που έχουν υποστεί ζημιά ή που λείπουν πρέπει να επισκευαστούν ή να αντικατασταθούν.
6. Αποθηκεύστε τη μηχανή γκαζόν σε ένα ασφαλές μέρος μακριά από παιδιά.

Για AM3846/AM3753

ΕΙΔΟΠΟΙΗΣΗ: Μην χύνετε νερό στην περιοχή που απεικονίζεται στην εικόνα. Αν χυθεί νερό στη μονάδα μοτέρ, μπορεί να προκληθεί δυσλειτουργία του μηχανήματος.

► **Εικ.35:** 1. Περιοχή όπου δεν θα πρέπει να χυθεί νερό

Μεταφορά της μηχανής γκαζόν

Κατά τη μεταφορά της μηχανής γκαζόν, δύο άτομα πρέπει να κρατούν την μπροστινή λαβή και την πίσω λαβή όπως απεικονίζεται στην εικόνα.

► **Εικ.36:** 1. Μπροστινή λαβή 2. Πίσω λαβή

Αποθήκευση

Αποθηκεύστε τη μηχανή γκαζόν σε εσωτερικό, δροσερό και στεγνό, κλειδωμένο χώρο. Μην αποθηκεύετε τη μηχανή γκαζόν και το φορτιστή σε μέρη όπου η θερμοκρασία μπορεί να φτάσει ή να ξεπεράσει τους 40 °C.

Αφαίρεση ή τοποθέτηση της λάμας της μηχανής γκαζόν

▲ ΠΡΟΕΙΔΟΠΟΙΗΣΗ: Η λάμα κινείται ελεύθερα για μερικά δευτερόλεπτα αφού αφήσετε το διακόπτη. Μην ξεκινήσετε καμία λειτουργία αν η λάμα δεν σταματήσει εντελώς.

▲ ΠΡΟΕΙΔΟΠΟΙΗΣΗ: Να αφαιρείτε πάντα το κλειδί ασφάλισης και την κασέτα μπαταριών όταν αφαιρείτε ή τοποθετείτε τη λάμα. Αν δεν αφαιρέσετε το κλειδί ασφάλισης και την κασέτα μπαταριών μπορεί να προκληθεί σοβαρός τραυματισμός.

▲ ΠΡΟΕΙΔΟΠΟΙΗΣΗ: Να φοράτε πάντα γάντια κατά το χειρισμό της λάμας.

Αφαίρεση της λάμας της μηχανής γκαζόν

Για μοντέλα που είναι εξοπλισμένα με ίσια λάμα μηχανής γκαζόν

1. Τοποθετήστε τη μηχανή γκαζόν στο πλάι ώστε ο μοχλός ρύθμισης ύψους κουρέματος να τοποθετηθεί στην άνω πλευρά.
2. Για να ασφαλίσετε τη λάμα, εισαγάγετε τον πείρο σε μια οπή στο κύριο τμήμα της μηχανής γκαζόν.
3. Περιστρέψτε το μπουλόνι αριστερόστροφα με το σωληνωτό κλειδί 17.
► **Εικ.37:** 1. Λάμα της μηχανής γκαζόν 2. Πείρος 3. Σωληνωτό κλειδί
4. Αφαιρέστε το μπουλόνι και μετά τη λάμα της μηχανής γκαζόν.
► **Εικ.38:** 1. Στήριξη λάμας 2. Λάμα της μηχανής γκαζόν 3. Μπουλόνι 4. Προεξοχή

ΕΙΔΟΠΟΙΗΣΗ: Κατά την τοποθέτηση της λάμας της μηχανής γκαζόν, βεβαιωθείτε ότι οι προεξοχές στην στήριξη λάμας εφαρμόζουν στις οπές της λάμας της μηχανής γκαζόν.

Για μοντέλα που είναι εξοπλισμένα με λάμες μηχανής γκαζόν με μηχανισμό υποχώρησης

1. Τοποθετήστε τη μηχανή γκαζόν στο πλάι ώστε ο μοχλός ρύθμισης ύψους κουρέματος να τοποθετηθεί στην άνω πλευρά.
2. Για να ασφαλίσετε την πλάκα βάσης, εισαγάγετε τον πείρο σε μια οπή στο κύριο τμήμα της μηχανής γκαζόν περνώντας τον μέσα από μια οπή της πλάκας βάσης.
3. Περιστρέψτε το μπουλόνι αριστερόστροφα με το σωληνωτό κλειδί 17.
► **Εικ.39:** 1. Πείρος 2. Πλάκα βάσης 3. Σωληνωτό κλειδί
4. Αφαιρέστε το μπουλόνι και μετά την πλάκα βάσης.
► **Εικ.40:** 1. Στήριξη λάμας 2. Πλάκα βάσης 3. Μπουλόνι 4. Προεξοχή

ΕΙΔΟΠΟΙΗΣΗ: Κατά την τοποθέτηση των λαμών της μηχανής γκαζόν, βεβαιωθείτε ότι οι προεξοχές στην στήριξη λάμας εφαρμόζουν στις οπές της πλάκας βάσης.

5. Για να αφαιρέσετε τη μεμονωμένη λάμα της μηχανής γκαζόν, περιστρέψτε το μπουλόνι αριστερόστροφα με το σωληνωτό κλειδί 17 κρατώντας την πλάκα βάσης.
► **Εικ.41:** 1. Πλάκα βάσης 2. Λάμα της μηχανής γκαζόν 3. Σωληνωτό κλειδί
6. Αφαιρέστε με τη σειρά το παξιμάδι, τη ροδέλα, το γκρόβερ, τη λάμα της μηχανής γκαζόν και το μπουλόνι.
► **Εικ.42:** 1. Οπή για μπουλόνι 2. Μπουλόνι 3. Λάμα της μηχανής γκαζόν 4. Γκρόβερ 5. Ροδέλα 6. Παξιμάδι

ΕΙΔΟΠΟΙΗΣΗ: Κατά το σφίξιμο των παξιμαδιών για την τοποθέτηση των μεμονωμένων λαμών της μηχανής γκαζόν, εφαρμόστε ροπή σύσφιξης 30 N•m.

ΕΙΔΟΠΟΙΗΣΗ: Κατά την τοποθέτηση της μεμονωμένης λάμας της μηχανής γκαζόν, στερεώστε οπωσδήποτε το γκρόβερ προς την κατεύθυνση που απεικονίζεται στην εικόνα.

ΕΙΔΟΠΟΙΗΣΗ: Κατά την τοποθέτηση της μεμονωμένης λάμας της μηχανής γκαζόν, εισαγάγετε οπωσδήποτε τα μπουλόνια στις οπές για μπουλό-υα όπως απεικονίζεται στην εικόνα.

Τοποθέτηση της λάμας της μηχανής γκαζόν

▲ΠΡΟΕΙΔΟΠΟΙΗΣΗ: Τοποθετήστε τη λάμα της μηχανής γκαζόν προσεκτικά. Έχει άνω/κάτω πρόσωση.

▲ΠΡΟΕΙΔΟΠΟΙΗΣΗ: Σφίξτε καλά το μπουλόνι δεξιόστροφα για να ασφαλίσετε τη λάμα.

▲ΠΡΟΕΙΔΟΠΟΙΗΣΗ: Βεβαιωθείτε ότι η λάμα της μηχανής γκαζόν και όλα τα μέρη στερέωσης είναι σωστά τοποθετημένα και καλά σφιγμένα.

▲ΠΡΟΕΙΔΟΠΟΙΗΣΗ: Όταν αλλάζετε τις λάμες, πάντα να ακολουθείτε τις οδηγίες που παρέχονται στο παρόν εγχειρίδιο.

ΕΙΔΟΠΟΙΗΣΗ: Μετά την τοποθέτηση των λαμών της μηχανής γκαζόν, αφαιρέστε τον πείρο από το κύριο τμήμα της μηχανής γκαζόν.

Για να τοποθετήσετε τις λάμες της μηχανής γκαζόν, ακολουθήστε τη διαδικασία αφαίρεσης με αντίστροφη σειρά.

ΑΝΤΙΜΕΤΩΠΙΣΗ ΠΡΟΒΛΗΜΑΤΩΝ

Πριν ζητήσετε επισκευές, εκτελέστε αρχικά τη δική σας επιθεώρηση. Αν εντοπίσετε πρόβλημα που δεν εξηγείται στο εγχειρίδιο, μην επιχειρήσετε να αποσυναρμολογήσετε το μηχάνημα. Αντ' αυτού, απευθυνθείτε σε εξουσιοδοτημένα κέντρα εξυπηρέτησης της Makita/Dolmar, και χρησιμοποιείτε πάντα γνήσια ανταλλακτικά της Makita/Dolmar για τις επισκευές.

Κατάσταση προβλήματος	Πιθανή αιτία (δυσλειτουργία)	Αποκατάσταση
Η μηχανή γκαζόν δεν ενεργοποιείται.	Δεν είναι τοποθετημένες δύο κασέτες μπαταριών.	Τοποθετήστε δύο φορτισμένες κασέτες μπαταριών.
	Πρόβλημα μπαταριών (μικρή τάση)	Επαναφορτίστε την κασέτα μπαταριών. Αν η επαναφόρτιση δεν είναι αποτελεσματική, αντικαταστήστε την κασέτα μπαταριών.
	Δεν έχετε εισαγάγει το κλειδί ασφάλισης.	Εισαγάγετε το κλειδί ασφάλισης.
	Ο διακόπτης επιλογής μπαταρίας δεν είναι στη σωστή θέση.	Επιλέξτε τη θύρα μπαταριών στην οποία είναι τοποθετημένες οι κασέτες μπαταριών χρησιμοποιώντας το διακόπτη επιλογής μπαταρίας.
Το μοτέρ σταματά να λειτουργεί μετά από μικρή χρήση.	Το επίπεδο φόρτισης μπαταρίας είναι χαμηλό.	Επαναφορτίστε την κασέτα μπαταριών. Αν η επαναφόρτιση δεν είναι αποτελεσματική, αντικαταστήστε την κασέτα μπαταριών.
	Το ύψος κουρέματος έχει ρυθμιστεί πολύ χαμηλά.	Αυξήστε το ύψος κουρέματος.
	Έχει φράξει κομμένο γκαζόν μέσα στη μηχανή γκαζόν.	Βγάλτε το φραγμένο γκαζόν από τη μηχανή γκαζόν.
Το μοτέρ δεν φτάνει τις μέγιστες ΣΑΛ.	Η κασέτα μπαταριών δεν είναι σωστά τοποθετημένη.	Τοποθετήστε την κασέτα μπαταριών όπως περιγράφεται σε αυτό το εγχειρίδιο.
	Η ισχύς της μπαταρίας πέφτει.	Επαναφορτίστε την κασέτα μπαταριών. Αν η επαναφόρτιση δεν είναι αποτελεσματική, αντικαταστήστε την κασέτα μπαταριών.
	Το σύστημα μετάδοσης κίνησης δεν λειτουργεί σωστά.	Απευθυνθείτε στο τοπικό εξουσιοδοτημένο κέντρο εξυπηρέτησης για επισκευή.
Η λάμα της μηχανής γκαζόν δεν περιστρέφεται: ⇒ σταματήστε αμέσως τη μηχανή γκαζόν!	Έχει φράξει ένα ξένο αντικείμενο, όπως ένα κλαδί, κοντά στη λάμα.	Αφαιρέστε το ξένο αντικείμενο.
	Το σύστημα μετάδοσης κίνησης δεν λειτουργεί σωστά.	Απευθυνθείτε στο τοπικό εξουσιοδοτημένο κέντρο εξυπηρέτησης για επισκευή.
Ασυνήθιστοι κραδασμοί: ⇒ σταματήστε αμέσως τη μηχανή γκαζόν!	Η λάμα δεν είναι ισορροπημένη ή έχει φθαρεί υπερβολικά ή ανομοιόμορφα.	Αντικαταστήστε τη λάμα.

ΠΡΟΑΙΡΕΤΙΚΑ ΕΞΑΡΤΗΜΑΤΑ

⚠ ΠΡΟΣΟΧΗ: Συνιστάται η χρήση των παρακάτω εξαρτημάτων ή προσαρτημάτων με το εργαλείο της Makita/Dolmar μόνο όπως καθορίζεται στο παρόν εγχειρίδιο. Η χρήση άλλων εξαρτημάτων ή προσαρτημάτων μπορεί να παρουσιάζει κίνδυνο για τραυματισμό ατόμων. Χρησιμοποιήστε εξαρτήματα ή προσαρτήματα μόνο για τον καθορισμένο σκοπό.

Αν χρειάζεστε κάποια βοήθεια ή περισσότερες πληροφορίες σχετικά με τα αξεσουάρ αυτά, απευθυνθείτε στο πλησιέστερο κέντρο εξυπηρέτησης της Makita/Dolmar.

- Λάμα της μηχανής γκαζόν
- Γνήσια μπαταρία και φορτιστής της Makita/Dolmar

ΠΑΡΑΤΗΡΗΣΗ: Μερικά στοιχεία της λίστας μπορεί να συμπεριλαμβάνονται στη συσκευασία προϊόντος ως στάνταρ εξαρτήματα. Μπορεί να διαφέρουν ανάλογα με τη χώρα.

TEKNİK ÖZELLİKLER

Model:	AM3846	AM3653	AM3753	
Bıçme genişliği (bıçak çapı)	460 mm	534 mm		
Yüksüz hız	2.500 min ⁻¹	2.300 min ⁻¹		
Maksimum hız	3.300 min ⁻¹	2.800 min ⁻¹		
Yedek çim biçme makinesi bıçağı parça numarası	Düz çim biçme makinesi bıçağı	191D51-9	191D52-7	
	Geriyе sallanır çim biçme makinesi bıçakları *1	191D49-6	191D50-1	
	Geriyе sallanır çim biçme makinesi bıçakları *2	191D47-0	191D48-8	
Boyutlar (U x G x Y)	U: 1.610 mm ila 1.690 mm G: 535 mm Y: 980 mm ila 1.095 mm	U: 1.630 mm ila 1.715 mm G: 590 mm Y: 990 mm ila 1.095 mm		
Seyahat hızı	2,5 - 5,0 km/h	-	2,5 - 5,0 km/h	
Anma gerilimi	D.C. 36 V			
Net ağırlık	Düz çim biçme makinesi bıçağı takıldığında	35,3 - 39,0 kg	35,5 - 39,3 kg	39,0 - 42,8 kg
	Geriyе sallanır çim biçme makinesi bıçakları takıldığında	36,0 - 39,7 kg	36,2 - 40,0 kg	39,7 - 43,5 kg
Koruma sınıfı	IPX4			

*1. Altlık ve münferit çim biçme makinesi bıçakları.

*2. Sadece münferit çim biçme makinesi bıçakları.

- Sürekli yapılan araştırma ve geliştirmelerden dolayı, burada belirtilen özellikler önceden bildirilmeksizin değiştirilebilir.
- Özellikler ülkeden ülkeye değişebilir.
- Ağırlık, ekli aksesuara/aksesuarlara ve batarya kartuşuna bağlı olarak farklılık gösterebilir. EPTA-Prosedürü 01/2014'e göre en hafif ve en ağır kombinasyonlar tabloda verilmiştir.

Geçerli batarya kartuşu

BL1815N / BL1820 / BL1820B / BL1830 / BL1830B / BL1840 / BL1840B / BL1850 / BL1850B / BL1860B

- Yukarıda listelenen batarya kartuşlarının bazıları yaşadığınız bölgeye bağlı olarak mevcut olmayabilir.

⚠UYARI: Sadece yukarıda listelenen batarya kartuşlarını kullanın. Başka batarya kartuşlarının kullanılması yaralanma ve/veya yangına neden olabilir.

Semboller

Aşağıdakiler makineniz için kullanılan semboller göstermektedir. Kullanmadan önce manalarını anladığınızdan emin olunuz.



Çok özenli ve dikkatli kullanın.



El kitabını okuyun.



Tehlike; sıçrayan nesnelere korunun.



Alet ile etrafındaki kişiler arasında en az 15 m mesafe olmalıdır.



Ellerinizi ve ayaklarınızı asla çim biçme makinesinin altındaki bıçaklara yaklaştırmayın. Motor durdurulduktan sonra bıçaklar dönmeye devam eder.



Kontrol, ayarlama, temizleme, servis, kenara kaldırma ve depolama işlemlerinden önce kilit anahtarını çıkarın.



Elektrik tehlikesi. Su ile temas elektrik çarpmasına neden olabilir.



Su dökmeyin.



Ni-MH
Li-ion

Sadece AB ülkeleri için Elektrik donanımını ve batarya kutusunu evsel atıklarla birlikte bertaraf etmeyiniz! Atık Elektrikli ve Elektronik Donanımlar, Piller ve Akümülatörler ve Atık Piller ve Akümülatörler konusundaki Avrupa Direktifleri ve bunların ulusal yasalara uygulanmaları uyarınca, kullanım ömürlü biten elektrikli donanımların, pillerin ve pil takım(lar)ının ayrı toplanmaları ve çevreye uyumlu bir geri dönüşüm tesisine getirilmeleri gereklidir.

Kullanım amacı

Bu makine çim biçmek için tasarlanmıştır.

Gürültü

Tipik A-ağırlıklı gürültü düzeyi (EN60335-2-77 standardına göre belirlenen):

NOT: Değerler, çim biçme makinesi düz çim biçme makinesi bıçağı ile donatılmış olarak ölçülmüştür.

Model AM3846

Ses basınç seviyesi (L_{pA}): 82,7 dB (A)

Ses gücü düzeyi (L_{WA}): 90,9 dB (A)

Belirsizlik (K): 3 dB (A)

Model AM3653

Ses basınç seviyesi (L_{pA}): 78,1 dB (A)

Ses gücü düzeyi (L_{WA}): 90,4 dB (A)

Belirsizlik (K): 3 dB (A)

Model AM3753

Ses basınç seviyesi (L_{pA}): 78,1 dB (A)

Ses gücü düzeyi (L_{WA}): 90,4 dB (A)

Belirsizlik (K): 3 dB (A)

İşlem sırasında gürültü seviyesi 80 dB (A)'yi geçebilir.

NOT: Beyan edilen gürültü emisyonu değer(ler)i bir standart test yöntemine uygun şekilde ölçülmüştür ve bir aleti bir başkasıyla karşılaştırmak için kullanılabilir.

NOT: Beyan edilen gürültü emisyonu değer(ler)i bir ön maruz kalma değerlendirmesi olarak da kullanılabilir.

UYARI: Kulak koruyucuları takın.

UYARI: Elektrikli aletin gerçek kullanımı sırasındaki gürültü emisyonu, aletin kullanım biçimlerine, özellikle işlenen iş parçasının türüne bağlı olarak beyan edilen değer(ler)den farklı olabilir.

UYARI: Gerçek kullanım koşullarındaki tahmini maruziyeti baz alan, operatörü koruyacak güvenlik önlemlerini mutlaka belirleyin (çalışma döngüsü içerisinde aletin kapalı olduğu ve aktif durumda olmasının yanı sıra boşta çalıştığı zamanlar gibi, bütün zaman dilimleri göz önünde bulundurarak).

Titreşim

Titreşim toplam değeri (üç eksenli vektör toplamı) (EN60335-2-77 standardına göre hesaplanan):

NOT: Değerler, çim biçme makinesi düz çim biçme makinesi bıçağı ile donatılmış olarak ölçülmüştür.

Model AM3846

Titreşim emisyonu (a_h): 2,5 m/s² den az

Belirsizlik (K) : 1,5 m/s²

Model AM3653

Titreşim emisyonu (a_h): 2,5 m/s² den az

Belirsizlik (K) : 1,5 m/s²

Model AM3753

Titreşim emisyonu (a_h): 2,5 m/s² den az

Belirsizlik (K) : 1,5 m/s²

NOT: Beyan edilen titreşim toplam değer(ler)i bir standart test yöntemine uygun şekilde ölçülmüştür ve bir aleti bir başkasıyla karşılaştırmak için kullanılabilir.

NOT: Beyan edilen titreşim toplam değer(ler)i bir ön maruz kalma değerlendirmesi olarak da kullanılabilir.

UYARI: Elektrikli aletin gerçek kullanımı sırasındaki titreşim emisyonu, aletin kullanım biçimlerine, özellikle işlenen iş parçasının türüne bağlı olarak beyan edilen değer(ler)den farklı olabilir.

UYARI: Gerçek kullanım koşullarındaki tahmini maruziyeti baz alan, operatörü koruyacak güvenlik önlemlerini mutlaka belirleyin (çalışma döngüsü içerisinde aletin kapalı olduğu ve aktif durumda olmasının yanı sıra boşta çalıştığı zamanlar gibi, bütün zaman dilimleri göz önünde bulundurarak).

EC Uygunluk Beyanı

Sadece Avrupa ülkeleri için

EC uygunluk beyanı bu kullanım kılavuzuna Ek A olarak eklenmiştir.

GÜVENLİK UYARILARI

ÖNEMLİ GÜVENLİK TALİMATLARI

UYARI: Tüm güvenlik uyarılarını ve tüm talimatları okuyun. Uyarılara ve talimatlara uyulmaması elektrik şoku, yangın ve/veya ciddi yaralanmalar ile sonuçlanabilir.

Tüm uyarıları ve talimatları iletide başvurmak için saklayın.

Eğitim

1. Talimatları dikkatlice okuyun. Çim biçme makinesinin kontrollerine ve düzgün kullanımına aşinalık kazanın.
2. Bu talimatlar konusunda bilgisi olmayan çocukların ve büyüklerin çim biçme makinesini kullanımına asla izin vermeyin. Yerel düzenlemeler kullanıcı yaşına sınırlandırma getirebilir.
3. Çim biçme makinesini asla çevresinde insanlar, özellikle de çocuklar veya evcil hayvanlar varken kullanmayın.
4. Diğer insanlara ya da mallarına gelecek zararlardan ve kazalardan operatör ya da kullanıcının sorumlu olduğunu unutmayın.
5. Çocuklar çim biçme makinesiyle oynamadıklarından emin olmak için gözlemlenmelidir.
6. Fiziksel durum - Uyuşturucu, alkol ya da herhangi bir ilacın etkisinden dolayı çim biçme makinesini kullanmayın.

Hazırlık

1. Çim biçme makinesini kullanırken daima uygun bir ayakkabı ve uzun pantolon giyin. Çim biçme makinesini çıplak ayakla ya da açık sandaletlerle kullanmayın. Bol ya da askılı, bağcıklı kıyafetler veya takılar takılmaktan kaçının. Hareket eden parçalara takılabılır.
2. Kullanmadan önce çim biçme makinesinde hasar, eksik veya hatalı yerleştirilmiş koruma veya siper olup olmadığını gözle mutlak kontrol edin.

3. Biçme işlemine başlamadan önce alanda kim-
senin kalmadığından emin olun. Alana birisi
girerse çim biçme makinesini durdurun.
4. Kullanıma hazır oluncaya kadar kilit anahtarını
çim biçme makinesine takmayın.
5. Elektrikli aletleri kullanırken gözlerinizi koru-
mak için daima koruyucu gözlük kullanın.
Gözlüklerin ABD'de ANSI Z87.1 ile, Avrupa'da
EN 166 ile ya da Avustralya/Yeni Zelanda'da
AS/NZS 1336 ile uyumlu olması gereklidir.
Avustralya/Yeni Zelanda'da, yüzünüzü koruma-
nız için yüz koruyucu maske kullanılması da
yasal olarak gereklidir.



Alet operatörlerinin ve çalışma alanının yakını-
nında çalışan diğer kişilerin uygun koruyucu
güvenlik ekipmanlarını kullanmasının sağlan-
ması, işverenin yükümlülüğündedir.

6. Kullanmadan önce bıçaklarda veya bıçak cıva-
talarında çatlak ya da hasar olup olmadığını
kontrol edin. Çatlak ya da hasarlı bıçakları
veya bıçak cıvatalarını hemen değiştirin.
7. Kişisel yaralanmaları veya çim biçme makine-
sinin zarar gelmesini önlemek için taş, tel,
işçe, kemik, kalın dallar gibi yabancı maddeleri
biçme işlemine başlamadan önce alandan
kaldırın.
8. Çim biçme makinesi bıçağının çarptığı nesne-
ler etraftaki kişilerin ciddi şekilde yaralanma-
sına sebep olabilir. Her biçme işleminden önce
çim kontrol edilmeli ve üzerindeki tüm nesne-
ler kaldırılmalıdır.
9. Çukur, teker izi, tümsek, kaya veya başka saklı
nesnelere dikkat edin. Engibeli arazi kayma ve
düşme kazasına neden olabilir. Yüksek çim engel-
leri gizleyebilir.
10. Kilit anahtarını yağmurda takıp çıkarmayın.
11. Kişisel koruyucu ekipman kullanın. Daima
göz koruması kullanın. Uygun koşullarda toz
maskeleri, altı kaymayan emniyetli ayakkabılar,
sert başlıklar ya da kulak korumaları gibi koruyucu
donanım kullanılması, yaralanmaları önler.

Kullanım

1. Fazla ileriye uzanmaya çalışmayın. Dengeyi
her zaman koruyun. Eğimli yerlerde adımla-
rınıza daima dikkat edin. Yürüyerek kullanın,
asla koşmayın.
2. Şunları yapmadan önce çim biçme makinesini
durdurun, kilit anahtarını çıkarın ve hareket
eden tüm parçaların tamamen durduğundan
emin olun:

- çim biçme makinesini kullanmayı bıraktığınızda,
- tıkanmaları temizlemeden ya da sepeti boşalt-
madan önce,
- kontrol etmeden, temizlemeden veya çim
biçme makinesi üzerinde çalışmadan önce;
- yabancı bir cisme çarptığınızda. Aşağıdaki
durumlarda çim biçme makinesinde hasar olup
olmadığını kontrol edin ve makineyi yeniden
başlatmadan ve çalıştırmadan önce gerekli
onarımları yaptırın,
- çim biçme makinesi olağan dışı bir şekilde
titremeye başladığında.

3. Çim biçme makinesini hasarlı koruma veya
siperle ya da deflektör ve/veya çim sepeti
gibi güvenlik aygıtları yerine takılı olmadan
kullanmayın.
4. Çim biçme makinesini kötü hava koşullarında,
özellikle yıldırım riski varken kullanmaktan
sakının.
5. Çim biçme makinesini kullanırken daima koru-
yucu gözlük takın ve dayanıklı ayakkabılar giyin.
6. Çim biçme makinesini sadece gün ışığında ya da
iyi aydınlatma sağlayan yapay ışıkta kullanın.
7. Çim biçme makinesini talimatlara uygun ola-
rak çalıştırın ve ayaklarınızı bıçaklardan uzak
tutun.
8. Çim biçme makinesi bıçaklarının ayaklarınızı
ve ellerinizi yaralamasına karşı dikkatli olun.
9. Havalandırmaya deliklerinin toz birikintilerine
karşı temiz tutulduğundan daima emin olun.
10. Eğimli bölgelerde çimleri enlemesine biçin,
asla yukarı veya aşağı doğru biçmeyin. Eğimli
bölgelerde yön değiştirirken çok dikkat edin.
Dik eğimli bölgelerdeki çimleri aşırı derecede
biçmeyin.
11. Geri geri giderken ya da çim biçme makinesini
kendinize doğru çekerken çok dikkatli olun.
12. Çim dışındaki yüzeylerden geçerken çim biçme
makinesinin eğilmesi gerekiyorsa ve makineyi
kullanılacak alana ya da kullanılan alandan
dışarı taşıırken bıçağı/bıçakları durdurun.
13. Başlatma için çim biçme makinesinin eğilmesi
gerekten durumlar haricinde, motoru çalış-
tırırken makineyi eğmeyin. Eğmenin gerekli
olduğu durumlarda gereken miktardan fazla
eğmeyin ve sadece kullanıcının uzaktan olan
kısımları kaldırın. Çim biçme makinesini yere
koymadan önce her iki elinizin çalışma konu-
munda olduğundan mutlaka emin olun.
14. Ellerinizi veya ayaklarınızı dönen parçaların
yakınına ya da altına koymayın. Boşaltma
ağzından daima uzak durun.
15. Çim biçme makinesini çalışırken bir yerden bir
yere nakletmeyin.
16. Çim biçme makinesini ıslak çimlerde kullan-
maktan kaçının.
17. Tutamağı daima sıkıca tutun.
18. Çim biçme makinesini kaldırırsen veya tutar-
ken açıkta kalan keskin bıçakları ya da keskin
kenarları tutmayın.
19. Ellerinizi ve ayaklarınızı dönen bıçaklardan
uzak tutun. Dikkat - Çim biçme makinesi kapa-
tıldıktan sonra bıçaklar bir müddet dönmeye
devam eder.

20. Anormal bir durum fark ederseniz kullanımı derhal durdurun. Çim biçme makinesini kapatın ve kilit anahtarını çıkarın. Ardından çim biçme makinesini kontrol edin.
 21. Çim biçme makinesinin yükseklik ayarlama özelliği varsa çim biçme makinesi çalışırken asla kesim yüksekliği ayarı yapmaya çalışmayın.
 22. Taşıt yollarından, kaldırımlardan, geçitlerden ve çakıl kaplı alanlardan geçmeden önce anahtar kolunu serbest bırakın ve bıçak dönüşünün durmasını bekleyin. Çim biçme makinesini bıraktığınızda, yolunuza çıkan bir şeyi almak ya da kaldırmak için durduğunuzda ya da dik-katiniizi kaçırarak herhangi bir olay olduğunda da kilit anahtarını çıkarın.
 23. Çim biçme makinesi yabancı bir cisme çarparsa şu adımları izleyin:
 - Çim biçme makinesini durdurun, anahtar kolunu serbest bırakın ve bıçak tamamen durana kadar bekleyin.
 - Kilit anahtarını ve batarya kartuşunu çıkarın.
 - Çim biçme makinesinde hasar olup olmadığını dikkatlice kontrol edin.
 - Herhangi bir şekilde zarar görmüşse bıçağı değiştirin. Yeniden başlatmadan ve çim biçme makinesini kullanmaya devam etmeden önce herhangi bir hasar varsa onarın.
 24. Boşaltma ağzının önünde dururken çim biçme makinesini başlatmayın.
 25. Çim biçme makinesi anormal şekilde titremeye başlarsa (hemen kontrol edin)
 - hasarı tespit edin,
 - hasarlı parçaları değiştirin veya onarın,
 - parçalarını gevşek olup olmadığını kontrol edin, gevşek olanları sıkın.
 26. Boşaltılan materyali hiçbir zaman hiç kimseye doğrultmayın. Materyali bir duvar veya engele doğru boşaltmaktan kaçının. Materyal operatöre doğru geri sekebilir. Çakıllı yüzeylerden geçerken bıçağı durdurun.
 27. Mutlaka gerekmedikçe çim biçme makinesini geri geri çekmeyin. Çim biçme makinesini bir çit veya başka benzeri engelden geri çekmek zorunda kalırsanız geri geri çim biçme öncesinde ve sırasında aşağıya ve arkaya bakın.
 28. Çim tutucuyu çıkarmadan önce motoru kapatın ve bıçağın tamamen durmasını bekleyin. Kapatıldıktan sonra bıçakların bir müddet boşta hareket ettiğine dikkat edin.
 29. Makineyi çamurlu zeminde, ıslak yamaçlarda veya kaygan yerlerde kullanırken dengenize dikkat edin.
 30. Artan kullanıcı yorgunluğunun beklendiği kötü ortamlarda çalışmaktan kaçının.
 31. Makineyi, görüşün sınırlı olduğu kötü havalarda kullanmayın. Aksi takdirde düşük görüş nedeniyle düşmeye veya hatalı çalışmaya neden olabilir.
 32. Makineyi su birikintisine sokmayın.
 33. Yağmurdan dolayı emme ağzına (havalandırma penceresi) ıslak yapraklar veya pislik yapışsın bunları temizleyin.
 34. Makineyi karda kullanmayın.
 35. Kesilen çim ıslaksa muhtemelen makinenin içinde tıkanabilir. Makinenin durumunu düzenli olarak kontrol edin ve gerekirse yapışan çimi temizleyin.
 36. Makineyi kullanırken borulara ve kablolarla dikkat edin.
 37. Batarya adaptörü veya taşınabilir güç ünitesi gibi kablolu güç kaynaklarını bu makine ile kullanmayın. Bu tür güç kaynaklarının kablosu çalışmayı engelleyebilir ve yaralanmaya neden olabilir.
- Bakım ve saklama**
1. Güvenlik için, aşınmış veya hasar görmüş parçaları değiştirin. Sadece orijinal yedek parça ve aksesuar kullanın.
 2. Çim biçme makinesini düzenli olarak kontrol edin ve bakımını yapın.
 3. Kullanımda değilken çim biçme makinesini çocukların erişemeyeceği bir yerde saklayın.
 4. Güvenli bir çalışma için tüm somun, civata ve vidaların sıkı olduğundan emin olun.
 5. Çim sepetini aşınma ve yıpranmalara karşı sık sık kontrol edin. Saklarken çim sepetinin boş olduğundan daima emin olun. Güvenlik için, yıpranmış çim sepetini yeni bir orijinal çim sepetiyle değiştirin.
 6. Sadece bu kılavuzda belirtilen üreticinin orijinal bıçaklarını kullanın.
 7. Çim biçme makinesini ayarlarken parmaklarınızı hareketli bıçaklar ile çim biçme makinesinin sabit parçaları arasına sıkıştırmamaya dikkat edin.
 8. Uygun şekilde sıkılandığından emin olmak için bıçak montaj civatasını belirli aralıklarla kontrol edin.
 9. Çim biçme makinesini depolamadan önce soğuduğundan daima emin olun.
 10. Bıçaklarla ilgili işlem yaparken, güç kaynağı kapalı olsa da bıçakların hareket edebileceğini unutmayın.
 11. Güvenlik aygıtlarını asla çıkarmayın veya kuralamayın. Düzgün çalıştıkları düzenli olarak kontrol edin. Bir güvenlik aygıtının amaçlanan işlevine müdahale edecek veya güvenlik aygıtının sağladığı korumayı azaltacak hiçbir şey yapmayın.
 12. Makineyi dışarıda yağmur altında gözetimsiz bırakmayın.
 13. Makineyi yüksek basınçlı su ile yıkamayın.
 14. Makineyi yıkarken mutlaka bataryayı ve kilit anahtarını çıkarın, batarya kapağını kapatın ve suyu, bıçağın takılı olduğu makinenin alt tarafına doğru dökün.
 15. Makineyi depolarken doğrudan güneş ışığı ve yağmurdan sakının, ısınmayacak veya nemlenmeyecek bir yerde depolayın.
 16. Kontrol veya bakımı, yağmurdan sakınılabilecek bir yerde yapın.
 17. Makineyi kullandıktan sonra yapışan pislikleri temizleyin ve depolamadan önce makineyi tamamen kurutun. Mevsim veya bölgeye bağlı olarak donma kaynaklı arıza riski vardır.
- Bataryalı aletin kullanımı ve bakımı**
1. Sadece üretici tarafından belirtilen şarj aleti ile şarj edin. Bir batarya kutusu için uygun olan şarj cihazı başka bir batarya kutusu ile kullanıldığında yangın riski oluşturabilir.

2. **Elektrikli aletleri sadece özel olarak belirtilen batarya kutularını kullanın.** Başka batarya kutularının kullanımı yaralanma ve yangın riski oluşturabilir.
3. **Batarya kutusu kullanılmadığında; iki terminal arasında bağlantı kurulmasına sebep olabilecek ataç, bozuk para, anahtar, çivi, vida gibi metal nesnelere ya da küçük metal objelerden uzak tutun.** Batarya terminallerine kısa devre yaptırmak yanıklara ya da yangına yol açabilir.
4. **Kötü koşullarda bataryadan sıvı sızabilir; bu sıvıya temas etmeyin. Eğer istemeden bir temas olursa suyla yıkayın. Sıvı göze temas ederse, suyla yıkadıktan sonra tıbbi yardım alın.** Bataryadan çıkan sıvı tahrişe ya da yanıklara neden olabilir.
5. **Batarya kutusu ya da alet hasar görmüşse ya da üzerinde değişiklik yapılmışsa batarya kutusunu kullanmayın.** Hasar görmüş ya da üzerinde değişiklik yapılmış batarya kutuları yangın, patlama ya da yaralanma riski ile sonuçlanan beklenmedik davranışlar sergileyebilir.
6. **Batarya kutusunu veya aleti ateşe ya da aşırı sıcaklıklara maruz bırakmayın.** Ateşe ya da 130 °C'nin üzerindeki sıcaklıklara maruz bırakmak patlamaya neden olabilir.
7. **Tüm şarj talimatlarına uyun ve batarya kutusunu ya da aleti yönergelerde belirtilen sıcaklık aralığının dışındaki sıcaklıklarda şarj etmeyin.** Uygun olmayan bir şekilde ya da belirtilen sıcaklık aralığının dışında şarj etmek bataryaya zarar verebilir ve yangın riskini artırabilir.

Elektrik ve batarya güvenliği

1. **Bataryayı/bataryaları ateşe atmayın.** Batarya hücresi patlayabilir. Bertaraf etmeye ilişkin olası özel talimatlar için yerel yetkili kurumları kontrol edin.
2. **Bataryayı/bataryaları açmayın ya da batarya(lar) üzerinde değişiklik yapmayın.** Ortaya çıkan elektrolit aşındırıcıdır ve gözlere ya da cilde zarar verebilir. Yutulduğu takdirde zehirli olabilir.
3. **Bataryayı yağmurda veya ıslak yerlerde şarj etmeyin.**
4. **Bataryayı açık alanda şarj etmeyin.**
5. **Şarj aleti fişi ve şarj aleti terminalleri dahil şarj aletine ıslak ellerle dokunmayın.**
6. **Bataryayı yağmurda değiştirmeyin.**
7. **Batarya bağlantı uçlarını su gibi sıvılarla ıslatmayın ya da bataryayı sıvılara sokmayın.** Bataryayı yağmurda bırakmayın veya bataryayı nemli ya da ıslak yerlerde şarj etmeyin, kullanmayın veya depolamayın. Bağlantı uçları ıslanır veya bataryanın içine sıvı girerse batarya kısa devre olabilir ve aşırı ısınma, yangın veya patlama riski ortaya çıkar.
8. **Bataryayı makine veya şarj aletinden çıkardıktan sonra mutlaka bataryaya batarya kapağını takın ve kuru bir yerde depolayın.**
9. **Bataryayı ıslak ellerle değiştirmeyin.**

Servis

1. **Elektrikli aletinize nitelikli bir onarım elemanı tarafından orijinal parçaları kullanılarak servis verilmesini sağlayın.** Bu, elektrikli aletin güvenli kalmasını temin eder.

2. **Hasarlı batarya kutularını asla tamir etmeye çalışmayın.** Batarya kutularının tamiri sadece üretici veya yetkili servis sağlayıcıları tarafından yapılmalıdır.

BU TALİMATLARI SAKLAYIN.

⚠UYARI: Ürünü kullanırken (defalarca kullanınca kazanılan) rahatlık ve tanıdıklık duygusunun ilgili ürünün güvenli kullanımına sıkı sıkıya bağlı kalmanın yerine geçmesine İZİN VERMEYİN.

YANLIŞ KULLANIM veya bu kullanma kılavuzunda belirtilen emniyet kurallarına uymama ciddi yaralanmaya neden olabilir.

Batarya kartuşu hakkında önemli güvenlik talimatları

1. **Batarya kartuşunu kullanmadan önce, tüm talimatları ve (1) batarya kartuşu, (2) batarya ve (3) ürün üzerindeki tüm uyarı işaretlerini okuyun.**
2. **Batarya kartuşunu demonte etmeyin.**
3. **Çalışma süresi aşırı derecede kısalmışsa kullanmayı derhal bırakın. Aşırı ısınma, yanma riski hatta patlamaya neden olabilir.**
4. **Gözüne elektrolit kaçarsa, gözlerinizi temiz suyla durulayın ve hemen tıbbi yardım alın. Görme kaybına yol açabilir.**
5. **Batarya kartuşuna kısa devre yaptırmayın:**
 - (1) **Terminallere herhangi bir iletken madde değdirmeyin.**
 - (2) **Batarya kartuşunu çiviler, madeni paralar, vb. gibi başka metal nesnelere aynı kaba koymaktan kaçının.**
 - (3) **Batarya kartuşunu yağmura ya da suya maruz bırakmayın.**
6. **Kısa devre, büyük bir akım akışına, aşırı ısınmaya, olası yanıklara hatta bataryanın bozulmasına yol açabilir.**
7. **Aleti ve batarya kartuşunu sıcaklığın 50°C ya da daha yükseğe ulaştığı yerlerde saklamayın.**
8. **Aşırı derecede hasar görmüş ya da tamamen kullanılamaz durumda olsa bile batarya kartuşunu yakmayın. Batarya kartuşu ateşe atılırsa patlayabilir.**
9. **Bataryayı düşürmemeye ve çarpmamaya dikkat edin.**
10. **Hasarlı bataryayı kullanmayın.**
11. **Aletin içerdiği lityum-iyon bataryalar Tehlikeli Eşyalar Yönetmeliğinin gereksinimlerine tabidir.** Ticari nakliye işlemleri için, örneğin üçüncü taraflar, nakliye agenteleri tarafından yapılan nakliyelerde, paketleme ve etiketleme gereksinimlerine uyulmalıdır. Nakliyesi yapılacak ürünün hazırlanması için, tehlikeli maddeler konusunda uzman bir kişiye danışın. Lütfen muhtemelen daha ayrıntılı olan ulusal yönetmeliklere de uyun. Açık kontakları bantlayın ya da maskeleyin ve bataryayı paketin içinde hareket etmeyecek şekilde paketleyin.
12. **Batarya kartuşunu bertaraf ederken aletten çıkarın ve güvenli bir yerde bertaraf edin. Bataryanın bertaraf edilmesi ile ilgili yerel düzenlemelere uyunuz.**

12. **Bataryaları sadece Makita tarafından belirtilen ürünlerle kullanın.** Bataryaların uyumsuz ürünlere takılması; yangın, aşırı ısınma, patlama ya da elektrolit sızıtmasına neden olabilir.
13. **Alet uzun süre kullanılmıyacaksa batarya aletten çıkarılmalıdır.**

BU TALİMATLARI MUHAFAZA EDİNİZ.

⚠DİKKAT: Sadece orijinal Makita bataryalarını kullanın. Orijinal olmayan Makita bataryaları ya da üzerine değişiklik yapılmış bataryaların kullanımı bataryanın patlamasına ve sonuç olarak yangın, kişisel yaralanma ve hasara neden olabilir. Ayrıca Makita aleti ve şarj aletinin Makita tarafından sunulan garantisini de geçersiz olur.

Maksimum batarya ömrü için ipuçları

1. **Batarya kartuşunu tamamen boşalmadan önce şarj edin. Aletin gücünün zayıflamaya başladığını fark ettiğinizde aleti durdurun ve batarya kartuşunu şarj edin.**
2. **Tam dolu bir batarya kartuşunu asla yeniden şarj etmeyin. Aşırı şarj etme bataryanın hizmet ömrünü kısaltır.**
3. **Batarya kartuşunu 10°C - 40°C oda sıcaklığında şarj edin. Sıcak bir batarya kartuşunu şarj etmeden önce soğumasını bekleyin.**
4. **Uzun bir süre (altı aydan daha fazla) kullanmadığınız durumlarda batarya kartuşunu şarj edin.**

MONTAJ

⚠UYARI: Çim biçme makinesi üzerinde herhangi bir işlem yapmadan önce kilit anahtarını ve batarya kartuşunu çıkardığınızdan emin olun. Kilit anahtarının ve batarya kartuşunun çıkarılmaması istemsiz olarak aletin başlatılması sonucu ciddi kişisel yaralanmalara neden olabilir.

⚠UYARI: Tamamen montajlanmadan önce çim biçme makinesini asla çalıştırmayın. Kısmen birleştirilmiş haldeyken makine ile çalışmak, makinenin istemsiz olarak başlatılması sonucu ciddi yaralanmalara neden olabilir.

Tutamığın takılması

ÖNEMLİ NOT: Tutamakları monte ederken, kabloları tutamaklar arasında herhangi bir şeye takılmayacakları şekilde konumlandırın. Kablo hasar görürse, çim biçme makinesinin anahtarı çalışmayabilir.

1. Alt tutamaktaki delikleri, çim biçme makinesinin gövdesindeki deliklerle hizalayın ve ardından 4 civatayı geçici olarak sıkın.
▶ **Şek.1:** 1. Alt tutamak 2. Civata
2. Adım 1'de geçici olarak sıkılan 4 civatayı 13 numara lokma anahtarıyla iyice sıkın.

3. Alt tutamaktaki deliği üst tutamaktaki delikle hizalayın ve ardından civatayı içeriden sokarak somunu 13 numara lokma anahtarıyla dışarıdan sıkın. Aynı işlemi diğer tarafta uygulayın.

▶ **Şek.2:** 1. Civata 2. Alt tutamak 3. Somun 4. Delik 5. Üst tutamak

⚠DİKKAT: Üst tutamağı elinizden düşmeyecek şekilde sıkıca tutun. Aksi takdirde tutamak düşerek yaralanmaya neden olabilir.

4. Tutucuları tutamağa takın.

Tutucu üzerindeki çıkıntıları, çıkıntılar deliklere oturacak şekilde tutamaktaki deliklerle hizalayın. Kabloları şekilde gösterildiği gibi konumlandırın.

▶ **Şek.3:** 1. Kablo 2. Tutucu

Malçlama tapasının çıkarılması

1. Arka kapağı açın.

▶ **Şek.4:** 1. Arka kapak

2. Kolu basılı tutarak malçlama tapasını çıkarın.

▶ **Şek.5:** 1. Kol 2. Malçlama tapası

Çim sepetinin takılması veya çıkarılması

Çim sepetini takmak için aşağıdaki adımları izleyin.

1. Arka kapağı açın.

▶ **Şek.6:** 1. Arka kapak

2. Çim sepetinin tutamağını tutun ve ardından çim sepetini şekilde gösterildiği gibi çim biçme makinesi gövdesinin rotuna asın.

▶ **Şek.7:** 1. Rot 2. Tutamak 3. Çim sepeti

Çim sepetini çıkarmak için arka kapağı açın ve ardından çim sepetini tutamağı tutarak çıkarın.

Malçlama tapasının takılması

1. Arka kapağı açın, ve ardından çim sepetini çıkarın.

▶ **Şek.8:** 1. Arka kapak 2. Çim sepeti

2. Kolu aşağıda tutarak malçlama tapasını takın, ardından kolu bırakarak malçlama tapasını sabitleyin.

▶ **Şek.9:** 1. Kol 2. Malçlama tapası

Boşaltma ek parçasının takılması

AM3653/AM3753 için

1. Arka kapağı açın, ve ardından çim sepetini çıkarın.

▶ **Şek.10:** 1. Arka kapak 2. Çim sepeti

2. Kolu aşağıda tutarak malçlama tapasını takın, ardından kolu bırakarak malçlama tapasını sabitleyin.

▶ **Şek.11:** 1. Kol 2. Malçlama tapası

3. Sağ yan kapağı açın, ve ardından boşaltma ek parçasını takın.

Boşaltma ek parçasının kancalarını sağ yan kapağın rotunun altına sokun.

▶ **Şek.12:** 1. Sağ yan kapak 2. Boşaltma ek parçası

İŞLEVSEL NİTELİKLER

Batarya kartuşunun takılması ve çıkarılması

▲DİKKAT: Batarya kartuşunu takip çıkarmadan önce makineyi mutlaka kapatın.

▲DİKKAT: Batarya kartuşunu takarken veya çıkarırken makine ve batarya kartuşunu sıkıca tutun. Makinenin ve batarya kartuşunun sıkıca tutulmaması bunların düşürülmesine sebep olabilir; makine ve batarya kartuşunun zarar görmesine ya da ciddi yaralanmalara yol açabilir.

▲DİKKAT: Kullanmadan önce batarya kapağını kilitlediğinizden emin olunuz. Aksi takdirde; çamur, kir veya su ürüne ya da batarya kartuşuna zarar verebilir.

▲DİKKAT: Batarya kartuşunu her zaman kırmızı gösterge görünmeyecek şekilde tam olarak yerine oturtun. Aksi takdirde, makineden kayıp düşebilir ve operatörün veya çevredeki kişilerin yaralanmasına neden olabilir.

▲DİKKAT: Batarya kartuşunu zorlayarak takmaya çalışmayın. Kartuş kolayca kaymıyorsa doğru yerleştirilmemiş demektir.

NOT: Makine sadece bir batarya kartuşu ile çalışmaz.

Batarya kartuşunu takmak için;

1. Kilitleme kolunu yukarı çekin ve ardından batarya kapağını açın.

► **Şek.13:** 1. Batarya kapağı 2. Kilitleme kolu

2. Batarya kartuşunun üzerindeki dili makinenin üzerindeki yuvaya hizalayın ve ardından kartuşu hafif bir tık sesi duyulup yerine kilitlene kadar kaydırın.

► **Şek.14:** (1) Batarya yuvası 1 (2) Batarya yuvası 2 (3) Batarya kartuşu

NOT: Batarya yuvası 1 veya batarya yuvası 2'ye en az 2 batarya kartuşu takın.

3. Kilit anahtarını şekilde gösterilen yere sonuna kadar girecek şekilde takın.

► **Şek.15:** 1. Kilit anahtarı

4. Batarya kapağını kapatın ve kilitleme kolu ile iterek kilitlene kadar itin.

Batarya kartuşunu çıkarmak için;

1. Kilitleme kolunu yukarı çekin ve batarya kapağını açın.

2. Kartuşun ön tarafındaki düğmeyi kaydırarak batarya kartuşunu makineden çekip çıkarın.

3. Kilit anahtarını çekip çıkarın.

4. Batarya kapağını kapatın.

Batarya kartuşlarının seçilmesi

► **Şek.16:** 1. Batarya seçme düğmesi

Makine çalışma için bir seferde 2 batarya kartuşu kullanır. Makineye 4'e kadar batarya kartuşu takılabilir. Makineyi çalıştırmadan önce batarya seçme düğmesini çevirerek batarya yuvası 1 veya batarya yuvası 2'yi seçin.

NOT: Makineye sadece 2 batarya kartuşu takılırsa mutlaka batarya kartuşlarının takılı olduğu batarya yuvasını batarya seçme düğmesini kullanarak seçin.

Makine / batarya koruma sistemi

Makine bir makine/batarya koruma sistemi ile donatılmıştır. Bu sistem makine ve batarya ömrünü uzatmak için motorun gücünü otomatik olarak keser. Makine veya batarya için aşağıdaki durumlardan biri söz konusu olduğunda makinenin işleyişi otomatik olarak durur:

Aşırı yük koruması

Batarya, anormal derecede yüksek akım çekmesine neden olacak şekilde kullanıldığında, makine otomatik olarak durur ve ana güç lambası yeşil yanıp söner. Bu durumda makineyi kapatın ve makinenin aşırı yüklenmesine neden olan uygulamayı kesin. Ardından makineyi açarak yeniden çalıştırın.

Aşırı ısınma koruması

Makine veya batarya aşırı ısındığında makine otomatik olarak durur ve ana güç lambası kırmızı yanar. Bu durumda, yeniden çalıştırmadan önce makine ve bataryanın soğumasını bekleyin.

Aşırı deşarj koruması

Batarya kapasitesi yeterli değilse makine otomatik olarak durur ve ana güç lambası kırmızı yanıp söner. Bu durumda, bataryayı makineden çıkarın ve batarya kartuşlarını şarj edin veya batarya kartuşlarını tam şarjlı olanlarla değiştirin.

Kalan batarya kapasitesinin gösterilmesi

Sadece göstergeli batarya kartuşları için

► **Şek.17:** 1. Gösterge lambaları 2. Kontrol düğmesi

Kalan batarya kapasitesini göstermesi için batarya kartuşu üzerindeki kontrol düğmesine basın. Gösterge lambaları birkaç saniye yanar.

Gösterge lambaları			Kalan kapasite
Yanıyor	Kapalı	Yanıp söniyor	
■	□	▤	%75 ila %100
■	■	□	%50 ila %75
■	■	□	%25 ila %50
■	□	□	%0 ila %25
▤	□	□	Bataryayı şarj edin.
■	■	□	Batarya arızalanmış olabilir.
□	□	■	

NOT: Kullanım koşullarına ve ortam sıcaklığına bağlı olarak, gösterilen değer gerçek kapasiteden biraz farklılık gösterebilir.

Kumanda paneli

Kumanda panelinde ana güç düğmesi, mod değiştirme düğmesi ve kalan batarya kapasitesi göstergesi bulunur.

► **Şek.18:** 1. Batarya göstergesi 2. Mod değiştirme lambası 3. Ana güç lambası 4. Kontrol düğmesi 5. Mod değiştirme düğmesi 6. Ana güç düğmesi

Ana güç düğmesi

UYARI: Kullanımda değilken ana güç anahtarını daima kapatın.

Makineyi açmak için, ana güç düğmesine basın. Ana güç lambası yeşil yanar. Makineyi kapatmak için, ana güç düğmesine yeniden basın.

NOT: Ana güç lambası kırmızı yanar veya kırmızı ya da yeşil yanıp sönerse makine/batarya koruma sistemi için talimatlara bakın.




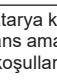

NOT: Bu makine otomatik güç kapama fonksiyonu kullanır. Yanlışlıkla çalışmaları engellemek için ana güç düğmesi açıldıktan sonra belirli bir süre boyunca anahtar kolu veya sürme kolu (varsa) çekilmezse ana güç düğmesi otomatik olarak kapanır.

Mod değiştirme düğmesi

Mod değiştirme düğmesine basarak çalışma modunu değiştirebilirsiniz. Makine açıldığında makine normal moda başlar. Mod değiştirme düğmesine bastığınızda makine gürültü azaltma moduna geçer ve mod değiştirme lambası yeşil yanar. Gürültü azaltma modunda çim biçme sırasındaki gürültüyü azaltabilirsiniz. Mod değiştirme düğmesine yeniden bastığınızda makine normal moda döner.

Kalan batarya kapasitesinin gösterilmesi

Kalan batarya kapasitesini göstermesi için kontrol düğmesine basın. Batarya göstergelerinin her biri bir bataryaya karşılık gelir.

Batarya göstergesi durumu		Kalan batarya kapasitesi
Açık	Kapalı	
		%50 - %100
		%20 - %50
		%0 - %20

NOT: Kalan batarya kapasitesi gösterge lambaları yalnızca referans amaçlıdır. Gerçek batarya kapasitesi, kullanım koşullarına bağlı olarak değişebilir.

NOT: Kalan batarya kapasitesini göstermesi için kontrol düğmesine basmadan önce makineyi durdurun.

Anahtar işlemi

UYARI: Batarya kartuşunu takmadan önce, anahtar kolunun düzgün çalıştığından ve bırakıldığında orijinal pozisyona döndüğünden emin olun. Makinenin, anahtar düğmeyi çalıştırmaya çalışırken kullanılması kontrolün kaybedilmesine ve ciddi yaralanmalara neden olabilir.

NOT: Çim biçme makinesi, anahtar kolu çekilse de anahtar düğmesine basmadan çalışmaz.

NOT: Çok uzun ya da sık çimleri tek seferde biçmeye kalkışsanız çim biçme makinesi aşırı yüklenmeden dolayı çalışmayabilir. Bu durumda, biçme yüksekliğini artırın.

Bu çim biçme makinesi, kilit anahtarları ve kollu şalter ile donatılmıştır. Kilit anahtarları veya şalterden birinde bir hata fark ederseniz, derhal kullanımı durdurun ve size en yakın Makita/Dolmar Yetkili Servis Merkezine kontrol ettirin.

AM3846/AM3753 için

1. Batarya kartuşlarını takın ve ardından batarya kapağını kapatın.
 2. Batarya seçme düğmesini çevirerek çalışma için kullanılan batarya kartuşlarını seçin.
 3. Ana güç düğmesine basın.
 4. Anahtar düğmesini basılı tutarken anahtar kolu kendinize doğru çekin. Motor çalışmaya başlar başlamaz anahtar düğmesini serbest bırakın.
- **Şek.19:** 1. Anahtar düğmesi 2. Anahtar kolu

NOT: Kilit anahtarları takılı değilse anahtar kolunu çektiğinizde güç lambası yeşil yanıp söner.

5. Anahtar kolunu tutarken arka tekerlekleri sürmek için sürme kolunu ileri doğru ittirip tutun.
- **Şek.20:** 1. Sürme kolu

NOT: Sürme kolunu ileri doğru ittirip tutarak, anahtar kolunu çekmeden arka tekerlekleri sürebilirsiniz.

6. Makineyi durdurmak için sürme kolunu ve anahtar kolunu serbest bırakın.

AM3653 için

1. Batarya kartuşlarını takın. Kilit anahtarlarını kilit devresine takın ve ardından batarya kapağını kapatın.
 2. Batarya seçme düğmesini çevirerek çalışma için kullanılan batarya kartuşlarını seçin.
 3. Ana güç düğmesine basın.
 4. Anahtar düğmesini basılı tutarken anahtar kolu kendinize doğru çekin. Motor çalışmaya başlar başlamaz anahtar düğmesini serbest bırakın.
- **Şek.21:** 1. Anahtar düğmesi 2. Anahtar kolu

NOT: Kilit anahtarları takılı değilse anahtar kolunu çektiğinizde güç lambası yeşil yanıp söner.

5. Motoru durdurmak için anahtar kolunu serbest bırakın.

Biçme yüksekliğinin ayarlanması

⚠UYARI: Biçme yüksekliğini ayarlarken ellerinizi ve ayaklarınızı asla çim biçme makinesinin gövdesinin altına koymayın.

⚠UYARI: Kullanmadan önce kolun oluğa tam olarak oturduğundan daima emin olun.

Biçme yüksekliği 20 mm ile 100 mm arasında ayarlanabilir.

Kilit anahtarını çıkarın ve ardından biçme yüksekliği ayarlama kolunu çim biçme makinesi gövdesinin dışına doğru çekerek istediğiniz biçme yüksekliğine getirin.

► **Şek.22:** 1. Biçme yüksekliği ayarlama kolu

Aşağıdaki tabloda çim biçme makinesinin gövdesindeki rakam ile yaklaşık biçme yüksekliği arasındaki ilişki gösterilmiştir.

Rakam	Biçme yüksekliği
1	20 mm
2	26 mm
3	32 mm
4	39 mm
5	47 mm
6	55 mm
7	63 mm
8	74 mm
9	86 mm
10	100 mm

Ön kavrama kolunu veya alt tutamağı bir elinizle tutun ve ardından biçme yüksekliği ayarlama kolunu diğer elinizle hareket ettirin.

► **Şek.23:** 1. Biçme yüksekliği ayarlama kolu 2. Alt tutamak 3. Ön kavrama kolu

NOT: Biçme yüksekliği rakamları bir kılavuz olarak kullanılmalıdır. Çimin ya da zeminin durumuna bağlı olarak, gerçek çim yüksekliği ayarlanan yükseklikten çok az farklılık gösterebilir.

NOT: İsteddiğiniz yüksekliği elde etmek için az görünen bir yerdeki çimleri biçerek deneyin.

Çim seviyesi göstergesi

Çim seviyesi göstergesi biçilen çimin miktarını gösterir. Çim sepeti dolu olmadığında bıçaklar çalışırken gösterge gezinir.

► **Şek.24:** 1. Çim seviyesi göstergesi

Çim sepeti neredeyse dolduğunda bıçaklar çalışırken gösterge gezinmez. Bu durumda, çalışmayı hemen durdurun ve sepeti boşaltın.

► **Şek.25:** 1. Çim seviyesi göstergesi

NOT: Bu gösterge yaklaşık bir fikir verecek şekilde kullanılmalıdır. Sepetin içindekilerin durumuna bağlı olarak gösterge düzgün çalışmayabilir.

Tutamak yüksekliğinin ayarlanması

⚠DİKKAT: Cıvataları sökmeye önce üst tutamağı sıkıca tutun. Aksi takdirde tutamak düşerek yaralanmaya neden olabilir.

Tutamak yüksekliği iki seviyede ayarlanabilir.

1. Alt tutamağın üst cıvatalarını 13 numara lokma anahtarıyla çıkarın ve ardından alt cıvataları gevşetin.
► **Şek.26:** 1. Üst cıvata 2. Alt cıvata

2. Tutamak yüksekliğini ayarlayın ve ardından üst ve alt cıvataları iyice sıkın.

Seyahat hızının ayarlanması

AM3846/AM3753 için

► **Şek.27:** 1. Hız kolu

Seyahat hızı, hız kolu ile ayarlanabilir. Hızı düşürmek için kolu kendinize doğru çekin, hızı artırmak için kolu ileri doğru çevirin.

Malçlama tapasının kullanılması

Malçlama tapası, kesilen çimi çim sepetinde toplama- dan toprağa bırakmanızı sağlar. Makineyi malçlama tapası ile kullanırken çim sepetini mutlaka çıkarın.

ÖNEMLİ NOT: Makineyi malçlama tapası ile kullanırken çimin toplam uzunluğunun 30 mm veya daha fazla ya da biçme uzunluğunun 15 mm veya daha az olduğundan emin olun.

► **Şek.28:** (1) 30 mm veya daha fazla (2) 15 mm veya daha az

Boşaltma ek parçasının kullanılması

AM3653/AM3753 için

Boşaltma ek parçası, kesilen çimi çim sepetinde toplama- dan makinenin sağ tarafından toprağa boşaltmanızı sağlar. Makineyi boşaltma ek parçası ile kullanırken mutlaka malçlama tapasını takın ve çim sepetini mutlaka çıkarın.

Elektronik fonksiyonu

Makine, kolay kullanım için elektronik fonksiyonlarla donatılmıştır.

- Bıçak dönüşü sabit hız kontrolü
Sabit hız elde etmek için elektronik hız kontrolü.
Yük şartları altında bile devir hızı sabit tutulduğundan ince bir yüzey elde etmek mümkündür.
- Sürerken yumuşak başlama
Yumuşak başlama fonksiyonu başlangıç şoklarını en alt düzeye indirir ve makinenin daha rahat başlamasını sağlar.
- Elektrikli fren
Bu makine bir elektrikli fren ile donatılmıştır.
Makine, anahtar kol bırakıldıktan sonra sürekli olarak çim biçme makinesi bıçaklarını çabucak durduramıyorsa makineye Makita/Dolmar Yetkili Servis Merkezinde bakım yaptırın.

KULLANIM

Çim biçme

⚠UYARI: Çim biçmeye başlamadan önce biçme alanındaki kalın dalları ve taşları kaldırın. Ayrıca yabancı otları da biçme alanından önceden temizleyin.

⚠UYARI: Çim biçme makinesini kullanırken daima yanları korumalı güvenlik gözlükleri takın.

⚠DİKKAT: Kesilen çim veya yabancı madde çim biçme makinesi gövdesinin içinde sıkışırsa çim veya yabancı maddeleri çıkarmadan önce mutlaka kilit anahtarını ve batarya kartuşunu çıkarın ve eldiven giyin.

ÖNEMLİ NOT: Bu makineyi sadece çim biçmek için kullanın. Bu makine ile ot biçmeyin.

► Şek.29

Biçme sırasında, tutamakları her iki elinizle sıkıca tutun. Çim biçme hızı prensip olarak 10 saniyede yaklaşık 7 ila 14 metredir.

► Şek.30

Ön tekerleklerin merkez çizgileri, biçme genişliği için referanstır. Merkez çizgileri referans olarak kullanılarak şeritler halinde biçin. Çimi eşit biçmek için önceki şeridin genişliğinin ikide bir ila üçte bir oranında bir kısmının üstünden tekrar geçecek şekilde biçin.

► **Şek.31:** 1. Biçme genişliği 2. Örtüşen kısım 3. Merkez çizgisi

Çim deseninin tek yönde oluşmasını engellemek için biçme yönünü her seferinde değiştirin.

► Şek.32

Çim sepetindeki biçilen çimi periyodik olarak kontrol edin. Dolmadan önce çim sepetini boşaltın. Her periyodik kontrole önce, çim biçme makinesini durdurduğunuzdan ve ardından kilit anahtarını ve batarya kartuşunu çıkardığınızdan emin olun.

ÖNEMLİ NOT: Çim biçme makinesini çim sepeti dolu olarak kullanmak bıçakların düzgün bir şekilde dönmesini engeller ve motora aşırı yük bindirir, bu da arızaya sebep olabilir.

Uzamış çimlerin biçilmesi

Uzamış çimlerin tümünü tek seferde biçmeye çalışmayın. Bunun yerine, çimi adımlar halinde biçin. Çim eşit bir biçimde kısalana kadar biçme işlemleri arasında bir veya iki gün bırakın.

► Şek.33

NOT: Uzamış çimlerin bir seferde kısaltılması çimin ölmesine sebep olabilir. Kesilen çimler çim makinesinin gövdesinin içinde tıkanıklığa sebep olabilir.

Çim sepetinin boşaltılması

⚠UYARI: Kaza riskini azaltmak için, çim sepetinde herhangi bir hasar ya da gücünde herhangi bir zayıflama olup olmadığını düzenli olarak kontrol edin. Gerekirse, çim sepetini değiştirin.

1. Anahtar kolunu ve sürme kolunu bırakın (AM3846/AM3753 için) veya anahtar kolunu bırakın (AM3653 için).
2. Kilit anahtarını çıkarın.
3. Arka kapağı açın ve çim sepetini tutamağı tutarak çıkarın.
► **Şek.34:** 1. Arka kapak 2. Tutamak 3. Çim sepeti
4. Çim sepetini boşaltın.

BAKIM

⚠UYARI: Çim biçme makinesini saklamadan veya taşımadan ya da kontrol veya bakım yapmadan önce kilit anahtarının ve batarya kartuşunun çim biçme makinesinden çıkarıldığından daima emin olun.

⚠UYARI: Çim biçme makinesi kullanımda değilken, daima kilit anahtarını çıkarın. Kilit anahtarını çocukların erişemeyeceği güvenli bir yerde saklayın.

⚠UYARI: Kontrol veya bakım işlemi yapmadan önce eldiven giyin.

⚠UYARI: Kontrol veya bakım yaparken daima yanları korumalı güvenlik gözlükleri takın.

ÖNEMLİ NOT: Benzin, tiner, alkol ve benzeri maddeleri kesinlikle kullanmayın. Renk değişimi, deformasyon veya çatlaklar oluşabilir.

Ürün GÜVENLİĞİNİ ve GÜVENİRLİĞİNİ korumak için onarımlar, her türlü diğer bakım veya ayarlamalar Makita/Dolmar Yetkili veya Fabrika Servis Merkezleri tarafından daima Makita/Dolmar yedek parçalar kullanılarak yapılmalıdır.

Bakım

1. Kilit anahtarını ve batarya kartuşlarını çıkarın ve ardından batarya kapağını kapatın.
2. Çim biçme makinesini biçme yüksekliği ayarlama kolu üst tarafa gelecek şekilde yan yatırın. Çim biçme makinesinin gövdesinin alt tarafında biriken çim parçalarını temizleyin.
3. Suyu, bıçağın takılı olduğu makinenin alt tarafına doğru dökün.

ÖNEMLİ NOT: Makineyi yüksek basınçlı su ile yıkamayın.

4. Tüm somunların, civataların, vidaların vb. sıklığını kontrol edin.
5. Hareketli parçaları, hasar, kırılma ve aşınmalara karşı kontrol edin. Hasarlı ya da eksik parçalar tamir edilmeli ya da değiştirilmelidir.

6. Çim biçme makinesini çocukların ulaşamayacağı güvenli bir yerde depolayın.

AM3846/AM3753 için

ÖNEMLİ NOT: Şekilde gösterilen kısma su dökmeyin. Motor ünitesine su dökülmesi makinenin arızalanmasına neden olabilir.

► **Şek.35:** 1. Su dökülmemesi gereken kısım

Çim biçme makinesinin taşınması

Çim biçme makinesini taşırken ön kavrama kolunu ve arka kavrama kolunu şekilde gösterildiği gibi iki kişi ile tutun.

► **Şek.36:** 1. Ön kavrama kolu 2. Arka kavrama kolu

Depolama

Çim biçme makinesini serin, kuru ve kilitli bir yerde saklayın. Çim biçme makinesini ve şarj aletini sıcaklığın 40 °C'ye ulaştığı ya da bu dereceyi geçtiği ortamlarda saklamayın.

Çim biçme makinesi bıçağının takılması veya çıkarılması

UYARI: Anahtar bırakıldıktan sonra bıçak birkaç saniye dönmeye devam edebilir. Bıçak tamamen durana kadar hiçbir işlem yapmaya başlamayın.

UYARI: Bıçağı takarken veya çıkarırken kilit anahtarını ve batarya kartuşunu daima çıkarın. Kilit anahtarının ve batarya kartuşunun çıkarılması ciddi yaralanmalara sebep olabilir.

UYARI: Bıçak üzerinde bir işlem yaparken daima eldiven kullanın.

Çim biçme makinesi bıçağının çıkarılması

Düz çim biçme makinesi bıçağı ile donatılmış modeller için

1. Çim biçme makinesini biçme yüksekliği ayarlama kolu üst tarafa gelecek şekilde yan yatırın.
2. Bıçağı kilitlemek için, çim biçme makinesi gövdesi üzerindeki bir deliğe pimi sokun.
3. Cıvatayı 17 numara lokma anahtarıyla saatin aksi yönünde çevirin.
► **Şek.37:** 1. Çim biçme makinesi bıçağı 2. Pim 3. Lokma anahtarı
4. Cıvatayı ve ardından bıçağı çıkarın.
► **Şek.38:** 1. Bıçak desteği 2. Çim biçme makinesi bıçağı 3. Cıvata 4. Çıkıntı

ÖNEMLİ NOT: Çim biçme makinesi bıçağını takarken bıçak desteğinin üzerindeki çıkıntılar çim biçme makinesini bıçağındaki deliklere oturduğundan emin olun.

Geriye sallanır çim biçme makinesi bıçakları ile donatılmış modeller için

1. Çim biçme makinesini biçme yüksekliği ayarlama kolu üst tarafa gelecek şekilde yan yatırın.
2. Altlığı kilitlemek için pimi, altlık üzerindeki bir delik üzerinden çim biçme makinesi gövdesi üzerindeki bir deliğe sokun.
3. Cıvatayı 17 numara lokma anahtarıyla saatin aksi yönünde çevirin.
► **Şek.39:** 1. Pim 2. Altlık 3. Lokma anahtarı
4. Cıvatayı ve ardından altlığı çıkarın.
► **Şek.40:** 1. Bıçak desteği 2. Altlık 3. Cıvata 4. Çıkıntı

ÖNEMLİ NOT: Çim biçme makinesi bıçaklarını takarken bıçak desteğinin üzerindeki çıkıntılar altlıktaki deliklere oturduğundan emin olun.

5. Tek bir çim biçme makinesini bıçağını çıkarmak için altlığı tutarken cıvatayı 17 numara lokma anahtarıyla saatin aksi yönünde çevirin.
► **Şek.41:** 1. Altlık 2. Çim biçme makinesi bıçağı 3. Lokma anahtarı
6. Somunu, pulu, yaylı pulu, çim biçme makinesini bıçağını ve cıvatayı sırayla çıkarın.
► **Şek.42:** 1. Cıvata deliği 2. Cıvata 3. Çim biçme makinesi bıçağı 4. Yaylı pul 5. Pul 6. Somun

ÖNEMLİ NOT: Münferit çim biçme makinesi bıçaklarını takmak için somunları sıkarken sıkıma torku olarak 30 N•m uygulayın.

ÖNEMLİ NOT: Münferit çim biçme makinesini bıçağını takarken yaylı pulu şekilde gösterilen yönde mutlaka takın.

ÖNEMLİ NOT: Münferit çim biçme makinesini bıçağını takarken cıvataları şekilde gösterilen cıvata deliklerine mutlaka takın.

Çim biçme makinesi bıçağının takılması

UYARI: Çim biçme makinesini bıçağını dikkatlice takın. Bıçak bir üst/alt yüze sahiptir.

UYARI: Bıçağı sabitlemek için cıvatayı saat yönünde iyice sıkılayın.

UYARI: Çim biçme makinesini bıçağının ve tüm sabitleme parçalarının doğru şekilde takıldığından ve iyice sıkıldığından emin olun.

UYARI: Bıçakları değiştirdiğinizde, daima bu kılavuzda sunulan talimatları izleyin.

ÖNEMLİ NOT: Çim biçme makinesini bıçaklarını taktıktan sonra pimi çim biçme makinesini gövdesinden çıkarın.

Çim biçme makinesini bıçaklarını takmak için, çıkarma prosedürünü tersinden izleyin.

SORUN GİDERME

Onarım için servise gitmeden önce kontrolleri yapın. Kılavuzda açıklanmayan bir problemle karşılaşırsanız makineyi parçalarına ayırmaya çalışmayın. Bunun yerine Makita/Dolmar Yetkili Servis Merkezlerine, daima Makita/Dolmar yedek parçalar kullanarak onarttırın.

Anormal durum	Olası nedeni (arıza)	Çözümü
Çim biçme makinesi başlatılmıyor.	İki batarya kartuşu takılı değil.	İki şarjlı batarya kartuşu takın.
	Batarya sorunu (voltaj yetersiz)	Batarya kartuşunu şarj edin. Şarj etmek işe yaramıyorsa, batarya kartuşunu değiştirin.
	Kilit anahtarı takılı değil.	Kilit anahtarını takın.
	Batarya seçme düğmesi doğru konumda değil.	Batarya kartuşlarının takılı olduğu batarya yuvasını batarya seçme düğmesini kullanarak seçin.
Kısa bir süre kullanımdan sonra motor duruyor.	Bataryanın şarj seviyesi düşük.	Batarya kartuşunu şarj edin. Şarj etmek işe yaramıyorsa, batarya kartuşunu değiştirin.
	Kesim yüksekliği çok düşük ayarlanmış.	Kesim yüksekliğini artırın.
	Kesilen çim çim biçme makinesine tıkanmış.	Tıkanan çimi çim biçme makinesinden çıkarın.
Motor maksimum dev/dak oranına ulaşmıyor.	Batarya kartuşu düzgün takılmamış.	Batarya kartuşunu bu kılavuzda açıklandığı gibi takın.
	Batarya gücü düşüyor.	Batarya kartuşunu şarj edin. Şarj etmek işe yaramıyorsa, batarya kartuşunu değiştirin.
	Sürüş sistemi doğru işlemiyor.	Yerel yetkili servis merkezinden yardım isteyin.
Çim biçme makinesi bıçağı dönüyor: ⇒ Çim biçme makinesini hemen durdurun!	Bıçağın kenarına yabancı bir cisim, örn. bir dal parçası takılmış.	Yabancı cismi çıkarın.
	Sürüş sistemi doğru işlemiyor.	Yerel yetkili servis merkezinden yardım isteyin.
Anormal vibrasyon: ⇒ Çim biçme makinesini hemen durdurun!	Bıçak dengesiz, aşırı derecede ya da bir tarafı daha fazla olacak şekilde aşınmış.	Bıçağı değiştirin.

İSTEĞE BAĞLI AKSESUARLAR

⚠ DİKKAT: Bu aksesuarlar veya donanımlar bu kılavuzda belirtilen Makita/Dolmar aletinizle kullanım için önerilir. Başka aksesuar veya donanım kullanımı yaralanma riski oluşturabilir. Aksesuar veya donanımı mutlaka amacına uygun kullanın.

Bu aksesuarlar ile ilgili daha fazla bilgi için desteğe ihtiyaç duyarsanız yerel Makita/Dolmar servis merkezimize başvurun.

- Çim biçme makinesi bıçağı
- Orijinal Makita/Dolmar batarya ve şarj aleti

NOT: Listedeki bazı kalemler ürünün ambalajında standart aksesuar olarak yer alabilir. Bunlar ülkeden ülkeye farklılık gösterebilir.

Makita Europe N.V. Jan-Baptist Vinkstraat 2,
3070 Kortenberg, Belgium

Makita Corporation 3-11-8, Sumiyoshi-cho,
Anjo, Aichi 446-8502 Japan

www.dolmar.com

885760-887
EN, FR, DE, IT, NL,
ES, PT, DA, EL, TR
20191017