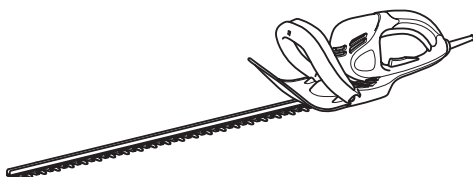


DOLMAR



EN	Hedge Trimmer	INSTRUCTION MANUAL	5
UK	Ланцюгова пила для підрізування живоплоту	ІНСТРУКЦІЯ З ЕКСПЛУАТАЦІЇ	10
PL	Nożyce do żywopłotu	INSTRUKCJA OBSŁUGI	15
RO	Mașină de tuns gard viu	MANUAL DE INSTRUCȚIUNI	20
DE	Heckenschere	BEDIENUNGSANLEITUNG	25
HU	Sövényvágó	HASZNÁLATI KÉZIKÖNYV	30
SK	Nožnice na živé ploty	NÁVOD NA OBSLUHU	35
CS	Zastříhovač živých plotů	NÁVOD K OBSLUZE	40

HT-43
HT-49
HT-53



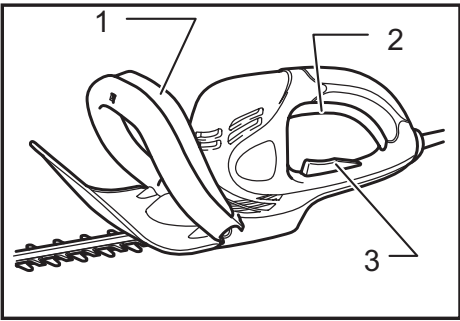


Fig.1

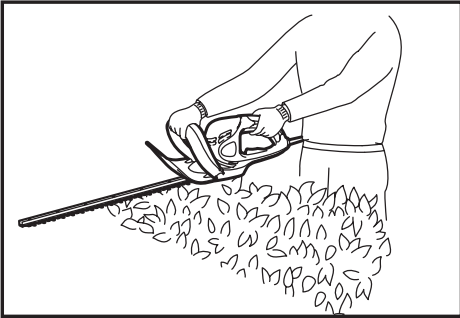


Fig.2

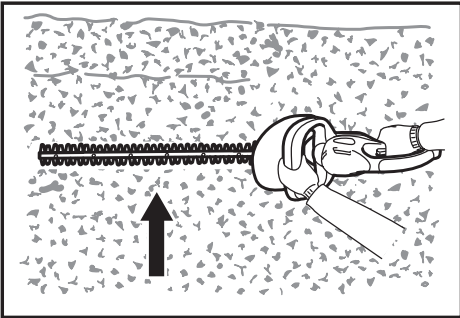


Fig.3

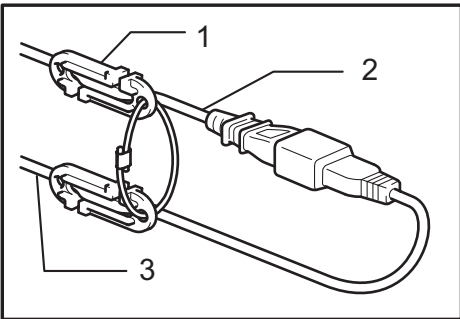


Fig.4

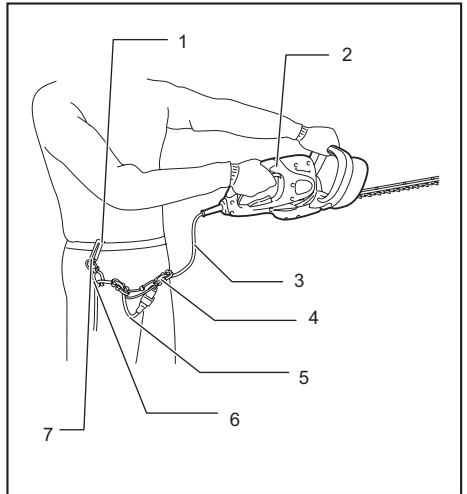


Fig.5

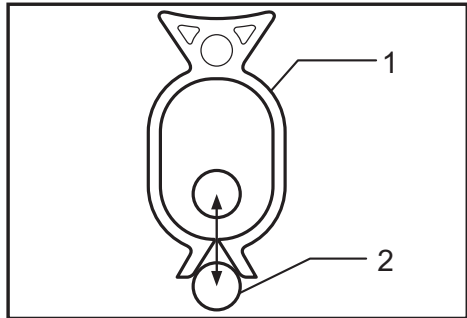


Fig.6

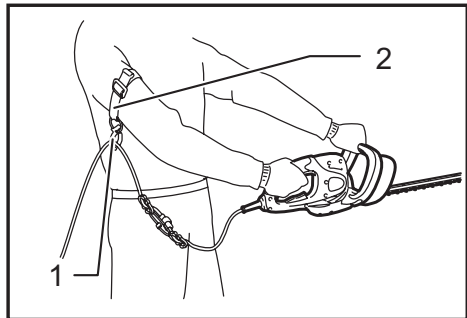


Fig.7

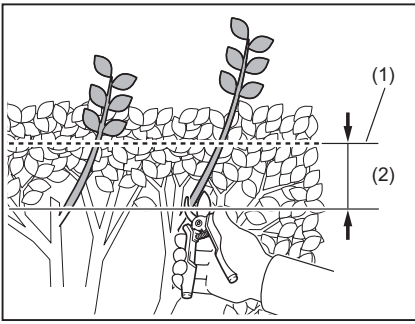


Fig.8

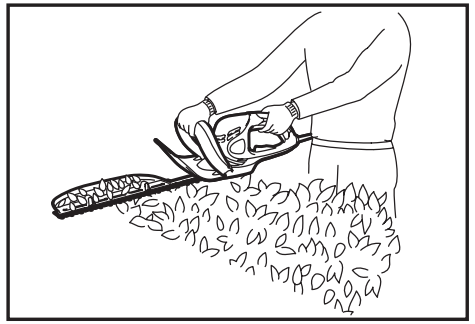


Fig.12

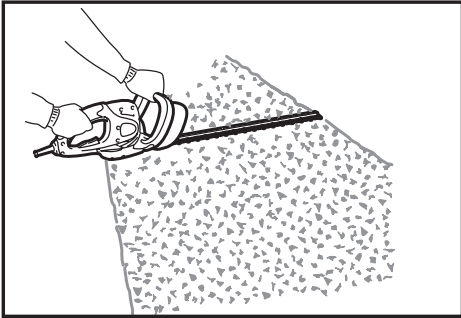


Fig.9

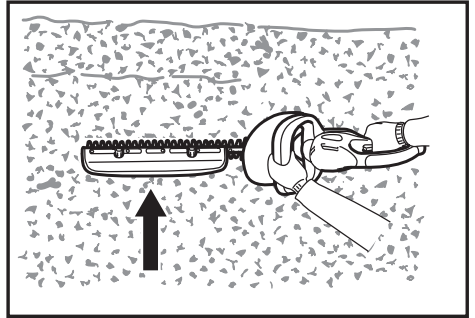


Fig.13

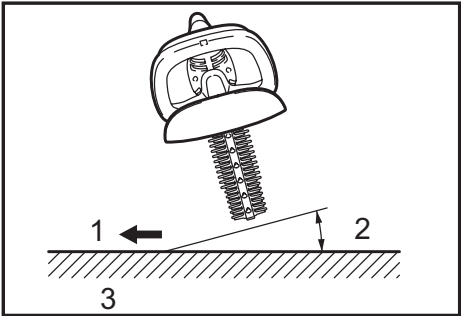


Fig.10

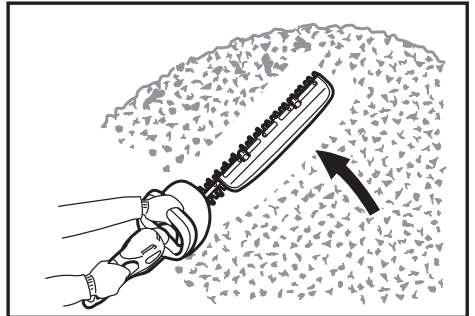


Fig.14

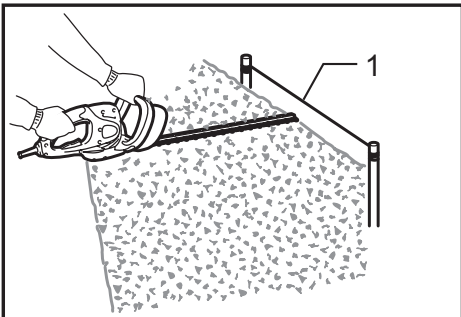


Fig.11

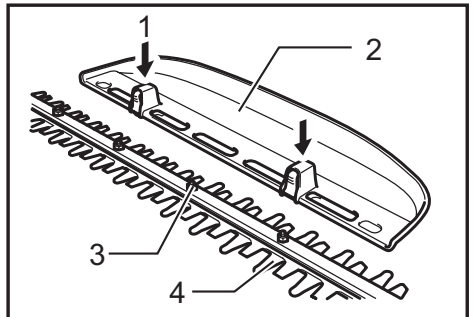


Fig.15

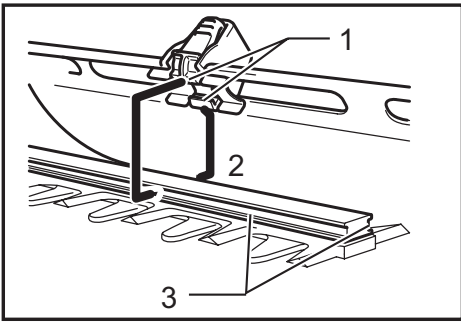


Fig.16

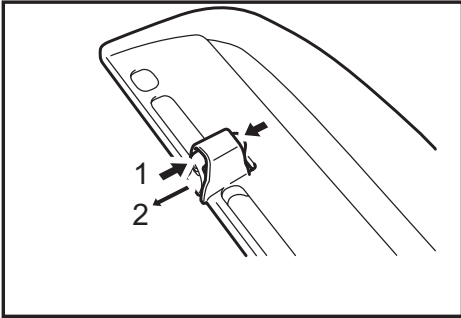


Fig.17






SPECIFICATIONS

Model	HT-43	HT-49	HT-53
Blade length	420 mm	480 mm	520 mm
Strokes per minute (min ⁻¹)	1,600	1,600	1,600
Overall length	821 mm	871 mm	921 mm
Net weight	2.9 kg	3.0 kg	3.0 kg
Safety class	☐/II		

- Due to our continuing program of research and development, the specifications herein are subject to change without notice.
- Specifications may differ from country to country.
- Weight according to EPTA-Procedure 01/2003

Symbol

The following show the symbols used for the equipment. Be sure that you understand their meaning before use.

	Read instruction manual.
	DOUBLE INSULATION
	Do not expose to rain.
	Remove plug from the mains immediately if the cable is damaged or cut.
	Only for EU countries Do not dispose of electric equipment together with household waste material! In observance of European Directive 2012/19/EU on waste electric and electronic equipment and its implementation in accordance with national law, electric equipment that have reached the end of their life must be collected separately and returned to an environmentally compatible recycling facility.

Intended use

The tool is intended for trimming hedges.

Power supply

The tool should be connected only to a power supply of the same voltage as indicated on the nameplate, and can only be operated on single-phase AC supply. They are double-insulated and can, therefore, also be used from sockets without earth wire.

Noise

The typical A-weighted noise level determined according to EN60745:

Sound pressure level (L_{pA}) : 82 dB (A)

Sound power level (L_{WA}) : 93 dB (A)

Uncertainty (K) : 2.1 dB (A)

Wear ear protection

Vibration

The vibration total value (tri-axial vector sum) determined according to EN60745:

Work mode : hedge trimming

Vibration emission (a_h) : 6.7 m/s²

Uncertainty (K) : 1.5 m/s²

NOTE: The declared vibration emission value has been measured in accordance with the standard test method and may be used for comparing one tool with another.

NOTE: The declared vibration emission value may also be used in a preliminary assessment of exposure.

⚠WARNING: The vibration emission during actual use of the power tool can differ from the declared emission value depending on the ways in which the tool is used.

⚠WARNING: Be sure to identify safety measures to protect the operator that are based on an estimation of exposure in the actual conditions of use (taking account of all parts of the operating cycle such as the times when the tool is switched off and when it is running idle in addition to the trigger time).

For European countries only

EC Declaration of Conformity

The undersigned, **Tamiro Kishima and Rainer Bergfeld, as authorized by Dolmar GmbH, declare that the DOLMAR machine(s):**

Designation of Machine:

Hedge Trimmer

Model No./ Type: HT-43, HT-49, HT-53

Specifications: see "SPECIFICATIONS" table.

are of series production and

Conforms to the following European Directives:

2000/14/EC, 2006/42/EC

And are manufactured in accordance with the following standards or standardised documents:

EN60745

The technical documentation is on file at:

Dolmar GmbH,

Jenfelder Straße 38, Abteilung FZ,

D-22045 Hamburg

The conformity assessment procedure required by Directive 2000/14/EC was in Accordance with annex V.

Measured Sound Power Level: 93 dB (A)

Guaranteed Sound Power Level: 96 dB (A)



Tamiro Kishima
Managing Director



Rainer Bergfeld
Managing Director

General Power Tool Safety Warnings

⚠WARNING Read all safety warnings and all instructions. Failure to follow the warnings and instructions may result in electric shock, fire and/or serious injury.

Save all warnings and instructions for future reference.

HEDGE TRIMMER SAFETY WARNINGS

- Keep all parts of the body away from the cutter blade. Do not remove cut material or hold material to be cut when blades are moving. Make sure the switch is off when clearing jammed material.** A moment of inattention while operating the hedge trimmer may result in serious personal injury.
- Carry the hedge trimmer by the handle with the cutter blade stopped. When transporting or storing the hedge trimmer always fit the cutting device cover.** Proper handling of the hedge trimmer will reduce possible personal injury from the cutter blades.
- Hold the power tool by insulated gripping surfaces only, because the cutter blade may contact hidden wiring or its own cord.** Cutter blades contacting a "live" wire may make exposed metal parts of the power tool "live" and could give the operator an electric shock.
- Keep cable away from cutting area.** During operation the cable may be hidden in shrubs and can be accidentally cut by the blade.
- Do not use the hedge trimmer in the rain or in wet or very damp conditions. The electric motor is not waterproof.
- First-time users should have an experienced hedge trimmer user show them how to use the trimmer.
- The hedge trimmer must not be used by children or young persons under 18 years of age. Young persons over 16 years of age may be exempted from this restriction if they are undergoing training under the supervision of an expert.
- Use the hedge trimmer only if you are in good physical condition. If you are tired, your attention will be reduced. Be especially careful at the end of a working day. Perform all work calmly and carefully. The user is responsible for all damages to third parties.
- Never use the trimmer when under the influence of alcohol, drugs or medication.
- Check to make sure that the voltage and frequency of the power supply correspond to the specifications given on the identification plate. We recommend the use of a residual-current-operated circuit breaker (ground-fault circuit interrupter) with a tripping current of 30 mA or less, or an earth leakage current protector.
- Work gloves of stout leather are part of the basic equipment of the hedge trimmer and must always be worn when working with it. Also wear sturdy shoes with anti-skid soles.
- Before starting work check to make sure that the trimmer is in good and safe working order. Ensure guards are fitted properly. Check cable for damage before starting work and replace if necessary. The hedge trimmer must not be used unless fully assembled.
- Keep cable away from the cutting area. Always work in such a way that the extension power cord is behind you.
- Remove plug from the mains immediately if cable is damaged or cut.
- Make sure you have a secure footing before starting operation.
- Hold the tool firmly when using the tool.
- Do not operate the tool at no-load unnecessarily.
- Immediately switch off the motor and unplug the mains plug if the cutter should come into contact with a fence or other hard object. Check the cutter for damage, and if damaged repair immediately.
- Before checking the cutter, taking care of faults, or removing material caught in the cutter, always switch off the trimmer and unplug the mains plug.
- Switch off the trimmer and disconnect and secure the mains plug before doing any maintenance work.
- When moving the hedge trimmer to another location, including during work, always unplug the mains plug and put the blade cover on the cutter blades. Never carry or transport the trimmer with the cutter running. Never grasp the cutter with your hands.
- Clean the hedge trimmer and especially the cutter after use, and before putting the trimmer into storage for extended periods. Lightly oil the cutter and put on the cover. The cover supplied with the unit can be hung on the wall, providing a safe and practical way to store the hedge trimmer.
- Store the hedge trimmer with the cover on, in a dry room. Keep it out of reach of children. Never store the trimmer outdoors.
- Do not operate the tool at no-load unnecessarily.**

SAVE THESE INSTRUCTIONS.

⚠WARNING: DO NOT let comfort or familiarity with product (gained from repeated use) replace strict adherence to safety rules for the subject product. MISUSE or failure to follow the safety rules stated in this instruction manual may cause serious personal injury.

FUNCTIONAL DESCRIPTION

⚠ CAUTION:

- Always be sure that the tool is switched off and unplugged before adjusting or checking function on the tool.
- Put the blade cover on the shear blades before adjusting or checking function on the tool.

Switch action

- **Fig.1:** 1. Switch trigger B 2. Switch trigger A 3. Switch trigger C

For your safety, this tool is equipped with a triple switching system. To turn on the tool, press switch trigger B and press switch trigger A or C at the same time. Release either one of the two pressed switch triggers to turn off. The sequence of switching is unimportant as the tool only starts when both switches are activated.

Straight cut

- **Fig.2**

To trim the hedge straight, pull switch triggers A and B.

Vertical cut

- **Fig.3**

Cut upwards with both hands pull the switch triggers B and C and move it in front of your body.

ASSEMBLY

⚠ CAUTION:

- Always be sure that the tool is switched off and unplugged before carrying out any work on the tool.

Engage the extension cord

⚠ CAUTION:

- Make sure that the extension cord is unplugged to the mains outlet.

- **Fig.4:** 1. Hook complete 2. Tool's cord 3. Extension cord

When engaging the extension cord, secure it to the tool's cord with the hook complete. Attach the hook about 100 - 200 mm from the extension cord connector. This will help prevent unintentional disconnection.

Waist cord hook

⚠ CAUTION:

- Do not attach the holder of waist cord hook to other than the extension cord. Do not attach it in a position closer to the tool beyond the hook complete. Failure to do so may cause an accident or personal injury.
- Attach firmly one hook of the hook complete to the tool's cord and the other hook of hook complete to the extension cord. Working with the tool with a sole hook only attached may cause an accident and injury.

Using the waist cord hook helps to minimizing a risk of cutting off the extension cord unexpectedly caused by the loose extension cord.

- **Fig.5:** 1. Hook 2. Tool 3. Tool's cord 4. Hook complete 5. Extension cord 6. Holder 7. Waist cord hook

- **Fig.6:** 1. Holder 2. Cord

Press in or pull out the cord through the opening of the holder.

⚠ CAUTION:

- Do not force the opening of the holder. Failure to do so may cause deflection and damage to it.

Arm cord hook (Accessory)

⚠ CAUTION:

- Do not attach the holder of arm cord hook to other than the extension cord. Do not attach it in a position closer to the tool beyond the hook complete hooks. Failure to do so may cause an accident or personal injury.
- Attach firmly one hook of the hook complete to the tool's cord and the other hook of hook complete to the extension cord. Working with the tool with a sole hook only attached may cause an accident and injury.

Using the arm cord hook helps to minimize a risk of cutting off the extension cord unexpectedly caused by the loose extension cord.

- **Fig.7:** 1. Holder 2. Arm cord hook band

Attach firmly the arm cord hook band placing around your arm and pass the extension cord through the holder. The length of the arm cord hook band is adjustable.

NOTE:

- Do not pass the extension cord through the band.
- Do not force the opening of the holder. Failure to do so may cause deflection and damage to it.
- Using the arm cord hook together with the waist cord hook is more helpful.

OPERATION

⚠ CAUTION:

- Be careful not to accidentally contact a metal fence or other hard objects while trimming. The blade will break and may cause serious injury.
- Overreaching with a hedge trimmer, particularly from a ladder, is extremely dangerous. Do not work from anything wobbly or infirm.

NOTICE: Do not attempt to cut branches thicker than 10 mm in diameter with the tool. Cut branches to 10 cm lower than the cutting height using branch cutters before using the tool.

▶ **Fig.8:** (1) Cutting height (2) 10 cm

⚠ CAUTION:

- Do not cut off dead trees or similar hard objects. Failure to do so may damage the tool.

▶ **Fig.9**

Hold the trimmer with both hands pull the switch trigger A or B and move it in front of your body.

▶ **Fig.10:** 1. Trimming direction 2. Tilt the blades 3. Hedge surface to be trimmed

As a basic operation, tilt the blades towards the trimming direction and move it calmly and slowly at the speed rate of 3 - 4 seconds per meter.

▶ **Fig.11:** 1. String

To cut a hedge top evenly, it helps to tie a string at the desired hedge height and to trim along it, using it as a reference line.

▶ **Fig.12**

Attaching the chip receiver (accessory) on the tool when trimming the hedge straight can avoid cut off leaves' being thrown away.

▶ **Fig.13**

To cut a hedge side evenly, it helps to cut from the bottom upwards.

▶ **Fig.14**

Trim boxwood or rhododendron from the base toward the top for a nice appearance and good job.

Installing or removing chip receiver (accessory)

⚠ CAUTION:

- Always be sure that the tool is switched off and unplugged before installing or removing chip receiver.

NOTE:

- When replacing the chip receiver, always wear gloves so that hands and face does not directly contact the blade. Failure to do so may cause personal injury.
- Always be sure to remove the blade cover before installing the chip receiver.
- The chip receiver receives cut-off leaves and alleviates collecting thrown-away leaves. This can be installed on either side of the tool.

▶ **Fig.15:** 1. Press 2. Chip receiver 3. Nut 4. Shear blade

▶ **Fig.16:** 1. Hooks 2. Fit the hooks into groove 3. Grooves

At this time, the chip receiver needs to be installed so that its hooks fit into grooves in the shear blade unit.

▶ **Fig.17:** 1. Press the levers on both sides 2. Unlock the hooks

To remove the chip receiver, press its lever on both sides so that the hooks are unlocked.

⚠ CAUTION:

- The blade cover (standard equipment) cannot be installed on the tool with the chip receiver being installed. Before carrying or storing, uninstall the chip receiver and then install the blade cover to avoid blade exposure.

NOTE:

- Check the chip receiver for secure installment before use.
- Never try to uninstall the chip receiver by an excessive force with its hooks locked in the blade unit grooves. Using the excessive force may damage it.

MAINTENANCE

⚠ CAUTION:

- Always be sure that the tool is switched off and unplugged before attempting to perform inspection or maintenance.

Cleaning the tool

Clean out the tool by wiping off dust with a dry or soap-dipped rag.

⚠ CAUTION:

- Never use gasoline, benzine, thinner, alcohol or the like. Discoloration, deformation or cracks may result.

Blade maintenance

Smear the blade before and once per half an hour during operation using machine oil or similars.

After operation, remove dust from both sides of the blade with wired brush, wipe off it with a rag and then apply enough low-viscosity oil, such as machine oil etc. and spray-type lubricating oil.

⚠ CAUTION:

- Do not wash the blades in water. Failure to do so may cause rust or damage on the tool.
- Wear gloves when performing the blade maintenance.

Storage

Put the blade cover on the shear blades so that the blades are not exposed. Store the tool out of the reach of children carefully.

Store the tool in the place not exposed to water and rain.

To maintain product SAFETY and RELIABILITY, repairs, carbon brush inspection and replacement, any other maintenance or adjustment should be performed by Dolmar Authorized Service Centers, always using Dolmar replacement parts.

OPTIONAL ACCESSORIES

⚠ CAUTION:

- These accessories or attachments are recommended for use with your Dolmar tool specified in this manual. The use of any other accessories or attachments might present a risk of injury to persons. Only use accessory or attachment for its stated purpose.

If you need any assistance for more details regarding these accessories, ask your local Dolmar service center.

- Blade cover
- Hook complete
- Waist cord hook
- Arm cord hook
- Chip receiver

NOTE:

- Some items in the list may be included in the tool package as standard accessories. They may differ from country to country.

ТЕХНІЧНІ ХАРАКТЕРИСТИКИ

Модель	HT-43	HT-49	HT-53
Довжина полотна	420 мм	480 мм	520 мм
Швидкість ланцюга за хвилину (хв. ⁻¹)	1600	1600	1600
Загальна довжина	821 мм	871 мм	921 мм
Чиста вага	2,9 кг	3,0 кг	3,0 кг
Клас безпеки	II		

- Через те, що ми не припиняємо програми досліджень і розвитку, наведені тут технічні характеристики можуть бути змінені без попередження.
- У різних країнах технічні характеристики можуть бути різними.
- Вага відповідно до EPTA-Procedure 01/2003

Умовне позначення

Далі наведені символи, які застосовуються для позначення обладнання. Перед користуванням переконайтеся, що Ви розумієте їхнє значення.



Прочитайте інструкцію з експлуатації.



ПОДВІЙНА ІЗОЛЯЦІЯ



Не залишайте інструмент під дощем.



Якщо кабель пошкоджений або відрізаний, негайно від'єднайте вилку від електричної мережі.



Тільки для країн ЄС
Не викидайте електроприлади разом із побутовим сміттям!
Згідно з Європейською директивою 2012/19/EU про утилізацію електричного та електронного обладнання і з її використанням із дотриманням національних законів, електричне обладнання, термін служби якого закінчився, слід збирати в окремо відведених місцях і повертати на відповідні підприємства з його переробки.

Призначення

Інструмент призначено для підрізки живоплоту.

Джерело живлення

Інструмент можна підключати лише до джерела живлення, що має напругу, зазначену в таблиці із заводськими характеристиками, і він може працювати лише від однофазного джерела змінного струму. Він має подвійну ізоляцію, а отже може також підключатися до розеток без лінії заземлення.

Шум

Рівень шуму за шкалою А у типовому виконанні, визначений відповідно до EN60745:

Рівень звукового тиску (L_{pA}): 82 дБ (А)

Рівень звукової потужності (L_{WA}): 93 дБ (А)

Похибка (К): 2,1 дБ (А)

Користуйтеся засобами захисту слуху

Вібрація

Загальна величина вібрації (сума трьох векторів) визначена згідно з EN60745:

Режим роботи: підстригання живої огорожі

Вібрація (a_h): 6,7 м/с²

Похибка (К): 1,5 м/с²

ПРИМІТКА: Заявлене значення вібрації було виміряно у відповідності до стандартних методів тестування та може використовуватися для порівняння одного інструмента з іншим.

ПРИМІТКА: Заявлене значення вібрації може також використовуватися для попередньої оцінки впливу.

▲ ПОПЕРЕДЖЕННЯ: Залежно від умов використання вібрація під час фактичної роботи інструмента може відрізнятись від заявленого значення вібрації.

▲ ПОПЕРЕДЖЕННЯ: Забезпечте належні запобіжні заходи для захисту оператора, що відповідатимуть умовам використання інструмента (слід брати до уваги всі складові робочого циклу, такі як час, коли інструмент вимкнено та коли він починає працювати на холостому ході під час запуску).

Тільки для країн Європи

Декларація про відповідність стандартам ЄС

Tamiro Kishima та Rainer Bergfeld, що нижче підписалися та авторизовані компанією TOB Dolmar, заявляють, що прилади DOLMAR:

Позначення обладнання:

Ланцюгова пила для підрізання живоплоту

№ моделі / тип: HT-43, HT-49, HT-53

Технічні характеристики: див. Таблицю "ТЕХНІЧНІ ХАРАКТЕРИСТИКИ".

є серійним виробництвом та

Відповідає таким Європейським Директивам:

2000/14/EC, 2006/42/EC

Та вироблені у відповідності до таких стандартів та стандартизованих документів:

EN60745

Технічна документація знаходиться:

TOB Dolmar,

Jenfelder Straße 38, Abteilung FZ,

D-22045 Гамбург

Процедура оцінки відповідності, яка вимагається Директивою 2000/14/ЕС, відбулася згідно з додатком додатку V.

Замірний рівень звукової потужності: 93 дБ (А)

Гарантований рівень звукової потужності: 96 дБ (А)

23.07.2010



Tamiro Kishima
Managing Director



Rainer Bergfeld
Managing Director

Застереження стосовно техніки безпеки при роботі з електроприладами

УВАГА! Прочитайте усі застереження стосовно техніки безпеки та всі інструкції. Недотримання даних застережень та інструкцій може призвести до ураження струмом та виникнення пожежі та/або серйозних травм.

Збережіть усі інструкції з техніки безпеки та експлуатації на майбутнє.

ПОПЕРЕДЖЕННЯ ПРО НЕОБХІДНУ ОБЕРЕЖНІСТЬ ПІД ЧАС РОБОТИ З ЛАНЦЮГОВОЮ ПИЛОЮ

1. Тримайте всі частини тіла на відстані від ріжучого полотна. Не зчищайте зрізаний матеріал і не притримуйте матеріал, який Ви хочете зрізати, під час руху полотна. Обов'язково переконайтеся в тому, що вимикач стоїть у положенні «Вимкнено» при видаленні застряглого матеріалу. Одна мить необережності при експлуатації ланцюгової пили може призвести до серйозної травми.
2. При перенесенні тримайте ланцюгову пилу за руків'я при нерухомому ріжучому полотні. При транспортуванні або зберіганні інструменту завжди закривайте полотно кришкою. Правильне поводження з інструментом зменшить ризик травмування ланцюгом.
3. Електроінструмент слід тримати тільки за ізольовані поверхні держака, оскільки ріжуче полотно може зачепити сховану електропроводку. Торкання ріжучим полотном струмоведучої проводки може призвести до передання напруги до оголених металевих частин електроінструмента та до ураження оператора електричним струмом.
4. Тримайте кабель на відстані від зони підрізування. Під час експлуатації Ви можете не помітити кабель у заростях та випадково перерізати його пилою.
5. Не використовуйте ланцюгову пилу під час дощу або за умов високої вологості або сирості. Електричний двигун не є водостійким.
6. Користувачі-початківці повинні мати досвідченого користувача, який зміг би показати, як правильно працювати з інструментом.

7. Дітям та підліткам молодше 18 років забороняється користуватися ланцюговою пилою. Цю заборону може бути знято з юнаків віком старших 16 років під час проходження практики під наглядом майстра.
8. Працювати з пилою можна, лише якщо Ви у хорошому фізичному стані. Якщо Ви втомлені, Ваша увага знижена. Будьте особливо обережними наприкінці робочого дня. Всю роботу слід виконувати спокійно та обережно. Користувач несе відповідальність за будь-яку шкоду, завдану третім сторонам.
9. Забороняється працювати з пилою після вживання алкоголю, ліків або медичних препаратів.
10. Переконайтеся в тому, що напруга та частота джерела струму відповідають специфікаціям на паспортній таблиці. Ми рекомендуємо використовувати пристрій захисного відключення (переривач замикання на землю) зі струмом вимикання 30 мА або нижче, або запобіжник витікання струму на землю.
11. Робочі рукавиці з міцної гуми входять до набору обладнання ланцюгової пили; обов'язково одягайте їх при роботі з нею. Взуття повинно бути міцним, з нековзними підшовами.
12. Перед початком роботи перевірте, чи справна пила та чи знаходиться вона у хорошому робочому стані. Перевірте, чи правильно закріплені запобіжні деталі корпусу. Перед початком роботи перевірте кабель на предмет пошкоджень; при необхідності замініть його. Забороняється використовувати ланцюгову пилу, якщо вона неповністю зібрана.
13. Тримайте кабель на відстані від зони підрізування. При експлуатації пили кабель-подовжувач повинен завжди знаходитися позаду Вас.
14. Негайно вийміть штепсель з мережі живлення при пошкодженні або перерізуванні кабелю.
15. Перед початком роботи переконайтеся, що Ви стоїте на надійній поверхні.
16. Під час роботи тримайте інструмент міцно.
17. Не слід дуже довго залишати інструмент працювати на холостому ході.
18. Негайно вимкніть двигун та вийміть штепсель з мережі живлення, якщо ріжуче полотно доторкнеться до паркану або до іншого твердого предмету. Перевірте ріжуче полотно на предмет пошкодження; при пошкодженні – негайно полагодьте його.
19. Перед перевіркою ріжучого пристрою, усуненням неполадок або усуненням матеріалу, застряглого у ріжучому полотні, завжди вимикайте пилу та виймайте штепсель з мережі живлення.
20. Вимикайте пилу та обов'язково від'єднуйте штепсель перед проведенням будь-якої роботи з технічного обслуговування.
21. Під час переміщення пили для підрізування живоплоту у інше місце, зокрема під час роботи, завжди виймайте штепсель з мережі живлення та встановлюйте на ножове полотно кришку ножового полотна. Ніколи не переносьте та не перевозіть пилу для підрізування живоплоту з працюючим ріжучим пристроєм. Ніколи не тримайтеся за ріжучий пристрій руками.

22. Почистіть ланцюгову пилу, а особливо ріжуче полотно після використання та перед тим, як покласти інструмент для довготривалого зберігання. Злегка змастіть ріжуче полотно та накрийте його кришкою. Кришку, що додається до обладнання, можна повісити на стіні, що забезпечує безпечне та практичне зберігання ланцюгової пили.
23. Зберігайте ланцюгову пилу у чохлі у сухому приміщенні. Тримайте інструмент у місці, недоступному для дітей. Ланцюгову пилу забороняється зберігати на відкритому повітрі.
24. **Не слід дуже довго залишати інструмент працювати на холостому ході.**

ЗБЕРІГАЙТЕ ЦІ ВКАЗІВКИ.

▲ПОПЕРЕДЖЕННЯ: **НІКОЛИ НЕ СЛІД** втрачати пильності та розслаблюватися під час користування виробом (що трапляється при частому використанні); слід завжди строго дотримуватися правил безпеки під час використання цього пристрою. **НЕНАЛЕЖНЕ ВИКОРИСТАННЯ** або **недотримання правил безпеки, викладених в цьому документі, може призвести до серйозних травм.**

ІНСТРУКЦІЯ З ВИКОРИСТАННЯ

▲ОБЕРЕЖНО:

- Перед регулюванням та перевіркою справності інструменту, переконайтеся в тому, що він вимкнений та відключений від мережі.
- Перед регулюванням та перевіркою справності інструменту встановіть на ножове полотно кришку ножового полотна.

Дія вимикача

- **Рис.1:** 1. Курковий вмикач В 2. Курковий вмикач А 3. Курковий вмикач С

Для Вашої безпеки інструмент обладнано потрійною системою вмикання. Щоб увімкнути інструмент, одночасно натисніть на курковий вмикач В та курковий вмикач А або С. Щоб відключити інструмент, відпустіть один з двох натиснутих куркових вмикачів. Послідовність натискання вмикачів ролі не відіграє, тому що інструмент буде запущений тільки після натискання двох вмикачів.

Пряме підрізування

- **Рис.2**

Для виконання прямого підрізання задійте куркові вмикачі А та В.

Вертикальне підрізування

- **Рис.3**

Щоб провести підрізування у напрямку догори, обома руками натисніть на куркові вмикачі В та С та підріжте живопліт перед собою.

КОМПЛЕКТУВАННЯ

▲ОБЕРЕЖНО:

- Перед тим, як щось встановлювати на інструмент, переконайтеся в тому, що він вимкнений та відключений від мережі.

Використовуйте шнур-подовжувач.

▲ОБЕРЕЖНО:

- Обов'язково вимкніть з розетки шнур-подовжувач.

- **Рис.4:** 1. З'єднувальний гачок 2. Кабель інструменту 3. Шнур подовжувач

При використанні шнура-подовжувача скріпіть його з кабелем інструменту за допомогою з'єднувального гачка. Приєднайте гачок на відстані 100 - 200 мм від шнура-подовжувача: це убезпечить його від випадкового відключення.

Напоясне кріплення для кабелю

▲ОБЕРЕЖНО:

- Приєднайте фіксатор напоясного кріплення для кабелю лише до шнура-подовжувача. Не приєднуйте його ближче до інструменту, перед з'єднувальним гачком. Недотримання цієї інструкції може призвести до нещасного випадку або травмування.
- Міцно приєднайте одне кріплення з'єднувального гачка до кабелю інструменту, а інше кріплення з'єднувального гачка – до шнура-подовжувача. Робота з лише одним приєднаним кріпленням може призвести до нещасного випадку та травмування.

Використання напоясного кріплення для кабелю допомагає мінімізувати ризик випадкового перерізування шнура-подовжувача через ненацянутий шнур-подовжувач.

- **Рис.5:** 1. Скоба 2. Інструмент 3. Кабель інструменту 4. З'єднувальний гачок 5. Шнур подовжувач 6. Тримач 7. На поясне кріплення для кабелю

- **Рис.6:** 1. Тримач 2. Кабель

Натисніть всередину або витягніть кабель через отвір фіксатора.

▲ОБЕРЕЖНО:

- Не прикладайте силу до отвору фіксатора. Недотримання цієї інструкції може призвести до його деформації та пошкодження.

Наплічне кріплення для кабелю (додаткове обладнання)

⚠ ОБЕРЕЖНО:

- Приєднуйте фіксатор наплічного кріплення для кабелю лише до шнура-подовжувача. Не приєднуйте його ближче до інструменту, перед кріпленнями з'єднувального гачка. Недотримання цієї інструкції може призвести до нещасного випадку або травми.
- Міцно приєднайте одне кріплення з'єднувального гачка до кабелю інструмента, а інше кріплення з'єднувального гачка – до шнура-подовжувача. Робота з лише одним приєднаним кріпленням може призвести до нещасного випадку та травми.

Використання наплічного кріплення для кабелю допомагає мінімізувати ризик випадкового перерізування шнура-подовжувача через ненапружений шнур-подовжувач.

► **Рис.7:** 1. Тримач 2. Наплічний ремінь для кабелю

Міцно приєднайте наплічний ремінь для кабелю, одягнувши його на плече, та проведіть шнур-подовжувач через фіксатор. Довжину наплічного ремня для кабелю можна регулювати.

ПРИМІТКА:

- Не проводьте шнур-подовжувач через ремінь.
- Не прикладайте силу до отвору фіксатора. Недотримання цієї інструкції може призвести до його деформації та пошкодження.
- Рекомендується використовувати наплічне кріплення для кабелю разом з на поясным кріпленням для кабелю.

ЗАСТОСУВАННЯ

⚠ ОБЕРЕЖНО:

- Будьте обережні: не допускайте випадкового контакту з металом або іншими твердими предметами під час проведення підрізування. Ріжуче полотно може зламатися та завдати серйозної травми.
- Не працюйте з ланцюговою пилою, дотягуючись до віддалених зон, особливо стоячи на драбині: це надзвичайно небезпечно. Під час роботи не стійте на нестійкій або неміцній поверхні.

УВАГА: Не намагайтеся зрізати пилою гілки, товстіші за 10 мм у діаметрі. Перш ніж скористатися цим інструментом, підріжте такі гілки на 10 см нижче висоти різання за допомогою садових ножиць.

► **Рис.8:** (1) Висота різання (2) 10 см

⚠ ОБЕРЕЖНО:

- Не зрізайте засохлі дерева чи інші подібні тверді предмети. Недотримання цієї інструкції може призвести до пошкодження інструменту.

► Рис.9

Тримайте ланцюгову пилу обома руками, натисніть на куркові вмикачі А та В та проведіть зрізування перед собою.

► **Рис.10:** 1. Напрямок підрізування 2. Нахиліть полотно 3. Поверхня живоплоту, яку необхідно підрізати

У порядку стандартної дії при роботі, нахиліть ріжуче полотно у напрямку проведення підрізування, рухайте ним спокійно та повільно при швидкості з розрахунку 3 - 4 секунди на метр.

► **Рис.11:** 1. Шнурок

Щоб рівномірно підрізати верхню частину живоплоту, рекомендується прив'язати мотузку на бажаній висоті живоплоту та провести підрізання вздовж неї, використовуючи її у якості орієнтиру.

► Рис.12

Приєднання уловлювача скалок (додаткове обладнання) до інструмента під час прямого підрізування живоплоту дозволяє запобігти розкиданню зрізаного листа.

► Рис.13

Щоб рівномірно підрізати бокову частину живоплоту, рекомендується проводити підрізування у напрямку знизу вгору.

► Рис.14

Підріжте самшит або рододендрон у напрямку від основи догори, щоб у результаті досягнути гарного вигляду та отримати хороші результати роботи.

Установка та знімання уловлювача скалок (додаткове обладнання)

⚠ ОБЕРЕЖНО:

- Перед установкою або зніманням уловлювача скалок обов'язково вимкніть інструмент та від'єднайте його від мережі живлення.

ПРИМІТКА:

- При заміні уловлювача скалок завжди одягайте рукавиці, щоб уникнути прямого контакту рук та обличчя з ріжучим полотном. Недотримання цієї інструкції може призвести до травмування.
- Перед встановленням уловлювача скалок завжди знімайте кришку ножового полотна.
- Уловлювач скалок уловлює зрізане листя і полегшує збирання зрізаного листа. Його можна встановити з будь-якого боку інструменту.

► **Рис.15:** 1. Натиснути 2. Уловлювач скалок 3. Гайка 4. Ножове полотно

► **Рис.16:** 1. Кріплення 2. З'єднайте гачки з пазом 3. Пази

При цьому уловлювач скалок необхідно встановити таким чином, щоб його гачки увійшли в пази на механізмі ножового полотна.

- **Рис.17:** 1. Натисніть важелі з обох боків
2. Від'єднайте гачки

Для того щоб зняти уловлювач скалок, натисніть на його важелі з обох боків, так щоб його гачки від'єдналися.

⚠ОБЕРЕЖНО:

- Кришка ножового полотна (стандартне обладнання) не може бути встановлений на інструмент, якщо на ньому встановлено уловлювач скалок. Перед перенесенням або зберіганням інструменту зніміть уловлювач скалок, після чого закрийте ножове полотно чохлом.

ПРИМІТКА:

- Перевірте, чи надійно встановлено уловлювач скалок, перед тим як почати роботу.
- Ніколи не намагайтеся зняти уловлювач скалок, прикладаючи надмірну силу, щоб від'єднати його гачки від пазів ріжучого механізму: використання надмірної сили може призвести до його пошкодження.

ТЕХНІЧНЕ ОБСЛУГОВУВАННЯ

⚠ОБЕРЕЖНО:

- Перед тим, як оглянути інструмент, або виконати ремонт, переконайтеся, що він вимкнений та відключений від мережі.

Чистка інструменту

Проводьте чистку інструменту, витираючи пил сухою або змоченою в милі ганчіркою.

⚠ОБЕРЕЖНО:

- Ніколи не використовуйте газолін, бензин, розріджувач, спирт та подібні речовини. Їх використання може призвести до зміни кольору, деформації та появи тріщин.

Технічне обслуговування ножового полотна

Перед використанням та через кожні півгодини роботи змащуйте ножове полотно машинним мастилом чи подібною речовиною.

По закінченню роботи усуньте пил з обох боків полотна дрютяною щіткою, протріть його ганчіркою, після чого нанесіть достатню кількість малов'язкого мастила, такого як машинне мастило і т. п. та розпилене мастило.

⚠ОБЕРЕЖНО:

- Не мийте ріжуче полотно у воді. Недотримання цієї інструкції може призвести до утворення іржі та пошкодження інструменту.
- Під час проведення технічного обслуговування ножового полотна слід вдягати рукавиці.

Зберігання

Встановіть кришку на ножове полотно, так щоб закрити його. Зберігайте інструмент у місці, недоступному для дітей.

Зберігайте інструмент у місці, що не зазнає впливу води та дощу.

Для забезпечення БЕЗПЕКИ та НАДІЙНОСТІ продукції, ремонт, перевірка та заміна графітових щіточок, будь-які інші роботи з технічного обслуговування та регулювання повинні проводитися сервісним центром, авторизованим Dolmar, завжди з використанням змінних частин Dolmar.

ДОДАТКОВЕ ПРИЛАДДЯ

⚠ОБЕРЕЖНО:

- Це додаткове та допоміжне обладнання рекомендується використовувати з Вашим інструментом Dolmar, у відповідності до цих інструкцій з використання. Використання будь-якого іншого додаткового та допоміжного обладнання може становити небезпеку травмування. Використовуйте додаткове та допоміжне обладнання лише за передбаченим призначенням.

У випадку, якщо Вам необхідна будь-яка допомога та більш детальна інформація стосовно цього додаткового обладнання, звертайтеся до Вашого місцевого сервісного центру Dolmar.

- Кришка полотна
- З'єднувальний гачок
- Напоясне кріплення для кабелю
- Наплічне кріплення для кабелю
- Уловлювач скалок

ПРИМІТКА:

- Деякі елементи списку можуть входити до комплекту інструмента як стандартне приладдя. Вони можуть відрізнятися залежно від країни.

SPECYFIKACJE

Model	HT-43	HT-49	HT-53
Długość belki nożowej	420 mm	480 mm	520 mm
Liczba oscylacji na minutę (min ⁻¹)	1 600	1 600	1 600
Długość całkowita	821 mm	871 mm	921 mm
Ciężar netto	2,9 kg	3,0 kg	3,0 kg
Klasa bezpieczeństwa	□/II		

- W związku ze stale prowadzonym przez naszą firmę programem badawczo-rozwojowym, niniejsze specyfikacje mogą ulec zmianom bez wcześniejszego powiadomienia.
- Specyfikacje mogą różnić się w zależności od kraju.
- Waga obliczona zgodnie z procedurą EPTA 01/2003

Symbol

Poniżej pokazano symbole zastosowane na urządzeniu. Przed użyciem należy zapoznać się z ich znaczeniem.



Przeczytać instrukcję obsługi.



PODWÓJNA IZOLACJA



Należy chronić przed deszczem.



Jeśli kabel zostanie uszkodzony lub przecięty, jego wtyczkę należy natychmiast wyciągnąć z gniazda.



Dotyczy tylko państw UE
Nie wyrzucaj urządzeń elektrycznych wraz z odpadami z gospodarstwa domowego! Zgodnie z Europejską Dyrektywą 2012/19/UE w sprawie zużytego sprzętu elektrotechnicznego i elektronicznego oraz dostosowaniem jej do prawa krajowego, zużyte urządzenia elektryczne należy posegregować i zutylizować w sposób przyjazny dla środowiska.

Przeznaczenie

Narzędzie to jest przeznaczone do przycinania żywoptłotów.

Zasilanie

Narzędzie wolno podłączać tylko do źródeł zasilania o napięciu zgodnym z napięciem podanym na tabliczce znamionowej. Można je zasilac wyłącznie jednofazowym prądem przemiennym. Jest ono podwójnie izolowane, dlatego też można je zasilac z gniazda bez uziemienia.

Poziom hałasu i drgań

Typowy równoważny poziom dźwięku A określony w oparciu o EN60745:

Poziom ciśnienia akustycznego (L_{pA}): 82 dB (A)

Poziom mocy akustycznej (L_{WA}): 93 dB (A)

Niepewność (K): 2,1 dB (A)

Należy stosować ochraniacze na uszy

Drgania

Całkowita wartość poziomu drgań (suma wektorów w 3 osiach) określona zgodnie z normą EN60745:

Tryb pracy: przycinanie żywoptłotu

Emisja drgań (a_{hv}): 6,7 m/s²

Niepewność (K): 1,5 m/s²

WSKAZÓWKA: Deklarowana wartość wytwarzanych drgań została zmierzona zgodnie ze standardową metodą testową i można ją wykorzystać do porównywania narzędzi.

WSKAZÓWKA: Deklarowaną wartość wytwarzanych drgań można także wykorzystać we wstępnej ocenie narażenia.

OSTRZEŻENIE: Drgania wytwarzane podczas rzeczywistego użytkowania elektronarzędzia mogą się różnić od wartości deklarowanej, w zależności od sposobu jego użytkowania.

OSTRZEŻENIE: W oparciu o szacowane narażenie w rzeczywistych warunkach użytkowania należy określić środki bezpieczeństwa w celu ochrony operatora (uwzględniając wszystkie elementy cyklu działania, tj. czas, kiedy narzędzie jest wyłączone i kiedy pracuje na biegu jałowym, a także czas, kiedy jest włączone).

Dotyczy tylko krajów europejskich

Deklaracja zgodności UE

Niżej podpisane, upoważnione osoby, p.Tamiro Kishima i p.Rainer Bergfeld, oświadczają, że poniższe urządzenia firmy DOLMAR:

Opis maszyny:

Nożyce do żywoptłotu

Nr modelu/Typ: HT-43, HT-49, HT-53

Dane techniczne: patrz tabela „SPECYFIKACJE”.

są produkowane seryjnie oraz

Jest zgodne z wymogami określonymi w następujących dyrektywach europejskich:

2000/14/WE, 2006/42/WE

Jest produkowane zgodnie z następującymi normami lub dokumentami normalizacyjnymi:

EN60745

Dokumentacja techniczna jest złożona w archiwum firmy:

Dolmar GmbH,
Jenfelder Straße 38, Abteilung FZ,
D-22045 Hamburg

Procedura oceny zgodności wymagana przez Dyrektywę 2000/14/WE została przeprowadzona zgodnie z Załącznikiem V.

Zmierzony poziom mocy akustycznej: 93 dB (A)
Gwarantowany poziom mocy akustycznej: 96 dB (A)

23.07.2010



Tamiro Kishima
Managing Director



Rainer Bergfeld
Managing Director

Ogólne zasady bezpieczeństwa obsługi elektronarzędzi

⚠️ OSTRZEŻENIE Przeczytaj wszystkie ostrzeżenia i instrukcje. Nie przestrzeganie ich może prowadzić do porażenia prądem, pożarów i/lub poważnych obrażeń ciała.

Wszystkie ostrzeżenia i instrukcje należy zachować do późniejszego wykorzystania.

OSTRZEŻENIA DOTYCZĄCE BEZPIECZNEJ EKSPLOATACJI SEKATORA DO ŻYWOPŁOTU

- Nie wolno zbliżać dłoni oraz innych części ciała do noży (ostrzy). Ciętego materiału nie wolno usuwać, ani przytrzymywać, kiedy noże są w ruchu. Przed usunięciem zablokowanego materiału należy koniecznie sprawdzić, czy narzędzie jest wyłączone.** Chwila nieuwagi podczas pracy z tym narzędziem może spowodować poważne zranienie.
- Nożyce do żywopłotu należy przenosić trzymając za uchwyt, a noże powinny być nieruchome.** Podczas transportu lub przechowywania nożyc do żywopłotu zawsze powinna być założona osłona. Prawidłowe obchodzenie się z tym narzędziem zmniejsza ryzyko urazów powodowanych ostrzami.
- Ponieważ ostrze tnące może zetknąć się z ukrytymi przewodami elektrycznymi lub z własnym przewodem zasilającym, należy trzymać elektro-narzędzie tylko za izolowane uchwyty.** Kontakt ostrza z przewodem elektrycznym pod napięciem powoduje, że również odsłonięte elementy metalowe narzędzia znajdują się pod napięciem, grożąc porażeniem operatora prądem elektrycznym.
- Należy uważać, aby kabel był zawsze oddalony od obszaru cięcia.** Podczas pracy kabel może się kryć w roślinności i można go przypadkowo przeciąć.
- Nożyc do żywopłotu nie wolno używać podczas deszczu, kiedy występuje rosa, itp. Silnik elektryczny tego narzędzia nie jest wodoszczelny.
- Osoba mająca praktyczne doświadczenie z nożycami do żywopłotu powinna poinstruować użytkownika, który jeszcze nie pracował z takim narzędziem.
- Dzieciom i młodzieży poniżej 18 roku życia nie wolno obsługiwać nożyc do żywopłotu. Młode osoby powyżej 16 roku życia można wyłączyć z tego zastrzeżenia, jeżeli odbywają szkolenie pod nadzorem fachowca.
- Używaj nożyc do żywopłotu tylko wtedy, gdy jesteś w doskonałym stanie fizycznym. W przypadku zmęczenia twoja koncentracja będzie obniżona. Zachowuj szczególną ostrożność pod koniec dnia roboczego. Wszelkie czynności powinny być wykonywane spokojnie i ostrożnie. Użytkownik odpowiada za wszelkie szkody wyrządzone osobom trzecim.
- Osobom pod wpływem alkoholu, narkotyków lub przyjmującym leki nie wolno podejmować pracy.
- Należy sprawdzić, czy napięcie i częstotliwość sieci zasilającej są zgodne z wartościami podanymi na tabliczce znamionowej narzędzia. Zalecamy stosowanie bezpieczników różnicowo-prądowych o prądzie różnicowym 30 mA lub mniejszym, lub podobnych, wyzwalanych prądem upływowym.
- Rękawice robocze z grubej skóry należą do podstawowego wyposażenia przy pracy z nożycami i należy je nosić zawsze. Należy też nosić mocne buty z antypoślizgowymi podeszwami.
- Przed rozpoczęciem pracy należy się upewnić, że nożyce są w dobrym i zapewniającym bezpieczeństwo stanie. Należy sprawdzić, czy zabezpieczenia są zamocowane prawidłowo. Przed rozpoczęciem pracy należy też sprawdzić, czy nie jest uszkodzony kabel i w razie potrzeby wymienić go. Nożyc do żywopłotu nie wolno używać, jeśli nie są zmontowane całkowicie.
- Kabel należy utrzymywać z dala od miejsca cięcia. Kabel w czasie pracy musi być zawsze za tobą.
- Jeśli kabel zostanie uszkodzony lub przecięty, jego wtyczkę należy natychmiast wyciągnąć z gniazda.
- Przed rozpoczęciem pracy należy sprawdzić, czy grunt pod nogami jest pewny.
- Narzędzie należy trzymać pewnie podczas pracy. Nie należy bez potrzeby uruchamiać narzędzia bez obciążenia.
- Kiedy noże zetkną się z elementami ogrodzenia lub innym twardym przedmiotem, należy natychmiast wyłączyć silnik i wyciągnąć wtyczkę. Należy sprawdzić, czy nożyce nie zostały uszkodzone i w razie potrzeby naprawić je natychmiast.
- Przed sprawdzeniem nożyc, usuwaniem uszkodzeń lub materiału zablokowanego w nożycach, należy je zawsze wyłączać i wyciągać wtyczkę kabla zasilającego z gniazda.
- Przed przystąpieniem do jakichkolwiek prac konserwacyjnych, należy zawsze wyłączać i wyciągać wtyczkę kabla zasilającego z gniazda.
- Przed przeniesieniem nożyc na inne miejsce, także podczas pracy, należy wyciągnąć wtyczkę przewodu zasilającego z gniazda elektrycznego, a następnie założyć osłonę na ostrza. Nie wolno przenosić lub przewozić nożyc, gdy noże są w ruchu. Nigdy nie chwytaj ostrzy rękami.
- Nożyce, a zwłaszcza ostrza należy wyczyścić po pracy, a także przed odłożeniem na przechowanie. Noże należy lekko naoliwić i nałożyć na nie osłonę. Osłonę, która została dostarczona z nożycami, można zawiesić na ścianie i jest to bezpieczny i praktyczny sposób przechowywania tego narzędzia.

23. Nożyce należy przechowywać w suchym pomieszczeniu, z założoną osłoną. Dzieciom nie wolno mieć dostępu do nożyc. Nożyc nie wolno przechowywać na dworze.
24. **Nie należy bez potrzeby uruchamiać narzędzia bez obciążenia.**

ZACHOWAĆ INSTRUKCJE.

⚠ OSTRZEŻENIE: NIE WOLNO pozwolić, aby wygoda lub rutyna (nabyta w wyniku wielokrotnego używania narzędzia) zastąpiły ściśle przestrzeganie zasad bezpieczeństwa obsługi. NIEWŁAŚCIWE UŻYTKOWANIE narzędzia lub niestosowanie się do zasad bezpieczeństwa podanych w niniejszej instrukcji obsługi może prowadzić do poważnych obrażeń ciała.

OPIS DZIAŁANIA

⚠ PRZESTROGA:

- Przed rozpoczęciem regulacji i sprawdzania działania elektronarzędzia, należy upewnić się, czy jest ono wyłączone i nie podłączone do sieci.
- Przed rozpoczęciem regulacji lub sprawdzania działania nożyc założyć osłonę na ostrza.

Włączanie

- **Rys.1:** 1. Spust przełącznika B 2. Spust przełącznika A 3. Spust przełącznika C

Narzędzie to posiada zabezpieczenie w postaci potrójnego systemu włączania. Aby je uruchomić, należy wcisnąć język spustowy B jednocześnie z językiem spustowym A lub C. Aby wyłączyć, należy zwolnić jeden z tych języków. Kolejność naciskania nie ma znaczenia; narzędzie uruchamia się, kiedy wcisnięte są dwa języki spustowe.

Cięcie proste

- **Rys.2**

Aby przycinać żywoptot prosto, należy pociągnąć języki spustowe A i B.

Cięcie pionowe

- **Rys.3**

Należy ciąć ku górze, oburącz, ciągnąc za języki spustowe B i C.

MONTAŻ

⚠ PRZESTROGA:

- Przed wykonywaniem jakichkolwiek czynności na elektronarzędziu należy upewnić się, czy jest ono wyłączone i nie podłączone do sieci.

Dołączanie przedłużacza kabla zasilającego

⚠ PRZESTROGA:

- Należy się upewnić, że wtyczka kabla jest wyjęta z gniazda.

- **Rys.4:** 1. Zestaw zaczepek do mocowania kabli 2. Kabel zasilający narzędzia 3. Przedłużacz

Dołączając kabel przedłużający, należy go przymocować do kabla narzędzia zaczepem dostarczonym w zestawie. Zaczep należy przymocować 100 - 200 mm od złącza kabla narzędzia. W ten sposób unikniemy przypadkowym rozłączeniem kabli.

Zaczep kabla na pasek

⚠ PRZESTROGA:

- Zaczep ten należy mocować wyłącznie do kabla przedłużającego. Nie należy go mocować bliżej nożyc, przez zestawem zaczepek. Nie zastosowanie się do tej zasady może spowodować wypadek lub zranienie.
- Jeden z zaczepek należy silnie zamocować do kabla narzędzia, a drugi zaczep do kabla przedłużającego. Praca z nożycami, kiedy zamocowany jest tylko jeden zaczep może spowodować wypadek lub zranienie.

Stosowanie zaczepek na pasek od spodni zmniejsza ryzyko przypadkowego przecięcia luźnego kabla przedłużającego.

- **Rys.5:** 1. Hak 2. Narzędzie 3. Kabel zasilający narzędzia 4. Zestaw zaczepek do mocowania kabli 5. Przedłużacz 6. Uchwyt 7. Zaczep kabla na pasek

- **Rys.6:** 1. Uchwyt 2. Kabel

Wciśnij lub wyciągnij kabel z otwór w elemencie mocowania.

⚠ PRZESTROGA:

- Nie stosuj zbyt wielkiej siły rozchylając element mocujący. Duża siła może uszkodzić ten element.

Zaczep na pasek naramienny (wyposażenie opcjonalne)

⚠ PRZESTROGA:

- Zaczep ten należy mocować wyłącznie do kabla przedłużającego. Nie należy go mocować bliżej nożyc, przed zestawem zaczepek. Nie zastosowanie się do tej zasady może spowodować wypadek lub zranienie.
- Jeden z zaczepek należy silnie zamocować do kabla narzędzia, a drugi zaczep do kabla przedłużającego. Praca z nożycami, kiedy zamocowany jest tylko jeden zaczep może spowodować wypadek lub zranienie.

Stosowanie zaczepek na pasek naramienny zmniejsza ryzyko przypadkowego przecięcia luźnego kabla przedłużającego.

- **Rys.7:** 1. Uchwyt 2. Taśma zaczepu na pasek naramienny

Taśmę zaczepu na pasek naramienny należy solidnie zamocować na ramieniu, a kabel przedłużający ułożyć w elemencie mocującym. Długość taśmy zaczepu na pasek naramienny można regulować.

WSKAZÓWKA:

- Kabla zasilającego nie należy przekładać za pasek.
- Nie stosuj zbyt wielkiej siły rozchylając element mocujący. Duża siła może uszkodzić ten element.
- Bardziej pomaga używanie zaczepu na pasek naramienny oraz zaczepu na pasek od spodni.

DZIAŁANIE

▲ PRZESTROGA:

- Podczas przycinania należy uważać na metalowe ogrodzenia lub inne twarde przedmioty. Mogą one spowodować pęknięcie ostrzy oraz poważne obrażenia.
- Podczas przycinania sięganie zbyt daleko, zwłaszcza gdy pracuje się na drabinie, może być bardzo niebezpieczne. Nie wolno podczas pracy stać na niepewnym podłożu.

UWAGA: Nie wolno próbować przycinania tym narzędziem gałęzi grubszych niż 10 mm. Przed użyciem tego narzędzia należy przyciąć gałęzie na długość o 10 cm mniejszą niż wysokość cięcia za pomocą sekatora do gałęzi.

- **Rys.8:** (1) Wysokość cięcia (2) 10 cm

▲ PRZESTROGA:

- Nie wolno też przycinać martwych gałęzi, ani innych twardych elementów. Nie przestrzeganie tego może doprowadzić do uszkodzenia narzędzia.

- **Rys.9**

Należy trzymać narzędzie oburącz, ciągnąc za języki spustowe A i B.

- **Rys.10:** 1. Kierunek przycinania 2. Kąt pochylenia noży 3. Przycinana powierzchnia żywoplotu

Stosując podstawową metodę pracy, należy pochylić ostrza w kierunku przycinania i przesuwać je spokojnie i powoli, z szybkością jednego metra w ciągu 3 - 4 sekund.

- **Rys.11:** 1. Sznurek

Aby przycinać równo górną powierzchnię żywoplotu, dobrze jest na wymaganej wysokości zawiesić sznurek i przycinać wzdłuż niego.

- **Rys.12**

Stosowanie deflektora (wyposażenie opcjonalne) podczas przycinania prostego zapewnia odrzucanie obciętych liści w sposób kontrolowany.

- **Rys.13**

Równie przycięcie żywoplotu osiągamy przycinając od dołu do góry.

- **Rys.14**

Żywoploty z bukszpanu i rododendronu (rózanećnika) należy przycinać od dołu ku górze - wyglądają wtedy najładniej.

Montaż i demontaż osłony deflektora (wyposażenie opcjonalne)

▲ PRZESTROGA:

- Przed przystąpieniem do zakładania lub zdejmowania tarczy zawsze upewnij się, że narzędzie jest wyłączone i odłączone od zasilania.

WSKAZÓWKA:

- Podczas zakładania lub zdejmowania deflektora należy zawsze nosić rękawice, aby nie dotykać ostrzy bezpośrednio. Nie przestrzeganie tej zasady może spowodować obrażenia.
- Przed zainstalowaniem pojemnika należy się zawsze upewnić, że została zdjęta osłona ostrza.
- Deflektor zbiera odcięte liście i ułatwia pozbywanie się ich. Można go zamontować z jednej lub z drugiej strony narzędzia.

- **Rys.15:** 1. Docisnąć 2. Deflektor liści 3. Nakrętka 4. Noże

- **Rys.16:** 1. Haczyki 2. Włóż haczyki do rowków 3. Rowki

Deflektor mocuje się umieszczając jego haczyki w rowkach belki nożowej.

- **Rys.17:** 1. Nacisnąć zaczepy po obu stronach 2. Odczep haczyki

Aby zdemontować deflektor, nacisnij haczyki po obu stronach i haczyki się odcepiają.

▲ PRZESTROGA:

- Osłonę ostrzy (wyposażenie standardowe) nie można zamontować, kiedy zamontowany jest deflektor. Przed przenoszeniem lub przechowywaniem tego narzędzia, należy wymontować deflektor, a następnie założyć osłonę belki nożowej.

WSKAZÓWKA:

- Przed przystąpieniem do pracy z użyciem deflektora, należy sprawdzić czy jest on zamontowany prawidłowo.
- Deflektora nie wolno demontować z użyciem dużej siły, kiedy haczyki mocujące znajdują się w rowkach. Może to go uszkodzić.

KONSERWACJA

▲ PRZESTROGA:

- Przed wykonywaniem kontroli i konserwacji należy się zawsze upewnić, czy elektronarzędzie jest wyłączone i nie podłączone do sieci.

Czyszczenie narzędzia

Narzędzie to należy czyścić usuwając kurz szmatką - suchą lub namoczoną w roztworze mydła.

PRZESTROGA:

- Nie wolno używać benzyny, benzenu, rozpuszczalnika, alkoholu itp. Substancje takie mogą spowodować odbarwienia, odkształcenia lub pęknięcia.

WSKAZÓWKA:

- Niektóre pozycje znajdujące się na liście mogą być dołączone do pakietu narzędziowego jako akcesoria standardowe. Mogą to być różne pozycje, w zależności od kraju.

Konserwacja noży

Przed rozpoczęciem pracy i co pół godziny w trakcie pracy ostrza należy zwilżać olejem maszynowym. Po pracy należy drucianą szczotką usunąć kurz po obu stronach belki nożowej, wytrzeć szmatką, a następnie zwilżyć olejem o niskiej lepkości, np. maszynowym.

PRZESTROGA:

- Noży nie wolno myć wodą. Mycie takie powoduje korodowanie i uszkodzenie narzędzia.
- Przed wykonaniem konserwacji ostrzy należy założyć rękawice.

Przechowywanie

Osloną należy założyć na belkę nożową, aby ostrza były schowane całkowicie. Nożyce należy koniecznie strzec przed dziećmi.

Miejsce przechowywania nożyc powinno być suche. W celu zachowania poziomu BEZPIECZEŃSTWA i NIEZAWODNOŚCI wyrobu, wszelkie naprawy, sprawdzanie i wymiana szczotek węglowych, oraz innego rodzaju prace konserwacyjne lub regulacje powinny być przeprowadzane przez autoryzowany punkt serwisowy narzędzi Dolmar, zawsze z użyciem części zamiennych firmy Dolmar.

AKCESORIA OPCJONALNE

PRZESTROGA:

- Z opisanym w niniejszym podręczniku narzędziem marki DOLMAR współpracują zalecane poniżej akcesoria i przystawki. Stosowanie innych akcesoriów lub przystawek grozi obrażeniami ciała. Akcesoria lub przystawki należy wykorzystywać wyłącznie do celów, do których zostały przeznaczone.

Więcej szczegółów na temat podanego wyposażenia dodatkowego można uzyskać w miejscowym punkcie serwisowym Dolmar.

- Oslona belki nożowej
- Zestaw zaczepów do mocowania kabli
- Zaczep kabla na pasek
- Zaczep kabla na pasek naramienny
- Deflektor liści



SPECIFICAȚII

Model	HT-43	HT-49	HT-53
Lungime lamă	420 mm	480 mm	520 mm
Curse pe minut (min ⁻¹)	1.600	1.600	1.600
Lungime totală	821 mm	871 mm	921 mm
Greutate netă	2,9 kg	3,0 kg	3,0 kg
Clasa de siguranță	□/II		

- Datorită programului nostru continuu de cercetare și dezvoltare, caracteristicile pot fi modificate fără o notificare prealabilă.
- Specificațiile pot varia în funcție de țară.
- Greutatea este specificată conform procedurii EPTA-01/2003

Simbol

Mai jos sunt prezentate simbolurile de pe echipament. Asigurați-vă că înțelegeți sensul acestora înainte de utilizare.

	Citiți manualul de utilizare.
	IZOLAȚIE DUBLĂ
	Nu expuneți la ploaie.
	Scoateți fișa din priză imediat, în cazul în care cablul este deteriorat sau tăiat.
	Doar pentru țările UE Nu aruncați aparatele electrice în gunoii menajeri! În conformitate cu directiva europeană 2012/19/UE despre deșeurile de echipamente electrice și electronice și implementarea sa conform legislației naționale, echipamentele electrice trebuie colectate separat și reciclate corespunzător în vederea protecției mediului.

Destinația

Mașina este destinată tunderii gardurilor vii.

Sursă de alimentare

Unealta trebuie conectată doar la o sursă de alimentare cu aceeași tensiune precum cea indicată pe plăcuța indicatoare a caracteristicilor tehnice și poate fi operată doar de la o sursă de curent alternativ cu o singură fază. Acestea au o izolație dublă și, drept urmare, pot fi utilizate de la prize fără împământare.

Emisie de zgomot

Nivelul de zgomot normal ponderat A determinat în conformitate cu EN60745:

Nivel de presiune acustică (L_{pA}): 82 dB (A)

Nivel de putere acustică (L_{WA}): 93 dB (A)

Marjă de eroare (K): 2,1 dB (A)

Purtați mijloace de protecție a auzului

Vibrații

Valoarea totală a vibrațiilor (suma vectorilor tri-axiali) determinată conform EN60745:

Mod de funcționare: tundere garduri vii

Emisie de vibrații (a_h): 6,7 m/s²

Marjă de eroare (K): 1,5 m/s²

NOTĂ: Nivelul de vibrații declarat a fost măsurat în conformitate cu metoda de test standard și poate fi utilizat pentru compararea unei uneelte cu alta.

NOTĂ: Nivelul de vibrații declarat poate fi, de asemenea, utilizat într-o evaluare preliminară a expunerii.

⚠️ AVERTIZARE: Nivelul de vibrații în timpul utilizării reale a uneeltei electrice poate diferi de valoarea nivelului declarat, în funcție de modul în care unealta este utilizată.

⚠️ AVERTIZARE: Asigurați-vă că identificați măsurile de siguranță pentru a proteja operatorul, acestea fiind bazate pe o estimare a expunerii în condiții reale de utilizare (luând în considerare toate părțile ciclului de operare, precum timpii în care unealta a fost oprită, sau a funcționat în gol, pe lângă timpul de declanșare).

Numai pentru țările europene

Declarație de conformitate CE

Subsemnatul, Tamiro Kishima și Rainer Bergfeld, în calitate de reprezentant autorizat al Dolmar GmbH, declar că utilajul(ele) DOLMAR:

Denumirea utilajului:

Mașină de tuns gard viu

Model nr./ Tip: HT-43, HT-49, HT-53

Specificații: consultați tabelul "SPECIFICAȚII".

sunt produse în serie și

Este în conformitate cu următoarele directive europene:

2000/14/EC, 2006/42/EC

Și este fabricat în conformitate cu următoarele standarde sau documente standardizate:

EN60745

Documentația tehnică este arhivată la:

Dolmar GmbH,

Jenfelder Straße 38, Abteilung FZ,

D-22045 Hamburg

Procedura de evaluare a conformității prevăzută de Directiva 2000/14/CE a fost în conformitate cu anexa V.

Nivel de putere acustică măsurat: 93 dB (A)

Nivel de putere acustică garantat: 96 dB (A)



Tamiro Kishima
Managing Director



Rainer Bergfeld
Managing Director

Avertismente generale de siguranță pentru unelte electrice

⚠️ AVERTIZARE Citiți toate avertizările de siguranță și toate instrucțiunile. Nerespectarea acestor avertizări și instrucțiuni poate avea ca rezultat electrocutarea, incendiul și/sau rănirea gravă.

Păstrați toate avertismentele și instrucțiunile pentru consultări ulterioare.

AVERTISMENTE PRIVIND SIGURANȚA PENTRU MAȘINA DE TUNS GARDUL VIU

1. **Țineți-vă toate părțile corpului departe de lama tăietoare.** Când lamele sunt în mișcare, nu îndepărtați materialul tăiat și nici nu țineți materialul care va fi tăiat. Asigurați-vă că întrerupătorul este în poziția oprit atunci când curățați materialul blocat. Un moment de neatenție în timpul utilizării mașinii de tuns gardul viu poate avea ca rezultat rănirea gravă.
2. **Transportați mașina de tuns gardul viu de mâner cu lama tăietoare oprită.** Când transportați sau depozitați mașina de tuns gardul viu, montați întotdeauna apărătoarea dispozitivului de tăiere. Manipularea corectă a mașinii de tuns gardul viu va reduce posibilitatea rănirii persoanei de către lamele tăietoare.
3. **Țineți mașina electrică doar de suprafețele de prindere izolate, deoarece lama tăietoare poate intra în contact cu fire ascunse.** Lamele tăietoare care intră în contact cu un fir sub tensiune vor pune sub tensiune și componentele metalice expuse ale mașinii electrice, existând pericolul ca operatorul să se electrocuteze.
4. **Țineți cablul departe de zona de tăiere.** În timpul utilizării, cablul poate fi ascuns în tufe și poate fi tăiat accidental de lamă.
5. Nu utilizați mașina de tuns gardul viu în ploaie, condiții de umezeală sau de umezeală foarte ridicată. Motorul electric nu este etanș la apă.
6. Cei care utilizează pentru prima dată mașina de tuns gardul viu trebuie să lucreze împreună cu un utilizator cu experiență care să le arate cum să folosească mașina de tuns gardul viu.
7. Mașina de tuns gardul viu nu trebuie folosită de copii sau adolescenți cu vârstă mai mică de 18 ani. Adolescenții cu vârstă mai mare de 16 ani pot fi excepționi de la această restricție în cazul în care beneficiază de instructaj sub supravegherea unui expert.
8. Utilizați mașina de tuns gardul viu numai dacă vă aflați într-o stare fizică bună. Dacă sunteți obosit, atenția va fi redusă. Fiți atent în special la finalul zilei de muncă. Executați fiecare lucrare cu calm și cu atenție. Utilizatorul este responsabil pentru toate distrugerile provocate unor terțe părți.

9. Nu utilizați niciodată mașina de tuns sub influența alcoolului, drogurilor sau medicamentelor.
10. Verificați pentru a vă asigura că tensiunea și frecvența sursei de alimentare corespund cu specificațiile date pe plăcuța de identificare. Vă recomandăm utilizarea unui întrerupător de circuit acționat de curentul rezidual (întrerupător de circuit de defectare a împământării) cu un curent de declanșare de 30 mA sau mai mic, sau o protecție la scurgerile de curent prin împământare.
11. Mănușile de lucru din piele rezistentă sunt componente ale echipamentului de bază al mașinii de tuns gardul viu și trebuie să fie purtate întotdeauna când lucrați cu acestea. De asemenea, purtați pantofi rezistenți și cu tălpi antiderapante.
12. Înainte de a începe lucrul, verificați pentru a vă asigura că mașina de tuns este în stare bună și sigură de funcționare. Asigurați-vă că apărătorile sunt montate corect. Înainte de a începe lucrul, verificați cablul și înlocuiți-l dacă este necesar. Mașina de tuns gardul viu nu trebuie utilizată dacă nu este asamblată complet.
13. Țineți cablul departe de zona de tăiere. Lucrați întotdeauna astfel încât cablul prelungitor să fie în urma dumneavoastră.
14. În cazul în care cablul este deteriorat sau tăiat, scoateți imediat ștecherul din priză.
15. Înaintea utilizării, asigurați-vă că aveți o bază sigură de sprijinire a picioarelor.
16. Țineți ferm mașina atunci când o utilizați.
17. Nu acționați mașina în gol în mod inutil.
18. Opriti imediat motorul și scoateți ștecherul din priză dacă dispozitivul de tăiere vine în contact cu un gard sau cu un alt obiect tare. Verificați dispozitivul de tăiere și, dacă este deteriorat, reparați-l imediat.
19. Înainte de a verifica dispozitivul de tăiere, de a remedia defecțiunile sau de a scoate materialul prins în dispozitivul de tăiere, opriți întotdeauna mașina de tuns și scoateți ștecherul din priză.
20. Înaintea efectuării oricărei activități de întreținere, opriți mașina de tuns și deconectați și asigurați ștecherul.
21. La mutarea mașinii de tuns la o altă locație, inclusiv în timpul lucrului, scoateți întotdeauna ștecherul din priză și puneți apărătoarea pe lamele de tăiere. Nu cărați sau transportați niciodată mașina de tuns cu dispozitivul de tăiere în funcțiune. Nu apucați niciodată dispozitivul de tăiere cu mâinile.
22. După utilizare și înainte de a o depozita pentru o perioadă lungă de timp, curățați mașina de tuns gardul viu și în special dispozitivul de tăiere. Ungeți puțin cu ulei dispozitivul de tăiere și puneți apărătoarea. Apărătoarea furnizată cu unitatea poate fi agățată pe perete, oferind un mod practic și sigur de depozitare a mașinii de tuns gardul viu.
23. Depozitați mașina de tuns gardul viu cu apărătoarea pusă, într-o cameră uscată. Nu o lăsați la îndemâna copiilor. Nu depozitați niciodată mașina în exterior.
24. **Nu acționați mașina în gol în mod inutil.**

PĂSTRAȚI ACESTE INSTRUCȚIUNI.

⚠️ AVERTIZARE: NU permiteți comodității și familiarizării cu produsul (obținute prin utilizare repetată) să înlocuiască respectarea strictă a normelor de securitate pentru acest produs. **FOLOSIREA INCORECTĂ** sau nerespectarea normelor de securitate din acest manual de instrucțiuni poate provoca vătămări corporale grave.

DESCRIERE FUNCȚIONALĂ

⚠️ ATENȚIE:

- Asigurați-vă că ați oprit mașina și că ați debransat-o de la rețea înainte de a o regla sau de a verifica starea sa de funcționare.
- Puneți apărațoarea pe lamele de forfecare înainte de a regla sau verifica funcționarea mașinii.

Aționarea întrerupătorului

- **Fig.1:** 1. Declanșator întrerupător B 2. Declanșator întrerupător A 3. Declanșator întrerupător C

Pentru siguranța dumneavoastră, mașina este echipată cu un sistem cu comutare triplă. Pentru a porni mașina, apăsați butonul declanșator B și apăsați în același timp butonul declanșator A sau C. Eliberați oricare dintre cele două butoane declanșator apăstate pentru a opri mașina. Secvența de comutare nu este importată pentru că mașina pornește numai când ambele întrerupătoare sunt activate.

Tăiere dreaptă

- **Fig.2**

Pentru a tăia drept gardul viu, trageți butoanele declanșator A și B.

Tăiere verticală

- **Fig.3**

Tăiați în sus trăgând cu ambele mâini declanșatoarele de întrerupere B și C și mutând mașina în fața corpului.

MONTARE

⚠️ ATENȚIE:

- Asigurați-vă că ați oprit mașina și că ați deconectat-o de la rețea înainte de a efectua vreo intervenție asupra mașinii.

Cuplarea cablului prelungitor

⚠️ ATENȚIE:

- Asigurați-vă că, prelungitorul de cablu este scos din priză.

- **Fig.4:** 1. Ansamblu cârlig 2. Cablu mașină
3. Prelungitor

Când cuplați cablul prelungitor, fixați-l de cablul mașinii cu ansamblul cârlig. Montați cârligul la circa 100 – 200 mm de la conectorul cablului prelungitor. În acest mod va fi prevenită deconectarea accidentală.

Cârlig de brâu pentru cablu

⚠️ ATENȚIE:

- Nu prindeți suportul cârligului de brâu pentru cablu decât de cablul prelungitor. Nu-l prindeți într-o poziție aflată mai aproape de mașină, în spatele ansamblului cârlig. În caz contrar se pot produce accidente sau răni.
- Prindeți ferm un cârlig din ansamblul cârlig la cablul mașinii, iar celălalt la cablul prelungitor. Utilizarea unei mașini având atașat doar un singur cârlig poate produce accidente sau răni.

Utilizarea cârligului de brâu pentru cablu ajută la minimizarea riscului de tăiere neașteptată a cablului prelungitor, cauzată de slăbirea acestuia.

- **Fig.5:** 1. Agățătoare 2. Mașină 3. Cablu mașină
4. Ansamblu cârlig 5. Prelungitor 6. Suport
7. Cârlig de brâu pentru cablu

- **Fig.6:** 1. Suport 2. Cablu

Împingeți sau trageți cordonul prin deschiderea suportului.

⚠️ ATENȚIE:

- Nu forțați deschiderea suportului. În caz contrar se poate produce îndoirea și deteriorarea acestuia.

Cârlig de braț pentru cablu (accesoriu)

⚠️ ATENȚIE:

- Nu prindeți suportul cârligului de braț pentru cablu decât de cablul prelungitor. Nu-l prindeți într-o poziție aflată mai aproape de mașină, în spatele cârligelor ansamblului cârlig. În caz contrar se pot produce accidente sau răni.
- Prindeți ferm un cârlig din ansamblul cârlig la cablul mașinii, iar celălalt la cablul prelungitor. Utilizarea unei mașini având atașat doar un singur cârlig poate produce accidente sau răni.

Utilizarea cârligului de braț pentru cablu ajută la minimizarea riscului de tăiere neașteptată a cablului prelungitor, cauzată de slăbirea acestuia.

- **Fig.7:** 1. Suport 2. Curea a cârligului de braț pentru cablu

Atașați ferm cureaua cârligului de braț în jurul brațului și treceți cablul prelungitor prin suport. Lungimea curelei cârligului de braț este reglabilă.

NOTĂ:

- Nu treceți cablul prelungitor prin bandă.
- Nu forțați deschiderea suportului. În caz contrar se poate produce îndoirea și deteriorarea acestuia.
- Utilizarea cârligului de braț împreună cu cârligul de brâu este mult mai utilă.

FUNCȚIONARE

⚠ATENȚIE:

- În timpul tunderii, aveți grijă să nu atingeți accidental un gard metallic sau alte obiecte tari. Lama se va sparge și poate produce răniri grave.
- Întinderea cu o mașină de tuns gardul viu, în special de pe o scară, este extrem de periculoasă. Nu lucrați de pe nimic instabil sau lipsit de fermitate.

NOTĂ: Nu încercați să tăiați ramuri mai groase de 10 mm cu unealta. Tăiați crengile la o înălțime cu 10 cm mai mică decât înălțimea de tăiere utilizând un cuțit de crengi, înainte de a utiliza această unealtă.

► Fig.8: (1) Înălțime de tăiere (2) 10 cm

⚠ATENȚIE:

- Nu tăiați copaci uscați sau alte obiecte similare dure. În caz contrar, mașina poate fi deteriorată.

► Fig.9

Ținând mașina cu ambele mâini, trageți declanșatoarele de întrerupere A și B și mutați-o în fața corpului.

► Fig.10: 1. Direcție de tundere 2. Înclinați lamele 3. Suprafața gardului viu care va fi tunsă

Ca o operație de bază, înclinați lamele în față spre direcția de tundere și deplasați-le calm și lent la o viteză nominală de 3 - 4 secunde pe metru.

► Fig.11: 1. Fir

Pentru a tunde uniform partea superioară a unui gard viu, vă va ajuta legarea unei sfori la înălțimea dorită a gardului viu, și tunderea de-a lungul acesteia, utilizând-o ca linie de referință.

► Fig.12

Atașând recipientul de resturi (accesoriu) pe mașină atunci când tundeți gardul viu drept puteți evita aruncarea frunzelor tăiate.

► Fig.13

Pentru a tunde uniform o față a gardului viu, vă va ajuta să tundeți de jos în sus.

► Fig.14

Tundeți merișorul sau rododendronul de la bază spre partea superioară pentru un aspect plăcut și pentru un lucru bine făcut.

Montarea sau demontarea recipientului de resturi (accesoriu)

⚠ATENȚIE:

- Asigurați-vă întotdeauna că mașina este oprită și deconectată înainte de a monta sau demonta recipientul de resturi.

NOTĂ:

- Atunci când înlocuiți recipientul de resturi, purtați întotdeauna mănuși astfel încât mâinile și fața să nu intre în contact direct cu lama. În caz contrar se poate produce rănirea.
- Înainte de a monta recipientul de resturi, asigurați-vă întotdeauna că scoateți apărătoarea lamei.
- Recipientul de resturi primește frunzele tunse și ușurează colectarea frunzelor proiectate. Acesta poate fi instalat pe oricare latură a mașinii.

► Fig.15: 1. Apăsăți 2. Recipient de resturi 3. Piuliță 4. Lamă de forfecare

► Fig.16: 1. Cârlige 2. Introducerea cârligelor în canelură 3. Caneluri

Totodată, recipientul de resturi trebuie instalat astfel încât cârligele sale să intre în canelurile unității lamelor de forfecare.

► Fig.17: 1. Apăsăți manetele de pe ambele părți 2. Deblocarea cârligelor

Pentru a scoate recipientul de resturi, apăsați maneta sa pe ambele părți astfel încât cârligele să se deblocheze.

⚠ATENȚIE:

- Dacă recipientul de resturi este montat, apărătoarea lamei (dotare standard) nu poate fi montată pe mașină. Înainte de transportul sau depozitării, demontați recipientul de resturi și apoi montați apărătoarea lamei, pentru a evita expunerea acesteia.

NOTĂ:

- Înainte de utilizării, verificați dacă recipientul de resturi este fixat corespunzător.
- Nu încercați niciodată să demontați recipientul de resturi, cu cârligele blocate în canelurile ansamblului lamei, prin intermediul unei forțe excesive. Utilizarea forței excesive poate deteriora recipientul.

ÎNȚREȚINERE

⚠ATENȚIE:

- Asigurați-vă că ați oprit mașina și că ați debransat-o de la rețea înainte de a efectua operațiuni de verificare sau întreținere.

Curățarea mașinii

Curățați mașina, ștergând praful cu o lavetă uscată sau înmuiată în săpun.

ATENȚIE:

- Nu utilizați niciodată gazolină, benzină, diluant, alcool sau alte substanțe asemănătoare. În caz contrar, pot rezulta decolorări, deformări sau fisuri.

Întreținerea lamei

Ungeți lama înainte de utilizare și o dată la o jumătate oră în timpul utilizării, cu ulei de mașină sau un alt ulei similar.

După utilizare, îndepărtați praful de pe ambele fețe ale lamei cu o perie de sărmă, ștergeți cu o lavetă și apoi aplicați suficient ulei cu vâscozitate scăzută, cum a fi uleiul de mașină, etc. și uleiul de lubrifiere de tip spray.

ATENȚIE:

- Nu spălați lamele în apă. În caz contrar, mașina poate fi deteriorată sau poate rugini.
- Purtați mănuși atunci când efectuați întreținerea lamei.

Depozitarea

Puneți apărătoarea pe lamele de forfecare astfel încât lamele să nu fie expuse. Depozitați mașina departe de raza de acțiune a copiilor.

Depozitați mașina într-un loc care nu este expus la apă și ploaie.

Pentru a menține SIGURANȚA și FIABILITATEA produsului, inspectarea și înlocuirea periilor din cărbune și orice alte lucrări de întreținere sau reglare trebuie executate de centre de service autorizate Dolmar, folosind întotdeauna piese de schimb Dolmar.

ACCESORII OPȚIONALE

ATENȚIE:

- Aceste accesorii sau atașamentele sunt recomandate pentru utilizarea împreună cu mașina Dolmar specificată în acest manual. Utilizarea oricăror alte accesorii sau atașamente poate prezenta riscul de rănire a persoanelor. Utilizați accesoriile și atașamentele numai în scopul pentru care au fost destinate.

Dacă aveți nevoie de asistență pentru detalii suplimentare referitoare la aceste accesorii, întrebați centrul local de service Dolmar.

- Apărătoare lamă
- Ansamblu cârlig
- Cârlig de braț pentru cablu
- Cârlig de braț pentru cablu
- Recipient de resturi

NOTĂ:

- Unele articole din listă pot fi incluse ca accesorii standard în ambalajul de scule. Acestea pot diferi în funcție de țară.






TECHNISCHE DATEN

Modell	HT-43	HT-49	HT-53
Schneidblattlänge	420 mm	480 mm	520 mm
Schläge pro Minute (min ⁻¹)	1.600	1.600	1.600
Gesamtlänge	821 mm	871 mm	921 mm
Netto-Gewicht	2,9 kg	3,0 kg	3,0 kg
Sicherheitsklasse	□/II		

- Aufgrund der laufenden Forschung und Entwicklung unterliegen die hier aufgeführten technischen Daten Veränderungen ohne Hinweis
- Die technischen Daten können für verschiedene Länder unterschiedlich sein.
- Gewicht entsprechend der EPTA-Vorgehensweise 01/2003

Symbol

Nachstehend sind Symbole aufgeführt, auf die Sie beim Werkzeuggebrauch stoßen können. Sie sollten noch vor Arbeitsbeginn ihre Bedeutung kennen.

	Lesen Sie die vorliegende Bedienungsanleitung.
	ZWEIFACH-ISOLIERUNG
	Setzen Sie die Säge keinem Regen aus.
	Ziehen Sie bei einem beschädigten oder angeschnittenen Kabel sofort den Netzstecker!
	Nur für EU-Länder Werfen Sie Elektrowerkzeuge nicht in den Hausmüll! Gemäß Europäischer Richtlinie 2012/19/ EU über Elektro- und Elektronik-Altgeräte und Umsetzung in nationales Recht müssen verbrauchte Elektrowerkzeuge getrennt gesammelt und einer umweltgerechten Wiederverwertung zugeführt werden.

Verwendungszweck

Das Werkzeug wurde für das Schneiden von Hecken entwickelt.

Stromversorgung

Das Werkzeug darf ausschließlich an Einphasen-Wechselstrom mit der auf dem Typenschild angegebenen Spannung angeschlossen werden. Das Werkzeug verfügt über ein doppelt isoliertes Gehäuse und kann daher auch an einer Stromversorgung ohne Schutzkontakt betrieben werden.

Geräuschpegel

Die typischen A-bewerteten Geräuschpegel, bestimmt gemäß EN60745:

- Schalldruckpegel (L_{pA}): 82 dB (A)
- Schalleistungspegel (L_{WA}): 93 dB (A)
- Abweichung (K): 2,1 dB (A)

Tragen Sie Gehörschutz

Schwingung

SchwingungsGesamtwerte (Vektorsumme dreier Achsen) nach EN60745:

- Arbeitsmodus: Hecke Schneiden
- Schwingungsbelastung (a_w): 6,7 m/s²
- Abweichung (K): 1,5 m/s²

HINWEIS: Die deklarierte Schwingungsbelastung wurde gemäß der Standardtestmethode gemessen und kann für den Vergleich von Werkzeugen untereinander verwendet werden.

HINWEIS: Die deklarierte Schwingungsbelastung kann auch in einer vorläufigen Bewertung der Gefährdung verwendet werden.

! WARNUNG: Die Schwingungsbelastung während der tatsächlichen Anwendung des Elektrowerkzeugs kann in Abhängigkeit von der Art und Weise der Verwendung des Werkzeugs vom deklarierten Belastungswert abweichen.

! WARNUNG: Stellen Sie sicher, dass Schutzmaßnahmen für den Bediener getroffen werden, die auf den unter den tatsächlichen Arbeitsbedingungen zu erwartenden Belastungen beruhen (beziehen Sie alle Bestandteile des Arbeitsablaufs ein, also zusätzlich zu den Arbeitszeiten auch Zeiten, in denen das Werkzeug ausgeschaltet ist oder ohne Last läuft).

Nur für europäische Länder

EG-Konformitätserklärung

Die Unterzeichnenden, Tamiro Kishima und Rainer Bergfeld, bevollmächtigt durch die Dolmar GmbH, erklären, dass die Geräte der Marke DOLMAR:

Bezeichnung des Geräts:

Heckenschere

Nummer / Typ des Modells: HT-43, HT-49, HT-53

Technische Daten: siehe Tabelle „TECHNISCHE DATEN“.

in Serienfertigung hergestellt wird und

Den folgenden EG-Richtlinien entspricht:

2000/14/EG, 2006/42/EG

Außerdem werden die Geräte gemäß den folgenden Standards oder Normen gefertigt:

EN60745

Die technische Dokumentation befindet sich bei:

Dolmar GmbH,
Jenfelder Straße 38, Abteilung FZ,
D-22045 Hamburg

Das Verfahren zur Konformitätsbewertung, vorgese-
hen in 2000/14/EG, erfolgte in Übereinstimmung mit
Anhang V.

Gemessener Schalleistungspegel: 93 dB (A)

Garantierter Schalleistungspegel: 96 dB (A)

23.07.2010



Tamiro Kishima
Managing Director



Rainer Bergfeld
Managing Director

Allgemeine Sicherheitshinweise für Elektrowerkzeuge

⚠️ WARNUNG Lesen Sie alle **Sicherheitswarnungen und -anweisungen sorgfältig durch**. Werden die Warnungen und Anweisungen ignoriert, besteht die Gefahr eines Stromschlags, Brands und/oder schweren Verletzungen.

Bewahren Sie alle Warnhinweise und Anweisungen zur späteren Referenz gut auf.

SICHERHEITSHINWEISE FÜR DIE HECKENSCHERE

- Halten Sie mit allen Körperteilen Abstand zum Schneidblatt. Entfernen Sie kein geschnittenes Material oder halten Sie kein zu schneidendes Material, wenn sich die Blätter bewegen. Überprüfen Sie, dass der Schalter aus ist, wenn Sie verklebtes Material entfernen.** Ein Moment der Unachtsamkeit kann beim Umgang mit der Heckenschere zu schweren Personenschäden führen.
- Tragen Sie die Heckenschere mit angehaltenem Schneidblatt am Griff. Transportieren und lagern Sie die Heckenschere immer mit aufgesetztem Schutz über dem Schneidblatt.** Durch einen sachgemäßen Umgang mit der Heckenschere können Sie mögliche Personenschäden durch die Schneidblätter vermindern.
- Halten Sie das Werkzeug ausschließlich an den isolierten Griffflächen, da das Schnittblatt verborgene Kabel oder das eigene Kabel berühren kann.** Bei Kontakt des Schnittblatts mit einem stromführenden Kabel wird der Strom an die Metallteile des Elektrowerkzeugs und dadurch an den Bediener weitergeleitet, und der Bediener erleidet einen Stromschlag.
- Halten Sie das Kabel in einem Abstand zum Schneidbereich.** Während des Betriebs kann sich das Kabel im Gestrüpp verbergen und versehentlich durch das Blatt zerschnitten werden.
- Verwenden Sie die Heckenschere nicht, während es regnet, oder bei nassen oder sehr feuchten Bedingungen. Der Elektromotor ist nicht wasserdicht.
- Erstmalige Anwender sollten sich von erfahrenen Anwendern die Verwendung der Heckenschere zeigen lassen.
- Kinder und Jugendliche unter 18 Jahren dürfen die Heckenschere nicht bedienen. Jugendliche über 16 Jahren sind von diesem Verbot ausgenommen, wenn sie zum Zweck der Ausbildung unter Aufsicht eines Fachkundigen stehen.
- Betreiben Sie die Heckenschere nur, wenn Sie in guter physischer Verfassung sind. Falls Sie müde sind, lässt Ihre Aufmerksamkeit nach. Seien Sie am Ende eines Arbeitstages besonders aufmerksam. Führen Sie alle Arbeiten ruhig und sorgfältig durch. Der Anwender ist für alle Schäden an Dritten verantwortlich.
- Verwenden Sie die Heckenschere niemals unter Einfluss von Alkohol, Drogen oder Medikamenten.
- Prüfen Sie, dass die Spannung und Frequenz der Stromversorgung den auf dem Typenschild angegebenen Technischen Daten entspricht. Wir empfehlen die Verwendung eines Fehlerstrom-Schutzschalters (FI-Schutzschalter) mit einem Auslösestrom von max. 30 mA oder eines Erdschlussstrom-Schutzes.
- Arbeitshandschuhe aus festem Leder sind Teil der Grundausstattung der Heckenschere und müssen stets bei Arbeiten mit der Heckenschere getragen werden. Tragen Sie außerdem feste Schuhe mit rutschfesten Sohlen.
- Überprüfen Sie vor Beginn der Arbeiten, dass die Heckenschere ordnungsgemäß und sicher arbeitet. Stellen Sie sicher, dass die Sicherheitsabdeckungen ordnungsgemäß angebracht sind. Überprüfen Sie das Kabel vor Beginn der Arbeiten auf Beschädigungen und ersetzen Sie es bei Bedarf. Die Heckenschere darf nur vollständig montiert verwendet werden.
- Halten Sie das Kabel in einem Abstand zum Schneidbereich. Arbeiten Sie immer so, dass sich das Verlängerungskabel hinter Ihnen befindet.
- Ziehen Sie bei einem beschädigten oder ange-schnittenen Kabel sofort den Netzstecker!
- Überprüfen Sie vor Beginn der Arbeiten, dass Sie einen sicheren Stand haben.
- Halten Sie das Werkzeug bei Verwendung sicher fest.
- Lassen Sie das Werkzeug nicht unnötig ohne Last laufen.
- Schalten Sie den Motor sofort aus und ziehen Sie den Netzstecker, wenn die Schere mit einem Anschlag oder einem anderen harten Gegenstand in Kontakt kam. Überprüfen Sie die Schere auf Beschädigungen, und reparieren Sie sie bei Bedarf.
- Schalten Sie die Heckenschere stets aus und ziehen Sie den Hauptstecker, bevor Sie die Schere überprüfen, sich um Fehler kümmern oder in der Schere verklebtes Material entfernen.
- Schalten Sie den Trimmer aus, ziehen und sichern Sie den Hauptstecker, bevor Sie Wartungsarbeiten durchführen.
- Ziehen Sie stets den Netzstecker und bringen Sie stets die Schneidmesserabdeckung auf dem Schneidmesser an, wenn Sie die Heckenschere an einen anderen Ort umsetzen, auch im Verlauf der Arbeiten. Tragen oder transportieren Sie die Heckenschere niemals mit laufendem Schneidmesser. Fassen Sie die Schneidmesser niemals mit den Händen an.

22. Reinigen Sie die Heckenschere und besonders das Schneidblatt nach der Verwendung und vor der Lagerung der Heckenschere über einen längeren Zeitraum. Ölen Sie das Schneidblatt leicht und bringen Sie die Abdeckung an. Die mit dem Gerät gelieferte Abdeckung kann an die Wand gehängt werden und bietet so eine sichere und praktische Möglichkeit zur Lagerung der Heckenschere.
23. Lagern Sie die Heckenschere mit angebrachter Abdeckung in einem trockenem Raum. Lagern Sie die Heckenschere außerhalb der Reichweite von Kindern. Lagern Sie die Heckenschere niemals im Freien.
24. Lassen Sie das Werkzeug nicht unnötig ohne Last laufen.

BEWAHREN SIE DIESE ANWEISUNGEN AUF.

⚠️ WARNUNG: Lassen Sie sich NIE durch Bequemlichkeit oder (aus fortwährendem Gebrauch gewonnener) Vertrautheit mit dem Werkzeug dazu verleiten, die Sicherheitsregeln für das Werkzeug zu missachten. Bei MISSBRÄUHLICHER Verwendung des Werkzeugs oder Missachtung der in diesem Handbuch enthaltenen Sicherheitshinweise kann es zu schweren Verletzungen kommen.

FUNKTIONSBESCHREIBUNG

⚠️ VORSICHT:

- Überzeugen Sie sich immer vor dem Einstellen des Werkzeugs oder der Kontrolle seiner Funktion, dass es abgeschaltet und der Stecker aus der Dose gezogen ist.
- Bringen Sie die Messerabdeckung auf den Schneidmessern an, bevor Sie Einstellungen oder Überprüfungen am Werkzeug vornehmen.

Einschalten

- **Abb.1:** 1. Griffschalter B 2. Griffschalter A 3. Griffschalter C

Zu Ihrer Sicherheit ist das Werkzeug mit einem Dreifach-Schaltersystem ausgestattet. Zum Einschalten des Werkzeugs drücken Sie den Schalter B und gleichzeitig auch den Schalter A oder C. Lassen Sie zum Ausschalten einen der zwei gedrückten Auslöser los. Die Reihenfolge der Schalterbetätigung ist unwichtig, da das Werkzeug nur startet, wenn beide Schalter betätigt werden.

Gerader Schnitt

- **Abb.2**

Zum geraden Schneiden der Hecke betätigen Sie die Schalter A und B.

Vertikaler Schnitt

- **Abb.3**

Betätigen Sie zum Schneiden nach oben mit beiden Händen die Schalter B und C und bewegen Sie die Heckenschere vor Ihrem Körper.

MONTAGE

⚠️ VORSICHT:

- Ehe Sie am Werkzeug irgendwelche Arbeiten beginnen, überzeugen Sie sich immer vorher, dass es abgeschaltet und der Stecker aus der Dose gezogen ist.

Anbringen des Verlängerungskabels

⚠️ VORSICHT:

- Vergewissern Sie sich, dass das Verlängerungskabel nicht an die Hauptsteckdose angeschlossen ist.

- **Abb.4:** 1. Kompletthaken 2. Werkzeugkabel 3. Verlängerungskabel

Sichern Sie beim Anschließen des Verlängerungskabels dieses am Werkzeugkabel mit dem Kompletthaken. Bringen Sie den Haken im Abstand von 100 bis 200 mm vom Stecker des Verlängerungskabels an. Dadurch wird ein versehentliches Abtrennen verhindert.

Kabelhalter für Gürtel

⚠️ VORSICHT:

- Bringen Sie den Kabelhalter für den Gürtel nur am Verlängerungskabel an. Befestigen Sie diesen nicht in einer Position zu nahe am Werkzeug, hinter dem Kompletthaken. Anderenfalls kann es zu einem Unfall oder Verletzungen kommen.
- Befestigen Sie einen Haken des Kompletthakens am Werkzeugkabel und den anderen Haken am Verlängerungskabel. Das Arbeiten mit dem Werkzeug mit nur einem befestigten Haken kann zu einem Unfall oder Verletzungen führen.

Die Verwendung des Kabelhalters für den Gürtel unterstützt die Risikominimierung des versehentlichen Abschneidens des losen Verlängerungskabels.

- **Abb.5:** 1. Haken 2. Werkzeug 3. Werkzeugkabel 4. Kompletthaken 5. Verlängerungskabel 6. Halterung 7. Kabelhalter für Gürtel

- **Abb.6:** 1. Halterung 2. Kabel

Drücken oder ziehen Sie das Kabel durch die Öffnung in der Halterung.

⚠️ VORSICHT:

- Überlasten Sie die Öffnung der Halterung nicht. Anderenfalls kann es zu einer Durchbiegung oder Beschädigung kommen.

Kabelhalter für Arm (Zubehör)

⚠ VORSICHT:

- Bringen Sie den Kabelhalter für den Arm nur am Verlängerungskabel an. Befestigen Sie diesen nicht in einer Position zu nahe am Werkzeug, hinter dem Kompletthaken. Anderenfalls kann es zu einem Unfall oder Verletzungen kommen.
- Befestigen Sie einen Haken des Kompletthakens am Werkzeugkabel und den anderen Haken am Verlängerungskabel. Das Arbeiten mit dem Werkzeug mit nur einem befestigten Haken kann zu einem Unfall oder Verletzungen führen.

Die Verwendung des Kabelhalters für den Arm unterstützt die Risikominimierung des versehentlichen Abschneidens des losen Verlängerungskabels.

► **Abb.7:** 1. Halterung 2. Band des Kabelhalters für Arm

Befestigen Sie das Band des Kabelhalters für den Arm fest an Ihrem Arm und führen Sie das Verlängerungskabel durch den Halter. Die Länge des Bandes des Kabelhalters für den Arm ist einstellbar.

HINWEIS:

- Führen Sie das Verlängerungskabel nicht durch das Band.
- Überlasten Sie die Öffnung der Halterung nicht. Anderenfalls kann es zu einer Durchbiegung oder Beschädigung kommen.
- Die Verwendung des Kabelhalters für den Arm zusammen mit dem Kabelhalter für den Gürtel ist nützlicher.

ARBEIT

⚠ VORSICHT:

- Achten Sie darauf, dass Sie während des Schneidens nicht versehentlich mit einem metallischen Anschlag oder anderen harten Gegenständen in Berührung kommen. Das Schneidblatt kann brechen und schwere Verletzungen verursachen.
- Das weite Hinauslehnen mit einer Heckenschere, vor allem von einer Leiter aus, ist äußerst gefährlich. Arbeiten Sie niemals von einem wackligen oder unsicheren Standort aus.

ANMERKUNG: Versuchen Sie nicht, Äste von mehr als 10 mm Durchmesser mit dem Werkzeug zu schneiden. Schneiden Sie Äste vor Gebrauch dieses Werkzeugs mit Astschneidern auf 10 cm unter der Schnitthöhe.

► **Abb.8:** (1) Schnitthöhe (2) 10 cm

⚠ VORSICHT:

- Schneiden Sie keine toten Äste oder ähnliche harte Gegenstände ab. Zuwiderhandlungen können das Werkzeug beschädigen.

► **Abb.9**

Halten Sie die Heckenschere mit beiden Händen, betätigen Sie die Schalter A und B und bewegen Sie die Heckenschere vor Ihrem Körper.

► **Abb.10:** 1. Schneidrichtung 2. Neigung der Blätter 3. Zu schneidende Heckenfläche

Neigen Sie im Grundbetrieb die Schneidblätter in Richtung der Trimmrichtung und bewegen Sie die Heckenschere ruhig und langsam mit einer Geschwindigkeit von 3 bis 4 Sekunden pro Meter.

► **Abb.11:** 1. Schnur

Zum geraden Schneiden einer Heckenoberkante können Sie eine Schnur in der gewünschten Heckenhöhe spannen und diese beim Schneiden als Referenzlinie verwenden.

► **Abb.12**

Durch Anbringen der Spanaufnahme (Zubehör) am Werkzeug kann beim geraden Schneiden der Hecke das Herunterfallen der abgeschnittenen Blätter verhindert werden.

► **Abb.13**

Zum gleichmäßigen Schneiden der Heckenseite schneiden Sie diese von unten nach oben.

► **Abb.14**

Schneiden Sie Buchsbaum oder Rhododendron für ein hübsches Aussehen und einen guten Schnitt von der Basis zur Spitze.

Montage und Demontage der Spanaufnahme (Zubehör)

⚠ VORSICHT:

- Schalten Sie das Werkzeug aus und ziehen Sie den Stecker, bevor Sie die Spanaufnahme einsetzen oder entfernen.

HINWEIS:

- Tragen Sie beim Austauschen der Spanaufnahme immer Arbeitshandschuhe, sodass Sie das Schneidblatt nicht direkt mit den Händen berühren. Anderenfalls kann es zu Verletzungen kommen.
- Achten Sie vor dem Einsetzen der Spanaufnahme darauf, dass Sie die Schneidblattabdeckung entfernt haben.
- Die Spanaufnahme fängt die abgeschnittenen Blätter auf und erleichtert das Aufsammeln der abgefallenen Blätter. Die Spanaufnahme kann an jeder Seite des Werkzeugs befestigt werden.

► **Abb.15:** 1. Drücken 2. Spanaufnahme 3. Mutter 4. Schneidblatt

► **Abb.16:** 1. Haken 2. Einpassen der Haken in die Kerbe 3. Nuten

Zu diesem Zeitpunkt muss die Spanaufnahme angebracht werden, damit die Haken in die Kerben im Schneidblatt passen.

► **Abb.17:** 1. Drücken der Hebel an beiden Seiten 2. Lösen der Haken

Zum Entfernen der Spanaufnahme drücken Sie den Hebel an beiden Seiten, sodass die Haken freigegeben werden.

⚠ VORSICHT:

- Die Schneidblattabdeckung (Standardausrüstung) kann bei angebrachter Spanaufnahme nicht montiert werden. Entfernen Sie vor dem Transport oder der Lagerung die Spanaufnahme und bringen Sie die Schneidblattabdeckung an, um ein Freiliegen des Blattes zu vermeiden.

HINWEIS:

- Prüfen Sie vor der Verwendung die sichere Installation der Spanaufnahme.
- Wenden Sie beim Entfernen der Spanaufnahme keine übermäßigen Kräfte an, wenn die Haken in den Blattkerben eingerastet sind. Die Anwendung übermäßiger Kräfte kann zu Beschädigungen führen.

WARTUNG

⚠ VORSICHT:

- Bevor Sie mit der Kontrolle oder Wartung des Werkzeugs beginnen, überzeugen Sie sich immer, dass es ausgeschaltet und der Stecker aus der Steckdose herausgezogen ist.

Reinigen des Werkzeugs

Reinigen Sie das Werkzeug, indem Sie den Staub mit einem trockenen oder in Seifenlösung getunkten Lappen abwischen.

⚠ VORSICHT:

- Verwenden Sie zum Reinigen niemals Kraftstoffe, Benzin, Verdünnern, Alkohol oder ähnliches. Dies kann zu Verfärbungen, Verformungen oder Rissen führen.

Wartung des Sägeblatts

Schmieren Sie das Messer vor dem Betrieb und nach jeder halben Betriebsstunde mit Maschinenöl oder ähnlichem.

Entfernen Sie nach dem Betrieb den Staub von beiden Seiten des Blattes mit einer Drahtbürste, wischen Sie den Staub mit einem Lappen ab und tragen Sie anschließend dünnflüssiges Öl, z.B. Maschinenöl usw., oder Sprüh schmieröl auf.

⚠ VORSICHT:

- Waschen Sie die Blätter nicht mit Wasser ab. Zuwiderhandlungen können zum Rosten führen oder das Werkzeug beschädigen.
- Tragen Sie bei Wartungsarbeiten am Schneidmesser Handschuhe.

Lagerung

Bringen Sie die Blattabdeckung auf den Schneidblättern an, damit die Blätter nicht frei liegen. Bewahren Sie das Werkzeug außerhalb der Reichweite von Kindern auf. Bewahren Sie das Werkzeug an einem Platz auf, wo es weder Wasser noch Regen ausgesetzt ist. Um die SICHERHEIT und ZUVERLÄSSIGKEIT des Produkts zu gewährleisten, dürfen Reparaturen, Kohlebürsteninspektion und -ersatz sowie alle anderen Wartungsarbeiten und Einstellungen nur durch von Dolmar autorisierte Servicecenter durchgeführt und ausschließlich Dolmar-Ersatzteile verwendet werden.

SONDERZUBEHÖR

⚠ VORSICHT:

- Für das in diesem Handbuch beschriebene Dolmar-Werkzeug werden die folgenden Zubehör- und Zusatzteile empfohlen. Die Verwendung anderer Zubehör- und Zusatzteile kann zu Personenschäden führen. Verwenden Sie Zubehör- und Zusatzteile nur für den vorgesehenen Zweck.

Informationen zu diesem Zubehör erhalten Sie bei einem Dolmar-Servicecenter in Ihrer Nähe.

- Schneidblattabdeckung
- Kompletthaken
- Kabelhalter für Gürtel
- Kabelhalter für Arm
- Spanaufnahme

HINWEIS:

- Einige der in der Liste aufgeführten Elemente sind dem Werkzeugpaket als Standardzubehör beigelegt. Diese können in den einzelnen Ländern voneinander abweichen.

RÉSZLETES LEÍRÁS

Modell	HT-43	HT-49	HT-53
Kés hossza	420 mm	480 mm	520 mm
Löketszám percenként (min ⁻¹)	1600	1600	1600
Teljes hossz	821 mm	871 mm	921 mm
Tiszta tömeg	2,9 kg	3,0 kg	3,0 kg
Biztonsági osztály	II/III		

- Folyamatos kutató- és fejlesztőprogramunk eredményeként az itt felsorolt tulajdonságok figyelmeztetés nélkül megváltozhatnak.
- A tulajdonságok országról országra különbözhetnek.
- Súly, az EPTA 01/2003 eljárás szerint

Jelölés

A következőkben a berendezésen használt jelképek láthatók. A szerszám használata előtt bizonyosodjon meg arról hogy helyesen értelmezi a jelentésüket.



Olvassa el a használati útmutatót.



KETTŐS SZIGETELÉS



Ne tegye ki a szerszámot esőnek.



Azonnal távolítsa el a csatlakozódugót a tápellátásról, ha a kábel megsérül vagy elszakad.



Csak EU-tagállamok számára
Az elektromos berendezéseket ne dobja a háztartási szemétkébe!
A használt elektromos és elektronikus berendezésekről szóló 2012/19/EU irányelv és annak a nemzeti jogba való átültetése szerint az elhasznált elektromos berendezéseket külön kell gyűjteni, és környezetbarát módon újra kell hasznosítani.

Rendeltetésszerű használat

A szerszám a sővény nyírására szolgál.

Tápfeszültség

A szerszámot kizárólag olyan egyfázisú, váltóáramú hálózatra szabad kötni, melynek feszültsége megegyezik az adattábláján szereplő feszültséggel. A szerszám kettős szigetelésű, ezért földelővezeték nélküli aljzatról is működtethető.

Zaj

A tipikus A-súlyozású zajszint, a EN60745 szerint meghatározva:
Hangnyomásszint (L_{pA}): 82 dB (A)
Hangteljesítményszint (L_{WA}): 93 dB (A)
Tűrés (K): 2,1 dB (A)

Viseljen fülvédőt

Vibráció

A vibráció teljes értéke (háromtengelyű vektorösszeg) EN60745 szerint meghatározva:

Munka mód: sővényvágás
Rezgéskibocsátás (a_{h1}): 6,7 m/s²
Tűrés (K): 1,5 m/s²

MEGJEGYZÉS: A rezgéskibocsátás értéke a szabványos vizsgálati eljárásnak megfelelően lett mérve, és segítségével az elektromos kéziszerszámok összehasonlíthatók egymással.

MEGJEGYZÉS: A rezgéskibocsátás értékének segítségével előzetesen megbecsülhető a rezgésnek való kitettség mértéke.

FIGYELMEZTETÉS: A szerszám rezgéskibocsátása egy adott alkalmazásnál eltérhet a megadott értéktől a használat módjától függően.

FIGYELMEZTETÉS: Határozza meg a kezelő védelmét szolgáló munkavédelmi lépéseket, melyek az adott munkafeladatok melletti vibrációs hatás becslött mértékén alapulnak (figyelembe véve a munkaciklus elemeit, mint például a gép leállításának és üresjáratának mennyiségét az elindítások száma mellett).

Csak európai országokra vonatkozóan

EK Megfelelőségi nyilatkozat

Alulírott, Tamiro Kishima és Rainer Bergfeld, mint a Dolmar GmbH által felhatalmazott személyek, nyilatkozunk, hogy a következő DOLMAR szerszámgép(ek):

Gép megnevezése:

Sővényvágó

Típuszám/ Típus: HT-43, HT-49, HT-53

Műszaki adatok: lásd a „RÉSZLETES LEÍRÁS” táblázatban.

sorozatgyártásban készül, és

Megfelel a következő Európai direktíváknak:

2000/14/EK, 2006/42/EK

És gyártása a következő szabványoknak valamint szabványosított dokumentumoknak megfelelően történik:

EN60745

A műszaki dokumentáció a következő helyen található:

Dolmar GmbH,
Jenfelder Straße 38, Abteilung FZ,
D-22045 Hamburg

A 2000/14/EK irányelv által előírt megfelelési értékelési eljárás az V. függelék szerint történt.

Mért hangteljesítményszint: 93 dB (A)

Garantált hangteljesítményszint: 96 dB (A)



Tamiro Kishima
Managing Director



Rainer Bergfeld
Managing Director

A szerszámgépekre vonatkozó általános biztonsági figyelmeztetések

▲FIGYELEM Olvassa el az összes biztonsági figyelmeztetést és utasítást. Ha nem tartja be a figyelmeztetéseket és utasításokat, akkor áramütést, tüzet és/vagy súlyos sérülést okozhat.

Őrizzen meg minden figyelmeztetést és utasítást a későbbi tájékozódás érdekében.

A SÖVÉNYVÁGÓRA VONATKOZÓ BIZTONSÁGI FIGYELMEZTETÉSEK

- Tartsa távol a testrészeit a vágókéstől. Ne távolítsa el a levágott anyagot, és ne tartsa a levégni kívánt anyagot, ha a kések mozognak. Ügyeljen rá, hogy kikapcsolja, mielőtt eltávolítja az elakadt anyagot.** A sövényvágó használata közben egy figyelmen kívül hagyott személyi sérüléshez vezethet.
- A sövényvágót a fogantyúnál fogva, leállított vágókéssel szállítsa. A sövényvágó szállításakor vagy tárolásakor mindig rakja fel a vágóeszköz fedelét.** A sövényvágó helyes kezelése lecsökkenti a vágókések okozta személyi sérülések bekövetkeztének valószínűségét.
- Az elektromos szerszámot kizárólag a szigetelt markolási felületeinél fogva tartsa, mivel fennáll a veszélye, hogy a vágókés rejtett vezetékbe vagy saját vezetékébe ütközik.** A vágókés "élő" vezetékkel való érintkezéskor a szerszám fém alkatrészei is áram alá kerülnek, és megrázzhatják a kezelőt.
- Tartsa távol a vezetéket a vágási területtől.** Használat közben a vezetéket a bokor ágai elfedhetik, és a kés véletlenül átvághatja azt.
- Ne használja a sövényvágót esőben, nedves vagy nagyon páráz körülmények között. Az elektromos motor nem vízálló.
- A szerszámot először használó személyeknek egy tapasztalt sövényvágósnak kell megmutatnia a vágó használatát.
- 18 év alatti fiatalok vagy gyerekek nem használhatják a sövényvágót. 16 év feletti fiatalok mentesülhetnek ezen tilalom alól, ha szakember részvételével betanításban részesülnek.
- Csak akkor használja a sövényvágót, ha jó fizikai állapotban van. A fáradtság például figyelmen kívül hagyható. Különös figyelmet kell fordítani a munkanap végére. Minden munkát nyugodtan és elővigyázatosan végezzen. A harmadik félnek okozott károkért a felhasználó felelős.
- Soha ne használja a sövényvágót alkohol, kábítószer vagy gyógyszer hatása alatt.
- Ellenőrizze, hogy az áramforrás feszültsége és frekvenciája megfelel az azonosító lapon megadott műszaki adatoknak. Javasoljuk 30 mA vagy alacsonyabb áramerősségen kioldó visszamaradó áramú áramkör-megszakító (földzárlat áramkör-megszakító) vagy érintésvédő kapcsoló használatát.
- Az erős bőrből készült munkakesztyűk a sövényvágó alapfelszerelésének részét képezik és a használatkor mindig fel kell venni azokat. Emellett viseljen kemény lábbelit csúszásgátló talppal.
- A munka megkezdése előtt ellenőrizze, hogy a sövényvágó állapota jó és megfelelő a biztonságos munkavégzésre. Ügyeljen rá, hogy a védőburkolatok megfelelően fel legyenek szerelve. A munka megkezdése előtt ellenőrizze a vezetéket a sérülések tekintetében és szükség esetén cserélje ki. A sövényvágót csak teljesen összeszerelt állapotban szabad használni.
- Tartsa távol a vezetéket a vágási területtől. Mindig úgy végezze a vágást, hogy a hosszabbító vezeték a háta mögött legyen.
- Ha a vezeték megsérült, vagy átvágták, azonnal szerelje le a csatlakozódugót.
- A használat megkezdése előtt ellenőrizze, hogy biztonságosan áll.
- A szerszámot erősen fogja használat közben.
- Ne működtesse a szerszámot terhelés nélkül fölöslegesen.
- Azonnal kapcsolja ki a motort és áramtalanítsa a szerszámot, ha a vágó a kerítéshez vagy más kemény tárgyhoz ért. Ellenőrizze a vágót sérülések tekintetében, javítsa meg, ha megsérült.
- A vágó ellenőrzése, a hibák kijavítása vagy a vágóban elakadt anyag eltávolítása előtt mindig kapcsolja ki a sövényvágót és áramtalanítsa azt.
- Bármilyen karbantartási művelet megkezdése előtt kapcsolja ki a sövényvágót és húzza ki a dugaszt.
- Minden esetben áramtalanítsa a szerszámot és helyezze a késvédőt a vágókésekre a sövényvágó mozgásakor (munka közben is). Soha ne vigye, vagy szállítsa a sövényvágót mozgó vágóval. Soha ne markolja meg a kezelést a vágót.
- A használat után, és ha hosszabb időre elrakja, akkor tisztítsa meg a sövényvágót, különösen odafigyelve a vágóra. Kicsé olajozza be a vágót és helyezze fel a fedelet. A készülékhez mellékelt fedél felakasztható a falra, biztonságos és praktikus módját biztosítva így a sövényvágó tárolásának.
- A sövényvágót felrakott fedéllel tárolja, száraz helyiségben. Tartsa távol a gyerekektől. Soha ne tárolja a sövényvágót a szabadban.
- Ne működtesse a szerszámot terhelés nélkül fölöslegesen.**

ŐRIZZE MEG EZEKET AZ UTASÍTÁSOKAT.

▲ FIGYELMEZTETÉS: NE HAGYJA, hogy a kényelem vagy a termék (többszöri használatból adódó) mind alacsonyabb ismerete váltsa fel az adott termékre vonatkozó biztonsági előírások szigorú betartását. A HELYTELEN HASZNÁLAT és a használati útmutatóban szereplő biztonsági előírások megszegése súlyos személyi sérülésekhez vezethet.

MŰKÖDÉSI LEÍRÁS

▲ VIGYÁZAT:

- Mindig bizonyosodjon meg a szerszám kikapcsolt és a hálózathoz nem csatlakoztatott állapotáról mielőtt ellenőrzi vagy beállítja azt.
- Helyezze fel a késvédőt a nyírókésekre az eszköz beállítása vagy ellenőrzése előtt.

A kapcsoló használata

► **Ábra1:** 1. B kioldókapcsoló 2. A kioldókapcsoló 3. C kioldókapcsoló

Az Ön biztonsága érdekében a szerszám hármascapcsolórendszerrel van felszerelve. Az eszköz bekapcsolásához, egyszerre nyomja le a B kioldókapcsolót és az A vagy a C kioldókapcsolót. Engedje fel bármelyik lenyomott kioldókapcsolót a kikapcsoláshoz. A bekapcsolás sorrendje nem fontos, hiszen a szerszám csak akkor indul el, ha mind a két kapcsoló aktiválva van.

Egyenes vágás

► **Ábra2**

A sövény egyenesre vágásához húzza meg az A és B kioldókapcsolókat.

Függőleges vágás

► **Ábra3**

A felfelé vágáshoz mindkét kezével húzza meg a B és C kioldókapcsolókat és mozgassa a szerszámot a teste előtt.

ÖSSZESZERELÉS

▲ VIGYÁZAT:

- Mindig bizonyosodjon meg a szerszám kikapcsolt és a hálózathoz nem csatlakoztatott állapotáról mielőtt bármilyen munkálatot végezne rajta.

A hosszabbító kábel használata

▲ VIGYÁZAT:

- Ügyeljen rá, hogy a hosszabbító kábel ne legyen az elektromos hálózathoz kapcsolva.

► **Ábra4:** 1. Akasztó készlet 2. A szerszám vezetéke 3. Hosszabbító kábel

A hosszabbító kábel használatakor rögzítse azt a szerszám vezetékéhez az akasztó kiegészítővel. Rögzítse az akasztót körülbelül 100 - 200 mm-re a hosszabbító kábel csatlakozójától. Ez segít elkerülni a véletlen szétkapcsolódást.

Derékakasztó a vezetékhez

▲ VIGYÁZAT:

- Ne akasszon mást a derékakasztóra a hosszabbító kábelen kívül. Ne akassza be úgy, hogy a szerszám és az akasztó kiegészítő közé kerüljön. Ennek figyelmen kívül hagyása balesethez vagy személyi sérüléshez vezethet.
- Szilárdan rögzítse az akasztó kiegészítő egyik végét a szerszám vezetékéhez, a másikat pedig a hosszabbító kábelhez. A szerszám használata úgy, hogy csak az egyik vég van beakasztva, balesetet vagy sérülést okozhat.

A derékakasztó használata segít minimalizálni a hosszabbító kábel átvágásának kockázatát a hosszabbító kábel elvesztése miatt.

► **Ábra5:** 1. Övtartó 2. Szerszám 3. A szerszám vezetéke 4. Akasztó készlet 5. Hosszabbító kábel 6. Tartó 7. Derékakasztó a vezetékhez

► **Ábra6:** 1. Tartó 2. Vezeték

Nyomja be vagy húzza ki a vezetéket a tartó nyílásán.

▲ VIGYÁZAT:

- Ne erőltesse a tartó kinyitását. Ennek elmulasztása annak meghajlását és sérülését okozhatja.

Karakasztó a vezetékhez (tartozék)

▲ VIGYÁZAT:

- Ne csatlakoztasson mást a karakasztóra a hosszabbító kábelen kívül. Ne akassza be úgy, hogy a szerszám és az akasztó kiegészítő horgai közé kerüljön. Ennek figyelmen kívül hagyása balesethez vagy személyi sérüléshez vezethet.
- Szilárdan rögzítse az akasztó kiegészítő egyik végét a szerszám vezetékéhez, a másikat pedig a hosszabbító kábelhez. A szerszám használata úgy, hogy csak az egyik vég van beakasztva, balesetet vagy sérülést okozhat.

A karakasztó használata segít minimalizálni a hosszabbító kábel átvágásának kockázatát a hosszabbító kábel elvesztése miatt.

► **Ábra7:** 1. Tartó 2. Karakasztó-heveder

Szilárdan rögzítse a karakasztó-hevedert, a karja köré tekerve azt, és vezesse át a hosszabbító kábel a tartón. A karakasztó hevederének hossza állítható.

MEGJEGYZÉS:

- A hosszabbító kábel ne a heveder alatt vezesse el.
- Ne erőltesse a tartó kinyitását. Ennek elmulasztása annak meghajlását és sérülését okozhatja.
- A karakasztó használata a derékakasztóval együtt sokkal praktikusabb.

ÜZEMELTETÉS

⚠ VIGYÁZAT:

- Ügyeljen rá, nehogy véletlenül hozzáérjen egy fémkerítéshez vagy más kemény tárgyhoz a nyírás közben. A kés eltörik, és komoly sérülést okozhat.
- A sövényvágóval az átnyúlás, különösen egy létráról, különösen veszélyes. Ne dolgozzon semmilyen billegő vagy nem stabil helyről.

MEGJEGYZÉS: Ne próbáljon meg 10 mm-nél vastagabb átmérőjű ágakat átvágni a szer számmal. A szerszám használata előtt egy ágvágó segítségével vágja a vágási magasságnál 10 cm-rel kisebbre az ágakat.

▶ **Ábra8:** (1) Vágási magasság (2) 10 cm

⚠ VIGYÁZAT:

- Ne vágjon kiszáradt fákat, vagy más kemény tárgyakat. Ennek figyelmen kívül hagyása a szerszám károsodásához vezet.

▶ **Ábra9**

Mindkét kezével húzza meg az A és B kioldókapcsolókat, és mozgassa a szerszámot a teste előtt.

▶ **Ábra10:** 1. Nyírási irány 2. Döntse meg a késeket 3. A nyírní kívánt sövényfelület

Alapvető műveletként döntse meg a késeket a nyírás irányában és mozgassa azt nyugodt, lassú tempóban, 3 - 4 másodpercet számítva egy méterre.

▶ **Ábra11:** 1. Zsineg

A sövény tetejének egyenes vágásakor segít, ha egy kötelet feszít ki a kívánt magasságban és ezt referenciavonalnak használva ennek mentén végzi a nyírást.

▶ **Ábra12**

A forgácstálca (tartozék) felszerelése a sövény egyes vágásakor segít megelőzni a levágott levelek elszóródását.

▶ **Ábra13**

A sövény oldalának egyenletes vágásakor segít, ha alulról felfelé halad a vágással.

▶ **Ábra14**

Puszpáng vagy rododendron nyírásakor alulról felfelé haladva szép megjelenés és jó minőségű munka érhető el.

A forgácstálca (tartozék) felhelyezése és eltávolítása

⚠ VIGYÁZAT:

- Minden esetben ellenőrizze, hogy a szerszám ki van kapcsolva és áramtalanítva lett, mielőtt felhelyezi vagy eltávolítja a forgácstálcát.

MEGJEGYZÉS:

- A forgácstálca felszerelésekor mindig viseljen kesztyűt, hogy a kezei és az arca ne érjenek közvetlenül a késhez. Ennek figyelmen kívül hagyása személyi sérüléshez vezethet.
- Ügyeljen rá, hogy a forgácstálca felszerelése előtt mindig vegye le a késvédőt.
- A forgácstálca összegyűjti a levágott leveleket csökkenti a szétszóródó levelek mennyiségét. Ez a szerszám mindkét oldalára felszerelhető.

▶ **Ábra15:** 1. Nyomja le 2. Forgácstálca 3. Anya 4. Nyírókés

▶ **Ábra16:** 1. Akasztók 2. Illeszse az akasztókat a vajatba 3. Hornyok

Most a forgácstálcát úgy kell felszerelni, hogy az akasztók illeszkedjenek a nyírókés egységen található vajatokba.

▶ **Ábra17:** 1. Nyomja meg a karokat a két oldalon 2. Oldja ki az akasztókat

A forgácstálca eltávolításához nyomja le a kart annak két oldalán, hogy az akasztók kioldjanak.

⚠ VIGYÁZAT:

- A késvédő (standard felszerelés) nem szerelhető fel a szerszámra, ha a forgácsvédő fel van rakva. A szállítás vagy tárolás előtt vegye le a forgácstálcát, majd szerelje fel a késvédőt a kés megvédése érdekében.

MEGJEGYZÉS:

- A használat előtt ellenőrizze a forgácstálca biztonságos rögzítését.
- Soha ne próbálja túlzott erővel eltávolítani a forgácstálcát, ha az akasztói rögzítve vannak a kés egység vájataiban. A túlzott erő alkalmazása károsíthatja azt.

KARBANTARTÁS

⚠ VIGYÁZAT:

- Mindig bizonyosodjék meg arról hogy a szerszám kikapcsolt és a hálózatra nem csatlakoztatott állapotban van mielőtt a vizsgálatához vagy karbantartásához kezdene.

A szerszám tisztítása

Tisztítsa meg a szerszámot úgy, hogy letörli a port egy száraz, vagy szappanos vízbe mártott rongydarabbal.

⚠ VIGYÁZAT:

- Soha ne használjon gázolajt, benzint, higítót, alkoholt vagy hasonló anyagokat. Ezek elszíneződést, alakvesztést vagy repedést okozhatnak.

A kés karbantartása

Kenje meg a kést a használat előtt és közben fél óránként egyszer gépolajjal, vagy más hasonló rendeltetésű anyaggal.

A használat után egy drótkéfével távolítsa el a port a kés mindkét oldaláról, törölje le egy rongydarabbal, majd kenje meg megfelelő mennyiségű alacsony viszkozitású olajjal, mint például gépolajjal, stb. És aeroszolos kenőolajjal.

⚠ VIGYÁZAT:

- Ne mossa a késeket vízben. Ennek figyelmen kívül hagyása a szerszám károsodásához vezet.
- Viseljen kesztyűt a kés karbantartásakor.

Tárolás

Helyezze fel a késvédőt a nyírókésekre úgy, hogy a kések ne látszanak. A szerszámot olyan helyen tárolja, ahol gyerekek nem érhetik el.

A szerszámot olyan helyen tárolja, amely nincs kitéve víznek vagy esőnek.

A termék BIZTONSÁGÁNAK és

MEGBÍZHATÓSÁGÁNAK fenntartása érdekében a szénkéfék ellenőrzését és cseréjét, és más javításokat vagy beállításokat a Dolmar hivatalos szervizközpontjában kell elvégezni, mindig csak Dolmar cserealkatrészeket használva.

OPCIONÁLIS KIEGÉSZÍTŐK

⚠ VIGYÁZAT:

- Ezen kiegészítők és tartozékok használata javasolt a Dolmar szerszámmal a kézikönyvben megadott módon. Bármilyen más kiegészítő vagy tartozék használata a személyi sérülés kockázatával jár. A kiegészítőt vagy tartozékot csak a rendeltetése szerint használja.

Ha segítségre vagy további részletekre van szüksége a tartozékokkal kapcsolatban, akkor kérjen segítséget a helyi Dolmar szervizközponttól.

- Késvédő
- Akasztó készlet
- Derékakasztó a vezetékhez
- Karakasztó a vezetékhez
- Forgácsoló

MEGJEGYZÉS:

- A listán felsorolt néhány kiegészítő megtalálható az eszköz csomagolásában standard kiegészítőként. Ezek országonként eltérőek lehetnek.






TECHNICKÉ ÚDAJE

Model	HT-43	HT-49	HT-53
Dĺžka čepele	420 mm	480 mm	520 mm
Ťahy za minútu (min ⁻¹)	1600	1600	1600
Celková dĺžka	821 mm	871 mm	921 mm
Hmotnosť netto	2,9 kg	3,0 kg	3,0 kg
Trieda bezpečnosti	□/II		

- Vzhľadom k neustálemu výskumu a vývoju tu uvedené technické údaje podliehajú zmenám bez upozornenia.
- Technické údaje sa môžu pre rozne krajiny líšiť.
- Hmotnosť podľa postupu EPTA 01/2003

Symbol

Nižšie sú uvedené symboly, s ktorými sa môžete pri použití nástroja stretnúť. Je dôležité, aby ste skôr, než s ním začnete pracovať, pochopili ich význam.

	Prečítajte si návod na obsluhu.
	DVOJITÁ IZOLÁCIA
	Nevystavujte daždú.
	Ak je kábel poškodený alebo prerezaný, okamžite vytiahnite zástrčku zo sieťovej zásuvky.
	Len pre štáty EÚ Nevyhadzujte elektrické zariadenia do komunálneho odpadu! Podľa európskej smernice 2012/19/ES o nakladaní s použitými elektrickými a elektronickými zariadeniami a zodpovedajúcich ustanovení právnych predpisov jednotlivých krajín sa použité elektrické zariadenia musia zbierať oddelene od ostatného odpadu a podrobiť sa šetrnej recyklácii.

Určené použitie

Toto náradie je určené na strihanie živých plotov.

Napájanie

Náradie by malo byť pripojené jedine k prívodu elektrickej energie s hodnotou napätia rovnakou, ako je uvedená na štítku s názvom zariadenia, pričom náradie môže byť napájané jedine jednofázovým striedavým prúdom. Je vybavené dvojitou izoláciou a preto sa môže používať pri zapojení do zásuviek bez uzemňovacieho vodiča.

Hluk

Typická hladina akustického tlaku pri záťaži A určená podľa EN60745:

- Hladina akustického tlaku (L_{pA}): 82 dB (A)
- Hladina akustického výkonu (L_{WA}): 93 dB (A)
- Odchýlka (K): 2,1 dB (A)

Používajte chrániče sluchu

Vibrácie

Celková hodnota vibrácií (trojosový vektorový súčet) určená podľa normy EN60745:

- Pracovný režim : sekanie živých plotov
- Emisie vibrácií (a_v): 6,7 m/s²
- Odchýlka (K): 1,5 m/s²

POZNÁMKA: Deklarovaná hodnota emisií vibrácií bola meraná podľa štandardnej skúšobnej metódy a môže sa použiť na porovnanie jedného náradia s druhým.

POZNÁMKA: Deklarovaná hodnota emisií vibrácií sa môže použiť aj na predbežné posúdenie vystavenia ich účinkom.

VAROVANIE: Emisie vibrácií počas skutočného používania elektrického náradia sa môžu odlišovať od deklarovanej hodnoty emisií vibrácií, a to v závislosti na spôsoboch používania náradia.

VAROVANIE: Nezabudnite označiť bezpečnostné opatrenia s cieľom chrániť obsluhu, a to tie, ktoré sa zakladajú na odhade vystavenia účinkom v rámci reálnych podmienok používania (berúc do úvahy všetky súčasti prevádzkového cyklu, ako sú doby, kedy je náradie vypnuté a kedy beží bez zaťaženia, ako dodatok k dobe zapnutia).

Len pre európske krajiny

Vyhlásenie o zhode so smernicami Európskeho spoločenstva

Dolu podpísaní Tamiro Kishima a Rainer Bergfeld, ako oprávnené osoby spoločnosti Dolmar GmbH, vyhlasujú, že zariadenie(a) značky DOLMAR:

- Označenie zariadenia:
- Nožnice na živé ploty
- Číslo modelu / Typ: HT-43, HT-49, HT-53
- Technické špecifikácie: pozrite si tabuľku „TECHNICKÉ ÚDAJE“.

predstavujú sériovú výrobu

Je v zhode s nasledujúcimi európskymi smernicami:

- 2000/14/ES, 2006/42/ES

A sú vyrobené podľa nasledujúcich noriem a štandardizovaných dokumentov:

- EN60745

Technická dokumentácia je založená u:

Dolmar GmbH,
Jenfelder Straße 38, Abteilung FZ,
D-22045 Hamburg

Postup posúdenia zhody, ako vyžaduje smernica
2000/14/ES bol zrealizovaný podľa prílohy V.
Meraná hladina akustického výkonu: 93 dB (A)
Garantovaná hladina akustického výkonu: 96 dB (A)

23.07.2010



Tamiro Kishima
Managing Director



Rainer Bergfeld
Managing Director

Všeobecné bezpečnostné predpisy pre elektronáradie

⚠️ UPOZORNENIE Prečítajte si všetky upozornenia a inštrukcie. Nedodržanie pokynov a inštrukcií môže mať za následok úraz elektrickým prúdom, požiar alebo vážne zranenie.

Všetky pokyny a inštrukcie si odložte pre prípad potreby v budúcnosti.

BEZPEČNOSTNÉ VÝSTRAHY PRE KROVINOREZ

- Zabráňte tomu, aby sa ktorákoľvek časť tela dostala do dosahu reznej čepele.** Počas doby, kedy sa čepele pohybujú, neodstraňujte odrezaný materiál ani materiál, ktorý budete odrezávať nedržte. Počas čistenia zaseknutého materiálu náradie vypnite. Chvíľa nepozornosti počas obsluhy nožnice na živé ploty môže mať za následok vážne osobné poranenie.
- Nožnice na živé ploty prenášajte držiac ich za rukoväť a pri zastavenej reznej čepeľi.** Počas prepravy alebo uskladnenia nožnic na živé ploty vždy nasadíte kryt rezného zariadenia. Správna manipulácia s nožnicami na živé ploty zníži riziko možných osobných poranení zapríčinených reznými čepeľami.
- Elektrické náradie pri práci držte len za izolované úchopné povrchy, alebo reznú čepeľ sa môže dostať do kontaktu so skrytými vodičmi alebo vlastným káblom.** Rezné čepele, ktoré sa dostanú do kontaktu so „živým“ vodičom môžu spôsobiť vystavenie kovových častí elektrického náradia „živému“ prúdu a spôsobiť tak obsluhu zasiahnutie elektrickým prúdom.
- Kábel vedte mimo strihanej plochy.** Počas práce sa môže kábel skryť v kríkoch a môže byť náhodne prerazaný čepeľou.
- Nožnice na živé ploty nepoužívajte počas dažďa alebo v rámci veľmi mokrych podmienok. Elektrický motor nie je vodotesný.
- Neskúseným užívateľom by mal používanie nožnic na živé ploty ukázať skúsený užívateľ nožnic na živé ploty.
- Nožnice na živé ploty nesmú používať deti a mladiství do veku 18 rokov. Osoby staršie ako 16 rokov môžu toto obmedzenie obísť, ak podstupia zaškolenie pod dohľadom odborníka.
- S nožnicami na živé ploty pracujte len ak ste v dobrom fyzickom stave. Ak ste unavení, vaša pozornosť bude znížená. Zvlášť opatrní buďte na konci pracovného času. Všetky úkony vykonávajte pokojne a dôkladne. Užívateľ je zodpovedný za škody spôsobené tretím stranám.
- Nikdy nožnice na živé ploty nepoužívajte pod vplyvom alkoholu, drog alebo liekov.
- Skontrolujte a presvedčte sa, že napätie a kmitočety pre napájanie zodpovedá technickým špecifikáciám uvedeným na identifikačnom štítku. Odporúčame používať prerušovač obvodu fungujúci na zvyškovom prúde (prerušovač obvodu v prípade porušenia uzemnenia) s hodnotou vypínacieho prúdu 30 mA alebo menej, alebo uzemnenú ochranu pred zvodovým prúdom.
- Pracovné rukavice z hrubej kože predstavujú základné vybavenie pre nožnice na živé ploty a pri práci s nimi je nutné tieto ochranné pomôcky vždy používať. Vždy používajte hrubé topánky s podrážkou zabraňujúcou pošmyknutiu.
- Pred začatím práce skontrolujte, že nožnice na živé ploty sú v dobrom a bezpečnom prevádzkovom stave. Chrániče nasadte správnym spôsobom. Pred začatím práce skontrolujte, či nie je poškodený kábel a v prípade potreby ho vymeňte. Nožnice na živé ploty sa nesmú používať pokiaľ nie sú úplne zmontované.
- Nedovoľte, aby sa kábel dostal do reznej plochy. Vždy pracujte takým spôsobom, aby bol predlžovací kábel za vami.
- Ak je kábel poškodený alebo prerazaný, okamžite vytiahnite zástrčku zo sieťovej zásuvky.
- Pred začatím prevádzky zaujmite bezpečný postoj.
- Počas používania náradie držte pevne.
- Nepoužívajte náradie zbytočne bez záťaž.
- Ak rezná lišta prišla do styku s oplotením alebo iným tvrdým predmetom, okamžite vypnite motor a vytiahnite zástrčku zo zásuvky. Reznú lištu skontrolujte z pohľadu poškodenia; v prípade poškodenia nechajte okamžite opraviť.
- Pred kontrolou reznej lišty, vykonávaním chyby, alebo v prípade odstraňovania materiálu zachyteného v nožniciach vždy nožnice vypnite a odpojte od prívodu elektrickej energie.
- Nožnice vypnite a odpojte od prívodu elektrickej energie a zástrčku pred vykonávaním údržby zabezpečte.
- Počas prenášania nožnic na živé ploty na iné miesto, vrátane prenášania počas vykonávania práce vždy odpojte zástrčku sieťového kábla a na reznú čepeľ nasadte kryt čepele. Nikdy neprenášajte ani neprevádzajte nožnice so spusteným rezným náradím. Rezné náradie nikdy nechytajte rukami.
- Po použití a pred dlhodobým uskladnením nožnic na živé ploty vyčistíte nožnice na živé ploty, a to hlavne ich reznú časť. Reznú lištu zľahka naolejujte a nasadte kryt. Kryt dodaný s jednotkou je možné zavesiť na na stenu, čím dosiahnete bezpečné a praktické uloženie nožnic na živé ploty.
- Nožnice na živé ploty uskladňujte s nasadeným krytom v suchej miestnosti. Uskladňujte mimo dosahu detí. Nožnice nikdy neuskladňujte vonku.
- Nepoužívajte nástroj zbytočne bez záťaž.**

TIETO POKYNY USCHOVAJTE.

VAROVANIE: NIKDY nepripustite, aby pohodlie a dobrá znalosť výrobku (získané opakovaným používaním) nahradili presné dodržiavanie bezpečnostných pravidiel pre náradie. **NESPRAVNE POUŽÍVANIE** alebo **nedodržiavanie bezpečnostných pokynov uvedených v tomto návode na obsluhu môže spôsobiť vážne poranenia osôb.**

POPIS FUNKCIE

POZOR:

- Pred nastavovaním nástroja alebo kontrolou jeho funkcie sa vždy presvedčte, že je vypnutý a vytiahnutý zo zásuvky.
- Pred nastavovaním alebo kontrolou fungovania náradia nasadte na strižné čepele kryt čepele.

Zapínanie

► **Obr.1:** 1. Spínač B 2. Spínač A 3. Spínač C

Kvôli vašej vlastnej bezpečnosti je toto náradie vybavené trojnásobným systémom vypínania. Ak chcete náradie zapnúť, stlačte vypínač B a súčasne stlačte vypínač A alebo C. Náradie vypnete uvoľnením jedného z dvoch stlačených vypínačov. Poradie zapínania nie je dôležité, pretože náradie sa spustí jedine v prípade zaktívovania oboch vypínačov.

Rovný rez

► **Obr.2**

Na vykonávanie priameho rezu potiahnite vypínač A a B.

Vertikálny rez

► **Obr.3**

Režte smerom nahor a oboma rukami ťahajte spínač B a C a pohybujte pred svojim telom

MONTÁŽ

POZOR:

- Než začnete na nástroji robiť akékoľvek práce, vždy sa predtým presvedčte, že je vypnutý a vytiahnutý zo zásuvky.

Zapojenie predlžovacieho kábla

POZOR:

- Presvedčte sa, že zástrčka predlžovacieho kábla nie je zastrčená do sieťovej zásuvky.

► **Obr.4:** 1. Zostava háčikov 2. Kábel náradia 3. Predlžovací kábel

Pri zapájaní predlžovacieho kábla kábel zaistíte ku káblu náradia pomocou zostavy háčikov. Háčik pripojte asi 100 - 200 mm od konektora predlžovacieho kábla. Tým zabránite neočakávanému rozpojeniu.

Háčik pre pripevnenie kábla k pásu

POZOR:

- Držiak háčika pre pripevnenie kábla k pásu nepripájajte k inému než predlžovaciemu káblu. Nepripájajte ho do polohy, ktorá je bližšie k náradiu a za zostavu háčikov. Opomenutie by mohlo viesť k nehode alebo osobnému poraneniu.
- Jeden hák háčika zostavy háčikov pevne pripojte ku káblu náradia a druhý háčik zostavy háčikov pripojte ku predlžovaciemu káblu. Práca s náradím iba s pripojeným jedným háčikom môže spôsobiť nehodu a poranenie.

Používanie háčika pre pripevnenie kábla k pásu pomáha minimalizovať riziko prerezania predlžovacieho kábla neočakávane spôsobeného uvoľneným predlžovacím káblom.

► **Obr.5:** 1. Háč 2. Náradie 3. Kábel náradia 4. Zostava háčikov 5. Predlžovací kábel 6. Držiak 7. Háčik pre pripevnenie kábla k pásu

► **Obr.6:** 1. Držiak 2. Kábel

Kábel zatlačte alebo pretiahnite cez otvor držiaka.

POZOR:

- Otvor držiaka nenamáhajte. V opačnom prípade môže dôjsť k priehybu a jeho poškodeniu.

Háčik pre pripevnenie kábla na rameno (Príslušenstvo)

POZOR:

- Držiak háčika pre pripevnenie kábla na rameno nepripájajte k inému než predlžovaciemu káblu. Nepripájajte ho do polohy, ktorá je bližšie k náradiu a za háčiky zostavy háčikov. Opomenutie by mohlo viesť k nehode alebo osobnému poraneniu.
- Jeden hák háčika zostavy háčikov pevne pripojte ku káblu náradia a druhý háčik zostavy háčikov pripojte ku predlžovaciemu káblu. Práca s náradím iba s pripojeným jedným háčikom môže spôsobiť nehodu a poranenie.

Používanie háčika pre pripevnenie kábla na rameno pomáha minimalizovať riziko prerezania predlžovacieho kábla neočakávane spôsobeného uvoľneným predlžovacím káblom.

► **Obr.7:** 1. Držiak 2. Pásik s háčikom pre pripevnenie k popruhu na plece

Pásik s háčikom na pripevnenie popruhu na plece pevne pripievnte okolo pleca a cez držiak pretiahnite predlžovací kábel. Dĺžka pásika s háčikom na pripevnenie popruhu na plece je nastaviteľná.

POZNÁMKA:

- Predlžovací kábel nevedte cez pásik.
- Otvor držiaka nenamáhajte. V opačnom prípade môže dôjsť k priehybu a jeho poškodeniu.
- Používanie háčika pre pripevnenie kábla na rameno spolu s háčikom pre pripevnenie kábla k pásu je omnoho prospešnejšie.

PRÁCA

⚠ POZOR:

- Počas strihania dávajte pozor, aby ste náhodne neprišli do styku s kovovým oplatením alebo ďalšími tvrdými predmetmi. Môže dôjsť k zlomeniu čepele s dôsledkom vážneho poranenia.
- Snaha prekračovať dosah nožníc na živé ploty, a to obzvlášť z rebrika je veľmi nebezpečná. Činnosť strihania nevykonávajte stojac na vratkom a nestabilnom predmete.

UPOZORNENIE: Nepokúšajte sa s týmto zariadením strihať vetvy hrubšie ako 10 mm v priemere. Pred použitím tohto zariadenia odstrihnite konáre pomocou nožníc na konáre na dĺžku o 10 cm kratšiu ako výška kosenia.

► **Obr.8:** (1) Výška kosenia (2) 10 cm

⚠ POZOR:

- Nepoužívajte na odstrihovanie odumretých stromov a podobných tvrdých predmetov. Opomenutie môže viesť k poškodeniu náradia.

► **Obr.9**

Nožnice držte oboma rukami, ťahajte spínač A alebo C a pohybujte nožnicami pred svojím telom.

► **Obr.10:** 1. Smer strihania 2. Čepele nakloňte 3. Plocha živého plota, ktorú budete strihať

V rámci bežnej prevádzky skloňte čepele smerom ku smeru strihania a pohybujte nimi pokojne a pomaly, a to pri rýchlosti jeden meter za 3 - 4 sekundy.

► **Obr.11:** 1. Šnúra

Na rovné zastrihnutie hornej časti živého plota pomôže, ak si v požadovanej výške živého plota natiahnete povraz a strihanie budete vykonávať pozdĺž tohto povrazu, ktorý v tomto prípade predstavuje pomocnú čiaru.

► **Obr.12**

Namontovaním lapača odrezkov (príslušenstvo) na náradie pri strihaní živého plota priamo zabránite odhadzovaniu odrezkov.

► **Obr.13**

Kvôli rovnému zostrihnutiu živého plota je dobré, ak budete strihať smerom zdola nahor.

► **Obr.14**

S cieľom dosiahnuť pekný vzhľad a vykonať dobrú prácu, buxusy alebo azalky rododendron strihajte zdola smerom nahor.

Montáž alebo demontáž lapača odrezkov (príslušenstvo)

⚠ POZOR:

- Vždy sa uistite, že je náradie je pred montážou alebo demontážou lapača odrezkov odpojené od prívodu elektrickej energie.

POZNÁMKA:

- Počas nasadzovania lapača odrezkov vždy používajte rukavice a činnosť vykonávajte tak, aby ruky ani tvár neprišli do priameho styku s čepeľou. V opačnom prípade môže dôjsť k osobnému poraneniu.
- Pred nainštalovaním lapača odrezkov vždy snímte kryt čepele.
- Lapač odrezkov zachytáva odrezané listy a uľahčuje zber orezaného lístia. Môže sa namontovať na ktorúkoľvek stranu náradia.

► **Obr.15:** 1. Tlak 2. Lapač odrezkov 3. Matica 4. Rezná čepeľ

► **Obr.16:** 1. Háčiky 2. Nasadte háčiky do drážky 3. Žliabky

Teraz je potrebné lapač odrezkov nainštalovať tak, aby jeho háčiky zapadli do drážok v jednotke reznej čepele.

► **Obr.17:** 1. Stlačte páčky na oboch stranách 2. Odblokujte háčiky

Demontáž lapača odrezkov vykonáte tak, že stlačíte páčky na oboch stranách, čím dôjde k odblokovaniu háčikov.

⚠ POZOR:

- Kryt čepele (štandardná výbava) nemožno nainštalovať na náradie, na ktorom je nainštalovaný lapač odrezkov. Pred prenášaním alebo uskladnením demontujte najprv lapač odrezkov a následne namontujte kryt čepele, čím zabránite vystaveniu čepele účinkom prostredia.

POZNÁMKA:

- Pred použitím skontrolujte bezpečné namontovanie lapača odrezkov.
- Nikdy sa nepokúšajte lapač odrezkov demontovať vyvíjaním nadmernej sily na háčiky zablokované v drážkach jednotky čepele. Vyvíjaním nadmernej sily môže dôjsť k poškodeniu.

ÚDRŽBA

⚠ POZOR:

- Než začnete robiť kontrolu alebo údržbu nástroja, vždy se presvedčte, že je vypnutý a vytiahnutý zo zásuvky.

Čistenie náradia

Náradie čistíte poutieraním prachu pomocou suchej, alebo v saponátovom roztoku namočenej handry.

⚠ POZOR:

- Nepoužívajte benzín, riedidlo, alkohol ani nič podobné. Mohlo by to spôsobiť zmenu farby, deformácie alebo praskliny.

Údržba čepele

Čepeľ pred a raz za polhodinu počas prevádzky namažte motorovým olejom alebo podobnou látkou. Po dokončení prevádzky odstráňte pomocou drôtenej kefy prach z oboch strán čepele, utrite ju handrou a namažte dostatočným množstvom oleja nízkej viskozity, ako je motorový olej a pod. a nastriekaním naneste mazací olej.

⚠ POZOR:

- Čepele neumývajte vo vode. Opomenutie môže viesť k hrdzaveniu alebo k poškodeniu náradia.
- Počas vykonávania údržby čepele používajte rukavice.

Uskladnenie

Kryt čepele nasadíte na rezné čepele tak, aby čepele neboli odhalené. Náradie bezpečne uskladnite mimo dosahu detí.

Náradie uskladnite na mieste, ktoré nie je vystavené účinkom dažďa ani vody.

Ak chcete zachovať SPOLAHLIVOSŤ a BEZPEČNOSŤ výrobku, opravy, kontrola a výmena uhlíkových kefiiek, ako aj ďalšia údržba a nastavenia by sa mali vykonať v autorizovanom servisnom centre spoločnosti Dolmar, a to s použitím originálnych náhradných dielov Dolmar.

VOLITEĽNÉ PRÍSLUŠENSTVO

⚠ POZOR:

- Tieto doplnky a príslušenstvo sú odporúčané pre použitie s náradím Dolmar, uvedeným v tomto návode. Používanie iného, než ako odporúčaného príslušenstva a doplnkov môže znamenať riziko úrazu osôb. Príslušenstvo používajte odporúčaným spôsobom a iba na účely, pre ktoré je určené.

Ak potrebujete pomoc a ďalšie podrobnosti ohľadom tohto príslušenstva, obráťte sa na vaše miestne servisné stredisko Dolmar.

- Kryt čepele
- Zostava háčikov
- Háčik pre pripevnenie kábla k pásu
- Háčik pre pripevnenie kábla na rameno
- Lapač úlomkov

POZNÁMKA:

- Niektoré položky zo zoznamu môžu byť súčasťou balenia náradia vo forme štandardného príslušenstva. Rozsah týchto položiek môže byť v každej krajine odlišný.

TECHNICKÉ ÚDAJE

Model	HT-43	HT-49	HT-53
Délka čepele	420 mm	480 mm	520 mm
Počet zdvihů za minutu (min ⁻¹)	1 600	1 600	1 600
Celková délka	821 mm	871 mm	921 mm
Hmotnost netto	2,9 kg	3,0 kg	3,0 kg
Třída bezpečnosti	II		

- Vzhledem k neustálému výzkumu a vývoji zde uvedené technické údaje podléhají změnám bez upozornění.
- Technické údaje se mohou pro různé země lišit.
- Hmotnost podle EPTA – Procedure 01/2003

Symbol

Níže jsou uvedeny symboly, se kterými se můžete při použití nástroje setkat. Je důležité, abyste dříve, než s ním začnete pracovat, pochopili jejich význam.

	Přečtěte si návod k obsluze.
	DVOJITÁ IZOLACE
	Nevystavujte nástroj došti.
	Jestliže je kabel poškozený nebo pořezaný, vytáhněte okamžitě zástrčku ze zásuvky.
	Jen pro sláty EU Elektrické nářadí nevyhazujte do komunálního odpadu! Podle evropské směrnice 2012/19/EU o nakládání s použitými elektronickými zařízeními a elektrickými zařízeními a odpovídajících ustanovení právních předpisů jednotlivých zemí se použitá elektrická nářadí musí sbírat odděleně od ostatního odpadu a podrobit ekologicky šetrnému recyklování.

Určení nástroje

Nástroj je určen k zastřihování živých plotů.

Napájení

Zařízení je třeba připojit pouze k napájení se stejným napětím, jaké je uvedeno na výrobním štítku a může být provozováno pouze v jednofázovém napájecím okruhu se střídavým napětím. Nářadí je vybaveno dvojitou izolací a může být tedy připojeno i k zásuvkám bez zemnicího vodiče.

Hlučnost

Typická vážená hladina hluku (A) určená podle normy EN60745:
Hladina akustického tlaku (L_{PA}): 82 dB (A)
Hladina akustického výkonu (L_{WA}): 93 dB (A)
Nejistota (K): 2,1 dB (A)

Používejte ochranu sluchu

Vibrace

Celková hodnota vibrací (vektorový součet tří os) určená podle normy EN60745:

Pracovní režim: zastřihování živých plotů
Emise vibrací (a_h): 6,7 m/s²
Nejistota (K): 1,5 m/s²

POZNÁMKA: Deklarovaná hodnota emisí vibrací byla změřena v souladu se standardní testovací metodou a může být využita ke srovnávání nářadí mezi sebou.

POZNÁMKA: Deklarovanou hodnotu emisí vibrací lze rovněž využít k předběžnému posouzení vystavení jejich vlivu.

VAROVÁNÍ: Emise vibrací během skutečného používání elektrického nářadí se mohou od deklarované hodnoty emisí vibrací lišit v závislosti na způsobu použití nářadí.

VAROVÁNÍ: Na základě odhadu vystavení účinkům vibrací v aktuálních podmínkách zajistěte bezpečnostní opatření k ochraně obsluhy (vezměte v úvahu všechny části pracovního cyklu, mezi něž patří kromě doby pracovního nasazení i doba, kdy je nářadí vypnuto nebo pracuje ve volnoběhu).

Pouze pro země Evropy

Prohlášení ES o shodě

Níže podepsaní **Tamiro Kishima a Rainer Bergfeld** jako oprávněné osoby společnosti **Dolmar GmbH** prohlašují, že zařízení **DOLMAR:**

Popis zařízení:

Zastřihovač živých plotů

Č. Modelu/typ: HT-43, HT-49, HT-53

Technické údaje: viz tabulka „TECHNICKÉ ÚDAJE“.

vychází ze sériové výroby

A vyhovuje následujícím evropským směrnicím:
2000/14/ES, 2006/42/ES

Zařízení bylo rovněž vyrobeno v souladu s následujícími normami či normativními dokumenty:
EN60745

Technická dokumentace je k dispozici na adrese:
Dolmar GmbH,
Jenfelder Straße 38, Abteilung FZ,
D-22045 Hamburg

Postup posuzování shody vyžadovaný směrnicí 2000/14/ES byl v souladu s přílohou V.

Naměřená hladina akustického výkonu: 93 dB (A)
Zaručená hladina akustického výkonu: 96 dB (A)



Tamiro Kishima
Managing Director



Rainer Bergfeld
Managing Director

Obecná bezpečnostní upozornění k elektrickému nářadí

⚠️ UPOZORNĚNÍ Přečtěte si všechna bezpečnostní upozornění a pokyny. Při nedodržení upozornění a pokynů může dojít k úrazu elektrickým proudem, požáru nebo vážnému zranění.

Všechna upozornění a pokyny si uschovejte pro budoucí potřebu.

BEZPEČNOSTNÍ UPOZORNĚNÍ NŮŽKÁM NA ŽIVÉ PLOTY

1. **Udržujte všechny části těla v bezpečné vzdálenosti od nožů. Neodstraňujte stříhaný materiál a nedržte materiál, když se nože pohybují. Při odstraňování uvíznutého materiálu musí být spoušť vypnuta.** Chvilce nepozornosti při používání zastříhovače může mít za následek vážné zranění.
2. **Při přenášení držte zastříhovač za rukojeť a nechte jej vypnutý. Při přepravě a skladování zastříhovače na nože vždy nasadte kryt.** Správnou manipulací se zastříhovačem snižíte riziko zranění noží.
3. **Elektrické nářadí držte pouze za izolované části držadel, neboť nože zařízení mohou přijít do kontaktu se skrytým elektrickým vedením nebo s vlastním napájecím kabelem.** Při kontaktu nožů s vodičem pod napětím se může proud přenést do nechráněných kovových částí nářadí a obsluha může utrpět úraz elektrickým proudem.
4. **Udržujte kabel v bezpečné vzdálenosti od místa, kde stříháte.** Během používání se může kabel schovat v křoví a může být nechtěně přestřížen.
5. **Nepoužívejte zastříhovač v dešti ani v mokřem nebo velice vlhkém prostředí.** Elektrický motor není voděodolný.
6. **Uživatelé, kteří používají zastříhovač poprvé, by měli požádat o radu k používání zkušené uživatele.**
7. **Zastříhovač nesmí používat děti a osoby mladší 18 let.** Mladiství starší 16 let mohou být tohoto omezení zproštěni, pokud pod dohledem odborníka absolvují školení.
8. **Zastříhovač obsluhujte pouze tehdy, jste-li v dobrém fyzickém stavu.** Únava vede ke snížení pozornosti. Opatrní buďte zejména na konci pracovního dne. Veškerou práci provádějte klidně a opatrně. Uživatel je zodpovědný za všechny škody způsobené třetím stranám.
9. **Nikdy nepoužívejte zastříhovač pod vlivem alkoholu, drog nebo léků.**

10. **Zkontrolujte, zda napětí a frekvence napájení odpovídá údajům na výrobním štítku.** Doporučujeme používat proudový ovládaný zbytkovým proudem (přerušovač obvodu při zkratu na uzemnění) s vypínacím proudem 30 mA nebo menším nebo ochranný jistič.
11. **Mezi základním vybavením zastříhovače jsou silné kožené rukavice, které je nutné při práci vždy používat.** Používejte také pevnou obuv s protiskluzovou podrážkou.
12. **Před zahájením práce zkontrolujte, zda je zastříhovač v dobrém stavu umožňujícím bezpečné používání.** Zkontrolujte, zda jsou správně nainstalovány kryty. Před zahájením práce zkontrolujte, zda není poškozen kabel, a v případě potřeby jej vyměňte. Zastříhovač nesmí být používán, pokud není kompletní.
13. **Udržujte kabel v bezpečné vzdálenosti od místa, kde stříháte.** Vždy pracujte takovým způsobem, aby byl prodlužovací kabel za vámi.
14. **Pokud je kabel poškozen nebo přestřížen, okamžitě vytáhněte zástrčku ze zásuvky.**
15. **Před zahájením práce se ujistěte, že máte prostor pro stabilní postoj.**
16. **Při práci držte nástroj pevně.**
17. **Nářadí nespouštějte zbytečně naprázdno.**
18. **Pokud se zastříhovač dostane do kontaktu s plotem nebo jiným tvrdým objektem, okamžitě vypněte motor a vytáhněte zástrčku ze zásuvky.** Zkontrolujte, zda není zastříhovač poškozen, a je-li poškozen, okamžitě jej opravte.
19. **Před kontrolou zastříhovače, opravováním závad nebo odstraňováním materiálu zachyceného v zastříhovači vždy zastříhovač vypněte a vytáhněte zástrčku ze zásuvky.**
20. **Před prováděním údržby zastříhovač vypněte a odpojte od zásuvky a zajistěte zástrčku.**
21. **Při přenášení zařízení na jiné místo (i při práci) vždy odpojte napájecí kabel ze zásuvky a na stříhací nože nasadte kryt.** Zastříhovač nikdy nepřepnešete ani nepřepnešete zapnuté. Zastříhovač nikdy neberte do rukou za nože.
22. **Po použití a před dlouhodobějším skladováním zastříhovač očistěte - zejména nože.** Naolejujte nože a nasadte kryt. Kryt dodaný s přístrojem lze pověsit na zeď a zastříhovač tak lze bezpečně a prakticky skladovat.
23. **Skladujte zastříhovač s nasazeným krytem v suché místnosti.** Uchovávejte jej mimo dosah dětí. Nikdy zastříhovač neskladujte venku.
24. **Neprovazujte nástroj zbytečně bez zatížení.**

TYTO POKYNY USCHOVEJTE.

⚠️ VAROVÁNÍ: NEDOVOLTE, aby pohodlnost nebo pocit znalosti výrobku (získaný na základě opakovaného používání) vedly k zanedbání udržování bezpečnostních pravidel platných pro tento výrobek. NESPRÁVNÉ POUŽÍVÁNÍ nebo nedodržení bezpečnostních pravidel uvedených v tomto návodu k obsluze může způsobit vážné zranění.

POPIS FUNKCE

⚠️ UPOZORNĚNÍ:

- Před nastavováním nástroje nebo kontrolou jeho funkce se vždy přesvědčte, že je vypnutý a vytažený ze zásuvky.
- Před nastavováním či kontrolou funkce nářadí nasadte na stříhací nože kryt.

Zapínání

► **Obr.1:** 1. Spínač B 2. Spínač A 3. Spínač C

V rámci bezpečnosti je nářadí vybaveno trojitým spínacím systémem. Nářadí zapnete stisknutím spínače B a současným stisknutím spínače A nebo C. Uvolněním některého ze dvou stisknutých spínačů nářadí vypnete. Pořadí sepnutí není důležité, neboť nářadí se zapne pouze stisknutím obou spínačů.

Vodorovné stříhání

► **Obr.2**

Při vodorovném stříhání živých plotů použijte spínače A a B.

Svislé stříhání

► **Obr.3**

Při oboustranném stříhání ve svislém směru stiskněte spínače B a C a pohybuje nástrojem před sebou.

MONTÁŽ

⚠️ UPOZORNĚNÍ:

- Než začnete na nástroji provádět jakékoliv práce, vždy se předtím přesvědčte, že je vypnutý a vytažený ze zásuvky.

Zajištění prodlužovacího kabelu

⚠️ UPOZORNĚNÍ:

- Zkontrolujte, zda je prodlužovací kabel odpojen od zásuvky.

► **Obr.4:** 1. Háček 2. Kabel nástroje 3. Prodlužovací kabel

Při zajišťování prodlužovacího kabelu jej připojte ke kabelu nástroje s háčkem. Připojte háček přibližně 100 až 200 mm od konektoru prodlužovacího kabelu. Zabráňte tak nechtěnému odpojení.

Kabelový háček na pásek

⚠️ UPOZORNĚNÍ:

- Nepřipojujte držák kabelového háčku na pásek k ničemu jinému než k prodlužovacímu kabelu. Neumísťujte kabelový háček na ruku příliš blízko k háčku na pásek. V opačném případě může dojít k nehodě nebo zranění.
- Jednu část háčku upevněte ke kabelu nástroje a druhou část k prodlužovacímu kabelu. Při práci jen s jednou částí háčku může dojít k nehodě a zranění.

Při používání kabelového háčku na pásek se snižuje riziko přestřihnutí prodlužovacího kabelu, který by byl jinak volný.

► **Obr.5:** 1. Háč 2. Nástroj 3. Kabel nástroje 4. Háček 5. Prodlužovací kabel 6. Držák 7. Kabelový háček na pásek

► **Obr.6:** 1. Držák 2. Kabel

Protáhněte kabel přes otvor v držáku.

⚠️ UPOZORNĚNÍ:

- Nepoužívejte na otvor držáku sílu. V opačném případě může dojít k jeho deformaci nebo poškození.

Kabelový háček na ruku (příslušenství)

⚠️ UPOZORNĚNÍ:

- Nepřipojujte držák kabelového háčku na ruku k ničemu jinému než k prodlužovacímu kabelu. Neumísťujte kabelový háček na ruku příliš blízko k háčku na pásek. V opačném případě může dojít k nehodě nebo zranění.
- Jednu část háčku upevněte ke kabelu nástroje a druhou část k prodlužovacímu kabelu. Při práci jen s jednou částí háčku může dojít k nehodě a zranění.

Při používání kabelového háčku na ruku se snižuje riziko přestřihnutí prodlužovacího kabelu, který by byl jinak volný.

► **Obr.7:** 1. Držák 2. Pásek závěsu kabelu na paži

Pásek závěsu kabelu na paži pevně přichyťte kolem své paže a prodlužovací kabel provlékněte držákem. Délka pásku závěsu kabelu na paži je nastavitelná.

POZNÁMKA:

- Neprotahujte prodlužovací kabel přes popruh.
- Nepoužívejte na otvor držáku sílu. V opačném případě může dojít k jeho deformaci nebo poškození.
- Kabelový háček na ruku a háček na pásek lze prakticky používat dohromady.

PRÁCE

⚠️ UPOZORNĚNÍ:

- Při stříhání dávejte pozor, abyste omylem nezasáhli kovový plot nebo jiné tvrdé objekty. Nože se mohou rozbít a způsobit vážné zranění.
- Přesahování zastřihovačem, zejména ze žebříku, je velice nebezpečné. Při práci nestůjte na kymácejícím se nebo jinak nestabilním povrchu.

POZOR: Nestříhejte s tímto nářadím větve silnější než 10 mm v průměru. Před použitím tohoto nářadí odsťihněte větve 10 cm pod úrovní výšky sečení pomocí nůžek na větve.

► **Obr.8:** (1) Výška sečení (2) 10 cm

⚠ UPOZORNĚNÍ:

- Nestříhejte uschlé stromy ani podobné tvrdé objekty. V opačném případě může dojít k poškození nástroje.

► Obr.9

Držte zastříhovač oběma rukama, stisknete spínač A a B a pohybujte nástrojem před sebou.

- Obr.10:** 1. Směr stříhání 2. Nakloňte čepel
3. Stříhaný povrch živého plotu

Při stříhání nakloňte čepel ve směru stříhání a pomalu postupujte tak, abyste přes metr délky přešli za 3 až 4 sekundy.

- Obr.11:** 1. Provázek

Abyste zastříhli horní část živého plotu rovnoměrně, můžete napnout provázek v požadované cílové výšce a při stříhání se řídit podle tohoto provázku.

► Obr.12

Připojte-li k nářadí sběrač odřezků (příslušenství), zamezíte při vodorovném stříhání odlétávání odstřížků.

► Obr.13

K dosažení rovnoměrného svislého zástříhu je vhodné stříhat zdola nahoru.

► Obr.14

Zimostráz a rododendron stříhejte odzola nahoru, dosáhnete tak pěkného výsledku.

Montáž a demontáž sběrače třísek (příslušenství)

⚠ UPOZORNĚNÍ:

- Před montáží a demontáží sběrače třísek se vždy přesvědčte, zda je nástroj vypnutý a odpojený od elektrické sítě.

POZNÁMKA:

- Při nasazování sběrače třísek vždy používejte rukavice, aby nedošlo k přímému kontaktu nožů s rukama. V opačném případě může dojít ke zranění.
- Před instalací sběrače třísek vždy sundejte kryt nožů.
- Sběrač třísek zachycuje odstříhnuté listí a usnadňuje jeho sběr. Lze jej nainstalovat na obou stranách nástroje.

- Obr.15:** 1. Stisknout 2. Sběrač třísek 3. Matice 4. Čepel

- Obr.16:** 1. Úchyty 2. Nasadte úchyty do drážky 3. Drážky

Sběrač třísek musí být nainstalován tak, aby jeho úchyty zapadly do drážek na čepeli.

- Obr.17:** 1. Stiskněte páčky po obou stranách 2. Uvolněte úchyty

Chcete-li sběrač třísek sundat, stiskněte páčku na obou stranách, aby se uvolnily úchyty.

⚠ UPOZORNĚNÍ:

- Kryt nožů (standardní vybavení) nelze nasadit na nástroj, když je nainstalován sběrač třísek. Před přenášením nebo skladováním demontujte sběrač třísek a potom nasadte kryt nožů, aby nebyly nože odkryty.

POZNÁMKA:

- Před použitím zkontrolujte, zda je sběrač třísek nainstalován pevně.
- Nepoužívejte při demontáži sběrače třísek příliš velkou sílu, když jsou úchyty zachyceny v drážkách na čepeli. Při použití příliš velké síly může dojít k jeho poškození.

ÚDRŽBA

⚠ UPOZORNĚNÍ:

- Než začnete provádět kontrolu nebo údržbu nástroje, vždy se přesvědčte, že je vypnutý a vytažený ze zásuvky.

Čištění nástroje

Nástroj očistěte setřením prachu suchým nebo v mýdlové vodě navlhčeným hadříkem.

⚠ UPOZORNĚNÍ:

- Nikdy nepoužívejte benzín, benzen, ředidlo, alkohol či podobné prostředky. Mohlo by tak dojít ke změnám barvy, deformacím či vzniku prasklin.

Údržba nožů

Před prací a každou půlhodinu za provozu nože promazávejte strojním olejem či podobným prostředkem. Po použití odstraňte prach z obou stran nožů drátěným kartáčem, oťete je hadříkem a potom naneste olej s nízkou viskozitou, například strojní olej, a mazací olej ve spreji.

⚠ UPOZORNĚNÍ:

- Nemyjte nože ve vodě. V opačném případě může dojít ke korozi nebo poškození nástroje.
- Při provádění údržby nožů noste ochranné rukavice.

Skladování

Nasadte kryt nožů na čepel, aby nebyly nože odkryty. Uchovávejte nástroj mimo dosah dětí. Uchovávejte nástroj na místě, kde nebude vystaven vodě ani dešti.

Kvůli zachování BEZPEČNOSTI a SPOLEHLIVOSTI výrobku musí být opravy, kontrola a výměna uhlíků a veškerá další údržba či seřizování prováděny autorizovanými servisními středisky firmy Dolmar a s použitím náhradních dílů Dolmar.

VOLITELNÉ PŘÍSLUŠENSTVÍ

⚠ UPOZORNĚNÍ:

- Pro váš nástroj Dolmar, popsáný v tomto návodu, doporučujeme používat toto příslušenství. Při použití jiného příslušenství či nástavců může hrozit nebezpečí zranění osob. Příslušenství lze používat pouze pro stanovené účely.

Potřebujete-li bližší informace ohledně tohoto příslušenství, obraťte se na místní servisní středisko firmy Dolmar.

- Kryt nožů
- Háček
- Kabelový háček na pásek
- Kabelový háček na ruku
- Sběrač odřezků

POZNÁMKA:

- Některé položky seznamu mohou být k zařízením přibaleny jako standardní příslušenství. Přibalené příslušenství se může v různých zemích lišit.



DOLMAR GmbH
Postfach 70 04 20
D-22004 Hamburg
Germany
<http://www.dolmar.com>

885005C910
EN, UK, PL, RO,
DE, HU, SK, CS
20171111