

DOLMAR



EN	Petrol Blower	ORIGINAL INSTRUCTION MANUAL	2
FR	Souffleur Thermique	INSTRUCTIONS D'EMPLOI	21
DE	Benzin Blasgerät	ORIGINAL-BETRIEBSANLEITUNG	42
IT	Soffiatore a benzina	MANUALE DI ISTRUZIONI ORIGINALE	63
NL	Benzinebladblazer	ORIGINELE GEBRUIKSAANWIJZING	84
ES	Sopladora a Gasolina	MANUAL DE INSTRUCCIONES ORIGINAL	104
PT	Soprador a Gasolina	MANUAL DE INSTRUÇÕES ORIGINAL	125
DA	Benzindrevet blæser	OPRINDELIG BRUGSANVISNING	146
EL	Φυσητήρας βενζίνης	ΠΡΩΤΟΤΥΠΟ ΕΓΧΕΙΡΙΔΙΟ ΟΔΗΓΙΩΝ	166
TR	Benzinli Üfleme Makinesi	ORIJİNAL KULLANIM KILAVUZU	187

MG5300

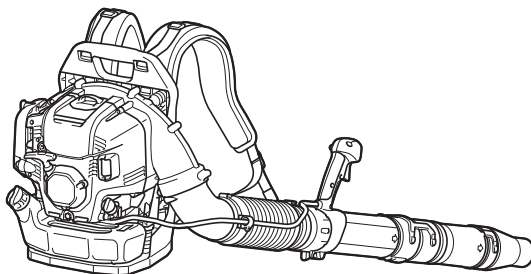


TABLE OF CONTENTS

SPECIFICATIONS	2	BEFORE STARTING THE ENGINE	9
IMPORTANT SAFETY INSTRUCTIONS.....	3	OPERATION	10
PARTS DESCRIPTION	7	MAINTENANCE	13
ASSEMBLY	7	TROUBLESHOOTING	20

SPECIFICATIONS

Model:		MG5300
Throttle type		Tube throttle
Dry weight	without blower pipe / with cushion	8.9 kg
	with blower pipe	9.8 kg - 10.0 kg
Dimension (without blower pipe, L x W x H)		320 mm x 450 mm x 475 mm
Air velocity	(with long pipe, circular nozzle)	81 m/s
	(with short pipe, circular nozzle)	82 m/s
Air volume flow rate	(with long pipe, circular nozzle)	15 m ³ /minute
	(with short pipe, circular nozzle)	15 m ³ /minute
Maximum engine speed		6,400 min ⁻¹
Idling speed		2,800 min ⁻¹
Engine displacement		52.5 cm ³
Engine type		Air cooled, 4-stroke, single cylinder
Fuel		Automobile gasoline
Fuel tank capacity		1,800 cm ³
Engine oil		API grade SF class or higher, SAE 10W-30 oil (automobile 4-stroke engine oil)
Engine oil volume		140 cm ³
Carburetor		Diaphragm type
Spark plug		NGK CMR6H
Electrode gap		0.7 mm - 0.8 mm

- Due to our continuing program of research and development, the specifications herein are subject to change without notice.
- Specifications may differ from country to country.
- The weight may differ depending on the attachment(s).

Vibration


















Model				MG5300	
Vibration per EN15503	Right handle	a _{hveq}	Long pipe	with circular nozzle	2.2 (m/s ²)
				with flat nozzle	2.9 (m/s ²)
		Short pipe	with circular nozzle	2.2 (m/s ²)	
			with flat nozzle	2.5 (m/s ²)	
Uncertainty K				0.6 (m/s ²)	

Noise

Model	MG5300	
Sound pressure level average to EN15503	L _{PA eq}	96.0 (dB(A))
	Uncertainty K	0.4 (dB(A))
Sound power level average to EN15503	L _{WA eq}	102.5 (dB(A))
	Uncertainty K	1.6 (dB(A))

Symbols

The following show the symbols used for the equipment. Be sure that you understand their meaning before use.

	Take particular care and attention.
	Read the instruction manual.
	Forbidden!
	No smoking.
	No open flame.
	Wear protective gloves.
	Wear eye and ear protection.
	Hot surfaces - Burns to fingers or hands.
	Keep bystanders away.
	Keep the area of operation clear of all persons and pets.
	Fuel (gasoline)
	Engine manual start.
	Stop the engine.
	First aid
	On/Start
	Off/Stop
	Long hair may cause entanglement accident.

EC Declaration of Conformity

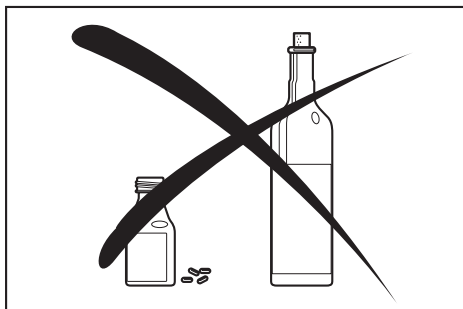
For European countries only

The EC declaration of conformity is included as Annex A to this instruction manual.

IMPORTANT SAFETY INSTRUCTIONS

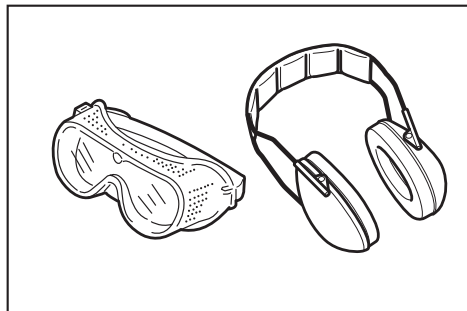
General instructions

- To ensure correct and safe operation, the user must read, understand and follow this instruction manual to assure familiarity with the handling of the blower. Users insufficiently informed will risk danger to themselves as well as others due to improper handling.**
- It is recommended only to lend the blower to people who have proven to be experienced with blowers.**
- Always hand over the instruction manual when lending the blower.**
- First-time users should ask the dealer for basic instructions to familiarize oneself with the handling of a blower.**
- Children and young persons aged under 18 years must not be allowed to operate the blower. Persons over the age of 16 years may however use the tool for the purpose of being trained only while under the direct supervision of a qualified trainer.**
- Use blowers with the utmost care and attention.**
- Operate the blower only if you are in good physical condition.**
- Perform all work conscientiously and carefully. The user has to accept responsibility for others.**
- Never use the blower while under the influence of alcohol or drugs.**



- Do not use the unit when you are tired.**
- Save these instructions for future reference.**
- Observe and follow all relevant accident prevention instructions issued by the trade associations and by insurance companies. Do not perform any modifications to the blower as this will risk your safety.**
- Never make modification on the equipment. It may cause dangerous accidents or personal injury.**

Personal protective equipment



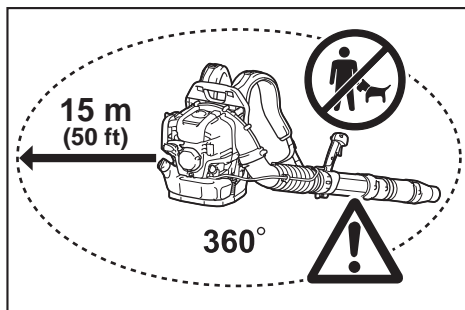
1. The clothing worn should be functional and appropriate, i. e., it should be tight fitting but not cause a hindrance. Do not wear jewelry, clothing or long hair which could be drawn into the air intake.
2. In order to avoid head-, eye-, hand- or foot injuries as well as to protect your hearing the following protective equipment and protective clothing must be used during operation of the blower.
3. Clothing must be sturdy and snug-fitting, but allow complete freedom of movement. Avoid loose-fitting jackets, flared or cuffed pants, scarves, unconfined long hair or anything that could be drawn into the air intake. Wear overalls or long pants to protect your legs. Do not wear shorts.
4. Generally, engine products are noisy and their noise may damage your hearing. Wear sound barriers (ear plugs or ear muffs) to protect your hearing. Continual and regular users should have their hearing checked regularly.
5. Use of gloves when working with the blower is recommended. Wear sturdy shoes with non-slip soles.
6. Proper eye protection is a must. Even though the discharge is directed away from the operator, ricochets and bounce-backs can occur during blower operation.
7. Never operate a blower unless wearing goggles or properly fitted safety glasses with adequate top and side protection which comply with EN166 and regulations in your country.
8. To reduce the risk of injury associated with the inhalation of dust, use face filter mask in dusty conditions.

Intended use

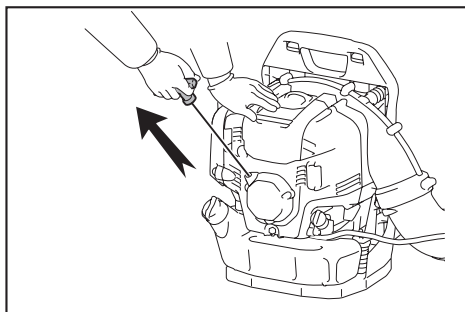
The tool is intended for blowing dust.

Starting up the blower

1. Make sure that there are no children or other people within a working range of 15 meters, also pay attention to any animals near by.



2. Before operating, always check that the blower is safe for operation:
 - Check the security of the throttle lever. The throttle lever should be checked for smooth and easy action.
 - Check for proper functioning of the throttle lever lock.
 - Check for clean and dry handles and test the function of the I-O switch. Keep handles free of oil and fuel.
3. Start the blower only in accordance with the instructions. Do not use any other methods for starting the engine.

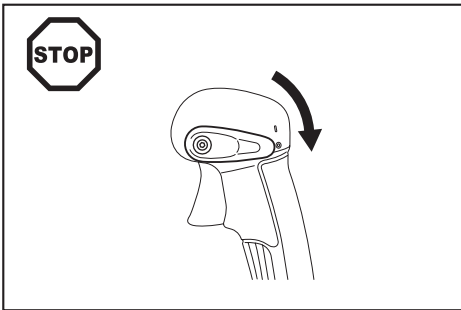


4. Use the blower and the tools supplied only for applications specified.
5. Start the blower engine only after the entire tool has been assembled. Operation of the tool is permitted only after all the appropriate accessories are attached.
6. The engine is to be switched off immediately if there are any engine problems.
7. When working with the blower, always wrap your fingers tightly around the handle, keeping the control handle cradled between your thumb and forefinger. Keep your hand in this position to have your machine under control at all times. Make sure your control handle is in good condition and free of moisture, pitch, oil or grease.

8. Always ensure a safe, well-balanced footing.
9. Carry the blower properly on both shoulders during operation. Do not carry the blower with only one shoulder strap. Otherwise personal injury may result.
10. Operate the blower in such a manner as to avoid inhalation of the exhaust gases. Never run the engine in enclosed rooms (risk of suffocation and gas poisoning). Carbon monoxide is an odorless gas. Always ensure there is adequate ventilation.
11. Switch off the engine when resting or leaving the blower unattended. Place it in a safe location prevent danger to others, setting fire to combustible materials, or damage to the machine.
12. Never lay the hot blower onto dry grass or onto any combustible materials.
13. All protective parts and guards supplied with the machine must be used during operation.
14. Never operate the engine with a faulty exhaust muffler.

Transport

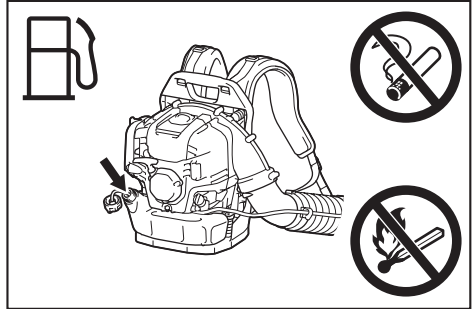
1. Shut off the engine during transport.



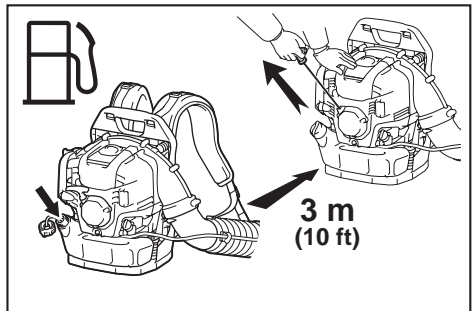
2. Position the blower safely during car or truck transportation to avoid fuel leakage.
3. When transporting the blower, ensure that the fuel tank is completely empty.
4. Lift the blower with holding carry handle when you carry it. Do not drag the blower by nozzle, pipe or other parts.
5. Hold the blower firmly during transportation.
6. When transport the blower, bend your knee and make sure you do not damage your shoulder and lower back.

Refuelling

1. Stop the engine during refuelling, keep well away from open flame and do not smoke.



2. Avoid skin contact with petroleum products. Do not inhale fuel vapor. Always wear protective gloves during refuelling. Change and clean protective clothing at regular intervals.
3. Take care not to spill either fuel or oil in order to prevent soil contamination (environmental protection). Clean the blower immediately after fuel has been spilled. Allow wet cloths to dry before disposing in properly, covered container to prevent spontaneous combustion.
4. Avoid any fuel contact with your clothing. Change your clothing immediately if fuel has been spilled on it (fire hazard).
5. Inspect the fuel cap at regular intervals making sure that it stays securely fastened.
6. Carefully tighten the fuel cap. Change locations to start the engine (at least 3 meters (10 ft) away from the place of refuelling).



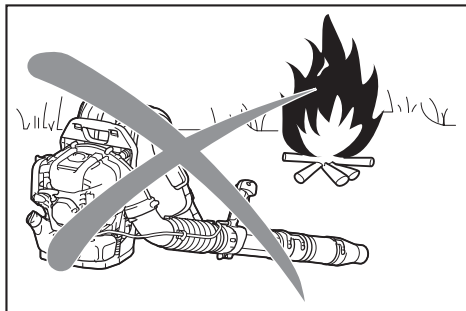
7. Never refuel in closed rooms. Fuel vapors accumulate at ground level (risk of explosions).
8. Only transport and store fuel in approved containers. Make sure stored fuel is not accessible to children.
9. Do not attempt to refuel a hot or a running engine.
10. Do not refuel more than the amount defined in "SPECIFICATIONS".

Method of operation

1. Use the blower only in good light and visibility. Beware of slippery or wet areas, ice and snow (risk of slipping), and narrow space. Always ensure a safe footing.
2. Never work on unstable surfaces or steep terrain.
3. Do not work from ladders or high places. Otherwise it may result in personal injury.
4. To reduce the risk of personal injury, do not direct air blast towards bystanders, since the high pressure of the air flow could injure eyes and could blow small objects at great speed.
5. Never insert any foreign object into the air intake of the machine or into the nozzle of the blower. It will damage the fan wheel and may cause serious injury to the operator or bystanders as a result of the object or broken parts being thrown out at high speed.
6. Pay attention to the direction of the wind, i.e., do not work against the wind.
7. To reduce the risk of stumbling and loss of control, do not walk backward while operating the machine.
8. Always stop the engine before cleaning or servicing the unit or replacing parts.
9. Take a rest to prevent loss of control caused by fatigue. We recommend to taking a 10 to 20-minute rest every hour.
10. Do not operate the machine near the windows, etc.
11. To reduce physical influence from vibration and/or damage to the ears, operate the machine at low speed if possible and limit the time of operation.
12. Operate the machine only at reasonable hours. Do not operate the blower in the morning or late at night when people might be disturbed.
13. It is recommended for using rakes and brooms to loosen debris before blowing.
14. Before blowing, slightly dampen surfaces in dusty conditions or use water mist sprayer if necessary.
15. Adjust the length of the blower nozzle so that the stream can work close to the ground.
16. To reduce sound levels, limit the number of pieces of equipment used at any one time.
17. After using blowers and other equipment, **CLEAN UP!** Dispose of debris in trash receptacles.
18. Do not accelerate the engine more than necessary. Blown object may result in personal injury.
19. The exhaust muffler becomes hot during the operation. Do not touch hot exhaust muffler, skin burn may result.
20. Do not operate the machine in explosive atmospheres, such as in the presence of flammable liquids, gases or dust. The machine creates sparks which may ignite the dust or fumes.

Maintenance instructions

1. Be kind to the environment. Operate the blower with as little noise and pollution as possible. In particular, check the correct adjustment of the carburetor.
2. Clean the blower at regular intervals and check that all screws and nuts are securely tightened.
3. Never service or store the blower in the vicinity of open flames, sparks, etc.



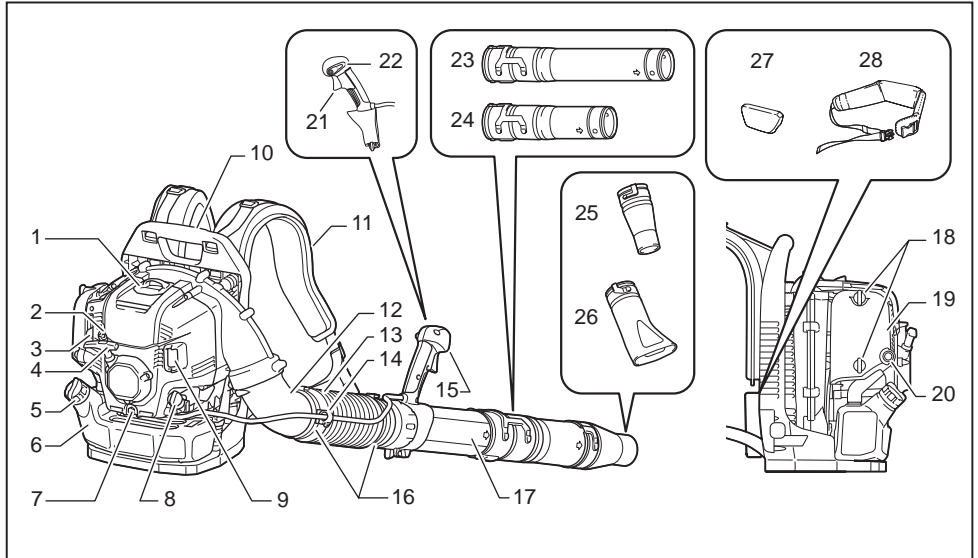
4. Always store the blower in a well-ventilated locked room and with the fuel tank emptied.
5. The performance of maintenance or repair work by the user is limited to those activities as described in this instruction manual. All other work is to be done by Authorized Service Agents.
6. Use only genuine spare parts and accessories supplied by Makita/Dolmar. Use of non-approved accessories and tools may result in accidents and injuries. Makita/Dolmar will not accept any liability for accidents or damage caused by the use of any non-approved attachment or accessories.
7. Incorrect repair and poor maintenance can shorten the life of the equipment and increase the risk of accidents.

First aid

1. In case of accident make sure that a well-stocked first-aid kit is available in the vicinity of the operations. Immediately replace any item taken from the first aid kit.
2. When asking for help, give the following information:
 - Place of the accident
 - What happened
 - Number of injured persons
 - Nature of the injury
 - Your name

PARTS DESCRIPTION

MG5300



1	Spark plug cover	9	Muffler	17	Swivel pipe	25	Circular nozzle
2	Anti icing lever	10	Carry handle	18	Knob bolt (of air cleaner cover)	26	Flat nozzle (optional accessory)
3	Choke lever	11	Shoulder strap	19	Air cleaner cover	27	Cushion (optional accessory)
4	Starter knob	12	Elbow	20	Primer pump	28	Hip belt (optional accessory)
5	Fuel tank cap	13	Flexible pipe	21	Throttle trigger	-	-
6	Fuel tank	14	Cable holder	22	Stop control lever	-	-
7	Oil drain bolt	15	Control handle	23	Long pipe (optional accessory)	-	-
8	Oil cap	16	Hose band	24	Short pipe (optional accessory)	-	-

- Standard accessories may differ from country to country.

ASSEMBLY

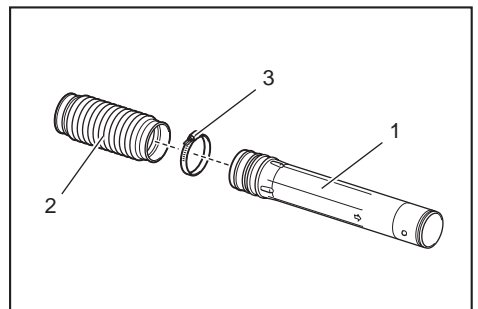
⚠ CAUTION: Before performing any work on the blower, always stop the engine and pull the spark plug cap off the spark plug.

⚠ CAUTION: Start the blower only after having assembled it completely.

⚠ CAUTION: Always wear protective gloves.

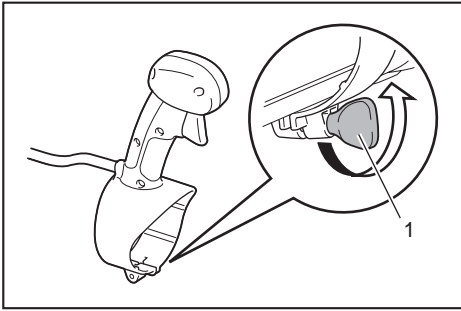
Assembling blower pipes

1. Insert the swivel pipe into the flexible pipe and tighten them with the hose band.



- 1. Swivel pipe 2. Flexible pipe 3. Hose band

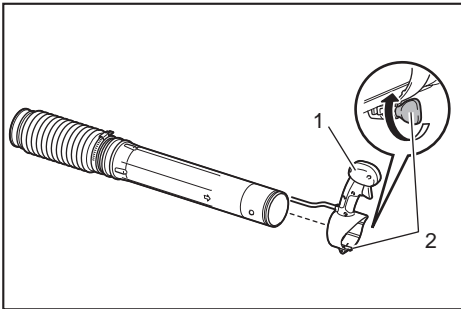
2. Loosen and remove the clamp screw.



► 1. Clamp screw

Be careful not to twist the cable when assembling the control handle.

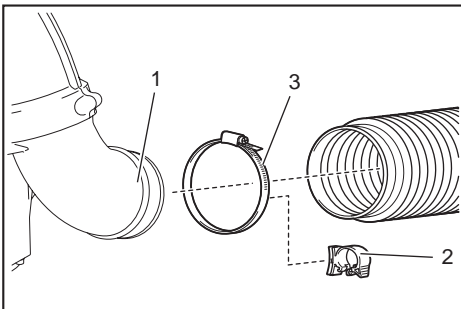
3. Install the control handle / handle assembly onto the swivel pipe and tighten them with the clamp screw.



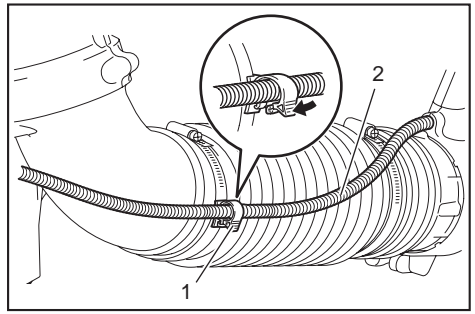
► 1. Control handle 2. Clamp screw

4. Attach the flexible pipe to the elbow

Insert the elbow to the flexible pipe. Attach the cable holder between the hose band and the flexible pipe. Tighten the cable holder, flexible pipe and elbow with the hose band. Set the control cable onto the cable holder, and close the cable holder.

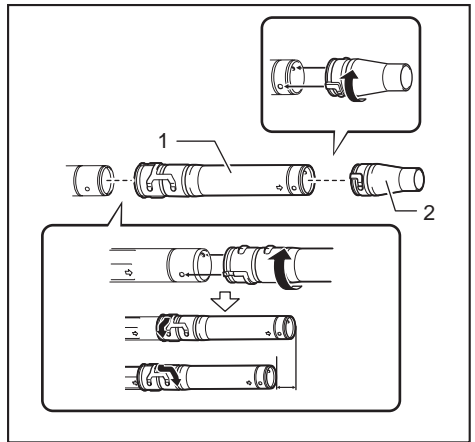


► 1. Elbow 2. Cable holder 3. Hose band



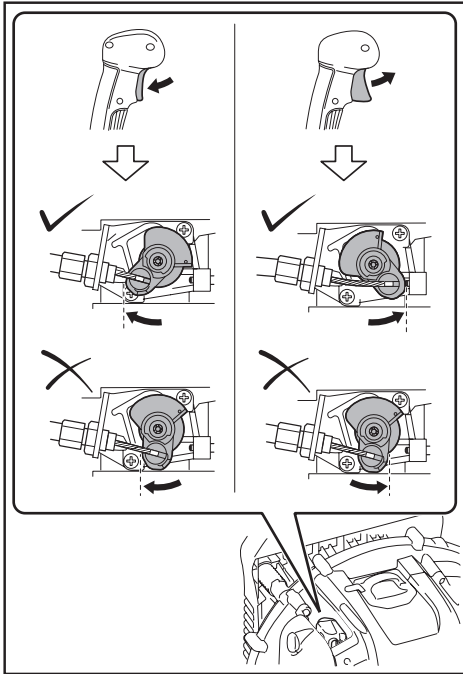
► 1. Cable holder 2. Control cable

5. Attach the long/short pipe to the swivel pipe. Turn the long/short pipe clockwise to lock it into place. Then attach the blower nozzle with the long/short pipe. Turn the blower nozzle clockwise to lock it into place.



► 1. Long/short pipe 2. Blower nozzle

6. Make sure all clamps are tight. Check if the throttle valve moves correctly along with the throttle movement.



If the throttle cannot be fully pulled or the throttle does not return to the correct position, refer to the MAINTENANCE section for throttle valve adjustment.

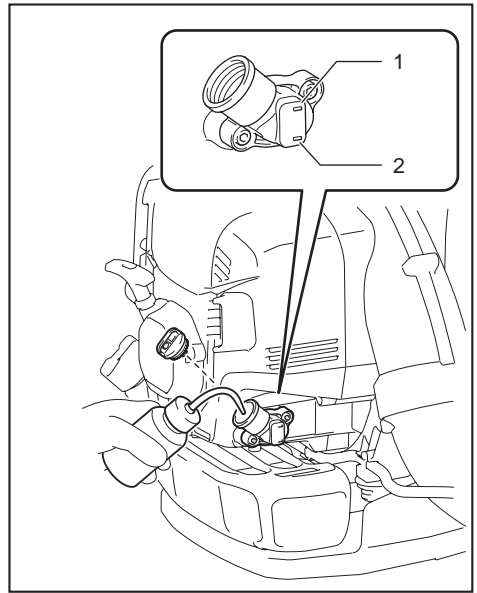
BEFORE STARTING THE ENGINE

Checking and refill of engine oil

CAUTION: When refilling with engine oil, stop the engine and wait for the engine to cool down. Otherwise skin burn may result.

NOTICE: Use of deteriorated oil will cause irregular start-up.

NOTICE: Remove dust or dirt near the oil refill port before detaching the oil cap. Also, keep the detached oil cap free of sand or dust. Otherwise, any sand or dust adhering to the oil cap may cause irregular oil circulation or wear on the engine parts, which will result in troubles.



► 1. Upper limit mark 2. Lower limit mark

Inspection

Put the blower on a flat surface and remove the oil cap. Make sure that the oil level is within the upper and lower limit marks. If the oil is not up to the lower limit, fill up with new oil. Change the oil whenever it becomes dirty or significantly changes color. (Refer to "Replacing engine oil" for the oil change procedure and frequency.)

Refill

Put the blower on a flat surface and remove the oil cap. Fill the oil up to the upper limit of the oil level gauge.

On average, engine oil needs to be added after every 20 hours of operation (every 10 – 15 refuellings).

Recommended oil

- Makita/Dolmar genuine 4-stroke engine oil or
- API grade SF class or higher, SAE 10W-30 oil (automobile 4-stroke engine oil)

Oil capacity

Oil capacity: approximately 140 ml

NOTICE: Store the blower in an upright position on flat surface. The oil gauge does not indicate correct amount of oil if the blower is leaned and oil is flown into the engine. It may result in filling too much oil.

NOTICE: Do not fill with excessive oil. Excessive oil may spill from the breather of the air cleaner and make surrounding parts dirty, or white smoke may appear due to burning oil.

After refilling with oil

Wipe spilled oil with a rag.

Fuel supply

⚠ WARNING: When refuelling, stop the engine and wait for the engine to cool down. Otherwise ignition, fire, or skin burn may result.

⚠ WARNING: Fuel supply must be made in a place free of fire to prevent ignition or fire. Never bring the fire (smoking, etc.) near the place of fuel supply.

⚠ WARNING: Refuel on flat surface. Do not refuel on unstable place. Refuel in good light and visibility.

⚠ WARNING: Open the fuel tank cap slowly. The fuel may be spilled out by internal pressure.

⚠ WARNING: Take care not to spill the fuel. Wipe spilled fuel.

⚠ WARNING: Carry out fuel supply in a well-ventilated place.

⚠ WARNING: Refuel at open clear place.

⚠ WARNING: Handle the fuel with care.

⚠ CAUTION: Fuel sticking to the skin or entering an eye may cause allergies or irritation. **When any physical abnormality is detected, consult the medical specialist immediately.**

NOTICE: DO NOT put oil in the fuel tank.

Fuel

⚠ WARNING: Keep the machine and tank at a cool place free from direct sunshine.

⚠ WARNING: Never keep the fuel in a car.

The engine is a 4-stroke engine. Be sure to use an automobile gasoline (regular gasoline or premium gasoline).

NOTICE: Never use gasoline mixed with any oil such as 2 stroke oil or motor oil. Otherwise, it causes excessive carbon accumulation or mechanical troubles.

NOTE: Keep fuel in a special container in a well-ventilated and shaded area. Use fuel within a period of 4 weeks. Otherwise, fuel may deteriorate in one day.

Refuelling method

⚠ CAUTION: If there is any flaw or damage on the tank cap, replace it.

⚠ CAUTION: The tank cap wears out in course of time. **Replace it every two to three years.**

NOTICE: DO NOT put fuel in the oil fill port.

1. Loosen the tank cap a little to release the tank pressure.
2. Detach the tank cap, and refuel, with discharging air by tilting the fuel tank so that the refuel port is oriented upward. DO NOT fill fuel up to the top of the tank.
3. After refuelling, securely tighten the tank cap.

OPERATION

Starting the engine

⚠ WARNING: Never attempt engine start in a place where the fuel has been supplied. It may cause ignition or fire. When starting the engine, keep a distance of at least 3 meters from fuelling place.

⚠ WARNING: Exhaust gas from the engine is toxic. Do not operate the engine in a poorly-ventilated place, such as in a tunnel, building, etc. Operating the engine in the poorly-ventilated place may cause poisoning by exhaust gas.

⚠ WARNING: In case of detection of any abnormality in sound, odor, vibration after starting, stop the engine immediately and carry out inspection. If the engine is operated without attending such abnormality, an accident may occur.

⚠ WARNING: Do not touch hot engine cover. Otherwise skin burn may result.

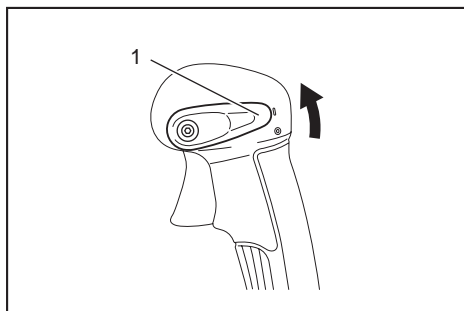
⚠ WARNING: Make sure that there is no fuel leakage before starting the engine.

⚠ WARNING: Make sure that the engine stops when the stop switch is set to "O" position.

When the engine is cold or after refuelling (cold start)

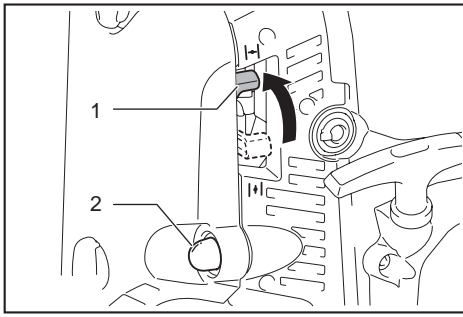
1. Put the blower on a flat surface.
2. I/O position

Set the stop control lever to "I" position.



► 1. Stop control lever

3. Continue to push the primer pump until fuel comes into the primer pump.

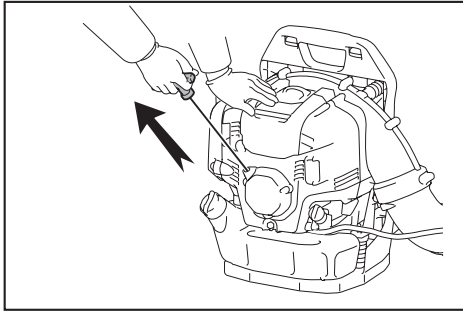


► 1. Choke lever 2. Primer pump

NOTE: In general, fuel comes into the carburetor by 7 to 10 pushes.

NOTE: Even the primer pump is pushed excessively, an excess of gasoline returns to the fuel tank.

4. Lift the choke lever to the closed position.
5. Put your left hand on the top of the blower and pull the starter handle slowly with your right hand until you feel the compression. Then pull the starter handle strongly.

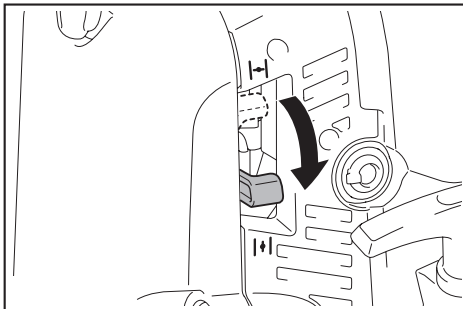


NOTICE: Never pull the rope to the full extension.

NOTICE: Return the starter knob gently into the housing. Otherwise released starter knob may hit your body or it may not rewind appropriately.

NOTE: If the engine fires and stops, return the choke lever to the "OPEN" position and pull the starter handle several times to start the engine again.

6. When the engine starts, down the choke lever to open position.



NOTE: Open the choke lever fully before pulling the throttle.

NOTE: In cold temperature or when the engine is not warm enough, never open the choke lever suddenly. Otherwise, the engine may stop.

7. Warm-up for 2 to 3 minutes with engine speed idle or low.
8. Warm-up is complete when quick engine acceleration from low rpm to full throttle is felt.

NOTE: If the operator keeps pulling the starter handle several times with the choke lever left in the "CLOSE" position, the engine may be difficult to start because of flooding of the fuel. In case of flooding of the fuel, remove the spark plug and pull the handle several times rapidly to discharge any excess fuel. Dry the spark plug electrode.

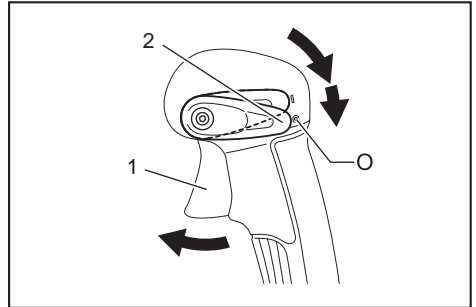
When the engine is warm (warm start)

CAUTION: Be careful not to burn your hand. Wear gloves when you start the engine.

1. Put the blower on a flat surface.
2. Push the primer pump several times.
3. Make sure that the choke lever is open.
4. Put your left hand on the top of the blower and pull the starter handle slowly with your right hand until you feel the compression. Then pull the starter handle strongly.

Stopping the engine

Release the throttle trigger and then set the stop control lever to "O" position.



► 1. Throttle trigger 2. Stop control lever

Prevention from carburetor icing

NOTICE: When environmental temperature is higher than 10°C, always return the lever to normal (sun mark) setting. Otherwise the engine may be damaged by overheating.

When the environmental temperature is low and humidity is high, water vapor may freeze inside the carburetor and the engine drives unsteadily (carburetor icing). Change the setting of the anti icing lever as follows if necessary.

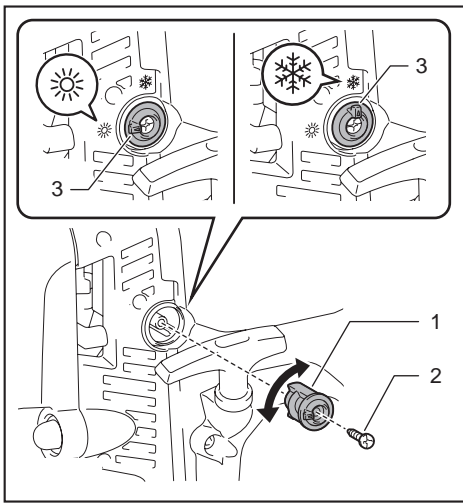
1. Remove the screw and pull out the anti-icing lever.
2. Insert the anti-icing lever as follows:

Warmer environment than 10°C

Set the nub to the sun mark (warmer position).

10°C or colder environment

Set the nub to the the snow mark (anti-icing position).



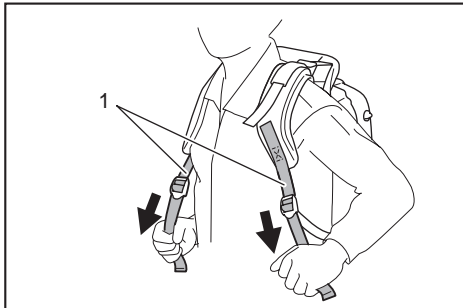
► 1. Anti-icing lever 2. Screw 3. Nub

3. Tighten the screw.

Adjusting shoulder strap

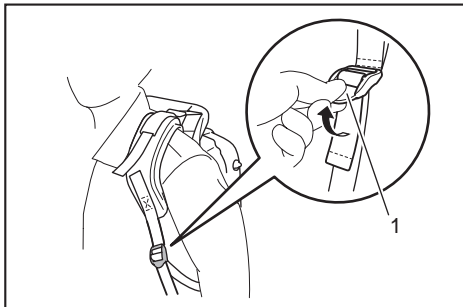
1. Adjust the shoulder strap to a length that is comfortable to work while carrying the blower.

To tighten the strap, pull the end of the strap downwards.



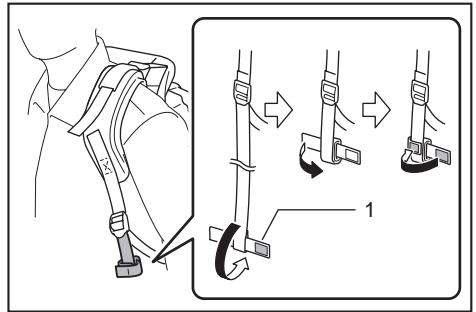
► 1. Shoulder strap

To loosen the strap, pull up the end of the fastener.



► 1. Fastener

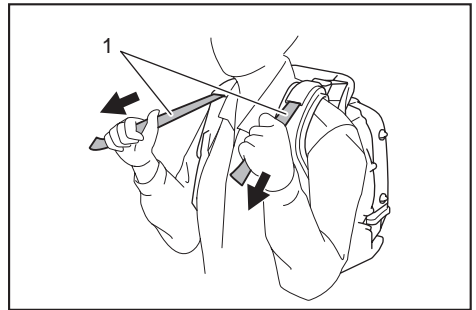
Roll up the end of the strap and hold it with the band.



► 1. Band

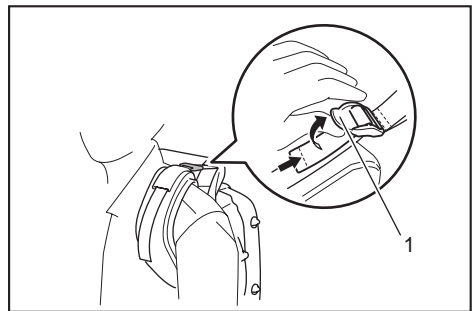
2. Pull the stabilizer strap until there are no space left between your back and the blower housing.

To fasten the strap, pull the end of the strap downwards.



► 1. Stabilizer strap

To loosen the strap, pull up the end of the fastener.

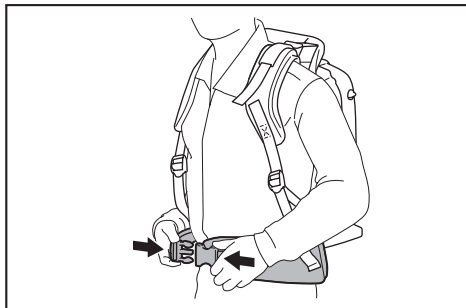


► 1. Fastener

Hip belt

Optional accessory

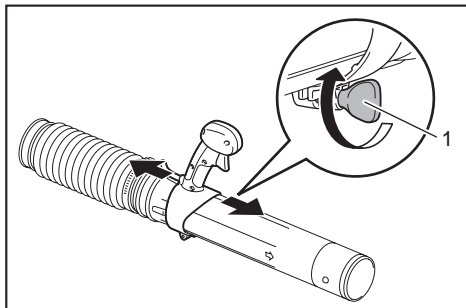
The hip belt enables the operator to carry the tool more stably.



CAUTION: Make sure to release the hip belt buckle before unloading the blower.

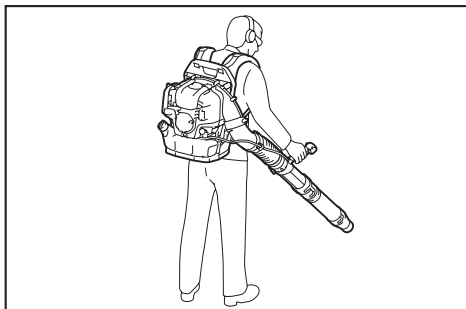
Adjusting the control lever position

Move the control handle along the swivel pipe to the most comfortable position. Then tighten the control handle with the clamp screw.



► 1. Clamp screw

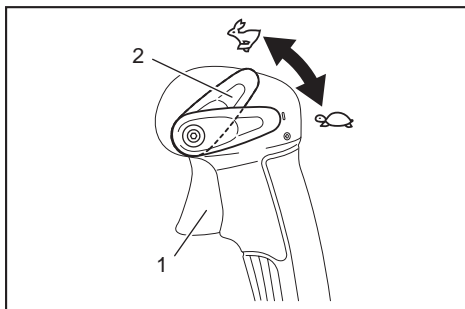
Blower Operation



1. While operating the blower, adjust the throttle trigger / throttle lever so that the wind force is appropriate for the work location and conditions.

2. Adjusting engine speed.

Engine speed increases by pulling the throttle trigger. To decrease the engine speed, loosen the throttle trigger. The cruise control function allows the operator to maintain a constant engine speed without pulling the trigger lever. To increase the engine speed, turn the stop control lever to high speed. To decrease the engine speed, turn the stop control lever to low speed.



► 1. Throttle trigger 2. Stop control lever

Transporting the blower

CAUTION: When transporting the blower, be sure to stop the engine.

NOTICE: Do not sit or stand on the blower or put a heavy object on it. It may damage the machine.

NOTICE: Maintain the blower in an upright position whenever transporting or storing. Transporting or storing in a position that is not upright may cause oil to spill inside the blower engine. This may result in oil leaks and white smoke from burning oil, and the air cleaner may become dirty with oil.

NOTICE: Do not drag the blower when transporting. Otherwise the blower housing may be damaged.

MAINTENANCE

CAUTION: Before inspection and maintenance, stop the engine and allow it to cool down. Remove the spark plug and plug cap. Otherwise the operator may suffer burn or serious injury due to an accidental start-up.

CAUTION: After inspection and maintenance, make sure that all parts are assembled.

Replacing engine oil

CAUTION: The engine main unit and engine oil still remain hot just after the engine is stopped. When replacing engine oil, make sure that the engine main unit and engine oil are sufficiently cooled down. Otherwise, there may remain a risk of scald. Allow sufficient time after stopping engine for the engine oil to return to the oil tank to ensure accurate reading of the oil amount.

CAUTION: If the oil filled above the limit, it may become dirty or may catch fire with white smoke.

NOTICE: Never discard replaced engine oil in garbage, ground or sewage. Disposal of oil is regulated by law. In disposal, always follow the relevant laws and regulations. For any points remaining unknown, contact Authorized Service Agent.

NOTICE: Oil will deteriorate even when it is kept unused. Perform inspection and replacement at regular intervals (replace with new oil every 6 months).

Deteriorated engine oil shortens the life of the sliding and rotating parts to a great extent. Be sure to check the period and quantity of replacement.

Interval of replacement

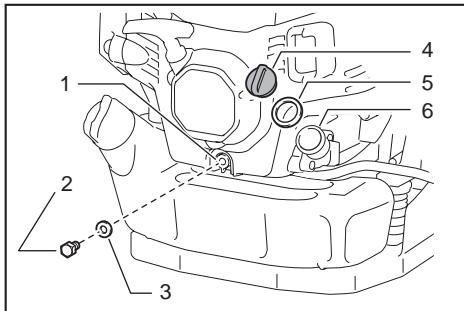
After first 20 operating hours, followed by every 50 operating hours

Recommended oil

- Makita/Dolmar genuine 4-stroke engine oil or
- API grade SF class or higher, SAE 10W-30 oil (automobile 4-stroke engine oil)

Oil replacement procedure

Change the oil as follows:



- 1. Drainage hole 2. Oil drain bolt 3. Gasket (aluminum washer) 4. Oil cap 5. Oil cap gasket 6. Oil port

1. Put the blower down on a level surface.
2. Put a waste oil container under the drainage hole to catch the oil as it drains out. The container should have a capacity of at least 140 ml to catch all of the oil.
3. Loosen the oil drain bolt to let the oil drain out. Be careful not to allow oil to get on the fuel tank or other parts.

NOTICE: Be careful not to lose the gasket (aluminum washer). Put the oil drain bolt in a location where it does not get dirt.

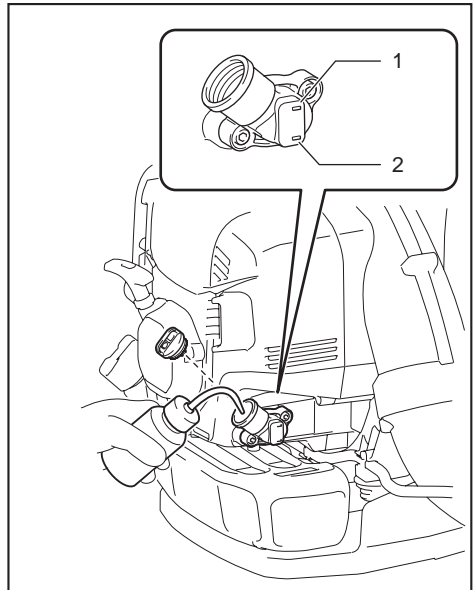
4. Remove the oil cap. (Removing the oil cap allows the oil to drain easily.)

NOTICE: Be sure to set the oil cap down in a location where it does not get dirt.

5. As the level of the oil being drained decreases, tilt the blower over on to the side with the drain so that the oil will completely drain out.
6. After the oil has completely drained out, tighten the oil drain bolt securely. If the bolt is not tightly fastened, it may result in oil leakage.

NOTICE: Do not forget to put the gasket (aluminum washer) back on when reattaching the drain plug.

7. Pour approximately 140 ml oil into the oil refill port up to the upper limit mark.



- 1. Upper limit mark 2. Lower limit mark

8. After filling with oil, tighten the oil cap securely to prevent oil leaks.

NOTICE: Do not forget to put the oil cap gasket back on when reattaching the oil cap.

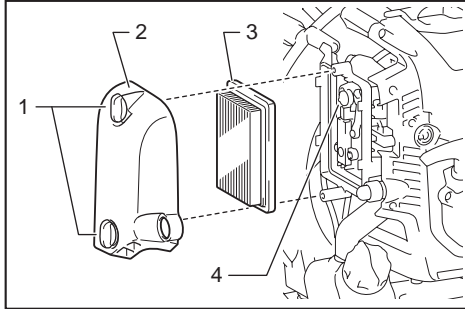
Cleaning of air cleaner

⚠ WARNING: INFLAMMABLES STRICTLY PROHIBITED

Interval of Cleaning and Inspection

Daily (every 10 operating hours)

Cleaning procedure



► 1. Knob bolts 2. Air cleaner cover 3. Element
4. Breather

1. Loosen the knob bolts.
2. Remove the air cleaner cover.
3. Remove the element and clean off any dirt from the element with a cloth or air blow. Replace the element with a new one if it is damaged or very dirty.

NOTE: The element is a dry type and should not get wet. Never wash with water.

4. Wipe off any oil around the breather with a rag or cloth.
5. Install the element in the air cleaner case.
6. Attach the air cleaner cover and tighten the knob bolts.

NOTICE: Clean the element several times a day, if excessive dust adheres to it due to dusty environment.

NOTICE: If operation continues with the element remaining not cleared of oil, oil in the air cleaner may fall outside, resulting in oil contamination.

Checking the spark plug

⚠ CAUTION: Do not touch the spark plug while the engine is running. Otherwise electrical shock may result.

⚠ CAUTION: Set the stop control lever/stop switch to OFF "O" position.

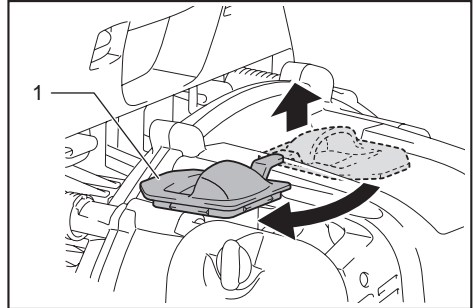
⚠ CAUTION: Check the spark plug cord regularly. If it is damaged or torn, replace it. Otherwise electrical shock may result.

NOTICE: When removing the spark plug, clean the spark plug and cylinder head first, so that no dirt, sand, etc will enter the cylinder.

NOTICE: Remove the spark plug after the engine has cooled down in order to avoid damaging the threaded hole in the cylinder.

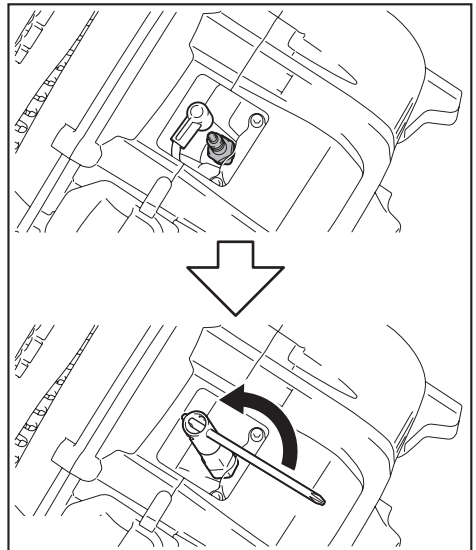
NOTICE: Install the spark plug properly into the threaded hole. If installed at an angle, the threaded hole in the cylinder will get damaged.

1. To open the plug cover, lift it and make a half turn of it.



► 1. Plug cover

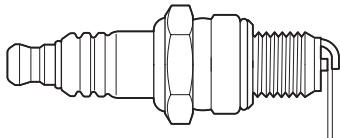
2. Use the box wrench provided as a standard accessory to remove and install the spark plug.



3. The appropriate clearance between two electrodes of spark plug is 0.7 to 0.8 mm. Adjust to the correct clearance when it is too wide or too narrow.

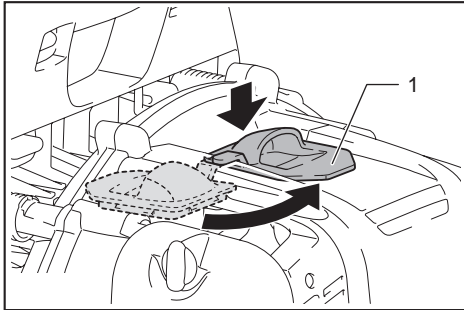
Clean thoroughly or replace the spark plug if it has accumulated carbon or contaminated.

For replacement, use NGK CMR6H.



0.7 mm – 0.8 mm (0.028" – 0.031")

4. To close the plug cover, make a half turn of it, and press around the dented part.



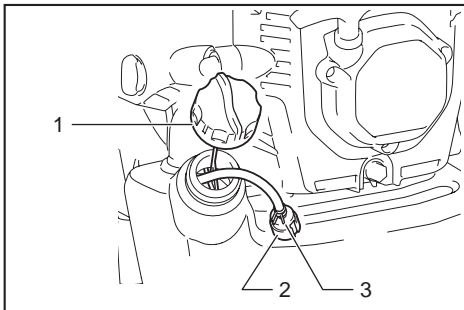
- 1. Plug cover

Cleaning the fuel filter

CAUTION: Make sure there is no damage on the fuel tank. If there are any damage on the fuel tank, ask authorized service center immediately for repair.

NOTICE: Clean the fuel filter regularly. Clogged fuel filter may cause difficulty of start-up or failure of engine speed increase.

Check the fuel filter regularly as follows:



- 1. Fuel tank cap 2. Fuel filter 3. Hose clamp

1. Remove the fuel tank cap, drain the fuel to empty the tank. Check the tank inside for any foreign materials. If any, wipe clean such materials.
2. Pull out the fuel filter with wire through the fuel filling port.

3. If the fuel filter surface is contaminated, clean it with gasoline.

NOTICE: Follow the method specified by each local authority for disposing the gasoline used for cleaning the fuel filter.

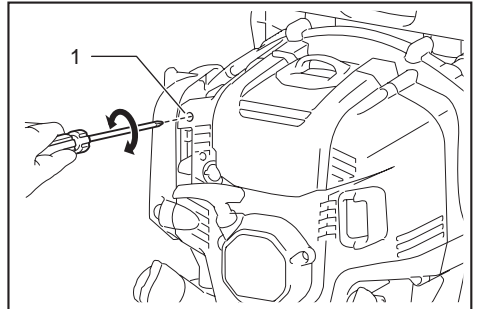
NOTICE: Replace the fuel filter if it is excessively contaminated.

4. After checking, cleaning or replacing, insert the fuel filter into the fuel pipe and fix it with the hose clamp. Reset the fuel filter in the fuel tank and tighten firmly the fuel tank cap.

Adjustment of idling speed

CAUTION: The carburetor is factory adjusted. Never adjust other than idling speed. For other adjustments, ask your authorized service center.

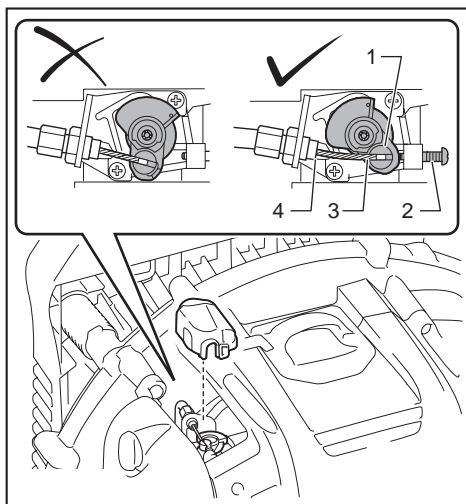
Appropriate low-speed rotation is $2,800 \text{ min}^{-1}$ (rpm). If it is necessary to change the rotation speed, adjust the idle speed with a Phillips screwdriver. If the engine stops or runs unsteadily at idle, turn the adjusting screw to the right, and the idling speed increases. If the machine blows too strong at idle, turn the adjusting screw to the left, and the idling speed drops.



- 1. Idling adjusting screw

Checking throttle valve

If the control cable is bent or caught, the throttle valve does not contact with the idle adjusting screw, and it prevents the engine from proper idling. In such a case, reposition the control cable to ensure proper valve movement.

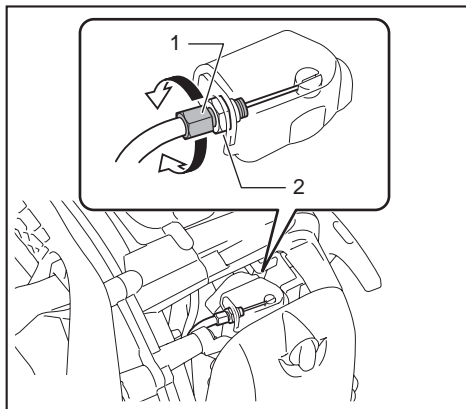


► 1. Throttle valve 2. Idling adjusting screw 3. Control cable 4. Throttle valve stopper

If the throttle valve does not touch the throttle valve stopper even you pull the throttle trigger fully or if the throttle valve does not touch the idling adjusting screw while idling, turn the cable adjusting bolt as follows:

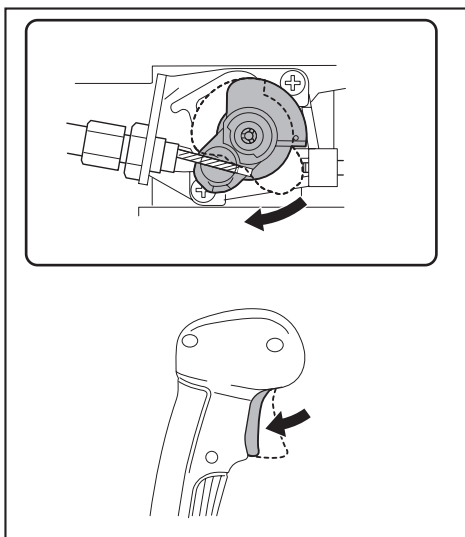
1. Loosen the fixing nut.
2. If the throttle valve does not touch the throttle valve stopper, turn the cable adjusting bolt counterclockwise.

If the throttle valve does not touch the idling adjusting screw, turn the cable adjusting bolt clockwise.



► 1. Cable adjusting bolt 2. Fixing nut

3. Tighten the fixing nut to fasten the cable adjusting bolt.
4. Check the movement of the throttle valve. The throttle valve comes to the position as illustrated when the throttle trigger/lever is pulled/turned.

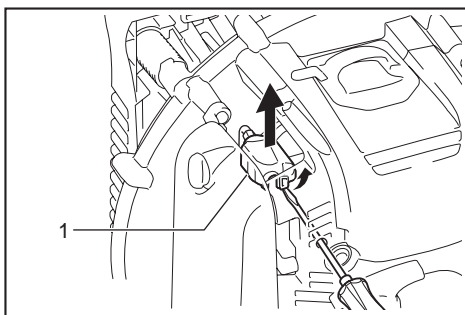


Cleaning carburetor cover

If the carburetor cover gets dirty and it is difficult to check the throttle valve, clean the carburetor cover as follows:

NOTICE: Never use gasoline, benzine, thinner, alcohol or the like for cleaning the carburetor cover. Otherwise it may be tarnished.

1. Pass a slotted screwdriver through the hole on the engine cover. Release the clamp of the carburetor cover.



► 1. Carburetor cover

2. Clean the carburetor cover.

NOTICE: Use wet clean cloth for cleaning the carburetor cover.

3. Return the carburetor cover. Make sure the clamp of the carburetor cover clicks when it is set in place.

Inspecting bolts, nuts and screws and other parts

Retighten loose bolts, nuts, etc.

Check for fuel and oil leakage.

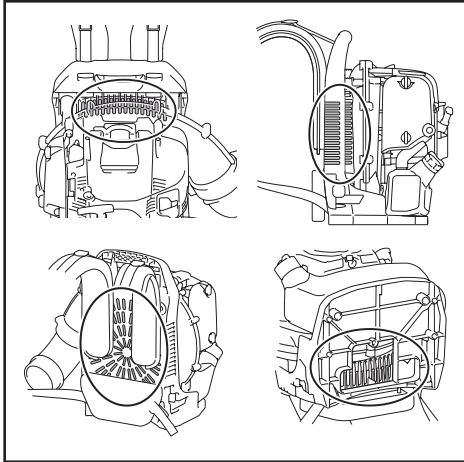
Replace damaged parts with new ones for safety operation.

Cleaning engine, cooling air inlet

Keep engine clean by wiping down with a cloth rag.

Keep the cylinder fins free of dust or dirt. Dust or dirt adhering to the fins may cause engine overheat and piston seizure.

Blowing air is taken in from the air inlet vent. When airflow drops down during operation, stop engine and inspect the air inlet vent for any blockages. Clean it if necessary. Such a blockage may cause overheat and damage the engine.



Replacing gaskets and packings

Replace gaskets and packings if the engine is disassembled.

Fault location

Fault	System	Observation	Cause
Engine not starting or with difficulty	Ignition system	Ignition sparks.	Fault in fuel supply or compression system, mechanical defect.
		No ignition sparks.	STOP-switch operated, wiring fault or short circuit, spark plug or connector defective, ignition module faulty.
	Fuel supply	Fuel tank filled.	Incorrect choke position, carburetor defective, fuel supply line bent or blocked, fuel dirty.
	Compression	No compression when pulled over.	Cylinder bottom gasket defective, crankshaft seals damaged, cylinder or piston rings defective or improper sealing of spark plug.
	Mechanical fault	Starter not engaging.	Broken starter spring, broken parts inside of the engine.
Warm start problems	-	Tank filled. Ignition sparks.	Carburetor contaminated, have it cleaned.
Engine starts but dies	Fuel supply	Tank filled.	Incorrect idling adjustment, carburetor contaminated.
			Fuel tank vent defective, fuel supply line interrupted, cable or STOP-switch faulty.
Insufficient performance	Several systems may simultaneously be affected	Engine idling poor.	Air filter contaminated, carburetor contaminated, muffler clogged, exhaust duct in the cylinder clogged.

Any maintenance or adjustment work that is not included and described in this manual is only to be performed by Authorized Service Agent.

Storage

⚠ WARNING: When draining the fuel, stop the engine and wait for the engine to cool down. Failure to do so may cause burns or fire.

⚠ CAUTION: When you store the machine for a long time, drain all fuel from the fuel tank and carburetor, and keep it at a dry and clean place.

Drain fuel from the fuel tank and carburetor before storing the machine as follows:

1. Remove the fuel tank cap, and drain fuel completely. If there is any foreign materials remaining in the fuel tank, remove it completely.
2. Pull out the fuel filter from the refill port using a wire.
3. Push the primer pump until fuel is drained from there, and drain fuel coming into the fuel tank.
4. Reset the filter to the fuel tank, and securely tighten the fuel tank cap.
5. Then, continue to operate the engine until it stops.
6. Remove the spark plug, and drip several drops of engine oil through the spark plug hole.
7. Gently pull the starter handle so that engine oil will spread over the engine, and attach the spark plug.
8. Keep the machine with its carry handle upside.
9. Keep the drained fuel in a special container in a well-ventilated shade.

Interval of inspection and maintenance

		Before operation	After fuelling	Daily (10h)	50h	200h	600h or 2 years whichever earlier	Before storage
Engine oil	Inspect / refill	○	-	-	-	-	-	-
	Replace	-	-	-	○ (Note1)	-	-	-
Tightening parts (bolt, nut)	Inspect	○	-	-	-	-	-	-
Cooling air inlet	Clean / inspect	○	-	-	-	-	-	-
Fuel tank	Clean / inspect	○	-	-	-	-	-	-
	Drain fuel	-	-	-	-	-	-	○ (Note3)
Throttle trigger / throttle lever	Check function	-	○	-	-	-	-	-
Stopping the engine	Check function	-	○	-	-	-	-	-
Adjustment of idling speed	Inspect / adjust	-	○	-	-	-	-	-
Air cleaner	Clean	-	-	○	-	-	-	-
	Inspect / replace if necessary	-	-	-	-	○	-	-
Control cable	Inspect / adjust	-	-	○	-	-	-	-
	Inspect / replace if necessary	-	-	-	-	○ (Note2)	-	-
Spark plug	Inspect / adjust gap if necessary	-	-	○	-	-	-	-
	Clean / replace if necessary	-	-	-	-	○	-	-
Plug cord	Inspect / replace if necessary	-	-	-	-	○ (Note2)	-	-
Fuel pipe	Inspect	-	-	○	-	-	-	-
	Replace	-	-	-	-	○ (Note2)	-	-
Fuel filter	Clean / replace if necessary	-	-	-	○	-	-	-
Oil tube	Inspect	-	-	-	-	○ (Note2)	-	-
Valve clearance (intake valve and exhaust valve)	Inspect / adjust	-	-	-	-	○ (Note2)	-	-
Muffler	Inspect / clean	-	-	-	-	○ (Note2)	-	-
Combustion chamber / valve / port	Inspect / clean	-	-	-	-	○ (Note2)	-	-
Engine	Overhaul	-	-	-	-	-	○ (Note2)	-
Carburetor	Drain fuel	-	-	-	-	-	-	○ (Note3)

Note1: Perform initial replacement after 20h operation.

Note2: For inspection, request Authorized Service Agent or a machine shop.

Note3: After emptying the fuel tank, continue to run the engine and drain fuel in the carburetor.

TROUBLESHOOTING

Before asking for repairs, conduct your own inspection first. If you find a problem that is not explained in the manual, do not attempt to dismantle the tool. Instead, ask Dolmar/Makita Authorized Service Centers, always using Dolmar/ Makita replacement parts for repairs.

State of abnormality	Probable cause (malfunction)	Remedy
Engine does not start.	Failure to operate primer pump.	Push 7 to 10 times.
	Low pulling speed of starter rope.	Pull strongly.
	Lack of fuel.	Feed fuel.
	Clogged fuel filter.	Clean the fuel filter or replace with new one.
	Bent fuel tube.	Straighten the fuel tube.
	Deteriorated fuel.	Deteriorated fuel makes starting more difficult. Replace with new one. (Recommended replacement: 1 month)
	Excessive suction of fuel.	Set throttle lever from medium speed to high speed, and pull starter handle until engine starts. If engine will not start still, remove spark plug, make electrode dry, and reassemble them as they originally are. Then, start as specified.
	Detached plug cap.	Attach securely.
	Contaminated spark plug.	Clean the spark plug.
	Abnormal clearance of spark plug.	Adjust clearance.
	Other abnormality of spark plug.	Replace the spark plug.
	Abnormal carburetor.	Ask our authorized service center to inspect and repair it.
	Cannot pull the starter knob.	Ask our authorized service center to inspect and repair it.
Engine internal parts problem.	Ask our authorized service center to inspect and repair it.	
Engine stops soon. Engine speed does not increase.	Insufficient warm-up.	Perform warm-up operation.
	Choke lever is set to "CLOSE" although engine is warmed up.	Set to "OPEN".
	Clogged fuel filter.	Clean the fuel filter.
	Contaminated or clogged air cleaner.	Clean the air filter.
	Detached control cable.	Attach the control cable securely.
	Engine internal parts problem.	Ask our authorized service center to inspect and repair it.
Throttle does not return to idling speed.	Inproper throttle valve position.	Reposition the control cable. Adjust the throttle valve position by turning the cable adjusting bolt.
Engine does not stop. ⇒ Run engine at idling, and set choke lever to "CLOSE".	Detached connector.	Attach the connector securely.
	Abnormal electric system.	Ask our authorized service center to inspect and repair it.

TABLE DES MATIÈRES

SPÉCIFICATIONS	21	AVANT DE DÉMARRER LE MOTEUR	28
CONSIGNES DE SÉCURITÉ IMPORTANTES	22	UTILISATION	29
DESCRIPTION DES PIÈCES	26	ENTRETIEN	33
ASSEMBLAGE	26	GUIDE DE DÉPANNAGE	41

SPÉCIFICATIONS

Modèle :		MG5300
Type de commande d'accélération		Commande d'accélération sur le tube
Poids à sec	sans tube de souffleur/avec coussinet	8,9 kg
	avec tube de souffleur	9,8 kg à 10,0 kg
Dimensions (sans le tube du souffleur, L x l x H)		320 mm x 450 mm x 475 mm
Vitesse de l'air	(avec tube long, buse ronde)	81 m/s
	(avec tube court, buse ronde)	82 m/s
Débit volumétrique d'air	(avec tube long, buse ronde)	15 m ³ /minute
	(avec tube court, buse ronde)	15 m ³ /minute
Régime maximum du moteur		6 400 min ⁻¹
Vitesse au ralenti		2 800 min ⁻¹
Cylindrée du moteur		52,5 cm ³
Type de moteur		Monocylindre, 4 temps, refroidi par air
Carburant		Essence automobile
Capacité du réservoir de carburant		1 800 cm ³
Huile pour moteur		Huile SAE 10W-30 de classe SF ou supérieure, selon la norme API (huile pour moteur automobile 4 temps)
Capacité du réservoir d'huile pour moteur		140 cm ³
Carburateur		Type de diaphragme
Bougie d'allumage		NGK CMR6H
Distance entre électrodes		0,7 mm à 0,8 mm

- Étant donné l'évolution constante de notre programme de recherche et de développement, les spécifications contenues dans ce manuel sont sujettes à modification sans préavis.
- Les spécifications peuvent varier suivant les pays.
- Le poids peut être différent selon les accessoires.

Vibration

Modèle				MG5300	
Vibrations selon EN15503	Poignée droite	a _{hveq}	Tube long	avec buse ronde	2,2 (m/s ²)
				avec buse plate	2,9 (m/s ²)
			Tube court	avec buse ronde	2,2 (m/s ²)
				avec buse plate	2,5 (m/s ²)
Incertitude (K)				0,6 (m/s ²)	










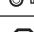

Bruit

Modèle		MG5300
Niveau de pression acoustique moyen selon EN15503	L _{PA eq}	96,0 (dB (A))
	Incertitude (K)	0,4 (dB (A))

Modèle		MG5300
Niveau de puissance acoustique moyen selon EN15503	$L_{WA,eq}$	102,5 (dB (A))
	Incertitude (K)	1,6 (dB (A))

Symboles

Vous trouverez ci-dessous les symboles utilisés pour l'appareil. Veuillez à comprendre leur signification avant toute utilisation.

	Veuillez être prudent et rester attentif.
	Lire le mode d'emploi.
	Interdit !
	Interdiction de fumer.
	Pas de flamme nue.
	Portez des gants de protection.
	Porter des lunettes de protection et un serre-tête antibruit.
	Surfaces chaudes - Risque de brûlures des doigts ou des mains.
	Tenir les personnes à l'écart.
	Éloigner les personnes et les animaux de l'aire de fonctionnement.
	Carburant (essence)
	Démarrage manuel du moteur.
	Arrêter le moteur.
	Premiers secours
	Marche/Allumer
	Arrêt/Éteindre
	Les cheveux longs risquent de se prendre dans les pièces en mouvement.

Déclaration de conformité CE

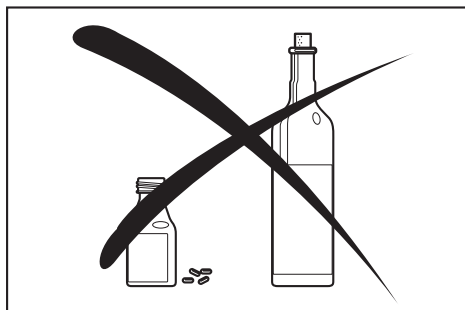
Pour les pays européens uniquement

La déclaration de conformité CE est fournie en Annexe A à ce mode d'emploi.

CONSIGNES DE SÉCURITÉ IMPORTANTES

Généralités

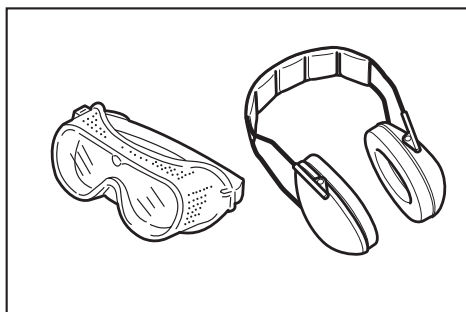
1. Pour garantir un fonctionnement correct et en toute sécurité, vous devez lire, assimiler et respecter les instructions figurant dans ce manuel pour vous familiariser avec la manipulation du souffleur. Les utilisateurs mal informés risquent, par des manipulations inappropriées, de se blesser ou de blesser leur entourage.
2. Il est conseillé de ne prêter le souffleur qu'aux personnes ayant déjà une certaine expérience des souffleurs.
3. Fournissez-leur également le manuel d'instruction lorsque vous prêtez le souffleur.
4. Les utilisateurs novices doivent demander au revendeur les explications de base leur permettant de se familiariser avec le souffleur.
5. Les enfants et les jeunes gens de moins de 18 ans ne doivent pas être autorisés à utiliser le souffleur. Les personnes âgées de plus de 16 ans peuvent cependant utiliser l'outil pour apprendre à s'en servir, mais uniquement sous le contrôle direct d'un formateur qualifié.
6. Utilisez toujours le souffleur avec prudence.
7. N'utilisez le souffleur que si vous êtes en bonne condition physique.
8. Faites très attention à tout ce que vous faites. En tant qu'utilisateur, vous êtes responsable des autres.
9. N'utilisez jamais le souffleur lorsque vous êtes sous l'influence d'alcool, de drogues ou de médicaments.



10. N'utilisez pas l'appareil lorsque vous êtes fatigué.
11. Conservez ce manuel afin de pouvoir vous y reporter ultérieurement.
12. Respectez toutes les consignes de prévention d'accidents des associations professionnelles et des compagnies d'assurances. Ne modifiez pas le souffleur, sous peine de compromettre votre sécurité.

13. Ne modifiez jamais l'équipement. Le non-respect de cette consigne peut entraîner de dangereux accidents ou des blessures corporelles.

Équipement de protection individuel



1. Portez des vêtements fonctionnels et adaptés, c'est-à-dire ajustés, mais n'entravant pas vos mouvements. Ne portez pas de bijoux ou de vêtements qui pourraient être happés par l'entrée d'air ; attachez les cheveux longs.
2. Pour éviter les blessures à la tête, aux yeux, aux mains, aux pieds et les blessures auditives, portez les équipements et les vêtements de protection suivants lorsque vous utilisez le souffleur.
3. Les vêtements doivent être résistants et ajustés, sans toutefois entraver la liberté de mouvement. Évitez les vestes amples, les pantalons évasés ou à revers, les écharpes, les cheveux longs non attachés, ou tout ce qui pourrait être happé par l'entrée d'air. Portez un bleu de travail ou un pantalon long pour protéger vos jambes. Ne portez pas de shorts.
4. Les produits à moteur sont généralement bruyants et leur bruit risque d'altérer votre audition. Portez des protections antibruit (bouchons d'oreille ou serre-tête antibruit) pour protéger votre ouïe. Si vous utilisez le souffleur de façon régulière et continue, faites vérifier votre ouïe régulièrement.
5. Le port de gants est recommandé lorsque vous utilisez le souffleur. Portez des chaussures solides à semelles antidérapantes.
6. Protégez-vous soigneusement les yeux. Même si l'évacuation est dirigée à l'opposé de l'utilisateur, des ricochets et des rebonds peuvent se produire pendant le fonctionnement du souffleur.

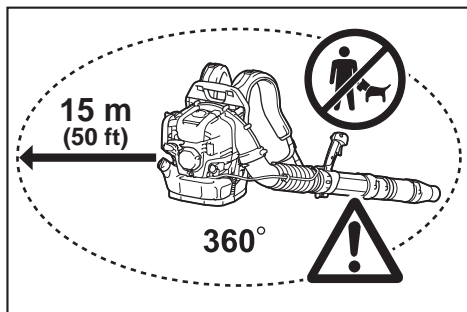
7. N'utilisez jamais le souffleur sans porter des lunettes à coques ou des lunettes de sécurité correctement ajustées munies d'une protection supérieure et latérale adéquate et conformes à la norme EN166 et à la réglementation en vigueur dans votre pays.
8. Afin de réduire le risque de lésions liées à l'inhalation de poussière, portez un masque filtrant dans les milieux poussiéreux.

Utilisations

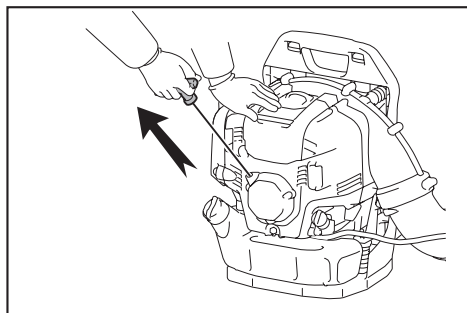
L'outil est conçu pour souffler la poussière.

Démarrage du souffleur

1. Assurez-vous que personne (et a fortiori aucun enfant) ne se trouve dans une zone d'action de 15 mètres autour de l'appareil. Faites également attention aux animaux.



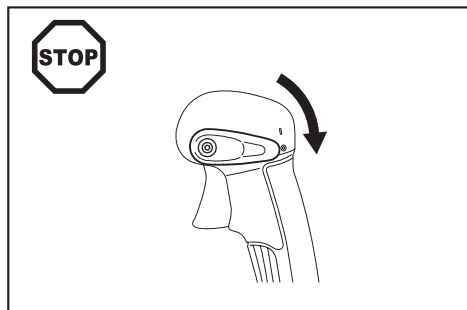
2. Avant le démarrage, vérifiez que le souffleur est en bon état de marche :
 - Vérifiez le bon fonctionnement du levier de commande d'accélération. Le levier de commande d'accélération doit pouvoir être manipulé facilement et sans à-coup.
 - Vérifiez le bon fonctionnement du système de verrouillage du levier de commande d'accélération.
 - Assurez-vous que les poignées sont propres et sèches et vérifiez le fonctionnement du commutateur de marche/arrêt. Les poignées ne doivent pas présenter de traces d'huile ou de carburant.
3. Ne mettez le souffleur en marche qu'en respectant les instructions. N'utilisez pas d'autres méthodes pour démarrer le moteur.



- Utilisez le souffleur et les outils fournis uniquement pour les applications spécifiées.
- Ne mettez le moteur du souffleur en marche qu'une fois l'outil entièrement assemblé. L'outil ne fonctionne que lorsque tous les accessoires appropriés sont montés.
- En cas de problème, arrêtez immédiatement le moteur.
- Lorsque vous travaillez avec le souffleur, tenez fermement la poignée en plaçant vos doigts autour de celle-ci et en serrant la poignée de commande entre le pouce et l'index. Maintenez la main dans cette position pour garder le contrôle de la machine en permanence. Vérifiez que la poignée de commande est en bon état et qu'elle ne présente pas de traces d'humidité, de goudron, d'huile ou de graisse.
- Gardez une bonne position d'équilibre et une prise ferme au sol.
- Portez le souffleur correctement sur les deux épaules lors de son utilisation. Ne portez pas le souffleur avec une seule courroie d'épaule. Le non-respect de cette consigne peut entraîner des blessures.
- Utilisez le souffleur de manière à éviter toute inhalation des gaz d'échappement. Ne faites jamais tourner le moteur dans des locaux fermés (risques d'asphyxie et d'empoisonnement par les gaz d'échappement). Le monoxyde de carbone est un gaz inodore. Assurez-vous toujours que la ventilation est suffisante.
- Coupez le moteur pendant les pauses ou lorsque vous laissez le souffleur sans surveillance. Mettez-le en lieu sûr pour prévenir les risques de blessures physiques, de mettre le feu aux matériaux combustibles ou d'endommager la machine.
- Ne posez jamais le souffleur chaud sur de l'herbe sèche ou des matériaux combustibles.
- La machine doit être utilisée avec tous les dispositifs et les pièces de protection fournis.
- Ne faites jamais fonctionner le moteur avec un silencieux défectueux.

Transport

- Coupez le moteur pendant le transport.

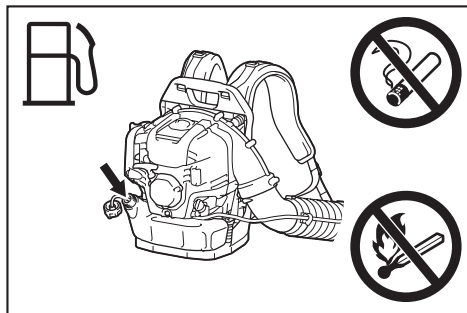


- Mettez le souffleur dans une position sûre pendant le transport en camion ou en voiture pour éviter la fuite du carburant.
- Lors du transport du souffleur, assurez-vous que le réservoir de carburant est totalement vide.
- Soulevez le souffleur par la poignée de transport lorsque vous le transportez. Ne tirez pas le souffleur par la buse, le tube ou une autre partie.

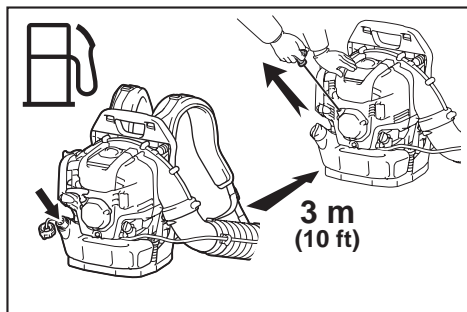
- Tenez fermement le souffleur pendant le transport.
- Lorsque vous transportez le souffleur, pensez à plier les genoux et faites attention à vos épaules et à vos lombaires.

Plein de carburant

- Coupez le moteur pendant que vous faites le plein, tenez-vous bien à l'écart des flammes nues et ne fumez pas.



- Évitez tout contact de la peau avec les produits pétroliers. N'inhaliez pas les vapeurs de carburant. Portez toujours des gants de protection lorsque vous faites le plein. Changez et nettoyez régulièrement les vêtements de protection.
- Veillez à ne pas déverser de carburant ou d'huile, pour éviter de contaminer le sol (protection de l'environnement). En cas de déversement de carburant, nettoyez immédiatement le souffleur. Laissez sécher les chiffons humides avant de les jeter dans un conteneur approprié et couvert, pour éviter tout risque de combustion spontanée.
- Évitez tout contact du carburant avec vos vêtements. Changez-vous immédiatement en cas de déversement de carburant sur vos vêtements (risque d'incendie).
- Vérifiez régulièrement que le bouchon du réservoir est bien fermé.
- Serrez soigneusement le bouchon du réservoir de carburant. Avant de démarrer le moteur, éloignez-vous de l'endroit où vous avez fait le plein (d'au moins 3 mètres).



- Ne faites jamais le plein dans des locaux fermés. Les vapeurs de carburant s'accumulent au niveau du sol (risque d'explosion).
- Le carburant doit être transporté et stocké uniquement dans des conteneurs approuvés. Veillez à ce que les enfants n'aient pas accès au carburant stocké.

9. Ne faites jamais le plein lorsque le moteur est chaud ou en marche.
10. Ne remplissez pas le réservoir de carburant au-delà de la quantité définie dans les « SPÉCIFICATIONS ».

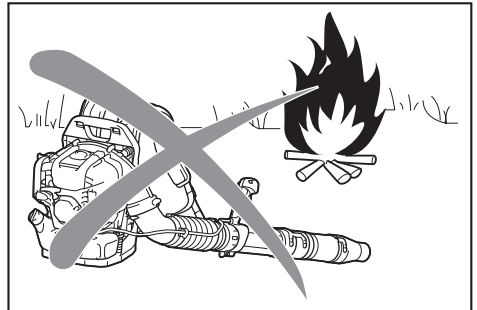
Fonctionnement

1. Utilisez le souffleur uniquement dans des endroits bien éclairés, où la visibilité est bonne. Faites attention aux zones glissantes ou humides, au verglas et à la neige (risque de chute) ainsi qu'aux espaces restreints. Conservez toujours un bon appui au sol.
2. Ne travaillez jamais sur une surface instable ou sur une pente abrupte.
3. Ne travaillez pas sur une échelle ou une zone en hauteur. Le non-respect de cette consigne peut entraîner des blessures.
4. Pour réduire le risque de blessures, ne dirigez pas le jet d'air vers les personnes présentes ; la pression élevée du flux d'air peut entraîner des lésions oculaires ou projeter de petits objets à très grande vitesse.
5. N'insérez jamais de corps étrangers dans l'entrée d'air de la machine ou dans la buse du souffleur. Vous risqueriez d'endommager la roue du ventilateur, et l'éjection à grande vitesse d'objets ou de pièces cassées risque de blesser l'utilisateur ou les personnes présentes.
6. Tenez compte de la direction du vent, de façon à ne pas travailler contre le vent.
7. Pour réduire les risques de chute et de perte de contrôle, ne marchez pas à reculons pendant que vous utilisez la machine.
8. Coupez toujours le moteur avant tout nettoyage ou entretien de l'appareil, ou remplacement des pièces.
9. Faites des pauses afin d'éviter toute perte de contrôle due à la fatigue. Nous recommandons de faire une pause de 10 à 20 minutes toutes les heures.
10. N'utilisez pas la machine près des fenêtres, etc.
11. Pour réduire les dommages corporels dus aux vibrations et au bruit, faites fonctionner l'appareil à vitesse lente si possible et limitez la durée d'utilisation.
12. Utilisez la machine uniquement à des heures raisonnables. N'utilisez pas le souffleur tôt le matin ou tard le soir lorsque vous risquez de déranger les gens.
13. Il est recommandé de séparer les débris à l'aide d'un râteau ou d'un balai avant de les souffler.
14. Dans les milieux poussiéreux, humidifiez légèrement les surfaces avant soufflage ou utilisez un pulvérisateur d'eau au besoin.
15. Réglez la longueur de la buse du souffleur afin que le jet d'air soit soufflé près du sol.
16. Afin de réduire le niveau sonore, limitez le nombre d'équipements utilisés simultanément.
17. NETTOYEZ après utilisation du souffleur ou d'autres équipements ! Jetez les débris dans des poubelles.
18. N'accélérez pas le moteur plus que nécessaire. L'éjection d'objets peut entraîner des blessures corporelles.

19. Le silencieux chauffe pendant l'utilisation. Ne touchez pas le silencieux s'il est chaud sous peine de vous brûler.
20. N'utilisez pas la machine dans un environnement explosif, en présence de liquides, gaz ou poussières inflammables par exemple. La machine produit des étincelles qui peuvent enflammer la poussière ou les émanations.

Instructions d'entretien

1. Respectez l'environnement. Limitez autant que possible le bruit et la pollution lorsque vous utilisez le souffleur. Vérifiez en particulier que le carburateur est réglé correctement.
2. Nettoyez régulièrement le souffleur et vérifiez que toutes les vis et tous les écrous sont bien serrés.
3. Le souffleur doit toujours être dépanné et rangé à l'écart des flammes nues, des étincelles, etc.



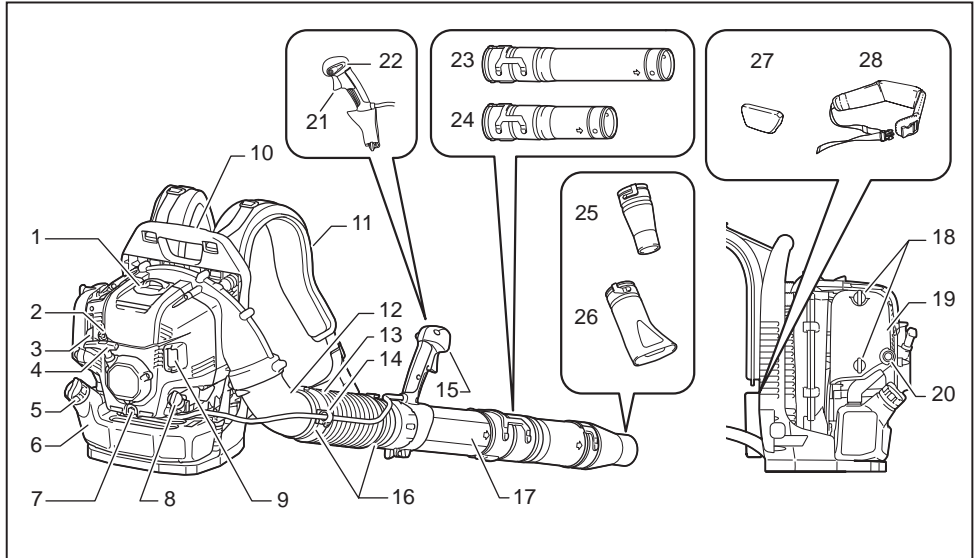
4. Rangez toujours le souffleur dans une pièce bien aérée et fermant à clé en ayant vidé le réservoir de carburant.
5. N'effectuez aucune tâche d'entretien ou de réparation qui ne soit pas décrite dans ce manuel. Toutes les autres tâches doivent être effectuées par des techniciens de service agréés.
6. Utilisez uniquement des pièces de rechange et des accessoires d'origine, fournis par Makita/Dolmar. L'utilisation d'accessoires et d'outils non agréés peut entraîner des accidents et des blessures. Makita/Dolmar décline toute responsabilité en cas d'accident ou de dommage provoqué par l'utilisation de pièces ou d'accessoires non agréés.
7. Une réparation incorrecte ou un mauvais entretien peuvent raccourcir la durée de service de l'équipement et augmenter les risques d'accident.

Premiers secours

1. Veillez à avoir toujours à portée de la main une trousse de premiers secours complète pour parer à un accident. Remplacez immédiatement tout article pris dans la trousse de premiers secours.
2. Lorsque vous appelez les secours, fournissez les informations suivantes :
 - Le lieu de l'accident
 - Les circonstances de l'accident
 - Le nombre de personnes blessées
 - La nature de la blessure
 - Votre nom

DESCRIPTION DES PIÈCES

MG5300



1	Cache de bougie d'allumage	9	Silencieux	17	Tube rotatif	25	Buse ronde
2	Levier du dispositif antigivrage	10	Poignée de transport	18	Boulon à bouton (du couvercle du filtre à air)	26	Buse plate (accessoire en option)
3	Levier du dispositif de démarrage à froid	11	Courroie d'épaule	19	Couvercle du filtre à air	27	Coussinet (accessoire en option)
4	Poignée de démarrage	12	Coude	20	Pompe d'amorçage	28	Ceinture de hanche (accessoire en option)
5	Bouchon du réservoir de carburant	13	Tuyau flexible	21	Gâchette de commande d'accélération	-	-
6	Réservoir de carburant	14	Porte-câbles	22	Levier de commande d'arrêt	-	-
7	Boulon de vidange d'huile	15	Poignée de commande	23	Tube long (accessoire en option)	-	-
8	Bouchon du réservoir d'huile	16	Collier du tuyau	24	Tube court (accessoire en option)	-	-

- Les accessoires standard peuvent varier d'un pays à l'autre.

ASSEMBLAGE

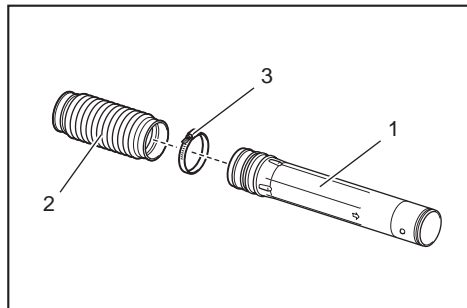
⚠ATTENTION : Avant toute intervention sur le souffleur, coupez toujours le moteur et enlevez le capuchon de la bougie d'allumage.

⚠ATTENTION : Ne mettez le souffleur en marche que lorsqu'il est complètement monté.

⚠ATTENTION : Portez toujours des gants de protection.

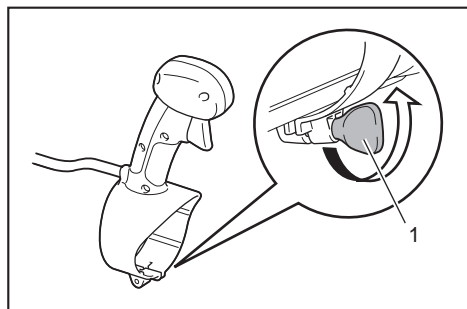
Assemblage des tubes du souffleur

1. Insérez le tube rotatif dans le tuyau flexible et serrez-les avec le collier du tuyau.



- 1. Tube rotatif 2. Tuyau flexible 3. Collier du tuyau

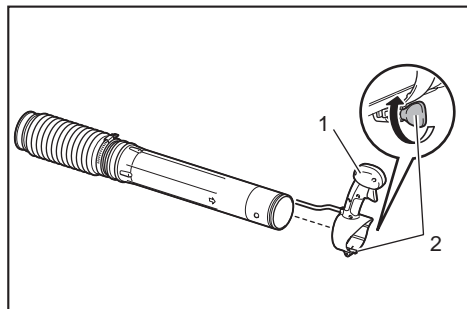
2. Desserrez et retirez la vis de serrage.



- 1. Vis de serrage

Veillez à ne pas tordre le câble lorsque vous montez la poignée de commande.

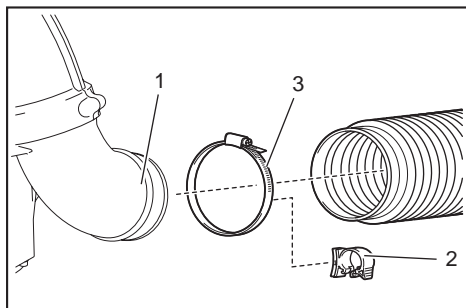
3. Installez la poignée de commande/l'ensemble de la poignée sur le tube rotatif et serrez-les avec la vis de serrage.



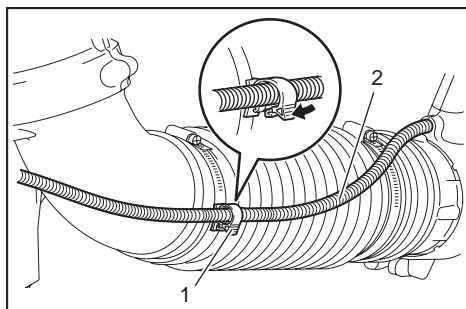
- 1. Poignée de commande 2. Vis de serrage

4. Fixez le tuyau flexible au coude.

Insérez le coude dans le tuyau flexible. Fixez le porte-câbles entre le collier du tuyau et le tuyau flexible. Serrez le porte-câbles, le tuyau flexible et le coude avec le collier du tuyau. Placez le câble de commande sur le porte-câbles et refermez le porte-câbles.

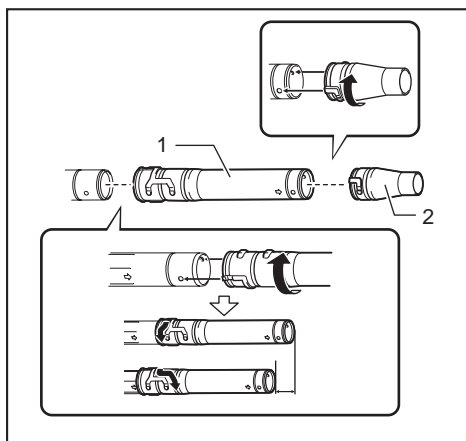


- 1. Coude 2. Porte-câbles 3. Collier du tuyau



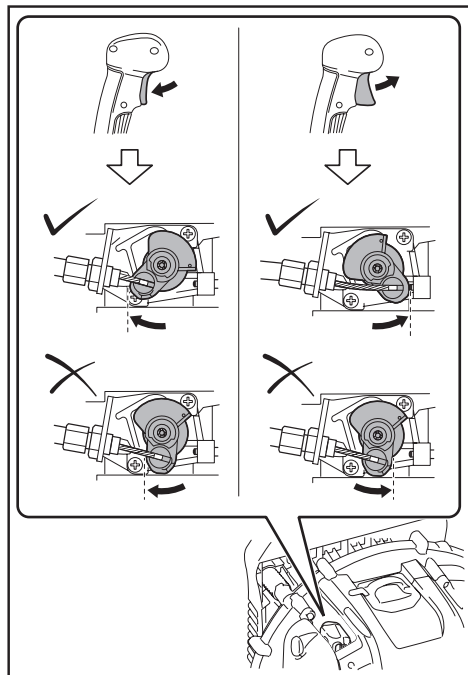
- 1. Porte-câbles 2. Câble de commande

5. Montez le tube long/court sur le tube rotatif. Tournez le tube long/court dans le sens des aiguilles d'une montre pour le verrouiller. Montez ensuite la buse du souffleur sur le tube long/court. Tournez la buse du souffleur dans le sens des aiguilles d'une montre pour la verrouiller.



- 1. Tube long/court 2. Buse du souffleur

6. Vérifiez que tous les dispositifs de serrage sont serrés. Vérifiez si le déplacement de la vanne d'étranglement correspond à celui de la commande d'accélération.



Si vous ne pouvez pas actionner à fond la commande d'accélération ou si elle ne revient pas à sa position d'origine lorsque vous la relâchez, consultez la section relative au réglage de la vanne d'étranglement du chapitre ENTRETIEN.

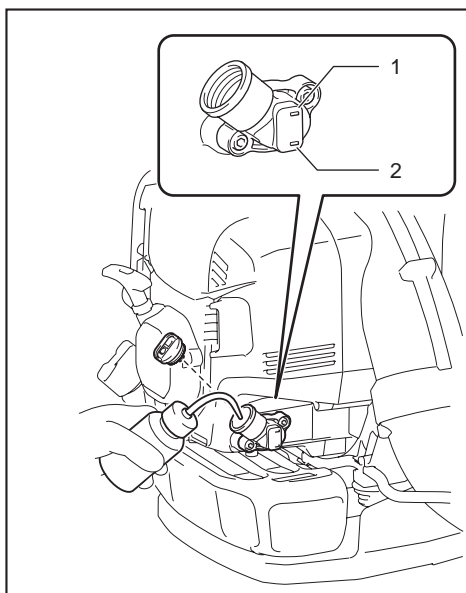
AVANT DE DÉMARRER LE MOTEUR

Inspection et ajout d'huile pour moteur

⚠ ATTENTION : Arrêtez le moteur et laissez-le refroidir avant de remplir le réservoir d'huile pour moteur. Le non-respect de cette consigne peut entraîner des brûlures cutanées.

REMARQUE : L'utilisation d'une huile dégradée entraînera un démarrage irrégulier.

REMARQUE : Retirez la saleté ou la poussière près de l'orifice de remplissage de l'huile avant de retirer le bouchon du réservoir d'huile. Le bouchon du réservoir d'huile retiré doit rester exempt de sable ou de poussière. Autrement, le sable ou la poussière collés au bouchon du réservoir d'huile peuvent entraîner une circulation irrégulière de l'huile et une usure des pièces du moteur, ce qui provoquera des dysfonctionnements.



- 1. Repère de limite supérieure 2. Repère de limite inférieure

Inspection

Placez le souffleur sur une surface plane et retirez le bouchon du réservoir d'huile.

Assurez-vous que le niveau d'huile se trouve entre les repères de limite supérieure et inférieure. Si le niveau d'huile est inférieur à la limite inférieure de l'indicateur de niveau, ajoutez de l'huile neuve.

Changez l'huile si elle est visiblement sale ou décolorée. (Reportez-vous à « Remplacement de l'huile pour moteur » pour connaître la procédure de changement de l'huile et sa fréquence).

Ajout

Placez le souffleur sur une surface plane et retirez le bouchon du réservoir d'huile.

Remplissez d'huile jusqu'à la limite supérieure de l'indicateur de niveau d'huile.

En moyenne, de l'huile pour moteur doit être ajoutée toutes les 20 heures d'utilisation (ce qui correspond à tous les 10 à 15 pleins de carburant).

Huile recommandée

- Huile pour moteur 4 temps de marque Makita/Dolmar ou
- Huile SAE 10W-30 de classe SF ou supérieure, selon la norme API (huile pour moteur automobile 4 temps)

Capacité d'huile

Capacité d'huile : environ 140 ml

REMARQUE : Rangez le souffleur à la verticale sur une surface plane. La jauge d'huile n'indiquera pas la quantité correcte d'huile si le souffleur est incliné et l'huile circule dans le moteur. Vous risquez d'ajouter trop d'huile.

REMARQUE : N'ajoutez pas trop d'huile. L'huile en trop peut jaillir du reniflard du filtre à air et encrasser les pièces voisines, ou bien la combustion de l'huile peut dégager une fumée blanche.

Après l'ajout d'huile

Essayez tout déversement d'huile avec un chiffon.

Alimentation en carburant

⚠️ AVERTISSEMENT : Arrêtez le moteur et laissez-le refroidir avant de faire le plein. Le non-respect de cette consigne peut entraîner une inflammation, un incendie ou des brûlures cutanées.

⚠️ AVERTISSEMENT : Le plein de carburant doit se faire dans un endroit exempt de sources d'incendie pour éviter une inflammation ou un incendie. N'approchez jamais de source d'incendie (cigarette allumée, etc.) du lieu où vous faites le plein.

⚠️ AVERTISSEMENT : Faites le plein sur une surface plane. Ne faites pas le plein sur une surface instable. Faites le plein dans un endroit bien éclairé, où la visibilité est bonne.

⚠️ AVERTISSEMENT : Ouvrez lentement le bouchon du réservoir de carburant. Le carburant risque de se répandre sous l'effet de la pression interne.

⚠️ AVERTISSEMENT : Faites attention à ne pas déverser de carburant. Essayez le carburant déversé.

⚠️ AVERTISSEMENT : Faites le plein dans un endroit bien aéré.

⚠️ AVERTISSEMENT : Faites le plein dans un endroit ouvert et dégagé.

⚠️ AVERTISSEMENT : Manipulez le carburant avec soin.

⚠️ ATTENTION : Le carburant adhérent à la peau ou pénétrant dans les yeux peut provoquer des allergies ou une irritation. En cas d'anomalie physique, consultez immédiatement un médecin spécialiste.

REMARQUE : NE versez PAS d'huile dans le réservoir de carburant.

Carburant

⚠️ AVERTISSEMENT : Conservez la machine et le réservoir dans un endroit frais à l'abri des rayons du soleil.

⚠️ AVERTISSEMENT : Ne conservez jamais le carburant dans un véhicule.

Le moteur est à quatre temps. Veuillez à utiliser de l'essence automobile (essence ordinaire ou super).

REMARQUE : N'utilisez jamais d'essence mélangée à de l'huile comme de l'huile 2 temps ou de l'huile pour moteur. À défaut, une accumulation excessive de carbone ou des problèmes mécaniques se produiront.

NOTE : Conservez le carburant dans un conteneur spécial dans un endroit à l'ombre bien aéré. Utilisez le carburant dans les 4 semaines. Autrement, le carburant peut se dégrader en une journée.

Comment faire le plein

⚠️ ATTENTION : En cas de défaut ou de détérioration du bouchon du réservoir, remplacez-le.

⚠️ ATTENTION : Le bouchon du réservoir se détériore au fil du temps. Remplacez-le tous les deux à trois ans.

REMARQUE : NE remplissez PAS de carburant l'orifice de remplissage de l'huile.

1. Desserrez légèrement le bouchon du réservoir pour libérer la pression du réservoir.
2. Enlevez le bouchon du réservoir et faites le plein, en évacuant l'air en inclinant le réservoir de carburant afin d'orienter l'orifice de remplissage vers le haut. NE remplissez PAS le réservoir à ras bord.
3. Une fois le plein effectué, serrez fermement le bouchon du réservoir.

UTILISATION

Démarrage du moteur

⚠️ AVERTISSEMENT : N'essayez jamais de démarrer le moteur à l'endroit où vous avez effectué le plein. Il y a risque d'inflammation ou d'incendie. Éloignez-vous d'au moins 3 mètres de l'endroit où vous avez fait le plein avant de démarrer le moteur.

⚠️ AVERTISSEMENT : Les gaz d'échappement du moteur sont toxiques. Ne faites pas fonctionner le moteur dans un endroit mal aéré, par exemple dans un tunnel, un bâtiment, etc. Faire fonctionner le moteur dans un endroit mal aéré peut entraîner un empoisonnement aux gaz d'échappement.

⚠️ AVERTISSEMENT : En cas d'odeurs, de vibrations, de bruits anormaux après le démarrage, arrêtez immédiatement le moteur et effectuez une inspection. Si vous faites fonctionner le moteur sans résoudre ces anomalies, un accident risque de se produire.

⚠️ AVERTISSEMENT : Ne touchez pas le carter du moteur chaud. Le non-respect de cette consigne peut entraîner des brûlures cutanées.

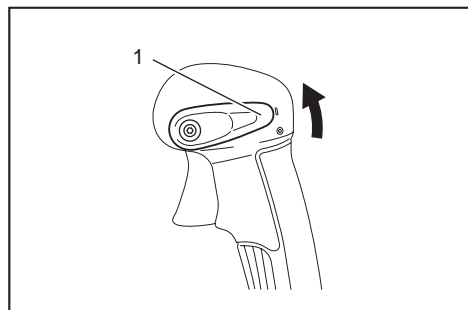
⚠️ AVERTISSEMENT : Vérifiez l'absence de fuites de carburant avant de démarrer le moteur.

⚠️ AVERTISSEMENT : Vérifiez que le moteur s'arrête lorsque vous placez l'interrupteur d'arrêt sur la position « O ».

Lorsque le moteur est froid ou après avoir fait le plein (démarrage à froid)

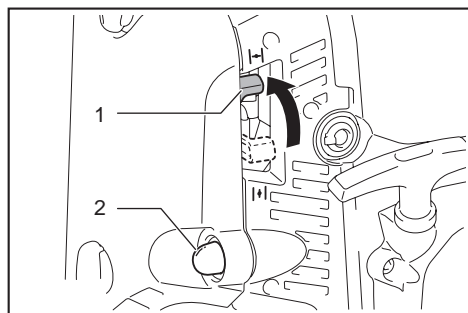
1. Placez le souffleur sur une surface plane.
2. Position I/O

Placez le levier de commande d'arrêt sur la position « I ».



- 1. Levier de commande d'arrêt

3. Continuez à pousser la pompe d'amorçage jusqu'à ce que le carburant entre dans la pompe.

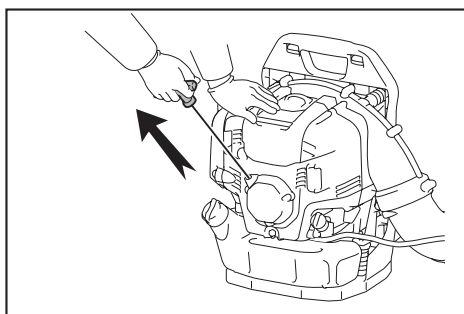


- 1. Levier du dispositif de démarrage à froid
2. Pompe d'amorçage

NOTE : Il faut en général appuyer 7 à 10 fois pour que le carburant arrive dans le carburateur.

NOTE : Si vous effectuez un trop grand nombre de pressions sur la pompe d'amorçage, l'essence en excès est renvoyée vers le réservoir de carburant.

4. Placez le levier du dispositif de démarrage à froid sur la position fermée.
5. Placez votre main gauche sur le dessus du souffleur et tirez doucement sur la poignée de démarrage avec votre main droite jusqu'à ce que vous sentiez la compression. Tirez ensuite fortement sur la poignée de démarrage.

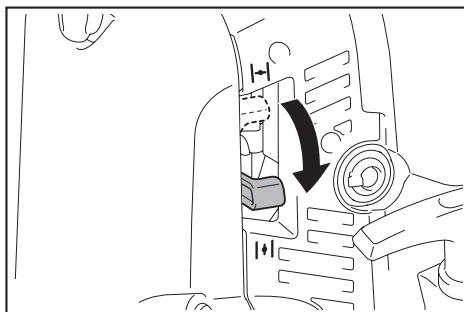


REMARQUE : Ne tirez jamais la corde jusqu'au bout.

REMARQUE : Laissez la poignée de démarrage revenir doucement dans son logement. Autrement, la poignée de démarrage relâchée risque de vous heurter ou de ne pas se rembobiner correctement.

NOTE : Si le moteur démarre et s'arrête, remplacez le levier du dispositif de démarrage à froid sur la position « ouverte » et tirez plusieurs fois sur la poignée de démarrage pour redémarrer le moteur.

6. Lorsque le moteur démarre, abaissez le levier du dispositif de démarrage à froid sur la position ouverte.



NOTE : Ouvrez le levier du dispositif de démarrage à froid à fond avant de tirer sur la commande des gaz.

NOTE : Par temps froid ou lorsque le moteur n'est pas assez chaud, n'ouvrez jamais le levier du dispositif de démarrage à froid brusquement. Autrement, le moteur risque de s'arrêter.

7. Préchauffez le moteur pendant 2 à 3 minutes en le faisant tourner au ralenti ou à basse vitesse.
8. Le préchauffage est terminé lorsque le moteur passe rapidement du bas régime au plein régime.

NOTE : Si vous continuez à tirer sur la poignée de démarrage plusieurs fois avec le levier du dispositif de démarrage à froid sur la position « fermée », vous risquez de noyer le moteur par excès de carburant. Dans ce cas, enlevez la bougie d'allumage et tirez plusieurs fois rapidement sur la poignée pour évacuer l'excès de carburant. Séchez l'électrode de la bougie d'allumage.

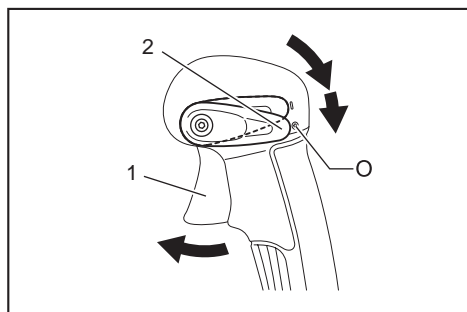
Lorsque le moteur est chaud (démarrage à chaud)

⚠ ATTENTION : Faites attention à ne pas vous brûler la main. Portez des gants de protection lorsque vous démarrez le moteur.

1. Placez le souffleur sur une surface plane.
2. Appuyez plusieurs fois sur la pompe d'amorçage.
3. Vérifiez que le levier du dispositif de démarrage à froid est sur la position ouverte.
4. Placez votre main gauche sur le dessus du souffleur et tirez doucement sur la poignée de démarrage avec votre main droite jusqu'à ce que vous sentiez la compression. Tirez ensuite fortement sur la poignée de démarrage.

Arrêt du moteur

Relâchez la gâchette de commande d'accélération, puis placez le levier de commande d'arrêt sur la position « O ».



- ▶ 1. Gâchette de commande d'accélération 2. Levier de commande d'arrêt

Prévention du givrage du carburateur

REMARQUE : Lorsque la température ambiante est supérieure à 10 °C, remplacez toujours le levier sur le réglage normal (symbole du soleil). Autrement, le moteur risque de surchauffer et de s'abîmer.

Lorsque la température ambiante est basse et que l'humidité est élevée, de la vapeur d'eau risque de geler à l'intérieur du carburateur (givrage du carburateur), et le fonctionnement du moteur devient irrégulier. Si nécessaire, modifiez le réglage du levier du dispositif antigivrage comme suit.

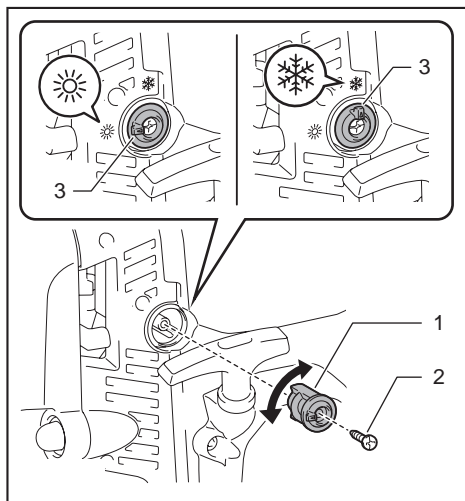
1. Enlevez la vis et retirez le levier du dispositif antigivrage.
2. Positionnez le levier du dispositif antigivrage comme suit :

Température ambiante supérieure à 10 °C

Placez le repère sur le symbole « soleil » (position normale).

Température ambiante inférieure ou égale à 10 °C

Placez le repère sur le symbole « neige » (position antigivrage).



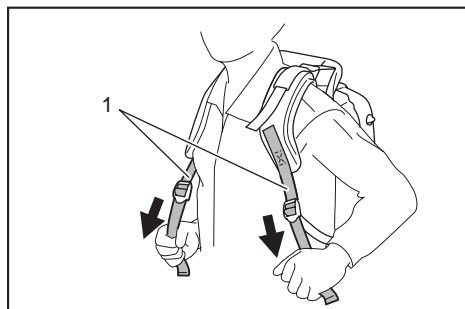
- ▶ 1. Levier du dispositif antigivrage 2. Vis 3. Repère

3. Serrez la vis.

Réglage de la courroie d'épaule

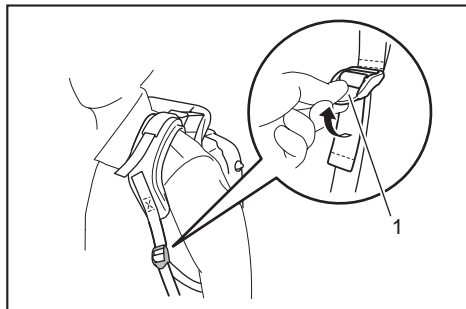
1. Réglez la courroie d'épaule à une longueur vous permettant de porter le souffleur confortablement pour travailler.

Pour raccourcir la courroie, tirez son extrémité vers le bas.



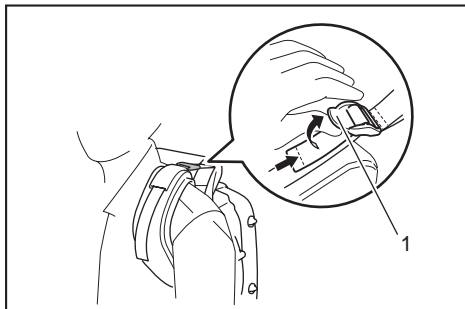
- ▶ 1. Courroie d'épaule

Pour desserrer la courroie, soulevez l'extrémité de la fixation.



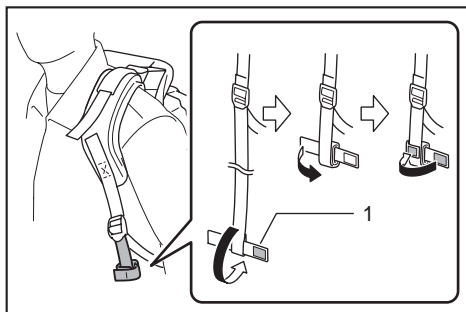
► 1. Fixation

Pour desserrer la courroie, soulevez l'extrémité de la fixation.



► 1. Fixation

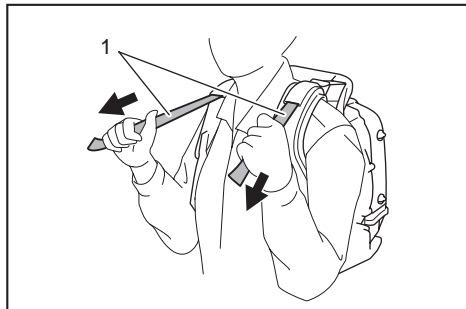
Enroulez l'extrémité de la courroie et maintenez-la enroulée avec l'attache.



► 1. Attache

2. Tirez sur la courroie de stabilisation jusqu'à ce qu'il n'y ait plus d'espace entre votre dos et le corps du souffleur.

Pour serrer la courroie, tirez son extrémité vers le bas.

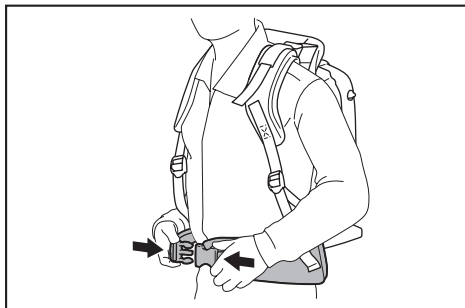


► 1. Courroie de stabilisation

Ceinture de hanche

Accessoire en option

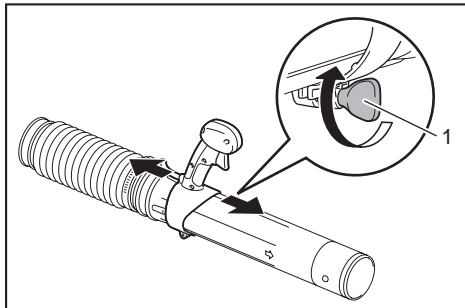
La ceinture de hanche permet à l'utilisateur de porter l'outil en conservant une meilleure stabilité.



ATTENTION : Veillez à détacher la ceinture de hanche avant de poser le souffleur.

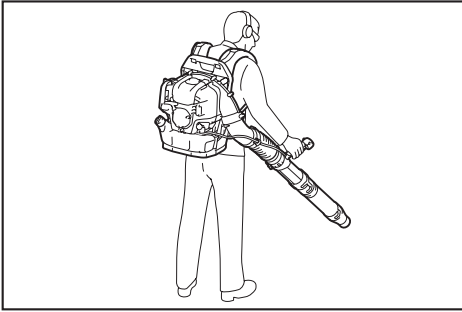
Réglage de la position du levier de commande

Déplacez la poignée de commande le long du tube rotatif sur la position la plus confortable. Bloquez ensuite la poignée de commande avec la vis de serrage.



► 1. Vis de serrage

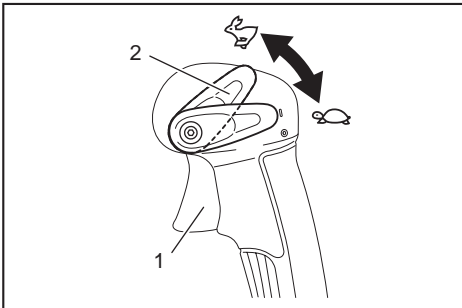
Utilisation du souffleur



1. Lorsque vous utilisez le souffleur, réglez la gâchette/le levier de commande d'accélération de sorte que la force du jet d'air soit appropriée au lieu et aux conditions de travail.
2. Réglage de la vitesse du moteur.

Pour augmenter la vitesse du moteur, enfoncez la gâchette de commande d'accélération. Pour réduire la vitesse du moteur, relâchez la gâchette de commande d'accélération.

La fonction de régulation automatique de la vitesse vous permet de maintenir la vitesse du moteur constante sans devoir enfoncez la gâchette de commande d'accélération. Pour augmenter la vitesse du moteur, placez le levier de commande d'arrêt sur vitesse élevée. Pour réduire la vitesse du moteur, placez le levier de commande d'arrêt sur basse vitesse.



- 1. Gâchette de commande d'accélération 2. Levier de commande d'arrêt

Transport du souffleur

ATTENTION : Lorsque vous transportez le souffleur, veillez à arrêter le moteur.

REMARQUE : Ne vous asseyez pas ni ne vous tenez debout sur le souffleur, ni ne placez d'objet lourd dessus. Vous risqueriez d'abîmer la machine.

REMARQUE : Transportez et rangez le souffleur à la verticale. Si vous transportez ou rangez le souffleur dans une autre position, de l'huile risque de se déverser dans le moteur du souffleur. Ceci risque d'entraîner des fuites d'huile, un dégagement de fumée blanche due à la combustion de l'huile et l'encrassement du filtre à air.

REMARQUE : Ne traînez pas le souffleur lorsque vous le transportez. Autrement, le corps du souffleur pourrait être endommagé.

ENTRETIEN

ATTENTION : Arrêtez le moteur et laissez-le refroidir avant tout travail d'inspection ou d'entretien. Enlevez la bougie d'allumage et son capuchon. Le non-respect de cette consigne risque d'entraîner un démarrage accidentel pouvant causer des brûlures cutanées ou des blessures graves.

ATTENTION : Après inspection et entretien, vérifiez que toutes les pièces ont bien été remontées.

Remplacement de l'huile pour moteur

ATTENTION : Le bloc moteur et l'huile pour moteur sont très chauds juste après l'arrêt du moteur. Lors du remplacement de l'huile pour moteur, assurez-vous que le bloc moteur et l'huile pour moteur ont suffisamment refroidi. Le non-respect de cette consigne peut entraîner des brûlures. Attendez suffisamment longtemps après l'arrêt du moteur pour permettre à l'huile moteur de retourner dans le réservoir d'huile, afin d'obtenir une indication précise du niveau d'huile.

ATTENTION : En cas de remplissage excessif, l'huile peut s'encrasser ou risque de brûler en dégageant une fumée blanche.

REMARQUE : Ne jetez jamais l'huile pour moteur remplacée avec les ordures ménagères, ni ne la déversez sur le sol ou dans les égouts. L'élimination de l'huile est réglementée par la loi. Suivez toujours les lois et réglementations applicables en matière d'élimination. Si vous avez besoin d'informations supplémentaires, contactez un technicien de service agréé.

REMARQUE : L'huile se dégrade même si elle n'est pas utilisée. Vérifiez-la et remplacez-la régulièrement (remplacez-la par une huile neuve tous les 6 mois).

Une huile pour moteur dégradée diminue considérablement la durée de vie des pièces mobiles. Vérifiez la périodicité de remplacement de l'huile ainsi que le volume.

Intervalle de remplacement

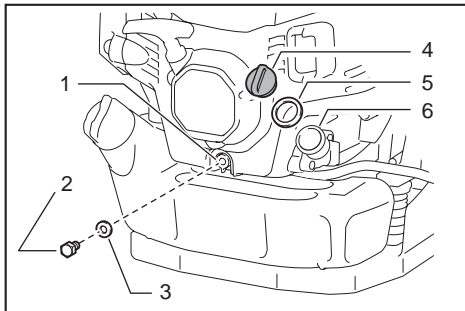
Aux 20 premières heures de fonctionnement, puis toutes les 50 heures de fonctionnement.

Huile recommandée

- Huile pour moteur 4 temps de marque Makita/Dolmar ou
- Huile SAE 10W-30 de classe SF ou supérieure, selon la norme API (huile pour moteur automobile 4 temps)

Procédure de remplacement de l'huile

Changez l'huile comme suit :



- 1. Orifice de vidange 2. Boulon de vidange d'huile 3. Joint (rondelle en aluminium) 4. Bouchon du réservoir d'huile 5. Joint du bouchon du réservoir d'huile 6. Orifice pour huile

1. Posez le souffleur sur une surface plane.
2. Placez un récipient de collecte de l'huile sous l'orifice de vidange pour collecter l'huile usagée lors de son écoulement. La capacité du récipient doit être au minimum de 140 ml pour pouvoir récupérer toute l'huile.
3. Desserrez le boulon de vidange d'huile pour laisser l'huile s'écouler. Faites attention à ne pas laisser l'huile couler sur le réservoir de carburant ou sur d'autres pièces.

REMARQUE : Veillez à ne pas perdre le joint (rondelle en aluminium). Placez le boulon de vidange d'huile dans un endroit où il ne risque pas d'être sali.

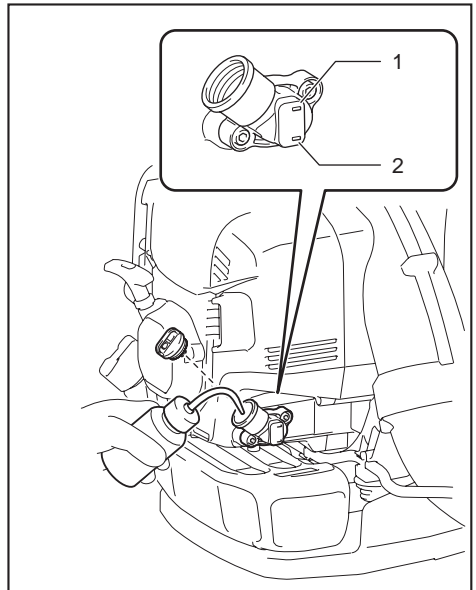
4. Retirez le bouchon du réservoir d'huile. (Le retrait du bouchon du réservoir d'huile permet à l'huile de s'écouler facilement.)

REMARQUE : Veillez à placer le bouchon du réservoir d'huile dans un endroit où il ne risque pas d'être sali.

5. À mesure que le niveau d'huile dans le réservoir diminue, inclinez le souffleur sur le côté pour vidanger complètement l'huile.
6. Une fois la vidange terminée, serrez fermement le boulon de vidange d'huile. Si le boulon n'est pas assez serré, une fuite d'huile risque de se produire.

REMARQUE : N'oubliez pas de replacer le joint (rondelle en aluminium) lorsque vous remettez le bouchon de vidange.

7. Versez environ 140 ml d'huile dans l'orifice de remplissage du réservoir d'huile jusqu'au repère de limite supérieure de l'indicateur de niveau.



- 1. Repère de limite supérieure 2. Repère de limite inférieure

8. Après avoir rempli le réservoir d'huile, serrez fermement le bouchon du réservoir d'huile pour éviter les fuites.

REMARQUE : N'oubliez pas de replacer le joint du bouchon du réservoir d'huile lorsque vous remettez en place le bouchon du réservoir d'huile.

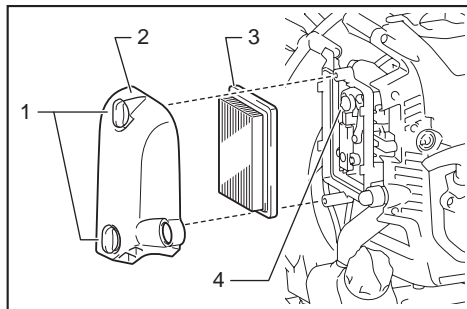
Nettoyage du filtre à air

AVERTISSEMENT : SUBSTANCES INFLAMMABLES STRICTEMENT INTERDITES

Intervalle de nettoyage et d'inspection

Quotidien (toutes les 10 heures de fonctionnement)

Procédure de nettoyage



- 1. Boulons à bouton 2. Couvercle du filtre à air
3. Élément 4. Reniflard

1. Desserrez les boulons à bouton.
2. Retirez le couvercle du filtre à air.
3. Retirez l'élément et nettoyez la saleté de l'élément avec un chiffon ou une poire soufflante. Remplacez l'élément par un neuf s'il est endommagé ou très sale.

NOTE : L'élément est de type sec et ne doit pas être mouillé. Ne le nettoyez jamais à l'eau.

4. Essuyez toute huile autour du reniflard avec un chiffon.
5. Placez l'élément dans le boîtier du filtre à air.
6. Fixez le couvercle du filtre à air et serrez les boulons à bouton.

REMARQUE : Nettoyez l'élément plusieurs fois par jour en cas de dépôt de poussière excessif dans un milieu poussiéreux.

REMARQUE : Si vous continuez à utiliser le souffleur alors que l'élément est encrassé par de l'huile, l'huile dans le filtre à air risque de s'écouler à l'extérieur, et d'entraîner une contamination.

Inspection de la bougie d'allumage

⚠ATTENTION : Ne touchez pas la bougie d'allumage alors que le moteur tourne. Le non-respect de cette consigne peut entraîner une électrocution.

⚠ATTENTION : Placez le levier de commande d'arrêt/interrupteur d'arrêt sur la position « O » (arrêt).

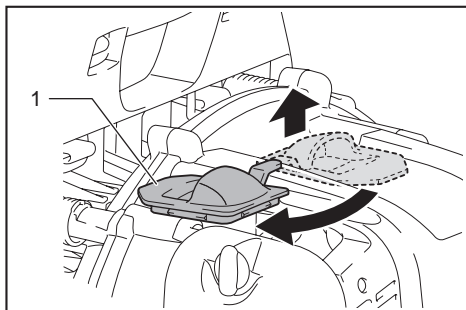
⚠ATTENTION : Vérifiez régulièrement le câble d'alimentation de la bougie d'allumage. Remplacez-le s'il est endommagé ou arraché. Le non-respect de cette consigne peut entraîner une électrocution.

REMARQUE : Lors du retrait de la bougie d'allumage, nettoyez d'abord la bougie d'allumage et la culasse pour éviter la pénétration d'impuretés, de sable, etc., dans la culasse.

REMARQUE : Attendez le refroidissement complet du moteur avant de retirer la bougie d'allumage sous peine d'endommager l'orifice fileté de la culasse.

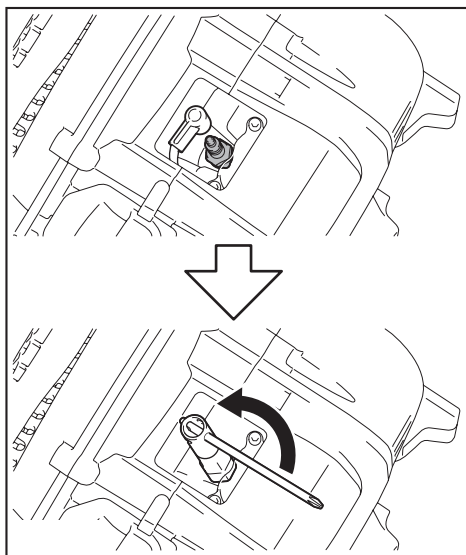
REMARQUE : Insérez correctement la bougie d'allumage dans l'orifice fileté. Ne l'insérez pas de travers sous peine d'endommager l'orifice fileté de la culasse.

1. Pour ouvrir le cache de bougie, soulevez-le et faites-lui décrire un demi-cercle.

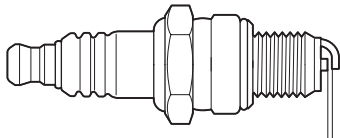


- 1. Cache de bougie

2. Utilisez la clé à douille fournie comme accessoire standard pour retirer ou installer la bougie d'allumage.

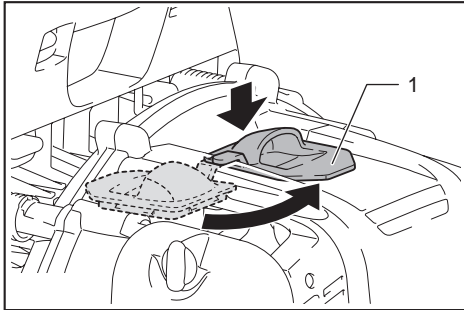


3. La distance correcte entre les deux électrodes de la bougie d'allumage est de 0,7 à 0,8 mm. Réglez-la correctement si elle est trop importante ou trop faible. Nettoyez la bougie d'allumage à fond ou remplacez-la en cas d'accumulation de carbone ou d'encrassement. Utilisez des bougies NGK CMR6H pour le remplacement.



0.7 mm – 0.8 mm (0.028" – 0.031")

4. Pour fermer le cache de bougie, faites-lui décrire un demi-cercle et appuyez sur la partie en relief.



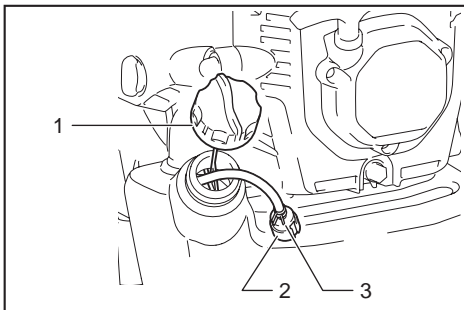
- 1. Cache de bougie

Nettoyage du filtre à carburant

ATTENTION : Assurez-vous que le réservoir de carburant n'est pas endommagé. Si le réservoir de carburant est endommagé, confiez-en immédiatement la réparation au le centre de service après-vente agréé.

REMARQUE : Nettoyez régulièrement le filtre à carburant. Un filtre à carburant colmaté peut rendre le démarrage difficile ou empêcher la montée en vitesse du moteur.

Vérifiez régulièrement le filtre à carburant comme suit :



- 1. Bouchon du réservoir de carburant 2. Filtre à carburant 3. Collier de serrage

1. Retirez le bouchon du réservoir de carburant et vidangez le carburant pour vider le réservoir. Vérifiez qu'aucun corps étranger ne se trouve à l'intérieur du réservoir. Le cas échéant, enlevez-les.
2. Faites sortir le filtre à carburant à l'aide d'un fil métallique par l'orifice de remplissage du réservoir.
3. Si la surface du filtre à carburant est encrassée, nettoyez-la avec de l'essence.

REMARQUE : Suivez la méthode spécifiée par les autorités locales pour éliminer l'essence utilisée pour nettoyer le filtre à carburant.

REMARQUE : Remplacez le filtre à carburant s'il est excessivement encrassé.

4. Après inspection, nettoyage ou remplacement, insérez le filtre à carburant sur le tuyau à carburant et fixez-le à l'aide du collier de serrage. Remettez le filtre à carburant dans le réservoir de carburant et serrez fermement le bouchon du réservoir de carburant.

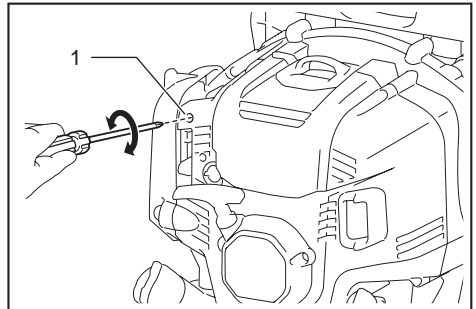
Réglage du ralenti

ATTENTION : Le carburateur est réglé en usine. Vous pouvez régler uniquement le ralenti. Pour tout autre réglage, adressez-vous à un le centre de service après-vente agréé.

La rotation à basse vitesse appropriée est de 2 800 min^{-1} (tr/min).

S'il est nécessaire de changer la vitesse de rotation, réglez le ralenti avec un tournevis cruciforme.

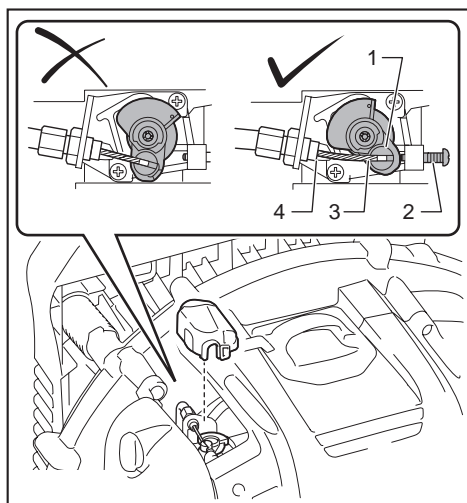
Si le moteur s'arrête ou tourne de manière irrégulière au ralenti, tournez la vis de réglage vers la droite pour augmenter la vitesse du ralenti. Si la machine souffle trop fort au ralenti, tournez la vis de réglage vers la gauche pour diminuer la vitesse du ralenti.



- 1. Vis de réglage du ralenti

Inspection de la vanne d'étranglement

Si le câble de commande est plié ou coincé, la vanne d'étranglement n'entre pas en contact avec la vis de réglage du ralenti, ce qui empêche le ralenti correct du moteur. Dans ce cas, changez de position le câble de commande pour garantir le mouvement adéquat de la vanne.

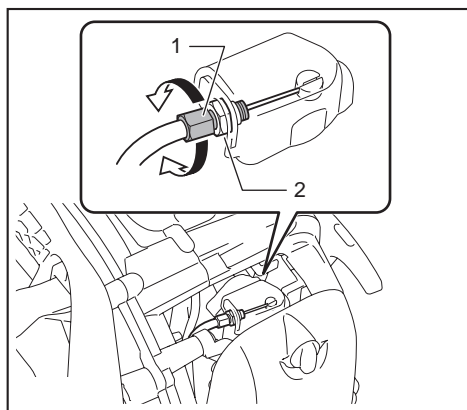


► 1. Vanne d'étranglement 2. Vis de réglage du ralenti 3. Câble de commande 4. Butée de la vanne d'étranglement

Si la vanne d'étranglement ne touche pas la butée de la vanne d'étranglement même si vous enfoncez complètement la gâchette de commande d'accélération ou si la vanne d'étranglement ne touche pas la vis de réglage du ralenti pendant le ralenti, tournez le boulon de réglage du câble comme suit :

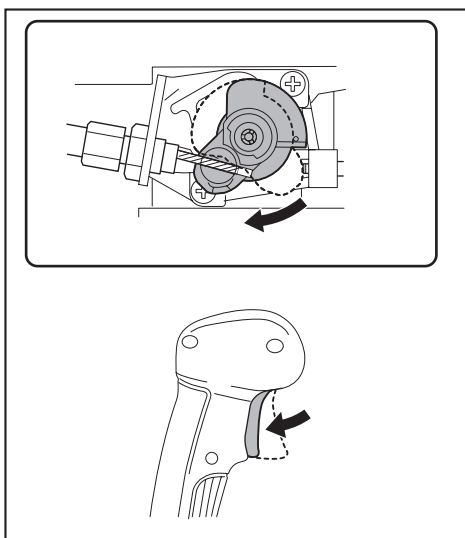
1. Desserrez l'écrou de fixation.
2. Si la vanne d'étranglement ne touche pas la butée de la vanne d'étranglement, tournez le boulon de réglage du câble dans le sens inverse des aiguilles d'une montre.

Si la vanne d'étranglement ne touche pas la vis de réglage du ralenti, tournez le boulon de réglage du câble dans le sens des aiguilles d'une montre.



► 1. Boulon de réglage du câble 2. Écrou de fixation

3. Serrez l'écrou de fixation pour fixer le boulon de réglage du câble.
4. Vérifiez le bon fonctionnement de la vanne d'étranglement. La vanne d'étranglement se déplace comme illustré sur la figure lorsque vous actionnez la gâchette/le levier de commande d'accélération.

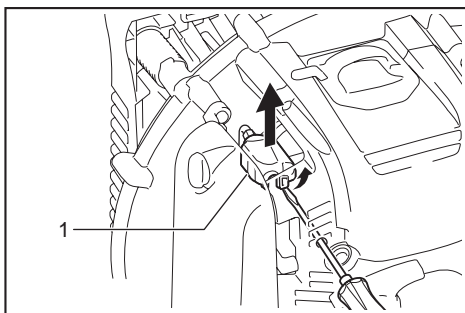


Nettoyage de la protection du carburateur

Si la protection du carburateur s'encrasse et qu'il devient difficile d'inspecter la vanne d'étranglement, nettoyez la protection du carburateur comme suit :

REMARQUE : N'utilisez jamais d'essence, benzine, diluant, alcool ou autre produit similaire pour nettoyer la protection du carburateur. Autrement, elle pourrait noircir.

1. Faites passer un tournevis plat à travers l'orifice sur le carter du moteur. Libérez le dispositif de serrage de la protection du carburateur.



► 1. Protection du carburateur

2. Nettoyez la protection du carburateur.

REMARQUE : Utilisez un chiffon propre et humide pour nettoyer la protection du carburateur.

3. Remettez en place la protection du carburateur. Assurez-vous que le dispositif de serrage de la protection du carburateur s'enclique en place.

Inspection des boulons, écrous, vis et autres pièces

Resserrez les boulons, écrous, etc. desserrés.

Vérifiez l'absence de fuite de carburant et d'huile.

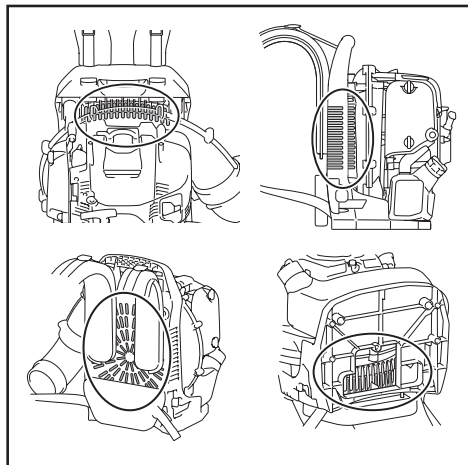
Remplacez les pièces endommagées par des neuves pour assurer un fonctionnement en toute sécurité.

Nettoyage du moteur, de l'entrée d'air de refroidissement

Maintenez le moteur propre en l'essuyant avec un chiffon.

Maintenez les ailettes de la culasse exemptes de poussières ou d'impuretés. La poussière ou la saleté collée aux ailettes peut provoquer la surchauffe du moteur et le grippage du piston.

L'air soufflé provient de l'orifice d'entrée d'air. Lorsque le débit d'air diminue en cours de fonctionnement, arrêtez le moteur et vérifiez que l'orifice d'entrée d'air n'est pas obstrué. Nettoyez-le si nécessaire. Une obstruction peut entraîner une surchauffe et endommager le moteur.



Remplacement des joints et garnitures

Remplacez les joints et garnitures en cas de démontage du moteur.

Tous les travaux d'entretien et les réglages non prévus et non décrits dans ce manuel doivent être effectués uniquement par un technicien de service agréé.

Rangement

⚠ AVERTISSEMENT : Arrêtez le moteur et laissez-le refroidir avant de vidanger le réservoir de carburant. Le non-respect de cette consigne peut entraîner des brûlures ou un incendie.

⚠ ATTENTION : Si vous rangez la machine pendant une période prolongée, vidangez tout le carburant contenu dans le réservoir de carburant et le carburateur, et rangez-la dans un endroit propre et sec.

Vidangez le carburant contenu dans le réservoir de carburant et le carburateur avant de ranger la machine comme suit :

1. Enlevez le bouchon du réservoir de carburant et vidangez tout le carburant. Retirez tout corps étranger se trouvant dans le réservoir de carburant.
2. Faites sortir le filtre à carburant par l'orifice de remplissage à l'aide d'un fil métallique.
3. Appuyez sur la pompe d'amorçage jusqu'à ce que le carburant s'écoule et vidangez le carburant s'écoulant dans le réservoir de carburant.
4. Remettez le filtre à carburant dans le réservoir de carburant et serrez fermement le bouchon du réservoir de carburant.
5. Faites ensuite fonctionner le moteur jusqu'à ce qu'il s'arrête.
6. Enlevez la bougie d'allumage et versez quelques gouttes d'huile pour moteur dans l'orifice de la bougie d'allumage.
7. Tirez doucement sur la poignée de démarrage afin que l'huile pour moteur se répartisse dans tout le moteur et installez la bougie d'allumage.
8. Rangez la machine avec sa poignée de transport sur le dessus.
9. Conservez le carburant vidangé dans un contenant spécial dans un endroit à l'abri du soleil bien aéré.

Repérage des anomalies

Anomalie	Système	Observation	Cause
Le moteur ne démarre pas ou avec difficulté	Système d'allumage	Présence d'étincelles d'allumage.	Défaut de l'alimentation en carburant ou du système de compression, défaillance mécanique.
		Pas d'étincelles d'allumage.	Interrupteur d'arrêt activé, défaut du câblage ou court-circuit, bougie d'allumage ou connecteur défectueux, module d'allumage défectueux.
	Alimentation en carburant	Réservoir de carburant plein.	Position incorrecte du levier du dispositif de démarrage à froid, carburateur défectueux, tuyau d'alimentation en carburant plié ou obstrué, carburant contaminé.
	Compression	Pas de compression lors de la traction.	Joint d'étanchéité du fond de culasse défectueux, joints de vilebrequin endommagés, culasse ou segments de piston défectueux, mauvaise étanchéité au niveau de la bougie d'allumage.
	Défaillance mécanique	Pas d'enclenchement du démarreur.	Ressort du démarreur cassé, pièces cassées à l'intérieur du moteur.
Problèmes lors du démarrage à chaud	-	Réservoir plein. Présence d'étincelles d'allumage.	Carburateur encrassé, à nettoyer.
Le moteur démarre puis s'arrête	Alimentation en carburant	Réservoir plein.	Réglage incorrect du ralenti, carburateur encrassé.
			Aération du réservoir de carburant défectueuse, tuyau d'alimentation en carburant coupé, câble ou interrupteur d'arrêt défectueux.
Performances insuffisantes	Plusieurs systèmes sont peut-être affectés simultanément	Ralenti moteur médiocre.	Filter à air encrassé, carburateur encrassé, silencieux obstrué, conduit d'échappement de la culasse obstrué.

Intervalle d'inspection et de nettoyage

-		Avant utilisation	Après le plein	Quotidien (10 h)	50 h	200 h	600 h ou 2 ans (première des échéances retenue)	Avant le rangement
Huile pour moteur	Inspecter/remplir	○	-	-	-	-	-	-
	Remplacer	-	-	-	○ (Note 1)	-	-	-
Pièces de serrage (boulon, écrou)	Inspecter	○	-	-	-	-	-	-
Entrée d'air de refroidissement	Nettoyer/inspecter	○	-	-	-	-	-	-
Réservoir de carburant	Nettoyer/inspecter	○	-	-	-	-	-	-
	Vidanger le carburant	-	-	-	-	-	-	○ (Note 3)

		Avant utilisation	Après le plein	Quotidien (10 h)	50 h	200 h	600 h ou 2 ans (première des échéances retenue)	Avant le rangement
Gâchette/levier de commande d'accélération	Vérifier le fonctionnement	-	○	-	-	-	-	-
Arrêt du moteur	Vérifier le fonctionnement	-	○	-	-	-	-	-
Réglage du ralenti	Inspecter/régler	-	○	-	-	-	-	-
Filtre à air	Nettoyer	-	-	○	-	-	-	-
	Inspecter/remplacer si nécessaire	-	-	-	-	○	-	-
Câble de commande	Inspecter/régler	-	-	○	-	-	-	-
	Inspecter/remplacer si nécessaire	-	-	-	-	○ (Note 2)	-	-
Bougie d'allumage	Inspecter/régler la distance si nécessaire	-	-	○	-	-	-	-
	Nettoyer/remplacer si nécessaire	-	-	-	-	○	-	-
Câble d'alimentation de la bougie	Inspecter/remplacer si nécessaire	-	-	-	-	○ (Note 2)	-	-
Tuyau de carburant	Inspecter	-	-	○	-	-	-	-
	Remplacer	-	-	-	-	○ (Note 2)	-	-
Filtre à carburant	Nettoyer/remplacer si nécessaire	-	-	-	○	-	-	-
Tube d'huile	Inspecter	-	-	-	-	○ (Note 2)	-	-
Jeu de soupape (soupape d'admission et soupape d'échappement)	Inspecter/régler	-	-	-	-	○ (Note 2)	-	-
Silencieux	Inspecter/nettoyer	-	-	-	-	○ (Note 2)	-	-
Chambre de combustion/soupape/orifice	Inspecter/nettoyer	-	-	-	-	○ (Note 2)	-	-
Moteur	Réviser	-	-	-	-	-	○ (Note 2)	-
Carburateur	Vidanger le carburant	-	-	-	-	-	-	○ (Note 3)

Note 1 : Procédez au premier remplacement après 20 heures de fonctionnement.

Note 2 : Pour l'inspection, adressez-vous à un technicien de service agréé ou à un atelier de réparation.

Note 3 : Après avoir vidé le réservoir de carburant, continuez à faire tourner le moteur et vidangez le carburant dans le carburateur.

GUIDE DE DÉPANNAGE

Avant de faire une demande de réparation, effectuez d'abord vous-même une inspection. Si vous rencontrez un problème non documenté dans le mode d'emploi, n'essayez pas de démonter l'outil. Demandez plutôt à un le centre de service après-vente Dolmar/Makita agréé d'effectuer la réparation au moyen de pièces de rechange Dolmar/Makita.

État d'anomalie	Cause probable (dysfonctionnement)	Solution
Le moteur ne démarre pas.	Mauvais fonctionnement de la pompe d'amorçage.	Appuyez 7 à 10 fois.
	Faible vitesse de traction du câble de démarreur.	Tirez fort.
	Manque de carburant.	Faites le plein de carburant.
	Filtre à carburant obstrué.	Nettoyez le filtre à carburant ou remplacez-le par un filtre neuf.
	Tuyau de carburant plié.	Redressez le tuyau de carburant.
	Carburant dégradé.	Un carburant dégradé rend le démarrage difficile. Remplacez le carburant. (Remplacement recommandé : 1 mois)
	Aspiration du carburant excessive.	Faites passer le levier de commande d'accélération de vitesse moyenne à vitesse élevée et tirez sur la poignée de démarrage jusqu'à ce que le moteur démarre. Si le moteur ne démarre pas, retirez la bougie d'allumage, séchez l'électrode et remontez-les dans leur position initiale. Ensuite, démarrez en suivant les instructions.
	Capuchon de bougie séparé.	Fixez-le fermement.
	Bougie d'allumage encrassée.	Nettoyez la bougie d'allumage.
	Jeu anormal de la bougie d'allumage.	Ajustez le jeu.
	Autre anomalie de la bougie d'allumage.	Remplacez la bougie d'allumage.
	Anomalie du carburateur.	Confiez son inspection et sa réparation à notre service après-vente agréé.
	Impossible de tirer sur la poignée de démarrage.	Confiez son inspection et sa réparation à notre service après-vente agréé.
Problème des pièces internes du moteur.	Confiez son inspection et sa réparation à notre service après-vente agréé.	
Le moteur s'arrête tout de suite. Le moteur n'accélère pas.	Préchauffage insuffisant.	Préchauffez le moteur.
	Le levier du dispositif de démarrage à froid est réglé sur « fermé » alors que le moteur est chaud.	Réglez-le sur « ouvert ».
	Filtre à carburant obstrué.	Nettoyez le filtre à carburant.
	Filtre à air encrassé ou colmaté.	Nettoyez le filtre à air.
	Câble de commande détaché.	Fixez fermement le câble de commande.
Problème des pièces internes du moteur.	Confiez son inspection et sa réparation à notre service après-vente agréé.	
La commande d'accélération ne revient pas au ralenti.	Position incorrecte de la vanne d'étranglement.	Changez de position le câble de commande. Réglez la position de la vanne d'étranglement en tournant le boulon de réglage du câble.
Le moteur ne s'arrête pas. ⇒ Faites tourner le moteur au ralenti et réglez le levier du dispositif de démarrage à froid sur « fermé ».	Connecteur déconnecté.	Connectez fermement le connecteur.
	Anomalie du système électrique.	Confiez son inspection et sa réparation à notre service après-vente agréé.

INHALTSVERZEICHNIS

TECHNISCHE DATEN.....	42	VOR DEM STARTEN DES MOTORS	49
WICHTIGE SICHERHEITSVORSCHRIFTEN	43	BETRIEB	51
BEZEICHNUNG DER TEILE	47	WARTUNG	54
MONTAGE.....	48	FEHLERSUCHE	62

TECHNISCHE DATEN

Modell:		MG5300
Drosseltyp		Rohrdrossel
Trockengewicht	ohne Blasrohr / mit Kissen	8,9 kg
	mit Blasrohr	9,8 kg - 10,0 kg
Abmessungen (ohne Blasrohr, L x B x H)		320 mm x 450 mm x 475 mm
Luftstromgeschwindigkeit	(mit langem Rohr, Runddüse)	81 m/s
	(mit kurzem Rohr, Runddüse)	82 m/s
Luftvolumenstrom	(mit langem Rohr, Runddüse)	15 m ³ /Minute
	(mit kurzem Rohr, Runddüse)	15 m ³ /Minute
Maximale Motordrehzahl		6.400 min ⁻¹
Leerlaufdrehzahl		2.800 min ⁻¹
Hubraum		52,5 cm ³
Motortyp		Luftgekühlter Einzylinder-Viertaktmotor
Kraftstoff		Kraftfahrzeugbenzin
Kraftstofftank-Inhalt		1.800 cm ³
Motoröl		Öl nach API-Klassifikation SAE 10W-30 Klasse SF oder höher (Motoröl für Kfz-Viertaktmotor)
Motorölmenge		140 cm ³
Vergaser		Membranvergaser
Zündkerze		NGK CMR6H
Elektrodenabstand		0,7 mm - 0,8 mm

- Wir behalten uns vor, Änderungen der technischen Daten im Zuge der Entwicklung und des technischen Fortschritts ohne vorherige Ankündigung vorzunehmen.
- Die technischen Daten können von Land zu Land unterschiedlich sein.
- Das Gewicht kann abhängig von den Aufsätzen unterschiedlich sein.

Vibrationen


















Modell			MG5300		
Vibrationen nach EN15503	Rechter Handgriff	a _{h_v eq}	Langes Rohr	mit Runddüse	2,2 (m/s ²)
				mit Flachdüse	2,9 (m/s ²)
		Kurzes Rohr	mit Runddüse	2,2 (m/s ²)	
			mit Flachdüse	2,5 (m/s ²)	
Messunsicherheit K					0,6 (m/s ²)

Geräusch

Modell		MG5300
Durchschnittlicher Schalldruckpegel nach EN15503	L _{PA eq}	96,0 (dB(A))
	Messunsicherheit K	0,4 (dB(A))
Durchschnittlicher Schalleistungspegel nach EN15503	L _{WA eq}	102,5 (dB(A))
	Messunsicherheit K	1,6 (dB(A))

Symbole

Nachfolgend werden die für das Gerät verwendeten Symbole beschrieben. Machen Sie sich vor der Benutzung mit ihrer Bedeutung vertraut.

	Besondere Umsicht und Aufmerksamkeit erforderlich.
	Betriebsanleitung lesen.
	Verboten!
	Nicht rauchen.
	Keine offenen Flammen.
	Schutzhandschuhe tragen.
	Augen- und Gehörschutz tragen.
	Heiße Oberflächen - Verbrennungen von Fingern oder Händen.
	Umstehende Personen fern halten.
	Den Arbeitsbereich von Personen und Tieren frei halten.
	Kraftstoff (Benzin)
	Motor - manueller Start.
	Motor abstellen.
	Erste Hilfe
	Ein/Start
	Aus/Stopp
	Langes Haar kann einen Unfall durch Erfassen verursachen.

EG-Konformitätserklärung

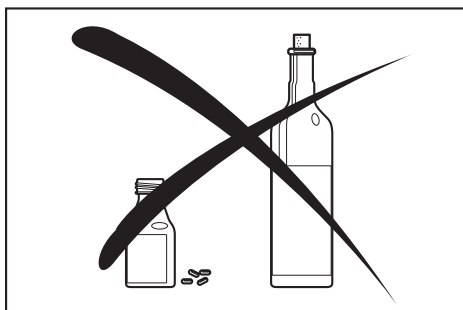
Nur für europäische Länder

Die EG-Konformitätserklärung ist als Anhang A in dieser Bedienungsanleitung enthalten.

WICHTIGE SICHERHEITSVORSCHRIFTEN

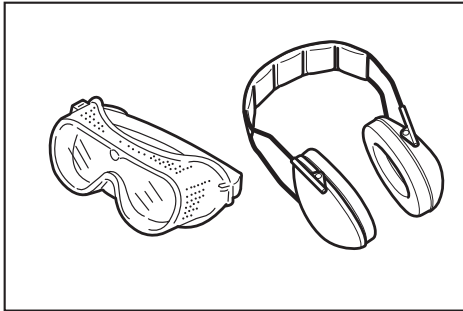
Allgemeine Vorschriften

1. **Damit korrekter und sicherer Betrieb gewährleistet ist, muss der Benutzer diese Betriebsanleitung lesen, verstehen und befolgen, um sich mit der Handhabung des Blasgerätes vertraut zu machen. Unzureichend informierte Benutzer können sich und andere Personen durch unsachgemäßen Gebrauch gefährden.**
2. **Es ist ratsam, das Blasgerät nur an Personen zu verleihen, die erwiesenermaßen Erfahrung im Umgang mit Blasgeräten haben.**
3. **Beim Verleihen des Blasgerätes ist auch stets die Betriebsanleitung auszuhändigen.**
4. **Erstmalige Benutzer sollten eine Grundeinführung vom Händler erhalten, um sich mit der Handhabung eines Blasgerätes vertraut zu machen.**
5. **Kinder und Jugendliche unter 18 Jahren dürfen das Blasgerät nicht benutzen. Personen über 16 Jahren ist jedoch die Benutzung des Gerätes für Ausbildungszwecke nur unter direkter Aufsicht eines qualifizierten Ausbilders gestattet.**
6. **Benutzen Sie Blasgeräte mit äußerster Sorgfalt und Aufmerksamkeit.**
7. **Betreiben Sie das Blasgerät nur, wenn Sie sich in guter körperlicher Verfassung befinden.**
8. **Führen Sie alle Arbeiten gewissenhaft und sorgfältig durch. Der Benutzer ist gegenüber Dritten verantwortlich.**
9. **Benutzen Sie das Blasgerät niemals unter dem Einfluss von Alkohol oder Drogen.**



10. **Benutzen Sie das Gerät nicht, wenn Sie müde sind.**
11. **Bewahren Sie diese Anleitung für spätere Bezugnahme auf.**
12. **Beachten und befolgen Sie alle relevanten Unfallverhütungsvorschriften, die von den Arbeitgeberverbänden und Versicherungsgesellschaften herausgegeben wurden. Nehmen Sie keine Abänderungen am Blasgerät vor, weil dadurch Ihre Sicherheit gefährdet wird.**
13. **Nehmen Sie keinesfalls Abänderungen am Gerät vor. Dadurch können gefährliche Unfälle oder Personenschäden verursacht werden.**

Persönliche Schutzausrüstung



1. Die Kleidung soll zweckmäßig und angemessen, d. h. eng anliegend, aber nicht hinderlich sein. Tragen Sie keine Schmucksachen, Kleidungsstücke oder lange Haare, die in den Lufteinlass eingesaugt werden könnten.
2. Um Verletzungen von Kopf, Augen, Händen oder Füßen sowie Gehörschäden zu vermeiden, müssen die folgenden Schutzvorrichtungen und Schutzkleidung während der Arbeit mit dem Blasergerät verwendet werden.
3. Die Kleidung sollte robust und eng anliegend sein, aber dennoch vollkommene Bewegungsfreiheit gewähren. Vermeiden Sie locker sitzende Jacken, ausgestellte oder umgeschlagene Hosen, Schals, offenes langes Haar oder Gegenstände, die in den Lufteinlass gesaugt werden könnten. Tragen Sie einen Overall oder eine lange Hose, um Ihre Beine zu schützen. Tragen Sie keine Shorts.
4. Motorprodukte sind im Allgemeinen laut, und ihr Geräusch kann Gehörschäden verursachen. Tragen Sie Gehörschutz (Ohrenstöpsel oder Ohrschützer) zum Schutz Ihres Gehörs. Langzeit- und Dauerbenutzer sollten ihr Gehör regelmäßig überprüfen lassen.
5. Die Verwendung von Handschuhen bei der Arbeit mit dem Blasergerät wird empfohlen. Feste Schuhe mit rutschfesten Sohlen tragen.
6. Angemessener Augenschutz ist ein Muss. Obwohl der Auslass vom Bediener weg gerichtet ist, können Querschläger und Rückpraller während des Betriebs des Blasergerätes auftreten.
7. Betreiben Sie ein Blasergerät nur mit einer Schutzbrille oder einer vorschriftsmäßigen Sicherheitsbrille mit geeignetem Ober- und Seitenschutz, die der Norm EN166 und den Vorschriften Ihres Landes entspricht.

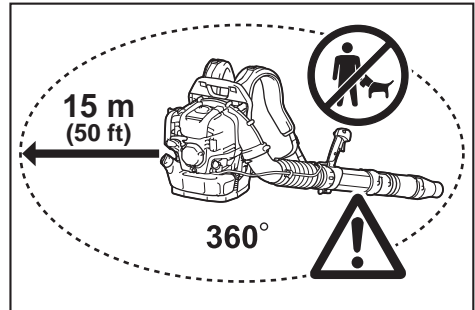
8. Um die mit dem Einatmen von Staub verbundene Verletzungsgefahr zu verringern, verwenden Sie eine Atemschutzmaske bei staubigen Verhältnissen.

Verwendungszweck

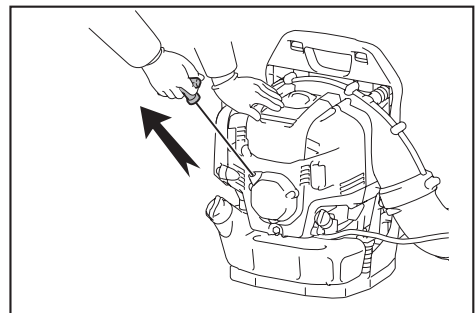
Das Werkzeug ist für das Wegblasen von Staub vorgesehen.

Starten des Blasergerätes

1. Vergewissern Sie sich, dass sich keine Kinder oder andere Personen innerhalb eines Arbeitsradius von 15 m aufhalten, und achten Sie auch auf Tiere in der näheren Umgebung.



2. Prüfen Sie vor der Benutzung immer, ob das Blasergerät betriebssicher ist:
 - Prüfen Sie die Sicherheit des Gashebels. Der Gashebel sollte auf reibungslose und leichtgängige Betätigung überprüft werden.
 - Prüfen Sie, ob die Gashebelsperre einwandfrei funktioniert.
 - Vergewissern Sie sich, dass die Handgriffe sauber und trocken sind, und überprüfen Sie die Funktion des Ein-Aus-Schalters. Halten Sie die Handgriffe frei von Öl und Kraftstoff.
3. Starten Sie das Blasergerät nur gemäß den Anweisungen. Verwenden Sie kein anderes Verfahren zum Starten des Motors.

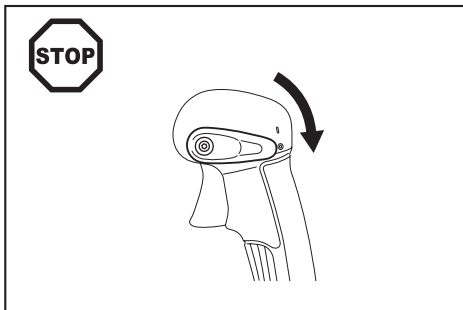


4. Verwenden Sie das Blasergerät und die mitgelieferten Werkzeuge nur für die angegebenen Anwendungen.
5. Starten Sie den Blasergerätemotor erst, nachdem das Gerät vollständig montiert worden ist. Der Betrieb des Gerätes ist nur zulässig, wenn alle vorgeschriebenen Zubehörteile montiert sind.

6. Im Falle einer Motorstörung ist der Motor sofort abzustellen.
7. Wenn Sie mit dem Blasgerät arbeiten, umschließen Sie den Handgriff immer fest mit Ihren Fingern, und halten Sie den Steuergriff zwischen Daumen und Zeigefinger. Halten Sie Ihre Hand in dieser Position, damit Sie Ihre Maschine jederzeit unter Kontrolle haben. Vergewissern Sie sich, dass Ihr Steuergriff in gutem Zustand und frei von Feuchtigkeit, Pech, Öl oder Fett ist.
8. Achten Sie stets auf sicheren, ausgewogenen Stand.
9. Tragen Sie das Blasgerät während der Arbeit richtig auf beiden Schultern. Tragen Sie das Blasgerät nicht mit nur einem Schulterriemen. Anderenfalls kann es zu Personenschaden kommen.
10. Betreiben Sie das Blasgerät stets so, dass Sie keine Abgase einatmen. Lassen Sie den Motor niemals in geschlossenen Räumen laufen (Erstickungs- und Gasvergiftungsgefahr). Kohlenmonoxid ist ein geruchloses Gas. Achten Sie stets auf ausreichende Belüftung.
11. Stellen Sie den Motor ab, wenn Sie sich ausruhen oder das Blasgerät unbeaufsichtigt lassen. Stellen Sie das Gerät an einem sicheren Ort auf, um Gefahr für andere Personen, Entzündung von brennbaren Materialien oder Beschädigung der Maschine zu verhindern.
12. Legen Sie das heiße Blasgerät niemals auf trockenes Gras oder brennbare Materialien.
13. Alle mit der Maschine gelieferten Schutzteile und Schutzhauben müssen während des Betriebs benutzt werden.
14. Betreiben Sie den Motor niemals mit schadhaftem Schalldämpfer.

Transport

1. Schalten Sie den Motor vor dem Transport ab.

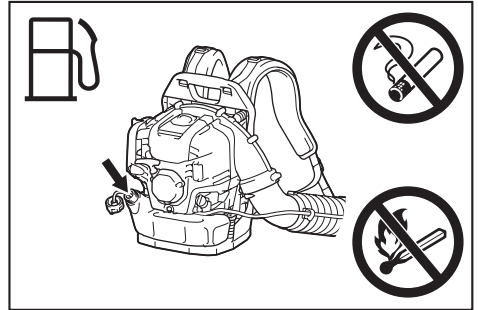


2. Bringen Sie das Blasgerät während des Transports mit einem Auto oder Lastwagen in eine sichere Position, um Auslaufen von Kraftstoff zu vermeiden.
3. Wenn Sie das Blasgerät transportieren, vergewissern Sie sich, dass der Kraftstofftank vollkommen leer ist.
4. Heben Sie das Blasgerät zum Tragen am Tragegriff hoch. Ziehen Sie das Blasgerät nicht an der Düse, am Rohr oder an anderen Teilen.

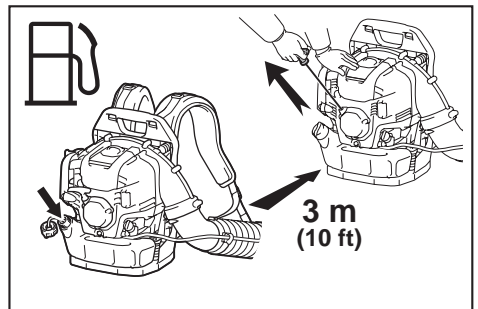
5. Halten Sie das Blasgerät während des Transports mit festem Griff.
6. Wenn Sie das Blasgerät transportieren, beugen Sie Ihre Knie, und achten Sie darauf, dass Sie Ihre Schultern und Lendenwirbelsäule nicht überlasten.

Auftanken

1. Schalten Sie den Motor beim Auftanken ab, halten Sie ihn von offenen Flammen fern, und unterlassen Sie Rauchen.



2. Vermeiden Sie Hautkontakt mit Erdölprodukten. Atmen Sie keine Kraftstoffdämpfe ein. Tragen Sie beim Auftanken stets Schutzhandschuhe. Die Schutzkleidung ist in regelmäßigen Abständen zu wechseln und zu reinigen.
3. Achten Sie darauf, weder Kraftstoff noch Öl zu verschütten, um Bodenverschmutzung zu verhüten (Umweltschutz). Reinigen Sie das Blasgerät sofort, nachdem Kraftstoff verschüttet worden ist. Lassen Sie nasse Tücher trocknen, bevor Sie sie in einem ordnungsgemäß abgedeckten Behälter entsorgen, um Selbstentzündung zu verhüten.
4. Achten Sie darauf, dass kein Kraftstoff mit Ihrer Kleidung in Berührung kommt. Wechseln Sie Ihre Kleidung sofort, falls Kraftstoff darauf verschüttet worden ist (Brandgefahr).
5. Überprüfen Sie den Tankdeckel in regelmäßigen Abständen, um sicherzustellen, dass er fest verschlossen bleibt.
6. Ziehen Sie den Kraftstofftankdeckel sorgfältig weg. Wechseln Sie den Standort zum Starten des Motors (mindesten 3 m vom Ort des Auftankens entfernt).



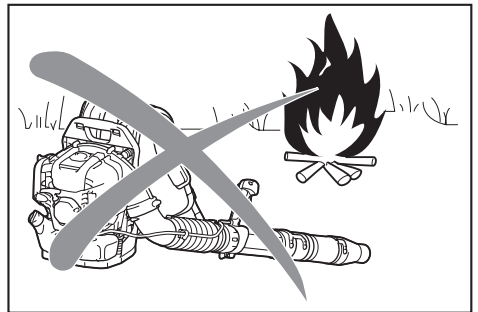
7. **Betanken Sie die Maschine niemals in geschlossenen Räumen. Kraftstoffdämpfe sammeln sich in Bodennähe an (Explosionsgefahr).**
8. **Transportieren und lagern Sie Kraftstoff nur in zugelassenen Behältern. Achten Sie darauf, dass gelagerter Kraftstoff für Kinder unzugänglich ist.**
9. **Versuchen Sie nicht, einen heißen oder laufenden Motor zu betanken.**
10. **Füllen Sie nicht mehr Kraftstoff ein, als in „TECHNISCHE DATEN“ angegeben.**
16. **Um den Schalldruckpegel zu verringern, begrenzen Sie die Anzahl der gleichzeitig verwendeten Geräte.**
17. **Nach der Benutzung von Blasgeräten und anderer Ausrüstung: SÄUBERN! Werfen Sie Unrat in Mülltonnen.**
18. **Drehen Sie den Motor nicht unnötig hoch. Anderenfalls können weggeblasene Objekte Personenschäden verursachen.**
19. **Der Abgasschalldämpfer wird während des Betriebs heiß. Vermeiden Sie eine Berührung des heißen Abgasschalldämpfers. Anderenfalls kann es zu Hautverbrennungen kommen.**

Betriebsmethode

1. **Benutzen Sie das Blasgerät nur bei guten Licht- und Sichtverhältnissen. Nehmen Sie sich vor schlüpfrigen oder nassen Bereichen, Eis und Schnee (Rutschgefahr) sowie Engstellen in Acht. Achten Sie stets auf sicheren Stand.**
2. **Arbeiten Sie niemals auf instabilen Flächen oder in steilem Gelände.**
3. **Arbeiten Sie nicht auf Leitern oder an hohen Orten. Anderenfalls kann es zu Personenschaden kommen.**
4. **Um Verletzungsgefahr zu reduzieren, richten Sie den Luftstrahl nicht auf Umstehende, da der hohe Druck des Luftstrahls Augen verletzen und kleine Objekte mit hoher Geschwindigkeit hochschleudern kann.**
5. **Führen Sie niemals irgendwelche Fremdkörper in den Lufteinlass der Maschine oder die Düse des Blasgerätes ein. Dadurch wird das Gebläse beschädigt, was schwere Verletzungen der Bedienungsperson oder von Umstehenden zur Folge haben kann, weil der Fremdkörper oder Bruchstücke mit hoher Geschwindigkeit herausgeschleudert werden.**
6. **Achten Sie auf die Windrichtung, d. h., arbeiten Sie nicht gegen den Wind.**
7. **Um Stolpergefahr und Verlust der Kontrolle zu reduzieren, gehen Sie nicht rückwärts, während Sie die Maschine betreiben.**
8. **Stellen Sie stets den Motor ab, bevor Sie das Gerät reinigen oder warten oder Teile austauschen.**
9. **Machen Sie eine Pause, um durch Müdigkeit verursachten Verlust der Kontrolle zu verhindern. Wir empfehlen, jede Stunde eine Pause von 10 bis 20 Minuten einzulegen.**
10. **Betreiben Sie die Maschine nicht in der Nähe eines Fensters usw.**
11. **Um physikalische Einflüsse durch Vibration und/oder Gehörschäden zu verringern, betreiben Sie die Maschine möglichst mit niedriger Drehzahl, und begrenzen Sie die Betriebszeit.**
12. **Betreiben Sie die Maschine nur zu zumutbaren Zeiten. Betreiben Sie das Blasgerät nicht früh morgens oder spät nachts, wenn Personen gestört werden könnten.**
13. **Es wird empfohlen, Rechen und Besen zu benutzen, um Unrat vor dem Blasen aufzulockern.**
14. **Bevor Sie mit dem Blasen beginnen, sollten Sie Oberflächen bei staubigen Bedingungen nötigenfalls leicht anfeuchten oder einen Wassersprüher verwenden.**
15. **Stellen Sie die Länge der Blasdüse so ein, dass der Luftstrom nahe am Boden arbeiten kann.**

Wartungsvorschriften

1. **Seien Sie freundlich zur Umwelt. Betreiben Sie das Blasgerät mit möglichst wenig Lärmerzeugung und Verschmutzung. Überprüfen Sie insbesondere die korrekte Einstellung des Vergasers.**
2. **Reinigen Sie das Blasgerät in regelmäßigen Abständen, und stellen Sie sicher, dass alle Schrauben und Muttern einwandfrei festgezogen sind.**
3. **Unterlassen Sie das Warten oder Lagern des Blasgerätes in der Nähe von offenen Flammen, Funken usw.**



4. **Lagern Sie das Blasgerät stets mit leerem Kraftstofftank in einem gut belüfteten und verschlossenen Raum.**
5. **Die Durchführung von Wartungs- oder Reparaturarbeiten durch den Benutzer beschränkt sich auf die in dieser Anleitung beschriebenen Arbeiten. Alle übrigen Arbeiten sind von einer Vertragswerkstatt durchzuführen.**
6. **Verwenden Sie nur Original-Ersatzteile und -Zubehörteile von Makita/Dolmar. Die Verwendung nicht zugelassener Zubehörteile und Werkzeuge kann zu Unfällen und Verletzungen führen. Makita/Dolmar übernimmt keine Haftung für Unfälle oder Schäden, die durch den Gebrauch nicht zugelassener Vorrichtungen oder Zubehörteile verursacht werden.**
7. **Unschonungsgemäße Reparatur und schlechte Wartung können die Lebensdauer des Gerätes verkürzen und das Unfallrisiko erhöhen.**

Erste Hilfe

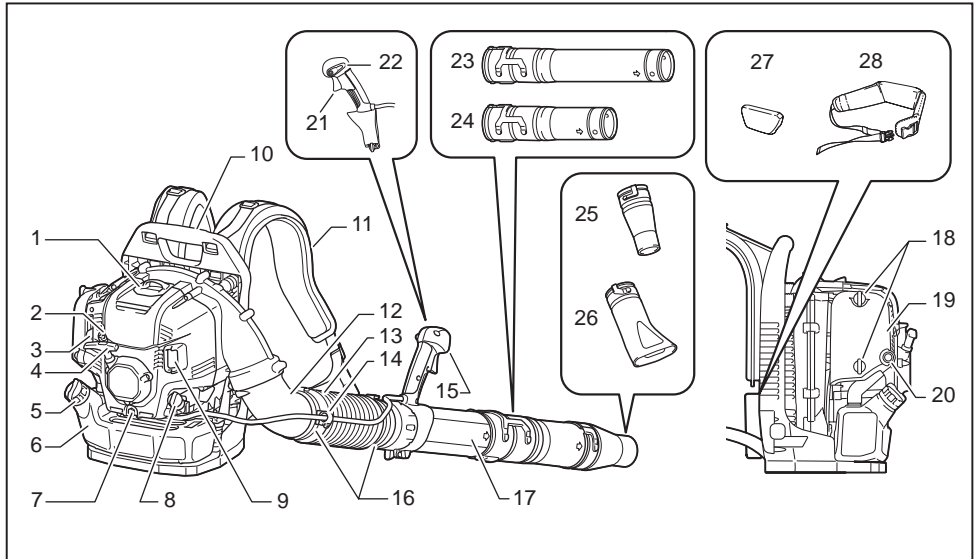
1. Sorgen Sie dafür, dass bei einem Unfall ein gut bestückter Erste-Hilfe-Kasten in der Nähe des Arbeitsplatzes verfügbar ist. Dem Erste-Hilfe-Kasten entnommenes Material ist sofort wieder aufzufüllen.

2. Wenn Sie Hilfe anfordern, machen Sie bitte folgende Angaben:

- Ort des Unfalls
- Art des Unfalls
- Zahl der Verletzten
- Art der Verletzungen
- Ihr Name

BEZEICHNUNG DER TEILE

MG5300



1	Zündkerzendeckel	9	Schalldämpfer	17	Schwenkrohr	25	Runddüse
2	Vereisungsschutzhebel	10	Tragegriff	18	Knopfschraube (der Luftfilterabdeckung)	26	Flachdüse (Sonderzubehör)
3	Chokehebel	11	Schulterriemen	19	Luftfilterabdeckung	27	Polster (Sonderzubehör)
4	Startergriff	12	Kniestück	20	Anlasseinspritzpumpe	28	Hüftgurt (Sonderzubehör)
5	Kraftstofftankdeckel	13	Flexibles Rohr	21	Gasabzug	-	-
6	Kraftstofftank	14	Seilzughalter	22	Drehzahlsteuerhebel	-	-
7	Ölablassschraube	15	Steuergriff	23	Langes Rohr (Sonderzubehör)	-	-
8	Öldeckel	16	Schlauchschele	24	Kurzes Rohr (Sonderzubehör)	-	-

- Das Standardzubehör kann von Land zu Land unterschiedlich sein.

MONTAGE

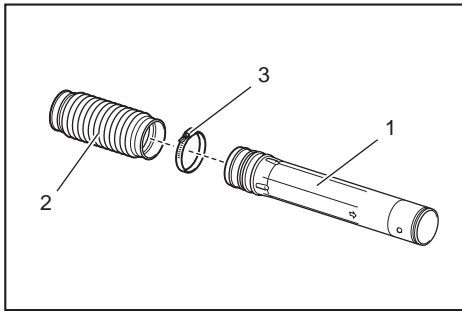
⚠ VORSICHT: Bevor Sie irgendwelche Arbeiten am Blasergerät durchführen, sollten Sie stets den Motor abstellen und den Zündkerzenstecker von der Zündkerze abziehen.

⚠ VORSICHT: Starten Sie das Blasergerät erst, nachdem es vollständig zusammengebaut worden ist.

⚠ VORSICHT: Tragen Sie stets Schutzhandschuhe.

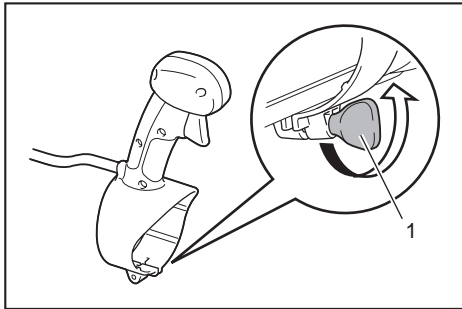
Zusammenbauen der Blasrohre

1. Führen Sie das Schwenkrohr in das flexible Rohr ein, und ziehen Sie die Teile mit der Schlauchschelle fest.



- 1. Schwenkrohr 2. Flexibles Rohr
3. Schlauchschelle

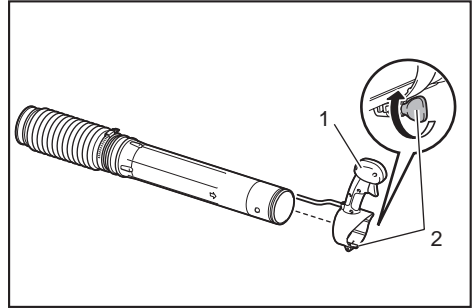
2. Lösen und entfernen Sie die Klemmschraube.



- 1. Klemmschraube

Achten Sie beim Montieren des Steuergriffs darauf, dass der Seilzug nicht verdreht wird.

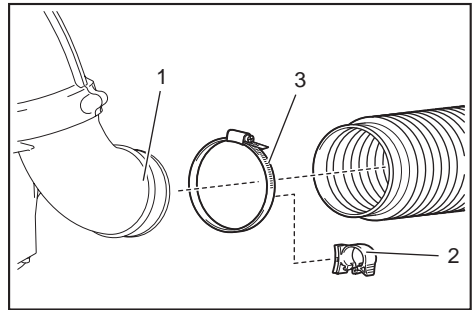
3. Montieren Sie den Steuergriff/die Griffstangeneinheit am Schwenkrohr, und ziehen Sie die Teile mit der Klemmschraube fest.



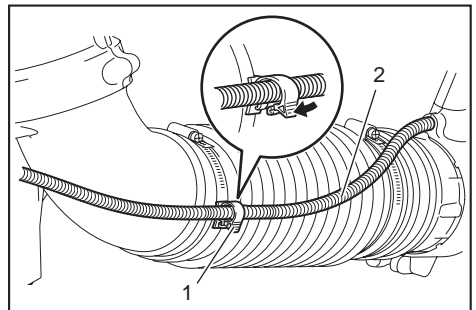
- 1. Steuergriff 2. Klemmschraube

4. Das flexible Rohr am Kniestück anbringen.

Führen Sie das Kniestück in das flexible Rohr ein. Bringen Sie den Seilzughalter zwischen Schlauchschelle und flexiblem Rohr an. Ziehen Sie Seilzughalter, flexibles Rohr und Kniestück mit der Schlauchschelle fest. Setzen Sie den Steuerseilzug auf den Seilzughalter, und schließen Sie den Seilzughalter.

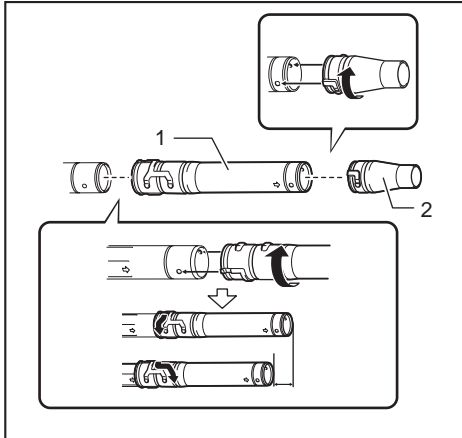


- 1. Kniestück 2. Seilzughalter 3. Schlauchschelle



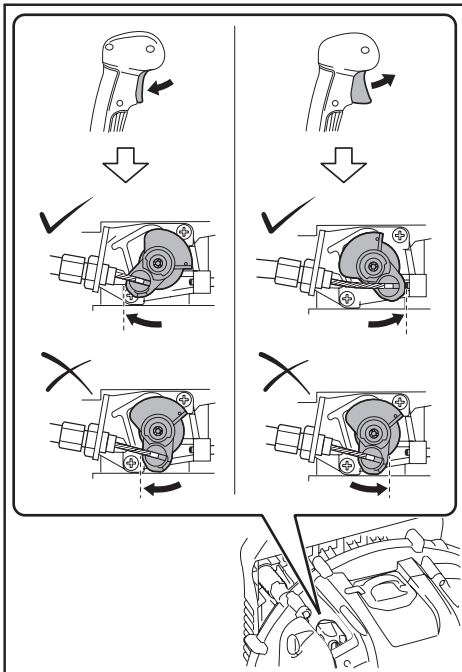
- 1. Seilzughalter 2. Steuerseilzug

5. Bringen Sie das lange/kurze Rohr am Schwenkrohr an. Drehen Sie das lange/kurze Rohr im Uhrzeigersinn, um es zu verriegeln. Bringen Sie dann die Blasdüse am langen/kurzen Rohr an. Drehen Sie die Blasdüse im Uhrzeigersinn, um sie zu verriegeln.



► 1. Langes/Kurzes Rohr 2. Blasdüse

6. Stellen Sie sicher, dass alle Klemmen fest sitzen. Prüfen Sie, ob sich die Drosselklappe zusammen mit der Bewegung des Gasabzugs korrekt bewegt.



Falls sich der Gasabzug nicht vollständig betätigen lässt oder nicht zur korrekten Position zurückkehrt, nehmen Sie auf den Abschnitt WARTUNG für die Einstellung der Drosselklappe Bezug.

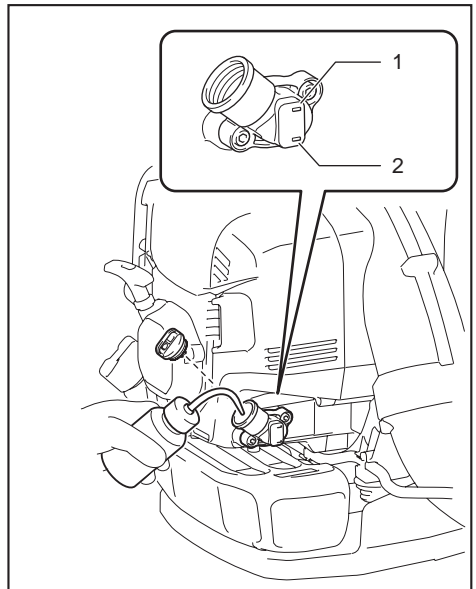
VOR DEM STARTEN DES MOTORS

Überprüfen und Nachfüllen von Motoröl

⚠ VORSICHT: Stellen Sie vor dem Nachfüllen von Motoröl den Motor ab, und warten Sie, bis er abgekühlt ist. Anderenfalls kann es zu Hautverbrennungen kommen.

ANMERKUNG: Die Verwendung von verdorbenem Öl verursacht Startschwierigkeiten.

ANMERKUNG: Entfernen Sie Staub oder Schmutz im Bereich der Öleinfüllöffnung, bevor Sie den Öldeckel abnehmen. Halten Sie außerdem den abgenommenen Öldeckel von Sand oder Staub frei. Anderenfalls kann am Öldeckel haftender Sand oder Staub unregelmäßige Ölzirkulation oder Verschleiß von Motorteilen verursachen, was zu Störungen führt.



► 1. Maximalpegelmarkierung
2. Minimalpegelmarkierung

Überprüfung

Setzen Sie das Blasgerät auf einer ebenen Fläche ab, und entfernen Sie den Öldeckel. Vergewissern Sie sich, dass sich der Ölstand zwischen der Maximal- und Minimalpegelmarkierung befindet. Falls der Ölstand nicht am Minimalpegel steht, füllen Sie neues Öl nach. Wechseln Sie das Öl, sobald es schmutzig wird oder seine Farbe beträchtlich ändert. (Angaben zu Ölwechselverfahren und Häufigkeit finden Sie unter „Motorölwechsel“.)

Nachfüllen

Setzen Sie das Blasergerät auf einer ebenen Fläche ab, und entfernen Sie den Öldeckel.
Füllen Sie Öl bis zur Obergrenze des Ölstandanzeigers ein.

Im Durchschnitt muss Motoröl nach jeweils 20 Betriebsstunden (jeweils 10 - 15 Betankungen) nachgefüllt werden.

Empfohlenes Öl

- Original-Makita/Dolmar-4-Takt-Motoröl oder
- Öl nach API-Klassifikation SAE 10W-30 Klasse SF oder höher (Motoröl für Kfz-Viertaktmotor)

Ölmenge

Ölfüllmenge: ca. 140 ml

ANMERKUNG: Lagern Sie das Blasergerät in aufrechter Stellung auf einer ebenen Fläche. Der Ölstandanzeiger zeigt nicht die korrekte Ölmenge an, wenn das Blasergerät schräg steht und Öl in den Motor fließt. Dies kann zu Überfüllen von Öl führen.

ANMERKUNG: Vermeiden Sie Überfüllen von Öl. Überschüssiges Öl kann aus der Ventilationsöffnung des Luftfilters auslaufen und die umliegenden Teile verschmutzen, oder weißer Rauch kann durch Verbrennung von Öl erzeugt werden.

Nach dem Auffüllen von Öl

Wischen Sie verschüttetes Öl mit einem Lappen auf.

Kraftstoffzufuhr

⚠️ WARNUNG: Stellen Sie vor dem Auftanken den Motor ab, und warten Sie, bis er abgekühlt ist. Anderenfalls kann es zu Entzündung, Brand oder Hautverbrennungen kommen.

⚠️ WARNUNG: Das Auftanken muss an einem feuerfreien Ort erfolgen, um Entzündung oder Brand zu verhindern. Bringen Sie niemals Feuer (brennende Zigaretten usw.) in die Nähe des Auftankortes.

⚠️ WARNUNG: Tanken Sie auf einer ebenen Fläche auf. Tanken Sie nicht auf einem instabilen Platz auf. Tanken Sie bei guten Licht- und Sichtverhältnissen auf.

⚠️ WARNUNG: Öffnen Sie den Kraftstofftankdeckel langsam. Anderenfalls kann Kraftstoff durch den internen Druck herauspritzen.

⚠️ WARNUNG: Achten Sie darauf, keinen Kraftstoff zu verschütten. Wischen Sie verschütteten Kraftstoff auf.

⚠️ WARNUNG: Betanken Sie das Gerät an einem gut belüfteten Ort.

⚠️ WARNUNG: Tanken Sie an einem offenen, freien Ort auf.

⚠️ WARNUNG: Behandeln Sie Kraftstoff mit Sorgfalt.

⚠️ VORSICHT: Kraftstoff, der auf die Haut oder in die Augen gelangt, kann Allergien oder Hautreizungen verursachen. Falls Sie irgendwelche körperlichen Unregelmäßigkeiten feststellen, konsultieren Sie sofort einen Facharzt.

ANMERKUNG: Öl NICHT in den Kraftstofftank einfüllen.

Kraftstoff

⚠️ WARNUNG: Lagern Sie Maschine und Tank an einem kühlen Ort, der keinem direkten Sonnenlicht ausgesetzt ist.

⚠️ WARNUNG: Kraftstoff niemals in einem Auto aufbewahren.

Der Motor ist ein Viertakt-Motor. Verwenden Sie unbe-
dingt Automobil-Benzin (Normalbenzin oder Super).

ANMERKUNG: Verwenden Sie niemals Benzin, das mit irgendwelchem Öl, wie z. B. Zweitaktöl oder Motoröl, vermischt wurde. Anderenfalls treten übermäßige Kohleablagerungen oder mechanische Probleme auf.

HINWEIS: Lagern Sie Kraftstoff in einem Spezialbehälter an einem gut belüfteten und schattigen Ort. Verbrauchen Sie Kraftstoff innerhalb von 4 Wochen. Anderenfalls kann sich der Kraftstoff schon innerhalb eines Tages zersetzen.

Auftankmethode

⚠️ VORSICHT: Falls der Tankdeckel irgend-
einen Mangel oder Schaden aufweist, ist er auszutauschen.

⚠️ VORSICHT: Der Tankdeckel verschleißt im Laufe der Zeit. Er ist alle zwei bis drei Jahre auszutauschen.

ANMERKUNG: Kraftstoff NICHT in die Öleinfüllöffnung einfüllen.

1. Den Tankdeckel ein wenig lösen, um den Tankdruck abzulassen.
2. Den Tankdeckel abnehmen, dann auftanken. Dabei Luft entweichen lassen, indem der Kraftstofftank so geneigt wird, dass die Kraftstoffeinfüllöffnung oben liegt. Kraftstoff NICHT bis zum Rand des Tanks einfüllen.
3. Ziehen Sie den Tankdeckel nach dem Auftanken sicher fest.

BETRIEB

Starten des Motors

⚠️ WARNUNG: Versuchen Sie niemals, den Motor am Auftankort anzulassen. Dies kann Entzündung oder Brand verursachen. Halten Sie beim Starten des Motors einen Abstand von mindestens 3 m vom Auftankort ein.

⚠️ WARNUNG: Die Abgase des Motors sind giftig. Betreiben Sie den Motor nicht an einem schlecht belüfteten Ort, wie z. B. in einem Tunnel, Gebäude usw. Der Betrieb des Motors an einem schlecht belüfteten Ort kann Vergiftung durch Abgase verursachen.

⚠️ WARNUNG: Falls Sie irgendwelche Unregelmäßigkeiten im Motorgeräusch, im Geruch oder Vibrationen nach dem Start feststellen, stellen Sie sofort den Motor ab, und führen Sie eine Überprüfung durch. Wird der Motor trotz solcher Unregelmäßigkeiten weiter betrieben, kann ein Unfall auftreten.

⚠️ WARNUNG: Nicht die heiße Motorabdeckung berühren. Anderenfalls kann es zu Hautverbrennungen kommen.

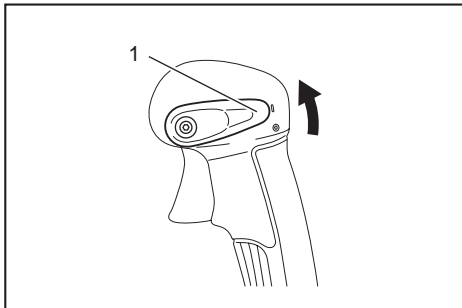
⚠️ WARNUNG: Stellen Sie vor dem Starten des Motors sicher, dass kein Kraftstoffleck vorhanden ist.

⚠️ WARNUNG: Stellen Sie sicher, dass der Motor stehen bleibt, wenn der Stoppschalter auf die Position „O“ gestellt wird.

Bei kaltem Motor oder nach dem Auftanken (Kaltstart)

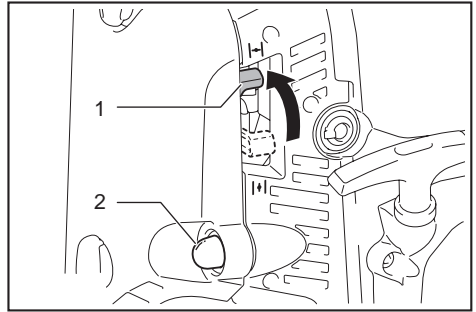
1. Stellen Sie das Blasgerät auf eine ebene Fläche.
2. I/O-Position

Stellen Sie den Drehzahlsteuerhebel auf die Position „I“.



► 1. Drehzahlsteuerhebel

3. Drücken Sie die Anlasseinspritzpumpe so lange, bis Kraftstoff in die Anlasseinspritzpumpe eintritt.

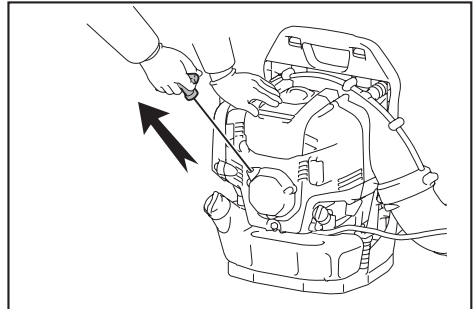


► 1. Chokehebel 2. Anlasseinspritzpumpe

HINWEIS: Im Allgemeinen fließt Kraftstoff nach 7 bis 10 Betätigungen in den Vergaser.

HINWEIS: Falls die Anlasseinspritzpumpe zu viel betätigt wird, fließt überschüssiger Kraftstoff in den Kraftstofftank zurück.

4. Den Chokehebel auf die geschlossene Stellung anheben.
5. Legen Sie Ihre linke Hand auf die Oberseite des Blasgeräts, und ziehen Sie den Startergriff langsam mit Ihrer rechten Hand, bis Sie die Kompression spüren. Ziehen Sie dann den Startergriff kräftig durch.

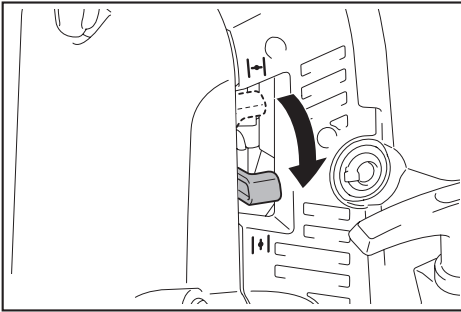


ANMERKUNG: Ziehen Sie das Starterseil niemals vollständig heraus.

ANMERKUNG: Führen Sie den Startergriff sachte in das Gehäuse zurück. Wenn Sie den Startergriff loslassen, kann er Ihren Körper treffen, oder das Starterseil wird möglicherweise nicht richtig aufgewickelt.

HINWEIS: Falls der Motor sofort nach dem Anspringen stehen bleibt, stellen Sie den Chokehebel auf die Stellung „offen“ zurück, und ziehen Sie den Startergriff mehrmals, um den Motor wieder zu starten.

6. Sobald der Motor startet, senken Sie den Chokehebel auf die geöffnete Position ab.



HINWEIS: Öffnen Sie den Chokehebel vollständig, bevor Sie die Drosselklappe betätigen.

HINWEIS: Öffnen Sie den Chokehebel bei niedrigen Temperaturen, oder wenn der Motor nicht warm genug ist, niemals abrupt. Anderenfalls kann der Motor stehen bleiben.

7. Lassen Sie den Motor 2 bis 3 Minuten lang mit Leerlaufdrehzahl oder niedriger Drehzahl warmlaufen.
8. Der Warmlauf ist beendet, wenn der Motor von niedriger Drehzahl bis Vollgas schnell anspricht.

HINWEIS: Wird der Startergriff mehrmals gezogen, während der Chokehebel in der Stellung „geschlossen“ belassen wird, kann der Motor wegen Überfettung schwer zu starten sein. Bei Überfettung die Zündkerze herausdrehen, und den Handgriff mehrmals schnell ziehen, um überschüssigen Kraftstoff auszustoßen. Die Zündkerzenelektrode abtrocknen.

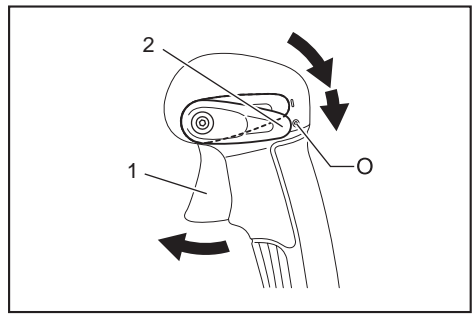
Bei warmem Motor (Warmstart)

⚠ VORSICHT: Achten Sie darauf, dass Sie Ihre Hand nicht verbrennen. Tragen Sie Handschuhe beim Starten des Motors.

1. Stellen Sie das Blasgerät auf eine ebene Fläche.
2. Die Anlasseinspritzpumpe mehrmals drücken.
3. Sicherstellen, dass der Chokehebel geöffnet ist.
4. Legen Sie Ihre linke Hand auf die Oberseite des Blasgeräts, und ziehen Sie den Startergriff langsam mit Ihrer rechten Hand, bis Sie die Kompression spüren. Ziehen Sie dann den Startergriff kräftig durch.

Abstellen des Motors

Lassen Sie den Gasabzug los, und stellen Sie dann den Drehzahlsteuerhebel auf die Position „0“.



► 1. Gasabzug 2. Drehzahlsteuerhebel

Verhütung von Vergaservereisung

ANMERKUNG: Stellen Sie den Hebel bei Umgebungstemperaturen über 10°C immer auf die Normalstellung (Sonnensymbol) zurück. Anderenfalls kann der Motor durch Überhitzung beschädigt werden.

Bei niedrigen Umgebungstemperaturen und hoher Luftfeuchtigkeit kann Wasserdampf im Vergaser gefrieren (Vergaservereisung), was zu ungleichmäßigem Motorlauf führt. Ändern Sie die Einstellung des Vereisungsschutzhebels nötigenfalls wie folgt.

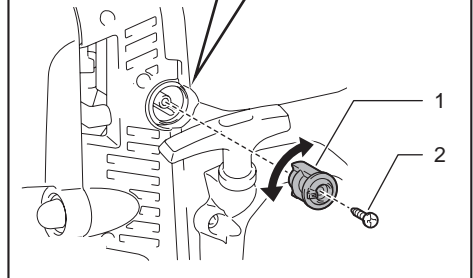
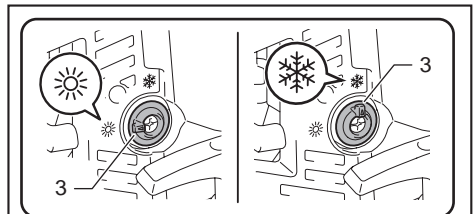
1. Entfernen Sie die Schraube, und ziehen Sie den Vereisungsschutzhebel heraus.
2. Führen Sie den Vereisungsschutzhebel wie folgt ein:

Wärmere Umgebung als 10°C

Stellen Sie den Knopf auf das Sonnensymbol (wärmere Position).

10°C oder kältere Umgebung

Stellen Sie den Knopf auf das Schneesymbol (Vereisungsschutzstellung).



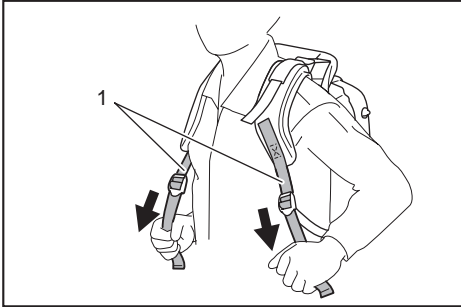
► 1. Vereisungsschutzhebel 2. Schraube 3. Knopf

3. Ziehen Sie die Schraube an.

Einstellen des Schulterriemens

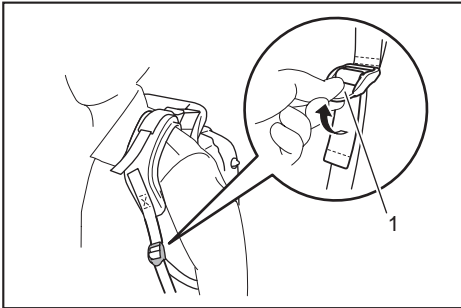
1. Stellen Sie den Schulterriemen auf eine Länge ein, die bequemes Arbeiten mit dem Blasgerät ermöglicht.

Zum Straffen des Riemen ziehen Sie das Riemenende nach unten.



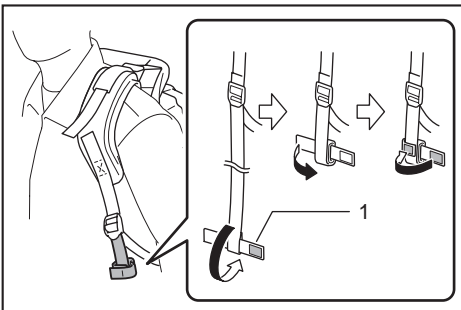
► 1. Schulterriemen

Zum Lockern des Riemen das Ende der Schnalle nach oben ziehen.



► 1. Schnalle

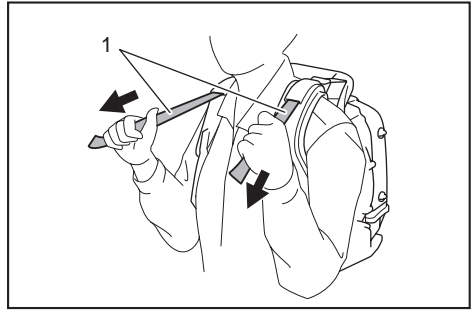
Rollen Sie das Ende des Riemen auf, und arretieren Sie es mit dem Band.



► 1. Band

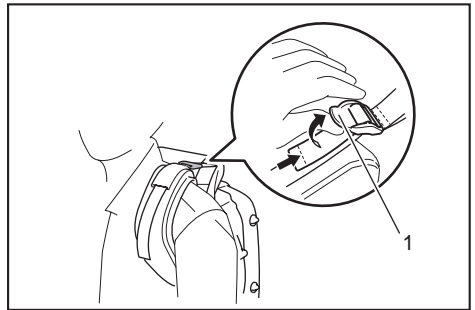
2. Ziehen Sie den Stabilisierriemen, bis kein Spielraum mehr zwischen Ihrem Rücken und den Blasgerätegehäuse vorhanden ist.

Zum Straffen des Riemen das Riemenende nach unten ziehen.



► 1. Stabilisierriemen

Zum Lockern des Riemen das Ende der Schnalle nach oben ziehen.

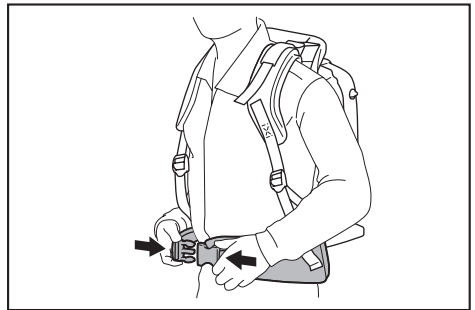


► 1. Schnalle

Hüftgurt

Sonderzubehör

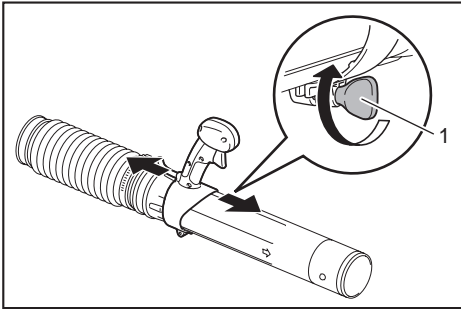
Der Hüftgurt ermöglicht es dem Benutzer, das Gerät stabiler zu tragen.



▲ VORSICHT: Lösen Sie unbedingt die Schnalle des Hüftgurts, bevor Sie das Blasgerät ablegen.

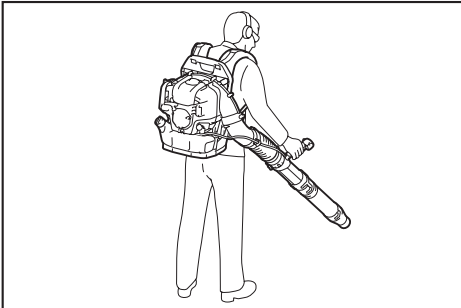
Einstellen der Position des Steuerhebels

Bewegen Sie den Steuergriff entlang dem Schwenkrohr auf die komfortabelste Position. Ziehen Sie dann den Steuergriff mit der Klemmschraube fest.



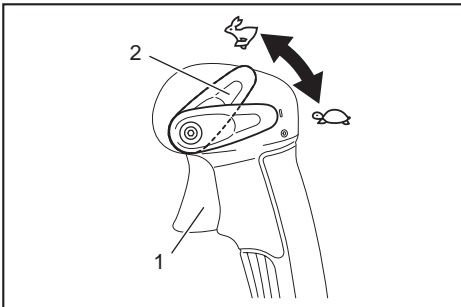
► 1. Klemmschraube

Blasgerätebetrieb



1. Stellen Sie den Gasabzug/Gashebel während des Betriebs des Blasgerätes auf eine für den Arbeitsplatz und die Bedingungen angemessene Luftstrahlkraft ein.
2. Stellen Sie die Motordrehzahl ein.

Durch Ziehen des Gasabzugs wird die Motordrehzahl erhöht. Durch Loslassen des Gasabzugs wird die Motordrehzahl verringert. Die Drehzahlsteuerfunktion gestattet es dem Bediener, eine konstante Motordrehzahl beizubehalten, ohne den Gasabzug zu betätigen. Zum Erhöhen der Motordrehzahl den Drehzahlsteuerhebel auf hohe Drehzahl stellen. Zum Verringern der Motordrehzahl den Drehzahlsteuerhebel auf niedrige Drehzahl stellen.



► 1. Gasabzug 2. Drehzahlsteuerhebel

Transportieren des Blasgerätes

⚠ VORSICHT: Transportieren Sie das Blasgerät grundsätzlich nur mit abgestelltem Motor.

ANMERKUNG: Setzen oder stellen Sie sich nicht auf das Blasgerät, und legen Sie auch keine schweren Gegenstände darauf. Dadurch kann die Maschine beschädigt werden.

ANMERKUNG: Halten Sie das Blasgerät bei Transport oder Lagerung in einer aufrechten Stellung. Wird das Gerät nicht in aufrechter Stellung transportiert oder gelagert, kann Öl in den Motor des Blasgerätes gelangen. Dies kann zu Öllecks und Erzeugung von weißem Rauch durch Ölverbrennung führen, und außerdem kann der Luftfilter mit Öl verschmutzt werden.

ANMERKUNG: Ziehen Sie das Blasgerät beim Transportieren nicht. Anderenfalls kann das Blasgerätegehäuse beschädigt werden.

WARTUNG

⚠ VORSICHT: Stellen Sie den Motor ab, und lassen Sie ihn abkühlen, bevor Sie Überprüfungs- und Wartungsarbeiten durchführen. Kerzenstecker und Zündkerze entfernen. Anderenfalls kann der Bediener Verbrennungen oder schwere Verletzungen durch versehentliches Anspringen erleiden.

⚠ VORSICHT: Vergewissern Sie sich nach jeder Überprüfung und Wartung, dass alle Teile wieder eingebaut sind.

Motorölwechsel

⚠ VORSICHT: Motoreinheit und Motoröl sind unmittelbar nach dem Abstellen des Motors noch heiß. Vergewissern Sie sich beim Ölwechsel, dass Motoreinheit und Motoröl ausreichend abgekühlt sind. Anderenfalls besteht Verbrühungsgefahr. Warten Sie nach dem Abstellen des Motors ausreichend lange, bis das Motoröl in den Öltank zurückgelaufen ist, damit die Ölmenge korrekt abgelesen werden kann.

⚠ VORSICHT: Wird Öl über den Maximalpegel hinaus eingefüllt, kann das Öl verschmutzt werden oder Feuer fangen und weißen Rauch erzeugen.

ANMERKUNG: Schütten Sie Altöl niemals in den Müll, in den Boden oder in einen Abwasserkanal. Die Entsorgung von Öl ist gesetzlich geregelt. Befolgen Sie bei der Entsorgung immer die einschlägigen Gesetze und Vorschriften. Bei Unklarheiten kontaktieren Sie eine Vertragswerkstatt.

ANMERKUNG: Öl verschlechtert sich, wenn es unbenutzt bleibt. Führen Sie Überprüfung und Wechsel in regelmäßigen Abständen durch (das Öl alle 6 Monate durch neues ersetzen).

Verschlehtertes Motoröl verkürzt die Lebensdauer der gleitenden und rotierenden Teile erheblich. Überprüfen Sie die Zeitspanne und Menge des Wechsels.

Wechselintervall

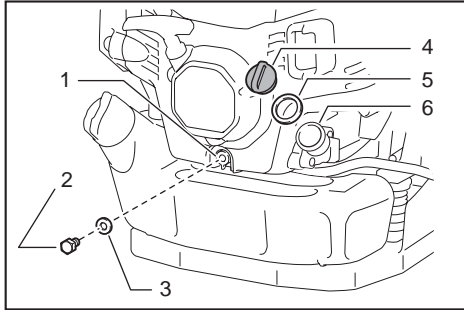
Nach den ersten 20 Betriebsstunden, danach alle 50 Betriebsstunden

Empfohlenes Öl

- Original-Makita/Dolmar-4-Takt-Motoröl oder
- Öl nach API-Klassifikation SAE 10W-30 Klasse SF oder höher (Motoröl für Kfz-Viertaktmotor)

Ölwechselverfahren

Wechseln Sie das Öl wie folgt:



- 1. Ablassöffnung 2. Ölwanne
3. Dichtung (Aluminiumscheibe) 4. Öldeckel
5. Ölwanne 6. Ölwanne

1. Stellen Sie das Blasgerät auf eine ebene Fläche.
2. Stellen Sie einen Altölbehälter unter die Ablassöffnung, um das auslaufende Öl aufzufangen. Der Behälter sollte ein Fassungsvermögen von mindestens 140 ml haben, um die gesamte Ölmenge aufzufangen.
3. Lösen Sie die Ölwanne, um das Öl abzulassen. Achten Sie darauf, dass kein Öl auf den Kraftstofftank oder andere Teile gelangt.

ANMERKUNG: Achten Sie darauf, dass die Dichtung (Aluminiumscheibe) nicht verloren geht. Legen Sie die Ölwanne an einen Ort, wo sich kein Schmutz ansammeln kann.

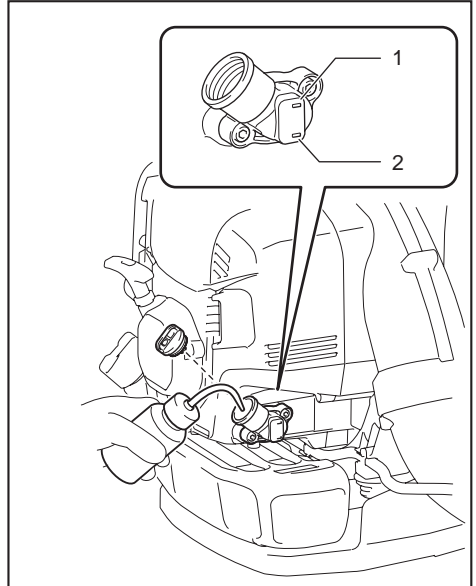
4. Den Öldeckel entfernen. (Durch Entfernen des Öldeckels kann das Öl leichter auslaufen.)

ANMERKUNG: Legen Sie den Öldeckel an einen Ort, wo sich kein Schmutz ansammeln kann.

5. Wenn die auslaufende Ölmenge geringer wird, das Blasgerät zur Seite der Ablassöffnung kippen, damit das Öl restlos ausläuft.
6. Nachdem das Öl vollständig ausgelaufen ist, ziehen Sie die Ölwanne fest. Wird die Schraube nicht fest angezogen, kann es zu einem Ölleck kommen.

ANMERKUNG: Vergessen Sie beim Wiedereindrehen der Ablassschraube nicht, die Dichtung (Aluminiumscheibe) wieder anzubringen.

7. Füllen Sie ca. 140 ml Öl bis zur Maximalpegelmарkierung in die Öleinfüllöffnung ein.



- 1. Maximalpegelmарkierung
2. Minimalpegelmарkierung

8. Ziehen Sie nach dem Einfüllen des Öls den Öldeckel fest, um Öllecks zu verhindern.

ANMERKUNG: Vergessen Sie beim Wiederanbringen des Öldeckels nicht, die Ölwanne wieder anzubringen.

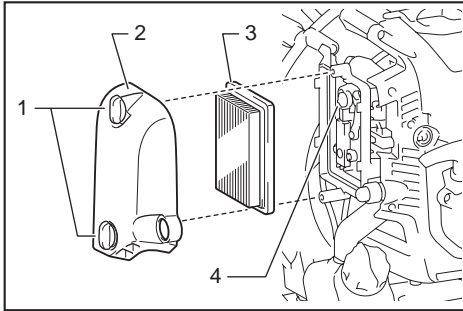
Reinigen des Luftfilters

⚠️ WARNUNG: ZÜNDSTOFFE STRENG VERBOTEN

Reinigungs- und Überprüfungsintervall

Täglich (alle 10 Betriebsstunden)

Reinigungsverfahren



- 1. Knopfschrauben 2. Luftfilterabdeckung 3. Einsatz 4. Ventilationsöffnung

1. Die Rändelschrauben lösen.
2. Die Luftfilterabdeckung entfernen.
3. Nehmen Sie den Einsatz heraus, und entfernen Sie jeglichen Schmutz mit einem Lappen oder Luftgebläse vom Einsatz. Ersetzen Sie den Einsatz durch einen neuen, wenn er beschädigt oder stark verschmutzt ist.

HINWEIS: Der Einsatz ist ein Trockenelement, das nicht nass werden darf. Keinesfalls mit Wasser abwaschen.

4. Wischen Sie etwaiges Öl um die Ventilationsöffnung mit einem Lappen oder Tuch ab.
5. Setzen Sie den Einsatz in das Luftfiltergehäuse ein.
6. Die Luftfilterabdeckung anbringen, und die Rändelschrauben anziehen.

ANMERKUNG: Reinigen Sie den Einsatz mehrmals pro Tag, falls sich in einer staubigen Umgebung übermäßig viel Staub angesammelt hat.

ANMERKUNG: Wird der Betrieb fortgesetzt, wenn Öl am Einsatz haften bleibt, kann das Öl im Luftfilter nach außen gelangen und zu Ölverschmutzung führen.

Überprüfen der Zündkerze

⚠ VORSICHT: Berühren Sie die Zündkerze nicht bei laufendem Motor. Anderenfalls kann es zu einem elektrischen Schlag kommen.

⚠ VORSICHT: Stellen Sie den Drehzahlsteuerhebel/Stoppschalter auf die AUS-Stellung „0“.

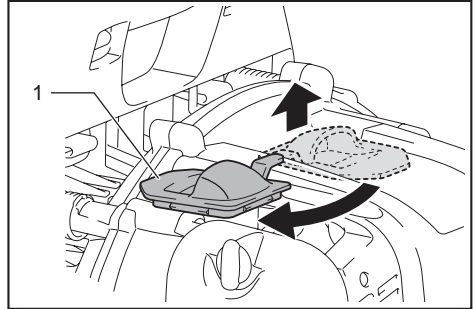
⚠ VORSICHT: Überprüfen Sie das Zündkerzenkabel regelmäßig. Falls es beschädigt oder gerissen ist, ersetzen Sie es. Anderenfalls kann es zu einem elektrischen Schlag kommen.

ANMERKUNG: Reinigen Sie zuerst die Zündkerze und den Zylinderkopf, bevor Sie die Zündkerze entfernen, damit kein Schmutz, Sand usw. in den Zylinder gelangt.

ANMERKUNG: Entfernen Sie die Zündkerze erst, nachdem der Motor abgekühlt ist, um eine Beschädigung der Gewindebohrung im Zylinder zu vermeiden.

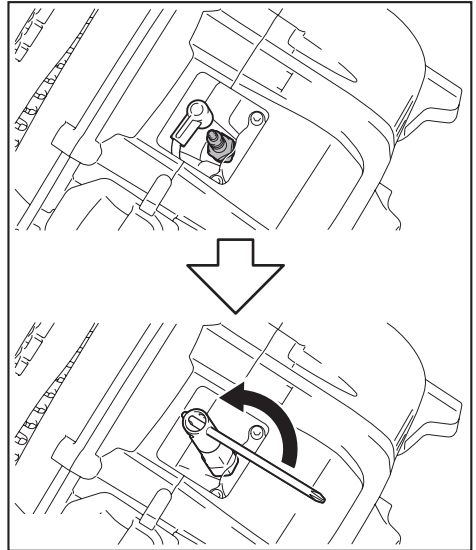
ANMERKUNG: Drehen Sie die Zündkerze korrekt in die Gewindebohrung ein. Wird sie schief eingedreht, führt das zu einer Beschädigung der Gewindebohrung im Zylinder.

1. Den Zündkerzendeckel zum Öffnen anheben und um eine halbe Umdrehung drehen.



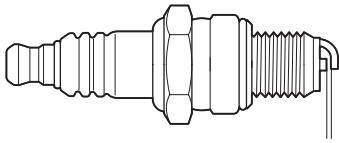
- 1. Zündkerzendeckel

2. Verwenden Sie den als Standardzubehör mitgelieferten Ringschlüssel zum Heraus- und Hineindreihen der Zündkerze.



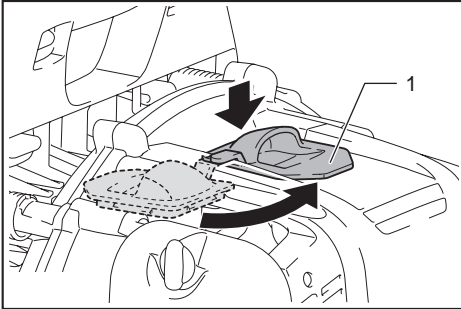
3. Der korrekte Abstand zwischen den beiden Zündkerzenelektroden beträgt 0,7 bis 0,8 mm. Stellen Sie den Elektrodenabstand auf den korrekten Wert ein, wenn er zu groß oder zu klein ist.

Die Zündkerze gründlich reinigen oder austauschen, falls sich Kohlenstoff oder Schmutz angesammelt hat. Verwenden Sie NGK CMR6H als Ersatz.



0.7 mm – 0.8 mm (0.028" – 0.031")

- Den Zündkerzendeckel zum Schließen um eine halbe Umdrehung drehen, und um die Vertiefung herum andrücken.



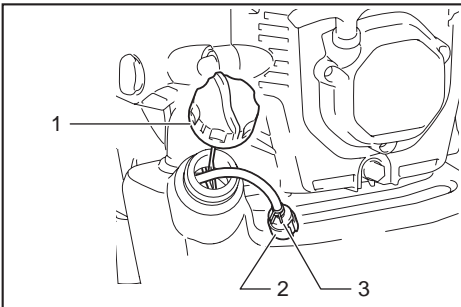
- Zündkerzendeckel

Reinigen des Kraftstofffilters

VORSICHT: Vergewissern Sie sich, dass der Kraftstofftank keine Beschädigung aufweist. Falls der Kraftstofftank irgendwelche Schäden aufweist, wenden Sie sich zwecks Reparatur unverzüglich an ein autorisiertes Service-Center.

ANMERKUNG: Reinigen Sie den Kraftstofffilter regelmäßig. Ein verstopfter Kraftstofffilter kann Startschwierigkeiten verursachen oder eine Erhöhung der Motordrehzahl verhindern.

Überprüfen Sie den Kraftstofffilter regelmäßig wie folgt:



- Kraftstofftankdeckel
- Kraftstofffilter
- Schlauchklemme

- Entfernen Sie den Kraftstofftankdeckel, und lassen Sie den Kraftstoff ab, um den Tank zu leeren. Überprüfen Sie die Innenseite des Tanks auf etwaige Fremdkörper. Falls Fremdkörper vorhanden sind, muss der Tank sauber gewischt werden.
- Den Kraftstofffilter mit einem Draht durch die Kraftstoff-Einflöpfung herausziehen.
- Falls die Oberfläche des Kraftstofffilters verschmutzt ist, mit Benzin reinigen.

ANMERKUNG: Entsorgen Sie das zum Reinigen des Kraftstofffilters verwendete Benzin nach dem von der jeweiligen örtlichen Behörde vorgeschriebenen Verfahren.

ANMERKUNG: Ersetzen Sie den Kraftstofffilter, falls er übermäßig verschmutzt ist.

- Führen Sie den Kraftstofffilter nach dem Überprüfen, Reinigen oder Austauschen in die Kraftstoffleitung ein, und sichern Sie ihn mit der Schlauchklemme. Setzen Sie den Kraftstofffilter wieder in den Kraftstofftank ein, und ziehen Sie den Kraftstofftankdeckel fest.

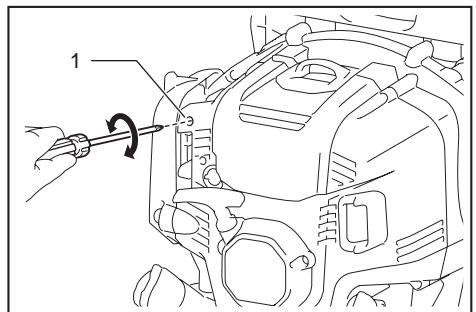
Einstellung der Leerlaufdrehzahl

VORSICHT: Der Vergaser ist werksseitig eingestellt. Nehmen Sie außer der Leerlaufeinstellung niemals andere Einstellungen vor. Wenden Sie sich für andere Einstellungen an ein autorisiertes Service-Center.

Die angemessene Niederdrehzahl beträgt 2.800 min⁻¹ (U/min).

Sollte eine Änderung der Drehzahl notwendig sein, drehen Sie die Einstellschraube mit einem Kreuzschlitzschraubendreher.

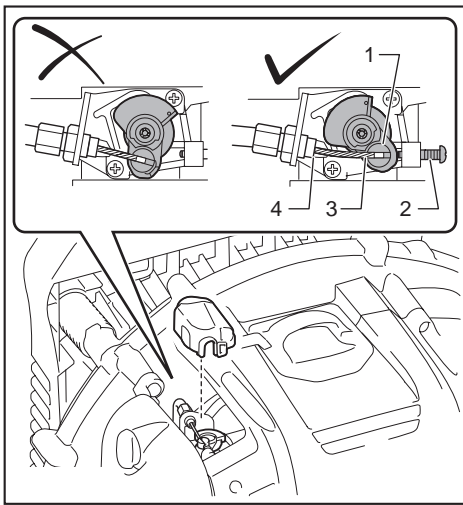
Falls der Motor bei Leerlaufdrehzahl stehen bleibt oder unregelmäßig läuft, drehen Sie die Einstellschraube nach rechts, um die Leerlaufdrehzahl zu erhöhen. Falls die Maschine bei Leerlaufdrehzahl zu stark bläst, drehen Sie die Einstellschraube nach links, um die Leerlaufdrehzahl zu verringern.



- Leerlauf-Einstellschraube

Überprüfen der Drosselklappe

Falls der Steuerseilzug verbogen oder verklemmt ist, kommt die Drosselklappe nicht mit der Leerlauf-Einstellschraube in Kontakt, wodurch ordnungsgemäßer Leerlauf des Motors verhindert wird. Verlagern Sie in einem solchen Fall den Steuerseilzug, um ordnungsgemäße Bewegung der Drosselklappe zu gewährleisten.

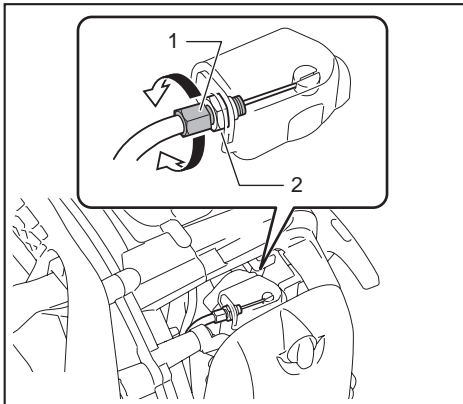


► 1. Drosselklappe 2. Leerlauf-Einstellschraube
3. Steuerseilzug 4. Drosselklappenanschlag

Falls die Drosselklappe den Drosselklappenanschlag nicht berührt, selbst wenn der Gasabzug vollständig betätigt wird, oder die Drosselklappe die Leerlauf-Einstellschraube während des Leerlaufs nicht berührt, drehen Sie die Seilzug-Einstellschraube wie folgt:

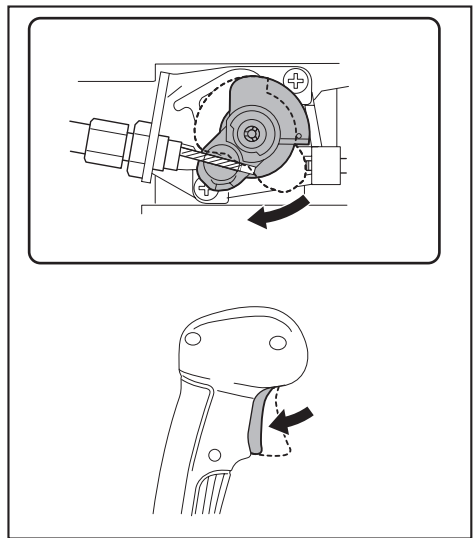
1. Lösen Sie die Befestigungsmutter.
2. Falls die Drosselklappe den Drosselklappenanschlag nicht berührt, drehen Sie die Seilzug-Einstellschraube entgegen dem Uhrzeigersinn.

Falls die Drosselklappe die Leerlauf-Einstellschraube nicht berührt, drehen Sie die Seilzug-Einstellschraube im Uhrzeigersinn.



► 1. Seilzug-Einstellschraube 2. Befestigungsmutter

3. Ziehen Sie die Befestigungsmutter an, um die Seilzug-Einstellschraube zu sichern.
4. Überprüfen Sie die Bewegung der Drosselklappe. Die Drosselklappe kommt auf die abgebildete Position, wenn der Gasabzug/Gashebel betätigt/gedreht wird.

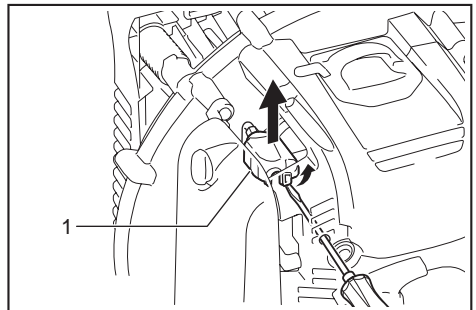


Reinigen der Vergaserabdeckung

Falls eine Überprüfung der Drosselklappe wegen einer verschmutzten Vergaserabdeckung schwierig ist, reinigen Sie die Vergaserabdeckung wie folgt:

ANMERKUNG: Verwenden Sie auf keinen Fall Benzin, Waschbenzin, Verdünnern, Alkohol oder dergleichen zum Reinigen der Vergaserabdeckung. Anderenfalls kann sie matt werden.

1. Führen Sie einen Schlitzschraubendreher durch die Öffnung in der Motorabdeckung ein. Lösen Sie die Klemme der Vergaserabdeckung.



► 1. Vergaserabdeckung

2. Reinigen Sie die Vergaserabdeckung.

ANMERKUNG: Verwenden Sie ein nasses, sauberes Tuch zum Reinigen der Vergaserabdeckung.

3. Bringen Sie die Vergaserabdeckung wieder an. Vergewissern Sie sich, dass die Klemme der Vergaserabdeckung einrastet, wenn sie angebracht wird.

Überprüfen von Bolzen, Muttern, Schrauben und anderen Teilen

Lockere Schrauben, Muttern usw. nachziehen.

Auf Kraftstoff- und Öllecks überprüfen.

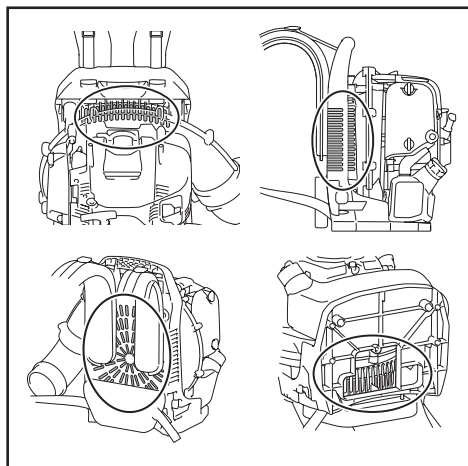
Beschädigte Teile für sicheren Betrieb durch neue ersetzen.

Reinigen von Motor, Kühlluft einlass

Halten Sie den Motor durch Abwischen mit einem Lappen sauber.

Halten Sie die Zylinderlamellen von Staub oder Schmutz frei. An den Lamellen anhaftender Staub oder Schmutz kann zu Überhitzungen des Motors und einem Kolbenfresser führen.

Die Blasluft wird durch den Luftpfeifeinlass angesaugt. Falls der Luftstrom während des Betriebs schwächer wird, stellen Sie den Motor ab, und überprüfen Sie den Luftpfeifeinlass auf etwaige Blockierungen. Reinigen Sie die Teile nötigenfalls. Eine derartige Blockierung kann Überhitzung verursachen und den Motor beschädigen.



Austauschen von Dichtungen und Packungen

Dichtungen und Packungen sind im Falle einer Zerlegung des Motors auszutauschen.

Wartungs- oder Einstellarbeiten, die nicht in dieser Anleitung enthalten und beschrieben sind, dürfen nur von einer Vertragswerkstatt durchgeführt werden.

Lagerung

⚠️ WARNUNG: Stellen Sie vor dem Ablassen des Kraftstoffs den Motor ab und warten Sie, bis er abgekühlt ist. Anderenfalls kann es zu Verbrennungen oder einem Brand kommen.

⚠️ VORSICHT: Soll die Maschine längere Zeit gelagert werden, den Kraftstoff restlos von Kraftstofftank und Vergaser ablassen, und die Maschine an einem trockenen und sauberen Ort aufbewahren.

Gehen Sie zum Ablassen des Kraftstoffs aus Kraftstofftank und Vergaser vor der Lagerung der Maschine wie folgt vor:

1. Den Kraftstofftankdeckel entfernen, und den Kraftstoff vollständig ablassen. Falls Fremdkörper im Kraftstofftank vorhanden sind, diese vollkommen entfernen.
2. Den Kraftstofffilter mit einem Draht aus der Nachfüllöffnung herausziehen.
3. Die Anlasseinspritzpumpe drücken, bis Kraftstoff von ihr ausläuft, und den in den Kraftstofftank fließenden Kraftstoff ablassen.
4. Den Kraftstofffilter wieder in den Kraftstofftank einsetzen, und den Kraftstofftankdeckel fest anziehen.
5. Dann den Motor laufen lassen, bis er stehen bleibt.
6. Die Zündkerze entfernen, und mehrere Tropfen Motoröl durch die Zündkerzenbohrung tröpfeln lassen.
7. Den Startergriff sachte ziehen, so dass sich das Motoröl im Motor verteilt, und die Zündkerze wieder eindrehen.
8. Die Maschine mit oben liegendem Tragegriff aufbewahren.
9. Lagern Sie den abgelassenen Kraftstoff in einem Spezialbehälter an einem gut belüfteten und schattigen Ort.

Fehlerortung

Fehler	System	Beobachtung	Ursache
Motor springt nicht oder nur schwer an	Zündanlage	Zündfunke vorhanden.	Störung in Kraftstoffzufuhr oder Kompressionssystem, mechanischer Defekt.
		Keine Zündfunken vorhanden.	Stoppsschalter betätigt, Fehler oder Kurzschluss in Verkabelung, Zündkerze oder Kerzenstecker defekt, Zündmodul fehlerhaft.
	Kraftstoffzufuhr	Kraftstofftank gefüllt.	Falsche Chokeyposition, defekter Vergaser, Kraftstoffleitung verbogen oder blockiert, Kraftstoff verschmutzt.
	Kompression	Keine Kompression beim Ziehen.	Zylinderfußdichtung defekt, Kurbelwellendichtungen beschädigt, Zylinder oder Kolbenringe defekt oder schlechte Abdichtung der Zündkerze.
	Mechanischer Fehler	Starter rückt nicht ein.	Gerissene Starterfeder, beschädigte Motor-Innenteile.
Warmstartprobleme	-	Tank gefüllt. Zündfunke vorhanden.	Vergaser verschmutzt, reinigen lassen.
Motor springt an, stirbt aber sofort wieder ab	Kraftstoffzufuhr	Tank gefüllt.	Falsche LeerlaufEinstellung, Vergaser verschmutzt.
			Kraftstofftankbelüftung defekt, Kraftstoffzufuhrleitung unterbrochen, Kabel oder Stoppschalter fehlerhaft.
Unzureichende Leistung	Mehrere Systeme können gleichzeitig betroffen sein.	Schlechter Leerlauf des Motors.	Luftfilter verschmutzt, Vergaser verschmutzt, Schalldämpfer zugesetzt, Auslasskanal im Zylinder zugesetzt.

Überprüfungs- und Wartungsintervall

-		Vor dem Betrieb	Nach dem Auftanken	Täglich (10 Std.)	50 Std.	200 Std.	600 Std. oder 2 Jahre, welches zuerst eintritt	Vor der Lagerung
Motoröl	Überprüfen/ Nachfüllen	○	-	-	-	-	-	-
	Austauschen	-	-	-	○ (Hinweis 1)	-	-	-
Befestigungsteile (Schraube, Mutter)	Überprüfen	○	-	-	-	-	-	-
Kühlflüteinlass	Reinigen/ Überprüfen	○	-	-	-	-	-	-
Kraftstofftank	Reinigen/ Überprüfen	○	-	-	-	-	-	-
	Kraftstoff ablassen	-	-	-	-	-	-	○ (Hinweis 3)
Gasabzug/ Gashebel	Funktion überprüfen	-	○	-	-	-	-	-
Abstellen des Motors	Funktion überprüfen	-	○	-	-	-	-	-
Einstellung der Leerlaufdrehzahl	Überprüfen/ Einstellen	-	○	-	-	-	-	-

-		Vor dem Betrieb	Nach dem Auftanken	Taglich (10 Std.)	50 Std.	200 Std.	600 Std. oder 2 Jahre, welches zuerst eintritt	Vor der Lagerung
Luftfilter	Reinigen	-	-	○	-	-	-	-
	Überprüfen/ notigenfalls auswechseln	-	-	-	-	○	-	-
Steuerseilzug	Überprüfen/ Einstellen	-	-	○	-	-	-	-
	Überprüfen/ notigenfalls auswechseln	-	-	-	-	○ (Hinweis 2)	-	-
Zundkerze	Überprüfen/ notigenfalls Spiel einstellen	-	-	○	-	-	-	-
	Reinigen/ notigenfalls auswechseln	-	-	-	-	○	-	-
Zundkabel	Überprüfen/ notigenfalls auswechseln	-	-	-	-	○ (Hinweis 2)	-	-
Kraftstoffleitung	Überprüfen	-	-	○	-	-	-	-
	Austauschen	-	-	-	-	○ (Hinweis 2)	-	-
Kraftstofffilter	Reinigen/ notigenfalls auswechseln	-	-	-	○	-	-	-
Olleitung	Überprüfen	-	-	-	-	○ (Hinweis 2)	-	-
Ventilspiel (Einlass- und Auslassventil)	Überprüfen/ Einstellen	-	-	-	-	○ (Hinweis 2)	-	-
Schalldampfer	Überprüfen/ Reinigen	-	-	-	-	○ (Hinweis 2)	-	-
Brennkammer/ Ventil/Kanal	Überprüfen/ Reinigen	-	-	-	-	○ (Hinweis 2)	-	-
Motor	Überholung	-	-	-	-	-	○ (Hinweis 2)	-
Vergaser	Kraftstoff ablassen	-	-	-	-	-	-	○ (Hinweis 3)

Hinweis 1: Ersten Austausch nach 20 Betriebsstunden durchfuhren.

Hinweis 2: Fur die Überprüfung eine Vertragswerkstatt oder eine Werkstatt beauftragen.

Hinweis 3: Den Motor nach dem Leeren des Kraftstofftanks weiter laufen lassen, und den Kraftstoff im Vergaser ablassen.

FEHLERSUCHE

Bevor Sie den Reparaturdienst anrufen, führen Sie zunächst Ihre eigene Inspektion durch. Falls Sie ein Problem finden, das nicht in der Anleitung erläutert wird, versuchen Sie nicht, das Gerät zu zerlegen. Wenden Sie sich stattdessen an autorisierte Dolmar/Makita-Kundendienstzentren, und achten Sie darauf, dass stets Dolmar/Makita-Ersatzteile für Reparaturen verwendet werden.

Zustand der Unregelmäßigkeit	Wahrscheinliche Ursache (Funktionsstörung)	Abhilfemaßnahme
Der Motor springt nicht an.	Anlasseinspritzpumpe nicht betätigt.	7- bis 10-mal drücken.
	Starterseil wird zu langsam gezogen.	Kräftig ziehen.
	Kraftstoffmangel.	Kraftstoff zuführen.
	Zugesetzter Kraftstofffilter.	Reinigen Sie den Kraftstofffilter, oder ersetzen Sie ihn durch einen neuen.
	Verbogene Kraftstoffleitung.	Kraftstoffleitung gerade richten.
	Überalterter Kraftstoff.	Überalterter Kraftstoff erschwert das Anlassen. Durch neuen ersetzen. (Empfohlener Austausch: 1 Monat)
	Übermäßige Kraftstoffansaugung.	Den Gashebel von mittlerer auf hohe Drehzahl einstellen, und den Startergriff ziehen, bis der Motor anspringt. Falls der Motor nicht anspringt, die Zündkerze entfernen, die Elektroden abtrocknen, und die Teile wieder an ihrem ursprünglichen Platz einbauen. Dann vorschriftsmäßig starten.
	Zündkerzenstecker gelöst.	Einwandfrei anbringen.
	Verschmutzte Zündkerze.	Zündkerze reinigen.
	Anormaler Elektrodenabstand.	Elektrodenabstand einstellen.
	Andere Abnormalität der Zündkerze.	Setzen Sie die Zündkerze wieder ein.
	Abnormaler Vergaser.	Wenden Sie sich an unser autorisiertes Kundendienstzentrum, um eine Inspektion und Reparatur durchführen zu lassen.
	Startergriff kann nicht gezogen werden.	Wenden Sie sich an unser autorisiertes Kundendienstzentrum, um eine Inspektion und Reparatur durchführen zu lassen.
	Problem mit Motor-Innenteilen.	Wenden Sie sich an unser autorisiertes Kundendienstzentrum, um eine Inspektion und Reparatur durchführen zu lassen.
Der Motor bleibt sofort wieder stehen. Die Motordrehzahl nimmt nicht zu.	Unzureichender Warmlauf.	Warmlaufbetrieb durchführen.
	Der Chokehebel wird auf „geschlossen“ gestellt, obwohl der Motor warmgelaufen ist.	Auf „offen“ stellen.
	Zugesetzter Kraftstofffilter.	Kraftstofffilter reinigen.
	Verschmutzter oder zugesetzter Luftfilter.	Reinigen Sie den Luftfilter.
	Steuerseilzug abgetrennt.	Den Steuerseilzug sicher anbringen.
	Problem mit Motor-Innenteilen.	Wenden Sie sich an unser autorisiertes Kundendienstzentrum, um eine Inspektion und Reparatur durchführen zu lassen.
Motor kehrt nicht auf Leerlaufdrehzahl zurück.	Falsche Stellung der Drosselklappe.	Steuerseilzug neu positionieren. Die Stellung der Drosselklappe durch Drehen der Seilzug-Einstellschraube einstellen.
Der Motor geht nicht aus. ⇒ Den Motor im Leerlauf betreiben, und den Chokehebel auf „geschlossen“ stellen.	Abgetrennter Steckverbinder.	Den Steckverbinder sicher anbringen.
	Anormales Elektrysystem.	Wenden Sie sich an unser autorisiertes Kundendienstzentrum, um eine Inspektion und Reparatur durchführen zu lassen.

INDICE

DATI TECNICI.....	63	PRIMA DI AVVIARE IL MOTORE	70
ISTRUZIONI DI SICUREZZA IMPORTANTI	64	FUNZIONAMENTO	72
DESCRIZIONE DELLE PARTI.....	68	MANUTENZIONE	76
MONTAGGIO.....	69	RISOLUZIONE DEI PROBLEMI	83

DATI TECNICI

Modello:		MG5300
Tipo di acceleratore		Acceleratore sul tubo
Peso a secco	tubo del soffiatore escluso/ cuscino incluso	8,9 kg
	tubo del soffiatore incluso	9,8 kg - 10,0 kg
Dimensioni (tubo del soffiatore escluso, L x P x A)		320 mm x 450 mm x 475 mm
Velocità aria	(tubo lungo e bocchetta circolare inclusi)	81 m/s
	(tubo corto e bocchetta circolare inclusi)	82 m/s
Velocità flusso volume aria	(tubo lungo e bocchetta circolare inclusi)	15 m ³ /minuto
	(tubo corto e bocchetta circolare inclusi)	15 m ³ /minuto
Velocità massima del motore		6.400 min ⁻¹
Regime di minimo		2.800 min ⁻¹
Cilindrata del motore		52,5 cm ³
Tipo di motore		Raffreddato ad aria, a 4 tempi, monocilindrico
Carburante		Benzina per auto
Capacità serbatoio carburante		1.800 cm ³
Olio motore		Olio SAE 10W-30 con grado API di classe SF o superiore (olio per motore a 4 tempi per auto)
Volume olio motore		140 cm ³
Carburatore		Tipo a membrana
Candela		NGK CMR6H
Distanza tra gli elettrodi		0,7 mm - 0,8 mm

- In conseguenza del nostro programma di ricerca e sviluppo continui, i dati tecnici nel presente manuale sono soggetti a modifiche senza preavviso.
- I dati tecnici possono variare da nazione a nazione.
- Il peso potrebbe variare a seconda dell'accessorio o degli accessori.

Vibrazioni

Modello				MG5300	
Vibrazioni conformi a EN15503	Impugnatura destra	a _{hv eq}	Tubo lungo	con bocchetta circolare	2,2 (m/s ²)
				con bocchetta piatta	2,9 (m/s ²)
			Tubo corto	con bocchetta circolare	2,2 (m/s ²)
				con bocchetta piatta	2,5 (m/s ²)
Incertezza K				0,6 (m/s ²)	

Rumorosità

Modello		MG5300
Livello medio di pressione sonora in base a EN15503	L _{PA} eq	96,0 (dB (A))
	Incertezza K	0,4 (dB (A))
Livello medio di potenza sonora in base a EN15503	L _{WA} eq	102,5 (dB (A))
	Incertezza K	1,6 (dB (A))

Simboli

La figura seguente mostra i simboli utilizzati per l'apparecchio. Accertarsi di comprendere il loro significato prima dell'uso.

	Adottare cura e attenzione particolari.
	Leggere il manuale d'uso.
	Vietato!
	Vietato fumare.
	Vietato l'uso di fiamme esposte.
	Indossare guanti protettivi.
	Indossare protezioni per gli occhi e le orecchie.
	Superfici estremamente calde - Pericolo di ustioni alle dita o alle mani.
	Tenere lontani gli astanti.
	Mantenere l'area di utilizzo libera da qualsiasi persona e animale.
	Carburante (benzina)
	Avvio manuale del motore.
	Arrestare il motore.
	Pronto soccorso
	Acceso/Avviamento
	Spento/Arresto
	I capelli lunghi possono causare incidenti restando impigliati.

Dichiarazione di conformità CE

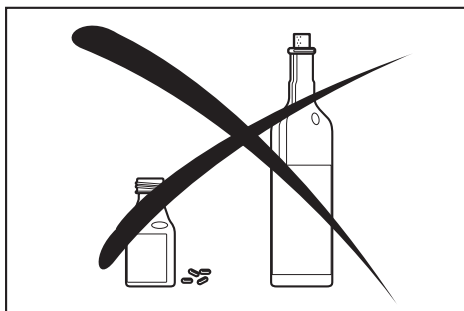
Solo per i paesi europei

La dichiarazione di conformità CE è inclusa nell'Allegato A al presente manuale di istruzioni.

ISTRUZIONI DI SICUREZZA IMPORTANTI

Istruzioni generali

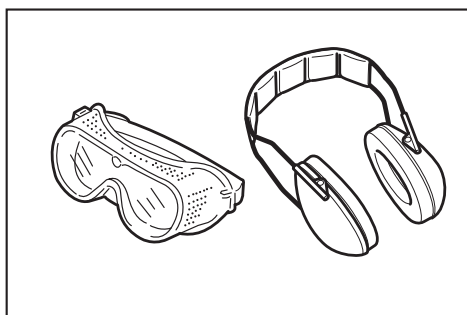
- Per assicurare un funzionamento corretto e sicuro, l'operatore deve leggere, comprendere e seguire il presente manuale di istruzioni per garantire la familiarità con l'utilizzo del soffiatore. Gli operatori non sufficientemente informati rischiano di mettere in pericolo se stessi e anche gli altri, a causa di un utilizzo scorretto.
- Si consiglia di prestare il soffiatore esclusivamente a persone di collaudata esperienza nell'uso dei soffiatori.
- Consegnare sempre anche il manuale di istruzioni quando si intende prestare il soffiatore.
- Chi usa il soffiatore per la prima volta deve chiedere al rivenditore le istruzioni di base per familiarizzare con la modalità d'uso di un soffiatore.
- Non consentire l'utilizzo del soffiatore a bambini e ai minori di anni 18. I giovani di età superiore ai 16 anni potrebbero, tuttavia, utilizzare l'utensile a scopo di addestramento, ma solo sotto la supervisione diretta di un istruttore qualificato.
- Utilizzare i soffiatori adottando la massima cura e attenzione.
- Utilizzare il soffiatore solo in condizioni fisiche ottimali.
- Eeguire ogni lavoro consciamente e con attenzione. L'operatore ha la responsabilità nei confronti di terzi.
- Non utilizzare mai il soffiatore sotto l'effetto di alcool o droghe.



- Non utilizzare l'unità in condizioni di stanchezza.
- Conservare queste istruzioni come riferimento futuro.
- Rispettare e seguire tutte le norme di prevenzione degli infortuni previste dalle associazioni di categoria e dalle compagnie di assicurazione. Non apportare alcuna modifica al soffiatore, in quanto ciò costituisce un rischio per la sicurezza dell'operatore.

13. **Non apportare mai modifiche all'apparecchio. In caso contrario, si potrebbero causare pericolosi incidenti o lesioni personali.**

Attrezzatura di protezione personale



1. Gli indumenti indossati devono essere funzionali e appropriati, vale a dire che devono essere aderenti senza ostacolare i movimenti. Non indossare gioielli o indumenti che potrebbero venire aspirati dall'apparecchio; lo stesso vale per i capelli lunghi.
2. Al fine di evitare lesioni personali a testa, occhi, mani o piedi, e per proteggere l'udito, durante l'uso del soffiatore è necessario indossare le attrezzature e gli indumenti protettivi seguenti.
3. Gli indumenti devono essere robusti e aderenti, ma allo stesso tempo consentire la piena libertà di movimento. Non indossare giacche abbondanti, pantaloni scampanati o con risvolti e sciarpe, non lasciare i capelli lunghi sciolti ed evitare di indossare qualsiasi cosa che potrebbe essere attirata nella presa d'aria. Per proteggere le gambe, indossare una tuta intera o pantaloni lunghi. Non indossare pantaloncini corti.
4. I motori in genere sono rumorosi, e il loro rumore potrebbe danneggiare l'udito. Indossare protezioni acustiche (tappi per le orecchie o cuffie) per proteggere l'udito. Chi utilizza in modo continuo e regolare l'utensile dovrebbe sottoporsi a controlli dell'udito a intervalli regolari.
5. Durante il lavoro con il soffiatore si consiglia di utilizzare i guanti. Indossare scarpe robuste dotate di soles antiscivolo.
6. L'uso di occhiali di protezione è obbligatorio. Anche se lo scarico è rivolto lontano dall'operatore, durante il funzionamento del soffiatore si potrebbero verificare dei rimbalzi di detriti.

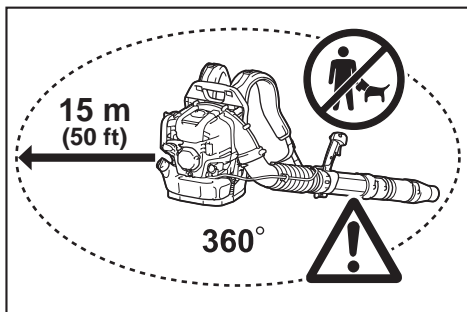
7. Il soffiatore non deve mai essere utilizzato senza indossare occhiali oppure occhiali di sicurezza dotati di protezione superiore e laterale adeguate, conformi allo standard EN166 e alle normative nazionali locali.
8. Per ridurre il rischio delle lesioni personali associate all'inalazione delle polveri, in presenza di polveri utilizzare una maschera per il viso dotata di filtro.

Utilizzo previsto

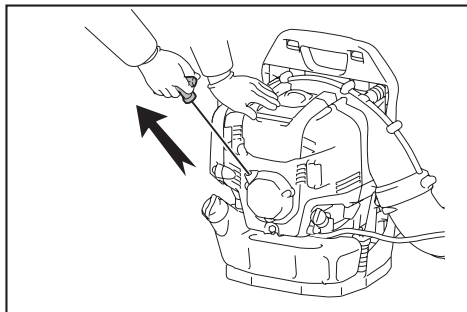
L'utensile è destinato a soffiare via le polveri.

Avviamento del soffiatore

1. Accertarsi che non vi siano bambini o altre persone entro un'area di lavoro di 15 metri, e fare anche attenzione ad eventuali animali presenti nelle vicinanze.



2. Prima dell'uso, verificare sempre che il soffiatore possa essere utilizzato in sicurezza:
 - Controllare la sicurezza della leva dell'acceleratore. È necessario controllare che il funzionamento della leva dell'acceleratore sia uniforme e agevole.
 - Controllare che il blocco della leva dell'acceleratore funzioni correttamente.
 - Accertarsi che le impugnature siano pulite e asciutte, e verificare il funzionamento dell'interruttore I-O (avvio/arresto). Evitare che le impugnature si sporchino d'olio o di carburante.
3. Avviare il soffiatore solo attenendosi alle istruzioni. Non utilizzare alcun altro metodo per avviare il motore.

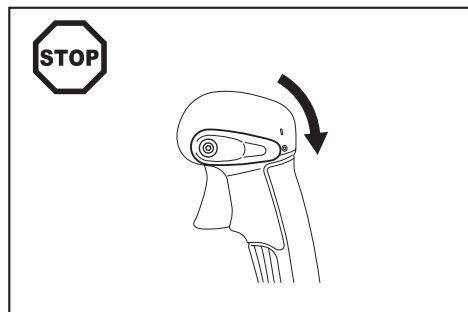


4. Utilizzare il soffiatore e gli attrezzi in dotazione solo per le applicazioni specificate.

5. Avviare il motore del soffiatore solo dopo aver montato l'utensile nella sua interezza. L'utilizzo dell'utensile è consentito solo dopo aver montato tutti gli accessori appropriati.
6. Il motore va spento immediatamente in caso di qualsiasi problema al motore stesso.
7. Durante il lavoro con il soffiatore, avvolgere sempre saldamente le dita intorno all'impugnatura, tenendo l'impugnatura di controllo tra il pollice e l'indice. Tenere la mano in questa posizione per avere sempre la macchina sotto controllo. Accertarsi che l'impugnatura di controllo sia in buone condizioni e senza tracce di umidità, pece, olio o grasso.
8. Mantenere sempre un appoggio sicuro sui piedi, con un buon equilibrio.
9. Trasportare correttamente il soffiatore su entrambe le spalle durante l'uso. Non trasportare il soffiatore con una sola tracolla. In caso contrario, si potrebbero causare lesioni personali.
10. Far funzionare il soffiatore in modo tale da evitare l'inalazione dei gas di scarico. Non far mai girare il motore in ambienti chiusi (pericolo di soffocamento e di avvelenamento da gas). Il monossido di carbonio è un gas inodore. Accertarsi sempre che la ventilazione sia adeguata.
11. Spegnerlo il motore durante le pause del lavoro, o quando si lascia il soffiatore incustodito. Riporlo in un luogo sicuro per evitare di causare pericoli a terzi, incendiare materiali combustibili o danneggiare la macchina.
12. Non appoggiare mai il soffiatore caldo su erba secca o qualsiasi altro materiale combustibile.
13. Durante l'uso è necessario utilizzare tutte le protezioni in dotazione con la macchina.
14. Non far funzionare mai il motore con una marmitta di scarico difettosa.

Trasporto

1. Spegnerlo il motore durante il trasporto.

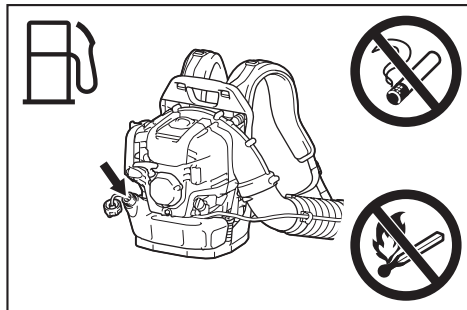


2. Sistemare il soffiatore in modo sicuro durante il trasporto in macchina o in un camion, per evitare perdite di carburante.
3. Durante il trasporto del soffiatore, accertarsi che il serbatoio del carburante sia completamente vuoto.
4. Quando si trasporta il soffiatore, sollevarlo mantenendolo per la maniglia da trasporto. Non trascinare il soffiatore per la bocchetta, il tubo o altre parti.

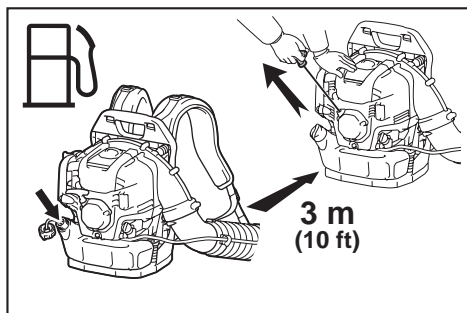
5. Mantenere saldamente il soffiatore durante il trasporto.
6. Quando si trasporta il soffiatore, piegare le ginocchia e accertarsi di non causare danni alla spalla e al tratto lombare della schiena.

Rifornimento di carburante

1. Durante il rifornimento di carburante, spegnere il motore, tenerlo molto lontano da fiamme esposte e non fumare.



2. Evitare il contatto della pelle con i prodotti petroliferi. Non inalare i vapori del carburante. Indossare sempre i guanti di protezione durante il rifornimento di carburante. Sostituire e pulire gli indumenti di protezione a intervalli regolari.
3. Fare attenzione a non far fuoriuscire il carburante o l'olio, onde evitare l'inquinamento del suolo (protezione dell'ambiente). Pulire immediatamente il soffiatore qualora si sia causata una fuoriuscita di carburante. Lasciare asciugare gli stracci bagnati prima di smaltirli in un contenitore appropriato e chiuso, in modo da evitare una combustione spontanea.
4. Evitare qualsiasi contatto del carburante con gli indumenti. Cambiare immediatamente gli indumenti indossati qualora venga versato del carburante su questi ultimi (pericolo d'incendio).
5. Ispezionare il tappo del carburante a intervalli regolari, accertandosi che rimanga chiuso saldamente.
6. Serrare con cura il tappo del carburante. Cambiare ubicazione prima di avviare il motore (almeno 3 metri dall'ubicazione di rifornimento).



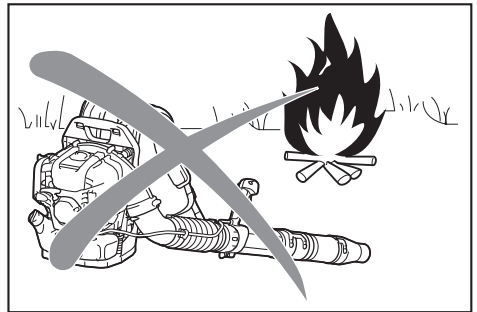
7. Non effettuare mai il rifornimento in ambienti chiusi. I vapori del carburante si accumulano al livello del suolo (pericolo di esplosione).
8. Trasportare e conservare il carburante esclusivamente in contenitori approvati. Accertarsi che i bambini non possano accedere al carburante conservato.
9. Non tentare di rifornire un motore caldo o in funzione.
10. Non rifornire con una quantità di carburante superiore a quella definita nei "DATI TECNICI".
15. Regolare la lunghezza della bocchetta del soffiatore, in modo che il flusso possa operare vicino al suolo.
16. Per ridurre i livelli di rumore, limitare il numero dei pezzi dell'apparecchio utilizzati allo stesso tempo.
17. PULIRE dopo aver utilizzato il soffiatore e altre attrezzature. Smettere i detriti in contenitori della spazzatura.
18. Non accelerare il motore più del necessario. In caso contrario, eventuali oggetti scagliati potrebbero risultare in lesioni personali.
19. La marmitta di scarico diventa estremamente calda durante l'uso. Non toccare la marmitta di scarico estremamente calda, o si potrebbero causare ustioni.
20. Non far funzionare la macchina in atmosfere esplosive, ad esempio in presenza di liquidi, gas o polveri infiammabili. La macchina crea scintille che potrebbero incendiare polveri o fumi.

Modo d'uso

1. Utilizzare il soffiatore esclusivamente in buone condizioni di illuminazione e di visibilità. Fare attenzione ai luoghi scivolosi o bagnati, al ghiaccio e alla neve (pericolo di scivolare), e agli spazi angusti. Accertarsi sempre di mantenere un appoggio saldo sui piedi.
2. Non lavorare mai su superfici instabili o su terreni scoscesi.
3. Non lavorare da scale a pioli o in ubicazioni elevate. In caso contrario, si potrebbero causare lesioni personali.
4. Per ridurre il rischio di lesioni personali, non dirigere il getto d'aria verso gli astanti, in quanto l'alta pressione del flusso d'aria potrebbe causare lesioni agli occhi e far volare piccoli oggetti a grande velocità.
5. Non inserire mai oggetti estranei nella presa d'aria della macchina o nella bocchetta del soffiatore. Tali oggetti danneggerebbero la ventola e potrebbero causare gravi lesioni personali all'operatore o agli astanti, in quanto gli oggetti o frammenti di questi ultimi verrebbero scagliati all'esterno ad alta velocità.
6. Fare attenzione alla direzione del vento, vale a dire non lavorare mai controvento.
7. Per ridurre il rischio di inciampare e di una perdita di controllo, non camminare all'indietro mentre si usa la macchina.
8. Spegnerne sempre il motore prima di eseguire operazioni di pulizia o di manutenzione dell'unità o di sostituire dei pezzi.
9. Fare una pausa per evitare una perdita di controllo causata dalla stanchezza. Si consiglia di fare una pausa di lunghezza compresa tra 10 e 20 minuti ogni ora.
10. Non far funzionare la macchina in prossimità di finestre, e così via.
11. Per ridurre l'influenza fisica dovuta alle vibrazioni e/o i danni all'udito, far funzionare la macchina a bassa velocità, se possibile, e limitare il tempo di utilizzo.
12. Far funzionare la macchina soltanto in orari ragionevoli. Non far funzionare il soffiatore la mattina presto o la sera tardi, quando si potrebbe causare disturbo alle persone.
13. Si consiglia di utilizzare rastrelli e scope per staccare i detriti prima di soffiarli via.
14. Prima di soffiare, inumidire leggermente le superfici nei luoghi polverosi, oppure utilizzare uno spruzzatore di vapore acqueo, se necessario.

Istruzioni per la manutenzione

1. Rispettare l'ambiente. Far funzionare il soffiatore con quanto meno rumore e inquinamento possibile. In particolare, controllare la regolazione corretta del carburatore.
2. Pulire il soffiatore a intervalli regolari, e controllare che tutte le viti e i dadi siano serrati saldamente.
3. Non eseguire mai operazioni di manutenzione né riporre mai il soffiatore in prossimità di fiamme esposte, scintille, e così via.



4. Riporre sempre il soffiatore in una stanza chiusa ben ventilata, e con il serbatoio del carburante svuotato.
5. L'esecuzione di lavori di manutenzione o di riparazione da parte dell'utente è limitato alle attività descritte nel presente manuale di istruzioni. Qualsiasi altro lavoro deve essere eseguito da un centro di assistenza autorizzato.
6. Utilizzare esclusivamente pezzi di ricambio e accessori forniti da Makita/Dolmar. L'impiego di accessori e utensili non approvati può risultare in incidenti e lesioni personali. Makita/Dolmar declina qualsiasi responsabilità per incidenti o danni causati dall'impiego di parti o accessori non approvati.
7. Riparazioni errate e manutenzione inadeguata possono ridurre la vita utile dell'apparecchio e incrementare il rischio di incidenti.

Pronto soccorso

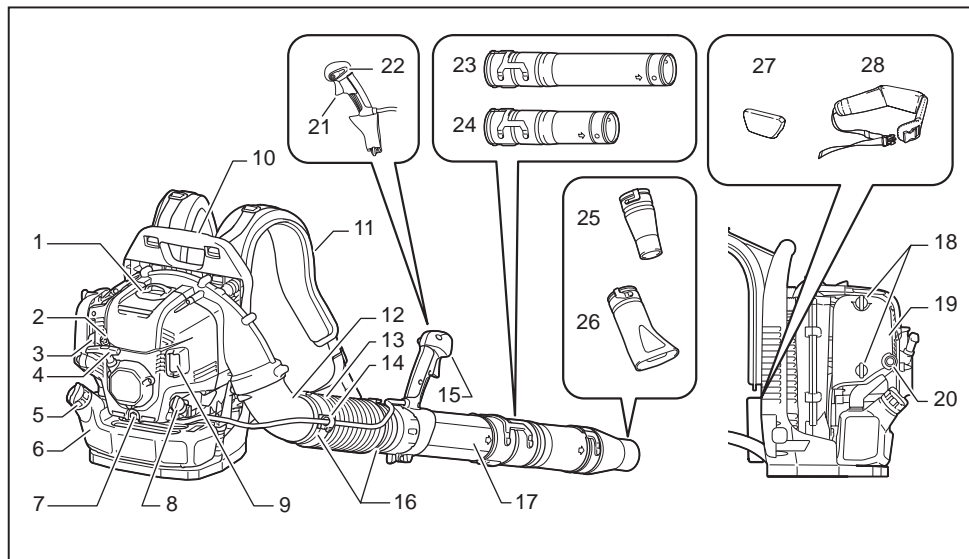
1. Accertarsi che sia disponibile un kit di pronto soccorso ben fornito in prossimità dell'area di lavoro, in caso di incidente. Sostituire immediatamente eventuali oggetti prelevati dal kit di pronto soccorso.

2. Quando si intende chiedere aiuto, fornire le informazioni seguenti:

- **Luogo dell'incidente**
- **Cosa è accaduto**
- **Numero di persone ferite**
- **Natura dell'incidente**
- **Il proprio nome**

DESCRIZIONE DELLE PARTI

MG5300



1	Sportellino della candela	9	Marmitta	17	Tubo girevole	25	Bocchetta circolare
2	Leva dell'antighiaccio	10	Maniglia da trasporto	18	Bullone a manopola (del coperchio del filtro dell'aria)	26	Bocchetta piatta (accessorio opzionale)
3	Leva valvola aria	11	Tracolla	19	Coperchio del filtro dell'aria	27	Cuscino (accessorio opzionale)
4	Maniglia starter	12	Gomito	20	Pompa di adescamento	28	Cintura (accessorio opzionale)
5	Tappo del serbatoio del carburante	13	Tubo flessibile	21	Grilletto dell'acceleratore	-	-
6	Serbatoio del carburante	14	Fermacavo	22	Leva di controllo arresto	-	-
7	Bullone di scarico dell'olio	15	Impugnatura di controllo	23	Tubo lungo (accessorio opzionale)	-	-
8	Tappo dell'olio	16	Fascetta stringitubo	24	Tubo corto (accessorio opzionale)	-	-

- Gli accessori di serie possono variare da nazione a nazione.

MONTAGGIO

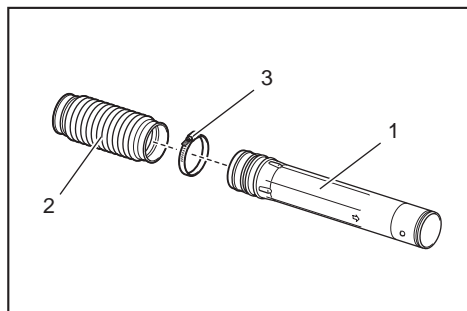
⚠ATTENZIONE: Prima di un qualsiasi intervento sul soffiatore, arrestare sempre il motore e tirare via il cappuccio della candela da quest'ultima per staccarlo.

⚠ATTENZIONE: Avviare il soffiatore solo dopo averlo montato completamente.

⚠ATTENZIONE: Indossare sempre guanti di protezione.

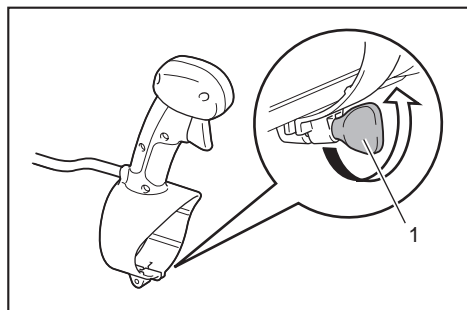
Montaggio dei tubi del soffiatore

1. Inserire il tubo girevole nel tubo flessibile, quindi serrarli con la fascetta stringitubo.



- 1. Tubo girevole 2. Tubo flessibile 3. Fascetta stringitubo

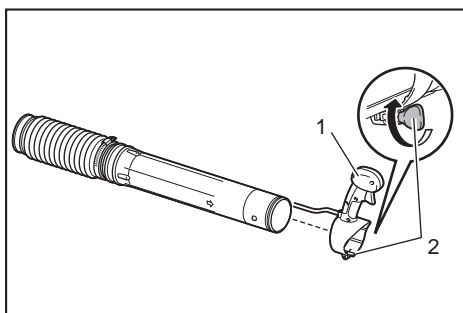
2. Allentare e rimuovere la vite di fissaggio.



- 1. Vite di fissaggio

Fare attenzione a non attorcigliare il cavo quando si monta l'impugnatura di controllo.

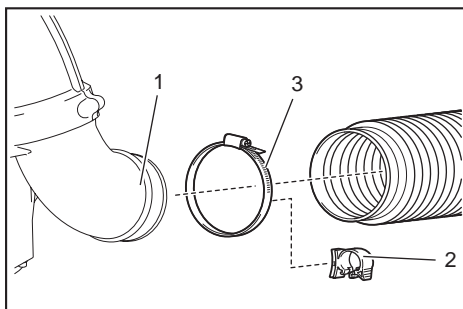
3. Installare l'impugnatura di controllo o il gruppo impugnatura sul tubo girevole, quindi serrarli con la vite di fissaggio.



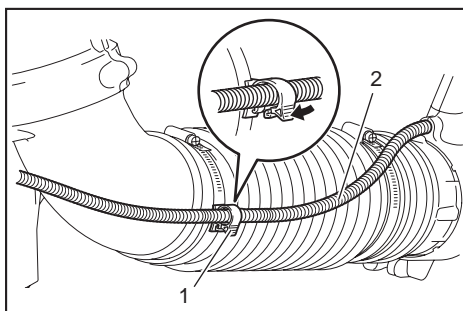
- 1. Impugnatura di controllo 2. Vite di fissaggio

4. Montare il tubo flessibile sul gomito.

Inserire il gomito nel tubo flessibile. Montare il fermacavo tra la fascetta stringitubo e il tubo flessibile. Stringere il fermacavo, il tubo flessibile e il gomito con la fascetta stringitubo. Inserire il cavo di controllo nel fermacavo e chiudere quest'ultimo.

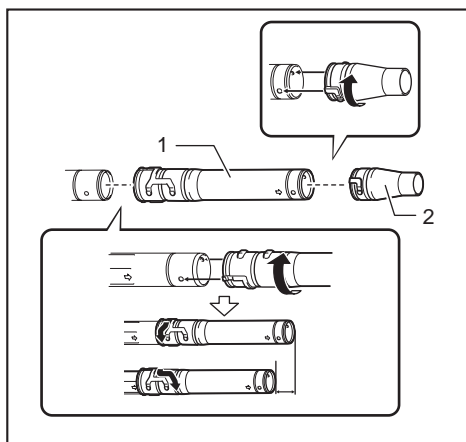


- 1. Gomito 2. Fermacavo 3. Fascetta stringitubo



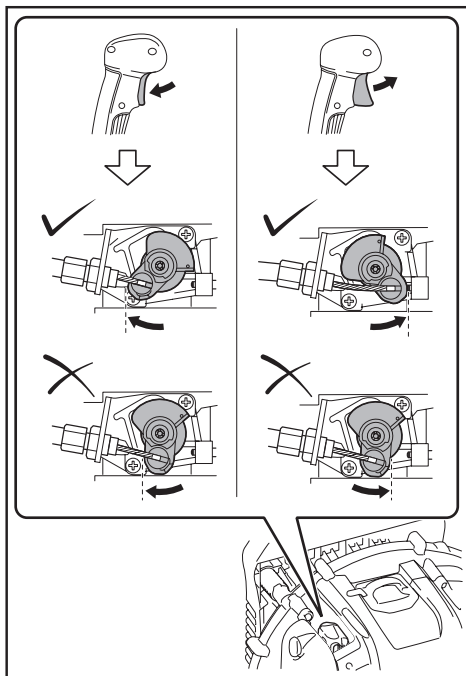
- 1. Fermacavo 2. Cavo di controllo

5. Montare il tubo lungo/corto sul tubo girevole. Ruotare il tubo lungo/corto in senso orario per bloccarlo in sede. Quindi, montare la bocchetta del soffiatore sul tubo lungo/corto. Ruotare la bocchetta del soffiatore in senso orario per bloccarla in sede.



► 1. Tubo lungo/corto 2. Bocchetta del soffiatore

6. Accertarsi che tutti gli elementi di fissaggio siano serrate. Verificare se la valvola a farfalla si sposti correttamente insieme al movimento dell'acceleratore.



Qualora non si riesca a tirare completamente l'acceleratore o quest'ultimo non torni alla posizione corretta, consultare la sezione MANUTENZIONE per la regolazione della valvola a farfalla.

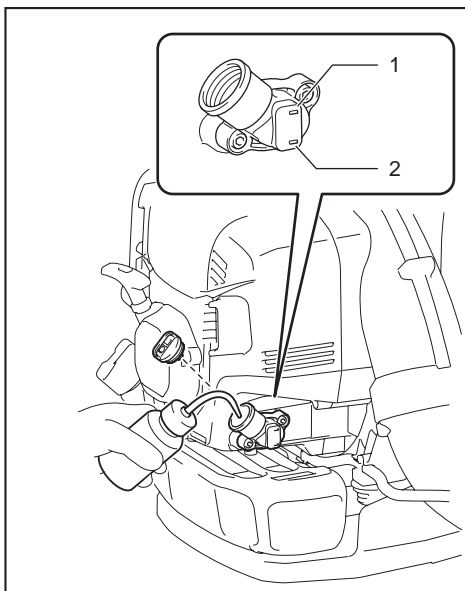
PRIMA DI AVVIARE IL MOTORE

Controllo e rabbocco dell'olio motore

ATTENZIONE: Quando si intende rabboccare l'olio motore, arrestare il motore e attendere che si raffreddi. In caso contrario, si potrebbe causare un'ustione.

AVVISO: L'uso di olio deteriorato causa un avviamento irregolare.

AVVISO: Rimuovere polvere o sporco in prossimità dell'apertura di rabbocco dell'olio, prima di rimuovere il tappo dell'olio. Inoltre, evitare che il tappo dell'olio staccato si sporchi di sabbia o polveri. In caso contrario, sabbia o polveri che aderiscono al tappo dell'olio potrebbero causare una circolazione irregolare dell'olio o l'usura delle parti del motore, con conseguenti problemi.



► 1. Indicazione del limite superiore 2. Indicazione del limite inferiore

Ispezione

Appoggiare il soffiatore su una superficie piana e rimuovere il tappo dell'olio.

Accertarsi che il livello dell'olio si trovi tra le indicazioni del limite superiore e inferiore. Qualora l'olio non arrivi fino al limite inferiore, rabboccare con olio nuovo.

Cambiare l'olio ogni volta che diventa sporco o cambia visibilmente colore. (Vedere "Sostituzione dell'olio motore" per la procedura e la frequenza del cambio dell'olio motore).

Rabbocco

Appoggiare il soffiatore su una superficie piana e rimuovere il tappo dell'olio.

Rabboccare l'olio fino al limite superiore dell'indicatore di livello olio.

In media, il rabbocco dell'olio è necessario ogni 20 ore di utilizzo (dopo 10 - 15 rifornimenti di carburante).

Olio consigliato

- Olio per motore a 4 tempi originale Makita/Dolmar, oppure
- Olio SAE 10W-30 con grado API di classe SF o superiore (olio per motore a 4 tempi per auto)

Capacità dell'olio

Capacità dell'olio: circa 140 ml

AVVISO: Riporre il soffiatore in posizione verticale su una superficie piana. L'indicatore di livello olio non indica una quantità corretta di olio se il soffiatore è inclinato e l'olio fluisce nel motore. Ciò potrebbe causare un involontario rabbocco eccessivo di olio.

AVVISO: Non riempire con olio in eccesso. L'olio in eccesso potrebbe fuoriuscire dallo sfianto del filtro dell'aria e sporcare le parti circostanti, oppure potrebbe apparire del fumo bianco a causa dell'olio che brucia.

Dopo il rabbocco dell'olio

Pulire eventuali fuoriuscite di olio con uno straccio.

Rifornimento di carburante

AVVERTIMENTO: Quando si intende effettuare il rifornimento di carburante, arrestare il motore e attendere che si raffreddi. In caso contrario, si potrebbero causare combustioni, incendi o ustioni.

AVVERTIMENTO: Il rifornimento di carburante deve essere effettuato in un luogo in cui non siano presenti fiamme esposte, per evitare combustioni o incendi. Non avvicinare mai fiamme esposte (non fumare, e così via) in prossimità delle ubicazioni di rifornimento del carburante.

AVVERTIMENTO: Effettuare il rifornimento su una superficie piana. Non effettuare il rifornimento di carburante su un'ubicazione instabile. Effettuare il rifornimento di carburante in presenza di luce e visibilità ottimali.

AVVERTIMENTO: Aprire lentamente il tappo del serbatoio del carburante. Il carburante potrebbe fuoriuscire a causa della pressione interna.

AVVERTIMENTO: Fare attenzione a non far fuoriuscire il carburante. Pulire eventuali fuoriuscite di carburante.

AVVERTIMENTO: Effettuare il rifornimento di carburante in un'ubicazione ben ventilata.

AVVERTIMENTO: Effettuare il rifornimento di carburante in uno spazio ampio e aperto.

AVVERTIMENTO: Maneggiare il carburante con cura.

ATTENZIONE: Qualora il carburante resti sulla pelle o penetri negli occhi, potrebbe causare allergie o irritazioni. **Qualora si rilevi una qualsiasi anomalia nelle condizioni fisiche, rivolgersi immediatamente a un medico specialista.**

AVVISO: NON versare olio nel serbatoio del carburante.

Carburante

AVVERTIMENTO: Tenere la macchina e il serbatoio in un luogo fresco lontano dalla luce diretta del sole.

AVVERTIMENTO: Non conservare mai il carburante in un'automobile.

Il motore è del tipo a quattro tempi. Accertarsi di utilizzare benzina per auto (normale o super).

AVVISO: Non utilizzare mai benzina mescolata con alcun tipo di olio, ad esempio olio per motori a 2 tempi oppure olio motore. In caso contrario, si potrebbe causare un accumulo eccessivo di carbonio o problemi meccanici.

NOTA: Tenere il carburante in un contenitore apposto in un'ubicazione ben ventilata e all'ombra. Utilizzare il carburante entro un periodo di 4 settimane. In caso contrario, il carburante potrebbe deteriorarsi in un giorno.

Metodo di rifornimento del carburante

ATTENZIONE: Qualora il tappo del serbatoio presenti qualsiasi difetto o danneggiamento, sostituirlo.

ATTENZIONE: Il tappo del serbatoio si usura con il passare del tempo. Sostituirlo ogni due o tre anni.

AVVISO: NON versare carburante nell'apertura di rabbocco dell'olio.

1. Svitare leggermente il tappo del serbatoio per rilasciare la pressione del serbatoio.
2. Smontare il tappo del serbatoio e rifornire il carburante mentre si scarica l'aria, inclinando il serbatoio in modo che l'apertura di rifornimento del carburante sia rivolta verso l'alto. NON rifornire di carburante fino a riempire completamente il serbatoio.
3. Dopo il rifornimento, serrare saldamente il tappo del serbatoio.

FUNZIONAMENTO

Avvio del motore

⚠️ AVVERTIMENTO: Non tentare mai di avviare il motore in un'ubicazione in cui sia stato rifornito il carburante. Si potrebbe causare una combustione o un incendio. Quando si intende avviare il motore, mantenere una distanza di almeno 3 metri dall'ubicazione di rifornimento del carburante.

⚠️ AVVERTIMENTO: Il gas di scarico del motore è tossico. Non far funzionare il motore in un luogo scarsamente ventilato, ad esempio in un tunnel, all'interno di un edificio, e così via. Il funzionamento del motore in un luogo scarsamente ventilato potrebbe causare l'avvelenamento da gas di scarico.

⚠️ AVVERTIMENTO: Qualora dopo l'avvio si rilevino suoni, odori o vibrazioni anomali, arrestare immediatamente il motore ed eseguire un'ispezione. Qualora il motore venga fatto funzionare senza risolvere tali anomalie, si potrebbe verificare un incidente.

⚠️ AVVERTIMENTO: Non toccare il coperchio del motore quando è caldo. In caso contrario, si potrebbe causare un'ustione.

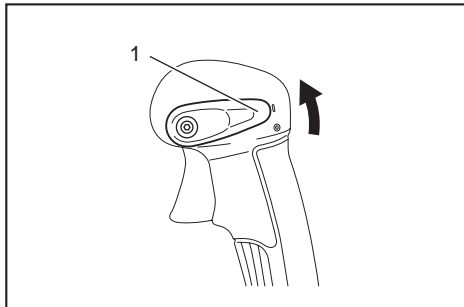
⚠️ AVVERTIMENTO: Prima di avviare il motore, accertarsi che non vi siano perdite di carburante.

⚠️ AVVERTIMENTO: Accertarsi che il motore si arresti quando l'interruttore di arresto viene disposto sulla posizione "O".

Quando il motore è freddo o dopo il rifornimento (avviamento a freddo)

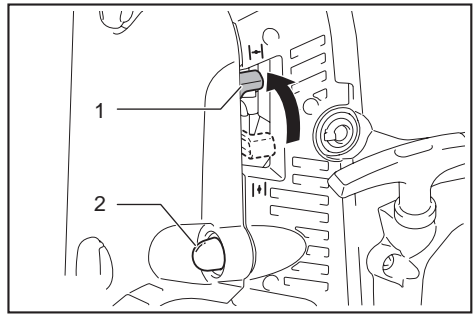
1. Appoggiare il soffiatore su una superficie piana.
2. Posizione I/O

Disporre la leva di controllo arresto sulla posizione "I".



► 1. Leva di controllo arresto

3. Premere ripetutamente la pompa di adescamento fino a quando il carburante entra nella pompa di adescamento.

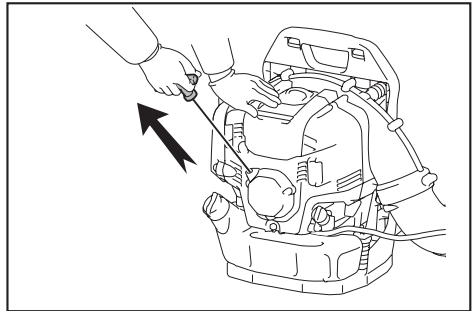


► 1. Leva valvola aria 2. Pompa di adescamento

NOTA: In genere il carburante entra nel carburatore effettuando da 7 a 10 pressioni.

NOTA: Qualora si preme eccessivamente la pompa di adescamento, il carburante in eccesso torna nel serbatoio del carburante.

4. Sollevare la leva della valvola dell'aria sulla posizione di chiusura.
5. Appoggiare la mano sinistra sulla parte superiore del soffiatore e tirare la maniglia dello starter lentamente con la mano destra fino ad avvertire la compressione. Quindi, tirare la maniglia dello starter con maggior forza.

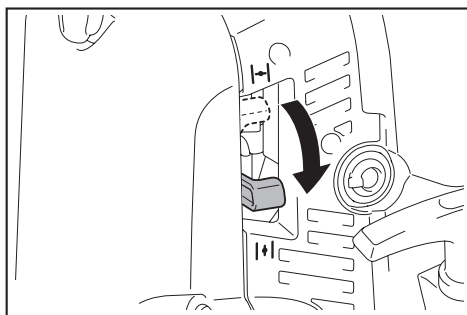


AVVISO: Non tirare mai fuori il cavo completamente.

AVVISO: Far rientrare delicatamente la maniglia dello starter nell'alloggiamento. In caso contrario, la maniglia dello starter rilasciata potrebbe colpire il corpo dell'operatore o non riavvolgersi correttamente.

NOTA: Qualora il motore si accenda e si arresti, riposizionare la leva della valvola dell'aria sulla posizione "aperta" e tirare diverse volte la maniglia dello starter per riavviare il motore.

6. Quando il motore si avvia, abbassare la leva della valvola dell'aria sulla posizione di apertura.



NOTA: Aprire completamente la leva della valvola dell'aria prima di premere l'acceleratore.

NOTA: Non aprire mai bruscamente la leva della valvola dell'aria in condizioni di bassa temperatura ambiente o quando il motore non è sufficientemente caldo. In caso contrario, il motore potrebbe arrestarsi.

7. Far riscaldare il motore per un periodo di tempo compreso tra 2 e 3 minuti tenendo la velocità del motore al minimo o bassa.

8. Il riscaldamento è completato quando si nota un'accelerazione rapida del motore dal regime a bassi giri fino alla massima velocità.

NOTA: Qualora l'operatore continui a tirare svariate volte la maniglia dello starter con la leva della valvola dell'aria lasciata sulla posizione "chiusa", potrebbe risultare difficile avviare il motore, a causa di un ingolfamento del carburante. In caso di ingolfamento del carburante, rimuovere la candela e tirare rapidamente diverse volte la maniglia per scaricare eventuale carburante in eccesso. Asciugare l'elettrodo della candela.

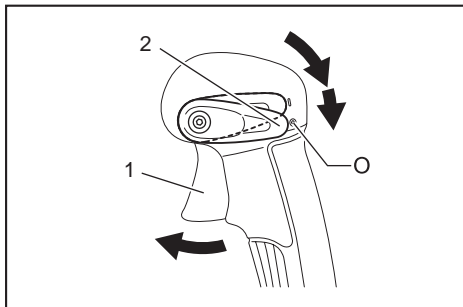
Quando il motore è caldo (avviamento a caldo)

⚠ATTENZIONE: Fare attenzione a non ustionarsi la mano. Indossare i guanti quando si avvia il motore.

1. Appoggiare il soffiatore su una superficie piana.
2. Premere svariate volte la pompa di adescamento.
3. Accertarsi che la leva della valvola dell'aria sia aperta.
4. Appoggiare la mano sinistra sulla parte superiore del soffiatore e tirare la maniglia dello starter lentamente con la mano destra fino ad avvertire la compressione. Quindi, tirare la maniglia dello starter con maggior forza.

Arresto del motore

Rilasciare il grilletto dell'acceleratore e quindi disporre la leva di controllo arresto sulla posizione "O".



- 1. Grilletto dell'acceleratore 2. Leva di controllo arresto

Prevenzione del congelamento del carburatore

AVVISO: Quando la temperatura ambiente è superiore a 10°C, riportare sempre la leva sulla posizione normale (simbolo del sole). In caso contrario, il motore potrebbe venire danneggiato dal surriscaldamento.

Quando la temperatura ambiente è bassa e l'umidità è elevata, il vapore acqueo potrebbe congelare all'interno del carburatore e il motore girerebbe irregolarmente (congelamento del carburatore). Se necessario, cambiare l'impostazione della leva dell'antighiaccio nel modo seguente.

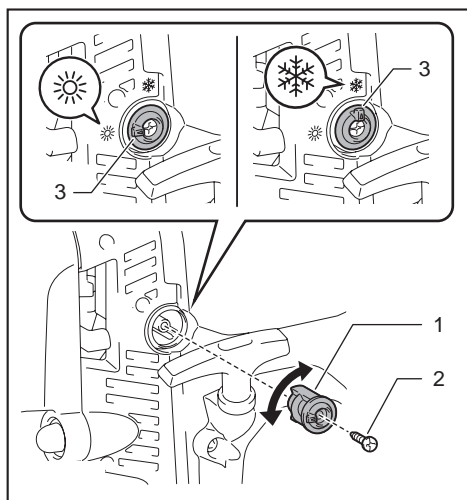
1. Rimuovere la vite e tirare la leva dell'antighiaccio.
2. Inserire la leva dell'antighiaccio nel modo seguente:

Ambiente con temperatura superiore ai 10°C

Disporre la sporgenza sul simbolo del sole (posizione più calda).

10°C o ambiente con temperatura più bassa

Disporre la sporgenza sul simbolo della neve (posizione antighiaccio).



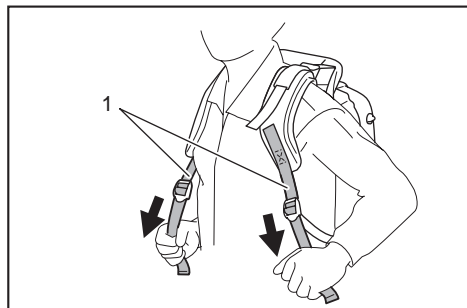
► 1. Leva dell'antighiaccio 2. Vite 3. Sporgenza

3. Serrare la vite.

Regolazione della tracolla

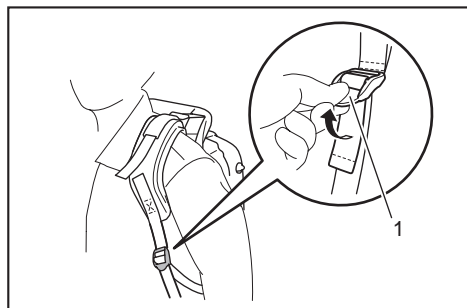
1. Regolare la tracolla su una lunghezza confortevole per lavorare mentre si mantiene il soffiatore.

Per serrare la cinghia, tirarne verso il basso l'estremità.



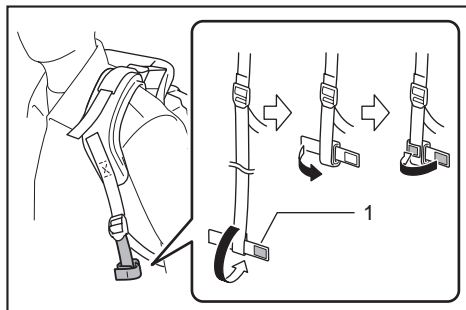
► 1. Tracolla

Per allentare la tracolla, tirare verso l'alto l'estremità della fibbia.



► 1. Fibbia

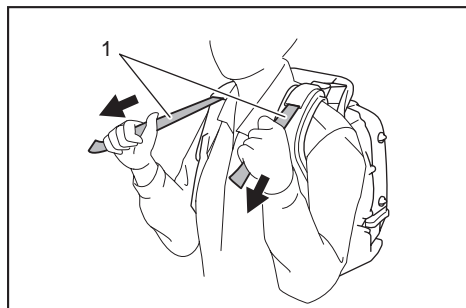
Arrotolare l'estremità della cinghia verso l'alto e fermarla con la fascetta.



► 1. Fascetta

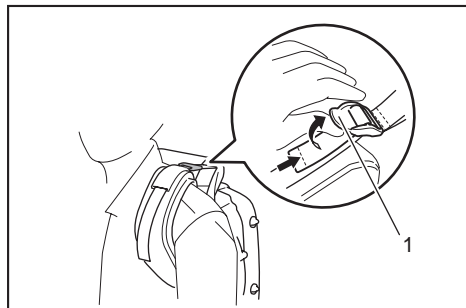
2. Tirare la cinghia di stabilizzazione fino a eliminare lo spazio tra la schiena e l'alloggiamento del soffiatore.

Per fissare la cinghia, tirarne verso il basso l'estremità.



► 1. Cinghia di stabilizzazione

Per allentare la cinghia, tirare verso l'alto l'estremità della fibbia.

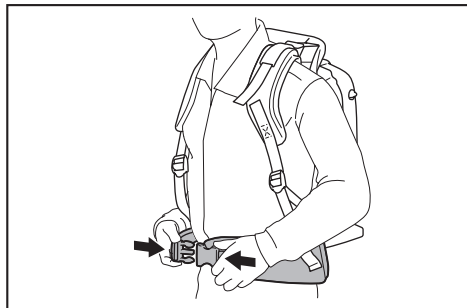


► 1. Fibbia

Cintura

Accessorio opzionale

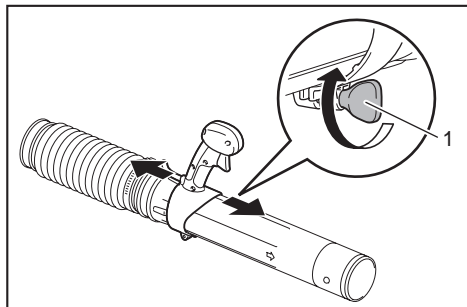
La cintura consente all'operatore di trasportare l'utensile in modo più stabile.



ATTENZIONE: Prima di scaricare il soffiatore, accertarsi di sganciare la fibbia della cintura.

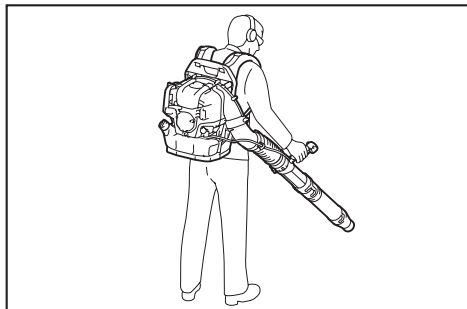
Regolazione della posizione della leva di controllo

Spostare l'impugnatura di controllo lungo il tubo girevole sulla posizione più comoda. Quindi, serrare l'impugnatura di controllo con la vite di fissaggio.



► 1. Vite di fissaggio

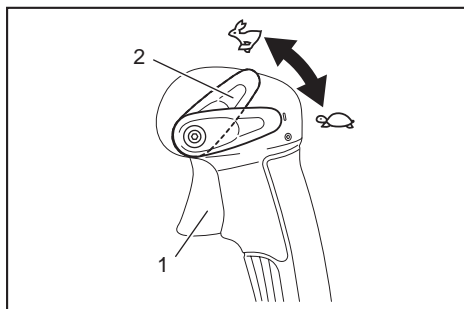
Utilizzo del soffiatore



1. Mentre si utilizza il soffiatore, regolare il grilletto o la leva dell'acceleratore in modo che la forza del vento sia appropriata all'ubicazione e alle condizioni di lavoro.

2. Regolare la velocità del motore.

La velocità del motore aumenta premendo il grilletto dell'acceleratore. Per ridurre la velocità del motore, allentare la presa sul grilletto dell'acceleratore. La funzione del regolatore automatico di velocità consente all'operatore di mantenere una velocità costante del motore senza premere il grilletto dell'acceleratore. Per aumentare la velocità del motore, ruotare la leva di controllo arresto sull'alta velocità. Per ridurre la velocità del motore, ruotare la leva di controllo arresto sulla bassa velocità.



► 1. Grilletto dell'acceleratore 2. Leva di controllo arresto

Trasporto del soffiatore

ATTENZIONE: Quando si intende trasportare il soffiatore, accertarsi di arrestare il motore.

AVVISO: Non sedersi né salire sul soffiatore, e non appoggiarvi sopra oggetti pesanti. In caso contrario, si potrebbe danneggiare la macchina.

AVVISO: Mantenere il soffiatore in posizione verticale ogni volta che lo si trasporta o lo si ripone. Se si trasporta o si ripone il soffiatore in una posizione diversa da quella verticale, si potrebbe causare una fuoriuscita d'olio all'interno del motore del soffiatore. Questa situazione potrebbe causare perdite d'olio e fumo bianco dovuto all'olio che brucia, e il filtro dell'aria potrebbe sporcarsi d'olio.

AVVISO: Non trascinare il soffiatore durante il trasporto. In caso contrario, si potrebbe danneggiare l'alloggiamento del soffiatore.

MANUTENZIONE

⚠ATTENZIONE: Prima di eseguire l'ispezione e la manutenzione, arrestare il motore e lasciarlo raffreddare. Rimuovere la candela e il cappuccio della candela. In caso contrario, l'operatore potrebbe subire ustioni o gravi lesioni personali dovute a un eventuale avvio accidentale del motore.

⚠ATTENZIONE: Dopo l'ispezione e la manutenzione, accertarsi di aver assemblato tutte le parti.

Sostituzione dell'olio motore

⚠ATTENZIONE: L'unità principale del motore e l'olio motore restano estremamente caldi subito dopo l'arresto del motore. Quando si intende sostituire l'olio motore, accertarsi che l'unità principale del motore e l'olio motore si siano raffreddati a sufficienza. In caso contrario, potrebbe continuare a sussistere il rischio di ustioni. Dopo l'arresto del motore, attendere un tempo sufficiente per il ritorno dell'olio nel serbatoio dell'olio, per assicurare una lettura precisa della quantità d'olio.

⚠ATTENZIONE: Qualora si rabbocchi l'olio oltre il limite, quest'ultimo potrebbe sporcarsi o prendere fuoco emettendo fumo bianco.

AVVISO: Non gettare mai l'olio motore sostituito nella spazzatura, sul terreno o nelle fogne. Lo smaltimento dell'olio è regolato da norme di legge. Per lo smaltimento, attenersi sempre alle leggi e alle normative pertinenti. Per qualsiasi ulteriore dubbio, rivolgersi a un centro di assistenza autorizzato.

AVVISO: L'olio si deteriora anche se resta inutilizzato. Eseguire l'ispezione e la sostituzione a intervalli regolari (sostituire con olio nuovo ogni 6 mesi).

L'olio motore deteriorato riduce notevolmente la vita utile delle parti scorrevoli e rotanti. Accertarsi di controllare gli intervalli di sostituzione e la quantità da sostituire.

Intervallo di sostituzione

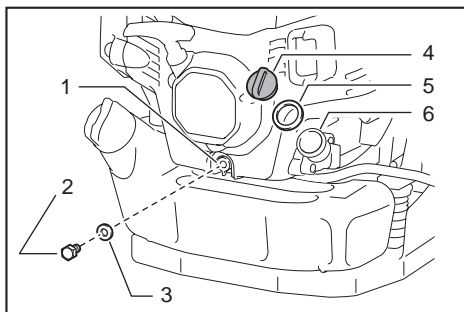
Dopo le prime 20 ore di funzionamento, seguite da ciascun periodo di 50 ore di funzionamento

Olio consigliato

- Olio per motore a 4 tempi originale Makita/Dolmar, oppure
- Olio SAE 10W-30 con grado API di classe SF o superiore (olio per motore a 4 tempi per auto)

Procedura di sostituzione dell'olio

Cambiare l'olio nel modo seguente:



- 1. Foro di scarico 2. Bullone di scarico dell'olio
3. Guarnizione (rondella in alluminio) 4. Tappo dell'olio 5. Guarnizione del tappo dell'olio
6. Apertura dell'olio

1. Appoggiare il soffiatore su una superficie piana.
2. Sistemare un contenitore per l'olio di scarto sotto il foro di scarico per raccogliere l'olio mentre viene scaricato. Il contenitore deve avere una capacità di almeno 140 ml per contenere tutto l'olio.
3. Allentare il bullone di scarico dell'olio per far fuoriuscire l'olio. Fare attenzione a evitare che l'olio finisca sul serbatoio del carburante o su altre parti.

AVVISO: Fare attenzione a non perdere la guarnizione (rondella in alluminio). Appoggiare il bullone di scarico dell'olio in un'ubicazione in cui non si sporchi.

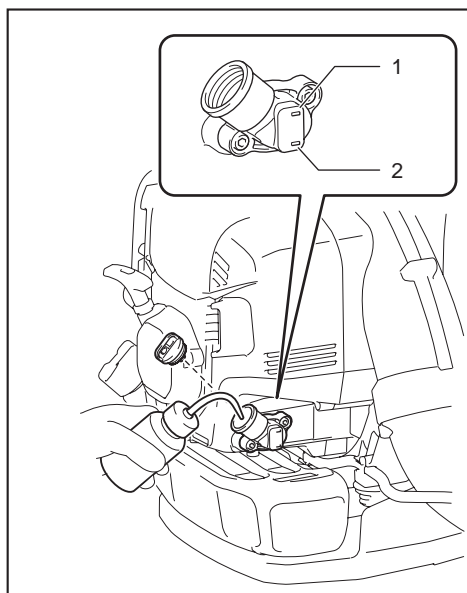
4. Rimuovere il tappo dell'olio. (La rimozione del tappo dell'olio consente di scaricare facilmente l'olio).

AVVISO: Accertarsi di appoggiare il tappo dell'olio in un'ubicazione in cui non si sporchi.

5. Man mano che il livello dell'olio scaricato si riduce, inclinare il soffiatore sul lato di scarico, in modo che l'olio fuoriesca completamente.
6. Dopo che l'olio è stato scaricato completamente, serrare saldamente il bullone di scarico dell'olio. Qualora non si serri saldamente il bullone, si potrebbe causare una perdita d'olio.

AVVISO: Non dimenticare di rimettere a posto la guarnizione (rondella in alluminio) quando si rimonta il bullone di scarico.

7. Versare circa 140 ml di olio nell'apertura di rabbocco dell'olio, fino all'indicazione del limite superiore.



► 1. Indicazione del limite superiore 2. Indicazione del limite inferiore

8. Dopo il riempimento dell'olio, serrare saldamente il tappo dell'olio per evitare perdite d'olio.

AVVISO: Non dimenticare di rimettere a posto la guarnizione del tappo dell'olio quando si rimonta il tappo dell'olio.

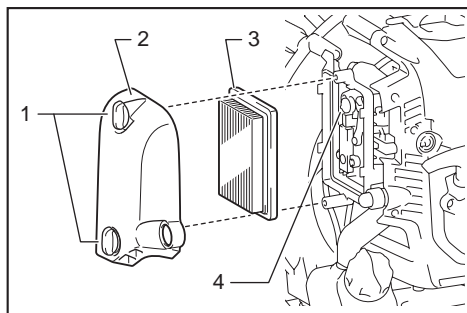
Pulizia del filtro dell'aria

AVVERTIMENTO: È SEVERAMENTE VIETATO USARE SOSTANZE INFIAMMABILI

Intervallo di pulizia e di ispezione

Giornaliero (ogni 10 ore di funzionamento)

Procedura di pulizia



► 1. Bulloni a manopola 2. Coperchio del filtro dell'aria 3. Elemento 4. Sfiato

1. Allentare i bulloni a manopola.

2. Rimuovere il coperchio del filtro dell'aria.

3. Rimuovere l'elemento e pulire tutto lo sporco dall'elemento con un panno o un getto d'aria. Sostituire l'elemento con uno nuovo, qualora sia danneggiato o molto sporco.

NOTA: L'elemento è del tipo a secco, e non deve bagnarsi. Non lavarli mai con acqua.

4. Asciugare eventuali tracce d'olio intorno allo sfiato utilizzando uno straccio o un panno.

5. Installare l'elemento nell'alloggiamento del filtro dell'aria.

6. Montare il coperchio del filtro dell'aria e serrare i bulloni a manopola.

AVVISO: Pulire l'elemento svariate volte al giorno qualora vi aderiscano polveri in eccesso dovute a un ambiente polveroso.

AVVISO: In caso di utilizzo continuato con l'elemento che resti sporco d'olio, l'olio nel filtro dell'aria potrebbe fuoriuscire all'esterno, causando una contaminazione d'olio.

Controllo della candela

ATTENZIONE: Non toccare la candela mentre il motore è in funzione. In caso contrario, si potrebbe causare una scossa elettrica.

ATTENZIONE: Posizionare la leva di controllo arresto o l'interruttore di arresto sulla posizione di spegnimento "O".

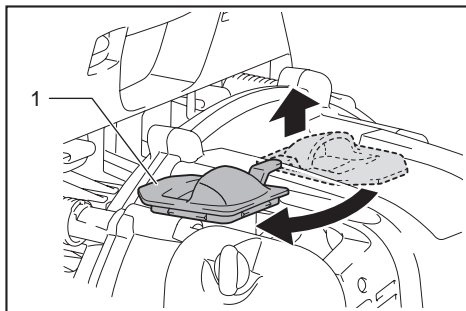
ATTENZIONE: Controllare a intervalli regolari il cavo della candela. Qualora sia danneggiato o lacerato, sostituirlo. In caso contrario, si potrebbe causare una scossa elettrica.

AVVISO: Quando si intende rimuovere la candela, pulire innanzitutto la candela e la testata del cilindro, affinché in quest'ultimo non penetrino sporco, sabbia, e così via.

AVVISO: Per evitare di danneggiare il foro filettato nel cilindro, rimuovere la candela dopo che il motore si è raffreddato.

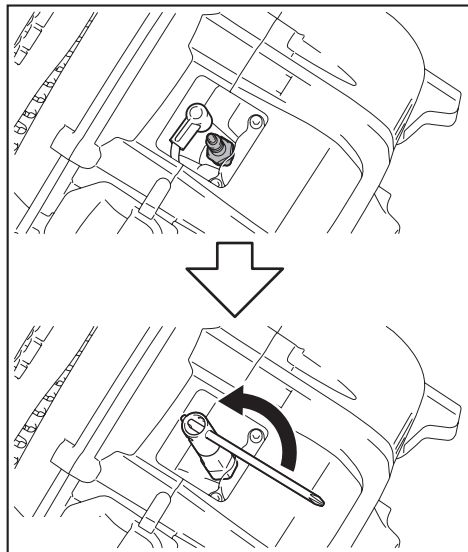
AVVISO: Installare correttamente la candela nel foro filettato. Qualora la si installi inclinata, il foro filettato nel cilindro si danneggia.

1. Per aprire lo sportellino della candela, sollevarlo e fargli fare un mezzo giro.



► 1. Sportellino della candela

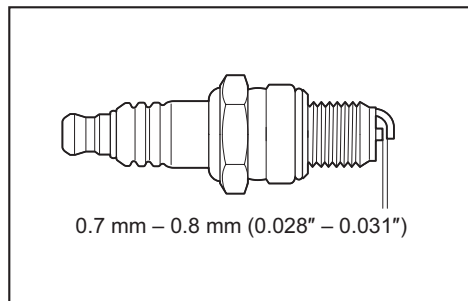
2. Per rimuovere e installare la candela, utilizzare la chiave a tubo in dotazione come accessorio di serie.



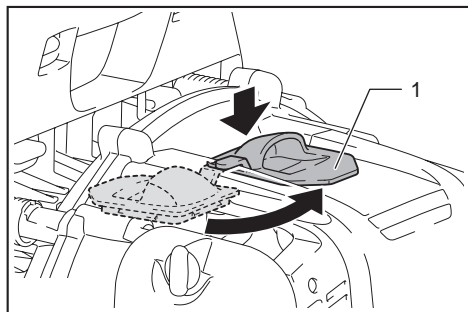
3. La distanza appropriata tra i due elettrodi della candela è compresa tra 0,7 e 0,8 mm. Regolare la distanza corretta quando è troppo ampia o troppo stretta.

Pulire completamente o sostituire la candela qualora presenti incrostazioni di carbonio o sia sporca.

Per la sostituzione, utilizzare una candela NGK CMR6H.



4. Per chiudere lo sportellino della candela, fargli fare un mezzo giro e premerlo intorno alla parte dentellata.



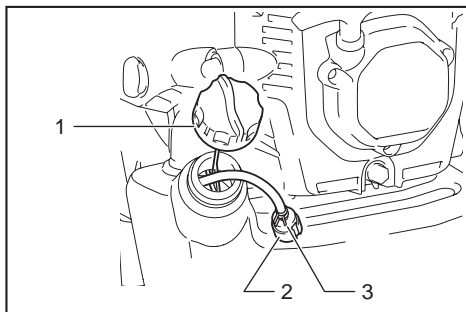
- 1. Sportellino della candela

Pulizia del filtro del carburante

ATTENZIONE: Accertarsi che il serbatoio del carburante non sia danneggiato. In presenza di qualsiasi danno del serbatoio del carburante, richiedere immediatamente la riparazione a un centro di assistenza autorizzato.

AVVISO: Pulire il filtro del carburante a intervalli regolari. Un filtro del carburante intasato potrebbe causare difficoltà di avvio o l'impossibilità di incrementare la velocità del motore.

Controllare regolarmente il filtro del carburante nel modo seguente:



- 1. Tappo del serbatoio del carburante 2. Filtro del carburante 3. Fascetta stringitubo

1. Rimuovere il tappo del serbatoio del carburante e scaricare il carburante fino a svuotare il serbatoio. Controllare che all'interno del serbatoio non siano presenti corpi estranei. Rimuovere tali corpi, qualora siano presenti.
2. Tirare fuori con del fil di ferro il filtro del carburante attraverso l'apertura di rifornimento del carburante.
3. Qualora la superficie del filtro del carburante sia sporca, pulirla con della benzina.

AVVISO: Attenersi al metodo specificato da ciascuna autorità locale per lo smaltimento della benzina utilizzata per la pulizia del filtro del carburante.

AVVISO: Qualora il filtro del carburante sia eccessivamente sporco, sostituirlo.

4. Dopo il controllo, la pulizia o la sostituzione, inserire il filtro del carburante nel tubo del carburante e fissarlo con la fascetta stringitubo. Rimettere il filtro del carburante nel serbatoio del carburante e serrare saldamente il tappo del serbatoio.

Regolazione del regime di minimo

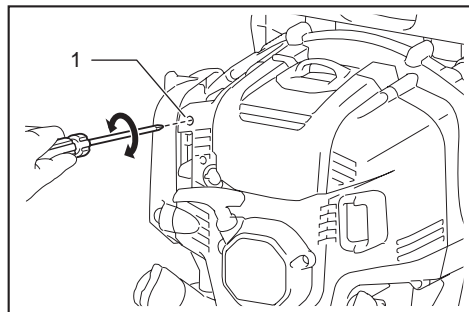
ATTENZIONE: Il carburatore è stato regolato in fabbrica. Non eseguire alcuna regolazione diversa da quella del regime di minimo. Per le altre regolazioni, rivolgersi a un centro di assistenza autorizzato.

La rotazione appropriata a bassa velocità è di 2.800 min⁻¹ (giri/min).

Qualora sia necessario modificare la velocità di rotazione, regolare la vite di regolazione del minimo con un cacciavite a croce.

Qualora il motore si arresti o funzioni in modo irregolare al minimo, ruotare la vite di regolazione verso destra, e

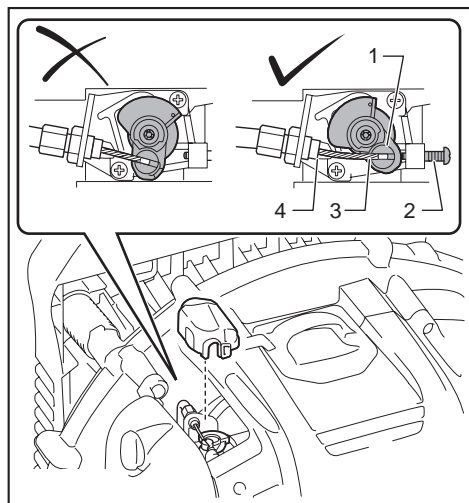
il regime di minimo aumenta. Qualora la macchina soffi troppo forte al minimo, ruotare la vite di regolazione verso sinistra, e il regime di minimo si riduce.



► 1. Vite di regolazione del minimo

Controllo della valvola a farfalla

Qualora il cavo di controllo sia piegato o impigliato, la valvola a farfalla non entra in contatto con la vite di regolazione del minimo, e impedisce al motore di girare al minimo correttamente. In tal caso, riposizionare il cavo di controllo per assicurare un movimento corretto della valvola.

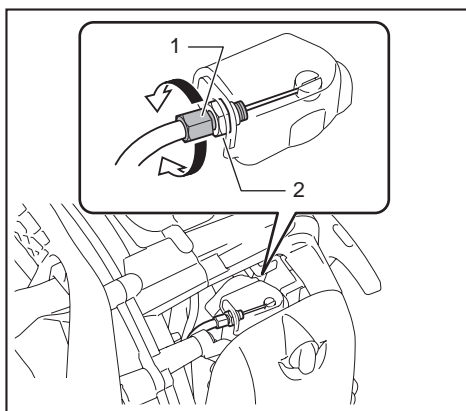


► 1. Valvola a farfalla 2. Vite di regolazione del minimo 3. Cavo di controllo 4. Fermo della valvola a farfalla

Qualora la valvola a farfalla non tocchi il relativo fermo anche se si preme a fondo il grilletto dell'acceleratore, o qualora la valvola a farfalla non tocchi la vite di regolazione del minimo mentre il motore gira al minimo, ruotare il bullone di regolazione del cavo nel modo seguente:

1. Allentare il dado di fissaggio.
2. Qualora la valvola a farfalla non tocchi il relativo fermo, ruotare il bullone di regolazione del cavo in senso antiorario.

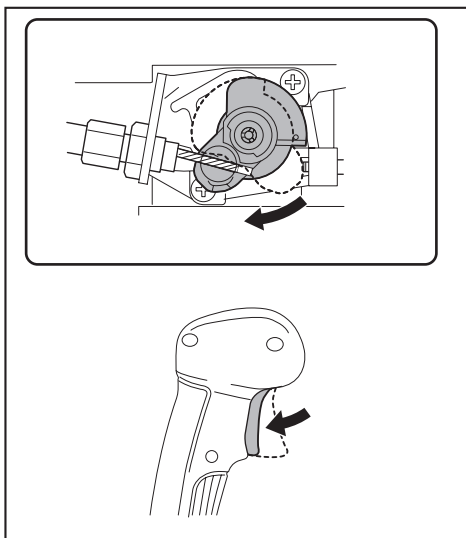
Qualora la valvola a farfalla non tocchi la vite di regolazione del minimo, ruotare il bullone di regolazione del cavo in senso orario.



► 1. Bullone di regolazione del cavo 2. Dado di fissaggio

3. Serrare il dado di fissaggio per fissare il bullone di regolazione del cavo.

4. Controllare il movimento della valvola a farfalla. La valvola a farfalla viene a trovarsi nella posizione illustrata quando si preme il grilletto dell'acceleratore o si ruota la leva dell'acceleratore.

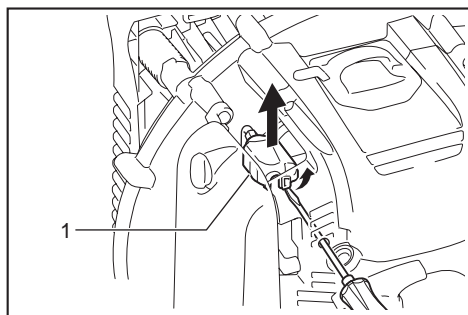


Pulizia della calotta del carburatore

Qualora la calotta del carburatore si sporchi e risulti difficile controllare la valvola a farfalla, pulire la calotta del carburatore nel modo seguente:

AVVISO: Non utilizzare mai benzina per auto, benzina per smacchiare, solventi, alcool o sostanze simili per pulire la calotta del carburatore. In caso contrario, si potrebbe opacizzare.

1. Far passare un cacciavite a testa piatta attraverso il foro presente nel coperchio del motore. Sganciare la chiusura della calotta del carburatore.



► 1. Calotta del carburatore

2. Pulire la calotta del carburatore.

AVVISO: Per pulire la calotta del carburatore, utilizzare un panno pulito bagnato.

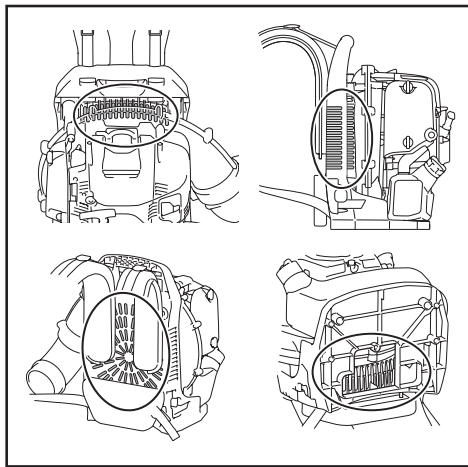
3. Riapplicare la calotta del carburatore. Accertarsi che la chiusura della calotta del carburatore si innesti in sede con uno scatto.

Ispezione di bulloni, dadi, viti e di altre parti

Serrare di nuovo bulloni, dadi e così via, che siano allentati. Verificare che non vi siano perdite di carburante e olio. Per un funzionamento sicuro, sostituire le parti danneggiate con altre nuove.

Pulizia del motore e della presa d'aria di raffreddamento

Mantenere pulito il motore pulendolo con uno straccio. Mantenere le alette del cilindro prive di polvere o sporco. La polvere o lo sporco sulle alette potrebbero causare il surriscaldamento del motore e il grippaggio del pistone. L'aria soffiata viene aspirata dalla presa d'aria. Quando il flusso d'aria si riduce durante l'uso, arrestare il motore e ispezionare la presa d'aria alla ricerca di eventuali ostruzioni. Pulirla, se necessario. Ostruzioni di questo tipo potrebbero causare un surriscaldamento e danneggiare il motore.



Sostituzione delle guarnizioni

Sostituire le guarnizioni se si è smontato il motore.

Qualsiasi lavoro di manutenzione o regolazione non incluso e descritto nel presente manuale deve essere eseguito esclusivamente da un centro di assistenza autorizzato.

Conservazione

AVVERTIMENTO: Quando si intende scaricare il carburante, arrestare il motore e attendere che si raffreddi. In caso contrario, si potrebbero causare ustioni o incendi.

ATTENZIONE: Prima di riporre la macchina per un periodo di tempo prolungato, scaricare tutto il carburante dal serbatoio del carburante e dal carburatore e conservarla in un luogo asciutto e pulito.

Prima di riporre la macchina, scaricare il carburante dal serbatoio del carburante e dal carburatore nel modo seguente:

1. Rimuovere il tappo del serbatoio del carburante e scaricare completamente il carburante. Qualora siano presenti eventuali corpi estranei residui nel serbatoio del carburante, rimuoverli completamente.
2. Tirare fuori con del fil di ferro il filtro del carburante dall'apertura di rifornimento.
3. Premere la pompa di adescamento fino a svuotarla del carburante, quindi scaricare il carburante che finisce nel serbatoio del carburante.
4. Riapplicare il filtro al serbatoio del carburante, quindi serrare saldamente il tappo del serbatoio del carburante.
5. Quindi, continuare a far funzionare il motore fino al suo arresto.
6. Rimuovere la candela e versare svariate gocce di olio motore attraverso il foro della candela.
7. Tirare delicatamente la maniglia dello starter in modo che l'olio si distribuisca sul motore, quindi rimontare la candela.
8. Tenere la macchina con la maniglia da trasporto rivolta verso l'alto.
9. Conservare il carburante scaricato in un contenitore apposito in un'ubicazione ben ventilata.

Ubicazione dei guasti

Guasto	Sistema	Osservazione	Causa
Il motore non parte o ha difficoltà a partire	Sistema di accensione	Scintille di accensione.	Difetto di alimentazione del carburante o del sistema di compressione, difetto meccanico.
		Nessuna scintilla di accensione.	Si è azionato l'interruttore di arresto, difetto di cablaggio elettrico o cortocircuito, candela o connettore difettosi, modulo di accensione guasto.
	Alimentazione del carburante	Serbatoio del carburante pieno.	Posizione errata della valvola dell'aria, carburatore difettoso, linea di alimentazione del carburante piegata oppure ostruita, carburante sporco.
	Compressione	Compressione assente quando si tira completamente.	Guarnizione del fondo del cilindro difettosa, guarnizioni dell'albero a gomiti danneggiate, anelli del cilindro o del pistone difettosi o difetto di tenuta della candela.
	Guasto meccanico	Lo starter non ingrana.	Molla dello starter rotta, parti rotte all'interno del motore.
Problemi di avviamento a caldo	-	Serbatoio pieno. Scintille di accensione.	Carburatore sporco, farlo pulire.
Il motore parte ma si arresta	Alimentazione del carburante	Serbatoio pieno.	Regolazione del minimo errata, carburatore sporco.
			Apertura di ventilazione del serbatoio del carburante difettosa, linea di alimentazione del carburante interrotta, cavo o interruttore di arresto difettosi.
Prestazioni insufficienti	Potrebbero essere coinvolti allo stesso tempo svariati sistemi	Regime minimo inadeguato del motore.	Filtro dell'aria sporco, carburatore sporco, marmitta intasata, condotto di scarico nel cilindro intasato.

Intervallo di controllo e manutenzione

-		Prima dell'utilizzo	Dopo il rifornimento di carburante	Quotidiano (10 ore)	50 ore	200 ore	600 ore o 2 anni, il periodo che passa prima	Prima della conservazione
Olio motore	Controllare/rifornire	○	-	-	-	-	-	-
	Sostituire	-	-	-	○ (Nota 1)	-	-	-
Pezzi da serrare (bulloni, dadi)	Controllare	○	-	-	-	-	-	-
Presa d'aria di raffreddamento	Pulire/controllare	○	-	-	-	-	-	-
Serbatoio del carburante	Pulire/controllare	○	-	-	-	-	-	-
	Scaricare il carburante	-	-	-	-	-	-	○ (Nota 3)
Grilletto/leva dell'acceleratore	Controllare il funzionamento	-	○	-	-	-	-	-
Arresto del motore	Controllare il funzionamento	-	○	-	-	-	-	-

		Prima dell'utilizzo	Dopo il rifornimento di carburante	Quotidiano (10 ore)	50 ore	200 ore	600 ore o 2 anni, il periodo che passa prima	Prima della conservazione
Regolazione del regime di minimo	Controllare/ regolare	-	○	-	-	-	-	-
Filtro dell'aria	Pulire	-	-	○	-	-	-	-
	Controllare/ sostituire se necessario	-	-	-	-	○	-	-
Cavo di controllo	Controllare/ regolare	-	-	○	-	-	-	-
	Controllare/ sostituire se necessario	-	-	-	-	○ (Nota 2)	-	-
Candela	Controllare/ regolare la distanza se necessario	-	-	○	-	-	-	-
	Pulire/ sostituire se necessario	-	-	-	-	○	-	-
Cavo della candela	Controllare/ sostituire se necessario	-	-	-	-	○ (Nota 2)	-	-
Tubo del carburante	Controllare	-	-	○	-	-	-	-
	Sostituire	-	-	-	-	○ (Nota 2)	-	-
Filtro del carburante	Pulire/ sostituire se necessario	-	-	-	○	-	-	-
Tubo dell'olio	Controllare	-	-	-	-	○ (Nota 2)	-	-
Distanza tra le valvole (valvola di ingresso aria e valvola di scarico aria)	Controllare/ regolare	-	-	-	-	○ (Nota 2)	-	-
Marmitta	Controllare/ pulire	-	-	-	-	○ (Nota 2)	-	-
Camera di combustione/ valvola/ apertura	Controllare/ pulire	-	-	-	-	○ (Nota 2)	-	-
Motore	Sottoporre a revisione	-	-	-	-	-	○ (Nota 2)	-
Carburatore	Scaricare il carburante	-	-	-	-	-	-	○ (Nota 3)

Nota 1: Eseguire la sostituzione iniziale dopo 20 ore di funzionamento.

Nota 2: Per l'ispezione, rivolgersi a un centro di assistenza autorizzato o a un'officina.

Nota 3: Dopo aver svuotato il serbatoio del carburante, continuare a far girare il motore e scaricare il carburante presente nel carburatore.

RISOLUZIONE DEI PROBLEMI

Prima di richiedere interventi di riparazione, eseguire personalmente un'ispezione. Qualora si rilevi un problema che non sia illustrato nel presente manuale, non tentare di smontare l'utensile. Rivolgersi, invece, a centri di assistenza autorizzati Dolmar/Makita, utilizzando sempre pezzi di ricambio Dolmar/Makita per le riparazioni.

Stato di anomalia	Causa probabile (guasto)	Azione correttiva
Il motore non si avvia.	La pompa di adescamento non è stata attivata.	Premerla da 7 a 10 volte.
	Cavo dello starter tirato lentamente.	Tirarlo con più forza.
	Mancanza di carburante.	Alimentare il carburante.
	Filtro del carburante intasato.	Pulire il filtro del carburante o sostituirlo con uno nuovo.
	Tubo del carburante piegato.	Raddrizzare il tubo del carburante.
	Carburante deteriorato.	Il carburante deteriorato rende l'avviamento più difficile. Sostituirlo con carburante nuovo. (Sostituzione consigliata: dopo 1 mese)
	Aspirazione eccessiva del carburante.	Impostare la leva dell'acceleratore dalla media all'alta velocità, quindi tirare la maniglia dello starter fino all'avvio del motore. Qualora il motore continui a non partire, rimuovere la candela, asciugare l'elettrodo e rimontarli nelle loro posizioni originali. Quindi, avviare il motore secondo le istruzioni.
	Cappuccio della candela staccato.	Montarlo saldamente.
	Candela sporca.	Pulire la candela.
	Distanza anomala tra gli elettrodi della candela.	Regolare la distanza.
	Altra anomalia della candela.	Sostituire la candela.
	Anomalia del carburatore.	Rivolgersi a un nostro centro di assistenza autorizzato per ispezionarlo e ripararlo.
	Impossibile tirare la maniglia dello starter.	Rivolgersi a un nostro centro di assistenza autorizzato per ispezionarlo e ripararlo.
Problema delle parti interne del motore.	Rivolgersi a un nostro centro di assistenza autorizzato per ispezionarlo e ripararlo.	
Il motore si arresta subito. La velocità del motore non aumenta.	Riscaldamento insufficiente.	Eseguire l'operazione di riscaldamento.
	La leva della valvola dell'aria è posizionata su "chiusa" anche se il motore è caldo.	Posizionarla su "aperta".
	Filtro del carburante intasato.	Pulire il filtro del carburante.
	Filtro dell'aria sporco o intasato.	Pulire il filtro dell'aria.
	Cavo di controllo staccato.	Fissare saldamente il cavo di controllo.
	Problema delle parti interne del motore.	Rivolgersi a un nostro centro di assistenza autorizzato per ispezionarlo e ripararlo.
L'acceleratore non torna al regime di minimo.	Posizione errata della valvola a farfalla.	Riposizionare il cavo di controllo. Regolare la posizione della valvola a farfalla ruotando il bullone di regolazione del cavo.
Il motore non si arresta. ⇒ Far girare il motore al minimo e posizionare la leva della valvola dell'aria su "chiusa".	Connettore staccato.	Fissare saldamente il connettore.
	Anomalia del sistema elettrico.	Rivolgersi a un nostro centro di assistenza autorizzato per ispezionarlo e ripararlo.

INHOUD

TECHNISCHE GEGEVENS.....	84	VOOR U DE MOTOR GAAT STARTEN	90
BELANGRIJKE VEILIGHEIDSVOORSCHRIFTEN.....	85	BEDIENING	92
BESCHRIJVING VAN DE ONDERDELEN.....	89	ONDERHOUD	95
MONTAGE.....	89	PROBLEEM OPLOSSEN.....	103

TECHNISCHE GEGEVENS

Model:		MG5300
Type gasklep		Buisgashendel
Droog gewicht	zonder blaaspijp/met kussen	8,9 kg
	met blaaspijp	9,8 kg - 10,0 kg
Afmetingen (zonder blaaspijp, L x B x H)		320 mm x 450 mm x 475 mm
Luchtstroomsnelheid	(met lange pijp, rond mondstuk)	81 m/s
	(met korte pijp, rond mondstuk)	82 m/s
Luchtstroomvolume	(met lange pijp, rond mondstuk)	15 m ³ /minuut
	(met korte pijp, rond mondstuk)	15 m ³ /minuut
Maximaal motortoerental		6.400 min ⁻¹
Stationair toerental		2.800 min ⁻¹
Cilinderinhoud		52,5 cm ³
Type motor		Luchtgekoelde 4-taktmotor met één cilinder
Brandstof		Autobenzine
Inhoud brandstoftank		1.800 cm ³
Motorolie		SAE 10W-30 olie van API-classificatie SF-klasse of hoger (4-takt-motorolie voor auto's)
Olievolume van de motor		140 cm ³
Carburateur		Type membraan
Bougie		NGK CMR6H
Elektrodeafstand		0,7 mm - 0,8 mm

- In verband met ononderbroken research en ontwikkeling behouden wij ons het recht voor bovenstaande technische gegevens te wijzigen zonder voorafgaande kennisgeving.
- De technische gegevens kunnen van land tot land verschillen.
- Het gewicht kan variëren afhankelijk van de hulpstukken.

Trillingen

Model			MG5300		
Trillingen volgens EN15503	Rechterhandgreep	a _{h_v eq}	Lange pijp	met rond mondstuk	2,2 (m/s ²)
				met plat mondstuk	2,9 (m/s ²)
		Onzekerheid K	Korte pijp	met rond mondstuk	2,2 (m/s ²)
				met plat mondstuk	2,5 (m/s ²)

Geluid

Model		MG5300
Gemiddeld geluidsdruk-niveau volgens EN15503	L _{PA eq}	96,0 (dB (A))
	Onzekerheid K	0,4 (dB (A))
Gemiddeld geluidsvermogen-niveau volgens EN15503	L _{WA eq}	102,5 (dB (A))
	Onzekerheid K	1,6 (dB (A))

Symbolen

Hieronder staan de symbolen die voor het gereedschap worden gebruikt. Zorg ervoor dat u weet wat ze betekenen alvorens het gereedschap te gebruiken.

	Wees vooral voorzichtig en let goed op.
	Lees de gebruiksaanwijzing.
	Verboden!
	Niet roken.
	Geen open vuur.
	Draag veiligheidshandschoenen.
	Draag oog- en gehoorbescherming.
	Hete delen - brandgevaar voor vingers en handen.
	Laat omstanders niet dichtbij komen.
	Houd mensen en huisdieren weg van het werkgebied.
	Brandstof (benzine)
	Handmatig starten van motor.
	Zet de motor uit.
	EHBO
	Aan/Start
	Uit/Stop
	Lang haar kan verstrikt raken en ongelukken veroorzaken.

EG-verklaring van conformiteit

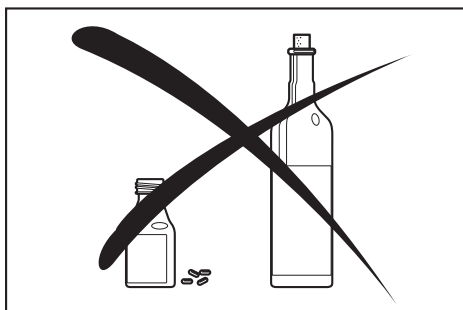
Alleen voor Europese landen

De EG-verklaring van conformiteit is bijgevoegd als Bijlage A bij deze gebruiksaanwijzing.

BELANGRIJKE VEILIGHEIDSVOORSCHRIFTEN

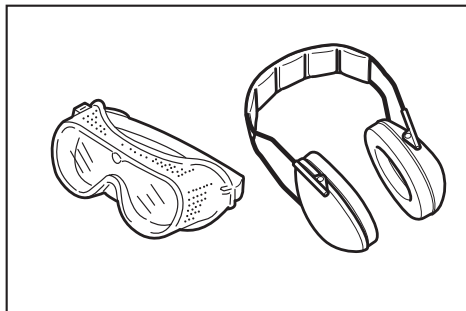
Algemene instructies

1. Om verzekerd te zijn van een correcte en veilige bediening moet de gebruiker de instructies in deze gebruiksaanwijzing lezen, begrijpen en opvolgen om vertrouwd te raken met de bladblazer. Gebruikers die onvoldoende deskundig zijn riskeren ongelukken voor zichzelf en anderen door onjuiste bediening.
2. Het is aan te bevelen de bladblazer alleen uit te lenen aan personen die vertrouwd zijn met de werking hiervan.
3. Geef altijd de gebruiksaanwijzing mee wanneer u de bladblazer uitleent.
4. Onervaren gebruikers moeten zich door de dealer laten instrueren in de eerste beginselen voor het correcte gebruik van de bladblazer.
5. Kinderen en personen onder de 18 jaar mogen niet werken met de bladblazer. Personen boven de 16 jaar mogen in hun trainingsfase het gereedschap wel bedienen, maar dan alleen onder direct toezicht van een bevoegd instructeur.
6. Gebruik de bladblazer altijd met uiterste zorg en waakzaamheid.
7. Gebruik de bladblazer enkel wanneer u in goede lichamelijke conditie verkeert.
8. Verricht alle werkzaamheden steeds zorgvuldig en nauwgezet. De gebruiker is verantwoordelijk voor de veiligheid van derden.
9. Gebruik de bladblazer nooit wanneer u onder de invloed van alcohol of medicijnen bent.



10. Gebruik het apparaat niet wanneer u zich moe voelt.
11. Bewaar deze instructies voor latere naslag.
12. Houd u aan en volg alle relevante veiligheidsinstructies, uitgegeven door beroepsverenigingen en verzekeringsinstanties. Maak geen enkele aanpassing of modificatie aan uw bladblazer, want dat kan uw veiligheid in gevaar brengen.
13. Breng nooit wijzigingen aan in het apparaat. Dat kan leiden tot gevaarlijke ongelukken of persoonlijk letsel.

Persoonlijke-beschermingsmiddelen



1. Zorg dat uw kleding passend en functioneel is, m.a.w. niet loshangend maar nauwsluitend zonder dat het u hindert in uw bewegingen. Draag geen sieraden, loszittende kledingstukken of lang haar dat in de luchtinlaat kan worden gezogen.
2. Ter voorkoming van hoofd-, oog-, hand- of voetsletsel en om uw gehoor te beschermen, moet u tijdens het gebruik van de bladblazer de volgende beschermingsmiddelen gebruiken en beschermende kleding dragen.
3. Kleding moet sterk zijn en nauwsluitend zitten, maar moet volledige bewegingsvrijheid bieden. Vermijd ruimvallende jaszes, wijde of omgeslagen broekspijpen, shawls, loshangend haar of andere zaken die in de luchtinlaat gezogen kunnen worden. Draag een overall of lange broek om uw benen te beschermen. Draag geen korte broek.
4. Gemotoriseerd gereedschap maakt doorgaans lawaai dat uw gehoor kan beschadigen. Draag gehoorbeschermers (oordoppen of oorkleppen) om uw gehoor te beschermen. Zeer regelmatige of veelvuldige gebruikers moeten hun gehoor regelmatig laten testen.
5. Bij het gebruik van de bladblazer is het aanbevolen om handschoenen te dragen. Draag stevig schoeisel met antislipzolen.
6. Deugdelijke oogbescherming is vereist. Alhoewel de luchtstroom van u af gericht is, kunnen tijdens het gebruik van de bladblazer soms steentjes of takjes terugkaatsen.
7. Werk nooit met de bladblazer zonder uw ogen te beschermen met een goed passende veiligheidsbril of gezichtsmasker met afdoende bescherming van boven en opzij, die voldoet aan de voorschriften van EN166 en de plaatselijke veiligheidsseisen.

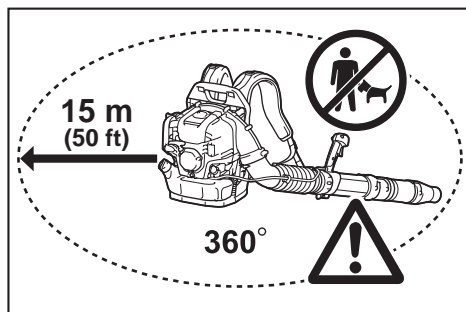
8. Om inwendig letsel door het inademen van stof te voorkomen, dient u in stoffige omstandigheden een stofmasker te dragen.

Bedoeld gebruik

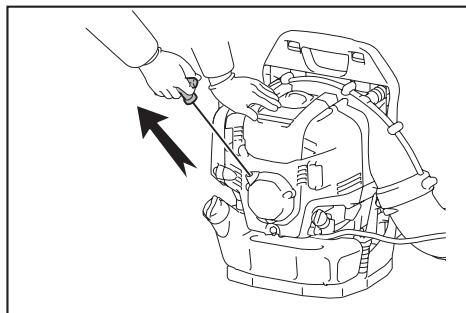
Het gereedschap is bedoeld voor het wegblazen van stof.

Starten van de bladblazer

1. Verzeker u ervan dat er geen kinderen of andere personen zich binnen een straal van 15 meter bevinden, en let ook op de eventuele aanwezigheid van dieren in de buurt.



2. Voor ingebruikname moet u altijd eerst de bladblazer controleren op veilig gebruik:
 - Controleer of de gashendel goed functioneert. De gashendel moet vooral vrij en soepel kunnen bewegen.
 - Controleer ook de juiste werking van de gasvergrendelknop.
 - Controleer op vetvrije en droge handgrepen en test het functioneren van de I-O-schakelaar. Houd de handgrepen vrij van olie en brandstof.
3. Start de bladblazer alleen volgens de instructies. Probeer nooit om de motor op een andere manier te starten.

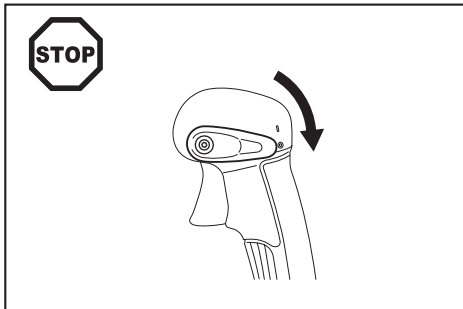


4. Gebruik de bladblazer en de bijgeleverde gereedschappen alleen voor de specifiek aangegeven doeleinden.
5. Start de motor van de bladblazer pas wanneer het gereedschap volledig is gemonteerd. Het gebruik van dit gereedschap is alleen toegestaan wanneer alle vereiste toebehoren er op zijn gemonteerd.

6. De motor moet direct worden uitgeschakeld indien zich hier problemen mee voordoen.
7. Wanneer u werkt met de bladblazer, moet u altijd uw vingers stevig rond de handgreep houden, waarbij de bedieningshendel tussen uw duim en wijsvinger ligt. Houd uw hand in deze positie zodat u het apparaat voortdurend goed onder controle kunt houden. Zorg ervoor dat uw bedieningshendel in goede staat verkeert en vrij blijft van vocht, vuil, olie en vet.
8. Zorg er altijd voor dat u veilig en stevig staat.
9. Draag de bladblazer tijdens gebruik op beide schouders, zoals het hoort. Draag de bladblazer niet aan één enkele schouderband. Anders kan dat leiden tot persoonlijk letsel.
10. Werk met de bladblazer steeds in een zodanige stand dat u geen uitlaatgassen inademt. Laat nooit de motor van het apparaat draaien in een gesloten ruimte (gevaar voor verstikking en gasvergiftiging). Koolmonoxide is een geur- en kleurloos gas. Zorg altijd voor voldoende ventilatie.
11. Schakel de motor uit wanneer u pauzeert of de bladblazer onbeheerd achterlaat. Berg hem op een veilige plaats op om te voorkomen dat hij beschadigd raakt, gevaar voor anderen kan opleveren of licht ontvlambare stoffen kan doen ontbranden.
12. Leg een hete bladblazer nooit neer in droog gras of op andere brandbare materialen.
13. Tijdens gebruik moeten alle bij het apparaat geleverde veiligheidsvoorzieningen en beschermkappen worden gebruikt.
14. Laat de motor nooit draaien met een defecte uitlaatdemper.

Vervoer

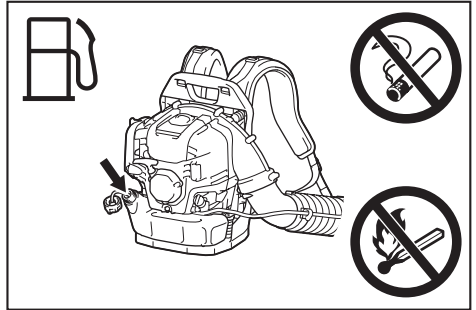
1. Schakel de motor uit tijdens het vervoeren.



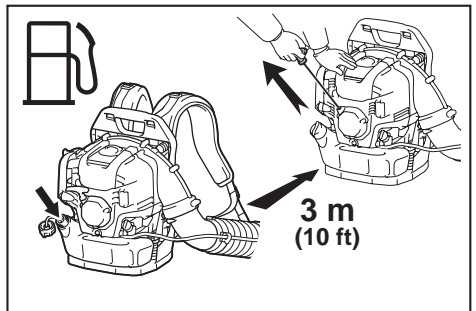
2. Zorg dat de bladblazer tijdens vervoer in een auto of vrachtwagen stabiel is neergezet, om brandstoflekkage te voorkomen.
3. Voor vervoer van de bladblazer dient u te zorgen dat de brandstoftank helemaal leeg is.
4. Pak de draagbeugel en til de bladblazer op wanneer u hem wilt dragen. Sleep de bladblazer niet mee aan het mondstuk, de blaaspip of andere onderdelen.
5. Houd de bladblazer stevig vast tijdens het vervoer.
6. Voor het optillen van de bladblazer dient u de knieën te buigen en voorzichtig te zijn dat u uw onderrug niet overbelast.

Brandstof bijvullen

1. Schakel de motor uit tijdens het bijvullen van brandstof, blijf uit de buurt van open vuur en rook beslist niet.



2. Voorkom huidcontact met aardolieproducten, zoals benzine. Adem geen brandstofdampen in. Draag altijd beschermende handschoenen tijdens het bijvullen van brandstof. Verwissel regelmatig uw beschermende kleding en reinig die ook regelmatig.
3. Vermijd het morsen van brandstof of olie om vervuiling van de grond te voorkomen (ter bescherming van het milieu). Veeg gemorste brandstof direct af en maak de bladblazer goed schoon. Laat natte doeken eerst opdrogen voordat u ze weggooit in een goed sluitende afvalbak om het gevaar van spontane ontbranding te voorkomen.
4. Zorg dat u geen brandstof op uw kleding morst. Verkleed u onmiddellijk als brandstof op uw kleding is gemorst (vanwege brandgevaar).
5. Controleer regelmatig de brandstoftankdop op lekkage en let op dat de dop goed afsluit.
6. Draai de brandstoftankdop zorgvuldig vast. Start de motor altijd op een andere plaats (tenminste 3 meter verwijderd) dan waar u brandstof hebt bijgevuld.



7. Vul nooit brandstof bij in een gesloten ruimte. Brandstofdampen vormen zeer brandbare gassen op grondniveau (explosiegevaar).
8. Vervoer en bewaar brandstof uitsluitend in goedgekeurde jerrycans. Zorg dat uw brandstofvoorraad niet toegankelijk is voor kinderen.
9. Vul nooit brandstof bij wanneer de motor heet is of nog draait.
10. Vul nooit meer brandstof bij dan opgegeven in "TECHNISCHE GEGEVENS".

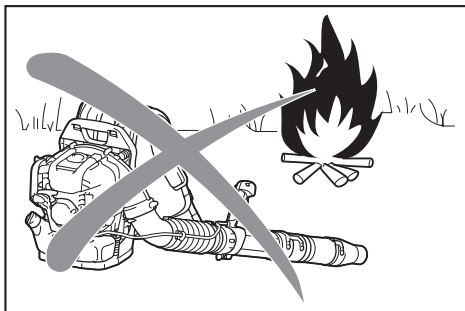
Werkwijze

1. Gebruik de bladblazer alleen bij helder licht en goed zicht. Pas op voor natte of glibberige plaatsen, ijzel, sneeuw en ijs (gevaar voor uitglijden) en krappe ruimten. Zorg dat u altijd stevig staat.
2. Werk nooit op een instabiele ondergrond of een steile helling.
3. Werk nooit vanaf een ladder of een hoge plaats. Anders bestaat de kans op letsel.
4. Om gevaar voor persoonlijk letsel te voorkomen, mag u nooit de luchtstroom op omstanders richten, want de hoge luchtdruk kan schadelijk zijn voor de ogen en de krachtige luchtstroom kan gruis e.d. met grote snelheid uitwerpen.
5. Plaats nooit enig voorwerp in de luchtinlaat van het apparaat of in de blaaspijp van de bladblazer. Dat kan de ventilatorschoep beschadigen en kan gevaar voor ernstig letsel opleveren, zowel voor de gebruiker als voor omstanders, omdat het voorwerp of gebroken onderdelen op hoge snelheid kunnen worden weggeslingerd.
6. Let op de windrichting, d.w.z. werk niet tegen de windrichting in.
7. Om gevaar voor struikelen en verlies van controle te voorkomen, mag u nooit met het apparaat werken terwijl u achteruit loopt.
8. Schakel de motor altijd uit voordat u het apparaat gaat reinigen of onderhouden en voordat u onderdelen gaat vervangen.
9. Neem regelmatig een pauze om verlies van controle door vermoeidheid te voorkomen. Wij raden u aan om elk uur een rustpauze van 10 tot 20 minuten te nemen.
10. Gebruik het apparaat niet te dicht bij ramen, enz.
11. Om fysieke gevolgen door trillingen en/of gehoorschade te voorkomen, dient u het apparaat zo veel mogelijk op een laag toerental te gebruiken en de gebruiksduur te beperken.
12. Gebruik het apparaat alleen op een redelijke tijd van de dag. Gebruik de bladblazer niet in de vroege ochtend of erg laat in de avond, wanneer het apparaat hinder voor omwonenden kan opleveren.
13. Het is aanbevolen om het afval voor het blazen los te maken met een hark of bezem.
14. Onder stoffige omstandigheden kunt u de omgeving voor het blazen licht besproeien, zo nodig met een waternevelsproeier.
15. Verstel de lengte van het blaasmondstuk zodat de luchtstroom dichtbij de grond kan werken.
16. Om het geluidsniveau te minimaliseren, dient u het aantal apparaten dat tegelijkertijd wordt gebruikt beperkt te houden.
17. Na het gebruik van de bladblazer en andere apparaten, moet u OPRUIMEN! Werp alle afval in een afvalbak.
18. Verhoog het motortoerental niet meer dan noodzakelijk. Weggeblazen voorwerpen kunnen leiden tot persoonlijk letsel.
19. De uitlaatdemper wordt tijdens gebruik heet. Raak de uitlaatdemper niet aan omdat dit kan leiden tot brandwonden op uw huid.

20. Gebruik het apparaat niet in een omgeving met explosiegevaar, zoals een omgeving met licht ontvlambare vloeistoffen, gassen of stof. Het apparaat genereert vonken die stof of dampen kunnen doen ontsteken.

Onderhoudsinstructies

1. Ga milieubewust te werk. Gebruik de bladblazer met zo min mogelijk lawaai en vervuiling als mogelijk. Laat vooral de afstelling van de carburateur regelmatig controleren.
2. Maak de bladblazer regelmatig schoon en controleer of alle bouten en moeren stevig vast zitten.
3. Onderhoud of bewaar de bladblazer nooit in de nabijheid van open vuur, vonken, enz.



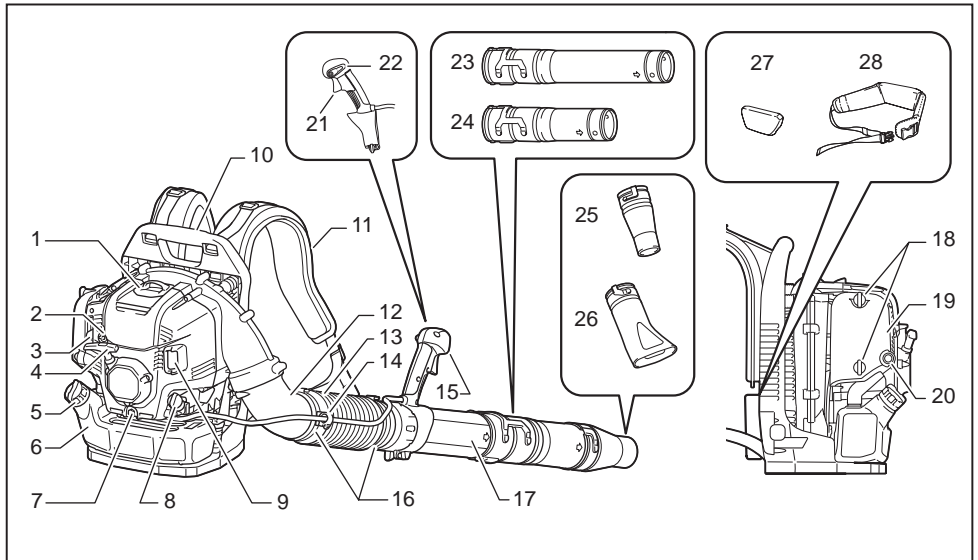
4. Sla de bladblazer altijd op met een lege brandstoftank in een goed geventileerde en afgesloten ruimte.
5. Het uitvoeren van onderhoud of reparaties door de gebruiker is beperkt tot de in deze gebruiksaanwijzing beschreven punten. Alle andere werkzaamheden dienen door een erkend servicecentrum uitgevoerd te worden.
6. Gebruik uitsluitend originele reserveonderdelen en accessoires geleverd door Makita/Dolmar. Het gebruik van niet-goedgekeurde onderdelen en gereedschappen kan leiden tot ongelukken en letsel. Makita/Dolmar aanvaardt geen enkele aansprakelijkheid voor ongelukken of schade die voortvloeit uit het gebruik van enige niet-goedgekeurde onderdelen of accessoires.
7. Een verkeerde reparatie of slecht onderhoud kan de levensduur van het apparaat verkorten en de kans op ongelukken vergroten.

EHBO

1. Voor het geval van ongelukken dient een goed gevulde eerste-hulpkoffer in de nabijheid van de werkzaamheden aanwezig te zijn. Vul direct na gebruik van de inhoud de eerste-hulpkoffer weer aan.
2. Geef de volgende informatie wanneer u om hulp vraagt:
 - Plaats van het ongeval
 - Beschrijving van het ongeval
 - Aantal gewonden
 - Aard van de verwondingen
 - Uw naam

BESCHRIJVING VAN DE ONDERDELEN

MG5300



1	Bougiedeksel	9	Uitlaatdemper	17	Zwenkpijp	25	Rond mondstuk
2	Antivrieshendel	10	Draagbeugel	18	Knopbout (van luchtfilterdeksel)	26	Plat mondstuk (optioneel accessoire)
3	Chokehendel	11	Schouderband	19	Luchtfilterdeksel	27	Kussen (optioneel accessoire)
4	Trekstarthandgreep	12	Elleboogpijp	20	Opvoerpomp	28	Heupgordel (optioneel accessoire)
5	Brandstoftankdop	13	Flexibele pijp	21	Gastrekker	-	-
6	Brandstoftank	14	Kabelhouder	22	Stophendel	-	-
7	Olieaftapbout	15	Bedieningshendel	23	Lange pijp (optioneel accessoire)	-	-
8	Olievuldop	16	Slangklem	24	Korte pijp (optioneel accessoire)	-	-

- De standaardaccessoires kunnen van land tot land verschillen.

MONTAGE

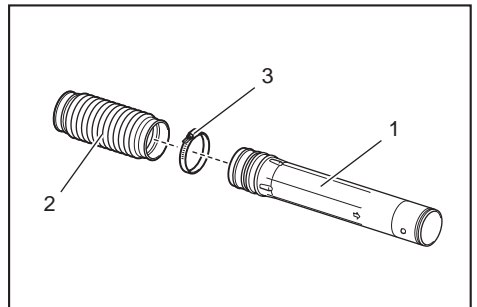
⚠ LET OP: Alvorens u enige werkzaamheden aan de bladblazer gaat verrichten, zet u altijd eerst de motor af en trekt u de bougiekap van de bougie af.

⚠ LET OP: Start de bladblazer pas nadat deze volledig is gemonteerd.

⚠ LET OP: Draag altijd beschermende handschoenen.

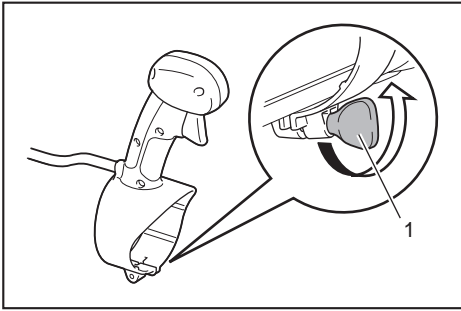
De blaaspijpen aanbrengen

1. Steek de zwenkpijp in de flexibele pijp en zet deze beide vast met de slangklem.



- 1. Zwenkpijp 2. Flexibele pijp 3. Slangklem

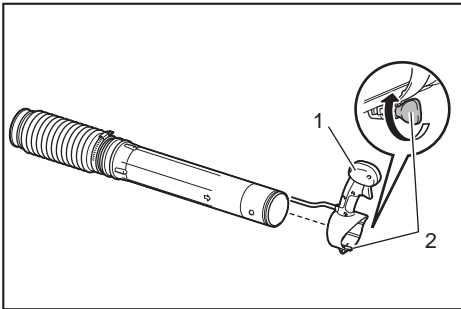
2. Draai de klem Schroef los en verwijder hem.



► 1. Klem Schroef

Wees voorzichtig de kabel niet te verdraaien bij het aanbrengen van de bedieningshendel.

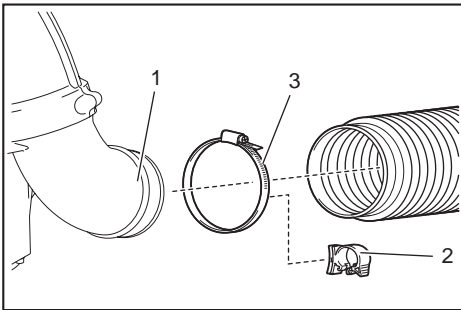
3. Bevestig de bedieningshendel/handgreep aan de zwenkpijp en zet deze vast met de klem Schroef.



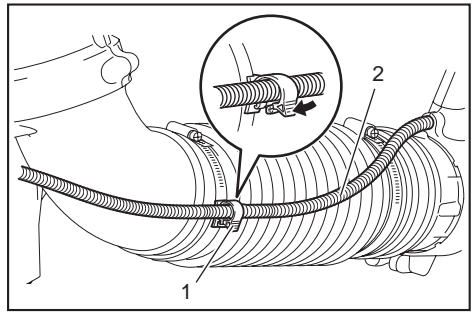
► 1. Bedieningshendel 2. Klem Schroef

4. Bevestig de flexibele pijp aan de elleboogpijp.

Steek de elleboogpijp op de flexibele pijp. Bevestig de kabelhouder tussen de slangklem en de flexibele pijp. Maak de kabelhouder, de flexibele pijp en de elleboogpijp vast met de slangklem. Plaats de bedieningskabel op de kabelhouder en sluit de kabelhouder.

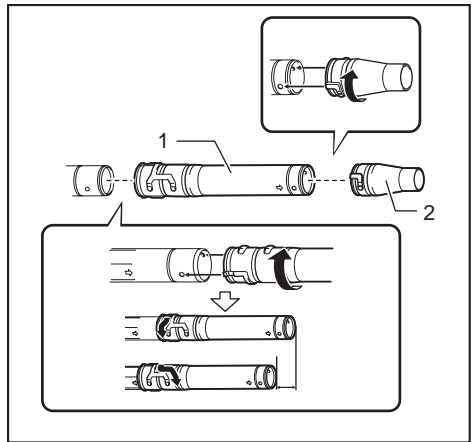


► 1. Elleboogpijp 2. Kabelhouder 3. Slangklem



► 1. Kabelhouder 2. Bedieningskabel

5. Bevestig de lange/korte pijp aan de zwenkpijp. Draai de lange/korte pijp rechtsom om hem te vergrendelen. Bevestig vervolgens het blaasmondstuk aan de lange/korte pijp. Draai het blaasmondstuk rechtsom om hem te vergrendelen.



► 1. Lange/korte pijp 2. Blaasmondstuk

6. Zorg ervoor dat alle klemmen stevig vast zitten. Controleer of de gasklep correct beweegt overeenkomstig de bediening van de gastrekker/gashendel.

Als de gastrekker/gashendel niet helemaal kan worden ingeknepen/gedraaid of als de gastrekker/gashendel niet terugkeert naar de correcte stand, raadpleegt u het hoofdstuk ONDERHOUD om de gasklep af te stellen.

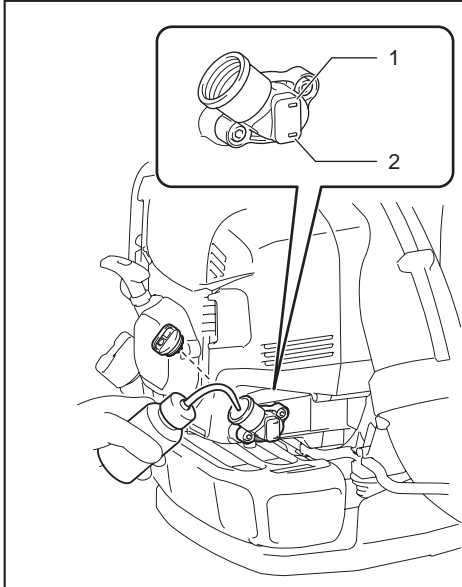
VOOR U DE MOTOR GAAT STARTEN

De motorolie controleren en bijvullen

⚠ LET OP: Voordat u de motorolie bijvult, moet u de motor uitzetten en laten afkoelen. Anders zou u brandwonden kunnen oplopen.

KENNISGEVING: Bij gebruik van slechte olie zal de motor onregelmatig starten.

KENNISGEVING: Verwijder stof of vuil rond de olievulopening voordat u de olievuldop eraf draait. Zorg er ook voor dat geen stof of zand op de losse olievuldop komt. Anders kan zand of stof dat aan de olievuldop kleeft leiden tot onregelmatige olietoevoer of slijtage van de motoronderdelen, hetgeen storingen kan veroorzaken.



► 1. Bovengrens 2. Ondergrens

Inspecteren

Plaats de bladblazer op een vlakke ondergrond en verwijder de olievuldop. Let op of het oliepeil tussen de boven- en ondergrenzen staat. Als het oliepeil niet tot aan de ondergrens komt, dient u nieuwe olie bij te vullen. Ververs de olie wanneer die vuil is of duidelijk van kleur veranderd is. (Zie onder "De motorolie verversen" voor de werkwijze en de regelmaat waarmee u de olie moet verversen.)

Bijvullen

Plaats de bladblazer op een vlakke ondergrond en verwijder de olievuldop. Vul olie bij tot aan de bovengrens op de oliepeilaanduiding. Over het algemeen moet na ongeveer elke 20 bedrijfsuren motorolie worden bijgevuld (na elke 10 - 15 keer brandstof bijvullen).

Aanbevolen motorolie

- Originele Makita/Dolmar 4-taktmotorolie of
- SAE 10W-30 olie van API-classificatie SF-klasse of hoger (4-taktmotorolie voor auto's)

Olievolume

Olievolume: ongeveer 140 ml

KENNISGEVING: Sla de bladblazer op terwijl hij rechtop staat op een horizontale ondergrond. De oliepeilaanduiding geeft niet de correcte hoeveelheid olie aan als de bladblazer schuin staat en olie in de motor is gestroomd. Dit kan resulteren in te veel olie bijvullen.

KENNISGEVING: Vul niet te veel olie bij. Overtollige olie kan uit de ontluchting van het luchtfilter komen en de omringende onderdelen bevuild, of er kan witte rook worden uitgestoten doordat overtollige olie wordt verbrand.

Na het bijvullen van olie

Veeg gemorste olie af met een doek.

Brandstoftoevoer

⚠ WAARSCHUWING: Voor het bijvullen van brandstof zet u de motor uit en wacht u tot die afgekoeld is. Anders kan na ontvlaming brand ontstaan en kunt u brandwonden oplopen.

⚠ WAARSCHUWING: Brandstof moet worden bijgevuld op een plaats waar geen open vuur is om ontvlaming en brand te voorkomen. Breng nooit enig brandend voorwerp (sigaret e.d.) dichtbij de plaats waar u brandstof bijvult.

⚠ WAARSCHUWING: Kies een vlakke ondergrond voor het bijvullen van brandstof. Vermijd onstabiele plaatsen voor het bijvullen van brandstof. Vul brandstof bij bij helder licht en goed zicht.

⚠ WAARSCHUWING: Open de brandstoftankdop langzaam. Door inwendige druk kan brandstof uit de vulopening worden gemorst.

⚠ WAARSCHUWING: Wees voorzichtig dat u geen brandstof morst. Veeg gemorste brandstof af.

⚠ WAARSCHUWING: Vul brandstof bij op een goed geventileerde plaats.

⚠ WAARSCHUWING: Kies een vrije, open omgeving voor het bijvullen van brandstof.

⚠ WAARSCHUWING: Ga voorzichtig om met brandstof.

⚠ LET OP: Als brandstof op uw huid of in uw ogen komt, kan dit leiden tot allergische reacties of irritatie. Roep onmiddellijk medische hulp in wanneer u een fysiek probleem waarneemt.

KENNISGEVING: Vul GEEN olie bij in de brandstoftank.

Brandstof

⚠ WAARSCHUWING: Sla de machine en de brandstoftank op een koele plaats op, uit de zon.

⚠ WAARSCHUWING: Bewaar brandstof nooit in uw auto.

De motor is een viertaktmotor. Zorg dat u altijd benzine voor auto's gebruikt (normaal of super).

KENNISGEVING: Gebruik nooit benzine gemengd met olie, zoals 2-taktolie of motorolie. Dat veroorzaakt overmatige koolafzetting en mechanische storingen.

OPMERKING: Bewaar brandstof in een speciale jerrycan in een goed geventileerde ruimte in de schaduw. Gebruik de brandstof binnen 4 weken. Anders kan brandstof al binnen een dag verslechteren.

Werkwijze voor brandstof bijvullen

⚠ LET OP: Als de tankdop niet goed werkt of beschadigd is, dient u deze te vervangen.

⚠ LET OP: De tankdop zal na verloop van tijd versleten raken. Vervang hem om de twee tot drie jaar.

KENNISGEVING: Vul GEEN brandstof bij in de vulopening voor de motorolie.

1. Draai de brandstoftankdop een beetje los om de overdruk uit de tank te laten ontsnappen.
2. Draai de brandstoftankdop eraf en vul brandstof bij terwijl u de lucht uit de brandstoftank laat ontsnappen door de brandstofvulopening naar boven gericht te houden. Vul NOOIT brandstof bij tot aan de bovenrand van de tank.
3. Draai de tankdop weer stevig vast nadat u klaar bent met brandstof bijvullen.

BEDIENING

De motor starten

⚠ WAARSCHUWING: Probeer nooit de motor te starten op dezelfde plek als waar u brandstof hebt bijgevoerd. Hierdoor kan ontvlaming en brand ontstaan. Ga voor het starten van de motor minstens 3 meter weg van de plek waar brandstof is bijgevoerd.

⚠ WAARSCHUWING: De uitlaatgassen van de motor zijn giftig. Laat de motor niet draaien op een slecht geventileerde plaats, bijvoorbeeld in een tunnel, in een gebouw enz. Het gebruik van de motor op een slecht geventileerde plaats kan leiden tot vergiftiging door uitlaatgassen.

⚠ WAARSCHUWING: Zet de motor uit en inspecteer hem onmiddellijk wanneer u na het starten iets vreemds waarneemt, zoals een vreemd geluid, vreemde geur of trillingen. Als u de motor blijft gebruiken terwijl zich een dergelijk abnormaal verschijnsel voordoet, kan dat leiden tot ongelukken.

⚠ WAARSCHUWING: Raak de hete motorcap niet aan. Anders zou u brandwonden kunnen oplopen.

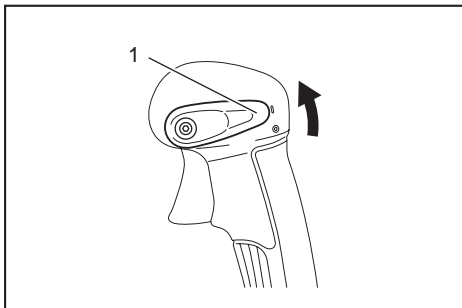
⚠ WAARSCHUWING: Verzekert u voor het starten van de motor ervan dat er geen brandstoflekkage is.

⚠ WAARSCHUWING: Controleer of de motor daadwerkelijk uit gaat wanneer u de stopschakelaar in de stand "O" zet.

Wanneer de motor koud is of na het bijvullen van brandstof (koude start)

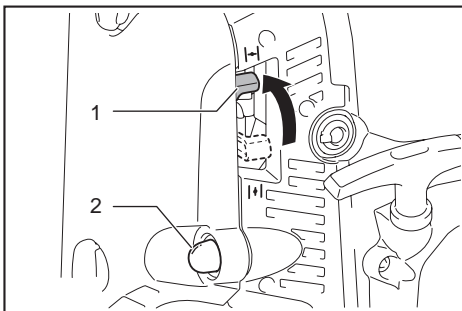
1. Plaats de bladblazer op een vlakke ondergrond.
2. I/O-stand

Zet de stophendel in de stand "I".



► 1. Stophendel

3. Blijf op de opvoerpomp drukken totdat er brandstof in de opvoerpomp komt.

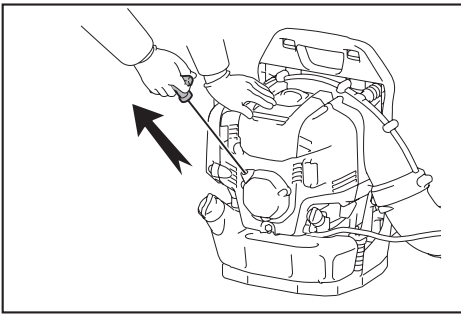


► 1. Chokehendel 2. Opvoerpomp

OPMERKING: Doorgaans komt er na 7 tot 10 keer drukken brandstof in de carburateur.

OPMERKING: Als buitensporig vaak op de opvoerpomp wordt gedrukt, zal het overschot aan benzine terugstromen naar de brandstoftank.

4. Zet de chokehendel omhoog in de gesloten stand.
5. Plaats uw linkerhand bovenop de bladblazer en trek langzaam met uw rechterhand aan de trekstarthandgreep tot u compressie voelt. Trek daarna krachtig aan de trekstarthandgreep.

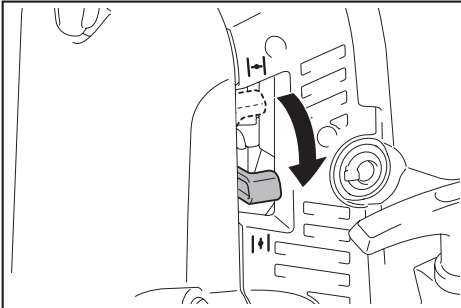


KENNISGEVING: Trek het trekstartkoord nooit volledig uit.

KENNISGEVING: Laat de trekstarthandgreep geleidelijk teruglopen in de behuizing. Als u dat niet doet, kan de trekstarthandgreep tegen uw lichaam aan zwiepen of het trekstartkoord niet goed opgewonden worden.

OPMERKING: Als de motor ontsteekt en afslaat, zet u de chokehendel terug in de geopende stand en trekt u enkele malen aan de trekstarthandgreep om de motor opnieuw te starten.

6. Nadat de motor is gestart, zet u de chokehendel omlaag in de geopende stand.



OPMERKING: Zet de chokehendel helemaal open voordat u de gashendel/gastrekker bedient.

OPMERKING: Bij lage temperatuur of wanneer de motor niet warm genoeg is, mag u nooit de chokehendel plotseling helemaal open zetten. Anders kan de motor afslaan.

7. Laat de motor gedurende 2 tot 3 minuten opwarmen op stationair of een laag motortoerental.

8. Het opwarmen is voltooid wanneer het motortoerental vanaf stationair draaien snel toeneemt zodra u vol gas geeft.

OPMERKING: Als u meerdere keren aan de trekstarthandgreep trekt met de chokehendel in de gesloten stand, kan de motor moeilijk te starten zijn omdat deze door te veel brandstof is verzopen. Als de motor door te veel brandstof is verzopen, verwijdert u de bougie en trekt u een paar keer snel aan de trekstarthandgreep om het overschot aan brandstof te verwerken. Maak de elektrode van de bougie goed droog.

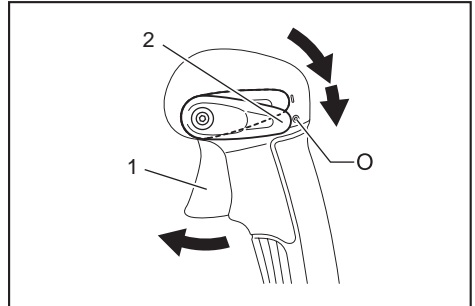
Wanneer de motor warm is (warme start)

⚠ LET OP: Pas op dat u uw hand niet verbrandt. Draag handschoenen bij het starten van de motor.

1. Plaats de bladblazer op een vlakke ondergrond.
2. Druk enkele keren op de opvoerpomp.
3. Zorg ervoor dat de chokehendel open staat.
4. Plaats uw linkerhand bovenop de bladblazer en trek langzaam met uw rechterhand aan de trekstarthandgreep tot u compressie voelt. Trek daarna krachtig aan de trekstarthandgreep.

De motor uitzetten

Laat de gastrekker los en zet daarna de stophendel in de stand "O".



- 1. Gastrekker 2. Stophendel

Ijsafzetting in de carburateur voorkomen

KENNISGEVING: Wanneer de omgevingstemperatuur hoger is dan 10°C, zet u de hendel altijd terug in de normale stand (aangegeven met een zonnetje). Ander kan de motor door oververhitting beschadigd worden.

Wanneer de omgevingstemperatuur laag is en de luchtvochtigheid hoog is, kan waterdamp binnenin de carburateur bevriezen, waardoor de motor onregelmatig gaat draaien (ijsafzetting in de carburateur). Verander indien nodig de stand van de antivrieshendel als volgt.

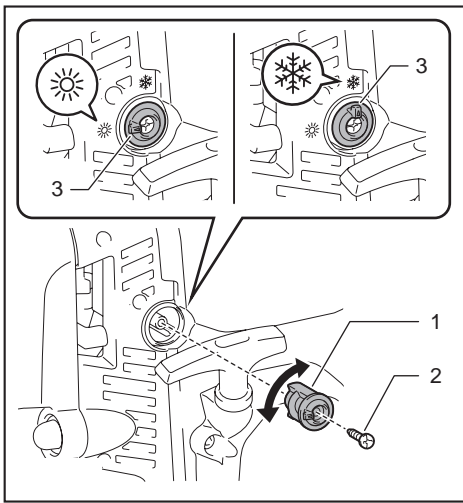
1. Verwijder de schroef en trek de antivrieshendel eruit.
2. Plaats de antivrieshendel als volgt:

In een warmere omgeving dan 10°C

Zet de nok op de markering 'zon' (warme stand).

10°C of koudere omgeving

Zet de nok op de markering 'sneeuw' (antivriesstand).

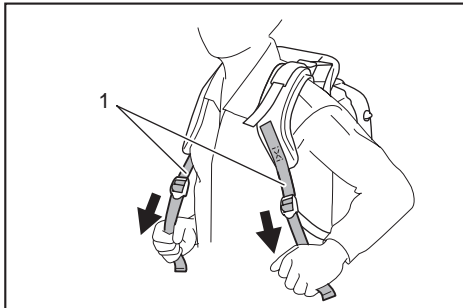


► 1. Antivrieshendel 2. Schroef 3. Nok

3. Draai de schroef vast.

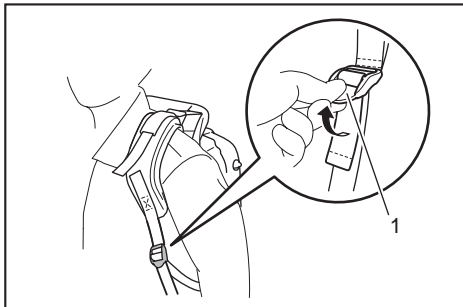
De schouderband verstellen

1. Stel de schouderband in op een lengte waarbij u comfortabel kunt werken met de bladblazer op uw rug. Om de band strak te trekken, trekt u het uiteinde van de band omlaag.



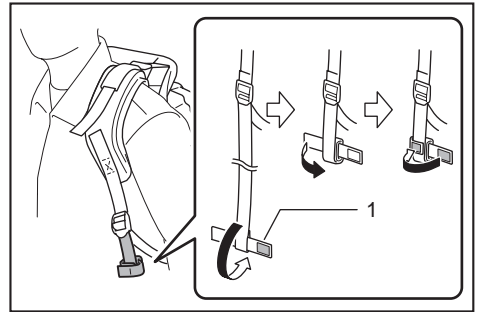
► 1. Schouderband

Om de band losser te maken, trekt u het uiteinde van de gesp omhoog.



► 1. Gesp

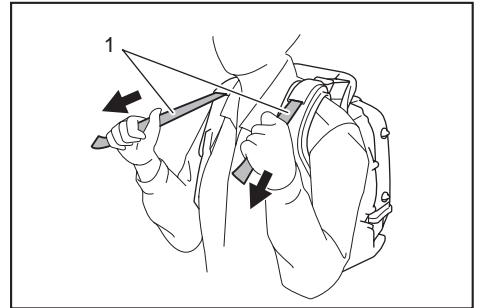
Rol het uiteinde van de band op en klem het vast met de strip.



► 1. Strip

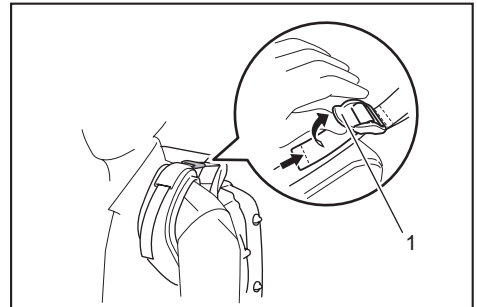
2. Trek aan de stabilisatieband totdat er geen speling meer open blijft tussen uw rug en de behuizing van de bladblazer.

Om de band strak te trekken, trekt u het uiteinde van de band omlaag.



► 1. Stabilisatieband

Om de band losser te maken, trekt u het uiteinde van de gesp omhoog.

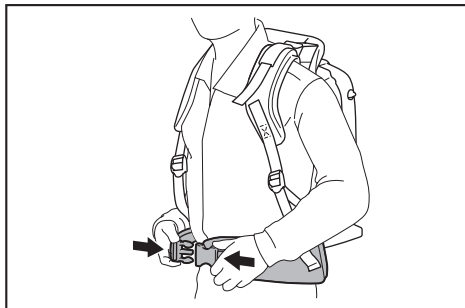


► 1. Gesp

Heupgordel

Optioneel accessoire

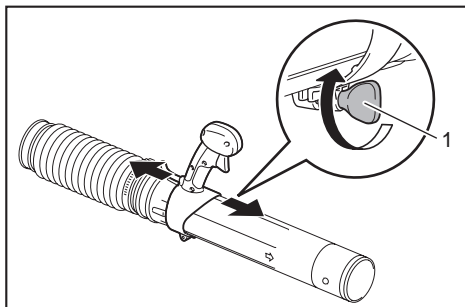
Met de heupgordel kan de gebruiker het gereedschap stabiel dragen.



⚠ LET OP: Vergeet niet de gesp van de heupgordel los te maken voordat u de bladblazer van uw schouders af tilt om hem neer te zetten.

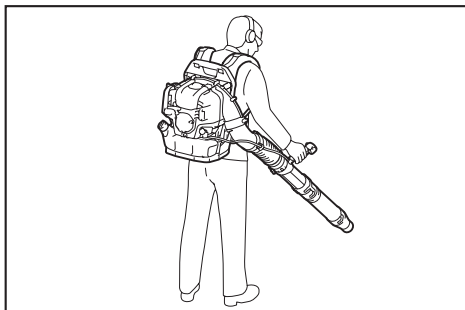
De positie van de bedieningshendel afstellen

Verschuif de bedieningshendel langs de zwenkpijp naar de meest comfortabele stand. Zet vervolgens de bedieningshendel vast met de klemschroef.



► 1. Klemschroef

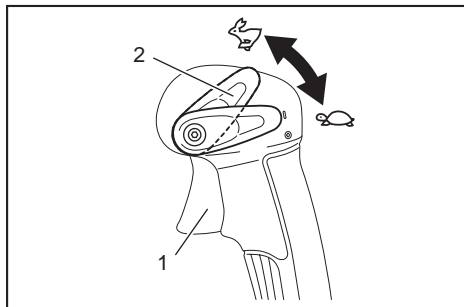
De bladblazer bedienen



1. Tijdens het werken met de bladblazer kunt u de gastrekker/gashendel zo instellen dat de blaasluchtdruk precies goed is voor de omstandigheden waaronder u werkt.

2. Het motortoerental instellen.

Het motortoerental kan worden verhoogd door de gastrekker verder in te knijpen. Om het motortoerental te verlagen, laat u de gastrekker iets los. Met de 'cruise control'-functie kan de gebruiker het motortoerental constant houden zonder de gastrekker ingeknepen te moeten houden. Om het motortoerental te verhogen, zet u de stophendel in de stand voor hoog toerental. Om het motortoerental te verlagen, zet u de stophendel in de stand voor laag toerental.



► 1. Gastrekker 2. Stophendel

De bladblazer vervoeren

⚠ LET OP: Voordat u de bladblazer gaat vervoeren, zet u altijd eerst de motor uit.

KENNISGEVING: Ga niet op de bladblazer zitten of staan en plaats er geen zware voorwerpen op. Hierdoor kan het apparaat worden beschadigd.

KENNISGEVING: Zorg bij vervoer en opslag voor dat de bladblazer rechtop staat. Bij vervoer of opslag in een andere stand dan rechtop, kan olie in de motor van de bladblazer lekken. Dat kan leiden tot olie lekkage uit het apparaat en witte rook door het verbranden van olie, en het luchtfilter kan vuil worden door de olie.

KENNISGEVING: Bij verplaatsen mag u de bladblazer niet slepen. Anders kan de behuizing van de bladblazer worden beschadigd.

ONDERHOUD

⚠ LET OP: Alvorens onderhouds- en inspectiewerkzaamheden uit te voeren, zet u de motor uit en laat u die afkoelen. Verwijder de bougie en de bougiekap. Als u dit nalaat, loopt u de kans op brandwonden of ernstig letsel als de motor onverwacht start.

⚠ LET OP: Controleer na inspectie of onderhoud zorgvuldig of alle onderdelen gemonteerd zijn.

De motorolie verversen

⚠ LET OP: De motor zelf en de motorolie zijn nog heet vlak nadat de motor is uitgezet. Als u de motorolie wilt gaan verversen, moet u eerst controleren of de motor zelf en de motorolie voldoende zijn afgekoeld. Doet u dat niet, dan bestaat het gevaar dat u zich verbrandt. Wacht na het uitzetten van de motor nog even totdat de motorolie is teruggekeerd naar de olietank, om een juiste aflezing van het oliepeil te garanderen.

⚠ LET OP: Als u olie bijvult tot boven de aangegeven bovengrens, kan het apparaat verontreinigd raken of witte rook uitstoten door het verbranden van olie.

KENNISGEVING: Gooi afgewerkte motorolie nooit weg met het huisvuil en loos het nooit in de natuur of in het riool. Het weggooien van olie is wettelijk geregeld. Volg altijd de geldende wetten en regelgeving wanneer u motorolie wilt weggooien. Neem contact op met een erkend servicecentrum als u hieromtrent vragen hebt.

KENNISGEVING: Ook wanneer olie ongebruikt wordt opgeslagen, zal de olie op den duur verslechteren. Controleer en inspecteer de olie regelmatig (vervang de olie elke 6 maanden door nieuwe).

Verslechterde motorolie verkort de levensduur van de schuivende en roterende onderdelen aanzienlijk. Vergeet niet te controleren wanneer en hoeveel olie ververst moet worden.

Verversingsinterval

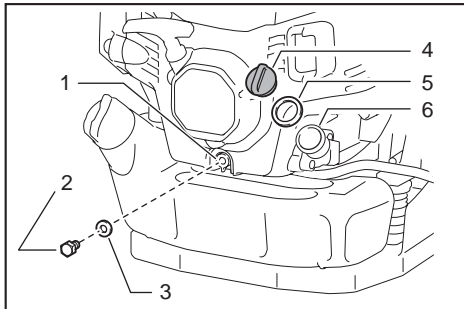
Na de eerste 20 bedrijfsuren, en daarna om de 50 bedrijfsuren.

Aanbevolen motorolie

- Originele Makita/Dolmar 4-taktmotorolie of
- SAE 10W-30 olie van API-classificatie SF-klasse of hoger (4-taktmotorolie voor auto's)

Werkwijze voor het verversen van de olie

Ververs de olie als volgt:



- 1. Aftapgat 2. Olieaftapbout 3. Pakking (aluminium ring) 4. Olievuldop 5. Pakking van olievuldop 6. Olievulopening

1. Plaats de bladblazer op een vlakke ondergrond.
2. Plaats een bak voor afgewerkte motorolie onder het aftapgat om de afgetapte olie in op te vangen. De olieopvangbak moet minstens een inhoud hebben van 140 ml om alle olie te kunnen opvangen.
3. Draai de olieaftapbout los om de olie af te tappen. Wees voorzichtig dat er geen olie komt op de brandstoftank of andere onderdelen.

KENNISGEVING: Pas op dat u de pakking (aluminium ring) niet kwijtraakt. Leg de olieaftapbout op een plaats waar deze niet vuil kan worden.

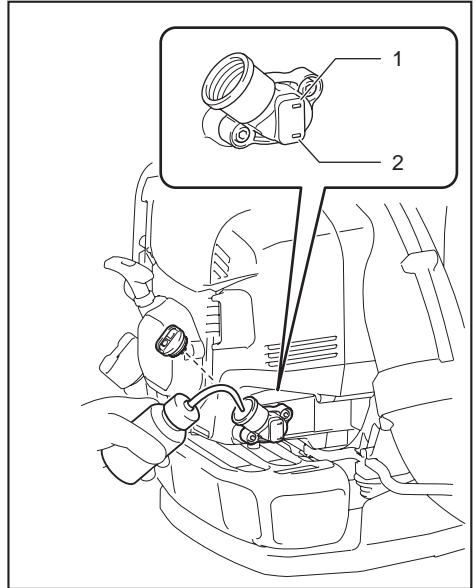
4. Verwijder de olievuldop. (Door de olievuldop te verwijderen kan de olie gemakkelijker uit de motor stromen.)

KENNISGEVING: Leg de olievuldop op een plaats waar deze niet vuil kan worden.

5. Naarmate het oliepeil lager wordt, kantelt u de bladblazer naar de kant van het aftapgat zodat alle olie uit de motor kan stromen.
6. Nadat alle olie uit de motor is gestroomd, draait u de olieaftapbout weer stevig vast. Als de bout niet stevig vastgedraaid wordt, kan olie blijven lekken.

KENNISGEVING: Vergeet niet de pakking (aluminium ring) weer aan te brengen wanneer u de olieaftapbout weer erop draait.

7. Giet ongeveer 140 ml olie in de olievulopening tot aan de bovengrens.



- 1. Bovengrens 2. Ondergrens

8. Nadat de olie is bijgevuld, draait u de olievuldop weer stevig vast om olielekage te voorkomen.

KENNISGEVING: Vergeet niet de pakking van de olievuldop aan te brengen voordat u de olievuldop weer erop draait.

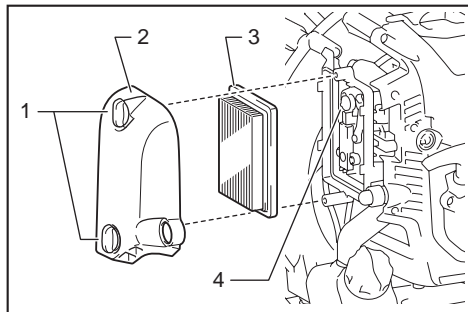
Het luchtfilter reinigen

WAARSCHUWING: BRANDBARE STOFFEN STRENG VERBODEN

Interval voor reinigen en inspecteren

Dagelijks (om de 10 bedrijfsuren)

Reinigingsprocedure



- 1. Knopbouten 2. Luchtfilterdeksel 3. Element
4. Luchtinlaat

1. Draai de knopbouten los.
2. Verwijder het luchtfilterdeksel.
3. Verwijder het element en reinig al het vuil vanaf het element met behulp van een doek of luchtstroom. Vervang het element door een nieuw als het beschadigd of zeer vuil is.

OPMERKING: Het element is van het droge type en het mag niet nat worden. Was het nooit met water.

4. Veeg eventuele olie rond de luchtinlaat weg met een doek of lap.
5. Breng het element aan in het luchtfilterhuis.
6. Breng het luchtfilterdeksel weer aan en draai de knopbouten vast.

KENNISGEVING: Reinig het element meerdere keren per dag als er onder stoffige omstandigheden erg veel stof door wordt opgevangen.

KENNISGEVING: Als u door blijft werken terwijl er nog olie op het element zit, kan de olie in het luchtfilter eruit lekken waardoor olieverontreiniging optreedt.

De bougie controleren

LET OP: Raak de bougie niet aan terwijl de motor draait. Anders kunt u een elektrische schok krijgen.

LET OP: Zet de stophendel/stopschakelaar in de stand uit "O".

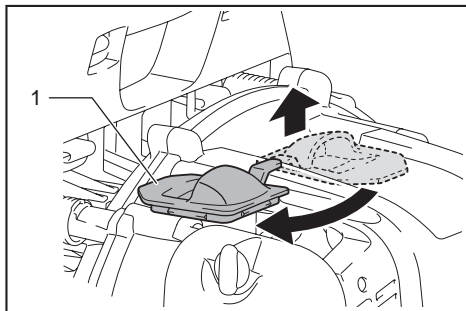
LET OP: Controleer de bougiekabel regelmatig. Als deze beschadigd of gerafeld is, vervangt u hem. Anders kunt u een elektrische schok krijgen.

KENNISGEVING: Voordat u de bougie verwijdert, reinigt u eerst de bougie en de cilinderkop zodat geen stof, zand, enz. in de cilinder kan komen.

KENNISGEVING: De motor moet afgekoeld zijn voordat u de bougie verwijdert, om te voorkomen dat het schroefgat in de cilinderkop beschadigd wordt.

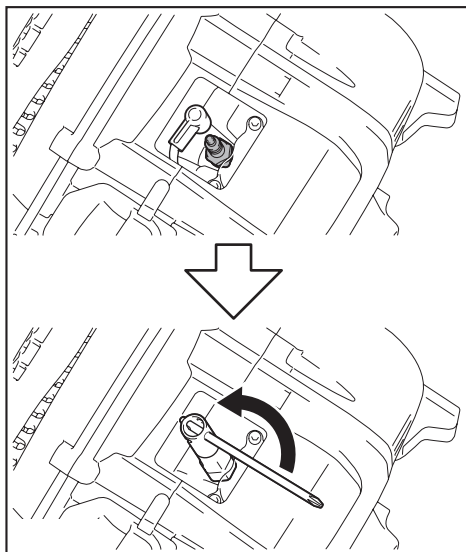
KENNISGEVING: Draai de bougie precies recht in het schroefgat. Als u de bougie er scheef indraait, wordt het schroefgat in de cilinderkop beschadigd.

1. Voor het openen van het bougiegedeelte tilt u het op en draait u het een halve slag.



- 1. Bougiegedeelte

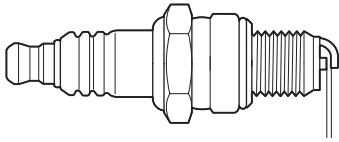
2. Gebruik de bijgeleverde bougiesleutel om de bougie te verwijderen en weer vast te draaien.



3. De speling tussen de twee elektroden van de bougie moet 0,7 tot 0,8 mm bedragen. Stel de juiste speling af als de elektrodeafstand te groot of te klein is.

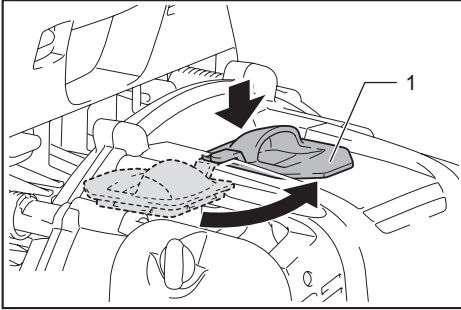
Reinig de bougie grondig of vervang de bougie wanneer deze verontreinigd is of veel koolaanslag heeft.

Gebruik als vervangingsbougie NGK CMR6H.



0.7 mm – 0.8 mm (0.028" – 0.031")

- Om het bougiesdeksel te sluiten, draait u het een halve slag en drukt u het rondom de holte dicht.



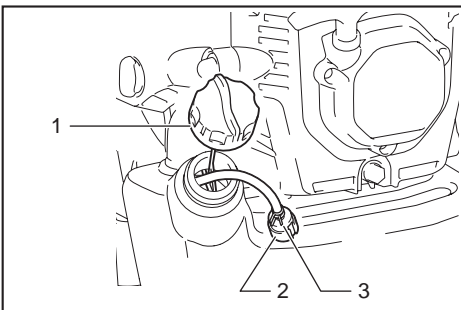
- Bougiesdeksel

Het brandstoffilter reinigen

⚠ LET OP: Verzekert u ervan dat er geen schade aan de brandstoftank is. Als er schade aan de brandstoftank is, vraagt u onmiddellijk een erkend servicecentrum deze te repareren.

KENNISGEVING: Reinig het brandstoffilter regelmatig. Een verstopt brandstoffilter kan leiden tot startproblemen of verhinderen dat het toerental kan oplopen.

Controleer het brandstoffilter regelmatig op de volgende wijze:



- Brandstoftankdop
- Brandstoffilter
- Slangklem

- Verwijder de brandstoftankdop en tap de brandstof af totdat de tank helemaal leeg is. Controleer de binnenkant van de tank op eventuele vreemde stoffen. Verwijder dergelijke stoffen, indien aanwezig.
- Trek het brandstoffilter met een draad via de brandstofvulopening uit de tank.
- Als het oppervlak van het brandstoffilter verontreinigd is, reinigt u het met behulp van benzine.

KENNISGEVING: Houd u aan de regelgeving vastgesteld door uw plaatselijke overheid omtrent het verwerken van de benzine die gebruikt is voor het reinigen van het brandstoffilter.

KENNISGEVING: Vervang het brandstoffilter als dit sterk verontreinigd is.

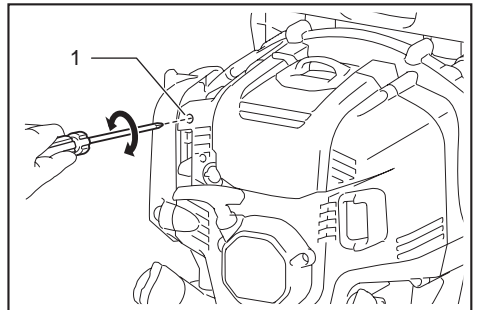
- Na controleren, reinigen of vervangen, steekt u het brandstoffilter op de brandstofslang en bevestigt u het met behulp van de slangklem. Plaats het brandstoffilter terug in de brandstoftank en draai de brandstoftankdop er stevig op.

Het stationair toerental afstellen

⚠ LET OP: De carburateur is in de fabriek afgesteld. Maak nooit enige andere afstelling dan het stationair toerental. Voor andere afstellingen dient u contact op te nemen met een erkend servicecentrum.

Een geschikt stationair toerental is 2.800 min⁻¹ (omw/min).

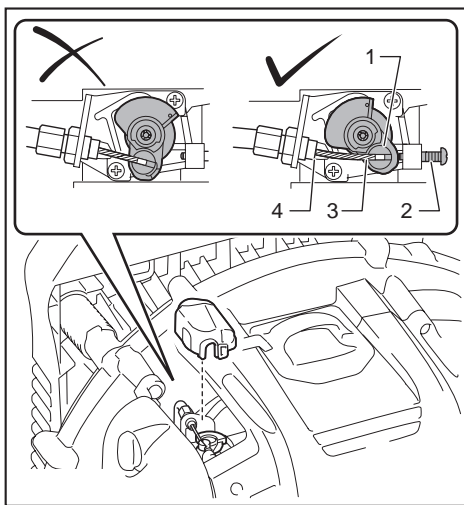
Als het nodig is om het stationair toerental af te stellen, doet u dit met een kruiskopschroevendraaier. Als de motor afslaat of onregelmatig draait bij stationair draaien, draait u de stelschroef naar rechts zodat het stationair toerental toeneemt. Als de motor te hard loopt bij stationair draaien, draait u de stelschroef naar links zodat het stationair toerental afneemt.



- Stelschroef voor stationair toerental

De gasklep controleren

Als de bedieningskabel gebogen is of blijft steken, maakt de gasklep geen contact met de stelschroef voor stationair toerental, en voorkomt dit dat de motor op het juiste stationair toerental draait. Verander in dat geval de positie van de bedieningskabel zodat de gasklep weer correct kan bewegen.

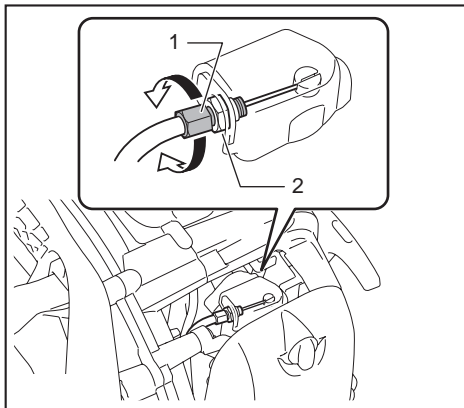


► 1. Gasklep 2. Stelschroef voor stationair toerental
3. Bedieningskabel 4. Gasklepaanslag

Als de gasklep niet tegen de gasklepaanslag komt, ondanks dat u de gastrekker helemaal inknijpt, of als de gasklep niet tegen de stelschroef voor stationair draaien komt tijdens stationair draaien, draait u de kabelafstelbout als volgt:

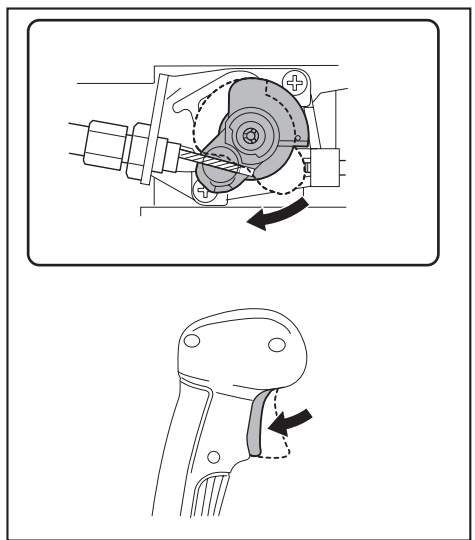
1. Draai de borgmoer los.
2. Als de gasklep niet tegen de gasklepaanslag komt, draait u de kabelafstelbout linksom.

Als de gasklep niet tegen de stelschroef voor stationair draaien komt, draait u de kabelafstelbout rechtsom.



► 1. Kabelafstelbout 2. Borgmoer

3. Draai de borgmoer vast om de kabelafstelbout vast te zetten.
4. Controleer de beweging van de gasklep. De gasklep komt tot de stand aangegeven in de afbeelding wanneer de gastrekker/gashendel wordt ingeknepen/gedraaid.

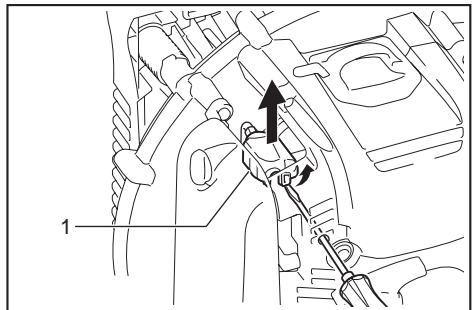


De carburateurafdekking reinigen

Als de carburateurafdekking vuil is geworden en het moeilijk is om de gasklep te controleren, reinigt u de carburateurafdekking als volgt:

KENNISGEVING: Gebruik nooit benzine, wasbenzine, thinner, alcohol of iets dergelijks voor het reinigen van de carburateurafdekking. Anders kan hij worden beschadigd.

1. Steek een platkopschroevendraaier door het gat in de motorkap. Maak de klem van de carburateurafdekking los.



► 1. Carburateurafdekking

2. Reinig de carburateurafdekking.

KENNISGEVING: Gebruik een natte, schone doek voor het reinigen van de carburateurafdekking.

3. Plaats de carburateurafdekking terug. Verzeker u ervan dat de klem van de carburateurafdekking vastklikt wanneer u hem terugplaatst.

Bouten, moeren, schroeven en andere onderdelen inspecteren

Draai loszittende bouten, moeren, enz. weer vast.

Controleer op brandstof- en olie lekkage.

Vervang beschadigde onderdelen door nieuwe voor een veilig gebruik.

De motor en koelluchtinlaat reinigen

Houd de motor schoon door hem met een doek af te vegen.

Houd de koelvinnen van de cilinder vrij van stof en vuil. Als de koelvinnen bedekt raken met stof of vuil, kan de motor oververhit raken en de zuiger vastlopen.

De blaasluucht wordt aangezogen via het luchtinlaatrooster. Wanneer u merkt dat de blaaskracht afneemt, moet u de motor stoppen en het inlaatrooster controleren op verstoppingen. Reinig zo nodig. Een dergelijke verstopping kan leiden tot oververhitting en schade aan de motor.



Pakkingen en afdichtingen vervangen

Wanneer de motor gedemonteerd wordt, vervangt u de pakkingen en afdichtingen door nieuwe.

Alle onderhouds- of afstelwerkzaamheden die niet beschreven worden in deze gebruiksaanwijzing mogen alleen worden uitgevoerd door een erkend servicecentrum.

Opslag

⚠ WAARSCHUWING: Voordat u de brandstof aftapt, moet u de motor uitzetten en laten afkoelen. Als u dit niet doet, kunnen brandwonden of brand ontstaan.

⚠ LET OP: Als u het apparaat voor langere tijd opslaat, dient u alle brandstof uit de brandstoftank en carburateur af te tappen, en het apparaat op een droge en schone plaats op te slaan.

Tap de brandstof uit de brandstoftank en carburateur op de volgende wijze af voordat u het apparaat opslaat:

1. Verwijder de brandstoftankdop en tap alle brandstof af. Als er verontreinigingen achterblijven in de brandstoftank, dient u deze grondig te verwijderen.
2. Trek het brandstoffilter met een draad uit de tank via de vulopening.
3. Druk op de opvoerpomp totdat alle brandstof daaruit verwijderd is en tap daarna de brandstof af die in de tank is gestroomd.
4. Plaats het brandstoffilter terug in de brandstoftank en draai de brandstoftankdop stevig vast.
5. Laat de motor vervolgens draaien tot deze vanzelf stopt.
6. Verwijder de bougie en druppel een paar druppels motorolie in het bougiegat.
7. Trek voorzichtig aan de trekstarthandgreep om de motorolie door de motor te verspreiden en breng de bougie weer op zijn plaats aan.
8. Sla het apparaat op met de draagbeugel aan de bovenkant.
9. Bewaar de afgetapte brandstof in een speciale jerrycan in een goed geventileerde ruimte in de schaduw.

Storingzoeken

Storing	Systeem	Waarnemingen	Oorzaak
Motor start niet of zeer moeilijk	Ontstekingsstelsysteem	De ontsteking vonkt.	Storing met de brandstoftoevoer of het compressiestelsysteem, mechanisch defect.
		De ontsteking vonkt niet.	Stopschakelaar is bediend, bedradingsfout of kortsluiting, bougie of bougiecontact defect, defecte ontstekingsseenheid.
	Brandstoftoevoer	Brandstoftank is vol.	Verkeerde stand van chokehendel, carburateur defect, brandstofslang geknikt of verstopt, brandstof is vuil.
	Compressie	Geen compressie bij tornen van motor.	Onderste cilinderpakking kapot, krukasafdichting beschadigd, cilinder of zuigerringen defect of onjuiste afdichting van bougie.
Mechanisch	Trekstarter werkt niet.	Gebroken startveer, gebroken onderdelen in de motor.	
Problemen met starten van warme motor	-	Brandstoftank is vol. De ontsteking vonkt.	Carburateur is verontreinigd, laat hem reinigen.
Motor start maar slaat af	Brandstoftoevoer	Brandstoftank is vol.	Onjuiste afstelling van stationair toerental, carburateur is verontreinigd.
			Brandstoftankontluchting werkt niet, brandstoftoevoerleiding verstopt, kabel of stopschakelaar defect.
Onvoldoende prestaties	Diverse systemen kunnen gelijktijdig problemen hebben	Motor draait slecht stationair.	Luchtfilter is verontreinigd, carburateur is verontreinigd, uitlaatdemper is verstopt, uitlaatpoort van cilinder is verstopt.

Interval voor inspectie en onderhoud

-		Vóór het gebruik	Na brandstof bijvullen	Dagelijks (10 uur)	50 uur	200 uur	600 uur of 2 jaar, wat eerder komt	Vóór opslaan
Motorolie	Inspecteren/bijvullen	○	-	-	-	-	-	-
	Vervangen	-	-	-	○ (Opmerking 1)	-	-	-
Onderdelen vastdraaien (bouten, moeren)	Inspecteren	○	-	-	-	-	-	-
Koelluchtinlaat	Reinigen/inspecteren	○	-	-	-	-	-	-
	Brandstoftank	○	-	-	-	-	-	-
	Brandstof aftappen	-	-	-	-	-	-	○ (Opmerking 3)
Gastrekker/gashendel	Werking controleren	-	○	-	-	-	-	-
De motor uitzetten	Werking controleren	-	○	-	-	-	-	-
Het stationair toerental afstellen	Inspecteren/afstellen	-	○	-	-	-	-	-

-		Vóór het gebruik	Na brandstof bijvullen	Dagelijks (10 uur)	50 uur	200 uur	600 uur of 2 jaar, wat eerder komt	Vóór opslaan
Luchtfilter	Reinigen	-	-	○	-	-	-	-
	Inspecteren/ zo nodig vervangen	-	-	-	-	○	-	-
Bedieningskabel	Inspecteren/ afstellen	-	-	○	-	-	-	-
	Inspecteren/ zo nodig vervangen	-	-	-	-	○ (Opmerking 2)	-	-
Bougie	Inspecteren/ zo nodig afstand afstellen	-	-	○	-	-	-	-
	Reinigen/ zo nodig vervangen	-	-	-	-	○	-	-
Bougiekabel	Inspecteren/ zo nodig vervangen	-	-	-	-	○ (Opmerking 2)	-	-
Brandstofslang	Inspecteren	-	-	○	-	-	-	-
	Vervangen	-	-	-	-	○ (Opmerking 2)	-	-
Brandstoffilter	Reinigen/ zo nodig vervangen	-	-	-	○	-	-	-
Olieleiding	Inspecteren	-	-	-	-	○ (Opmerking 2)	-	-
Klepspeling (inlaatklep en uitlaatklep)	Inspecteren/ afstellen	-	-	-	-	○ (Opmerking 2)	-	-
Uitlaattemper	Inspecteren/ reinigen	-	-	-	-	○ (Opmerking 2)	-	-
Verbrandingskamer/ klep/poort	Inspecteren/ reinigen	-	-	-	-	○ (Opmerking 2)	-	-
Motor	Reviseren	-	-	-	-	-	○ (Opmerking 2)	-
Carburateur	Brandstof aftappen	-	-	-	-	-	-	○ (Opmerking 3)

Opmerking 1: Voer de eerste verversing uit na 20 bedrijfsuren.

Opmerking 2: Laat de inspectie uitvoeren door een erkend servicecentrum of een werkplaats.

Opmerking 3: Laat na het aftappen van de brandstoftank de motor draaien en tap de brandstof in de carburateur af.

PROBLEMEN OPLOSSEN

Alvorens om reparatie te vragen, voert u eerst uw eigen inspectie uit. Als u een probleem ondervindt dat niet wordt beschreven in deze gebruiksaanwijzing, mag u niet proberen het gereedschap te demonteren. In plaats daarvan vraagt u een erkend Dolmar/Makita-servicecentrum dat altijd Dolmar/Makita-vervangingsonderdelen gebruikt, om het gereedschap te repareren.

Probleemomschrijving	Waarschijnlijke oorzaak (storing)	Oplossing
De motor start niet.	Opvoerpomp is niet gebruikt.	Druk 7 tot 10 keer.
	Trekstarthandgreep te langzaam uitgetrokken.	Trek hard.
	Onvoldoende brandstof.	Vul brandstof bij.
	Brandstoffilter verstopt.	Reinig het brandstoffilter of vervang hem door een nieuwe.
	Brandstofslang geknikt.	Haal de knik uit de brandstofslang.
	Brandstof verslechterd.	Verslechterde brandstof maakt de motor moeilijker te starten. Vervang door nieuwe. (Aanbevolen vervangingstijd: 1 maand)
	Buitensporig veel brandstof aangezogen.	Zet de gashendel van gemiddeld naar hoog toerental en trek aan de trekstarthandgreep totdat de motor start. Als de motor nog steeds niet start, verwijdert u de bougie, droogt u de elektroden en brengt u de bougie weer op zijn plaats aan. Start daarna volgens de instructies.
	Bougiekap is losgeraakt.	Maak stevig vast.
	Bougie vervuild.	Reinig de bougie.
	Onjuiste elektrodeafstand van bougie.	Stel de elektrodeafstand af.
	Andere probleem met de bougie.	Vervang de bougie.
	Probleem met de carburateur.	Vraag ons erkende servicecentrum om dit te inspecteren en te repareren.
	Trekstarthandgreep kan niet worden uitgetrokken.	Vraag ons erkende servicecentrum om dit te inspecteren en te repareren.
Probleem met inwendige onderdelen van motor.	Vraag ons erkende servicecentrum om dit te inspecteren en te repareren.	
Motor stopt snel. Motortoerental neemt niet toe.	Onvoldoende opgewarmd.	Laat de motor goed warmdraaien.
	Chokehendel staat in de gesloten stand terwijl de motor al warm is.	Zet in de geopende stand.
	Brandstoffilter verstopt.	Reinig het brandstoffilter.
	Vervuild of verstopt luchtfilter.	Reinig het luchtfilter.
	Bedieningskabel is losgeraakt.	Bevestig de bedieningskabel stevig.
Gasklep keert niet terug naar stationair toerental.	Probleem met inwendige onderdelen van motor.	Vraag ons erkende servicecentrum om dit te inspecteren en te repareren.
	Verkeerde stand van gasklep.	Verander de positie van de bedieningskabel. Pas de stand van de gasklep aan door de kabelafstelbout te draaien.
De motor stopt niet. ⇒ Laat de motor stationair draaien en zet de chokehendel in de gesloten stand.	Losgeraakte aansluitstekker.	Bevestig de aansluitstekker stevig.
	Probleem met het elektrisch systeem.	Vraag ons erkende servicecentrum om dit te inspecteren en te repareren.

CONTENIDOS

ESPECIFICACIONES.....	104	ANTES DE ARRANCAR EL MOTOR	111
INSTRUCCIONES DE SEGURIDAD		OPERACIÓN	113
IMPORTANTES	105	MANTENIMIENTO.....	116
DESCRIPCIÓN DE LAS PARTES.....	109	SOLUCIÓN DE PROBLEMAS	124
MONTAJE.....	110		

ESPECIFICACIONES

Modelo:		MG5300
Tipo de acelerador		Acelerador montado en tubo
Peso en seco	sin el tubo de la sopladora / con almohadilla	8,9 kg
	con el tubo de la sopladora	9,8 kg - 10,0 kg
Dimensiones (sin el tubo del soplador, La x An x Al)		320 mm x 450 mm x 475 mm
Velocidad del aire	(con tubo largo, boquilla circular)	81 m/s
	(con tubo corto, boquilla circular)	82 m/s
Caudal del volumen de aire	(con tubo largo, boquilla circular)	15 m ³ /minuto
	(con tubo corto, boquilla circular)	15 m ³ /minuto
Velocidad máxima del motor		6.400 min ⁻¹
Velocidad a ralentí		2.800 min ⁻¹
Desplazamiento del motor		52,5 cm ³
Tipo de motor		Enfriado por aire, cuatro tiempos, monocilíndrico
Combustible		Gasolina para automóviles
Capacidad del depósito de combustible		1.800 cm ³
Aceite de motor		Aceite SAE 10W-30 de clasificación API clase SF o superior (aceite de motor de cuatro tiempos para automóviles)
Volumen del aceite de motor		140 cm ³
Carburador		Tipo de diafragma
Bujía		NGK CMR6H
Separación entre electrodos		0,7 mm - 0,8 mm

- Debido a nuestro continuado programa de investigación y desarrollo, las especificaciones aquí dadas están sujetas a cambios sin previo aviso.
- Las especificaciones pueden ser diferentes de país a país.
- El peso puede variar dependiendo del accesorio(s).

Vibración


Modelo		MG5300			
Vibración según EN15503	Mango derecho	a _{hv eq}	Tubo largo	con boquilla circular	2,2 (m/s ²)
				con boquilla plana	2,9 (m/s ²)
		Incertidumbre K	Tubo corto	con boquilla circular	2,2 (m/s ²)
				con boquilla plana	2,5 (m/s ²)

Ruido

Modelo	MG5300	
Nivel promedio de presión de ruido según EN15503	L _{PA eq}	96,0 (dB(A))
	Incertidumbre K	0,4 (dB(A))
Nivel promedio de potencia de ruido según EN15503	L _{WA eq}	102,5 (dB(A))
	Incertidumbre K	1,6 (dB(A))

Símbolos

A continuación se muestran los símbolos utilizados con este equipo. Asegúrese de que entiende su significado antes de usarlo.

	Preste cuidado y atención especiales.
	Lea el manual de instrucciones.
	¡Prohibido!
	No fumar.
	No acercarse a las llamas.
	Póngase guantes de protección.
	Utilice protección para los ojos y oídos.
	Superficies calientes - Quemarán sus dedos o manos.
	Mantenga alejados a los transeúntes.
	Mantenga el área de operación despejada de todas las personas y animales domésticos.
	Combustible (gasolina)
	Encendido manual del motor.
	Pare el motor.
	Primeros auxilios
	Encender/Arrancar
	Apagar/Parar
	El cabello largo puede enredarse y ocasionar un accidente.

Declaración CE de conformidad

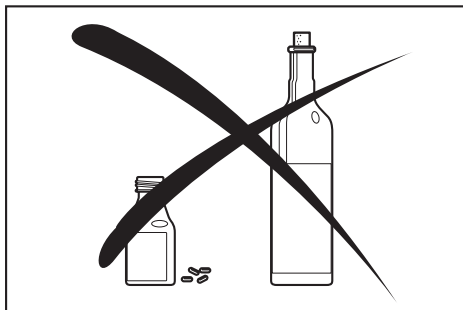
Para países europeos solamente

La declaración CE de conformidad está incluida como Anexo A de esta manual de instrucciones.

INSTRUCCIONES DE SEGURIDAD IMPORTANTES

Instrucciones generales

1. Para garantizar una operación correcta y segura, el usuario debe leer, entender y seguir este manual de instrucciones para familiarizarse con el manejo del soplador. Los usuarios insuficientemente informados se pondrán en riesgo de peligro a sí mismos y a otros debido a un manejo incorrecto.
2. Se recomienda prestar el soplador únicamente a gente que demuestre tener experiencia en el uso de sopladores.
3. Entregue siempre el manual de instrucciones cuando preste el soplador.
4. Los usuarios que utilizan el soplador por primera vez deben pedir instrucciones básicas al distribuidor para familiarizarse con el manejo de un soplador.
5. No se debe permitir el uso del soplador a niños y personas menores de 18 años. Las personas mayores de 16 años pueden, sin embargo, utilizar la herramienta por motivos de aprendizaje únicamente, bajo supervisión directa de un monitor cualificado.
6. Utilice los sopladores con el máximo cuidado y atención.
7. Maneje el soplador solamente si se encuentra en buena condición física.
8. Realice todo el trabajo concienzuda y cuidadosamente. El usuario debe aceptar su responsabilidad por otras personas.
9. No utilice nunca el soplador mientras está bajo la influencia de alcohol o drogas.

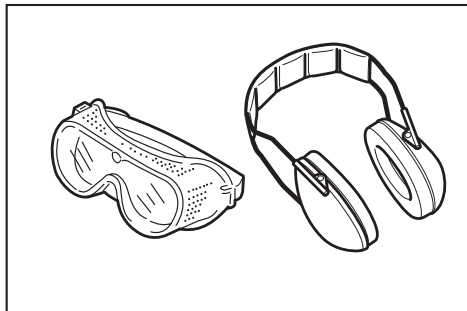


10. No utilice la unidad cuando esté cansado.
11. Conserve estas instrucciones para referencia futura.
12. Observe y siga todas las instrucciones de prevención de accidentes aplicables emitidas por las

asociaciones gremiales y compañías de seguros. No realice ninguna modificación al soplador porque pondrá en riesgo la seguridad.

13. No realice nunca modificaciones en el equipo. Podrá ocasionar peligrosos accidentes o heridas personales.

Equipo de protección personal



1. La ropa utilizada debe ser funcional y adecuada, es decir, debe quedar ceñida, sin causar estorbo. No se ponga joyas, ropa o cabello largo que puedan ser atraídos hacia la admisión de aire.
2. Para evitar heridas en la cabeza, los ojos, las manos o los pies así como para proteger los oídos deberá utilizar el siguiente equipo de protección y ropa de protección durante la operación del soplador.
3. La ropa deberá ser robusta y ceñida, pero que permita una completa libertad de movimiento. Evite las chaquetas holgadas, pantalones acampanados o remangados, bufandas, cabello largo suelto o cualquier cosa que pueda ser atraída hacia la admisión de aire. Póngase un mono de trabajo o pantalones largos para proteger las piernas. No se ponga pantalones cortos.
4. Generalmente, los productos a motor son ruidosos y su ruido puede dañar sus oídos. Póngase protectores de sonido (tapones de oídos u orejeras) para proteger sus oídos. Las personas que hacen uso continuado o regular del soplador deben comprobar el estado de sus oídos regularmente.
5. Se recomienda ponerse guantes cuando se trabaje con el soplador. Póngase zapatos robustos con suelas antideslizantes.
6. Es una obligación utilizar protección para los ojos. Aunque la descarga no esté dirigida hacia el operario, durante la operación del soplador pueden ocurrir oscilaciones y rebotes.

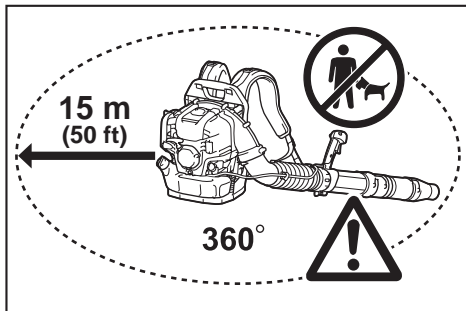
7. No utilice nunca un soplador a menos que lleve puestas gafas de protección o gafas de seguridad debidamente colocadas con protección superior y lateral adecuada que satisfagan la normativa EN166 y los reglamentos de su país.
8. Para reducir el riesgo de sufrir heridas asociadas con la inhalación de polvo, utilice máscara de filtro en lugares polvorientos.

Uso previsto

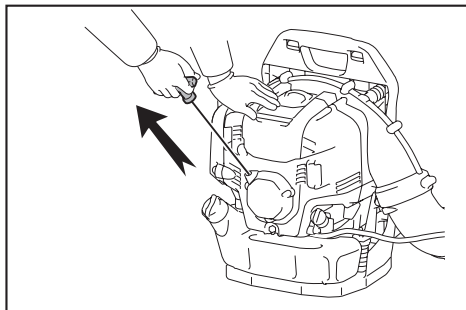
La herramienta ha sido prevista para quitar polvo soplando.

Arranque del soplador

1. Asegúrese de que no hay niños u otras personas en un radio de 15 metros, preste también atención a cualquier animal que se encuentre cerca.



2. Antes de la operación, compruebe siempre que el soplador se puede utilizar de forma segura:
 - Compruebe la seguridad de la palanca del acelerador. La palanca del acelerador deberá ser comprobada para ver que se acciona suavemente y con facilidad.
 - Compruebe que el bloqueo de la palanca del acelerador funciona debidamente.
 - Compruebe que los mangos están limpios y secos y que el interruptor I-O funciona correctamente. Mantenga los mangos libres de aceite y combustible.
3. Arranque el soplador solamente de acuerdo con las instrucciones. No utilice ningún otro método para arrancar el motor.



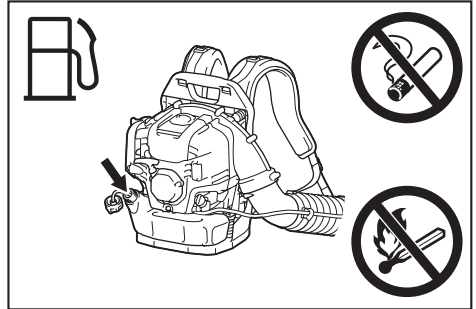
4. Utilice el soplador y las herramientas suministradas solamente para las aplicaciones especificadas.

- Arranque el motor del soplador solamente después de haber completado el montaje de toda la herramienta. La operación de la herramienta solamente está permitida después de haber colocado todos los accesorios apropiados.
- El motor deberá ser apagado inmediatamente si hay algún problema con el motor.
- Cuando trabaje con el soplador, pliegue siempre los dedos firmemente alrededor del mango, manteniendo el mango de control mecido entre sus dedos pulgar e índice. Mantenga la mano en esta posición para tener la máquina bajo control en todo momento. Asegúrese siempre de que el mango de control está en buenas condiciones y libre de humedad, resina, aceite o grasa.
- Asegúrese siempre de que pisa suelo firme y de que mantiene un buen equilibrio.
- Transporte el soplador de forma correcta sobre ambos hombros durante la operación. No trasporte el soplador con una sola correa de hombros. De lo contrario, podrá resultar en heridas personales.
- Utilice el soplador de tal manera que evite la inhalación de los gases de escape. No tenga nunca el motor en marcha en cuartos cerrados (riesgo de sofocación e intoxicación por gas). El monóxido de carbono es un gas inodoro. Asegúrese siempre de que hay una ventilación adecuada.
- Apague el motor cuando descance o cuando deje el soplador sin atender. Colóquelo en un lugar seguro para evitar daños a otras personas, prender fuego a materiales combustibles, o daños a la máquina.
- No ponga nunca el soplador caliente sobre hierba seca o cualquier material combustible.
- Todas las partes protectoras y cubiertas suministradas con la máquina deben utilizarse durante la operación.
- No haga funcionar nunca el motor con un silenciador de escape defectuoso.

- Levante el soplador agarrándolo del mango de transporte cuando lo transporte. No arrastre el soplador agarrándolo de la boquilla, el tubo u otras partes.
- Sujete el soplador firmemente durante el transporte.
- Cuando transporte el soplador, doble sus rodillas y asegúrese de no dañar su espalda y región lumbar.

Repostaje

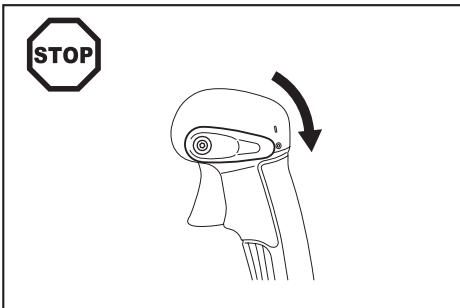
- Apague el motor durante el repostaje, manténgase bien alejado de llamas y no fume.



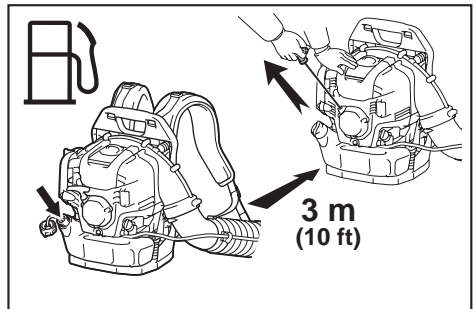
- Evite el contacto de la piel con productos de petróleo. No inhale vapor de combustible. Póngase siempre guantes de protección durante el repostaje. Cámbiese de ropa de protección y lávela a intervalos regulares.
- Tenga cuidado de no derramar combustible o aceite para evitar contaminar la tierra (protección medioambiental). Limpie el soplador inmediatamente después de que haya sido derramado combustible. Deje que las ropas mojadas se sequen antes de depositarlas en un contenedor debidamente cubierto para evitar una combustión espontánea.
- Evite cualquier contacto del combustible con sus ropas. Cámbiese de ropa inmediatamente si ha sido derramado combustible en ellas (riesgo de incendio).
- Inspeccione el tapón del depósito de combustible a intervalos regulares asegurándose de que permanece firmemente apretado.
- Apriete con cuidado el tapón del depósito de combustible. Cambie de lugar para arrancar el motor (separado al menos 3 metros del lugar de repostaje).

Transporte

- Apague el motor durante el transporte.



- Coloque el soplador de forma segura durante su transporte en automóvil o camión para evitar fugas de combustible.
- Cuando transporte el soplador, asegúrese de que el depósito de combustible está completamente vacío.



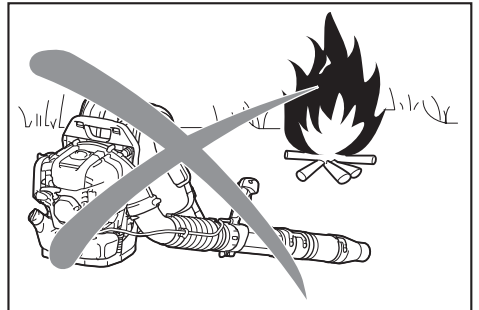
7. No reposte nunca en cuartos cerrados. Los vapores de combustible se acumulan a nivel del suelo (riesgo de explosiones).
8. Transporte y almacene el combustible en recipientes homologados solamente. Asegúrese de que el combustible almacenado no es accesible a los niños.
9. No intente repostar un motor caliente o puesto en marcha.
10. No reposte más de la cantidad definida en "ESPECIFICACIONES".
16. Para reducir los niveles de ruido, limite el número de unidades de equipo utilizadas en cualquier momento.
17. Después de utilizar sopladores y otros equipos, ¡LIMPIE! Recoja los desechos en contenedores de basura.
18. No acelere el motor más de lo necesario. El objeto soplado puede resultar en heridas personales.
19. El silenciador de escape se calienta durante la operación. No toque el silenciador de escape caliente, podrá resultar en quemaduras de piel.
20. No utilice la máquina en atmósferas explosivas, como en la presencia de líquidos, gases o polvo inflamables. La máquina crea chispas que pueden prender fuego al polvo o los humos.

Método de operación

1. Utilice el soplador solamente en buenas condiciones de luz y visibilidad. Tenga cuidado con las áreas resbaladizas o mojadas, el hielo y la nieve (riesgo de resbalamiento), y los espacios angostos. Asegúrese siempre de que pisa suelo firme.
2. No trabaje nunca sobre superficies inestables o terreno con pendiente pronunciada.
3. No trabaje desde escaleras o lugares elevados. De lo contrario podrá resultar en heridas personales.
4. Para reducir el riesgo de sufrir heridas personales, no dirija el chorro de aire hacia transeúntes, dado que la alta presión del flujo de aire puede herir los ojos y puede lanzar pequeños objetos a gran velocidad.
5. No inserte nunca ningún objeto extraño en la admisión de aire de la máquina o en la boquilla del soplador. Se dañará el ventilador y podrá ocasionar heridas graves al operario o a transeúntes al salir lanzados a gran velocidad el objeto o las partes rotas.
6. Preste atención a la dirección del viento, por ejemplo, no trabaje a contraviento.
7. Para reducir el riesgo de tropezar y perder el control, no camine hacia atrás mientras maneja la máquina.
8. Apague siempre el motor antes de limpiar o realizar el servicio a la unidad o cuando reemplaza partes.
9. Descanse para evitar la pérdida del control a causa de la fatiga. Recomendamos descansar de 10 a 20 minutos cada hora.
10. No utilice la máquina cerca de ventanas, etc.
11. Para reducir la influencia física de la vibración y/o el daño a los oídos, utilice la máquina a baja velocidad si es posible y limite el tiempo de operación.
12. Utilice la máquina solamente a horas razonables. No utilice el soplador por la mañana o tarde por la noche cuando la gente pueda ser molestada.
13. Se recomienda utilizar rastrillos y escobas para aflojar la suciedad antes del soplador.
14. Antes de utilizar el soplador en condiciones polvorrientas humedezca ligeramente las superficies o utilice rociadores de agua si es necesario.
15. Ajuste la longitud de la boquilla del soplador de forma que el flujo de aire actúe cerca del suelo.

Instrucciones de mantenimiento

1. Sea respetuoso con el medioambiente. Utilice el soplador con el menor ruido y contaminación posibles. En especial, compruebe el correcto ajuste del carburador.
2. Limpie el soplador a intervalos regulares y compruebe que todos los tornillos y tuercas están apretados firmemente.
3. No realice nunca el servicio ni almacene el soplador cerca de llamas, chispas, etc.



4. Almacene siempre el soplador en un cuarto cerrado con llave bien ventilado y con el depósito de combustible vacío.
5. La realización del trabajo de mantenimiento o de reparaciones por parte del usuario se limita a las actividades descritas en este manual de instrucciones. Todos los otros trabajos deben ser realizados por agentes de servicio autorizados.
6. Utilice solamente piezas de repuesto y accesorios genuinos suministrados por Makita/Dolmar. La utilización de accesorios y herramientas no homologados puede resultar en accidentes y heridas. Makita/Dolmar no aceptará ninguna responsabilidad por los accidentes o daños causados por la utilización de cualquier acoplamiento o accesorio no homologado.
7. Una reparación incorrecta o un mal mantenimiento puede acortar la vida de servicio del equipo y aumentar el riesgo de accidentes.

Primeros auxilios

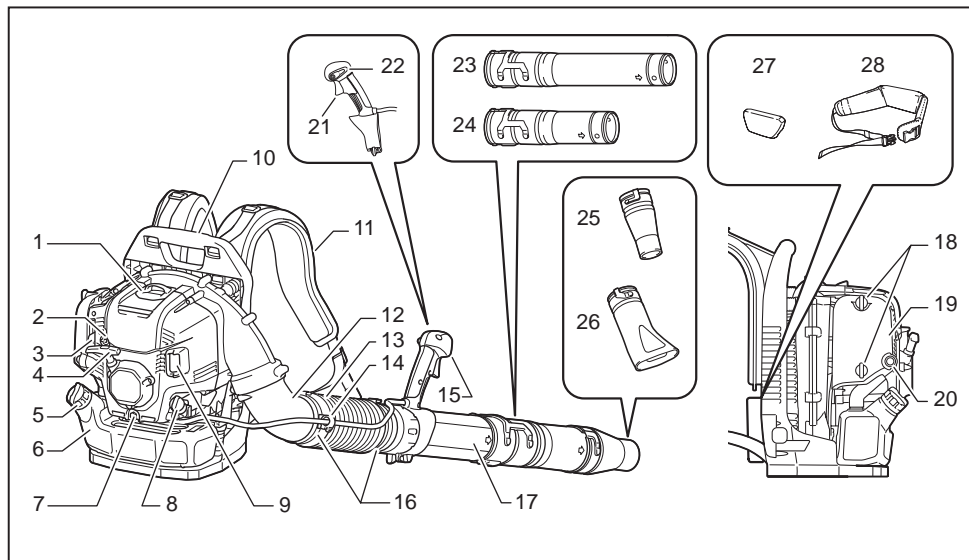
1. En caso de accidente asegúrese de que hay disponible un botiquín de primeros auxilios bien abastecido cerca del lugar donde realiza el trabajo. Reemplace inmediatamente cualquier artículo que coja del botiquín de primeros auxilios.

2. Cuando pida ayuda, ofrezca la información siguiente:

- Lugar del accidente
- Qué ha ocurrido
- Número de personas heridas
- Carácter de la herida
- Su nombre

DESCRIPCIÓN DE LAS PARTES

MG5300



1	Tapa de la bujía	9	Silenciador	17	Tubo de rótula	25	Boquilla circular
2	Palanca anticongelante	10	Mango de transporte	18	Perno de mariposa (de la tapa del filtro de aire)	26	Boquilla plana (accesorio opcional)
3	Palanca de estrangulación	11	Correa de hombros	19	Tapa del filtro de aire	27	Almohadilla (accesorio opcional)
4	Tirador de arranque	12	Codo	20	Cebador	28	Cinturón de cadera (accesorio opcional)
5	Tapón del depósito de combustible	13	Tubo flexible	21	Gatillo acelerador	-	-
6	Depósito de combustible	14	Sujetacables	22	Palanca de control de parada	-	-
7	Perno de drenaje del aceite	15	Mango de control	23	Tubo largo (accesorio opcional)	-	-
8	Tapón de aceite	16	Abrazadera para manguera	24	Tubo corto (accesorio opcional)	-	-

- Los accesorios estándar pueden variar de un país a otro.

MONTAJE

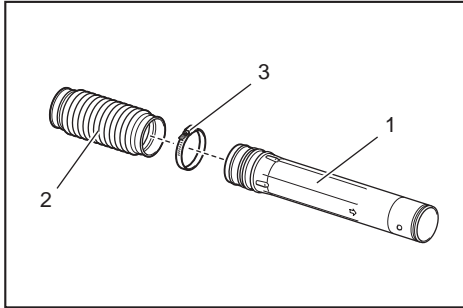
⚠PRECAUCIÓN: Antes de realizar cualquier trabajo en el soplador, pare siempre el motor y retire de la bujía el capuchón de la bujía.

⚠PRECAUCIÓN: Arranque el soplador solamente después de haberlo montado completamente.

⚠PRECAUCIÓN: Póngase siempre guantes de protección.

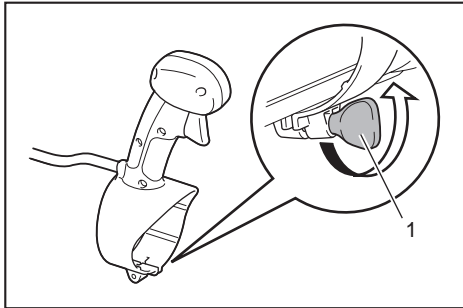
Montaje de los tubos del soplador

1. Inserte el tubo de rótula en el tubo flexible y apriételos con la abrazadera para manguera.



► 1. Tubo de rótula 2. Tubo flexible 3. Abrazadera para manguera

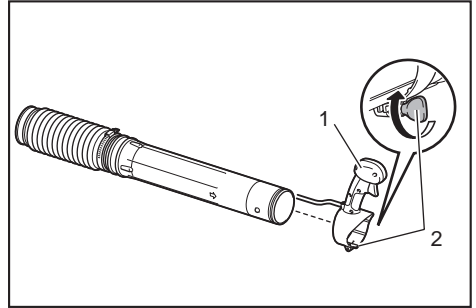
2. Afloje y retire el tornillo de fijación.



► 1. Tornillo de fijación

Tenga cuidado de no retorcer el cable cuando monte el mango de control.

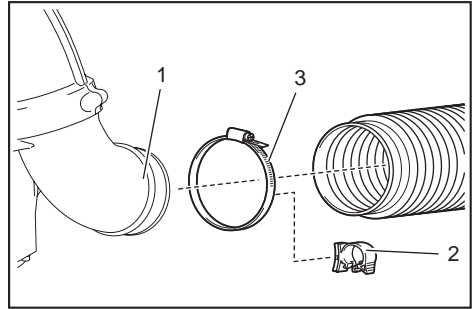
3. Instale el mango de control / conjunto del mango de control en el tubo de rótula y apriételos con el tornillo de fijación.



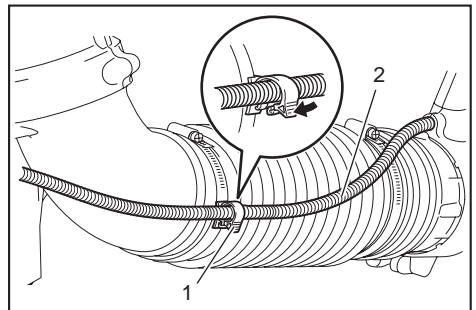
► 1. Mango de control 2. Tornillo de fijación

4. Coloque el tubo flexible en el codo.

Inserte el codo en el tubo flexible. Coloque el sujetacables entre la abrazadera para manguera y el tubo flexible. Apriete el sujetacables, tubo flexible y codo con la abrazadera para manguera. Ponga el cable de control sobre el sujetacables, y cierre el sujetacables.

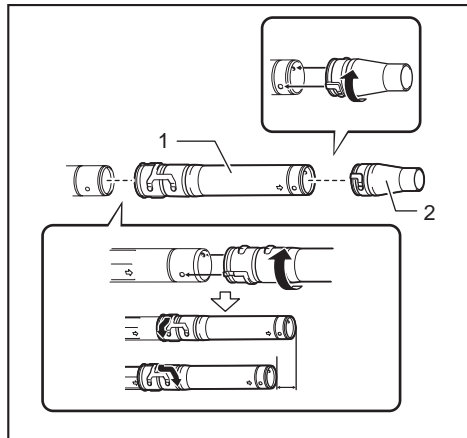


► 1. Codo 2. Sujetacables 3. Abrazadera para manguera



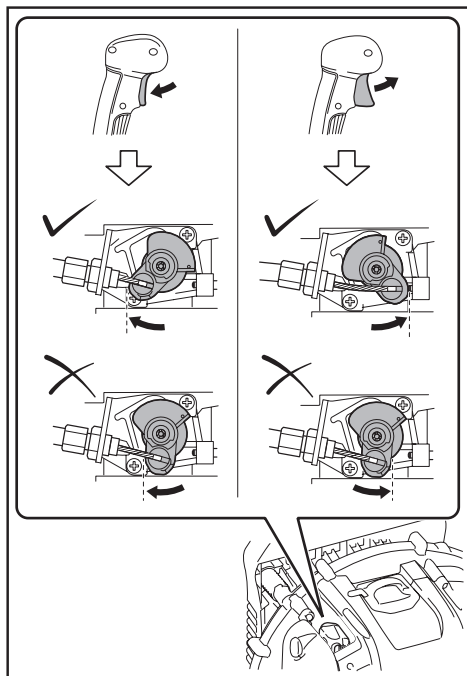
► 1. Sujetacables 2. Cable de control

5. Coloque el tubo largo/corto en el tubo de rótula. Gire el tubo largo/corto hacia la derecha para bloquearlo en su sitio. Después coloque la boquilla del soplador en el tubo largo/corto. Gire la boquilla del soplador hacia la derecha para bloquearla en su sitio.



► 1. Tubo largo/corto 2. Boquilla del soplador

6. Asegúrese de que todos los fijadores están apretados. Compruebe si la válvula del acelerador se mueve correctamente junto con el movimiento del acelerador.



Si el acelerador no se puede apretar completamente o si el acelerador no vuelve a la posición correcta, consulte la sección **MANTENIMIENTO** para el ajuste de la válvula del acelerador.

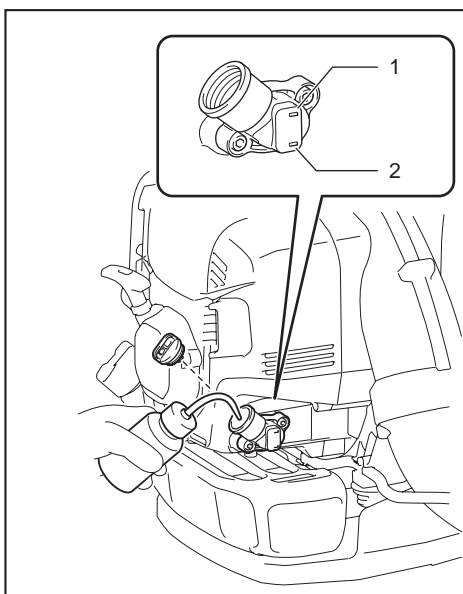
ANTES DE ARRANCAR EL MOTOR

Comprobación y rellenado de aceite de motor

PRECAUCIÓN: Cuando vaya a rellenar con aceite de motor, pare el motor y espere hasta que se enfríe. De lo contrario podrá resultar en quemaduras de piel.

AVISO: La utilización de aceite deteriorado podrá ocasionar un arranque irregular.

AVISO: Retire el polvo o la suciedad alrededor del orificio de llenado de aceite antes de quitar el tapón de aceite. También, mantenga el tapón de aceite que ha quitado libre de arena o polvo. De lo contrario, cualquier resto de arena o polvo adherido al tapón de aceite puede ocasionar una circulación irregular del aceite o un desgaste de las partes del motor, que resultará en problemas.



► 1. Marca de límite superior 2. Marca de límite inferior

Inspección

Ponga el soplador sobre una superficie plana y retire el tapón de aceite.

Asegúrese de que el nivel de aceite está dentro de las marcas de límite superior e inferior. Si el aceite no llega hasta límite inferior, rellene con aceite nuevo.

Cambie el aceite siempre que se vuelva sucio o cambie de color significativamente. (Consulte "Reemplazo del aceite de motor" para ver el procedimiento y la frecuencia del cambio de aceite).

Rellenado

Ponga el soplador sobre una superficie plana y retire el tapón de aceite.

Llene aceite hasta el límite superior del medidor de nivel de aceite.

En promedio, se debe añadir aceite de motor cada 20 horas de operación (cada 10 - 15 repostajes).

Aceite recomendado

- Aceite de motor de cuatro tiempos genuino de Makita/Dolmar o
- Aceite SAE 10W-30 de clasificación API clase SF o superior (aceite de motor de cuatro tiempos para automóviles)

Capacidad de aceite

Capacidad de aceite: aproximadamente 140 ml

AVISO: Almacene el soplador en posición vertical sobre una superficie plana. El medidor de nivel de aceite no indicará la cantidad correcta de aceite si el soplador está inclinado y el aceite fluirá al interior del motor. Esto podrá resultar en un llenado excesivo de aceite.

AVISO: No llene con exceso de aceite. El exceso de aceite podrá derramarse por el respiradero del filtro de aire y ensuciar las partes adyacentes, o podrá aparecer humo blanco debido a un quemado de aceite.

Después de rellenar con aceite

Limpie el aceite derramado con un trapo.

Suministro de combustible

ADVERTENCIA: Cuando vaya a repostar, pare el motor y espere hasta que se enfríe. De lo contrario podrá resultar en ignición, incendio o quemaduras de piel.

ADVERTENCIA: El suministro de combustible deberá ser realizado en un lugar donde no haya fuego para evitar una ignición o incendio. No lleve nunca el fuego (fumar, etc.) cerca del lugar donde realiza el suministro de combustible.

ADVERTENCIA: Reposte sobre una superficie plana. No reposte en un lugar inestable. Reposte con buena luz y visibilidad.

ADVERTENCIA: Abra el tapón del depósito de combustible despacio. El combustible podrá derramarse debido a la presión interna.

ADVERTENCIA: Tenga cuidado de no derramar el combustible. Limpie el combustible derramado.

ADVERTENCIA: Realice el suministro de combustible en un lugar bien ventilado.

ADVERTENCIA: Reposte en un lugar abierto y despejado.

ADVERTENCIA: Maneje el combustible con cuidado.

PRECAUCIÓN: Si el combustible se adhiere a la piel o entra en los ojos puede ocasionar alergias o irritación. Cuando detecte cualquier anomalía física, consulte inmediatamente con un médico especializado.

AVISO: NO ponga aceite en el depósito de combustible.

Combustible

ADVERTENCIA: Mantenga la máquina y el depósito en un lugar fresco y libre de la luz del sol directa.

ADVERTENCIA: No deje nunca el combustible en un automóvil.

El motor es un motor de cuatro tiempos. Asegúrese de utilizar gasolina para automóviles (gasolina normal o gasolina súper).

AVISO: No utilice nunca gasolina mezclada con ningún aceite como aceite de dos tiempos o aceite de motor. De lo contrario, ocasionará una acumulación excesiva de carbón o problemas mecánicos.

NOTA: Mantenga el combustible en un recipiente especial en un lugar bien ventilado y sombreado. Utilice el combustible dentro de un periodo de 4 semanas. De lo contrario, el combustible podrá deteriorarse en un día.

Método de repostaje

PRECAUCIÓN: Si hay algún defecto o daño en el tapón del depósito, reemplácelo.

PRECAUCIÓN: El tapón del depósito se estropea con el paso del tiempo. Reemplácelo cada dos o tres años.

AVISO: NO ponga combustible en el orificio de llenado de aceite.

1. Afloje un poco el tapón del depósito para liberar la presión del depósito.
2. Quite el tapón del depósito, y reposte, al tiempo que deja salir el aire inclinando el depósito de combustible de manera que el orificio de repostaje quede orientado hacia arriba. NO llene nunca el depósito de combustible hasta rebosar.
3. Después de repostar, apriete el tapón del depósito firmemente.

OPERACIÓN

Arranque del motor

⚠ADVERTENCIA: No intente nunca arrancar el motor en un lugar donde ha sido suministrado el combustible. Podrá causar ignición o incendio. Cuando arranque el motor, mantenga una distancia de al menos 3 metros del lugar de repostaje.

⚠ADVERTENCIA: El gas de escape del motor es tóxico. No ponga en marcha el motor en un lugar mal ventilado, tal como en un túnel, edificio, etc. Si pone en marcha el motor en un lugar mal ventilado el gas de escape podrá ocasionar una intoxicación.

⚠ADVERTENCIA: En el caso de que después de arrancar sienta cualquier anomalía en el sonido, el olor, o la vibración, pare inmediatamente el motor y realice una inspección. Si sigue operando el motor sin atender tal anomalía, podrá ocurrir un accidente.

⚠ADVERTENCIA: No toque la cubierta del motor cuando esté caliente. De lo contrario podrá resultar en quemaduras de piel.

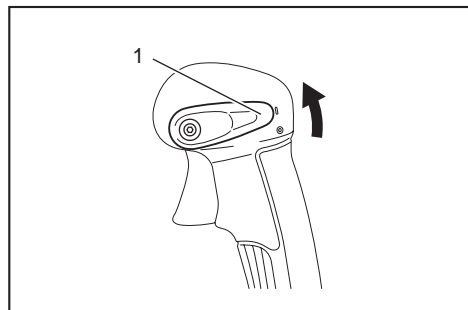
⚠ADVERTENCIA: Asegúrese de que no hay fugas de combustible antes de arrancar el motor.

⚠ADVERTENCIA: Asegúrese de que el motor se para cuando el interruptor de parada es puesto en la posición "O".

Cuando el motor esté frío o después de repostar (arranque en frío)

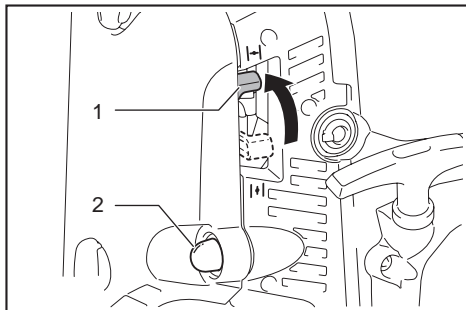
1. Ponga el soplador sobre una superficie plana.
2. Posición I/O

Ponga la palanca de control de parada en la posición "I".



► 1. Palanca de control de parada

3. Continúe presionando el cebador hasta que el combustible llegue al cebador.

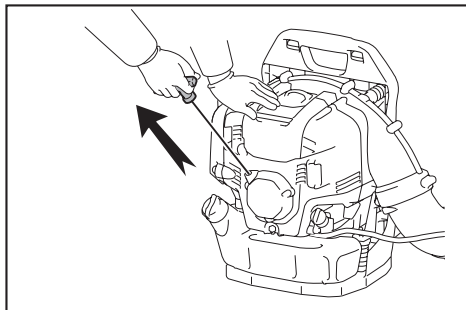


► 1. Palanca de estrangulación 2. Cebador

NOTA: En general, el combustible llegará al carburador tras presionar 7 a 10 veces.

NOTA: Aunque presione el cebador excesivamente, el exceso de gasolina volverá al depósito de combustible.

4. Levante la palanca de estrangulación hasta la posición cerrada.
5. Ponga su mano izquierda encima del soplador y tire del tirador de arranque despacio con su mano derecha hasta que sienta la compresión. Después tire del tirador de arranque con fuerza.

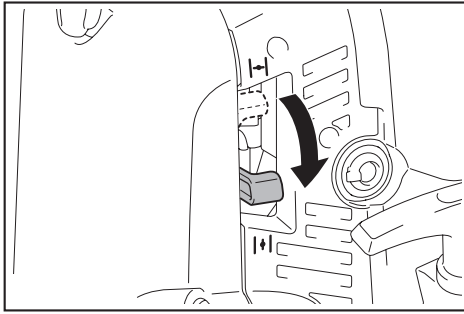


AVISO: Nunca tire hasta el límite del cordón.

AVISO: Devuelva el tirador de arranque al alojamiento con cuidado. De lo contrario, el tirador de arranque suelto podrá golpear su cuerpo o no enrollarse debidamente.

NOTA: Si el motor detona y se para, vuelva a poner la palanca de estrangulación en la posición "ABIERTA" y tire del tirador de arranque varias veces para arrancar el motor otra vez.

6. Cuando el motor arranque, baje la palanca de estrangulación hasta la posición abierta.



NOTA: Abra la palanca de estrangulación completamente antes de apretar el acelerador.

NOTA: En temperaturas frías o cuando el motor no esté suficientemente caliente, no abra nunca la palanca de estrangulación súbitamente. De lo contrario, el motor se podrá parar.

7. Deje el motor a ralentí o a baja velocidad durante 2 a 3 minutos para que se caliente.
8. El calentamiento se habrá completado cuando sienta que se produce una aceleración rápida del motor desde pocas rpm hasta todo gas.

NOTA: Si el operario sigue tirando del tirador de arranque varias veces con la palanca de estrangulación dejada en la posición “CERRADA”, es posible que resulte difícil arrancar el motor debido a una anegación de combustible. En el caso de una anegación de combustible, quite la bujía y tire del tirador varias veces rápidamente para descargar cualquier exceso de combustible. Seque el electrodo de la bujía.

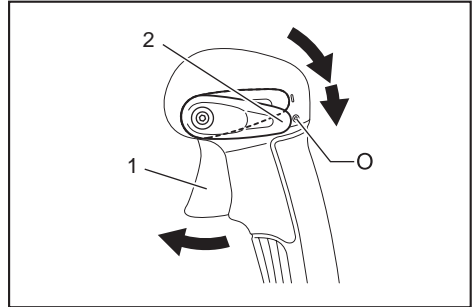
Quando el motor esté caliente (arranque en caliente)

⚠PRECAUCIÓN: Tenga cuidado de no quemarse la mano. Póngase guantes cuando arranque el motor.

1. Ponga el soplador sobre una superficie plana.
2. Presione el cebador varias veces.
3. Asegúrese de que la palanca de estrangulación está abierta.
4. Ponga su mano izquierda encima del soplador y tire del tirador de arranque despacio con su mano derecha hasta que sienta la compresión. Después tire del tirador de arranque con fuerza.

Parada del motor

Libere el gatillo acelerador y después ponga la palanca de control de parada en la posición “O”.



- 1. Gatillo acelerador 2. Palanca de control de parada

Prevención de congelación del carburador

AVISO: Cuando la temperatura ambiente sea superior a 10°C, vuelva a poner siempre la palanca en la posición normal (marca de sol). De lo contrario, el motor podrá dañarse por recalentamiento.

Cuando la temperatura ambiente sea baja y la humedad sea alta, podrá congelarse vapor de agua dentro del carburador y el motor funcionará inestablemente (congelación del carburador). Cambie el ajuste de la palanca anticongelante de la forma siguiente si es necesario.

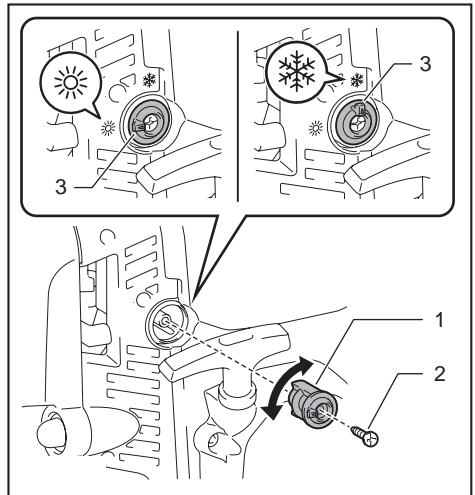
1. Retire el tornillo y extraiga la palanca anticongelante.
2. Inserte la palanca anticongelante de la forma siguiente:

Ambiente más cálido de 10°C

Ajuste el saliente en la marca de sol (posición más caliente).

Ambiente de 10°C o más frío

Ajuste el saliente en la marca de nieve (posición anticongelante).



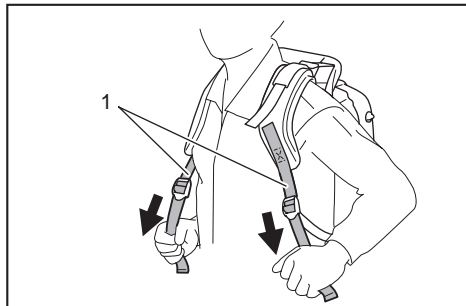
- 1. Palanca anticongelante 2. Tornillo 3. Saliente

3. Apriete el tornillo.

Ajuste de la correa de hombros

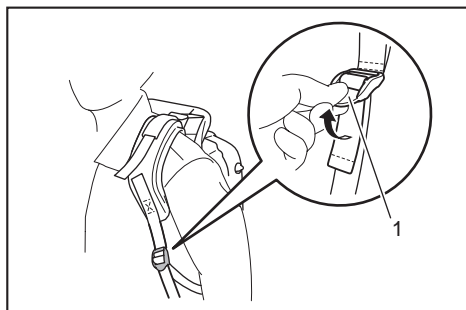
1. Ajuste la correa de hombros a una longitud que le resulte cómoda para trabajar mientras transporta el soplador.

Para apretar la correa, tire del extremo de la correa hacia abajo.



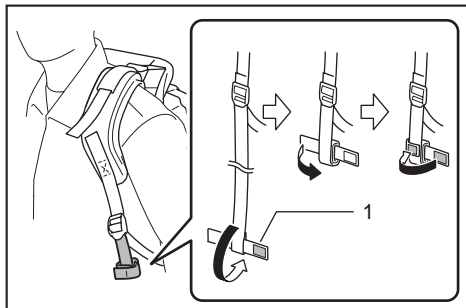
► 1. Correa de hombros

Para aflojar la correa, empuje hacia arriba el extremo del fijador.



► 1. Fijador

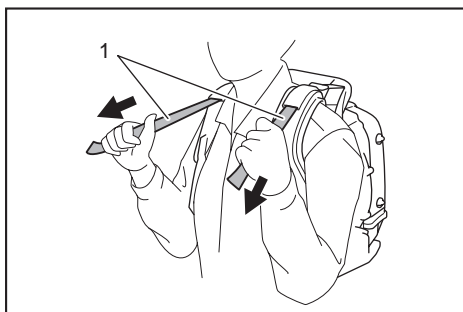
Enrolle el extremo de la correa y sujételo con la banda.



► 1. Banda

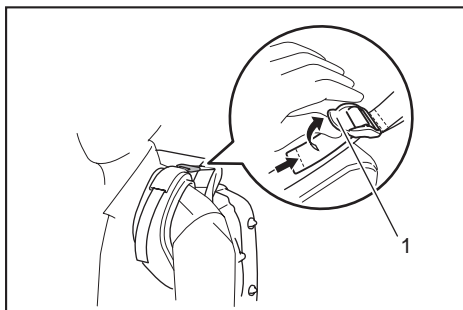
2. Tire de la correa estabilizadora hasta que no quede espacio entre su espalda y la carcasa del soplador.

Para apretar la correa, tire del extremo de la correa hacia abajo.



► 1. Correa estabilizadora

Para aflojar la correa, empuje hacia arriba el extremo del fijador.

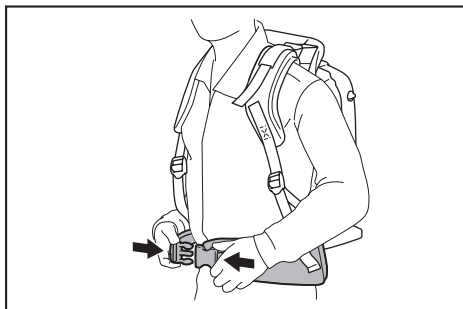


► 1. Fijador

Cinturón de cadera

Accesorios opcionales

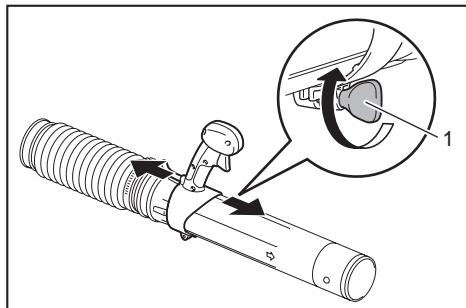
El cinturón de cadera permite al operario transportar la herramienta más establemente.



⚠ PRECAUCIÓN: Asegúrese de liberar la hebilla del cinturón de cadera antes de descargar el soplador.

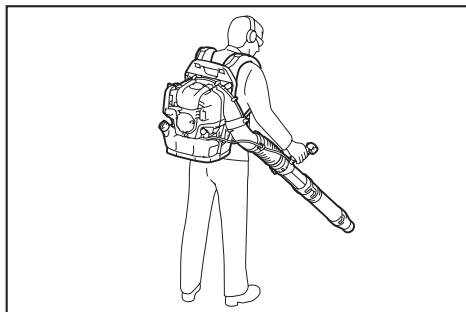
Ajuste de la posición de la palanca de control de control

Mueva el mango de control a lo largo del tubo de rútuca hasta la posición más cómoda. Después apriete el mango de control con el tornillo de fijación.



► 1. Tornillo de fijación

Operación del soplador

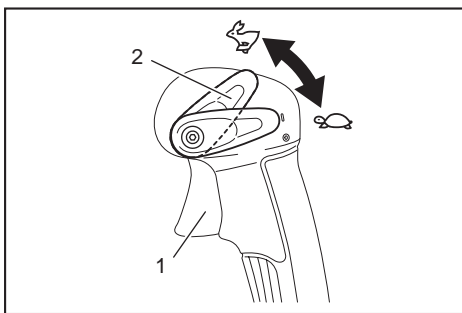


1. Mientras utiliza el soplador, ajuste el gatillo acelerador / palanca del acelerador de forma que la fuerza del viento sea apropiada para el lugar de trabajo y las condiciones.

2. Ajuste la velocidad del motor.

La velocidad del motor aumenta apretando el gatillo acelerador. Para reducir la velocidad del motor, afloje el gatillo acelerador.

La función de control de velocidad de cruce permite al operario mantener una velocidad del motor constante sin apretar el gatillo acelerador. Para aumentar la velocidad del motor, gire la palanca de control de parada a la posición de alta velocidad. Para reducir la velocidad del motor, gire la palanca de control de parada a la posición de baja velocidad.



► 1. Gatillo acelerador 2. Palanca de control de parada

Transporte del soplador

PRECAUCIÓN: Cuando transporte el soplador, asegúrese de parar el motor.

AVISO: No se siente ni se ponga encima del soplador, ni ponga un objeto pesado encima de él. Podría dañar la máquina.

AVISO: Mantenga el soplador en posición vertical siempre que lo transporte o almacene. Si lo transporta o almacena en una posición que no sea vertical podrá ocasionar un derrame de aceite dentro del motor del soplador. Esto podrá resultar en fugas de aceite y humo blanco del quemado de aceite, y el filtro de aire podrá ensuciarse con aceite.

AVISO: No arrastre el soplador cuando lo transporte. De lo contrario la carcasa del soplador podrá dañarse.

MANTENIMIENTO

PRECAUCIÓN: Antes de realizar una inspección o mantenimiento, pare el motor y deje que se enfríe. Quite la bujía y el capuchón de la bujía. De lo contrario, el operario podrá sufrir quemaduras o heridas graves a causa de un arranque imprevisto.

PRECAUCIÓN: Después de la inspección o el mantenimiento, asegúrese de que están montadas todas las partes.

Reemplazo del aceite de motor

PRECAUCIÓN: La unidad principal del motor y el aceite de motor seguirán calientes justo después de haber parado el motor. Cuando reemplace el aceite de motor, asegúrese de que la unidad principal del motor y el aceite de motor están suficientemente fríos. De lo contrario, podrá perdurar el riesgo de escaldarse. Deje pasar tiempo suficiente después de parar el motor para que el aceite de motor vuelva al depósito de aceite con objeto de asegurar una lectura precisa de la cantidad de aceite.

PRECAUCIÓN: Si rellena aceite por encima del límite, el aceite podrá ensuciarse o podrá prender fuego con humo blanco.

AVISO: No deseché nunca el aceite de motor reemplazado en la basura, en el suelo ni en una alcantarilla. El desecho del aceite está regulado por la ley. Al desechar el aceite, siga siempre las leyes y reglamentos pertinentes. En caso de cualquier duda, póngase en contacto con el agente de servicio autorizado.

AVISO: El aceite se deteriorará aunque se mantenga sin utilizar. Realice la inspección y el reemplazo a intervalos regulares (reemplace con aceite nuevo cada 6 meses).

El aceite de motor deteriorado acorta la vida de servicio de las partes deslizantes y rotativas en gran medida. Asegúrese de comprobar el periodo y la cantidad de reemplazo.

Intervalo de reemplazo

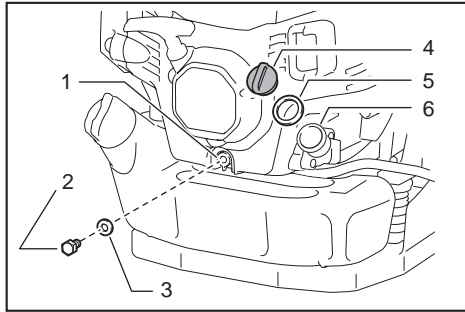
Después de las primeras 20 horas de operación y posteriormente cada 50 horas de operación

Aceite recomendado

- Aceite de motor de cuatro tiempos genuino de Makita/Dolmar o
- Aceite SAE 10W-30 de clasificación API clase SF o superior (aceite de motor de cuatro tiempos para automóviles)

Procedimiento para reemplazar el aceite

Cambie el aceite de la forma siguiente:



- 1. Orificio de drenaje 2. Perno de drenaje del aceite
3. Junta (arandela de aluminio) 4. Tapón de aceite
5. Junta del tapón de aceite 6. Orificio de llenado de aceite

1. Ponga el soplador en el suelo sobre una superficie plana.
2. Ponga un recipiente para aceite de desecho debajo del orificio de drenaje para recoger el aceite a medida que se drena. El recipiente deberá tener una capacidad de al menos 140 ml para poder recoger todo el aceite.
3. Afloje el perno de drenaje del aceite para dejar que el aceite se drene. Tenga cuidado de no dejar que el aceite entre en el depósito de combustible u otras partes.

AVISO: Tenga cuidado de no perder la junta (arandela de aluminio). Ponga el perno de drenaje del aceite en un lugar donde no se ensucie.

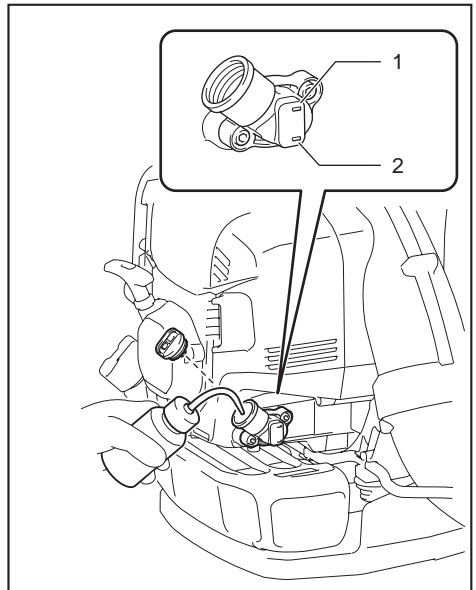
4. Retire el tapón de aceite. (Retirando el tapón de aceite podrá drenar el aceite fácilmente).

AVISO: Asegúrese de poner el tapón de aceite en un lugar donde no se ensucie.

5. A medida que el nivel del aceite que está siendo drenado disminuya, incline el soplador hacia el lado de drenaje para que el aceite se drene completamente.
6. Después de que el aceite se haya drenado completamente, apriete el perno de drenaje del aceite firmemente. Si el perno no está apretado firmemente, podrá resultar en fugas de aceite.

AVISO: No se olvide de volver a poner la junta (arandela de aluminio) cuando vuelva a colocar el tapón de drenaje.

7. Vierta aproximadamente 140 ml de aceite dentro del orificio de llenado de aceite hasta la marca de límite superior.



- 1. Marca de límite superior 2. Marca de límite inferior

8. Después de rellenar con aceite, apriete el tapón de aceite firmemente para evitar fugas de aceite.

AVISO: No se olvide de volver a poner la junta del tapón de aceite cuando vuelva a colocar el tapón de aceite.

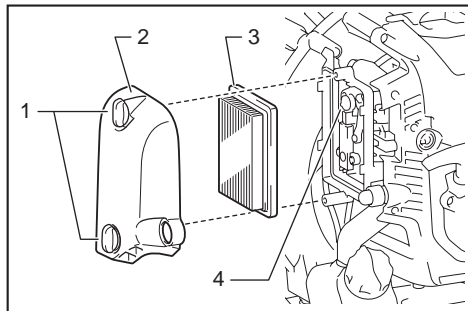
Limpieza del filtro de aire

⚠ADVERTENCIA: PROHIBIDOS Estrictamente los sustancias INFLAMABLES

Intervalo de limpieza e inspección

Diariamente (cada 10 horas de operación)

Procedimiento para la limpieza



- 1. Pernos de mariposa 2. Tapa del filtro de aire
3. Elemento 4. Respiradero

1. Afloje los pernos de mariposa.
2. Retire la tapa del filtro de aire.
3. Retire el elemento y limpie cualquier suciedad del elemento con un paño o aire a presión. Reemplace el elemento con uno nuevo si está dañado o muy sucio.

NOTA: El elemento es de tipo seco y no deberá dejar que se moje. No lo lave nunca con agua.

4. Limpie cualquier resto de aceite alrededor del respiradero con un trapo o paño.
5. Instale el elemento en la caja del filtro de aire.
6. Coloque la tapa del filtro de aire y apriete los pernos de mariposa.

AVISO: Limpie el elemento varias veces al día, si se adhiere polvo excesivo en él debido a un medioambiente polvoriento.

AVISO: Si continúa la operación sin haber retirado el aceite del elemento, el aceite en el filtro de aire podrá salirse, resultando en contaminación de aceite.

Comprobación de la bujía

⚠PRECAUCIÓN: No toque la bujía mientras el motor está en marcha. De lo contrario podrá resultar en una descarga eléctrica.

⚠PRECAUCIÓN: Ponga la palanca de control de parada/interruptor de parada en la posición apagada "O".

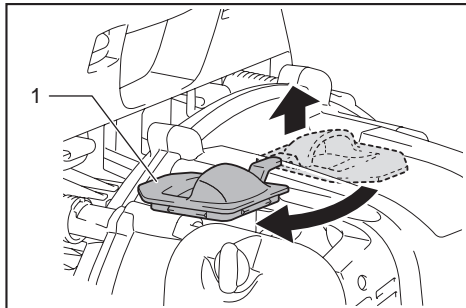
⚠PRECAUCIÓN: Compruebe el cable de la bujía regularmente. Si está dañado o rasgado, reemplácelo. De lo contrario podrá resultar en una descarga eléctrica.

AVISO: Cuando quite la bujía, limpie la bujía y la culata del cilindro primero, de forma que no entre suciedad, arena, etc., en el cilindro.

AVISO: Retire la bujía después de que el motor se haya enfriado para evitar dañar el orificio roscado en el cilindro.

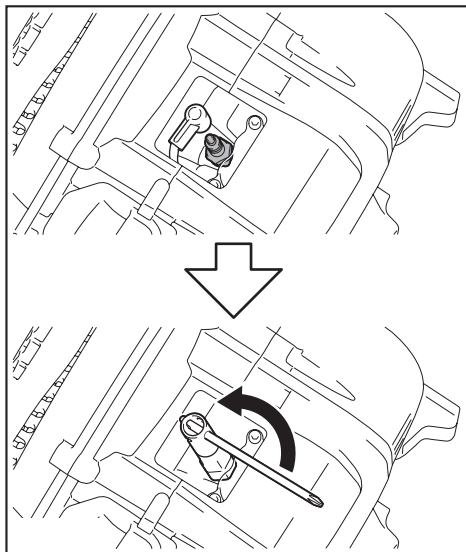
AVISO: Instale la bujía debidamente en el orificio roscado. Si la instala en ángulo, el orificio roscado en el cilindro se dañará.

1. Para abrir la tapa de la bujía, levántela y gírela media vuelta.



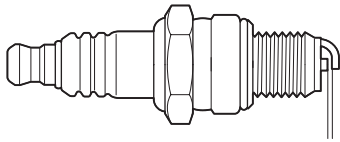
- 1. Tapa de la bujía

2. Utilice la llave de tubo provista como accesorio estándar para retirar e instalar la bujía.



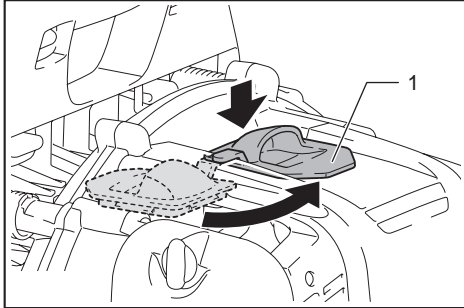
3. La separación apropiada entre los dos electrodos de la bujía es de 0,7 a 0,8 mm. Ajuste la separación correcta cuando esta sea demasiado ancha o estrecha. Limpie completamente o reemplace la bujía si ha acumulado carbón o está contaminada.

Para el reemplazo, utilice NGK CMR6H.



0.7 mm – 0.8 mm (0.028" – 0.031")

4. Para cerrar la tapa de la bujía, gírela media vuelta, y presione alrededor de la parte dentada.



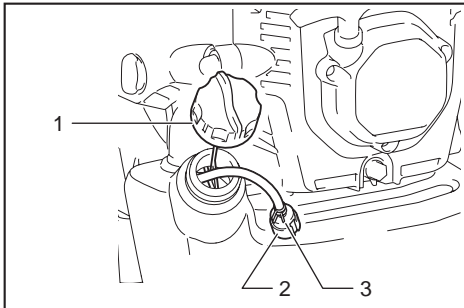
- ▶ 1. Tapa de la bujía

Limpieza del filtro de combustible

⚠ PRECAUCIÓN: Asegúrese de que el depósito de combustible no está dañado. Si hay cualquier daño en el depósito de combustible, pida inmediatamente al centro de servicio autorizado que lo reparen.

AVISO: Limpie el filtro de combustible regularmente. Un filtro de combustible obturado puede ocasionar dificultad al arrancar o que no se pueda aumentar la velocidad del motor.

Compruebe el filtro de combustible regularmente de la forma siguiente:



- ▶ 1. Tapón del depósito de combustible 2. Filtro de combustible 3. Fijador de manguera

1. Retire el tapón del depósito de combustible, drene el combustible para vaciar el depósito. Compruebe el interior del depósito para ver si hay materias extrañas. Si las hay, limpie tales materias extrañas.
2. Extraiga el filtro de combustible con un alambre a través del orificio de llenado de combustible.
3. Si la superficie del filtro de combustible está contaminada, límpiela con gasolina.

AVISO: Siga el método especificado por cada autoridad local para desechar la gasolina usada para limpiar el filtro de combustible.

AVISO: Reemplace el filtro de combustible si está contaminado excesivamente.

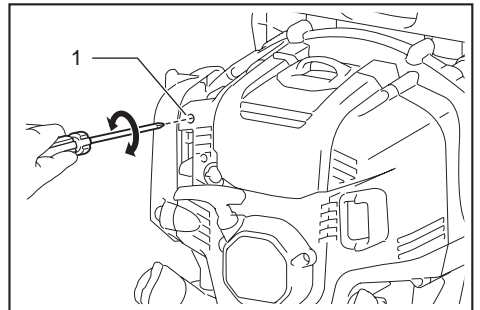
4. Después de comprobar, limpiar o reemplazar, inserte el filtro de combustible en el tubo de combustible y fíjelo con el fijador de manguera. Vuelva a colocar el filtro de combustible en el depósito de combustible y apriete el tapón del depósito de combustible firmemente.

Ajuste de la velocidad a ralentí

⚠ PRECAUCIÓN: El carburador se ajusta en fábrica. No ajuste nunca nada aparte de la velocidad a ralentí. Para otros ajustes, pregunte al centro de servicio autorizado.

El giro apropiado a baja velocidad es de 2.800 min⁻¹ (rpm).

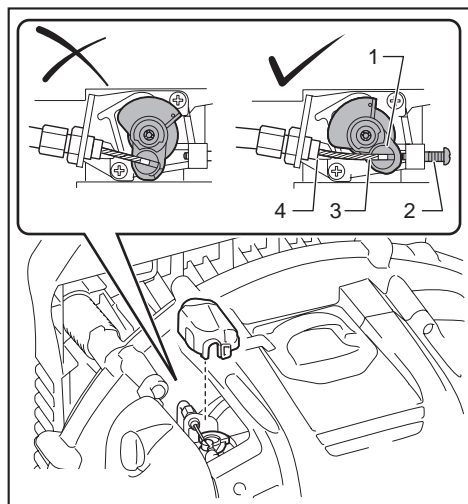
Si es necesario cambiar la velocidad de giro, ajuste la velocidad a ralentí con un destornillador Phillips. Si el motor se para o funciona inestablemente a ralentí, gire el tornillo de ajuste hacia la derecha, y aumentará la velocidad a ralentí. Si la máquina sopla muy fuerte a ralentí, gire el tornillo de ajuste hacia la izquierda, y disminuirá la velocidad a ralentí.



- ▶ 1. Tornillo de ajuste de ralentí

Comprobación de la válvula del acelerador

Si el cable de control está torcido o enganchado, la válvula del acelerador no hará contacto con el tornillo de ajuste de ralentí, y esto impedirá que el motor funcione debidamente a ralentí. En tal caso, reposicione el cable de control para asegurar un movimiento apropiado de la válvula.

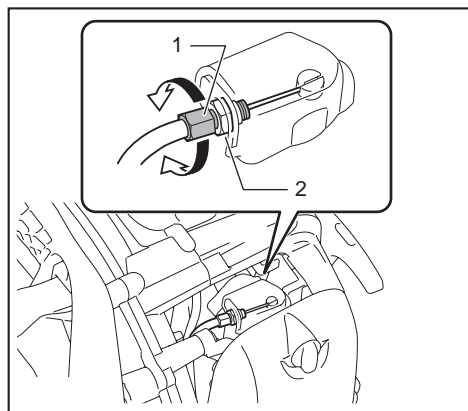


- 1. Válvula del acelerador 2. Tornillo de ajuste de ralentí 3. Cable de control 4. Tope de la válvula del acelerador

Si la válvula del acelerador no toca el tope de la válvula del acelerador incluso si usted aprieta el gatillo acelerador a fondo o si la válvula del acelerador no toca el tornillo de ajuste de ralentí mientras está a ralentí, gire el perno de ajuste del cable de la forma siguiente:

1. Afloje la tuerca de fijación.
2. Si la válvula del acelerador no toca el tope de la válvula del acelerador, gire el perno de ajuste del cable hacia la izquierda.

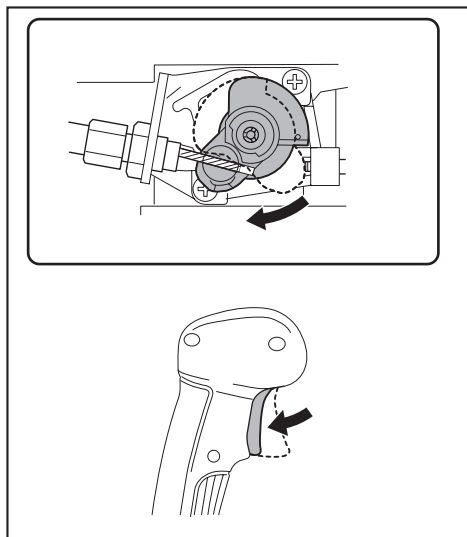
Si la válvula del acelerador no toca el tornillo de ajuste de ralentí, gire el perno de ajuste del cable hacia la derecha.



- 1. Perno de ajuste del cable 2. Tuerca de fijación

3. Apriete la tuerca de fijación para apretar el perno de ajuste del cable.

4. Compruebe el movimiento de la válvula del acelerador. La válvula del acelerador se sitúa en la posición mostrada en la ilustración cuando el gatillo acelerador/palanca del acelerador se aprieta/gira.

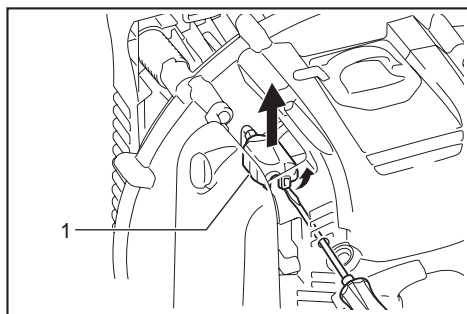


Limpieza de la cubierta del carburador

Si la cubierta del carburador se ensucia y resulta difícil comprobar la válvula del acelerador, limpie la cubierta del carburador de la forma siguiente:

AVISO: No utilice nunca gasolina, bencina, diluyente, alcohol o similar para limpiar la cubierta del carburador. De lo contrario se deslustrará.

1. Pase un destornillador de punta plana a través del orificio de la cubierta del motor. Suelte el fijador de la cubierta del carburador.



- 1. Cubierta del carburador

2. Limpie la cubierta del carburador.

AVISO: Utilice un paño limpio y mojado para limpiar la cubierta del carburador.

3. Vuelva a poner la cubierta del carburador. Asegúrese de que el fijador de la cubierta del carburador produce un chasquido cuando encaja en su sitio.

Inspección de pernos, tuercas y tornillos y otras partes

Vuelva a apretar los pernos, tuercas, etc., flojos.

Compruebe si hay fugas de combustible o aceite.

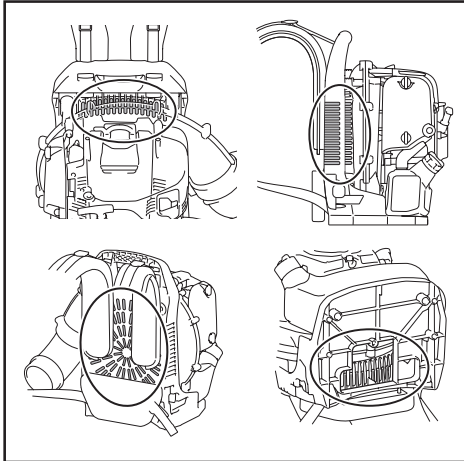
Reemplace las partes dañadas con unas nuevas para una operación segura.

Limpieza del motor y entrada de aire de refrigeración

Mantenga el motor limpio limpiándolo con un trapo.

Mantenga las aletas del cilindro libres de polvo o suciedad. El polvo o la suciedad adherido a las aletas causarán recalentamiento del motor y agarrotamiento del pistón.

El aire soplado entra por la abertura de entrada de aire. Cuando el flujo de aire disminuya durante la operación, pare el motor e inspeccione la abertura de entrada de aire por si hay algún bloqueo. Límpiela si es necesario. Un bloqueo así puede ocasionar recalentamiento y dañar el motor.



Reemplazo de las juntas y empaquetaduras

Reemplace las juntas y empaquetaduras si desmonta el motor.

Cualquier mantenimiento de trabajo de ajuste que no esté incluido y descrito en este manual deberá ser realizado solamente por un agente de servicio autorizado.

Almacenamiento

ADVERTENCIA: Cuando vaya a drenar el combustible, pare el motor y espere hasta que se enfríe. Si no lo hace podrá ocasionar quemaduras o un incendio.

PRECAUCIÓN: Cuando almacene la máquina durante largo tiempo, drene todo el combustible del depósito de combustible y carburador, y manténgala en un sitio seco y limpio.

Drene el combustible del depósito de combustible y el carburador antes de almacenar la máquina de la forma siguiente:

1. Retire el tapón del depósito de combustible, y drene el combustible completamente. Si queda cualquier materia extraña en el depósito de combustible, elimínela completamente.
2. Extraiga el filtro de combustible del orificio de llenado utilizando un alambre.
3. Presione el cebador hasta que el combustible sea drenado de allí, y drene el combustible que llega al depósito de combustible.
4. Vuelva a poner el filtro en el depósito de combustible, y apriete el tapón del depósito de combustible firmemente.
5. Después, continúe utilizando el motor hasta que se pare.
6. Retire la bujía, y deje caer varias gotas de aceite de motor a través del orificio de la bujía.
7. Tire del tirador de arranque con cuidado de manera que el aceite de motor se extienda por el motor, y coloque la bujía.
8. Mantenga la máquina con su mango de transporte hacia arriba.
9. Mantenga el combustible drenado en un recipiente especial en un lugar bien ventilado y sombreado.

Localización de problemas

Fallo	Sistema	Observación	Causa
El motor no arranca o lo hace con dificultad	Sistema de encendido	Chispas de encendido.	Fallo en suministro de combustible o sistema de compresión, defecto mecánico.
		No hay chispas de encendido.	El interruptor de parada está accionado, fallo de cableado o cortocircuito, bujía o conector defectuoso, módulo de encendido defectuoso.
	Suministro de combustible	Depósito de combustible lleno.	Posición incorrecta del estrangulador, carburador defectuoso, línea de suministro de combustible doblada o bloqueada, combustible sucio.
	Compresión	No hay compresión cuando está detenido.	La junta inferior del cilindro está defectuosa, los retenes del cigüeñal están dañados, el cilindro o los segmentos del pistón están defectuosos o la empaquetadura de la bujía es incorrecta.
	Fallo mecánico	El arrancador no funciona.	El muelle del arrancador está roto, hay partes rotas dentro del motor.
Problemas de arranque en caliente	-	Depósito lleno. Chispas de encendido.	El carburador está contaminado, hay que limpiarlo.
El motor arranca pero se para enseguida	Suministro de combustible	Depósito lleno.	Ajuste de ralenti incorrecto, carburador contaminado.
			La ventilación del depósito de combustible es defectuosa, la línea de suministro de combustible está interrumpida, el cable o el interruptor de parada está defectuoso.
Rendimiento insuficiente	Varios sistemas pueden verse afectados simultáneamente	Ralenti del motor deficiente.	Filtro de aire contaminado, carburador contaminado, silenciador obturado, conducto de escape en el cilindro obturado.

Intervalo de inspección y mantenimiento

-		Antes de la operación	Después de repostar	Diariamente (10 horas)	50 horas	200 horas	600 horas o 2 años, lo que acontezca primero	Antes de almacenar
Aceite de motor	Inspeccione / rellene	○	-	-	-	-	-	-
	Reemplace	-	-	-	○ (Nota 1)	-	-	-
Apretado de las partes (pernos, tuercas)	Inspeccione	○	-	-	-	-	-	-
Entrada de aire de refrigeración	Limpie / inspeccione	○	-	-	-	-	-	-
Depósito de combustible	Limpie / inspeccione	○	-	-	-	-	-	-
	Drene el combustible	-	-	-	-	-	-	○ (Nota 3)
Gatillo acelerador / palanca del acelerador	Compruebe el funcionamiento	-	○	-	-	-	-	-

		Antes de la operación	Después de repostar	Diariamente (10 horas)	50 horas	200 horas	600 horas o 2 años, lo que acontezca primero	Antes de almacenar
Parada del motor	Compruebe el funcionamiento	-	○	-	-	-	-	-
Ajuste de la velocidad a ralentí	Inspeccione / ajuste	-	○	-	-	-	-	-
Filtro de aire	Limpie	-	-	○	-	-	-	-
	Inspeccione / reemplace si es necesario	-	-	-	-	○	-	-
Cable de control	Inspeccione / ajuste	-	-	○	-	-	-	-
	Inspeccione / reemplace si es necesario	-	-	-	-	○ (Nota 2)	-	-
Bujía	Inspeccione / ajuste la separación si es necesario	-	-	○	-	-	-	-
	Limpie / reemplace si es necesario	-	-	-	-	○	-	-
Cable de la bujía	Inspeccione / reemplace si es necesario	-	-	-	-	○ (Nota 2)	-	-
Tubo de combustible	Inspeccione	-	-	○	-	-	-	-
	Reemplace	-	-	-	-	○ (Nota 2)	-	-
Filtro de combustible	Limpie / reemplace si es necesario	-	-	-	○	-	-	-
Tubo de aceite	Inspeccione	-	-	-	-	○ (Nota 2)	-	-
Holgura de la válvula (válvula de admisión y válvula de escape)	Inspeccione / ajuste	-	-	-	-	○ (Nota 2)	-	-
Silenciador	Inspeccione / limpie	-	-	-	-	○ (Nota 2)	-	-
Cámara de combustión / válvula / orificio	Inspeccione / limpie	-	-	-	-	○ (Nota 2)	-	-
Motor	Reacondicione	-	-	-	-	-	○ (Nota 2)	-
Carburador	Drene el combustible	-	-	-	-	-	-	○ (Nota 3)

Nota 1: Realice el reemplazo inicial después de 20 horas de operación.

Nota 2: Para la inspección, solicítela al agente de servicio autorizado o a un taller de máquinas.

Nota 3: Después de vaciar el depósito de combustible, ponga en marcha el motor y drene el combustible del carburador.

SOLUCIÓN DE PROBLEMAS

Antes de solicitar reparaciones, realice su propia inspección en primer lugar. Si encuentra un problema que no está explicado en el manual, no intente desmontar la herramienta. En su lugar, pregunte en centros de servicio autorizados de Dolmar/Makita, utilizando siempre piezas de recambio Dolmar/Makita para las reparaciones.

Estado de anomalía	Causa probable (mal funcionamiento)	Remedio
El motor no arranca.	Fallo al operar el cebador.	Presione 7 a 10 veces.
	Baja velocidad al tirar del cordón del arrancador.	Tire con fuerza.
	Falta de combustible.	Suministre combustible.
	Filtro de combustible obturado.	Limpie el filtro de combustible o reemplácelo con uno nuevo.
	Tubo de combustible doblado.	Enderece el tubo de combustible.
	Combustible deteriorado.	El combustible deteriorado dificulta el arranque. Reemplace con uno nuevo. (Reemplazo recomendado: 1 mes)
	Excesiva succión de combustible.	Coloque la palanca del acelerador a una velocidad media o alta, y tire del tirador de arranque hasta arrancar el motor. Si el motor no arranca todavía, quite la bujía, seque el electrodo, y vuelva a montarlos como estaban originalmente. Después, arranque de la forma especificada.
	Capuchón de la bujía desprendido.	Colóquelo firmemente.
	Bujía contaminada.	Limpie la bujía.
	Separación anormal de los electrodos de la bujía.	Ajuste la separación.
	Otras anomalías de la bujía.	Reemplace la bujía.
	Carburador anormal.	Pida a nuestro centro de servicio autorizado que lo inspeccionen y reparen.
	No se puede tirar del tirador de arranque.	Pida a nuestro centro de servicio autorizado que lo inspeccionen y reparen.
Problema en las partes internas del motor.	Pida a nuestro centro de servicio autorizado que lo inspeccionen y reparen.	
El motor se para enseguida. La velocidad del motor no aumenta.	Calentamiento insuficiente.	Realice la operación de calentamiento.
	La palanca de estrangulación está puesta en "CERRADA" aunque el motor está caliente.	Póngala en "ABIERTA".
	Filtro de combustible obturado.	Limpie el filtro de combustible.
	Filtro de aire contaminado u obturado.	Limpie el filtro de aire.
	Cable de control desprendido.	Coloque el cable de control firmemente.
Problema en las partes internas del motor.	Pida a nuestro centro de servicio autorizado que lo inspeccionen y reparen.	
El acelerador no vuelve a la velocidad a ralentí.	Posición incorrecta de la válvula del acelerador.	Reposicione el cable de control. Ajuste la posición de la válvula del acelerador girando el perno de ajuste del cable.
El motor no se para. ⇒ Haga funcionar el motor a ralentí, y ponga la palanca de estrangulación en "CERRADA".	Conector desprendido.	Coloque el conector firmemente.
	Sistema eléctrico anormal.	Pida a nuestro centro de servicio autorizado que lo inspeccionen y reparen.

ÍNDICE

ESPECIFICAÇÕES	125	ANTES DE PÔR O MOTOR A TRABALHAR	132
INSTRUÇÕES DE SEGURANÇA IMPORTANTES...	126	OPERAÇÃO	134
DESCRIÇÃO DAS PEÇAS	130	MANUTENÇÃO	138
MONTAGEM.....	131	RESOLUÇÃO DE PROBLEMAS	145

ESPECIFICAÇÕES

Modelo:		MG5300
Tipo de acelerador		Acelerador de tubo
Peso seco	sem tubo do soprador / com almofada	8,9 kg
	com tubo do soprador	9,8 kg - 10,0 kg
Dimensões (sem o tubo do soprador, C x L x A)		320 mm x 450 mm x 475 mm
Velocidade do ar	(com tubo longo, bocal circular)	81 m/s
	(com tubo curto, bocal circular)	82 m/s
Taxa de fluxo de volume do ar	(com tubo longo, bocal circular)	15 m ³ /minuto
	(com tubo curto, bocal circular)	15 m ³ /minuto
Velocidade máxima do motor		6.400 min ⁻¹
Velocidade de ralentí		2.800 min ⁻¹
Cilindrada do motor		52,5 cm ³
Tipo do motor		Arrefecido a ar, 4 tempos, cilindro único
Combustível		Gasolina para automóveis
Capacidade do depósito de combustível		1.800 cm ³
Óleo do motor		Óleo de graduação API, classe SF ou superior, SAE 10W-30 (óleo para motores de automóveis a 4 tempos)
Volume do óleo do motor		140 cm ³
Carburador		Tipo de diafragma
Vela de ignição		NGK CMR6H
Folga do elétrodo		0,7 mm - 0,8 mm

- Devido a um programa contínuo de pesquisa e desenvolvimento, estas especificações podem ser alteradas sem aviso prévio.
- As especificações podem variar de país para país.
- O peso poderá diferir dependendo do(s) acessório(s).

Vibração

Modelo				MG5300	
Vibração no âmbito da EN15503	Pega direita	a _{hv eq}	Tubo longo	com bocal circular	2,2 (m/s ²)
				com bocal achatado	2,9 (m/s ²)
		K de incerteza	Tubo curto	com bocal circular	2,2 (m/s ²)
				com bocal achatado	2,5 (m/s ²)
				0,6 (m/s ²)	














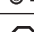
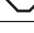


Ruído

Modelo		MG5300
Média do nível de pressão sonora de acordo com a EN15503	L _{PA eq}	96,0 (dB (A))
	K de incerteza	0,4 (dB (A))

Modelo		MG5300
Média do nível da potência sonora de acordo com a EN15503	$L_{WA,eq}$	102,5 (dB (A))
	K de incerteza	1,6 (dB (A))

Símbolos

A seguir são apresentados os símbolos utilizados para o equipamento. Certifique-se de que compreende o seu significado antes de utilizar o equipamento.

	Tenha especial cuidado e atenção.
	Leia o manual de instruções.
	Proibido!
	Não fumar.
	Não fazer chamas.
	Use luvas de proteção.
	Utilizar proteção ocular e auditiva.
	Superfícies quentes - queimaduras nos dedos ou mãos.
	Manter as pessoas presentes afastadas.
	Mantenha a área de operação livre de todas as pessoas e animais.
	Combustível (gasolina)
	Arranque manual do motor.
	Parar o motor.
	Primeiros socorros
	Ligado/Arranque
	Desligar/Parar
	O cabelo comprido pode provocar acidentes por ficar enredado.

Declaração de conformidade da CE

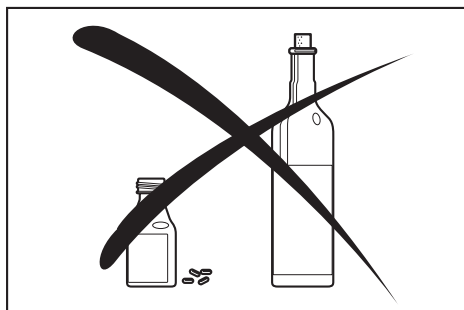
Apenas para os países europeus

A declaração de conformidade da CE está incluída como Anexo A neste manual de instruções.

INSTRUÇÕES DE SEGURANÇA IMPORTANTES

Instruções gerais

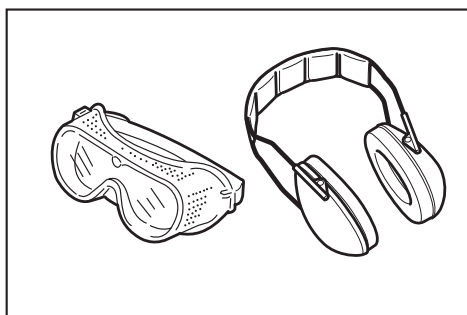
1. Para garantir o funcionamento correto e seguro, o utilizador tem de ler, compreender e seguir este manual de instruções para garantir a familiaridade com o manuseamento do soprador. Os utilizadores que não receberam informações suficientes podem colocar outras pessoas e a si próprio em risco devido a manuseamento incorreto.
2. Recomenda-se emprestar o soprador apenas a pessoas que provaram ter experiência com sopradores.
3. Entregue sempre o manual de instruções quando emprestar o soprador.
4. Os utilizadores que utilizem o soprador pela primeira vez devem pedir instruções básicas no concessionário para se familiarizarem com o manuseamento de um soprador.
5. As crianças e jovens com menos de 18 anos não devem operar o soprador. No entanto, as pessoas com mais de 16 anos podem utilizar a ferramenta apenas para receberem formação sempre mediante a supervisão direta de um formador qualificado.
6. A utilização de sopradores requer o máximo cuidado e atenção.
7. Opere o soprador apenas se estiver em boas condições físicas.
8. Realize todos os trabalhos com consciência e cuidado. O utilizador tem de aceitar a responsabilidade pelos outros.
9. Nunca utilize o soprador sob a influência do álcool ou drogas.



10. Não utilize a unidade se estiver cansado.
11. Guarde estas instruções para referência futura.
12. Cumpra e siga todas as instruções referentes a prevenção de acidentes emitidas pelas associações comerciais relevantes e pelas companhias de seguros. Não faça nenhuma modificação ao soprador, pois isso poderá pôr a sua segurança em risco.

13. Nunca faça modificações ao equipamento. Pode provocar acidentes perigosos ou ferimentos pessoais.

Equipamentos de proteção pessoal



1. O vestuário utilizado deve ser funcional e apropriado, ou seja, deve ser justo mas não pode estorvar. Não utilize peças de joalheria, vestuário ou cabelos compridos que possam entrar na admissão de ar.
2. Para evitar ferimentos na cabeça, olhos, mãos ou pés, bem como para proteger a sua audição, os equipamentos e vestuário de proteção que se seguem devem ser usados durante o funcionamento do soprador.
3. O vestuário deve ser justo e ser bastante cómodo, permitindo uma total liberdade de movimentos. Evite casacos largos, calças folgadas ou de estilo largo, lenços, cabelo comprido solto ou qualquer outra coisa que possa ser puxada para a entrada de ar. Use fatos-macaco ou calças compridas para proteger as pernas. Não use calções.
4. Em geral, os produtos com motores são ruidosos e os ruídos podem prejudicar a audição. Use barreiras de som (tampões ou abafadores de som para os ouvidos) para proteger a audição. Os utilizadores contínuos e regulares devem verificar a audição com regularidade.
5. Recomenda-se o uso de luvas quando trabalhar com o soprador. Use sapatos robustos com solas que não escorreguem.
6. Uma proteção ocular adequada é obrigatória. Apesar de a descarga ser feita diretamente para longe do operador, podem ocorrer ricochetes e ressaltos durante o funcionamento do soprador.

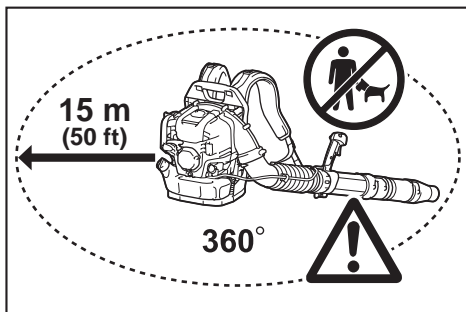
7. Nunca utilize um soprador a menos que esteja a usar óculos de proteção ou outros óculos devidamente ajustados com proteção superior e lateral adequada e que estejam em conformidade com a EN166 e os regulamentos do seu país.
8. Para reduzir o risco de ferimentos associados à inalação de poeiras, utilize uma máscara de filtragem facial em condições de pó.

Utilização pretendida

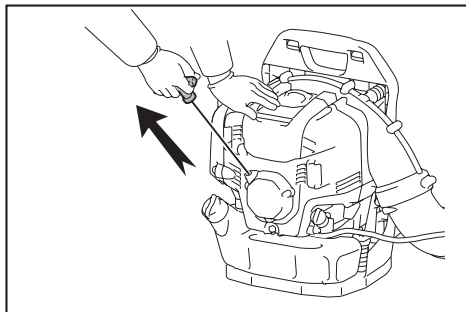
A ferramenta serve para soprar poeira.

Arrancar o soprador

1. Certifique-se de que não há crianças nem outras pessoas dentro de um raio de 15 metros do local de trabalho. Tome igualmente atenção a quaisquer animais por perto.



2. Antes de utilizar, verifique sempre se o soprador está seguro para funcionamento:
 - Verifique a segurança da alavanca do acelerador. A alavanca do acelerador deve ser verificada quanto a uma ação suave e fácil.
 - Verifique o funcionamento correto do bloqueio da alavanca do acelerador.
 - Verifique se os punhos estão limpos e secos e teste o funcionamento do interruptor I-O. Mantenha os punhos sem óleo e combustível.
3. Arranque o soprador apenas de acordo com as instruções. Não utilize quaisquer outros métodos para arrancar o motor.

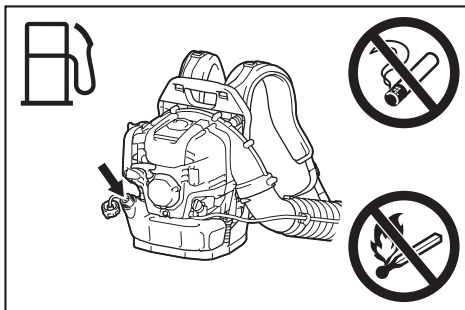


4. Utilize o soprador e as ferramentas fornecidas apenas para as aplicações especificadas.

- Arranque o motor do soprador apenas depois de a ferramenta ser montada na sua totalidade. A operação da ferramenta só é permitida depois de todos os acessórios adequados estarem instalados.
- Deve desligar imediatamente o motor caso surjam quaisquer problemas de motor.
- Quando trabalhar com o soprador, agarre bem o punho enrolando os dedos com força à sua volta, mantendo o punho de controlo apertado entre o polegar e o indicador. Mantenha a mão nesta posição para manter sempre a máquina sob controlo. Certifique-se de que o punho de controlo está em boas condições e não apresenta humidade, sujidade, óleo ou massa lubrificante.
- Garanta sempre um posicionamento seguro e estável.
- Transporte o soprador adequadamente nos dois ombros durante o funcionamento. Não transporte o soprador só com uma faixa para o ombro. Caso contrário, pode resultar em ferimentos pessoais.
- Utilize o soprador de forma a evitar a inalação dos gases de escape. Nunca ponha o motor em funcionamento em ambientes fechados (risco de sufocamento e envenenamento por gás). O monóxido de carbono é um gás inodoro. Assegure-se sempre de que há ventilação adequada.
- Desligue o motor quando estiver a descansar ou quando deixa o soprador sem vigilância. Coloque-o num local seguro para evitar riscos às outras pessoas, provocar incêndios com os materiais combustíveis ou danos na máquina.
- Nunca deixe o soprador quente sobre ervas secas ou sobre qualquer material combustível.
- Durante a operação deve utilizar todas as peças e equipamentos de proteção fornecidos com a máquina.
- Nunca ponha o motor em funcionamento se o abafador de escape apresentar algum defeito.
- Levante o soprador segurando-o pelo punho de transporte quando o transportar. Não arraste o soprador pelo bocal, pelos tubos ou outras peças.
- Segure o soprador firmemente durante o transporte.
- Quando transportar o soprador, dobre os joelhos para o agarrar e certifique-se de que não magoa os ombros e as costas.

Reabastecimento

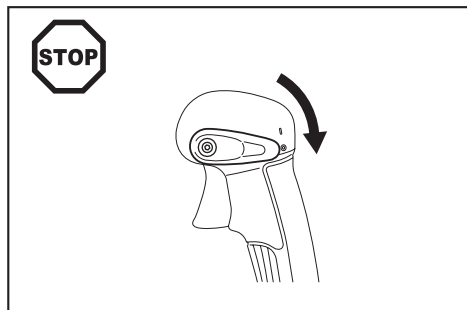
- Desligue o motor durante o reabastecimento, mantenha-o afastado de chamas vivas e não fume.



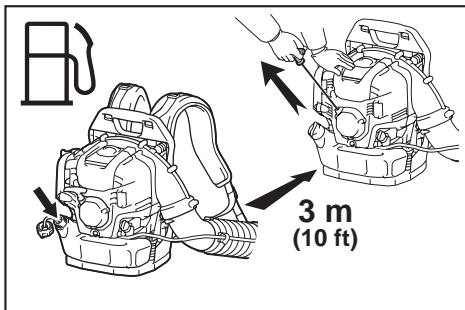
- Evite o contacto de produtos petrolíferos com a pele. Não inale os vapores de combustível. Use sempre luvas de proteção durante o reabastecimento. Troque e limpe o vestuário de proteção regularmente.
- Tenha cuidado para não derramar combustível ou óleo no solo para evitar contaminação (proteção ambiental). Limpe imediatamente o soprador se tiver derramado combustível. Deixe os panos secarem antes de os eliminar adequadamente, dentro de um recipiente tapado, para prevenir a combustão espontânea.
- Evite qualquer contacto do combustível com o vestuário. Troque imediatamente o vestuário se tiver derramado combustível sobre o mesmo (risco de incêndio).
- Inspeccione a tampa do depósito de combustível regularmente assegurando-se de que está firmemente fechada.
- Aperte cuidadosamente a tampa do depósito de combustível. Mude de lugar para ligar o motor (pelo menos, 3 metros de distância do local de reabastecimento).

Transporte

- Desligue o motor durante o transporte.



- Posicione o soprador em segurança durante o transporte no carro ou carrinha a fim de evitar fugas de combustível.
- Quando transportar o soprador, assegure-se de que o depósito de combustível está completamente vazio.



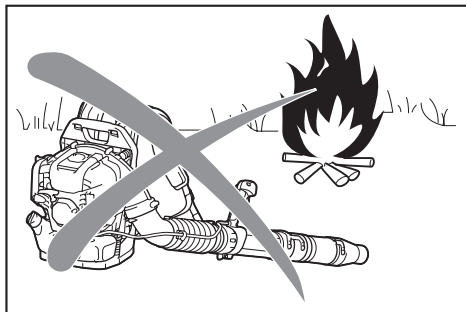
7. Nunca reabasteça em ambientes fechados. Os vapores de combustível acumulam ao nível do solo (risco de explosões).
8. Apenas transporte e armazene o combustível em recipientes aprovados. Assegure-se de que as crianças não têm acesso ao combustível armazenado.
9. Não tente reabastecer um motor quente ou em funcionamento.
10. Não reabasteça com mais combustível do que a quantidade definida nas "ESPECIFICAÇÕES".
15. Ajuste a extensão do bocal do soprador de modo que o fluxo possa trabalhar perto do solo.
16. Para reduzir os níveis de som, limite o número de equipamentos utilizados ao mesmo tempo.
17. Depois de utilizar os sopradores e outros equipamentos, LIMPE-OS! Elimine os resíduos nos postos de recolha de lixo.
18. Não acelere o motor mais do que o necessário. Os objetos lançados podem resultar em ferimentos pessoais.
19. O abafador de escape fica quente durante a operação. Não toque no abafador de escape quente pois pode resultar em queimaduras na pele.
20. Não opere a máquina em atmosferas explosivas, como na presença de líquidos, gases ou poeiras inflamáveis. A máquina produz faíscas que podem incendiar a poeira ou fumos.

Método de funcionamento

1. Utilize o soprador apenas com boas condições de luz e visibilidade. Cuidado com as áreas escorregadias ou molhadas, geladas ou com neve (risco de escorregar) e espaços apertados. Assegure-se sempre de um posicionamento seguro.
2. Nunca trabalhe sobre superfícies instáveis ou terrenos inclinados.
3. Não trabalhe a partir de escadas ou locais elevados. Caso contrário, pode resultar em ferimentos pessoais.
4. Para reduzir o risco de ferimentos pessoais, não direcione a injeção de ar para as pessoas presentes, uma vez que a alta pressão do fluxo de ar pode ferir os olhos e dispersar objetos pequenos a alta velocidade.
5. Nunca insira nenhum objeto estranho na entrada de ar da máquina ou no bocal do soprador. Isso pode danificar a roda do ventilador e provocar ferimentos graves ao operador ou às pessoas presentes, pois o objeto ou as peças partidas podem ser lançadas a grande velocidade.
6. Preste atenção à direção do vento, ou seja, não trabalhe contra o vento.
7. Para reduzir o risco de tropeçar ou perder o controlo, não caminhe para trás enquanto está a utilizar a máquina.
8. Desligue sempre o motor antes de o limpar ou antes da realização de qualquer tipo de manutenção ou quando substituir peças.
9. Tire alguns momentos para descansar para evitar a perda de controlo provocada pela fadiga. Recomendamos que descance entre 10 a 20 minutos após cada hora de trabalho.
10. Não utilize a máquina perto de janelas, etc.
11. Para reduzir a influência física da vibração e/ou danos nos ouvidos, utilize a máquina a baixa velocidade, se possível, e limite o tempo de funcionamento.
12. Utilize a máquina apenas a horas razoáveis. Não utilize o soprador de manhã nem à noite para não perturbar as pessoas.
13. Recomendamos a utilização de ancinhos e vassouras para soltar os resíduos antes de utilizar a máquina.
14. Antes de utilizar a máquina, humedeca ligeiramente as superfícies em condições de poeira ou utilize um pulverizador de água, se necessário.

Instruções de manutenção

1. Respeite o ambiente. Opere o soprador com o menor ruído e poluição possíveis. Em especial, verifique o ajuste correto do carburador.
2. Limpe o soprador em intervalos regulares e verifique se todos os parafusos e porcas estão firmemente apertados.
3. Nunca faça a manutenção nem armazene o soprador perto de locais onde possam surgir chamas vivas, faíscas, etc.



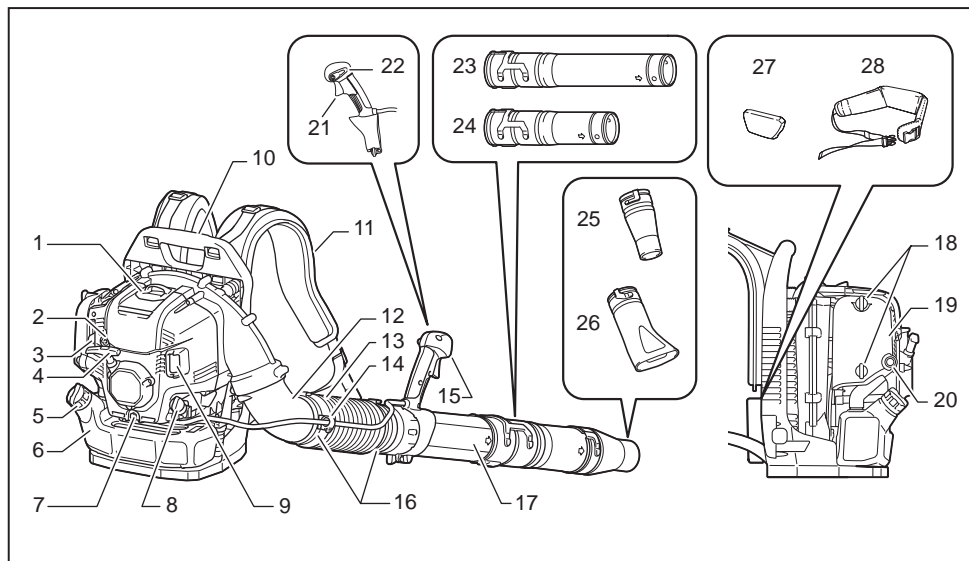
4. Guarde sempre o soprador num recinto trancado, bem ventilado e com o depósito de combustível vazio.
5. A realização dos trabalhos de manutenção ou de reparação pelo operador está limitada às atividades descritas neste manual de instruções. Os restantes trabalhos devem ser realizados pelos agentes de assistência autorizados.
6. Utilize apenas peças sobressalentes e acessórios genuínos fornecidos pela Makita/Dolmar. A utilização de acessórios e ferramentas não aprovados pode resultar em acidentes e ferimentos. A Makita/Dolmar não se responsabiliza por acidentes ou danos causados pela utilização de quaisquer extensões ou acessórios não aprovados.
7. Uma reparação incorreta e uma má manutenção podem reduzir a vida do equipamento e aumentar o risco de acidentes.

Primeiros socorros

- Em caso de acidente, certifique-se de que tem disponível um kit de primeiros socorros o mais completo possível nas proximidades do local de trabalho. Substitua imediatamente qualquer item que tenha sido retirado do kit de primeiros socorros.
- Quando pedir ajuda, forneça as seguintes informações:
 - Local do acidente
 - O que aconteceu
 - Número de pessoas feridas
 - Natureza do ferimento
 - O seu nome

DESCRIÇÃO DAS PEÇAS

MG5300



1	Tampa da vela de ignição	9	Abafador	17	Tubo articulado	25	Bocal circular
2	Alavanca anticongelação	10	Punho de transporte	18	Perno com cabeça (da tampa do filtro de ar)	26	Bocal achatado (acessório opcional)
3	Alavanca de choke	11	Faixa para o ombro	19	Tampa do filtro de ar	27	Almofada (acessório opcional)
4	Pega do motor de arranque	12	Cotovelo	20	Bomba de escorva	28	Cinto de quadril (acessório opcional)
5	Tampa do depósito de combustível	13	Tubo flexível	21	Gatilho do acelerador	-	-
6	Depósito de combustível	14	Suporte do cabo	22	Alavanca de controlo de paragem	-	-
7	Perno de drenagem do óleo	15	Punho de controlo	23	Tubo longo (acessório opcional)	-	-
8	Tampa do óleo	16	Braçadeira para mangueiras	24	Tubo curto (acessório opcional)	-	-

- Os acessórios padrão podem variar de país para país.

MONTAGEM

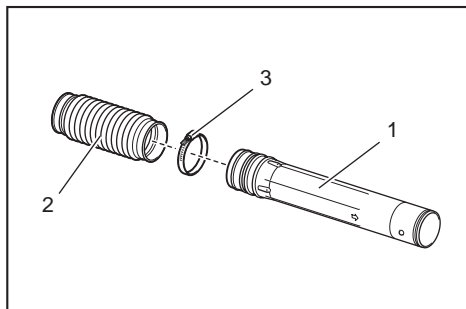
⚠️ PRECAUÇÃO: Antes de realizar qualquer trabalho no soprador, desligue sempre o motor e retire o cachimbo da vela de ignição.

⚠️ PRECAUÇÃO: Ligue o soprador apenas depois da montagem total.

⚠️ PRECAUÇÃO: Use sempre luvas de proteção.

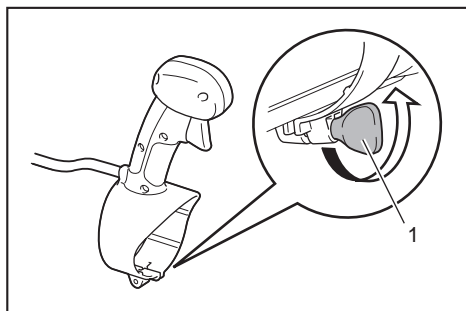
Montar os tubos do soprador

1. Insira o tubo articulado dentro do tubo flexível e aperte-os com a braçadeira para mangueiras.



- 1. Tubo articulado 2. Tubo flexível 3. Braçadeira para mangueiras

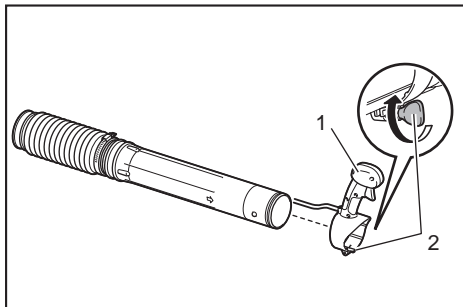
2. Solte e retire o parafuso de aperto.



- 1. Parafuso de aperto

Tenha cuidado para não torcer o cabo quando montar o punho de controlo.

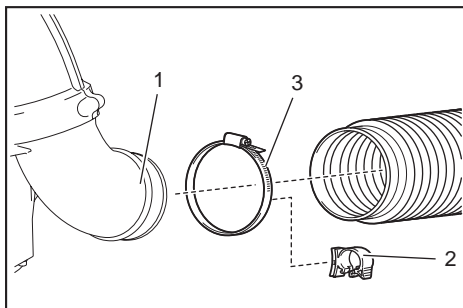
3. Instale o punho de controlo/conjunto do punho no tubo articulado e aperte-os com o parafuso de aperto.



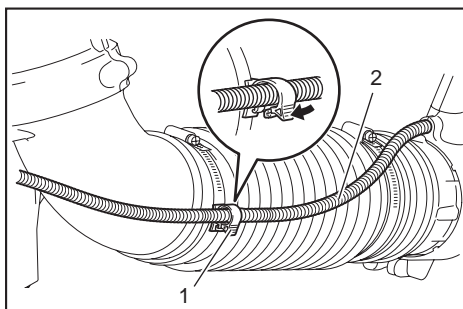
- 1. Punho de controlo 2. Parafuso de aperto

4. Fixe o tubo flexível no cotovelo.

Insira o cotovelo no tubo flexível. Fixe o suporte do cabo entre a braçadeira para mangueiras e o tubo flexível. Aperte o suporte do cabo, o tubo flexível e o cotovelo com a braçadeira para mangueiras. Coloque o cabo de controlo sobre o suporte do cabo e feche o suporte do cabo.

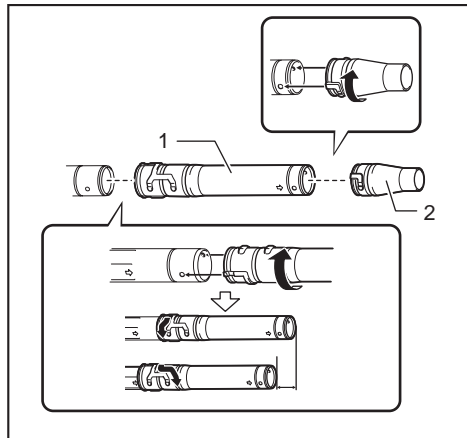


- 1. Cotovelo 2. Suporte do cabo 3. Braçadeira para mangueiras



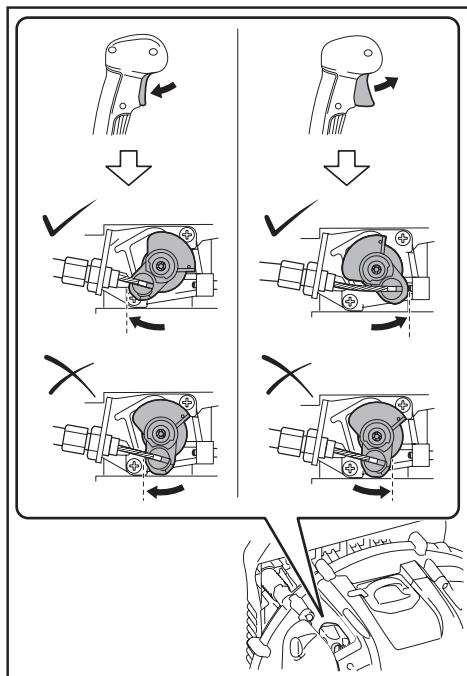
- 1. Suporte do cabo 2. Cabo de controlo

5. Fixe o tubo longo/curto no tubo articulado. Rode o tubo longo/curto no sentido dos ponteiros do relógio para o bloquear no lugar. Depois, fixe o bocal do soprador com o tubo longo/curto. Rode o bocal do soprador no sentido dos ponteiros do relógio para o bloquear no lugar.



► 1. Tubo longo/curto 2. Bocal do soprador

6. Certifique-se de que todas as braçadeiras estão bem presas. Verifique se a válvula do acelerador se move corretamente juntamente com o movimento do acelerador.



Se não for possível puxar totalmente o acelerador ou se o acelerador não retornar à posição correta, consulte a seção de MANUTENÇÃO para obter informações sobre o ajuste da válvula do acelerador.

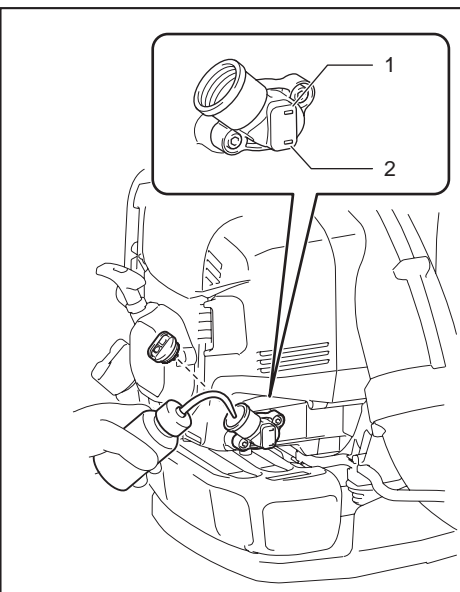
ANTES DE PÔR O MOTOR A TRABALHAR

Verificar e reabastecer o óleo do motor

PRECAUÇÃO: Quando reabastecer com óleo do motor, desligue o motor e espere que o motor arrefeça. Caso contrário, pode resultar em queimaduras na pele.

OBSERVAÇÃO: A utilização de óleo deteriorado provocará irregularidades no arranque.

OBSERVAÇÃO: Limpe a poeira ou terra junto do orifício de abastecimento de óleo antes de desapertar a tampa do óleo. Além disso, mantenha a tampa do óleo limpa, sem resíduos de areia ou poeira, sempre que a retirar. Caso contrário, a areia ou sujeira pode colar-se à tampa do óleo e entrar no depósito provocando uma circulação irregular do óleo ou desgaste das peças do motor, o que resultará em problemas.



► 1. Marca de limite superior 2. Marca de limite inferior

Inspeção

Coloque o soprador numa superfície nivelada e retire a tampa do óleo.

Certifique-se de que o nível de óleo está dentro das marcas de limite superior e inferior. Se o óleo não atingir a marca de limite inferior, encha com óleo novo. Mude o óleo sempre que ficar sujo ou mudar significativamente de cor. (Consulte "Substituir o óleo do motor" para o procedimento e frequência de mudança de óleo).

Reabastecer

Coloque o soprador numa superfície nivelada e retire a tampa do óleo.

Encha com óleo até ao limite superior do indicador de nível do óleo.

Em média, é necessário adicionar óleo a cada 20 horas de funcionamento (entre 10 a 15 reabastecimentos).

Óleo recomendado

- Óleo de motores de 4 tempos genuíno da Makita/Dolmar ou
- Óleo de graduação API, classe SF ou superior, SAE 10W-30 (óleo para motores de automóveis a 4 tempos)

Capacidade de óleo

Capacidade do óleo: aproximadamente 140 ml

OBSERVAÇÃO: Guarde o soprador numa posição vertical numa superfície nivelada. O indicador do óleo não indica a quantidade de óleo correta se o soprador estiver inclinado e se o óleo tiver entrado no motor. Pode resultar em enchimento de óleo em excesso.

OBSERVAÇÃO: Não encha com óleo em excesso. O óleo em excesso pode transbordar pelo respiradouro do filtro de ar e sujar as peças circundantes, ou pode aparecer fumo branco devido à queima do óleo em excesso.

Depois de reabastecer com óleo

Limpe o óleo entornado com um pano.

Alimentação de combustível

AVISO: Ao reabastecer, pare o motor e espere que o motor arrefeça. Caso contrário, pode resultar em ignição, incêndio ou queimaduras na pele.

AVISO: O abastecimento de combustível deve ser feito num local sem focos de incêndio para prevenir a ignição ou incêndio. Nunca leve artigos que provoquem fogo (fumo, etc.) para perto do local onde faz o reabastecimento de combustível.

AVISO: Reabasteça numa superfície nivelada. Não reabasteça num local instável. Reabasteça num local bem iluminado e com boa visibilidade.

AVISO: Abra a tampa do depósito de combustível lentamente. O combustível pode espirrar por causa da pressão interna.

AVISO: Tenha cuidado para não derramar combustível. Limpe o combustível derramado.

AVISO: Efetue o abastecimento de combustível num local bem ventilado.

AVISO: Reabasteça num local aberto e desimpedido.

AVISO: Manuseie o combustível com cuidado.

PRECAUÇÃO: O combustível derramado sobre a pele ou que entre nos olhos pode provocar alergias ou irritação. Quando é detetada qualquer deformidade física, consulte imediatamente um médico especialista.

OBSERVAÇÃO: NÃO coloque óleo dentro do depósito de combustível.

Combustível

AVISO: Mantenha a máquina e o depósito num lugar fresco, sem incidência de luz solar direta.

AVISO: Nunca guarde o combustível dentro do carro.

O motor é um motor a quatro tempos. Assegure-se de que utiliza gasolina para automóveis (gasolina normal ou especial).

OBSERVAÇÃO: Nunca utilize gasolina misturada com óleo, como óleo para motores de 2 tempos ou óleo para motores. Caso contrário, provoca uma acumulação excessiva de carbono ou problemas mecânicos.

NOTA: Mantenha o combustível num recipiente especial num local bem ventilado e à sombra. Utilize o combustível durante as 4 semanas seguintes. Caso contrário, o combustível pode deteriorar-se num dia.

Método de reabastecimento

PRECAUÇÃO: Se houver qualquer defeito ou dano na tampa do depósito, substitua-a.

PRECAUÇÃO: A tampa do depósito desgasta-se com o tempo. Substitua-a de dois em dois ou de três em três anos.

OBSERVAÇÃO: NÃO coloque combustível no orifício de abastecimento de óleo.

1. Afrouxe um pouco a tampa do depósito para deixar sair a pressão.
2. Desaperte a tampa do depósito e reabasteça, descarregando o ar inclinando o depósito de combustível de forma que o orifício de reabastecimento esteja virado para cima. NÃO encha o depósito até à boca.
3. Depois de reabastecer, aperte a tampa do depósito de forma segura.

OPERAÇÃO

Pôr o motor a trabalhar

AVISO: Não arranque o motor no local onde abasteceu o combustível. Pode provocar ignição ou incêndio. Quando arrancar o motor, mantenha uma distância de, pelo menos, 3 metros do local de enchimento.

AVISO: O gás de escape do motor é tóxico. Não opere o motor num local mal ventilado, como num túnel, num edifício, etc. Se operar o motor num local mal ventilado pode provocar envenenamento por gases de escape.

AVISO: Caso detete qualquer irregularidade no ruído, cheiro ou vibração após o arranque, pare o motor imediatamente e efetue uma inspeção. Se o motor for operado sem ver qual a razão da irregularidade, pode ocorrer um acidente.

AVISO: Não toque na tampa do motor quente. Caso contrário, pode resultar em queimaduras na pele.

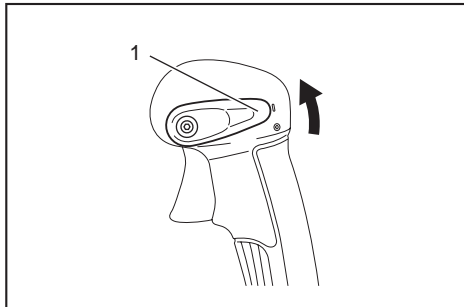
AVISO: Certifique-se de que não existem fugas de combustível antes de pôr o motor a trabalhar.

AVISO: Certifique-se de que o motor para quando o interruptor de paragem é colocado na posição "O".

Quando o motor está frio ou após o reabastecimento (arranque a frio)

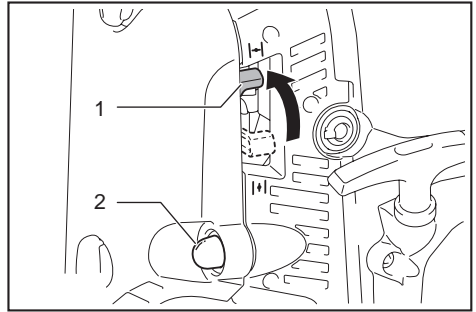
1. Coloque o soprador numa superfície nivelada.
2. Posição I/O

Coloque a alavanca de controlo de paragem na posição "I".



▶ 1. Alavanca de controlo de paragem

3. Continue a empurrar a bomba de escorva até o combustível entrar dentro da bomba.

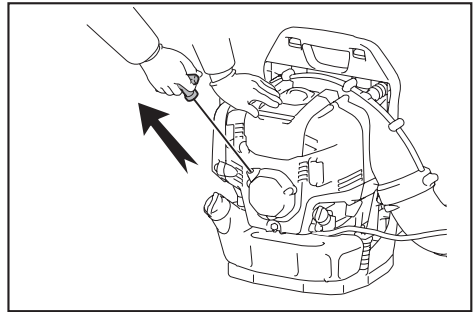


▶ 1. Alavanca de choke 2. Bomba de escorva

NOTA: Em geral, o combustível entra no carburador depois de empurrar 7 a 10 vezes.

NOTA: Mesmo que a bomba de escorva seja empurrada excessivamente, a gasolina em excesso volta ao depósito de combustível.

4. Levante a alavanca de choke até à posição de fechada.
5. Coloque a mão esquerda na parte superior do soprador e puxe o punho do motor de arranque lentamente com a mão direita até sentir a compressão. De seguida, puxe o punho do motor de arranque com força.

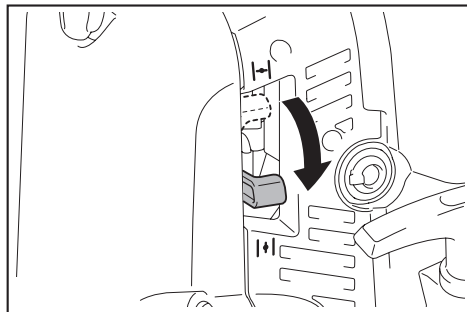


OBSERVAÇÃO: Nunca puxe a extensão total da corda.

OBSERVAÇÃO: Volte a colocar a pega do motor de arranque com cuidado dentro do alojamento. Caso contrário, a pega solta do motor de arranque pode bater-lhe no corpo ou pode não rebobinar adequadamente.

NOTA: Se o motor arrancar e parar, volte a colocar a alavanca de choke na posição "aberto" e puxe o punho do motor de arranque várias vezes para voltar a pôr o motor a funcionar.

6. Quando o motor arranca, baixe a alavanca de choke para a posição de aberta.



NOTA: Abra totalmente a alavanca de choke antes de puxar o acelerador.

NOTA: Em temperaturas frias ou quando o motor não está suficientemente quente, nunca abra a alavanca de choke de repente. Caso contrário, o motor pode parar.

7. Aqueça durante 2 a 3 minutos com o motor à velocidade de ralenti ou menos.
8. O aquecimento está concluído quando se sente uma aceleração rápida do motor desde uma rotação baixa para a aceleração máxima.

NOTA: Se o operador continuar a puxar o punho do motor de arranque várias vezes com a alavanca de choke mantida na posição “fechado”, poderá ser difícil arrancar o motor devido a inundação de combustível, afogando o motor. Se o motor afogar, retire a vela e puxe o punho rapidamente várias vezes para descarregar o combustível em excesso. Seque o eletrodo da vela de ignição.

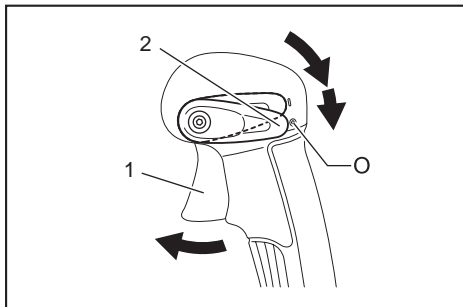
Quando o motor está quente (arranque a quente)

⚠PRECAUÇÃO: Tenha cuidado para não queimar a mão. Use luvas quando efetuar o arranque do motor.

1. Coloque o soprador numa superfície nivelada.
2. Empurre a bomba de escorva várias vezes.
3. Certifique-se de que a alavanca de choke está aberta.
4. Coloque a mão esquerda na parte superior do soprador e puxe o punho do motor de arranque lentamente com a mão direita até sentir a compressão. De seguida, puxe o punho do motor de arranque com força.

Parar o motor

Solte o gatilho do acelerador e coloque a alavanca de controlo de paragem na posição “O”.



- 1. Gatilho do acelerador 2. Alavanca de controlo de paragem

Prevenção de congelação do carburador

OBSERVAÇÃO: Quando a temperatura ambiente é superior a 10°C, coloque sempre a alavanca na posição normal (marca do sol). Caso contrário, o motor pode ficar danificado devido a sobreaquecimento.

Quando a temperatura ambiente é baixa e a humidade é alta, o vapor de água pode congelar dentro do carburador e o motor começa a trabalhar irregularmente (congelação do carburador). Se necessário, mude a regulação da alavanca anticongelação como se segue.

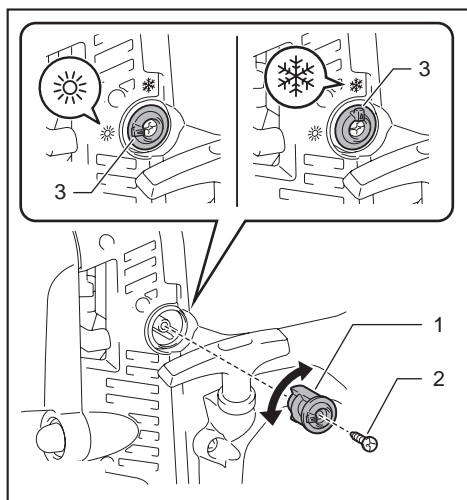
1. Remova o parafuso e retire a alavanca anticongelação.
2. Insira a alavanca anticongelação da seguinte forma:

Ambiente mais quente do que 10°C

Coloque o nó na marca do sol (posição mais quente).

10°C ou ambiente mais frio

Coloque o nó na marca da neve (posição anticongelação).



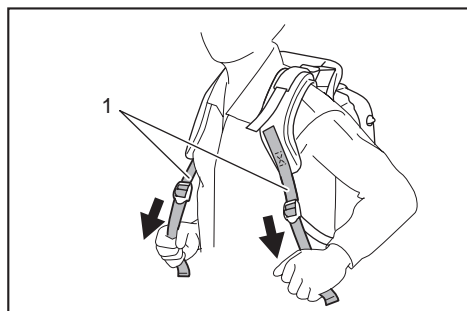
▶ 1. Alavanca anticongelamento 2. Parafuso 3. Nó

3. Aperte o parafuso.

Ajustar a faixa para o ombro

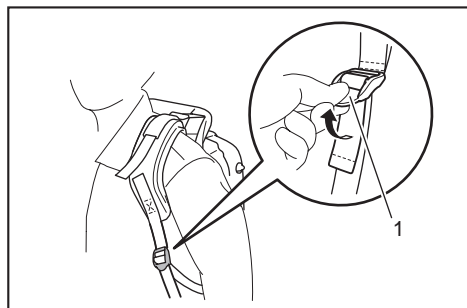
1. Ajuste a faixa para o ombro a um comprimento confortável para trabalhar enquanto transporta o soprador.

Para apertar a faixa, puxe a extremidade da faixa para baixo.



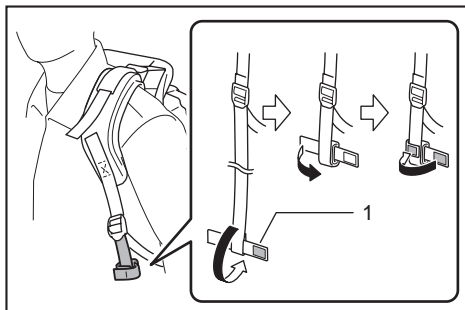
▶ 1. Faixa para o ombro

Para soltar a faixa, puxe a extremidade do fixador.



▶ 1. Fixador

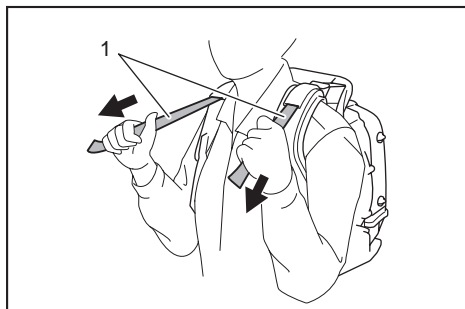
Enrole a extremidade da faixa e segure-a com a braçadeira.



▶ 1. Braçadeira

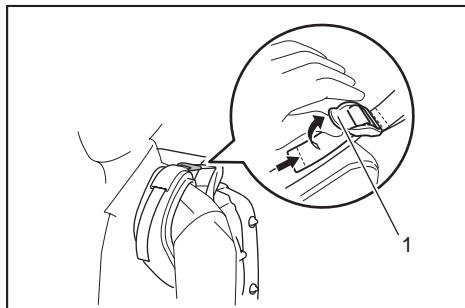
2. Puxe a faixa estabilizadora até deixar de haver espaço entre as suas costas e a caixa do soprador.

Para apertar a faixa, puxe a extremidade da faixa para baixo.



▶ 1. Faixa estabilizadora

Para soltar a faixa, puxe a extremidade do fixador.

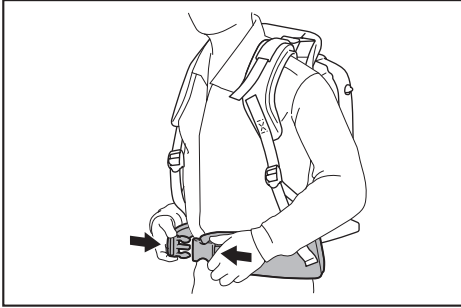


▶ 1. Fixador

Cinto de quadril

Acessório opcional

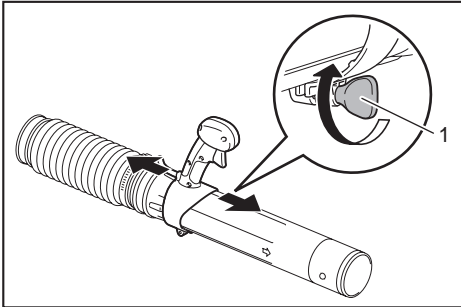
O cinto de quadril permite ao operador transportar a ferramenta de uma forma mais estável.



⚠️ PRECAUÇÃO: Certifique-se de que solta a fivela do cinto de quadril antes de descarregar o soprador.

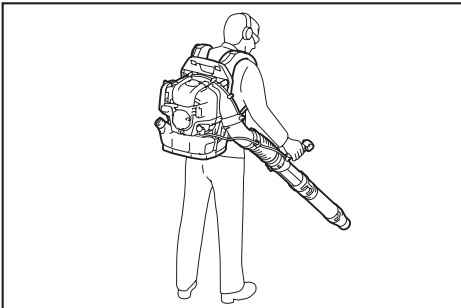
Ajustar a posição da alavanca de controlo

Mova o punho de controlo em conjunto com o tubo articulado até à posição mais confortável. Depois, aperte o punho de controlo com o parafuso de aperto.



► 1. Parafuso de aperto

Funcionamento do soprador

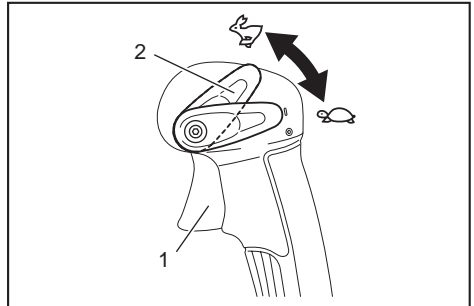


1. Ao utilizar o soprador, ajuste o gatilho do acelerador/alavanca do acelerador para que a força do vento seja apropriada ao local e às condições de trabalho.

2. Ajuste a velocidade do motor.

A velocidade do motor aumenta à medida que se puxa o gatilho do acelerador. Para reduzir a velocidade do motor, solte o gatilho do acelerador.

A função de controlo da velocidade de cruzeiro permite ao operador manter uma velocidade constante do motor sem ter de puxar a alavanca do gatilho. Para aumentar a velocidade do motor, rode a alavanca de controlo de paragem para a alta velocidade. Para reduzir a velocidade do motor, rode a alavanca de controlo de paragem para a baixa velocidade.



► 1. Gatilho do acelerador 2. Alavanca de controlo de paragem

Transportar o soprador

⚠️ PRECAUÇÃO: Quando transportar o soprador, certifique-se de que para o motor.

OBSERVAÇÃO: Não se sente nem fique de pé sobre o soprador nem coloque objetos pesados sobre o mesmo. Pode danificar a máquina.

OBSERVAÇÃO: Mantenha o soprador numa posição vertical sempre que o transportar ou armazenar. Se o transportar ou armazenar numa posição diferente, pode fazer com que o óleo derrame para dentro do motor do soprador. Isto pode resultar em fugas de óleo e em fumo branco resultante do óleo queimado, e o filtro de ar pode ficar sujo com óleo.

OBSERVAÇÃO: Não arraste o soprador quando o transporta. Caso contrário, a caixa do soprador pode ficar danificada.

MANUTENÇÃO

⚠️ PRECAUÇÃO: Antes de inspecionar e realizar quaisquer trabalhos de manutenção, pare o motor e deixe-o arrefecer. Retire a vela de ignição e o cachimbo da vela. Caso contrário, o operador pode sofrer queimaduras ou ferimentos graves devido a arranque acidental.

⚠️ PRECAUÇÃO: Após a inspeção e a manutenção, certifique-se de que todas as peças estão montadas.

Substituir o óleo do motor

⚠️ PRECAUÇÃO: A unidade principal do motor e o óleo do motor continuam quentes logo após desligar o motor. Quando substituir o óleo do motor, certifique-se de que a unidade principal do motor e o óleo do motor estão suficientemente arrefecidos. Caso contrário, o risco de queimaduras continua a existir. Deixe passar o tempo suficiente depois de parar o motor para o óleo voltar ao depósito, de modo a garantir uma leitura precisa da quantidade de óleo.

⚠️ PRECAUÇÃO: Se colocar óleo acima do limite máximo, o óleo pode ficar sujo ou pode pegar fogo com fumo branco.

OBSERVAÇÃO: Nunca elimine o óleo de motor usado junto com o lixo doméstico, não o elimine no solo nem no esgoto. A eliminação de óleo é regulada por lei. Para a sua eliminação, siga sempre as leis e regulamentos relevantes. Para outros pontos que não tenha conhecimento, contacte um agente de assistência autorizado.

OBSERVAÇÃO: O óleo deteriora-se mesmo quando não é utilizado. Realize inspeções e mudanças de óleo em intervalos regulares (substitua por óleo novo a cada 6 meses).

O óleo do motor deteriorado encurta grandemente a vida útil das peças deslizantes e rotativas. Certifique-se de que verifica o intervalo da mudança de óleo e a quantidade de óleo a substituir.

Intervalo de substituição

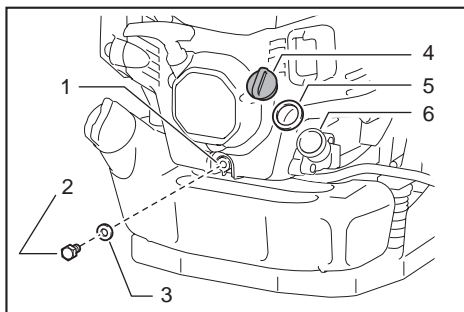
Após as primeiras 20 horas de funcionamento, seguidas de cada 50 horas de funcionamento

Óleo recomendado

- Óleo de motores de 4 tempos genuíno da Makita/Dolmar ou
- Óleo de graduação API, classe SF ou superior, SAE 10W-30 (óleo para motores de automóveis a 4 tempos)

Procedimento de mudança de óleo

Mude o óleo da seguinte forma:



- 1. Orifício de drenagem 2. Perno de drenagem do óleo 3. Junta (anilha de alumínio) 4. Tampa do óleo 5. Junta da tampa do óleo 6. Orifício de abastecimento de óleo

1. Assente o soprador numa superfície nivelada.
2. Coloque um recipiente de recolha de óleo desperdiçado sob o orifício de drenagem para apanhar o óleo ao drená-lo. O recipiente deve ter capacidade para, pelo menos, 140 ml, para comportar todo o óleo.
3. Afrouxe o perno de drenagem de óleo para deixar o óleo sair. Tenha cuidado para não deixar que o óleo entre no depósito de combustível ou noutras partes.

OBSERVAÇÃO: Tenha cuidado para não perder a junta (anilha de alumínio). Coloque o perno de drenagem do óleo num local onde não fique sujo.

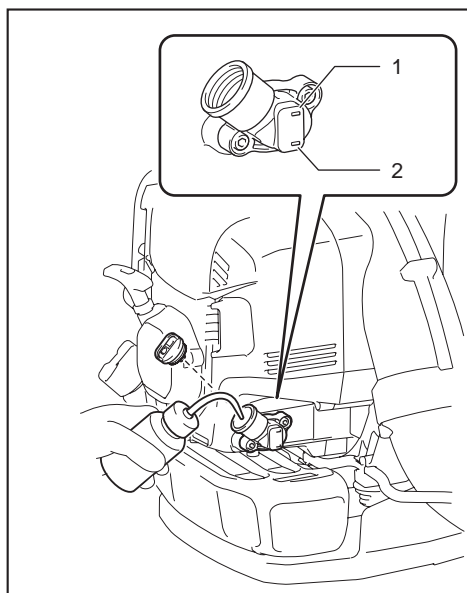
4. Retire a tampa do óleo. (Retirar a tampa do óleo faz com que este flua mais facilmente).

OBSERVAÇÃO: Certifique-se de que coloca a tampa do óleo num local onde não se suje.

5. À medida que o nível do óleo que está a ser drenado diminui, incline o soprador para o lado do dreno de modo que todo o óleo seja drenado.
6. Depois de o óleo ser completamente drenado, aperte o perno de drenagem do óleo de forma segura. Se o perno não estiver bem apertado, pode resultar em fuga de óleo.

OBSERVAÇÃO: Não se esqueça de voltar a instalar a junta (anilha de alumínio) no lugar quando voltar a colocar o perno de drenagem.

7. Deite aproximadamente 140 ml de óleo dentro do orifício de abastecimento de óleo até à marca de limite superior.



► 1. Marca de limite superior 2. Marca de limite inferior

8. Depois de encher com óleo, aperte a tampa do óleo em segurança para evitar fugas de óleo.

OBSERVAÇÃO: Não se esqueça de voltar a instalar a junta da tampa do óleo no lugar quando voltar a instalar a tampa do óleo.

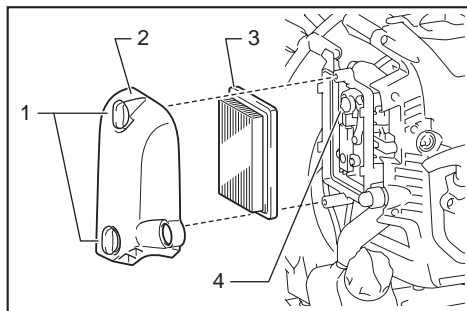
Limpeza do filtro de ar

AVISO: MATERIAIS INFLAMÁVEIS SÃO ESTRITAMENTE PROIBIDOS

Intervalo de limpeza e inspeção

Diariamente (a cada 10 horas de funcionamento)

Procedimento de limpeza



► 1. Pernos com cabeça 2. Tampa do filtro de ar
3. Elemento 4. Respiradouro

1. Solte os pernos com cabeça.
2. Retire a tampa do filtro de ar.

3. Retire o elemento e limpe a sujidade do elemento com um pano ou uma sopradeira. Substitua o elemento por um elemento novo se aquele estiver danificado ou se estiver muito sujo.

NOTA: O elemento é do tipo seco e não pode molhar-se. Nunca lave com água.

4. Limpe todo o óleo em volta do respiradouro com um trapo ou pano.
5. Instale o elemento na caixa do filtro de ar.
6. Fixe a tampa do filtro de ar e aperte os pernos com cabeça.

OBSERVAÇÃO: Limpe o elemento várias vezes por dia caso acumule excesso de pó devido a ambientes poeirentos.

OBSERVAÇÃO: Caso continue a utilizar a máquina com o elemento sujo de óleo, o óleo dentro do filtro de ar pode jorrar para fora resultando em contaminação de óleo.

Verificação da vela de ignição

PRECAUÇÃO: Não toque na vela de ignição com o motor a trabalhar. Caso contrário, pode ocorrer um choque elétrico.

PRECAUÇÃO: Coloque a alavanca de controlo de paragem/interruptor de paragem na posição "0" de desligado.

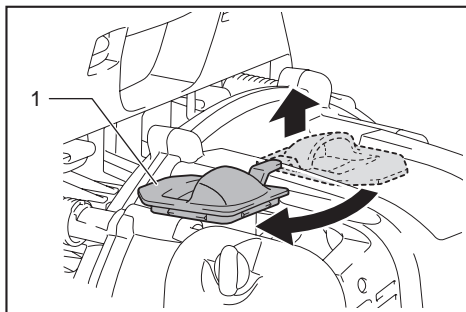
PRECAUÇÃO: Verifique regularmente o cabo da vela de ignição. Se estiver danificado ou rasgado, substitua-o. Caso contrário, pode ocorrer um choque elétrico.

OBSERVAÇÃO: Quando retirar a vela de ignição, limpe primeiro a vela e a cabeça de cilindros, para que não entre areia, sujidade, etc. no cilindro.

OBSERVAÇÃO: Retire a vela apenas depois de o motor ter arrefecido para evitar danificar o orifício roscado no cilindro.

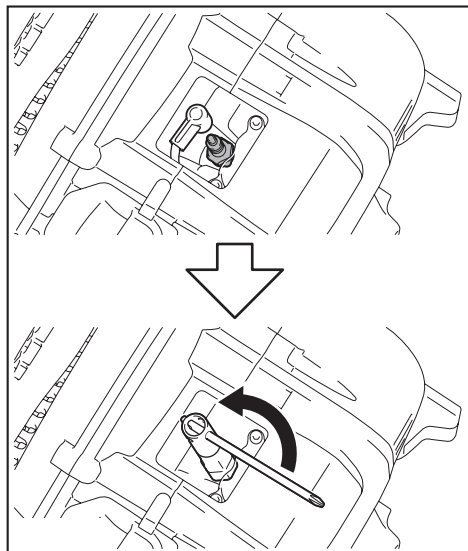
OBSERVAÇÃO: Instale a vela adequadamente dentro do orifício roscado. Se for instalada inclinada, o orifício roscado no cilindro fica danificado.

1. Para abrir a tampa da vela, levante-a e rode-a meia-volta.



► 1. Tampa da vela

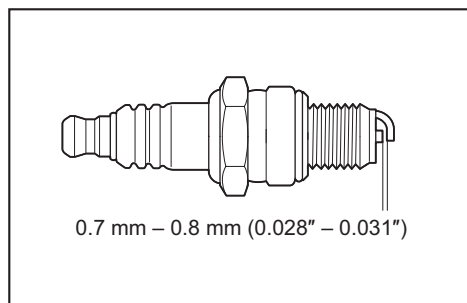
2. Utilize a chave de caixa fornecida como acessório padrão para retirar ou instalar a vela.



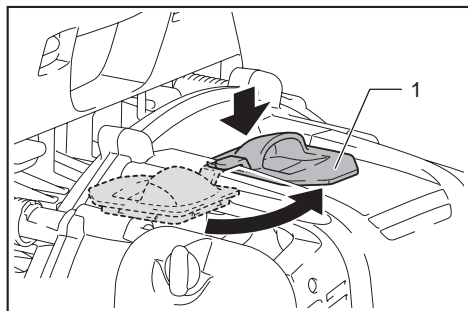
3. A folga adequada entre dois elétrodos de uma vela é 0,7 a 0,8 mm. Ajuste a folga correta se estiver muito ampla ou muito estreita.

Limpe bem ou substitua a vela se tiver acumulado carbono ou se estiver contaminada.

Para a substituição, utilize a NGK CMR6H.



4. Para fechar a tampa da vela, rode-a meia-volta e pressione em volta da parte dentada.



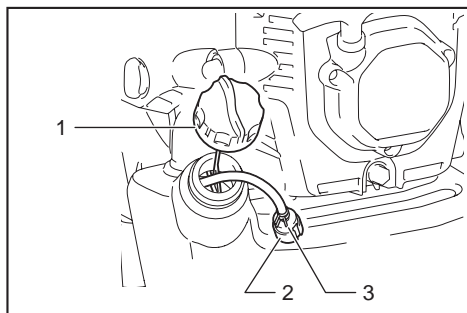
- 1. Tampa da vela

Limpar o filtro de combustível

⚠PRECAUÇÃO: Certifique-se de que o depósito de combustível não está danificado. Se existirem danos no depósito de combustível, peça uma reparação imediata num centro de assistência autorizado.

⚠OBSERVAÇÃO: Limpe o filtro de combustível regularmente. Um filtro de combustível entupido pode provocar dificuldades de arranque ou falha de aumento da velocidade do motor.

Verifique o filtro de combustível regularmente como se segue:



- 1. Tampa do depósito de combustível 2. Filtro de combustível 3. Grampo para mangueiras

1. Retire a tampa do depósito de combustível, drene o combustível para esvaziar o depósito. Verifique o interior do depósito para ver se existem matérias estranhas. Se existirem, limpe-as.
2. Retire o filtro de combustível com um fio através do orifício de enchimento de combustível.
3. Se a superfície do filtro de combustível estiver contaminada, limpe-a com gasolina.

⚠OBSERVAÇÃO: Siga o método especificado por cada autoridade local no que se refere à eliminação de gasolina utilizada para limpar o filtro de combustível.

⚠OBSERVAÇÃO: Substitua o filtro de combustível se estiver excessivamente contaminado.

4. Depois de verificar, limpar ou substituir, insira o filtro de combustível dentro do tubo de combustível e fixe-o com grampo para mangueiras. Volte a colocar o filtro de combustível dentro do depósito de combustível e aperte firmemente a tampa do depósito de combustível.

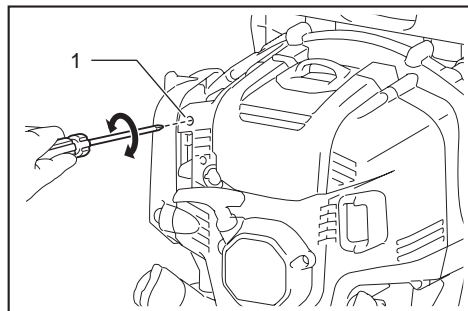
Ajuste da velocidade de ralenti

⚠PRECAUÇÃO: O carburador está ajustado de fábrica. Ajuste apenas a velocidade de ralenti. Para outros ajustes, consulte um centro de assistência autorizado.

A rotação de baixa velocidade adequada é de 2.800 min^{-1} (r.p.m.).

Se for necessário alterar a velocidade da rotação, ajuste a velocidade de ralenti com uma chave Phillips. Se o motor parar ou funcionar irregularmente ao ralenti, gire o parafuso de ajuste para a direita para aumentar a velocidade de ralenti. Se o motor funcionar demasiado

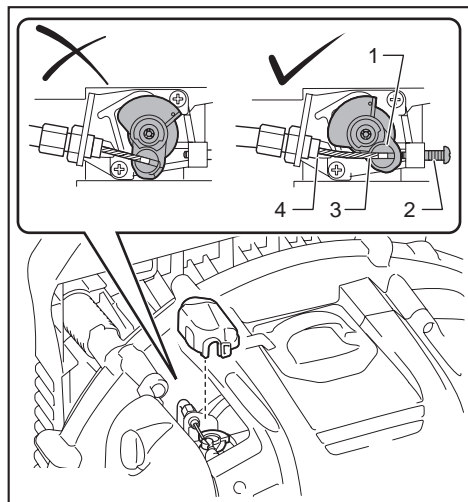
forte ao ralenti, gire o parafuso de ajuste para a esquerda para reduzir a velocidade de ralenti.



► 1. Parafuso de ajuste do ralenti

Verificar a válvula do acelerador

Se o cabo de controlo estiver dobrado ou preso, a válvula do acelerador não entra em contacto com o parafuso de ajuste do ralenti impedindo que o motor funcione com um ralenti adequado. Neste caso, reposicione o cabo de controlo para garantir um movimento adequado da válvula.

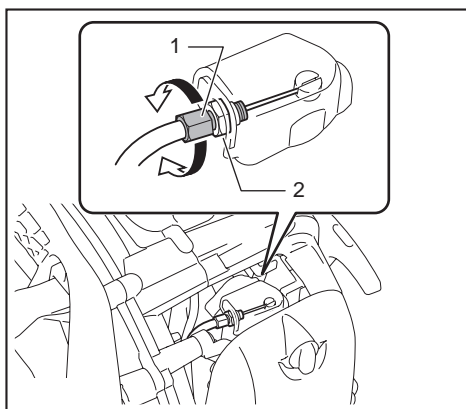


► 1. Válvula do acelerador 2. Parafuso de ajuste do ralenti 3. Cabo de controlo 4. Batente da válvula do acelerador

Se a válvula do acelerador não tocar no batente da válvula do acelerador, mesmo que puxe o gatilho do acelerador até ao fim ou se a válvula do acelerador não tocar no parafuso de ajuste do ralenti durante o ralenti, gire o perno de ajuste do cabo como se segue:

1. Solte a porca de fixação.
2. Se a válvula do acelerador não tocar no batente da válvula do acelerador, rode o perno de ajuste do cabo no sentido contrário aos dos ponteiros do relógio.

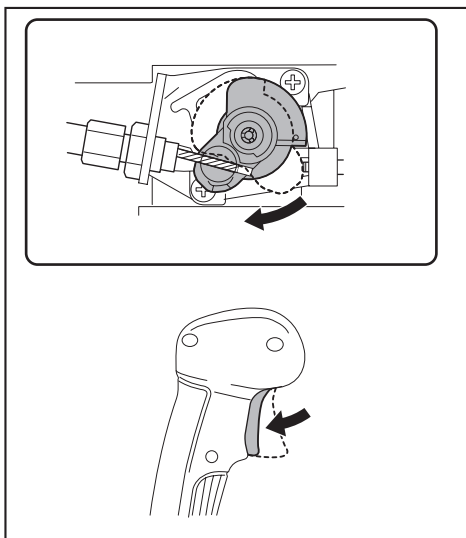
Se a válvula do acelerador não tocar no parafuso de ajuste do ralenti, rode o perno de ajuste do cabo no sentido dos ponteiros do relógio.



► 1. Perno de ajuste do cabo 2. Porca de fixação

3. Aperte a porca de fixação para apertar o perno de ajuste do cabo.

4. Verifique o movimento da válvula do acelerador. A válvula do acelerador retorna à posição ilustrada na figura quando o gatilho/a alavanca do acelerador são puxados/rodados.

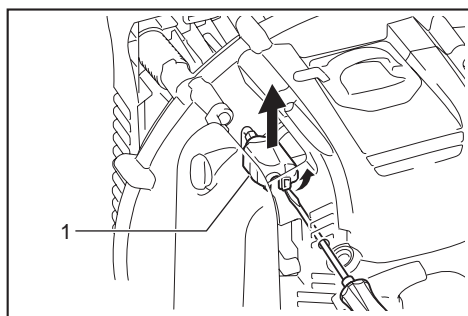


Limpar a tampa do carburador

Se a tampa do carburador ficar suja e se for difícil verificar a válvula do acelerador, limpe a tampa do carburador da seguinte forma:

OBSERVAÇÃO: Nunca utilize gasolina, benzina, diluente, álcool ou outro parecido para limpar a tampa do carburador. Caso contrário, pode ficar descolorada.

1. Passe uma chave de fendas através do orifício na tampa do motor. Solte o grampo da tampa do carburador.



► 1. Tampa do carburador

2. Limpe a tampa do carburador.

OBSERVAÇÃO: Utilize um pano limpo humedecido para limpar a tampa do carburador.

3. Volte a colocar a tampa do carburador. Certifique-se de que o grampo da tampa do carburador dá um estalido quando é colocado no lugar.

Inspecionar pernos, porcas e parafusos e outras peças

Volte a apertar os pernos, porcas, etc.

Verifique se há fugas de combustível ou óleo.

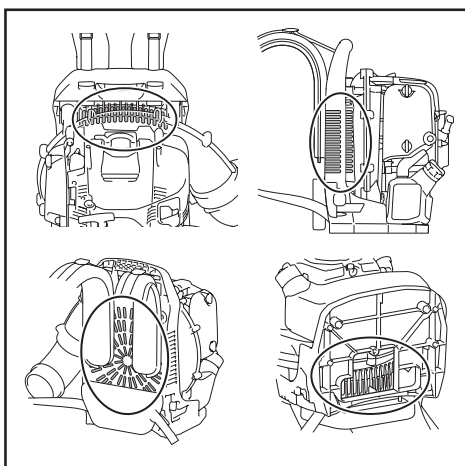
Substitua as peças danificadas por outras novas para um funcionamento seguro.

Limpar o motor, entrada de ar de arrefecimento

Mantenha o motor sempre limpo utilizando um pano.

Mantenha as aletas do cilindro sem poeiras ou sujidade. A poeira ou sujidade colada às aletas pode provocar o sobreaquecimento do motor e problemas no pistão.

O ar soprado entra através da abertura de entrada de ar. Quando o fluxo de ar cai durante o funcionamento, pare o motor e inspecione a abertura de entrada de ar para ver se apresenta alguma obstrução. Limpe, se necessário. Essas obstruções podem provocar sobreaquecimento e danificar o motor.



Substituição das juntas e enchimentos

Substitua as juntas e os enchimentos se o motor estiver desmontado.

Qualquer manutenção de trabalhos de ajuste que não esteja incluída e descrita neste manual só pode ser realizada por um agente de assistência autorizado.

Armazenamento

AVISO: Quando drenar o combustível, desligue o motor e espere que o motor arrefeça. O não cumprimento desta recomendação pode provocar queimaduras ou incêndio.

PRECAUÇÃO: Se for guardar a máquina durante um longo período, drene todo o combustível do depósito e do carburador e guarde-a num local seco e limpo.

Drene o combustível do depósito de combustível e do carburador antes de guardar a máquina, como se segue:

1. Retire a tampa do depósito de combustível e drene completamente o combustível. Se permanecerem matérias estranhas no depósito de combustível, remova-as completamente.
2. Retire o filtro do combustível puxando-o a partir da porta de reabastecimento utilizando um fio.
3. Empurre a bomba de escorva até o combustível da bomba ser drenado e drene o combustível que entra no depósito de combustível.
4. Reponha o filtro no depósito de combustível e aperte bem a tampa do depósito.
5. Depois, ligue o motor e deixe-o a trabalhar até parar completamente.
6. Retire a vela e deixe cair várias gotas de óleo do motor através do orifício da vela de ignição.
7. Puxe suavemente o punho do motor de arranque de modo que o óleo do motor se espalhe sobre o motor e, depois, instale a vela de ignição.

8. Mantenha a máquina com o punho de transporte virado para cima.

9. Guarde o combustível drenado num recipiente especial, à sombra, e num local bem ventilado.

Localização de avarias

Avaria	Sistema	Observação	Causa
O motor não arranca ou tem dificuldades em arrancar	Sistema da ignição	Faixas para a ignição.	Avaria na alimentação de combustível ou no sistema de compressão, avaria mecânica.
		Não há faixas para a ignição.	O interruptor de paragem foi utilizado, falha da cablagem ou curto-circuito, vela ou conector deficiente, módulo da ignição avariado.
	Alimentação de combustível	Depósito de combustível cheio.	Posição incorreta do choke, carburador deficiente, linha de alimentação de combustível dobrada ou bloqueada, combustível com sujidade.
	Compressão	Não há compressão quando puxado.	Junta do fundo do cilindro deficiente, juntas da cambota danificadas, anéis dos cilindros ou dos pistões deficientes ou vedação inadequada da vela de ignição.
	Avaria mecânica	Motor de arranque não engata.	Mola do motor de arranque partida, peças partidas dentro do motor.
Problemas de arranque a quente	-	Depósito cheio. Faixas para a ignição.	Carburador contaminado, limpe-o.
O motor arranca mas vai abaixo	Alimentação de combustível	Depósito cheio.	Ajustes de ralenti incorretos, carburador contaminado.
			Ventilador do depósito de combustível deficiente, linha de alimentação de combustível interrompida, cabo ou interruptor de paragem avariado.
Desempenho insuficiente	Vários sistemas podem ser afetados em simultâneo	Ralenti fraco do motor.	Filtro de ar contaminado, carburador contaminado, abafador entupido, conduta de escape no cilindro entupida.

Intervalo de inspeção e manutenção

		Antes do funcionamento	Depois de reabastecer com combustível	Diariamente (10 h)	50 h	200 h	600 h ou 2 anos, o que vier primeiro	Antes do armazenamento
Óleo do motor	Inspeccionar/reabastecer	○	-	-	-	-	-	-
	Substituir	-	-	-	○ (Nota 1)	-	-	-
Peças de aperto (perno, porca)	Inspeccionar	○	-	-	-	-	-	-
Entrada de ar de arrefecimento	Limpar/inspeccionar	○	-	-	-	-	-	-
Depósito de combustível	Limpar/inspeccionar	○	-	-	-	-	-	-
	Drenar combustível	-	-	-	-	-	-	○ (Nota 3)
Gatilho do acelerador/alavanca do acelerador	Verificar o funcionamento	-	○	-	-	-	-	-

		Antes do funcionamento	Depois de reabastecer com combustível	Diariamente (10 h)	50 h	200 h	600 h ou 2 anos, o que vier primeiro	Antes do armazenamento
Parar o motor	Verificar o funcionamento	-	○	-	-	-	-	-
Ajuste da velocidade de ralenti	Inspeccionar/ajustar	-	○	-	-	-	-	-
Filtro de ar	Limpar	-	-	○	-	-	-	-
	Inspeccionar/substituir se necessário	-	-	-	-	○	-	-
Cabo de controlo	Inspeccionar/ajustar	-	-	○	-	-	-	-
	Inspeccionar/substituir se necessário	-	-	-	-	○ (Nota 2)	-	-
Vela de ignição	Inspeccionar/ajustar a folga se necessário	-	-	○	-	-	-	-
	Limpar/substituir se necessário	-	-	-	-	○	-	-
Cabo da vela	Inspeccionar/substituir se necessário	-	-	-	-	○ (Nota 2)	-	-
Tubo de combustível	Inspeccionar	-	-	○	-	-	-	-
	Substituir	-	-	-	-	○ (Nota 2)	-	-
Filtro de combustível	Limpar/substituir se necessário	-	-	-	○	-	-	-
Tubo do óleo	Inspeccionar	-	-	-	-	○ (Nota 2)	-	-
Folga das válvulas (válvula de entrada e válvula de descarga)	Inspeccionar/ajustar	-	-	-	-	○ (Nota 2)	-	-
Abafador	Inspeccionar/limpar	-	-	-	-	○ (Nota 2)	-	-
Câmara de combustão/válvula/porta	Inspeccionar/limpar	-	-	-	-	○ (Nota 2)	-	-
Motor	Realizar a inspeção	-	-	-	-	-	○ (Nota 2)	-
Carburador	Drenar combustível	-	-	-	-	-	-	○ (Nota 3)

Nota 1: Realize a mudança inicial após 20 horas de funcionamento.

Nota 2: Peça a realização da inspeção num agente de assistência autorizado ou na loja onde a adquiriu.

Nota 3: Depois de esvaziar o depósito de combustível, deixe o motor a funcionar e drene o combustível do carburador.

RESOLUÇÃO DE PROBLEMAS

Antes de pedir reparações, realize primeiro a sua própria inspeção. Se encontrar um problema que não esteja explicado no manual, não tente desmontar a ferramenta. Em vez disso, peça aos centros de assistência autorizados da Dolmar/Makita, usando sempre as peças de substituição Dolmar/Makita para reparações.

Estado da anomalia	Causa provável (avaria)	Correção
O motor não arranca.	Falha de funcionamento da bomba de escorva.	Empurrar 7 a 10 vezes.
	Velocidade baixa de acionamento da corda do motor de arranque.	Puxar com força.
	Falta de combustível.	Colocar combustível.
	Filtro de combustível entupido.	Limpe o filtro de combustível ou substitua-o por um filtro novo.
	Tubo de combustível dobrado.	Endireitar o tubo de combustível.
	Combustível deteriorado.	O combustível deteriorado torna o arranque mais difícil. Substituir por outro novo. (Substituição recomendada: 1 mês)
	Sucção excessiva de combustível.	Mudar a alavanca do acelerador da posição de velocidade média para alta velocidade, e puxar o punho do motor de arranque até o motor começar a funcionar. Se ainda assim o motor não arrancar, retirar a vela de ignição, secar o elétrodo e voltar a montar pela ordem inversa. Depois, arrancar o motor como especificado.
	Cachimbo da vela solto.	Prender em segurança.
	Vela de ignição contaminada.	Limpar a vela de ignição.
	Folga da vela de ignição deficiente.	Ajustar a folga.
	Outras deficiências da vela de ignição.	Substituir a vela de ignição.
	Carburador deficiente.	Peça ao nosso centro de assistência autorizado para o inspecionar e reparar.
	Não é possível puxar a pega do motor de arranque.	Peça ao nosso centro de assistência autorizado para o inspecionar e reparar.
Problemas nas peças internas do motor.	Peça ao nosso centro de assistência autorizado para o inspecionar e reparar.	
O motor para logo. A velocidade do motor não aumenta.	Aquecimento insuficiente.	Realizar a operação de aquecimento.
	A alavanca de choke está definida para "fechada" apesar de o motor estar aquecido.	Colocar em "aberta".
	Filtro de combustível entupido.	Limpar o filtro de combustível.
	Filtro de ar contaminado ou entupido.	Limpar o filtro de ar.
	Cabo de controlo solto.	Fixar o cabo de controlo em segurança.
Problemas nas peças internas do motor.	Peça ao nosso centro de assistência autorizado para o inspecionar e reparar.	
O acelerador não volta à velocidade de ralenti.	Posição inadequada da válvula do acelerador.	Reposicionar o cabo de controlo. Ajustar a posição da válvula do acelerador rodando o perno de ajuste do cabo.
O motor não para. ⇒ Pôr o motor a trabalhar ao ralenti e colocar a alavanca de choke em "fechada".	Conector solto.	Fixar o conector em segurança.
	Sistema elétrico irregular.	Peça ao nosso centro de assistência autorizado para o inspecionar e reparar.

INDHOLDSFORTEGNELSE

SPECIFIKATIONER	146	INDEN MOTOREN STARTES	153
VIGTIGE SIKKERHEDSFORSKRIFTER	147	ANVENDELSE	154
BESKRIVELSE AF DELENE	151	VEDLIGEHODELSE	158
SAMLING	151		

SPECIFIKATIONER

Model:		MG5300
Gasspjældtype		Rørgasspjæld
Tørvægt	uden blæserrør / med pude	8,9 kg
	med blæserrør	9,8 kg - 10,0 kg
Mål (uden blæserrør, L x B x H)		320 mm x 450 mm x 475 mm
Lufthastighed	(med langt rør, rundt mundstykke)	81 m/s
	(med kort rør, rundt mundstykke)	82 m/s
Luftvolumens strømningshastighed	(med langt rør, rundt mundstykke)	15 m ³ /minut
	(med kort rør, rundt mundstykke)	15 m ³ /minut
Maks. motorhastighed		6.400 min ⁻¹
Tomgangshastighed		2.800 min ⁻¹
Motorslagvolumen		52,5 cm ³
Motortype		Luftkølet, 4-takts, én cylinder
Brændstof		Automobilbenzin
Kapacitet af brændstoftanken		1.800 cm ³
Motorolie		API-kvalitet, SF-klasse eller højere, SAE 10W-30 olie (automobil 4-takts motorolie)
Motorolievolumen		140 cm ³
Karburator		Membrantype
Tændrør		NGK CMR6H
Elektrodeafstand		0,7 mm - 0,8 mm

- På grund af vores kontinuerlige forsknings- og udviklingsprogrammer kan hosstående specifikationer blive ændret uden varsel.
- Specifikationer kan variere fra land til land.
- Vægten kan variere afhængigt af tilbehør.

Vibration

Model				MG5300	
Vibration pr. EN15503	Højre håndtag	a _{h_v eq}	Langt rør	med rundt mundstykke	2,2 (m/s ²)
				med fladt mundstykke	2,9 (m/s ²)
			Kort rør	med rundt mundstykke	2,2 (m/s ²)
				med fladt mundstykke	2,5 (m/s ²)
Usikkerhed K				0,6 (m/s ²)	

Støj

Model		MG5300
Gennemsnitligt lydtrykniveau pr. EN15503	L _{PA eq}	96,0 (dB (A))
	Usikkerhed K	0,4 (dB (A))
Gennemsnitligt lydeffektniveau pr. EN15503	L _{WA eq}	102,5 (dB (A))
	Usikkerhed K	1,6 (dB (A))

Symboler

Følgende viser de symboler, der anvendes til udstyret. Vær sikker på, at De forstår betydningen af symbolerne før brugen.

	Udvis særlig forsigtighed og opmærksomhed.
	Læs betjeningsvejledningen.
	Forbudt!
	Rygning forbudt.
	Ingen åben ild.
	Brug arbejdshandsker.
	Bær beskyttelsesbriller og høreværn.
	Varme overflader - Forbrændinger af fingre og hænder.
	Hold omkringstående personer væk.
	Hold brugsområdet fri for alle personer og kæledyr.
	Brændstof (benzin)
	Manuel motorstart.
	Stop motoren.
	Førstehjælp
	Til/Start
	Fra/Stop
	Langt hår kan medføre ulykker, da det kan vikles ind i maskineriet.

EU-overensstemmelseserklæring

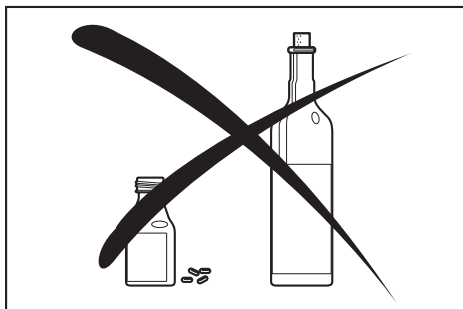
Kun for lande i Europa

EU-overensstemmelseserklæringen er inkluderet som Bilag A i denne brugsanvisning.

VIGTIGE SIKKERHEDSFORSKRIFTER

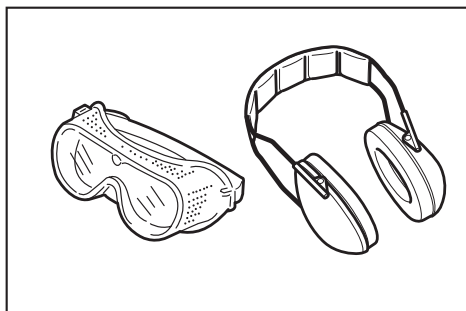
Generelle instruktioner

1. For at sikre korrekt og sikker anvendelse skal brugeren læse, forstå og følge anvisningerne i denne brugsanvisning for derved at gøre sig bekendt med håndteringen af blæseren. Brugere, som er utilstrækkeligt informeret, risikerer at udsætte sig selv og omkringstående for fare på grund af forkert håndtering.
2. Det anbefales kun at udlåne blæseren til personer, som har bevist, at de har erfaring med blæsere.
3. Overdrag altid instruktionsbogen ved udlån af blæseren.
4. Førstegangsb brugere bør bede forhandleren om grundlæggende instruktioner for at gøre sig bekendt med håndtering af en blæser.
5. Børn eller unge personer under 18 år må ikke få lov til at anvende blæseren. Personer, som er over 16 år gamle, må imidlertid gerne bruge maskinen med det formål at blive trænet heri, men kun, hvis de er under direkte opsyn af en kvalificeret instruktør.
6. Brug altid blæsere med den største omhu og opmærksomhed.
7. Brug kun blæseren, hvis du er i god fysisk form.
8. Udfør alt arbejde samvittighedsfuldt og omhyggeligt. Brugeren skal påtage sig ansvaret for andre.
9. Brug aldrig blæseren under indflydelse af alkohol eller narkotika.



10. Brug ikke enheden, hvis du er træt.
11. Gem disse instruktioner til senere reference.
12. Iagttag og følg alle relevante instruktioner om forebyggelse af ulykker, som er udstedt af handelsforeninger og forsikringselskaber. Foretag ikke nogen ændringer af blæseren, da dette vil udgøre en sikkerhedsrisiko.
13. Foretag aldrig ændringer til udstyret. Dette kan forårsage farlige ulykker og/eller personskade.

Personligt beskyttelsesudstyr



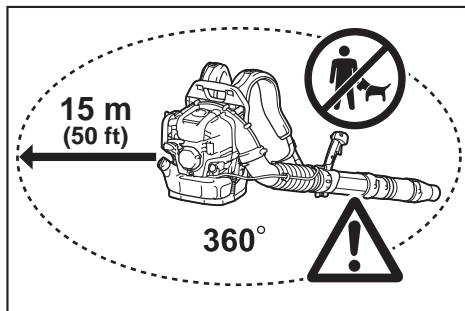
1. Det anvendte tøj bør være funktionelt og velegnet, dvs. at det skal være stramtsiddende, men ikke hæmmende. Bær ikke smykker, tøj eller langt hår, som kan trækkes ind i luftindtaget.
2. For at undgå hoved-, øjen-, hånd- eller fodskader samt for at beskytte din hørelse skal du bære følgende beskyttelsesudstyr og beskyttende tøj ved brug af blæseren.
3. Tøjet skal være kraftigt og tætsiddende, men skal samtidigt tillade fuld bevægelsesfrihed. Undgå løsthængende jakker, bukser med for stor vidde eller opslag, tørklæder, utæmmet langt hår eller andet, der kan blive trukket ind i luftindtaget. Bær overalls eller lange bukser for at beskytte benene. Bær ikke korte bukser.
4. Generelt er motorprodukter støjende, og deres støj kan skade din hørelse. Brug lydafskræmning (ørepropper og høreværn) for at beskytte din hørelse. Kontinuerlige og regelmæssige brugere bør få deres hørelse undersøgt med jævne mellemrum.
5. Det anbefales at bære handsker under arbejdet med blæseren. Bær solide sko med skridsikre såler.
6. Passende øjenbeskyttelse er nødvendig. Selvom udledningen er rettet bort fra operatøren, kan der forekomme rikoletter og tilbageslag under anvendelse af blæseren.
7. Brug aldrig blæseren uden beskyttelsesbriller eller korrekt tilpassede sikkerhedsbriller med tilstrækkelig top- og sidebeskyttelse, som er i overensstemmelse med EN166 og reglerne i dit land.
8. For at reducere risikoen for tilskadekomst i forbindelse med inhalering af støv skal du anvende ansigtsfiltermaske på steder, hvor der er støv.

Tilslaget brug

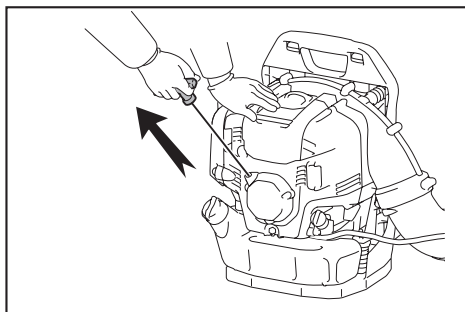
Maskinen er beregnet til at blæse støv.

Start af blæseren

1. Kontroller, at der ikke er børn eller andre personer inden for et arbejdsområde på 15 meter, og vær ligeledes opmærksom på dyr i nærheden.



2. Kontroller altid inden brugen, at det er sikkert at anvende blæseren:
 - Kontroller sikkerheden af gashåndtaget. Det skal kontrolleres, at gashåndtaget bevæger sig nemt og problemfrit.
 - Kontroller, at gashåndtagsslåsen fungerer korrekt.
 - Kontroller, at håndtagene er rene og tørre, og test funktionen af I-O knappen. Hold håndtagene fri for olie og brændstof.
3. Start kun blæseren som beskrevet i instruktionerne. Brug ikke andre metoder til at starte motoren.

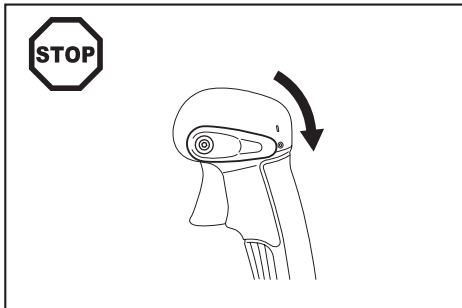


4. Brug kun blæseren og de medfølgende værktøjer til de specificerede formål.
5. Start ikke blæsermotoren, før hele maskinen er samlet. Anvendelse af maskinen er kun tilladt, efter at alle de korrekte tilbehørsdele er påmonteret.
6. Sluk straks for motoren, hvis der opstår motorproblemer.
7. Under arbejde med blæseren skal du altid holde fingrene stramt omkring håndtaget og holde kontrolhåndtaget mellem tommelfingeren og pegefingern. Hold hånden i denne stilling, så maskinen til enhver tid er under kontrol. Sørg for, at kontrolhåndtaget er i god stand og fri for fugt, beg, olie eller fedt.

- Sørg altid for et sikkert og velbalanceret fodfæste.
- Bær blæseren på korrekt vis på begge skuldre under brugen. Bær ikke blæseren i kun én af skulderremmene. Ellers kan dette medføre personskade.
- Brug blæseren på en sådan måde, at inhalering af udstødningsgasser undgås. Lad aldrig motoren køre i lukkede rum (risiko for kvælning og gasforgiftning). Kulilte er en lugtfri gas. Sørg altid for tilstrækkelig ventilation.
- Sluk for motoren, hvis du holder en pause eller efterlader blæseren uden opsyn. Anbring den på et sikkert sted for ikke at udsætte andre for fare, antænde brændbare materialer eller øve skade på maskinen.
- Læg aldrig en varm blæser oven på tørt græs eller brændbare materialer.
- Alle de beskyttelsesdele og beskyttelseskærme, der leveres med maskinen, skal anvendes under brugen.
- Brug aldrig motoren med en defekt udstødningslydpotte.

Transport

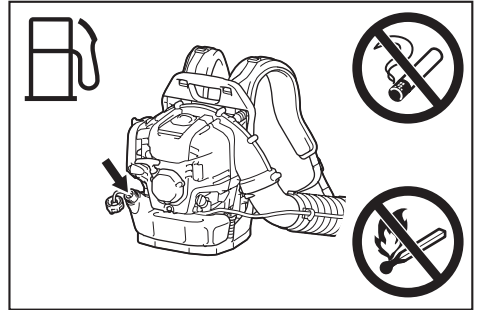
- Sluk for motoren under transport.



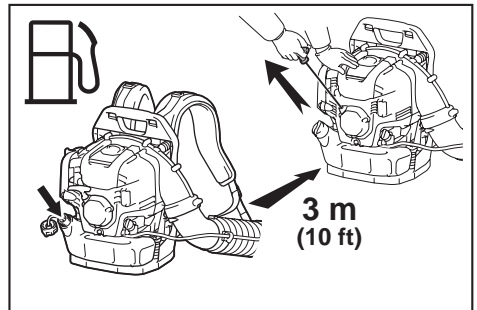
- Anbring blæseren sikkert, når den transporteres med bil eller lastbil, for at undgå lækage af brændstof.
- Sørg for, inden blæseren transporteres, at brændstoftanken er helt tom.
- Løft blæseren i bærehåndtaget, når du bærer den. Træk ikke blæseren i dens mundstykke, rør eller andre dele.
- Hold fast i blæseren under transport.
- Når blæseren transporteres, skal du bøje knæene og sikre dig, at du ikke beskadiger skuldrene og den nederste del af ryggen.

Påfyldning af brændstof

- Sluk for motoren under brændstofpåfyldning, hold god afstand fra åben ild, og undlad at ryge.



- Undgå hudkontakt med olieprodukter. Inhaler ikke brændstofdampe. Bær altid beskyttelseshandsker under brændstofpåfyldning. Skift det beskyttende tøj, og rens det med jævne mellemrum.
- Vær påpasselig med ikke at komme til at spilde hverken brændstof eller olie, så jorden ikke forurenes (miljøbeskyttelse). Rengør straks blæseren, hvis der er spildt brændstof. Lad vådt tøj tørre, inden du anbringer det i en korrekt lukket beholder, for at undgå, at det spontant bryder i brand.
- Undgå al brændstofkontakt med dit tøj. Skift øjeblikkeligt tøj, hvis der er spildt brændstof på det (brandfare).
- Inspicer brændstofhætten med jævne mellemrum for at sikre dig, at den sidder godt fast.
- Stram brændstofhætten omhyggeligt. Skift sted for start af motoren (mindst 3 meter fra det sted, hvor brændstofpåfyldning foretoges).



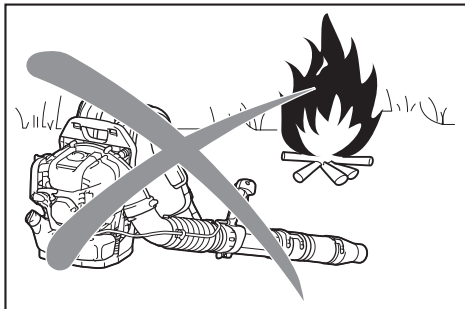
- Foretag aldrig brændstofpåfyldning i lukkede rum. Brændstofdampe akkumuleres i jordniveau (risiko for eksplosion).
- Brændstof må kun transporteres og opbevares i godkendte beholdere. Sørg for, at børn ikke har adgang til oplagret brændstof.
- Forsøg ikke at fylde brændstof på en varm eller kørende motor.
- Undlad at påfylde mere brændstof end den mængde, der er angivet under "SPECIFIKATIONER".

Anvendelsesmetode

1. Brug kun blæseren under gode lysforhold, og hvor sigtbarheden er god. Vær opmærksom på glatte eller våde områder, is og sne (risiko for at glide) samt snævre områder. Sørg altid for et sikkert fodfæste.
2. Arbejd aldrig på ustabile overflader eller i stejlt terræn.
3. Undlad at arbejde fra stiger eller højtliggende steder. Ellers kan dette medføre personskade.
4. For at reducere risikoen for personskade må du ikke rette luftstrømmen mod omkringstående, da luftstrømmens høje tryk kan skade øjnene og blæse små genstande med stor hastighed.
5. Stik aldrig fremmedlegemer ind i luftindtaget på maskinen eller ind i blæserens mundstykke. Dette vil beskadige ventilatorhjulet og kan medføre alvorlig personskade på operatøren eller omkringstående som et resultat af, at en genstand eller en brækket del bliver slynget ud med høj hastighed.
6. Vær opmærksom på vindretningen, dvs. arbejd ikke i modvind.
7. For at mindske risikoen for at snuble og miste herredømmet må du ikke gå baglæns, når du bruger maskinen.
8. Sluk altid for motoren, inden du rengør eller servicerer maskinen eller dens udskiftningsdele.
9. Hold en pause, så du ikke mister herredømmet på grund af træthed. Vi anbefaler, at du holder 10 til 20 minutters pause hver time.
10. Brug ikke maskinen i nærheden af vinduer osv.
11. For at reducere fysisk påvirkning forårsaget af vibration og/eller risiko for skade på hørelsen skal du om muligt anvende maskinen ved lav hastighed og begrænse brugstiden.
12. Brug kun maskinen på rimelige tidspunkter. Brug ikke blæseren om morgenen eller sent om aftenen, hvor dette kan forstyrre andre mennesker.
13. Det anbefales at bruge river og koste til at løse affald inden blæsning.
14. Fugt inden blæsning overfladerne en smule på steder med støv, eller brug om nødvendigt en havesprøjte.
15. Indstil længden af blæsermundstykket således, at luftstrømmen kan arbejde nær jorden.
16. For at reducere lydniveauet skal du begrænse det antal udstyrsdele, du benytter ad gangen.
17. RYD OP efter anvendelse af blæsere og andet udstyr! Smid affald i affaldsbeholdere.
18. Accelerer ikke motoren mere end nødvendigt. Blæste genstande kan medføre personskade.
19. Udstødningslydpotten bliver varm under brugen. Undgå at berøre den varme udstødningslydpotte, da du kan brænde huden.
20. Brug ikke maskinen i eksplosive atmosfærer, for eksempel ved tilstedeværelse af brændbare væsker, gasser eller støv. Maskinen udsender gnister, der kan antænde støvet eller dampene.

Instruktioner for vedligeholdelse

1. Tag hensyn til miljøet. Brug blæseren med så lidt støj og forurening som muligt. Kontroller især, at karburatoren er korrekt justeret.
2. Rengør blæseren med jævne mellemrum, og kontroller, at alle skruer og møtrikker er godt strammet.
3. Du må aldrig servicere eller opbevare blæsere i nærheden af åben ild, gnister osv.



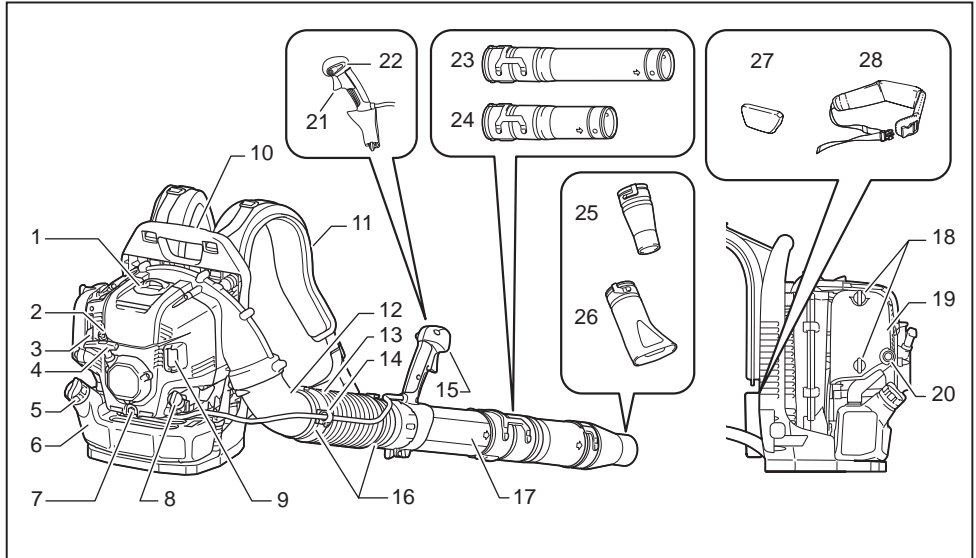
4. Opbevar altid blæseren i et velventileret, aflåst rum og med brændstoftanken tømt.
5. Brugerens udførelse af vedligeholdelses- eller reparationsarbejde er begrænset til de aktiviteter, som er beskrevet i denne instruktionsbog. Alt andet arbejde skal udføres af autoriserede serviceagenter.
6. Brug kun originale reservedele og tilbehør, som er fremstillet af Makita/Dolmar. Brug af tilbehør og værktøjer, som ikke er godkendt, kan medføre ulykker og personskade. Makita/Dolmar påtager sig intet ansvar for ulykker og beskadigelse, der skyldes anvendelse af reservedele eller tilbehør, som ikke er godkendt.
7. Forkert reparation og dårlig vedligeholdelse kan forkorte udstyrets levetid og øge risikoen for ulykker.

Førstehjælp

1. Sørg for, at der findes en velforsynet førstehjælpkasse i nærheden af arbejdsstedet, hvis der skulle ske en ulykke. Erstat straks enhver ting, som er fjernet fra førstehjælpkassen.
2. Opgiv følgende oplysninger, når du ringer efter hjælp:
 - Hvor ulykken er sket
 - Hvad der er sket
 - Antallet af tilskadede personer
 - Skadens art
 - Dit navn

BESKRIVELSE AF DELENE

MG5300



1	Tændrørsdæksel	9	Lydpotte	17	Svingrør	25	Rundt mundstykke
2	Anti-isdannelseshåndtag	10	Bærehåndtag	18	Knapbolt (på luftfilterdæksel)	26	Fladt mundstykke (ekstraudstyr)
3	Chokerhåndtag	11	Skulderrem	19	Luftfilterdæksel	27	Pude (ekstraudstyr)
4	Starterknap	12	Albue	20	Fødepumpe	28	Hofterem (ekstraudstyr)
5	Brændstoftankhætte	13	Fleksibelt rør	21	Gasspældtrigger	-	-
6	Brændstoftank	14	Kabelholder	22	Stopkontrolarm	-	-
7	Oliedrænbolt	15	Kontrolhåndtag	23	Langt rør (ekstraudstyr)	-	-
8	Oliehætte	16	Slangebånd	24	Kort rør (ekstraudstyr)	-	-

- Standardtilbehør kan være forskelligt fra land til land.

SAMLING

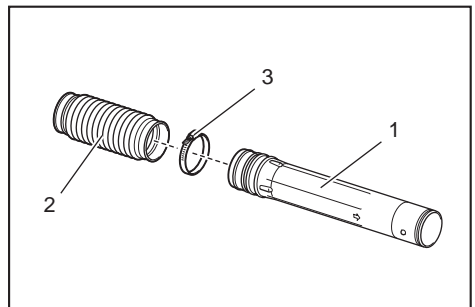
⚠FORSIGTIG: Inden der udføres noget arbejde på blæseren, skal du altid stoppe motoren og trække tændrørshætten ud af tændrøret.

⚠FORSIGTIG: Start ikke blæseren, før den er helt samlet.

⚠FORSIGTIG: Bær altid beskyttelseshandsker.

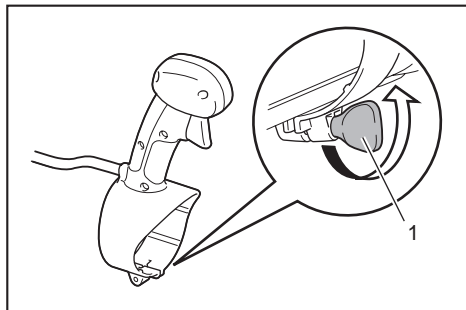
Samling af blæserør

1. Sæt svingrøret ind i det fleksible rør, og stram dem med slangebåndet.



- 1. Svingrør 2. Flexibelt rør 3. Slangebånd

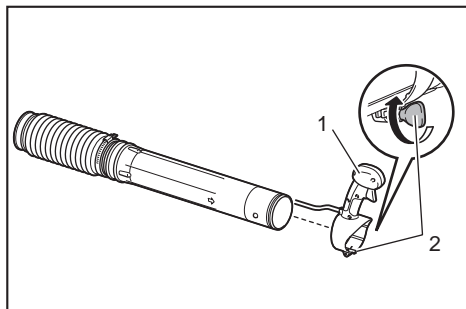
2. Løsn og fjern blokeringsskruen.



► 1. Blokeringsskrue

Pas på ikke at vride kablet ved samling af kontrolhåndtaget.

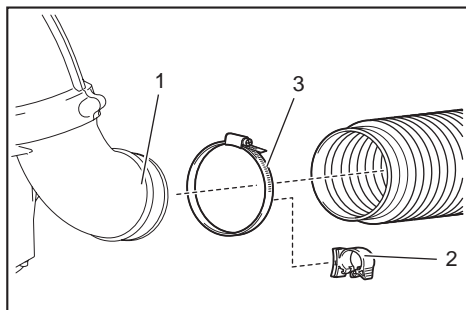
3. Monter kontrolhåndtaget / håndtagsenheden på svingrøret, og stram dem med blokeringsskruen.



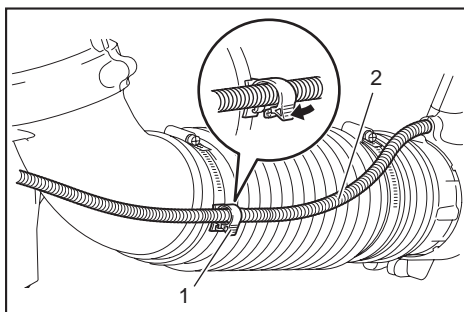
► 1. Kontrolhåndtag 2. Blokeringsskrue

4. Sæt det fleksible rør på albuen.

Sæt albuen på det fleksible rør. Monter kabelholderen mellem slangebåndet og det fleksible rør. Stram kabelholderen, det fleksible rør og albuen med slangebåndet. Sæt kontrolkablet på kabelholderen, og luk kabelholderen.

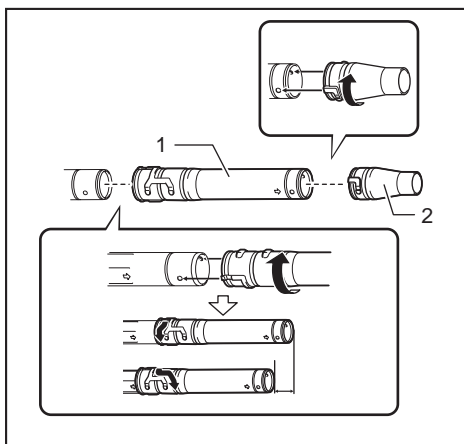


► 1. Albue 2. Kabelholder 3. Slangebånd



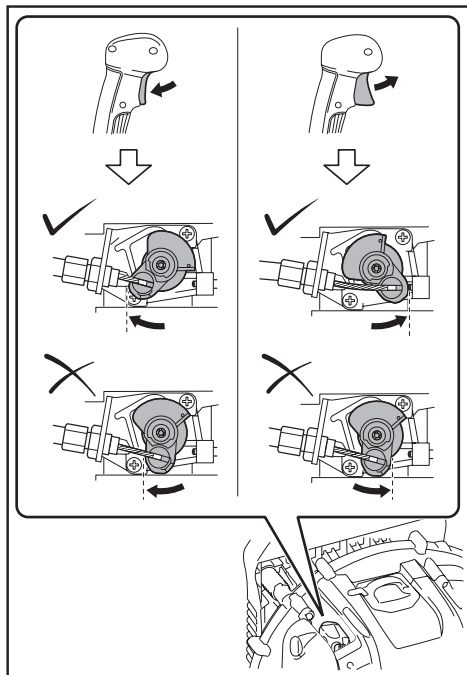
► 1. Kabelholder 2. Kontrolkabel

5. Monter det lange/korte rør på svingrøret. Drej det lange/korte rør i retningen med uret for at låse det på plads. Monter derefter blæsermundstykket med det lange/korte rør. Drej blæsermundstykket i retningen med uret for at låse det på plads.



► 1. Langt/kort rør 2. Blæsermundstykke

6. Kontroller, at alle klemmer er stramme. Kontroller, om drosselventilen flytter sig korrekt med gasspjældets bevægelse.



Hvis gasspjældet ikke kan trækkes helt, eller gasspjældet ikke vender tilbage til den korrekte position, skal du se i afsnittet VEDLIGEHOLDELSE vedrørende justering af drosselventilen.

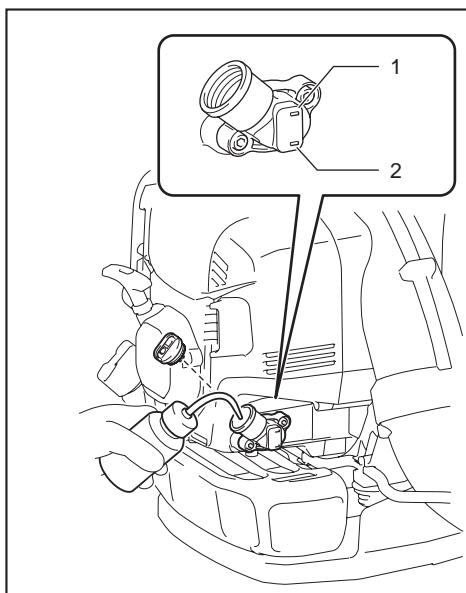
INDEN MOTOREN STARTES

Kontrol og påfyldning af motorolie

⚠️ FORSIGTIG: Ved påfyldning af motorolie skal du stoppe motoren og vente, til motoren er kølet af. Ellers kan det medføre forbrændinger af huden.

BEMÆRKNING: Brug af forringet olie vil medføre uregelmæssig start.

BEMÆRKNING: Fjern støv eller snavs i nærheden af oliepåfyldningsåbningen, før oliehatten tages af. Hold desuden den aftagne oliehatte fri for sand og støv. Ellers kan sand eller støv, der sidder på oliehatten, forårsage uregelmæssig olie-cirkulation eller slitage på motordele, hvilket vil medføre problemer.



► 1. Øvre grænsemærke 2. Nedre grænsemærke

Inspektion

Anbring blæseren på en plan overflade, og fjern oliehatten.

Kontroller, at oliestanden er inden for de øvre og nedre grænsemærker. Hvis olien ikke er op til det nedre grænsemærke, skal der fyldes op med ny olie.

Skift olien, når den er blevet snavset, eller farven er tydeligt ændret. (Vi henviser til "Skift af motorolie" vedrørende fremgangsmåden for olieskift og hyppigheden af dette.)

Påfyldning

Anbring blæseren på en plan overflade, og fjern oliehatten.

Fyld olie op til den øvre grænse på oliestandsmåleren.

I gennemsnit skal der tilføjes motorolie efter hver 20 timers brug (hver 10 - 15 brændstofpåfyldninger).

Anbefalet olie

- Makita/Dolmar original 4-takts motorolie eller
- API-kvalitet, SF-klasse eller højere, SAE 10W-30 olie (automobil 4-takts motorolie)

Oliekapacitet

Oliekapacitet: cirka 140 ml

BEMÆRKNING: Opbevar blæseren i opret stilling på en plan overflade. Oliemåleren viser ikke den korrekte mængde olie, hvis blæseren står skråt, og olien løber ind i motoren. Dette kan medføre påfyldning af for meget olie.

BEMÆRKNING: Påfyld ikke for meget olie. Overskydende olie kan løbe ud fra ånderøret på luftfilteret og tilsmudsede de omgivende dele, eller der kan opstå hvid røg på grund af afbrænding af olie.

Efter påfyldning af olie

Aftør spildt olie med en klud.

Brændstofpåfyldning

⚠ ADVARSEL: Ved brændstofpåfyldning skal du stoppe motoren og vente, til motoren er kølet af. Ellers kan det medføre antænding, brand eller forbrændinger af huden.

⚠ ADVARSEL: Brændstofpåfyldning skal foretages på et sted, hvor der ikke er åben ild, for at undgå antænding eller brand. Lad ikke åben ild (rygning osv.) komme i nærheden af det sted, hvor der fyldes brændstof på.

⚠ ADVARSEL: Foretag brændstofpåfyldning på en plan flade. Påfyld ikke brændstof på et ustabilt sted. Brændstofpåfyldning skal foretages under gode lysforhold ved god sigtbarhed.

⚠ ADVARSEL: Abn brændstoftankhætten langsomt. Brændstoffet kan løbe ud på grund af internt tryk.

⚠ ADVARSEL: Vær forsigtig med ikke at spille brændstoffet. Aftør spildt brændstof.

⚠ ADVARSEL: Foretag brændstofpåfyldning på et velventileret sted.

⚠ ADVARSEL: Foretag brændstofpåfyldning på et åbent, ryddeligt sted.

⚠ ADVARSEL: Håndtør brændstoffet med forsigtighed.

⚠ FORSIGTIG: Brændstof, der kommer på huden eller i øjnene, kan medføre allergier eller iritation. Søg øjeblikkeligt læge, hvis der registreres nogen unormale fysiske tilstande.

BEMÆRKNING: Kom IKKE olie i brændstoftanken.

Brændstof

⚠ ADVARSEL: Opbevar maskinen og tanken på et køligt sted uden direkte sol.

⚠ ADVARSEL: Opbevar aldrig brændstoffet i en bil.

Motoren er en 4-takts motor. Sørg for at anvende automobilbenzin (almindelig benzin eller superbenzin).

BEMÆRKNING: Brug aldrig olieblandet benzin som f.eks. 2-taktsolie eller motorolie. Ellers medfører dette kraftig akkumulering af kul eller mekaniske problemer.

BEMÆRK: Opbevar brændstof i en særlig beholder på et velventileret sted i skyggen. Brug brændstof inden for en periode på 4 uger. Ellers kan brændstoffet forringes på en enkelt dag.

Brændstofpåfyldningsmetode

⚠ FORSIGTIG: Hvis der er fejl i eller skade på tankhætten, skal den skiftes ud.

⚠ FORSIGTIG: Tankhætten slides op i tidens løb. Udskift den hvert andet eller tredje år.

BEMÆRKNING: Kom IKKE brændstof i oliepåfyldningsåbningen.

1. Løsn tankhætten en smule for at lette trykket i tanken.
2. Tag tankhætten af, og fyld brændstof på, idet du lader luft sive ud ved at vippe brændstoftanken, så påfyldningsåbningen vender opad. Fyld IKKE brændstof på op til randen af tanken.
3. Stram tankhætten godt til efter brændstofpåfyldningen.

ANVENDELSE

Start af motoren

⚠ ADVARSEL: Forsøg aldrig at starte motoren på et sted, hvor der er påfyldt brændstof. Dette kan medføre antænding eller brand. Når motoren startes, skal der holdes en afstand på mindst 3 m fra det sted, hvor der blev påfyldt brændstof.

⚠ ADVARSEL: Udstødningsgas fra motoren er giftig. Kørsel på dårligt ventilerede steder som f.eks. i en tunnel, en bygning osv. Hvis motoren køres på et dårligt ventileret sted, kan det medføre forgiftning med udstødningsgas.

⚠ ADVARSEL: Hvis der registreres nogen unormal lyd, lugt eller vibration efter start, skal du straks stoppe motoren og foretage en inspektion. Hvis motoren køres, uden at der tages hensyn til sådanne unormale tilstande, kan der ske ulykker.

⚠ ADVARSEL: Rør ikke ved det varme motordæksel. Ellers kan det medføre forbrændinger af huden.

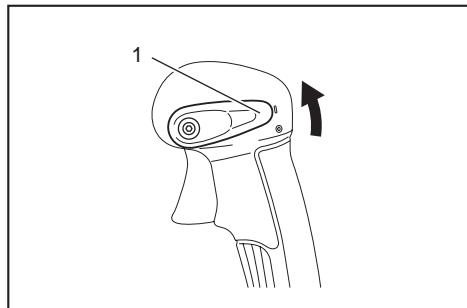
⚠ ADVARSEL: Kontroller, at der ikke er nogen brændstoflækage, inden du starter motoren.

⚠ ADVARSEL: Kontroller, at motoren stopper, når stopknappen sættes til "O"-stillingen.

Hvis motoren er kold eller efter brændstofpåfyldning (koldstart)

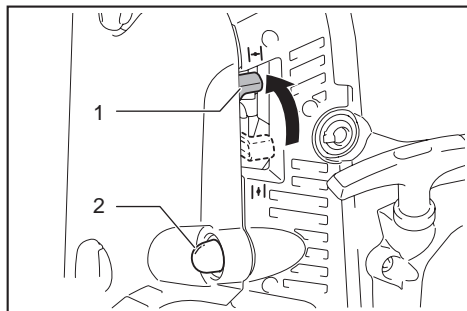
1. Anbring blæseren på en plan overflade.
2. I/O-position

Sæt stopkontrolarmen i "I"-stillingen.



► 1. Stopkontrolarm

3. Fortsæt med at trykke på fødepumpen, indtil der kommer brændstof ind i fødepumpen.

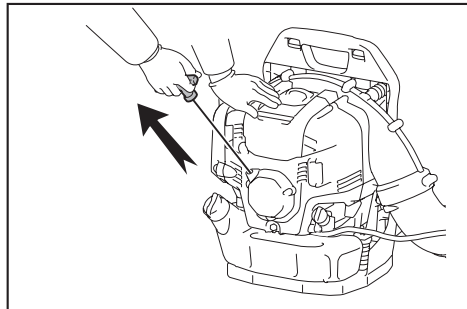


► 1. Chokerhåndtag 2. Fødepumpe

BEMÆRK: Normalt kommer der brændstof ind i karburatoren efter 7 til 10 tryk.

BEMÆRK: Hvis der trykkes mange gange på fødepumpen, vil overskydende benzin returnere til brændstoftanken.

4. Hæv chokerhåndtaget til den lukkede stilling.
5. Placer din venstre hånd på toppen af blæseren, og træk langsomt i starthåndtaget med højre hånd, indtil du kan mærke kompression. Træk derefter kraftigt i starthåndtaget.

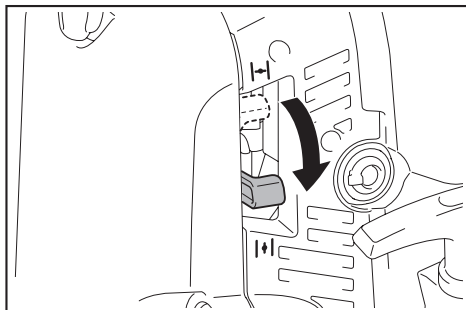


BEMÆRKNING: Træk aldrig rebet ud til dets fulde længde.

BEMÆRKNING: Lad starterknappen gå forsigtigt tilbage i huset. Ellers kan den udløste starterknap ramme dig, eller den genopspoles muligvis ikke korrekt.

BEMÆRK: Hvis motoren tænder og stopper, skal chokerhåndtaget returneres til "åbn"-stillingen, og du skal trække flere gange i starterhåndtaget for at starte motoren igen.

6. Når motoren starter, skal chokerhåndtaget sætte ned til åben stilling.



BEMÆRK: Åbn chokerhåndtaget helt, før du trækker håndtaget.

BEMÆRK: Ved lave temperaturer, eller hvis motoren ikke er varm nok, må du aldrig åbne chokerhåndtaget pludseligt. Ellers kan dette medføre, at motoren stopper.

7. Varm op i 2 til 3 minutter, mens motoren kører i tomgang eller ved lav hastighed.
8. Opvarmningen er færdig, når der mærkes en hurtig motoracceleration fra et lavt omdrejningstal til fuld gas.

BEMÆRK: Hvis operatøren bliver ved med at trække i starterhåndtaget flere gange med chokerhåndtaget i "luk"-stillingen, kan det være vanskeligt at starte motoren på grund af overstrømning af brændstof. I tilfælde af overstrømning af brændstof skal du fjerne tændrøret og trække flere gange hurtigt i håndtaget for at udlede alt overskydende brændstof. Tør tændrørets elektrode.

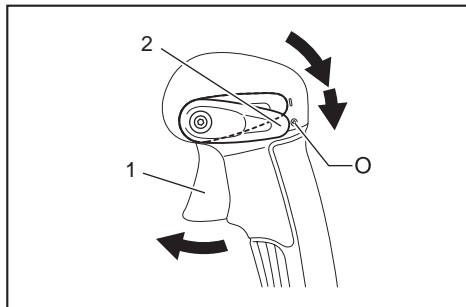
Hvis motoren er varm (varm start)

⚠FORSIGTIG: Pas på, at du ikke brænder hånden. Bær beskytteshandsker, når du starter motoren.

1. Anbring blæseren på en plan overflade.
2. Tryk flere gange på fødepumpen.
3. Kontroller, at chokerhåndtaget er åbent.
4. Placer din venstre hånd på toppen af blæseren, og træk langsomt i starthåndtaget med højre hånd, indtil du kan mærke kompression. Træk derefter kraftigt i starthåndtaget.

Standning af motoren

Frigør gasspældstriggeren, og sæt derefter stopkontrolarmen til "O"-stillingen.



► 1. Gasspældstrigger 2. Stopkontrolarm

Forebyggelse af isdannelse på karburatoren

BEMÆRKNING: Hvis den omgivende temperatur er højere end 10°C, skal du altid returnere håndtaget til normal indstilling (solmærke). Ellers kan motoren blive beskadiget på grund af overophedning.

Hvis den omgivende temperatur er lav, og luftfugtigheden er høj, kan vanddamp fryse inde i karburatoren, så motoren kører ustabilt (isdannelse i karburator). Flyt om nødvendigt anti-isdannelseshåndtaget som følger.

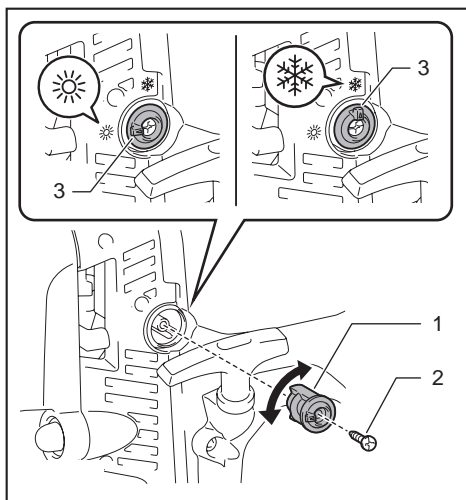
1. Fjern skruen, og træk anti-isdannelseshåndtaget ud.
2. Indstil anti-isdannelseshåndtaget som følger:

Varmere miljø end 10°C

Indstil knoppen til solmærket (varmere position).

10°C eller koldere miljø

Indstil knoppen til snemærket (anti-isdannelsesposition).



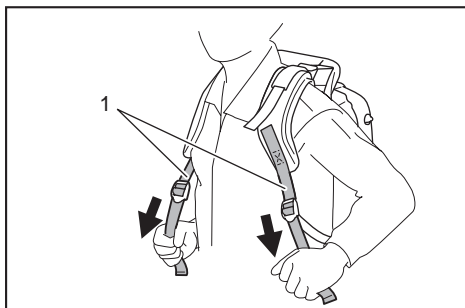
► 1. Anti-isdannelseshåndtag 2. Skruer 3. Knop

3. Stram skruen.

Justering af skulderremmen

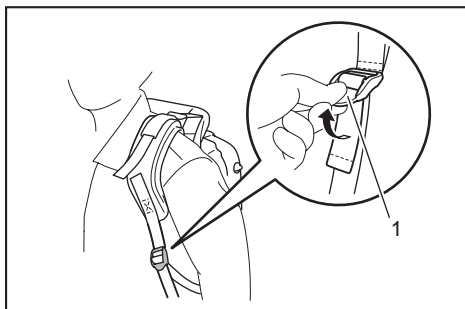
1. Indstil skulderremmen til en længde, der er bekvem at arbejde med, når du bærer blæseren.

Træk enden af remmen nedad for at stramme remmen.



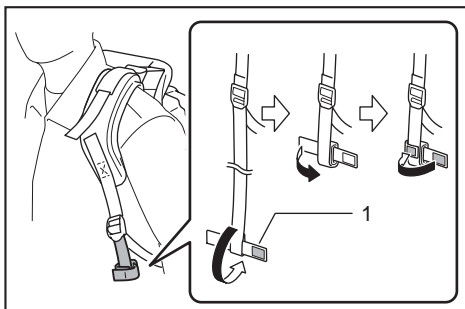
► 1. Skulderrem

Træk enden af spændet opad for at løsne remmen.



► 1. Spænde

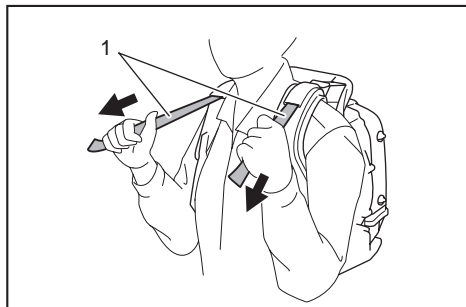
Rul enden af remmen op, og hold den med båndet.



► 1. Bånd

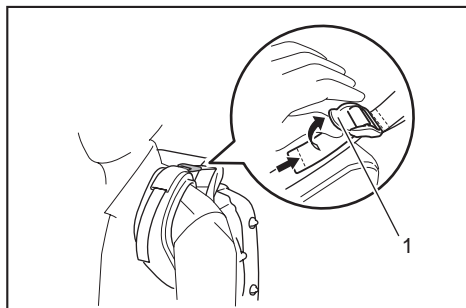
2. Træk i stabiliseringsremmen, indtil der ikke er noget mellemrum mellem din ryg og blæserhuset.

Træk enden af remmen nedad for at fastgøre remmen.



► 1. Stabiliseringsrem

Træk enden af spændet opad for at løsne remmen.

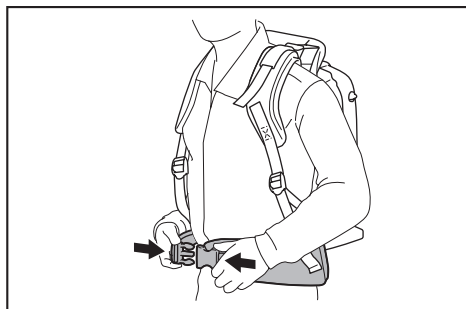


► 1. Spænde

Hofterem

Ekstraudstyr

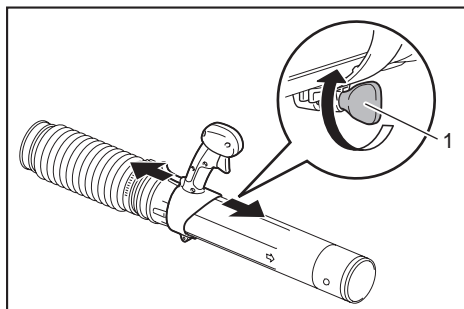
Hofteremmen gør det muligt for operatøren at bære maskinen mere stabilt.



⚠️FORSIGTIG: Sørg for at frigøre spændet til hofteremmen, inden du tager blæseren af.

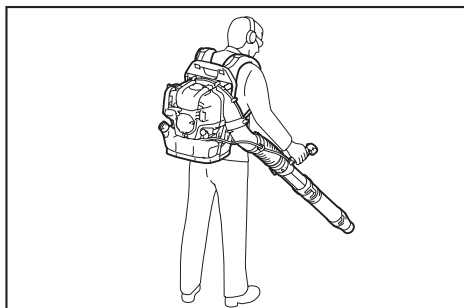
Indstilling af kontrolarmens position

Flyt kontrolhåndtaget langs svingrøret til den mest bekvemme position. Stram derefter kontrolhåndtaget med blokeringsskruen.



► 1. Blokeringsskrue

Betjening af blæseren

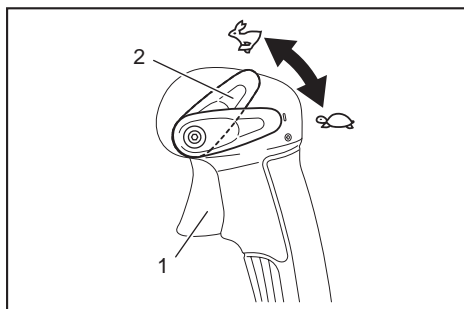


1. Juster, mens blæseren kører, gasspældstriggen/gashåndtaget således, at vindkraften er passende til arbejdsstedet og -forholdene.

2. Indstilling af motorhastighed.

Motorhastigheden øges ved at trække i gasspældstriggen. Løsn gasspældstriggen for at mindske motorhastigheden.

Hastighedskontrolfunktionen giver operatøren mulighed for at opretholde en konstant motorhastighed uden at trække i triggerarmen. Drej stopkontrolarmen til høj hastighed for at øge motorhastigheden. Drej stopkontrolarmen til lav hastighed for at mindske motorhastigheden.



► 1. Gasspældstrigger 2. Stopkontrolarm

Transport af blæseren

⚠️ FORSIGTIG: Sørg for at motoren er stoppet, når blæseren transporteres.

BEMÆRKNING: Undlad at sidde eller stå på blæseren, og anbring ikke tunge genstande på den. Dette kan beskadige maskinen.

BEMÆRKNING: Hold blæseren i en opret stilling, når den transporteres eller stilles til opbevaring. Transport eller opbevaring i en stilling, der ikke er opret, kan bewirke, at der løber olie ud inde i blæsermotoren. Dette kan medføre olielækager og hvid røg fra brændende olie, og luftfilteret kan blive tilsmudset af olie.

BEMÆRKNING: Undlad at trække blæseren, når den transporteres. Ellers kan blæserhuset blive beskadiget.

VEDLIGEHOOLDELSE

⚠️ FORSIGTIG: Inden inspektion og vedligeholdelse skal du stoppe motoren og lade den køle af. Fjern tændrøret og tændrørshætten. Ellers kan operatøren få forbrændinger eller komme alvorligt til skade på grund af utilsigtet start.

⚠️ FORSIGTIG: Efter inspektion og vedligeholdelse skal det kontrolleres, at alle dele er monteret.

Skift af motorolie

⚠️ FORSIGTIG: Motorens hovedenhed og motorolien vil stadig være varme, lige efter at motoren er stoppet. Ved skift af motorolien skal man sørge for, at motorens hovedenhed og motorolien er tilstrækkeligt afkølet. Ellers kan der være risiko for skoldning. Lad der gå tilstrækkelig tid, efter at motoren er stoppet, til at motorolien kan løbe tilbage i olietanken, for at sikre en nøjagtig aflæsning af oliemængden.

⚠️ FORSIGTIG: Hvis olien er påfyldt over grænsen, kan den blive snavset eller antændes med hvid røg.

BEMÆRKNING: Bortskaf aldrig udskiftet motorolie i affald, på jorden eller i kloaksystemer. Bortskaffelse af olie er reguleret af loven. Ved bortskaffelse skal du altid følge relevante love og bekendtgørelser. Kontakt en autoriseret serviceagent, hvis der er uklare punkter.

BEMÆRKNING: Olie forringes, selv i ubrugt tilstand. Udfør inspektion og udskiftning med jævne mellemrum (skift ud med ny olie hver 6 måned).

Forringet motorolie vil i høj grad reducere de glidende og roterende deles levetid. Sørg for at kontrollere perioden og kvantiteten for udskiftningen.

Udskiftningsinterval

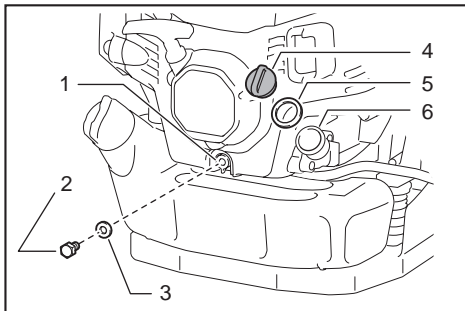
Efter de første 20 driftstimer og derefter for hver 50 driftstimer

Anbefalet olie

- Makita/Dolmar original 4-takts motorolie eller
- API-kvalitet, SF-klasse eller højere, SAE 10W-30 olie (automobil 4-takts motorolie)

Fremgangsmåde ved olieskift

Sådan skiftes olien:



► 1. Afløbshul 2. Oliedrænbolt 3. Pakning (aluminiumspakningsskive) 4. Oliehætte 5. Pakning på oliehætte 6. Olieåbning

1. Stil blæseren på en plan overflade.
2. Anbring en beholder til spildolie under afløbshullet for at opsamle olien, når den løber ud. Beholderen skal have en kapacitet på mindst 140 ml for at kunne opsamle al olien.
3. Løsn oliedrænbolten for at lade olien løbe ud. Vær påpasselig med, at der ikke kommer olie på brændstoffranken eller andre dele.

BEMÆRKNING: Vær påpasselig med ikke at miste pakningen (aluminiumspakningsskiven). Anbring oliedrænbolten på et sted, hvor den ikke bliver snavset.

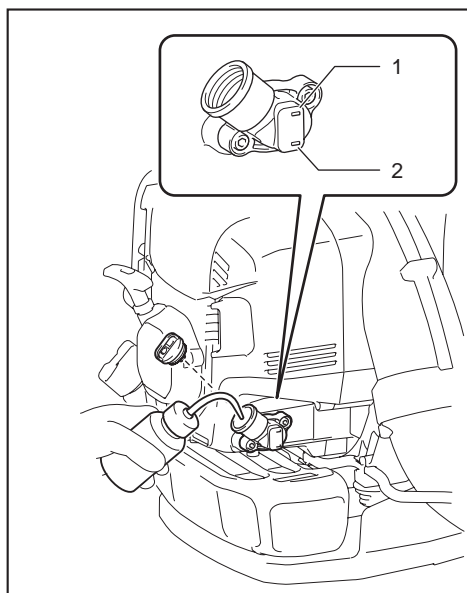
4. Fjern oliehætten. (Aftagning af oliehætten gør det nemmere for olien at løbe ud.)

BEMÆRKNING: Sørg for at anbringe oliehætten på et sted, hvor den ikke bliver snavset.

5. Efterhånden som mængden af den olie, der løber ud, mindskes, skal du vippe blæseren fra side til side med drænet, så al olien løber ud.
6. Når olien er tømt helt ud, skal oliedrænbolten strammes godt til. Hvis bolten ikke er godt strammet til, kan det medføre olielækage.

BEMÆRKNING: Glem ikke at sætte pakningen (aluminiumspakningsskiven) tilbage på plads, når drænproppen monteres igen.

7. Påfyld cirka 140 ml olie i oliepåfyldningsåbningen op til det øvre grænsemærke.



► 1. Øvre grænsemærke 2. Nedre grænsemærke

8. Efter påfyldning af olie strammes oliehætten godt til for at forhindre olielækager.

BEMÆRKNING: Glem ikke at sætte pakningen på oliehætten tilbage på plads, når oliehætten monteres igen.

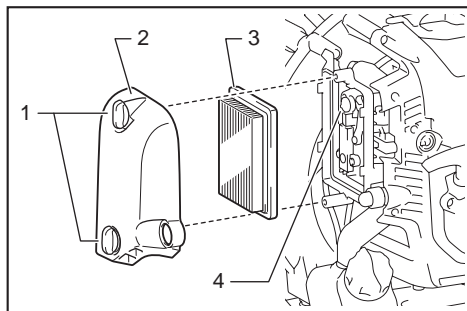
Rengøring af luftfilter

⚠ ADVARSEL: BRÆNDBARE MATERIALER STRENGT FORBUDT

Rengørings- og inspektionsinterval

Dagligt (for hver 10 driftstimer)

Fremgangsmåde for rengøring



► 1. Knapbolte 2. Luftfilterdæksel 3. Element
4. Ånderør

1. Løsn knapboltene.
2. Fjern luftfilterdækslet.

3. Fjern elementet, og fjern eventuel snavs fra elementet med en klud eller en luftblæser. Skift elementet ud med et nyt, hvis det er beskadiget eller meget snavset.

BEMÆRK: Elementet er af den tørre type og må ikke blive vådt. Vask aldrig med vand.

4. Aftør al olie i nærheden af ånderøret med en klud eller et stykke stof.
5. Installer elementet i luftfilterhuset.
6. Sæt luftfilterdækslet på, og stram knapboltene.

BEMÆRKNING: Rengør elementet flere gange dagligt, hvis store mængder støv sætter sig på det pga. støvfyldte omgivelser.

BEMÆRKNING: Hvis anvendelsen fortsætter, uden at elementet rengøres for olie, kan olie i luftfilteret løbe ud og medføre olieforurening.

Kontrol af tændrøret

⚠ FORSIGTIG: Rør ikke ved tændrøret, mens motoren kører. Ellers kan dette medføre elektrisk stød.

⚠ FORSIGTIG: Sæt stopkontrolarmen/stopknappen til FRA "O"-stillingen.

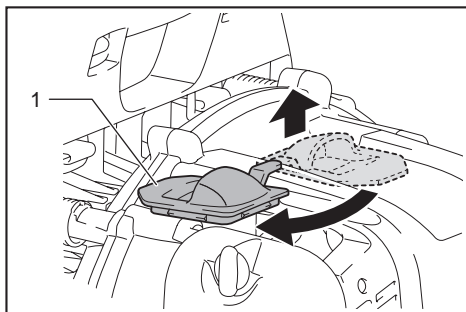
⚠ FORSIGTIG: Kontroller tændrørets ledning med jævne mellemrum. Skift den ud, hvis den er beskadiget eller revnet. Ellers kan dette medføre elektrisk stød.

BEMÆRKNING: Når tændrøret fjernes, skal du først rengøre tændrøret og cylinderhovedet, så der ikke trænger snavs, sand osv. ind i cylinderen.

BEMÆRKNING: Fjern tændrøret, efter at motoren er kølet af, for at undgå at beskadige gevindhullet i cylinderen.

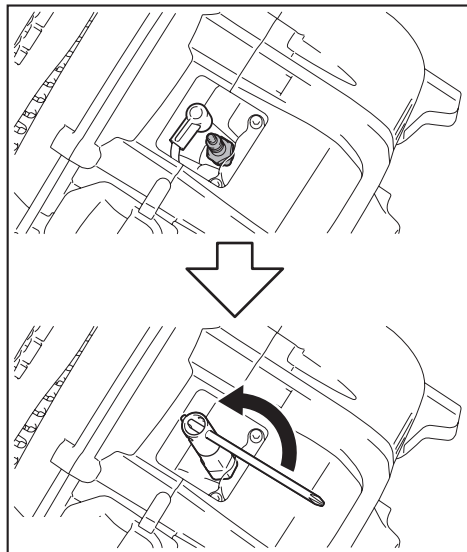
BEMÆRKNING: Installer tændrøret korrekt i gevindhullet. Hvis det installeres i en vinkel, bliver gevindhullet i cylinderen beskadiget.

1. For at åbne tændrørsdækslet skal du løfte det og dreje det en halv omgang.



► 1. Tændrørsdæksel

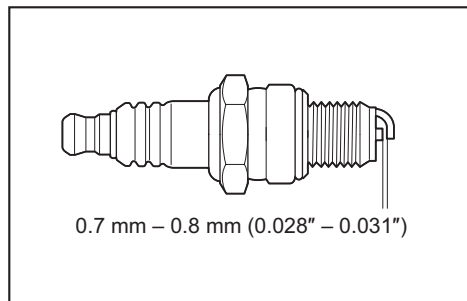
2. Brug den medfølgende topnøgle som standardtilbehør til at fjerne og montere tændrøret.



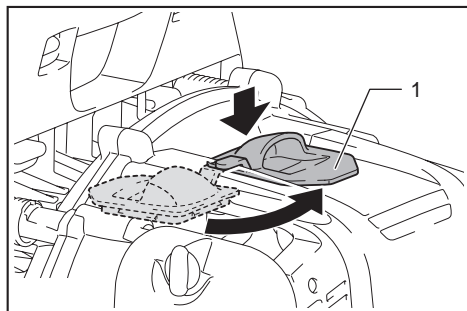
3. Den korrekte afstand mellem de to elektroder på tændrøret er 0,7 til 0,8 mm. Indstil den korrekte afstand, hvis den er for stor eller for lille.

Rengør tændrøret omhyggeligt, eller skift det ud, hvis der har samlet sig kul eller anden forurening på det.

Til udskiftning bruges NGK CMR6H.



4. For at lukke tændrørdækslet skal du dreje det en halv omgang og trykke på det omkring den indsunke del.



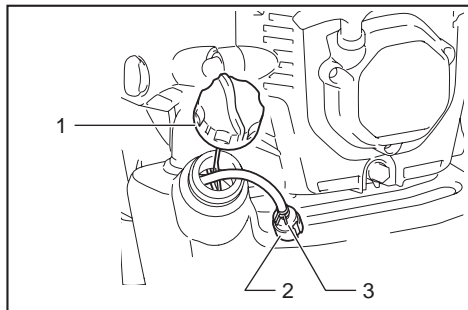
- ▶ 1. Tændrørdæksel

Rengøring af brændstoffilteret

⚠FORSIGTIG: Kontroller, at brændstoftanken ikke har lidt skade. Hvis brændstoftanken er beskadiget på nogen måde, skal du med det samme henvende dig til et autoriseret servicecenter med henblik på reparation.

BEMÆRKNING: Rengør brændstoffilteret regelmæssigt. Et tilstoppet brændstoffilter kan gøre det vanskeligt at starte motoren eller at forøge motorhastigheden.

Kontroller med jævne mellemrum brændstoffilteret som følger:



- ▶ 1. Brændstoftankhætte 2. Brændstoffilter
3. Slangeklemme

1. Fjern brændstoftankhætten, og lad brændstoffet løbe ud for at tømme tanken. Kontroller, at der ikke er nogen fremmedlegemer i tanken. Tør sådanne materialer væk, hvis der er nogen.
2. Træk brændstoffilteret med tråden ud gennem brændstofpåfyldningsåbningen.
3. Hvis overfladen på brændstoffilteret er forurenet, skal den rengøres med benzin.

BEMÆRKNING: Benyt den metode, de lokale myndigheder foreskriver, til bortskaffelse af benzin, der bruges til at rengøre brændstoffilteret.

BEMÆRKNING: Udskift brændstoffilteret, hvis det er meget snavset.

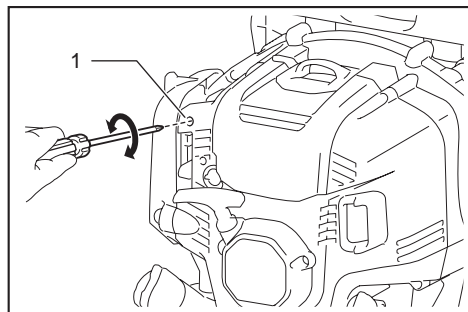
4. Efter kontrol, rengøring eller udskiftning skal brændstoffilteret sættes ind i brændstofrøret og fastgøres med slangeklemmen. Sæt brændstoffilteret tilbage i brændstoftanken, og stram brændstoftankhætten godt til.

Justering af tomgangshastigheden

⚠FORSIGTIG: Karburatoren er indstillet på fabrikken. Juster aldrig andet end tomgangshastigheden. Andre justeringer skal udføres af et autoriseret servicecenter.

Den korrekte rotation ved lav hastighed er 2.800 min⁻¹ (omdrejninger pr. minut). Hvis det er nødvendigt at ændre rotationshastigheden, skal du regulere tomgangshastigheden med en stjerneskruetrækker.

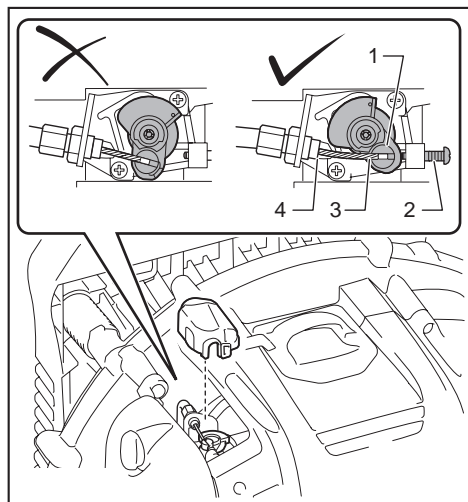
Hvis motoren stopper eller kører uregelmæssigt i tomgang, skal justeringskruen drejes mod højre for at forøge tomgangshastigheden. Hvis maskinen blæser for kraftigt i tomgang, skal justeringskruen drejes mod venstre for at mindske tomgangshastigheden.



► 1. Tomgangsjusteringskruen

Kontrol af drosselventilen

Hvis kontrolkablet er bøjet eller sidder i klemme, har drosselventilen ikke kontakt med tomgangsjusteringskruen, hvilket forhindrer motoren i at køre korrekt i tomgang. Flyt i så fald kontrolkablet for at sikre, at ventilen bevæger sig korrekt.

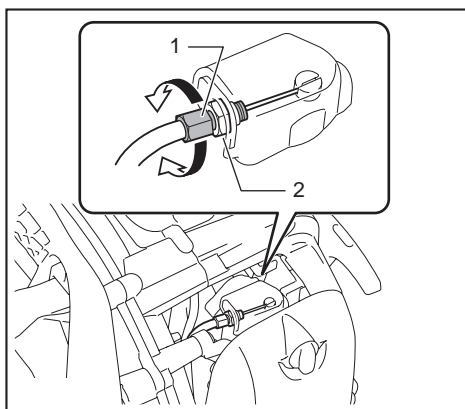


► 1. Drosselventil 2. Tomgangsjusteringskruen
3. Kontrolkabel 4. Drosselventilstopper

Hvis drosselventilen ikke berører drosselventilstopperen, selvom du trækker gasspældstriggeren helt, eller hvis drosselventilen ikke berører tomgangsjusteringskruen i tomgang, skal du dreje kabeljusteringsbolten på følgende måde:

1. Løsn fastgøringsmøtrikken.
2. Hvis drosselventilen ikke berører drosselventilstopperen, skal du dreje kabeljusteringsbolten i retningen mod uret.

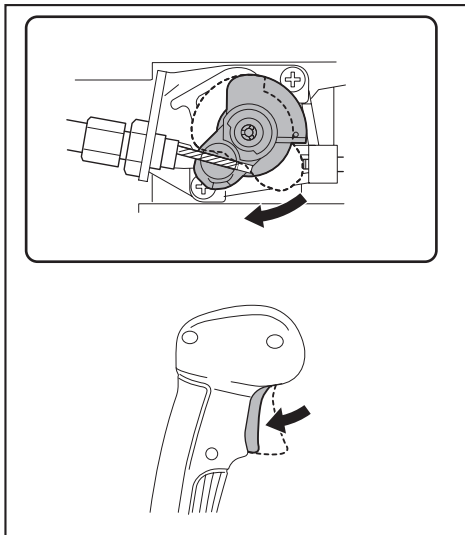
Hvis drosselventilen ikke berører tomgangsjusteringskruen, skal du dreje kabeljusteringsbolten i retningen med uret.



► 1. Kabeljusteringsbolt 2. Fastgøringsmøtrik

3. Stram fastgøringsmøtrikken for at låse kabeljusteringsbolten fast.

4. Kontroller drosselventilens bevægelse. Drosselventilen flytter sig til den viste position, når gasspældstriggeren/gashåndtaget trækkes/drejes.

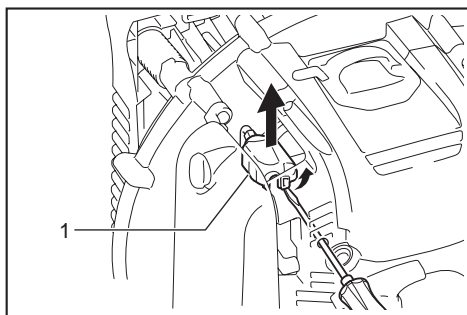


Rengøring af karburatordækslet

Hvis karburatordækslet bliver snavset, og det er vanskeligt at kontrollere drosselventilen, skal du rengøre karburatordækslet på følgende måde:

BEMÆRKNING: Brug aldrig benzin, rensbenzin, fortynder, alkohol eller lignende til at rengøre karburatordækslet. Ellers kan det blive misfarvet.

1. Før en kærskruetrækker gennem hullet i motordækslet. Frigør klemmen på karburatordækslet.



► 1. Karburatordæksel

2. Rengør karburatordækslet.

BEMÆRKNING: Brug en våd, ren klud til at rengøre karburatordækslet.

3. Sæt karburatordækslet på igen. Sørg for, at klemmen på karburatordækslet klikker, når det sættes på plads.

Inspektion af bolte, møtrikker og skruer samt andre dele

Stram løse bolte, møtrikker osv. igen.

Kontroller, om der er lækage af brændstof og olie.

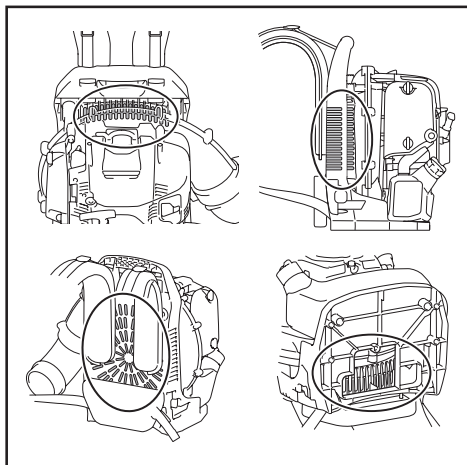
Udskift beskadigede dele med nye for sikker anvendelse.

Rengøring af motor, køleluftåbning

Hold motoren ren ved at tørre den af med en gammel klud.

Hold cylinderribberne fri for støv og snavs. Støv og snavs, der sidder fast på ribberne, kan medføre overop-
hedning af motoren, og at stemplet brænder sammen.

Blæseluft kommer ind fra luftindtagsåbningen. Hvis luftstrømmen mindskes under anvendelsen, skal du stoppe motoren og inspicere luftindtagsåbningen for obstruktioner. Rengør den om nødvendigt. Eventuelle obstruktioner kan medføre overop-
hedning og beskadige motoren.



Udskiftning af pakninger og tætninger

Udskift pakninger og tætninger, hvis motoren er skilt ad.

Ethvert vedligeholdelses- eller justeringsarbejde, der ikke er inkluderet og beskrevet i denne brugsanvisning, må kun udføres af en autoriseret serviceagent.

Opbevaring

⚠ ADVARSEL: Ved udtømning af brændstof skal du stoppe motoren og vente, til motoren er kølet af. Hvis du ikke gør dette, kan det medføre forbrændinger eller brand.

⚠ FORSIGTIG: Når maskinen opbevares i et længere tidsrum, skal du udtømme alt brændstof fra brændstoftanken og karburatoren og anbringe den på et tørt, rent sted.

Udtøm brændstoffet fra brændstoftanken og karburatoren, før maskinen opbevares, på følgende måde:

1. Fjern brændstoftankhætten, og tøm brændstoffet helt ud. Hvis der er nogen fremmedlegemer tilbage i brændstoftanken, skal de fjernes helt.
2. Træk brændstoffilteret ud fra påfyldningsåbningen ved hjælp af et stykke ståltråd.
3. Tryk på fødepumpen, indtil brændstoffet tømmes ud derfra, og udtøm brændstof, der kommer ind i brændstoftanken.
4. Sæt filteret i brændstoftanken igen, og stram brændstoftankhætten godt til.
5. Fortsæt derefter med at køre motoren, indtil den stopper.
6. Fjern tændrøret, og dryp flere dråber motorolie gennem tændrørshullet.
7. Træk forsigtigt i starterhåndtaget, så motorolien spredes over motoren, og sæt tændrøret i.
8. Hold maskinen med bærehåndtaget opad.
9. Opbevar det udtømte brændstof i en særlig beholder på et velventileret og skyggefuldt sted.

Lokalisering af fejl

Fejl	System	Observation	Årsag
Motoren starter ikke, eller den starter kun med besvær	Tændingsystem	Tændingsgnister.	Fejl i brændstoffsforingen eller kompressionssystemet, mekanisk defekt.
		Ingen tændingsgnister.	Stopknap betjent, fejl i ledningsføring eller kortslutning, tændrør eller kontakt defekt, fejl i tændingsmodul.
	Brændstoffsforing	Brændstoftank er fyldt.	Forkert chokerstilling, karburator defekt, brændstofslange bøjet eller blokeret, snavset brændstof.
	Kompression	Ingen kompression, når der trækkes.	Cylinderbundpakning defekt, knastakseltætninger beskadiget, cylinder- eller stempelringe defekte eller forkert tætning i tændrør.
	Mekanisk fejl	Starter griber ikke fat.	Brækket starterfjeder, brækkede dele inde i motoren.
Problemer med varm start	-	Tank er fyldt. Tændingsgnister.	Karburator forurenede, få den rengjort.
Motoren starter, men stopper igen	Brændstoffsforing	Tank er fyldt.	Forkert tomgangsjustering, karburator forurenede.
			Brændstoftanks ventilationsåbning defekt, brændstofslange afbrudt, fejl i kabel eller Stopknap.
Utilstrækkelig ydelse	Flere systemer kan være påvirket samtidigt	Dårlig motortomgang.	Luffilter forurenede, karburator forurenede, lydpotte tilstoppet, udstødningskanal i cylinder tilstoppet.

Interval for inspektion og vedligeholdelse

-		Inden anvendelse	Efter brændstof-påfyldning	Dagligt (10 timer)	50 timer	200 timer	Det tidligste af 600 timer eller 2 år	Før opbevaring
Motorolie	Inspicer/påfyld	○	-	-	-	-	-	-
	Skift	-	-	-	○ (Note 1)	-	-	-
Tilspænding af dele (bolte, møtrikker)	Inspicer	○	-	-	-	-	-	-
Køleluftåbning	Rengør/inspicer	○	-	-	-	-	-	-
Brændstoftank	Rengør/inspicer	○	-	-	-	-	-	-
	Udtøm brændstof	-	-	-	-	-	-	○ (Note 3)
Gasspældstrigger/gashåndtag	Tjek funktion	-	○	-	-	-	-	-
Standsning af motoren	Tjek funktion	-	○	-	-	-	-	-
Justering af tomgangshastigheden	Inspicer/juster	-	○	-	-	-	-	-
Luffilter	Rengør	-	-	○	-	-	-	-
	Inspicer/udskift om nødvendigt	-	-	-	-	○	-	-

-		Inden anvendelse	Efter brændstof- påfyldning	Dagligt (10 timer)	50 timer	200 timer	Det tidligste af 600 timer eller 2 år	Før opbevaring
Kontrolkabel	Inspicer/ juster	-	-	○	-	-	-	-
	Inspicer/ udskift om nødvendigt	-	-	-	-	○ (Note 2)	-	-
Tændrør	Inspicer/ juster mel- lemrum om nødvendigt	-	-	○	-	-	-	-
	Rengør/ udskift om nødvendigt	-	-	-	-	○	-	-
Tændrørrets ledning	Inspicer/ udskift om nødvendigt	-	-	-	-	○ (Note 2)	-	-
Brændstoffør	Inspicer	-	-	○	-	-	-	-
	Skift	-	-	-	-	○ (Note 2)	-	-
Brændstoffilter	Rengør/ udskift om nødvendigt	-	-	-	○	-	-	-
Olierør	Inspicer	-	-	-	-	○ (Note 2)	-	-
Ventilafstand (indsug- ningsventil og udstød- ningsventil)	Inspicer/ juster	-	-	-	-	○ (Note 2)	-	-
Lydpotte	Inspicer/ rengør	-	-	-	-	○ (Note 2)	-	-
Forbrændingskammer/ ventilåbning	Inspicer/ rengør	-	-	-	-	○ (Note 2)	-	-
Motor	Eftersyn	-	-	-	-	-	○ (Note 2)	-
Karburator	Udtøm brændstof	-	-	-	-	-	-	○ (Note 3)

Note 1: Foretag det første skift efter 20 timers anvendelse.

Note 2: Bed en autoriseret serviceagent eller et maskinværksted om at udføre inspektionen.

Note 3: Når brændstoffranken er tømt, skal du fortsætte med at køre motoren og udtømme brændstof fra karburatoren.

FEJLFINDING

Inden du beder om reparation, skal du først udføre din egen inspektion. Hvis du finder et problem, der ikke er beskrevet i instruktionsbogen, må du ikke forsøge at skille maskinen ad. Du skal i stedet henvende dig til autoriserede Dolmar-/Makita-servicecentre, og der skal altid benyttes Dolmar-/Makita-reservedele til reparation.

Unormal tilstand	Sandsynlig årsag (fejl)	Afhjælpning
Motoren starter ikke.	Manglende betjening af fødepumpe.	Tryk 7 til 10 gange.
	Lav træk hastighed i startsnor.	Træk kraftigt.
	Manglende brændstof.	Fyld brændstof på.
	Tilstoppet brændstoffilter.	Rengør brændstoffilteret, eller erstat det med et nyt.
	Bøjet brændstoffør.	Ret brændstofføret ud.
	Forringet brændstof.	Forringet brændstof gør det sværere at starte. Skift ud med nyt. (Anbefalet udskiftning: 1 måned)
	For kraftig sugning af brændstof.	Sæt gashåndtaget fra mellemhastighed til høj hastighed, og træk i starterhåndtaget, indtil motoren starter. Hvis motoren stadig ikke starter, skal du fjerne tændrøret, tørre elektroden og montere det igen, som det oprindeligt var. Start derefter som specificeret.
	Tændrørshætte faldet af.	Sæt den godt på.
	Forurenet tændrør.	Rengør tændrøret.
	Unormal tændrørsafstand.	Juster afstanden.
	Anden unormal tilstand af tændrør.	Udskift tændrøret.
	Unormal karburator.	Bed vores autoriserede servicecenter om at inspicere og reparere det.
	Starterknappen kan ikke flyttes.	Bed vores autoriserede servicecenter om at inspicere og reparere det.
Problem med motorens interne dele.	Bed vores autoriserede servicecenter om at inspicere og reparere det.	
Motoren stopper hurtigt. Motorhastigheden øges ikke.	Utilstrækkelig opvarmning.	Udfør opvarmning.
	Chokerhåndtaget er sat til "luk", selvom motoren er varmet op.	Sæt til "åbn".
	Tilstoppet brændstoffilter.	Rengør brændstoffilteret.
	Forurenet eller tilstoppet luftfilter.	Rengør luftfilteret.
	Løst kontrolkabel.	Fastgør kontrolkablet forsvarligt.
	Problem med motorens interne dele.	Bed vores autoriserede servicecenter om at inspicere og reparere det.
Gasspjældet går ikke tilbage til tomgangshastighed.	Forkert position af drosselventil.	Flyt kontrolkablet. Juster drosselventilens position ved at dreje kabeljusteringsbolten.
Motoren stopper ikke. ⇒ Kør motoren i tomgang, og sæt chokerhåndtaget til "luk".	Kontakt faldet af.	Fastgør kontakten forsvarligt.
	Unormalt elektrisk system.	Bed vores autoriserede servicecenter om at inspicere og reparere det.

ΠΙΝΑΚΑΣ ΠΕΡΙΕΧΟΜΕΝΩΝ

ΠΡΟΔΙΑΓΡΑΦΕΣ	166	ΠΡΙΝ ΤΗΝ ΕΚΚΙΝΗΣΗ ΤΟΥ ΚΙΝΗΤΗΡΑ.....	173
ΣΗΜΑΝΤΙΚΕΣ ΟΔΗΓΙΕΣ ΑΣΦΑΛΕΙΑΣ	167	ΛΕΙΤΟΥΡΓΙΑ	175
ΠΕΡΙΓΡΑΦΗ ΕΞΑΡΤΗΜΑΤΩΝ	171	ΣΥΝΤΗΡΗΣΗ	179
ΣΥΝΑΡΜΟΛΟΓΗΣΗ	172		

ΠΡΟΔΙΑΓΡΑΦΕΣ

Μοντέλο:		MG5300
Τύπος στραγγαλισμού		Στραγγαλισμός με σωλήνα
Στεγνό βάρος	χωρίς σωλήνα φυσητήρα / με απόσβεση	8,9 kg
	με σωλήνα φυσητήρα	9,8 kg - 10,0 kg
Διαστάσεις (χωρίς σωλήνα φυσητήρα, Μ x Π x Υ)		320 mm x 450 mm x 475 mm
Ταχύτητα αέρα	(με μακρύ σωλήνα, κυκλικό ακροφύσιο)	81 m/s
	(με κοντό σωλήνα, κυκλικό ακροφύσιο)	82 m/s
Ογκομετρική παροχή αέρα	(με μακρύ σωλήνα, κυκλικό ακροφύσιο)	15 m ³ /λεπτό
	(με κοντό σωλήνα, κυκλικό ακροφύσιο)	15 m ³ /λεπτό
Μέγιστες στροφές κινητήρα		6.400 min ⁻¹
Ταχύτητα ρελαντί		2.800 min ⁻¹
Εκτόπιση κινητήρα		52,5 cm ³
Τύπος κινητήρα		Αερόψυκτος, 4-χρονος, μονοκύλινδρος
Καύσιμο		Βενζίνη αυτοκινητών
Χωρητικότητα ρεζερβουάρ καυσίμου		1.800 cm ³
Λάδι κινητήρα		Λάδι SAE 10W-30 της κατηγορίας API, κλάση SF ή υψηλότερη (λάδι 4-χρονου κινητήρα αυτοκινήτου)
Όγκος λαδιού κινητήρα		140 cm ³
Καρμπιρατέρ		Τύπου διαφράγματος
Σπινθηριστής		NGK CMR6H
Διάκενο ηλεκτροδίων		0,7 mm - 0,8 mm

- Λόγω του συνεχόμενου προγράμματος που εφαρμόζουμε για έρευνα και ανάπτυξη, τα τεχνικά χαρακτηριστικά στο παρόν έντυπο υπόκεινται σε αλλαγή χωρίς προειδοποίηση.
- Τα τεχνικά χαρακτηριστικά μπορεί να διαφέρουν από χώρα σε χώρα.
- Το βάρος μπορεί να διαφέρει ανάλογα με το(α) εξάρτημα(τα).

Κραδασμός















Μοντέλο			MG5300		
Δόνηση σύμφωνα με το EN15503	Δεξιά χερούλι	a _{hν eq}	Μακρύς σωλήνας	με κυκλικό ακροφύσιο	2,2 (m/s ²)
				με επίπεδο ακροφύσιο	2,9 (m/s ²)
			Κοντός σωλήνας	με κυκλικό ακροφύσιο	2,2 (m/s ²)
				με επίπεδο ακροφύσιο	2,5 (m/s ²)
Αβεβαιότητα K				0,6 (m/s ²)	

Θόρυβος

Μοντέλο		MG5300
Στάθμη ηχητικής πίεσης αντιπροσωπευτική του EN15503	L _{PA eq}	96,0 (dB (A))
	Αβεβαιότητα K	0,4 (dB (A))
Στάθμη ηχητικής ισχύος αντιπροσωπευτική του EN15503	L _{WA eq}	102,5 (dB (A))
	Αβεβαιότητα K	1,6 (dB (A))

Σύμβολα

Παρακάτω παρουσιάζονται τα σύμβολα που χρησιμοποιούνται για τον εξοπλισμό. Βεβαιωθείτε ότι κατανοείτε τη σημασία τους πριν από τη χρήση.

	Απαιτούνται ιδιαίτερη φροντίδα και προσοχή.
	Διαβάστε το εγχειρίδιο οδηγιών.
	Απαγορεύεται!
	Απαγορεύεται το κάπνισμα.
	Απαγορεύονται οι γυμνές φλόγες.
	Να φοράτε προστατευτικά γάντια.
	Να φοράτε προστασία ματιών και ωτοασπίδες.
	Ζεστές επιφάνειες - Εγκαύματα δακτύλων ή χεριών.
	Να απομακρύνετε τυχόν παρευρισκόμενους.
	Να κρατάτε όλα τα άτομα και τα κατοικίδια ζώα μακριά από την περιοχή εργασίας.
	Καύσιμο (βενζίνη)
	Χειροκίνητη εκκίνηση κινητήρα.
	Διακόψτε τη λειτουργία του κινητήρα.
	Πρώτες βοήθειες
	Ενεργοποίηση/Εκκίνηση
	Απενεργοποίηση/Διακοπή
	Τα μακριά μαλλιά μπορεί να προκαλέσουν ατύχημα μπλεξίματος.

Δήλωση συμμόρφωσης EK

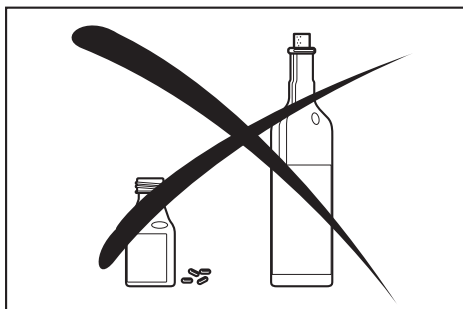
Μόνο για χώρες της Ευρώπης

Η δήλωση συμμόρφωσης EK περιλαμβάνεται ως Παράρτημα Α στο παρόν εγχειρίδιο οδηγιών.

ΣΗΜΑΝΤΙΚΕΣ ΟΔΗΓΙΕΣ ΑΣΦΑΛΕΙΑΣ

Γενικές οδηγίες

1. Για να εξασφαλίσετε τη σωστή και ασφαλή λειτουργία, ο χρήστης πρέπει να διαβάσει, να κατανοήσει και να ακολουθήσει αυτό το εγχειρίδιο οδηγιών για να εξοικειωθεί με το χειρισμό του φυσητήρα. Οι χρήστες με ανεπαρκή πληροφόρηση αποτελούν κίνδυνο για τον εαυτό τους αλλά και για τους άλλους εξαιτίας λανθασμένου χειρισμού.
2. Συνιστάται να δανείζετε το φυσητήρα μόνο σε άτομα που έχουν αποδείξει ότι έχουν πείρα με φυσητήρες.
3. Πάντοτε να παραδίδετε το εγχειρίδιο οδηγιών όταν δανείζετε τον φυσητήρα.
4. Οι άπειροι χρήστες θα πρέπει να ρωτούν το αντιπρόσωπο για τις βασικές οδηγίες ώστε να εξοικειωθούν με το χειρισμό του φυσητήρα.
5. Τα παιδιά και τα νεαρά άτομα, ηλικίας κάτω των 18 ετών, δεν πρέπει να χρησιμοποιούν το φυσητήρα. Ωστόσο, άτομα άνω των 16 ετών μπορούν να χρησιμοποιήσουν το εργαλείο για σκοπούς εκπαίδευσης, μόνο αν επιβλέπονται άμεσα από κατάλληλο εκπαιδευτή.
6. Να χρησιμοποιείτε τους φυσητήρες με μεγάλη προσοχή.
7. Να χειρίζεστε το φυσητήρα μόνο αν βρίσκεστε σε καλή σωματική κατάσταση.
8. Να διεξαγάγετε κάθε εργασία ευσυνείδητα και με προσοχή. Ο χρήστης πρέπει να αποδεχτεί την ευθύνη των άλλων.
9. Μην χρησιμοποιείτε ποτέ το φυσητήρα υπό την επήρεια αλκοόλ ή ναρκωτικών ουσιών.

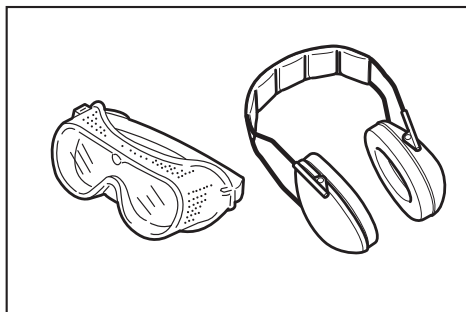


10. Μην χρησιμοποιείτε το μηχάνημα όταν είστε κουρασμένοι.
11. Φυλάξτε τις οδηγίες αυτές για μελλοντική χρήση.
12. Τηρήστε και ακολουθήστε όλες τις σχετικές οδηγίες πρόληψης ατυχημάτων που εκδόθηκαν από τους εμπορικούς οργανισμούς και τις εταιρείες ασφαλίσεων. Μην εκτελείτε

καμία τροποποίηση στο φυσητήρα επειδή έτσι θα διακινδυνεύει η ασφάλειά σας.

- Μην πραγματοποιήσετε ποτέ τροποποίηση στον εξοπλισμό. Μπορεί να προκληθούν επικίνδυνα ατυχήματα ή προστατευτικός τραυματισμός.

Προσωπικός προστατευτικός εξοπλισμός



- Τα ρούχα που φοράτε πρέπει να είναι λειτουργικά και κατάλληλα, δηλ. πρέπει να είναι εφαρμοστά αλλά να μην σας εμποδίζουν. Μην φοράτε κοσμήματα, φαρδιά ρούχα και να μαζεύετε τα μακριά μαλλιά επειδή μπορούν να τραβηχτούν στην είσοδο αέρα.
- Προκειμένου να αποφύγετε τους τραυματισμούς στο κεφάλι, στα μάτια, στα χέρια ή στα πόδια, καθώς και να προστατεύετε την ακοή σας, πρέπει να χρησιμοποιείτε τον ακόλουθο προστατευτικό εξοπλισμό και προστατευτικό ρουχισμό κατά τη διάρκεια της λειτουργίας του φυσητήρα.
- Τα ρούχα πρέπει να είναι ανθεκτικά και στενά, αλλά και να επιτρέπουν την πλήρη ελευθερία κίνησης. Μην φοράτε φαρδιά μπουφάν, παντελόνια με φαρδιά μπατζάκια ή ρεβέρ, κασκόλ, ελεύθερα μακριά μαλλιά ή οτιδήποτε μπορεί να τραβηχτεί στην είσοδο αέρα. Να φοράτε ολόσωμη φόρμα ή μακρύ παντελόνι για να προστατεύετε τα πόδια σας. Μην φοράτε σορτς.
- Γενικά, τα προϊόντα με κινητήρα είναι θορυβώδη και ο θόρυβος μπορεί να προκαλέσει ζημιά στην ακοή σας. Φοράτε ηχητικά φράγματα (ωτοασπίδες ή καλύμματα αυτιών) για να προστατεύσετε την ακοή σας. Οι χρήστες που χρησιμοποιούν το μηχάνημα συνεχόμενα ή τακτικά θα πρέπει να ελέγχουν τακτικά την ακοή τους.
- Συνιστάται η χρήση γαντιών κατά την εργασία με το φυσητήρα. Να φοράτε ανθεκτικά παπούτσια με αντιολισθητικές σόλες.
- Η σωστή προστασία ματιών είναι υποχρεωτική. Παρότι η εκκένωση κατευθύνεται μακριά

από το χειριστή, μπορεί να συμβούν προσκρούσεις και αναπηδήσεις κατά τη διάρκεια της λειτουργίας του φυσητήρα.

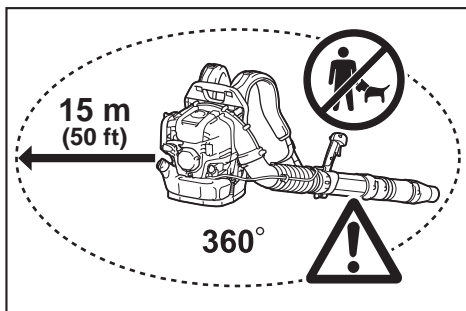
- Μη θέτετε ποτέ το φυσητήρα σε λειτουργία αν δεν φοράτε προστατευτικά γυαλιά ή γυαλιά ασφαλείας με σωστή εφαρμογή και με επαρκή άνω και πλάι προστασία, τα οποία συμμορφώνονται με το πρότυπο EN166 και τους κανονισμούς στη χώρα σας.
- Για να μειώσετε τον κίνδυνο τραυματισμού που σχετίζεται με την εισπνοή της σκόνης, χρησιμοποιήστε μάσκα προσώπου με φίλτρο σε συνθήκες με πολλή σκόνη.

Προοριζόμενη χρήση

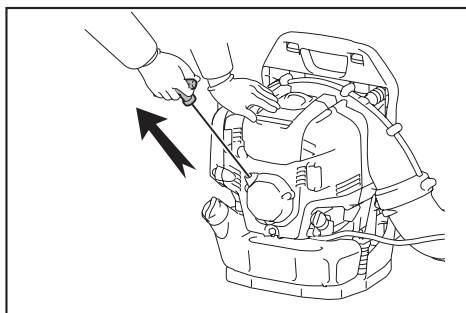
Το εργαλείο προορίζεται για φύσημα σκόνης.

Εκκίνηση του φυσητήρα

- Βεβαιωθείτε ότι δεν υπάρχουν παιδιά ή άλλα άτομα εντός εύρους εργασίας 15 μέτρων, αλλά και να προσέχετε σε οποιαδήποτε ζώα βρίσκονται κοντά.



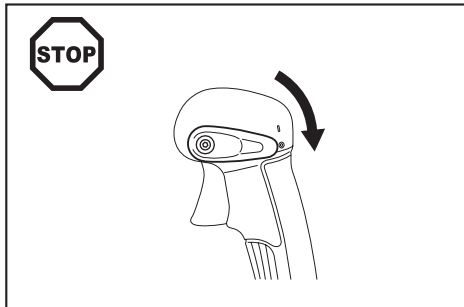
- Πριν τη λειτουργία, να ελέγχετε πάντα ότι ο φυσητήρας είναι ασφαλής για λειτουργία:
 - Ελέγξτε την ασφάλεια του μοχλού στραγγαλισμού. Πρέπει να ελέγχετε το μοχλό στραγγαλισμού για ομαλή και εύκολη κίνηση.
 - Ελέγξτε τη σωστή λειτουργία της ασφάλειας του μοχλού στραγγαλισμού.
 - Ελέγξτε ότι οι λαβές είναι καθαρές και στεγνές και ελέγξτε τη λειτουργία του διακόπτη λειτουργίας (I-O). Διατηρήστε τις λαβές καθαρές από λάδι και καύσιμο.
- Εκκινήστε το φυσητήρα μόνο σύμφωνα με τις οδηγίες. Μην χρησιμοποιήσετε οποιεσδήποτε άλλες μεθόδους για να ξεκινήσετε τον κινητήρα.



- Χρησιμοποιήστε το φυσητήρα και τα εργαλεία που παρέχονται μόνο για τις καθορισμένες εφαρμογές.
- Βάλτε μπρος τον κινητήρα φυσητήρα μόνο αφού έχετε συναρμολογήσει ολόκληρο το εργαλείο. Η λειτουργία του εργαλείου επιτρέπεται μόνο αφού συνδεθούν όλα τα κατάλληλα αξεσουάρ.
- Ο κινητήρας πρέπει να απενεργοποιηθεί αμέσως αν υπάρχουν προβλήματα με τον κινητήρα.
- Όταν εργάζεστε με το φυσητήρα, να τυλίγετε τα δάχτυλά σας σφιχτά γύρω από τη λαβή, διατηρώντας τη λαβή ελέγχου μεταξύ του αντίχειρα και δείκτη σας. Διατηρήστε το χέρι σας σε αυτή τη θέση για να έχετε το μηχάνημα πάντα υπό τον έλεγχό σας. Βεβαιωθείτε ότι η λαβή ελέγχου βρίσκεται σε καλή κατάσταση και χωρίς υγρασία, κόλλα, λάδι ή γράσο.
- Να εξασφαλίσετε πάντα ασφαλές και ισορροπημένο πάτημα.
- Κατά τη διάρκεια της λειτουργίας, μεταφέρετε το φυσητήρα σωστά και στους δύο ώμους. Μη μεταφέρετε το φυσητήρα μόνο με τον ένα ιμάντα ώμου. Διαφορετικά, μπορεί να προκύψει προσωπικός τραυματισμός.
- Να θέτετε το φυσητήρα σε λειτουργία με τρόπο ώστε να αποφεύγετε την εισπνοή των καυσαερίων. Μη θέτετε ποτέ τον κινητήρα σε λειτουργία σε κλειστά δωμάτια (υπάρχει κίνδυνος ασφυξίας και δηλητηριασμένο από αέρια). Το μονοξείδιο του άνθρακα είναι άσμο αέριο. Να βεβαιώνετε ότι υπάρχει πάντα επαρκής εξαερισμός.
- Απενεργοποιήστε τον κινητήρα όταν ξεκουράζετε ή αφήνετε το φυσητήρα ανεπιτήρητο. Τοποθετήστε τον σε ασφαλή τοποθεσία ώστε να αποφεύγεται ο κίνδυνος για άλλους, η ανάφλεξη των καύσιμων υλικών ή η πρόκληση ζημιών στο μηχάνημα.
- Μην αφήνετε ποτέ το ζεστό φυσητήρα σε ξηρό χορτάρι ή επάνω σε καύσιμα υλικά.
- Κατά τη διάρκεια της λειτουργίας, πρέπει να χρησιμοποιούνται όλα τα προστατευτικά εξαρτήματα και προφυλακτήρας που παρέχονται με το μηχάνημα.
- Μη θέτετε τον κινητήρα ποτέ σε λειτουργία με ελαττωματικό σιγαστήρα καυσαερίων.

Μεταφορά

- Σβήστε τον κινητήρα κατά τη μεταφορά.

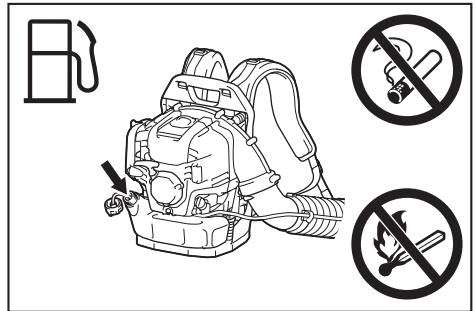


- Για να αποφευχθεί η διαρροή καυσίμου, τοποθετήστε το φυσητήρα με ασφάλεια κατά τη μεταφορά σε αυτοκίνητο ή φορτηγό.

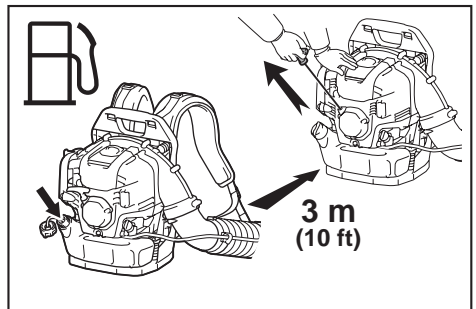
- Όταν μεταφέρετε το φυσητήρα, βεβαιωθείτε ότι το ρεζερβουάρ καυσίμου είναι εντελώς άδειο.
- Να σηκώνετε το φυσητήρα από τη λαβή μεταφοράς όταν το μεταφέρετε. Μη σύρετε το φυσητήρα από το ακροφύσιο, το σωλήνα ή άλλα μέρη.
- Κρατάτε γερά το φυσητήρα κατά τη διάρκεια της μεταφοράς.
- Όταν μεταφέρετε το φυσητήρα, λυγίστε τα γόνατά σας και βεβαιωθείτε ότι δεν θα προκαλέσετε ζημιά στους ώμους και χαμηλά στην πλάτη σας.

Ανεφοδιασμός

- Κατά τον ανεφοδιασμό καυσίμου σβήστε τον κινητήρα, να είστε μακριά από γυμνή φλόγα και να μην καπνίζετε.



- Αποφύγετε την επαφή πετρελαϊκών προϊόντων με το δέρμα. Μην εισπνεύετε τον ατμό καυσίμου. Να φοράτε πάντα προστατευτικά γάντια κατά τον ανεφοδιασμό. Να αλλάζετε και να καθαρίζετε τον προστατευτικό ρουχισμό σε τακτικά διαστήματα.
- Προσέχετε να μην χύσετε το καύσιμο ή το λάδι ώστε να αποφύγετε τη μόλυνση του εδάφους (περιβαλλοντική προστασία). Να καθαρίζετε το φυσητήρα αμέσως μετά την έκχυση καυσίμου. Να αφήνετε τα βρεγμένα πανιά να στεγνώσουν πριν τα απορρίψετε σε κατάλληλο, καλυμμένο δοχείο, προκειμένου να αποφευχθεί η αυθόρμητη καύση.
- Να αποφεύγετε την επαφή του καυσίμου με τα ρούχα σας. Να αλλάζετε αμέσως τα ρούχα σας αν έχει χυθεί καύσιμο σε αυτά (κίνδυνος πυρκαγιάς).
- Να ελέγχετε την τάπα καυσίμου σε τακτά χρονικά διαστήματα και να βεβαιώνετε ότι παραμένει σφιχτά κλεισμένη.
- Σφίξτε προσεκτικά την τάπα ρεζερβουάρ καυσίμου. Αλλάξτε τοποθεσία για να βάλετε μπρος τον κινητήρα (τουλάχιστον 3 μέτρα) μακριά από τη θέση ανεφοδιασμού).



- Μην ανεφοδιάζετε ποτέ σε κλειστά δωμάτια. Οι ατμοί καύσιμου συσσωρεύονται στο επίπεδο του εδάφους (κίνδυνος εκρήξεων).
- Να μεταφέρετε και να αποθηκεύσετε καύσιμο μόνο σε εγκεκριμένα δοχεία. Βεβαιωθείτε ότι το αποθηκευμένο καύσιμο δεν είναι προσβάσιμο σε παιδιά.
- Μην επιχειρήσετε τον ανεφοδιασμό με ζεστό κινητήρα ή κινητήρα που βρίσκεται σε λειτουργία.
- Μην πραγματοποιείτε ανεφοδιασμό με ποσότητα μεγαλύτερη από αυτή που ορίζεται στις «ΠΡΟΔΙΑΓΡΑΦΕΣ».

Μέθοδος λειτουργίας

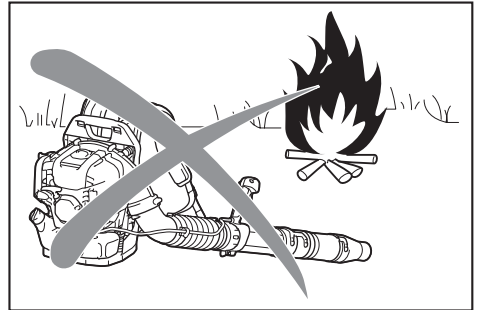
- Να χρησιμοποιείτε το φυσητήρα μόνο με καλό φωτισμό και ορατότητα. Να προσέχετε τις ολισθηρές ή βρεγμένες περιοχές, τον πάγο και το χιόνι (κίνδυνος ολίσθησης), αλλά και τους στενούς χώρους. Να εξασφαλίζετε πάντα ασφαλές πάτημα.
- Μην εργάζεστε ποτέ σε ασταθές έδαφος ή σε απότομη κλίση.
- Μην εργάζεστε από σκάλες ή υψηλά μέρη. Διαφορετικά, μπορεί να προκύψει προσωπικός τραυματισμός.
- Για να μειώσετε τον κίνδυνο προσωπικού τραυματισμού, μην κατευθύνετε τον αέρα εμφύσησης προς τους παρευρισκόμενους, επειδή η υψηλή πίεση της ροής αέρα μπορεί να προκαλέσει τραυματισμό στα μάτια και να παρασύρει μικρά αντικείμενα με μεγάλη ταχύτητα.
- Μην εισαγάγετε ποτέ ξένα αντικείμενα στην είσοδο αέρα του μηχανήματος ή μέσα στο ακροφύσιο του φυσητήρα. Θα προκληθεί ζημιά στον τροχό ανεμιστήρα και μπορεί να προκληθεί σοβαρός τραυματισμός στο χειριστή ή στους παρευρισκόμενους ως αποτέλεσμα της ρίψης του αντικείμενου ή σπασμένων κομματιών με μεγάλη ταχύτητα.
- Προσέχετε την κατεύθυνση του ανέμου, δηλ. μην εργάζεστε αντίθετα από τον άνεμο.
- Για να μειώσετε τον κίνδυνο σκοντάμματος και απώλειας ελέγχου, μην περπατάτε προς τα πίσω (όπισθεν) ενώ χειρίζεστε το μηχάνημα.
- Να σβήνετε πάντα τον κινητήρα πριν καθαρίζετε ή συντηρείτε τη μονάδα ή αντικαθιστάτε εξαρτήματα.
- Κάντε ένα διάλειμμα για να ξεκουραστείτε για να αποφύγετε την απώλεια ελέγχου που προκαλείται από την κόπωση. Σας συνιστούμε να κάνετε 10 έως 20 λεπτά διάλειμμα κάθε ώρα.
- Μην χειρίζεστε το μηχάνημα κοντά στα παράθυρα, κτλ.
- Για να μειώσετε την επιδότηση από τη δόνηση και/ή ενδεχόμενη βλάβη στα αυτιά, θέτετε το μηχάνημα σε λειτουργία σε χαμηλή ταχύτητα, αν είναι δυνατό, και περιορίζετε το χρόνο λειτουργίας.
- Να χρησιμοποιείτε το μηχάνημα μόνο σε λογικές ώρες. Μην θέτετε το φυσητήρα σε λειτουργία χωρίς να πρική ή αργά τη νύχτα όταν οι άνθρωποι μπορεί να ενοχλούνται.
- Συνιστάται η χρήση τσουγκράνας και σκούπας για να χαλαρώσετε τις ακαθαρσίες πριν χρησιμοποιήσετε το φυσητήρα.
- Πριν το φύσημα, υγράνετε λίγο τις επιφάνειες όταν οι συνθήκες είναι σκονισμένες ή χρησιμοποιήστε ψεκαστήρα εκνεφώματος νερού αν απαιτείται.
- Ρυθμίστε το μήκος του ακροφυσίου φυσητήρα ώστε η ροή να μπορεί να λειτουργεί κοντά στο έδαφος.
- Για να μειώσετε τα επίπεδα ήχου, περιορίστε τον αριθμό των τεμαχίων εξοπλισμού που

χρησιμοποιούνται ταυτόχρονα.

- Μετά τη χρήση του φυσητήρα και άλλου εξοπλισμού, **ΝΑ ΚΑΘΑΡΙΖΕΤΕ!** Απορρίψτε τα σκουπίδια σε κάδους σκουπιδιών.
- Μην επιταχύνετε τον κινητήρα περισσότερο από ό,τι απαιτείται. Ένα αντικείμενο που φυσείται μπορεί να προκαλέσει προσωπικό τραυματισμό.
- Ο σιγαστήρας καυσαερίων ζεσταίνεται κατά τη διάρκεια της λειτουργίας. Μην αγγίζετε το σιγαστήρα καυσαερίων, μπορεί να προκύψει δερματικό έγκαυμα.
- Μη θέτετε το μηχάνημα σε λειτουργία σε εκρηκτικές ατμόσφαιρες, όπως παρουσία εύφλεκτων υγρών, αερίων ή σκόνης. Το μηχάνημα δημιουργεί σπινθήρες που μπορεί να προκαλέσουν ανάφλεξη της σκόνης ή των ατμών.

Οδηγίες συντήρησης

- Να προσέχετε το περιβάλλον. Να θέτετε το φυσητήρα σε λειτουργία με όσο το δυνατό λιγότερο θόρυβο και μόλυνση. Συγκεκριμένα, ελέγξτε τη σωστή ρύθμιση του καρμπιρατέρ.
- Καθαρίστε το φυσητήρα σε τακτά χρονικά διαστήματα και ελέγξτε ότι όλες οι βίδες και παξιμάδια είναι καλά σφιγμένα.
- Μην συντηρείτε και μην αποθηκεύετε το φυσητήρα κοντά σε γυμνές φλόγες, σπινθήρες, κτλ.



- Να αποθηκεύετε πάντα το φυσητήρα σε ένα καλά αεριζόμενο κλειδωμένο δωμάτιο και με άδειο το ρεζερβουάρ καυσίμου.
- Η εκτέλεση εργασιών συντήρησης ή επισκευής από το χρήστη περιορίζεται στις εργασίες εκείνες που περιγράφονται στο παρόν εγχειρίδιο οδηγιών. Όλες οι άλλες εργασίες πρέπει να πραγματοποιούνται από εξουσιοδοτημένους αντιπροσώπους σέρβις.
- Να χρησιμοποιείτε μόνο γνήσια ανταλλακτικά και αξεσουάρ που παρέχει η Makita/Dolmar. Η χρήση μη εγκεκριμένων αξεσουάρ και εργαλείων μπορεί να έχει ως αποτέλεσμα ατυχήματα και τραυματισμούς. Η Makita/Dolmar δεν θα αποδεχτεί την ευθύνη για ατυχήματα ή ζημιές που προκλήθηκαν από τη χρήση οποιουδήποτε μη εγκεκριμένων προσαρτημάτων ή αξεσουάρ.
- Η λανθασμένη επισκευή και η φτωχή συντήρηση μπορεί να μειώσει τη διάρκεια της ωφέλιμης ζωής της συσκευής και να αυξήσει τον κίνδυνο ατυχημάτων.

Πρώτες βοήθειες

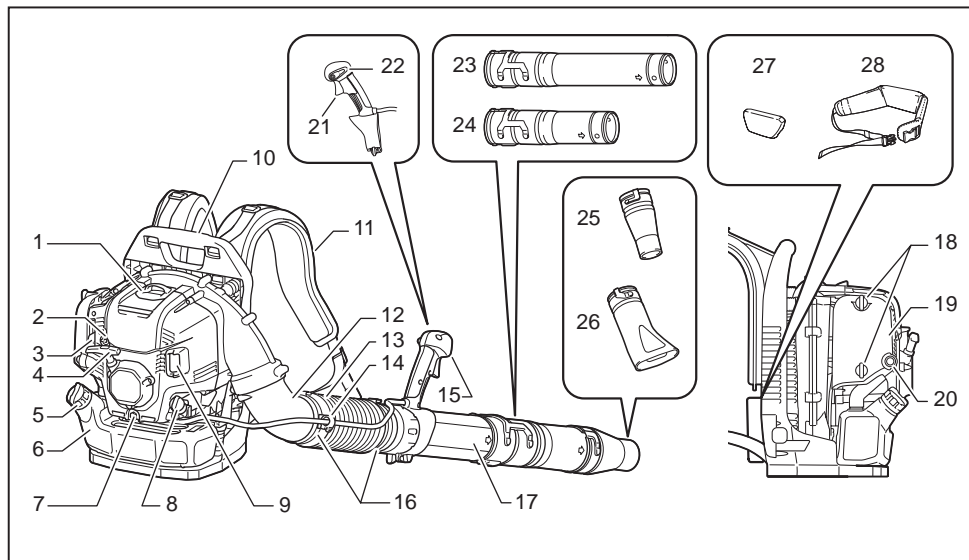
1. Για περίπτωση ατυχήματος, βεβαιωθείτε ότι διατίθεται ολοκληρωμένο κιτ πρώτων βοηθειών κοντά στο χώρο των εργασιών. Αντικαταστήστε αμέσως οποιαδήποτε αντικείμενα που αφαιρέσατε από το κιτ πρώτων βοηθειών.

2. Όταν ζητάτε βοήθεια, δώστε τις ακόλουθες πληροφορίες:

- Τόπος ατυχήματος
- Τι συνέβη
- Αριθμός τραυματισμένων ατόμων
- Φύση του τραυματισμού
- Το όνομά σας

ΠΕΡΙΓΡΑΦΗ ΕΞΑΡΤΗΜΑΤΩΝ

MG5300



1	Κάλυμμα σπινθηριστή	9	Σιγαστήρας	17	Περιστρεφόμενος σωλήνας	25	Κυκλικό ακροφύσιο
2	Μοχλός αντιπαγοποίησης	10	Λαβή μεταφοράς	18	Μπουλόνι κουμπιού (του καλύμματος φίλτρου αέρα)	26	Επίπεδο ακροφύσιο (προαιρετικό αξεσουάρ)
3	Μοχλός τσοκ	11	Ιμάντας ώμου	19	Κάλυμμα φίλτρου αέρα	27	Μαξιλάρι (προαιρετικό αξεσουάρ)
4	Λαβή εκκινήτη	12	Γωνία	20	Αντλία προέγχυσης	28	Ιμάντας γοφού (προαιρετικό εξάρτημα)
5	Τάπα ρεζερβουάρ καυσίμου	13	Εύκαμπτος σωλήνας	21	Σκανδάλη στραγγαλισμού	-	-
6	Ρεζερβουάρ καυσίμου	14	Υποδοχέας καλωδίου	22	Μοχλός ελέγχου διακοπής	-	-
7	Μπουλόνι αποστράγγισης λαδιού	15	Λαβή ελέγχου	23	Μακρύς σωλήνας (προαιρετικό αξεσουάρ)	-	-
8	Τάπα λαδιού	16	Σφιγκτήρας ελαστικού σωλήνα	24	Κοντός σωλήνας (προαιρετικό αξεσουάρ)	-	-

- Τα στάνταρ αξεσουάρ μπορεί να διαφέρουν ανάλογα με τη χώρα.

ΣΥΝΑΡΜΟΛΟΓΗΣΗ

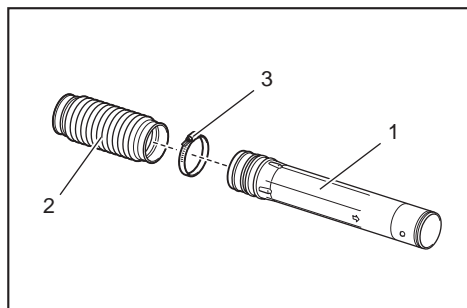
▲ ΠΡΟΣΟΧΗ: Πριν εκτελέσετε οποιαδήποτε εργασία στον φυσητήρα, να σβήνετε πάντα τον κινητήρα και να τραβήξετε και να βγάλετε το κάλυμμα σπινθηριστή από το σπινθηριστή.

▲ ΠΡΟΣΟΧΗ: Εκκινήστε τον φυσητήρα μόνο αφού τον έχετε συναρμολογήσει πλήρως.

▲ ΠΡΟΣΟΧΗ: Να φοράτε πάντα προστατευτικά γάντια.

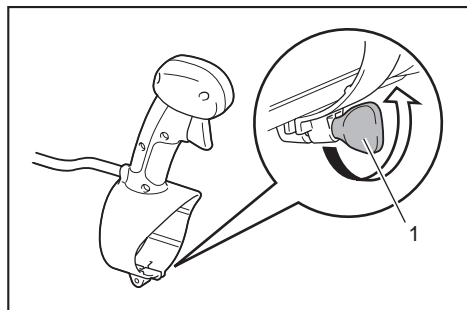
Συναρμολόγηση των σωλήνων φυσητήρα

1. Εισαγάγετε τον περιστρεφόμενο σωλήνα στον εύκαμπο σωλήνα και σφίξτε τα με τον σφιγκτήρα ελαστικού σωλήνα.



► 1. Περιστρεφόμενος σωλήνας 2. Εύκαμπτος σωλήνας 3. Σφιγκτήρας ελαστικού σωλήνα

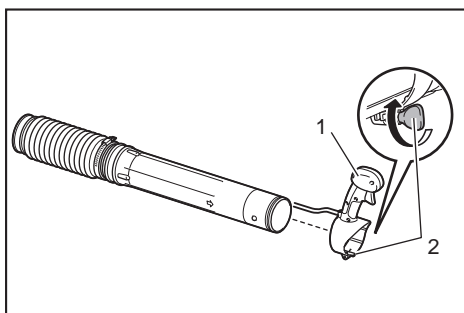
2. Χαλαρώστε και βγάλετε τη βίδα σύσφιξης.



► 1. Βίδα σύσφιξης

Προσέξτε να μην στρίψετε το καλώδιο κατά τη συναρμολόγηση της λαβής ελέγχου.

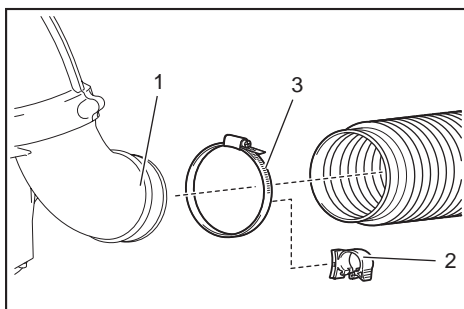
3. Εισαγάγετε τη λαβή ελέγχου / διάταξη λαβής στον περιστρεφόμενο σωλήνα και σφίξτε τα με τη βίδα σύσφιξης.



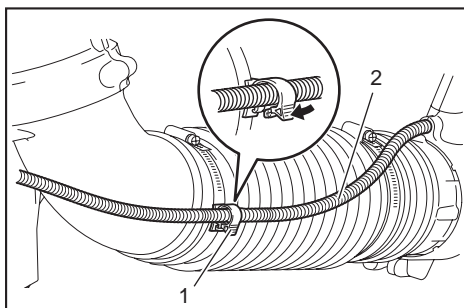
► 1. Λαβή ελέγχου 2. Βίδα σύσφιξης

4. Συνδέστε τον εύκαμπο σωλήνα με τη γωνία.

Εισαγάγετε τη γωνία στον εύκαμπο σωλήνα. Συνδέστε τον υποδοχέα καλωδίου μεταξύ του σφιγκτήρα ελαστικού σωλήνα και του εύκαμπτου σωλήνα. Σφίξτε τον υποδοχέα καλωδίου, τον εύκαμπο σωλήνα και τη γωνία με τον σφιγκτήρα ελαστικού σωλήνα. Τοποθετήστε το καλώδιο χειρισμού μέσα στον υποδοχέα καλωδίου και κλείστε τον υποδοχέα καλωδίου.

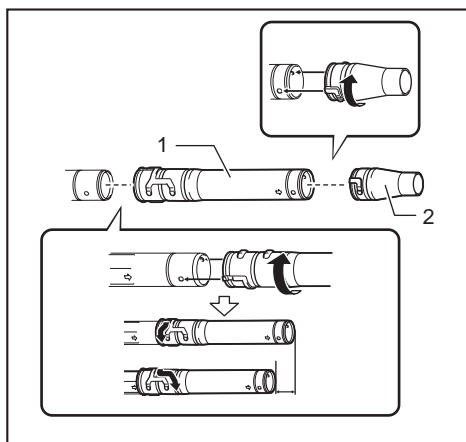


► 1. Γωνία 2. Υποδοχέας καλωδίου 3. Σφιγκτήρας ελαστικού σωλήνα



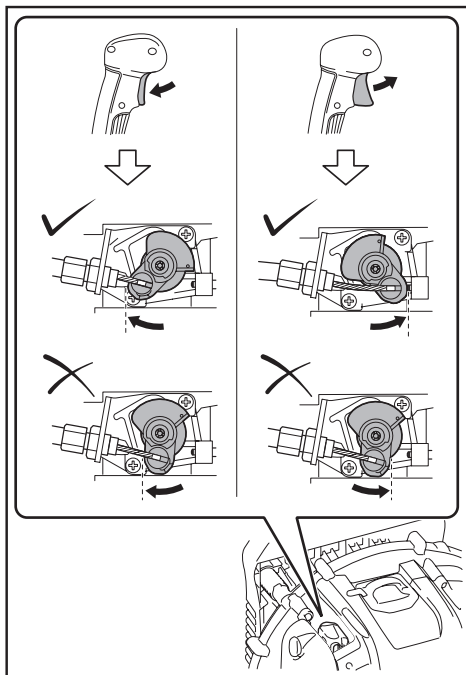
► 1. Υποδοχέας καλωδίου 2. Καλώδιο χειρισμού

5. Συνδέστε τον μακρύ/κοντό σωλήνα με το περιστρεφόμενο σωλήνα. Περιστρέψτε τον μακρύ/κοντό σωλήνα δεξιόστροφα για να τον ασφαλίσετε στη θέση του. Στη συνέχεια, συνδέστε το ακροφύσιο φυσητήρα με τον μακρύ/κοντό σωλήνα. Περιστρέψτε το ακροφύσιο φυσητήρα δεξιόστροφα για να το ασφαλίσετε στη θέση του.



► 1. Μακρύς/Κοντός σωλήνας 2. Ακροφύσιο φυσητήρα

6. Βεβαιωθείτε ότι όλοι οι σφικτήρες είναι σφιγμένοι. Ελέγξτε αν η βαλβίδα στραγγαλισμού μετακινείται σωστά μαζί με την κίνηση του στραγγαλισμού.



Αν το στραγγαλισμό δεν μπορεί να τραβηχτεί τελείως ή αν δεν επιστρέφει στη σωστή θέση, ανατρέξτε στην ενότητα ΣΥΝΤΗΡΗΣΗ για να ρυθμίσετε την βαλβίδα στραγγαλισμού.

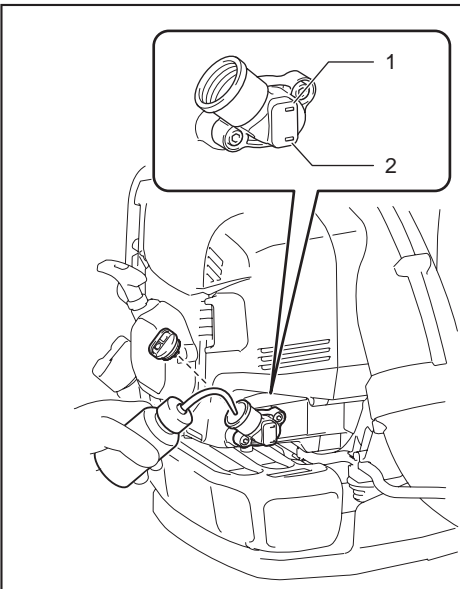
ΠΡΙΝ ΤΗΝ ΕΚΚΙΝΗΣΗ ΤΟΥ ΚΙΝΗΤΗΡΑ

Έλεγχος και ανεφοδιασμός του λαδιού κινητήρα

▲ΠΡΟΣΟΧΗ: Όταν ανεφοδιάζετε με λάδι κινητήρα, σβήστε τον κινητήρα και περιμένετε να κρυσώσει ο κινητήρας. Διαφορετικά, μπορεί να προκύψει δερματικό έγκαυμα.

ΕΙΔΟΠΟΙΗΣΗ: Η χρήση καυσίμου μειωμένης ποιότητας θα προκαλέσει ακανόνιστη εκκίνηση.

ΕΙΔΟΠΟΙΗΣΗ: Αφαιρέστε τη σκόνη ή την βρομιά κοντά στο στόμιο ανεφοδιασμού του λαδιού πριν αποσυνδέσετε την τάπα λαδιού. Επίσης, διατηρήστε την τάπα λαδιού που έχετε βγάλει καθαρή από άμμο και σκόνη. Διαφορετικά, τυχόν άμμος ή σκόνη που έχει προσκολληθεί στην τάπα λαδιού μπορεί να προκαλέσει ακανόνιστη κυκλοφορία λαδιού ή φθορά στα εξαρτήματα του κινητήρα, γεγονός που οδηγεί σε διάφορα προβλήματα.



► 1. Ένδειξη άνω ορίου 2. Ένδειξη κάτω ορίου

Επιθεώρηση

Τοποθετήστε το φυσητήρα σε μια επίπεδη επιφάνεια και βγάλτε την τάπα λαδιού.

Βεβαιωθείτε ότι η στάθμη λαδιού κυμαίνεται εντός των ενδείξεων άνω και κάτω ορίου. Αν το λάδι δεν φτάνει μέχρι το κάτω όριο, συμπληρώστε καινούριο λάδι. Αλλάξτε το λάδι κάθε φορά που βρομίζει ή αλλάζει σημαντικά χρώμα. (Ανατρέξτε στην παράγραφο «Αλλαγή του λαδιού κινητήρα» για τη διαδικασία και τη συχνότητα αλλαγής λαδιού).

Ανεφοδιασμός

Τοποθετήστε το φυσητήρα σε μια επίπεδη επιφάνεια και βγάλτε την τάπα λαδιού.

Συμπληρώστε με λάδι μέχρι το άνω όριο του μετρητή στάθμης λαδιού.

Κατά μέσο όρο, το λάδι κινητήρα πρέπει να προστεθεί μετά από κάθε 20 ώρες λειτουργίας (κάθε 10 - 15 ανεφοδιασμοί).

Συνιστώμενο λάδι

- Γνήσιο λάδι 4χρονων κινητήρων Dolmar/Makita ή
- Λάδι SAE 10W-30 της κατηγορίας API, κλάση SF ή υψηλότερη (λάδι 4-χρονου κινητήρα αυτοκινήτου)

Χωρητικότητα λαδιού

Χωρητικότητα λαδιού: περίπου 140 ml

ΕΙΔΟΠΟΙΗΣΗ: Να αποθηκεύετε το φυσητήρα σε όρθια θέση σε επίπεδη επιφάνεια. Ο μετρητής λαδιού δεν δείχνει τη σωστή ποσότητα λαδιού αν ο φυσητήρας βρίσκεται υπό κλίση και ρέει λάδι μέσα στον κινητήρα. Μπορεί να έχει ως αποτέλεσμα την πλήρωση υπερβολικού λαδιού.

ΕΙΔΟΠΟΙΗΣΗ: Μην συμπληρώνετε με υπερβολικό λάδι. Το παραπάνω λάδι μπορεί να χυθεί από τον εξεριστήρα του φίλτρου αέρα και να βρομίσει τα περιβάλλοντα μέρη ή μπορεί να εμφανιστεί λευκός καπνός εξαιτίας της καύσης του λαδιού.

Μετά από τον ανεφοδιασμό με λάδι

Σκουπίστε το χυμένο λάδι με ένα πανί.

Παροχή καυσίμου

▲ΠΡΟΕΙΔΟΠΟΙΗΣΗ: Κατά τον ανεφοδιασμό, σβήστε τον κινητήρα και περιμένετε να κρυώσει ο κινητήρας. Διαφορετικά, μπορεί να προκύψει ανάφλεξη, πυρκαγιά ή δερματικό έγκαυμα.

▲ΠΡΟΕΙΔΟΠΟΙΗΣΗ: Η παροχή καυσίμου πρέπει να γίνει σε μέρος χωρίς φωτιά, ώστε να αποφευχθεί η ανάφλεξη ή η φωτιά. Μην φέρετε ποτέ τη φωτιά (κάπνισμα, κτλ.) κοντά στο μέρος ανεφοδιασμού καυσίμου.

▲ΠΡΟΕΙΔΟΠΟΙΗΣΗ: Ανεφοδιάστε σε μια επίπεδη επιφάνεια. Μην ανεφοδιάσετε σε ασταθές μέρος. Ανεφοδιάστε σε καλό φωτισμό και ορατότητα.

▲ΠΡΟΕΙΔΟΠΟΙΗΣΗ: Ανοίξτε αργά την τάπα ρεζερβουάρ καυσίμου. Μπορεί να χυθεί καύσιμο λόγω της εσωτερικής πίεσης.

▲ΠΡΟΕΙΔΟΠΟΙΗΣΗ: Προσέχετε να μην χύσετε το καύσιμο. Σκουπίστε το χυμένο καύσιμο.

▲ΠΡΟΕΙΔΟΠΟΙΗΣΗ: Διεξαγάγετε την παροχή καυσίμου σε ένα καλά αεριζόμενο χώρο.

▲ΠΡΟΕΙΔΟΠΟΙΗΣΗ: Ανεφοδιάστε σε ανοιχτό, καθαρό μέρος.

▲ΠΡΟΕΙΔΟΠΟΙΗΣΗ: Χειριστείτε το καύσιμο με προσοχή.

▲ΠΡΟΣΟΧΗ: Το καύσιμο που προσκολλά στο δέρμα ή μπαίνει στο μάτι μπορεί να προκαλέσει αλλεργίες ή ερεθισμό. Όταν εμφανιστεί κάποια σωματική ανωμαλία, συμβουλευτείτε αμέσως ιατρό.

ΕΙΔΟΠΟΙΗΣΗ: ΜΗΝ ρίχνετε λάδι στο ρεζερβουάρ καυσίμου.

Καύσιμο

▲ΠΡΟΕΙΔΟΠΟΙΗΣΗ: Διατηρήστε το μηχάνημα και το ρεζερβουάρ σε ψυχρό μέρος, μακριά από τις ακτίνες του ήλιου.

▲ΠΡΟΕΙΔΟΠΟΙΗΣΗ: Μην φυλάσσετε ποτέ το καύσιμο μέσα σε αυτοκίνητο.

Ο κινητήρας είναι ένας τετράχρονος κινητήρας. Βεβαιωθείτε να χρησιμοποιείτε βενζίνη για αυτοκίνητα (κανονική βενζίνη ή βενζίνη premium).

ΕΙΔΟΠΟΙΗΣΗ: Μη χρησιμοποιείτε ποτέ βενζίνη μαζί με λάδι, όπως λάδι για 2χρονους κινητήρες ή μηχανέλαιο. Διαφορετικά, θα προκληθεί υπερβολική συσσώρευση άνθρακα ή μηχανικά προβλήματα.

ΠΑΡΑΤΗΡΗΣΗ: Διατηρήστε το καύσιμο μέσα σε ένα ειδικό δοχείο σε ένα καλά αεριζόμενο χώρο υπό σκιά. Χρησιμοποιήστε το καύσιμο εντός περιόδου 4 εβδομάδων. Διαφορετικά, το καύσιμο μπορεί να χαλάσει εντός μίας ημέρας.

Μέθοδος ανεφοδιασμού

▲ΠΡΟΣΟΧΗ: Αν υπάρχει οποιοδήποτε ελάττωμα ή ζημιά στην τάπα του ρεζερβουάρ, αντικαταστήστε την.

▲ΠΡΟΣΟΧΗ: Η τάπα του ρεζερβουάρ φθέριεται με το χρόνο. Αντικαταστήστε την κάθε δύο με τρία χρόνια.

ΕΙΔΟΠΟΙΗΣΗ: ΜΗΝ ρίξετε καύσιμο στην τρύπα πλήρωσης λαδιού.

1. Χαλαρώστε λίγο την τάπα του ρεζερβουάρ για να εκτονώσετε την πίεση του ρεζερβουάρ.
2. Αποσυνδέστε την τάπα του ρεζερβουάρ και ανεφοδιάστε, ενώ απομακρύνετε τον αέρα δίνοντας κλίση στο ρεζερβουάρ καυσίμου ώστε το στόμιο ανεφοδιασμού να είναι προσανατολισμένη προς τα πάνω. ΜΗΝ γεμίσετε με καύσιμο μέχρι το άνω μέρος του ρεζερβουάρ.
3. Μετά τον ανεφοδιασμό, σφίξτε καλά την τάπα του ρεζερβουάρ.

ΛΕΙΤΟΥΡΓΙΑ

Εκκίνηση του κινητήρα

▲ΠΡΟΕΙΔΟΠΟΙΗΣΗ: Μην προσπαθήσετε ποτέ να βάλετε μπρος τον κινητήρα σε μέρος όπου έχει γίνει ανεφοδιασμός με καύσιμο. Μπορεί να προκληθεί ανάφλεξη ή πυρκαγιά. Όταν βάζετε μπρος τον κινητήρα, κρατήστε απόσταση τουλάχιστον 3 μέτρα από το χώρο ανεφοδιασμού.

▲ΠΡΟΕΙΔΟΠΟΙΗΣΗ: Τα καυσάερια από τον κινητήρα είναι τοξικά. Μη θέτετε τον κινητήρα σε λειτουργία σε χώρο με ανεπαρκή εξαερισμό, όπως σήραγγα, κτίριο, κτλ. Η λειτουργία του κινητήρα σε χώρο με ανεπαρκή εξαερισμό μπορεί να προκαλέσει δηλητηρίαση από τα καυσάερια.

▲ΠΡΟΕΙΔΟΠΟΙΗΣΗ: Σε περίπτωση ανίχνευσης οποιασδήποτε ανωμαλίας στον ήχο, την οσμή ή τη δόνηση μετά την εκκίνηση, διακόψτε αμέσως τη λειτουργία του κινητήρα και διεξαγάγετε έλεγχο. Αν ο κινητήρας τεθεί σε λειτουργία χωρίς να δώσετε προσοχή σε κάποια από τις πιο πάνω ανωμαλίες, μπορεί να προκληθεί ατύχημα.

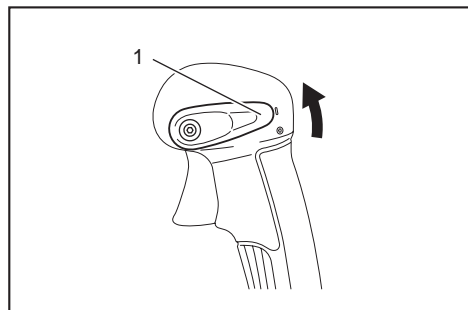
▲ΠΡΟΕΙΔΟΠΟΙΗΣΗ: Μην αγγίζετε το κάλυμμα του ζεστού κινητήρα. Διαφορετικά, μπορεί να προκύψει δερματικό έγκαυμα.

▲ΠΡΟΕΙΔΟΠΟΙΗΣΗ: Βεβαιωθείτε ότι δεν υπάρχει διαρροή καυσίμου πριν βάλετε μπρος τον κινητήρα.

▲ΠΡΟΕΙΔΟΠΟΙΗΣΗ: Να βεβαιώνετε ότι ο κινητήρας σταματάει όταν θέτετε το διακόπτη απενεργοποίησης στη θέση «Ο».

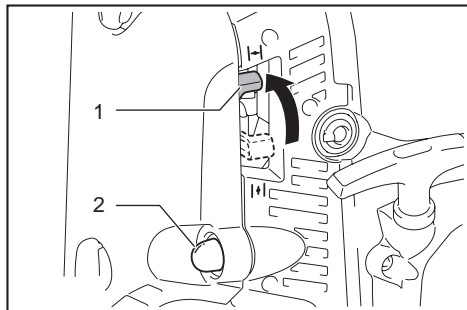
Όταν ο κινητήρας είναι κρύος ή μετά τον ανεφοδιασμό (κρύα εκκίνηση)

1. Τοποθετήστε το φυσητήρα σε μια επίπεδη επιφάνεια.
 2. Θέση I/O
- Θέστε το μοχλό ελέγχου διακοπής στη θέση «I».



- 1. Μοχλός ελέγχου διακοπής

3. Συνεχίστε να ωθείτε την αντλία προέγχυσης μέχρι να μπαίνει καύσιμο στην αντλία προέγχυσης.

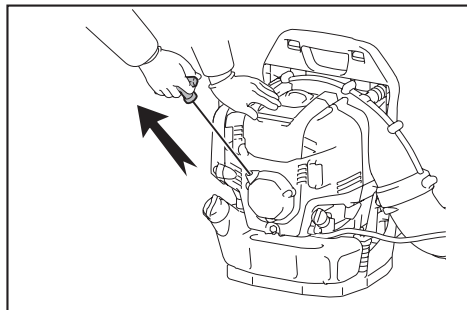


- 1. Μοχλός τσοκ 2. Αντλία προέγχυσης

ΠΑΡΑΤΗΡΗΣΗ: Γενικά, το καύσιμο μπαίνει στο καρμπυρατέρ σε 7 έως 10 ωθήσεις.

ΠΑΡΑΤΗΡΗΣΗ: Ακόμη και η αντλία προέγχυσης ωθείται υπερβολικά, παραπάνω βενζίνη επιστρέφει στο ρεζερβουάρ καυσίμου.

4. Σηκώστε το μοχλό τσοκ στην κλειστή θέση.
5. Βάλτε το αριστερό σας χέρι πάνω στο φυσητήρα και τραβήξτε αργά τη λαβή εκκινητή με το δεξί σας χέρι, μέχρι να αισθανθείτε τη συμπίεση. Στη συνέχεια, τραβήξτε δυνατά τη λαβή εκκινητή.

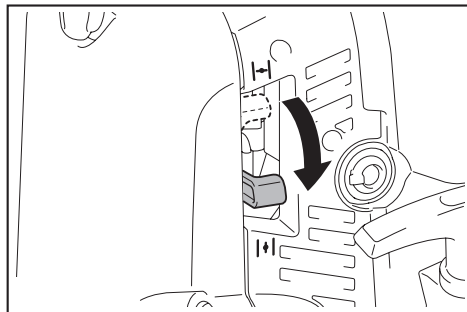


ΕΙΔΟΠΟΙΗΣΗ: Μην τραβάτε ποτέ το σκοινί μέχρι την πλήρη έκτασή του.

ΕΙΔΟΠΟΙΗΣΗ: Επιστρέψτε τη λαβή εκκινητή απαλά μέσα στο περίβλημα. Διαφορετικά, η απελευθερωμένη λαβή εκκινητή μπορεί να χτυπήσει το σώμα σας ή να επανατυλιχτεί λανθασμένα.

ΠΑΡΑΤΗΡΗΣΗ: Αν ο κινητήρας εκκινήσει και σταματήσει, επιστρέψτε το μοχλό τσοκ στην «ανοικτή» θέση και τραβήξτε τη λαβή εκκινητή αρκετές φορές για να ξεκινήσετε ξανά τον κινητήρα.

6. Όταν πάρει μπρος ο κινητήρας, πατήστε το μοχλό τσοκ στην ανοικτή θέση.



ΠΑΡΑΤΗΡΗΣΗ: Ανοίξτε πλήρως το μοχλό τσοκ πριν τραβήξετε το στραγγαλισμό.

ΠΑΡΑΤΗΡΗΣΗ: Σε χαμηλές θερμοκρασίες ή όταν ο κινητήρας δεν είναι αρκετά ζεστός, μην ανοίγετε ξαφνικά το μοχλό τσοκ. Διαφορετικά, ο κινητήρας θα σταματήσει.

7. Πραγματοποιήστε ζέσταμα για 2 έως 3 λεπτά με τις στροφές κινητήρα στο ρελαντί ή χαμηλά.

8. Το ζέσταμα έχει ολοκληρωθεί όταν καταλάβετε μια γρήγορη επιτάχυνση κινητήρα από χαμηλές σ.α.λ. σε πλήρη ρελαντί.

ΠΑΡΑΤΗΡΗΣΗ: Αν ο χειριστής συνεχίσει να τραβάει τη λαβή εκκινήτη αρκετές φορές με το μοχλό τσοκ στην «κλειστή» θέση, ο κινητήρας μπορεί να πάρει μπρος με δυσκολία εξαιτίας της υπερχειίλισης με καύσιμο. Σε περίπτωση υπερχειίλισης με καύσιμο, βγάλτε τον σπινθηριστή και τραβήξτε τη λαβή αρκετές φορές γρήγορα και να απομακρύνετε οποιοδήποτε παραπανίσιο καύσιμο. Στεγνώστε το ηλεκτρόδιο σπινθηριστή.

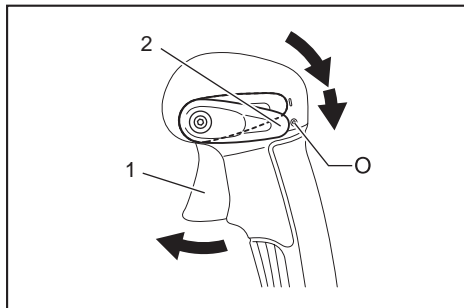
Όταν ο κινητήρας είναι ζεστός (εκκίνηση με ζεστό κινητήρα)

▲ΠΡΟΣΟΧΗ: Προσέχετε να μην κάψετε το χέρι σας. Φοράτε γάντια όταν βάζετε μπρος τον κινητήρα.

1. Τοποθετήστε το φυσητήρα σε μια επίπεδη επιφάνεια.
2. Ωθήστε την αντλία προέγχυσης αρκετές φορές.
3. Βεβαιωθείτε ότι ο μοχλός τσοκ είναι ανοικτός.
4. Βάλτε το αριστερό σας χέρι πάνω στο φυσητήρα και τραβήξτε αργά τη λαβή εκκινήτη με το δεξί σας χέρι, μέχρι να αισθανθείτε τη συμπίεση. Στη συνέχεια, τραβήξτε δυνατά τη λαβή εκκινήτη.

Σβήσιμο του κινητήρα

Αφήστε τη σκανδάλη στραγγαλισμού και μετά θέστε το μοχλό ελέγχου διακοπής στη θέση «Ο».



- 1. Σκανδάλη στραγγαλισμού 2. Μοχλός ελέγχου διακοπής

Αποτροπή από πάγωμα καρμπυρατέρ

ΕΙΔΟΠΟΙΗΣΗ: Όταν η περιβαλλοντική θερμοκρασία είναι υψηλότερη από 10°C, να επιστρέψετε το μοχλό στην κανονική ρύθμιση (ένδειξη ήλιου). Διαφορετικά, ο κινητήρας μπορεί να υποστεί βλάβη εξαιτίας υπερθέρμανσης.

Όταν η περιβαλλοντική θερμοκρασία είναι χαμηλή και η υγρασία είναι υψηλή, οι υδρατμοί μπορεί να παγώσουν στο εσωτερικό του καρμπυρατέρ και ο κινητήρας να λειτουργεί ασταθώς (πάγωμα καρμπυρατέρ). Αν απαιτείται, αλλάξτε τη ρύθμιση του μοχλού αντιπαγοποίησης όπως περιγράφεται στη συνέχεια.

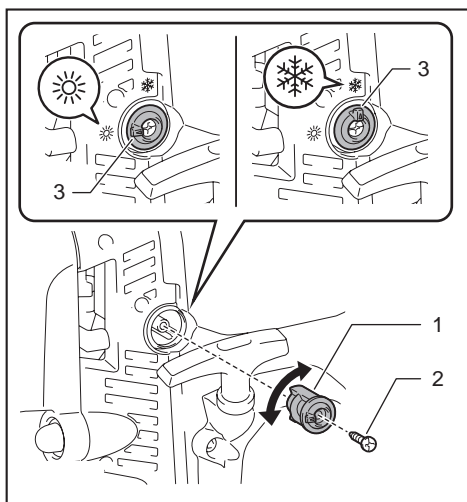
1. Αφαιρέστε τη βίδα και τραβήξτε προς τα έξω το μοχλό αντιπαγοποίησης.
2. Εισαγάγετε το μοχλό αντιπαγοποίησης ως ακολούθως:

Θερμότερο περιβάλλον, πάνω από 10°C

Ρυθμίστε το κουμπί στην ένδειξη ήλιου (πιο ζεστή θέση).

10°C ή ψυχρότερο περιβάλλον

Ρυθμίστε το κουμπί στην ένδειξη χιονιού (θέση αντιπαγοποίησης).



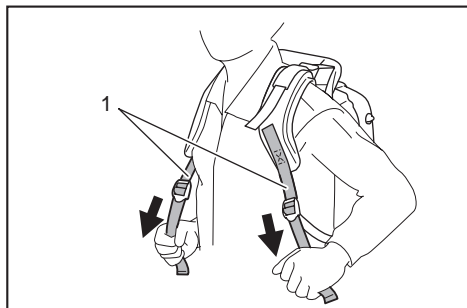
► 1. Μοχλός αντιπαγοποίησης 2. Βίδα 3. Κουμπί

3. Σφίξτε τη βίδα.

Ρύθμιση του ιμάντα ώμου

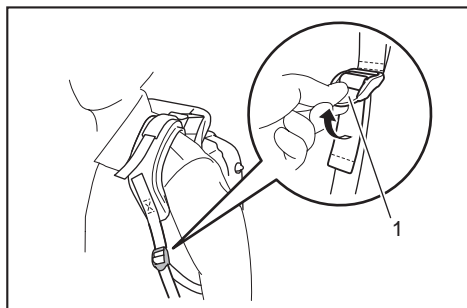
1. Ρυθμίστε τον ιμάντα ώμου σε ένα μήκος που είναι άνετο να εργάζεστε ενώ μεταφέρετε το φουσητήρα.

Για να σφίξετε τον ιμάντα, τραβήξτε το άκρο του ιμάντα προς τα κάτω.



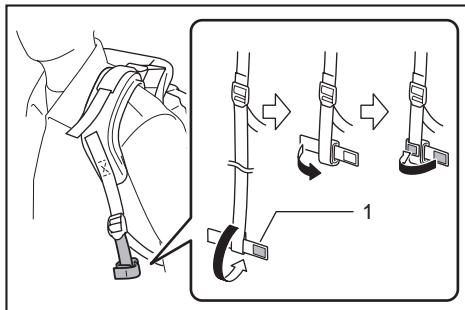
► 1. Ιμάντας ώμου

Για να χαλαρώσετε τον ιμάντα, τραβήξτε προς τα πάνω το άκρο του συνδετήρα.



► 1. Συνδετήρας

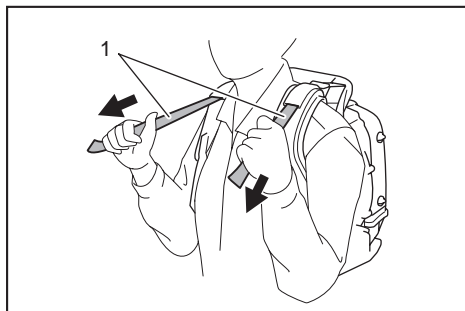
Τυλίξτε προς τα πάνω το άκρο του ιμάντα και κρατήστε το με το σφιγκτήρα.



► 1. Σφιγκτήρας

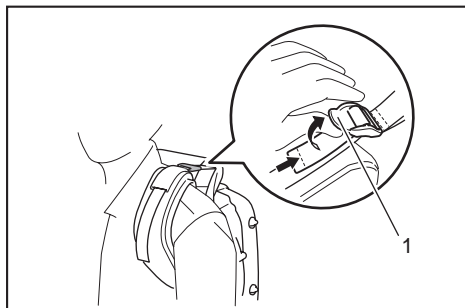
2. Τραβήξτε τον ιμάντα σταθεροποιητή μέχρι να μην υπάρχει χώρος μεταξύ της πλάτης σας και του περιβλήματος φουσητήρα.

Για να δέσετε τον ιμάντα, τραβήξτε το άκρο του ιμάντα προς τα κάτω.



► 1. Ιμάντας σταθεροποιητή

Για να χαλαρώσετε τον ιμάντα, τραβήξτε προς τα πάνω το άκρο του συνδετήρα.

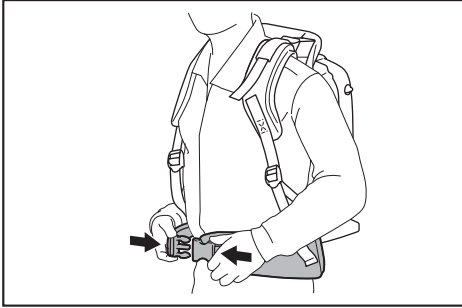


► 1. Συνδετήρας

Ιμάντας γοφού

Προαιρετικό εξάρτημα

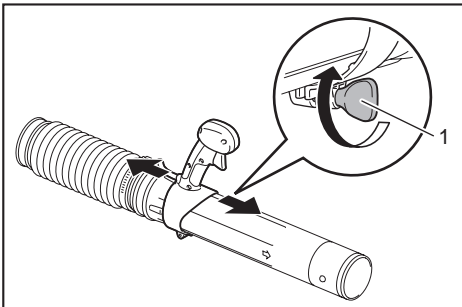
Ο ιμάντας γοφού επιτρέπει στο χειριστή να μεταφέρει το εργαλείο πιο σταθερά.



⚠ ΠΡΟΣΟΧΗ: Απασφαλίστε οπωσδήποτε την πόρπη του ιμάντα γοφού πριν βγάλετε από πάνω σας το φυσητήρα.

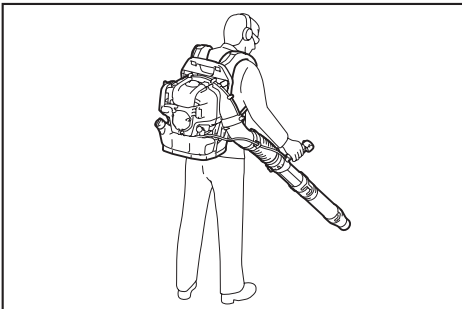
Ρύθμιση της θέσης του μοχλού τσοκ

Μετακινήστε τη λαβή ελέγχου κατά μήκος του περιστροφόμενου σωλήνα στην πιο άνετη θέση. Στη συνέχεια, σφίξτε τη λαβή ελέγχου με τη βίδα σύσφιξης.



► 1. Βίδα σύσφιξης

Λειτουργία φυσητήρα

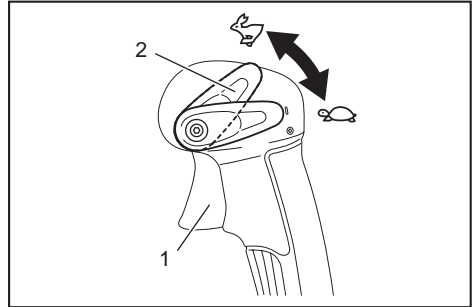


1. Ενώ χρησιμοποιείτε το φυσητήρα, προσαρμόστε τη σκανδάλη στραγγαλισμού / μοχλό στραγγαλισμού ώστε η δύναμη του ανέμου να είναι κατάλληλη για τη θέση και τις συνθήκες εργασίας.

2. Ρύθμιση στροφών κινητήρα.

Οι στροφές κινητήρα αυξάνουν αν τραβήξετε τη σκανδάλη στραγγαλισμού. Για να μειώσετε τις στροφές κινητήρα, αφήστε τη σκανδάλη στραγγαλισμού.

Η λειτουργία ελέγχου πλοήγησης επιτρέπει στο χειριστή να διατηρεί σταθερές στροφές κινητήρα χωρίς να τραβάει το μοχλό σκανδάλης. Για να αυξήσετε τις στροφές κινητήρα, περιστρέψτε το μοχλό ελέγχου διακοπής σε υψηλή ταχύτητα. Για να μειώσετε τις στροφές κινητήρα, περιστρέψτε το μοχλό ελέγχου διακοπής σε χαμηλή ταχύτητα.



► 1. Σκανδάλη στραγγαλισμού 2. Μοχλός ελέγχου διακοπής

Μεταφορά του φυσητήρα

⚠ ΠΡΟΣΟΧΗ: Όταν μεταφέρετε το φυσητήρα, βεβαιωθείτε ότι έχει διακοπεί η λειτουργία του κινητήρα.

ΕΙΔΟΠΟΙΗΣΗ: Μην κάθεστε ή στέκεστε επάνω στον φυσητήρα, και μην τοποθετείτε βαριά αντικείμενα επάνω σε αυτό. Μπορεί να προκληθεί ζημιά στο μηχάνημα.

ΕΙΔΟΠΟΙΗΣΗ: Διατηρήστε το φυσητήρα σε όρθια θέση κατά τη μεταφορά ή αποθήκευσή του. Η μεταφορά ή η αποθήκευση σε θέση που δεν είναι όρθια μπορεί να προκαλέσει την έκχυση λαδιού στο εσωτερικό του κινητήρα του φυσητήρα. Αυτό μπορεί να έχει ως αποτέλεσμα διαρροές λαδιού και λευκό καπνό από το καυτό λαδί, και το φίλτρο αέρα μπορεί να βρομίσει με λάδι.

ΕΙΔΟΠΟΙΗΣΗ: Μην σύρετε τον φυσητήρα κατά τη μεταφορά. Διαφορετικά, το περίβλημα φυσητήρα μπορεί να υποστεί βλάβη.

ΣΥΝΤΗΡΗΣΗ

▲ ΠΡΟΣΟΧΗ: Πριν από την επιθεώρηση και συντήρηση, διακόψτε τη λειτουργία του κινητήρα και αφήστε τον να κρυώσει. Αφαιρέστε τον σπινθηριστή και το κάλυμμα σπινθηριστή. Διαφορετικά, ο χειριστής μπορεί να υποστεί έγκαυμα ή σοβαρό τραυματισμό από την κατά λάθος εκκίνηση.

▲ ΠΡΟΣΟΧΗ: Μετά την επιθεώρηση και συντήρηση, βεβαιωθείτε ότι όλα τα εξαρτήματα είναι συναρμολογημένα.

Αλλαγή του λαδιού κινητήρα

▲ ΠΡΟΣΟΧΗ: Η κύρια μονάδα κινητήρα και το λάδι κινητήρα είναι ακόμη ζεστά μόλις σβήσει ο κινητήρας. Κατά την αλλαγή του λαδιού κινητήρα, βεβαιωθείτε ότι η κύρια μονάδα του κινητήρα και το λάδι κινητήρα έχουν ψυχθεί επαρκώς. Διαφορετικά, υπάρχει κίνδυνος να προκληθεί έγκαυμα. Αφήστε να περάσει αρκετός χρόνος μετά το σβήσιμο του κινητήρα ώστε να επιστρέψει το λάδι κινητήρα στο δοχείο λαδιού, για να έχετε μια ακριβή ένδειξη της ποσότητας του λαδιού.

▲ ΠΡΟΣΟΧΗ: Αν το λάδι έχει γεμίσει πάνω από το όριο, μπορεί να βρομίσει ή να αναφλεγεί παράγοντας λευκό καπνό.

ΕΙΔΟΠΟΙΗΣΗ: Μην πετάξετε ποτέ το παλιό λάδι στα σκουπίδια, στο έδαφος ή στην αποχέτευση. Η διάθεση του λαδιού ρυθμίζεται νομοθετικά. Κατά τη διάθεση, να ακολουθείτε πάντα τους αρμόδιους νόμους και κανονισμούς. Για οποιαδήποτε σημεία παραμένουν άγνωστα, επικοινωνήστε με εξουσιοδοτημένο εκπρόσωπο σέρβις.

ΕΙΔΟΠΟΙΗΣΗ: Το λάδι θα χαλάσει ακόμη και αν δεν χρησιμοποιηθεί. Εκτελέστε τον έλεγχο και την αλλαγή σε τακτά διαστήματα (αντικαταστήστε με καινούργιο λάδι κάθε 6 μήνες).

Το λάδι κινητήρα μειωμένης ποιότητας θα συντομεύσει τη διάρκεια λειτουργίας των ολισθαινόντων και περιστρεφόμενων εξαρτημάτων σε μεγάλο βαθμό. Φροντίστε να ελέγχετε την περίοδο και την ποσότητα αντικατάστασης.

Μεσοδιάστημα αλλαγής

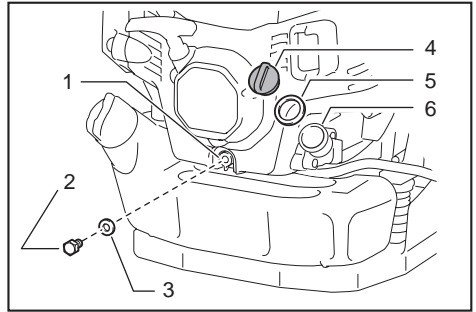
Μετά τις πρώτες 20 ώρες λειτουργίας και ακολούθως κάθε 50 ώρες λειτουργίας

Συνιστώμενο λάδι

- Γνήσιο λάδι 4χρονων κινητήρων Dolmar/Makita ή
- Λάδι SAE 10W-30 της κατηγορίας API, κλάση SF ή υψηλότερη (λάδι 4-χρονου κινητήρα αυτοκινήτου)

Διαδικασία αλλαγής λαδιού

Αλλάξτε το λάδι ως εξής:



- ▶ 1. Οπή αποστράγγισης 2. Μπουλόνι αποστράγγισης λαδιού 3. Παρέμβυσμα (αλουμινένια ροδέλα) 4. Τάπα λαδιού 5. Παρέμβυσμα τάπας λαδιού 6. Στόμιο λαδιού

1. Τοποθετήστε το φυσητήρα σε μια επίπεδη επιφάνεια.
2. Τοποθετήστε το δοχείο απόβλητου λαδιού κάτω από την οπή αποστράγγισης για να συλλέξετε το λάδι καθώς αποστραγγίζεται. Το δοχείο θα πρέπει να έχει χωρητικότητα τουλάχιστον 140 ml για να είναι δυνατή η συλλογή όλου του λαδιού.
3. Χαλαρώστε το μπουλόνι αποστράγγισης λαδιού για να αφήσετε το λάδι να αποστραγγιστεί. Προσέχετε να μην αφήσετε το λάδι να μπει στο ρεζερβουάρ καυσίμου ή σε άλλα μέρη.

ΕΙΔΟΠΟΙΗΣΗ: Προσέχετε να μην χάσετε το παρέμβυσμα (αλουμινένια ροδέλα). Τοποθετήστε το μπουλόνι αποστράγγισης λαδιού σε μια θέση όπου δεν θα μαζέψει βρομιά.

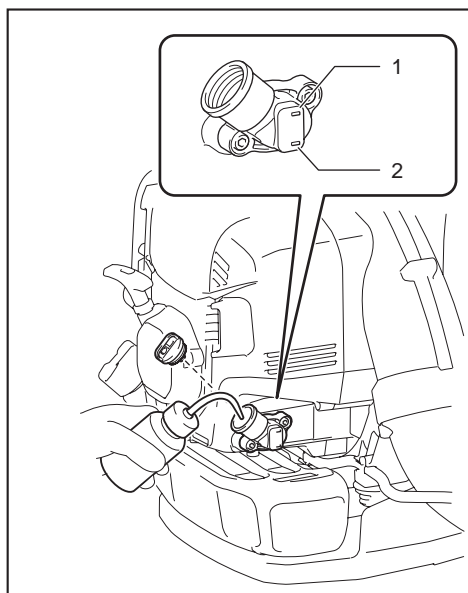
4. Αφαιρέστε την τάπα λαδιού. (Αν αφαιρέσετε την τάπα λαδιού, το λάδι αποστραγγίζεται πιο εύκολα).

ΕΙΔΟΠΟΙΗΣΗ: Βεβαιωθείτε να τοποθετήσετε την τάπα λαδιού σε μια θέση όπου δεν θα μαζέψει βρομιά.

5. Καθώς μειώνεται η στάθμη του λαδιού που αποστραγγίζεται, γείρετε το φυσητήρα στο πλάι ώστε να αποστραγγιστεί εντελώς το λάδι.
6. Αφού αποστραγγιστεί εντελώς το λάδι, σφίξτε το μπουλόνι αποστράγγισης λαδιού πολύ καλά. Αν το μπουλόνι δεν είναι συνδεδεμένο σφιχτά, μπορεί να έχει ως αποτέλεσμα διαρροή λαδιού.

ΕΙΔΟΠΟΙΗΣΗ: Μην ξεχάσετε να τοποθετήσετε ξανά το παρέμβυσμα (αλουμινένια ροδέλα) όταν συνδέεται ξανά την τάπα αποστράγγισης.

7. Προσθέστε περίπου 140 ml λάδι στο στόμιο ανεφοδιασμού λαδιού μέχρι την ένδειξη άνω ορίου.



► 1. Ένδειξη άνω ορίου 2. Ένδειξη κάτω ορίου

8. Αφού γεμίσετε με λάδι, σφίξτε πολύ καλά την τάπα λαδιού για να αποφύγετε τη διαρροή λαδιού.

ΕΙΔΟΠΟΙΗΣΗ: Μην ξεχάσετε να τοποθετήσετε ξανά το παρέμβυσμα τάπας λαδιού όταν συνδέετε ξανά την τάπα λαδιού.

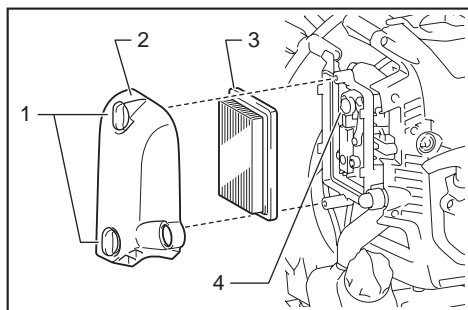
Καθαρισμός του φίλτρου αέρα

⚠ ΠΡΟΕΙΔΟΠΟΙΗΣΗ: ΑΠΑΓΟΡΕΥΟΝΤΑΙ ΑΥΣΤΗΡΑ ΤΑ ΕΥΦΛΕΚΤΑ ΥΛΙΚΑ

Μεσοδιάστημα καθαρισμού και επιθεώρησης

Καθημερινά (κάθε 10 ώρες λειτουργίας)

Διαδικασία καθαρισμού



► 1. Μπουλόνια κουμπιού 2. Κάλυμμα φίλτρου αέρα
3. Στοιχείο 4. Εξαεριστήρας

1. Χαλαρώστε τα μπουλόνια κουμπιού.
2. Αφαιρέστε το κάλυμμα φίλτρου αέρα.

3. Αφαιρέστε το στοιχείο και καθαρίστε τυχόν βρομιά από το στοιχείο με ένα πανί ή φουσητήρα. Αντικαταστήστε το στοιχείο με ένα καινούριο αν είναι κατεστραμμένο ή είναι πολύ βρόμικο.

ΠΑΡΑΤΗΡΗΣΗ: Το στοιχείο είναι στεγνού τύπου και δεν πρέπει να βραχεί. Μην πλύνετε ποτέ με νερό.

4. Με ένα κουρέλι ή πανί, σκουπίστε τυχόν λάδι γύρω από τον εξαεριστήρα.
5. Τοποθετήστε το στοιχείο στη θήκη του φίλτρου αέρα.
6. Προσαρτήστε το κάλυμμα φίλτρου αέρα και σφίξτε τα μπουλόνια κουμπιού.

ΕΙΔΟΠΟΙΗΣΗ: Καθαρίστε το στοιχείο αρκετές φορές την ημέρα, αν προσκολλάτε σε αυτό υπερβολική σκόνη λόγω ενός περιβάλλοντος με πολλή σκόνη.

ΕΙΔΟΠΟΙΗΣΗ: Αν η λειτουργία συνεχίζει ενώ στο στοιχείο υπάρχει ακόμη λάδι, το λάδι στο φίλτρο αέρα μπορεί να πέσει έξω και να έχει ως αποτέλεσμα τη ρύπανση με λάδι.

Έλεγχος του σπινθηριστή

⚠ ΠΡΟΣΟΧΗ: Μην αγγίζετε τον σπινθηριστή ενώ λειτουργεί ο κινητήρας. Διαφορετικά, μπορεί να προκύψει ηλεκτροπληξία.

⚠ ΠΡΟΣΟΧΗ: Θέστε το μοχλό ελέγχου διακοπής/ διακόπτη απενεργοποίησης στην ανενεργή θέση «Ο».

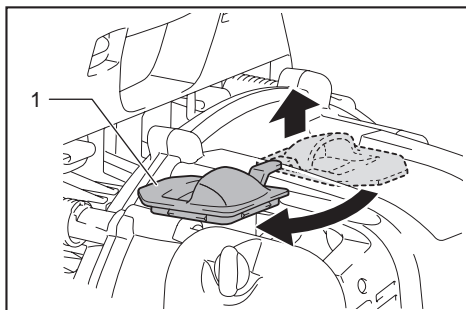
⚠ ΠΡΟΣΟΧΗ: Να ελέγχετε το καλώδιο σπινθηριστή τακτικά. Αν έχει υποστεί ζημιά ή έχει σκιστεί, αντικαταστήστε τον. Διαφορετικά, μπορεί να προκύψει ηλεκτροπληξία.

ΕΙΔΟΠΟΙΗΣΗ: Όταν αφαιρείτε τον σπινθηριστή, καθαρίστε πρώτα τον σπινθηριστή και την κεφαλή κυλίνδρου, ώστε να μην εισέλθει χώμα, άμμος, κτλ. στο κύλινδρο.

ΕΙΔΟΠΟΙΗΣΗ: Αφαιρέστε τον σπινθηριστή αφού ψυχθεί ο κινητήρας προκειμένου να αποφευχθεί η πρόκληση ζημιάς στην οπή με σπείρωμα στον κύλινδρο.

ΕΙΔΟΠΟΙΗΣΗ: Τοποθετήστε τον σπινθηριστή σωστά στην οπή με σπείρωμα. Αν εγκατασταθεί υπό γωνία, θα προκληθεί ζημιά στην οπή με σπείρωμα στον κύλινδρο.

1. Για να ανοίξετε το κάλυμμα σπινθηριστή, σηκώστε το και περιστρέψτε το κατά μισή στροφή.



► 1. Κάλυμμα σπινθηριστή

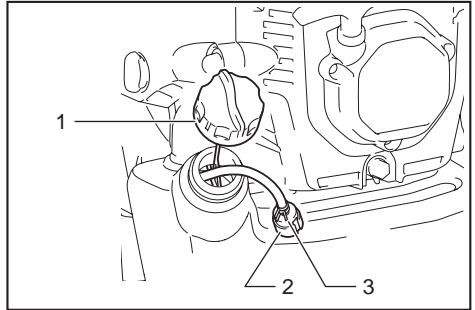
2. Χρησιμοποιήστε το σωληνωτό κλειδί που παρέχεται ως στάνταρ αξεσουάρ για να αφαιρέσετε ή να τοποθετήσετε τον σπινθηριστή.

Καθαρισμός του φίλτρου καυσίμου

▲ΠΡΟΣΟΧΗ: Βεβαιωθείτε ότι δεν υπάρχει ζημιά στο ρεζερβουάρ καυσίμου. Αν υπάρχει οποιαδήποτε ζημιά στο ρεζερβουάρ καυσίμου, επικοινωνήστε αμέσως με εξουσιοδοτημένο κέντρο εξυπηρέτησης για επισκευή.

ΕΙΔΟΠΟΙΗΣΗ: Να καθαρίζετε το φίλτρο καυσίμου τακτικά. Ένα φραγμένο φίλτρο καυσίμου μπορεί να προκαλέσει δυσκολία κατά την εκκίνηση ή αστοχία στην αύξηση των στροφών του κινητήρα.

Ελέγξτε τακτικά το φίλτρο καυσίμου ως εξής:



- 1. Τάπα ρεζερβουάρ καυσίμου 2. Φίλτρο καυσίμου
3. Σφιγκτήρας ελαστικού σωλήνα

1. Αφαιρέστε την τάπα ρεζερβουάρ καυσίμου και αποστραγγίστε το καύσιμο για να αδειάσετε το ρεζερβουάρ. Ελέγξτε αν υπάρχουν ξένα υλικά στο εσωτερικό του ρεζερβουάρ. Αν υπάρχουν, σκουπίστε αυτά τα υλικά για να καθαρίσετε.
2. Τραβήξτε το φίλτρο καυσίμου με ένα σύρμα μέσα από το στόμιο πλήρωσης καυσίμου.
3. Αν η επιφάνεια του φίλτρου καυσίμου είναι ρυπαρή, καθαρίστε την με βενζίνη.

ΕΙΔΟΠΟΙΗΣΗ: Για τη διάθεση της βενζίνης που χρησιμοποιήθηκε για τον καθαρισμό του φίλτρου καυσίμου, να ακολουθείτε τη μέθοδο που καθορίζεται για κάθε τοπική αρχή.

ΕΙΔΟΠΟΙΗΣΗ: Αντικαταστήστε το φίλτρο καυσίμου αν είναι υπερβολικά ρυπασμένο.

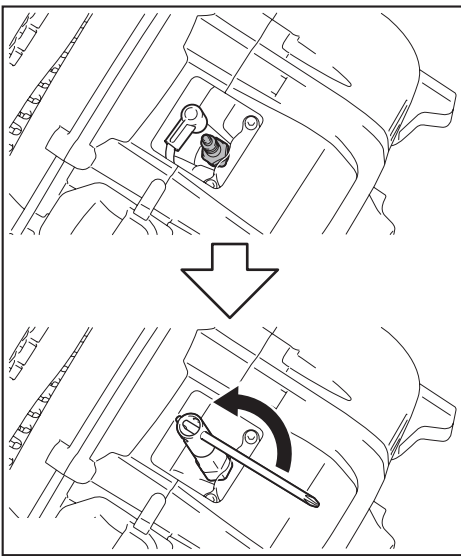
4. Μετά τον έλεγχο, τον καθαρισμό ή την αντικατάσταση, εισαγάγετε το φίλτρο καυσίμου στο σωλήνα καυσίμου και στερεώστε το με τον σφιγκτήρα ελαστικού σωλήνα. Τοποθετήστε ξανά το φίλτρο καυσίμου στο ρεζερβουάρ καυσίμου και σφίξτε σταθερά την τάπα ρεζερβουάρ καυσίμου.

Ρύθμιση των στροφών ρελαντί

▲ΠΡΟΣΟΧΗ: Το καρμπιρατέρ ρυθμίζεται εργασιακά. Μη ρυθμίζετε ποτέ τίποτα εκτός από το ρελαντί. Για άλλες ρυθμίσεις, ρωτήστε εξουσιοδοτημένο κέντρο εξυπηρέτησης.

Οι κατάλληλες στροφές χαμηλής ταχύτητας είναι 2.800 min⁻¹ (σαλ).

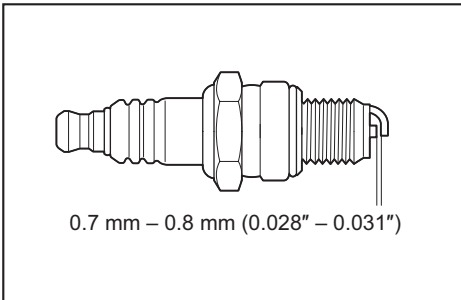
Αν είναι απαραίτητο να αλλάξετε την ταχύτητα περιστροφής, ρυθμίστε τις στροφές ρελαντί με ένα σταυροκατσάβιδο.



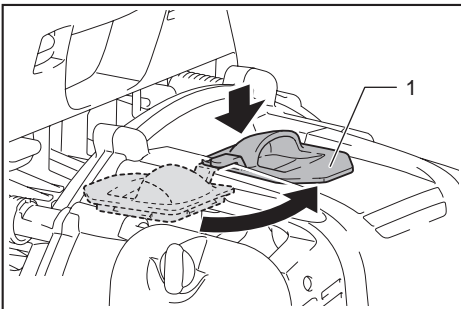
3. Το κατάλληλο διάκενο μεταξύ δύο ηλεκτροδίων του σπινθηριστή είναι 0,7 έως 0,8 mm. Ρυθμίστε το σωστό διάκενο όταν είναι πολύ πλατύ ή πολύ στενό.

Καθαρίστε πολύ καλά ή αντικαταστήστε τον σπινθηριστή αν έχει συσσωρευτεί άνθρακας ή έχει μολυνθεί.

Για αντικατάσταση, χρησιμοποιήστε NGK CMR6H.

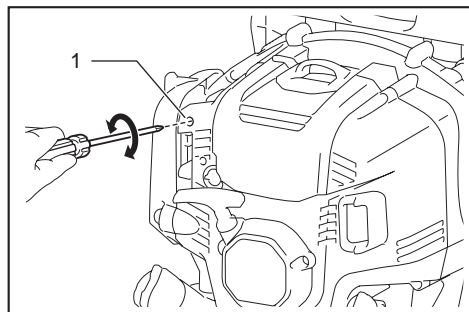


4. Για να κλείσετε το κάλυμμα σπινθηριστή, περιστρέψτε το κατά μήκη στροφή και πιέστε γύρω από το βαθουλωμένο μέρος.



- 1. Κάλυμμα σπινθηριστή

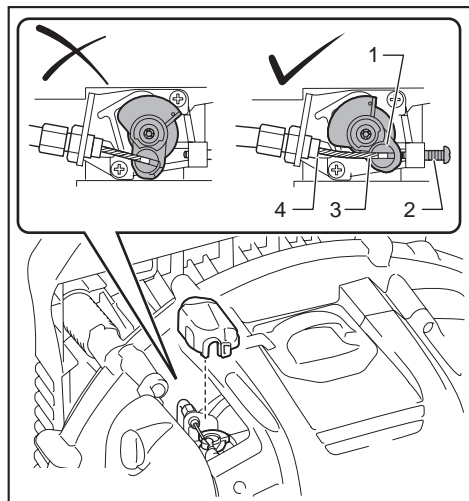
Αν ο κινητήρας σταματήσει ή λειτουργεί ασταθώς στο ρελαντί, περιστρέψτε τη ρυθμιστική βίδα προς τα δεξιά για να αυξήσετε τις στροφές ρελαντί. Αν το μηχάνημα φυσάει πολύ δυνατά στο ρελαντί, περιστρέψτε τη ρυθμιστική βίδα προς τα αριστερά για να μειώσετε τις στροφές ρελαντί.



► 1. Βίδα ρύθμισης ρελαντί

Έλεγχος της βαλβίδας στραγγαλισμού

Αν το καλώδιο χειρισμού έχει τσακιστεί ή εμπλακεί, η βαλβίδα στραγγαλισμού δεν έρχεται σε επαφή με τη βίδα ρύθμισης ρελαντί και εμποδίζει το σωστό ρελαντί του κινητήρα. Σε αυτή την περίπτωση, τοποθετήστε ξανά το καλώδιο χειρισμού για να εξασφαλίσετε τη σωστή κίνηση της βαλβίδας.

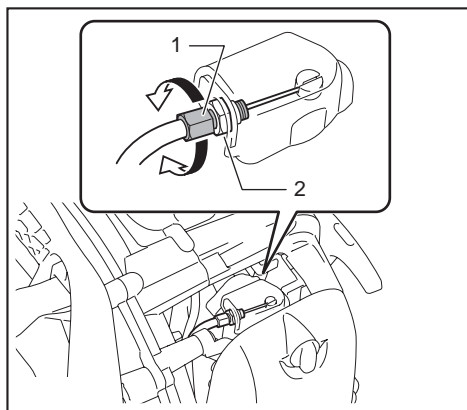


► 1. Βαλβίδα στραγγαλισμού 2. Βίδα ρύθμισης ρελαντί 3. Καλώδιο χειρισμού 4. Αναστολέας βαλβίδας στραγγαλισμού

Αν η βαλβίδα στραγγαλισμού δεν αγγίζει τον αναστολέα βαλβίδας στραγγαλισμού ακόμη κι αν τραβήξετε πλήρως τη σκανδάλη στραγγαλισμού ή αν η βαλβίδα στραγγαλισμού δεν αγγίζει τη βίδα ρύθμισης ρελαντί κατά το ρελαντί, περιστρέψτε το ρυθμιστικό μπουλόνι καλωδίου ως εξής:

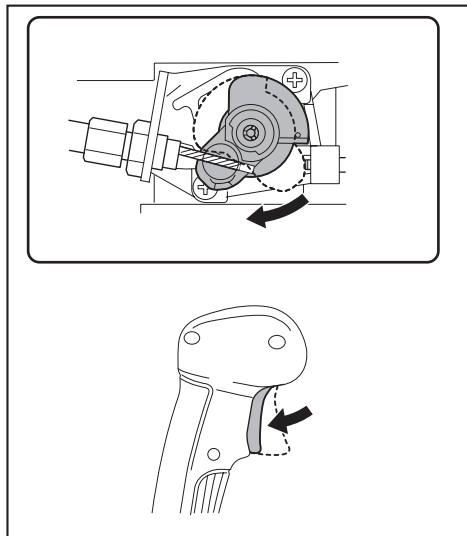
1. Χαλαρώστε το παξιμάδι στερέωσης.
2. Αν η βαλβίδα στραγγαλισμού δεν αγγίζει τον αναστολέα βαλβίδας στραγγαλισμού, περιστρέψτε αριστερόστροφα το ρυθμιστικό μπουλόνι καλωδίου.

Αν η βαλβίδα στραγγαλισμού δεν αγγίζει τη βίδα ρύθμισης ρελαντί, περιστρέψτε δεξιόστροφα το ρυθμιστικό μπουλόνι καλωδίου.



► 1. Ρυθμιστικό μπουλόνι καλωδίου 2. Παξιμάδι στερέωσης

3. Σφίξτε το παξιμάδι στερέωσης για να ασφαλίσετε το ρυθμιστικό μπουλόνι καλωδίου.
4. Ελέγξτε τη μετακίνηση της βαλβίδας στραγγαλισμού. Η βαλβίδα στραγγαλισμού μεταβαίνει στη θέση που φαίνεται στο σχήμα όταν τραβήξετε/γυρίσετε τη σκανδάλη/το μοχλό στραγγαλισμού.

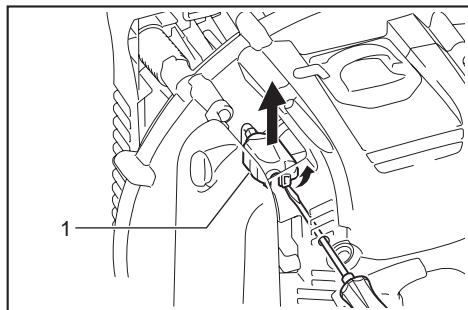


Καθαρισμός του καλύμματος καρμπιρατέρ

Αν το κάλυμμα καρμπιρατέρ βρομίσει και είναι δύσκολο να ελέγξετε τη βαλβίδα στραγγαλισμού, καθαρίστε το κάλυμμα καρμπιρατέρ ως εξής:

ΕΙΔΟΠΟΙΗΣΗ: Μην χρησιμοποιείτε ποτέ βενζίνη, πετρελαϊκό αιθέρα, διαλυτικό, αλκοόλη ή παρόμοιες ουσίες για τον καθαρισμό του καλύμματος καρμπιρατέρ. Διαφορετικά, μπορεί να θαμπώσει.

1. Περάστε ένα κατσαβίδι με επίπεδη μύτη μέσα από την οπή στο κάλυμμα κινητήρα. Αποδεσμεύστε το σφινγκτήρα του καλύμματος καρμπιρατέρ.



- 1. Κάλυμμα καρμπιρατέρ

2. Καθαρίστε το κάλυμμα καρμπιρατέρ.

ΕΙΔΟΠΟΙΗΣΗ: Χρησιμοποιήστε ένα βρεγμένο καθαρό πανί για τον καθαρισμό του καλύμματος καρμπιρατέρ.

3. Επιστρέψτε το κάλυμμα καρμπιρατέρ. Βεβαιωθείτε ότι ο σφινγκτήρας του καλύμματος καρμπιρατέρ ασφαλίζει όταν το τοποθετείτε στη θέση του.

Έλεγχος μπουλονιών, παξιμαδιών και βιδών, και άλλων εξαρτημάτων

Σφίξτε ξανά τα χαλαρά μπουλονία, παξιμαδία, κτλ. Ελέγξτε για διαρροή καυσίμου και λαδιού.

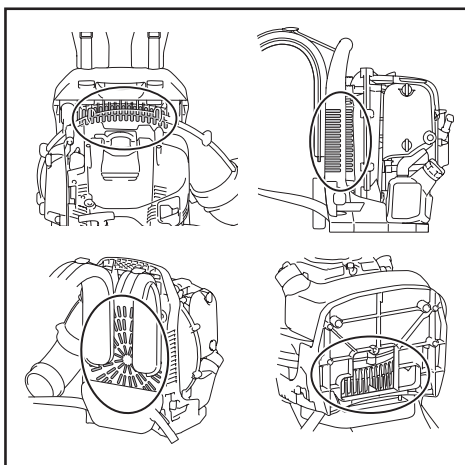
Για ασφαλή λειτουργία, αντικαταστήστε τα κατεστραμμένα μέρη με καινούρια.

Καθαρισμός της εισόδου αέρα ψύξης του κινητήρα

Διατηρήστε τον κινητήρα καθαρό σκουπίζοντάς τον με ένα πανί.

Διατηρήστε τα πτερύγια κυλίνδρου χωρίς σκόνη ή βρομιά. Η σκόνη ή η βρομιά που προσκολλά στα πτερύγια μπορεί να προκαλέσει υπερθέρμανση του κινητήρα και εμπλοκή του εμβόλου.

Ο αέρας που φυσείται λαμβάνεται από την οπή εισόδου αέρα. Όταν η ροή αέρα μειωθεί κατά τη διάρκεια της λειτουργίας, διακόπτε τη λειτουργία του κινητήρα και ελέγξτε την οπή εισόδου αέρα για τυχόν φράξιμο. Καθαρίστε τα αν απαιτείται. Ένα τέτοιο φράξιμο μπορεί να προκαλέσει υπερθέρμανση και ζημιά στον κινητήρα.



Αντικατάσταση των παρεμβυσμάτων και στεγανοποιητικών

Αντικαταστήστε τα παρεμβύσματα και τα στεγανοποιητικά αν αποσυναρμολογήσετε τον κινητήρα.

Η οποιαδήποτε εργασία συντήρησης που δεν συμπεριλαμβάνεται και δεν περιγράφεται σε αυτό το εγχειρίδιο θα πρέπει να εκτελείται μόνο από εξουσιοδοτημένο αντιπρόσωπο του σέρβις.

Αποθήκευση

▲ΠΡΟΕΙΔΟΠΟΙΗΣΗ: Όταν αποστραγγίζετε το καύσιμο, σβήστε τον κινητήρα και περιμένετε να κρυσώσει ο κινητήρας. Αν δεν το κάνετε αυτό, μπορεί να προκληθούν εγκαύματα ή πυρκαγιά.

▲ΠΡΟΣΟΧΗ: Όταν αποθηκεύετε το μηχάνημα για μεγάλο χρονικό διάστημα, αποστραγγίστε το καύσιμο από το ρεζερβουάρ καυσίμου και το καρμπιρατέρ και διατηρήστε το σε ένα στεγνό και καθαρό μέρος.

Αποστραγγίστε το καύσιμο από το ρεζερβουάρ καυσίμου και το καρμπιρατέρ πριν την αποθήκευση του μηχανήματος ως εξής:

1. Αφαιρέστε την τάπα ρεζερβουάρ καυσίμου και αποστραγγίστε πλήρως το καύσιμο. Αν υπάρχουν ακόμη ξένα υλικά στο ρεζερβουάρ καυσίμου, αφαιρέστε τα εντελώς.
2. Τραβήξτε το φίλτρο καυσίμου από τη θύρα επαναπλήρωσης χρησιμοποιώντας ένα σύρμα.
3. Ωθήστε την αντλία προέγχυσης μέχρι να βγει καύσιμο από εκεί και να βγαίνει καύσιμο αποστράγγισης στο ρεζερβουάρ καυσίμου.
4. Τοποθετήστε ξανά το φίλτρο στο ρεζερβουάρ καυσίμου και σφίξτε σταθερά την τάπα ρεζερβουάρ καυσίμου.
5. Στη συνέχεια, συνεχίστε τη λειτουργία του κινητήρα μέχρι να σταματήσει.

6. Αφαιρέστε τον σπινθηριστή και στάξτε αρκετές σταγόνες από λάδι κινητήρα μέσα από την οπή σπινθηριστή.
7. Τραβήξτε απαλά τη λαβή εκκινητή ώστε το λάδι κινητήρα να απλωθεί στον κινητήρα και συνδέστε τον σπινθηριστή.

8. Διατηρήστε το μηχάνημα με τη λαβή μεταφοράς του σε όρθια θέση.

9. Διατηρήστε το αποστραγγισμένο καύσιμο μέσα σε ένα ειδικό δοχείο σε ένα καλά αεριζόμενο χώρο υπό σκιά.

Θέση βλάβης

Βλάβη	Σύστημα	Παρατήρηση	Αιτία
Ο κινητήρας δεν παίρνει μπρος ή παίρνει μπρος με δυσκολία	Σύστημα ανάφλεξης	Σπινθήρες ανάφλεξης.	Βλάβη στην παροχή καυσίμου ή σύστημα συμπίεσης, μηχανικό ελάττωμα.
		Δεν υπάρχουν σπινθήρες ανάφλεξης.	Τέθηκε σε λειτουργία ο διακόπτης απενεργοποίησης, βλάβη καλωδίωσης ή βραχυκύκλωμα, ελαττωματικός σπινθηριστής ή σύνδεσμος, ελαττωματική μονάδα ανάφλεξης.
	Παροχή καυσίμου	Γεμάτο ρεζερβουάρ καυσίμου.	Λανθασμένη θέση τoοκ, ελαττωματικό καρμπυρατέρ, λυγισμένη ή φραγμένη γραμμή παροχής καυσίμου, βρόμικο καύσιμο.
	Συμπίεση	Καθόλου συμπίεση κατά το τράβηγμα.	Ελαττωματικό κάτω παρέμβυσμα κυλίνδρου, κατεστραμμένες σφραγίσεις στροφαλοφόρου άξονα, ελαττωματικοί δακτύλιοι κυλίνδρου ή πιστονιού ή λανθασμένη σφράγιση του σπινθηριστή.
Μηχανική βλάβη	Ο εκκινητής δεν συνδέεται.	Σπασμένο ελατήριο εκκινητή, σπασμένα μέρη εντός του κινητήρα.	
Προβλήματα κατά την εκκίνηση με ζεστό κινητήρα	-	Γεμάτο ρεζερβουάρ. Σπινθήρες ανάφλεξης.	Ρυπασμένο καρμπυρατέρ, να το στείλετε για καθαρισμό.
Ο κινητήρας ξεκινάει αλλά σβήνει	Παροχή καυσίμου	Γεμάτο ρεζερβουάρ.	Λανθασμένη ρύθμιση ρελαντί, καρμπυρατέρ ρυπασμένο.
			Ελαττωματική εξαέρωση ρεζερβουάρ καυσίμου, διακεκομμένη γραμμή παροχής καυσίμου, ελαττωματικό καλώδιο ή διακόπτης απενεργοποίησης.
Ανεπαρκής απόδοση	Αρκετά συστήματα μπορεί να επηρεάζονται ταυτόχρονα	Ανεπαρκές ρελαντί κινητήρα.	Ρυπασμένο φίλτρο αέρα, ρυπασμένο καρμπυρατέρ, φραγμένος σιγαστήρας, φραγμένος αγωγός καυσαερίων στον κύλινδρο.

Μεσοδιάστημα επιθεώρησης και συντήρησης

-		Πριν από τη λειτουργία	Μετά τον ανεφοδιασμό	Κάθε ημέρα (10 ώρες)	50 ώρες	200 ώρες	600 ώρες ή 2 χρόνια, όποιο προηγηθεί	Πριν από την αποθήκευση
Λάδι κινητήρα	Έλεγχος / Συμπλήρωση	○	-	-	-	-	-	-
	Αντικαταστήστε	-	-	-	○ (Σημείωση 1)	-	-	-
Σφίξιμο εξαρτημάτων (μπουλόνι, παξιμάδι)	Έλεγχος	○	-	-	-	-	-	-
Είσοδος αέρα ψύξης	Καθαρισμός / Επιθεώρηση	○	-	-	-	-	-	-
Ρεζερβουάρ καυσίμου	Καθαρισμός / Επιθεώρηση	○	-	-	-	-	-	-
	Αποστράγγιση καυσίμου	-	-	-	-	-	-	○ (Σημείωση 3)

-		Πριν από τη λειτουργία	Μετά τον ανεφοδιασμό	Κάθε ημέρα (10 ώρες)	50 ώρες	200 ώρες	600 ώρες ή 2 χρόνια, όποιο προηγηθεί	Πριν από την αποθήκευση
Σκανδάλη στραγγαλισμού / μοχλός στραγγαλισμού	Έλεγχος λειτουργίας	-	○	-	-	-	-	-
Σβήσιμο του κινητήρα	Έλεγχος λειτουργίας	-	○	-	-	-	-	-
Ρύθμιση των στροφών ρελαντί	Έλεγχος / Ρύθμιση	-	○	-	-	-	-	-
Φίλτρο αέρα	Καθαρίστε	-	-	○	-	-	-	-
	Επιθεωρήστε / Αντικαταστήστε αν απαιτείται	-	-	-	-	○	-	-
Καλώδιο χειρισμού	Έλεγχος / Ρύθμιση	-	-	○	-	-	-	-
	Επιθεωρήστε / Αντικαταστήστε αν απαιτείται	-	-	-	-	○ (Σημείωση 2)	-	-
Σπινθηριστής	Επιθεωρήστε / Ρυθμίστε το διάκενο, αν απαιτείται	-	-	○	-	-	-	-
	Καθαρίστε / Αντικαταστήστε αν απαιτείται	-	-	-	-	○	-	-
Καλώδιο σύνδεσης	Επιθεωρήστε / Αντικαταστήστε αν απαιτείται	-	-	-	-	○ (Σημείωση 2)	-	-
Σωλήνας καυσίμου	Έλεγχος	-	-	○	-	-	-	-
	Αντικαταστήστε	-	-	-	-	○ (Σημείωση 2)	-	-
Φίλτρο καυσίμου	Καθαρίστε / Αντικαταστήστε αν απαιτείται	-	-	-	○	-	-	-
Σωλήνας λαδιού	Έλεγχος	-	-	-	-	○ (Σημείωση 2)	-	-
Διάκενο βαλβίδας (βαλβίδα εισαγωγής και βαλβίδα εξάτμισης)	Έλεγχος / Ρύθμιση	-	-	-	-	○ (Σημείωση 2)	-	-
Σιγαστήρας	Επιθεώρηση / Καθαρισμός	-	-	-	-	○ (Σημείωση 2)	-	-
Θάλαμος / Βαλβίδα / Θύρα καύσης	Επιθεώρηση / Καθαρισμός	-	-	-	-	○ (Σημείωση 2)	-	-
Κινητήρας	Γενικό σέρβις	-	-	-	-	-	○ (Σημείωση 2)	-
Καρμπυρατέρ	Αποστράγγιση καυσίμου	-	-	-	-	-	-	○ (Σημείωση 3)

Σημείωση 1: Διεξαγάγετε αρχική αντικατάσταση μετά από 20 ώρες λειτουργίας.

Σημείωση 2: Για την επιθεώρηση, απευθυνθείτε σε ένα εξουσιοδοτημένο αντιπρόσωπο του σέρβις ή σε ένα συνεργείο.

Σημείωση 3: Μετά το άδειασμα του ρεζερβουάρ καυσίμου, συνεχίστε τη λειτουργία του κινητήρα για την αποστράγγιση του καυσίμου από το καρμπυρατέρ.

ΑΝΤΙΜΕΤΩΠΙΣΗ ΠΡΟΒΛΗΜΑΤΩΝ

Πριν ζητήσετε επισκευές, εκτελέστε αρχικά τη δική σας επιθεώρηση. Αν εντοπίσετε πρόβλημα που δεν επεξηγείται στο εγχειρίδιο, μην επιχειρήσετε να αποσυναρμολογήσετε το εργαλείο. Αντ' αυτού, ζητήστε βοήθεια από εξουσιοδοτημένα κέντρα εξυπηρέτησης της Dolmar/Makita και πάντοτε να χρησιμοποιείτε γνήσια ανταλλακτικά της Dolmar/Makita.

Κατάσταση προβλήματος	Πιθανή αιτία (δυσλειτουργία)	Αποκατάσταση
Ο κινητήρας δεν ξεκινά.	Αστοχία λειτουργίας της αντλίας προέγχυσης.	Ωθήστε 7 έως 10 φορές.
	Χαμηλή ταχύτητα τραβήγματος του σχοινιού εκκινήτριας.	Τραβήξτε δυνατά.
	Έλλειψη καυσίμου.	Τροφοδοτήστε με καύσιμο.
	Φραγμένο φίλτρο καυσίμου.	Καθαρίστε το φίλτρο καυσίμου ή αντικαταστήστε το με καινούργιο.
	Λυγισμένος σωλήνας καυσίμου.	Ισιώστε το σωλήνα καυσίμου.
	Αλλοιωμένο καύσιμο.	Το καύσιμο μειωμένης ποιότητας δυσκολεύει την εκκίνηση. Αντικαταστήστε με καινούριο. (Συνιστώμενη αντικατάσταση: 1 μήνας)
	Υπερβολική αναρρόφηση καυσίμου.	Θέστε το μοχλό στραγγαλισμού από τη μεσαία ταχύτητα στην υψηλή ταχύτητα και τραβήξτε τη λαβή εκκινήτη μέχρι να πάει μπρος ο κινητήρας. Αν ο κινητήρας ακόμη δεν παίρνει μπρος, αφαιρέστε τον σπινθηριστή, στεγνώστε το ηλεκτρόδιο και συναρμολογήστε τα ξανά όπως ήταν αρχικά. Μετά, ξεκινήστε όπως καθορίζεται.
	Αποσυνδεδεμένο κάλυμμα σπινθηριστή.	Συνδέστε καλά.
	Ρυθασμένος σπινθηριστής.	Καθαρίστε τον σπινθηριστή.
	Μη φυσιολογικό διάκενο του σπινθηριστή.	Ρυθμίστε το διάκενο.
	Άλλο πρόβλημα με τον σπινθηριστή.	Επανατοποθετήστε τον σπινθηριστή.
	Μη φυσιολογικό καρμπυρατέρ.	Ζητήστε από ένα εξουσιοδοτημένο κέντρο σέρβις μας να τα επισκευάσει και να τα επιθεωρήσει.
	Δεν είναι δυνατό το τράβηγμα της λαβής εκκινήτη.	Ζητήστε από ένα εξουσιοδοτημένο κέντρο σέρβις μας να τα επισκευάσει και να τα επιθεωρήσει.
Πρόβλημα με τα εσωτερικά εξαρτήματα του κινητήρα.	Ζητήστε από ένα εξουσιοδοτημένο κέντρο σέρβις μας να τα επισκευάσει και να τα επιθεωρήσει.	
Ο κινητήρας σταματά γρήγορα. Οι στροφές κινητήρα δεν αυξάνονται.	Ανεπαρκές ζέσταμα.	Εκτελέστε ζέσταμα.
	Ο μοχλός τσοκ είναι τοποθετημένος στην «κλειστή» θέση παρότι έχει ζεσταθεί ο κινητήρας.	Θέστε στην «ανοικτή» θέση.
	Φραγμένο φίλτρο καυσίμου.	Καθαρίστε το φίλτρο καυσίμου.
	Ρυθασμένο ή φραγμένο φίλτρο αέρα.	Καθαρίστε το φίλτρο αέρα.
	Αποσυνδεδεμένο καλώδιο χειρισμού.	Συνδέστε καλά το καλώδιο χειρισμού.
Ο στραγγαλισμός δεν επιστρέφει στις στροφές ρελαντί.	Πρόβλημα με τα εσωτερικά εξαρτήματα του κινητήρα.	Ζητήστε από ένα εξουσιοδοτημένο κέντρο σέρβις μας να τα επισκευάσει και να τα επιθεωρήσει.
	Λανθασμένη θέση βαλβίδας στραγγαλισμού.	Τοποθετήστε ξανά το καλώδιο χειρισμού. Γυρίστε το ρυθμιστικό μπουλόνι καλωδίου για να ρυθμίσετε τη θέση της βαλβίδας στραγγαλισμού.
Ο κινητήρας δεν σταματάει. ⇒ Θέστε τον κινητήρα σε λειτουργία στο ρελαντί και θέστε το μοχλό τσοκ στην «κλειστή» θέση.	Αποκολλημένος συνδετήρας.	Συνδέστε καλά το συνδετήρα.
	Μη φυσιολογικό ηλεκτρικό σύστημα.	Ζητήστε από ένα εξουσιοδοτημένο κέντρο σέρβις μας να τα επισκευάσει και να τα επιθεωρήσει.

İÇİNDEKİLER

TEKNİK ÖZELLİKLER	187	MOTORU BAŞLATMADAN ÖNCE	194
ÖNEMLİ GÜVENLİK TALİMATLARI	188	KULLANIM	195
PARÇALARIN TANIMI	192	BAKIM	199
MONTAJ	192	SORUN GİDERME	206

TEKNİK ÖZELLİKLER

Model:		MG5300
Gaz keleşi tipi		Boruya monteli gaz keleşi
Kuru ağırlık	üfleme makinesi borusu hariç / tamponlu	8,9 kg
	üfleme makinesi borusu ile	9,8 kg - 10,0 kg
Ebat (üfleme makinesi borusu hariç, U x G x Y)		320 mm x 450 mm x 475 mm
Hava hızı	(uzun borulu, dairesel ağızlı)	81 m/s
	(kısa borulu, dairesel ağızlı)	82 m/s
Hava debisi	(uzun borulu, dairesel ağızlı)	15 m ³ /dakika
	(kısa borulu, dairesel ağızlı)	15 m ³ /dakika
Maksimum motor hızı		6.400 min ⁻¹
Rölanti devri		2.800 min ⁻¹
Motor hacmi		52,5 cm ³
Motor tipi		Hava soğutmalı, 4 zamanlı, tek silindirli
Yakıt		Otomobil benzini
Yakıt deposu kapasitesi		1.800 cm ³
Motor yağı		API derecesi SF sınıfı ve üzeri SAE 10W-30 yağ (4 zamanlı otomobil motoru yağı)
Motor yağ hacmi		140 cm ³
Karbüratör		Diyafram tipi
Buji		NGK CMR6H
Buji tırnak aralığı		0,7 mm - 0,8 mm

- Sürekli yapılan araştırma ve geliştirmelerden dolayı, burada belirtilen özellikler önceden bildirilmeksizin değiştirilebilir.
- Özellikler ülkeden ülkeye değişebilir.
- Ağırlık eke ya da eklere bağlı olarak değişebilir.

Titreşim

Model			MG5300		
EN15503'a göre titreşim	Sağ tutamak	a _{hveq}	Uzun boru	dairesel ağızlı	2,2 (m/s ²)
				düz ağızlı	2,9 (m/s ²)
		Belirsizlik K	Kısa boru	dairesel ağızlı	2,2 (m/s ²)
				düz ağızlı	2,5 (m/s ²)

Gürültü

Model		MG5300
EN15503'a göre ortalama ses basıncı seviyesi	L _{PA eq}	96,0 (dB (A))
	Belirsizlik K	0,4 (dB (A))

Model		MG5300
EN15503'a göre ortalama ses gücü seviyesi	L _{WA} eq	102,5 (dB (A))
	Belirsizlik K	1,6 (dB (A))

Semboller

Aşağıdakiler makineniz için kullanılan sembolleri göstermektedir. Kullanmadan önce manalarını anladığınızdan emin olunuz.

	Çok özenli ve dikkatli kullanın.
	El kitabını okuyun.
	Yasak!
	Sigara içmek yasaktır.
	Açık alev yasaktır.
	Koruyucu eldiven giyin.
	Koruyucu gözlük ve kulaklık takın.
	Sıcak yüzeyler - Parmaklar veya ellerde yanıklara neden olabilir.
	Etrafınızdaki kişileri aletten uzak tutun.
	İnsanları ve hayvanları çalışma alanından uzak tutun.
	Yakıt (benzin)
	Manuel motor çalıştırma.
	Motoru durdurun.
	İlk yardım
	Açık/Başlat
	Kapalı/Durdur
	Uzun saç dolaşma kazasına neden olabilir.

EC Uygunluk Beyanı

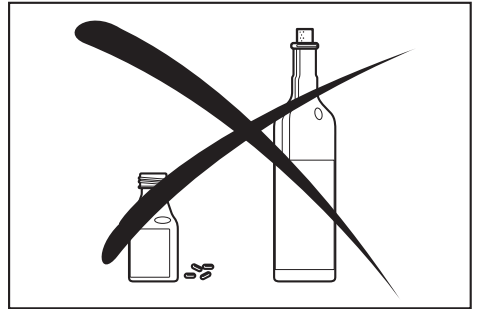
Sadece Avrupa ülkeleri için

EC uygunluk beyanı bu kullanım kılavuzuna Ek A olarak eklenmiştir.

ÖNEMLİ GÜVENLİK TALİMATLARI

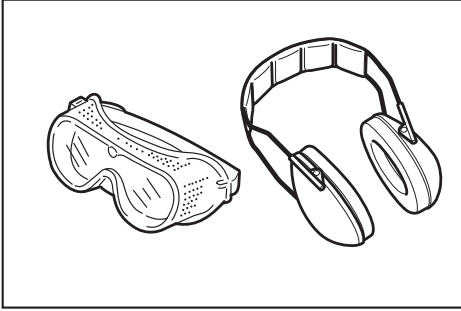
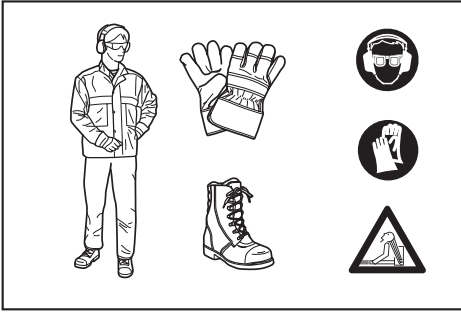
Genel talimatlar

- Doğru ve güvenli çalışma sağlamak için kullanıcı, üfleme makinesinin kullanımına aşına olmak üzere bu kullanma kılavuzunu okumalı, anlamalı ve takip etmelidir. Bilgi seviyesi yetersiz kullanıcılar, hatalı kullanımdan dolayı kendilerini ve başkalarını tehlikeye atarlar.**
- Üfleme makinesinin sadece üfleme makineleri konusunda deneyimli olduklarını ispatlamış kişilere ödünç verilmesi önerilir.**
- Üfleme makinesini ödünç verirken her zaman kullanım kılavuzunu da verin.**
- İlk kez kullanan kullanıcılar, üfleme makinesinin kullanımını konusunda bilgilenecek için bayiden temel talimatları talep etmelidirler.**
- Çocukların ve 18 yaşından küçük gençlerin üfleme makinesini kullanmalarına izin verilmemelidir. Bununla birlikte 16 yaşından büyük kişiler, kalifiye bir öğretmenin doğrudan denetiminde olmaları şartıyla aleti eğitim alma amacıyla kullanabilirler.**
- Üfleme makinelerini azami özen ve dikkatle kullanın.**
- Üfleme makinesini yalnızca fiziksel durumunuz uygunsuzsa kullanın.**
- Tüm işi özenle ve dikkatli bir şekilde yapın. Kullanıcı başkalarının sorumluluğunu üstlenmek zorundadır.**
- Üfleme makinesini alkol veya ilaçların etkisi altındayken asla kullanmayın.**



- Aleti yorgunken kullanmayın.**
- Bu talimatları ileride başvurmak üzere saklayın.**
- Meslek odaları ve sigorta şirketleri tarafından yayınlanmış tüm ilgili kaza önleme talimatlarına uyun ve riayet edin. Güvenliğinizi tehlikeye atacağından üfleme makinesi üzerinde hiçbir değişiklik yapmayın.**
- Ekipman üzerinde asla değişiklik yapmayın. Tehlikeli kazalara veya yaralanmalara neden olabilir.**

Kişisel koruyucu ekipmanlar



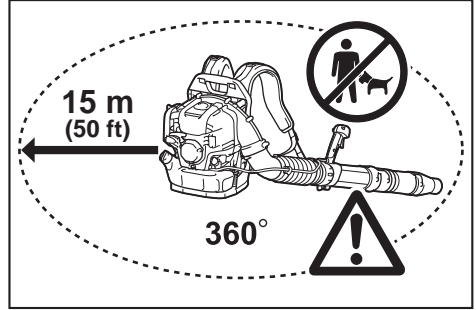
1. Giyilen elbise işlevsel ve uygun olmalıdır, yani sıkı olmalı ancak engel teşkil etmemelidir. Hava girişine çekilebilecek takı, elbise veya uzun saç kullanmayın.
2. Baş, göz, el veya ayak yaralanmalarını engellemek ve işitme duyunuzu korumak için üfleme makinesi kullanılırken aşağıdaki koruma ekipmanları ve koruyucu kıyafet giyilmelidir.
3. Kıyafet sağlam ve vücudu saran türde olmalı ancak tam hareket serbestisi sağlamalıdır. Bol ceketlerden, bol paçalı veya manşetli pantolonlardan, serbest bırakılmış uzun saç veya hava girişine çekilebilecek her şeyden kaçınınız. Bacaklarınızı korumak için tulum veya uzun pantolon giyin. Şort giymeyin.
4. Motorlu ürünler genellikle gürültülüdürler ve gürültüleri işitme duyunuza zarar verebilir. İşitme duyunuzu korumak için ses bariyerleri (kulak tıkaçları veya kulaklık) takın. Sürekli ve düzenli çalışan kullanıcılar işitme duyularını düzenli olarak kontrol ettirmelidirler.
5. Üfleme makinesi ile çalışırken eldiven giyilmesi önerilir. Kaymaz tabanlı sağlam ayakkabı giyin.
6. Uygun göz koruyucu zorunludur. Tahliye kısmı kullanıcıdan uzağa yönlendirilmesine rağmen üfleme makinesi kullanılırken sekme ve geri tepme olabilir.
7. Üfleme makinesini, EN166 ve yerel mevzuata uygun yeterli üst ve yan korumalı gözlük veya düzgün takılmış güvenlik gözlüğü takılmadan kullanmayın.
8. Tozun solunması ile ilişkili yaralanma riskini azaltmak için tozlu koşullarda filtreli yüz maskesi kullanın.

Kullanım amacı

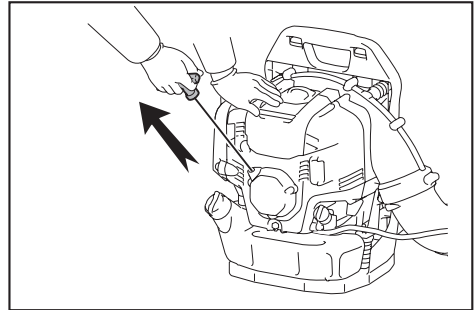
Bu alet tozu üfleme için tasarlanmıştır.

Üfleme makinesinin başlatılması

1. 15 metrelik çalışma alanı içerisinde çocuk veya başka kimse olmadığından emin olun, yakınlardaki hayvanlara da dikkat edin.



2. Çalıştırmadan önce daima üfleme makinesinin kullanmak için güvenli olduğunu kontrol edin:
 - Gaz kolunun emniyetini kontrol edin. Gaz kolu, düzgün ve kolay hareket için kontrol edilmelidir.
 - Gaz kolu kilidinin düzgün çalıştığını kontrol edin.
 - Kolların temiz ve kuru olduğunu kontrol edin ve I-O anahtarının çalışmasını test edin. Kolları yağ ve yakıtın temiz tutun.
3. Üfleme makinesini yalnızca talimatlara uygun olarak başlatın. Motoru başlatmak için başka hiçbir yöntem kullanmayın.

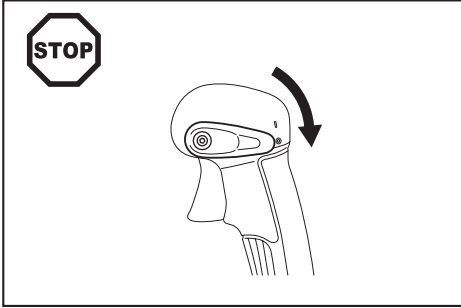


4. Üfleme makinesini ve birlikte verilen aletleri yalnızca belirtilen uygulamalar için kullanın.
5. Üfleme makinesinin motorunu yalnızca tüm alet monte edildikten sonra başlatın. Alet yalnızca tüm uygun aksesuarlar takıldıktan sonra çalıştırılabilir.
6. Herhangi bir motor sorunu olması durumunda motor derhal kapatılmalıdır.
7. Üfleme makinesi ile çalışırken daima parmaklarınızı kolun etrafına sıkıca sarın ve kumanda kolunu başparmağınız ile işaret parmağı arasında tutun. Makinenizi her zaman kontrol altında tutmak için elinizi bu konumda muhafaza edin. Kumanda kolunuzun iyi durumda olmasını ve üzerinde nem, zift, yağ veya gres olmamasını sağlayın.

8. Daima yere güvenli ve dengeli bir şekilde basın.
9. Çalışırken üfleme makinesini her iki omuzunuzda düzgün bir şekilde taşıyın. Üfleme makinesini sadece bir omuz askısı ile taşımayın. Aksi takdirde ciddi yaralanmalara neden olabilir.
10. Üfleme makinesini, egzoz gazlarının solunmasını engelleyecek şekilde kullanın. Motoru asla kapalı odalarda çalıştırmayın (boğulma ve gazdan zehirlenme tehlikesi). Karbon monoksit kokusuz bir gazdır. Daima yeterli havalandırma olmasını sağlayın.
11. Dinlenirken veya üfleme makinesini gözetimsiz bırakırken motoru kapatın. Başkalarının zarar görmesini, yanıcı maddelerin tutuşmasını veya makinenin hasar görmesini engellemek için makineyi güvenli bir yere koyun.
12. Sıcak üfleme makinesini asla kuru çim veya hiçbir yanıcı maddenin üzerine yatırmayın.
13. Çalışma sırasında makine ile birlikte gelen tüm koruyucu parçalar ve siperler kullanılmalıdır.
14. Motoru asla arızalı egzoz susturucusu ile çalıştırmayın.

Taşıma

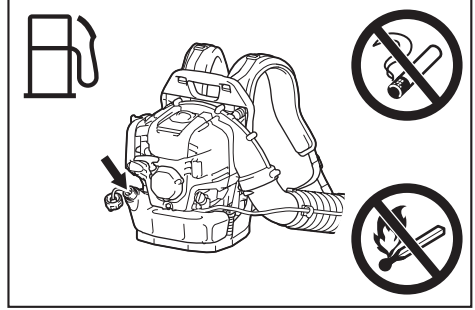
1. Nakliye sırasında motoru kapatın.



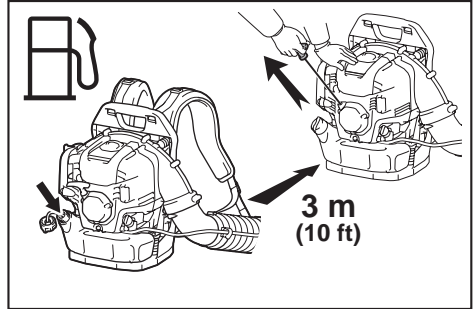
2. Yakıt sızıntısını engellemek için araba veya kamyon ile naklederken üfleme makinesini güvenli bir şekilde konumlandırın.
3. Üfleme makinesini naklederken yakıt deposunun tamamen boş olduğundan emin olun.
4. Üfleme makinesini taşıırken taşıma kolundan tutup kaldırın. Üfleme makinesini ağızından, boru veya diğer parçalarından çekmeyin.
5. Taşıma sırasında üfleme makinesini sıkıca tutun.
6. Üfleme makinesini taşıırken dizlerinizi bükün ve omuzunuza ve belinize zarar vermediğinizden emin olun.

Yakıt doldurma

1. Yakıt doldurma sırasında motoru kapatın, açık alevlerden iyice uzak durun ve sigara içmeyin.



2. Cildin petrol ürünlerine temas etmesini engelleyin. Yakıt buharını solumayın. Yakıt doldururken daima koruyucu eldiven takın. Koruyucu kıyafeti düzenli aralıklarla değiştirin ve temizleyin.
3. Toprağın kirlenmesini önlemek için yakıt veya yağ dökmemeye dikkat edin (çevrenin korunması). Yakıt dökülürse üfleme makinesini derhal temizleyin. Kendiliğinden tutuşmasını engellemek için kapalı bir kaba düzgün bir şekilde atmadan önce ıslanan kıyafetlerin kurumasını sağlayın.
4. Yakıtın kıyafetlerinize temas etmesini önleyin. Kıyafetinize yakıt dökülürse kıyafetinizi hemen değiştirin (yangın tehlikesi).
5. Yakıt deposu kapağını düzenli aralıklarla kontrol ederek sıkıca takılı kalmasını sağlayın.
6. Yakıt deposu kapağını dikkatlice sıkın. Motoru çalıştırmak için yer değiştirin (yakıt doldurma yerinden ez az 3 metre uzakta).



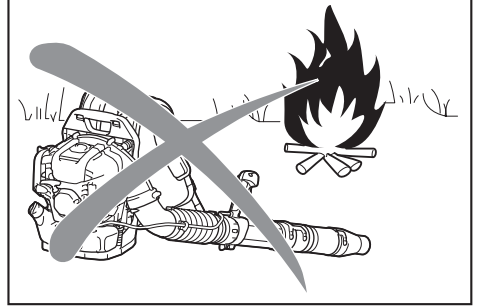
7. Asla kapalı odalarda yakıt doldurmayın. Yakıt buharları zemin seviyesinde toplanır (patlama tehlikesi).
8. Yakıtı yalnızca onaylı kaplarda taşıyın ve depolayın. Depolanan yakıtı çocukların erişemeyeceğinden emin olun.
9. Sıcak veya çalışan bir motora yakıt doldurmaya çalışmayın.
10. "TEKNİK ÖZELLİKLER"de belirtilen miktardan daha fazla yakıt doldurmayın.

Çalışma yöntemi

1. Üfleme makinesini yalnızca iyi ışık ve görüş şartlarında kullanın. Kaygan veya ıslak zeminlere, buz ve kara (kayma tehlikesi) ve dar alanlara dikkat edin. Daima yere güvenli bir şekilde basın.
2. Dengesiz yüzeylerde veya dik arazilerde asla çalışmayın.
3. Merdivenlerden veya yüksek yerlerden çalışmayın. Aksi takdirde yaralanmaya neden olabilir.
4. Yaralanma tehlikesini azaltmak için yüksek hava akışı basıncı gözleri yaralayabileceğinden ve küçük nesnelere yüksek hızda fırlatabileceğinden etrafta bulunanlara doğru doğru-dan hava üflemeyin.
5. Makinenin hava girişine veya üfleme makinesinin ağzına asla yabancı maddeler sokmayın. Fan çarkına zarar verebilir ve nesne veya kırılan parçaların yüksek hızda fırlatılmasının bir sonucu olarak kullanıcı veya etrafta bulunanların ciddi yaralanmasına neden olabilir.
6. Rüzgar yönüne dikkat edin, yani rüzgara karşı çalışmayın.
7. Tökezleme veya kontrol kaybı riskini azaltmak için makineyi kullanırken geriye doğru yürümeyin.
8. Üniteyi temizlemeden veya ünite bakım yapmadan ya da parçaları değiştirmeden önce daima motoru kapatın.
9. Yorgunluk sonucu kontrol kaybını önlemek için dinlenin. Saat başına 10 ila 20 dakika dinlenmeniz önerilir.
10. Makineyi pencerelerin, vb. yakınında kullanmayın.
11. Titreşim kaynaklı fiziksel etkiyi ve/veya kulak hasarını azaltmak için mümkünse makineyi düşük hızda kullanın ve çalışma süresini sınırlandırın.
12. Makineyi yalnızca makul saatlerde kullanın. Üfleme makinesini, insanların rahatsız olabileceği sabah ve gece geç saatlerde kullanmayın.
13. Üflemeden önce birikintileri çözmek için tırmık ve süpürge kullanılması önerilir.
14. Üflemeden önce tozlu durumdaki yüzeyleri hafifçe ıslatın veya gerekirse su sisi püskürtücüsü kullanın.
15. Hava akımının zemine yakın çalışabilmesi için üfleme makinesi ağzının uzunluğunu ayarlayın.
16. Ses seviyelerini azaltmak için tek seferde kullanılan makine adedini sınırlandırın.
17. Üfleme makinelerini ve diğer ekipmanları kullandıktan sonra TEMİZLEYİN! Çöp yuvalarındaki birikintileri atın.
18. Motoru gerekenden fazla miktarda hızlandırmayın. Üflenen nesne kişisel yaralanmaya neden olabilir.
19. Kullanım sırasında egzoz susturucusu ısınır. Sıcak egzoz susturucusuna dokunmayın, cilt yanıkları oluşabilir.
20. Makineyi çabuk tutuşan sıvıların, gazların ya da tozların bulunduğu yerler gibi patlayıcı ortamlarda çalıştırmayın. Makine tozları ya da dumanları tutuşturabilecek kıvılcımlar çıkarır.

Bakım talimatları

1. Çevreye saygılı olun. Üfleme makinesini mümkün olduğu kadar az gürültü ve kirlilik yaratarak kullanın. Özellikle karbüratörün doğru ayarlandığını kontrol edin.
2. Üfleme makinesini düzenli aralıklarla temizleyin ve tüm vidaları ve somunların iyice sıkıldığını kontrol edin.
3. Üfleme makinesine asla açık alevlerin, kıvılcıkların, vb. etrafında bakım yapmayın veya depolamayın.



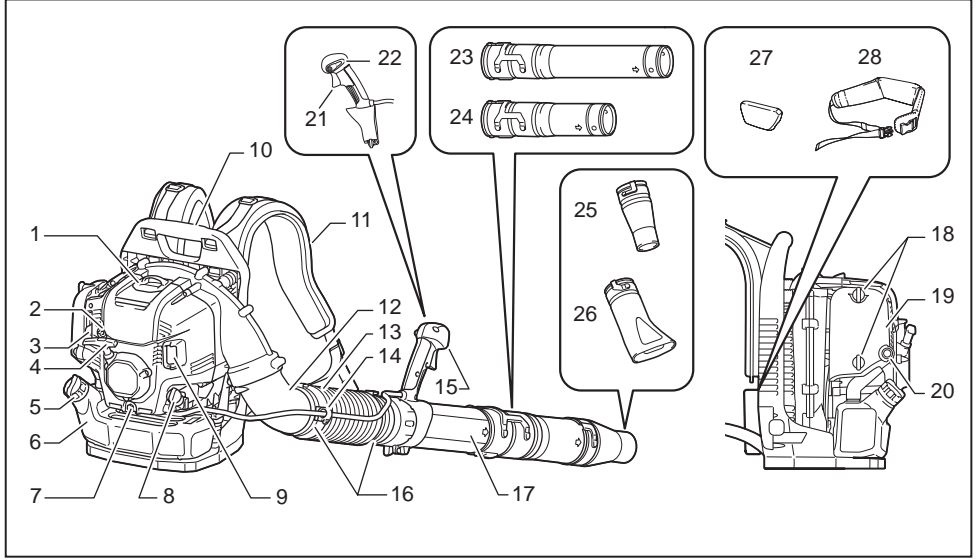
4. Üfleme makinesini daima iyi havalandırılan kilitli bir odada ve yakıt deposu boşaltılmış olarak saklayın.
5. Kullanıcı tarafından yapılacak bakım veya onarım performansını bu kullanma kılavuzunda anlatılan faaliyetlerle sınırlıdır. Diğer tüm işler yetkili servisler tarafından yapılmalıdır.
6. Sadece Makita/Dolmar tarafından tedarik edilen orijinal yedek parçaları ve aksesuarları kullanın. Onaysız aksesuarların ve aletlerin kullanılması, kaza ve yaralanmalarla sonuçlanabilir. Makita/Dolmar, onaysız her türlü ataşman veya aksesuar kullanılmasından kaynaklanan kazalar veya hasar için hiçbir sorumluluk kabul etmez.
7. Yanlış onarım ve kötü bakım makinenin ömrünü kısaltabilir ve kaza riskini arttırabilir.

İlk yardım

1. Kaza durumuna karşı çalışma yapılan yere yakın bir yerde uygun ilk yardım seti olmasını sağlayın. İlk yardım setinden alınan tüm malzemelerin yerini derhal doldurun.
2. Yardım isterken aşağıdaki bilgileri verin:
 - Kaza yeri
 - Ne olduğu
 - Yaralı kişi sayısı
 - Kazanın türü
 - Adınız

PARÇALARIN TANIMI

MG5300



1	Buji kapağı	9	Susturucu	17	Mafsal borusu	25	Dairesel ağız
2	Donma önleme kolu	10	Taşıma kolu	18	Düğmeli civata (hava filtresi kapağının)	26	Düz ağız (isteğe bağlı aksesuar)
3	Jigle kolu	11	Omuz askısı	19	Hava filtresi kapağı	27	Yastık (isteğe bağlı aksesuar)
4	Marş kolu	12	Dirsek	20	Ana pompa	28	Bel kayışı (isteğe bağlı aksesuar)
5	Yakıt deposu kapağı	13	Esnek boru	21	Gaz düğmesi	-	-
6	Yakıt deposu	14	Kablo tutucu	22	Durdurma kumanda kolu	-	-
7	Yağ boşaltma civatası	15	Kumanda kolu	23	Uzun boru (isteğe bağlı aksesuar)	-	-
8	Yağ kapağı	16	Hortum kelepçesi	24	Kısa boru (isteğe bağlı aksesuar)	-	-

- Standart aksesuarlar ülkeden ülkeye değişebilir.

MONTAJ

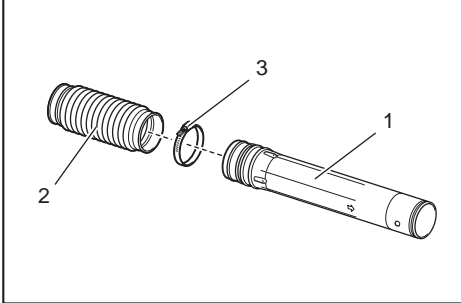
⚠ DİKKAT: Üfleme makinesi üzerinden herhangi bir iş yapmadan önce daima motoru durdurun ve bujinin buji kapağını çıkarın.

⚠ DİKKAT: Üfleme makinesini yalnızca makineyi tamamen monte ettikten sonra başlatın.

⚠ DİKKAT: Daima koruyucu eldiven takın.

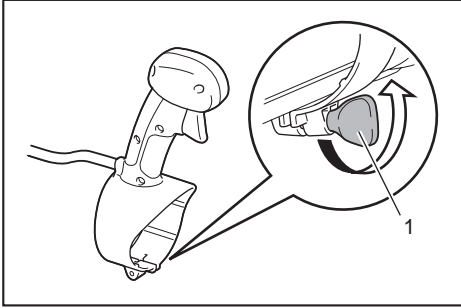
Üfleme makinesi borularının monte edilmesi

1. Mafsal borusunu esnek boruya takın ve hortum kelepçesi ile sıkın.



- 1. Mafsal borusu 2. Esnek boru 3. Hortum kelepçesi

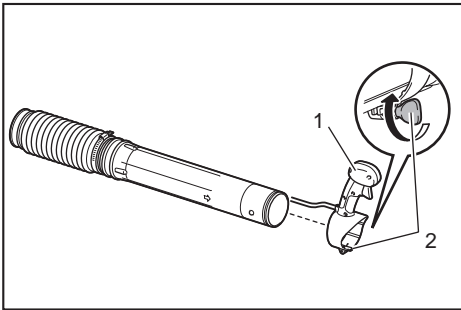
2. Sıkıştırma vidasını gevşetin ve çıkarın.



- 1. Sıkıştırma vidası

Kumanda kolunu takarken kabloyu bükmemeye dikkat edin.

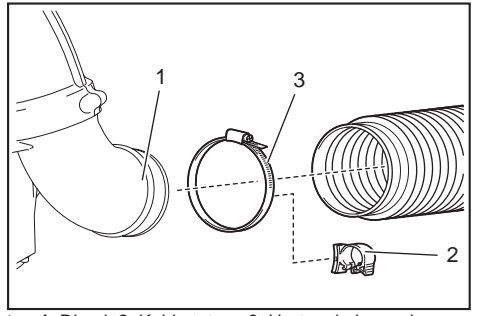
3. Kumanda kolu / tutamak parçasını mafsal borusuna takın ve sıkıştırma vidası ile sıkın.



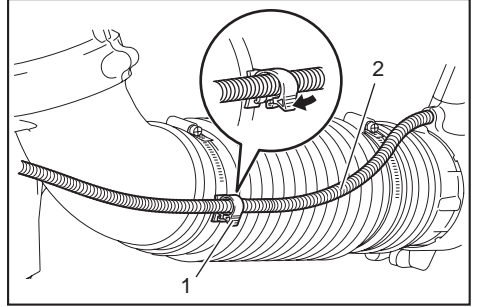
- 1. Kumanda kolu 2. Sıkıştırma vidası

4. Esnek boruyu dirseğe takın.

Dirseği esnek boruya sokun. Hortum kelepçesi ile esnek boru arasına kablo tutucuyu takın. Kablo tutucu, esnek boru ve dirseği hortum kelepçesi ile sıkın. Kontrol kablosunu kablo tutucunun üzerinde ayarlayın ve kablo tutucuyu kapatın.

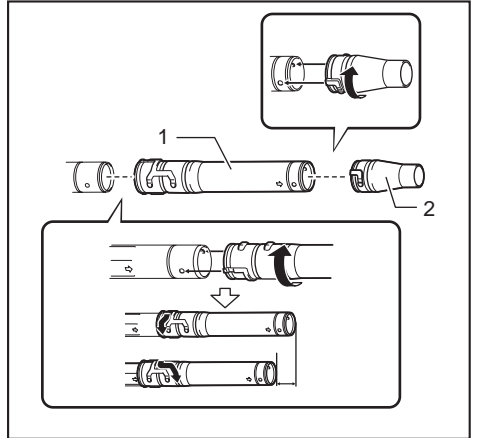


- 1. Dirsek 2. Kablo tutucu 3. Hortum kelepçesi



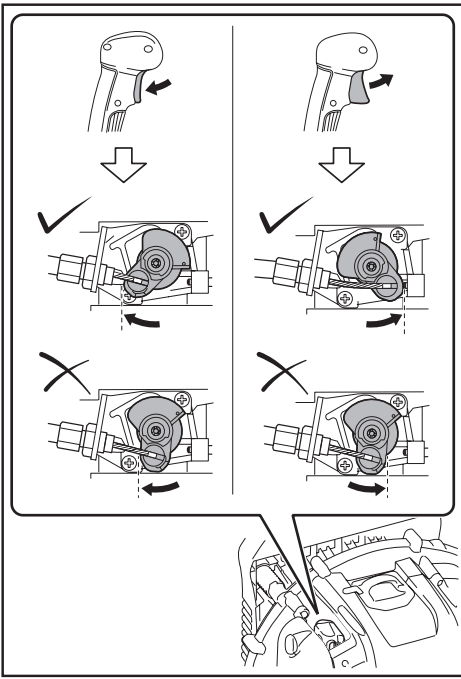
- 1. Kablo tutucu 2. Kontrol kablosu

5. Uzun/kısa boruyu mafsal borusuna takın. Yerine sabitlemek için uzun/kısa boruyu saat yönünde çevirin. Daha sonra üfleme makinesi ağızını uzun/kısa boruya takın. Yerine sabitlemek için üfleme makinesi ağızını saat yönünde çevirin.



- 1. Uzun/kısa boru 2. Üfleme makinesi ağız

6. Tüm kelepçelerin sıkı olduğunu kontrol edin. Gaz kelepçesi vanasının gaz kelepçesi hareketi ile birlikte düzgün hareket edip etmediğini kontrol edin.



Gaz kelebeği sonuna kadar çekilemez veya gaz kelebeği doğru pozisyona dönmezse gaz kelebeği vanası ayarı için olan BAKIM kısmına bakın.

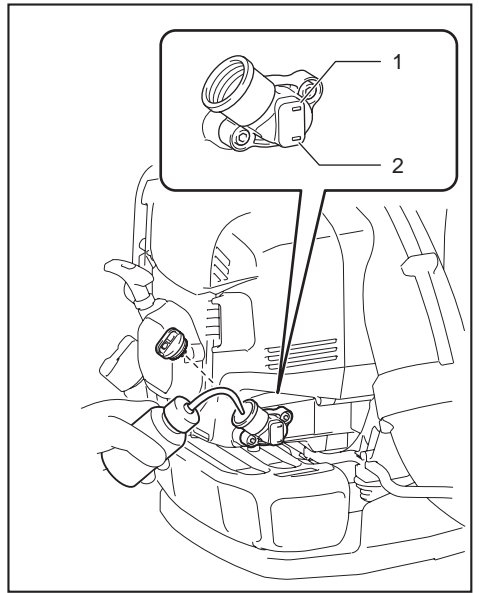
MOTORU BAŞLATMADAN ÖNCE

Motor yağının kontrol edilmesi ve doldurulması

⚠ DİKKAT: Motor yağını yeniden doldurken motoru durdurun ve motorun soğumasını bekleyin. Aksi takdirde ciltte yanığa neden olabilir.

ÖNEMLİ NOT: Bozuk yağ kullanılması düzensiz çalışmaya neden olur.

ÖNEMLİ NOT: Yağ kapağını çıkarmadan önce yağ doldurma deliğinin etrafındaki tozları ve kirleri temizleyin. Ayrıca, çıkarılan yağ kapağını kum veya tozdan uzak tutun. Aksi takdirde yağ kapağına yapışan kum veya toz, sorunlara neden olabilecek düzensiz yağ dolaşımına veya motor parçalarının aşınmasına sebep olabilir.



► 1. Üst sınır işareti 2. Alt sınır işareti

İnceleme

Üfleme makinesini düz bir yüzeye yerleştirin ve yağ kapağını çıkarın.

Yağ seviyesinin üst ve alt sınır işaretleri arasında olduğundan emin olun. Yağ, alt sınırın altındaysa yeni yağ doldurun.

Yağı, kirlendiğinde veya dikkati çekecek ölçüde renk değiştirdiğinde değiştirin. (Yağ değiştirme prosedürü ve aralığı için "Motor yağının değiştirilmesi" kısmına bakın.)

Doldurun

Üfleme makinesini düz bir yüzeye yerleştirin ve yağ kapağını çıkarın.

Yağ seviye göstergesinin üst sınırına kadar yağ doldurun.

Ortalama olarak motor yağının her 20 saat çalışmada bir (her 10 - 15 yakıt dolumu sonrasında) eklenmesi gerekir.

Önerilen yağ

- Orijinal Makita/Dolmar 4 zamanlı motor yağı veya
- API derecesi SF sınıfı ve üzeri SAE 10W-30 yağ (4 zamanlı otomobil motoru yağı)

Yağ kapasitesi

Yağ kapasitesi: yaklaşık 140 ml

ÖNEMLİ NOT: Üfleme makinesini düz bir yüzeyde dik konumda saklayın. Üfleme makinesi eğilirse ve yağ motora doğru akarsa yağ göstergesi doğru yağ miktarını göstermeyebilir. Bu durum çok fazla yağ doldurulmasına neden olabilir.

ÖNEMLİ NOT: Aşırı miktarda yağ doldurmayın. Hava filtresinin hava deliğinden fazla yağ dökülebilir ve civarındaki parçaları kirletebilir veya yağın yanmasından dolayı beyaz duman çıkabilir.

Yağ doldurulduktan sonra

Dökülen yağı bir bez parçasıyla silin.

Yakıt dolumu

UYARI: Yakıt doldururken motoru durdurun ve motorun soğumasını bekleyin. Aksi takdirde kıvılcım, yangın veya cilt yanıklarına sebep olabilir.

UYARI: Kıvılcım ya da yangını önlemek için yakıt dolumu ateşten uzak bir yerde yapılmalıdır. Yakıt dolumu yapılan yerin yakınına asla ateş (sigara, vb.) getirmeyin.

UYARI: Düz bir yüzeyde yakıt doldurun. Sabit olmayan bir yerde yakıt doldurmayın. İyi ışık ve görüş koşullarında yakıt doldurun.

UYARI: Yakıt deposu kapağını yavaşça açın. İç basınçtan dolayı dışarı yakıt dökülebilir.

UYARI: Yakıtı dökmeye dikkat edin. Dökülen yakıtı silin.

UYARI: Yakıt dolumunu iyi havalandırılan bir yerde yapın.

UYARI: Açık temiz bir yerde yakıt doldurun.

UYARI: Yakıtı dikkatli bir şekilde kullanın.

DİKKAT: Cilde yapışan veya göze giren yakıt alerji veya tahrişe neden olabilir. Herhangi bir fiziksel anormallik tespit edilmesi durumunda derhal tıbbi uzmana başvurun.

ÖNEMLİ NOT: Yakıt deposuna yağ KOYMAYIN.

Yakıt

UYARI: Makine ve depoyu, doğrudan güneş ışığı görmeyen serin bir yerde saklayın.

UYARI: Yakıtı asla arabada saklamayın.

Motor dört zamanlı bir motordur. Mutlaka otomobil benzini (normal benzin veya süper benzin) kullanın.

ÖNEMLİ NOT: Asla 2 zamanlı yağ ya da motor yağı gibi yağlarla benzini karıştırıp kullanmayın. Aksi takdirde, aşırı karbon birikimi veya mekanik hasarlar meydana gelebilir.

NOT: Yakıtı iyi havalandırılan ve gölge bir yerde özel bir kaba alın. Yakıtı 4 haftalık bir süre içinde kullanın. Aksi takdirde yakıt bir günde bozulabilir.

Yakıt doldurma yöntemi

DİKKAT: Depo kapağında herhangi bir kusur veya hasar varsa değiştirin.

DİKKAT: Depo kapağı zamanla yıpranır. İki-üç yılda bir değiştirin.

ÖNEMLİ NOT: Yağ doldurma deliğinden yakıt DOLDURMAYIN.

1. Depo basıncını boşaltmak için depo kapağını hafif çevirin.
2. Depo kapağını çıkartın ve yakıt doldurun. Bu işlem sırasında yakıt doldurma deliği yukarı bakacak şekilde yakıt deposunu eğerek depo içerisinde havanın boşalmasını sağlayın. Yakıtı deponun üst kısmına kadar DOLDURMAYIN.
3. Yakıtı doldurduktan sonra depo kapağını sıkıca kapatın.

KULLANIM

Motorun başlatılması

UYARI: Motoru asla yakıt dolumu yapılan yerde başlatmaya çalışmayın. Tutuşma veya yangına neden olabilir. Motoru başlatırken yakıt doldurma alanı ile aranızda en az 3 metre mesafe bırakın.

UYARI: Motordan çıkan egzoz gazı zehirlidir. Motoru tünel, bina, vb. gibi iyi havalandırılmayan yerlerde çalıştırmayın. Motorun iyi havalandırılmayan yerlerde çalıştırılması egzoz gazından zehirlenmeye neden olabilir.

UYARI: Başlattıktan sonra ses, koku veya titreşimde herhangi bir anormallik tespit edilmesi durumunda motoru hemen durdurun ve kontrol edin. Motor, böyle bir anormalliğe kulak vermeden çalıştırılırsa kaza meydana gelebilir.

UYARI: Sıcak motor kapağına dokunmayın. Aksi takdirde ciltte yanığa neden olabilir.

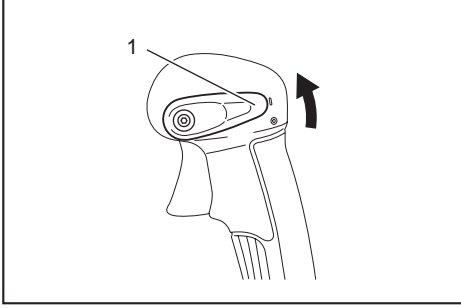
UYARI: Motoru başlatmadan önce yakıt sızıntısı olmadığını kontrol edin.

UYARI: Durdurma düğmesi "O" konumuna alındığında motorun durduğunu kontrol edin.

Motor soğukken veya yakıt doldurduktan sonra (soğuk çalıştırma)

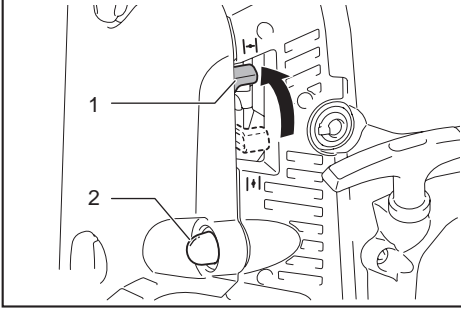
1. Üfleme makinesini düz bir yüzeye yerleştirin.
2. I/O konumu

Durdurma kumanda kolunu "I" konumuna alın.



► 1. Durdurma kumanda kolu

3. Yakıt ana pompaya girene kadar ana pompaya bastırmaya devam edin.

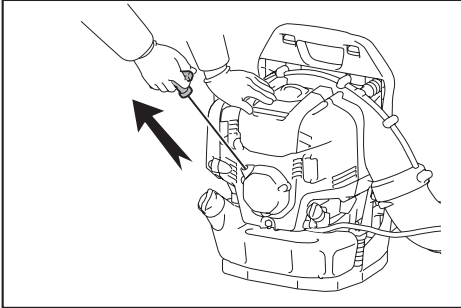


► 1. Jigle kolu 2. Ana pompa

NOT: Yakıt genellikle 7 ila 10 kez basıldığında karbüratöre ulaşır.

NOT: Ana pompaya fazla basılsa bile fazla benzin ana pompaya geri döner.

4. Jigle kolunu kaldırarak kapalı konuma alın.
5. Sol elinizi üfleme makinesinin üst kısmına koyun ve sıkıştırma hissedene kadar marş kolunu sağ elinizle yavaş yavaş çekin. Daha sonra marş kolunu güçlü bir şekilde çekin.

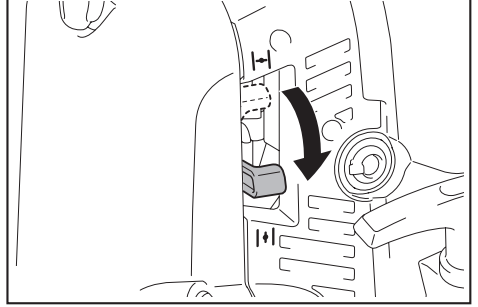


ÖNEMLİ NOT: İpi asla sonuna kadar çekmeyin.

ÖNEMLİ NOT: Marş kolunu hafifçe yuvasına geri getirin. Aksi takdirde çekilmiş olan marş kolu vücudunuza vurabilir veya düzgün bir şekilde geri sarılamayabilir.

NOT: Motor çalışır ve durursa jigle kolunu "açık" konumuna döndürün ve motoru tekrar başlatmak için marş kolunu birkaç kez çekin.

6. Motor çalışınca jigle kolunu açık konuma indirin.



NOT: Gaz düğmesini çekmeden önce jigle kolunu sonuna kadar açın.

NOT: Soğuk havalarda veya motor yeterince sıcak değilken jigle kolunu asla aniden açmayın. Aksi takdirde motor durabilir.

7. Motor hızı boşta veya düşük hızda olacak şekilde 2 ila 3 dakika boyunca ısıtın.
8. Düşük devirden tam gaza hızlı motor devir artışı hissedildiğinde ısıtma tamamlanmıştır.

NOT: Kullanıcı, jigle kolu "kapalı" konumda bırakılmış olarak marş kolunu birkaç kez çekmeye devam ederse yakıt basmasından dolayı motorun çalıştırılması zor olabilir. Yakıt basması durumunda bujiyi çıkarın ve fazla yakıtı boşaltmak için kolu birkaç kez hızlı bir şekilde çekin. Buji tırnağını kurulaştırın.

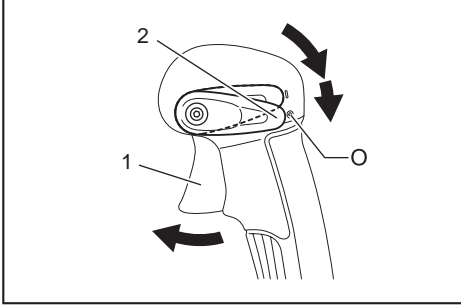
Motor sıcakken (sıcak çalıştırma)

⚠DİKKAT: Elinizi yakmamaya dikkat edin. Motoru çalıştırırken eldiven giyin.

1. Üfleme makinesini düz bir yüzeye yerleştirin.
2. Ana pompaya birkaç kez basın.
3. Jigle kolunun açık olduğunu kontrol edin.
4. Sol elinizi üfleme makinesinin üst kısmına koyun ve sıkıştırma hissedene kadar marş kolunu sağ elinizle yavaş yavaş çekin. Daha sonra marş kolunu güçlü bir şekilde çekin.

Motorun durdurulması

Gaz düğmesini bırakın ve durdurma kumanda kolunu "O" konumuna alın.



► 1. Gaz düğmesi 2. Durdurma kumanda kolu

Karbüratörün donmasının engellenmesi

ÖNEMLİ NOT: Ortam sıcaklığının 10°C'nin üzerinde olduğu durumlarda, kolu daima normal (güneş işareti) ayarına getirin. Aksi takdirde aşırı ısınma dolayısıyla motor hasar görebilir.

Ortam sıcaklığı düşük ve nem yüksekse karbüratörün içinde su buharı donabilir ve motor istikrarsız çalışır (karbüratörün donması). Gerekliğinde donma önleme kolu ayarını şu şekilde değiştirin.

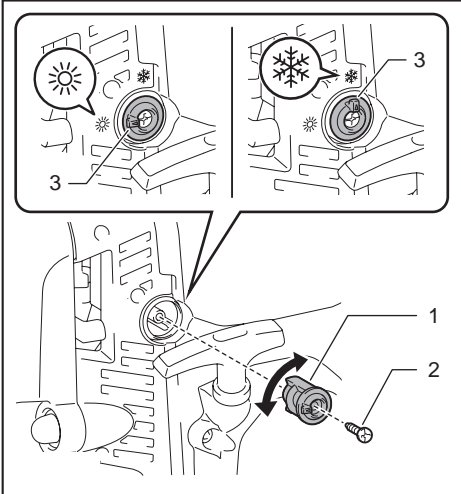
1. Vidayı sökün ve donma önleme kolunu dışarı çekin.
2. Donma önleme kolunu şu şekilde takın:

Ortam sıcaklığı 10°C'den yüksekse

Düğmeyi güneş işareti konumuna (sıcak konum) alın.

10°C veya daha soğuk ortam

Düğmeyi kar işareti konumuna (donma önleme konumu) alın.



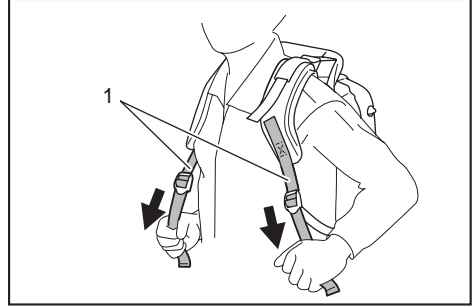
► 1. Donma önleme kolu 2. Vida 3. Düğme

3. Vidayı sıkın.

Omuz askısının ayarlanması

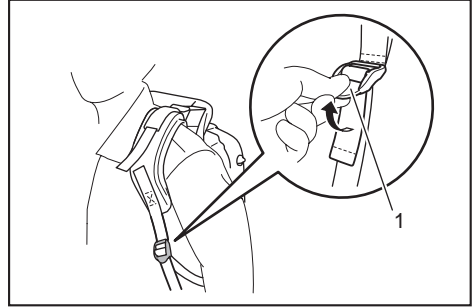
1. Omuzu askısını üfleme makinesini taşıırken rahat çalışılabilecek bir uzunluğa ayarlayın.

Askıyı sıkıktırmak için, askının ucunu aşağıya doğru çekin.



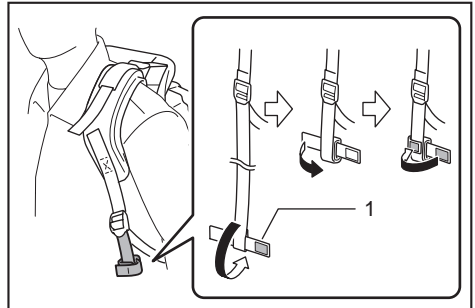
► 1. Omuz askısı

Askıyı gevşetmek için, mandalın ucunu yukarıya doğru çekin.



► 1. Mandal

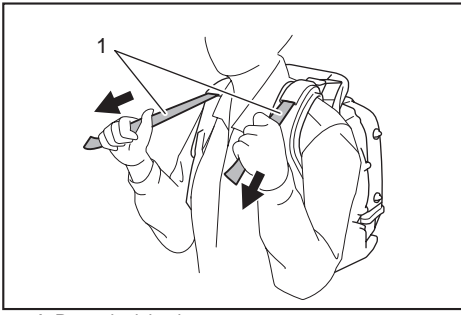
Askının ucunu sarın ve bantla tutturun.



► 1. Bant

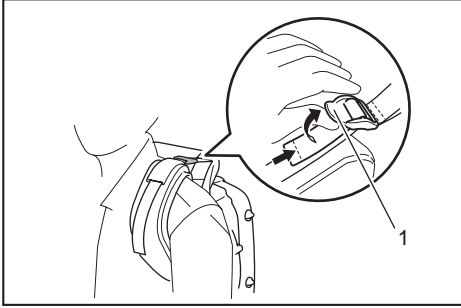
2. Dengeleyici askısını sırtınızla üfleme makinesinin gövdesi arasında boşluk kalmayınca dek çekin.

Askıyı sıkıktırmak için, askının ucunu aşağıya doğru çekin.



► 1. Dengeleyici askısı

Askıyı gevşetmek için, mandalın ucunu yukarıya doğru çekin.

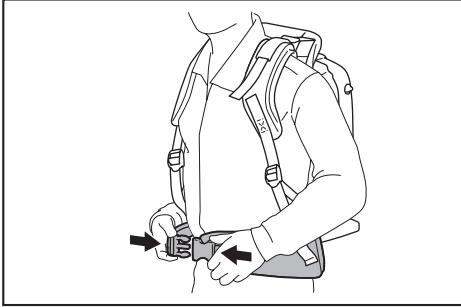


► 1. Mandal

Bel kayışı

İsteğe bağlı aksesuar

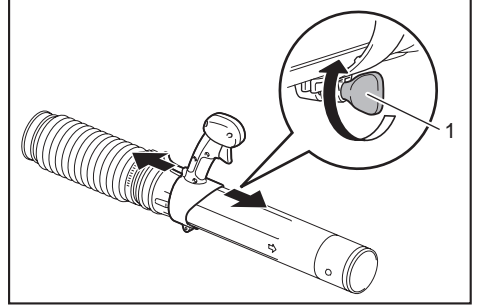
Bel kayışı operatörün aleti daha dengeli taşımasını sağlar.



⚠ DİKKAT: Üfleme makinesini indirmeden önce bel kayışı tokasını mutlaka açın.

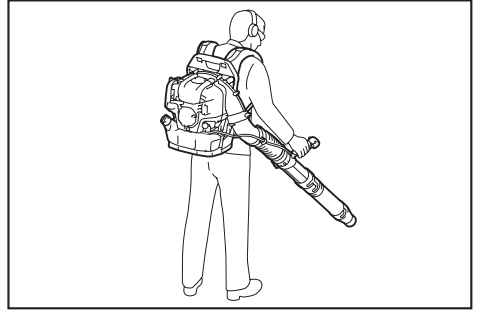
Kumanda kolu konumunun ayarlanması

Kumanda kolunu mafsal borusu üzerinde en rahat yere getirin. Ardından kumanda kolunu sıkıştırma vidası ile sıkın.



► 1. Sıkıştırma vidası

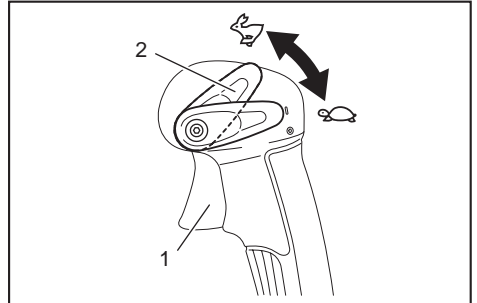
Üfleme Makinesinin Kullanılması



1. Üfleme makinesini kullanırken gaz düğmesini / gaz kolunu, rüzgar gücü çalışılan yer ve şartlara uygun olacak şekilde ayarlayın.

2. Motor devrinin ayarlayın.

Motor devri, gaz düğmesi çekildiğinde artar. Motor devrini düşürmek için gaz düğmesini gevşetin. Sabit hız kontrol işlevi kullanıcının gaz düğmesini çekmeden motor devrini sabit tutmasını sağlar. Motor devrini artırmak için durdurma kumanda kolunu yüksek hız konumuna alın. Motor devrini düşürmek için durdurma kumanda kolunu düşük hız konumuna alın.



► 1. Gaz düğmesi 2. Durdurma kumanda kolu

Üfleme makinesinin taşınması

⚠ DİKKAT: Üfleme makinesini naklederken motoru mutlaka durdurun.

ÖNEMLİ NOT: Üfleme makinesinin üzerine oturmayın veya basmayın ya da üzerine ağır eşyalar koymayın. Böyle yapmak makineye zarar verebilir.

ÖNEMLİ NOT: Üfleme makinesini naklederken veya saklarken dik konumda tutun. Dik olmayan bir pozisyonda nakletmek veya saklamak üfleme makinesi motorunun içine yağ dökülmesine neden olabilir. Bu ise yağ kaçaklarına ve yanan yağdan dolayı beyaz dumana neden olabilir ve hava filtresi yağ ile kirlenebilir.

ÖNEMLİ NOT: Üfleme makinesini taşırken sürüklemeyin. Aksi takdirde üfleme makinesinin yuvası hasar görebilir.

BAKIM

⚠ DİKKAT: Kontrol ve bakım öncesinde motoru durdurun ve soğumasını bekleyin. Bujiyi ve buji başlığını çıkarın. Aksi takdirde kazara çalışma sonucu kullanıcı yanabilir veya ciddi yaralanabilir.

⚠ DİKKAT: Kontrol ve bakım sonrasında tüm parçaların takıldığından emin olun.

Motor yağının değiştirilmesi

⚠ DİKKAT: Motor durduktan hemen sonra motorun ana ünitesi ve motor yağı hala sıcaktır. Motor yağını değiştirirken motor ana ünitesi ile motor yağının yeteri kadar soğuduğundan emin olun. Aksi takdirde haşlanma riski olabilir. Yağ miktarını düzgün okumak üzere motor yağının yağ deposuna dönmesi için motor durduktan sonra yeteri kadar bekleyin.

⚠ DİKKAT: Yağ seviyenin üzerinde doldurursa kirlenebilir veya tutuşarak beyaz dumana neden olabilir.

ÖNEMLİ NOT: Boşaltılan motor yağını kesinlikle çöpe, toprağa veya kanalizasyona dökmeyin. Yağın atılması yasa ile düzenlenmiştir. Atarken daima ilgili yasalara ve yönetmeliklere riayet edin. Bilinmeyen tüm hususlar için yetkili servise başvurun.

ÖNEMLİ NOT: Yağ, kullanılmadan saklansa bile bozulur. Kontrol ve değişimi düzenli aralıklarla yapın (6 ayda bir yeni yağ ile değiştirin).

Bozuk motor yağı kayan ve dönen parçaların ömrünü önemli ölçüde azaltır. Değişim periyodunu ve miktarını mutlaka kontrol edin.

Değiştirme sıklığı

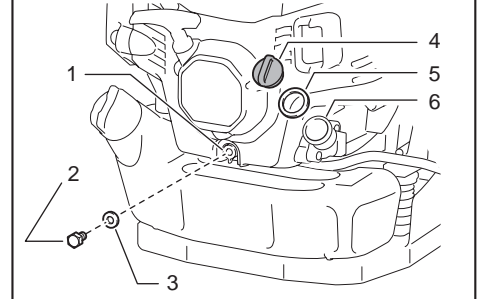
İlk 20 saatlik çalışma sonrası, her 50 çalışma saatinde bir

Önerilen yağ

- Orijinal Makita/Dolmar 4 zamanlı motor yağı veya
- API derecesi SF sınıfı ve üzeri SAE 10W-30 yağ (4 zamanlı otomobil motoru yağı)

Yağ değiştirme prosedürü

Yağı aşağıda açıklandığı gibi değiştirin:



► 1. Boşaltma deliği 2. Yağ boşaltma civatası 3. Conta (alüminyum pul) 4. Yağ kapağı 5. Yağ kapağı contası 6. Yağ deliği

1. Üfleme makinesini düz bir yüzeye yerleştirin.
2. Boşalan yağı toplamak için boşaltma deliğinin altına bir atık yağ kabı koyun. Yağın tamamını alabilmesi için kabın kapasitesi en az 140 ml olmalıdır.
3. Yağın boşalması için yağ boşaltma civatasını sökün. Yağın yakit deposu ve diğer parçaların üzerine gelmemesine dikkat edin.

ÖNEMLİ NOT: Contayı (alüminyum pul) kaybetmemeye dikkat edin. Yağ boşaltma civatasını üzerinde pislik birikmeyecek bir yere koyun.

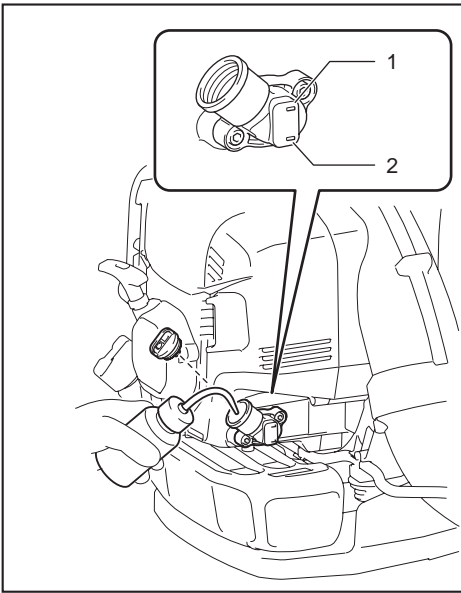
4. Yağ kapağını çıkarın. (Yağ kapağının çıkarılması yağın kolayca boşalmasını sağlar.)

ÖNEMLİ NOT: Yağ kapağını kirlenmeyeceği bir yere koyun.

5. Boşaltılan yağın seviyesi düşerken yağın tamamen boşaltılması için üfleme makinesini boşaltma deliğinin olduğu tarafa doğru yatırın.
6. Yağ tamamen boşaldıktan sonra yağ boşaltma civatasını iyice sıkılayın. Civata iyice sıkılmazsa yağ sızıntısına neden olabilir.

ÖNEMLİ NOT: Boşaltma tapasını yerine takarken contayı (alüminyum pul) koymayı unutmayın.

7. Yağ doldurma ağzına üst sınır işaretine kadar, yaklaşık 140 ml yağ doldurun.



► 1. Üst sınır işareti 2. Alt sınır işareti

8. Yağı doldurduktan sonra yağ sızıntılarını önlemek için yağ kapağını iyice sıkın.

ÖNEMLİ NOT: Yağ kapağını yerine takarken yağ kapağı contasını yerine koymayı unutmayın.

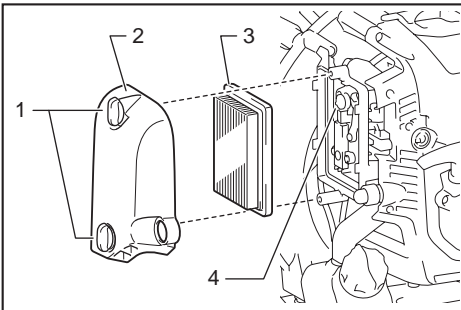
Hava filtresinin temizlenmesi

UYARI: YANICI MADDELER KESİNLİKLE YASAKTIR

Temizlik ve Kontrol Aralığı

Günde bir kere (her 10 çalışma saati sonunda)

Temizleme prosedürü



► 1. Düğmeli civatalar 2. Hava filtresi kapağı 3. Eleman 4. Hava deliği

1. Düğmeli civataları gevşetin.
2. Hava filtresi kapağını çıkarın.

3. Elemanı çıkarın ve eleman üzerindeki tüm pisliği bir bez ya da basınçlı havayla temizleyin. Hasarlı veya çok kirli ise elemanı yenisiyle değiştirin.

NOT: Eleman kuru tipte olup ıslatılmamalıdır. Asla su ile yıkamayın.

4. Hava deliğinin etrafındaki tüm yağı bir kumaş parçası ya da bezle silin.
5. Elemanı hava filtresi gövdesine takın.
6. Hava filtresi kapağını takın ve düğmeli civataları sıkın.

ÖNEMLİ NOT: Tozlu bir ortamdan dolayı fazla toz yapılırsa elemanı günde birkaç kez temizleyin.

ÖNEMLİ NOT: Eleman yağdan arındırılmamış durumda çalışmaya devam edilirse hava filtresindeki yağ dışarı çıkarak yağ kirlenmesine neden olabilir.

Bujinin kontrol edilmesi

⚠DİKKAT: Motor çalışırken bujiye dokunmayın. Aksi takdirde elektrik çarpmasına yol açabilir.

⚠DİKKAT: Durdurma kumanda kolunu/durdurma düğmesini kapalı "O" konumuna alın.

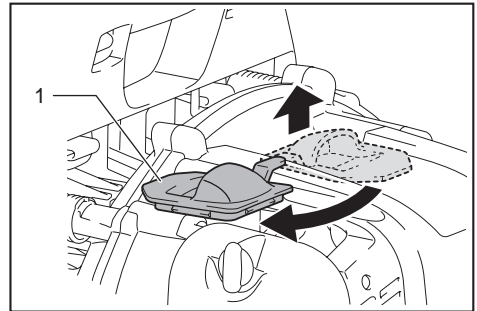
⚠DİKKAT: Buji kablosunu düzenli olarak kontrol edin. Hasarlı ve aşınmışsa değiştirin. Aksi takdirde elektrik çarpmasına yol açabilir.

ÖNEMLİ NOT: Bujiyi çıkarırken silindire pislik, kum, vb. girmemesi için önce bujiyi ve silindir kapağını temizleyin.

ÖNEMLİ NOT: Silindirdeki dişli deliğe zarar verilmesini önlemek için bujiyi motor soğuduktan sonra çıkarın.

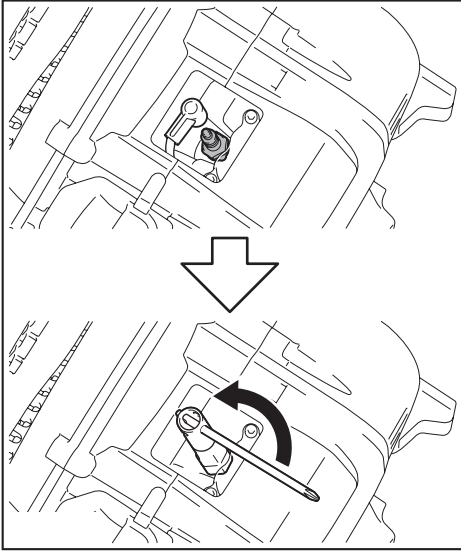
ÖNEMLİ NOT: Bujiyi dişli deliğe düzgün bir şekilde takın. Açık yapacak şekilde takılırsa silindirdeki dişli delik hasar görür.

1. Buji kapağını açmak için kapağı kaldırın ve yarım tur döndürün.



► 1. Buji kapağı

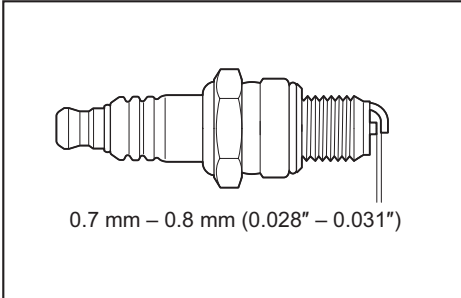
2. Bujiyi takıp çıkarmak için standart bir aksesuar olarak ürünle birlikte verilen lokma anahtarını kullanın.



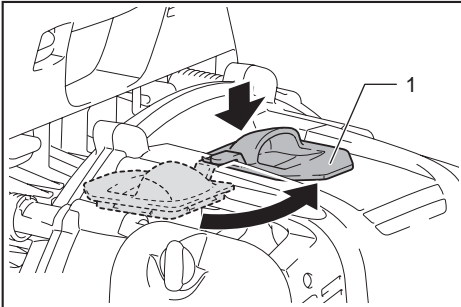
3. Bujinin iki elektrotu arasındaki uygun açıklık 0,7 ila 0,8 mm'dir. Çok geniş ya da çok dar olduğunda doğru açıklığa ayarlayın.

Kömür birikmiş veya kirlenmişse bujiyi komple temizleyin veya değiştirin.

Değiştirmek için NGK CMR6H kullanın.



4. Buji kapağını kapatmak için yarım tur döndürün ve çukur kısmın etrafına basın.



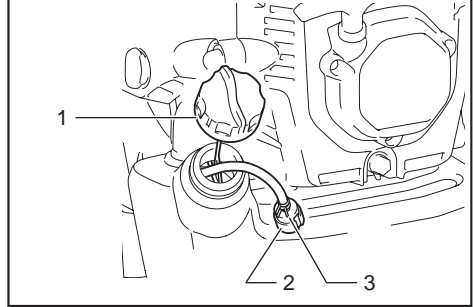
- 1. Buji kapağı

Yakıt filtresinin temizlenmesi

⚠DİKKAT: Yakıt deposunda hasar olmadığını kontrol edin. Yakıt deposunda herhangi bir hasar varsa hemen tamir için yetkili servis merkezine başvurun.

ÖNEMLİ NOT: Yakıt filtresini düzenli olarak temizleyin. Tıkalı yakıt filtresi motorun zor çalışmasına veya motor devrinin yükselmemesine neden olabilir.

Yakıt filtresini düzenli olarak şu şekilde kontrol edin:



- 1. Yakıt deposu kapağı 2. Yakıt filtresi 3. Hortum kelepçesi

1. Yakıt deposu kapağını çıkarın, depoyu boşaltmak için yakıtı boşaltın. Deponun içinde herhangi bir yabancı madde olup olmadığını kontrol edin. Varsa bu maddeleri silerek temizleyin.
2. Yakıt filtresini tel ile yakıt doldurma ağzından çekerek çıkarın.
3. Yakıt filtresi yüzeyi kirli ise benzin ile temizleyin.

ÖNEMLİ NOT: Yakıt filtresini temizlemek için kullanılan benzini atarken her yerel merciinin belirlediği yönteme uyun.

ÖNEMLİ NOT: Aşırı derecede kirlenmişse yakıt filtresini değiştirin.

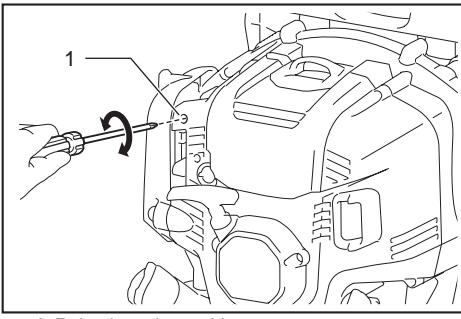
4. Kontrol ettikten, temizledikten veya değiştirdikten sonra yakıt filtresini yakıt borusuna takın ve hortum kelepçesi ile sabitleyin. Yakıt filtresini yakıt deposuna yeniden takın ve yakıt deposu kapağını iyice sıkın.

Rölanti hızının ayarlanması

⚠DİKKAT: Karbüratör fabrikada ayarlanmıştır. Rölanti hızı dışında asla ayarlamayın. Diğer ayarlar için yetkili servisi merkezimize başvurun.

Uygun düşük hız devri 2.800 min⁻¹ (dev/dak)'dir. Devir hızının değiştirilmesi gerekirse rölanti hızını yıldız tornavida ile ayarlayın.

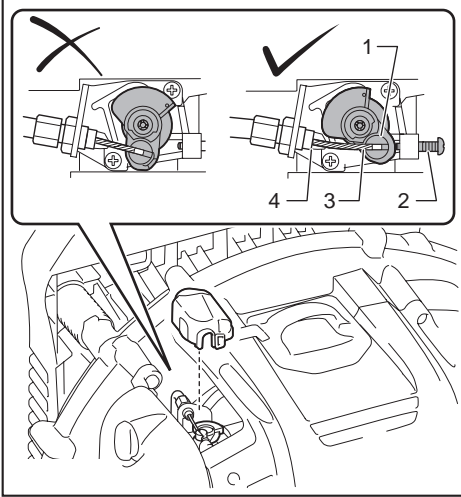
Motor rölantide durur ya da düzensiz bir şekilde çalışırsa ayarlama vidasını sağa döndürün, rölanti hızı artar. Motor rölantide çok güçlü üflerse, ayarlama vidasını sola döndürün, rölanti hızı azalır.



► 1. Rölanti ayarlama vidası

Gaz kelebeği vanasının kontrol edilmesi

Kontrol kablosu bükülür veya sıkışırsa, gaz kelebeği vanası rölantide ayarlama vidasıyla temas etmez ve motorun rölantide düzgün çalışmasını engeller. Bu gibi bir durumda, vana hareketinin doğru bir şekilde çalışması için kontrol kablosunu yeniden konumlandırın.

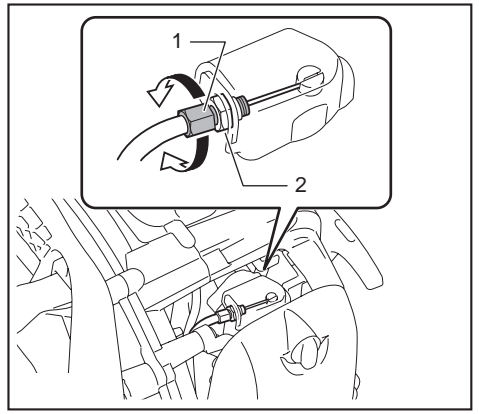


► 1. Gaz kelebeği vanası 2. Rölanti ayarlama vidası 3. Kontrol kablosu 4. Gaz kelebeği vanası durdurucusu

Gaz düğmesini tamamen çekseniz de gaz kelebeği vanası, gaz kelebeği vanası durdurucusuna temas etmiyorsa ya da rölantide çalışma sırasında gaz kelebeği vanası, rölanti ayarlama vidasına temas etmezse, kablo ayarlama civatalarını aşağıda açıklandığı gibi döndürün:

1. Tespit somununu gevşetin.
2. Gaz kelebeği vanası, gaz kelebeği vanası durdurucusuna temas etmiyorsa, kablo ayarlama civatasını saatin aksi yönünde döndürün.

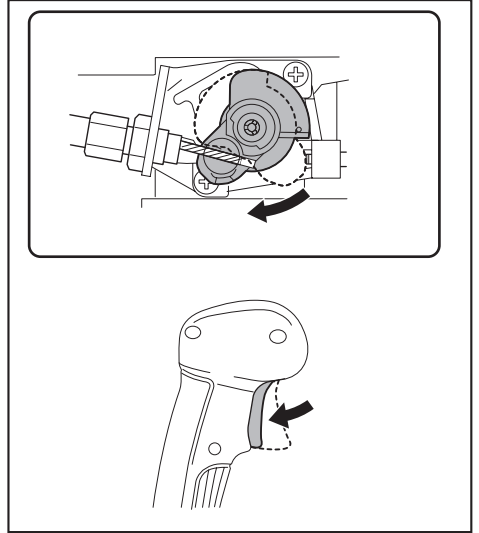
Gaz kelebeği vanası, rölanti ayarlama vidasına temas etmiyorsa, kablo ayarlama civatasını saat yönünde döndürün.



► 1. Kablo ayarlama civatası 2. Tespit somunu

3. Kablo ayarlama civatasını sıkılmak için tespit somununu sıkın.

4. Gaz kelebeği vanasının hareketini kontrol edin. Gaz kelebeği vanası, gaz düğmesi/kolu çekildiğinde/ çevrildiğinde şekilde gösterilen konuma gelir.

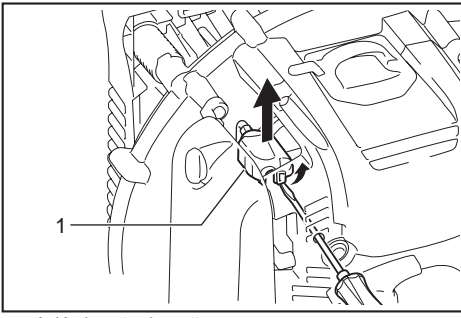


Karbüratör kapağının temizlenmesi

Karbüratör kapağı kirlenirse ve gaz kelebeği vanasını kontrol etmek güçleşirse, karbüratör kapağını aşağıdaki açıklandığı gibi temizleyin:

ÖNEMLİ NOT: Karbüratör kapağını temizlemek için benzin, tiner, alkol ve benzeri maddeleri kesinlikle kullanmayın. Aksi takdirde kararabilir.

1. Düz uçlu bir tornavidayı motor kapağı üzerindeki delikten geçirin. Karbüratör kapağının klempini açın.



► 1. Karbüratör kapağı

2. Karbüratör kapağını temizleyin.

ÖNEMLİ NOT: Karbüratör kapağını temizlemek için temiz, ıslak bir bez kullanın.

3. Karbüratör kapağını yerine geri takın. Karbüratör kapağının klempinin tık sesi ile yerine oturduğundan emin olun.

Cıvata, somun, vidalar ve diğer parçaların kontrol edilmesi

Gevşek cıvataları, somunları, vb. sıkın.

Yakıt ve yağ kaçağı olup olmadığını kontrol edin.

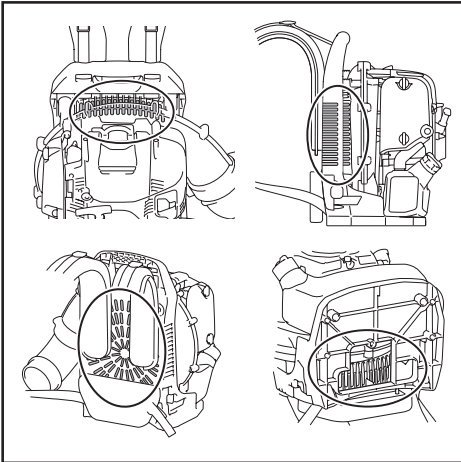
Güvenli çalışma için hasarlı parçaları yenileriyle değiştirin.

Motorun, soğutucu hava girişinin temizlenmesi

Bezle silerek motoru temiz tutun.

Silindir kapaçıklarını toz ve pislikten temiz tutun. Kapaçıklara yapışan toz veya kir, motorun aşırı ısınmasına ve pistonun sıkışmasına neden olur.

Üfleme havası hava giriş menfezinden alınır. Çalışma sırasında hava debisi düşerse motoru durdurun ve hava giriş menfezinde tıkanıklık olup olmadığını kontrol edin. Gerekirse temizleyin. Böyle bir tıkanıklık aşırı ısınmaya neden olabilir ve motora zarar verir.



Contaların ve salmastranın değiştirilmesi

Motor parçalarına ayrılırsa contaları ve salmastrayı değiştirin.

Bu kılavuzda yer almayan ve anlatılmayan her türlü bakım ve ayar işi yalnızca yetkili servis tarafından yapılmalıdır.

Depolama

UYARI: Yakıtı boşaltırken motoru durdurun ve motorun soğumasını bekleyin. Bunu yapmamak yanıklara veya yangına neden olabilir.

⚠DİKKAT: Makine uzun süreliğine depolanacaksa yakıt deposu ve karbüratördeki tüm yakıtı boşaltın ve kuru ve temiz bir yerde muhafaza edin.

Makineyi saklamadan önce yakıt deposu ve karbüratördeki yakıtı aşağıda açıklandığı gibi boşaltın:

1. Yakıt deposu kapağını çıkarın ve yakıtı tamamen boşaltın. Yakıt deposunda kalan herhangi bir yabancı madde olması durumunda o maddeyi tamamen çıkarın.
2. Yakıt filtresini doldurma ağzından bir tel ile çekeerek çıkarın.
3. Yakıt boşalana dek ana pompaya basın ve yakıt deposuna gelen yakıtı boşaltın.
4. Filtreyi yakıt deposuna yeniden takın ve yakıt deposu kapağını iyice sıkın.
5. Ardından motoru durana dek çalıştırmaya devam edin.
6. Bujiyi çıkarın ve buji deliğine birkaç damla motor yağı damlatın.
7. Motor yağının motor boyunca yayılması için marş kolunu hafifçe çekin ve bujiyi takın.
8. Makineyi taşıma kolu dik olacak şekilde muhafaza edin.
9. Çıkan yakıtı doğrudan güneş ışığı almayan ve iyi havalandırılan bir yerde özel bir kaba alın.

Arıza yeri

Arıza	Sistem	Gözlem	Neden
Motor çalışmıyor veya zor çalışıyor	Ateşleme sistemi	Ateşleme kıvılcımları.	Yakıt besleme veya sıkıştırma sisteminde arıza, mekanik arıza.
		Ateşleme kıvılcımı yok.	Durdurma düğmesi devrede, kablaj hatası veya kısa devre, buji ve konektör arızalı, ateşleme modülü arızalı.
	Yakıt dolumu	Yakıt deposu dolduruldu.	Hatalı jigle konumu, karbüratör arızalı, yakıt besleme hattı bükülmüş veya tıkalı, yakıt kirli.
	Sıkıştırma	Çekildiğinde sıkıştırma yok.	Silindir alt contası kusurlu, krank keçeleri hasarlı, silindir veya piston segmanları kusurlu veya uygun olmayan buji sızdırmazlığı.
	Mekanik arıza	Marş motoru geçmiyor.	Kırık marş yayı, motorun içinde kırık parçalar.
Sıcak çalıştırma sorunları	-	Depo dolduruldu. Ateşleme kıvılcımları.	Karbüratör kirli, temizletin.
Motor başlıyor ancak duruyor	Yakıt dolumu	Depo dolduruldu.	Hatalı rölantı ayarı, karbüratör kirli.
			Yakıt deposu menfezi kusurlu, yakıt besleme hattı tıkalı, kablo veya durdurma düğmesi arızalı.
Yetersiz performans	Birkaç sistem eş zamanlı olarak etkilenebilir	Motor rölantisi zayıf.	Hava filtresi kirli, karbüratör kirli, susturucu tıkalı, silindirdeki egzoz kanalı tıkalı.

Kontrol ve bakım aralıkları

-		Çalıştırmadan önce	Yakıt dolumundan sonra	Günlük (10 saat)	50 saat	200 saat	600 saat veya 2 yıl, hangisi önce gelirse	Depoya kaldırmadan önce
Motor yağı	Kontrol edin / doldurun	○	-	-	-	-	-	-
	Değiştirin	-	-	-	○ (Not 1)	-	-	-
Parçaların sıkılması (cıvata, somun)	Kontrol et	○	-	-	-	-	-	-
Soğutucu hava ızgarası	Temizleyin / kontrol edin	○	-	-	-	-	-	-
Yakıt deposu	Temizleyin / kontrol edin	○	-	-	-	-	-	-
	Yakıtı boşalt	-	-	-	-	-	-	○ (Not 3)
Gaz düğmesi / gaz kolu	Fonksiyon kontrolü	-	○	-	-	-	-	-
Motorun durdurulması	Fonksiyon kontrolü	-	○	-	-	-	-	-
Rölantı hızının ayarlanması	Kontrol edin / ayarlayın	-	○	-	-	-	-	-
Hava filtresi	Temizleyin	-	-	○	-	-	-	-
	Gerekirse kontrol edin / değiştirin	-	-	-	-	○	-	-

-		Çalıştırmadan önce	Yakıt dolulundan sonra	Günlük (10 saat)	50 saat	200 saat	600 saat veya 2 yıl, hangisi önce gelirse	Depoya kaldırmadan önce
Kontrol kablosu	Kontrol edin / ayarlayın	-	-	○	-	-	-	-
	Gerekirse kontrol edin / değiştirin	-	-	-	-	○ (Not 2)	-	-
Buji	Gerekirse kontrol edin / boşluğu ayarlayın	-	-	○	-	-	-	-
	Gerekirse temizleyin / değiştirin	-	-	-	-	○	-	-
Buji kablosu	Gerekirse kontrol edin / değiştirin	-	-	-	-	○ (Not 2)	-	-
Yakıt borusu	Kontrol et	-	-	○	-	-	-	-
	Değiştirin	-	-	-	-	○ (Not 2)	-	-
Yakıt filtresi	Gerekirse temizleyin / değiştirin	-	-	-	○	-	-	-
Yağ borusu	Kontrol et	-	-	-	-	○ (Not 2)	-	-
Vana boşluğu (giriş vanası ve çıkış vanası)	Kontrol edin / ayarlayın	-	-	-	-	○ (Not 2)	-	-
Susturucu	Kontrol edin / temizleyin	-	-	-	-	○ (Not 2)	-	-
Yanma hücresi / vana / delik	Kontrol edin / temizleyin	-	-	-	-	○ (Not 2)	-	-
Motor	Büyük bakım	-	-	-	-	-	○ (Not 2)	-
Karbüratör	Yakıtı boşalt	-	-	-	-	-	-	○ (Not 3)

Not 1: İlk değiştirmeyi 20 saatlik çalışma sonrasında gerçekleştirin.

Not 2: Kontrol için, yetkili servis personeline veya bir makine atölyesine danışın.

Not 3: Yakıt deposunu boşalttıktan sonra, motoru çalıştırmaya devam ederek karbüratördeki yakıtın boşalmasını sağlayın.

SORUN GİDERME

Onarım talep etmeden önce, kendi kendinize muayene yapın. Kılavuzda açıklanmayan bir problemle karşılaşırsanız aleti demonte etmeyin. Bunun yerine, Dolmar/Makita yetkili servis merkezlerine başvurun ve daima orijinal Dolmar/Makita yedek parçaları kullanın.

Anormal durum	Olası nedeni (arıza)	Çözümü
Motor çalışmıyor.	Ana pompa çalışmıyordu.	7 ila 10 kez basın.
	Marş ipini çekme hızınız yavaştır.	Güçlü bir şekilde çekin.
	Yakıt azdır.	Yakıt doldurun.
	Yakıt filtresi tıkanmıştır.	Yakıt filtresini temizleyin veya yenisiyle değiştirin.
	Bükülmüş yakıt borusu.	Yakıt borusunu düzleştirin.
	Yakıt bozuk.	Bozuk yakıt başlatmayı zorlaştırır. Yeni yakıtla değiştirin. (Önerilen değiştirme sıklığı: ayda 1 kez)
	Yakıt emişi aşırıdır.	Gaz kolunu orta hızdan yüksek hıza alın ve marş kolunu motor başlayana dek çekin. Motor yine başlamazsa bujiyi çıkarın, tırnağı kurulayın ve orijinal hallerindeki gibi yeniden monte edin. Ardından belirtildiği gibi başlatın.
	Buji kapağı çıkmıştır.	Sağlam şekilde takın.
	Buji kirlenmiştir.	Bujiyi temizleyin.
	Buji açıklığı normal değildir.	Açıklığı ayarlayın.
	Bujide başka bir sorun vardır.	Bujiyi değiştirin.
	Karbüratör normal çalışmıyordu.	Yetkili servis merkezimizden kontrolünü ve tamirini isteyin.
	Marş kolu çekilemiyor.	Yetkili servis merkezimizden kontrolünü ve tamirini isteyin.
	Motorun iç parçaları sorunlu.	Yetkili servis merkezimizden kontrolünü ve tamirini isteyin.
Motor hemen duruyor. Motor devri yükselmiyor.	Isınma yetersizdir.	Isınma prosedürünü uygulayın.
	Motor ısınmasına rağmen, jikle kolu "kapalı" konumdadır.	"Açık" konumuna getirin.
	Yakıt filtresi tıkanmıştır.	Yakıt filtresini temizleyin.
	Hava temizleyici kirlenmiş veya tıkanmıştır.	Hava filtresini temizleyin.
	Kontrol kablosu çıkmış.	Kontrol kablosunu sağlam bir şekilde takın.
	Motorun iç parçaları sorunlu.	Yetkili servis merkezimizden kontrolünü ve tamirini isteyin.
Gaz kelebeği rölantri hızına dönmüyor.	Gaz kelebeği vanasının konumu hatalı.	Kontrol kablosunu yeniden konumlandırın. Kablo ayarlama civatasını döndürerek gaz kelebeği vanasının konumunu ayarlayın.
Motor durmuyor. ⇒ Motoru rölantide çalıştırın ve jikle kolunu "kapalı" konumuna getirin.	Konektör çıkmıştır.	Konektörü sağlam bir şekilde takın.
	Elektrik sistemi normal çalışmıyordu.	Yetkili servis merkezimizden kontrolünü ve tamirini isteyin.

Makita Europe N.V. Jan-Baptist Vinkstraat 2,
3070 Kortenberg, Belgium

Makita Corporation 3-11-8, Sumiyoshi-cho,
Anjo, Aichi 446-8502 Japan

www.dolmar.com

885541-904
EN, FR, DE, IT, NL,
ES, PT, DA, EL, TR
20161226