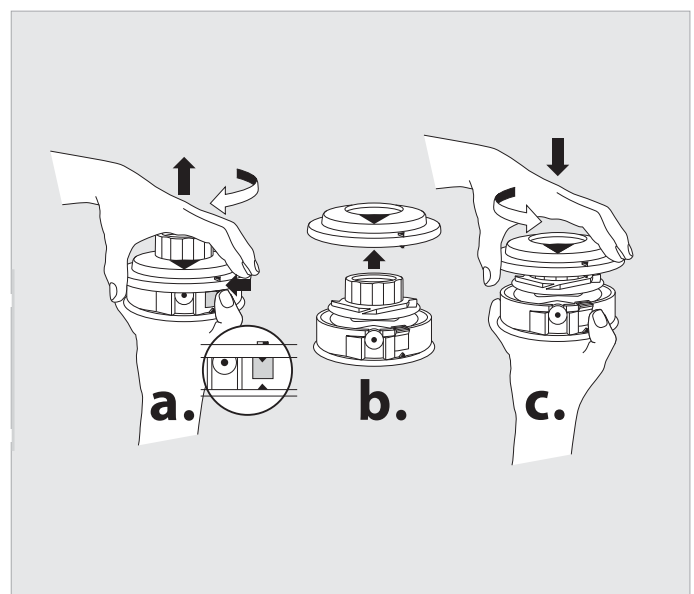
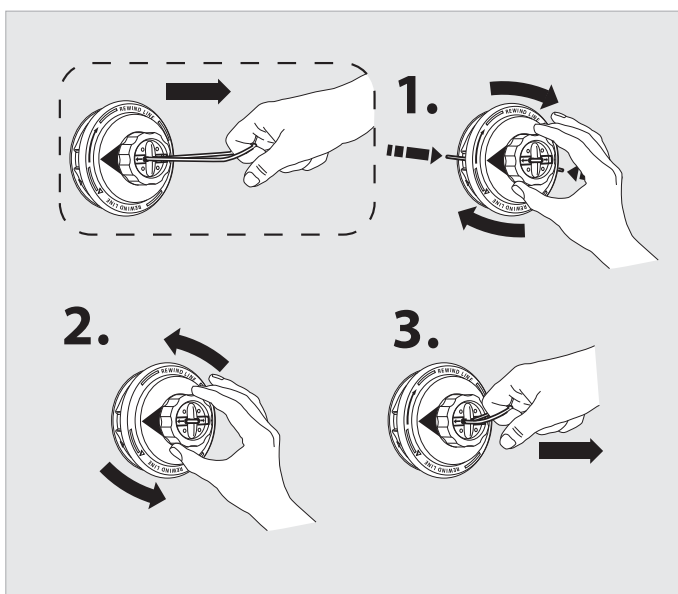
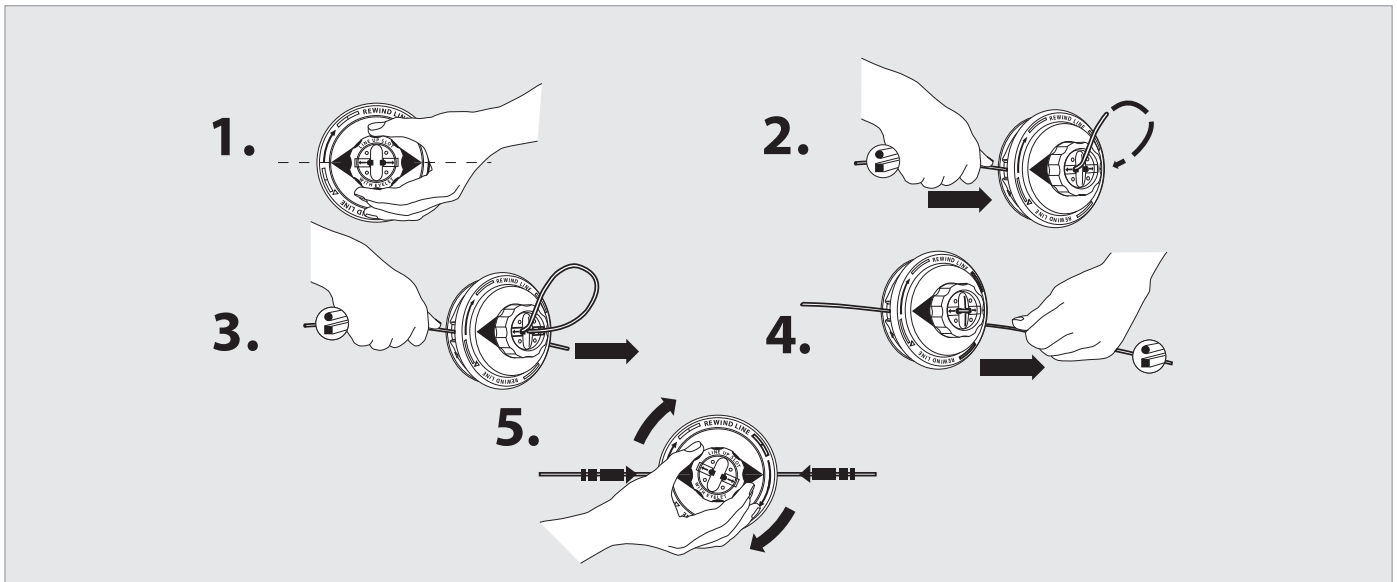






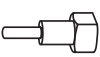
Fadenköpfe der Comfort Trim-Serie

Comfort Trim Small, Medium, Large



Bedienungsanleitung



Type					cm ³	
Small	0,186 kg	2 mm	-	3,5 m	16 -25	M8x1,25RHF
Medium	0,245 kg	2,4 mm	2,0 mm	4,5 m	16 - 35	M10x1,25LHF
Large	0,341 kg	2,4 - 3,0 mm	2,4 - 2,7 mm	4,5 m	20 - 45	M10x1,25LHF