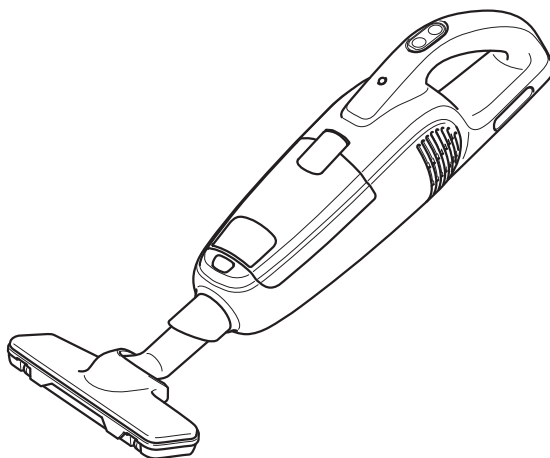


DOLMAR



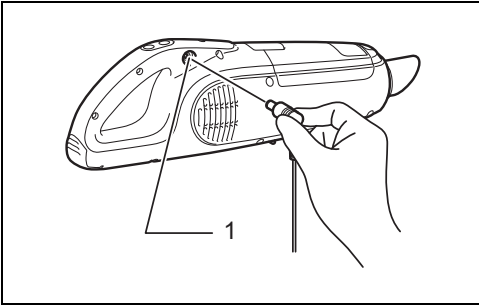
GB	Cordless Cleaner	Instruction manual
F	Aspirateur sans Fil	Manuel d'instructions
D	Akku-Staubsauger	Betriebsanleitung
I	Aspiratore a batteria	Istruzioni per l'uso
NL	Accustofzuiger	Gebruiksaanwijzing
E	Aspiradora Inalámbrica	Manual de instrucciones
P	Aspirador de pó a bateria	Manual de instruções
DK	Batteridrevet støvsuger	Brugsanvisning
GR	Επαναφορτιζόμενη σκούπα	Οδηγίες χρήσης
TR	Akülü süpürge	Kullanım kılavuzu

AZ-1020



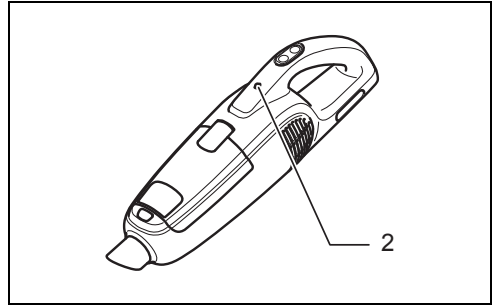
014722





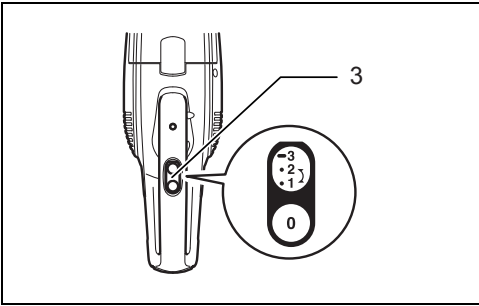
1

014724



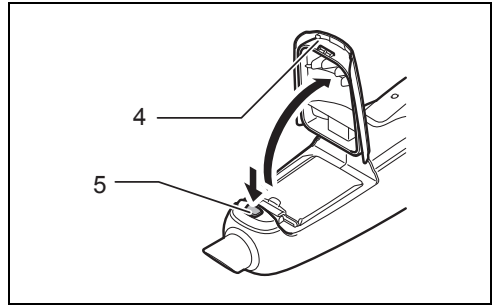
2

014723



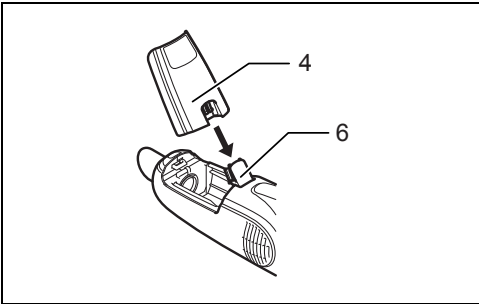
3

014725



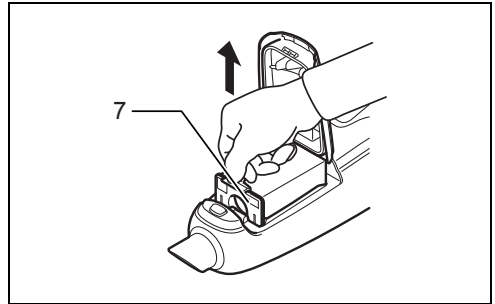
4

014730



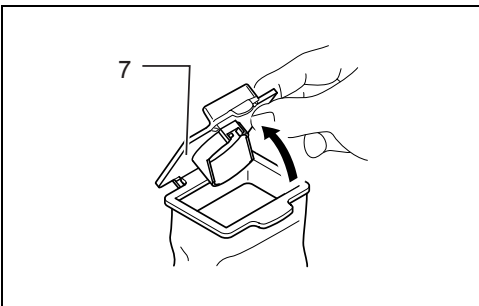
5

014731



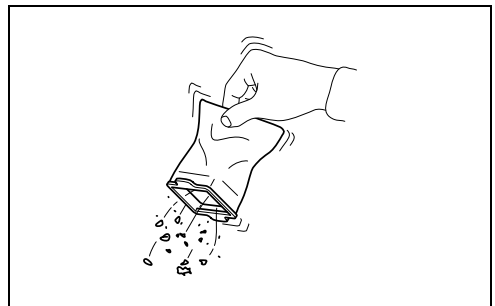
6

014732



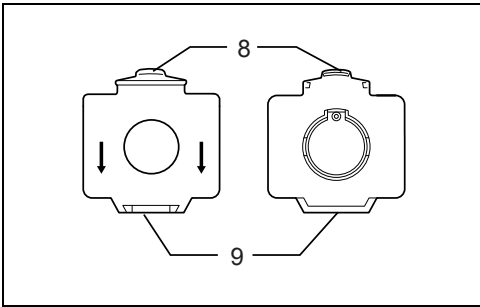
7

008920



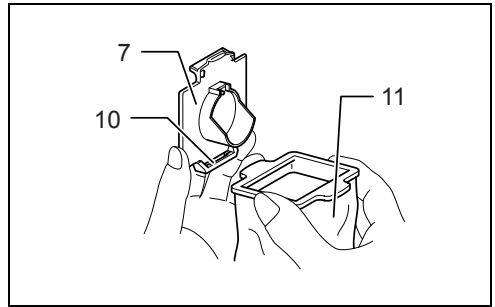
8

008921



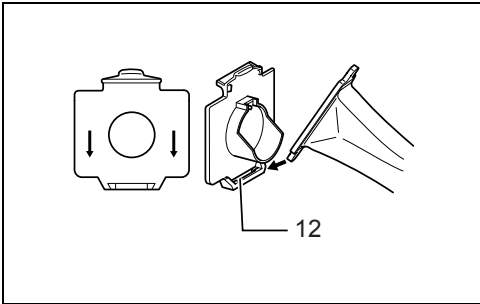
9

008930



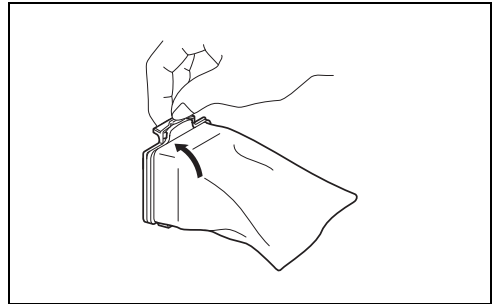
10

008935



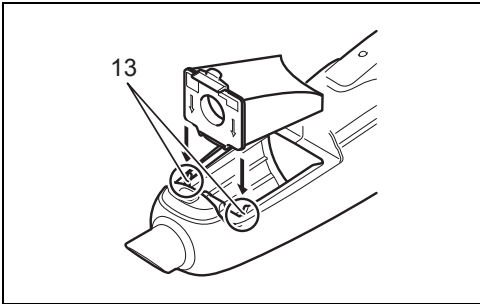
11

008932



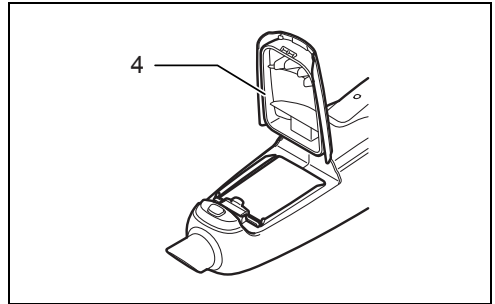
12

014733



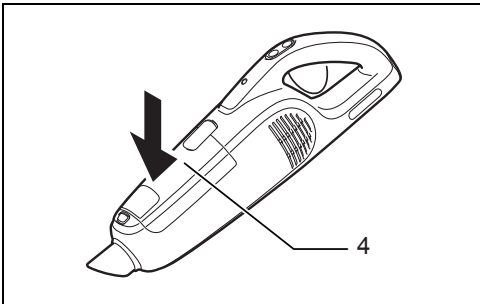
13

014734



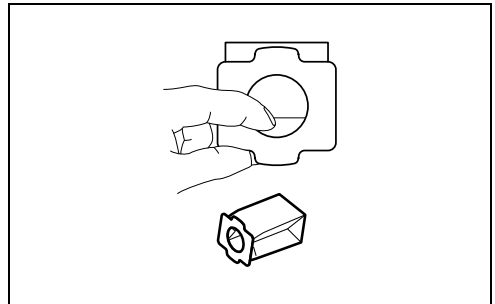
14

014737



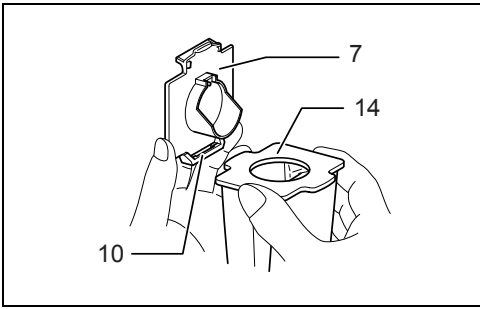
15

014735



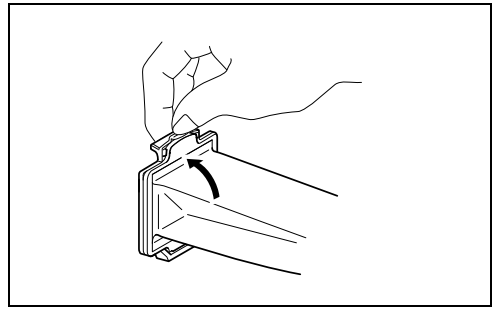
16

008928



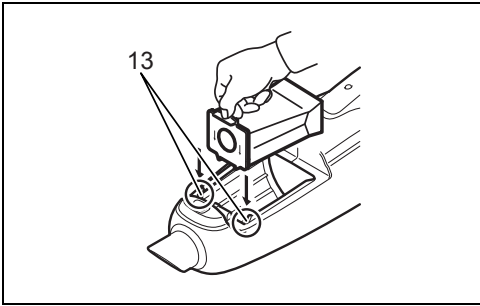
17

008931



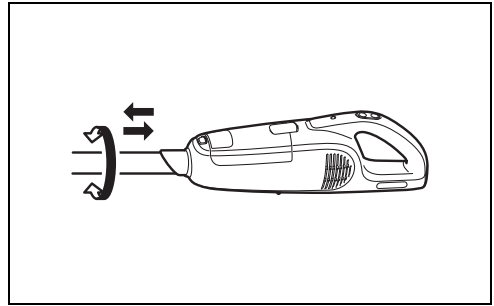
18

008933



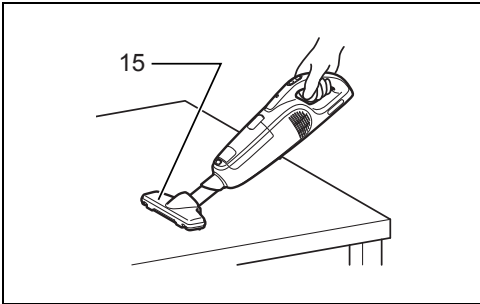
19

014736



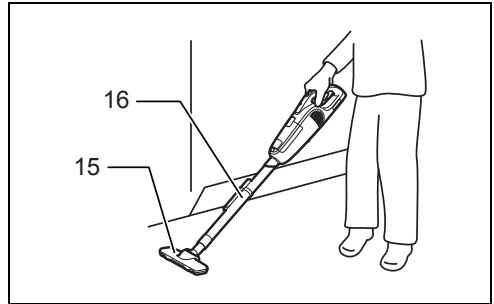
20

014743



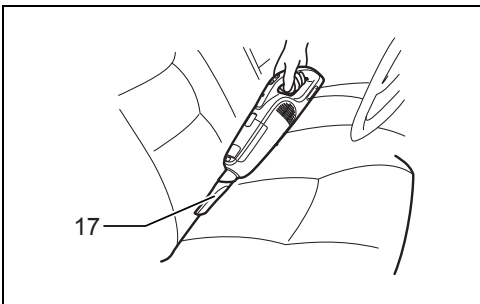
21

014726



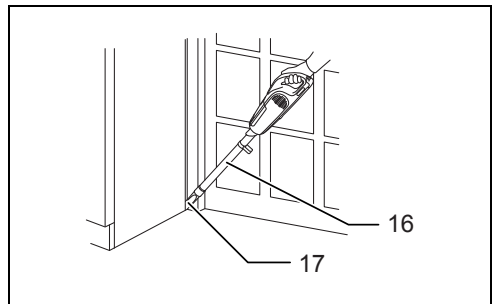
22

014727



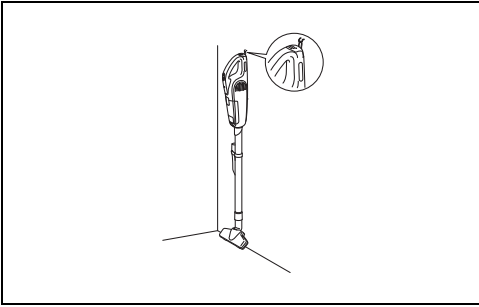
23

014728



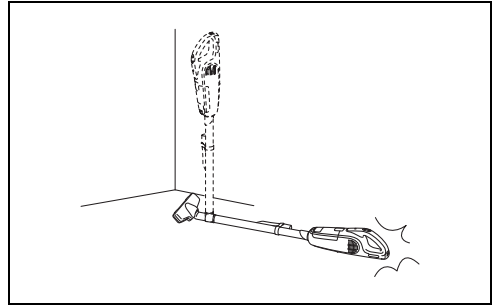
24

014729



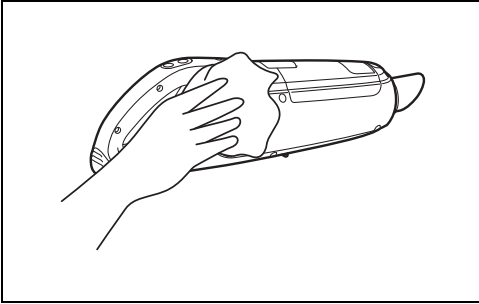
25

014738



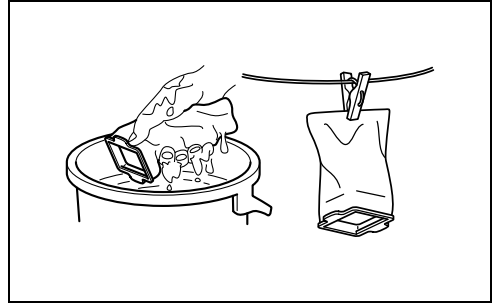
26

014740



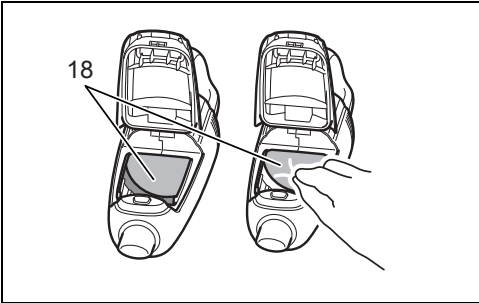
27

014739



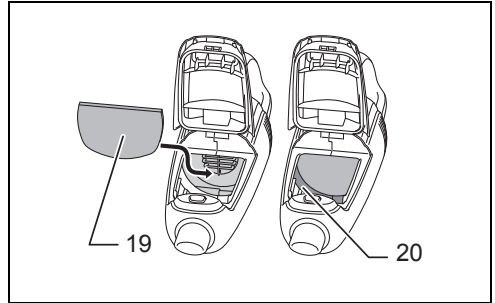
28

008934



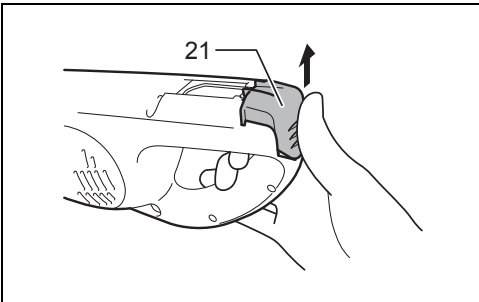
29

014741



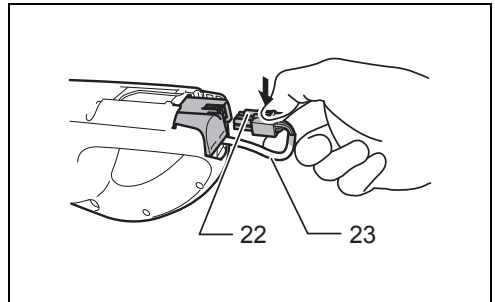
30

014742



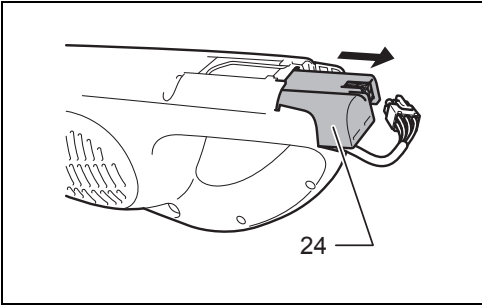
31

014815



32

014816



33

014817

ENGLISH (Original instructions)

Explanation of general view

- | | | |
|-------------------------------|-------------------------------|-------------------|
| 1. Charging connector | 9. Lower side of dust stopper | 17. Corner nozzle |
| 2. Battery power lamp | 10. Groove | 18. Sponge filter |
| 3. Switch buttons | 11. Dust bag | 19. Sponge |
| 4. Front cover | 12. Lower groove | 20. Recessed wall |
| 5. Button | 13. Cleaner cavity | 21. Rear cover |
| 6. Front cover joint | 14. Dust pack | 22. Connector |
| 7. Dust stopper | 15. Nozzle | 23. Lead wires |
| 8. Upper side of dust stopper | 16. Extension wand | 24. Battery unit |

SPECIFICATIONS

Model		AZ-1020
Capacity		500 ml (for dust bag)
		330 ml (for paper pack)
Continuous use	3 (Turbo)	Approx. 10 min
	2 (High)	Approx. 15 min
	1 (Low)	Approx. 30 min
Overall length	Without nozzle	446 mm
	With nozzle	983 mm
Net weight		1.1 kg
Rated voltage		D.C. 10.8 V

- Due to our continuing program of research and development, the specifications herein are subject to change without notice.
- Specifications and battery cartridge may differ from country to country.
- Weight, with battery cartridge, according to EPTA-Procedure 01/2003

Symbols

END315-1

The following show the symbols used for the equipment.
Be sure that you understand their meaning before use.



..... Read instruction manual.



..... Only for EU countries

Do not dispose of electric equipment or battery pack together with household waste material!

In observance of the European Directives, on Waste Electric and Electronic Equipment and Batteries and Accumulators and Waste Batteries and Accumulators and their implementation in accordance with national laws, electric equipment and batteries and battery pack(s) that have reached the end of their life must be collected separately and returned to an environmentally compatible recycling facility.

Intended use

ENE017-1

The tool is intended for collecting dry dust.

IMPORTANT

ENA005-3

SAFETY INSTRUCTIONS

When using an electrical appliance, basic precautions should always be followed, including the following:

READ ALL INSTRUCTIONS BEFORE USING THIS APPLIANCE.

WARNING - To reduce the risk of fire, electric shock or injury:

1. Do not expose to rain. Store indoors.
2. Do not allow to be used as a toy. Close attention is necessary when used by or near children.
3. Use only as described in this manual. Use only manufacturer's recommended attachments.
4. Do not use with damaged battery. If appliance is not working as it should, has been dropped, damaged, left outdoors, or dropped into water, return it to a service center.
5. Do not handle appliance with wet hands.
6. Do not put any object into openings. Do not use with any opening blocked; keep free of dust, lint, hair, and anything that may reduce air flow.
7. Keep hair, loose clothing, fingers, and all parts of body away from openings and moving parts.
8. Turn off all controls before removing the battery.
9. Use extra care when cleaning on stairs.

10. Do not use to pick up flammable or combustible liquids, such as gasoline, or use in areas where they may be present.
11. Use only the charger supplied by the manufacturer to recharge.
12. Do not pick up anything that is burning or smoking, such as cigarettes, matches, or hot ashes.
13. Do not use without filters in place.
14. Do not charge the battery outdoors.
15. This appliance is not intended for use by persons (including children) with reduced physical, sensory or mental capabilities, or lack of experience and knowledge, unless they have been given supervision or instruction concerning use of the appliance by a person responsible for their safety.
16. Children should be supervised to ensure that they do not play with the appliance.

SAVE THESE INSTRUCTIONS.

This appliance is intended for household use.

ADDITIONAL SAFETY RULES

ENB106-3

1. Read this instruction manual and the charger instruction manual carefully before use.
2. Do not pick up the following materials:
 - Hot materials such as lit cigarettes or spark/metal dust generated by grinding/cutting metal
 - Flammable materials such as gasoline, thinner, benzene, kerosene or paint
 - Explosive materials like nitroglycerin
 - Ignitable materials such as Aluminum, zinc, magnesium, titanium, phosphorus or celluloid
 - Wet dirt, water, oil or the like
 - Hard pieces with sharp edges, such as wood chips, metals, stones, glasses, nails, pins or razors
 - Powder to clot such as cement or toner
 - Conductive dust such as metal or carbon
 - Fine particle like concrete dust

Such action may cause fire, injury and/or property damage.
3. Stop operation immediately if you notice anything abnormal.
4. If you drop or strike the cleaner, check it carefully for cracks or damage before operation.
5. Do not charge the cleaner close to dangerous flammable materials such as gasoline, gas, paint or adhesives.
6. Do not charge the cleaner on papers, cloth, carpet, vinyl, etc. This may cause a fire.
7. Do not charge the cleaner in a dusty place.
8. Be sure no one is below when using the cleaner in high locations.
9. Do not bring close to stoves or other heat sources.
10. Do not block the intake hole or vent holes.

SAVE THESE INSTRUCTIONS.

IMPORTANT SAFETY INSTRUCTIONS

ENC010-1

FOR BUILT-IN BATTERY

1. Before using built-in battery, read all instructions and cautionary markings on (1) battery charger, (2) battery, and (3) product using battery.
2. Do not disassemble built-in battery.
3. If operating time has become excessively shorter, stop operating immediately. It may result in a risk of overheating, possible burns and even an explosion.
4. If electrolyte gets into your eyes, rinse them out with clear water and seek medical attention right away. It may result in loss of your eyesight.
5. Do not short the built-in battery:
 - (1) Do not touch the terminals with any conductive material.
 - (2) Avoid storing built-in battery in a container with other metal objects such as nails, coins, etc.
 - (3) Do not expose built-in battery to water or rain.
A battery short can cause a large current flow, overheating, possible burns and even a breakdown.
6. Do not store the tool and built-in battery in locations where the temperature may reach or exceed 50°C (122°F).
7. Do not incinerate the built-in battery even if it is severely damaged or is completely worn out. The built-in battery can explode in a fire.
8. Be careful not to drop or strike battery.

SAVE THESE INSTRUCTIONS.

Tips for maintaining maximum battery life

1. Charge the built-in battery before completely discharged.
Always stop tool operation and charge the built-in battery when you notice less tool power.
2. Never recharge a fully charged built-in battery. Overcharging shortens the battery service life.
3. Charge the built-in battery with room temperature at 10°C - 40°C (50°F - 104°F). Let a hot built-in battery cool down before charging it.
4. Charge the battery cartridge once in every six months if you do not use it for a long period of time.

FUNCTIONAL DESCRIPTION

⚠ CAUTION:

- Always be sure that the tool is switched off before adjusting or checking function on the tool.

Charging the built-in battery

⚠ CAUTION:

- Do not operate the cleaner during charging. It may be damaged.

- Always disconnect the charging plug from the cleaner after charging.
- When you charge a new cleaner or a cleaner which has been left uncharged for a long time, it may not accept a full charge. This is a normal condition and does not indicate a problem. You can recharge the cleaner fully after discharging it completely a couple of times.

Use only the Dolmar charger LG-10 K to charge this cleaner. Use of the other type chargers may cause the battery to burst, result in personal injury and damage. Charge the cleaner when using it for the first time or uncharged for a long time. Connect the charging plug to the charging connector, then plug in the charger to the power receptacle. The battery power lamp lights up and start charging. Charging takes approximately 3 hours. The light goes out after the charging is complete. For more details, refer to the instruction manual of battery charger. **(Fig. 1 & 2)**

Switch action

CAUTION:

- Always be sure that the dust bag or paper pack is installed properly in the cleaner before use. Improper installation may allow dust to enter the motor, resulting in malfunction of the cleaner.
- Always switch off the cleaner after each use to prevent damage to the cleaner and to extend the service life of the batteries.

To start the cleaner, simply press the "1/2/3" button. To switch off, press the "0" button. To change the cleaner speed, press the "1/2/3" button. The first press on this button is for high speed and the second press for low speed. Each press on this button repeats the high/low speed cycle alternatively.

While pressing the "1/2/3" button, this cleaner works with turbo. This mode is appropriate to clean especially dusty area. **(Fig. 3)**

Battery power lamp (Fig. 2)

When the remaining battery capacity gets low, the battery power lamp blinks.

When the remaining battery capacity gets much lower, the tool stops and the battery power lamp lights up about 10 seconds. At this time, charge the cleaner.

NOTE:

- The time at which the battery power lamp start blinking or lighting up depends on the temperature at work place and the battery cartridge conditions.

ASSEMBLY

Disposing of Dust

CAUTION:

- Empty the cleaner before it becomes too full, or the suction force weakens.
- Be sure to empty out the dust inside the cleaner itself. Failure to do so may cause the sponge filter to be clogged or the motor to be damaged.
- Never throw away the dust stopper because it should be used whenever either the dust bag or the dust pack is used.

1. Push the button to open the front cover. Opening it until a click is heard allows a positive stop at that position. **(Fig. 4)**

CAUTION:

- When closing the front cover, be careful not to pinch your fingers.

NOTE:

- The front cover comes off when trying to open the front cover more than 90°. If the front cover comes off, install it into the front cover joint in place. **(Fig. 5)**
- 2. Pull out both the orange-colored dust stopper and dust bag together at the same time. **(Fig. 6)**
- 3. Remove the dust stopper and empty the cleaner. **(Fig. 7 & 8)**

Dust bag and paper pack

Install either dust bag or paper pack before using cleaner. Use the dust stopper when installing either dust bag or paper pack.

Dust bag are usable many times repeatedly by cleaning it out.

Paper pack is a throw-away type. Throw away the entire paper pack without emptying when it has become full.

Installing dust bag (Fig. 9)

Use the dust stopper when installing dust bag. Be careful not to take the upper side for the lower side by mistake because they are different each other.

1. Insert the protrusion of the dust bag into the groove in the dust stopper as shown in the figure. **(Fig. 10)**
2. There is no distinction between the upper and lower sides of the dust bag. You may insert its protrusion of any side into the lower groove of the dust stopper. **(Fig. 11)**
3. Overlap the frame of dust stopper with that of the dust bag. **(Fig. 12)**
4. Place the dust stopper and the dust bag together into the cleaner cavity in the same direction of arrow on the dust stopper. Insert them all the way into the slots in the cleaner cavity. **(Fig. 13)**
5. Place the entire cloth part of the dust bag inside the tool itself. **(Fig. 14)**
6. Close the front cover completely. **(Fig. 15)**

Installing the paper pack

1. Unfold the entrance of the paper pack before setting it on the dust stopper. **(Fig. 16)**

Use the dust stopper also when installing dust pack. Be careful not to take the upper side for the lower side by mistake because they are different each other. **(Fig. 9)**

2. Insert the protrusion of the dust pack into the groove in the dust stopper as shown in the figure. **(Fig. 17)**
3. There is no distinction between the upper and lower sides of the dust pack. You may insert its protrusion of any side into the lower groove of the dust stopper. **(Fig. 11)**
4. Overlap the frame of dust stopper with that of the dust pack. **(Fig. 18)**
5. Place the dust stopper and the dust pack together into the cleaner cavity in the same direction of arrow on the dust stopper. Insert them all the way into the slots in the cleaner cavity. **(Fig. 19)**

6. Place the entire container part of the dust pack inside the tool itself. (Fig. 14)
7. Close the front cover completely.

⚠ CAUTION:

- Install the dust stopper with the dust bag or dust pack properly. Tool operation without proper installation of them, or using broken or ripped one, it may allow dust to get into the motor. This may result in motor failure.
- Do not fold the cardboard at its opening when installing the paper pack.
- Never throw away the dust stopper because it needs to be used repeatedly whenever either the dust bag or the dust pack is used.
- The paper pack for the cleaner is an important component for maintaining the tool performance. If you use the other genuine paper pack, it may cause smokes or ignition.

OPERATION (Fig. 20)

To connect attachments, such as nozzle, twist and insert them to ensure secure connection during use. To disconnect attachments, twist and remove them.

Cleaning (Suction)

Nozzle (Fig. 21)

Attach the nozzle to clean off tables, desks, furniture, etc. Nozzle slips on easily.

Nozzle + Extension wand (Straight pipe) (Fig. 22)

The extension wand fits in between the nozzle and the cleaner itself. This arrangement is convenient for cleaning a floor while standing erect.

Corner nozzle (Fig. 23)

Fit on the corner nozzle for cleaning corners and crevices of a car or furniture.

Corner nozzle + Extension wand (Straight pipe)

(Fig. 24)

In tight quarters where the cleaner itself cannot squeeze in, or in high places hard to reach, use this arrangement.

MAINTENANCE

⚠ CAUTION:

- Always be sure that the tool is switched off before attempting to perform inspection or maintenance.

Symptom	Area to be investigated	Fixing method
Weak suction power	Is dust bag or paper pack full of dust?	Empty dust bag or paper pack.
	Is dust bag clogged?	Dust down or wash the dust bag.
	Is paper pack clogged?	Replace paper pack.
	Is battery cartridge exhausted?	Charge the battery.
Not working	Is battery cartridge exhausted?	Charge the battery.

014744

NOTE:

- Do not attempt to repair cleaner by yourself.

Disposing cleaner

A Li-ion battery is built into this cleaner. Always remove it before disposing of the cleaner.

After use

When storing the cleaner, hang it from a nail using the hand strap. (Fig. 25)

NOTE:

- Putting the cleaner against the wall without any other support cause the cleaner to fall down and be damaged. (Fig. 26)

Cleaning (Fig. 27)

From time to time wipe off the outside (cleaner body) of the cleaner using a cloth dampened in soapy water. Clean out also the suction opening, dust bag/dust pack mounting area and the dust stopper.

⚠ CAUTION:

- Never use gasoline, benzene, thinner, alcohol or the like. Discoloration, deformation or cracks may result. Wash the dust bag in soapy water when it is clogged with dust and the cleaner power becomes small. Dry it out thoroughly before use. An insufficiently dried bag may cause poor suction and shorten the service life of the motor. (Fig. 28)

NOTE:

- Dust pack is a throw-away type. When the sponge filter is clogged with dust, remove it from the cleaner and then wipe it off or wash in water.

Removing and installing the sponge filter

To remove the sponge filter, remove the dust bag or dust pack and then pinch and take it out. (Fig. 29)

Press in the whole edge of the sponge filter against the recessed wall inside the dust bag/dust pack mounting area. (Fig. 30)

⚠ CAUTION:

- After cleaning sponge filter, be sure to install it on the cleaner. If washed in water, dry it up before installing. An insufficiently dried sponge filter may shorten the service life of the motor.

TROUBLE SHOOTING

Before asking for repairs, conduct your own inspection first. If you find a problem that is not explained in the manual, do not attempt to dismantle the tool. Instead, ask Dolmar Authorized Service Centers, always using Dolmar replacement parts for repairs.

Removing built-in battery

⚠ CAUTION:

- Never remove the built-in battery from the cleaner except when disposing of the cleaner. The battery will be damaged or a battery short-circuit could result.

- Do not touch the terminals with any conductive material.
 - Avoid storing battery unit in a container with other metal objects such as nails, coins, etc.
 - Do not expose battery unit to water or rain.
 - Do not disassemble or alter battery unit.
1. To remove the rear cover, push it in the direction of the arrow. **(Fig. 31)**
 2. Slide the built-in battery halfway. Disconnect the lead wires from the battery by pressing the connector in the direction of arrow shown in the figure. **(Fig. 32)**
 3. Then slide the battery unit completely. **(Fig. 33)**
 4. Put the removed battery unit in a plastic bag so that it is not circuit-shorted.

To install the Li-ion battery, take the battery removal procedure in reverse.

To maintain product SAFETY and RELIABILITY, repairs, any other maintenance or adjustment should be performed by Dolmar Authorized Service Centers, always using Dolmar replacement parts.

OPTIONAL ACCESSORIES

CAUTION:

- These accessories or attachments are recommended for use with your Dolmar cleaner specified in this manual. The use of any other accessories or attachments might present a risk of injury to persons. Only use accessory or attachment for its stated purpose.

If you need any assistance for more details regarding these accessories, ask your local Dolmar Service Center.

- Shelf brush
- Flexible hose

NOTE:

- Some items in the list may be included in the tool package as standard accessories. They may differ from country to country.

FRANÇAIS (Instructions d'origine)

Descriptif

- | | | |
|---|---|-----------------------|
| 1. Connecteur de chargement | 9. Côté inférieur de la butée antipoussière | 18. Filtre en éponge |
| 2. Témoin de fonctionnement de la batterie | 10. Rainure | 19. Éponge |
| 3. Interrupteurs | 11. Sac à poussière | 20. Paroi encastrée |
| 4. Couvercle avant | 12. Rainure inférieure | 21. Couvercle arrière |
| 5. Bouton | 13. Cavité de l'aspirateur | 22. Connecteur |
| 6. Joint du couvercle avant | 14. Pack à poussière | 23. Fils conducteurs |
| 7. Butée antipoussière | 15. Embout | 24. Batterie |
| 8. Côté supérieur de la butée antipoussière | 16. Tube de rallonge | |
| | 17. Embout d'angle | |

SPÉCIFICATIONS

Modèle		AZ-1020
Capacité		500 ml (pour le sac à poussière)
		330 ml (pour le pack en papier)
Utilisation continue	3 (Turbo)	Environ 10 min
	2 (Élevée)	Environ 15 min
	1 (Faible)	Environ 30 min
Longueur totale	Sans embout	446 mm
	Avec embout	983 mm
Poids net		1,1 kg
Tension nominale		10,8 V C.C.

- Étant donné l'évolution constante de notre programme de recherche et de développement, les spécifications contenues dans ce manuel sont sujettes à des modifications sans préavis.
- Les spécifications et la batterie peuvent varier d'un pays à l'autre.
- Poids, batterie incluse, selon la procédure EPTA 01/2003

Symboles

END315-1

Les symboles utilisés pour l'appareil sont indiqués ci-dessous. Assurez-vous d'avoir bien compris leur signification avant d'utiliser l'appareil.



..... Reportez-vous au manuel d'instructions.



..... Pour les pays européens uniquement
Ne pas jeter les appareils électriques et les bloc-batteries dans les ordures ménagères !
Conformément aux directives européennes relatives aux déchets d'équipements électriques ou électroniques (DEEE) ainsi qu'aux batteries, aux accumulateurs et aux batteries et accumulateurs usagés et à leur transposition dans la législation nationale, les appareils électriques, les batteries et les bloc-batteries doivent être collectés à part et être soumis à un recyclage respectueux de l'environnement.

Utilisations

ENE017-1

Cet outil est conçu pour la collecte de poussière sèche.

IMPORTANT

ENA005-3

CONSIGNES DE SÉCURITÉ

Lors de l'utilisation d'un appareil électrique, des précautions élémentaires incluant les suivantes doivent toujours être prises :

LISEZ TOUTES LES INSTRUCTIONS AVANT D'UTILISER CET APPAREIL.

AVERTISSEMENT : pour réduire les risques d'incendie, de choc électrique ou de blessure :

1. Gardez à l'abri de la pluie. Entreposez à l'intérieur.
2. Ceci n'est pas un jouet. Soyez très vigilant lorsque cet appareil est utilisé par des enfants ou à proximité d'enfants.
3. Utilisez uniquement comme décrit dans ce manuel. Utilisez uniquement les accessoires recommandés par le fabricant.
4. N'utilisez pas avec une batterie endommagée. Si l'appareil ne fonctionne pas comme il le devrait, s'il est tombé par terre, est endommagé, est resté dehors ou a été immergé dans l'eau, rapportez-le dans un centre de service après-vente.
5. Ne manipulez pas l'appareil avec les mains humides.

6. Ne placez aucun objet dans ses ouvertures. N'utilisez pas l'appareil si l'une de ses ouvertures est obstruée, retirez la poussière, les peluches, les cheveux et tout élément susceptible de réduire le débit d'air.
7. Gardez les cheveux, vêtements amples, doigts et toute partie du corps éloignés des ouvertures et des pièces mobiles.
8. Mettez toutes les commandes hors tension avant de retirer la batterie.
9. Soyez extrêmement vigilant lors du nettoyage d'escaliers.
10. N'utilisez pas cet appareil pour aspirer des liquides inflammables ou combustibles, tels que de l'essence, et évitez les lieux où ces composants risquent d'être présents.
11. Utilisez uniquement le chargeur fourni par le fabricant pour recharger l'appareil.
12. N'aspirez aucun élément en combustion ou émettant de la fumée, tel que des cigarettes, des allumettes ou des cendres chaudes.
13. N'utilisez pas l'appareil si les filtres ne sont pas en place.
14. Ne chargez pas la batterie en extérieur.
15. Cet appareil ne doit pas être utilisé par des personnes (notamment des enfants) dont les capacités physiques, sensorielles ou mentales sont réduites ou n'ayant aucune expérience ni compétence, à moins qu'elles soient sous la supervision d'une personne responsable de leur sécurité ou aient reçu des instructions relatives à l'utilisation de l'appareil par cette personne.
16. Les enfants doivent être surveillés afin de s'assurer qu'ils ne jouent pas avec l'appareil.

- De la poudre susceptible de se solidifier, telle que du ciment ou du toner
- De la poussière conductrice, telle que du métal ou du carbone
- De fines particules, telles que de la poussière de béton

L'utilisation de ce type de matériau peut provoquer un incendie, des blessures et/ou des dégâts matériels.

3. Arrêtez immédiatement votre outil dès que vous notez une anomalie.
4. Si vous laissez tomber ou heurtez l'aspirateur, examinez-le soigneusement pour vous assurer qu'il n'est pas fissuré ou endommagé avant de l'utiliser.
5. Ne chargez pas l'aspirateur à proximité de matériaux dangereux inflammables, tels que de l'essence, du gaz, de la peinture ou des adhésifs.
6. Ne chargez pas l'aspirateur sur des papiers, du tissu, un tapis, du vinyle, etc., au risque de provoquer un incendie.
7. Ne chargez pas l'aspirateur dans un lieu poussiéreux.
8. Assurez-vous que personne ne se trouve sous l'aspirateur lorsque vous l'utilisez en position élevée.
9. Ne l'approchez pas d'un poêle ou d'une autre source de chaleur.
10. N'obstruez pas l'orifice de prise d'air ou les orifices de ventilation.

CONSERVEZ CES INSTRUCTIONS.

CONSIGNES DE SÉCURITÉ IMPORTANTES

ENC010-1

POUR BATTERIE INTÉGRÉE

1. Avant d'utiliser la batterie intégrée, veuillez lire toutes les instructions et tous les avertissements inscrits sur (1) le chargeur, (2) la batterie et (3) l'appareil alimenté par la batterie.
2. Ne démontez pas la batterie intégrée.
3. Cessez immédiatement d'utiliser l'appareil si la durée de fonctionnement devient excessivement courte. Il y a risque de surchauffe, de brûlures, voire d'explosion.
4. Si l'électrolyte pénètre dans vos yeux, rincez-les à l'eau claire et consultez immédiatement un médecin. Il y a risque de perte de la vue.
5. Ne court-circuitez pas la batterie intégrée.
 - (1) Ne touchez pas les bornes avec un matériau conducteur.
 - (2) Évitez de ranger la batterie intégrée dans un contenant où se trouvent d'autres objets métalliques tels que des clous, pièces de monnaie, etc.
 - (3) N'exposez pas la batterie intégrée à l'eau ou à la pluie.
 Un court-circuit de la batterie peut provoquer un fort courant, une surchauffe, des brûlures et même une panne.

CONSERVEZ CES INSTRUCTIONS.

Cet appareil est destiné à un usage domestique.

CONSIGNES DE SÉCURITÉ ADDITIONNELLES

ENB106-3

1. Avant d'utiliser l'appareil, lisez attentivement son manuel d'instructions et celui du chargeur.
2. N'aspirez pas les matériaux suivants :
 - Les matériaux chauds, tels que des cigarettes allumées ou des étincelles/de la poussière métallique générées par le meulage/la découpe de métal
 - Les matériaux inflammables, tels que l'essence, les diluants, le benzène, le kérosène ou la peinture
 - Les matériaux explosifs, tels que la nitroglycérine
 - Les matériaux inflammables, tels que l'aluminium, le zinc, le magnésium, le titane, le phosphore ou la cellulose
 - La saleté humide, l'eau, l'huile ou tout autre matériau similaire
 - Les objets durs présentant des arêtes tranchantes, tels que des copeaux de bois, du métal, des pierres, du verre, des clous, des épingles ou des rasoirs

6. **Ne rangez pas l'outil et la batterie intégrée dans des endroits où la température risque d'atteindre ou de dépasser 50°C (122°F).**
7. **Ne jetez pas la batterie intégrée au feu, même si elle est sérieusement endommagée ou complètement épuisée. La batterie intégrée peut exploser au contact du feu.**
8. **Veillez à ne pas laisser tomber ou heurter la batterie.**

CONSERVEZ CES INSTRUCTIONS.

Conseils pour garantir une durée de vie optimale de la batterie

1. **Rechargez la batterie intégrée avant qu'elle soit complètement déchargée. Arrêtez toujours l'outil et rechargez la batterie intégrée lorsque vous constatez que la puissance de l'outil diminue.**
2. **Ne rechargez jamais une batterie intégrée complètement chargée. La surcharge réduit la durée de service de la batterie.**
3. **Chargez la batterie intégrée lorsque la température ambiante est comprise entre 10°C et 40°C (entre 50°F et 104°F). Si une batterie intégrée est chaude, laissez-la refroidir avant de la charger.**
4. **Si vous n'utilisez pas l'appareil pendant une période prolongée, rechargez la batterie tous les six mois.**

DESCRIPTION DU FONCTIONNEMENT

⚠ ATTENTION :

- Assurez-vous toujours que l'outil est éteint avant de le régler ou vérifier son fonctionnement.

Chargement de la batterie intégrée

⚠ ATTENTION :

- N'utilisez pas l'aspirateur pendant le chargement. Vous risqueriez de l'endommager.
- Débranchez toujours la fiche de chargement de l'aspirateur une fois le chargement terminé.
- Lorsque vous chargez un aspirateur neuf ou un aspirateur qui est resté déchargé pendant une longue période, il peut s'avérer difficile de le charger complètement. Cela est normal et n'indique aucun problème. Vous pourrez recharger complètement l'aspirateur après l'avoir déchargé entièrement plusieurs fois.

Utilisez uniquement le chargeur Dolmar LG-10 K pour charger cet aspirateur. L'utilisation d'autres types de chargeurs peut provoquer l'éclatement de la batterie et entraîner des blessures corporelles et des dommages. Chargez l'aspirateur lorsque vous l'utilisez la première fois ou lorsqu'il est resté déchargé pendant une longue période. Raccordez la fiche de chargement au connecteur de chargement, puis branchez le chargeur dans la prise d'alimentation électrique. Le témoin de fonctionnement de la batterie s'allume et le chargement commence. Le chargement dure environ 3 heures. Le témoin s'éteint une fois le chargement terminé. Pour plus de détails, reportez-

vous au mode d'emploi du chargeur de batterie. (Fig. 1 et 2)

Interrupteurs

⚠ ATTENTION :

- Assurez-vous toujours que le sac à poussière ou le pack en papier est installé correctement dans l'aspirateur avant de l'utiliser. Une installation incorrecte peut laisser la poussière pénétrer dans le moteur et ainsi entraîner un dysfonctionnement de l'aspirateur.
- Éteignez toujours l'aspirateur après chaque utilisation pour éviter de l'endommager et prolonger la durée de service des batteries.

Pour démarrer l'aspirateur, appuyez simplement sur le bouton « 1/2/3 ». Pour l'éteindre, appuyez sur le bouton « 0 ». Pour changer la vitesse de l'aspirateur, appuyez sur le bouton « 1/2/3 ». La première pression sur ce bouton correspond à la vitesse élevée et la seconde pression à la vitesse lente. Chaque pression sur ce bouton entraîne la répétition du cycle de vitesse élevée/lente alternativement.

Lorsque vous appuyez sur le bouton « 1/2/3 », cet aspirateur fonctionne avec le turbo. Ce mode convient au nettoyage des zones particulièrement poussiéreuses. (Fig. 3)

Témoin de fonctionnement de la batterie (Fig. 2)

Lorsque l'autonomie restante de la batterie devient faible, le témoin de fonctionnement de la batterie clignote. Lorsque l'autonomie restante de la batterie devient beaucoup plus faible, l'outil s'arrête et le témoin de fonctionnement de la batterie s'allume pendant 10 secondes environ. Lorsque cela se produit, rechargez l'aspirateur.

REMARQUE :

- L'heure à laquelle le témoin de fonctionnement de la batterie commence à clignoter ou à s'allumer dépend de la température sur le lieu de travail et de l'état de la batterie.

MONTAGE

Élimination des poussières

⚠ ATTENTION :

- Videz l'aspirateur avant qu'il ne soit trop rempli, au risque de diminuer la force d'aspiration.
 - Veillez à vider la poussière présente dans l'aspirateur. Le filtre en éponge risque de se boucher ou le moteur d'être endommagé si cette instruction n'est pas respectée.
 - Ne jetez jamais la butée antipoussière car elle doit être utilisée à chaque fois que vous utilisez le sac à poussière ou le pack à poussière.
1. Appuyez sur le bouton pour ouvrir le couvercle avant. Ouvrez-le jusqu'à ce que vous entendiez un déclic afin de pouvoir le bloquer dans cette position. (Fig. 4)

⚠ ATTENTION :

- Lors de la fermeture du couvercle avant, veillez à ne pas vous pincer les doigts.

REMARQUE :

- Si vous tentez d'ouvrir le couvercle avant à plus de 90°, il se détache. Si le couvercle avant se détache, installez-le dans le joint du couvercle avant pour le remettre en place. (Fig. 5)
2. Extrayez simultanément la butée antipoussière de couleur orange et le sac à poussière. (Fig. 6)
 3. Retirez la butée antipoussière et videz l'aspirateur. (Fig. 7 et 8)

Sac à poussière et pack en papier

Installez le sac à poussière ou le pack en papier avant d'utiliser l'aspirateur.

Utilisez la butée antipoussière lors de l'installation d'un sac à poussière ou d'un pack en papier.

Pour pouvoir utiliser plusieurs fois le sac à poussière, il suffit de le vider lorsqu'il est plein.

Le pack en papier est jetable. Jetez l'ensemble du pack en papier sans le vider lorsqu'il est plein.

Installation du sac à poussière (Fig. 9)

Utilisez la butée antipoussière lors de l'installation du sac à poussière. Veillez à ne pas saisir par erreur le côté supérieur pour le côté inférieur car ils sont différents.

1. Insérez la protubérance du sac à poussière dans la rainure de la butée antipoussière, comme illustré sur la figure. (Fig. 10)
2. Les côtés supérieur et inférieur du sac à poussière sont identiques. Vous pouvez insérer sa protubérance d'un côté ou de l'autre dans la rainure inférieure de la butée antipoussière (Fig. 11)
3. Superposez le cadre de la butée antipoussière et celui du sac à poussière. (Fig. 12)
4. Placez la butée antipoussière et le sac à poussière ensemble dans la cavité de l'aspirateur, dans le sens de la flèche représentée sur la butée antipoussière. Insérez-les à fond dans les fentes de la cavité de l'aspirateur. (Fig. 13)
5. Placez l'ensemble de la partie en tissu du sac à poussière à l'intérieur de l'appareil lui-même. (Fig. 14)
6. Fermez complètement le couvercle avant. (Fig. 15)

Installation du pack en papier

1. Dépliez l'ouverture du pack en papier avant de le placer sur la butée antipoussière. (Fig. 16)
Utilisez également la butée antipoussière lors de l'installation du pack à poussière. Veillez à ne pas saisir par erreur le côté supérieur pour le côté inférieur car ils sont différents. (Fig. 9)
2. Insérez la protubérance du pack à poussière dans la rainure de la butée antipoussière, comme illustré sur la figure. (Fig. 17)
3. Les côtés supérieur et inférieur du pack à poussière sont identiques. Vous pouvez insérer sa protubérance d'un côté ou de l'autre dans la rainure inférieure de la butée antipoussière (Fig. 11)
4. Superposez le cadre de la butée antipoussière et celui du pack à poussière. (Fig. 18)
5. Placez la butée antipoussière et le pack à poussière ensemble dans la cavité de l'aspirateur, dans le sens de la flèche représentée sur la butée antipoussière. Insérez-les à fond dans les fentes de la cavité de l'aspirateur. (Fig. 19)

6. Placez l'ensemble de la partie correspondant au conteneur du pack à poussière à l'intérieur de l'appareil lui-même. (Fig. 14)
7. Fermez complètement le couvercle avant.

⚠ ATTENTION :

- Installez correctement la butée antipoussière avec le sac à poussière ou le pack à poussière. Si vous faites fonctionner l'outil sans avoir correctement installé ces éléments ou en utilisant un élément brisé ou déchiré, la poussière risque de pénétrer dans le moteur, provoquant une panne du moteur.
- Ne pliez pas le carton au niveau de son ouverture lors de l'installation du pack en papier.
- Ne jetez jamais la butée antipoussière car elle doit être utilisée à chaque fois que vous utilisez le sac à poussière ou le pack à poussière.
- Le pack en papier de l'aspirateur est un composant important pour préserver les performances de l'appareil. Si vous utilisez un autre pack en papier que celui d'origine, il risque de créer des fumées ou de s'enflammer.

UTILISATION (Fig. 20)

Pour brancher des accessoires, tels que l'embout, tournez-les et insérez-les de sorte qu'ils ne bougent pas pendant l'utilisation. Pour débrancher les accessoires, tournez-les et retirez-les.

Nettoyage (aspiration)

Embout (Fig. 21)

Fixez l'embout pour nettoyer une table, un bureau, un meuble, etc. L'embout glisse aisément.

Embout + tube de rallonge (tuyau droit) (Fig. 22)

Le tube de rallonge s'adapte entre l'embout et l'aspirateur. Cet assemblage est pratique pour nettoyer un sol tout en restant debout.

Embout d'angle (Fig. 23)

Adaptez l'embout d'angle pour nettoyer les coins et les fissures d'une voiture ou d'un meuble.

Embout d'angle + tube de rallonge (tuyau droit) (Fig. 24)

Utilisez cet assemblage dans les endroits exigus où l'aspirateur ne peut pas passer, ou bien dans les lieux en hauteur difficiles d'accès.

ENTRETIEN

⚠ ATTENTION :

- Assurez-vous toujours que l'appareil est éteint avant d'effectuer tout travail d'inspection ou d'entretien.

Après l'utilisation

Pour ranger l'aspirateur, accrochez-le à un clou à l'aide de la dragonne. (Fig. 25)

REMARQUE :

- Si vous placez l'aspirateur contre un mur sans aucun autre soutien, il risque de tomber et d'être endommagé. (Fig. 26)

Nettoyage (Fig. 27)

Nettoyez régulièrement la partie extérieure de l'aspirateur (corps de l'aspirateur) à l'aide d'un chiffon trempé dans de l'eau savonneuse.

Nettoyez également l'orifice d'aspiration, la zone de montage du sac à poussière/pack à poussière et la butée antipoussière.

⚠ ATTENTION :

- N'utilisez jamais d'essence, de benzine, de diluant, d'alcool ou de produit similaire. Ces produits risquent de provoquer des décolorations, des déformations ou des fissures.

Lavez le sac à poussière dans de l'eau savonneuse s'il est bouché par de la poussière et lorsque la puissance de l'aspirateur faiblit. Séchez-le bien avant de l'utiliser. Un sac mal séché peut entraîner une mauvaise aspiration et réduire la durée de service du moteur. (Fig. 28)

REMARQUE :

- Le pack à poussière est jetable.
- Si le filtre en éponge est bouché par de la poussière, sortez-le de l'aspirateur, puis essuyez-le ou lavez-le à l'eau.

Symptôme	Élément à examiner	Remède
Faible puissance d'aspiration	Le sac à poussière ou le pack en papier est-il plein de poussière ?	Vider le sac à poussière ou le pack en papier.
	Le sac à poussière est-il bouché ?	Dé poussiérer ou laver le sac à poussière.
	Le pack en papier est-il bouché ?	Remplacer le pack en papier.
	La batterie est-elle épuisée ?	Recharger la batterie.
Inopérant	La batterie est-elle épuisée ?	Recharger la batterie.

014744

REMARQUE :

- N'essayez pas de réparer l'aspirateur vous-même.

Mise au rebus de l'aspirateur

Une batterie Li-ion est intégrée à cet aspirateur. Vous devez toujours la retirer avant de mettre l'aspirateur au rebus.

Retrait de la batterie intégrée

⚠ ATTENTION :

- Ne retirez jamais la batterie intégrée de l'aspirateur, sauf si vous mettez l'aspirateur au rebus. Vous pourriez endommager la batterie ou provoquer un court-circuit de celle-ci.
 - Ne touchez pas les bornes avec un matériau conducteur.
 - Évitez de ranger la batterie dans un contenant où se trouvent d'autres objets métalliques tels que des clous, pièces de monnaie, etc.
 - N'exposez pas la batterie à l'eau ou à la pluie.
 - Ne démontez pas et ne modifiez pas la batterie.
- Pour retirer le couvercle arrière, appuyez dessus dans le sens de la flèche. (Fig. 31)
 - Faites glisser la batterie intégrée à mi-course. Débranchez les fils conducteurs de la batterie en appuyant sur le connecteur dans le sens de la flèche représentée sur la figure. (Fig. 32)
 - Ensuite, faites glisser complètement la batterie. (Fig. 33)

16

Retrait et installation du filtre en éponge

Pour retirer le filtre en éponge, retirez le sac à poussière ou le pack à poussière, puis pincez-le et sortez-le.

(Fig. 29)

Appuyez le rebord du filtre en éponge contre la paroi encastree à l'intérieur de la zone de montage du sac à poussière/pack à poussière. (Fig. 30)

⚠ ATTENTION :

- Après avoir nettoyé le filtre en éponge, n'oubliez pas de l'installer sur l'aspirateur. Si vous l'avez lavé à l'eau, séchez-le bien avant de l'installer. Un filtre en éponge mal séché peut réduire la durée de service du moteur.

DÉPANNAGE

Avant de solliciter des réparations, effectuez d'abord votre propre inspection. Si vous rencontrez un problème non recensé dans ce manuel, n'essayez pas de démonter l'outil. Demandez plutôt de l'aide à un centre de service Dolmar agréé, et utilisez toujours des pièces de remplacement Dolmar.

- Placez la batterie retirée dans un sac en plastique afin qu'elle ne soit pas court-circuitée.

Pour installer la batterie Li-ion, exécutez les étapes de la procédure de retrait dans l'ordre inverse.

Pour garantir la SÉCURITÉ et la FIABILITÉ du produit, les réparations ainsi que tout autre travail d'entretien ou de réglage doivent être effectués dans un centre d'entretien Dolmar agréé, exclusivement avec des pièces de rechange Dolmar.

ACCESSOIRES FOURNIS EN OPTION

⚠ ATTENTION :

- Il est recommandé d'utiliser ces accessoires ou pièces complémentaires avec l'aspirateur Dolmar spécifié dans le présent manuel. L'utilisation de tout autre accessoire ou pièce complémentaire peut comporter un risque de blessure. N'utilisez les accessoires ou pièces qu'aux fins auxquelles ils ont été conçus.

Pour obtenir plus de détails sur ces accessoires, contactez votre Centre de service local Dolmar.

- Brosse à étagère
- Tuyau flexible

REMARQUE :

- Certains éléments de la liste peuvent être inclus en tant qu'accessoires standard dans le coffret de l'outil envoyé. Ils peuvent varier suivant les pays.

DEUTSCH (Originalanweisungen)

Erklärung der Gesamtdarstellung

- | | | |
|------------------------------------|---------------------------------|-----------------------|
| 1. Ladeanschluss | 9. Unterseite des Staubstoppers | 18. Schwammfilter |
| 2. Anzeigelampe für Akkuladestatus | 10. Kerbe | 19. Schaumstoff |
| 3. Ein/Aus/Umschalten-Taste | 11. Staubbeutel | 20. Abgestufte Wand |
| 4. Vorderabdeckung | 12. Unterer Kerbe | 21. Hintere Abdeckung |
| 5. Taste | 13. Staubsaugerausparung | 22. Steckverbinder |
| 6. Vorderabdeckungsscharnier | 14. Papiertüte | 23. Führungsdrähte |
| 7. Staubstopper | 15. Düse | 24. Akkublock |
| 8. Oberseite des Staubstoppers | 16. Verlängerungsarm | |
| | 17. Eckdüse | |

SPEZIFIKATIONEN

Modell		AZ-1020
Leistung		500 ml (für Staubbeutel)
		330 ml (für Papiertüte)
Dauerbetrieb	3 (Turbo)	ca. 10 min
	2 (Hoch)	ca. 15 min
	1 (Niedrig)	ca. 30 min
Gesamtlänge	ohne Düse	446 mm
	mit Düse	983 mm
Nettogewicht		1,1 kg
Nennspannung		10,8 V Gleichspannung

- Aufgrund unserer beständigen Forschungen und Weiterentwicklungen sind Änderungen an den hier angegebenen Technischen Daten ohne Vorankündigung vorbehalten.
- Die Technischen Daten und der Akkublock können in den einzelnen Ländern Abweichungen aufweisen.
- Gewicht, mit Akkublock, ermittelt gemäß EPTA-Verfahren 01/2003

Symbole

END315-1

Im Folgenden sind die im Zusammenhang mit diesem Gerät verwendeten Symbole dargestellt. Machen Sie sich vor der Benutzung des Geräts unbedingt mit diesen Symbolen vertraut.



..... Lesen Sie die Bedienungsanleitung.



Nur für EU-Länder

Entsorgen Sie Elektrowerkzeuge, Batterien und Akkus nicht über den Hausmüll!
Gemäß der Europäischen Richtlinie über Elektro- und Elektronik- Altgeräte und über Batterien und Akkumulatoren sowie Altbatterien und Altakkumulatoren und ihrer Umsetzung in nationales Recht müssen verbrauchte Elektrowerkzeuge sowie Altbatterien und Altakkumulatoren getrennt gesammelt und einer umweltgerechten Wiederverwertung zugeführt werden.

Verwendungszweck

ENE017-1

Dieses Gerät wurde für das Aufsaugen von Staub entwickelt.

WICHTIG

ENA005-3

SICHERHEITSHINWEISE

Beim Gebrauch von Elektrowerkzeugen und -geräten sind immer grundsätzliche Sicherheitsregeln einzuhalten, von denen einige im Folgenden aufgeführt sind:

LESEN SIE VOR GEBRAUCH DIESES GERÄTS ALLE ANLEITUNGEN.

WARNUNG - Um die Gefahr eines Brandes, eines Stromschlags oder von Verletzungen zu vermeiden:

1. **Setzen Sie das Gerät nicht dem Regen aus. Bewahren Sie das Werkzeug in einem geschlossenen Raum auf.**
2. **Lassen Sie eine Verwendung als Spielzeug nicht zu. Erhöhte Aufmerksamkeit ist bei der Verwendung in der Nähe von Kindern erforderlich.**
3. **Verwenden Sie das Gerät nur wie in dieser Anleitung beschrieben. Verwenden Sie ausschließlich vom Hersteller empfohlene Zubehörteile.**
4. **Verwenden Sie niemals einen beschädigten Akku. Wenn das Gerät nicht wie erwartet funktioniert, heruntergefallen ist, beschädigt ist, im Freien aufbewahrt wurde oder ins Wasser gefallen ist,**

- lassen Sie das Gerät unbedingt von einem Servicecenter überprüfen und ggf. reparieren.
5. Handhaben Sie das Gerät nicht mit nassen Händen.
 6. Stecken Sie keine Gegenstände in die Öffnungen. Verwenden Sie den Staubsauger nicht mit verstopften Öffnungen; halten Sie den Staubsauger frei von Staub, Flusen, Haaren und allem, das den Luftstrom beeinträchtigen könnte.
 7. Halten Sie Haar, locker anliegende Kleidung und Ihren Körper, insbesondere Ihre Finger, von Öffnungen und sich bewegendem Teilen fern.
 8. Schalten Sie alle Bedienelemente aus, bevor Sie den Akku entnehmen.
 9. Seien Sie besonders beim Reinigen von Treppen achtsam.
 10. Verwenden Sie dieses Gerät nicht, um entflammare oder brennbare Flüssigkeiten wie z. B. Kraftstoffe aufzusaugen, und verwenden Sie es nicht in Bereichen, in denen derartige Stoffe vorhanden sein können.
 11. Laden Sie Akku ausschließlich mit dem vom Hersteller mitgelieferten Ladegerät auf.
 12. Saugen Sie mit diesem Gerät keine brennenden oder rauchenden Gegenstände wie z. B. glimmende Tabakreste, Streichhölzer oder heiße Asche auf.
 13. Verwenden Sie das Gerät niemals ohne eingesezte Filter.
 14. Laden Sie den Akku nicht im Freien auf.
 15. Dieses Gerät darf nicht von Personen (einschließlich Kindern) mit verminderten physischen, sensorischen oder psychischen Fähigkeiten oder fehlenden Erfahrungen und Kenntnissen bedient werden, es sei denn, sie werden beaufsichtigt oder wurden in der Anwendung des Geräts von einem Sicherheitsverantwortlichen unterwiesen.
 16. Kleinkinder sind zu beaufsichtigen, um sicherzustellen, dass sie nicht mit diesem Gerät spielen.

BEWAHREN SIE DIESE ANLEITUNG SORGFÄLTIG AUF.

Dieses Gerät ist zur Verwendung in einem Haushalt vorgesehen.

ZUSÄTZLICHE SICHERHEITSREGELN

ENB106-3

1. Lesen Sie vor der Verwendung des Geräts die vorliegende Bedienungsanleitung sowie die Bedienungsanleitung zum Ladegerät aufmerksam durch.
2. Saugen Sie nicht die folgenden Materialien auf:
 - Heiße Materialien wie glimmende Zigaretten oder glühenden/metallenen Staub, der beim Schleifen/Schneiden von Material entstanden ist
 - Feuergefährliche Materialien wie Kraftstoffe, Verdünnern, Waschbenzin, Petroleum oder Farben
 - Explosive Materialien wie Nitroglycerin

- Entzündliche Materialien wie Aluminium, Zink, Magnesium, Titan, Phosphor oder Zelluloid
 - Feuchter Staub, Wasser, Öl o. Ä.
 - Harte Teile mit scharfen Kanten wie z. B. Holzspäne, Metalle, Steine, Glas, Nägel, Reißzwecken oder Klingen
 - Klumpen bildende Pulver wie Zement oder Toner
 - Leitfähiger Staub wie Metall oder Karbon
 - Feinstaubpartikel wie Zementstaub
- Anderenfalls kann es zu einem Brand, zu Verletzungen und/oder zu Sachschäden kommen.
3. Unterbrechen Sie bei Auftreten von Störungen den Betrieb sofort.
 4. Falls der Staubsauger heruntergefallen ist oder gestoßen wurde, überprüfen Sie ihn vor dem Betrieb sorgfältig auf Risse oder Beschädigungen.
 5. Laden Sie den Staubsauger nicht in der Nähe von gefährlichen und entzündlichen Stoffen wie Benzin, Gas, Farbe oder Klebstoffen auf.
 6. Laden Sie den Staubsauger nicht auf Papier, Textilien, Teppichen, Vinyl usw. auf. Dies kann einen Brand verursachen.
 7. Laden Sie den Staubsauger nicht an einem staubigen Ort auf.
 8. Achten Sie darauf, dass sich niemand unter Ihnen befindet, wenn Sie den Staubsauger an erhöhten Orten verwenden.
 9. Bringen Sie den Staubsauger nicht in die Nähe von Öfen oder anderen Wärmequellen.
 10. Blockieren Sie weder die Einlassöffnung noch die Lüftungslöcher.

BEWAHREN SIE DIESE ANLEITUNG SORGFÄLTIG AUF.

WICHTIGE SICHERHEITSREGELN

ENC010-1

INTEGRIERTER AKKUBLOCK

1. Lesen Sie vor der Verwendung des integrierten Akkublocks alle Anweisungen und Sicherheitshinweise für das Akkuladegerät (1), den Akku (2) und das Produkt (3), für das der Akku verwendet wird.
2. Nehmen Sie den integrierten Akkublock nicht auseinander.
3. Falls die Betriebsdauer erheblich kürzer wird, beenden Sie den Betrieb umgehend. Anderenfalls besteht die Gefahr einer Überhitzung sowie die Gefahr von Verbrennungen und sogar einer Explosion.
4. Wenn Elektrolyt in Ihre Augen gerät, waschen Sie die Augen sofort mit klarem Wasser aus, und suchen Sie umgehend einen Arzt auf. Anderenfalls kann es zum Verlust der Sehfähigkeit kommen.
5. Schließen Sie den integrierten Akkublock nicht kurz:
 - (1) Die Kontakte dürfen nicht mit leitendem Material in Berührung kommen.

- (2) **Der integrierte Akkublock darf nicht in einem Behälter aufbewahrt werden, in dem sich andere metallische Gegenstände wie beispielsweise Nägel, Münzen usw. befinden.**
 - (3) **Der integrierte Akkublock darf weder Feuchtigkeit noch Regen ausgesetzt werden. Ein Kurzschluss des Akkus kann zu einem hohem Stromfluss, Überhitzung, möglichen Verbrennungen und sogar zu einer Zerstörung führen.**
6. **Das Gerät und der integrierte Akkublock dürfen nicht an Orten aufbewahrt werden, an denen eine Temperatur von 50 °C oder höher erreicht werden kann.**
 7. **Selbst wenn der integrierte Akkublock schwer beschädigt oder völlig verbraucht ist, darf dieser nicht angezündet werden. Der integrierte Akkublock kann in den Flammen explodieren.**
 8. **Lassen Sie den Akku nicht fallen und vermeiden Sie Schläge gegen den Akku.**

BEWAHREN SIE DIESE ANLEITUNG SORGFÄLTIG AUF.

Tipps für eine maximale Nutzungsdauer von Akkus

1. **Laden Sie den integrierten Akkublock auf, bevor er ganz entladen ist. Beenden Sie stets den Betrieb des Geräts und laden Sie den Akkublock auf, sobald Sie eine verringerte Leistung bemerken.**
2. **Ein voll aufgeladener integrierter Akkublock darf niemals erneut geladen werden. Durch Überladungen wird die Lebensdauer des Akkus verkürzt.**
3. **Laden Sie den integrierten Akkublock bei einer Zimmertemperatur von 10 °C bis 40 °C auf. Lassen Sie einen heißen integrierten Akkublock vor dem Aufladen abkühlen.**
4. **Laden Sie einen Akkublock, der längere Zeit nicht verwendet wird, aller sechs Monate auf.**

FUNKTIONSBESCHREIBUNG

⚠ ACHTUNG:

- Schalten Sie das Gerät stets aus, bevor Sie Einstellungen oder eine Funktionsprüfung des Geräts vornehmen.

Laden des integrierten Akkublocks

⚠ ACHTUNG:

- Betreiben Sie den Staubsauger nicht während des Ladevorgangs. Andernfalls kann der Staubsauger beschädigt werden.
- Trennen Sie nach dem Ladevorgang den Ladestecker stets vom Staubsauger.
- Wenn Sie einen neuen Staubsauger oder einen Staubsauger laden, der über einen längeren Zeitraum nicht geladen wurde, ist ein vollständiges Aufladen gegebenenfalls nicht möglich. Dies ist normal und deutet nicht auf eine Störung hin. Sie können den Staubsauger vollständig Laden, nachdem er einige Male ganz entladen wurde.

Laden Sie diesen Staubsauger ausschließlich mit dem Ladegerät LG-10 K von Dolmar. Durch die Verwendung eines anderen Ladegeräts kann der Akku explodieren und so schwere Personen- und Sachschäden verursachen.

Laden Sie den Staubsauger auf, wenn er zum ersten Mal verwendet wird oder lange Zeit nicht aufgeladen worden ist. Schließen Sie den Ladestecker an den Ladeanschluss, und stecken Sie anschließend das Ladegerät an die Netzsteckdose an. Die Anzeigelampe für den Akkuladestatus leuchtet auf und der Ladevorgang beginnt. Der Ladevorgang dauert ca. 3 Stunden. Nach Abschluss des Ladevorgangs erlischt die Anzeigelampe. Weitere Informationen finden Sie in der Bedienungsanleitung des Akkuladegeräts. **(Abb. 1 und 2)**

Einschalten/Ausschalten/Umschalten

⚠ ACHTUNG:

- Überprüfen Sie vor der Verwendung des Staubsaugers immer, dass der Staubbeutel oder die Papiertüte richtig in den Staubsauger eingesetzt wurde. Durch einen fehlerhaften Einbau kann Staub in den Motor eindringen und so eine Fehlfunktion des Staubsaugers verursachen.
- Schalten Sie den Staubsauger nach jeder Verwendung stets aus, um eine Beschädigung des Staubsaugers zu vermeiden und die Lebenszeit des Akkus zu verlängern.

Betätigen Sie zum Starten des Staubsaugers einfach die Taste „1/2/3“. Um das Gerät auszuschalten, drücken Sie die Taste „0“. Betätigen Sie zum Ändern der Staubsaugerleistung einfach die Taste „1/2/3“. Beim ersten Druck auf diese Taste wird die hohe Leistungsstufe ausgewählt und beim zweiten Druck die niedrige Leistungsstufe. Mit jedem Druck auf diese Taste wird abwechselnd zwischen der hohen und niedrigen Leistungsstufe gewechselt.

Der Staubsauger läuft im Turbomodus, während die Taste „1/2/3“ gedrückt gehalten wird. Diese Leistungsstufe eignet sich besonders zum Reinigen sehr verstaubter Bereiche. **(Abb. 3)**

Anzeigelampe für Akkuladestatus (Abb. 2)

Wenn die verbleibende Akkuladung gering wird, beginnt die Anzeigelampe für den Akkuladestatus zu blinken. Sinkt die verbleibende Akkuladung während des Betriebs sehr weit ab, schaltet sich das Gerät aus, und die Anzeigelampe für den Akkuladestatus leuchtet ca. 10 Sekunden lang auf. Laden Sie in diesem Fall den Staubsauger.

HINWEIS:

- Die Zeit bis zum Blinken bzw. Aufleuchten der Anzeigelampe für den Akkuladestatus ist von der Temperatur am Arbeitsort und vom Zustand des Akkublocks abhängig.

MONTAGE

Entsorgen des Staubs

ACHTUNG:

- Leeren Sie den Staubsauger, bevor dieser zu voll und die Ansaugleistung zu schwach wird.
 - Entfernen Sie auch den Staub im Innern des Staubsaugers selbst. Anderenfalls kann der Schwammfilter verstopfen oder der Motor beschädigt werden.
 - Entsorgen Sie den Staubstopper niemals, denn dieser muss immer mit dem Staubbeutel oder der Papiertüte verwendet werden.
1. Zum Öffnen der Vorderabdeckung drücken Sie auf die Taste. Wenn Sie die Vorderabdeckung so weit aufklappen, bis ein Klickgeräusch zu hören ist, rastet die Abdeckung in dieser Position ein. **(Abb. 4)**

ACHTUNG:

- Achten Sie beim Schließen der Vorderabdeckung darauf, dass Sie sich nicht die Finger einklemmen.

HINWEIS:

- Wenn die Vorderabdeckung um mehr als 90° geöffnet wird, löst sie sich vom Gerät. Wenn sich die Vorderabdeckung vom Gerät gelöst hat, setzen Sie die Vorderabdeckung wieder in ihr Scharnier ein. **(Abb. 5)**
2. Ziehen Sie beide orangefarbenen Staubstopper zusammen mit dem Staubbeutel heraus. **(Abb. 6)**
 3. Nehmen Sie den Staubstopper heraus und leeren Sie den Staubsauger. **(Abb. 7 und 8)**

Staubbeutel oder Papiertüte

Setzen Sie vor der Verwendung des Staubsaugers entweder einen Staubbeutel oder eine Papiertüte ein. Verwenden Sie mit dem Staubbeutel oder der Papiertüte immer den Staubstopper.

Staubbeutel können mehrmals verwendet werden, wenn diese zwischendurch gereinigt werden. Papiertüten sind Einwegartikel. Entsorgen Sie die gesamte volle Papiertüte, ohne diese zu leeren.

Einsetzen des Staubbeutels (Abb. 9)

Verwenden Sie mit dem Staubbeutel immer den Staubstopper. Achten Sie darauf, dass Sie den Staubstopper nicht aus Versehen verkehrt herum einsetzen, denn Ober- und Unterseiten sind unterschiedlich.

1. Setzen Sie den Vorsprung des Staubbeutels in die Kerbe im Staubstopper ein, wie in der Abbildung dargestellt. **(Abb. 10)**
2. Ober- und Unterseite des Staubbeutels unterscheiden sich nicht. Sie können diesen Vorsprung an jeder Seite in die untere Kerbe des Staubstoppers einsetzen. **(Abb. 11)**
3. Überlappen Sie den Rahmen des Staubstoppers mit dem des Staubbeutels. **(Abb. 12)**
4. Setzen Sie den Staubstopper und den Staubbeutel zusammen in die Staubsaugerausparung in Pfeilrichtung am Staubstopper ein. Setzen Sie dies ganz in die Schlitzle in der Staubsaugerausparung ein. **(Abb. 13)**
5. Platzieren Sie den gesamten Stoffteil des Staubbeutels im Inneren des Staubsaugers. **(Abb. 14)**

6. Schließen Sie die Vorderabdeckung vollständig. **(Abb. 15)**

Einsetzen der Papiertüte

1. Klappen Sie den Eingang der Papiertüte vor dem Einsetzen in den Staubstopper auf. **(Abb. 16)**
Verwenden Sie mit der Papiertüte immer den Staubstopper. Achten Sie darauf, dass Sie den Staubstopper nicht aus Versehen verkehrt herum einsetzen, denn Ober- und Unterseiten sind unterschiedlich. **(Abb. 9)**
2. Setzen Sie den Vorsprung der Papiertüte in die Kerbe im Staubstopper ein, wie in der Abbildung dargestellt. **(Abb. 17)**
3. Ober- und Unterseite der Papiertüte unterscheiden sich nicht. Sie können diesen Vorsprung an jeder Seite in die untere Kerbe des Staubstoppers einsetzen. **(Abb. 11)**
4. Überlappen Sie den Rahmen des Staubstoppers mit dem der Papiertüte. **(Abb. 18)**
5. Setzen Sie den Staubstopper und die Papiertüte zusammen in die Staubsaugerausparung in Pfeilrichtung am Staubstopper ein. Setzen Sie dies ganz in die Schlitzle in der Staubsaugerausparung ein. **(Abb. 19)**
6. Platzieren Sie den gesamten Beutelteil der Papiertüte im Inneren des Staubsaugers. **(Abb. 14)**
7. Schließen Sie die Vorderabdeckung vollständig.

ACHTUNG:

- Setzen Sie den Staubstopper gemeinsam mit dem Staubbeutel oder der Staubtüte richtig ein. Wenn beide Teile nicht ordnungsgemäß eingesetzt sind bzw. beschädigt oder zerrissen sind, kann beim Betrieb des Geräts Staub in das Innere des Motors gelangen. Dies kann zu einem Ausfall des Motors führen.
- Falten Sie die Kartonplatte nicht an der Öffnung, wenn Sie die Papiertüte einsetzen.
- Entsorgen Sie den Staubstopper niemals, denn dieser muss immer mit dem Staubbeutel oder der Papiertüte verwendet werden.
- Die Papiertüte im Staubsauger ist von hoher Bedeutung für die Leistungsfähigkeit des Geräts. Bei Verwendung von anderen Papiertüten als die Original-Papiertüten kann es zu Rauchentwicklung und sogar zum Entstehen eines Brandes kommen.

BETRIEB (Abb. 20)

Zum Befestigen des Zubehörs, wie einer Düse, drehen Sie das Zubehör hinein, um eine sichere Verbindung während der Verwendung zu gewährleisten. Um Zubehör abzunehmen, muss dieses gedreht und entfernt werden.

Reinigung (Ansaugung)

Düse (Abb. 21)

Bringen Sie zum Reinigen von Tischen, Pulten, Möbeln usw. die Düse an. Diese lässt sich sehr leicht anbringen.

Düse + Verlängerungsarm (gerades Rohr) (Abb. 22)

Der Verlängerungsarm passt zwischen Düse und Staubsauger. Diese Anordnung ist praktisch zum Reinigen des Bodens, während Sie aufrecht stehen.

Eckdüse (Abb. 23)

Stecken Sie zum Reinigen von Ecken und Spalten in einem Auto oder in Polstermöbeln die Eckdüse auf.

Eckdüse + Verlängerungsarm (gerades Rohr) (Abb. 24)

Der Staubsauger kann selbst nicht in enge Ecken gelangen, auch hohe Plätze sind schwer zu erreichen. Verwenden Sie dann diese Anordnung.

WARTUNG

⚠ ACHTUNG:

- Schalten Sie das Gerät stets aus, bevor Sie Prüfungen oder Wartungsarbeiten am Staubsauger durchführen.

Nach der Verwendung

Hängen Sie den Staubsauger zum Aufbewahren am Aufhänger an einem Nagel auf. (Abb. 25)

HINWEIS:

- Bei Anlehnen des Staubsaugers ohne weitere Abstützung gegen die Wand fällt der Staubsauger um und kann beschädigt werden. (Abb. 26)

Reinigung (Abb. 27)

Wischen Sie von Zeit zu Zeit das Äußere des Staubsaugers mit einem mit Seifenwasser befeuchtetem Tuch ab.

Reinigen Sie auch die Ansaugöffnung, den Einsatzbereich des Staubbeutels oder der Papiertüte sowie den Staubstopper.

⚠ ACHTUNG:

- Verwenden Sie zum Reinigen niemals Kraftstoffe, Benzin, Verdünner, Alkohol oder ähnliches. Dies kann zu Verfärbungen, Verformungen oder Rissen führen. Waschen Sie den Staubbeutel bei Verschmutzung und bei nachlassender Reinigungsleistung in Seifenwasser.

Symptom	Zu prüfender Bereich	Befestigungsmethode
Schwache Ansaugleistung	Ist der Staubbeutel bzw. die Papiertüte ganz mit Staub gefüllt?	Leeren Sie den Staubbeutel bzw. die Papiertüte.
	Ist der Staubbeutel zugesetzt?	Klopfen oder waschen Sie den Staubbeutel aus.
	Ist die Papiertüte zugesetzt?	Ersetzen Sie die Papiertüte.
	Ist der Akku erschöpft?	Laden Sie den Akkublock auf.
Funktioniert nicht	Ist der Akku erschöpft?	Laden Sie den Akkublock auf.

014744

HINWEIS:

- Versuchen Sie nicht selbst, den Staubsauger zu reparieren.

Entsorgen des Staubsaugers

Dieser Staubsauger enthält einen Lithium-Ionen-Akku. Bauen Sie den Akku aus, bevor Sie den Staubsauger entsorgen.

Lassen Sie den Filter vor der Verwendung gut trocknen. Ein unzureichend getrockneter Beutel kann zu einer geringeren Ansaugung und einer kürzeren Lebenszeit des Motors führen. (Abb. 28)

HINWEIS:

- Papiertüten sind Einwegartikel. Wenn der Schwammfilter verschmutzt ist, entnehmen Sie ihn aus dem Staubsauger, schütteln Sie ihn aus oder waschen Sie ihn in Wasser.

Entnehmen und Einsetzen des Schwammfilters

Zum Entnehmen des Schwammfilters entfernen Sie den Staubbeutel oder die Papiertüte, drücken Sie den Filter zusammen und nehmen Sie ihn heraus. (Abb. 29)

Drücken Sie die gesamte Kante des Schwammfilters gegen die abgestufte Wand im Inneren des Montagebereichs des Staubbeutels bzw. der Papiertüte. (Abb. 30)

⚠ ACHTUNG:

- Setzen Sie nach dem Reinigen den Schwammfilter auf jeden Fall wieder in den Staubsauger ein. Falls Sie den Filter mit Wasser gereinigt haben, trocknen Sie ihn vor dem Einsetzen. Ein unzureichend getrockneter Schwammfilter kann zu einer kürzeren Lebenszeit des Motors führen.

PROBLEMBEBEHUNG

Prüfen Sie das Gerät erst selbst, bevor Sie eine Reparatur in Auftrag geben. Falls Sie vor einem Problem stehen, das nicht in der Betriebsanleitung erläutert ist, bauen Sie das Gerät nicht selbst auseinander. Wenden Sie sich stattdessen an ein von Dolmar autorisiertes Servicecenter, in denen stets Dolmar-Ersatzteile verwendet werden.

Ausbauen des integrierten Akkublocks

⚠ ACHTUNG:

- Bauen Sie den integrierten Akkublock niemals aus, es sei denn, Sie wollen den Staubsauger entsorgen. Der Akku wird eventuell beschädigt oder kurzgeschlossen.
- Die Kontakte dürfen nicht mit leitendem Material in Berührung kommen.
- Der Akkublock darf nicht in einem Behälter aufbewahrt werden, in dem sich andere metallische Gegenstände wie beispielsweise Nägel, Münzen usw. befinden.
- Der Akkublock darf weder Feuchtigkeit noch Regen ausgesetzt werden.

- Der Akkublock darf nicht zerlegt oder verändert werden.
1. Drücken Sie zum Entfernen der hinteren Abdeckung diese in Pfeilrichtung. **(Abb. 31)**
 2. Schieben Sie den integrierten Akkublock zur Hälfte heraus. Trennen Sie die Führungsdrähte vom Akku, indem Sie auf den Steckverbinder in Pfeilrichtung, wie in der Abbildung dargestellt drücken. **(Abb. 32)**
 3. Schieben Sie anschließend den Akkublock ganz heraus. **(Abb. 33)**
 4. Legen Sie den ausgebauten Akkublock in eine Plastiktüte, so dass dieser nicht kurzgeschlossen wird.

Zum Einsetzen des Lithium-Ionen-Akkus befolgen Sie die Ausbauprozedur in umgekehrter Reihenfolge.

Zur Gewährleistung von SICHERHEIT und ZUVERLÄSSIGKEIT des Produkts sollten Reparaturen, Wartungsarbeiten und Einstellungen nur durch von Dolmar autorisierte Servicecenter durchgeführt und ausschließlich Dolmar-Ersatzteile verwendet werden.

SONDERZUBEHÖR

ACHTUNG:

- Für das in diesem Handbuch beschriebener Dolmar-Staubsauger werden die folgenden Zubehör- und Zusatzteile empfohlen. Bei Verwendung anderer Zubehör- und Zusatzteile kann es zu Verletzungen kommen. Verwenden Sie Zubehör- und Zusatzteile nur für den vorgesehenen Zweck.

Informationen zu diesem Zubehör erhalten Sie von Ihrem Dolmar-Servicecenter.

- Bodenbürste
- Flexibler Schlauch

HINWEIS:

- Einige der in der Liste aufgeführten Elemente sind dem Werkzeugpaket als Standardzubehör beigelegt. Diese können in den einzelnen Ländern voneinander abweichen.

ITALIANO (Istruzioni originali)

Spiegazione della vista generale

- | | | |
|---|--------------------------------|--------------------------|
| 1. Connettore di caricamento | 10. Scanalatura | 20. Parete rientrata |
| 2. Spia della batteria | 11. Sacchetto raccogli-polvere | 21. Coperchio posteriore |
| 3. Tasti di commutazione | 12. Scanalatura inferiore | 22. Connettore |
| 4. Coperchio anteriore | 13. Cavità aspiratore | 23. Fili elettrici |
| 5. Pulsante | 14. Sacchetto polvere | 24. Batteria |
| 6. Giunto coperchio anteriore | 15. Ugello | |
| 7. Tappo polvere | 16. Prolunga | |
| 8. Lato superiore del tappo polvere | 17. Ugello angolare | |
| 9. Lato inferiore del del tappo polvere | 18. Filtro spugna | |
| | 19. Spugna | |

SPECIFICHE TECNICHE

Modello		AZ-1020
Capacità		500 ml (per sacchetto raccogli-polvere) 330 ml (per sacchetto di carta)
Uso continuo	3 (Turbo)	Circa 10 min
	2 (Alto)	Circa 15 min
	1 (Basso)	Circa 30 min
Lunghezza complessiva	Senza ugello	446 mm
	Con ugello	983 mm
Peso netto		1,1 kg
Tensione nominale		10,8 V CC

- Le caratteristiche tecniche riportate di seguito sono soggette a modifiche senza preavviso in virtù del nostro programma continuo di ricerca e sviluppo.
- Le caratteristiche tecniche e le batterie possono differire da paese a paese.
- Peso, comprensivo di batterie, calcolato in base alla Procedura EPTA 01/2003

Simboli END315-1

Di seguito sono riportati i simboli utilizzati per l'utensile. È importante comprenderne il significato prima dell'uso.



..... Leggere il manuale di istruzioni.



..... Solo per Paesi UE

Non gettare le apparecchiature elettriche o le batterie tra i rifiuti domestici.

Secondo le Direttive Europee sui rifiuti di apparecchiature elettriche ed elettroniche, su batterie e accumulatori e sui rifiuti di batterie e di accumulatori, e la sua attuazione in conformità alle norme nazionali, le apparecchiature elettriche e le batterie esauste devono essere raccolte separatamente, al fine di essere riciclate in modo eco-compatibile.

Uso previsto ENE017-1

L'utensile è progettato per la raccolta della polvere secca.

IMPORTANTE

ENA005-3

ISTRUZIONI DI SICUREZZA

Quando si usa un apparecchio elettrico vanno sempre seguite le seguenti precauzioni di base:

LEGGERE TUTTE LE ISTRUZIONI PRIMA DI UTILIZZARE IL PRESENTE APPARECCHIO.

AVVERTENZA - Per ridurre il rischio di incendi, scosse elettriche o lesioni:

- Evitare l'esposizione alla pioggia. Conservare in luoghi chiusi.
- Impedire l'uso come giocattolo. Prestare estrema attenzione durante l'utilizzo da parte o in prossimità di bambini.
- Utilizzare esclusivamente come specificato nel presente manuale. Utilizzare soltanto gli accessori raccomandati dal produttore.
- Non utilizzare con una batteria danneggiata. Se l'apparecchio non funziona come dovrebbe, se è caduto, se è rimasto danneggiato, se è stato lasciato all'aperto o se è caduto in acqua, consegnarlo presso un centro di assistenza.
- Non maneggiare l'apparecchio con le mani bagnate.

6. Non collocare oggetti nelle aperture. Non utilizzare con una o più aperture bloccate; tenere le aperture sgombre da polvere, filacci, peli, capelli e tutto ciò che potrebbe ridurre il flusso d'aria.
 7. Tenere capelli, vestiti ampi, dita e qualsiasi parte del corpo lontani dalle aperture e dalle parti mobili.
 8. Spegner tutti i comandi prima di rimuovere la batteria.
 9. Usare estrema cautela quando si usa l'aspiratore sulle scale.
 10. Non utilizzare per raccogliere liquidi infiammabili o combustibili, come la benzina, o in aree dove tali liquidi potrebbero essere presenti.
 11. Per le ricariche, utilizzare soltanto il caricatore fornito in dotazione dal produttore.
 12. Non raccogliere alcun oggetto che stia bruciando o producendo fumo, come sigarette, fiammiferi o ceneri calde.
 13. Non utilizzare senza i filtri in posizione.
 14. Non caricare la batteria all'aperto.
 15. Questo dispositivo non è destinato all'uso da parte di persone (bambini inclusi) con ridotte capacità fisiche, sensoriali o mentali, o con scarsa esperienza e conoscenza del dispositivo, a meno che non siano sotto supervisione o non ricevano istruzioni sull'uso del dispositivo stesso da una persona responsabile della loro sicurezza.
 16. I bambini devono essere tenuti sotto controllo per evitare che giochino con il dispositivo.
4. Se l'aspiratore cade o viene colpito, controllare attentamente che non ci siano rotture o danni prima dell'uso.
 5. Non caricare l'aspiratore in prossimità di materiali infiammabili pericolosi quali benzina, gas, vernici o adesivi.
 6. Non caricare l'aspiratore su carta, vestiti, tappeti, vinile, ecc. Potrebbe scoppiare un incendio.
 7. Non caricare l'aspiratore in luoghi polverosi.
 8. Controllare che nessuno si trovi sotto l'aspiratore quando lo si utilizza in posizioni elevate.
 9. Non portare vicino a stufe, fornelli o altre fonti di calore.
 10. Non bloccare l'apertura d'aspirazione o quelle di sfianto.

CONSERVARE QUESTE ISTRUZIONI.

ISTRUZIONI IMPORTANTI PER LA SICUREZZA

ENC010-1

PER LA BATTERIA INTEGRATA

1. Prima di utilizzare la batteria integrata, leggere tutte le istruzioni e le avvertenze su (1) caricabatteria, (2) batteria e (3) prodotto alimentato a batteria.
2. Non smontare la batteria integrata.
3. Se il tempo di funzionamento è diventato eccessivamente breve, interrompere immediatamente l'uso. Potrebbero verificarsi surriscaldamenti, ustioni o esplosioni.
4. In caso di contatto dell'elettrolita con gli occhi, sciacquare con acqua fresca e consultare immediatamente un medico. Potrebbero verificarsi danni permanenti alla vista.
5. Non cortocircuitare la batteria integrata:
 - (1) Non toccare i terminali della batteria con materiale in grado di condurre elettricità.
 - (2) Evitare di conservare la batteria integrata in un contenitore con altri oggetti metallici come chiodi, monete, ecc.
 - (3) Non esporre la batteria integrata all'acqua o alla pioggia. Un cortocircuito può provocare un elevato flusso di corrente, surriscaldamento, ustioni o rotture.
6. Non conservare l'utensile e la batteria integrata in ambienti in cui la temperatura può raggiungere o superare i 50 °C.
7. Evitare di smaltire la batteria integrata bruciandola, anche se gravemente danneggiata o completamente esaurita. Se esposta al fuoco, la batteria integrata può esplodere.
8. Evitare di far cadere o di colpire la batteria.

CONSERVARE QUESTE ISTRUZIONI.

- Suggerimenti per prolungare la durata della batteria
1. Caricare la batteria integrata prima che sia completamente scarica.

CONSERVARE QUESTE ISTRUZIONI.

Questo apparecchio è destinato all'uso domestico.

REGOLE DI SICUREZZA AGGIUNTIVE

ENB106-3

1. Leggere attentamente queste istruzioni per l'uso insieme a quelle del caricabatteria prima dell'utilizzo.
2. Non raccogliere i seguenti materiali:
 - Materiali caldi quali sigarette accese o scintille/polvere di metalli generate dalla smerigliatura/dal taglio di metalli
 - Materiali infiammabili quali gasolina, diluenti, benzina, cherosene o vernici
 - Materiali esplosivi come nitroglicerina
 - Materiali infiammabili quali alluminio, zinco, magnesio, titanio, fosforo o celluloidi
 - Sporco bagnato, acqua, olio o simili
 - Oggetti duri con bordi taglienti, quali schegge di legno, metalli, pietre, vetri, chiodi, spilli o rasoi
 - Polvere da raggruppare, come cemento o toner
 - Polvere conduttiva come metallo o carbonio
 - Particelle fini come polvere di calcestruzzo
 In caso contrario potrebbero verificarsi incendi, lesioni e/o danni alla proprietà.
3. Terminare immediatamente l'uso in presenza di anomalie.

Interrompere sempre il lavoro e caricare la batteria integrata se si nota una diminuzione di potenza dell'utensile.

2. **Non ricaricare mai una batteria integrata completamente carica. Una ricarica eccessiva riduce la vita utile della batteria.**
3. **Caricare la batteria integrata in ambienti con temperatura compresa tra 10 °C e 40 °C. Attendere il raffreddamento della batteria integrata prima di caricarla.**
4. **Caricare la batteria una volta ogni sei mesi se l'utensile rimane inutilizzato per lungo tempo.**

DESCRIZIONE FUNZIONALE

ATTENZIONE:

- Prima di regolare o controllare le funzioni dell'utensile, verificare sempre di averlo spento.

Caricamento della batteria integrata

ATTENZIONE:

- Non utilizzare l'aspiratore durante il caricamento. Potrebbe rimanere danneggiato.
- Scollegare sempre la spina di caricamento dall'aspiratore dopo il caricamento.
- Quando si carica un nuovo aspiratore o un aspiratore che è stato lasciato scarico per un lungo periodo, la carica completa potrebbe non essere possibile. Si tratta di una condizione normale che non denota alcun problema. L'aspiratore può essere ricaricato completamente dopo essere stato scaricato completamente un paio di volte.

Utilizzare esclusivamente il caricatore Dolmar LG-10 K per caricare il presente aspiratore. L'uso di altri tipi di caricatore potrebbe provocare l'esplosione della batteria, con conseguenti danni e lesioni personali.

Caricare l'aspiratore quando lo si usa per la prima volta o dopo che è rimasto scarico per un lungo periodo di tempo. Collegare la spina di caricamento al connettore di caricamento, quindi inserire la spina del caricatore nella presa elettrica. La spia della batteria si accende e inizia il caricamento. Il caricamento richiede circa 3 ore. La luce si spegne al termine del caricamento. Per ulteriori dettagli, consultare il manuale di istruzioni del caricabatteria. (Fig. 1 e 2)

Azionamento dell'interruttore

ATTENZIONE:

- Assicurarsi sempre che il sacchetto raccogli-polvere o il sacchetto di carta sia installato correttamente nell'aspiratore prima dell'uso. Un'installazione non corretta potrebbe consentire alla polvere di penetrare nel motore, con un conseguente malfunzionamento dell'aspiratore.
- Spegnerne sempre l'aspiratore dopo ogni utilizzo per prevenire danni all'aspiratore stesso e per estendere la vita utile delle batterie.

Per avviare l'aspiratore, premere semplicemente il pulsante "1/2/3". Per spegnerlo, premere il pulsante "0". Per cambiare la velocità dell'aspiratore, premere il pulsante "1/2/3". Premere il pulsante una volta per l'alta velocità e due volte per la bassa velocità. Ogni volta che

si preme il pulsante si passa da alta a bassa velocità e viceversa.

Tenendo premuto il pulsante "1/2/3", l'aspiratore funziona con il turbo. Tale modalità è indicata per la pulizia di aree particolarmente polverose. (Fig. 3)

Spia della batteria (Fig. 2)

Quando la capacità residua della batteria si abbassa, la spia della batteria lampeggia.

Quando la capacità residua della batteria raggiunge il minimo, l'utensile si arresta e la spia della batteria rimane illuminata per circa 10 secondi. A questo punto, caricare l'aspiratore.

NOTA:

- Il momento in cui la spia della batteria inizia a lampeggiare o si illumina dipende dalla temperatura dell'ambiente di lavoro e dalle condizioni della batteria.

MONTAGGIO

Smaltimento della polvere

ATTENZIONE:

- Svuotare l'aspiratore prima che si riempia troppo per non affievolire la forza di aspirazione.
 - Assicurarsi di svuotare la polvere all'interno dell'aspiratore stesso. In caso contrario il filtro spugna potrebbe intasarsi o il motore potrebbe rimanere danneggiato.
 - Non gettare mai via il tappo polvere, poiché va utilizzato ogniqualvolta si utilizza il sacchetto raccogli-polvere o il sacchetto polvere.
1. Premere il pulsante per aprire il coperchio anteriore. Aprire il coperchio fino a udire uno scatto per consentire un arresto sicuro in posizione. (Fig. 4)

ATTENZIONE:

- Attenzione a non schiacciarsi le dita quando si chiude il coperchio anteriore.

NOTA:

- Il coperchio anteriore si stacca quando si prova ad aprirlo oltre i 90°. Se il coperchio anteriore si stacca, installarlo sul giunto corrispondente. (Fig. 5)
2. Estrarre contemporaneamente il tappo polvere arancione e il sacchetto raccogli-polvere. (Fig. 6)
 3. Rimuovere il tappo polvere e svuotare l'aspiratore. (Fig. 7 e 8)

Sacchetto raccogli-polvere e sacchetto di carta

Installare il sacchetto raccogli-polvere o il sacchetto di carta prima di usare l'aspiratore.

Utilizzare il tappo polvere quando si installa il sacchetto raccogli-polvere o il sacchetto di carta.

I sacchetti raccogli-polvere, una volta svuotati, sono riutilizzabili.

I sacchetti di carta sono usa-e-getta. Gettare via il sacchetto di carta intero senza svuotarlo una volta pieno.

Installazione del sacchetto raccogli-polvere (Fig. 9)

Utilizzare il tappo polvere quando si installa il sacchetto raccogli-polvere. Prestare attenzione a non prendere per

errore il lato superiore per il lato inferiore, poiché non sono uguali.

1. Inserire la parte sporgente del sacchetto raccogli-polvere nella scanalatura del tappo polvere come mostrato in figura. **(Fig. 10)**
2. Non c'è differenza tra il lato superiore e inferiore del sacchetto raccogli-polvere. Si può inserire la parte sporgente dell'uno o dell'altro lato nella scanalatura inferiore del tappo polvere. **(Fig. 11)**
3. Sovrapporre la cornice del tappo polvere a quella del sacchetto raccogli-polvere. **(Fig. 12)**
4. Collocare il tappo polvere e il sacchetto raccogli-polvere insieme nella cavità dell'aspiratore nella stessa direzione della freccia del tappo polvere. Inserirli fino in fondo nelle fessure della cavità dell'aspiratore. **(Fig. 13)**
5. Collocare l'intera parte in tessuto del sacchetto raccogli-polvere all'interno dell'utensile. **(Fig. 14)**
6. Chiudere completamente il coperchio anteriore. **(Fig. 15)**

Installazione del sacchetto di carta

1. Schiudere l'apertura del sacchetto di carta prima di installarlo sul tappo polvere. **(Fig. 16)**

Utilizzare il tappo polvere anche quando si installa il sacchetto polvere. Prestare attenzione a non prendere per errore il lato superiore per il lato inferiore, poiché non sono uguali. **(Fig. 9)**

2. Inserire la parte sporgente del sacchetto polvere nella scanalatura del tappo polvere come mostrato in figura. **(Fig. 17)**
3. Non c'è differenza tra il lato superiore e inferiore del sacchetto polvere. Si può inserire la parte sporgente dell'uno o dell'altro lato nella scanalatura inferiore del tappo polvere. **(Fig. 11)**
4. Sovrapporre la cornice del tappo polvere a quella del sacchetto polvere. **(Fig. 18)**
5. Collocare il tappo polvere e il sacchetto polvere insieme nella cavità dell'aspiratore nella stessa direzione della freccia del tappo polvere. Inserirli fino in fondo nelle fessure della cavità dell'aspiratore. **(Fig. 19)**
6. Collocare l'intera parte contenitore del sacchetto polvere all'interno dell'utensile. **(Fig. 14)**
7. Chiudere completamente il coperchio anteriore.

ATTENZIONE:

- Installare il tappo polvere con il sacchetto raccogli-polvere o il sacchetto polvere correttamente. L'utilizzo dell'utensile in caso di installazione non corretta o di sacchetti rotti o lacerati potrebbe consentire alla polvere di penetrare nel motore. Ciò potrebbe causare un guasto al motore.
- Non piegare il cartone alla sua apertura quando si installa il sacchetto di carta.
- Non gettare mai via il tappo polvere, poiché deve essere usato ripetutamente ogniqualvolta si utilizza il sacchetto raccogli-polvere o il sacchetto polvere.
- Il sacchetto di carta per l'aspiratore è un componente importante per il mantenimento delle prestazioni dell'utensile. L'utilizzo di un sacchetto di carta non originale potrebbe causare fumi o incendi.

FUNZIONAMENTO (Fig. 20)

Per montare gli accessori, come l'ugello, ruotarli e inserirli, in modo da garantire un montaggio saldo durante l'uso. Per smontare gli accessori, ruotarli e rimuoverli.

Pulizia (Aspirazione)

Ugello (Fig. 21)

Montare l'ugello per pulire tavoli, scrivanie, mobili, ecc. L'ugello scivola con facilità.

Ugello + Prolunga (Tubo dritto) (Fig. 22)

La prolunga va montata tra l'ugello e l'aspiratore stesso. Tale configurazione è comoda per pulire i pavimenti rimanendo in piedi.

Ugello angolare (Fig. 23)

Installare l'ugello angolare per pulire angoli e fessure di auto o mobili.

Ugello angolare + Prolunga (Tubo dritto) (Fig. 24)

In stanze strette dove l'aspiratore stesso non riesce a entrare, o per luoghi elevati difficili da raggiungere, utilizzare questa configurazione.

MANUTENZIONE

ATTENZIONE:

- Prima di effettuare operazioni di ispezione e manutenzione sull'utensile, verificare sempre di averlo spento.

Dopo l'uso

Quando si ripone l'aspiratore, appenderlo a un chiodo usando la cinghia. **(Fig. 25)**

NOTA:

- Se si appoggia l'aspiratore al muro senza alcun altro supporto, esso potrebbe cadere e rimanere danneggiato. **(Fig. 26)**

Pulizia (Fig. 27)

Pulire saltuariamente il corpo dell'aspiratore utilizzando un panno inumidito in acqua saponata.

Pulire anche l'apertura di aspirazione, l'area di montaggio del sacchetto raccogli-polvere/sacchetto polvere e il tappo polvere.

ATTENZIONE:

- Evitare assolutamente di usare benzina, diluenti, solventi, alcol o sostanze simili. In caso contrario, potrebbero verificarsi scoloriture, deformazioni o incrinature.

Lavare il sacchetto raccogli-polvere in acqua saponata quando è ostruito dalla polvere e la potenza dell'aspiratore risulta ridotta. Asciugarlo completamente prima dell'uso. Un sacchetto non completamente asciugato potrebbe comportare un'aspirazione ridotta e una vita utile del motore più breve. **(Fig. 28)**

NOTA:

- I sacchetti polvere sono usa-e-getta. Quando il filtro spugna è ostruito dalla polvere, rimuoverlo dall'aspiratore e quindi pulirlo con un panno o lavarlo con l'acqua.

Rimozione e installazione del filtro spugna

Per rimuovere il filtro spugna, rimuovere il sacchetto raccogli-polvere o il sacchetto polvere, quindi stringerlo ed estrarlo. (Fig. 29)

Premere l'intero bordo del filtro spugna contro la parete rientrata all'interno dell'area di montaggio del sacchetto raccogli-polvere/sacchetto polvere. (Fig. 30)

⚠ ATTENZIONE:

- Dopo aver pulito il filtro spugna, assicurarsi di installarlo sull'aspiratore. Se è stato lavato con acqua,

asciugarlo prima dell'installazione. Un filtro spugna non completamente asciutto potrebbe ridurre la vita utile del motore.

RISOLUZIONE DEI PROBLEMI

Prima di richiedere la riparazione, condurre autonomamente un'ispezione. Se si individua un problema non specificato nel manuale, non tentare di smontare l'utensile. Rivolgersi invece ai centri di assistenza autorizzati Dolmar, utilizzando per le riparazioni sempre ricambi Dolmar.

Sintomo	Area da investigare	Soluzione
Potenza aspirante ridotta	Il sacchetto raccogli-polvere o il sacchetto di carta è pieno di polvere?	Svuotare il sacchetto raccogli-polvere o il sacchetto di carta.
	Il sacchetto raccogli-polvere è ostruito?	Rimuovere la polvere o lavare il sacchetto raccogli-polvere.
	Il sacchetto di carta è ostruito?	Sostituire il sacchetto di carta.
	La batteria è scarica?	Caricare la batteria.
Non funziona	La batteria è scarica?	Caricare la batteria.

014744

NOTA:

- Non tentare di riparare l'aspiratore per conto proprio.

Smaltimento dell'aspiratore

Il presente aspiratore contiene una batteria integrata agli ioni di litio. Rimuovere sempre la batteria prima di smaltire l'aspiratore.

Rimozione della batteria integrata

⚠ ATTENZIONE:

- Non rimuovere mai la batteria integrata dall'aspiratore, tranne che per lo smaltimento dell'aspiratore stesso. La batteria potrebbe rimanere danneggiata o cortocircuitata.
 - Non toccare i terminali con materiale in grado di condurre elettricità.
 - Evitare di conservare la batteria in un contenitore con altri oggetti metallici come chiodi, monete, ecc.
 - Non esporre la batteria all'acqua o alla pioggia.
 - Non smontare o modificare la batteria.
1. Per rimuovere il coperchio posteriore, spingerlo nella direzione della freccia. (Fig. 31)
 2. Far scorrere la batteria integrata a metà strada. Scollegare i fili elettrici dalla batteria premendo il connettore nella direzione della freccia mostrata in figura. (Fig. 32)
 3. Far scorrere quindi la batteria fino in fondo. (Fig. 33)
 4. Riporre la batteria rimossa in una busta di plastica, in modo da evitare cortocircuiti.

Per installare la batteria agli ioni di litio, seguire la procedura di rimozione della batteria in senso inverso. Per preservare la SICUREZZA e l'AFFIDABILITÀ del prodotto, qualsiasi riparazione o intervento di manutenzione o regolazione deve essere eseguito dai centri assistenza autorizzati Dolmar utilizzando sempre ricambi Dolmar.

ACCESSORI OPZIONALI

⚠ ATTENZIONE:

- Si consiglia l'uso dei seguenti accessori per l'aspiratore Dolmar descritto in questo manuale. L'uso di qualsiasi altro accessorio potrebbe provocare lesioni personali. Utilizzare gli accessori esclusivamente per l'uso dichiarato.

Per l'assistenza e per ulteriori informazioni su tali accessori, rivolgersi al centro assistenza Dolmar di zona.

- Spazzola scaffali
- Tubo flessibile

NOTA:

- Alcuni degli accessori elencati potrebbero essere inclusi nella confezione dell'utensile come accessori standard. Gli accessori standard possono differire da paese a paese.

NEDERLANDS (Originele instructies)

Verklaring van het onderdelenoverzicht

- | | | |
|---------------------------------|---------------------------------|--------------------|
| 1. Oplaadaansluiting | 9. Onderkant van de stofstopper | 17. Hoekmondstuk |
| 2. Accuvoedingslampje | 10. Groef | 18. Sponsfilter |
| 3. Bedieningsknoppen | 11. Stoffen stofzak | 19. Kussentje |
| 4. Voorkap | 12. Onderste groef | 20. Achterwand |
| 5. Knop | 13. Opening in de stofzuiger | 21. Achterkap |
| 6. Voorkapscharnier | 14. Papieren stofzak | 22. Stekker |
| 7. Stofstopper | 15. Mondstuk | 23. Aansluitdraden |
| 8. Bovenkant van de stofstopper | 16. Verlengbuis | 24. Accueenheid |

TECHNISCHE GEGEVENS

Model		AZ-1020
Vermogen		500 ml (voor stoffen stofzak) 330 ml (voor papieren stofzak)
Ononderbroken gebruik	3 (turbo)	Ong. 10 min.
	2 (hoog)	Ong. 15 min.
	1 (laag)	Ong. 30 min.
Totale lengte	zonder mondstuk	446 mm
	met mondstuk	983 mm
Nettogewicht		1,1 kg
Nominale spanning		10,8 V gelijkstroom

- Als gevolg van ons doorlopende onderzoeks- en ontwikkelingsprogramma, zijn de technische gegevens van dit gereedschap onderhevig aan veranderingen zonder voorafgaande kennisgeving.
- Specificaties en accu's kunnen van land tot land verschillen.
- Gewicht, inclusief de accu, volgens de EPTA-procedure 01/2003

Symbolen

END315-1

Hieronder staan de symbolen die voor het gereedschap worden gebruikt. Zorg ervoor dat u weet wat ze betekenen alvorens de accu te gebruiken.



..... Lees de gebruiksaanwijzing.



Alleen voor EU-landen

Geef elektrisch gereedschap en accu's niet met het huisvuil mee!

Volgens de Europese richtlijn inzake oude elektrische en elektronische apparaten, en inzake batterijen en accu's en oude batterijen en accu's, en de toepassing daarvan binnen de nationale wetgeving, dienen elektrisch gereedschap, accu's en batterijen die het einde van hun levensduur hebben bereikt, gescheiden te worden ingezameld en te worden afgevoerd naar een recyclebedrijf dat voldoet aan de geldende milieu-eisen.

Gebruiksdoelinden

ENE017-1

Het gereedschap is bedoeld om droog stof te verzamelen.

BELANGRIJK

ENA005-3

VEILIGHEIDSINSTRUCTIES

Bij het gebruik van een elektrisch apparaat, moeten basisvoorzorgsmaatregelen altijd worden genomen, waaronder de volgende:

LEES ALLE INSTRUCTIES ALVORENS DIT APPARAAT TE GEBRUIKEN.

WAARSCHUWING - Om de kans op brand of een elektrische schok te verkleinen:

1. **Stel het gereedschap niet bloot aan regen. Bewaar binnenshuis.**
2. **Sta niet toe dat ermee gespeeld wordt. Let goed op bij gebruik in de buurt van kinderen.**
3. **Gebruik uitsluitend zoals beschreven in deze gebruiksaanwijzing. Gebruik uitsluitend hulpstukken aanbevolen door de fabrikant.**
4. **Gebruik nooit met een beschadigde accu. Als het apparaat niet werkt zoals het zou moeten werken, is gevallen, buiten heeft gelegen of in het water is gevallen, stuurt u het terug naar een servicecentrum.**
5. **Hanteer het apparaat niet met natte handen.**
6. **Steek geen voorwerpen in de openingen. Gebruik het apparaat niet wanneer een opening verstopt zit, en houd het apparaat vrij van stof, pluizen,**

- haar en alles wat de luchtdoorstroming kan hinderen.
- Houd haar, loshangende kleding, vingers en alle lichaamsdelen uit de buurt van de openingen en bewegende delen.
 - Schakel alle knoppen uit alvorens de accu eraf te halen.
 - Wees extra voorzichtig bij gebruik op een trap.
 - Zuig geen ontvlambare of brandbare vloeistoffen, zoals benzine, op en gebruik het niet op plaatsen waar deze aanwezig kunnen zijn.
 - Gebruik voor het opladen uitsluitend de acculader die door de fabrikant werd geleverd.
 - Zuig niets op dat brandt of rookt, zoals sigaretten, lucifers of hete as.
 - Gebruik het apparaat niet zonder dat de filters zijn aangebracht.
 - Laad de accu niet buitenshuis op.
 - Dit gereedschap is niet geschikt voor gebruik door personen (waaronder kinderen) met een verminderd lichamelijk, zintuiglijk of geestelijk vermogen, of gebrek aan kennis en ervaring, behalve indien zij instructies hebben gehad en onder toezicht staan van een persoon die verantwoordelijk is voor hun veiligheid.
 - Kinderen dienen onder toezicht te staan om ervoor te zorgen dat zij niet met het gereedschap spelen.

BEWAAR DEZE INSTRUCTIES.

Dit apparaat is bedoeld voor huishoudelijk gebruik.

AANVULLENDE VEILIGHEIDSVORSCHRIFTEN

ENB106-3

- Lees deze gebruiksaanwijzing en die van de acculader voor gebruik aandachtig door.
- Zuig de volgende stoffen niet op:
 - Hete stoffen, zoals brandende sigaretten of gloeiendhete metaaldeeltjes veroorzaakt door het schuren/slijpen van metaal
 - Brandbare stoffen, zoals benzine, thinner, wasbenzine, kerosine of verf
 - Explosieve stoffen, zoals nitroglycerine
 - Ontvlambare stoffen, zoals aluminium, zink, magnesium, titanium, fosfor of celluloid
 - Nat vuil, water, olie en dergelijk
 - Harde stukjes met scherpe randen, zoals houtsnippers, metaaldeeltjes, steentjes, glasstukjes, spijkers, punaises of scheermesjes
 - Poeder dat klontert, zoals cement of toner
 - Geleidend stof, zoals metaalvijzel of koolstofpoeder
 - Zeer fijne stof, zoals cementpoeder
 Een dergelijk gebruik kan leiden tot brand, persoonlijk letsel en/of materiële schade.
- Stop onmiddellijk met het gebruik als u iets abnormaals opmerkt.
- Als u de stofzuiger laat vallen of ergens tegenaan stoot, controleert u zorgvuldig op barsten of beschadigingen voordat u deze weer gebruikt.

- Laad de stofzuiger niet op in de buurt van gevaarlijke, ontvlambare materialen, zoals benzine, gas, verf of lijm.
- Laad de stofzuiger niet op bovenop papier, doek, tapijt, vinyl, enz. Hierdoor kan brand ontstaan.
- Laad de stofzuiger niet op een stoffige plaats op.
- Zorg ervoor dat er niemand zich onder u bevindt wanneer u de stofzuiger op een hoge plaats gebruikt.
- Houd uit de buurt van fornuizen en verwarmingsbronnen.
- Blokkeer de inlaatopening en de ventilatieopeningen niet.

BEWAAR DEZE INSTRUCTIES.

BELANGRIJKE VEILIGHEIDSVORSCHRIFTEN ENC010-1

VOOR INGEBOUWDE ACCU

- Alvorens de ingebouwde accu in gebruik te nemen, leest u eerst alle instructies en waarschuwingsofschriften op (1) de acculader, (2) de accu en (3) het apparaat waarin de accu wordt aangebracht.
- Haal de ingebouwde accu niet uit elkaar.
- Als de gebruikstijd aanzienlijk korter is geworden, stopt u onmiddellijk met het gebruik. Anders kan dit leiden tot kans op oververhitting, mogelijke brandwonden en zelfs een explosie.
- Als de elektrolyt in uw ogen komt, wast u deze uit met schoon water en raadpleegt u onmiddellijk een arts. Dit kan leiden tot verlies van gezichtsvermogen.
- Sluit de ingebouwde accu niet kort:
 - Raak de accupolen niet aan met enig geleidend materiaal.
 - Bewaar de ingebouwde accu niet op een plaats waar deze in aanraking kan komen met andere metalen voorwerpen, zoals spijkers, munten, enz.
 - Stel de ingebouwde accu niet bloot aan water of regen. Kortsluiting van de accu kan leiden tot een hoge stroomsterkte, oververhitting, mogelijke brandwonden en zelfs een defect.
- Bewaar het gereedschap en de ingebouwde accu niet op plaatsen waar de temperatuur kan oplopen tot 50 °C of hoger.
- Werp de ingebouwde accu niet in een vuur, zelfs niet als deze al ernstig beschadigd of helemaal versleten is. De ingebouwde accu kan in een vuur exploderen.
- Wees voorzichtig dat u de accu niet laat vallen of ergens tegenaan stoot.

BEWAAR DEZE INSTRUCTIES.

Tips voor een lange levensduur van de accu

- Laad de ingebouwde accu op voordat deze volledig leeg is.

Wanneer u merkt dat het gereedschap minder vermogen heeft, stopt u met het gebruik ervan en laadt u eerst de ingebouwde accu op.

2. Laad nooit een volledig opgeladen ingebouwde accu op. Te lang opladen verkort de levensduur van de accu.
3. Laad de ingebouwde accu op bij een omgevingstemperatuur van 10 °C t/m 40 °C. Laat een warme ingebouwde accu eerst afkoelen voordat u deze oplaadt.
4. Laad de accu ieder half jaar op als u deze gedurende een lange tijd niet gebruikt.

BESCHRIJVING VAN DE FUNCTIES

⚠ LET OP:

- Controleer altijd of het gereedschap is uitgeschakeld alvorens de functies van het gereedschap te controleren of af te stellen.

De ingebouwde accu opladen

⚠ LET OP:

- Bedien de stofzuiger niet tijdens het opladen. Hij kan hierdoor beschadigd worden.
- Trek na het opladen altijd de oplaadplug uit de oplaadaansluiting van de stofzuiger.
- Als u een nieuwe stofzuiger oplaadt of een stofzuiger oplaadt die gedurende een lange tijd onopgeladen heeft gelegen, is het mogelijk dat volledig opladen niet mogelijk is. Dit is een normale situatie en duidt niet op een probleem. U kunt de stofzuiger volledig opladen nadat deze enkele malen geheel ontladen is geweest.

Gebruik uitsluitend Dolmar-acculader LG-10 K om deze stofzuiger op te laden. Als u een andere acculader gebruikt, kan de accu barsten waardoor persoonlijk letsel en schade wordt veroorzaakt.

Laad de stofzuiger op wanneer deze voor het eerst wordt gebruikt of gedurende een lange tijd onopgeladen heeft gelegen. Steek de oplaadstekker in de oplaadaansluiting en steek daarna de stekker van de acculader in het stopcontact. Het accuvoedingslampje gaat branden en het opladen begint. Het opladen duurt ongeveer 3 uur. Nadat het opladen klaar is, gaat het lampje uit. Voor meer informatie, raadpleegt u de gebruiksaanwijzing van de acculader (zie afb. 1 en 2).

Werking van de aan-uitschakelaar

⚠ LET OP:

- Controleer voor gebruik altijd of de stoffen stofzak of de papieren stofzak goed in de stofzuiger is aangebracht. Door een onjuist aanbrengen kan stof in de motor binnendringen, waardoor een storing in de stofzuiger optreedt.
- Schakel de stofzuiger na ieder gebruik altijd uit om beschadiging van de stofzuiger te voorkomen en de gebruiksduur van de accu te verlengen.

Om de stofzuiger in te schakelen, drukt u gewoon op de "1/2/3"-knop. Om de stofzuiger uit te schakelen, drukt u op de "0"-knop. Om de snelheid van de stofzuiger te veranderen, drukt u op de "1/2/3"-knop. De eerste keer drukken op deze knop is voor hoge snelheid en de tweede keer drukken is voor lage snelheid. Bij elke keer

drukken op deze knop, wordt beurtelings de hoge en lage snelheid geselecteerd.

Als de "1/2/3"-knop ingedrukt wordt gehouden, werkt deze stofzuiger in de turbofunctie. Deze functie is geschikt voor het reinigen van zeer stoffige plaatsen (zie afb. 3).

Accuvoedingslampje (zie afb. 2)

Als de resterende acculading laag is, knippert het accuvoedingslampje.

Als de resterende acculading nog lager wordt, stopt het gereedschap en brandt het accuvoedingslampje gedurende ongeveer 10 seconden. Als dat gebeurt, moet u de stofzuiger opladen.

OPMERKING:

- Het tijdstip waarop het accuvoedingslampje gaat knipperen of branden is afhankelijk van de omgevingstemperatuur en de staat van de accu.

DE ONDERDELEN MONTEREN

Stof weggoien

⚠ LET OP:

- Leeg de stofzuiger voordat deze te vol raakt omdat dan de zuigkracht afneemt.
 - Vergeet niet het stof in de stofzuiger zelf weg te gooien. Als u dit nalaat, kan het sponsfilter verstopt raken of de motor beschadigd raken.
 - Gooi de stofstopper nooit weg omdat deze iedere keer moet worden gebruikt wanneer de stoffen stofzak of de papieren stofzak wordt gebruikt.
1. Druk op de knop om de voorkap te openen. Door het zo ver te openen dat een klikgeluid hoorbaar is, zal hij vast blijven staan in die stand (zie afb. 4).

⚠ LET OP:

- Wees voorzichtig bij het sluiten van de voorkap dat uw vingers niet bekneld raken.

OPMERKING:

- De voorkap raakt los wanneer u probeert de voorkap meer dan 90° te openen. Als de voorkap is losgeraakt, bevestigt u hem weer op het scharnier van de voorkap (zie afb. 5).
2. Trek zowel de oranjegekleurde stofstopper als de stofzak tegelijk eruit (zie afb. 6).
 3. Haal de stofstopper eraf en leeg de stofzuiger (zie afb. 7 en 8).

Stoffen stofzak en papieren stofzak

Breng een stoffen stofzak of een papieren stofzak aan voordat u de stofzuiger gebruikt.

Gebruik de stofstopper wanneer u een stoffen stofzak of een papieren stofzak aanbrengt.

Een stoffen stofzak kan vele malen gebruikt worden door deze regelmatig te legen.

De papieren stofzak is voor eenmalig gebruik. Als deze vol is, gooit u de hele papieren stofzak weg zonder deze te legen.

De stoffen stofzak aanbrengen (zie afb. 9)

Gebruik de stofstopper bij het aanbrengen van een stoffen stofzak. Wees voorzichtig de bovenkant en

onderkant niet per ongeluk te verwisselen omdat deze van elkaar verschillen.

1. Steek het uitsteeksel van de stoffen stofzak in de groef van de stofstopper, zoals aangegeven in de afbeelding (zie afb. 10).
2. Er is geen verschil tussen de onder- en bovenkant van de stoffen stofzak. U mag het uitsteeksel van de onder- of bovenkant van de stofzak in de onderste groef van de stofstopper steken (zie afb. 11).
3. Laat de rand van de stofstopper over de rand van de stoffen stofzak vallen (zie afb. 12).
4. Steek de stofstopper en de stoffen stofzak tezamen in de opening van de stofzuiger in de richting van de pijl op de stofstopper. Steek deze helemaal in de sleuven in de opening van de stofzuiger (zie afb. 13).
5. Steek het gehele stoffen deel van de stoffen stofzak in de stofzuiger (zie afb. 14).
6. Sluit de voorkap helemaal (zie afb. 15).

Een papieren stofzak aanbrengen

1. Vouw de ingang van de papieren stofzak open voordat u deze op de stofstopper plaatst (zie afb. 16). Gebruik de stofstopper ook bij het aanbrengen van een papieren stofzak. Wees voorzichtig de bovenkant en onderkant niet per ongeluk te verwisselen omdat deze van elkaar verschillen (zie afb. 9).
2. Steek het uitsteeksel van de papieren stofzak in de groef van de stofstopper, zoals aangegeven in de afbeelding (zie afb. 17).
3. Er is geen verschil tussen de onder- en bovenkant van de papieren stofzak. U mag het uitsteeksel van de onder- of bovenkant van de stofzak in de onderste groef van de stofstopper steken (zie afb. 11).
4. Laat de rand van de stofstopper over de rand van de papieren stofzak vallen (zie afb. 18).
5. Steek de stofstopper en de papieren stofzak tezamen in de opening van de stofzuiger in de richting van de pijl op de stofstopper. Steek deze helemaal in de sleuven in de opening van de stofzuiger (zie afb. 19).
6. Steek de hele zak van de papieren stofzak in de stofzuiger (zie afb. 14).
7. Sluit de voorkap volledig.

LET OP:

- Breng de stofstopper met de stoffen stofzak of papieren stofzak op de juiste wijze aan. Als u het gereedschap gebruikt zonder dat de stofzak correct is aangebracht, of deze kapot of gescheurd is, kan stof in de motor terechtkomen. Hierdoor kan een storing in de motor optreden.
- Vouw het karton bij de opening niet dubbel bij het plaatsen van de papieren stofzak.
- Gooi de stofstopper nooit weg omdat deze iedere keer moet worden gebruikt wanneer de stoffen stofzak of de papieren stofzak wordt gebruikt.
- De papieren stofzak voor de stofzuiger is een belangrijke component voor het behouden van de prestaties van het gereedschap. Als u een andere dan de originele papieren stofzak gebruikt, kan rook ontstaan of ontbranding optreden.

BEDIENING (zie afb. 20)

Om een hulpstuk, zoals een mondstuk, te bevestigen, steekt u hem erin en verdraait u hem zodat hij stevig vast

zit tijdens gebruik. Om een hulpstuk eraf te halen, verdraait en verwijdt u hem.

Schoonmaken (zuigen)

Mondstuk (zie afb. 21)

Bevestig het mondstuk voor het schoonmaken van tafels, bureaus, meubels, enz. Het mondstuk kan eenvoudig worden aangebracht.

Mondstuk + verlengbuis (rechte buis) (zie afb. 22)

De verlengbuis past tussen het mondstuk en de stofzuigermond. Deze werkwijze is handig bij het schoonmaken van de grond terwijl u rechtop staat.

Hoekmondstuk (zie afb. 23)

Bevestig het hoekmondstuk voor het schoonmaken van hoeken en spleten van meubels of in auto's.

Hoekmondstuk + verlengbuis (rechte buis) (zie afb. 24)

In kleine ruimten waar de stofzuiger zelf niet in past, of op hoge plaatsen die moeilijk te bereiken zijn, gebruikt u deze werkwijze.

ONDERHOUD

LET OP:

- Zorg er altijd voor dat het gereedschap is uitgeschakeld voordat u een inspectie of onderhoud uitvoert.

Na gebruik

Wanneer u de stofzuiger opbergt, hangt u hem met behulp van de handriem aan een haak (zie afb. 25).

OPMERKING:

- Als u de stofzuiger tegen een muur laat leunen zonder enige andere steun, kan de stofzuiger omvallen en beschadigd raken (zie afb. 26).

Schoonmaken (zie afb. 27)

Veeg regelmatig de buitenkant (behuizing) van de stofzuiger schoon met een in zeepwater bevochtigde doek.

Maak tevens de stofzuigermond, opening voor de stoffen/papieren stofzak en de stofstopper schoon.

LET OP:

- Gebruik nooit benzine, wasbenzine, thinner, alcohol, enz. Dit kan leiden tot verkleuren, vervormen of barsten.

Was de stoffen stofzak in zeepwater als deze verstopt zit met stof en de zuigkracht van de stofzuiger sterk is afgenomen. Droog deze goed alvorens weer te gebruiken. Een onvoldoende gedroogde stoffen stofzak kan leiden tot slecht zuigen en kan de levensduur van de motor verkorten (zie afb. 28).

OPMERKING:

- De papieren stofzak is voor eenmalig gebruik. Als het sponsfilter verstopt zit met stof, haalt u deze uit de stofzuiger en veegt u deze schoon of wast u deze in water.

Het sponsfilter verwijderen en aanbrengen

Om het sponsfilter eruit te halen, haalt u eerst de stoffen of papieren stofzak eruit, knijpt u in het sponsfilter en trekt u het eruit (zie afb. 29).

Duw de hele rand van het sponsfilter tegen de achterwand binnenin de opening voor de stoffen/papieren stofzak (zie afb. 30).

⚠ LET OP:

- Vergeet na het schoonmaken van het sponsfilter niet om deze weer terug te plaatsen in de stofzuiger. Als het sponsfilter in water is gewassen, laat u het drogen

voordat u het terugplaatst. Een onvoldoende droog sponsfilter kan de levensduur van de motor verkorten.

PROBLEMEN OPLOSSEN

Alvorens om reparatie te verzoeken, voert u eerst zelf een inspectie uit. Als u een probleem ondervindt dat niet in deze handleiding wordt beschreven, mag u niet proberen het gereedschap uit elkaar te halen. Vraag in plaats daarvan een erkend Dolmar-servicecentrum, en altijd met gebruikmaking van originele Dolmar-ervangingsonderdelen, het gereedschap te repareren.

Probleem	Te onderzoeken gebied	Corrigerende handeling
Geringe zuigkracht.	Zit de stoffen stofzak of de papieren stofzak vol met stof?	Leeg de stoffen stofzak of de papieren stofzak.
	Zit de stoffen stofzak verstopt?	Stof de stoffen stofzak af of was hem.
	Zit de papieren stofzak verstopt?	Vervang de papieren stofzak.
	Is de accu leeg?	Laad de accu op.
Werkt niet.	Is de accu leeg?	Laad de accu op.

014744

OPMERKING:

- Probeer niet de stofzuiger zelf te repareren.

De stofzuiger weggooien

In deze stofzuiger zit een lithiumionaccu. Haal deze er altijd uit voordat u de stofzuiger weggooit.

De ingebouwde accu eruit halen

⚠ LET OP:

- Haal nooit de ingebouwde accu uit de stofzuiger, behalve wanneer u de stofzuiger weggooit. De accu zal worden beschadigd of er kan kortsluiting in de accu ontstaan.
 - Raak de accupolen niet aan met enig geleidend materiaal.
 - Bewaar de accueenheid niet op een plaats waar deze in aanraking kan komen met andere metalen voorwerpen, zoals spijkers, munten, enz.
 - Stel de accueenheid niet bloot aan water of regen.
 - Haal de accueenheid niet uit elkaar en breng geen veranderingen aan.
1. Om de achterkap eraf te halen, duwt u deze in de richting van de pijl (zie afb. 31).
 2. Schuif de ingebouwde accu er tot halverwege uit. Koppel de aansluitdraden los van de accu door op de stekker te drukken in de richting van de pijl aangegeven in de afbeelding (zie afb. 32).
 3. Schuif daarna de accueenheid er helemaal uit (zie afb. 33).
 4. Doe de verwijderde accueenheid in een plastic zak zodat deze niet kortgesloten kan worden.

Om de lithiumionaccu aan te brengen, voert u de verwijderingsprocedure in omgekeerde volgorde uit. Om de VEILIGHEID en BETROUWBAARHEID van het gereedschap te handhaven, dienen alle reparaties, onderhoud en afstellingen te worden uitgevoerd door een erkend Dolmar-servicecentrum, en altijd met gebruikmaking van originele Dolmar-ervangingsonderdelen.

VERKRIJGBARE ACCESSOIRES

⚠ LET OP:

- Deze accessoires of hulpstukken worden aanbevolen voor gebruik met de Dolmar-stofzuiger dat in deze gebruiksaanwijzing wordt beschreven. Het gebruik van andere accessoires of hulpstukken kan gevaar voor persoonlijk letsel opleveren. Gebruik de accessoires of hulpstukken uitsluitend voor de aangegeven gebruiksdoeleinden.

Mocht u meer informatie willen hebben over deze accessoires, dan kunt u contact opnemen met uw plaatselijke Dolmar-servicecentrum.

- Kastborstel
- Flexibele slang

OPMERKING:

- Sommige items op de lijst kunnen zijn inbegrepen in de doos van het gereedschap als standaard toebehoren. Zij kunnen van land tot land verschillen.

ESPAÑOL (Instrucciones originales)

Explicación de los dibujos

- | | | |
|--|------------------------------------|----------------------------|
| 1. Conector de carga | 8. Lado superior del tope de polvo | 17. Boquilla para esquinas |
| 2. Lámpara indicadora de la batería | 9. Lado inferior del tope de polvo | 18. Filtro de esponja |
| 3. Botones de cambio de modo | 10. Canal de guía | 19. Esponja |
| 4. Cubierta delantera | 11. Bolsa recolectora de polvo | 20. Pared empotrada |
| 5. Botón | 12. Canal de guía inferior | 21. Cubierta trasera |
| 6. Articulación de la cubierta delantera | 13. Cavidad de la aspiradora | 22. Conector |
| 7. Tope de polvo | 14. Paquete recolector de polvo | 23. Cables conductores |
| | 15. Boquilla | 24. Unidad de batería |
| | 16. Accesorio de extensión | |

ESPECIFICACIONES

Modelo		AZ-1020
Capacidad		500 ml (para la bolsa recolectora de polvo)
		330 ml (para la bolsa de papel)
Uso continuo	3 (Turbo)	Aprox. 10 min
	2 (Alto)	Aprox. 15 min
	1 (Bajo)	Aprox. 30 min
Longitud total	Sin boquilla	446 mm
	Con boquilla	983 mm
Peso neto		1,1 kg
Tensión nominal		CC 10,8 V

- Debido a nuestro programa continuo de investigación y desarrollo, las especificaciones aquí descritas están sujetas a cambios sin previo aviso.
- Las especificaciones y el cartucho de la batería pueden variar de un país a otro.
- Peso, con el cartucho de la batería, de acuerdo con el procedimiento EPTA 01/2003

Símbolos

END315-1

Se utilizan los siguientes símbolos para el equipo. Asegúrese de que comprende su significado antes del uso.



..... Lea el manual de instrucciones.



Sólo para países de la Unión Europea
¡No deseche el aparato eléctrico o la batería junto con los residuos domésticos!

De conformidad con la Directiva Europea sobre residuos de aparatos eléctricos y electrónicos, y sobre baterías y acumuladores y el desecho de baterías y acumuladores y su aplicación de acuerdo con la legislación nacional, la herramienta eléctrica y las baterías y paquetes de baterías cuya vida útil haya llegado a su fin se deberán recoger por separado y trasladar a una planta de reciclaje que cumpla con las exigencias ecológicas.

Uso previsto

ENE017-1

La herramienta está diseñada para recoger polvo seco.

IMPORTANTE

ENA005-3

INSTRUCCIONES DE SEGURIDAD

Quando utilice un aparato eléctrico, siempre se deben tomar unas precauciones básicas, entre las que se encuentran:

LEA TODAS LAS INSTRUCCIONES ANTES DE UTILIZAR ESTE APARATO.

ADVERTENCIA - Para reducir el riesgo de incendio, descarga eléctrica o lesiones:

1. No lo exponga a la lluvia. Almacénelo a cubierto.
2. No permita que se utilice como un juguete. Se debe prestar especial atención cuando los niños utilicen el aparato o cuando se esté cerca de ellos.
3. Solamente se debe utilizar tal y como se especifica en este manual. Solamente se deben utilizar los accesorios recomendados por el fabricante.
4. No lo utilice con la batería dañada. Si el aparato no funciona normalmente, se ha caído, se ha dañado, se ha dejado a la intemperie o ha caído al agua, llévelo a un centro de servicio.
5. No manipule el aparato con las manos mojadas.
6. No coloque ningún objeto en las aberturas. No lo utilice con una apertura bloqueada, manténgalo

- libre de polvo, pelusa, pelo y cualquier cosa que pueda reducir el flujo de aire.
- Mantenga el pelo, la ropa holgada, los dedos y todas las partes del cuerpo alejadas de las aperturas y las partes en movimiento.
 - Apague todos los controles antes de retirar la batería.
 - Tenga especial cuidado cuando limpie en escaleras.
 - No lo utilice para recoger líquidos combustibles o inflamables, como gasolina, ni lo utilice en áreas en las que puedan estar presentes.
 - Utilice únicamente el cargador suministrado por el fabricante para la recarga.
 - No recoja nada que esté quemándose o que emita humo, como cigarrillos, cerillas o cenizas calientes.
 - No lo utilice sin instalar los filtros.
 - No cargue la batería al aire libre.
 - Este aparato no se ha diseñado para ser utilizado por personas (incluyendo niños) con capacidades mentales, sensoriales o físicas reducidas o con falta de experiencia y conocimientos, a menos que esas personas estén supervisadas o hayan recibido instrucciones de uso del aparato de una persona responsable de su seguridad.
 - Se debe supervisar a los niños para asegurarse de que no juegan con el aparato.

GUARDE ESTAS INSTRUCCIONES.

Este aparato se ha diseñado para un uso doméstico.

NORMAS DE SEGURIDAD ADICIONALES

ENB106-3

- Lea con atención este manual de instrucciones y el manual de instrucciones del cargador antes de su uso.
- No recoja los siguientes materiales:
 - Materiales calientes, como los cigarrillos encendidos, chispas o polvo de metal que se hayan generado rectificando o cortando metal
 - Materiales inflamables, como gasolina, disolvente, benceno, queroseno o pintura
 - Materiales explosivos como la nitroglicerina
 - Materiales inflamables, como aluminio, zinc, magnesio, titanio, fósforo o celulósido
 - Suciedad húmeda, agua, aceite o líquidos similares
 - Fragmentos duros con bordes afilados, como astillas de madera, metales, piedras, cristales, clavos, agujas o cuchillas
 - Polvo para endurecer, como cemento o tóner
 - Polvo conductor, como metal o carbón
 - Partículas finas, como polvo de hormigón
 Tales acciones pueden provocar incendios, lesiones y/o daños en la propiedad.
- Detenga la herramienta inmediatamente si observa alguna anomalía.
- Si deja caer o golpea la aspiradora, compruebe con atención si hay grietas o daños antes del uso.

- No cargue la aspiradora cerca de materiales inflamables peligrosos como gasolina, gas, pintura o adhesivos.
- No cargue la aspiradora sobre papeles, trapos, alfombras, vinilo, etc. Se podría provocar un incendio.
- No cargue la aspiradora en un lugar polvoriento.
- Si utiliza la aspiradora en una ubicación elevada, asegúrese de que nadie se encuentre debajo.
- No acerque la aspiradora a estufas u otras fuentes de calor.
- No bloquee el orificio de entrada o los orificios de ventilación.

GUARDE ESTAS INSTRUCCIONES.

INSTRUCCIONES DE SEGURIDAD IMPORTANTES

ENC010-1

PARA LA BATERÍA INTEGRADA

- Antes de utilizar la batería integrada, lea todas las instrucciones y referencias de precaución que se encuentran en (1) el cargador de baterías, (2) la batería y (3) el producto que utiliza la batería.
- No desmonte la batería integrada.
- Si el tiempo de funcionamiento es excesivamente corto, deje de utilizar la herramienta de inmediato. De lo contrario, existe el riesgo de sobrecalentamiento, quemaduras e incluso explosión.
- Si se produce contacto ocular con electrolito, enjuáguese los ojos con agua limpia y acuda de urgencia al médico. Corre el riesgo de perder la visión.
- No cortocircuite la batería integrada:
 - No toque los terminales con material conductor.
 - Evite guardar la batería integrada en un recipiente con otros objetos metálicos, como clavos, monedas, etc.
 - No exponga la batería integrada al agua o a la lluvia.
Un cortocircuito puede provocar un elevado flujo de corriente, sobrecalentamiento, quemaduras o incluso una avería.
- No almacene la herramienta ni la batería integrada en lugares donde la temperatura supere los 50 °C (122 °F).
- No queme el cartucho de la batería integrada aunque esté gravemente dañado o completamente gastado. La batería integrada puede explotar si entra en contacto con fuego.
- Procure que la batería no sufra golpes ni caídas.

GUARDE ESTAS INSTRUCCIONES.

Consejos para conseguir una mayor duración de la batería

- Cargue la batería integrada antes de que se descargue por completo.

Siempre debe dejar de utilizar la herramienta y cargar la batería integrada cuando observe que tiene menos potencia.

2. **No recargue nunca una batería integrada completamente cargada. La sobrecarga acorta la vida útil de la batería.**
3. **Cargue la batería integrada a una temperatura ambiente que oscile entre 10°C y 40°C (50°F - 104°F). Antes de cargar una batería integrada caliente, deje que se enfríe.**
4. **Cargue la batería una vez cada seis meses si no la utiliza durante un periodo de tiempo prolongado.**

DESCRIPCIÓN DEL FUNCIONAMIENTO

⚠ PRECAUCIÓN:

- Asegúrese siempre de que la herramienta esté apagada antes de intentar realizar cualquier tipo de ajuste o comprobación en ella.

Carga de la batería integrada

⚠ PRECAUCIÓN:

- No utilice la aspiradora durante la carga. Se puede dañar.
- Desconecte siempre la clavija de carga de la aspiradora tras la carga.
- Cuando cargue una aspiradora nueva o una aspiradora que se haya dejado descargada durante mucho tiempo, es posible que no acepte una carga completa. Se trata de una situación normal y no indica ningún problema. Puede recargar la aspiradora completamente tras descargarla por completo un par de veces.

Utilice solamente el cargador LG-10 K de Dolmar para cargar esta aspiradora. El uso de cargadores de otro tipo puede hacer que la batería explote, lo que provocaría lesiones personales y daños.

Cargue la aspiradora cuando la utilice por primera vez o cuando haya estado descargada mucho tiempo. Conecte la clavija de carga al conector de carga y después enchufe el cargador en la toma de corriente. La lámpara indicadora de la batería se enciende y se inicia la carga. La carga tarda aproximadamente 3 horas. La lámpara se apagará cuando se complete la carga. Para obtener más información, consulte el manual de instrucciones del cargador de la batería. (Fig. 1 y 2)

Acción del interruptor

⚠ PRECAUCIÓN:

- Asegúrese siempre de que se haya instalado correctamente la bolsa recolectora de polvo o la bolsa de papel en la aspiradora antes de su uso. Una instalación incorrecta puede permitir que entre polvo en el motor, lo que tendría como resultado un funcionamiento incorrecto de la aspiradora.
- Apague siempre la aspiradora tras cada uso para evitar daños en la aspiradora y para ampliar la vida de servicio de las baterías.

Para poner en marcha la aspiradora, solamente tiene que pulsar el botón "1/2/3". Para apagar, pulse el botón "0". Para cambiar la velocidad de la aspiradora, pulse el botón "1/2/3". La primera pulsación de este botón es para alta

velocidad y la segunda pulsación para baja velocidad. Cada pulsación de este botón repite el ciclo de velocidad alta/baja alternativamente.

Cuando pulse el botón "1/2/3", esta aspiradora funcionará con turbo. Este modo es adecuado para limpiar especialmente áreas polvorientas. (Fig. 3)

Lámpara indicadora de la batería (Fig. 2)

Cuando la capacidad restante de la batería sea baja, la lámpara indicadora de la batería parpadeará.

Cuando la capacidad restante de la batería se reduzca mucho más, la herramienta se detendrá y la lámpara indicadora de la batería se encenderá durante unos 10 segundos. Cuando esto suceda, cargue la aspiradora.

NOTA:

- El momento en el que la lámpara indicadora de la batería empieza a parpadear o se enciende depende de la temperatura en el lugar del trabajo y de las condiciones del cartucho de la batería.

MONTAJE

Desecho del polvo

⚠ PRECAUCIÓN:

- Vacíe la aspiradora antes de que se llene demasiado, ya que, en caso contrario, se pierde potencia de succión.
 - Asegúrese de vaciar el polvo de dentro de la aspiradora. De lo contrario, el filtro de esponja se puede obstruir o el motor se puede dañar.
 - Nunca deseche el tope de polvo porque se debe usar cuando se utiliza la bolsa recolectora de polvo o el paquete recolector de polvo.
1. Empuje el botón para abrir la cubierta delantera. Al abrirla hasta que se oiga un clic se permitirá que quede abierta en esa posición. (Fig. 4)

⚠ PRECAUCIÓN:

- Cuando cierre la cubierta delantera, tenga cuidado de no pellizcar sus dedos.

NOTA:

- La cubierta delantera se desprende si intenta abrirla más de 90°. Si la cubierta delantera se desprende, instálela en la articulación de la cubierta delantera. (Fig. 5)
2. Extraiga el tope de polvo de color naranja y la bolsa recolectora de polvo, de forma conjunta, en este momento. (Fig. 6)
 3. Retire el tope de polvo y limpie la aspiradora. (Fig. 7 y 8)

Bolsa recolectora de polvo y bolsa de papel

Instale la bolsa recolectora de polvo o la bolsa de papel antes de utilizar la aspiradora.

Utilice el tope de polvo cuando instale una bolsa recolectora de polvo o una bolsa de papel.

Las bolsas recolectoras de polvo se pueden utilizar muchas veces, de forma repetida, si se limpian.

La bolsa de papel es desechable. Deseche la bolsa de papel, sin vaciarla, cuando se llene.

Instalación de la bolsa recolectora de polvo (Fig. 9)

Utilice el tope de polvo cuando instale la bolsa recolectora de polvo. Tenga cuidado de no confundir el lado superior con el lado inferior, ya que son diferentes.

1. Inserte el saliente de la bolsa recolectora de polvo en el canal de guía y el tope de polvo como se muestra en la figura. (Fig. 10)
2. No hay ninguna distinción entre los lados superior e inferior de la bolsa recolectora de polvo. Puede insertar su saliente de cualquier lado en el canal de guía inferior del tope de polvo. (Fig. 11)
3. Superponga el marco del tope de polvo con el de la bolsa recolectora de polvo. (Fig. 12)
4. Coloque el tope de polvo y la bolsa recolectora de polvo en la cavidad de la aspiradora en la misma dirección de la flecha del tope de polvo. Insértelos completamente en los canales de guía de la cavidad de la aspiradora. (Fig. 13)
5. Coloque toda la parte del paño de la bolsa recolectora de polvo dentro de la herramienta. (Fig. 14)
6. Cierre la cubierta delantera completamente. (Fig. 15)

Instalación de la bolsa de papel

1. Despliegue la entrada de la bolsa de papel antes de colocarla en el tope de polvo. (Fig. 16)

Utilice también el tope de polvo cuando instale el paquete recolector de polvo. Tenga cuidado de no confundir el lado superior con el lado inferior, ya que son diferentes. (Fig. 9)

2. Inserte el saliente del paquete recolector de polvo en el canal de guía y el tope de polvo como se muestra en la figura. (Fig. 17)
3. No hay ninguna distinción entre los lados superior e inferior del paquete recolector de polvo. Puede insertar su saliente de cualquier lado en el canal de guía inferior del tope de polvo. (Fig. 11)
4. Superponga el marco del tope de polvo con el del paquete recolector de polvo. (Fig. 18)
5. Coloque el tope de polvo y el paquete recolector de polvo en la cavidad de la aspiradora en la misma dirección de la flecha del tope de polvo. Insértelos completamente en los canales de guía de la cavidad de la aspiradora. (Fig. 19)
6. Coloque toda la parte del contenedor del paquete recolector de polvo dentro de la herramienta. (Fig. 14)
7. Cierre la cubierta delantera completamente.

⚠ PRECAUCIÓN:

- Instale el tope de polvo con la bolsa recolectora de polvo o el paquete recolector de polvo correctamente. El uso de la herramienta sin que se instalen correctamente o si se utiliza una bolsa rota o rasgada, puede permitir que entre polvo en el motor. Esto puede provocar un fallo del motor.
- No pliegue el cartón en su abertura cuando instale la bolsa de papel.
- Nunca deseche el tope de polvo porque se debe usar repetidamente cuando se utiliza la bolsa recolectora de polvo o el paquete recolector de polvo.
- La bolsa de papel de la aspiradora es un componente importante para el mantenimiento del rendimiento de la herramienta. El uso de una bolsa de papel que no sea original puede provocar humo o incendios.

MANEJO (Fig. 20)

Para conectar accesorios, como una boquilla, insértelos girándolos para garantizar una conexión segura durante el uso. Para desconectar los accesorios, gírelos y retírelos.

Limpieza (Succión)

Boquilla (Fig. 21)

Acopte la boquilla para limpiar mesas, sillas, muebles, etc. La boquilla se desliza fácilmente.

Boquilla + accesorio de extensión (tubo recto) (Fig. 22)

El accesorio de extensión se encaja entre la boquilla y la aspiradora misma. Esta disposición es útil para limpiar el suelo mientras se permanece erguido.

Boquilla para esquinas (Fig. 23)

Monte la boquilla para esquinas para limpiar esquinas y espacios estrechos de un vehículo o un mueble.

Boquilla para esquinas + accesorio de extensión (tubo recto) (Fig. 24)

En lugares estrechos, en los que la aspiradora no cabe o en lugares altos de difícil acceso, utilice esta disposición.

MANTENIMIENTO

⚠ PRECAUCIÓN:

- Asegúrese siempre de que la herramienta esté apagada antes de intentar realizar cualquier trabajo de inspección o mantenimiento en ella.

Después del uso

Cuando almacene la aspiradora, cuélguela de un clavo usando la correa de mano. (Fig. 25)

NOTA:

- Si coloca la aspiradora contra la pared sin ningún otro soporte hará que la aspiradora caiga y se dañe. (Fig. 26)

Limpieza (Fig. 27)

Limpie de vez en cuando la parte externa (cuerpo de la aspiradora) de la aspiradora con un paño humedecido en agua con jabón.

Limpie también la abertura de succión, el área de montaje de la bolsa recolectora de polvo o el paquete recolector de polvo y el tope del polvo.

⚠ PRECAUCIÓN:

- Nunca utilice gasolina, benceno, disolvente, alcohol o un producto similar. Se puede provocar una decoloración, una deformación o grietas.

Lave la bolsa recolectora de polvo con agua jabonosa cuando esté obstruido por el polvo y la potencia de la aspiradora se reduzca. Séquela minuciosamente antes del uso. Una bolsa con un secado insuficiente puede provocar una succión deficiente y acortar la vida de servicio del motor. (Fig. 28)

NOTA:

- El paquete recolector de polvo es desechable. Cuando el filtro de esponja se obstruya con polvo, retírelo de la aspiradora y límpielo o lávelo en agua.

Extracción e instalación del filtro de esponja

Para retirar el filtro de esponja, retire la bolsa recolectora de polvo o el paquete recolector de polvo, pellízquelo y extráigalo. (Fig. 29)

Presione el borde del filtro de esponja contra la pared empotrada de dentro del área de montaje de la bolsa recolectora de polvo o el paquete recolector de polvo. (Fig. 30)

⚠ PRECAUCIÓN:

- Tras limpiar el filtro de esponja, asegúrese de instalarlo en la aspiradora. Si se lava en agua, séquelo antes de instalarlo. Un filtro de esponja con un secado insuficiente puede acortar la vida útil del motor.

Síntoma	Área que se debe investigar	Solución
Potencia de succión débil	¿La bolsa recolectora de polvo o la bolsa de papel está llena de polvo?	Vacíe la bolsa recolectora de polvo o la bolsa de papel.
	¿La bolsa recolectora de polvo está obstruida?	Desempolvo o lave la bolsa recolectora de polvo.
	¿La bolsa de papel está obstruida?	Sustítuya la bolsa de papel.
	¿El cartucho de la batería está agotado?	Cargue la batería.
No funciona	¿El cartucho de la batería está agotado?	Cargue la batería.

014744

NOTA:

- No intente reparar la aspiradora usted mismo.

Desecho de la aspiradora

Esta aspiradora tiene integrada una batería de iones de litio. Retírela siempre antes de desechar la aspiradora.

Extracción de la batería integrada

⚠ PRECAUCIÓN:

- Nunca retire la batería integrada de la aspiradora excepto cuando la deseche. La batería se dañará o bien se puede provocar un cortocircuito de la misma.
 - No toque los terminales con material conductor.
 - Evite guardar la unidad de la batería en un recipiente con otros objetos metálicos, como clavos, monedas, etc.
 - No exponga la unidad de la batería al agua o a la lluvia.
 - No desmonte ni modifique esta unidad de la batería.
- Para extraer la cubierta trasera, empujela en la dirección de la flecha. (Fig. 31)
 - Deslice la batería integrada hasta la mitad. Desconecte los cables conductores de la batería presionando el conector en la dirección de la flecha que se muestra en la figura. (Fig. 32)
 - A continuación, deslice la unidad de la batería completamente. (Fig. 33)
 - Coloque la unidad de la batería extraída en una bolsa de plástico para que no se cortocircuite.

Para instalar la batería de iones de litio, siga el procedimiento de extracción de la batería en orden inverso.

Para mantener la SEGURIDAD y la FIABILIDAD del producto, las reparaciones y cualquier otra tarea de mantenimiento o ajuste deberán ser realizadas en centros

SOLUCIÓN DE PROBLEMAS

Antes de solicitar reparaciones, lleve a cabo su propia inspección. Si encuentra un problema que no se explica en el manual, no intente desmontar la herramienta. En su lugar, consulte con centros de servicio autorizados de Dolmar y utilice siempre repuestos de Dolmar para las reparaciones.

de servicio autorizados por Dolmar, utilizando siempre repuestos Dolmar.

ACCESORIOS OPCIONALES

⚠ PRECAUCIÓN:

- Se recomienda el uso de estos accesorios o complementos con la aspiradora Dolmar especificada en este manual. El uso de otros accesorios o complementos puede conllevar el riesgo de ocasionar daños corporales. Utilice los accesorios o complementos solamente para su fin establecido.

Si necesita cualquier ayuda para obtener más información relativa a estos accesorios, pregunte a su centro de servicio Dolmar local.

- Cepillo para estanterías
- Manguera flexible

NOTA:

- Algunos elementos de la lista se pueden incluir en el paquete de la herramienta como accesorios estándar. Pueden ser diferentes de un país a otro.

PORTUGUÊS (Instruções de origem)

Descrição geral

- | | | |
|-----------------------------------|-----------------------------------|-----------------------|
| 1. Conector de carregamento | 9. Lado inferior do batente de pó | 17. Bocal para cantos |
| 2. Luz de alimentação da bateria | 10. Encaixe | 18. Filtro de esponja |
| 3. Botões | 11. Saco de pó | 19. Esponja |
| 4. Tampa dianteira | 12. Encaixe inferior | 20. Parede encastrada |
| 5. Botão | 13. Cavidade do aspirador de pó | 21. Tampa traseira |
| 6. Junta da tampa dianteira | 14. Embalagem de pó | 22. Conector |
| 7. Batente de pó | 15. Bocal | 23. Fios condutores |
| 8. Lado superior do batente de pó | 16. Acessório de extensão | 24. Bateria |

ESPECIFICAÇÕES

Modelo		AZ-1020
Capacidade		500 ml (para saco de pó)
		330 ml (para saco de papel)
Utilização contínua	3 (Turbo)	Aprox. 10 min
	2 (Alto)	Aprox. 15 min
	1 (Baixo)	Aprox. 30 min
Comprimento total	Sem bocal	446 mm
	Com bocal	983 mm
Peso líquido		1,1 kg
Tensão nominal		C.C. 10,8 V

- Devido à pesquisa e desenvolvimento constantes, estas especificações estão sujeitas a alteração sem aviso prévio.
- As especificações e o cartucho da bateria podem ser diferentes consoante o país.
- Peso, com a bateria, de acordo com o procedimento EPTA de 01/2003

Símbolos

END315-1

Descrição dos símbolos utilizados no equipamento.

Certifique-se de que compreende os seus significados, antes da utilização.



..... Leia o manual de instruções.



Apenas para países da UE
Não deite equipamentos eléctricos ou a
bateria no lixo doméstico!

De acordo com as directivas europeias
sobre ferramentas eléctricas e
electrónicas usadas e baterias,
acumuladores e baterias usadas e a
sua aplicação para as leis nacionais,
as ferramentas eléctricas, as baterias e
conjuntos usados devem ser
recolhidos em separado e
encaminhados a uma instalação de
reciclagem dos materiais ecológicos.

Utilização prevista

ENE017-1

A ferramenta destina-se a recolher pó seco.

IMPORTANTE

ENA005-3

INSTRUÇÕES DE SEGURANÇA

Ao utilizar um aparelho electrodoméstico, devem ser sempre cumpridas as precauções básicas, incluindo:

LEIA TODAS AS INSTRUÇÕES ANTES DE UTILIZAR ESTE APARELHO.

AVISO - Para reduzir o risco de incêndios, choques eléctricos ou ferimentos:

1. Não exponha à chuva. Guarde no interior.
2. Não permita que seja utilizado como um brinquedo. É necessário ter muito cuidado quando utilizado por ou próximo de crianças.
3. Utilize apenas conforme descrito neste manual. Utilize apenas os acessórios recomendados pelo fabricante.
4. Não utilize com uma bateria danificada. Se o aparelho não estiver a funcionar correctamente, tiver caído, danificado, deixado no exterior ou mergulhado em água, devolva-o a um centro de assistência.
5. Não manuseie o aparelho com as mãos molhadas.
6. Não coloque objectos nas aberturas. Não utilize com uma abertura obstruída; mantenha isento de pó, algodão, cabelo e qualquer coisa que possa reduzir o caudal de ar.
7. Mantenha o cabelo, a roupa larga, os dedos e todas as partes do corpo afastados das aberturas e peças móveis.
8. Desactive todos os comandos antes de remover a bateria.
9. Tenha muito cuidado ao limpar em escadas.
10. Não utilize para aspirar líquidos inflamáveis ou combustíveis, como gasolina nem utilize em áreas onde possam existir.

11. Utilize apenas o carregador fornecido pelo fabricante para recarregar.
12. Não aspire nada que esteja a arder ou a deitar fumo, como cigarros, fósforos ou cinzas quentes.
13. Não utilize sem os filtros instalados.
14. Não carregue a bateria no exterior.
15. Este aparelho não se destina à utilização por pessoas (incluindo crianças) com capacidades físicas, sensoriais ou mentais reduzidas ou falta de experiência e conhecimento, a menos que tenham sido supervisionadas ou formadas, relativamente à utilização do aparelho, por uma pessoa responsável pela sua segurança.
16. As crianças devem ser supervisionadas para garantir que não brincam com o aparelho.

GUARDE ESTAS INSTRUÇÕES.

Este aparelho destina-se a utilização doméstica.

REGRAS DE SEGURANÇA ADICIONAIS

ENB106-3

1. Leia atentamente este manual de instruções e o manual de instruções do carregador antes da utilização.
2. Não aspire os materiais seguintes:
 - Materiais quentes como cigarros acesos ou faíscas/limalhas geradas ao rectificar/cortar metal
 - Materiais inflamáveis como gasolina, diluente, benzina, querosene ou tinta
 - Materiais explosivos como nitroglicerina
 - Materiais inflamáveis como alumínio, zinco, magnésio, titânio, fósforo ou celuloide
 - Sujidade húmida, água, óleo ou algo semelhante
 - Peças rígidas com extremidades pontiagudas, como aparas de madeira, metais, pedras, vidros, pregos, alfinetes ou lâminas
 - Pós como cimento ou toner
 - Pó condutor como metal ou carbono
 - Partículas finas como pó de cimento
 Essa acção pode causar incêndios, ferimentos e/ou danos materiais.
3. Interrompa imediatamente a utilização da ferramenta caso note algo de anormal.
4. Se deixar cair ou atingir o aspirador de pó, inspeccione-o cuidadosamente por fissuras ou danos antes da utilização.
5. Não carregue o aspirador de pó perto de materiais inflamáveis perigosos como gasolina, gás, tinta ou colas.
6. Não carregue o aspirador de pó sobre papéis, panos, tapetes, vinilo, etc. Isto pode causar um incêndio.
7. Não carregue o aspirador de pó num local poeirento.
8. Se utilizar o aspirador de pó em locais altos, certifique-se de que não há ninguém por baixo.
9. Não aproxime de fornos ou de outras fontes de calor.
10. Não bloqueie o orifício de entrada ou os orifícios de ventilação.

GUARDE ESTAS INSTRUÇÕES.

INSTRUÇÕES DE SEGURANÇA IMPORTANTES

ENC010-1

PARA BATERIA INTEGRADA

1. Antes de utilizar a bateria integrada, leia as instruções e chamadas de atenção de: (1) o carregador da bateria, (2) a bateria e (3) o produto que utiliza a bateria.
2. Não desmonte a bateria integrada.
3. Se o tempo de utilização com a bateria se tornar demasiado curto, deve parar imediatamente. Se continuar, pode causar sobreaquecimento, incêndio e mesmo explosão.
4. Se o electrólito entrar em contacto com os olhos, enxágue-os com água limpa e consulte imediatamente um médico. Os riscos incluem perda de visão.
5. Não coloque a bateria integrada em curto-circuito:
 - (1) Não deixe que quaisquer materiais condutores entrem em contacto com os terminais.
 - (2) Evite armazenar a bateria integrada num recipiente com outros objectos de metal como pregos, moedas, etc.
 - (3) Não exponha a bateria integrada a água ou chuva.
Um curto-circuito na bateria pode criar uma grande carga eléctrica, sobreaquecimento, incêndio e um corte de corrente.
6. Não armazene a ferramenta e a bateria integrada em locais onde a temperatura possa atingir ou exceder 50°C.
7. Não incinere a bateria integrada, nem mesmo que esta se tenha avariado irremediavelmente ou se tenha gasto completamente com o uso. A bateria integrada pode explodir num incêndio.
8. Não a deixe cair e evite o choque com outros objectos.

GUARDE ESTAS INSTRUÇÕES.

Sugestões para o máximo de tempo de vida da bateria

1. Carregue a bateria integrada antes de estar completamente descarregada. Desligue a ferramenta e carregue a bateria integrada sempre que detectar uma potência inferior da ferramenta.
2. Nunca volte a carregar uma bateria integrada completamente carregada. O carregamento excessivo diminui o tempo de vida das baterias.
3. Carregue a bateria integrada em locais onde a temperatura se situe entre 10°C - 40°C. Se a bateria integrada estiver quente, deixe-a arrefecer antes de iniciar o carregamento.
4. Carregue a bateria uma vez a cada seis meses se não a utilizar durante um longo período.

DESCRIÇÃO DO FUNCIONAMENTO

PRECAUÇÃO:

- Certifique-se sempre de que a ferramenta está desligada antes de ajustar ou verificar o funcionamento da mesma.

Carregar a bateria integrada

PRECAUÇÃO:

- Não utilize o aspirador de pó durante o carregamento. Pode ficar danificado.
- Desligue sempre a ficha de carregamento do aspirador de pó após o carregamento.
- Quando carrega um novo aspirador de pó ou um aspirador de pó que foi deixado descarregado durante muito tempo, este pode não aceitar um carregamento completo. Esta é uma condição normal e não representa um problema. Pode recarregar totalmente o aspirador de pó após descarregá-lo por completo algumas vezes.

Utilize apenas o carregador LG-10 K da Dolmar para carregar este aspirador de pó. A utilização de outros tipos de carregadores pode fazer com que a bateria rebente, resultando em ferimentos pessoais e danos.

Carregue o aspirador de pó ao utilizá-lo pela primeira vez ou quando está descarregado há muito tempo. Ligue a ficha de carregamento ao conector de carregamento, de seguida, ligue o carregador à tomada de alimentação. A luz de alimentação da bateria acende e começa a carregar. O carregamento demora aproximadamente 3 horas. A luz apaga-se após o carregamento estar concluído. Para mais informações, consulte o manual de instruções do carregador da bateria. (Fig. 1 e 2)

Ação do interruptor

PRECAUÇÃO:

- Certifique-se sempre de que o saco de pó ou saco de papel está bem instalado no aspirador de pó antes de utilizar. Uma instalação inadequada pode permitir a entrada de pó no motor, resultando na avaria do aspirador de pó.
- Desligue sempre o aspirador de pó após cada utilização para evitar danos no aspirador de pó e para prolongar a vida útil das baterias.

Para ligar o aspirador de pó, simplesmente prima o botão "1/2/3". Para desligar, prima o botão "0". Para alterar a velocidade do aspirador de pó, prima o botão "1/2/3". A primeira pressão neste botão é para alta velocidade e a segunda pressão para baixa velocidade. Cada pressão neste botão repete alternadamente o ciclo de alta/baixa velocidade.

Ao premir o botão "1/2/3", este aspirador de pó funciona com turbo. Este modo é adequado para limpar áreas particularmente poeirentas. (Fig. 3)

Luz de alimentação da bateria (Fig. 2)

Quando a capacidade restante da bateria é fraca, a luz de alimentação da bateria pisca.

Quando a capacidade restante da bateria fica ainda mais fraca, a ferramenta pára e a luz de alimentação da bateria acende-se durante cerca de 10 segundos. A este ponto, carregue o aspirador de pó.

NOTA:

- O momento no qual a luz de alimentação da bateria começa a piscar ou a acender depende da temperatura no local de trabalho e das condições da bateria.

MONTAGEM

Eliminação do pó

PRECAUÇÃO:

- Esvazie o aspirador de pó antes que fique cheio, caso contrário a força de aspiração diminuirá.
- Certifique-se de que esvazia o pó no interior do aspirador de pó. Caso contrário, pode fazer com que o filtro de esponja fique obstruído ou o motor danificado.
- Nunca elimine o batente de pó porque deve ser utilizado sempre que o saco de pó ou a embalagem de pó são utilizados.

1. Prima o botão para abrir a tampa dianteira. Abrir até ouvir um estalido permite uma paragem positiva nessa posição. (Fig. 4)

PRECAUÇÃO:

- Ao fechar a tampa dianteira, tenha cuidado para não prender os dedos.

NOTA:

- A tampa dianteira sai ao tentar abrir a tampa dianteira mais de 90°. Se a tampa dianteira sair, instale-a na junta da tampa dianteira. (Fig. 5)
- 2. Retire o batente de pó cor-de-laranja e o saco de pó ao mesmo tempo. (Fig. 6)
- 3. Retire o batente de pó e esvazie o aspirador de pó. (Fig. 7 e 8)

Saco de pó e saco de papel

Instale o saco de pó ou saco de papel antes de utilizar o aspirador de pó.

Utilize o batente de pó ao instalar o saco de pó ou saco de papel.

Os sacos de pó podem ser utilizados repetidamente ao limpá-los.

O saco de papel é descartável. Elimine todo o saco de papel sem o esvaziar quando estiver cheio.

Instalar o saco de pó (Fig. 9)

Utilize o batente de pó ao instalar o saco de pó. Tenha cuidado para não confundir acidentalmente o lado superior com o lado inferior uma vez que são diferentes.

1. Introduza a saliência do saco de pó no encaixe no batente de pó, conforme mostrado na imagem. (Fig. 10)
2. Não há diferenças entre o lado superior e inferior do saco de pó. Pode introduzir a saliência de qualquer um dos lados no encaixe inferior do batente de pó. (Fig. 11)
3. Sobreponha a estrutura do batente de pó com a estrutura do saco de pó. (Fig. 12)
4. Coloque o batente de pó e o saco de pó juntos na cavidade do aspirador de pó na mesma direcção da seta no batente de pó. Introduza-os ao máximo nas ranhuras na cavidade do aspirador de pó. (Fig. 13)
5. Coloque toda a parte do pano do saco de pó no interior da própria ferramenta. (Fig. 14)

6. Feche por completo a tampa dianteira. (Fig. 15)

Instalar o saco de papel

1. Desdobre a entrada do saco de papel antes de colocá-lo no batente de pó. (Fig. 16)
Utilize o batente de pó também ao instalar a embalagem de pó. Tenha cuidado para não confundir acidentalmente o lado superior com o lado inferior uma vez que são diferentes. (Fig. 9)
2. Introduza a saliência da embalagem de pó no encaixe no batente de pó, conforme mostrado na imagem. (Fig. 17)
3. Não há diferenças entre o lado superior e inferior da embalagem de pó. Pode introduzir a saliência de qualquer um dos lados no encaixe inferior do batente de pó. (Fig. 11)
4. Sobreponha a estrutura do batente de pó com a estrutura da embalagem de pó. (Fig. 18)
5. Coloque o batente de pó e a embalagem de pó juntos na cavidade do aspirador de pó na mesma direcção da seta no batente de pó. Introduza-os ao máximo nas ranhuras na cavidade do aspirador de pó. (Fig. 19)
6. Coloque toda a parte do recipiente da embalagem de pó no interior da própria ferramenta. (Fig. 14)
7. Feche por completo a tampa dianteira.

PRECAUÇÃO:

- Instale correctamente o batente de pó com o saco de pó ou embalagem de pó. O funcionamento da ferramenta sem a instalação correcta destes artigos, ou utilizar um artigo quebrado ou rasgado, pode permitir a entrada de pó no motor. Isto pode resultar na falha do motor.
- Não dobre o cartão na abertura ao instalar o saco de papel.
- Nunca elimine o batente de pó porque necessita de ser utilizado repetidamente sempre que o saco de pó ou a embalagem de pó forem utilizados.
- O saco de papel para o aspirador de pó é um componente importante para manter o desempenho da ferramenta. Se utilizar o outro saco de papel genuíno, pode causar fumo ou ignição.

FUNCIONAMENTO (Fig. 20)

Para ligar acessórios, como o bocal, rode e introduza-os para garantir a ligação segura durante a utilização. Para retirar acessórios, rode e remova-os.

Limpeza (Aspiração)

Bocal (Fig. 21)

Instale o bocal para limpar mesas, secretárias, mobília, etc. O bocal encaixa facilmente.

Bocal + Acessório de extensão (Tubo a direito) (Fig. 22)

O acessório de extensão encaixa entre o bocal e o próprio aspirador de pó. Esta combinação é conveniente para limpar um piso enquanto está de pé.

Bocal para cantos (Fig. 23)

Encaixe o bocal para cantos para limpar cantos e fendas de um carro ou mobília.

Bocal para cantos + Acessório de extensão (Tubo a direito) (Fig. 24)

Em espaços apertados, onde o aspirador de pó não consegue aceder ou em locais de acesso difícil, use esta combinação.

MANUTENÇÃO

PRECAUÇÃO:

- Certifique-se sempre de que a ferramenta está desligada antes de inspecionar ou fazer a manutenção da ferramenta.

Após a utilização

Ao armazenar o aspirador de pó, pendure-o num prego utilizando a correia. (Fig. 25)

NOTA:

- Colocar o aspirador de pó contra a parede sem qualquer apoio faz com que o aspirador de pó caia e fique danificado. (Fig. 26)

Limpeza (Fig. 27)

Ocasionalmente, limpe a parte exterior (corpo do aspirador de pó) utilizando um pano humedecido em água com sabão.

Limpe a abertura de aspiração, área de montagem do saco de pó/embalagem de pó e o batente de pó.

PRECAUÇÃO:

- Nunca utilize gasolina, benzina, diluente, álcool ou semelhante. Podem formar-se descolorações, deformações ou fissuras.

Lave o saco de pó em água com sabão quando está obstruído com pó e a potência do aspirador de pó é reduzida. Seque-o bem antes de utilizar. Um saco seco incorrectamente pode causar uma aspiração fraca e encurtar a vida útil do motor. (Fig. 28)

NOTA:

- A embalagem de pó é descartável. Quando o filtro de esponja está obstruído com pó, remova-o do aspirador de pó e, de seguida, limpe-o ou lave-o em água.

Remover e instalar o filtro de esponja

Para remover o filtro de esponja, retire o saco de pó ou a embalagem e, de seguida, aperte-o e retire-o. (Fig. 29) Pressione toda a extremidade do filtro de esponja contra a parede encastrada no interior na área de montagem do saco de pó/embalagem de pó. (Fig. 30)

PRECAUÇÃO:

- Após limpar o filtro de esponja, certifique-se de que o instala no aspirador de pó. Se lavado em água, seque-o antes de instalar. Um filtro de esponja mal seco pode encurtar a vida útil do motor.

RESOLUÇÃO DE PROBLEMAS

Antes de pedir reparações, efectue primeiro a sua própria inspecção. Se encontrar um problema que não é explicado no manual, não tente desmontar a ferramenta. Em vez disso, contacte os centros de assistência autorizados da Dolmar, utilizando sempre peças de reposição Dolmar para reparações.

Sintoma	Área a investigar	Método de reparação
Fraca potência de aspiração	O saco de pó ou saco de papel está cheio de pó?	Esvazie o saco de pó ou saco de papel.
	O saco de pó está obstruído?	Limpe ou lave o saco de pó.
	O saco de papel está obstruído?	Substitua o saco de papel.
	A bateria está esgotada?	Carregue a bateria.
Não funciona	A bateria está esgotada?	Carregue a bateria.

014744

NOTA:

- Não tente reparar o aspirador de pó sozinho.

Eliminar o aspirador de pó

Está integrada uma bateria de iões de lítio neste aspirador de pó. Remova-a sempre antes de eliminar o aspirador de pó.

Remover a bateria integrada

PRECAUÇÃO:

- Nunca remova a bateria integrada do aspirador de pó excepto ao eliminar o aspirador de pó. A bateria ficará danificada ou pode resultar num curto-circuito da mesma.
 - Não deixe que quaisquer materiais condutores entrem em contacto com os terminais.
 - Evite armazenar a bateria num recipiente com outros objectos de metal como pregos, moedas, etc.
 - Não exponha a bateria a água ou chuva.
 - Não desmonte ou altere a bateria.
1. Para remover a tampa traseira, pressione-a na direcção da seta. (Fig. 31)
 2. Deslize a bateria integrada até meio. Desligue os fios condutores da bateria premindo o conector na direcção da seta, conforme mostrado na imagem. (Fig. 32)
 3. De seguida, deslize a bateria por completo. (Fig. 33)
 4. Coloque a bateria removida num saco plástico para que não fique em curto-circuito.

Para instalar a bateria de iões de lítio, efectue o procedimento de remoção da bateria da forma inversa. Para manter os níveis de SEGURANÇA e FIABILIDADE definidos para este produto, as reparações e os procedimentos de manutenção ou ajustes devem ser executados por centros de assistência Dolmar autorizados, utilizando sempre peças de substituição Dolmar.

ACESSÓRIOS OPCIONAIS

PRECAUÇÃO:

- Os seguintes acessórios ou extensões são os recomendados para utilizar com o aspirador de pó Dolmar especificado neste manual. A utilização de quaisquer outros acessórios poderá representar um risco de ferimento para as pessoas. Apenas utilize o acessório para o fim indicado.

Se precisar de informações adicionais relativas aos acessórios, contacte o centro local de assistência Dolmar.

- Escova para prateleiras
- Tubo flexível

NOTA:

- Alguns itens na lista podem estar incluídos no pacote de ferramentas como acessórios de série. Podem diferir de país para país.

DANSK (Originalvejledning)

Forklaring til generel oversigt

- | | | |
|--------------------------------|---------------------------------|----------------------|
| 1. Indgangsstik til opladning | 9. Nederste side af støvstopper | 17. Hjørnemundstykke |
| 2. Lampe for batteristrøm | 10. Rille | 18. Svampefilter |
| 3. Skifteknapper | 11. Støvpose | 19. Svamp |
| 4. Frontdæksel | 12. Nederste rille | 20. Forsænket væg |
| 5. Knap | 13. Støvsugerens hulrum | 21. Bagdæksel |
| 6. Frontdækselsamling | 14. Støvpakke | 22. Stik |
| 7. Støvstopper | 15. Mundstykke | 23. Strømledninger |
| 8. Øverste side af støvstopper | 16. Forlængerrør | 24. Batterienhed |

SPECIFIKATIONER

Model		AZ-1020
Kapacitet		500 ml (til støvpose)
		330 ml (til papirpakke)
Kontinuerlig brug	3 (Turbo)	Ca. 10 min
	2 (Høj)	Ca. 15 min
	1 (Lav)	Ca. 30 min
Længde i alt	Uden mundstykke	446 mm
	Med mundstykke	983 mm
Nettovægt		1,1 kg
Nominel spænding		10,8 V jævnstrøm

- På grund af vores løbende forsknings- og udviklingsprogram kan specifikationerne heri ændres uden forudgående varsel.
- Specifikationerne og batteripakken kan variere fra land til land.
- Vægt, inklusive batteripakken, i henhold til EPTA-Procedure 01/2003

Symboler

END315-1

Her vises de symboler, der benyttes til udstyret. Vær sikker på, at du forstår deres betydning, før du bruger udstyret.



..... Læs brugsanvisningen.



Kun for EU-lande

Elektrisk udstyr eller batteripakke må ikke bortskaffes sammen med almindeligt affald!

I henhold til det europæiske direktiv om bortskaffelse af elektriske og elektroniske produkter og om batterier og akkumulatører og bortskaffelse af batterier og akkumulatører og deres implementering under gældende national lovgivning skal brugt elektrisk udstyr, batterier og batteripakke(r), der har udtjent deres levetid, indsamles separat og returneres til miljøgodkendt genindvinding.

Tilsigtet anvendelse

ENE017-1

Maskinen er beregnet til opsamling af tørt støv.

VIGTIGT

ENA005-3

SIKKERHEDSANVISNINGER

Når du anvender et elektrisk apparat, er der nogle grundlæggende forholdsregler, som altid skal overholdes inklusive følgende:

LÆS ALLE INSTRUKTIONER INDEN BRUG AF DETTE APPARAT.

ADVARSEL - For at reducere risikoen for brand, elektrisk stød eller tilskadekomst:

1. **Må ikke udsættes for regn.** Skal opbevares inden døre.
2. **Må ikke anvendes som et legetøj.** Fuld opmærksomhed er nødvendig ved brug af eller i nærheden af børn.
3. **Brug kun som beskrevet i denne brugsanvisning. Brug kun producentens anbefalede tilbehør.**
4. **Må ikke bruges med et beskadiget batteri.** Hvis apparatet ikke fungerer som det skal, er blevet tabt, beskadiget, efterladt udenfor, eller tabt ned i vand, skal det returneres til et servicecenter.
5. **Håndter ikke apparatet med våde hænder.**
6. **Sæt ikke nogen objekter ind i åbningerne.** Må ikke bruges med en blokeret åbning. Skal holdes fri for støv, fnuller, hår og alt der eventuelt kan reducere luftstrømmen.

7. Hold hår, løst tøj, fingre og alle kropsdele væk fra åbninger og bevægelige dele.
8. Sluk på alle knapper inden batteriet fjernes.
9. Vær ekstra forsigtig ved rengøring på trapper.
10. Må ikke bruges til opsamling af letantændelige eller brændbare væsker som f.eks. benzin, eller til brug i områder hvor de kan være til stede.
11. Brug kun den oplader, som følger med fra producenten, til opladning.
12. Opsaml ikke noget der brænder eller ryger, som f.eks. cigaretter, tændstikker eller varm aske.
13. Må ikke bruges uden filtrene er på plads.
14. Oplad ikke batteriet udendørs.
15. Dette apparat er ikke beregnet til brug af personer (inklusive børn) med reducerede fysiske, sensoriske eller mentale evner, eller personer med manglende erfaring og viden, medmindre de er under opsyn eller instrueres i brugen af apparatet af en person, der er ansvarlig for deres sikkerhed.
16. Børn bør holdes under opsyn for at sikre, at de ikke leger med apparatet.

GEM DISSE INSTRUKTIONER.

Dette apparat er beregnet til husholdningsbrug.

YDERLIGERE SIKKERHEDSREGLER

ENB106-3

1. Læs denne brugsanvisning og brugsanvisningen til opladeren omhyggeligt igennem inden brug.
2. Opsaml ikke de følgende materialer:
 - Varme materialer som tændte cigaretter eller gnister/metalstøv fra slibning af/savning i metal
 - Letantændelige materialer som f.eks. benzin, fortynder, rensbenzin, petroleum eller maling
 - Eksplosive materialer som nitroglycerin
 - Antændelige materialer som aluminium, zink, magnesium, titanium, fosfor eller celluloid
 - Vådt snavs, vand, olie eller lignende
 - Hårde emner med skarpe kanter som træspåner, metaller, sten, glas, søm, knappenål eller barberblade
 - Pulver som kan størkne som f.eks. cement eller toner
 - Strømledende støv som f.eks. metal eller kulstof
 - Fine partikler som betonstøv
 Sugningen kan muligvis medføre ild, tilskadekomst og/eller materielle skader.
3. Afbryd straks arbejdet, hvis du bemærker noget unormalt under brugen.
4. Hvis du taber eller rammer ind i støvsugeren, skal den omhyggeligt ses efter for revner eller beskadigelse inden anvendelse.
5. Oplad ikke støvsugeren tæt på farlige letantændelige materialer som f.eks. benzin, gas, maling eller klæbemidler.
6. Oplad ikke støvsugeren på papirer, klædestoffer, tæpper eller vinyl osv. Dette kan muligvis medføre brand.
7. Oplad ikke støvsugeren på et støvet sted.
8. Sørg for, at der ikke er nogen under dig, når du benytter støvsugeren på høje steder.

9. Må ikke komme i nærheden af komfurer eller andre varmekilder.
10. Bloker ikke luftindtagshullet eller udluftningshullerne.

GEM DISSE INSTRUKTIONER.

VIGTIGE SIKKERHEDSINSTRUKTIONER

ENC010-1

FOR INDBYGGET BATTERI

1. Før brugen af det indbyggede batteri skal du læse alle instruktioner og advarsler på (1) batteriopladeren, (2) batteriet og (3) det produkt, som batteriet anvendes i.
2. Skil ikke det indbyggede batteri ad.
3. Hvis driftstiden bliver betydeligt kortere, skal du straks ophøre med brugen. Fortsat brug kan medføre risiko for overophedning, risiko for forbrændinger eller endog eksplosion.
4. Hvis du får elektrolyt i øjnene, skal du med det samme rense øjnene med rent vand og søge læge. Det kan medføre tab af synet.
5. Kortslut ikke det indbyggede batteri:
 - (1) Undgå at berøre terminalerne med ledende materiale.
 - (2) Undgå at opbevare det indbyggede batteri i en beholder med andre metalgenstande som f.eks. søm, mønter osv.
 - (3) Udsæt ikke det indbyggede batteri for vand eller regn. Hvis batteriet kortsluttes, kan det medføre voldsom strøm, overophedning, mulige forbrændinger og endog nedbrud.
6. Undgå at opbevare maskinen og det indbyggede batteri på steder hvor temperaturen kan komme op på eller overstige 50°C (122°F).
7. Sæt ikke ild til det indbyggede batteri, selvom det er alvorligt beskadiget eller helt udtjent. Det indbyggede batteri kan eksplodere, hvis det brændes.
8. Undgå at tabe eller slå på batteriet.

GEM DISSE INSTRUKTIONER.

Tips til, hvordan du forlænger batteriets levetid

1. Oplad det indbyggede batteri, før det bliver helt afladet. Ophør med at bruge maskinen, og udskift det indbyggede batteri, hvis strømmen til maskinen aftager.
2. Oplad aldrig et fuldt opladet indbygget batteri. Overopladning forkorter batteriets levetid.
3. Oplad det indbyggede batteri ved stuetemperatur på 10°C - 40°C (50°F - 104°F). Lad et varmt indbygget batteri køle af, før det oplades.
4. Oplad batteripakken en gang hver sjette måned, hvis du ikke bruger den i lang tid.

FUNKTIONSBESKRIVELSE

FORSIGTIG:

- Sørg altid for at maskinen er slukket, før du justerer maskinen eller kontrollerer dens funktion.

Opladning af det indbyggede batteri

FORSIGTIG:

- Betjen ikke støvsugeren under opladning. Den kan blive beskadiget.
- Afbryd altid opladningsstikket fra støvsugeren efter opladning.
- Når du oplader en ny støvsuger, eller en støvsuger som har været afladet i lang tid, kan den muligvis ikke lades helt op. Dette er en normal situation og angiver ikke noget problem. Du kan genoplade støvsugeren helt, efter den er blevet ladet helt af et par gange.

Brug kun Dolmar-opladeren LG-10 K til opladning af denne støvsuger. Brug af andre typer opladere kan muligvis forårsage, at batteriet brister med personskade og beskadigelse til følge.

Oplad støvsugeren når du bruger den for første gang, eller den ikke har været ladet op i lang tid. Tilslut opladningsstikket til indgangsstikket til opladning og tilslut derefter opladeren til stikkontakten. Lampen for batteristrøm tænder, og opladningen starter. Opladningen tager ca. 3 timer. Lyset slukker, efter opladningen er gennemført. Se i brugsanvisningen til batteriopladeren angående yderligere oplysninger. (Fig. 1 og 2)

Betjening af kontakt

FORSIGTIG:

- Sørg altid for at støvposen eller papirpakken er monteret ordentligt i støvsugeren inden brug. Ved forkert montering kan der trænge støv ind i motoren, hvilket kan medføre funktionsfejl på støvsugeren.
- Sluk altid for støvsugeren efter hver anvendelse for at forhindre beskadigelse af støvsugeren og for at forlænge batteriernes levetid.

Tryk blot på "1/2/3"-knappen for at starte støvsugeren. Tryk på "0"-knappen for at slukke for den. Tryk på "1/2/3"-knappen for at ændre støvsugerhastigheden. Det første tryk på denne knap er for høj hastighed og det andet tryk er for langsom hastighed. For hvert tryk på denne knap gentages skiftet mellem høj/lav hastighed. Støvsugeren fungerer med turbo, mens der trykkes på "1/2/3"-knappen. Denne tilstand er især velegnet er til rengøring på et støvet sted. (Fig. 3)

Lampe for batteristrøm (Fig. 2)

Når den resterende batterikapacitet bliver lav, blinker lampen for batteristrøm.

Når den resterende batterikapacitet bliver meget lavere, stopper maskinen og lampen for batteristrøm lyser i ca. 10 sekunder. Oplad støvsugeren i dette tilfælde.

BEMÆRK:

- Tidspunktet for, hvornår lampen for batteristrøm begynder at blinke eller lyse, afhænger af temperaturen på arbejdsstedet og batteripakkens tilstand.

MONTERING

Bortskaffelse af støv

FORSIGTIG:

- Tøm støvsugeren inden den bliver alt for fuld, ellers svækkes sugekraften.
 - Sørg for at tømme al støvet inde i selve støvsugeren ud. Gøres dette ikke, kan det medføre, at svampefilteret tilstoppes, eller motoren bliver beskadiget.
 - Smid aldrig støvstopperen ud, da den skal anvendes hver gang, der enten anvendes en støvpose eller støvpakke.
1. Tryk på knappen for at åbne frontdækslet. Åbn det, indtil der høres et klik, og det stopper naturligt på den position. (Fig. 4)

FORSIGTIG:

- Pas på ikke at få fingrene i klemme, når du lukker frontdækslet.

BEMÆRK:

- Frontdækslet falder af, hvis du prøver at åbne frontdækslet mere end 90°. Hvis frontdækslet falder af, skal du sætte det ind i frontdækselsamlingen. (Fig. 5)
2. Træk både den orangefarvede støvstopper og støvposen ud på samme tid. (Fig. 6)
 3. Fjern støvstopperen og tøm støvsugeren. (Fig. 7 og 8)

Støvpose og papirpakke

Monter enten støvposen eller papirpakken inden du anvender støvsugeren.

Brug støvstopperen når du sætter enten støvposen eller papirpakken i.

Støvposen kan anvendes mange gange, hvis den rengøres.

Papirpakken er en engangstype. Smid hele papirpakken ud uden at tømme den, når den er fyldt op.

Montering af støvpose (Fig. 9)

Brug støvstopperen når du monterer støvposen. Pas på ikke at vende om på den øverste side og nederste side ved en fejltagelse, da de er forskellige fra hinanden.

1. Sæt fremspringet på støvposen ind i rillen i støvstopperen som vist på figuren. (Fig. 10)
2. Der er ingen forskel på den øverste og nederste side af støvposen. Du kan sætte dens fremspring, på hvilken som helst side, ind i den nederste rille på støvstopperen. (Fig. 11)
3. Overlap rammen på støvstopperen med den på støvposen. (Fig. 12)
4. Sæt støvstopperen og støvposen sammen ind i støvsugerens hulrum i den samme retning som pilen på støvstopperen. Sæt dem helt ind i åbningerne i støvsugerens hulrum. (Fig. 13)
5. Placer hele støvposens stofdel inde i selve maskinen. (Fig. 14)
6. Luk frontdækslet helt. (Fig. 15)

Montering af papirpakken

1. Fold indgangen på papirpakken ud inden du sætter den på støvstopperen. (Fig. 16)

Brug også støvstopperen, når du monterer støvpakken. Pas på ikke at vende om på den øverste side og nederste side ved en fejltagelse, da de er forskellige fra hinanden.

(Fig. 9)

2. Sæt fremspringet på støvpakken ind i rillen i støvstopperen som vist på figuren. (Fig. 17)
3. Der er ingen forskel på den øverste og nederste side af støvpakken. Du kan sætte dens fremspring, på hvilken som helst side, ind i den nederste rille på støvstopperen. (Fig. 11)
4. Overlap rammen på støvstopperen med den på støvpakken. (Fig. 18)
5. Sæt støvstopperen og støvpakken sammen ind i støvsugerens hulrum i den samme retning som pilen på støvstopperen. Sæt dem helt ind i åbningerne i støvsugerens hulrum. (Fig. 19)
6. Placer hele støvpakkens beholderdel inde i selve maskinen. (Fig. 14)
7. Luk frontdækslet helt.

FORSIGTIG:

- Monter støvstopperen med støvposen eller støvpakken på korrekt vis. Hvis maskinen anvendes uden, de er korrekt monteret, eller med brug af en der er i stykker eller revnet, kan der muligvis trænge støv ind i motoren. Dette kan medføre motorfejl.
- Fold ikke pappet ved dens åbning når du monterer papirpakken.
- Smid aldrig støvstopperen ud, da den skal anvendes igen hver gang, der enten anvendes en støvpose eller støvpakke.
- Papirpakken er en vigtig komponent for støvsugeren for at bevare maskinens ydeevne. Hvis du anvender en anden original papirpakke, kan der udvikles røg eller antænding.

BETJENING (Fig. 20)

Når du tilslutter tilbehør som f.eks. et mundstykke, skal du dreje og indsætte dem, så der sikres en ordentlig tilslutning under brug. Hvis du vil afmontere tilbehør, skal du dreje og fjerne dem.

Rengøring (sugning)

Mundstykke (Fig. 21)

Monter mundstykket til rengøring af borde, skriveborde, møbler osv. Mundstykket er nemt at sætte på.

Mundstykke + Forlængerrør (lige rør) (Fig. 22)

Forlængerrøret passer ind mellem mundstykket og selve støvsugeren. Dette arrangement er praktisk til rengøring af et gulv, mens du står op.

Hjørnemundstykke (Fig. 23)

Påsat hjørnemundstykket til rengøring af hjørner og sprækker i en bil eller møbel.

Hjørnemundstykke + Forlængerrør (lige rør) (Fig. 24)

På steder hvor selve støvsugeren ikke kan komme ind, eller på høje steder hvor det er svært at nå, skal du anvende dette arrangement.

VEDLIGEHOLDELSE

FORSIGTIG:

- Sørg altid for at maskinen er slukket, før du udfører inspektion eller vedligeholdelse.

Efter brug

Når støvsugeren stilles til opbevaring, skal du hænge den på et søm vha. håndremmen. (Fig. 25)

BEMÆRK:

- Stilles støvsugeren op ad væggen uden nogen anden støtte, kan støvsugeren falde ned og blive beskadiget. (Fig. 26)

Rengøring (Fig. 27)

Fra tid til anden skal du tørre ydersiden af støvsugeren (støvsugerdelen) af med en klud, der er fugtet med sæbevand.

Rengør også indsugningsåbningen, monteringsområdet for støvposen/støvpakken og støvstopperen.

FORSIGTIG:

- Brug aldrig benzin, fortynder, alkohol eller lignende. Det kan muligvis medføre misfarvning, deformation eller revner.

Vask støvposen i sæbevand, når den er stoppet til med støv og sugsevnen forringes. Sørg for, at den er helt tør inden brug. En pose, som ikke er tørret tilstrækkeligt, kan medføre dårlig sugsevne og forkorte motorens levetid. (Fig. 28)

BEMÆRK:

- Støvpakken er en engangstype.

Når svampefilteret er stoppet til med støv, skal du fjerne det fra støvsugeren og derefter tørre det af eller vaske det i vand.

Fjernelse om montering af svampefilteret

For at fjerne svampefilteret skal du først fjerne støvposen eller støvpakken og derefter klemme om det og tage det ud. (Fig. 29)

Tryk hele kanten af svampefilteret ind mod den forsænkede væg inde i monteringsområdet for støvposen/støvpakken. (Fig. 30)

FORSIGTIG:

- Efter rengøring af svampefilteret skal du sørge for at montere det i støvsugeren. Hvis det vaskes i vand, skal det tørres helt inden montering. Et svampefilter, som ikke er tørret tilstrækkeligt, kan forkorte motorens levetid.

FEJLFINDING

Foretag først selv eftersyn, inden du beder om reparation. Hvis du finder et problem, der ikke er forklaret i brugsanvisningen, skal du ikke forsøge at skille maskinen ad. Bed i stedet et autoriseret Dolmar-servicecenter, der altid benytter Dolmar-reservedele, om reparation.

Symptom	Område som skal undersøges	Metode til afhjælpning
Svag sugeevne	Er støvposen eller papirpakken fuld af støv?	Tøm støvposen eller papirpakken.
	Er støvposen tilstoppet?	Støv den af eller vask støvposen.
	Er papirpakken tilstoppet?	Udskift papirpakken.
	Er batteripakken brugt op?	Oplad batteriet.
Fungerer ikke	Er batteripakken brugt op?	Oplad batteriet.

014744

BEMÆRK:

- Forsøg ikke at reparere støvsugeren selv.

Bortskaffelse af støvsuger

Der er indbygget et Li-ion-batteri i denne støvsuger. Fjern altid batteriet inden støvsugeren bortskaffes.

Fjernelse af det indbyggede batteri

⚠ FORSIGTIG:

- Fjern aldrig det indbyggede batteri fra støvsugeren, undtagen når støvsugeren bortskaffes. Batteriet kan tage skade, eller der kan opstå kortslutning som følge.
- Undgå at berøre terminalerne med ledende materiale.
- Undgå at opbevare batterienheden i en beholder med andre metalgenstande som f.eks. søm, mønter osv.
- Udsæt ikke batterienheden for vand eller regn.
- Undlad at adskille eller ændre batterienheden.

1. Fjern bagdækslet ved at skubbe det i pilens retning.

(Fig. 31)

2. Skub det indbyggede batteri halvvejs. Afbryd strømledningerne fra batteriet ved at trykke stikket i pilens retning som vist på figuren. (Fig. 32)
3. Skub derefter batterienheden hele vejen. (Fig. 33)
4. Placer den fjernede batterienhed i en plastikpose, så den ikke kortsluttes.

For at installere Li-ion-batteriet skal du udføre proceduren for fjernelse af batteriet i omvendt rækkefølge.

For at holde produktet SIKKERT og PÅLIDELIGT skal reparationer samt al anden vedligeholdelse eller justering udføres af autoriserede Dolmar-servicecentre, og der skal altid benyttes Dolmar-reservedele.

EKSTRAUDSTYR

⚠ FORSIGTIG:

- Dette tilbehør eller ekstraudstyr anbefales til brug med den Dolmar-støvsuger, som er beskrevet i denne brugsanvisning. Brug af andet tilbehør eller ekstraudstyr kan forårsage personskade. Brug kun tilbehør eller ekstraudstyr til det formål, det er beregnet til.

Henvend dig til dit lokale Dolmar-servicecenter, hvis du har brug for hjælp eller yderligere oplysninger vedrørende tilbehøret.

- Hyldebørste
- Bøjelig slange

BEMÆRK:

- Visse dele på listen er muligvis indeholdt maskinindpakningen som standardtilbehør. De kan variere fra land til land.

ΕΛΛΗΝΙΚΑ (Πρωτογενείς οδηγίες)

Περιγραφή γενικής όψης

- | | | |
|------------------------------------|-----------------------------------|-----------------------|
| 1. Υποδοχή φόρτισης | 9. Κάτω πλευρά του πώματος σκόνης | 17. Γωνιακό ακροφύσιο |
| 2. Λάμπα ισχύος μπαταρίας | 10. Εγκοπή | 18. Σπογγώδες φίλτρο |
| 3. Κουμπιά διακόπτη | 11. Σάκος συλλογής σκόνης | 19. Σπόγγος |
| 4. Μπροστινό κάλυμμα | 12. Κάτω εγκοπή | 20. Τοίχωμα με εσοχή |
| 5. Κουμπί | 13. Κοιλότητα σκούπας | 21. Πίσω κάλυμμα |
| 6. Ένωση μπροστινού καλύμματος | 14. Πακέτο συλλογής σκόνης | 22. Σύνδεσμος |
| 7. Πώμα σκόνης | 15. Ακροφύσιο | 23. Μολύβδινα σύρματα |
| 8. Επάνω πλευρά του πώματος σκόνης | 16. Σωλήνας προέκτασης | 24. Μονάδα μπαταρίας |

ΠΡΟΔΙΑΓΡΑΦΕΣ

Μοντέλο		AZ-1020
Χωρητικότητα		500 ml (για σάκο συλλογής σκόνης)
		330 ml (για χάρτινο πακέτο)
Συνεχής χρήση	3 (Τούρμπο)	Περίπου 10 min
	2 (Υψηλή)	Περίπου 15 min
	1 (Χαμηλό)	Περίπου 30 min
Ολικό μήκος	Χωρίς ακροφύσιο	446 mm
	Με ακροφύσιο	983 mm
Καθαρό βάρος		1,1 kg
Ονομαστική τιμή τάσης		D.C. 10,8 V

- Λόγω του συνεχόμενου προγράμματος που εφαρμόζουμε για έρευνα και ανάπτυξη, τα τεχνικά χαρακτηριστικά στο παρόν έντυπο υπόκεινται σε αλλαγή χωρίς προειδοποίηση.
- Τα τεχνικά χαρακτηριστικά και η μπαταρία ενδέχεται να διαφέρουν από χώρα σε χώρα.
- Βάρος μαζί με την μπαταρία σύμφωνα με τη διαδικασία της ΕΡΤΑ 01/2003

Σύμβολα

END315-1

Παρακάτω παρουσιάζουν τα σύμβολα που χρησιμοποιούνται για τον εξοπλισμό. Βεβαιωθείτε ότι κατανοείτε τη σημασία τους πριν από τη χρήση.



..... Διαβάστε το εγχειρίδιο οδηγιών.



..... Μόνο για τις χώρες της ΕΕ

Μην απορρίπτετε τον ηλεκτρικό εξοπλισμό ή την μπαταρία μαζί με τα οικιακά απορρίμματα!

Σύμφωνα με την Ευρωπαϊκή Οδηγία περί απορριμμάτων ηλεκτρικών, ηλεκτρονικών συσκευών, μπαταριών και συσσωρευτών και των απορριμμάτων μπαταριών και συσσωρευτών και την ενσωμάτωσή τους στην εθνική νομοθεσία, οι ηλεκτρικές συσκευές, οι μπαταρίες και οι κασέτες μπαταριών, των οποίων έχει παρέλθει ο χρόνος ωφέλιμης ζωής τους, πρέπει να συλλέγονται ξεχωριστά και να επιστρέφονται σε εγκαταστάσεις περιβαλλοντικής ανακύκλωσης.

Προοριζόμενη χρήση

ENE017-1

Το εργαλείο προορίζεται για τη συλλογή στεγνής σκόνης.

ΣΗΜΑΝΤΙΚΟ

ENA005-3

ΟΔΗΓΙΕΣ ΑΣΦΑΛΕΙΑΣ

Κατά τη χρήση μιας ηλεκτρικής συσκευής, πρέπει να ακολουθούνται πάντα προληπτικά μέτρα, συμπεριλαμβανομένων των εξής:

ΝΑ ΔΙΑΒΑΖΕΤΕ ΟΛΕΣ ΤΙΣ ΟΔΗΓΙΕΣ ΠΡΙΝ ΧΡΗΣΙΜΟΠΟΙΗΣΕΤΕ ΑΥΤΗ ΤΗ ΣΥΣΚΕΥΗ.

ΠΡΟΕΙΔΟΠΟΙΗΣΗ - Προκειμένου να μειωθεί ο κίνδυνος πυρκαγιάς, ηλεκτροπληξίας ή τραυματισμού:

1. Μην την εκθέσετε στη βροχή. Αποθηκεύσετε σε εσωτερικό χώρο.
2. Δεν επιτρέπεται να χρησιμοποιείται ως ένα παιχνίδι. Ιδιαίτερη προσοχή απαιτείται όταν χρησιμοποιείται από ή κοντά σε παιδιά.
3. Χρησιμοποιείτε μόνο όπως περιγράφεται στο εγχειρίδιο αυτό. Χρησιμοποιείτε μόνο τα συνιστώμενα προσαρτήματα από τον κατασκευαστή.
4. Μην χρησιμοποιείτε μια μπαταρία που έχει υποστεί βλάβη. Εάν η συσκευή δεν λειτουργεί όπως θα έπρεπε, έχει πέσει κάτω, έχει υποστεί ζημιά, έχει

- μείνει σε εξωτερικούς χώρους ή έχει πέσει στο νερό, επιστρέψτε την σε ένα κέντρο σέρβις.
- Μην χειρίζεστε τις συσκευές με υγρά χέρια.
 - Μην τοποθετείτε οποιοδήποτε αντικείμενο μέσα στα ανοίγματα. Μην χρησιμοποιείτε με οποιοδήποτε ανοίγμα μπλοκαρισμένο, διατηρήστε το ελεύθερο από σκόνη, χνούδι, τρίχες και οτιδήποτε μπορεί να μειώσει την ροή αέρα.
 - Κρατήστε μαλλιά, χαλαρά ρούχα, δάχτυλα και όλα τα μέρη του σώματος μακριά από τα ανοίγματα και τα κινούμενα μέρη.
 - Απενεργοποιήστε όλα τα χειριστήρια πριν αποσυνδέσετε τη μπαταρία.
 - Δώστε επιπρόσθετη φροντίδα κατά τον καθαρισμό πάνω σε σκάλες.
 - Μην την χρησιμοποιείτε για συλλογή εύφλεκτων ή καύσιμων υγρών όπως βενζίνης ή μιν τη χρησιμοποιήσετε σε περιοχές όπου μπορεί τα υγρά αυτά να είναι παρόντα.
 - Για την επαναφόρτιση χρησιμοποιείτε μόνο το φορτιστή που παρέχεται από τον κατασκευαστή.
 - Μην απορροφήσετε οτιδήποτε καίγεται ή παράγει καπνό, όπως τσιγάρα, σπρίττα ή καυτή στάχτη.
 - Μην χρησιμοποιήσετε χωρίς να υπάρχουν τα φίλτρα στη θέση τους.
 - Μην φορτίσετε την μπαταρία σε εξωτερικό χώρο.
 - Αυτή η συσκευή δεν προορίζεται για χρήση από πρόσωπα (συμπεριλαμβανομένων των παιδιών) που παρουσιάζουν ελαττωμένες φυσικές, αισθητήριες ή διανοητικές ικανότητες ή δεν διαθέτουν εμπειρία και γνώσεις, εκτός και αν τους παρασχεθεί εποπτεία ή οδηγίες σχετικά με τη χρήση της συσκευής από ένα πρόσωπο που είναι υπεύθυνο για την ασφάλειά τους.
 - Τα παιδιά θα πρέπει να εποπτεύονται ώστε να διασφαλιστεί ότι δεν παίζουν με τη συσκευή.

ΦΥΛΑΞΤΕ ΑΥΤΕΣ ΤΙΣ ΟΔΗΓΙΕΣ.

Αυτή η συσκευή προορίζεται για οικιακή χρήση.

ΠΡΟΣΘΕΤΟΙ ΚΑΝΟΝΕΣ ΑΣΦΑΛΕΙΑΣ

ENB106-3

- Διαβάστε προσεκτικά αυτό το εγχειρίδιο οδηγιών και το εγχειρίδιο οδηγιών του φορτιστή πριν από τη χρήση.
- Μην συλλέγετε τα ακόλουθα υλικά:
 - Ζεστά υλικά, όπως αναμμένα τσιγάρα ή σπινθήρες/μεταλλική σκόνη που παράγεται από λείανση/κοπή μετάλλων
 - Εύφλεκτες ύλες όπως βενζίνη, διαλυτικό, πετρελαϊκό αιθέρα, κηροζίνη ή μπυαία
 - Εκρηκτικές ύλες όπως νιτρογλυκερίνη
 - Αναφλέξιμα υλικά όπως αλουμίνιο, ψευδάργυρος, μαγνήσιο, τιτάνιο, φωσφόρος ή ζελατίνη
 - Υγρές ακαθαρσίες, νερό, λάδι ή παρόμοια
 - Σκληρά αντικείμενα με αιχμηρές άκρες, όπως κατάλοιπα ξύλου, μέταλλα, πέτρες, γυαλιά και καρφιά, πινέζες ή ξυραφάκια
 - Σκόνη που πήξει, όπως τσιμέντο ή γραφίτης
 - Αγώγιμη σκόνη, όπως μέταλλο ή άνθρακα

- Λεπτά σωματίδια όπως σκόνη σκυροδέματος
- Μια τέτοια ενέργεια μπορεί να προκαλέσει πυρκαγιά, τραυματισμό ή/και ζημιά στην περιουσία.
- Διακόψτε αμέσως τη λειτουργία αν παρατηρήσετε ο,τιδήποτε ασυνήθιστο.
 - Αν σας πέσει κάτω ή χτυπήσει η σκούπα, ελέγξτε προσεκτικά για ραγίσματα ή ζημιά πριν τη λειτουργία.
 - Μην φορτίζετε τη σκούπα κοντά σε επικίνδυνα εύφλεκτα υλικά, όπως βενζίνη, πετρέλαιο, μπυαία ή κόλλες.
 - Μην φορτίζετε τη σκούπα πάνω σε χαρτιά, ύφασμα, μοκέτα, βινύλιο κ.λπ. Αυτό μπορεί να προκαλέσει πυρκαγιά.
 - Μην φορτίζετε τη σκούπα σε χώρο όπου υπάρχει σκόνη.
 - Όταν χρησιμοποιείτε τη σκούπα σε υψηλές τοποθεσίες, να βεβαιώνετε ότι δεν βρίσκεται κανένας από κάτω.
 - Μην την φέρνετε κοντά σε θερμάστρες ή σε άλλες πηγές θερμότητας.
 - Μην μπλοκάρτε την οπή εισαγωγής ή τις οπές αερισμού.

ΦΥΛΑΞΤΕ ΑΥΤΕΣ ΤΙΣ ΟΔΗΓΙΕΣ.

ΣΗΜΑΝΤΙΚΕΣ ΟΔΗΓΙΕΣ ΑΣΦΑΛΕΙΑΣ

ENC010-1

ΓΙΑ ΕΝΣΩΜΑΤΩΜΕΝΗ ΜΠΑΤΑΡΙΑ

- Πριν χρησιμοποιήσετε την ενσωματωμένη μπαταρία, διαβάστε όλες τις οδηγίες και τις ενδείξεις προφύλαξης στο (1) φορτιστή μπαταρίας, (2) στην μπαταρία και (3) στο προϊόν στο οποίο χρησιμοποιείται η μπαταρία.
- Μην αποσυναρμολογείτε μια φθαρμένη μπαταρία.
- Αν ο χρόνος λειτουργίας της μπαταρίας είναι υπερβολικά σύντομος, διακόψτε αμέσως τη λειτουργία. Αν συνεχίσετε, μπορεί να επέλθει ο κίνδυνος υπερθέρμανσης, πιθανών εκπομπών και ακόμη έκρηξης.
- Αν μπει στα μάτια σας ηλεκτρολύτης, ξεπλύνετε με καθαρό νερό και αναζητήστε αμέσως ιατρική βοήθεια. Μπορεί να χάσετε την όρασή σας.
- Μη βραχυκυκλώνετε την ενσωματωμένη μπαταρία:
 - (1) Μην αγγίζετε τους ακροδέκτες με αγώγιμο υλικό.
 - (2) Μην αποθηκεύετε την ενσωματωμένη μπαταρία σε δοχείο με άλλα μεταλλικά αντικείμενα, όπως καρφιά, νομίσματα, κτλ.
 - (3) Μην εκθέτετε την ενσωματωμένη μπαταρία σε νερό ή βροχή. Αν βραχυκυκλωθεί η μπαταρία, μπορεί να προκληθεί μεγάλη ροή ηλεκτρικού ρεύματος, υπερθέρμανση, πιθανά εγκαύματα και ακόμη καταστροφή της μπαταρίας.
- Μην αποθηκεύετε το εργαλείο και την ενσωματωμένη μπαταρία σε μέρη όπου η θερμοκρασία μπορεί να φτάσει ή να ξεπεράσει τους 50°C (122°F).

7. Μην αποτεφρώνετε την ενσωματωμένη μπαταρία ακόμη κι αν παρουσιάζει σοβαρή ζημιά ή είναι εντελώς φθαρμένη. Η ενσωματωμένη μπαταρία μπορεί να εκραγεί σε φωτιά.
8. Να προσέχετε να μη σας πέσει η μπαταρία και να μη συγκρουστεί με κάποιο αντικείμενο.

ΦΥΛΑΞΤΕ ΑΥΤΕΣ ΤΙΣ ΟΔΗΓΙΕΣ.

Συμβουλές για τη διατήρηση της μέγιστης διάρκειας ζωής της μπαταρίας

1. Να φορτίζετε την ενσωματωμένη μπαταρία πριν αποφορτιστεί εντελώς.
Πάντοτε να διακόπτετε τη λειτουργία του εργαλείου και να φορτίζετε την ενσωματωμένη μπαταρία όταν παρατηρείται μειωμένη ισχύς του εργαλείου.
2. Ποτέ μην επαναφορτίζετε μια πλήρως φορτισμένη ενσωματωμένη μπαταρία. Αν υπερφορτίσετε την μπαταρία, μειώνεται η ωφέλιμη διάρκεια ζωής της.
3. Να φορτίζετε την ενσωματωμένη μπαταρία σε θερμοκρασία δωματίου, δηλαδή στους 10°C - 40°C (50°F - 104°F). Αν η ενσωματωμένη μπαταρία είναι θερμή, αφήστε την να ψυχθεί πριν τη φορτίσετε.
4. Να φορτίζετε την κασέτα μπαταρία μια φορά κάθε έξι μήνες όταν δεν τη χρησιμοποιείτε για μεγάλο χρονικό διάστημα.

ΠΕΡΙΓΡΑΦΗ ΛΕΙΤΟΥΡΓΙΑΣ

⚠ ΠΡΟΣΟΧΗ:

- Να βεβαιώνετε πάντοτε ότι το εργαλείο είναι σβηστό πριν ρυθμίσετε ή ελέγξετε κάποια λειτουργία του.

Φορτίστε την ενσωματωμένη μπαταρία

⚠ ΠΡΟΣΟΧΗ:

- Μην λειτουργείτε τη σκούπα κατά τη διάρκεια της φόρτισης. Μπορεί να προκληθεί βλάβη.
- Πάντοτε να αποσυνδέετε το βύσμα φόρτισης από τη σκούπα μετά τη φόρτιση.
- Όταν φορτίζετε μια νέα σκούπα ή μια σκούπα που έχει μείνει αφόρτιστη για ένα μεγάλο χρονικό διάστημα, μπορεί να μην φορτίζει πλήρως. Αυτή η κατάσταση είναι φυσιολογική και δεν υποδεικνύει κάποιο πρόβλημα. Μπορείτε να επαναφορτίσετε τη σκούπα πλήρως μετά από την πλήρη αποφόρτιση της μια δυο φορές.

Χρησιμοποιείτε μόνο το φορτιστή LG-10 K της De'Longhi για να φορτίσετε αυτή τη σκούπα. Η χρήση φορτιστών άλλων τύπων μπορεί να προκαλέσει την έκρηξη της μπαταρίας, προκαλώντας προσωπικό τραυματισμό και βλάβη. Φορτίστε τη σκούπα κατά τη χρήση για πρώτη φορά ή αν έχει μείνει χωρίς φορτίο για μεγάλο χρονικό διάστημα. Συνδέστε το βύσμα φόρτισης στην υποδοχή φόρτισης, στη συνέχεια συνδέστε το φορτιστή στην υποδοχή ρεύματος. Ανάβει η λάμπα ισχύος της μπαταρίας και ξεκινά η φόρτιση. Η φόρτιση διαρκεί περίπου 3 ώρες. Το φως σβήνει μετά την ολοκλήρωση της φόρτισης. Για περισσότερες λεπτομέρειες, ανατρέξτε στο εγχειρίδιο χειρισμού του φορτιστή της μπαταρίας. (Εικ. 1 και 2)

Δράση διακόπτη

⚠ ΠΡΟΣΟΧΗ:

- Να βεβαιώνετε πάντα ότι η σκαούλα συλλογής σκόνης ή το χάρτινο πακέτο έχει τοποθετηθεί σωστά στη σκούπα πριν τα χρησιμοποιήσετε. Η εσφαλμένη εγκατάσταση μπορεί να επιτρέψει στη σκόνη να εισέλθει στον κινητήρα, προκαλώντας δυσλειτουργία στη σκούπα.
- Απενεργοποιείτε πάντα τη σκούπα μετά από κάθε χρήση προκειμένου να αποφευχθεί η φθορά της σκούπας και να επεκταθεί η διάρκεια ζωής των μπαταριών.

Για να ξεκινήσετε τη σκούπα, απλά πατήστε το κουμπί "1/2/3". Για να απενεργοποιήσετε πατήστε το κουμπί "0". Για να αλλάξετε την ταχύτητα της σκούπας, πατήστε το κουμπί "1/2/3". Το πρώτο πάτημα του κουμπιού είναι για την υψηλή ταχύτητα και το δεύτερο πάτημα για χαμηλή ταχύτητα. Το κάθε πάτημα στο κουμπί αυτό επαναλαμβάνει εναλλακτικά τον κύκλο υψηλής/χαμηλής ταχύτητας. Έχοντας πατημένο το κουμπί "1/2/3", αυτή η σκούπα δουλεύει στη λειτουργία τούρμπο. Αυτή η λειτουργία είναι κατάλληλη για να καθαρίσετε ιδιαίτερα σκονισμένη περιοχή. (Εικ. 3)

Λάμπα ισχύος μπαταρίας (Εικ. 2)

Όταν η εναπομένουσα χωρητικότητα της μπαταρίας είναι χαμηλή, αναβοσβήνει η λάμπα ισχύος της μπαταρίας. Όταν η χωρητικότητα της μπαταρίας γίνει μικρότερη, η συσκευή σταματά και η λάμπα ισχύος της μπαταρίας ανάβει για 10 δευτερόλεπτα. Τη στιγμή αυτή, φορτίστε την μπαταρία.

ΣΗΜΕΙΩΣΗ:

- Η χρονική στιγμή κατά την οποία η λάμπα ισχύος της μπαταρίας αναβοσβήνει ή ανάβει εξαρτάται από τη θερμοκρασία στο χώρο εργασίας και τις συνθήκες της κασέτας μπαταρίας.

ΣΥΝΑΡΜΟΛΟΓΗΣΗ

Απόρριψη της σκόνης

⚠ ΠΡΟΣΟΧΗ:

- Αδειάστε τη σκούπα πριν γεμίσει τελείως διαφορετικά η αναρροφητική δύναμη θα μειωθεί.
 - Φροντίστε να αδειάσετε τη σκόνη από το εσωτερικό της ίδιας της σκούπας. Αν δεν το κάνετε αυτό, μπορεί να προκληθεί ζημιά στο σπογγώδες φίλτρο ή βλάβη στον κινητήρα.
 - Ποτέ μην πετάτε το πάμα της σκόνης διότι πρέπει να χρησιμοποιηθεί όποτε χρησιμοποιείται είτε ο σάκος ή το πακέτο συλλογής σκόνης.
1. Σπρώξτε το κουμπί για να ανοίξετε το μπροστινό κάλυμμα. Το άνοιγμά του έως ότου ακουστεί ένας χαρακτηριστικός ήχος κλικ επιτρέπει μια θετική στάση στη θέση αυτή. (Εικ. 4)

⚠ ΠΡΟΣΟΧΗ:

- Όταν κλείνετε το μπροστινό κάλυμμα, προσέξτε να μην μαγκώσετε τα δάχτυλά σας.

ΣΗΜΕΙΩΣΗ:

- Το εμπρός κάλυμμα βγαίνει όταν προσπαθείτε να ανοίξετε το μπροστινό κάλυμμα πάνω από 90°. Εάν

- βγει το μπροστινό κάλυμμα, τοποθετήστε το στη θέση του μέσα στην ένωση του μπροστινού καλύμματος. **(Εικ. 5)**
- Βγάλετε ταυτόχρονα τόσο το πορτοκαλί πώμα σκόνης όσο και το σάκο συλλογής σκόνης. **(Εικ. 6)**
 - Αφαιρέστε το πώμα σκόνης και αδειάστε τη σκούπα. **(Εικ. 7 και 8)**

Σάκος συλλογής σκόνης και χάρτινο πακέτο

Πριν χρησιμοποιήσετε τη σκούπα τοποθετήστε είτε το σάκο συλλογής σκόνης ή το χάρτινο πακέτο. Χρησιμοποιήστε το πώμα σκόνης κατά την εγκατάσταση είτε του σάκου σκόνης είτε του χάρτινου πακέτου. Ο σάκος συλλογής σκόνης μπορεί να χρησιμοποιηθεί πολλές φορές επανειλημμένα καθαρίζοντας τον. Το χάρτινο πακέτο είναι τύπου απόρριψης. Πετάξτε ολόκληρο το χάρτινο πακέτο χωρίς να το αδειάσετε όταν γεμίσει.

Τοποθέτηση του σάκου συλλογής σκόνης (Εικ. 9)

Χρησιμοποιήστε το πώμα σκόνης κατά την τοποθέτηση του σάκου συλλογής σκόνης. Προσέξτε να μην μπερδέψετε την επάνω πλευρά με την κάτω πλευρά επειδή είναι διαφορετικές μεταξύ τους.

- Τοποθετήστε την προεξοχή του σάκου συλλογής σκόνης μέσα στην εγκοπή του πώματος σκόνης όπως φαίνεται στο σχήμα. **(Εικ. 10)**
- Δεν υπάρχει διαφοροποίηση μεταξύ της πάνω και της κάτω μεριάς του σάκου συλλογής σκόνης. Μπορείτε να εισαγάγετε την προεξοχή της κάθε πλευράς στην κάτω εγκοπή του πώματος σκόνης. **(Εικ. 11)**
- Επικαλύψτε το πλαίσιο του πώματος σκόνης με αυτό του σάκου συλλογής σκόνης. **(Εικ. 12)**
- Τοποθετήστε μαζί το πώμα σκόνης και το σάκο συλλογής σκόνης μέσα στην κοιλότητα της σκούπας προς την ίδια κατεύθυνση του βέλους που βρίσκεται πάνω στο πώμα σκόνης. Εισάγετε τα μέχρι τέρμα μέσα στις υποδοχές της κοιλότητας της σκούπας. **(Εικ. 13)**
- Τοποθετήστε ολόκληρο το υφασμάτινο τμήμα του σάκου σκόνης μέσα στο εσωτερικό του εργαλείου. **(Εικ. 14)**
- Κλείστε εντελώς το μπροστινό κάλυμμα. **(Εικ. 15)**

Τοποθέτηση του χάρτινου πακέτου

- Ξεδιπλώστε την είσοδο του χάρτινου πακέτου πριν την εγκατάστασή του πάνω στο πώμα σκόνης. **(Εικ. 16)**

Χρησιμοποιήστε το πώμα σκόνης επίσης κατά την τοποθέτηση του πακέτου συλλογής σκόνης. Προσέξτε να μην μπερδέψετε την επάνω πλευρά με την κάτω πλευρά επειδή είναι διαφορετικές μεταξύ τους. **(Εικ. 9)**

- Τοποθετήστε την προεξοχή του πακέτου συλλογής σκόνης στην εγκοπή του πώματος σκόνης όπως φαίνεται στο σχήμα. **(Εικ. 17)**
- Δεν υπάρχει διαφοροποίηση μεταξύ της πάνω και της κάτω πλευράς του κακέτου σκόνης. Μπορείτε να εισαγάγετε την προεξοχή της κάθε πλευράς στην κάτω εγκοπή του πώματος σκόνης. **(Εικ. 11)**
- Επικαλύψτε το πλαίσιο του πώματος σκόνης με αυτό στο πακέτο συλλογής σκόνης. **(Εικ. 18)**

- Τοποθετήστε το πώμα σκόνης και το πακέτο συλλογής σκόνης μαζί μέσα στην κοιλότητα της σκούπας προς την ίδια κατεύθυνση του βέλους που βρίσκεται πάνω στο πώμα σκόνης. Εισάγετε τα μέχρι τέρμα μέσα στις υποδοχές της κοιλότητας της σκούπας. **(Εικ. 19)**
- Τοποθετήστε ολόκληρο το τμήμα του περιέκτη του πακέτου σκόνης στο εσωτερικό του εργαλείου. **(Εικ. 14)**
- Κλείστε εντελώς το μπροστινό κάλυμμα.

⚠ ΠΡΟΣΟΧΗ:

- Τοποθετήστε το πώμα σκόνης με το σάκο συλλογής σκόνης ή το πακέτο συλλογής σκόνης κατάλληλα. Αν λειτουργήσει το εργαλείο χωρίς την κατάλληλη εγκατάστασή τους ή αν είναι σπασμένα ή σκισμένα, μπορεί να επιπτραπεί στη σκόνη να εισχωρήσει μέσα στον κινητήρα. Αυτό μπορεί να οδηγήσει σε βλάβη του κινητήρα.
- Μην διπλώνετε το χαρτόνι στο άνοιγμα του κατά την εγκατάσταση του χάρτινου πακέτου.
- Ποτέ μην πετάτε το πώμα σκόνης καθώς χρειάζεται να χρησιμοποιείται επανειλημμένα οπότε χρησιμοποιείται ο σάκος συλλογής σκόνης ή το χάρτινο πακέτο για τη σκούπα είναι ένα σημαντικό εξάρτημα για τη διατήρηση της απόδοσης του εργαλείου. Αν δεν χρησιμοποιείτε το αυθεντικό χάρτινο πακέτο, μπορεί να προκληθούν καπνοί ή ανάφλεξη.

ΛΕΙΤΟΥΡΓΙΑ (Εικ. 20)

Για να συνδέσετε τα προσαρτήματα, όπως το ακροφύσιο, στρίψτε τα και εισχωρήστε τα για να διασφαλίσετε την ασφαλή σύνδεση κατά τη χρήση. Για να αποσυνδέσετε τα προσαρτήματα, στρίψτε και αφαιρέστε τα.

Καθαρισμός (Αναρρόφηση)

Ακροφύσιο (Εικ. 21)

Προσαρτήστε το ακροφύσιο για να καθαρίσετε τραπέζια, γραφεία, έπιπλα κ.λπ. Το ακροφύσιο γλιστρά πάνω τους εύκολα.

Ακροφύσιο + Σωλήνας προέκτασης (Ευθύγραμμος σωλήνας) (Εικ. 22)

Ο σωλήνας προέκτασης τοποθετείται μεταξύ του ακροφυσίου και της σκούπας. Αυτή η ρύθμιση είναι βολική για τον καθαρισμό ενός δαπέδου στεκόμενοι όρθιοι.

Γωνιακό ακροφύσιο (Εικ. 23)

Τοποθετήστε το γωνιακό ακροφύσιο για καθαρισμό γωνιών και σχισμών ενός αυτοκινήτου ή επίπλων.

Γωνιακό ακροφύσιο + Σωλήνας προέκτασης (Ευθύγραμμος σωλήνας) (Εικ. 24)

Σε μικρούς χώρους όπου η σκούπα δεν μπορεί να εισχωρήσει ή σε υψηλές δυσπρόσιτες θέσεις, χρησιμοποιήστε αυτή διάταξη.

ΣΥΝΤΗΡΗΣΗ

⚠ ΠΡΟΣΟΧΗ:

- Να βεβαιώνετε πάντοτε ότι το εργαλείο είναι σβηστό πριν εκτελέσετε οποιαδήποτε εργασία ελέγχου ή συντήρησης.

Μετά τη χρήση

Κατά την αποθήκευση της σκούπας, κρεμάστε την από ένα καρφί χρησιμοποιώντας το λουράκι. **(Εικ. 25)**

ΣΗΜΕΙΩΣΗ:

- Η τοποθέτηση της σκούπας στον τοίχο χωρίς οποιαδήποτε άλλη υποστήριξη μπορεί να προκαλέσει την πτώση και την βλάβη της σκούπας. **(Εικ. 26)**

Καθάρισμα (Εικ. 27)

Κατά διαστήματα, σκουπίζετε το εξωτερικό (κέλυφος της σκούπας) χρησιμοποιώντας ένα ύφασμα υγραμένο με σαπουνόνερο.

Καθαρίστε επίσης το άνοιγμα αναρρόφησης, την περιοχή στερέωσης της σακούλας/πακέτου συλλογής σκόνης και το πάμα σκόνης.

⚠ ΠΡΟΣΟΧΗ:

- Μην χρησιμοποιήσετε βενζίνη, βενζόλη, διαλυτικό, αλκοόλη ή κάτι παρόμοιο. Μπορεί να προκληθεί αποχρωματισμός, παραμόρφωση ή ρωγμές. Πλύνετε το σάκο συλλογής σκόνης με σαπουνόνερο όταν είναι βουλωμένος με σκόνη και έχει ελαττωθεί η ισχύς της σκούπας. Στεγνώστε καλά πριν τη χρήση. Ένας ανεπαρκώς στεγνωμένος σάκος μπορεί να προκαλέσει κακή αναρρόφηση και να μειώσει τη διάρκεια ζωής του κινητήρα. **(Εικ. 28)**

ΣΗΜΕΙΩΣΗ:

- Το πακέτο συλλογής σκόνης είναι απορριπτόμενο.

Όταν το σπογγώδες φίλτρο φράξει από τη σκόνη, αφαιρέστε το από τη σκούπα και στη συνέχεια σκουπίστε το ή πλύντε το με νερό.

Αφαίρεση και τοποθέτηση του σπογγώδους φίλτρου

Για να αφαιρέσετε το σπογγώδες φίλτρο, αφαιρέστε το σάκο ή το πακέτο συλλογής σκόνης και στη συνέχεια πιέστε και βγάλετε το έξω. **(Εικ. 29)**

Πιέστε μέσα όλη την περιφέρεια του σπογγώδους φίλτρου έναντι της εσοχής του τοιχώματος μέσα στην περιοχή στερέωσης του σάκου/πακέτου συλλογής σκόνης. **(Εικ. 30)**

⚠ ΠΡΟΣΟΧΗ:

- Μετά τον καθαρισμό του σπογγώδους φίλτρου, φροντίστε να το τοποθετήσετε στη σκούπα. Αν έχει πλυθεί με νερό, στεγνώστε το πριν από την τοποθέτηση. Ένα ανεπαρκώς στεγνωμένο σπογγώδες φίλτρο μπορεί να μειώσει τη διάρκεια ζωής του κινητήρα.

ΕΠΙΛΥΣΗ ΠΡΟΒΛΗΜΑΤΩΝ

Πριν ζητήσετε επισκευές, προβείτε πρώτα στον δικό σας έλεγχο. Εάν βρείτε κάποιο πρόβλημα που δεν ετεξεγείται στο εγχειρίδιο, μην προσπαθήσετε να αποσυναρμολογήσετε το εργαλείο. Ανταυτού, επικοινωνήστε με τα εξουσιοδοτημένα κέντρα εξυπηρέτησης της Dolmar και πάντοτε χρησιμοποιήστε τα ανταλλακτικά της Dolmar για τις επισκευές.

Σύμπτωμα	Περιοχή που πρέπει να διερευνηθεί	Μέθοδος επίλυσης
Χαμηλή ισχύς αναρρόφησης	Έχει γεμίσει σκόνη ο σάκος ή το χάρτινο πακέτο συλλογής σκόνης;	Αδειάστε το σάκο ή το χάρτινο πακέτο συλλογής σκόνης.
	Είναι ο σάκος συλλογής σκόνης βουλωμένος;	Αδειάστε ή πλύνετε το σάκο συλλογής σκόνης.
	Είναι φραγμένο το χάρτινο πακέτο συλλογής σκόνης;	Αντικαταστήστε χάρτινο πακέτο συλλογής σκόνης.
	Είναι εξαντλημένη η κασέτα μπαταρίας;	Φορτίστε τη μπαταρία.
Δεν λειτουργεί	Είναι εξαντλημένη η κασέτα μπαταρίας;	Φορτίστε τη μπαταρία.

014744

ΣΗΜΕΙΩΣΗ:

- Μην προσπαθήσετε να επισκευάσετε τη σκούπα μόνοι σας.

Απόρριψη της σκούπας

Μία μπαταρία ιόντων λιθίου είναι ενσωματωμένη σε αυτή τη σκούπα. Πάντοτε να την αφαιρείτε πριν από την απόρριψη της σκούπας.

Αφαίρεση της ενσωματωμένης μπαταρίας

⚠ ΠΡΟΣΟΧΗ:

- Ποτέ μην αφαιρείτε την ενσωματωμένη μπαταρία από τη σκούπα εκτός κατά την απόρριψη της σκούπας. Η μπαταρία μπορεί να υποστεί βλάβη ή να προκληθεί βραχυκύκλωμα στη μπαταρία.
- Μην αγγίζετε τους ακροδέκτες με αγώγιμο υλικό.

- Αποφύγετε την αποθήκευση της μονάδας της μπαταρίας σε δοχείο με άλλα μεταλλικά αντικείμενα, όπως καρφιά, νομίσματα, κτλ.
- Μην εκθέτετε τη μονάδα της μπαταρίας σε νερό ή βροχή.
- Μην αποσυναρμολογείτε ή τροποποιείτε τη μονάδα της μπαταρίας.
- 1. Για να αφαιρέσετε το πίσω κάλυμμα, σπρώξτε το κατά τη φορά του βέλους. **(Εικ. 31)**
- 2. Σύρετε την ενσωματωμένη μπαταρία μέχρι τη μέση. Αποσυνδέστε τα μολυβδαίνια καλώδια από τη μπαταρία, πατώντας το σύνδεσμο προς τη φορά του βέλους που δείχνει η εικόνα. **(Εικ. 32)**
- 3. Στη συνέχεια, ολισθήστε πλήρως τη μονάδα μπαταρίας. **(Εικ. 33)**
- 4. Τοποθετήστε τη μονάδα της μπαταρίας που έχει αφαιρεθεί σε μια πλαστική σακούλα, ώστε να μην βραχυκυκλώσει.

Για την εγκατάσταση της μπαταρίας ιόντων λιθίου, ακολουθήστε τη διαδικασία αφαίρεσης με αντίστροφη σειρά.

Για να διατηρείται η ΑΣΦΑΛΕΙΑ και η ΑΞΙΟΠΙΣΤΙΑ του προϊόντος, οι εργασίες επισκευής, καθώς και οποιαδήποτε άλλη εργασία συντήρησης ή ρύθμισης, θα πρέπει να εκτελούνται σε εξουσιοδοτημένα κέντρα εξυπηρέτησης της Dolmar, και πάντοτε με τη χρήση ανταλλακτικών της Dolmar.

ΠΡΟΑΙΡΕΤΙΚΑ ΑΞΕΣΟΥΑΡ

ΠΡΟΣΟΧΗ:

- Συνιστάται η χρήση αυτών των αξεσουάρ ή εξαρτημάτων με τη σκούπα της Dolmar, όπως περιγράφεται στο παρόν εγχειρίδιο. Αν χρησιμοποιήσετε άλλα αξεσουάρ ή εξαρτήματα μπορεί να παρουσιαστεί κίνδυνος για πρόκληση τραυματισμού προσώπων. Να χρησιμοποιείτε τα αξεσουάρ και τα εξαρτήματα μόνο για το σκοπό για τον οποίο προορίζονται.

Αν χρειάζεστε κάποια βοήθεια ή περισσότερες πληροφορίες σχετικά με τα αξεσουάρ αυτά, απευθυνθείτε στο πλησιέστερο κέντρο εξυπηρέτησης της Dolmar.

- Ατομική βούρσα
- Εύκαμπτος σωλήνας

ΣΗΜΕΙΩΣΗ:

- Ορισμένα από τα στοιχεία της λίστα μπορεί να περιέχονται στην συσκευασία του εργαλείου ως κανονικά αξεσουάρ. Αυτά ενδέχεται να διαφέρουν από χώρα σε χώρα.

TÜRKÇE (Orijinal talimatlar)

Genel görünüm

- | | | |
|--------------------------------|---------------------|----------------------|
| 1. Şarj konektörü | 10. Yuva | 19. Sünger |
| 2. Akü güç lambası | 11. Toz torbası | 20. Boşluklu duvar |
| 3. Açma/kapama düğmeleri | 12. Alt yuva | 21. Arka kapak |
| 4. Ön kapak | 13. Süpürge boşluğu | 22. Konektör |
| 5. Düğme | 14. Kağıt torba | 23. Bağlantı telleri |
| 6. Ön kapak bağlantısı | 15. Uç | 24. Akü |
| 7. Toz durdurucu | 16. Uzatma borusu | |
| 8. Toz durdurucunun üst tarafı | 17. Köşe alma ucu | |
| 9. Toz durdurucunun alt tarafı | 18. Sünger filtre | |

TEKNİK ÖZELLİKLER

Model	AZ-1020	
Kapasite	500 ml (toz torbası için)	
	330 ml (kağıt torbası için)	
Sürekli kullanım	3 (Turbo)	Yaklaşık 10 dak.
	2 (Yüksek)	Yaklaşık 15 dak.
	1 (Düşük)	Yaklaşık 30 dak.
Toplam uzunluk	Uç takılı değilken	446 mm
	Uç takılıyken	983 mm
Net ağırlık	1,1 kg	
Anma gerilimi	D.C. 10,8 V	

- Sürekli yapılan araştırma ve geliştirmelerden dolayı, burada belirtilen özellikler önceden bildirilmeksizin değiştirilebilir.
- Özellikler ve akü ülkeye göre farklılıklar gösterebilir.
- EPTA Prosedürü 01/2003 uyarınca ağırlık (akü dahil)

Simgeler

END315-1

Makine için kullanılan simgeler aşağıda gösterilmiştir. Makineyi kullanmaya başlamadan önce bu simgelerin ne anlama geldiğini öğrenin.



..... Kullanım kılavuzunu okuyun.



Sadece AB ülkeleri için

Elektrik cihazları ve pilleri ev çöpüyle birlikte atmayın!
Elektrikli ve Elektronik Cihaz Atıkları, Piller ve Aküler ve Pil ve Akü Atıkları hakkındaki Avrupa Yönergeleri ve bunların ulusal kanunlara göre uygulanışı uyarınca kullanım ömrünü tamamlayan elektrikli cihazlar ve piller mutlaka ayrı olarak toplanmalı ve çevre şartlarına uygun bir geri dönüşüm tesisine gönderilmelidir.

Kullanım amacı

ENE017-1

Bu makine kuru tozların toplanması için tasarlanmıştır.

ÖNEMLİ

ENA005-3

GÜVENLİK TALİMATLARI

Bu makineyi kullanırken, aşağıdaki önlemler de dahil daima tüm temel önlemler alınmalıdır:

BU MAKİNEYİ KULLANMAYA BAŞLAMADAN ÖNCE TÜM TALİMATLARI DİKKATLİCE OKUYUN.

UYARI - Yangın, elektrik çarpması ve yaralanma riskini düşürmek için:

1. Yağmura maruz bırakmayın. Kapalı bir yerde muhafaza edin.
2. Oyuncak olarak kullanılmasına izin vermeyin. Çocuklar tarafından veya çocukların yakınında kullanılırken çok dikkat edilmelidir.
3. Yalnızca bu kılavuzda açıkladığı şekilde kullanın. Yalnızca üretici tarafından önerilen aparatları kullanın.
4. Hasarlı aküleri kullanmayın. Makine beklendiği gibi çalışmıyorsa, yere düşmüşse, hasar görmüşse, açık bir yerde bırakılmışsa veya suya düşmüşse, bir servis merkezine kontrol ettirin.
5. Elleriniz ıslakken makineye dokunmayın.
6. Açıklıklara hiçbir nesne koymayın. Açıklıkların tıkanmamasına dikkat edin; tozdan, liflerden, saçlardan ve hava akışını düşürebilecek diğer yabancı maddelerden uzak tutun.
7. Saçlarınızı, bol kıyafetlerinizi, parmaklarınızı ve vücudunuzun diğer bölgelerini açıklıklara ve hareketli parçalara yaklaştırmayın.
8. Aküyü çıkarmadan önce tüm kontrolleri kapalı konuma getirin.
9. Basamakları temizlerken çok daha dikkatli olun.

10. Benzin vb. gibi tutuşabilir veya yanıcı sıvıları toplamak için kullanmayın ve bu maddelerin bulunabileceği alanlarda kullanmayın.
11. Şarj etmek için, yalnızca üretici tarafından verilen şarj cihazını kullanın.
12. Sigara, kibrit veya sıcak kül tablası gibi yanmakta veya tütmekte olan şeyleri toplamak için kullanmayın.
13. Filtreleri takılı değilse kullanmayın.
14. Aküyü açık yerlerde şarj etmeyin.
15. Bu makine, makinenin güvenliğinden sorumlu personelin makinenin kullanımına ilişkin kontrol veya talimatları olmaksızın fiziksel, algısal veya zihinsel yetersizlikleri bulunan ve yeterli deneyime ve bilgiye sahip olmayan kişiler (çocuklar dahil) tarafından kullanılmamalıdır.
16. Çocuklar, bu makine ile oynamamaları gerektiği konusunda uyarılmalıdır.

BU TALİMATLARI SAKLAYIN.

Bu makine evde kullanım için tasarlanmıştır.

EK GÜVENLİK KURALLARI ENB106-3

1. Kullanmaya başlamadan önce bu kılavuzu ve şarj cihaz kullanım kılavuzunu dikkatlice okuyun.
2. Aşağıdaki maddeleri toplamak için kullanmayın:
 - Yanan sigaralar veya metal taşlama/kesimi sırasında oluşan kıvılcıklar/metal tozları vb. gibi sıcak maddeler
 - Benzin, tiner, mazot, kerosen veya boya v.b. tutuşabilir maddeler
 - Nitrogliserin vb. gibi patlayıcı maddeler
 - Alüminyum, çinko, magnezyum, titanyum, fosfor veya selüloz vb. gibi yanıcı maddeler
 - Yaş kirler, su, yağ ve benzeri
 - Ahşap kırıntısı, metal, taş, cam, çivi, iğne ve jilet vb. gibi keskin kenarlı sert parçalar
 - Çimento ve toner gibi ağırlıkları tıkayabilecek toz maddeler
 - Metal ve karbon vb. gibi iletken tozlar
 - Beton tozları gibi ince partiküllerBu işlemler yangına, yaralanmalara ve/veya maddi hasara neden olabilir.
3. Anormal bir durum fark ettiğinizde makineyi derhal durdurun.
4. Süpürgeyi düşürür veya bir yere çarparsanız, çalıştırmaya başlamadan önce çatlak veya hasar olup olmadığını kontrol edin.
5. Süpürgeyi benzin, gaz, boya ve yapışkan vb. gibi tehlikeli tutuşabilir maddelerin yakınında şarj etmeyin.
6. Süpürgeyi kağıt, bez, halı ve vinil vb. gibi malzemeler üzerinde şarj etmeyin. Aksi takdirde, yangın çıkabilir.
7. Süpürgeyi tozlu bir ortamda şarj etmeyin.
8. Süpürgeyi yüksek bir yerde kullanıyorsanız, altınızda kimsenin olmadığından emin olun.
9. Ocak vb. gibi ısı kaynaklarına yakınlaştırmayın.
10. Giriş deliğini veya havalandırma deliklerini tıkamayın.

BU TALİMATLARI SAKLAYIN.

ÖNEMLİ GÜVENLİK TALİMATLARI

ENC010-1

DAHİLİ AKÜ İÇİN

1. Dahili aküyü kullanmaya başlamadan önce (1) akü şarj cihazı, (2) akü ve (3) akünün takıldığı ürüne ilişkin tüm talimatları ve uyarıları okuyun.
2. Dahili aküyü sökmeyin.
3. Çalışma süresinde önemli bir kısıalma gözlerseniz, hemen çalışmayı bırakın. Bu durum aşırı ısınmaya, yangına ve hatta patlamaya yol açabilir.
4. Elektrolit (akü sıvısı) gözlerinize temas ederse, bol temiz suyla yıkayın ve derhal bir doktora başvurun. Elektrolit körlüğe neden olabilir.
5. Dahili aküyü kısa devre yapmayın:
 - (1) Uçlarına herhangi bir iletken malzemeye dokunmayın.
 - (2) Dahili aküyü çivi, madeni para vb. gibi metal nesnelerin bulunduğu yerlerde saklamayın.
 - (3) Dahili aküyü suya veya yağmura maruz bırakmayın.Aküde oluşan kısa devre büyük bir elektrik akımına, aşırı ısınmaya, olası yanıklara ve hatta makinenin bozulmasına yol açabilir.
6. Makineyi ve dahili aküsünü 50°C (122°F) sıcaklığa ulaşabilecek veya bu değeri aşabilecek ortamlarda saklamayın.
7. Önemli ölçüde hasar görmüş veya tümüyle tükenmiş olsa da dahili aküyü kesinlikle yakarak imha etmeye çalışmayın. Dahili akü ateşe atıldığında patlayabilir.
8. Akünün düşmemesine ve darbe almamasına dikkat edin.

BU TALİMATLARI SAKLAYIN.

Akünün öngörülen maksimum ömrü dolana kadar kullanılabilmesi için öneriler

1. Dahili aküyü tamamen boşalmasını beklemeden şarj edin. Makinenin çalışma gücünde bir azalma gördüğünüzde, mutlaka çalışmayı bırakıp, dahili aküyü şarj edin.
2. Tam olarak şarj edilmiş bir dahili aküyü kesinlikle tekrar şarj etmeyin. Akünün normalden fazla şarj edilmesini ömrünü kısaltır.
3. Dahili aküyü, sıcaklığı 10°C - 40°C (50°F - 104°F) değerlerini geçmeyen bir odada şarj edin. Dahili akü ısınmıyorsa, şarj etmeden önce soğumasını bekleyin.
4. Makineyi uzun bir süre kullanmayacaksınız bile, aküyü her altı ayda bir şarj edin.

KULLANIMA İLİŞKİN TANIMLAR

⚠ DİKKAT:

- Makine üzerinde herhangi bir ayar veya çalışma kontrolü yapmadan önce mutlaka makinenin kapalı olduğundan emin olun.

Dahili akünün şarj edilmesi

⚠ DİKKAT:

- Süpürgeyi şarj işlemi sırasında çalıştırmayın. Hasar görebilir.
- Şarj fişini mutlaka şarj işleminden sonra süpürgeyi çıkarın.
- Yeni satın alınan veya uzun süredir kullanılmayan bir süpürge tam olarak şarj edilemeyebilir. Bu, normal bir durumdur ve bir sorun olduğu anlamına gelmez. Birkaç defa tam olarak boşalttıktan sonra süpürgeyi tam olarak şarj edebilirsiniz.

Bu süpürgeyi şarj etmek için yalnızca Dolmar LG-10 K şarj cihazını kullanın. Başka tipte şarj cihazlarının kullanımı akünün patlamasına ve dolayısıyla yaralanmalara ve hasara yol açabilir.

İlk defa kullanmadan önce veya uzun bir süredir kullanmıyorsanız süpürgeyi şarj edin. Şarj fişini şarj konektörüne bağlayın ve ardından şarj cihazını bir elektrik prizine takın. Akü güç lambası sabit yanmaya başlar ve şarj işlemine geçilir. Şarj işleminin tamamlanması yaklaşık 3 saat sürer. Şarj işlemi tamamlandıktan sonra ışık söner. Daha ayrıntılı bilgi için, akü şarj cihazının kullanım kılavuzuna bakın. (Şekil 1 ve 2)

Açma/kapama işlemi

⚠ DİKKAT:

- Kullanmaya başlamadan önce daima süpürgeye toz torbasının veya kağıt torbanın doğru şekilde takıldığından emin olun. Yanlış takılması tozun motora girmesine ve süpürgeyi arızalanmasına neden olabilir.
- Olası süpürge hasarlarını önlemek ve akünün kullanım ömrünü uzatmak için, her kullanımdan sonra süpürgeyi kapalı konuma getirin.

Süpürgeyi çalıştırmak için "1/2/3" düğmesine basmanız yeterlidir. Kapatmak için, "0" düğmesine basın. Süpürge devrini değiştirmek için "1/2/3" düğmesine basın. Bu düğmeye ilk defa basıldığında yüksek devre, ikinci defa basıldığında düşük devre ayarlanır. Bu düğmeye her basıldığında yüksek/düşük devir döngüsü sırasıyla tekrarlanır.

"1/2/3" düğmesi basılı tutulurken süpürge turbo çalışır. Bu mod çok tozlu alanların temizlenmesi için uygundur. (Şekil 3)

Akü güç lambası (Şekil 2)

Kalan akü kapasitesi düştüğünde akü güç lambası yanıp sönmeye başlar.

Kalan akü kapasitesi daha da düştüğünde, makine durur ve akü güç lambası yaklaşık 10 saniye daha yanar. Bu durumda aküyü şarj edin.

NOT:

- Akü güç lambasının yanıp sönmeye veya sabit yanmaya başlayacağı süre çalışmanın gerçekleştirildiği sıcaklığa ve akü durumuna bağlı olarak değişir.

KURULUM

Tozun Temizlenmesi

⚠ DİKKAT:

- Süpürgeyi tam olarak dolmadan önce boşaltın, aksi takdirde emiş gücü zayıflar.
 - Süpürgeyi içerisindeki tozu temizlediğinizden emin olun. Aksi takdirde, sünger filtre tıkanabilir veya motor hasar görebilir.
 - Toz torbası veya kağıt torba kullanıldığında gerekli olacağından toz durdurucuyu kesinlikle atmayın.
1. Ön kapağı açmak için düğmeyi bastırın. Bir klik sesi duyulana kadar açıldığında bu konumda artı yönde durur. (Şekil 4)

⚠ DİKKAT:

- Ön kapağı kapatırken parmaklarınızı sıkıştırmamaya dikkat edin. (Şekil 5)

NOT:

- Ön kapağı 90°'den daha fazla açmaya çalışırsanız ön kapak yerinden çıkar. Ön kapak yerinden çıkarsa, ön kapak bağlantısına geri takın.
2. Turuncu renkli toz durdurucuyu toz torbasıyla birlikte aynı anda çekin. (Şekil 6)
 3. Toz durdurucuyu çıkartın ve süpürgeyi boşaltın. (Şekil 7 ve 8)

Toz torbası ve kağıt torba

Süpürgeyi kullanmaya başlamadan önce toz torbası veya kağıt torba takın.

Toz torbası veya kağıt torba takarken mutlaka toz durdurucuyu kullanın.

Toz torbası temizlenerek birden fazla defa kullanılabilir. Kağıt torba ise "kullan ve at" tipindedir. Dolduğunda tüm torbayı temizlemeden atın.

Toz torbasının takılması (Şekil 9)

Toz torbasını takarken toz durdurucuyu kullanın.

Birbirlerinden farklı oldukları için, üst tarafı yanlışlıkla alt tarafa karıştırmamaya dikkat edin.

1. Toz torbası çıkıntısını şekilde gösterildiği gibi toz durdurucu yuvasına yerleştirin. (Şekil 10)
2. Toz torbasının üst ve alt tarafları arasında hiçbir fark yoktur. Çıkıntıyı herhangi bir taraftan toz durdurucunun alt yuvasına takabilirsiniz. (Şekil 11)
3. Toz durdurucu çerçevesini toz torbası çerçevesiyle üst üste getirin. (Şekil 12)
4. Toz durdurucuyu ve toz torbasını birlikte süpürge boşluğuna toz durdurucu üzerindeki ok yönünde yerleştirin. Bu ikiliyi süpürge boşluğundaki girintilere sonuna kadar iterek yerleştirin. (Şekil 13)
5. Toz torbasının tüm bez parçasını makinenin içine yerleştirin. (Şekil 14)
6. Ön kapağı sağlam şekilde kapatın. (Şekil 15)

Kağıt torbanın takılması

1. Toz durdurucu üzerine yerleştirmeden önce kağıt torbanın girişini açın. (Şekil 16)

Kağıt torbayı takarken de toz durdurucuyu kullanın.

Birbirlerinden farklı oldukları için, üst tarafı yanlışlıkla alt tarafa karıştırmamaya dikkat edin. (Şekil 9)

2. Kağıt torba çıkıntısını şekilde gösterildiği gibi toz durdurucu yuvasına yerleştirin. (Şekil 17)

3. Kağıt torbanın üst ve alt tarafları arasında hiçbir fark yoktur. Çıktıyı herhangi bir taraftan toz durdurucunun alt yuvasına takabilirsiniz. **(Şekil 11)**
4. Toz durdurucu çerçevesini kağıt torba çerçevesiyle üst üste getirin. **(Şekil 18)**
5. Toz durdurucuyu ve kağıt torbayı birlikte süpürge boşluğuna toz durdurucu üzerindeki ok yönünde yerleştirin. Bu ikiliyi süpürge boşluğundaki girintilere sonuna kadar iterek yerleştirin. **(Şekil 19)**
6. Kağıt torbanın tüm torba bölümünü makinenin içine yerleştirin. **(Şekil 14)**
7. Ön kapağı sağlam şekilde kapatın.

⚠ DİKKAT:

- Toz durdurucuyu toz torbası veya kağıt torba ile birlikte doğru şekilde takın. Makine bu parçalar doğru şekilde takılmadan veya kırılmış veya yırtılmış parçalarla çalıştırılırsa motora toz girebilir. Bu da motor arızasına neden olabilir.
- Kağıt torbayı takarken kartonu açıklık bölümünden katlamayın.
- Toz torbası veya kağıt torba kullanıldığında gerekli olduğundan toz durdurucuyu kesinlikle atmayın.
- Süpürge için kağıt torba, makinenin performansının korunması için önemli bir parçadır. Orijinal parça dışında bir kağıt torba kullanılması, duman çıkmasına veya tutuşmasına neden olabilir.

ÇALIŞTIRMA (Şekil 20)

Kullanım sırasında güvenli bağlantıyı garanti etmek için, uç vb. gibi aparatları bükerek takın. Bu aparatları çıkartırken de bükerek çıkartın.

Temizleme (Emiş)

Uç (Şekil 21)

Masaları, sıraları, mobilyaları vb. temizlerken ucu takın. Uç bu yüzeylerde kolayca kayacaktır.

Uç + Uzatma borusu (Düz boru) (Şekil 22)

Uzatma borusu uç ile süpürge arasına yerleştirilir. Bu düzen düz dururken zeminin vb. temizlenmesi için kullanışlıdır.

Köşe alma ucu (Şekil 23)

Arabanızın veya mobilyalarınızın köşelerini ve girintilerini temizlerken köşe alma ucunu takın.

Köşe alma ucu + Uzatma borusu (Düz boru) (Şekil 24)

Süpürgeyi giremediği dar alanlar veya uzanamadığınız yüksek yerler için, bu tertibatı kullanın.

BAKIM

⚠ DİKKAT:

- Makine üzerinde kontrol veya bakım işlemlerine başlamadan önce mutlaka makinenin kapalı olduğundan emin olun.

Kullanım sonrası

Süpürgeyi saklarken, süpürgeyi tutacağınızı bir çiviye asın. **(Şekil 25)**

NOT:

- Süpürgeyi başka bir destek olmaksızın duvara dayanması durumunda, süpürge düşerek hasar görebilir. **(Şekil 26)**

Temizleme (Şekil 27)

Arada sırada sabunlu suda nemlendirilmiş bir bez kullanarak süpürgeyi dış kısmını (süpürge gövdesini) temizleyin.

Ayrıca, emiş açıklığını, toz torbası/kağıt torba yerleştirme alanını ve toz durdurucuyu da temizleyin.

⚠ DİKKAT:

- Kesinlikle gazolin, benzin, tiner, alkol veya benzeri bir madde kullanmayın. Aksi takdirde renk bozulması, deformasyon veya çatlaklar meydana gelebilir. **(Şekil 28)**

Tozla tıkanıldığında ve süpürge gücü zayıfladığında toz torbasını sabunlu suda yıkayın. Kullanmadan önce iyice kurumasını bekleyin. Yeteri kadar kurutulmayan torbalar emişin zayıflamasına ve motorun kullanım ömrünün kismalmasına neden olabilir.

NOT:

- Kağıt torba "kullan ve at" tipindedir. Sünger filtre tozla tıkanmışsa, süpürgeyi çıkartın ve ardından çıkararak veya yıkayarak temizleyin.

Sünger filtrenin çıkartılması ve takılması

Sünger filtreyi çıkarmak için, toz torbasını veya kağıt torbayı sökün ve ardından sünger filtreyi çekerek çıkartın.

(Şekil 29)

Sünger filtrenin tüm kenarını toz torbası/kağıt torba yerleştirme alanı içerisindeki boşluklu duvara bastırın.

(Şekil 30)

⚠ DİKKAT:

- Sünger filtreyi temizledikten sonra süpürgeye takmayı unutmayın. Suda yıkanır, takmadan önce tamamen kurumasını bekleyin. Yeteri kadar kurutulmayan bir sünger filtre motorun kullanım ömrünün kismalmasına neden olabilir.

SORUN GİDERME

Onarım talebinde bulunmadan önce, kendiniz kontrol edin. Kılavuzda açıklanmamış herhangi bir sorunla karşılaşırsanız, makineyi sökmeye çalışmayın. Bunun yerine, makinenin Dolmar Yetkili Servis Merkezleri tarafından orijinal Dolmar yedek parçalar kullanılarak onarılmasını sağlayın.

Belirti	İncelenecek alan	Çözüm yöntemi
Emiş gücü zayıf	Toz torbası veya kağıt torba tamamen dolu mu?	Toz torbasını veya kağıt torbayı boşaltın.
	Toz torbası tıkalı mı?	Toz torbasını çirpin veya yıkayın.
	Kağıt torba tıkalı mı?	Kağıt torbayı değiştirin.
	Akü bitmiş mi?	Aküyü şarj edin.
Çalışmıyor	Akü bitmiş mi?	Aküyü şarj edin.

014744

NOT:

- Süpürgeyi kendi başınıza onarmaya çalışmayın.

Süpürgenin bertarafı

Süpürge içerisinde bir adet lityum akü mevcuttur. Süpürgeyi atmadan önce bu aküyü mutlaka çıkartın.

Dahili akünün sökülmesi

⚠ DİKKAT:

- Süpürgenin atılması dışında dahili aküyü kesinlikle süpürgeден çıkartmayın. Aksi takdirde, akü hasar görür ve kısa devre yapabilir.
 - Uçlarına herhangi bir iletken malzemeyle dokunmayın.
 - Aküyü çivi, madeni para vb. gibi metal nesnelerin bulunduğu yerlerde saklamayın.
 - Aküyü suya veya yağmura maruz bırakmayın.
 - Aküyü sökmeyin veya üzerinde değişiklik yapmayın.
1. Arka kapağı çıkarmak için, ok yönünde bastırın. (**Şekil 31**)
 2. Dahili aküyü yarıya kadar kaydırın. Konektörü şekilde gösterilen ok yönünde bastırarak bağlantı tellerinin aküyle bağlantısını kesin. (**Şekil 32**)
 3. Arından, aküyü tamamen çıkartın. (**Şekil 33**)
 4. Sökülen aküyü kısa devre olmaması için plastik bir torbaya koyun.

Aküyü takmak için, akü söküm prosedürünü ters sırayla uygulayın.

Ürünün EMNİYETLİ ve GÜVENİLİR durumda kalmasını sağlamak için tüm onarımlar, bakım ve ayarlar Dolmar yetkili servisleri veya fabrika servis merkezleri tarafından Dolmar yedek parçaları kullanılarak yapılmalıdır.

OPSİYONEL AKSESUARLAR

⚠ DİKKAT:

- Bu kullanım kılavuzunda tanıtılan Dolmar marka süpürgeyle aşağıdaki aksesuarların ve parçaların kullanılması önerilir. Bunların dışında başka aksesuarların veya parçaların kullanılması yaralanmalara yol açabilir. Aksesuarlar ve parçalar doğru şekilde ve öngörüldükleri işlevler için kullanılmalıdır.

Aksesuarlara ilişkin daha ayrıntılı bilgi almak için size en yakın yetkili Dolmar servisine başvurabilirsiniz.

- Raf fırçası
- Esnek hortum

NOT:

- Listedeki bazı parçalar makineyle birlikte standart aksesuar olarak verilebilir. Ürüne verilen aksesuarlar ülkeden ülkeye farklılıklar gösterebilir.

DOLMAR



DOLMAR GmbH
Postfach 70 04 20
D-22004 Hamburg
Germany
<http://www.dolmar.com>

885346A926

ALA