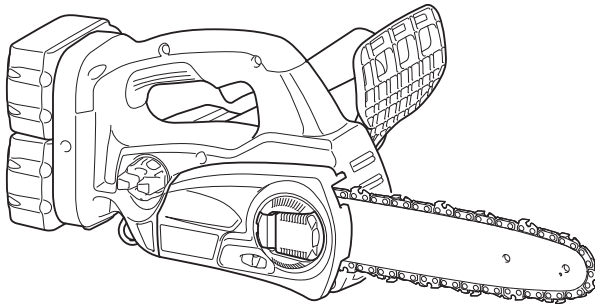


DOLMAR

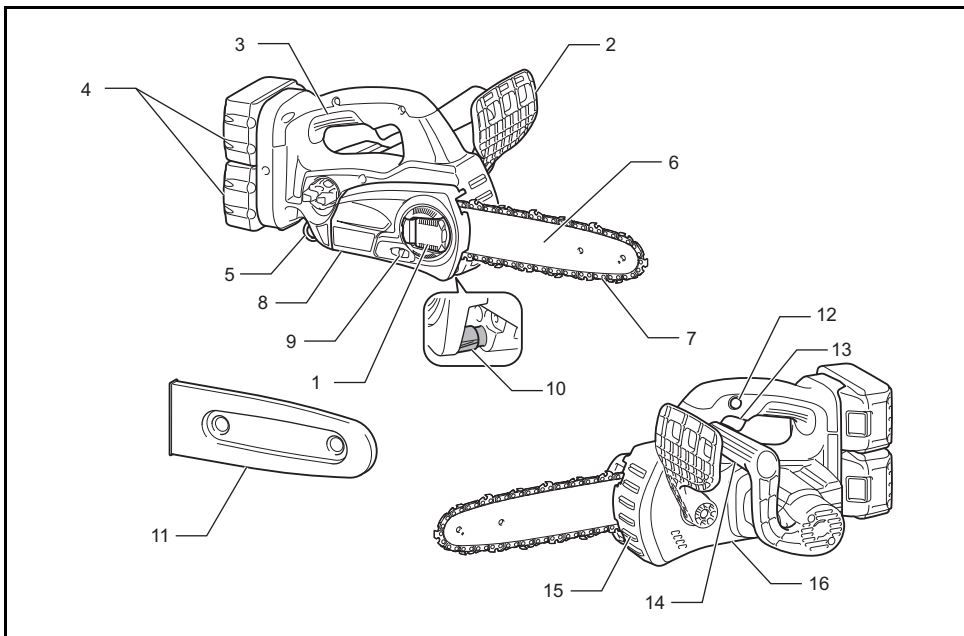


GB	Cordless Chain Saw	Instruction Manual
F	Tronçonneuse sans Fil	Manuel d'instructions
D	Akku-Kettensäge	Betriebsanleitung
I	Motosega a batteria	Istruzioni per l'uso
NL	Accu-kettingzaag	Gebruiksaanwijzing
E	Electrosierra Inalámbrica	Manual de instrucciones
P	Motosserra a Bateria	Manual de instruções
DK	Akku-kædesav	Brugsanvisning
GR	Αλυσοπρίονο μπαταρίας	Οδηγίες χρήσεως
TR	Akülü Ağaç Kesme	Kullanma kılavuzu

AS-3726
AS-3731



PARTS DESCRIPTION / DESCRIPTION DES PIÈCES / BESCHREIBUNG DER TEILE / DESCRIZIONE DELLE PARTI / BESCHRIJVING VAN ONDERDELEN / DESCRIPCIÓN DE LAS PARTES / DESCRICÃO DAS PEÇAS / BESKRIVELSE AF DELE / ΠΕΡΙΓΡΑΦΗ ΤΩΝ ΕΞΑΡΤΗΜΑΤΩΝ / PARÇALARIN TARIFI



014648

ENGLISH

1	Lever
2	Front hand guard
3	Top handle
4	Battery cartridge
5	Carabinar (rope attachment point)
6	Guide bar
7	Saw chain
8	Sprocket cover
9	Adjusting dial
10	Chain catcher
11	Guide bar cover
12	Lock-off button
13	Switch trigger
14	Front handle
15	Spike bumper
16	Adjusting screw for oil pump (at the bottom)

FRANÇAIS

1	Levier
2	Protège-main avant
3	Poignée supérieure
4	Batterie
5	Mousqueton (point de fixation de la corde)
6	Guide de chaîne
7	Chaîne
8	Couvre-pignon
9	Molette de réglage
10	Attrape-chaîne
11	Fourreau du guide-chaîne
12	Bouton de sécurité
13	Gâchette
14	Poignée avant
15	Griffe de butée
16	Vis de réglage de la pompe à huile (sur le dessous)

DEUTSCH

1	Hebel
2	Vorderer Handschutz
3	Obergriff
4	Akku
5	Karabiner (Seilbefestigungspunkt)
6	Schwert
7	Sägekette
8	Kettenraddeckel
9	Stellrad
10	Kettenfänger
11	Schwertschutzhülle
12	Einschaltarretierung
13	Schalter
14	Frontgriff
15	Krallenanschlag
16	Einstellschraube für Ölpumpe (an Unterseite)

NEDERLANDS

1	Hendel
2	Beschermkap van voorhandgreep
3	Bovenhandgreep
4	Accu
5	Karabijnhaak (bevestigingssoog voor touw)
6	Zaagblad
7	Zaagketting
8	Afdekking van kettingwiel
9	Stelknop
10	Kettingvanger
11	Zaagbladschede
12	Ontgrendelknop
13	Trekschakelaar
14	Voorhandgreep
15	Blokkeerbeugel
16	Stelschroef voor oliepomp (aan de onderzijde)

ITALIANO

1	Leva
2	Protezione mano anteriore
3	Manico superiore
4	Cartuccia batteria
5	Gancio (punto di attacco fune)
6	Barra guida
7	Catena sega
8	Coperchio rocchetto
9	Ghiera di regolazione
10	Fermacatena
11	Coperchio barra di guida
12	Bottone di sblocco
13	Interruttore a grilletto
14	Manico anteriore
15	Crampone
16	Vite di regolazione per pompa olio (sul fondo)

ESPAÑOL

1	Palanca
2	Protector de la mano delantera
3	Empuñadura principal
4	Cartucho de batería
5	Mosquetón (punto de sujeción de la cuerda)
6	Placa de guía
7	Cadena de sierra
8	Cubierta del piñón
9	Dial de ajuste
10	Protector de la cadena
11	Cubierta de la placa de guía
12	Botón de seguro
13	Gatillo interruptor
14	Empuñadura delantera
15	Parachoques de espica
16	Ajuste del tornillo para la bomba de aceite (en la parte inferior)

PORTUGUÊS

1	Alavanca
2	Protector frontal das mãos
3	Pega superior
4	Bateria
5	Argola (ponto de fixação de corda)
6	Espada
7	Corrente da electrosserra
8	Cobertura da roda dentada
9	Indicador de ajuste
10	Fixador da serra
11	Cobertura da espada-guia
12	Botão de bloqueio
13	Gatilho do interruptor
14	Pega frontal
15	Batente de espigões
16	Parafuso de ajuste para a bomba de óleo (no fundo)

ΕΛΛΗΝΙΚΑ

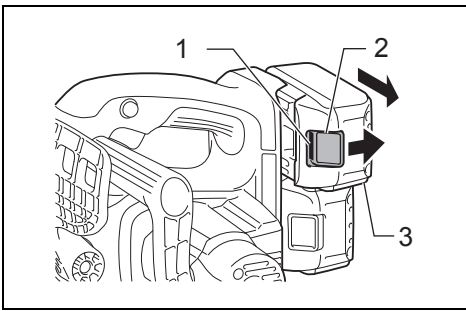
1	Μοχλός
2	Μπροστινός προφυλακτήρας χεριών
3	Ανω λαβή
4	Κασετίνα μπαταρίας
5	Carabiner (σημείο πρόσδεσης σχοινού)
6	Κατευθυντήρια λάμα
7	Αλυσίδα πριονιού
8	Κάλυμμα οδοντωτού τροχού
9	Καντράν ρύθμισης
10	Συγκρατήρας αλυσίδας
11	Κάλυμμα κατευθυντήριας λάμας
12	Πλήκτρο ασφάλειας
13	Σκανδάλη διακόπτης
14	Μπροστινή λαβή
15	Αγκυλωτός προφυλακτήρας
16	Βίδα ρύθμισης για αντλία λαδιού (στο κάτω μέρος)

DANSK

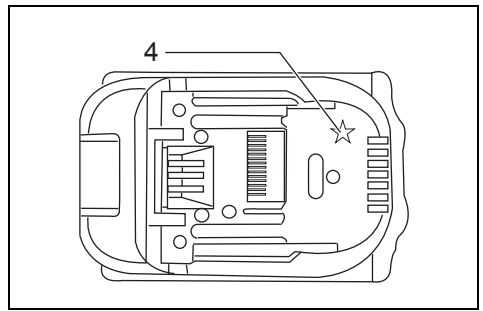
1	Arm
2	Frontkappe
3	Tophåndtag
4	Akku
5	Karabinhage (fastgørelsespunkt til reb)
6	Sværd
7	Savkæde
8	Kædehjulsdæksel
9	Justeringsdrejeknap
10	Kædefanger
11	Sværdbeskytter
12	Låseknop
13	Afbryderknop
14	Fronthåndtag
15	Barkstød
16	Justérskrue til oliepumpe (nederst)

TÜRKÇE

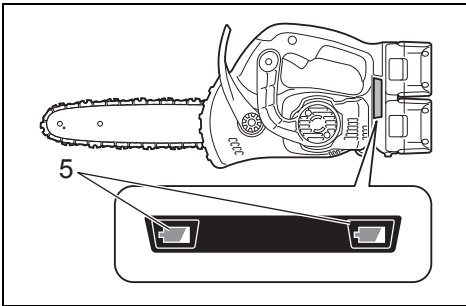
1	Kol
2	Ön el siperi
3	Üst tutamak
4	Batarya kartuşu
5	Karabina (halat bağlama noktası)
6	Pala
7	Testere zinciri
8	Zincir dişlisi kapağı
9	Ayar kadranı
10	Zincir yakalayıcı
11	Pala kapağı
12	Kilit açma düğmesi
13	Tetik anahtar
14	Ön tutamak
15	Sivri uçlu tampon
16	Yağ pompası ayar vidası (altta)



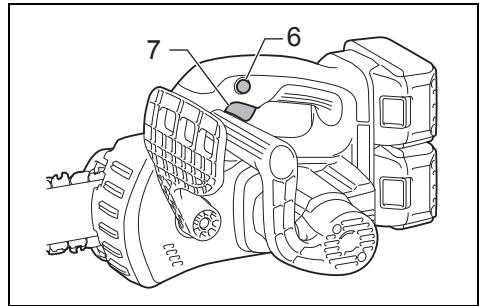
014650



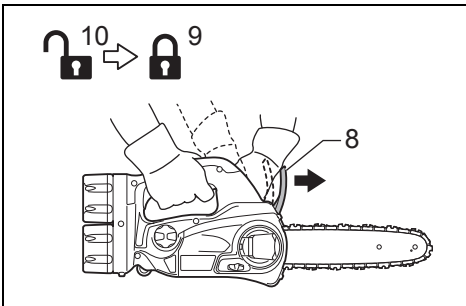
012128



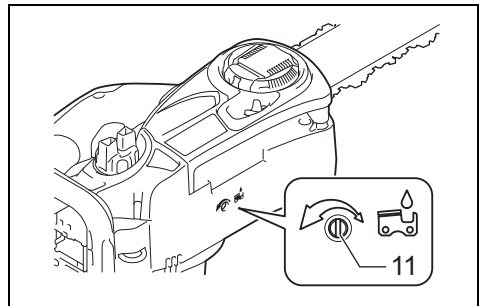
014658



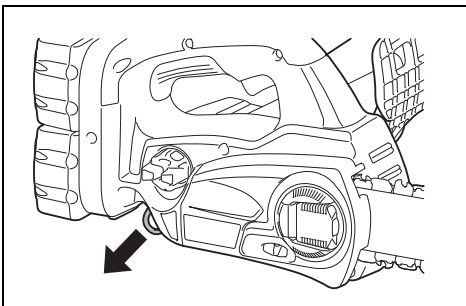
014662



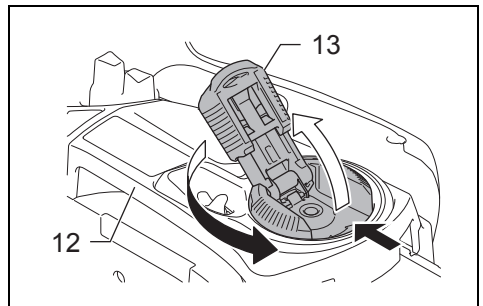
014663



014656



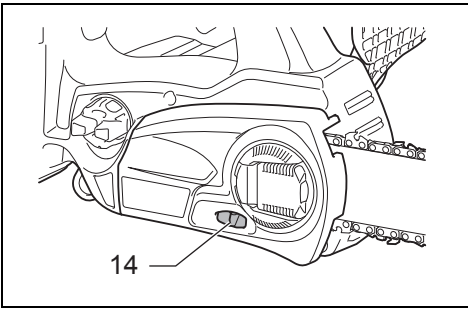
014664



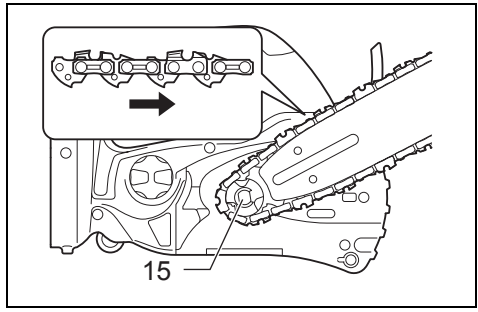
014674

7

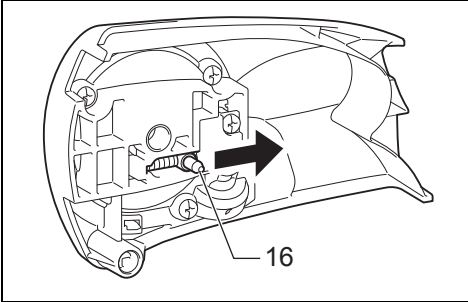
8



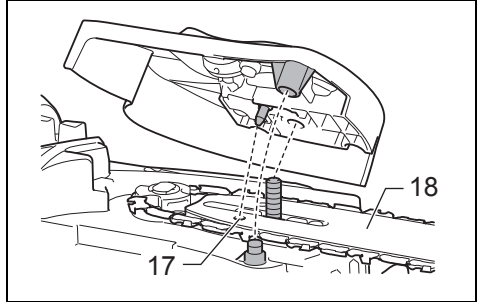
9 014653



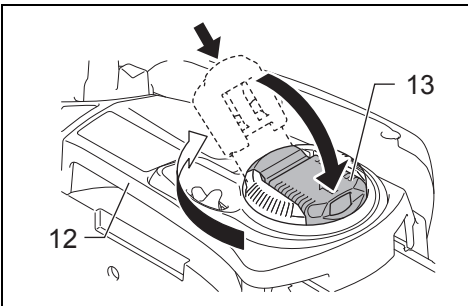
10 014660



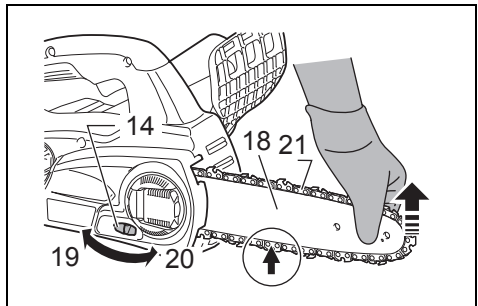
11 014659



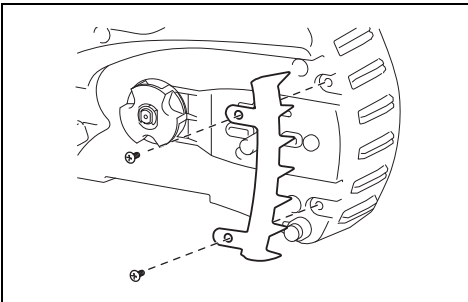
12 014661



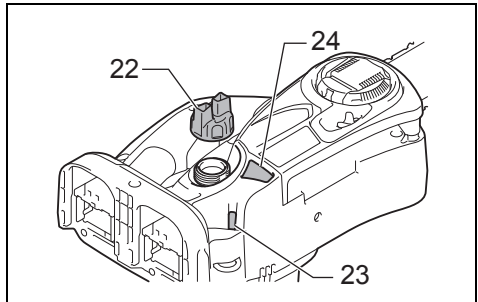
13 014675



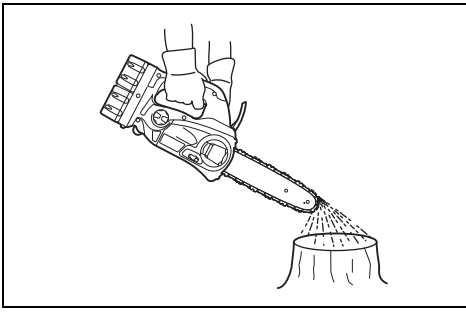
14 014712



15 014820

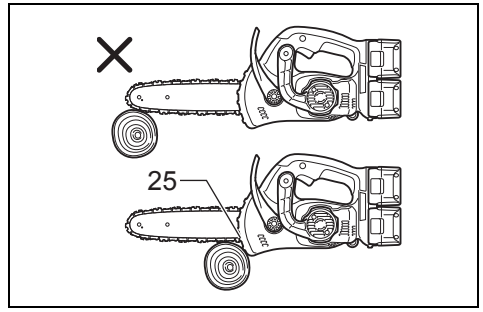


16 014655



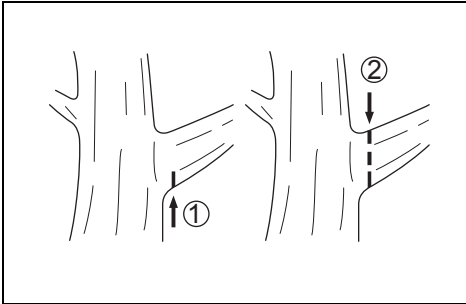
17

014669



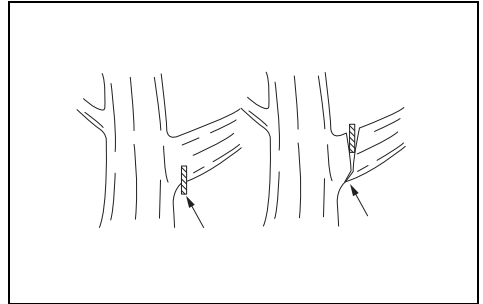
18

014668



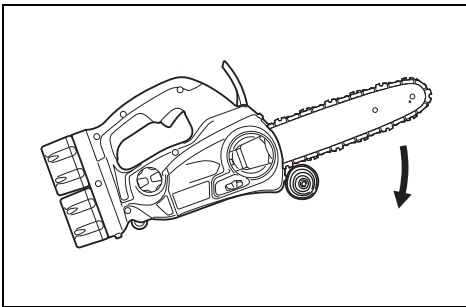
19

008576



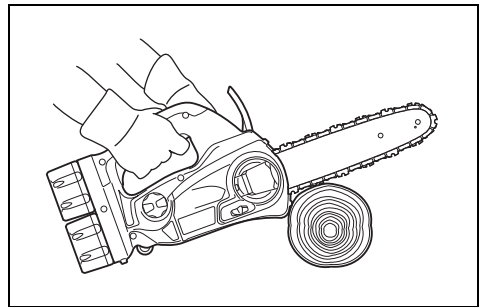
20

001742



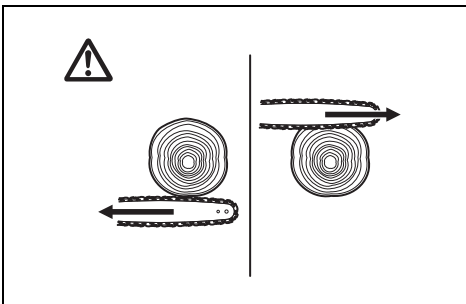
21

014714



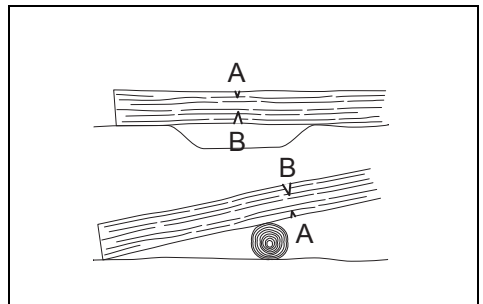
22

014667



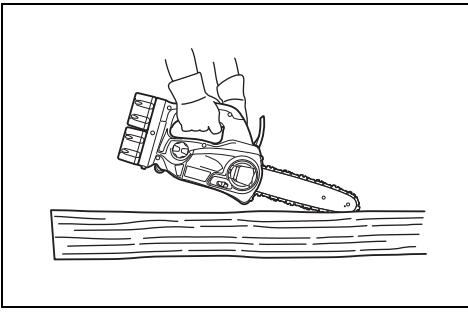
23

006914



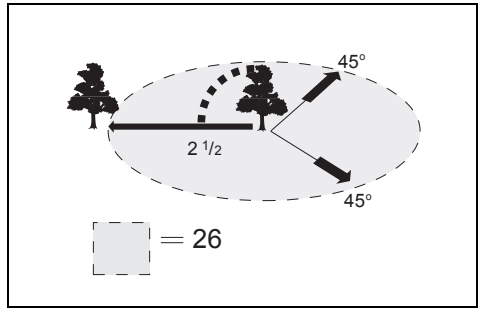
24

006915



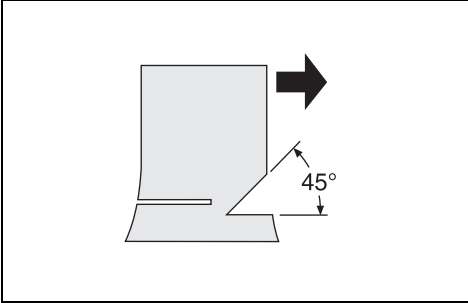
25

014713



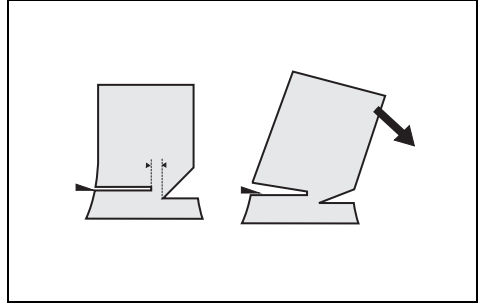
26

006917



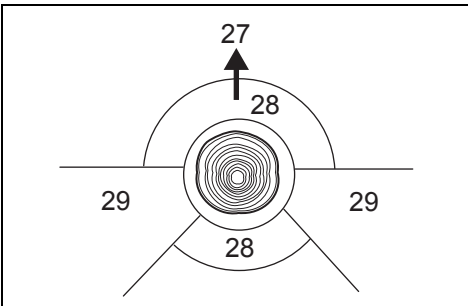
27

006918



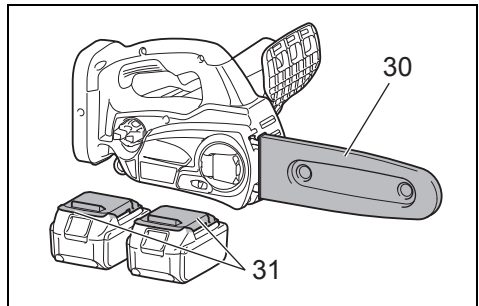
28

006923



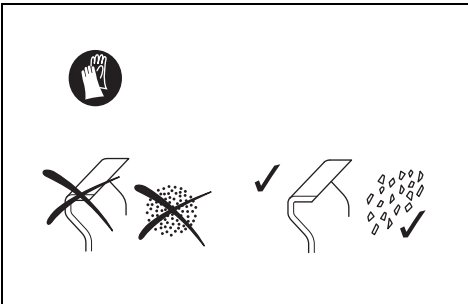
29

009202



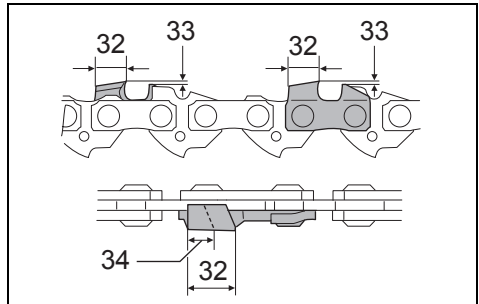
30

014665



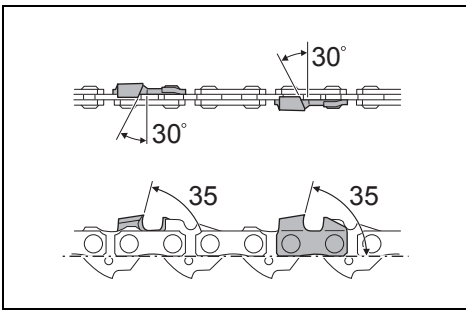
31

008633



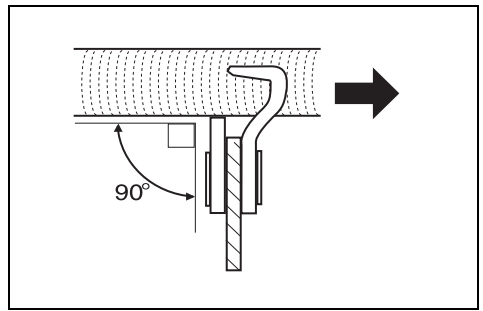
32

014456



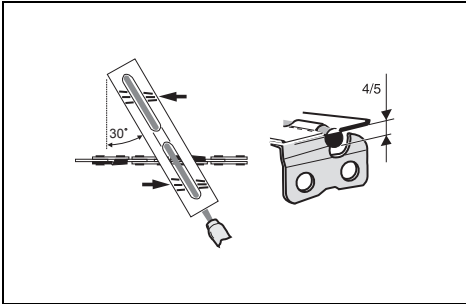
33

014455



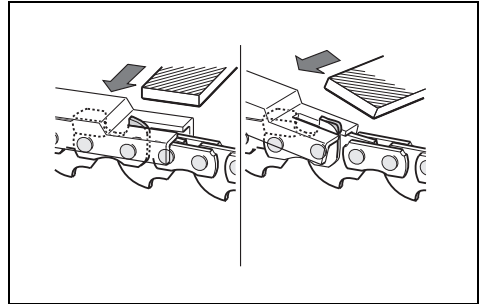
34

006927



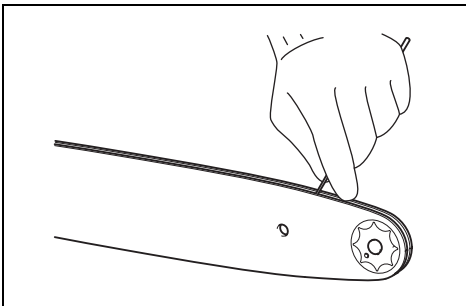
35

006928



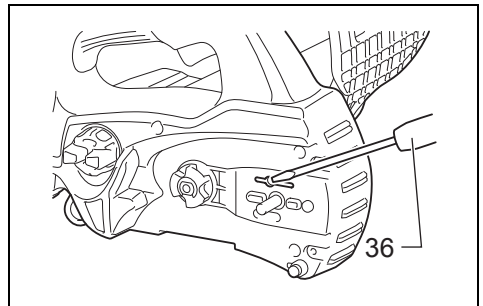
36

014344



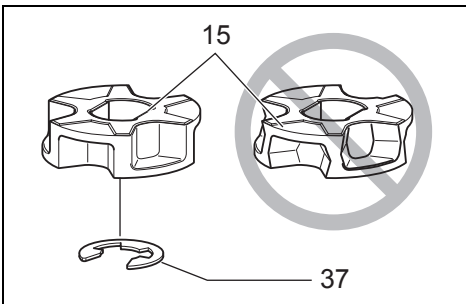
37

010924



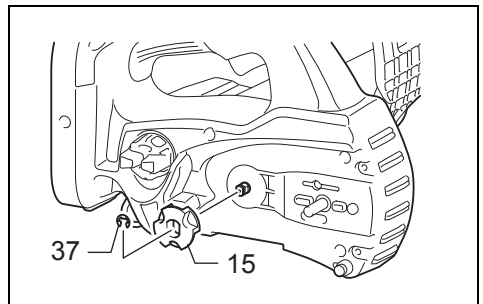
38

014671



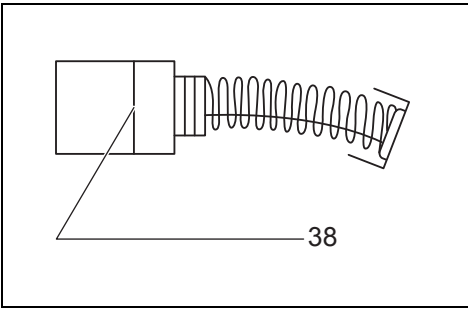
39

010927



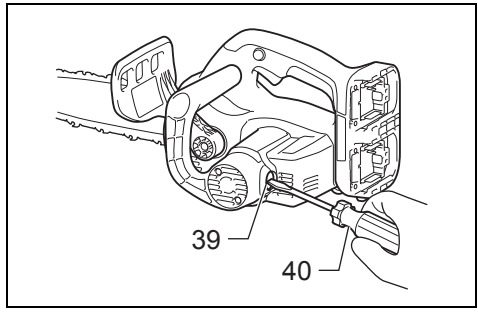
40

014715



41

001145



42

014672

Explanation of general view

1 Red indicator	15 Sprocket	28 Danger zone
2 Button	16 Adjusting pin	29 Escape route
3 Battery cartridge	17 Hole	30 Guide bar cover
4 Star marking	18 Guide bar	31 Battery cover
5 Battery indicator	19 Loosen	32 Cutting length
6 Lock-off button	20 Tighten	33 Distance between cutting edge and depth gauge
7 Switch trigger	21 Saw chain	34 Minimum 3 mm
8 Front hand guard	22 Oil tank cap	35 Side plate angle
9 Lock	23 Oil inspection window (for refilling the tank with oil)	36 Slotted screwdriver
10 Unlock	24 Oil inspection window	37 Locking ring
11 Adjusting screw	25 Spike bumper	38 Limit mark
12 Sprocket cover	26 Felling area	39 Brush holder cap
13 Lever	27 Felling direction	40 Screwdriver
14 Adjusting dial		

SPECIFICATIONS

Model		AS-3726		AS-3731
Standard guide bar	Guide bar length	250 mm		300 mm
	Cutting length	23 cm	24 cm	28 cm
	Type	Sprocket nose bar	Carving bar	Sprocket nose bar
Standard saw chain	Type	492 (91PX)	25 (25AP)	291 (90PX)
	Pitch	9.5 mm (3/8")	6.35 mm (1/4")	9.5 mm (3/8")
	Gauge	1.3 mm (0.05")	1.3 mm (0.05")	1.1 mm (0.043")
	No. of drive links	40	60	46
Sprocket	Number of teeth	6	9	6
	Pitch	9.5 mm (3/8")	6.35 mm (1/4")	9.5 mm (3/8")
Overall length (without guide bar)		316 mm		
Net weight	*1	4.1 kg		
	*2	4.6 kg	4.7 kg	
Chain speed per minute		8.3 m/s (500 m/min)		
Chain oil tank volume		85 cm ³		
Rated voltage		D.C. 36 V		D.C. 36 V

END313-1

- Due to our continuing program of research and development, the specifications herein are subject to change without notice.
- Specifications and battery cartridge may differ from country to country.

*1 Weight, with largest battery cartridge, without guide bar and chain, empty oil tank, according to EN ISO 11681-2.

*2 Weight, with battery cartridge, guide bar, and chain, filled oil tank, according to EPTA-Procedure 01/2003.
WARNING: Use appropriate combination of the guide bar and saw chain. Otherwise personal injury may result.

Symbols

The following show the symbols used for the equipment. Be sure that you understand their meaning before use.



- Read instruction manual.



- Wear eye protection.



- Wear ear protection.



- Wear a helmet, goggles and ear protection.



- Use appropriate protection for foot-leg and hand-arm.



- This saw is to be used by properly trained operators only.



- Do not expose to rain.



- Maximum permissible cut length



- Direction of chain travel



- Saw chain oil adjustment



- Only for EU countries
Do not dispose of electric equipment or battery pack together with household waste material!

In observance of the European Directives, on Waste Electric and Electronic Equipment and Batteries and Accumulators and Waste Batteries and Accumulators and their implementation in accordance with national laws, electric equipment and batteries and battery pack(s) that have reached the end of their life must be collected separately and returned to an environmentally compatible recycling facility.

ENE090-1

Intended use

The tool is intended for cutting branches / pruning trees. It is also suitable for tree service.

GEA010-1

General Power Tool Safety Warnings

⚠ WARNING Read all safety warnings and all instructions. Failure to follow the warnings and instructions may result in electric shock, fire and/or serious injury.

Save all warnings and instructions for future reference.

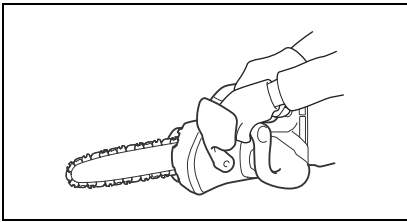
GEB118-1

Cordless Chain Saw Safety Warnings:

1. **Keep all parts of the body away from the saw chain when the chain saw is operating. Before you start the chain saw, make sure the saw chain is not contacting anything.** A moment of inattention while operating chain saws may cause entanglement of your clothing or body with the saw chain.
2. **When holding with both hands, always hold the chain saw with your right hand on the rear handle and your left hand on the front handle.** Holding the chain saw with a reversed hand configuration increases the risk of personal injury and should never be done.

3. **Hold the power tool by insulated gripping surfaces only, because the saw chain may contact hidden wiring.** Saw chains contacting a “live” wire may make exposed metal parts of the power tool “live” and could give the operator an electric shock.
4. **Wear safety glasses and hearing protection. Further protective equipment for head, hands, legs and feet is recommended.** Adequate protective clothing will reduce personal injury by flying debris or accidental contact with the saw chain.
5. **Always keep proper footing.** Slippery or unstable surfaces may cause a loss of balance or control of the chain saw.
6. **When cutting a limb that is under tension be alert for spring back.** When the tension in the wood fibers is released the spring loaded limb may strike the operator and/or throw the chain saw out of control.
7. **Use extreme caution when cutting brush and saplings.** The slender material may catch the saw chain and be whipped toward you or pull you off balance.
8. **Carry the chain saw by the front handle with the chain saw switched off and away from your body. When transporting or storing the chain saw always fit the guide bar cover.** Proper handling of the chain saw will reduce the likelihood of accidental contact with the moving saw chain.
9. **Follow instructions for lubricating, chain tensioning and changing accessories.** Improperly tensioned or lubricated chain may either break or increase the chance for kickback.
10. **Keep handles dry, clean, and free from oil and grease.** Greasy, oily handles are slippery causing loss of control.
11. **Cut wood only. Do not use chain saw for purposes not intended. For example: do not use chain saw for cutting plastic, masonry or non-wood building materials.** Use of the chain saw for operations different than intended could result in a hazardous situation.
12. **Causes and operator prevention of kickback:**
Kickback may occur when the nose or tip of the guide bar touches an object, or when the wood closes in and pinches the saw chain in the cut.
Tip contact in some cases may cause a sudden reverse reaction, kicking the guide bar up and back towards the operator.
Pinching the saw chain along the top of the guide bar may push the guide bar rapidly back towards the operator.
Either of these reactions may cause you to lose control of the saw which could result in serious personal injury. Do not rely exclusively upon the safety devices built into your saw. As a chain saw user, you should take several steps to keep your cutting jobs free from accident or injury.
Kickback is the result of tool misuse and/or incorrect operating procedures or conditions and can be avoided by taking proper precautions as given below:

- **Maintain a firm grip, with thumbs and fingers encircling the chain saw handles, with both hands on the saw and position your body and arm to allow you to resist kickback forces.** Kickback forces can be controlled by the operator, if proper precautions are taken. Do not let go of the chain saw.



014673

- **Do not overreach and do not cut above shoulder height.** This helps prevent unintended tip contact and enables better control of the chain saw in unexpected situations.
 - **Only use replacement bars and chains specified by the manufacturer.** Incorrect replacement bars and chains may cause chain breakage and/or kickback.
 - **Follow the manufacturer's sharpening and maintenance instructions for the saw chain.** Decreasing the depth gauge height can lead to increased kickback.
13. Before starting work, check that the chain saw is in proper working order and that its condition complies with the safety regulations. Check in particular that:
 - The chain brake is working properly;
 - The run-down brake is working properly;
 - The bar and the sprocket cover are fitted correctly;
 - The chain has been sharpened and tensioned in accordance with the regulations;
 14. **Do not start the chain saw with the chain cover being installed on it.** Starting the chain saw with the chain cover being installed on it may cause the chain cover to thrown out forward resulting in personal injury and damage to objects around the operator.

Top handle chainsaw specific safety warnings

1. This chain saw is designed especially for tree care and surgery. The chain saw is intended to be used by properly trained persons only. Observe all instructions, procedures and recommendations from the relevant professional organization. Otherwise fatal accidents may occur. It is recommend that always using a rising platform (cherry picker, lift) for sawing in trees. Rappelling techniques are extremely dangerous and require special training. The operators must be trained to become familiar with safety equipment usage and climbing techniques. Always use the appropriate belts, ropes and carabiners when working in trees. Always use restraining equipment for both the operator and the saw.
2. Perform cleaning and maintenance before storage in accordance with the instruction manual.

3. Ensure safe positioning of the chain saw during car transportation to avoid fuel or chain oil leakage, damage to the tool and personal injury.
4. Regularly check the functionality of chain brake.
5. Do not fill the chain oil near fire. Never smoke when you fill the chain oil.
6. National regulation may restrict the use of the chain saw.
7. If the equipment gets heavy impact or fall, check the condition before continuing work. Check the controls and safety devices for malfunction. If there is any damage or doubt, ask our authorized service center for the inspection and repair.
8. Always activate the chain brake before starting the chain saw.
9. Hold the saw firmly in place to avoid skating (skid movement) or bouncing of the saw when starting a cut.
10. At the end of the cut, be careful to keep your balance due to the "drop".
11. Take into account the direction and speed of the wind. Avoid sawdust and chain oil mist.

Protective equipment

1. **In order to avoid head, eye, hand or foot injuries as well as to protect your hearing the following protective equipment must be used during operation of the chain saw:**
 - The kind of clothing should be appropriate, i. e. it should be tight-fitting but not be a hindrance. Do not wear jewelry or clothing which could become entangled with bushes or shrubs. If you have long hair, always wear a hairnet!
 - It is necessary to wear a protective helmet whenever working with the chain saw. The **protective helmet** is to be checked in regular intervals for damage and is to be replaced after 5 years at the latest. Use only approved protective helmets.
 - The **face shield** of the protective helmet (or the goggles) protects against sawdust and wood chips. During operation of the chain saw always wear a goggle or a face shield to prevent eye injuries.
 - Wear adequate **noise protection equipment** (ear muffs, ear plugs, etc.)
 - The **protective jacket** consists of 22 layers of nylon and protects the operator against cuts. It is always to be worn when working from elevated platforms (cherry pickers, lifts), from platforms mounted on ladders or when climbing with ropes.
 - The **protective brace and bib overall** is made of a nylon fabric with 22 layers and protects against cuts. We strongly recommend its use.
 - **Protective gloves** made of thick leather are part of the prescribed equipment and must always be worn during operation of the chain saw.
 - During operation of the chain saw **safety shoes** or **safety boots** fitted with anti skid sole, steel toe caps and protection for the leg must always to be worn. Safety shoes equipped with a protective layer provide protection against cuts and ensure a secure footing. For working in trees the safety boots must be suitable for climbing techniques.

Vibration

1. Individuals with poor circulation who are exposed to excessive vibration may experience injury to blood vessels or the nervous system.

Vibration may cause the following symptoms to occur in the fingers, hands or wrists: "Falling asleep" (numbness), tingling, pain, stabbing sensation, alteration of skin colour or of the skin.

If any of these symptoms occur, see a physician!

To reduce the risk of "white finger disease", keep your hands warm during operation and well maintain the equipment and accessories.

SAVE THESE INSTRUCTIONS.

WARNING:

DO NOT let comfort or familiarity with product (gained from repeated use) replace strict adherence to safety rules for the subject product. **MISUSE** or failure to follow the safety rules stated in this instruction manual may cause serious personal injury.

ENC007-8

IMPORTANT SAFETY INSTRUCTIONS

FOR BATTERY CARTRIDGE

1. Before using battery cartridge, read all instructions and cautionary markings on (1) battery charger, (2) battery, and (3) product using battery.
2. Do not disassemble battery cartridge.
3. If operating time has become excessively shorter, stop operating immediately. It may result in a risk of overheating, possible burns and even an explosion.
4. If electrolyte gets into your eyes, rinse them out with clear water and seek medical attention right away. It may result in loss of your eyesight.
5. Do not short the battery cartridge:
 - (1) Do not touch the terminals with any conductive material.
 - (2) Avoid storing battery cartridge in a container with other metal objects such as nails, coins, etc.
 - (3) Do not expose battery cartridge to water or rain.

A battery short can cause a large current flow, overheating, possible burns and even a breakdown.
6. Do not store the tool and battery cartridge in locations where the temperature may reach or exceed 50°C (122°F).
7. Do not incinerate the battery cartridge even if it is severely damaged or is completely worn out. The battery cartridge can explode in a fire.
8. Be careful not to drop or strike battery.
9. Do not use dropped or struck battery.
10. Follow your local regulations relating to disposal of battery.

SAVE THESE INSTRUCTIONS.

Tips for maintaining maximum battery life

1. **Charge the battery cartridge before completely discharged. Always stop tool operation and charge the battery cartridge when you notice less tool power.**
2. **Never recharge a fully charged battery cartridge. Overcharging shortens the battery service life.**
3. **Charge the battery cartridge with room temperature at 10°C – 40°C (50°F – 104°F). Let a hot battery cartridge cool down before charging it.**
4. **Charge the battery cartridge once in every six months if you do not use it for a long period of time.**

FUNCTIONAL DESCRIPTION

CAUTION:

- Always be sure that the tool is switched off and the battery cartridge is removed before adjusting or checking function on the tool.

Installing or removing battery cartridge (Fig. 1)

CAUTION:

- Always switch off the tool before installing or removing of the battery cartridge.
- **Hold the tool and the battery cartridge firmly when installing or removing battery cartridge.**

Failure to hold the tool and the battery cartridge firmly may cause them to slip off your hands and result in damage to the tool and battery cartridge and a personal injury.

To remove the battery cartridge, slide it from the tool while sliding the button on the front of the cartridge.

To install the battery cartridge, align the tongue on the battery cartridge with the groove in the housing and slip it into place. Insert it all the way until it locks in place with a little click. If you can see the red indicator on the upper side of the button, it is not locked completely.

CAUTION:

- Always install the battery cartridge fully until the red indicator cannot be seen. If not, it may accidentally fall out of the tool, causing injury to you or someone around you.
- Do not install the battery cartridge forcibly. If the cartridge does not slide in easily, it is not being inserted correctly.

NOTE:

- The tool does not work with only one battery cartridge.

Tool/battery protection system

The tool is equipped with a tool/battery protection system. This system automatically cuts off power to the motor to extend tool and battery life.

The tool will automatically stop during operation if the tool or battery are placed under one of the following conditions. In some conditions, the indicators light up.

Overload protection

When the tool is operated in a manner that causes it to draw an abnormally high current, the tool automatically stops without any indication. In this situation, turn the tool off and stop the application that caused the tool to become overloaded. Then turn the tool on to restart.

Overheat protection for battery / tool

When the battery/tool is overheated, the tool stops automatically without any indication. The tool does not start even if pulling the switch trigger. In this situation, let the battery/tool cool before turning the tool on again.

NOTE:

- The battery overheat protection works only with a battery cartridge with a star marking. (Fig. 2)

Overdischarge protection (Fig. 3)

When the remaining battery capacity gets low, the battery indicator blinks on the applicable battery side. By further use, the tool stops and the battery indicator lights up about 10 seconds. In this situation, charge the battery cartridge.

Switch action (Fig. 4)

⚠ CAUTION:

- Before installing the battery cartridge into the tool, always check to see that the switch trigger actuates properly and returns to the "OFF" position when released.

To prevent the switch trigger from being accidentally pulled, a lock-off button is provided.

To start the tool, depress the lock-off button and pull the switch trigger. Release the switch trigger to stop.

Checking the chain brake (Fig. 5)

NOTE:

- If the chain saw fails to start, the chain brake must be released. Pull the front hand guard backwards firmly until you feel it engage.

Hold the chain saw with both hands when switching it on. Hold the top handle with your right hand, the front handle with your left. The bar and the chain must not be in contact with any object.

First press the lock-off button, then the switch trigger.

The saw chain starts immediately.

Press the front hand guard forwards using the back of your hand. The saw chain must come to an immediate standstill.

⚠ CAUTION:

- Should the saw chain not stop immediately when this test is performed, the saw may not be used under any circumstances. Consult a DOLMAR specialist repair shop.

Checking the run-down brake

Switch on the chain saw.

Release the switch trigger completely. The saw chain must come to a standstill within one second.

⚠ CAUTION:

- Should the saw chain not come to a stop within one second when this test is performed, the saw must not be used. Consult a DOLMAR specialist repair shop.

Adjusting the chain lubrication (Fig. 6)

You can adjust the oil pump feed rate with the adjusting screw. The amount of oil can be adjusted using the universal wrench.

Carabiner (rope attachment point) (Fig. 7)

Carabiner (Rope attachment point) is for use of tool hanging. Before using carabiner, pull it out and tie it with a rope.

ASSEMBLY

⚠ CAUTION:

- Always be sure that the tool is switched off and the battery cartridge is removed before carrying out any work on the tool.

Removing or installing saw chain (Fig. 8, 9, 10, 11, 12 & 13)

⚠ CAUTION:

- Always wear gloves when installing or removing the saw chain.
- The saw chain and the guide bar are still hot just after the operation. Let them cool down enough before carrying out any work on the tool.

To remove the saw chain, perform the following steps:

1. Press and fully open the lever until it stops.
2. Turn the adjusting dial to "–" direction to release the saw chain tension.
3. Turn the lever counterclockwise to loosen the sprocket cover until it comes off.
4. Remove the sprocket cover.
5. Remove the saw chain and guide bar from the chain saw.

To install the saw chain, perform the following steps:

6. Make sure the direction of the chain. The arrow mark on the chain shows the direction of the chain.
7. Fit in one end of the saw chain on the top of the guide bar and the other end of it around the sprocket.
8. Rest the guide bar in place on the chain saw.
9. Turn the adjusting dial to "–" direction to slide the adjusting pin in the direction of arrow.
10. Place the sprocket cover on the chain saw so that the adjusting pin is positioned in a small hole in the guide bar.
11. Turn the lever clockwise fully and a quarter turn back to keep looseness for adjusting chain tension.
12. Turn the adjusting dial, and adjust the chain tension.
13. Turn the lever clockwise to secure the sprocket cover.
14. Press and return the lever to its original position.

Adjusting saw chain tension (Fig. 8 & 14)

The saw chain may become loose after many hours of use. From time to time check the saw chain tension before use.

1. Press and fully open the lever until it clicks. Turn it counterclockwise a little to loosen sprocket cover lightly.
2. Lift up the guide bar tip slightly.
3. Turn the adjusting dial to adjust the saw chain tension. Tighten the saw chain until the lower side of the saw chain fits in the guide bar rail (see circle in the figure).
4. Keep holding the guide bar lightly and tighten the sprocket cover after adjusting the chain tension. Make sure that the saw chain does not loose at lower side.
5. Press and return the lever to its original position.

Make sure the saw chain fits snugly against the lower side of the bar.

CAUTION:

- Do not tighten the saw chain too much. Excessively high tension of saw chain may cause breakage of saw chain, wear of the guide bar and breakage of the adjusting dial.
- A chain which is too loose can jump off the bar, and therefore presents an accident risk.
- Carry out the procedure of installing or removing saw chain in a clean place free from sawdust and the like.

Spike bumper (optional accessory) (Fig. 15)

To install spike bumper, perform the following steps:

1. Remove the sprocket cover, saw chain and guide bar as described in this instruction manual.
2. Fit the holes of spike bumper along with the holes on the chainsaw.
3. Tighten them firmly with screws.

OPERATION

CAUTION:

- Do not cover vents, or it may cause overheating and damage to the tool.

Lubrication (Fig. 16 & 17)

Saw chain is automatically lubricated when the tool is in operation.

Check the amount of remaining oil in the oil tank through the oil inspection window.

To refill the tank, remove the cap from the oil tank opening.

After refilling the tank, always screw the provided oil tank cap on the chain saw.

CAUTION:

- When filling the chain saw with chain oil for the first time, or refilling the tank after it has been completely emptied, add oil up to the bottom edge of the filler neck. The oil delivery may otherwise be impaired.
- As a saw chain oil, use oil exclusively for Dolmar chain saws or oil available in market.
- Never use oil including dust and particles or volatile oil.
- When pruning trees, use botanical oil. Mineral oil may harm trees.
- Never force the chain saw when pruning trees.
- Before cutting out, make sure that the provided oil tank cap is screwed in place.

Hold the chain saw away from the tree. Start it and wait until lubrication on saw chain is adequate.

Bring the spike bumper into contact with the branch to be cut before switching on. Otherwise it may cause the guide bar to wobble, resulting in injury to operator.

Saw the wood to be cut by just moving it down.

WORKING WITH THE CHAIN SAW

CAUTION:

- The first time user should, as a minimum practice, do cutting logs on a saw-horse or cradle.
- When sawing pre-cut timber use a safe support (saw horse or cradle). Do not steady the workpiece with your foot, and do not allow anyone else to hold or steady it.
- Secure round pieces against rotation.

Pruning trees (Fig. 18, 19, 20 & 21)

CAUTION:

- Keep all parts of the body away from the saw chain when the motor is operating.
- Hold the chain saw firmly with both hands when the motor is running.
- Do not overreach. Keep proper footing and balance at all times.

Bring the spike bumper into contact with the branch to be cut before switching on. Cutting without bringing the spike bumper into contact with the branch may cause the guide bar to wobble, resulting in injury to operator.

When cutting thick branches, first make a shallow undercut and then make the finish cut from the top.

If you try to cut off thick branches from the bottom, the branch may close in and pinch the saw chain in the cut. If you try to cut off thick branches from the top without a shallow undercut, the branch may splinter.

If you cannot cut the timber right through with a single stroke:

Apply light pressure to the handle and continue sawing and draw the chain saw back a little; then apply the spike a little lower and finish the cut by raising the handle.

Bucking (Fig. 22, 23 & 24)

For bucking cuts, rest the spike bumper shown in the figure on the wood to be cut.

With the saw chain running, saw into the wood, using the top handle to raise the saw and the front one to guide it.

Use the spike bumper as a pivot.

Continue the cut by applying slight pressure to the front handle, easing the saw back slightly. Move the spike bumper further down the timber and raise the front handle again.

When making several cuts, switch the chain saw off between cuts.

CAUTION:

- If the upper edge of the bar is used for cutting, the chain saw may be deflected in your direction if the chain becomes trapped. For this reason, cut with the lower edge, so that the saw will be deflected away from your body.

Cut wood under tension on the pressure side (A) first.

Then make the final cut on the tension side (B). This prevents the bar from becoming trapped.

Limbing

CAUTION:

- Limbing may only be performed by trained persons. A hazard is presented by the risk of kick-back.

When limbing, support the chain saw on the trunk if possible. Do not cut with the tip of the bar, as this presents a risk of kickback.

Pay particular attention to branches under tension. Do not cut unsupported branches from below.

Do not stand on the felled trunk when limbing.

Burrowing and parallel-to-grain cuts (Fig. 25)

CAUTION:

- Burrowing and parallel-to-grain cuts may only be carried out by persons with special training. The possibility of kickback presents a risk of injury.

Perform parallel-to-grain cuts at as shallow an angle as possible. Carry out the cut as carefully as possible, as the spike bumper cannot be used.

Felling (Fig. 26, 27, 28 & 29)

CAUTION:

- Felling work may only be performed by trained persons. The work is hazardous.

Observe local regulations if you wish to fell a tree.

- Before starting felling work, ensure that:
 - (1) Only persons involved in the felling operation are in the vicinity;
 - (2) Any person involved has an unhindered path of retreat through a range of approximately 45° either side of the felling axis. Consider the additional risk of tripping over electrical cables;
 - (3) The base of the trunk is free of foreign objects, roots and branches;
 - (4) No persons or objects are present over a distance of 2 1/2 tree lengths in the direction in which the tree will fall.
- Consider the following with respect to each tree:
 - Direction of lean;
 - Loose or dry branches;
 - Height of the tree;
 - Natural overhang;
 - Whether or not the tree is rotten.
- Consider the wind speed and direction. Do not carry out felling work if the wind is gusting strongly.
- Trimming of root swellings: Begin with the largest swellings. Make the vertical cut first, then the horizontal cut.
- Cut a scarf: The scarf determines the direction in which the tree will fall, and guides it. It is made on the side towards which the tree is to fall. Cut the scarf as close to the ground as possible. First make the horizontal cut to a depth of 1/5 – 1/3 of the trunk diameter. Do not make the scarf too large. Then make the diagonal cut.
- Cut any corrections to the scarf across its entire width.
- Make the back cut a little higher than the base cut of the scarf. The back cut must be exactly horizontal. Leave approximately 1/10 of the trunk diameter between the back cut and the scarf. The wood fibers in the uncut trunk portion act as a hinge. Do not cut right through the fibers under any circumstances, as the tree will otherwise fall unchecked. Insert wedges into the back cut in time.
- Only plastic or aluminum wedges may be used to keep the back cut open. The use of iron wedges is prohibited.
- Stand to the side of the falling tree. Keep an area clear to the rear of the falling tree up to an angle of 45° either side of the tree axis (refer to the "felling area" figure). Pay attention to falling branches.
- An escape path should be planned and cleared as necessary before cuts are started. The escape path should extend back and diagonally to the rear of the expected line of fall as illustrated in figure.

Carrying tool (Fig. 30)

Always remove the battery cartridge from the tool and overlap the guide bar with the guide bar cover before carrying the tool. Also cover the battery cartridge with the battery cover.

MAINTENANCE

CAUTION:

- Always be sure that the tool is switched off and the battery cartridge is removed before attempting to perform inspection or maintenance.
- Always wear gloves when performing any inspection or maintenance.
- Never use gasoline, benzine, thinner, alcohol or the like. Discoloration, deformation or cracks may result.

Sharpening the saw chain (Fig. 31)

CAUTION:

- Always remove the battery cartridge and wear safety gloves when performing work on the saw chain.

Sharpen the saw chain when:

- Mealy sawdust is produced when damp wood is cut;
- The chain penetrates the wood with difficulty, even when heavy pressure is applied;
- The cutting edge is obviously damaged;
- The saw pulls to the left or right in the wood. The reason for this behaviour is uneven sharpening of the saw chain, or damage to one side only.

Sharpen the saw chain frequently, but remove only a little material each time.

Two or three strokes with a file are usually sufficient for routine resharpener. When the saw chain has been resharpener several times, have it sharpened in a DOLMAR specialist repair shop.

Sharpening criteria: (Fig. 32 & 33)

- All cutter length must be equal. Cutters of differing length prevent the chain from running smoothly, and may cause the chain to break.
- Do not sharpen the chain once a minimum cutter length of 3 mm has been reached. A new chain must then be fitted.
- The chip thickness is determined by the distance between the depth gauge (round nose) and the cutting edge.
- The best cutting results are obtained with following distance between cutting edge and depth gauge.
 - Chain blade 291 (90PX): 0.5 mm
 - Chain blade 492 (91PX): 0.65 mm
 - Chain blade 25 (25AP): 0.65 mm

WARNING:

- An excessive distance increases the risk of kick-back.
- The sharpening angle of 30° must be the same on all cutters. Differences in angle cause the chain to run roughly and unevenly, accelerate wear, and lead to chain breaks.
- The side plate angle of the cutter is determined by the depth of penetration of the round file. If the specified file is used properly, the correct side plate angle is produced automatically.
- Side plate angle for each saw chain are as follows:
 - Chain blade 291 (90PX): 75°
 - Chain blade 492 (91PX): 80°
 - Chain blade 25 (25AP): 85°

File and file guiding (Fig. 34, 35 & 36)

- Use a special round file (optional accessory) for saw chains to sharpen the chain. Normal round files are not suitable.
- Diameter of the round file for each saw chain is as follows:
 - Chain blade 291 (90PX): 4.5 mm
 - Chain blade 492 (91PX): 4.0 mm
 - Chain blade 25 (25AP): 4.0 mm
- The file should only engage the cutter on the forward stroke. Lift the file off the cutter on the return stroke.
- Sharpen the shortest cutter first. Then the length of this shortest cutter becomes the standard for all other cutters on the saw chain.
- Guide the file as shown in the figure.
- The file can be guided more easily if a file holder (optional accessory) is employed. The file holder has markings for the correct sharpening angle of 30° (align the markings parallel to the saw chain) and limits the depth of penetration (to 4/5 of the file diameter).
- After sharpening the chain, check the height of the depth gauge using the chain gauge tool (optional accessory).
- Remove any projecting material, however small, with a special flat file (optional accessory).
- Round off the front of the depth gauge again.

Cleaning guide bar (Fig. 37)

Chips and sawdust will build up in the guide bar groove, clogging it and impairing oil flow. Always clean out the chips and sawdust when sharpening or replacing the saw chain.

Cleaning the oil discharge hole (Fig. 38)

Small dust or particles may be built up in the oil discharge hole during operation.

Small dust or particles built up in the oil discharge hole may impair the oil discharge flow and cause an insufficient lubrication on the whole saw chain.

When a poor chain oil delivery occurs at the top of guide bar, clean the oil discharge hole as follows.

Remove the battery cartridge from the tool.

Remove the sprocket cover and saw chain from the tool. (Refer to the section titled "Installing or removing saw chain".)

Remove the small dust or particles using a slotted screwdriver with a slender shaft or the like.

Insert the battery cartridge into the tool.

Pull the switch trigger to flow built-up dust or particles off the oil discharge hole by discharging chain oil.

Remove the battery cartridge from the tool.

Reinstall the sprocket cover and saw chain on the tool.

Replacing the sprocket (Fig. 39 & 40)

Before fitting a new saw chain, check the condition of the sprocket.

CAUTION:

- A worn sprocket will damage a new saw chain. Have the sprocket replaced in this case. The sprocket needs to be installed so that it always faces as shown in the figure.

Always fit a new locking ring when replacing the sprocket.

Replacing carbon brushes (Fig. 41 & 42)

Remove and check the carbon brushes regularly. Replace when they wear down to the limit mark. Keep the carbon brushes clean and free to slip in the holders. Both carbon brushes should be replaced at the same time. Use only identical carbon brushes.

Use a screwdriver to remove the brush holder caps. Take out the worn carbon brushes, insert the new ones and secure the brush holder caps.

Storing tool

Clean the tool before storing. Remove any chips and sawdust from the tool after removing the sprocket cover. After cleaning the tool, run it under no load to lubricate the saw chain and guide bar.

Cover the guide bar with the guide bar cover.

Remove oil from the oil tank to empty it and place the chain saw.

To maintain product SAFETY and RELIABILITY, repairs, any other maintenance or adjustment should be performed by DOLMAR Authorized Service Centers, always using DOLMAR replacement parts.

Instructions for periodic maintenance

To ensure long life, prevent damage and ensure the full functioning of the safety features the following maintenance must be performed regularly.

Warranty claims can be recognized only if this work is performed regularly and properly. Failure to perform the prescribed maintenance work can lead to accidents!

The user of the chain saw must not perform maintenance work which is not described in the instruction manual. All such work must be carried out by authorized service centre.

Operating time Item		Before operation	Everyday	Every week	Every 3 month	Annually	Before storage
Chain Saw	Inspection.	○					
	Cleaning.		○				
	Check at authorized service center.					○	○
Saw chain	Inspection.	○					
	Sharpening if necessary.						○
Guide bar	Inspection.	○	○				
	Remove from the chain saw.						○
Chain brake	Check the function.	○					
	Have it inspected regularly at authorized service center.				○		
Chain lubrication	Check the oil feed rate.	○					
Switch trigger	Inspection.	○					
Lock-off button	Inspection.	○					
Oil tank cap	Check tightness.	○					
Chain catcher	Inspection.			○			
Screws and nuts	Inspection.			○			

014804

TROUBLE SHOOTING

Before asking for repairs, conduct your own inspection first. If you find a problem that is not explained in the manual, do not attempt to dismantle the tool. Instead, ask Dolmar Authorized Service Centers, always using Dolmar replacement parts for repairs.

Malfunction status	Cause	Action
Chain saw does not start.	Two battery cartridges are not installed.	Install the charged battery cartridges.
	Battery problem (under voltage).	Recharge the battery cartridge. If recharging is not effective, replace battery cartridge.
Chain does not run.	Chain brake activated.	Release chain brake.
Motor stops running after a little use.	Battery's charge level is low.	Recharge the battery cartridge. If recharging is not effective, replace battery cartridge.
No oil on the chain.	Oil tank is empty.	Fill the oil tank.
	Oil guide groove is dirty.	Clean the groove.
	Oil delivery is not adjusted properly.	Adjust amount of oil delivery.
It does not reach maximum RPM.	Battery cartridge is installed improperly.	Install the battery cartridge as described in this manual.
	Battery power is dropping.	Recharge the battery cartridge. If recharging is not effective, replace battery cartridge.
	The drive system does not work correctly.	Ask your local authorized service center for repair.
Chain does not stop even the chain brake is activated: Stop the machine immediately!	Brake band worn down.	Ask your local authorized service center for repair.
Abnormal vibration: Stop the machine immediately!	Loose guide bar or saw chain.	Adjust the guide bar and saw chain tension.
	Tool malfunction.	Ask your local authorized service center for repair.

014805

OPTIONAL ACCESSORIES

ENG905-1

⚠ CAUTION:

- These accessories or attachments are recommended for use with your Dolmar tool specified in this manual. The use of any other accessories or attachments might present a risk of injury to persons. Only use accessory or attachment for its stated purpose.

If you need any assistance for more details regarding these accessories, ask your local Dolmar Service Center.

- Dolmar genuine battery and charger
- Saw chain
- Guide bar
- Guide bar cover
- File
- Tool bag

NOTE:

- Some items in the list may be included in the tool package as standard accessories. They may differ from country to country.

Noise

The typical A-weighted noise level determined according to EN60745:

Sound pressure level (L_{pA}): 84.4 dB (A)

Sound power level (L_{WA}): 95.4 dB (A)

Uncertainty (K): 2.5 dB (A)

Wear ear protection

ENG900-1

Vibration

The vibration total value (tri-axial vector sum) determined according to EN60745:

Model AS-3726

Work mode: cutting wood

Vibration emission (a_h): 4.7 m/s²

Uncertainty (K): 1.5 m/s²

Model AS-3731

Work mode: cutting wood

Vibration emission (a_h): 6.3 m/s²

Uncertainty (K): 1.5 m/s²

- The declared vibration emission value has been measured in accordance with the standard test method and may be used for comparing one tool with another.
- The declared vibration emission value may also be used in a preliminary assessment of exposure.

⚠ WARNING:

- The vibration emission during actual use of the power tool can differ from the declared emission value depending on the ways in which the tool is used.
- Be sure to identify safety measures to protect the operator that are based on an estimation of exposure in the actual conditions of use (taking account of all parts of the operating cycle such as the times when the tool is switched off and when it is running idle in addition to the trigger time).

For European countries only

EC Declaration of Conformity

The undersigned, Rainer Bergfeld, as authorized by Dolmar GmbH, declares that the DOLMAR machine(s):

Designation of Machine:

Cordless Chain Saw

Model No./ Type: AS-3726, AS-3731

Specifications: see "SPECIFICATIONS" table.

are of series production and

Conforms to the following European Directives:

2000/14/EC, 2006/42/EC

And are manufactured in accordance with the following standards or standardised documents:

EN ISO 11682-2

The EC-Type Examination Certificate No. 4812068.13006

The EC-Type Examination per 2006/42/EC was performed by:

DEKRA Testing and Certification GmbH

Enderstraße 92b

01277 Dresden

Germany

Identification No. 2140

The technical documentation is on file at:

Dolmar GmbH,

Jenfelder Straße 38, Abteilung FZ,

D-22045 Hamburg

The conformity assessment procedure required by Directive 2000/14/EC was in Accordance with annex V.

Measured Sound Power Level: 95.4 dB (A)

Guaranteed Sound Power Level: 98 dB (A)

20.12.2013



Rainer Bergfeld
Managing Director

Descriptif

1	Indicateur rouge	16	Broche de réglage	28	Zone de danger
2	Bouton	17	Orifice	29	Voie de retraite
3	Batterie	18	Guide de chaîne	30	Fourreau du guide-chaîne
4	Repère étoilé	19	Desserrer	31	Couvercle de batterie
5	Témoin de la batterie	20	Serrer	32	Longueur de coupe
6	Bouton de sécurité	21	Chaîne	33	Distance entre l'arête de la gouge et le limiteur de profondeur
7	Gâchette	22	Bouchon du réservoir d'huile	34	Minimum 3 mm
8	Protège-main avant	23	Fenêtre d'inspection du réservoir d'huile (pour remplir le réservoir d'huile)	35	Angle d'attaque latérale
9	Verrouiller	24	Fenêtre d'inspection du réservoir d'huile	36	Tournevis plat
10	Déverrouiller	25	Griffe de butée	37	Bague de blocage
11	Vis de réglage	26	Zone de chute	38	Trait de limite d'usure
12	Couvre-pignon	27	Sens de la chute	39	Bouchons de porte-charbon
13	Levier			40	Tournevis
14	Molette de réglage				
15	Pignon				

SPÉCIFICATIONS

Modèle		AS-3726		AS-3731
Guide-chaîne standard	Longueur du guide-chaîne	250 mm		300 mm
	Longueur de coupe	23 cm	24 cm	28 cm
	Type	Guide-chaîne à pignon de renvoi	Guide-chaîne pour sculpture	Guide-chaîne à pignon de renvoi
Chaîne standard	Type	492 (91PX)	25 (25AP)	291 (90PX)
	Pas	9,5 mm (3/8")	6,35 mm (1/4")	9,5 mm (3/8")
	Jauge	1,3 mm (0,05")	1,3 mm (0,05")	1,1 mm (0,043")
	Nombre de maillons d'entraînement	40	60	46
Pignon	Nombre de dents	6	9	6
	Pas	9,5 mm (3/8")	6,35 mm (1/4")	9,5 mm (3/8")
Longueur totale (sans guide-chaîne)		316 mm		
Poids net	*1	4,1 kg		
	*2	4,6 kg	4,7 kg	
Vitesse de la chaîne		8,3 m/s (500 m/min)		
Capacité du réservoir d'huile pour chaîne		85 cm ³		
Tension nominale		36 V CC		36 V CC

END313-1

- Étant donné l'évolution constante de notre programme de recherche et de développement, les spécifications contenues dans ce manuel sont sujettes à modification sans préavis.
- Les spécifications et la batterie peuvent être différentes suivant les pays.

*1 Poids avec la plus grande batterie, sans le guide-chaîne et sans la chaîne, réservoir d'huile vide, conformément à la norme EN ISO 11681-2.

*2 Poids avec la batterie, le guide-chaîne et la chaîne, réservoir d'huile plein, conformément à la procédure EPTA 01/2003.

AVERTISSEMENT : Associez correctement guide-chaîne et chaîne. Le non-respect de cette consigne peut entraîner des blessures.

Symboles

Nous donnons ci-dessous les symboles utilisés pour l'outil. Assurez-vous que vous en avez bien compris la signification avant d'utiliser l'outil.



- Lire le mode d'emploi.



- Portez une protection pour les yeux.



- Portez une protection pour les oreilles.



• Portez un casque, des lunettes de sécurité et une protection pour les oreilles.



• Portez des protections adéquates pour les pieds, les jambes, les mains et les bras.



• Cette scie ne doit être utilisée que par des personnes ayant reçu une formation adéquate.



• N'exposez pas l'outil à la pluie.



• Longueur de coupe maximale admise



• Sens de progression de la chaîne



• Réglage d'huile de la chaîne



• Pour les pays européens uniquement
Ne pas jeter les équipements électriques ou les batteries dans les ordures ménagères !

Conformément à la directive européenne relative aux déchets d'équipements électriques et électroniques (DEEE) et à la directive européenne relative aux piles et accumulateurs ainsi qu'aux déchets de piles et accumulateurs et à leur transposition dans la législation nationale, les équipements électriques, les piles et assemblages en batterie qui ont atteint la fin de leur durée de service doivent être collectés à part et être soumis à un recyclage respectueux de l'environnement.

ENE090-1

Utilisations

L'outil est conçu pour la coupe et l'élagage. Il est aussi adapté à l'entretien des arbres.

GEA010-1

Consignes de sécurité générales pour outils électriques

⚠ MISE EN GARDE Veuillez lire toutes les mises en garde et toutes les instructions. Il y a un risque de choc électrique, d'incendie et/ou de blessure grave si les mises en garde et les instructions ne sont pas respectées.

Conservez toutes les mises en garde et instructions pour référence ultérieure.

Consignes de sécurité pour tronçonneuse sans fil :

1. **Gardez toute partie du corps à l'écart de la chaîne pendant l'utilisation de la tronçonneuse. Avant de faire démarrer la tronçonneuse, assurez-vous que la chaîne n'entre en contact avec rien.** Tout moment d'inattention pendant l'utilisation d'une tronçonneuse comporte un risque de contact entre la chaîne et vos vêtements ou votre corps.
2. **Lorsque vous tenez la tronçonneuse à deux mains, placez toujours votre main droite sur la poignée arrière et votre main gauche sur la poignée avant.** N'inversez jamais les mains pour tenir la tronçonneuse car il y a un risque de blessure.
3. **Tenez l'outil électrique uniquement par ses surfaces de poigne isolées, car la chaîne peut entrer en contact avec des câbles cachés.** Le contact de la chaîne avec un câble sous tension peut mettre les parties métalliques dénudées de l'outil sous tension et exposer l'utilisateur à un choc électrique.
4. **Portez des lunettes de sécurité et une protection d'oreilles. Il est recommandé de porter des dispositifs de protection supplémentaires pour la tête, les mains, les jambes et les pieds.** Le port de vêtements de protection adéquats réduit le risque de blessure causée par les débris éjectés ou par le contact avec la chaîne.
5. **Conservez toujours un bon appui.** Vous risquez de perdre l'équilibre ou la maîtrise de la tronçonneuse si vous travaillez sur une surface glissante ou instable.
6. **Lorsque vous coupez une branche tendue, prenez garde au retour de la branche.** Lorsque la tension exercée sur les fibres de la branche est libérée, celle-ci risque de se détendre comme un ressort et de frapper l'utilisateur et/ou de provoquer une perte de maîtrise de la tronçonneuse.
7. **Faites preuve d'une grande prudence lorsque vous coupez des broussailles ou des jeunes arbres.** Des fines pièces de bois, en se coinçant dans la chaîne, peuvent être projetées vers vous ou exercer une traction vous mettant hors d'équilibre.
8. **Pour transporter la tronçonneuse, coupez le contact, saisissez-la par la poignée avant et gardez-la éloignée du corps. Avant de transporter ou de ranger la tronçonneuse, installez toujours le protecteur du guide de chaîne.** Une manipulation adéquate de la tronçonneuse réduit le risque de contact avec la chaîne en mouvement.
9. **Suivez les instructions de lubrification, de réglage de la tension de la chaîne et de changement des accessoires.** Une chaîne mal tendue ou mal lubrifiée peut se casser ou augmenter les risques de choc en retour.
10. **Maintenez les poignées sèches, propres et exemptes d'huile et de graisse.** Les poignées grasses ou huileuses sont glissantes et peuvent causer une perte de maîtrise.

11. **Coupez uniquement dans le bois. N'utilisez pas la tronçonneuse pour des travaux autres que ceux pour lesquels elle a été conçue. Par exemple, ne l'utilisez pas pour couper le plastique, les matériaux de maçonnerie et les matériaux de construction autres que le bois.** L'utilisation de la tronçonneuse pour effectuer des travaux autres que ceux pour lesquels elle a été conçue comporte un risque de danger.

12. **Causes de choc en retour et mesures préventives à prendre :**

Il y a un risque de choc en retour lorsque le nez ou le bout du guide de chaîne touche un objet, ou lorsque le bois se referme et coince la chaîne dans sa ligne de coupe.

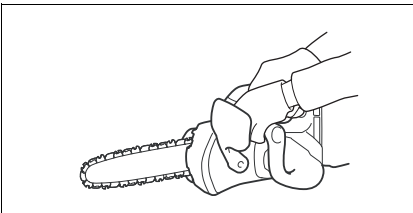
Le contact du bout, dans certains cas, peut entraîner une réaction instantanée en sens inverse, projetant le guide de chaîne vers le haut et vers l'utilisateur.

Le guide de chaîne risque d'être projeté vers l'utilisateur si la chaîne se coince le long de la partie supérieure du guide de chaîne.

L'une ou l'autre de ces réactions peut entraîner une perte de maîtrise de la scie et causer une grave blessure. Ne vous fiez pas uniquement aux dispositifs de sécurité intégrés à la scie. En tant qu'utilisateur de la tronçonneuse, vous devez prendre des mesures pour écarter les risques d'accident ou de blessure pendant le travail de coupe.

Le choc en retour est le résultat d'une mauvaise utilisation et/ou de procédures ou conditions inadéquates de travail. Il peut être évité en prenant les mesures appropriées, tel qu'indiqué ci-dessous :

– **Maintenez une prise ferme, avec les pouces et les doigts encerclant les poignées de la tronçonneuse, tenez la tronçonneuse à deux mains et placez le corps et les bras dans une position vous permettant de résister aux chocs en retour.** Les forces de choc en retour peuvent être contrôlées par l'utilisateur s'il prend les précautions nécessaires. Ne lâchez pas la tronçonneuse.



014673

– **Ne vous penchez pas trop en avant, et ne coupez pas plus haut qu'à la hauteur des épaules.** Cela aide à éviter le contact involontaire du bout et permet de mieux maîtriser la tronçonneuse dans les situations imprévues.

– **Utilisez exclusivement les guides et chaînes spécifié(s) par le fabricant.** Un remplacement incorrect du guide ou de la chaîne peut causer le bris de la chaîne et/ou un choc en retour.

– **Suivez les instructions du fabricant concernant l'affûtage et l'entretien de la chaîne.** Le risque de choc en retour augmente si l'on abaisse la jauge de profondeur.

13. Avant de commencer le travail, assurez-vous que la tronçonneuse est en bon état et conforme aux réglementations de sécurité. Vérifiez tout particulièrement les points suivants :

- Le frein de chaîne fonctionne bien.
- Le frein de désamorçage fonctionne bien.
- Le guide et le couvre-pignon sont posés correctement.
- La chaîne est bien aiguisée et bien tendue, conformément aux réglementations.

14. **Ne faites pas démarrer la tronçonneuse sans avoir retiré le cache de chaîne.** Si vous faites démarrer la tronçonneuse sans avoir retiré le cache de chaîne, celui-ci risquera d'être éjecté vers l'avant, ce qui comporte un risque de blessure et peut endommager les objets autour de l'utilisateur.

Consignes de sécurité spécifiques aux tronçonneuses munies d'une poignée supérieure

1. Cette tronçonneuse est spécialement conçue pour les soins et la chirurgie arboricoles. La tronçonneuse ne doit être utilisée que par des personnes correctement formées. Respectez toutes les instructions, procédures et recommandations de l'organisation professionnelle compétente. Le non-respect de cette consigne peut entraîner des accidents mortels. Nous vous recommandons de toujours utiliser une plateforme ou une nacelle élévatrices pour les travaux de coupe dans les arbres. Les techniques de rappel sont extrêmement dangereuses et nécessitent une formation spéciale. Les utilisateurs doivent être formés et familiarisés avec l'utilisation des équipements de sécurité et les techniques d'escalade. Utilisez toujours les harnais, cordes et mousquetons adaptés lorsque vous travaillez dans les arbres. Utilisez toujours des équipements de retenue pour l'utilisateur et la tronçonneuse.
2. Effectuez toujours le nettoyage et l'entretien conformément au manuel d'instructions avant remisage.
3. Assurez-vous que la tronçonneuse est dans une position sûre pendant le transport afin d'éviter toute fuite de carburant ou d'huile pour chaîne, toute détérioration de l'outil et toute blessure.
4. Vérifiez régulièrement le bon fonctionnement du frein de chaîne.
5. Ne faites pas le plein d'huile pour chaîne à proximité de flammes. Ne fumez jamais lorsque vous faites le plein d'huile pour chaîne.
6. L'utilisation de la tronçonneuse peut être restreinte par les réglementations nationales.
7. Si l'équipement subit un choc important ou tombe, vérifiez son état avant de continuer à travailler. Vérifiez le bon fonctionnement des commandes et des dispositifs de sécurité. En cas de détérioration ou de doute, demandez à un centre technique agréé de réaliser l'inspection et les réparations.
8. Activez toujours le frein de chaîne avant de démarrer la tronçonneuse.
9. Maintenez fermement la tronçonneuse afin d'éviter tout dérapage ou rebond de la tronçonneuse lorsque vous commencez à couper.

10. Veillez à conserver votre équilibre lorsque vous arrivez à la fin de la coupe, car la tronçonneuse n'est plus soutenue.
11. Tenez compte de la direction et de la vitesse du vent. Évitez la sciure et le brouillard d'huile pour chaîne.

Équipement de protection

1. **Pour éviter les blessures à la tête, aux yeux, aux mains, aux pieds et les blessures auditives, portez les équipements et les vêtements de protection suivants lorsque vous utilisez la tronçonneuse :**
 - Portez des vêtements adaptés, c'est-à-dire ajustés, mais n'enlevant pas vos mouvements. Ne portez pas de bijoux ou de vêtements risquant de s'accrocher dans les buissons ou les arbustes. Si vous avez les cheveux longs, portez une résille !
 - Il est nécessaire de porter un casque de protection lorsque vous utilisez la tronçonneuse. Vérifiez régulièrement l'absence de détérioration du **casque de protection**, remplacez-le au moins tous les 5 ans. Utilisez uniquement des casques de protection homologués.
 - Le **masque de protection** du casque de protection (ou les lunettes de sécurité) protège de la sciure et des copeaux de bois. Lorsque vous utilisez la tronçonneuse, portez toujours des lunettes de sécurité ou un masque de protection pour éviter les blessures oculaires.
 - Portez un **équipement de protection contre le bruit** adapté (protecteur d'oreilles, bouchons d'oreille, etc.)
 - La **veste de protection** comporte 22 couches de nylon et protège l'utilisateur contre les coupures. Elle doit toujours être portée lors du travail en hauteur (plateforme ou nacelle élévatrices, plateforme fixe sur échelles, escalade à la corde).
 - La **salopette de protection à bretelles** comporte 22 couches de nylon et protège contre les coupures. Son utilisation est fortement recommandée.
 - Les **gants de protection** en cuir épais font partie de l'équipement prescrit, ils doivent toujours être portés pendant l'utilisation de la tronçonneuse.
 - Lorsque vous utilisez la tronçonneuse, portez des **chaussures de sécurité** ou des **bottes de sécurité** à semelle antidérapante, embout de sécurité et protège-jambe. Les chaussures de sécurité munies d'une couche protectrice offrent une protection contre les coupures et assurent un bon appui. Pour le travail dans les arbres, les bottes de sécurité doivent être adaptées à l'escalade.

Vibrations

1. Les personnes souffrant de troubles de la circulation qui sont exposées à des vibrations excessives risquent de subir des lésions des vaisseaux sanguins ou du système nerveux.
Les vibrations peuvent entraîner l'apparition des symptômes suivants dans les doigts, mains ou poignets : engourdissement, picotements, douleur, sensation de coup de poignard, altération de la peau ou de la couleur de la peau.

Si l'un de ces symptômes survient, consultez un médecin !

Afin de réduire le risque de syndrome du doigt mort, gardez vos mains au chaud pendant que vous travaillez et entretenez correctement l'équipement et les accessoires.

CONSERVEZ CES INSTRUCTIONS.

⚠ AVERTISSEMENT :

NE vous laissez PAS tromper (au fil d'une utilisation répétée) par un sentiment d'aisance et de familiarité avec le produit, en négligeant le respect rigoureux des consignes de sécurité qui accompagnent le produit en question. La MAUVAISE UTILISATION de l'outil ou l'ignorance des consignes de sécurité indiquées dans ce manuel d'instructions peut entraîner une blessure grave.

ENC007-8

PRÉCAUTIONS IMPORTANTES

POUR LA BATTERIE

1. **Avant d'utiliser la batterie, lisez toutes les instructions et précautions relatives (1) au chargeur de batterie, (2) à la batterie, et (3) à l'outil utilisant la batterie.**
2. **Ne démontez pas la batterie.**
3. **Cessez immédiatement l'utilisation si le temps de fonctionnement devient excessivement court. Il y a risque de surchauffe, de brûlures, voire d'explosion.**
4. **Si l'électrolyte pénètre dans vos yeux, rincez-les à l'eau claire et consultez immédiatement un médecin. Il y a risque de perte de la vue.**
5. **Ne court-circuitez pas la batterie :**
 - (1) **Ne touchez les bornes avec aucun matériau conducteur.**
 - (2) **Évitez de ranger la batterie dans un conteneur avec d'autres objets métalliques, par exemple des clous, des pièces de monnaie, etc.**
 - (3) **N'exposez pas la batterie à l'eau ou à la pluie. Un court-circuit de la batterie pourrait provoquer un fort courant, une surchauffe, parfois des brûlures et même une panne.**
6. **Ne rangez pas l'outil ou la batterie dans des endroits où la température risque d'atteindre ou de dépasser 50°C.**
7. **Ne jetez pas la batterie au feu même si elle est sérieusement endommagée ou complètement épuisée. La batterie peut exploser au contact du feu.**
8. **Prenez garde d'échapper ou de heurter la batterie.**
9. **N'utilisez pas une batterie qui a été échappée ou heurtée.**
10. **La batterie doit être éliminée conformément aux réglementations locales en vigueur.**

CONSERVEZ CES INSTRUCTIONS.

Conseils pour assurer la durée de vie optimale de la batterie

1. **Rechargez la batterie avant qu'elle ne soit complètement déchargée. Arrêtez toujours l'outil et rechargez la batterie quand vous remarquez que la puissance de l'outil diminue.**
2. **Ne rechargez jamais une batterie complètement chargée. La surcharge réduit la durée de service de la batterie.**
3. **Chargez la batterie alors que la température de la pièce se trouve entre 10°C et 40°C. Avant de charger une batterie chaude, laissez-la refroidir.**
4. **Chargez la batterie tous les six mois si elle reste inutilisée pendant une période prolongée.**

DESCRIPTION DU FONCTIONNEMENT

⚠ ATTENTION :

- Assurez-vous toujours que l'outil est hors tension et que sa batterie est retirée avant de l'ajuster ou de vérifier son fonctionnement.

Installation et retrait de la batterie (Fig. 1)

⚠ ATTENTION :

- Mettez toujours l'outil hors tension avant de poser ou de retirer la batterie.
- **Lorsque vous posez ou retirez la batterie, tenez fermement l'outil et la batterie.**
Si vous ne tenez pas fermement l'outil et la batterie, ils peuvent vous glisser des mains, et s'abîmer ou vous blesser.

Pour retirer la batterie, faites-la glisser hors de l'outil tout en faisant glisser le bouton qui se trouve à l'avant de la batterie.

Pour poser la batterie, alignez sa languette sur la rainure à l'intérieur du carter, et faites-la glisser en place. Insérez-la à fond, jusqu'à ce qu'elle se mette en place avec un léger déclic. Si vous pouvez voir l'indicateur rouge du côté supérieur du bouton, la batterie n'est pas complètement verrouillée.

⚠ ATTENTION :

- Insérez toujours la batterie à fond, jusqu'à ce que l'indicateur rouge ne soit plus visible. Sinon, elle pourrait tomber accidentellement de l'outil, au risque de vous blesser ou de blesser quelqu'un se trouvant près de vous.
- Ne forcez pas pour insérer la batterie. Si elle ne glisse pas facilement, c'est que vous ne l'insérez pas correctement.

NOTE :

- L'outil ne fonctionne pas avec une seule batterie.

Système de protection de l'outil/la batterie

L'outil est équipé d'un système de protection de l'outil/la batterie. Ce système coupe automatiquement l'alimentation vers le moteur pour prolonger la durée de vie de l'outil et de la batterie.

L'outil s'arrête automatiquement alors qu'il fonctionne si l'outil ou la batterie se trouvent dans l'un des états suivants. Dans certaines situations, les témoins s'allument.

Protection contre la surcharge

Lorsque l'outil est utilisé d'une manière provoquant un appel de courant anormalement élevé, l'outil s'arrête automatiquement sans indication. Dans ce cas, éteignez l'outil et arrêtez la tâche ayant provoqué la surcharge de l'outil. Puis rallumez l'outil pour reprendre la tâche.

Protection contre la surchauffe de la batterie/l'outil

Si la batterie/l'outil surchauffe, l'outil s'arrête automatiquement sans indication. L'outil ne démarre pas même si vous enclenchez la gâchette. Dans ce cas, laissez la batterie/l'outil refroidir avant de rallumer l'outil.

NOTE :

- La protection contre la surchauffe de la batterie ne fonctionne qu'avec une batterie avec repère étoilé. (Fig. 2)

Protection contre la décharge totale de la batterie (Fig. 3)

Lorsque l'autonomie restante de la batterie diminue, le témoin de la batterie clignote du côté batterie correspondant. Si vous continuez à utiliser l'outil, il s'arrête et le témoin de la batterie s'allume pendant environ 10 secondes. Le cas échéant, rechargez la batterie.

Interrupteur (Fig. 4)

⚠ ATTENTION :

- Avant de poser la batterie dans l'outil, assurez-vous toujours que la gâchette fonctionne bien et retourne en position d'arrêt lorsque vous la libérez.

Pour éviter tout déclenchement accidentel de la gâchette, un bouton de sécurité a été prévu.

Pour démarrer l'outil, appuyez sur le bouton de sécurité et tirez sur la gâchette. Pour l'arrêter, relâchez la gâchette.

Vérification du frein de chaîne (Fig. 5)

NOTE :

- Si la tronçonneuse ne démarre pas, vous devez libérer le frein de chaîne. Tirez fermement le protège-main avant vers l'arrière, jusqu'à ce que vous sentiez qu'il s'engage.

Tenez la tronçonneuse à deux mains lorsque vous mettez le contact.

Tenez la poignée supérieure avec la main droite, et la poignée avant avec la main gauche. Le guide et la chaîne ne doivent entrer en contact avec aucun objet.

Appuyez d'abord sur le bouton de sécurité, puis sur la gâchette.

La chaîne démarre immédiatement.

Poussez le protège-main avant vers l'avant avec le dos de la main. La chaîne doit s'immobiliser immédiatement.

⚠ ATTENTION :

- Si la chaîne ne s'arrête pas immédiatement lors de ce test, la chaîne ne doit être utilisée en aucune circonstance. Contactez un atelier de réparation spécialisé en outils DOLMAR.

Vérification du frein de désamorçage

Faites démarrer la tronçonneuse.

Libérez complètement la gâchette. La chaîne doit s'arrêter en moins d'une seconde.

ATTENTION :

- Si la chaîne ne s'arrête pas en moins d'une seconde lors de ce test, la tronçonneuse ne doit pas être utilisée. Contactez un atelier de réparation spécialisé en outils DOLMAR.

Réglage de la lubrification de la chaîne (Fig. 6)

Vous pouvez régler le taux d'alimentation de la pompe à huile à l'aide de la vis de réglage. La quantité d'huile peut être réglée à l'aide de la clé universelle.

Mousqueton (point de fixation de la corde) (Fig. 7)

Le mousqueton (point de fixation de la corde) sert à suspendre l'outil. Avant d'utiliser le mousqueton, tirez dessus pour le dégager et attachez-y une corde.

ASSEMBLAGE

ATTENTION :

- Assurez-vous toujours que l'outil est hors tension et que sa batterie est retirée avant d'effectuer tout travail dessus.

Retrait ou installation de la chaîne (Fig. 8, 9, 10, 11, 12 et 13)

ATTENTION :

- Portez toujours des gants pour installer ou retirer la chaîne de scie.
- La chaîne et le guide-chaîne sont très chauds juste après utilisation. Laissez-les refroidir suffisamment avant tout travail sur l'outil.

Pour enlever la chaîne, procédez comme suit :

1. Appuyez sur le levier et relevez-le complètement, jusqu'à ce qu'il s'arrête.
2. Tournez la molette de réglage dans le sens "–" pour relâcher la tension de la chaîne.
3. Tournez le levier dans le sens contraire des aiguilles d'une montre jusqu'à ce que le couvre-pignon soit libéré.
4. Enlevez le couvre-pignon.
5. Enlevez la chaîne et le guide-chaîne de la tronçonneuse.

Pour installer la chaîne, procédez comme suit :

6. Vérifiez le sens de la chaîne. La flèche située sur la chaîne indique le sens de la chaîne.
7. Installez une extrémité de la chaîne sur le dessus du guide-chaîne et l'autre extrémité autour du pignon.
8. Remettez le guide-chaîne en place sur la tronçonneuse.
9. Tournez la molette de réglage dans le sens "–" pour faire glisser la broche de réglage dans le sens de la flèche.
10. Placez le couvre-pignon sur la tronçonneuse en positionnant la broche de réglage dans un petit orifice du guide-chaîne.
11. Tournez le levier à fond dans le sens des aiguilles d'une montre puis un quart de tour dans l'autre sens pour conserver le mou nécessaire au réglage de la tension de la chaîne.
12. Tournez la molette de réglage et ajustez la tension de la chaîne.
13. Tournez le levier dans le sens des aiguilles d'une montre pour bloquer le couvre-pignon.
14. Appuyez sur le levier et replacez-le dans sa position originale.

Réglage de la tension de la chaîne (Fig. 8 et 14)

La chaîne peut se détendre au bout de plusieurs heures d'utilisation. Vérifiez de temps à autre la tension de la chaîne avant l'utilisation.

1. Appuyez sur le levier et relevez-le complètement (jusqu'au clic). Tournez-le légèrement dans le sens contraire des aiguilles d'une montre pour desserrer un peu le couvre-pignon.
2. Soulevez légèrement l'extrémité du guide-chaîne.
3. Tournez la molette de réglage pour ajuster la tension de la chaîne. Tendez la chaîne jusqu'à ce que sa partie inférieure s'insère dans la rainure du guide-chaîne (voir le cercle sur la figure).
4. Maintenez le guide-chaîne sans forcer et serrez le couvre-pignon après avoir réglé la tension de la chaîne. Assurez-vous que la chaîne est tendue du côté inférieur.
5. Appuyez sur le levier et replacez-le dans sa position originale.

Assurez-vous que la chaîne s'ajuste correctement sur le côté inférieur du guide-chaîne.

ATTENTION :

- Ne tendez pas trop la chaîne. Une tension excessive de la chaîne peut entraîner la rupture de celle-ci, l'usure du guide-chaîne et la rupture de la molette de réglage.
- Si la tension de la chaîne est insuffisante, celle-ci risque de sauter du guide-chaîne, ce qui peut entraîner un accident.
- Procédez à l'installation ou au retrait de la chaîne dans un endroit propre, exempt de sciure et autres.

Griffe de butée (accessoire en option) (Fig. 15)

Pour installer la griffe de butée, procédez comme suit :

1. Enlevez le couvre-pignon, la chaîne et le guide-chaîne comme décrit dans le présent manuel d'instructions.
2. Alignez les trous de la griffe de butée avec ceux de la tronçonneuse.
3. Fixez-la en serrant fermement les vis.

OPÉRATION

ATTENTION :

- Ne recouvrez pas les orifices d'aération, sous peine d'entraîner une surchauffe et d'endommager l'outil.

Lubrification (Fig. 16 et 17)

La chaîne se lubrifie automatiquement pendant l'utilisation de l'outil.

Vérifiez la quantité d'huile restante par la fenêtre d'inspection du réservoir d'huile.

Pour remplir le réservoir, retirez le bouchon posé sur l'ouverture du réservoir d'huile.

Une fois le réservoir rempli, n'oubliez pas de visser le bouchon du réservoir d'huile sur la tronçonneuse.

ATTENTION :

- La première fois que vous faites le plein d'huile sur la tronçonneuse, ou lorsque vous refaites le plein après avoir complètement vidé le réservoir d'huile, ajoutez de l'huile jusqu'au bord inférieur du goulot de remplissage. Autrement l'alimentation en huile risque d'être affectée.
- Pour huiler la chaîne, utilisez exclusivement de l'huile à chaîne Dolmar ou une huile similaire disponible en magasin.

- N'utilisez jamais d'huile contenant des poussières ou particules, ni de l'huile volatile.
- Pour élaguer les arbres, utilisez une huile végétale. L'huile minérale risquerait d'endommager les arbres.
- Ne forcez jamais la tronçonneuse lorsque vous élaguez des arbres.
- Avant de tronçonner, assurez-vous que le bouchon du réservoir d'huile est bien vissé en place.

Gardez la tronçonneuse à l'écart de l'arbre. Démarrez-la et attendez que la chaîne soit bien lubrifiée.

Mettez la griffe de butée en contact avec la branche à couper avant de mettre l'outil en marche. Sinon, le guide-chaîne risque d'osciller, ce qui peut entraîner des blessures. Coupez le bois en déplaçant simplement la tronçonneuse vers le bas.

UTILISATION DE LA TRONÇONNEUSE

⚠ ATTENTION :

- Un utilisateur sans expérience doit effectuer, en guise d'entraînement minimum, des coupes de rondins sur un chevalet ou autre appui.
- Lorsque vous sciez du bois coupé, utilisez un support sûr (chevalet de sciage ou berceau). Ne stabilisez pas la pièce avec votre pied, et ne laissez personne la tenir ou la stabiliser.
- Fixez les pièces rondes pour les empêcher de tourner.

Élagage des arbres (Fig. 18, 19, 20 et 21)

⚠ ATTENTION :

- Éloignez toutes les parties du corps de la chaîne lorsque le moteur fonctionne.
- Tenez la tronçonneuse fermement des deux mains lorsque le moteur tourne.
- Ne vous penchez pas trop. Gardez une bonne assise et un bon équilibre en tout temps.

Mettez la griffe de butée en contact avec la branche à couper avant de mettre l'outil en marche. Si vous coupez une branche sans mettre la griffe de butée en contact avec celle-ci, le guide-chaîne risque d'osciller, ce qui peut entraîner des blessures.

Pour couper de grosses branches, commencez par faire une entaille peu profonde sous la branche, puis terminez la coupe en procédant par le haut.

Si vous essayez de couper les grosses branches par le bas, la branche risque de s'affaisser et de coincer la chaîne dans la découpe. Par ailleurs, si vous essayez de couper les grosses branches à partir du haut sans faire une légère entaille sous la branche, la branche risque de se fendre.

Si vous n'arrivez pas à couper complètement la branche d'un seul coup :

Appuyez légèrement sur la poignée et continuez à scier et déplacez la tronçonneuse d'avant en arrière ; puis dirigez la pointe un peu plus vers le bas et terminez la coupe en relevant la poignée.

Tronçonnage (Fig. 22, 23 et 24)

Pour le tronçonnage, faites reposer la griffe de butée sur le bois à couper comme illustré sur la figure.

Avec la chaîne qui tourne, sciez dans le bois, en utilisant la poignée supérieure pour soulever la tronçonneuse, et la poignée avant pour la diriger.

Utilisez la griffe de butée comme pivot.

Continuez à couper en appliquant une légère pression sur la poignée avant, et en relâchant légèrement l'arrière de la tronçonneuse. Enfoncez la griffe de butée dans le bois et soulevez de nouveau la poignée avant.

Lorsque vous effectuez plusieurs coupes, coupez le contact de la tronçonneuse entre chaque coupe.

⚠ ATTENTION :

- Si vous utilisez le bord supérieur du guide pour tronçonner, la tronçonneuse risquera de dévier dans votre direction si la chaîne se coince. Il faut donc tronçonner avec le bord inférieur, de sorte que la tronçonneuse dévie dans le sens opposé à votre corps.

Si l'arbre est tendu, coupez-le d'abord par la face de pression (A) illustrée.

Effectuez ensuite la coupe finale par la face de tension (B) illustrée. Cela permet d'éviter que le guide ne se coince.

Ébranchage

⚠ ATTENTION :

- L'ébranchage doit être effectué uniquement par des personnes qui ont reçu une formation. Il y a risque de dangereux choc en retour.

Lors de l'ébranchage, appuyez la tronçonneuse contre le tronc si possible. Ne tronçonnez pas avec le bout du guide, car il y a risque de choc en retour.

Prêtez une attention particulière aux branches tendues. Ne tronçonnez pas par en dessous les branches non soutenues.

Ne montez pas sur l'arbre tombé pour l'ébrancher.

Évidage et coupes dans le sens du grain (Fig. 25)

⚠ ATTENTION :

- L'évidage et les coupes dans le sens du grain doivent être effectués uniquement par des personnes ayant reçu une formation spéciale. Il y a risque de choc en retour et de blessure.

Coupez parallèlement au grain du bois, avec un angle aussi faible que possible. Exécutez la coupe très prudemment, dans la mesure où il est impossible d'utiliser la griffe de butée.

Abattage (Fig. 26, 27, 28 et 29)

⚠ ATTENTION :

- L'abattage doit être effectué uniquement par des personnes qui ont reçu une formation. Ce travail est dangereux.

Respectez les réglementations locales lorsque vous désirez abattre un arbre.

– Avant de commencer le travail d'abattage, vérifiez les points suivants :

- (1) Seules les personnes participant à l'abattage sont présentes dans la zone de travail ;
- (2) Toute personne qui participe à l'abattage doit avoir une voie de retraite d'environ 45° de chaque côté de l'axe d'abattage. Tenez aussi compte des risques de trébuchement sur des câbles électriques.
- (3) La base du tronc doit être exempte de corps étrangers, racines et branches.
- (4) Il ne doit y avoir personne, ni aucun objet, sur une distance égale à 2 1/2 fois la longueur de l'arbre dans le sens où il tombera.

- Pour chaque arbre, tenez compte des facteurs suivants :
 - Le sens de l'abattage ;
 - La présence de branches arrachées ou de branches sèches ;
 - La hauteur de l'arbre ;
 - La présence d'un surplomb naturel ;
 - La pourriture ou non de l'arbre ;
- Tenez compte de la vitesse et de la direction du vent. N'effectuez pas l'abattage si le vent souffle violemment.
- Éboutage des pattes de racine : Commencez par les plus grosses pattes. Effectuez d'abord la coupe verticale, puis la coupe horizontale.
- Faites une entaille : L'entaille détermine le sens dans lequel l'arbre tombera et elle l'entraîne dans ce sens. Il faut la faire du côté où l'arbre doit tomber. Entaillez l'arbre le plus près possible du sol. Coupez d'abord à l'horizontale sur une profondeur de 1/5 à 1/3 du diamètre du tronc. Évitez de faire une entaille trop large. Effectuez ensuite la coupe à la diagonale.
- Les corrections apportées à l'entaille doivent l'être sur toute sa longueur.
- Faites le trait d'abattage un peu plus haut que la semelle de l'entaille. Le trait d'abattage doit être parfaitement horizontal. Laissez environ 1/10 du diamètre du tronc entre le trait d'abattage et l'entaille.
Les fibres de la partie non coupée du tronc jouent le rôle de charnière. Ne coupez ces fibres en aucun cas, car l'arbre tomberait en chute libre. Insérez des chevilles dans le trait d'abattage au moment opportun.
- Utilisez exclusivement des chevilles de plastique ou d'aluminium pour garder le trait d'abattage ouvert. Il ne faut pas utiliser de chevilles de fer.
- Tenez-vous à côté de l'arbre à abattre. Assurez-vous qu'il y a une aire bien dégagée derrière l'arbre, sur une plage de 45° de chaque côté par rapport à l'axe (reportez-vous à la figure "zone de chute"). Prenez garde aux chutes de branches.
- Une voie de retraite doit être prévue et nettoyée au besoin avant de commencer la coupe. La voie de retraite doit s'étendre derrière et en diagonale derrière la ligne prévue pour la chute, tel qu'illustré.

Transport de l'outil (Fig. 30)

Retirez toujours la batterie de l'outil et remettez toujours le fourreau du guide-chaîne sur le guide-chaîne avant de transporter l'outil. Remettez aussi en place le couvercle de la batterie.

ENTRETIEN

⚠ ATTENTION :

- Assurez-vous toujours que l'outil est hors tension et que la batterie est retirée avant d'y effectuer tout travail d'inspection ou d'entretien.
- Portez toujours des gants pour effectuer toute opération d'inspection ou d'entretien.
- N'utilisez jamais d'essence, benzine, diluant, alcool ou autre produit similaire. Cela risquerait de provoquer la décoloration, la déformation ou la fissuration de l'outil.

Affûtage de la chaîne (Fig. 31)

⚠ ATTENTION :

- Retirez toujours la batterie et portez des gants de protection lorsque vous travaillez avec la chaîne.

Affûtez la chaîne si :

- de la sciure de bois granuleuse est produite lorsque vous coupez du bois humide ;
- la chaîne pénètre difficilement dans le bois même si vous appliquez une forte pression ;
- le tranchant est nettement endommagé ;
- la tronçonneuse tire vers la gauche et la droite dans le bois. Cela est dû à un affûtage inégal de la chaîne ou au fait qu'elle est endommagée d'un côté seulement.

Affûtez la chaîne régulièrement, mais en ne retirant chaque fois qu'une petite quantité de matériau.

Deux ou trois coups de lime suffisent généralement pour l'affûtage de routine. Après plusieurs affûtages de la chaîne, faites-la affûter par un centre de réparation agréé DOLMAR.

Critères d'affûtage : (Fig. 32 et 33)

- Toutes les gouges doivent être de la même longueur. Si les gouges sont de longueur inégale, la chaîne tourne de manière irrégulière, s'use plus rapidement et risque de casser.
- N'affûtez pas la chaîne lorsqu'une longueur minimale de gouge de 3 mm est atteinte. Il est alors nécessaire de remplacer la chaîne.
- L'épaisseur du copeau est déterminée par la différence de hauteur entre le limiteur de profondeur (nez rond) et l'arête de la gouge.
- Les meilleurs résultats de coupe sont obtenus pour les différences de hauteur suivantes entre le limiteur de profondeur et l'arête de la gouge.
 - Chaîne de type 291 (90PX) : 0,5 mm
 - Chaîne de type 492 (91PX) : 0,65 mm
 - Chaîne de type 25 (25AP) : 0,65 mm

⚠ AVERTISSEMENT :

- Une distance excessive augmente le risque de choc en retour.
 - L'angle d'affûtage de toutes les gouges doit être de 30°. Si les angles sont inégaux, la chaîne tourne de manière irrégulière, s'use plus rapidement et risque de casser.
 - L'angle d'attaque latérale de la gouge est déterminé par la profondeur de pénétration de la lime ronde. Si vous utilisez correctement la lime spécifiée, vous obtenez automatiquement le bon angle d'attaque latérale.
 - L'angle d'attaque latérale varie en fonction du type de chaîne comme suit :
 - Chaîne de type 291 (90PX) : 75°
 - Chaîne de type 492 (91PX) : 80°
 - Chaîne de type 25 (25AP) : 85°

Lime et limage (Fig. 34, 35 et 36)

- Utilisez une lime ronde spéciale (accessoire en option) pour affûter la chaîne. Les limes rondes ordinaires ne conviennent pas.
- Le diamètre de la lime ronde varie en fonction du type de chaîne comme suit :
 - Chaîne de type 291 (90PX) : 4,5 mm
 - Chaîne de type 492 (91PX) : 4,0 mm
 - Chaîne de type 25 (25AP) : 4,0 mm
- La lime ne doit mordre la gouge qu'en avançant. Relevez la lime au retour.
- Affûtez d'abord la gouge la plus courte. La longueur de cette gouge servira ensuite de référence pour toutes les autres gouges de la chaîne.
- Passez la lime tel qu'indiqué sur l'illustration.

- Le limage sera plus facile si vous employez un porte-lime (accessoire en option). Des symboles sont apposés sur le porte-lime pour indiquer le bon angle d'affûtage de 30° (alignez les symboles parallèlement à la chaîne) et les limites de profondeur de pénétration (jusqu'au 4/5 du diamètre de la lime).
- Une fois la chaîne affûtée, vérifiez la hauteur de la jauge de profondeur à l'aide de l'outil de jauge de la chaîne (accessoire en option).
- Retirez toute aspérité restante, aussi petite soit-elle, à l'aide d'une lime plate spéciale (accessoire en option).
- Arrondissez encore une fois l'avant de la jauge de profondeur.

Nettoyage du guide de chaîne (Fig. 37)

Les copeaux et la sciure s'accumulent dans la rainure du guide de chaîne, ce qui la colmate et entrave la bonne répartition de l'huile. Enlevez toujours les copeaux et la sciure lorsque vous affûtez ou que vous remplacez la chaîne de scie.

Nettoyage de l'orifice d'évacuation en huile (Fig. 38)

Des poussières ou particules peuvent s'accumuler dans l'orifice d'évacuation en huile pendant l'utilisation.

Les poussières ou particules accumulées dans l'orifice d'évacuation en huile peuvent affecter l'évacuation en huile et causer une lubrification insuffisante de la chaîne. Lorsque l'évacuation en huile ne s'effectue pas correctement sur la partie supérieure du guide de chaîne, nettoyez l'orifice d'évacuation en huile en procédant comme suit.

Retirez la batterie de l'outil.

Retirez le couvre-pignon et la chaîne de l'outil. (Reportez-vous à la section intitulée "Installation ou retrait de la chaîne".)

Enlevez la poussière et les particules à l'aide d'un tournevis plat étroit ou équivalent.

Insérez la batterie dans l'outil.

Appuyez sur la gâchette pour que les poussières et particules accumulées dans l'orifice d'alimentation en huile soient évacuées par l'alimentation en huile.

Retirez la batterie de l'outil.

Remettez en place le couvre-pignon et la chaîne sur l'outil.

Remplacement du pignon (Fig. 39 et 40)

Avant de poser une chaîne neuve, vérifiez l'état du pignon.

⚠ ATTENTION :

- La chaîne neuve sera endommagée si le pignon est usé. Le cas échéant, faites remplacer le pignon. Le pignon doit être installé de sorte qu'il soit toujours orienté comme indiqué sur l'illustration.

Posez toujours une bague de blocage neuve lorsque vous remplacez le pignon.

Remplacement des charbons (Fig. 41 et 42)

Retirez et vérifiez régulièrement les charbons. Remplacez-les lorsqu'ils sont usés jusqu'au trait de limite d'usure. Maintenez les charbons propres et en état de glisser aisément dans les porte-charbon. Les deux charbons doivent être remplacés en même temps. N'utilisez que des charbons identiques.

Utilisez un tournevis pour retirer les bouchons de porte-charbon. Enlevez les charbons usés, insérez-en de nouveaux et revissez solidement les bouchons de porte-charbon.

Rangement de l'outil

Nettoyez l'outil avant de le ranger. Essayez les copeaux et la sciure de bois qui recouvrent l'outil après avoir retiré le couvre-pignon. Après avoir nettoyé l'outil, faites le tourner à vide pour lubrifier la chaîne et le guide de chaîne.

Remettez le fourreau du guide-chaîne sur le guide-chaîne.

Videz le réservoir d'huile et posez la tronçonneuse.

Pour maintenir la SÉCURITÉ et la FIABILITÉ du produit, les réparations et tout autre travail d'entretien ou de réglage doivent être effectués dans un centre de service après-vente DOLMAR agréé, exclusivement avec des pièces de rechange DOLMAR.

Instructions d'entretien périodique

Pour assurer une bonne longévité, éviter les détériorations et garantir le bon fonctionnement des dispositifs de sécurité, réalisez régulièrement les travaux d'entretien suivants.

La garantie n'est accordée que si ces travaux sont réalisés régulièrement et correctement. Le non-respect des obligations relatives aux travaux d'entretien peut entraîner des accidents !

L'utilisateur de la tronçonneuse ne doit pas réaliser de travaux d'entretien non décrits dans le manuel d'instruction. Ces travaux doivent être effectués par un centre technique agréé.

Durée de fonctionnement Élément		Avant utilisation	Chaque jour	Chaque semaine	Tous les 3 mois	Tous les ans	Avant remisage
Tronçonneuse	Inspection	<input type="radio"/>					
	Nettoyage		<input type="radio"/>				
	Vérification par un centre technique agréé.					<input type="radio"/>	<input type="radio"/>
Chaîne	Inspection	<input type="radio"/>					
	Aiguisage si nécessaire.						<input type="radio"/>
Guide-chaîne	Inspection	<input type="radio"/>	<input type="radio"/>				
	Démontage						<input type="radio"/>
Frein de chaîne	Vérification du fonctionnement.	<input type="radio"/>					
	Inspection par un centre technique agréé.				<input type="radio"/>		
Lubrification de la chaîne	Vérification du débit de l'alimentation en huile.	<input type="radio"/>					
Gâchette	Inspection	<input type="radio"/>					
Bouton de sécurité	Inspection	<input type="radio"/>					
Bouchon du réservoir de d'huile	Vérification du serrage.	<input type="radio"/>					
Attrape-chaîne	Inspection			<input type="radio"/>			
Vis et écrous	Inspection			<input type="radio"/>			

014804

DÉPANNAGE

Avant de faire faire une réparation, effectuez votre propre inspection. Si vous rencontrez un problème non décrit dans le présent manuel, n'essayez pas de démonter l'outil. Confiez-le à un centre technique agréé Dolmar, qui utilise toujours des pièces de rechange Dolmar pour les réparations.

Dysfonctionnement	Cause	Remède
La tronçonneuse ne démarre pas.	Les deux batteries ne sont pas installées.	Installez les batteries chargées.
	Problème de batterie (sous tension).	Rechargez la batterie. Si vous n'arrivez pas à recharger la batterie, remplacez-la.
La chaîne ne tourne pas.	Frein de chaîne activé.	Relâchez le frein de chaîne.
Le moteur arrête de tourner après une courte utilisation.	Faible niveau de charge de la batterie.	Rechargez la batterie. Si vous n'arrivez pas à recharger la batterie, remplacez-la.
Pas d'huile sur la chaîne.	Réservoir d'huile vide.	Remplissez le réservoir d'huile.
	La rainure de lubrification est encrassée.	Nettoyez la rainure de lubrification.
	L'alimentation en huile est mal réglée.	Réglez le débit de l'alimentation en huile.
Impossible d'atteindre le plein régime.	La batterie est mal installée.	Installez la batterie comme décrit dans le présent manuel.
	La charge de la batterie baisse.	Rechargez la batterie. Si vous n'arrivez pas à recharger la batterie, remplacez-la.
	Le système d'entraînement ne fonctionne pas correctement.	Demandez à un centre technique agréé de réaliser les réparations.
La chaîne ne s'arrête pas même lorsque le frein de chaîne est activé : arrêtez immédiatement la machine !	Bande de frein usée.	Demandez à un centre technique agréé de réaliser les réparations.
Vibrations anormales : arrêtez immédiatement la machine !	Guide-chaîne ou chaîne desserrés.	Réglez le guide-chaîne et la tension de la chaîne.
	Dysfonctionnement de l'outil.	Demandez à un centre technique agréé de réaliser les réparations.

014805

ACCESSOIRES EN OPTION

ATTENTION :

Ces accessoires ou pièces complémentaires sont recommandés pour l'utilisation avec l'outil Dolmar spécifié dans ce mode d'emploi. L'utilisation de tout autre accessoire ou pièce complémentaire peut comporter un risque de blessure. N'utilisez les accessoires ou pièces qu'aux fins auxquelles ils ont été conçus.

Si vous désirez obtenir plus de détails concernant ces accessoires, veuillez contacter le centre de service après-vente Dolmar le plus près.

- Batterie et chargeur Dolmar authentiques
- Chaîne
- Guide-chaîne
- Fourreau du guide-chaîne
- Lime
- Sac de l'outil

NOTE :

- Il se peut que certains éléments de la liste soient compris dans l'emballage de l'outil en tant qu'accessoires standard. Ils peuvent varier d'un pays à l'autre.

ENG905-1

Bruit

Niveau de bruit pondéré A typique, déterminé selon EN60745 :

Niveau de pression sonore (L_{pA}) : 84,4 dB (A)

Niveau de puissance sonore (L_{WA}) : 95,4 dB (A)

Incertitude (K) : 2,5 dB (A)

Porter des protecteurs anti-bruit

Vibrations

Valeur totale de vibrations (somme de vecteur triaxial) déterminée selon EN60745 :

Modèle AS-3726

Mode de travail : coupe du bois

Émission de vibrations (a_h) : 4,7 m/s²

Incertitude (K) : 1,5 m/s²

Modèle AS-3731

Mode de travail : coupe du bois

Émission de vibrations (a_h) : 6,3 m/s²

Incertitude (K) : 1,5 m/s²

ENG901-1

- La valeur d'émission de vibrations déclarée a été mesurée conformément à la méthode de test standard et peut être utilisée pour comparer les outils entre eux.
- La valeur d'émission de vibrations déclarée peut aussi être utilisée pour l'évaluation préliminaire de l'exposition.

AVERTISSEMENT :

- L'émission de vibrations lors de l'usage réel de l'outil électrique peut être différente de la valeur d'émission déclarée, suivant la façon dont l'outil est utilisé.
- Les mesures de sécurité à prendre pour protéger l'utilisateur doivent être basées sur une estimation de l'exposition dans des conditions réelles d'utilisation (en tenant compte de toutes les composantes du cycle d'utilisation, comme par exemple le moment de sa mise hors tension, lorsqu'il tourne à vide et le moment de son déclenchement).

Pour les pays d'Europe uniquement

Déclaration de conformité CE

Les soussigné, Rainer Bergfeld, tel qu'autorisé par Dolmar GmbH, déclare que le(s) machine(s) DOLMAR suivante(s) :

Désignation de la machine :
Tronçonneuse sans Fil

N° de modèle / Type : AS-3726, AS-3731

Spécifications : voir le tableau "SPÉCIFICATIONS".

sont produites en série et

sont conformes aux Directives européennes suivantes :

2000/14/CE, 2006/42/CE

et qu'elles sont fabriquées conformément aux normes ou documents normalisés suivants :

EN ISO 11682-2

N° certifié de l'examen de type CE 4812068.13006

L'examen de type CE pour 2006/42/CE a été effectué par :

DEKRA Testing and Certification GmbH

Enderstraße 92b

01277 Dresden

Germany

N° d'identification 2140

La documentation technique se trouve sur fichier à l'adresse suivante :

Dolmar GmbH,

Jenfelder Straße 38, Abteilung FZ,

D-22045 Hamburg

La procédure d'évaluation de la conformité requise par la Directive 2000/14/CE a été réalisée conformément à l'Annexe V.

Niveau de puissance sonore mesuré : 95,4 dB (A)

Niveau de puissance sonore garanti : 98 dB (A)

20.12.2013



Rainer Bergfeld
Président directeur

Übersicht

1 Rote Anzeige	16 Einstellstift	30 Schwertschutzhülle
2 Knopf	17 Loch	31 Akkuabdeckung
3 Akku	18 Schwert	32 Schnittlänge
4 Sternsymbol	19 Lösen	33 Abstand zwischen
5 Akkuanzeige	20 Anziehen	Schneidzahnkante und
6 Einschaltarretierung	21 Sägekette	Tiefenbegrenzer
7 EIN-/AUS-Schalter	22 Öltankverschluss	34 Minimal 3 mm
8 Vorderer Handschutz	23 Ölstand-Prüfenster (zum	35 Seitenplattenwinkel
9 Verriegeln	Auffüllen des Tanks mit Öl)	36 Schlitzschraubendreher
10 Entriegeln	24 Ölstand-Prüfenster	37 Sicherungsring
11 Einstellschraube	25 Krallenanschlag	38 Verschleißgrenze
12 Kettenraddeckel	26 Fällbereich	39 Bürstenhalterkappe
13 Hebel	27 Fällrichtung	40 Schraubendreher
14 Stellrad	28 Gefahrenzone	
15 Kettenrad	29 Fluchtweg	

TECHNISCHE DATEN

Modell		AS-3726		AS-3731
Standard-Schwert	Schwertlänge	250 mm		300 mm
	Schnittlänge	23 cm	24 cm	28 cm
	Typ	Umlenksternschwert	Carving-Schwert	Umlenksternschwert
Standard-Sägekette	Typ	492 (91PX)	25 (25AP)	291 (90PX)
	Teilung	9,5 mm (3/8")	6,35 mm (1/4")	9,5 mm (3/8")
	Treibgliedstärke	1,3 mm (0,05")	1,3 mm (0,05")	1,1 mm (0,043")
	Treibglieder	40	60	46
Kettenrad	Zähnezahl	6	9	6
	Teilung	9,5 mm (3/8")	6,35 mm (1/4")	9,5 mm (3/8")
Gesamtlänge (ohne Schwert)		316 mm		
Nettogewicht	*1	4,1 kg		
	*2	4,6 kg	4,7 kg	
Kettengeschwindigkeit pro Minute		8,3 m/s (500 m/min)		
Kettenöltank-Inhalt		85 cm ³		
Nennspannung		DC 36 V		DC 36 V

• Wir behalten uns vor, Änderungen im Zuge der Entwicklung und des technischen Fortschritts ohne vorherige Ankündigung vorzunehmen.

• Die technischen Daten und der Blockakku können von Land zu Land unterschiedlich sein.

*1 Gewicht mit größtem Akku, ohne Schwert und Kette, mit leerem Öltank, gemäß EN ISO 11681-2.

*2 Gewicht mit Akku, Schwert und Kette, mit vollem Öltank, gemäß EPTA-Verfahren 01/2003.

WARNUNG: Verwenden Sie eine geeignete Kombination von Schwert und Sägekette. Anderenfalls kann es zu Personenschaden kommen.

END313-1

Symbole

Die folgenden Symbole werden für die Maschine verwendet. Machen Sie sich vor der Benutzung unbedingt mit ihrer Bedeutung vertraut.



• Bitte Bedienungsanleitung lesen.



• Eine Schutzbrille tragen.



• Einen Gehörschutz tragen.



• Tragen Sie einen Helm, eine Schutzbrille und einen Gehörschutz.



- Angemessenen Schutz für Füße/Beine und Hände/Arme verwenden.



- Diese Säge darf nur von fachlich geschulten Personen benutzt werden.



- Die Maschine keinem Regen aussetzen.



- Höchstzulässige Schnittlänge



- Kettenumlaufrichtung



- Sägekettenöleinstellung



- Nur für EU-Länder
Werfen Sie Elektrogeräte oder Akkus nicht in den Hausmüll!
Gemäß den Europäischen Richtlinien für Elektro- und Elektronik-Altgeräte, für Batterien, Akkus sowie verbrauchte Batterien und Akkus und ihre Umsetzung gemäß den Landesgesetzen müssen Elektrogeräte, Batterien und Akkus, die das Ende ihrer Lebensdauer erreicht haben, getrennt gesammelt und einer umweltgerechten Recycling-Einrichtung zugeführt werden.

ENE090-1

Vorgesehene Verwendung

Das Werkzeug ist für das Schneiden von Ästen / Stützen von Bäumen vorgesehen. Es eignet sich auch für Baumpflege.

GEA010-1

Allgemeine Sicherheitswarnungen für Elektrowerkzeuge

⚠️ WARNUNG Lesen Sie alle Sicherheitswarnungen und Anweisungen durch. Eine Missachtung der unten aufgeführten Warnungen und Anweisungen kann zu einem elektrischen Schlag, Brand und/oder schweren Verletzungen führen.

Bewahren Sie alle Warnungen und Anweisungen für spätere Bezugnahme auf.

Sicherheitswarnungen für Akku-kettensäge:

1. **Halten Sie alle Körperteile während des Betriebs der Kettensäge von der Sägekette fern. Vergewissern Sie sich vor dem Einschalten der Kettensäge, dass die Sägekette nicht mit irgendeinem Gegenstand in Berührung ist.** Ein Augenblick der Unaufmerksamkeit während des Betriebs von Kettensägen kann dazu führen, dass Ihre Kleidung oder Körperteile von der Sägekette erfasst werden.
2. **Halten Sie die Kettensäge bei beidhändiger Arbeit stets mit Ihrer rechten Hand am hinteren Griff und mit Ihrer linken Hand am vorderen Griff.** Das Halten der Kettensäge mit vertauschter Handhaltung führt zu erhöhter Verletzungsgefahr und ist daher unbedingt zu vermeiden.
3. **Das Elektrowerkzeug darf nur an den isolierten Griffflächen gehalten werden, weil die Sägekette verdeckte Leitungen berühren kann.** Sägeketten, die einen spannungsführenden Draht berühren, machen metallene Teile des Elektrowerkzeugs spannungsführend und könnten dem Bediener einen elektrischen Schlag versetzen.
4. **Tragen Sie eine Schutzbrille und einen Gehörschutz. Zusätzliche Schutzausrüstung für Kopf, Hände, Beine und Füße wird empfohlen.** Geeignete Schutzkleidung reduziert die Verletzungsgefahr durch fliegende Trümmer oder versehentlichen Kontakt mit der Sägekette.
5. **Achten Sie stets auf sicheren Stand.** Schlüpfrige oder instabile Standflächen können zu einem Verlust der Balance oder der Kontrolle über die Kettensäge führen.
6. **Wenn Sie einen unter Spannung stehenden Ast abschneiden, achten Sie auf Zurückschnellen.** Wenn sich die Spannung in den Holzfasern entlädt, kann der unter Spannung stehende Ast die Bedienungsperson treffen und/oder die Kettensäge außer Kontrolle bringen.
7. **Lassen Sie beim Schneiden von Gestrüpp und jungen Bäumen äußerste Vorsicht walten.** Die dünnen Äste können an der Sägekette hängen bleiben und gegen Sie geschleudert werden oder Sie aus dem Gleichgewicht bringen.
8. **Tragen Sie die Kettensäge nach dem Ausschalten mit Abstand zu Ihrem Körper am vorderen Griff. Bringen Sie zum Transportieren oder Lagern der Kettensäge stets die Schwertschutzhülle an.** Sachgemäße Handhabung der Kettensäge reduziert die Wahrscheinlichkeit einer versehentlichen Berührung der umlaufenden Sägekette.
9. **Befolgen Sie die Anweisungen für die Schmierung, die Kettenspannung und den Austausch von Zubehör.** Eine unsachgemäß gespannte oder geschmierte Kette kann entweder reißen oder die Gefahr von Rückschlägen erhöhen.
10. **Halten Sie die Griffe trocken, sauber und frei von Öl und Fett.** Fett- und överschmierte Griffe sind schlüpfrig und verursachen den Verlust der Kontrolle.

11. **Schneiden Sie nur Holz. Verwenden Sie die Kettensäge nicht für sachfremde Zwecke. Zum Beispiel: Verwenden Sie die Kettensäge nicht zum Schneiden von Kunststoff, Mauerwerk oder Nicht-Holz-Baumaterial.** Der Gebrauch der Kettensäge für sachfremde Zwecke kann zu einer Gefahrensituation führen.

12. **Ursachen und Verhütung von Rückschlägen:** Rückschläge können auftreten, wenn die Nase oder Spitze des Schwerts ein Objekt berührt, oder wenn sich das Holz schließt und die Sägekette im Schnitt einklemmt.

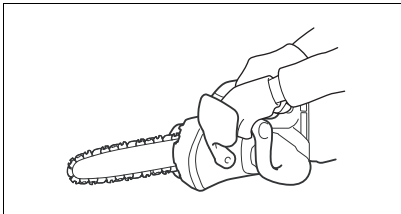
Spitzenkontakt kann in manchen Fällen eine plötzliche Gegenreaktion verursachen, so dass das Schwert nach oben oder hinten zur Bedienungsperson geschleudert wird.

Durch Einklemmen der Sägekette entlang dem oberen Lauf des Schwerts kann das Schwert zur Bedienungsperson zurückgeschleudert werden.

Jede dieser Reaktionen kann zu einem Verlust der Kontrolle über die Säge und daraus resultierenden schweren Verletzungen führen. Verlassen Sie sich nicht ausschließlich auf die in Ihre Säge eingebauten Sicherheitsvorrichtungen. Als Kettensägenbenutzer sollten Sie bestimmte Maßnahmen ergreifen, um Ihre Sägearbeiten unfall- und verletzungsfrei zu halten.

Rückschlag ist das Resultat falscher Handhabung der Maschine und/oder falscher Arbeitsverfahren oder -bedingungen und kann durch Anwendung der nachstehenden Vorsichtsmaßnahmen vermieden werden:

- **Halten Sie die Kettensäge beidhändig mit festem Griff, wobei Ihre Daumen und Finger die Griffe umschließen, und positionieren Sie Körper und Arme so, dass Sie Rückschlagkräfte auffangen können.** Rückschlagkräfte können durch Treffen geeigneter Vorsichtsmaßnahmen von der Bedienungsperson kontrolliert werden. Lassen Sie die Kettensäge nicht los.



014673

- **Übernehmen Sie sich nicht, und schneiden Sie nicht oberhalb der Schulterhöhe.** Dies trägt zur Verhütung unbeabsichtigten Spitzenkontakts bei und ermöglicht bessere Kontrolle der Kettensäge in unerwarteten Situationen.

- **Verwenden Sie nur vom Hersteller empfohlene Schwerter und Ketten.** Ungeeignete Schwerter und Ketten können Kettenbruch und/oder Rückschlag verursachen.

- **Befolgen Sie die Herstelleranweisungen zum Schärfen und Warten der Sägekette.** Eine Verringerung der Tiefenanschlaghöhe kann zu vermehrten Rückschlägen führen.

13. Stellen Sie vor Arbeitsbeginn sicher, dass die Kettensäge in einwandfreiem Betriebszustand ist, und dass ihr Zustand den Sicherheitsvorschriften entspricht. Prüfen Sie insbesondere, dass:

- Die Kettenbremse einwandfrei funktioniert;
- Die Auslaufbremse einwandfrei funktioniert;
- Schwert und Kettenraddeckel korrekt angebracht sind;
- Die Kette geschärft und vorschriftsmäßig gespannt worden ist;

14. **Schalten Sie die Kettensäge nicht mit noch angebrachtem Kettenschutz ein.** Wird die Kettensäge mit noch angebrachtem Kettenschutz eingeschaltet, kann der Kettenschutz nach vorn herausgeschleudert werden, was zu Personenverletzungen und Beschädigung von Gegenständen im Umfeld des Bedieners führen kann.

Spezielle Sicherheitshinweise für Obergriff-Kettensäge

1. Diese Kettensäge ist speziell für Baumpflege und Baumchirurgie vorgesehen. Die Kettensäge darf nur von fachlich geschulten Personen benutzt werden. Befolgen Sie alle Anweisungen, Verfahrensweisen und Empfehlungen der relevanten Berufsgenossenschaft. Anderenfalls können tödliche Unfälle auftreten. Zum Sägen in Bäumen wird stets die Verwendung einer Hebebühne (Hubkorb, Lift) empfohlen. Abseiltechniken sind äußerst gefährlich und erfordern eine spezielle Ausbildung. Die Bedienungspersonen müssen im Gebrauch von Sicherheitsausrüstung und Klettertechniken geschult werden. Beim Arbeiten in Bäumen müssen stets geeignete Gurte, Seile und Karabinerhaken verwendet werden. Benutzen Sie stets Rückhaltevorrichtungen für Bedienungsperson und Säge.
2. Führen Sie Reinigung und Wartung vor der Lagerung gemäß der Bedienungsanleitung durch.
3. Achten Sie beim Kfz-Transport auf sichere Lage der Kettensäge, um Auslaufen von Kraftstoff oder Kettenöl, Beschädigung des Werkzeugs und Personenschaden zu vermeiden.
4. Überprüfen Sie die Funktionsfähigkeit der Kettenbremse regelmäßig.
5. Füllen Sie Kettenöl nicht in der Nähe von Feuer ein. Rauchen Sie auf keinen Fall beim Einfüllen von Kettenöl.
6. Der Gebrauch der Kettensäge kann durch Vorschriften des jeweiligen Landes eingeschränkt sein.
7. Falls das Gerät einen schweren Aufprall oder Sturz erleidet, überprüfen Sie seinen Zustand, bevor Sie die Arbeit fortsetzen. Überprüfen Sie die Bedienelemente und Sicherheitsvorrichtungen auf Fehlfunktionen. Falls Sie einen Schaden feststellen oder Zweifel haben, wenden Sie sich bezüglich einer Inspektion und Reparatur an unser autorisiertes Service-Center.
8. Aktivieren Sie stets die Kettenbremse, bevor Sie die Kettensäge starten.
9. Halten Sie die Säge sicher in Position, um Abgleiten (Rutschbewegung) oder Springen der Säge am Anfang eines Schnitts zu vermeiden.

10. Achten Sie am Ende des Schnitts darauf, dass Sie wegen des "Abfalls" nicht die Balance verlieren.
11. Windrichtung und -geschwindigkeit müssen ebenfalls berücksichtigt werden. Vermeiden Sie Sägemehl und Kettenölnebel.

Schutzausrüstung

1. **Um Verletzungen von Kopf, Augen, Händen oder Füßen sowie Gehörschäden zu vermeiden, müssen die folgenden Schutzvorrichtungen während der Arbeit mit der Kettensäge verwendet werden:**

- Die Kleidung soll zweckmäßig, d. h. eng anliegend, aber nicht hinderlich sein. Tragen Sie keine Schmuckgegenstände oder Kleidung, die sich an Buschwerk oder Ästen verfangen können. Wenn Sie langes Haar haben, sollten Sie unbedingt ein Haarnetz tragen!
- Bei allen Arbeiten mit der Kettensäge ist das Tragen eines Schutzhelms notwendig. Der **Schutzhelm** muss in regelmäßigen Abständen auf Beschädigung hin überprüft und spätestens nach 5 Jahren ausgewechselt werden. Verwenden Sie nur geprüfte Schutzhelme.
- Der **Gesichtsschutz** des Schutzhelms (oder eine Schutzbrille) schützt vor Sägespänen und Holzsplittern. Tragen Sie beim Arbeiten mit der Kettensäge stets eine Schutzbrille oder einen Gesichtsschutz, um Augenverletzungen zu verhüten.
- Tragen Sie geeignete **Schallschutzausrüstung** (Kapselgehörschützer, Ohrstöpsel usw.).
- Die **Schutzjacke** besteht aus 22 Nylongewebebelagen und schützt die Bedienungsperson vor Schnitten. Sie ist bei Arbeiten auf Hochbühnen (Hubkorb, Lift), leitermontierten Plattformen oder beim Klettern mit Seilen stets zu tragen.
- **Schutzgurt und Latzhose** bestehen aus 22 Nylongewebebelagen und schützen vor Schnitten. Ihre Verwendung wird dringend empfohlen.
- **Schutzhandschuhe** aus dickem Leder gehören zur vorschriftsmäßigen Ausrüstung und sind beim Arbeiten mit der Kettensäge immer zu tragen.
- **Sicherheitsschuhe** oder **Sicherheitsstiefel** mit rutschfester Sohle, Stahlkappen und Beinschutz sind beim Arbeiten mit der Kettensäge stets zu tragen. Mit einer Schutzzeilage versehene Sicherheitsschuhe bieten Schutz gegen Schnitte und gewährleisten einen sicheren Stand. Bei Arbeiten in Bäumen müssen die Sicherheitsstiefel für Klettertechniken geeignet sein.

Vibration

1. Personen mit Kreislaufstörungen, die starken Vibrationen ausgesetzt werden, können Schädigungen der Blutgefäße oder des Nervensystems erleiden. Vibrationen können folgende Symptome an Fingern, Händen oder Handgelenken verursachen: "Einschlafen" (Taubheit) der Körperteile, Prickeln, Schmerzen, Stechen, Veränderungen der Hautfarbe oder der Haut.

Falls eines dieser Symptome auftritt, suchen Sie einen Arzt auf!

Um die Gefahr von VVS (vibrationsbedingtes vasospastisches Syndrom) zu reduzieren, halten Sie Ihre Hände während der Arbeit warm, und sorgen Sie für gute Wartung von Gerät und Zubehör.

BEWAHREN SIE DIESE HINWEISE SORGFÄLTIG AUF.

⚠️ WARNUNG:

Lassen Sie sich NICHT durch Bequemlichkeit oder Vertrautheit mit dem Produkt (durch wiederholten Gebrauch erworben) von der strikten Einhaltung der Sicherheitsregeln für das vorliegende Produkt abhalten. **MISSBRAUCH** oder **Missachtung** der Sicherheitsvorschriften in dieser Anleitung können schwere Verletzungen verursachen.

ENC007-8

WICHTIGE SICHERHEITSVORSCHRIFTEN

FÜR AKKU

1. **Lesen Sie vor der Benutzung des Akkus alle Anweisungen und Warnhinweise, die an (1) Ladegerät, (2) Akku und (3) Akkuwerkzeug angebracht sind.**
2. **Unterlassen Sie ein Zerlegen des Akkus.**
3. **Falls die Betriebszeit beträchtlich kürzer geworden ist, stellen Sie den Betrieb sofort ein. Anderenfalls besteht die Gefahr von Überhitzung, möglichen Verbrennungen und sogar einer Explosion.**
4. **Falls Elektrolyt in Ihre Augen gelangt, waschen Sie sie mit sauberem Wasser aus, und begeben Sie sich unverzüglich in ärztliche Behandlung. Anderenfalls können Sie Ihre Sehkraft verlieren.**
5. **Der Akku darf nicht kurzgeschlossen werden:**
 - (1) Die Kontakte dürfen nicht mit leitfähigem Material berührt werden.
 - (2) Lagern Sie den Akku nicht in einem Behälter zusammen mit anderen Metallgegenständen, wie z.B. Nägel, Münzen usw.
 - (3) **Setzen Sie den Akku weder Wasser noch Regen aus.**
Ein Kurzschluss des Akkus verursacht starken Stromfluss, der Überhitzung, Verbrennungen und einen Defekt zur Folge haben kann.
6. **Lagern Sie Maschine und Akku nicht an Orten, an denen die Temperatur 50°C erreichen oder überschreiten kann.**
7. **Versuchen Sie niemals, den Akku zu verbrennen, selbst wenn er stark beschädigt oder vollkommen verbraucht ist. Der Akku kann im Feuer explodieren.**
8. **Achten Sie darauf, dass der Akku nicht fallen gelassen oder Stößen ausgesetzt wird.**
9. **Verwenden Sie keinen Akku, der fallen gelassen oder erschüttert wurde.**
10. **Befolgen Sie die örtlichen Bestimmungen bezüglich der Entsorgung von Akkus.**

BEWAHREN SIE DIESE HINWEISE SORGFÄLTIG AUF.

Hinweise zur Aufrechterhaltung der maximalen Akku-Nutzungsdauer

1. **Laden Sie den Akku, bevor er vollkommen erschöpft ist.**
Schalten Sie die Maschine stets aus, und laden Sie den Akku, wenn Sie ein Nachlassen der Maschinenleistung feststellen.
2. **Unterlassen Sie das erneute Laden eines voll aufgeladenen Akkus. Überladen führt zu einer Verkürzung der Nutzungsdauer des Akkus.**
3. **Laden Sie den Akku bei Raumtemperatur zwischen 10°C – 40°C. Lassen Sie einen heißen Akku abkühlen, bevor Sie ihn laden.**
4. **Laden Sie den Akku bei längerer Nichtbenutzung alle sechs Monate nach.**

FUNKTIONSBESCHREIBUNG

VORSICHT:

- Vergewissern Sie sich vor der Durchführung von Einstellungen oder Funktionsprüfungen der Maschine stets, dass die Maschine ausgeschaltet und der Akku abgenommen ist.

Ein- und Ausbau des Akkus (Abb. 1)

VORSICHT:

- Schalten Sie stets die Maschine aus, bevor Sie den Akku anbringen oder abnehmen.
- **Halten Sie Maschine und Akku beim Anbringen oder Abnehmen des Akkus sicher fest.**
Wenn Sie Maschine und Akku nicht sicher festhalten, können sie Ihnen aus der Hand rutschen, was zu einer Beschädigung der Maschine und des Akkus und zu Körperverletzungen führen kann.

Ziehen Sie den Akku zum Abnehmen von der Maschine ab, während Sie den Knopf an der Vorderseite des Akkus verschieben.

Richten Sie zum Anbringen des Akkus dessen Führungsfeder auf die Nut im Gehäuse aus, und schieben Sie den Akku hinein. Schieben Sie ihn vollständig ein, bis er mit einem hörbaren Klicken einrastet. Falls die rote Anzeige an der Oberseite des Knopfes sichtbar ist, ist der Akku-Adapter nicht vollständig verriegelt.

VORSICHT:

- Schieben Sie den Akku stets bis zum Anschlag ein, bis die rote Anzeige nicht mehr sichtbar ist. Anderenfalls kann er aus der Maschine herausfallen und Sie oder umstehende Personen verletzen.
- Unterlassen Sie Gewaltanwendung beim Anbringen des Akkus. Falls der Akku nicht reibungslos hineingleitet, ist er nicht richtig ausgerichtet.

HINWEIS:

- Das Werkzeug funktioniert nicht mit nur einem Akku.

Werkzeug/Akku-Schutzsystem

Das Werkzeug ist mit einem Werkzeug/Akku-Schutzsystem ausgestattet. Dieses System schaltet die Stromversorgung des Motors automatisch ab, um die Lebensdauer von Werkzeug und Akku zu verlängern. Das Werkzeug bleibt während des Betriebs automatisch stehen, wenn das Werkzeug oder der Akku einer der folgenden Bedingungen unterliegt. Bei manchen Bedingungen leuchten die Anzeigen auf.

Überlastschutz

Wird das Werkzeug auf eine Weise benutzt, die eine ungewöhnlich hohe Stromaufnahme bewirkt, bleibt es ohne jegliche Anzeige automatisch stehen. Schalten Sie in dieser Situation das Werkzeug aus, und brechen Sie die Arbeit ab, die eine Überlastung des Werkzeugs verursacht hat. Schalten Sie dann das Werkzeug wieder ein, um die Arbeit fortzusetzen.

Überhitzungsschutz für Akku/Werkzeug

Wenn die Akkus/das Werkzeug überhitzt sind, bleibt das Werkzeug ohne jegliche Anzeige automatisch stehen. Das Werkzeug kann selbst durch Betätigen des EIN-/AUS-Schalters nicht gestartet werden. Lassen Sie die Akkus/das Werkzeug in dieser Situation abkühlen, bevor Sie das Werkzeug wieder einschalten.

HINWEIS:

- Der Akku-Überhitzungsschutz funktioniert nur mit Akkus, die mit einem Sternsymbol gekennzeichnet sind. (Abb. 2)

Überentladungsschutz (Abb. 3)

Wenn die Akku-Restkapazität niedrig wird, blinkt die Akkuanzeige auf der Seite des betreffenden Akkus. Bei weiterer Benutzung bleibt das Werkzeug stehen, und die Akkuanzeige leuchtet etwa 10 Sekunden lang auf. Laden Sie in dieser Situation den Akku auf.

Schalterbetätigung (Abb. 4)

VORSICHT:

- Vergewissern Sie sich vor dem Einsetzen des Akkus in die Maschine stets, dass der EIN-/AUS-Schalter ordnungsgemäß funktioniert und beim Loslassen in die AUS-Stellung zurückkehrt.

Um eine versehentliche Schalterbetätigung zu verhindern, ist die Maschine mit einer Schalterarretierung ausgestattet.

Zum Einschalten drücken Sie den EIN-/AUS-Schalter und gleichzeitig die Schalterarretierung. Zum Ausschalten den EIN-/AUS-Schalter loslassen.

Überprüfen der Kettenbremse (Abb. 5)

HINWEIS:

- Falls die Kettensäge nicht anläuft, muss die Kettenbremse gelöst werden. Ziehen Sie den vorderen Handschutz kräftig zurück, bis Einrasten spürbar ist.

Halten Sie die Kettensäge beim Einschalten mit beiden Händen.

Halten Sie den Obergriff mit der rechten, und den Frontgriff mit der linken Hand. Dabei dürfen Schwert und Kette mit keinem Gegenstand in Berührung sein.

Drücken Sie zuerst die Einschaltarretierung, dann den EIN-/AUS-Schalter.

Die Sägekette läuft sofort an.

Schieben Sie den vorderen Handschutz mit dem Handrücken vorwärts. Die Sägekette muss zum sofortigen Stillstand kommen.

VORSICHT:

- Sollte die Sägekette bei der Durchführung dieser Prüfung nicht sofort anhalten, darf die Säge unter keinen Umständen benutzt werden. Konsultieren Sie eine DOLMAR-Reparaturwerkstatt.

Überprüfen der Auslaufbremse

Schalten Sie die Kettensäge ein.

Lassen Sie den EIN-/AUS-Schalter vollkommen los. Die Sägekette muss innerhalb einer Sekunde zum Stillstand kommen.

VORSICHT:

- Sollte die Sägekette bei der Durchführung dieser Prüfung nicht innerhalb einer Sekunde zum Stillstand kommen, darf die Säge nicht benutzt werden. Konsultieren Sie eine DOLMAR-Reparaturwerkstatt.

Einstellen der Kettenschmierung (Abb. 6)

Die Ölpumpen-Fördermenge kann mit der Einstellschraube reguliert werden. Verwenden Sie zur Einstellung der Ölmenge den Kombischlüssel.

Karabiner (Seilbefestigungspunkt) (Abb. 7)

Der Karabiner (Seilbefestigungspunkt) dient zum Aufhängen der Maschine. Den Karabiner vor der Benutzung herausziehen und ein Seil daran anbinden.

MONTAGE

VORSICHT:

- Vergewissern Sie sich vor der Ausführung von Arbeiten an der Maschine stets, dass die Maschine ausgeschaltet und der Akku abgenommen ist.

Montage bzw. Demontage der Sägekette (Abb. 8, 9, 10, 11, 12 u. 13)

VORSICHT:

- Tragen Sie bei der Montage bzw. Demontage der Sägekette zum Schutz Ihrer Hände Arbeitshandschuhe.
- Sägekette und Schwert sind unmittelbar nach dem Betrieb noch heiß. Lassen Sie die Teile ausreichend abkühlen, bevor Sie irgendwelche Arbeiten am Werkzeug ausführen.

Zum Abnehmen der Sägekette müssen die folgenden Schritte ausgeführt werden:

1. Den Hebel drücken und bis zum Anschlag vollständig öffnen.
2. Das Stellrad in Richtung “–” drehen, um die Sägekettenspannung zu verringern.
3. Den Hebel entgegen dem Uhrzeigersinn drehen, um den Kettenraddeckel zu lösen, bis er sich abnehmen lässt.
4. Den Kettenraddeckel abnehmen.
5. Sägekette und Schwert von der Kettensäge entfernen.

Zum Anbringen der Sägekette müssen die folgenden Schritte ausgeführt werden:

6. Die Laufrichtung der Kette sicherstellen. Die Pfeilmarke auf der Kette gibt die Laufrichtung der Kette an.
7. Das eine Ende der Sägekette auf die Oberkante des Schwerts, und das andere Ende um das Kettenrad legen.
8. Das Schwert auf die Kettensäge legen.
9. Das Stellrad in Richtung “–” drehen, um den Einstellstift in Pfeilrichtung zu schieben.
10. Den Kettenraddeckel auf die Kettensäge setzen, so dass der Einstellstift in einem der kleinen Löcher des Schwerts ruht.

11. Den Hebel vollständig im Uhrzeigersinn und dann um eine Viertelumdrehung zurück drehen, um etwas Durchhang zum Einstellen der Kettenspannung zu erhalten.
12. Das Stellrad drehen, um die Kettenspannung einzustellen.
13. Den Hebel im Uhrzeigersinn drehen, um den Kettenraddeckel zu sichern.
14. Den Hebel drücken und in seine Ausgangsposition bringen.

Einstellen der Sägekettenspannung (Abb. 8 u. 14)

Die Sägekette kann sich nach vielen Betriebsstunden lockern. Überprüfen Sie daher die Sägekettenspannung von Zeit zu Zeit vor dem Gebrauch.

1. Den Hebel drücken und vollständig öffnen, bis er klickt. Den Hebel geringfügig entgegen dem Uhrzeigersinn drehen, um den Kettenraddeckel etwas zu lösen.
2. Die Schwertschneide leicht anheben.
3. Das Stellrad drehen, um die Sägekettenspannung einzustellen. Die Sägekette straffen, bis ihr unterer Abschnitt in der Schwertschiene ruht (siehe Kreis in der Abbildung).
4. Das Schwert leicht festhalten, und den Kettenraddeckel festziehen, nachdem die Kettenspannung eingestellt worden ist. Sicherstellen, dass sich der untere Abschnitt der Sägekette nicht lockert.
5. Den Hebel drücken und in seine Ausgangsposition bringen.

Vergewissern Sie sich, dass die Sägekette fest an der Unterkante des Schwerts anliegt.

VORSICHT:

- Straffen Sie die Sägekette nicht zu sehr. Eine übermäßig hohe Spannung der Sägekette kann zu einem Bruch der Sägekette, Verschleiß des Schwerts und Bruch des Stellrads führen.
- Eine zu lockere Kette kann sich vom Schwert lösen, und stellt somit eine Unfallgefahr dar.
- Führen Sie die Montage oder Demontage der Sägekette an einem sauberen Ort aus, der frei von Sägemehl und dergleichen ist.

Krallenanschlag (Sonderzubehör) (Abb. 15)

Montieren Sie den Krallenanschlag nach dem folgenden Verfahren:

1. Kettenraddeckel, Sägekette und Schwert gemäß der Beschreibung in dieser Bedienungsanleitung entfernen.
2. Die Löcher im Krallenanschlag auf die Löcher in der Kettensäge ausrichten.
3. Die Teile mit Schrauben fest zusammenmontieren.

BETRIEB

VORSICHT:

- Verdecken Sie nicht die Lüftungsschlitze, weil dadurch Überhitzung und Beschädigung des Werkzeugs verursacht werden können.

Schmierung (Abb. 16 u. 17)

Die Sägekette wird während des Betriebs der Maschine automatisch geschmiert. Überprüfen Sie die im Öltank verbleibende Ölmenge durch das Ölstand-Prüffenster.

Um den Tank aufzufüllen, entfernen Sie die Kappe von der Öltanköffnung.

Schrauben Sie nach dem Auffüllen des Öltanks stets die mitgelieferte Öltankverschluss auf die Kettensäge.

⚠ VORSICHT:

- Wenn Sie die Kettensäge zum ersten Mal mit Öl füllen oder den völlig leeren Öltank auffüllen, füllen Sie Öl bis zur Unterkante des Einfüllstutzens ein. Anderenfalls kann die Ölzuführung beeinträchtigt werden.
- Als Sägekettenöl verwenden Sie exklusives Öl für Dolmar-Kettensägen oder auf dem Markt erhältliches Öl.
- Verwenden Sie keinesfalls Öl, das Staub und Fremdkörper enthält, oder leichtflüchtiges Öl.
- Verwenden Sie zum Beschneiden von Bäumen botanisches Öl. Mineralöl kann Bäume schädigen.
- Üben Sie beim Beschneiden von Bäumen niemals Druck auf die Kettensäge aus.
- Vergewissern Sie sich vor dem Ausschneiden, dass die mitgelieferte Öltankverschluss angebracht ist.

Halten Sie die Kettensäge vom Baum abgewandt. Starten Sie die Säge, und warten Sie, bis eine angemessene Schmierung der Sägekette erreicht ist. Bringen Sie den Krallenanschlag vor dem Einschalten mit dem zu schneidenden Ast in Berührung. Anderenfalls kann das Schwert ins Flattern geraten, was zu einer Verletzung der Bedienungsperson führen kann. Sägen Sie das zu schneidende Holz durch einfache Abwärtsbewegung.

ARBEITEN MIT DER KETTENSÄGE

⚠ VORSICHT:

- Anfänger sollten, als minimale Übung, Rundholzstämmen auf einem Sägebock oder einem Gestell schneiden.
- Verwenden Sie beim Sägen von Schnittholz eine sichere Auflage (Sägebock oder Gestell). Halten Sie das Werkstück nicht mit Ihrem Fuß fest, und lassen Sie es auch nicht von einer anderen Person festhalten.
- Rundhölzer sind gegen Verdrehen im Schnitt zu sichern.

Entasten (Abb. 18, 19, 20 u. 21)

⚠ VORSICHT:

- Führen Sie die Kettensäge so, dass sich kein Körperteil im verlängerten Schwenkbereich der Sägekette befindet.
- Bei jeder Arbeit ist die Kettensäge mit beiden Händen festzuhalten, nur so kann sie jederzeit sicher geführt werden.
- Beugen Sie sich beim Betrieb nicht zu weit vor. Achten Sie bei der Arbeit stets auf sicheren Stand.

Bringen Sie den Krallenanschlag vor dem Einschalten mit dem zu schneidenden Ast in Berührung. Wird der Schnitt ausgeführt, ohne den Krallenanschlag mit dem Ast in Berührung zu bringen, kann das Schwert ins Flattern geraten, was zu einer Verletzung der Bedienungsperson führen kann.

Holz unter Spannung muss immer zuerst auf der Druckseite eingeschnitten werden. Erst dann kann der Trennschnitt auf der Zugseite erfolgen.

Wird der Trennschnitt auf der Druckseite durchgeführt, kann der Ast mit der Sägekette in Berührung kommen und sie einklemmen. Ohne Vorschnitt kann der Ast beim Trennschnitt auf der Zugseite splintern.

Wenn das Holz nicht in einem Arbeitsgang gesägt werden kann:

Setzen Sie das Sägen unter leichter Druckausübung auf den Griff fort und ziehen Sie die Kettensäge geringfügig zurück; dann setzen Sie die Zackenleiste etwas tiefer an und beenden Sie den Schnitt durch Anheben des Griffes.

Ablängen (Abb. 22, 23 u. 24)

Um Ablängschnitte auszuführen, drücken Sie den Krallenanschlag gegen das zu schneidende Holz, wie in der Abbildung gezeigt.

Sägen Sie mit laufender Sägekette in das Holz, wobei Sie die Säge mit dem Obergriff anheben und mit dem Frontgriff führen.

Verwenden Sie den Krallenanschlag als Drehpunkt. Setzen Sie den Schnitt fort, indem Sie leichten Druck auf den Frontgriff ausüben und die Säge geringfügig zurückziehen. Schieben Sie den Krallenanschlag weiter am Holz hinunter, und heben Sie den Frontgriff erneut an.

Wenn Sie mehrere Schnitte ausführen, schalten Sie die Kettensäge zwischen den Schnitten aus.

⚠ VORSICHT:

- Wird die Oberkante des Schwerts zum Schneiden verwendet, kann die Kettensäge in Ihre Richtung abgelenkt werden, falls die Kette eingeklemmt wird. Schneiden Sie aus diesem Grund mit der Unterkante, so dass die Säge von Ihrem Körper weg abgelenkt wird.

Schneiden Sie unter Spannung stehendes Holz zuerst auf der Druckseite (A) ein.

Machen Sie dann den Endschnitt auf der Spannungsseite (B). Dadurch wird Einklemmen des Schwerts verhindert.

Entasten

⚠ VORSICHT:

- Entasten darf nur von geschulten Personen durchgeführt werden. Es besteht die Gefahr von Rückschlägen.

Stützen Sie die Kettensäge beim Entasten nach Möglichkeit am Stamm ab. Schneiden Sie nicht mit der Schwertspitze, weil dabei Rückschlaggefahr besteht.

Beachten Sie besonders unter Spannung stehende Äste. Trennen Sie frei hängende Äste nicht von unten durch. Stellen Sie sich beim Entasten nicht auf den gefällten Stamm.

Aushölschnitte und Schnitte parallel zur Faserrichtung (Abb. 25)

⚠ VORSICHT:

- Aushölschnitte und Schnitte parallel zur Faserrichtung dürfen nur von besonders geschulten Personen ausgeführt werden. Es besteht Verletzungsgefahr durch Rückschläge.

Führen Sie Schnitte parallel zur Faserrichtung mit möglichst flachem Winkel durch. Führen Sie den Schnitt äußerst vorsichtig aus, da der Krallenanschlag nicht benutzt werden kann.

Fällen (Abb. 26, 27, 28 u. 29)

⚠ VORSICHT:

- Fällen darf nur von geschulten Personen durchgeführt werden. Die Arbeit ist gefährlich.

Beachten Sie die örtlichen Vorschriften, wenn Sie einen Baum fällen möchten.

- Bevor Sie mit dem Fällen beginnen, stellen Sie Folgendes sicher:
 - (1) Nur mit dem Fällen beschäftigte Personen dürfen sich in der Nähe aufhalten.
 - (2) Für jede beteiligte Person ist eine unbehinderte Rückweiche über einen Bereich von ungefähr 45° auf beiden Seiten der Fällachse vorhanden. Berücksichtigen Sie die zusätzliche Gefahr des Stolperns über elektrische Kabel.
 - (3) Der Stammfuß ist frei von Fremdkörpern, Wurzeln und Ästen.
 - (4) Keine Personen oder Gegenstände sind auf einer Entfernung von 2 1/2 Baumrängen in Fallrichtung des Baums vorhanden.
- Beachten Sie Folgendes in Bezug auf den jeweiligen Baum:
 - Neigungsrichtung,
 - Lose oder dürre Äste,
 - Höhe des Baums,
 - Natürlicher Überhang,
 - Ob der Baum morsch ist oder nicht.
- Berücksichtigen Sie die Windgeschwindigkeit und Windrichtung. Führen Sie keine Fällarbeiten bei stark böigem Wind aus.
- Beischnitten von Wurzelanläufen: Beginnen Sie mit den größten Anläufen. Machen Sie zuerst den vertikalen, dann den horizontalen Schnitt.
- Schneiden Sie einen Fallkerb: Der Fallkerb bestimmt die Fallrichtung des Baums und führt den Baum. Er wird auf der Seite angelegt, in deren Richtung der Baum fallen soll. Schneiden Sie den Fallkerb so dicht wie möglich über dem Boden. Schneiden Sie zuerst die Kerbsohle bis zu einer Tiefe von 1/5 – 1/3 des Stammdurchmessers. Machen Sie den Fallkerb nicht zu groß. Schneiden Sie dann das Kerbdach.
- Schneiden Sie Korrekturen des Fallkerbs über seine ganze Breite.
- Legen Sie den Fällschnitt etwas höher als die Kerbsohle des Fallkerbs an. Der Fällschnitt muss genau horizontal ausgeführt werden. Lassen Sie ungefähr 1/10 des Stammdurchmessers zwischen Fällschnitt und Fallkerb stehen.

Die Holzfasern im ungeschnittenen Stammteil fungieren als Scharnier. Schneiden Sie die Fasern unter keinen Umständen sofort durch, weil sonst der Baum unkontrolliert fällt. Führen Sie Keile rechtzeitig in den Fällschnitt ein.
- Nur Keile aus Kunststoff oder Aluminium werden verwendet, um den Fällschnitt offen zu halten. Die Verwendung von Eisenkeilen ist verboten.
- Stehen Sie seitlich vom fallenden Baum. Halten Sie den Bereich hinter dem fallenden Baum bis zu einem Winkel von 45° auf beiden Seiten der Baumachse frei (siehe die Abbildung "Fällbereich"). Achten Sie auf herunterfallende Äste.
- Bei Bedarf sollte eine Rückweiche geplant und geräumt werden, bevor die Schnitte begonnen werden. Die Rückweiche sollte sich schräg zur Rückseite der erwarteten Falllinie erstrecken, wie in der Abbildung dargestellt.

Transport (Abb. 30)

Nehmen Sie stets den Akku vom Werkzeug ab, und schieben Sie die Schwertschutzhülle über das Schwert, bevor Sie das Werkzeug tragen. Decken Sie außerdem den Akku mit der Akkuabdeckung ab.

WARTUNG

⚠ VORSICHT:

- Vergewissern Sie sich vor der Durchführung von Inspektions- oder Wartungsarbeiten stets, dass die Maschine ausgeschaltet und der Akku abgenommen ist.
- Tragen Sie beim Ausführen von Überprüfungs- und Instandhaltungsarbeiten unbedingt Arbeitshandschuhe.
- Verwenden Sie auf keinen Fall Benzin, Benzol, Verdünnern, Alkohol oder dergleichen. Solche Mittel können Verfärbung, Verformung oder Rissbildung verursachen.

Schärfen der Sägekette (Abb. 31)

⚠ VORSICHT:

- Nehmen Sie stets den Akku ab, und tragen Sie Schutzhandschuhe, wenn Sie Arbeiten an der Sägekette ausführen.

Schärfen Sie die Sägekette, wenn:

- beim Schneiden von feuchtem Holz mehliges Sägemehl erzeugt wird.
- die Kette selbst bei Ausübung starken Drucks nur schwach in das Holz eindringt.
- die Schnittkante sichtbar beschädigt ist.
- die Säge im Holz nach links oder rechts zieht. Der Grund für dieses Verhalten ist ungleichmäßige Schärfung der Sägekette, oder einseitige Beschädigung.

Schärfen Sie die Sägekette häufig, aber tragen Sie jedes Mal nur wenig Material ab.

Zwei bis drei Hiebe mit einer Feile sind gewöhnlich für eine routinemäßige Nachschärfung ausreichend. Wenn die Sägekette mehrmals nachgeschärft worden ist, lassen Sie sie bei einer DOLMAR-Reparaturwerkstatt schärfen.

Schärfungskriterien: (Abb. 32 u. 33)

- Alle Schneidglieder müssen gleich lang sein. Schneidglieder von unterschiedlicher Länge verhindern reibungslosen Lauf der Kette und können einen Kettenbruch verursachen.
- Schärfen Sie die Kette nicht weiter, wenn eine minimale Schneidgliedlänge von 3 mm erreicht ist. In diesem Fall muss eine neue Kette aufgezogen werden.
- Die Spandicke wird durch den Abstand zwischen dem Tiefenbegrenzer (runde Nase) und Schneidzahnkante bestimmt.
- Die besten Schneidergebnisse werden mit folgendem Abstand zwischen Schneidzahnkante und Tiefenbegrenzer erzielt.
 - Sägekette 291 (90PX): 0,5 mm
 - Sägekette 492 (91PX): 0,65 mm
 - Sägekette 25 (25AP): 0,65 mm

⚠️ WARNUNG:

- Ein zu großer Abstand erhöht die Rückschlaggefahr.
- Der Schärfungswinkel von 30° muss bei allen Schneidgliedern gleich sein. Unterschiede im Winkel verursachen rauen und ungleichmäßigen Kettenlauf, beschleunigen den Verschleiß und führen zu Kettenbruch.
- Der Seitenplattenwinkel des Schneidglieds wird durch die Eindringtiefe der Rundfeile bestimmt. Bei richtigem Gebrauch der angegebenen Feile wird der korrekte Seitenplattenwinkel automatisch erzeugt.
- Der Seitenplattenwinkel für die jeweilige Sägekette ist wie folgt:
 - Sägekette 291 (90PX): 75°
 - Sägekette 492 (91PX): 80°
 - Sägekette 25 (25AP): 85°

Feile und Feilenführung (Abb. 34, 35 u. 36)

- Verwenden Sie eine spezielle Rundfeile (Sonderzubehör) für Sägeketten zum Schärfen der Kette. Normale Rundfeilen sind ungeeignet.
- Der Durchmesser der Rundfeile für die jeweilige Sägekette ist wie folgt:
 - Sägekette 291 (90PX): 4,5 mm
 - Sägekette 492 (91PX): 4,0 mm
 - Sägekette 25 (25AP): 4,0 mm
- Nur beim Vorwärtshub der Feile sollte Material abgetragen werden. Heben Sie die Feile beim Rückwärtshub vom Schneidglied ab.
- Schärfen Sie das kürzeste Schneidglied zuerst. Die Länge dieses kürzesten Schneidglieds dient dann als Sollmaß für alle übrigen Schneidglieder der Sägekette.
- Führen Sie die Feile, wie in der Abbildung gezeigt.
- Die Feile kann leichter geführt werden, wenn ein Feilenhalter (Sonderzubehör) verwendet wird. Der Feilenhalter weist Markierungen für den korrekten Schärfungswinkel von 30° auf (die Markierungen parallel zur Sägekette ausrichten) und begrenzt die Eindringtiefe (auf 4/5 des Feilendurchmessers).
- Überprüfen Sie nach dem Schärfen der Kette die Höhe des Tiefenanschlags mithilfe der Kettenmesslehre (Sonderzubehör).
- Entfernen Sie etwaige Rauigkeiten, wie klein auch immer, mit einer speziellen Flachfeile (Sonderzubehör).
- Runden Sie die Vorderkante des Tiefenanschlags erneut ab.

Reinigen des Schwert (Abb. 37)

Späne und Sägemehl sammeln sich in der Führungsnut des Schwert. Der Ölfluss wird dadurch behindert und der Lauf der Sägekette erschwert. Achten Sie beim Schärfen oder Auswechseln der Sägekette stets darauf, Späne und Sägemehl mit einer geeigneten Maschine zu reinigen.

Reinigen der Ölauslassöffnung (Abb. 38)

Kleine Staubpartikel oder Fremdkörper können sich während des Betriebs in der Ölauslassöffnung ansammeln.

Diese können den Ölfluss behindern und unzureichende Schmierung auf der ganzen Sägekette verursachen.

Wenn schlechte Ölzufuhr an der Oberseite des Schwerts auftritt, reinigen Sie die Ölauslassöffnung wie folgt.

Nehmen Sie den Akku von der Maschine ab.

Entfernen Sie den Kettenraddeckel und die Sägekette von der Maschine. (Siehe den Abschnitt "Montage bzw. Demontage der Sägekette".)

Entfernen Sie kleine Staubkörner oder Partikel mit einem Schlitzschraubendreher mit schmalem Schaft oder dergleichen.

Setzen Sie den Akku in die Maschine ein.

Betätigen Sie den Ein-/Aus-Schalter, um abgelagerte Staubpartikel oder Fremdkörper durch Ablassen des Kettenöls aus der Ölauslassöffnung auszuschwemmen. Nehmen Sie den Akku von der Maschine ab.

Montieren Sie den Kettenraddeckel und die Sägekette wieder an der Maschine.

Auswechseln des Kettenrads (Abb. 39 u. 40)

Bevor Sie eine neue Sägekette anbringen, überprüfen Sie den Zustand des Kettenrads.

⚠️ VORSICHT:

- Ein verschlissenes Kettenrad beschädigt eine neue Sägekette. Wechseln Sie in diesem Fall das Kettenrad aus. Das Kettenrad muss so montiert werden, dass es immer gemäß der Abbildung ausgerichtet ist.

Bringen Sie beim Auswechseln des Kettenrads stets einen neuen Sicherungsring an.

Auswechseln der Kohlebürsten (Abb. 41 u. 42)

Die Kohlebürsten müssen regelmäßig entfernt und überprüft werden. Wenn sie bis zur Verschleißgrenze abgenutzt sind, müssen sie erneuert werden. Halten Sie die Kohlebürsten stets sauber, damit sie ungehindert in den Haltern gleiten können. Beide Kohlebürsten sollten gleichzeitig erneuert werden. Verwenden Sie nur identische Kohlebürsten.

Drehen Sie die Bürstenhalterkappen mit einem Schraubendreher heraus. Nehmen Sie die abgenutzten Kohlebürsten heraus, setzen Sie die neuen ein, und drehen Sie dann die Bürstenhalterkappen wieder ein.

Lagern der Maschine

Reinigen Sie die Maschine vor der Lagerung. Entfernen Sie etwaige Späne und Sägemehl von der Maschine, nachdem Sie den Kettenraddeckel abmontiert haben.

Lassen Sie die Maschine nach der Reinigung unter Nulllast laufen, um die Sägekette und das Schwert zu schmieren.

Schützen Sie das Schwert mit der Schwertschutzhülle.

Entleeren Sie den Öltank, und lagern Sie die Kettensäge.

Um die SICHERHEIT und ZUVERLÄSSIGKEIT dieses Produkts zu gewährleisten, sollten Reparaturen und andere Wartungs- oder Einstellarbeiten nur von DOLMAR- Kundendienstzentren unter ausschließlicher Verwendung von DOLMAR-Originalersatzteilen ausgeführt werden.

Anweisungen für regelmäßige Wartung

Um eine lange Lebensdauer zu gewährleisten, Schäden zu verhüten und die volle Funktion der Sicherheitseinrichtungen sicherzustellen, müssen die folgenden Wartungsarbeiten regelmäßig durchgeführt werden. Garantieansprüche werden nur dann anerkannt, wenn diese Arbeiten regelmäßig und ordnungsgemäß ausgeführt werden. Eine Vernachlässigung der vorgeschriebenen Wartungsarbeiten kann zu Unfällen führen! Der Benutzer der Kettensäge darf nur Wartungsarbeiten durchführen, die in dieser Bedienungsanleitung beschrieben sind. Darüber hinausgehende Arbeiten müssen von einem autorisierten Service-Center ausgeführt werden.

Betriebszeit Gegenstand		Vor dem Betrieb	Täglich	Wöchentlich	Alle 3 Monate	Jährlich	Vor der Lagerung
Kettensäge	Überprüfung	<input type="radio"/>					
	Reinigung		<input type="radio"/>				
	Von autorisiertem Service-Center prüfen lassen.					<input type="radio"/>	<input type="radio"/>
Sägekette	Überprüfung	<input type="radio"/>					
	Nötigenfalls schärfen.						<input type="radio"/>
Schwert	Überprüfung	<input type="radio"/>	<input type="radio"/>				
	Von der Kettensäge abnehmen.						<input type="radio"/>
Kettenbremse	Funktion überprüfen.	<input type="radio"/>					
	Regelmäßig von autorisiertem Service-Center überprüfen lassen.				<input type="radio"/>		
Kettenschmierung	Ölfördermenge überprüfen.	<input type="radio"/>					
EIN-/AUS-Schalter	Überprüfung	<input type="radio"/>					
Einschaltarretierung	Überprüfung	<input type="radio"/>					
Öltankverschluss	Festigkeit überprüfen.	<input type="radio"/>					
Kettenfänger	Überprüfung			<input type="radio"/>			
Schrauben und Muttern	Überprüfung			<input type="radio"/>			

014804

FEHLERSUCHE

Bevor Sie den Reparatordienst anrufen, führen Sie zunächst Ihre eigene Inspektion durch. Falls Sie ein Problem finden, das nicht in der Anleitung erläutert wird, versuchen Sie nicht, das Werkzeug zu zerlegen. Wenden Sie sich statt dessen an ein autorisiertes Dolmar-Service-Center, und achten Sie darauf, dass stets Dolmar-Ersatzteile für Reparaturen verwendet werden.

Störungszustand	Ursache	Abhilfemaßnahme
Die Kettensäge startet nicht.	Es sind nicht beide Akkus eingesetzt.	Setzen Sie die geladenen Akkus ein.
	Akkustörung (Unterspannung).	Laden Sie den Akku auf. Falls Laden nichts nützt, tauschen Sie den Akku aus.
Die Kette läuft nicht.	Kettenbremse aktiviert.	Kettenbremse lösen.
Der Motor bleibt nach kurzer Zeit stehen.	Der Ladestand des Akkus ist niedrig.	Laden Sie den Akku auf. Falls Laden nichts nützt, tauschen Sie den Akku aus.
Kein Öl auf der Kette.	Der Öltank ist leer.	Öltank füllen.
	Die Ölführungsnut ist verschmutzt.	Nut reinigen.
	Die Ölförderung ist nicht richtig eingestellt.	Ölfördermenge einstellen.
Die Maximaldrehzahl wird nicht erreicht.	Der Akku ist falsch eingesetzt.	Den Akku gemäß der Beschreibung in dieser Anleitung einsetzen.
	Die Akkuleistung lässt nach.	Laden Sie den Akku auf. Falls Laden nichts nützt, tauschen Sie den Akku aus.
	Das Antriebssystem funktioniert nicht korrekt.	Wenden Sie sich bezüglich einer Reparatur an Ihr autorisiertes Service-Center.
Die Kette bleibt trotz Aktivierung der Kettenbremse nicht stehen: Die Maschine unverzüglich stoppen!	Das Bremsband ist abgenutzt.	Wenden Sie sich bezüglich einer Reparatur an Ihr autorisiertes Service-Center.
Ungewöhnliche Vibration: Die Maschine unverzüglich stoppen!	Schwert oder Sägekette ist locker.	Schwert und Sägekettenspannung einstellen.
	Fehlfunktion des Werkzeugs.	Wenden Sie sich bezüglich einer Reparatur an Ihr autorisiertes Service-Center.

014805

SONDERZUBEHÖR

VORSICHT:

- Die folgenden Zubehörteile oder Vorrichtungen werden für den Einsatz mit der in dieser Anleitung beschriebenen Dolmar-Maschine empfohlen. Die Verwendung anderer Zubehörteile oder Vorrichtungen kann eine Verletzungsgefahr darstellen. Verwenden Sie Zubehörteile oder Vorrichtungen nur für ihren vorgesehenen Zweck.

Wenn Sie weitere Einzelheiten bezüglich dieser Zubehörteile benötigen, wenden Sie sich bitte an Ihre Dolmar-Kundendienststelle.

- Original-Dolmar-Akku und -Ladegerät
- Sägekette
- Schwert
- Schwertschutzhülle
- Feile
- Maschinentasche

HINWEIS:

- Manche Teile in der Liste können als Standardzubehör im Werkzeugsatz enthalten sein. Sie können von Land zu Land unterschiedlich sein.

ENG905-1

Geräusch

Typischer A-bewerteter Geräuschpegel ermittelt gemäß EN60745:

Schalldruckpegel (L_{pA}): 84,4 dB (A)

Schalleistungspegel (L_{WA}): 95,4 dB (A)

Ungewissheit (K): 2,5 dB (A)

Gehörschutz tragen

Vibration

Vibrationsgesamtwert (Drei-Achsen-Vektorsumme)
ermittelt gemäß EN60745:

Modell AS-3726

Arbeitsmodus: Schneiden von Holz
Vibrationsemission (a_{h1}): 4,7 m/s²
Ungewissheit (K): 1,5 m/s²

Modell AS-3731

Arbeitsmodus: Schneiden von Holz
Vibrationsemission (a_{h1}): 6,3 m/s²
Ungewissheit (K): 1,5 m/s²

ENG901-1

- Der angegebene Vibrationsemissionswert wurde im Einklang mit der Standardprüfmethode gemessen und kann für den Vergleich zwischen Maschinen herangezogen werden.
- Der angegebene Vibrationsemissionswert kann auch für eine Vorbewertung des Gefährdungsgrads verwendet werden.

⚠️ WARNUNG:

- Die Vibrationsemission während der tatsächlichen Benutzung des Elektrowerkzeugs kann je nach der Benutzungsweise der Maschine vom angegebenen Emissionswert abweichen.
- Identifizieren Sie Sicherheitsmaßnahmen zum Schutz des Benutzers anhand einer Schätzung des Gefährdungsgrads unter den tatsächlichen Benutzungsbedingungen (unter Berücksichtigung aller Phasen des Arbeitszyklus, wie z. B. Ausschalt- und Leerlaufzeiten der Maschine zusätzlich zur Betriebszeit).

Nur für europäische Länder**EG-Übereinstimmungserklärung**

Der unterzeichnete, Rainer Bergfeld, bevollmächtigt von Dolmar GmbH, erklärt, dass die DOLMAR-Maschine(n):

Bezeichnung der Maschine:
Akku-Kettensäge

Modell-Nr./ Typ: AS-3726, AS-3731

Technische Daten: Siehe Tabelle "TECHNISCHE DATEN".

der Serienproduktion entstammen und **den folgenden europäischen Richtlinien entsprechen:**

2000/14/EG, 2006/42/EG

und gemäß den folgenden Standards oder standardisierten Dokumenten hergestellt werden:

EN ISO 11682-2

Die Zertifikat-Nr. der EG-Typenprüfung 4812068.13006

Die EG-Typenprüfung gemäß 2006/42/EG wurde durchgeführt von:

DEKRA Testing and Certification GmbH
Enderstraße 92b
01277 Dresden
Germany
Identifizierungs-Nr. 2140

Die technische Dokumentation ist archiviert bei:

Dolmar GmbH,
Jenfelder Straße 38, Abteilung FZ,
D-22045 Hamburg

Das von der Richtlinie 2000/14/EG geforderte Konformitätsbewertungsverfahren war in Übereinstimmung mit Anhang V.

Gemessener Schalleistungspegel: 95,4 dB (A)
Garantierter Schalleistungspegel: 98 dB (A)

20.12.2013



Rainer Bergfeld
Geschäftsführer

Visione generale

1	Indicatore rosso	15	Rocchetto	29	Percorso di fuga
2	Pulsante	16	Spina di regolazione	30	Coperchio barra di guida
3	Cartuccia batteria	17	Foro	31	Coperchio batteria
4	Marchio di stella	18	Barra di guida	32	Lunghezza di taglio
5	Indicatore della batteria	19	Allentare	33	Distanza tra il bordo di taglio e il calibro di profondità
6	Bottone di sblocco	20	Serrare	34	3 mm minimo
7	Interruttore a grilletto	21	Catena della sega	35	Angolo piastra laterale
8	Protezione anteriore per la mano	22	Tappo serbatoio olio	36	Cacciavite a punta piatta
9	Blocca	23	Finestrella di ispezione olio (per riempire il serbatoio di olio)	37	Anello di blocco
10	Sblocca	24	Finestrella di ispezione olio	38	Segno di limite
11	Vite di regolazione	25	Crampone	39	Tappo portaspazzola
12	Coperchio del rocchetto	26	Area di caduta	40	Cacciavite
13	Leva	27	Direzione di caduta		
14	Ghiera di regolazione	28	Zona pericolosa		

DATI TECNICI

Modello		AS-3726		AS-3731
Barra di guida standard	Lunghezza barra di guida	250 mm		300 mm
	Lunghezza di taglio	23 cm	24 cm	28 cm
	Tipo	Barra naso rocchetto	Barra di intaglio	Barra naso rocchetto
Catena sega standard	Tipo	492 (91PX)	25 (25AP)	291 (90PX)
	Passo	9,5 mm (3/8")	6,35 mm (1/4")	9,5 mm (3/8")
	Spessore	1,3 mm (0,05")	1,3 mm (0,05")	1,1 mm (0,043")
	Numero di maglie	40	60	46
Rocchetto	Numero di denti	6	9	6
	Passo	9,5 mm (3/8")	6,35 mm (1/4")	9,5 mm (3/8")
Lunghezza totale (senza barra di guida)		316 mm		
Peso netto	*1	4,1 kg		
	*2	4,6 kg	4,7 kg	
Velocità catena al minuto		8,3 m/s (500 m/min)		
Volume serbatoio olio catena		85 cm ³		
Tensione nominale		C.c. 36 V		C.c. 36 V

- Per il nostro programma di ricerca e sviluppo continui, i dati tecnici sono soggetti a modifiche senza preavviso.
- I dati tecnici e la cartuccia batteria potrebbero differire da paese a paese.

*1 Peso, con la cartuccia batteria più grande, senza barra di guida e catena, serbatoio dell'olio vuoto, conformemente a EN ISO 11681-2.

*2 Peso con la cartuccia batteria, barra di guida e catena, serbatoio dell'olio pieno, conformemente alla procedura EPTA 01/2003.

AVVERTIMENTO: Usare la combinazione appropriata della barra di guida e catena. In caso contrario, c'è pericolo di un incidente.

END313-1

Simboli

Per questo utensile vengono usati i simboli seguenti. Bisogna capire il loro significato prima di usare l'utensile.



- Leggete il manuale di istruzioni.



- Indossare gli occhiali di protezione.



- Indossare la protezione delle orecchie.



- Indossare il casco, gli occhiali di protezione e i paraorecchi.



- Usare le protezioni appropriate per i piedi, le gambe, le mani e le braccia.



- Questa sega deve essere usata soltanto dagli operatori addestrati appropriatamente.



- Non esporre alla pioggia.



- Lunghezza di taglio massima permessibile



- Direzione di corsa catena



- Regolazione olio catena sega



- Solo per Paesi UE
Non gettare gli apparecchi elettrici o il pacco batteria con l'immondizia. In osservanza alle direttive europee sulla rottamazione degli apparecchi elettrici ed elettronici, delle batterie e degli accumulatori, e delle batterie e degli accumulatori di scarto, e la loro implementazione in ottemperanza alle leggi nazionali, gli apparecchi elettrici, le batterie e i pacchi batteria che hanno raggiunto la fine della loro vita di servizio devono essere raccolti separatamente e portati a un centro di riciclaggio compatibile con l'ambiente.

ENE090-1

Utilizzo previsto

Questo utensile è progettato per il taglio dei rami/potatura degli alberi. Esso è adatto anche alla manutenzione degli alberi.

GEA010-1

Avvertimenti generali per la sicurezza dell'utensile elettrico

⚠ AVVERTIMENTO Leggere tutti gli avvertimenti per la sicurezza e le istruzioni. La mancata osservanza degli avvertimenti e delle istruzioni può causare scosse elettriche, incendio e/o gravi incidenti.

Conservare tutti gli avvertimenti e le istruzioni per riferimenti futuri.

Avvertenze di sicurezza per motosega a batteria:

1. **Tenere tutte le parti del corpo lontane dalla motosega mentre sta funzionando. Prima di avviare la motosega, accertarsi che la catena della sega non faccia alcun contatto.** Un momento di disattenzione durante l'utilizzo della motosega potrebbe causare l'impigliarsi dei vestiti o il contatto della catena della sega con il corpo.
2. **Per tenere la motosega con entrambe le mani, prenderla sempre per il manico posteriore con la mano destra e per il manico anteriore con la mano sinistra.** Tenendo la motosega con le mani in posizione inversa si aumenta il pericolo di incidenti, per cui ciò non deve mai essere fatto.
3. **Tenere l'utensile elettrico soltanto per le parti di presa isolate, perché la catena della sega potrebbe venire a contatto con fili elettrici nascosti.** La catena della sega che viene a contatto con un filo elettrico "sotto tensione" potrebbe mettere "sotto tensione" le parti metalliche dell'utensile elettrico, potrebbe dare una scossa elettrica all'operatore.
4. **Indossare occhiali di protezione e la protezione della orecchie. Si consigliano anche le protezioni aggiuntive per la testa, le mani, le gambe e i piedi.** L'abbigliamento di protezione adeguato riduce le lesioni causate dai frammenti volanti o dal contatto accidentale con la catena della sega.
5. **Mantenere sempre un appoggio saldo per i piedi.** Le superfici scivolose o instabili potrebbero causare la perdita dell'equilibrio o del controllo della motosega.
6. **Quando si taglia un ramo sotto tensione, fare attenzione ai contraccolpi.** Quando la tensione delle fibre del legno si rilascia, il ramo sotto tensione potrebbe colpire l'operatore e/o far perdere il controllo della motosega.
7. **Fare molta attenzione quando si tagliano siepi e arboscelli.** Il materiale sottile potrebbe rimanere impigliato nella catena della sega con azione sferzante sull'operatore, o fargli perdere l'equilibrio.
8. **Trasportare la motosega per il manico anteriore, spenta e discosta dal corpo. Quando si trasporta o si ripone la motosega, montare sempre il coperchio barra di guida.** Il maneggiamento corretto della motosega riduce il pericolo di incidenti o il contatto accidentale con la catena della sega in funzione.
9. **Seguire le istruzioni per la lubrificazione, la tensione della catena e il cambiamento degli accessori.** Una catena con una tensione o lubrificazione incorretta potrebbe rompersi o aumentare il rischio di contraccolpi.
10. **Mantenere i manici asciutti, puliti ed esenti da olio o grasso.** Il grasso e l'olio rendono i manici scivolosi causando una perdita di controllo.
11. **Tagliare soltanto il legno. La motosega non deve essere usata per scopi non previsti. Per esempio: la motosega non deve essere usata per tagliare la plastica, i mattoni o il materiale di costruzione che non è di legno.** L'utilizzo della motosega per operazioni diverse da quelle previste potrebbe causare situazioni pericolose.

12. Cause e prevenzione dei contraccolpi da parte dell'operatore:

I contraccolpi si verificano quando l'estremità o punta della barra di guida tocca un oggetto, o quando il legno si chiude e stringe la catena della sega nel taglio.

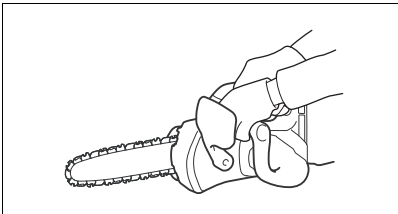
Il contatto della punta potrebbe in alcuni casi causare una improvvisa reazione indietro, spingendo la barra di guida su e indietro verso l'operatore.

Se la catena della sega viene stretta lungo la parte superiore della barra di guida, questa potrebbe essere spinta rapidamente indietro verso l'operatore.

Queste reazioni potrebbero causare la perdita di controllo della sega, con grande pericolo di gravi incidenti. Non bisogna affidarsi esclusivamente ai dispositivi di sicurezza della sega. L'utente della motosega deve usare alcune precauzioni per mantenere il lavoro di taglio senza pericoli di incidenti o lesioni.

I contraccolpi sono il risultato dell'utilizzo sbagliato e/o di procedure o condizioni operative scorrette, e possono essere evitati prendendo le precauzioni appropriate come indicato di seguito.

- **Mantenere una presa salda, con i pollici e le dita che circondano i manici della motosega, con entrambe le mani sulla sega, e posizionare il corpo e le braccia in modo da permettere di resistere alla forza dei contraccolpi.** La forza dei contraccolpi può essere controllata dall'operatore oggettando le dovute precauzioni. Non bisogna mollare la motosega.



014673

- **Evitare di allungarsi troppo e non tagliare sopra l'altezza della spalla.** Ciò evita il contatto involontario della punta e permette un controllo migliore della motosega in situazioni imprevedute.
 - **Usare soltanto le barre e catene di ricambio specificate dal produttore.** Le barre e catene di ricambio sbagliate potrebbero causare la rottura della catena e/o i contraccolpi.
 - **Seguire le istruzioni del produttore per l'affilatura e la manutenzione della catena della sega.** La riduzione dell'altezza del calibro di profondità può causare un aumento dei contraccolpi.
13. Prima di iniziare il lavoro, verificare che la motosega sia in ordine e che le sue condizioni siano conformi alle norme di sicurezza. In particolare verificare quanto segue:
- Il freno della catena funzioni correttamente;
 - Il freno di blocco funzioni correttamente;
 - La barra e il coperchio del rocchetto siano montati correttamente;

- La catena sia stata affilata e tesa secondo specifiche;

14. **Non avviare la motosega con il coperchio della catena installato su di essa.** Se si avvia la motosega con il coperchio della catena installato su di essa, si potrebbe causare l'espulsione in avanti del coperchio con pericolo di incidenti e di danni agli oggetti intorno all'operatore.

Avvertimenti specifici per la sicurezza riguardo al manico superiore

1. Questa motosega è progettata specialmente per la cura e la potatura degli alberi. Essa deve essere usata soltanto da persone propriamente addestrate. Osservare tutte le istruzioni, procedure e raccomandazioni degli organismi professionali pertinenti. In caso contrario, si potrebbe verificare un incidente mortale. Per la segatura degli alberi si consiglia di usare sempre una piattaforma di sollevamento (idroscala, sollevatore). Le tecniche di discesa a doppia corda sono estremamente pericolose e richiedono uno speciale addestramento. Gli operatori devono essere addestrati per familiarizzarsi con l'uso dell'attrezzatura di sicurezza e le tecniche di scalata. Per lavorare sugli alberi, usare sempre cinghie, funi e moschettoni appropriati. Usare sempre l'attrezzatura di assicurazione dell'operatore e della sega.
2. Eseguire la pulizia e la manutenzione prima dell'immagazzinaggio, come indicato nel manuale di istruzioni.
3. Accertarsi che la motosega sia posizionata correttamente durante il trasporto, per evitare perdite di carburante o di olio, danni all'utensile e un incidente.
4. Controllare regolarmente il funzionamento del freno della catena.
5. Non rabboccare l'olio della catena vicino a una fiamma. Non si deve mai fumare durante il rabbocco dell'olio.
6. Le norme locali potrebbero porre dei limiti all'utilizzo della motosega.
7. Se l'utensile subisce un forte colpo o cade, controllarne le condizioni prima di continuare il lavoro. Accertarsi che non ci siano malfunzionamenti dei controlli o dispositivi di sicurezza. Nel caso di un qualsiasi danno o dubbio, rivolgersi a un Centro di Assistenza autorizzato per l'ispezione e la riparazione.
8. Attivare sempre il freno della catena prima di avviare la motosega.
9. Tenere saldamente la motosega in posizione per evitare che scivoli (movimento di slittamento) o rimbalzi quando si comincia un taglio.
10. Alla fine del taglio, fare attenzione a mantenere l'equilibrio a causa della "caduta" della motosega.
11. Tener conto della direzione e velocità del vento. Evitare il velo di segatura e olio catena.

Equipaggiamento di protezione

1. Durante l'utilizzo della motosega bisogna usare l'equipaggiamento di protezione seguente per evitare incidenti agli occhi, mani o piedi, come pure per proteggere l'udito.
 - Il tipo di abbigliamento indossato deve essere appropriato, e cioè deve essere aderente senza ostacolare i movimenti. Non portare gioielli o capi di abbigliamento che potrebbero rimanere impigliati nei cespugli o nei rami. Se si hanno i capelli lunghi, mettersi sempre un reticella per capelli.
 - Lavorando con la motosega bisogna sempre mettersi il casco di protezione. Si deve controllare a intervalli regolari che il **casco di protezione** non sia danneggiato, e bisogna sostituirlo dopo un massimo di 5 anni. Usare soltanto i caschi di protezione consigliati.
 - La **visiera** del casco di protezione (o gli occhialoni) protegge contro la segatura e i trucioli di legno. Durante l'utilizzo della motosega, mettersi sempre gli occhialoni o una visiera, per evitare danni agli occhi.
 - Indossare un adeguato **equipaggiamento di protezione contro i rumori** (paraorecchi, tappi per orecchi, ecc.).
 - La **giacca di protezione** è composta da 22 strati di nailon, e protegge l'operatore dai tagli. Essa va sempre indossata quando si lavora su piattaforme elevate (idroscale, sollevatori), su piattaforme montate su scale, oppure salendo sugli alberi usando funi.
 - La **salopette da lavoro** è fatta con un tessuto di nailon di 22 strati, e protegge dai tagli. Si consiglia vivamente di usarla.
 - I **guanti di protezione** sono in pelle spessa e fanno parte dell'equipaggiamento di protezione, per cui devono essere sempre indossati durante il lavoro con la motosega.
 - Durante il lavoro con la motosega bisogna sempre calzare **scarponcini o scarponi di sicurezza**, con soles antiscivolo e punte in acciaio, e indossare una protezione per le gambe. Gli scarponcini di sicurezza provvisti di uno strato di protezione proteggono dai tagli e assicurano un appoggio saldo per i piedi. Per il lavoro sugli alberi, gli scarponi di sicurezza devono essere adatti alle tecniche di salita sugli alberi.

Vibrazioni

1. L'esposizione a vibrazioni eccessive da parte di chi soffre di disturbi circolatori potrebbe causare la rottura di vasi sanguigni o danni al sistema nervoso. Le vibrazioni potrebbero causare i sintomi seguenti alle dita, mani o polsi: "Sonnolenza" (intorpidimento), formicolio, dolore, fitte, macchie o eruzioni cutanee. **Nel caso di uno qualsiasi di questi sintomi, rivolgersi a un medico.** Per ridurre il rischio della "malattia delle dita bianche", tenere calde le mani durante il lavoro e mantenere in buone condizioni l'equipaggiamento e gli accessori.

CONSERVATE QUESTE ISTRUZIONI.

⚠ AVVERTIMENTO:

NON lasciare che comodità o la familiarità d'utilizzo con il prodotto (acquisita con l'uso ripetuto) sostituisca la stretta osservanza delle norme di sicurezza. L'utilizzo SBAGLIATO o la mancata osservanza delle norme di sicurezza di questo manuale di istruzioni potrebbero causare lesioni serie.

ENC007-8

ISTRUZIONI IMPORTANTI DI SICUREZZA

PER LA CARTUCCIA DELLA BATTERIA

1. Prima di usare la cartuccia della batteria, leggere tutte le istruzioni e le avvertenze sul (1) caricabatteria, sulla (2) batteria e sul (3) prodotto che utilizza la batteria.
2. Non smontare la cartuccia della batteria.
3. Se il tempo di utilizzo è diventato molto corto, smettere immediatamente di usare l'utensile. Può risultare un rischio di surriscaldamento, possibili ustioni e addirittura un'esplosione.
4. Se l'elettrolita va negli occhi, risciacquarli con acqua pulita e rivolgersi immediatamente ad un medico. Può risultare la perdita della vista.
5. Non cortocircuitare la cartuccia della batteria:
 - (1) Non toccare i terminali con qualche metallo conduttivo.
 - (2) Evitare di conservare la cartuccia della batteria in un contenitore con altri oggetti metallici come i chiodi, le monete, ecc.
 - (3) Non esporre la cartuccia della batteria all'acqua o alla pioggia.Un cortocircuito della batteria può causare un grande flusso di corrente, il surriscaldamento, possibili ustioni e addirittura un guasto.
6. Non conservare l'utensile e la cartuccia della batteria in luoghi in cui la temperatura può raggiungere o superare i 50°C.
7. Non incenerire la cartuccia della batteria anche se è gravemente danneggiata o è completamente esaurita. La cartuccia della batteria può esplodere e provocare un incendio.
8. Fare attenzione a non lasciar cadere o a colpire la batteria.
9. Non usare una batteria che è caduta o che ha subito un colpo.
10. Seguire le norme locali relative al modo di disfarsi della batteria.

CONSERVARE QUESTE ISTRUZIONI.

Suggerimenti per mantenere la durata massima della batteria

1. Caricare la cartuccia della batteria prima che si scarichi completamente. Smettere sempre di usare l'utensile e caricare la cartuccia della batteria quando si nota che la potenza dell'utensile è diminuita.
2. Non ricaricare mai una cartuccia della batteria completamente carica. La sovraccarica riduce la durata della batteria.
3. Caricare la cartuccia della batteria con la temperatura ambiente da 10°C a 40°C. Lasciar raffreddare una cartuccia della batteria calda prima di caricarla.

4. **Caricare la cartuccia della batteria una volta ogni sei mesi se non si intende usarla per un lungo periodo di tempo.**

DESCRIZIONE FUNZIONALE

ATTENZIONE:

- Accertarsi sempre che l'utensile sia spento e che la batteria sia stata rimossa prima di regolare o di controllare il funzionamento dell'utensile.

Installazione o rimozione della cartuccia batteria (Fig. 1)

ATTENZIONE:

- Spegnerne sempre l'utensile prima di installare o di rimuovere la batteria.
- **Tenere saldamente l'utensile e la batteria quando si installa o si rimuove la batteria.** Se non si tengono saldamente l'utensile e la cartuccia batteria, potrebbero sfuggire di mano danneggiandosi e causare una lesione personale.

Per rimuovere la batteria, toglierla dall'utensile spingendo allo stesso tempo il bottone sulla parte anteriore della batteria.

Per installare la batteria, allineare l'appendice della batteria sulla scanalatura dell'alloggiamento e spingerla in posizione. Inserirli completamente finché si blocca in posizione con uno piccolo scatto. Se si vede l'indicatore rosso sul lato superiore del bottone, vuol dire che la batteria non è bloccata completamente.

ATTENZIONE:

- Installare sempre completamente la batteria finché l'indicatore rosso non è più visibile. In caso contrario, potrebbe cadere accidentalmente fuori dall'utensile causando un incidente all'operatore o a chi gli è vicino.
- Non installare forzatamente la batteria. Se la batteria non scivola dentro facilmente, vuol dire che non viene inserita correttamente.

NOTA:

- L'utensile non può funzionare con una sola batteria.

Sistema di protezione utensile/batteria

L'utensile è dotato di un sistema di protezione utensile/batteria. Questo sistema interrompe automaticamente la corrente al motore per estendere la vita di servizio dell'utensile e della batteria.

L'utensile si arresta automaticamente mentre funziona se esso o la batteria vengono a trovarsi in una delle condizioni seguenti. In alcune condizioni, gli indicatori si accendono.

Protezione dal sovraccarico

Se l'utensile viene usato in un modo che causa un suo assorbimento di corrente anormalmente alto, esso si arresta automaticamente senza alcuna indicazione. In tal caso, spegnere l'utensile e smettere di usare l'applicazione che ha causato il suo sovraccarico. Riaccendere poi l'utensile per riavviarlo.

Protezione dal surriscaldamento batteria/utensile

Se la batteria/l'utensile si surriscalda, l'utensile si arresta automaticamente senza alcuna indicazione. Anche se si schiaccia il grilletto interruttore, l'utensile non si avvia. In tal caso, lasciare che la batteria/l'utensile si raffreddi prima di riaccendere l'utensile.

NOTA:

- La protezione dal surriscaldamento della batteria funziona soltanto con una batteria con il marchio di stella. (Fig. 2)

Protezione da scarica eccessiva (Fig. 3)

Quando la capacità restante della batteria diventa bassa, l'indicatore della batteria lampeggia sul lato appropriato della batteria. Se si continua a usarlo, l'utensile si arresta e l'indicatore della batteria rimane acceso per circa 10 secondi. In tal caso, caricare la batteria.

Funzionamento dell'interruttore (Fig. 4)

ATTENZIONE:

- Prima di installare la batteria nell'utensile, controllare sempre che l'interruttore funzioni correttamente e che ritorni sulla posizione "OFF" quando viene rilasciato.

Per evitare che l'interruttore a grilletto venga schiacciato accidentalmente, la motosega è dotata del bottone di sblocco.

Per avviarla, spingere il bottone di sblocco e schiacciare l'interruttore a grilletto. Rilasciare l'interruttore a grilletto per fermarla.

Controllo del freno della catena (Fig. 5)

NOTA:

- Se la motosega non si avvia, è necessario liberare il freno della catena. Tirare indietro con decisione la protezione anteriore per la mano finché si blocca.

Per avviare la motosega, afferrarla saldamente con ambedue le mani.

Afferrare la maniglia superiore con la mano destra e la maniglia anteriore con la mano sinistra. La barra e la catena non devono essere in contatto con alcun oggetto. Innanzi tutto premere il pulsante di sblocco, quindi l'interruttore a grilletto.

La catena della sega si avvia immediatamente.

Premere in avanti la protezione anteriore per la mano usando il dorso della mano. La catena della sega deve bloccarsi immediatamente.

ATTENZIONE:

- Se durante questa prova la catena della sega non si dovesse arrestare immediatamente, non deve essere usata in nessuna circostanza. Rivolgersi a un centro specializzato di riparazione DOLMAR.

Controllo del freno inerziale

Accendere la motosega.

Rilasciare completamente l'interruttore a grilletto. La catena della sega deve arrestarsi entro un secondo.

ATTENZIONE:

- Se la catena della sega non si dovesse arrestare entro un secondo quando viene effettuata questa prova, non deve essere usata. Rivolgersi a un centro specializzato di riparazione DOLMAR.

Regolazione della lubrificazione della catena (Fig. 6)

È possibile regolare la mandata della pompa dell'olio usando la vite di regolazione. La quantità di olio può essere regolata con la chiave universale.

Gancio (punto di attacco fune) (Fig. 7)

Il gancio (punto di attacco fune) serve ad appendere l'utensile. Prima di usare il gancio, tirarlo fuori e legarlo con una fune.

MONTAGGIO

ATTENZIONE:

- Accertarsi sempre che l'utensile sia spento e che la batteria sia stata rimossa prima di qualsiasi intervento sull'utensile.

Rimozione o installazione della catena della sega (Fig. 8, 9, 10, 11, 12 e 13)

ATTENZIONE:

- Indossare sempre i guanti per installare o rimuovere la catena della sega.
- La catena sega e la barra di guida sono molto calde subito dopo un lavoro. Lasciare che si raffreddino sufficientemente prima di cominciare un altro lavoro con l'utensile.

Per rimuovere la catena sega, procedere con i passi seguenti:

1. Premere e aprire completamente la leva finché si arresta.
2. Girare la ghiera di regolazione nella direzione “-” per rilasciare la tensione della catena sega.
3. Girare la leva in senso antiorario per allentare il coperchio del rocchetto finché può essere rimosso.
4. Rimuovere il coperchio del rocchetto.
5. Rimuovere la catena sega e la barra di guida dalla motosega.

Per installare la catena sega, procedere con i passi seguenti:

6. Controllare la direzione della catena. La freccia sulla catena mostra la direzione della catena.
7. Montare una estremità della catena sega sopra la barra di guida, e l'altra estremità intorno al rocchetto.
8. Mettere in posizione la barra di guida sulla catena sega.
9. Girare la ghiera di regolazione nella direzione “-” per spingere il perno di regolazione nella direzione della freccia.
10. Sistemare il coperchio del rocchetto sulla motosega in modo che il perno di regolazione sia posizionato nel piccolo foro della barra di guida.
11. Girare completamente la leva in senso orario e indietro di un quarto di giro per mantenere l'allentamento della tensione della catena.
12. Girare la ghiera di regolazione, e regolare la tensione della catena.
13. Girare la leva in senso orario per fissare il coperchio del rocchetto.
14. Premere e rimettere la leva sulla sua posizione originale.

Regolazione della tensione della catena della sega (Fig. 8 e 14)

Dopo molte ore di uso la catena della sega potrebbe allentarsi. Ogni tanto, prima dell'uso, verificare la tensione della catena della sega.

1. Premere e aprire completamente la leva finché scatta in posizione. Girarla un poco in senso antiorario per allentare leggermente il coperchio del rocchetto.
2. Sollevare leggermente la punta della barra di guida.

3. Girare la leva di regolazione per regolare la tensione della catena sega. Stringere la catena sega finché il lato inferiore della catena entra nella rotaia della barra di guida (vedere il cerchio nella illustrazione).
4. Continuare a tenere leggermente la barra di guida e stringere il coperchio del rocchetto dopo aver regolato la tensione della catena. Accertarsi che la catena sega non si allenti sul lato inferiore.
5. Premere e rimettere la leva sulla sua posizione originale.

Accertarsi che la catena sega aderisca correttamente al lato inferiore della barra.

ATTENZIONE:

- Non stringere troppo la catena sega. Una tensione eccessiva della catena sega potrebbe causare la rottura della catena, usura della barra di guida e la rottura della ghiera di regolazione.
- Una catena troppo allentata può saltare fuori dalla barra, e costituire perciò un rischio di incidente.
- La procedura di installazione o di rimozione della catena deve essere eseguita in un luogo pulito senza segatura e simili.

Crampone (accessorio opzionale) (Fig. 15)

Per installare il crampone, procedere con i passi seguenti:

1. Rimuovere il coperchio del rocchetto, la catena sega e la barra di guida, come descritto nel manuale di istruzioni.
2. Far combaciare i fori del crampone con i fori della motosega.
3. Stringerli saldamente con viti.

FUNZIONAMENTO

ATTENZIONE:

- Non coprire le aperture di ventilazione, perché ciò potrebbe causare il surriscaldamento dell'utensile e danneggiarlo.

Lubrificazione (Fig. 16 e 17)

La catena della sega si lubrifica automaticamente quando l'utensile sta funzionando.

Controllare la quantità di olio restante nel serbatoio dell'olio attraverso la finestrella di ispezione olio.

Per rabboccare il serbatoio, togliere il tappo dall'apertura del serbatoio dell'olio.

Dopo il rabbocco del serbatoio, avvitare sempre il tappo serbatoio olio in dotazione alla motosega.

ATTENZIONE:

- Quando si rabbocca la motosega con l'olio catena per la prima volta, oppure rabboccando il serbatoio dopo che si è svuotato completamente, aggiungere l'olio fino al bordo inferiore del bocchettone di riempimento. L'alimentazione dell'olio potrebbe altrimenti essere ostacolata.
- Come olio catena della sega, usare esclusivamente l'olio per motoseghe Dolmar o un olio disponibile sul mercato.
- Non si devono mai usare oli contenenti polvere e particelle, o oli volatili.
- Per la potatura degli alberi, usare oli botanici. Gli oli minerali potrebbero danneggiare gli alberi.
- Durante la potatura degli alberi non si deve mai forzare la motosega.
- Prima di fare un taglio, accertarsi che il tappo serbatoio olio in dotazione sia avvitato in posizione.

Tenere la motosega lontana dall'albero. Avviarla e aspettare finché la lubrificazione della catena della sega sia adeguata.

Mettere il crampone a contatto con il ramo da tagliare prima di accendere l'utensile. In caso contrario, potrebbe causare un traballamento della barra di guida, con pericolo di un incidente per l'operatore. Tagliare il ramo spostando semplicemente l'utensile in giù.

USO DELLA MOTOSEGA

⚠ ATTENZIONE:

- Chi usa l'utensile per la prima volta, dovrebbe fare un minimo di pratica tagliando tronchi su un cavalletto o supporto.
- Per tagliare del legname già tagliato, usare un supporto sicuro (cavalletto o intelaiatura di sostegno). Non stabilizzare il pezzo con un piede, e non farlo sostenere o tenere fermo da qualcuno.
- Fissare i pezzi rotondi in modo che non ruotino.

Potatura degli alberi (Fig. 18, 19, 20 e 21)

⚠ ATTENZIONE:

- Tenere tutte le parti del corpo lontane dalla catena della sega quando il motore gira.
- Tenere saldamente la motosega con entrambe le mani mentre il motore gira.
- Non cercare di raggiungere parti lontane. Mantenere sempre i piedi appoggiati saldamente restando bilanciati.

Mettere il crampone a contatto con il ramo da tagliare prima di accendere l'utensile. Se lo si taglia senza mettere il crampone a contatto con il ramo, si potrebbe causare un traballamento della barra di guida, con pericolo di un incidente per l'operatore.

Per tagliare i rami grossi, fare prima un taglio poco profondo dal basso e finire poi di tagliare dall'alto.

Se si cerca di tagliare i rami grossi dal basso, il ramo potrebbe abbassarsi incastrando la catena della sega nel taglio. Se si cerca di tagliare i rami grossi dall'alto senza fare prima un taglio poco profondo dal basso, il ramo potrebbe spaccarsi.

Se non è possibile tagliare con un solo movimento:

Esercitare una leggera pressione sul manico, continuare a segare e tirare leggermente indietro la motosega, inserire il cuneo un po' più in basso e finire di tagliare alzando il manico.

Taglio trasversale (Fig. 22, 23 e 24)

Per i tagli trasversali, appoggiare il crampone sul legno da tagliare, come mostrato nella illustrazione.

Con la catena della sega in movimento, tagliare il legno, usando la maniglia superiore per sollevare la motosega e quella anteriore per guidarla.

Usare il crampone come un perno.

Continuare a tagliare applicando una leggera pressione sul manico anteriore, attenuando leggermente la pressione sulla parte posteriore della sega. Spostare ulteriormente giù il crampone lungo il legname, e sollevare di nuovo il manico anteriore.

Quando si operano più tagli, spegnere la motosega fra un taglio e l'altro.

⚠ ATTENZIONE:

- Se si usa per tagliare il bordo superiore della barra, la motosega potrebbe girarsi verso l'operatore se la catena dovesse rimanere bloccata. In tal caso, tagliare con il bordo inferiore, affinché eventualmente la sega si giri lontano dal corpo dell'operatore.

Tagliare i tronchi in tensione prima dal lato in pressione (A).

Quindi effettuare il taglio finale dal lato in tensione (B). Così facendo si evita che la catena rimanga impigliata.

Sramatura

⚠ ATTENZIONE:

- La sramatura deve essere effettuata unicamente da operatori esperti. Si presenta il rischio di contraccolpi.

Per sramare, se possibile appoggiare la motosega sul tronco. Non tagliare con la punta della barra, perché presenta il rischio di contraccolpi.

Prestare particolare attenzione ai rami in tensione. Non tagliare da sotto rami sospesi.

Durante la sramatura, non stare in piedi sul tronco abbattuto.

Taglio nel pieno e parallelo alle venature (Fig. 25)

⚠ ATTENZIONE:

- Il taglio nel pieno e parallelo alle venature deve essere effettuato unicamente da operatori appositamente addestrati. La possibilità di contraccolpi presenta il rischio di lesioni.

Effettuare il taglio parallelo alle venature con il minore angolo di inclinazione possibile. Effettuare il taglio con la massima attenzione poiché non è possibile usare il crampone.

Abbattimento (Fig. 26, 27, 28 e 29)

⚠ ATTENZIONE:

- L'abbattimento deve essere effettuato unicamente da operatori addestrati. È un lavoro pericoloso.

Nell'abbattere un albero, rispettare la normativa locale in vigore.

– Prima di abbattere, verificare quanto segue:

- (1) Nelle vicinanze devono essere presenti soltanto persone coinvolte nel lavoro di abbattimento;
- (2) Tutte le persone coinvolte debbono avere un percorso di fuga libero da ostacoli di un'apertura di almeno 45° su ciascun lato dell'asse di abbattimento. Tenere in considerazione il rischio aggiuntivo di caduta su linee elettriche;
- (3) Alla base del tronco non siano presenti oggetti estranei, radici e rami;
- (4) Non siano presenti persone od oggetti a meno di 2 1/2 volte la lunghezza del tronco nella direzione di caduta.

– Considerare quanto segue per quanto riguarda ogni albero:

- Direzione di inclinazione;
- Rami rotti o secchi;
- Altezza dell'albero;
- Copertura della chioma;
- Se l'albero è secco o no.

– Tenere in considerazione la velocità e la direzione del vento. Non abbattere alberi con vento forte.

– Taglio di radici sporgenti. Iniziare dalle radici che sporgono maggiormente. Effettuare innanzi tutto un taglio verticale, quindi orizzontale.

- Tagliare una tacca: La tacca determina la direzione in cui l'albero cadrà e lo guida. Deve essere effettuata sul lato di caduta desiderato dell'albero. Effettuare la tacca il più possibile vicino al terreno. Effettuare innanzi tutto il taglio orizzontale a una profondità di 1/5 – 1/3 del diametro del tronco. Non realizzare una tacca troppo grande. Quindi tagliare in diagonale.
- Tagliare eventuali correzioni alla tacca lungo tutto lo spessore.
- Effettuare il taglio posteriore un po' più in alto del taglio di base della tacca. Il taglio posteriore deve essere precisamente orizzontale. Lasciare circa 1/10 del diametro del tronco tra il taglio posteriore e la tacca.
Le fibre del legno nella parte non tagliata del tronco agiscono da cardine. Non tagliare mai tutte le fibre, altrimenti l'albero cadrà senza alcun controllo. Inserire per tempo dei cunei nel taglio posteriore.
- Per tenere aperto il taglio posteriore usare unicamente cunei di plastica o di alluminio. L'uso di cunei di ferro è proibito.
- Stare a lato dell'albero in caduta. Lasciare un'area libera dietro all'albero in caduta di 45° di apertura su ambedue i lati dell'asse dell'albero (fare riferimento all'illustrazione dell'area di caduta). Prestare attenzione alla caduta di rami.
- Stabilire e liberare un percorso di fuga prima di iniziare a tagliare. Il percorso di fuga deve essere posteriore e diagonale rispetto alla probabile direzione di caduta come indicato nella figura.

Trasporto della motosega (Fig. 30)

Rimuovere sempre la cartuccia batteria dall'utensile e sovrapporre la barra di guida al coperchio della barra di guida prima di trasportare l'utensile. Coprire inoltre la cartuccia batteria con il coperchio della batteria.

MANUTENZIONE

⚠ ATTENZIONE:

- Accertarsi sempre che l'utensile sia spento e che la batteria sia stata rimossa prima dell'intervento di ispezione o manutenzione.
- Indossare sempre i guanti prima di eseguire qualsiasi ispezione o manutenzione.
- Mai usare benzina, benzene, solventi, alcol e altre sostanze simili. Potrebbero causare scolorimenti, deformazioni o crepe.

Affilatura della catena della sega (Fig. 31)

⚠ ATTENZIONE:

- Rimuovere sempre la cartuccia batteria e indossare i guanti di protezione quando si lavora con la catena della sega.

Affilare la catena della sega se:

- Si produce una segatura farinosa quando si taglia il legno bagnato;
- La catena penetra nel legno con difficoltà, anche se vi si applica sopra una grande pressione;
- Il bordo di taglio è palesemente danneggiato;
- La motosega tira a destra o a sinistra nel legno. Ciò è causato da una affilatura irregolare della catena, oppure se la catena della sega è danneggiata su un lato soltanto.

Affilare frequentemente la catena della sega, ma rimuovere soltanto poco materiale ogni volta.

Per la normale riaffilatura sono generalmente sufficienti due o tre colpi di lima. Dopo che la catena della sega è stata riaffilata diverse volte, farla affilare in una officina di riparazione DOLMAR specializzata.

Criteria di affilatura: (Fig. 32 e 33)

- Tutte le lame devono avere la stessa lunghezza. Le lame con una lunghezza diversa impediscono alla catena di scorrere normalmente, e potrebbero causare la rottura della catena.
- Non affilare la catena quando è stata raggiunta la lunghezza minima di 3 mm. Bisogna allora montare una nuova catena.
- Lo spessore dei trucioli viene determinato dalla distanza tra il calibro di profondità (naso rotondo) e il bordo di taglio.
- I risultati di taglio migliori si ottengono con la seguente distanza tra il bordo di taglio e il calibro di spessore.
Lama catena 291 (90PX): 0,5 mm
Lama catena 492 (91PX): 0,65 mm
Lama catena 25 (25AP): 0,65 mm

⚠ AVVERTIMENTO:

- Una distanza eccessiva aumenta il rischio di contraccoppi.
- L'angolo di affilatura di 30° deve essere lo stesso su tutte le lame. Le differenze tra gli angoli causano uno scorrimento rude e irregolare della catena, una usura accelerata e la rottura della catena.
- L'angolo della piastra laterale della lama è determinato dalla profondità di penetrazione della lima rotonda. Se la lima specificata viene usata correttamente, l'angolo corretto della piastra laterale viene prodotto automaticamente.
- L'angolo della piastra laterale di ciascuna catena sega è come segue:
Lama catena 291 (90PX): 75°
Lama catena 492 (91PX): 80°
Lama catena 25 (25AP): 85°

Lima e guida lima (Fig. 34, 35 e 36)

- Per affilare la catena usare una speciale lima rotonda (accessorio opzionale) per catene sega. Le comuni lime rotonde non sono adatte.
- Il diametro della lima rotonda per ciascuna catena sega è come segue:
Lama catena 291 (90PX): 4,5 mm
Lama catena 492 (91PX): 4,0 mm
Lama catena 25 (25AP): 4,0 mm
- La lima deve essere guidata nella lama spostandola in avanti. Sollevare la lima dalla lama per tornare alla posizione di partenza.
- Affilare per prima la lama più corta. La lunghezza di questa lama più corta diventa poi lo standard per tutte le altre lame della catena sega.
- Guidare la lama come mostrato nella illustrazione.

- La lima può essere guidata più facilmente se si usa un portalima (accessorio opzionale). Sul portalima ci sono i segni per l'angolo corretto di affilatura di 30° (allineare i segni paralleli alla catena della sega) e limita la profondità di penetrazione (a 4/5 del diametro della lima).
- Dopo aver affilato la catena, controllare l'altezza del calibro di spessore usando l'attrezzo di calibro della catena (accessorio opzionale).
- Rimuovere tutto il materiale sporgente, per quanto piccolo, con una speciale lima piatta (accessorio opzionale).
- Arrotondare di nuovo la parte anteriore del calibro di spessore.

Pulizia della barra di guida (Fig. 37)

Le bave e la segatura si accumulano nella cava della barra di guida, intasandola e ostacolando il flusso dell'olio. Togliere sempre le bave e la segatura dopo aver affilato o rimontato la catena della sega.

Pulizia del foro di scarico dell'olio (Fig. 38)

Durante l'utilizzo, nel foro di scarico dell'olio si potrebbero essere accumulate polvere o particelle.

La polvere o le particelle nel foro di scarico dell'olio potrebbero ostacolare il flusso di scarico dell'olio e causare una lubrificazione insufficiente dell'intera catena della sega.

Se sulla parte superiore della barra di guida si verifica una scarsa alimentazione dell'olio catena, pulire il foro di scarico dell'olio come segue.

Rimuovere la cartuccia batteria dall'utensile.

Rimuovere dall'utensile il coperchio del rocchetto e la catena della sega. (Vedere la sezione dal titolo "Installazione o rimozione della catena della sega".)

Rimuovere la polvere o le particelle usando un cacciavite a punta piatta con un albero sottile o simile.

Inserire la cartuccia batteria nell'utensile.

Schiacciare l'interruttore a grilletto per far uscire la polvere o particelle dal foro di scarico olio scaricando l'olio catena.

Rimuovere la cartuccia batteria dall'utensile.

Reinstallare sull'utensile il coperchio del rocchetto e la catena della sega.

Sostituzione del rocchetto (Fig. 39 e 40)

Prima di montare una nuova catena della sega, controllare le condizioni del rocchetto.

⚠ ATTENZIONE:

- Un rocchetto usurato danneggia una nuova catena sega. In tal caso, far sostituire il rocchetto. Il rocchetto deve essere installato in modo che sia sempre rivolto come mostrato nella illustrazione.

Montare sempre un nuovo anello di blocco quando si sostituisce il rocchetto.

Sostituzione delle spazzole di carbone

(Fig. 41 e 42)

Rimuovere e controllare regolarmente le spazzole di carbone. Sostituirle quando sono usurate fino al segno del limite. Mantenere le spazzole di carbone pulite e libere di slittare nelle portaspazzole. Entrambe le spazzole di carbone devono essere sostituite allo stesso tempo. Usare soltanto spazzole di carbone identiche.

Usare un cacciavite per rimuovere i tappi dei portaspazzole. Estrarre le spazzole di carbone usurate, inserire le nuove spazzole e fissare i tappi dei portaspazzole.

Immagazzinaggio

Pulire l'utensile prima di immagazzinarlo. Togliere dall'utensile tutti i trucioli e la segatura dopo aver rimosso il coperchio del rocchetto. Dopo aver pulito l'utensile, farlo girare a vuoto per lubrificare la catena della sega e la barra di guida.

Coprire la barra di guida con il coperchio della barra di guida.

Togliere l'olio dal serbatoio per svuotarlo, e posare la motosega.

Per mantenere la SICUREZZA e l'AFFIDABILITÀ dell'utensile, le riparazioni e qualsiasi altra manutenzione o regolazione devono essere eseguite da un centro di assistenza DOLMAR autorizzato usando sempre ricambi DOLMAR.

Istruzioni per la manutenzione periodica

Per assicurare la lunga vita di servizio, evitare danni e assicurare il pieno funzionamento delle caratteristiche per la sicurezza, bisogna eseguire periodicamente la manutenzione seguente.

Le clausole della garanzia sono valide soltanto se questo lavoro viene eseguito regolarmente e correttamente. La mancata esecuzione del lavoro di manutenzione prescritto può causare incidenti.

L'utente della motosega non deve eseguire un lavoro di manutenzione non descritto in questo manuale di istruzioni. Tale lavoro deve essere eseguito da un Centro di Assistenza autorizzato.

Tempo di utilizzo Voce		Prima del lavoro	Ogni giorno	Ogni settimana	Ogni 3 settimane	Annualmente	Prima dell'immagazzinaggio
Motosega	Ispezione	<input type="radio"/>					
	Pulitura		<input type="radio"/>				
	Controllo presso un centro di assistenza autorizzato.					<input type="radio"/>	<input type="radio"/>
Catena sega	Ispezione	<input type="radio"/>					
	Affilare, se necessario.						<input type="radio"/>
Barra guida	Ispezione	<input type="radio"/>	<input type="radio"/>				
	Rimuovere dalla catena sega.						<input type="radio"/>
Freno catena	Controllare il funzionamento.	<input type="radio"/>					
	Fare ispezionare regolarmente presso un centro di assistenza autorizzato.				<input type="radio"/>		
Lubrificazione catena	Controllare la velocità di alimentazione olio.	<input type="radio"/>					
Grilletto interruttore	Ispezione	<input type="radio"/>					
Bottone di sblocco	Ispezione	<input type="radio"/>					
Tappo serbatoio olio	Controllare il serraggio.	<input type="radio"/>					
Fermacatena	Ispezione			<input type="radio"/>			
Viti e dadi	Ispezione			<input type="radio"/>			

014804

CORREZIONE DEI PROBLEMI

Prima di richiedere una riparazione, eseguire prima da soli l'ispezione. Se si riscontra un problema non contemplato nel manuale, non cercare di smontare l'utensile. Rivolgersi a un centro di assistenza Dolmar autorizzato, chiedendo che per le riparazioni vengano sempre usati ricambi Dolmar.

Malfunzionamento	Causa	Rimedio
La motosega non si avvia.	Le due cartucce batteria non sono state installate.	Installare le cartucce batteria caricate.
	Problema della batteria (tensione insufficiente).	Ricaricare la cartuccia batteria. Se la ricarica non ha effetto, sostituire la cartuccia batteria.
La catena non scorre.	Il freno della catena è attivato.	Rilasciare il freno della catena.
Il motore si arresta dopo poco.	Il livello di carica della batteria è basso.	Ricaricare la cartuccia batteria. Se la ricarica non ha effetto, sostituire la cartuccia batteria.
Non c'è olio nella catena.	Il serbatoio dell'olio è vuoto.	Riempire il serbatoio dell'olio.
	La scanalatura di guida olio è sporca.	Pulire la scanalatura.
	L'alimentazione dell'olio non è regolata correttamente.	Regolare la quantità di alimentazione dell'olio.
Non raggiunge i giri massimi al minuto.	La cartuccia batteria non è installata correttamente.	Installare la cartuccia batteria come descritto in questo manuale.
	La carica della batteria sta calando.	Ricaricare la cartuccia batteria. Se la ricarica non ha effetto, sostituire la cartuccia batteria.
	Il sistema di trasmissione non funziona correttamente.	Rivolgersi per la riparazione a un centro di assistenza locale autorizzato.
La catena non si arresta anche se si aziona il freno della catena: Fermare immediatamente la macchina!	La banda del freno è usurata.	Rivolgersi per la riparazione a un centro di assistenza locale autorizzato.
Vibrazione anormale: Fermare immediatamente la macchina!	La barra di guida o la catena sega è allentata.	Regolare la barra di guida e la tensione della catena sega.
	Malfunzionamento dell'utensile.	Rivolgersi per la riparazione a un centro di assistenza locale autorizzato.

014805

ENG905-1

ACCESSORI OPZIONALI

⚠ ATTENZIONE:

- Questi accessori o attrezzi sono consigliati per l'uso con l'utensile Dolmar specificato in questo manuale. L'impiego di altri accessori o attrezzi può costituire un rischio di lesioni alle persone. Usare gli accessori soltanto per il loro scopo prefissato.

Per ottenere maggiori dettagli su questi accessori, rivolgersi a un Centro Assistenza Dolmar autorizzato.

- Batteria e caricatore Dolmar genuini
- Catena della sega
- Barra di guida
- Coperchio barra di guida
- Lima
- Custodia utensile

NOTA:

- Alcuni articoli nella lista potrebbero essere inclusi nell'imballo dell'utensile come accessori standard. Essi potrebbero differire da Paese a Paese.

Rumore

Il tipico livello di rumore pesato A determinato secondo EN60745:

Livello pressione sonora (L_{pA}): 84,4 dB (A)

Livello potenza sonora (L_{WA}): 95,4 dB (A)

Incertezza (K): 2,5 dB (A)

Indossare i paraorecchi

ENG900-1

Vibrazione

Il valore totale di vibrazione (somma vettore triassiale) determinato secondo EN60745:

Modello AS-3726

Modalità di lavoro: taglio del legno

Emissione di vibrazione (a_h): 4,7 m/s²

Incertezza (K): 1,5 m/s²

Modello AS-3731

Modalità di lavoro: taglio del legno

Emissione di vibrazione (a_h): 6,3 m/s²

Incertezza (K): 1,5 m/s²

- Il valore di emissione delle vibrazioni dichiarato è stato misurato conformemente al metodo di test standard, e può essere usato per paragonare un utensile con un altro.
- Il valore di emissione delle vibrazioni dichiarato può anche essere usato per una valutazione preliminare dell'esposizione.

⚠ AVVERTIMENTO:

- L'emissione delle vibrazioni durante l'uso reale dell'utensile elettrico può differire dal valore di emissione dichiarato a seconda dei modi in cui viene usato l'utensile.
- Identificare le misure di sicurezza per la protezione dell'operatore basate sulla stima dell'esposizione nelle condizioni reali d'utilizzo (tenendo presente tutte le parti del ciclo operativo, come le volte in cui l'utensile viene spento e quando gira a vuoto, oltre al tempo di funzionamento).

ENH031-4

Modello per l'Europa soltanto

Dichiarazione CE di conformità

Il sottoscritto, Rainer Bergfeld, con l'autorizzazione della Dolmar GmbH, dichiaro che le macchine DOLMAR:

Designazione della macchina:

Motosega a batteria

Modello No./Tipo: AS-3726, AS-3731

Dati tecnici: vedere la tabella "DATI TECNICI".

sono una produzione di serie e

conformi alle direttive europee seguenti:

2000/14/CE, 2006/42/CE

E sono fabbricate conformemente ai seguenti standard o documenti standardizzati:

EN ISO 11682-2

Certificato di conformità tipo CE n. 4812068.13006

L'esame del tipo CE per 2006/42/CE è stato eseguito da:

DEKRA Testing and Certification GmbH

Enderstraße 92b

01277 Dresden

Germany

Numero di identificazione 2140

Il file della documentazione tecnica si trova all'indirizzo seguente:

Dolmar GmbH,

Jenfelder Straße 38, Abteilung FZ,

D-22045 Hamburg

La procedura di determinazione della conformità richiesta dalla Direttiva 2000/14/CE è stata eseguita secondo l'allegato V.

Livello di potenza sonora misurato: 95,4 dB (A)

Livello di potenza sonora garantito: 98 dB (A)

20.12.2013



Rainer Bergfeld
Amministratore delegato

Verklaring van algemene gegevens

1 Rode indicator	15 Kettingwiel	29 Vluchtroute
2 Knop	16 Stelpen	30 Zaagbladschede
3 Accu	17 Gat	31 Deksel van de accu
4 Stermarkering	18 Zaagblad	32 Snijlengte
5 Accuverklikkerlampje	19 Losdraaien	33 Afstand tussen de zaagsnijrand en de dieptevoeler
6 Ontgrendelknop	20 Vastdraaien	34 Minimaal 3 mm
7 Trekschakelaar	21 Zaagketting	35 Zijplaathoek
8 Beschermkap van voorhandgreep	22 Dop van olietank	36 Platte schroevendraaier
9 Vergrendelen	23 Oliepeilglas (voor bijvullen van olie in de tank)	37 Borgring
10 Ontgrendelen	24 Oliepeilglas	38 Limietmarkering
11 Stelschroef	25 Blokkeerbeugel	39 Dop van koolborstelhouder
12 Afdekking van kettingwiel	26 Omzagen	40 Schroevendraaier
13 Hendel	27 Valrichting	
14 Stelknop	28 Gevarezone	

TECHNISCHE GEGEVENS

Model		AS-3726		AS-3731
Standaardzaagblad	Lengte zaagblad	250 mm		300 mm
	Zaaglengte	23 cm	24 cm	28 cm
	Type	Tandwielzaagblad	Precisieblad	Tandwielzaagblad
Standaardzaagketting	Type	492 (91PX)	25 (25AP)	291 (90PX)
	Steek	9,5 mm (3/8")	6,35 mm (1/4")	9,5 mm (3/8")
	Maat	1,3 mm (0,05")	1,3 mm (0,05")	1,1 mm (0,043")
	Aantal kettingschakels	40	60	46
Zaagtanden	Aantal zaagtanden	6	9	6
	Steek	9,5 mm (3/8")	6,35 mm (1/4")	9,5 mm (3/8")
Totale lengte (zonder zaagblad)		316 mm		
Netto gewicht	*1	4,1 kg		
	*2	4,6 kg	4,7 kg	
Kettingsnelheid per minuut		8,3 m/s (500 m/min)		
Volume kettingoliereservoir		85 cm ³		
Nominale spanning		D.C. 36 V		D.C. 36 V

END313-1

• In verband met ononderbroken research en ontwikkeling behouden wij ons het recht voor bovenstaande technische gegevens te wijzigen zonder voorafgaande kennisgeving.

• De technische gegevens de accu kunnen van land tot land verschillen.

*1 Gewicht met grootste accu, zonder zaagblad of ketting, met leeg oliereservoir, volgens EN ISO 11681-2.

*2 Gewicht met accu, zaagblad en ketting, met gevuld oliereservoir, volgens EPTA-procedure 01/2003.

WAARSCHUWING: Gebruik de juiste combinatie van zaagblad en zaagketting. Anders loopt u de kans op lichamelijk letsel.

Symbolen

Voor dit gereedschap worden de volgende symbolen gebruikt. Zorg ervoor dat u de betekenis van deze symbolen begrijpt alvorens het gereedschap te gebruiken.



• Lees de gebruiksaanwijzing.



• Draag oogbescherming.



• Draag gehoorbescherming.



- Draag een veiligheidshelm, veiligheidsbril en oorsbescherming.



- Gebruik afdoende beschermingsmiddelen voor voet/been en hand/arm.



- Deze kettingzaag mag alleen worden gebruikt door goed opgeleide personen.



- Stel het gereedschap niet bloot aan regen.



- Maximaal toegestane zaaglengte



- Draairichting van de ketting



- Afstelling voor zaagkettinolie



- Alleen voor EU-landen
Geef elektrische apparatuur of accu's niet met het huishoudelijk afval mee!
Met inachtneming van de Europese Richtlijnen betreffende afgedankte elektrische en elektronische apparatuur, batterijen en accu's inclusief opgebruikte batterijen en accu's, en de implementatie van deze richtlijnen in overeenstemming met nationale wetgeving, moeten elektrische apparaten, batterijen en accu's die het einde van hun levensduur bereikt hebben, gescheiden worden ingezameld en worden ingeleverd bij een recyclingbedrijf dat aan de milieuriichtlijnen voldoet.

ENE090-1

Doeleinden van gebruik

Dit gereedschap is bestemd voor het afzagen van takken / bijtrimmen van bomen. Het is ook geschikt voor de verzorging van bomen.

GEA010-1

Algemene veiligheidswaarschuwingen voor elektrisch gereedschap

⚠ WAARSCHUWING! Lees alle veiligheidswaarschuwingen en alle instructies. Het niet volgen van de waarschuwingen en instructies kan leiden tot elektrische schokken, brand en/of ernstig letsel.

Bewaar alle waarschuwingen en instructies om in de toekomst te kunnen raadplegen.

Veiligheidswaarschuwingen specifiek voor een accu-kettingzaag:

1. **Houd alle lichaamsdelen uit de buurt van de zaagketting terwijl de kettingzaag in bedrijf is. Alvorens de kettingzaag te starten, controleert u dat de zaagketting niet raakt.** In slechts een kort moment van onoplettendheid tijdens het gebruik van de kettingzaag kan uw kleding of lichaam in aanraking komen met de zaagketting.
2. **Wanneer u de kettingzaag met beide handen vastpakt, houdt u het apparaat altijd vast met uw rechterhand aan de achterhandgreep en uw linkerhand aan de voorhandgreep.** Houd de kettingzaag nooit vast met uw handen verwisseld, omdat dan de kans op persoonlijk letsel groter is.
3. **Houd het elektrisch gereedschap alleen vast bij het geïsoleerde oppervlak omdat de zaagketting met verborgen bedrading in aanraking kan komen.** Wanneer de kettingzaag in aanraking komt met onder spanning staande draden, zullen de niet-geïsoleerde metalen delen van het gereedschap onder spanning komen te staan zodat de gebruiker een elektrische schok kan krijgen.
4. **Draag een veiligheidshbril en gehoorbescherming.** Verdere veiligheidsmiddelen voor hoofd, handen, benen en voeten worden aanbevolen. Afdoende beschermende kleding verkleint de kans op persoonlijk letsel als gevolg van rondvliegend afval of het per ongeluk aanraken van de zaagketting.
5. **Zorg altijd dat u stevig staat.** Op een glibberige of onstabiele ondergrond kunt u uw evenwicht of de beheersing over de kettingzaag verliezen.
6. **Bij het afzagen van een tak die onder spanning staat, let u goed op eventuele terugslag.** Wanneer de spanning in de houtvezels vrij komt, kan de onder spanning staande tak de gebruiker een terugslag geven en/of de controle over de kettingzaag doen verliezen.
7. **Wees uiterst voorzichtig bij het zagen van struiken en jonge boompjes.** Het dunne materiaal kan zich vasthaken aan de zaagketting en naar u toe geslingerd worden of u uit balans brengen.
8. **Draag de kettingzaag aan de voorhandgreep terwijl deze uitgeschakeld is en van uw lichaam af gekeerd is. Bij het transporteren of opbergen van de zaagketting moet altijd de schede om het zaagblad worden gedaan.** Een juiste behandeling van de kettingzaag verkleint de kans op het per ongeluk aanraken van de bewegende zaagketting.
9. **Volg de instructies voor het smeren, kettingspannen, en verwisselen van accessoires.** Een verkeerd gespannen of gesmeerde ketting kan breken of verhoogt de kans op terugslag.
10. **Houd de handgrepen droog, schoon en vrij van olie en vetten.** Met vet of olie bevuilde handgrepen zijn glad en leiden tot verlies van controle over de kettingzaag.

11. **Zaag uitsluitend hout. Gebruik de kettingzaag niet voor doeleinden waarvoor deze niet bedoeld is. Bijvoorbeeld: gebruik de kettingzaag niet om kunststof, steen of bouwmaterialen anders dan hout te zagen.** Het gebruik van de kettingzaag bij andere werkzaamheden dan waarvoor deze bedoeld is, kan leiden tot gevaarlijke situaties.

12. **Oorzaken van terugslag en wat de gebruiker hieraan kan doen:**

Terugslag kan zich voordoen wanneer de neus of voorrand van het zaagblad een voorwerp raakt of wanneer het hout zich sluit en de zaagketting in de zaagsnede vastklemt.

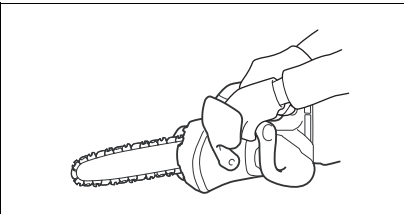
Zagen met alleen de punt van het zaagblad kan een plotselinge, omgekeerde reactie veroorzaken waardoor het zaagblad omhoog geworpen wordt in de richting van de gebruiker.

Het beknelen van de zaagketting langs de bovenrand van het zaagblad kan het zaagblad snel terugwerpen in de richting van de gebruiker.

Deze beide reacties kunnen ertoe leiden dat u de controle over de kettingzaag verliest waardoor ernstig persoonlijk letsel kan ontstaan. Wees niet afhankelijk van alleen de veiligheidsvoorzieningen ingebouwd in uw kettingzaag. Als gebruiker van de kettingzaag moet u meerdere stappen ondernemen om ervoor te zorgen dat uw zaagwerkzaamheden zonder ongelukken of letsel verlopen.

Terugslag is het gevolg van misgebruik van het gereedschap en/of onjuiste gebruiksprocedures of -omstandigheden, en kan worden voorkomen door goede voorzorgsmaatregelen te treffen, zoals hieronder vermeld:

- **Houd de kettingzaag stevig vast, met de duimen en vingers rondom de handgrepen van de kettingzaag, met beide handen en positioneer uw lichaam en armen zodanig dat u een eventuele terugslag kan opvangen.** De kracht van een terugslag kan worden opgevangen door de gebruiker mits de juiste voorzorgsmaatregelen getroffen worden. Laat de kettingzaag nooit los.



014673

- **Reik niet te ver en zaag nooit boven schouderhoogte.** Dit helpt te voorkomen dat de punt van het zaagblad per ongeluk iets raakt en biedt een betere controle van de kettingzaag in onverwachte situaties.
- **Gebruik bij het vervangen van het zaagblad of de zaagketting uitsluitend onderdelen die zijn opgegeven door de fabrikant.** Vervanging door een verkeerd zaagblad of zaagketting kan ertoe leiden dat de zaagketting breekt en/of terugslaat.

- **Volg de instructies van de fabrikant over het slijpen en onderhouden van de zaagketting.**

Het verlagen van de hoogte van de dieptevoeler kan leiden tot toegenomen terugslag.

13. Alvorens met het werk te beginnen, controleert u dat de kettingzaag zich in goede werkende staat bevindt, en dat deze voldoet aan de veiligheidsregels. Controleer met name dat:

- De kettingrem goed werkt;
- De uitloper goed werkt;
- Het zaagblad en de afdekking van kettingwiel goed zijn gemonteerd;
- De ketting is geslepen en gespannen overeenkomstig de regels;

14. **Start de kettingzaag niet terwijl de schede om het zaagblad is geplaatst.** Als de kettingzaag wordt gestart terwijl de schede om het zaagblad is geplaatst, kan de schede naar voren worden weggeworpen, waardoor in de buurt van de operator persoonlijk letsel en materiële schade kan worden veroorzaakt.

Specifieke veiligheidsvoorschriften voor de kettingzaag met bovenhandgreep

1. Deze kettingzaag is specifiek ontworpen voor de verzorging van bomen en boomchirurgie. De kettingzaag is alleen bestemd voor gebruik door hiervoor opgeleide personen. Neem alle voorschriften, aanwijzingen en aanbevelingen van de relevante professionele organisatie in acht. Anders bestaat de kans op ongelukken met fatale afloop. Het is aanbevolen om altijd een hefplatform (lift of hoogwerker) te gebruiken voor zaagwerk boven in een boom. In de boom klimmen met een touw kan erg gevaarlijk zijn en speciale training vereisen. De gebruiker moet getraind zijn in het gebruik van veiligheidsvoorzieningen en klimtechnieken. Gebruik bij het werken in een boom altijd de juiste gordels, touwen en musketons. Beveilig uzelf en de zaag terdege met de nodige veiligheidsgordels.
2. Verricht het reinigen en onderhoud vóór opslag strikt volgens de gebruiksaanwijzing.
3. Plaats de kettingzaag bij vervoer in een auto zorgvuldig rechtop op een veilige plek om lekkage van brandstof en olie te vermijden en schade aan het gereedschap en lichamenlijk letsel te voorkomen.
4. Controleer regelmatig de werking van de kettingrem.
5. Verricht het bijvullen van kettingolie niet bij open vuur. Zorg dat er bij het bijvullen van kettingolie niet gerookt wordt.
6. Nationale voorschriften kunnen soms het gebruik van de kettingzaag verbieden.
7. Als het gereedschap valt of een zware klap krijgt, dient u de toestand ervan grondig te controleren voordat u ermee verder werkt. Controleer de bedieningsknoppen en veiligheidsvoorzieningen op defecten. Als u enige schade bespeurt of twijfelt, verzoekt u dan onze erkende onderhoudsdienst om inspectie en reparatie.
8. Trek altijd dat de kettingrem aan voordat u de kettingzaag start.
9. Houd de zaag stevig op zijn plaats om wegglijden (zijwaartse beweging) of stuiten van de zaag bij de eerste insnede te voorkomen.

10. Zorg bij het laatste volledig doorzagen dat u goed uw evenwicht bewaart, om niet door het “vallen” van de zaag verrast te worden.
11. Houd rekening met de windrichting en de kracht van windvlagen. Kom niet in een wolk van zaagsel en kettingsliedamp te staan.

Veiligheidsvoorzieningen

1. **Ter voorkoming van hoofd-, oog-, hand- of voetverwondingen en om uw gehoor te beschermen moet u tijdens het gebruik van de kettingzaag de volgende veiligheidsvoorzieningen dragen:**
 - Draag geschikte werkkleding, m.a.w. goed nauwsluitend maar niet zo strak dat het u in uw bewegingen belemmert. Draag geen sieraden of losse kleding die aan takken of gebladerte kan blijven haken. Als u lang haar hebt, draagt u dan altijd een haarnet!
 - Het dragen van een veiligheidshelm is een must bij het werken met de kettingzaag. De **veiligheidshelm** moet regelmatig op schade worden gecontroleerd en moet uiterlijk na 5 jaar worden vervangen. Gebruik alleen officieel goedgekeurde veiligheidshelmen.
 - Het **vizier** van een veiligheidshelm (of een veiligheidsbril) biedt bescherming tegen zaagsel en houtspaanders. Tijdens het werken met de kettingzaag dient u altijd een veiligheidsbril of het vizier van de helm te dragen om oogletsel te voorkomen.
 - Draag afdoende **oorbescherming** (oorkleppen, oordopjes, enz.)
 - Een **veiligheidsjas** is gemaakt van 22 lagen nylon, die de drager tegen snijwonden beschermen. U dient altijd een dergelijke jas te dragen bij het werken op een hefplatform (lift of hoogwerker), een plankier op ladders of bij het klimmen met behulp van touwen.
 - Een **veiligheidsoverall of verstevigde tuinbroek** is gemaakt van 22 lagen nylon en beschermt de drager tegen snijwonden. Wij raden u sterk het gebruik hiervan aan.
 - **Beschermende handschoenen** van dik leer maken deel uit van de voorgeschreven veiligheidsvoorzieningen; draag tijdens het werken met de kettingzaag altijd een paar.
 - Draag bij het werken met de kettingzaag altijd een paar **veiligheidsschoenen** of **veiligheidslaarzen** met antislipzolen, stalen neuzen en scheenbeschermers. Verstevigd veiligheidschoeisel zorgt dat u stevig staat en biedt bescherming tegen snijwonden. Voor het werken boven in bomen moet het veiligheidschoeisel bovendien geschikt zijn voor klimtechnieken.

Trillingen

1. Personen met een zwakke bloedsomloop kunnen bij blootstelling aan heftige trillingen last krijgen van schade aan bloedvaten of het centraal zenuwstelsel. Trillingen kunnen de volgende symptomen veroorzaken in uw vingers, handen of polsen: “Slapende” (gevoelloze) vingers, tintelen, pijn, scherpe steken, verandering van huidgevoeligheid of huidtint.
Ondervindt u een of meer van deze symptomen, raadpleeg dan een arts!

Om het risico van “witte-vingerziekte” te verminderen, dient u tijdens gebruik te zorgen dat uw handen warm blijven en verder ook uw gereedschap en accessoires in goede staat te houden.

BEWAAR DEZE VOORSCHRIFTEN.

WAARSCHUWING:

Laat u NIET misleiden door een vals gevoel van comfort en bekendheid met het gereedschap (na veelvuldig gebruik) en neem alle veiligheidsvoorschriften van het betreffende gereedschap altijd strikt in acht. **VERKEERD GEBRUIK** of het niet naleven van de veiligheidsvoorschriften in deze gebruiksaanwijzing kan leiden tot ernstige verwondingen.

ENC007-8

BELANGRIJKE VEILIGHEIDSVORSCHRIFTEN

VOOR ACCU

1. Lees alle voorschriften en waarschuwingen op (1) de acculader, (2) de accu, en (3) het product waarvoor de accu wordt gebruikt, aandachtig door alvorens de acculader in gebruik te nemen.
2. **Neem de accu niet uit elkaar.**
3. **Als de gebruikstijd van een opgeladen accu aanzienlijk korter is geworden, moet u het gebruik ervan onmiddellijk stopzetten. Voortgezet gebruik kan oververhitting, brandwonden en zelfs een ontploffing veroorzaken.**
4. **Als er elektrolyt in uw ogen is terechtgekomen, spoel dan uw ogen met schoon water en roep onmiddellijk de hulp van een dokter in. Elektrolyt in de ogen kan blindheid veroorzaken.**
5. **Vorkom kortsluiting van de accu:**
 - (1) **Raak de accuklemmen nooit aan met een geleidend materiaal.**
 - (2) **Bewaar de accu niet in een bak waarin andere metalen voorwerpen zoals spijkers, munten e.d. worden bewaard.**
 - (3) **Stel de accu niet bloot aan water of regen. Kortsluiting van de accu kan oorzaak zijn van een grote stroomafgifte, oververhitting, brandwonden, en zelfs defecten.**
6. **Bewaar het gereedschap en de accu niet op plaatsen waar de temperatuur kan oplopen tot 50°C of hoger.**
7. **Werp de accu nooit in het vuur, ook niet wanneer hij zwaar beschadigd of volledig versleten is. De accu kan namelijk ontploffen in het vuur.**
8. **Wees voorzichtig dat u de accu niet laat vallen en hem niet blootstelt aan schokken of stoten.**
9. **Gebruik een accu niet meer nadat deze is gevallen of gestoten.**
10. **Volg bij het wegwerpen van de accu de plaatselijk geldende voorschriften.**

BEWAAR DEZE VOORSCHRIFTEN.

Tips voor een maximale levensduur van de accu

1. **Laad de accu op voordat hij volledig ontladen is. Stop het gebruik van het gereedschap en laad de accu op telkens wanneer u vaststelt dat het vermogen van het gereedschap is afgenomen.**
2. **Laad een volledig opgeladen accu nooit opnieuw op. Als u de accu te veel oplaadt, zal hij minder lang meegaan.**
3. **Laad de accu op bij een kamertemperatuur tussen 10°C en 40°C. Laat een warme accu afkoelen alvorens hem op te laden.**
4. **Laad de accu zeker elk half jaar een keer op, ook als u deze geruime tijd lang niet gebruikt.**

BESCHRIJVING VAN DE FUNCTIES

LET OP:

- Zorg altijd dat het gereedschap is uitgeschakeld en de accu ervan is verwijderd alvorens de functies op het gereedschap af te stellen of te controleren.

Installeren of verwijderen van de accu (Fig. 1)

LET OP:

- Schakel altijd het gereedschap uit voordat u de accu aanbrengt of verwijderd.
- **Houd het gereedschap en de accu stevig vast wanneer u de accu aanbrengt of verwijderd.** Als u het gereedschap en de accu niet stevig vasthoudt, zou er iets uit uw handen kunnen glijpen, met mogelijke schade aan het gereedschap of de accu en kans op lichamelijke letsel.

Om de accu te verwijderen, schuift u deze uit het gereedschap los terwijl u de knop voorop de accu ingedrukt houdt.

Voor het aanbrengen van de accu plaatst u de tong van de accu in de groef van de behuizing en schuift u de accu op zijn plaats. Schuif de accu er altijd volledig in totdat die op zijn plaats vast klikt. Wanneer de rode indicator op de bovenkant van de knop nog zichtbaar is, zit de accu niet volledig erin.

LET OP:

- Schuif de accu volledig erin totdat de rode indicator niet meer zichtbaar is. Als u dit nalaat, zou de accu uit het gereedschap kunnen vallen en uzelf of anderen kunnen verwonden.
- Druk de accu er niet met kracht in. Als de accu er niet soepel in gaat, houdt u die waarschijnlijk in de verkeerde stand.

OPMERKING:

- Het gereedschap werkt niet op een enkele accu.

Gereedschap/accu-beveiligingssysteem

Het gereedschap is voorzien van een gereedschap/accu-beveiligingssysteem. Dit systeem schakelt automatisch de stroom naar de motor uit om de levensduur van het gereedschap en de accu te sparen.

Het gereedschap zal tijdens gebruik automatisch stoppen wanneer het gereedschap en/of de accu aan één van de volgende omstandigheden wordt blootgesteld. Onder bepaalde omstandigheden lichten de verklikkerlampjes op.

Overbelastingsbeveiliging

Als het gereedschap wordt gebruikt op een manier die een abnormaal hoge stroomsterkte vergt, zal het gereedschap automatisch zonder enige waarschuwing stoppen. In dat geval schakelt u het gereedschap uit en verhelpt u de oorzaak van de overbelasting. Vervolgens schakelt u het gereedschap weer in om door te werken.

Oververhittingsbeveiliging voor de accu/het gereedschap

Wanneer de accu/het gereedschap oververhit raakt, stopt het gereedschap automatisch zonder enige waarschuwing. Dan start het gereedschap niet, ook als u de trekkerschakelaar indrukt. In dat geval laat u de accu/het gereedschap even afkoelen, voordat u het gereedschap opnieuw inschakelt.

OPMERKING:

- De oververhittingsbeveiliging voor de accu werkt alleen voor accu's met een stermarkering. (Fig. 2)

Overontladingsbeveiliging (Fig. 3)

Wanneer de accu nog maar weinig stroom kan leveren, gaat het accuverklikkerlampje knipperen aan de kant van de betreffende accu. Als u dan doorgaat met werken, stopt het gereedschap en blijft het accuverklikkerlampje ongeveer 10 seconden lang branden. In dat geval laadt u de accu opnieuw op.

Werking van de trekschakelaar (Fig. 4)

LET OP:

- Alvorens de accu in het gereedschap te installeren, controleert u eerst de trekkerschakelaar goed werkt en na loslaten terugkeert naar de uit-stand.

Deze machine is voorzien van een ontgrendelknop, om te voorkomen dat de trekschakelaar per ongeluk wordt ingedrukt.

Om de machine te starten, drukt u de ontgrendelknop in en daarna drukt u de trekschakelaar in. Om de machine te stoppen, laat u de trekschakelaar los.

De werking van de kettingrem controleren (Fig. 5)

OPMERKING:

- Als de kettingzaag niet kan worden gestart, moet u de kettingrem loszetten. Trek de beschermkap van de voorhandgreep naar achteren tot u voelt dat deze aangrijpt.

Houd de kettingzaag met beide handen vast bij het inschakelen.

Houd de bovenhandgreep met uw rechterhand vast en de voorhandgreep met uw linkerhand. Het zaagblad en de ketting mogen geen enkel voorwerp aanraken.

Druk eerst de ontgrendelknop in en knijp daarna de trekschakelaar in.

De zaagketting begint onmiddellijk te draaien.

Duw de beschermkap van de voorhandgreep naar voren met de rug van uw hand. De zaagketting moet onmiddellijk tot stilstand komen.

LET OP:

- Als de zaagketting niet onmiddellijk tot stilstand komt wanneer deze controle wordt uitgevoerd, mag de kettingzaag onder geen beding worden gebruikt. Neem contact op met een in DOLMAR gespecialiseerde reparatiedienst.

De uitlooprem controleren

Schakel de kettingzaag in.

Laat de trekschakelaar helemaal los. De zaagketting moet binnen een seconde tot stilstand komen.

LET OP:

- Als de zaagketting niet binnen een seconde tot stilstand komt wanneer deze controle wordt uitgevoerd, mag de kettingzaag niet worden gebruikt. Neem contact op met een in DOLMAR gespecialiseerde reparatiedienst.

De kettingsmering instellen (Fig. 6)

U kunt de toevoersnelheid van de oliepomp instellen met behulp van de stelschroef. De hoeveelheid olie kan worden ingesteld met behulp van een moersleutel.

Karabijnhaak (bevestigingssoog voor touw) (Fig. 7)

De karabijnhaak (bevestigingssoog voor touw) wordt gebruikt om het gereedschap op te hangen. Als u de karabijnhaak wilt gebruiken, trekt u deze naar buiten en bindt u er een touw aan vast.

INEENZETTEN

LET OP:

- Controleer altijd of het gereedschap is uitgeschakeld en de accu ervan is verwijderd alvorens enig werk aan het gereedschap uit te voeren.

Aanbrengen of verwijderen van de zaagketting (Fig. 8, 9, 10, 11, 12 en 13)

LET OP:

- Draag altijd handschoenen wanneer u de zaagketting aanbrengt of verwijdert.
- De zaagketting en het zaagblad zullen kort na gebruik nog heet zijn. Laat ze eerst afkoelen, voordat u enig werk aan het gereedschap gaat verrichten.

Om de zaagketting te verwijderen, gaat u als volgt te werk:

1. Druk de hendel helemaal open totdat die stopt.
2. Draai de stelknop naar de “—” kant om de spanning in de zaagketting los te zetten.
3. Draai de hendel naar links om het kettingwieldeksel los te maken tot het er vanaf komt.
4. Verwijder het kettingwieldeksel.
5. Verwijder de zaagketting en het zaagblad van de kettingzaag.

Om de zaagketting weer te plaatsen, gaat u als volgt te werk:

6. Let op de juiste richting van de ketting. Het pijltekentje op de ketting geeft de juiste richting aan.
7. Leg de ene kant van de zaagketting over het uiteinde van het zaagblad en de andere kant rond het kettingwiel.
8. Leg het zaagblad op zijn plaats op de kettingzaag.
9. Draai de stelknop naar de “—” kant om de stelpen in de richting van de pijl te schuiven.
10. Plaats het kettingwieldeksel op de kettingzaag zo dat de stelpen in het kleine gat in het zaagblad valt.
11. Draai de hendel helemaal naar rechts en dan een kwart slag terug om wat speling te houden voor het afstellen van de kettingspanning.
12. Draai de stelknop om de kettingspanning te regelen.
13. Draai de hendel naar rechts om het kettingwieldeksel vast te zetten.

14. Druk de hendel in en zet die terug in de oorspronkelijke stand.

De kettingspanning instellen (Fig. 8 en 14)

De zaagketting kan na vele gebruiksuren los gaan zitten. Controleer regelmatig de kettingspanning vóór gebruik.

1. Druk de hendel in en open die helemaal totdat hij klikt. Draai een beetje naar links om het kettingwieldeksel ietwat los te zetten.
2. Til het uiteinde van het zaagblad een ietsje omhoog.
3. Draai aan de stelknop om de spanning van de zaagketting te regelen. Trek de zaagketting strakker totdat de onderkant van de zaagketting in de zaagbladrail past (zie de cirkel in de afbeelding).
4. Houd het zaagblad licht vast en zet het kettingwieldeksel vast nadat de spanning van de zaagketting is ingesteld. Zorg dat de zaagketting onderaan niet los komt te hangen.
5. Druk de hendel in en zet die terug in de oorspronkelijke stand.

Controleer of de zaagketting onderaan stevig tegen de onderkant van het zaagblad past.

LET OP:

- Trek de zaagketting niet al te strak. Bij een te hoge spanning kan de zaagketting breken, het zaagblad slijten en de stelknop defect raken.
- Een ketting die te los zit kan van het zaagblad af springen en gevaar voor ongelukken veroorzaken.
- Verricht het installeren of verwijderen van de zaagketting in een schone omgeving, vrij van zaagsel en dergelijke.

Blokkeerbeugel (optioneel accessoire) (Fig. 15)

Voor het installeren van de blokkeerbeugel verricht u de volgende stappen:

1. Verwijder het tandwieldeksel, de zaagketting en het zaagblad zoals beschreven in deze gebruiksaanwijzing.
2. Plaats de gaten van de blokkeerbeugel over de schroefgaten in de kettingzaag.
3. Zet de blokkeerbeugel stevig met schroeven vast.

BEDIENING

LET OP:

- Zorg dat de ventilatiesleuven niet geblokkeerd worden, want dat kan oververhitting en defecten aan het gereedschap veroorzaken.

Smeren (Fig. 16 en 17)

De zaagketting wordt automatisch gesmeerd tijdens het gebruik van de kettingzaag.

Controleer hoeveel olie er nog in de olietank zit door naar het oliepeilglas te kijken.

Om de olietank bij te vullen, draait u de dop van de olievlopening van de olietank af.

Draai na het bijvullen van de olietank altijd de dop van de olietank van de kettingzaag.

LET OP:

- Wanneer u de kettingzaag voor het eerst vult met kettingolie, of de olietank bijvult nadat deze geheel leeg is geraakt, vult u olie bij tot aan de onderrand van de vulnek. Anders kan de olietoevoer gehinderd worden.
- Als kettingolie gebruikt u een olie exclusief voor Dolmar-kettingzagen of een in de winkel verkrijgbare kettingolie.
- Gebruik nooit olie verontreinigd met vuil- en stofdeeltjes of vluchtige olie.
- Gebruik botanische olie voor het snoeien van bomen. Minerale olie kan de bomen beschadigen.
- Dwing de kettingzaag nooit tijdens het snoeien van bomen.
- Voordat u de kettingzaag uitzet, controleert u of de bijgeleverde dop van de olietank is gedraaid.

Houd de kettingzaag uit de buurt van de boom. Start de kettingzaag en wacht tot de zaagketting voldoende gesmeerd is.

Plaats de blokkeerbeugel tegen de af te zagen tak voordat u de zaag start. Anders kan het zaagblad gaan wiebelen en de gebruiker verwonden.

Ga vervolgens het hout zagen door enkel omlaag te bewegen.

WERKEN MET DE KETTINGZAAG

LET OP:

- Als minimale voorbereiding dient een beginnende gebruiker eerst te oefenen door stammen te zagen op een schraag of bok.
- Bij het zagen van losse stukken hout dient u een veilige steun te gebruiken (een schraag of zaagbok). Zet niet uw voet op het werkstuk om dat tegen te houden en vraag ook nooit iemand anders om het vast te houden.
- Zet ronde stukken zo vast dat ze niet kunnen gaan draaien.

Snoeien van bomen (Fig. 18, 19, 20 en 21)

LET OP:

- Houd alle delen van uw lichaam uit de buurt van de zaagketting wanneer de motor draait.
- Houd de kettingzaag stevig vast met beide handen wanneer de motor draait.
- Reik niet te ver. Zorg ervoor dat u altijd stevige steun voor de voeten hebt en uw evenwicht behoudt.

Plaats de blokkeerbeugel tegen de af te zagen tak voordat u de zaag start. Zagen zonder dat de blokkeerbeugel de tak raakt kan het zaagblad doen wiebelen en de gebruiker verwonden.

Voor het zagen van dikke takken moet u eerst een ondiepe ondersnede maken en dan de rest van de snede van boven af zagen.

Wanneer u dikke takken vanaf de onderkant van de tak probeert af te zagen, kan de tak zich sluiten zodat de zaagketting in de zaagsnede vastgeklemd raakt. Wanneer u dikke takken vanaf de bovenkant probeert af te zagen zonder een ondiepe snede van onderen te maken, kan de tak splinteren.

Indien u niet in één keer recht door het hout kunt zagen: Oefen lichte druk uit op het handvat en ga door met zagen en trek de kettingzaag een beetje terug; breng de spijkers een beetje lager aan en zaag de rest van de snede door het handvat omhoog te brengen.

Afzagen (Fig. 22, 23 en 24)

Voor het afzagen laat u zoals in de afbeelding de blokkeerbeugel rusten op het door te zagen hout.

Zaag met draaiende zaagketting in het hout en til de bovenhandgreep op terwijl u met de voorhandgreep het zagen geleidt.

Gebruik de blokkeerbeugel als scharnierpunt.

Vervolg de zaagsnede door licht op de voorhandgreep te drukken en de kettingzaag iets terug te trekken. Plaats de blokkeerbeugel lager tegen het hout en til de voorhandgreep weer op.

Als u meerdere zaagsneden maakt, schakelt u de kettingzaag uit tussen de zaagsneden.

LET OP:

- Als de zaagketting langs de bovenrand van het zaagblad wordt gebruikt om te zagen, kan de kettingzaag in uw richting worden bewogen als de ketting klem komt te zitten. Om deze reden moet u met de onderrand van het zaagblad zagen zodat de kettingzaag van uw lichaam af wordt bewogen.

Als hout onder spanning staat, zaagt u eerst de kant met de trekkracht (A).

Maak de eindsnede aan de kant met de duwkracht (B). Hiermee voorkomt u dat het zaagblad bekneld raakt.

Takken afzagen

LET OP:

- Takken afzagen mag uitsluitend worden uitgevoerd door ervaren personen. Door het risico van terugslag kan een gevaarlijke situatie ontstaan.

Ondersteun bij het afzagen van takken zo mogelijk de kettingzaag op de boomstam. Zaag niet met de punt van het zaagblad omdat hierdoor de kans op terugslag ontstaat.

Let met name goed op bij takken die onder spanning staan. Zaag geen takken vanaf de onderkant als deze niet worden ondersteund.

Ga bij het afzagen van takken niet bovenop de omgezaagde boomstam staan.

Inzagen en in de richting van de houtnerf zagen (Fig. 25)

LET OP:

- Inzagen en in de richting van de houtnerf zagen mag uitsluitend worden uitgevoerd door personen met speciale training. Het risico van terugslag vormt een kans op letsel.

Bij zagen in de richting van de houtnerf maakt u de hoek van de zaagsnede zo ondiep mogelijk. Voer het zagen zo voorzichtig mogelijk uit, want de blokkeerbeugel kan niet worden gebruikt.

Omzagen (Fig. 26, 27, 28 en 29)

LET OP:

- Omzagen mag uitsluitend worden uitgevoerd door getrainde personen. Het werk is gevaarlijk.

Houd u aan de plaatselijke regelgeving als u een boom wilt omzagen.

- Voordat u met het omzagen begint, controleert u de volgende punten:

- (1) Uitsluitend de personen die betrokken zijn bij het omzagen mogen zich in de buurt bevinden;

- (2) Iedere betrokken persoon moet een ongehinderde vluchtroute hebben door een gebied van ongeveer 45° aan weerskanten van de vallijn. Let op het risico van struikelen over elektrische snoeren;
 - (3) De voet van de stam met vrij zijn van vreemde voorwerpen, wortels en takken;
 - (4) Binnen een afstand van 2 1/2 keer de lengte van de boom mogen zich geen personen of voorwerpen bevinden in de richting waarin de boom zal vallen.
- Let met betrekking tot ieder boom op de volgende punten:
 - De richting waarin de boom overhelst;
 - Losse of droge takken;
 - Hoogte van de boom;
 - Natuurlijke overhang;
 - Of de boom verrot is of niet.
 - Let op de windsnelheid en -richting. Zaag geen bomen om als er sterke rukwinden zijn.
 - Afkorten van worteluitwassen: Begin met de grootste uitwassen. Maak eerst de verticale zaagsnede en daarna de horizontale zaagsnede.
 - Zaag een inkeping: De inkeping bepaalt de richting waarin de boom valt en geleidt de val. De inkeping wordt gemaakt aan de kant waarheen de boom moet vallen. Maak de inkeping zo dicht mogelijk bij de grond. Maak eerst de horizontale zaagsnede tot een diepte van 1/5 tot 1/3 van de stamdiameter. Maak de inkeping niet te groot. Maak vervolgens de diagonale zaagsnede.
 - Maak eventuele correcties aan de inkeping over de gehele breedte ervan.
 - Maak de zaagsnede aan de achterkant iets hoger dan de horizontale zaagsnede van de inkeping. De zaagsnede aan de achterkant moet precies horizontaal zijn. Laat ongeveer 1/10 van de stamdiameter over tussen de zaagsnede aan de achterkant en de inkeping.
De houtvezels in het niet-doorgezaagde deel van de stam werken als een scharnier. Zaag niet de volledige diameter van de stam door omdat dan de boom ongecontroleerd zal vallen. Plaats bijtijds wiggen in de achterkant.
 - Alleen kunststof- of aluminiumwiggen mogen worden gebruikt om de achterkant open te houden. IJzeren wiggen mogen niet worden gebruikt.
 - Ga aan de zijkant van de vallende boom staan. Houd aan de achterkant van de vallende boom een gebied vrij met een hoek van 45° aan weerskanten van de vallijn (zie bij "Omzagen"). Let goed op vallende takken.
 - U dient een vluchtroute te plannen en eventueel vrij te maken voordat u met het zagen begint. De vluchtroute moet diagonaal naar achteren lopen weg van de valrichting, zoals aangegeven in de afbeelding.

Dragen van de machine (Fig. 30)

Verwijder altijd de accu uit het gereedschap en dek het zaagblad af met de zaagbladschede voordat u het gereedschap gaat meedragen. Plaats ook het accudeksel op de accu.

ONDERHOUD

⚠ LET OP:

- Zorg altijd dat het gereedschap is uitgeschakeld en de accu ervan is verwijderd alvorens te beginnen met onderhoud of inspectie.
- Draag voor inspectie- of onderhoudswerkzaamheden altijd handschoenen.
- Gebruik nooit benzine, wasbenzine, thinner, alcohol en dergelijke. Hierdoor kan het verkleuring, vervormingen en barsten worden veroorzaakt.

De zaagketting slijpen (Fig. 31)

⚠ LET OP:

- Haal altijd de accu van het gereedschap af en draag altijd veiligheidshandschoenen wanneer u werkzaamheden uitvoert aan de zaagketting.

Slijp de zaagketting als:

- Poederachtig zaagsel wordt geproduceerd tijdens het zagen van vochtig hout;
- De zaagketting moeizaam in het hout binnendringt, zelfs wanneer hoge druk wordt uitgeoefend;
- De zaagsnede duidelijk beschadigd is;
- De kettingzaag naar links of rechts trekt in het hout. De reden hiervan is een ongelijkmatige scherpte van de zaagketting, of een beschadiging aan slechts een kant.

Slijp de zaagketting veelvuldig, maar slijp iedere keer slechts een weinig materiaal weg.

Twee of drie bewegingen met een vijl zijn doorgaans voldoende voor regelmatig bijlijpen. Als de zaagketting meerdere malen is bijgeslepen, laat u deze een keer slijpen door een in DOLMAR gespecialiseerde reparatiedienst.

Criteria bij het slijpen: (Fig. 32 en 33)

- Alle messen moeten gelijk van lengte zijn. Als er messen van verschillende lengte zijn, kan de ketting niet gelijkmatig lopen en kan deze breken.
- Slijp de ketting niet verder als de minimale meslengte van 3 mm bereikt is. Daarna moet er een nieuwe ketting aangebracht worden.
- De dikte van spaanders wordt bepaald door de afstand tussen de dieptevoeler (ronde neus) en de zaagsnijrand.
- De beste zaagresultaten verkrijgt u met de volgende afstand tussen de zaagsnijrand en de dieptevoeler.
 - Kettingblad 291 (90PX): 0,5 mm
 - Kettingblad 492 (91PX): 0,65 mm
 - Kettingblad 25 (25AP): 0,65 mm

⚠ WAARSCHUWING:

- Een te grote afstand verhoogt het risico van terugslag.
- De slijphoek van 30° moet voor alle messen gelijk zijn. Bij verschillen in slijphoek kan de ketting haperend of ongelijkmatig gaan lopen, kan de slijtage toenemen en kan de ketting breken.
- De zijplaathoek van de messen wordt bepaald door de indringdiepte van de ronde vijl. Als u de voorgeschreven vijl naar behoren gebruikt, wordt automatisch de juiste zijplaathoek bereikt.
- De zijplaathoek voor elke zaagketting is als volgt:
 - Kettingblad 291 (90PX): 75°
 - Kettingblad 492 (91PX): 80°
 - Kettingblad 25 (25AP): 85°

Vijl en vijlbeweging (Fig. 34, 35 en 36)

- Gebruik een speciale ronde zaagkettingvijl (optioneel accessoire) voor het aanscherpen van de ketting. Een gewone ronde vijl is niet geschikt.
- De doorsnede van de ronde vijl voor elke zaagketting is als volgt:
 - Kettingblad 291 (90PX): 4,5 mm
 - Kettingblad 492 (91PX): 4,0 mm
 - Kettingblad 25 (25AP): 4,0 mm
- De vijl moet het mes alleen in voorwaartse richting raken. Haal de vijl van het mes voor de terugwaartse beweging.
- Slijp eerst het kortste mes. De lengte van dit mes wordt dan de maatstaf voor alle andere messen op de zaagketting.
- Beweeg de vijl zoals aangegeven in de afbeelding.
- De vijl kan gemakkelijker worden bewogen als een vijlhouder (optioneel accessoire) wordt gebruikt. Op de vijlhouder staan merktekens voor de juiste slijphoek van 30° (lijn de merktekens parallel uit met de zaagketting) en beperkt de diepte waartoe de vijl doordringt (tot 4/5 van de vijldiameter).
- Nadat de zaagketting is geslepen, controleert u de hoogte van de dieptemeter met behulp van het kettingmeetgereedschap (optioneel accessoire).
- Verwijder eventueel uitstekend materiaal, ongeacht hoe klein, met een speciale platte vijl (optioneel accessoire).
- Maak de voorkant van de dieptevoeler weer rond.

Reinigen van het zaagblad (Fig. 37)

Schilfertjes en zaagsel zullen in de groef van het zaagblad blijven zitten, zodat de groef verstopt raakt en de oliestroom wordt belemmerd. Verwijder altijd schilfertjes en zaagsel uit de groef wanneer u de zaagketting aanscherpt of vervangt.

De olie-uitstroomopening schoonmaken (Fig. 38)

Kleine vuil- of stofdeeltjes kunnen zich tijdens gebruik ophopen in de olie-uitstroomopening.

Kleine vuil- of stofdeeltjes die zich in de olie-uitstroomopening hebben verzameld kunnen het uitstromen van de olie belemmeren waardoor de hele kettingzaag onvoldoende wordt gesmeerd.

Wanneer onvoldoende toevoer van kettingolie optreedt aan het uiteinde van het zaagblad, maakt u de olie-uitstroomopening als volgt schoon.

Verwijder de accu van het gereedschap.

Verwijder de afdekking van kettingwiel en de zaagketting van het gereedschap. (Raadpleeg het gedeelte getiteld "Aanbrengen of verwijderen van de zaagketting".)

Verwijder fijn stof of zaagsel met een platte schroevendraaier met een dunne schacht of iets dergelijks.

Steek de accu in het gereedschap.

Knijp de aan/uit-schakelaar in om opgehoopte vuil- en stofdeeltjes uit de olie-uitstroomopening te persen door kettingolie te doen stromen.

Verwijder de accu van het gereedschap.

Monteer de afdekking van kettingwiel en de zaagketting weer op het gereedschap.

Het kettingwiel vervangen (Fig. 39 en 40)

Controleer de conditie van het kettingwiel voordat u een nieuwe zaagketting monteert.

LET OP:

- Een versleten kettingwiel beschadigt de nieuw zaagketting. Vervang in dat geval eerst het kettingwiel. Het kettingwiel moet worden gemonteerd in de richting aangegeven in de afbeelding.

Monteer bij het vervangen van het kettingwiel altijd een nieuwe borgring.

Vervangen van de koolborstels (Fig. 41 en 42)

Verwijder en controleer regelmatig de koolborstels. Vervang de koolborstels wanneer ze tot aan de limietmarkering versleten zijn. Houd de koolborstels schoon zodat ze goed in de houders glijden. Beide koolborstels dienen tegelijkertijd te worden vervangen. Gebruik uitsluitend identieke koolborstels.

Gebruik een schroevendraaier om de doppen van de koolborstelhouders te verwijderen. Haal de versleten borstels eruit, steek de nieuwe erin, en zet de doppen weer goed vast.

Het gereedschap bewaren

Reinig het gereedschap voordat u het opbergt. Haal de afdekking van kettingwiel eraf en verwijder zaagsel en houtsnippers vanaf het gereedschap. Laat na het schoonmaken het gereedschap onbelast draaien om de zaagketting en het zaagblad te smeren.

Dek het zaagblad af met de zaagbladschede.

Verwijder de olie uit de olietank zodat deze leeg is en leg de kettingzaag weg.

Om de VEILIGHEID en BETROUWBAARHEID van het gereedschap te handhaven, dienen alle reparaties, onderhoud of afstellingen te worden uitgevoerd door een erkend DOLMAR servicecentrum, en dit uitsluitend met gebruikmaking van originele DOLMAR vervangingsonderdelen.

Instructies voor periodiek onderhoud

Voor een lange schadevrije gebruiksduur en een doeltreffende werking van de veiligheidsvoorzieningen moet u regelmatig het volgende onderhoud verrichten.

Schadeclaims onder garantie kunnen alleen worden erkend als dit onderhoudswerk regelmatig en correct wordt uitgevoerd. Als dit voorgeschreven onderhoud achterwege blijft, kan dat ongelukken veroorzaken!

De gebruiker van de kettingzaag mag echter geen onderhoud verrichten dat niet staat beschreven in de gebruiksaanwijzing. Zulke werkzaamheden moeten worden uitgevoerd door een erkende onderhoudsdienst.

Werkingsduur Onderdeel		Vóór het gebruik	Elke dag	Elke week	Elke 3 maanden	Jaarlijks	Vóór opslag
Kettingzaag	Inspecteren	<input type="radio"/>					
	Reinigen		<input type="radio"/>				
	Laten controleren bij een erkende onderhoudsdienst.					<input type="radio"/>	<input type="radio"/>
Zaagketting	Inspecteren	<input type="radio"/>					
	Bijslipen indien nodig.						<input type="radio"/>
Zaagblad	Inspecteren	<input type="radio"/>	<input type="radio"/>				
	Verwijderen van de kettingzaag.						<input type="radio"/>
Kettingrem	Controleer de functie.	<input type="radio"/>					
	Regelmatig laten inspecteren bij een erkende onderhoudsdienst.				<input type="radio"/>		
Kettingsmering	Controleer de olietoevoersnelheid.	<input type="radio"/>					
Trekkerschakelaar	Inspecteren	<input type="radio"/>					
Ontgrendelknop	Inspecteren	<input type="radio"/>					
Dop van oliereservoir	Controleer op vastzitten.	<input type="radio"/>					
Kettingvanger	Inspecteren			<input type="radio"/>			
Schroeven en moeren	Inspecteren			<input type="radio"/>			

014804

STORINGEN VERHELPEN

Voordat u om reparatie verzoekt, kunt u eerst uw eigen inspectie uitvoeren. Als u een probleem aantreft dat niet staat beschreven in de gebruiksaanwijzing, probeer dan niet het apparaat te demonteren. Verzoek in dat geval een erkend Dolmar servicecentrum om reparatie, altijd met gebruik van originele Dolmar vervangingsonderdelen.

Symptoom of storing	Oorzaak	Ingrep
De kettingzaag start niet.	Er zijn nog niet twee accu's geplaatst.	Installeer volledig opgeladen accu's.
	Probleem met de accu (onvoldoende spanning).	Laad de accu op. Als het opladen geen verbetering brengt, vervangt u de accu door een nieuwe.
De ketting beweegt niet.	De kettingrem is aangetrokken.	Zet de kettingrem los.
De motor slaat al na korte tijd af.	De accu is bijna helemaal ontladen.	Laad de accu op. Als het opladen geen verbetering brengt, vervangt u de accu door een nieuwe.
Geen olie op de ketting.	Het oliereservoir is leeg.	Vul het oliereservoir.
	De oliegeleidegroef is vuil.	Maak de groef schoon.
	De olietoevoer is niet juist afgesteld.	Regel de hoeveelheid olietoevoer bij.
Het maximumtoerental wordt niet bereikt.	De accu is niet naar behoren aangebracht.	Installeer de accu zoals beschreven in deze gebruiksaanwijzing.
	De accuspanning wordt minder.	Laad de accu op. Als het opladen geen verbetering brengt, vervangt u de accu door een nieuwe.
	Het aandrijfsysteem werkt niet goed.	Verzoek uw plaatselijke erkende onderhoudsdienst om reparatie.
De ketting stopt niet wanneer de kettingrem wordt aangetrokken: Stop het apparaat onmiddellijk!	De remband is versleten.	Verzoek uw plaatselijke erkende onderhoudsdienst om reparatie.
Abnormale trillingen: Stop het apparaat onmiddellijk!	Losgeraakt zaagblad of zaagketting.	Verstel het zaagblad en de spanning van de zaagketting.
	Defect werktuig.	Verzoek uw plaatselijke erkende onderhoudsdienst om reparatie.

014805

OPTIONELE ACCESSOIRES

ENG905-1

⚠ LET OP:

- Deze accessoires of hulpstukken worden aanbevolen voor gebruik met het Dolmar gereedschap dat in deze gebruiksaanwijzing is beschreven. Bij gebruik van andere accessoires of hulpstukken bestaat er gevaar voor persoonlijke verwonding. Gebruik de accessoires of hulpstukken uitsluitend voor hun bestemde doel.

Raadpleeg het dichtstbijzijnde Dolmar Servicecentrum voor verder advies of bijzonderheden omtrent deze accessoires.

- Originele Dolmar accu en accu-oplader
- Zaagketting
- Zaagblad
- Zaagbladschede
- Vijl
- Gereedschapetui

OPMERKING:

Sommige van de onderdelen in deze lijst kunnen bijgeleverd zijn als standaard-accessoires. Deze accessoires kunnen per land verschillend zijn.

Geluidsniveau

De typisch, A-gewogen geluidsniveaus vastgesteld volgens EN60745:

- Geluidsdruk niveau (L_{pA}): 84,4 dB (A)
- Geluidsvermogen niveau (L_{WA}): 95,4 dB (A)
- Onnauwkeurigheid (K): 2,5 dB (A)

Draag oorbeschermers

ENG900-1

Trilling

De totaalwaarde van de trillingen (triaxiale vectorsom) vastgesteld volgens EN60745:

Model AS-3726

- Gebruikstoepassing: zagen in hout
- Trillingsemmissie (a_{h1}): 4,7 m/s²
- Onnauwkeurigheid (K): 1,5 m/s²

Model AS-3731

- Gebruikstoepassing: zagen in hout
- Trillingsemmissie (a_{h1}): 6,3 m/s²
- Onnauwkeurigheid (K): 1,5 m/s²

- De opgegeven trillingsemissiewaarde is gemeten volgens de standaardtestmethode en kan worden gebruikt om dit gereedschap te vergelijken met andere gereedschappen.
- De opgegeven trillingsemissiewaarde kan ook worden gebruikt voor een beoordeling vooraf van de blootstelling.

⚠ WAARSCHUWING:

- De trillingsemissie tijdens het gebruik van het elektrisch gereedschap in de praktijk kan verschillen van de opgegeven trillingsemissiewaarde afhankelijk van de manier waarop het gereedschap wordt gebruikt.
- Zorg ervoor dat veiligheidsmaatregelen worden getroffen ter bescherming van de operator die zijn gebaseerd op een schatting van de blootstelling onder praktijkomstandigheden (rekening houdend met alle fasen van de bedrijfscyclus, zoals de tijdsduur gedurende welke het gereedschap is uitgeschakeld en stationair draait, naast de ingeschakelde tijdsduur).

Alleen voor Europese landen

EU-Verklaring van Conformiteit

Ondergetekende, Rainer Bergfeld, als erkende vertegenwoordiger van Dolmar GmbH, verklaart dat de DOLMAR-machine(s):

Aanduiding van de machine:

Accu-kettingzaag

Modelnr./Type: AS-3726, AS-3731

Technische gegevens: zie de tabel "TECHNISCHE GEGEVENS".

in serie zijn geproduceerd en

Voldoen aan de volgende Europese richtlijnen:

2000/14/EU, 2006/42/EU

En zijn gefabriceerd in overeenstemming met de volgende normen of genormaliseerde documenten:

EN ISO 11682-2

Verklaringnr. van EU-typeonderzoek 4812068.13006

Het EU-typeonderzoek volgens 2006/42/EU werd uitgevoerd door:

DEKRA Testing and Certification GmbH

Enderstraße 92b

01277 Dresden

Germany

Identificatienr. 2140

De technische documentatie wordt bewaard door:

Dolmar GmbH,

Jenfelder Straße 38, Abteilung FZ,

D-22045 Hamburg

De conformiteitsbeoordelingsprocedure vereist door Richtlijn 2000/14/EU was in Overeenstemming met annex V.

Gemeten geluidsvermogeniveau: 95,4 dB (A)

Gegarandeerd geluidsvermogeniveau: 98 dB (A)

20.12.2013



Rainer Bergfeld
Hoofddirecteur

Explicación de los dibujos

1	Indicador rojo	17	Agujero	30	Cubierta de la placa de guía
2	Botón	18	Placa de guía	31	Tapa de la batería
3	Cartucho de batería	19	Aflojar	32	Longitud de corte
4	Marca de estrella	20	Apretar	33	Distancia entre el borde cortante y el calibre de profundidad
5	Indicador de batería	21	Cadena de sierra	34	Mínimo 3 mm
6	Botón de seguro	22	Tapón del depósito de aceite	35	Ángulo de la placa lateral
7	Gatillo interruptor	23	Ventanilla de inspección del aceite (para rellenar el depósito con aceite)	36	Destornillador de punta ranurada
8	Protector de la mano delantera	24	Ventanilla de inspección del aceite	37	Anillo de bloqueo
9	Bloquear	25	Parachoques de espica	38	Marca límite
10	Desbloquear	26	Área de caída	39	Tapón portaescobillas
11	Tornillo de regulación	27	Dirección de caída	40	Destornillador
12	Cubierta del piñón	28	Zona de peligro		
13	Palanca	29	Ruta de escape		
14	Dial de ajuste				
15	Piñón				
16	Pasador de ajuste				

ESPECIFICACIONES

Modelo		AS-3726		AS-3731
Placa de guía estándar	Longitud de la placa de guía	250 mm		300 mm
	Longitud de corte	23 cm	24 cm	28 cm
	Tipo	Placa de morro de piñón	Placa de tallar	Placa de morro de piñón
Cadena de sierra estándar	Tipo	492 (91PX)	25 (25AP)	291 (90PX)
	Paso	9,5 mm (3/8")	6,35 mm (1/4")	9,5 mm (3/8")
	Medido	1,3 mm (0,05")	1,3 mm (0,05")	1,1 mm (0,043")
	N.º de eslabones de arrastre	40	60	46
Piñón	Número de dientes	6	9	6
	Paso	9,5 mm (3/8")	6,35 mm (1/4")	9,5 mm (3/8")
Longitud total (sin la placa de guía)		316 mm		
Peso neto	*1	4,1 kg		
	*2	4,6 kg	4,7 kg	
Velocidad de la cadena por minuto		8,3 m/s (500 m/min)		
Volumen del depósito de aceite de la cadena		85 cm ³		
Tensión nominal		CC 36 V		CC 36 V

• Debido a un programa continuo de investigación y desarrollo, las especificaciones aquí dadas están sujetas a cambios sin previo aviso.

• Las especificaciones y el cartucho de batería pueden diferir de país a país.

*1 Peso, con el cartucho de batería más grande, sin la placa de guía y cadena, depósito de aceite vacío, de acuerdo con EN ISO 11681-2.

*2 Peso, con cartucho de batería, placa de guía, y cadena, depósito de aceite lleno, de acuerdo con el procedimiento EPTA 01/2003.

ADVERTENCIA: Utilice la combinación apropiada de placa de guía y cadena de sierra. De lo contrario podrá resultar en heridas personales.

Símbolos

A continuación se muestran los símbolos utilizados con esta herramienta. Asegúrese de que entiende su significado antes de usarla.



- Lea el manual de instrucciones.



- Póngase protección para los ojos.



- Póngase protección para los oídos.



- Póngase casco, gafas de seguridad y protección para los oídos.



- Utilice protección apropiada para pies/piernas y manos-brazos.



- Esta sierra es para ser utilizada solamente por operarios debidamente preparados.



- No exponga a la lluvia.



- Longitud de corte permitida máxima



- Dirección de desplazamiento de la cadena



- Ajuste del aceite de la cadena de sierra



- Sólo para países de la Unión Europea ¡No tire aparatos eléctricos ni baterías a la basura con los residuos domésticos! En conformidad con las Directivas Europeas, sobre residuos de aparatos eléctricos y electrónicos y sobre baterías y acumuladores y su aplicación de acuerdo con la legislación nacional, los aparatos eléctricos y las baterías cuya vida útil haya llegado a su fin se deberán recoger por separado y trasladar a una planta de reciclaje que cumpla con las exigencias ecológicas.

ENE090-1

Uso previsto

Esta herramienta ha sido prevista para cortar ramas / podar árboles. También es apropiada para el mantenimiento de los árboles.

GEA010-1

Advertencias de seguridad generales para herramientas eléctricas

⚠ ¡ADVERTENCIA! Lea todas las advertencias de seguridad y todas las instrucciones. Si no sigue todas las advertencias e instrucciones podrá ocasionar una descarga eléctrica, un incendio y/o heridas graves.

Guarde todas las advertencias e instrucciones para futuras referencias.

Advertencias de seguridad para la electrosierra inalámbrica:

1. **Mantenga todas las partes del cuerpo alejadas de la cadena de sierra cuando esté siendo utilizada la electrosierra. Antes de poner en marcha la electrosierra, asegúrese de que la cadena de sierra no está en contacto con nada.** Un momento de desatención mientras se están utilizando sierras de cadena puede dar lugar a que la cadena de sierra se enrede en sus ropas o cuerpo.
2. **Cuando sujete la electrosierra con ambas manos, sujétela siempre con la mano derecha en el asidero trasero y la mano izquierda en el asidero delantero.** Si sujeta la electrosierra con las manos al contrario aumentará el riesgo de producirse heridas personales y por ello nunca deberá hacerse.
3. **Sujete la herramienta eléctrica por las superficies de asimiento aisladas solamente, porque la cadena de sierra puede entrar en contacto con cableado oculto.** El contacto de la cadena de sierra con un cable con corriente hará que la corriente circule por las partes metálicas expuestas de la herramienta eléctrica y podrá soltar una descarga eléctrica al operario.
4. **Póngase gafas de seguridad y protección para los oídos. También es recomendable utilizar equipo protector para la cabeza, las manos, las piernas y los pies.** La ropa de protección adecuada reducirá las heridas personales debidas a los restos que salen despedidos o al contacto accidental con la electrosierra.
5. **Mantenga siempre los pies sobre suelo firme.** Las superficies resbaladizas o inestables pueden ocasionar una pérdida del equilibrio o del control de la electrosierra.
6. **Cuando corte una rama que esté bajo tensión, manténgase alerta por si retrocede de repente.** Cuando se libera la tensión en las fibras de madera la rama bajo tensión puede golpear al operario y/o descontrolar la electrosierra.
7. **Extreme las precauciones cuando corte maleza y árboles jóvenes.** El material delgado puede engancharse en la electrosierra y producir un latigazo hacia usted o hacerle perder el equilibrio.
8. **Transporte la electrosierra agarrándola por la empuñadura delantera teniéndola apagada y alejada de su cuerpo. Cuando transporte o almacene la electrosierra, coloque siempre la cubierta de la placa de guía.** Un manejo correcto de la electrosierra reducirá la posibilidad de un contacto accidental con la cadena de sierra.
9. **Siga las instrucciones para lubricar, tensar la cadena y cambiar los accesorios.** Una cadena tensada o lubricada incorrectamente podrá romperse o aumentar la probabilidad de que se produzca un retroceso brusco.
10. **Mantenga las empuñaduras secas, limpias y libres de aceite y grasa.** Las empuñaduras grasientas o aceitosas son resbaladizas y pueden ocasionar la pérdida del control.

11. **Corte madera solamente. No utilice la electrosierra con fines para los que no ha sido prevista. Por ejemplo: No utilice la electrosierra para cortar plástico, mampostería ni materiales de construcción que no sean de madera.** La utilización de la electrosierra para operaciones distintas de las previstas podrá ponerle en una situación peligrosa.

12. **Causas y prevención de retrocesos bruscos:**

El retroceso brusco podrá ocurrir cuando el morro o la punta de la placa de guía toca un objeto, o cuando la madera se cierra y aprisiona la cadena de sierra en la hendidura del corte.

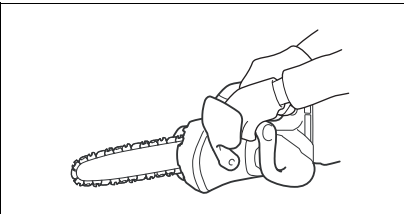
El contacto de la punta puede ocasionar en algunos casos una reacción brusca hacia atrás, golpeando la placa de guía hacia arriba y hacia atrás en dirección del operario.

El aprisionamiento de la cadena de sierra a lo largo de la parte superior de la placa de guía puede empujar la placa de guía rápidamente hacia atrás en dirección del operario.

Cualquiera de estas reacciones puede hacerle perder el control de la sierra y resultar en heridas personales de gravedad. No dependa exclusivamente de los dispositivos de seguridad incorporados en la sierra. Como usuario de una electrosierra, deberá tomar varias medidas para mantener sus tareas de corte libres de accidentes o heridas.

Los retrocesos bruscos se deben a un mal uso de la herramienta y/o a procedimientos o condiciones de trabajo incorrectos y pueden evitarse tomando las precauciones indicadas a continuación:

– **Mantenga la electrosierra sujeta firmemente, con los pulgares y los dedos rodeando las empuñaduras, con ambas manos en la sierra y posicionando su cuerpo y brazos de forma que pueda resistir las fuerzas del retroceso brusco.** El operario puede controlar las fuerzas del retroceso brusco tomando las precauciones apropiadas. No suelte la electrosierra.



014673

– **No corte donde no llegue ni a una altura superior a la de sus hombros.** Esto le ayudará a evitar que la punta toque algo sin querer y le permitirá controlar mejor la electrosierra en situaciones inesperadas.

– **Utilice solamente placas y cadenas de repuesto especificadas por el fabricante.** Las barras y cadenas de repuesto incorrectas pueden ocasionar la rotura de la cadena y/o retrocesos bruscos.

– **Siga las instrucciones de afilado y mantenimiento del fabricante para la cadena de sierra.** La disminución de la altura del calibre de profundidad puede ocasionar un aumento de los retrocesos bruscos.

13. Antes de comenzar a trabajar, compruebe que la electrosierra está en perfecto estado de funcionamiento y que su condición cumple con las normas de seguridad. Compruebe especialmente que:

- El freno de cadena está funcionando debidamente;
- El freno de retención está funcionando debidamente;
- La placa y la cubierta del piñón están colocadas correctamente;
- La cadena ha sido afilada y tensada de acuerdo con las normas;

14. **No ponga en marcha la electrosierra con la cubierta de la cadena instalada en ella.** Si pone en marcha la electrosierra con la cubierta de la cadena instalada en ella, la cubierta de la cadena podrá salir despedida hacia adelante resultando en heridas personales y daños a objetos alrededor del operario.

Advertencias de seguridad específicas para el asidero superior de la electrosierra

1. Esta electrosierra ha sido diseñada especialmente para el cuidado y poda de árboles. La electrosierra ha sido prevista para ser utilizada por personas debidamente capacitadas solamente. Observe las instrucciones, procedimientos y recomendaciones ofrecidas por la organización profesional relevante. De lo contrario podrán producirse accidentes fatales. Se recomienda utilizar siempre una plataforma elevadora (grúa alza hombres, elevador) para serrar en árboles. Las técnicas de rapel son muy peligrosas y requieren de una capacitación especial. Los operarios deben ser capacitados para familiarizarse con la utilización del equipo de seguridad y las técnicas de escalada. Utilice siempre las correas, cuerdas y mosquetones apropiados cuando trabaje en los árboles. Utilice siempre equipo de restricción tanto para el operario como para la sierra.
2. Realice la limpieza y el mantenimiento antes de almacenar la sierra de acuerdo con el manual de instrucciones.
3. Cerciórese de poner la electrosierra en una posición segura durante el transporte en automóvil para evitar fugas de combustible o de aceite de la cadena, daños a la herramienta y heridas personales.
4. Compruebe regularmente la funcionalidad del freno de cadena.
5. No llene aceite de la cadena cerca de fuego. No fume nunca cuando llene aceite de la cadena.
6. Es posible que reglamentos nacionales restrinjan el uso de la electrosierra.

7. Si el equipo recibe un impacto fuerte o se cae, compruebe su condición antes de continuar trabajando. Compruebe los controles y dispositivos de seguridad por si hay mal funcionamiento. Si hay algún daño o tiene alguna duda, pida a nuestro centro de servicio autorizado que se lo inspeccionen y reparen.
8. Accione siempre el freno de cadena antes de poner en marcha la electrosierra.
9. Sujete la sierra firmemente en su sitio para evitar patinazos (movimiento de patinaje) o rebotes de la sierra cuando comience un corte.
10. Al final del corte, tenga cuidado de mantener su equilibrio al producirse la "caída".
11. Tenga en cuenta la dirección y velocidad del viento. Evite el serrín y el vaho del aceite de la cadena.

Equipo de protección

1. **Para evitar heridas en la cabeza, los ojos, las manos o pies, así como para proteger los oídos deberá usar el equipo de protección siguiente durante la utilización de la electrosierra.**
 - El tipo de ropa deberá ser apropiado, es decir, deberá ser ceñido, pero sin causar estorbo. No se ponga joyas ni ropa que pueda engancharse con arbustos o matojos. Si tiene cabello largo, ¡póngase siempre una redecilla para el pelo.
 - Es necesario ponerse un casco de protección siempre que trabaje con la electrosierra. El **casco de protección** debe ser inspeccionado a intervalos regulares para ver si está dañado y hay que sustituirlo a los 5 años como máximo. Utilice solamente cascos de protección homologados.
 - La **pantalla facial** del casco de protección (o las gafas de seguridad) protegen contra el serrín y las virutas de madera. Durante la utilización de la electrosierra póngase siempre gafas de seguridad o pantalla facial para evitar heridas en los ojos.
 - Póngase **equipo de protección para el ruido** adecuado (orejeras, tapones de oídos, etc.)
 - La **chaqueta de protección** consiste de 22 capas de nilón y protege al operario contra los cortes. Se debe poner siempre que se trabaje desde plataformas elevadas (grúas alza hombres, elevadores), desde plataformas montadas en escaleras o cuando se escale con cuerdas.
 - Los **pantalones con peto de protección** están hechos de una tela de nilón con 22 capas y protegen contra los cortes. Le recomendamos encarecidamente que los utilice.
 - Los **guantes de protección** hechos de cuero grueso son parte del equipo prescrito y se deben poner siempre durante la utilización de la electrosierra.
 - Durante la utilización de la electrosierra se deberá poner siempre **zapatos de seguridad o botas de seguridad** equipados con suela antideslizante, puntera de acero y protección para las piernas. Los zapatos de seguridad equipados con una capa de protección ofrecen protección contra los cortes y aseguran buena estabilidad para los pies. Para trabajar en árboles las botas de seguridad deberán ser apropiadas para técnicas de escalada.

Vibración

1. Los individuos con mala circulación sanguínea que se expongan a una vibración excesiva podrán sufrir heridas en los vasos sanguíneos o el sistema nervioso.
La vibración puede causar la aparición de los síntomas siguientes en los dedos, manos y muñecas: "Quedarse dormidos" (entumecimiento), hormigueo, dolor, sensación de pinchazo, alteración del color de la piel o de la piel.
Si siente cualquiera de estos síntomas, ¡consulte con un médico! Para reducir el riesgo de la "enfermedad de dedos blancos", mantenga sus manos calientes durante la utilización y mantenga en buen estado el equipo y los accesorios.

GUARDE ESTAS INSTRUCCIONES.

⚠ ADVERTENCIA:

NO deje que la comodidad o familiaridad con el producto (a base de utilizarlo repetidamente) sustituya la estricta observancia de las normas de seguridad para el producto en cuestión. El **MAL USO** o el **no seguir las normas de seguridad establecidas en este manual de instrucciones** podrá ocasionar graves heridas personales.

ENC007-8

INSTRUCCIONES DE SEGURIDAD IMPORTANTES

PARA CARTUCHO DE BATERÍA

1. **Antes de utilizar el cartucho de batería, lea todas las instrucciones e indicaciones de precaución sobre (1) el cargador de baterías, (2) la batería, y (3) el producto con el que se utiliza la batería.**
2. **No desarme el cartucho de batería.**
3. **Si el tiempo de uso del cartucho de batería se acorta demasiado, deje de usarlo inmediatamente. Podría resultar en un riesgo de recalentamiento, posibles quemaduras e incluso una explosión.**
4. **Si entra electrólito en sus ojos, aclárelos con agua limpia y vea a un médico inmediatamente. Existe el riesgo de poder perder la vista.**
5. **No cortocircuite el cartucho de batería:**
 - (1) **No toque los terminales con ningún material conductor.**
 - (2) **Evite guardar el cartucho de batería en un cajón junto con otros objetos metálicos, tales como clavos, monedas, etc.**
 - (3) **No exponga el cartucho de batería al agua ni a la lluvia.**

Un cortocircuito en la batería puede producir una gran circulación de corriente, un recalentamiento, posibles quemaduras e incluso una rotura de la misma.
6. **No guarde la herramienta ni el cartucho de batería en lugares donde la temperatura pueda alcanzar o exceder los 50°C.**
7. **Nunca incinere el cartucho de batería incluso en el caso de que esté dañado seriamente o ya no sirva en absoluto. El cartucho de batería puede explotar si se tira al fuego.**

8. Tenga cuidado de no dejar caer ni golpear el cartucho de batería.
9. No utilice una batería que haya dejado caer o golpeado.
10. Siga los reglamentos locales referentes al desecho de la batería.

GUARDE ESTAS INSTRUCCIONES.

Consejos para alargar al máximo la vida de servicio de la batería

1. **Cargue el cartucho de batería antes de que se descargue completamente.**
Pare siempre la operación y cargue el cartucho de batería cuando note menos potencia en la herramienta.
2. **No cargue nunca un cartucho de batería que esté completamente cargado.**
La sobrecarga acortará la vida de servicio de la batería.
3. **Cargue el cartucho de batería a temperatura ambiente de 10°C – 40°C.** Si un cartucho de batería está caliente, déjelo enfriar antes de cargarlo.
4. **Cargue el cartucho de batería una vez cada seis meses si no lo utiliza durante un periodo de tiempo prolongado.**

DESCRIPCIÓN DEL FUNCIONAMIENTO

⚠ PRECAUCIÓN:

- Asegúrese siempre de que la herramienta esté apagada y el cartucho de batería extraído antes de realizar cualquier ajuste o comprobación en la herramienta.

Instalación o extracción del cartucho de batería (Fig. 1)

⚠ PRECAUCIÓN:

- Apague siempre la herramienta antes de la instalación o extracción del cartucho de batería.
- **Sujete la herramienta y el cartucho de batería firmemente cuando instale o extraiga el cartucho de batería.**

Si no sujeta la herramienta y el cartucho de batería firmemente podrán caérsele de las manos y resultar en daños a la herramienta y cartucho de batería y heridas personales.

Para extraer el cartucho de batería, deslícelo de la herramienta a la vez que desliza el botón de la parte frontal del cartucho.

Para instalar el cartucho de batería, alinee la lengüeta del cartucho de batería con la ranura de la carcasa y deslícelo hasta que encaje en su sitio. Insértelo a tope hasta que se bloquee en su sitio produciendo un pequeño chasquido. Si puede ver el indicador rojo en el lado superior del botón, no estará bloqueado completamente.

⚠ PRECAUCIÓN:

- Instale siempre el cartucho de batería completamente hasta que no pueda verse el indicador rojo. En caso contrario, podrá caerse accidentalmente de la herramienta y ocasionarle heridas a usted o a alguien que esté cerca de usted.
- No instale el cartucho de batería empleando fuerza. Si el cartucho no se desliza al interior fácilmente, será porque no está siendo insertado correctamente.

NOTA:

- La herramienta no funciona con un cartucho de batería solamente.

Sistema de protección de la herramienta/batería

La herramienta está equipada con un sistema de protección de la herramienta/batería. Este sistema corta automáticamente la alimentación del motor para alargar la vida útil de la herramienta y de la batería.

La herramienta se detendrá automáticamente durante la operación si la herramienta o la batería son puestas en una de las condiciones siguientes. En algunas condiciones, los indicadores se iluminarán.

Protección de sobrecarga

Cuando la herramienta sea utilizada de una manera que dé lugar a que tenga que absorber una corriente anormalmente alta, la herramienta se detendrá automáticamente sin ninguna indicación. En esta situación, apague la herramienta y detenga la tarea que ocasiona la sobrecarga de la herramienta. Después encienda la herramienta para volver a empezar.

Protección contra el recalentamiento para la batería/herramienta

Cuando la batería/herramienta se recalienta, la herramienta se detiene automáticamente sin ninguna indicación. La herramienta no se pondrá en marcha aunque apriete el gatillo interruptor. En esta situación, deje que la batería/herramienta se enfríe antes de encender la herramienta otra vez.

NOTA:

- La protección contra el recalentamiento de la batería funciona solamente con un cartucho de batería que tenga la marca de estrella. (Fig. 2)

Protección contra descarga excesiva (Fig. 3)

Cuando la capacidad de batería restante sea baja, el indicador de batería parpadeará en el lado aplicable de la batería. Si se sigue utilizando, la herramienta se detendrá y el indicador de batería se iluminará durante unos 10 segundos. En este situación, cargue el cartucho de batería.

Accionamiento del interruptor (Fig. 4)

⚠ PRECAUCIÓN:

- Antes de instalar el cartucho de batería en la herramienta, compruebe siempre para cerciorarse de que el gatillo interruptor se acciona debidamente y que vuelve a la posición "OFF" cuando lo suelta.

Para evitar que el gatillo interruptor sea apretado accidentalmente se ha provisto un botón de seguro.

Para poner en marcha la herramienta, meta el botón de seguro y apriete el gatillo interruptor. Para parar la herramienta suelte el gatillo interruptor.

Comprobación del freno de cadena (Fig. 5)

NOTA:

- Si la electrosierra no se puede poner en marcha, deberá soltar el freno de cadena. Tire del protector de la mano delantera hacia atrás firmemente hasta que sienta que se acciona.

Sujete la electrosierra con ambas manos cuando la encienda.

Sujete la empuñadura principal con la mano derecha y la empuñadura delantera con la izquierda. La placa y la cadena no deberán hacer contacto con ningún objeto.

Primero presione el botón de seguro, después apriete el gatillo interruptor.

La cadena de sierra se pone en marcha inmediatamente.

Presione el protector de la mano delantera hacia delante utilizando la parte trasera de su mano. La cadena de sierra deberá pararse de inmediato.

PRECAUCIÓN:

- Si la cadena de sierra no se detiene inmediatamente cuando realice esta prueba, la sierra no deberá ser utilizada bajo ninguna circunstancia. Consulte con un taller de reparación especializado de DOLMAR.

Comprobación del freno de retención

Encienda la electrosierra.

Suelte el gatillo interruptor completamente. La cadena de sierra deberá pararse de inmediato en un segundo.

PRECAUCIÓN:

- Si la cadena de sierra no se detiene en un segundo cuando realice esta prueba, la sierra no deberá ser utilizada. Consulte con un taller de reparación especializado de DOLMAR.

Ajuste de la lubricación de la cadena (Fig. 6)

Puede ajustar el ritmo de alimentación de la bomba de aceite con el tornillo de regulación. La cantidad de aceite puede ser regulada utilizando la llave universal.

Mosquetón (punto de sujeción de la cuerda) (Fig. 7)

El mosquetón (punto de sujeción de la cuerda) se usa para colgar la herramienta. Antes de utilizar el mosquetón, sáquelo y átelo con una cuerda.

MONTAJE

PRECAUCIÓN:

- Asegúrese siempre de que la herramienta esté apagada y el cartucho de batería extraído antes de realizar cualquier trabajo en la herramienta.

Instalación o extracción de la cadena de sierra (Fig. 8, 9, 10, 11, 12 y 13)

PRECAUCIÓN:

- Póngase siempre guantes cuando vaya a instalar o extraer la cadena de sierra.
- La cadena de sierra y la placa de guía estarán todavía calientes justo después de la operación. Déjelas enfriar suficientemente antes de llevar a cabo cualquier trabajo en la herramienta.

Para quitar la cadena de sierra, realice los pasos siguientes:

1. Presione y abra completamente la palanca hasta que se detenga.
2. Gire el dial de ajuste en la dirección de “-” para aflojar la tensión de la cadena de sierra.
3. Gire la palanca hacia la izquierda para aflojar la cubierta del piñón hasta que se suelte.
4. Quite la cubierta del piñón.
5. Quite la cadena de sierra y la placa de guía de la electrosierra.

Para instalar la cadena de sierra, realice los pasos siguientes:

6. Asegúrese de que la dirección de la cadena es correcta. La marca de flecha en la cadena muestra la dirección de la cadena.

7. Encaje un extremo de la cadena de sierra encima de la placa de guía y el otro extremo de la misma alrededor del piñón.
8. Apoye la placa de guía en su sitio sobre la electrosierra.
9. Gire el dial de ajuste en la dirección de “-” para deslizar el pasador de ajuste en la dirección de la flecha.
10. Ponga la cubierta del piñón en de la electrosierra de forma que el pasador de ajuste quede posicionado en un agujero pequeño de la placa de guía.
11. Gire la palanca hacia la derecha completamente y luego un cuarto de vuelta hacia atrás para mantener cierta holgura para ajustar la tensión de la cadena.
12. Gire el dial de ajuste y ajuste la tensión de la cadena de sierra.
13. Gire la palanca hacia la derecha para sujetar la cubierta del piñón.
14. Presione y vuelva a poner la palanca en su posición original.

Ajuste de la tensión de la cadena de sierra (Fig. 8 y 14)

Es posible que la cadena de sierra se afloje después de muchas horas de utilización. Compruebe de vez en cuando la tensión de la cadena de sierra antes de utilizarla.

1. Presione y abra completamente la palanca hasta que produzca un chasquido. Gírela hacia la izquierda un poco para aflojar la cubierta del piñón ligeramente.
2. Levante la punta de la placa de guía ligeramente.
3. Gire el dial de ajuste para ajustar la tensión de la cadena de sierra. Apriete la cadena de sierra hasta que el lado inferior de la cadena de sierra encaje en el carril de la placa de guía (consulte el círculo en la figura).
4. Siga sujetando la placa de guía ligeramente y apriete la cubierta del piñón después de ajustar la tensión de la cadena. Asegúrese de que la cadena de sierra no está floja en el lado inferior.
5. Presione y vuelva a poner la palanca en su posición original.

Asegúrese de que la cadena de sierra encaja ajustadamente contra el lado inferior de la placa.

PRECAUCIÓN:

- No apriete demasiado la cadena de sierra. Una excesiva tensión de la cadena de sierra puede ocasionar la rotura de la cadena de sierra, desgaste de la placa de guía y rotura del dial de ajuste.
- Una cadena muy floja puede saltar de la barra, y por consiguiente conlleva un riesgo de accidente.
- Realice el procedimiento de instalación o desmontaje de la cadena de sierra en un lugar limpio y libre de serrín y similares.

Parachoques de espica (accesorio opcional) (Fig. 15)

Para instalar el parachoques de espica, realice los pasos siguientes:

1. Quite la cubierta del piñón, cadena de sierra y placa de guía como se describe en este manual de instrucciones.
2. Encaje los agujeros del parachoques de espica junto con los agujeros de la electrosierra.

3. Apriételos firmemente con tornillos.

OPERACIÓN

⚠ PRECAUCIÓN:

- No cubra las aberturas de ventilación, porque podrá ocasionar un recalentamiento y dañar la herramienta.

Lubricación (Fig. 16 y 17)

La cadena de sierra se lubrica automáticamente cuando la herramienta está funcionando.

Compruebe la cantidad restante de aceite en el depósito de aceite a través de la ventanilla de inspección del aceite.

Para rellenar el depósito, quite el tapón de la abertura del depósito de aceite.

Después de rellenar el depósito, rosque siempre el tapón del depósito de aceite en la electrosierra.

⚠ PRECAUCIÓN:

- Cuando llene la electrosierra con aceite de cadena por primera vez, o rellene el depósito después de haberse vaciado completamente, añada aceite hasta el borde inferior de la boca de llenado. De lo contrario el suministro de aceite podrá verse afectado.
- Como aceite de cadena de sierra, utilice aceite exclusivamente para sierras de cadena Dolmar o aceite disponible en el comercio.
- No utilice nunca aceite que contenga polvo y partículas o aceite volátil.
- Cuando pade árboles, utilice aceite botánico. El aceite mineral puede dañar los árboles.
- No fuerce nunca la electrosierra cuando pade árboles.
- Antes de ponerse a cortar, asegúrese de que el tapón del depósito de aceite suministrado está roscado en la boca de llenado.

Sujete la electrosierra alejado del árbol. Arránquela y espere hasta que la lubricación de la cadena de sierra sea apropiada.

Ponga el parachoques de espica en contacto con la rama que quiere cortar antes de poner en marcha. De lo contrario podrá ocasionar que la placa de guía bambolee, resultando en heridas al operario.

Sierre la madera que quiere cortar simplemente moviéndola hacia abajo.

TRABAJO CON LA ELECTROSIERRA

⚠ PRECAUCIÓN:

- El que utilice por primera vez la herramienta deberá, como práctica mínima, realizar corte de troncos sobre un caballete de aserrar o un soporte.
- Cuando sierre madera ya cortada utilice un apoyo seguro (caballete de serrar o soporte). No establezca la pieza de trabajo con el pie, y no permita que nadie más la sujete o la estabilice.
- Sujete las piezas redondas para que no giren.

Podado de árboles (Fig. 18, 19, 20 y 21)

⚠ PRECAUCIÓN:

- Mantenga todas las partes del cuerpo alejadas de la cadena de sierra cuando el motor esté en marcha.
- Sujete la electrosierra firmemente con ambas manos cuando el motor esté en marcha.
- No se acerque demasiado. Pise siempre sobre suelo firme y mantenga un buen equilibrio.

Ponga el parachoques de espica en contacto con la rama que quiere cortar antes de poner en marcha. Si corta sin poner el parachoques de espica en contacto con la rama, la placa de guía podrá bambolear, resultando en heridas al operario.

Cuando vaya a cortar ramas gruesas, haga un ligero corte por debajo y luego realice el corte final por arriba.

Si intenta cortar ramas gruesas por abajo, la presión de la rama podrá oprimir la cadena de sierra. Si intenta cortar ramas gruesas por arriba sin haber hecho antes un ligero corte por debajo, la rama se astillará.

Si no puede cortar de una sola pasada un trozo de madera:

Aplique una ligera presión sobre la empuñadura, continúe serrando y desplace la electrosierra un poco hacia atrás; luego ponga los dientes un poco más abajo y termine el corte elevando la empuñadura.

Tronzado (Fig. 22, 23 y 24)

Para cortes de tronzado, apoye el parachoques de pica mostrado en la figura en la madera que quiere cortar.

Con la cadena de sierra girando, sierra la madera, utilizando la empuñadura principal para levantar la sierra y la delantera para guiarla.

Utilice el parachoques de pica como pivote.

Continúe el corte aplicando una ligera presión a la empuñadura delantera, aliviando ligeramente la parte trasera de la sierra. Mueva el parachoques de pica más abajo en la madera y suba la empuñadura delantera otra vez.

Cuando haga varios cortes, apague la electrosierra entre un corte y otro.

⚠ PRECAUCIÓN:

- Si utiliza el borde superior de la placa para cortar, la electrosierra podrá desviarse hacia usted si la cadena se atranca. Por esta razón, corte con el borde inferior, de forma que la sierra se desvíe en dirección contraria a su cuerpo.

Corte la madera que esté bajo tensión en el lado de presión (A) primero.

Después haga el corte final en el lado de tensión (B). De esta forma evitará que la placa quede atrancada.

Desrame

⚠ PRECAUCIÓN:

- El desrame deberá ser realizado solamente por personas capacitadas. Existe el riesgo de que se produzca un retroceso brusco.

Cuando desrame, apoye la electrosierra en el tronco si es posible. No corte con la punta de la placa, porque corre el riesgo de que se produzca un retroceso brusco. Preste especial atención a las ramas que estén bajo tensión. No corte desde abajo ramas que no estén apoyadas.

No se suba encima del tronco talado cuando desrame.

Cortes de ahondamiento y paralelo al grano (Fig. 25)

⚠ PRECAUCIÓN:

- Los cortes de ahondamiento y paralelo al grano deberán ser realizados solamente por personas con adiestramiento especial. La posibilidad de un retroceso brusco presenta un riesgo de sufrir heridas.

Realice los cortes paralelos al grano con el menor ángulo posible. Realice el corte con el mayor cuidado posible, porque no se puede utilizar el parachoques de pica.

Talado (Fig. 26, 27, 28 y 29)

PRECAUCIÓN:

• El trabajo de talado deberá ser realizado solamente por personas capacitadas. El trabajo es peligroso.

Observe las normas locales si quiere talar un árbol.

– Antes de comenzar el trabajo de talado, asegúrese de que:

(1) Solamente se encuentran en el lugar las personas que van a intervenir en la operación de talado;

(2) Cualquier persona que vaya a intervenir tenga una ruta de escape sin obstrucciones a través de un rango de aproximadamente 45° a cada lado del eje de caída del árbol. Considere el riesgo adicional de tropezar con cables eléctricos;

(3) La base del tronco está libre de objetos extraños, raíces y ramas;

(4) No haya personas ni objetos en una distancia de 2 1/2 veces la longitud del árbol en la dirección en la que va a caer el árbol.

– Considere lo siguiente con relación a cada árbol:

• Dirección de inclinación;

• Ramas sueltas o secas;

• Altura del árbol;

• Proyección natural;

• Si el árbol está podrido o no.

– Considere la velocidad y dirección del viento. No realice tareas de talar si hay fuertes ráfagas de viento.

– Recortado de abultamientos de raíces: Comience con los abultamientos más grandes. Realice el corte vertical primero, después el corte horizontal.

– Corte una muesca: La muesca determina la dirección en la que va a caer el árbol, y lo guía. Se hace en el lado hacia el que va a caer el árbol. Corte la muesca lo más cerca posible del suelo. Primero haga un corte horizontal de una profundidad de 1/5 a 1/3 del diámetro del tronco. No haga la muesca demasiado grande. Después haga el corte diagonal.

– Corte cualquier corrección que haga a la muesca en toda su anchura.

– Haga el corte trasero de tala un poco más arriba que el corte de la base de la muesca. El corte trasero de tala deberá ser exactamente horizontal. Deje aproximadamente 1/10 del diámetro del tronco entre el corte trasero de tala y la muesca.

Las fibras de madera de la porción de tronco sin cortar actúan como una bisagra. No corte directamente a través de las fibras bajo ninguna circunstancia, porque de lo contrario el árbol caerá sin control. Inserte cuñas en el corte trasero a su debido tiempo.

– Solamente deberán utilizarse cuñas de plástico o aluminio para mantener el corte trasero abierto. La utilización de cuñas de acero está prohibida.

– Póngase al costado del lado por el que va a caer el árbol. Mantenga un área despejada por detrás de donde va a caer el árbol de un ángulo de 45° a cada lado del eje del árbol (consulte la figura del "área de caída"). Preste atención a las ramas que caen.

– Antes de comenzar a cortar será necesario planear una ruta de escape y despejarla. La ruta de escape deberá extenderse hacia atrás y diagonalmente a la parte trasera de la línea de caída esperada como se muestra en la figura.

Para transportar la herramienta (Fig. 30)

Retire siempre el cartucho de batería de la herramienta y solape la placa de guía con la cubierta de la placa de guía antes de transportar la herramienta. Cubra también el cartucho de batería con la cubierta de la batería.

MANTENIMIENTO

PRECAUCIÓN:

• Asegúrese siempre de que la herramienta esté apagada y el cartucho de batería extraído antes de intentar realizar una inspección o mantenimiento.

• Póngase guantes siempre que vaya a realizar cualquier trabajo de inspección o mantenimiento.

• No utilice nunca gasolina, bencina, disolvente, alcohol o similares. Podría producir descolocación, deformación o grietas.

Afilado de la cadena de sierra (Fig. 31)

PRECAUCIÓN:

• Extraiga siempre el cartucho de batería y póngase guantes de seguridad cuando vaya a realizar tareas en la cadena de sierra.

Afile la cadena de sierra cuando:

– Se produzca serrín granuloso al cortar madera húmeda;

– La cadena penetre la madera con dificultad, aún cuando se aplica fuerte presión;

– El borde cortante esté obviamente dañado;

– La sierra tire hacia la izquierda o hacia la derecha en la madera. La razón de este comportamiento es un afilado desigual de la cadena de sierra, o daño en un solo lado.

Afile la cadena de sierra con frecuencia, pero rebaje solamente una mínima cantidad de material cada vez.

Dos o tres pasadas con una lima son generalmente suficientes para un reafilado rutinario. Cuando la cadena de sierra haya sido reafilada varias veces, llévela a un taller de reparación de DOLMAR para que la afile un especialista.

Crterios para afilar: (Fig. 32 y 33)

– La longitud de todas las cuchillas debe ser igual. Las cuchillas de diferente longitud impiden que la cadena se desplace uniformemente, y pueden ocasionar la rotura de la cadena.

– No afile la cadena una vez alcanzada una longitud de cuchilla mínima de 3 mm. Entonces habrá que poner una cadena nueva.

– El espesor de la viruta se determina mediante la distancia entre el calibre de profundidad (morro redondeado) y el borde cortante.

– Los mejores resultados de corte se obtienen con la distancia siguiente entre el borde cortante y el calibre de profundidad.

Hoja de la cadena 291 (90PX): 0,5 mm

Hoja de la cadena 492 (91PX): 0,65 mm

Hoja de la cadena 25 (25AP): 0,65 mm

⚠ ADVERTENCIA:

- Una distancia excesiva aumentará el riesgo de retrocesos bruscos.
- El ángulo de afilado de 30° deberá ser igual en todas las cuchillas. Las diferencias de ángulo hacen que la cadena se desplace brusca y desigualmente, aceleran el desgaste, y acarrear roturas de cadena.
- El ángulo de la placa lateral de la cuchilla se determina mediante la profundidad de penetración de la lima redonda. Si la lima especificada se utiliza correctamente, el ángulo de la placa lateral correcto se obtendrá automáticamente.
- El ángulo de la placa lateral para cada cadena de sierra es como sigue:
 - Hoja de la cadena 291 (90PX): 75°
 - Hoja de la cadena 492 (91PX): 80°
 - Hoja de la cadena 25 (25AP): 85°

Lima y guía de limado (Fig. 34, 35 y 36)

- Utilice una lima redonda especial (accesorio opcional) para cadenas de sierra para afilar la cadena. Las limas redondas normales no son apropiadas.
- El diámetro de la lima redonda para cada cadena de sierra es como sigue:
 - Hoja de la cadena 291 (90PX): 4,5 mm
 - Hoja de la cadena 492 (91PX): 4,0 mm
 - Hoja de la cadena 25 (25AP): 4,0 mm
- La lima solamente deberá tocar la cuchilla en el movimiento de avance. Levante la lima de la cuchilla en el movimiento de retroceso.
- Afile primero la cuchilla más corta. Después la longitud de esta cuchilla más corta pasa a ser la longitud estándar para todas las cuchillas de la cadena de sierra.
- Guíe la lima como se muestra en la figura.
- La lima podrá ser guiada más fácilmente si se emplea un soporte de lima (accesorio opcional). El soporte de lima tiene marcas para el ángulo de afilado correcto de 30° (alinee las marcas paralelas a la cadena de sierra) y limita la profundidad de penetración (a 4/5 del diámetro de la lima).
- Una vez afilada la cadena, compruebe la altura del calibre de profundidad utilizando la herramienta de calibre de cadena (accesorio opcional).
- Quite cualquier material que sobresalga, por pequeño que sea, con una lima plana especial (accesorio opcional).
- Redondee la parte frontal del calibre de profundidad otra vez.

Limpieza de la placa de guía (Fig. 37)

En la acanaladura de la placa de guía se acumularán virutas y serrín, obstruyéndola e impidiendo que fluya el aceite. Cuando afile o cambie la cadena de sierra, limpie siempre las virutas y el serrín.

Limpieza del agujero de descarga de aceite (Fig. 38)

Durante la operación puede acumularse polvo fino o partículas en el agujero de descarga de aceite. El polvo fino o las partículas acumulados en el agujero de descarga de aceite pueden obstaculizar el flujo de descarga de aceite y ocasionar una lubricación insuficiente en toda la cadena de sierra. Cuando se produzca un deficiente suministro de aceite de cadena en la parte superior de la placa de guía, limpie el agujero de descarga de aceite de la forma siguiente.

Quite el cartucho de batería de la herramienta.

Quite la cubierta del piñón y la cadena de sierra de la herramienta. (Consulte la sección titulada "Instalación o extracción de la cadena de sierra".)

Quite el polvo fino o partículas utilizando un destornillador de punta ranurada con cuerpo espigado o similar.

Inserte el cartucho de batería en la herramienta.

Apriete el gatillo interruptor para retirar el polvo o las partículas acumulados en el agujero de descarga de aceite descargando aceite de cadena.

Quite el cartucho de batería de la herramienta.

Vuelva a instalar la cubierta del piñón y la cadena de sierra en la herramienta.

Reemplazo del piñón (Fig. 39 y 40)

Antes de colocar una cadena de sierra nueva, compruebe la condición del piñón.

⚠ PRECAUCIÓN:

- Un piñón desgastado dañará una cadena de sierra nueva. En este caso pida que le reemplacen el piñón. El piñón tiene que ser instalado de forma que siempre quede orientado como se muestra en la figura.

Coloque siempre un anillo de bloqueo nuevo cuando reemplace el piñón.

Reemplazo de las escobillas de carbón (Fig. 41 y 42)

Extraiga e inspeccione las escobillas de carbón regularmente. Reemplácelas cuando se hayan desgastado hasta la marca límite. Mantenga las escobillas de carbón limpias de forma que entren libremente en los portaescobillas. Deberán reemplazarse ambas escobillas de carbón al mismo tiempo. Utilice únicamente escobillas de carbón idénticas.

Utilice un destornillador para quitar los tapones portaescobillas. Extraiga las escobillas desgastadas, inserte las nuevas y vuelva a colocar los tapones portaescobillas.

Almacenamiento de la herramienta

Limpie la herramienta antes de almacenarla. Quite todas las virutas y serrín de la herramienta después de quitar la cubierta del piñón. Después de limpiar la herramienta, póngala en marcha sin carga para lubricar la cadena de sierra y la placa de guía.

Cubra la placa de guía con la cubierta de barra de guía.

Extraiga el aceite del depósito de aceite hasta vaciarlo y ponga la electrosierra.

Para mantener la SEGURIDAD y la FIABILIDAD del producto, las reparaciones y cualquier otro mantenimiento o ajuste deberán ser realizados por los centros de servicio autorizado de DOLMAR, siempre con piezas de repuesto de DOLMAR.

Instrucciones para el mantenimiento periódico

Para asegurar una larga vida de servicio, evitar daños y garantizar el completo funcionamiento de las características de seguridad el mantenimiento siguiente deberá ser realizado regularmente.

La reclamación de la garantía solamente será reconocida si este trabajo es realizado regular y debidamente. ¡No realizar el trabajo de mantenimiento prescrito puede acarrear accidentes!

El usuario de la electrosierra no deberá realizar trabajo de mantenimiento que no esté descrito en el manual de instrucciones. Todos esos trabajos deberán ser realizados por el centro de servicio autorizado.

Tiempo de funcionamiento		Antes de la operación	Cada día	Cada semana	Cada 3 meses	Anualmente	Antes del almacenamiento
Elemento							
Electrosierra	Inspección	<input type="radio"/>					
	Limpieza		<input type="radio"/>				
	Compruebe en el centro de servicio autorizado.					<input type="radio"/>	<input type="radio"/>
Cadena de sierra	Inspección	<input type="radio"/>					
	Es necesario afilar.						<input type="radio"/>
Placa de guía	Inspección	<input type="radio"/>	<input type="radio"/>				
	Quitela de la electrosierra.						<input type="radio"/>
Freno de cadena	Compruebe su función.	<input type="radio"/>					
	Pida que se lo inspeccionen regularmente en el centro de servicio autorizado.				<input type="radio"/>		
Lubricación de la cadena	Compruebe la frecuencia del suministro de aceite.	<input type="radio"/>					
Gatillo interruptor	Inspección	<input type="radio"/>					
Botón de seguro	Inspección	<input type="radio"/>					
Tapón del depósito de aceite	Compruebe el apriete.	<input type="radio"/>					
Cubrecadena	Inspección			<input type="radio"/>			
Tornillos y tuercas	Inspección			<input type="radio"/>			

014804

SOLUCIÓN DE PROBLEMAS

Antes de solicitar reparaciones, realice su propia inspección en primer lugar. Si encuentra un problema que no está explicado en el manual, no intente desmontar la herramienta. En su lugar, pregunte en centros de servicio autorizados por Dolmar, utilizando siempre piezas de recambio Dolmar para las reparaciones.

Estado de mal funcionamiento	Causa	Acción
La electrosierra no se pone en marcha.	No hay instalados dos cartuchos de batería.	Instale los cartuchos de batería cargados.
	Problema de batería (poca tensión).	Recargue el cartucho de batería. Si la recarga no se realiza eficazmente, sustituya el cartucho de batería.
La cadena no se mueve.	Freno de cadena accionado.	Suelte el freno de cadena.
El motor se para después de usarlo un poco.	El nivel de carga de la batería es bajo.	Recargue el cartucho de batería. Si la recarga no se realiza eficazmente, sustituya el cartucho de batería.
No hay aceite en la cadena.	El depósito de aceite está vacío.	Llene el depósito de aceite.
	La ranura de guía del aceite está sucia.	Limpie la ranura.
	El suministro de aceite no está ajustado debidamente.	Ajuste la cantidad de suministro de aceite.
No alcanza el máximo de RPM.	El cartucho de batería está instalado incorrectamente.	Instale el cartucho de batería como se describe en este manual.
	La potencia de la batería está cayendo.	Recargue el cartucho de batería. Si la recarga no se realiza eficazmente, sustituya el cartucho de batería.
	El sistema de accionamiento no responde correctamente.	Pida a su centro de servicio autorizado que se lo reparen.
La cadena no se detiene aunque el freno de cadena está accionado: ¡Detenga la máquina inmediatamente!	Banda de freno gastada.	Pida a su centro de servicio autorizado que se lo reparen.
Vibración anormal: ¡Detenga la máquina inmediatamente!	Placa de guía o cadena de sierra floja.	Ajuste la placa de guía y la tensión de la cadena de sierra.
	Mal funcionamiento de la herramienta.	Pida a su centro de servicio autorizado que se lo reparen.

014805

ACCESORIOS OPCIONALES

⚠ PRECAUCIÓN:

- Estos accesorios o aditamentos están recomendados para su uso con la herramienta Dolmar especificada en este manual. El uso de cualquier otro accesorio o aditamento puede suponer un riesgo de lesiones personales. Utilice el accesorio o aditamento exclusivamente para su uso declarado.

Si necesita información más detallada sobre estos accesorios, consulte con su centro local de servicio de Dolmar.

- Batería y cargador genuinos de Dolmar
- Cadena de sierra
- Placa de guía
- Cubierta de la placa de guía
- Lima
- Bolsa de herramientas

NOTA:

- Algunos elementos de la lista podrán estar incluidos en el paquete de la herramienta como accesorios estándar. Pueden variar de un país a otro.

ENG905-1

Ruido

El nivel de ruido A-ponderado típico determinado de acuerdo con la norma EN60745:

- Nivel de presión sonora (L_{pA}): 84,4 dB (A)
- Nivel de potencia sonora (L_{WA}): 95,4 dB (A)
- Incerteza (K): 2,5 dB (A)

Póngase protectores en los oídos

ENG900-1

Vibración

El valor total de la vibración (suma de vectores triaxiales) determinado de acuerdo con la norma EN60745:

Modelo AS-3726

- Modo de trabajo: corte de madera
- Emisión de vibración (a_{hv}): 4,7 m/s²
- Incerteza (K): 1,5 m/s²

Modelo AS-3731

- Modo de trabajo: corte de madera
- Emisión de vibración (a_{hv}): 6,3 m/s²
- Incerteza (K): 1,5 m/s²

ENG901-1

- El valor de emisión de vibración declarado ha sido medido de acuerdo con el método de prueba estándar y se puede utilizar para comparar una herramienta con otra.
- El valor de emisión de vibración declarado también se puede utilizar en una valoración preliminar de exposición.

⚠ ADVERTENCIA:

- La emisión de vibración durante la utilización real de la herramienta eléctrica puede variar del valor de emisión declarado dependiendo de las formas en las que la herramienta sea utilizada.
- Asegúrese de identificar medidas de seguridad para proteger al operario que estén basadas en una estimación de la exposición en las condiciones reales de utilización (teniendo en cuenta todas las partes del ciclo operativo tal como las veces cuando la herramienta está apagada y cuando está funcionando en vacío además del tiempo de gatillo).

Para países europeos solamente

Declaración de conformidad CE

El abajo firmante, Rainer Bergfeld, como persona autorizada por Dolmar GmbH, declara que la(s) máquina(s) DOLMAR:

Designación de máquina:

Electrosierra Inalámbrica

Modelo N°/Tipo: AS-3726, AS-3731

Especificaciones: consulte la tabla de "ESPECIFICACIONES".

son producidas en serie y

Cumplen con las directivas europeas siguientes:

2000/14/CE, 2006/42/CE

Y que están fabricadas de acuerdo con las normas o documentos normalizados siguientes.

EN ISO 11682-2

N.º de certificado del examen de tipo CE 4812068.13006

El examen de tipo CE según 2006/42/CE fue realizado por:

DEKRA Testing and Certification GmbH

Enderstraße 92b

01277 Dresden

Germany

N.º de identificación 2140

Los documentos técnicos están en un archivo en:

Dolmar GmbH,

Jenfelder Straße 38, Abteilung FZ,

D-22045 Hamburgo

El procedimiento de valoración de conformidad requerido por la Directiva 2000/14/CE ha sido realizado de acuerdo con el anexo V.

Nivel de potencia de sonido medido: 95,4 dB (A)

Nivel de potencia de sonido garantizado: 98 dB (A)

20.12.2013



Rainer Bergfeld
Director General

Explicação geral

1	Indicador vermelho	16	Pino de ajuste	30	Cobertura da espada-guia
2	Botão	17	Orifício	31	Tampa da bateria
3	Bateria	18	Espada	32	Comprimento de corte
4	Marcação de estrela	19	Desapertar	33	Distância entre a extremidade de corte e o indicador de profundidade
5	Indicador da bateria	20	Apertar	34	Mínimo de 3 mm
6	Botão de bloqueio	21	Corrente da electrosserra	35	Ângulo do prato lateral
7	Gatilho do interruptor	22	Tampa do tanque de óleo	36	Chave de fendas de ponta achatada
8	Protector frontal das mãos	23	Visor de inspecção do óleo (para encher o tanque de óleo)	37	Anel de trava
9	Bloquear	24	Visor de inspecção do óleo	38	Marca limite
10	Desbloquear	25	Batente de espigões	39	Tampa do porta escovas
11	Parafuso de regulação	26	Área de queda	40	Chave de parafusos
12	Cobertura da roda dentada	27	Direcção da queda		
13	Alavanca	28	Zona de perigo		
14	Indicador de ajuste	29	Caminho de fuga		
15	Roda dentada				

ESPECIFICAÇÕES

Modelo		AS-3726		AS-3731
Espada-guia padrão	Comprimento da espada-guia	250 mm		300 mm
	Comprimento de corte	23 cm	24 cm	28 cm
	Tipo	Espada de roda dentada	Espada de talhar	Espada de roda dentada
Serra padrão da ferramenta	Tipo	492 (91PX)	25 (25AP)	291 (90PX)
	Passo	9,5 mm (3/8")	6,35 mm (1/4")	9,5 mm (3/8")
	Indicador	1,3 mm (0,05")	1,3 mm (0,05")	1,1 mm (0,043")
	Número de elos motor	40	60	46
Roda dentada	Número de dentes	6	9	6
	Passo	9,5 mm (3/8")	6,35 mm (1/4")	9,5 mm (3/8")
Comprimento total (sem espada-guia)		316 mm		
Peso líquido	*1	4,1 kg		
	*2	4,6 kg	4,7 kg	
Velocidade da serra por minuto		8,3 m/s (500 m/min)		
Volume do depósito de óleo da serra		85 cm ³		
Tensão nominal		36 V CC		36 V CC

• Devido ao nosso programa contínuo de pesquisa e desenvolvimento, as características indicadas neste documento estão sujeitas a alterações sem aviso prévio.

• As especificações e a bateria podem variar de país para país.

*1 Peso, com o cartucho de bateria maior, sem espada-guia nem serra, depósito de óleo vazio, de acordo com a EN ISO 11681-2.

*2 Peso, com cartucho da bateria, espada-guia e serra, depósito de óleo cheio, de acordo com o procedimento EPTA 01/2003.

AVISO: Utilize a combinação adequada da espada-guia e da serra da ferramenta. Caso contrário, podem resultar ferimentos pessoais.

END313-1

Símbolos

O seguinte mostra os símbolos utilizados para a ferramenta. Certifique-se de que compreende o seu significado antes da utilização.



• Leia o manual de instruções.



• Utilize protectores para os olhos.



• Utilize protectores para os ouvidos.



- Use um capacete, óculos de segurança e protectores para os ouvidos.



- Utilize protectores adequados para os pés e pernas e também para as mãos e braços.



- Esta motosserra deve ser utilizada somente por operadores devidamente treinados.



- Não exponha a ferramenta à chuva.



- Comprimento máximo de corte permitido



- Sentido de movimento da corrente



- Regulação da lubrificação da corrente da electroserra



- Apenas para países da UE
Não elimine equipamento eléctrico nem pack de baterias juntamente com lixo doméstico!
De acordo com as directivas europeias, relativas aos resíduos de equipamentos eléctricos e electrónicos e a pilhas e acumuladores e respectivos resíduos e a sua implementação em conformidade com as leis nacionais, o equipamento eléctrico e pilhas e pack(s) de baterias que tenham atingido o fim da sua vida devem ser recolhidos separadamente e encaminhados para a uma instalação de reciclagem ambientalmente compatível.

ENE090-1

Utilização a que se destina

A ferramenta deve ser utilizada para cortar ramos/podar árvores. É igualmente adequada para os dar assistência a árvores.

GEA010-1

Avisos gerais de segurança para ferramentas eléctricas

⚠ AVISO! Leia todas as avisos de segurança e todas as instruções. O não cumprimento de todos os avisos e instruções pode originar choque eléctrico, incêndio e/ou ferimentos graves.

Guarde todos os avisos e instruções para futuras referências.

Instruções de segurança para a motosserra a bateria:

1. **Mantenha todo o seu corpo afastado da corrente da electroserra quando a motosserra estiver a funcionar. Antes de ligar a motosserra, certifique-se de que a corrente da electroserra não esteja em contacto com nada.** Um momento de distração ao funcionar com a motosserra pode prender as roupas ou o corpo na corrente da electroserra.
2. **Quando se segura com as duas mãos, segure na motosserra sempre com a mão direita na pega traseira e a mão esquerda na pega dianteira.** Segurar a motosserra com as mãos ao contrário da configuração indicada aumenta o risco de ferimentos pessoais e não deve nunca ser feito.
3. **Segure a ferramenta eléctrica somente pelas pegas isoladas, pois a corrente da electroserra pode fazer contacto com fios ocultos.** O contacto da corrente da electroserra com um fio "ligado" poderá carregar as partes metálicas da ferramenta e causar choque eléctrico no operador.
4. **Use óculos de protecção e protectores para os ouvidos. É recomendável a utilização de protectores para a cabeça, mãos, pernas e pés.** Vestuário de protecção adequado reduz o risco de ferimentos causados por detritos que saltam ou contacto accidental com a corrente da electroserra.
5. **Mantenha os pés bem assentes no chão.** O piso escorregadio ou instável pode provocar uma perda de equilíbrio ou de controlo da motosserra.
6. **Ao cortar um ramo que esteja com alguma tensão, tenha cuidado com a volta do ramo para trás.** Quando a tensão nas fibras de madeira é libertada, o membro carregado por mola pode acertar no operador e/ou deixar a motosserra fora de controlo.
7. **Tenha muito cuidado especialmente quando está a cortar arbustos e brotos.** O material fino pode ficar preso na corrente da electroserra e ser atirado no operador ou causar a perda de equilíbrio.
8. **Transporte a motosserra desligada segurando-a pela pega frontal e afastada de si. Ao transportar ou guardar a motosserra, sempre cubra a espada com a capa.** O manuseio adequado da motosserra reduz o risco de contacto accidental com a corrente da electroserra em movimento.
9. **Siga as instruções para lubrificação, regulação da tensão e troca de acessórios.** Uma corrente mal lubrificada ou cuja tensão não esteja devidamente regulada pode quebrar ou aumentar a probabilidade de recuo.
10. **Mantenha a pegas secas, limpas e sem óleo ou graxa.** Pegas oleosas são escorregadias e causam a perda de controlo.
11. **Corte somente madeira. Não utilize a motosserra para finalidades diferentes. Por exemplo: não utilize a motosserra para cortar plástico, alvenaria ou materiais de construção que não sejam madeira.** O uso da motosserra para operações diferentes daquelas para as quais ela foi concebida pode resultar em situações perigosas.

12. Causas de recuo e como o operador pode prevenir:

O recuo pode ocorrer quando a ponta da espada faz contacto com um objecto ou quando a madeira comprime e prende a corrente da electroserra no corte.

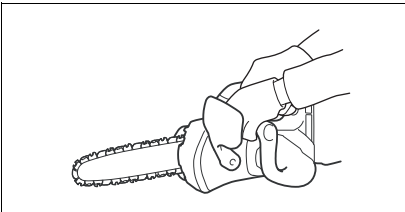
Em alguns casos, o contacto da ponta causa uma acção inversa repentina, propulcionando a espada para cima e para trás na direcção do operador.

Se a corrente da electroserra ficar presa na ponta da espada, a espada pode pular de repente para trás na direcção do operador.

Qualquer uma dessas reacções pode causar a perda de controlo da motosserra e provocar graves ferimentos pessoais. Não confie exclusivamente nos mecanismos de segurança incorporados na motosserra. Como um utilizador de motosserra, deverá tomar as medidas necessárias para que o seu trabalho de cortar seja seguro e livre de acidentes ou ferimentos.

O recuo é o resultado de uso impróprio da motosserra e/ou condições ou procedimentos incorrectos para o funcionamento e pode ser evitado tomando-se as medidas de precaução relacionadas abaixo:

- **Segure a motosserra com firmeza, com todos os dedos a circundar as pegas e as duas mãos na motosserra, e posicione-se de forma que o seu corpo e braço permita a resistir as forças de um recuo.** O operador poderá controlar as forças do recuo se tomar as devidas precauções. Não deixe a motosserra sem atendimento.



014673

- **Não se incline e não corte nada acima da altura dos próprios ombros.** Isso ajuda a evitar o contacto accidental da ponta e possibilita maior controlo da motosserra em situações imprevistas.
 - **Utilize somente espadas e correntes de reposição especificadas pelo fabricante.** A substituição de espadas e correntes incorrectas pode causar a quebra da corrente e/ou recuo.
 - **Siga as instruções do fabricante para afiamento e manutenção da corrente da electroserra.** Diminuição da altura do limitador de profundidade pode provocar o aumento de recuos.
13. Antes de iniciar o trabalho, verifique se a motosserra está em condições próprias para o trabalho e em conformidade com os regulamentos de segurança. Verifique especialmente se:
- O freio da corrente está funcionar correctamente;
 - O freio de inactividade está funcionar correctamente;

- A espada e cobertura da roda dentada estão correctamente afixadas;
- A corrente foi afiada e tensionada de acordo com os regulamentos;

14. **Não ligue a motosserra se a cobertura da corrente estiver instalada.** Se ligar a motosserra com a cobertura da corrente instalada, a cobertura da corrente pode ser lançada para a frente e provocar ferimentos pessoais e danos a objectos nas proximidades do operador.

Avisos de segurança específicos para o manuseamento da motosserra

1. Esta motosserra foi concebida especialmente para cuidados e operações das árvores. A motosserra só deve ser utilizada por pessoas devidamente formadas. Observe todas as instruções, procedimentos e recomendações da organização de profissionais relevante. Caso contrário, poderão ocorrer acidentes fatais. Recomendamos que utilize sempre uma plataforma de elevação (apanhacerejas, elevador) para serrar as árvores. As técnicas de rapel são extremamente perigosas e requerem uma formação especial. Os operadores têm de receber formação sobre como estarem familiarizados com as técnicas de utilização e utilização em altura segura dos equipamentos. Utilize sempre as cintas apropriada, cordas e mosquetões quando trabalhar em árvores. Utilize sempre equipamento de restrição para o operador e a serra.
2. Realize os trabalhos de limpeza e manutenção antes de armazenar a ferramenta, de acordo com o manual de instruções.
3. Garanta o posicionamento seguro da motosserra durante o transporte em veículo para evitar fugas de combustível ou de óleo da serra, danos na ferramenta e ferimentos pessoais.
4. Verificar regularmente o funcionamento do travão da serra.
5. Não encha a serra com óleo perto de lume. Nunca fume quando estiver a encher com óleo.
6. Os regulamentos nacionais podem restringir a utilização da motosserra.
7. Se o equipamento passar por um impacto forte ou queda, verifique o estado antes de continuar a trabalhar. Verifique os dispositivos de comando e segurança quando a falhas de funcionamento. Se existirem danos ou se surgirem dúvidas, peça uma inspecção e reparação no nosso centro de serviço autorizado.
8. Active sempre o travão da serra antes de pôr a motosserra a funcionar.
9. Mantenha a serra firmemente no lugar para evitar a patinagem (movimento de desliz) ou ressaltos da mesma quando começar a cortar.
10. No final do corte tenha cuidado para manter o equilíbrio devido à "queda".
11. Tenha em conta a direcção e a velocidade do vento. Evite serraduras e vapores de óleo na serra.

Equipamento de protecção

1. **Para evitar ferimentos na cabeça, olhos, mãos ou pés, bem como para proteger a sua audição, os equipamentos de protecção que se seguem devem ser usados durante o funcionamento da motosserra.**

- O tipo de vestuário utilizado deve ser apropriado, ou seja, deve ser justo mas não pode estorvar. Não utilize jóias que possam ficar presas nos arbustos ou ramagens. Se tiver cabelo comprido, use sempre uma rede para o cabelo!
- É necessário utilizar um capacete de protecção sempre que trabalhar com uma motosserra. O **capacete de protecção** deve ser verificado em intervalos regulares quanto a danos e deve ser substituído após um máximo de 5 anos. Utilize apenas capacetes de protecção aprovados.
- O **protector facial** do capacete de protecção (ou óculos de protecção) protegem contra a serradura e as lascas de madeira. Durante o funcionamento da motosserra utilize sempre óculos de protecção ou uma protecção facial para evitar lesões nos olhos.
- Use **equipamentos de protecção contra ruído** (protectores de ouvidos, abafadores auditivos, etc.)
- O **casaco de protecção** é composto por 22 camadas de nylon e protege o operador contra cortes. Deve sempre ser usado quando se utiliza em plataformas elevadas (apanhadores de cerejas, elevadores), em plataformas montadas sobre escadas ou quando se trepa com cordas.
- O **braço protector e avental** é composto por um tecido de nylon com 22 camadas e protege contra cortes. Recomendamos fortemente sua utilização.
- **Luvas protectoras** em couro grosso fazem parte do equipamento recomendado e devem ser sempre usadas durante o funcionamento da motosserra.
- Durante o funcionamento da motosserra é necessário usar sempre **sapatos de segurança** ou **botas de segurança** com sola antiderrapante, protecção dos dedos em aço e protecção para as pernas. Os sapatos de segurança equipados com uma camada de protecção oferecem protecção contra cortes e garantem a segurança dos pés. Para trabalhar em árvores, as botas de segurança têm de ser adequadas para as técnicas de trepar.

Vibração

1. Os indivíduos que sofrem de má circulação e que estão expostos a vibração excessiva podem sofrer lesões nos vasos sanguíneos ou no sistema nervoso central.
A vibração pode provocar os seguintes sintomas nos dedos, mãos ou pulsos: "Adormecimento" (entorpecimento), formigueliro, dor, sensação de facadas, alteração da cor da pele ou da própria pele.
Se ocorrer algum destes sintomas, consulte um médico! Para reduzir os riscos da "doença dos dedos brancos", mantenha as suas mãos quentes durante o funcionamento e a manutenção do equipamento e acessórios.

GUARDE ESTAS INSTRUÇÕES.



AVISO:

NÃO permita que conforto ou familiaridade com o produto (adquirido com o uso repetido) substitua a aderência estrita às regras de segurança da ferramenta. MÁ INTERPRETAÇÃO ou não seguimento das regras de segurança estabelecidas neste manual de instruções pode causar danos pessoais sérios.

ENC007-8

IMPORTANTES INSTRUÇÕES DE SEGURANÇA

PARA BATERIA

1. Antes de utilizar a bateria, leia todas as instruções e etiquetas de precaução no (1) carregador de bateria (2) bateria e (3) produto que utiliza a bateria.
2. Não abra a bateria.
3. Se o tempo de funcionamento se tornar excessivamente curto, pare o funcionamento imediatamente. Pode resultar em sobreaquecimento, possíveis queimaduras e mesmo explosão.
4. Se entrar electrólito nos seus olhos, lave-os com água e consulte imediatamente um médico. Pode resultar em perda de visão.
5. Não curta-circuite a bateria:
 - (1) Não toque nos terminais com qualquer material condutor.
 - (2) Evite guardar a bateria juntamente com outros objectos metálicos tais como pregos, moedas, etc.
 - (3) Não exponha a bateria à água ou chuva. Um curto-circuito pode ocasionar um enorme fluxo de corrente, sobreaquecimento, possíveis queimaduras e mesmo estragar-se.
6. Não guarde a ferramenta e a bateria em locais onde a temperatura pode atingir ou exceder 50°C.
7. Não queime a bateria mesmo que esteja estragada ou completamente gasta. A bateria pode explodir no fogo.
8. Tenha cuidado para não deixar cair ou dar pancadas na bateria.
9. Não utilize uma bateria que tenha sido derrubada ou batida.
10. Siga os seus regulamentos locais relativos à eliminação da bateria.

GUARDE ESTAS INSTRUÇÕES.

Conselhos para manter a máxima vida útil da bateria

1. Carregue a bateria antes que esteja completamente descarregada. Pare sempre o funcionamento da ferramenta e carregue a bateria quando notar menos poder na ferramenta.
2. Nunca carregue uma bateria completamente carregada. Carregamento excessivo diminui a vida útil da bateria.
3. Carregue a bateria à temperatura ambiente de 10°C – 40°C. Deixe que uma bateria quente arrefeça antes de a carregar.

4. Carregue a bateria uma vez a cada seis meses se não for utilizá-la por um longo período de tempo.

DESCRIÇÃO FUNCIONAL

⚠ PRECAUÇÃO:

- Certifique-se sempre de que a ferramenta está desligada e a bateria retirada antes de regular ou verificar qualquer função na ferramenta.

Instalação ou extração da bateria (Fig. 1)

⚠ PRECAUÇÃO:

- Desligue sempre a ferramenta antes de instalar ou retirar o cartucho da bateria.
- **Segure firmemente na ferramenta e no cartucho da bateria quando instalar ou retirar o cartucho da bateria.**

Ao não segurar firmemente na ferramenta e bateria pode fazer com que escorreguem das suas mãos e resultar em danos para a ferramenta e bateria e ferimento pessoal.

Para retirar o cartucho da bateria, deslize-o da ferramenta enquanto desliza o botão na parte da frente do cartucho.

Para instalar o cartucho da bateria, alinhe a lingueta no cartucho da bateria com o entalhe na caixa e deslize-o para o lugar. Insira-o por completo até bloquear no lugar com um pequeno estalido. Se conseguir ver o indicador vermelho no lado superior do botão, não está bloqueado completamente.

⚠ PRECAUÇÃO:

- Instale sempre o cartucho da bateria por completo até o indicador vermelho não ser visto. Se isso não acontecer, pode cair acidentalmente da ferramenta, causando-lhe ferimentos a si ou alguém perto de si.
- Não instale o cartucho da bateria fazendo força. Se o cartucho não deslizar facilmente, não está a ser inserido correctamente.

NOTA:

- A ferramenta não funciona apenas com um cartucho da bateria.

Sistema de protecção da ferramenta/bateria

A ferramenta está equipada com um sistema de protecção da ferramenta/bateria. Este sistema corta automaticamente a corrente para o motor para aumentar a vida da bateria.

A ferramenta pára automaticamente durante o funcionamento se a ferramenta ou a bateria forem colocadas sob uma das seguintes condições. Em algumas condições, os indicadores acendem.

Protecção contra sobrecarga

Quando a ferramenta é utilizada de tal forma que provoque uma corrente anormalmente elevada, a ferramenta pára automaticamente sem qualquer indicação. Nesta situação, desligue a ferramenta e pare a aplicação que provocou a sobrecarga na ferramenta. Depois, volte a ligar a ferramenta para reiniciar.

Protecção contra sobreaquecimento da bateria/ferramenta

Quando a bateria/ferramenta indica sobreaquecimento, a ferramenta pára automaticamente sem qualquer indicação. A ferramenta não inicia mesmo quando se puxa o gatilho do interruptor. Nesta situação, deixe a bateria/ferramenta arrefecer antes de voltar a ligar a ferramenta.

NOTA:

- A protecção contra sobreaquecimento da bateria só funciona com um cartucho da bateria que tenha uma marcação de estrela. (Fig. 2)

Protecção contra sobredescarga (Fig. 3)

Quando a capacidade restante da bateria é baixa, o indicador da bateria pisca no lado aplicável da bateria. Se continuar a utilizá-la, a ferramenta pára e o indicador da bateria acende durante cerca de 10 segundos. Nesta situação, carregue o cartucho da bateria.

Interruptor (Fig. 4)

⚠ PRECAUÇÃO:

- Antes de instalar a bateria na ferramenta, verifique sempre se o gatilho do interruptor funciona normalmente e volta para a posição de desligado quando libertado.

Para evitar que o gatilho seja acidentalmente pressionado existe um botão de bloqueio.

Para ligar a motosserra, pressione o botão de bloqueio e carregue no gatilho. Liberte o gatilho para parar.

Verificar o freio da corrente (Fig. 5)

NOTA:

- Se a motosserra não ligar, deve-se soltar o freio da corrente. Puxe o protector frontal das mãos firmemente para trás até sentir que engatou.

Segure a motosserra com as duas mãos quando a liga. Segure a pega superior com a mão direita e a frontal com a mão esquerda. A espada e a corrente não devem tocar em nenhum objecto.

Primeiro pressione o botão de bloqueio e depois o gatilho do interruptor.

A corrente da electroserra liga imediatamente.

Pressione o protector frontal das mãos para a frente com a parte de trás da sua mão. A corrente da electroserra deve parar imediatamente.

⚠ PRECAUÇÃO:

- Se a corrente da electroserra não parar imediatamente ao efectuar este teste, a serra não deve ser utilizada de maneira nenhuma. Consulte um centro de assistência especializada DOLMAR.

Verificar o freio de inactividade

Ligue a motosserra.

Solte o gatilho do interruptor completamente. A corrente da electroserra deve parar completamente dentro de um segundo.

⚠ PRECAUÇÃO:

- Se a corrente da electroserra não parar dentro de um segundo ao efectuar este teste, a serra não deve ser utilizada. Consulte um centro de assistência especializada DOLMAR.

Regular a lubrificação da corrente (Fig. 6)

Pode regular o fluxo de óleo com o parafuso de regulação. A quantidade de óleo pode ser regulada com uma chave universal.

Gancho (para prender a corda) (Fig. 7)

O gancho (para prender a corda) é utilizado para pendurar a ferramenta. Antes de utilizar o gancho, puxe-o para fora e amarre a corda.

ASSEMBLAGEM

⚠ PRECAUÇÃO:

- Certifique-se sempre de que a ferramenta está desligada e a bateria retirada antes de executar qualquer manutenção na ferramenta.

Instalação ou extracção da corrente da electroseerra (Fig. 8, 9, 10, 11, 12 e 13)

⚠ PRECAUÇÃO:

- Use sempre luvas quando colocar ou retirar a corrente da electroseerra.
- A corrente da electroseerra e a espada-guia estão juntos logo a seguir a desligar a ferramenta. Deixe-os arrefecer o suficiente antes de efectuar qualquer trabalho na ferramenta.

Para remover a corrente da electroseerra, realize as seguintes etapas:

1. Prima e abra totalmente a alavanca até ao batente.
2. Rode o indicador de ajuste na direcção “-” para libertar a tensão da lâmina.
3. Gire a alavanca no sentido contrário ao dos ponteiros do relógio para soltar a tampa da roda dentada até ser possível retirá-la.
4. Retire cobertura da roda dentada.
5. Retire a corrente da electroseerra e a espada-guia da motosserra.

Para instalar a corrente da electroseerra, realize as seguintes etapas:

6. Certifique-se de que a lâmina está na direcção certa. A marca da seta na lâmina mostra a direcção da mesma.
7. Encaixe uma extremidade da lâmina na parte de cima da espada-guia e a outra extremidade da mesma em volta da roda dentada.
8. Encoste a espada-guia no lugar sobre a lâmina.
9. Rode o indicador de ajuste na direcção “-” para deslizar o pino de ajuste na direcção da seta.
10. Instale a tampa da roda dentada na serra de modo a que o pino de ajuste fique posicionado num pequeno orifício na espada-guia.
11. Rode a alavanca até ao fim no sentido dos ponteiros do relógio e um quarto de volta para trás de modo a manter a lâmina solta para poder ajustar a tensão.
12. Rode o indicador de ajuste e ajuste a tensão da lâmina.
13. Rode a alavanca no sentido dos ponteiros do relógio para fixar a tampa da roda dentada.
14. Empurre e volte a colocar a alavanca na posição original.

Regular a tensão da corrente da electroseerra (Fig. 8 e 14)

A corrente da electroseerra pode ficar frouxa após muitas horas de utilização. Verifique de vez em quando a tensão da corrente da electroseerra antes de utilizar a serra.

1. Prima e abra totalmente a alavanca até ouvir um estalido. Rode-a ligeiramente no sentido contrário ao dos ponteiros do relógio para soltar minimamente a tampa da roda dentada.
2. Levante ligeiramente a ponta da espada-guia.
3. Rode o indicador de ajuste para ajustar a tensão da lâmina. Aperte a lâmina até o lado inferior da mesma encaixar na calha da espada-guia (ver o círculo na figura).
4. Continue a segurar a espada-guia ao de leve e aperte a tampa da roda dentada depois de ajustar a tensão da lâmina. Certifique-se de que a lâmina não fica solta na parte de baixo.
5. Empurre e volte a colocar a alavanca na posição original.

Certifique-se de que a lâmina fica bem encaixada contra a parte inferior da espada-guia.

⚠ PRECAUÇÃO:

- Não aperte demasiado a lâmina. Uma tensão excessivamente alta da lâmina pode parti-la, provocar desgaste na espada-guia e partir o indicador de ajuste.
- Uma lâmina demasiado solta pode saltar para fora da espada e, deste modo, apresentar riscos de acidente.
- Continue a executar o procedimento de instalação ou remoção da lâmina num local limpo, sem serradura e outro tipo de sujidade.

Batente de espigões (acessório opcional) (Fig. 15)

Para instalar o batente de espigões, realize os seguintes passos:

1. Retire a tampa da roda dentada, a serra e a espada-guia como descrito neste manual de instruções.
2. Instale os orifícios do batente de espigões juntamente com os orifícios da motosserra.
3. Aperte-os firmemente com parafusos.

FUNCIONAMENTO

⚠ PRECAUÇÃO:

- Não cubra os respiradouros ou pode provocar sobreaquecimento e danificar a ferramenta.

Lubrificação (Fig. 16 e 17)

A corrente da electroseerra é lubrificada automaticamente ao funcionar com a ferramenta.

Verifique a quantidade de óleo restante no tanque através do visor de inspecção.

Retire a tampa do tanque de óleo para encher o tanque. Depois de encher, sempre feche a tampa do tanque de óleo da motosserra.

⚠ PRECAUÇÃO:

- Ao colocar óleo de corrente na motosserra pela primeira vez ou quando encher o tanque após o mesmo estar completamente vazio, adicione o óleo até a borda inferior do gargalo de enchimento. Caso contrário, o fornecimento de óleo pode ser prejudicado.
- Utilize óleo exclusivo para electrosserras Dolmar ou outros óleos disponíveis no mercado como óleo de lubrificação.

- Nunca utilize óleo com poeira ou partículas nem óleo volátil.
- Utilize sempre óleo vegetal quando podar árvores. O óleo mineral pode danificar as árvores.
- Nunca force a motosserra ao podar árvores.
- Antes de começar a podar, certifique-se de que a tampa do tanque de óleo está fechada.

Segure a motosserra afastada da árvore. Ligue-a e aguarde até que a corrente da electroserra seja lubrificada adequadamente.

Coloque o batente de espigões em contacto com o ramo a ser cortado antes de ligar a ferramenta. Caso contrário pode fazer com que a espada-guia oscile, resultando em ferimentos no operador.

Serre a madeira que necessita de serrar movendo apenas a serra para baixo.

TRABALHAR COM A MOTOSSERRA

⚠️ PRECAUÇÃO:

- Os utilizadores iniciantes devem antes praticar e cortar troncos sobre um cavalete de serra ou suporte.
- Quando serrar madeira pré-cortada utilize um suporte de segurança (cavalo ou berço de corte). Não segure a peça de trabalho com o pé e não permita que ninguém a segure nem a mantenha estável.
- Fixe as peças circulares contra a rotação.

Podar árvores (Fig. 18, 19, 20 e 21)

⚠️ PRECAUÇÃO:

- Mantenha todo o seu corpo afastado da corrente da electroserra quando o motor estiver a funcionar.
- Segure a motosserra firmemente com as duas mãos quando o motor estiver a funcionar.
- Não se incline. Mantenha sempre os pés firmes e em equilíbrio.

Coloque o batente de espigões em contacto com o ramo a ser cortado antes de ligar a ferramenta. Se cortar sem que o batente de espigões esteja em contacto com o ramo, pode fazer com que a espada-guia oscile, resultando em ferimentos no operador.

Quando cortar ramos grossos, faça primeiro um corte pouco profundo por baixo e em seguida faça o corte final a partir de cima.

Se tentar cortar ramos grossos por baixo, o ramo pode dobrar-se sobre a corrente da electroserra e prendê-la. Se tentar cortar ramos grossos por cima sem ter feito um corte pouco profundo por baixo, o ramo pode estilhaçar-se.

Se não conseguir cortar a madeira completamente com um simples corte:

Exerça uma pressão ligeira na pega e continue a serrar e recue a motosserra um pouco; em seguida coloque a ponta um pouco mais baixa e acabe o corte levantando a pega.

Cortes transversais (Fig. 22, 23 e 24)

Para serrar às fatias, encoste o batente de espigões apresentado na figura no ramo a cortar.

Com a corrente da electroserra a funcionar, serre a madeira utilizando a pega superior para elevar a serra e a frontal para guiá-la.

Utilize o batente de espigões como pivot.

Continue o corte aplicando uma ligeira pressão na pega dianteira, facilitando a saída da serra para trás, ligeiramente. Mova o batente de espigões mais para baixo na madeira e suba novamente a pega dianteira.

Ao executar diversos cortes, desligue a motosserra entre os cortes.

⚠️ PRECAUÇÃO:

- Se utilizar a borda superior da espada para cortar, a motosserra pode ser impulsionada na sua direcção se a corrente ficar presa. Por isso, corte com a borda inferior para que, se ocorrer, a serra seja impulsionada para o lado oposto a si.

Se a madeira estiver sob tensão, corte primeiro o lado sob pressão (A).

Em seguida execute o corte final no lado de tensão (B). Isto evita que a espada fique presa.

Cortar ramos

⚠️ PRECAUÇÃO:

- O corte de ramos deve ser executado somente por pessoal treinado. Há alto perigo de recuo.

Quando corta ramos, procure apoiar a motosserra no tronco, se possível. Não utilize a ponta da espada para cortar, pois isso provoca o risco de recuo.

Tenha muita cautela com os ramos que tenham tensão. Não corte por baixo os ramos livres.

Não fique de pé sobre o tronco derrubado quando corta ramos.

Cortes profundos e paralelos à fibra (Fig. 25)

⚠️ PRECAUÇÃO:

- Os cortes profundos e paralelos à fibra devem ser executados somente por pessoal com treinamento especial. A possibilidade de recuo provoca o risco de ferimentos.

Realize cortes paralelos às linhas da madeira num ângulo o mais raso possível. Continue a cortar o mais cuidadosamente possível, uma vez que o batente de espigões não pode ser usado.

Abate de árvores (Fig. 26, 27, 28 e 29)

⚠️ PRECAUÇÃO:

- O trabalho de abate de árvores deve ser executado somente por pessoal treinado. Este trabalho é muito perigoso.

Observe os regulamentos locais se desejar abater uma árvore.

- Antes de começar o abate de árvores, certifique-se de que:

- (1) Somente pessoas envolvidas na operação de abate de árvores estejam nas proximidades;
- (2) Todas as pessoas envolvidas tenham um caminho para afastar-se com distância de cerca de 45° em cada lado do eixo de queda. Considere também o risco adicional de tropeçar nos fios eléctricos;
- (3) A base do tronco esteja livre de objectos estranhos, raízes e ramos;
- (4) Não há pessoas nem objectos em uma distância de 2 1/2 vezes a altura da árvore na direcção que a árvore vai cair.

- Considere o seguinte com respeito a cada árvore:

- Direcção da inclinação;
- Ramos soltos ou secos;
- Altura da árvore;
- Saliência natural;
- Se a árvore está podre ou não.

- Tenha em conta a direcção e a velocidade do vento. Não corte árvores se estiver a ventar demais.

- Corte de raízes salientes: Comece com a raiz maior. Primeiro execute o corte vertical e depois o horizontal.
- Corte o entalhe: O entalhe determina a direcção da queda e guia a árvore. O entalhe deve ser executado no lado que a árvore cairá. Corte o entalhe perto do solo o máximo possível. Primeiro faça o corte horizontal com uma profundidade cerca de 1/5 a 1/3 do diâmetro do tronco. Não faça o entalhe grande demais. Em seguida, faça o corte diagonal.
- Quando corrige o corte, faça sempre em toda a extensão da largura do entalhe.
- Faça o corte de trás um pouco mais alto do que o corte inferior do entalhe. O corte de trás deve ser exactamente horizontal. Deixe uma distância aproximada de 1/10 do diâmetro do tronco entre o corte de trás e o entalhe.
As fibras da madeira na parte não cortada do tronco funcionam como uma dobradiça. Nunca, sob nenhuma circunstância, corte completamente as fibras, ou a árvore cairá sem controlo. Coloque cunhas no corte de trás a tempo.
- Deve-se utilizar somente cunhas de alumínio ou de plástico para manter o corte de trás aberto. A utilização de cunhas de ferro não é permitida.
- Fique sempre ao lado da árvore a cair. Mantenha uma zona livre atrás da árvore a cair com um ângulo de 45° em cada um dos lados do eixo da árvore (consulte a ilustração "Área de queda"). Tenha cuidado com os ramos a cair.
- Antes de começar a cortar, deve-se planejar e abrir um caminho de fuga, como necessário. O caminho de fuga deve estender-se diagonalmente para trás da linha da queda, como indicado na ilustração.

Transporte da motosserra (Fig. 30)

Retire sempre o cartucho da bateria da ferramenta e sobreponha a espada-guia à cobertura da espada-guia antes de transportar a ferramenta. Cubra igualmente o cartucho da bateria com a tampa apropriada.

MANUTENÇÃO

⚠ PRECAUÇÃO:

- Certifique-se sempre de que a ferramenta está desligada e a bateria retirada antes de tentar executar qualquer inspecção ou manutenção.
- Use sempre luvas quando executar qualquer inspecção ou manutenção.
- Nunca utilize gasolina, benzina, diluente, álcool ou produtos semelhantes. Pode ocorrer a descoloração, deformação ou rachaduras.

Afiação da corrente da electroerra (Fig. 31)

⚠ PRECAUÇÃO:

- Sempre retire a bateria e utilize luvas de segurança ao efectuar a manutenção da corrente da electroerra.

Afiar a corrente da electroerra quando:

- O pó de serragem produzido ao serrar madeira húmida parece farinha.
- A corrente penetra na madeira com dificuldade, mesmo que exerça bastante pressão.
- O fio do corte está obviamente danificado;
- A serra puxa para a esquerda ou direita ao serrar a madeira. Isto é devido à afiação irregular da corrente da electroerra ou danos a um dos lados.

Afiar a corrente da electroerra frequentemente, mas sem remover muito material.

Normalmente, duas ou três passadas da lima será o suficiente para afiação regular. Leve a corrente da electroerra para ser afiada num centro especializado DOLMAR se já a afiou várias vezes.

Crítérios para afiar: (Fig. 32 e 33)

- Todo o comprimento da serrilha tem de ser igual. Os dentes de diferentes comprimentos impedem a serra de cortar suavemente e podem fazer com que a serra parta.
- Não afie mais a serra a partir do momento que os dentes atingem um comprimento mínimo de 3 mm. Nesta altura, terá de instalar uma nova serra.
- A espessura do dente é determinada pela distância entre o indicador de profundidade (ponta redonda) e a extremidade cortante.
- Os melhores resultados de corte são obtidos com a seguinte distância entre a extremidade de corte e o indicador de profundidade.
Lâmina da serra 291 (90PX): 0,5 mm
Lâmina da serra 492 (91PX): 0,65 mm
Lâmina da serra 25 (25AP): 0,65 mm

⚠ AVISO:

- Uma distância excessiva aumenta o risco de recuo.
- Um ângulo de acutilância de 30° terá de ser o mesmo para todos os dentes. As diferenças de ângulo fazem com que a serra funcione mais difícil e irregularmente, acelerem o desgaste e fazem com que a serra parta.
- O ângulo do prato lateral da serra é determinado pela profundidade de penetração da lima. Se a lima especificada for utilizada adequadamente, o ângulo correcto do prato lateral é produzido automaticamente.
- O ângulo do prato lateral para cada serra é o seguinte:
Lâmina da serra 291 (90PX): 75°
Lâmina da serra 492 (91PX): 80°
Lâmina da serra 25 (25AP): 85°

Limas e como trabalhar com elas (Fig. 34, 35 e 36)

- Utilize uma lima circular especial (acessório opcional) para motosserras para afiar a serra. As limas circulares normais não são adequadas.
- O diâmetro da lima circular para cada serra é o seguinte:
Lâmina da serra 291 (90PX): 4,5 mm
Lâmina da serra 492 (91PX): 4,0 mm
Lâmina da serra 25 (25AP): 4,0 mm
- A lima só deve engatar nos dentes no curso para a frente. Levante a lima para a retirar da serra no curso de retorno.
- Afie primeiro os dentes mais curtos. Em seguida, o comprimento destes dentes mais curtos passa a ser o padrão para os restantes na serra.
- Movimente a lima como indicado na ilustração.
- O movimento da lima torna-se mais fácil se utilizar um porta-limas (acessório opcional). O porta-limas é marcado com o ângulo de afiação correcto de 30° (alinhar as marcas paralelas com a corrente da electroerra) e limita a profundidade de penetração (aos 4/5 do diâmetro da lima).
- Depois de afiar a corrente, verifique a altura do limitador de profundidade utilizando um calibrador de corrente (acessório opcional).

- Retire qualquer material saliente, por menor que seja, com uma lima chata especial (acessório opcional).
- Arredonde a frente do limitador de profundidade outra vez.

Limpar a espada (Fig. 37)

Partículas e pó da motosserra acumulam-se na ranhura da espada obstruindo e diminuindo o fluxo do óleo. Retire sempre as partículas e o pó quando afiar ou substituir a corrente da electroserra.

Limpeza do orifício de saída de óleo (Fig. 38)

Pó fino ou partículas podem se acumular no orifício de saída de óleo do durante o funcionamento.

Pó fino ou partículas acumuladas no orifício de saída podem prejudicar o fluxo de óleo e resultar em lubrificação insuficiente da corrente da electroserra inteira.

Se ocorrer a dispensa insuficiente de óleo da corrente no topo da espada, limpe o orifício de saída como a seguir. Retire a bateria da ferramenta.

Retire a cobertura da roda dentada e a corrente da electroserra. (Consulte a secção intitulada "Instalação ou extracção da corrente da electroserra".)

Remova as pequenas partículas de poeira ou outras utilizando uma chave de fendas de ponta achatada e alongada ou um dispositivo semelhante.

Coloque a bateria na ferramenta.

Aperte o gatilho do interruptor para expelir óleo a fim de remover a poeira e partículas acumuladas no orifício de saída de óleo.

Retire a bateria da ferramenta.

Reinstale a cobertura da roda dentada e a corrente da electroserra.

Substituição da roda dentada (Fig. 39 e 40)

Antes de instalar uma corrente da electroserra nova, verifique a condição da roda dentada.

⚠ PRECAUÇÃO:

- Uma roda dentada gasta danificará a corrente da electroserra nova. Substitua a roda dentada quando estiver gasta. A roda dentada deve ser instalada de modo que fique de acordo com a ilustração.

Sempre coloque um anel de trava novo ao substituir a roda dentada.

Substituição das escovas de carvão (Fig. 41 e 42)

Retire e inspeccione as escovas de carvão regularmente. Substitua-as quando estiverem gastas até à marca limite. Mantenha as escovas de carvão limpas e a deslizarem livremente nos suportes. As duas escovas de carvão devem ser substituídas ao mesmo tempo. Utilize só escovas de carvão idênticas.

Utilize uma chave de parafusos para retirar as tampas do porta escovas. Tire as escovas gastas, coloque as novas e prenda as tampas do porta escovas.

Armazenar a ferramenta

Limpe a ferramenta antes de armazenar. Limpe as partículas e o pó da motosserra depois de retirar a cobertura da roda dentada. Depois de limpa, funcione-a em vazio para lubrificar a corrente da electroserra e a espada.

Cubra a espada-guia com a cobertura da espada-guia. Esvazie o tanque de óleo e coloque a motosserra.

Para manter a SEGURANÇA e a FIABILIDADE da ferramenta, as reparações e a manutenção ou as afinações só devem ser efectuadas num centro de assistência oficial DOLMAR, utilizando sempre peças de substituição DOLMAR.

Instruções para manutenção periódica

Para garantir uma vida útil longa, evite danificar e garanta o funcionamento total das funcionalidades de segurança. A manutenção seguinte tem de ser realizada regularmente.

Os pedidos em garantia só podem ser aceites se este trabalho for realizado regular e adequadamente. O não cumprimento dos trabalhos de manutenção indicados pode levar a acidentes!

O utilizador da motosserra não pode realizar os trabalhos de manutenção que não estejam descritos no manual de instruções. Esses trabalhos devem ser efectuados por um centro de assistência autorizado.

Tempo de funcionamento		Antes do funcionamento	Todos os dias	Todas as semanas	De 3 em 3 meses	Anualmente	Antes de armazenar
Artigo							
	Motosserra	Inspecção	<input type="radio"/>				
		Limpeza		<input type="radio"/>			
Verifique num centro de assistência autorizado.						<input type="radio"/>	<input type="radio"/>
Corrente da electrosserra	Inspecção	<input type="radio"/>					
	Afiar se necessário.						<input type="radio"/>
Espada-guia	Inspecção	<input type="radio"/>	<input type="radio"/>				
	Remover da motosserra.						<input type="radio"/>
Travão da serra	Verificar o funcionamento.	<input type="radio"/>					
	Inspecionar regulamente num centro de assistência autorizado.				<input type="radio"/>		
Lubrificação da serra	Verificar a taxa de alimentação de óleo.	<input type="radio"/>					
Gatilho do interruptor	Inspecção	<input type="radio"/>					
Botão de bloqueio	Inspecção	<input type="radio"/>					
Tampão do depósito de óleo	Verificar a estanquidade.	<input type="radio"/>					
Fixador da serra	Inspecção			<input type="radio"/>			
Parafusos e porcas	Inspecção			<input type="radio"/>			

014804

SOLUÇÃO DE PROBLEMAS

Antes de solicitar reparos, faça primeiro uma inspecção. Se encontrar um problema que não esteja explicado no manual, não tente desmontar a ferramenta. Em vez disso, solicite o conserto a um centro de assistência técnica autorizada Dolmar, usando sempre peças de reposição originais Dolmar.

Problema	Causa	Ação
A motosserra não arranca.	Não estão instalados dois cartuchos de bateria.	Instale os cartuchos de bateria carregados.
	Problema com a bateria (tensão baixa).	Recarregue o cartucho de bateria. Se recarregar a bateria não solucionar, substitua o cartucho de bateria.
A serra não anda.	Travão da serra activado.	Solte o travão da serra.
O motor pára de funcionar depois de pouco tempo de utilização.	O nível da carga da bateria está baixo.	Recarregue o cartucho de bateria. Se recarregar a bateria não solucionar, substitua o cartucho de bateria.
Não há óleo na serra.	O depósito de óleo está vazio.	Encha o depósito de óleo.
	Ranhura-guia do óleo suja.	Limpe a ranhura.
	O fornecimento do óleo não está correctamente ajustado.	Ajuste a quantidade de alimentação de óleo.
Não atinge o RPM máximo.	O cartucho de bateria está instalado de forma incorrecta.	Instale a bateria como descrito neste manual.
	A potência da bateria cai.	Recarregue o cartucho de bateria. Se recarregar a bateria não solucionar, substitua o cartucho de bateria.
	O sistema de accionamento não funciona correctamente.	Solicite o conserto em um centro de assistência técnica autorizada local.
A serra não pára mesmo quando o travão está activado: Desligue a máquina imediatamente!	A banda do travão está gasta.	Solicite o conserto em um centro de assistência técnica autorizada local.
Vibração anormal: Desligue a máquina imediatamente!	A espada-guia ou a corrente da electroserra está solta.	Ajuste a espada-guia e a tensão da serra da ferramenta.
	Falha de funcionamento da ferramenta.	Solicite o conserto em um centro de assistência técnica autorizada local.

014805

ACESSÓRIOS OPCIONAIS

PRECAUÇÃO:

Estes acessórios ou peças são recomendados para utilização com a ferramenta Dolmar especificada neste manual. A utilização de outros acessórios ou peças pode ser perigosa para as pessoas. Utilize apenas acessórios ou peças para os fins indicados.

Se precisar de ajuda para obter mais informações relativas a estes acessórios, entre em contacto com o centro de assistência Dolmar local.

- Bateria e carregador originais da Dolmar
- Corrente da electroserra
- Espada-guia
- Cobertura da espada-guia
- Lima
- Bolsa da ferramenta

NOTA:

- Alguns itens da lista podem estar incluídos na embalagem da ferramenta como acessórios padrão. Eles podem variar de país para país.

ENG905-1

Ruído

A característica do nível de ruído A determinado de acordo com EN60745:

Nível de pressão de som (L_{pA}): 84,4 dB (A)
 Nível de potência de som (L_{WA}): 95,4 dB (A)
 Variabilidade (K): 2,5 dB (A)

Utilize protectores para os ouvidos

Vibração

O valor total da vibração (soma vectorial tri-axial) determinado de acordo com EN60745:

Modelo AS-3726

Modo de trabalho: cortar madeira
Emissão de vibração (a_w): 4,7 m/s²
Variabilidade (K): 1,5 m/s²

Modelo AS-3731

Modo de trabalho: cortar madeira
Emissão de vibração (a_w): 6,3 m/s²
Variabilidade (K): 1,5 m/s²

ENG901-1

- O valor da emissão de vibração indicado foi medido de acordo com o método de teste padrão e pode ser utilizado para comparar duas ferramentas.
- O valor da emissão de vibração indicado pode também ser utilizado na avaliação preliminar da exposição.

⚠ AVISO:

- A emissão de vibração durante a utilização real da ferramenta eléctrica pode diferir do valor de emissão indicado, dependendo das formas como a ferramenta é utilizada.
- Certifique-se de identificar as medidas de segurança para protecção do operador que sejam baseadas em uma estimativa de exposição em condições reais de utilização (considerando todas as partes do ciclo de operação, tal como quando a ferramenta está desligada e quando está a funcionar em marcha lenta além do tempo de accionamento).

Só para países Europeus**Declaração de conformidade CE**

Os abaixo assinado, Rainer Bergfeld, autorizado por Dolmar GmbH, declara que a(s) máquina(s) DOLMAR:

Designação da ferramenta:

Motosserra a Bateria

Modelos n°/Tipo: AS-3726, AS-3731

Especificações: consulte a tabela "ESPECIFICAÇÕES".
são de produção de série e

Em conformidade com as seguintes directivas europeias:

2000/14/CE, 2006/42/CE

E estão fabricados de acordo com as seguintes normas ou documentos normativos:

EN ISO 11682-2

N° de certificado do exame de tipo CE 4812068.13006

Exame de tipo CE efectuado em conformidade com a 2006/42/CE por:

DEKRA Testing and Certification GmbH

Enderstraße 92b

01277 Dresden

Germany

Identificação N° 2140

A documentação técnica encontra-se arquivada em:

Dolmar GmbH,

Jenfelder Straße 38, Abteilung FZ,

D-22045 Hamburg

Os procedimentos de avaliação da conformidade requeridos pela directiva 2000/14/CE foram efectuados de acordo com o anexo V.

Nível de potência sonora medido: 95,4 dB (A)

Nível de potência sonora garantido: 98 dB (A)

20.12.2013



Rainer Bergfeld
Director Gerente

Illustrationsoversigt

1 Rød indikator	16 Justeringspind	29 Flugtvej
2 Knap	17 Hul	30 Sværdbeskytter
3 Akku	18 Sværd	31 Batteridæksel
4 Stjernemærke	19 Løsn	32 Skærelængde
5 Akku-indikator	20 Stram	33 Afstand mellem skærekant og dybdemåler
6 Låseknop	21 Savkæde	34 Minimum 3 mm
7 Afbryderknop	22 Olietankhætte	35 Sidepladevinkel
8 Frontkappe	23 Olieinspektionsrude (til opfyldning af tanken med olie)	36 Kærsvkrutrækker
9 Lås	24 Olieinspektionsrude	37 Låsering
10 Frigør	25 Barkstød	38 Slidmarkering
11 Justérskrue	26 Fældningsområde	39 Kulholderdæksel
12 Kædehjulsdæksel	27 Fældningsretning	40 Skruetrækker
13 Arm	28 Farezone	
14 Justeringsdrejknop		
15 Kædehjul		

SPECIFIKATIONER

Model		AS-3726		AS-3731
Standardsværd	Sværdlængde	250 mm		300 mm
	Snitlængde	23 cm	24 cm	28 cm
	Type	Kædehjulsids	Udskæringsstang	Kædehjulsids
Standard savkæde	Type	492 (91PX)	25 (25AP)	291 (90PX)
	Stigning	9,5 mm (3/8")	6,35 mm (1/4")	9,5 mm (3/8")
	Tykkelse	1,3 mm (0,05")	1,3 mm (0,05")	1,1 mm (0,043")
	Antal drivled	40	60	46
Kædehjul	Antal tænder	6	9	6
	Stigning	9,5 mm (3/8")	6,35 mm (1/4")	9,5 mm (3/8")
Længde (uden sværd)		316 mm		
Nettovægt	*1	4,1 kg		
	*2	4,6 kg	4,7 kg	
Kædehastighed pr. minut		8,3 m/s (500 m/min)		
Kædeolietank volumen		85 cm ³		
Mærkespænding		D.C. 36 V		

• På grund af vores kontinuerlige forskningsprogrammer og udvikling, kan hosstående specifikationer blive ændret uden varsel.

• Specifikationer og akku kan variere fra land til land.

*1 Vægt inklusive største akku, uden sværd og kæde, tom olietank, i henhold til EN ISO 11681-2.

*2 Vægt inklusive akku, sværd og kæde, fyldt olietank, i henhold til EPTA-Procedure 01/2003.

ADVARSEL: Brug en passende kombination af sværd og savkæde. I modsat fald kan det medføre personskaade.

END313-1

Symboler

Nedenstående symboler er anvendt i forbindelse med denne maskine. Vær sikker på, at De har forstået symbolernes betydning, før maskinen anvendes.



• Læs brugsanvisningen.



• Brug øjenbeskyttelse.



• Brug høreværn.



• Bær hjelm, sikkerhedsbriller og høreværn.



- Brug passende beskyttelse til fødder/ ben og hænder/arme.



- Denne sav må kun anvendes af oplærte operatører.



- Udsæt ikke saven for regn.



- Maks. tilladt skærelængde



- Retning af kædens bevægelse



- Justering af savkædeolie



- Kun for EU-lande
Elektrisk udstyr og akkuer må ikke bortskaffes sammen med almindeligt husholdningsaffald!
I henhold til det europæiske direktiv om bortskaffelse af udtjent elektrisk og elektronisk udstyr og batterier og akkumulatører samt udtjente batterier og akkumulatører og udførelsen af dette i overensstemmelse med nationale love, skal elektrisk udstyr og batterier og akku(er), som er udtjente, indsamles separat og returneres til en miljømæssigt kompatibel genvindingsfacilitet.

ENE090-1

Tilsigtet anvendelse

Kædesaven er beregnet til afskæring af grene/beskæring af træer. Den er også velegnet til afgreningsarbejde.

GEA010-1

Almindelige sikkerhedsregler for el-værktøj

⚠ ADVARSEL! Læs alle sikkerhedsadvarsler og alle sikkerhedsinstruktioner. Hvis nedenstående advarsler og instruktioner ikke overholdes, kan resultatet blive elektrisk stød, brand og/eller alvorlig personskade.

Gem alle advarsler og instruktioner til fremtidig reference.

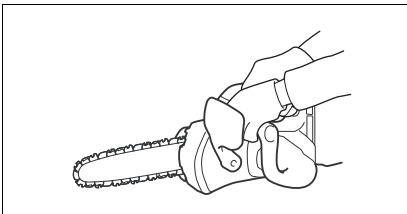
GEB118-1

Sikkerhedsadvarsler for akku-kædesav:

1. **Hold alle kropsdele på god afstand af savkæden, når kædesaven er i gang. Sørg for, inden kædesaven startes, at savkæden ikke er i kontakt med noget.** Et øjeblikks uopmærksomhed under anvendelse af kædesaven kan bevirke, at Deres tøj eller kropsdele kommer i kontakt med savkæden.
2. **Når De holder kædesaven med begge hænder, bør De altid holde i kædesaven med højre hånd på det bageste håndtag og venstre hånd på det forreste håndtag.** Hvis De holder i kædesaven med omvendt placering af hænderne, vil risikoen for tilskadekomst blive øget, hvorfor dette aldrig bør gøres.

3. **Hold altid kun i maskinen i de isolerede grebflader, da savkæden kan komme i berøring med skjulte ledninger.** En savkæde, der kommer i berøring med en strømførende ledning, kan gøre de udsatte metaldele på maskinen strømførende, hvilket kan give operatøren elektrisk stød.
4. **Bær altid sikkerhedsbriller og høreværn. Anvendelse af yderligere beskyttelsesudstyr til hoved, hænder, ben og fødder anbefales.** Fyldstgørende beskyttelsestøj vil reducere risikoen for tilskadekomst, som er forårsaget af flyvende afskær eller utilsigtet kontakt med savkæden.
5. **Sørg hele tiden for sikkert fodfæste.** Glatte og ustabile flader kan medføre, at man mister balancen eller herredømmet over kædesaven.
6. **Når man skærer en gren, der er spændt, skal man være på vagt mod tilbageslag.** Når træfibrenes spænding udløses, kan den spændte gren ramme operatøren og/eller slynge kædesaven ud af kontrol.
7. **Udvis den største forsigtighed, når De skærer krat og unge træer.** Det tynde materiale kan blive fanget i savkæden og blive slynget mod Dem eller slå Dem ud af balance.
8. **Bær altid kædesaven i det forreste håndtag med kædesaven slukket og vendende bort fra kroppen.** Når kædesaven transporteres eller lægges til opbevaring, skal sværdbeskytteren altid sættes på. Korrekt håndtering af kædesaven vil reducere sandsynligheden for utilsigtet kontakt med den kørende savkæde.
9. **Følg instruktionerne for smøring, kædespænding og udskiftning af ekstraudstyr.** En fejlagtig spændt eller smurt kæde kan enten knække, eller risikoen for tilbageslag kan øges.
10. **Hold håndtagene tørre, rene og fri for olie og fedt.** Fedtede, olieglatte håndtag er glatte og kan bevirke, at herredømmet over saven mistes.
11. **Skær kun i træ. Anvend ikke kædesaven til andre formål end dem, den er beregnet til. Anvend for eksempel ikke kædesaven til at skære i plastic, murværk eller byggematerialer, som ikke er af træ.** Anvendelse af kædesaven til andre formål end de tilsigtede kan resultere i farlige situationer.
12. **Årsager til tilbageslag og hvordan operatøren kan forhindre det:**
Tilbageslag kan opstå, hvis næsen eller spidsen af sværdet berører en genstand eller hvis træet lukker sammen og klemmer savkæden fast i snittet. Spidskontakt kan i visse tilfælde forårsage en pludselig baglæns reaktion, hvorved sværdet trykkes op og tilbage mod operatøren. Hvis savkæden klemmes fast langs sværdets overside, kan sværdet blive presset hurtigt tilbage mod operatøren. Begge disse reaktioner kan bevirke, at De mister herredømmet over saven, hvilket kan resultere i alvorlig tilskadekomst. Stol ikke udelukkende på de sikkerhedsanordninger, som er indbygget i saven. Som bruger af en kædesav, bør De tage adskillige forholdsregler for at forhindre, at ulykker og tilskadekomst opstår under skærearbejdet. Tilbageslag er et resultat af misbrug og/eller forkert anvendelse af saven eller ukorrekte forhold og kan undgås ved at de herunder anviste sikkerhedsforskrifter overholdes:

- Hold godt fast i kædesaven med tommelfingre og de andre fingre omkring savens håndtag og med begge hænder på saven, således at tilbageslag modvirkes. Tilbageslag kan forhindres af operatøren, hvis de rigtige forholdsregler tages. Slip ikke kædesaven.



014673

- Ræk ikke over og skær ikke over skulderhøjde. Dette bidrager til at forebygge utilsigtet spidskontakt og muliggør en bedre beherskelse af kædesaven i uventede situationer.
 - Anvend udelukkende udskiftningssværd og -kæder, som er specificeret af fabrikanten. Forkerte udskiftningssværd og udskiftningskæder kan medføre brud på kæden og/eller tilbageslag.
 - Følg fabrikantens anvisninger for skærpelse og vedligeholdelse af savkæden. Mindskning af dybdemålerhøjden kan føre til øget tilbageslag.
13. Kontroller, inden arbejdet påbegyndes, at kædesaven er i korrekt arbejdstilstand og at dens tilstand opfylder betingelserne i sikkerhedsregulativerne. Kontroller specielt at:
- Kædebremser fungerer ordentligt;
 - Stopbremsen fungerer ordentligt;
 - Styret og kædehjulsdækslet er korrekt monteret;
 - Kæden er blevet skærpet og spændt i overensstemmelse med regulativerne;
14. Start ikke kædesaven med kædedækslet monteret. Hvis kædesaven startes med kædedækslet monteret, kan det bevirke, at kædedækslet slynges fremad med personskaide og skade på genstande omkring operatøren som resultat.

Sikkerhedsadvarsler specifikt for kædesav med tophåndtag

1. Denne kædesav er specielt designet med henblik på træpleje og -kirurgi. Kædesaven er udelukkende beregnet til brug for en dertil uddannet person. Overhold alle instrukser, fremgangsmåder og anbefalinger fra den relevante professionelle organisation. I modsat fald kan der opstå fare for dødsulykker. Det anbefales, at De altid anvender en teleskoplift (mobillift, lift) når De skal save oppe i et træ. Nedfiringsteknikker er særdeles farlige og kræver speciel træning. Operatøren skal være trænet i og have kendskab til brugen af sikkerhedsudstyr og klatreteknikker. Benyt altid de korrekte seler, reb og karabinhager, når De arbejder i træer. Brug altid fastholdelsesudstyr til både operatør og sav.

2. Udfør rengøring og vedligeholdelse inden opbevaring i overensstemmelse med brugsvejledningen.
3. Sørg for at placere kædesaven sikkert under biltransport, således at der ikke opstår læk af brændstof eller kædeolie, beskadigelse af saven eller personskaide.
4. Kontrollér jævnligt, at kædebremser virker.
5. Fyld ikke kædeolie på i nærheden af ild. Undlad at ryge, mens De fylder kædeolie på.
6. Nationale regler kan indskrænke brugen af kædesave.
7. Hvis udstyret udsættes for hårde stød eller fald, bør De kontrollere dets tilstand, inden De fortsætter med at bruge det. Kontrollér, om knapper og sikkerhedsanordninger fungerer korrekt. Hvis der findes skader, eller hvis De er i tvivl, bør De kontakte Deres autoriserede servicecenter med henblik på kontrol og evt. reparation.
8. Aktivér altid kædebremsen, inden De starter kædesaven.
9. Hold saven i et fast greb, så den ikke skøjter (glidebevægelser) eller hopper, når De begynder at skære.
10. Pas på ikke at miste balancen, når en gren er skåret over, og modstanden forsvinder.
11. Vær opmærksom på vindretning og -hastighed. Undgå savsmuld og kædeolietåge.

Beskyttelsesudstyr

1. Undgå hoved-, øjen-, hånd- eller fodskader og beskyt Deres hørelse ved altid at anvende følgende beskyttelsesudstyr under betjening af kædesaven:
 - Tøjet skal være hensigtsmæssigt, dvs. det skal være tætsluttende uden at hindre bevægelsesfriheden. Bær ikke smykker eller tøj, der kan sætte sig fast i buske og krat. Hvis De har langt hår, bør De altid bære et hårnet!
 - Det er til enhver tid påkrævet at bære en sikkerhedshjelm under arbejde med kædesaven. **Sikkerhedshjelm** skal regelmæssigt kontrolleres for skader og skal udskiftes senest efter 5 år. Brug altid en godkendt sikkerhedshjelm.
 - Sikkerhedshjelmens **ansigtsskjold** (eller beskyttelsesbriller) beskytter mod savsmuld og træsplinter. Under betjening af kædesaven bør De altid bære beskyttelsesbriller eller ansigtsskjold til forhindring af øjensskader.
 - Bær tilstrækkeligt **støjbeskyttelsesudstyr** (høreværn, ørepropper el. lign.)
 - **Beskyttelsesjakken** består af 22-lags nylonstof og beskytter operatøren imod snitsår. Den bør altid bæres, når De arbejder fra en hævet platform (mobillift, lift), fra en platform monteret på en stige, eller hvis De klatrer med reb.
 - **Beskyttelsesoveralls med smæk og seler** er fremstillet i 22-lags nylonstof og beskytter imod snitsår. Vi anbefaler på det kraftigste, at sådanne anvendes.
 - **Beskytteshandsker** fremstillet i tykt læder er en del af det korrekte udstyr og skal altid bæres under betjening af kædesaven.

- Under betjening af kædesaven bør De altid bære **sikkerhedssko** eller **sikkerhedsstøvler** med skridsikre såler og rustfri stålsnuder samt benbeskyttere. Sikkerhedssko med et beskyttende lag giver beskyttelse imod snit og sørger for sikkert fodfæste. Til arbejde i træer bør sikkerhedsstøvlerne være af en type, der er egnet til klatring.

Vibrationer

1. Personer med dårligt blodomløb, som udsættes for stærke vibrationer, kan beskadige blodårer eller nervesystem.

Vibrationerne kan forårsage følgende symptomer i fingre, hænder eller håndled: "En sovende fornemmelse" (følelseløshed), snurren, smerte, en stikkende følelse, ændringer i hudfarve eller hud.

Hvis nogen af disse symptomer optræder, bør De konsultere en læge!

Nedsæt risikoen for Raynauds syndrom, "hvide fingre", ved at holde hænderne varme under brugen og holde udstyr og tilbehør i god stand.

GEM DISSE FORSKRIFTER.

⚠ ADVARSEL:

LAD IKKE bekvemmelighed eller kendskab til produktet (opnået gennem gentagen brug) forhindre, at sikkerhedsforskrifterne for produktet nøje overholdes. **MISBRUG** eller forsømmelse af at følge de i denne brugsvejledning givne sikkerhedsforskrifter kan føre til, at De kommer alvorligt til skade.

ENC007-8

VIGTIGE SIKKEHEDSFORSKRIFTER

FOR AKKU

1. **Læs alle instruktioner og advarselmærkater på (1) akku opladeren, (2) akku og (3) produktet, som anvender akku.**
2. **Lad være med at skille batteripatronen ad.**
3. **Hold straks op med at anvende opladeren, hvis brugstiden er blevet stærkt afkortet. Fortsat anvendelse kan resultere i risiko for overophedning, forbrændinger og endog eksplosion.**
4. **Hvis du har fået elektrolytvæske i øjnene, skal du straks skylle den ud med rent vand og derefter øjeblikkeligt søge lægehjælp. I modsat fald kan resultatet blive, at du mister synet.**
5. **Vær påpasselig med ikke at komme til at kortslutte akkuen:**
 - (1) **Rør ikke ved terminalerne med noget ledende materiale.**
 - (2) **Undgå at opbevare akkuen i en beholder sammen med andre genstande af metal, som for eksempel søm, mønter og lignende.**
 - (3) **Udsæt ikke akkuen for vand eller regn. Kortslutning af akkuen kan være årsag til en kraftig øgning af strømmen, overophedning, mulige forbrændinger og endog maskinstop.**
6. **Opbevar ikke værktøj og akkuen på et sted, hvor temperaturen kan nå eller overstige 50°C.**

7. **Lad være med at brænde akkuen, selv ikke i tilfælde, hvor det har lidt alvorlig skade eller er fuldstændig udtjent. Akkuen kan eksplodere, hvis man forsøger at brænde den.**
8. **Lad være med at brænde akkuen eller udsætte det for stød.**
9. **Anvend ikke er akku, der er blevet tabt eller udsat for stød.**
10. **Følg de lokale regler angående bortskaffelse af akkuer.**

GEM DENNE BRUGSANVISNING.

Tips til opnåelse af maksimal akku-levetid

1. **Oplad altid akkuen, inden den er helt afladet. Stop altid værktøj og oplad akkuen, hvis det bemærkes, at maskineffekten er dalende.**
2. **Genoplad aldrig en fuldt opladet akku. Overopladning vil afkorte akkuens levetid.**
3. **Oplad akkuen ved stuetemperatur ved 10°C – 40°C. Lad altid en varm akku få tid til at køle af, inden den oplades.**
4. **Oplad akkuen en gang hver sjette måned, hvis den ikke anvendes i et længere tidsrum.**

FUNKTIONSBESKRIVELSE

⚠ FORSIGTIG:

- Sørg altid for at værktøjet er slukket, og at akkuen er taget ud, før der udføres justering eller kontrol af funktioner på værktøj.

Montering og afmontering af akku (Fig. 1)

⚠ FORSIGTIG:

- Sluk altid for værktøjet, inden De installerer eller fjerner akkuen.
- **Hold godt fast i værktøjet og akkuen, når akkuen installeres eller fjernes.**

Forsømmelse af at holde maskinen og akkuen fast kan bevirke, at de glider af hænde med beskadigelse af maskinen og akkuen og tilskadekomst til følge.

For at fjerne akkuen, skal man skyde den fra værktøjet, idet man skyder knappen på forsiden af akkuen i stilling. For at installere akkuen, skal man sætte tungen på akkuen ud for rillen i huset og skyde den på plads. Sæt den hele vejen ind, så den låses på plads med et lille klik. Hvis den røde indikator på oversiden af knappen er synlig, betyder det, at den ikke er helt låst.

⚠ FORSIGTIG:

- Sæt altid akkuen helt ind, så den røde indikator ikke kan ses. Hvis den ikke er sat helt ind, kan den ved et uheld falde ud af værktøjet, hvorved omkringstående eller De selv kan komme til skade.
- Sæt ikke akkuen i med magt. Hvis akkuen ikke glider nemt på plads, betyder det, at den ikke sættes korrekt i.

BEMÆRK:

- Maskinen fungerer ikke med brug af kun én akku.

Beskyttelsessystem for maskine/akku

Maskinen er udstyret med et beskyttelsessystem for maskinen/akkuen. Dette system afbryder automatisk strømmen til motoren og forlænger dermed maskinens og akkuens levetid.

Maskinen stopper automatisk under brugen, hvis maskinen eller akkuen bruges under en af de følgende omstændigheder. Under visse omstændigheder vil indikatorerne blive tændt.

Beskyttelse mod overbelastning

Hvis maskinen anvendes på en måde, der bevirker, at den forbruger en unormal mængde strøm, vil den automatisk stoppe uden nogen indikering. I denne situation skal man slukke for maskinen og stoppe den anvendelse, som bevirkede at maskinen blev overbelastet. Start derefter maskinen igen ved at tænde for den.

Overophedningsbeskyttelse for akku/maskine

Hvis akkuen/maskinen er overophedet, vil maskinen automatisk stoppe uden nogen indikering. Maskinen starter ikke, selv hvis afbryderen trykkes ind. I denne situation skal man lade akkuen/maskinen køle af, inden man igen tænder for maskinen.

BEMÆRK:

• Beskyttelsen mod overophedning af akkuen fungerer kun med en akku, der har stjernemærke. (Fig. 2)

Beskyttelse mod overafledning (Fig. 3)

Når den tilbageværende akku-kapacitet er blevet lav, vil akku-indikatoren blinke på den anvendte akku-side. Ved yderligere anvendelse stopper maskinen og akku-indikatoren lyser i omkring 10 sekunder. I denne situation skal man oplade akkuen.

Afbryderknappbetjening (Fig. 4)

⚠ FORSIGTIG:

• Inden akkuen sættes ind i maskinen, skal man altid kontrollere, at afbryderknappen fungerer korrekt og returnerer til stilling "OFF", når den slippes.

For at forhindre utilsigtet indtrykning af afbryderknappen er værktøj forsynet med en låseknop.

For at starte værktøjet trykkes låseknappen ind, hvorefter der trykkes på afbryderknappen. Slip afbryderknappen for at standse.

Kontrol af kædebremsen (Fig. 5)

BEMÆRK:

• Hvis kædesaven ikke starter, skal kædebremsen udløses. Træk frontkappen godt bagud, indtil det mærkes, at den er i indgreb.

Hold kædesaven med begge hænder, når De starter den. Hold det øverste håndtag med højre hånd og det forreste håndtag med venstre hånd. Sværdet og kæden må ikke være i berøring med nogen genstand.

Tryk først på låseknappen efterfulgt af afbryderknappen. Savkæden starter øjeblikkeligt.

Tryk frontkappen fremad med håndryggen. Savkæden skal stoppe umiddelbart.

⚠ FORSIGTIG:

• Hvis savkæden ikke stopper umiddelbart, når denne test udføres, må saven ikke under nogen omstændigheder anvendes. Rådfør Dem med en DOLMAR-forretning, der er specialist i reparationer.

Kontrol af stopbremsen

Tænd for kædesaven.

Frigør afbryderknappen helt. Savkæden skal være helt stoppet inden for et sekund.

⚠ FORSIGTIG:

• Hvis savkæden ikke er helt stoppet inden for et sekund, når denne test udføres, må saven ikke anvendes. Rådfør Dem med en DOLMAR-forretning, der er specialist i reparationer.

Justering af kædesmøringen (Fig. 6)

Det er muligt at justere pumpens fremføringsforhold med justeringsskrue. Mængden af olie kan justeres med universalnøglen.

Karabinhage (fastgørelsespunkt til reb) (Fig. 7)

Karabinhage (fastgørelsespunkt til reb) anvendes til ophængning af værktøj. Inden karabinhagen tages i brug, skal den trækkes ud og bindes med et reb.

SAMLING

⚠ FORSIGTIG:

• Sørg altid for at maskinen er slukket, og at akkuen er taget ud, før der udføres noget arbejde på maskinen.

Montering og afmontering af savkæde (Fig. 8, 9, 10, 11, 12 og 13)

⚠ FORSIGTIG:

• Bær altid beskyttelseshandsker, når De monterer eller afmonterer savkæden.

• Savkæden og sværdet er stadig varme lige efter brugen. Lad dem køle tilstrækkeligt af, inden der udføres noget arbejde på maskinen.

For at fjerne savkæden, skal man udføre de følgende trin:

1. Tryk på og åbn armen helt, indtil den stopper.
2. Drej justeringsdrejknappen i "—" retning for at udløse savkædens spænding.
3. Drej armen mod uret for at løsne kædehjulsdækslet, til det går af.
4. Fjern kædehjulsdækslet.
5. Fjern savkæden og sværdet fra kædesaven.

For at montere savkæden, skal man udføre følgende trin:

6. Bekræft kædens retning. Pilemærket på kæden viser kædens retning.
7. Sæt den ene ende af savkæden øverst på sværdet og den anden ende omkring kædehjulet.
8. Anbring sværdet på plads på kædesaven.
9. Drej justeringsdrejknappen i "—" retning for at flytte justeringsspinden i pilens retning.
10. Anbring kædehjulsdækslet på kædesaven, således at justeringsspinden er placeret i det lille hul i sværdet.
11. Drej armen hele vejen med uret og en kvart omdrejning tilbage, så den er løs nok til at kædespændingen kan justeres.
12. Drej justeringsdrejknappen og justér kædespændingen.
13. Drej armen med uret for at fastgøre kædehjulsdækslet.
14. Tryk på og returnér armen til dens udgangsstilling.

Indstilling af savkædens spænding (Fig. 8 og 14)

Savkæden kan blive løs efter mange timers brug. Kontroller fra tid til anden savkædens spænding inden brug.

1. Tryk på og åbn armen helt, indtil den klikker. Drej den lidt mod uret for at løsne kædehjulsdækslet en smule.
2. Løft spidsen på sværdet en smule op.
3. Drej justeringsdrejknappen for at justere savkædens spænding. Stram savkæden, indtil den nederste side af savkæden går ind i sværdkanten (se cirklen i illustrationen).
4. Hold fortsat sværdet let og stram kædehjulsdækslet, efter at kædespændingen er justeret. Sørg for, at savkæden ikke er løs på den nederste side.
5. Tryk på og returnér armen til dens udgangsstilling.

Sørg for, at savkæden sidder tæt mod sværdets nederste side.

⚠ FORSIGTIG:

- Stram ikke savkæden for meget. Ekstrem høj spænding af savkæden kan forårsage brud på savkæden, slitage af sværdet og brud på justeringsdrejknappen.
- En kæde, der er for løs, kan hoppe af sværdet, og udgør i så fald en risiko for ulykker.
- Udfør proceduren med at montere eller fjerne savkæden på et rent sted uden savsmuld og lignende.

Barkstøtte (ekstraudstyr) (Fig. 15)

Hvis De vil påmontere en barkstøtte, skal De følge nedenstående trin:

1. Fjern kædehjulsdækslet, savkæden og sværdet, som beskrevet i denne brugsvejledning.
2. Match hullerne i barkstøtten med hullerne i kædesaven.
3. Spænd barkstøtten godt fast med skruer.

ANVENDELSE

⚠ FORSIGTIG:

- Undlad at tildække ventilationsåbningerne, da dette kan føre til overophedning og beskadigelse af maskinen.

Smøring (Fig. 16 og 17)

Savkæden smøres automatisk, når værktøjet er i brug. Kontroller mængden af tilbageværende olie i olietanken gennem olieinspektionsruden.

For at fylde tanken op, skal man tage hættten af olietankåbningen.

Når tanken er fyldt op, skal man altid skrue den medfølgende olietankhætte på kædesaven.

⚠ FORSIGTIG:

- Når kædesaven for første gang fyldes op med kædeolie, eller tanken fyldes op igen, efter at den er blevet helt tom, skal der påfyldes olie op til bundkanten af påfyldningsstudsens. Hvis dette ikke gøres, kan olieforsyningen blive mangelfuld.
- Mht. savkædeolie, skal der udelukkende anvendes olie beregnet til Dolmar-kædesave eller olie, som fås i handelen.
- Anvend aldrig olie, som indeholder snavs og partikler eller flygtig olie.
- Ved beskæring af træer skal der anvendes planteolie. Anvendelse af mineralsk olie kan skade træerne.
- Pres aldrig kædesaven under beskæring af træer.

- Bekræft, inden skæringen påbegyndes, at den medfølgende olietankhætte er skruet på plads.

Hold kædesaven væk fra træet. Start den og vent, indtil smøremidlet på savkæden er tilstrækkeligt.

Bring barkstødet i kontakt med den gren, der skal skæres, inden De tænder for saven. Ellers kan sværdet rokke med tilskadekomst af operatøren som resultat.

Sav det træ, der skal skæres, ved blot at flytte den ned.

ARBEJDE MED KÆDESAVEN

⚠ FORSIGTIG:

- Førstegangsbrugeren bør som minimum øve sig på at skære bjælker på en savbuk eller et stativ.
- Ved savning af forhåndssavet tømmer, skal der anvendes en sikker støtte (savbuk eller stativ). Støt ikke arbejdsstykket med foden, og tillad ikke at andre holder eller støtter det.
- Fastgør runde stykker mod rotation.

Beskæring af træer (Fig. 18, 19, 20 og 21)

⚠ FORSIGTIG:

- Hold alle kroppsdele væk fra savkæden, når motoren er i gang.
- Hold fast på kædesaven med begge hænder, når motoren kører.
- Stræk ikke armene for langt ud. Sørg hele tiden for sikkert fodfæste og balance.

Bring barkstødet i kontakt med den gren, der skal skæres, inden De tænder for saven. Skæring uden at barkstødet er i kontakt med grenen, kan bevirke, at sværdet rokker med tilskadekomst af operatøren som resultat.

Når der saves tykke grene, skal der først laves en lille undersavning, hvorefter der færdigsaves ovenfra.

Hvis man forsøger at save tykke grene nedenfra, kan grenen brække nedad og klemme fast om savkæden. Hvis man forsøger at save tykke grene ovenfra uden at lave en lille undersavning, vil grenen flække.

Hvis man ikke kan save igennem emnet i et snit:

Sav med et let tryk samtidig med at kædesaven trækkes lidt tilbage, sværdspidsen skærer sig lidt nedad og snittet færdiggøres ved at håndtaget løftes opad.

Skæring i træstammer (Fig. 22, 23 og 24)

Ved skæring i træstammer placeres barkstødet, som vist på illustrationen, på det træ, der skal skæres i.

Lad savkæden køre og sav ned i træet, idet De benytter det øverste håndtag til at til at løfte saven og det forreste til at styre det.

Brug barkstødet som omdrejningspunkt.

Fortsæt snittet ved at udøve et let tryk på det forreste håndtag og trække saven let tilbage. Flyt barkstødet længere ned ad tømmeret og løft det forreste håndtag igen.

Sluk for saven mellem snittene, hvis De laver flere snit.

⚠ FORSIGTIG:

- Hvis den øverste kant af sværdet bruges til at skære, kan kædesaven blive slyngt mod Dem, hvis kæden kommer i klemme. Skær derfor med den nederste kant, så saven i givet fald slynges væk fra Dem.

Ved savning i træ, der ligger i spænd, skal der først saves på tryksiden (A).

Foretag derefter det sidste snit på spændsiden (B). Dette forhindrer at sværdet kommer i klemme.

Afgrening

⚠ FORSIGTIG:

- Afgrening må kun udføres af trænede personer. Risikoen for tilbageslag udgør en fare.

Ved afgrening skal kædesaven så vidt muligt understøttes på stammen. Sav ikke med spidsen af sværdet.

Vær især opmærksom på grene, der ligger i spænd. Sav ikke grene, der ikke er understøttet, nedefra.

Stå ikke på det fældede træ, mens De afgrener.

Indsnit og savning på langs af træårene (Fig. 25)

⚠ FORSIGTIG:

- Indsnit og savning på langs af træårene må kun udføres af personer med specialtræning. Muligheden for tilbageslag medfører risiko for tilskadekomst.

Udfør savning på langs af træårene i en så lille vinkel som muligt. Udfør snittet så omhyggeligt som muligt, da barkstødet ikke kan anvendes.

Fældning (Fig. 26, 27, 28 og 29)

⚠ FORSIGTIG:

- Fældningsarbejde må kun udføres af øvede personer. Dette arbejde er farligt.

Vær opmærksom på den lokale lovgivning, hvis De vil fælde et træ.

- Før De påbegynder fældningsarbejde, skal De sikre Dem at:

- (1) Kun personer, der har med fældningsarbejdet at gøre, er i nærheden;
- (2) Alle involverede personer har en uhindret flugtvej i et område på ca. 45° på hver side af fældningsaksen. Vær desuden opmærksom på risikoen for at snuble over elektriske ledninger.
- (3) Foden af træstubben er fri for fremmedlegemer, rødder og grene.
- (4) Der ikke er nogen personer eller genstande i en afstand på 2 1/2 gange træets længde i den retning, træet vil falde i.

- Vær opmærksom på følgende for hvert træ:

- Den retning, det hælder i;
- Løse eller tørre grene;
- Træets højde;
- Naturlige fremspring;
- Om træet er råddent;

- Vær opmærksom på vindstyrken og –retningen. Undlad at udføre fældningsarbejde, hvis der er kraftige vindstød.

- Beskæring af rodfremspring: Begynd med de største fremspring. Udfør det lodrette snit først og derefter det vandrette snit.

- Skær et vinkelret snit: Vinkelsnittet bestemmer, hvilken retning træet falder i, og fører det. Snittet foretages på den side, som træet skal falde til. Skær vinkelsnittet så tæt på jorden som muligt. Skær først det vandrette snit til en dybde af 1/5 – 1/3 af stammens diameter. Lav ikke vinkelsnittet for stort. Skær derefter det skrå snit.

- Skær alle korrektioner af vinkelsnittet i hele dets bredde.

- Skær bagsnittet lidt højere end grundsnittet i vinkelsnittet. Bagsnittet skal være helt vandret. Lad cirka 1/10 af stammens diameter mellem bagsnittet og vinkelsnittet være.

Træfibrene i den uskårne del af stammen fungerer som et hængsel. De må under ingen omstændigheder gennemskære fibrene, da træet i så fald vil falde ukontrolleret. Sæt kiler ind i bagsnittet i tide.

- Der må kun anvendes plastic- og aluminiumskiler til at holde bagsnittet åbent. Brug af jernkiler er forbudt.

- Stå til siden af det faldende træ. Hold et område bag det faldende træ ryddet på op til 45° til hver side af træets akse (se illustrationen "fældningsområde"). Vær opmærksom på faldende grene.

- En flugtvej bør forberedes og ryddes efter behov, inden arbejdet påbegyndes. Flugtvejen bør strække sig bagud og diagonalt til bagsiden af den forventede faldlinje som vist på illustrationen.

Når saven skal bæres (Fig. 30)

Fjern altid akkuen fra maskinen og dæk sværdet med sværdbeskytteren, inden maskinen transporteres. Dæk ligeledes akkuen med akkudækslet.

VEDLIGEHODELSE

⚠ FORSIGTIG:

- Sørg altid for at værktøj er slukket, og at akkuen er taget ud, før der udføres eftersyn eller vedligeholdelse på værktøj.
- Bær altid beskyttelseshandsker, når der udføres eftersyn eller vedligeholdelse.
- Anvend aldrig benzín, rensebenzin, fortynder, alkohol og lignende. Resultatet kan blive misfarvning, deformation eller revner.

Skærpning af savkæden (Fig. 31)

⚠ FORSIGTIG:

- Tag altid akkuen ud og brug sikkerhedshandsker, når De udfører arbejde på savkæden.

Skærp savkæden, hvis:

- Der frembringes meget savsmuld, når der skæres i fugtigt træ;
- Kæden kun gennemskærer træet med besvær, selv hvis der anvendes et kraftigt tryk;
- Skærekanten er klart ødelagt;
- Saven trækker til venstre eller højre i træet. Årsagen til dette fænomen er uensartet skærpning af savkæden eller beskadigelse af kun den ene side.

Skærp savkæden hyppigt, men fjern kun en smule materiale hver gang.

To eller tre strøg med en fil er sædvanligvis tilstrækkeligt til at udføre en almindelig skærpning. Når savkæden er blevet skærpet adskillige gange, skal den skærpes af en DOLMAR-butik med speciale i reparationer.

Skærpelseskriterier: (Fig. 32 og 33)

- Alle skærerlængder skal være ens. Skærere af forskellig længde vil forhindre kæden i at køre ubesværet og kan bevirke, at kæden brækker.
- Skærp ikke kæden, når en minimum skærerlængde på 3 mm er nået. En ny kæde skal i dette tilfælde monteres.
- Savspånstykkelser bestemmes af afstanden mellem dybde måler (rund næse) og skærekanten.

- De bedste skæresultater opnås med følgende afstand mellem skærekanten og dybdemåleren.
Kædeblad 291 (90PX): 0,5 mm
Kædeblad 492 (91PX): 0,65 mm
Kædeblad 25 (25AP): 0,65 mm

ADVARSEL:

- En for stor afstand vil øge risikoen for tilbageslag.
- Skærpelsesvinklen på 30° skal være den samme på alle skærere. Vinkelforskelle vil bevirke, at kæden kører ujævnt og uensartet, fremskynde slitage og føre til brud på kæden.
- Sidepladens vinkel på skæreren bestemmes af dybden af indtrængen af den runde fil. Hvis den specificerede fil bruges korrekt, vil den korrekte sidepladevinkel automatisk blive frembragt.
- Sidepladevinklen for hver savkæde er som følger:
Kædeblad 291 (90PX): 75°
Kædeblad 492 (91PX): 80°
Kædeblad 25 (25AP): 85°

Fil og korrekt anvendelse af fil (Fig. 34, 35 og 36)

- Anvend en speciel, rund fil (ekstraudstyr) til savkæder til at skærpe kæden. Almindelige runde filer er ikke egnede.
- Diameter på den runde fil for hver savkæde er som følger:
Kædeblad 291 (90PX): 4,5 mm
Kædeblad 492 (91PX): 4,0 mm
Kædeblad 25 (25AP): 4,0 mm
- Filen bør kun være i kontakt med materialet ved fremadstrøget. Hæv filen fra skæreren ved returstrøget.
- Skærp den korteste skærer først. Længden af denne korteste skærer bliver standard for alle skærende led på savkæden.
- Førfilen som vist på illustrationen.
- Det er nemmere at føre filen, hvis en filholder (ekstraudstyr) anvendes. Filholderen har afmærkninger til den korrekte skæringsvinkel på 30° (sæt afmærkningerne parallelt med savkæden) og begrænser dybden af gennemskæringen (til 4/5 af filediameteren).
- Kontroller, når kæden er skærpet, højden af dybdemåleren ved hjælp af kædemålerværktøjet (ekstraudstyr).
- Fjern alt fremspringende materiale, hvor småt det end måtte være, ved hjælp af en speciel flad fil (ekstraudstyr).
- Afrund forsiden af dybdemåleren igen.

Rengøring af sværd (Fig. 37)

Spåner og savsmuld samler sig i sværdrillen, tilstopper den og vanskeliggør oliestrømningen. Fjern altid spåner og savsmuld, når savkæden hvæsses eller udskiftes.

Rengøring af olieudløbshullet (Fig. 38)

Små støv- og andre partikler kan samle sig i olieudløbshullet under arbejdet.

Små støv- og andre partikler, som får lov til at samle sig i olieudløbshullet, kan forringe olieudløbsstrømmen og medføre en utilstrækkelig smøring af hele savkæden.

Rengør olieudløbshullet som vist herunder, hvis oliestrømmen er for svag ved toppen af sværdet.

Tag akkuen ud af værktøjet.

Fjern kædehjulsdækslet og savkæden fra værktøjet. (Se afsnittet "Montering og afmontering af savkæde").

Fjern mindre støvdannelse eller partikler ved hjælp af en kærvskruetrækker med et smalt skaft eller lignende.

Sæt akkuen i værktøjet.

Tryk på afbryderknappen for at fjerne akkumulerede støv- og andre partikler bort fra olieudløbshullet ved at lade kædeolie flyde ud.

Tag akkuen ud af værktøjet.

Monter kædehjulsdækslet og savkæden på værktøjet igen.

Udskiftning af kædehjulet (Fig. 39 og 40)

Kontroller kædehjulets tilstand, inden en ny savkæde monteres.

FORSIGTIG:

- Et udtjent kædehjul vil beskadige en ny savkæde. I sådant et tilfælde skal kædehjulet skiftes ud med et nyt. Kædehjulet skal monteres således, at det altid vender som vist på illustrationen.

Sæt altid den nye låsering på, når kædehjulet skiftes ud.

Udskiftning af kul (Fig. 41 og 42)

Udtag og efterse kullene med regelmæssige mellemrum. Udskift kullene, når de er slidt ned til slidmarkeringen. Hold kullene rene og i stand til frit at glide ind i holderne. Begge kul skal udskiftes parvist samtidigt. Anvend kun identiske kulbørster.

Benyt en skruetrækker til at afmontere kulholderdækslerne. Tag de slide kul ud, isæt de nye og fastgør derefter kulholderdækslerne.

Opbevaring af værktøj

Rengør værktøjet, inden den lægges til opbevaring. Fjern alle savspåner fra værktøjet, efter at kædehjulsdækslet er taget af. Når værktøjet er rengjort, skal den køres uden belastning for at smøre savkæden og sværdet.

Dæk sværdet med sværdbeskytteren.

Fjern olie fra olietanken for at tømme den, og anbring kædesaven.

For at opretholde produktets SIKKERHED og PALIDELIGHED bør reparation, vedligeholdelse og justering kun udføres af et DOLMAR Service Center med anvendelse af original DOLMAR udskiftningsdele.

Vejledning i periodisk vedligeholdelse

Hvis De vil sikre Deres kædesav en lang levetid, undgå skader og sikre, at sikkerhedsanordningerne fungerer fuldt ud, bør De regelmæssigt gennemføre følgende vedligeholdelse.

Garantikrav godtages kun, hvis dette arbejde er blevet udført regelmæssigt og korrekt. Såfremt den foreskrevne vedligeholdelse ikke udføres, kan det medføre ulykker!

Operatøren af kædesaven bør ikke udføre vedligeholdelsesarbejde, der ikke er beskrevet i denne brugsvejledning. Alt sådant arbejde bør udelukkende udføres af et autoriseret servicecenter.

Driftstid Emne		Før brug	Hver dag	Hver uge	Hver 3. måned	Årligt	Før opbevaring
Kædesav	Kontrol	<input type="radio"/>					
	Rengøring		<input type="radio"/>				
	Kontrolleres på autoriseret servicecenter.					<input type="radio"/>	<input type="radio"/>
Savkæde	Kontrol	<input type="radio"/>					
	Skærpes om nødvendigt.						<input type="radio"/>
Sværd	Kontrol	<input type="radio"/>	<input type="radio"/>				
	Tages af kædesaven.						<input type="radio"/>
Kædebremse	Kontrollér, at den virker.	<input type="radio"/>					
	Bør kontrolleres regelmæssigt på autoriseret servicecenter.				<input type="radio"/>		
Smøring af kæden	Kontrollér olietilførslen.	<input type="radio"/>					
Afbryderknap	Kontrol	<input type="radio"/>					
Låseknap	Kontrol	<input type="radio"/>					
Dæksel til olietank	Kontrollér spændingen.	<input type="radio"/>					
Kædefanger	Kontrol			<input type="radio"/>			
Skruer og møtrikker	Kontrol			<input type="radio"/>			

014804

FEJLSØGNING

Inden De sender kædesaven til reparation, bør De foretage Deres egen inspektion. Hvis De finder et problem, der ikke er forklaret i brugsvejledningen, bør De ikke forsøge at skille værktøjet ad. Kontakt i stedet Dolmars autoriserede servicecenter, og få altid anvendt originale Dolmar reservedele ved reparationen.

Fejl	Årsag	Løsning
Kædesaven vil ikke starte.	Der er ikke installeret to akkuer.	Installér de opladte akkuer.
	Akku-problem (underspænding).	Genoplad akkuen. Hvis opladning ikke løser problemet, bør akkuen udskiftes.
Kæden kører ikke.	Kædebremseren er aktiveret.	Udløs kædebremseren.
Motoren standser efter kort tids brug.	Akkuens opladningsniveau er lavt.	Genoplad akkuen. Hvis opladning ikke løser problemet, bør akkuen udskiftes.
Ingen olie på kæden.	Olietanken er tom.	Fyld olietanken.
	Olieløringssporet er snavset.	Rengør olieløringssporet.
	Olietilførslen er ikke justeret korrekt.	Justér olietilførslen.
Saven når ikke op på maks. omdrejningshastighed.	Akkuen er sat forkert i.	Sæt akkuen i som beskrevet i denne brugervejledning.
	Akku-effekten er faldende.	Genoplad akkuen. Hvis opladning ikke løser problemet, bør akkuen udskiftes.
	Drivsystemet fungerer ikke korrekt.	Send kædesaven til reparation hos dit lokale autoriserede servicecenter.
Kæden stopper ikke, selvom kædebremseren aktiveres: Afbryd omgående maskinen!	Bremsebåndet er nedslidt.	Send kædesaven til reparation hos dit lokale autoriserede servicecenter.
Abnorme vibrationer: Afbryd omgående maskinen!	Sværdet eller savkæden er løs.	Justér sværdet og savkædens spænding.
	Funktionsfejl på værktøjet.	Send kædesaven til reparation hos dit lokale autoriserede servicecenter.

014805

EKSTRAUDSTYR

ENG905-1

⚠ FORSIGTIG:

- Det følgende tilbehør og ekstraudstyr er anbefalet til brug med Deres Dolmar maskine, der er beskrevet i denne brugsanvisning. Anvendelse af andet tilbehør eller ekstraudstyr kan udgøre en risiko for personskade. Anvend kun tilbehør og ekstraudstyr til det beskrevne formål.

Hvis De har behov for yderligere detaljer om dette tilbehør, bedes De kontakte Deres lokale Dolmar Servicecenter.

- Original akku og oplader fra Dolmar
- Savkæde
- Sværd
- Sværdbeskytter
- Fil
- Værktøjspose

BEMÆRK:

- Nogle ting på denne liste kan være inkluderet i værktøjspakken som standardtilbehør. Det kan være forskellige fra land til land.

Støj

Det typiske A-vægtede støjniveau bestemt i overensstemmelse med EN60745:

Lydtryksniveau (L_{pA}): 84,4 dB (A)
Lydeffektniveau (L_{WA}): 95,4 dB (A)
Usikkerhed (K): 2,5 dB (A)

Bær høreværn

ENG900-1

Vibration

Vibrations totalværdi (tre-aksial vektorsum) bestemt i overensstemmelse med EN60745:

Model AS-3726

Arbejdsindstilling: skæring af træ
Vibrationsafgivelse (a_{h1}): 4,7 m/s²
Usikkerhed (K): 1,5 m/s²

Model AS-3731

Arbejdsindstilling: skæring af træ
Vibrationsafgivelse (a_{h1}): 6,3 m/s²
Usikkerhed (K): 1,5 m/s²

- Den angivne vibrationsemissionsværdi er blevet målt i overensstemmelse med standardtestmetoden og kan anvendes til at sammenligne en maskine med en anden.
- Den angivne vibrationsemissionsværdi kan også anvendes i en præliminær eksponeringsvurdering.

⚠ ADVARSEL:

- Vibrationsemissionen under den faktiske anvendelse af maskinen kan være forskellig fra den erklærede emissionsværdi, afhængigt af den måde, hvorpå maskinen anvendes.
- Sørg for at identificere de sikkerhedsforskrifter til beskyttelse af operatøren, som er baseret på en vurdering af eksponering under de faktiske brugsforhold (med hensyntagen til alle dele i brugscyklen, som f.eks. de gange, hvor maskinen er slukket og når den kører i tomgang i tilgift til afbrydertiden).

ENH031-4

Kun for lande i Europa

EU-konformitetserklæring

Undertegnede Rainer Bergfeld, som autoriseret af Dolmar GmbH, erklærer at DOLMAR maskinen (maskinerne):

Maskinens betegnelse:

Akku-kædesav

Model nr./Type: AS-3726, AS-3731

Specifikationer: Se oversigten "SPECIFIKATIONER"

er i serieproduktion og

opfylder betingelserne i de følgende EU-direktiver:

2000/14/EU, 2006/42/EU

og er fremstillet i overensstemmelse med de følgende standarder eller standardiserede dokumenter:

EN ISO 11682-2

EU-undersøgelsens certifikatnr. 4812068.13006

EU-typeundersøgelsen pr. 2006/42/EU er foretaget af:

DEKRA Testing and Certification GmbH

Enderstraße 92b

01277 Dresden

Germany

Identifikation nr. 2140

Den tekniske information opbevares hos:

Dolmar GmbH,

Jenfelder Straße 38, Abteilung FZ,

D-22045 Hamburg

Den procedure for konformitetsfastsættelse, som kræves i Direktiv 2000/14/EU, er fundet i overensstemmelse med tillæg V.

Målt lydbelastningsniveau: 95,4 dB (A)

Garanteret lydbelastningsniveau: 98 dB (A)

20.12.2013



Rainer Bergfeld
Administrerende direktør

Περιγραφή γενικής άποψης

1 Κόκκινη ένδειξη	15 Οδοντωτός τροχός	27 Κατεύθυνση υλοτόμησης
2 Πλήκτρο	16 Πείρος ρύθμισης	28 Ζώνη κινδύνου
3 Κασέτινα μπαταρίας	17 Οπή	29 Διαδρομή διαφυγής
4 Ένδειξη αστεριού	18 Κατευθυντήρια λάμα	30 Κάλυμμα κατευθυντήριας λάμας
5 Ένδειξη μπαταρίας	19 Ξεσφίξτε	31 Κάλυμμα μπαταρίας
6 Πλήκτρο ασφάλειας	20 Σφίξτε	32 Μήκος κοπής
7 Σκανδάλη διακοπής	21 Αλυσίδα πριονιού	33 Απόσταση μεταξύ άκρου κοπής και ρυθμιστή βάθους
8 Μπροστινός προφυλακτήρας χεριών	22 Πώμα του δοχείου ελαίου	34 Ελάχιστο 3 mm
9 Ασφάλιση	23 Παράθυρο ελέγχου στάθμης ελαίου (για επαναπλήρωση του δοχείου με λάδι)	35 Γωνία πλαινού χείλους
10 Απασφάλιση	24 Παράθυρο ελέγχου στάθμης ελαίου	36 Κατσαβίδι με επίπεδη μύτη
11 Βίδα ρύθμισης	25 Αγκυλωτός προφυλακτήρας	37 Ασφαλιστικός δακτύλιος
12 Κάλυμμα οδοντωτού τροχού	26 Περιοχή υλοτόμησης	38 Σημάδι ορίου
13 Μοχλός		39 Κατάκι θήκης ψήκτρας
14 Καντράν ρύθμισης		40 Κατσαβίδι

ΤΕΧΝΙΚΑ ΧΑΡΑΚΤΗΡΙΣΤΙΚΑ

Μοντέλο		AS-3726		AS-3731
Στάνταρ κατευθυντήρια λάμα	Μήκος κατευθυντήριας λάμας	250 mm		300 mm
	Μήκος κοπής	23 cm	24 cm	28 cm
	Τύπος	Ράβδος πίεσης αλυσοτροχού	Ράβδος λάξευσης	Ράβδος πίεσης αλυσοτροχού
Στάνταρ αλυσοπρίονο	Τύπος	492 (91PX)	25 (25AP)	291 (90PX)
	Βήμα	9,5 mm (3/8")	6,35 mm (1/4")	9,5 mm (3/8")
	Βάθος	1,3 mm (0,05")	1,3 mm (0,05")	1,1 mm (0,043")
	Αρ. κινητήριων συνδέσμων	40	60	46
Αλυσοτροχός	Αριθμός δοντιών	6	9	6
	Βήμα	9,5 mm (3/8")	6,35 mm (1/4")	9,5 mm (3/8")
Συνολικό μήκος (χωρίς κατευθυντήρια λάμα)		316 mm		
Καθαρό βάρος	*1	4,1 kg		
	*2	4,6 kg	4,7 kg	
Ταχύτητα αλυσίδας ανά λεπτό		8,3 m/s (500 m/min)		
Όγκος δοχείου λαδιού αλυσίδας		85 cm ³		
Ονομαστική τάση		D.C. 36 V		D.C. 36 V

• Λόγω του συνεχιζόμενου προγράμματος έρευνας και ανάπτυξης, οι παρούσες προδιαγραφές υπόκεινται σε αλλαγή χωρίς προειδοποίηση.

• Τα τεχνικά χαρακτηριστικά και η κασέτα μπαταρίας μπορεί να διαφέρουν από χώρα σε χώρα.

*1 Βάρος, με μεγαλύτερη κασέτα μπαταρίας, χωρίς κατευθυντήρια λάμα και αλυσίδα, κενό δοχείο λαδιού, σύμφωνα με το EN ISO 11681-2.

*2 Βάρος, με κασέτα μπαταρίας, κατευθυντήρια λάμα και αλυσίδα, γεμάτο δοχείο λαδιού, σύμφωνα με τη διαδικασία ΕΡΤΑ 01/2003.

ΠΡΟΕΙΔΟΠΟΙΗΣΗ: Χρησιμοποιήστε τον κατάλληλο συνδυασμό της κατευθυντήριας λάμας και αλυσοπρίονου. Διαφορετικά, μπορεί να προκύψει προσωπικός τραυματισμός.

END313-1

Σύμβολα

Τα ακόλουθα δείχνουν τα σύμβολα που χρησιμοποιούνται για το μηχάνημα. Βεβαιωθείτε ότι καταλαβαίνετε τη σημασία τους πριν από τη χρήση.



• Διαβάστε τις οδηγίες χρήσης.



• Να φοράτε προστατευτικά ματιών.



• Να φοράτε προστατευτικά αυτιών.



- Να φοράτε κράνος και μέσα προστασίας ρασης και ακής.



- Να χρησιμοποιείτε κατάλληλη προστασία για πέλματα-κνήμες και χέρια-βραχίονες.



- Αυτό το αλυσοπρίονο προορίζεται για χρήση μόνο από κατάλληλα εκπαιδευμένους χειριστές.



- Να μην εκτίθεται στη βροχη.



- Μέγιστο επιτρεπόμενο μήκος κοπής



- Κατεύθυνση διαδρομής αλυσίδας



- Ρύθμιση λίπανσης αλυσίδας αλυσοπρίονου



- Μόνο για τις χώρες της ΕΕ
Μην απορρίπτετε τον ηλεκτρικό εξοπλισμό ή την μπαταρία μαζί με τα οικιακά απορρίμματα!
Σύμφωνα με τις Ευρωπαϊκές Οδηγίες για τον απόβλητο ηλεκτρικό και τον ηλεκτρονικό εξοπλισμό και τις μπαταρίες και συσσωρευτές και τις απόβλητες μπαταρίες και συσσωρευτές και την ενσωμάτωσή τους στην εθνική νομοθεσία, ο ηλεκτρικός εξοπλισμός και οι μπαταρίες που έχουν φτάσει στο τέλος ζωής τους πρέπει να συλλέγονται ξεχωριστά και να επιστρέφονται σε εγκαταστάσεις περιβαλλοντικής ανακύκλωσης.

ENE090-1

Προοριζόμενη χρήση

Το εργαλείο προορίζεται για την κοπή κλαριών / κλάδεμα δέντρων. Είναι επίσης κατάλληλο για την περιποίηση δέντρων.

GEA010-1

Γενικές προειδοποιήσεις ασφαλείας για το ηλεκτρικό εργαλείο

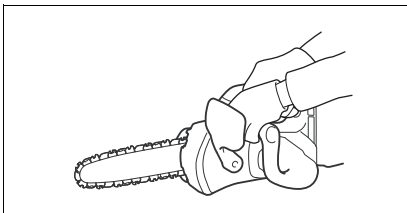
⚠ ΠΡΟΕΙΔΟΠΟΙΗΣΗ Διαβάστε όλες τις προειδοποιήσεις ασφαλείας και όλες τις οδηγίες. Η μη τήρηση των προειδοποιήσεων και οδηγιών ενδέχεται να καταλήξει σε ηλεκτροπληξία, πυρκαγιά ή/και σοβαρό τραυματισμό.

Φυλάξτε όλες τις προειδοποιήσεις και τις οδηγίες για μελλοντική παραπομπή.

Αλυσοπρίονο μπαταρίας προειδοποιήσει ασφαλείας:

1. **Να φροντίζετε ώστε όλα τα μέρη του σώματος να βρίσκονται σε απόσταση από την αλυσίδα πριονιού, όταν το αλυσοπρίονο λειτουργεί.** Πριν από την εκκίνηση του αλυσοπρίονου, βεβαιωθείτε ότι η αλυσίδα πριονιού δεν έρχεται σε επαφή με οτιδήποτε. Μια στιγμή απροσεξίας στη διάρκεια χειρισμού ενός αλυσοπρίονου αρκεί για να προκαλέσει εμπλοκή της αλυσίδας πριονιού σε μέρος του ρουχισμού ή του σώματος.
2. **Όταν κρατάτε με τα δύο χέρια, να κρατάτε το αλυσοπρίονο με το δεξί χέρι στην πίσω λαβή και το αριστερό χέρι στην μπροστινή λαβή.** Σε περιπτώση κρατήματος του αλυσοπρίονου με αντίστροφο σχηματισμό χεριών αυξάνει ο κίνδυνος προσωπικού τραυματισμού και δεν θα πρέπει να χρησιμοποιείται ποτέ.
3. **Κρατήστε το ηλεκτρικό εργαλείο μόνον από τις μονωμένες επιφάνειες συγκράτησης, επειδή ενδέχεται η αλυσίδα πριονιού να έλθει σε επαφή με κρυφές καλωδιώσεις.** Σε περίπτωση επαφής της αλυσίδας κοπής με "ηλεκτροφόρο" καλώδιο, τα εκτεθειμένα μεταλλικά εξαρτήματα του ηλεκτρικού εργαλείου ενδέχεται να καταστούν τα ίδια "ηλεκτροφόρα" και να προκαλέσουν ηλεκτροπληξία στον χειριστή.
4. **Να φοράτε γυαλιά ασφαλείας και προστατευτικά ακοής.** Συνιστάται η χρήση περαιτέρω εξοπλισμού προστασίας κεφαλής, χεριών, κνημών και πελμάτων. Ο επαρκής ρουχισμός προστασίας μειώνει τον κίνδυνο προσωπικού τραυματισμού λόγω εκτινασόμενων θραυσμάτων ή τυχαίας επαφής με την αλυσίδα πριονιού.
5. **Να στέκεστε πάντα σταθερά.** Οι ολισθηρές ή ασταθείς επιφάνειες μπορεί να προκαλέσουν απώλεια της ισορροπίας ή του ελέγχου του αλυσοπρίονου.
6. **Κατά την κοπή κλαδιού που είναι τεντωμένο, να είστε προσεκτικοί σε περίπτωση εκτίναξης προς τα πίσω.** Όταν η τάση στις ίνες ξύλου απελευθερωθεί, το φορτωμένο κλαδί μπορεί να χτυπήσει το χειριστή ή/και να φέρει το αλυσοπρίονο εκτός ελέγχου.
7. **Να είστε εξαιρετικά προσεκτικοί κατά την κοπή χαμόδεντρων και δενδρυλλίων.** Το λεπτό υλικό ενδέχεται να σκαλώσει στην αλυσίδα πριονιού και να εκτιναχθεί προς το μέρος σας ή να προκαλέσει απώλεια της ισορροπίας σας.
8. **Να μεταφέρετε το αλυσοπρίονο κρατώντας το από τη μπροστινή λαβή και μακριά από το σώμα σας, όταν βρίσκεται εκτός λειτουργίας.** Κατά τη μεταφορά ή φύλαξη του αλυσοπρίονου, να τοποθετείτε πάντα το κάλυμμα της κατευθυντήριας λάμας. Ο κατάλληλος χειρισμός του αλυσοπρίονου μειώνει την πιθανότητα τυχαίας επαφής με την κινούμενη αλυσίδα πριονιού.
9. **Να τηρούνται οι οδηγίες λίπανσης, τεντώματος της αλυσίδας και αλλαγής παρελκομένων.** Η Το ακατάλληλο τέντωμα ή λίπανση της αλυσίδας ενδέχεται να προκαλέσει θραύση της ή αυξημένη πιθανότητα ανάκρουσης (οπισθολάκτισμα).

10. **Να φροντίζετε ώστε οι λαβές να διατηρούνται στεγνές, καθαρές και χωρίς ίχνη ελαίου ή γράσου.** Οι λαβές με ίχνη γράσου ή ελαίου είναι ολισθηρές και προκαλούν απώλεια ελέγχου.
11. **Να κόβετε μόνο ξύλα. Να μη χρησιμοποιείτε το αλυσοπρίονο για σκοπούς για τους οποίους δεν προορίζεται. Για παράδειγμα: μη χρησιμοποιείτε το αλυσοπρίονο για την κοπή πλαστικών, τοιχοποιίας ή μη ξύλινων οικοδομικών υλικών.** Η χρήση του αλυσοπρίονου για σκοπούς διαφορετικούς από τους προβλεπόμενους θα μπορούσε να καταλήξει σε επικίνδυνη κατάσταση.
12. **Αίτια και πρόληψη ανάκρουσης (οπισθοθάκτισμα) από το χειριστή:**
 Η ανάκρουση (οπισθοθάκτισμα) ενδέχεται να προκληθεί, όταν η μύτη ή το άκρο της κατευθυντήριας λάμας ακουμπήσει σε ένα αντικείμενο, ή όταν τα δύο τεμάχια του ξύλου κλείσουν και προκαλέσουν σύσφιγξη της αλυσίδας πριονιού μέσα στην τομή.
 Σε ορισμένες περιπτώσεις, η επαφή του άκρου ενδέχεται να προκαλέσει ξαφνική αναστροφή αντίδραση, λακτίζοντας την κατευθυντήρια λάμα προς τα άνω και πίσω προς το μέρος του χειριστή. Η σύσφιγξη της αλυσίδας πριονιού σε κάποιο σημείο του άνω μέρους της κατευθυντήριας λάμας ενδέχεται να ωθήσει τη λάμα τάχιστα προς τα πίσω προς το μέρος του χειριστή.
 Οποιαδήποτε από αυτές τις αντιδράσεις ενδέχεται να προκαλέσει απώλεια ελέγχου του αλυσοπρίονου, πράγμα το οποίο θα μπορούσε να καταλήξει σε σοβαρό προσωπικό τραυματισμό. Μην επιφέρετε αποκλειστικά και μόνο στις ενσωματωμένες διατάξεις ασφαλείας του αλυσοπρίονου. Ως χειριστής αλυσοπρίονου, θα πρέπει να λαμβάνετε ορισμένα μέτρα ασφαλείας ώστε να προλαμβάνετε τυχόν ατυχήματα ή τραυματισμούς κατά την εργασία κοπής.
 Η ανάκρουση (οπισθοθάκτισμα) είναι αποτέλεσμα κακής χρήσης ή/και εσφαλμένων διαδικασιών ή συνθηκών χειρισμού και είναι δυνατόν να αποφευχθεί λαμβάνοντας κατάλληλες προφυλάξεις, όπως περιγράφεται κατωτέρω:
- **Κρατήστε σταθερά, με τα δάχτυλα και τους αντίχειρες γύρω από τις λαβές του αλυσοπρίονου, με τα δύο χέρια πάνω στο αλυσοπρίονο και τοποθετήστε σώμα και βραχίονες έτσι ώστε να ασκείται αντίσταση στις δυνάμεις ανάκρουσης (οπισθοθάκτισμα).** Ο έλεγχος των δυνάμεων ανάκρουσης (οπισθοθάκτισμα) από το χειριστή είναι επικτός, εάν ληφθούν οι κατάλληλες προφυλάξεις. Μην επιτρέψτε να σας φύγει το αλυσοπρίονο.



014673

- **Μην εκτείνετε υπέρ του δέοντος και μην επιχειρείτε κοπή πάνω από το ύψος των ώμων.** Αυτό βοηθά στην αποφυγή ανεπιθύμητης επαφής του άκρου και διευκολύνει στον καλύτερο έλεγχο του αλυσοπρίονου σε μη αναμενόμενες καταστάσεις.
 - **Να χρησιμοποιείτε μόνο λάμες και αλυσίδες αντικατάστασης που συνιστώνται από τον κατασκευαστή.** Οι λάμες και αλυσίδες αντικατάστασης εσφαλμένου τύπου ενδέχεται να προκαλέσουν θραύση της αλυσίδας ή/και ανάκρουση (οπισθοθάκτισμα).
 - **Ακολουθήστε τις οδηγίες του κατασκευαστή για το τρόχισμα και τη συντήρηση της αλυσίδας πριονιού.** Η μείωση του ύψους του ρυθμιστή του βάθους κοπής μπορεί να οδηγήσει σε αύξηση της ανάκρουσης (οπισθοθάκτισμα).
13. Πριν από την έναρξη της εργασίας, βεβαιωθείτε ότι το αλυσοπρίονο είναι σε καλή κατάσταση λειτουργίας και ότι η κατάσταση του συμμορφώνεται με τους κανονισμούς ασφαλείας. Συγκεκριμένα, ελέγξτε τα εξής:
- Το φρένο της αλυσίδας λειτουργεί κατάλληλα;
 - Το φρένο ανάσχεσης περιστροφής ηλεκτροκινήτρια λειτουργεί κατάλληλα;
 - Το κάλυμμα της λάμας και το κάλυμμα οδοντωτού τροχού έχει τοποθετηθεί κατάλληλα;
 - Η αλυσίδα έχει ακονιστεί και τετνωθεί σύμφωνα με τους κανονισμούς;
14. **Μην θέσετε το αλυσοπρίονο σε λειτουργία όταν το κάλυμμα της αλυσίδας δεν έχει αφαιρεθεί.** Εάν θέσετε το αλυσοπρίονο σε λειτουργία όταν το κάλυμμα της αλυσίδας δεν έχει αφαιρεθεί, ενδέχεται να προκληθεί εκτίναξη του καλύμματος προς τα εμπρός με αποτέλεσμα τραυματισμό και την πρόκληση ζημιάς σε αντικείμενα που βρίσκονται στο χώρο γύρω από το χειριστή.

Προειδοποιήσεις ασφαλείας ειδικές του αλυσοπρίονου με πάνω λαβή

1. Αυτό το αλυσοπρίονο είναι σχεδιασμένο ειδικά για τη φροντίδα και το κλάδεμα δέντρων. Το αλυσοπρίονο προορίζεται για χρήση μόνο από σωστά εκπαιδευμένα άτομα. Τηρήστε όλες τις οδηγίες, διαδικασίες και συστάσεις από τον αρμόδιο επαγγελματικό οργανισμό. Διαφορετικά, μπορεί να προκύψουν μοιραία ατυχήματα. Συνιστάται να χρησιμοποιείται πάντα ανυψωτική πλατφόρμα (εξέδρα διαφυγής, αναβατήρας) για το πριόνισμα στα δέντρα. Οι τεχνικές στις οποίες χρησιμοποιείται σκονί είναι εξαιρετικά επικίνδυνες και απαιτούν ειδική εκπαίδευση. Οι χειριστές πρέπει να εξοικειωθούν με τη χρήση εξοπλισμού ασφαλείας και τεχνικές ανάβασης. Να χρησιμοποιείτε πάντα τους κατάλληλους μάντες, σκονιά και καραμπίνερ όταν εργάζεστε σε δέντρα. Να χρησιμοποιείτε πάντα εξοπλισμό συγκράτησης για το χειριστή και το πριόνι.
2. Πριν την αποθήκευση, διεξαγάγετε καθαρισμό και συντήρηση σύμφωνα με το εγχειρίδιο οδηγιών.
3. Φροντίστε για την ασφαλή τοποθέτηση του αλυσοπρίονου κατά τη μεταφορά σε αυτοκίνητο προκειμένου να αποφευχθεί η διαρροή καυσίμου ή λαδιού αλυσίδας, η ζημιά στο εργαλείο και ο προσωπικός τραυματισμός.
4. Να ελέγχετε τακτικά τη λειτουργία του φρένου αλυσίδας.

5. Μην συμπληρώνετε με λάδι αλυσίδας κοντά σε φωτιά. Μην καπνίζετε ποτέ όταν συμπληρώνετε με λάδι αλυσίδας.
6. Ο εθνικός κανονισμός μπορεί να περιορίζει τη χρήση αλυσοπρίονου.
7. Αν ο εξοπλισμός δεχτεί δυνατή πρόσκρουση ή πτώση, ελέγξτε την κατάσταση πριν συνεχίσετε την εργασία. Ελέγξτε αν υπάρχει δυσλειτουργία στις συσκευές ελέγχου και ασφάλειας. Αν υπάρχει ζημιά ή αν έχετε αμφιβολίες, ζητήστε από το εξουσιοδοτημένο κέντρο σέρβις μας να πραγματοποιήσει επιθεώρηση και επισκευή.
8. Να ενεργοποιείτε πάντα το φρένο αλυσίδας πριν εκκινήσετε το αλυσοπρίονο.
9. Κρατήστε το πριόνι σταθερά για να αποφύγετε το πατινάρισμα (κίνηση γλιστρήματος) ή την αναπήδηση του πριονιού όταν ξεκινάτε μια κοπή.
10. Στο τέλος της κοπής, προσέχετε ώστε να κρατήσετε την ισορροπία σας εξαιτίας της "πτώσης".
11. Λάβετε υπόψη την κατεύθυνση και την ταχύτητα του ανέμου. Αποφύγετε τα πριονίδια και το νέφος του λαδιού αλυσίδας.

Προστατευτικός εξοπλισμός

1. **Προκειμένου να αποφύγετε τους τραυματισμούς στο κεφάλι, στα μάτια, στα χέρια ή στα πόδια, καθώς και να προστατεύσετε την ακοή σας, πρέπει να χρησιμοποιείτε τον ακόλουθο προστατευτικό εξοπλισμό κατά τη διάρκεια της λειτουργίας του αλυσοπρίονου:**
 - Το είδος των ρούχων πρέπει να είναι κατάλληλο, δηλ. πρέπει να είναι εφαρμοστά αλλά να μην σας εμποδίζουν. Μην φοράτε κοσμήματα ή ρούχα τα οποία μπορούν να μπλεχτούν σε θάμνους και κλαδιά. Αν έχετε μακριά μαλλιά, να φοράτε πάντα φιλέ!
 - Είναι απαραίτητο να φοράτε προστατευτικό κράνος όταν εργάζεστε με το αλυσοπρίονο. Το **προστατευτικό κράνος** πρέπει να ελέγχεται σε τακτά χρονικά διαστήματα για ζημιά και πρέπει να αντικαθίσταται μετά από 5 χρόνια το αργότερο. Να χρησιμοποιείτε μόνο εγκεκριμένα προστατευτικά κράνη.
 - Η **προσωπίδα** του προστατευτικού κράνου (ή των γυαλιών) προστατεύει από τα πριονίδια και τα μικρά κομμάτια ξύλου. Κατά τη λειτουργία του αλυσοπρίονου, να φοράτε πάντα προστατευτικά γυαλιά ή προσωπίδα ώστε να αποφευχθούν οι τραυματισμοί των ματιών.
 - Φοράτε επαρκή **εξοπλισμό προστασίας της ακοής** (προστατευτικά ακοής, ωτασπίδες, κτλ.)
 - Το **προστατευτικό μπουφάν** αποτελείται από 22 στρώματα νάilon και προστατεύει τον χειριστή από την κοπή. Πρέπει πάντα να το φοράτε όταν εργάζεστε από ανυψωτικές πλατφόρμες (εξέδρες διαφυγής, αναβατήρες), από πλατφόρμες στερεωμένες σε σκάλες ή κατά την αναρρίχηση με σκιοκιά.
 - Η **φόρμα με μπούστο και τριάντες** είναι κατασκευασμένη από νάilon ύψους με 22 στρώματα και προστατεύει από την κοπή. Η χρήση της συνιστάται ένθερμα.
 - Τα **προστατευτικά γάντια** που είναι κατασκευασμένα από παχύ δέρμα αποτελούν μέρος του συνιστώμενου εξοπλισμού και πρέπει πάντα να φοριούνται κατά τη λειτουργία του αλυσοπρίονου.

- Κατά τη λειτουργία του αλυσοπρίονου, πρέπει να φοριούνται πάντα **παπούτσια ασφαλείας** ή **μπότες ασφαλείας** εφοδιασμένα με αντιολισθητική σόλα, μεταλλική ενίσχυση στην περιοχή των δακτύλων και προστασία για το πόδι. Τα παπούτσια ασφαλείας εξοπλισμένα με προστατευτικό στρώμα παρέχουν προστασία από κοπή και εξασφαλίζουν καλό πάτημα. Για εργασία σε δέντρα, οι μπότες ασφαλείας πρέπει να είναι κατάλληλες για τεχνικές αναρρίχησης.

Κραδασμοί

1. Όταν άτομα με κακή κυκλοφορία αίματος εκτίθενται σε υπερβολικούς κραδασμούς, μπορεί να προκληθεί τραυματισμός στα αιμοφόρα αγγεία ή στο νευρικό σύστημα.
Οι κραδασμοί ενδέχεται να προκαλέσουν τα ακόλουθα συμπτώματα στα δάκτυλα, τα χέρια και τους καρπούς: "Κοίμισμα" (μούδιασμα), μυρμηγκiasμα, πόνο, σουβλιές, αλλαγή χρώματος ή υφής του δέρματος.
Αν προκύψει οποιοδήποτε από αυτά τα συμπτώματα, επισκεφτείτε γιατρό! Για να μειώσετε τον κίνδυνο του "συνδρόμου λευκού δακτύλου", να διατηρείτε τα χέρια σας ζεστά κατά τη λειτουργία και να συντηρείτε σωστά τον εξοπλισμό και τα εξαρτήματα.

ΦΥΛΑΞΤΕ ΤΙΣ ΟΔΗΓΙΕΣ ΑΥΤΕΣ.

⚠ ΠΡΟΕΙΔΟΠΟΙΗΣΗ:

ΜΗΝ επιτρέψετε το βαθμό άνεσης ή εξοικείωσης με το προϊόν (λόγω επανειλημμένης χρήσης) να αντικαταστήσει την αυστηρή τήρηση των κανόνων ασφαλείας του παρόντος εργαλείου. ΚΑΚΗ ΧΡΗΣΗ ή αμέλεια να ακολουθήσετε τους κανόνες ασφαλείας που διατυπώνονται σ' αυτό το εγχειρίδιο οδηγιών μπορεί να προκαλέσει σοβαρό προσωπικό τραυματισμό.

ENC007-8

ΣΗΜΑΝΤΙΚΕΣ ΟΔΗΓΙΕΣ ΑΣΦΑΛΕΙΑΣ

ΓΙΑ ΚΑΣΕΤΑ ΜΠΑΤΑΡΙΑΣ

1. Πριν χρησιμοποιήσετε την κασέτα μπαταρίας, διαβάστε όλες τις οδηγίες και σημειώσεις προφύλαξης (1) στον φορτιστή μπαταρίας, (2) στην μπαταρία και (3) στο προϊόν που χρησιμοποιείτε την μπαταρία.
2. Μην αποσυναρμολογήσετε την κασέτα μπαταρίας.
3. Εάν ο χρόνος λειτουργίας έχει γίνει υπερβολικά βραχύς, σταματήστε την λειτουργία αμέσως. Αλλιώς, μπορεί να έχει ως αποτέλεσμα κίνδυνο υπερθέρμανσης, πιθανά εγκαύματα ή ακόμη και έκρηξη.
4. Εάν ηλεκτρολύτης μπει στα μάτια σας, ξεπλύνετε τα με καθαρό νερό και ζητήστε ιατρική φροντίδα αμέσως. Αλλιώς, μπορεί να έχει ως αποτέλεσμα ατώλεια της όρασης σας.
5. Μην βραχυκυκλώνετε την κασέτα μπαταρίας:
(1) Μην αγγίζετε τους πόλους με οτιδήποτε αγώγιμο υλικό.

(2) Αποφεύγετε να αποθηκεύετε την κασέτα μπαταρίας μέσα σε ένα δοχείο μαζί με άλλα μεταλλικά αντικείμενα όπως καρφιά, νομίσματα, κλπ.

(3) Μην εκθέτε την κασέτα μπαταρίας στο νερό ή στη βροχή.

Ενα βραχυκύκλωμα μπαταρίας μπορεί να προκαλέσει μεγάλη ροή ρεύματος, υπερθέρμανση, πιθανά εγκαύματα ακόμη και σοβαρή βλάβη.

6. Μην αποθηκεύετε το εργαλείο και την κασέτα μπαταρίας σε τοποθεσίες όπου η θερμοκρασία μπορεί να φτάσει ή να ξεπεράσει τους 50°C.
7. Μη καίτε την κασέτα μπαταρίας ακόμη και εάν έχει σοβαρή ζημιά ή είναι εντελώς φθαρμένη. Η κασέτα μπαταρίας μπορεί να εκραγεί στην φωτιά.
8. Προσέχετε να μη ρίξετε κάτω ή χτυπήσετε την μπαταρία.
9. Να μην χρησιμοποιείται μπαταρία που έχει υποστεί πτώση ή κτύπημα.
10. Τηρήστε τους τοπικούς κανονισμούς που σχετίζονται με τη διάθεση της μπαταρίας.

ΦΥΛΑΞΤΕ ΤΙΣ ΟΔΗΓΙΕΣ ΑΥΤΕΣ.

Συμβουλές για διατήρηση μέγιστης ζωής μπαταρίας

1. Φορτίζετε την κασέτα μπαταρίας πριν από την πλήρη αποφόρτιση της. Πάντοτε σταματάτε την λειτουργία του εργαλείου και φορτίζετε την κασέτα μπαταρίας όταν παρατηρείτε μειωμένη ισχύ εργαλείου.
2. Ποτέ μην επαναφορτίζετε μία πλήρως φορτισμένη κασέτα μπαταρίας. Υπερφόρτιση μειώνει την ωφέλιμη ζωή της μπαταρίας.
3. Φορτίζετε την κασέτα μπαταρίας σε θερμοκρασία δωματίου 10°C – 40°C. Αφήστε μία θερμή κασέτα μπαταρίας να κρυώσει πριν την φορτίσετε.
4. Φορτίστε την κασέτα μπαταρίας μία φορά κάθε έξι μήνες εάν δεν τη χρησιμοποιείτε για μεγάλη χρονική περίοδο.

ΠΕΡΙΓΡΑΦΗ ΛΕΙΤΟΥΡΓΙΑΣ

⚠ ΠΡΟΣΟΧΗ:

- Πάντοτε βεβαιώνετε ότι το εργαλείο είναι σβηστό και η κασέτα μπαταρίας έχει αφαιρεθεί πριν ρυθμίσετε ή ελέγξετε κάποια λειτουργία στο εργαλείο.

Τοποθέτηση ή αφαίρεση της κασετίνας μπαταρίας (Εικ. 1)

⚠ ΠΡΟΣΟΧΗ:

- Πάντοτε να σβήνετε το εργαλείο πριν τοποθετήσετε ή αφαιρέσετε την κασέτα μπαταρίας.
- Κρατήστε το εργαλείο και την κασέτα μπαταρίας σταθερά κατά την τοποθέτηση ή αφαίρεση της κασετίνας μπαταρίας. Αν δεν κρατάτε το εργαλείο και την κασέτα μπαταρίας σταθερά μπορεί γλιστρήσουν από τα χέρια σας και να προκληθεί βλάβη στο εργαλείο και την κασέτα μπαταρίας και προσωπικός τραυματισμός.

Για να αφαιρέσετε την κασέτα μπαταρίας, ολισθήστε την από το εργαλείο ενώ σύρετε το κουμπί στο μπροστινό μέρος της κασετίνας.

Για να τοποθετήσετε την κασέτα μπαταρίας, ευθυγραμμίστε τη γλώσσα στην κασέτα μπαταρίας με την αύλακα στην υποδοχή και ολισθήστε τη στη θέση της. Να την τοποθετείτε πλήρως μέχρι να ασφαλίσει στη θέση της, γεγονός που υποδεικνύεται με ένα χαρακτηριστικό ήχο. Αν μπορείτε να δείτε την κόκκινη ένδειξη στην επάνω πλευρά του κουμπιού, δεν έχει κλειδώσει τελείως.

⚠ ΠΡΟΣΟΧΗ:

- Να τοποθετείτε πάντα την κασέτα μπαταρίας πλήρως μέχρι να μην βλέπετε την κόκκινη ένδειξη. Σε αντίθετη περίπτωση, μπορεί να πέσει κατά λάθος από το εργαλείο και να τραυματίσει εσάς ή κάποιον παρευρισκόμενο.
- Μην τοποθετείτε την κασέτα μπαταρίας με βία. Αν η κασέτα δεν εισέρχεται με ευκολία, δεν είναι τοποθετημένη σωστά.

ΠΑΡΑΤΗΡΗΣΗ:

- Το εργαλείο δεν λειτουργεί με μόνο μία κασέτα μπαταρίας.

Σύστημα προστασίας εργαλείου/μπαταρίας

Το εργαλείο είναι εξοπλισμένο με σύστημα προστασίας εργαλείου/μπαταρίας. Αυτό το σύστημα αποκτάει αυτόματα την ισχύ προς το μοτέρ για να παραταθεί η διάρκεια λειτουργίας του εργαλείου και της μπαταρίας. Το εργαλείο σταματάει αυτόματα κατά τη διάρκεια της λειτουργίας αν το εργαλείο ή η μπαταρία βρεθούν κάτω από μία εκ των παρακάτω συνθηκών. Σε μερικές συνθήκες, ανάβουν οι ενδεικτικές λυχνίες.

Προστασία υπερφόρτισης

Όταν το εργαλείο λειτουργεί με τρόπο ώστε να αναγκάζεται να καταναλώνει ασυνήθιστα υψηλό ρεύμα, το εργαλείο σταματάει αυτόματα χωρίς καμία ένδειξη. Σε αυτή την περίπτωση, απενεργοποιήστε το εργαλείο και διακόψτε την εφαρμογή που προκάλεσε την υπερφόρτιση του εργαλείου. Μετά ενεργοποιήστε το εργαλείο για επανεκκίνηση.

Προστασία υπερθέρμανσης για την μπαταρία/εργαλείου

Όταν η μπαταρία/εργαλείου υπερθερμαίνεται, το εργαλείο σταματάει αυτόματα χωρίς καμία ένδειξη. Το εργαλείο δεν ξεκινάει ακόμη και εάν τραβήξετε τη σκανδάλη ενεργοποίησης. Σε αυτή την περίπτωση, αφήστε την μπαταρία/εργαλείου να κρυώσει πριν ενεργοποιήσετε ξανά το εργαλείο.

ΠΑΡΑΤΗΡΗΣΗ:

- Η προστασία υπερθέρμανσης της μπαταρίας λειτουργεί μόνο με μια κασέτα μπαταρίας με μια ένδειξη αστεριού. (Εικ. 2)

Προστασία υπερβολικής αποφόρτισης (Εικ. 3)

Όταν το υπολειπόμενο φορτίο της μπαταρίας είναι χαμηλό, η ένδειξη μπαταρίας αναβοσβήνει στην αντίστοιχη πλευρά της μπαταρίας. Με την περαιτέρω χρήση, το εργαλείο σταματάει και η ένδειξη μπαταρίας ανάβει για περίπου 10 δευτερόλεπτα. Σε αυτή την περίπτωση, φορτίστε την κασέτα μπαταρίας.

Δράση διακόπτη (Εικ. 4)

⚠️ ΠΡΟΣΟΧΗ:

- Πριν από την εγκατάσταση της κασέτας μπαταρίας στο εργαλείο, να ελέγχετε πάντα για να βεβαιωθείτε ότι η σκανδάλη ενεργοποίησης λειτουργεί κανονικά και επιστρέφει στη θέση "OFF" όταν ελευθερωθεί.

Για αποφυγή τυχαίου τραβήγματος της σκανδάλης διακόπτη, παρέχεται ένα πλήκτρο ασφαλείας.

Για να ξεκινήσει το μηχάνημα, απελευθερώστε το πλήκτρο ασφαλείας και τραβήξτε την σκανδάλη διακόπτη. Ελευθερώστε την σκανδάλη διακόπτη για να σταματήσει.

Έλεγχος φρένου αλυσίδας (Εικ. 5)

ΣΗΜΕΙΩΣΗ:

- Εάν το αλυσοπρίονο δεν τίθεται σε λειτουργία, θα πρέπει να ελευθερώσετε το φρένο της αλυσίδας. Τραβήξτε το μπροστινό προφυλακτήρα χεριών προς τα πίσω σταθερά, έως ότου αισθανθείτε τη σύμπληξη.

Κατά την ενεργοποίηση, να κρατάτε το αλυσοπρίονο με τα δύο χέρια.

Κρατήστε την άνω λαβή με το δεξιό χέρι και τη μπροστινή λαβή με το αριστερό. Η λάμα και η αλυσίδα δεν πρέπει να έρχονται σε επαφή με κανένα αντικείμενο.

Πρώτα πιέστε το κουμπί ασφάλισης, στη συνέχεια τη σκανδάλη ενεργοποίησης.

Η αλυσίδα πριονιού τίθεται αμέσως σε λειτουργία.

Πιέστε το μπροστινό προφυλακτήρα χεριών προς τα εμπρός, χρησιμοποιώντας το πίσω μέρος του χεριού σας. Η αλυσίδα πριονιού πρέπει να ακινητοποιηθεί αμέσως.

⚠️ ΠΡΟΣΟΧΗ:

- Εάν η αλυσίδα πριονιού δεν ακινητοποιηθεί αμέσως κατά τη διενέργεια αυτής της δοκιμής, απαγορεύεται η χρήση του αλυσοπριονιού σε οποιαδήποτε περίπτωση. Απευθυνθείτε σε εξειδικευμένο κατάστημα επισκευών της DOLMAR.

Έλεγχος του φρένου ανάσχεσης περιστροφής ηλεκτροκινητήρα

Ενεργοποιήστε το αλυσοπρίονο.

Απελευθερώστε τελείως τη σκανδάλη ενεργοποίησης. Το αλυσοπρίονο πρέπει να ακινητοποιηθεί πλήρως εντός ενός δευτερολέπτου.

⚠️ ΠΡΟΣΟΧΗ:

- Εάν η αλυσίδα πριονιού δεν ακινητοποιηθεί εντός ενός δευτερολέπτου, κατά τη διενέργεια αυτής της δοκιμής, απαγορεύεται οποιαδήποτε χρήση του αλυσοπριονιού. Απευθυνθείτε σε εξειδικευμένο κατάστημα επισκευών της DOLMAR.

Ρύθμιση λίπανσης αλυσίδας (Εικ. 6)

Μπορείτε να ρυθμίσετε το ρυθμό παροχής της αντλίας λαδιού με τη βίδα ρύθμισης. Η ποσότητα λαδιού μπορεί να ρυθμιστεί χρησιμοποιώντας το κλειδί γενικής χρήσης.

Carabiner (σημείο πρόσδεσης σχοινιού) (Εικ. 7)

Το carabiner (σημείο πρόσδεσης σχοινιού) χρησιμοποιείται για την ανάρτηση του εργαλείου. Πριν χρησιμοποιήσετε το carabiner, τραβήξτε το έξω και προσδέστε ένα σχοινί.

ΣΥΝΑΡΜΟΛΟΓΗΣΗ

⚠️ ΠΡΟΣΟΧΗ:

- Πάντοτε βεβαιώνετε ότι το εργαλείο είναι σβηστό και η κασέτα μπαταρίας έχει αφαιρεθεί πριν εκτελέσετε κάποια εργασία στο εργαλείο.

Τοποθέτηση και αφαίρεση της αλυσίδας πριονιού (Εικ. 8, 9, 10, 11, 12 και 13)

⚠️ ΠΡΟΣΟΧΗ:

- Πάντοτε να φοράτε γάντια κατά την τοποθέτηση ή την αφαίρεση της αλυσίδας πριονιού.
- Η αλυσίδα πριονιού και η κατευθυντήρια λάμα είναι ακόμα ζεστές μετά τη λειτουργία. Αφήστε τις να ψυχθούν αρκετά πριν εκτελέσετε οποιαδήποτε εργασία στο εργαλείο.

Για να αφαιρέσετε την αλυσίδα πριονιού, εκτελέστε τα ακόλουθα βήματα:

1. Πιέστε και ανοίξτε πλήρως το μοχλό μέχρι να σταματήσει.
2. Περιστρέψτε το καντράν ρύθμισης προς την κατεύθυνση "—" για να χαλαρώσετε το τέντωμα της αλυσίδας πριονιού.
3. Περιστρέψτε το μοχλό αριστερόστροφα για να χαλαρώσετε το κάλυμμα οδοντωτού τροχού μέχρι να βγει.
4. Αφαιρέστε το κάλυμμα του οδοντωτού τροχού.
5. Βγάλετε την αλυσίδα πριονιού και την κατευθυντήρια λάμα από το αλυσοπρίονο.

Για να τοποθετήσετε την αλυσίδα πριονιού, εκτελέστε τα ακόλουθα βήματα:

6. Σιγουρευτείτε για την κατεύθυνση της αλυσίδας. Το σημάδι βέλους στην αλυσίδα δείχνει την κατεύθυνση της αλυσίδας.
7. Προσαρμόστε το ένα άκρο της αλυσίδας πριονιού στο επάνω μέρος της κατευθυντήριας λάμας και το άλλο άκρο γύρω από τον οδοντωτό τροχό.
8. Ακουμπήστε την κατευθυντήρια λάμα στη θέση του επάνω στο αλυσοπρίονο.
9. Περιστρέψτε το καντράν ρύθμισης προς την κατεύθυνση "—" για να ολισθήσει ο πείρος ρύθμισης προς την κατεύθυνση του βέλους.
10. Τοποθετήστε το κάλυμμα οδοντωτού τροχού στο αλυσοπρίονο ώστε ο πείρος ρύθμισης να είναι τοποθετημένος σε μια μικρή οπή στην κατευθυντήρια λάμα.
11. Περιστρέψτε το μοχλό πλήρως δεξιόστροφα και κατά ένα τέταρτο της στροφής προς τα πίσω για να διατηρήσετε τη χαλαρότητα για τη ρύθμιση του τεντώματος της αλυσίδας.
12. Περιστρέψτε το καντράν ρύθμισης και ρυθμίστε το τέντωμα της αλυσίδας.
13. Περιστρέψτε το μοχλό δεξιόστροφα για να ασφαλίσετε το κάλυμμα οδοντωτού τροχού.
14. Πιέστε και επιστρέψτε το μοχλό στην αρχική του θέση.

Ρύθμιση έντασης αλυσίδας πριονιού (Εικ. 8 και 14)

Μετά από πολλές ώρες εργασίας, η αλυσίδα πριονιού ενδέχεται να χαλαρώσει. Περιστασιακά, να ελέγχετε την ένταση της αλυσίδας πριονιού πριν από τη χρήση.

1. Πιέστε και ανοίξτε πλήρως το μοχλό μέχρι να ασφαλίσει. Περιστρέψτε το αριστερόστροφα λίγο για να χαλαρώσετε ελαφρά το κάλυμμα οδοντωτού τροχού.

2. Σηκώστε την κατευθυντήρια λάμα λίγο προς τα πάνω.
3. Περιστρέψτε το καντράν ρύθμισης για να ρυθμίσετε το τέντωμα της αλυσίδας πριονιού. Σφίξτε την αλυσίδα πριονιού μέχρι η κάτω πλευρά της αλυσίδας πριονιού να ταιριάζει στη ράγα της κατευθυντήριας λάμας (δείτε κύκλο στην εικόνα).
4. Συνεχίστε να κρατάτε την κατευθυντήρια λάμα ελαφρά και σφίξτε το κάλυμμα οδοντωτού τροχού αφού ρυθμίσετε το τέντωμα αλυσίδας. Βεβαιωθείτε ότι η αλυσίδα πριονιού δεν χαλαρώνει στην κάτω πλευρά.
5. Πέστε και επιστρέψτε το μοχλό στην αρχική του θέση.

Βεβαιωθείτε ότι η αλυσίδα πριονιού ταιριάζει καλά επάνω στην κάτω πλευρά της λάμας.

⚠ ΠΡΟΣΟΧΗ:

- Μην σφίξτε την αλυσίδα πριονιού υπερβολικά. Το υπερβολικό τέντωμα της αλυσίδας πριονιού μπορεί να προκαλέσει το σπάσιμο της αλυσίδας πριονιού, τη φθορά της κατευθυντήριας λάμας και το σπάσιμο του καντράν ρύθμισης.
- Εάν η αλυσίδα είναι πολύ χαλαρή, μπορεί να αναπηδήσει από τη λάμα. Συνεπώς, αποτελεί κίνδυνο ατυχήματος.
- Η διαδικασία της τοποθέτησης ή αφαίρεσης της αλυσίδας πριονιού θα πρέπει να εκτελείται σε καθαρό μέρος χωρίς πριονίδια και παρόμοια υλικά.

Αγκυλωτός προφυλακτήρας (προαιρετικό εξάρτημα) (Εικ. 15)

Για να εγκαταστήσετε τον αγκυλωτό προφυλακτήρα, εκτελέστε τα ακόλουθα βήματα:

1. Αφαιρέστε το κάλυμμα τροχού, την αλυσίδα πριονιού και την κατευθυντήρια λάμα όπως περιγράφεται στο παρόν εγχειρίδιο οδηγιών.
2. Προσαρμόστε τις σπές του αγκυλωτού προφυλακτήρα μαζί με τις σπές στο αλυσοπρίονο.
3. Σφίξτε τις καλά με βίδες.

ΛΕΙΤΟΥΡΓΙΑ

⚠ ΠΡΟΣΟΧΗ:

- Μην καλύπτετε τα ανοίγματα εξαερισμού, διαφορετικά μπορεί να προκληθεί υπερθέρμανση και ζημία στο εργαλείο.

Λίπανση (Εικ. 16 και 17)

Όταν το εργαλείο βρίσκεται σε λειτουργία γίνεται αυτόματη λίπανση της αλυσίδας πριονιού.

Ελέγξτε την ποσότητα του υπάρχοντος ελαίου εντός του δοχείου ελαίου μέσω του παραθύρου ελέγχου της στάθμης ελαίου.

Για εκ νέου πλήρωση του δοχείου, αφαιρέστε το πώμα που καλύπτει το άνοιγμα του δοχείου ελαίου.

Μετά από την εκ νέου πλήρωση του δοχείου, να βιδώνετε πάντα το παρεχόμενο πώμα στο δοχείο ελαίου του αλυσοπρίονου.

⚠ ΠΡΟΣΟΧΗ:

- Κατά τη λίπανση της αλυσίδας πριονιού με έλαιο αλυσίδας για πρώτη φορά ή την εκ νέου πλήρωση του δοχείου όταν έχει αδειάσει τελείως, προσθέστε έλαιο έως το κάτω άκρο του αυχένα πλήρωσης. Διαφορετικά, ενδέχεται να παρεμποδίζεται η παροχή ελαίου.

- Ως έλαιο λίπανσης της αλυσίδας πριονιού, να χρησιμοποιείτε έλαιο αποκλειστικά για τα αλυσοπρίονα Dolmar ή έλαιο που διατίθεται στο εμπόριο.
- Να μη χρησιμοποιείτε ποτέ έλαιο που περιέχει ίχνη σκόνης και σωματίδια ή πηκτικό έλαιο.
- Στο κλάδεμα δέντρων, να χρησιμοποιείτε βοτανικό έλαιο. Το ορυκτέλαιο ενδέχεται να βλάψει τα δέντρα.
- Ποτέ μην ασκείτε πίεση στο αλυσοπρίονο όταν κλαδεύετε δέντρα.
- Πριν από την κοπή, βεβαιωθείτε ότι βιδώσατε το παρεχόμενο πώμα του δοχείου ελαίου.

Κρατήστε το αλυσοπρίονο μακριά από το δέντρο. Θέστε το σε λειτουργία και περιμένετε, έως ότου η αλυσίδα πριονιού λιπανθεί επαρκώς.

Φέρτε τον αγκυλωτό προφυλακτήρα σε επαφή με το κλαδί που θα κόψετε πριν ενεργοποιήσετε το εργαλείο. Διαφορετικά, μπορεί να προκληθεί η δόνηση της κατευθυντήριας λάμας, έχοντας ως αποτέλεσμα τον τραυματισμό του χειριστή.

Πριονίστε το ξύλο που θέλετε να κόψετε απλά μετακινώντας το εργαλείο προς τα κάτω.

ΕΡΓΑΣΙΑ ΜΕ ΤΟ ΑΛΥΣΟΠΡΙΟΝΟ

⚠ ΠΡΟΣΟΧΗ:

- Την πρώτη φορά, πριν απόκτηση ελάχιστης εμπειρία, ο χρήστης θα πρέπει να επιχειρήσει να κόψει κούτσουρα πάνω σε καβαλέτο ή βάση στήριξης.
- Όταν πριονίζετε ξυλεία που έχει ήδη κοπεί, να χρησιμοποιείτε μια ασφαλή υποστήριξη (καβαλέτο ή βάση στήριξης). Μην προσπαθήσετε να κρατήσετε το τεμάχιο εργασίας σταθερό με το πόδι σας, και μην αφήσετε κανένα να το κρατάει ή να προσπαθεί να το κρατήσει σταθερό.
- Ασφαλίστε τα στρογγυλά τεμάχια από την περιστροφή.

Κλάδεμα δέντρων (Εικ. 18, 19, 20 και 21)

⚠ ΠΡΟΣΟΧΗ:

- Κρατάτε όλα τα μέρη του σώματός σας μακριά από την αλυσίδα πριονιού όταν το μοτέρ λειτουργεί.
- Κρατάτε το αλυσοπρίονο γερά με τα δύο σας χέρια όταν το μοτέρ λειτουργεί.
- Μην υποβάλλετε σε υπερπροσπάθεια. Κρατάτε πάντοτε σταθερό πάτημα και την ισορροπία σας.

Φέρτε τον αγκυλωτό προφυλακτήρα σε επαφή με το κλαδί που θα κόψετε πριν ενεργοποιήσετε το εργαλείο. Αν εκτελέσετε κοπή χωρίς να φέρετε τον αγκυλωτό προφυλακτήρα σε επαφή με το κλαδί μπορεί να προκαλέσει τη δόνηση της κατευθυντήριας λάμας, έχοντας ως αποτέλεσμα τον τραυματισμό του χειριστή.

Όταν κόβετε χοντρά κλαδιά, πρώτα να κάνετε ένα επιφανειακό κόψιμο από κάτω και μετά ολοκληρώστε την κοπή από το πάνω μέρος.

Αν προσπαθήσετε να κόψετε χοντρά κλαδιά από το κάτω μέρος, το κλαδί μπορεί να κλείσει και να συσφίξει την αλυσίδα πριονιού μέσα στην κοπή. Αν προσπαθήσετε να κόψετε χοντρά κλαδιά από το πάνω μέρος χωρίς το επιφανειακό κόψιμο από το κάτω μέρος, το κλαδί μπορεί να σχιστεί.

Αν δεν μπορείτε να κόψετε το ξύλο τελείως με μια προσπάθεια:

Εφαρμόστε ελαφριά πίεση στη χειρολαβή και συνεχίστε το πρίονισμα και τραβήξτε το αλυσοπρίονο λίγο προς τα πίσω, μετά συνεχίστε το κόψιμο λίγο πιο κάτω και ολοκληρώστε την κοπή υψώνοντας τη χειρολαβή.

Τεμαχισμός κορμών (Εικ. 22, 23 και 24)

Για να εκτελέσετε τεμαχισμό, ακουμπήστε τον αγκυλωτό προφυλακτήρα στο ξύλο που θα κόψετε, όπως απεικονίζεται στην εικόνα.

Με την αλυσίδα πριονιού σε λειτουργία, πριονίστε το ξύλο, χρησιμοποιώντας την άνω λαβή για να ανασηκώσετε το αλυσοπρίονο και τη μπροστινή λαβή για να το κατευθύνετε.

Χρησιμοποιήστε τον αγκυλωτό προφυλακτήρα ως άξονα περιστροφής.

Συνεχίστε την κοπή ασκώντας ελαφριά πίεση στην μπροστινή λαβή και κρατώντας το πριόνι λίγο προς τα πίσω. Μετακινήστε τον αγκυλωτό προφυλακτήρα βαθύτερα στο ξύλο και σηκώστε ξανά την μπροστινή λαβή.

Όταν εκτελείτε πολλές τομές, να απενεργοποιείτε το αλυσοπρίονο μεταξύ των τομών.

⚠️ ΠΡΟΣΟΧΗ:

- Εάν χρησιμοποιήσετε την άνω ακμή της λάμας για την κοπή, το αλυσοπρίονο ενδέχεται να εκτραπεί προς το μέρος σας σε περίπτωση παγίδευσης. Για το λόγο αυτό, η κοπή θα πρέπει να εκτελείται χρησιμοποιώντας την κάτω ακμή, ώστε το αλυσοπρίονο να εκτρέπεται μακριά από το σώμα σας.

Κόψτε έναν κορμό υπό ένταση, στην πλευρά της πίεσης (Α) πρώτα.

Στη συνέχεια, εκτελέστε την τελική κοπή στην πλευρά της έντασης (Β). Έτσι θα αποφύγετε τυχόν παγίδευση της λάμας.

Αποκλάδωση

⚠️ ΠΡΟΣΟΧΗ:

- Η εργασία της αποκλάδωσης θα πρέπει να εκτελείται μόνον από εκπαιδευμένα άτομα. Η επικινδυνότητα οφείλεται στον κίνδυνο ανάκρουσης.

Όταν διενεργείτε εργασία αποκλάδωσης, να στηρίζετε το αλυσοπρίονο πάνω στον κορμό, εάν είναι δυνατόν. Δεν θα πρέπει να χρησιμοποιείτε το άκρο της λάμας για την κοπή, διότι υπάρχει κίνδυνος ανάκρουσης.

Να προσέχετε ιδιαίτερα τα κλαδιά υπό ένταση. Μην κόβετε μη υποστηριζόμενα κλαδιά από το κάτω μέρος.

Μην στέκεστε πάνω στον τεμαχισμένο κορμό κατά την αποκλάδωση.

Σκάψιμο και τομές παράλληλα με τα νερά του ξύλου (Εικ. 25)

⚠️ ΠΡΟΣΟΧΗ:

- Το σκάψιμο και οι τομές παράλληλα με τα νερά του ξύλου θα πρέπει να διενεργούνται μόνον από άτομα με ειδική εκπαίδευση. Η πιθανότητα ανάκρουσης ενέχει κίνδυνο τραυματισμού.

Εκτελέστε την κοπή παράλληλα με τις ίνες με όσο το δυνατό πιο μικρή γωνία. Εκτελέστε την κοπή όσο το δυνατόν πιο προσεχτικά επειδή δεν μπορείτε να χρησιμοποιήσετε τον αγκυλωτό προφυλακτήρα.

Υλοτόμηση (Εικ. 26, 27, 28 και 29)

⚠️ ΠΡΟΣΟΧΗ:

- Η εργασία της υλοτόμησης θα πρέπει να διενεργείται μόνον από εκπαιδευμένα άτομα. Η εργασία είναι επικίνδυνη.

Εάν επιθυμείτε να κόψετε ένα δέντρο, να τηρείτε τους τοπικούς κανονισμούς.

- Πριν ξεκινήσετε με την εργασία της υλοτόμησης, βεβαιωθείτε για τα εξής:

(1) Μόνον τα άτομα που εμπλέκονται στην εργασία της υλοτόμησης παρευρίσκονται στην περιοχή·

(2) Οποιοδήποτε εμπλεκόμενο άτομο να διαθέτει οδό οπισθοχώρησης χωρίς εμπόδια σε εύρος περίπου 45° εκατέρωθεν του άξονα υλοτόμησης. Να εξετάζετε τον επιπλέον κίνδυνο να σκοντάψει κανείς σε ηλεκτρικά καλώδια·

(3) Η βάση του κορμού είναι ελεύθερη από ξένα αντικείμενα, ρίζες και κλαδιά·

(4) Δεν υπάρχουν άτομα ή αντικείμενα σε απόσταση 2 1/2 μήκη δέντρου προς την κατεύθυνση που θα πέσει το δέντρο.

- Να εξετάζετε τα ακόλουθα όσον αφορά κάθε δέντρο:

- Κατεύθυνση που γέρνει·

- Χαλαρά ή ξερά κλαδιά·

- Ύψος δέντρου·

- Φυσικά προεξέχοντα τμήματα·

- Εάν ή όχι είναι σάπιο το δέντρο.

- Να εξετάζετε την ταχύτητα και την κατεύθυνση του ανέμου. Εάν ο άνεμος είναι ισχυρός, μην εκτελείτε εργασίες υλοτόμησης.

- Περικοπή διογκωμένων ριζών: Ξεκινήστε με τις μεγαλύτερες διογκώσεις. Εκτελέστε την κάθετη τομή πρώτα, στη συνέχεια την οριζόντια τομή.

- Λοξότομη: Η λοξότομη καθορίζει την κατεύθυνση προς την οποία θα πέσει το δέντρο και το καθοδηγεί. Εκτελείται στην πλευρά προς την οποία θα πρέπει να πέσει το δέντρο. Εκτελέστε τη λοξότομη όσο το δυνατόν πλησιέστερα στο έδαφος. Πρώτα εκτελέστε την οριζόντια τομή σε βάθος 1/5 – 1/3 της διαμέτρου του κορμού. Η λοξότομη δεν θα πρέπει να είναι πολύ μεγάλη. Στη συνέχεια, εκτελέστε τη διαγώνια τομή.

- Προχωρήστε σε τυχόν διορθώσεις της λοξότομησης σε όλο το πλάτος της.

- Εκτελέστε μια πίσω τομή λίγο ψηλότερα από την τομή βάσης της λοξότομησης. Η πίσω τομή πρέπει να είναι ακριβώς οριζόντια. Αφήστε απόσταση ίση με το 1/10 περίπου της διαμέτρου του κορμού μεταξύ πίσω τομής και λοξότομησης.

- Οι ίνες του ξύλου στο άκρο τμήμα του κορμού ενεργούν ως μεντεσές. Σε καμία περίπτωση μην κόψετε τελειώς τις ίνες, διότι το δέντρο θα πέσει ανεξέλεγκτα. Τοποθετήστε σφήνες μέσα στη πίσω τομή εγκαίρως.

- Επιτρέπεται να χρησιμοποιήσετε μόνον πλαστικές ή αλουμιένιες σφήνες για να κρατήσετε ανοιχτή τη πίσω τομή. Η χρήση σιδηρών σφηνών απαγορεύεται.

- Σταθείτε στη μια πλευρά του δέντρου που θα πέσει. Φροντίστε να υπάρχει κενή περιοχή στο πίσω μέρος του δέντρου σε εύρος γωνίας έως 45° εκατέρωθεν του άξονα του δέντρου (βλ. εικόνα "περιοχή υλοτόμησης"). Προσέξτε τα κλαδιά που πέφτουν.

- Θα πρέπει να σχεδιάσετε οδό διαφυγής και να φροντίσετε για τον κατάλληλο καθαρισμό της, πριν προχωρήσετε στις τομές. Η οδός διαφυγής θα πρέπει να εκτείνεται προς τα πίσω και διαγωνίως έως το πίσω μέρος της αναμενόμενης γραμμής πτώσης όπως υποδεικνύεται στην εικόνα.

Μεταφορά του μηχανήματος (Εικ. 30)

Να αφαιρείτε πάντα την κασέτα μπαταρίας από το εργαλείο και να καλύπτετε την κατευθυντήρια λάμα με το κάλυμμα κατευθυντήριας λάμας πριν μεταφέρετε το εργαλείο. Επίσης, να καλύπτετε την κασέτα μπαταρίας με το κάλυμμα μπαταρίας.

ΣΥΝΤΗΡΗΣΗ

⚠ ΠΡΟΣΟΧΗ:

- Πάντοτε βεβαιώνετε ότι το εργαλείο είναι σβηστό και η κασέτα μπαταρίας έχει αφαιρεθεί πριν επιχειρήσετε να κάνετε έλεγχο ή συντήρηση.
- Πάντοτε να φοράτε γάντια όταν εκτελείτε έλεγχο ή συντήρηση.
- Μην χρησιμοποιείτε ποτέ βενζίνη, πετρελαϊκό αιθέρα, διαλυτικό, αλκοόλη ή παρόμοιες ουσίες. Ενδέχεται να προκληθεί αποχρωματισμός παραμόρφωση ή ρωγμές.

Τρόχισμα αλυσίδας πριονιού (Εικ. 31)

⚠ ΠΡΟΣΟΧΗ:

- Να αφαιρείτε πάντα την κασέτα μπαταρίας και να φοράτε γάντια ασφαλείας, κατά την εκτέλεση εργασίας με το την αλυσίδα πριονιού.

Να τροχίζετε την αλυσίδα πριονιού όταν:

- Παράγεται αλευρώδες πριονίδι κατά την κοπή υγρού ξύλου.
- Η αλυσίδα διαπερνά το ξύλο με δυσκολία, ακόμη και όταν ασκείται μεγάλη πίεση.
- Είναι προφανές ότι η ακμή κοπής έχει υποστεί ζημία.
- Το πριόνι ωθείται αριστερά ή δεξιά εντός του ξύλου. Ο λόγος που συμβαίνει αυτό είναι το μη ομοιόμορφο τρόχισμα της αλυσίδας πριονιού ή ζημία στη μία πλευρά μόνο.

Να τροχίζετε την αλυσίδα πριονιού συχνά, αλλά να αφαιρείτε λίγο μόνο υλικό κάθε φορά.

Δύο ή τρία περάσματα με τη λάμα επαρκούν συνήθως για λόγους τρόχισματος ρουτίνας. Όταν η αλυσίδα πριονιού έχει τροχιστεί αρκετές φορές, αναθέστε το τρόχισμα σε εξειδικευμένο κατάστημα επισκευών της DOLMAR.

Κριτήρια ακονίσματος: (Εικ. 32 και 33)

- Όλο το μήκος κόπτη πρέπει να είναι ίσο. Οι κόπτες με διαφορετικό μήκος εμποδίζουν την ομαλή λειτουργία της αλυσίδας και ενδέχεται να προκαλέσουν το σπάσιμο της αλυσίδας.
- Μην ακονίζετε την αλυσίδα όταν το ελάχιστο μήκος του κόπτη φτάσει στα 3 mm. Θα πρέπει να τοποθετήσετε καινούρια αλυσίδα.
- Το πάχος θραυσμάτων καθορίζεται από την απόσταση μεταξύ του ρυθμιστή βάθους (στρογγυλή μύτη) και του άκρου κοπής.
- Θα έχετε τα καλύτερα αποτελέσματα κοπής με την ακόλουθη απόσταση μεταξύ του άκρου κοπής και του ρυθμιστή βάθους.

Λεπίδα αλυσίδας 291 (90PX): 0,5 mm
 Λεπίδα αλυσίδας 492 (91PX): 0,65 mm
 Λεπίδα αλυσίδας 25 (25AP): 0,65 mm

⚠ ΠΡΟΕΙΔΟΠΟΙΗΣΗ:

- Η υπερβολική απόσταση αυξάνει τον κίνδυνο κλοσθήματος.
- Όλοι οι κόπτες θα πρέπει να έχουν την ίδια γωνία ακονίσματος των 30°. Εάν υπάρχουν διαφορές στη γωνία, η αλυσίδα κινείται δύσκολα και ανομοιόμορφα, επιταχύνεται η φθορά και προκαλείται σπάσιμο της αλυσίδας.
- Η γωνία του πλαινού χείλους του κόπτη καθορίζεται από το βάθος διεύθυνσης της στρογγυλής λάμας. Εάν χρησιμοποιήσετε σωστά τη συγκεκριμένη λάμα, δημιουργείται αυτόματα η σωστή γωνία του πλαινού χείλους.
- Η γωνία του πλαινού χείλους για κάθε αλυσίδα πριονιού είναι η εξής:
 Λεπίδα αλυσίδας 291 (90PX): 75°
 Λεπίδα αλυσίδας 492 (91PX): 80°
 Λεπίδα αλυσίδας 25 (25AP): 85°

Λάμα και καθοδήγηση λάμας (Εικ. 34, 35 και 36)

- Να χρησιμοποιείτε ειδική στρογγυλή λάμα (προαιρετικό εξάρτημα) για αλυσίδες πριονιού για να ακονίσετε την αλυσίδα. Οι συνθημαμένες στρογγυλές λάμες δεν είναι κατάλληλες.
- Η διάμετρος της στρογγυλής λάμας για κάθε αλυσίδα πριονιού είναι η εξής:
 Λεπίδα αλυσίδας 291 (90PX): 4,5 mm
 Λεπίδα αλυσίδας 492 (91PX): 4,0 mm
 Λεπίδα αλυσίδας 25 (25AP): 4,0 mm
- Η λάμα θα πρέπει να έρχεται σε επαφή με τον κόπτη μόνο κατά την εμπρόσθια κίνηση. Ανασηκώστε τη λάμα από τον κόπτη κατά τη διαδρομή επιστροφής.
- Ακονίστε πρώτα τον πιο κοντό κόπτη. Μετά, το μήκος αυτού του πιο κοντού κόπτη γίνεται το πρότυπο για όλους τους άλλους κόπτες στην αλυσίδα πριονιού.
- Να οδηγείτε τη λάμα όπως υποδεικνύεται στην εικόνα.
- Η οδήγηση της λάμας καθιστάται πιο εύκολη, εάν χρησιμοποιείτε συγκρατητήρα λάμας (προαιρετικό εξάρτημα). Ο συγκρατητήρας της λάμας διαθέτει ενδείξεις για την κατάλληλη γωνία τρόχισματος 30° (ευθυγραμμίστε τις ενδείξεις παράλληλα με την αλυσίδα πριονιού) και περιορίζει το βάθος διεύθυνσης (σε 4/5 της διαμέτρου της λάμας).
- Μετά από το τρόχισμα της αλυσίδας, ελέγξτε το ύψος του ρυθμιστή του βάθους κοπής χρησιμοποιώντας το εργαλείο μέτρησης αλυσίδας (προαιρετικό εξάρτημα).
- Αφαιρέστε τυχόν προεξέχον υλικό, όσο μικρό και αν είναι, με ειδική επίπεδη λάμα (προαιρετικό εξάρτημα).
- Αποτελειώστε το μηχανιστικό μέρος του ρυθμιστή βάθους κοπής ξανά.

Καθαρισμός της κατευθυντήριας λάμας (Εικ. 37)

Ρινίσματα και πριονόσκονη θα συσσωρευτούν στην εγκοπή της κατευθυντήριας λάμας, βουλώνοντας την και ελαττώνοντας την ροή του λαδιού. Πάντοτε να καθαρίζετε τα ρινίσματα και την πριονόσκονη όταν ακονίζετε ή αντικαθιστάτε την αλυσίδα πριονιού.

Καθαρισμός οπής παροχής ελαίου (Εικ. 38)

Ενδέχεται να παρουσιαστεί συσσώρευση σκόνης και σωματιδίων εντός της οπής παροχής ελαίου στη διάρκεια της λειτουργίας.

Τυχόν συσσώρευση σκόνης και σωματιδίων εντός της οπής παροχής ελαίου ενδέχεται να παρεμποδίζει τη ροή της παροχής ελαίου και να προκαλέσει ανεπαρκή λίπανση ολόκληρης της αλυσίδας πριονιού.

Όταν παρατηρηθεί κακή παροχή ελαίου λίπανσης στο πάνω μέρος της κατευθυντήριας λάμας, καθαρίστε την οπή παροχής ελαίου ως ακολούθως.

Αφαιρέστε την κασέτα μπαταρίας από το εργαλείο.

Αφαιρέστε το κάλυμμα του οδοντωτού τροχού και την αλυσίδα πριονιού από το εργαλείο. (Ανατρέξτε στην ενότητα “Τοποθέτηση και αφαίρεση της αλυσίδας πριονιού”.)

Αφαιρέστε τη σκόνη ή τα μικρά σωματίδια χρησιμοποιώντας ένα κατσαβίδι με επίπεδη μύτη, με λεπτό άξονα, ή κάποιο παρόμοιο εργαλείο.

Τοποθετήστε την κασέτα μπαταρίας στο εργαλείο.

Τραβήξτε τη σκανδάλη διακόπτη ώστε η συσσωρευμένη σκόνη και τα σωματίδια να αποβληθούν από την οπή παροχής ελαίου μέσω της ροής ελαίου.

Αφαιρέστε την κασέτα μπαταρίας από το εργαλείο.

Τοποθετήστε εκ νέου την αλυσίδα πριονιού και το κάλυμμα του οδοντωτού τροχού στο εργαλείο.

Αντικατάσταση οδοντωτού τροχού (Εικ. 39 και 40)

Πριν από την τοποθέτηση μιας νέας αλυσίδας πριονιού, ελέγξτε την κατάσταση του οδοντωτού τροχού.

⚠ ΠΡΟΣΟΧΗ:

- Ένας φθαρμένος οδοντωτός τροχός θα προκαλέσει φθορά στη νέα αλυσίδα πριονιού. Σε αυτή την περίπτωση αντικαταστήστε τον οδοντωτό τροχό. Η αντικατάσταση του οδοντωτού τροχού πραγματοποιείται ώστε να είναι πάντα στραμμένος όπως υποδεικνύεται στην εικόνα.

Να τοποθετείτε πάντα νέο ασφαλιστικό δακτύλιο, όταν αντικαθιστάτε τον οδοντωτό τροχό.

Αντικαταστήστε ψηκτρών άνθρακα (Εικ. 41 και 42)

Αφαιρείτε και ελέγχετε τις ψηκτρες άνθρακα τακτικά. Αντικαθιστάτε τις όταν φθαρούν μέχρι το σημάδι ορίου. Κρατάτε τις ψηκτρες άνθρακα καθαρές και ελεύθερες να γλιστρούν στις θήκες. Και οι δύο ψηκτρες άνθρακα πρέπει να αντικαθίστανται ταυτόχρονα. Χρησιμοποιείτε μόνο ταυτόσημες ψηκτρες άνθρακα.

Χρησιμοποιείτε ένα κατσαβίδι για να αφαιρέσετε τα καπάκια των θηκών των ψηκτρών. Αφαιρέστε τις φθαρμένες ψηκτρες, βάλτε τις νέες και ασφαλίστε τα καπάκια των θηκών των ψηκτρών.

Φύλαξη εργαλείου

Καθαρίστε το εργαλείο πριν από τη φύλαξη. Αφαιρέστε τυχόν ροκανίδια και πριονίδια από το εργαλείο μετά από την αφαίρεση του καλύμματος του οδοντωτού τροχού. Μετά από τον καθαρισμό του εργαλείου, αφήστε το σε λειτουργία χωρίς φορτίο ώστε να λιπανθεί η αλυσίδα πριονιού και η κατευθυντήρια λάμα.

Καλύψτε την κατευθυντήρια λάμα με το κάλυμμα κατευθυντήριας λάμας.

Αφαιρέστε το έλαιο από το δοχείο ελαίου ώστε να αδειάσει και τοποθετήστε το αλυσοπρίονο.

Για διατήρηση της ΑΣΦΑΛΕΙΑΣ και ΑΞΙΟΠΙΣΤΙΑΣ του προϊόντος, επισκευές, οποιαδήποτε συντήρηση ή ρυθμίσεις πρέπει να εκτελούνται από Κέντρα Εξυπηρέτησης Εξουσιοδοτημένα από την DOLMAR, με χρήση πάντοτε ανταλλακτικών DOLMAR.

Οδηγίες για περιοδική συντήρηση

Για τη διασφάλιση της μακράς ζωής λειτουργίας, την αποφυγή της ζημιάς και τη διασφάλιση της πλήρους λειτουργικότητας των δυνατοτήτων ασφάλειας, πρέπει να εκτελείτε τις ακόλουθες εργασίες συντήρησης σε τακτά χρονικά διαστήματα.

Η εγγύηση θα αναγνωριστεί μόνο αν εκτελείτε σωστά τις εργασίες αυτές σε τακτά χρονικά διαστήματα. Αν δεν εκτελέσετε τις συνιστώμενες εργασίες συντήρησης, μπορεί να προκληθούν ατυχήματα!

Ο χρήστης του αλυσοπριονίου δεν πρέπει να εκτελεί εργασίες συντήρησης που δεν περιγράφονται στο εγχειρίδιο οδηγιών. Όλες αυτές οι εργασίες πρέπει να εκτελούνται από εξουσιοδοτημένο κέντρο σέρβις.

Χρόνος λειτουργίας		Πριν από τη λειτουργία	Κάθε ημέρα	Κάθε εβδομάδα	Κάθε 3 μήνες	Κάθε χρόνο	Πριν από την αποθήκευση
Στοιχείο	Επιθεωρήστε	<input type="radio"/>					
	Καθαρίστε		<input type="radio"/>				
	Ελέγξτε σε εξουσιοδοτημένο κέντρο σέρβις.					<input type="radio"/>	<input type="radio"/>
Αλυσίδα πριονιού	Επιθεωρήστε	<input type="radio"/>					
	Ακονίστε αν απαιτείται.						<input type="radio"/>
Κατευθυντήρια λάμα	Επιθεωρήστε	<input type="radio"/>	<input type="radio"/>				
	Αφαιρέστε από το αλυσοπρίονο.						<input type="radio"/>
Φρένο αλυσίδας	Ελέγξτε τη λειτουργία.	<input type="radio"/>					
	Πηγαίνετέ το σε εξουσιοδοτημένο κέντρο σέρβις για τακτική επιθεώρηση.				<input type="radio"/>		
Λίπανση αλυσίδας	Ελέγξτε την παροχή τροφοδοσίας λαδιού.	<input type="radio"/>					
Σκανδάλη διακόπτης	Επιθεωρήστε	<input type="radio"/>					
Πλήκτρο ασφάλειας	Επιθεωρήστε	<input type="radio"/>					
Πώμα του δοχείου ελαίου	Ελέγξτε ότι είναι σφικμένο.	<input type="radio"/>					
Συγκρατήρας αλυσίδας	Επιθεωρήστε			<input type="radio"/>			
Βίδες και παξιμάδια	Επιθεωρήστε			<input type="radio"/>			

014804

ΑΝΤΙΜΕΤΩΠΙΣΗ ΠΡΟΒΛΗΜΑΤΩΝ

Πριν ζητήσετε επισκευές, εκτελέστε αρχικά τη δική σας επιθεώρηση. Αν εντοπίσετε πρόβλημα που δεν επεξηγείται στο εγχειρίδιο, μην επιχειρήσετε να αποσυναρμολογήσετε το εργαλείο. Αντ' αυτού, ζητήστε βοήθεια από εξουσιοδοτημένα κέντρα εξυπηρέτησης της Dolmar και πάντοτε να χρησιμοποιείτε γνήσια ανταλλακτικά της Dolmar.

Κατάσταση δυσλειτουργίας	Αιτία	Ενέργεια
Το αλυσοπρίονο δεν ξεκινά.	Δεν είναι τοποθετημένες δύο κασετίνες μπαταρίας.	Τοποθετήστε τις φορτισμένες κασετίνες μπαταρίας.
	Πρόβλημα μπαταρίας (μικρή τάση).	Επαναφορτίστε την κασέτα μπαταριών. Αν η επαναφόρτιση δεν είναι αποτελεσματική, αντικαταστήστε την κασέτα μπαταριών.
Η αλυσίδα δεν κινείται.	Ενεργοποιημένο φρένο αλυσίδας.	Αποδεσμεύστε το φρένο αλυσίδας.
Το μοτέρ σταματά να λειτουργεί μετά από μικρή χρήση.	Το επίπεδο φόρτισης μπαταρίας είναι χαμηλό.	Επαναφορτίστε την κασέτα μπαταριών. Αν η επαναφόρτιση δεν είναι αποτελεσματική, αντικαταστήστε την κασέτα μπαταριών.
Δεν υπάρχει λάδι στην αλυσίδα.	Το δοχείο λαδιού είναι άδειο.	Γεμίστε το δοχείο λαδιού.
	Η εγκοπή οδηγού λαδιού είναι βρόμικη.	Καθαρίστε την εγκοπή.
	Η διανομή λαδιού δεν είναι ρυθμισμένη σωστά.	Προσαρμόστε την ποσότητα της διανομής λαδιού.
Δεν φτάνει τις μέγιστες ΣΑΛ.	Η κασέτα μπαταρίας δεν είναι σωστά τοποθετημένη.	Τοποθετήστε την κασέτα μπαταρίας όπως περιγράφεται σε αυτό το εγχειρίδιο.
	Η ισχύς της μπαταρίας μειώνεται.	Επαναφορτίστε την κασέτα μπαταριών. Αν η επαναφόρτιση δεν είναι αποτελεσματική, αντικαταστήστε την κασέτα μπαταριών.
	Το σύστημα μετάδοσης κίνησης δεν λειτουργεί σωστά.	Απευθυνθείτε στο τοπικό εξουσιοδοτημένο κέντρο σέρβις για επισκευή.
Η αλυσίδα δεν σταματάει ακόμη και όταν ενεργοποιείται το φρένο αλυσίδας: Σταματήστε τη μηχανή αμέσως!	Ο μάντας φρένου είναι φθαρμένος.	Απευθυνθείτε στο τοπικό εξουσιοδοτημένο κέντρο σέρβις για επισκευή.
Ασυνήθιστοι κραδασμοί: Σταματήστε τη μηχανή αμέσως!	Η κατευθυντήρια λάμα ή η αλυσίδα πριονιού είναι χαλαρή.	Προσαρμόστε το τέντωμα της κατευθυντήριας λάμας ή της αλυσίδας πριονιού.
	Δυσλειτουργία εργαλείου.	Απευθυνθείτε στο τοπικό εξουσιοδοτημένο κέντρο σέρβις για επισκευή.

014805

ΠΡΟΑΙΡΕΤΙΚΑ ΕΞΑΡΤΗΜΑΤΑ

⚠ ΠΡΟΣΟΧΗ:

- Αυτά τα ανταλλακτικά ή προσαρτήματα συνιστώνται για χρήση με το εργαλείο σας της Dolmar που περιγράφεται στο εγχειρίδιο αυτό. Η χρήση οτιδήποτε άλλων ανταλλακτικών ή προσαρτημάτων μπορεί να παρουσιάσουν κίνδυνο τραυματισμού σε άτομα.

Εάν χρειάζεστε βοήθεια ή περισσότερες λεπτομέρειες σε σχέση με αυτά τα ανταλλακτικά, ρωτήστε το τοπικό σας κέντρο εξυπηρέτησης της Dolmar.

- Γνήσια μπαταρία και φορτιστής της Dolmar
- Αλυσίδα πριονιού
- Κατευθυντήρια λάμα
- Κάλυμμα κατευθυντήριας λάμας
- Λίμα
- Τσάντα εργαλείων

ΠΑΡΑΤΗΡΗΣΗ:

- Μερικά στοιχεία στη λίστα μπορεί να συμπεριλαμβάνονται στη συσκευασία εργαλείου ως στάνταρ εξαρτήματα. Μπορεί να διαφέρουν ανάλογα με τη χώρα.

ENG905-1

Θορύβος

Το τυπικό A επίπεδο μετρημένου θορύβου καθορίζεται σύμφωνα με το EN60745:

- Στάθμη πίεσης ήχου (L_{pA}): 84,4 dB (A)
- Στάθμη δύναμης ήχου (L_{WA}): 95,4 dB (A)
- Αβεβαιότητα (K): 2,5 dB (A)

Φοράτε ωτοασπίδες

ENG900-1

Κραδασμός

Η ολική τιμή δόνησης (άθροισμα τρι-αξονικού διανύσματος) καθορίζεται σύμφωνα με το EN60745:

Μοντέλο AS-3726

- Είδος εργασίας: κοπή ξύλου
- Εκπομπή δόνησης (a_h): 4,7 m/s²
- Αβεβαιότητα (K): 1,5 m/s²

Μοντέλο AS-3731

- Είδος εργασίας: κοπή ξύλου
- Εκπομπή δόνησης (a_h): 6,3 m/s²
- Αβεβαιότητα (K): 1,5 m/s²

ENG901-1

- Η δηλωμένη τιμή εκπομπής κραδασμών έχει μετρηθεί σύμφωνα με την πρότυπη μέθοδο δοκιμής και μπορεί να χρησιμοποιηθεί για τη σύγκριση ενός εργαλείου με άλλο.
- Η δηλωμένη τιμή εκπομπής κραδασμών μπορεί να χρησιμοποιηθεί και στην προκαταρκτική αξιολόγηση έκθεσης.

⚠ ΠΡΟΕΙΔΟΠΟΙΗΣΗ:

- Η εκπομπή κραδασμών κατά τη χρήση του ηλεκτρικού εργαλείου σε πραγματικές συνθήκες μπορεί να διαφέρει από τη δηλωμένη τιμή εκπομπής ανάλογα με τον τρόπο χρήσης του εργαλείου.
- Φροντίστε να λάβετε τα κατάλληλα μέτρα προστασίας του χειριστή βάσει υπολογισμού της έκθεσης σε πραγματικές συνθήκες χρήσης (λαμβάνοντας υπόψη όλες τις συνιστώσες του κύκλου λειτουργίας όπως τους χρόνους που το εργαλείο είναι εκτός λειτουργίας και όταν βρίσκεται σε αδρανή λειτουργία πέραν του χρόνου ενεργοποίησης).

Μόνο για χώρες της Ευρώπης

Δήλωση Συμμόρφωσης ΕΚ

Η κάτωθι υπογεγραμμένη, **Rainer Bergfeld**, εξουσιοδοτούμενη από τη **Dolmar GmbH**, δηλώνει ότι το/τα **μηχάνημα(τα) DOLMAR**:

Χαρακτηρισμός μηχανήματος:

Αλυσοπρίονο μπαταρίας
Αρ. μοντέλου/ Τύπος: AS-3726, AS-3731

Προδιαγραφές: βλ. πίνακα "ΤΕΧΝΙΚΑ ΧΑΡΑΚΤΗΡΙΣΤΙΚΑ".

είναι εν σειρά παραγωγή και **συμμορφώνονται με τις ακόλουθες Ευρωπαϊκές Οδηγίες:**

2000/14/ΕΚ, 2006/42/ΕΚ

και κατασκευάζονται σύμφωνα με τα ακόλουθα πρότυπα ή έγγραφα τυποποίησης:

EN ISO 11682-2

Το Πιστοποιητικό Εξέτασης τύπου ΕΚ αρ. 4812068.13006 Η εξέταση τύπου ΕΚ βάσει 2006/42/ΕΚ διενεργήθηκε από:

DEKRA Testing and Certification GmbH

Enderstraße 92b

01277 Dresden

Germany (Γερμανία)

Αρ. ταυτοποίησης 2140

Το αρχείο της τεχνικής τεκμηρίωσης φυλάσσεται στη διεύθυνση:

Dolmar GmbH,

Jenfelder Straße 38, Abteilung FZ,

D-22045 Hamburg (Αμβούργο)

Η απαιτούμενη διαδικασία αξιολόγησης συμμόρφωσης βάσει της Οδηγίας 2000/14/ΕΚ ήταν σύμφωνη με το Παράρτημα V.

Στάθμη ηχητικής ισχύος μέτρησης: 95,4 dB (A)

Εγγυημένη στάθμη ηχητικής ισχύος: 98 dB (A)

20.12.2013



Rainer Bergfeld
Γενικός Διευθυντής

Genel görünüşün açıklanması

1 Kırmızı gösterge	15 Zincir dişlisi	28 Tehlike bölgesi
2 Düşme	16 Ayar pimi	29 Kaçış yolu
3 Batarya kartuşu	17 Delik	30 Pala kapağı
4 Yıldız işareti	18 Pala	31 Batarya kapağı
5 Batarya göstergesi	19 Gevşetin	32 Kesme uzunluğu
6 Kilit açma düğmesi	20 Sıkma	33 Kesme kenarı ile derinlik ölçüğü arasındaki mesafe
7 Anahtar tetik	21 Testere zinciri	34 En az 3 mm
8 Ön el siperi	22 Yağ tankı kapağı	35 Yan plaka açısı
9 Kilitleme	23 Yağ kontrol penceresi (tankı yağla doldurmak için)	36 Düz uçlu tornavida
10 Kilit açma	24 Yağ kontrol penceresi	37 Tespit halkası
11 Ayar vidası	25 Sivri uçlu tampon	38 Sınır işareti
12 Zincir dişlisi kapağı	26 Devirme alanı	39 Fırça yuvası kapağı
13 Kol	27 Devrilme yönü	40 Tornavida
14 Ayar kadranı		

TEKNİK ÖZELLİKLER

Model		AS-3726		AS-3731
Standart kılavuz çubuk	Kılavuz çubuk uzunluğu	250 mm		300 mm
	Kesme uzunluğu	23 cm	24 cm	28 cm
	Tip	Zincir dişlisi pala burnu	Oyma çubuğu	Zincir dişlisi pala burnu
Testere zinciri	Tip	492 (91PX)	25 (25AP)	291 (90PX)
	Diş aralığı	9,5 mm (3/8")	6,35 mm (1/4")	9,5 mm (3/8")
	Ölçek	1,3 mm (0,05")	1,3 mm (0,05")	1,1 mm (0,043")
	Zincir bağlantılarının sayısı	40	60	46
Zincir dişlisi	Diş sayısı	6	9	6
	Diş aralığı	9,5 mm (3/8")	6,35 mm (1/4")	9,5 mm (3/8")
Toplam uzunluk (pala olmadan)		316 mm		
Net ağırlık	*1	4,1 kg		
	*2	4,6 kg	4,7 kg	
Dakikadaki zincir hızı		8,3 m/s (500 m/min)		
Zincir yağı tank hacmi		85 cm ³		
Anma voltajı		D.C. 36 V		D.C. 36 V

END313-1

- Sürekli yapılan araştırma ve geliştirmelerden dolayı, burada belirtilen özellikler önceden bildirimlemeden değiştirilebilir.
- Özellikler ve batarya kartuşu ülkeden ülkeye değişebilir.

*1 EN ISO 11681-2 uyarınca, en büyük batarya kartuşu ile, kılavuz çubuk ve zincir olmadan, yağ tankı boşken ölçülen ağırlık.

*2 EPTA-Prosedürü 01/2003 uyarınca, batarya kartuşu, kılavuz çubuk ve zincirle, yağ tankı dolu iken ölçülen ağırlık.

UYARI: Kılavuz çubuk ile testere zincirinin uygun bir kombinasyonunu kullanın. Aksi takdirde kişisel yaralanmalar meydana gelebilir.

Semboller

Aşağıdakiler makinanız için kullanılan sembollerini göstermektedir. Kullanmadan önce manalarını anladığınızdan emin olunuz.



- El kitabını okuyun.



- Koruyucu gözlük kullanın.



- Kulak koruyucuları takın.



• Bir kask, emniyet gözlüğü ve kulak koruması takın.



• Ayak-bacak ve el-kol için uygun koruma kullanın.



• Bu testerenin uygun şekilde eğitilmiş kullanıcılar tarafından kullanılması gerekir.



• Yağmura maruz bırakmayın.



• İzin verilen maksimum kesme uzunluğu



• Zincir hareketinin yönü



• Testere zincir yağını ayarlama



• Sadece AB ülkeleri için Elektrik donanımını veya batarya kutusunu evsel atıklarla birlikte bertaraf etmeyiniz! Atık Elektrikli ve Elektronik Donanımlar, bataryalar ve Akümülatörler ve Atık bataryalar ve Akümülatörler konusundaki Avrupa Direktifleri ve bunların ulusal yasalara uygulanmaları uyarınca, kullanım ömürleri biten elektrikli donanımların, bataryaların ve batarya takım(lar)ının ayrı toplanmaları ve çevreye uyumlu bir geri kazanım tesisine getirilmeleri gereklidir.

ENE090-1

Kullanım amacı

Bu alet dalları kesmek / ağaçları budamak için tasarlanmıştır. Ağaç bakımı için de uygundur.

GEA010-1

Genel elektrikli alet Güvenliği Uyarılar

⚠ UYARI! Tüm güvenlik uyarılarını ve tüm talimatları okuyun. Uyarılara ve talimatlara uyulmaması elektrik şoku, yangın ve/veya ciddi yaralanmalar ile sonuçlanabilir.

Tüm uyarıları ve talimatları ilerde başvurmak için saklayın.

GEB118-1

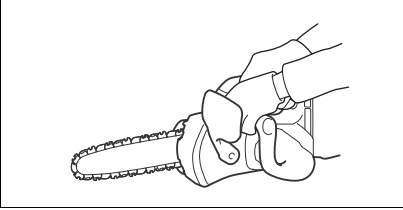
Akülü ağaç kesme güvenlik uyarıları:

1. **Zincir testere çalışırken vücudunuzun her kısmını testere zincirden uzak tutun. Zincir testereyi çalıştırmadan önce, testere zincirin hiçbir şeye temas etmediğinden emin olun.** Zincir testereleri kullanırken bir anlık bir dikkatsizlik, gıysinizi veya vücudunuzu testere zincirine kaptırmanıza neden olabilir.
2. **İki elle tutarken, zincir testereyi daima sağ elinizle arka tutamağından ve sol elinizle ön tutamağından tutun.** Zincir testereyi ters bir el düzeni ile tutmak yaralanma riskini artırır ve kesinlikle yapılmamalıdır.

3. **Bu elektrikli aleti sadece yalıtımlı kavrama yüzeyinden tutun çünkü testere zinciri görünmeyen elektrik kablolarına temas edebilir.** Testere zincirlerinin "akımlı" bir telle temas etmesi elektrikli aletin yalıtımsız metal kısımlarını "akımlı" hale getirebilir ve kullanıcıyı elektrik şokuna maruz bırakabilir.
4. **Emniyet gözlükleri ve kulak koruyucuları kullanın. Baş, eller, bacaklar ve ayaklar için ayrıca koruyucu donanım kullanılması tavsiye edilir.** Yeterli koruyuculuğu olan giysiler uçan kırıntılar ve kazayla testere zincirine temas etme nedeniyle yaralanmaları azaltacaktır.
5. **Her zaman yere sağlam basın.** Sabit olmayan ve kaygan yüzeyler dengeyi ve zincir testerenin kontrolünü kaybetmenize neden olabilir.
6. **Gerilim altındaki bir dalı keserken, geri fırlamaya karşı tetikte olun.** Ağaç liflerindeki gerilim boşaldığı zaman, yaylanma kuvvetiyle yüklü dal operatöre çarpabilir ve/veya zincir testereyi kontrolsüz şekilde fırlatabilir.
7. **Çalılar ve fidanları keserken çok dikkatli olun.** İnce dallı malzeme testere zincirini kısırtabilir ve size doğru kamçı gibi çarpabilir veya sizin dengeyi bozabilir.
8. **Zincir testereyi güç anahtarı kapalı olarak, vücudunuzdan uzakta, ön tutamağından tutarak taşıyın. Zincir testereyi naklemeden veya saklarken kılavuz çubuk kapağını daima takın.** Zincir testerenin doğru şekilde aktarılması, hareketli testere zincirine kazayla temas etme olasılığını azaltacaktır.
9. **Yağlama, zincir germe ve aksesuar değiştirme talimatlarına uyun.** Yanlış gerilmiş veya yağlanmış zincir kırılabilir veya geri tepme olasılığı artabilir.
10. **Tutamakları kuru, temiz ve yağ ve gres bulaşmamış halde bulundurun.** Gresli, yağlı tutamaklar kaygandır ve kontrol kaybına neden olurlar.
11. **Sadece ağaç kesin. Zincir testereyi amacı dışında kullanmayın.** Örneğin: Zincir testereyi plastik, kâğır malzemeleri veya ahşap olmayan inşaat malzemelerini kesmek için kullanmayın. Zincir testerenin kullanım amacı dışında kullanılması tehlikeli bir durum ortaya çıkarabilir.
12. **Gerilme nedenleri ve operatör tarafından önlenmesi:**
Kılavuz çubuğun burnu veya ucu bir cisme değdiği zaman veya ağaç, kesik içindeki testere zincirini kuşatıp, kısırdığı zaman geri tepme meydana gelebilir.
Bazı durumlarda ucun teması ani bir ters etkiyle kılavuz çubuğun yukarı ve operatöre doğru geri tepmesine neden olabilir.
Testere zincirinin kılavuz çubuğun üstü boyunca kısırılması kılavuz çubuğu hızla operatöre doğru geri itebilir.
Bu tepkilerden herhangi biri ciddi yaralanmalarla sonuçlanabilecek şekilde, testerenin kontrolünü kaybetmenize neden olabilir. Sadece testerenizin yapısında bulunan güvenlik aygıtlarına güvenmeyin. Bir zincir testere kullanıcısı olarak, kesme işiniz sırasında kaza veya yaralanma olmamasını sağlamak için birçok önlem almanız gerekir.

Geri tepme aletin yanlış kullanılmasının ve/veya yanlış kullanım usulleri veya koşullarının bir sonucudur ve aşağıda belirtildiği gibi doğru önlemlerle önlenabilir:

- **Testereyi her iki elinizle, başparmağınız ve diğer parmaklarınız tutamakları saracak şekilde, sıkıca kavrayın ve vücudunuzu ve kolunuzu geri tepme kuvvetlerine karşı koyabilecek şekilde konumlandırın.** Geri tepme kuvvetleri, eğer doğru önlemler alınırsa, operatör tarafından kontrol edilebilir. Zincir testereyi gevşek tutmayın.



014673

- **Aşırı uzağa veya ileriye uzanmayın ve omuz yüksekliğinin üzerindeki yerleri kesmeyin.** Bu, istenmeyen uç temasının önlenmesine yardımcı olur ve beklenmedik durumlarda zincir testerenin daha iyi kontrol edilebilmesini sağlar.
 - **Sadece imalatçının belirttiği yedek çubukları ve zincirleri kullanın.** Yanlış yedek çubuk ve zincir kullanımı zincir kopmasını ve/veya geri tepmeye neden olabilir.
 - **Testere zinciri için imalatçının bileme ve bakım talimatlarına uyun.** Derinlik göstergesi yüksekliğinin azaltılması geri tepmenin artmasına yol açabilir.
13. Çalışmaya başlamadan önce, zincir testerenin iyi çalışır ve güvenlik yönetmeliklerine uygun durumda olduğunu kontrol edin. Özellikle şunları kontrol edin:
- Zincir freninin doğru çalıştığını;
 - Serbest dönüş freninin doğru çalıştığını;
 - Pala ve zincir dişlisi kapağının doğru takıldığını;
 - Zincirin yönetmeliklere uygun şekilde bilenmiş ve gerilmiş olduğunu;
14. **Zincir testereyi zincir kılıfı üstüne takılıken çalıştırmayın.** Zincir testereyi zincir kılıfı üstündeyken çalıştırma zincir kılıfının ileri fırlayarak, operatörün etrafındaki insanlara ve eşyalara zarar vermesine neden olabilir.

Üstten tutamaklı zincir testereye ilişkin güvenlik uyarıları

1. Bu zincir testere özel olarak ağaç bakımı ve kesimi için tasarlanmıştır. Zincir testerenin sadece uygun şekilde eğitilmiş kişiler tarafından kullanılması gerekir. İlgili meslek kurumunun yayınladığı tüm talimatlara, prosedürlere ve tavsiyelere uyun. Aksi takdirde ölümcül kazalar meydana gelebilir. Ağaçlarda testere ile çalışırken daima yükselen bir platform (çubuk forklift, sepetli vinç) kullanılması tavsiye edilir. Halatla çalışmak son derece tehlikelidir ve özel eğitim gerektirir. Kullanıcılar güvenlik teçhizatının kullanımına ve tırmanma tekniklerine aşinalık kazanmak için eğitilmelidir. Ağaçlarda çalışırken daima uygun kemer, halat ve karabinaları kullanın. Hem kullanıcı hem de testere için daima kısıtlayıcı ekipmanlar kullanın.
2. Saklamadan önce kullanım kılavuzuna uygun olarak temizlik ve bakım işlemlerini gerçekleştirin.
3. Arabayla taşıma sırasında yakıt ya da zincir yağı akmasını, alete zarar gelmesini ve kişisel yaralanmaları önlemek için zincir testerenin güvenli bir şekilde yerleştirildiğinden emin olun.
4. Zincir freninin işlevselliğini düzenli olarak kontrol edin.
5. Zincir yağını ateş yakınında doldurmayın. Zincir yağını doldururken asla sigara içmeyin.
6. Yerel düzenlemeler zincir testerenin kullanımına sınırlandırma getirebilir.
7. Cihaz ağır bir darbe alır ya da düşerse, çalışmaya devam etmeden önce durumunu kontrol edin. Kontrolleri ve güvenlik aygıtlarını arızaya karşı kontrol edin. Herhangi bir hasar ya da şüpheli bir durum varsa, inceleme ve tamir için yetkili servis merkezimize başvurun.
8. Zincir testereyi başlatmadan önce daima zincir frenini etkinleştirin.
9. Testerenin kaymasını (savrulma hareketini) veya geri tepmesini önlemek için testereyi yerinde sıkıca tutun.
10. Kesim bittikten sonra, ani duruşun neden olduğu "sarsıntı" karşısında dengeyi korumak için dikkatli olun.
11. Rüzgarın yönünü ve hızını dikkate alın. Testereden çıkan tozlardan ve püsküren zincir yağından korunun.

Koruyucu donanım

1. **Baş, göz, el ve ayak yaralanmalarını önlemek ve kulaklarınızı korumak için zincir testerenin çalışması sırasında şu koruyucu donanım kullanılmalıdır:**
 - Giyilen kıyafet uygun olmalı, yani çalışmanıza engel teşkil etmeyecek ölçüde dar olmalıdır. Çalılıra takılabilecek aksesuarlar ya da bol giysiler kullanmayın. Saçınız uzunsa mutlaka bir saç filesi takın!
 - Zincir testere ile çalışırken daima koruyucu bir kask giyilmesi gereklidir. **Koruyucu kask** düzenli aralıklarla hasara karşı kontrol edilmeli ve en geç 5 yılda bir değiştirilmelidir. Sadece onaylı koruyucu kaskları kullanın.

- **Koruyucu kaskın** yüz siperi (veya emniyet gözlüğü) testereden çıkan tozlara ve tahta parçalarına karşı koruma sağlar. Zincir testereyi kullanırken daima bir emniyet gözlüğü veya bir yüz siperi kullanarak göz yaralanmalarını önleyin.
- Yeterli **gürültüden korunma donanımı** kullanın (kulaklık, kulak tıkacı, vb.)
- **Koruyucu ceket** 22 kat naylondan oluşur ve kullanıcıyı kesiklere karşı korur. Yüksekliği platformlar (çubuk forklift, sepetli vinç) üzerinde, merdiven üzerine kurulu platformlarda veya halat kullanılarak ağaçlara tırmanıldığında daima koruyucu ceket giyilmelidir.
- **Koruyucu askı ve önlük** 22 kat naylon kumaştan oluşur ve kesiklere karşı koruma sağlar. Kullanmanızı şiddetle tavsiye ederiz.
- Kalın deriden üretilmiş **koruyucu eldivenler** tarif edilen donanımın parçasıdır ve zincir testerenin çalışması sırasında daima giyilmelidir.
- Zincir testerenin çalışması sırasında kaymaz tabanlı **güvenlik ayakkabıları** veya **güvenlik botları**, çelik ayakkabı burnu ve bacak koruması daima giyilmelidir. Koruyucu tabakaya sahip güvenlik ayakkabıları kesimelere karşı koruma sunar ve ayakların güvenliğini temin eder. Ağaçlarda çalışmak için, güvenlik botları tırmanma tekniklerine uygun olmalıdır.

4. **Gözünüze elektrolit kaçarsa, gözlerinizi temiz suyla durulayın ve hemen tıbbi yardım alın. Görme kaybına yol açabilir.**
5. **Batarya kartuşunu kısa devre yaptırmayın:**
 - (1) **Terminallere herhangi bir iletken madde değdirmeyin.**
 - (2) **Batarya kartuşunu çiviler, madeni paralar, vb. gibi başka metal nesnelere aynı kaba koymaktan kaçının.**
 - (3) **Batarya kartuşunu yağmura ya da suya maruz bırakmayın.**
6. **Bataryada bir kısa devre büyük bir elektrik akımına, aşırı ısınmaya, olası yanıklara ve hatta bir bozulmaya neden olabilir.**
7. **Aleti ve batarya kartuşunu sıcaklığın 50°C'yi geçtiği ortamlarda saklamayın.**
8. **Batarya kartuşunu ciddi hasar görmüş ya da tamamen kullanılmaz hale gelmiş olsa bile ateşe atmayın. Batarya kartuşu ateşin içinde patlayabilir.**
9. **Bataryası düşürmemeye ya da darbe almamasına dikkat edin.**
10. **Zarar gören bataryası kullanmayın.**
11. **Bataryanın elden çıkarılması ile ilgili yerel düzenlemelere uyunuz.**

BU TALİMATLARI SAKLAYIN.

Maksimum batarya ömrünü koruma için tavsiyeler

1. **Batarya kartuşunu tamamen boşalmadan şarj edin.**
Aletin gücünün zayıfladığını fark ettiğiniz zaman daima kullanmayı durdurarak batarya kartuşunu şarj edin.
2. **Tam şarjlı bir batarya kartuşunu asla tekrar şarj etmeyin.**
Fazla şarj etme bataryanın kullanım ömrünü kısaltır.
3. **Batarya kartuşunu 10°C – 40°C oda sıcaklığında şarj edin. Sıcak bir batarya kartuşunu şarj etmeden önce soğumasını bekleyin.**
4. **Uzun bir süre kullanmadığınız durumlarda batarya kartuşunu altı ayda bir şarj edin.**

Titreşim

1. Dolaşım sistemi zayıf olan bireyler aşırı titreşime maruz kaldıklarında kan damarları veya sinir sisteminde hasar oluşabilir.
Titreşim parmaklar, eller ve bileklerde aşağıdaki semptomların ortaya çıkmasına neden olabilir: "Karınalanma" (uyuşma), iğnelenme, ağrı, batma hissi, cilt renginde veya yapısında değişiklik.
Bu semptomlardan biri ortaya çıkarsa, bir doktora görünün!
"Beyaz parmak hastalığı" riskini azaltmak için, çalışma sırasında ellerinizi sıcak tutun ve ekipman ve aksesuarların bakımını iyi yapın.

BU TALİMATLARI SAKLAYIN.

⚠ UYARI:

Ürünü kullanırken (defalarca kullanınca kazanılan) rahatlık ve tanıdıklık duygusunun ilgili ürünün güvenlik kurallarına sıkı sıkıya bağlı kalmanın yerine geçmesine **İZİN VERMEYİN. YANLIŞ KULLANIM** veya bu kullanma kılavuzunda belirtilen emniyet kurallarına uymama ciddi yaralanmaya neden olabilir.

ENC007-8

ÖNEMLİ GÜVENLİK TALİMATLARI

BATARYA KARTUŞU İÇİN

1. **Batarya kartuşunu kullanmadan önce, tüm talimatları ve (1) batarya şarj aleti, (2) batarya ve (3) bataryası kullanılan alet üstündeki tüm uyarıları okuyun.**
2. **Batarya kartuşunu sökmeyin.**
3. **Çalışma süresi aşırı derecede kısalmışsa kullanmayı derhal bırakın. Aşırı ısınma, yanma riski hatta patlamaya neden olabilir.**

İŞLEVSEL NİTELİKLER

⚠ DİKKAT:

- Alet üzerinde ayarlama ya da işlevli kontrolü yapmadan önce aletin kapalı ve fişinin çekili olduğundan daima emin olun.

Pil kartuşunun takılması veya çıkarılması (Şek. 1)

⚠ DİKKAT:

- Batarya kartuşunu takmadan ya da çıkarmadan önce aleti daima kapatın.
- **Batarya dönüştürücüyü takarken veya çıkarırken aleti ve batarya dönüştürücüyü sıkıca tutun.**
Aletin ve batarya kartuşunun sıkıca tutulmaması bunların düşürülmesine sebep olabilir ve alet ve batarya kartuşunun zarar görmesine ya da ciddi yaralanmasına yol açabilir.

Batarya kartuşunu çıkarmak için, kartuşun ön tarafındaki düğmeyi kaydırarak kartuşu aletten çıkarın.

Batarya kartuşunu takmak için, batarya kartuşu üzerindeki dili yuvanın çentiği ile hizalayın ve yerine oturtun. Hafif bir tık sesi duyulana kadar itip yerine tam oturmasını sağlayın. Düğmenin üst tarafındaki kırmızı göstergesi görünüyorsa tam yerine kilitlenmemiş demektir.

⚠️ DİKKAT:

- Batarya kartuşunu daima kırmızı göstergesi görünmeyecek şekilde tam olarak takın. Yerine tam oturmazsa, aletten yanlışlıkla düşebilir, sizin ya da çevrenizdeki kişilerin yaralanmasına neden olabilir.
- Batarya kartuşunu zorlayarak takmayın. Kartuş kolay bir şekilde kaymıyorsa doğru yerleştirilmemiş demektir.

NOT:

- Alet sadece bir batarya kartuşu ile çalışmaz.

Alet/batarya koruma sistemi

Alet, bir alet/batarya koruma sistemi ile donatılmıştır. Bu sistem, aletin ve bataryanın ömrünü uzatmak için motora giden gücü otomatik olarak keser.

Alette veya bataryada aşağıdaki koşullardan biri oluşursa alet çalışma sırasında otomatik olarak durur. Bazı durumlarda göstergeler de yanar.

Aşırı yük koruması

Alet, anormal derecede yüksek akım çekmesine neden olacak şekilde çalıştırıldığında, alet hiçbir belirti vermeden otomatik olarak durur. Bu durumda, aleti kapatın ve aletin aşırı yüklenmesine neden olan uygulamayı durdurun. Ardından yeniden başlatmak için aleti çalıştırın.

Batarya/alet için aşırı ısınma koruması

Batarya/alet aşırı ısındığında, alet hiçbir belirti vermeden otomatik olarak durur. Anahtar tetik çekilse bile alet çalışmaz. Bu durumda, aleti tekrar çalıştırmadan önce bataryanın/aletin soğumasını bekleyin.

NOT:

- Batarya aşırı ısınma koruması sadece yıldız işaretli batarya kartuşu olan modellerde çalışır. (Şek. 2)

Aşırı deşarj koruması (Şek. 3)

Kalan batarya kapasitesi çok düşük olduğunda, ilgili batarya tarafındaki batarya göstergesi yanıp söner. Kullanılmaya devam edildiğinde, alet durur ve batarya göstergesi yaklaşık 10 saniye boyunca yanar. Bu durumda, batarya kartuşu şarj edilmelidir.

Anahtarın işleyişi (Şek. 4)

⚠️ DİKKAT:

- Batarya kartuşunu alete takmadan önce, anahtar tetiğin düzgün çalıştığından ve bırakıldığında "OFF" (KAPALI) pozisyona döndüğünden emin olun.

Tetik anahtar yanlışlıkla çekilmesini önlemek için, bir kilit açma düğmesi sağlanmıştır.

Aleti çalıştırmak için, kilit açma düğmesine basın ve tetik anahtar çekin. Durdurmak için tetik anahtarı serbest bırakın.

Zincir freninin kontrolü (Şek. 5)

NOT:

- Zincir testere çalışmıyorsa zincir freni serbest bırakılmalıdır. Ön el siperini, yerine geçtiğini hissedinceye kadar kuvvetle geriye çekin.

Zincir testereyi çalıştırırken iki elinizle tutun. Üst tutamağı sağ elinizle, ön tutamağı da sol elinizle tutun. Pala ve zincir herhangi bir nesneye değmemelidir.

Önce kilit açma düğmesine basın, sonra tetik anahtarı çekin. Testerenin zinciri derhal çalışmaya başlar.

Ön el siperini elinizin arkasını kullanarak ileriye doğru bastırın. Testere zincirinin derhal hareketsiz kalması gerekir.

⚠️ DİKKAT:

- Bu test yapıldığı zaman testere zinciri derhal durmazsa testere hiçbir şekilde kullanılamaz. Bir uzman DOLMAR servisine danışın.

Serbest dönüş freninin kontrolü

Zincir testereyi çalıştırın.

Tetik anahtarı tamamen serbest bırakın. Testere zincirinin bir saniye içinde hareketsiz kalması gerekir.

⚠️ DİKKAT:

- Bu test yapıldığı zaman testere zinciri bir saniye içinde durmazsa testere kullanılmamalıdır. Bir uzman DOLMAR servisine danışın.

Zincir yağlanmasının ayarlanması (Şek. 6)

Yağ pompasının besleme hızını ayar vidasıyla ayarlayabilirsiniz. Yağ miktarı universal anahtarı kullanarak ayarlanabilir.

Karabina (halat bağlama noktası) (Şek. 7)

Karabina (halat bağlama noktası) aleti asmak için kullanılır. Karabinayı kullanmadan önce, onu dışarı çekin ve bir halat bağlayın.

MONTAJ

⚠️ DİKKAT:

- Alet üzerinde herhangi bir iş yapmadan önce aletin kapalı ve batarya kartuşunun ayrılması olduğundan daima emin olun.

Testere zincirini çıkarma ve takma (Şek. 8, 9, 10, 11, 12 ve 13)

⚠️ DİKKAT:

- Testere zincirini takarken ya da çıkarırken daima eldiven giyin.
- Testere zinciri ve pala kullanımın hemen ardından hala sıcaktır. Alet üzerinde herhangi bir çalışma yapmadan önce yeterince soğumalarını bekleyin.

Testere zincirini çıkarmak için aşağıdaki adımları gerçekleştirin:

- Kola bastırın ve durduğu konuma kadar tamamen açın.
- Testere zinciri gerilimini azaltmak için ayar kadranını "—" yönünde döndürün.
- Zincir dişlisi kapağını gevşeyip yerinden çıkana kadar kolu saat yönünün tersine döndürün.
- Zincir dişlisini kapağını çıkarın.
- Testere zincirini ve palayı zincir testereden ayırın.

Testere zincirini takmak için aşağıdaki adımları gerçekleştirin:

- Zincirin yönünün doğru olduğundan emin olun. Zincirin üzerindeki ok işareti zincirin yönünü gösterir.
- Testere zincirinin bir ucunu palanın üst kısmına, diğer ucunu zincir dişlisinin etrafına takın.
- Palayı zincir testere üzerindeki yerinde bırakın.
- Ayar pimini ok yönünde kaydırmak için ayar kadranını "—" yönünde döndürün.
- Zincir dişlisi kapağını, ayar pimi palanın içindeki küçük deliğe konulacak şekilde zincir testerenin üzerine yerleştirin.

11. Zincir gerilimini ayarlamak için gevşekliği sağlamak için kolu saat yönünde tam bir tur ve geri yönde bir çeyrek tur döndürün.
12. Ayar kadranını döndürün ve zincir gerilimini ayarlayın.
13. Zincir dişlisi kapağını sabitlemek için kolu saat yönünde döndürün.
14. Kola bastırın ve orijinal konumuna döndürün.

Testere zinciri gerilimini ayarlama (Şek. 8 ve 14)

Testere zinciri saatlerce kullanıldıktan sonra gevşeyebilir. Zaman zaman kullanmadan önce testere zincirini kontrol edin.

1. Kola bastırın ve tık sesini duyana kadar tamamen açın. Zincir dişlisi kapağını hafifçe gevşetmek için saatin tersi yönde döndürün.
2. Palanın ucunu hafifçe yukarı kaldırın.
3. Testere zinciri gerilimini ayarlamak için ayar kadranını döndürün. Testere zincirinin alt tarafı pala rayına oturana kadar testere zincirini sıkılayın (şekildeki daire işaretine bakın).
4. Zincir gerilimini ayarladıktan sonra palayı hafifçe tutmaya devam edin ve zincir dişlisi kapağını sıkılayın. Testere zincirinin alt tarafında gevşek kalmadığından emin olun.
5. Kola bastırın ve orijinal konumuna döndürün.

Testere zincirinin palanın alt tarafı ile örtüştüğünden emin olun.

⚠ DİKKAT:

- Testere zincirini fazla sıkılamayın. Testere zincirinin aşırı yüksek bir gerilime sahip olması testere zincirinin kırılmasına, palanın aşınmasına ve ayar kadranının kırılmasına neden olabilir.
- Zincir çok gevşek olursa paladan fırlayıp çıkabilir ve bu nedenle kaza riski oluşturur.
- Testere zincirinin takılması ve çıkarılması prosedürünü testereden çıkan tozların vb. maddelerin olmadığı temiz bir yerde gerçekleştirin.

Sivri uçlu tampon (isteğe bağlı aksesuar)

(Şek. 15)

Sivri uçlu tamponu takmak için aşağıdaki adımları gerçekleştirin:

1. Zincir dişlisi kapağını, testere zincirini ve kılavuz çubuğu bu kullanım kılavuzunda açıklanan şekilde çıkarın.
2. Sivri uçlu tamponun deliklerini zincir testerenin üzerindeki deliklerle üst üste getirin.
3. Vidalarla iyice sıkılayın.

KULLANIM

⚠ DİKKAT:

- Havalandırma deliklerinin üzerini örtmeyin, aksi takdirde aşırı ısınmaya neden olabilir ve alete zarar gelebilir.

Yağlama (Şek. 16 ve 17)

Alet çalışırken testere zinciri otomatik olarak yağlanır. Yağ tankında kalan yağ miktarını yağ kontrol penceresinden kontrol edin. Tankı doldurmak için, yağ tankı ağzının kapağını çıkarın. Tankı doldurduktan sonra, verilen yağ tankı kapağını daima zincir testereye takın.

⚠ DİKKAT:

- Zincir testereye ilk kez zincir yağı doldurduğunuz zaman veya tankı tamamen boşaldıktan sonra tekrar doldururken, yakıt deposu boynunun alt kenarına kadar yağ doldurun. Aksi takdirde yağ dağıtımı bozulabilir.
- Zincir yağı olarak, özellikle Dolmar zincir testereleeri için olan veya piyasada bulunan yağları kullanın.
- Asla içinde toz ve parçacık veya uçucu yağ bulunan yağları kullanmayın.
- Ağaç budarken, botanik yağ kullanın. Mineral yağlar ağaçlara zarar verebilir.
- Ağaç budarken asla zincir testereye zorlamayın.
- Kesimden önce, verilen yağ tankı kapağının yerine takılmış olduğundan emin olun.

Zincir testereyi ağaçtan uzakta tutun. Çalıştırın ve testere zincirinin yeterince yağlanması bekleyin.

Aleti çalıştırmadan önce sivri uçlu tamponu dala temas ettirin. Aksi takdirde, palanın sallanmasına neden olarak kullanıcının yaralanmasına sebebiyet verebilir.

Kesilecek odunu sadece aleti aşağı doğru hareket ettirerek kesin.

ZİNCİR TESTEREYİ ÇALIŞMA

⚠ DİKKAT:

- Aleti ilk kez kullananlar, asgari bir yöntem olarak, kütükleri bir testere tezgahı veya kızak üstünde kesmelidirler.
- Önceden kesilmiş keresteleri keserken sağlam bir destek (bıçkı tezgahı, yatağı) kullanın. İş parçasını ayağınızla sabitlemeyin, başka bir kişinin tutup sabitlemesine de izin vermeyin.
- Yuvarlak parçaları dönüş yönünün tersine doğru sabitleyin.

Ağaçları budama (Şek. 18, 19, 20 ve 21)

⚠ DİKKAT:

- Motor çalışırken vücudunuzun her kısmını testere zincirden uzak tutun.
- Motor çalışırken zincir testereyi iki elinizle sıkıca tutun.
- Fazla ileriye uzanmayla çalışmayın. Her zaman yere sağlam basın ve dengeyi koruyun.

Aleti çalıştırmadan önce sivri uçlu tamponu dala temas ettirin. Sivri uçlu tampon dala temas ettirilmeden kesme işlemi yapılması, palanın sallanmasına neden olarak kullanıcının yaralanmasına sebebiyet verebilir.

Kalın dalları keserken, önce sığ bir alttan oyma yapın sonra üstten keserek işlemi bitirin.

Eğer kalın dalları alttan kesmeye çalışırsanız, dal üstüne kapanarak testere zincirini kesik içinde sıkıştırabilir.

Eğer kalın dalları, önce sığ bir alttan oyma yapmadan üstten kesmeye çalışırsanız dal yarılıp kıymıklanabilir.

Eğer ağacı tek bir darbeye boydan boya kesemezseniz: Sapa hafif basınç uygulayarak kesmeye devam edin ve zincir testereyi biraz geriye çekin; sonra sivri ucu biraz aşağıya uygulayın ve sapı kaldırarak kesme işlemi bitirin.

Boylama (Şek. 22, 23 ve 24)

Düşürülen ağacı kütüklere ayırmak için yapılan kesimlerde, şekilde gösterilen sivri uçlu tamponu kesilecek odunun üzerine yerleştirin. Testere zinciri çalışırken, üst tutamağı testereyi kaldırmak ve ön tutamağı onu yönlendirmek için kullanarak ağacı kesin.

Sivri uçlu tamponu bir dayanak noktası olarak kullanın. Ön tutamağı hafif baskı uygulayıp testereyi yavaş ve hafifçe geriye doğru hareket ettirerek kesmeye devam edin. Sivri uçlu tamponu kerestenin daha da aşağısına doğru hareket ettirin ve ön tutamağı tekrar kaldırın.

Birden fazla kesme yaptığınız zaman, kesimler arasında zincir testereyi kapatın.

⚠️ DİKKAT:

- Kesme için palanın üst kenarının kullanılması halinde, zincir sıkışırsa zincir testere size doğru sekebilir. Bu nedenle, testerenin vücudunuzdan uzağa doğru sekmesi için alt kenarla kesim yapın.

Gerilim altındaki ağacı önce basınç tarafından (A) kesin. Sonra gerilim tarafından (B) son kesimi yapın. Bu palanın sıkışmasını önler.

Dal Kesme

⚠️ DİKKAT:

- Dal kesme sadece eğitilmiş kişiler tarafından yapılabilir. Geri tepme riski bir tehlike oluşturur.

Dal keserken, mümkünse zincir testereyi gövdeden destekleyin. Geri tepme riski oluşturduğu için palanın ucuyla kesmeyin.

Gerilim altındaki dallara özel dikkat gösterin. Desteksiz dalları alttan kesmeyin.

Dal keserken devrilmiş ağacın üstünde durmayın.

Oyuk açma ve damara paralel kesme (Şek. 25)

⚠️ DİKKAT:

- Oyuk açma ve damara paralel kesme sadece özel eğitilmiş kişiler tarafından yapılmalıdır. Geri tepme olasılığı bir yaralanma riski oluşturur.

Olabilirdiğince dar bir açığı ile ağaç damarlarına paralel bir kesim gerçekleştirin. Sivri uçlu tampon kullanılmayacağı için kesimleri olabildiğince dikkatli bir şekilde gerçekleştirin.

Devirme (Şek. 26, 27, 28 ve 29)

⚠️ DİKKAT:

- Devirme işi sadece eğitilmiş kişiler tarafından yapılabilir. Bu iş tehlikelidir.

Bir ağaç devirmek istediğiniz zaman yerel yönetmeliklere uyun.

- Devirme işine başlamadan önce, aşağıdakilerden emin olun:

- (1) Çevrede devirme işinde çalışanlardan başka kimse olmadığından;
- (2) Çalışmaya katılan herkesin devirme ekseninin her iki tarafında yaklaşık 45° aralığında engelsiz bir kaçış yolu olduğundan. Elektrik kablolarına takılma riskini dikkate alın;
- (3) Gövde tabanının yabancı cisimlerden, köklerden ve çalılardan temizlendiğinden;
- (4) Ağacın düşeceği yönde 2 1/2 ağaç boyu mesafesinde insan veya cisim bulunmadığından.

- Her bir ağaç için aşağıdakileri göz önünde bulundurun:

- Eğim yönü;
- Sallanan veya kuru dallar;
- Ağacın yüksekliği;
- Doğal sarkma;
- Ağacın çürük olup olmadığı.

- Rüzgar hızına ve yönüne dikkat edin. Rüzgar şiddetli esiyorsa devirme işi yapmayın.

- Kök kabartılarının temizlenmesi: En büyük kabartılardan başlayın. Önce dikey, sonra yatay kesme yapın.

- Bir devirme oyuğu açın: Bu oyuk ağacın hangi yöne düşeceğini belirler ve ona yol gösterir. Ağacın düşeceği tarafa açılır. Oyuğu mümkün olduğu kadar yere yakın açın. Önce gövde çapının 1/5 - 1/3'ü kadar bir derilikte yatay bir kesme yapın. Oyuğu aşırı büyük açmayın. Sonra çapraz kesme yapın.

- Tüm eni boyunca oyukta gerekli düzeltmeleri yapın.
- Ters tarafta devirme kesmesini oyuğun tabanından biraz yüksekte yapın. Devirme kesmesi tam yatay olmalıdır. Devirme oyuğu ve ters taraftan devirme kesdiği arasında gövde çapının yaklaşık 1/10'unu bırakın.

Gövdenin kesilmeyen kısmındaki ağaç lifleri bir mafsallı görevi yapar. Hiçbir şekilde bu lifleri kesmeyin, aksi takdirde ağaç kontrolden çıkarak devrilir. Uygun zamanda oyuğun içine kamalar yerleştirin.

- Oyuğu açık tutmak için sadece plastik veya alüminyum kamalar kullanılabilir. Demir kama kullanılması yasaktır.

- Düşen ağacın yan tarafında durun. Ağaç ekseninin her iki tarafında 45°'lik bir açı aralığında düşen ağacın arkasındaki bölgeyi boş tutun (bakınız "devirme alanı" şekli). Düşen dallara dikkat edin.

- Kesmeye başlanmadan kaçış yolu planlanmalı ve gerektiği gibi temizlenmelidir. Kaçış yolu şeklinde gösterildiği gibi beklenen düşüş hattının gerisine doğru ve çapraz olarak uzanmalıdır.

Aleti taşıma (Şek. 30)

Aleti taşımadan önce, daima batarya kartuşunu aletten çıkarın ve palayı pala kapağı ile kapatın. Ayrıca batarya kartuşunu da batarya kapağı ile kapatın.

BAKIM

⚠️ DİKKAT:

- Alet üzerinde muayene ya da bakım yapmadan önce aletin kapalı ve pil kartuşunun ayrılmış olduğundan daima emin olun.
- Herhangi bir muayene ya da bakım yaparken daima eldiven giyin.
- Benzin, tiner, alkol ve benzeri maddeleri kesinlikle kullanmayın. Renk değişimi, deformasyon veya çatlaklar oluşabilir.

Testere zincirinin bilmesi (Şek. 31)

⚠️ DİKKAT:

- Testere zinciri üstünde bir çalışma yaptığınız zaman daima pil kartuşunu çıkarın ve emniyet eldivenleri takın.

Aşağıdaki durumlarda testere zincirini bileyin:

- Islak ağaç kesildiğinde un gibi testere tozu oluştuğu zaman;

- Ağır basınç uygulansa bile zincir ağaca zor girdiği zaman;
- Kesme kenarında gözle görülen hasar olduğu zaman;
- Testere ağacın içinde sola veya sağa çekildiği zaman. Bu davranışın nedeni testere zincirinin düzgün bilenmemiş veya sadece bir tarafının hasarlı olmasıdır.

Testere bıçağını sık sık bileyin ama her defasında sadece çok küçük miktarda malzeme kaldırın.

Rutin bileme için eğe ile iki veya üç sürtme genellikle yeterlidir. Testere bıçağı birçok defa bilendiği zaman, onu bir uzman DOLMAR servisinde bilettirin.

Bileme kriterleri: (Şek. 32 ve 33)

- Tüm kesici uzunlukları eşit olmalıdır. Farklı uzunluklardaki kesiciler zincirin düzgün bir şekilde çalışmasını önler ve zincirin kırılmasına neden olabilir.
- Kesici uzunluğu 3 mm'ye ulaştıktan sonra zinciri tekrar bilemeyin. Bu durumda yeni bir zincir takılmalıdır.
- Talaş kalınlığı derinlik ölçüğü (yuvarlak burun) ile kesim kenarı arasındaki mesafe ile belirlenir.
- En iyi kesim sonuçları kesim kenarı ile derinlik ölçüğü arasında aşağıdaki mesafe korunarak elde edilir.
 - Zincir bıçak 291 (90PX): 0,5 mm
 - Zincir bıçak 492 (91PX): 0,65 mm
 - Zincir bıçak 25 (25AP): 0,65 mm

⚠ UYARI:

- Aşırı fazla bir mesafe olması geri tepme riskini artırır.
- 30°'lik bileme açısı tüm kesiciler üzerinde aynı olmalıdır. Açıdaki farklılıklar zincirin sert ve dengesiz bir biçimde çalışmasına, aşınmanın hızlanmasına neden olabilir ve zincirin kırılmasına yol açabilir.
- Kesicinin yan plaka açısı yuvarlak eğenin nüfuz etme derinliğine göre belirlenir. Belirtilen eğe doğru bir şekilde kullanılırsa, doğru yan plaka açısı kendiliğinden elde edilir.
- Her testere zinciri için yan plaka açısı aşağıdaki gibidir:
 - Zincir bıçak 291 (90PX): 75°
 - Zincir bıçak 492 (91PX): 80°
 - Zincir bıçak 25 (25AP): 85°

Eğe ve eğeleme (Şek. 34, 35 ve 36)

- Bilemek için özel bir yuvarlak eğe kullanın (isteğe bağlı aksesuar). Normal yuvarlak eğeler uygun değildir.
- Her testere zinciri için yuvarlak eğe çapı aşağıdaki gibidir:
 - Zincir bıçak 291 (90PX): 4,5 mm
 - Zincir bıçak 492 (91PX): 4,0 mm
 - Zincir bıçak 25 (25AP): 4,0 mm
- Eğe sadece ileri doğru sürtmeye kesiciyi sıyıdır. Geri çekerken eğeyi kesiciden kaldırın.
- Önce en kısa kesiciyi bileyin. Bu en kısa kesicinin uzunluğu böylece testere zincirinin tüm diğer kesicileri için standart olur.
- Eğeyi şekilde gösterildiği gibi sürtün.
- Eğer bir eğe tutucu (isteğe bağlı aksesuar) kullanılırsa eğe daha kolay sürtülebilir. Eğe tutucuda doğru bileme açısı olan 30° işaretleri (bu işaretleri testere zincirine paralel olarak hizalayın) vardır ve nüfuz etme derinliğini (eğe çapının 4/5 ile) sınırlar.

- Zinciri biledikten sonra, zincir kalınlık masterını (isteğe bağlı aksesuar) kullanarak derinlik ölçüğü yüksekliğini kontrol edin.
- Özel bir yassı eğeyle (isteğe bağlı aksesuar), ne kadar küçük olursa olsun, malzemedeki çıkıntıları temizleyin.
- Derinlik ölçüğünün önünü tekrar yuvarlayın.

Palayı temizleme (Şek. 37)

Talaşlar ve testere tozları palanın oluşunda birikerek onu tıklarlar ve yağ akışını engellerler. Testere zincirini bilerken ya da değiştirirken daima talaşları ve testere tozlarını temizleyin.

Yağ çıkış deliğini temizleme (Şek. 38)

Çalışma sırasında yağ çıkış deliğinde küçük tozlar ve parçacıklar birikebilir.

Yağ çıkış deliğinde biriken küçük tozlar ve parçacıklar yağın dışarı akışını ve tüm testere bıçağının yeterince yağlanması engelleyebilirler.

Palanın tepesinde yetersiz zincir yağı çıkışı olduğu görülürse yağ çıkış deliğini aşağıdaki gibi temizleyin.

Aletten pil kartuşunu çıkarın.

Zincir dişlisi kapağını ve testere zincirini aletten çıkarın. ("Testere zincirini çıkarma ve takma" başlıklı bölüme bakın.)

İnce saplı, düz uçlu bir tornavida veya benzeri bir alet kullanarak küçük tozları ve parçacıkları temizleyin.

Pil kartuşunu alete takın.

Zincir yağı boşaltarak birikmiş tozları ve parçacıkları yağ çıkış deliğinden dışarı akıtmak için tetik anahtarı çekin.

Aletten pil kartuşunu çıkarın.

Zincir dişlisi kapağını ve testere zincirini tekrar alete takın.

Zincir dişlisini değiştirme (Şek. 39 ve 40)

Yeni bir testere zinciri takmadan önce, zincir dişlisinin durumunu kontrol edin.

⚠ DİKKAT:

- Eski bir zincir dişlisi yeni zincir dişlisine zarar verir. Bu durumda zincir dişlisini yenisiyle değiştirin. Zincir dişlisinin yüzü daima şekilde gösterilen yöne bakacak şekilde takılması gerekir.

Zincir dişlisini değiştirdiğiniz zaman daima yeni bir tespit halkası takın.

Karbon fırçaların değiştirilmesi (Şek. 41 ve 42)

Karbon fırçaları düzenli olarak çıkarıp kontrol edin. Sınır işaretine kadar yıprandıkları zaman değiştirin. Karbon fırçaların temiz ve yuvaları içinde serbestçe kayar durumda kalmalarını sağlayın. Her iki karbon fırça aynı zamanda değiştirilmelidir. Sadece birbirinin aynısı olan fırçaları kullanın.

Fırça yuvası kapaklarını çıkarmak için bir tornavida kullanın. Aşınmış karbon fırçalarını dışarı çıkarın, yerlerine yenilerini geçirin ve fırça yuvası kapaklarını açılmayacak şekilde takın.

Aletin saklanması

Saklamadan önce aleti temizleyin. Zincir dişlisi kapağını çıkardıktan sonra talaşları ve testere tozlarını aletten temizleyin. Aleti temizledikten sonra, testere zincirini ve palayı yağlamak için yüksüz çalıştırın. Palayı kınına takın.

Yağ tankını boşaltın ve zincir testereyi yerleştirin.

Ürünün EMNİYETLİ ve GÜVENİLİR durumda tutulması için tüm onarımlar, bakım ya da ayarlamalar DOLMAR yetkili servis merkezleri tarafından, daima DOLMAR yedek parçaları kullanılarak yapılmalıdır.

Periyodik bakım talimatları

Alet ömrünün uzun olmasını sağlamak için, alete hasar gelmesini önleyin ve güvenlik özelliklerinin tam olarak işlediğinden emin olun.

Aşağıdaki bakım işlemleri de düzenli olarak yapılmalıdır. Garanti talepleri ancak bu işlemler düzenli olarak ve doğru bir şekilde yapılmışsa dikkate alınacaktır. Tarif edilen bakım işlemlerinin yapılmaması kazalara yol açabilir!

Zincir testere kullanıcısı, bu kullanım kılavuzunda açıklanmayan bir bakım işlemi yapmamalıdır. Tüm bu işlemler yetkili servis merkezi tarafından gerçekleştirilmelidir.

Çalışma süresi		Kullanımdan önce	Her gün	Her hafta	3 ayda bir	Yılda bir	Saklamadan önce
Zincir testere	Inceleme.	<input type="radio"/>					
	Temizleme.		<input type="radio"/>				
	Yetkili servis merkezinde kontrol ettirin.					<input type="radio"/>	<input type="radio"/>
Testere zinciri	Inceleme.	<input type="radio"/>					
	Gerekirse keskinleştirin.						<input type="radio"/>
Pela	Inceleme.	<input type="radio"/>	<input type="radio"/>				
	Zincir testereden çıkarın.						<input type="radio"/>
Zincir freni	İşlevini kontrol edin.	<input type="radio"/>					
	Yetkili servis merkezinde düzenli olarak kontrol ettirin.				<input type="radio"/>		
Zincir yağı	Yağ besleme hızını kontrol edin.	<input type="radio"/>					
Anahtar tetik	Inceleme.	<input type="radio"/>					
Kilit açma düğmesi	Inceleme.	<input type="radio"/>					
Yağ tankı kapağı	Sıklılığını kontrol edin.	<input type="radio"/>					
Zincir yakalayıcı	Inceleme.			<input type="radio"/>			
Vida ve somunlar	Inceleme.			<input type="radio"/>			

014804

SORUN GİDERME

Onarım için servise gitmeden önce aşağıdaki kontrolleri yapın. Kılavuzda açıklanmayan bir problemle karşılaşırsanız aleti demonte etmeyin. Bunun yerine, Dolmar yetkili servis merkezlerine başvurun ve daima orijinal Dolmar yedek parçaları kullanın.

Arıza durumu	Neden	Çözüm
Zincirli testere başlatılmıyor.	İki batarya kartuşu takılı değil.	Şarj edilmiş batarya kartuşlarını takın.
	Batarya problemi (voltaj yetersiz).	Batarya kartuşunu şarj edin. Şarj etmek işe yaramıyorsa, batarya kartuşunu değiştirin.
Zincir çalışmıyor.	Zincir freni etkinleştirilmiş.	Zincir frenini serbest bırakın.
Kısa bir kullanımdan sonra motor duruyor.	Bataryanın şarj seviyesi düşük.	Batarya kartuşunu şarj edin. Şarj etmek işe yaramıyorsa, batarya kartuşunu değiştirin.
Zincirde hiç yağ yok.	Yağ tankı boş.	Yağ tankını doldurun.
	Yağ kılavuzu oluğu kötü.	Oyuğu temizleyin.
	Yağ iletimi düzgün ayarlanamıyor.	Yağ iletim miktarını ayarlayın.
Maksimum dev/dak oranına ulaşamıyor.	Batarya düzgün takılmamış.	Batarya kartuşunu kılavuzda açıklandığı gibi takın.
	Bataryanın şarj seviyesi düşük.	Batarya kartuşunu şarj edin. Şarj etmek işe yaramıyorsa, batarya kartuşunu değiştirin.
	Sürüş sistemi doğru işlemiyor.	Yerel yetkili servis merkezinden yardım isteyin.
Zincir freni etkinleştirilse bile zincir durmuyor: Makineyi hemen durdurun!	Fren bantı aşınmış.	Yerel yetkili servis merkezinden yardım isteyin.
Anormal vibrasyon: Makineyi hemen durdurun!	Kılavuz çubuğu veya testere zinciri gevşek.	Kılavuz çubuğu ve testere zinciri gerilimini ayarlayın.
	Alet arızası.	Yerel yetkili servis merkezinden yardım isteyin.

014805

İSTEĞE BAĞLI AKSESUARLAR

ENG905-1

⚠ DİKKAT:

- Bu aksesuarlar ve ek parçalar bu el kitabında belirtilen Dolmar aletinin ile kullanılmak için tavsiye edilmektedir. Herhangi başka bir aksesuar ya da ek parça kullanılması insanlar için bir yaralanma riski getirebilir. Aksesuarları ya da ek parçaları yalnızca belirtilmiş olan kullanım amaçlarına uygun olarak kullanın.

Bu aksesuarlarla ilgili daha fazla bilgiye ihtiyaç duyarsanız bulunduğunuz yerdeki yetkili Dolmar servisine başvurun.

- Dolmar marka çeşitli batarya ve kartuş
- Testere zinciri
- Pala
- Pala kapağı
- Eğ
- Alet çantası

NOT:

- Listedeki bazı parçalar standart aksesuar olarak ürün paketinin içine dahil edilmiş olabilir. Aksesuarlar ülkeden ülkeye farklılık gösterebilir.

Gürültü

EN60745 uyarınca hesaplanan tipik A-ağırlıklı gürültü düzeyi:

Ses basınç seviyesi (L_{pA}): 84,4 dB (A)

Ses güç seviyesi (L_{WA}): 95,4 dB (A)

Belirsizlik (K): 2,5 dB (A)

Kulak koruyucusu takın

ENG900-1

Titreşim

EN60745 standardına göre hesaplanan titreşim toplam değeri (üç eksenli vektör toplamı):

Model AS-3726

Çalışma modu: ağaç kesme

Titreşim emisyonu (a_h): 4,7 m/s²

Belirsizlik (K): 1,5 m/s²

Model AS-3731

Çalışma modu: ağaç kesme

Titreşim emisyonu (a_h): 6,3 m/s²

Belirsizlik (K): 1,5 m/s²

- Beyan edilen titreşim emisyon değeri standart test yöntemine uygun şekilde ölçülmüştür ve bir aleti bir başkasıyla karşılaştırmak için kullanılabilir.
- Beyan edilen titreşim emisyon değeri bir ön maruz kalma değerlendirmesi olarak da kullanılabilir.

⚠ UYARI:

- Bu elektrikli aletin gerçek kullanımı sırasındaki titreşim emisyonu aletin kullanım biçimlerine bağlı olarak beyan edilen emisyon değerinden farklı olabilir.
- Gerçek kullanım koşullarındaki maruz kalmanın bir tahmini hesaplaması temelinde operatörü koruyacak güvenlik önlemlerini mutlaka belirleyin (çalışma döngüsü içerisinde aletin kapalı olduğu ve aktif durumda olmasının yanı sıra boşta çalıştığı zamanlar gibi, bütün zaman dilimleri göz önünde bulundurularak değerlendirilmelidir).

Sadece Avrupa ülkeleri için

EC Uygunluk Beyanı

Aşağıda imzaları bulunan Rainer Bergfeld, Dolmar GmbH tarafından yetkilendirildikleri şekilde, DOLMAR makinesinin (makinelinin) aşağıdaki özelliklere sahip olduğunu beyan eder:

Makine Adı:

Akülü Ağaç Kesme

Model No./ Tipi: AS-3726, AS-3731

Teknik Özellikler: "TEKNİK ÖZELLİKLER" tablosuna bakınız.

seri üretilmişlerdir ve

aşağıdaki Avrupa Direktiflerine uygundur:

2000/14/EC, 2006/42/EC

ve aşağıdaki standartlara veya standartlaştırılmış belgelere uygun olarak imal edilmişlerdir:

EN ISO 11682-2

EC Tip Onay Belgesi No. 4812068.13006

2006/42/EC uyarınca EC Tip İncelemesini yapan kurum:

DEKRA Testing and Certification GmbH

Enderstraße 92b

01277 Dresden

Almanya

Kimlik No. 2140

Teknik dokümantasyon dosyası buradan edinilebilir:

Dolmar GmbH,

Jenfelder Straße 38, Abteilung FZ,

D-22045 Hamburg

2000/14/EC Direktifi uyarınca gereken uygunluk değerlendirmesi prosedürü ek V'ya uygundu.

Ölçülen Ses Gücü Seviyesi: 95,4 dB (A)

Garanti Edilen Ses Gücü Seviyesi: 98 dB (A)

20.12.2013

Rainer Bergfeld
Genel Müdür

DOLMAR



DOLMAR GmbH
Postfach 70 04 20
D-22004 Hamburg
Germany

<http://www.dolmar.com>