

Original Instruction Manual
Instructions d'emploi d'origine
Originalbetriebsanleitung
Manuale di istruzioni originale
Originele gebruiksaanwijzing
Instrucciones de manejo originales
Instruções de serviço original
Original brugsanvisning
Πρωτότυπο εγχειρίδιο οδηγιών

⚠ Warning: Before use, read this booklet and the instruction manual of the power unit. Failure to follow the warnings and instructions may cause serious or fatal injury.

⚠ Avertissement : Avant d'utiliser l'outil, lisez la présente brochure et le mode d'emploi du groupe moteur. Le non-respect des instructions et des mises en garde peut entraîner des blessures graves ou mortelles.

⚠ Warnung: Lesen Sie vor Verwendung des Kettensägenaufsatzes diese Broschüre und die Betriebsanleitung des Antriebs. Bei Nichtbeachten dieser Warnungen und Anweisungen kann es zu schweren oder gar tödlichen Verletzungen kommen.

⚠ Avvertenza: Prima dell'uso è opportuno leggere il presente opuscolo e il manuale di istruzioni del gruppo di alimentazione. La mancata osservanza delle avvertenze e delle istruzioni può condurre a infortuni gravi o letali.

⚠ Waarschuwing: Lees voor gebruik deze gebruiksaanwijzing en de gebruiksaanwijzing van uw multifunctionele aandrijfsysteem aandachtig door. Het niet volgen van de waarschuwingen en instructies kan leiden tot ernstig of fataal letsel.

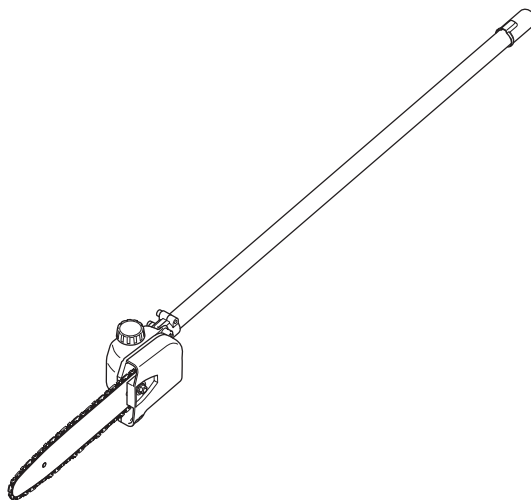
⚠ Advertencia: Antes del uso, lea este folleto y el manual de instrucciones del grupo motor. Si no se respetan las advertencias y las instrucciones, se pueden producir lesiones graves o fatales.

⚠ Aviso: Antes da utilização, leia este folheto e o manual de instruções da unidade de alimentação. O incumprimento dos avisos e instruções pode causar ferimentos graves ou fatais.

⚠ Advarsel: Læs dette hæfte og brugsanvisningen til drivneheden inden brug. Manglende overholdelse af advarslerne og instruktionerne kan medføre alvorlig eller dødelig tilskadekomst.

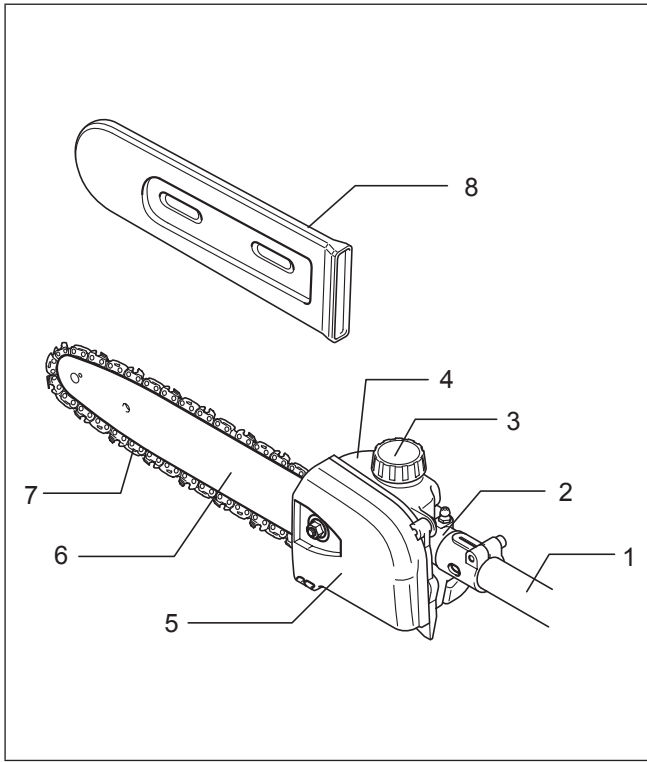
⚠ Προειδοποίηση: Πριν από τη χρήση, παρακαλούμε διαβάστε αυτό το φυλλάδιο και το εγχειρίδιο οδηγιών της βενζινοκίνητης μονάδας. Αν δεν ακολουθήσετε τις προειδοποιήσεις και τις οδηγίες μπορεί να προκληθεί σοβαρός ή θανατηφόρος τραυματισμός.

PS-CS



DOLMAR

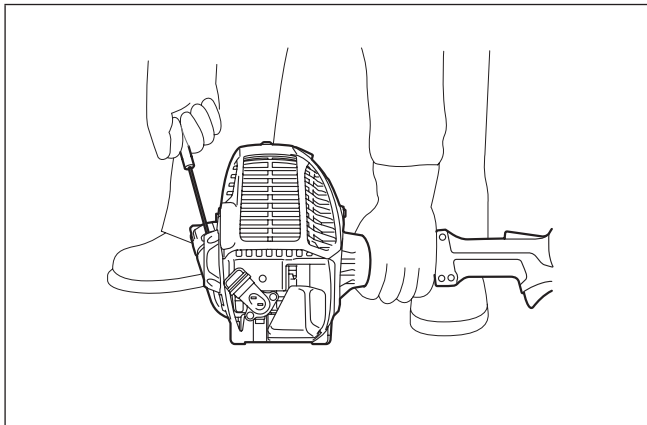




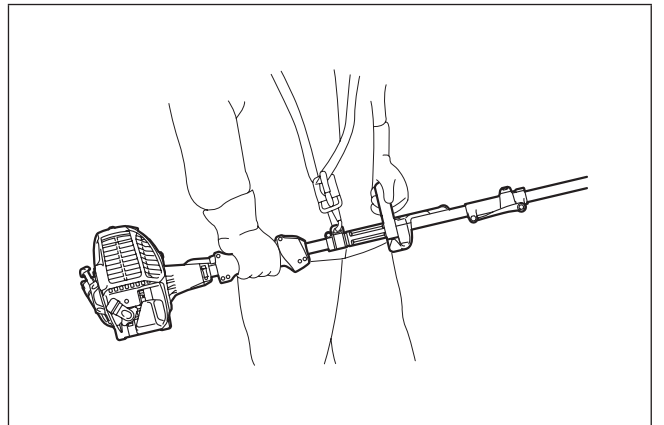
1



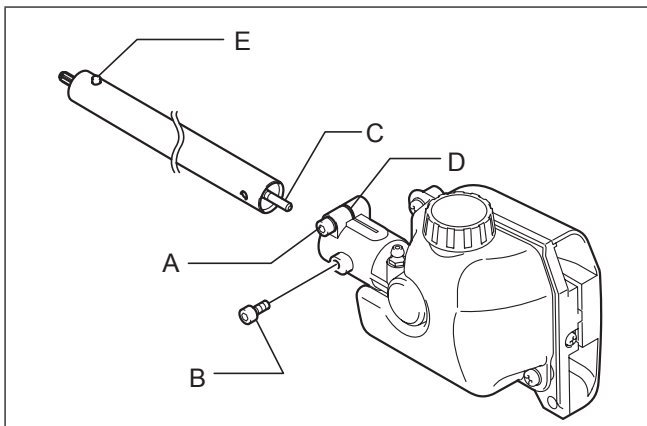
2



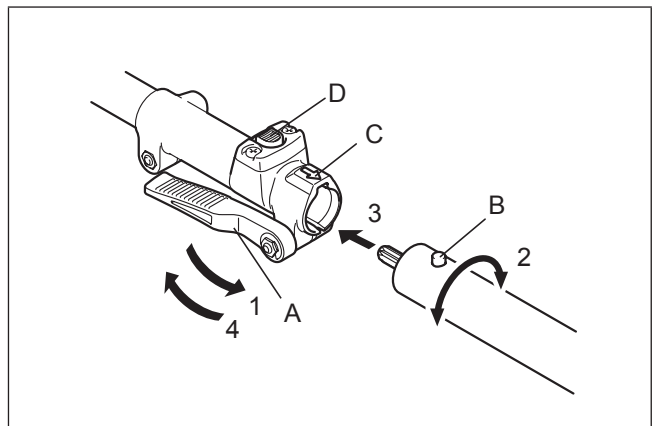
3



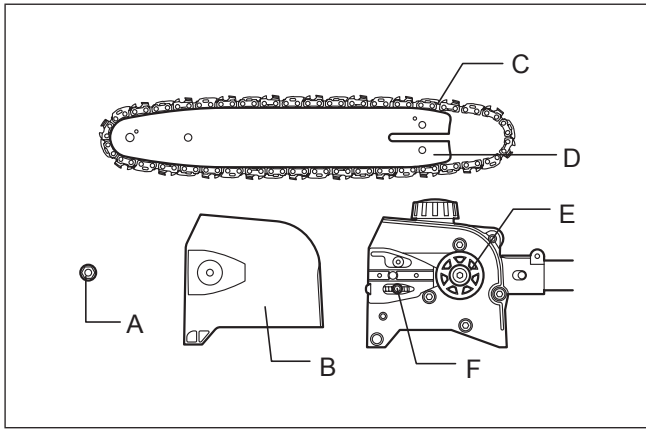
4



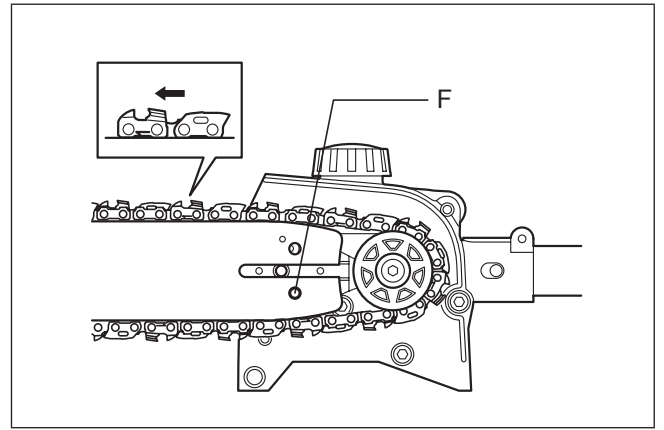
5



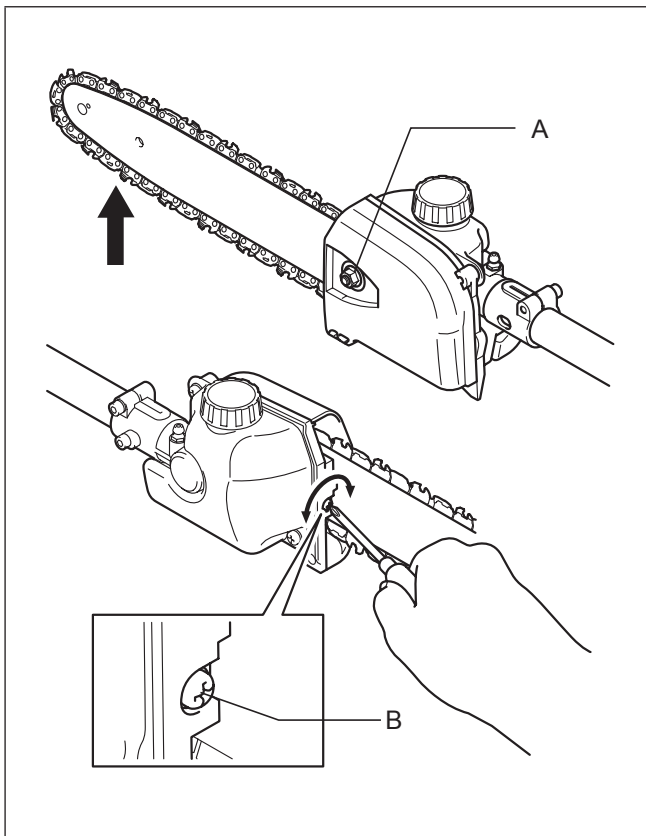
6



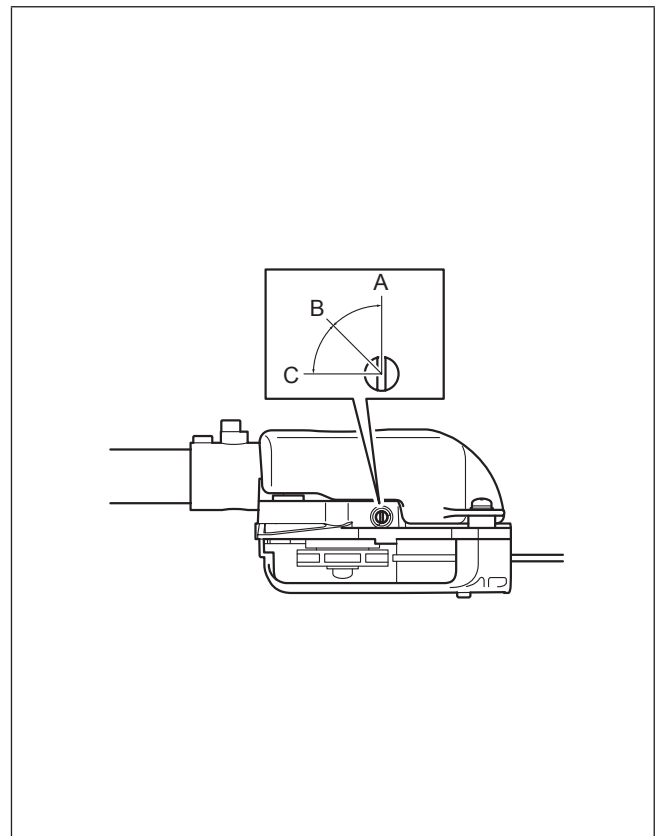
7



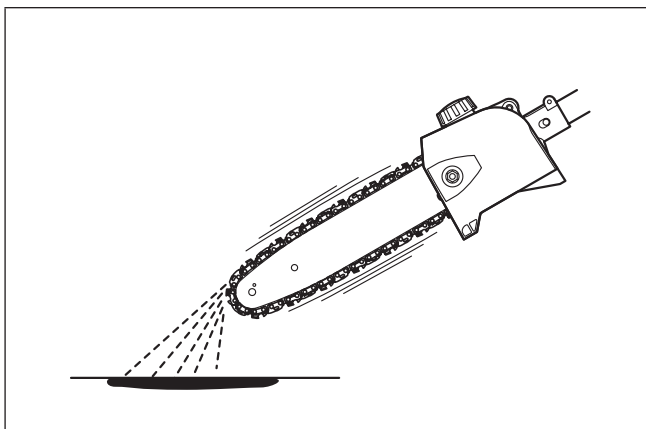
8



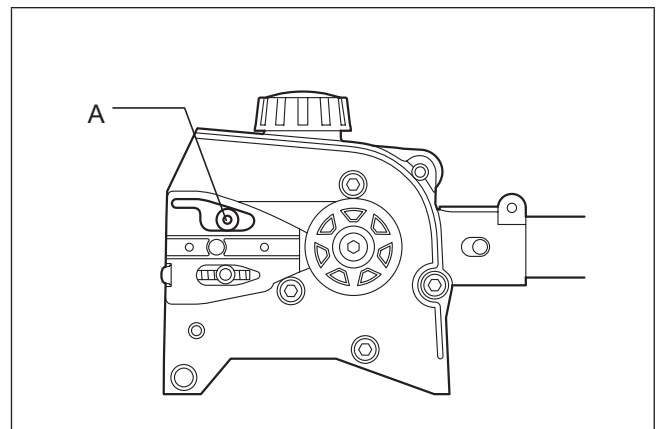
9



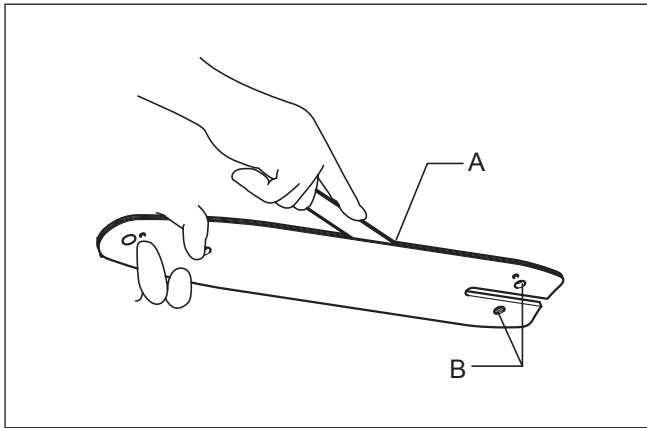
10



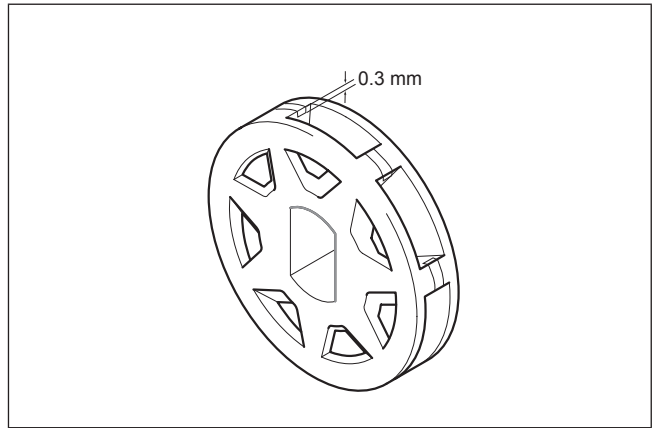
11



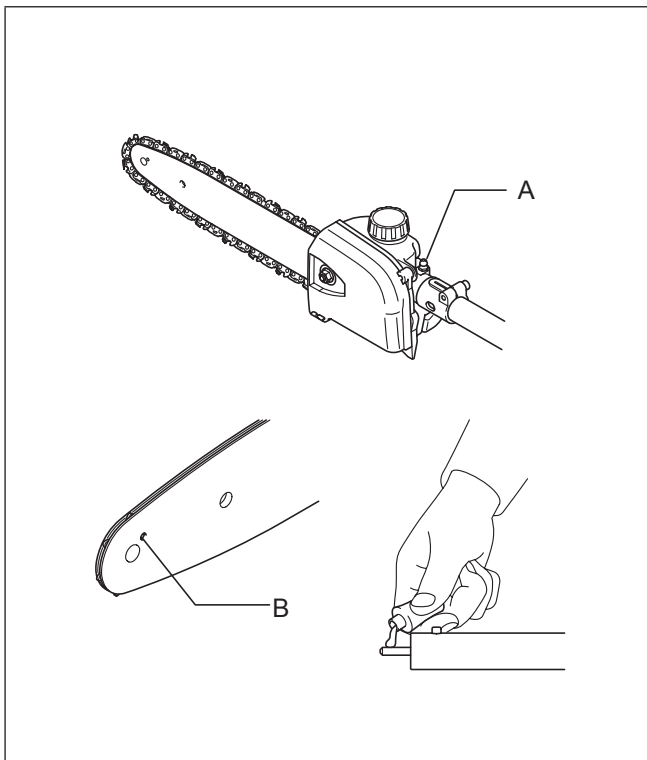
12



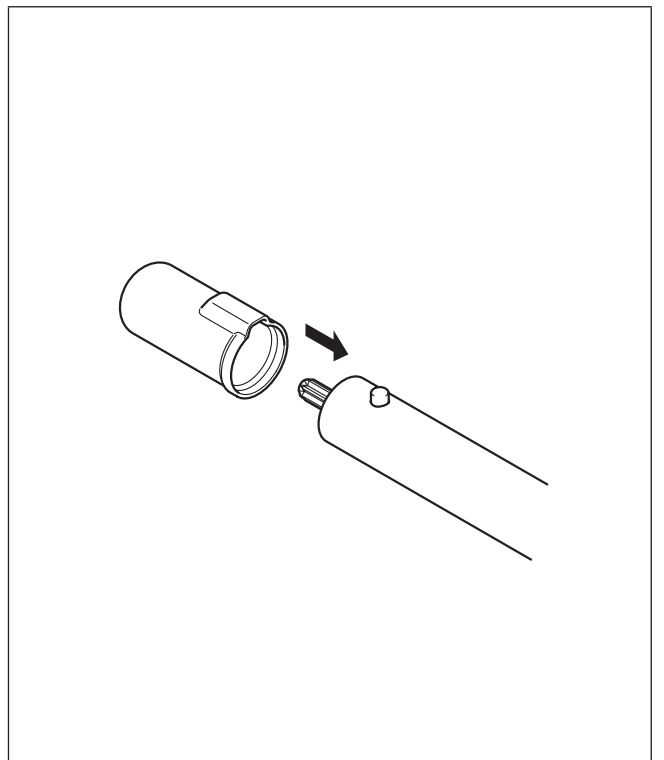
13



14



15



16

Foreword

Thank you very much for purchasing Dolmar pole saw attachment. This attachment is designed to be mounted on Dolmar power unit mentioned in this instruction manual. Before use, please read this booklet and the instruction manual of the power unit. They will assist you to obtain the best possible result from your Dolmar pole saw attachment.

Table of Contents	Page
Foreword	5
Symbols	5
Approved power unit.....	5
Part description.....	6
Safety precautions.....	6
Assembly and adjustment	7
Inspection and maintenance.....	8
Storage	8
Maintenance schedule.....	9
Troubleshooting	9
Technical data.....	9
EC Declaration of Conformity.....	10

Symbols

The following symbols are used on the attachment and this instruction manual. Understand these definitions.



Read and follow the instruction manual.



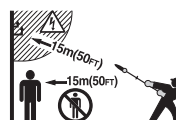
Take particular care and attention!



Wear protective helmet, eye and ear protection.



Wear sturdy boots with non-slip soles.



Keep a distance of at least 15 m (50 ft) between the equipment and bystanders and/or electrical line (including any branches contacting it). Risk of electrical shock.



Never hold the pole saw at an angle of more than 60°.



First Aid



(For European countries only) This product complies with EC directives.

Approved power unit

This attachment is approved to use only with the following power unit(s):

CS-246.4C Multi Function Power Head

⚠ WARNING: Never use the attachment with non-approved power unit. Non-approved combination may cause serious injury.

Part description (Fig. 1)

The numbers below refer to the figure

1. Shaft
2. Gear Case
3. Oil cap
4. Oil tank
5. Bar holder
6. Guide bar
7. Saw chain
8. Chain cover

Safety precautions

⚠ WARNING: Read all safety warnings and all instructions in this booklet and the instruction manual of the power unit. Failure to follow the warnings and instructions may result in electric shock, fire and/or serious injury.

Save all warnings and instructions for future reference.

The term "pole saw" and "equipment" in the warnings and precautions refer to the combination of the attachment and the power unit.

The term "motor" in the warnings and precautions refers to the engine or electric motor of the power unit.

Intended use

- This attachment is designed for only the purpose of pruning branches and limbs less than 15 cm in diameter in conjunction with an approved power unit. Never use the attachment for the other purpose. Abusing the attachment may cause serious injury.

General precautions

- Before starting the pole saw, read this booklet and the instruction manual of the power unit to become familiar with the handling of the pole saw.
- Do not lend the attachment to a person with insufficient experience or knowledge regarding handling of pole saws.
- When lending the attachment, always attach this instruction manual.
- Do not allow children or young persons under 18 years old to use the pole saw. Keep them away from the pole saw.
- Handle the pole saw with the utmost care and attention.
- Never use the pole saw after consuming alcohol or drugs, or if feeling tired or ill.
- Never attempt to modify the attachment.
- Follow the regulations about handling of pole saws and chain saws in your country.

Personal protective equipment

- Wear safety helmet, protective goggles and protective gloves to protect yourself from flying debris or falling objects. (Fig. 2)
- Wear ear protection such as ear muffs to prevent hearing loss.
- Wear proper clothing and shoes for safe operation, such as a work overall and sturdy, non-slip shoes. Do not wear loose clothing or jewelry. Loose clothes, jewelry or long hair can be caught in moving parts.
- When handling the saw chain or adjusting the chain tension, wear protective gloves. Saw chain can cut bare hands severely.

Work area safety

- **⚠ Danger:** Keep the pole saw at least 15 m away from electric lines and communication cables (including any branches contacting them). Touching or approaching high-voltage lines with the pole saw can result in death or serious injury. Watch power lines and electrical fences around the work area before starting operation.
- Operate the pole saw under good visibility and daylight conditions only. Do not operate the pole saw in darkness or fog.
- Start and operate the engine only outdoors in a well ventilated area. Operation in a confined or poorly ventilated area can result in death due to suffocation or carbon monoxide poisoning.
- During operation, never stand on an unstable or slippery surface or a steep slope. During the cold season, beware of ice and snow

and always ensure secure footing.

- During operation, keep bystanders or animals at least 15 m away from the pole saw. Stop the motor as soon as someone approaches.
- Before operation, examine the work area for wire fences, walls, or other solid objects. They can damage the saw chain.
- **⚠ WARNING:** Use of this product can create dust containing chemicals which may cause respiratory or other illnesses. Some examples of these chemicals are compounds found in pesticides, insecticides, fertilizers and herbicides. Your risk from these exposures varies, depending on how often you do this type of work. To reduce your exposure to these chemicals: work in a well ventilated area, and work with approved safety equipment, such as those dust masks that are specially designed to filter out microscopic particles.

Putting into operation


- Before assembling or adjusting the equipment, switch off the motor and remove the spark plug cap or the battery cartridge.
- Before handling the saw chain or adjusting the chain tension, wear protective gloves.
- Before starting the motor, inspect the equipment for damages, loose screws/nuts or improper assembly. Sharpen blunt saw chain. If the saw chain is bent or damaged, replace it. Check all control levers and switches for easy action. Clean and dry the handles.
- Never attempt to start the motor if the equipment is damaged or not fully assembled. Otherwise serious injury may result.
- Adjust the shoulder harness and hand grip to suit the operator's body size.
- Adjust the chain tension properly. Refill the chain oil, if necessary.

Starting motor

- Wear the personal protective equipments before starting the motor.
- Start the engine at least 3 meters (10 feet) away from the fueling spot.
- Before starting the motor, make sure that there is no person or animal in the work area.
- When starting the engine or inserting a battery cartridge, keep the saw chain and guide bar clear of your body and other object, including the ground. The saw chain may move when starting and may cause serious injury or damage to the saw chain and/or property.
- Place the equipment on firm ground. Maintain good balance and secure footing.
- When pulling the starter knob, hold the power unit firmly against the ground by your left hand. Never step on the drive shaft of the power unit. (Fig. 3)
- Follow the instruction manual of the power unit for starting the motor.
- Check that there is sufficient difference between idling and engagement speed to ensure that the attachment is at a standstill while the engine is idling (if necessary reduce idling speed).
- If the saw chain moves at idle, stop the engine and adjust the idle speed down.

Operation

- In the event of an emergency, switch off the motor immediately.
- If you feel any unusual condition (e.g. noise, vibration) during operation, switch off the motor. Do not use the equipment until the cause is recognized and solved.
- The saw chain continues to move for a short period after releasing the throttle trigger or switch off the motor. Don't rush to contact the saw chain.
- With the engine running only at idle, attach the shoulder harness.
- During operation, use the shoulder harness. Keep the equipment on your right side firmly. (Fig. 4)
- Hold the front handle with the left hand and the rear grip with the right hand, no matter you are right-hander or left-hander. Wrap your fingers and thumbs around the handles.
- Never attempt to operate the equipment with one hand. Loss of control may result in serious or fatal injury. To reduce the risk of injury, keep your hands and feet away from the blades.
- Do not overreach. Keep proper footing and balance at all times. Watch for hidden obstacles such as tree stumps, roots and ditches to avoid stumbling. Clear fallen branches and other objects away.

- Never work on a ladder or tree to avoid loss of control.
- If the equipment gets heavy impact or fall, check the condition before continuing work. Check the fuel system for fuel leakage and the controls and safety devices for malfunction. If there is any damage or doubt, ask Dolmar authorized service center for the inspection and repair.
- Do not touch the gear case. The gear case becomes hot during operation.
- Take a rest to prevent loss of control caused by fatigue. We recommend to take a 10 to 20-minute rest every hour.
- When you leave the equipment, even if it is a short time, always switch off the engine or remove the battery cartridge. The equipment unattended with the engine running may be used by unauthorized person and cause serious accident.
- Follow the instruction manual of the power unit for proper use of the control lever and switch.
- Pay attention to the environment. Avoid unnecessary throttle operation for less pollution and noise emissions. Adjust the carburetor correctly.
- During or after operation, do not put the hot equipment onto dry grass or combustible materials.
- Do not hold the equipment above shoulder height.
- During operation, never hit the saw chain against hard obstacles such stones and nails. Take particular care when cutting branches next to walls, wire fences or the like.
- Never touch or approach the saw chain while they are moving. Saw chain can cut your finger easily. When handling the saw chain, stop the motor and remove the spark plug cap or the battery cartridge.
- If the saw chain becomes clogged, always switch off the motor and remove the spark plug cap or battery cartridge before cleaning.
- Accelerating the motor with the saw chain blocked increases the load and will damage the motor and/or clutch.
- Before cutting limbs, keep an escape area away from the falling limb. First, clear obstructs such as limbs and branches from the work area. Move all tools and goods from the escape area to another safe place.
- Before cutting branches and limbs, check the falling direction of them, considering the condition of branches and limbs, adjoining trees, wind direction, etc. Pay full attention to the falling direction.
-  Never hold the pole saw at an angle of more than 60°. Otherwise falling objects can hit the operator and cause serious injury. Never stand underneath the limb being cut.
- Pay attention to broken or bent branches. They may bounce back in cutting, causing unexpected injury.
- Before cutting limbs that you intend to cut, remove branches and leaves around them. Otherwise the saw may be caught by them.
- To prevent the saw from being caught in the kerf, do not release the throttle lever before pulling the saw out of the kerf.
- If the saw chain is bound in the kerf, immediately stop the motor, carefully move the branch to open the kerf and release the saw.
- Accelerating the motor with the saw chain bound increases the load and will damage the motor and/or clutch.
- Avoid kickback (rotational reactive force towards the operator). To prevent kickback, never use the guide bar nose or perform a penetrating cut. Always beware of the position of the guide bar nose.
- Check the chain tension frequently. When checking or adjusting the chain tension, switch off the motor and remove the spark plug cap or battery cartridge. If the tension is loose, tighten it.

Transport

- Before transporting the equipment, switch off the motor and remove the spark plug cap or battery cartridge. Always fit the chain cover during transportation.
- When transporting the equipment, carry it in a horizontal position by holding the shaft. Keep the hot muffler away from your body.
- When transporting the equipment in a vehicle, properly secure it to avoid turnover. Otherwise fuel spillage and damage to the equipment and other baggage may result.

Maintenance


- Before doing any maintenance or repair work or cleaning the equipment, always switch off the motor and remove the spark plug cap or the battery cartridge. Wait until the motor gets cold.
- To reduce the risk of fire, never service the equipment in the vicinity of fire.

- Always wear protective gloves when handling the saw chain.
- Always clean dust and dirt off the equipment. Never use gasoline, benzine, thinner, alcohol or the like for the purpose. Discoloration, deformation or cracks of the plastic components may result.
- After each use, tighten all screws and nuts, except for the carburetor adjustment screws.
- Keep the saw chain sharp. If the saw chain has become blunt and cutting performance is poor, ask Dolmar authorized service center to sharpen it or replace it with new one.
- Do not attempt any maintenance or repair not described in this booklet or the instruction manual of the power unit. Ask Dolmar authorized service center for such work.
- Always use Dolmar genuine spare parts and accessories only. Using parts or accessories supplied by a third party may result in the equipment breakdown, property damage and/or serious injury.
- Request Dolmar authorized service center to inspect and maintain the equipment at regular interval.

Storage

- Before storing the equipment, perform full cleaning and maintenance. Fit the chain cover. Remove the spark plug cap or the battery cartridge. Drain the fuel and chain oil after the engine gets cold.
- Store the equipment in a dry and high or locked location out of reach of children.
- Do not prop the equipment against something, such as a wall. Otherwise it may fall suddenly and cause an injury.

First aid

-  Always have a first-aid kit close by. Immediately replace any item taken from the first aid kit.
- When asking for help, give the following information:
 - Place of the accident
 - What happened
 - Number of injured persons
 - Nature of the injury
 - Your name

Assembly and adjustment

WARNING:

- Before assembling or adjusting the equipment, switch off the engine and remove the spark plug cap or the battery cartridge. Otherwise the saw chain or other parts may move and result in serious injury.
- Before handling the saw chain or adjusting the chain tension, wear protective gloves. Otherwise the saw chain can cut bare hands severely.
- When assembling or adjusting the equipment, always put it down. Assembling or adjusting the equipment in an upright position may result in serious injury.
- Follow the warnings and precautions in the chapter "Safety precautions" and the instruction manual of the power unit.

Assembling the attachment (Fig. 5)

Assemble the attachment as the following steps.

1. Loosen the screw **(A)** and **(B)**.
2. Insert the shaft into the gear case. Make sure that the pin **(E)** is on the upside. If it is difficult to fully insert it, turn the drive axle **(C)** manually.
3. Adjust the position of the hole on the shaft to the screw hole **(B)**.
4. Tighten the screw **(B)** first and then tighten the screw **(A)**.

Note: In some cases, the shaft may not be fixed completely even after tightening the screw **(A)** and **(B)** securely. In that case, remove the spacer **(D)**.

Mounting the attachment to a power unit (Fig. 6)

To mount the attachment to a power unit, follow the steps below.

1. Make sure that the lock lever **(A)** is not tightened.
2. Align the pin **(B)** with the arrow mark **(C)**.
3. Insert the shaft into the drive shaft of the power unit until the release button **(D)** pops up.

4. Tighten the lock lever (A) firmly as shown.
To remove the attachment, loosen the lock lever, press the lock button and withdraw the shaft.

NOTICE: Do not tighten the lock lever (A) without the shaft of the attachment inserted. Otherwise the lock lever may tighten the entrance of the drive shaft too much and damage it.

Assembling saw chain and guide bar (Fig. 7 & 8)

⚠ Caution: Make sure that the saw chain, guide bar and sprocket match each other in gauge and pitch.

Assemble the saw chain and guide bar as the following steps.

1. Loosen the nut (A) and remove the bar holder (B).
2. Fit the saw chain (C) into the groove of guide bar (D). Start at the bar nose.
3. Fit the saw chain (C) onto the sprocket (E).
4. Install the guide bar (D) so that the tensioning nut (F) fits into the hole on the guide bar.
5. Fit the bar holder (B) and tighten the nut (A) securely. Then loose the nut a half turn as a provision of the chain tension adjustment.
6. Adjust the chain tension. Refer to the section "Adjusting the chain tension."

Adjusting the chain tension

⚠ WARNING:

- Before check or adjust the chain tension, switch off the motor and remove the spark plug cap or the battery cartridge.
- Before check or adjust the chain tension, wear protective gloves.

⚠ Caution:

- Keep the applicable chain tension. Loose tension can cause the saw chain to come off during operation. Too tight tension can damage the saw chain or guide bar.
- During operation, check the chain tension frequently. The saw chain stretches and becomes loose during operation. When use a new saw chain, adjust the tension more frequently. (Fig. 9)

Adjust the chain tension as the following steps.

1. Loose the nut (A) a half turn.
2. Hold the bar nose up. Turn the tensioning screw (B) clockwise until the saw chain fits the underside of the guide bar snugly.
3. Pull the saw chain along the guide bar by hand. If it is hard to move, turn the tensioning screw counterclockwise slightly and do the step 2 again.
4. Tighten the nut (A) securely.

Filling the chain oil tank

The saw chain must be lubricated with chain oil during operation. Before operation, fill the chain oil tank. After supplying the oil, tighten the oil cap securely.

The recommended chain oil is:

- SAE10W-30,
- SAE#30 to #40 in Summer or
- SAE#20 in Winter.

Notice: Never use waste oil. It may damage the oil pump.

During operation, always pay attention to the oil level. Refill the tank if the oil level becomes low. The tank becomes empty in approximately 40 minutes of operation (depending on the setting of the chain lubrication).

Adjusting the chain-oil feeding rate (Fig. 10 & 11)

The chain-oil feeding rate is adjustable in three steps. It is factory set to the low feeding rate. According to the operation, for example cutting hard limbs, increase the feeding rate.

To adjust the chain-oil feeding rate, use a flat-bladed screwdriver. Push in the adjusting screw and turn it to the desired feeding rate position.

- A: Low
- B: Medium
- C: High

After adjusting the chain-oil feeding rate, check the feeding rate by driving the equipment at medium speed.

Inspection and maintenance

⚠ WARNING:

- Before inspecting or maintaining the equipment, switch off the motor and remove the spark plug cap or the battery cartridge. Otherwise saw chain or other parts may move and result in serious injury.
- Before handling or working around saw chain, wear protective gloves. Otherwise the saw chain can cut bare hands severely.
- When inspecting or maintaining the equipment, always put it down. Assembling or adjusting the equipment in an upright position may result in serious injury.
- Follow the warnings and precautions in the chapter "Safety precautions" and the instruction manual of the power unit.

Cleaning the chain-oil feed port (Fig. 12)

Clean the chain-oil feed port (A) daily. To access it, remove the bar holder and guide bar.

Cleaning and inspecting the guide bar (Fig. 13)

Clean the guide bar daily. Remove saw dust from the groove (A) and chain-oil feed port (B).

To avoid one side wear of the guide bar, turn it over every time you replace or sharpen the saw chain.

If the groove is worn, bent or deformed, replace the guide bar.

Inspecting sprocket (Fig. 14)

Check the sprocket for wear every 50 hours of use. Replace it if the wear marks becomes 0.3 mm or deeper.

Inspecting the saw chain

When you feel the saw chain is worn, deformed, cracked or you need more effort for the cutting, replace it or ask Dolmar authorized service center to sharpen it.

Lubricating moving parts (Fig. 15)

NOTICE: Follow the instruction of the frequency and amount of grease supplied. Otherwise insufficient lubrication may damage moving parts.

Gear case:

Fill lithium-base grease through the grease nipple (A) every 25 hours of operation.

Drive axle:

Apply grease (Shell Alvania No. 2 or equivalent) every 25 hours of operation.

Guide bar nose:

Apply grease (Shell Alvania No. 2 or equivalent) from the grease hole (B) every 10 hours of operation.

Overall inspection

- Tighten loose bolts, nuts and screws.
- Check for damaged parts. Ask Dolmar authorized service center to replace them.

Storage

⚠ WARNING: Follow the warnings and precautions in the chapter "Safety precautions" and the instruction manual of the power unit. (Fig. 16)

When storing the pole saw attachment separated from the power unit, put the cap onto the end of the shaft.

Maintenance schedule

Operating hour		Before Operation	Daily (10 h)	25 h	50 h	If required	Corresponding page
Whole unit	Visually inspect for damaged parts	○					8
All fixing screws and nuts	Tighten	○					8
Chain oil feed port	Clean		○				8
Guide bar	Clean the groove and the chain oil feed port		○				8
	Visually inspect		○				8
	Supply grease to the nose		○				8
Gear case	Supply grease			○			8
Drive axle	Supply grease			○			8
Sprocket	Visually inspect				○		8
Saw chain	Replace or ask for sharpening					○	8
Power unit	Refer to the instruction manual of the power unit						

Troubleshooting

Problem	Probable cause	Solution
The motor does not start.	Refer to the instruction manual of the power unit.	
The motor stops soon after its start.		
The maximum speed is limited.		
The saw chain does not move. → Stop the motor immediately!	The guide bar is bent or damaged.	Replace the guide bar.
	A twig is caught by the saw chain.	Remove the foreign matter.
	The drive system does not work properly.	Ask Dolmar authorized service center to inspect and repair it.
The unit vibrates abnormally. → Stop the motor immediately!	The drive system does not work properly.	Ask Dolmar authorized service center to inspect and repair it.
The saw chain does not stop. → Stop the motor immediately!	The power unit does not work properly.	Refer to the instruction manual of the power unit.
Chain oil is not supplied.	The oil tank is empty.	Fill the oil tank with chain oil.
	The chain-oil feed port is dirty.	Clean the chain-oil feed port on the unit and guide bar.
	The adjusting screw of the chain-oil feed rate is improperly set.	Set the adjusting screw properly.

Technical data

Model		PS-CS
Dimensions (L x W x H)	mm	1,166 x 80 x 120
Mass	kg	1.1
Guide bar length	mm	255 (10")
Saw chain		90SG-39E
Chain gauge	inch	0.043"
Number of sprocket teeth		7
Chain oil		SAE10W-30 or equivalent (In Summer: SAE#30 - #40) (In Winter: SAE#20)
Chain oil pump		Plunger pump (Self lubricating type)
Chain oil tank capacity	ml	110
Gear ratio (speed increasing)		1.06

EC Declaration of Conformity

(For European countries only)

The undersigned, Tamiro Kishima and Rainer Bergfeld, as authorized by Dolmar GmbH, declare that the DOLMAR machine(s):

Designation of Machine: Pole saw attachment

Model No./ Type: PS-CS

Specifications: see "Technical data"

are of series production and

Conforms to the following European Directive(s):

2006/42/EC

And are manufactured in accordance with the following standard(s) or standardised document(s):

EN ISO 11680

The technical documentation is on file at:

Dolmar GmbH,

Jenfelder Straße 38, Abteilung FZ, D-22045 Hamburg

15. 12. 2010



Tamiro Kishima
Managing Director



Rainer Bergfeld
Managing Director

Avant-propos

Merci beaucoup d'avoir acheté la tête élagueuse à perche de Dolmar. Cette tête doit être installée sur le groupe moteur Dolmar indiqué dans le présent mode d'emploi.

Avant d'utiliser l'outil, lisez la présente brochure et le mode d'emploi du groupe moteur. Ils vous aideront à obtenir les meilleurs résultats possibles de votre tête élagueuse à perche Dolmar.

Table des matières	Page
Avant-propos	11
Symboles	11
Groupe moteur agréé	11
Description des pièces	12
Précautions de sécurité	12
Montage et réglage.....	14
Examen et entretien	14
Entreposage	15
Programme d'entretien	16
Dépannage	16
Caractéristiques techniques	16
Déclaration de conformité CE.....	17

Symboles

Les symboles suivants figurent sur la tête et dans le présent mode d'emploi. Veuillez à comprendre ces définitions.



Lisez et comprenez le mode d'emploi.



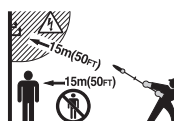
Faites preuve de prudence et de vigilance !



Portez un casque protecteur, des lunettes de protection et des protège-oreilles.



Portez des bottes de sécurité équipées de semelles antidérapantes.



Respectez une distance d'au moins 15 m (50 pi.) entre l'appareil et les spectateurs et/ou les fils électriques (y compris les branches susceptibles d'entrer en contact avec l'outil). Risque de choc électrique.



Ne tenez jamais la tête élagueuse selon un angle supérieur à 60°.



Premier secours



(Pour les pays d'Europe uniquement)
Ce produit est conforme aux directives européennes.

Groupe moteur agréé

Cette tête ne peut être utilisée qu'avec les groupes moteur suivants :

CS-246.4C Outil Multi-Fonctions

⚠ AVERTISSEMENT : N'utilisez jamais la tête avec un groupe moteur non agréé. L'association de pièces non agréées peut provoquer des blessures graves.

Description des pièces (Fig. 1)

Les chiffres ci-dessous se rapportent à l'illustration

1. Arbre
2. Carter d'engrenage
3. Bouchon d'huile
4. Réservoir d'huile
5. Support de chaîne
6. Guide-chaîne
7. Chaîne
8. Garde-chaîne

Précautions de sécurité

⚠ AVERTISSEMENT : Lisez toutes les mises en garde de sécurité et instructions figurant dans la présente brochure et le mode d'emploi du groupe moteur. Le non-respect des mises en garde et instructions peut entraîner un choc électrique, un incendie et/ou des blessures graves.

Conservez toutes les consignes et instructions pour référence ultérieure.

Les termes « tête élagueuse » et « matériel » indiqués dans les mises en garde et précautions se rapportent à l'association de la tête et du groupe moteur.

Le terme « moteur » indiqué dans les mises en garde et précautions se rapporte au moteur ou à la turbine du groupe moteur.

Utilisation conforme aux prescriptions

- Cette tête est destinée uniquement à élaguer les branches et rameaux dont le diamètre ne dépasse pas 15 cm et elle doit être utilisée en association avec un groupe moteur agréé. N'utilisez jamais la tête à d'autres fins. L'utilisation inappropriée de la tête peut provoquer des blessures graves.

Précautions générales

- Avant de démarrer la tête élagueuse, lisez la présente brochure et le mode d'emploi du groupe moteur afin de vous familiariser avec le maniement de la tête élagueuse.
- Ne prêtez pas la tête à une personne qui ne dispose pas de l'expérience ou des connaissances suffisantes en matière d'utilisation des têtes élagueuses.
- Lorsque vous prêtez la tête, prêtez également le présent mode d'emploi.
- Ne laissez pas les enfants ou les jeunes de moins de 18 ans utiliser la tête élagueuse. Gardez-les éloignés de la tête élagueuse.
- Manipulez la tête élagueuse avec une extrême vigilance et attention.
- N'utilisez jamais la tête élagueuse après avoir consommé de l'alcool ou des médicaments, ou bien si vous vous sentez fatigué ou malade.
- Ne tentez jamais de modifier la tête.
- Respectez les réglementations de votre pays relatives au maniement des têtes élagueuses et des chaînes.

Dispositif de protection individuelle

- Portez un casque de sécurité ainsi que des lunettes et des gants de protection afin de vous protéger des projections de débris ou des chutes d'objets. (Fig. 2)
- Portez des protections auditives telles que des protège-oreilles afin de vous prémunir des pertes d'audition.
- Pour un fonctionnement en toute sécurité, portez des chaussures et des vêtements adaptés, tels qu'une combinaison et des chaussures de sécurité équipées de semelles antidérapantes. Évitez de porter des vêtements amples et des bijoux. Les vêtements amples, bijoux et cheveux longs peuvent être happés par les pièces en mouvement.
- Portez des gants de protection lors de la manipulation de la chaîne ou du réglage de sa tension. Vous risqueriez de vous couper grièvement les mains.

Sécurité de l'aire de travail

- **⚠ Danger :** Éloignez d'au moins 15 m la tête élagueuse des fils électriques et des câbles de communication (y compris des branches susceptibles d'entrer en contact avec l'outil). Le contact ou la proximité de lignes haute tension avec la tête élagueuse peut entraîner la mort ou des blessures graves. Avant de commencer l'élagage, recherchez les lignes et clôtures électriques situées autour de la zone de travail.
- N'utilisez la tête élagueuse que lorsque les conditions de visibilité et de luminosité sont bonnes. N'utilisez pas la tête élagueuse dans l'obscurité ou en cas de brouillard.
- Ne démarrez et n'utilisez l'appareil qu'en extérieur dans une zone bien ventilée. Le fonctionnement de l'outil dans une zone confinée ou mal ventilée peut entraîner la mort par suffocation ou empoisonnement au monoxyde de carbone.
- Lors du fonctionnement de l'outil, ne vous tenez jamais sur une surface instable ou glissante ou sur une pente abrupte. En hiver, méfiez-vous du gel et de la neige et veillez à garder une bonne position d'équilibre.
- Lors du fonctionnement de l'outil, éloignez les spectateurs et les animaux de la tête élagueuse d'au moins 15 m. Arrêtez le moteur dès qu'une personne s'approche.
- Avant l'utilisation, recherchez les éventuels murs, clôtures en fils de fer ou autres objets solides présents dans la zone de travail. Ils risqueraient d'endommager la chaîne.
- **⚠ AVERTISSEMENT :** L'utilisation de ce produit peut entraîner la création de poussière contenant des produits chimiques susceptibles de provoquer des maladies respiratoires ou autres. Parmi ces produits chimiques figurent les composés présents dans les pesticides, les insecticides, les engrais et les herbicides. Les risques entraînés par l'exposition à ces produits varient suivant la fréquence d'exécution de ce type de travaux. Pour réduire votre exposition à ces produits chimiques : travaillez dans une zone bien ventilée et avec l'équipement de sécurité agréé, tel que les masques à poussière spécialement conçus pour filtrer les particules microscopiques.

Mise en marche

- Avant d'assembler ou de régler l'appareil, éteignez le moteur et retirez le protecteur de bougie ou la batterie.
- Enfilez des gants de protection avant de manipuler la chaîne ou de régler sa tension.
- Avant de démarrer le moteur, assurez-vous que l'appareil n'est pas endommagé, que les vis et écrous sont bien serrés et que l'assemblage a été effectué correctement. Affûtez la chaîne si elle est émoussée. Si la chaîne est déformée ou endommagée, remplacez-la. Vérifiez que tous les leviers de commande et interrupteurs peuvent être actionnés sans forcer. Nettoyez et séchez les poignées.
- Ne tentez jamais de démarrer le moteur si l'appareil est endommagé ou s'il n'est pas entièrement assemblé. Dans le cas contraire, il risquerait de blesser grièvement des personnes.
- Réglez les bretelles de sécurité et la poignée selon votre taille corporelle.
- Réglez correctement la tension de la chaîne. Ajoutez de l'huile de chaîne au besoin.

Démarrage du moteur

- Avant de démarrer le moteur, enfiler l'équipement de protection corporel.
- Ne démarrez le moteur que s'il se trouve à une distance d'au moins 3 mètres du point de ravitaillement.
- Avant de démarrer le moteur, assurez-vous qu'aucun individu ou animal ne se trouve dans la zone de travail.
- Lors du démarrage du moteur ou de l'insertion d'une batterie, éloignez la chaîne et le guide-chaîne de votre corps et des autres objets, notamment du sol. La chaîne pourrait bouger au démarrage et provoquer des blessures graves, être endommagée et/ou endommager d'autres objets.
- Placez l'appareil sur un sol stable. Gardez une bonne position d'équilibre et une bonne stabilité.
- Au moment de tirer sur le démarreur, maintenez fermement le groupe moteur contre le sol avec votre main gauche. Ne montez jamais sur l'arbre d'entraînement du groupe moteur. (Fig. 3)
- Pour démarrer le moteur, suivez le mode d'emploi du groupe moteur.
- Vérifiez que la différence entre le ralenti et la vitesse

d'embrayage est suffisante pour garantir que la pièce jointe est à l'arrêt lorsque le moteur tourne au ralenti (au besoin, réduisez la vitesse du ralenti).

- Si la chaîne tourne au ralenti, coupez le moteur et diminuez la vitesse.

Fonctionnement

- En cas d'urgence, coupez immédiatement le moteur.
- En cas de situation anormale (par exemple, du bruit, des vibrations) pendant le fonctionnement, éteignez le moteur. N'utilisez pas l'appareil avant d'avoir déterminé et corrigé la cause du problème.
- Lorsque vous relâchez la commande d'accélérateur ou coupez le moteur, la chaîne continue à tourner quelques instants. Ne touchez pas immédiatement à la chaîne.
- Après avoir réglé la vitesse du moteur au ralenti, fixez les bretelles de sécurité.
- Pendant le fonctionnement, utilisez les bretelles de sécurité. Tenez fermement l'appareil sur votre côté droit. (Fig. 4)
- Tenez la poignée avant avec la main gauche et la poignée arrière avec la main droite, que vous soyez droitier ou gaucher. Enserrez les poignées avec vos doigts et votre pouce.
- Ne tentez jamais d'utiliser l'appareil avec une seule main. Une perte de contrôle pourrait entraîner des blessures graves ou fatales. Pour réduire les risques de blessures, éloignez vos mains et vos pieds des lames.
- Maintenez une bonne position. Assurez-vous d'une bonne prise au sol et d'une bonne position d'équilibre à tout moment. Pour éviter de trébucher, prenez garde aux obstacles cachés, tels que les souches d'arbres, les racines et les fossés. Retirez les branches et autres objets au sol.
- Pour éviter toute perte de contrôle, ne travaillez jamais sur une échelle ou dans un arbre.
- En cas de chute ou d'impact de l'appareil, vérifiez qu'il est en bon état avant de poursuivre le travail. Vérifiez le circuit d'alimentation et recherchez toute fuite de carburant et tout dysfonctionnement des commandes et dispositifs de sécurité. En cas de dommage ou de doute, demandez à un centre d'entretien agréé Dolmar d'examiner et de réparer l'outil.
- Ne touchez pas le carter d'engrenage. Le carter d'engrenage devient chaud lors du fonctionnement.
- Reposez-vous pour éviter toute perte de contrôle due à la fatigue. Il est recommandé de faire une pause de 10 à 20 minutes toutes les heures.
- Lorsque vous vous éloignez de l'appareil, même pendant un court instant, arrêtez toujours le moteur ou retirez la batterie. Ne laissez pas l'appareil sans surveillance avec le moteur allumé car il pourrait être utilisé par des personnes non autorisées et causer des accidents graves.
- Pour utiliser correctement le levier de commande et l'interrupteur, suivez le mode d'emploi du groupe moteur.
- Respectez l'environnement. Pour réduire la pollution et les émissions sonores, évitez tout fonctionnement inutile du papillon des gaz. Réglez correctement le carburateur.
- Pendant ou après l'utilisation, ne posez pas l'appareil chaud sur de l'herbe sèche ou des matériaux combustibles.
- Ne tenez pas l'appareil au-dessus de la hauteur des épaules.
- Pendant l'utilisation, ne heurtez jamais la chaîne contre des obstacles durs, tels que des pierres et des clous. Soyez particulièrement vigilant(e) lors de l'élagage de branches situées près de murs, de clôtures en fils de fer ou similaires.
- Ne touchez et ne vous approchez jamais de la chaîne lorsqu'elle tourne. Vous pourriez vous faire couper facilement les doigts. Avant de manipuler la chaîne, coupez le moteur et retirez le protecteur de bougie ou la batterie.
- Si la chaîne est encrassée, éteignez toujours le moteur et retirez le protecteur de bougie ou la batterie avant de la nettoyer.
- Si vous accélérez alors que la chaîne est bloquée, vous augmentez la charge et endommagez le moteur et/ou l'embrayage.
- Avant de couper des branches maîtresses, prévoyez une zone de repli éloignée du point de chute des branches. Commencez par retirer les obstacles, tels que les rameaux et branches, de la zone de travail. Déplacez tous les outils et objets de la zone de repli dans une autre zone sûre.
- Avant de couper des branches et des rameaux, vérifiez le sens de leur chute en prenant en compte l'état des branches et des rameaux, les arbres voisins, le sens du vent, etc. Soyez très

attentif/attentive quant au sens de la chute.



- Ne tenez jamais la tête élagueuse selon un angle supérieur à 60°. En tombant, les objets pourraient vous heurter et vous blesser grièvement. Ne vous tenez jamais sous la branche qui va être coupée.
- Méfiez-vous des branches cassées ou pliées. Elles pourraient rebondir lors de la coupe et provoquer des blessures soudaines.
- Avant de couper des branches maîtresses, retirez les autres branches et les feuilles qui se trouvent autour de celle-ci. Dans le cas contraire, elles pourraient happer la chaîne.
- Pour éviter que la chaîne soit coincée dans le trait d'abattage, ne relâchez pas le levier d'accélération avant d'avoir retiré la chaîne du trait d'abattage.
- Si la chaîne est coincée dans le trait d'abattage, coupez immédiatement le moteur, déplacez soigneusement la branche pour ouvrir le trait d'abattage et dégagez la chaîne.
- Si vous accélérez alors que la chaîne est coincée, vous augmentez la charge et endommagez le moteur et/ou l'embrayage.
- Évitez tout rebond (force réactive rotative vers l'utilisateur). Pour éviter les rebonds, n'utilisez jamais le nez du guide-chaîne et n'effectuez pas de coupe pénétrante. Restez toujours vigilant(e) quant à la position du nez du guide-chaîne.
- Vérifiez fréquemment la tension de la chaîne. Lors de l'examen ou du réglage de la tension de la chaîne, éteignez le moteur et retirez le protecteur de bougie ou la batterie. Si la chaîne est détendue, tendez-la.

Transport

- Avant de transporter l'appareil, éteignez le moteur et retirez le protecteur de bougie ou la batterie. Installez toujours le garde-chaîne sur la chaîne pendant le transport.
- Lorsque vous transportez l'appareil, placez-le en position horizontale en tenant l'arbre. Gardez le pot d'échappement chaud éloigné de votre corps.
- Lorsque vous transportez l'appareil dans un véhicule, fixez-le correctement pour éviter qu'il se retourne. Dans le cas contraire, le carburant pourrait se répandre et endommager l'appareil et d'autres bagages.

Maintenance

- Avant de procéder aux tâches d'entretien ou de réparation ou bien avant de nettoyer l'appareil, éteignez toujours le moteur et retirez le protecteur de bougie ou la batterie. Attendez que le moteur soit froid.
- Pour réduire les risques d'incendie, ne procédez jamais à l'entretien de l'appareil à proximité d'un feu.
- Portez toujours des gants de protection lorsque vous manipulez la chaîne.
- Débarrassez toujours l'appareil de la poussière et de la saleté. Pour ce faire, n'utilisez jamais d'essence, de benzine, de diluant, d'alcool ou de produit similaire. Il pourrait s'ensuivre une décoloration, une déformation ou des fissures des composants en plastique.
- Après chaque utilisation, serrez toutes les vis et tous les écrous, à l'exception des vis de réglage du carburateur.
- Veillez à ce que la chaîne soit toujours affûtée. Si la chaîne est émoussée et les performances de coupe mauvaises, demandez à un centre d'entretien agréé Dolmar de l'affûter ou de la remplacer par une chaîne neuve.
- N'essayez pas d'effectuer des tâches de maintenance ou de réparation non décrites dans cette brochure ou dans le mode d'emploi qui accompagne le groupe moteur. Demandez à un centre d'entretien agréé Dolmar d'effectuer ce type de tâche.
- Utilisez toujours des pièces de rechange et accessoires Dolmar d'origine. L'utilisation de pièces ou d'accessoires fournis par un tiers pourrait entraîner la panne de l'appareil, des dégâts matériels et/ou des blessures corporelles.
- Demandez régulièrement à un centre d'entretien agréé Dolmar d'examiner et d'effectuer l'entretien du matériel.


Entreposage

- Avant d'entreposer l'appareil, procédez au nettoyage et à l'entretien complets. Installez le garde-chaîne. Retirez le protecteur de bougie ou la batterie. Purgez le carburant et l'huile de chaîne lorsque le moteur est froid.
- Rangez l'appareil dans un endroit sec et en hauteur ou sous

verrou et hors de portée des enfants.

- N'appuyez pas l'appareil contre un support, tel qu'un mur. Il risquerait de tomber subitement et de provoquer des blessures.

Premiers secours

-  Ayez toujours une trousse de premiers secours à proximité. Remplacez immédiatement tout article pris dans la trousse de premiers secours.
- Lorsque vous demandez de l'aide, fournissez les renseignements suivants :
 - Lieu de l'accident
 - Que s'est-il passé ?
 - Nombre de personnes blessées
 - Type de blessure
 - Votre nom

Montage et réglage

AVERTISSEMENT :

- Avant d'assembler ou de régler l'appareil, éteignez le moteur et retirez le protecteur de bougie ou la batterie. Dans le cas contraire, la chaîne ou d'autres pièces pourraient bouger et entraîner des blessures graves.
- Enfilez des gants de protection avant de manipuler la chaîne ou de régler sa tension. Dans le cas contraire, vous risqueriez de vous couper grièvement les mains.
- Posez toujours l'appareil pour procéder à son assemblage ou son réglage. Si vous assemblez ou réglez l'appareil en position verticale, vous risquez d'être grièvement blessé(e).
- Respectez les mises en garde et précautions figurant dans le chapitre « Précautions de sécurité » et le mode d'emploi du groupe moteur.

Assemblage de la tête (Fig. 5)

Pour assembler la tête, procédez comme suit :

1. Desserrez les vis (A) et (B).
2. Insérez l'arbre dans le carter d'engrenage. Assurez-vous que la goupille (E) se trouve sur le dessus. Si son insertion s'avère difficile, tournez manuellement l'axe d'entraînement (C).
3. Réglez la position de l'orifice sur l'arbre par rapport à l'orifice de la vis (B).
4. Serrez tout d'abord la vis (B), puis la vis (A).

Remarque : Dans certains cas, il est possible que l'arbre ne soit pas complètement fixé, même après avoir serré à fond les vis (A) et (B). Dans ce cas, retirez l'entretoise (D).


Fixation de la tête au groupe moteur (Fig. 6)

Pour installer la tête sur un groupe moteur, procédez comme suit :

1. Assurez-vous que le levier de verrouillage (A) n'est pas serré.
2. Alignez la goupille (B) et la flèche (C).
3. Insérez l'arbre dans l'arbre d'entraînement du groupe moteur jusqu'à ce que le bouton-poussoir (D) s'éjecte.
4. Serrez solidement le levier de verrouillage (A), comme illustré. Pour retirer la tête, desserrez le levier de verrouillage, appuyez sur le bouton de verrouillage et retirez l'arbre.

NOTE : Ne serrez pas le levier de verrouillage (A) sans avoir inséré l'arbre de l'accessoire. Le levier de verrouillage risquerait de serrer trop fortement l'entrée de l'arbre d'entraînement et de l'endommager.

Assemblage de la chaîne et du guide-chaîne (Fig. 7 et 8)

 **Attention :** Assurez-vous que la chaîne, le guide-chaîne et la roue de chaîne s'insèrent ensemble dans la jauge et le pas.

Pour assembler la chaîne et le guide-chaîne, procédez comme suit :

1. Desserrez l'écrou (A) et retirez le support de chaîne (B).
2. Installez la chaîne (C) dans la rainure du guide-chaîne (D). Commencez au niveau du nez du guide-chaîne.
3. Installez la chaîne (C) sur la roue de chaîne (E).
4. Installez le guide-chaîne (D), de sorte que l'écrou de tension (F) s'insère dans l'orifice du guide-chaîne.
5. Installez le support de chaîne (B) et serrez à fond l'écrou (A). Desserrez ensuite l'écrou d'un demi-tour en prévision du réglage

de la tension de la chaîne.

6. Réglez la tension de la chaîne. Reportez-vous à la section « Réglage de la tension de la chaîne ».

Réglage de la tension de la chaîne

AVERTISSEMENT :

- Avant d'examiner ou de régler la tension de la chaîne, éteignez le moteur et retirez le protecteur de bougie ou la batterie.
- Avant d'examiner ou de régler la tension de la chaîne, enfiler des gants de protection.

Attention :

- Veillez à ce que la tension de la chaîne soit toujours celle recommandée. Une chaîne détendue peut se défaire pendant le fonctionnement. Une chaîne trop tendue peut être endommagée ou endommager le guide-chaîne.
- Vérifiez fréquemment la tension de la chaîne pendant le fonctionnement. Pendant le fonctionnement, la chaîne est étirée et se détend. Lorsque vous utilisez une chaîne neuve, réglez plus fréquemment la tension. (Fig. 9)

Pour régler la tension de la chaîne, procédez comme suit :

1. Desserrez l'écrou (A) d'un demi-tour.
2. Placez le nez du guide-chaîne vers le haut. Tournez la vis de serrage (B) dans le sens horaire jusqu'à ce que la chaîne s'insère parfaitement dans la partie inférieure du guide-chaîne.
3. Tirez manuellement la chaîne le long du guide-chaîne. Si le déplacement est difficile, tournez légèrement la vis de serrage dans le sens anti-horaire et exécutez à nouveau l'étape 2.
4. Serrez à fond l'écrou (A).

Remplissage du réservoir d'huile de chaîne

La chaîne doit être graissée à l'aide d'huile de chaîne pendant l'utilisation.

Avant utilisation, remplissez le réservoir d'huile de chaîne. Après avoir versé l'huile, serrez à fond le bouchon du réservoir d'huile.

Les huiles de chaîne recommandées sont les suivantes :

SAE10W-30,
SAE#30 à #40 en été ou
SAE#20 en hiver.

Note : N'utilisez jamais d'huile usagée. Vous risqueriez d'endommager la pompe à huile.

Pendant l'utilisation, vérifiez constamment le niveau d'huile.

Remplissez le réservoir si le niveau d'huile est bas. Le réservoir se vide après 40 minutes d'utilisation environ (selon le réglage du graissage de chaîne).

Réglage du débit d'injection d'huile de chaîne (Fig. 10 et 11)

Le débit d'injection d'huile de chaîne peut être réglé en trois étapes. Le réglage d'usine est un faible débit d'injection. Selon l'utilisation, par exemple lors de l'élagage de branches maîtresses, augmentez le débit d'injection.

Pour régler le débit d'injection d'huile de chaîne, utilisez un tournevis à lame plate. Enfoncez la vis de réglage et tournez-la selon la position du débit d'injection souhaité.

A : Faible
B : Moyen
C : Élevé

Après avoir réglé le débit d'injection d'huile de chaîne, vérifiez-le en faisant fonctionner l'appareil à vitesse moyenne.

Examen et entretien

AVERTISSEMENT :

- Avant d'examiner ou de procéder à l'entretien de l'appareil, éteignez le moteur et retirez le protecteur de bougie ou la batterie. Dans le cas contraire, la chaîne ou d'autres pièces pourraient bouger et entraîner des blessures graves.
- Enfilez des gants de protection avant de manipuler ou de travailler à proximité de la chaîne. Dans le cas contraire, vous risqueriez de vous couper grièvement les mains.
- Posez toujours l'appareil pour procéder à son examen ou son entretien. Si vous assemblez ou réglez l'appareil en position verticale, vous risquez d'être grièvement blessé(e).

- Respectez les mises en garde et précautions figurant dans le chapitre « Précautions de sécurité » et le mode d'emploi du groupe moteur.

Nettoyage du port d'alimentation en huile de chaîne (Fig. 12)

Nettoyez quotidiennement le port d'alimentation en huile de chaîne (A). Pour y accéder, retirez le support de chaîne et le guide-chaîne.

Nettoyage et examen du guide-chaîne (Fig. 13)

Nettoyez quotidiennement le guide-chaîne. Retirez la sciure présente dans la rainure (A) ainsi que le port d'alimentation en huile de chaîne (B).

Pour éviter que le guide-chaîne soit usé d'un seul côté, retournez-le à chaque fois que vous remplacez ou affûtez la chaîne.

Si la rainure est usée, courbée ou déformée, remplacez le guide-chaîne.

Examen de la roue de chaîne (Fig. 14)

Vérifiez l'usure de la roue de chaîne toutes les 50 heures d'utilisation. Remplacez-la si les repères d'usure atteignent 0,3 mm de profondeur ou plus.

Examen de la chaîne

Lorsque vous sentez que la chaîne est usée, déformée, fissurée ou qu'elle nécessite davantage d'effort lors de la coupe, remplacez-la ou demandez à un centre d'entretien agréé Dolmar de l'affûter.

Graissage des pièces en mouvement (Fig. 15)

NOTE : Respectez les instructions relatives à la fréquence et la quantité de graisse à appliquer. Dans le cas contraire, un graissage insuffisant pourrait endommager les pièces en mouvement.

Carter d'engrenage :

Insérez de la graisse à base de lithium dans l'embout de graissage (A) toutes les 25 heures de fonctionnement.

Axe d'entraînement :

Appliquez de la graisse (Shell Alvania n°2 ou équivalent) toutes les 25 heures de fonctionnement.

Nez du guide-chaîne :

Appliquez de la graisse (Shell Alvania n°2 ou équivalent) depuis l'orifice de graissage (B) toutes les 10 heures de fonctionnement.

Examen général

- Serrez les vis, boulons et écrous mal serrés.
- Vérifiez si des pièces sont endommagées. Demandez à un centre d'entretien agréé Dolmar de les remplacer le cas échéant.

Entreposage

⚠ AVERTISSEMENT : Respectez les mises en garde et précautions figurant dans le chapitre « Précautions de sécurité » et le mode d'emploi du groupe moteur. (Fig. 16)

Lors de l'entreposage de la tête élagueuse à perche séparée du groupe moteur, placez le capot à l'extrémité de l'arbre.

Programme d'entretien

Heures de fonctionnement		Avant utilisation	Quotidiennement (10 h)	25 h	50 h	Si nécessaire	Page correspondante
Appareil complet	Examinez visuellement les pièces endommagées	○					15
Tous les écrous et vis de fixation	Serrer	○					15
Port d'alimentation en huile de chaîne	Nettoyer		○				15
Guide-chaîne	Nettoyer la rainure et le port d'alimentation en huile de chaîne		○				15
	Examiner visuellement		○				15
	Injecter de la graisse dans le nez		○				15
Boîte d'engrenage	Injecter de la graisse			○			15
Axe d'entraînement	Injecter de la graisse			○			15
Roue de chaîne	Examiner visuellement				○		15
Chaîne	Remplacer ou faire affûter					○	15
Groupe moteur	Se reporter au mode d'emploi du groupe moteur						

Dépannage

Problème	Cause probable	Solution
Le moteur ne démarre pas.	Se reporter au mode d'emploi du groupe moteur.	
Le moteur s'arrête peu après avoir démarré.		
La vitesse maximale est limitée.		
La chaîne ne bouge pas. → Éteignez immédiatement le moteur !	Le guide-chaîne est courbé ou endommagé.	Remplacez le guide-chaîne.
	Une brindille est accrochée dans la chaîne.	Retirez le corps étranger.
	Le système d'entraînement ne fonctionne pas correctement.	Demandez à un centre d'entretien agréé Dolmar de l'examiner et de le réparer.
L'appareil émet des vibrations anormales. → Éteignez immédiatement le moteur !	Le système d'entraînement ne fonctionne pas correctement.	Demandez à un centre d'entretien agréé Dolmar de l'examiner et de le réparer.
La chaîne ne s'arrête pas. → Éteignez immédiatement le moteur !	Le groupe moteur ne fonctionne pas correctement.	Se reporter au mode d'emploi du groupe moteur.
L'huile de chaîne n'est pas injectée.	Le réservoir d'huile est vide.	Remplissez le réservoir d'huile de chaîne.
	Le port d'alimentation en huile de chaîne est encrassé.	Nettoyez le port d'alimentation en huile de chaîne sur l'appareil et le guide-chaîne.
	La vis de réglage du débit d'injection d'huile de chaîne est mal réglée.	Réglez correctement la vis de réglage.

Caractéristiques techniques

Modèle		PS-CS
Dimensions (L x P x H)	mm	1 166 x 80 x 120
Poids	kg	1,1
Longueur du guide-chaîne	mm	255 (10")
Chaîne		90SG-39E
Jauge de chaîne	pouce	0,043"
Nombre de dents sur la roue de chaîne		7
Huile de chaîne		SAE10W-30 ou équivalent (En été : SAE#30 - #40) (En hiver : SAE#20)
Pompe à huile de chaîne		Pompe à plongeur (Type autolubrifiant)
Capacité du réservoir d'huile de chaîne	ml	110
Rapport d'engrenage (augmentation de la vitesse)		1,06

Déclaration de conformité CE

(Pour les pays d'Europe uniquement)

Les soussignés, **Tamiro Kishima et Rainer Bergfeld**, tels qu'autorisés par Dolmar GmbH, déclarent que les outils DOLMAR :

Nom de la machine : Tête Élagueuse à Perche

N° de modèle/Type : PS-CS

Spécifications : reportez-vous aux « Caractéristiques techniques »

sont fabriquées en série et

sont conformes aux directives européennes suivantes :

2006/42/CE

et sont produites conformément aux normes ou documents de normalisation suivants :

EN ISO 11680

La documentation technique se trouve dans les locaux de l'entreprise sise :

Dolmar GmbH,

Jenfelder Straße 38, Abteilung FZ, D-22045 Hamburg

15. 12. 2010



Tamiro Kishima
Directeur général



Rainer Bergfeld
Directeur général

Vorwort

Vielen Dank, dass Sie sich für den Kauf eines Kettensägen-Aufsatzes von Dolmar entschieden haben. Dieser Aufsatz ist für die Montage auf den in dieser Betriebsanleitung erwähnten Antrieb von Dolmar vorgesehen.

Lesen Sie vor Verwendung des Kettensägen-Aufsatzes diese Broschüre und die Betriebsanleitung des Antriebs. So können Sie die bestmöglichen Ergebnisse mit Ihrem Kettensägen-Aufsatz von Dolmar erzielen.

Inhaltsverzeichnis	Seite
Vorwort	18
Symbole	18
Zugelassener Antrieb.....	18
Beschreibung der Teile	19
Arbeitsschutz	19
Zusammenbau und Einstellungen	21
Inspektions- und Wartungsarbeiten	22
Aufbewahrung	22
Wartungsplan	23
Fehlersuche.....	23
Technische Daten.....	24
EG-Konformitätserklärung	24

Symbole

Am Aufsatz und in diesem Handbuch werden die folgenden Symbole verwendet. Es ist wichtig, dass Sie die Bedeutung dieser Symbole kennen.



Lesen Sie die Betriebsanleitung aufmerksam durch und befolgen Sie diese.



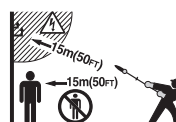
Besondere Aufmerksamkeit erforderlich!



Tragen Sie Schutzhelm, Schutzbrille und Gehörschutz.



Tragen Sie festes Schuhwerk mit rutschfester Sohle.



Halten Sie mit dem Werkzeug einen Abstand von mindestens 15 m zu umstehenden Personen und zu Elektroleitungen (und zu Ästen, die diese Leitungen berühren). Gefahr eines Stromschlags!



Halten Sie die Kettensäge niemals in einem Winkel größer als 60°.



Erste Hilfe



(Nur für europäische Länder) Dieses Produkt entspricht den einschlägigen EG-Direktiven.

Zugelassener Antrieb

Dieser Aufsatz ist nur für die Verwendung mit folgendem Antrieb zugelassen:

CS-246.4C Multifunktions-Aufsatz

! WARNUNG: Verwenden Sie diesen Aufsatz niemals mit einem nicht für den Aufsatz zugelassenen Antrieb. Bei einer nicht zugelassenen Kombination kann es zu schweren Verletzungen kommen.

Beschreibung der Teile (Abb. 1)

Die Zahlen entsprechen der Abbildung.

1. Welle
2. Getriebegehäuse
3. Öltankdeckel
4. Öltank
5. Schienenhalter
6. Führungsschiene
7. Sägekette
8. Kettenabdeckung

Arbeitsschutz

⚠️ WARNUNG: Lesen Sie vor Verwendung des Kettensägen-Aufsatzes alle Sicherheitshinweise und Anleitungen in dieser Broschüre und in der Betriebsanleitung des Antriebs. Bei Nichtbeachten dieser Warnungen und Anweisungen kann es zu einem Stromschlag, einem Brand und/oder schweren Verletzungen kommen.

Bewahren Sie alle Warnhinweise und Anweisungen zum späteren Nachschlagen gut auf.

Die Begriffe „Kettensäge“ und „Werkzeug“ in den Warnungen und Hinweisen zum Arbeitsschutz beziehen sich auf die Kombination aus Aufsatz und Antrieb.

Der Begriff „Motor“ in den Warnungen und Hinweisen zum Arbeitsschutz bezieht sich auf den Verbrennungsmotor bzw. Elektromotor des Antriebs.

Verwendungszweck

- Dieser Aufsatz ist, in Kombination mit einem zugelassenen Antrieb, ausschließlich für das Ausputzen von Ästen und Zweigen mit einem Durchmesser unter 15 cm vorgesehen. Verwenden Sie diesen Aufsatz niemals für andere Zwecke. Bei zweckfremder Verwendung kann es zu schweren Verletzungen kommen.

Allgemeine Vorsichtsmaßnahmen

- Lesen Sie diese Broschüre und die Betriebsanleitung des Antriebs, und machen Sie sich mit der Handhabung der Kettensäge vertraut, bevor Sie die Kettensäge starten.
- Überlassen Sie diesen Aufsatz nur solchen Personen, die über ausreichende Kenntnisse und Erfahrungen im Umgang mit Kettensägen verfügen.
- Übergeben Sie immer auch dieser Betriebsanleitung, wenn Sie diesen Aufsatz anderen Personen überlassen.
- Kettensägen dürfen nicht von Kindern und Personen unter 18 Jahren gehandhabt werden. Halten Sie diesen Personenkreis von der Kettensäge fern.
- Lassen Sie beim Umgang mit der Kettensäge äußerste Aufmerksamkeit und Achtung walten.
- Betreiben Sie die Kettensäge niemals, wenn Sie unter dem Einfluss von Alkohol und/oder Medikamenten stehen, oder wenn Sie ermüdet oder krank sind.
- Versuchen Sie niemals, technische Änderungen am Aufsatz vorzunehmen.
- Halten Sie die in Ihrem Land geltenden Gesetze und Bestimmungen bezüglich des Umgangs mit Kettensägen ein.

Persönliche Schutzausrüstung

- Tragen Sie einen Schutzhelm, eine Schutzbrille und Schutzhandschuhe, um sich vor herumfliegenden Fremdkörpern und herunterfallenden Objekten zu schützen. (Abb. 2)
- Um Hörschäden zu vermeiden, tragen Sie Gehörschutz, z. B. Gehörschutzkapseln.
- Tragen Sie geeignete Kleidung und geeignetes Schuhwerk, z. B. einen Arbeitsoverall und feste Schuhe mit rutschfester Sohle. Tragen Sie keine weite Kleidung und keinen Schmuck. Weite Kleidung, Schmuck und langes Haar können sich in sich bewegenden Teilen verfangen.
- Tragen Sie beim Umgang mit der Sägekette und beim Einstellen der Kettenspannung Schutzhandschuhe. Die Sägekette kann an ungeschützten Händen schwere Schnittwunden verursachen.

Sicherheit am Arbeitsplatz

- **⚠️ Gefahr:** Halten Sie die Kettensäge mindestens 15 m fern von Elektroleitungen und Kommunikationskabeln (und zu Ästen, die diese Leitungen berühren). Bei Annäherung an oder gar Berührung von Hochspannungsleitungen mit der Kettensäge kann es zu schweren oder gar tödlichen Verletzungen kommen. Achten Sie vor Beginn der Arbeiten auf Stromversorgungsleitungen und Elektrozaune im Arbeitsbereich.
- Berteiben Sie die Kettensäge nur bei guten Sichtverhältnissen und unter Tageslicht. Betreiben Sie die Kettensäge nicht in der Dunkelheit oder bei Nebel.
- Starten und betreiben Sie den Motor nur im Freien in gut belüfteten Bereichen. Bei Betrieb in geschlossenen Räumen oder unzureichend belüfteten Bereichen bestehen Erstickungsgefahr und die Gefahr einer Kohlenmonoxidvergiftung.
- Führen Sie die Arbeiten niemals auf einer instabilen oder rutschigen Fläche oder an einem Steilhang stehend aus. Achten Sie in der kalten Jahreszeit auf Schnee und Eis, und sorgen Sie immer für einen sicheren Stand.
- Achten Sie darauf, dass umstehende Personen und Tiere einen Abstand von mindestens 15 m zur Kettensäge einhalten. Stoppen Sie den Motor sofort, wenn sich Personen nähern.
- Kontrollieren Sie vor Beginn der Arbeiten den Arbeitsbereich auf das Vorhandensein von Drahtzäunen, Mauern und sonstigen massiven Objekten. Durch derartige Objekte kann die Sägekette beschädigt werden.
- **⚠️ WARNUNG:** Bei Gebrauch dieses Produkts kann Staub entstehen, der Chemikalien enthält, die Erkrankungen der Atemwege und andere Erkrankungen verursachen können. Beispiele solcher Chemikalien sind Bestandteile in Pestiziden, Insektiziden, Düngemitteln und Herbiziden. Die Höhe der Gesundheitsgefährdung hängt davon ab, wie oft Sie derartige Arbeiten ausführen. Halten Sie die Menge an diesen Chemikalien, der Sie sich aussetzen, möglichst gering: Sorgen Sie für eine gute Belüftung des Arbeitsbereichs und verwenden Sie zugelassene Schutzausrüstungen, beispielsweise solche Staubmasken, die speziell für das Filtern mikroskopischer Partikel vorgesehen sind.

Inbetriebnahme

- Schalten Sie stets den Motor aus und ziehen Sie den Kerzenstecker bzw. den Akkublock ab, bevor Sie das Werkzeug zusammenbauen oder Einstellungen am Werkzeug vornehmen.
- Tragen Sie beim Umgang mit der Sägekette und beim Einstellen der Kettenspannung Schutzhandschuhe.
- Überprüfen Sie das Werkzeug auf Beschädigungen, gelockerte Schrauben/Muttern oder unsachgemäßen Zusammenbau, bevor Sie den Motor starten. Achten Sie auf eine ordnungsgemäß geschärfte Sägekette. Tauschen Sie eine verbogene oder beschädigte Kette aus. Überprüfen Sie, ob alle Bedienelemente und Schalter ordnungsgemäß funktionieren. Halten Sie die Griffe sauber und trocken.
- Starten Sie den Motor niemals, wenn das Werkzeug beschädigt oder nicht vollständig zusammengebaut ist. Anderenfalls kann es zu schweren Verletzungen kommen.
- Passen Sie Schultergerät und Handgriff auf die Körpergröße des Bedieners an.
- Sorgen Sie für eine ordnungsgemäße Kettenspannung. Füllen Sie ggf. Kettenöl auf.

Starten des Motors

- Legen Sie vor dem Starten des Motors die persönliche Schutzausrüstung an.
- Halten Sie beim Starten des Motors einen Abstand von mindestens 3 m zum Betankungsort.
- Stellen Sie vor dem Starten des Motors sicher, dass sich keine Personen oder Tiere im Arbeitsbereich aufhalten.
- Halten Sie die Sägekette und die Führungsschiene von Ihrem Körper und anderen Objekten, einschließlich Boden, fern, wenn Sie den Motor starten bzw. einen Akkublock einsetzen. Beim Starten des Motors kann die Sägekette in Bewegung geraten, wodurch es zu schweren Verletzungen und/oder Schäden an der Sägekette und/oder anderen Sachschäden kommen kann.
- Setzen Sie das Werkzeug auf festen Boden auf. Achten Sie auf Ihr Gleichgewicht und auf sicheren Stand.
- Halten Sie den Antrieb mit der linken Hand fest gegen den Boden, wenn Sie den Startergriff ziehen. Treten Sie nicht mit dem


Fuß auf die Antriebswelle des Antriebs. **(Abb. 3)**

- Starten Sie den Motor wie in der Betriebsanleitung des Antriebs erläutert.
- Prüfen Sie, dass der Abstand zwischen Leerlauf- und Betriebsdrehzahlen ausreichend ist, damit der Aufsatz bei Leerlauf des Motors im Stillstand ist (reduzieren Sie bei Bedarf die Leerlaufdrehzahl).
- Wenn sich die Sägekette im Leerlauf bewegt, stoppen Sie den Motor und stellen Sie eine niedrigere Drehzahl ein.

Betrieb

- Schalten Sie bei einem Notfall sofort den Motor aus.
- Schalten Sie den Motor aus, wenn Sie während des Betriebs etwas Ungewöhnliches (z. B. ungewöhnliche Geräusche, Vibrationen) bemerken. Verwenden Sie das Werkzeug erst dann wieder, nachdem die Ursache gefunden und behoben wurde.
- Nach dem Loslassen des Gashebels bzw. Ausschalten des Motors läuft die Sägekette noch eine kurze Zeit nach. Berühren Sie die Sägekette erst nach vollständigem Stillstand.
- Lassen Sie den Motor im Leerlauf laufen, und legen Sie sich den Schultergurt um.
- Tragen Sie das Werkzeug während der Arbeiten mit Hilfe des Schultergurts. Belassen Sie das Werkzeug mit sicherem Griff an Ihrer rechten Seite. **(Abb. 4)**
- Erfassen Sie, auch wenn Sie Linkshänder sind, den vorderen Griff mit der linken Hand und den hinteren Griff mit der rechten Hand. Legen Sie Finger und Daumen fest um die Griffe.
- Betreiben Sie das Werkzeug niemals einhändig. Dadurch kann es zum Verlust der Kontrolle und zu schweren oder gar tödlichen Verletzungen kommen. Halten Sie Hände und Füße von der Sägekette fern, um die Gefahr von Verletzungen zu vermeiden.
- Beugen Sie sich nicht vor, und arbeiten Sie innerhalb Ihres Standbereichs. Achten Sie jederzeit auf sicheren Stand und sicheres Gleichgewicht. Achten Sie auf verborgene Hindernisse wie Baumstümpfe, Wurzeln und Kanäle, damit Sie nicht stolpern oder gar stürzen. Räumen Sie herabgefallene Äste und andere Objekte weg.
- Arbeiten Sie niemals auf einer Leiter oder auf einem Ast stehend oder sitzend, damit es nicht zu einem Verlust der Kontrolle kommen kann.
- Wenn das Werkzeug einem starken Stoß ausgesetzt wurde oder heruntergefallen ist, überprüfen Sie den Zustand des Werkzeugs, bevor Sie die Arbeiten fortsetzen. Überprüfen Sie das Kraftstoffsystem auf Leckagen und die Bedienelemente und Sicherheitseinrichtungen auf Fehlfunktionen. Wenn Sie einen Schaden bemerken oder sich nicht sicher sind, wenden Sie sich zwecks Inspektion und Reparatur an Ihr autorisiertes Dolmar Servicecenter.
- Berühren Sie nicht das Getriebegehäuse. Bei Betrieb erhitzt sich das Getriebegehäuse.
- Legen Sie regelmäßig Pausen ein, damit es nicht zu einem Kontrollverlust aufgrund von Ermüdungserscheinungen kommt. Wir empfehlen, jede Stunde eine Pause von 10 bis 20 Minuten einzulegen.
- Schalten Sie immer den Motor aus bzw. ziehen Sie den Akkublock ab, wenn Sie das Werkzeug, auch nur kurzzeitig, unbeaufsichtigt lassen. Wenn ein unbeaufsichtigtes Werkzeug mit laufendem Motor von einer unbefugten Person ergriffen wird, kann es zu schweren Unfällen kommen.
- Informieren Sie sich in der Betriebsanleitung des Antriebs über das ordnungsgemäße Bedienen des Regelungshebels und sonstiger Bedienelemente.
- Nehmen Sie Rücksicht auf die Umwelt und auf Ihre Nachbarn. Vermeiden Sie ein unnötiges Betätigen des Gashebels, damit Umweltbelastung und Geräusentwicklung so gering wie möglich gehalten werden. Achten Sie auf eine korrekte Vergasereinstellung.
- Legen Sie das erhitzte Werkzeug während oder nach den Arbeiten nicht auf trockenem Gras oder brennbaren Materialien ab.
- Halten Sie das Werkzeug bis maximal Schulterhöhe.
- Achten Sie während der Arbeiten darauf, dass die Sägekette nicht auf harte Gegenstände wie z. B. Steine oder Nägel trifft. Seien Sie besonders vorsichtig, wenn Sie Äste in der Nähe von Mauern, Drahtzäunen o. ä. sägen.
- Halten Sie sich von einer sich bewegenden Sägekette fern und berühren Sie diese niemals. Die Sägekette kann problemlos einen Finger abtrennen. Schalten Sie stets den Motor aus und

ziehen Sie den Kerzenstecker bzw. den Akkublock ab, bevor Sie die Sägekette berühren.

- Wenn die Sägekette durch Fremdmaterial verstopft ist, schalten Sie stets den Motor aus und ziehen Sie den Kerzenstecker bzw. den Akkublock ab, bevor Sie dieses Material entfernen.
- Durch ein Erhöhen der Motordrehzahl bei blockierter Sägekette erhöht sich die Last, und der Motor und/oder die Kupplung können beschädigt werden.
- Halten Sie sich vor dem Sägen dicker Äste einen Fluchtweg vom herabfallenden Ast weg offen. Entfernen Sie zuerst Hindernisse wie z. B. Äste und Zweige aus dem Arbeitsbereich. Bringen Sie sämtliches Werkzeug und alle übrigen Ausrüstungsgegenstände aus dem Fluchtweg an einen anderen sicheren Ort.
- Bedenken Sie vor dem Schneiden von dickeren Ästen die Fallrichtung dieser Äste und den Zustand von Ästen und Zweigen, benachbarter Bäume, Windrichtung usw. Achten Sie ganz besonders auf die Fallrichtung.
-  Halten Sie die Kettensäge niemals in einem Winkel größer als 60°. Anderenfalls kann der Bediener von herabfallenden Objekten getroffen und schwer verletzt werden. Wählen Sie niemals einen Standort unter dem abzuschneidenden Ast.
- Achten Sie auf gebrochene und gebogene Äste. Solche Äste können beim Sägen unerwartet zurückschlagen und Verletzungen verursachen.
- Entfernen Sie Zweige und Laub von zu schneidenden Ästen, bevor Sie den Schnitt ansetzen. Anderenfalls kann sich die Säge in diesen Ästen und Blättern verfangen.
- Geben Sie den Gasgriff erst frei, nachdem Sie die Säge aus der Schnittfuge gezogen haben, damit die Säge nicht in der Schnittfuge verklemmt.
- Wenn die Sägekette in der Schnittfuge klemmt, schalten Sie sofort den Motor aus, und biegen Sie den Ast vorsichtig so, dass sich die Fuge öffnet und die Säge freigibt.
- Durch ein Erhöhen der Motordrehzahl bei blockierter Sägekette erhöht sich die Last, und der Motor und/oder die Kupplung können beschädigt werden.
- Vermeiden Sie das Auftreten von Rückschlägen (Gegenkraft in Richtung Bediener mit Tendenz zur Drehbewegung). Sägen Sie niemals mit der Spitze der Führungsschiene oder im „Eintauchschnitt“, um das Auftreten eines Zurückschlagens zu vermeiden. Achten Sie stets auf die Position der Spitze der Führungsschiene.
- Überprüfen Sie die Kettenspannung regelmäßig. Schalten Sie stets den Motor aus und ziehen Sie den Kerzenstecker bzw. den Akkublock ab, bevor Sie die Kettenspannung überprüfen oder nachstellen. Wenn die Sägekette nicht ausreichend gespannt ist, spannen Sie die Kette nach.

Transport

- Schalten Sie stets den Motor aus und ziehen Sie den Kerzenstecker bzw. den Akkublock ab, bevor Sie das Werkzeug transportieren. Setzen Sie vor einem Transport immer die Kettenabdeckung auf.
- Erfassen Sie das Werkzeug zum Transportieren an der Spindel, und tragen Sie das Werkzeug waagrecht. Halten Sie den heißen Auspuffschalldämpfer von Ihrem Körper fern.
- Sichern Sie das Werkzeug bei Transport in einem Fahrzeug ordnungsgemäß, damit es nicht umkippen kann. Anderenfalls kann Kraftstoff auslaufen, und es kann zu Beschädigungen am Werkzeug und an anderen Gepäckstücken kommen.

Wartung

- Schalten Sie stets den Motor aus und ziehen Sie den Kerzenstecker bzw. den Akkublock ab, bevor Sie Wartungs-, Reparatur- oder Reinigungsarbeiten am Werkzeug vornehmen. Warten Sie, bis sich der Motor abgekühlt hat.
- Führen Sie Arbeiten am Werkzeug niemals in der Nähe von offenen Flammen aus. Brandgefahr!
- Tragen Sie beim Umgang mit der Sägekette immer Schutzhandschuhe.
- Halten Sie das Werkzeug stets frei von Staub und Schmutz. Verwenden Sie zum Reinigen niemals Kraftstoffe, Benzin, Verdünner, Alkohol oder ähnliches. Dies kann zu Verfärbungen, Verformungen oder Rissen führen.
- Ziehen Sie nach jedem Gebrauch alle Schrauben und Muttern nach, mit Ausnahme der Vergasereinstellschrauben.
- Achten Sie auf eine ordnungsgemäß geschärfte Sägekette. Wenn


die Sägekette stumpf geworden ist und keine ausreichende Schneidleistung mehr erbringt, lassen Sie die Kette in Ihrem autorisierten Dolmar Servicecenter schärfen, oder tauschen Sie die Kette gegen eine neue Kette aus.

- Führen Sie keine Wartungs- und Reparaturarbeiten aus, die nicht in dieser Broschüre oder in der Betriebsanleitung des Antriebs aufgeführt sind. Wenden Sie sich zwecks Ausführen derartiger Arbeiten an Ihr autorisiertes Dolmar Servicecenter.
- Verwenden Sie ausschließlich Originalersatzteile und Originalzubehör von Dolmar. Bei Verwenden von Teilen und Zubehör anderer Hersteller kann es zu schweren Verletzungen, Beschädigungen des Werkzeugs und/oder Sachschäden kommen.
- Wenden Sie sich an Ihr autorisiertes Dolmar Servicecenter, um eine regelmäßige Inspektion und Wartung vornehmen zu lassen.

Aufbewahrung

- Nehmen Sie eine gründliche Reinigung und Wartung des Werkzeugs vor, bevor Sie das Werkzeug einlagern. Bringen Sie die Kettenabdeckung auf. Ziehen Sie den Kerzenstecker bzw. den Akkublock ab. Warten Sie, bis sich der Motor abgekühlt hat, und lassen Sie dann den Kraftstoff und das Kettenöl ab.
- Lagern Sie das Werkzeug an einem Ort, der hoch genug oder verschließbar ist, damit Kinder nicht an das Werkzeug gelangen können.
- Lehnen Sie das Werkzeug niemals gegen etwas, beispielsweise gegen eine Wand. Anderenfalls könnte das Werkzeug plötzlich umfallen und Verletzungen verursachen.

Erste Hilfe

-  Halten Sie immer einen vorschriftsmäßigen Erste-Hilfe-Kasten zur Hand. Füllen Sie sämtliche aus dem Erste-Hilfe-Kasten entnommenen Materialien unverzüglich auf.
- Machen Sie bei einem Notruf folgende Angaben:
 - Ort des Unfalls
 - Was ist passiert
 - Anzahl der verletzten Personen
 - Art der Verletzungen
 - Ihr Name

Zusammenbau und Einstellungen

WARNUNG:

- Schalten Sie stets den Motor aus und ziehen Sie den Kerzenstecker bzw. den Akkublock ab, bevor Sie das Werkzeug zusammenbauen oder Einstellungen am Werkzeug vornehmen. Anderenfalls könnten sich Sägekette und andere Bauteile unerwartet bewegen und schwere Verletzungen verursachen.
- Tragen Sie beim Umgang mit der Sägekette und beim Einstellen der Kettenspannung Schutzhandschuhe. Die Sägekette kann an ungeschützten Händen schwere Schnittwunden verursachen.
- Legen Sie das Werkzeug zwecks Zusammenbau oder Vornehmen von Einstellungen immer auf dem Boden ab. Beim Zusammenbauen oder Einstellen des Werkzeugs in aufrechter Position kann es zu schweren Verletzungen kommen.
- Beachten Sie alle Warn- und Sicherheitshinweise in Kapitel „Arbeitsschutz“ und in der Betriebsanleitung des Antriebs.

Zusammenbauen des Aufsatzes (Abb. 5)

Führen Sie die folgenden Schritte aus, um den Aufsatz zusammenzubauen:

1. Lösen Sie die Schrauben (A) und (B).
2. Setzen Sie die Spindel in das Getriebegehäuse ein. Achten Sie darauf, dass der Stift (E) nach oben zeigt. Wenn sich die Spindel nur schwer hineinschieben lässt, drehen Sie die Antriebswelle (C) etwas von Hand.
3. Richten Sie die Bohrung in der Spindel mit der Schraubenbohrung (B) aus.
4. Ziehen Sie zuerst Schraube (B) und dann Schraube (A) fest.

Hinweis: In einigen Fällen ist die Spindel auch nach dem Festziehen von Schraube (A) und Schraube (B) noch nicht sicher befestigt. Entfernen Sie in diesem Fall den Zwischenring (D).

Befestigen des Aufsatzes an einen Antrieb (Abb. 6)


Führen Sie die folgenden Schritte aus, um den Aufsatz an einen Antrieb zu befestigen.

1. Stellen Sie sicher, dass der Arretierhebel (A) nicht festgezogen ist.
2. Richten Sie den Stift (B) mit der Pfeilmarkierung (C) aus.
3. Setzen Sie die Spindel in die Antriebswelle des Antriebs ein, bis die Freigabetaste (D) herauspringt.
4. Ziehen Sie den Arretierhebel (A) ordnungsgemäß fest, wie in der Abbildung dargestellt.

Zum Abnehmen des Aufsatzes lösen Sie den Arretierhebel, drücken Sie die Verriegelungstaste und ziehen Sie die Spindel heraus.

HINWEIS: Ziehen Sie den Arretierhebel (A) nicht ohne eingesetzte Spindel des Aufsatzes fest. Anderenfalls kann der Arretierhebel die Aufnahme der Antriebswelle zu eng festziehen und dadurch beschädigen.

Anbringen von Sägekette und Führungsschiene (Abb. 7 und 8)

 **Achtung:** Stellen Sie sicher, dass Sägekette, Führungsschiene und Kettenrad in Breitemaß und Teilung zueinanderpassen. Führen Sie die folgenden Schritte aus, um Sägekette und Führungsschiene zu befestigen:

1. Lösen Sie die Schraubenmutter (A) und nehmen Sie den Schienenhalter (B) ab.
2. Legen Sie die Sägekette (C) in die Nut der Führungsschiene (D) ein. Beginnen Sie an der Spitze der Schiene.
3. Legen Sie die Sägekette (C) auf das Kettenrad (E) auf.
4. Setzen Sie die Führungsschiene (D) so ein, dass die Spannmutter (F) in der Bohrung in der Führungsschiene sitzt.
5. Setzen Sie den Schienenhalter (B) auf und ziehen Sie die Schraubenmutter (A) ordnungsgemäß fest. Lösen Sie anschließend die Schraubenmutter wieder um eine halbe Drehung, damit die Kette ordnungsgemäß gespannt werden kann.
6. Stellen Sie eine ordnungsgemäße Kettenspannung ein. Informieren Sie sich in Abschnitt: „Einstellen der Kettenspannung“.

Einstellen der Kettenspannung

WARNUNG:

- Schalten Sie stets den Motor aus und ziehen Sie den Kerzenstecker bzw. den Akkublock ab, bevor Sie die Kettenspannung überprüfen oder nachstellen.
- Tragen Sie beim Überprüfen und Einstellen der Kettenspannung stets Schutzhandschuhe.

Achtung:

- Achten Sie auf eine ordnungsgemäß gespannte Sägekette. Eine zu lockere Kette kann während des Betriebs von der Führungsschiene springen. Bei einer zu straff gespannten Kette kann es zu Beschädigungen an der Sägekette und an der Führungsschiene kommen.
- Überprüfen Sie im Verlauf der Arbeiten die Kettenspannung regelmäßig. Während des Betriebs dehnt sich die Sägekette und wird locker. Stellen Sie bei einer neuen Sägekette die Kettenspannung öfters nach. (Abb. 9)

Führen Sie die folgenden Schritte aus, um die Kettenspannung einzustellen:

1. Lösen Sie die Mutter (A) um eine halbe Drehung.
2. Halten Sie die Spitze der Führungsschiene nach oben. Drehen Sie die Spannschraube (B) im Uhrzeigersinn, bis die Sägekette nicht zu fest und nicht zu lose an der Unterseite der Führungsschiene anliegt.
3. Ziehen Sie die Sägekette von Hand der Führungsschiene entlang. Wenn sich die Kette nur schwer ziehen lässt, drehen Sie die Spannschraube etwas gegen den Uhrzeigersinn und wiederholen Sie Schritt 2.
4. Ziehen Sie die Mutter (A) ordnungsgemäß fest.

Auffüllen des Kettenöltanks

Während der Sägearbeiten muss die Sägekette mit Kettenöl geschmiert werden.

Füllen Sie vor Betrieb den Kettenöltank auf. Ziehen Sie den Öltankdeckel nach dem Auffüllen ordnungsgemäß fest.

Es werden folgende Kettenöle empfohlen:

- SAE10W bis 30,
- SAE30 bis 40 im Sommer bzw.
- SAE20 im Winter.

Hinweis: Verwenden Sie niemals Altöl. Durch Altöl kann die Ölpumpe beschädigt werden.

Achten Sie während der Arbeiten stets auf den Ölstand. Füllen Sie bei niedrigem Ölstand den Öltank rechtzeitig nach. Der Tank ist nach ca. 40 Minuten Betrieb leer (von der Einstellung der Kettenschmierung abhängig).

Einstellen der Kettenölaufuhr (Abb. 10 und 11)

Die Zufuhrmenge an Kettenöl kann in drei Stufen eingestellt werden. Werkseitig ist die niedrigste Zufuhrmenge eingestellt. Erhöhen Sie die Zufuhrmenge entsprechend der auszuführenden Arbeiten ggf., z. B. beim Sägen von Hartholz. Stellen Sie die Zufuhrmenge an Kettenöl mit Hilfe eines Flachsraubendrehers ein. Drücken Sie auf die Einstellschraube und drehen Sie die Einstellschraube in die Position der gewünschten Zufuhrmenge.

- A: Niedrig
- B: Mittel
- C: Hoch

Betreiben Sie nach dem Einstellen der Zufuhrmenge das Werkzeug mit mittlerer Geschwindigkeit, um die Zufuhrmenge zu überprüfen.

Inspektions- und Wartungsarbeiten

WARNUNG:

- Schalten Sie stets den Motor aus und ziehen Sie den Kerzenstecker bzw. den Akkublock ab, bevor Sie Inspektions- und Wartungsarbeiten am Werkzeug vornehmen. Anderenfalls könnten sich Sägekette und andere Bauteile unerwartet bewegen und schwere Verletzungen verursachen.
- Tragen Sie beim Umgang und beim Arbeiten mit und in der Nähe der Sägekette Schutzhandschuhe. Die Sägekette kann an ungeschützten Händen schwere Schnittwunden verursachen.
- Legen Sie das Werkzeug zwecks Inspektions- und Wartungsarbeiten immer auf dem Boden ab. Beim Zusammenbauen oder Einstellen des Werkzeugs in aufrechter Position kann es zu schweren Verletzungen kommen.
- Beachten Sie alle Warn- und Sicherheitshinweise in Kapitel „Arbeitsschutz“ und in der Betriebsanleitung des Antriebs.

Reinigen der Öffnung für die Kettenölaufuhr (Abb. 12)

Reinigen Sie die Öffnung für die Kettenölaufuhr (A) täglich. Nehmen Sie Schienenhalter und Führungsschiene ab, um Zugang zur Öffnung für die Kettenölaufuhr zu erhalten.

Reinigen und inspizieren der Führungsschiene (Abb. 13)

Reinigen Sie die Führungsschiene täglich. Entfernen Sie Sägemehl aus der Nut (A) und der Öffnung für die Kettenölaufuhr (B).

Wenden Sie die Führungsschiene bei jedem Austauschen oder Schärfen der Sägekette, damit die Führungsschiene nicht einseitig abgenutzt wird.

Wenn die Nut abgenutzt, verbogen oder deformiert ist, tauschen Sie die Führungsschiene aus.

Überprüfen des Kettenrads (Abb. 14)

Überprüfen Sie das Kettenrad nach jeweils 50 Betriebsstunden auf Verschleiß. Wenn die Verschleißmarke 0,3 mm erreicht hat oder noch tiefer ist, tauschen Sie das Kettenrad aus.

Überprüfen der Sägekette

Wenn Sie der Ansicht sind, dass die Sägekette abgenutzt oder deformiert ist oder Risse aufweist, oder wenn der Kraftaufwand beim Sägen steigt, ziehen Sie eine neue Kette auf oder lassen Sie die Kette in Ihrem autorisierten Dolmar Servicecenter schärfen.

Schmieren beweglicher Teile (Abb. 15)

HINWEIS: Halten Sie die Anweisungen zu Häufigkeit und Schmiermittelmenge ein. Durch unzureichende Schmierung können bewegliche Teile beschädigt werden.

Getriebegehäuse:

Bringen Sie nach jeweils 25 Betriebsstunden ein lithiumhaltiges Schmierfett in den Schmiernippel (A) ein.

Antriebswelle:

Tragen Sie nach jeweils 25 Betriebsstunden ein Schmierfett (Shell Alvania Nr. 2 oder gleichwertiges) auf.


Umlenkrolle Führungsschiene:

Bringen Sie nach jeweils 10 Betriebsstunden ein Schmierfett (Shell Alvania Nr. 2 oder gleichwertiges) in die Schmieröffnung (B) ein.

Allgemeine Inspektion

- Ziehen Sie lose Schrauben und Schraubenmutter wieder fest.
- Überprüfen Sie Bauteile auf Beschädigungen. Wenden Sie sich zwecks Austauschen defekter Teile an Ihr autorisiertes Dolmar Servicecenter.

Aufbewahrung

 **WARNUNG:** Beachten Sie alle Warn- und Sicherheitshinweise in Kapitel „Arbeitsschutz“ und in der Betriebsanleitung des Antriebs. (Abb. 16)

Wenn Sie den Kettensägen-Aufsatz getrennt vom Antrieb aufbewahren, setzen Sie die Kappe auf das Ende der Spindel auf.

Wartungsplan

Betriebsstunden		Vor dem Betrieb	Täglich (10 h)	25 h	50 h	Wenn erforderlich	Siehe Seite
Gesamtes Werkzeug	Sichtprüfung auf beschädigte Bauteile	○					22
Alle Befestigungsschrauben und -muttern	Festziehen	○					22
Öffnung für Kettenölfuhr	Reinigen		○				22
Führungsschiene	Reinigen der Nut und der Öffnung für die Kettenölfuhr		○				22
	Sichtprüfung		○				22
	Umlenkrolle schmieren		○				22
Getriebegehäuse	Schmieren			○		22	
Antriebswelle	Schmieren			○		22	
Kettenrad	Sichtprüfung				○	22	
Sägekette	Austauschen oder schärfen lassen					○	22
Antrieb	Siehe Betriebsanleitung zum Antrieb						

Fehlersuche

Problem	Mögliche Ursache	Lösung
Der Motor startet nicht.	Siehe Betriebsanleitung zum Antrieb.	
Der Motor geht kurz nach dem Start aus.		
Die Höchstdrehzahl ist begrenzt.		
Die Sägekette bewegt sich nicht. → Stoppen Sie den Motor sofort!	Die Führungsschiene ist verbogen oder beschädigt.	Tauschen Sie die Führungsschiene aus.
	Ein Zweig hat sich in der Sägekette verfangen.	Entfernen Sie die Fremdkörper.
	Das Antriebssystem arbeitet nicht korrekt.	Wenden Sie sich zwecks Inspektion und Reparatur an Ihr autorisiertes Dolmar Servicecenter.
Das Werkzeug vibriert unnormal. → Stoppen Sie den Motor sofort!	Das Antriebssystem arbeitet nicht korrekt.	Wenden Sie sich zwecks Inspektion und Reparatur an Ihr autorisiertes Dolmar Servicecenter.
Die Sägekette stoppt nicht. → Stoppen Sie den Motor sofort!	Der Antrieb arbeitet nicht korrekt.	Siehe Betriebsanleitung zum Antrieb.
Es wird kein Kettenöl zugeführt.	Der Öltank ist leer.	Füllen Sie den Öltank mit Kettenöl auf.
	Die Öffnung für die Kettenölfuhr ist verschmutzt.	Reinigen Sie die Öffnung für die Kettenölfuhr am Aufsatz und an der Führungsschiene.
	Die Einstellschraube für die Kettenölfuhrmenge ist falsch eingestellt.	Stellen Sie die Einstellschraube in die richtige Position.

Technische Daten

Modell		PS-CS
Abmessungen (L x B x H)	mm	1.166 x 80 x 120
Gewicht	kg	1,1
Länge Führungsschiene	mm	255 (10")
Sägekette		90SG-39E
Maß Kettenbreite	Zoll	0,043"
Anzahl Zähne Kettenrad		7
Sägekettenöl		SAE10W-30 oder gleichwertig (Im Sommer: SAE30 bis 40) (Im Winter: SAE20)
Kettenölpumpe		Kolbenpumpe (selbstschmierend)
Fassungsvermögen Kettenöltank	ml	110
Übersetzung Getriebe (drehzahlerhöhend)		1,06

EG-Konformitätserklärung

(Nur für europäische Länder)

Die Unterzeichnenden, Tamiro Kishima und Rainer Bergfeld, bevollmächtigt durch die Dolmar GmbH, erklären, dass die Geräte der Marke DOLMAR:

Bezeichnung des Geräts: Kettensägen-Aufsatz

Nummer / Typ des Modells: PS-CS

Technische Daten: siehe unter „Technische Daten“

in Serienfertigung hergestellt wird/werden und

den folgenden Richtlinien der Europäischen Union genügt/genügen:

2006/42/EG

Außerdem werden die Geräte gemäß den folgenden Standards oder Normen gefertigt:

EN ISO 11680

Die technische Dokumentation befindet sich bei:

Dolmar GmbH,

Jenfelder Straße 38, Abteilung FZ, D-22045 Hamburg

15. 12. 2010



Tamiro Kishima
Geschäftsführer



Rainer Bergfeld
Geschäftsführer

Prefazione

Complimenti per l'acquisto del presente accessorio sega telescopica Dolmar. L'accessorio è progettato per il montaggio sull'utensile multifunzione a benzina Dolmar citato nel presente manuale di istruzioni.

Prima dell'uso è opportuno leggere il presente opuscolo e il manuale di istruzioni del gruppo di alimentazione. In questo modo sarà possibile ottenere i migliori risultati possibili dall'accessorio sega telescopica Dolmar.

Indice	Pagina
Prefazione	25
Simboli	25
Gruppo di alimentazione approvato.....	25
Descrizione dei componenti	26
Misure di sicurezza.....	26
Montaggio e regolazione	28
Ispezione e manutenzione.....	28
Stoccaggio.....	29
Programma di manutenzione	30
Risoluzione dei problemi	30
Dati tecnici	30
Dichiarazione di conformità CE	31

Simboli

Sull'accessorio e nel manuale di istruzioni sono utilizzati i simboli riportati di seguito. È importante comprendere le definizioni utilizzate.



Leggere e rispettare le indicazioni nel manuale di istruzioni.



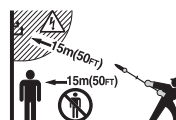
Prestare particolare cura e attenzione!



Indossare il casco di protezione e i dispositivi di protezione per occhi e orecchie.



Indossare calzature pesanti con soles antiscivolo.



Mantenere una distanza di almeno 15 m tra l'utensile e gli osservatori e/o le linee elettriche (compresi i rami a contatto con tali linee). Pericolo di folgorazione.



Non tenere la sega telescopica con un'angolazione superiore a 60°.



Pronto soccorso



(solo per i paesi europei) Questo prodotto è conforme alle direttive CE.

Gruppo di alimentazione approvato

L'accessorio deve essere utilizzato esclusivamente con i gruppi di alimentazione indicati di seguito:

CS-246.4C Utensile multifunzione a benzina

⚠️ AVVERTENZA: Non utilizzare l'accessorio con gruppi di alimentazione non approvati. Una combinazione non approvata può causare gravi infortuni.

Descrizione dei componenti (Fig. 1)

I numero riportati di seguito fanno riferimento alla figura.

1. Albero
2. Scatola degli ingranaggi
3. Tappo dell'olio
4. Serbatoio dell'olio
5. Supporto della barra
6. Barra di guida
7. Catena della sega
8. Coperchio della catena

Misure di sicurezza

⚠ AVVERTENZA: Leggere tutte le avvertenze per la sicurezza e tutte le istruzioni nel presente opuscolo e nel manuale di istruzioni del gruppo di alimentazione. La mancata osservanza delle avvertenze e delle istruzioni può condurre a folgorazioni, incendi e/o gravi infortuni.

Conservare tutte le avvertenze e le istruzioni per farvi riferimento in futuro.

Il termine "sega telescopica" e il termine "utensile" nelle avvertenze e nelle precauzioni fanno riferimento alla combinazione dell'accessorio e del gruppo di alimentazione.

Il termine "motore" nelle avvertenze e nelle precauzioni fa riferimento al motore del gruppo di alimentazione.

Uso previsto

- L'accessorio è progettato unicamente per la potatura di rami di diametro inferiore a 15 cm in combinazione con un gruppo di alimentazione approvato. Non utilizzare l'accessorio per altri scopi. Un uso improprio dell'accessorio può causare gravi infortuni.

Precauzioni generali

- Prima di avviare la sega telescopica, leggere il presente opuscolo e il manuale di istruzioni del gruppo di alimentazione per acquisire familiarità con l'uso della sega telescopica.
- Non concedere in prestito l'accessorio a una persona priva di esperienza o conoscenze sufficienti in merito all'uso delle seghe telescopiche.
- Se l'accessorio viene prestato è indispensabile consegnare anche il manuale di istruzioni.
- Non consentire l'uso della sega telescopica alle persone di età inferiore a 18 anni. Tenerli a distanza dalla sega telescopica.
- Utilizzare la sega telescopica con la massima cura e attenzione.
- Non utilizzare la sega telescopica dopo l'assunzione di alcol o droghe, oppure se ci si sente stanchi o indisposti.
- Non tentare di modificare l'accessorio.
- Attenersi alle normative del proprio paese sull'uso delle seghe telescopiche e delle motoseghe a catena.

Dispositivi di protezione personali

- Indossare il casco, gli occhiali e i guanti di protezione per proteggersi dai detriti o dagli oggetti in caduta. **(Fig. 2)**
- Indossare una protezione acustica (ad esempio delle cuffie isolanti) per prevenire la perdita dell'udito.
- Indossare abbigliamento e calzature adeguate al lavoro, ad esempio una tuta da lavoro e scarpe antinfortunistica con suole antiscivolo. Non indossare capi d'abbigliamento larghi o gioielli. Gli abiti, i gioielli o i capelli lunghi potrebbero rimanere impigliati nelle parti in movimento.
- Indossare i guanti di protezione sia per maneggiare la catena della sega sia per regolare la tensione della catena. La catena della sega può causare tagli profondi sulle mani nude.

Sicurezza dell'ambiente di lavoro

- **⚠ Pericolo:** Mantenere la sega telescopica a una distanza di almeno 15 m dalle linee elettriche e dai cavi di comunicazione (compresi i rami a contatto con tali linee). Il contatto della sega telescopica con linee ad alta tensione può causare gravi infortuni e persino la morte. Controllare la presenza di linee elettriche nell'ambiente di lavoro prima di cominciare le operazioni.

- Utilizzare la sega telescopica solo in condizioni di buona visibilità diurna. Non utilizzare la sega telescopica al buio o in presenza di nebbia.
- Avviare il motore solo all'aperto, in una zona ben aerata. L'uso all'interno di aree di piccole dimensioni o con aerazione limitata può portare alla morte per soffocamento o per avvelenamento da monossido di carbonio.
- Durante le operazioni, non sostare su una superficie instabile o scivolosa né su un pendio ripido. Durante la stagione fredda prestare attenzione al ghiaccio e alla neve e verificare di avere sempre un buon equilibrio.
- Durante l'uso, mantenere gli osservatori e gli animali ad almeno 15 m dalla sega telescopica. Spegnerne il motore non appena si avvicina qualcuno.
- Prima dell'uso, esaminare l'area di lavoro verificando la presenza di recinzioni, pareti o altri oggetti solidi, in quanto potrebbero danneggiare la catena della sega.
- **⚠ AVVERTENZA:** L'uso di questo prodotto può creare polveri contenenti sostanze chimiche in grado di causare problemi respiratori o altre malattie. Queste sostanze chimiche corrispondono ad esempio ai composti presenti in pesticidi, insetticidi, fertilizzanti e diserbanti. Il pericolo legato all'esposizione dipende dalla frequenza con cui viene svolto questo tipo di lavoro. Per ridurre l'esposizione alle sostanze chimiche, lavorare in un'area ben aerata utilizzando i dispositivi di sicurezza approvati, ad esempio le maschere antipolvere appositamente progettate per filtrare le particelle microscopiche.

Messa in funzione

- Prima di montare o regolare l'utensile, spegnere il motore e staccare la candela o disinserire la batteria.
- Indossare i guanti di protezione prima di maneggiare la catena della sega o di regolare la tensione della catena.
- Prima di avviare il motore, controllare l'utensile alla ricerca di danni, viti o dadi allentati oppure errori di montaggio. Affilare la catena della sega, se necessario. La catena della sega va sostituita se è piegata o danneggiata. Controllare il corretto funzionamento di tutte le leve di comando e di tutti gli interruttori. Pulire e asciugare le impugnature.
- Non tentare di avviare il motore se l'utensile è danneggiato o non è stato montato completamente. In caso contrario potrebbero verificarsi gravi infortuni.
- Regolare la tracolla e l'impugnatura in base alla taglia corporea dell'operatore.
- Regolare correttamente la tensione della catena. Rabboccare l'olio della catena, se necessario.


Avviamento del motore

- Indossare i dispositivi di protezione personale prima di avviare il motore.
- Avviare il motore ad almeno 3 metri dal punto di rifornimento.
- Prima di avviare il motore, assicurarsi che non vi siano persone o animali nella zona di lavoro.
- Quando si avvia il motore o si inserisce la batteria, mantenere la catena della sega e la barra di guida a distanza dal proprio corpo e da altri oggetti, terreno compreso. La catena della sega potrebbe muoversi durante l'avviamento, causando gravi infortuni o danni sia alla catena sia alle altre cose.
- Appoggiare l'utensile a terra. Mantenere un equilibrio stabile e appoggiare correttamente i piedi.
- Tenere saldamente il gruppo di alimentazione contro il terreno con la mano sinistra e tirare la manopola di avviamento. Non calpestare l'albero motore del gruppo di alimentazione. **(Fig. 3)**
- Per l'avviamento del motore attenersi alle istruzioni nel manuale del gruppo di alimentazione.
- Controllare che vi sia una differenza sufficiente fra il minimo e la velocità di lavoro, in modo che l'accessorio rimanga fermo quando il motore è al minimo (se necessario è possibile ridurre la velocità al minimo).
- Se la catena della sega si muove quando il motore è al minimo, spegnere il motore e regolare la velocità al minimo.

Funzionamento

- In caso di emergenza, spegnere immediatamente il motore.
- Spegnerne il motore anche se si rilevano condizioni anomale (ad esempio rumori o vibrazioni) durante l'uso. Non utilizzare

l'utensile senza prima individuare e risolvere il problema.

- La catena della sega continua a muoversi per un breve periodo dopo il rilascio dell'interruttore dell'acceleratore o lo spegnimento del motore. Non entrare in contatto con la catena della sega.
- Agganciare la tracolla con il motore in funzione al minimo.
- Utilizzare la tracolla durante l'uso. Mantenere l'utensile ben appoggiato al proprio lato sinistro. (Fig. 4)
- Afferrare l'impugnatura anteriore con la mano sinistra e l'impugnatura posteriore con la mano destra (anche se si è mancini). Avvolgere le dita e i pollici intorno alle impugnature.
- Non tentare di utilizzare l'utensile con una sola mano. Una perdita di controllo potrebbe causare infortuni gravi o letali. Per ridurre il pericolo di infortuni mantenere mani e piedi a distanza dalle lame.
- Non esagerare nelle operazioni. Mantenere sempre l'equilibrio e un punto d'appoggio adeguati. Controllare la presenza di ostacoli nascosti, quali ceppi d'albero, radici e fossati, onde evitare di inciampare. Rimuovere i rami caduti e gli altri oggetti dalla zona di lavoro.
- Non lavorare su una scala o su un albero onde evitare di perdere il controllo.
- Se l'utensile cade o viene urtato, verificarne le condizioni prima di proseguire il lavoro. Verificare che l'impianto di alimentazione del carburante non perda e che i dispositivi di sicurezza funzionino correttamente. In presenza di danni o se si hanno dei dubbi, richiedere l'ispezione e la riparazione a un centro assistenza autorizzato Dolmar.
- Non toccare la scatola degli ingranaggi. La scatola degli ingranaggi si surriscalda durante il funzionamento.
- Riposarsi spesso per evitare la perdita di controllo causata dall'affaticamento. Si consiglia di fare una pausa di 10-20 minuti ogni ora.
- Se si lascia inutilizzato l'utensile, anche per breve tempo, spegnere sempre il motore o rimuovere la batteria. L'utensile lasciato incustodito con il motore in funzione può essere utilizzato da persone non autorizzate, le quali possono causare gravi incidenti.
- Per l'uso corretto della leva di comando e dell'interruttore attenersi alle istruzioni nel manuale del gruppo di alimentazione.
- Prestare attenzione all'ambiente. Evitare di azionare inutilmente l'acceleratore al fine di ridurre l'inquinamento e le emissioni acustiche. Regolare correttamente il carburatore.
- Durante o dopo l'uso, non appoggiare l'utensile caldo sull'erba secca o altri materiali combustibili.
- Non sollevare l'utensile oltre l'altezza della spalla.
- Durante l'uso, non colpire con la catena della sega oggetti rigidi quali pietre e chiodi. Prestare particolare attenzione durante il taglio di rami in prossimità di pareti, recinzioni elettrificate e così via.
- Non toccare e non avvicinarsi alla catena della sega mentre è in movimento. La catena della sega è in grado di tagliare con facilità un dito. Prima di maneggiare la catena della sega, spegnere il motore e staccare la candela o disinserire la batteria.
- Se la catena della sega è intasata, prima della pulizia spegnere il motore e staccare la candela o disinserire la batteria.
- L'accelerazione del motore con la catena della sega bloccata aumenta il carico e può causare danni al motore e/o alla frizione.
- Prima di tagliare un ramo è indispensabile individuare una via di fuga per sottrarsi alla sua caduta. Rimuovere dall'area di lavoro tutti gli ostacoli, ad esempio i rami. Spostare tutti gli utensili e gli oggetti nella via di fuga in un altro luogo sicuro.
- Prima di tagliare i rami, controllarne la direzione di caduta valutandone le condizioni, la presenza di alberi nelle vicinanze, la direzione del vento e così via. Prestare particolare attenzione alla direzione di caduta.
-  Non tenere la sega telescopica con un'angolazione superiore a 60°. Diversamente gli oggetti in caduta potrebbero colpire l'operatore provocando gravi infortuni. Non sostare mai sotto il ramo in fase di taglio.
- Prestare attenzione ai rami rotti o piegati, che potrebbero rimbalzare durante il taglio e causare infortuni imprevisti.
- Prima di tagliare i rami previsti, rimuovere gli altri rami e le foglie intorno. In caso contrario la sega potrebbe impigliarsi al loro interno.
- Per impedire che la sega sia ostacolata dal solco di taglio, non rilasciare la leva dell'acceleratore senza aver prima estratto la sega dal solco.
- Se la catena della sega è impigliata nel solco di taglio, spegnere subito il motore e muovere lentamente il ramo per aprire il solco e

liberare la sega.

- L'accelerazione del motore con la catena della sega bloccata aumenta il carico e può causare danni al motore e/o alla frizione.
- Evitare i contraccolpi (forza di reazione rotativa verso l'operatore). Per prevenire i contraccolpi, non utilizzare la punta della barra di guida e non eseguire tagli in penetrazione. Controllare sempre la posizione della punta della barra di guida.
- Verificare spesso la tensione della catena. Per controllare o regolare la tensione della catena, spegnere il motore e staccare la candela o disinserire la batteria. Se la tensione è insufficiente è necessario stringere la catena.

Trasporto

- Prima di trasportare l'utensile, spegnere il motore e staccare la candela o disinserire la batteria. Applicare sempre il coperchio della catena durante il trasporto.
- L'utensile deve essere trasportato in posizione orizzontale, afferrandolo per l'albero. Mantenere la marmitta calda a distanza dal proprio corpo.
- Fissare correttamente l'utensile trasportato in un veicolo per evitare che si rovesci. Diversamente potrebbero verificarsi fuoriuscite di carburante, con conseguenti danni all'utensile e agli altri bagagli.


Manutenzione

- Prima di effettuare operazioni di manutenzione, riparazione o pulizia dell'utensile, spegnere sempre il motore e staccare la candela o disinserire la batteria. Attendere quindi il raffreddamento del motore.
- Per ridurre il pericolo di incendi, non effettuare la manutenzione dell'utensile in prossimità di un fuoco.
- Indossare sempre i guanti di protezione per maneggiare la catena della sega.
- Rimuovere sempre la polvere e la sporcizia dall'utensile. Evitare assolutamente di utilizzare benzina, diluenti, solventi, alcol o sostanze simili. In caso contrario, potrebbero verificarsi deformazioni o incrinature dei componenti in plastica.
- Dopo ogni uso, serrare tutte le viti e i dadi, tranne la vite di regolazione del carburatore.
- Mantenere ben affilata la catena della sega. Se la catena della sega è usurata e le prestazioni di taglio risultano scadenti, rivolgersi a un centro assistenza autorizzato Dolmar chiedendo di affilare la catena o di sostituirla con una nuova.
- Non tentare di effettuare operazioni di manutenzione o riparazione diverse da quelle descritte nel presente opuscolo e nel manuale di istruzioni del gruppo di alimentazione. Rivolgersi al centro assistenza autorizzato Dolmar per tali operazioni.
- Utilizzare esclusivamente ricambi e accessori Dolmar originali. L'uso di componenti o accessori forniti da terzi può condurre a guasti dell'utensile, danni alle cose e/o gravi infortuni.
- Richiedere al centro assistenza autorizzato Dolmar di ispezionare l'utensile e di effettuare la manutenzione a intervalli regolari.

Stoccaggio

- Prima di riporre l'utensile è necessario effettuare la pulizia e la manutenzione. Applicare il coperchio della catena. Staccare la candela o disinserire la batteria. Scaricare il carburante e l'olio per catena una volta che il motore si è raffreddato.
- Riporre l'utensile in un luogo asciutto e in posizione elevata o chiuso a chiave, fuori dalla portata dei bambini.
- Non appoggiare l'utensile ad altri oggetti, ad esempio una parete. Potrebbe cadere improvvisamente provocando infortuni.

Pronto soccorso

-  Tenere sempre a portata di mano una cassetta di pronto soccorso. Sostituire immediatamente qualunque articolo prelevato dalla cassetta di pronto soccorso.
- Nel momento in cui si richiede assistenza è indispensabile fornire le seguenti informazioni:
 - Luogo dell'incidente
 - Che cosa è accaduto
 - Numero di persone coinvolte
 - Natura dell'infortunio
 - Nome e cognome

Montaggio e regolazione

AVVERTENZA:

- Prima di montare o regolare l'utensile, spegnere il motore e staccare la candela o disinserire la batteria. In caso contrario la catena della sega o altri componenti potrebbero muoversi, causando gravi infortuni.
- Indossare i guanti di protezione prima di maneggiare la catena della sega o di regolare la tensione della catena. In caso contrario la catena della sega può causare tagli profondi sulle mani nude.
- Appoggiare sempre l'utensile in posizione orizzontale per effettuare il montaggio o la regolazione. Il montaggio o la regolazione in posizione verticale potrebbero causare gravi infortuni.
- Attenersi alle avvertenze e alle precauzioni nel capitolo "Misure di sicurezza" e al manuale di istruzioni del gruppo di alimentazione.

Montaggio dell'accessorio (Fig. 5)

Procedere come segue per montare l'accessorio.

1. Allentare le viti (A) e (B).
2. Inserire l'albero nella scatola degli ingranaggi. Assicurarsi che il perno (E) si trovi sul lato superiore. Se l'inserimento risulta difficile, ruotare manualmente l'assale della trasmissione (C).
3. Regolare la posizione del foro sull'albero ponendola in corrispondenza del foro sulla vite (B).
4. Serrare prima la vite (B) e poi la vite (A).

Nota: In alcuni casi l'albero potrebbe non essere fissato completamente anche dopo aver serrato le viti (A) e (B). In tal caso rimuovere il distanziale (D).


Montaggio dell'accessorio su un gruppo di alimentazione (Fig. 6)

Attenersi ai passaggi riportati di seguito per montare l'accessorio su un gruppo di alimentazione.

1. Assicurarsi che la leva di bloccaggio (A) non sia serrata.
 2. Allineare il perno (B) con la freccia (C).
 3. Inserire l'albero nell'albero motore del gruppo di alimentazione fino a quando il pulsante di sblocco (D) non si solleva.
 4. Serrare la leva di bloccaggio (A) come mostrato nella figura.
- Per rimuovere l'accessorio allentare la leva di bloccaggio, premere il pulsante di sblocco ed estrarre l'albero.

AVVISO: Non serrare la leva di bloccaggio (A) senza aver prima inserito l'albero dell'accessorio. In caso contrario la leva di bloccaggio potrebbe serrare eccessivamente l'ingresso dell'albero motore e danneggiarlo.

Montaggio della catena della sega e della barra di guida (Fig. 7 e 8)

 **Attenzione:** Assicurarsi che la catena della sega, la barra di guida e il pignone corrispondano a livello di misura e passo. Procedere come segue per montare la catena della sega e la barra di guida.

1. Allentare il dado (A) e rimuovere il supporto della barra (B).
2. Inserire la catena della sega (C) nella scanalatura della barra di guida (D). Iniziare dalla punta della barra.
3. Inserire la catena della sega (C) nel pignone (E).
4. Montare la barra di guida (D) in modo che il dado di tensionamento (F) entri nel foro sulla barra di guida.
5. Montare il supporto della barra (B) e serrare il dado (A). Allentare quindi il dado di mezzo giro per la regolazione della tensione della catena.
6. Regolare la tensione della catena. Vedere la sezione "Regolazione della tensione della catena".

Regolazione della tensione della catena

AVVERTENZA:

- Prima di controllare o regolare la tensione della catena, spegnere il motore e staccare la candela o disinserire la batteria.
- Indossare i guanti di protezione prima di controllare o regolare la tensione della catena.

Attenzione:

- Mantenere la tensione della catena applicabile. Una tensione inferiore può provocare la fuoriuscita della catena della sega

durante l'uso. Una tensione eccessiva può danneggiare la catena della sega o la barra di guida.

- Durante l'uso, verificare spesso la tensione della catena. La catena della sega si allunga e si allenta durante il funzionamento. Se si utilizza una catena della sega nuova è necessario regolare la tensione più spesso. (Fig. 9)

Procedere come segue per regolare la tensione della catena.

1. Allentare il dado (A) di mezzo giro.
2. Tenere la punta della barra rivolta verso l'alto. Ruotare la vite di messa in tensione (B) in senso orario fin quando la catena della sega non entra perfettamente nella parte inferiore della barra di guida.
3. Tirare la catena della sega con le mani lungo la barra di guida. Se lo spostamento è difficoltoso, ruotare leggermente in senso antiorario la vite di tensionamento e ripetere il punto 2.
4. Serrare il dado (A).

Riempimento del serbatoio dell'olio per catena

La catena della sega deve essere lubrificata con olio per catena durante il funzionamento.

Prima dell'uso è necessario riempire il serbatoio dell'olio per catena. Dopo aver rifornito l'olio, serrare con cura il relativo tappo.

Olio per catena consigliato:

- SAE10W-30,
- SAE#30 - #40 in estate o
- SAE#20 in inverno.

Avviso: Non utilizzare olio esausto, in quanto potrebbero danneggiare la pompa dell'olio.

Durante l'uso prestare sempre attenzione al livello dell'olio.

Rifornire il serbatoio se il livello dell'olio cala eccessivamente. Il serbatoio si svuota in circa 40 minuti di funzionamento (dipende dall'impostazione di lubrificazione della catena).

Regolazione della frequenza di erogazione dell'olio per catena (Fig. 10 e 11)

La frequenza di erogazione dell'olio per catena può essere regolata su tre passi. In fabbrica viene impostata la frequenza di erogazione ridotta. In base all'operazione, ad esempio per il taglio di rami duri, è possibile aumentare la frequenza di erogazione.

Per regolare la frequenza di erogazione dell'olio per catena serve un cacciavite piatto. Premere la vite di regolazione e ruotarla nella posizione di erogazione desiderata.

- A: Bassa
- B: Media
- C: Alta

Dopo aver regolato la frequenza di erogazione dell'olio per catena è opportuno controllarla azionando l'utensile a velocità media.

Ispezione e manutenzione

AVVERTENZA:

- Prima di ispezionare l'utensile o di effettuarne la manutenzione, spegnere il motore e staccare la candela o disinserire la batteria. In caso contrario la catena della sega o altri componenti potrebbero muoversi, causando gravi infortuni.
- Indossare i guanti di protezione prima di maneggiare o lavorare sulla catena della sega. In caso contrario la catena della sega può causare tagli profondi sulle mani nude.
- Appoggiare sempre l'utensile in posizione orizzontale per effettuare l'ispezione o la manutenzione. Il montaggio o la regolazione in posizione verticale potrebbero causare gravi infortuni.
- Attenersi alle avvertenze e alle precauzioni nel capitolo "Misure di sicurezza" e al manuale di istruzioni del gruppo di alimentazione.

Pulizia dell'apertura di erogazione dell'olio per catena (Fig. 12)

Pulire quotidianamente l'apertura di erogazione dell'olio per catena (A). Per accedervi, rimuovere il supporto della barra e la barra di guida.

Pulizia e ispezione della barra di guida (Fig. 13)

Pulire quotidianamente la barra di guida. Rimuovere la segatura dalla scanalatura **(A)** e dall'apertura di erogazione dell'olio per catena **(B)**.

Per evitare l'usura su un solo lato della barra di guida è consigliabile capovolgerla ogni volta che si sostituisce o si affila la catena della sega.

Se la scanalatura è usurata, piegata o deformata è necessario sostituire la barra di guida.

Ispezione del pignone (Fig. 14)

Verificare la presenza di usura sul pignone ogni 50 ore di utilizzo. Sostituirlo se i segni dell'usura hanno una profondità di 0,3 mm o superiore.

Ispezione della catena della sega

Se la catena della sega è usurata, deformata, crepata o se il taglio richiede uno sforzo più intenso, è opportuno sostituire la catena della sega o richiedere a un centro assistenza autorizzato Dolmar di affilarla.

Lubrificazione delle parti in movimento (Fig. 15)

AVVISO: Attenersi alle istruzioni per conoscere la frequenza e la quantità di grasso da utilizzare. In caso contrario, una lubrificazione insufficiente potrebbe danneggiare le parti in movimento.

Scatola degli ingranaggi:

Rifornire di grasso al litio attraverso l'ingrassatore **(A)** ogni 25 ore di funzionamento.

Assale di trasmissione:

Applicare il grasso (Shell Alvania n. 2 o equivalente) ogni 25 ore di funzionamento.


Punta della barra di guida:

Applicare il grasso (Shell Alvania n. 2 o equivalente) dal foro di ingrassaggio **(B)** ogni 10 ore di funzionamento.

Ispezione generale

- Serrare bulloni, dadi e viti allentati.
- Ricercare eventuali componenti danneggiati. Rivolgersi al centro assistenza autorizzato Dolmar per la sostituzione.

Stoccaggio

 **AVVERTENZA:** Attenersi alle avvertenze e alle precauzioni nel capitolo "Misure di sicurezza" e al manuale di istruzioni del gruppo di alimentazione. **(Fig. 16)**

Se l'accessorio sega telescopica viene riposto separatamente dal gruppo di alimentazione, applicare il tappo all'estremità dell'albero.

Programma di manutenzione

Ore di funzionamento		Prima dell'uso	Giornaliero (10 ore)	25 ore	50 ore	Se necessario	Pagina corrispondente
Intera unità	Ricercare eventuali componenti danneggiati	○					29
Viti e dadi di fissaggio	Serrare	○					29
Apertura di erogazione dell'olio per catena	Pulire		○				28
Barra di guida	Pulire la scanalatura e l'apertura di erogazione dell'olio per catena		○				29
	Ispezionare		○				29
	Ingrassare la punta		○				29
Scatola degli ingranaggi	Ingrassare			○			29
Assale di trasmissione	Ingrassare			○			29
Pignone	Ispezionare				○		29
Catena della sega	Sostituire o richiederne l'affilatura					○	29
Gruppo di alimentazione	Consultare il manuale di istruzioni del gruppo di alimentazione						

Risoluzione dei problemi

Problema	Causa probabile	Soluzione
Il motore non si avvia.	Consultare il manuale di istruzioni del gruppo di alimentazione.	
Il motore si spegne subito dopo l'avviamento.		
La velocità massima è limitata.		
La catena della sega non si muove. ➔ Spegnere immediatamente il motore.	La barra di guida è piegata o danneggiata.	Sostituire la barra di guida.
	Un ramoscello è impigliato nella catena della sega.	Rimuovere il corpo estraneo.
	Il sistema di trasmissione non funziona correttamente.	Richiedere l'ispezione e la riparazione al centro assistenza autorizzato Dolmar.
L'unità vibra in modo anomalo. ➔ Spegnere immediatamente il motore.	Il sistema di trasmissione non funziona correttamente.	Richiedere l'ispezione e la riparazione al centro assistenza autorizzato Dolmar.
La catena della sega non si ferma. ➔ Spegnere immediatamente il motore.	Il gruppo di alimentazione non funziona correttamente.	Consultare il manuale di istruzioni del gruppo di alimentazione.
L'olio per catena non viene erogato.	Il serbatoio dell'olio è vuoto.	Riempire il serbatoio dell'olio con olio per catena.
	L'apertura di erogazione dell'olio per catena è sporca.	Pulire l'apertura di erogazione dell'olio per catena sull'unità e sulla barra di guida.
	La vite di regolazione della frequenza di erogazione dell'olio per catena non è nella posizione corretta.	Impostare correttamente la vite di regolazione.

Dati tecnici

Modello		PS-CS
Dimensioni (Lu × La × Al)	mm	1.166 × 80 × 120
Peso	kg	1,1
Lunghezza della barra di guida	mm	255 (10")
Catena della sega		90SG-39E
Calibro di misurazione della catena	pollici	0,043"
Numero di denti		7
Olio per catena		SAE10W-30 o equivalente (in estate: SAE#30 - #40) (in inverno: SAE#20)
Pompa dell'olio per catena		Pompa a stantuffo (tipo autolubrificante)
Capacità del serbatoio dell'olio per catena	ml	110
Rapporto di trasmissione (aumento di velocità)		1,06

Dichiarazione di conformità CE

(solo per i paesi europei)

I sottoscritti Tamiro Kishima e Rainer Bergfeld, debitamente autorizzati da Dolmar GmbH, dichiarano che gli utensili DOLMAR:

Denominazione della macchina: Accessorio sega telescopica

N. modello / Tipo: PS-CS

Caratteristiche tecniche: vedere "Dati tecnici"

appartengono a una produzione in serie e sono

conformi alle seguenti direttive europee:

2006/42/EC

Sono inoltre prodotte in conformità con gli standard o i documenti standardizzati riportati di seguito:

EN ISO 11680

La documentazione tecnica viene conservata presso:

Dolmar GmbH,

Jenfelder Straße 38, Abteilung FZ, D-22045 Hamburg

15. 12. 2010



Tamiro Kishima
Direttore responsabile



Rainer Bergfeld
Direttore responsabile

Voorwoord

Hartelijk dank voor uw aankoop van dit stoksnoeizaaghulpstuk van Dolmar. Dit hulpstuk is bedoeld om te worden bevestigd aan het multifunctionele aandrijfsysteem van Dolmar dat in deze gebruiksaanwijzing wordt genoemd.

Lees voor gebruik deze gebruiksaanwijzing en de gebruiksaanwijzing van uw multifunctionele aandrijfsysteem aandachtig door. Hierdoor bent u in staat de best mogelijke resultaten te behalen die het stoksnoeizaaghulpstuk van Dolmar u kan bieden.

Inhoud	Pagina
Voorwoord	32
Symbolen	32
Goedgekeurd aandrijfsysteem.....	32
Beschrijving van de onderdelen	33
Veiligheidsvoorzorgsmaatregelen.....	33
Bevestigen en instellen.....	35
Inspectie en onderhoud	35
Opslag	36
Onderhoudsplanning	37
Problemen oplossen.....	37
Technische gegevens	37
EU-verklaring van conformiteit	38

Symbolen

Hieronder staan de symbolen die op het hulpstuk en in deze gebruiksaanwijzing worden gebruikt. U dient de betekenis ervan te kennen.



Lees de gebruiksaanwijzing en volg deze op.



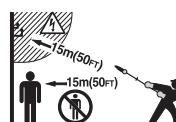
Besteed bijzondere zorg en aandacht!



Draag een veiligheidshelm, oog- en gehoorbescherming.



Draag stevige schoenen met antislipzolen.



De afstand tussen het gereedschap en omstanders en/of hoogspanningsleidingen (inclusief de boomtakken die ze aanraken) dient minstens 15 meter te zijn. Gevaar voor elektrische schokken.



Houd de stoksnoeizaag nooit vast onder een hoek groter dan 60°.



EHBO



(Alleen voor Europese landen) Dit gereedschap voldoet aan EU-richtlijnen.

Goedgekeurd aandrijfsysteem

Dit hulpstuk is alleen goedgekeurd voor gebruik met het volgende aandrijfsysteem:

CS-246.4C Multifunctioneel aandrijfsysteem

⚠ WAARSCHUWING: Gebruik het hulpstuk nooit met een niet-goedgekeurd aandrijfsysteem. Een niet-goedgekeurde combinatie van hulpstuk en aandrijfsysteem kan tot ernstig letsel leiden.

Beschrijving van de onderdelen (zie afb. 1)

De onderstaande nummers verwijzen naar de afbeelding.

1. As
2. Tandwielhuis
3. Olievuldop
4. Olietank
5. Zaagbladhouder
6. Zaagblad
7. Zaagketting
8. Schede

Veiligheidsvoorzorgsmaatregelen

⚠ WAARSCHUWING: Lees alle veiligheidswaarschuwingen en alle instructies in deze gebruiksaanwijzing en in de gebruiksaanwijzing van het aandrijfsysteem. Het niet volgen van de waarschuwingen en instructies kan leiden tot elektrische schokken, brand en/of ernstig letsel.

Bewaar alle waarschuwingen en instructies om in de toekomst te kunnen raadplegen.

De termen "stoksnoeizaag" en "gereedschap" in de waarschuwingen en voorzorgsmaatregelen verwijzen naar de combinatie van het hulpstuk en het aandrijfsysteem. De term "motor" in de waarschuwingen en voorzorgsmaatregelen verwijst naar de benzinemotor of elektromotor van het aandrijfsysteem.

Gebruiksdoelinden

- Dit hulpstuk is uitsluitend ontworpen voor het snoeien van takken en twijgen met een diameter van minder dan 15 cm, in combinatie met een goedgekeurd aandrijfsysteem. Gebruik het hulpstuk nooit voor enig ander doel. Misbruik van het hulpstuk kan leiden tot ernstig letsel.

Algemene voorzorgsmaatregelen

- Alvorens de stoksnoeizaag te starten, leest u deze gebruiksaanwijzing en de gebruiksaanwijzing van het aandrijfsysteem om u bekend te maken met de juiste manier van omgaan met de stoksnoeizaag.
- Leen het hulpstuk niet uit aan een persoon met onvoldoende ervaring met of kennis van het omgaan met een stoksnoeizaag.
- Wanneer u het hulpstuk uitleent, geeft u altijd deze gebruiksaanwijzing erbij.
- Sta niet toe dat kinderen of jonge mensen die jonger zijn dan 18 jaar de stoksnoeizaag gebruiken. Houd hen uit de buurt van de stoksnoeizaag.
- Hanteer de stoksnoeizaag met de hoogstmogelijke zorg en aandacht.
- Gebruik de stoksnoeizaag nooit na het gebruik van alcohol of drugs, of wanneer u zich moe of ziek voelt.
- Probeer nooit het hulpstuk te wijzigen.
- Houd u aan de regelgeving zoals die in uw land geldt voor het hanteren van stoksnoeizagen en kettingzagen.

Persoonlijke-veiligheidsuitrusting

- Draag een veiligheidshelm, veiligheidsbril en veiligheidshandschoenen om uzelf te beschermen tegen rondvliegend afval en vallende voorwerpen (**zie afb. 2**).
- Draag gehoorbescherming, zoals oorbeschermers, om gehoorschade te voorkomen.
- Draag geschikte kleding en schoenen waarmee veilig kan worden gewerkt, zoals een werkoverall en stevige schoenen met antislipzolen. Draag geen losse kleding of sieraden. Loshangende kleding, sieraden en lang haar kunnen verstrikt raken in bewegende delen.
- Draag veiligheidshandschoenen wanneer u de zaagketting hanteert of de kettingspanning instelt. De zaagketting kan flinke snijwonden veroorzaken in blote handen.

Veiligheid op de werkplek

- **⚠ Gevaar:** Houd de stoksnoeizaag ten minste 15 meter uit de buurt van hoogspanningsleidingen en communicatiekabels

(inclusief de boomtakken die ze aanraken). Als u een hoogspanningsleiding nadert of aanraakt met de stoksnoeizaag, kan dat leiden tot de dood of ernstig letsel. Kijk of er hoogspanningsleidingen of schrikdraadafrasteringen in de buurt van het werkgebied zijn voordat u met de werkzaamheden begint.

- Bedien de stoksnoeizaag alleen bij goed zicht en daglicht. Bedien de stoksnoeizaag niet in het donker of in mist.
- Start en bedien de motor alleen buitenshuis op een goed geventileerde plaats. Gebruik in een gesloten ruimte of op een slecht geventileerde plaats kan leiden tot de dood als gevolg van verstikking of koolmonoxidevergiftiging.
- Tijdens gebruik mag u nooit op een instabiele of gladde ondergrond of op een steile helling staan. Let in de winter op ijs en sneeuw, en zorg er altijd voor dat u stevig staat.
- Houd tijdens gebruik omstanders en dieren tenminste 15 meter uit de buurt van de stoksnoeizaag. Zet de motor uit zodra iemand dichterbij komt.
- Onderzoek het werkgebied op draadafrasteringen, muren en andere massieve voorwerpen voordat u met de werkzaamheden begint. Zij kunnen de zaagketting beschadigen.
- **⚠ WAARSCHUWING:** Het gebruik van dit gereedschap kan stof opwerpen waarin chemische bestanddelen kunnen zitten die ziekten aan de luchtwegen of andere ziekten kunnen veroorzaken. Enkele voorbeelden van deze chemische bestanddelen zijn verbindingen die gevonden worden in pesticiden, insecticiden en herbiciden. Uw risico van deze blootstellingen varieert en hangt af van hoe vaak u dit soort bewerkingen uitvoert. Om blootstelling aan deze chemische bestanddelen te verminderen: moeten de werkzaamheden uitgevoerd worden in een goed geventileerde werkomgeving en gebruikmakend van goedgekeurd beschermende hulpmiddelen, zoals stofmaskers die ontworpen zijn om microscopisch kleine deeltjes te filteren.

In gebruik nemen

- Alvorens het gereedschap te monteren of af te stellen, zet u de motor uit en trek u de bougiekap eraf of verwijdert u de accu.
- Trek veiligheidshandschoenen aan voordat u de zaagketting hanteert of de kettingspanning instelt.
- Voordat u de motor start, inspecteert u het gereedschap op beschadigingen, losse schroeven/moeren en verkeerde montage. Slijp de zaagketting als deze bot is. Als de zaagketting verbogen of beschadigd is, vervangt u hem. Controleer of alle bedieningshendels en -schakelaars gemakkelijk kunnen worden bediend. Maak de handgrepen schoon en droog.
- Probeer nooit de motor te starten als het gereedschap beschadigd is of nog niet volledig gemonteerd is. Als u zich hier niet aan houdt, kan ernstig letsel ontstaan.
- Stel het schouderdraagstel en de handgreep af op de lichaamsgrootte van de gebruiker.
- Stel de kettingspanning goed af. Vul zo nodig kettingolie bij.

De motor starten

- Trek de persoonlijke veiligheidsuitrusting aan voordat u de motor start.
- Start de motor op ten minste 3 meter afstand van de plaats waar u brandstof hebt bijgevuld.
- Voordat u de motor start controleert u of zich geen personen of dieren binnen het werkgebied bevinden.
- Wanneer u de motor start of een accu aanbrengt, controleert u dat de zaagketting en het zaagblad uw lichaam en andere voorwerpen, zoals de grond, niet raken. De zaagketting kan gaan bewegen bij het starten en kan ernstig letsel of schade veroorzaken aan de zaagketting en/of eigendommen.
- Zet het gereedschap op een stevige plaats op de grond. Zorg ervoor dat u een goede balans hebt en dat u stevig staat.
- Houd het aandrijfsysteem met uw linkerhand stevig tegen de grond gedrukt en trek aan de trekstarthandgreep. Ga nooit op de aandrijfas van het aandrijfsysteem staan (**zie afb. 3**).
- Raadpleeg de gebruiksaanwijzing van het aandrijfsysteem voor het starten van de motor.
- Controleer of er voldoende verschil is tussen het stationair toerental en het aangrijptoerental om zeker te zijn dat het hulpstuk stilstaat wanneer de motor stationair draait (verlaag zo nodig het stationair toerental).
- Als de zaagketting bij stationair toerental ronddraait, zet u de motor uit en verlaagt u het stationair toerental.

Bediening

- In geval van nood zet u de motor onmiddellijk uit.
- Als u tijdens gebruik een ongebruikelijke situatie opmerkt (bijv. geluid, trillingen), zet u de motor uit. Gebruik het gereedschap niet meer totdat de oorzaak is opgespoord en verholpen.
- De zaagketting blijft gedurende een korte tijd doordraaien nadat de gashendel van de motor is losgelaten. Raak de zaagketting niet onmiddellijk aan.
- Terwijl de motor slechts stationair loopt, maakt u het gereedschap vast aan het schouderdraagstel.
- Gebruik tijdens het werk het schouderdraagstel. Houd het gereedschap stevig tegen uw rechterzij (**zie afb. 4**).
- Houd de voorhandgreep met uw linkerhand vast, en houd de achterhandgreep met uw rechterhand vast, ongeacht of u links- of rechtshandig bent. Vouw uw vingers en duim om de handgrepen.
- Probeer nooit de apparatuur met één hand te bedienen. Als u de controle over het gereedschap verliest, kan dat leiden tot ernstig of fataal letsel. Om de kans op verwonding te verkleinen, houdt u uw handen en voeten uit de buurt van de zaagketting.
- Reik niet te ver. Zorg altijd voor een stevige stand en goede lichaamsbalans. Kijk uit voor verborgen obstakels, zoals boomstronken, boomwortels en greppels, om te voorkomen dat u valt. Ruim afgevallen takken en andere voorwerpen op.
- Werk nooit op een ladder of in een boom om te voorkomen dat u de controle over het gereedschap verliest.
- Nadat tegen het gereedschap is gestoten of het is gevallen, controleert u de conditie van het gereedschap voordat u de werkzaamheden hervat. Controleer het brandstofsysteem op brandstoflekkage, en de bedieningselementen en veiligheidsvoorzieningen op een juiste werking. Als enige beschadiging zichtbaar is of u twijfelt, vraagt u een erkend Dolmar-servicecentrum om inspectie en reparatie.
- Raak het tandwielhuis niet aan. Het tandwielhuis wordt tijdens gebruik erg warm.
- Neem een pauze om te voorkomen dat u door vermoeidheid de controle over het gereedschap verliest. Wij adviseren u ieder uur 10 tot 20 minuten te rusten.
- Wanneer u het gereedschap achterlaat, al is het maar even, zet u altijd de motor uit of verwijdert u de accu. Een onbeheerd gereedschap met een draaiende motor kan door onbevoegden worden gebruikt en tot een ernstig ongeval leiden.
- Raadpleeg de gebruiksaanwijzing van het aandrijfsysteem voor het juiste gebruik van de gashendel en vergrendelingsknop.
- Denk aan het milieu. Vermijd onnodig gebruik van de gashendel zodat minder uitlaatgassen en geluid worden geproduceerd. Stel de carburateur goed af.
- Leg tijdens of na gebruik het warme gereedschap niet op droog gras of brandbare materialen.
- Til het gereedschap niet hoger op dan schouderhoogte.
- Stoot tijdens gebruik de zaagketting nooit tegen harde obstakels zoals stenen of spijkers. Wees met name voorzichtig wanneer u takken langs een muur, draadafrastering en dergelijke, afzaagt.
- Raak de zaagketting nooit aan en benader hem niet terwijl hij ronddraait. De zaagketting kan gemakkelijk in uw vinger snijden. Wanneer u de zaagketting wilt hanteren, zet u de motor uit en trekt u de bougiekap eraf of verwijdert u de accu.
- Als de zaagketting verstopt raakt, zet u altijd de motor uit en trekt u de bougiekap eraf of verwijdert u de accu voordat u de zaagketting schoonmaakt.
- Door het motortoerental te verhogen terwijl de zaagketting verstopt zit, wordt de belasting hoger en wordt de motor en/of koppeling beschadigd.
- Zorg ervoor dat u een vluchtroute hebt, weg van de vallende tak, voordat u de tak afzaagt. Ruim eerst alle obstakels op, zoals takken en twijgen, uit het werkgebied. Verplaats alle gereedschappen en voorwerpen op de vluchtroute naar een veilige plaats.
- Voordat u takken en twijgen afzaagt, controleert u de valrichting ervan, rekening houdend met de toestand van de takken en twijgen, naastgelegen bomen, windrichting, enz. Let goed op de valrichting.
-  Houd de stoksnoeizaag nooit vast onder een hoek groter dan 60°. Als u dat niet doet, kunnen vallende voorwerpen de gebruiker raken en ernstig letsel veroorzaken. Ga nooit onder de tak staan die wordt afgezaagd.
- Let goed op geknakte of gebogen takken. Zij kunnen terugspringen tijdens het zagen en onverwacht letsel

veroorzaken.

- Voordat u de beoogde tak doorzaagt, verwijdert u de twijgen en bladeren eromheen. Als u dat niet doet, kunnen deze in de zaagketting klem komen te zitten.
- Om te voorkomen dat de zaagketting vastloopt in de zaagsnede, mag u de gashendel niet loslaten voordat u het gereedschap uit de zaagsnede hebt getrokken.
- Als de zaagketting in de zaagsnede is vastgelopen, zet u onmiddellijk de motor uit, beweegt u voorzichtig de tak om de zaagsnede te openen en bevrijdt u het gereedschap eruit.
- Door het motortoerental te verhogen terwijl de zaagketting vastgelopen is, wordt de belasting hoger en wordt de motor en/of koppeling beschadigd.
- Voorkom terugslag (roterende reactiekracht in de richting van de gebruiker). Om terugslag te voorkomen, mag u nooit de punt van het zaagblad gebruiken om een zaagsnede te beginnen. Let altijd goed op de positie van de punt van het zaagblad.
- Controleer de kettingspanning veelvuldig. Wanneer u de kettingspanning controleert of instelt, zet u de motor uit en trekt u de bougiekap eraf of verwijdert u de accu. Als de ketting te los staat, spant u hem.

Vervoer

- Alvorens het gereedschap te vervoeren, zet u de motor uit en trekt u de bougiekap eraf of verwijdert u de accu. Plaats altijd de schede over het zaagblad wanneer u het gereedschap gaat vervoeren.
- Wanneer u het gereedschap vervoert, draagt u het horizontaal door de aandrijfas vast te pakken. Houd de hete uitlaatdemper uit de buurt van uw lichaam.
- Wanneer u het gereedschap in een voertuig vervoert, zet u het goed vast om te voorkomen dat het omvalt. Als u dat niet doet, kan brandstof gemorst worden en kan het gereedschap en andere bagage beschadigd worden.


Onderhoud

- Voordat u enige onderhouds-, reparatie- of schoonmaakwerkzaamheden uitvoert aan het gereedschap, zet u altijd de motor uit en trekt u de bougiekap eraf of verwijdert u de accu. Wacht totdat de motor is afgekoeld.
- Om de kans op brand te verkleinen, mag u nooit onderhouds- of reparatiewerkzaamheden uitvoeren in de buurt van een vuur.
- Draag altijd veiligheidshandschoenen wanneer u de zaagketting hanteert.
- Verwijder altijd stof en vuil vanaf het gereedschap. Gebruik voor dit doel nooit benzine, wasbenzine, thinner, alcohol, enz. Dit kan leiden tot verkleuren, vervormen of barsten van de kunststofdelen.
- Draai na gebruik alle schroeven, bouten en moeren vast, uitgezonderd de stelschroeven van de carburateur.
- Houd de zaagketting scherp. Als de zaagketting bot is geworden en hij slecht zaagt, vraagt u een erkend Dolmar-servicecentrum om hem te slijpen of te vervangen door een nieuwe.
- Probeer geen onderhoud of reparatie uit te voeren die niet in deze gebruiksaanwijzing of de gebruiksaanwijzing van het aandrijfsysteem wordt beschreven. Vraag een erkend Dolmar-servicecentrum om dergelijke werkzaamheden uit te voeren.
- Gebruik altijd uitsluitend originele vervangingsonderdelen en accessoires van Dolmar. Als u onderdelen of accessoires van derden gebruikt, kan het gereedschap defect raken, eigendommen worden beschadigd en/of ernstig letsel worden veroorzaakt.
- Verzoek regelmatig een erkend Dolmar-servicecentrum om het gereedschap te inspecteren en onderhouden.

Opslag

- Alvorens het gereedschap op te bergen, voert u alle reinigings- en onderhoudswerkzaamheden uit. Plaats de schede over het zaagblad. Trek de bougiekap eraf of verwijder de accu. Tap de brandstof en kettingolie af, nadat de motor afgekoeld is.
- Berg het gereedschap op een droge en hoge of afgesloten plaats op, buiten bereik van kinderen.
- Laat de machine nooit ergens tegenaan leunen, zoals tegen een muur. Anders kan deze plotseling omvallen en letsel veroorzaken.

EHBO

-  Zorg dat er altijd een EHBO-does in de buurt is. Vervang onmiddellijk elk item dat uit de EHBO-does is genomen.
- Geef de volgende informatie wanneer u om hulp vraagt:
 - Plaats van het ongeval
 - Beschrijving van het ongeval
 - Aantal gewonden
 - Aard van de verwondingen
 - Uw naam

Bevestigen en instellen

WAARSCHUWING:

- Alvorens het gereedschap te monteren of af te stellen, zet u de motor uit en trekt u de bougiekap eraf of verwijdert u de accu. Als u dat niet doet, kan de zaagketting of andere onderdelen gaat rondraaien en ernstig letsel veroorzaken.
- Trek veiligheidshandschoenen aan voordat u de zaagketting hanteert of de kettingspanning instelt. Als u dat niet doet, kan de zaagketting flinke snijwonden veroorzaken in blote handen.
- Leg het gereedschap altijd op de grond wanneer u het monteert of instelt. Als u het gereedschap monteert of instelt terwijl het rechtop staat, kan ernstig letsel worden veroorzaakt.
- Volg de waarschuwingen en veiligheidsvoorzorgsmaatregelen in het hoofdstuk "Veiligheidsvoorzorgsmaatregelen" op en raadpleeg de gebruiksaanwijzing van het aandrijfsysteem.

Het hulpstuk monteren (zie afb. 5)

Monteer het hulpstuk volgens de onderstaande stappen.

1. Draai de schroeven (A) en (B) los.
 2. Steek de as in het tandwielhuis. Let erop dat de pin (E) zich aan de bovenkant bevindt. Als het moeilijk is om hem helemaal erin te schuiven, draait u de aandrijfas (C) met de hand.
 3. Lijn het gat in de as uit met het gat van schroef (B).
 4. Draai de schroef (B) eerst vast en draai daarna de schroef (A) vast.
- Opmerking:** In sommige gevallen is het mogelijk dat de as niet volledig is vastgeklemd ondanks dat de schroeven (A) en (B) stevig zijn vastgedraaid. In dat geval verwijdert u de afstandsring (D).


Het hulpstuk aan een aandrijfsysteem bevestigen (zie afb. 6)

Om het hulpstuk aan een aandrijfsysteem te bevestigen, volgt u de onderstaande stappen.

1. Zorg ervoor dat de vergrendelhendel (A) niet omlaag staat.
 2. Lijn de pen (B) uit met de pijlmarkering (C).
 3. Steek de as van het hulpstuk in de aandrijfas van het aandrijfsysteem tot de ontgrendelknop (D) omhoog komt.
 4. Zet de vergrendelhendel (A) stevig omlaag, zoals afgebeeld.
- Om het hulpstuk te verwijderen, zet u de vergrendelhendel omhoog, drukt u de vergrendelknop in en trekt u de as eruit.

KENNISGEVING: Zet de vergrendelhendel (A) niet omlaag zonder dat de as van het hulpstuk erin is gestoken. Als u dit doet, kan de vergrendelhendel de ingang voor de aandrijfas te ver dichtknijpen en beschadigen.

De zaagketting en het zaagblad monteren (zie afb. 7 en 8)

 **Let op:** Zorg ervoor dat de dikte en steek van de zaagketting, het zaagblad en het kettingwiel met elkaar overeenkomen. Monteer de zaagketting en het zaagblad volgens de onderstaande stappen.

1. Draai de moer (A) los en verwijder de zaagbladhouder (B).
2. Pas de zaagketting (C) in de groef van het zaagblad (D). Begin bij de punt van het zaagblad.
3. Plaats de zaagketting (C) rond het kettingwiel (E).
4. Monteer het zaagblad (D) zodanig dat de spanmoer (F) past in het gat in het zaagblad.
5. Monteer de zaagbladhouder (B) en draai de moer (A) stevig vast. Draai vervolgens de moer een halve slag los om de kettingspanning te kunnen instellen.
6. Stel de kettingspanning af. Raadpleeg hoofdstuk "De kettingspanning instellen".

De kettingspanning instellen

WAARSCHUWING:

- Wanneer u de kettingspanning controleert of instelt, zet u de motor uit en trekt u de bougiekap eraf of verwijdert u de accu.
- Trek voordat u de kettingspanning controleert of instelt, veiligheidshandschoenen aan.

Let op:

- Handhaaf de juiste kettingspanning. Een slappe zaagketting kan ertoe leiden dat de zaagketting tijdens gebruik eraf komt. Een strakke zaagketting kan de zaagketting of het zaagblad beschadigen.
- Controleer tijdens gebruik de kettingspanning veelvuldig. Door gebruik rekt de zaagketting op en wordt slap. Wanneer een nieuwe zaagketting is gemonteerd, moet de kettingspanning vaker worden gecontroleerd (zie afb. 9).

Stel de kettingspanning in volgens de onderstaande stappen.

1. Draai de moer (A) een halve slag los.
2. Houd de punt van het zaagblad omhoog. Draai de spanschroef (B) rechtsonder tot de zaagketting strak langs de onderkant van het zaagblad loopt.
3. Trek de zaagketting met de hand langs het zaagblad. Als deze moeilijk beweegt, draait u de spanschroef een klein stukje linksom en voert u stap 2 opnieuw uit.
4. Draai de moer (A) stevig vast.

De kettingolietank vullen

De zaagketting moet tijdens gebruik worden gesmeerd met kettingolie.

Vul vóór gebruik de kettingolietank. Draai na het vullen de olievuldop stevig vast.

De aanbevolen kettingolie is:

- SAE10W-30,
- SAE#30 tot #40 in de zomer of
- SAE#20 in de winter.

Kennisgeving: Gebruik nooit afgewerkte olie. Hierdoor kan de oliepompe worden beschadigd.

Let tijdens gebruik altijd op het kettingoliepeil. Vul kettingolie bij wanneer het peil in de tank laag is geworden. De tank raakt leeg na ongeveer 40 minuten gebruik (afhankelijk van de instelling van de kettingsmering).

De toevoersnelheid van de kettingolie instellen (zie afb. 10 en 11)

De toevoersnelheid van de kettingolie kan in drie stappen worden ingesteld. In de fabriek is de lage toevoersnelheid ingesteld.

Verhoog de toevoersnelheid aan de hand van het gebruik, bijvoorbeeld afzagen van harde takken.

Gebruik een platkopschroevendraaier om de toevoersnelheid van de kettingolie in te stellen. Duw de stelschroef naar binnen en draai hem naar de gewenste instelling van de toevoersnelheid.

- A: Laag
- B: Normaal
- C: Hoog

Na het instellen van de toevoersnelheid van de kettingolie, controleert u de toevoersnelheid door het gereedschap op een gemiddeld toerental te laten draaien.

Inspectie en onderhoud

WAARSCHUWING:

- Alvorens het gereedschap te inspecteren of onderhouden, zet u de motor uit en trekt u de bougiekap eraf of verwijdert u de accu. Als u dat niet doet, kan de zaagketting of andere onderdelen gaat rondraaien en ernstig letsel veroorzaken.
- Voordat u de zaagketting hanteert of in de buurt ervan werkt, trekt u veiligheidshandschoenen aan. Als u dat niet doet, kan de zaagketting flinke snijwonden veroorzaken in blote handen.
- Leg het gereedschap altijd op de grond wanneer u het inspecteert of onderhoudt. Als u het gereedschap monteert of instelt terwijl het rechtop staat, kan ernstig letsel worden veroorzaakt.
- Volg de waarschuwingen en veiligheidsvoorzorgsmaatregelen in het hoofdstuk "Veiligheidsvoorzorgsmaatregelen" op en raadpleeg de gebruiksaanwijzing van het aandrijfsysteem.

De kettingolietoevoeropening schoonmaken (zie afb. 12)

Maak de kettingolietoevoeropening (A) dagelijks schoon. Voor toegang, moet u eerst de zaagbladhouder en het zaagblad verwijderen.

Het zaagblad schoonmaken en inspecteren (zie afb. 13)

Maak het zaagblad dagelijks schoon. Verwijder zaagsel uit de groef (A) en de kettingolietoevoeropening (B).

Om te voorkomen dat het zaagblad ongelijkmatig slijt, moet u hem omkeren iedere keer wanneer u de zaagketting vervangt of slijpt. Als de groef versleten, verbogen of vervormd is, vervangt u het zaagblad.

Het kettingwiel inspecteren (zie afb. 14)

Controleer na iedere 50 bedrijfsuren het kettingwiel op slijtage. Vervang hem als de slijtageplekken 0,3 mm of dieper zijn.

De zaagketting inspecteren

Als u denkt dat de zaagketting versleten, vervormd of gebarsten is, of u meer moeite moet doen om te zagen, vervangt u de zaagketting of vraagt u een erkend Dolmar-servicecentrum om hem te slijpen.

Bewegende delen smeren (zie afb. 15)

KENNISGEVING: Houdt u aan de opgegeven frequentie en hoeveelheid vet. Als u dat niet doet, kunnen door onvoldoende smering de bewegende delen worden beschadigd.

Tandwielhuis:

Vul iedere 25 bedrijfsuren vet op lithiumbasis bij via de smeernippel (A).

Aandrijfjas:

Breng iedere 25 bedrijfsuren vet (Shell Alvania 2 of gelijkwaardig) aan.


Punt van zaagblad:

Breng iedere 10 bedrijfsuren vet (Shell Alvania 2 of gelijkwaardig) aan in de vetopening (B).

Algehele inspectie

- Draai losse bouten, moeren en schroeven vast.
- Controleer op beschadigde onderdelen. Vraag een erkend Dolmar-servicecentrum om ze te vervangen.

Opslag

 **WAARSCHUWING:** Volg de waarschuwingen en veiligheidsvoorzorgsmaatregelen in het hoofdstuk "Veiligheidsvoorzorgsmaatregelen" op en raadpleeg de gebruiksaanwijzing van het aandrijfsysteem (zie afb. 16). Als het stoksnoeizaaghulpstuk los van het aandrijfsysteem wordt opgeborgen, brengt u de dop aan op het uiteinde van de as.

Onderhoudsplanning

Frequentie		Vóór gebruik	Dagelijks (10 uur)	25 uur	50 uur	Indien nodig	Betreffende pagina
Hele gereedschap	Visueel inspecteren op beschadigde onderdelen	○					36
Alle bevestigingsbouten en -moeren	Vastdraaien	○					36
Kettingolietoevoeropening	Schoonmaken		○				36
Zaagblad	De groef en de kettingolietoevoeropening schoonmaken		○				36
	Visueel inspecteren		○				36
	Vet aanbrengen op de punt van het zaagblad		○				36
Tandwielhuis	Smeren			○			36
Aandrijfas	Smeren			○			36
Tandwiel	Visueel inspecteren				○		36
Zaagketting	Vervangen of laten slijpen					○	36
Aandrijfsysteem	Raadpleeg de gebruiksaanwijzing van het aandrijfsysteem						

Problemen oplossen

Probleem	Mogelijke oorzaak	Oplossing
De motor start niet. De motor stopt korte tijd na het starten. Het maximumtoerental is begrensd.	Raadpleeg de gebruiksaanwijzing van het aandrijfsysteem.	
De zaagketting draait niet rond. → Zet de motor onmiddellijk uit!	Het zaagblad is verbogen of beschadigd.	Vervang het zaagblad.
	Een twijg zit klem in de zaagketting.	Verwijder het vreemde voorwerp.
	De aandrijving werkt niet goed.	Vraag een erkend Dolmar-servicecentrum om het te inspecteren en repareren.
Het gereedschap trilt abnormaal sterk. → Zet de motor onmiddellijk uit!	De aandrijving werkt niet goed.	Vraag een erkend Dolmar-servicecentrum om het te inspecteren en repareren.
De zaagketting stopt niet. → Zet de motor onmiddellijk uit!	Het aandrijfsysteem werkt niet goed.	Raadpleeg de gebruiksaanwijzing van het aandrijfsysteem.
Er wordt geen kettingolie aangevoerd.	De kettingolietank is leeg.	Vul kettingolie bij in de oiletank.
	De kettingolietoevoeropening is vervuild.	Maak de kettingolietoevoeropening en het zaagblad schoon.
	De stelschroef van de toevoersnelheid van de kettingolie is niet goed ingesteld.	Stel de stelschroef goed in.

Technische gegevens

Model		PS-CS
Afmetingen (l x b x h)	mm	1.166 x 80 x 120
Gewicht	kg	1,1
Lengte zaagblad	mm	255 (10")
Zaagketting		90SG-39E
Maat van ketting	inch	0,043"
Aantal tanden van kettingwiel		7
Kettingolie		SAE10W-30 of gelijkwaardig (in de zomer: SAE#30 - #40) (in de winter: SAE#20)
Kettingoliepomp		Plunjerpomp (zelfsmerend type)
Inhoud kettingolietank	ml	110
Overbrengingsverhouding van tandwielen (toerentalverhogend)		1,06

EU-verklaring van conformiteit

(Alleen voor Europese landen)

Ondergetekenden, Tamiro Kishima en Rainer Bergfeld, als erkende vertegenwoordigers van Dolmar GmbH, verklaren dat de DOLMAR-machine(s):

Aanduiding van de machine: Stoksnoeizaaghulpstuk

Modelnr./Type: PS-CS

Technische gegevens: zie "Technische gegevens"

in serie is geproduceerd en

Voldoet aan de volgende Europese richtlijn(en):

2006/42/EC

En is gefabriceerd in overeenstemming met de volgende norm(en) of genormaliseerde document(en):

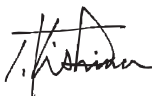
EN ISO 11680

De technische documentatie wordt bewaard door:

Dolmar GmbH,

Jenfelder Straße 38, Abteilung FZ, D-22045 Hamburg

15. 12. 2010



Tamiro Kishima
Hoofddirecteur



Rainer Bergfeld
Hoofddirecteur

Prólogo

Muchas gracias por comprar el accesorio para sierra de extensión de Dolmar. Este accesorio se ha diseñado para su montaje en el grupo motor de Dolmar mencionado en este manual de instrucciones.

Antes del uso, lea este folleto y el manual de instrucciones del grupo motor. Le ayudará a obtener los mejores resultados posibles del accesorio para sierra de extensión de Dolmar.

Tabla de contenido	Página
Prólogo	39
Símbolos	39
Grupo motor aprobado	39
Descripción de las piezas	40
Precauciones de seguridad	40
Montaje y ajuste	42
Inspección y mantenimiento	42
Almacenamiento	43
Programa de mantenimiento	44
Localización y solución de averías	44
Datos técnicos	45
Declaración de conformidad de la CE	45

Símbolos

Se utilizan los siguientes símbolos en el accesorio y este manual de instrucciones. Comprenda estas definiciones.



Lea y siga el manual de instrucciones.



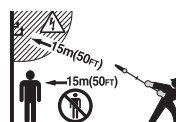
Preste especial cuidado y atención.



Utilice un casco de seguridad y protección para los ojos y oídos.



Utilice botas robustas con suela antideslizante.



Mantenga una distancia de 15 m (50 pies) como mínimo entre el equipo y las personas que le rodeen y/o cables eléctricos (incluyendo las ramas que puedan estar en contacto con ellos). Riesgo de descarga eléctrica.



Nunca sujete la sierra de extensión en un ángulo de más de 60°.



Primeros auxilios



(Sólo para los países europeos) Este producto cumple con las directivas de la CE.

Grupo motor aprobado

Este accesorio solamente se ha aprobado para su uso con los siguientes grupos motores:

CS-246.4C Multifuncional

⚠ ADVERTENCIA: Nunca utilice el accesorio con un grupo motor no aprobado. Una combinación no aprobada puede provocar lesiones graves.

Descripción de las piezas (Fig. 1)

Los números de más abajo hacen referencia a la figura

1. Eje
2. Caja de engranajes
3. Tapa de aceite
4. Depósito de aceite
5. Soporte de la barra
6. Barra de guía
7. Cadena de la sierra
8. Cubierta de la cadena

Precauciones de seguridad

⚠ ADVERTENCIA: Lea todas las instrucciones y las advertencias de seguridad de este folleto y el manual de instrucciones del grupo motor. La no observancia de las advertencias y las instrucciones puede provocar descargas eléctricas, incendios y/o lesiones graves.

Guarde todas las advertencias e instrucciones para futuras consultas.

Los términos "sierra de extensión" y "equipo" de las advertencias y precauciones hacen referencia a la combinación de accesorio y grupo motor.

El término "motor" de las advertencias y precauciones hace referencia al motor o al motor eléctrico del grupo motor.

Uso previsto

- Este accesorio se ha diseñado solamente con la finalidad de podar ramas y ramas gruesas de menos de 15 cm de diámetro de forma conjunto con un grupo motor aprobado. Nunca utilice el accesorio para otra finalidad. El mal uso del accesorio puede provocar lesiones graves.

Precauciones generales

- Antes de poner en marcha la sierra de extensión, lea este folleto y el manual de instrucciones del grupo motor para familiarizarse con el manejo de la sierra de extensión.
- No deje el accesorio a una persona con conocimientos o experiencia insuficiente en el manejo de sierras de extensión.
- Cuando preste el accesorio, proporcione siempre este manual de instrucciones.
- No deje que los niños o las personas menores de 18 años utilicen la sierra de extensión. Manténgalos alejados de la sierra de extensión.
- Maneje la sierra de extensión con el máximo cuidado y la máxima atención.
- Nunca utilice la sierra de extensión tras consumir alcohol o medicamentos o si se siente cansado o enfermo.
- No intente nunca modificar el accesorio.
- Siga las normativas acerca del manejo de sierras de extensión y motosierras de su país.

Equipo de protección personal

- Utilice casco de seguridad, gafas de protección y guantes de protección para protegerse de residuos que puedan salir despedidos o de objetos que caigan. (Fig. 2)
- Utilice protección para los oídos, como tapones para los oídos para evitar pérdidas auditivas.
- Utilice ropa y calzado que sean adecuados para un uso seguro, por ejemplo, un mono de trabajo y calzado robusto con suela antideslizante. No lleve ropas sueltas ni joyas. Las ropas sueltas, las joyas o el cabello largo pueden quedar atrapados en ellas.
- Cuando maneje la cadena de la sierra o ajuste la tensión de la cadena, utilice guantes de protección. La cadena de la sierra puede provocar graves cortes en las manos desnudas.

Seguridad del área de trabajo

- **⚠ Peligro:** Mantenga la sierra de extensión alejada 15 m como mínimo de las líneas eléctricas y los cables de comunicación (incluyendo las ramas con las que puedan estar en contacto). Tocar las líneas de alta tensión o acercarse a ellas con la sierra de extensión puede provocar la muerte o lesiones graves. Tenga

cuidado con las líneas eléctricas y las vallas eléctricas alrededor del área de trabajo antes de iniciar las operaciones.

- Utilice la sierra de extensión únicamente en condiciones de buena visibilidad y luz de día. No utilice la sierra de extensión en condiciones de oscuridad o niebla.
- Ponga en marcha y utilice el motor únicamente en exteriores, en una zona bien ventilada. El uso en una zona cerrada o con poca ventilación puede causar la muerte por asfixia o envenenamiento por monóxido de carbono.
- Durante las operaciones nunca permanezca sobre una superficie inestable, una superficie resbaladiza o una pendiente. Durante las estaciones frías, tenga cuidado con el hielo y la nieve y asegúrese siempre de mantener una posición bien equilibrada.
- Durante las operaciones, mantenga a las personas circundantes o a los animales alejados como mínimo 15 m de la sierra de extensión. Detenga el motor cuando se acerque alguien.
- Antes de las operaciones, examine el área de trabajo en busca de alambradas, paredes u otros objetos sólidos. Pueden dañar la cadena de la sierra.
- **⚠ ADVERTENCIA:** El uso de este producto puede crear polvo que contiene productos químicos que pueden causar enfermedades respiratorias y de otro tipo. Algunos ejemplos de estos productos químicos son compuestos que se encuentran en pesticidas, insecticidas, fertilizantes y herbicidas. El riesgo de exposición varía en función de la frecuencia con la que realice este tipo de trabajo. Para reducir su exposición a estas sustancias químicas: trabaje en zonas bien ventiladas y póngase el equipo de seguridad indicado como, por ejemplo, las mascarillas contra el polvo especialmente diseñadas para filtrar partículas microscópicas.


Inicio de las operaciones

- Antes de ensamblar o ajustar el equipo, apague el motor y retire el capuchón de la bujía o el cartucho de la batería.
- Antes de manejar la cadena de la sierra o ajustar la tensión de la cadena, utilice guantes de protección.
- Antes de poner en marcha el motor, inspeccione el equipo para detectar daños, tornillos/tuercas flojas o un ensamblado incorrecto. Afíle la cadena de la sierra cuando esté desafilada. Si la cadena de la sierra está doblada o dañada, sustitúyala. Compruebe que todas las palancas y los interruptores de control se accionen fácilmente. Limpie y seque bien las empuñaduras.
- Nunca intente poner en marcha el motor si el equipo está dañado o no se ha ensamblado completamente. De lo contrario, puede sufrir lesiones graves.
- Ajuste el arnés de hombro y la empuñadura de mano para que se ajusten al tamaño corporal del operario.
- Ajuste correctamente la tensión de la cadena. Rellene el aceite de la cadena, si es necesario.

Puesta en marcha del motor

- Utilice los equipos de protección personal antes de poner en marcha el motor.
- Ponga en marcha el motor en una ubicación alejada como mínimo 3 metros (10 pies) del lugar de repostaje.
- Antes de poner en marcha el motor, asegúrese de que no haya ninguna persona o animal en el área de trabajo.
- Cuando ponga en marcha el motor o inserte un cartucho de batería, mantenga la cadena de la sierra y la barra de guía alejadas de su cuerpo y otros objetos, incluso el suelo. La cadena de la sierra se puede mover durante la puesta en marcha y puede causar daños o lesiones graves en la cadena de la sierra y/o la propiedad.
- Coloque el equipo sobre suelo firme. Mantenga un buen equilibrio y una posición segura.
- Cuando tire de la empuñadura de arranque, sujete el grupo motor firmemente contra el suelo con su mano izquierda. No pise nunca el eje de transmisión del grupo motor. (Fig. 3)
- Siga el manual de instrucciones del grupo motor para poner en marcha el motor.
- Compruebe que haya una diferencia suficiente entre la velocidad de ralentí y la velocidad de acoplamiento para garantizar que el accesorio esté detenido mientras el motor está al ralentí (si es necesario, reduzca la velocidad de ralentí).
- Si la cadena de la sierra se mueve al ralentí, detenga el motor y reduzca la velocidad de ralentí.

Funcionamiento

- En caso de emergencia, apague el motor inmediatamente.
- Si percibe cualquier estado inusual (p. ej. ruido o vibración) durante el funcionamiento, apague el motor. No utilice el equipo hasta que se haya reconocido y resuelto la causa.
- La cadena de la sierra sigue moviéndose durante un breve período de tiempo después de soltar el disparador de la mariposa de gases o apagar el motor. No se apresure a tocar la cadena de la sierra.
- Con el motor funcionando solamente al ralenti, acople el arnés de hombro.
- Durante las operaciones, utilice el arnés de hombro. Mantenga el equipo en su lado derecho firmemente. **(Fig. 4)**
- Sujete la empuñadura frontal con la mano izquierda y la empuñadura posterior con la mano derecha, no importa si es diestro o zurdo. Rodee las empuñaduras con los dedos y pulgares.
- Nunca intente utilizar el equipo con una mano. La pérdida de control puede provocar lesiones graves o fatales. Para reducir el riesgo de lesiones, mantenga las manos y los pies alejados de las cuchillas.
- No haga demasiadas cosas al mismo tiempo. Mantenga la postura adecuada y el equilibrio en todo momento. Tenga cuidado con obstáculos ocultos, como cepas de árboles, raíces y cunetas para no tropezar. Despeje la zona de ramas caídas y otros objetos.
- Nunca trabaje en una escalera o un árbol para evitar la pérdida de control.
- Si el equipo recibe un fuerte impacto o cae, compruebe su estado antes de continuar con el trabajo. Compruebe si hay fugas en el sistema de combustible y si los dispositivos de seguridad funcionan correctamente. Si hay daños o en caso de duda, solicite al centro de servicio autorizado de Dolmar que realice una inspección y reparación.
- No toque la caja de engranajes. La caja de engranajes se calienta durante el uso.
- Descanse para evitar la pérdida de control causada por la fatiga. Recomendamos descansar de 10 a 20 minutos cada hora.
- Cuando deje el equipo, aunque sea por un breve periodo de tiempo, apague siempre el motor o retire el cartucho de la batería. El equipo desatendido con el motor funcionando puede ser utilizado por una persona no autorizada y puede provocar un accidente grave.
- Siga el manual de instrucciones del grupo motor para un uso correcto del interruptor y la palanca de control.
- Preste atención al medioambiente. Evite el uso innecesario de la palanca de la mariposa de gases para reducir la contaminación y las emisiones de ruido. Ajuste el carburador correctamente.
- Durante cada uso o después del uso, no coloque el equipo caliente sobre césped seco o materiales combustibles.
- No sujete el equipo por encima de la altura del hombro.
- Durante las operaciones, nunca golpee la cadena de la sierra contra obstáculos duros, como piedras y clavos. Preste especial atención cuando corte ramas al lado de paredes, alambradas o elementos similares.
- Nunca toque la cadena de la sierra ni se aproxime a ella mientras se esté moviendo. La cadena de la sierra puede cortar sus dedos fácilmente. Cuando maneje la cadena de la sierra, detenga el motor y retire el capuchón de la bujía o el cartucho de la batería.
- Si la cadena de la sierra se atasca, apague siempre el motor y retire el capuchón de la bujía o el cartucho de la batería antes de la limpieza.
- Al acelerar el motor con la cadena de la sierra bloqueada, aumenta la carga y se dañará el motor y/o el embrague.
- Antes de cortar ramas gruesas, tenga preparada una zona de escape alejada de la rama que cae. En primer lugar, despeje las obstrucciones, como ramas gruesas y ramas más pequeñas, del área de trabajo. Mueva todas las herramientas y objetos del área de escape a otra superficie segura.
- Antes de cortar ramas gruesas y ramas de menor tamaño, compruebe la dirección en la que caen, teniendo en cuenta el estado de las ramas, los árboles adyacentes, la dirección del viento, etc. Preste toda la atención a la dirección de caída.
-  Nunca sujete la sierra de extensión en un ángulo de más de 60°. De lo contrario, los objetos que caen pueden golpear al operario y causar lesiones graves. Nunca permanezca debajo de la rama que se está cortando.
- Preste atención a las ramas rotas o dobladas. Pueden rebotar al

cortar, causando lesiones no esperadas.

- Antes de cortar las ramas gruesas que desee, retire las ramas más finas y las hojas de su alrededor. De lo contrario, la sierra puede quedar atrapada.
- Para evitar que la sierra quede atrapada en la ranura, no suelte la palanca de la mariposa de gases antes de retirar la sierra de la ranura.
- Si la cadena de la sierra se atasca en la ranura, pare inmediatamente el motor, mueva con cuidado la rama para abrir la ranura y suelte la sierra.
- Al acelerar el motor con la cadena de la sierra bloqueada, aumenta la carga y se dañará el motor y/o el embrague.
- Evite contragolpes (fuerza de giro de reacción hacia el operario). Para evitar contragolpes, nunca utilice la punta de la barra de guía ni realice un corte por inmersión. Tenga siempre en cuenta la posición de la punta de la barra de guía.
- Compruebe frecuentemente la tensión de la cadena. Cuando compruebe o ajuste la tensión de la cadena, apague el motor y retire el capuchón de la bujía o el cartucho de la batería. Si la tensión es baja, apriétela.

Transporte

- Antes de transportar el equipo, apague el motor y retire el capuchón de la bujía o el cartucho de la batería. Monte siempre la cubierta de la cadena durante el transporte.
- Cuando transporte el equipo, hágalo en una posición horizontal sujetando el eje. Mantenga el silenciador caliente alejado de su cuerpo.
- Cuando transporte el equipo en un vehículo, asegúrelo correctamente para que no vuelque. De lo contrario se puede producir un derrame de combustible y daños en el equipo y otros materiales que se transporten.


Mantenimiento

- Antes de realizar cualquier trabajo de mantenimiento, reparación o limpieza del equipo, apague siempre el motor y retire el capuchón de la bujía o el cartucho de la batería. Espere hasta que el motor se enfríe.
- Para reducir el riesgo de incendio, nunca repare el equipo cerca de fuego.
- Utilice siempre guantes de protección cuando maneje la cadena de la sierra.
- Limpie siempre la suciedad y el polvo del equipo. Nunca utilice gasolina, benceno, disolvente, alcohol o un producto similar con esa finalidad. Se pueden producir descoloraciones, deformaciones o grietas de los componentes de plástico.
- Tras cada uso, apriete todos los tornillos y tuercas, excepto los tornillos de ajuste del carburador.
- Mantenga la cadena de la sierra afilada. Si la cadena de la sierra se ha desafilado y el rendimiento de corte es bajo, solicite a un centro de servicio autorizado de Dolmar que la afile o la reemplace con una nueva.
- No intente realizar ninguna tarea de mantenimiento o reparación que no se describa en este folleto o en el manual de instrucciones del grupo motor. Consulte con un centro de servicio autorizado de Dolmar para esas tareas.
- Utilice siempre, de forma exclusiva, piezas de recambio y accesorios originales de Dolmar. El uso de piezas o accesorios suministrados por un tercero pueden provocar una avería del equipo, daños en la propiedad y/o lesiones graves.
- Solicite al centro de servicio autorizado de Dolmar que realice inspecciones y tareas de mantenimiento del equipo periódicamente.

Almacenamiento

- Antes de almacenar el equipo, realice las tareas de mantenimiento y una limpieza total. Encaje la cubierta de la cadena. Retire el capuchón de la bujía o el cartucho de la batería. Drene el combustible y el aceite de la cadena cuando el motor se enfríe.
- Guarde el equipo en un lugar seco y elevado o cerrado con llave fuera del alcance de los niños.
- No golpee el equipo contra ningún elemento, como una pared. De lo contrario, puede caer repentinamente y causar lesiones.

Primeros auxilios

-  Tenga siempre cerca un kit de primeros auxilios. Reponga inmediatamente cualquier artículo que tome del kit de primeros auxilios.
- Cuando solicite ayuda, proporcione la siguiente información:
 - Lugar del accidente
 - Qué ha ocurrido
 - Número de personas heridas
 - Naturaleza del accidente
 - Su nombre

Montaje y ajuste

ADVERTENCIA:

- Antes de ensamblar o ajustar el equipo, apague el motor y retire el capuchón de la bujía o el cartucho de la batería. De lo contrario, la cadena de la sierra u otras piezas pueden moverse y provocar lesiones graves.
- Antes de manejar la cadena de la sierra o ajustar la tensión de la cadena, utilice guantes de protección. De lo contrario, la cadena de la sierra puede provocar cortes graves en las manos desnudas.
- Durante el montaje o el ajuste del equipo, déjelo siempre en el suelo. El montaje o el ajuste del equipo en una posición vertical pueden provocar lesiones graves.
- Respete las siguientes advertencias y precauciones del capítulo "Precauciones de seguridad" y el manual de instrucciones del grupo motor.

Montaje del accesorio (Fig. 5)

Monte el accesorio siguiendo estos pasos.

1. Afloje el tornillo **(A)** y **(B)**.
2. Inserte el eje en la caja de engranajes. Asegúrese de que el pasador **(E)** esté en la parte superior. Si resulta difícil insertarlo completamente, gire el eje de transmisión **(C)** manualmente.
3. Ajuste la posición del orificio en el eje hasta el orificio para el tornillo **(B)**.
4. Apriete el tornillo **(B)** primero y después apriete el tornillo **(A)**.

Nota: En algunos casos, es posible que el eje no se pueda fijar completamente incluso después de apretar el tornillo **(A)** y **(B)** firmemente. En ese caso, retire el separador **(D)**.

Montaje del accesorio en un grupo motor (Fig. 6)


Para montar el accesorio en un grupo motor, siga los pasos de más abajo.

1. Asegúrese de que la palanca de bloqueo **(A)** no esté apretada.
2. Alinee la clavija **(B)** con la marca de flecha **(C)**.
3. Inserte el eje en el eje de transmisión del grupo motor hasta que aparezca el botón de liberación **(D)**.
4. Apriete la palanca de bloqueo **(A)** firmemente tal y como se muestra.

Para extraer el accesorio, afloje la palanca de bloqueo, pulse el botón de bloqueo y retire el eje.

AVISO: No apriete la palanca de bloqueo **(A)** sin el eje del accesorio insertado. De lo contrario, la palanca de bloqueo puede apretar demasiado la entrada del eje de transmisión y puede dañarlo.

Montaje de la cadena de la sierra y la barra de guía (Fig. 7 y 8)

 **Precaución:** Asegúrese de que la cadena de la sierra, la barra de guía y la rueda dentada sean del mismo calibre y paso. Monte la cadena de la sierra y la barra de guía siguiendo estos pasos.

1. Afloje la tuerca **(A)** y retire el soporte de la barra **(B)**.
2. Encaje la cadena de la sierra **(C)** en la ranura de la barra de guía **(D)**. Empiece en la punta de la barra.
3. Encaje la cadena de la sierra **(C)** en la rueda dentada **(E)**.
4. Instale la barra de guía **(D)** de forma que la tuerca de tensado **(F)** encaje en el orificio de la barra de guía.
5. Encaje el soporte de la barra **(B)** y apriete la tuerca **(A)** firmemente. A continuación, afloje la tuerca media vuelta como

provisión del ajuste de tensión de la cadena.

6. Ajuste la tensión de la cadena. Consulte la sección "Ajuste de la tensión de la cadena."

Ajuste de la tensión de la cadena

ADVERTENCIA:

- Antes de comprobar o ajustar la tensión de la cadena, apague el motor y retire el capuchón de la bujía o el cartucho de la batería.
- Antes de comprobar o ajustar la tensión de la cadena, póngase unos guantes protectores.

Precaución:

- Mantenga la tensión de la cadena aplicable. Reducir la tensión puede provocar que la cadena de la sierra se desprenda durante las operaciones. Un exceso de tensión puede dañar la cadena de la sierra o la barra de guía.
- Durante las operaciones, compruebe frecuentemente la tensión de la cadena. La cadena de la sierra se estira y se afloja durante el uso. Cuando utilice una nueva cadena de la sierra, ajuste la tensión más frecuentemente. **(Fig. 9)**

Ajuste la tensión de la cadena siguiendo estos pasos.

1. Afloje la tuerca **(A)** una media vuelta.
2. Mantenga la punta de la barra hacia arriba. Gire el tornillo de tensado **(B)** en el sentido de las agujas del reloj hasta que la cadena de la sierra encaje en la parte inferior de la barra de guía cómodamente.
3. Tire de la cadena de la sierra junto con la barra de guía a mano. Si resulta difícil moverla, gire el tornillo de tensado en el sentido contrario a las agujas del reloj ligeramente y vuelva a repetir el paso 2.
4. Apriete la tuerca **(A)** firmemente.

Rellenado del depósito de aceite de la cadena

La cadena de la sierra se debe lubricar con aceite para cadena durante las operaciones.

Antes de su uso, rellene el depósito del aceite de la cadena. Tras el suministro del aceite, apriete la tapa de aceite firmemente.

El aceite recomendado de la cadena es:

- SAE10W-30,
- SAE#30 a #40 en verano o
- SAE#20 en invierno.

Aviso: No utilice nunca aceite residual. Puede dañar la bomba de aceite.

Durante las operaciones, preste siempre atención al nivel de aceite. Rellene el depósito si el nivel de aceite es bajo. El depósito se vacía en aproximadamente 40 minutos de funcionamiento (dependiendo del ajuste de lubricación de la cadena).

Ajuste del nivel de lubricación de la cadena (Fig. 10 y 11)

El nivel de lubricación de la cadena se puede ajustar en tres pasos. Se configura de fábrica en el nivel de lubricación bajo. En función de las operaciones, por ejemplo, corte de ramas duras, aumente el nivel de lubricación.

Para ajustar el nivel de lubricación de la cadena utilice un destornillador de punta plana. Presione el tornillo de ajuste y gírelo hasta la posición de nivel de lubricación que desee.

- A: Bajo
- B: Medio
- C: Alto

Tras ajustar el nivel de lubricación de la cadena, compruebe la cantidad de aceite dispensado haciendo funcionar el equipo a velocidad media.

Inspección y mantenimiento

ADVERTENCIA:

- Antes de inspeccionar o mantener el equipo, apague el motor y retire el capuchón de la bujía o el cartucho de la batería. De lo contrario, la cadena de la sierra u otras piezas pueden moverse y provocar lesiones graves.
- Antes de manejar la cadena de la sierra o trabajar alrededor de ella, póngase unos guantes de protección. De lo contrario, la cadena de la sierra puede provocar cortes graves en las

- manos desnudas.
- Durante la inspección o el mantenimiento del equipo, déjelo siempre en el suelo. El montaje o el ajuste del equipo en una posición vertical pueden provocar lesiones graves.
- Respete las siguientes advertencias y precauciones del capítulo "Precauciones de seguridad" y el manual de instrucciones del grupo motor.

Limpieza del puerto de alimentación de aceite de la cadena (Fig. 12)

Limpie el puerto de alimentación de aceite de la cadena **(A)** diariamente. Para acceder a él, retire el soporte de la barra y la barra de guía.

Limpieza e inspección de la barra de guía (Fig. 13)

Limpie la barra de guía diariamente. Retire el polvo de la sierra de la ranura **(A)** y del puerto de alimentación de aceite de la cadena **(B)**.

Para evitar el desgaste por un lado de la barra de la guía, gírela cada vez que reemplace o afile la cadena de la sierra.

Si la ranura está gastada, doblada o deformada, sustituya la barra de guía.

Inspección de la rueda dentada (Fig. 14)

Compruebe el desgaste de la rueda dentada cada 50 horas de uso. Reemplácela si las marcas de desgaste llegan a 0,3 mm o son más profundas.

Inspección de la cadena de la sierra

Si detecta que la cadena de la sierra está gastada, deformada, agrietada o necesita realizar un esfuerzo mayor para cortar, reemplácela o solicite a un centro de servicio autorizado de Dolmar que la afile.

Lubricación de partes móviles (Fig. 15)

AVISO: Siga las instrucciones relativas a la frecuencia y la cantidad de grasa suministrada. De lo contrario, una lubricación insuficiente puede dañar las partes móviles.

Caja de engranajes:

Rellene la grasa con base de litio mediante el engrasador **(A)** cada 25 horas de uso.

Eje de transmisión:

Aplique grasa (Shell Alvania N° 2 o equivalente) cada 25 horas de uso.


Punta de la barra de guía:

Aplique grasa (Shell Alvania N° 2 o equivalente) en el orificio para la grasa **(B)** cada 10 horas de uso.

Inspección general

- Apriete pernos, tuercas y tornillos flojos.
- Compruebe si hay piezas dañadas. Solicite a un centro de servicio autorizado de Dolmar que las sustituya.

Almacenamiento

 **ADVERTENCIA:** Respete las siguientes advertencias y precauciones del capítulo "Precauciones de seguridad" y el manual de instrucciones del grupo motor. **(Fig. 16)**

Cuando almacene el accesorio para sierra de extensión separado del grupo motor, coloque la tapa en el extremo del eje.

Programa de mantenimiento

Hora de funcionamiento		Antes del uso	Diariamente (10 h)	25 h	50 h	Si es necesario	Página correspondiente
Toda la unidad	Inspeccionar visualmente las piezas en busca de daños	○					43
Todas las tuercas y tornillos de fijación	Apretar	○					43
Puerto de alimentación de aceite de la cadena	Limpiar		○				43
Barra de guía	Limpiar la ranura y el puerto de alimentación de aceite de la cadena		○				43
	Inspeccionar visualmente		○				43
	Suministrar grasa a la punta		○				43
Caja de engranajes	Suministrar grasa			○			43
Eje de transmisión	Suministrar grasa			○			43
Rueda dentada	Inspeccionar visualmente				○		43
Cadena de la sierra	Sustituir o solicitar el afilado					○	43
Grupo motor	Consulte el manual de instrucciones del grupo motor						

Localización y solución de averías

Problema	Posible causa	Solución
El motor no se pone en marcha.	Consulte el manual de instrucciones del grupo motor.	
El motor se detiene al poco rato de su puesta en marcha.		
La velocidad máxima está limitada.		
La cadena de la sierra no se mueve. ➔ Detenga el motor inmediatamente.	La barra de guía está doblada o dañada.	Sustituya la barra de guía.
	Hay una rama pequeña atrapada en la cadena de la sierra.	Retire el objeto extraño.
	El sistema de transmisión no funciona correctamente.	Solicite a un centro de servicio autorizado de Dolmar una inspección y reparación.
La unidad vibra de forma anómala. ➔ Detenga el motor inmediatamente.	El sistema de transmisión no funciona correctamente.	Solicite a un centro de servicio autorizado de Dolmar una inspección y reparación.
La cadena de la sierra no se detiene. ➔ Detenga el motor inmediatamente.	El grupo motor no funciona correctamente.	Consulte el manual de instrucciones del grupo motor.
No se suministra aceite de la cadena.	El depósito de aceite está vacío.	Rellene el depósito de aceite con la cadena de aceite.
	El puerto de alimentación de la cadena está sucio.	Limpié el puerto de alimentación de la cadena de la unidad y la barra de guía.
	El tornillo de ajuste del nivel de lubricación de la cadena tiene un ajuste incorrecto.	Ajuste el tornillo de ajuste correctamente.

Datos técnicos

Modelo		PS-CS
Dimensiones (Largo x Ancho x Alto)	mm	1.166 x 80 x 120
Peso	kg	1,1
Longitud de la barra de guía	mm	255 (10")
Cadena de la sierra		90SG-39E
Calibre de cadena	pulgada	0,043"
Número de dientes de la rueda dentada		7
Aceite de la cadena		SAE10W-30 o equivalente (En verano: SAE#30 - #40) (En invierno: SAE#20)
Bomba de la cadena de aceite		Bomba de émbolo sumergido (tipo autolubricante)
Capacidad del depósito de aceite de la cadena	ml	110
Relación de transmisión (velocidad en aumento)		1,06

Declaración de conformidad de la CE

(Sólo para los países europeos)

Los abajo firmantes, Tamiro Kishima y Rainer Bergfeld, debidamente autorizados por Dolmar GmbH, declaran que la(s) máquina(s)

DOLMAR:

Designación de la máquina: Accesorio para Sierra de Extensión

Nº de modelo/ Tipo: PS-CS

Especificaciones: consulte "Datos técnicos"

son de producción serie y

Cumplen con las siguientes Directivas europeas:

2006/42/CE

Y se han fabricado de acuerdo con los siguientes estándares o documentos estandarizados:

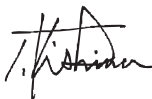
EN ISO 11680

La documentación técnica está depositada en:

Dolmar GmbH,

Jenfelder Straße 38, Abteilung FZ, D-22045 Hamburg

15. 12. 2010



Tamiro Kishima
Director general



Rainer Bergfeld
Director general

Prefácio

Obrigado por ter adquirido o implemento podador da Dolmar. Este implemento destina-se a ser instalado na unidade de alimentação Dolmar mencionada neste manual de instruções.

Antes da utilização, leia este folheto e o manual de instruções da unidade de alimentação. Irão ajudá-lo a obter os melhores resultados possíveis do implemento podador da Dolmar.

Índice	Página
Prefácio	46
Símbolos	46
Unidade de alimentação aprovada.....	46
Descrição de peças	47
Precauções de segurança.....	47
Montagem e ajuste.....	49
Inspeção e manutenção	49
Armazenamento	50
Agenda de manutenção	51
Deteção de avarias.....	51
Dados técnicos.....	51
Declaração de conformidade CE.....	52

Símbolos

Os símbolos seguintes são utilizados no implemento e neste manual de instruções. Compreenda estas definições.



Leia e siga o manual de instruções.



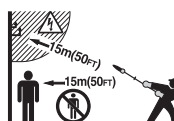
Tenha um cuidado e atenção especiais!



Use um capacete e protecção para os olhos e ouvidos.



Use botas resistentes com solas não derrapantes.



Mantenha uma distância mínima de 15 m entre o equipamento e as pessoas e/ou linha eléctrica (incluindo quaisquer ramos em contacto). Risco de choques eléctricos.



Nunca segure o podador a um ângulo superior a 60°.



Primeiros-socorros



(Apenas para os países europeus) Este produto está em conformidade com as directivas CE.

Unidade de alimentação aprovada

Este implemento está aprovado para utilização com apenas a(s) unidade(s) seguinte(s):

CS-246.4C Multifuncional a Gasolina

AVISO: Nunca utilize o implemento com uma unidade de alimentação não aprovada. Uma combinação não aprovada pode causar ferimentos graves.

Descrição de peças (Fig. 1)

Os números abaixo referem-se à imagem

1. Veio
2. Caixa de engrenagens
3. Tampão de óleo
4. Depósito de óleo
5. Suporte de barra
6. Barra de guia
7. Corrente da serra
8. Tampa da corrente

Precauções de segurança

⚠ AVISO: Leia todos os avisos de segurança e instruções neste folheto e o manual de instruções da unidade de alimentação. O não cumprimento dos avisos e instruções pode resultar na ocorrência de choques eléctricos, incêndios e/ou ferimentos graves.

Guarde todos os avisos e instruções para referência futura.

O termo “podador” e “equipamento” nos avisos e precauções referem-se à combinação do implemento e da unidade de alimentação.

O termo “motor” nos avisos e precauções refere-se ao motor ou motor eléctrico da unidade de alimentação.

Utilização prevista

- Este implemento destina-se a podar ramos com menos de 15 cm de diâmetro em conjunto com uma unidade de alimentação aprovada. Nunca utilize o implemento para outra finalidade. Abusar do implemento pode causar ferimentos graves.

Precauções gerais

- Antes de ligar o podador, leia este folheto e o manual de instruções da unidade de alimentação para se familiarizar com o manuseamento do podador.
- Não empreste o implemento a uma pessoa sem experiência ou conhecimento relativamente ao manuseamento de podadores.
- Ao emprestar o implemento, empreste também este manual de instruções.
- Não permita que crianças ou jovens com menos de 18 anos utilizem o podador. Mantenha-os afastados do podador.
- Manuseie o podador com o máximo de cuidado e atenção.
- Nunca utilize o podador após o consumo de álcool ou drogas, ou se estiver cansado ou doente.
- Nunca tente modificar o implemento.
- Siga as regulamentações sobre o manuseamento de podadores e moto-serras no seu país.

Equipamento de protecção pessoal

- Use capacete, óculos e luvas de protecção para se proteger de detritos projectados ou objectos que possam cair. (Fig. 2)
- Use protecção para os ouvidos, como tapa-orelhas, para impedir a perda de audição.
- Use vestuário e calçado adequados para uma utilização segura, como fato de macaco e botas robustas e não derrapantes. Não use roupas largas ou jóias. As roupas soltas, jóias ou cabelo comprido podem fixar presos nas peças móveis.
- Ao manusear a corrente da serra ou ao ajustar a tensão da corrente, use luvas de protecção. A corrente da serra pode cortar as mãos nuas com gravidade.

Segurança na área de trabalho

- **⚠ Perigo:** Mantenha o podador, no mínimo, a 15 m de distância das linhas eléctricas e dos cabos de comunicação (incluindo quaisquer ramos em contacto). Colocar o podador em contacto ou perto de linhas de alta tensão pode resultar em morte ou ferimentos graves. Preste atenção às linhas de alimentação e às cercas eléctricas em torno da área de trabalho antes de iniciar a utilização.
- Utilize o podador em boas condições de visibilidade e apenas durante o dia. Não utilize o podador na escuridão ou em condições de nevoeiro.

- Ligue o motor apenas ao ar livre e numa área bem ventilada. A utilização numa área confinada ou com pouca ventilação pode resultar em morte por asfixia ou envenenamento por monóxido de carbono.
- Durante a utilização, nunca se coloque numa superfície instável ou escorregadia ou numa encosta acentuada. Durante a estação fria, preste atenção ao gelo e neve e garanta sempre um apoio seguro.
- Durante a utilização, mantenha as pessoas ou animais, no mínimo, a 15 m de distância do podador. Desligue o motor assim que alguém se aproximar.
- Antes da utilização, examine a área de trabalho por cercas de arame, paredes ou outros objectos sólidos. Podem danificar a corrente da serra.
- **⚠ AVISO:** A utilização deste produto pode criar pó com químicos que podem causar, entre outros, problemas respiratórios. Alguns exemplos destes químicos são compostos que se encontram em pesticidas, insecticidas, fertilizantes e herbicidas. O risco resultante da exposição a estes químicos varia, dependendo do número de vezes que faz este tipo de trabalho. Para reduzir a exposição a estes químicos: trabalhe numa área bem ventilada e utilizando equipamento de segurança aprovado como, por exemplo máscaras para o pó especialmente concebidas para filtrar partículas microscópicas.

Colocar em funcionamento

- Antes de montar ou ajustar o equipamento, desligue o motor e retire a tampa da vela de ignição ou a bateria.
- Antes de manusear a corrente da serra ou ajustar a tensão da corrente, use luvas de protecção.
- Antes de ligar o motor, inspecione o equipamento por danos, parafusos/porcas soltos ou montagem incorrecta. Afie a corrente da serra. Se a corrente da serra estiver deformada ou danificada, substitua-a. Verifique as alavancas e interruptores de controlo para uma acção fácil. Limpe e seque as pegas.
- Nunca tente ligar o motor se o equipamento estiver danificado ou se a montagem estiver incompleta. Caso contrário, podem resultar ferimentos graves.
- Ajuste o arnês dos ombros e a pega em conformidade com o corpo do operador.
- Ajuste a tensão da corrente. Abasteça o óleo de corrente, se necessário.


Ligar o motor

- Use os equipamentos de protecção pessoais antes de ligar o motor.
- Ligue o motor, no mínimo, a 3 metros do local de abastecimento.
- Antes de ligar o motor, certifique-se de que não está ninguém na área de trabalho.
- Ao ligar o motor ou ao introduzir uma bateria, mantenha a corrente da serra e a barra de guia afastadas do seu corpo e de outro objecto, incluindo o solo. A corrente da serra pode mover-se aquando do arranque e pode causar ferimentos ou danos graves na corrente da serra e/ou propriedade.
- Coloque o equipamento numa superfície estável. Mantenha-se sempre bem equilibrado e apoiado.
- Ao puxar a pega de arranque, segure bem a unidade de alimentação contra o solo com a sua mão esquerda. Nunca se coloque sobre o veio de transmissão da unidade de alimentação. (Fig. 3)
- Siga o manual de instruções da unidade de alimentação para ligar o motor.
- Certifique-se de que existe uma diferença suficiente entre a marcha lenta e a velocidade de engrenagem para garantir que o implemento se encontra parado enquanto o motor está em marcha lenta (se necessário, reduza a marcha lenta).
- Se a corrente da serra estiver ao ralenti, desligue o motor e reduza a velocidade de ralenti.

Funcionamento

- Em caso de emergência, desligue imediatamente o motor.
- Se sentir qualquer condição anormal (por exemplo, ruído, vibração) durante o funcionamento, desligue o motor. Não utilize o equipamento até a causa ser detectada e resolvida.
- A corrente da serra continua a mover-se durante um curto

período de tempo após libertar o gatilho ou desligar o motor. Não entre em contacto com a corrente da serra.

- Com o motor ao ralenti, instale o arnês dos ombros.
- Durante a utilização, utilize o arnês dos ombros. Mantenha firmemente o equipamento no seu lado direito. (Fig. 4)
- Segure a pega dianteira com a mão esquerda e a pega traseira com a mão direita, independentemente de ser canhoto ou destro. Envolve as pegas com os dedos e polegares.
- Nunca tente utilizar o equipamento com uma mão. A perda de controlo pode resultar em ferimentos graves ou fatais. Para reduzir o risco de ferimentos, mantenha as suas mãos e pés afastados das lâminas.
- Não coloque os dedos no interior. Mantenha-se sempre bem equilibrado e apoiado. Esteja atento a obstáculos escondidos, como cepos, raízes de árvores e valas para evitar tropeçar. Limpe os ramos caídos e outros objectos do caminho.
- Nunca trabalhe em cima de uma escada ou árvore para evitar a perda de controlo.
- Se o equipamento sofrer um impacto ou queda, verifique o seu estado antes de continuar a trabalhar. Verifique o sistema de combustível por fugas de combustível e os comandos e dispositivos de segurança por avarias. Se existirem danos ou dúvidas, solicite o centro de assistência autorizado Dolmar para a inspecção e reparação.
- Não toque na caixa de engrenagens. A caixa de engrenagens fica quente durante a utilização.
- Descanse para evitar a perda de controlo causada pela fadiga. É aconselhável descansar 10 a 20 minutos por cada hora.
- Quando abandona o equipamento, mesmo por um curto espaço de tempo, desligue sempre o motor ou retire a bateria. O equipamento abandonado com o motor em funcionamento pode ser utilizado por pessoas não autorizadas e causar acidentes graves.
- Siga o manual de instruções da unidade de alimentação para a utilização correcta da alavanca e interruptor de controlo.
- Tenha cuidado com o ambiente. Evite utilizar desnecessariamente o acelerador para reduzir as emissões de poluição e ruído. Afine correctamente o carburador.
- Durante ou após a utilização, não coloque o equipamento quente sobre relva seca ou materiais inflamáveis.
- Não segure o equipamento a uma altura superior aos ombros.
- Durante a utilização, nunca bata com a corrente da serra contra obstáculos duros como pedras ou pregos. Preste especial atenção ao cortar ramos perto de paredes, cercas de arame ou algo semelhante.
- Nunca toque nem se aproxime da corrente da serra quando está em funcionamento. A corrente da serra pode cortar-lhe facilmente um dedo. Ao manusear a corrente da serra, desligue o motor e retire a tampa da vela de ignição ou a bateria.
- Se a corrente da serra ficar obstruída, desligue sempre o motor e retire a tampa da vela de ignição ou bateria antes da limpeza.
- Acelerar o motor com a corrente de serra bloqueada aumenta a carga e irá danificar o motor e/ou a embraiagem.
- Antes de cortar ramos, mantenha uma área de escape afastada do ramo caído. Primeiro, elimine obstáculos como ramos da área de trabalho. Remova todas as ferramentas e itens da área de escape para outro local seguro.
- Antes de cortar ramos, verifique a direcção de queda, tendo em conta a condição dos ramos, árvores contíguas, direcção do vento, etc. Preste atenção à direcção de queda.
-  Nunca segure o podador a um ângulo superior a 60°. Caso contrário, os objectos podem atingir o operador e causar ferimentos graves. Nunca se coloque sob o ramo a cortar.
- Preste atenção a ramos quebrados ou dobrados. Pode ressaltar durante o corte, causando ferimentos inesperados.
- Antes de cortar os ramos que pretende, remova os ramos e folhas em redor. Caso contrário, a serra pode ficar presa.
- Para evitar que a serra fique presa no corte, não solte a alavanca de acelerador antes de puxar a serra do corte.
- Se a corrente da serra ficar presa no corte, desligue imediatamente o motor, mova cuidadosamente o ramo para abrir o corte e libertar a serra.
- Acelerar o motor com a corrente da serra presa aumenta a carga e irá danificar o motor e/ou a embraiagem.
- Evite recuos (força reactiva rotacional na direcção do operador). Para impedir recuos, nunca utilize a ponta da barra de guia ou efectue um corte a fundo. Preste sempre atenção à posição da ponta da barra de guia.

- Verifique frequentemente a tensão da corrente. Ao verificar ou ajustar a tensão da corrente, desligue o motor e retire a tampa da vela de ignição ou a bateria. Se a tensão for fraca, aperte a corrente.

Transporte

- Antes de transportar o equipamento, desligue o motor e retire a tampa da vela de ignição ou a bateria. Instale sempre a tampa da corrente durante o transporte.
- Ao transportar o equipamento, carregue-o numa posição horizontal ao segurar o veio. Mantenha o silenciador quente afastado do seu corpo.
- Ao transportar o equipamento num veículo, fixe-o correctamente para evitar uma viragem. Caso contrário, podem resultar derrames de combustível e danos no equipamento e noutras embalagens.


Manutenção

- Antes de efectuar qualquer manutenção ou trabalho de reparação ou limpeza no equipamento, desligue sempre o motor e retire a tampa da vela de ignição ou a bateria. Aguarde até que o motor arrefeça.
- Para reduzir o risco de incêndios, nunca preste assistência ao equipamento próximo de chamas.
- Use sempre luvas de protecção ao manusear a corrente da serra.
- Limpe sempre o pó e a sujidade do equipamento. Nunca utilize gasolina, benzina, diluente, álcool ou semelhante para o efeito. Pode resultar na descoloração, deformação ou quebra dos componentes de plástico.
- Após cada utilização, aperte todos os parafusos e porcas, excepto os parafusos de regulação do carburador.
- Mantenha a corrente da serra afiada. Se a corrente da serra se tornar arredondada e o desempenho de corte piorar, solicite o centro de assistência autorizado Dolmar para a afiar ou substituir por uma nova.
- Não tente qualquer trabalho de manutenção ou reparação não descrito neste folheto ou no manual de instruções da unidade de alimentação. Peça ao centro de assistência autorizado Dolmar para efectuar esses trabalhos.
- Utilize sempre peças sobresselentes e acessórios originais da Dolmar. Utilizar peças ou acessórios fornecidos por terceiros pode resultar na avaria do equipamento, danos materiais e/ou ferimentos graves.
- Solicite o centro de assistência autorizado Dolmar para inspecionar e efectuar a manutenção do equipamento em intervalos regulares.

Armazenamento

- Antes de armazenar o equipamento, efectue a limpeza e manutenção completas. Instale a tampa da corrente. Retire a tampa da vela de ignição ou a bateria. Purgue o combustível e o óleo de corrente após o motor arrefecer.
- Guarde o equipamento num local seco e elevado ou trancado, fora do alcance das crianças.
- Não encoste o equipamento contra algo, como uma parede. Caso contrário, pode cair repentinamente e causar ferimentos.

Primeiros-socorros

-  Tenha sempre um kit de primeiros socorros por perto. Substitua imediatamente qualquer item retirado do kit de primeiros socorros.
- Ao pedir ajuda, forneça a seguinte informação:
 - Local do acidente
 - O que aconteceu?
 - Número de pessoas feridas
 - Natureza do ferimento
 - O seu nome

Montagem e ajuste

AVISO:

- Antes de montar ou ajustar o equipamento, desligue o motor e retire a tampa da vela de ignição ou a bateria. Caso contrário, a corrente da serra ou outras peças podem mover-se e resultar em ferimentos graves.
- Antes de manusear a corrente da serra ou ajustar a tensão da corrente, use luvas de protecção. Caso contrário, a corrente da serra pode cortar as mãos nuas com gravidade.
- Ao montar ou ajustar o equipamento, coloque-o sempre no chão. Montar ou ajustar o equipamento numa posição vertical pode resultar em ferimentos graves.
- Siga todos os avisos e precauções no capítulo "Precauções de segurança" e o manual de instruções da unidade de alimentação.

Montar o implemento (Fig. 5)

Monte o implemento da seguinte forma.

1. Desaperte o parafuso (A) e (B).
2. Introduza o veio na caixa de engrenagens. Certifique-se de que o perno (E) se encontra no lado superior. É difícil introduzi-lo por completo, rode o eixo motor (C) manualmente.
3. Ajuste a posição do orifício no veio com o orifício do parafuso (B).
4. Primeiro, desaperte o parafuso (B) e, de seguida, aperte o parafuso (A).

Nota: Em certos casos, o veio pode não estar completamente fixo mesmo após apertar bem o parafuso (A) e (B). Nesse caso, retire o espaçador (D).

Instalar o implemento numa unidade de alimentação (Fig. 6)


Para instalar o implemento numa unidade de alimentação, efectue os passos abaixo.

1. Certifique-se de que a alavanca de bloqueio (A) não está apertada.
2. Alinhe o perno (B) com a marca de seta (C).
3. Introduza o veio no veio de transmissão da unidade de alimentação até o botão de libertação (D) saltar.
4. Aperte firmemente a alavanca de bloqueio (A), conforme indicado.

Para remover o implemento, desaperte a alavanca de bloqueio, prima o botão de bloqueio e retire o veio.

ATENÇÃO: Não aperte a alavanca de bloqueio (A) sem o veio do implemento introduzido. Caso contrário, a alavanca de bloqueio pode apertar demasiado a entrada do veio de transmissão e danificá-la.

Montar a corrente da serra e a barra de guia (Fig. 7 e 8)

 **Precaução:** Certifique-se de que a corrente da serra, a barra de guia e a roda dentada correspondem em calibre e passo. Monte a corrente da serra e a barra de guia da seguinte forma.

1. Desaperte a porca (A) e retire o suporte de barra (B).
2. Instale a corrente da serra (C) na ranhura da barra de guia (D). Comece na ponta da barra.
3. Instale a corrente da serra (C) na roda dentada (E).
4. Instale a barra de guia (D) de modo a que a porca tensora (F) encaixe no orifício na barra de guia.
5. Instale o suporte de barra (B) e aperte bem a porca (A). De seguida, desaperte a porca em meia volta como uma provisão do ajuste da tensão da corrente.
6. Ajuste a tensão da corrente. Consulte a secção "Ajustar a tensão da corrente."

Ajustar a tensão da corrente

AVISO:

- Antes de verificar ou ajustar a tensão da corrente, desligue o motor e retire a tampa da vela de ignição ou a bateria.
- Antes de verificar ou ajustar a tensão da corrente, use luvas de protecção.

Precaução:

- Mantenha a tensão da aplicável da corrente. Uma tensão fraca pode fazer com que a corrente da serra saia durante o

funcionamento. Uma tensão demasiado elevada pode danificar a corrente da serra ou a barra de guia.

- Durante a utilização, verifique frequentemente a tensão da corrente. A corrente da serra estica e fica solta durante o funcionamento. Quando utilizar uma corrente de serra nova, ajuste a tensão mais frequentemente. (Fig. 9)

Ajuste a tensão da corrente da seguinte forma.

1. Desaperte a porca (A) em meia volta.
2. Segure a ponta da barra para cima. Rode o parafuso de regulação (B) para a direita até a corrente da serra encaixar de forma justa na parte inferior da barra de guia.
3. Puxe a corrente da serra ao longo da barra de guia manualmente. Se for difícil de mover, rode o parafuso de regulação ligeiramente para a esquerda e efectue novamente o passo 2.
4. Aperte bem a porca (A).

Abastecer o depósito de óleo de corrente

A corrente da serra tem de ser lubrificada com óleo de corrente durante a utilização.

Antes da utilização, abasteça o depósito de óleo de corrente. Após abastecer com óleo, aperte bem o tampão de óleo.

O óleo de corrente recomendado é:

- SAE10W-30,
- SAE#30 a #40 no Verão ou
- SAE#20 no Inverno.

Atenção: Nunca utilize óleo residual. Pode danificar a bomba de óleo.

Durante a utilização, preste sempre atenção ao nível de óleo. Abasteça o depósito se o nível de óleo for baixo. O depósito fica vazio em, aproximadamente, 40 minutos de utilização (dependendo da definição da lubrificação da corrente).

Ajustar a dosagem de óleo de corrente (Fig. 10 e 11)

A dosagem de óleo de corrente é ajustável em três passos. Está predefinida de fábrica para uma dosagem baixa. De acordo com a utilização, por exemplo, cortar ramos duros, aumente a dosagem. Para ajustar a dosagem de óleo de corrente, utilize uma chave de fendas chata. Pressione o parafuso de regulação e rode-o para a posição de dosagem pretendida.

- A: Baixa
- B: Média
- C: Alta

Após ajustar a dosagem de óleo de corrente, verifique a dosagem ao utilizar o equipamento a uma velocidade média.

Inspecção e manutenção

AVISO:

- Antes de inspecionar ou efectuar a manutenção do equipamento, desligue o motor e retire a tampa da vela de ignição ou a bateria. Caso contrário, a corrente da serra ou outras peças podem mover-se e resultar em ferimentos graves.
- Antes de manusear ou trabalhar na corrente da serra, use luvas de protecção. Caso contrário, a corrente da serra pode cortar as mãos nuas com gravidade.
- Ao inspecionar ou efectuar a manutenção do equipamento, coloque-o sempre no chão. Montar ou ajustar o equipamento numa posição vertical pode resultar em ferimentos graves.
- Siga todos os avisos e precauções no capítulo "Precauções de segurança" e o manual de instruções da unidade de alimentação.

Limpar a porta de entrada de óleo de corrente (Fig. 12)

Limpe a porta de entrada de óleo de corrente (A) diariamente. Para aceder à porta, retire o suporte de barra e a barra de guia.

Limpar e inspecionar a barra de guia (Fig. 13)

Limpe a barra de guia diariamente. Retire pó de serra da ranhura (A) e da porta de entrada de óleo de corrente (B). Para evitar desgaste num só lado da barra de guia, vire-a sempre

que substituir ou afiar a corrente da serra.
Se a ranhura estiver gasta, dobrada ou deformada, substitua a barra de guia.

Inspeccionar a roda dentada (Fig. 14)

Verifique a roda dentada por desgaste a cada 50 horas de utilização. Substitua se as marcas de desgaste forem de 0,3 mm ou mais fundas.

Inspeccionar a corrente da serra

Quando sentir que a corrente da serra está gasta, deformada, fissurada ou que precisa de fazer mais força para cortar, substitua-a ou peça a um centro de assistência autorizado Dolmar para a afiar.

Lubrificar as peças móveis (Fig. 15)

ATENÇÃO: Siga as instruções de frequência e quantidade de massa lubrificante fornecida. Caso contrário, uma lubrificação insuficiente pode danificar as peças móveis.

Caixa de engrenagens:

Abasteça massa lubrificante baseada em lítio através do bico de lubrificação **(A)** a cada 25 horas de utilização.

Eixo motor:

Aplique massa lubrificante (Shell Alvania N.º 2 ou equivalente) a cada 25 horas de utilização.


Ponta da barra de guia:

Aplique massa lubrificante (Shell Alvania N.º 2 ou equivalente) a partir do orifício de lubrificação **(B)** a cada 10 horas de utilização.

Inspeção geral

- Aperte os parafusos e porcas soltos.
- Verifique por peças danificadas. Peça ao centro de assistência autorizado Dolmar para as substituir.

Armazenamento

 **AVISO:** Siga todos os avisos e precauções no capítulo "Precauções de segurança" e o manual de instruções da unidade de alimentação. **(Fig. 16)**

Ao guardar o implemento podador separado da unidade de alimentação, coloque a tampa na extremidade do veio.

Agenda de manutenção

Horas de utilização		Antes da utilização	Diariamente (10 h)	25 h	50 h	Se necessário	Página correspondente
Unidade inteira	Inspeccione visualmente por peças danificadas	○					50
Todos os parafusos e porcas de fixação	Apertar	○					50
Porta de entrada de óleo de corrente	Limpe		○				49
Barra de guia	Limpe a ranhura e a porta de entrada de óleo de corrente		○				49
	Inspeccione visualmente		○				49
	Lubrifique a ponta		○				50
Caixa de engrenagens	Fornecimento de massa lubrificante			○			50
Eixo motor	Fornecimento de massa lubrificante			○			50
Roda dentada	Inspeccione visualmente				○		50
Corrente da serra	Substitua ou solicite uma afiação					○	50
Unidade de alimentação	Consulte o manual de instruções da unidade de alimentação						

Detecção de avarias

Problema	Causa provável	Solução
O motor não arranca.	Consulte o manual de instruções da unidade de alimentação.	
O motor pára após arrancar.		
A velocidade máxima está limitada.		
A corrente da serra não se move. ➔ Desligue imediatamente o motor!	A barra de guia está dobrada ou danificada.	Substitua a barra de guia.
	Está um pau preso na corrente da serra.	Retire as substâncias estranhas.
	O sistema de accionamento não funciona correctamente.	Peça ao centro de assistência autorizado Dolmar inspeccionar e reparar.
A unidade vibra de forma anómala. ➔ Desligue imediatamente o motor!	O sistema de accionamento não funciona correctamente.	Peça ao centro de assistência autorizado Dolmar inspeccionar e reparar.
A corrente da serra não pára. ➔ Desligue imediatamente o motor!	A unidade de alimentação não funciona correctamente.	Consulte o manual de instruções da unidade de alimentação.
O óleo de corrente não é fornecido.	O depósito de óleo está vazio.	Abasteça o depósito de óleo com óleo de corrente.
	A porta de entrada de óleo de corrente está suja.	Limpe a porta de entrada de óleo de corrente na unidade e na barra de guia.
	O parafuso de regulação da dosagem de óleo de corrente não está bem afinado.	Afine correctamente o parafuso de regulação.

Dados técnicos

Modelo		PS-CS
Dimensões (C x L x A)	mm	1.166 x 80 x 120
Peso	kg	1,1
Comprimento da barra de guia	mm	255 (10")
Corrente da serra		90SG-39E
Medidor da corrente	polegada	0,043"
Número de rodas dentadas		7
Óleo de corrente		SAE10W-30 ou equivalente (No Verão: SAE#30 - #40) (No Inverno: SAE#20)
Bomba de óleo de corrente		Bomba de êmbolo (Tipo auto-lubrificante)
Capacidade do depósito de óleo de corrente	ml	110
Relação de engrenagens (multiplicação)		1,06

Declaração de conformidade CE

(Apenas para os países europeus)

O abaixo-assinado, Tamiro Kishima e Rainer Bergfeld, assim autorizado pela Dolmar GmbH, declaram que as máquinas DOLMAR:

Designação da máquina: Implemento Podador

N.º de modelo/Tipo: PS-CS

Especificações: consulte "Dados técnicos"

são de produção em série e

Estão em conformidade com a(s) Directiva(s) Europeia(s) seguinte(s):

2006/42/EC

E são fabricadas de acordo com a(s) norma(s) ou os documento(s) padronizado(s) seguinte(s):

EN ISO 11680

A documentação técnica está arquivada em:

Dolmar GmbH,

Jenfelder Straße 38, Abteilung FZ, D-22045 Hamburg

15. 12. 2010



Tamiro Kishima
Director executivo



Rainer Bergfeld
Director executivo

Forord

Tak fordi du har købt et Dolmar stangsav-tilbehør. Dette tilbehør er designet til at blive monteret på en den Dolmar-drivenhed, som er nævnt i denne brugsanvisning.
Læs venligst dette hæfte og brugsanvisningen til drivenheden inden brug. Det vil gøre dig i stand til at opnå det bedst mulige resultat med dit Dolmar stangsav-tilbehør.

Indhold	Side
Forord	53
Symboler	53
Godkendt drivenhed	53
Beskrivelse af dele	54
Sikkerhedsforholdsregler	54
Samling og justering	55
Eftersyn og vedligeholdelse	56
Opbevaring	57
Vedligeholdelseskema	57
Fejlfinding	57
Tekniske data	58
EF-overensstemmelseserklæring	58

Symboler

De følgende symboler er anvendt på tilbehøret og i denne brugsanvisning. Forstå disse definitioner.



Læs og følg brugsanvisningen.



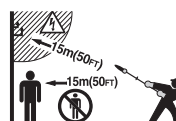
Vær særlig forsigtig og opmærksom!



Bær hjelm, øjen- og høreværn.



Anvend kraftige støvler med skridsikre såler.



Hold en afstand på mindst 15 m mellem udstyret og personer i nærheden og/eller elledning (inklusive grene som er i kontakt med elledningen). Risiko for elektrisk stød.



Hold aldrig stangsaven på en større vinkel end 60°.



Førstehjælp



(Kun for lande i Europa) Dette produkt er i overensstemmelse med EF-direktiverne.

Godkendt drivenhed

Dette tilbehør er kun godkendt til brug med den/de følgende drivenhed(er):

CS-246.4C Multifunktionelt værktøjshoved

⚠ ADVARSEL: Anvend aldrig dette tilbehør med en ikke-godkendt drivenhed. En ikke-godkendt kombination kan medføre alvorlig personskade.

Beskrivelse af dele (Fig. 1)

Tallene nedenfor refererer til figuren

1. Skaft
2. Gearkasse
3. Olieåbning
4. Oliebænk
5. Sværdholder
6. Sværd
7. Savkæde
8. Sværdske

Sikkerhedsforholdsregler

⚠ ADVARSEL: Læs alle sikkerhedsadvarsler og alle instruktioner i dette hæfte og brugsanvisningen til drivenheden. Det kan medføre elektrisk stød, brand og/eller alvorlig personskade, hvis du ikke overholder advarslerne og følger instruktionerne.

Gem alle advarsler og instruktioner så De har dem til fremtidig brug.

Termen "stangsav" og "udstyr" i advarslerne og forholdsregler henviser til kombinationen af tilbehøret og drivenheden.

Termen "motor" i advarslerne og forholdsreglerne henviser til motoren eller drivenhedens elektriske motor.

Tilsluttet anvendelse

- Dette tilbehør er kun designet til beskæring af grene, som er mindre end 15 cm i diameter, koblet sammen med en godkendt drivenhed. Anvend aldrig tilbehøret til nogen andre formål. Misbrug af tilbehøret kan medføre alvorlig personskade.

Generelle forholdsregler

- Inden du starter stangsaven, skal du læse dette hæfte og brugsanvisningen til drivenheden, så du er bekendt med håndteringen af stangsaven.
- Lån ikke tilbehøret ud til en person med begrænset erfaring eller kendskab til håndteringen af stangsaven.
- Vedlæg altid denne brugsanvisning, når tilbehøret lånes ud.
- Børn og unge personer under 18 år må ikke anvende stangsaven. Hold dem væk fra stangsaven.
- Håndter stangsaven med allerstørste omhu og opmærksomhed.
- Anvend aldrig stangsaven efter indtagelse af alkohol eller medicin, eller hvis du føler dig træt eller dårligt tilpas.
- Forsøg aldrig på at modificere tilbehøret.
- Overhold reglerne for håndtering af stangsaven og motorsaven i dit land.

Personligt sikkerhedsudstyr

- Bær sikkerhedshjelm, beskyttelsesbriller og beskyttelseshandsker for at beskytte dig selv mod flyvende afskårne stykker og faldende genstande. (Fig. 2)
- Anvend høreværn som f.eks. ørekopper at forhindre høretab.
- Bær passende tøj og sko af hensyn til sikker anvendelse, som f.eks. en arbejdsoverall og kraftige, skridsikre sko. Bær ikke løst tøj eller smykker. Løst tøj, smykker eller langt hår kan sidde fast i bevægelige dele.
- Bær beskyttelseshandsker ved håndtering af savkæden eller justering af kædestramningen. Du kan skære bare hænder voldsomt på savkæden.

Sikkerhedsregler for arbejdsområdet

- **⚠ Fare:** Hold stangsaven mindst 15 m væk fra elledninger og kommunikationskabler (inklusive grene som er i kontakt med dem). Berøring af eller tæt afstand til højspændingsledninger med stangsaven kan resultere i død eller alvorlig personskade. Se efter strømledninger og elektriske hegn omkring arbejdsområdet inden start af arbejdet.
- Anvend kun stangsaven under forhold med god sigtbarhed og dagslys. Stangsaven må ikke anvendes i mørke eller tåge.
- Start og anvend kun motoren udendørs på områder med god ventilation. Anvendelse på et indelukket eller dårligt ventileret område kan medføre død pga. kvælning eller kulilteforgiftning.

- Under anvendelsen må du aldrig stå på en ustabil eller glat overflade eller på en stejl bakke. Vær opmærksom på is og sne i den kolde sæson og sørg altid for at have et godt fodfæste.
- Hold tilskuere og dyr på mindst 15 meters afstand af stangsaven under anvendelsen. Stop motoren så snart der nærmer sig nogen.
- Undersøg arbejdsområder for trådhegn, mure eller andre hårde genstande inden arbejdet udføres. De kan beskadige savkæden.
- **⚠ ADVARSEL:** Brug af dette produkt kan udvikle støv indeholdende kemikalier, der kan medføre luftvejs- eller andre sygdomme. Eksempler på disse kemikalier er forbindelser fundet i pesticider, insektmidler, kunstgødninger og sprøjtegifte. Din risiko i forbindelse med udsættelse for disse kemikalier afhænger af, hvor ofte du udfører denne type arbejde. For at reducere udsættelsen for disse kemikalier: Udfør kun arbejde på områder med god ventilation og under anvendelse af godkendt sikkerhedsudstyr, såsom støvmasker, der er specielt konstrueret til at filtrere mikroskopiske partikler.

Anvendelse

- Inden samling eller justering af udstyret skal du slukke for motoren og fjerne tændrørshætten eller batteripakken.
- Bær beskyttelseshandsker inden håndtering af savkæden eller justering af kædestramningen.
- Inden motoren startes, skal du efterse udstyret for skader, løse skruer/møtrikker og forkert samling. Slib sløve savkæder. Hvis savkæden er bøjet eller beskadiget, skal den udskiftes. Kontroller alle kontrolhåndtag og kontakter glider nemt. Rens og tør håndtagene godt.
- Forsøg aldrig på at starte motoren, hvis udstyret er beskadiget eller ikke er fuldstændig samlet. Ellers kan det medføre alvorlig personskade.
- Juster bæreselen og håndtaget så det passer til brugerens kropsstørrelse.
- Foretag korrekt justering af kædestramningen. Påfyld kædeolie om nødvendigt.


Start af motoren

- Tag det personlige sikkerhedsudstyr på inden start af motoren.
- Start motoren på mindst 3 meters afstand af stedet for brændstofpåfyldningen.
- Inden start af motoren skal du sikre dig, at der ikke er nogen personer eller dyr i arbejdsområdet.
- Når du starter motoren eller indsætter en batteripakke, skal du holde savkæden og sværden væk fra kroppen og andre genstande, inklusive jorden. Savkæden kan eventuelt begynde at køre ved start af maskinen og forårsage alvorlig personskade eller beskadige savkæden og/eller materiel.
- Placer udstyret på fast grund. Hold en god balance og et sikkert fodfæste.
- Når du trækker i starthåndtaget, skal du holde drivenheden fast mod jorden med venstre hånd. Træd aldrig på drivenhedens drivaksel. (Fig. 3)
- Følg brugsanvisningen til drivenheden for start af motoren.
- Kontroller, om der er tilstrækkelig forskel mellem tomgang- og arbejdshastigheder for at sikre, at tilbehøret ikke bevæger sig, når motoren er i tomgang (hvis det er nødvendigt, skal du reducere tomgangshastigheden).
- Hvis savkæden drejer rundt ved tomgang, skal du stoppe motoren og justere tomgangshastigheden ned.

Betjening

- I nødstilfælde skal du straks slukke for motoren.
- Hvis bemærker noget unormalt (f.eks. støj, vibration) under anvendelsen, skal du slukke for motoren. Brug ikke udstyret før årsagen er fundet, og problemet er løst.
- Savkæden fortsætter med at køre i en kort periode, efter gashåndtaget er sluppet, eller motoren er slukket. Rør ikke straks ved savkæden.
- Monter bæreselen med motoren kørende i tomgang.
- Brug bæreselen under anvendelsen af udstyret. Hold udstyret fast på din højre side. (Fig. 4)
- Hold det forreste håndtag med venstre hånd og det bagerste greb med højre hånd, uanset om du er højre- eller venstrehåndet. Hold rundt om håndtagene med fingre og tommelfotter.
- Forsøg aldrig at betjene udstyret med én hånd. Tab af kontrol

kan medføre alvorlig eller dødelig tilskadekomst. For at reducere risikoen for personskader skal du holde hænder og fødder væk fra klingerne.

- Stræk dig ikke for langt frem. Bevar fodfæstet og balancen til enhver tid. Vær på vagt over for skjulte forhindringer som f.eks. træstubbe, rødder og grøfter, så du undgår at snuble. Fjern nedfaldne grene og andre genstande.
- Arbejd aldrig stående på en stige eller oppe i et træ for at undgå tab af kontrol.
- Hvis udstyret bliver udsat for stærkt tryk eller tabes, skal du kontrollere tilstanden, inden du fortsætter arbejdet. Kontroller brændstofssystemet for brændstoftækkage samt betjenings- og sikkerhedsudstyr for funktionsfejl. Hvis der er nogen skader eller tvivlsspørgsmål, skal du bede et autoriseret Dolmar-servicecenter om at foretage eftersyn og reparation.
- Rør ikke ved gearkassen. Gearkassen bliver varm under anvendelsen.
- Hold pauser for at forhindre tab af kontrol pga. træthed. Vi anbefaler, at du tager en 10 til 20 minutters pause hver time.
- Når du forlader udstyret, selv hvis det kun er for kort tid, skal du altid slukke for motoren eller fjerne batteripakken. Hvis udstyret med kørende motor lades uden opsyn kan det blive anvendt af en uautoriseret person og medføre alvorlige ulykker.
- Følg brugsanvisningen til drivenheden angående korrekt brug af betjeningshåndtaget og kontakten.
- Vær opmærksom på omgivelserne. Undgå unødvendig aktivering af gashåndtaget for mindre luft- og støjforurening. Foretag korrekt justering af karburatoren.
- Placer ikke det varme udstyr på tørt græs eller brændbare materialer, hverken under eller efter anvendelsen.
- Hold ikke udstyret over skulderhøjde.
- Slå aldrig savkæden mod hårde genstande som f.eks. sten og søm under anvendelsen. Vær særlig opmærksom ved savning af grene nær mure, trådhegn eller lignende.
- Du må aldrig røre eller nærme dig savkæden, mens den kører. Savkæden kan nemt skære din finger af. Ved håndtering af savkæden skal motoren stoppes, og tændrørshætten eller batteripakken fjernes.
- Hvis savkæden bliver blokeret, skal du altid slukke for motoren og fjern tændrørshætten eller batteripakken inden rensning.
- Accelerering af motoren med blokeret savkæde forøger belastningen, og vil medføre beskadigelse af motoren og/eller koblingen.
- Inden savning af grene skal du sørge for, at der er adgang til et sikkerhedsområde væk fra den faldende gren. Ryd først arbejdsområdet for forhindringer som f.eks. grene. Flyt alle værktøjer og ting fra sikkerhedsområdet til en andet sikkert sted.
- Inden du saver grene af skal du kontrollere deres falderetning, overveje grenenes tilstand, tilstødende træer, vindretning m.v. Vær meget opmærksom på falderetningen.
-  Hold aldrig stangsaven på en større vinkel end 60°. Ellers kan nedfaldende genstande ramme brugeren og forårsage alvorlig personskade. Stå aldrig neden under den gren, der savs.
- Vær opmærksom på brækkede eller bøjede grene. De kan springe tilbage under savningen og medføre uventet tilskadekomst.
- Inden savning af de grene som du ønsker at save af, skal du fjerne grenene og bladene omkring dem. Ellers kan saven sætte sig fast i dem.
- For at forhindre at saven sætter sig fast i snittet, skal du ikke slippe gashåndtaget, før saven er trukket ud af snittet.
- Hvis savkæden sætter sig fast i snittet, skal du straks stoppe motoren, og forsigtigt flytte grenen for at åbne snittet og frigøre saven.
- Accelerering af motoren med fastspændt savkæde forøger belastningen, og vil medføre beskadigelse af motoren og/eller koblingen.
- Undgå tilbageslag (modsat drejende kraft mod brugeren). For at forhindre tilbageslag må du aldrig anvende sværdnæsen eller foretage et gennemgående snit. Vær altid opmærksom på sværdnæsens position.
- Kontroller hyppigt kædestramningen. Ved kontrol eller justering af kædestramningen skal du slukke for motoren og fjerne tændrørshætten eller batteripakken. Hvis stramningen er slap, skal du stramme den.

Transport

- Inden transport af udstyret skal du slukke for motoren og fjerne tændrørshætten eller batteripakken. Sæt altid sværdskeden på under transport.
- Når udstyret transporteres, skal det holdes i skaffet og bæres i vandret position. Sørg for at holde den varme lyddæmper væk fra kroppen.
- Når udstyret transporteres i et køretøj, skal det fastspændes, så det ikke ruller rundt. Ellers kan det medføre brændstoftækkage og beskadigelse af udstyret og anden bagage.


Vedligeholdelse

- Inden der udføres vedligeholdelsesarbejde eller rengøring af udstyret, skal du altid slukke for motoren og fjerne tændrørshætten eller batteripakken. Vent indtil motoren bliver kold.
- Udfør aldrig service på udstyret i nærheden af åben ild af hensyn til brandfaren.
- Anvend altid beskyttelseshandsker ved håndtering af savkæden.
- Rengør altid udstyret for støv og snavs. Brug aldrig benzin, benzen, fortynder, alkohol eller lignende til formålet. Det kan medføre misfarvning, deformation eller revner i plastikkomponenterne.
- Efter hver anvendelse skal alle skruer og møtrikker efterspændes, med undtagelse af karburatorjusteringsskruerne.
- Hold savkæden skarp. Hvis savkæden bliver sløv, og saveydelsen er forringet, skal du bede et autoriseret Dolmar-servicecenter om at slibe den eller udskifte den med en ny.
- Forsøg ikke at foretage nogen former for vedligeholdelse eller reparationer som ikke er beskrevet i dette hæfte eller i brugsanvisningen til drivenheden. Bed et autoriseret Dolmar-servicecenter om at udføre sådanne arbejder.
- Anvend kun originale reservedele og tilbehør fra Dolmar. Brug af dele eller tilbehør, som er leveret af en tredje part, kan medføre sammenbrud af udstyret, materielle skader og/eller alvorlig tilskadekomst.
- Bed et autoriseret Dolmar-servicecenter om at efterse og vedligeholde udstyret med regelmæssige mellemrum.

Opbevaring

- Foretag fuld rengøring og vedligeholdelse inden udstyret sættes til opbevaring. Sæt sværdskeden på. Fjern tændrørshætten eller batteripakken. Tøm motoren for brændstof og kædeolie, når den er kølet af.
- Opbevar udstyret på et tørt og højtbeliggende eller aflåst sted uden for børns rækkevidde.
- Læn ikke udstyret op ad noget andet som f.eks. en væg. Ellers kan den pludselig falde ned og forårsage personskade.

Førstehjælp

-  Hav altid en førstehjælpskasse i nærheden. Erstat straks de ting der benyttes fra førstehjælpskassen.
- Oplys følgende hvis du tilkalder hjælp:
 - Stedet hvor ulykken er sket
 - Hvad der er sket
 - Antallet af tilskadede personer
 - Hvad slags tilskadekomst
 - Dit navn

Samling og justering

ADVARSEL:

- Inden samling eller justering af udstyret skal du slukke for motoren og fjerne tændrørshætten eller batteripakken. Ellers kan savkæden eller andre dele begynde at køre og resultere i alvorlig tilskadekomst.
- Bær beskyttelseshandsker inden håndtering af savkæden eller justering af kædestramningen. Ellers kan du skære de bare hænder voldsomt på savkæden.
- Læg altid udstyret ned ved samling eller justering. Samling eller justering af udstyret i en oprejst position kan medføre alvorlig tilskadekomst.
- Overhold advarselserne og forholdsreglerne i kapitlet "Sikkerhedsforholdsregler" og brugsanvisningen til drivenheden.

Samling af tilbehøret (Fig. 5)

Saml tilbehøret i henhold til følgende trin.

1. Løsn skruen (A) og (B).
2. Sæt skaffet ind i gearkassen. Sørg for, at stiften (E) er på oversiden. Hvis det er svært at sætte den helt ind, skal du dreje drivakslen (C) manuelt.
3. Juster positionen af hullet på skaffet ind efter skruetallet (B).
4. Spænd skruen (B) først og spænd derefter skruen (A).

Bemærk: I visse tilfælde er skaffet muligvis ikke fuldstændig fastspændt selv efter tilspænding af skruen (A) og (B). I dette tilfælde skal du fjerne afstandsskiven (D).

Montering af tilbehøret på en drivenhed (Fig. 6)

Følg trinene nedenfor for at montere tilbehøret på en drivenhed.

1. Sørg for at låsehåndtaget (A) ikke er spændt.
 2. Ret stiften (B) ind efter pilemærket (C).
 3. Sæt skaffet ind i drivakslen på drivenheden indtil udløsningsknappen (D) springer ud.
 4. Stram låsehåndtaget (A) ordentligt til som vist.
- For at afmontere tilbehøret skal du løsne låsehåndtaget, trykke på låseknappen og trække skaffet ud.

BEMÆRK: Stram ikke låsehåndtaget (A) til, hvis tilbehørets skaffet ikke er indsat. Ellers kan låsehåndtaget muligvis forårsage, at drivakslens indgang spændes for hårdt og beskadiges.

Samling af savkæde og sværd (Fig. 7 og 8)

⚠ Forsigtig: Sørg for at savkæden, sværdet og kædehjulet matcher hinanden i mål og tandafstand.

Saml savkæden og sværdet i henhold til de følgende trin.

1. Løsn møtrikken (A) og fjern sværdholderen (B).
2. Placer savkæden (C) i rillen på sværdet (D). Start fra sværdets næse.
3. Placer savkæden (C) på kædehjulet (E).
4. Monter sværdet (D) så spændingsmøtrikken (F) passer ind i hullet på sværdet.
5. Placer sværdholderen (B) og spænd møtrikken (A) til. Løsn derefter møtrikken en halv omgang af hensyn til kædestramningsjusteringen.
6. Foretag justering af kædestramningen. Se afsnittet "Justering af kædestramningen".

Justering af kædestramningen

⚠ ADVARSEL:

- Inden kontrol eller justering af kædestramningen skal du slukke for motoren og fjerne tændrørshætten eller batteripakken.
- Du skal tage beskyttelsesbriller på inden kontrol eller justering af kædestramningen.

⚠ Forsigtig:

- Sørg for at holde den rigtige kædestramning. En for løs kædestramning kan medføre, at savkæden falder af under anvendelsen. En for stram kædestramning kan beskadige savkæden og sværdet.
- Kontroller hyppigt kædestramningen under anvendelsen. Savkæden strækkes og bliver løs under anvendelsen. Når du anvender en ny savkæde, skal kædestramningen justeres endnu hyppigere. (Fig. 9)

Justér kædestramningen vha. følgende trin.

1. Løsn møtrikken (A) en halv omgang.
2. Hold sværdets næse opad. Drej skruen til stramning af kæden (B) med uret, indtil savkæden passer nøjagtigt til undersiden af sværdet.
3. Træk savkæden langs sværdet med hånden. Hvis det er svært at flytte den, skal du dreje skruen til stramning af kæden en smule mod urets retning og foretage trin 2 igen.
4. Spænd møtrikken (A) til.

Opfyldning af kædeolietanken

Savkæden skal smøres med kædeolie under anvendelsen.

Fyld kædeolietanken op inden anvendelsen. Skru oliedækslet ordentligt til efter påfyldning af olien.

Den anbefalede kædeolie er:

- SAE10W-30,
- SAE#30 til #40 om sommeren eller
- SAE#20 om vinteren.

Bemærk: Anvend aldrig spildolie. Det kan beskadige oliepumpen.

Vær altid opmærksom på oliestanden under anvendelsen. Genopfyld tanken hvis oliestanden bliver lav. Tankens indhold er opbrugt efter ca. 40 minutters anvendelse (afhængigt af indstillingen for kædesmøring).

Justering af tilførselshastigheden for kædeolie (Fig. 10 og 11)

Kædeolietilførselshastigheden kan justeres i tre trin. Den er fra fabrikken indstillet på den lave tilførselshastighed. Tilførselshastigheden skal forøges afhængigt af anvendelsen, f.eks. ved savning af hårde grene. Brug en fladhovedet skruetrækker til at justere kædeolietilførselshastigheden. Tryk justeringsskruen ind og drej den hen på den positionen for den ønskede tilførselshastighed.

- A: Lav
- B: Medium
- C: Høj

Efter justering af kædeolietilførselshastigheden skal du kontrollere tilførselshastigheden ved at køre udstyret ved medium hastighed.

Eftersyn og vedligeholdelse

⚠ ADVARSEL:

- Inden eftersyn eller vedligeholdelse af udstyret skal du slukke for motoren og fjerne tændrørshætten eller batteripakken. Ellers kan savkæden eller andre dele begynde at køre og resultere i alvorlig tilskadekomst.
- Tag beskyttelseshandsker på, inden du håndterer eller arbejder omkring savkæden. Ellers kan du skære de bare hænder voldsomt på savkæden.
- Læg altid udstyret ned ved eftersyn eller vedligeholdelse. Samling eller justering af udstyret i en oprejst position kan medføre alvorlig tilskadekomst.
- Overhold advarslerne og forholdsreglerne i kapitlet "Sikkerhedsforholdsregler" og brugsanvisningen til drivenheden.

Rengøring af tilførselsåbningen for kædeolie (Fig. 12)

Rengør dagligt tilførselsåbningen for kædeolie (A). Du skal fjerne sværdholderen og sværdet for at få adgang til åbningen.

Rengøring og eftersyn af sværdet (Fig. 13)

Rengør sværdet dagligt. Fjern savsmuld fra rillen (A) og tilførselsåbningen for kædeolie (B).

For at undgå ensidigt slid af sværdet, skal det vendes om hver gang, du udskifter eller sliber savkæden.

Hvis rillen er slidt, bøjet eller deform, skal du udskifte sværdet.

Eftersyn af kædehjul (Fig. 14)

Kontroller kædehjulet for slid efter hver 50 timers brug. Udskift det, hvis slidmærkerne bliver 0,3 mm eller dybere.

Eftersyn af savkæden

Når du føler at savkæden er slidt, deform eller revnet, eller du behøver at bruge flere kræfter for at save, skal du udskifte den eller bede et autoriseret Dolmar-servicecenter om at slibe den.

Smøring af bevægelige dele (Fig. 15)

BEMÆRK: Følg instruktionen for smøringshyppighed og smørelsesmængde. Ellers kan utilstrækkelig smøring medføre beskadigelse af bevægelige dele.

Gearkasse:

Påfyld litiumbaseret smørelse gennem smørelienen (A) efter hver 25 timers anvendelse.

Drivaksel:

Tilfør smørelse (Shell Alvania nr. 2 eller tilsvarende) efter hver 25 timers anvendelse.

Sværdnæse:

Tilfør smørelse (Shell Alvania nr. 2 eller tilsvarende) gennem smørehullet (B) efter hver 10 timers anvendelse.

Overordnet eftersyn

- Spænd løse bolte, møtrikker og skruer.
- Kontroller beskadigede dele. Bed et autoriseret Dolmar-servicecenter om at udskifte dem.

Opbevaring

⚠ ADVARSEL: Overhold advarslerne og forholdsreglerne i kapitlet "Sikkerhedsforholdsregler" og brugsanvisningen til drivenheden. (Fig. 16)

Når stangsav-tilbehøret opbevares separat fra drivenheden, skal du sætte dækslet fast på enden af skaftet.

Vedligeholdelsesskema

Driftstime		Inden anvendelse	Dagligt (10 t)	25 t	50 t	Om nødvendigt	Modsvarende side
Hele enheden	Efterse visuelt for beskadigede dele	○					57
Alle fastgørelsesskruer og møtrikker	Stram	○					57
Tilførselsåbning for kædeolie	Rengør		○				56
Sværd	Rengør rillen og tilførselsåbningen for kædeolie		○				56
	Efterse visuelt		○				56
	Tilfør smørelse til næsen		○				56
Gearkasse	Tilfør smøremiddel			○			56
Drivaksel	Tilfør smøremiddel			○			56
Kædehjul	Efterse visuelt				○		56
Savkæde	Udskift eller bed om slibning					○	56
Drivenhed	Se i brugsanvisningen til drivenheden						

Fejlfinding

Problem	Sandsynlig årsag	Afhjælpning
Motoren starter ikke.	Se i brugsanvisningen til drivenheden.	
Motoren stopper snart, efter den er startet.		
Den maksimale hastighed er begrænset.		
Savkæden kører ikke. → Stop straks motoren!	Sværdet er bøjet eller beskadiget.	Udskift sværdet.
	Der sidder en kvist fast i savkæden.	Fjern fremmedlegemerne.
	Drivsystemet fungerer ikke ordentligt.	Bed et autoriseret Dolmar-servicecenter om at efterse og reparere det.
Enheden vibrerer unormalt. → Stop straks motoren!	Drivsystemet fungerer ikke ordentligt.	Bed et autoriseret Dolmar-servicecenter om at efterse og reparere det.
Savkæden stopper ikke. → Stop straks motoren!	Drivenheden fungerer ikke ordentligt.	Se i brugsanvisningen til drivenheden.
Der tilføres ikke kædeolie.	Olietanken er tom.	Fyld olietanken med kædeolie.
	Tilførselsåbningen for kædeolie er beskidt.	Rengør tilførselsåbningen for kædeolie på enheden og sværdet.
	Justeringskruen til kædeolietilførselshastigheden er ikke ordentligt indstillet.	Indstil justeringskruen korrekt.

Tekniske data

Model		PS-CS
Mål (L x B x H)	mm	1.166 x 80 x 120
Vægt	kg	1,1
Sværdlængde	mm	255 (10")
Savkæde		90SG-39E
Kædemåler	tommer	0,043"
Antal kædehjulstænder		7
Kædeolie		SAE10W-30 eller tilsvarende (Om sommeren: SAE#30 - #40) (Om vinteren: SAE#20)
Kædeoliepumpe		Stempelpumpe (Selvsmørende type)
Kædeolietankvolumen	ml	110
Gearforhold (hastighed stiger)		1,06

EF-overensstemmelseserklæring

(Kun for lande i Europa)

De undertegnede, Tamiro Kishima og Rainer Bergfeld, erklærer som autoriserede af Dolmar GmbH at denne/disse DOLMAR-maskine(r):

Maskinens betegnelse: Stangsav-tilbehør

Modelnummer/type: PS-CS

Specifikationer: se "Tekniske data"

er en produktionsserie og

Overholder følgende europæiske direktiv(er):

2006/42/EF

Og er produceret i overensstemmelse med følgende standard(er) eller standardiserede dokument(er):

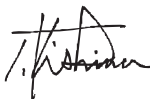
EN ISO 11680

Den tekniske dokumentation opbevares på:

Dolmar GmbH,

Jenfelder Straße 38, Abteilung FZ, D-22045 Hamburg

15. 12. 2010



Tamiro Kishima
Administrerende direktør



Rainer Bergfeld
Administrerende direktør

Πρόλογος

Σας ευχαριστούμε πολύ που αγοράσατε αυτό το προσάρτημα κονταροπρίοιο της Dolmar. Το προσάρτημα αυτό είναι σχεδιασμένο για να στερεώνεται πάνω στην βενζινοκίνητη μονάδα της Dolmar που αναφέρθηκε προηγουμένως σε αυτό το εγχειρίδιο οδηγιών. Πριν από τη χρήση, παρακαλούμε διαβάστε αυτό το βιβλιάριο και το εγχειρίδιο οδηγιών της βενζινοκίνητης μονάδας. Αυτά θα σας βοηθήσουν να αποκτήσετε τα καλύτερα δυνατά αποτελέσματα από το προσάρτημα κονταροπρίοιο της Dolmar.

Πίνακας περιεχομένων	Σελίδα
Πρόλογος.....	59
Σύμβολα	59
Εγκεκριμένη βενζινοκίνητη μονάδα	59
Περιγραφή εξαρτημάτων	60
Μέτρα ασφάλειας.....	60
Συναρμολόγηση και ρύθμιση.....	62
Επιθεώρηση και συντήρηση.....	63
Αποθήκευση	63
Πρόγραμμα συντήρησης	64
Επίλυση προβλημάτων	64
Τεχνικά στοιχεία	65
ΕΚ Δήλωση συμμόρφωσης	65

Σύμβολα

Τα παρακάτω σύμβολα χρησιμοποιούνται πάνω στο προσάρτημα και σε αυτό το εγχειρίδιο οδηγιών. Κατανοήστε αυτούς τους ορισμούς.



Διαβάστε και ακολουθήστε το εγχειρίδιο οδηγιών.



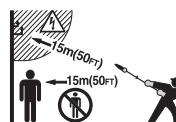
Δώστε ιδιαίτερη φροντίδα και προσοχή!



Να φοράτε προστατευτικό κράνος και προστατευτικά ματιών και αυτιών.



Να φοράτε ανθεκτικά παπούτσια με αντιολισθητικές σόλες.



Κρατήστε μια απόσταση τουλάχιστον 15 μέτρων (50 ποδιών), μεταξύ της συσκευής και των παρευρισκομένων ή/και μιας ηλεκτρικής γραμμής (συμπεριλαμβανομένων τυχόν κλαδιών που βρίσκονται σε επαφή με αυτή). Κίνδυνος ηλεκτροπληξίας.



Ποτέ μην κρατάτε το κονταροπρίοιο υπό μια γωνία μεγαλύτερη των 60°.



Πρώτες βοήθειες



(Για τις Ευρωπαϊκές χώρες μόνο)
Αυτό το προϊόν συμμορφώνεται με τις οδηγίες της Ευρωπαϊκής Κοινότητας.

Εγκεκριμένη βενζινοκίνητη μονάδα

Το προσάρτημα αυτό είναι εγκεκριμένο για χρήση μόνο με την παρακάτω βενζινοκίνητη μονάδα(δες):

CS-246.4C Βενζινοκίνητη Κεφαλή Πολλαπλών Χρήσεων

⚠ ΠΡΟΕΙΔΟΠΟΙΗΣΗ: Ποτέ να μην χρησιμοποιήσετε το προσάρτημα με μια μη εγκεκριμένη συσκευή. Ο μη εγκεκριμένος συνδυασμός μπορεί να προκαλέσει το σοβαρό τραυματισμό.

Περιγραφή εξαρτημάτων (Εικ. 1)

Οι παρακάτω αριθμοί αναφέρονται στην εικόνα

1. Άξονας
2. Κιβώτιο ταχυτήτων
3. Καπάκι του λαδιού
4. Ρεζερβουάρ λαδιού
5. Στήριγμα της λάμας
6. Οδηγητική λάμα
7. Αλυσίδα του πριονιού
8. Κάλυμμα της αλυσίδας

Μέτρα ασφάλειας

⚠ ΠΡΟΕΙΔΟΠΟΙΗΣΗ: Διαβάστε όλες τις προειδοποιήσεις ασφαλείας και όλες τις οδηγίες σε αυτό το βιβλιάριο και το εγχειρίδιο οδηγιών της βενζινοκίνητης μονάδας. Αν δεν ακολουθήσετε όλες τις προειδοποιήσεις και τις οδηγίες, υπάρχει κίνδυνος ηλεκτροπληξίας, πυρκαγιάς ή/και σοβαρού τραυματισμού.

Φυλάξτε όλες τις προειδοποιήσεις και τις οδηγίες για μελλοντική αναφορά.

Ο όρος “κονταροπρίονο” και “συσκευή” στην ενότητα των προειδοποιήσεων και προφυλάξεων αφορούν το συνδυασμό του προσαρτήματος και της βενζινοκίνητης μονάδας.

Ο όρος “κινητήρας” στην ενότητα των προειδοποιήσεων και των προφυλάξεων αναφέρεται στον κινητήρα ή στον ηλεκτρικό κινητήρα της βενζινοκίνητης μονάδας.

Προβλεπόμενη χρήση

- Αυτό το προσάρτημα είναι σχεδιασμένο μόνο για τους σκοπούς της κοπή κλαδιών και άκρων κλαδιών που έχουν διάμετρο μικρότερη από 15 εκατοστά, σε συνδυασμό με μια εγκεκριμένη βενζινοκίνητη μονάδα. Ποτέ μην χρησιμοποιήσετε το προσάρτημα για άλλους σκοπούς. Η κατάχρηση του προσαρτήματος μπορεί να προκαλέσει σοβαρό τραυματισμό.

Γενικές προφυλάξεις

- Πριν την έναρξη λειτουργίας του κονταροπριονιού, διαβάστε αυτό το βιβλιάριο και το εγχειρίδιο οδηγιών της βενζινοκίνητης μονάδας για να εξοικειωθείτε με το χειρισμό του κονταροπριονιού.
- Να μην δανείτε το προσάρτημα σε ένα άτομο με ανεπαρκή πείρα ή γνώσεις σχετικά με το χειρισμό των κονταροπριονίων.
- Όταν δανείτε το προσάρτημα, πάντα να επισυνάψετε το παρόν εγχειρίδιο οδηγιών.
- Μην αφήνετε τα παιδιά ή τους νέους κάτω των 18 ετών να χρησιμοποιούν το κονταροπρίονο. Κρατήστε τους μακριά από το κονταροπρίονο.
- Χρησιμοποιείτε το κονταροπρίονο με τη μεγαλύτερη δυνατή φροντίδα και προσοχή.
- Ποτέ να μην χρησιμοποιήσετε το κονταροπρίονο μετά από την κατανάλωση αλκοόλ ή φαρμάκων, ή εάν αισθάνεστε κουρασμένοι ή είστε ασθενείς.
- Ποτέ μην επιχειρήσετε να τροποποιήσετε το προσάρτημα.
- Ακολουθήστε τους κανονισμούς σχετικά με το χειρισμό των κονταροπριονίων και των αλυσίδων πριονιού στη χώρα σας.

Προσωπικός προστατευτικός εξοπλισμός

- Φοράτε κράνος ασφαλείας, προστατευτικά γυαλιά και γάντια για να προστατεύετε τον εαυτό σας από θραύσματα που εκτινάσσονται ή αντικείμενα που πέφτουν. (Εικ. 2)
- Φοράτε προστατευτικά αφιών όπως ωτοασπίδες για την πρόληψη της απώλειας ακοής.
- Φοράτε τα κατάλληλα ρούχα και παπούτσια για την ασφαλή λειτουργία, όπως φόρμα εργασίας και ανθεκτικά αντιολισθητικά παπούτσια. Μη φοράτε φαρδιά ρούχα ή κοσμήματα. Υπάρχει κίνδυνος να εμπλακούν τα φαρδιά ρούχα, τα κοσμήματα ή τα μακριά μαλλιά στα κινούμενα μέρη.
- Κατά το χειρισμό της αλυσίδα του πριονιού ή την προσαρμογή της τάσης της αλυσίδας, φοράτε προστατευτικά γάντια. Η αλυσίδα του πριονιού μπορεί να προκαλέσει έντονο κόψιμο στα γυμνά χέρια.

Ασφάλεια στο χώρο εργασίας

- **⚠ Κίνδυνος:** Κρατήστε το κονταροπρίονο τουλάχιστον 15 μέτρα μακριά από ηλεκτρικές γραμμές και καλώδια επικοινωνίας (συμπεριλαμβανομένων όλων των κλαδιών που έρχονται σε επαφή με αυτά). Το άγγιγμα ή το πλησίασμα των γραμμών υψηλής τάσης με το κονταροπρίονο μπορεί να οδηγήσει σε θάνατο ή σοβαρό τραυματισμό. Δείτε τις γραμμές ηλεκτρικού ρεύματος και τους ηλεκτρικούς φράκτες γύρω από την περιοχή εργασίας πριν από την έναρξη της λειτουργίας.
- Λειτουργήστε το κονταροπρίονο μόνο υπό καλές συνθήκες ορατότητας και στο φως της ημέρας. Μην λειτουργείτε το κονταροπρίονο στο σκοτάδι ή στην ομίχλη.
- Ξεκινήστε και θέστε τον κινητήρα σε λειτουργία μόνο σε εξωτερικούς χώρους σε μια καλά αεριζόμενη περιοχή. Η λειτουργία σε κλειστό ή ανεπαρκώς αεριζόμενο χώρο μπορεί να οδηγήσει σε θάνατο λόγω της δηλητηρίασης από μονοξείδιο του άνθρακα ή ασφυξίας.
- Κατά τη λειτουργία, ποτέ να μην στέκεστε σε μια ασταθή ή ολισθηρή επιφάνεια ή σε απότομη πλαγιά. Κατά τη χειμερινή περίοδο, δώστε προσοχή στον πάγο και στο χιόνι και πάντα να διασφαλίζετε ένα ασφαλές πάτημα.
- Κατά τη λειτουργία, κρατήστε τους παρισταμένους ή τα ζώα, τουλάχιστον 15 μέτρα μακριά από το κονταροπρίονο. Σταματήστε τον κινητήρα μόλις πλησιάζει κάποιος.
- Πριν από τη λειτουργία, εξετάστε την περιοχή εργασίας για ύπαρξη συρματοπλεγμάτων, τοίχων ή άλλων στερεών αντικειμένων. Αυτά μπορεί να καταστρέψουν την αλυσίδα του πριονιού.
- **⚠ ΠΡΟΕΙΔΟΠΟΙΗΣΗ:** Η χρήση αυτού του προϊόντος μπορεί να παράγει σκόνη που περιέχει χημικές ουσίες που μπορούν να προκαλέσουν αναπνευστικά προβλήματα ή άλλες ασθένειες. Μερικά παραδείγματα αυτών των χημικών ουσιών είναι οι ενώσεις που βρίσκονται στα εντομοκτόνα φυτοφάρμακα, λιπάσματα και ζιζανιοκτόνα. Ο κίνδυνος από την έκθεσή σας στα παραπάνω ποικίλλει ανάλογα με τη συχνότητα με την οποία εκτελείτε αυτού του είδους τις εργασίες. Για να μειώσετε την έκθεσή σας σε αυτές τις χημικές ουσίες: να εργάζεστε σε χώρο με καλό αερισμό και με εγκεκριμένο εξοπλισμό ασφαλείας, όπως προσωπίδες κατά της σκόνης που είναι ειδικά σχεδιασμένες να φιλτράρουν μικροσκοπικά σωματίδια.

Έναρξη της λειτουργίας

- Πριν από τη συναρμολόγηση ή την προσαρμογή του εξοπλισμού, σβήστε τον κινητήρα και αφαιρέστε το καπάκι του μπουζί ή την κασέτα μπαταρίας.
- Κατά το χειρισμό της αλυσίδας του πριονιού ή τη ρύθμιση της τάσης της αλυσίδας, φοράτε προστατευτικά γάντια.
- Πριν από την έναρξη του κινητήρα, ελέγξτε τη συσκευή για ύπαρξη ζημιών, χαλαρές βίδες/παξιμάδια ή την ακατάλληλη συναρμολόγηση. Ακονίστε την αλυσίδα του πριονιού που έχει αμβλύνει. Αν η αλυσίδα του πριονιού είναι λυγισμένη ή κατεστραμμένη, αντικαταστήστε τη. Ελέγξτε αν λειτουργούν με ευκολία όλοι οι μοχλοί χειρισμού και οι διακόπτες. Καθαρίστε και στεγνώστε τα χερούλια.
- Ποτέ μην επιχειρήσετε να ξεκινήσετε τον κινητήρα, αν ο εξοπλισμός έχει υποστεί ζημιά ή αν δεν είναι πλήρως συναρμολογημένος. Αλλιώς μπορεί να προκληθεί σοβαρός τραυματισμός.
- Ρυθμίστε το λουρί του ώμου και τη λαβή χειρός ώστε να ταιριάζει με το μέγεθος του σώματος του χειριστή.
- Ρυθμίστε την τάση της αλυσίδας σωστά. Αναπληρώστε το λάδι της αλυσίδας, εάν είναι απαραίτητο.


Ξεκινώντας τον κινητήρα

- Φορέστε τους προσωπικούς προστατευτικούς εξοπλισμούς πριν την εκκίνηση του κινητήρα.
- Ξεκινήστε τον κινητήρα τουλάχιστον 3 μέτρα (10 πόδια) μακριά από το σημείο ανεφοδιασμού καυσίμου.
- Πριν από την έναρξη του κινητήρα, βεβαιωθείτε ότι δεν υπάρχει άνθρωπος ή ζώο στο χώρο εργασίας.
- Κατά την εκκίνηση του κινητήρα ή κατά την εισαγωγή μιας κασέτας μπαταρίας, κρατήστε την αλυσίδα του πριονιού και την οδηγική λάμα μακριά από το σώμα σας και από άλλα αντικείμενα, συμπεριλαμβανομένου του εδάφους. Η αλυσίδα του πριονιού μπορεί να κινηθεί κατά την εκκίνηση και μπορεί να προκαλέσει σοβαρό τραυματισμό ή βλάβη στην αλυσίδα του

- πριονιού και/ή στην ιδιοκτησία.
- Τοποθετήστε τη συσκευή σε επίπεδο έδαφος. Διατηρήστε καλή ισορροπία και ασφαλές πάτημα.
- Όταν τραβάτε το κουμπί εκκίνησης, κρατήστε τη βενζινοκίνητη μονάδα σταθερά πάνω στο έδαφος με το αριστερό σας χέρι. Ποτέ να μην βάζετε το πόδι σας πάνω στον άξονα μετάδοσης κίνησης της βενζινοκίνητης μονάδας. **(Εικ. 3)**
- Ακολουθήστε τις οδηγίες χρήσης του βενζινοκίνητης μονάδας για την εκκίνηση του κινητήρα.
- Ελέγξτε για να διαπιστώσετε ότι υπάρχει επαρκής διαφορά μεταξύ των ταχυτήτων του ρελαντί και της λειτουργίας και να διασφαλίσετε ότι το προσάρτημα είναι σταματημένο όταν ο κινητήρας βρίσκεται στο ρελαντί (εάν είναι απαραίτητο, ελαττώστε την ταχύτητα του ρελαντί).
- Αν η αλυσίδα του πριονιού κινείται στο ρελαντί, σταματήστε τον κινητήρα και ρυθμίστε προς τα κάτω την ταχύτητα του ρελαντί.

Λειτουργία

- Σε περίπτωση έκτακτης ανάγκης, σβήστε τον κινητήρα αμέσως.
- Αν αισθανθείτε οποιαδήποτε ασυνήθιστη κατάσταση (π.χ. θόρυβος, δονήσεις) κατά τη λειτουργία, σβήστε τον κινητήρα. Μην χρησιμοποιείτε τη συσκευή μέχρι να αναγνωριστεί και να επιλυθεί το πρόβλημα.
- Η αλυσίδα του πριονιού συνεχίζει να κινείται για ένα μικρό χρονικό διάστημα μετά την αποδέσμευση της σκανδάλης του γκαζιού ή το σβήσιμο του κινητήρα. Μην βιαστείτε να ακουμπήσετε την αλυσίδα του πριονιού.
- Με τον κινητήρα να λειτουργεί μόνο στο ρελαντί, συνδέστε το λουρί του ώμου.
- Κατά τη λειτουργία, χρησιμοποιήστε το λουρί του ώμου. Κρατήστε σταθερά τη συσκευή στη δεξιά σας πλευρά. **(Εικ. 4)**
- Κρατήστε τη μπροστινή λαβή με το αριστερό χέρι και τη πίσω λαβή με το δεξί χέρι, δεν έχει σημασία αν είστε αριστερόχειρας ή δεξιόχειρας. Πιάστε με τα δάχτυλα και τους αντίχειρές σας τις λαβές.
- Ποτέ μην επιχειρήσετε να λειτουργήσετε τη συσκευή με το ένα χέρι. Η απώλεια ελέγχου μπορεί να οδηγήσει σε σοβαρό ή θανατηφόρο τραυματισμό. Για να μειώσετε τον κίνδυνο τραυματισμού, κρατήστε τα χέρια και τα πόδια σας μακριά από τις λάμες.
- Μην τεντώνετε υπερβολικά. Να στέκεστε πάντοτε σταθερά και ισορροπημένα. Δώστε προσοχή στα κρυμμένα εμπόδια, όπως κούτσουρα, ρίζες και τάφοι για να μην σκοντάψετε. Αφαιρέστε τα κλαδιά που έχουν πέσει και τα άλλα αντικείμενα.
- Ποτέ μην εργάζεστε πάνω σε μια σκάλα ή σε ένα δέντρο για να αποφευχθεί η απώλεια του ελέγχου.
- Εάν η συσκευή χτυπήσει δυνατά κατά την πτώση, ελέγξτε την κατάσταση πριν συνεχίσετε την εργασία. Ελέγξτε το σύστημα καυσίμου για διαρροή καυσίμων και τα χειριστήρια και τις διατάξεις ασφαλείας για ύπαρξη δυσλειτουργίας. Εάν υπάρχει οποιαδήποτε ζημιά ή αν έχετε αμφιβολίες, επικοινωνήστε με ένα εξουσιοδοτημένο κέντρο επισκευών της Dolmar για επιθεώρηση και επισκευή.
- Μην ακουμπάτε το κιβώτιο ταχυτήτων. Το κιβώτιο ταχυτήτων ζεσταίνεται κατά τη λειτουργία.
- Ξεκουραστείτε για να μην χάσετε τον έλεγχο λόγω κούρασης. Σας συνιστούμε να κάνετε 10 έως 20 λεπτά διάλειμμα κάθε ώρα.
- Όταν εγκαταλείπετε τη συσκευή, ακόμη και αν πρόκειται για ένα μικρό χρονικό διάστημα, να σβήνετε πάντοτε τον κινητήρα ή να αφαιρείτε την κασέτα μπαταρίας. Αν λειτουργεί ο κινητήρας και η συσκευή βρίσκεται χωρίς εποπτεία, τότε μπορεί να χρησιμοποιηθεί από μη εξουσιοδοτημένο άτομο και να προκληθεί σοβαρό ατύχημα.
- Ακολουθήστε τις οδηγίες χρήσης του κινητήρα για την ορθή χρήση του μοχλού χειρισμού και του διακόπτη.
- Δώστε προσοχή στο περιβάλλον. Αποφύγετε την άσκοπη λειτουργία του γκαζιού για λιγότερη ρύπανση και εκπομπές θορύβου. Ρυθμίστε το καρμπυρατέρ σωστά.
- Κατά τη διάρκεια ή μετά τη λειτουργία, μην βάλετε τη ζεστή συσκευή επάνω σε ξηρά χόρτα και εύφλεκτα υλικά.
- Μην κρατάτε τη συσκευή πάνω από το ύψος του ώμου σας.
- Κατά τη λειτουργία, μην χτυπήσετε ποτέ την αλυσίδα του πριονιού πάνω σε σκληρά εμπόδια, όπως πέτρες και καρφιά. Δώστε ιδιαίτερη προσοχή κατά την κοπή κλαδιών δίπλα σε τοίχους, συρματοπλέγματα ή κάτι παρόμοιο.
- Ποτέ μην αγγίζετε ή προσεγγίζετε την αλυσίδα του πριονιού όταν κινείται. Η αλυσίδα του πριονιού μπορεί εύκολα να κόψει το δάκτυλό σας. Κατά τον χειρισμό της αλυσίδας του πριονιού, να

- σβήνετε τον κινητήρα και να αφαιρείτε την πίπα του μπουζί ή την κασέτα μπαταρίας.
- Αν η αλυσίδα του πριονιού μαγκώσει, πριν τον καθαρισμό πάντοτε να σβήνετε τον κινητήρα και να αφαιρείτε την πίπα του μπουζί ή την κασέτα μπαταρίας.
- Η επιτάχυνση του κινητήρα με μπλοκαρισμένη την αλυσίδα του πριονιού αυξάνει το φορτίο και θα βλάψει τον κινητήρα και/ή τον συμπλέκτη.
- Πριν από την κοπή κλαδιών, καθορίστε ένα χώρο διαφυγής μακριά από το κλαδί που πέφτει. Στην αρχή, καθαρίστε τα εμπόδια όπως τα κλαδιά και τα άκρα των κλαδιών από το χώρο εργασίας. Μετακινήστε σε άλλο ασφαλές μέρος όλα τα εργαλεία και τα υλικά από την περιοχή διαφυγής.
- Πριν κόψετε τα κλαδιά και τα άκρα των κλαδιών, ελέγξτε την κατεύθυνση πτώσης τους, λαμβάνοντας υπόψη την κατάσταση των κλαδιών και των άκρων των κλαδιών, τα δέντρα που γειτνιάζουν, την κατεύθυνση του ανέμου, κ.λπ. Δώστε μεγάλη προσοχή στην κατεύθυνση πτώσης.
-  Ποτέ μην κρατάτε το κονταροπρίονο υπό μια γωνία μεγαλύτερη των 60°. Διαφορετικά τα αντικείμενα που πέφτουν μπορούν να χτυπήσουν το χειριστή και να προκαλέσουν σοβαρό τραυματισμό. Ποτέ μη στέκεστε κάτω από ένα κλαδί που κόβεται.
- Δώστε προσοχή στα σπασμένα ή λυγισμένα άκρα των κλαδιών. Μπορούν να πεταχτούν προς τα πίσω κατά την κοπή, προκαλώντας απρόσμενο τραυματισμό.
- Πριν από την κοπή κλαδιών που σκοπεύετε να κάνετε, αφαιρέστε τα άκρα των κλαδιών και τα φύλλα που βρίσκονται γύρω τους. Διαφορετικά το πριόνι ενδέχεται να πιαστεί από αυτά.
- Για να αποτρέψετε να πιαστεί το πριόνι μέσα στην εγκοπή, μην αφήσετε το μοχλό του γκαζιού πριν από το τράβηγμα του πριονιού έξω από την εγκοπή.
- Αν η αλυσίδα του πριονιού πιαστεί μέσα στην εγκοπή, σταματήστε αμέσως τον κινητήρα, μετακινήστε προσεκτικά το άκρο του κλαδιού για να ανοίξει η εγκοπή και αφαιρέστε το πριόνι.
- Η επιτάχυνση του κινητήρα με μπλοκαρισμένη την αλυσίδα του πριονιού αυξάνει το φορτίο και θα προκαλέσει βλάβη στον κινητήρα και/ή στον συμπλέκτη.
- Αποφύγετε το κλώσημα (περιστροφική δύναμη αντίδρασης προς τον χειριστή). Για την αποφυγή του κλωσήματος, μην χρησιμοποιήσετε ποτέ τη μύτη της οδηγητικής λάμας ή μην εκτελέσετε μια διεισδυτική κοπή. Πάντα να προσέχετε τη θέση της μύτης της οδηγητικής λάμας.
- Ελέγχετε συχνά την τάση της αλυσίδας. Πριν από τον έλεγχο ή την ρύθμιση της τάσης της αλυσίδας, να σβήνετε τον κινητήρα και να αφαιρείτε την πίπα του μπουζί ή την κασέτα μπαταρίας. Αν η τάση είναι χαλαρή, σφίξτε.

Μεταφορά

- Πριν από τη μεταφορά της συσκευής, σβήστε τον κινητήρα και αφαιρέστε την πίπα του μπουζί ή την κασέτα μπαταρίας. Πάντοτε να τοποθετείτε το κάλυμμα της αλυσίδας κατά τη μεταφορά.
- Κατά τη μεταφορά της συσκευής, να τη μεταφέρετε σε οριζόντια θέση, κρατώντας τον άξονα. Κρατήστε το ζεστό σιγαστήρα μακριά από το σώμα σας.
- Κατά τη μεταφορά της συσκευής σε ένα όχημα, ασφαλίστε σωστά ώστε να μην αναποδογυρίσει. Διαφορετικά μπορεί να προκληθεί διαρροή καυσίμων και φθορά της συσκευής και των άλλων αποσκευών.

Συντήρηση

- Πριν από την συντήρηση, την επισκευή ή το καθαρίσμα της συσκευής, πάντοτε να σβήνετε τον κινητήρα και να αφαιρέτε την πίπα του μπουζί ή την κασέτα μπαταρίας. Περιμένετε έως ότου να κρυώσει ο κινητήρας.
- Για να μειώσετε τον κίνδυνο πυρκαγιάς, ποτέ να μην εκτελείτε τη συντήρηση της συσκευής κοντά σε εστία φωτιάς.
- Πάντοτε να φοράτε προστατευτικά γάντια κατά τον χειρισμό της αλυσίδας του πριονιού.
- Πάντοτε να καθαρίζετε τη σκόνη και τη βρωμιά από τη συσκευή. Μην χρησιμοποιήσετε ποτέ βενζίνη, βενζόλη, διαλυτικό, αλκοόλη ή κάτι παρόμοιο. Μπορεί να προκληθεί αποχρωματισμός, παραμόρφωση ή ρωγμές στα πλαστικά εξαρτήματα.
- Μετά από κάθε χρήση, σφίξτε όλες τις βίδες και τα παξιμάδια, εκτός από τις βίδες ρύθμισης του καρμπυρατέρ.
- Κρατήστε την αλυσίδα του πριονιού αιχμηρή. Αν η αλυσίδα του πριονιού έχει αμβλυνθεί και η απόδοση κοπής είναι φτωχή, επικοινωνήστε με το εξουσιοδοτημένο κέντρο σέρβις της Dolmar


για να την ακονίσετε ή να την αντικαταστήσετε με νέα.

- Μην επιχειρήσετε οποιαδήποτε συντήρηση ή επισκευή η οποία δεν περιγράφεται στο βιβλιário αυτό ή στο εγχειρίδιο οδηγιών της βενζινοκίνητης μονάδας. Επικοινωνήστε με ένα εξουσιοδοτημένο κέντρο σέρβις της Dolmar για τις εργασίες αυτές.
- Χρησιμοποιείτε πάντα γνήσια ανταλλακτικά και αξεσουάρ της Dolmar μόνο. Η χρήση αξεσουάρ ή εξαρτημάτων που παρέχονται από τρίτους μπορεί να οδηγήσει σε βλάβη της συσκευής, σε υλικές ζημιές ή/και σοβαρούς τραυματισμούς.
- Ζητήστε από ένα εξουσιοδοτημένο κέντρο σέρβις της Dolmar την τακτική επιθεώρηση και συντήρηση της συσκευής.

Αποθήκευση

- Πριν την αποθήκευση της συσκευής, εκτελέστε ένα πλήρη καθαρισμό και συντήρηση. Τοποθετήστε το κάλυμμα της αλυσίδας. Αφαιρέστε την πίπα του μπουζί ή την κασέτα μπαταρίας. Αδειάστε το καύσιμο και το λάδι της αλυσίδας αφού του ψυχθεί ο κινητήρας.
- Αποθηκεύετε τη συσκευή σε ένα ξηρό χώρο, ο οποίος βρίσκεται ψηλά ή είναι κλειδωμένος ώστε να μην είναι προσβάσιμος στα παιδιά.
- Μην στηρίζετε τη συσκευή πάνω σε άλλα αντικείμενα, όπως ένας τοίχος. Σε αντίθετη περίπτωση ενδέχεται να πέσει ξαφνικά και να προκαλέσει τραυματισμό.

Πρώτες βοήθειες

-  Πάντα να έχετε κοντά ένα κουτί πρώτων βοηθειών. Αντικαταστήστε αμέσως το οποιοδήποτε αντικείμενο που πάρθηκε από το κουτί των πρώτων βοηθειών.
- Με κάθε έκκληση για βοήθεια, να αναφέρετε τις ακόλουθες πληροφορίες:
 - Τόπος του ατυχήματος
 - Τι συνέβη
 - Αριθμός τραυματισμένων ατόμων
 - Φύση του τραυματισμού
 - Το όνομά σας

Συναρμολόγηση και ρύθμιση

ΠΡΟΕΙΔΟΠΟΙΗΣΗ:

- Πριν από τη συναρμολόγηση ή ρύθμιση της συσκευής, να σβήνετε τον κινητήρα και να αφαιρέσετε την πίπα του μπουζί ή την κασέτα μπαταρίας. Διαφορετικά, η αλυσίδα του πριονιού ή τα άλλα μέρη μπορούν να κινηθούν και να οδηγήσουν σε σοβαρό τραυματισμό.
- Κατά το χειρισμό της αλυσίδας του πριονιού ή την προσαρμογή της τάσης της αλυσίδας, φοράτε προστατευτικά γάντια. Διαφορετικά η αλυσίδα του πριονιού μπορεί να κόψει βαθιά τα γυμνά χέρια.
- Κατά τη συναρμολόγηση ή την ρύθμιση της συσκευής, πάντα να την τοποθετείτε κάτω. Η συναρμολόγηση ή η ρύθμιση της συσκευής σε όρθια θέση μπορεί να οδηγήσει σε σοβαρό τραυματισμό.
- Ακολουθήστε τις προειδοποιήσεις και τις προφυλάξεις στο κεφάλαιο “Μέτρα ασφαλείας” και το εγχειρίδιο οδηγιών της βενζινοκίνητης μονάδας.

Συναρμολόγηση του προσαρτήματος (Εικ. 5)

Συναρμολογήστε το προσάρτημα σύμφωνα με τα παρακάτω βήματα.

1. Ξεσφίξτε τις βίδες (A) και (B).
2. Εισάγετε τον άξονα μέσα στο κιβώτιο ταχυτήτων. Βεβαιωθείτε ότι ο πείρος (E) βρίσκεται προς τα πάνω. Αν είναι δύσκολο να μπει μέσα μέχρι τέλους, γυρίστε τον κινητήρα άξονα (C) με το χέρι.
3. Προσαρμόστε τη θέση της οπής στον άξονα σύμφωνα με την τρύπα της βίδας (B).
4. Σφίξτε πρώτα τη βίδα (B) και στη συνέχεια σφίξτε τη βίδα (A). **Σημείωση:** Σε ορισμένες περιπτώσεις, ο άξονας δεν πρέπει να στερεώνεται πλήρως ακόμη και μετά το πλήρες σφίξιμο των βιδών (A) και (B). Σε αυτή την περίπτωση, αφαιρέστε τον αποστάτη (D).

Στερέωση του προσαρτήματος σε μια βενζινοκίνητη μονάδα (Εικ. 6)


Για να στερεώσετε το προσάρτημα σε μια βενζινοκίνητη μονάδα, ακολουθήστε τα παρακάτω βήματα.

1. Βεβαιωθείτε ότι ο μοχλός κλειδώματος (A) δεν είναι σφιγμένος.
2. Ευθυγραμμίστε την περόνη (B) με το σημείο του βέλους (C).
3. Εισάγετε τον άξονα μέσα στον κινητήριο άξονα της βενζινοκίνητης μονάδας έως ότου το κουμπί απελευθέρωσης (D) να πεταχτεί πάνω.
4. Σφίξτε το μοχλό κλειδώματος (A) γερά όπως φαίνεται.

Για να αφαιρέσετε το προσάρτημα, ξεσφίξτε τον μοχλό κλειδώματος, πατήστε το κουμπί κλειδώματος και αφαιρέστε τον άξονα.

ΕΙΔΟΠΟΙΗΣΗ: Μην σφίγγετε τον μοχλό κλειδώματος (A) χωρίς να είναι μέσα ο άξονας του προσαρτήματος. Σε διαφορετική περίπτωση ο μοχλός κλειδώματος μπορεί να σφίξει υπερβολικά την είσοδο του κινητήριου άξονα και να την καταστρέψει.

Συναρμολόγηση της αλυσίδας του πριονιού και της οδηγητικής λάμας (Εικ. 7 και 8)

 **Προσοχή:** Βεβαιωθείτε ότι η αλυσίδα του πριονιού, η οδηγητική λάμα και το γρανάζι ταιριάζουν μεταξύ τους στο εύρος και στο βήμα. Συναρμολογήστε την αλυσίδα του πριονιού και την οδηγητική λάμα σύμφωνα με τα παρακάτω βήματα.

1. Ξεσφίξτε το παξιμάδι (A) και αφαιρέστε το στήριγμα της λάμας (B).
2. Τοποθετήστε την αλυσίδα του πριονιού (C) μέσα στην αυλάκωση της οδηγητικής λάμας (D). Ξεκινήστε από τη μύτη της λάμας.
3. Τοποθετήστε την αλυσίδα του πριονιού (C) πάνω στο γρανάζι (E).
4. Τοποθετήστε την οδηγητική λάμα (D) έτσι ώστε το παξιμάδι σύσφιξης (F) να ταιριάζει μέσα στην τρύπα της οδηγητικής λάμας.
5. Τοποθετήστε το στήριγμα της λάμας (B) και σφίξτε το παξιμάδι (A) γερά. Στη συνέχεια, ξεσφίξτε το παξιμάδι κατά μισή στροφή ως μέρος της ρύθμισης της τάσης της αλυσίδας.
6. Ρυθμίστε την τάση της αλυσίδας. Ανατρέξτε στην ενότητα “Ρυθμίστε την τάση της αλυσίδας”.

Ρυθμίστε την τάση της αλυσίδας

ΠΡΟΕΙΔΟΠΟΙΗΣΗ:

- Πριν από τον έλεγχο ή τη ρύθμιση της τάσης της αλυσίδας, να σβήνετε τον κινητήρα και να αφαιρέσετε την πίπα του μπουζί ή την κασέτα μπαταρίας.
- Πριν από τον έλεγχο και την ρύθμιση της τάσης της αλυσίδας να φοράτε προστατευτικά γάντια.

Προσοχή:

- Διατηρήστε την κατάλληλη τάση της αλυσίδας. Αν η τάση είναι χαλαρή μπορεί να βγει η αλυσίδα κατά τη διάρκεια της λειτουργίας. Η πολύ σφιχτή τάση μπορεί να προκαλέσει φθορά στην αλυσίδα του πριονιού ή στην οδηγητική λάμα.
- Κατά τη λειτουργία, ελέγχετε την τάση της αλυσίδας τακτικά.

Η αλυσίδα του πριονιού τεντώνεται και χαλαρώνει κατά τη λειτουργία. Όταν χρησιμοποιείτε μια νέα αλυσίδα του πριονιού, ρυθμίζετε συχνότερα την τάση. (Εικ. 9)

Ρυθμίστε την τάση της αλυσίδας σύμφωνα με τα παρακάτω βήματα.

1. Ξεσφίξτε το παξιμάδι (A) κατά μισή στροφή.
2. Κρατήστε προς τα πάνω τη μύτη της λάμας. Γυρίστε τη βίδα σύσφιξης (B) δεξιόστροφα μέχρι που η αλυσίδα του πριονιού να ταιριάζει με ευκολία στην κάτω πλευρά της οδηγητικής λάμας.
3. Τραβήξτε την αλυσίδα του πριονιού κατά μήκος της οδηγητικής λάμας με το χέρι. Αν είναι δύσκολο να κινηθεί, γυρίστε τη βίδα σύσφιξης λίγο προς τα αριστερά και εκτελέστε ξανά το βήμα 2.
4. Σφίξτε το παξιμάδι (A) καλά.

Πλήρωση του ρεζερβουάρ λαδιού της αλυσίδας

Η αλυσίδα του πριονιού πρέπει να λιπαίνεται με λάδι αλυσίδας κατά τη λειτουργία.

Πριν από τη λειτουργία, γεμίστε το ρεζερβουάρ λαδιού της αλυσίδας. Μετά την παροχή λαδιού, σφίξτε καλά το καπάκι του λαδιού.

Το συνιστώμενο λάδι αλυσίδας είναι:

SAE10W-30,

SAE # 30 έως # 40 το καλοκαίρι ή

SAE # 20 το χειμώνα.

Είδοποίηση: Μην χρησιμοποιείτε ποτέ χρησιμοποιημένο λάδι.

Μπορεί να προκαλέσει βλάβη στην αντλία λαδιού. Κατά τη λειτουργία, πάντα να δίνετε προσοχή στη στάθμη του λαδιού. Ξαναγεμίστε τη ρεζερβουάρ, αν η στάθμη του λαδιού φτάσει σε χαμηλό επίπεδο. Το ρεζερβουάρ αδειάζει μέσα σε περίπου 40 λεπτά λειτουργίας (ανάλογα με τη ρύθμιση της λίπανσης της αλυσίδας).

Ρύθμιση του ρυθμού τροφοδοσίας του λαδιού της αλυσίδας (Εικ. 10 και 11)

Ο ρυθμός τροφοδοσίας του λαδιού της αλυσίδας ρυθμίζεται σε τρία βήματα. Από το εργοστάσιο έχει ρυθμιστεί στο χαμηλό ρυθμό τροφοδοσίας. Ανάλογα με τη λειτουργία, για παράδειγμα κατά την κοπή σκληρών κλαδιών, αυξήστε τον ρυθμό τροφοδοσίας. Για να ρυθμίσετε το ρυθμό τροφοδοσίας της αλυσίδας με λάδι, χρησιμοποιήστε ένα πλατύ κατασαβίδι. Σπρώξτε μέσα τη βίδα ρύθμισης και γυρίστε τη στην επιθυμητή θέση τροφοδοσίας.

- A: Χαμηλή
- B: Ενδιάμεση
- C: Υψηλή

Μετά τη ρύθμιση του ρυθμού τροφοδοσίας της αλυσίδας με λάδι, ελέγξτε το ρυθμό τροφοδοσίας λειτουργώντας τη συσκευή στη μεσαία ταχύτητα.

Επιθεώρηση και συντήρηση

⚠️ ΠΡΟΕΙΔΟΠΟΙΗΣΗ:

- Πριν από την επιθεώρηση ή τη συντήρηση της συσκευής, να σβήνετε τον κινητήρα και να αφαιρέτε την πίπα του μπουζί ή την κασέτα μπαταρίας. Διαφορετικά, η αλυσίδα του πριονιού ή άλλα μέρη μπορούν να κινηθούν και να προκαλέσουν σοβαρό τραυματισμό.
- Να φοράτε προστατευτικά γάντια πριν από το χειρισμό ή την εργασία γύρω από την αλυσίδα του πριονιού. Διαφορετικά η αλυσίδα του πριονιού μπορεί να κόψει βαθιά τα γυμνά χέρια.
- Κατά τη συναρμολόγηση ή την συντήρηση της συσκευής, πάντα να τη τοποθετείτε κάτω. Η συναρμολόγηση ή η ρύθμιση της συσκευής σε όρθια θέση μπορεί να οδηγήσει σε σοβαρό τραυματισμό.
- Ακολουθήστε τις προειδοποιήσεις και τις προφυλάξεις στο κεφάλαιο "Μέτρα ασφαλείας" και το εγχειρίδιο οδηγιών της βενζινοκίνητης μονάδας.

Καθαρισμός της θύρας τροφοδοσίας του λαδιού της αλυσίδας (Εικ. 12)

Καθαρίζετε τη θύρα τροφοδοσίας του λαδιού της αλυσίδας (A) καθημερινά. Για να αποκτήσετε πρόσβαση σε αυτή, αφαιρέστε το στήριγμα της λάμας α και την οδηγική λάμα.

Καθαρισμός και έλεγχος της οδηγικής λάμας (Εικ. 13)

Καθαρίζετε την οδηγική λάμα καθημερινά. Αφαιρέστε το πριονίδι από το αυλάκι (A) και τη θύρα τροφοδοσίας λαδιού της αλυσίδας (B).

Για να αποφευχθεί η δυνατότητα φθοράς της μιας πλευράς της οδηγικής λάμας, γυρίστε την ανάποδα κάθε φορά που αντικαθιστάτε ή ακονίζετε την αλυσίδα του πριονιού. Αν το αυλάκι είναι φθαρμένο, έχει καμφθεί ή παραμορφωθεί, αντικαταστήστε την οδηγική λάμα.

Επιθεώρηση του γραναζιού (Εικ. 14)

Ελέγξτε το γρανάζι για ύπαρξη φθοράς κάθε 50 ώρες χρήσης. Αντικαταστήστε το εάν τα σημεία φθοράς γίνουν 0,3 χιλ ή βαθύτερα.

Επιθεώρηση της αλυσίδας του πριονιού

Όταν αισθάνεστε ότι η αλυσίδα του πριονιού έχει φθαρεί, παραμορφωθεί, ραγίσει ή χρειάζεστε περισσότερη προσπάθεια για την κοπή, αντικαταστήστε τη ή ζητήστε από ένα εξουσιοδοτημένο κέντρο σέρβις της Dolmar να την ακονίσει.

Λίπανση κινούμενων μερών (Εικ. 15)

ΕΙΔΟΠΟΙΗΣΗ: Ακολουθήστε τις οδηγίες σχετικά με την ποσότητα του λαδιού και την συχνότητα παροχής του. Διαφορετικά η ανεπαρκής λίπανση μπορεί να προκαλέσει βλάβη στα κινητά μέρη.

Κιβώτιο ταχυτήτων:
Συμπληρώστε γράσο βασισμένο στο λίθιο, μέσω της θηλή λίπανσης (A) κάθε 25 ώρες λειτουργίας.

Κινητήριος άξονας:
Εφαρμόστε γράσο (Shell Alvania Ap. 2 ή ισοδύναμο) κάθε 25 ώρες λειτουργίας.

Μύτη οδηγικής λάμας:
Εφαρμόστε γράσο (Shell Alvania Ap. 2 ή ισοδύναμο) από την τρύπα λίπανσης (B) κάθε 10 ώρες λειτουργίας.

Γενική επιθεώρηση

- Σφίξτε τα ξεσφιγμένα μπουλόνια, τα παξιμάδια και τις βίδες.
- Ελέγξτε για μέρη που έχουν υποστεί ζημιά. Ζητήστε να αντικατασταθούν από ένα εξουσιοδοτημένο κέντρο σέρβις της Dolmar.

Αποθήκευση

⚠️ **ΠΡΟΕΙΔΟΠΟΙΗΣΗ:** Ακολουθήστε τις προειδοποιήσεις και τις προφυλάξεις στο κεφάλαιο "Μέτρα ασφαλείας" και το εγχειρίδιο οδηγιών της βενζινοκίνητης μονάδας. (Εικ. 16)
Βάλτε το καπάκι στο άκρο του άξονα κατά την αποθήκευση του προσαρτήματος κονταροπρίονο όταν είναι αποσυνδεδεμένο από την βενζινοκίνητη μονάδα.

Πρόγραμμα συντήρησης

Ωρες λειτουργίας		Πριν τη λειτουργία	Καθημερινά (10 ώρες)	25 ώρες	50 ώρες	Εάν απαιτείται	Αντίστοιχη σελίδα
Ολόκληρη η συσκευή	Επιθεωρήστε οπτικά για ύπαρξη κατεστραμμένων τμημάτων	○					63
Όλες οι βίδες στερέωσης και τα παξιμάδια	Σφίξτε	○					63
Θύρα τροφοδοσίας λαδιού αλυσίδας	Καθαρίστε		○				63
Οδηγητική λάμα	Καθαρίστε το αυλάκι και τη θύρα τροφοδοσίας του λαδιού της αλυσίδας		○				63
	Επιθεωρήστε οπτικά		○				63
	Γρασάρετε τη μύτη		○				63
Κιβώτιο ταχυτήτων	Γρασάρισμα			○			63
Κινητήριος άξονας	Γρασάρισμα			○			63
Γρανάζι	Επιθεωρήστε οπτικά				○		63
Αλυσίδα του πριονιού	Αντικαταστήστε ή ζητήστε να ακονιστεί					○	63
Βενζινοκίνητη μονάδα	Ανατρέξτε στο εγχειρίδιο χειρισμού της βενζινοκίνητης μονάδας.						

Επίλυση προβλημάτων

Πρόβλημα	Πιθανή αιτία	Λύση
Ο κινητήρας δεν ξεκινά. Ο κινητήρας σταματά αμέσως μετά την έναρξή του. Η μέγιστη ταχύτητα είναι περιορισμένη.	Ανατρέξτε στο εγχειρίδιο χειρισμού της βενζινοκίνητης μονάδας.	
Η αλυσίδα του πριονιού δεν κινείται. → Σταματήστε τον κινητήρα αμέσως!	Η οδηγική λάμα είναι λυγισμένη ή έχει υποστεί ζημιά.	Αντικαταστήστε την οδηγική λάμα.
	Ένα κλαδάκι έχει σφηνώσει στην αλυσίδα του πριονιού.	Αφαιρέστε το ξένο αντικείμενο.
	Το σύστημα κίνησης δεν λειτουργεί σωστά.	Ζητήστε από ένα εξουσιοδοτημένο κέντρο σέρβις της Dolmar να το επιθεωρήσει και να το επισκευάσει.
Η μονάδα υφίσταται ανώμαλη δόνηση. → Σταματήστε τον κινητήρα αμέσως!	Το σύστημα κίνησης δεν λειτουργεί σωστά.	Ζητήστε από ένα εξουσιοδοτημένο κέντρο σέρβις της Dolmar να το επιθεωρήσει και να το επισκευάσει.
Η αλυσίδα του πριονιού δεν σταματά. → Σταματήστε τον κινητήρα αμέσως!	Η βενζινοκίνητη μονάδα δεν λειτουργεί σωστά.	Ανατρέξτε στο εγχειρίδιο χειρισμού της βενζινοκίνητης μονάδας.
Δεν παρέχεται λάδι αλυσίδας.	Το ρεζερβουάρ λαδιού είναι άδειο.	Γεμίστε το ρεζερβουάρ λαδιού με λάδι αλυσίδας.
	Η θύρα τροφοδοσίας λαδιού της αλυσίδας είναι βρώμικη.	Καθαρίστε τη θύρα τροφοδοσίας λαδιού της αλυσίδας στη συσκευή και στην οδηγική λάμα.
	Η βίδα ρύθμισης του ρυθμού τροφοδοσία του λαδιού της αλυσίδας είναι ακατάλληλα ρυθμισμένη.	Ρυθμίστε τη βίδα ρύθμισης σωστά.

Τεχνικά στοιχεία

Μοντέλο		PS-CS
Διαστάσεις (Μ x Π x Υ)	χιλ	1.166 x 80 x 120
Μάζα	κιλά	1,1
Μήκος οδηγητικής λάμας	χιλ	255 (10")
Αλυσίδα του πριονιού		90SG-39E
Μετρητής βάθους αλυσίδας	ίντσα	0,043"
Αριθμός δοντιών γραναζιού		7
Λάδι αλυσίδας		SAE10W-30 ή ισοδύναμο (Το καλοκαίρι: SAE#30 - #40) (Το χειμώνα: SAE#20)
Αντλία λαδιού αλυσίδας		Έμβολο αντλίας (Τύπος αυτολίπανσης)
Χωρητικότητα ρεζερβουάρ λαδιού αλυσίδας	ml	110
Σχέση μετάδοσης (ταχύτητα αυξάνεται)		1,06

ΕΚ Δήλωση συμμόρφωσης

(Για τις ευρωπαϊκές χώρες μόνο)

Οι υπογεγραμμένοι, **Tamiro Kishima** και **Rainer Bergfeld**, λαμβάνοντας εξουσιοδότηση από την **Dolmar GmbH**, δηλώνουν ότι το **μηχάνημα(τα) της DOLMAR:**

Ονομασία Μηχανήματος: Προσάρτημα κονταροπρίονο

Αρ. Μοντέλου/ Τύπος: PS-CS

Προδιαγραφές: δείτε τα "Τεχνικά στοιχεία"

αποτελεί παραγωγή σε σειρά και

Συμμορφώνεται με την ακόλουθη Ευρωπαϊκή Οδηγία(ες):

2006/42/EK

Και κατασκευάζεται σύμφωνα με το παρακάτω πρότυπο(α) ή τυποποιημένο έγγραφο(α):

EN ISO 11680

Τα τεχνικά έγγραφα βρίσκονται στο αρχείο στην:

Dolmar GmbH,

Jenfelder Straße 38, Abteilung FZ, D-22045 Hamburg

15. 12. 2010

Tamiro Kishima
Διευθύνων Σύμβουλος

Rainer Bergfeld
Διευθύνων Σύμβουλος

DOLMAR



DOLMAR GmbH
Postfach 70 04 20
D-22004 Hamburg
Germany
<http://www.dolmar.com>

885039-925

ALA