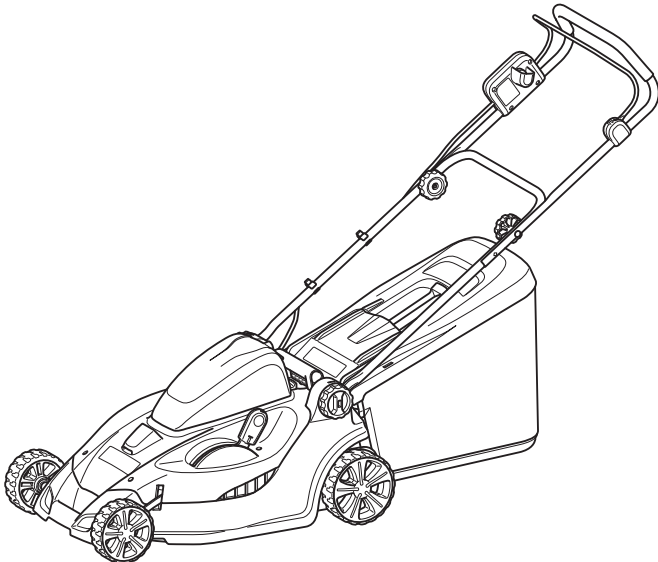


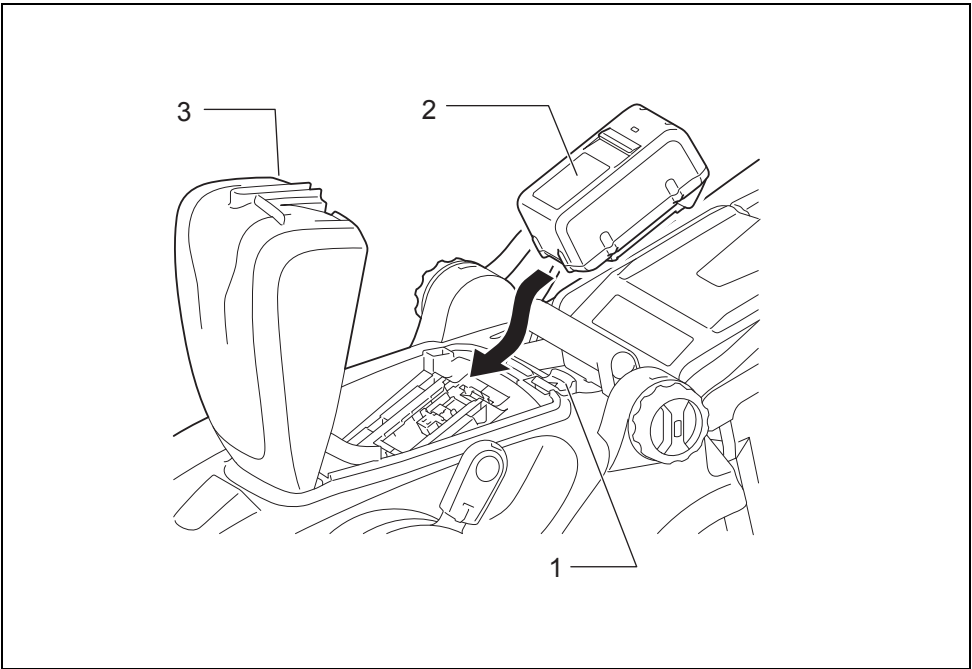
DOLMAR



GB	Cordless Lawn Mower	Instruction Manual
F	Tondeuse Sans Fil	Manuel d'instructions
D	Akku Rasenmäher	Betriebsanleitung
I	Tosaerba a batteria	Istruzioni per l'uso
NL	Snoerloze grasmaaier	Gebruiksaanwijzing
E	Cortadora de Césped	Manual de instrucciones
P	Cortadora de Grama a Bateria	Manual de instruções
DK	Akku-plæneklipper	Brugsanvisning
GR	Μηχανή γκαζόν με μπαταρία	Οδηγίες χρήσεως
TR	Akülü Çim Biçme Makinesi	Kullanma kılavuzu

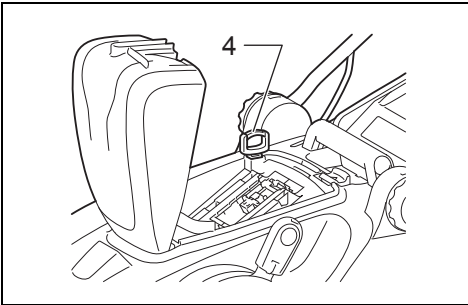
AM-3643





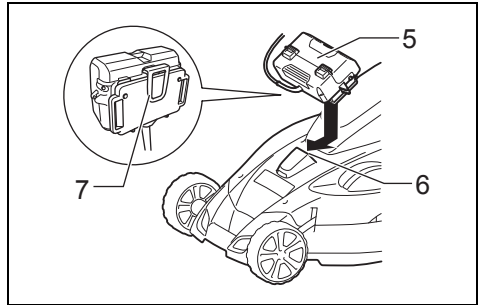
1

012296



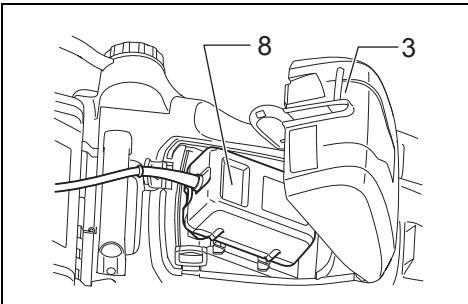
2

012297



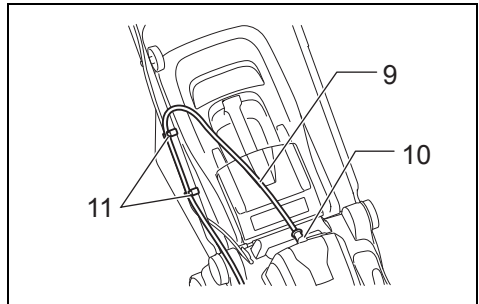
3

012435



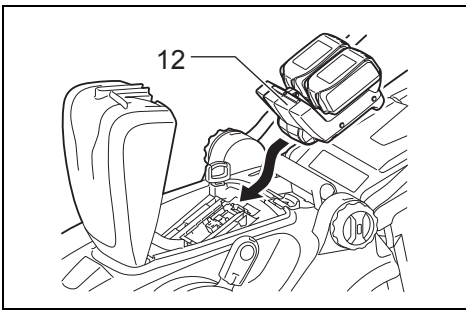
4

012436



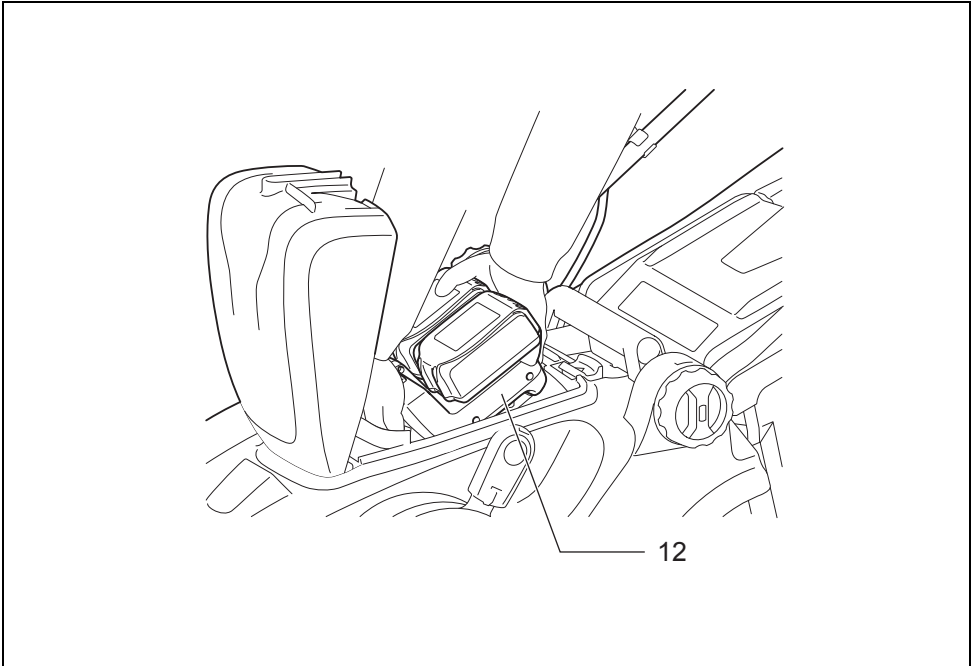
5

012381



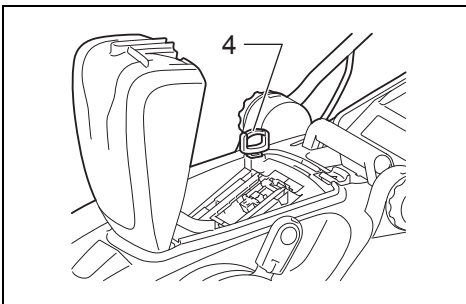
6

012437



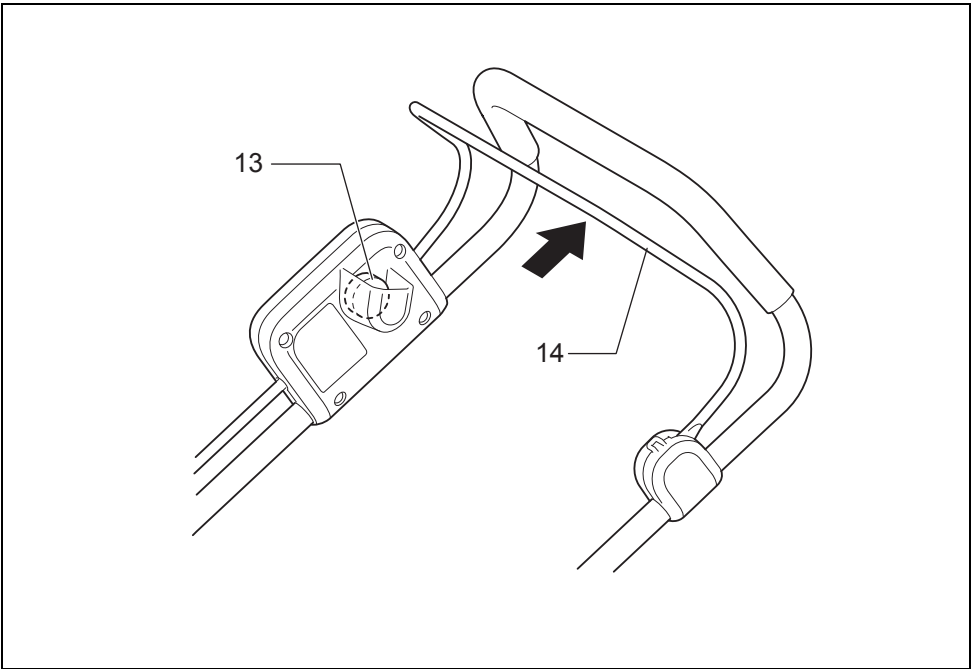
7

012439



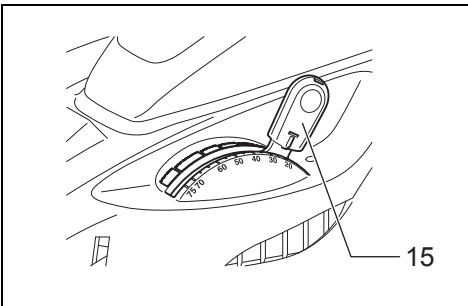
8

012297



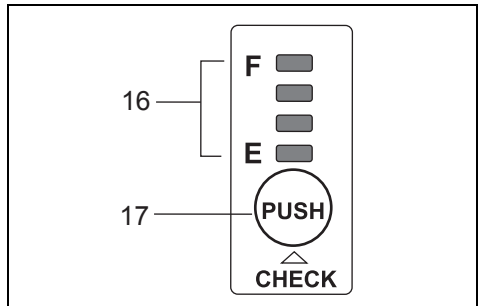
9

012603



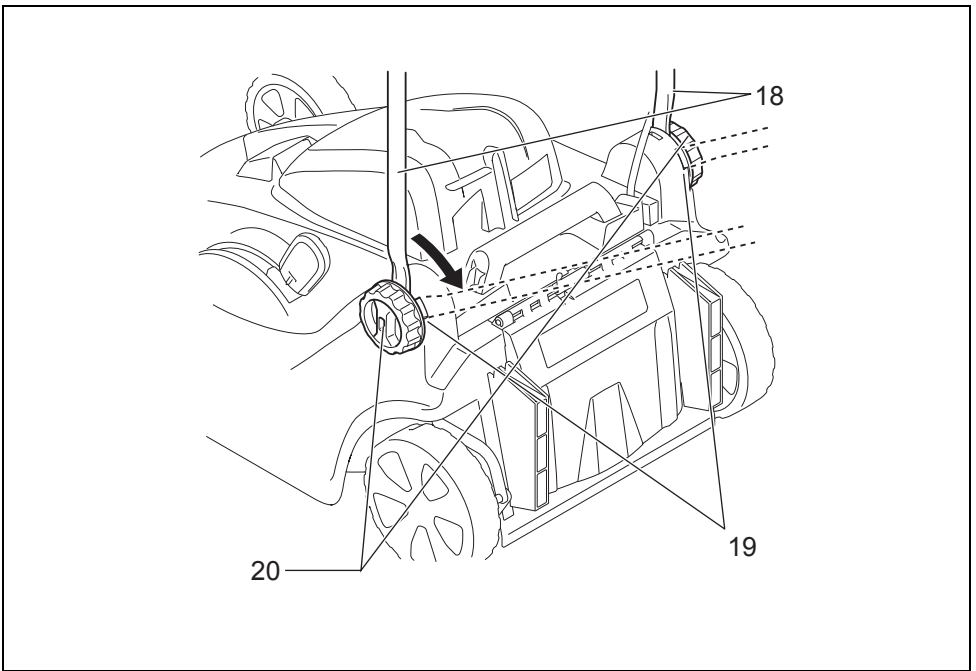
10

012303



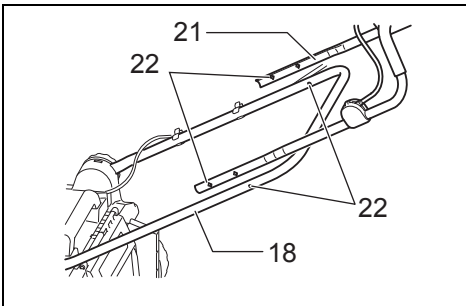
11

011715



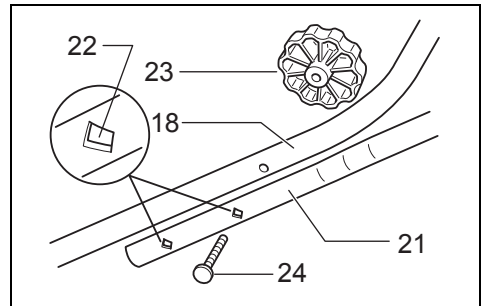
12

012385



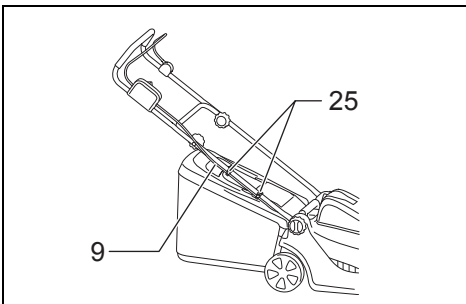
13

012386



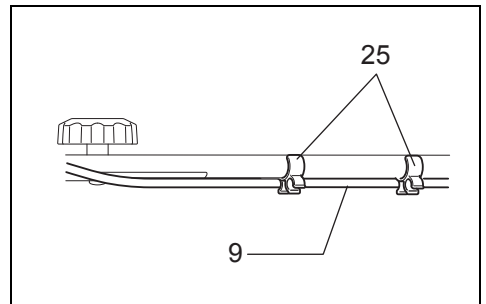
14

012606



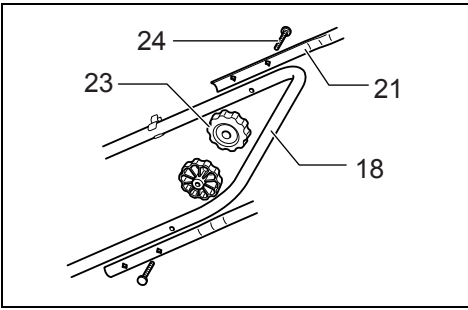
15

012421



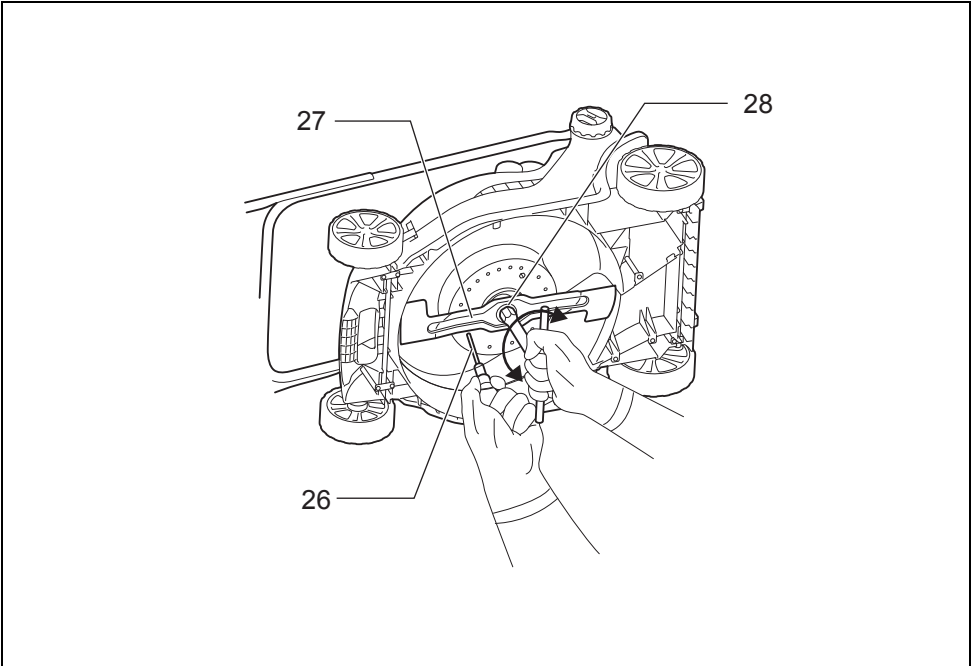
16

012605



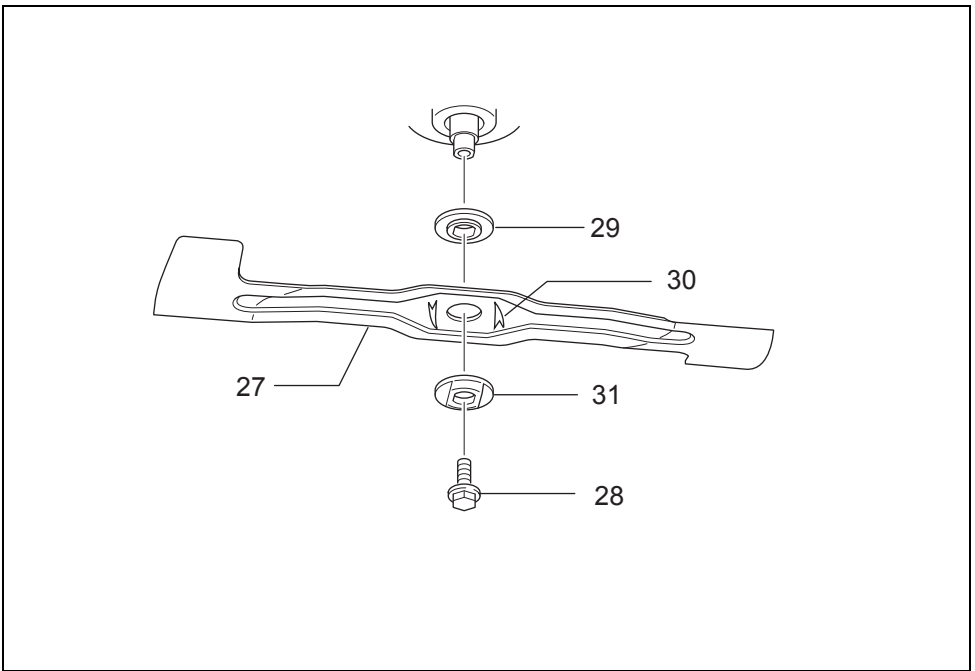
17

012389



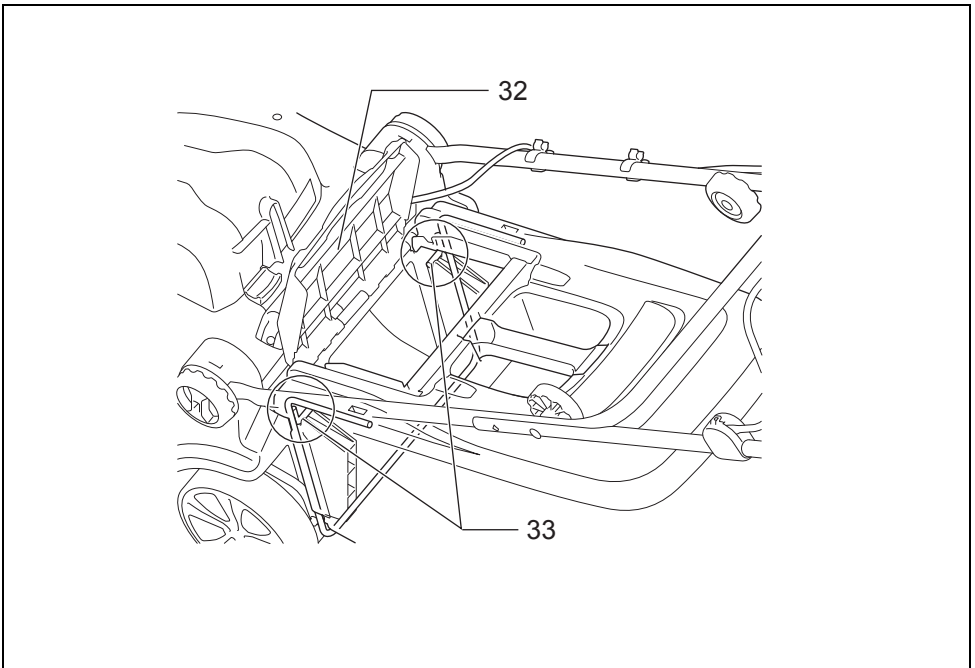
18

012304



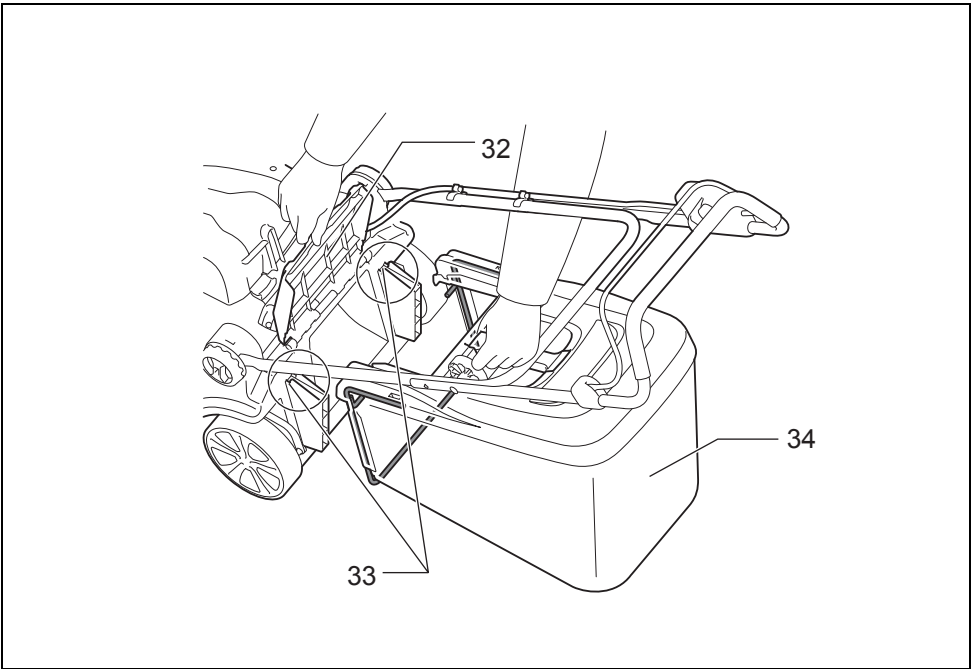
19

012601



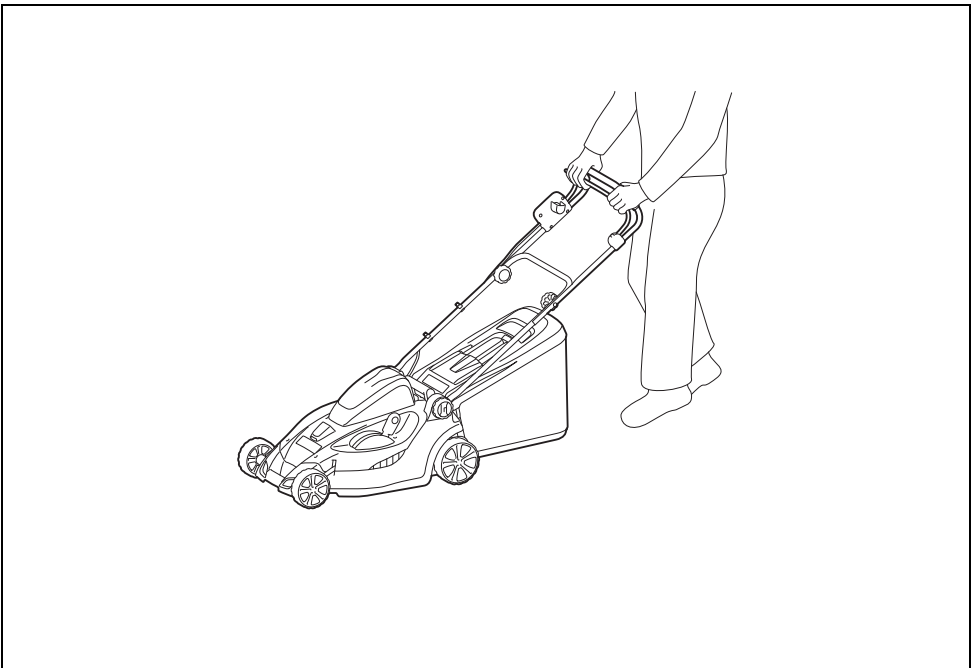
20

012302



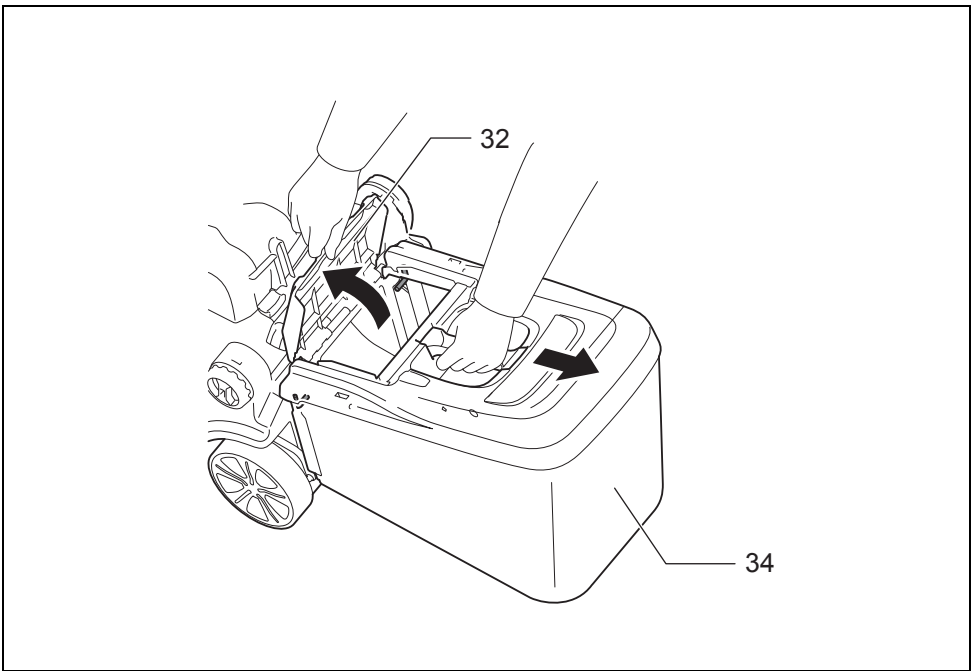
21

012301



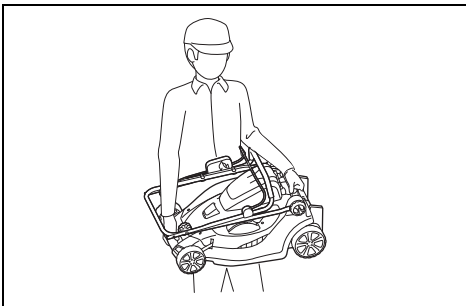
22

012382



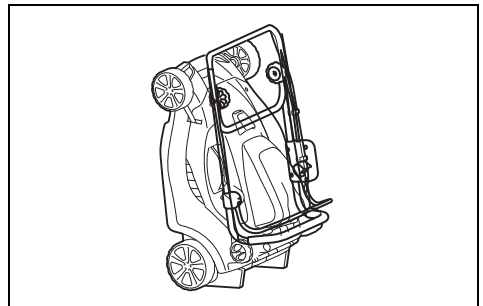
23

012307



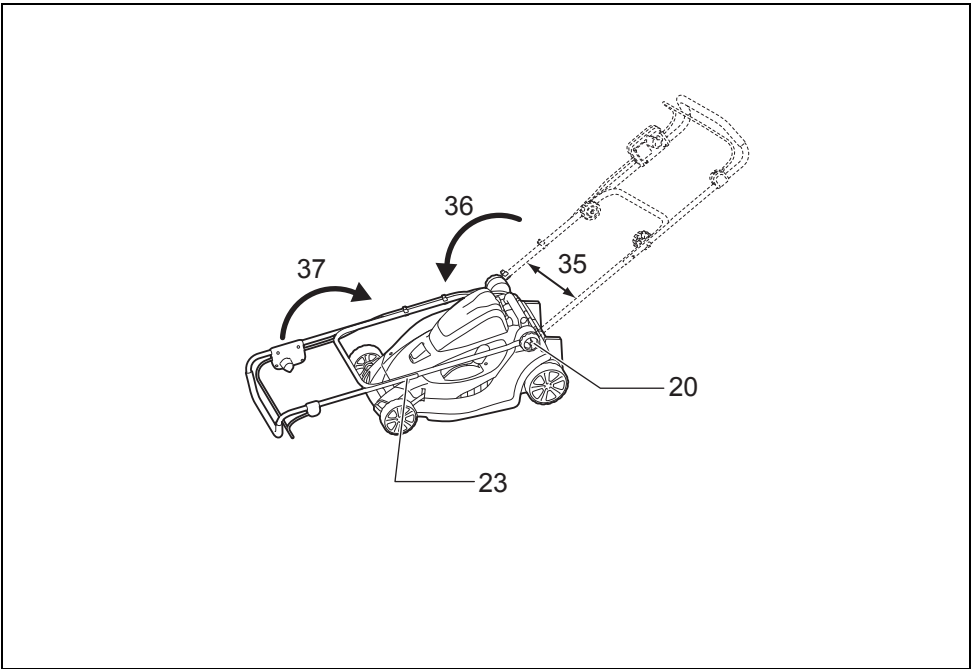
24

012604



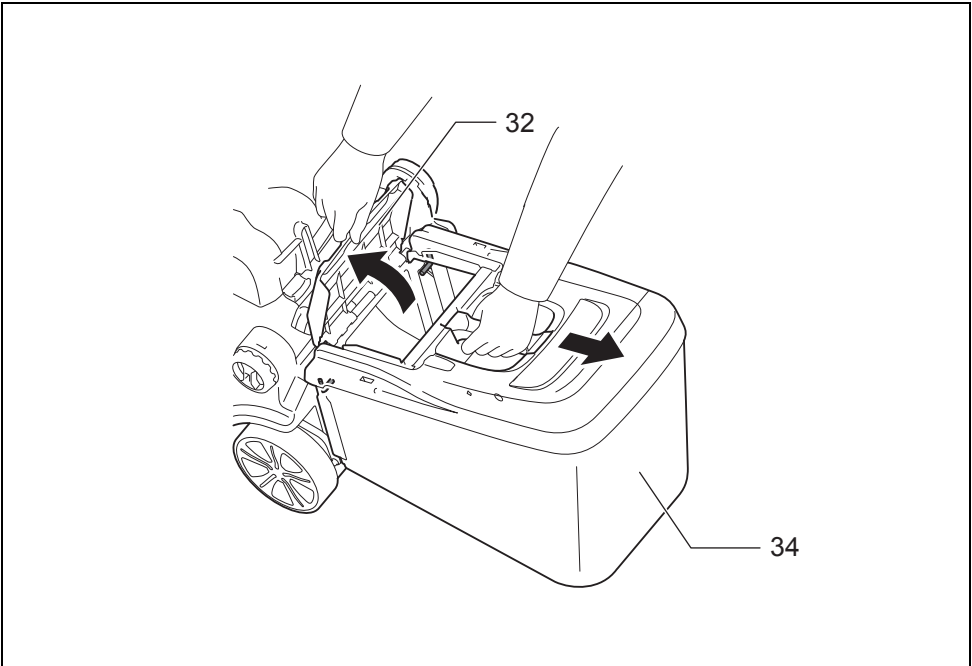
25

012309



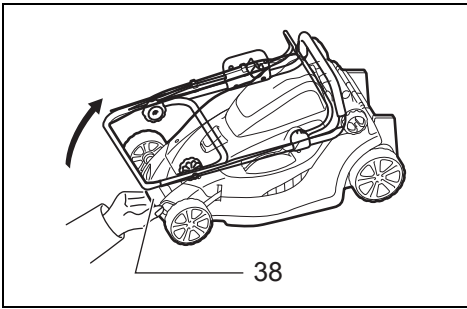
26

012298



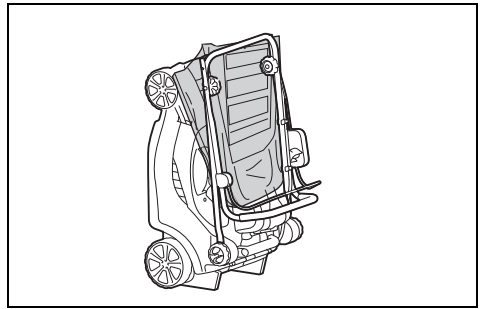
27

012602



28

012600



29

012420

Symbols

The followings show the symbols used for the equipment. Be sure that you understand their meaning before use.

Symboles

Nous donnons ci-dessous les symboles utilisés pour l'outil. Assurez-vous que vous en avez bien compris la signification avant d'utiliser l'outil.

Symbol

Die folgenden Symbole werden für die Maschine verwendet. Machen Sie sich vor der Benutzung unbedingt mit ihrer Bedeutung vertraut.

Simboli

Per questo utensile vengono usati i simboli seguenti. Bisogna capire il loro significato prima di usare l'utensile.

Symbolen

Voor dit gereedschap worden de volgende symbolen gebruikt. Zorg ervoor dat u de betekenis van deze symbolen begrijpt alvorens het gereedschap te gebruiken.

Símbolos

A continuación se muestran los símbolos utilizados con esta herramienta. Asegúrese de que entienda su significado antes de usarla.

Símbolos

O seguinte mostra os símbolos utilizados para a ferramenta. Certifique-se de que compreende o seu significado antes da utilização.

Symboler

Nedenstående symboler er anvendt i forbindelse med denne maskine. Vær sikker på, at De har forstået symbolernes betydning, før maskinen anvendes.

Σύμβολα

Τα ακόλουθα δείχνουν τα σύμβολα που χρησιμοποιούνται για το μηχάνημα. Βεβαιωθείτε ότι καταλαβαίνετε τη σημασία τους πριν από τη χρήση.

Semboller

Aşağıdakiler makinanız için kullanılan sembolleri göstermektedir. Kullanmadan önce manalarını anladığınızdan emin olunuz.



- Take particular care and attention.
- Veuillez être prudent et rester attentif.
- Besondere Umsicht und Aufmerksamkeit erforderlich.
- Prestare una particolare cura e attenzione.
- Wees vooral voorzichtig en let goed op.
- Preste cuidado y atención especiales.
- Tenha muito cuidado e atenção.
- Udvis særlig forsigtighed og opmærksomhed.
- Απαιτούνται ιδιαίτερη φροντίδα και προσοχή.
- Çok dikkatli kullanın.



- Read instruction manual.
- Lire le mode d'emploi.
- Bitte Bedienungsanleitung lesen.
- Leggete il manuale di istruzioni.
- Lees de gebruiksaanwijzing.
- Lea el manual de instrucciones.
- Leia o manual de instruções.
- Læs brugsanvisningen.
- Διαβάστε τις οδηγίες χρήσης.
- El kitabını okuyun.



- Danger; be aware of thrown objects.
- Danger : prenez garde aux objets éjectés.
- Gefahr durch herausgeschleuderte Objekte.
- Pericolo: fare attenzione agli oggetti scagliati.
- Gevaar; pas op voor rondvliegende voorwerpen.
- Peligro; tenga cuidado con los objetos que salen lanzados.
- Perigo: tenha cuidado com objectos atirados.
- Fare: Vær opmærksom på flyvende genstande.
- Κίνδυνος. Να προσέχετε για εκτοξευόμενα αντικείμενα.
- Tehlike; sıçrayan nesnelerden korunun.



- The distance between the tool and bystanders must be at least 15 m.
- La distance entre l'outil et les personnes présentes doit être d'au moins 15 m.
- Der Abstand zwischen der Maschine und Umstehenden sollte mindestens 15 m betragen.
- La distanza tra il tosaerba e gli astanti deve essere di almeno 15 m.
- Omstanders moeten een afstand van zeker 15 meter bewaren tot het gereedschap.
- La distancia entre la herramienta y los transeúntes deberá ser de 15 m por lo menos.
- Deve-se manter uma distância de pelo menos 15 m entre a ferramenta e os espectadores.
- Afstanden mellem maskinen og omkringstående skal være mindst 15 m.
- Η απόσταση ανάμεσα στο εργαλείο και τους παρευρισκόμενους πρέπει να είναι τουλάχιστον 15 μέτρα.
- Alet ile etrafındaki kişiler arasında en az 15 m olmalıdır.



- Never put your hands and feet near the blade under the mower.
- Ne mettez jamais les mains ou les pieds près de la lame sous la tondeuse.
- Halten Sie niemals Ihre Hände und Füße in die Nähe des Messers unter dem Mäher.
- Non si devono mai mettere le mani e i piedi vicino alla lama sotto il tosaerba.
- Breng nooit uw handen of voeten dichtbij het snijblad onder de grasmaaier.
- No ponga nunca sus manos ni pies cerca de la cuchilla debajo del cortacésped.
- Nunca aproxime as mãos ou os pés da lâmina localizada embaixo do cortador de relva.
- Anbring aldrig hænder og fødder i nærheden af bladet under plæneklipperen.
- Μη βάζετε ποτέ τα χέρια ή τα πόδια σας κοντά στη λάμα κάτω από τη μηχανή γκαζόν.
- Ellerinizi ve ayaklarınızı asla makinenin altındaki bıçaklara yaklaştırmayın.



- Remove the lock key before inspecting, adjusting, cleaning, servicing, leaving and storing the mower.
- Retirez la clé de sécurité avant d'inspecter, de régler, de nettoyer, de réparer, de laisser sans surveillance ou de ranger la tondeuse.
- Entfernen Sie den Sperrschlüssel, bevor Sie den Mäher überprüfen, einstellen, reinigen, warten, verlassen und lagern.
- Rimuovere la chiave di blocco prima di ispezionare, regolare, pulire, fare la manutenzione, lasciare e immagazzinare il tosaerba.
- Verwijder de contactsleutel vóór het inspecteren, bijstellen, reinigen, onderhoud, achterlaten of opbergen van de grasmaaier.
- Retire la llave de bloqueo antes de inspeccionar, ajustar, limpiar, hacer el servicio de mantenimiento, dejar y almacenar el cortacésped.
- Remova a chave de segurança antes de realizar uma inspeção, ajuste, limpeza, manutenção, armazenamento ou quando não estiver em utilização.
- Fjern låsenøglen, inden du inspicerer, justerer, rengør, servicerer, forlader og stiller plæneklipperen til opbevaring.
- Βγάλτε το κλειδί ασφάλισης πριν εκτελέσετε εργασίες επιθεώρησης, ρύθμισης, καθαρισμού και σέρβις στη μηχανή γκαζόν και πριν απομακρυνθείτε από τη μηχανή γκαζόν ή την αποθηκεύσετε.
- Kontrol, ayarlama, temizleme, servis, kenara kaldırma ve depolama işlemlerinden önce kilit anahtarını çıkarın.



- Only for EU countries
Do not dispose of electric equipment or battery pack together with household waste material!
In observance of European Directive 2002/96/EC on waste electric and electronic equipment, 2006/66/EC on batteries and accumulators and waste batteries and accumulators and their implementation in accordance with national laws, electric equipment and battery pack that have reached the end of their life must be collected separately and returned to an environmentally compatible recycling facility.
- Uniquement pour les pays de l'UE
Ne pas jeter les appareils électriques et les batteries avec les ordures ménagères !
Conformément aux directives européennes 2002/96/CE (relative aux déchets d'équipements électriques et électroniques) et 2006/66/CE (relative aux piles et accumulateurs ainsi qu'aux déchets de piles et accumulateurs), ainsi qu'à leur application en conformité avec les lois nationales, les appareils électriques et batteries qui ont atteint la fin de leur durée de service doivent être collectés séparément et renvoyés à un établissement de recyclage respectueux de l'environnement.
- Nur für EG-Länder
Werfen Sie Elektrogeräte oder Akkus nicht in den Hausmüll!
Gemäß der Europäischen Richtlinie 2002/96/EG über Elektro- und Elektronik-Altgeräte, 2006/66/EG über Batterien, Akkus sowie verbrauchte Batterien und Akkus und ihre Umsetzung gemäß den Landesgesetzen müssen Elektrogeräte und Akkus, die das Ende ihrer Lebensdauer erreicht haben, getrennt gesammelt und einer umweltgerechten Recycling-Einrichtung zugeführt werden.
- Soltanto per i Paesi dell'unione europea
Questo apparecchio elettrico o la batteria non devono essere gettati via con i rifiuti domestici.
In osservanza alla Direttiva Europea 2002/96/CE sugli apparecchi elettrici ed elettronici di scarto, 2006/66/CE sulle batterie e gli accumulatori, e sulle batterie e gli accumulatori esausti, e la sua implementazione secondo le leggi locali, gli apparecchi elettrici e le batterie che hanno raggiunto la fine della loro vita di servizio devono essere raccolti separatamente e portati in un centro di smaltimento ecocompatibile.
- Alleen voor EU-landen
Geef elektrisch gereedschap of accu's niet met het huisvuil mee!
Volgens de Europese richtlijn 2002/96/EC inzake oude elektrische en elektronische apparaten, richtlijn 2006/66/EC inzake batterijen en accu's en wegwerpbatterijen, en de toepassing daarvan binnen de nationale wetgeving, dienen gebruikte elektrische apparaten en accu's die het einde van hun levensduur hebben bereikt, gescheiden te worden ingezameld en te worden afgevoerd naar een recyclebedrijf dat voldoet aan de geldende milieu-eisen.
- Sólo para países de la Unión Europea
¡No tire aparatos eléctricos ni baterías a la basura con los residuos domésticos!
En conformidad con la Directiva Europea 2002/96/EC sobre residuos de aparatos eléctricos y electrónicos y la Directiva Europea 2006/66/EC sobre baterías y acumuladores y residuos de baterías y de acumuladores y su aplicación de acuerdo con la legislación nacional, los aparatos eléctricos y las baterías cuya vida útil haya llegado a su fin se deberán recoger por separado y trasladar a una planta de reciclaje que cumpla con las exigencias ecológicas.
- Apenas para os países da União Européia
Não deite equipamentos eléctricos nem baterías no lixo doméstico!
De acordo com as directivas europeias 2002/96/CE sobre ferramentas eléctricas e electrónicas usadas e 2006/66/CE sobre baterías e acumuladores e respectivos resíduos e a implementação dessas directivas conforme a lei nacional, as ferramentas eléctricas e as baterías que atingem o fim de sua vida útil devem ser recolhidas em separado e encaminhadas a uma instalação de reciclagem compatível com os regulamentos sobre o meio ambiente.
- Gælder kun lande i EU
Undlad at bortskaffe elektrisk udstyr eller akkuer sammen med almindeligt husholdningsaffald.
I henhold til EU-direktiv 2002/96/EC angående brugt elektrisk og elektronisk udstyr, 2006/66/EC angående batterier og akkumulatører og brugte batterier og iværksættelse af bortskaffelse af batterier og akkumulatører i overensstemmelse med nationale love, skal elektrisk udstyr og akkuer, der har nået slutningen af deres levetid, indsamles separat og afhændes til en genbrugsfacilitet, som er miljømæssigt kompatibel.

- Μόνο για χώρες ΕΕ
Μην απορρίπτετε ηλεκτρικό εξοπλισμό ή μπαταρίες μαζί με τα οικιακά απόβλητα!
Σύμφωνα με την Ευρωπαϊκή Οδηγία 2002/96/ΕΚ περί αποβλήτων ειδών ηλεκτρικού και ηλεκτρονικού εξοπλισμού και την Οδηγία 2006/66/ΕΚ περί μπαταριών και συσσωρευτών και αποβλήτων μπαταριών και συσσωρευτών και την εφαρμογή τους σύμφωνα με την εθνική νομοθεσία, απαιτείται συλλογή του ηλεκτρικού εξοπλισμού και των μπαταριών, το όριο ζωής των οποίων έχει λήξει, ξεχωριστά και επιστροφή τους σε εγκατάσταση ανακύκλωσης συμβατή με την προστασία του περιβάλλοντος.
- Sadece AB ülkeleri için
Elektrik donanımını veya pilleri evsel atıklarla birlikte bertaraf etmeyiniz!
Atık elektrikli ve elektronik donanımlar konusundaki 2002/96/EC sayılı, piller ve akümülatörler ve atık piller ve atık akümülatörler konusundaki 2006/66/EC sayılı Avrupa Direktifleri ve bunların ulusal yasalara uygulanmaları uyarınca, kullanım ömürleri biten elektrikli donanımların ve pillerin ayrı toplanmaları ve çevreye uyumlu bir geri kazanım tesisine getirilmeleri gereklidir.

Explanation of general view

1 Battery cover locking lever	14 Switch lever	28 Bolt
2 Battery cartridge	15 Mowing height adjusting lever	29 Inner flange
3 Battery cover	16 Indicator lamps	30 Arrow
4 Lock key	17 CHECK button	31 Outer flange
5 Battery converter (AA-3618)	18 Lower handle	32 Rear guard
6 Installation hole	19 Groove on the deck	33 Groove
7 Hook	20 Clamping screw	34 Grass basket
8 Product mounting adapter of the AA-3618	21 Upper handle	35 Expand
9 Cord	22 Screw holes	36 Move down forward
10 Slit	23 Clamping nut	37 Pivot back
11 Upper holders	24 Screw	38 Front grip
12 Battery converter (AA-3618CL)	25 Holders	
13 Switch button	26 Screwdriver	
	27 Blade	

SPECIFICATIONS

Model		AM-3643
Mowing width		430 mm
No load speed		3,600 min ⁻¹
Dimensions (L x W x H)	during operation	1,450 mm – 1,490 mm x 460 mm x 950 mm – 1,020 mm
	when stored	490 mm – 500 mm x 460 mm x 810 mm
Net weight		17.9 kg
Rated voltage		D.C. 36 V
Standard battery cartridge(s) ⚠ Warning: Use only the battery cartridge(s) described.		AP-363 / AP-3622

- Due to our continuing program of research and development, the specifications herein are subject to change without notice.
- Specifications and battery cartridge may differ from country to country.
- Weight, with battery cartridge, according to EPTA-Procedure 01/2003

GEB091-5

IMPORTANT SAFETY INSTRUCTIONS

⚠ WARNING! Read all safety warnings and all instructions. Failure to follow the warnings and instructions may result in electric shock, fire and/or serious injury.

Save all warnings and instructions for future reference.

1. Do not insert key into mower until it is ready to be used.
2. This appliance is not intended for use by persons (including children) with reduced physical, sensory or mental capabilities, or lack of experience and knowledge, unless they have been given supervision or instruction concerning use of the appliance by a person responsible for their safety.
3. Children should be supervised to ensure that they do not play with the appliance.
4. Never allow children or people unfamiliar with these instructions to use the machine. Local regulations can restrict the age of the operator.

5. **Never operate the machine while people, especially children, or pets are nearby.**
6. **Keep in mind that the operator or user is responsible for accidents or hazards occurring to other people or their property.**
7. **While operating the machine always wear substantial footwear and long trousers. Do not operate the machine when barefoot or wearing open sandals. Avoid wearing clothing or jewelry that is loose fitting or that has hanging cords or ties. They can be caught in moving parts.**
8. **Operate the machine only in daylight or in good artificial light.**
9. **Avoid operating the machine in wet grass.**
10. **Never operate the mower in the rain.**
11. **Battery tool use**
 - **Recharge only with the charger specified by the manufacturer.** A charger that is suitable for one type of battery pack may create a risk of fire when used with another battery pack.
 - **Use power tools only with specifically designated battery packs.** Use of any other battery packs may create a risk of injury and fire.
12. **Always keep a firm hold on the handle.**
13. **Always be sure of your footing on slopes.**
14. **Walk, never run.**
15. **Don't grasp the exposed cutting blades or cutting edges when picking up or holding the appliance.**
16. **Physical condition — Do not operate mower while under the influence of drugs, alcohol, or any medication.**

17. Keep guards in place and in working order.
18. Keep hands and feet away from rotating blades. Caution — Blades coast after turn off.
19. Remove key before servicing, cleaning or removing material from the gardening appliance.
20. Use only the manufacturer genuine blades specified in this manual.
21. Check the blades carefully for cracks or damage before operation. Replace cracked or damaged blades immediately.
22. Be sure the area is clear of other people before mowing. Stop mower if anyone enters the area.
23. Remove foreign matters such as rocks, wire, bottles, bones and large sticks from the work area before mowing to prevent personal injury or damage to the mower.
24. Stop operation immediately if you notice anything unusual. Switch off the mower and remove the key from the appliance. Then inspect the mower.
25. Never attempt to make wheel height adjustments while mower is running.
26. Release switch lever and wait for blade rotation to stop before crossing driveways, walks, roads, and any gravel-covered areas. Also remove key if you leave it, reach to pick up or remove something out of your way, or for any other reason that may distract you from what you are doing.
27. Objects struck by the lawn mower blade can cause severe injuries to persons. The lawn should always be carefully examined and cleared of all objects prior to each mowing.
28. If lawn mower strikes a foreign object, follow these steps:
 - Stop the mower, release the switch lever and wait until the blade comes to a complete stop.
 - Remove the lock key and the battery cartridge.
 - Thoroughly inspect the mower for any damage.
 - Replace the blade if it is damaged in any way. Repair any damage before restarting and continuing to operate the mower.
29. Check the rear bag frequently for wear or deterioration. For storage, always make sure the rear bag is empty. Replace a worn bag with a new factory replacement bag for safety.
30. Stop the motor and remove key whenever you leave the equipment, before cleaning the mower housing, and before making any repairs or inspections.
31. Use extreme caution when reversing or pulling the machine towards you.
32. Stop the blade(s) if the machine has to be tilted for transportation when crossing surfaces other than grass, and when transporting the machine to and from the area to be used.
33. Never operate the machine with defective guards or shields, or without safety devices, for example deflectors and/or grass collector, in place.
34. Switch on the motor carefully according to instructions and with feet well away from the blade(s).
35. Do not tilt the machine when switching on the motor, except if the machine has to be tilted for starting. In this case, do not tilt it more than absolutely necessary and lift only the part, which is away from the operator.
36. Do not start the machine when standing in front of the discharge opening.
37. Do not put hands or feet near or under rotating parts. Keep clear of the discharge opening at all times.
38. Do not transport the machine while the mower is turned on.
39. Stop the machine, and remove the disabling device. Make sure that all moving parts have come to a complete stop
 - whenever you leave the machine,
 - before clearing blockages or unlogging chute,
 - before checking, cleaning or working on the machine,
 - after striking a foreign object. Inspect the machine for damage and make repairs before restarting and operating the machine;
40. If the machine starts to vibrate abnormally (check immediately)
 - inspect for damage,
 - replace or repair any damaged parts,
 - check for and tighten any loose parts.
41. Be careful during adjustment of the machine to prevent entrapment of the fingers between moving blades and fixed parts of the machine.
42. Mow across the face of slopes, never up and down. Exercise extreme caution when changing direction on slopes. Do not mow excessively steep slopes.
43. Do not wash with a hose; avoid getting water in motor and electrical connections.
44. Check the blade mounting bolt at frequent intervals for proper tightness.
45. Keep all nuts, bolts, and screws tight to be sure the equipment is in safe working condition.
46. Always allow the machine to cool down before storing.
47. When servicing the blades be aware that, even though the power source is switched off, the blades can still be moved.
48. Replace worn or damaged parts for safety. Use only genuine replacement parts and accessories.

SAVE THESE INSTRUCTIONS.



WARNING:

DO NOT let comfort or familiarity with product (gained from repeated use) replace strict adherence to safety rules for the subject product. MISUSE or failure to follow the safety rules stated in this instruction manual may cause serious personal injury.

IMPORTANT SAFETY INSTRUCTIONS

FOR BATTERY CARTRIDGE

1. Before using battery cartridge, read all instructions and cautionary markings on (1) battery charger, (2) battery, and (3) product using battery.
2. Do not disassemble battery cartridge.
3. If operating time has become excessively shorter, stop operating immediately. It may result in a risk of overheating, possible burns and even an explosion.
4. If electrolyte gets into your eyes, rinse them out with clear water and seek medical attention right away. It may result in loss of your eyesight.
5. Do not short the battery cartridge:
 - (1) Do not touch the terminals with any conductive material.
 - (2) Avoid storing battery cartridge in a container with other metal objects such as nails, coins, etc.
 - (3) Do not expose battery cartridge to water or rain.

A battery short can cause a large current flow, overheating, possible burns and even a breakdown.
6. Do not store the tool and battery cartridge in locations where the temperature may reach or exceed 50°C (122°F).
7. Do not incinerate the battery cartridge even if it is severely damaged or is completely worn out. The battery cartridge can explode in a fire.
8. Be careful not to drop or strike battery.
9. Do not use a damaged battery.

SAVE THESE INSTRUCTIONS.

Tips for maintaining maximum battery life

1. Charge the battery cartridge before completely discharged.
Always stop tool operation and charge the battery cartridge when you notice less tool power.
2. Never recharge a fully charged battery cartridge. Overcharging shortens the battery service life.
3. Charge the battery cartridge with room temperature at 10°C – 40°C (50°F – 104°F).
Let a hot battery cartridge cool down before charging it.
4. Charge the battery cartridge once in every six months if you do not use it for a long period of time.

Installing or removing battery cartridge (Fig. 1 & 2)

⚠ CAUTION:

- Always switch off the tool before installing or removing the battery cartridge.
- Make sure that you lock the battery cover before use. Otherwise, mud, dirt, or water may cause damage to the product or the battery cartridge.

To install the battery cartridge;

1. Pull the battery cover locking lever toward yourself and open the battery cover.
2. Insert the battery cartridge in the direction shown in the figure until a click is heard.
3. Insert the lock key in the place shown in the figure as far as it will go.
4. Close the battery cover and push it on until it is latched with the locking lever.

To remove the battery cartridge from the mower;

1. Pull the battery cover locking lever toward yourself and open the battery cover.
2. Pull out the lock key.
3. Withdraw it from the tool while sliding the button on the front of the cartridge.
4. Close the battery cover.

Battery converters (optional accessory)

⚠ WARNING:

- Before installing or removing the battery converters AA-3618/AA-3618CL, remove the lock key.

AA-3618 (optional accessory) (Fig. 3, 4 & 5)

⚠ WARNING:

- When using the AA-3618, never attach it to any part of your body. Attaching the AA-3618 to any part of your body may cause a serious injury.

Slide the battery converter AA-3618 into the installation hole until it stops.

Open out the battery cover on the mower and then slide all the way and click the product mounting adapter of the AA-3618 into the battery port on the mower.

Run the cord of the AA-3618 through the slit in the battery cover and close the battery cover.

Fit the cord of the AA-3618 into the upper holders on the handle.

NOTE:

- When using the battery converter AA-3618 (optional accessory), hook the power cord to the designated holder on the mower. Failure to do so may cause the cord to be cut off.

To remove the AA-3618 from the mower, open out the battery cover and then press the hook on the battery mounting side of the AA-3618.

AA-3618CL (optional accessory) (Fig. 6 & 7)

Open the battery cover and click in the AA-3618CL into the battery port on the mower.

Close the battery cover.

To remove the AA-3618CL, press on the hook of the AA-3618CL and withdraw it with both hands.

Power switch action (Fig. 8 & 9)

⚠ WARNING:

- Before inserting the battery cartridge in the tool, always check to see that the switch lever actuates properly and returns to the original position when released. Operating a tool with a switch that does not actuate properly can lead to loss of control and serious personal injury.

NOTE:

- Trying to mow much grass at a time may not allow the motor to start due to the overload. At this time, change the mowing height to higher level to restart.
- The mower does not start without pressing the switch button even if the switch lever is squeezed.

This mower is equipped with the interlock switch and handle switch. If you notice anything unusual with either of these switches, stop operation immediately and have them checked by your nearest Dolmar Authorized Service Center.

1. Insert the lock key into the interlock switch.
2. Depress the switch button.
3. Pull the switch lever toward you while depressing the switch button.
4. Release the switch button as soon as the motor starts running. The mower will continue to run until you release the switch lever.
5. Release the switch lever to stop the motor.
6. When not in use, remove the lock key. Store the lock key in a safe place out of reach of children.

Adjusting the mowing height (Fig. 10)

⚠ WARNING:

- Never put your hand or leg under the mower unit when adjusting the mowing height.
- Always make sure that the lever fits in the groove properly before operation.

The mowing height can be adjusted in the range of between 20 mm – 75 mm.

1. Remove the lock key.
2. Pull the mowing height adjusting lever toward yourself and move it to your desired mowing height.

Make sure that the protrusion on the mowing height adjusting lever fits in the groove in the mower.

NOTE:

- The mowing height figures should be used just as a guideline, as the state of the lawn or ground may cause lawn height to be slightly different to the set height figure.
- Try a test mowing of grass in a less conspicuous place to get your desired height.

Battery protection system

Lithium-ion batteries are equipped with a protection system. This system automatically cuts off power to the tool to extend battery life.







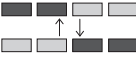
The tool will automatically stop during operation if the tool and/or battery are placed under one of the following conditions:

- Overloaded:
The tool is operated in a manner that causes it to draw an abnormally high current.
In this situation, release the trigger switch on the tool and stop the application that caused the tool to become overloaded. Then pull the trigger switch again to restart.
If the tool does not start, the battery is overheated. In this situation, let the battery cool before pulling the trigger switch again.
- Low battery voltage:
The remaining battery capacity is too low and the tool will not operate. In this situation, remove and recharge the battery.

Battery remaining capacity indicator (only for models with Battery AP-3622) (Fig. 11)

Battery AP-3622 is equipped with the battery remaining capacity indicator.

Press the CHECK button to indicate the battery remaining capacity. The indicator lamps will then light for approx. three seconds.

Indicator lamps	Remaining capacity
	
E  F	70% to 100%
	45% to 70%
	20% to 45%
	0% to 20%
	Charge the battery.
	The battery may have malfunctioned.

011713

- When only the lowermost indicator lamp (next to the "E") blinks, or when none of the indicator lamps light, the battery capacity has run out, so the tool does not operate. In these cases, charge the battery or replace the empty battery with a fully charged one.
- When two or more indicator lamps do not light even after charging is complete, the battery has reached the end of its service life.
- When the upper two and lower two indicator lamps light alternately, the battery may have malfunctioned. Contact your local Dolmar authorized service center.

NOTE:

- The indicated capacity may be lower than the actual level during use or immediately after using the tool.
- Depending on the conditions of use and the ambient temperature, the indication may differ slightly from the actual capacity.

ASSEMBLY

WARNING:

- Always be sure that the lock key and battery cartridge are removed before carrying out any work on the mower. Failure to remove the lock key and the battery cartridge may result in serious personal injury from accidental start-up.
- Never start the tool unless it is completely assembled. Operation of the tool in a partially assembled state may result in serious personal injury from accidental start-up.

Installing the handle (Fig. 12, 13, 14, 15, 16 & 17)

WARNING:

- When installing handles, position the wires so that they are not caught by anything in between the handles.

1. Loosen the clamping screws (two pcs).

Expand the lower handle to its both sides and with it expanded in that position pivot it backward and then fit it in the groove in the deck.

2. Tighten the clamping screws on both sides to secure the lower handle.
3. Raise the upper handle and align the screw holes in the upper handle with those in the lower handle and then secure it with the supplied screws and clamping nuts.

NOTE:

- At this time, keep a firm grip on the upper handle so that it does not drop off your hand.

NOTE:

- Install the upper handle so that the direction of the upper handle and the power supply cord are positioned as shown in the figure.

NOTE:

- The upper handle has two holes each on both sides. Using the different position holes for the screws and clamping nuts allows the handle height adjustment.

Removing or installing the blade (Fig. 18 & 19)

WARNING:

- Always remove the lock key and battery cartridge when removing or installing the blade. Failure to remove the lock key and battery cartridge may cause a serious injury.
- The blade coasts for a few seconds after releasing the switch. Make sure that the blade has come to a complete stop.
- Always wear gloves when handling the blade.

1. Put the mower on its side so that the mowing height adjusting lever is placed on the upper side.
2. To lock the blade, insert a screwdriver available or the similars in market into a hole in the mower.
3. Loosen the bolt counterclockwise with the wrench.
4. Remove the bolt, outer flange, blade and inner flange in order.

To install the blade, take the blade removal procedure in reverse.

WARNING:

- Install the inner flange, the blade and the outer flange carefully as these have a top/bottom facing.
- Tighten the bolt clockwise firmly to secure the blade.
- Put the blade so that the blade side with a rotational direction arrow faces outward.
- Make sure that the blade is installed securely.
- Always take away the screwdriver or similars inserted in a hole to lock the blade.

Installing the grass basket (Fig. 20 & 21)

Remove the lock key.

Raise the rear guard of the mower unit and hook the grass basket on the groove of the mower unit.

OPERATION

Mowing

WARNING:

- Before mowing, clear away sticks and stones from mowing area. Furthermore, clear away any weeds from mowing area in advance.
- Always wear the safety goggles or safety glasses with side shields when operating the mower.

Firmly hold the lawn mower handle with both hands when mowing.

The front wheel outside edges of the main unit provide a guideline to mowing width. Using the two front wheel outside edges as a guideline, mow in strips, overlapping by one half to one third the previous strip, to mow the lawn evenly.

Periodically check the level of the grass basket, and empty before it becomes full. Before every periodical checks, be sure to stop the mower and remove the lock key and the battery cartridge.

NOTE:

- Using the lawn mower with the grass basket full prevents smooth blade rotation and places an extra load on the motor, which may cause breakdown.

Mowing a long-grass lawn (Fig. 22)

Do not try to cut long grass all in one go. Instead, mow the lawn in stages, leaving it for a day or two between mows, until the lawn is evenly short.

NOTE:

- Mowing long grass to a short length all in one go may cause the grass to die and/or block up the inside of the main unit.

Emptying the grass basket (Fig. 23)

WARNING:

- To reduce a risk of accident, regularly check the grass basket for any damage or weakened strength and replace it if necessary.

1. Release the switch lever.
2. Remove the lock key.
3. Open the rear guard and take out the grass basket with its handle.
4. Empty the grass basket.

MAINTENANCE & STORAGE

WARNING:

- Always be sure that the lock key and battery cartridge are removed from the mower before storage or attempting to perform inspection or maintenance.
- Wear gloves when performing inspection or maintenance.

CAUTION:

- Never use gasoline, benzene, thinner, alcohol or the like. Discoloration, deformation or cracks may result.

MAINTENANCE

1. REMOVE THE LOCK KEY. Store it in a safe place out of the reach of children.
2. Clean your mower using only mild soap and a damp cloth. Do not spray or pour water on your mower when cleaning.
3. Turn mower on its side and clean grass clippings that have accumulated on the underside of mower deck.
4. Check all nuts, bolts, knobs, screws, fasteners etc. for tightness.
5. Inspect moving parts for damage, breakage, and wear. Have repairs made on any damaged or missing parts.
6. Before storing the mower, remove the battery cartridge from it.
7. Store mower indoors in a cool, dry and locked place. Don't store the mower and charger in locations where the temperature may reach or exceed 40°C (104°F).

Storage (Fig. 24, 25, 26, 27, 28 & 29)

WARNING:

- When carrying or storing the mower, do not hold the folded handles but the front grip of the mower. Holding the folded handles may cause a serious injury or damage to the mower.

The mower can be stored in upright position.

1. Loosen the clamping screw, expand the lower handle to both sides and then move down the handle forward.

NOTE:

- At this time, keep a firm grip on the lower handle so that it does not fall down to the far side from the tool.
2. Loosen the clamping nut and pivot the upper handle back.
 3. Take off the grass basket and put the mower in the upright position.

NOTE:

- When putting the mower in the upright position, do not hold the handle but use the front grip of the mower.
4. Store the grass basket between the handle and the mower body.

To maintain product SAFETY and RELIABILITY, repairs, any other maintenance or adjustment should be performed by Dolmar Authorized Service Centers, always using Dolmar replacement parts.

TROUBLE SHOOTING

Before asking for repairs, conduct your own inspection first. If you find a problem that is not explained in the manual, do not attempt to dismantle the tool. Instead, ask Dolmar Authorized Service Centers, always using Dolmar replacement parts for repairs.

Malfunction status	Cause	Action
Mower does not start.	Battery cartridge is not installed.	Install the battery cartridge.
	Battery problem (under voltage)	Recharge the battery. If recharging is not effective, replace battery.
	The lock key is not inserted.	Insert the lock key.
Motor stops running after a little use.	Battery's charge level is low.	Recharge the battery. If recharging is not effective, replace battery.
	Cutting height set is too low.	Raise the height.
It does not reach maximum RPM.	Battery is installed improperly.	Install the battery cartridge as described in this manual.
	Battery power is dropping.	Recharge the battery. If recharging is not effective, replace battery.
	The drive system does not work correctly.	Ask your local authorized service center for repair.
Cutting tool does not rotate: Stop the machine immediately!	Foreign object such as a branch is jammed near the blade.	Remove the foreign object.
	The drive system does not work correctly.	Ask your local authorized service center for repair.
Abnormal vibration: Stop the machine immediately!	Blade is imbalanced, excessively or unevenly worn.	Replace the blade.
Cutting tool and motor cannot stop: Remove the battery immediately!	Electric or electronic malfunction.	Remove the battery and ask your local authorized service center for repair.

012350

OPTIONAL ACCESSORIES

CAUTION:

- These accessories or attachments are recommended for use with your Dolmar tool specified in this manual. The use of any other accessories or attachments might present a risk of injury to persons. Only use accessory or attachment for its stated purpose.

If you need any assistance for more details regarding these accessories, ask your local Dolmar Service Center.

- Blade
- Dolmar genuine battery and charger

NOTE:

- Some items in the list may be included in the tool package as standard accessories. They may differ from country to country.

Noise

The typical A-weighted noise level determined according to EN60335:

Sound pressure level (L_{pA}): 80 dB (A)

Sound power level (L_{WA}): 93 dB (A)

Uncertainty (K): 3 dB (A)

Wear ear protection

ENG900-1

Vibration

The vibration total value (tri-axial vector sum) determined according to EN60335:

Vibration emission (a_h): 2.5 m/s² or less

Uncertainty (K): 1.5 m/s²

ENG901-1

- The declared vibration emission value has been measured in accordance with the standard test method and may be used for comparing one tool with another.
- The declared vibration emission value may also be used in a preliminary assessment of exposure.

⚠ WARNING:

- The vibration emission during actual use of the power tool can differ from the declared emission value depending on the ways in which the tool is used.
- Be sure to identify safety measures to protect the operator that are based on an estimation of exposure in the actual conditions of use (taking account of all parts of the operating cycle such as the times when the tool is switched off and when it is running idle in addition to the trigger time).

For European countries only**EC Declaration of Conformity**

The undersigned, Tamiro Kishima and Rainer Bergfeld, as authorized by Dolmar GmbH, declare that the DOLMAR machine(s):

Designation of Machine:

Cordless Lawn Mower

Model No./ Type: AM-3643

Specifications: see "SPECIFICATIONS" table.

are of series production and

Conforms to the following European Directives:

2000/14/EC, 2006/42/EC

And are manufactured in accordance with the following standards or standardised documents:

EN60745, EN60335

The technical documentation is on file at:

Dolmar GmbH,

Jenfelder Straße 38, Abteilung FZ,

D-22045 Hamburg

The conformity assessment procedure required by Directive 2000/14/EC was in Accordance with annex VI.

Notified Body:

TÜV Rheinland LGA Products GmbH

Am Grauen Stein 29

51105 Köln Germany

Identification number 0197

Measured Sound Power Level: 93 dB (A)

Guaranteed Sound Power Level: 94 dB (A)

7.9.2011



Tamiro Kishima
Managing Director



Rainer Bergfeld
Managing Director

Descriptif

1 Levier de verrouillage du couvercle de batterie	12 Adaptateur-transfo ceinture de batterie (AA-3618CL)	25 Supports
2 Batterie	13 Bouton d'interrupteur	26 Tournevis
3 Couvercle de batterie	14 Levier d'interrupteur	27 Lame
4 Clé de sécurité	15 Levier de réglage de la hauteur de tonte	28 Boulon
5 Adaptateur-transfo ceinture de batterie (AA-3618)	16 Témoins	29 Flasque intérieur
6 Orifice d'installation	17 Bouton CHECK	30 Flèche
7 Crochet	18 Poignée inférieure	31 Flasque extérieur
8 Adaptateur de montage du AA-3618	19 Rainure du plateau	32 Carter de protection arrière
9 Cordon	20 Vis de serrage	33 Rainure
10 Fente	21 Poignée supérieure	34 Panier à gazon
11 Supports supérieurs	22 Trous de vis	35 Déployer
	23 Écrou de serrage	36 Déplacer vers le bas et l'avant
	24 Vis	37 Faire pivoter vers l'arrière
		38 Prise avant

SPÉCIFICATIONS

Modèle		AM-3643
Largeur de tonte		430 mm
Vitesse à vide		3 600 min ⁻¹
Dimensions (L x l x H)	pendant l'utilisation	1 450 mm – 1 490 mm x 460 mm x 950 mm – 1 020 mm
	pendant le rangement	490 mm – 500 mm x 460 mm x 810 mm
Poids net		17,9 kg
Tension nominale		36 V CC
Batterie(s) standard ⚠ Avertissement : Utilisez exclusivement les batteries spécifiées.		AP-363 / AP-3622

- Étant donné l'évolution constante de notre programme de recherche et de développement, les spécifications contenues dans ce manuel sont sujettes à modification sans préavis.
- Les spécifications et la batterie peuvent être différentes suivant les pays.
- Poids, avec la batterie, conformément à la procédure EPTA-01/2003

GEB091-5

CONSIGNES DE SÉCURITÉ IMPORTANTES

⚠ AVERTISSEMENT ! Veuillez lire toutes les mises en garde et toutes les instructions. Il y a risque de choc électrique, d'incendie et/ou de blessure grave si les mises en garde et les instructions ne sont pas respectées.

Conservez toutes les mises en garde et instructions pour référence ultérieure.

1. N'insérez la clé dans la tondeuse qu'une fois celle-ci prête pour l'utilisation.

2. Cet appareil n'est pas conçu pour l'utilisation par des personnes (y compris les enfants) atteintes d'un handicap physique, sensoriel ou mental, ainsi que par des personnes ne possédant pas l'expérience et les connaissances nécessaires, à moins qu'elles ne soient supervisées ou n'aient reçu des instructions sur l'utilisation de l'appareil par une personne responsable de leur sécurité.
3. Les enfants doivent être surveillés pour s'assurer qu'ils ne jouent pas avec l'appareil.
4. Ne laissez jamais les enfants et personnes non familières avec ces instructions utiliser la machine. Les réglementations locales peuvent spécifier un âge minimum pour l'utilisation.
5. N'utilisez jamais la machine alors que des personnes — et tout particulièrement des enfants — ou des animaux domestiques se trouvent à proximité.
6. Gardez à l'esprit que l'opérateur ou l'utilisateur est responsable des accidents ou risques encourus par les personnes ou leur propriété.

7. Pendant l'utilisation de la machine, portez toujours des chaussures résistantes et un pantalon long. N'utilisez pas la machine pieds nus ou avec des sandales qui laissent les pieds partiellement découverts. Évitez de porter des vêtements et bijoux amples ou dotés de cordons ou attaches qui pendent. Les pièces mobiles risqueraient de les happer.
8. N'utilisez la machine qu'à la lumière du jour ou sous un bon éclairage artificiel.
9. Évitez d'utiliser la machine sur du gazon mouillé.
10. N'utilisez jamais la tondeuse sous la pluie.
11. Utilisation des outils à batterie
 - Ne rechargez qu'avec le chargeur spécifié par le fabricant. Un chargeur conçu pour un type de batterie donné peut comporter un risque d'incendie s'il est utilisé avec une batterie d'un autre type.
 - Utilisez les outils électriques uniquement avec les batteries spécifiquement désignées. L'utilisation de tout autre type de batterie comporte un risque de blessure ou d'incendie.
12. Tenez toujours la poignée fermement.
13. Assurez-vous toujours d'être en position stable dans les pentes.
14. Ne courez jamais ; marchez.
15. Ne saisissez pas et ne soulevez pas l'appareil par ses lames ou par ses bords tranchants.
16. Condition physique — N'utilisez pas la tondeuse après avoir consommé une drogue, de l'alcool ou un médicament.
17. Gardez les carters de protection en place et en bon état de fonctionnement.
18. Gardez mains et pieds à l'écart des lames en rotation. Attention — Les lames continuent de tourner une fois le contact coupé.
19. Retirez la clé avant de réparer, de nettoyer ou de démonter cet appareil de jardinage.
20. Utilisez exclusivement les lames authentiques du fabricant spécifiées dans ce manuel.
21. Vérifiez soigneusement l'absence de fissures ou de dommages sur les lames avant l'utilisation. Remplacez immédiatement les lames fissurées ou abîmées.
22. Assurez-vous qu'il n'y a personne à proximité avant de commencer à tondre le gazon. Arrêtez de tondre le gazon si quelqu'un s'approche.
23. Pour éviter de vous blesser ou d'abîmer la tondeuse, enlevez les corps étrangers tels que pierres, câbles, bouteilles, os et gros bouts de bois dans la zone de travail avant de commencer à tondre le gazon.
24. Cessez immédiatement l'utilisation en cas d'anomalie. Coupez le contact de la tondeuse et retirez la clé. Inspectez ensuite la tondeuse.
25. N'essayez jamais de régler la hauteur des roues pendant que la tondeuse tourne.
26. Libérez le levier d'interrupteur et attendez que la lame ait cessé de tourner avant de traverser une allée, un trottoir, une route ou une zone recouverte de gravier.
Retirez aussi la clé si vous laissez la tondeuse sans surveillance, si vous ramassez ou enlevez un objet qui fait obstacle, ou pour toute autre action pouvant vous distraire de votre travail.
27. Les objets heurtés par la lame de la tondeuse à gazon peuvent causer de graves blessures. Pensez toujours à inspecter soigneusement le gazon et à retirer tous les objets avant de tondre le gazon.
28. Si la tondeuse à gazon heurte un corps étranger, procédez comme suit :
 - Arrêtez la tondeuse, libérez le levier d'interrupteur et attendez que la lame ait complètement cessé de tourner.
 - Retirez la clé de sécurité et la batterie.
 - Inspectez minutieusement la tondeuse pour vous assurer qu'elle n'a subi aucun dommage.
 - Si la lame est abîmée, remplacez-la.
- Réparez toute pièce endommagée avant de faire redémarrer la tondeuse.
29. Assurez-vous régulièrement que le sac arrière n'est ni usé ni abîmé. Avant de ranger la tondeuse, assurez-vous toujours que le sac arrière est vide. Si le sac est usé, remplacez-le par un sac de rechange neuf pour votre sécurité.
30. Arrêtez le moteur et retirez la clé chaque fois que vous laissez l'équipement sans surveillance, avant de nettoyer le carter de la tondeuse et avant d'effectuer tout travail de réparation ou d'inspection.
31. Soyez très prudent lorsque vous faites reculer la machine ou la tirez vers vous.
32. Immobilisez les lames si vous devez incliner la machine pour la transporter en traversant une surface autre que du gazon, et lorsque vous transportez la machine vers ou de la zone d'utilisation.
33. N'utilisez jamais la machine si ses carters ou écrans de protection ne fonctionnent pas, ou si ses dispositifs de sécurité (tels que les déflecteurs et/ou le collecteur de gazon) ne sont pas posés.
34. Faites démarrer le moteur prudemment, en suivant les instructions et en gardant les pieds bien à l'écart des lames.
35. N'inclinez pas la machine en allumant le moteur, sauf si la machine doit être inclinée pour le démarrage. Le cas échéant, ne l'inclinez pas plus que nécessaire et n'inclinez que la partie opposée à vous.
36. Ne vous tenez pas devant l'ouverture de décharge pour faire démarrer la machine.
37. Ne mettez pas les mains ou les pieds près des pièces en rotation, ou sous celles-ci. Restez en tout temps à l'écart de l'ouverture de décharge.
38. Ne transportez pas la tondeuse pendant qu'elle tourne.
39. Arrêtez la machine et retirez l'objet bloqué. Assurez-vous que toutes les pièces mobiles sont parfaitement arrêtées
 - chaque fois que vous laissez la machine sans surveillance,
 - avant de retirer un objet bloqué ou de déboucher la chute,
 - avant d'effectuer la vérification, le nettoyage ou la maintenance de la machine,
 - après avoir heurté un corps étranger. Avant de faire redémarrer la machine, vérifiez l'absence de dommages et effectuez les réparations nécessaires.

40. Si la machine se met à vibrer anormalement (vérifiez immédiatement)
 - inspectez les dommages,
 - remplacez ou réparez les pièces endommagées,
 - resserrez les pièces mal serrées.
41. Lorsque vous réglez la machine, évitez de vous coincer les doigts entre les lames en mouvement et les pièces fixes de la machine.
42. Tondez toujours les pentes latéralement, jamais de haut en bas ou vice-versa. Soyez très prudent lorsque vous changez de direction dans les pentes. Ne tondez pas dans les pentes trop abruptes.
43. Ne nettoyez pas la tondeuse avec un boyau d'arrosage ; évitez de mouiller le moteur et les connexions électriques.
44. Vérifiez régulièrement le boulon de montage de la lame pour vous assurer qu'il est bien serré.
45. Gardez tous les écrous, boulons et vis bien serrés pour assurer le fonctionnement sûr de l'équipement.
46. Laissez toujours refroidir la machine avant de la ranger.
47. Lors de l'entretien des lames, gardez à l'esprit qu'elles peuvent tourner même si la source d'alimentation est coupée.
48. Pour votre propre sécurité, remplacez les pièces usées ou endommagées. Utilisez exclusivement des pièces de rechange et accessoires authentiques.

CONSERVEZ CES INSTRUCTIONS.

⚠ AVERTISSEMENT :

NE vous laissez PAS tromper (au fil d'une utilisation répétée) par un sentiment d'aisance et de familiarité avec le produit, en négligeant le respect rigoureux des consignes de sécurité qui accompagnent le produit en question. La MAUVAISE UTILISATION de l'outil ou l'ignorance des consignes de sécurité indiquées dans ce manuel d'instructions peut entraîner une blessure grave.

ENC007-7

CONSIGNES DE SÉCURITÉ IMPORTANTES

POUR LA BATTERIE

1. Avant d'utiliser la batterie, lisez toutes les instructions et précautions relatives (1) au chargeur de batterie, (2) à la batterie, et (3) à l'outil utilisant la batterie.
2. Ne démontez pas la batterie.
3. Cessez immédiatement l'utilisation si le temps de fonctionnement devient excessivement court. Il y a un risque de surchauffe, de brûlures, voire d'explosion.
4. Si l'électrolyte pénètre dans vos yeux, rincez-les à l'eau claire et consultez immédiatement un médecin. Il y a un risque de perte de la vue.
5. Ne court-circuitez pas la batterie :
 - (1) Ne touchez les bornes avec aucun matériau conducteur.
 - (2) Évitez de ranger la batterie dans un conteneur avec d'autres objets métalliques, par exemple des clous, des pièces de monnaie, etc.
 - (3) N'exposez pas la batterie à l'eau ou à la pluie. Un court-circuit de la batterie pourrait provoquer un fort courant, une surchauffe, parfois des brûlures et même une panne.
6. Ne rangez pas l'outil ou la batterie dans des endroits où la température risque d'atteindre ou de dépasser 50 °C.
7. Ne jetez pas la batterie au feu même si elle est sérieusement endommagée ou complètement épuisée. La batterie peut exploser au contact du feu.
8. Prenez garde d'échapper ou de heurter la batterie.
9. N'utilisez pas une batterie abîmée.

CONSERVEZ CES INSTRUCTIONS.

Conseils pour assurer la durée de vie optimale de la batterie

1. Rechargez la batterie avant qu'elle ne soit complètement déchargée. Arrêtez toujours l'outil et rechargez la batterie quand vous remarquez que la puissance de l'outil diminue.
2. Ne rechargez jamais une batterie complètement chargée. La surcharge réduit la durée de service de la batterie.
3. Chargez la batterie alors que la température de la pièce se trouve entre 10 °C et 40 °C. Avant de charger une batterie chaude, laissez-la refroidir.
4. Chargez la batterie tous les six mois si elle reste inutilisée pendant une période prolongée.

DESCRIPTION DU FONCTIONNEMENT

Installation ou retrait de la batterie (Fig. 1 et 2)

⚠ ATTENTION :

- Mettez toujours l'outil hors tension avant d'installer ou de retirer la batterie.
- Avant l'utilisation, assurez-vous d'avoir verrouillé le couvercle de batterie. Autrement de la boue, des saletés ou de l'eau risquent d'abîmer le produit ou la batterie.

Pour poser la batterie :

1. Tirez vers vous le levier de verrouillage du couvercle de batterie, et ouvrez le couvercle de batterie.
2. Insérez la batterie dans le sens indiqué sur la figure, jusqu'à ce qu'un bruit de déclic soit émis.
3. Insérez à fond la clé de sécurité à l'emplacement indiqué sur la figure.
4. Fermez le couvercle de batterie et appuyez dessus jusqu'à ce qu'il soit verrouillé par le levier de verrouillage.

Pour retirer la batterie de la tondeuse :

1. Tirez vers vous le levier de verrouillage du couvercle de batterie, et ouvrez le couvercle de batterie.
2. Tirez sur la clé de sécurité pour la retirer.
3. Faites-la sortir de l'outil en faisant glisser le bouton à l'avant de la batterie.
4. Fermez le couvercle de batterie.

Adaptateurs-transfo ceinture de batterie (accessoire en option)

⚠ AVERTISSEMENT :

- Avant de poser ou de retirer les adaptateurs-transfo ceinture de batterie AA-3618/AA-3618CL, retirez la clé de sécurité.

AA-3618 (accessoire en option) (Fig. 3, 4 et 5)

⚠ AVERTISSEMENT :

- Lors de l'utilisation du AA-3618, ne le fixez jamais à votre corps, quelle que soit la partie du corps. Vous risqueriez une grave blessure en fixant le AA-3618 à votre corps.

Faites glisser à fond l'adaptateur-transfo ceinture de batterie AA-3618 dans l'orifice d'installation.

Ouvrez le couvercle de batterie sur la tondeuse, puis faites glisser à fond l'adaptateur de montage du AA-3618 dans le port pour batterie sur la tondeuse, jusqu'à ce qu'il émette un bruit de dé clic.

Faites passer le cordon du AA-3618 dans la fente du couvercle de batterie, puis fermez ce dernier.

Placez le cordon du AA-3618 dans les supports supérieurs sur la poignée.

NOTE :

- Lors de l'utilisation de l'adaptateur-transfo ceinture de batterie AA-3618 (accessoire en option), accrochez le cordon d'alimentation au support spécifié de la tondeuse. Autrement vous risquez de sectionner le cordon.

Pour retirer le AA-3618 de la tondeuse, ouvrez le couvercle de batterie puis appuyez sur le crochet côté montage de la batterie sur le AA-3618.

AA-3618CL (accessoire en option) (Fig. 6 et 7)

Ouvrez le couvercle de batterie et insérez le AA-3618CL dans le port pour batterie de la tondeuse, jusqu'à ce qu'il émette un bruit sec.

Fermez le couvercle de batterie.

Pour retirer le AA-3618CL, appuyez sur le crochet du AA-3618CL et retirez le AA-3618CL à l'aide des deux mains.

Interrupteur (Fig. 8 et 9)

⚠ AVERTISSEMENT :

- **Avant d'insérer la batterie dans l'outil, vérifiez toujours que le levier d'interrupteur fonctionne correctement et revient en position initiale une fois libéré.** Il y a un risque de perte de maîtrise et de blessure grave si l'outil est utilisé avec un interrupteur déficient.

NOTE :

- Si vous essayez de tondre un gazon trop long, le moteur risquera de ne pas démarrer en raison de la surcharge. Le cas échéant, augmentez la hauteur de tonte pour pouvoir redémarrer.
- Même si vous activez le levier d'interrupteur, la tondeuse ne démarrera pas si vous n'appuyez pas sur le bouton d'interrupteur.

Cette tondeuse est équipée d'un interrupteur d'interruption et d'un interrupteur de poignée. Si vous constatez une anomalie sur l'un ou l'autre de ces interrupteurs, cessez immédiatement l'utilisation et faites-le vérifier par le centre de service après-vente Dolmar le plus près.

1. Insérez la clé de sécurité dans l'interrupteur d'interruption.
2. Enfoncez le bouton d'interrupteur.
3. Tirez le levier d'interrupteur vers vous tout en enfonçant le bouton d'interrupteur.
4. Libérez le bouton d'interrupteur dès que le moteur se met à tourner. La tondeuse continuera de tourner jusqu'à ce que vous libériez le levier d'interrupteur.
5. Pour couper le moteur, libérez le levier d'interrupteur.
6. Après l'utilisation, retirez la clé de sécurité. Rangez la clé de sécurité dans un emplacement sûr, hors de la portée des enfants.

Régler la hauteur de tonte (Fig. 10)

⚠ AVERTISSEMENT :

- Ne mettez jamais une main ou une jambe sous la tondeuse pendant que vous réglez la hauteur de tonte.
- Avant l'utilisation, assurez-vous toujours que le levier pénètre bien dans la rainure.

La hauteur de tonte est réglable sur une plage de 20 mm à 75 mm.

1. Retirez la clé de sécurité.
2. Tirez le levier de réglage de la hauteur de tonte vers vous, et déplacez-le jusqu'à la hauteur de tonte désirée.

Assurez-vous que la partie saillante du levier de réglage de la hauteur de tonte pénètre dans la rainure de la tondeuse.

NOTE :

- Les valeurs de hauteur de tonte ne sont qu'approximatives, car la hauteur réelle du gazon peut varier suivant l'état de la pelouse ou du sol.
- Faites un essai de tonte en un point peu visible pour vérifier si vous obtenez la hauteur de tonte désirée.

Dispositif de protection de la batterie

Les batteries au lithium-ion sont dotées d'un dispositif de protection. Ce dispositif coupe automatiquement l'alimentation de l'outil pour prolonger la durée de service de la batterie.

Si l'outil et/ou la batterie se trouve dans l'une ou l'autre des situations suivantes, l'outil cessera automatiquement de fonctionner.

- **Surchargé :**
L'outil est utilisé de manière telle qu'il consomme un courant anormalement élevé.
Il faut alors libérer la gâchette de l'outil et cesser l'application qui cause la surcharge. Tirez ensuite de nouveau sur la gâchette pour redémarrer.
Si l'outil ne démarre pas, cela signifie que la batterie est trop chaude. Il faut alors laisser refroidir la batterie avant de tirer de nouveau sur la gâchette.
- **Faible tension de la batterie :**
La charge restante de la batterie étant trop faible, l'outil ne fonctionne pas. Il faut alors retirer la batterie et la recharger.

Témoin de capacité restante de la batterie (uniquement pour les modèles dotés d'une batterie AP-3622) (Fig. 11)

La batterie AP-3622 est dotée d'un témoin de capacité restante.

Appuyez sur le bouton CHECK pour afficher la capacité restante de la batterie. Le témoin s'allume alors pendant trois secondes environ.

Témoins	Capacité restante
 Allumé Arrêt Clignotant	
E F	70% à 100%
	45% à 70%
	20% à 45%
	0% à 20%
	Chargez la batterie.
	Il y a peut-être un dysfonctionnement de la batterie.

011713

- Lorsque seul le témoin le plus bas (à côté de l'"E") clignote, ou lorsque aucun des témoins ne s'allume, la capacité de la batterie est épuisée et l'outil ne peut plus fonctionner. Le cas échéant, chargez la batterie ou remplacez-la par une batterie complètement chargée.
- Si au moins deux témoins ne s'allument pas même après la charge, cela signifie que la batterie a atteint la fin de sa durée de service.
- Si les deux témoins supérieurs et les deux témoins inférieurs s'allument alternativement, il se peut que la batterie ait un dysfonctionnement. Contactez votre centre de service après-vente agréé Dolmar.

NOTE :

- Pendant ou juste après l'utilisation de l'outil, la charge restante indiquée peut être inférieure au véritable niveau de charge.
- Suivant les conditions d'utilisation et la température ambiante, il se peut que la capacité restante indiquée par le témoin soit légèrement différente de la charge réelle.

ASSEMBLAGE

⚠ AVERTISSEMENT :

- Avant toute intervention sur la tondeuse, assurez-vous toujours que la clé de sécurité et la batterie sont retirées.** En ne retirant pas la clé de sécurité et la batterie, vous risqueriez de vous blesser grièvement en cas de démarrage accidentel.
- Ne faites démarrer l'outil que si ses pièces sont toutes montées.** En utilisant l'outil alors que ses pièces ne sont pas toutes montées, vous risqueriez de vous blesser grièvement en cas de démarrage accidentel.

Pose de la poignée (Fig. 12, 13, 14, 15, 16 et 17)

⚠ AVERTISSEMENT :

- Lorsque vous posez les poignées, placez les fils de sorte qu'ils courent librement entre les poignées.
- Desserrez les vis de serrage (deux pièces).

Déployez la poignée inférieure des deux côtés et, dans cette position, faites-la pivoter vers l'arrière et placez-la dans la rainure du plateau.

- Serrez les vis de serrage des deux côtés pour fixer la poignée inférieure.
- Soulevez la poignée supérieure, alignez les trous de vis de la poignée supérieure sur ceux de la poignée inférieure, puis fixez la poignée supérieure à l'aide des vis et écrous de serrage fournis.

NOTE :

- Il faut alors tenir fermement la poignée supérieure pour ne pas l'échapper.

NOTE :

- Posez la poignée supérieure en orientant celle-ci et le cordon d'alimentation tel qu'illustré sur la figure.

NOTE :

- La poignée supérieure est dotée de deux trous de chaque côté. Ces trous permettent de régler la hauteur de la poignée au moyen des vis et écrous de serrage.

Pose ou retrait de la lame (Fig. 18 et 19)

⚠ AVERTISSEMENT :

- Avant de retirer ou de poser la lame, retirez toujours la clé de sécurité et la batterie. Vous risquez une grave blessure si vous ne retirez pas la clé de sécurité et la batterie.
- La lame continue de tourner pendant quelques secondes après la libération de l'interrupteur. Assurez-vous que la lame ne tourne plus.
- Portez toujours des gants pour manipuler la lame.

- Basculez la tondeuse sur le côté pour que le levier de réglage de la hauteur de tonte se trouve sur le dessus.
- Pour verrouiller la lame, insérez dans un orifice de la tondeuse un tournevis ou outil similaire disponible dans le commerce.
- À l'aide d'une clé, tournez le boulon dans le sens contraire des aiguilles d'une montre pour le desserrer.
- Retirez dans l'ordre le boulon, la lame, le flasque extérieur et le flasque intérieur.

Pour poser la lame, effectuez la procédure contraire du retrait.

⚠ AVERTISSEMENT :

- Posez le flasque intérieur, la lame et le flasque extérieur soigneusement, car ils ont une face supérieure et une face inférieure.
- Pour fixer la lame, serrez fermement le boulon en tournant dans le sens des aiguilles d'une montre.
- Posez la lame en plaçant du côté extérieur la face qui porte une flèche d'indication du sens de rotation.
- Assurez-vous d'avoir posé la lame de manière sûre.
- Pensez à retirer le tournevis ou outil similaire que vous avez inséré dans l'orifice pour verrouiller la lame.

Pose du panier à gazon (Fig. 20 et 21)

Retirez la clé de sécurité.

Soulevez le carter de protection arrière de la tondeuse et accrochez le panier à gazon sur la rainure de la tondeuse.

OPÉRATION

Tonte

⚠ AVERTISSEMENT :

- Avant de commencer à tondre le gazon, enlevez les bouts de bois et les cailloux dans la zone à tondre. Enlevez aussi les mauvaises herbes à l'avance dans la zone à tondre.
- Lorsque vous utilisez la tondeuse, portez toujours des lunettes de sécurité ou lunettes à coques.

Pendant la tonte, tenez fermement la poignée de la tondeuse à deux mains.

Les bords extérieurs des roues avant de la tondeuse correspondent approximativement à la largeur de tonte. En vous guidant sur les bords extérieurs des deux roues avant, tondez le gazon en formant des bandes uniformes qui se chevauchent du tiers ou de la moitié.

Vérifiez régulièrement le niveau du panier à gazon, et videz ce dernier quand il est plein. Avec d'effectuer les inspections régulières, pensez à arrêter la tondeuse et à retirer la clé de sécurité et la batterie.

NOTE :

- Si vous continuez d'utiliser la tondeuse alors que le panier à gazon est plein, la lame ne pourra pas tourner librement et le moteur sera surchargé, ce qui comporte un risque de panne.

Tonte du gazon long (Fig. 22)

N'essayez pas de tondre le gazon long d'un seul coup. Tondez-le plutôt graduellement, en espaçant les tontes d'un jour ou deux, jusqu'à ce que le gazon soit uniformément court.

NOTE :

- Le gazon long risque de s'étioler si vous le coupez très court d'un seul coup, et/ou vous risquez de bloquer le mécanisme intérieur de la tondeuse.

Vider le panier à gazon (Fig. 23)

⚠ AVERTISSEMENT :

- Pour réduire les risques d'accident, assurez-vous régulièrement que le panier à gazon n'est pas endommagé ou affaibli, et remplacez-le lorsque nécessaire.

1. Libérez le levier d'interrupteur.
2. Retirez la clé de sécurité.
3. Ouvrez le carter de protection arrière et retirez le panier à gazon à l'aide de sa poignée.
4. Videz le panier à gazon.

MAINTENANCE ET RANGEMENT

⚠ AVERTISSEMENT :

- Assurez-vous toujours que la clé de sécurité et la batterie sont retirées de la tondeuse avant de la ranger ou d'en faire l'inspection ou la maintenance.
- Portez des gants lorsque vous effectuez l'inspection ou la maintenance.

⚠ ATTENTION :

- N'utilisez jamais d'essence, benzine, diluant, alcool ou autre produit similaire. Cela risquerait de provoquer la décoloration, la déformation ou la fissuration de l'outil.

MAINTENANCE

1. RETIREZ LA CLÉ DE SÉCURITÉ. Rangez-la dans un emplacement sûr, hors de la portée des enfants.
2. Utilisez uniquement du savon doux et un chiffon humide pour nettoyer la tondeuse. Évitez de vaporiser ou de verser de l'eau sur la tondeuse pour la nettoyer.
3. Basculez la tondeuse sur le côté et enlevez les herbes arrachées qui se sont accumulées sous le plateau de la tondeuse.
4. Assurez-vous que les écrous, boulons, boutons, vis, attaches et autres fixations sont bien serrés.
5. Vérifiez l'absence de dommages, de bris et d'usure sur les pièces mobiles. Faites réparer ou remplacer toute pièce endommagée ou manquante.
6. Avant de ranger la tondeuse, retirez la batterie.
7. Rangez la tondeuse à l'intérieur, dans un emplacement frais, sec et verrouillé. Ne rangez pas la tondeuse et le chargeur dans un emplacement où la température peut atteindre ou dépasser 40 °C.

Rangement (Fig. 24, 25, 26, 27, 28 et 29)

⚠ AVERTISSEMENT :

- Pour transporter ou ranger la tondeuse, ne la saisissez pas par ses poignées repliées mais par la prise avant de la tondeuse. Vous risquez de vous blesser grièvement ou d'endommager la tondeuse si vous la tenez par ses poignées repliées.

La tondeuse peut être rangée en position verticale.

1. Desserrez la vis de serrage, déployez la poignée inférieure des deux côtés, puis abaissez la poignée vers l'avant.

NOTE :

- Il faut alors tenir fermement la poignée inférieure pour ne pas qu'elle tombe du côté éloigné de l'outil.
2. Desserrez l'écrou de serrage et faites pivoter la poignée supérieure pour la remettre sur sa position initiale.
 3. Enlevez le panier à gazon et mettez la tondeuse à la verticale.

NOTE :

- Pour mettre la tondeuse à la verticale, ne la saisissez pas par la poignée ; utilisez plutôt la prise avant de la tondeuse.
4. Rangez le panier à gazon entre la poignée et le corps de la tondeuse.

Pour assurer la SÉCURITÉ et la FIABILITÉ du produit, toute réparation et tout travail d'entretien ou de réglage doivent être effectués par un Centre de service après-vente agréé Dolmar, avec des pièces de rechange Dolmar.

DÉPANNAGE

Avant de faire une demande de réparation, effectuez d'abord vous-même une inspection. Si vous rencontrez un problème non documenté dans le manuel, n'essayez pas de démonter l'outil. Demandez plutôt à un centre de service après-vente Dolmar agréé d'effectuer la réparation au moyen de pièces de rechange Dolmar.

Dysfonctionnement	Cause	Mesure à prendre
La tondeuse ne démarre pas.	La batterie n'est pas posée.	Posez la batterie.
	Problème de batterie (tension insuffisante)	Rechargez la batterie. Si la recharge est inefficace, remplacez la batterie.
	La clé de sécurité n'est pas insérée.	Insérez la clé de sécurité.
Le moteur s'arrête au bout d'un court moment.	La charge de la batterie est faible.	Rechargez la batterie. Si la recharge est inefficace, remplacez la batterie.
	La hauteur de tonte est réglée trop bas.	Augmentez la hauteur de tonte.
Le moteur ne tourne pas à plein régime.	La batterie n'est pas bien posée.	Suivez les instructions du présent manuel pour poser la batterie.
	La batterie faiblit.	Rechargez la batterie. Si la recharge est inefficace, remplacez la batterie.
	Le mécanisme d'entraînement ne fonctionne pas bien.	Demandez à votre centre de service après-vente agréé d'effectuer la réparation.
L'outil tranchant ne tourne pas : Arrêtez immédiatement la machine !	Un corps étranger, tel qu'une branche, est coincé près de la lame.	Retirez le corps étranger.
	Le mécanisme d'entraînement ne fonctionne pas bien.	Demandez à votre centre de service après-vente agréé d'effectuer la réparation.
Vibrations anormales : Arrêtez immédiatement la machine !	La lame est déséquilibrée, trop usée ou usée de manière inégale.	Remplacez la lame.
L'outil tranchant et le moteur ne s'arrêtent pas : Retirez immédiatement la batterie !	Dysfonctionnement électrique ou électronique.	Retirez la batterie et demandez à votre centre de service après-vente agréé d'effectuer la réparation.

012350

ACCESSOIRES EN OPTION

ATTENTION :

- Ces accessoires ou pièces complémentaires sont recommandés pour l'utilisation avec l'outil Dolmar spécifié dans ce mode d'emploi. L'utilisation de tout autre accessoire ou pièce complémentaire peut comporter un risque de blessure. N'utilisez les accessoires ou pièces qu'aux fins auxquelles ils ont été conçus.

Si vous désirez obtenir plus de détails concernant ces accessoires, veuillez contacter le centre de service après-vente Dolmar le plus près.

- Lame
- Batterie et chargeur Dolmar authentiques

NOTE :

- Il se peut que certains éléments de la liste soient compris dans l'emballage de l'outil en tant qu'accessoires standard. Ils peuvent varier d'un pays à l'autre.

Bruit

Niveau de bruit pondéré A typique, déterminé selon EN60335 :

- Niveau de pression sonore (L_{pA}) : 80 dB (A)
- Niveau de puissance sonore (L_{WA}) : 93 dB (A)
- Incertitude (K) : 3 dB (A)

Porter des protecteurs anti-bruit

ENG900-1

Vibrations

Valeur totale de vibrations (somme de vecteur triaxial) déterminée selon EN60335 :

- Émission de vibrations (a_h) : 2,5 m/s² ou moins
- Incertitude (K) : 1,5 m/s²

ENG901-1

- La valeur d'émission de vibrations déclarée a été mesurée conformément à la méthode de test standard et peut être utilisée pour comparer les outils entre eux.
- La valeur d'émission de vibrations déclarée peut aussi être utilisée pour l'évaluation préliminaire de l'exposition.

⚠ AVERTISSEMENT :

- L'émission de vibrations lors de l'usage réel de l'outil électrique peut être différente de la valeur d'émission déclarée, suivant la façon dont l'outil est utilisé.
- Les mesures de sécurité à prendre pour protéger l'utilisateur doivent être basées sur une estimation de l'exposition dans des conditions réelles d'utilisation (en tenant compte de toutes les composantes du cycle d'utilisation, comme par exemple le moment de sa mise hors tension, lorsqu'il tourne à vide et le moment de son déclenchement).

Pour les pays d'Europe uniquement**Déclaration de conformité CE**

Les soussignés, Tamiro Kishima et Rainer Bergfeld, tel qu'autorisés par Dolmar GmbH, déclarent que le(s) machine(s) DOLMAR suivante(s) :

Désignation de la machine :

Tondeuse Sans Fil

N° de modèle / Type : AM-3643

Spécifications : voir le tableau "SPÉCIFICATIONS".

sont produites en série et

sont conformes aux Directives européennes suivantes :

2000/14/CE, 2006/42/CE

et qu'elles sont fabriquées conformément aux normes ou documents normalisés suivants :

EN60745, EN60335

La documentation technique se trouve sur fichier à l'adresse suivante :

Dolmar GmbH,

Jenfelder Straße 38, Abteilung FZ,

D-22045 Hamburg

La procédure d'évaluation de la conformité requise par la Directive 2000/14/CE a été réalisée conformément à l'Annexe VI.

Organisme notifié :

TÜV Rheinland LGA Products GmbH

Am Grauen Stein 29

51105 Köln Allemagne

Numéro d'identification 0197

Niveau de puissance sonore mesuré : 93 dB (A)

Niveau de puissance sonore garanti : 94 dB (A)

7.9.2011



Tamiro Kishima
Président directeur



Rainer Bergfeld
Président directeur

Übersicht

1 Akkuabdeckungs- Verriegelungshebel	13 Schaltknopf	27 Messer
2 Akku	14 Schallhebel	28 Schraube
3 Akkuabdeckung	15 Mähhöhen-Einstellhebel	29 Innenflansch
4 Sperrschlüssel	16 Anzeigelampen	30 Pfeil
5 Akku-Adapter (AA-3618)	17 Taste CHECK	31 Außenflansch
6 Montageöffnung	18 Unterer Griff	32 Hintere Schutzklappe
7 Haken	19 Führungsnut am Deck	33 Führungsnut
8 Produkt-Montageadapter des AA-3618	20 Klemmschraube	34 Graskorb
9 Kabel	21 Oberer Griff	35 Spreizen
10 Schlitz	22 Schraubenlöcher	36 Nach vorn herunterklappen
11 Obere Halter	23 Knebelmutter	37 Zurückschwenken
12 Akku-Adapter (AA-3618CL)	24 Schraube	38 Frontgriff
	25 Halter	
	26 Schraubendreher	

TECHNISCHE DATEN

Modell		AM-3643
Mähbreite		430 mm
Leerlaufdrehzahl		3 600 min ⁻¹
Abmessungen (L x B x H)	während des Betriebs	1 450 mm – 1 490 mm x 460 mm x 950 mm – 1 020 mm
	bei Lagerung	490 mm – 500 mm x 460 mm x 810 mm
Nettogewicht		17,9 kg
Nennspannung		DC 36 V
Standard-Akku(s) ⚠️ Warnung: Verwenden Sie nur den (die) beschriebenen Akku(s).		AP-363 / AP-3622

- Wir behalten uns vor, Änderungen im Zuge der Entwicklung und des technischen Fortschritts ohne vorherige Ankündigung vorzunehmen.
- Die technischen Daten und der Blockakku können von Land zu Land unterschiedlich sein.
- Gewicht mit Akku nach EPTA-Verfahren 01/2003

GEB091-5

WICHTIGE SICHERHEITSVORSCHRIFTEN

⚠️ WARNUNG! Lesen Sie alle Sicherheitswarnungen und Anweisungen durch. Eine Missachtung der unten aufgeführten Warnungen und Anweisungen kann zu einem elektrischen Schlag, Brand und/oder schweren Verletzungen führen.

Bewahren Sie alle Warnungen und Anweisungen für spätere Bezugnahme auf.

1. Stecken Sie den Schlüssel nicht eher in den Mäher, bis dieser betriebsbereit ist.
2. Dieses Gerät ist nicht für den Gebrauch durch Personen (einschließlich Kindern) mit verminderten körperlichen oder geistigen Fähigkeiten oder mangelnder Erfahrung und Kenntnis vorgesehen, es sei denn, sie haben eine Betreuung oder Unterweisung im Gebrauch des Gerätes von einer Person erhalten, die für ihre Sicherheit verantwortlich ist.
3. Kinder sollten beaufsichtigt werden, um sicherzugehen, dass sie nicht mit dem Gerät spielen.

4. **Kinder oder Personen, die nicht mit dieser Anleitung vertraut sind, dürfen die Maschine keinesfalls benutzen. Örtliche Vorschriften können das Alter der Bedienungsperson einschränken.**
5. **Betreiben Sie die Maschine keinesfalls, während sich Personen, besonders Kinder, oder Haustiere in der Nähe aufhalten.**
6. **Der Bediener oder Benutzer ist verantwortlich für Verletzungen oder Sachschäden, die an Personen oder ihrem Eigentum entstehen.**
7. **Tragen Sie während der Benutzung der Maschine stets kräftiges Schuhwerk und eine lange Hose. Betreiben Sie die Maschine nicht barfuß oder mit offenen Sandalen. Vermeiden Sie das Tragen von Kleidungsstücken oder Schmucksachen, die lose sitzen oder herunterhängende Schnüre oder Bänder haben. Diese können von beweglichen Teilen erfasst werden.**
8. **Betreiben Sie die Maschine nur bei Tageslicht oder hellem Kunstlicht.**
9. **Vermeiden Sie die Benutzung der Maschine in nassem Gras.**
10. **Betreiben Sie den Mäher niemals bei Regen.**
11. **Gebrauch von Akkuwerkzeugen**
 - **Laden Sie den Akku nur mit dem vom Hersteller vorgeschriebenen Ladegerät.** Ein Ladegerät, das für einen Akkutyp geeignet ist, kann bei Verwendung mit einem anderen Akku eine Brandgefahr darstellen.

- Benutzen Sie Elektrowerkzeuge nur mit den ausdrücklich vorgeschriebenen Akkus. Bei Verwendung irgendwelcher anderer Akkus besteht Verletzungs- und Brandgefahr.
12. Halten Sie den Bügelgriff stets mit festem Griff.
 13. Achten Sie beim Arbeiten auf Hängen stets auf sicheren Stand.
 14. Stets gehen, niemals laufen.
 15. Fassen Sie nicht das freiliegende Schneidmesser oder die Schneidkanten an, um das Gerät anzuheben oder zu halten.
 16. Körperliche Verfassung — Betreiben Sie den Mäher nicht unter dem Einfluss von Drogen, Alkohol oder Medikamenten.
 17. Halten Sie Schutzvorrichtungen stets montiert und in betriebsfähigem Zustand.
 18. Halten Sie Hände und Füße vom rotierenden Messer fern. Vorsicht — Das Messer läuft nach dem Ausschalten noch nach.
 19. Ziehen Sie den Schlüssel ab, bevor Sie das Gartengerät warten, reinigen oder von Fremdkörpern befreien.
 20. Verwenden Sie nur das in dieser Anleitung angegebene Originalmesser des Herstellers.
 21. Überprüfen Sie das Messer vor dem Betrieb sorgfältig auf Risse oder Beschädigung. Wechseln Sie ein gerissenes oder beschädigtes Messer unverzüglich aus.
 22. Vergewissern Sie sich, dass sich keine anderen Personen im Arbeitsbereich aufhalten, bevor Sie mit dem Mähen beginnen. Stellen Sie den Mäher ab, falls jemand den Arbeitsbereich betritt.
 23. Entfernen Sie vor dem Mähen Fremdkörper, wie Steine, Draht, Flaschen, Knochen und große Äste, vom Arbeitsbereich, um Personenverletzungen und Beschädigung des Mähers zu verhindern.
 24. Brechen Sie den Betrieb sofort ab, wenn Sie irgendetwas Ungewöhnliches bemerken. Schalten Sie den Mäher aus, und ziehen Sie den Schlüssel ab. Überprüfen Sie dann den Mäher.
 25. Versuchen Sie niemals, die Radhöhe zu verstellen, während der Mäher läuft.
 26. Lassen Sie den Schalthebel los, und warten Sie, bis das Messer zum Stillstand gekommen ist, bevor Sie Einfahrten, Gehwege, Straßen und schotterbedeckte Flächen überqueren. Ziehen Sie den Schlüssel auch ab, wenn Sie den Mäher verlassen, wenn Sie sich bücken, um etwas aufzuheben oder aus dem Weg zu räumen, oder in irgendeiner anderen Situation, bei der Sie von Ihrer Arbeit abgelenkt werden könnten.
 27. Vom Rasenmähermesser herausgeschleuderte Gegenstände können schwere Personenverletzungen verursachen. Der Rasen ist vor jedem Mähen sorgfältig zu überprüfen und von allen Objekten zu räumen.
 28. Falls der Rasenmäher auf einen Fremdkörper stößt, gehen Sie folgendermaßen vor:
 - Stellen Sie den Mäher ab, lassen Sie den Schalthebel los, und warten Sie, bis das Messer zum vollständigen Stillstand gekommen ist.
 - Entfernen Sie den Sperrschlüssel und den Akku.
 - Überprüfen Sie den Mäher gründlich auf etwaige Beschädigung.
 - Tauschen Sie das Messer aus, falls es in irgendeiner Weise beschädigt ist. Reparieren Sie etwaige Schäden, bevor Sie den Mäher wieder in Betrieb nehmen und weiter benutzen.
29. Überprüfen Sie den Grasfangsack öfters auf Verschleiß oder Verschlechterung. Vergewissern Sie sich vor der Lagerung stets, dass der Grasfangsack leer ist. Ersetzen Sie einen zerrissenen Sack zur Sicherheit durch einen fabrikneuen Ersatzsack.
 30. Stellen Sie den Motor ab, und ziehen Sie den Schlüssel ab, wann immer Sie das Gerät verlassen, bevor Sie das Mähergehäuse reinigen, und bevor Sie irgendwelche Reparaturen oder Inspektionen durchführen.
 31. Lassen Sie äußerste Vorsicht walten, wenn Sie die Maschine rückwärts betreiben oder auf sich zu ziehen.
 32. Halten Sie das (die) Messer an, wenn die Maschine zum Transportieren gekippt werden muss, wenn andere Flächen als Rasen überquert werden müssen, und wenn die Maschine zu und vom Arbeitsbereich transportiert werden muss.
 33. Betreiben Sie die Maschine niemals mit defekten Schutzklappen oder Abschirmungen oder ohne Schutzvorrichtungen, z. B. Abweiser und/oder Grassammler.
 34. Schalten Sie den Motor gemäß den Anweisungen vorsichtig ein, während Ihre Füße einen ausreichenden Sicherheitsabstand vom Messer haben.
 35. Neigen Sie die Maschine nicht, wenn Sie den Motor einschalten, außer wenn die Maschine zum Starten geneigt werden muss. Neigen Sie die Maschine in diesem Fall nicht mehr als absolut notwendig, und heben Sie nur den vom Bediener abgewandten Teil an.
 36. Starten Sie die Maschine nicht, wenn Sie vor der Auswurföffnung stehen.
 37. Halten Sie Ihre Hände oder Füße nicht in die Nähe von rotierenden Teilen oder darunter. Bleiben Sie stets von der Auswurföffnung fern.
 38. Transportieren Sie die Maschine nicht bei eingeschaltetem Mähwerk.
 39. Stellen Sie die Maschine ab, und entfernen Sie die Sperrvorrichtung. Vergewissern Sie sich, dass alle beweglichen Teile zum vollständigen Stillstand gekommen sind,
 - wann immer Sie die Maschine verlassen.
 - bevor Sie Blockierungen beseitigen oder den Auswurf frei machen.
 - bevor Sie die Maschine überprüfen, reinigen oder daran arbeiten.
 - nachdem ein Fremdkörper berührt wurde. Überprüfen Sie die Maschine auf Beschädigung, und führen Sie Reparaturen durch, bevor Sie die Maschine wieder starten und in Betrieb nehmen.
 40. Falls die Maschine beginnt, ungewöhnlich heftig zu vibrieren (sofort überprüfen),
 - auf Beschädigung überprüfen.
 - beschädigte Teile austauschen oder reparieren.
 - prüfen, ob lose Teile vorhanden sind, und diese festziehen.

41. Lassen Sie während der Einstellung der Maschine Vorsicht walten, um Einklemmen der Finger zwischen dem beweglichen Messer und den feststehenden Teilen der Maschine zu verhüten.
42. Mähen Sie Hänge nur seitwärts, niemals auf und ab. Gehen Sie bei Richtungsänderungen auf Hängen äußerst vorsichtig vor. Mähen Sie keine sehr steilen Hänge.
43. Waschen Sie die Maschine nicht mit einem Schlauch, um das Eindringen von Wasser in Motor und elektrische Anschlüsse zu vermeiden.
44. Überprüfen Sie die Messerbefestigungsschraube in regelmäßigen Abständen auf festen Sitz.
45. Achten Sie auf festen Sitz aller Muttern, Bolzen und Schrauben, um sicherzugehen, dass sich die Maschine in einwandfreiem Arbeitszustand befindet.
46. Lassen Sie die Maschine vor der Lagerung stets abkühlen.
47. Wenn Sie das Messer warten, bedenken Sie, dass sich das Messer immer noch bewegen kann, selbst wenn die Stromquelle abgeschaltet ist.
48. Tauschen Sie verschlissene oder beschädigte Teile zur Sicherheit aus. Verwenden Sie nur Original-Ersatzteile und -Zubehör.

BEWAHREN SIE DIESE HINWEISE SORGFÄLTIG AUF.

WARNUNG:

Lassen Sie sich NICHT durch Bequemlichkeit oder Vertrautheit mit dem Produkt (durch wiederholten Gebrauch erworben) von der strikten Einhaltung der Sicherheitsregeln für das vorliegende Produkt abhalten. MISSBRAUCH oder Missachtung der Sicherheitsvorschriften in dieser Anleitung können schwere Verletzungen verursachen.

ENC007-7

WICHTIGE SICHERHEITSVORSCHRIFTEN

FÜR AKKU

1. Lesen Sie vor der Benutzung des Akkus alle Anweisungen und Warnhinweise, die an (1) Ladegerät, (2) Akku und (3) Akkuwerkzeug angebracht sind.
2. Unterlassen Sie ein Zerlegen des Akkus.
3. Falls die Betriebszeit beträchtlich kürzer geworden ist, stellen Sie den Betrieb sofort ein. Anderenfalls besteht die Gefahr von Überhitzung, möglichen Verbrennungen und sogar einer Explosion.
4. Falls Elektrolyt in Ihre Augen gelangt, waschen Sie sie mit sauberem Wasser aus, und begeben Sie sich unverzüglich in ärztliche Behandlung. Anderenfalls können Sie Ihre Sehkraft verlieren.
5. Der Akku darf nicht kurzgeschlossen werden:
 - (1) Die Kontakte dürfen nicht mit leitfähigem Material berührt werden.
 - (2) Lagern Sie den Akku nicht in einem Behälter zusammen mit anderen Metallgegenständen, wie z.B. Nägel, Münzen usw.
 - (3) Setzen Sie den Akku weder Wasser noch Regen aus.

Ein Kurzschluss des Akkus verursacht starken Stromfluss, der Überhitzung, Verbrennungen und einen Defekt zur Folge haben kann.

6. Lagern Sie Maschine und Akku nicht an Orten, an denen die Temperatur 50°C erreichen oder überschreiten kann.
7. Versuchen Sie niemals, den Akku zu verbrennen, selbst wenn er stark beschädigt oder vollkommen verbraucht ist. Der Akku kann im Feuer explodieren.
8. Achten Sie darauf, dass der Akku nicht fallen gelassen oder Stößen ausgesetzt wird.
9. Benutzen Sie keine beschädigten Akkus.

BEWAHREN SIE DIESE HINWEISE SORGFÄLTIG AUF.

Hinweise zur Aufrechterhaltung der maximalen Akku-Nutzungsdauer

1. Laden Sie den Akku, bevor er vollkommen erschöpft ist. Schalten Sie die Maschine stets aus, und laden Sie den Akku, wenn Sie ein Nachlassen der Maschinenleistung feststellen.
2. Unterlassen Sie das erneute Laden eines voll aufgeladenen Akkus. Überladen führt zu einer Verkürzung der Nutzungsdauer des Akkus.
3. Laden Sie den Akku bei Raumtemperatur zwischen 10°C – 40°C. Lassen Sie einen heißen Akku abkühlen, bevor Sie ihn laden.
4. Laden Sie den Akku bei längerer Nichtbenutzung alle sechs Monate nach.

FUNKTIONSBESCHREIBUNG

Anbringen und Abnehmen des Akkus (Abb. 1 u. 2)

VORSICHT:

- Schalten Sie die Maschine stets aus, bevor Sie den Akku anbringen oder abnehmen.
- Verriegeln Sie unbedingt die Akkuabdeckung vor Gebrauch. Anderenfalls können Schlamm, Schmutz oder Wasser eine Beschädigung des Produkts oder des Akkus verursachen.

Zum Einsetzen des Akkus:

1. Ziehen Sie den Akkuabdeckungs-Verriegelungshebel auf sich zu, und öffnen Sie die Akkuabdeckung.
2. Schieben Sie den Akku in der in der Abbildung gezeigten Richtung ein, bis ein Klicken hörbar ist.
3. Führen Sie den Sperrschlüssel bis zum Anschlag in den in der Abbildung gezeigten Schlitz ein.
4. Schließen Sie die Akkuabdeckung, und drücken Sie sie an, bis sie mit dem Verriegelungshebel einrastet.

Zum Abnehmen des Akkus vom Mäher:

1. Ziehen Sie den Akkuabdeckungs-Verriegelungshebel auf sich zu, und öffnen Sie die Akkuabdeckung.
2. Ziehen Sie den Sperrschlüssel heraus.
3. Ziehen Sie den Akku von der Maschine ab, während Sie den Knopf an der Vorderseite des Akkus verschieben.
4. Schließen Sie die Akkuabdeckung.

Akku-Adapter (Sonderzubehör)

⚠️ WARNUNG:

- Bevor Sie die Akku-Adapter AA-3618/AA-3618CL anbringen oder abnehmen, entfernen Sie den Sperrschlüssel.

AA-3618 (Sonderzubehör) (Abb. 3, 4 u. 5)

⚠️ WARNUNG:

- Wenn Sie den AA-3618 verwenden, bringen Sie ihn niemals mit irgendeinem Körperteil in Berührung. Kommt der AA-3618 mit irgendeinem Körperteil in Berührung, kann es zu ernsthaften Verletzungen kommen.

Schieben Sie den Akku-Adapter AA-3618 bis zum Anschlag in die Montageöffnung ein.

Öffnen Sie die Akkuabdeckung am Mäher, und schieben Sie dann den Produkt-Montageadapter des AA-3618 bis zum Anschlag in den Akkuanschluss des Mähers ein, bis er mit einem Klicken einrastet.

Führen Sie das Kabel des AA-3618 durch den Schlitz in der Akkuabdeckung, und schließen Sie die Akkuabdeckung.

Setzen Sie das Kabel des AA-3618 in die oberen Halter am Lenker ein.

HINWEIS:

- Wenn Sie den Akku-Adapter AA-3618 (Sonderzubehör) verwenden, hängen Sie das Stromkabel in den vorgesehenen Halter am Mäher ein. Anderenfalls besteht die Gefahr, dass das Kabel abgeschnitten wird.

Um den AA-3618 vom Mäher zu entfernen, öffnen Sie die Akkuabdeckung, und drücken Sie dann den Haken auf der Akkumontageseite des AA-3618.

AA-3618CL (Sonderzubehör) (Abb. 6 u. 7)

Öffnen Sie die Akkuabdeckung, und rasten Sie den AA-3618CL in den Akkuanschluss am Mäher ein.

Schließen Sie die Akkuabdeckung.

Um den AA-3618CL zu entfernen, drücken Sie auf den Haken am AA-3618CL, und ziehen Sie ihn mit beiden Händen heraus.

Funktion des Ein-Aus-Schalters (Abb. 8 u. 9)

⚠️ WARNUNG:

- **Vergewissern Sie sich vor dem Einsetzen des Akkus in die Maschine stets, dass der Schalthebel ordnungsgemäß funktioniert und beim Loslassen in die Ausgangsstellung zurückkehrt.** Der Betrieb einer Maschine mit fehlerhaftem Schalter kann zum Verlust der Kontrolle und zu schweren Verletzungen führen.

HINWEIS:

- Wenn Sie versuchen, viel Gras auf einmal zu mähen, kann der Motor wegen der Überlastung eventuell nicht starten. Stellen Sie in diesem Fall die Mähhöhe auf ein höheres Niveau ein, um die Maschine wieder zu starten.
- Der Mäher startet nicht, ohne den Schaltknopf zu drücken, selbst wenn der Schalthebel betätigt wird.

Dieser Mäher ist mit einem Verriegelungsschalter und Lenkerschalter ausgestattet. Falls Sie etwas Ungewöhnliches bei einem dieser Schalter bemerken, stoppen Sie die Maschine unverzüglich, und lassen Sie die Schalter von der nächsten Dolmar-Kundendienststelle überprüfen.

1. Stecken Sie den Sperrschlüssel in den Verriegelungsschalter.
2. Drücken Sie den Schaltknopf.
3. Ziehen Sie den Schalthebel auf sich zu, während Sie den Schaltknopf drücken.
4. Lassen Sie den Schaltknopf los, sobald der Motor anläuft. Der Mäher läuft solange weiter, bis Sie den Schalthebel loslassen.
5. Lassen Sie den Schalthebel los, um den Motor zu stoppen.
6. Wenn der Mäher nicht benutzt wird, ziehen Sie den Sperrschlüssel ab. Bewahren Sie den Sperrschlüssel an einem sicheren Ort außer Reichweite von Kindern auf.

Einstellen der Mähhöhe (Abb. 10)

⚠️ WARNUNG:

- Halten Sie niemals Ihre Hand oder Ihren Fuß unter das Mähwerk, wenn Sie die Mähhöhe einstellen.
- Vergewissern Sie sich stets, dass der Hebel einwandfrei in der Führungsnut sitzt, bevor Sie den Mäher in Betrieb nehmen.

Die Mähhöhe kann innerhalb des Bereichs zwischen 20 mm – 75 mm eingestellt werden.

1. Entfernen Sie den Sperrschlüssel.
2. Ziehen Sie den Mähhöhen-Einstellhebel auf sich zu, und stellen Sie ihn auf die gewünschte Mähhöhe ein.

Achten Sie darauf, dass der Vorsprung am Mähhöhen-Einstellhebel in der Führungsnut im Mäher sitzt.

HINWEIS:

- Benutzen Sie die Mähhöhenzahlen nur als Richtlinie, da der Zustand des Rasens oder des Bodens dazu führen kann, dass die Rasenhöhe geringfügig von der eingestellten Höhenzahl abweicht.
- Machen Sie eine Mähtest an einer unauffälligeren Stelle des Rasens, um die gewünschte Höhe zu erhalten.

Akku-Schutzsystem

Lithium-Ionen-Akkus sind mit einem Schutzsystem ausgestattet. Dieses System schaltet die Stromversorgung der Maschine automatisch ab, um die Akku-Lebensdauer zu verlängern.

Die Maschine schaltet sich während des Betriebs automatisch ab, wenn Maschine und/oder Akku einer der folgenden Bedingungen unterliegen:

- **Überlastung:**
Die Maschine wird auf eine Weise benutzt, die eine ungewöhnlich hohe Stromaufnahme bewirkt. Lassen Sie in dieser Situation den Ein-Aus-Schalter der Maschine los, und brechen Sie die Arbeit ab, die eine Überlastung der Maschine verursacht hat. Betätigen Sie dann den Ein-Aus-Schalter erneut, um die Maschine wieder zu starten.
Falls die Maschine nicht startet, ist der Akku überhitzt. Lassen Sie den Akku in dieser Situation abkühlen, bevor Sie den Ein-Aus-Schalter erneut betätigen.
- **Niedrige Akkuspannung:**
Die Akku-Restkapazität ist zu niedrig, und die Maschine funktioniert nicht. Nehmen Sie in dieser Situation den Akku ab, und laden Sie ihn auf.

Akku-Restkapazitätsanzeige (nur für Modelle mit Akku AP-3622) (Abb. 11)

Der Akku AP-3622 ist mit einer Akku-Restkapazitätsanzeige ausgestattet.

Drücken Sie die Taste CHECK, um die Akku-Restkapazität anzuzeigen. Daraufhin leuchten die Anzeigelampen etwa drei Sekunden lang.

Anzeigelampen	Restkapazität
E F	70 bis 100%
	45 bis 70%
	20 bis 45%
	0 bis 20%
	Den Akku aufladen.
	Möglicherweise liegt eine Funktionsstörung im Akku vor.

011713

- Wenn nur die unterste Anzeigelampe (neben "E") blinkt oder keine der Anzeigelampen leuchtet, ist die Akkukapazität aufgebraucht, so dass das Akkuwerkzeug nicht funktioniert. Laden Sie in diesen Fällen den Akku auf, oder tauschen Sie den leeren Akku gegen einen voll aufgeladenen aus.
- Wenn zwei oder mehr Anzeigelampen nach Abschluss des Ladevorgangs nicht leuchten, hat der Akku das Ende seiner Nutzungsdauer erreicht.
- Wenn die oberen und unteren zwei Anzeigelampen abwechselnd leuchten, liegt möglicherweise eine Funktionsstörung im Akku vor. Kontaktieren Sie Ihre örtliche autorisierte Dolmar-Kundendienststelle.

HINWEIS:

- Während des Gebrauchs oder unmittelbar nach der Benutzung des Akkuwerkzeugs kann die angezeigte Kapazität niedriger als das tatsächliche Ladeniveau sein.
- Abhängig von den Benutzungsbedingungen und der Umgebungstemperatur kann die Anzeige geringfügig von der tatsächlichen Kapazität abweichen.

MONTAGE

⚠️ WARNUNG:

- **Vergewissern Sie sich stets, dass der Sperrschlüssel und der Akku entfernt worden sind, bevor Sie irgendwelche Arbeiten am Mäher ausführen.** Wird das Entfernen des Sperrschlüssels und das Abnehmen des Akkus unterlassen, kann es zu schweren Verletzungen durch versehentliches Anlaufen kommen.
- **Starten Sie die Maschine niemals, wenn sie nicht vollständig zusammengebaut ist.** Der Betrieb der unvollständig zusammengebauten Maschine kann zu schweren Verletzungen durch versehentliches Anlaufen führen.

Montieren des Bügelgriffs (Abb. 12, 13, 14, 15, 16 u. 17)

⚠️ WARNUNG:

- Positionieren Sie die Kabel beim Montieren des Bügelgriffs so, dass sie nicht durch irgendwelche Teile zwischen den Griffstangen erfasst werden.

1. Lösen Sie die Klemmschrauben (zwei Stück).

Spitzen Sie die unteren Griffstangen auseinander, und schwenken Sie sie in diesem Zustand nach hinten, um sie in die Führungsnut im Deck einzupassen.

2. Ziehen Sie die Klemmschrauben auf beiden Seiten fest, um den unteren Griff zu sichern.

3. Heben Sie den oberen Griff an, um die Schraubenlöcher im oberen Griff auf die Löcher im unteren Griff auszurichten, und befestigen Sie dann den Griff mit den mitgelieferten Schrauben und Knebelmuttern.

HINWEIS:

- Halten Sie dabei den oberen Griff sicher fest, damit er Ihnen nicht aus der Hand fällt.

HINWEIS:

- Montieren Sie den oberen Griff so, dass Griff und Stromkabel so positioniert sind, wie in der Abbildung gezeigt.

HINWEIS:

- Der obere Griff hat zwei Löcher auf jeder Seite. Der Bügelgriff kann durch Verwendung der entsprechenden Löcher für die Schrauben und Knebelmuttern auf die gewünschte Höhe eingestellt werden.

Demontieren oder Montieren des Messers (Abb. 18 u. 19)

⚠️ WARNUNG:

- Entfernen Sie stets den Sperrschlüssel und den Akku, bevor Sie das Messer demontieren oder montieren. Werden Sperrschlüssel und Akku nicht entfernt, kann es zu schweren Verletzungen kommen.

- Das Messer dreht sich nach dem Loslassen des Schalters noch einige Sekunden weiter. Vergewissern Sie sich, dass das Messer zum vollständigen Stillstand gekommen ist.
- Tragen Sie stets Handschuhe bei der Handhabung des Messers.

1. Kippen Sie den Mäher auf seine Seite, so dass der Mähhöhen-Einstellhebel oben liegt.
2. Um das Messer zu blockieren, stecken Sie einen Schraubendreher oder ein ähnliches im Handel erhältliches Werkzeug in eines der Löcher des Mähers.
3. Lösen Sie die Schraube durch Linksdrehen mit dem Schraubenschlüssel.
4. Entfernen Sie Schraube, Außenflansch, Messer und Innenflansch in dieser Reihenfolge.

Zum Montieren des Messers ist das Demontageverfahren umgekehrt anzuwenden.

⚠️ WARNUNG:

- Montieren Sie Innenflansch, Messer und Außenflansch sorgfältig, da diese Teile unterschiedliche Ober- und Unterseiten haben.
- Ziehen Sie dann die Schraube zur Sicherung des Messers im Uhrzeigersinn fest.
- Richten Sie das Messer so aus, dass die Seite mit dem Drehrichtungspfeil außen liegt.
- Vergewissern Sie sich, dass das Messer sicher montiert ist.

- Vergessen Sie nicht, den zum Blockieren des Messers in ein Loch eingesteckten Schraubendreher bzw. das ähnliche Werkzeug wieder herauszunehmen.

Montieren des Graskorbs (Abb. 20 u. 21)

Entfernen Sie den Sperrschlüssel.

Heben Sie die hintere Schutzklappe des Mähwerks an, und hängen Sie den Graskorb in die Führungsnut der Mähereinheit ein.

BETRIEB

Mähen

⚠️ WARNUNG:

- Bevor Sie mit dem Mähen beginnen, entfernen Sie Äste und Steine vom Mähbereich. Beseitigen Sie vorher auch jegliches Unkraut im Mähbereich.
- Tragen Sie bei der Benutzung des Mähers stets eine Schutzbrille mit Seitenschützern.

Halten Sie den Rasenmähergriff beim Mähen mit beiden Händen fest.

Die Außenkanten der Vorderräder der Haupteinheit bieten eine Richtlinie für die Mähbreite. Mähen Sie den Rasen gleichmäßig in Streifen, indem Sie die Außenkanten der beiden Vorderräder als Richtlinie verwenden, wobei Sie den vorher gemähten Streifen um die Hälfte bis zu einem Drittel überlappen.

Überprüfen Sie von Zeit zu Zeit den Füllstand des Graskorbs, und leeren Sie ihn, bevor er ganz voll wird. Stellen Sie vor jeder regelmäßigen Kontrolle den Mäher ab, und entfernen Sie Sperrschlüssel und Akku.

HINWEIS:

- Die Benutzung des Rasenmähers mit vollem Graskorb verhindert eine reibungslose Messerdrehung und übt eine zusätzliche Last auf den Motor aus, die zu einem Ausfall führen kann.

Mähen eines Rasens mit hohem Gras (Abb. 22)

Versuchen Sie nicht, hohes Gras in einem Durchgang zu mähen. Mähen Sie den Rasen statt dessen in Etappen, indem Sie zwischen den Mähdurchgängen eine Pause von einem oder zwei Tagen einlegen, bis der Rasen gleichmäßig kurz ist.

HINWEIS:

- Der Versuch, langes Gras in einem Durchgang auf eine kurze Länge zu mähen, kann dazu führen, dass das Gras abstirbt und/oder die Innenseite der Haupteinheit blockiert.

Leeren des Graskorbs (Abb. 23)

⚠️ WARNUNG:

- Um die Unfallgefahr zu reduzieren, sollten Sie den Graskorb regelmäßig auf Beschädigung oder Abschwächung überprüfen und nötigenfalls austauschen.

1. Lassen Sie den Schalthebel los.
2. Entfernen Sie den Sperrschlüssel.
3. Öffnen Sie die hintere Schutzklappe, und nehmen Sie den Graskorb an seinem Griff heraus.
4. Leeren Sie den Graskorb.

WARTUNG UND LAGERUNG

⚠️ WARNUNG:

- Vergewissern Sie sich stets, dass Sperrschlüssel und Akku vom Mäher entfernt worden sind, bevor Sie den Mäher lagern oder eine Überprüfung oder Wartung durchführen.

- Tragen Sie Handschuhe zur Durchführung von Inspektions- oder Wartungsarbeiten.

⚠️ VORSICHT:

- Verwenden Sie auf keinen Fall Benzin, Benzol, Verdünnern, Alkohol oder dergleichen. Solche Mittel können Verfärbung, Verformung oder Rissbildung verursachen.

WARTUNG

1. DEN SPERRSCHÜSSEL ABZIEHEN. Bewahren Sie den Schlüssel an einem sicheren Ort außer Reichweite von Kindern auf.
2. Reinigen Sie Ihren Mäher nur mit milder Seifenlösung und einem feuchten Tuch. Unterlassen Sie Bespritzen oder Übergießen des Mähers mit Wasser während der Reinigung.
3. Kippen Sie den Mäher auf seine Seite, und entfernen Sie Grasschnitzel, die sich auf der Unterseite des Mähwerks angesammelt haben.
4. Überprüfen Sie alle Muttern, Bolzen, Knöpfe, Schrauben, Befestigungsteile usw. auf festen Sitz.
5. Überprüfen Sie die beweglichen Teile auf Beschädigung, Bruch und Verschleiß. Lassen Sie beschädigte oder fehlende Teile reparieren oder ersetzen.
6. Nehmen Sie den Akku heraus, bevor Sie den Mäher lagern.
7. Lagern Sie den Mäher an einem kühlen, trockenen und abschließbaren Ort. Lagern Sie Mäher und Akku nicht an Orten, an denen die Temperatur 40°C erreichen oder überschreiten kann.

Lagerung (Abb. 24, 25, 26, 27, 28 u. 29)

⚠️ WARNUNG:

- Halten Sie den Mäher zum Tragen oder Lagern nicht an den zusammengeklappten Griffstangen, sondern an seinem Frontgriff. Werden die zusammengeklappten Griffstangen gehalten, kann es zu schweren Verletzungen oder einer Beschädigung des Mähers kommen.

Der Mäher kann in Senkrechtstellung gelagert werden.

1. Die Klemmschrauben lösen, die unteren Griffstangen auseinander spreizen, und dann den Bügelgriff nach vorn umklappen.

HINWEIS:

- Halten Sie dabei den unteren Griff sicher fest, damit er nicht auf die abgewandte Seite der Maschine herunterfällt.

2. Die Knebelmutter lösen, und den oberen Bügelgriff zurückklappen.

3. Nehmen Sie den Graskorb ab, und bringen Sie den Mäher in Senkrechtstellung.

HINWEIS:

- Halten Sie den Mäher beim Aufrichten in die Senkrechtstellung nicht am Bügelgriff, sondern an seinem Frontgriff.

4. Lagern Sie den Graskorb zwischen Bügelgriff und Mäher.

Um die SICHERHEIT und ZUVERLÄSSIGKEIT dieses Gerätes zu gewährleisten, sollten Reparatur-, Wartungs-, und Einstellarbeiten nur von Dolmar autorisierten Kundendienstzentren unter ausschließlicher Verwendung von Dolmar-Originalersatzteilen ausgeführt werden.

FEHLERSUCHE

Bevor Sie den Reparaturdienst anrufen, führen Sie zunächst Ihre eigene Inspektion durch. Falls Sie ein Problem finden, das nicht in der Anleitung erläutert wird, versuchen Sie nicht, die Maschine zu zerlegen. Wenden Sie sich statt dessen an eine Dolmar-Kundendienststelle, und achten Sie darauf, dass stets Dolmar-Ersatzteile für Reparaturen verwendet werden.

Störungszustand	Ursache	Abhilfemaßnahme
Der Mäher startet nicht.	Der Akku ist nicht eingesetzt.	Den Akku einsetzen.
	Akkustörung (Unterspannung)	Den Akku aufladen. Falls Laden nichts nützt, den Akku austauschen.
	Der Sperrschlüssel ist nicht eingesteckt.	Den Sperrschlüssel einstecken.
Der Motor bleibt nach kurzer Zeit stehen.	Der Ladestand des Akkus ist niedrig.	Den Akku aufladen. Falls Laden nichts nützt, den Akku austauschen.
	Die Schnitthöhe ist zu niedrig eingestellt.	Die Schnitthöhe anheben.
Die Maximaldrehzahl wird nicht erreicht.	Der Akku ist falsch eingesetzt.	Den Akku gemäß der Beschreibung in dieser Anleitung einsetzen.
	Die Akkuleistung lässt nach.	Den Akku aufladen. Falls Laden nichts nützt, den Akku austauschen.
	Das Antriebssystem funktioniert nicht korrekt.	Wenden Sie sich bezüglich einer Reparatur an Ihre Vertragswerkstatt.
Das Messer dreht sich nicht: Die Maschine unverzüglich stoppen!	Ein Fremdkörper, wie z. B. ein Ast, hat sich in der Nähe des Messers verklemmt.	Den Fremdkörper entfernen.
	Das Antriebssystem funktioniert nicht korrekt.	Wenden Sie sich bezüglich einer Reparatur an Ihre Vertragswerkstatt.
Ungewöhnliche Vibration: Die Maschine unverzüglich stoppen!	Das Messer ist unausgeglichen, übermäßig oder ungleichmäßig abgenutzt.	Das Messer austauschen.
Messer und Motor bleiben nicht stehen: Den Akku unverzüglich entfernen!	Funktionsstörung der Elektrik oder Elektronik.	Entfernen Sie den Akku, und wenden Sie sich bezüglich einer Reparatur an Ihre Vertragswerkstatt.

012350

SONDERZUBEHÖR

VORSICHT:

- Die folgenden Zubehörteile oder Vorrichtungen werden für den Einsatz mit der in dieser Anleitung beschriebenen Dolmar-Maschine empfohlen. Die Verwendung anderer Zubehörteile oder Vorrichtungen kann eine Verletzungsgefahr darstellen. Verwenden Sie Zubehörteile oder Vorrichtungen nur für ihren vorgesehenen Zweck.

Wenn Sie weitere Einzelheiten bezüglich dieser Zubehörteile benötigen, wenden Sie sich bitte an Ihre Dolmar-Kundendienststelle.

- Messer
- Original-Dolmar-Akku und -Ladegerät

HINWEIS:

- Manche Teile in der Liste können als Standardzubehör im Werkzeugsatz enthalten sein. Sie können von Land zu Land unterschiedlich sein.

Geräusch

Typischer A-bewerteter Geräuschpegel ermittelt gemäß EN60335:

- Schalldruckpegel (L_{pA}): 80 dB (A)
- Schalleistungspegel (L_{WA}): 93 dB (A)
- Ungewissheit (K): 3 dB (A)

Gehörschutz tragen

ENG900-1

Vibration

Vibrationsgesamtwert (Drei-Achsen-Vektorsumme) ermittelt gemäß EN60335:

- Vibrationsemission (a_h): 2,5 m/s² oder weniger
- Ungewissheit (K): 1,5 m/s²

ENG901-1

- Der angegebene Vibrationsemissionswert wurde im Einklang mit der Standardprüfmethode gemessen und kann für den Vergleich zwischen Maschinen herangezogen werden.
- Der angegebene Vibrationsemissionswert kann auch für eine Vorbewertung des Gefährdungsgrads verwendet werden.

⚠️ WARNUNG:

- Die Vibrationsemission während der tatsächlichen Benutzung des Elektrowerkzeugs kann je nach der Benutzungsweise der Maschine vom angegebenen Emissionswert abweichen.
- Identifizieren Sie Sicherheitsmaßnahmen zum Schutz des Benutzers anhand einer Schätzung des Gefährdungsgrads unter den tatsächlichen Benutzungsbedingungen (unter Berücksichtigung aller Phasen des Arbeitszyklus, wie z. B. Ausschalt- und Leerlaufzeiten der Maschine zusätzlich zur Betriebszeit).

Nur für europäische Länder**EG-Übereinstimmungserklärung**

Die unterzeichneten, Tamiro Kishima und Rainer Bergfeld, bevollmächtigt von Dolmar GmbH, erklären, dass die DOLMAR-Maschine(n):

- Bezeichnung der Maschine:
- Akku Rasenmäher
- Modell-Nr./ Typ: AM-3643
- Technische Daten: Siehe Tabelle "TECHNISCHE DATEN".

der Serienproduktion entstammen und **den folgenden europäischen Richtlinien entsprechen:**

2000/14/EG, 2006/42/EG
und gemäß den folgenden Standards oder standardisierten Dokumenten hergestellt werden:
EN60745, EN60335

Die technische Dokumentation ist archiviert bei:

- Dolmar GmbH,
- Jenfelder Straße 38, Abteilung FZ,
- D-22045 Hamburg

Das von der Richtlinie 2000/14/EG geforderte Konformitätsbewertungsverfahren war in Übereinstimmung mit Anhang VI.

Gemeldete Stelle:

- TÜV Rheinland LGA Products GmbH
- Am Grauen Stein 29
- 51105 Köln Deutschland
- Identifikationsnummer 0197

Gemessener Schalleistungspegel: 93 dB (A)

Garantierter Schalleistungspegel: 94 dB (A)

7.9.2011



Tamiro Kishima
Geschäftsführer



Rainer Bergfeld
Geschäftsführer

Visione generale

1	Leva di chiusura coperchio batteria	13	Bottone interruttore	27	Lama
2	Batteria	14	Leva interruttore	28	Bullone
3	Coperchio batteria	15	Leva di regolazione altezza taglio	29	Flangia interna
4	Chiave di blocco	16	Spie	30	Freccia
5	Convertitore batteria (AA-3618)	17	Tasto CHECK	31	Flangia esterna
6	Foro di installazione	18	Manubrio inferiore	32	Protezione posteriore
7	Gancio	19	Scanalatura su carrozzeria	33	Scanalatura
8	Adattatore di montaggio prodotto AA-3618	20	Vite di fermo	34	Cassetto erba
9	Cavo elettrico	21	Manubrio superiore	35	Per espandere
10	Fessura	22	Fori viti	36	Spostare giù in avanti
11	Supporti superiori	23	Dado di fermo	37	Girare indietro
12	Convertitore batteria (AA-3618CL)	24	Vite	38	Impugnatura anteriore
		25	Supporti		
		26	Cacciavite		

DATI TECNICI

Modello		AM-3643
Larghezza di taglio		430 mm
Velocità a vuoto		3.600 min ⁻¹
Dimensioni (L x A x P)	durante il funzionamento	1.450 mm – 1.490 mm x 460 mm x 950 mm – 1.020 mm
	durante l'immagazzinaggio	490 mm – 500 mm x 460 mm x 810 mm
Peso netto		17,9 kg
Tensione nominale		C.c. 36 V
Batteria standard ⚠ Avvertimento: Usare soltanto le batterie specificate.		AP-363 / AP-3622

- Per il nostro programma di ricerca e sviluppo continui, i dati tecnici sono soggetti a modifiche senza preavviso.
- I dati tecnici e la cartuccia batteria potrebbero differire da paese a paese.
- Peso, con batteria, secondo la Procedura EPTA 01/2003

GEB091-5

ISTRUZIONI IMPORTANTI DI SICUREZZA

⚠ AVVERTIMENTO! Leggere tutti gli avvertimenti per la sicurezza e le istruzioni. La mancata osservanza degli avvertimenti e delle istruzioni può causare scosse elettriche, incendio e/o gravi incidenti.

Conservare tutti gli avvertimenti e le istruzioni per riferimenti futuri.

1. Non inserire la chiave nel tosaerba finché esso non è pronto per l'uso.
2. Questo prodotto non deve essere usato dalle persone (bambini compresi) con capacità fisiche, sensoriali o mentali ridotte, senza esperienza e conoscenza, a meno che non siano sotto la supervisione o ricevano istruzioni per il suo utilizzo da una persona responsabile della loro sicurezza.
3. I bambini devono essere sorvegliati, per essere sicuri che non giochino con il prodotto.
4. Non si deve mai permettere l'uso del tosaerba ai bambini o alle persone senza familiarità con queste istruzioni. Le leggi vigenti locali potrebbero limitare l'età dell'operatore.

5. Il tosaerba non deve mai essere fatto funzionare se nelle vicinanze ci sono persone, soprattutto bambini, o animali domestici.
6. Tenere presente che l'operatore o l'utilizzatore è responsabile degli incidenti o pericoli che possono capitare alle altre persone o alle loro proprietà.
7. Durante il funzionamento del tosaerba, indossare sempre calzature appropriate e pantaloni lunghi. Non far funzionare il tosaerba a piedi scalzi o indossando sandali infradito. Evitare di indossare abiti ampi o gioielli non aderenti o che hanno catenelle, o cravatte. Essi possono impigliarsi sulle parti mobili.
8. Far funzionare il tosaerba soltanto di giorno o con una buona illuminazione artificiale.
9. Evitare di far funzionare il tosaerba sull'erba bagnata.
10. Non si deve mai usare il tosaerba sotto la pioggia.
11. Uso del tosaerba con la batteria
 - Ricaricare soltanto con il caricatore specificato dal produttore. Un caricatore adatto a un tipo di batteria potrebbe creare un pericolo di incendio se usato con un altro tipo di batteria.
 - Usare gli utensili elettrici soltanto con le batterie specificate. L'impiego di una qualsiasi altra batteria potrebbe creare un pericolo di infortunio e di incendio.
12. Mantenere sempre una presa salda sul manubrio.

13. Stare sempre attenti a dove posare i piedi sui pendii.
14. Camminare, mai correre.
15. Per sollevare o tenere il tosaerba non si deve mai prenderlo per la lama o bordi taglienti esposti.
16. Condizione fisica — Il tosaerba non deve essere usato dopo l'ingestione di droghe, alcol o di una qualsiasi medicina.
17. Mantenere le protezioni in posizione e in buono stato.
18. Tenere le mani e i piedi lontani dalla lama rotante. Attenzione — La lama continua a girare per inerzia dopo lo spegnimento del tosaerba.
19. Rimuovere la chiave prima della manutenzione, pulizia o rimozione di materiali dall'attrezzatura di giardinaggio.
20. Usare soltanto le lame del produttore genuine specificate in questo manuale.
21. Controllare con cura che la lama non presenti crepe o altri danni prima di cominciare il lavoro. Sostituire immediatamente la lama se presenta crepe o altri danni.
22. Accertarsi che non ci siano persone vicine prima di cominciare a usare il tosaerba. Fermare il tosaerba se qualcuno entra nell'area di lavoro.
23. Rimuovere gli oggetti estranei, come sassi, cavi, bottiglie, ossi e grossi stecchi dall'area di lavoro prima di usare il tosaerba, per evitare infortuni o di danneggiare il tosaerba stesso.
24. Smettere immediatamente di usarlo se si nota un qualcosa di anormale. Spegnerlo il tosaerba e rimuovere la chiave. Ispezionare poi il tosaerba.
25. Non si deve mai cercare di regolare l'altezza delle ruote mentre il tosaerba sta funzionando.
26. Rilasciare la leva interruttore e aspettare l'arresto della rotazione della lama prima di attraversare passi carrai, marciapiedi, strade e qualsiasi terreno coperto di ghiaia. Rimuovere la chiave anche prima di lasciare il tosaerba, protendersi per prendere o rimuovere qualcosa di mezzo, o per qualsiasi altra ragione che potrebbe distrarre da ciò che si sta facendo.
27. Gli oggetti colpiti dalla lama del tosaerba possono causare severi infortuni alle persone. Esaminare sempre attentamente il prato e togliere tutti gli oggetti ogni volta prima di tagliare l'erba.
28. Se il tosaerba colpisce un oggetto estraneo, procedere come segue:
 - Arrestare il tosaerba, rilasciare la leva interruttore e aspettare finché la lama non si è arrestata completamente.
 - Rimuovere la chiave di blocco e la batteria.
 - Ispezionare attentamente il tosaerba per accertarsi che non ci siano danni.
 - Sostituire la lama se presenta un qualsiasi danno.
 Riparare ogni danno prima di riavviare e continuare a usare il tosaerba.
29. Controllare frequentemente che il sacco posteriore non sia usurato o deteriorato. Prima di immagazzinare il tosaerba, accertarsi sempre che il sacco posteriore sia vuoto. Per la sicurezza, sostituire il sacco posteriore con un ricambio nuovo della fabbrica se è usurato.
30. Arrestare il motore e rimuovere la chiave ogni volta che si lascia il tosaerba, prima di pulirlo e di qualsiasi riparazione o ispezione.
31. Usare estrema cautela quando si inverte il movimento o si tira il tosaerba verso di sé.
32. Arrestare la lama se bisogna inclinare il tosaerba per il trasporto o per attraversare superfici non erbose, e quando lo si trasporta sul luogo di utilizzo e da esso.
33. Il tosaerba non deve mai essere fatto funzionare con protezioni o schermi difettosi, o senza i dispositivi di protezione, per esempio, senza i deflettori e/o i raccoglitori dell'erba in posizione.
34. Accendere con cura il motore secondo le istruzioni e con i piedi ben lontani dalla lama.
35. Non inclinare il tosaerba quando si accende il motore, eccetto quando esso deve essere inclinato per l'avviamento. In questo caso, non inclinarlo più dell'assoluto necessario, e sollevare soltanto la parte discosta dall'operatore.
36. Non avviare il tosaerba stando di fronte all'apertura di scarico.
37. Non mettere le mani o i piedi vicino o sotto le parti rotanti. Stare sempre discosti dall'apertura di scarico.
38. Non trasportare il tosaerba mentre è acceso.
39. Fermare il tosaerba e rimuovere il dispositivo di disattivazione. Accertarsi che tutte le parti mobili si siano arrestate completamente.
 - ogni volta che si lascia il tosaerba,
 - prima di togliere i blocchi o di liberare da impedimenti lo scivolo,
 - prima di controllare, pulire o lavorare sul tosaerba,
 - dopo che il tosaerba ha colpito un oggetto estraneo. Ispezionare il tosaerba per danni e fare le riparazioni prima di riavviarlo o di farlo funzionare.
40. Se il tosaerba comincia a vibrare in modo anormale (controllare immediatamente)
 - ispezionare se ci sono danni,
 - sostituire o riparare ogni parte danneggiata,
 - controllare e stringere ogni parte allentata.
41. Fare attenzione durante la regolazione del tosaerba, in modo da evitare che le dita rimangano incastrate tra le lame mobili e le parti fisse di esso.
42. Tagliare l'erba di traverso lungo la faccia dei pendii, mai su e giù. Fare la massima attenzione quando si cambia direzione sui pendii. Non tagliare l'erba su pendii eccessivamente ripidi.
43. Non lavare il tosaerba con una manichetta. Evitare di spruzzare acqua sul motore o sugli allacciamenti elettrici.
44. Controllare a frequenti intervalli che il bullone di montaggio della lama sia stretto correttamente.
45. Mantenere stretti tutti i bulloni, dadi e viti, per assicurare che il tosaerba sia in buone condizioni di lavoro.
46. Lasciare sempre raffreddare il tosaerba prima di immagazzinarlo.
47. Prima di un intervento sulla lama, tenere presente che anche se il tosaerba è spento, la lama può lo stesso muoversi.
48. Per motivi di sicurezza, sostituire le parti usurate o danneggiate. Usare soltanto ricambi e accessori genuini.

CONSERVARE QUESTE ISTRUZIONI.

⚠️ AVVERTIMENTO:

NON lasciare che comodità o la familiarità d'utilizzo con il prodotto (acquisita con l'uso ripetuto) sostituisca la stretta osservanza delle norme di sicurezza. L'utilizzo SBAGLIATO o la mancata osservanza delle norme di sicurezza di questo manuale di istruzioni potrebbero causare lesioni serie.

ENC007-7

ISTRUZIONI IMPORTANTI DI SICUREZZA

PER LA CARTUCCIA DELLA BATTERIA

1. Prima di usare la cartuccia della batteria, leggere tutte le istruzioni e le avvertenze sul (1) carica-batteria, sulla (2) batteria e sul (3) prodotto che utilizza la batteria.
2. Non smontare la cartuccia della batteria.
3. Se il tempo di utilizzo è diventato molto corto, smettere immediatamente di usare l'utensile. Può risultare un rischio di surriscaldamento, possibili ustioni e addirittura un'esplosione.
4. Se l'elettrolita va negli occhi, risciacquarli con acqua pulita e rivolgersi immediatamente ad un medico. Può risultare la perdita della vista.
5. Non cortocircuitare la cartuccia della batteria:
 - (1) Non toccare i terminali con qualche metallo conduttivo.
 - (2) Evitare di conservare la cartuccia della batteria in un contenitore con altri oggetti metallici come i chiodi, le monete, ecc.
 - (3) Non esporre la cartuccia della batteria all'acqua o alla pioggia.Un cortocircuito della batteria può causare un grande flusso di corrente, il surriscaldamento, possibili ustioni e addirittura un guasto.
6. Non conservare l'utensile e la cartuccia della batteria in luoghi in cui la temperatura può raggiungere o superare i 50°C.
7. Non incenerire la cartuccia della batteria anche se è gravemente danneggiata o è completamente esaurita. La cartuccia della batteria può esplodere e provocare un incendio.
8. Fare attenzione a non lasciar cadere o a colpire la batteria.
9. Non usare una batteria danneggiata.

CONSERVARE QUESTE ISTRUZIONI.

Suggerimenti per mantenere la durata massima della batteria

1. Caricare la cartuccia della batteria prima che si scarichi completamente. Smettere sempre di usare l'utensile e caricare la cartuccia della batteria quando si nota che la potenza dell'utensile è diminuita.
2. Non ricaricare mai una cartuccia della batteria completamente carica. La sovraccarica riduce la durata della batteria.
3. Caricare la cartuccia della batteria con la temperatura ambiente da 10°C a 40°C. Lasciar raffreddare una cartuccia della batteria calda prima di caricarla.
4. Caricare la cartuccia della batteria una volta ogni sei mesi se non si intende usarla per un lungo periodo di tempo.

DESCRIZIONE FUNZIONALE

Installazione o rimozione della batteria (Fig. 1 e 2)

⚠️ ATTENZIONE:

- Spegnerne sempre l'utensile prima di inserire o di rimuovere la cartuccia batteria.
- Accertarsi che il coperchio della batteria sia chiuso prima dell'uso. In caso contrario, il fango, lo sporco o l'acqua potrebbero danneggiare il prodotto o la batteria.

Per installare la batteria;

1. Tirare verso di sé la leva di chiusura coperchio batteria, e aprire il coperchio batteria.
2. Inserire la batteria nella direzione mostrata nella illustrazione finché si sente uno scatto.
3. Inserire la chiave di blocco nel punto mostrato nella illustrazione finché non può andare più oltre.
4. Chiudere il coperchio batteria e spingerlo finché è agganciato alla leva di chiusura.

Per rimuovere la batteria dal tosaerba:

1. Tirare verso di sé la leva di chiusura coperchio batteria, e aprire il coperchio batteria.
2. Estrarre la chiave di blocco.
3. Estrarla dal tosaerba spingendo allo stesso tempo il bottone sulla parte anteriore della batteria.
4. Chiudere il coperchio batteria.

Convertitori batteria (accessorio opzionale)

⚠️ AVVERTIMENTO:

- Prima di installare o di rimuovere i convertitori batteria AA-3618/AA-3618CL, rimuovere la chiave di blocco.

AA-3618 (accessorio opzionale) (Fig. 3, 4 e 5)

⚠️ AVVERTIMENTO:

- Se si usa il AA-3618, non si deve mai attaccarlo a una parte del proprio corpo. Se si attacca il AA-3618 a una parte del proprio corpo, potrebbe causare un serio infortunio.

Spingere il convertitore batteria AA-3618 nel foro di installazione finché si arresta.

Aprire il coperchio della batteria sul tosaerba, spingerlo completamente e far scattare l'adattatore di montaggio prodotto del AA-3618 nell'apertura della batteria sul tosaerba.

Sistemare il cavo elettrico del AA-3618 nella fessura del coperchio batteria, e chiudere il coperchio batteria.

Inserire il cavo elettrico del AA-3618 nei supporti superiori del manubrio.

NOTA:

- Se si usa il convertitore batteria AA-3618 (accessorio opzionale), agganciare il cavo di alimentazione al supporto specificato del tosaerba. Non facendo ciò, il cavo potrebbe venire tagliato.

Per rimuovere il AA-3618 dal tosaerba, aprire il coperchio batteria e premere poi il gancio sul lato di montaggio della batteria del AA-3618.

AA-3618CL (accessorio opzionale) (Fig. 6 e 7)

Aprire il coperchio batteria e far scattare il AA-3618CL nell'apertura della batteria sul tosaerba.

Chiudere il coperchio batteria.

Per rimuovere il AA-3618CL, premere sul gancio del AA-3618CL e rimuoverlo con entrambe le mani.

Funzionamento dell'interruttore di corrente (Fig. 8 e 9)

⚠ AVVERTIMENTO:

• **Prima di inserire la batteria nel tosaerba, controllare sempre che la leva interruttore funzioni correttamente e che torni sulla sua posizione originale quando viene rilasciata.** Se si fa funzionare il tosaerba con l'interruttore che non funziona correttamente, si può verificare una perdita di controllo e un serio infortunio.

NOTA:

- Se si cerca di tagliare troppa erba alla volta, il motore potrebbe non partire a causa del sovraccarico. Cambiare allora l'altezza di taglio a un livello più alto per riavviarlo.
- Il tosaerba non si avvia se non si preme il bottone interruttore, anche se si schiaccia la leva interruttore.

Questo tosaerba è dotato dell'interruttore di asservimento e dell'interruttore del manubrio. Se si nota qualcosa di anormale con questi interruttori, smettere immediatamente di farlo funzionare e farli controllare dal Centro di Servizio Dolmar autorizzato più vicino.

1. Inserire la chiave di blocco nell'interruttore di asservimento.
2. Schiacciare il bottone interruttore.
3. Tirare verso di sé la leva interruttore schiacciando allo stesso tempo il bottone interruttore.
4. Rilasciare il bottone interruttore non appena il motore comincia ad avviarsi. Il motore del tosaerba continua a girare finché non si rilascia la leva interruttore.
5. Rilasciare la leva interruttore per arrestare il motore.
6. Quando non si usa il tosaerba, rimuovere la chiave di blocco. Conservare la chiave di blocco in un posto sicuro, fuori della portata dei bambini.

Regolazione dell'altezza di taglio (Fig. 10)

⚠ AVVERTIMENTO:

- Non si devono mai mettere le mani o i piedi sotto il tosaerba quando si regola l'altezza di taglio.
- Accertarsi sempre che la leva entri correttamente nella scanalatura prima di cominciare.

L'altezza di taglio può essere regolata nella gamma 20 mm – 75 mm.

1. Rimuovere la chiave di blocco.
2. Tirare verso di sé la leva di regolazione altezza taglio, e spostarla sull'altezza di taglio desiderata.

Accertarsi che la sporgenza sulla leva di regolazione altezza taglio entri nella scanalatura del tosaerba.

NOTA:

- Le cifre dell'altezza di taglio devono essere usate come indicazioni generali, in quanto per lo stato del prato o del terreno l'altezza di taglio potrebbe essere leggermente diversa da quella indicata dalle cifre.
- Provare un taglio di prova dell'erba in un posto meno in evidenza, in modo da ottenere l'altezza desiderata.

Sistema di protezione batteria

Le batterie agli ioni di litio sono dotate di un sistema di protezione. Questo sistema interrompe automaticamente la corrente al tosaerba per estendere la vita della batteria.

L'utensile si arresta automaticamente mentre funziona se esso o la batteria vengono a trovarsi in una delle condizioni seguenti:

• Sovraccarico:

L'utensile viene usato in un modo che causa un assorbimento di corrente anormalmente alto.

In tal caso, rilasciare l'interruttore sull'utensile e interrompere l'applicazione che ha causato il sovraccarico. Schiacciare poi di nuovo l'interruttore per riavviare l'utensile.

Se l'utensile non si avvia, vuol dire che la batteria è surriscaldata. In tal caso, lasciare raffreddare la batteria prima di schiacciare di nuovo l'interruttore.









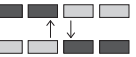
• Bassa tensione della batteria:

La capacità restante della batteria è troppo bassa e l'utensile non funziona. In tal caso, rimuovere e ricaricare la batteria.

Indicatore della capacità restante della batteria (soltanto per i modelli con batteria AP-3622) (Fig. 11)

La batteria AP-3622 è dotata dell'indicatore della capacità restante della batteria.

Premere il tasto CHECK per vedere la capacità restante della batteria. Le spie si accendono per tre secondi circa.

Spie		Capacità restante	
 On	 Off		 Lampeggiante
E		F	Dal 70% al 100%
			Dal 45% al 70%
			Dal 20% al 45%
			Dal 0% al 20%
			Caricare la batteria.
			Si potrebbe essere verificato un malfunzionamento della batteria.

011713

- Quando lampeggia soltanto la spia più bassa (vicina a "E"), o se non si accende alcuna delle spie, la capacità della batteria si è esaurita e l'utensile non funziona. In tal caso, caricare la batteria o sostituire la batteria scarica con un'altra completamente carica.
- Se non si accendono due o più spie anche dopo aver completato la carica, la batteria ha raggiunto la fine della sua vita di servizio.
- Se le due spie superiori e le due inferiori si accendono alternativamente, si potrebbe essere verificato un malfunzionamento della batteria. Rivolgersi al Centro di Assistenza Dolmar locale autorizzato.

NOTA:

- La capacità indicata potrebbe essere inferiore al livello reale durante l'uso o immediatamente dopo l'uso del tosaerba.
- A seconda delle condizioni di utilizzo e della temperatura ambiente, l'indicazione potrebbe differire leggermente dalla capacità reale.

MONTAGGIO

⚠️ AVVERTIMENTO:

- **Accertarsi sempre che la chiave di blocco e la batteria siano state rimosse prima di eseguire l'intervento sul tosaerba.** Se non si rimuovono la chiave di blocco e la batteria, si potrebbe verificare un serio infortunio per l'avviamento accidentale del tosaerba.
- **Non si deve mai avviare il tosaerba se non è stato completamente montato.** L'uso del tosaerba in uno stato di montaggio parziale, potrebbe causare un serio infortunio per il suo avviamento accidentale.

Installazione del manubrio (Fig. 12, 13, 14, 15, 16 e 17)

⚠️ AVVERTIMENTO:

- Quando si installano i manubri, posizionare i cavi in modo che non rimangano impigliati tra i manubri.

1. Allentare le viti di fermo (due).

Espandere il manubrio inferiore su entrambi i suoi lati e, nella sua posizione di espansione, girarlo indietro e montarlo sulla scanalatura della carrozzeria.

2. Stringere le viti di fermo su entrambi i lati per fissare il manubrio inferiore.
3. Sollevare il manubrio superiore, allineare i fori delle viti del manubrio superiore su quelli del manubrio inferiore e fissare poi con le viti in dotazione e i dadi di fermo.

NOTA:

- A questo punto, tenere saldamente il manubrio superiore in modo che non scugga di mano.

NOTA:

- Installare il manubrio superiore in modo che la sua direzione e il cavo di alimentazione siano posizionati come mostrato nella illustrazione.

NOTA:

- Il manubrio superiore ha due fori su ciascuno di entrambi i lati. Usando i diversi fori di posizione per le viti e i dadi di fermo su può regolare l'altezza del manubrio.

Rimozione o installazione della lama (Fig. 18 e 19)

⚠️ AVVERTIMENTO:

- Rimuovere sempre la chiave di blocco e la batteria quando si rimuove o installa la lama. La mancata rimozione della chiave di blocco e della batteria potrebbe causare un serio infortunio.
 - La lama continua a girare per inerzia per alcuni secondi dopo che si è rilasciato l'interruttore. Accertarsi che la lama si sia arrestata completamente.
 - Indossare sempre i guanti quando si maneggia la lama.
1. Sistemare il tosaerba su un fianco in modo che la leva di regolazione altezza taglio venga a trovarsi in alto.
 2. Per bloccare la lama, inserire in un foro del tosaerba un cacciavite o altro attrezzo simile disponibili in commercio.
 3. Allentare in senso antiorario il bullone con la chiave.
 4. Rimuovere il bullone, la flangia esterna, la lama e la flangia interna, in quest'ordine.

Per installare la lama, seguire il procedimento opposto di rimozione.

⚠️ AVVERTIMENTO:

- Installare con cura la flangia interna, la lama e la flangia esterna, perché hanno un lato superiore/inferiore.
- Stringere saldamente il bullone in senso orario per fissare la lama.
- Montare la lama con il lato che ha la freccia di direzione della rotazione rivolto verso l'esterno.
- Accertarsi che la lama sia installata saldamente.
- Togliere sempre il cacciavite o altro attrezzo simile inserito in un foro per bloccare la lama.

Installazione del cassetto erba (Fig. 20 e 21)

Rimuovere la chiave di blocco.

Sollevare la protezione posteriore del tosaerba e agganciare il cassetto erba alla scanalatura del tosaerba.

FUNZIONAMENTO

Taglio dell'erba

⚠️ AVVERTIMENTO:

- Prima di tagliare l'erba, togliere gli stecchi e i sassi dall'area di taglio. Inoltre, togliere prima le erbacce dall'area di taglio.
- Indossare sempre occhiali di protezione o occhiali di sicurezza con schermi laterali quando si usa il tosaerba.

Tenere saldamente il manubrio del tosaerba con entrambe le mani durante il taglio dell'erba.

I bordi esterni delle ruote anteriori del tosaerba forniscono una guida per la larghezza di taglio. Usando i bordi esterni delle due ruote anteriori come guida, eseguire il taglio a strisce passando sopra da una metà a un terzo della striscia precedente per tagliare l'erba uniformemente.

Controllare periodicamente il livello dell'erba nel cassetto, e svuotarlo prima che diventi pieno. Prima di ogni controllo periodico, arrestare sempre il tosaerba e rimuovere la chiave di blocco e la batteria.

NOTA:

- L'uso del tosaerba con il cassetto erba pieno impedisce la scorrevole rotazione della lama ed esercita una pressione extra sul motore che potrebbe causare un guasto.

Taglio di un prato di erba alta (Fig. 22)

Non si deve cercare di tagliare un prato di erba alta in una volta. Tagliare invece l'erba del prato in fasi, interrompendo il taglio per uno o due giorni tra un taglio e l'altro finché l'erba è uniformemente corta.

NOTA:

- Se si cerca di tagliare corta in una volta l'erba alta, l'erba potrebbe morire e/o bloccare l'interno del tosaerba.

Svuotamento del cassetto erba (Fig. 23)

⚠️ AVVERTIMENTO:

- Per ridurre il rischio di un incidente, controllare regolarmente se il cassetto erba presenta danni o se la sua robustezza si è indebolita, e sostituirlo se necessario.

1. Rilasciare la leva interruttore.
2. Rimuovere la chiave di blocco.
3. Aprire la protezione posteriore e togliere il cassetto erba con il suo manico.
4. Svuotare il cassetto erba.

MANUTENZIONE E IMMAGAZZINAGGIO

AVVERTIMENTO:

- Accertarsi sempre di aver rimosso la chiave di blocco e la batteria dal tosaerba prima dell'immagazzinaggio o di un intervento di ispezione o di manutenzione.
- Indossare i guanti quando si esegue l'ispezione o la manutenzione.

ATTENZIONE:

- Mai usare benzina, benzene, solventi, alcol e altre sostanze simili. Potrebbero causare scolorimenti, deformazioni o crepe.

MANUTENZIONE

1. RIMUOVERE LA CHIAVE DI BLOCCO. Conservarla in un posto sicuro fuori della portata dei bambini.
2. Pulire il tosaerba usando soltanto una soluzione detergente debole e un panno umido. Non spruzzare o versare acqua sul tosaerba quando lo si pulisce.
3. Mettere il tosaerba su un fianco e togliere i residui d'erba che si sono accumulati sulla parte inferiore della carrozzeria.
4. Controllare che tutti i dadi, bulloni, manopole, viti, chiusure, ecc., siano stretti saldamente.
5. Ispezionare che le parti mobili non siano danneggiate, rotte o usurate. Far riparare o sostituire ogni parte danneggiata o mancante.
6. Prima di immagazzinare il tosaerba, rimuovere da esso la batteria.
7. Immagazzinare il tosaerba al coperto, in un luogo fresco, asciutto e sotto chiave. Non immagazzinare il tosaerba e il caricatore in luoghi dove la temperatura potrebbe raggiungere o superare i 40°C.

Immagazzinaggio (Fig. 24, 25, 26, 27, 28 e 29)

AVVERTIMENTO:

- Per trasportare o immagazzinare il tosaerba, tenerlo per l'impugnatura anteriore e non per i manubri piegati. Tenendolo per i manubri piegati si potrebbe causare un serio infortunio o danneggiare il tosaerba.

Il tosaerba può essere immagazzinato diritto.

1. Allentare la vite di fermo, espandere il manubrio inferiore su entrambi i lati e spostare poi il manubrio giù in avanti.

NOTA:

- A questo punto, tenere saldamente il manubrio inferiore in modo che non cada sul lato discosto dall'utensile.
2. Allentare il dado di fermo e girare indietro il manubrio superiore.
 3. Estrarre il cassetto erba e mettere diritto il tosaerba.

NOTA:

- Per mettere diritto il tosaerba, prenderlo per l'impugnatura anteriore e non per il manubrio.
4. Sistemare il cassetto erba tra il manubrio e il corpo del tosaerba.

Per preservare la SICUREZZA e l'AFFIDABILITÀ affidabilità del prodotto, le riparazioni, la manutenzione o la regolazione devono essere eseguite da un Centro Assistenza Dolmar autorizzato usando sempre ricambi Dolmar.

SOLUZIONE DEI PROBLEMI

Eeguire da soli l'ispezione prima di richiedere la riparazione. Se si trova un problema che non è spiegato nel manuale, non cercare di smontare il tosaerba. Rivolgersi invece a un Centro di Servizio Dolmar autorizzato, usando sempre i ricambi Dolmar per le riparazioni.

Stato di malfunzionamento	Causa	Rimedio
Il tosaerba non si avvia.	La batteria non è stata installata.	Installare la batteria.
	Problema della batteria (carica insufficiente)	Ricaricare la batteria. Se la ricarica non ha effetto, sostituire la batteria.
	La chiave di blocco non è stata inserita.	Inserire la chiave di blocco.
Il motore si arresta dopo poco tempo.	La carica della batteria è bassa.	Ricaricare la batteria. Se la ricarica non ha effetto, sostituire la batteria.
	L'altezza di taglio è regolata troppo bassa.	Aumentare l'altezza.
Non raggiunge i massimi giri/minuto.	La batteria non è installata correttamente.	Installare la batteria come descritto nel manuale.
	La potenza della batteria cala.	Ricaricare la batteria. Se la ricarica non ha effetto, sostituire la batteria.
	Il sistema di trasmissione non funziona correttamente.	Chiedere la riparazione al Centro di Servizio autorizzato locale.
La lama non gira: Arrestare immediatamente il tosaerba!	Nella lama è incastrato un oggetto estraneo, come un ramoscello.	Rimuovere l'oggetto estraneo.
	Il sistema di trasmissione non funziona correttamente.	Chiedere la riparazione al Centro di Servizio autorizzato locale.
Vibrazione anormale: Arrestare immediatamente il tosaerba!	La lama è sbilanciata, usurata eccessivamente o in modo disuguale.	Sostituire la lama.
La lama e il motore non si fermano: Rimuovere immediatamente la batteria!	Malfunzionamento elettrico o elettronico.	Rimuovere la batteria e chiedere la riparazione al Centro di Servizio autorizzato locale.

012350

ACCESSORI OPZIONALI

ATTENZIONE:

- Questi accessori o attrezzi sono consigliati per l'uso con l'utensile Dolmar specificato in questo manuale. L'impiego di altri accessori o attrezzi può costituire un rischio di lesioni alle persone. Usare gli accessori soltanto per il loro scopo prefissato.

Per ottenere maggiori dettagli su questi accessori, rivolgersi a un Centro Assistenza Dolmar autorizzato.

- Lama
- Batteria e caricatore Dolmar genuini

NOTA:

- Alcuni articoli nella lista potrebbero essere inclusi nell'imballo dell'utensile come accessori standard. Essi potrebbero differire da Paese a Paese.

Rumore

Il tipico livello di rumore pesato A determinato secondo EN60335:

Livello pressione sonora (L_{pA}): 80 dB (A)

Livello potenza sonora (L_{WA}): 93 dB (A)

Incertezza (K): 3 dB (A)

Indossare i paraorecchi

ENG900-1

Vibrazione

Il valore totale di vibrazione (somma vettore triassiale) determinato secondo EN60335:

Emissione di vibrazione (a_h): 2,5 m/s² o meno

Incertezza (K): 1,5 m/s²

ENG901-1

- Il valore di emissione delle vibrazioni dichiarato è stato misurato conformemente al metodo di test standard, e può essere usato per paragonare un utensile con un altro.
- Il valore di emissione delle vibrazioni dichiarato può anche essere usato per una valutazione preliminare dell'esposizione.

⚠ AVVERTIMENTO:

- L'emissione delle vibrazioni durante l'uso reale dell'utensile elettrico può differire dal valore di emissione dichiarato a seconda dei modi in cui viene usato l'utensile.
- Identificare le misure di sicurezza per la protezione dell'operatore basate sulla stima dell'esposizione nelle condizioni reali d'utilizzo (tenendo presente tutte le parti del ciclo operativo, come le volte in cui l'utensile viene spento e quando gira a vuoto, oltre al tempo di funzionamento).

Modello per l'Europa soltanto**Dichiarazione CE di conformità**

I sottoscritti, Tamiro Kishima e Rainer Bergfeld, con l'autorizzazione della Dolmar GmbH, dichiariamo che le macchine DOLMAR:

Designazione della macchina:

Tosaerba a batteria

Modello No./Tipo: AM-3643

Dati tecnici: vedere la tabella "DATI TECNICI".

sono una produzione di serie e

conformi alle direttive europee seguenti:

2000/14/CE, 2006/42/CE

E sono fabbricate conformemente ai seguenti standard o documenti standardizzati:

EN60745, EN60335

Il file della documentazione tecnica si trova all'indirizzo seguente:

Dolmar GmbH,

Jenfelder Straße 38, Abteilung FZ,

D-22045 Hamburg

La procedura di determinazione della conformità richiesta dalla Direttiva 2000/14/CE è stata eseguita secondo l'allegato VI.

Corpo notificato:

TÜV Rheinland LGA Products GmbH

Am Grauen Stein 29

51105 Köln Germania

Numero di identificazione 0197

Livello di potenza sonora misurato: 93 dB (A)

Livello di potenza sonora garantito: 94 dB (A)

7.9.2011



Tamiro Kishima
Amministratore delegato



Rainer Bergfeld
Amministratore delegato

Verklaring van algemene gegevens

1 Accudeksel-borghendel	14 Schakelhendel	28 Bout
2 Accu	15 Maaioogte-instelhendel	29 Binnenflens
3 Accudeksel	16 Status van lampjes	30 Pijl
4 Contactsleutel	17 CHECK-knop	31 Buitenflens
5 Accudraaghouder (AA-3618)	18 Onderste handgreep	32 Achterscherm
6 Aanbrengopening	19 Gleuf in het maaierhuis	33 Gleuf
7 Haak	20 Klemschroef	34 Grasmand
8 Productbevestigingsadapter van de AA-3618	21 Bovenste handgreep	35 Zijwaarts uitschuiven
9 Snoer	22 Schroefgaten	36 Voorwaarts neerklappen
10 Sleuf	23 Klemmoer	37 Terugklappen
11 Bovenste snoerhouders	24 Schroef	38 Voorste handvat
12 Accudraaghouder (AA-3618CL)	25 Snoerhouders	
13 Schakelknop	26 Schroevendraaier	
	27 Snijblad	

TECHNISCHE GEGEVENS

Model		AM-3643
Maaibreedte		430 mm
Toerental onbelast		3 600 min ⁻¹
Afmetingen (L x B x H)	tijdens gebruik	1 450 mm – 1 490 mm x 460 mm x 950 mm – 1 020 mm
	bij opslag	490 mm – 500 mm x 460 mm x 810 mm
Netto gewicht		17,9 kg
Nominale spanning		DC 36 V
Standaardaccu(s) ⚠ Waarschuwing: Gebruik alleen de voorgeschreven accu(s).		AP-363 / AP-3622

- In verband met ononderbroken research en ontwikkeling behouden wij ons het recht voor bovenstaande technische gegevens te wijzigen zonder voorafgaande kennisgeving.
- De technische gegevens de accu kunnen van land tot land verschillen.
- Gewicht, inclusief accu, volgens de EPTA-procedure 01/2003

GEB091-5

BELANGRIJKE VEILIGHEIDSVoORSCHRIFTEN

⚠ WAARSCHUWING! Lees alle veiligheidsaanschuwingen en alle instructies. Het niet volgen van de waarschuwingen en instructies kan leiden tot elektrische schokken, brand en/of ernstig letsel.

Bewaar alle waarschuwingen en instructies om in de toekomst te kunnen raadplegen.

1. Steek de contactsleutel pas in de grasmaaier wanneer die geheel voor gebruik gereed is.
2. Dit apparaat is niet geschikt voor gebruik door personen (inclusief kinderen) met beperkte fysieke, zintuiglijke of verstandelijke vermogens, of gebrek aan ervaring of kennis van zaken, tenzij onder toezicht of na degelijk onderricht betreffende bediening van het apparaat, door een persoon die verantwoordelijk is voor hun veiligheid.

3. Houd toezicht op kinderen, om te zorgen dat ze niet met het apparaat gaan spelen.
4. Laat nooit kinderen of anderen die niet vertrouwd zijn met deze instructies het apparaat bedienen. De toegestane leeftijd van gebruikers kan ook zijn vastgelegd in de plaatselijke wetgeving.
5. Gebruik het apparaat nooit met personen, in het bijzonder kinderen, of huisdieren dicht in de buurt.
6. Onthoud dat de bediener of gebruiker aansprakelijk is voor ongelukken met letsel aan andere personen of schade aan hun eigendommen.
7. Draag bij gebruik van dit apparaat altijd stevig schoeisel en een lange broek. Gebruik het apparaat niet wanneer u op blote voeten loopt of open sandalen draagt. Draag geen loshangende kleding, shawls of kettingen, of ceintuurs met bandjes die los bengelen. Loshangende kleding of sieraden kunnen door de bewegende delen gegrepen worden.
8. Gebruik het apparaat alleen bij daglicht of helder kunstlicht.
9. Gebruik het apparaat niet wanneer het gras nat is.
10. Gebruik de grasmaaier nooit in de regen.

11. Voor apparatuur met accu's
 - Gebruik voor het opladen alleen het door de fabrikant voorgeschreven oplaadapparaat. Een acculader die geschikt is voor een bepaald type accu kan brandgevaarlijk zijn bij gebruik met een ander type accu.
 - Gebruik elektrische apparatuur alleen op accu's die daar specifiek voor zijn ontworpen. Gebruik van andere accu's of batterijen kan gevaar voor letsel of brandgevaar opleveren.
12. Houd de handgreep altijd stevig vast.
13. Zorg dat u stevig staat op hellingen of glooiingen.
14. Loop gewoon en ga niet rennen.
15. Raak het snijblad of andere scherpe randen niet aan bij het optillen of meedragen van het apparaat.
16. Lichamelijke conditie — Gebruik de grasmaaier niet onder de invloed van alcohol, stimulerende of verdovende middelen, of na het innemen van medicijnen.
17. Zorg dat de beveiligingsdelen zijn aangebracht en in goede staat verkeren.
18. Houd uw handen en voeten uit de buurt van het snijblad en de draaiende delen. Let op — Na uitschakelen blijven de snijbladen nog even doordraaien.
19. Verwijder de contactsleutel vóór het bijstellen of schoonmaken van de grasmaaier, en ook wanneer u er materiaal uit moet verwijderen.
20. Gebruik uitsluitend in de deze handleiding door de fabrikant voorgeschreven snijbladen.
21. Controleer vóór het gebruik zorgvuldig de snijbladen op barsten of andere beschadigingen. Vervang gebarsten of beschadigde snijbladen onmiddellijk.
22. Zorg dat er geen andere personen in de buurt zijn voordat u met maaien begint. Staak het maaien wanneer er iemand nadert.
23. Verwijder vóór het maaien eerst obstakels en voorwerpen zoals stenen, ijzerdraad, glas, boten en grote takken uit uw werkgebied, om schade aan de grasmaaier en letsel te voorkomen.
24. Stop onmiddellijk met maaien wanneer u iets vreemds bemerkt. Schakel de grasmaaier uit en verwijder de contactsleutel uit het apparaat. Inspecteer vervolgens de grasmaaier.
25. Probeer nooit om de wielhoogte bij te stellen terwijl de grasmaaier werkt.
26. Laat de schakelhendel los en wacht tot het snijblad gestopt is voordat u een tuinpad, trottoir, oprijlaan, straat of weg oversteekt, of enig terrein waar grind ligt.
Verwijder ook de contactsleutel wanneer u de grasmaaier achterlaat, wanneer u een voorwerp uit uw baan gaat verwijderen of in enige andere situatie waarbij u afgeleid kunt worden.
27. Als het snijblad van de grasmaaier een hard voorwerp raakt en wegslingert, zou dat ernstige verwondingen kunnen veroorzaken. Controleer altijd vóór het maaien het gras op voorwerpen die hinder of gevaar kunnen veroorzaken en verwijder ze op afdoende wijze.
28. Als de grasmaaier een obstakel raakt, gaat u als volgt te werk:
 - Stop de grasmaaier, laat de schakelhendel los en wacht tot het snijblad helemaal tot stilstand is gekomen.
 - Verwijder eerst de contactsleutel en dan de accu.
 - Controleer de grasmaaier zorgvuldig op beschadigingen.
 - Vervang het snijblad als het op enige wijze beschadigd is.
 Zorg dat alle schade is hersteld alvorens u de grasmaaier opnieuw start om die te gebruiken.
29. Controleer de grasopvangzak achteraan regelmatig op slijtage of schade. Vóór opslag van het apparaat zorgt u eerst dat de grasopvangzak helemaal leeg is. Vervang een versleten zak door een nieuwe, van de fabriek bestelde zak, voor uw veiligheid.
30. Stop de motor en verwijder de contactsleutel wanneer u het apparaat achterlaat, vóór het reinigen van de buitenkant van de grasmaaier en voordat u enige inspectie of reparatie uitvoert.
31. Wees uiterst voorzichtig wanneer u het apparaat achteruit laat rijden of naar u toe trekt.
32. Stop de snijblad(en) wanneer u het apparaat moet kantelen om het te verplaatsen over een ander oppervlak dan gras, en ook wanneer u het apparaat vervoert van of naar het te maaien terrein.
33. Gebruik het apparaat in geen geval wanneer de beveiligingskappen of schermen defect zijn, of wanneer beveiligingsdelen zoals de keerschotten en/of grasvanger afwezig zijn.
34. Schakel de motor zorgvuldig in volgens de voorschriften, met uw voeten op veilige afstand van de snijblad(en).
35. Kantel het apparaat niet wanneer u de motor inschakelt, behalve wanneer het noodzakelijk is het apparaat ietwat te kantelen om de motor te starten. In dat geval kantelt u het apparaat niet verder dan strikt noodzakelijk en tilt u alleen het van u afgerichte deel ietwat omhoog.
36. Start het apparaat niet terwijl u recht voor de uitblaasopening staat.
37. Steek nooit uw handen of voeten onder of vlakbij de draaiende onderdelen. Blijf steeds uit de buurt van de uitblaasopening.
38. Vervoer het apparaat niet terwijl de grasmaaier is ingeschakeld.
39. Stop het apparaat en verwijder het blokkerende voorwerp. Let goed op dat alle bewegende onderdelen volledig tot stilstand zijn gekomen
 - wanneer u het apparaat achterlaat,
 - voor het opheffen van een blokkering of het vrijmaken van de grasafvoerbaan,
 - voor het controleren, reinigen of werken aan het apparaat,
 - na het raken van een obstakel. Inspecteer het apparaat op schade en verricht de nodige reparaties alvorens u het apparaat opnieuw start en weer in gebruik neemt;

40. Als het apparaat heftig gaat trillen of schudden (onmiddellijk controleren)
 - inspecteer rondom op schade,
 - vervang of repareer alle beschadigde delen,
 - controleer op loszittende delen en zet die goed vast.
41. Wees uiterst voorzichtig tijdens het bijstellen van het apparaat, om te voorkomen dat uw vingers bekneld raken tussen de bewegende en vaste delen van het apparaat.
42. Maai altijd horizontaal langs een glooiing, nooit omhoog en omlaag. Wees uiterst voorzichtig wanneer u op een hellend vlak van richting verandert. Probeer niet om te maaien op al te steile hellingen.
43. Niet besproeien of afspoelen met een tuinslang; zorg dat er geen water in de motor en elektrische contacten komt.
44. Controleer regelmatig of de snijbladbevestigingsbout stevig vast zit.
45. Zorg dat alle moeren, bouten en schroeven stevig zijn aangedraaid, om het apparaat veilig te kunnen gebruiken.
46. Laat het apparaat altijd eerst afkoelen voordat u het opbergt.
47. Onthoud goed bij onderhoud aan de snijbladen dat ook als de stroom is uitgeschakeld, de snijbladen nog wel kunnen bewegen.
48. Vervang alle versleten of beschadigde onderdelen, voor uw veiligheid. Gebruik uitsluitend originele vervangingsonderdelen en accessoires.

BEWAAR DEZE VOORSCHRIFTEN.

WAARSCHUWING:

Laat u NIET misleiden door een vals gevoel van comfort en bekendheid met het gereedschap (na veelvuldig gebruik) en neem alle veiligheidsvoorschriften van het betreffende gereedschap altijd strikt in acht. VERKEERD GEBRUIK of het niet naleven van de veiligheidsvoorschriften in deze gebruiksaanwijzing kan leiden tot ernstige verwondingen.

ENC007-7

BELANGRIJKE VEILIGHEIDSVORSCHRIFTEN

VOOR ACCU

1. Lees alle voorschriften en waarschuwingen op (1) de acculader, (2) de accu, en (3) het product waarvoor de accu wordt gebruikt, aandachtig door alvorens de acculader in gebruik te nemen.
2. Neem de accu niet uit elkaar.
3. Als de gebruiksduur van een opgeladen accu aanzienlijk korter is geworden, moet u het gebruik ervan onmiddellijk stopzetten. Voortgezet gebruik kan oververhitting, brandwonden en zelfs een ontploffing veroorzaken.
4. Als er elektrolyt in uw ogen is terechtgekomen, spoel dan uw ogen met schoon water en roep onmiddellijk de hulp van een dokter in. Elektrolyt in de ogen kan blindheid veroorzaken.

5. Voorkom kortsluiting van de accu:
 - (1) Raak de accuklemmen nooit aan met een geleidend materiaal.
 - (2) Bewaar de accu niet in een bak waarin andere metalen voorwerpen zoals spijkers, munten e.d. worden bewaard.
 - (3) Stel de accu niet bloot aan water of regen. Kortsluiting van de accu kan oorzaak zijn van een grote stroomafgifte, oververhitting, brandwonden, en zelfs defecten.
6. Bewaar het gereedschap en de accu niet op plaatsen waar de temperatuur kan oplopen tot 50°C of hoger.
7. Werp de accu nooit in het vuur, ook niet wanneer hij zwaar beschadigd of volledig versleten is. De accu kan namelijk ontploffen in het vuur.
8. Wees voorzichtig dat u de accu niet laat vallen en hem niet blootstelt aan schokken of stoten.
9. Gebruik nooit een beschadigde accu.

BEWAAR DEZE VOORSCHRIFTEN.

Tips voor een maximale levensduur van de accu

1. Laad de accu op voordat hij volledig ontladen is. Stop het gebruik van het gereedschap en laad de accu op telkens wanneer u vaststelt dat het vermogen van het gereedschap is afgenomen.
2. Laad een volledig opgeladen accu nooit opnieuw op. Als u de accu te veel oplaadt, zal hij minder lang meegaan.
3. Laad de accu op bij een kamertemperatuur tussen 10°C en 40°C. Laat een warme accu afkoelen alvorens hem op te laden.
4. Laad de accu zeker elk half jaar een keer op, ook als u deze geruime tijd lang niet gebruikt.

BESCHRIJVING VAN DE FUNCTIES

Installeren of verwijderen van de accu (Fig. 1 en 2)

LET OP:

- Schakel het gereedschap altijd uit alvorens de accu te installeren of te verwijderen.
- Zorg dat u voor gebruik het accudeksel stevig afsluit. Anders zou er regen, vocht of vuil in kunnen komen en het apparaat of de accu kunnen beschadigen.

Voor aanbrengen van de accu:

1. Trek de accudeksel-borghendel naar u toe en open het accudeksel.
2. Plaats de accu in de richting die in de afbeelding is aangegeven, totdat u een klik hoort.
3. Steek de contactsleutel in op de plaats die in de afbeelding is aangegeven, zover de sleutel gaat.
4. Sluit het accudeksel en druk het aan totdat het is vergrendeld met de borghendel.

Om de accu uit de grasmaaier te verwijderen:

1. Trek de accudeksel-borghendel naar u toe en open het accudeksel.
2. Trek eerst de contactsleutel er uit.
3. Schuif de accu uit het apparaat terwijl u de knop voorop de accu verschoven houdt.
4. Sluit het accudeksel.

Accudraaghouders (optionele accessoire)

⚠ WAARSCHUWING:

- Alvorens u de accudraaghouder AA-3618/AA-3618CL aanbrengt of uitneemt, verwijdt u eerst de contact-sleutel uit het apparaat.

AA-3618 (optionele accessoire) (Fig. 3, 4 en 5)

⚠ WAARSCHUWING:

- Bij gebruik van de AA-3618 mag u die niet op enig deel van uw lichaam dragen. Als u de AA-3618 dicht op uw lichaam meedraagt, kan dat tot ernstig letsel leiden.

Schuif de accudraaghouder AA-3618 in de aanbreng-opening totdat de houder niet verder gaat.

Klap het accudeksel van de grasmaaier open en schuif dan de productbevestigingsadapter van de AA-3618 in de accuhouder van de grasmaaier.

Leid het snoer van de AA-3618 door de sleuf in het accudeksel en sluit het accudeksel.

Leid het snoer van de AA-3618 door de bovenste snoerhouders aan de handgreep.

OPMERKING:

- Bij gebruik van de accudraaghouder AA-3618 (optionele accessoire) haakt u het stroomsnoer in de daarvoor bestemde snoerhouder van de grasmaaier. Als u dit nalaat, bestaat de kans dat het snoer doorgesneden wordt.

Om de AA-3618 uit de grasmaaier te verwijderen, klapt u het accudeksel open en drukt u op de haak aan de accubevestigingskant van de AA-3618.

AA-3618CL (optionele accessoire) (Fig. 6 en 7)

Open het accudeksel en klik de AA-3618CL in de accubevestigingsopening van de grasmaaier.

Sluit het accudeksel.

Om de AA-3618CL te verwijderen, drukt u op de haak van de AA-3618CL en trekt u die er met beide handen uit.

Werking van de stroomschakelaar (Fig. 8 en 9)

⚠ WAARSCHUWING:

- **Alvorens u de accu in het apparaat plaatst, controleert u altijd even of de schakelhendel naar behoren werkt en bij loslaten naar de uitgangsstand terugkeert.** Bediening van het apparaat met een schakelhendel die niet goed werkt kan leiden tot ongecontroleerde bewegingen, met kans op ernstig lichamenlijk letsel.

OPMERKING:

- Wanneer u te veel gras tegelijk probeert te maaien, kan de motor soms niet starten, vanwege overbelasting. In dat geval stelt u de maaihogte hoger in, om het vervolgens opnieuw te proberen.
- De grasmaaier start niet zonder dat u de schakelknop indrukt, ook al trekt u de schakelhendel in.

Deze grasmaaier is voorzien van een contactslotschakelaar en een handgreepschakelaar. Als er iets niet in orde is met een van deze twee schakelaars, staakt u dan onmiddellijk het gebruik en laat u ze controleren bij uw dichtstbijzijnde erkende Dolmar servicecentrum.

1. Steek de contactsleutel in het contactslot.
2. Druk de schakelknop in.
3. Trek de schakelhendel naar u toe terwijl u de schakelknop ingedrukt houdt.

4. Laat de schakelknop los zodra de motor op toeren komt. De grasmaaier zal blijven werken totdat u de schakelhendel loslaat.
5. Laat de schakelhendel los om de motor te stoppen.
6. Verwijder altijd de contactsleutel wanneer u het apparaat niet gebruikt. Bewaar de contactsleutel op een veilige plaats, buiten bereik van kinderen.

Afstellen van de maaihogte (Fig. 10)

⚠ WAARSCHUWING:

- Steek bij het afstellen van de maaihogte nooit uw hand of voet onder de grasmaaier.
- Controleer vóór het gebruik zorgvuldig of de hendel juist in de gleuf valt.

De maaihogte is instelbaar binnen een bereik van 20 mm – 75 mm.

1. Verwijder de contactsleutel.
2. Trek de maaihogte-instelhendel naar u toe en stel in op de gewenste maaihogte.

Zorg dat de uitstekende nok op de maaihogte-instelhendel precies in de gleuf van het grasmaaierhuis valt.

OPMERKING:

- De aanduidingen voor de maaihogte moeten slechts als richtlijn beschouwd worden, aangezien de toestand van het gazon of de grond de uiteindelijke hoogte van het gras kan doen afwijken van de gekozen hoogte-waarde.
- Met een maaiproef in een minder opvallende plaats kunt u door uitproberen de gewenste hoogte vinden.

Accubeveiligingssysteem

Lithiumionenaccu's zijn voorzien van een beveiligingssysteem. Dat systeem kan automatisch de stroomtoevoer van het apparaat afsluiten om de levensduur van de accu te verlengen.








Het gereedschap kan tijdens gebruik automatisch stoppen wanneer het gereedschap en/of de accu aan één van de volgende omstandigheden wordt blootgesteld:

- Overbelasting:
Als het gereedschap wordt gebruikt op een manier die een abnormaal hoge stroomsterkte vergt.
In dat geval laat u de trekschakelaar van het gereedschap los en verhelpt u de oorzaak van de overbelasting. Vervolgens drukt u de trekschakelaar weer in om het gereedschap te herstarten.
- Als het gereedschap niet start, kan de accu oververhit zijn. In dat geval laat u de accu even afkoelen voordat u de trekschakelaar opnieuw indrukt.
- Onvoldoende accuspanning:
Als de resterende accuspanning onvoldoende is, zal het gereedschap niet starten. In dat geval verwijdt u de accu en laadt u die opnieuw op.

Aanduiding van de resterende acculading (alleen bij modellen met accu type AP-3622) (Fig. 11)

De accu van type AP-3622 is voorzien van een resterende acculadingsaanduiding.

Druk op de CHECK-knop om de resterende acculading te zien. Dan gaan de lampjes ongeveer drie seconden lang branden.

Status van lampjes	Resterende lading
 Aan Uit Knipperen	
E  F	70% t/m 100%
	45% t/m 70%
	20% t/m 45%
	0% t/m 20%
	Laad de accu op.
	Er kan een storing in de accu zijn opgetreden.

011713

- Wanneer alleen het onderste lampje knippert (naast de letter "E"), of wanneer geen van de lampjes brandt, is de acculading leeg en werkt het gereedschap niet meer. In dit geval, laadt u de accu op of vervangt u de lege accu door een volledig opgeladen accu.
- Wanneer twee of meer lampjes niet branden, ook niet nadat het opladen voltooid is, heeft de accu het einde van zijn levensduur bereikt.
- Wanneer de bovenste twee en de onderste twee lampjes beurtelings branden, kan een storing in de accu opgetreden zijn. Neem contact op met uw dichtstbijzijnde erkende Dolmar-servicecentrum.

OPMERKING:

- De aangegeven accuspanning kan tijdens of vlak na gebruik van het apparaat wat lager uitvallen dan de feitelijke accuspanning.
- Afhankelijk van de gebruiksomstandigheden en de omgevingstemperatuur, kan de aanduiding iets verschillen van de werkelijke acculading.

INEENZETTEN

⚠ WAARSCHUWING:

- **Zorg er altijd voor dat de contactsleutel en de accu zijn verwijderd, alvorens u enig werk aan de grasmaaier gaat uitvoeren.** Als u vergeet de contactsleutel en de accu te verwijderen, kan dat leiden tot ernstige verwondingen als de maaier plotseling zou starten.
- **Start nooit het apparaat voordat het geheel naar behoren is gemonteerd.** Gebruik van het apparaat in een deels gemonteerde staat kan leiden tot ernstige verwondingen als het apparaat plotseling zou starten.

Aanbrengen van de handgreep (Fig. 12, 13, 14, 15, 16 en 17)

⚠ WAARSCHUWING:

- Bij het aanbrengen van de handgrepen leidt u de snoeren zo dat ze niet verward of bekneld kunnen raken door voorwerpen tussen de handgrepen.

1. Draai de klem Schroeven los (twee stuks).

Schuif de onderste handgreep aan beide kanten zijwaarts uit en klap de handgreep in die stand geheel terug en pas deze in de gleuf in het maaierhuis.

2. Draai de klem Schroeven aan beide zijden vast om de onderste handgreep vast te zetten.
3. Til de bovenste handgreep op, zodanig dat de Schroefgaten in de bovenste handgreep samenvallen met die in de onderste handgreep en zet deze beide dan vast met de bijgeleverde Schroeven en klemmoeren.

OPMERKING:

- Houd hierbij de bovenste handgreep stevig vast, zodat de handgreep niet uit uw hand wegglijdt.

OPMERKING:

- Monteer de bovenste handgreep zo dat de richting daarvan en het verloop van het stroom snoer overeen komen met die getoond in de afbeelding.

OPMERKING:

- De bovenste handgreep heeft aan allebei de kanten twee Schroefgaten. Door de gaten op verschillende plaatsen te gebruiken voor de Schroeven en klemmoeren kunt u de lengte van de handgreep bepalen.

Verwijderen en aanbrengen van het snijblad (Fig. 18 en 19)

⚠ WAARSCHUWING:

- Verwijder altijd eerst de contactsleutel en de accu voordat u het snijblad gaat verwijderen of installeren. Als u vergeet de contactsleutel en de accu te verwijderen, kan dat leiden tot ernstig letsel.
 - Na het loslaten van de schakelhendel kan het snijblad nog enkele seconden doordraaien. Let op dat het snijblad volledig tot stilstand is gekomen.
 - Draag voor het hanteren van het snijblad altijd een paar handschoenen.
1. Leg de grasmaaier zodanig op zijn zijkant, dat de maaierhoogte-instelhendel boven komt.
 2. Om het snijblad te blokkeren, steekt u een gewone, algemeen verkrijgbare Schroevendraaier e.d. in een opening in de grasmaaier.
 3. Draai de bout linksom los met de sleutel.
 4. Verwijder de bout, de buitenflens, het snijblad en de binnenflens, in die volgorde.

Voor het weer aanbrengen van het snijblad verricht u de stappen voor het verwijderen in omgekeerde volgorde.

⚠ WAARSCHUWING:

- Let goed op bij het installeren van de binnenflens, het snijblad en de buitenflens, want die hebben alle een vaste boven/onderkant.
- Draai de bout rechtsom stevig aan om het snijblad vast te zetten.
- Plaats het snijblad zo, dat de kant met de draairichtingspijl naar buiten wijst.
- Let op dat het snijblad stevig is vastgezet.
- Verwijder vooral de Schroevendraaier e.d. uit de opening waarmee u het snijblad had geblokkeerd.

Aanbrengen van de grasmand (Fig. 20 en 21)

Verwijder de contactsleutel.

Til het achterscherm van de grasmaaier op en haak de grasmand in de gleuf van de grasmaaier.

BEDIENING

Maaien

⚠ WAARSCHUWING:

- Voor het maaien verwijdert u alle takken en stenen van het te maaien terrein. Bovendien kunt u beter ook van tevoren alle onkruid uit het te maaien grasveld wieden.
- Draag bij het maaien altijd een veiligheidsbril met volledig gesloten zijkantbescherming.

Houd bij het maaien de grasmaaier stevig met beide handen aan de handgreep vast.

De buitenranden van de voorwielen van de grasmaaier geven een richtlijn voor de maaibreedte. Met de buitenranden van de beide voorwielen als richtlijn maait u het gras in stroken, waarbij elke maaistreek de vorige met een-derde tot de helft overlapt, voor een gelijkmatig gemaaid gazon.

Controleer regelmatig de inhoud van de grasmand en leeg die voordat de mand overvol raakt. Vóór elke periodieke inspectie dient u de grasmaaier uit te schakelen en de contactsleutel en de accu te verwijderen.

OPMERKING:

- Als u de grasmaaier gebruikt met een overvolle grasmand kan het snijblad niet soepel draaien, hetgeen de motor overmatig belast, waardoor de kans op defecten toeneemt.

Maaien van lang gras (Fig. 22)

Probeer niet om erg lang gras in één keer kort te maaien. Maai uw gazon liever in meerdere fasen, met een dag of twee tussen de maaibeurten, tot uw gehele gazon gelijkmatig kort is.

OPMERKING:

- Als u erg lang gras in één keer helemaal kort maait, kan het gras verdorren en kan het inwendige van de grasmaaier verstopt raken door het gemaaid gras.

Legen van de grasmand (Fig. 23)

⚠ WAARSCHUWING:

• Om ongelukken te voorkomen, controleert u regelmatig de grasmand op schade of verzakking door slijtage en vervangt u die wanneer nodig.

1. Laat de schakelhendel los.
2. Verwijder de contactsleutel.
3. Open het achterscherm en verwijder de grasmand aan het handvat.
4. Leeg de grasmand.

ONDERHOUD EN OPSLAG

⚠ WAARSCHUWING:

• Zorg altijd dat de contactsleutel en de accu uit de grasmaaier zijn verwijderd voordat u die opbergt, of voordat u inspectie of onderhoud gaat verrichten.

- Draag handschoenen bij het verrichten van inspectie of onderhoud.

⚠ LET OP:

- Gebruik nooit benzine, wasbenzine, thinner, alcohol en dergelijke. Hierdoor kunnen verkleuring, vervormingen en barsten worden veroorzaakt.

ONDERHOUD

1. VERWIJDER DE CONTACTSLEUTEL. Bewaar deze op een veilige plaats, buiten bereik van kinderen.
2. Maak uw grasmaaier schoon met een vochtige doek en wat mild zeepsop. Sproei of giet geen water over uw grasmaaier wanneer u die schoonmaakt.
3. Leg de grasmaaier op zijn kant en verwijder de grassprietten die er aan de onderkant in en rond het maaimechanisme vastgeraakt zijn.
4. Controleer of alle moeren, bouten, knoppen, schroeven en andere bevestigingspunten stevig vast zitten.
5. Inspecteer de bewegende onderdelen op schade, defecten en slijtage. Als er onderdelen beschadigd zijn of ontbreken, laat u die dan repareren of vervangen.
6. Alvorens u de grasmaaier opbergt, verwijdert u de accu uit het apparaat.
7. Berg de grasmaaier binnenshuis op, in een koele, droge en veilig afgesloten ruimte. Berg de grasmaaier en de acculader niet op in een plaats waar de temperatuur tot boven de 40°C kan stijgen.

Opslag (Fig. 24, 25, 26, 27, 28 en 29)

⚠ WAARSCHUWING:

- Voor het optillen of meedragen van de grasmaaier pakt u niet de ingeklapte bovenhandgrepen vast, maar het voorste handvat, vooraan de grasmaaier. Als u de ingeklapte bovenhandgrepen vastpakt, kan dat leiden tot letsel, of schade aan de grasmaaier.

De grasmaaier kan in rechtopstaande stand worden bewaard.

1. Draai de klemschroef los, schuif de onderste handgreep naar weerszijden uiteen en klap dan de handgreep omlaag en naar voren.

OPMERKING:

- Houd hierbij de onderste handgreep stevig vast, zodat de handgreep niet naar de andere kant van het apparaat valt.

2. Draai de klemmoer los en klap de bovenste handgreep terug.
3. Verwijder de grasmand en plaats de grasmaaier in rechtopstaande stand.

OPMERKING:

- Voor het rechtop zetten van de grasmaaier pakt u niet de bovenhandgreep vast, maar gebruikt u het voorste handvat van de grasmaaier.

4. Berg de grasmand op tussen de handgreep en het hoofddeel van de grasmaaier.

Om de VEILIGHEID en BETROUWBAARHEID van het gereedschap te handhaven, dienen alle reparaties, onderhoud en afstellingen te worden uitgevoerd door een erkend Dolmar-servicecentrum, en altijd met gebruikmaking van originele Dolmar vervangingsonderdelen.

STORINGEN OPLOSSEN

Alvorens u verzoekt om reparatie, kunt u zelf als volgt het probleem opsporen en verhelpen. Als u met een probleem kampt dat in deze handleiding niet voorkomt, probeert u dan in geen geval om het apparaat te demonteren. Laat reparaties over aan een erkend Dolmar-servicecentrum, en dit uitsluitend met gebruik van originele Dolmar vervangingsonderdelen.

Storing of probleem	Oorzaak	Oplossing
De grasmaaier start niet.	Er is geen accu geplaatst.	Plaats een accu in het apparaat.
	Probleem met de accu (onvoldoende spanning)	Laad de accu opnieuw op. Als opladen het probleem niet verhelpt, vervangt u dan de accu door een nieuwe.
	De contactsleutel is niet ingestoken.	Steek de contactsleutel er in.
Na kortstondig gebruik stopt de motor al gauw.	De accuspanning is te gering.	Laad de accu opnieuw op. Als opladen het probleem niet verhelpt, vervangt u dan de accu door een nieuwe.
	De maaihoogte is te laag ingesteld.	Kies een grotere maaihoogte.
Het maximale toerental wordt niet bereikt.	De accu is niet juist aangebracht.	Installeer de accu zoals beschreven in deze handleiding.
	De accuspanning valt weg.	Laad de accu opnieuw op. Als opladen het probleem niet verhelpt, vervangt u dan de accu door een nieuwe.
	Het aandrijfsysteem werkt niet goed.	Verzoek uw plaatselijke erkende onderhoudsdienst om reparatie.
Het maaimechanisme draait niet: Stop de machine onmiddellijk!	Een hinderlijk voorwerp zoals een tak is vastgeraakt dichtbij het snijblad.	Verwijder het hinderlijke voorwerp.
	Het aandrijfsysteem werkt niet goed.	Verzoek uw plaatselijke erkende onderhoudsdienst om reparatie.
Abnormale trillingen: Stop de machine onmiddellijk!	Het snijblad is uit evenwicht, of er is overmatige of ongelijkmatige slijtage.	Vervang het snijblad.
Het maaimechanisme en de motor kunnen niet gestopt worden: Verwijder onmiddellijk de accu!	Elektrische of elektronische storing.	Verwijder de accu en verzoek uw plaatselijke erkende onderhoudsdienst om reparatie.

012350

OPTIONELE ACCESSOIRES

LET OP:

- Deze accessoires of hulpstukken worden aanbevolen voor gebruik met het Dolmar gereedschap dat in deze gebruiksaanwijzing is beschreven. Bij gebruik van andere accessoires of hulpstukken bestaat er gevaar voor persoonlijke verwonding. Gebruik de accessoires of hulpstukken uitsluitend voor hun bestemde doel.

Raadpleeg het dichtstbijzijnde Dolmar-servicecentrum voor verder advies of bijzonderheden omtrent deze accessoires.

- Snijblad
- Originele Dolmar accu en oplader

OPMERKING:

- Sommige van de onderdelen in deze lijst kunnen bijgeleverd zijn als standaard-accessoires. Deze accessoires kunnen per land verschillend zijn.

Geluidsniveau

De typisch, A-gewogen geluidsniveaus vastgesteld volgens EN60335:

- Geluidsdrukniveau (L_{pA}): 80 dB (A)
- Geluidsvermogeniveau (L_{WA}): 93 dB (A)
- Onnauwkeurigheid (K): 3 dB (A)

Draag oorbeschermers

ENG900-1

Trilling

De totaalwaarde van de trillingen (triaxiale vectorsom) vastgesteld volgens EN60335:

- Trillingsemisatie (a_{H1}): 2,5 m/s² of lager
- Onnauwkeurigheid (K): 1,5 m/s²

ENG901-1

- De opgegeven trillingsemisatiewaarde is gemeten volgens de standaardtestmethode en kan worden gebruikt om dit gereedschap te vergelijken met andere gereedschappen.
- De opgegeven trillingsemisatiewaarde kan ook worden gebruikt voor een beoordeling vooraf van de blootstelling.

⚠ WAARSCHUWING:

- De trillingsemisatie tijdens het gebruik van het elektrisch gereedschap in de praktijk kan verschillen van de opgegeven trillingsemisatiewaarde afhankelijk van de manier waarop het gereedschap wordt gebruikt.
- Zorg ervoor dat veiligheidsmaatregelen worden getroffen ter bescherming van de operator die zijn gebaseerd op een schatting van de blootstelling onder praktijkomstandigheden (rekening houdend met alle fasen van de bedrijfscyclus, zoals de tijdsduur gedurende welke het gereedschap is uitgeschakeld en stationair draait, naast de ingeschakelde tijdsduur).

Alleen voor Europese landen**EU-Verklaring van Conformiteit**

Ondergetekenden, Tamiro Kishima en Rainer Bergfeld, als erkende vertegenwoordigers van Dolmar GmbH, verklaren dat de DOLMAR-machine(s):

- Aanduiding van de machine:
- Snoerloze grasmaaier
- Modelnr./Type: AM-3643
- Technische gegevens: zie de tabel "TECHNISCHE GEGEVENS".

in serie zijn geproduceerd en

Voldoen aan de volgende Europese richtlijnen:

2000/14/EC, 2006/42/EC

En zijn gefabriceerd in overeenstemming met de volgende normen of genormaliseerde documenten: EN60745, EN60335

De technische documentatie wordt bewaard door:

- Dolmar GmbH,
- Jenfelder Straße 38, Abteilung FZ,
- D-22045 Hamburg

De conformiteitsbeoordelingsprocedure vereist door Richtlijn 2000/14/EC was in Overeenstemming met annex VI.

Verwittigde instantie:

- TÜV Rheinland LGA Products GmbH
- Am Grauen Stein 29
- 51105 Köln Duitsland
- Identificatienummer 0197

Gemeten geluidsvermogeniveau: 93 dB (A)

Gegarandeerd geluidsvermogeniveau: 94 dB (A)

7.9.2011



Tamiro Kishima
Hoofddirecteur



Rainer Bergfeld
Hoofddirecteur

Explicación de los dibujos

- | | | |
|--|--|--------------------------------|
| 1 Palanca de bloqueo de la tapa de la batería | 12 Convertidor de batería (AA-3618CL) | 25 Soportes |
| 2 Cartucho de batería | 13 Botón de interruptor | 26 Destornillador |
| 3 Tapa de la batería | 14 Palanca de interruptor | 27 Cuchilla |
| 4 Llave de bloqueo | 15 Palanca de ajuste de altura de la siega | 28 Perno |
| 5 Convertidor de batería (AA-3618) | 16 Lámparas indicadoras | 29 Brida interior |
| 6 Orificio de instalación | 17 Botón CHECK | 30 Flecha |
| 7 Gancho | 18 Asidero inferior | 31 Brida exterior |
| 8 Adaptador de montaje de producto del AA-3618 | 19 Ranura en la cubierta | 32 Protector trasero |
| 9 Cable | 20 Tornillo de apriete | 33 Ranura |
| 10 Hendidura | 21 Asidero superior | 34 Cesta para hierba |
| 11 Soportes superiores | 22 Orificios para tornillos | 35 Expandir |
| | 23 Tuerca de apriete | 36 Mover hacia abajo al frente |
| | 24 Tornillo | 37 Pivotar hacia atrás |
| | | 38 Empuñadura delantera |

ESPECIFICACIONES

Modelo		AM-3643
Anchura de la siega		430 mm
Velocidad en vacío		3.600 min ⁻¹
Dimensiones (La x An x Al)	durante la utilización	1.450 mm – 1.490 mm x 460 mm x 950 mm – 1.020 mm
	cuando está almacenado	490 mm – 500 mm x 460 mm x 810 mm
Peso neto		17,9 kg
Tensión nominal		CC 36 V
Cartucho(s) de batería estándar ⚠ Advertencia: Utilice solamente el cartucho(s) de batería descrito.		AP-363 / AP-3622

- Debido a un programa continuo de investigación y desarrollo, las especificaciones aquí dadas están sujetas a cambios sin previo aviso.
- Las especificaciones y el cartucho de batería pueden diferir de país a país.
- Peso, con el cartucho de batería, de acuerdo con el procedimiento EPTA 01/2003

GEB091-5

INSTRUCCIONES DE SEGURIDAD IMPORTANTES

⚠ ¡ADVERTENCIA! Lea todas las advertencias de seguridad y todas las instrucciones. Si no sigue todas las advertencias e instrucciones podrá ocasionar una descarga eléctrica, un incendio y/o heridas graves.

Guarde todas las advertencias e instrucciones para futuras referencias.

1. No inserte la llave en el cortacésped hasta que esté listo para ser utilizado.
2. Este aparato no ha sido pensado para ser usado por personas (incluidos niños) con sus capacidades físicas, sensoriales o mentales mermaadas, o sin experiencia y conocimiento, a menos que una persona responsable de su seguridad las supervise o les dé instrucciones sobre el uso del aparato.

3. Los niños pequeños deberán ser supervisados para asegurarse de que no juegan con el aparato.
4. No permita nunca que niños o gente no familiarizada con estas instrucciones utilicen la máquina. Los reglamentos locales pueden restringir la edad del operario.
5. No utilice nunca la máquina cuando haya gente, especialmente niños o animales domésticos cerca.
6. Tenga en cuenta que el operario o usuario es el responsable de los accidentes o riesgos ocasionados a otras personas o propiedades de las mismas.
7. Mientras utiliza la máquina póngase siempre calzado robusto y pantalones largos. No utilice la máquina estando descalzo ni con sandalias abiertas. Evite ponerse ropa o joyas que queden holgadas o que tengan cordones colgando o corbatas. Pueden engancharse en las piezas que se mueven.
8. Utilice la máquina solamente en luz diurna o con buena luz artificial.
9. Evite utilizar la máquina en hierba mojada.
10. No utilice nunca el cortacésped en la lluvia.

11. **Utilización de la batería**
 - Cargue la batería solamente con el cargador especificado por el fabricante. Un cargador que es apropiado para un tipo de batería puede crear un riesgo de incendio cuando si se utiliza con otra batería.
 - Utilice las herramientas eléctricas solamente con las baterías designadas específicamente para ellas. La utilización de cualquier otra batería puede crear un riesgo de heridas o incendio.
12. Sujete siempre firmemente el asidero.
13. Asegúrese siempre de que en pendientes apoya bien los pies.
14. Camine, nunca corra.
15. No agarre las cuchillas de corte o bordes de corte expuestos cuando recoja o sujete el aparato.
16. Condición física — No utilice el cortacésped bajo la influencia de drogas, alcohol, o cualquier medicación.
17. No quite los protectores y manténgalos en buen estado de funcionamiento.
18. Mantenga las manos y los pies alejados de las cuchillas giratorias. Precaución — Las cuchillas siguen girando por inercia después de apagar la máquina.
19. Retire la llave antes de hacer el servicio de mantenimiento, limpieza o retirar material del aparato de jardinería.
20. Utilice solamente las cuchillas genuinas del fabricante especificadas en este manual.
21. Compruebe las cuchillas cuidadosamente para ver si tienen grietas o daños antes de comenzar la operación. Reemplace las cuchillas agrietadas o dañadas inmediatamente.
22. Asegúrese de que el área está despejada de gente antes de segar. Detenga el cortacésped si entra alguien en el área.
23. Retire los objetos extraños tales como rocas, alambres, botellas, huesos y palos largos del área de trabajo antes de segar para evitar heridas personales o daños al cortacésped.
24. Detenga la operación inmediatamente si nota algo inusual. Apague el cortacésped y retire la llave del aparato. Después inspeccione el cortacésped.
25. No intente nunca realizar el ajuste de altura de las ruedas mientras el cortacésped está en marcha.
26. Suelte la palanca de interruptor y espere a que la cuchilla deje de girar antes de cruzar caminos de acceso, paseos, carreteras, o cualquier área cubierta con gravilla.
Retire también la llave si lo deja, si se adelanta para recoger o retirar algo del camino, o por cualquier otra razón que pueda distraerle de lo que está haciendo.
27. Los objetos golpeados por la cuchilla del cortacésped pueden ocasionar graves heridas personales. El césped deberá ser siempre examinado atentamente y despejado de todos los objetos antes de cada siega.
28. Si el cortacésped golpea un objeto extraño, siga estos pasos:
 - Detenga el cortacésped, suelte la palanca de interruptor y espere hasta que la cuchilla se haya detenido completamente.
 - Retire la llave de bloqueo y el cartucho de batería.
 - Inspeccione detenidamente el cortacésped para ver si se ha dañado.
 - Sustituya la cuchilla si tiene cualquier tipo de daño.
 Repare cualquier daño antes de volver a poner en marcha y continuar utilizando el cortacésped.
29. Compruebe la bolsa trasera con frecuencia para ver si está gastada o deteriorada. Para el almacenaje, asegúrese siempre de que la bolsa trasera está vacía. Sustituya la bolsa si está gastada con una bolsa de recambio de fábrica por seguridad.
30. Detenga el motor y retire la llave siempre que deje el equipo, antes de limpiar la carcasa del cortacésped, y antes de realizar reparaciones o inspecciones.
31. Utilice mucha precaución cuando retroceda o tire de la máquina hacia usted.
32. Detenga la cuchilla(s) si la máquina tiene que ser inclinada para transportarla cuando atravesese superficies que no sean de hierba, y cuando transporte la máquina hasta o desde el área donde la utiliza.
33. No utilice nunca la máquina con protectores o escudos defectuosos, ni sin los dispositivos de seguridad, por ejemplo, deflectores y/o recogedores de hierba, en su sitio.
34. Encienda el motor con cuidado de acuerdo con las instrucciones y con los pies bien alejados de la cuchilla(s).
35. No incline la máquina cuando vaya a encender el motor, excepto si la máquina tiene que ser inclinada para arrancarla. En este caso, no la incline más de lo absolutamente necesario y levante solamente la parte que está alejada del operario.
36. No ponga en marcha la máquina cuando se encuentre enfrente de la abertura de descarga.
37. No ponga las manos ni los pies cerca o debajo de las piezas giratorias. Manténgase alejado de la abertura de descarga en todo momento.
38. No transporte la máquina mientras el cortacésped está encendido.
39. Detenga la máquina, y retire el dispositivo de inhabilitación. Asegúrese de que todas las piezas que se mueven se hayan parado completamente
 - siempre que vaya a dejar la máquina,
 - antes de retirar obstrucciones o desatascar la tolva,
 - antes de comprobar, limpiar o trabajar en la máquina,
 - después de haber golpeado un objeto extraño. Inspeccione la máquina para ver si está dañada y realice las reparaciones antes de volver a ponerla en marcha y utilizarla;

40. Si la máquina comienza a vibrar anormalmente (compruebe inmediatamente)
 - inspeccione para ver si está dañada,
 - sustituya o repare cualquier pieza dañada,
 - compruebe si hay alguna pieza floja y apríetela.
41. Tenga cuidado durante el ajuste de la máquina para evitar pillarse los dedos entre las cuchillas que se mueven y las piezas fijas de la máquina.
42. Siegue a través de la cara de la pendiente, nunca de arriba a abajo. Extreme las precauciones cuando cambie de dirección en pendientes. No siegue en cuestas empinadas excesivamente.
43. No lave la máquina con una manguera; evite mojar el motor y las conexiones eléctricas.
44. Compruebe el perno de montaje de la cuchilla a intervalos frecuentes para ver que está bien apretado.
45. Mantenga todas las tuercas, pernos y tornillos apretados para asegurarse de que el equipo está en condiciones de trabajo seguras.
46. Deje siempre que la máquina se enfríe antes de almacenarla.
47. Cuando haga el mantenimiento a las cuchillas, sea consciente de que, aunque la fuente de alimentación esté apagada, las cuchillas todavía se pueden mover.
48. Sustituya las piezas gastadas o dañadas por seguridad. Utilice solamente piezas de repuesto y accesorios genuinos.

GUARDE ESTAS INSTRUCCIONES.

⚠ ADVERTENCIA:

NO deje que la comodidad o familiaridad con el producto (a base de utilizarlo repetidamente) sustituya la estricta observancia de las normas de seguridad para el producto en cuestión. El MAL USO o el no seguir las normas de seguridad establecidas en este manual de instrucciones podrá ocasionar graves heridas personales.

ENC007-7

INSTRUCCIONES DE SEGURIDAD IMPORTANTES

PARA EL CARTUCHO DE BATERÍA

1. Antes de utilizar el cartucho de batería, lea todas las instrucciones e indicaciones de precaución sobre (1) el cargador de baterías, (2) la batería, y (3) el producto con el que se utiliza la batería.
2. No desarme el cartucho de batería.
3. Si el tiempo de uso del cartucho de batería se acorta demasiado, deje de usarlo inmediatamente. Podría resultar en un riesgo de recalentamiento, posibles quemaduras e incluso una explosión.
4. Si entra electrolito en sus ojos, aclárelos con agua limpia y vea a un médico inmediatamente. Existe el riesgo de poder perder la vista.
5. No cortocircuite el cartucho de batería:
 - (1) No toque los terminales con ningún material conductor.
 - (2) Evite guardar el cartucho de batería en un cajón junto con otros objetos metálicos, tales como clavos, monedas, etc.

- (3) No exponga el cartucho de batería al agua ni a la lluvia.

Un cortocircuito en la batería puede producir una gran circulación de corriente, un recalentamiento, posibles quemaduras e incluso una rotura de la misma.

6. No guarde la herramienta ni el cartucho de batería en lugares donde la temperatura pueda alcanzar o exceder los 50°C.
7. Nunca incinere el cartucho de batería incluso en el caso de que esté dañado seriamente o ya no sirva en absoluto. El cartucho de batería puede explotar si se tira al fuego.
8. Tenga cuidado de no dejar caer ni golpear el cartucho de batería.
9. No utilice una batería dañada.

GUARDE ESTAS INSTRUCCIONES.

Consejos para alargar al máximo la vida de servicio de la batería

1. Cargue el cartucho de batería antes de que se descargue completamente. Pare siempre la operación y cargue el cartucho de batería cuando note menos potencia en la herramienta.
2. No cargue nunca un cartucho de batería que esté completamente cargado. La sobrecarga acortará la vida de servicio de la batería.
3. Cargue el cartucho de batería a temperatura ambiente de 10°C – 40°C. Si un cartucho de batería está caliente, déjelo enfriar antes de cargarlo.
4. Cargue el cartucho de batería una vez cada seis meses si no lo utiliza durante un periodo de tiempo prolongado.

DESCRIPCIÓN DEL FUNCIONAMIENTO

Instalación o desmontaje del cartucho de batería (Fig. 1 y 2)

⚠ PRECAUCIÓN:

- Apague siempre la herramienta antes de instalar o extraer el cartucho de batería.
- Asegúrese de que ha bloqueado la tapa de la batería antes de utilizar la herramienta. De lo contrario, el barro, la suciedad o el agua podrán ocasionar daños a la herramienta o al cartucho de batería.

Para instalar el cartucho de batería;

1. Tire de la palanca de bloqueo de la tapa de la batería hacia usted y abra la tapa de la batería.
2. Inserte el cartucho de batería en la dirección mostrada en la figura hasta que se oiga un chasquido.
3. Inserte la llave de bloqueo en el lugar mostrado en la figura a tope.
4. Cierre la tapa de la batería y presiónela hasta que se quede trincada con la palanca de bloqueo.

Para retirar el cartucho de batería del cortacésped;

1. Tire de la palanca de bloqueo de la tapa de la batería hacia usted y abra la tapa de la batería.
2. Saque la llave de bloqueo.
3. Retírela de la herramienta a la vez que desliza el botón de la parte frontal del cartucho.
4. Cierre la tapa de la batería.

Convertidores de batería (accesorio opcional)

⚠️ ADVERTENCIA:

- Antes de instalar o retirar los convertidores de batería AA-3618/AA-3618CL, retire la llave de bloqueo.

AA-3618 (accesorio opcional) (Fig. 3, 4 y 5)

⚠️ ADVERTENCIA:

- Cuando utilice el AA-3618, nunca lo fije a ninguna parte de su cuerpo. La fijación del AA-3618 a cualquier parte de su cuerpo puede ocasionarle graves heridas.

Deslice el convertidor de batería AA-3618 en el orificio de instalación hasta que se detenga.

Abra la tapa de la batería del cortacésped y después deslícela a tope y ponga el adaptador de montaje de producto del AA-3618 en el puerto de la batería del cortacésped.

Tienda el cable del AA-3618 a través de la hendidura en la tapa de la batería y cierre la tapa de la batería.

Encaje el cable del AA-3618 en los soportes superiores del asidero.

NOTA:

- Cuando utilice el convertidor de batería AA-3618 (accesorio opcional), enganche el cable de alimentación en el soporte designado del cortacésped. En caso contrario el cable podrá cortarse.

Para retirar el AA-3618 del cortacésped, abra la tapa de la batería y después presione el gancho del lado de montaje de la batería del AA-3618.

AA-3618CL (accesorio opcional) (Fig. 6 y 7)

Abra la tapa de la batería y ponga el AA-3618CL en el puerto de batería del cortacésped.

Cierre la tapa de la batería.

Para retirar el AA-3618CL, presione sobre el gancho del AA-3618CL y retírelo con ambas manos.

Accionamiento del interruptor de alimentación (Fig. 8 y 9)

⚠️ ADVERTENCIA:

- **Antes de insertar el cartucho de batería en la herramienta, compruebe siempre para cerciorarse de que la palanca de interruptor se acciona debidamente y que vuelve a la posición original cuando la suelta.** La utilización de una herramienta con un interruptor que no se acciona debidamente puede dar lugar a la pérdida de control y graves heridas personales.

NOTA:

- Si intenta segar mucha hierba de una vez es posible que el motor no pueda ponerse en marcha debido a la sobrecarga. En este momento, cambie la altura de la siega a un nivel más alto y vuelva a comenzar.
- El cortacésped no se pone en marcha sin apretar el botón de interruptor aunque se apriete la palanca de interruptor.

Este cortacésped está equipado con un interruptor de enclavamiento e interruptor de asidero. Si nota algo inusual con cualquiera de estos interruptores, detenga la operación inmediatamente y haga que se los comprueben en el Centro de Servicio Dolmar autorizado más cercano.

1. Inserte la llave de bloqueo en el interruptor de enclavamiento.
2. Presione hacia abajo el botón de interruptor.
3. Tire de la palanca de interruptor hacia usted mientras presiona hacia abajo el botón de interruptor.
4. Suelte el botón de interruptor tan pronto como el motor se ponga en marcha. El cortacésped continuará en marcha hasta que suelte la palanca de interruptor.
5. Suelte la palanca de interruptor para parar el motor.
6. Cuando no lo esté utilizando, retire la llave de bloqueo. Almacene la llave de bloqueo en un lugar seguro fuera del alcance de los niños.

Ajuste de la altura de la siega (Fig. 10)

⚠️ ADVERTENCIA:

- No ponga nunca su mano ni pierna debajo de la unidad del cortacésped cuando ajuste la altura de la siega.
- Asegúrese siempre de que la palanca encaja en la ranura debidamente antes de la operación.

La altura de la siega se puede ajustar en el rango de entre 20 mm – 75 mm.

1. Retire la llave de bloqueo.
2. Tire de la palanca de ajuste de altura de la siega hacia usted y muévala hasta la altura de siega que desee.

Asegúrese de que la protuberancia de la palanca de ajuste de altura de la siega encaja en la ranura del cortacésped.

NOTA:

- Las cifras de altura de la siega deberán ser utilizadas sólo como guía, dado que el estado del césped o el suelo podrán hacer que la altura del césped sea ligeramente diferente del de la cifra de altura establecida.
- Realice una prueba segando hierba en un lugar menos notorio para obtener la altura que desea.

Sistema de protección de la batería

Las baterías de litio-ión están equipadas con un sistema de protección. Este sistema corta automáticamente la alimentación de la herramienta para alargar la vida útil de la batería.

La herramienta se detendrá automáticamente durante la operación si la herramienta y/o la batería son puestas en una de las condiciones siguientes:

- Sobrecargada:

La herramienta es utilizada de una manera que da lugar a que tenga que absorber una corriente anormalmente alta.

En esta situación, suelte el gatillo interruptor de la herramienta y detenga la tarea que ocasiona la sobrecarga de la herramienta. Después apriete el gatillo interruptor otra vez para volver a ponerla en marcha.

Si la herramienta no se pone en marcha, la batería estará recalentada. En esta situación, deje que la batería se enfríe antes de apretar el gatillo interruptor otra vez.

- Tensión baja en la batería:

La capacidad de batería restante es muy baja y la herramienta no funcionará. En esta situación, extraiga la batería y vuelva a cargarla.

Indicador de capacidad de batería restante (solamente para modelos con batería AP-3622) (Fig. 11)

La batería AP-3622 está equipada con el indicador de capacidad de batería restante.

Presione el botón CHECK para indicar la capacidad de batería restante. Entonces las lámparas indicadoras se iluminarán durante tres segundos aproximadamente.

Lámparas indicadoras	Capacidad restante
 Encendida Apagada Parpadeo	
E F	70% a 100%
	45% a 70%
	20% a 45%
	0% a 20%
	Cargue la batería.
	Es posible que la batería no funcione bien.

011713

- Cuando solamente parpadee la lámpara indicadora más baja (junto a la “E”), o cuando ninguna de las lámparas indicadoras se encienda, la capacidad de la batería se habrá agotado y la herramienta no funcionará. En estos casos, cargue la batería o reemplace la batería agotada con una completamente cargada.
- Cuando dos o más lámparas indicadoras no se enciendan incluso después de haberse completado la carga, la batería habrá alcanzado el final de su vida de servicio.
- Cuando las dos lámparas indicadoras superiores o inferiores se enciendan alternativamente, es posible que la batería no esté funcionando bien. Póngase en contacto con el centro de servicio autorizado de Dolmar local.

NOTA:

- La capacidad indicada podrá ser inferior que el nivel actual durante el uso o inmediatamente después de utilizar la herramienta.
- Dependiendo de las condiciones de utilización y la temperatura ambiente, es posible que la indicación varíe ligeramente de la capacidad real.

MONTAJE

⚠ ADVERTENCIA:

- **Asegúrese siempre de que la llave de bloqueo y el cartucho de batería han sido retirados antes de realizar cualquier trabajo en el cortacésped.** Si no retira la llave de bloqueo y el cartucho de batería podrá resultar en graves heridas personales a causa de un arranque accidental.
- **No ponga nunca en marcha la herramienta a menos que esté completamente ensamblada.** La utilización de la herramienta en un estado parcialmente ensamblado podrá resultar en graves heridas personales a causa de un arranque accidental.

Instalación del asidero (Fig. 12, 13, 14, 15, 16 y 17)

⚠ ADVERTENCIA:

- Cuando instale los asideros, coloque los cables de forma que no sean pillados con ninguna cosa entre los asideros.

1. Afloje los tornillos de apriete (dos piezas).

Expanda el asidero inferior a ambos lados del mismo y con él expandido en esa posición pivótelos hacia atrás y después encájelos en la ranura de la cubierta.

2. Apriete los tornillos de apriete en ambos lados para sujetar el asidero inferior.

3. Levante el asidero superior y alinee los orificios para tornillos en el asidero superior con los del asidero inferior y después sujételos con los tornillos y tuercas de apriete suministrados.

NOTA:

- Ahora, sujete el asidero superior firmemente de forma que no se le caiga de la mano.

NOTA:

- Instale el asidero superior de forma que la dirección del asidero superior y el cable de suministro de alimentación estén en la posición mostrada en la figura.

NOTA:

- El asidero superior tiene dos orificios en ambos lados. La utilización de los orificios de posición diferentes para los tornillos y tuercas de apriete permite el ajuste de la altura del asidero.

Desmontaje o instalación de la cuchilla (Fig. 18 y 19)

⚠ ADVERTENCIA:

- Retire siempre la llave de bloqueo y el cartucho de batería cuando vaya a desmontar o instalar la cuchilla. Si no retira la llave de bloqueo y el cartucho de batería podrá ocasionar una herida grave.
- La cuchilla sigue girando por inercia durante unos cuantos segundos después de soltar el interruptor. Asegúrese de que la cuchilla se ha detenido completamente.
- Póngase siempre guantes cuando maneje la cuchilla.

1. Ponga el cortacésped sobre su costado de forma que la palanca de ajuste de altura de la siega esté colocada en el lado superior.
2. Para bloquear la cuchilla, inserte un destornillador disponible o uno similar disponible en el comercio en el orificio del cortacésped.
3. Afloje el perno girándolo hacia la izquierda con la llave.
4. Retire el perno, brida exterior, cuchilla y brida interior en ese orden.

Para instalar la cuchilla, siga el procedimiento de desmontaje de la cuchilla a la inversa.

⚠ ADVERTENCIA:

- Instale la brida interior, la cuchilla y la brida exterior con cuidado porque tienen una cara superior/inferior.
- Apriete el perno girándolo hacia la derecha firmemente para sujetar la cuchilla.
- Ponga la cuchilla de forma que el lado de la cuchilla con flecha de dirección de giro quede orientado hacia afuera.
- Asegúrese de que la cuchilla está instalada firmemente.

- Retire siempre el destornillador o herramienta similar insertado en el orificio para bloquear la cuchilla.

Instalación de la cesta para hierba (Fig. 20 y 21)

Retire la llave de bloqueo.

Levante el protector trasero de la unidad del cortacésped y enganche la cesta para hierba en la ranura de la unidad del cortacésped.

OPERACIÓN

Siega

⚠️ ADVERTENCIA:

- Antes de segar, retire los palos y piedras del área de la siega. Además, retire cualquier maleza del área de la siega de antemano.
- Póngase siempre gafas de seguridad o gafas de protección con escudos laterales cuando utilice el cortacésped.

Sujete firmemente el asidero del cortacésped con ambas manos cuando siegue.

Los bordes exteriores de las ruedas delanteras de la unidad principal proveen una guía para la anchura de la siega. Utilizando los bordes exteriores de las dos ruedas delanteras como guía, siegue en bandas, solapando entre la mitad y un tercio de la banda anterior, para segar el césped uniformemente.

Compruebe periódicamente el nivel de la cesta para hierba, y vacíela antes de que se llene. Antes de cada comprobación periódica, asegúrese de parar el cortacésped y retirar la llave de bloqueo y el cartucho de batería.

NOTA:

- La utilización del cortacésped con la cesta para hierba llena impide el giro uniforme de la cuchilla y añade una carga extra al motor, que puede ocasionar una avería.

Siega de un césped largo (Fig. 22)

No intente cortar hierba larga de una sola vez. En su lugar, siegue el césped en etapas, dejando uno o dos días entre las siegas, hasta que el césped esté uniformemente corto.

NOTA:

- El segar hierba larga a una longitud corta de una vez puede hacer que la hierba muera y/o bloquee el interior de la unidad principal.

Vaciado de la cesta para hierba (Fig. 23)

⚠️ ADVERTENCIA:

- Para reducir el riesgo de un accidente, compruebe regularmente la cesta para hierba para ver si tiene algún daño o resistencia debilitada y reemplace si es necesario.

1. Suelte la palanca de interruptor.
2. Retire la llave de bloqueo.
3. Abra el protector trasero y saque la cesta para hierba con su asidero.
4. Vacíe la cesta para hierba.

MANTENIMIENTO Y ALMACENAJE

⚠️ ADVERTENCIA:

- Asegúrese siempre de que la llave de bloqueo y el cartucho de batería han sido retirados del cortacésped antes de almacenar o intentar realizar la inspección o el mantenimiento.
- Póngase guantes cuando realice la inspección o el mantenimiento.

⚠️ PRECAUCIÓN:

- No utilice nunca gasolina, bencina, disolvente, alcohol o similares. Podría producir descoloración, deformación o grietas.

MANTENIMIENTO

1. **RETIRE LA LLAVE DE BLOQUEO.** Almacénela en un lugar seguro fuera del alcance de los niños.
2. Limpie su cortacésped utilizando solamente jabón suave y un paño humedecido. No pulverice ni vierta agua sobre su cortacésped cuando lo limpie.
3. Ponga el cortacésped sobre su costado y limpie los recortes de hierba que se hayan acumulado debajo de la cubierta del cortacésped.
4. Compruebe todas las tuercas, pernos, pomos, tornillos, sujetadores, etc. para ver que están bien apretados.
5. Inspeccione las piezas que se mueven para ver si están dañadas, rotas, y gastadas. Haga que le reparen cualquier pieza dañada o que falte.
6. Antes de almacenar el cortacésped, retire de él el cartucho de batería.
7. Almacénelo en interiores en un lugar fresco, seco y cerrado con llave. No almacene el cortacésped y el cargador en lugares donde la temperatura pueda alcanzar o exceder los 40°C.

Almacenamiento (Fig. 24, 25, 26, 27, 28 y 29)

⚠️ ADVERTENCIA:

- Cuando transporte o almacene el cortacésped, no lo sujete por los asideros plegados, sujételo por la empuñadura delantera del cortacésped. Si lo sujeta por los asideros plegados podrá ocasionar una herida grave o daños al cortacésped.

El cortacésped se puede almacenar en posición vertical.

1. Afloje el tornillo de apriete, expanda el asidero inferior a ambos lados y después mueva hacia abajo el asidero al frente.

NOTA:

- Ahora, sujete el asidero inferior firmemente de forma que no se caiga en el lado alejado de la herramienta.
2. Afloje la tuerca de apriete y pivote el asidero superior hacia atrás.
 3. Quite la cesta para hierba y ponga el cortacésped en posición vertical.

NOTA:

- Cuando vaya a poner el cortacésped en posición vertical, no lo sujete por el asidero, utilice la empuñadura delantera del cortacésped.
4. Almacene la cesta para hierba entre el asidero y el cuerpo del cortacésped.

Para mantener la SEGURIDAD y FIABILIDAD del producto, las reparaciones, el mantenimiento y los ajustes deberán ser realizados por un Centro de Servicio Autorizado de Dolmar, siempre con piezas de repuesto de Dolmar.

SOLUCIÓN DE PROBLEMAS

Antes de solicitar reparaciones, realice su propia inspección en primer lugar. Si encuentra un problema que no está explicado en el manual, no intente desmontar la herramienta. En su lugar, pregunte en Centros de Servicio Dolmar autorizado, utilizando siempre piezas de recambio Dolmar para las reparaciones.

Estado de malfuncionamiento	Causa	Acción
El cortacésped no se pone en marcha.	El cartucho de batería no está instalado.	Instale el cartucho de batería.
	Problema de batería (poca tensión)	Cargue la batería. Si la recarga no se realiza efectivamente, sustituya la batería.
	La llave de bloqueo no está insertada.	Inserte la llave de bloqueo.
El motor se para después de usarlo un poco.	El nivel de carga de la batería es bajo.	Cargue la batería. Si la recarga no se realiza efectivamente, sustituya la batería.
	La altura de corte ajustada es muy baja.	Suba la altura.
No alcanza el máximo de RPM.	La batería está instalada incorrectamente.	Instale el cartucho de batería como se describe en este manual.
	La potencia de la batería está cayendo.	Cargue la batería. Si la recarga no se realiza efectivamente, sustituya la batería.
	El sistema de accionamiento no funciona correctamente.	Pida a su centro de servicio autorizado local que se lo reparen.
La herramienta de corte no gira. ¡Detenga la máquina inmediatamente!	Se han atascado objetos extraños tales como una rama cerca de la cuchilla.	Retire el objeto extraño.
	El sistema de accionamiento no funciona correctamente.	Pida a su centro de servicio autorizado local que se lo reparen.
Vibración anormal: ¡Detenga la máquina inmediatamente!	La cuchilla está desequilibrada, excesivamente o desigualmente gastada.	Sustituya la cuchilla.
La herramienta de corte y el motor no se pueden parar: ¡Retire la batería inmediatamente!	Malfuncionamiento eléctrico o electrónico.	Retire la batería y pida a su centro de servicio autorizado local que se lo reparen.

012350

ACCESORIOS OPCIONALES

PRECAUCIÓN:

- Estos accesorios o aditamentos están recomendados para su uso con la herramienta Dolmar especificada en este manual. El uso de cualquier otro accesorio o aditamento puede suponer un riesgo de lesiones personales. Utilice el accesorio o aditamento exclusivamente para su uso declarado.

Si necesita información más detallada sobre estos accesorios, consulte con su centro local de servicio de Dolmar.

- Cuchilla
- Batería y cargador genuinos de Dolmar

NOTA:

- Algunos elementos de la lista podrán estar incluidos en la paquete de la herramienta como accesorios estándar. Pueden variar de un país a otro.

Ruido

El nivel de ruido A-ponderado típico determinado de acuerdo con la norma EN60335:

Nivel de presión sonora (L_{pA}): 80 dB (A)

Nivel de potencia sonora (L_{WA}): 93 dB (A)

Incerteza (K): 3 dB (A)

Póngase protectores en los oídos

ENG900-1

Vibración

El valor total de la vibración (suma de vectores triaxiales) determinado de acuerdo con la norma EN60335:

Emisión de vibración (a_{h1}): 2,5 m/s² o menos

Incerteza (K): 1,5 m/s²

ENG901-1

- El valor de emisión de vibración declarado ha sido medido de acuerdo con el método de prueba estándar y se puede utilizar para comparar una herramienta con otra.
- El valor de emisión de vibración declarado también se puede utilizar en una valoración preliminar de exposición.

⚠ ADVERTENCIA:

- La emisión de vibración durante la utilización real de la herramienta eléctrica puede variar del valor de emisión declarado dependiendo de las formas en las que la herramienta sea utilizada.
- Asegúrese de identificar medidas de seguridad para proteger al operario que estén basadas en una estimación de la exposición en las condiciones reales de utilización (teniendo en cuenta todas las partes del ciclo operativo tal como las veces cuando la herramienta está apagada y cuando está funcionando en vacío además del tiempo de gatillo).

Para países europeos solamente**Declaración de conformidad CE**

Los abajo firmantes, Tamiro Kishima y Rainer Bergfeld, como personas autorizadas por Dolmar GmbH, declaran que la(s) máquina(s) DOLMAR:

Designación de máquina:

Cortadora de Césped

Modelo N°/Tipo: AM-3643

Especificaciones: consulte la tabla de "ESPECIFICACIONES".

son producidas en serie y

Cumplen con las directivas europeas siguientes:

2000/14/EC, 2006/42/EC

Y que están fabricadas de acuerdo con las normas o documentos normalizados siguientes:

EN60745, EN60335

Los documentos técnicos están en un archivo en:

Dolmar GmbH,

Jenfelder Straße 38, Abteilung FZ,

D-22045 Hamburgo

El procedimiento de valoración de conformidad requerido por la Directiva 2000/14/EC ha sido realizado de acuerdo con el anexo VI.

Organismo notificado:

TÜV Rheinland LGA Products GmbH

Am Grauen Stein 29

51105 Köln Alemania

Número de identificación 0197

Nivel de potencia de sonido medido: 93 dB (A)

Nivel de potencia de sonido garantizado: 94 dB (A)

7.9.2011



Tamiro Kishima
Director General



Rainer Bergfeld
Director General

Explicação geral

1	Alavanca de bloqueio da tampa da bateria	13	Botão do interruptor	27	Lâmina
2	Bateria	14	Alavanca do interruptor	28	Perno
3	Tampa da bateria	15	Alavanca de ajuste da altura do corte	29	Flange interior
4	Chave de segurança	16	Lâmpadas indicadoras	30	Seta
5	Conversor de bateria (AA-3618)	17	Botão CHECK	31	Flange exterior
6	Orifício de instalação	18	Guiador inferior	32	Protector traseiro
7	Gancho	19	Ranhura no chassi	33	Ranhura
8	Adaptador para montagem do produto AA-3618	20	Parafuso de fixação	34	Colector de relva
9	Fio	21	Guiador superior	35	Alargar
10	Abertura	22	Furos dos parafusos	36	Mover para baixo
11	Encaixes superiores	23	Porca de fixação	37	Rodar para trás
12	Conversor de bateria (AA-3618CL)	24	Parafuso	38	Pega frontal
		25	Suportes		
		26	Chave de parafusos		

ESPECIFICAÇÕES

Modelo		AM-3643
Largura do corte		430 mm
Velocidade em vazio		3.600 min ⁻¹
Dimensões (C x L x A)	durante a operação	1.450 mm – 1.490 mm x 460 mm x 950 mm – 1.020 mm
	quando armazenado	490 mm – 500 mm x 460 mm x 810 mm
Peso líquido		17,9 kg
Voltagem nominal		36 V CC
Bateria(s) padrão ⚠ Aviso: Utilize só a(s) bateria(s) indicada(s).		AP-363 / AP-3622

- Devido a um programa contínuo de pesquisa e desenvolvimento, estas especificações podem ser alteradas sem aviso prévio.
- As especificações e a bateria podem diferir de país para país.
- Peso, com a bateria, de acordo com o Procedimento 01/2003 da EPTA (European Power Tool Association)

GEB091-5

IMPORTANTES INSTRUÇÕES DE SEGURANÇA

⚠ **AVISO!** Leia todos os avisos de segurança e todas as instruções. O não cumprimento de todos os avisos e instruções pode originar choque eléctrico, incêndio e/ou ferimentos graves.

Guarde todos os avisos e instruções para futuras referências.

1. Não insira a chave no cortador de relva antes que esteja pronto para ser utilizado.
2. Este aparelho não foi concebido para ser utilizado por pessoas (inclusive crianças) com capacidades físicas, sensoriais ou mentais reduzidas ou sem experiência e conhecimento, a menos que sejam supervisionadas ou recebam instruções sobre a utilização da pessoa responsável pela sua segurança.
3. Supervisione as crianças para que elas não brinquem com o aparelho.
4. **Nunca permita que crianças não familiarizadas com estas instruções utilizem a máquina. A idade do operador pode ser restrita segundo com os regulamentos locais.**
5. **Nunca utilize a máquina se pessoas, especialmente crianças, ou animais estiverem presentes.**
6. **Lembre-se que o operador ou utilizador é responsável por riscos ou acidentes que possam ferir outras pessoas ou danificar propriedade alheia.**
7. **Utilize sempre calçados apropriados e calças compridas quando utilizar a máquina. Não utilize a máquina se estiver descalço ou calçando sandálias abertas. Evite vestir roupas largas, usar jóias com pingentes ou gravatas. Essas podem ser presas nas peças em movimento.**
8. **Opere a máquina só durante o dia ou com boa iluminação artificial.**
9. **Evite operar a máquina em relva molhada.**
10. **Nunca opere o cortador de relva na chuva.**
11. **Utilização de ferramenta a bateria**
 - Recarregue a bateria só com o carregador especificado pelo fabricante. Um carregador que é próprio para um tipo de bateria pode criar o risco de incêndio se utilizado com outro tipo de bateria.
 - Utilize as ferramentas eléctricas somente com as baterias especificamente designadas. A utilização de outras baterias pode provocar o risco de incêndio e ferimentos.

12. Segure o guiador sempre com firmeza.
13. Mantenha-se sempre em uma posição segura e firme ao trabalhar em declives.
14. Ande, nunca corra.
15. Não agarre nas lâminas de corte expostas nem nos bordos cortantes ao apanhar ou segurar o aparelho.
16. Condição física — Não opere o cortador de relva se estiver sob a influência de drogas, bebidas alcoólicas ou qualquer medicamento.
17. Mantenha os protectores instalados e em boas condições.
18. Mantenha as mãos e os pés longe das lâminas rotativas. Precaução — A lâmina continua a rodar depois de desligar a ferramenta.
19. Retire a chave antes de fazer manutenção, limpeza, ou remover detritos do equipamento de jardinagem.
20. Utilize só as lâminas originais do fabricante especificadas neste manual.
21. Antes de utilizar a ferramenta, verifique cuidadosamente se as lâminas não estão trincadas ou danificadas. Substitua imediatamente as lâminas trincadas ou danificadas.
22. Verifique se não há outras pessoas na área antes de cortar a relva. Pare o cortador de relva se alguém se aproximar da área.
23. Antes de iniciar o corte do relvado, remova os objectos estranhos tais como pedras, fios, garrafas, ossos ou pedaços de madeira de área de trabalho para evitar ferimentos pessoais ou danos ao cortador de relva.
24. Pare imediatamente a operação se notar qualquer funcionamento anormal. Desligue o cortador de relva e retire a chave do aparelho. Em seguida, inspecione o cortador de relva.
25. Nunca tente fazer ajustes na altura das rodas enquanto o cortador de relva está em funcionamento.
26. Liberte a alavanca do interruptor e espere a rotação da lâmina parar antes de cruzar calçamento, caminhos, ruas ou qualquer área com cascalhos.
Retire também a chave quando se afastar do cortador de relva por alguns instantes, for apanhar ou remover qualquer coisa do caminho ou por qualquer motivo que possa distraí-lo do seu trabalho.
27. Os objectos atingidos pela lâmina do cortador de relva podem causar ferimentos pessoais sérios. Inspecione sempre o relvado cuidadosamente e remova todos os objectos antes de cada corte da relva.
28. Se o cortador de relva bater em um objecto estranho, siga os passos abaixo:
 - Desligue o cortador de relva, liberte a alavanca do interruptor e aguarde até a lâmina parar completamente.
 - Retire a chave de segurança e a bateria.
 - Inspecione o cortador de relva cuidadosamente para ver se não está danificado.
 - Substitua a lâmina se estiver danificada.
 Conserte qualquer avaria antes de reiniciar e continuar a operar o cortador de relva.
29. Verifique o saco traseiro com frequência para ver se não está desgastado ou estragado. Assegure-se sempre de que o saco traseiro esteja vazio antes de armazenar. Para segurança, substitua o saco desgastado por um novo original de fábrica.
30. Desligue o motor e retire a chave sempre que se afastar do equipamento, antes de limpar a caixa do cortador de relva e antes de executar qualquer reparo ou inspecção.
31. Tenha muito cuidado quando volta ou puxa a máquina na sua própria direcção.
32. Pare a(s) lâmina(s) se tiver que transportar a máquina inclinada para cruzar áreas não relvadas e quando levar ou trazer a máquina para a área onde será utilizada.
33. Nunca opere a máquina com protectores defeituosos ou sem os dispositivos de segurança instalados, como por exemplo os deflectores e/ou colector de relva.
34. Ligue o motor com cuidado segundo as instruções e com os pés bem afastados da(s) lâmina(s).
35. Não incline a máquina ao ligar o motor, a menos que ela seja projectada para ser inclinada para ligar. Nesse caso, não incline mais do que o necessário e levante apenas a parte afastada do operador.
36. Não ligue a máquina quando estiver em frente do escapamento.
37. Não coloque as mãos ou pés perto nem debaixo das peças rotativas. Mantenha-se sempre afastado do escapamento.
38. Não transporte a máquina com o cortador de relva ligado.
39. Desligue a máquina e retire o dispositivo de desabilitação. Certifique-se de que todas as peças em movimento estejam paradas completamente
 - sempre que se afastar da máquina,
 - antes de desbloquear ou limpar a saída de relva,
 - antes de inspecionar, limpar ou fazer manutenção na máquina,
 - depois de ter batido num objecto estranho. Inspecione a máquina e conserte-a se estiver danificada antes de reiniciar e operar outra vez;
40. Se a máquina começar a vibrar demais (verifique imediatamente)
 - inspecione para ver se não há danos,
 - substitua ou conserte as peças danificadas,
 - verifique se há peças soltas e aperte-as.
41. Tenha muito cuidado ao regular a máquina para evitar prender os dedos entre as lâminas em movimento e as peças fixas da máquina.
42. Em terrenos inclinados, corte a relva transversalmente, nunca para cima e para baixo. Tenha muito cuidado ao mudar de direcção em declives. Não corte relva em terrenos extremamente inclinados.
43. Não lave utilizando uma mangueira; não deixe entrar água no motor e nas conexões eléctricas.
44. Inspecione o parafuso de montagem da lâmina frequentemente para verificar se está bem apertado.

45. Mantenha todas as porcas, parafusos e parafusos bem apertados para garantir que o equipamento esteja em condições seguras de trabalho.
46. Sempre espere a máquina arrefecer antes de a armazenar.
47. Ao fazer a manutenção nas lâminas, lembre-se que as lâminas podem se movimentar, mesmo com a alimentação desligada.
48. Por medida de segurança, substitua as peças desgastadas ou danificadas. Utilize somente acessórios e peças sobressalentes originais.

GUARDE ESTAS INSTRUÇÕES.

⚠️ AVISO:

NÃO permita que conforto ou familiaridade com o produto (adquirido com o uso repetido) substitua a aderência estrita às regras de segurança da ferramenta. **MÁ INTERPRETAÇÃO** ou não seguimento das regras de segurança estabelecidas neste manual de instruções pode causar danos pessoais sérios.

ENC007-7

IMPORTANTES INSTRUÇÕES DE SEGURANÇA

PARA A BATERIA

1. Antes de utilizar a bateria, leia todas as instruções e etiquetas de precaução no (1) carregador de bateria (2) bateria e (3) produto que utiliza a bateria.
2. Não abra a bateria.
3. Se o tempo de funcionamento se tornar excessivamente curto, pare o funcionamento imediatamente. Pode resultar em sobreaquecimento, possíveis queimaduras e mesmo explosão.
4. Se entrar electrólito nos seus olhos, lave-os com água e consulte imediatamente um médico. Pode resultar em perda de visão.
5. Não corte-circuite a bateria:
 - (1) Não toque nos terminais com qualquer material condutor.
 - (2) Evite guardar a bateria juntamente com outros objectos metálicos tais como pregos, moedas, etc.
 - (3) Não exponha a bateria à água ou chuva. Um curto-circuito pode ocasionar um enorme fluxo de corrente, sobreaquecimento, possíveis queimaduras e mesmo estragar-se.
6. Não guarde a ferramenta e a bateria em locais onde a temperatura pode atingir ou exceder 50°C.
7. Não queime a bateria mesmo que esteja estragada ou completamente gasta. A bateria pode explodir no fogo.
8. Tenha cuidado para não deixar cair ou dar pancadas na bateria.
9. Não utilize uma bateria danificada.

GUARDE ESTAS INSTRUÇÕES.

Conselhos para manter a máxima vida útil da bateria

1. Carregue a bateria antes que esteja completamente descarregada.
Pare sempre o funcionamento da ferramenta e carregue a bateria quando notar menos poder na ferramenta.
2. Nunca carregue uma bateria completamente carregada.
Carregamento excessivo diminui a vida útil da bateria.
3. Carregue a bateria à temperatura ambiente de 10°C – 40°C.
Deixe que uma bateria quente arrefeça antes de a carregar.
4. Carregue a bateria uma vez a cada seis meses se não for utilizá-la por um longo período de tempo.

DESCRIÇÃO FUNCIONAL

Instalar ou retirar a bateria (Fig. 1 e 2)

⚠️ PRECAUÇÃO:

- Desligue sempre a ferramenta antes de instalar ou retirar a bateria.
- Certifique-se de bloquear a tampa da bateria antes de utilizar. Se assim não for, lama, sujidade ou água pode danificar o produto ou a bateria.

Para instalar a bateria:

1. Puxe a alavanca de bloqueio da tampa da bateria para si e abra a tampa.
2. Coloque a bateria na direcção indicada na ilustração até ouvir um clique.
3. Insira a chave de segurança como indicado na ilustração o mais fundo possível.
4. Feche a tampa da bateria e pressione-a até travar com a alavanca de bloqueio.

Para remover a bateria do cortador de relva:

1. Puxe a alavanca de bloqueio da tampa da bateria para si e abra a tampa.
2. Retire a chave de segurança.
3. Retire-a da ferramenta enquanto desliza o botão na frente da bateria.
4. Feche a tampa da bateria.

Conversores de bateria (acessório opcional)

⚠️ AVISO:

- Antes de instalar ou retirar os conversores de bateria AA-3618/AA-3618CL, remova a chave de segurança.

AA-3618 (acessório opcional) (Fig. 3, 4 e 5)

⚠️ AVISO:

- Quando utiliza o AA-3618, nunca prenda-o a qualquer parte do seu corpo. Prender o AA-3618 ao seu corpo pode causar ferimentos sérios.

Deslize o conversor de bateria AA-3618 no orifício de instalação até o fundo.

Abra a tampa da bateria no cortador de relva e deslize o adaptador para montagem do produto AA-3618 no compartimento da bateria até ouvir um clique.

Passo o fio do AA-3618 através da abertura na tampa da bateria e feche a tampa.

Prenda o fio do AA-3618 nos encaixes superiores do guiador.

NOTA:

- Quando utilizar o conversor de bateria AA-3618 (acessório opcional), enganche o fio de alimentação no suporte indicado no cortador de relva. Se assim não for, o fio poderá ser cortado.

Para retirar o AA-3618 do cortador de relva, abra a tampa da bateria e pressione o gancho no lado de instalação da bateria do AA-3618.

AA-3618CL (acessório opcional) (Fig. 6 e 7)

Abra a tampa da bateria e afixe o AA-3618CL no compartimento da bateria no cortador de relva.

Feche a tampa da bateria.

Para retirar o AA-3618CL, pressione o gancho do AA-3618CL e retire-o com as duas mãos.

Funcionamento do interruptor de alimentação (Fig. 8 e 9)

⚠️ AVISO:

- **Antes de instalar a bateria na ferramenta, verifique sempre se a alavanca do interruptor funciona correctamente e volta para a posição original quando libertada.** Utilizar a ferramenta com um interruptor que não opera correctamente pode provocar a perda de controlo e resultar em ferimentos pessoais sérios.

NOTA:

- Se tentar cortar muita relva de uma vez, o motor pode não ligar devido à sobrecarga. Nesse caso, altere o ajuste da altura do corte para um nível mais alto e ligue outra vez.
- O cortador de relva não liga se não carregar no botão do interruptor, mesmo que tenha pressionado a alavanca do interruptor.

Este cortador de relva está equipado com um interruptor de interligação e interruptor no guiador. Se observar qualquer coisa anormal com um desses, pare a operação imediatamente e leve o equipamento para ser inspeccionado no Centro de assistência técnica autorizada Dolmar mais próximo.

1. Insira a chave de segurança no interruptor de interligação.
2. Carregue no botão do interruptor.
3. Puxe a alavanca do interruptor para si enquanto carrega no botão do interruptor.
4. Liberte o botão do interruptor assim que o motor começar a funcionar. O cortador de relva continuará a funcionar até que liberte a alavanca do interruptor.
5. Liberte a alavanca do interruptor para parar o motor.
6. Retire a chave de segurança quando não estiver em utilização. Guarde a chave de segurança em um lugar seguro e fora do alcance de crianças.

Ajuste da altura do corte (Fig. 10)

⚠️ AVISO:

- Nunca coloque as mãos ou pés embaixo do cortador de relva quando ajusta a altura do corte.
- Verifique sempre se a alavanca está devidamente presa na ranhura antes da operação.

A altura do corte pode ser ajustada entre 20 mm a 75 mm.

1. Retire a chave de segurança.
2. Puxe a alavanca de ajuste da altura do corte para si e mova-a na posição da altura desejada.

Certifique-se de que a saliência da alavanca de ajuste da altura do corte entra na ranhura no cortador de relva.

NOTA:

- Os números da altura de corte devem ser utilizados apenas como orientação, já que as condições do relvado ou do solo podem fazer com que a altura da relva seja um pouco diferente da altura ajustada.
- Faça um teste cortando a relva em um local menos evidente para obter a altura desejada.

Sistema de protecção da bateria

As baterias de íões de lítio são equipadas com um sistema de protecção. Este sistema desactiva o fornecimento de energia automaticamente a fim de prolongar a vida útil da bateria.

A ferramenta para automaticamente durante o funcionamento se a mesma e/ou bateria se encontrar em uma das seguintes circunstâncias.

- Sobrecarga:
A ferramenta funcionou de maneira que puxa corrente elevada demais.
Nesse caso, liberte o gatilho do interruptor da ferramenta para parar a operação que provocou a sobrecarga da ferramenta. A seguir, carregue no gatilho do interruptor outra vez para ligar.
Se a ferramenta não ligar, a bateria está superaquecida. Nesse caso, aguarde até a bateria arrefecer antes de carregar no gatilho do interruptor outra vez.
- Baixa tensão da bateria:
A carga restante da bateria está baixa demais e a ferramenta não funciona. Nesse caso, retire a bateria e recarregue-a.

Indicador da capacidade restante da bateria (apenas para os modelos com a bateria AP-3622) (Fig. 11)

A bateria AP-3622 é equipada com um indicador de capacidade restante da bateria.

Carregue no botão CHECK para indicar a capacidade restante da bateria. A lâmpada indicadora se acenderá por aprox. três segundos.

Lâmpadas indicadoras	Capacidade restante
 Acesa Apagada Piscando	
E F	70% a 100%
	45% a 70%
	20% a 45%
	0% a 20%
	Recarregue a bateria.
	A bateria pode estar avariada.

011713

- Quando apenas a lâmpada indicadora inferior (próxima ao "E") piscar, ou se nenhuma lâmpada acender, a capacidade da bateria acabou e a ferramenta não funcionará. Nesses casos, recarregue a bateria ou troque-a por uma completamente carregada.
- Se duas ou mais lâmpadas indicadoras não acenderem mesmo depois que a carga estiver completa, a vida útil da bateria chegou ao fim.
- Se as duas lâmpadas indicadoras superiores e inferiores acenderem alternadamente, a bateria pode estar avariada. Entre em contacto com o centro autorizado de assistência local da Dolmar.

NOTA:

- A capacidade indicada pode ser mais baixa do que o nível real durante ou logo após a utilização da ferramenta.
- A indicação pode variar ligeiramente da capacidade real segundo as condições de utilização e a temperatura ambiente.

ASSEMBLAGEM

⚠ AVISO:

- **Verifique sempre se a chave de segurança e a bateria estão removidas antes de executar qualquer serviço de manutenção no cortador de relva.** Se não retirar a chave de segurança e a bateria, pode ocorrer um arranque acidental e resultar em ferimentos pessoais sérios.
- **Nunca ligue a ferramenta a menos que esteja completamente montada.** A operação da ferramenta parcialmente montada pode provocar o arranque acidental e resultar em ferimentos pessoais sérios.

Instalação do guiador (Fig. 12, 13, 14, 15, 16 e 17)

⚠ AVISO:

- Quando instalar os guidores, posicione os fios de forma a que não fiquem presos em nada entre os guidores.

1. Desaperte os parafusos de fixação (dois).

Alargue o guiador inferior em ambos os lados e, quando alargado nessa posição, rode-o para trás e encaixe-o na ranhura no chassi.

2. Aperte os parafusos de fixação nos dois lados para prender o guiador inferior.
3. Levante o guiador superior e alinhe os furos dos parafusos no guiador superior com os no guiador inferior e prenda-o com os parafusos e porcas de fixação fornecidas.

NOTA:

- Nesta altura, agarre com firmeza o guiador superior para não o deixar cair.

NOTA:

- Instale o guiador superior de forma a que a sua direcção e o fio de alimentação fiquem como mostrado na ilustração.

NOTA:

- O guiador superior tem dois furos em cada um dos lados. Utilizar os furos dos parafusos e porcas de fixação em posições diferentes permite regular a altura do guiador.

Retirar ou instalar a lâmina (Fig. 18 e 19)

⚠ AVISO:

- Retire sempre a chave de segurança e a bateria antes de remover ou instalar a lâmina. Falha em retirar a chave de segurança e a bateria pode provocar ferimentos sérios.
- A lâmina continua a girar devagar por alguns segundos depois de libertar o interruptor. Aguarde até que a lâmina pare completamente.
- Sempre use luvas para manusear a lâmina.

1. Coloque o cortador de relva de lado de forma a que a alavanca de ajuste da altura do corte fique no lado de cima.
2. Para bloquear a lâmina, insira uma chave de parafusos disponível ou algo semelhante à venda no orifício do cortador de relva.
3. Desaperte o perno para a esquerda com uma chave.
4. Retire o parafuso, flange exterior, lâmina e flange interior, nessa ordem.

Para instalar a lâmina, execute inversamente o procedimento de retirar.

⚠ AVISO:

- Instale o flange interior, a lâmina e o flange exterior cuidadosamente, observando que esses têm face superior e inferior.
- Aperte o perno rodando com firmeza para a direita para prender a lâmina.
- Coloque a lâmina de maneira que o lado com a seta indicando o sentido de rotação fique virado para fora.
- Assegure-se de que a lâmina esteja instalada com segurança.
- Lembre-se de retirar a chave de parafusos, etc. inserida no orifício para bloquear a lâmina.

Instalação do colector de relva (Fig. 20 e 21)

Retire a chave de segurança.

Levante o protector traseiro do cortador de relva e enganche o colector na ranhura do cortador de relva.

FUNCIONAMENTO

Cortar a relva

⚠️ AVISO:

- Antes de cortar a relva, retire os pedaços de madeira e pedras da área que vai cortar. Remova também as ervas daninhas da área antes de cortar.
- Utilize sempre óculos de segurança com protecção lateral ao operar o cortador de relva.

Agarre o guiador do cortador de relva firmemente com as duas mãos para cortar a relva.

As bordas externas das rodas frontais da unidade principal proporcionam um guia para a largura do corte. Utilize as bordas externas das duas rodas frontais como guia e corte a relva em faixas, sobrepondo-as por metade a um terço da faixa anterior para cortar a relva uniformemente. Verifique periodicamente o nível do colector de relva e esvazie-o antes que fique cheio. Lembre-se de desligar o cortador de relva e retirar a chave de segurança e a bateria antes de cada inspecção periódica.

NOTA:

- Utilizar o cortador de relva com o colector cheio previne a rotação suave da lâmina e sobrecarrega o motor, o que pode provocar avarias.

Cortar relva alta (Fig. 22)

Não tente cortar relva alta de uma vez. Em vez disso, corte a relva em etapas, deixando um ou dois dias de intervalo entre os cortes, até que a relva fique curta uniformemente.

NOTA:

- Cortar relva alta em uma altura muito curta de uma vez pode prejudicar a relva e/ou obstruir o interior da unidade principal.

Esvaziar o colector de relva (Fig. 23)

⚠️ AVISO:

- Para reduzir o risco de acidentes, inspecione o colector de relva regularmente para ver se não está danificado ou enfraquecido e substitua-o, se necessário.

1. Liberte a alavanca do interruptor.
2. Retire a chave de segurança.
3. Abra o protector traseiro para retirar o colector de relva pela pega.
4. Esvazie o colector de relva.

MANUTENÇÃO E ARMAZENAMENTO

⚠️ AVISO:

- Certifique-se sempre de que a chave de segurança e a bateria estão retiradas do cortador de relva antes de o armazenar ou de realizar inspecção ou manutenção.
- Use luvas de segurança quando efectua uma inspecção ou manutenção.

⚠️ PRECAUÇÃO:

- Nunca utilize gasolina, benzina, diluente, álcool ou produtos semelhantes. Pode ocorrer a descoloração, deformação ou rachaduras.

MANUTENÇÃO

1. **RETIRE A CHAVE DE SEGURANÇA.** Guarde-a em um lugar seguro e fora do alcance de crianças.
2. Limpe o cortador de relva só com pano húmido e sabão suave. Não borrifre nem jogue água no cortador de relva para o limpar.
3. Vire o cortador de relva de lado e limpe os resíduos de relva acumulados embaixo do chassi.
4. Verifique se todas as porcas, Pernos, pinos, parafusos, grampos, etc. estão bem apertados.
5. Inspeccione as peças em movimento para ver se não estão danificadas, quebradas ou desgastadas. Conserte ou substitua as peças faltando ou danificadas.
6. Retire a bateria do cortador de relva antes de o armazenar.
7. Guarde o cortador de relva em recinto interno fresco e seco, com porta travada. Não guarde o cortador de relva nem a bateria em locais onde a temperatura possa atingir ou exceder 40°C.

Armazenamento (Fig. 24, 25, 26, 27, 28 e 29)

⚠️ AVISO:

- Para carregar ou armazenar o cortador de relva, segure pela pega frontal e não pelos guiadores rebatidos. Segurar pelos guiadores rebatidos pode causar ferimentos sérios ou danificar o cortador de relva.

O cortador de relva pode ser armazenado na posição vertical.

1. Desaperte o parafuso de fixação, alargue o guiador inferior para os lados e abaixe o guiador para a frente.

NOTA:

- Nesta altura, agarre com firmeza o guiador inferior para não o deixar cair do outro lado da ferramenta.
2. Desaperte a porca de fixação e rode o guiador superior para trás.
 3. Retire o colector de relva e coloque o cortador na posição vertical.

NOTA:

- Quando colocar o cortador de relva na posição vertical, segure pela pega frontal e não pelo guiador.
4. Guarde o colector de relva entre o guiador e o corpo do cortador de relva.

Para manter a SEGURANÇA e FIABILIDADE, as reparações e outras acções de manutenção ou ajustes devem ser executados pelos Centros de assistência autorizados da Dolmar, utilizando sempre peças de substituição Dolmar.

SOLUÇÃO DE PROBLEMAS

Antes de solicitar reparos, faça primeiro uma inspecção. Se encontrar um problema que não esteja explicado no manual, não tente desmontar a ferramenta. Em vez disso, solicite o conserto a um centro de assistência técnica autorizada Dolmar, usando sempre peças de reposição originais Dolmar.

Problema	Causa	Solução
O cortador de relva não liga.	A bateria não está instalada.	Instale a bateria.
	Problema com a bateria (tensão baixa)	Recarregue a bateria. Se o recarregamento não solucionar, substitua a bateria.
	A chave de segurança não está inserida.	Insira a chave de segurança.
O motor pára de funcionar depois de pouco tempo de utilização.	O nível da carga da bateria está baixo.	Recarregue a bateria. Se o recarregamento não solucionar, substitua a bateria.
	O ajuste da altura de corte é muito baixo.	Aumente a altura.
Não atinge o RPM máximo.	A bateria não está instalada correctamente.	Instale a bateria como descrito neste manual.
	A potência da bateria cai.	Recarregue a bateria. Se o recarregamento não solucionar, substitua a bateria.
	O sistema de accionamento não funciona correctamente.	Solicite o conserto em um centro de assistência técnica autorizada local.
A ferramenta de corte não roda: Desligue a máquina imediatamente!	Um objecto estranho, como um ramo, está enroscado perto da lâmina.	Remova o objecto estranho.
	O sistema de accionamento não funciona correctamente.	Solicite o conserto em um centro de assistência técnica autorizada local.
Vibração anormal: Desligue a máquina imediatamente!	A lâmina está desbalanceada, desgastada excessivamente ou de maneira desuniforme.	Substitua a lâmina.
A ferramenta de corte e o motor não param: Retire a bateria imediatamente!	Mau funcionamento eléctrico ou electrónico.	Retire a bateria e solicite o conserto em um centro de assistência técnica autorizada local.

012350

ACESSÓRIOS OPCIONAIS

PRECAUÇÃO:

- Estes acessórios ou peças são recomendados para utilização com a ferramenta Dolmar especificada neste manual. A utilização de outros acessórios ou peças pode ser perigosa para as pessoas. Utilize apenas acessórios ou peças para os fins indicados.

Se precisar de ajuda para obter mais informações relativas a estes acessórios, entre em contacto com o centro de assistência Dolmar local.

- Lâmina
- Bateria e carregador originais Dolmar

NOTA:

- Alguns itens da lista podem estar incluídos na embalagem da ferramenta como acessórios padrão. Eles podem variar de país para país.

Ruído

A característica do nível de ruído A determinado de acordo com EN60335:

Nível de pressão de som (L_{pA}): 80 dB (A)

Nível do som (L_{WA}): 93 dB (A)

Variabilidade (K): 3 dB (A)

Utilize protectores para os ouvidos

ENG900-1

Vibração

O valor total da vibração (soma vectorial tri-axial) determinado de acordo com EN60335:

Emissão de vibração (a_h): 2,5 m/s² ou inferior

Variabilidade (K): 1,5 m/s²

ENG901-1

- O valor da emissão de vibração indicado foi medido de acordo com o método de teste padrão e pode ser utilizado para comparar duas ferramentas.
- O valor da emissão de vibração indicado pode também ser utilizado na avaliação preliminar da exposição.

⚠️ AVISO:

- A emissão de vibração durante a utilização real da ferramenta eléctrica pode diferir do valor de emissão indicado, dependendo das formas como a ferramenta é utilizada.
- Certifique-se de identificar as medidas de segurança para protecção do operador que sejam baseadas em uma estimativa de exposição em condições reais de utilização (considerando todas as partes do ciclo de operação, tal como quando a ferramenta está desligada e quando está a funcionar em marcha lenta além do tempo de accionamento).

Só para países Europeus**Declaração de conformidade CE**

Os abaixo assinados, Tamiro Kishima e Rainer Bergfeld, autorizados por Dolmar GmbH, declaram que a(s) máquinas(s) DOLMAR:

Designação da ferramenta:

Cortadora de Grama a Bateria

Modelo n.º/Tipo: AM-3643

Especificações: consulte a tabela "ESPECIFICAÇÕES".

são de produção de série e

Em conformidade com as seguintes directivas europeias:

2000/14/EC, 2006/42/EC

E estão fabricadas de acordo com as seguintes normas ou documentos normativos:

EN60745, EN60335

A documentação técnica encontra-se arquivada em:

Dolmar GmbH,

Jenfelder Straße 38, Abteilung FZ,

D-22045 Hamburg

Os procedimentos de avaliação da conformidade requeridos pela directiva 2000/14/EC foram efectuados de acordo com o anexo VI.

Organização notificada:

TÜV Rheinland LGA Products GmbH

Am Grauen Stein 29

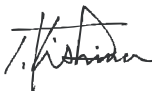
51105 Köln Alemanha

Número de identificação 0197

Nível de potência sonora medido: 93 dB (A)

Nível de potência sonora garantido: 94 dB (A)

7.9.2011



Tamiro Kishima
Director Gerente



Rainer Bergfeld
Director Gerente

Illustrationsoversigt

1 Låsearm til akku-dæksel	14 Afbryderarm	28 Bolt
2 Akku	15 Justeringsarm til klippehøjde	29 Indre flange
3 Akkudæksel	16 Indikatorlamper	30 Pål
4 Låsenøgle	17 CHECK-knap	31 Ydre flange
5 Akku-konverter (AA-3618)	18 Nederste håndtag	32 Bagskærm
6 Installationshul	19 Rille på klippeskiven	33 Rille
7 Krog	20 Fastspændingsskrue	34 Græskurv
8 Produktmonteringsadapter til AA-3618	21 Øverste håndtag	35 Forlæng
9 Ledning	22 Skruehuller	36 Flyt ned og frem
10 Sprække	23 Fastspændingsmøtrik	37 Drej tilbage
11 Øvre holdere	24 Skrue	38 Frontgreb
12 Akku-konverter (AA-3618CL)	25 Holdere	
13 Afbryderknap	26 Skruetrækker	
	27 Blad	

SPECIFIKATIONER

Model		AM-3643
Klippebredde		430 mm
Omdrejninger		3 600 min ⁻¹
Mål (L x B x H)	under anvendelse	1 450 mm – 1 490 mm x 460 mm x 950 mm – 1 020 mm
	under opbevaring	490 mm – 500 mm x 460 mm x 810 mm
Nettovægt		17,9 kg
Mærkespænding		DC 36 V
Standard-akku(er) ⚠ Advarsel: Brug kun den akku (akkuer), som er foreskrevet.		AP-363 / AP-3622

- På grund af vores kontinuerlige forskningsprogrammer og udvikling, kan hosstående specifikationer blive ændret uden varsel.
- Specifikationer og akku kan variere fra land til land.
- Vægt inklusive akku, i henhold til EPTA-Procedure 01/2003

GEB091-5

VIGTIGE SIKKERHEDSFORSKRIFTER

⚠ ADVARSEL! Læs alle sikkerhedsadvarsler og alle sikkerhedsinstruktioner. Hvis nedenstående advarsler og instruktioner ikke overholdes, kan resultatet blive elektrisk stød, brand og/eller alvorlig personskade.

Gem alle advarsler og instruktioner til fremtidig reference.

1. Sæt ikke nøglen i plæneklipperen, før den er klar til brug.
2. Denne maskine er ikke beregnet til at bruges af personer (inkl. børn) med nedsatte fysiske, sensoriske eller mentale evner eller manglende erfaring og kendskab, med mindre de er under opsyn eller har modtaget instruktion angående brug af maskinen af en person, som er ansvarlig for deres sikkerhed.
3. Børn bør være under opsyn for at sikre, at de ikke leger med maskinen.
4. Tillad aldrig, at børn eller personer, som ikke er bekendt med disse instruktioner, anvender maskinen. Operatørens alder kan være begrænset af lokale bestemmelser.

5. Anvend aldrig maskinen, hvis der er personer, specielt børn, eller kæledyr, i nærheden.
6. Husk at operatøren eller brugeren er ansvarlig for ulykker eller farlige situationer, som andre personer eller deres ejendom udsættes for.
7. Under anvendelse af maskinen skal man altid bruge solidt fodtøj og lange bukser. Anvend ikke maskinen med bare fødder eller åbne sandaler. Undgå at bære løst tøj eller smykker med løst-hængende kæder eller slips. Disse kan sætte sig fast i de bevægelige dele.
8. Anvend kun maskinen i dagslys eller i god kunstig belysning.
9. Anvend ikke maskinen i vådt græs.
10. Plæneklipperen må aldrig anvendes i regnvej.
11. Brug af maskine med akku
 - Må kun genoplades med den oplader, der er specificeret af fabrikanten. En oplader, som er passende til en type akku, kan udgøre en risiko for brand, hvis den anvendes med en anden type akku.
 - Anvend kun el-værktøj med de specifikt specificerede akkuer. Anvendelse af andre akkuer, kan give risiko for tilskadekomst og brand.
12. Hold altid godt fast i håndtaget.
13. Sørg altid for et godt fodfæste på skråninger.
14. Gå, løb aldrig.
15. Tag ikke fat i de blotlagte skæreblade eller skærekanter, når maskinen løftes eller holdes.

16. Fysisk tilstand — Anvend ikke plæneklipperen under indflydelse af medikamenter, alkohol eller nogen former for medicin.
17. Hold dækslerne på plads og i god funktionsstand.
18. Hold hænder og fødder på god afstand af de roterende blade. Forsigtig — Bladene vedbliver at dreje rundt, efter at de er slukket.
19. Fjern nøglen inden servicering, rengøring eller fjernelse af materiale fra plæneklipperen.
20. Anvend kun originale blade fra fabrikanten, som er specificeret i denne brugsanvisning.
21. Inspicér omhyggeligt bladene for revner og beskadigelse inden brugen. Revnede eller beskadigede blade skal straks skiftes ud.
22. Sørg for, at der ikke er nogen personer i arbejdsområdet, inden arbejdet påbegyndes. Stop plæneklipperen, hvis der kommer nogen ind i området.
23. Fjern fremmedlegemer såsom sten, ståltråd, flasker, ben eller store kæppe fra arbejdsområdet inden klipningen, således at tilskadekomst og skade på plæneklipperen undgås.
24. Hold straks op med at bruge maskinen, hvis noget usædvanligt opdages. Sluk for plæneklipperen og tag nøglen ud af maskinen. Inspicér derefter plæneklipperen.
25. Forsøg aldrig at foretage indstillinger af højden, mens plæneklipperen er i gang.
26. Frigør afbryderarmen og vent til bladrotationen er stoppet, inden der køres over indkørsler, stier, veje og grusbelagte områder. Fjern ligeledes nøglen, hvis du efterlader maskinen, rækker ud for at samle noget op uden for din rækkevidde, eller af andre årsager, som kan distrahere dig fra det, du er i gang med.
27. Genstande, der rammes af plæneklipperens blad, kan være årsag til alvorlig tilskadekomst. Plænen bør altid undersøges omhyggeligt og alle genstande skal fjernes inden hver plæneklipping.
28. Hvis plæneklipperen rammer et fremmedlegeme, skal nedenstående trin følges:
 - Stop plæneklipperen, frigør afbryderarmen og vent, indtil bladene er helt standset.
 - Fjern låsenøglen og akkuen.
 - Inspicér plæneklipperen grundigt for beskadigelse.
 - Skift bladet ud, hvis det på nogen måde er beskadiget.
 Få enhver beskadigelse repareret, inden du igen starter og fortsætter med at anvende plæneklipperen.
29. Kontroller bagsækken hyppigt for slitage og forringelse. Ved opbevaring skal man altid sørge for, at bagsækken er tom. Af sikkerhedsårsager skal man skifte en slidt sæk ud med en ny sæk fra fabrikken.
30. Stop motoren og fjern nøglen, hver gang du forlader udstyret, inden plæneklipperhuset rengøres, og inden reparationer eller inspektioner udføres.
31. Vær yderst forsigtig, når du bakker eller trækker maskinen mod dig.
32. Stop bladet (bladene), hvis maskinen skal vippes i transportøjemed, når andre overflader end græs krydses, og maskinen transporteres til og fra det område, hvor den skal anvendes.
33. Anvend aldrig maskinen med defekte dæksler eller skjold eller uden sikkerhedsanordninger, f.eks. deflektor og/eller græsopsamler, på plads.
34. Vær påpasselig med at afbryde motoren i overensstemmelse med instruktionerne og med fødderne på god afstand af bladet (bladene).
35. Vip ikke maskinen, når du tænder for motoren, undtagen hvis maskinen skal vippes for at starte den. I dette tilfælde må den ikke vippes mere end absolut nødvendigt og kun den del, der vender væk fra operatøren, må vippes.
36. Start ikke maskinen, mens du står foran udledningsåbningen.
37. Anbring ikke hænder og fødder i nærheden af eller under de roterende dele. Hold dig til enhver tid på god afstand af udledningsåbningen.
38. Transporter ikke maskinen, mens der er tændt for den.
39. Stop maskinen og fjern den obstruerende ting. Sørg for, at alle de bevægelige dele er helt stoppet:
 - når du forlader maskinen,
 - inden rengøring af tilstopninger eller rensning af rende,
 - inden inspektion, rengøring eller arbejde på maskinen,
 - efter at maskinen har ramt et fremmedlegeme. Inspicér maskinen for beskadigelser og udfør reparationer, inden du igen starter og anvender maskinen:
40. Hvis maskinen begynder at vibrere unormalt (kontroller straks)
 - inspicér for beskadigelse,
 - udskift eller reparer alle beskadigede dele,
 - kontroller, om der er løse dele og stram dem i så fald.
41. Vær påpasselig, når maskinen justeres, således at du ikke får fingrene i klemme mellem maskinens roterende blade og dens faste dele.
42. Kør plæneklipperen tværs over fladen på skråninger, aldrig op og ned ad dem. Udvis den største forsigtighed, når du skifter retning på en skråning. Anvend ikke plæneklipperen på meget stejle skråninger.
43. Skyl ikke maskinen med en vandslange. Undgå at der kommer vand ind i motoren og de elektriske tilslutninger.
44. Kontroller med jævne mellemrum bladets befæstelsesbolt for den rigtige stramning.
45. Hold alle møtrikker, bolte og skruer stramme for at sikre, at udstyret er i sikker funktionsstand.
46. Lad altid maskinen køle af, inden den stilles til opbevaring.
47. Når du servicerer bladene, skal du være klar over, at bladene stadig kan bevæge sig, selv om der er slukket for maskinen.
48. Skift af sikkerhedsårsager slidte eller beskadigede dele ud med nye. Anvend kun originale udskiftningsdele og originalt tilbehør.

GEM DENNE BRUGSANVISNING.

⚠ ADVARSEL:

LAD IKKE bekvemmelighed eller kendskab til produktet (opnået gennem gentagen brug) forhindre, at sikkerhedsforskrifterne for produktet nøje overholdes. MISBRUG eller forsømmelse af at følge de i denne brugsvejledning givne sikkerhedsforskrifter kan føre til, at De kommer alvorligt til skade.

ENC007-7

VIGTIGE SIKKERHEDSFORSKRIFTER

FOR AKKU

1. Læs alle instruktioner og advarselmærkater på (1) akku opladeren, (2) akku og (3) produktet, som anvender akku.
2. Lad være med at skille akkuen ad.
3. Hold straks op med at anvende opladeren, hvis brugstiden er blevet stærkt afkortet. Fortsat anvendelse kan resultere i risiko for overophedning, forbrændinger og endog eksplosion.
4. Hvis du har fået elektrolytvæske i øjnene, skal du straks skylle den ud med rent vand og derefter øjeblikkeligt søge lægehjælp. I modsat fald kan resultatet blive, at du mister synet.
5. Vær påpasselig med ikke at komme til at kortslutte akkuen:
 - (1) Rør ikke ved terminalerne med noget ledende materiale.
 - (2) Undgå at opbevare akkuen i en beholder sammen med andre genstande af metal, som for eksempel søm, mønter og lignende.
 - (3) Udsæt ikke akkuen for vand eller regn.Kortslutning af akkuen kan være årsag til en kraftig øgning af strømmen, overophedning, mulige forbrændinger og endog maskinstop.
6. Opbevar ikke værktøj og akkuen på et sted, hvor temperaturen kan nå eller overstige 50°C.
7. Lad være med at brænde akkuen, selv ikke i tilfælde, hvor det har lidt alvorlig skade eller er fuldstændig udtjent. Akkuen kan eksplodere, hvis man forsøger at brænde den.
8. Lad være med at brænde akkuen eller udsætte det for stød.
9. Anvend ikke en beskadiget akku.

GEM DENNE BRUGSANVISNING.

Tips til opnåelse af maksimal akku-levetid

1. Oplad altid akkuen, inden den er helt afladet. Stop altid værktøj og oplad akkuen, hvis det bemærkes, at maskineffekten er dalende.
2. Genoplad aldrig en fuldt opladet akku. Overopladning vil afkorte akkuens levetid.
3. Oplad akkuen ved stuetemperatur ved 10°C – 40°C.
Lad altid en varm akku få tid til at køle af, inden den oplades.
4. Oplad akkuen en gang hver sjette måned, hvis den ikke anvendes i et længere tidsrum.

FUNKTIONSBESKRIVELSE

Isætning og udtagning af akku (Fig. 1 og 2)

⚠ FORSIGTIG:

- Sluk altid for maskinen, før akkuen installeres eller tages ud.
- Sørg for at akku-dækslet er låst inden brugen. Ellers kan mudder, snavs eller vand øve skade på produktet eller akkuen.

Installation af akkuen:

1. Træk låsearmen til akku-dækslet mod dig og åbn akku-dækslet.
2. Sæt akkuen i i den retning, der vises på illustrationen, så et klik høres.
3. Sæt låsenøglen så langt den kan komme ind i det sted, der vises på illustrationen.
4. Luk akku-dækslet og tryk på det, så det går i indgreb med låsearmen.

Fjernelse af akkuen fra plæneklipperen:

1. Træk låsearmen til akku-dækslet mod dig og åbn akku-dækslet.
2. Træk låsenøglen ud.
3. Træk den af maskinen, idet du skyder knappen på forsiden af akkuen i stilling.
4. Luk akku-dækslet.

Akku-konvertere (ekstraudstyr)

⚠ ADVARSEL:

- Fjern låsenøglen, inden akku-konverterne AA-3618/AA-3618CL installeres eller fjernes.

AA-3618 (ekstraudstyr) (Fig. 3, 4 og 5)

⚠ ADVARSEL:

- Når AA-3618 anvendes, må du aldrig fastgøre den på nogen del af din krop. Fastgøring af AA-3618 til kroppen kan føre til alvorlig tilskadekomst.

Tryk akku-konverteren AA-3618 ind i installationshullet, indtil den ikke kan komme længere.

Åbn akku-dækslet på plæneklipperen og tryk derefter hele vejen ind og klik produktmonteringsadapteren til AA-3618 ind i akku-porten på plæneklipperen.

Før AA-3618's ledning gennem sprækken i akku-dækslet og luk akku-dækslet.

Sæt AA-3618's ledning ind i de øverste holdere på håndtaget.

BEMÆRK:

- Når akku-konverteren AA-3618 (ekstraudstyr) anvendes, skal strømledningen sættes på den dertil beregnede holder på plæneklipperen. Hvis dette ikke gøres, kan ledningen blive skåret over.

For at fjerne AA-3618 fra plæneklipperen, skal man åbne akku-dækslet og derefter trykke krogen på akku-monteringssiden af AA-3618.

AA-3618CL (ekstraudstyr) (Fig. 6 og 7)

Åbn akku-dækslet og klik AA-3618CL ind i akku-porten på plæneklipperen.
Luk akku-dækslet.

For at fjerne AA-3618CL, skal man trykke på krogen på AA-3618CL og trække den ud med begge hænder.

Anvendelse af afbryder (Fig. 8 og 9)

⚠ ADVARSEL:

- **Inden man sætter akkuen i maskinen, skal man altid kontrollere, at afbryderarmen fungerer ordentligt og går tilbage til udgangsstillingen, når den slippes.** Anvendelse af en maskine med en afbryder, der ikke fungerer ordentligt, kan føre til at man mister herredømmet over maskinen med alvorlig tilskadekomst som resultat.

BEMÆRK:

- Forsøg på at klippe meget græs ad gangen kan bevirke, at motoren ikke starter på grund af overbelastning. Ændr i så tilfælde klippehøjden til en større højde for at starte igen.
- Plæneklipperen starter ikke, uden at man trykker på afbryderknappen, selv hvis afbryderarmen trykkes ind.

Denne plæneklipper er udstyret med en blokeringsomskifter og en håndtagsknop. Hvis du bemærker noget usædvanligt med en af disse knapper, skal du straks stoppe anvendelsen og få dem efterset hos nærmeste, autoriserede Dolmar Service Center.

1. Sæt låsenøglen ind i blokeringsknappen.
2. Tryk afbryderknappen ned.
3. Træk afbryderarmen mod dig, idet du trykker afbryderknappen ned.
4. Frigør afbryderknappen, så snart motoren begynder at køre. Plæneklipperen vil fortsætte med at køre, indtil du frigør afbryderarmen.
5. Frigør afbryderarmen for at stoppe motoren.
6. Når plæneklipperen ikke bruges, skal låsenøglen fjernes. Opbevar låsenøglen på et sikkert sted, hvor børn ikke kan få fat i den.

Indstilling af klippehøjden (Fig. 10)

⚠ ADVARSEL:

- Stik aldrig en hånd eller et ben ind under plæneklipperen, når du indstiller klippehøjden.
- Sørg altid for, at armen passer ordentligt ind i rillen inden brugen.

Klippehøjden kan indstilles inden for et område mellem 20 mm – 75 mm.

1. Fjern låsenøglen.
2. Træk justeringsarmen til klippehøjden mod dig og flyt den til den ønskede klippehøjde.

Sørg for, at fremspringet på justeringsarmen for klippehøjden passer ind i rillen på plæneklipperen.

BEMÆRK:

- Tallene for klippehøjden bør kun anvendes som rettesnor, da plænen eller jordens tilstand kan bevirke, at plænenes højde er en smule anderledes end den indstillede højde.
- Udfør en testklipning på et mindre løjnefaldende sted for at opnå den ønskede højde.

Akku-beskyttelsessystem

Lithium-ion akkuer er udstyret med et beskyttelsessystem. Dette system afbryder automatisk strømmen til maskinen, således at akku-levetiden forlænges.

Maskinen stopper automatisk under driften, hvis den og/eller akkuen kommer i en af følgende situationer:

- **Overbelastet:**
Maskinen anvendes på en måde, der bevirker, at den forbruger abnormt høj strøm.
Slip i denne situation afbryderknappen på maskinen og stop den anvendelse, der bevirkede, at maskinen blev overbelastet. Tryk derefter afbryderknappen ind igen for at starte igen.
Hvis maskinen ikke starter, er akkuen overophedet. Lad i dette tilfælde akkuen køle af, inden afbryderknappen trykkes ind igen.
- **Lav akku-spænding:**
Den tilbageværende akku-kapacitet er for lav, og maskinen vil ikke fungere. Fjern i denne situation akkuen fra maskinen og oplad den.

Indikator for tilbageværende akku-kapacitet (kun modeller med akku AP-3622) (Fig. 11)

Akku AP-3622 er udstyret med en indikator for tilbageværende akku-kapacitet.

Tryk på CHECK-knappen for at vise akkuens tilbageværende kapacitet. Indikatorlamperne vil derefter lyse i omkring tre sekunder.

Indikatorlamper		Tilbageværende kapacitet
Til	Fra Blinkende	
E ■■■■ F		70% til 100%
■■■■ ■■■■	■■■■	45% til 70%
■■■■ ■■■■	■■■■ ■■■■	20% til 45%
■■■■ ■■■■	■■■■ ■■■■ ■■■■	0% til 20%
■■■■ ■■■■ ■■■■	■■■■ ■■■■ ■■■■ ■■■■	Oplad akkuen.
■■■■ ■■■■ ■■■■ ■■■■	■■■■ ■■■■ ■■■■ ■■■■	Akkuen kan have fejlfungeret.

011713

- Hvis kun den nederste indikatorlampe (ved siden af "E") blinker, eller hvis ingen af indikatorlamperne lyser, betyder det, at akku-kapaciteten er udtjent og maskinen ikke vil fungere. Oplad i sådanne tilfælde akkuen eller skift den udtjente akku ud med en fuldt opladet akku.
- Hvis to eller flere indikatorlamper ikke lyser, selv efter at opladningen er færdig, har akkuen nået slutningen af sin levetid.
- Hvis de to øverste og to nederste indikatorlamper lyser skiftevis, kan akkuen have fungeret forkert. Kontakt et autoriseret Dolmar service-center.

BEMÆRK:

- Den angivne kapacitet kan være lavere end det faktiske niveau under brugen eller umiddelbart efter brugen af maskinen.
- Afhængigt af brugsforholdene og den omgivende temperatur, kan angivelsen afvige en smule fra den faktiske kapacitet.

SAMLING

⚠ ADVARSEL:

- Vær altid sikker på, at låsenøglen og akkuen er fjernet, inden du udfører noget arbejde på plæneklipperen. Forsømmelse af at fjerne låsenøglen og akkuen kan resultere i alvorlig tilskadekomst forårsaget af utilsigtet start.
- Start aldrig maskinen med mindre den er fuldstændig samlet. Anvendelse af maskinen i kun delvist samlet tilstand kan resultere i alvorlig tilskadekomst forårsaget af utilsigtet start.

Montering af håndtaget (Fig. 12, 13, 14, 15, 16 og 17)

⚠ ADVARSEL:

- Når der monteres håndtag, skal ledningerne placeres således, at de ikke sætter sig fast i noget mellem håndtagene.

1. Løsn fastspændingsskruerne (to stk.).

Forlæng det nederste håndtag til begge sider og drej med det forlænget i denne stilling bagud og sæt det derefter ind i rillen i klippeskiven.

2. Stram fastspændingsskruerne på begge sider for at fastgøre det nederste håndtag.
3. Hæv det øverste håndtag og sæt skruerhullerne i det øverste håndtag ud for dem i det nederste håndtag og fastgør det derefter med de medfølgende skruer og fastspændingsmøtrikker.

BEMÆRK:

- Tag på dette tidspunkt godt fat i det øverste håndtag, så det ikke glider ud af dit greb.

BEMÆRK:

- Monter det øverste håndtag således, at retningen af det øverste håndtag og strømforsyningsledningen er placeret som vist på illustrationen.

BEMÆRK:

- Det øverste håndtag har to huller hver på begge sider. Anvendelse af de forskellige positionshuller til skruerne og fastspændingsmøtrikkerne gør det muligt at udføre højdejustering.

Afmontering og montering af bladet (Fig. 18 og 19)

⚠ ADVARSEL:

- Fjern altid låsenøglen og akkuen, når bladet afmonteres og monteres. Forsømmelse af at fjerne låsenøglen og akkuen kan føre til alvorlig tilskadekomst.
- Bladet drejer rundt i et par sekunder, efter at afbryderen er frigjort. Kontroller, at bladet er helt stoppet.
- Brug altid handsker, når du håndterer bladet.

1. Læg plæneklipperen på siden, så justeringsarmen til klippehøjden er placeret på oversiden.
2. For at låse bladet, skal man sætte en skruetrækker eller et lignende instrument, der fås i handelen, ind i et hul i plæneklipperen.
3. Løsn boltene i retningen mod uret med nøglen.
4. Fjern boltene, den ydre flange, bladet og den indre flange i nævnte rækkefølge.

For at installere bladet, skal man udføre proceduren for afmontering af bladet i modsat rækkefølge.

⚠ ADVARSEL:

- Monter den indre flange, bladet og den ydre flange forsigtigt, da de har en top/bund flade.
- Stram boltene godt til i retningen med uret for at fastgøre bladet.
- Anbring bladet således, at bladsiden med rotationsretningsspielen vender udad.
- Sørg for, at bladet er ordentligt monteret.
- Fjern altid skruetrækkeren eller lignende, der er sat i et hul for at låse bladet.

Montering af græskurven (Fig. 20 og 21)

Fjern låsenøglen.

Hæv bagskærmen på dækselenheden og sæt græskurven på plæneklipperens rille.

ANVENDELSE

Klipning

⚠ ADVARSEL:

- Fjern grene og sten fra klipningsområdet inden klipningen. Fjern desuden i forvejen alt ukrudt fra klipningsområdet.
- Bær altid beskyttelsesbriller eller sikkerhedsbriller med sideafskærmning, når du anvender plæneklipperen.

Hold godt fast i plæneklipperens håndtag med begge hænder, når du klipper græs.

De ydre kanter på hovedenhedens forreste hjul giver en rettesnor for klippevidden. Anvend de to forreste hjuls ydre kanter som en rettesnor og klip i striber med overlappning af halvdelen til en trediedel af den foregående stribe, så der klippes jævnt.

Kontroller med jævne mellemrum niveauet i græskurven og tøm den, inden den bliver fuld. Inden hvert periodisk eftersyn skal man sørge for at stoppe plæneklipperen og fjerne låsenøglen og akkuen.

BEMÆRK:

- Hvis plæneklipperen anvendes med græskurven fuld, kan der ikke opnås problemfri rotation af bladet og motoren udsættes for ekstra belastning, hvilket kan føre til maskinsammenbrud.

Klipning af en plæne med højt græs (Fig. 22)

Forsøg ikke at klippe langt græs i en enkelt arbejdsgang. Klip i stedet for plænen i etaper ved at holde en pause på en dag eller to mellem klipningerne, indtil plænen er ensartet kort.

BEMÆRK:

- Klipning af højt græs til en kort længde i en enkelt arbejdsgang kan bevirke, at græsset dør og/eller blokerer hovedenhedens indre.

Tømning af græskurven (Fig. 23)

⚠ ADVARSEL:

- For at reducere risikoen for ulykker, skal man med jævne mellemrum efterse græskurven for beskadigelse eller forringet styrke og om nødvendigt skifte den ud.

1. Frigør afbryderarmen.
2. Fjern låsenøglen.
3. Åbn bagskærmen og tag græskurven ud sammen med dens håndtag.
4. Tøm græskurven.

VEDLIGEHOVELDELSE & OPBEVARING

⚠ ADVARSEL:

- Vær altid sikker på, at låsenøglen og akkuen er fjernet fra plæneklipperen, inden den stilles til opbevaring eller inden man udfører inspektion eller vedligeholdelse.
- Bær altid handsker under udførelse af inspektion eller vedligeholdelse.

⚠ FORSIGTIG:

- Anvend aldrig benzin, rensebenzin, fortynder, alkohol og lignende. Resultatet kan blive misfarvning, deformation eller revner.

VEDLIGEHOVELDELSE

1. FJERN LÅSENØGLEN. Anbring den på et sikkert sted, hvor børn ikke kan få fat i den.
2. Rengør kun plæneklipperen med mild sæbe og en fugtig klud. Lad være med at sprøjte eller hælde vand på plæneklipperen, når den rengøres.
3. Læg plæneklipperen på siden og fjern græsafklip, der har samlet sig på undersiden af klippeskiven.
4. Kontroller at alle møtrikker, bolte, knapper, skruer, fastgøringsanordninger, etc. er strammet.
5. Inspicér de bevægende del for skade, brud og slitage. Få beskadigede dele repareret og manglende dele erstattet.
6. Fjern akkuen fra plæneklipperen, inden den stilles til opbevaring.
7. Opbevar plæneklipperen indendørs på et køligt, tørt og aflåst sted. Opbevar ikke plæneklipperen og opladeren på steder, hvor temperaturen kan komme op på eller overstige 40°C.

Opbevaring (Fig. 24, 25, 26, 27, 28 og 29)

⚠ ADVARSEL:

- Hold ikke i foldehåndtagene, men i frontgrebet på plæneklipperen, når du bærer den eller stiller den til opbevaring. Hvis du holder den i foldehåndtagene, kan resultatet blive alvorlig tilskadekomst og/eller beskadigelse af plæneklipperen.

Plæneklipperen kan opbevares i opret stilling.

1. Løsn fastspændingsskruen, forlæng det nederste håndtag til begge sider og flyt derefter håndtaget ned og fremefter.

BEMÆRK:

- Tag på dette tidspunkt godt fat i det nederste håndtag, så det ikke falder ned til den fjerne side af maskinen.
2. Løsn fastspændingsskruen og drej det øverste håndtag tilbage.
 3. Tag græskurven af og stil plæneklipperen i opret stilling.

BEMÆRK:

- Når man anbringer plæneklipperen i opret stilling, må man ikke holde i håndtaget, men man skal bruge frontgrebet på plæneklipperen.
4. Opbevar græskurven mellem håndtaget og selve plæneklipperen.

For at opretholde produktets SIKKERHED og PÅLIDELIGHED bør reparation, vedligeholdelse og justering kun udføres af et Dolmar Service Center med anvendelse af original Dolmar udskiftningsdele.

FEJLFINDING

Udfør selv en inspektion, inden du beder om reparation. Hvis du opdager et problem, som ikke er forklaret i brugsanvisningen, må du ikke forsøge at adskille maskinen. Rådfør dig i stedet med et autoriseret Dolmar Service Center og brug altid originale Dolmar udskiftningsdele til reparationer.

Fejlfunktionsstatus	Årsag	Udbedring
Plæneklipperen starter ikke.	Akkuen er ikke installeret.	Installér akkuen.
	Akku-problem (underspænding)	Genoplad akkuen. Skift akkuen ud med en ny, hvis genopladningen ikke er effektiv.
	Låsenøglen er ikke sat i.	Sæt låsenøglen i.
Motoren stopper efter kort tids brug.	Akkuens ladeniveau er lavt.	Genoplad akkuen. Skift akkuen ud med en ny, hvis genopladningen ikke er effektiv.
	Klippehøjden er for lavt indstillet.	Øg højden.
Max. RMP (omdr. pr. min.) nås ikke.	Akkuen er ikke sat ordentligt i.	Installér akkuen som beskrevet i denne brugsanvisning.
	Akkuens effekt mindskes.	Genoplad akkuen. Skift akkuen ud med en ny, hvis genopladningen ikke er effektiv.
	Drivsystemet fungerer ikke korrekt.	Få et lokalt, autoriseret service-center til at reparere det.
Klippedelen roterer ikke: Stop maskinen øjeblikkeligt!	Et fremmedlegeme såsom en gren har sat sig fast i nærheden af bladet.	Fjern fremmedlegemet.
	Drivsystemet fungerer ikke korrekt.	Få et lokalt, autoriseret service-center til at reparere det.
Unormal vibration: Stop maskinen øjeblikkeligt!	Bladet er ubalanceret, ekstremt eller uensartet slidt.	Skift bladet ud med et nyt.
Klippedelen og motoren kan ikke stoppe: Fjern øjeblikkeligt akkuen!	Elektrisk eller elektronisk fejlfunktion.	Fjern akkuen og få et lokalt, autoriseret service-center til at foretage reparation.

012350

EKSTRAUDSTYR

FORSIGTIG:

- Det følgende tilbehør og ekstraudstyr er anbefalet til brug med Deres Dolmar maskine, der er beskrevet i denne brugsanvisning. Anvendelse af andet tilbehør eller ekstraudstyr kan udgøre en risiko for personskade. Anvend kun tilbehør og ekstraudstyr til det beskrevne formål.

Hvis De har behov for yderligere detaljer om dette tilbehør, bedes De kontakte Deres lokale Dolmar Servicecenter.

- Blad
- Original Dolmar akku og oplader

BEMÆRK:

- Nogle ting på denne liste kan være inkluderet i værktøjspakken som standardtilbehør. Det kan være forskellige fra land til land.

Lyd

Det typiske A-vægtede støjniveau bestemt i overensstemmelse med EN60335:

Lydtryksniveau (L_{pA}): 80 dB (A)
 Lydeffektniveau (L_{WA}): 93 dB (A)
 Usikkerhed (K): 3 dB (A)

Bær høreværn

ENG900-1

Vibration

Vibrations totalværdi (tre-aksial vektorsum) bestemt i overensstemmelse med EN60335:

Vibrationsafgivelse (a_{h1}): 2,5 m/s² eller mindre
 Usikkerhed (K): 1,5 m/s²

ENG901-1

- Den angivne vibrationsemissionsværdi er blevet målt i overensstemmelse med standardtestmetoden og kan anvendes til at sammenligne en maskine med en anden.
- Den angivne vibrationsemissionsværdi kan også anvendes i en preliminær eksponeringsvurdering.

⚠ ADVARSEL:

- Vibrationsemissionen under den faktiske anvendelse af maskinen kan være forskellig fra den erklærede emissionsværdi, afhængigt af den måde, hvorpå maskinen anvendes.
- Sørg for at identificere de sikkerhedsforskrifter til beskyttelse af operatøren, som er baseret på en vurdering af eksponering under de faktiske brugsforhold (med hensyntagen til alle dele i brugscyklen, som f.eks. de gange, hvor maskinen er slukket og når den kører i tomgang i tilgift til afbrydertiden).

Kun for lande i Europa**EU-konformitetserklæring**

Undertegnede Tamiro Kishima og Rainer Bergfeld, som autoriseret af Dolmar GmbH, erklærer at DOLMAR maskinen (maskinerne):

Maskinens betegnelse:
 Akku-plæneklipper
 Model nr./Type: AM-3643
 Specifikationer: Se oversigten "SPECIFIKATIONER".

er i serieproduktion og

opfylder betingelserne i de følgende EU-direktiver:

2000/14/EC, 2006/42/EC

og er fremstillet i overensstemmelse med de følgende standarder eller standardiserede dokumenter:

EN60745, EN60335

Den tekniske information opbevares hos:

Dolmar GmbH,
 Jenfelder Straße 38, Abteilung FZ,
 D-22045 Hamburg

Den procedure for konformitetsfastsættelse, som kræves i Direktiv 2000/14/EC, er fundet i overensstemmelse med tillæg VI.

Notificeret organisation:

TÜV Rheinland LGA Products GmbH
 Am Grauen Stein 29
 51105 Köln Tyskland
 Identifikationsnummer 0197

Målt lydbelastningsniveau: 93 dB (A)

Garanteret lydbelastningsniveau: 94 dB (A)

7.9.2011



Tamiro Kishima
 Administrerende direktør



Rainer Bergfeld
 Administrerende direktør

Περιγραφή γενικής άποψης

1	Μοχλός ασφάλισης καλύμματος μπαταρίας	12	Μετατροπέας μπαταριών (AA-3618CL)	26	Κατσαβίδι
2	Κασέτα μπαταρίας	13	Κουμπί διακόπτης	27	Λάμα
3	Κάλυμμα μπαταρίας	14	Μοχλός διακόπτης	28	Μπουλόνι
4	Κλειδί ασφάλισης	15	Μοχλός ρύθμισης ύψους κοπής	29	Εσωτερική φλάντζα
5	Μετατροπέας μπαταριών (AA-3618)	16	Ενδεικτικές λυχνίες	30	Βέλος
6	Οπή τοποθέτησης	17	Κουμπί CHECK (Έλεγχος)	31	Εξωτερική φλάντζα
7	Γάντζος	18	Κάτω λαβή	32	Πίσω προστατευτικό
8	Προσαρμογέας στερέωσης προϊόντος του AA-3618	19	Εγκοπή στη βάση	33	Εγκοπή
9	Καλώδιο	20	Βίδα σύσφιξης	34	Καλάθι χορταριού
10	Σχισμή	21	Άνω λαβή	35	Επέκταση
11	Άνω υποδοχείς	22	Οπές βιδώματος	36	Μετακινήστε προς τα εμπρός
		23	Παξιμάδι σύσφιξης	37	Περιστρέψτε προς τα πίσω
		24	Βίδα	38	Μπροστινή λαβή
		25	Υποδοχείς		

ΤΕΧΝΙΚΑ ΧΑΡΑΚΤΗΡΙΣΤΙΚΑ

Μοντέλο		AM-3643
Πλάτος κοπής		430 χιλ
Στροφές ρελαντί		3.600 λεπ ⁻¹
Διαστάσεις (Μ x Π x Υ)	κατά τη λειτουργία	1.450 χιλ – 1.490 χιλ x 460 χιλ x 950 χιλ – 1.020 χιλ
	κατά την αποθήκευση	490 χιλ – 500 χιλ x 460 χιλ x 810 χιλ
Καθαρό Βάρος		17,9 κιλά
Έξοδος		D.C. 36 V
Στάνταρ κασέτες μπαταριών ⚠ Προειδοποίηση: Χρησιμοποιήστε μόνο τις κασέτες μπαταριών που περιγράφονται.		AP-363 / AP-3622

- Λόγω του συνεχιζόμενου προγράμματος έρευνας και ανάπτυξης, οι παρούσες προδιαγραφές υπόκεινται σε αλλαγή χωρίς προειδοποίηση.
- Τα τεχνικά χαρακτηριστικά και η κασέτα μπαταρίας μπορεί να διαφέρουν από χώρα σε χώρα.
- Βάρος, με κασέτα μπαταρίας, σύμφωνα με τη διαδικασία EPTA 01/2003

GEB091-5

ΣΗΜΑΝΤΙΚΕΣ ΟΔΗΓΙΕΣ ΑΣΦΑΛΕΙΑΣ

⚠ ΠΡΟΕΙΔΟΠΟΙΗΣΗ! Διαβάστε όλες τις προειδοποιήσεις ασφαλείας και όλες τις οδηγίες. Η μη τήρηση των προειδοποιήσεων και οδηγιών ενδέχεται να καταλήξει σε ηλεκτροπληξία, πυρκαγιά ή/και σοβαρό τραυματισμό.

Φυλάξτε όλες τις προειδοποιήσεις και τις οδηγίες για μελλοντική παραπομπή.

1. Μην εισάγετε το κλειδί στη μηχανή γκαζόν μέχρι να είναι έτοιμη για χρήση.
2. Η συσκευή αυτή δεν προορίζεται για χρήση από οποιοδήποτε άτομο (περιλαμβανομένων των παιδιών) με μειωμένες σωματικές, αισθητήριες ή διανοητικές ικανότητες, ή από άτομο που δεν έχει πείρα και γνώσεις, εκτός αν επιτηρείται ή αν του έχουν δοθεί οδηγίες για τη χρήση της συσκευής από άτομο το οποίο είναι υπεύθυνο για την ασφάλειά του.

3. Τα παιδιά θα πρέπει να επιτηρούνται για να εξασφαλιστεί ότι δεν παίζουν με τη συσκευή.
4. Μην αφήνετε ποτέ παιδιά ή άτομα που δεν γνωρίζουν αυτές τις οδηγίες να χρησιμοποιούν τη μηχανή. Μπορεί να υπάρξει περιορισμός ηλικίας για το χειριστή βάσει τοπικών κανονισμών.
5. Μη χειρίζεστε ποτέ τη μηχανή όταν άλλα άτομα, ειδικά παιδιά ή κατοικίδια, βρίσκονται σε κοντινή απόσταση.
6. Να θυμάστε ότι ο χειριστής ή ο χρήστης είναι υπεύθυνος για ατυχήματα ή κινδύνους που υφίστανται άλλα άτομα ή η ιδιοκτησία τους.
7. Κατά το χειρισμό της μηχανής να φοράτε πάντα κατάλληλα υποδήματα και μακρύ παντελόνι. Μη χειρίζεστε το μηχάνημα ξυπόλυτοι ή με ανοικτά σαντάλια. Αποφεύγετε να φοράτε ρούχα ή κοσμήματα που είναι χαλαρά ή έχουν κορδόνια ή σκοινιά που κρέμονται. Μπορεί να πιαστούν στα κινούμενα μέρη.
8. Να χειρίζεστε τη μηχανή μόνο όταν έχει ακόμα φως έξω ή με καλό τεχνητό φωτισμό.
9. Αποφεύγετε το χειρισμό της μηχανής σε βρεγμένο γκαζόν.
10. Μη χειρίζεστε ποτέ τη μηχανή γκαζόν στη βροχή.

11. Χρήση εργαλείου με μπαταρία
 - Να επαναφορτίζετε την μπαταρία μόνο με το φορτιστή που καθορίζεται από τον κατασκευαστή. Ένας φορτιστής που είναι κατάλληλος για μια συγκεκριμένη μπαταρία μπορεί να δημιουργήσει κίνδυνο πυρκαγιάς όταν χρησιμοποιείται με μια άλλη μπαταρία.
 - Χρησιμοποιείτε ηλεκτρικά εργαλεία μόνο με ειδικά καθορισμένες μπαταρίες. Η χρήση κάθε άλλης μπαταρίας μπορεί να δημιουργήσει κίνδυνο τραυματισμού ή πυρκαγιάς.
12. Να κρατάτε πάντα τη λαβή σταθερά.
13. Να είστε πάντα βέβαιοι ότι έχετε καλό πάτημα σε πλαγιές.
14. Να περπατάτε, να μην τρέχετε ποτέ.
15. Μην πιάνετε τις εκτεθειμένες λάμες κοπής ή τα κοπτικά άκρα όταν σηκώνετε ή κρατάτε το μηχάνημα.
16. Σωματική κατάσταση — Μη χειρίζεστε τη μηχανή γκαζόν υπό την επήρεια ναρκωτικών, αλκοόλ ή άλλων φαρμάκων.
17. Διατηρείτε τα προστατευτικά στη θέση τους και σε λειτουργική κατάσταση.
18. Διατηρείτε τα χέρια και τα πόδια σας μακριά από τις περιστρεφόμενες λάμες. Προσοχή — Οι λάμες περιστρέφεται ελεύθερα μετά το σβήσιμο.
19. Βγάλτε το κλειδί πριν από την εκτέλεση εργασιών σέρβις ή καθαρισμού, ή την αφαίρεση υλικού από το μηχάνημα κηπουρικής.
20. Να χρησιμοποιείτε μόνο γνήσιες λάμες του κατασκευαστή που καθορίζονται σε αυτό το εγχειρίδιο.
21. Πριν από τη λειτουργία, να ελέγχετε προσεκτικά τις λάμες για ραγίσματα ή ζημιά. Να αντικαθιστάτε αμέσως τις ραγισμένες ή κατεστραμμένες λάμες.
22. Βεβαιωθείτε ότι στην περιοχή δεν υπάρχουν άλλα άτομα πριν ξεκινήσετε να κουρεύετε το γκαζόν. Σβήστε τη μηχανή γκαζόν αν εισέλθει κάποιος στην περιοχή.
23. Απομακρύνετε ξένα υλικά όπως πέτρες, καλώδια, μπουκάλια, κόκαλα και μεγάλα ξύλα από την περιοχή εργασίας πριν από το κούρεμα του γκαζόν για την αποφυγή προσωπικού τραυματισμού ή πρόκλησης ζημιάς στη μηχανή γκαζόν.
24. Διακόψτε αμέσως τη λειτουργία αν παρατηρήσετε οτιδήποτε ασυνήθιστο. Σβήστε τη μηχανή γκαζόν και βγάλτε το κλειδί από το μηχάνημα. Στη συνέχεια, επιθεωρήστε τη μηχανή γκαζόν.
25. Μην επιχειρήσετε ποτέ να κάνετε ρυθμίσεις του ύψους των τροχών ενώ η μηχανή γκαζόν βρίσκεται σε λειτουργία.
26. Αφήστε το μοχλό διακόπτη και περιμένετε μέχρι να σταματήσει η περιστροφή της λάμας πριν διασχίσετε ιδιωτικούς δρόμους, πεζοδρόμια, δρόμους και οποιαδήποτε περιοχή είναι καλυμμένη με χαλίκια. Επίσης βγάλτε το κλειδί αν απομακρυνθείτε από τη μηχανή, αν σκύψετε για να πιάσετε ή να απομακρύνετε κάτι από μπροστά σας ή για οποιοδήποτε άλλο λόγο που μπορεί να αποσπάσει την προσοχή σας από αυτό που κάνετε.
27. Τα αντικείμενα στα οποία έχει προσκρούσει η λάμα της μηχανής γκαζόν μπορεί να προκαλέσουν σοβαρό τραυματισμό σε ανθρώπους. Πρέπει να εξετάζετε προσεκτικά το γκαζόν και να απομακρύνετε όλα τα αντικείμενα που εμπόδιζαν πριν από το κάθε κούρεμα του γκαζόν.
28. Αν η μηχανή γκαζόν χτυπήσει σε ένα ξένο αντικείμενο, ακολουθήστε τα εξής βήματα:
 - Σβήστε τη μηχανή γκαζόν, αφήστε το μοχλό διακόπτη και περιμένετε μέχρι να σταματήσει να περιστρέφεται η λάμα.
 - Βγάλτε το κλειδί ασφάλισης και την κασέτα μπαταρίας.
 - Επιθεωρήστε καλά τη μηχανή γκαζόν για τυχόν ζημιά.
 - Αντικαταστήστε τη λάμα αν έχει υποστεί ζημιά με οποιοδήποτε τρόπο.
 Επισκευάστε κάθε ζημιά πριν την επανέναρξη και συνεχίστε να χρησιμοποιείτε τη μηχανή γκαζόν.
29. Ελέγχετε τακτικά τον πίσω σάκο για φθορά ή παραμόρφωση. Για την αποθήκευση, πάντα να βεβαιώνετε ότι ο πίσω σάκος είναι άδειος. Αντικαθιστάτε ένα φθαρμένο σάκο με ένα καινούργιο ανταλλακτικό σάκο εργοστασίου για ασφάλεια.
30. Σβήστε το μοτέρ και βγάλτε το κλειδί όταν απομακρύνετε από τον εξοπλισμό, πριν από τον καθαρισμό του περιβλήματος της μηχανής γκαζόν και πριν από την εκτέλεση τυχόν επισκευών ή επιθεωρήσεων.
31. Να είστε ιδιαίτερα προσεκτικοί όταν κινείστε προς τα πίσω ή τραβάτε τη μηχανή προς το μέρος σας.
32. Οι λάμες πρέπει να είναι ακινητοποιημένες όταν πρέπει να γείρετε τη μηχανή για μεταφορά κατά τη διέλευση επιφανειών εκτός από το γκαζόν και κατά τη μεταφορά της μηχανής από και προς την περιοχή όπου θα χρησιμοποιηθεί.
33. Μη χειρίζεστε ποτέ τη μηχανή με ελαττωματικά προστατευτικά ή καλύμματα ή χωρίς τις διατάξεις ασφάλειας, για παράδειγμα, διατάξεις παρεκτροπής ή/και διάταξη συλλογής γκαζόν, στη θέση τους.
34. Ενεργοποιήστε προσεκτικά το μοτέρ σύμφωνα με τις οδηγίες και με τα πόδια σας μακριά από τις λάμες.
35. Μη γέρνετε τη μηχανή όταν ενεργοποιείτε το μοτέρ, εκτός αν πρέπει να γέρνετε τη μηχανή για την έναρξη. Σε αυτή την περίπτωση, μην τη γέρνετε περισσότερο από όσο είναι απολύτως απαραίτητο και να σηκώνετε μόνο το τμήμα που βρίσκεται μακριά από το χειριστή.
36. Μην ενεργοποιείτε τη μηχανή όταν στέκεστε μπροστά από το άνοιγμα εκκένωσης.
37. Μη βάζετε τα χέρια ή τα πόδια σας κοντά ή κάτω από περιστρεφόμενα μέρη. Μείνετε μακριά από το άνοιγμα εκκένωσης κάθε στιγμή.
38. Μη μεταφέρετε τη μηχανή γκαζόν ενώ είναι ενεργοποιημένη.

39. Σβήστε τη μηχανή και βγάλτε τη διάταξη απενεργοποίησης. Βεβαιωθείτε ότι όλα τα κινούμενα μέρη έχουν ακινητοποιηθεί πλήρως
- κάθε φορά που απομακρύνετε από τη μηχανή,
 - πριν καθαρίσετε εμπόδια ή ξεφράξετε τη χροάνη,
 - πριν ελέγξετε ή καθαρίσετε τη μηχανή ή πριν εκτελέσετε εργασίες σε αυτή,
 - μετά από την πρόσκρουση σε ξένο αντικείμενο. Επιθεωρήστε τη μηχανή για ζημιά και εκτελέστε επισκευές πριν την επανεκκίνηση και λειτουργία της μηχανής.
40. Αν η μηχανή αρχίσει να δονείται με ασυνήθιστο τρόπο (ελέγξτε αμέσως)
- επιθεωρήστε για ζημιά,
 - αντικαταστήστε ή επισκευάστε τα κατεστραμμένα μέρη,
 - ελέγξτε για χαλαρά μέρη και σφίξτε τα ανάλογα.
41. Προσέχετε κατά τη διάρκεια ρυθμίσεων στη μηχανή για την αποφυγή παγίδευσης δακτύλων μεταξύ των κινούμενων λαμών και των σταθερών μερών της μηχανής.
42. Να κινήστε κατά πλάτος της πρόσωσης της πλαγιάς, ποτέ προς τα επάνω ή κάτω. Να είστε ιδιαίτερα προσεκτικοί όταν αλλάζετε κατεύθυνση σε πλαγιές. Μην κουρεύετε το γκαζόν σε εξαιρετικά απότομες πλαγιές.
43. Μην πλένετε τη μηχανή με λάστιχο. Αποφεύγετε την εισχώρηση νερού στο μοτέρ ή στις ηλεκτρικές συνδέσεις.
44. Ελέγξτε σε τακτικά διαστήματα αν το μπουλόνι στερέωσης λάμας είναι καλά σφιγμένο.
45. Διατηρείτε σφικτά όλα τα παξιμάδια, τα μπουλόνια και τις βίδες για να βεβαιωθείτε ότι ο εξοπλισμός βρίσκεται σε ασφαλή λειτουργική κατάσταση.
46. Να αφήνετε πάντα τη μηχανή να κρυώσει πριν την αποθήκευση.
47. Κατά την εκτέλεση εργασιών σέρβις στις λάμες, να γνωρίζετε ότι οι λάμες μπορεί να συνεχίζουν να κινούνται παρότι η τροφοδοσία απενεργοποιήθηκε.
48. Αντικαταστήστε τα φθαρμένα ή κατεστραμμένα μέρη για ασφάλεια. Να χρησιμοποιείτε μόνο γνήσια ανταλλακτικά εξαρτήματα και αξεσουάρ.

ΦΥΛΑΞΤΕ ΤΙΣ ΟΔΗΓΙΕΣ ΑΥΤΕΣ.

⚠ ΠΡΟΕΙΔΟΠΟΙΗΣΗ:

ΜΗΝ επιτρέψετε το βαθμό άνεσης ή εξοικείωσης με το προϊόν (λόγω επανειλημμένης χρήσης) να αντικαταστήσει την αυστηρή τήρηση των κανόνων ασφαλείας του παρόντος εργαλείου. ΚΑΚΗ ΧΡΗΣΗ ή αμέλεια να ακολουθήσετε τους κανόνες ασφαλείας που διατυπώνονται σ'αυτό το γχειρίδιο οδηγιών μπορεί να προκαλέσει σοβαρό προσωπικό τραυματισμό.

ΣΗΜΑΝΤΙΚΕΣ ΟΔΗΓΙΕΣ ΑΣΦΑΛΕΙΑΣ

ΓΙΑ ΚΑΣΕΤΑ ΜΠΑΤΑΡΙΑΣ

1. Πριν χρησιμοποιήσετε την κασέτα μπαταρίας, διαβάστε όλες τις οδηγίες και σημειώσεις προφύλαξης (1) στον φορτιστή μπαταρίας, (2) στην μπαταρία και (3) στο προϊόν που χρησιμοποιεί την μπαταρία.
2. Μην αποσυναρμολογήσετε την κασέτα μπαταρίας.
3. Εάν ο χρόνος λειτουργίας έχει γίνει υπερβολικά βραχύς, σταματήστε την λειτουργία αμέσως. Αλλιώς, μπορεί να έχει ως αποτέλεσμα κίνδυνο υπερθέρμανσης, πιθανά εγκαύματα ή ακόμη και έκρηξη.
4. Εάν ηλεκτρολύτης μπει στα μάτια σας, ξεπλύνετε τα με καθαρό νερό και ζητήστε ιατρική φροντίδα αμέσως. Αλλιώς, μπορεί να έχει ως αποτέλεσμα απώλεια της όρασης σας.
5. Μην βραχυκυκλώνετε την κασέτα μπαταρίας:
 - (1) Μην αγγίζετε τους πόλους με οτιδήποτε αγώγιμο υλικό.
 - (2) Αποφεύγετε να αποθηκεύετε την κασέτα μπαταρίας μέσα σε ένα δοχείο μαζί με άλλα μεταλλικά αντικείμενα όπως καρφιά, νομίσματα, κλπ.
 - (3) Μην εκθέτετε την κασέτα μπαταρίας στο νερό ή στη βροχή.
 Ένα βραχυκύκλωμα μπαταρίας μπορεί να προκαλέσει μεγάλη ροή ρεύματος, υπερθέρμανση, πιθανά εγκαύματα ακόμη και σοβαρή βλάβη.
6. Μην αποθηκεύετε το εργαλείο με την κασέτα μπαταρίας σε τοποθεσίες όπου η θερμοκρασία μπορεί να φτάσει ή να ξεπεράσει τους 50°C.
7. Μην καίτε την κασέτα μπαταρίας ακόμη και εάν έχει σοβαρή ζημιά ή είναι εντελώς φθαρμένη. Η κασέτα μπαταρίας μπορεί να εκραγεί στην φωτιά.
8. Προσέχετε να μη ρίξετε κάτω ή χτυπήσετε την μπαταρία.
9. Μην χρησιμοποιείτε μπαταρία που έχει υποστεί ζημιά.

ΦΥΛΑΞΤΕ ΤΙΣ ΟΔΗΓΙΕΣ ΑΥΤΕΣ.

Συμβουλευτείτε για διατήρηση μέγιστης ζωής μπαταρίας

1. Φορτίζετε την κασέτα μπαταρίας πριν από την πλήρη αποφόρτιση της. Πάντοτε σταματάτε την λειτουργία του εργαλείου και φορτίζετε την κασέτα μπαταρίας όταν παρατηρήσει μειωμένη ισχύ εργαλείου.
2. Ποτέ μην επαναφορτίζετε μία πλήρως φορτισμένη κασέτα μπαταρίας. Υπερφόρτιση μειώνει την ωφέλιμη ζωή της μπαταρίας.
3. Φορτίζετε την κασέτα μπαταρίας σε θερμοκρασία δωματίου 10°C – 40°C. Αφήστε μία θερμή κασέτα μπαταρίας να κρυώσει πριν την φορτίσετε.
4. Φορτίστε την κασέτα μπαταρίας μία φορά κάθε έξι μήνες εάν δεν τη χρησιμοποιείτε για μεγάλη χρονική περίοδο.

ΠΕΡΙΓΡΑΦΗ ΛΕΙΤΟΥΡΓΙΑΣ

Τοποθέτηση ή αφαίρεση της κασέτας μπαταρίας (Εικ. 1 και 2)

⚠️ ΠΡΟΣΟΧΗ:

- Πάντοτε σβήνεται το εργαλείο πριν εγκαταστήσετε ή βγάλετε την κασέτα μπαταρίας.
- Βεβαιωθείτε να ασφαλίσετε το κάλυμμα μπαταρίας πριν από τη χρήση. Διαφορετικά, η λάσπη, η σκόνη ή το νερό μπορεί να προκαλέσουν ζημία στο προϊόν ή στην κασέτα μπαταρίας.

Για να τοποθετήσετε την κασέτα μπαταρίας:

1. Τραβήξτε το μοχλό ασφάλισης καλύμματος μπαταρίας προς το μέρος σας και ανοίξτε το κάλυμμα μπαταρίας.
2. Εισαγάγετε την κασέτα μπαταρίας προς την κατεύθυνση που απεικονίζεται στο σχήμα μέχρι να ακούσετε τον ήχο ασφάλισης.
3. Εισαγάγετε το κλειδί ασφάλισης στη θέση που απεικονίζεται στην εικόνα μέχρι τέρμα.
4. Κλείστε το κάλυμμα μπαταρίας και ωθήστε το μέχρι να ασφαλίσει με το μοχλό ασφάλισης.

Για να βγάλετε την κασέτα μπαταρίας από τη μηχανή γκαζόν:

1. Τραβήξτε το μοχλό ασφάλισης καλύμματος μπαταρίας προς το μέρος σας και ανοίξτε το κάλυμμα μπαταρίας.
2. Τραβήξτε προς τα έξω το κλειδί ασφάλισης.
3. Αποσυρέτε το από το εργαλείο ενώ αισθάνετε το κουμπί μπροστά από την κασέτα.
4. Κλείστε το κάλυμμα μπαταρίας.

Μετατροπείς μπαταριών (προερατικό εξάρτημα)

⚠️ ΠΡΟΕΙΔΟΠΟΙΗΣΗ:

- Πριν τοποθετήσετε ή αφαιρέσετε τους μετατροπείς μπαταριών AA-3618/AA-3618CL, βγάλτε το κλειδί ασφάλισης.

AA-3618 (προερατικό εξάρτημα) (Εικ. 3, 4 και 5)

⚠️ ΠΡΟΕΙΔΟΠΟΙΗΣΗ:

- Όταν χρησιμοποιείτε το AA-3618, μην το συνδέετε ποτέ σε οποιοδήποτε μέρος του σώματός σας. Η σύνδεση του AA-3618 σε οποιοδήποτε μέρος του σώματός σας μπορεί να προκαλέσει σοβαρό τραυματισμό.

Ολισθήστε το μετατροπέα μπαταριών AA-3618 στην οπή τοποθέτησης μέχρι να σταματήσει.

Ανοίξτε το κάλυμμα μπαταρίας στη μηχανή γκαζόν προς τα έξω μέχρι τέρμα. Κατόπιν κάντε κλικ στον προσαρμογέα στερέωσης προϊόντος του AA-3618 μέσα στη θύρα μπαταρίας στη μηχανή γκαζόν.

Δρομολογήστε το καλώδιο του AA-3618 μέσα από τη σχισμή στο κάλυμμα μπαταρίας και κλείστε το κάλυμμα μπαταρίας.

Προσαρμόστε το καλώδιο του AA-3618 στους άνω υποδοχείς της λαβής.

ΠΑΡΑΤΗΡΗΣΗ:

- Όταν χρησιμοποιείτε τον μετατροπέα μπαταρίας AA-3618 (προερατικό εξάρτημα), αγκιστρώστε το ηλεκτρικό καλώδιο στην καθορισμένη υποδοχή στη μηχανή γκαζόν. Αν δεν το κάνετε αυτό, μπορεί να προκληθεί αποκοπή του καλωδίου.

Για να βγάλετε το AA-3618 από τη μηχανή γκαζόν, ανοίξτε προς τα έξω το κάλυμμα μπαταρίας και μετά πατήστε το γάντζο στην πλευρά στερέωσης της μπαταρίας του AA-3618.

AA-3618CL (προερατικό εξάρτημα) (Εικ. 6 και 7)

Ανοίξτε το κάλυμμα μπαταρίας και κάντε κλικ στο AA-3618CL μέσα στη θύρα μπαταρίας στη μηχανή γκαζόν. Κλείστε το κάλυμμα μπαταρίας.

Για να βγάλετε το AA-3618CL, πατήστε το γάντζο του AA-3618CL και αποσυρέτε το με τα δύο χέρια.

Δράση διακόπτη τροφοδοσίας (Εικ. 8 και 9)

⚠️ ΠΡΟΕΙΔΟΠΟΙΗΣΗ:

- Πριν εισαγάγετε την κασέτα μπαταρίας στο εργαλείο, να ελέγχετε πάντοτε ότι ο μοχλός διακόπτης ενεργοποιείται κανονικά και επιστρέφει στην αρχική θέση όταν ελευθερώνεται. Η λειτουργία ενός εργαλείου με ένα διακόπτη που δεν ενεργοποιείται σωστά μπορεί να οδηγήσει σε απώλεια ελέγχου και σοβαρό προσωπικό τραυματισμό.

ΠΑΡΑΤΗΡΗΣΗ:

- Αν προσπαθείτε να κουρεύετε μεγάλες ποσότητες γκαζόν με τη μία, μπορεί να μην εκκινείται το μοτέρ εξαιτίας υπερβολικού φορτίου. Σε αυτή την περίπτωση, αλλάξτε το ύψος κοπής σε ένα υψηλότερο επίπεδο για να κάνετε επανέναρξη.
- Η μηχανή γκαζόν δεν ενεργοποιείται αν δεν πατήσετε το κουμπί διακόπτη ακόμα και αν έχετε πατήσει το μοχλό διακόπτη.

Αυτή η μηχανή γκαζόν είναι εξοπλισμένη με διακόπτη αλληλασφάλισης και διακόπτη λαβής. Αν παρατηρήσετε οτιδήποτε ασυνήθιστο με οποιονδήποτε από αυτούς τους διακόπτες, διακόψτε αμέσως τη λειτουργία και φροντίστε να ελεγχθούν από το πλησιέστερο εξουσιοδοτημένο κέντρο εξυπηρέτησης της Dolmar.

1. Εισαγάγετε το κλειδί ασφάλισης στο διακόπτη αλληλασφάλισης.
2. Πατήστε το κουμπί διακόπτη.
3. Τραβήξτε το μοχλό διακόπτη προς τα μέρος σας ενώ κρατάτε πατημένο το κουμπί διακόπτη.
4. Αφήστε το κουμπί διακόπτη μόλις πάρει μπροστά το μοτέρ. Η μηχανή γκαζόν θα συνεχίσει να λειτουργεί μέχρι να αφήσετε το μοχλό διακόπτη.
5. Για να σταματήσετε το μοτέρ, αφήστε το μοχλό διακόπτη.
6. Όταν δεν χρησιμοποιείτε τη μηχανή γκαζόν, βγάλτε το κλειδί ασφάλισης. Φυλάξτε το κλειδί ασφάλισης σε ένα ασφαλές μέρος μακριά από παιδιά.

Ρύθμιση του ύψους κοπής (Εικ. 10)

⚠️ ΠΡΟΕΙΔΟΠΟΙΗΣΗ:

- Μη βάζετε ποτέ το χέρι ή το πόδι σας κάτω από τη μονάδα της μηχανής γκαζόν όταν ρυθμίζετε το ύψος κοπής.
- Να βεβαιώνετε πάντα ότι ο μοχλός προσαρμόζεται σωστά στην εγκοπή πριν από τη λειτουργία.

Το ύψος κοπής μπορεί να ρυθμιστεί σε εύρος από 20 mm – 75 mm.

1. Βγάλτε το κλειδί ασφάλισης.
2. Τραβήξτε το μοχλό ρύθμισης ύψους κοπής προς το μέρος σας και μετακινήστε το στο ύψος κοπής που επιθυμείτε.

Βεβαιωθείτε ότι η προεξοχή στο μοχλό ρύθμισης ύψους κοπής προσαρμόζει στην εγκοπή στη μηχανή γκαζόν.

ΠΑΡΑΤΗΡΗΣΗ:

- Οι τιμές με τα ύψη κοπής πρέπει να χρησιμοποιούνται μόνο ως οδηγός, επειδή η κατάσταση του γκαζόν ή του εδάφους μπορεί να έχει ως αποτέλεσμα το ύψος του γκαζόν να διαφέρει λίγο από τη τιμή με το καθορισμένο ύψος.
- Κάντε ένα δοκιμαστικό κούρεμα του γκαζόν σε ένα λιγότερο εμφανές μέρος για να πετύχετε το επιθυμητό ύψος.

Σύστημα προστασίας μπαταρίας

Οι μπαταρίες λιθίου είναι εξοπλισμένες με ένα σύστημα προστασίας. Αυτό το σύστημα αποκόπτει αυτόματα την ισχύ προς το εργαλείο για να παραταθεί η διάρκεια λειτουργίας της.

Το εργαλείο σταματάει αυτόματα κατά τη διάρκεια της λειτουργίας εάν το εργαλείο ή/και η μπαταρία βρεθούν κάτω από τις παρακάτω συνθήκες:

• Υπερφόρτωση:

Το εργαλείο λειτουργεί με τρόπο ώστε να αναγκάζεται να καταναλώνει ασυνήθιστα υψηλό ρεύμα.

Σε αυτή την κατάσταση, αφήστε το διακόπτη σκανδάλης και διακόψτε την εφαρμογή που προκαλεί την υπερφόρτωση του εργαλείου. Μετά, τραβήξτε ξανά το διακόπτη σκανδάλης για επανεκκίνηση.

Εάν το εργαλείο δεν ξεκινάει, η μπαταρία έχει υπερθερμανθεί. Σε αυτή την κατάσταση, αφήστε την μπαταρία να ψυχθεί πριν τραβήξετε ξανά το διακόπτη σκανδάλης.






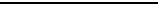
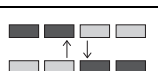
• Χαμηλή τάση μπαταρίας:

Η υπόλοιπη χωρητικότητα μπαταρίας είναι πολύ χαμηλή και το εργαλείο δεν λειτουργεί. Σε αυτή την κατάσταση, αφαιρέστε και επαναφορτίστε τη μπαταρία.

Ένδειξη υπόλοιπης χωρητικότητας μπαταρίας (μόνο για μοντέλα με μπαταρία AP-3622) (Εικ. 11)

Η μπαταρία AP-3622 είναι εφοδιασμένη με ένδειξη υπόλοιπης χωρητικότητας μπαταρίας.

Πιέστε το κουμπί CHECK (Ελεγχος) για να υποδείξετε την υπόλοιπη χωρητικότητα της μπαταρίας. Οι ενδεικτικές λυχνίες θα ανάψουν για τρία δευτερόλεπτα περίπου.

Ενδεικτικές λυχνίες	Υπόλοιπη χωρητικότητα
 Αναμμένες Σβηστές Αναβοσβήνει	
E  F	70% έως 100%
	45% έως 70%
	20% έως 45%
	0% έως 20%
	Φορτίστε τη μπαταρία.
	Η μπαταρία ενδέχεται να έχει παρουσιάσει δυσλειτουργία.

011713

- Όταν αναβοσβήνει η πρώτη ενδεικτική λυχνία στο κάτω μέρος (δίπλα στην ένδειξη "E") ή όταν δεν ανάψει καμία ενδεικτική λυχνία, η χωρητικότητα της μπαταρίας είναι μηδενική, επομένως το εργαλείο δεν λειτουργεί. Στις περιπτώσεις αυτές, φορτίστε τη μπαταρία ή αντικαταστήστε την κενή μπαταρία με μια άλλη πλήρως φορτισμένη.
- Όταν δύο ή περισσότερες ενδεικτικές λυχνίες δεν ανάβουν ακόμη και μετά από πλήρη φόρτιση, η διάρκεια ζωής της μπαταρίας έχει λήξει.
- Όταν οι δύο ενδεικτικές λυχνίες στο άνω μέρος και οι δύο ενδεικτικές λυχνίες στο κάτω μέρος ανάβουν εναλλάξ, η μπαταρία ενδέχεται να παρουσιάζει δυσλειτουργία. Επικοινωνήστε με το τοπικό σας κέντρο εξυπηρέτησης, εξουσιοδοτημένο από την Dolmar.

ΠΑΡΑΤΗΡΗΣΗ:

- Η υποδεικνυόμενη χωρητικότητα ενδέχεται να είναι χαμηλότερη από το πραγματικό επίπεδο κατά τη χρήση ή άμεσα μετά από τη χρήση του εργαλείου.
- Ανάλογα με τις συνθήκες χρήσης και τη θερμοκρασία περιβάλλοντος, η ένδειξη ενδέχεται να διαφέρει λίγο από την πραγματική χωρητικότητα.

ΣΥΝΑΡΜΟΛΟΓΗΣΗ

⚠️ ΠΡΟΕΙΔΟΠΟΙΗΣΗ:

- **Να βεβαιώνετε πάντα ότι έχετε βγάλει το κλειδί ασφάλισης και την κασέτα μπαταρίας όταν πραγματοποιείτε οποιαδήποτε εργασία στη μηχανή γκαζόν.** Αν δεν βγάλετε το κλειδί ασφάλισης και την κασέτα μπαταρίας μπορεί να έχει ως αποτέλεσμα σοβαρό προσωπικό τραυματισμό από τυχαία εκκίνηση.
- **Μη βάζετε ποτέ μπροστά το εργαλείο αν δεν είναι πλήρως συναρμολογημένο.** Η λειτουργία του εργαλείου σε μερικώς συναρμολογημένη κατάσταση μπορεί να έχει ως αποτέλεσμα σοβαρό προσωπικό τραυματισμό από τυχαία έναρξη.

Τοποθέτηση της λαβής (Εικ. 12, 13, 14, 15, 16 και 17)

⚠️ ΠΡΟΕΙΔΟΠΟΙΗΣΗ:

- Όταν τοποθετείτε τις λαβές, τοποθετήστε τα καλώδια για να μην πιαστούν από οτιδήποτε μεταξύ των λαβών.
1. Χαλαρώστε τις βίδες σύσφιξης (δύο τεμάχια).

Επεκτείνετε την κάτω λαβή προς τις δύο πλευρές της και με τη λαβή επεκταμένη σε αυτή τη θέση περιστρέψτε την προς τα πίσω και κατόπιν τοποθετήστε τη μέσα στην εγκοπή στη βάση.

2. Σφίξτε τις βίδες σύσφιξης και στις δύο πλευρές για να ασφαλίσετε την κάτω λαβή.

3. Ανυψώστε την άνω λαβή και ευθυγραμμίστε τις οπές βιδώματος στην άνω λαβή με αυτές στην κάτω λαβή. Κατόπιν, ασφαλίστε τη με τις παρεχόμενες βίδες και τα παξιμάδια σύσφιξης.

ΠΑΡΑΤΗΡΗΣΗ:

- Αυτή τη στιγμή, κρατήστε καλά την άνω λαβή για να μην πέσει από το χέρι σας.

ΠΑΡΑΤΗΡΗΣΗ:

- Τοποθετήστε την άνω λαβή ώστε η κατεύθυνση της άνω λαβής και το καλώδιο τροφοδοσίας να είναι τοποθετημένα όπως απεικονίζεται στην εικόνα.

ΠΑΡΑΤΗΡΗΣΗ:

- Η άνω λαβή έχει δύο οπές σε κάθε πλευρά. Με τη χρήση των διαφορετικών οπών τοποθέτησης για τις βίδες και τα παξιμάδια σύσφιξης είναι δυνατή η ρύθμιση του ύψους λαβής.

Αφαίρεση ή τοποθέτηση της λάμας (Εικ. 18 και 19)

⚠️ ΠΡΟΕΙΔΟΠΟΙΗΣΗ:

- Να αφαιρείτε πάντα το κλειδί ασφάλισης και την κασέτα μπαταρίας όταν αφαιρείτε ή τοποθετείτε τη λάμα. Αν δεν αφαιρέσετε το κλειδί ασφάλισης και την κασέτα μπαταρίας μπορεί να προκληθεί σοβαρός τραυματισμός.
 - Η λάμα κινείται ελεύθερα για μερικά δευτερόλεπτα αφού αφήσετε το διακόπτη. Βεβαιωθείτε ότι η λάμα έχει ακινητοποιηθεί τελείως.
 - Να φοράτε πάντα γάντια κατά το χειρισμό της λάμας.
1. Τοποθετήστε τη μηχανή γκαζόν στο πλάι ώστε ο μοχλός ρύθμισης ύψους κοπής να τοποθετηθεί στην άνω πλευρά.
 2. Για να ασφαλίσετε τη λάμα, εισαγάγετε διαθέσιμο κατσαβίδι ή παρόμοιο εργαλείο που διατίθεται στην αγορά στην οπή στη μηχανή γκαζόν.
 3. Χαλαρώστε το μπουλόνι αριστερόστροφα με το κλειδί.
 4. Αφαιρέστε το μπουλόνι, την εξωτερική φλάντζα, τη λάμα και την εσωτερική φλάντζα με τη σειρά.

Για να τοποθετήσετε τη λάμα, ακολουθήστε τη διαδικασία αφαίρεσης με αντίστροφη σειρά.

⚠️ ΠΡΟΕΙΔΟΠΟΙΗΣΗ:

- Εισαγάγετε την εσωτερική φλάντζα, τη λάμα και την εξωτερική φλάντζα προσεκτικά επειδή έχουν μια επάνω/κάτω πρόσοψη.
- Σφίξτε καλά το μπουλόνι δεξιόστροφα για να ασφαλίσετε τη λάμα.
- Τοποθετήστε τη λάμα ώστε η πλευρά της λάμας με το περιστροφικό βέλος κατεύθυνσης να είναι στραμμένο προς τα έξω.
- Βεβαιωθείτε ότι η λάμα είναι τοποθετημένη με ασφάλεια.
- Να βγάζετε πάντα το κατσαβίδι ή το παρόμοιο εργαλείο που έχετε εισάγει στην οπή για να ασφαλίσει η λάμα.

Τοποθέτηση του καλαθιού χορταριού (Εικ. 20 και 21)

Βγάλτε το κλειδί ασφάλισης.

Ανυψώστε το πίσω προστατευτικό της μονάδας της μηχανής γκαζόν και γαντζώστε το καλάθι χορταριού στην εγκοπή της μονάδας της μηχανής γκαζόν.

ΛΕΙΤΟΥΡΓΙΑ

Κούρεμα γκαζόν

⚠️ ΠΡΟΕΙΔΟΠΟΙΗΣΗ:

- Πριν κουρέψετε το γκαζόν, καθαρίστε τα ξύλα και τις πέτρες από την περιοχή που θα κουρέψετε. Επιπλέον, καθαρίστε εκ των προτέρων τυχόν αγριόχορτα από την περιοχή που θα κουρέψετε.
- Να φοράτε πάντα προστατευτικά γυαλιά-προσωπίδες ή γυαλιά ασφάλειας με πλαϊνά προστατευτικά όταν χειρίζεστε τη μηχανή γκαζόν.

Να κρατάτε καλά τη λαβή της μηχανής γκαζόν και με τα δύο χέρια κατά το κούρεμα.

Τα εξωτερικά άκρα των μπροστινών τροχών της κύριας μονάδας παρέχουν έναν οδηγό για το πλάτος κουρέματος. Όταν χρησιμοποιείτε τα άκρα των δύο μπροστινών τροχών ως οδηγό, να κουρεύετε το γκαζόν σε λωρίδες, επικαλύπτοντας το μισό ή το ένα τρίτο της προηγούμενης λωρίδας για να πετύχετε ομοιόμορφη κοπή του γκαζόν.

Ελέγχετε περιοδικά τη στάθμη του καλαθιού χορταριού και αδειάστε το πριν γεμίσει. Πριν από κάθε περιοδικό έλεγχο, βεβαιωθείτε να οβήσετε τη μηχανή γκαζόν και να βγάλετε το κλειδί ασφάλισης και την κασέτα μπαταρίας.

ΠΑΡΑΤΗΡΗΣΗ:

- Η χρήση της μηχανής γκαζόν με το καλάθι χορταριών γεμάτο αποτρέπει την ομαλή περιστροφή της λάμας και θέτει επιπλέον φορτίο στο μοτέρ, το οποίο μπορεί να προκαλέσει βλάβη.

Κούρεμα μακριού γκαζόν (Εικ. 22)

Μην προσπαθείτε να κουρέψετε μακρύ γκαζόν με τη μία. Αντ' αυτού, κουρέψτε το γκαζόν σε στάδια, αφήνοντας μία ή δύο μέρες ανάμεσα στα κουρέματα, μέχρι το γκαζόν να είναι ομοιόμορφα κοντό.

ΠΑΡΑΤΗΡΗΣΗ:

- Αν κουρέψετε το μακρύ γκαζόν κοντό με τη μία μπορεί να έχει ως αποτέλεσμα να νεκρωθεί το γκαζόν ή/και να φράξει το εσωτερικό της κύριας μονάδας.

Άδειασμα του καλαθιού χορταριού (Εικ. 23)

⚠️ ΠΡΟΕΙΔΟΠΟΙΗΣΗ:

- Για τη μείωση του κινδύνου πρόκλησης ατυχήματος, να ελέγχετε τακτικά το καλάθι χορταριού για τυχόν ζημιά ή μειωμένη αντοχή και να το αντικαθιστάτε αν είναι απαραίτητο.

1. Απελευθερώστε το μοχλό διακόπτη.
2. Βγάλτε το κλειδί ασφάλισης.
3. Ανοίξτε το πίσω προστατευτικό και βγάλτε το καλάθι χορταριού με τη λαβή του.
4. Αδειάστε το καλάθι χορταριού.

ΣΥΝΤΗΡΗΣΗ ΚΑΙ ΑΠΟΘΗΚΕΥΣΗ

⚠️ ΠΡΟΕΙΔΟΠΟΙΗΣΗ:

- Να βεβαιώνετε πάντα ότι έχετε βγάλει το κλειδί ασφάλισης και την κασέτα μπαταρίας από τη μηχανή γκαζόν πριν από την αποθήκευση ή την εκτέλεση εργασιών επιθεώρησης ή συντήρησης.
- Να φοράτε γάντια όταν εκτελείτε εργασίες επιθεώρησης ή συντήρησης.

⚠️ ΠΡΟΣΟΧΗ:

- Μην χρησιμοποιείτε ποτέ βενζίνη, πετρελαϊκό αιθέρα, διαλυτικό, αλκοόλη ή παρόμοιες ουσίες. Ενδέχεται να προκληθεί αποχρωματισμός παραμόρφωση ή ρωγμές.

ΣΥΝΤΗΡΗΣΗ

1. ΒΓΑΛΤΕ ΤΟ ΚΛΕΙΔΙ ΑΣΦΑΛΙΣΗΣ. Φυλάξτε το σε ένα ασφαλές μέρος μακριά από παιδιά.
2. Καθαρίστε τη μηχανή γκαζόν μόνο με τη χρήση ήπιου σαπουνιού και ενός βρεγμένου πανιού. Μην ψεκάζετε και μη χύνετε νερό στη μηχανή γκαζόν όταν την καθαρίζετε.
3. Γυρίστε τη μηχανή γκαζόν στο πλάι και καθαρίστε τα μικρά κομμάτια χορταριού που έχουν συσσωρευτεί στο κάτω μέρος της βάσης της μηχανής γκαζόν.
4. Ελέγξτε αν είναι σφικτά όλα τα παξιμάδια, τα μπουλόνια, οι διακόπτες, οι βίδες, οι σύνδεσμοι, κτλ.
5. Επιθεωρήστε τα κινούμενα μέρη για ζημιά, σπάσιμο και φθορά. Φροντίστε να επισκευαστούν τα μέρη που έχουν υποστεί ζημιά ή που λείπουν.
6. Πριν από την αποθήκευση της μηχανής γκαζόν, βγάλτε την κασέτα μπαταρίας από τη μηχανή.
7. Αποθηκεύστε τη μηχανή γκαζόν σε εσωτερικό, δροσερό και στεγνό, κλειδωμένο χώρο. Μην αποθηκεύετε τη μηχανή γκαζόν και το φορτιστή σε μέρη όπου η θερμοκρασία μπορεί να φτάσει ή να ξεπεράσει τους 40°C.

Αποθήκευση (Εικ. 24, 25, 26, 27, 28 και 29)

ΠΡΟΕΙΔΟΠΟΙΗΣΗ:

- Κατά τη μεταφορά ή αποθήκευση της μηχανής γκαζόν, μην την κρατάτε από τις αναδιπλούμενες λαβές αλλά να πιάνετε την μπροστινή λαβή της μηχανής γκαζόν. Αν κρατάτε τη μηχανή γκαζόν από τις αναδιπλούμενες λαβές, μπορεί να προκληθεί σοβαρός τραυματισμός ή ζημιά στη μηχανή γκαζόν.

Η μηχανή γκαζόν μπορεί να αποθηκευτεί στην όρθια θέση.

1. Χαλαρώστε τη βίδα σύσφιξης, εκκείνετε την κάτω λαβή προς τις δύο πλευρές και, στη συνέχεια, μετακινήστε τη λαβή προς τα εμπρός.

ΠΑΡΑΤΗΡΗΣΗ:

- Αυτή τη στιγμή, κρατήστε καλά την κάτω λαβή για να μην πέσει στην μακρινή πλευρά του εργαλείου.
2. Χαλαρώστε το παξιμάδι σύσφιξης και περιστρέψτε την άνω λαβή προς τα πίσω.
 3. Βγάλτε το καλάθι χορταριού και τοποθετήστε τη μηχανή γκαζόν στην όρθια θέση.

ΠΑΡΑΤΗΡΗΣΗ:

- Όταν τοποθετείτε τη μηχανή γκαζόν στην όρθια θέση, μην κρατάτε τη λαβή αλλά να χρησιμοποιείτε την μπροστινή λαβή της μηχανής γκαζόν.
4. Αποθηκεύστε το καλάθι χορταριού μεταξύ της λαβής και του σώματος της μηχανής γκαζόν.

Για την διατήρηση της ΑΣΦΑΛΕΙΑΣ και ΑΞΙΟΠΙΣΤΙΑΣ του προϊόντος, επισκευές, οποιαδήποτε άλλη συντήρηση ή ρύθμιση πρέπει να εκτελούνται από τα Εξουσιοδοτημένα Κέντρα Εξυπηρέτησης της Dolmar, με χρήση πάντοτε ανταλλακτικών Dolmar.

ΑΝΤΙΜΕΤΩΠΙΣΗ ΠΡΟΒΛΗΜΑΤΩΝ

Πριν ζητήσετε επισκευές, εκτελέστε αρχικά τη δική σας επιθεώρηση. Αν εντοπίσετε πρόβλημα που δεν επεξηγείται στο εγχειρίδιο, μην επιχειρήσετε να αποσυναρμολογήσετε το εργαλείο. Αντ' αυτού, ζητήστε βοήθεια από εξουσιοδοτημένα κέντρα εξυπηρέτησης της Dolmar και πάντοτε να χρησιμοποιείτε γνήσια ανταλλακτικά της Dolmar.

Κατάσταση δυσλειτουργίας	Αιτία	Ενέργεια
Η μηχανή γκαζόν δεν ενεργοποιείται.	Δεν είναι τοποθετημένη η κασέτα μπαταρίας.	Τοποθετήστε την κασέτα μπαταρίας.
	Πρόβλημα μπαταρίας (μικρή τάση)	Επαναφορτίστε την μπαταρία. Αν η επαναφόρτιση δεν είναι αποτελεσματική, αντικαταστήστε την μπαταρία.
	Δεν έχετε εισάγει το κλειδί ασφάλισης.	Εισαγάγετε το κλειδί ασφάλισης.
Το μοτέρ σταματά να λειτουργεί μετά από μικρή χρήση.	Το επίπεδο φόρτισης μπαταρίας είναι χαμηλό.	Επαναφορτίστε την μπαταρία. Αν η επαναφόρτιση δεν είναι αποτελεσματική, αντικαταστήστε την μπαταρία.
	Το ύψος κοπής έχει ρυθμιστεί πολύ χαμηλά.	Ανεβάστε το ύψος.
Δεν φτάνει τις μέγιστες ΣΑΛ.	Η μπαταρία δεν είναι σωστά τοποθετημένη.	Τοποθετήστε την κασέτα μπαταρίας όπως περιγράφεται σε αυτό το εγχειρίδιο.
	Η ισχύς της μπαταρίας πέφτει.	Επαναφορτίστε την μπαταρία. Αν η επαναφόρτιση δεν είναι αποτελεσματική, αντικαταστήστε την μπαταρία.
	Το σύστημα μετάδοσης κίνησης δεν λειτουργεί σωστά.	Απευθυνθείτε στο τοπικό εξουσιοδοτημένο κέντρο σέρβις για επισκευή.
Το εργαλείο κοπής δεν περιστρέφεται: Σταματήστε τη μηχανή αμέσως!	Έχει φράξει ένα ξένο αντικείμενο, όπως ένα κλαδί, κοντά στη λάμα.	Αφαιρέστε το ξένο αντικείμενο.
	Το σύστημα μετάδοσης κίνησης δεν λειτουργεί σωστά.	Απευθυνθείτε στο τοπικό εξουσιοδοτημένο κέντρο σέρβις για επισκευή.
Ασυνήθιστοι κραδασμοί: Σταματήστε τη μηχανή αμέσως!	Η λάμα δεν είναι ισορροπημένη ή έχει φθαρεί υπερβολικά ή ανομοιόμορφα.	Αντικαταστήστε τη λάμα.
Το εργαλείο κοπής και το μοτέρ δεν σταματούν: Βγάλτε αμέσως την μπαταρία!	Ηλεκτρική ή ηλεκτρονική δυσλειτουργία.	Βγάλτε την μπαταρία και απευθυνθείτε στο τοπικό εξουσιοδοτημένο κέντρο σέρβις για επισκευή.

012350

ΠΡΟΑΙΡΕΤΙΚΑ ΕΞΑΡΤΗΜΑΤΑ

ΠΡΟΣΟΧΗ:

• Αυτά τα ανταλλακτικά ή προσαρτήματα συνιστώνται για χρήση με το εργαλείο σας της Dolmar που περιγράφεται στο εγχειρίδιο αυτό. Η χρήση οτιδήποτε άλλων ανταλλακτικών ή προσαρτημάτων μπορεί να παρουσιάσουν κίνδυνο τραυματισμού σε άτομα. Χρησιμοποιείτε μόνο εξαρτήματα ή προσαρτήματα μόνο για το σκοπό που προορίζονται.

Εάν χρειάζεστε βοήθεια ή περισσότερες λεπτομέρειες σε σχέση με αυτά τα ανταλλακτικά, ρωτήστε το τοπικό σας κέντρο εξυπηρέτησης της Dolmar.

- Λάμα
- Γνήσια μπαταρία και φορτιστής της Dolmar

ΠΑΡΑΤΗΡΗΣΗ:

• Μερικά στοιχεία στη λίστα μπορεί να συμπεριλαμβάνονται στη συσκευασία εργαλείου ως στάνταρ εξαρτήματα. Μπορεί να διαφέρουν ανάλογα με τη χώρα.

Θορύβος

Το τυπικό A επίπεδο μετρημένου θορύβου καθορίζεται σύμφωνα με το EN60335:

Στάθμη πίεσης ήχου (L_{pA}): 80 dB (A)

Στάθμη δύναμης ήχου (L_{WA}): 93 dB (A)

Αβεβαιότητα (K): 3 dB (A)

Φοράτε ωτοασπίδες

ENG900-1

Κραδασμός

Η ολική τιμή δόνησης (άθροισμα τρι-αξονικού διανύσματος) καθορίζεται σύμφωνα με το EN60335:

Εκπομπή δόνησης (a_h): 2,5 m/s² ή λιγότερο

Αβεβαιότητα (K): 1,5 m/s²

ENG901-1

- Η δηλωμένη τιμή εκπομπής κραδασμών έχει μετρηθεί σύμφωνα με την πρότυπη μέθοδο δοκιμής και μπορεί να χρησιμοποιηθεί για τη σύγκριση ενός εργαλείου με άλλο.
- Η δηλωμένη τιμή εκπομπής κραδασμών μπορεί να χρησιμοποιηθεί και στην προκαταρκτική αξιολόγηση έκθεσης.

⚠️ ΠΡΟΕΙΔΟΠΟΙΗΣΗ:

- Η εκπομπή κραδασμών κατά τη χρήση του ηλεκτρικού εργαλείου σε πραγματικές συνθήκες μπορεί να διαφέρει από τη δηλωμένη τιμή εκπομπής ανάλογα με τον τρόπο χρήσης του εργαλείου.
- Φροντίστε να λάβετε τα κατάλληλα μέτρα προστασίας του χειριστή βάσει υπολογισμού της έκθεσης σε πραγματικές συνθήκες χρήσης (λαμβάνοντας υπόψη όλες τις συνιστώσες του κύκλου λειτουργίας όπως τους χρόνους που το εργαλείο είναι εκτός λειτουργίας και όταν βρίσκεται σε αδρανή λειτουργία πέραν του χρόνου ενεργοποίησης).

Μόνο για χώρες της Ευρώπης**Δήλωση Συμμόρφωσης ΕΚ**

Οι κάτωθι υπογεγραμμένοι, Tamiro Kishima και Rainer Bergfeld, εξουσιοδοτούμενοι από τη Dolmar GmbH, δηλώνουν ότι το/τα μηχάνημα(τα) DOLMAR:

Χαρακτηρισμός μηχανήματος:

Μηχανή γκαζόν με μπαταρία

Αρ. μοντέλου/ Τύπος: AM-3643

Προδιαγραφές:

βλ. πίνακα "ΤΕΧΝΙΚΑ ΧΑΡΑΚΤΗΡΙΣΤΙΚΑ".

είναι εν σειρά παραγωγή και

συμμορφώνονται με τις ακόλουθες Ευρωπαϊκές Οδηγίες:

2000/14/ΕΚ, 2006/42/ΕΚ

και κατασκευάζονται σύμφωνα με τα ακόλουθα πρότυπα ή έγγραφα τυποποίησης:

EN60745, EN60335

Το αρχείο της τεχνικής τεκμηρίωσης φυλάσσεται στη διεύθυνση:

Dolmar GmbH,

Jenfelder Straße 38, Abteilung FZ,

D-22045 Hamburg (Αμβούργο)

Η απαιτούμενη διαδικασία αξιολόγησης συμμόρφωσης βάσει της Οδηγίας 2000/14/ΕΚ ήταν σύμφωνη με το Παράρτημα VI.

Κοινοποιημένος φορέας:

TÜV Rheinland LGA Products GmbH

Am Grauen Stein 29

51105 Köln Γερμανία

Αριθμός αναγνώρισης 0197

Στάθμη ηχητικής ισχύος μέτρησης: 93 dB (A)

Εγγυημένη στάθμη ηχητικής ισχύος: 94 dB (A)

7.9.2011



Tamiro Kishima
Γενικός Διευθυντής



Rainer Bergfeld
Γενικός Διευθυντής

Genel görünüşün açıklanması

1 Batarya kapağı kilitleme kolu	14 Anahtar kolu	28 Cıvata
2 Batarya kartuşu	15 Biçme yüksekliği ayar kolu	29 İç flanş
3 Batarya kapağı	16 Gösterge lambaları	30 Ok
4 Kilit anahtarı	17 CHECK (kontrol) düğmesi	31 Dış flanş
5 Batarya dönüştürücü (AA-3618)	18 Alt tutamağı	32 Arka koruma
6 Montaj deliği	19 Gövde üzerindeki oluk	33 Oluk
7 Kanca	20 Sıkma vidası	34 Çim sepeti
8 AA-3618 ürün montaj adaptörü	21 Üst tutamağı	35 Genişlet
9 Kablo	22 Vida delikleri	36 Aşağı doğru taşı
10 Yarık	23 Sıkıştırma somunu	37 Geri döndür
11 Üst tutucular	24 Vida	38 Ön kavrama
12 Batarya dönüştürücü (AA-3618CL)	25 Tutucular	
13 Anahtar düğmesi	26 Tornavida	
	27 Bıçak	

TEKNİK ÖZELLİKLER

Model	AM-3643
Biçme genişliği	430 mm
Yüksüz hız	3.600 dak ⁻¹
Boyutlar (B x E x Y)	çalışma sırasında 1.450 mm – 1.490 mm x 460 mm x 950 mm – 1.020 mm
	saklama sırasında 490 mm – 500 mm x 460 mm x 810 mm
Net ağırlık	17,9 kg
Belirlenmiş voltaj	D.C. 36 V
Standart batarya kartuşu (kartuşları) ⚠ Uyarı: Sadece açıklanan batarya kartuşunu (kartuşlarını) kullanın.	AP-363 / AP-3622

- Sürekli yapılan araştırma ve geliştirmelerden dolayı, burada belirtilen özellikler önceden bildirilmeksizin değiştirilebilir.
- Özellikler ve batarya kartuşu ülkeden ülkeye değişebilir.
- EPTA-Prosedürü 01/2003 uyarınca, batarya kartuşu dahil, ağırlık

GEB091-5

ÖNEMLİ GÜVENLİK TALİMATLARI

⚠ **UYARI!** Tüm güvenlik uyarılarını ve tüm talimatları okuyun. Uyarılara ve talimatlara uyulmaması elektrik şoku, yangın ve/veya ciddi yaralanmalar ile sonuçlanabilir.

Tüm uyarıları ve talimatları ileride başvurmak için saklayın.

1. Kullanıma hazır oluncaya kadar anahtarı makineye takmayın.
2. Bu alet fiziksel, duyuşsal ya da zihinsel yetenekleri kısıtlı olan veya deneyim ya da bilgileri olmayan kişiler (ve çocuklar) tarafından kullanıma uygun değildir. Ancak, bu kişilerin güvenliklerinden sorumlu bir kişinin gözetimi ya da aletin kullanımına ilişkin talimatları doğrultusunda kullanılabilir.
3. Çocukların aletle oynamasına izin vermeyin.
4. Bu talimatlar konusunda bilgisi olmayan çocukların ve büyüklerin makineyi kullanmasına asla izin vermeyin. Yerel düzenlemeler kullanıcı yaşına sınırlandırma getirebilir.

5. Makineyi asla çevresinde insanlar, özellikle de çocuklar veya evcil hayvanlar varken kullanmayın.
6. Diğer insanlara ya da mallarına gelecek zararlardan ve kazalardan operatör ya da kullanıcının sorumlu olduğunu unutmayın.
7. Makineyi kullanırken daima uygun bir ayakkabı ve uzun pantolon giyin. Makineyi çıplak ayakla ya da açık sandaletlerle kullanmayın. Bol ya da askılı, bağcıklı kıyafetler veya takılar takmaktan kaçının. Hareket eden parçalara takılabilir.
8. Makineyi sadece günışığında ya da iyi aydınlatma sağlayan yapay ışıktaki kullanın.
9. Makineyi ıslak çim üzerinde kullanmayın.
10. Çim biçme makinesini yağmurlu havalarda asla kullanmayın.
11. Batarya aletinin kullanımı
 - Sadece üretici tarafından belirtilen şarj aleti ile şarj edin. Bir batarya kutusu için uygun olan şarj cihazı başka bir batarya kutusu ile kullanıldığında yangın riski oluşturabilir.
 - Elektrikli aletleri sadece özel olarak belirtilen batarya kutuları ile kullanın. Başka batarya kutularının kullanımını yaralanma ve yangın riski oluşturabilir.
12. Tutamağı daima sıkıca tutun.
13. Eğimi yerlerde adımlarınıza dikkat edin.
14. Yürüyerek kullanın, asla koşmayın.
15. Aleti kaldırırken veya tutarken açıkta kalan keskin bıçakları ya da keskin kenarları tutmayın.

16. Fiziksel durum — Uyusturucu, alkol ya da herhangi bir ilacin etkisindeyken çim biçme makinesini kullanmayın.
17. Korumaların yerinde ve çalışır durumunda olduğundan emin olun.
18. Ellerinizi ve ayaklarınızı dönen bıçaklardan uzak tutun. Dikkat — Kapatıldıktan sonra bıçaklar bir müddet boşta hareket edebilir.
19. Servis, temizlik ya da bahçe aletinden malmaze çıkarma sırasında anahtarı çıkarın.
20. Sadece bu kılavuzda belirtilen üreticinin orijinal bıçaklarını kullanın.
21. Kullanmadan önce bıçaklarda çatlak ya da hasar olup olmadığını kontrol edin. Çatlak ya da hasarlı bıçakları hemen değiştirin.
22. Çim biçmeye başlamadan önce alanda kimsenin kalmadığından emin olun. Alana birisi girerse çim biçme makinesini durdurun.
23. Kişisel yaralanmaları ve alete zarar gelmesini önlemek için taş, tel, şişe, kemik, kalın dallar gibi yabancı maddeleri çim biçmeye başlamadan önce alandan kaldırın.
24. Anormal bir durum fark ederseniz kullanımı derhal durdurun. Çim biçme makinesini kapatın ve anahtarı aletten çıkarın. Ardından çim biçme makinesini kontrol edin.
25. Makine çalışırken asla tekerlek yüksekliği ayarı yapmaya çalışmayın.
26. Taşıt yollarından, kaldırımlardan, geçitlerden ve çakıl kaplı alanlardan geçmeden önce anahtar kolunu serbest bırakın ve bıçak dönüşünün durmasını bekleyin.
Makineyi bıraktığınızda, yolunuza çıkan bir şeyi almak ya da kaldırmak için durduğunuzda ya da dikkatinizi kaçırarak herhangi bir olay olduğunda da anahtarı çıkarın.
27. Çim biçme makinesinin çaptığı nesnelere etraftaki kişilerin ciddi şekilde yaralanmasına sebep olabilir. Her biçme işleminden önce çim kontrol edilmeli ve üzerindeki tüm nesnelere kaldırılmalıdır.
28. Çim biçme makinesi yabancı bir cisme çarparsa şu adımları izleyin:
 - Çim biçme makinesini durdurun, anahtar kolunu serbest bırakın ve bıçak tamamen durana kadar bekleyin.
 - Kilit anahtarını ve batarya kartuşunu çıkarın.
 - Çim biçme makinesinde hasar olup olmadığını dikkatlice kontrol edin.
 - Herhangi bir şekilde zarar görmüşse bıçağı yenisiyle değiştirin.
 Yeniden başlatmadan ve makineyi kullanmaya devam etmeden önce herhangi bir hasar varsa onarın.
29. Arka sepeti aşınma ve yıpranmalara karşı sık sık kontrol edin. Saklarken arka sepetin boş olduğundan mutlaka emin olun. Güvenlik için, yıpranmış sepeti yeni bir orijinal sepet ile değiştirin.
30. Cihazı kullanmayı bıraktığınızda, makinenin sepetini temizlemeden önce ve herhangi bir tamir ya da kontrol işleminden önce motoru durdurun ve anahtarı çıkarın.
31. Geri geri giderken ya da makineyi kendinize doğru çekerken çok dikkatli olun.
32. Çim dışındaki yüzeylerden geçerken makinenin eğilmesi gerekiyorsa ve makineyi kullanılacak alana ya da kullanılan alandan dışarı taşımak için bıçakları durdurun.
33. Makineyi hasarlı koruma veya siperle ya da deflektör ve/veya çim toplayıcı yerine takılı olmadan kullanmayın.
34. Motoru talimatlara uygun olarak çalıştırın ve ayaklarınızı bıçaklardan uzak tutun.
35. Başlatma için makinenin eğilmesi gereken durumlar haricinde, motoru çalıştırırken makineyi eğmeyin. Eğmenin gerekli olduğu durumlarda gereken miktardan fazla eğmeyin ve sadece kullanıcının uzakta olan kısmı kaldırınsın.
36. Boşaltma ağzının önünde dururken makineyi başlatmayın.
37. Ellerinizi veya ayaklarınızı dönen parçaların yakınına ya da altına koymayın. Boşaltma ağzında daima uzak durun.
38. Makine çalışırken bir yerden bir yere nakletmeyin.
39. Makineyi durdurun ve devre dışı bırakma aygıtını kaldırın. Şunları yapmadan önce hareket eden tüm parçaların tamamen durduğundan emin olun:
 - makineyi kullanmayı bıraktığınızda,
 - tıkanmaları temizlemeden ya da sepeti boşaltmadan önce,
 - kontrol etmeden, temizlemeden ve makine üzerinde çalışmadan önce,
 - yabancı bir cisme çarptığınızda. Makinede hasar olup olmadığını kontrol edin ve yeniden başlatmadan ve makineyi kullanmadan önce hasarları onarın.
40. Makine anormal şekilde titremeye başlarsa (hemen kontrol edin)
 - hasarları kontrol edin,
 - hasarlı parça varsa yenisiyle değiştirin veya tamir edin,
 - Gevşek parça olup olmadığını kontrol edin ve varsa sıkılayın.
41. Makineyi ayarlarken parmaklarınızı hareketli bıçaklar ile makinenin sabit parçalarına sıkıştırmamaya dikkat edin.
42. Eğimli bölgelerde çimleri enlemesine biçin, yukarı veya aşağı doğru biçmeyin. Eğimli bölgelerde yön değiştirirken çok dikkatli olun. Dik eğimli bölgelerdeki çimleri aşırı derecede biçmeyin.
43. Hortumla yıkamayın; motora ve elektrikli bağlantılara su kaçmasını önleyin.
44. Uygun şekilde sıkıldığından emin olmak için bıçak montaj civatasını belirli aralıklarla kontrol edin.
45. Güvenli bir çalışma için tüm somun, civata ve vidaların sıkı olduğundan emin olun.
46. Aleti depolamadan önce soğuduğundan emin olun.
47. Bıçaklarla ilgili işlem yaparken, güç kaynağı kapalı olsa da bıçakların hareket edebileceğini unutmayın.
48. Güvenlik için, aşınmış veya hasar görmüş parçaları yenisiyle değiştirin. Sadece orijinal yedek parça ve aksesuar kullanın.

BU TALİMATLARI SAKLAYIN.

⚠ UYARI:

Ürünü kullanırken (defalarca kullanınca kazanılan) rahatlık ve tanıdıklık duygusunun ilgili ürünün güvenlik kurallarına sıkı sıkıya bağlı kalmanın yerine geçmesine İZİN VERMEYİN. YANLIŞ KULLANIM veya bu kullanma kılavuzunda belirtilen emniyet kurallarına uymama ciddi yaralanmaya neden olabilir.

ENC007-7

ÖNEMLİ GÜVENLİK TALİMATLARI

BATARYA KARTUŞU HAKKINDA

1. Batarya kartuşunu kullanmadan önce, tüm talimatları ve (1) batarya şarj aleti, (2) batarya ve (3) bataryası kullanılan alet üstündeki tüm uyarıları okuyun.
2. Batarya kartuşunu sökmeyin.
3. Kullanım süresi çok kısalsa, kullanmayı derhal kesin. Bu aşırı ısınma, olası yanıklar ve hatta bir patlama riski sonucunu doğurabilir.
4. Eğer gözünüze elektrolit kaçarsa, temiz suyla yıkayın ve derhal tıbbi bakım arayın. Bunun sonucunda görme yeteneğinizi kaybedebilirsiniz.
5. Batarya kartuşunu kısa devre yaptırmayın:
(1) Terminallere herhangi bir iletken madde deđdirmeyin.
(2) Batarya kartuşunu çiviler, madeni paralar, vb. gibi başka metal nesnelere aynı kaba koymaktan kaçının.
(3) Batarya kartuşunu yağmura ya da suya maruz bırakmayın.
Bataryada bir kısa devre büyük bir elektrik akımına, aşırı ısınmaya, olası yanıklara ve hatta bir bozulmaya neden olabilir.
6. Aleti ve batarya kartuşunu sıcaklığın 50°C ya da daha yükseğe ulaştığı yerlerde muhafaza etmeyin.
7. Batarya kartuşunu ciddi hasar görmüş ya da tamamen kullanılmaz hale gelmiş olsa bile ateşe atmayın. Batarya kartuşu ateşin içinde patlayabilir.
8. Bataryası düşürmemeye ya da darbe almamasına dikkat edin.
9. Zarar gören bataryası kullanmayın.

BU TALİMATLARI SAKLAYIN.

Maksimum batarya ömrünü koruma için tavsiyeler

1. Batarya kartuşunu tamamen boşalmadan şarj edin.
Aletin gücünün zayıfladığını fark ettiğiniz zaman daima kullanmayı durdurarak batarya kartuşunu şarj edin.
2. Tam şarjlı bir batarya kartuşunu asla tekrar şarj etmeyin.
Fazla şarj etme bataryanın kullanım ömrünü kısaltır.
3. Batarya kartuşunu 10°C – 40°C oda sıcaklığında şarj edin.
Sıcak bir batarya kartuşunu şarj etmeden önce soğumasını bekleyin.
4. Uzun bir süre kullanmadığınız durumlarda batarya kartuşunu altı ayda bir şarj edin.

İŞLEVSEL NİTELİKLER

Batarya kartuşunun takılması veya çıkarılması (Şekil. 1 ve 2)

⚠ DİKKAT:

- Batarya kartuşunun takılması ya da çıkarılmasından önce daima aleti kapatın.
- Kullanmadan önce batarya kapağını kilitlediğinizden emin olun. Aksi takdirde; çamur, kir veya su ürüne ya da batarya kartuşuna zarar verebilir.

Batarya kartuşunu takmak için;

1. Batarya kapağı kilitleme kolunu kendinize doğru çekin ve batarya kapağını açın.
2. Batarya kartuşunu şekilde gösterilen yönde takın, bir tık sesi duyulacaktır.
3. Kilit anahtarını şekilde gösterilen yere sonuna kadar girecek şekilde takın.
4. Batarya kapağını kapatın ve kilitleme kolu ile iterek kilitleyin.

Batarya kartuşunu makineden çıkartmak için;

1. Batarya kapağı kilitleme kolunu kendinize doğru çekin ve batarya kapağını açın.
2. Kilit anahtarını çekip çıkarın.
3. Kartuşun önündeki düğmeyi kaydırırken kartuş aletten dışarı çekin.
4. Batarya kapağını kapatın.

Batarya dönüştürücüler (isteğe bağlı aksesuar)

⚠ UYARI:

- AA-3618/AA-3618CL batarya dönüştürücülerini takarken ve çıkarırken kilit anahtarını çıkarın.

AA-3618 (isteğe bağlı aksesuar) (Şekil. 3, 4 ve 5)

⚠ UYARI:

- AA-3618'i kullanırken, batarya dönüştürücüyü asla vücudunuza takmayın. AA-3618'i vücudunuza takmak ciddi yaralanmalara sebep olabilir.

AA-3618 batarya dönüştürücüyü durana kadar montaj deliğine doğru kaydırın.

Çim biçme makinesinin üzerindeki batarya kapağını açın ve kaydırarak AA-3618'in ürün montaj adaptörünü makinenin batarya bölümüne oturtun.

AA-3618'in kablosunu batarya kapağındaki yarıktan geçirin ve batarya kapağını kapatın.

AA-3618'in kablosunu tutamağın üzerindeki üst tutuculara takın.

NOT:

- AA-3618 batarya dönüştürücü kullanırken (isteğe bağlı aksesuar), güç kablosunu makinenin üzerindeki ilgili tutucuya tutturun. Aksi takdirde, kablo kesilebilir.

AA-3618'i makineden çıkarmak için, batarya kapağını açın ve AA-3618'in batarya montaj tarafındaki çengelle basın.

AA-3618CL (isteğe bağlı aksesuar) (Şekil. 6 ve 7)

Batarya kapağını açın ve AA-3618CL'yi makinenin batarya bölümüne oturtun.
Batarya kapağını kapatın.

AA-3618CL'yi çıkarmak için AA-3618CL'nin üzerindeki çengelle bastırın ve iki elinizle tutup çekin.

Güç düğmesinin işleyişi (Şekil. 8 ve 9)

⚠ UYARI:

- **Batarya kartuşunu alete takmadan önce, anahtar kolunun düzgün çalıştığından ve bırakıldığında orijinal pozisyona döndüğünden emin olun.** Anahtar düzgün bir şekilde çalışmayan bir aletle işlem yapmak kontrolün kaybedilmesine ve ciddi kişisel yaralanmalara neden olabilir.

NOT:

- Bir seferde çok fazla çim biçmeye çalışmak aşırı yüklenmeden dolayı motorun çalışmamasına neden olabilir. Bu gibi durumlarda, biçme yüksekliğini daha yüksek bir seviyeye ayarlayarak makineyi yeniden başlatın.
- Çim biçme makinesi, anahtar koluna basılsa da anahtar düğmesine basmadan çalışmaz.

Bu makine, kilit devresi ve kollu şalter ile donatılmıştır. Bu devrelerden herhangi birinde bir hata fark ederseniz, derhal kullanımı durdurun ve size en yakın Dolmar Yetkili Servis Merkezine kontrol ettirin.

1. Kilit anahtarını kilit devresine takın.
2. Anahtar düğmesine basarak eski konumuna getirin.
3. Anahtar düğmesine basarken anahtar kolunu kendinize doğru çekin.
4. Motor çalışmaya başlar başlamaz şalter düğmesini serbest bırakın. Siz anahtar kolunu serbest bırakana kadar çim biçme makinesi çalışmaya devam edecektir.
5. Motoru durdurmak için anahtar kolunu serbest bırakın.
6. Makineyi kullanmadığınız zamanlarda, kilit anahtarını çıkarın. Kilit anahtarını çocukların erişemeyeceği güvenli bir yerde saklayın.

Biçme yüksekliğinin ayarlanması (Şekil. 10)

⚠ UYARI:

- Biçme yüksekliğini ayarlarken ellerinizi ve ayaklarınızı asla çim biçme makinesinin altına koymayın.
- Kullanmadan önce kolu oluğa tam olarak oturduğundan daima emin olun.

Biçme yüksekliği 20 mm – 75 mm aralığında ayarlanabilir.

1. Kilit anahtarını çıkarın.
2. Biçme yüksekliği ayar kolunu kendinize doğru çekin ve istediğiniz biçme yüksekliğine getirin.

Biçme yüksekliği ayar kolu üzerindeki çukuntunun makine üzerindeki oluğa oturduğundan emin olun.

NOT:

- Biçme yüksekliğini gösteren rakamlar sadece bir kılavuz olarak kullanılmalıdır, çünkü çimin ya da zeminin durumu çim yüksekliğinin ayarlanan yükseklikten az bir miktar farklı olmasına neden olabilir.
- İsteddiğiniz yüksekliği elde etmek için az görünen bir yerdeki çimleri biçerek deneyin.

Batarya koruma sistemi

Lityum-ion bataryalar bir koruma sistemi ile donatılmıştır. Bu sistem, batarya ömrünü uzatmak için alete giden gücü otomatik olarak keser.

Alet ya da bataryada aşağıdaki durumlardan birinin oluşması durumunda alet çalışmayı otomatik olarak durdurur:





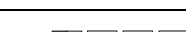


- Aşırı yüklenme:
Alet anormal derecede yüksek akım çekmesine neden olan bir şekilde çalıştırılmaktadır.
Bu durum söz konusuysa, alet üzerindeki tetik anahtarını serbest bırakın ve alete aşırı yük binmesine neden olan uygulamayı durdurun. Yeniden başlatmak için anahtar tetiğini çekin.
Alet çalışmaya başlamazsa, batarya aşırı ısınmış olabilir. Bu durumda, anahtar tetiği tekrar çekmeden önce bataryanın soğumasını bekleyin.
- Düşük batarya voltajı:
Kalan batarya kapasitesi çok düşük olursa alet çalışmaz. Bu durumda, bataryası çıkarın ve şarj edin.

Kalan batarya kapasitesi göstergesi (sadece

Bataryalı AP-3622 modelleri için) (Şekil. 11)

Bataryalı AP-3622, kalan batarya kapasitesini belirten bir gösterge ile donatılmıştır.

Kalan batarya kapasitesini öğrenmek için CHECK (kontrol) düğmesine basın. Düğmeye basmanızın ardından gösterge lambaları yaklaşık üç saniye yanacaktır.

Gösterge lambaları		
	Açık Kapalı Kırpma	Kalan kapasite
E  F		%70 ila %100
		%45 ila %70
		%20 ila %45
		%0 ila %20
		Bataryası şarj edin.
		Batarya bozulmuş olabilir.

011713

- Sadece en alttaki ("E"nin yanındaki) gösterge lambası yanıp sönüyorsa ya da gösterge lambalarının hiçbirini yanmıyorsa bataryanın kapasitesi tükenmiş demektir, dolayısıyla alet çalışmaz. Bu durumda bataryayı şarj edin ya da boşalan bataryayı tam olarak şarj edilmiş bir bataryayla değiştirin.
- Şarj tamamlandıktan sonra bile iki veya daha fazla gösterge lambası yanmıyorsa batarya hizmet ömrünü tamamlamıştır.
- Sırayla üstteki iki ve alttaki iki gösterge lambası yandıği zaman, batarya bozulmuş olabilir. Size en yakın Dolmar yetkili servisiyle iletişime kurun.

NOT:

- Belirtilen kapasite kullanım sırasında ya da kullanımın hemen sonrasında gerçek düzeyden daha düşük görünebilir.
- Kullanım koşullarına ve ortam sıcaklığına bağlı olarak göstergenin belirttiği kapasite gerçek kapasiteden biraz farklı olabilir.

MONTAJ

⚠ UYARI:

- **Makine üzerinde herhangi bir işlem yapmadan önce kilit anahtarını ve batarya kartuşunu çıkardığınızdan emin olun.** Kilit anahtarının ve batarya kartuşunun çıkarılmaması istemsiz olarak aletin başlatılması sonucu ciddi kişisel yaralanmalara neden olabilir.
- **Tamamen montajlanmadan önce aleti asla çalıştırmayın.** Montajı kısmen yapılmış durumdayken aletin kaza sonucu çalıştırılması ciddi kişisel yaralanmalara neden olabilir.

Tutamağın montajı (Şekil. 12, 13, 14, 15, 16 ve 17)

⚠ UYARI:

- Tutamakları monte ederken, kabloları tutamaklar arasında herhangi bir şeye takılmayacakları şekilde konumlandırın.

1. Sıkıştırma vidalarını gevşetin (iki adet).

Alt tutamağı her iki tarafına doğru genişletin ve genişletilmiş konumdayken geri döndürüp gövde üzerindeki oluğu oturtun.

2. Alt tutamağı sabitlemek için her iki taraftaki sıkıştırma vidalarını sıkılayın.
3. Üst tutamağı kaldırın ve üst tutamaktaki vida deliklerini alt tutamaktakilerle hizalayın. Ardından, makineyle verilen vida ve sıkıştırma somunlarını kullanarak sabitleyin.

NOT:

- Bunu yaparken, elinizden kayıp düşmesini önlemek için üst tutamağı sıkıca kavrayın.

NOT:

- Üst tutamağı güç kaynağı kablosu ve üst tutamak şekilde gösterildiği gibi konumlanacak şekilde takın.

NOT:

- Üst tutamakta her iki tarafta iki delik bulunur. Vida ve sıkıştırma somunları için farklı konum deliklerinin kullanılması tutamağın yüksekliğini ayarlayabilmenizi sağlar.

Bıçağın takılması ve çıkarılması (Şekil. 18 ve 19)

⚠ UYARI:

- Bıçağı takıp çıkarırken kilit anahtarını ve batarya kartuşunu daima çıkarın. Kilit anahtarının ve batarya kartuşunun çıkarılmaması ciddi yaralanmalara sebep olabilir.
- Anahtar bırakıldıktan sonra bıçak birkaç saniye boşta dönebilir. Bıçağın tamamen durduğundan emin olun.
- Bıçak üzerinde bir işlem yaparken daima eldiven kullanın.

1. Çim biçme makinesini yükseklik ayar kolu üst tarafa gelecek şekilde yan yatırın.
2. Bıçağı kilitlemek için elinizdeki bir tornavidayı ya da piyasada bulunabilecek bir benzerini makinedeki deliğe sokun.
3. Cıvatayı anahtarla saatin aksi yönünde çevirerek gevşetin.
4. Cıvatayı, dış flanşı, bıçağı ve iç flanşı sırasıyla çıkarın.

Bıçağı takmak için, bıçak çıkarma prosedürünü tersten izleyin.

⚠ UYARI:

- İç flanşı, bıçağı ve dış flanşı takarken dikkatli olun, bunların üst/alt yüzlerine dikkat edin.
- Bıçağı sabitlemek için cıvatayı saat yönünde iyice sıkılayın.
- Bıçağı, dönen ok işaretli tarafı dışarı bakacak şekilde yerleştirin.
- Bıçağın iyi bir şekilde sabitlendiğinden emin olun.
- Bıçağı kilitlemek için deliğe sokulan tornavida ya da benzeri aleti mutlaka çıkarın.

Çim sepetinin takılması (Şekil. 20 ve 21)

Kilit anahtarını çıkarın.

Makine ünitesinin arka korumasını kaldırın ve çim sepetini makinenin üzerindeki oluğa takın.

KULLANIM

Çim biçme işlemi

⚠ UYARI:

- Çim biçmeye başlamadan önce alandaki kalın dalları ve taşları kaldırın. Ayrıca yabancı otları da biçme alanından önceden temizleyin.
- Çim biçme makinesini kullanırken yanları korumalı güvenlik gözlükleri takın.

Biçme işlemi sırasında, çim biçme makinesinin tutamağını iki elinizle sıkıca tutun.

Ana ünitenin ön tekerleğinin dış kenarları biçme genişliği konusunda kılavuzluk eder. Dengeli bir biçme işlemi için, iki ön tekerleğin dış kenarlarını referans alarak, şeritler halinde, önceki şeridin genişliğinin ikide bir ile üçte bir oranında bir kısmının üstünden tekrar geçecek şekilde biçin.

Çim sepetinin sık sık kontrol edin ve dolmadan önce boşaltın. Kontrollerden önce makineyi durdurduğunuzdan ve kilit anahtarını ile batarya kartuşunu çıkardığınızdan emin olun.

NOT:

- Çim biçme makinesini çim sepeti dolu olarak kullanmak bıçakların düzgün bir şekilde dönmesini engeller ve motora aşırı yük bindirir, bu da aletin arızalanmasına sebep olabilir.

Uzamaş çimlerin biçilmesi (Şekil. 22)

Uzamaş çimleri bir seferde biçmeye çalışmayın. Bunun yerine, alan eşit bir biçimde biçilene kadar çimleri bir-iki gün arayla aşamalı olarak biçin.

NOT:

- Uzamaş çimlerin bir seferde kısaltılması çimin ölmesine ve/veya ana üniteyi tıkamasına sebep olabilir.

Çim sepetinin boşaltılması (Şekil. 23)

⚠ UYARI:

- Kaza riskini azaltmak için, çim sepetinde herhangi bir hasar ya da gücünde herhangi bir zayıflama olup olmadığını düzenli olarak kontrol edin ve gerekirse yenisiyle değiştirin.

1. Anahtar kolunu serbest bırakın.
2. Kilit anahtarını çıkarın.
3. Arka korumayı açın ve sepeti tutamağından tutarak çıkarın.
4. Çim sepetini boşaltın.

BAKIM & SAKLAMA

⚠ UYARI:

- Saklamadan ya da herhangi biri kontrol veya bakım işlemi yapmadan önce kilit anahtarının ve batarya kartuşunun çıkarıldığından mutlaka emin olun.
- Kontrol veya bakım işlemi yapmadan önce eldiven giyin.

⚠ DİKKAT:

- Benzin, tiner, alkol ve benzeri maddeleri kesinlikle kullanmayın. Renk değişimi, deformasyon veya çatlaklar oluşabilir.

BAKIM

1. KİLİT ANAHTARINI ÇIKARIN. Anahtarı çocukların erişiminden uzak güvenli bir yerde saklayın.
2. Makinenizi sadece yumuşak sabun ve nemli bir bez kullanarak temizleyin. Temizleme sırasında makinenin üzerine su sıkmayın ve dökmeyin.
3. Makineyi yan tarafına yatırın ve makine gövdesinin alt tarafında biriken çim parçalarını temizleyin.
4. Tüm somunların, civataların, düğmelerin, vidaların, mandalların vb. sıklığını kontrol edin.
5. Hareketli parçaları, hasar, kırılma ve aşınmalara karşı kontrol edin. Hasarlı veya eksik parçaları tamir ettirin.
6. Çim biçme makinesini saklamadan önce batarya kartuşunu çıkarın.
7. Çim biçme makinesini serin, kuru ve kilitli bir yerde saklayın. Makineyi ve kartuşu sıcaklığın 40°C'yi geçtiği ortamlarda saklamayın.

Saklama (Şekil. 24, 25, 26, 27, 28 ve 29)

⚠ UYARI:

- Çim biçme makinesini taşıırken ve saklarken katlanan tutamaklarda değil aletin ön kavrama kolundan tutun. Katlanan tutamaklardan tutmak ciddi yaralanmalara veya makineye zarar gelmesine neden olabilir.

Çim biçme makinesi dik konumda saklanabilir.

1. Sıkıştırma vidasını gevşetin, alt tutamağı her iki tarafa doğru genişletin ve ardından tutamağı öne doğru itin.

NOT:

- Bunu yaparken, düşüp aletten uzaklaşmaması için alt tutamağı sıkıca kavrayın.
- 2. Sıkıştırma somununu gevşetin ve üst tutamağı geri çevirin.
- 3. Çim sepetini çıkarın ve makineyi dik konumda yerleştirin.

NOT:

- Çim biçme makinesini dik konumda yerleştirirken tutamaktan değil, makinenin önündeki kavrama kolundan tutun.
- 4. Çim sepetini tutamak ile makine gövdesi arasında saklayın.

Ürünün EMNİYETLİ ve GÜVENİLİR durumda tutulması için tüm onarımlar, bakım ya da ayarlamalar Dolmar Yetkili Servis Merkezleri tarafından, daima Dolmar yedek parçaları kullanılarak yapılmalıdır.

SORUN GİDERME

Onarım için servise gitmeden önce aşağıdaki kontrolleri yapın. Kılavuzda açıklanmayan bir problemle karşılaşırsanız aleti demonte etmeyin. Bunun yerine, Dolmar Yetkili Servis Merkezlerine başvurun ve daima orijinal Dolmar yedek parçaları kullanın.

Arıza tanımı	Neden	Çözüm
Çim biçme makinesi başlatılmıyor.	Batarya kartuşu takılı değil.	Batarya kartuşunu takın.
	Batarya sorunu (voltaj yetersiz)	Bataryayı şarj edin. Şarj etmek işe yaramıyorsa, bataryayı değiştirin.
	Kilit anahtarı takılı değil.	Kilit anahtarını takın.
Kısa bir süre kullanımdan sonra motor duruyor.	Bataryanın şarj seviyesi düşük.	Bataryayı şarj edin. Şarj etmek işe yaramıyorsa, bataryayı değiştirin.
	Kesim yüksekliği çok düşük ayarlanmış.	Yüksekliği artırın.
Maksimum dev/dak oranına ulaşamıyor.	Batarya düzgün takılmamış.	Batarya kartuşunu kılavuzda açıklandığı gibi takın.
	Batarya gücü düşüyor.	Bataryayı şarj edin. Şarj etmek işe yaramıyorsa, bataryayı değiştirin.
	Sürüş sistemi doğru işlemiyor.	Yerel yetkili servis merkezinden yardım isteyin.
Kesici alet dönmüyor: Makineyi hemen durdurun!	Bıçağın kenarına yabancı bir cisim, örn. bir dal parçası takılmış.	Yabancı cismi çıkarın.
	Sürüş sistemi doğru işlemiyor.	Yerel yetkili servis merkezinden yardım isteyin.
Anormal vibrasyon: Makineyi hemen durdurun!	Bıçak dengesiz, aşırı derecede ya da bir tarafı daha fazla olacak şekilde aşınmış.	Bıçağı değiştirin.
Kesim aleti ve motor durmuyor: Bataryayı hemen çıkarın!	Elektriksel veya elektronik arıza.	Bataryayı çıkarın ve yerel yetkili servis merkezinizden yardım isteyin.

012350

İSTEĞE BAĞLI AKSESUARLAR

⚠ DİKKAT:

- Bu aksesuarlar ve ek parçalar bu el kitabında belirtilen Dolmar aletiniz ile kullanılmak için tavsiye edilmektedir. Herhangi başka bir aksesuar ya da ek parça kullanılması insanlar için bir yaralanma riski getirebilir. Aksesuarları ya da ek parçaları yalnızca belirtilmiş olan kullanım amaçlarına uygun olarak kullanın.

Bu aksesuarlarla ilgili daha fazla bilgiye ihtiyaç duyarsanız bulunduğunuz yerdeki yetkili Dolmar servisine başvurun.

- Bıçak
- Orijinal Dolmar batarya ve şarj aleti

NOT:

- Listedeki bazı parçalar standart aksesuar olarak ürün paketinin içine dahil edilmiş olabilir. Aksesuarlar ülkeden ülkeye farklılık gösterebilir.

Gürültü

EN60335 standardına göre belirlenen tipik A-ağırlıklı gürültü düzeyi:

Ses basıncı düzeyi (L_{pA}): 80 dB (A)

Ses gücü düzeyi (L_{WA}): 93 dB (A)

Belirsizlik (K): 3 dB (A)

Kulak koruyucular takın

ENG900-1

Titreşim

EN60335 standardına göre hesaplanan titreşim toplam değeri (Üç eksenli vektör toplamı):

Titreşim emisyonu (a_h): 2,5 m/s²'den az

Belirsizlik (K): 1,5 m/s²

ENG901-1

- Beyan edilen titreşim emisyon değeri standart test yöntemine uygun şekilde ölçülmüştür ve bir aleti bir başkasıyla karşılaştırmak için kullanılabilir.
- Beyan edilen titreşim emisyon değeri bir ön maruz kalma değerlendirilmesi olarak da kullanılabilir.

⚠ UYARI:

- Bu elektrikli aletin gerçek kullanımı sırasındaki titreşim emisyonu aletin kullanım biçimlerine bağlı olarak beyan edilen emisyon değerinden farklı olabilir.
- Gerçek kullanım koşullarındaki maruz kalmanın bir tahmini hesaplaması temelinde operatörü koruyacak güvenlik önlemlerini mutlaka belirleyin (çalışma döngüsü içerisinde aletin kapalı olduğu ve aktif durumda olmasının yanı sıra boşta çalıştığı zamanlar gibi, bütün zaman dilimleri göz önünde bulundurularak değerlendirilmelidir).

Sadece Avrupa ülkeleri için**EC Uygunluk Beyanı**

Aşağıda imzaları bulunan Tamiro Kishima ve Rainer Bergfeld, Dolmar GmbH tarafından yetkilendirildikleri şekilde, DOLMAR makinesinin (makinelere) aşağıdaki özelliklere sahip olduğunu beyan eder:

Makine Adı:

Akülü Çim Biçme Makinesi

Model No./ Tipi: AM-3643

Teknik Özellikler: "TEKNİK ÖZELLİKLER" tablosuna bakınız.

seri üretilmişlerdir ve

aşağıdaki Avrupa Direktiflerine uygundur:

2000/14/EC, 2006/42/EC

ve aşağıdaki standartlara veya standartlaştırılmış belgelere uygun olarak imal edilmişlerdir:

EN60745, EN60335

Teknik dokümantasyon dosyası buradan edinilebilir:

Dolmar GmbH,

Jenfelder Straße 38, Abteilung FZ,

D-22045 Hamburg

2000/14/EC Direktifi uyarınca gereken uygunluk değerlendirmesi prosedürü ek VI ile uygundur.

Onaylanmış Kuruluş:

TÜV Rheinland LGA Products GmbH

Am Grauen Stein 29

51105 Köln Almanya

Tanımlama numarası 0197

Ölçülen Ses Gücü Seviyesi: 93 dB (A)

Garanti Edilen Ses Gücü Seviyesi: 94 dB (A)

7.9.2011



Tamiro Kishima
Genel Müdür



Rainer Bergfeld
Genel Müdür



DOLMAR GmbH
Postfach 70 04 20
D-22004 Hamburg
Germany
<http://www.dolmar.com>

885081A938

IDE