

**Ersatzteilliste**  
**Spare Parts List**  
**Liste de pièces détachées**  
**Lista de piezas de repuesto**

2007-02



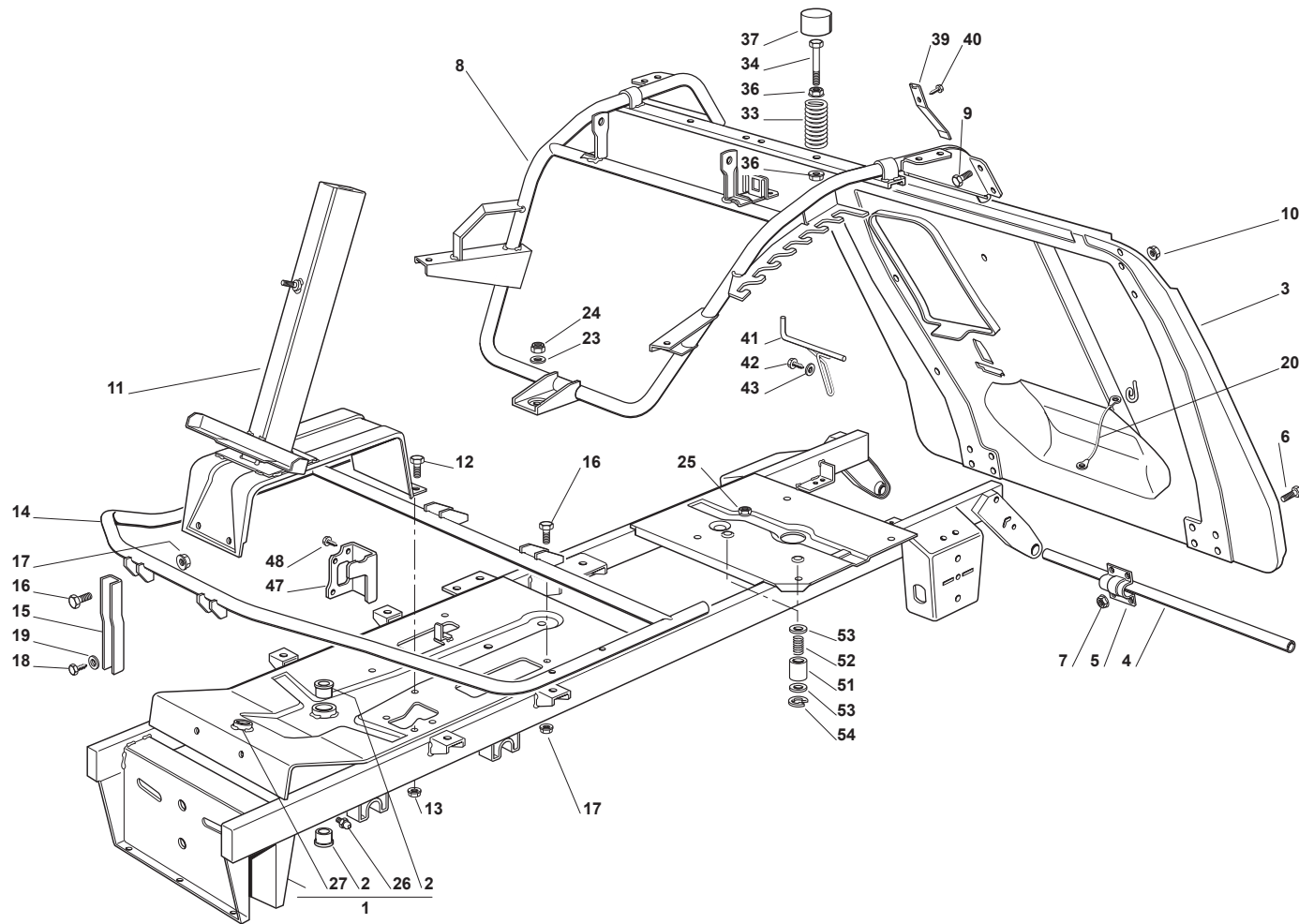
**RM-72.13 H**

**DOLMAR**

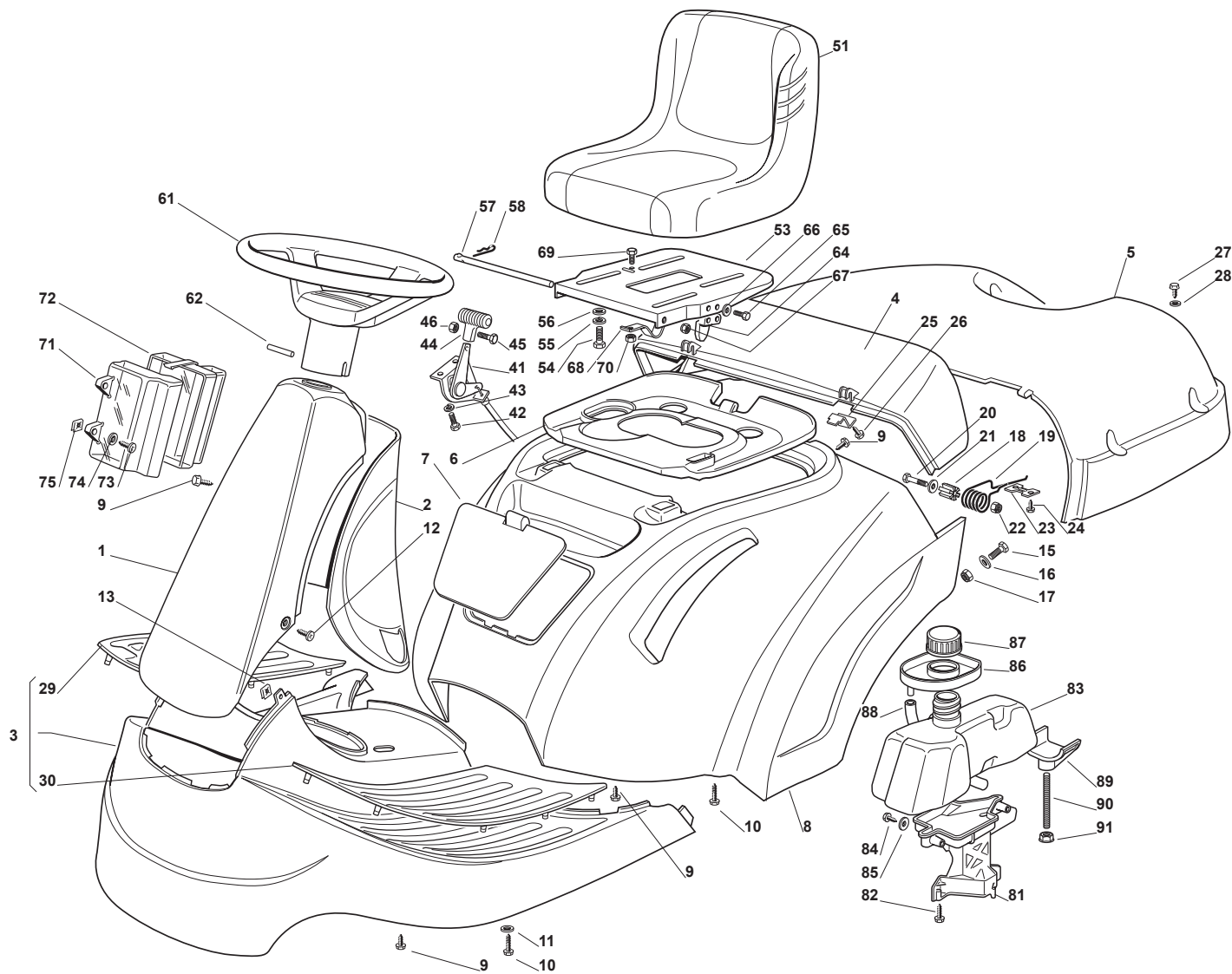


A member of the *Makita* Group

995 700 132 (D, GB, F, E)

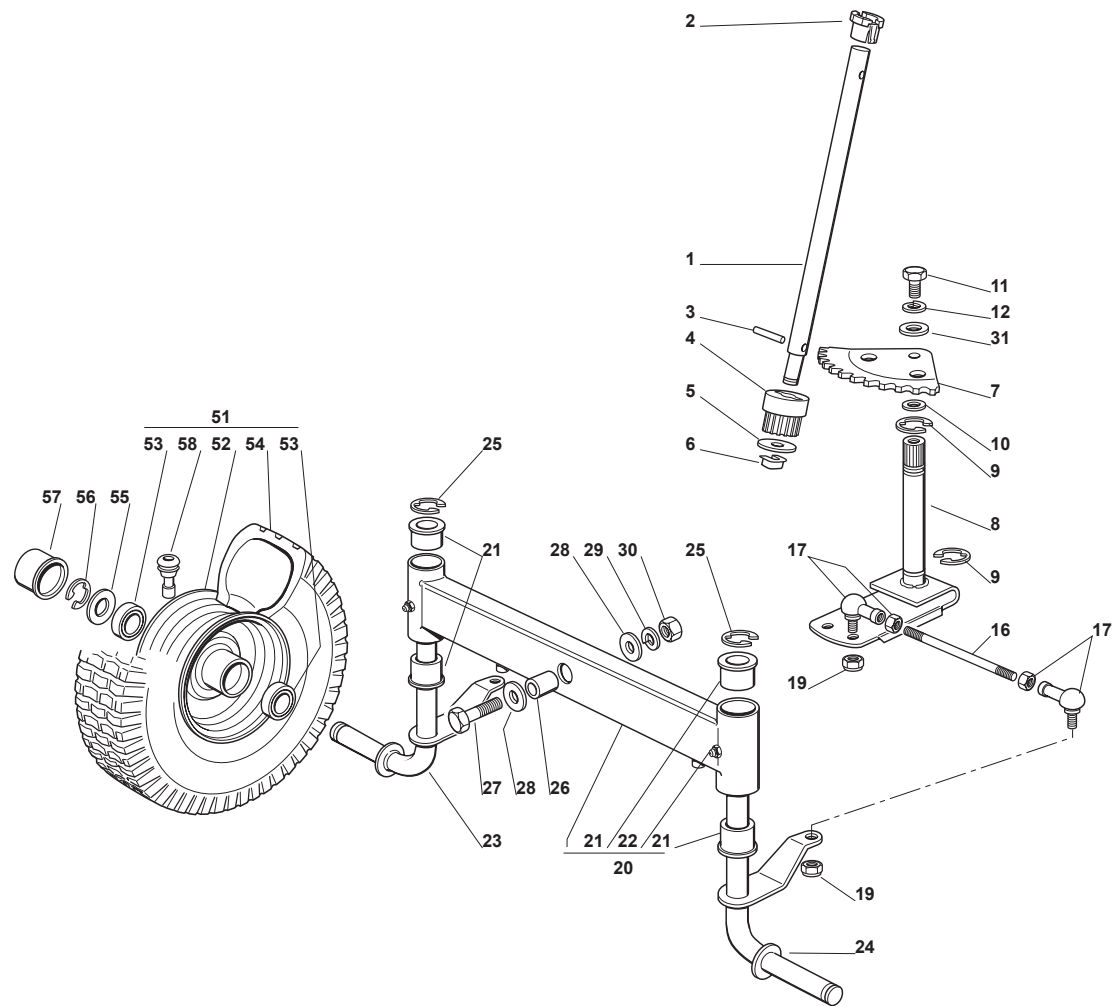


| Seite / Page | Pos. | RM-72.13 H | Teil-Nr.<br>Part No.<br>No. de pièce<br>No. de pieza | Hinweise<br>Notes<br>Renseign.<br>Nota | Bezeichnung     | Spezifikation<br>Specification | Description      | Désignation    | Denominación         |
|--------------|------|------------|--|--|-----------------|--------------------------------|------------------|----------------|----------------------|
| 001.0        | 1    | 1          | 664 801 135  |  | RAHMENSATZ      |                                | CHASSIS          | CHASSIS        | CHASIS               |
| 001.0        | 2    | 2          | 664 034 002  |  | BUCHSE          |                                | BUSH             | DOUILLE        | CASQUILLO            |
| 001.0        | 3    | 1          | 664 545 057  |  | PLATTE          |                                | PLATE            | PLAQUE         | PLACA                |
| 001.0        | 4    | 1          | 664 037 000  |  | BOLZEN          |                                | PIN              | PIVOT          | PIVOTE               |
| 001.0        | 5    | 2          | 664 547 012  |  | PLATTE          |                                | PLATE            | PLAQUE         | PLACA                |
| 001.0        | 6    | 8          | 664 791 200  |  | SCHRAUBE        |                                | SCREW            | VIS            | TORNILLO             |
| 001.0        | 7    | 8          | 664 292 102  |  | MUTTER          |                                | NUT              | ECROU          | TUERCA               |
| 001.0        | 8    | 1          | 664 801 127  |  | RAHMENSATZ      |                                | CHASSIS          | CHASSIS        | CHASIS               |
| 001.0        | 9    | 4          | 664 792 611  |  | SCHRAUBE        |                                | SCREW            | VIS            | TORNILLO             |
| 001.0        | 10   | 4          | 664 293 201  |  | MUTTER          |                                | NUT              | ECROU          | TUERCA               |
| 001.0        | 11   | 1          | 664 783 027  |  | HALTER          |                                | SUPPORT          | SUPPORT        | SOPORTE              |
| 001.0        | 12   | 4          | 664 792 611  |  | SCHRAUBE        |                                | SCREW            | VIS            | TORNILLO             |
| 001.0        | 13   | 4          | 664 293 201  |  | MUTTER          |                                | NUT              | ECROU          | TUERCA               |
| 001.0        | 14   | 1          | 664 801 107  |  | FUSSBRETTHALTER |                                | SUPPORT          | SUPPORT        | SOPORTE              |
| 001.0        | 15   | 2          | 664 787 025  |  | HALTER          |                                | SUPPORT          | SUPPORT        | SOPORTE              |
| 001.0        | 16   | 4          | 664 792 611  |  | SCHRAUBE        |                                | SCREW            | VIS            | TORNILLO             |
| 001.0        | 17   | 4          | 664 293 201  |  | MUTTER          |                                | NUT              | ECROU          | TUERCA               |
| 001.0        | 18   | 2          | 664 734 995  |  | SCHRAUBE        |                                | SCREW            | VIS            | TORNILLO             |
| 001.0        | 19   | 2          | 664 521 331  |  | SCHEIBE         |                                | WASHER           | RONDELLE       | ARANDELA             |
| 001.0        | 20   | 1          | 664 040 300  |  | SEIL            |                                | CORD             | CORDE          | CUERDA               |
| 001.0        | 23   | 1          | 664 523 060  |  | SCHEIBE         |                                | WASHER           | RONDELLE       | ARANDELA             |
| 001.0        | 24   | 1          | 664 155 000  |  | MUTTER          |                                | NUT              | ECROU          | TUERCA               |
| 001.0        | 25   | 1          | 664 500 090  |  | MUTTER          |                                | NUT              | ECROU          | TUERCA               |
| 001.0        | 26   | 1          | 664 379 511  |  | FETTBUCHSE      |                                | GREASE DISPENSER | GRAISSEUR      | CASQUILLO DE ENGRASE |
| 001.0        | 27   | 1          | 664 034 001  |  | BUCHSE          |                                | BUSH             | DOUILLE        | CASQUILLO            |
| 001.0        | 33   | 2          | 664 430 575  |  | FEDER           |                                | SPRING           | RESSORT        | MUELLE               |
| 001.0        | 34   | 2          | 664 943 050  |  | SCHRAUBE        |                                | SCREW            | VIS            | TORNILLO             |
| 001.0        | 36   | 4          | 664 293 201  |  | MUTTER          |                                | NUT              | ECROU          | TUERCA               |
| 001.0        | 37   | 2          | 664 122 000  |  | SCHUTZKASTEN    |                                | HOOD             | PROTECTEUR     | CUBIERTA             |
| 001.0        | 39   | 1          | 664 430 554  |  | FEDER           |                                | SPRING           | RESSORT        | MUELLE               |
| 001.0        | 40   | 1          | 664 735 110  |  | SCHRAUBE        |                                | SCREW            | VIS            | TORNILLO             |
| 001.0        | 41   | 1          | 664 294 001  |  | FÜHRUNG         |                                | GUIDE            | GUIDE          | GUÍA                 |
| 001.0        | 42   | 1          | 664 735 120  |  | SCHRAUBE        |                                | SCREW            | VIS            | TORNILLO             |
| 001.0        | 43   | 1          | 664 523 040  |  | SCHEIBE         |                                | WASHER           | RONDELLE       | ARANDELA             |
| 001.0        | 47   | 1          | 664 772 095  |  | HALTER          |                                | CLAMP            | ETRIER         | SOPORTE              |
| 001.0        | 48   | 2          | 664 735 106  |  | SCHRAUBE        |                                | SCREW            | VIS            | TORNILLO             |
| 001.0        | 51   | 2          | 664 047 012  |  | BUCHSE          |                                | BUSH             | DOUILLE        | CASQUILLO            |
| 001.0        | 52   | 2          | 664 430 577  |  | FEDER           |                                | SPRING           | RESSORT        | MUELLE               |
| 001.0        | 53   | 4          | 664 670 008  |  | SCHEIBE         |                                | WASHER           | RONDELLE       | ARANDELA             |
| 001.0        | 54   | 2          | 664 999 955  |  | SPRENGRING      |                                | SNAP RING        | ANNEAU RESSORT | ANILLO DE SUJECIÓN   |



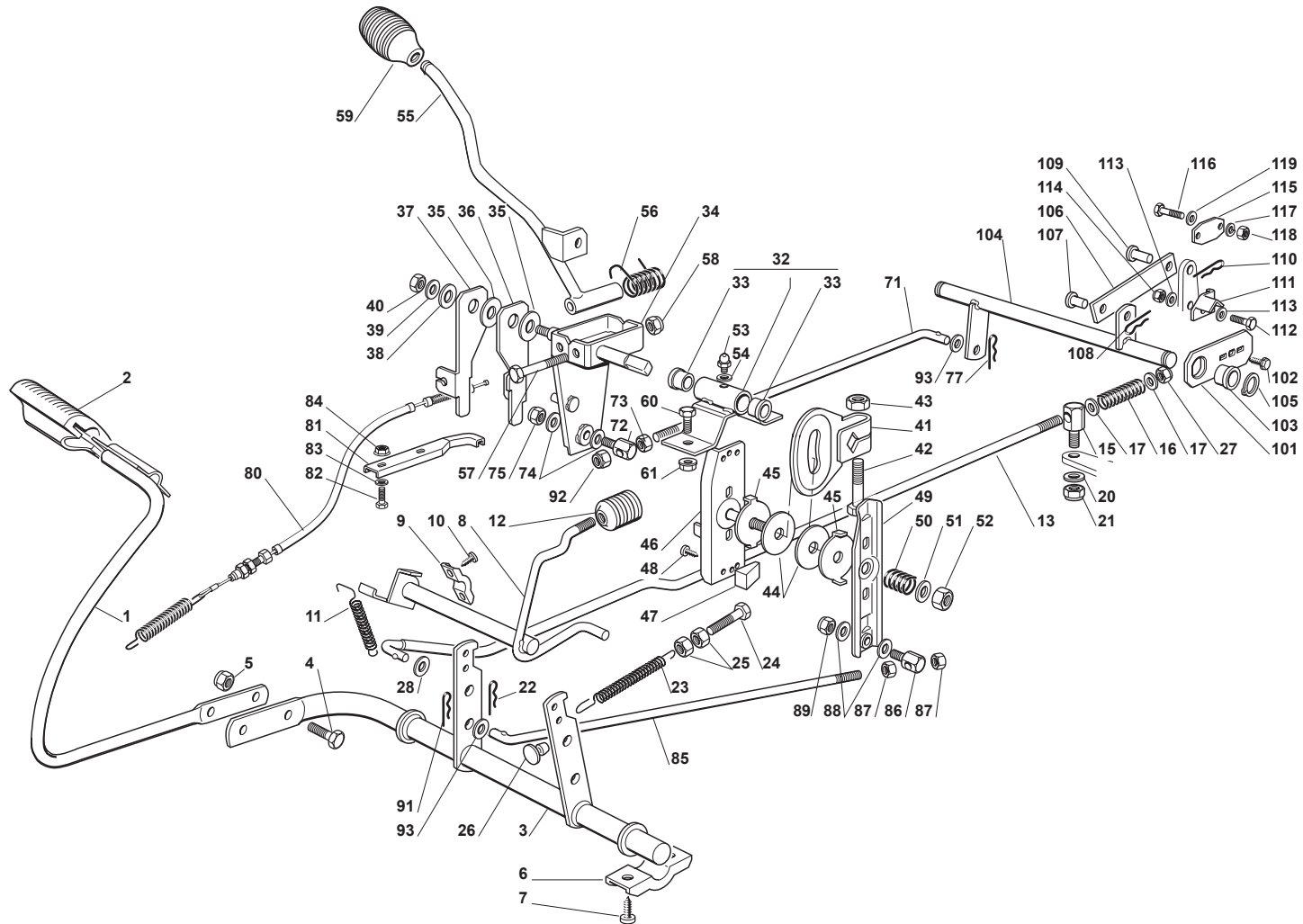
| Seite / Page | Pos. | RM-72.13 H | Teil-Nr.<br>Part No.<br>No. de pièce<br>No. de pieza | Hinweise<br>Notes<br>Renseign.<br>Nota | Bezeichnung            | Spezifikation<br>Specification | Description           | Désignation            | Denominación           |
|--------------|------|------------|--|--|------------------------|--------------------------------|-----------------------|------------------------|------------------------|
| 002.0        | 1    | 1          | 664 598 076  |  | VORDERDECKEL ROT       |                                | FRONT COVER           | COUVERCLE AVANT        | CUBIERTA DELANTERA     |
| 002.0        | 2    | 1          | 664 600 111  |  | HINTERDECKEL ROT       |                                | REAR COVER            | COUVERCLEARRIER        | CUBIERTA TRASERA       |
| 002.0        | 3    | 1          | 664 110 130  |  | FUSSBRETTDECKEL ROT    |                                | FOOTBOARD COVER       | COUVRE MARCHEPIED      | CUBIERTA DEL APOYAPIE  |
| 002.0        | 4    | 1          | 664 110 353  |  | HAUBE ROT              |                                | GRASS-CATCHER COVER   | COUVRE-BAC             | CUBIERTA               |
| 002.0        | 5    | 1          | 664 110 354  |  | HAUBE ROT              |                                | GRASS-CATCHER COVER   | COUVRE-BAC             | CUBIERTA               |
| 002.0        | 6    | 1          | 664 110 306  |  | MOTORABDECKUNG         |                                | COVER                 | COUVERCLE              | CUBIERTA               |
| 002.0        | 7    | 1          | 664 109 515  |  | DECKEL ROT             |                                | FRONT COVER           | COUVERCLE AVANT        | TAPA                   |
| 002.0        | 8    | 1          | 664 110 129  |  | RADABDECKUNG, ROT      |                                | COVER                 | COUVERCLE              | CONSOLA                |
| 002.0        | 9    | 10         | 664 735 402  |  | SCHRAUBE               |                                | SCREW                 | VIS                    | TORNILLO               |
| 002.0        | 10   | 8          | 664 735 410  |  | SCHRAUBE               |                                | SCREW                 | VIS                    | TORNILLO               |
| 002.0        | 11   | 4          | 664 523 040  |  | SCHEIBE                |                                | WASHER                | RONDELLE               | ARANDELA               |
| 002.0        | 12   | 2          | 664 735 598  |  | SCHRAUBE               |                                | SCREW                 | VIS                    | TORNILLO               |
| 002.0        | 13   | 2          | 664 437 503  |  | PLATTE                 |                                | PLATE                 | PLAQUE                 | PLACA                  |
| 002.0        | 15   | 2          | 664 791 200  |  | SCHRAUBE               |                                | SCREW                 | VIS                    | TORNILLO               |
| 002.0        | 16   | 2          | 664 523 040  |  | SCHEIBE                |                                | WASHER                | RONDELLE               | ARANDELA               |
| 002.0        | 17   | 2          | 664 154 510  |  | MUTTER                 |                                | NUT                   | ECROU                  | TUERCA                 |
| 002.0        | 18   | 2          | 664 047 003  |  | BUCHSE                 |                                | BUSH                  | DOUILLE                | CASQUILLO              |
| 002.0        | 19   | 2          | 664 430 551  |  | FEDER                  |                                | SPRING                | RESSORT                | MUELLE                 |
| 002.0        | 20   | 2          | 664 691 200  |  | SCHRAUBE               |                                | SCREW                 | VIS                    | TORNILLO               |
| 002.0        | 21   | 2          | 664 523 070  |  | SCHEIBE                |                                | WASHER                | RONDELLE               | ARANDELA               |
| 002.0        | 22   | 2          | 664 155 000  |  | MUTTER                 |                                | NUT                   | ECROU                  | TUERCA                 |
| 002.0        | 23   | 2          | 664 546 001  |  | PLATTE                 |                                | PLATE                 | PLAQUE                 | PLACA                  |
| 002.0        | 24   | 4          | 664 735 402  |  | SCHRAUBE               |                                | SCREW                 | VIS                    | TORNILLO               |
| 002.0        | 25   | 2          | 664 546 003  |  | PLATTE                 |                                | PLATE                 | PLAQUE                 | PLACA                  |
| 002.0        | 26   | 2          | 664 735 402  |  | SCHRAUBE               |                                | SCREW                 | VIS                    | TORNILLO               |
| 002.0        | 27   | 4          | 664 729 601  |  | SCHRAUBE               |                                | SCREW                 | VIS                    | TORNILLO               |
| 002.0        | 28   | 4          | 664 521 331  |  | SCHEIBE                |                                | WASHER                | RONDELLE               | ARANDELA               |
| 002.0        | 29   | 1          | 664 110 314  |  | FUSSBRETTDECKEL RECHTS |                                | RIGHT FOOTBOARD COVER | COUVRE MARCHEPIED DRO. | TAPA APOYAPIES DER.    |
| 002.0        | 30   | 1          | 664 110 315  |  | FUSSBRETTDECKEL LINKS  |                                | LEFT FOOTBOARD COVER  | COUVRE MARCHEPIED GAU. | CUBIERTA APOYAPIES IZ. |
| 002.0        | 41   | 1          | 664 999 250  |  | GASZUG                 |                                | BOWDEN CABLE          | CÂBLE BOWDEN           | TRACCIÓN BOWDEN        |
| 002.0        | 42   | 2          | 664 788 512  |  | SCHRAUBE               |                                | SCREW                 | VIS                    | TORNILLO               |
| 002.0        | 43   | 2          | 664 581 200  |  | FEDERRING              |                                | GROWER                | GROWER                 | ARANDELA ELÁSTICA      |
| 002.0        | 44   | 1          | 664 394 501  |  | GRIFF                  |                                | HANDLE                | POIGNEE                | MANETA                 |
| 002.0        | 45   | 1          | 664 726 399  |  | SCHRAUBE               |                                | SCREW                 | VIS                    | TORNILLO               |
| 002.0        | 46   | 1          | 664 290 800  |  | MUTTER                 |                                | NUT                   | ECROU                  | TUERCA                 |
| 002.0        | 51   | 1          | 664 722 463  |  | SITZ                   |                                | SEAT                  | SIEGE                  | ASIENTO                |
| 002.0        | 53   | 1          | 664 547 033  |  | PLATTE                 |                                | PLATE                 | PLAQUE                 | PLACA                  |

| Seite / Page | Pos. | RM-72.13 H | Teil-Nr.<br>Part No.<br>No. de pièce<br>No. de pieza | Hinweise<br>Notes<br>Renseign.<br>Nota | Bezeichnung    | Spezifikation<br>Specification | Description    | Désignation          | Denominación        |
|--------------|------|------------|--|--|----------------|--------------------------------|----------------|----------------------|---------------------|
| 002.0        | 54   | 4          | 664 793 101  |  | SCHRAUBE       |                                | SCREW          | VIS                  | TORNILLO            |
| 002.0        | 55   | 4          | 664 583 500  |  | FEDERRING      |                                | GROWER         | GROWER               | ARANDELA ELÁSTICA   |
| 002.0        | 56   | 4          | 664 523 060  |  | SCHEIBE        |                                | WASHER         | RONDELLE             | ARANDELA            |
| 002.0        | 57   | 1          | 664 864 052  |  | BOLZEN         |                                | PIN            | PIVOT                | PIVOTE              |
| 002.0        | 58   | 1          | 664 487 997  |  | SPLINT         |                                | COTTER PIN     | GOUPILLE             | PASADOR             |
| 002.0        | 61   | 1          | 664 961 216  |  | LENKRAD        |                                | STEERING WHEEL | VOLANT               | VOLANTE             |
| 002.0        | 62   | 1          | 664 620 299  |  | STIFT          |                                | PIN            | GOUPILLE             | PASADOR             |
| 002.0        | 64   | 1          | 664 063 021  |  | NOCKEN         |                                | CAM            | CAME                 | LEVA                |
| 002.0        | 65   | 2          | 664 789 100  |  | SCHRAUBE       |                                | SCREW          | VIS                  | TORNILLO            |
| 002.0        | 66   | 2          | 664 523 020  |  | SCHEIBE        |                                | WASHER         | RONDELLE             | ARANDELA            |
| 002.0        | 67   | 2          | 664 154 330  |  | MUTTER         |                                | NUT            | ECROU                | TUERCA              |
| 002.0        | 68   | 1          | 664 430 223  |  | FEDER          |                                | SPRING         | RESSORT              | MUELLE              |
| 002.0        | 69   | 1          | 664 789 000  |  | SCHRAUBE       |                                | SCREW          | VIS                  | TORNILLO            |
| 002.0        | 70   | 1          | 664 154 330  |  | MUTTER         |                                | NUT            | ECROU                | TUERCA              |
| 002.0        | 71   | 1          | 664 600 020  |  | OBERSCHUTZ     |                                | UPPER GUARD    | PROTECTION SUPERIEUR | PROTECCIÓN SUPERIOR |
| 002.0        | 72   | 1          | 664 600 021  |  | UNTERSCHUTZ    |                                | LOWER GUARD    | PROTECTION INFERIEUR | PROTECCIÓN INFERIOR |
| 002.0        | 73   | 2          | 664 728 460  |  | SCHRAUBE       |                                | SCREW          | VIS                  | TORNILLO            |
| 002.0        | 74   | 2          | 664 521 320  |  | SCHEIBE        |                                | WASHER         | RONDELLE             | ARANDELA            |
| 002.0        | 75   | 2          | 664 437 502  |  | PLATTE         |                                | PLATE          | PLAQUE               | PLACA               |
| 002.0        | 81   | 1          | 664 787 062  |  | HALTER         |                                | SUPPORT        | SUPPORT              | SOPORTE             |
| 002.0        | 82   | 3          | 664 735 410  |  | SCHRAUBE       |                                | SCREW          | VIS                  | TORNILLO            |
| 002.0        | 83   | 1          | 664 733 003  |  | TANK           |                                | TANK           | RESERVOIR            | DEPÓSITO            |
| 002.0        | 84   | 2          | 664 735 410  |  | SCHRAUBE       |                                | SCREW          | VIS                  | TORNILLO            |
| 002.0        | 85   | 2          | 664 523 040  |  | SCHEIBE        |                                | WASHER         | RONDELLE             | ARANDELA            |
| 002.0        | 86   | 1          | 664 600 061  |  | SCHUTZ         |                                | PROTECTION     | PROTECTION           | PROTECCIÓN          |
| 002.0        | 87   | 1          | 664 795 000  |  | TANKVERSCHLUSS |                                | CAP            | BOUCHON              | TAPÓN DEL DEPÓSITO  |
| 002.0        | 88   | 1          | 664 869 014  |  | ROHR           |                                | TUBE           | TUBE                 | TUBO                |
| 002.0        | 89   | 1          | 664 787 063  |  | HALTER         |                                | SUPPORT        | SUPPORT              | SOPORTE             |
| 002.0        | 90   | 1          | 664 510 118  |  | BOLZEN         |                                | PIN            | PIVOT                | PIVOTE              |
| 002.0        | 91   | 2          | 664 293 201  |  | MUTTER         |                                | NUT            | ECROU                | TUERCA              |



| Seite / Page | Pos. | RM-72.13 H | Teil-Nr.<br>Part No.<br>No. de pièce<br>No. de pieza | Hinweise<br>Notes<br>Renseign.<br>Nota | Bezeichnung         | Spezifikation<br>Specification | Description      | Désignation          | Denominación         |
|--------------|------|------------|--|--|---------------------|--------------------------------|------------------|----------------------|----------------------|
| 003.0        | 1    | 1          | 664 520 050  |  | LENKSÄULE           |                                | STEERING COLUMN  | COLONNE DE DIRECTION | COLUMNA DE DIRECCIÓN |
| 003.0        | 2    | 1          | 664 038 004  |  | BUCHSE              |                                | BUSH             | DOUILLE              | CASQUILLO            |
| 003.0        | 3    | 1          | 664 622 650  |  | STIFT               |                                | PIN              | GOUPILLE             | PASADOR              |
| 003.0        | 4    | 1          | 664 570 050  |  | RITZEL              |                                | PINION           | PIGNON               | PIÑÓN                |
| 003.0        | 5    | 1          | 664 521 370  |  | SCHEIBE             |                                | WASHER           | RONDELLE             | ARANDELA             |
| 003.0        | 6    | 1          | 664 436 030  |  | PLÄTTCHEN           |                                | PLATE            | PLAQUETTE            | PLAQUITA             |
| 003.0        | 7    | 1          | 664 735 551  |  | LENKWELLE           |                                | STEERING SHAFT   | ARBRE DIRECTION      | ÁRBOL DE DIRECCIÓN   |
| 003.0        | 8    | 1          | 664 999 501  |  | WELLE               |                                | SHAFT            | ARBRE                | ÁRBOL                |
| 003.0        | 9    | 2          | 664 001 000  |  | SPRENGRING          |                                | SNAP RING        | ANNEAU RESSORT       | ANILLO DE SUJECIÓN   |
| 003.0        | 10   | 0-2        | 664 520 031  |  | SCHEIBE             |                                | WASHER           | RONDELLE             | ARANDELA             |
| 003.0        | 11   | 1          | 664 793 102  |  | SCHRAUBE            |                                | SCREW            | VIS                  | TORNILLO             |
| 003.0        | 12   | 1          | 664 583 500  |  | FEDERRING           |                                | GROWER           | GROWER               | ARANDELA ELÁSTICA    |
| 003.0        | 16   | 2          | 664 840 050  |  | SPANNSTANGE         |                                | TIE ROD          | TIRANT               | SENSOR               |
| 003.0        | 17   | 4          | 664 746 600  |  | GELENK              |                                | JOINT            | JOINT                | JUNTA                |
| 003.0        | 19   | 4          | 664 156 602  |  | MUTTER              |                                | NUT              | ECROU                | TUERCA               |
| 003.0        | 20   | 1          | 664 034 057  |  | KIPPHEBEL           |                                | EQUALIZER        | BALANCIER            | PALANCA              |
| 003.0        | 21   | 4          | 664 034 002  |  | BUCHSE              |                                | BUSH             | DOUILLE              | CASQUILLO            |
| 003.0        | 22   | 2          | 664 379 511  |  | FETTBUCHSE          |                                | GREASE DISPENSER | GRAISSEUR            | CASQUILLO DE ENGRASE |
| 003.0        | 23   | 1          | 664 230 401  |  | ACHSSCHENKEL RECHTS |                                | STUB AXLE RIGHT  | FUSEAU DROITE        | MANGUETA DERECHA     |
| 003.0        | 24   | 1          | 664 230 403  |  | ACHSSCHENKEL LINKS  |                                | STUB AXLE LEFT   | FUSEAU GAUCHE        | MANGUETA IZQUIERDA   |
| 003.0        | 25   | 2          | 664 001 000  |  | SPRENGRING          |                                | SNAP RING        | ANNEAU RESSORT       | ANILLO DE SUJECIÓN   |
| 003.0        | 26   | 1          | 664 160 016  |  | DISTANZRING         |                                | SPACER           | ENTRETOISE           | DISTANCIADOR         |
| 003.0        | 27   | 1          | 664 692 695  |  | SCHRAUBE            |                                | SCREW            | VIS                  | TORNILLO             |
| 003.0        | 28   | 2          | 664 523 100  |  | SCHEIBE             |                                | WASHER           | RONDELLE             | ARANDELA             |
| 003.0        | 29   | 1          | 664 587 100  |  | FEDERRING           |                                | GROWER           | GROWER               | ARANDELA ELÁSTICA    |
| 003.0        | 30   | 1          | 664 295 300  |  | MUTTER              |                                | NUT              | ECROU                | TUERCA               |
| 003.0        | 31   | 1          | 664 521 350  |  | SCHEIBE             |                                | WASHER           | RONDELLE             | ARANDELA             |
| 003.0        | 51   | 2          | 664 680 052  |  | VORDERRAD           |                                | FRONT WHEEL      | ROUE AVANT           | RUEDA DELANTERA      |
| 003.0        | 51   | 2          | 664 680 055  |  | VORDERRAD           |                                | FRONT WHEEL      | ROUE AVANT           | RUEDA DELANTERA      |
| 003.0        | 52   | 2          | 664 044 000  |  | FELGE               |                                | RIMM             | JANTE                | LLANTA               |
| 003.0        | 53   | 4          | 664 122 210  |  | LAGER               |                                | BEARING          | COUSSINET            | RODAMIENTO           |
| 003.0        | 54   | 2          | 664 590 050  |  | REIFEN              |                                | SHOE             | PNEU                 | NEUMÁTICO            |
| 003.0        | 54   | 2          | 664 590 052  |  | REIFEN              |                                | SHOE             | PNEU                 | NEUMÁTICO            |
| 003.0        | 55   | 2          | 664 670 005  |  | SCHEIBE             |                                | WASHER           | RONDELLE             | ARANDELA             |
| 003.0        | 56   | 2          | 664 001 000  |  | SPRENGRING          |                                | SNAP RING        | ANNEAU RESSORT       | ANILLO DE SUJECIÓN   |
| 003.0        | 57   | 2          | 664 110 230  |  | NABENDECKEL         |                                | HUB COVER        | COUVRE MOYEU         | TAPACUBOS            |
| 003.0        | 58   | 2          | 664 950 000  |  | VENTIL              |                                | VALVE            | SOUPAPE              | VÁLVULA              |

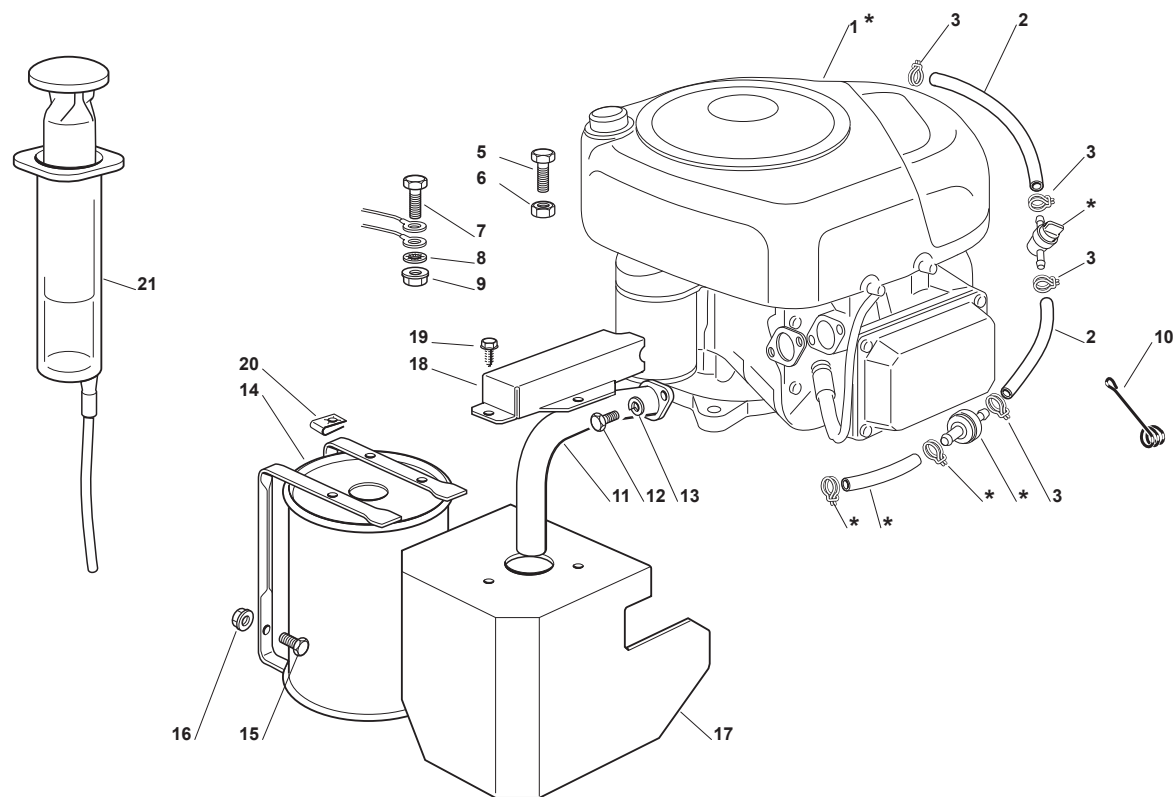




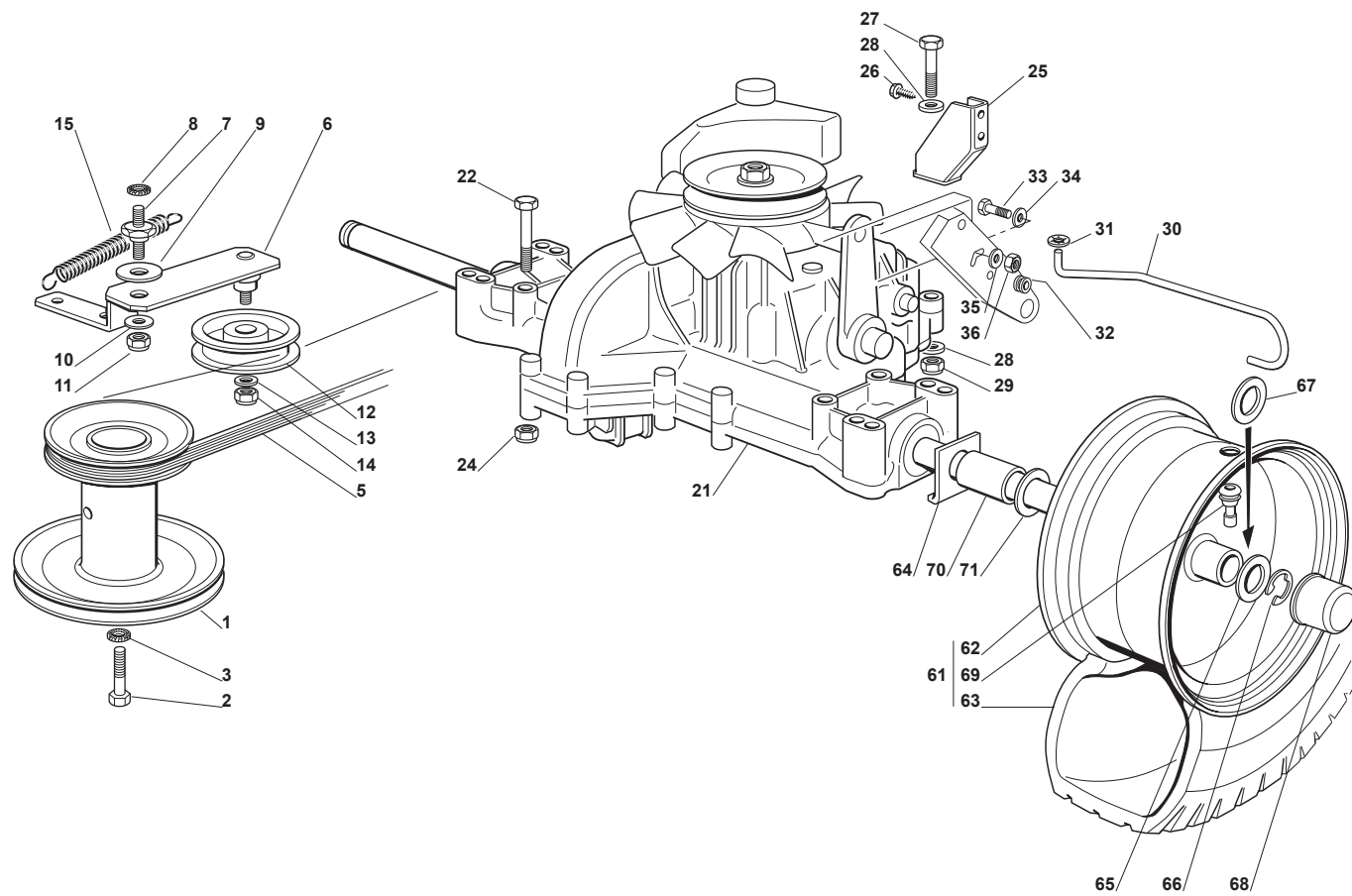
| Seite / Page | Pos. | RM-72.13 H | Teil-Nr.<br>Part No.<br>No. de pièce<br>No. de pieza | Hinweise<br>Notes<br>Renseign.<br>Nota | Bezeichnung  | Spezifikation<br>Specification | Description       | Désignation              | Denominación             |
|--------------|------|------------|--|--|--------------|--------------------------------|-------------------|--------------------------|--------------------------|
| 004Y.0       | 1    | 1          | 664 503 001  |  | PEDAL        |                                | PEDAL             | PEDAL                    | PEDAL                    |
| 004Y.0       | 2    | 1          | 664 110 267  |  | PEDALGUMMI   |                                | CLAMP COVER       | COUVRE ETRIER            | GOMA DEL PEDAL           |
| 004Y.0       | 3    | 1          | 664 001 015  |  | ACHSE        |                                | AXLE              | AXE                      | EJE                      |
| 004Y.0       | 4    | 2          | 664 793 301  |  | SCHRAUBE     |                                | SCREW             | VIS                      | TORNILLO                 |
| 004Y.0       | 5    | 2          | 664 155 000  |  | MUTTER       |                                | NUT               | ECROU                    | TUERCA                   |
| 004Y.0       | 6    | 2          | 664 546 015  |  | PLATTE       |                                | PLATE             | PLAQUE                   | PLACA                    |
| 004Y.0       | 7    | 4          | 664 731 350  |  | SCHRAUBE     |                                | SCREW             | VIS                      | TORNILLO                 |
| 004Y.0       | 8    | 1          | 664 001 011  |  | ACHSE        |                                | AXLE              | AXE                      | EJE                      |
| 004Y.0       | 9    | 2          | 664 547 049  |  | PLATTE       |                                | PLATE             | PLAQUE                   | PLACA                    |
| 004Y.0       | 10   | 4          | 664 731 601  |  | SCHRAUBE     |                                | SCREW             | VIS                      | TORNILLO                 |
| 004Y.0       | 11   | 1          | 664 430 552  |  | FEDER        |                                | SPRING            | RESSORT                  | MUELLE                   |
| 004Y.0       | 12   | 1          | 664 395 050  |  | KNOPF        |                                | KNOB              | POIGNEE                  | BOTÓN                    |
| 004Y.0       | 13   | 1          | 664 034 070  |  | STANGE       |                                | ROD               | BARRE                    | BARRA                    |
| 004Y.0       | 15   | 1          | 664 510 067  |  | BOLZEN       |                                | PIN               | PIVOT                    | PIVOTE                   |
| 004Y.0       | 16   | 1          | 664 430 236  |  | FEDER        |                                | SPRING            | RESSORT                  | MUELLE                   |
| 004Y.0       | 17   | 2          | 664 521 360  |  | SCHEIBE      |                                | WASHER            | RONDELLE                 | ARANDELA                 |
| 004Y.0       | 20   | 1          | 664 523 050  |  | SCHEIBE      |                                | WASHER            | RONDELLE                 | ARANDELA                 |
| 004Y.0       | 21   | 1          | 664 155 000  |  | MUTTER       |                                | NUT               | ECROU                    | TUERCA                   |
| 004Y.0       | 22   | 1          | 664 487 997  |  | SPLINT       |                                | COTTER PIN        | GOUPILLE                 | PASADOR                  |
| 004Y.0       | 23   | 1          | 664 430 210  |  | FEDER        |                                | SPRING            | RESSORT                  | MUELLE                   |
| 004Y.0       | 24   | 1          | 664 943 005  |  | SCHRAUBE     |                                | SCREW             | VIS                      | TORNILLO                 |
| 004Y.0       | 25   | 2          | 664 293 200  |  | MUTTER       |                                | NUT               | ECROU                    | TUERCA                   |
| 004Y.0       | 26   | 1          | 664 275 000  |  | GUMMI        |                                | GROMMET           | CAOUTCHOUC               | CAUCHO                   |
| 004Y.0       | 27   | 1          | 664 156 602  |  | MUTTER       |                                | NUT               | ECROU                    | TUERCA                   |
| 004Y.0       | 28   | 1          | 664 670 011  |  | SCHEIBE      |                                | WASHER            | RONDELLE                 | ARANDELA                 |
| 004Y.0       | 32   | 1          | 664 773 568  |  | LAGERBUCHSE  |                                | BRACKET WITH BUSH | INGSETRIER AVEC DOUILLES | CASQUILLO DEL RODAMIENTO |
| 004Y.0       | 33   | 2          | 664 045 080  |  | LAGER        |                                | BEARING           | COUSSINET                | RODAMIENTO               |
| 004Y.0       | 34   | 1          | 664 773 561  |  | HEBEL        |                                | LEVER             | LEVIER                   | PALANCA                  |
| 004Y.0       | 35   | 2          | 664 672 151  |  | SCHEIBE      |                                | WASHER            | RONDELLE                 | ARANDELA                 |
| 004Y.0       | 36   | 1          | 664 772 101  |  | HEBEL LINKS  |                                | LEVER LEFT        | LEVIER GAUCHE            | PALANCA IZQUIERDA        |
| 004Y.0       | 37   | 1          | 664 772 103  |  | HEBEL RECHTS |                                | LEVER RIGHT       | LEVIER DROITE            | PALANCA DERECHA          |
| 004Y.0       | 38   | 1          | 664 672 152  |  | SCHEIBE      |                                | WASHER            | RONDELLE                 | ARANDELA                 |
| 004Y.0       | 39   | 1          | 664 523 060  |  | SCHEIBE      |                                | WASHER            | RONDELLE                 | ARANDELA                 |
| 004Y.0       | 40   | 1          | 664 155 010  |  | MUTTER       |                                | NUT               | ECROU                    | TUERCA                   |
| 004Y.0       | 41   | 1          | 664 734 055  |  | SEKTOR       |                                | SECTOR            | SECTEUR                  | SECTOR                   |
| 004Y.0       | 42   | 1          | 664 794 900  |  | SCHRAUBE     |                                | SCREW             | VIS                      | TORNILLO                 |
| 004Y.0       | 43   | 1          | 664 155 020  |  | MUTTER       |                                | NUT               | ECROU                    | TUERCA                   |

| Seite / Page | Pos. | RM-72.13 H | Teil-Nr.<br>Part No.<br>No. de pièce<br>No. de pieza | Hinweise<br>Notes<br>Renseign.<br>Nota | Bezeichnung | Spezifikation<br>Specification | Description      | Désignation | Denominación         |
|--------------|------|------------|--|--|-------------|--------------------------------|------------------|-------------|----------------------|
| 004Y.0       | 44   | 2          | 664 158 000  |  | SCHEIBE     |                                | WASHER           | RONDELLE    | ARANDELA             |
| 004Y.0       | 45   | 2          | 664 670 053  |  | SCHEIBE     |                                | WASHER           | RONDELLE    | ARANDELA             |
| 004Y.0       | 46   | 1          | 664 773 565  |  | ZUGPLATTE   |                                | CLAMP            | ETRIER      | PLACA DE TRACCIÓN    |
| 004Y.0       | 47   | 2          | 664 063 020  |  | NOCKEN      |                                | CAM              | CAME        | LEVA                 |
| 004Y.0       | 48   | 2          | 664 735 110  |  | SCHRAUBE    |                                | SCREW            | VIS         | TORNILLO             |
| 004Y.0       | 49   | 1          | 664 773 563  |  | HEBEL       |                                | LEVER            | LEVIER      | PALANCA              |
| 004Y.0       | 50   | 1          | 664 430 560  |  | FEDER       |                                | SPRING           | RESSORT     | MUELLE               |
| 004Y.0       | 51   | 1          | 664 670 008  |  | SCHEIBE     |                                | WASHER           | RONDELLE    | ARANDELA             |
| 004Y.0       | 52   | 1          | 664 155 020  |  | MUTTER      |                                | NUT              | ECROU       | TUERCA               |
| 004Y.0       | 53   | 1          | 664 379 511  |  | FETTBUCHSE  |                                | GREASE DISPENSER | GRAISSEUR   | CASQUILLO DE ENGRASE |
| 004Y.0       | 54   | 1          | 664 521 330  |  | SCHEIBE     |                                | WASHER           | RONDELLE    | ARANDELA             |
| 004Y.0       | 55   | 1          | 664 317 051  |  | HEBEL       |                                | LEVER            | LEVIER      | PALANCA              |
| 004Y.0       | 56   | 1          | 664 430 226  |  | FEDER       |                                | SPRING           | RESSORT     | MUELLE               |
| 004Y.0       | 57   | 1          | 664 692 050  |  | SCHRAUBE    |                                | SCREW            | VIS         | TORNILLO             |
| 004Y.0       | 58   | 1          | 664 155 000  |  | MUTTER      |                                | NUT              | ECROU       | TUERCA               |
| 004Y.0       | 59   | 1          | 664 394 508  |  | KNAUF       |                                | KNOB             | POIGNEE     | MANETA               |
| 004Y.0       | 60   | 2          | 664 793 102  |  | SCHRAUBE    |                                | SCREW            | VIS         | TORNILLO             |
| 004Y.0       | 61   | 2          | 664 293 201  |  | MUTTER      |                                | NUT              | ECROU       | TUERCA               |
| 004Y.0       | 71   | 1          | 664 034 071  |  | STANGE      |                                | ROD              | BARRE       | BARRA                |
| 004Y.0       | 72   | 1          | 664 510 040  |  | BOLZEN      |                                | PIN              | PIVOT       | PIVOTE               |
| 004Y.0       | 73   | 1          | 664 293 200  |  | MUTTER      |                                | NUT              | ECROU       | TUERCA               |
| 004Y.0       | 74   | 2          | 664 670 011  |  | SCHEIBE     |                                | WASHER           | RONDELLE    | ARANDELA             |
| 004Y.0       | 75   | 1          | 664 155 010  |  | MUTTER      |                                | NUT              | ECROU       | TUERCA               |
| 004Y.0       | 77   | 1          | 664 487 997  |  | SPLINT      |                                | COTTER PIN       | GOUPILLE    | PASADOR              |
| 004Y.0       | 80   | 1          | 664 207 101  |  | KABEL       |                                | CABLE            | FIL         | CABLE                |
| 004Y.0       | 81   | 1          | 664 772 105  |  | FÜHRUNG     |                                | CLAMP            | ETRIER      | GUÍA                 |
| 004Y.0       | 82   | 2          | 664 791 400  |  | SCHRAUBE    |                                | SCREW            | VIS         | TORNILLO             |
| 004Y.0       | 83   | 2          | 664 521 330  |  | SCHEIBE     |                                | WASHER           | RONDELLE    | ARANDELA             |
| 004Y.0       | 84   | 2          | 664 292 102  |  | MUTTER      |                                | NUT              | ECROU       | TUERCA               |
| 004Y.0       | 85   | 1          | 664 034 074  |  | STANGE      |                                | ROD              | BARRE       | BARRA                |
| 004Y.0       | 86   | 1          | 664 510 040  |  | BOLZEN      |                                | PIN              | PIVOT       | PIVOTE               |
| 004Y.0       | 87   | 2          | 664 293 200  |  | MUTTER      |                                | NUT              | ECROU       | TUERCA               |
| 004Y.0       | 88   | 2          | 664 670 011  |  | SCHEIBE     |                                | WASHER           | RONDELLE    | ARANDELA             |
| 004Y.0       | 89   | 1          | 664 155 010  |  | MUTTER      |                                | NUT              | ECROU       | TUERCA               |
| 004Y.0       | 91   | 1          | 664 487 997  |  | SPLINT      |                                | COTTER PIN       | GOUPILLE    | PASADOR              |
| 004Y.0       | 92   | 1          | 664 155 000  |  | MUTTER      |                                | NUT              | ECROU       | TUERCA               |
| 004Y.0       | 93   | 2          | 664 670 011  |  | SCHEIBE     |                                | WASHER           | RONDELLE    | ARANDELA             |

| Seite / Page | Pos. | RM-72.13 H | Teil-Nr.<br>Part No.<br>No. de pièce<br>No. de pieza | Hinweise<br>Notes<br>Renseign.<br>Nota | Bezeichnung    | Spezifikation<br>Specification | Description    | Désignation      | Denominación        |
|--------------|------|------------|--|--|----------------|--------------------------------|----------------|------------------|---------------------|
| 004Y.0       | 101  | 2          | 664 546 047  |  | PLATTE         |                                | PLATE          | PLAQUE           | PLACA               |
| 004Y.0       | 102  | 2          | 664 735 121  |  | SCHRAUBE       |                                | SCREW          | VIS              | TORNILLO            |
| 004Y.0       | 103  | 2          | 664 040 614  |  | LAGER          |                                | BEARING        | COUSSINET        | RODAMIENTO          |
| 004Y.0       | 104  | 1          | 664 001 023  |  | ACHSE          |                                | AXLE           | AXE              | EJE                 |
| 004Y.0       | 105  | 2          | 664 608 900  |  | SICHERUNGSRING |                                | RETAINING RING | ANNEAU DE SÛRETÉ | ANILLO DE SEGURIDAD |
| 004Y.0       | 106  | 1          | 664 034 073  |  | STANGE         |                                | ROD            | BARRE            | BARRA               |
| 004Y.0       | 107  | 1          | 664 510 111  |  | BOLZEN         |                                | PIN            | PIVOT            | PIVOTE              |
| 004Y.0       | 108  | 1          | 664 487 997  |  | SPLINT         |                                | COTTER PIN     | GOUPILLE         | PASADOR             |
| 004Y.0       | 109  | 1          | 664 510 110  |  | BOLZEN         |                                | PIN            | PIVOT            | PIVOTE              |
| 004Y.0       | 110  | 1          | 664 487 997  |  | SPLINT         |                                | COTTER PIN     | GOUPILLE         | PASADOR             |
| 004Y.0       | 111  | 1          | 664 063 022  |  | NOCKEN         |                                | CAM            | CAME             | LEVA                |
| 004Y.0       | 112  | 1          | 664 791 400  |  | SCHRAUBE       |                                | SCREW          | VIS              | TORNILLO            |
| 004Y.0       | 113  | 2          | 664 521 330  |  | SCHEIBE        |                                | WASHER         | RONDELLE         | ARANDELA            |
| 004Y.0       | 114  | 1          | 664 154 510  |  | MUTTER         |                                | NUT            | ECROU            | TUERCA              |
| 004Y.0       | 115  | 1          | 664 546 019  |  | PLATTE         |                                | PLATE          | PLAQUE           | PLACA               |
| 004Y.0       | 116  | 2          | 664 735 602  |  | SCHRAUBE       |                                | SCREW          | VIS              | TORNILLO            |
| 004Y.0       | 117  | 2          | 664 581 100  |  | FEDERRING      |                                | SPRING RING    | BAGUE À RESSORT  | ARANDELA ELÁSTICA   |
| 004Y.0       | 118  | 2          | 664 290 791  |  | MUTTER         |                                | NUT            | ECROU            | TUERCA              |
| 004Y.0       | 119  | 2          | 664 540 020  |  | SCHEIBE        |                                | WASHER         | RONDELLE         | ARANDELA            |



| Seite / Page | Pos. | RM-72.13 H | Teil-Nr.<br>Part No.<br>No. de pièce<br>No. de pieza | Hinweise<br>Notes<br>Renseign.<br>Nota | Bezeichnung   | Spezifikation<br>Specification | Description   | Désignation   | Denominación   |
|--------------|------|------------|--|--|---|--------------------------------|---|---|--|
| 005.0        | *    |            | Briggs&Stratton                                      |  | ZUM AUSTAUSCH DER MIT «*» GEKENNZEICHNETEN TEILE, WENDEN SIE SICH AN DEN KUNDENDIENST DES MOTORHERSTELLERS. |                                | TO REPLACE THE PARTS MARKED «*» SEEK ASSISTANCE FROM THE ENGINE MANUFACTURER'S AFTER SALES SERVICE. | POUR LE REMPLACEMENT DES PIÈCES MARQUÉES AVEC «*» S'ADRESSER AU SERVICE APRÈS VENTES DU CONSTRUCTEUR DU MOTEUR. | PARA RECAMBIO DE LAS PIEZAS MARCADO CON «*» FAVOR SE DIRIGEN AL SERVICIO TÉCNICO DEL FABRICANTE DEL MOTOR. |
| 005.0        | 1*   | 1          | Briggs&Stratton                                      |  | MOTOR   |                                | ENGINE  | MOTEUR  | MOTOR  |
| 005.0        | 2    | 2          | 664 869 035  |  | ROHR  |                                | TUBE  | TUBE  | TUBO   |
| 005.0        | 3    | 4          | 664 869 035  |  | ROHR  |                                | TUBE  | TUBE  | TUBO   |
| 005.0        | 5    | 3          | 664 691 100  |  | SCHRAUBE  |                                | SCREW   | VIS   | TORNILLO   |
| 005.0        | 6    | 3          | 664 154 210  |  | MUTTER  |                                | NUT   | ECROU   | TUERCA   |
| 005.0        | 7    | 1          | 664 691 115  |  | SCHRAUBE  |                                | SCREW   | VIS   | TORNILLO   |
| 005.0        | 8    | 1          | 664 540 260  |  | SCHEIBE   |                                | WASHER  | RONDELLE  | ARANDELA   |
| 005.0        | 9    | 1          | 664 154 210  |  | MUTTER  |                                | NUT   | ECROU   | TUERCA   |
| 005.0        | 10   | 1          | 664 430 239  |  | FEDER   |                                | SPRING  | RESSORT   | MUELLE   |
| 005.0        | 11   | 1          | 664 738 225  |  | AUSPUFFANSCHLUSS  |                                | EXHAUST CONNECTION  | CONNEXION ECHAPPEMENT   | CONEXIÓN DEL ESCAPE  |
| 005.0        | 12   | 2          | 664 737 450  |  | SCHRAUBE  |                                | SCREW   | VIS   | TORNILLO   |
| 005.0        | 13   | 2          | 664 583 500  |  | FEDERRING   |                                | GROWER  | GROWER  | ARANDELA ELÁSTICA  |
| 005.0        | 14   | 1          | 664 750 006  |  | AUSPUFF   |                                | MUFFLER   | SILENCIEUX  | SILENCIADOR  |
| 005.0        | 15   | 2          | 664 793 102  |  | SCHRAUBE  |                                | SCREW   | VIS   | TORNILLO   |
| 005.0        | 16   | 2          | 664 154 210  |  | MUTTER  |                                | NUT   | ECROU   | TUERCA   |
| 005.0        | 17   | 1          | 664 598 081  |  | AUSPUFFSCHUTZ   |                                | GUARD   | PROTECTION  | PROTECCIÓN   |
| 005.0        | 18   | 1          | 664 600 137  |  | SCHUTZ  |                                | PROTECTION  | PROTECTION  | PROTECCIÓN   |
| 005.0        | 19   | 3          | 664 729 601  |  | SCHRAUBE  |                                | SCREW   | VIS   | TORNILLO   |
| 005.0        | 20   | 3          | 664 437 504  |  | PLATTE  |                                | PLATE   | PLAQUE  | PLACA  |
| 005.0        | 21   | 1          | 664 718 000  |  | SPRITZE   |                                | SYRINGE   | SIRINGUE  | JERINGUILLA  |

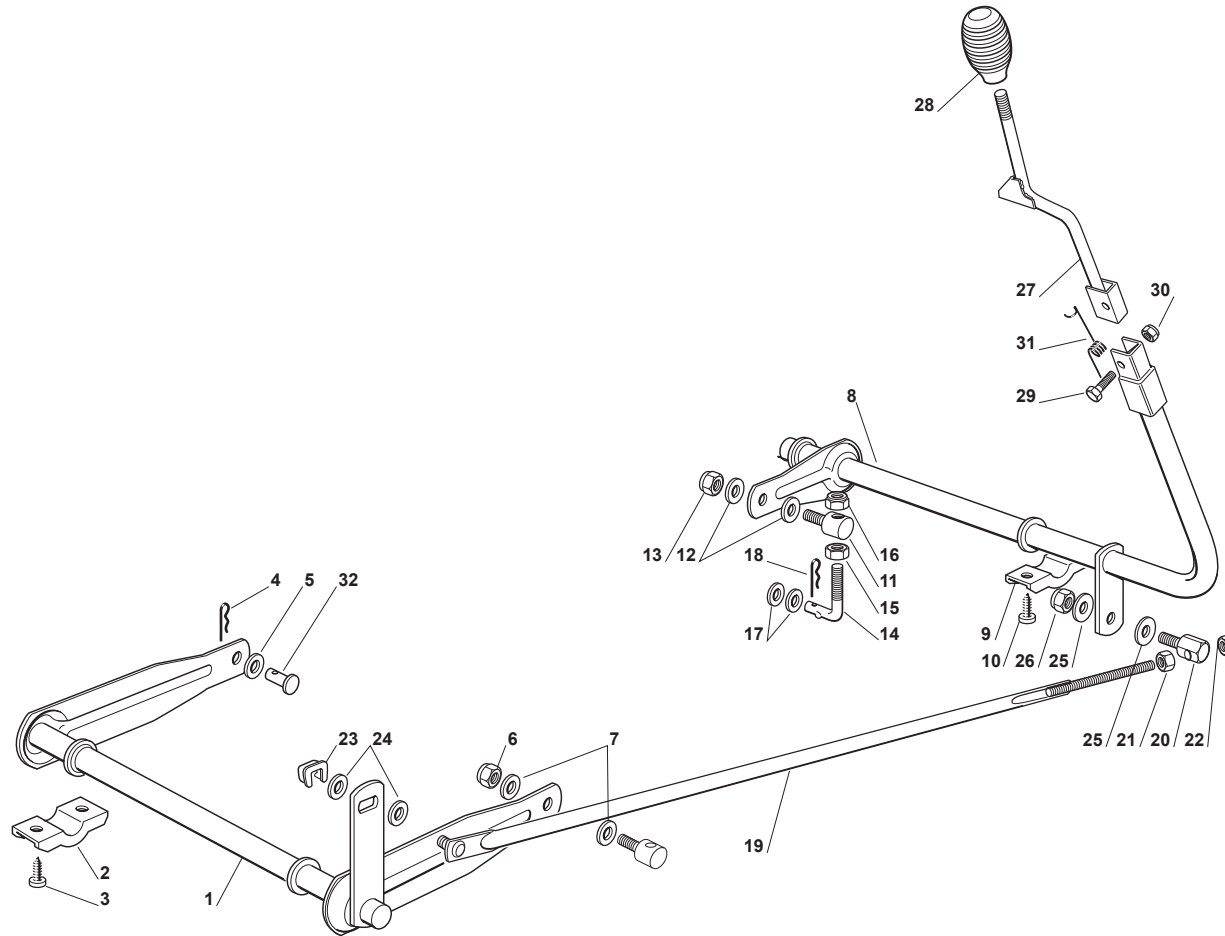


| Seite / Page | Pos. | RM-72.13 H | Teil-Nr.<br>Part No.<br>No. de pièce<br>No. de pieza | Hinweise<br>Notes<br>Renseign.<br>Nota | Bezeichnung   | Spezifikation<br>Specification | Description   | Désignation   | Denominación   |
|--------------|------|------------|--|--|---|--------------------------------|---|---|--|
| 006Y.0       | *    |            | Briggs&Stratton                                      |  | ZUM AUSTAUSCH DER MIT «*» GEKENNZEICHNETEN TEILE, WENDEN SIE SICH AN DEN KUNDENDIENST DES MOTORHERSTELLERS. |                                | TO REPLACE THE PARTS MARKED «*» SEEK ASSISTANCE FROM THE ENGINE MANUFACTURER'S AFTER SALES SERVICE. | POUR LE REMPLACEMENT DES PIÈCES MARQUÉES AVEC «*» S'ADRESSER AU SERVICE APRÈS VENTES DU CONSTRUCTEUR DU MOTEUR. | PARA RECAMBIO DE LAS PIEZAS MARCADO CON «*» FAVOR SE DIRIGEN AL SERVICIO TÉCNICO DEL FABRICANTE DEL MOTOR. |
| 006Y.0       | 1    | 1          | 664 604 005  |  | RIEMENSCHLEIBE  |                                | PULLEY  | POULIE  | POLEA  |
| 006Y.0       | 2    | 1          | 664 737 310  |  | SCHRAUBE  |                                | SCREW   | VIS   | TORNILLO   |
| 006Y.0       | 3    | 1          | 664 543 000  |  | SCHEIBE   |                                | WASHER  | RONDELLE  | ARANDELA   |
| 006Y.0       | 5    | 1          | 664 061 404  |  | RIEMEN  |                                | BELT  | COURROIE  | CORREA   |
| 006Y.0       | 6    | 1          | 664 317 081  |  | HEBEL   |                                | LEVER   | LEVIER  | PALANCA  |
| 006Y.0       | 7    | 1          | 664 510 096  |  | BOLZEN  |                                | PIN   | PIVOT   | PIVOTE   |
| 006Y.0       | 8    | 1          | 664 540 260  |  | SCHEIBE   |                                | WASHER  | RONDELLE  | ARANDELA   |
| 006Y.0       | 9    | 1          | 664 672 151  |  | SCHEIBE   |                                | WASHER  | RONDELLE  | ARANDELA   |
| 006Y.0       | 10   | 1          | 664 670 011  |  | SCHEIBE   |                                | WASHER  | RONDELLE  | ARANDELA   |
| 006Y.0       | 11   | 1          | 664 155 010  |  | MUTTER  |                                | NUT   | ECROU   | TUERCA   |
| 006Y.0       | 12   | 1          | 664 601 554  |  | RIEMENSCHLEIBE  |                                | PULLEY  | POULIE  | POLEA  |
| 006Y.0       | 13   | 1          | 664 523 060  |  | SCHEIBE   |                                | WASHER  | RONDELLE  | ARANDELA   |
| 006Y.0       | 14   | 1          | 664 155 000  |  | MUTTER  |                                | NUT   | ECROU   | TUERCA   |
| 006Y.0       | 15   | 1          | 664 446 402  |  | FEDER   |                                | SPRING  | RESSORT   | MUELLE   |
| 006Y.0       | 21   | 1          | 664 400 965  |  | HINTERACHSE   | Tecumseh-Peerless LTH2000-004C | REAR AXLE   | AXE ARRIERE   | EJE TRASERO, ENGRANAJE CPL.  |
| 006Y.0       | 22   | 4          | 664 691 800  |  | SCHRAUBE  |                                | SCREW   | VIS   | TORNILLO   |
| 006Y.0       | 24   | 4          | 664 154 210  |  | MUTTER  |                                | NUT   | ECROU   | TUERCA   |
| 006Y.0       | 25   | 1          | 664 783 019  |  | HALTER  |                                | SUPPORT   | SUPPORT   | SOPORTE  |
| 006Y.0       | 26   | 1          | 664 735 121  |  | SCHRAUBE  |                                | SCREW   | VIS   | TORNILLO   |
| 006Y.0       | 27   | 1          | 664 691 200  |  | SCHRAUBE  |                                | SCREW   | VIS   | TORNILLO   |
| 006Y.0       | 28   | 1          | 664 521 350  |  | SCHEIBE   |                                | WASHER  | RONDELLE  | ARANDELA   |
| 006Y.0       | 29   | 1          | 664 155 000  |  | MUTTER  |                                | NUT   | ECROU   | TUERCA   |
| 006Y.0       | 30   | 1          | 664 034 069  |  | HEBEL   |                                | LEVER   | LEVIER  | PALANCA  |
| 006Y.0       | 31   | 1          | 664 000 930  |  | SICHERUNGSSCHLEIBE  |                                | SAFETY WASHER   | RONDELLE DE SÉCURITÉ  | ANILLO DE SEGURIDAD  |
| 006Y.0       | 32   | 1          | 664 564 512  |  | KABELDURCHGANG  |                                | FAIR LEAD   | PASSE CABLE   | SUJETACABLE  |
| 006Y.0       | 33   | 1          | 664 793 301  |  | SCHRAUBE  |                                | SCREW   | VIS   | TORNILLO   |
| 006Y.0       | 34   | 1          | 664 523 060  |  | SCHEIBE   |                                | WASHER  | RONDELLE  | ARANDELA   |
| 006Y.0       | 35   | 1          | 664 521 350  |  | SCHEIBE   |                                | WASHER  | RONDELLE  | ARANDELA   |
| 006Y.0       | 36   | 1          | 664 155 000  |  | MUTTER  |                                | NUT   | ECROU   | TUERCA   |
| 006Y.0       | 61   | 2          | 664 680 050  |  | HINTERRAD   |                                | WHEEL   | ROUE  | RUEDA  |
| 006Y.0       | 61   | 2          | 664 680 053  |  | HINTERRAD   |                                | WHEEL   | ROUE  | RUEDA  |
| 006Y.0       | 62   | 2          | 664 044 001  |  | HINTERRAD FELGE   |                                | RIMM  | BANDAGE ROUE  | LLANTA RUEDA TRASERA   |
| 006Y.0       | 63   | 2          | 664 590 051  |  | REIFEN  |                                | SHOE  | PNEU  | NEUMÁTICO  |

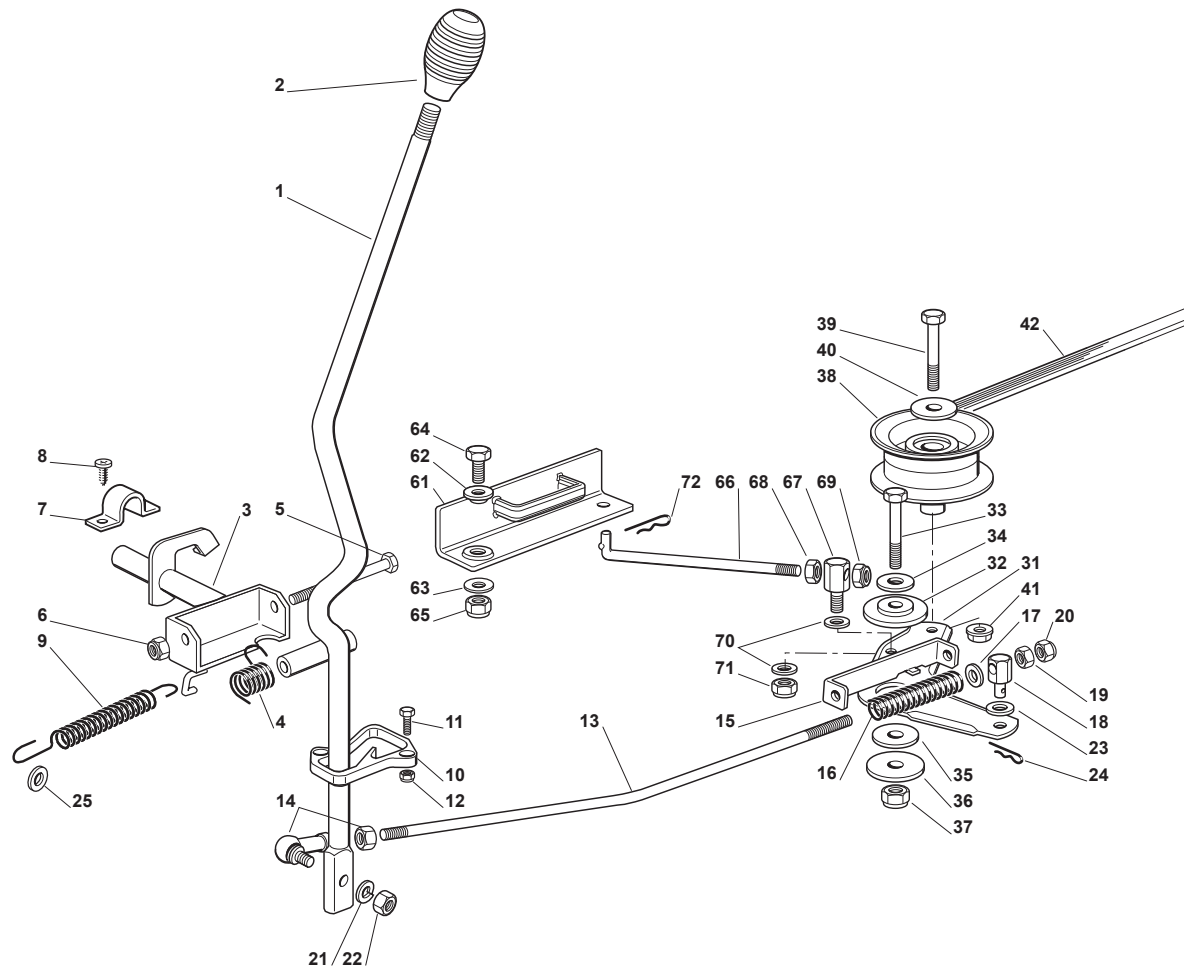




| Seite / Page | Pos. | RM-72.13 H | Teil-Nr.<br>Part No.<br>No. de pièce<br>No. de pieza | Hinweise<br>Notes<br>Renseign.<br>Nota | Bezeichnung  | Spezifikation<br>Specification | Description | Désignation    | Denominación       |
|--------------|------|------------|--|--|--------------|--------------------------------|-------------|----------------|--------------------|
| 006Y.0       | 63   | 2          | 664 590 053  |  | REIFEN       |                                | SHOE        | PNEU           | NEUMÁTICO          |
| 006Y.0       | 64   | 2          | 664 670 017  |  | SCHEIBE      |                                | WASHER      | RONDELLE       | ARANDELA           |
| 006Y.0       | 65   | 2          | 664 670 005  |  | SCHEIBE      |                                | WASHER      | RONDELLE       | ARANDELA           |
| 006Y.0       | 66   | 2          | 664 001 010  |  | SPRENGRING   |                                | SNAP RING   | ANNEAU RESSORT | ANILLO DE SUJECIÓN |
| 006Y.0       | 67   | 0-4        | 664 670 006  |  | SCHEIBE      |                                | WASHER      | RONDELLE       | ARANDELA           |
| 006Y.0       | 68   | 2          | 664 110 230  |  | NABENDECKEL  |                                | HUB COVER   | COUVRE MOYEU   | TAPACUBOS          |
| 006Y.0       | 69   | 2          | 664 950 000  |  | VENTIL       |                                | VALVE       | SOUPAPE        | VÁLVULA            |
| 006Y.0       | 70   | 2          | 664 160 031  |  | DISTANZSTÜCK |                                | SPACER      | ENTRETOISE     | SEPARADOR          |
| 006Y.0       | 71   | 2          | 664 670 005  |  | SCHEIBE      |                                | WASHER      | RONDELLE       | ARANDELA           |

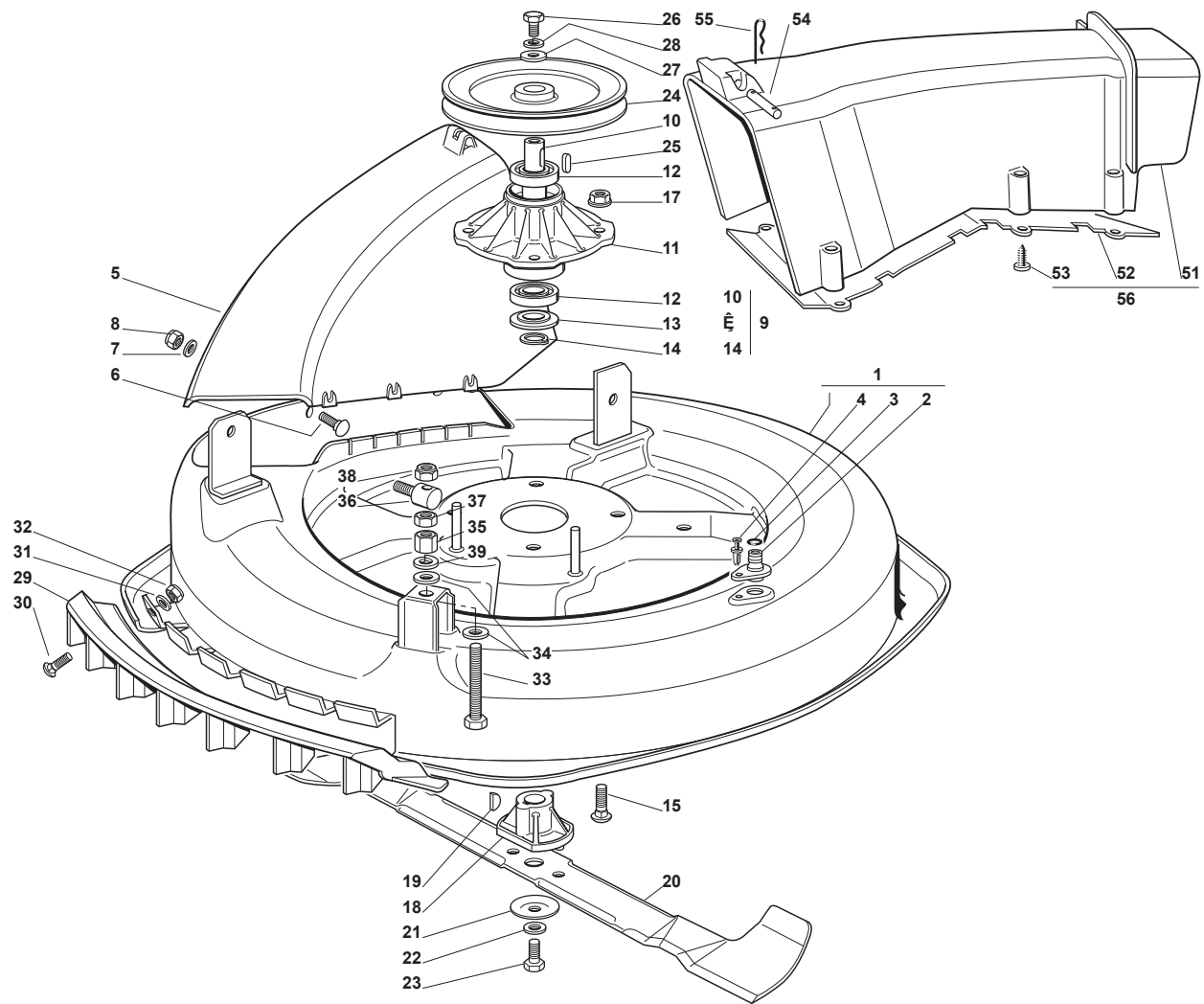


| Seite / Page | Pos. | RM-72.13 H | Teil-Nr.<br>Part No.<br>No. de pièce<br>No. de pieza | Hinweise<br>Notes<br>Renseign.<br>Nota | Bezeichnung | Spezifikation<br>Specification | Description | Désignation | Denominación |
|--------------|------|------------|--|--|-------------|--------------------------------|-------------|-------------|--------------|
| 007.0        | 1    | 1          | 664 001 025  |  | ACHSE       |                                | AXLE        | AXE         | EJE          |
| 007.0        | 2    | 2          | 664 546 015  |  | PLATTE      |                                | PLATE       | PLAQUE      | PLACA        |
| 007.0        | 3    | 4          | 664 731 350  |  | SCHRAUBE    |                                | SCREW       | VIS         | TORNILLO     |
| 007.0        | 4    | 1          | 664 487 997  |  | SPLINT      |                                | COTTER PIN  | GOUPILLE    | PASADOR      |
| 007.0        | 5    | 1          | 664 670 008  |  | SCHEIBE     |                                | WASHER      | RONDELLE    | ARANDELA     |
| 007.0        | 6    | 1          | 664 156 602  |  | MUTTER      |                                | NUT         | ECROU       | TUERCA       |
| 007.0        | 7    | 2          | 664 670 008  |  | SCHEIBE     |                                | WASHER      | RONDELLE    | ARANDELA     |
| 007.0        | 8    | 1          | 664 001 005  |  | ACHSE       |                                | AXLE        | AXE         | EJE          |
| 007.0        | 9    | 2          | 664 546 015  |  | PLATTE      |                                | PLATE       | PLAQUE      | PLACA        |
| 007.0        | 10   | 4          | 664 731 350  |  | SCHRAUBE    |                                | SCREW       | VIS         | TORNILLO     |
| 007.0        | 11   | 1          | 664 510 007  |  | BOLZEN      |                                | PIN         | PIVOT       | PIVOTE       |
| 007.0        | 12   | 2          | 664 670 008  |  | SCHEIBE     |                                | WASHER      | RONDELLE    | ARANDELA     |
| 007.0        | 13   | 1          | 664 156 602  |  | MUTTER      |                                | NUT         | ECROU       | TUERCA       |
| 007.0        | 14   | 1          | 664 840 003  |  | SPANNSTANGE |                                | TIE ROD     | TIRANT      | SENSOR       |
| 007.0        | 15   | 1          | 664 295 200  |  | MUTTER      |                                | NUT         | ECROU       | TUERCA       |
| 007.0        | 16   | 1          | 664 156 602  |  | MUTTER      |                                | NUT         | ECROU       | TUERCA       |
| 007.0        | 17   | 2          | 664 672 150  |  | SCHEIBE     |                                | WASHER      | RONDELLE    | ARANDELA     |
| 007.0        | 18   | 1          | 664 487 997  |  | SPLINT      |                                | COTTER PIN  | GOUPILLE    | PASADOR      |
| 007.0        | 19   | 1          | 664 002 051  |  | STAB        |                                | ROD         | TIGE        | VARILLA      |
| 007.0        | 20   | 1          | 664 510 040  |  | BOLZEN      |                                | PIN         | PIVOT       | PIVOTE       |
| 007.0        | 21   | 1          | 664 293 200  |  | MUTTER      |                                | NUT         | ECROU       | TUERCA       |
| 007.0        | 22   | 1          | 664 155 000  |  | MUTTER      |                                | NUT         | ECROU       | TUERCA       |
| 007.0        | 23   | 1          | 664 436 050  |  | PLATTE      |                                | PLATE       | PLAQUE      | PLACA        |
| 007.0        | 24   | 2          | 664 670 011  |  | SCHEIBE     |                                | WASHER      | RONDELLE    | ARANDELA     |
| 007.0        | 25   | 2          | 664 670 011  |  | SCHEIBE     |                                | WASHER      | RONDELLE    | ARANDELA     |
| 007.0        | 26   | 1          | 664 155 000  |  | MUTTER      |                                | NUT         | ECROU       | TUERCA       |
| 007.0        | 27   | 1          | 664 317 065  |  | HEBEL       |                                | LEVER       | LEVIER      | PALANCA      |
| 007.0        | 28   | 1          | 664 394 510  |  | GRIFF       |                                | KNOB        | POIGNEE     | MANETA       |
| 007.0        | 29   | 1          | 664 674 700  |  | SCHRAUBE    |                                | SCREW       | VIS         | TORNILLO     |
| 007.0        | 30   | 1          | 664 154 510  |  | MUTTER      |                                | NUT         | ECROU       | TUERCA       |
| 007.0        | 31   | 1          | 664 430 555  |  | FEDER       |                                | SPRING      | RESSORT     | MUELLE       |
| 007.0        | 32   | 1          | 664 510 114  |  | BOLZEN      |                                | PIN         | PIVOT       | PIVOTE       |



| Seite / Page | Pos. | RM-72.13 H | Teil-Nr.<br>Part No.<br>No. de pièce<br>No. de pieza | Hinweise<br>Notes<br>Renseign.<br>Nota | Bezeichnung          | Spezifikation<br>Specification | Description | Désignation        | Denominación      |
|--------------|------|------------|--|--|----------------------|--------------------------------|-------------|--------------------|-------------------|
| 008.0        | 1    | 1          | 664 317 069  |  | HEBEL                |                                | LEVER       | LEVIER             | PALANCA           |
| 008.0        | 2    | 1          | 664 394 510  |  | GRIFF                |                                | KNOB        | POIGNEE            | MANETA            |
| 008.0        | 3    | 1          | 664 001 007  |  | ACHSE                |                                | AXLE        | AXE                | EJE               |
| 008.0        | 4    | 1          | 664 430 226  |  | FEDER                |                                | SPRING      | RESSORT            | MUELLE            |
| 008.0        | 5    | 1          | 664 692 050  |  | SCHRAUBE             |                                | SCREW       | VIS                | TORNILLO          |
| 008.0        | 6    | 1          | 664 155 000  |  | MUTTER               |                                | NUT         | ECROU              | TUERCA            |
| 008.0        | 7    | 2          | 664 547 049  |  | PLATTE               | Tecumseh-Peerless LTH2000-004C | PLATE       | PLAQUE             | PLACA             |
| 008.0        | 8    | 4          | 664 731 601  |  | SCHRAUBE             |                                | SCREW       | VIS                | TORNILLO          |
| 008.0        | 9    | 1          | 664 430 571  |  | FEDER                |                                | SPRING      | RESSORT            | MUELLE            |
| 008.0        | 10   | 1          | 664 487 000  |  | GLEITBLOCK           |                                | SHOE        | BLOC DE GLISSEMENT | BLOQUE DESLIZANTE |
| 008.0        | 11   | 2          | 664 791 200  |  | SCHRAUBE             |                                | SCREW       | VIS                | TORNILLO          |
| 008.0        | 12   | 2          | 664 154 510  |  | MUTTER               |                                | NUT         | ECROU              | TUERCA            |
| 008.0        | 13   | 1          | 664 034 078  |  | STAB                 |                                | ROD         | TIGE               | VARILLA           |
| 008.0        | 14   | 1          | 664 746 601  |  | GELENK               |                                | JOINT       | JOINT              | JUNTA             |
| 008.0        | 15   | 1          | 664 772 143  |  | KLAMMER FEDERDÄMPFER |                                | CLAMP       | ETRIER             | GRAPA             |
| 008.0        | 16   | 1          | 664 430 576  |  | FEDER                |                                | SPRING      | RESSORT            | MUELLE            |
| 008.0        | 17   | 1          | 664 521 350  |  | SCHEIBE              |                                | WASHER      | RONDELLE           | ARANDELA          |
| 008.0        | 18   | 1          | 664 510 113  |  | BOLZEN               |                                | PIN         | PIVOT              | PIVOTE            |
| 008.0        | 19   | 1          | 664 293 200  |  | MUTTER               |                                | NUT         | ECROU              | TUERCA            |
| 008.0        | 20   | 1          | 664 155 000  |  | MUTTER               |                                | NUT         | ECROU              | TUERCA            |
| 008.0        | 21   | 1          | 664 583 500  |  | FEDERRING            |                                | GROWER      | GROWER             | ARANDELA ELÁSTICA |
| 008.0        | 22   | 1          | 664 293 200  |  | MUTTER               |                                | NUT         | ECROU              | TUERCA            |
| 008.0        | 23   | 1          | 664 670 008  |  | SCHEIBE              |                                | WASHER      | RONDELLE           | ARANDELA          |
| 008.0        | 24   | 1          | 664 487 997  |  | SPLINT               |                                | COTTER PIN  | GOUPILLE           | PASADOR           |
| 008.0        | 25   | 1          | 664 670 006  |  | SCHEIBE              |                                | WASHER      | RONDELLE           | ARANDELA          |
| 008.0        | 31   | 1          | 664 317 083  |  | HEBEL                |                                | LEVER       | LEVIER             | PALANCA           |
| 008.0        | 32   | 1          | 664 047 000  |  | BUCHSE               |                                | BUSH        | DOUILLE            | CASQUILLO         |
| 008.0        | 33   | 1          | 664 691 200  |  | SCHRAUBE             |                                | SCREW       | VIS                | TORNILLO          |
| 008.0        | 34   | 1          | 664 523 060  |  | SCHEIBE              |                                | WASHER      | RONDELLE           | ARANDELA          |
| 008.0        | 35   | 1          | 664 672 152  |  | SCHEIBE              |                                | WASHER      | RONDELLE           | ARANDELA          |
| 008.0        | 36   | 1          | 664 523 070  |  | SCHEIBE              |                                | WASHER      | RONDELLE           | ARANDELA          |
| 008.0        | 37   | 1          | 664 155 000  |  | MUTTER               |                                | NUT         | ECROU              | TUERCA            |
| 008.0        | 38   | 1          | 664 604 008  |  | RIEMENSCHLEIBE       |                                | PULLEY      | POULIE             | POLEA             |
| 008.0        | 39   | 1          | 664 691 600  |  | SCHRAUBE             |                                | SCREW       | VIS                | TORNILLO          |
| 008.0        | 40   | 1          | 664 523 060  |  | SCHEIBE              |                                | WASHER      | RONDELLE           | ARANDELA          |
| 008.0        | 41   | 1          | 664 293 201  |  | MUTTER               |                                | NUT         | ECROU              | TUERCA            |
| 008.0        | 42   | 1          | 664 061 423  |  | RIEMEN               |                                | BELT        | COURROIE           | CORREA            |

| Seite / Page | Pos. | RM-72.13 H | Teil-Nr.<br>Part No.<br>No. de pièce<br>No. de pieza | Hinweise<br>Notes<br>Renseign.<br>Nota | Bezeichnung | Spezifikation<br>Specification | Description | Désignation | Denominación |
|--------------|------|------------|--|--|-------------|--------------------------------|-------------|-------------|--------------|
| 008.0        | 61   | 1          | 664 220 501  |  | BREMSE      |                                | BRAKE       | FREIN       | FRENO        |
| 008.0        | 62   | 1          | 664 041 980  |  | BUCHSE      |                                | BUSH        | DOUILLE     | CASQUILLO    |
| 008.0        | 63   | 1          | 664 672 152  |  | SCHEIBE     |                                | WASHER      | RONDELLE    | ARANDELA     |
| 008.0        | 64   | 1          | 664 793 102  |  | SCHRAUBE    |                                | SCREW       | VIS         | TORNILLO     |
| 008.0        | 65   | 1          | 664 155 010  |  | MUTTER      |                                | NUT         | ECROU       | TUERCA       |
| 008.0        | 66   | 1          | 664 034 077  |  | STAB        |                                | ROD         | TIGE        | VARILLA      |
| 008.0        | 67   | 1          | 664 510 040  |  | BOLZEN      |                                | PIN         | PIVOT       | PIVOTE       |
| 008.0        | 68   | 1          | 664 293 200  |  | MUTTER      |                                | NUT         | ECROU       | TUERCA       |
| 008.0        | 69   | 1          | 664 155 000  |  | MUTTER      |                                | NUT         | ECROU       | TUERCA       |
| 008.0        | 70   | 2          | 664 670 011  |  | SCHEIBE     |                                | WASHER      | RONDELLE    | ARANDELA     |
| 008.0        | 71   | 1          | 664 155 000  |  | MUTTER      |                                | NUT         | ECROU       | TUERCA       |
| 008.0        | 72   | 1          | 664 487 997  |  | SPLINT      |                                | COTTER PIN  | GOUPILLE    | PASADOR      |



| Seite / Page | Pos. | RM-72.13 H | Teil-Nr.<br>Part No.<br>No. de pièce<br>No. de pieza | Hinweise<br>Notes<br>Renseign.<br>Nota | Bezeichnung        | Spezifikation<br>Specification | Description               | Désignation         | Denominación           |
|--------------|------|------------|--|--|--------------------|--------------------------------|---------------------------|---------------------|------------------------|
| 009.0        | 1    | 1          | 664 564 097  |  | MESSERTROMMEL      |                                | PLATE                     | PLATEAU             | PLANCHA                |
| 009.0        | 2    | 1          | 664 033 060  |  | WASSERANSCHLUSS    |                                | WATER HOSE CONNECTION     | RACCORD TUYAU D'EAU | TOMA DE AGUA           |
| 009.0        | 3    | 1          | 664 035 000  |  | O-RING             |                                | O-RING                    | O-RING              | JUNTA TÓRICA           |
| 009.0        | 4    | 1          | 664 500 030  |  | NIET               |                                | RIVET                     | RIVET               | REMACHE                |
| 009.0        | 5    | 1          | 664 045 000  |  | LEITBLECH          |                                | CONVEYOR INLET            | BOUCHE CONVOYEUR    | CHAPA DE GUÍA          |
| 009.0        | 6    | 6          | 664 815 210  |  | SCHRAUBE           |                                | SCREW                     | VIS                 | TORNILLO               |
| 009.0        | 7    | 6          | 664 523 040  |  | SCHEIBE            |                                | WASHER                    | RONDELLE            | ARANDELA               |
| 009.0        | 8    | 6          | 664 154 510  |  | MUTTER             |                                | NUT                       | ECROU               | TUERCA                 |
| 009.0        | 9    | 1          | 664 207 250  |  | NABE, KPL.         |                                | FLANGE ASSY.              | ENS. BRIDE          | BRIDA CPL.             |
| 009.0        | 10   | 1          | 664 023 000  |  | WELLE              |                                | SHAFT                     | ARBRE               | ÁRBOL                  |
| 009.0        | 11   | 1          | 664 208 402  |  | FLANSCH            |                                | FLANGE                    | BRIDE               | BRIDA                  |
| 009.0        | 12   | 2          | 664 216 032  |  | KUGELLAGER         |                                | BEARING                   | ROULEMENT           | RODAMIENTO A BOLAS     |
| 009.0        | 13   | 1          | 664 160 501  |  | STAUBSCHUTZSCHEIBE |                                | DUST COVER                | PROTEGE-POUSSIÈRE   | CUBIERTA GUARDAPOLVO   |
| 009.0        | 14   | 1          | 664 609 260  |  | SICHERUNGSRING     |                                | RETAINING RING            | ANNEAU DE SÛRETÉ    | ANILLO DE SEGURIDAD    |
| 009.0        | 15   | 4          | 664 818 700  |  | SCHRAUBE           |                                | SCREW                     | VIS                 | TORNILLO               |
| 009.0        | 17   | 4          | 664 154 210  |  | MUTTER             |                                | NUT                       | ECROU               | TUERCA                 |
| 009.0        | 18   | 1          | 664 463 200  |  | MESSERHALTER       |                                | BLADE HUB                 | MOYEU LAME          | SOPORTE DE LA CUCHILLA |
| 009.0        | 19   | 1          | 664 139 100  |  | KEIL               |                                | KEY                       | CLAVETTE            | CHAVETA                |
| 009.0        | 20   | 1          | 664 109 502  |  | FANGMESSER         |                                | BLADE (COLLECT)           | LAME                | CUCHILLA ESTÁNDAR      |
| 009.0        | 20   | 1          | 664 109 503  |  | MULCHMESSER        |                                | BLADE (COLLECT AND MULCH) | LAME                | CUCHILLA ESTÁNDAR      |
| 009.0        | 21   | 1          | 664 160 400  |  | FEDERSCHEIBE       |                                | ELASTIC WASHER            | RONDELLE ELASTIQUE  | ARANDELA ELÁSTICA      |
| 009.0        | 22   | 1          | 664 523 080  |  | SCHEIBE            |                                | WASHER                    | RONDELLE            | ARANDELA               |
| 009.0        | 23   | 1          | 664 735 694  |  | SCHRAUBE           |                                | SCREW                     | VIS                 | TORNILLO               |
| 009.0        | 24   | 1          | 664 604 009  |  | RIEMENSCHLEIBE     |                                | PULLEY                    | POULIE              | POLEA                  |
| 009.0        | 25   | 1          | 664 139 480  |  | KEIL               |                                | KEY                       | CLAVETTE            | CHAVETA                |
| 009.0        | 26   | 1          | 664 793 102  |  | SCHRAUBE           |                                | SCREW                     | VIS                 | TORNILLO               |
| 009.0        | 27   | 1          | 664 670 007  |  | SCHEIBE            |                                | WASHER                    | RONDELLE            | ARANDELA               |
| 009.0        | 28   | 1          | 664 583 500  |  | FEDERRING          |                                | GROWER                    | GROWER              | ARANDELA ELÁSTICA      |
| 009.0        | 29   | 1          | 664 488 000  |  | ANSAUGGITTER       |                                | AIR INTAKE GRILL          | GRILLE D'ASPIRATION | PARRILLA DE ASPIRACIÓN |
| 009.0        | 30   | 4          | 664 815 200  |  | SCHRAUBE           |                                | SCREW                     | VIS                 | TORNILLO               |
| 009.0        | 31   | 4          | 664 521 340  |  | SCHEIBE            |                                | WASHER                    | RONDELLE            | ARANDELA               |
| 009.0        | 32   | 4          | 664 154 510  |  | MUTTER             |                                | NUT                       | ECROU               | TUERCA                 |
| 009.0        | 33   | 1          | 664 794 970  |  | SCHRAUBE           |                                | SCREW                     | VIS                 | TORNILLO               |
| 009.0        | 34   | 2          | 664 523 080  |  | SCHEIBE            |                                | WASHER                    | RONDELLE            | ARANDELA               |
| 009.0        | 35   | 1          | 664 154 250  |  | MUTTER             |                                | NUT                       | ECROU               | TUERCA                 |
| 009.0        | 36   | 1          | 664 510 007  |  | BOLZEN             |                                | PIN                       | PIVOT               | PIVOTE                 |
| 009.0        | 37   | 1          | 664 295 200  |  | MUTTER             |                                | NUT                       | ECROU               | TUERCA                 |

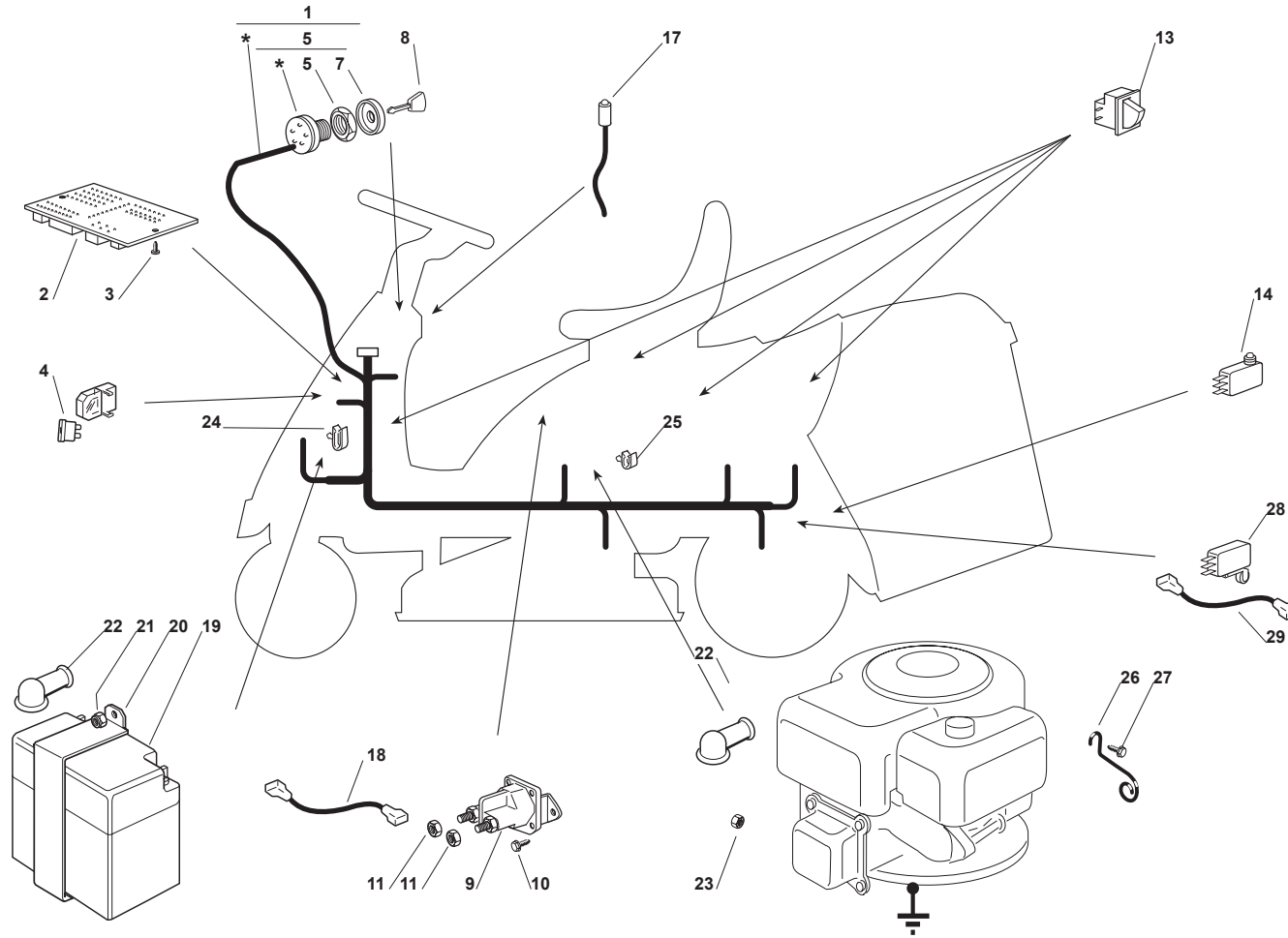




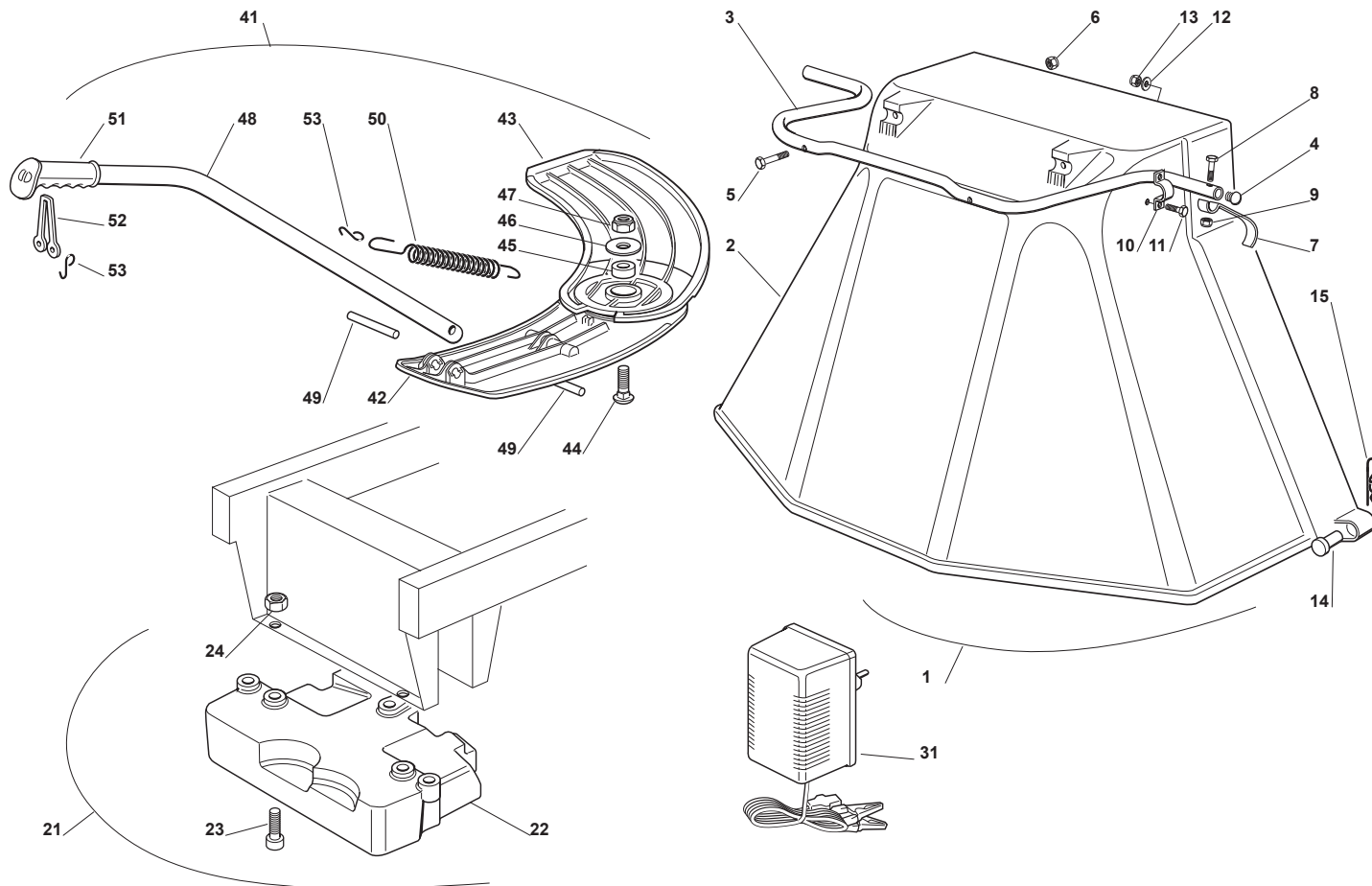
| Seite / Page | Pos. | RM-72.13 H | Teil-Nr.<br>Part No.<br>No. de pièce<br>No. de pieza | Hinweise<br>Notes<br>Renseign.<br>Nota | Bezeichnung           | Spezifikation<br>Specification | Description          | Désignation             | Denominación               |
|--------------|------|------------|--|--|-----------------------|--------------------------------|----------------------|-------------------------|----------------------------|
| 009.0        | 38   | 1          | 664 156 602  |  | MUTTER                |                                | NUT                  | ECROU                   | TUERCA                     |
| 009.0        | 39   | 1          | 664 585 100  |  | FEDERRING             |                                | GROWER               | GROWER                  | ARANDELA ELÁSTICA          |
| 009.0        | 51   | 1          | 664 107 501  |  | BLECHSATZ             |                                | CONVEYOR             | CONVOYEUR               | JUEGO DE CHAPA             |
| 009.0        | 52   | 1          | 664 140 051  |  | ABWEISER              |                                | DEFLECTOR            | DEFLECTEUR              | DEFLECTOR                  |
| 009.0        | 53   | 8          | 664 735 402  |  | SCHRAUBE              |                                | SCREW                | VIS                     | TORNILLO                   |
| 009.0        | 54   | 1          | 664 510 097  |  | BOLZEN                |                                | PIN                  | PIVOT                   | PIVOTE                     |
| 009.0        | 55   | 2          | 664 487 997  |  | SPLINT                |                                | COTTER PIN           | GOUPILLE                | PASADOR                    |
| 009.0        | 56   | 1          | 664 108 051  |  | BLECHSATZ KPL.        | (51, 52, 53)                   | CONVEYOR ASSY.       | ENS. CONVOYEUR          | JUEGO DE CHAPA, CPL.       |
| 009.0        | -    | 1          | 664 564 099  |  | SCHNEIDWERKZEUG, KPL. | (008, 31÷72 + 009, 1÷39)       | CUTTING PLATE, ASSY. | PLATEAU DE COUPE,S CPL. | HERRAMIENTA DE CORTE, CPL. |



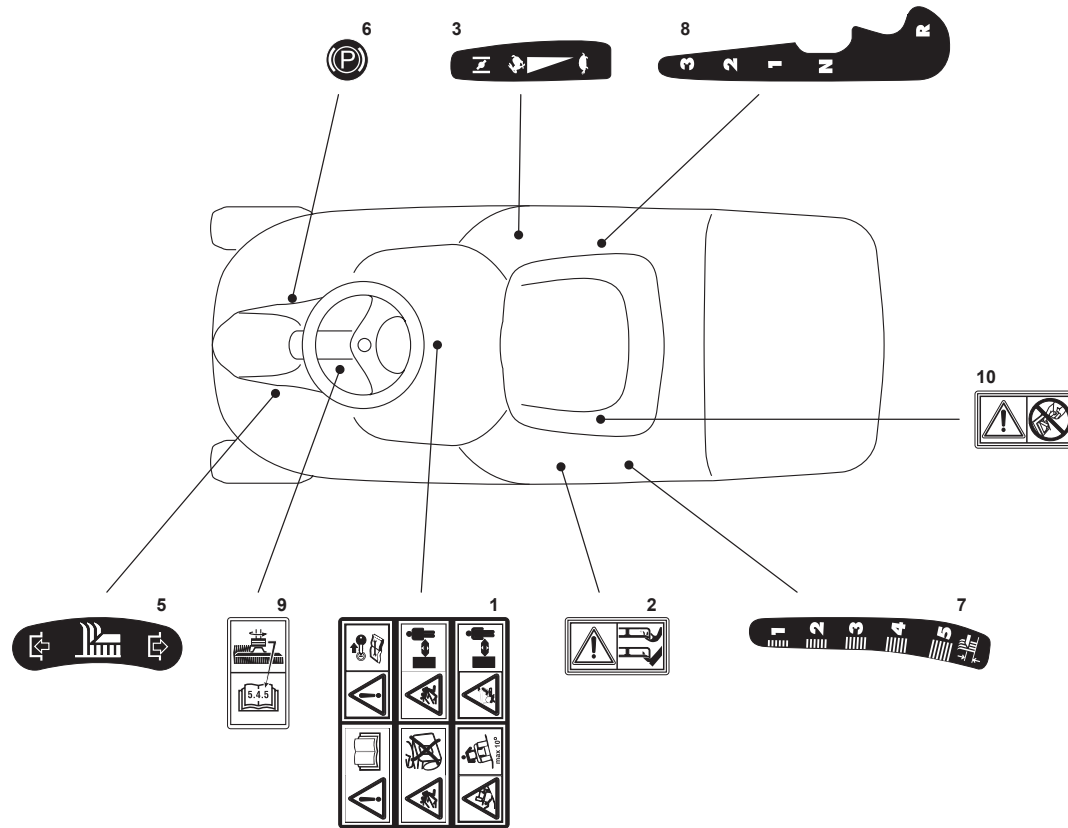
| Seite / Page | Pos. | RM-72.13 H | Teil-Nr.<br>Part No.<br>No. de pièce<br>No. de pieza | Hinweise<br>Notes<br>Renseign.<br>Nota | Bezeichnung         | Spezifikation<br>Specification | Description      | Désignation          | Denominación           |
|--------------|------|------------|--|--|---------------------|--------------------------------|------------------|----------------------|------------------------|
| 010.0        | 1    | 1          | 664 801 103  |  | UNTERERRAHMEN       |                                | LOWER FRAME      | CHASSIS INFÉRIEUR    | CHASIS INFERIOR        |
| 010.0        | 2    | 1          | 664 801 105  |  | OBERERRAHMEN        |                                | UPPER FRAME      | CHASSIS SUPÉRIEUR    | CHASIS SUPERIOR        |
| 010.0        | 3    | 1          | 664 106 050  |  | GRASS-SACK          |                                | GRASSCATCHER     | BAC                  | CESTO                  |
| 010.0        | 4    | 1          | 664 010 205  |  | HALTER RECHTS       |                                | SUPPORT RIGHT    | SUPPORT DROITE       | SOPORTE DER.           |
| 010.0        | 5    | 1          | 664 010 207  |  | HALTER LINKS        |                                | SUPPORT LEFT     | SUPPORT GAUCHE       | SOPORTE IZQ.           |
| 010.0        | 6    | 1          | 664 869 051  |  | STANGE              |                                | ROD              | BARRE                | BARRA                  |
| 010.0        | 7    | 1          | 664 650 100  |  | VERSTÄRKUNG         |                                | STIFFENING       | REINFORCEMENT        | REFUERZO INFERIOR      |
| 010.0        | 8    | 4          | 664 729 601  |  | SCHRAUBE            |                                | SCREW            | VIS                  | TORNILLO               |
| 010.0        | 9    | 4          | 664 792 099  |  | SCHRAUBE            |                                | SCREW            | VIS                  | TORNILLO               |
| 010.0        | 10   | 4          | 664 582 101  |  | FEDERRING           |                                | GROWER           | GROWER               | ARANDELA ELÁSTICA      |
| 010.0        | 11   | 4          | 664 292 100  |  | MUTTER              |                                | NUT              | ECROU                | TUERCA                 |
| 010.0        | 12   | 2          | 664 674 701  |  | SCHRAUBE            |                                | SCREW            | VIS                  | TORNILLO               |
| 010.0        | 13   | 2          | 664 521 331  |  | SCHEIBE             |                                | WASHER           | RONDELLE             | ARANDELA               |
| 010.0        | 14   | 2          | 664 154 510  |  | MUTTER              |                                | NUT              | ECROU                | TUERCA                 |
| 010.0        | 18   | 1          | 664 180 180  |  | SCHRAUBENAUSRÜSTUNG | (8÷14)                         | SCREWS OUTFIT    | ENSEMBLE DES VIS     | JUEGO DE TORNILLOS     |
| 010.0        | 31   | 1          | 664 600 041  |  | SCHUTZ              |                                | PROTECTION       | PROTECTION           | PROTECCIÓN             |
| 010.0        | 32   | 1          | 664 600 042  |  | SCHUTZDECKEL        |                                | PROTECTION COVER | COUVERCLE PROTECTION | CUBIERTA PROTECTORA    |
| 010.0        | 33   | 1          | 664 318 124  |  | HEBEL               |                                | LEVER            | LEVIER               | PALANCA                |
| 010.0        | 34   | 1          | 664 400 030  |  | BOLZEN              |                                | PIN              | PIVOT                | PIVOTE                 |
| 010.0        | 35   | 1          | 664 728 510  |  | SCHRAUBE            |                                | SCREW            | VIS                  | TORNILLO               |
| 010.0        | 36   | 1          | 664 600 047  |  | SCHUTZ              |                                | PROTECTION       | PROTECTION           | PROTECCIÓN             |
| 010.0        | 37   | 1          | 664 600 048  |  | ABWEISERDECKEL      |                                | DEFLECTOR COVER  | COUVERCLE DEFLECTEUR | CUBIERTA DEL DEFLECTOR |
| 010.0        | 38   | 2          | 664 728 450  |  | SCHRAUBE            |                                | SCREW            | VIS                  | TORNILLO               |



| Seite / Page | Pos. | RM-72.13 H | Teil-Nr.<br>Part No.<br>No. de pièce<br>No. de pieza | Hinweise<br>Notes<br>Renseign.<br>Nota | Bezeichnung   | Spezifikation<br>Specification | Description   | Désignation   | Denominación   |
|--------------|------|------------|--|--|---|--------------------------------|---|---|--|
| 011.0        | 1    | 1          | 664 999 126  |  | KABELSATZ   |                                | CABLES  | CABLAGES  | CABLEADO   |
| 011.0        | 2    | 1          | 664 722 415  |  | ELEKTRONISCHE KARTE   |                                | ELECTRONIC CARD   | CARTE ELECTRONIQUE  | TARJETA ELECTRÓNICA  |
| 011.0        | 3    | 2          | 664 727 810  |  | SCHRAUBE  |                                | SCREW   | VIS   | TORNILLO   |
| 011.0        | 4    | 1          | 664 340 036  |  | SICHERUNG   |                                | FUSE  | FUSIBLE   | FUSIBLE  |
| 011.0        | 4    | 1          | 664 340 040  |  | SICHERUNG   |                                | FUSE  | FUSIBLE   | FUSIBLE  |
| 011.0        | 5    | 1          | 664 450 065  |  | SCHALTER  |                                | STARTING SWITCH   | INTERRUPTEUR DEMARRAGE  | INTERRUPTOR DE ENCENDIDO   |
| 011.0        | 6    | 1          | 664 400 861  |  | NUTMUTTER   |                                | RING NUT  | EMBOUT  | TUERCA RANURADA  |
| 011.0        | 7    | 1          | 664 565 351  |  | NUTMUTTER SCHUTZ  |                                | SCREWED RING PROTECTION   | PROTECTION EMBOUT   | PROTECCIÓN TUERCA RANURADA   |
| 011.0        | 8    | 1          | 664 210 016  |  | SCHLÜSSEL FÜR START   |                                | STARTING KEY  | CLEF A DEMARRAGE  | LLAVE DE ENCENDIDO   |
| 011.0        | 9    | 1          | 664 736 110  |  | ANLASSRELAIS  |                                | STARTER RELAY   | RELAIS D'ALLUMAGE   | RELÉ DE ARRANQUE   |
| 011.0        | 10   | 2          | 664 735 110  |  | SCHRAUBE  |                                | SCREW   | VIS   | TORNILLO   |
| 011.0        | 11   | 2          | 664 360 352  |  | MUTTER  |                                | NUT   | ECROU   | TUERCA   |
| 011.0        | 13   | 4          | 664 410 606  |  | MIKROSCHALTER   |                                | MICROSWITCH   | MICROINTERRUPTEUR   | MICROINTERRUPTOR   |
| 011.0        | 14   | 1          | 664 410 605  |  | FÜLLHÖHENSCHALTER   |                                | FULL GRASSCATC. MICRO   | MICRO BAC PLEIN   | MICRO. CESTO LLENO   |
| 011.0        | 17   | 1          | 664 065 014  |  | KABEL   |                                | CABLE   | CABLES  | CABLE  |
| 011.0        | 18   | 1          | 664 065 050  |  | KABEL   |                                | CABLE   | CABLES  | CABLE  |
| 011.0        | 19   | 1          | 664 120 002  |  | BATTERIE  |                                | BATTERY   | BATTERIE  | BATERÍA  |
| 011.0        | 20   | 1          | 664 772 099  |  | BATTERIEHALTER  |                                | CLAMP   | ETRIER  | SOPORTE DE BATERÍA   |
| 011.0        | 21   | 1          | 664 155 000  |  | MUTTER  |                                | NUT   | ECROU   | TUERCA   |
| 011.0        | 22   | 2          | 664 564 861  |  | STECKER   |                                | PROTECTION  | CAPUCHON  | CAPUCHÓN   |
| 011.0        | 23   | 1          | 664 361 005  |  | MUTTER  |                                | NUT   | ECROU   | TUERCA   |
| 011.0        | 24   | 3          | 664 320 506  |  | KABELBEFESTIGUNG  |                                | FAIRLEAD  | FIXATION CABLE  | SUJETACABLE  |
| 011.0        | 25   | 1          | 664 320 504  |  | KABELBEFESTIGUNG  |                                | FAIRLEAD  | FIXATION CABLE  | SUJETACABLE  |
| 011.0        | 26   | 1          | 664 430 561  |  | FEDER   |                                | SPRING  | RESSORT   | MUELLE   |
| 011.0        | 27   | 1          | 664 735 121  |  | SCHRAUBE  |                                | SCREW   | VIS   | TORNILLO   |
| 011.0        | 28   | 1          | 664 410 609  |  | MIKROSCHALTER LEERLAUF  | (hydro)                        | SWITCH  | INTERRUPTEUR  | INTERRUPTOR  |
| 011.0        | 29   | 1          | 664 065 025  |  | KABEL   | (hydro)                        | CABLE   | CÂBLE   | CABLE  |
| 011.0        | *    |            | Briggs&Stratton                                      |  | ZUM AUSTAUSCH DER MIT «*» GEKENNZEICHNETEN TEILE, WENDEN SIE SICH AN DEN KUNDENDIENST DES MOTORHERSTELLERS. |                                | TO REPLACE THE PARTS MARKED «*» SEEK ASSISTANCE FROM THE ENGINE MANUFACTURER'S AFTER SALES SERVICE. | POUR LE REMPLACEMENT DES PIÈCES MARQUÉES AVEC «*» S'ADRESSER AU SERVICE APRÈS VENTES DU CONSTRUCTEUR DU MOTEUR. | PARA RECAMBIO DE LAS PIEZAS MARCADO CON «*» FAVOR SE DIRIGEN AL SERVICIO TÉCNICO DEL FABRICANTE DEL MOTOR. |

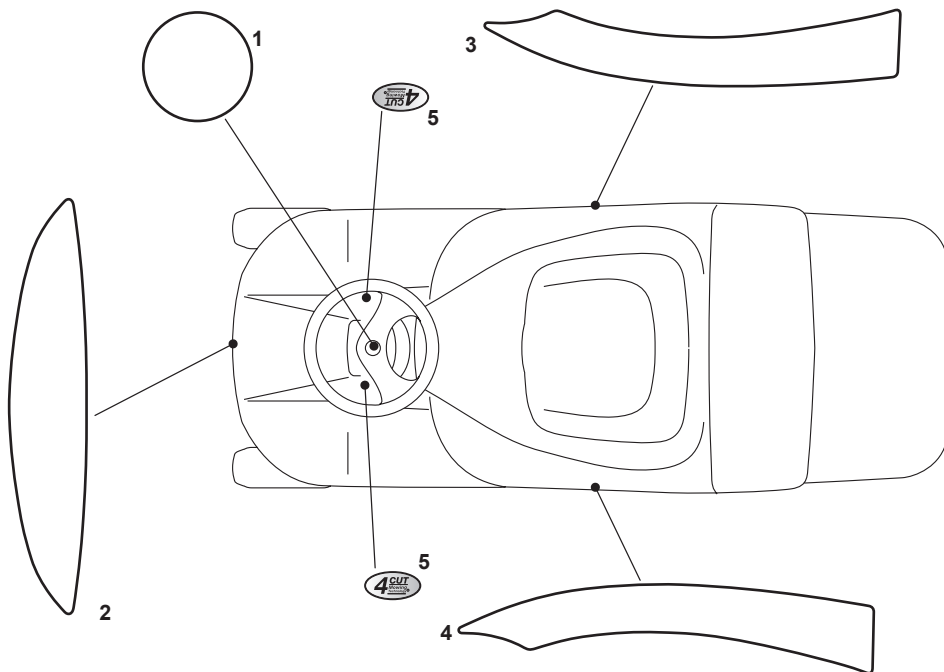


| Seite / Page | Pos. | RM-72.13 H | Teil-Nr.<br>Part No.<br>No. de pièce<br>No. de pieza | Hinweise<br>Notes<br>Renseign.<br>Nota | Bezeichnung           | Spezifikation<br>Specification | Description                       | Désignation               | Denominación                     |
|--------------|------|------------|--|--|-----------------------|--------------------------------|-----------------------------------|---------------------------|----------------------------------|
| 012.0        | 1    | 1          | 664 900 090  |  | DEFLEKTORHAUBE        |                                | EJECTION-GUARD ASS.Y              | KIT PROTECTION SORTIE     | KIT PROTECCIÓN EXPUSIÓN          |
| 012.0        | 2    | 1          | 664 598 062  |  | AUSWURFSCHUTZ         |                                | EJECTION GUARD                    | PROTECTION SORTIE         | PROTECCIÓN DE SALIDA             |
| 012.0        | 3    | 1          | 664 869 053  |  | HALTER                |                                | SUPPORT                           | SUPPORT                   | SOPORTE                          |
| 012.0        | 4    | 2          | 664 566 113  |  | PFROPFEN              |                                | CAP                               | BOUCHON                   | TAPÓN                            |
| 012.0        | 5    | 2          | 664 674 701  |  | SCHRAUBE              |                                | SCREW                             | VIS                       | TORNILLO                         |
| 012.0        | 6    | 2          | 664 154 510  |  | MUTTER                |                                | NUT                               | ECROU                     | TUERCA                           |
| 012.0        | 7    | 1          | 664 547 053  |  | PLÄTTCHEN             |                                | PLATE                             | PLAQUETTE                 | PLAQUITA                         |
| 012.0        | 8    | 1          | 664 791 500  |  | SCHRAUBE              |                                | SCREW                             | VIS                       | TORNILLO                         |
| 012.0        | 9    | 1          | 664 154 510  |  | MUTTER                |                                | NUT                               | ECROU                     | TUERCA                           |
| 012.0        | 10   | 2          | 664 547 049  |  | PLATTE                | Tecumseh-Peerless LTH2000-004C | PLATE                             | PLAQUE                    | PLACA                            |
| 012.0        | 11   | 4          | 664 788 910  |  | SCHRAUBE              |                                | SCREW                             | VIS                       | TORNILLO                         |
| 012.0        | 12   | 4          | 664 523 020  |  | SCHEIBE               |                                | WASHER                            | RONDELLE                  | ARANDELA                         |
| 012.0        | 13   | 4          | 664 154 320  |  | MUTTER                |                                | NUT                               | ECROU                     | TUERCA                           |
| 012.0        | 14   | 2          | 664 510 022  |  | BOLZEN                |                                | PIN                               | PIVOT                     | PIVOTE                           |
| 012.0        | 15   | 2          | 664 487 998  |  | SPLINT                |                                | COTTER PIN                        | GOUPILLE                  | PASADOR                          |
| 012.0        | 21   | 1          | 664 900 030  |  | FRONTGEWICHT          |                                | FRONT WEIGHT KIT                  | KIT POIDS ANTERIEUR       | JUEGO DE PESO DELANTERO          |
| 012.0        | 22   | 1          | 664 519 997  |  | GEWICHT               |                                | WEIGHT                            | POIDS                     | PESO                             |
| 012.0        | 23   | 3          | 664 760 520  |  | SCHRAUBE              |                                | SCREW                             | VIS                       | TORNILLO                         |
| 012.0        | 24   | 3          | 664 155 000  |  | MUTTER                |                                | NUT                               | ECROU                     | TUERCA                           |
| 012.0        | 31   | 1          | 664 180 050  |  | BATTERIELADEGERÄT     |                                | BATTERY CHARGER                   | CHARGEUR DE BATTERIES     | CARGADOR DE BATERÍAS             |
| 012.0        | 31   | 1          | 664 180 052  |  | BATTERIELADEGERÄT     |                                | BATTERY CHARGER                   | CHARGEUR DE BATTERIES     | CARGADOR DE BATERÍAS             |
| 012.0        | 41   | 1          | 664 900 036  |  | MULCHKEIL             |                                | MULCHING KIT                      | KIT MULCHING              | JUEGO DE ACOLCHONAMIENTO         |
| 012.0        | 41   | 1          | 664 900 136  |  | MULCHKEIL&MULCHMESSER | 72 CM                          | MULCHING KIT (INCL. BLADE, MULCH) | KIT MULCHING (INCL. LAME) | KIT DE MANTILLO (INCL. CUCHILLA) |
| 012.0        | 42   | 1          | 664 140 055  |  | ABWEISER, HINTER      |                                | DEFLECTOR, REAR                   | DEFLECTEUR, ARRIERE       | DEFLECTOR, DETRÁS                |
| 012.0        | 43   | 1          | 664 140 054  |  | ABWEISER, VORDER      |                                | DEFLECTOR, FRONT                  | DEFLECTEUR, AVANT         | DEFLECTOR, DELANTE               |
| 012.0        | 44   | 1          | 664 818 700  |  | SCHRAUBE              |                                | SCREW                             | VIS                       | TORNILLO                         |
| 012.0        | 45   | 1          | 664 047 013  |  | LAGER                 |                                | BEARING                           | COUSSINET                 | RODAMIENTO                       |
| 012.0        | 46   | 1          | 664 672 152  |  | SCHEIBE               |                                | WASHER                            | RONDELLE                  | ARANDELA                         |
| 012.0        | 47   | 1          | 664 155 000  |  | MUTTER                |                                | NUT                               | ECROU                     | TUERCA                           |
| 012.0        | 48   | 1          | 664 394 003  |  | STIEL                 |                                | HANDLE                            | GUIDON                    | MANGO                            |
| 012.0        | 49   | 2          | 664 510 116  |  | BOLZEN                |                                | PIN                               | PIVOT                     | PIVOTE                           |
| 012.0        | 50   | 1          | 664 430 229  |  | FEDER                 |                                | SPRING                            | RESSORT                   | MUELLE                           |
| 012.0        | 51   | 1          | 664 280 000  |  | GRIFF                 |                                | HANDGRIP                          | BRANCHE                   | MANETA                           |
| 012.0        | 52   | 1          | 664 840 011  |  | GUMMIZUG              |                                | ELASTIC TIE-ROD                   | TIRANT ELASTIQUE          | TENSOR DE GOMA                   |
| 012.0        | 53   | 3          | 664 253 004  |  | HAKEN                 |                                | HOOK                              | CROCHET                   | GANCHO                           |





| Seite / Page | Pos. | RM-72.13 H | Teil-Nr.<br>Part No.<br>No. de pièce<br>No. de pieza | Hinweise<br>Notes<br>Renseign.<br>Nota | Bezeichnung | Spezifikation<br>Specification | Description | Désignation | Denominación |
|--------------|------|------------|--|--|-------------|--------------------------------|-------------|-------------|--------------|
| 013.0        | 1    | 1          | 664 357 428  |  | SCHILD      |                                | LABEL       | ETIQUETTE   | ETIQUETA     |
| 013.0        | 2    | 1          | 664 357 519  |  | SCHILD      |                                | LABEL       | ETIQUETTE   | ETIQUETA     |
| 013.0        | 3    | 1          | 664 357 425  |  | SCHILD      |                                | LABEL       | ETIQUETTE   | ETIQUETA     |
| 013.0        | 4    | 1          | 664 357 431  |  | SCHILD      |                                | LABEL       | ETIQUETTE   | ETIQUETA     |
| 013.0        | 5    | 1          | 664 357 526  |  | SCHILD      |                                | LABEL       | ETIQUETTE   | ETIQUETA     |
| 013.0        | 6    | 1          | 664 357 427  |  | SCHILD      |                                | LABEL       | ETIQUETTE   | ETIQUETA     |
| 013.0        | 8    | 1          | 664 357 702  |  | SCHILD      | (hydro)                        | LABEL       | ETIQUETTE   | ETIQUETA     |
| 013.0        | 9    | 1          | 664 358 513  |  | SCHILD      | (hydro)                        | LABEL       | ETIQUETTE   | ETIQUETA     |
| 013.0        | 10   | 2          | 664 356 699  |  | SCHILD      |                                | LABEL       | ETIQUETTE   | ETIQUETA     |
| 013.0        | 11   | 1          | 664 360 118  |  | SCHILD      |                                | LABEL       | ETIQUETTE   | ETIQUETA     |





| Seite / Page | Pos. | RM-72.13 H | Teil-Nr.<br>Part No.<br>No. de pièce<br>No. de pieza | Hinweise<br>Notes<br>Renseign.<br>Nota | Bezeichnung | Spezifikation<br>Specification | Description | Désignation | Denominación |
|--------------|------|------------|--|--|-------------|--------------------------------|-------------|-------------|--------------|
| 014.0        | 1    | 1          | 664 361 485  |  | SCHILD      |                                | LABEL       | ETIQUETTE   | ETIQUETA     |
| 014.0        | 2    | 1          | 664 361 570  |  | SCHILD      |                                | LABEL       | ETIQUETTE   | ETIQUETA     |
| 014.0        | 3    | 1          | 664 361 572  |  | SCHILD      |                                | LABEL       | ETIQUETTE   | ETIQUETA     |
| 014.0        | 4    | 1          | 664 361 573  |  | SCHILD      |                                | LABEL       | ETIQUETTE   | ETIQUETA     |
| 014.0        | 5    | 2          | 664 361 576  |  | SCHILD      |                                | LABEL       | ETIQUETTE   | ETIQUETA     |



|              |                             |                          |                                |   |
|--------------|-----------------------------|--------------------------|--------------------------------|---|
| <b>1</b>     | RAHMENSATZ                  | CHASSIS                  | CHASSIS                        | CHASIS                                  |
| <b>2</b>     | KARROSSERIE                 | BODY                     | CARROSSERIE                    | CARROCERÍA                              |
| <b>3</b>     | LENKGETRIEBE                | STEERING                 | BARRE DE DIRECTION             | BARRA DE DIRECCIÓN                      |
| <b>4</b>     | GETRIEBE UND BREMSE ANTRIEB | DRIVE AND BRAKE CONTROLS | COMMANDE TRANSMISSION ET FREIN | ACCIONAMIENTO TRANSMISIÓN Y FRENOS      |
| <b>5</b>     | MOTOR                       | ENGINE                   | MOTEUR                         | MOTOR                                   |
| <b>6</b>     | GETRIEBE                    | TRANSMISSION             | TRANSMISSION                   | ENGRANAJE                               |
| <b>7</b>     | SCHNEIDWERKZEUG AUFHEBESATZ | CUTTING PLATE LIFTING    | SOULEVEMENT PLATEAU DE COUPE   | HERRAMIENTA DE CORTE PLATO DE ELEVACIÓN |
| <b>8</b>     | SCHNEIDWERKZEUG (1)         | CUTTING PLATE (1)        | PLATEAU DE COUPE (1)           | HERRAMIENTA DE CORTE (1)                |
| <b>9</b>     | SCHNEIDWERKZEUG (2)         | CUTTING PLATE (2)        | PLATEAU DE COUPE (2)           | HERRAMIENTA DE CORTE (2)                |
| <b>10</b>    | GRASS-SACK                  | GRASSCATCHER             | BAC                            | CESTO                                   |
| <b>11</b>    | ELEKTRISCHE TEILE           | ELECTRICAL PARTS         | PIECES ELECTRIQUES             | PARTES ELÉCTRICAS                       |
| <b>12</b>    | ZUBEHÖR NACH ANFRAGE        | OPTIONALS ON REQUEST     | ACCESSOIRES SUR DEMANDE        | ACCESORIO BAJO DEMANDA                  |
| <b>13-14</b> | AUFKLEBER                   | LABELS                   | ETIQUETTES                     | ETIQUETA                                |

|  | Zeichenerklärung   | Key to symbols  | Légende  | Explicación de símbolos  |
|--|--|---|--|--|
| <b>1999999</b><br><b>2000000</b> ➔<br><b>2003.04</b> ➔<br><b>TI 2003/07</b><br><b>Acc.</b><br><b>=</b><br><b>{</b><br><b>m</b><br><b>Corr.</b> | Produktion bis Serien-Nr.<br>Neues Teil ab Serien-Nr.<br>Neues Teil ab Jahr / Monat<br>Siehe Technische Information Jahr / Nr.<br>Zubehör (nicht im Lieferumfang)<br>Keine Serienausführung, jedoch verwendbar<br>Beinhaltet Positions-Nr.<br>Meterware<br>Druckfehlerberichtigung | Production to serial number<br>New part from serial number<br>New part from Year / Month<br>See Technical Information Year / No.<br>Accessories (not included in the delivery inventory)<br>No standard execution, may be used<br>Contains item number<br>Sold by the meter<br>Error correction | Production jusqu'à n° de série<br>Nouvelle pièce à partir du n° de série<br>Nouvelle pièce à partir de année / mois<br>Voir information technique année / n°<br>Accessoires (non compris dans la livraison)<br>Aucune exécut. en série, cependant utilisable<br>contient n° de numéro<br>Au mètre<br>Rectification d'erreurs | Producción hasta N° de serie<br>Pieza nueva a partir de N° de serie<br>Pieza nueva a partir de año / mes<br>Véase inform. técnico año / N°<br>Accesorios (no incluido en la extensión del suministro)<br>No es de serie, pero sirve<br>Contiene pos N°<br>Por metro<br>Fe de erratas |
|  | Änderungen vorbehalten   | Specifications subject to change without notice   | Changements sans préavis   | Mejoras constructivas sin previo aviso   |