



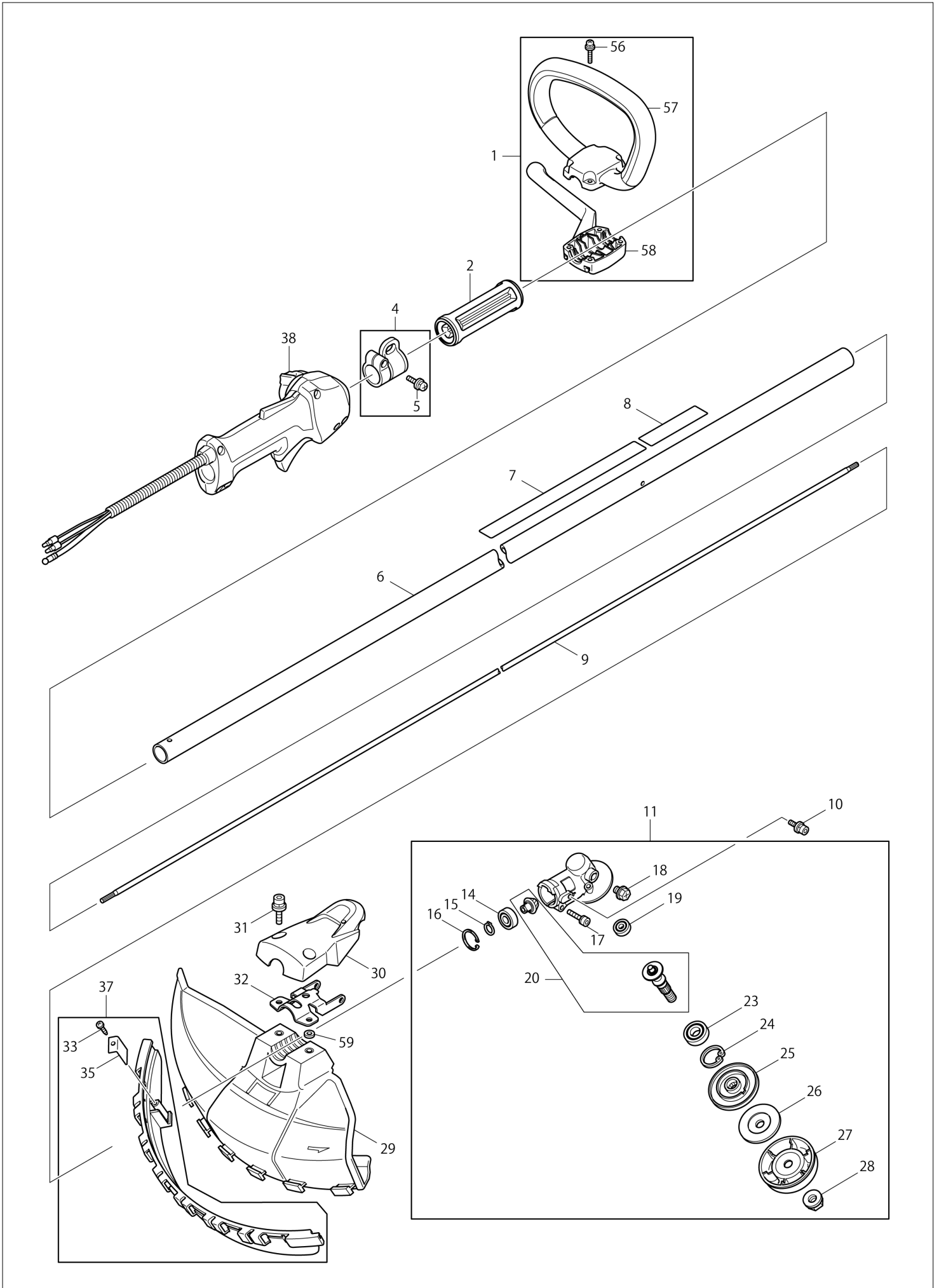
|    |         |
|----|---------|
| DE | GERMANY |
|----|---------|

# Diagram / Parts List

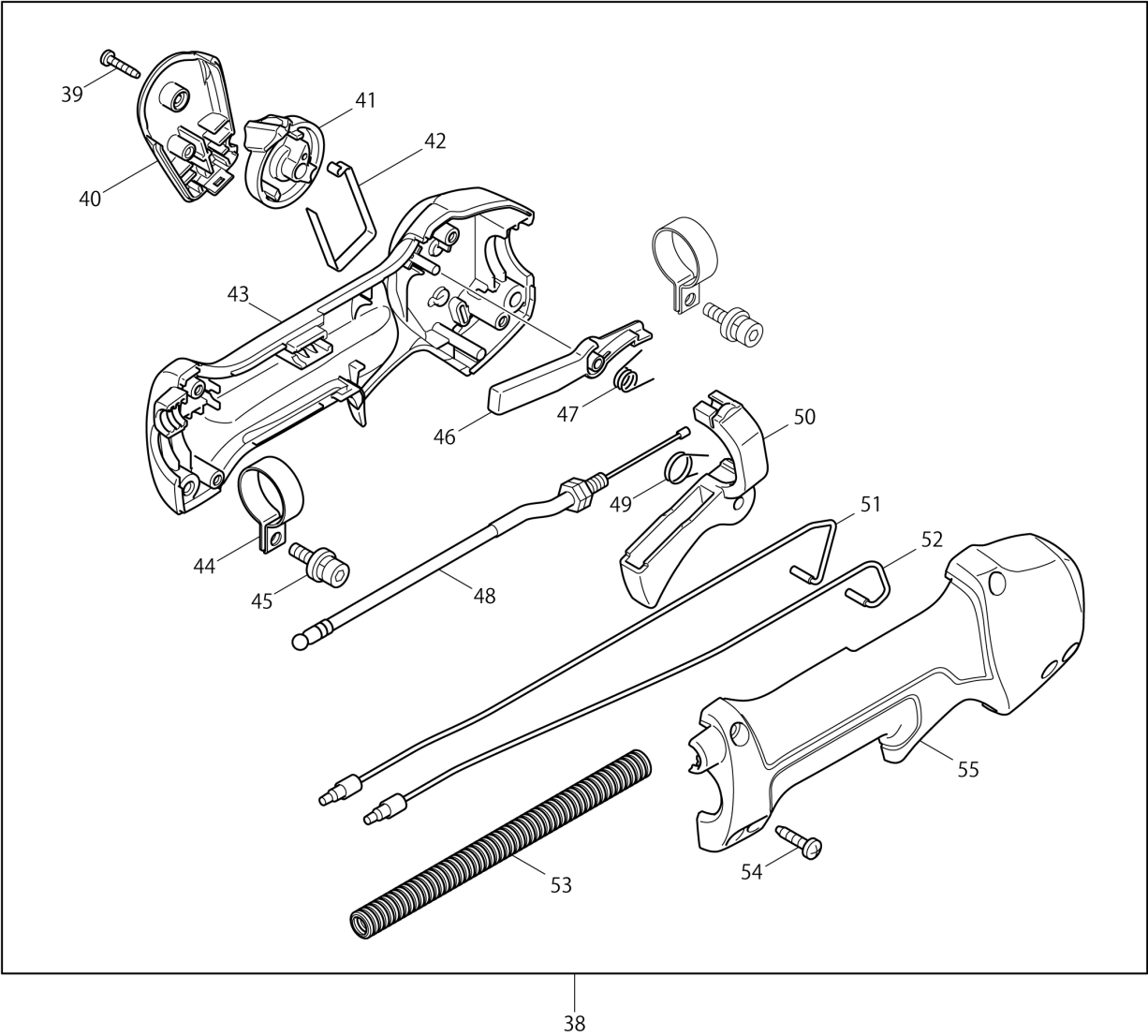
**MS246.4CE**

**PETROL BRUSH CUTTER**

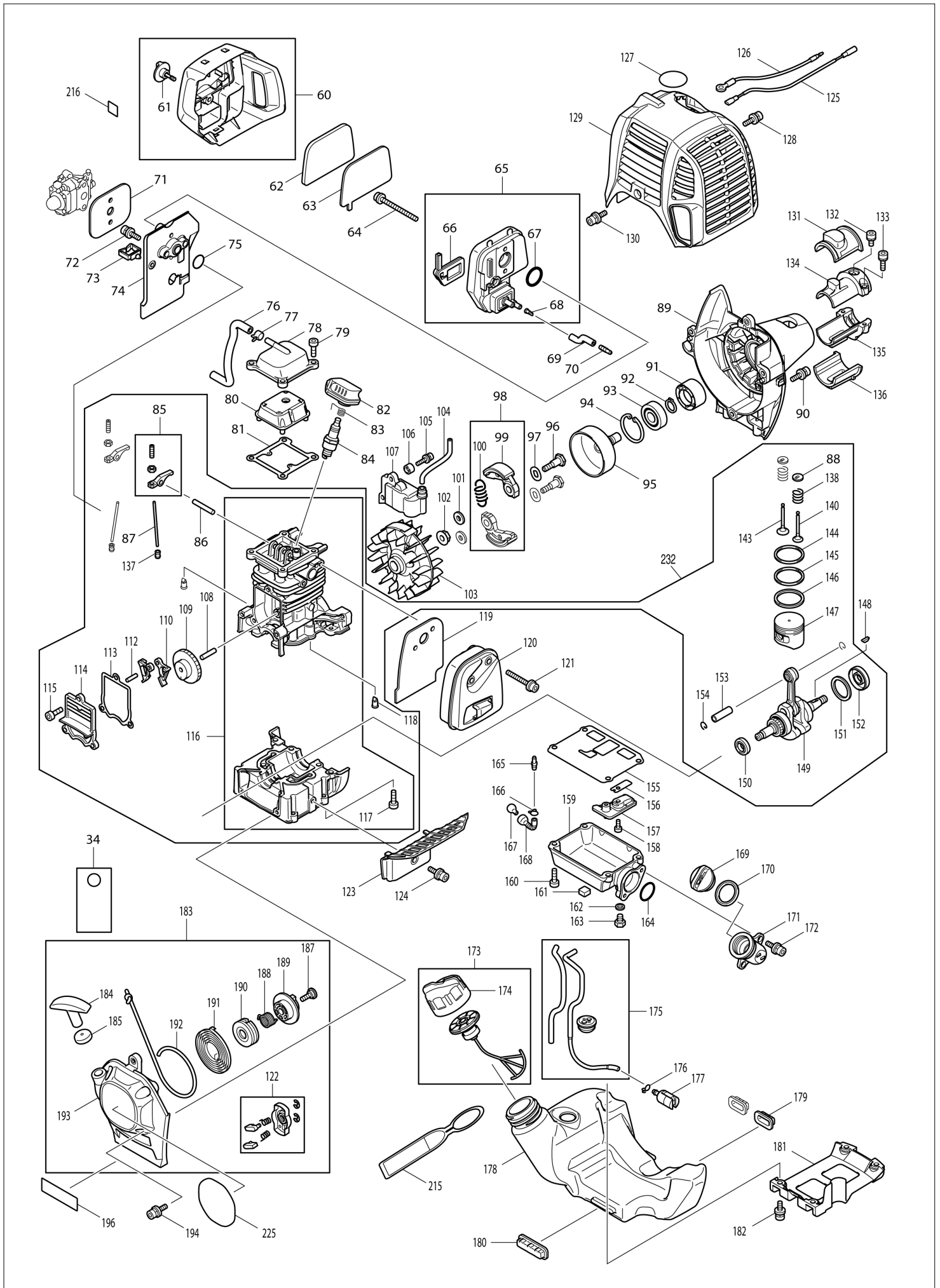
(DE) MS246.4CE / PETROL BRUSH CUTTER



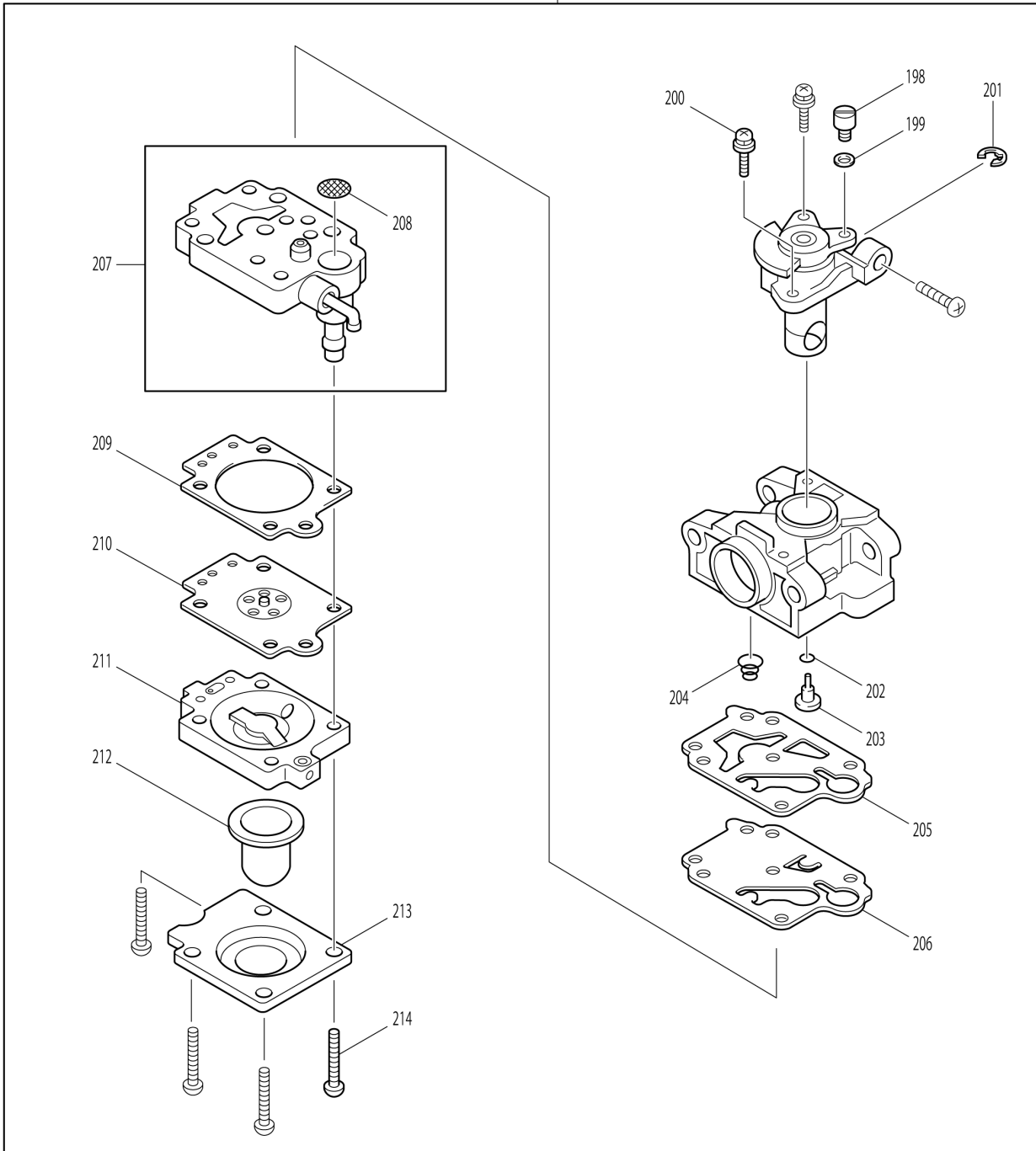
(DE) MS246.4CE / PETROL BRUSH CUTTER



(DE) MS246.4CE / PETROL BRUSH CUTTER



197



|           |                |
|-----------|----------------|
| <b>DE</b> | <b>GERMANY</b> |
|-----------|----------------|

### MS246.4CE / PETROL BRUSH CUTTER

| Item  | Sub | Parts No. | Parts Description           | Qty | I/C | E/C No. | Close No. | Remark |
|-------|-----|-----------|-----------------------------|-----|-----|---------|-----------|--------|
| 001   |     | 195215-3  | LOOP HANDLE SET             | 1   |     |         |           |        |
|       | C10 | 783014-1  | + SCREW DRIVER 2            | 1   |     |         |           |        |
|       | D10 |           | INC. 56-58                  |     |     |         |           |        |
| 002   |     | 451601-1  | SPACER 24                   | 1   |     |         |           |        |
| 004   |     | 195143-2  | HANGER SET                  | 1   |     |         |           |        |
|       | D10 |           | INC. 5                      |     |     |         |           |        |
| 005   |     | 911233-1  | PAN HEAD SCREW M5X20        | 1   |     |         |           |        |
| 006   |     | 140431-2  | SHAFT PIPE COMPLETE         | 1   |     |         |           |        |
| 007   |     | 891167-3  | CAUTION LABEL               | 1   |     |         | B7009     |        |
| 007-1 |     | 813B60-3  | CAUTION LABEL               | 1   | X   | B7009   |           |        |
| 009   |     | 324893-4  | SHAFT                       | 1   |     |         | B9070     |        |
| 009-1 |     | 327056-1  | SHAFT                       | 1   | O   | B9070   |           |        |
| 010   |     | 922218-2  | H.S.H.BOLT M5X14 WITH WR    | 2   |     |         | B2855     |        |
| 010-1 |     | 922206-9  | HEX. SOCKET HEAD BOLT M5X10 | 2   | >   | B2855   |           |        |
| 011   |     | 125556-3  | GEAR CASE ASSEMBLY          | 1   |     |         | B9682     |        |
|       | D10 |           | INC. 14-20,23-28            |     |     |         | B9682     |        |
| 011-1 |     | 123833-7  | GEAR CASE ASSEMBLY          | 1   | S   | B9682   | DD915     |        |
|       | D10 |           | INC. 14-16,18-20,23-28      |     |     | B9682   | DD915     |        |
| 011-2 |     | 123833-7  | GEAR CASE ASSEMBLY          | 1   | O   | DD915   |           |        |
|       | D10 |           | INC. 14-16,18-20,23-28      |     |     | DD915   |           |        |
| 014   |     | 210049-4  | BALL BEARING 609ZZ          | 1   |     |         | B9682     |        |
| 014-1 |     | 210157-1  | BALL BEARING 609ZZ          | 1   | O   | B9682   |           |        |
| 015   |     | 961005-4  | RETAINING RING S-9          | 1   |     |         | B9682     |        |
| 015-1 |     | 257986-1  | RETAINING RING (EXT) S-9    | 1   | O   | B9682   |           |        |
| 016   |     | 962103-7  | RETAINING RING R-24         | 1   |     |         | B9682     |        |
| 016-1 |     | 257987-9  | RETAINING RING (INT)R-24    | 1   | O   | B9682   |           |        |
| 017   |     | 922241-7  | HEX. SOCKET HEAD BOLT M5X25 | 1   |     |         |           |        |
| 018   |     | 265590-2  | +HEX.BOLT M8X10 WITH R      | 1   |     |         |           |        |
| 019   |     | 211019-6  | BALL BEARING 626            | 1   |     |         | 87587     |        |
| 020   |     | 188866-9  | CUTTER SHAFT SET            | 1   |     |         | 87587     |        |
| 020-1 |     | 188902-1  | CUTTER SHAFT SET            | 1   | S   | 87587   | A4930     |        |
| 020-2 |     | 183A00-2  | CUTTER SHAFT SET            | 1   | O   | A4930   | B9682     |        |
| 020-3 |     | 183K10-9  | CUTTER SHAFT SET            | 1   | O   | B9682   |           |        |
| 023   |     | 210115-7  | BALL BEARING 6001LLU        | 1   |     |         |           |        |
| 024   |     | 962106-1  | RETAINING RING R-28         | 1   |     |         | B9682     |        |
| 024-1 |     | 257407-3  | RETAINING RING (INT)R-28    | 1   | O   | B9682   |           |        |
| 025   |     | 331861-0  | RECEIVE WASHER              | 1   |     |         | B9682     |        |
| 025-1 |     | 326821-5  | RECEIVE WASHER              | 1   | O   | B9682   |           |        |
| 026   |     | 346084-7  | CLAMP WASHER                | 1   |     |         |           |        |
| 027   |     | 168526-9  | CUP                         | 1   |     |         |           |        |
| 028   |     | 264025-0  | HEX. NUT M10-17             | 1   |     |         |           |        |
| 029   |     | 452260-4  | PROTECTOR                   | 1   |     |         |           |        |
| 030   |     | 451097-6  | PROTECTOR COVER             | 1   |     |         | B2855     |        |
| 031   |     | 266579-3  | HEX SOCKET HEAD BOLT M6X30  | 2   |     |         | B2855     |        |
| 031-1 |     | 266280-0  | HEX. SOCKET HEAD BOLT M6X25 | 2   | >   | B2855   |           |        |
| 032   |     | 346073-2  | PROTECTOR CLAMP             | 1   |     |         | B2855     |        |
| 032-1 |     | 347012-5  | PROTECTOR CLAMP 24          | 1   | S   | B2855   |           |        |
| 033   |     | 266326-2  | TAPPING SCREW 4X18          | 1   |     |         |           |        |
| 034   |     | 819430-2  | CAUTION TAG                 | 1   |     |         |           |        |
| 035   |     | 346074-0  | CUTTER                      | 1   |     |         | B2855     |        |
| 035-1 |     | 347050-7  | CUTTER                      | 1   | O   | B2855   |           |        |
| 037   |     | 135398-7  | PROTECTOR EXTENSION ASSY    | 1   |     |         |           |        |
|       | D10 |           | INC. 33,35                  |     |     |         |           |        |
| 038   |     | 125776-9  | CONTROL LEVER ASSEMBLY      | 1   |     |         | A2941     |        |
|       | D10 |           | INC. 39-55                  |     |     |         | A2941     |        |
| 038-1 |     | 126488-7  | CONTROL LEVER ASSEMBLY      | 1   | <   | A2941   |           |        |
|       | D10 |           | INC. 39-55                  |     |     | A2941   |           |        |
| 039   |     | 266130-9  | TAPPING SCREW BIND PT 3X16  | 1   |     |         |           |        |
| 040   |     | 451595-0  | SWITCH COVER                | 1   |     |         |           |        |
| 041   |     | 451594-2  | SWITCH LEVER                | 1   |     |         |           |        |
| 042   |     | 232251-9  | LEAF SPRING                 | 1   |     |         |           |        |
| 043   |     | 188832-6  | LEVER CASE SET              | 1   |     |         |           |        |
|       | D10 |           | INC. 55                     |     |     |         |           |        |
| 044   |     | 346248-3  | CLAMP 24                    | 2   |     |         | 93985     |        |
| 044-1 |     | 346248-3  | CLAMP 24                    | 2   | O   | 93985   |           |        |

B:MS-246.4CE(N)

Interchange  
 O : Yes  
 X : No  
 < : the new part can be substituted for the current.  
 > : the current part can be substituted for the new.  
 S : Interchangeable as a set.

|           |                |
|-----------|----------------|
| <b>DE</b> | <b>GERMANY</b> |
|-----------|----------------|

### MS246.4CE / PETROL BRUSH CUTTER

| Item  | Sub | Parts No. | Parts Description           | Qty | I/C | E/C No. | Close No. | Remark |
|-------|-----|-----------|-----------------------------|-----|-----|---------|-----------|--------|
| 045   |     | 922218-2  | H.S.H.BOLT M5X14 WITH WR    | 2   |     |         | B2855     |        |
| 045-1 |     | 922206-9  | HEX. SOCKET HEAD BOLT M5X10 | 2   | >   | B2855   |           |        |
| 046   |     | 451593-4  | LOCK LEVER                  | 1   |     |         |           |        |
| 047   |     | 233541-3  | TORSION SPRING 7            | 1   |     |         |           |        |
| 048   |     | 168571-4  | CONTROL CABLE               | 1   |     |         |           |        |
| 049   |     | 233540-5  | TORSION SPRING 11           | 1   |     |         |           |        |
| 050   |     | 451592-6  | THROTTLE LEVER              | 1   |     |         | A2941     |        |
| 050-1 |     | 455313-8  | THROTTLE LEVER              | 1   | <   | A2941   |           |        |
| 051   |     | 638714-7  | LEAD UNIT                   | 1   |     |         |           |        |
| 052   |     | 638713-9  | LEAD UNIT                   | 1   |     |         |           |        |
| 053   |     | 452071-7  | CORRUGATE TUBE              | 1   |     |         |           |        |
| 054   |     | 266326-2  | TAPPING SCREW 4X18          | 4   |     |         |           |        |
| 055   |     | 188832-6  | LEVER CASE SET              | 1   |     |         |           |        |
|       | D10 |           | INC. 43                     |     |     |         |           |        |
| 056   |     | 911253-5  | PAN HEAD SCREW M5X30        | 4   |     |         |           |        |
| 057   |     | 451598-4  | LOOP HANDLE 24              | 1   |     |         |           |        |
| 058   |     | 451599-2  | HANDLE CLAMP 24             | 1   |     |         |           |        |
| 059   |     | 413143-3  | WASHER                      | 2   |     |         |           |        |
| 060   |     | 125746-8  | CLEANER COVER ASSEMBLY      | 1   |     |         | 94237     |        |
|       | D10 |           | INC. 61                     |     |     |         | 94237     |        |
| 060-1 |     | 126202-1  | CLEANER COVER ASSEMBLY      | 1   | S   | 94237   | B1277     |        |
|       | D10 |           | INC. 61                     |     |     | 94237   | B1277     |        |
| 060-2 |     | 123499-3  | CLEANER COVER ASSEMBLY      | 1   | S   | B1277   |           |        |
|       | D10 |           | INC. 61                     |     |     | B1277   |           |        |
| 061   |     | 265791-2  | THUMB SCREW M4              | 1   |     |         |           |        |
| 062   |     | 443141-3  | AIR CLEANER ELEMENT         | 1   |     |         | 90964     |        |
| 062-1 |     | 443171-4  | AIR CLEANER ELEMENT         | 1   | S   | 90964   | D4382     |        |
| 062-2 |     | 443171-4  | AIR CLEANER ELEMENT         | 1   | O   | D4382   |           |        |
| 063   |     | 443140-5  | AIR CLEANER ELEMENT         | 1   |     |         | 90964     |        |
| 063-1 |     | 443169-1  | AIR CLEANER ELEMENT         | 1   | S   | 90964   |           |        |
| 064   |     | 266601-6  | HEX. SOCKET HEAD BOLT M5X60 | 2   |     |         | 88730     |        |
| 064-1 |     | 266618-9  | H.S.BUTTON HEAD BOLT M5X60  | 2   | O   | 88730   |           |        |
| 065   |     | 125833-3  | CLEANER PLATE ASSEMBLY      | 1   |     |         | 90578     |        |
|       | D10 |           | INC. 66-68,E01-E03          |     |     |         | 90578     |        |
| 065-1 |     | 126004-5  | CLEANER PLATE ASSEMBLY      | 1   | <   | 90578   | 94237     |        |
|       | C10 | 162322-7  | SEPARATOR STOPPER           | 1   |     | 90578   | 94237     |        |
|       | C20 | 162325-1  | SEPARATOR GASKET            | 1   |     | 90578   | 94237     |        |
|       | C30 | 352013-0  | SEPARATOR NET               | 1   |     | 90578   | 94237     |        |
|       | D10 |           | INC. 66-68,E01-E03          |     |     | 90578   | 94237     |        |
| 065-2 |     | 126198-6  | CLEANER PLATE ASSEMBLY      | 1   | S   | 94237   | B1277     |        |
|       | C10 | 266007-8  | TAPPING SCREW BIND PT 3X10  | 1   |     | 94237   | B1277     |        |
|       | D10 |           | INC. 66-68,E01-E03,227,228  |     |     | 94237   | B1277     |        |
| 065-3 |     | 123501-2  | CLEANER PLATE ASSEMBLY      | 1   | S   | B1277   |           |        |
|       | C10 | 266007-8  | TAPPING SCREW BIND PT 3X10  | 1   |     | B1277   |           |        |
|       | D10 |           | INC. 66-68,E01-E03,227,228  |     |     | B1277   |           |        |
| 066   |     | 162300-7  | SEPARATOR PLATE             | 1   |     |         | 90578     |        |
| 066-1 |     | 162324-3  | SEPARATOR PLATE             | 1   | <   | 90578   | 94237     |        |
| 066-2 |     | 162346-3  | SEPARATOR PLATE             | 1   | S   | 94237   |           |        |
| 067   |     | 213540-1  | O RING 15                   | 1   |     |         |           |        |
| 068   |     | 424316-3  | CHECK VALVE                 | 1   |     |         | 94237     |        |
| 068-1 |     | 424316-3  | CHECK VALVE                 | 2   | S   | 94237   |           |        |
| 069   |     | 422062-2  | PIPE                        | 1   |     |         | 94237     |        |
| 069-1 |     | 422099-9  | PIPE                        | 1   | S   | 94237   |           |        |
| 070   |     | 325665-0  | JOINT PIPE                  | 1   |     |         |           |        |
| 071   |     | 442153-3  | CARBURETOR GASKET           | 1   |     |         |           |        |
| 072   |     | 922228-9  | H.S.H.BOLT M5X18 WITH WR    | 2   |     |         | 94178     |        |
| 072-1 |     | 266787-6  | H.S.H.BOLT M5X18 WITH WR    | 2   | <   | 94178   |           |        |
| 073   |     | 451825-9  | CLAMP                       | 1   |     |         |           |        |
| 074   |     | 451729-5  | INSULATOR                   | 1   |     |         |           |        |
| 075   |     | 213547-7  | O-RING 12                   | 1   |     |         |           |        |
| 076   |     | 422055-9  | BREATHER PIPE               | 1   |     |         | 94683     |        |
| 076-1 |     | 422109-2  | BREATHER PIPE               | 1   | <   | 94683   |           |        |
| 077   |     | 345918-1  | HOSE CLAMP                  | 1   |     |         |           |        |
| 078   |     | 318587-1  | ROCKER COVER OUTER          | 1   |     |         | 90578     |        |
| 078-1 |     | 318745-9  | ROCKER COVER OUTER          | 1   | <   | 90578   |           |        |

B:MS-246.4CE(N)

Interchange  
 O : Yes  
 X : No  
 < : the new part can be substituted for the current.  
 > : the current part can be substituted for the new.  
 S : Interchangeable as a set.

### MS246.4CE / PETROL BRUSH CUTTER

| Item  | Sub | Parts No. | Parts Description              | Qty | I/C | E/C No. | Close No. | Remark |
|-------|-----|-----------|--------------------------------|-----|-----|---------|-----------|--------|
| 079   |     | 266570-1  | HEX. SOCKET HEAD BOLT M5X16    | 4   |     |         | 90299     |        |
| 079-1 |     | 922222-1  | HEX. SOCKET HEAD BOLT M5X16    | 4   | O   | 90299   |           |        |
| 080   |     | 451728-7  | ROCKER COVER INNER             | 1   |     |         | 90578     |        |
| 080-1 |     | 452795-5  | ROCKER COVER INNER             | 1   | <   | 90578   | 94237     |        |
| 080-2 |     | 453860-3  | ROCKER COVER INNER             | 1   | S   | 94237   |           |        |
| 081   |     | 162304-9  | ROCKER COVER GASKET            | 1   |     |         |           |        |
| 082   |     | 424302-4  | PLUG CAP                       | 1   |     |         |           |        |
| 083   |     | 324891-8  | PLUG CAP SPRING                | 1   |     |         |           |        |
| 084   |     | 168534-0  | SPARK PLUG                     | 1   |     |         |           |        |
| 085   |     | 125554-7  | ROCKER ARM ASSEMBLY            | 2   |     |         |           |        |
| 086   |     | 256200-2  | PIN 5                          | 1   |     |         |           |        |
| 087   |     | 256865-0  | ROD 2.5                        | 2   |     |         |           |        |
| 088   |     | 325668-4  | SPRING RETAINER                | 2   |     |         |           |        |
| 089   |     | 451735-0  | CLUTCH CASE                    | 1   |     |         | B3506     |        |
| 089-1 |     | 143823-4  | CLUTCH CASE COMPLETE           | 1   | <   | B3506   |           |        |
| 090   |     | 922228-9  | H.S.H.BOLT M5X18 WITH WR       | 3   |     |         |           |        |
| 091   |     | 450569-8  | SPACER                         | 1   |     |         | A1812     |        |
| 091-1 |     | 450569-8  | SPACER                         | 1   | O   | A1812   |           |        |
| 092   |     | 961052-5  | RETAINING RING (EXT) S-12      | 1   |     |         |           |        |
| 093   |     | 210111-5  | BALL BEARING 6201LLU           | 1   |     |         | Y05608    |        |
| 093-1 |     | 210111-5  | BALL BEARING 6201LLU           | 1   | O   | Y05608  |           |        |
| 094   |     | 962151-6  | RETAINING RING R-32            | 1   |     |         |           |        |
| 095   |     | 168609-5  | CLUTCH DRUM                    | 1   |     |         | 98676     |        |
| 095-1 |     | 168809-7  | CLUTCH DRUM COMPLETE           | 1   | O   | 98676   | B4725     |        |
| 095-2 |     | 161588-6  | CLUTCH DRUM COMPLETE           | 1   | <   | B4725   |           |        |
| 096   |     | 266457-7  | SHOULDER HEX. BOLT M6X25       | 2   |     |         | 98135     |        |
| 096-1 |     | 266864-4  | SHOULDER HEX. BOLT M6X25       | 2   | O   | 98135   |           |        |
| 097   |     | 267817-6  | WASHER 8                       | 2   |     |         |           |        |
| 098   |     | 125518-1  | CLUTCH ASSEMBLY                | 1   |     |         | 94441     |        |
|       | D10 |           | INC. 99,100                    |     |     |         | 94441     |        |
| 098-1 |     | 126135-0  | CLUTCH ASSEMBLY                | 1   | <   | 94441   |           |        |
|       | D10 |           | INC. 99,100                    |     |     |         | 94441     |        |
| 099   |     | 168498-8  | CLUTCH SHOE                    | 2   |     |         | A6620     |        |
| 099-1 |     | 161332-1  | CLUTCH SHOE                    | 2   | O   | A6620   |           |        |
| 100   |     | 231858-8  | TENSION SPRING 6               | 1   |     |         | 94441     |        |
| 100-1 |     | 231881-3  | TENSION SPRING 7               | 1   | <   | 94441   |           |        |
| 101   |     | 267812-6  | WASHER 6                       | 2   |     |         |           |        |
| 102   |     | 264039-9  | CONED DISK SPRING HEXNUT M8-13 | 1   |     |         | Y06630    |        |
| 102-1 |     | 264039-9  | CONED DISK SPRING HEXNUT M8-13 | 1   | <   | Y06630  |           |        |
| 103   |     | 318569-3  | FLYWHEEL                       | 1   |     |         |           |        |
| 104   |     | 444021-6  | TUBE                           | 1   |     |         |           |        |
| 105   |     | 266602-4  | HEX. SOCKET HEAD BOLT M4X20    | 2   |     |         |           |        |
| 106   |     | 452049-0  | SPACER                         | 2   |     |         |           |        |
| 107   |     | 168559-4  | IGNITION COIL                  | 1   |     |         | B3506     |        |
| 107-1 |     | 161483-0  | IGNITION COIL                  | 1   | <   | B3506   |           |        |
| 108   |     | 268238-5  | PIN 5                          | 1   |     |         |           |        |
| 109   |     | 125552-1  | CAM GEAR ASSEMBLY              | 1   |     |         |           |        |
| 110   |     | 313169-4  | CAM LIFTER                     | 2   |     |         |           |        |
| 112   |     | 268239-3  | PIN 4                          | 1   |     |         |           |        |
| 113   |     | 162274-2  | CAM GEAR COVER GASKET          | 1   |     |         |           |        |
| 114   |     | 318443-5  | CAM GEAR COVER                 | 1   |     |         |           |        |
| 115   |     | 266570-1  | HEX. SOCKET HEAD BOLT M5X16    | 3   |     |         | 90299     |        |
| 115-1 |     | 922222-1  | HEX. SOCKET HEAD BOLT M5X16    | 3   | O   | 90299   |           |        |
| 116   |     | 135403-0  | CYLINDER BLOCK ASSEMBLY        | 1   |     |         | 90964     |        |
|       | D10 |           | INC. 117                       |     |     |         | 90964     |        |
| 116-1 |     | 135478-9  | CYLINDER BLOCK ASSEMBLY        | 1   | <   | 90964   | Y06622    |        |
|       | D10 |           | INC. 117                       |     |     |         | 90964     | Y06622 |
| 116-2 |     | 135478-9  | CYLINDER BLOCK ASSEMBLY        | 1   | <   | Y06622  |           |        |
|       | D10 |           | INC. 88,117,118                |     |     |         | Y06622    |        |
| 117   |     | 266570-1  | HEX. SOCKET HEAD BOLT M5X16    | 6   |     |         | 90299     |        |
| 117-1 |     | 922222-1  | HEX. SOCKET HEAD BOLT M5X16    | 6   | O   | 90299   |           |        |
| 118   |     | 424201-0  | CHECK VALVE                    | 2   |     |         |           |        |
| 119   |     | 345916-5  | MUFFLER GASKET                 | 1   |     |         | 88730     |        |
| 119-1 |     | 346331-6  | MUFFLER GASKET                 | 1   | <   | 88730   |           |        |
| 120   |     | 168554-4  | EXHAUST MUFFLER                | 1   |     |         |           |        |

B:MS-246.4CE(N)

Interchange  
O : Yes  
X : No  
< : the new part can be substituted for the current.  
> : the current part can be substituted for the new.  
S : Interchangeable as a set.



|           |                |
|-----------|----------------|
| <b>DE</b> | <b>GERMANY</b> |
|-----------|----------------|

### MS246.4CE / PETROL BRUSH CUTTER

| Item  | Sub | Parts No. | Parts Description           | Qty | I/C | E/C No. | Close No. | Remark |
|-------|-----|-----------|-----------------------------|-----|-----|---------|-----------|--------|
| 121   |     | 266440-4  | HEX SOCKET HEAD BOLT M5X40  | 2   |     |         |           |        |
| 122   |     | 168471-8  | PULLEY                      | 1   |     |         |           |        |
| 123   |     | 451731-8  | MUFFLER PLATE               | 1   |     |         |           |        |
| 124   |     | 922218-2  | H.S.H.BOLT M5X14 WITH WR    | 1   |     |         | B2855     |        |
| 124-1 |     | 922206-9  | HEX. SOCKET HEAD BOLT M5X10 | 1   | >   | B2855   |           |        |
| 125   |     | 638707-4  | LEAD UNIT                   | 1   |     |         |           |        |
| 126   |     | 638708-2  | LEAD UNIT                   | 1   |     |         |           |        |
| 128   |     | 922218-2  | H.S.H.BOLT M5X14 WITH WR    | 1   |     |         | B2855     |        |
| 128-1 |     | 922206-9  | HEX. SOCKET HEAD BOLT M5X10 | 1   | >   | B2855   |           |        |
| 129   |     | 452250-7  | CYLINDER COVER              | 1   |     |         | 92707     |        |
| 129-1 |     | 453569-7  | CYLINDER COVER              | 1   | O   | 92707   |           |        |
| 130   |     | 922218-2  | H.S.H.BOLT M5X14 WITH WR    | 1   |     |         | B2855     |        |
| 130-1 |     | 922206-9  | HEX. SOCKET HEAD BOLT M5X10 | 1   | >   | B2855   |           |        |
| 131   |     | 424082-2  | BUFFER RUBBER               | 1   |     |         |           |        |
| 132   |     | 922211-6  | H.S.H.BOLT M5X12 WITH W     | 1   |     |         |           |        |
| 133   |     | 922226-3  | HEX. SOCKET HEAD BOLT M5X18 | 2   |     |         |           |        |
| 134   |     | 318249-1  | PIPE HOLDER                 | 1   |     |         |           |        |
| 135   |     | 318250-6  | PIPE HOLDER                 | 1   |     |         |           |        |
| 136   |     | 424083-0  | BUFFER RUBBER               | 1   |     |         |           |        |
| 137   |     | 424200-2  | SPACER                      | 2   |     |         |           |        |
| 138   |     | 234108-0  | COMPRESSION SPRING 9        | 2   |     |         |           |        |
| 140   |     | 325669-2  | EXHAUST VALVE               | 1   |     |         | A6512     |        |
| 140-1 |     | 326366-3  | EXHAUST VALVE               | 1   | O   | A6512   |           |        |
| 143   |     | 325670-7  | INTAKE VALVE                | 1   |     |         | A6512     |        |
| 143-1 |     | 326367-1  | INTAKE VALVE                | 1   | O   | A6512   |           |        |
| 144   |     | 257298-2  | PISTON RING (TOP) 34        | 1   |     |         | Z18187    |        |
| 144-1 |     | 195145-8  | PISTON RING SET             | 1   | S   | Z18187  |           |        |
| 145   |     | 257299-0  | PISTON RING (SECOND) 34     | 1   |     |         | Z18187    |        |
| 146   |     | 257300-1  | PISTON RING 34              | 1   |     |         | Z18187    |        |
| 147   |     | 318441-9  | PISTON                      | 1   |     |         |           |        |
| 148   |     | 254040-2  | WOODRUFF KEY 3              | 1   |     |         |           |        |
| 149   |     | 135406-4  | CRANK SHAFT ASSEMBLY        | 1   |     |         | 90964     |        |
| 149-1 |     | 135481-0  | CRANK SHAFT ASS'Y           | 1   | <   | 90964   | 94237     |        |
| 149-2 |     | 126204-7  | CRANK SHAFT ASS'Y           | 1   | S   | 94237   | 99747     |        |
|       | D10 |           | INC. 150-152                |     |     | 94237   | 99747     |        |
| 149-3 |     | 126359-8  | CRANK SHAFT ASSEMBLY        | 1   | O   | 99747   | B2951     |        |
|       | D10 |           | INC. 150-152                |     |     | 99747   | B2951     |        |
| 149-4 |     | 123774-7  | CRANK SHAFT ASSEMBLY        | 1   | <   | B2951   |           |        |
|       | D10 |           | INC. 150-152                |     |     | B2951   |           |        |
| 150   |     | 213148-1  | OIL SEAL 10                 | 1   |     |         | 94237     |        |
| 150-1 |     | 213148-1  | OIL SEAL 10                 | 1   | S   | 94237   | B2951     |        |
| 150-2 |     | 213769-9  | OIL SEAL 10                 | 1   | <   | B2951   |           |        |
| 151   |     | 267400-9  | FLAT WASHER 23              | 1   |     |         | 94237     |        |
| 151-1 |     | 267400-9  | FLAT WASHER 23              | 1   | S   | 94237   |           |        |
| 152   |     | 213147-3  | OIL SEAL 12                 | 1   |     |         | 94237     |        |
| 152-1 |     | 213147-3  | OIL SEAL 12                 | 1   | S   | 94237   | B2951     |        |
| 152-2 |     | 213089-1  | OIL SEAL 12                 | 1   | <   | B2951   |           |        |
| 153   |     | 257781-9  | PISTON PIN                  | 1   |     |         |           |        |
| 154   |     | 233976-8  | CLIP                        | 2   |     |         |           |        |
| 155   |     | 162303-1  | OIL CASE GASKET             | 1   |     |         | 90578     |        |
| 155-1 |     | 162323-5  | OIL CASE GASKET             | 1   | S   | 90578   | 94237     |        |
| 155-2 |     | 162345-5  | OIL CASE GASKET             | 1   | S   | 94237   |           |        |
| 156   |     | 346083-9  | LEAD VALVE                  | 1   |     |         |           |        |
| 157   |     | 318590-2  | RETAINER PLATE              | 1   |     |         | 94237     |        |
| 157-1 |     | 318910-0  | RETAINER PLATE              | 1   | S   | 94237   |           |        |
| 158   |     | 266569-6  | HEX. SOCKET HEAD BOLT M4X10 | 1   |     |         | 89357     |        |
| 158-1 |     | 922112-8  | HEX. SOCKET HEAD BOLT M4X10 | 1   | O   | 89357   |           |        |
| 159   |     | 318588-9  | OIL CASE                    | 1   |     |         |           |        |
| 160   |     | 266570-1  | HEX. SOCKET HEAD BOLT M5X16 | 4   |     |         | 90299     |        |
| 160-1 |     | 922222-1  | HEX. SOCKET HEAD BOLT M5X16 | 4   | O   | 90299   |           |        |
| 161   |     | 424344-8  | DAMPER                      | 1   |     |         |           |        |
| 162   |     | 346305-7  | GASKET                      | 1   |     |         |           |        |
| 163   |     | 266611-3  | HEX BOLT M6X8               | 1   |     |         |           |        |
| 164   |     | 213548-5  | O-RING 20                   | 1   |     |         |           |        |
| 165   |     | 325898-7  | JOINT PIPE                  | 1   |     |         | 90578     |        |

B:MS-246.4CE(N)

Interchange  
O : Yes  
X : No  
< : the new part can be substituted for the current.  
> : the current part can be substituted for the new.  
S : Interchangeable as a set.

|           |                |
|-----------|----------------|
| <b>DE</b> | <b>GERMANY</b> |
|-----------|----------------|

### MS246.4CE / PETROL BRUSH CUTTER

| Item  | Sub | Parts No.  | Parts Description              | Qty | I/C | E/C No. | Close No. | Remark |
|-------|-----|------------|--------------------------------|-----|-----|---------|-----------|--------|
| 165-1 |     | 325665-0   | JOINT PIPE                     | 1   | S   | 90578   |           |        |
| 166   |     | 282020-8   | HOSE CLAMP                     | 1   |     |         | Y07151    |        |
| 166-1 |     | 282020-8   | HOSE CLAMP                     | 1   | O   | Y07151  |           |        |
| 167   |     | 325666-8   | OIL WEIGHT                     | 1   |     |         | Y07151    |        |
| 167-1 |     | 325666-8   | OIL WEIGHT                     | 1   | O   | Y07151  |           |        |
| 168   |     | 424301-6   | OIL TUBE                       | 1   |     |         | Y07151    |        |
| 168-1 |     | 125805-8   | OIL TUBE ASSEMBLY              | 1   | S   | Y07151  |           |        |
|       | C10 | 424301-6   | OIL TUBE                       | 1   |     | Y07151  |           |        |
|       | D10 |            | INC. 166,167                   |     |     | Y07151  |           |        |
| 169   |     | 452047-4   | OIL CAP                        | 1   |     |         |           |        |
| 170   |     | 424343-0   | GASKET                         | 1   |     |         |           |        |
| 171   |     | 452048-2   | OIL PIPE                       | 1   |     |         |           |        |
| 172   |     | 922218-2   | H.S.H.BOLT M5X14 WITH WR       | 2   |     |         | B2855     |        |
| 172-1 |     | 922206-9   | HEX. SOCKET HEAD BOLT M5X10    | 2   | >   | B2855   |           |        |
| 173   |     | 125728-0   | FUEL TANK CAP ASSEMBLY         | 1   |     |         | C4429     |        |
|       | D10 |            | INC. 174                       |     |     |         | C4429     |        |
| 173-1 |     | 127112-5   | FUEL TANK CAP ASSEMBLY         | 1   | O   | C4429   |           |        |
|       | D10 |            | INC. 174                       |     |     | C4429   |           |        |
| 174   |     | 451739-2   | FUEL TANK CAP                  | 1   |     |         |           |        |
| 175   |     | 168555-2   | TUBE COMPLETE                  | 1   |     |         | 93766     |        |
| 175-1 |     | 168755-4   | TUBE COMPLETE                  | 1   | <   | 93766   |           |        |
| 176   |     | 282020-8   | HOSE CLAMP                     | 1   |     |         |           |        |
| 177   |     | 163518-3   | GASOLINE FILTER                | 1   |     |         |           |        |
| 178   |     | 451736-8   | FUEL TANK                      | 1   |     |         |           |        |
| 179   |     | 424080-6   | BUFFER RUBBER                  | 2   |     |         |           |        |
| 180   |     | 424081-4   | BUFFER RUBBER                  | 1   |     |         |           |        |
| 181   |     | 451737-6   | TANK GUARD                     | 1   |     |         |           |        |
| 182   |     | 922218-2   | H.S.H.BOLT M5X14 WITH WR       | 4   |     |         | B2855     |        |
| 182-1 |     | 922206-9   | HEX. SOCKET HEAD BOLT M5X10    | 4   | >   | B2855   |           |        |
| 183   |     | 195309-4   | RECOIL STARTER SET             | 1   |     |         |           |        |
|       | D10 |            | INC. 122,184,185,187-193       |     |     |         |           |        |
| 184   |     | 424319-7   | STARTER KNOB                   | 1   |     |         |           |        |
| 185   |     | 424359-5   | DAMPER                         | 1   |     |         |           |        |
| 187   |     | 266585-8   | TAPPING SCREW 5X12             | 1   |     |         |           |        |
| 188   |     | 233578-0   | DAMPER SPRING                  | 1   |     |         |           |        |
| 189   |     | 452275-1   | CAM PLATE                      | 1   |     |         |           |        |
| 190   |     | 452274-3   | REEL                           | 1   |     |         |           |        |
| 191   |     | 232258-5   | SPIRAL SPRING                  | 1   |     |         |           |        |
| 192   |     | 444024-0   | STARTER ROPE                   | 1   |     |         |           |        |
| 193   |     | 451732-6   | STARTER CASE                   | 1   |     |         |           |        |
| 194   |     | 922223-9   | H.S.H.BOLT M5X16 WITH WR       | 4   |     |         |           |        |
| 196   |     | 891121-7   | DOLMAR LOGO LABEL              | 1   |     |         |           |        |
| 197   |     | 168591-8   | CARBURETOR                     | 1   |     |         | 94441     |        |
|       | D10 |            | INC. 198-207,209-214           |     |     |         | 94441     |        |
| 197-1 |     | 168762-7   | CARBURETOR                     | 1   | <   | 94441   |           |        |
|       | D10 |            | INC. 198-207,209-214           |     |     | 94441   |           |        |
| 198   |     | 325922-6   | SWIVEL                         | 1   |     |         |           |        |
| 199   |     | 413140-9   | WASHER                         | 1   |     |         |           |        |
| 200   |     | 266581-6   | PAN HEAD SCREW M3X8 WITH W     | 2   |     |         | Y06995    |        |
| 200-1 |     | WJ00096364 | SCREW M3X8 WITH WASHER         | 2   | O   | Y06995  |           |        |
| 201   |     | 257964-1   | STOP RING E-3                  | 1   |     |         |           |        |
| 202   |     | 213538-8   | O RING 2                       | 1   |     |         |           |        |
| 203   |     | 325985-2   | JET                            | 1   |     |         |           |        |
| 204   |     | 234183-6   | CONICAL COMPRESSION SPRING 5-9 | 1   |     |         |           |        |
| 205   |     | 442155-9   | PUMP GASKET                    | 1   |     |         |           |        |
| 206   |     | 168575-6   | PUMP DIAPHRAGM                 | 1   |     |         | Y07366    |        |
| 206-1 |     | WJ00009599 | PUMP DIAPHRAGM                 | 1   | O   | Y07366  |           |        |
| 207   |     | 140437-0   | PUMP BODY                      | 1   |     |         | 94441     |        |
|       | D10 |            | INC. 208                       |     |     |         | 94441     |        |
| 207-1 |     | 141737-1   | PUMP BODY                      | 1   | X   | 94441   |           |        |
|       | D10 |            | INC. 208                       |     |     | 94441   |           |        |
| 208   |     | 352010-6   | INLET SCREEN                   | 1   |     |         | 94441     |        |
| 208-1 |     | 352021-1   | INLET SCREEN                   | 1   | X   | 94441   |           |        |
| 209   |     | 442154-1   | METERING DIAPHRAGM GASKET      | 1   |     |         |           |        |
| 210   |     | 168620-7   | METERING DIAPHRAGM             | 1   |     |         |           |        |

B:MS-246.4CE(N)

Interchange  
O : Yes  
X : No  
< : the new part can be substituted for the current.  
> : the current part can be substituted for the new.  
S : Interchangeable as a set.

