

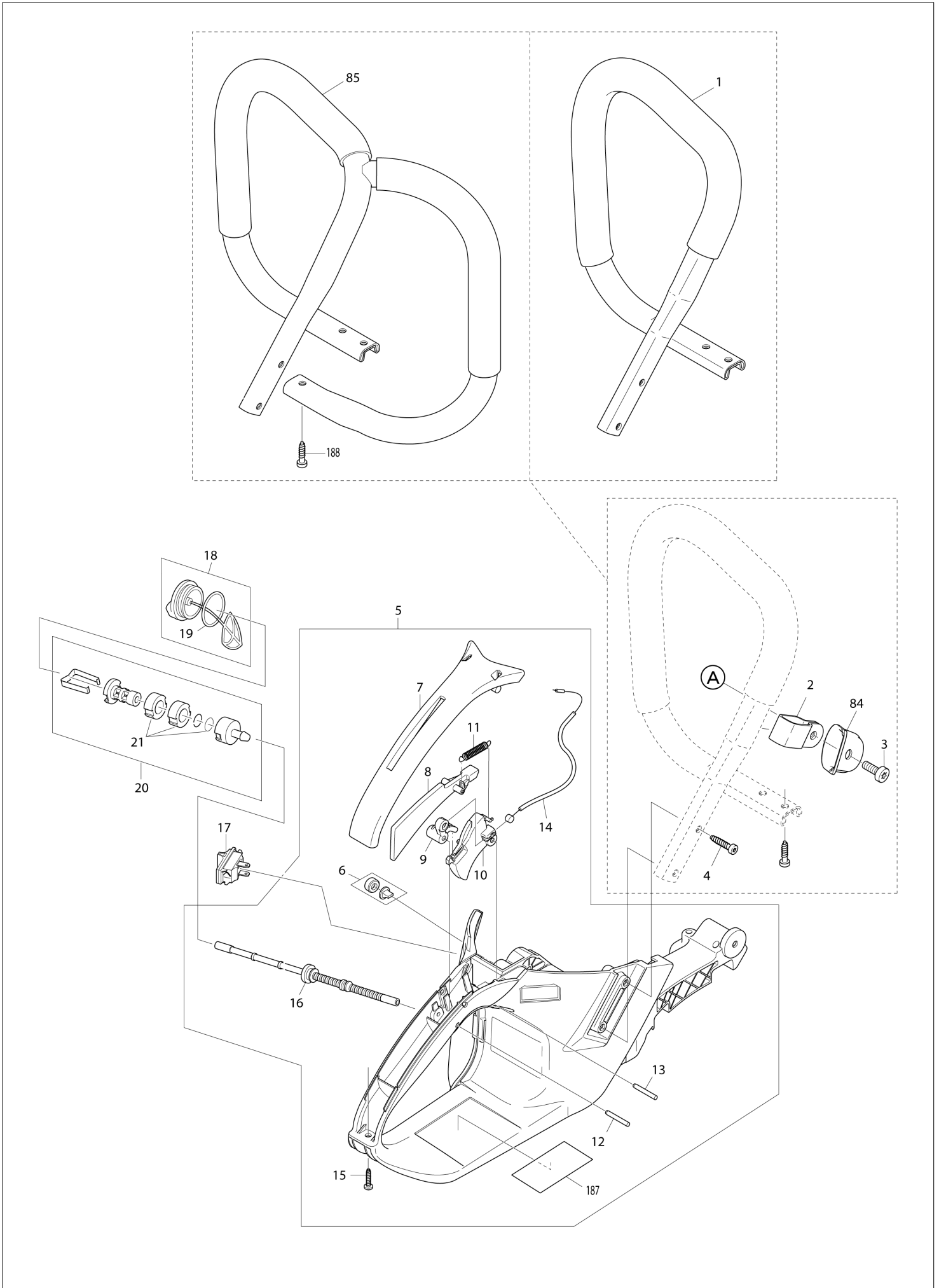


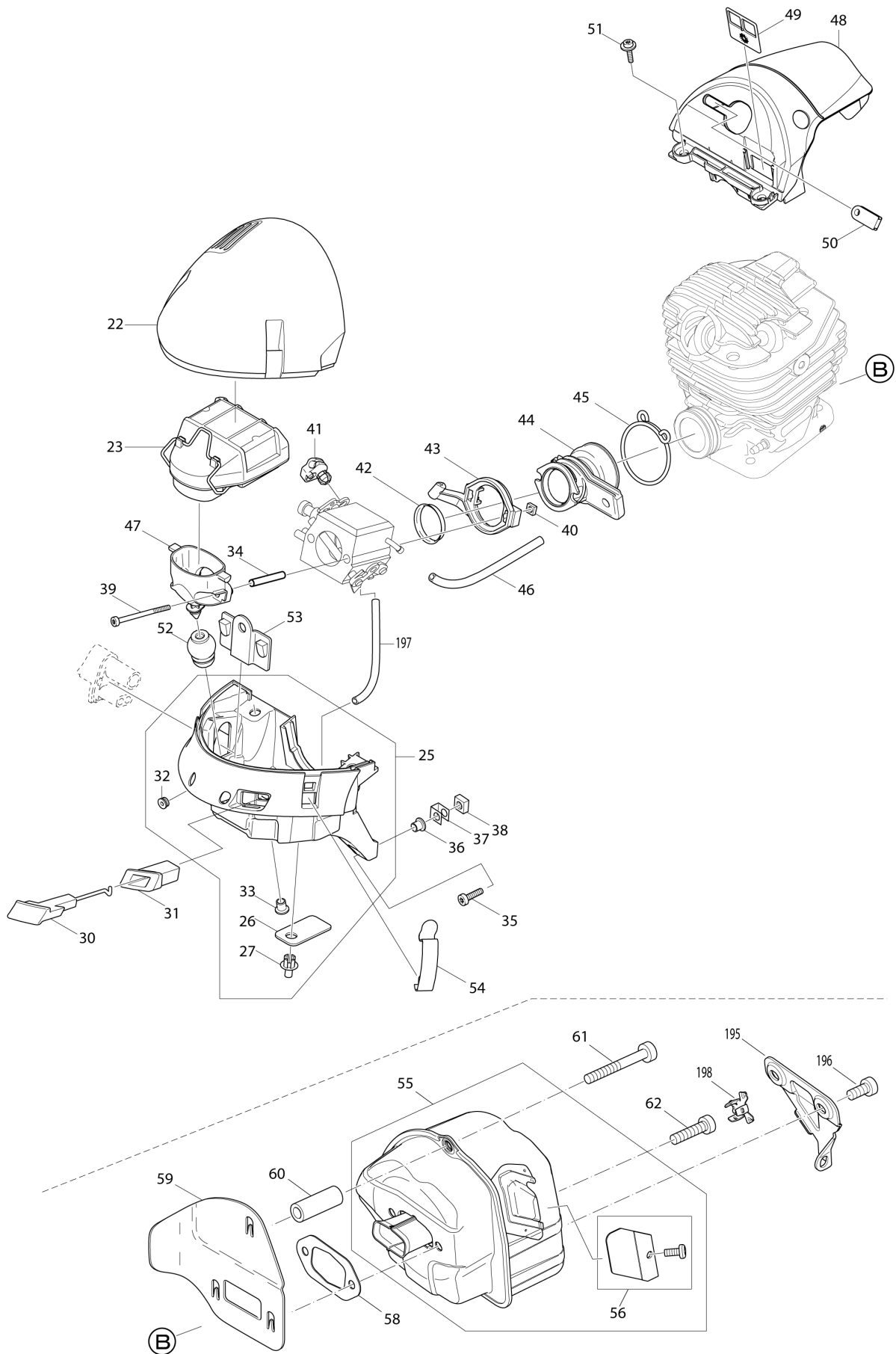
DE	GERMANY
----	---------

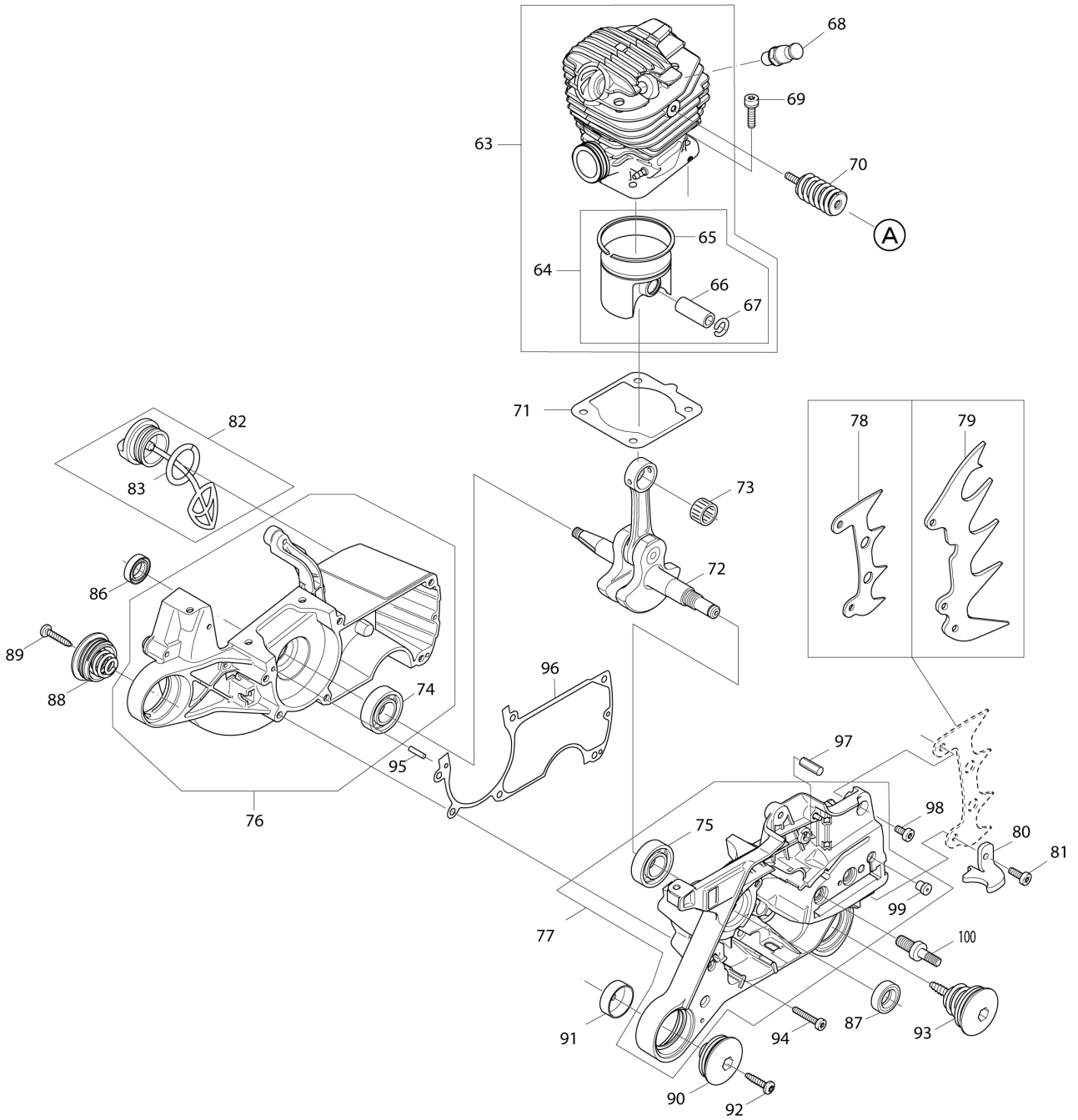
Diagram / Parts List

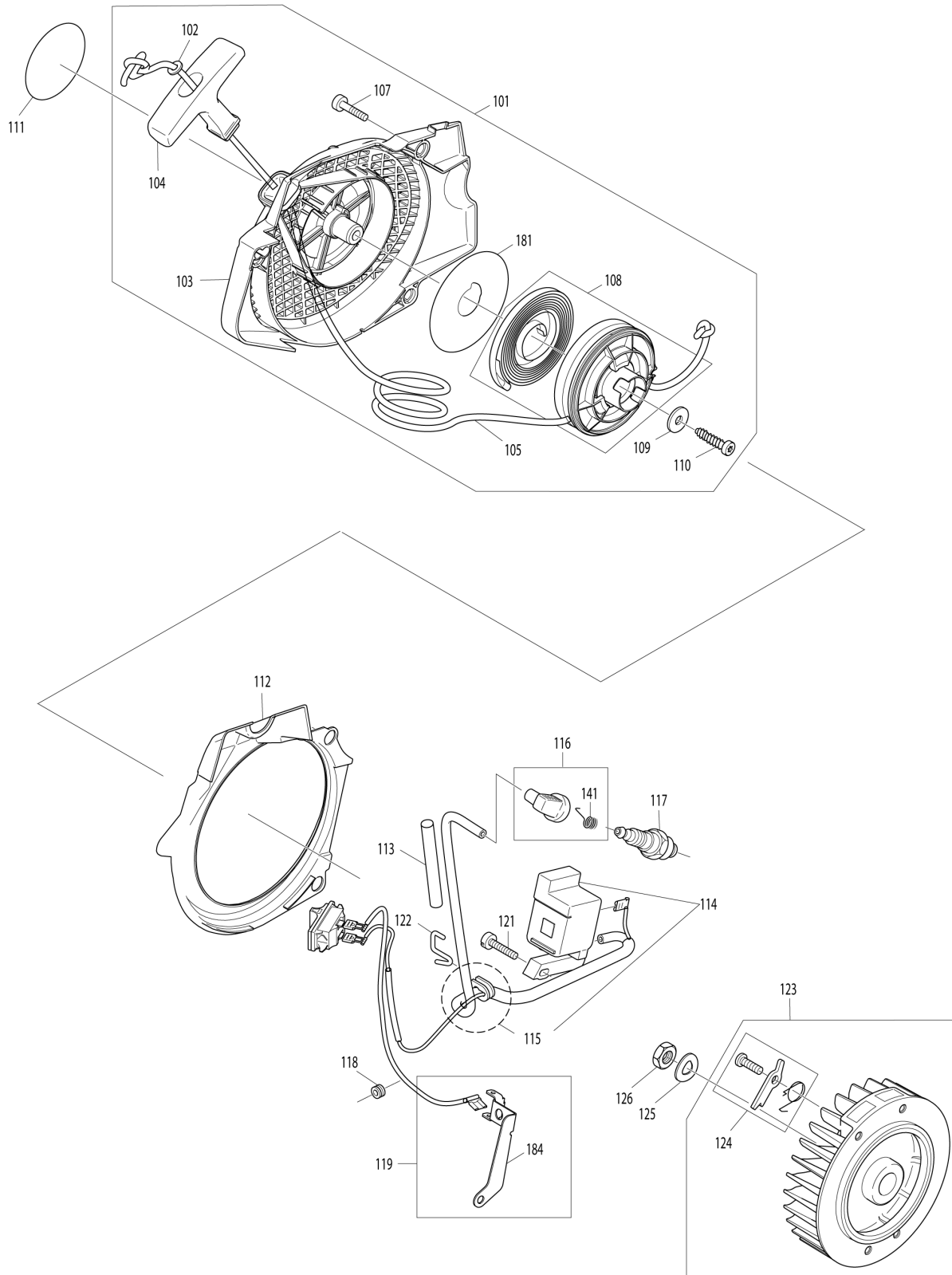
PS7910

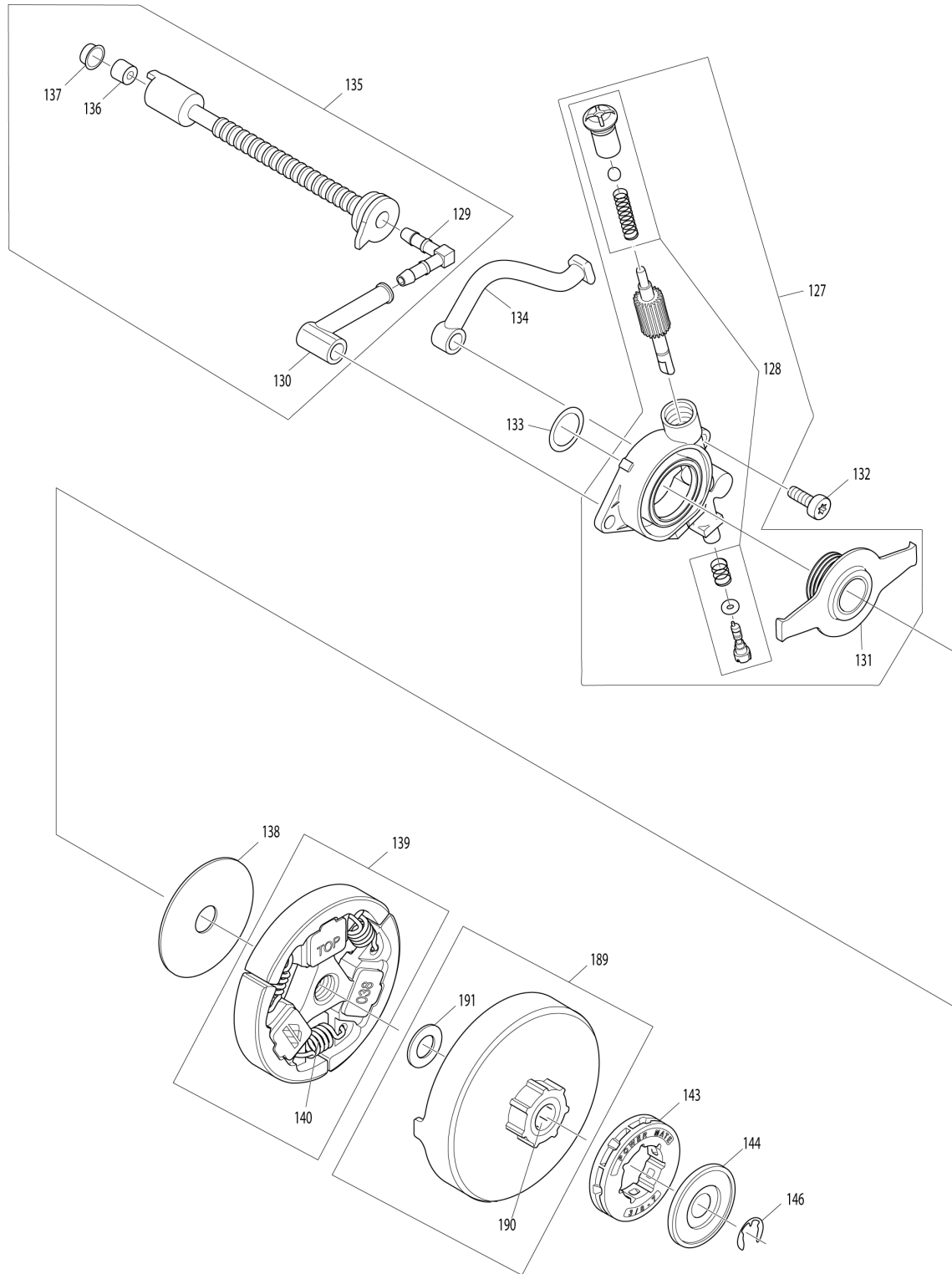
PETROL CHAIN SAW



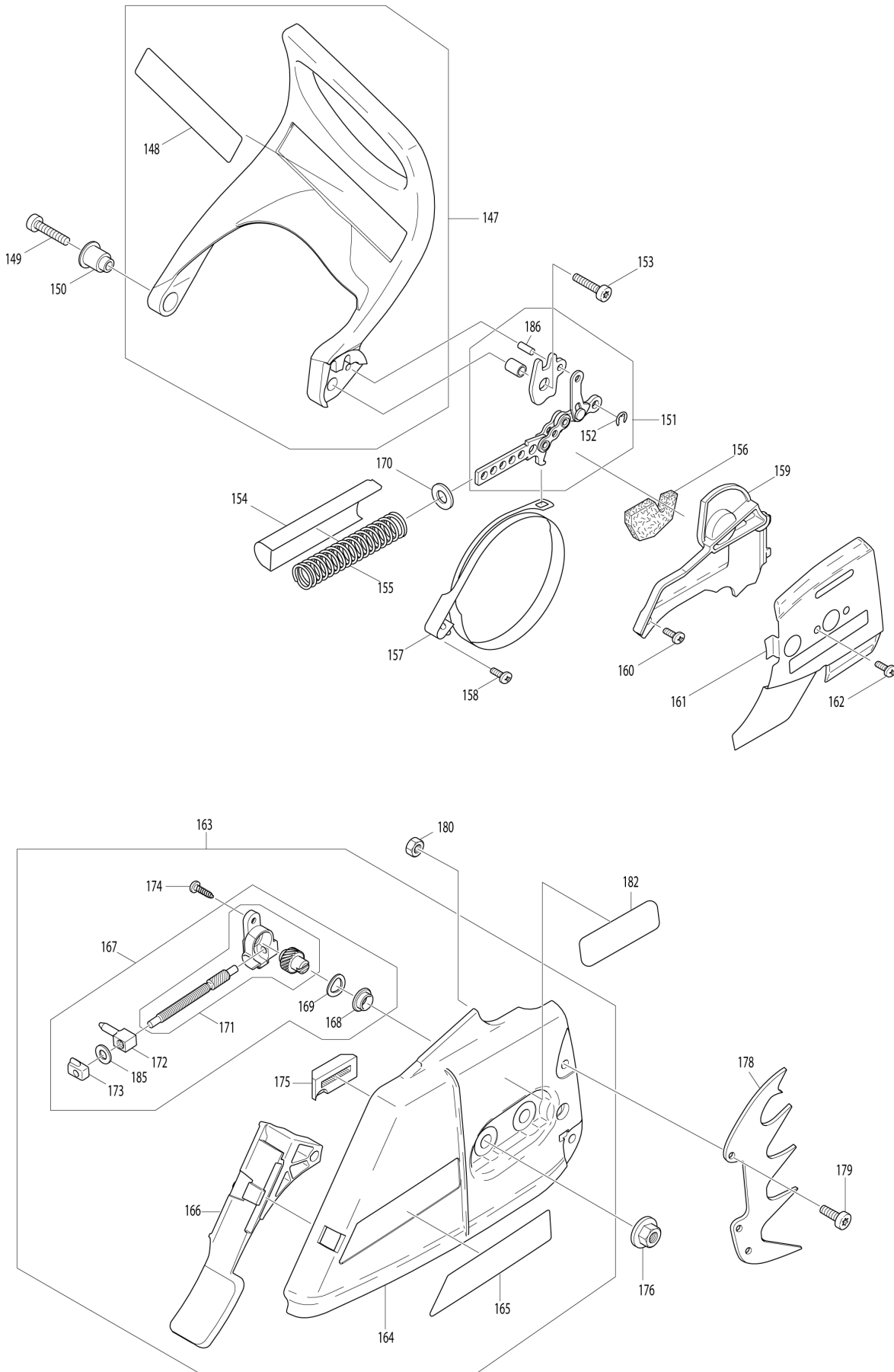


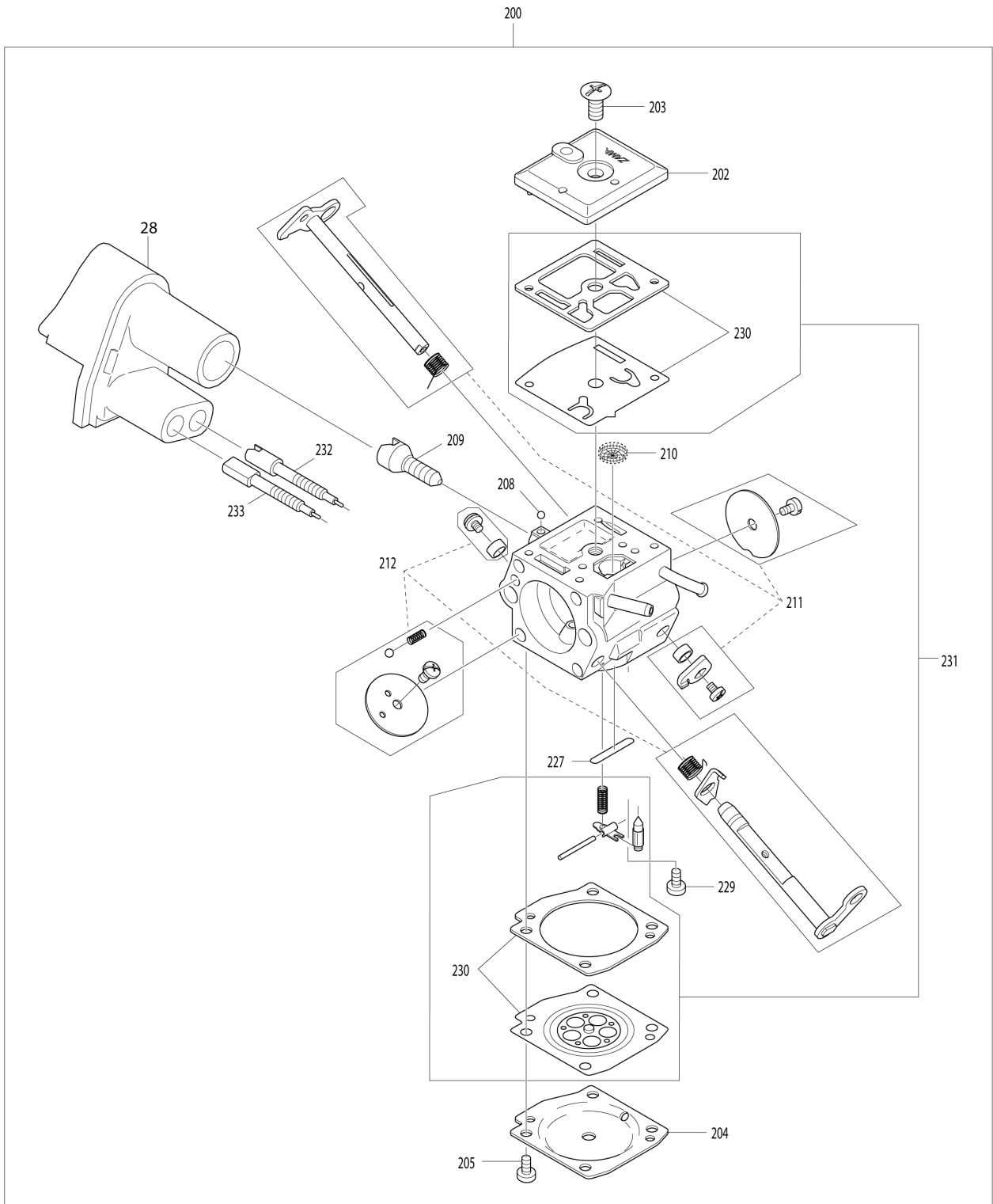






(DE) PS7910 / PETROL CHAIN SAW





DE	GERMANY
-----------	----------------

PS7910 / PETROL CHAIN SAW

Item	Sub	Parts No.	Parts Description	Qty	I/C	E/C No.	Close No.	Remark
001		038310021	FRONT HANDLE ASSY	1			C3673	
001-1		140G06-9	TUBULAR HANDLE CPL.	1	O	C3673		
002		038310062	CLAMP	1		Y07871		2005-02D
003		908006145	H.L. SOCKET HEAD BOLT M6X14	1				
004		913455164	H.L. TAPPING SCREW 5.5X16	4			Y08390	
004-1		266478-9	H.L.TAPPING SCREW 5.5X16	4	O	Y08390		
005		038114270	FUEL TANK ASSY RED	1				
	D10		INC. 6-16					
006		957114061	AIR VALVE CPL.	1				2008-04D
007		038114031	GRIP PLATE RED	1				
008		038117020	CATCH LEVER	1				
009		038117030	ROCKER	1				
010		038117010	THROTTLE LEVER	1				
011		038117050	SPRING	1				
012		935930240	CYLINDRICAL PIN 3X24	1			Y08222	
012-1		268233-5	PIN 3	1	O	Y08222		
013		935930280	CYLINDRICAL PIN 3X28	1			Y08222	
013-1		268335-7	PIN 3	1	O	Y08222		
014		038117041	THROTTLE CONTROL CABLE	1				2011-23D
015		913340204	H.L.SOCKET HEAD BOLT M4X20	1				
016		038114052	FUEL LINE FOR FUEL TANK	1				
017		975001241	SWITCH FOR ENGINE STOP	1				2004-01D,2009-15D
018		010114050	TANK CAP ASSY	1				
	D10		INC. 19					
019		963228030	O-RING 28	1				
020		010114010	SUCTION HEAD(FUEL)	1			Y08131	
	D10		INC. 21				Y08131	
020-1		163499-1	SUCTION HEAD	1	O	Y08131		
	D10		INC. 21			Y08131		
021		010114020	REP.KIT, FILTER(FELT ELEMENT)	1			Y08131	
022		038118024	AIR FILTER ELEMENT COVER BLACK	1		Y07870		2012-35D
023		038173011	AIR FILTER ELEMENT NYLON MESH	1				2009-05D
023A		038173101	AIR FILTER ELEMENT FLEECE	1				2009-05D
025		038118170	CARBURETOR HOUSING ASSY RED	1				2011-08D,2012-35D
	D10		INC. 26,27,32,33					2011-08D,2012-35D
026		038118110	RUBBER FLAP	2				
027		938650062	RIVET	2				
028		038118085	ADJUSTING GUIDE	1				2009-13D
030		038155052	CHOKE SHAFT	1				
031		038155020	CHOKE GUIDE	1				
032		038118300	RUBBER BUSH	1				2011-08D
033		001118100	BUSHING	2			Y08583	
033-1		326780-3	BUSH	2	O	Y08583		
034		038155060	SPACER 30MM	2				
035		908005205	H.L. SOCKET HEAD BOLT M5X20	2			Y07742	
035-1		266476-3	H.L. SOCKET HEAD BOLT M5X20	2	O	Y07742	D1214	
035-2		266476-3	H.L. SOCKET HEAD BOLT M5X20	2	O	D1214		
036		001118100	BUSHING	2			Y08583	
036-1		326780-3	BUSH	2	O	Y08583		
037		038111050	CLIP	2				
038		038111060	SQUARE NUT M5	2			Y08219	
038-1		264108-6	SQUARE NUT M5	2	O	Y08219		
039		908204555	H.L. SOCKET HEAD BOLT M4X55	2			Y08390	
039-1		266944-6	H.L. SOCKET HEAD BOLT M4X55	2	O	Y08390		
040		921804004	SQUARE NUT M4	2				
041		038155012	RETAINING CLIP	1				
042		038131031	INSERT FOR SUCTION HOSE	1				
043		038171041	FLANGE	1				
044		038131011	SUCTION HOSE	1				
045		038131070	CARBURETOR INSULATOR CLAMP	1			Y08215	2008-11D
045-1		233625-7	SPRING CLAMP	1	O	Y08215		2008-11D
046		965452382	OIL RESISTANT HOSE D=3MM L=1M	1				
047		038171012	CONNECTING MUFF	1				2003-10D
048		038118050	ENGINE HOOD BLACK	1				2012-35D
049		038118140	ANTI ICING PLATE	1				2012-35D

A:

Interchange
O : Yes
X : No
< : the new part can be substituted for the current.
> : the current part can be substituted for the new.
S : Interchangeable as a set.

PS7910 / PETROL CHAIN SAW

Item	Sub	Parts No.	Parts Description	Qty	I/C	E/C No.	Close No.	Remark
050		038118130	CABLE GUIDE	1			Y08242	
050-1		424751-5	CABLE GUIDE	1	O	Y08242		
051		917105205	H.L. SOCKET HEAD BOLT M5X20	2				
052		038171031	HOLDER	1				
053		038118100	PLUG	1				
054		130118070	STEELCLIP	2			Y08659	2013-52D
054-1		347071-9	CLAMP	2	O	Y08659		2013-52D
055		038174700	MUFFLER (SLR)	1				2012-35D,2015-01D => 2015-
	D10		INC. 56					2012-35D,2015-01D => 2015-
055-1		038174702	MUFFLER (SLR)	1				2015-01D 2015-03 =>
	D10		INC. 56					2015-01D 2015-03 =>
056		038174920	SPARK ARRESTER SCREEN CPL.	1				2012-35D
058		038174811	MUFFLER GASKET	1				2012-35D
059		038174023	HEAT INSULATION PLATE	1				2012-35D
060		038174030	SLEEVE 5 L=26.8MM	1			Y08553	
060-1		325939-9	CONNECTING LINK	1	O	Y08553		
061		908305405	H.L. SOCKET HEAD BOLT M5X40	1			Y08044	
061-1		266943-8	H.L. SOCKET HEAD BOLT M5X40	1	O	Y08044		
062		908405205	H.L. SOCKET HEAD BOLT M5X20	2			Y08390	
062-1		266960-8	H.L. SOCKET HEAD BOLT M5X20	2	O	Y08390		
063		038130071	CYLINDER 52 & PISTON SET	1				2011-29D,2012-35D
	D10		INC. 64					2011-29D,2012-35D
064		038132070	PISTON, PISTON RING & PIN SET	1				2011-29D
	D10		INC. 65-67					2011-29D
065		038132020	PISTON RING 52MM	1			Y08220	
065-1		257381-5	PISTON RING 52	1	O	Y08220		
066		038132041	PISTON PIN	1			Y08220	
066-1		257841-7	PISTON PIN	1	O	Y08220		
067		038132080	CIRCLIP 12	2			Y08217	
067-1		234359-5	CIRCLIP 12	2	O	Y08217		
068		038118180	DECOMPRESSION VALVE VERSION 2	1				2012-35D,2012-38D
069		908805235	H.L. SOCKET HEAD BOLT M5X23	4			Y08390	2006-12D,2007-10D,2008-13D
069-1		266473-9	H.L. SOCKET HEAD BOLT M5X23	4	O	Y08390		2006-12D,2007-10D,2008-13D
070		038114152	SPRING W.THREADED INSERT	1				2002-07D
070-1		181114401	DAMPING SPRING,CPL.	1		Y07871		2002-07D
071		965531160	CYLINDER GASKET	1			Y08224	2008-03D
071-1		346873-0	GASKET	1	O	Y08224		2008-03D
072		038120200	CRANKSHAFT CPL.	1			Y08496	2006-13D,2012-35D
072-1		144974-6	CRANKSHAFT CPL. SLR	1	O	Y08496		2006-13D,2012-35D
073		962210121	NEEDLE CAGE	1			Y08213	
073-1		212133-1	PISTON PIN BEARING 12X16X13	1	O	Y08213		
074		960102152	BALL BEARING 6202	1			Y08258	
074-1		211154-0	BALL BEARING 6202	1	O	Y08258		
075		960102179	BALL BEARING 6203	1			Y08258	
075-1		210212-9	BALL BEARING 6203	1	S	Y08258		
076		038111160	CRANKCASE LEFT SIDE ASSY RED	1			Y08258	
	D10		INC. 74				Y08258	
076-1		140R09-9	CRANKCASE MS RED COMPLETE	1	O	Y08258		
	D10		INC. 74			Y08258		
077		038111141	CRANKCASE RIGHT SIDE ASSY RED	1				
	D10		INC. 75,99					
078		038250021	SPIKE BAR	1				
080		038111171	CHAIN CATCH	1				
081		908805205	H.L. SOCKET HEAD BOLT M5X20	1			Y08050	
081-1		266472-1	TORX SOCKET HEAD BOLT M5X20	1	O	Y08050		
082		010114050	TANK CAP ASSY	1				
	D10		INC. 83					
083		963228030	O-RING 28	1				
084		038310070	SPRING LIMITER	1				
086		962900052	OIL SEAL	1			Y08214	
086-1		213814-0	RADIAL RING	1	O	Y08214		
087		962900061	OIL SEAL	1				
088		038114130	SPRING CPL.WITH CAP	1		Y07871		
089		913455204	H.L.TAPPING SCREW 5.5X20	1			Y08390	
089-1		266475-5	H.L.TAPPING SCREW 5.5X20	1	O	Y08390		

A:

Interchange
O : Yes
X : No
< : the new part can be substituted for the current.
> : the current part can be substituted for the new.
S : Interchangeable as a set.

PS7910 / PETROL CHAIN SAW

Item	Sub	Parts No.	Parts Description	Qty	I/C	E/C No.	Close No.	Remark
090		038114130	SPRING CPL.WITH CAP	1		Y07871		
091		038114191	POT	1				
092		913455204	H.L.TAPPING SCREW 5.5X20	1			Y08390	
092-1		266475-5	H.L.TAPPING SCREW 5.5X20	1	O	Y08390		
093		038114141	SPRING CPL.WITH CAP	1		Y07871		
094		908005305	H.L. SOCKET HEAD BOLT M5X30	6			Y08390	
094-1		266945-4	H.L. SOCKET HEAD BOLT M5X30	6	O	Y08390		
095		936430160	PIN 3X16	2			Y08221	
095-1		258038-1	CLAMPING PIN	2	O	Y08221	Y08258	
095-2		258038-1	CLAMPING PIN	2	O	Y08258		
096		038111042	GASKET	1				
097		934660250	SPRING PIN 6X24	1				
098		908005125	H.L. SOCKET HEAD BOLT M5X12	1				=> 2014-12
098-1		908105126	H.L.S. FLAT HEAD BOLT M5X12	1			Y08049	2015-01 =>
098-2		266477-1	H.L. C.S. HEAD SCREW M5X12	1	O	Y08049		2015-01 =>
099		010245030	VENT VALVE	1			Y08240	
099-1		168504-9	VENT VALVE	1	O	Y08240		
100		038232011	GUIDE BAR BOLT M8	2				
101		038160015	STARTER ASSY RED	1				2009-13D
	D10		INC. 102-105,107-110,181					2009-13D
102		928405000	SPRING WASHER 5	1			Y08082	
102-1		267821-5	SPRING WASHER 5	1	O	Y08082		
103		038122033	STARTER HOUSING RED	1				
104		001161020	STARTER GRIP	1				
105		108164020	STARTER ROPE 3.5MM (L=0.98M)	1		Y07867		
107		908605205	H.L. SOCKET HEAD BOLT M5X20	3			Y08390	
107-1		266942-0	H.L. SOCKET HEAD BOLT M5X20	3	O	Y08390		
108		038162024	CABLE DRUM CPL.	1				2003-04D
109		924605510	WASHER 5.5/18X1.6	1				
110		913455204	H.L.TAPPING SCREW 5.5X20	1			Y08390	
110-1		266475-5	H.L.TAPPING SCREW 5.5X20	1	O	Y08390		
111		980115705	LABEL PS7910	1				
112		038112060	AIR DUCT	1				2012-35D
113		970502110	INSULATING TUBE 6 L=1M	1			Y08396	
113-1		970502120	INSULATING TUBE	1	O	Y08396		
114		038143200	IGNITION COIL	1				2005-11D,2012-35D
	D10		INC. 115					2005-11D,2012-35D
115		038143030	GROMMET	1				
116		957604240	SPARK PLUG CAP CPL.	1				
	D10		INC. 141					
117		965603021	SPARK PLUG BPMR7A	1			Y08107	
117-1		168648-5	SPARK PLUG (BPMR7A)	1	O	Y08107		
118		965401011	GROMMET	1				
119		957311590	EARTH SET	1				
	D10		INC. 184					
121		908304205	H.L. SOCKET HEAD BOLT M4X20	2				
122		038111110	CLIP	1				
123		957141003	FLYWHEEL ASSY.	1				2005-11D,2011-32D
	D10		INC. 124					2005-11D,2011-32D
124		108166051	STARTER RATCHET SET(2PCS EACH)	1				2014-03D => 2010-09
124-1		038166050	STARTER RATCHET SET(2PCS EACH)	1				2014-03D 2010-10 =>
125		926208001	SPRING WASHER 8	1			Y08052	
125-1		267822-3	SPRING WASHER 8	1	O	Y08052		
126		920208024	HEX. NUT M8X1(FINE THREAD)	1			Y08219	
126-1		264107-8	HEXAGONAL NUT M8	1	O	Y08219		
127		038245011	OIL PUMP CPL.	1				
	D10		INC. 128,131					
128		030245070	OIL PUMP REPAIR SET	1				
129		001245140	ANGULAR NIPPLE	1				
130		038245110	OIL LINE	1				
131		038245031	PUMP DRIVE	1				2005-12D
132		908005125	H.L. SOCKET HEAD BOLT M5X12	2			Y08390	
132-1		266946-2	H.L. SOCKET HEAD BOLT M5X12	2	O	Y08390		
133		038224021	WASHER	1				
134		038245061	OIL LINE	1				2006-17D

A:

Interchange
O : Yes
X : No
< : the new part can be substituted for the current.
> : the current part can be substituted for the new.
S : Interchangeable as a set.

PS7910 / PETROL CHAIN SAW

Item	Sub	Parts No.	Parts Description	Qty	I/C	E/C No.	Close No.	Remark
135		038245020	SUCTION LINE OIL CPL.	1				
	D10		INC. 129,130,136,137					
136		900005066	WEIGHT RING	1				
137		963601100	SCREEN	1				
138		001182042	DISC	1			Y08059	
138-1		267389-1	FLAT WASHER 12	1	O	Y08059		
139		038180012	CLUTCH ASSY.	1			Y08210	
	D10		INC. 140				Y08210	
139-1		127671-9	CLUTCH ASSEMBLY	1	O	Y08210		
	D10		INC. 140			Y08210		
140		024184021	TENSION SPRING	3			Y08270	
140-1		232352-3	TENSION SPRING 6	3	O	Y08270		
141		965604180	PLUG CAP SPRING	1			Y08216	
141-1		234358-7	TERMINAL SPRING	1	O	Y08216		
143		119224070	RIM SPROCKET 3/8" SD7-7	1				
144		181224081	WASHER 29	1			Y08058	
144-1		267820-7	WASHER 29	1	O	Y08058		
146		927408000	STOP RING E-8	1			Y08057	
146-1		259045-7	STOP RING E-8	1	O	Y08057		
147		038213221	HAND GUARD CPL.	1			C5696	
	D10		INC. 148				C5696	
147-1		140H68-3	HAND GUARD COMPLETE	1	<	C5696	D4330	
	D10		INC. 148			C5696	D4330	
147-2		140X39-6	HAND GUARD COMPLETE	1	O	D4330		
	D10		INC. 148			D4330		
148		185114237	LABEL	1			C5696	
148-1		818M49-2	CAUTION LABEL	1	X	C5696	D4330	
148-2		818N32-5	CAUTION LABEL	1	>	D4330		
149		908405205	H.L SOCKET HEAD BOLT M5X20	1			Y08390	
149-1		266960-8	H.L. SOCKET HEAD BOLT M5X20	1	O	Y08390		
150		038213160	BUSHING	1				
151		957213030	BRAKE LINK PLATE COMPLETE	1			C5696	
	D10		INC. 152,186				C5696	
151-1		957213031	BRAKE LINK PLATE COMPLETE	1	<	C5696		
	D10		INC. 152,186			C5696		
152		927304000	STOP RING E-4	1			Y08055	
152-1		257934-0	STOP RING E-4	1	O	Y08055		
153		908805205	H.L. SOCKET HEAD BOLT M5X20	1			Y08050	
153-1		266472-1	TORX SOCKET HEAD BOLT M5X20	1	O	Y08050		
154		038213152	POT	1				
155		038213130	SPRING	1				
156		038213200	FORM SPONGE	1				
157		038213010	BRAKE SPRING	1				
158		915535100	TAPPING SCREW 3.5X9.5	1			Y08063	2015-03D
158-1		251480-5	TAPPING SCREW ST3.5X9.5	1	O	Y08063		2015-03D
159		038213040	PLATE	1				
160		915535100	TAPPING SCREW 3.5X9.5	1			Y08063	2015-03D
160-1		251480-5	TAPPING SCREW ST3.5X9.5	1	O	Y08063		2015-03D
161		038111030	GUIDE PLATE	1				
162		915535100	TAPPING SCREW 3.5X9.5	2			Y08063	2015-03D
162-1		251480-5	TAPPING SCREW ST3.5X9.5	2	O	Y08063		2015-03D
163		038213103	SPROCKET GUARD CPL.RED DOLMAR	1		Y07868		2003-05D
	D10		INC. 164-167,174,175					2003-05D
164		038213635	SPROCKET GUARD BLUE	1			Y07717	
164-1		038213036	SPROCKET GUARD RED	1	<	Y07717		
165		980116004	DOLMAR LOGO LABEL RED	1				
166		038213190	CHIP GUIDE	1				
167		957213023	CHAIN TENSIONER CPL.	1				2003-05D
	D10		INC. 168,169,171-173,185					2003-05D
168		038213080	BUSHING	1				
169		038213230	WAVE WASHER 8	1				
170		028213012	WASHER 12X9	1				
171		957213040	CHAIN TENSIONER GEAR SET	1				2003-05D
172		038213091	CHAIN TENSIONER NUT	1				
173		038213070	CHAIN TENSIONER BEARING	1				

A:

Interchange
O : Yes
X : No
< : the new part can be substituted for the current.
> : the current part can be substituted for the new.
S : Interchangeable as a set.

