



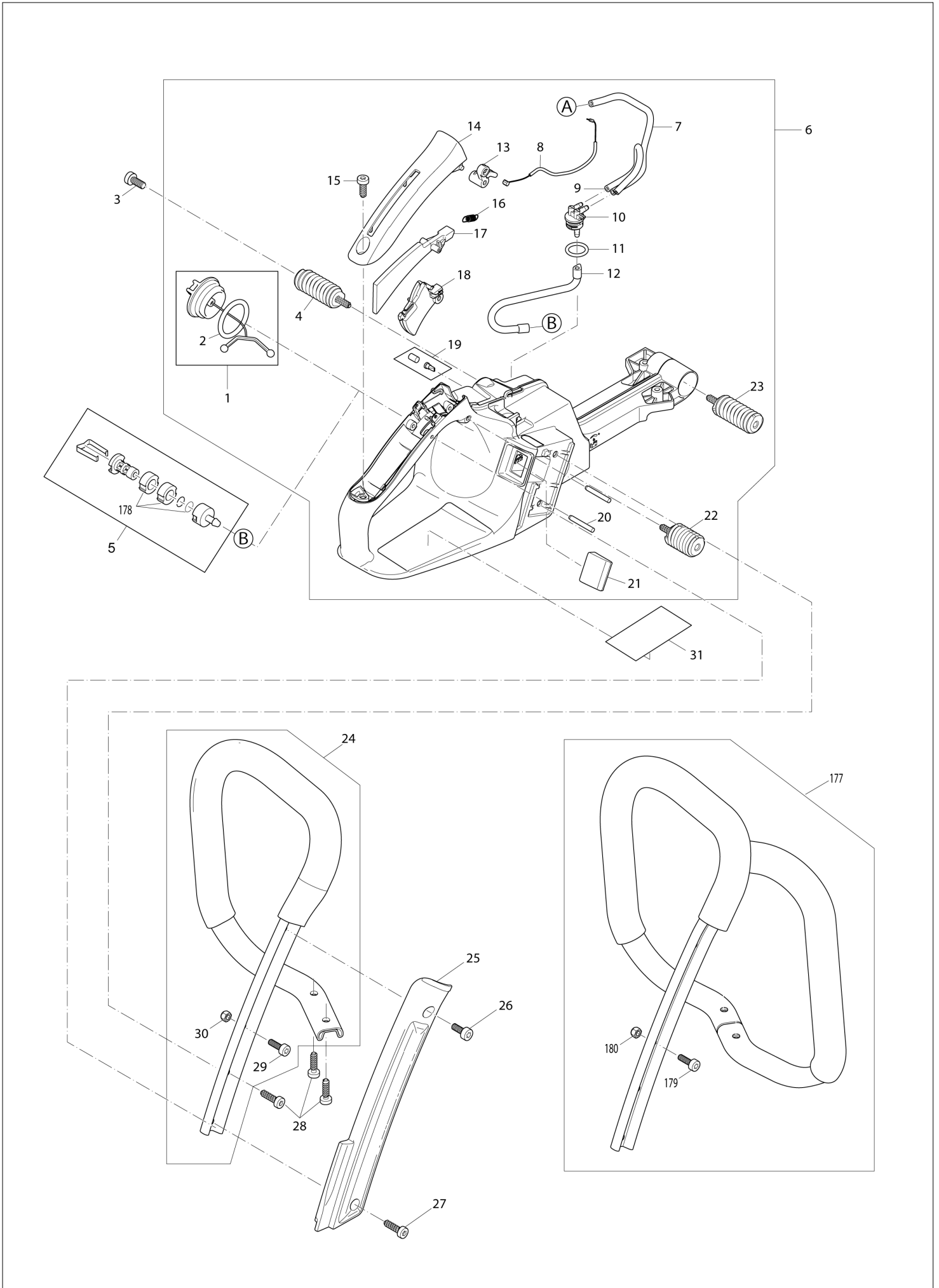
DE	GERMANY
----	---------

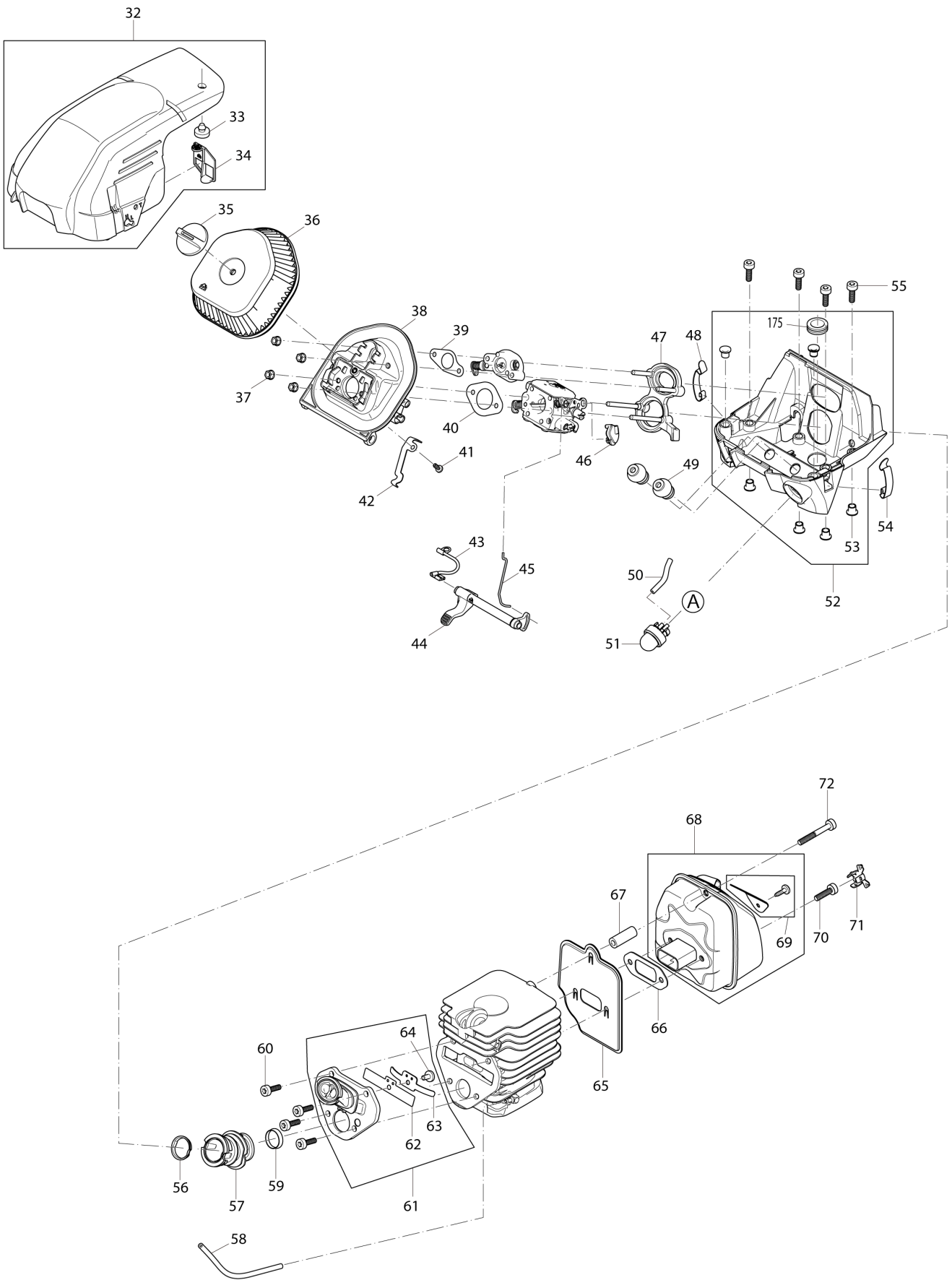
Diagram / Parts List

PS6100

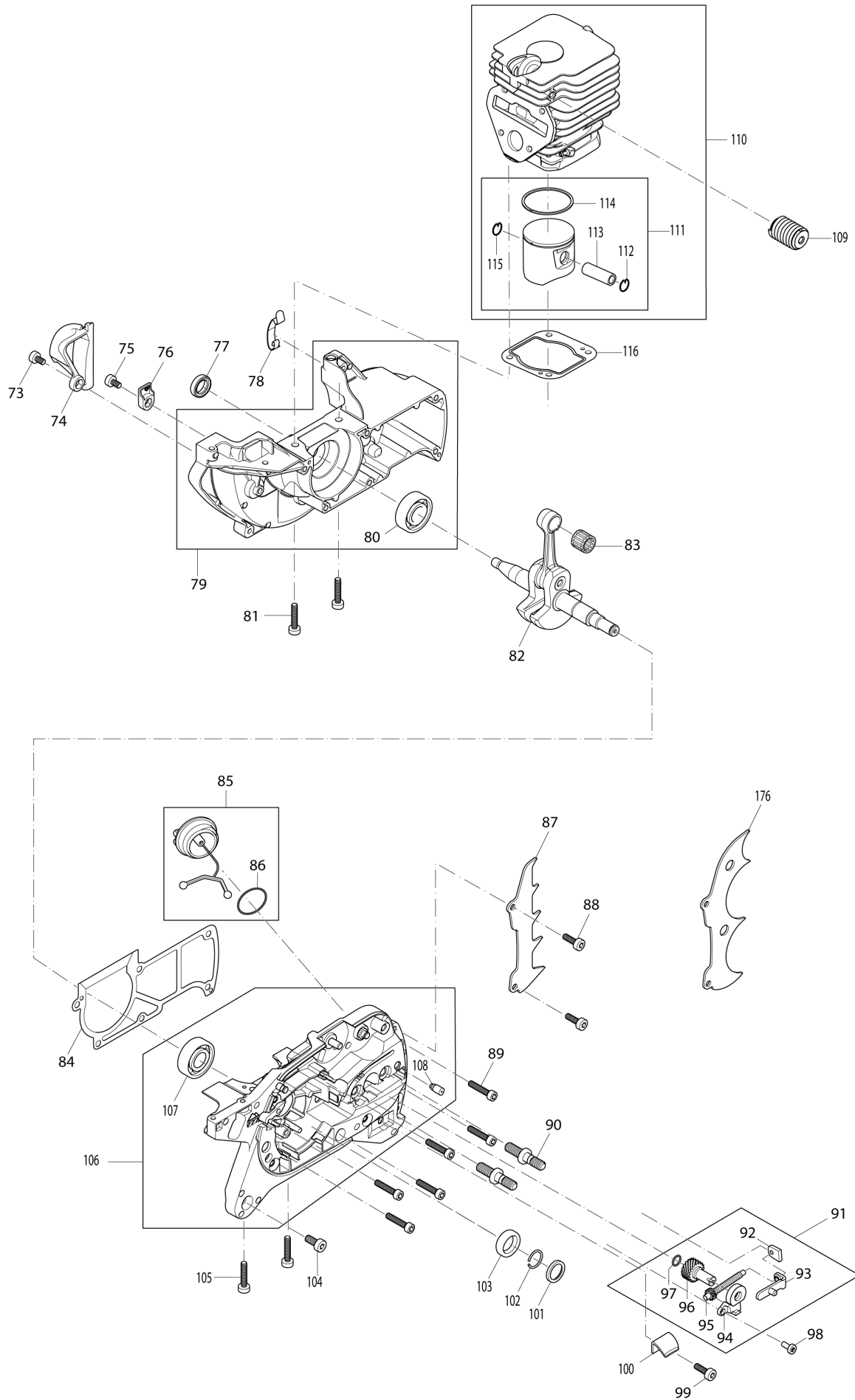
PETROL CHAIN SAW

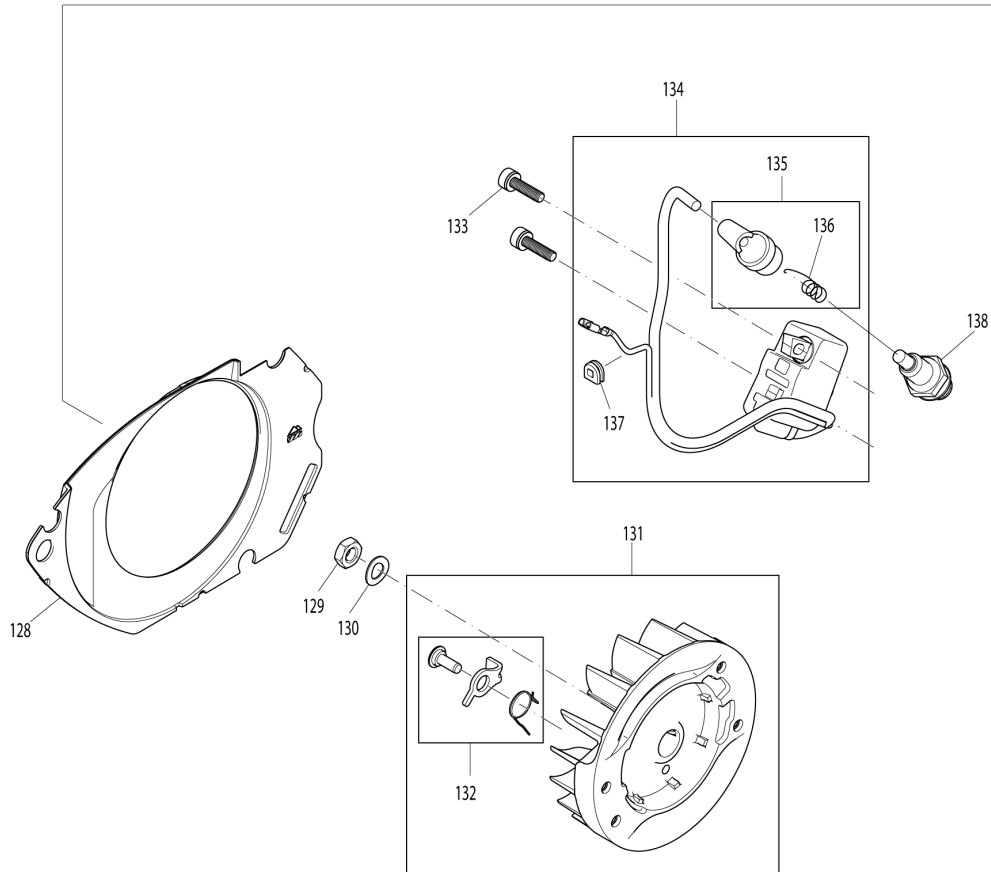
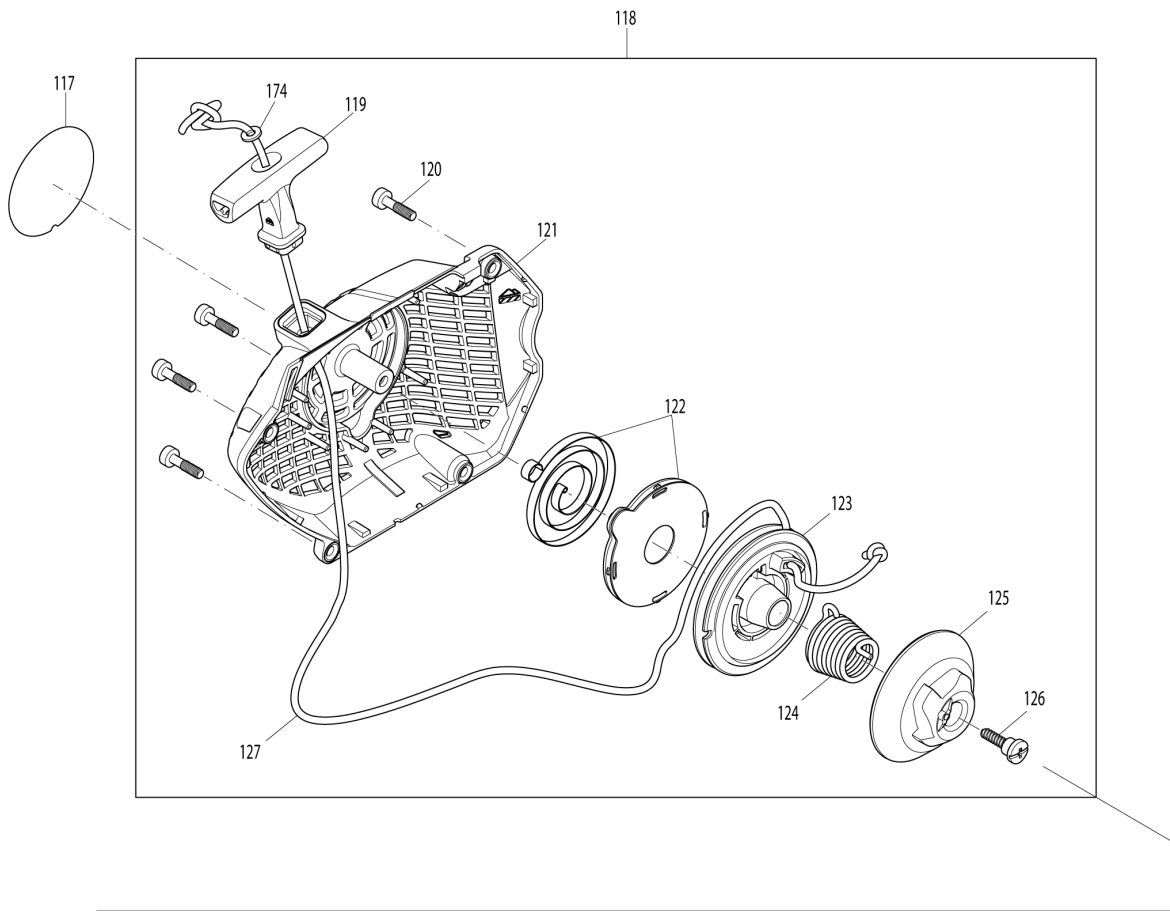
(DE) PS6100 / PETROL CHAIN SAW

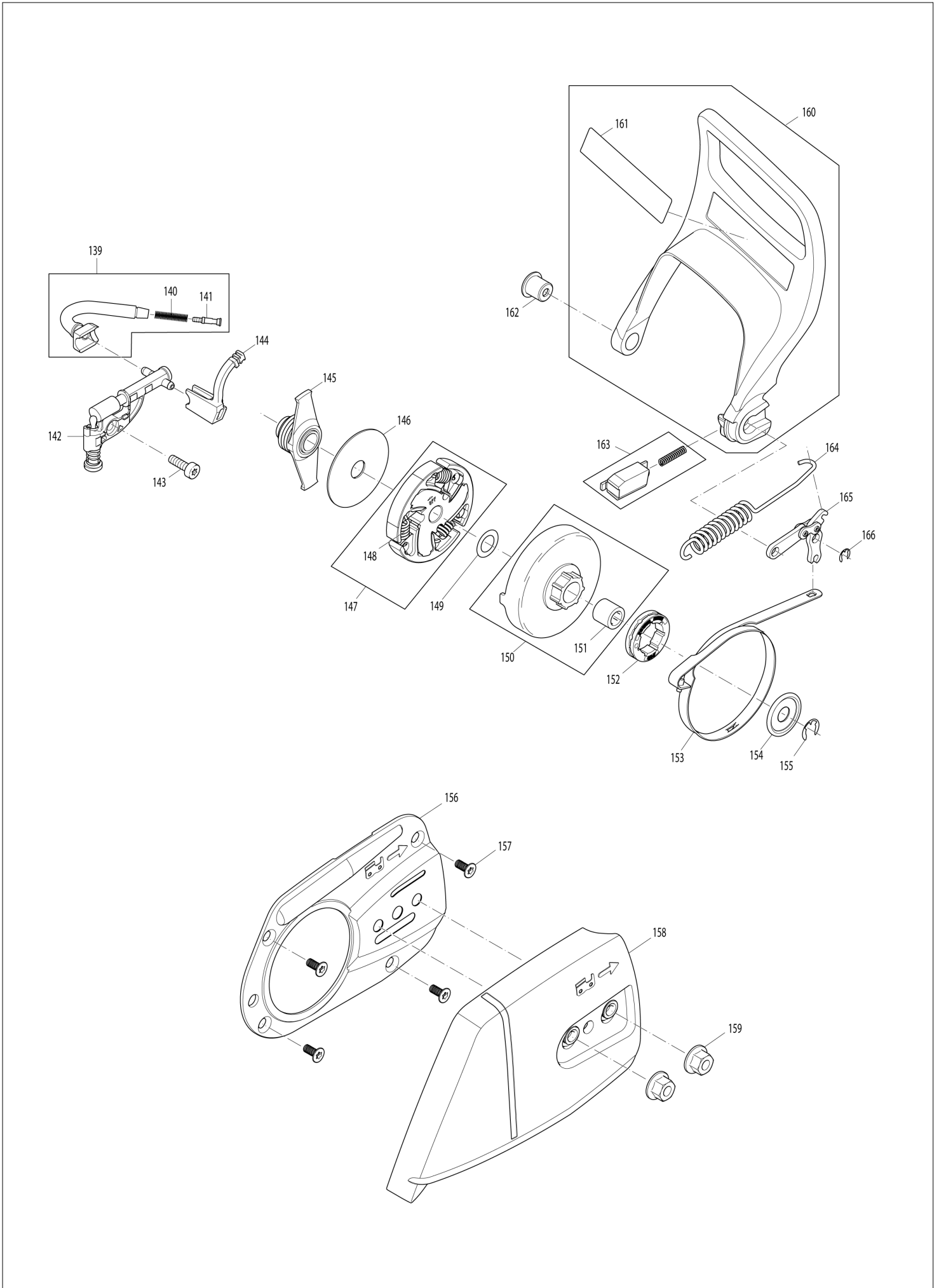


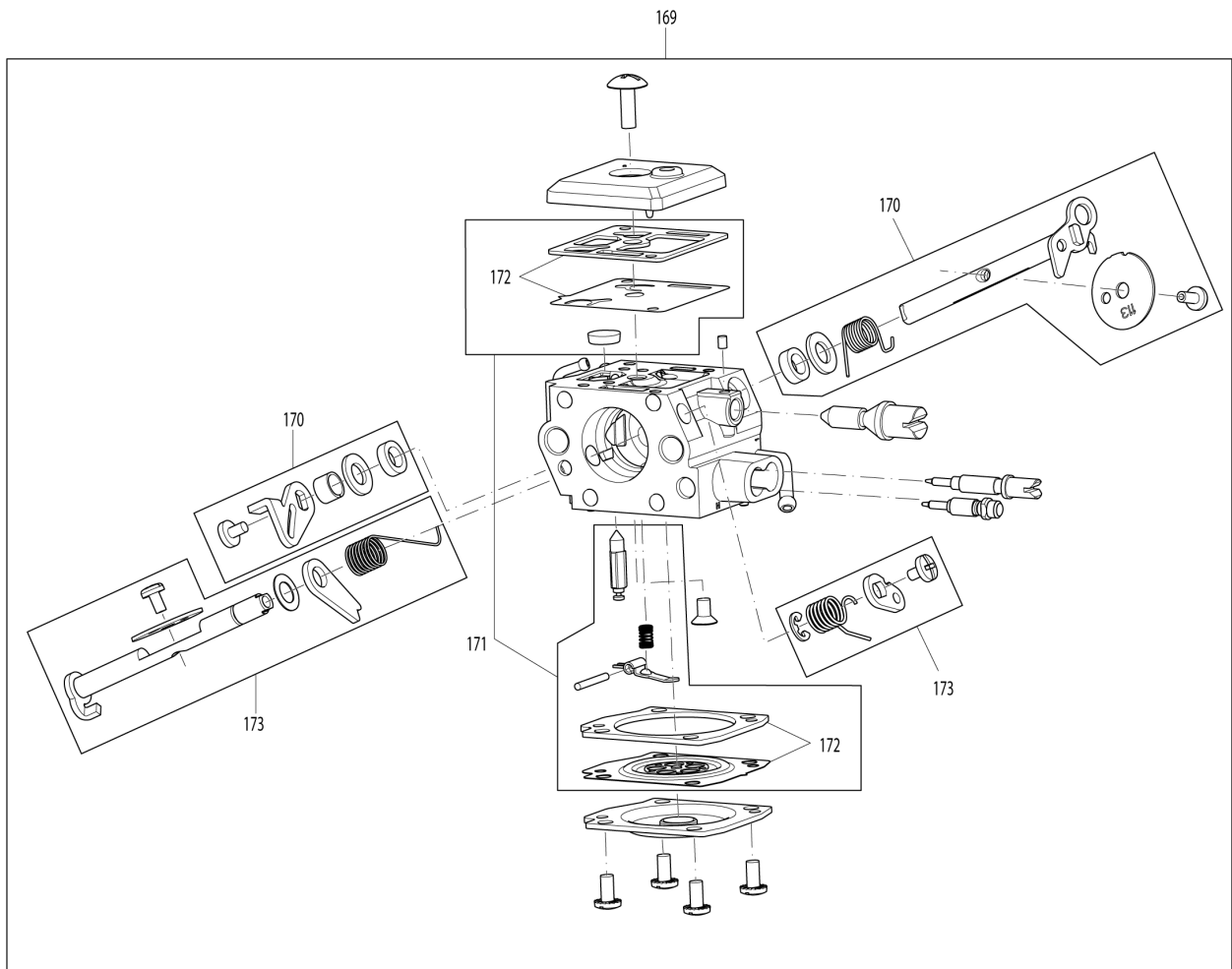
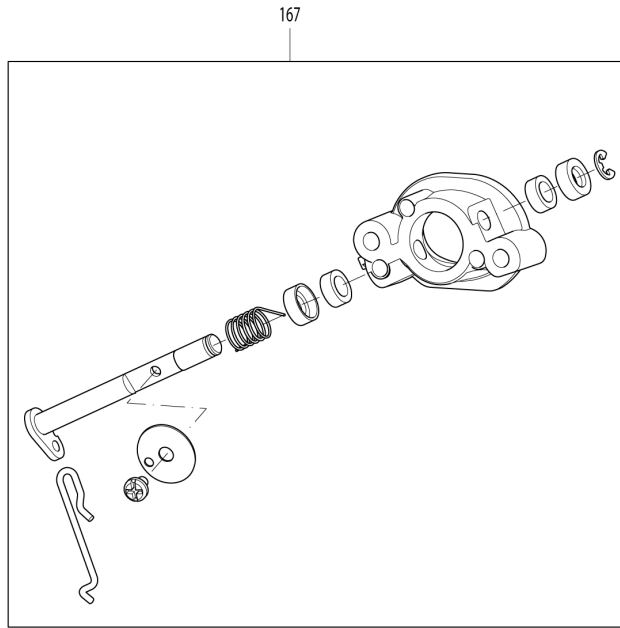


(DE) PS6100 / PETROL CHAIN SAW









DE	GERMANY
-----------	----------------

PS6100 / PETROL CHAIN SAW

Item	Sub	Parts No.	Parts Description	Qty	I/C	E/C No.	Close No.	Remark
001		181114202	TANK CAP CPL.	1			Y08212	
	D10		INC. 2				Y08212	
001-1		168507-3	TANK CAP COMPLETE	1	O	Y08212		
	D10		INC. 2			Y08212		
002		963229036	PACKING RING	1			Y08212	
002-1		213080-9	O RING 29.5	1	O	Y08212		
003		908006145	H.L. SOCKET HEAD BOLT M6X14	1				
004		181114301	DAMPING SPRING, CPL.	1				
005		010114010	SUCTION HEAD(FUEL)	1			Y08131	
	D10		INC. 178				Y08131	
005-1		163499-1	SUCTION HEAD	1	O	Y08131		
	D10		INC. 178			Y08131		
006		130114170	TANK CPL. RED	1				
	D10		INC. 1,4,7-23					
007		965452660	FUEL TUBE 3MM RED (L=1M)	1				
008		130117040	THROTTLE CONTROL CABLE	1				
009		965452090	FUEL TUBE 2.5MM (L=1M)	1			Y08639	
009-1		424755-7	TUBE 2.5-93	1	O	Y08639		
010		195114060	NIPPLE	1				
011		963211020	O RING	1				
012		130114050	FUEL LINE	1				
013		038117030	ROCKER	1				
014		130117050	GRIP OUTER SHELL	1				
015		913455164	H.L. TAPPING SCREW 5.5X16	1			Y08390	
015-1		266478-9	H.L.TAPPING SCREW 5.5X16	1	O	Y08390		
016		130117060	TENSION SPRING	1				
017		038117020	CATCH LEVER	1				
018		130117010	THROTTLE LEVER	1				
019		170175010	AIR VALVE COMPLETE	1			Y08288	
019-1		195762-4	AIR VALVE SET	1	O	Y08288		
020		935930280	CYLINDRICAL PIN 3X28	2			Y08222	
020-1		268335-7	PIN 3	2	O	Y08222		
021		130148050	BLIND PLUG FOR SWITCH HOLE RED	1				
022		130114400	DAMPING SPRING CPL.	1				
023		181114301	DAMPING SPRING, CPL.	1				
024		130310100	FRONT HANDLE ASSY	1			C3673	
	D10		INC. 29,30				C3673	
024-1		140G05-1	TUBULAR HANDLE CPL.	1	O	C3673		
	D10		INC. 29,30			C3673		
025		130310050	HANDLE COVER DOLMAR RED	1				
026		908006145	H.L. SOCKET HEAD BOLT M6X14	1				
027		913455204	H.L.TAPPING SCREW 5.5X20	1			Y08390	
027-1		266475-5	H.L.TAPPING SCREW 5.5X20	1	O	Y08390		
028		913455204	H.L.TAPPING SCREW 5.5X20	3			Y08390	
028-1		266475-5	H.L.TAPPING SCREW 5.5X20	3	O	Y08390		
029		908005165	FILLISTER HEAD SCREW M5X16	1			C3673	
029-1		266605-8	H.L. SOCKET HEAD BOLT M5X16	1	O	C3673		
030		920405000	HEX. NUT M5	1			C3673	
030-1		252238-5	HEX. LOCK NUT M5-8	1	O	C3673		
032		130118600	AIR FILTER ELEMENT COVER	1				
	D10		INC. 33,34					
033		965402360	RUBBER BUFFER	1			Y08531	
033-1		424878-1	BUFFER	1	O	Y08531		
034		130118140	ANTI ICING PLATE	1				
035		130173060	CLAMPING BOLT	1				
036		130173010	AIR FILTER ELEMENT	1				
037		175131300	HEX. FLANGE NUT M4	4			Y08430	
037-1		264119-1	HEXAGONAL NUT M4	4	O	Y08430		
038		130171010	INTAKE MANIFOLD	1			Y08494	
038-1		130171011	INTAKE MANIFOLD	1	O	Y08494		
039		315155010	GASKET AIR VALVE	1			Y08432	
039-1		346955-8	GASKET AIR VALVE	1	O	Y08432		
040		315155020	GASKET INTAKE MANIFOLD	1			Y08432	
040-1		346956-6	GASKET INTAKE MANIFOLD	1	O	Y08432		
041		915735100	PZ2 TAPPING SCREW 3.5X9.5	1			Y08196	

A:
B:

Interchange
O : Yes
X : No
< : the new part can be substituted for the current.
> : the current part can be substituted for the new.
S : Interchangeable as a set.

DE	GERMANY
-----------	----------------

PS6100 / PETROL CHAIN SAW

Item	Sub	Parts No.	Parts Description	Qty	I/C	E/C No.	Close No.	Remark
041-1		251533-0	TAPPING SCREW 3.5X10	1	O	Y08196		
042		130155010	CONTACT SPRING	1				
043		130147020	EARTH CABLE	1				
044		130155020	CHOKE LEVER	1				
045		130155040	CHOKE SHAFT	1				
046		175155082	THROTTLE CONTROL CABLE FIXTURE	1				
047		130131070	FLANGE RING	1				
048		130118070	STEELCLIP	1			Y08659	
048-1		347071-9	CLAMP	1	O	Y08659		
049		038171031	HOLDER	2				
050		965452090	FUEL TUBE 2.5MM (L=1M)	1			Y08639	
050-1		424755-7	TUBE 2.5-93	1	O	Y08639		
051		130153500	PRIMER	1				
052		130131990	CARBURETOR HOUSING ASSY RED	1				2014-09D,2014-09M
	D10		INC. 53,175					2014-09D,2014-09M
053		001118100	BUSHING	6			Y08583	
053-1		326780-3	BUSH	6	O	Y08583		
054		130118070	STEELCLIP	1			Y08659	
054-1		347071-9	CLAMP	1	O	Y08659		
055		908005165	FILLISTER HEAD SCREW M5X16	4			Y08390	
055-1		266605-8	H.L. SOCKET HEAD BOLT M5X16	4	O	Y08390		
056		130131020	INSERT FOR SUCTION HOSE	1				
057		130131032	SUCTION HOSE	1				2014-41D
058		965452090	FUEL TUBE 2.5MM (L=1M)	1			Y08639	
058-1		424755-7	TUBE 2.5-93	1	O	Y08639		
059		130131050	INSERT	1				
060		908405145	H.L. SOCKET HEAD BOLT M5X14	4			Y08390	
060-1		266986-0	H.L. SOCKET HEAD BOLT M5X14	4	O	Y08390		
061		130131161	AIR HOSE COMPLETE	1				2014-65D
	D10		INC. 62-64					2014-65D
062		315179021	LEAD VALVE	1			Y08431	
062-1		346951-6	REEDVALVE	1	O	Y08431		
063		315179010	VALVE STOPPER	1			Y08431	
063-1		310674-2	VALVE STOPPER	1	O	Y08431		
064		908004085	H.L. SOCKET HEAD BOLT M4X8	1			Y08390	
064-1		266985-2	H.L. SOCKET HEAD BOLT M4X8	1	O	Y08390		
065		130174090	HEAT INSULATION PLATE	1				
066		395174120	MUFFLER GASKET	1			Y08224	
066-1		346876-4	MUFFLER GASKET	1	O	Y08224		
067		038174030	SLEEVE 5 L=26.8MM	1			Y08553	
067-1		325939-9	CONNECTING LINK	1	O	Y08553		
068		130174100	MUFFLER CPL.	1			Y08511	
	D10		INC. 69				Y08511	
068-1		161513-7	MUFFLER CPL	1	O	Y08511		
	D10		INC. 69			Y08511		
069		130174150	SPARK ARRESTER SCREEN CPL.	1				
070		908005205	H.L. SOCKET HEAD BOLT M5X20	2			Y07742	
070-1		266476-3	H.L. SOCKET HEAD BOLT M5X20	2	O	Y07742	D1214	
070-2		266476-3	H.L. SOCKET HEAD BOLT M5X20	2	O	D1214		
072		908305405	H.L. SOCKET HEAD BOLT M5X40	1			Y08044	
072-1		266943-8	H.L. SOCKET HEAD BOLT M5X40	1	O	Y08044		
073		908005095	H.L. SOCKET HEAD BOLT M5X9	1			Y08390	
073-1		266474-7	H.L. SOCKET HEAD BOLT M5X9	1	O	Y08390		
074		130173080	SUCTION PIPE	1				
075		908005095	H.L. SOCKET HEAD BOLT M5X9	1			Y08390	
075-1		266474-7	H.L. SOCKET HEAD BOLT M5X9	1	O	Y08390		
076		130111090	CLAMP	1				
077		962900052	OIL SEAL	1			Y08214	
077-1		213814-0	RADIAL RING	1	O	Y08214		
078		130118070	STEELCLIP	1			Y08659	
078-1		347071-9	CLAMP	1	O	Y08659		
079		130111120	CRANKCASE ASSY-LEFT SIDE RED	1			Y08257	
	D10		INC. 80				Y08257	
079-1		140R05-7	CRANKCASE MS RED COMPLETE	1	O	Y08257		
	D10		INC. 80			Y08257		

A:
B:

Interchange
O : Yes
X : No
< : the new part can be substituted for the current.
> : the current part can be substituted for the new.
S : Interchangeable as a set.

DE	GERMANY
-----------	----------------

PS6100 / PETROL CHAIN SAW

Item	Sub	Parts No.	Parts Description	Qty	I/C	E/C No.	Close No.	Remark
080		960102152	BALL BEARING 6202	1			Y08257	
080-1		211154-0	BALL BEARING 6202	1	O	Y08257		
081		908005255	H.L. SOCKET HEAD BOLT M5X25	2			Y08161	
081-1		266984-4	H.L. SOCKET HEAD BOLT M5X25	2	O	Y08161		
082		130120102	CRANKSHAFT COMPLETE	1			C0266	
082-1		143709-2	CRANKSHAFT CPL.	1	<	C0266		
083		962210111	NEEDLE CAGE	1			Y08271	
083-1		212164-0	NEEDLE CAGE	1	O	Y08271		
084		130111070	CRANK CASE GASKET	1				
085		181114202	TANK CAP CPL.	1			Y08212	
	D10		INC.86				Y08212	
085-1		168507-3	TANK CAP COMPLETE	1	O	Y08212		
	D10		INC.86			Y08212		
086		963229036	PACKING RING	1			Y08212	
086-1		213080-9	O RING 29.5	1	O	Y08212		
087		130250010	SPIKE BAR	1				
088		908005165	FILLISTER HEAD SCREW M5X16	2			Y08390	
088-1		266605-8	H.L. SOCKET HEAD BOLT M5X16	2	O	Y08390		
089		908405255	H.L. SOCKET HEAD BOLT M5X25	6			Y08390	
089-1		266880-6	H.L. SOCKET HEAD BOLT M5X25	6	O	Y08390		
090		195232010	GUIDE BAR BOLT M8	2			Y08047	
090-1		266978-9	BOLT	2	O	Y08047		
091		130213150	CHAIN TENSIONER CPL.	1			Y07575	
	D10		INC. 92-97				Y07575	
091-1		130213160	CHAIN TENSIONER CPL.	1	O	Y07575		
	D10		INC. 92-97			Y07575		
092		181213260	TENSIONING SCREW BEARING	1				
093		130213240	TENSION SLIDE	1			Y07575	
093-1		130213250	TENSION SLIDE	1	O	Y07575	Y08460	
093-2		130213251	TENSION SLIDE	1	O	Y08460		
094		181213270	TRANSMISSION COVER	1			Y07156	
094-1		185213270	TRANSMISSION COVER	1	O	Y07156	Y08513	
094-2		452667-4	GEAR COVER PROFESSIONAL	1	O	Y08513		
095		181213230	TESIONING SCREW	1			Y08236	
095-1		227743-1	HELICAL GEAR 11	1	O	Y08236		
096		181213250	ADJUSTING SCREW	1			Y08236	
096-1		227744-9	HELICAL GEAR 18	1	O	Y08236		
097		963207020	O RING	1				
098		908705125	H.L. SOCKET HEAD BOLT M5X12	1			Y08563	
098-1		266484-4	H.L SOCKET HEAD BOLT M5X12	1	O	Y08563		
099		908006145	H.L. SOCKET HEAD BOLT M6X14	1				
100		181111050	CHAIN CATCH	1			Y08669	
100-1		181111051	CHAIN CATCH	1	O	Y08669		
101		394245010	STOP RING	1			Y08223	
101-1		346872-2	STOP RING	1	O	Y08223		
102		930916160	SPRING RING	1			Y08218	
102-1		234366-8	SNAP RING A 16	1	O	Y08218		
103		962900052	OIL SEAL	1			Y08214	
103-1		213814-0	RADIAL RING	1	O	Y08214		
104		908006145	H.L. SOCKET HEAD BOLT M6X14	1				
105		908005255	H.L. SOCKET HEAD BOLT M5X25	2			Y08161	
105-1		266984-4	H.L. SOCKET HEAD BOLT M5X25	2	O	Y08161		
106		130111116	CRANKCASE ASSY-RIGHT SIDE RED	1			Y08257	
	D10		INC. 107,108				Y08257	
106-1		140R04-9	CRANKCASE CS RED COMPLETE	1	O	Y08257		
	D10		INC. 107,108			Y08257		
107		960102152	BALL BEARING 6202	1			Y08257	
107-1		211154-0	BALL BEARING 6202	1	O	Y08257		
108		010245030	VENT VALVE	1			Y08240	
108-1		168504-9	VENT VALVE	1	O	Y08240		
109		181114401	DAMPING SPRING,CPL.	1				
110		130131150	CYLINDER 47 & PISTON SET	1				
	D10		INC. 111					
111		315132101	PISTON & PISTON RING, PIN SET	1			Y08617	
	D10		INC. 112-115				Y08617	

A:
B:

Interchange
O : Yes
X : No
< : the new part can be substituted for the current.
> : the current part can be substituted for the new.
S : Interchangeable as a set.

DE	GERMANY
-----------	----------------

PS6100 / PETROL CHAIN SAW

Item	Sub	Parts No.	Parts Description	Qty	I/C	E/C No.	Close No.	Remark
111-1		191L97-3	PISTON SET	1	O	Y08617		
	D10		INC. 112-115			Y08617		
112		315132040	CIRCLIP	1			Y08617	
112-1		234390-1	CIRCLIP 11	1	O	Y08617		
113		315132050	PISTON PIN	1			Y08592	
113-1		257846-7	PISTON PIN	1	O	Y08592		
114		315132020	PISTON RING	1			Y08590	
114-1		257384-9	PISTON RING D47	1	O	Y08590		
115		315132040	CIRCLIP	1			Y08617	
115-1		234390-1	CIRCLIP 11	1	O	Y08617		
116		315131020	GASKET	1			Y08095	
116-1		346950-8	CYLINDERBASE GASKET	1	O	Y08095		
117		980115765	LABEL PS-6100	1				
118		130160100	STARTER ASSY RED	1			Y07793	2015-05D
	D10		INC. 119-127,174				Y07793	2015-5D
118-1		130160102	STARTER ASSY RED	1	O	Y07793		
	D10		INC. 119-127,174			Y07793	Y07820	
	D11		INC. 119,120,122-127,174			Y07820		
119		181164010	STARTER GRIP	1			Y08558	
119-1		452458-3	STARTER GRIP	1	O	Y08558		
120		908005205	H.L. SOCKET HEAD BOLT M5X20	4			Y07742	
120-1		266476-3	H.L. SOCKET HEAD BOLT M5X20	4	O	Y07742	D1214	
120-2		266476-3	H.L. SOCKET HEAD BOLT M5X20	4	O	D1214		
121		130160130	STARTER HOUSING ASSY RED	1			Y07793	
121-1		130160131	STARTER HOUSING ASSY RED	1	O	Y07793	Y07820	
122		181163050	REWIND SPRING IN HOUSING	1			Y08428	
122-1		140587-1	REWIND SPRING COMPLETE	1	O	Y08428		
123		315162020	CABLE DRUM	1			Y08499	
123-1		456308-4	CABLE DRUM	1	O	Y08499		
124		181163080	SPRING EASY-START	1			Y08429	
124-1		234193-3	SPRING EASY START	1	O	Y08429		
125		315163090	STARTER RATCHET WHEEL	1			Y08617	
125-1		456309-2	DRIVER EASY START	1	O	Y08617		
126		181163095	STEPPED TAPPING SCREW 5X16.5	1			Y08430	2015-5D
126-1		266616-3	SCREW	1	O	Y08430		2015-5D
127		181164020	STARTER ROPE 3.5MM (L=1M)	1		Y07867	Y08559	
127-1		444022-4	STARTER ROPE	1	O	Y08559		
128		130118040	AIR GUIDE PLATE	1				
129		920308024	HEX. NUT M8X1 (FINE THREAD)	1			Y08051	
129-1		264022-6	HEX. NUT M8X1	1	O	Y08051		
130		926208001	SPRING WASHER 8	1			Y08052	
130-1		267822-3	SPRING WASHER 8	1	O	Y08052		
131		130141100	FLYWHEEL CPL.	1			C0266	
	D10		INC. 132				C0266	
131-1		143704-2	FLYWHEEL CPL	1	<	C0266		
	C10	347384-8	RATCHET	2		C0266		
	C20	232455-3	TORSION SPRING 13	2		C0266		
	C30	266626-0	H.L. TAPPING SCREW 5X12	2		C0266		
132		130141150	STARTER RATCHET & SPRING SET	2			C0266	
133		908805205	H.L. SOCKET HEAD BOLT M5X20	2			Y08050	
133-1		266472-1	TORX SOCKET HEAD BOLT M5X20	2	O	Y08050		
134		130143100	IGNITION COIL COMPLETE	1			Y08199	
	D10		INC. 135,137				Y08199	
134-1		130143101	IGNITION COIL COMPLETE	1	O	Y08199		
	D10		INC. 135,137			Y08199		
135		957604260	PLUG CAP COMPLETE	1				
	D10		INC. 136					
136		965604180	PLUG CAP SPRING	1			Y08216	
136-1		234358-7	TERMINAL SPRING	1	O	Y08216		
137		965401016	SEMI-CYLINDRICAL GROMMET	1			Y08235	
137-1		424696-7	RUBBER GROMMET	1	O	Y08235		
138		965603021	SPARK PLUG BPMR7A	1			Y08107	
138-1		168648-5	SPARK PLUG (BPMR7A)	1	O	Y08107		
139		181245100	OIL LINE CPL.	1				
	D10		INC. 140,141					

A:
B:

Interchange
O : Yes
X : No
< : the new part can be substituted for the current.
> : the current part can be substituted for the new.
S : Interchangeable as a set.

DE	GERMANY
-----------	----------------

PS6100 / PETROL CHAIN SAW

Item	Sub	Parts No.	Parts Description	Qty	I/C	E/C No.	Close No.	Remark
140		021245060	PRESSURE SPRING	1			Y08586	
140-1		231975-4	SPRING	1	O	Y08586		
141		001245020	HOSE STEM	1				
142		179245201	OIL PUMP CPL.	1			Y06809	
142-1		179245202	OIL PUMP CPL.	1	O	Y06809	Y07161	
142-2		179245204	OIL PUMP CPL.	1	O	Y07161	Y07952	
142-3		161346-0	OIL PUMP COMPLETE	1	O	Y07952		
143		908705125	H.L. SOCKET HEAD BOLT M5X12	1			Y08563	
143-1		266484-4	H.L SOCKET HEAD BOLT M5X12	1	O	Y08563		
144		181245120	OIL LINE	1			Y08497	
144-1		424178-9	OIL TUBE	1	O	Y08497		
145		181245090	PUMP DRIVE	1			Y08243	
145-1		450956-1	PUMP DRIVE	1	O	Y08243		
146		001182042	DISC	1			Y08059	
146-1		267389-1	FLAT WASHER 12	1	O	Y08059		
147		175180101	CLUTCH ASSY.	1			Y07312	
	D10		INC. 148				Y07312	
147-1		181180300	CLUTCH ASSY	1	O	Y07312	Y08210	
	D10		INC. 148			Y07312	Y08210	
147-2		127443-2	CLUTCH ASSEMBLY	1	O	Y08210		
	D10		INC. 148			Y08210		
148		024184021	TENSION SPRING	3			Y07281	
148-1		181184020	TENSION SPRING	3	O	Y07281	Y08210	
148-2		232352-3	TENSION SPRING 6	3	O	Y08210		
149		181224090	FLAT WASHER 10	1			Y07763	
149-1		181224090	FLAT WASHER 10	1	O	Y07763		
150		181223062	CLUTCH DRUM CPL.	1			Y08014	
	D10		INC. 151				Y08014	
150-1		181223200	CLUTCH DRUM COMPLETE	1	O	Y08014	Y08273	
	D10		INC. 151			Y08014	Y08273	
150-2		144765-5	CLUTCH DRUM COMPLETE	1	O	Y08273		
	D10		INC. 151			Y08273		
151		962300009	NEEDLE BEARING	1			Y08273	
151-1		212082-2	NEEDLE BEARING 1012	1	O	Y08273		
152A		181224040	RIM SPROCKET .325" SM7-7	1				
152B		026224010	RIM SPROCKET 3/8" SM7-7	1				
153		181213011	BRAKE BAND	1			Y08056	
153-1		346029-5	BRAKE BAND	1	O	Y08056		
154		181224081	WASHER 29	1			Y08058	
154-1		267820-7	WASHER 29	1	O	Y08058		
155		927408000	STOP RING E-8	1			Y08057	
155-1		259045-7	STOP RING E-8	1	O	Y08057		
156		130213190	CHAIN BRAKE COVER	1			Y08854	
156-1		130213191		1	O	Y08854		
157		908105124	H.L.S. FLAT HEAD BOLT M5X12	4				
158		130213100	SPROCKET GUARD CPL. RED	1				
159		923208004	HEX. FLANGE NUT M8(BAR NUT)	2			Y08048	
159-1		252145-2	COLLARED HEX NUT M8	2	O	Y08048		
160		130213200	HAND GUARD CPL.	1				
	D10		INC. 161					
161		185114237	LABEL	1			C2990	
161-1		810449-4	CAUTION LABEL	1	O	C2990	C5811	
161-2		818N32-5	CAUTION LABEL	1	<	C5811		
162		181213320	BUSHING	1			Y08053	
162-1		325604-0	BUSH	1	O	Y08053		
163		181213170	HANDGUARD GUIDE,CPL.	1			Y08064	
163-1		450926-0	STOPPER CASE	1	O	Y08064		
164		181213023	TENSION SPRING	1			Y08054	
164-1		231870-8	TENSION SPRING 10	1	O	Y08054		
165		181213100	BRAKING MECHANISM	1			Y08607	
165-1		163500-2	LINK PLATE COMPLETE	1	O	Y08607		
166		927304000	STOP RING E-4	1			Y08055	
166-1		257934-0	STOP RING E-4	1	O	Y08055		
167		130153700	AIR FLAP CPL.	1			Y08211	
167-1		143441-8	AIR HEAD COMPLETE	1	O	Y08211		

A:
B:

Interchange
O : Yes
X : No
< : the new part can be substituted for the current.
> : the current part can be substituted for the new.
S : Interchangeable as a set.

