



DE

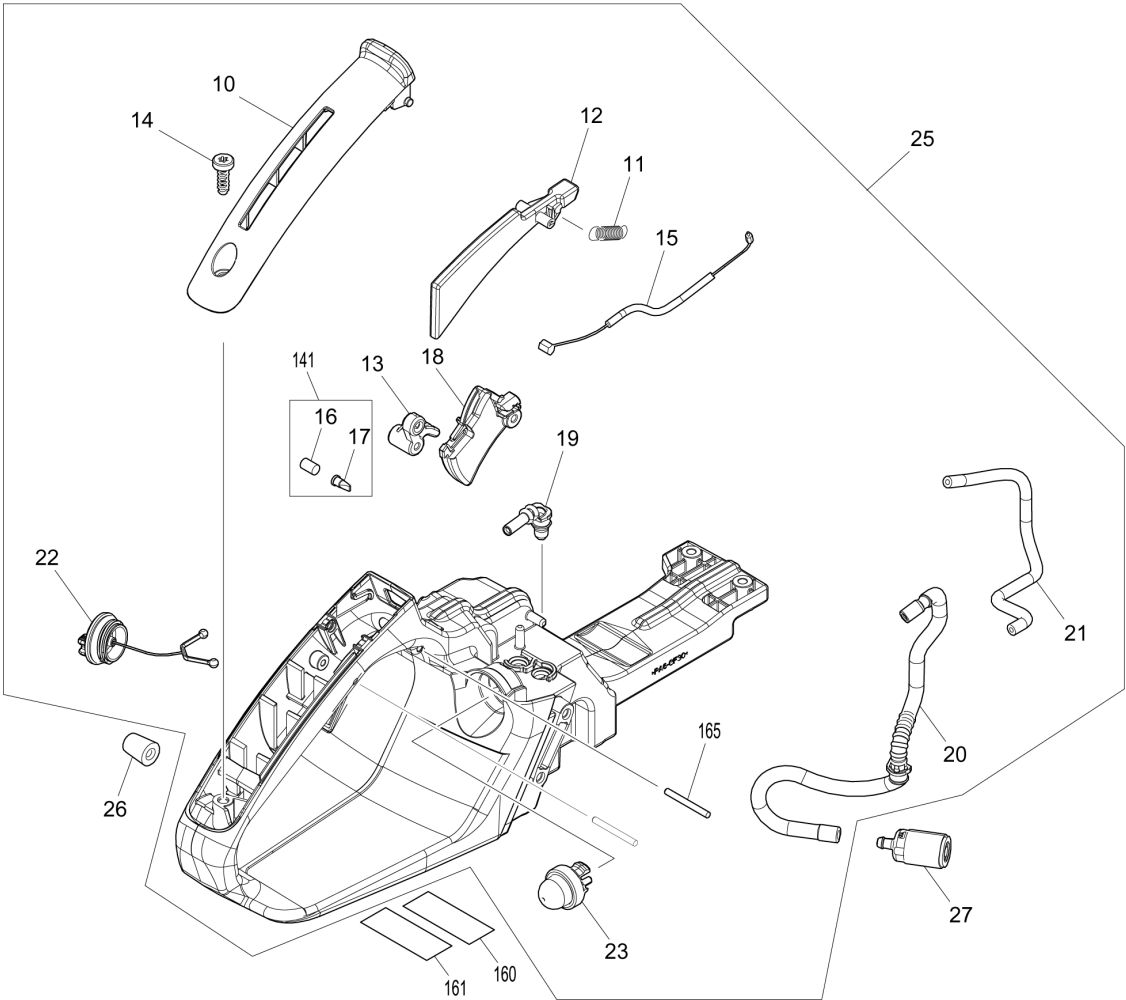
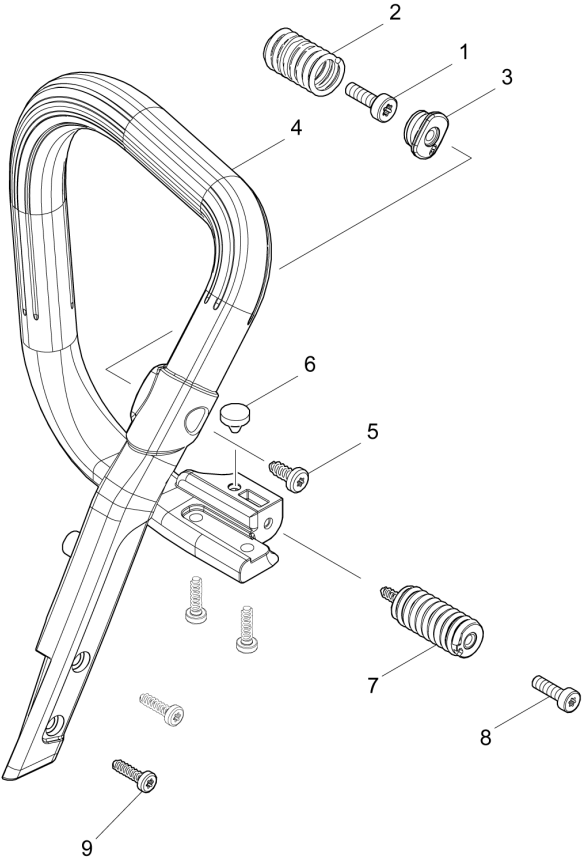
GERMANY

Diagram / Parts List

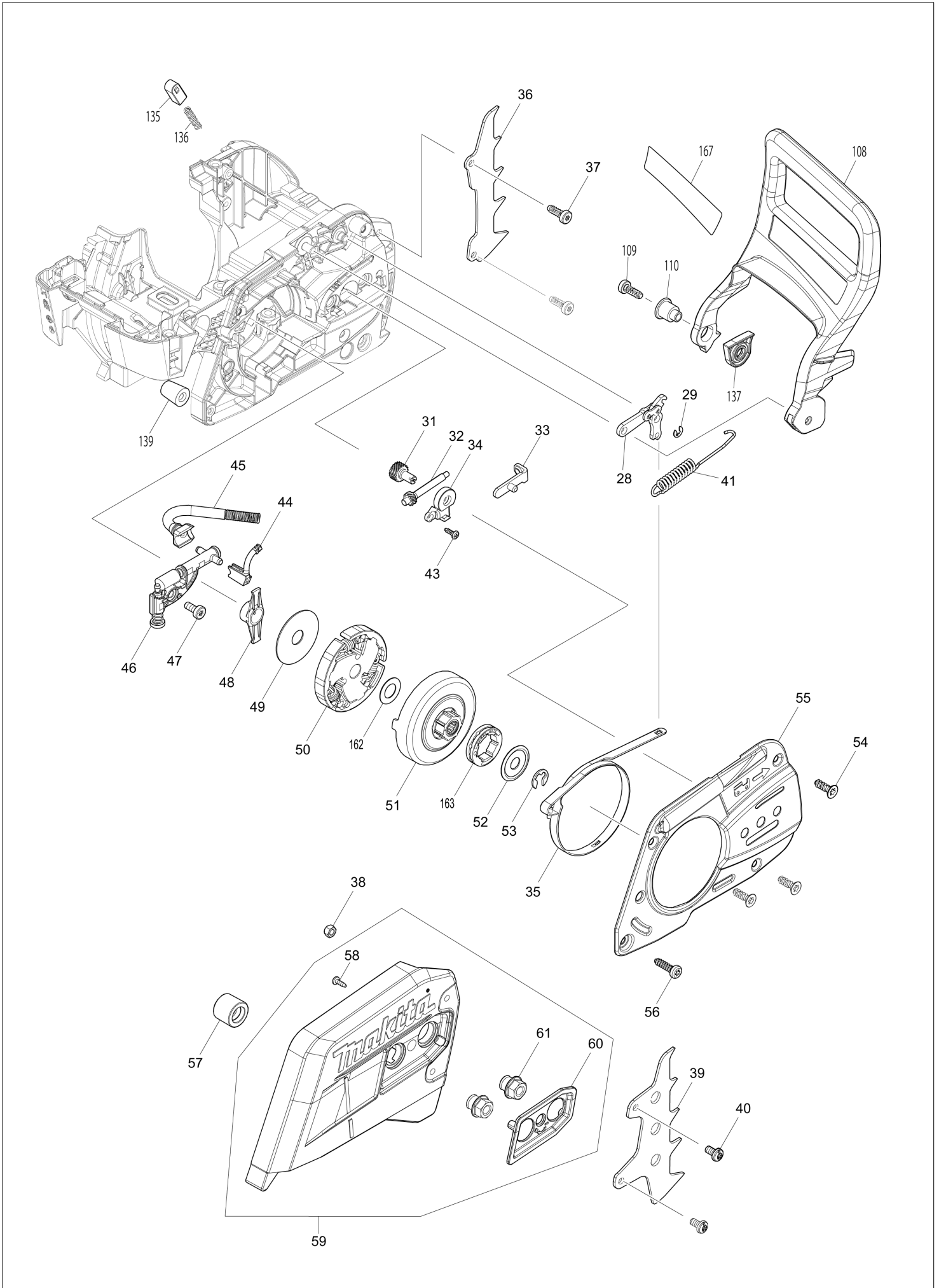
PS550

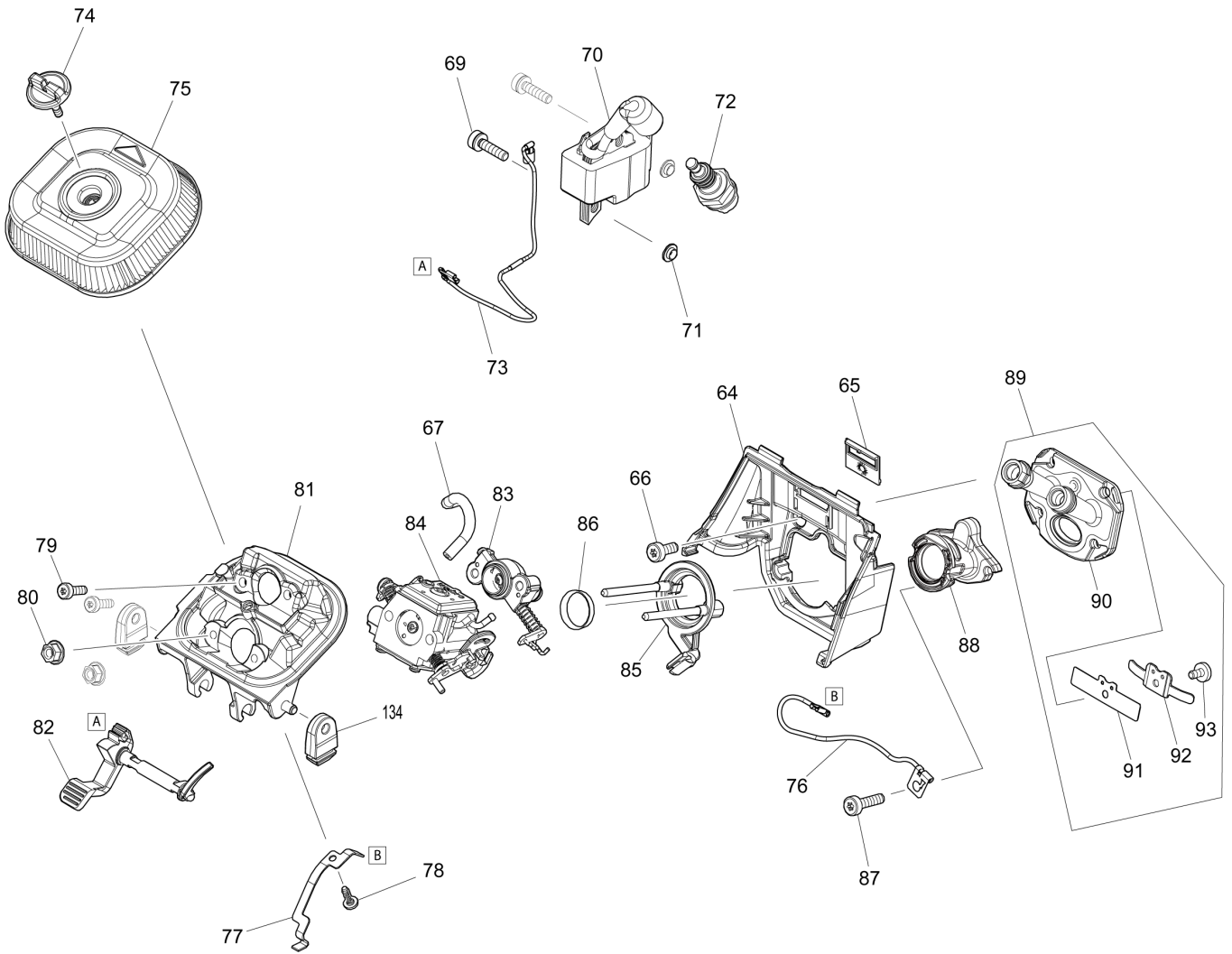
PETROL CHAIN SAW

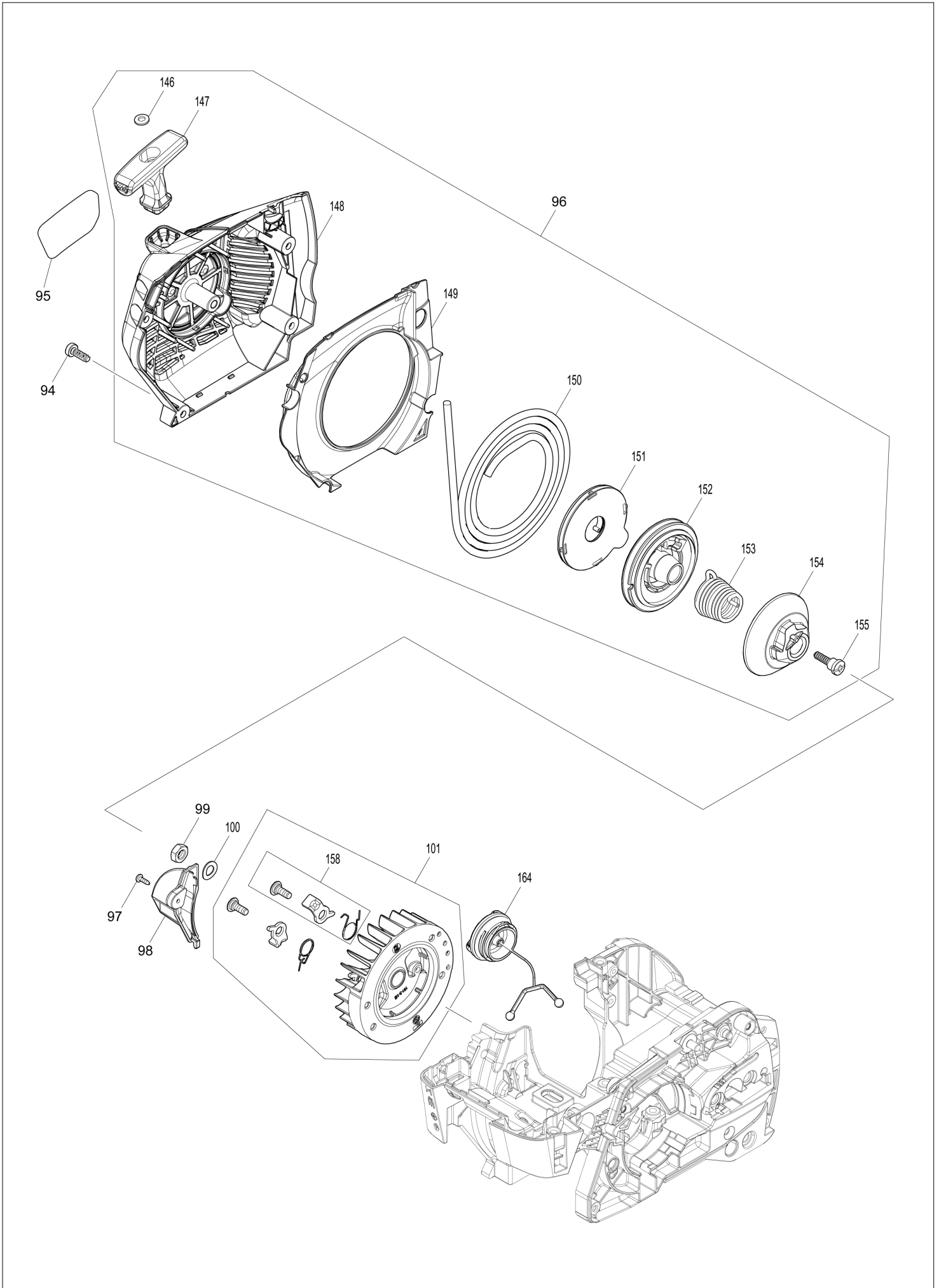
(DE) PS550 / PETROL CHAIN SAW



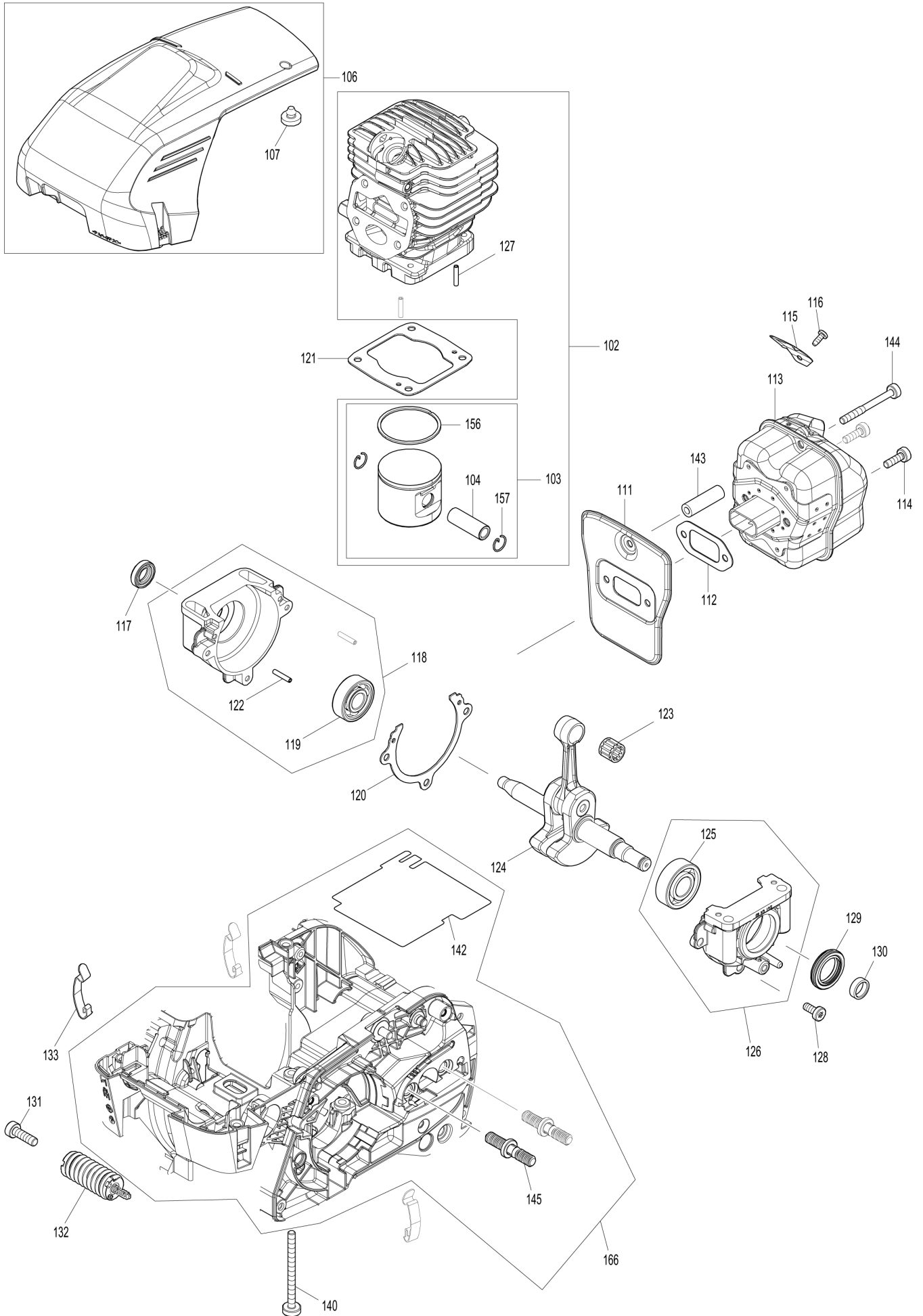
(DE) PS550 / PETROL CHAIN SAW







(DE) PS550 / PETROL CHAIN SAW



DE	GERMANY
-----------	----------------

PS550 / PETROL CHAIN SAW

Item	Sub	Parts No.	Parts Description	Qty	I/C	E/C No.	Close No.	Remark
001		908005165	FILLISTER HEAD SCREW M5X16	1			Y08390	
001-1		266605-8	H.L. SOCKET HEAD BOLT M5X16	1	O	Y08390		
002		231898-6	DAMPING SPRING	1				
003		456373-3	SPRING HOLDER	1				
004		456379-1	TUBULAR HANDLE	1				
005		913467164	SCREW 6.7X16	1			Y08390	
005-1		251492-8	H.L.TAPPING SCREW 6.7X16	1	O	Y08390		
006		965402360	RUBBER BUFFER	1			Y08531	
006-1		424878-1	BUFFER	1	O	Y08531		
007		143754-7	DAMPING SPRING ASSEMBLY	1				
008		908006205	H.L. SOCKET HEAD BOLT M6X20	1			Y08164	
008-1		266479-7	H.L. SOCKET HEAD BOLT M6X20	1	O	Y08164		
009		913455204	H.L.TAPPING SCREW 5.5X20	4			Y08390	
009-1		266475-5	H.L.TAPPING SCREW 5.5X20	4	O	Y08390		
010		131117050	GRIP OUTER SHELL	1				
011		130117060	TENSION SPRING	1				
012		038117020	CATCH LEVER	1				
013		038117030	ROCKER	1				
014		913455164	H.L. TAPPING SCREW 5.5X16	1			Y08390	
014-1		266478-9	H.L.TAPPING SCREW 5.5X16	1	O	Y08390		
015		131117040	BOWDEN CABLE	1				
016		010175030	SINTER INSERT	1			Y08225	
016-1		422063-0	SINTER INSERT	1	O	Y08225		
017		010175021	VALVE	1			Y08225	
017-1		424170-5	VALVE	1	O	Y08225		
018		130117010	THROTTLE LEVER	1				
019		131114340	FUEL PIPE	1				
020		131114310	FUEL PIPE	1				
021		131114090	TUBE 2.5-169	1				
022		181114202	TANK CAP CPL.	1			Y08212	
	C10	963229036	PACKING RING	1			Y08212	
022-1		168507-3	TANK CAP COMPLETE	1	O	Y08212		
	C10	213080-9	O RING 29.5	1	O	Y08212		
023		130153500	PRIMER	1				
025		131114180	FUEL TANK SET(RED)	1				
	D10		INC. 10-23,141,165					
026		181111230	RUBBER BUFFER	1				
027		010114200	FUEL FILTER ASSY	1				
028		185213100	BREAK LINK PLATE COMPLETE	1				
029		927304000	STOP RING E-4	1			Y08055	
029-1		257934-0	STOP RING E-4	1	O	Y08055		
031		181213250	ADJUSTING SCREW	1			Y08236	
031-1		227744-9	HELICAL GEAR 18	1	O	Y08236		
032		181213230	TESIONING SCREW	1			Y08236	
032-1		227743-1	HELICAL GEAR 11	1	O	Y08236		
033		130213240	TENSION SLIDE	1				
034		452667-4	GEAR COVER PROFESSIONAL	1				
035		181213011	BRAKE BAND	1			Y08056	
035-1		346029-5	BRAKE BAND	1	O	Y08056		
036		130250011	SPIKE BAR	1				
037		913455164	H.L. TAPPING SCREW 5.5X16	2			Y08390	
037-1		266478-9	H.L.TAPPING SCREW 5.5X16	2	O	Y08390		
041		181213023	TENSION SPRING	1			Y08054	
041-1		231870-8	TENSION SPRING 10	1	O	Y08054		
043		266421-8	TAPPING SCREW 3X10	1				
044		181245120	OIL LINE	1			Y08497	
044-1		424178-9	OIL TUBE	1	O	Y08497		
045-1		181245300	TUBE COMPLETE	1			Y08237	
045-2		144274-4	TUBE COMPLETE	1	O	Y08237		
046		179245204	OIL PUMP CPL.	1			Y07952	
046-1		161346-0	OIL PUMP COMPLETE	1	O	Y07952		
047		908705125	H.L. SOCKET HEAD BOLT M5X12	1			Y08563	
047-1		266484-4	H.L SOCKET HEAD BOLT M5X12	1	O	Y08563		
048		181245090	PUMP DRIVE	1			Y08243	
048-1		450956-1	PUMP DRIVE	1	O	Y08243		

A:
B:

Interchange
O : Yes
X : No
< : the new part can be substituted for the current.
> : the current part can be substituted for the new.
S : Interchangeable as a set.

DE	GERMANY
-----------	----------------

PS550 / PETROL CHAIN SAW

Item	Sub	Parts No.	Parts Description	Qty	I/C	E/C No.	Close No.	Remark
049		001182042	DISC	1			Y08059	
049-1		267389-1	FLAT WASHER 12	1	O	Y08059		
050		181180300	CLUTCH ASSY	1			Y08210	
	C10	181184020	TENSION SPRING	3			Y08210	
050-1		127443-2	CLUTCH ASSEMBLY	1	O	Y08210		
	C10	232352-3	TENSION SPRING 6	3		Y08210		
051		181223200	CLUTCH DRUM COMPLETE	1			Y08273	
051-1		144765-5	CLUTCH DRUM COMPLETE	1	O	Y08273		
	C10	212082-2	NEEDLE BEARING 1012	1		Y08273		
052		181224081	WASHER 29	1			Y08058	
052-1		267820-7	WASHER 29	1	O	Y08058		
053		927408000	STOP RING E-8	1			Y08057	
053-1		259045-7	STOP RING E-8	1	O	Y08057		
054		913850155	H.L.S. TAPPING SCREW 5X15	3			Y08390	
054-1		266991-7	H.L. TAPPING SCREW 5X15	3	O	Y08390		
055		326647-5	CHAIN BRAKE COVER	1				
056		913455204	H.L. TAPPING SCREW 5.5X20	1			Y08390	
056-1		266475-5	H.L. TAPPING SCREW 5.5X20	1	O	Y08390		
057		456378-3	CHAIN CATCHER	1				
058		266421-8	TAPPING SCREW 3X10	2				
059		131213640	SPROCKET GUARD ASSEMBLY(REDF)	1			C5386	
	D10		INC. 58,60,61				C5386	
059-1		131213121	SPROCKET GUARD ASSEMBLY(REDF)	1	<	C5386		
	D10		INC. 58,60,61			C5386		
060		456674-9	NUT COVER	1				
061		144689-5	FLANGE NUT COMPLETE	2			C5386	
061-1		162493-0	FLANGE NUT COMPLETE	2	<	C5386	C7052	
061-2		162493-0	FLANGE NUT COMPLETE	2	O	C7052		
064		131131080	INTERMEDIATE FLANGE	1			Y08512	
064-1		456929-2	INTERMEDIATE FLANGE	1	O	Y08512		
065		195118141	ANTI ICING PLATE	1			Y08509	
065-1		456157-9	SHUTTER PLATE	1	O	Y08509		
066		908005125	H.L. SOCKET HEAD BOLT M5X12	2			Y08390	
066-1		266946-2	H.L. SOCKET HEAD BOLT M5X12	2	O	Y08390		
067		131114080	TUBE 2.5-64	1				
069		908805205	H.L. SOCKET HEAD BOLT M5X20	2			Y08050	
069-1		266472-1	TORX SOCKET HEAD BOLT M5X20	2	O	Y08050		
070		131140100	IGNITION COIL COMPLETE	1			Y08668	
	C10	125143011	PLUG CAP	1			Y08668	
	C20	131143040	INSULATING TUBE 6-100	1			Y08668	
	C30	125143020	TERMINAL SPRING	1			Y08668	
070-1		131140101	IGNITION COIL COMPLETE	1	<	Y08668		
	C10	125143011	PLUG CAP	1		Y08668		
	C20	131143040	INSULATING TUBE 6-100	1		Y08668		
	C30	125143020	TERMINAL SPRING	1		Y08668		
071		195143031	ISOLATION WASHER	2			Y08226	
071-1		451462-9	ISOLATING WASHER	2	O	Y08226		
072		965603021	SPARK PLUG BPMR7A	1			Y08107	
072-1		168648-5	SPARK PLUG (BPMR7A)	1	O	Y08107		
073		632F91-5	LEAD UNIT	1				
074		265791-2	THUMB SCREW M4	1				
075		131173010	AIR FILTER	1				
076		632F92-3	LEAD UNIT	1				
077		131155010	CONTACT SPRING	1				
078		266421-8	TAPPING SCREW 3X10	1				
079		908005205	H.L. SOCKET HEAD BOLT M5X20	2			Y08390	
079-1		266476-3	H.L. SOCKET HEAD BOLT M5X20	2	O	Y08390		
080		175131300	HEX. FLANGE NUT M4	2			Y08430	
080-1		264119-1	HEXAGONAL NUT M4	2	O	Y08430		
081		456376-7	INTAKE MANIFOLD	1				
082		456375-9	CHOKE LEVER	1				
083		131151700	AIR FLAP ASSEMBLY	1				
084		131151100	CARBURETOR	1				
	D10		INC. 169-171			Y07855		
085		131131070	FLANGE RING	1				

A:
B:

Interchange
O : Yes
X : No
< : the new part can be substituted for the current.
> : the current part can be substituted for the new.
S : Interchangeable as a set.

DE	GERMANY
-----------	----------------

PS550 / PETROL CHAIN SAW

Item	Sub	Parts No.	Parts Description	Qty	I/C	E/C No.	Close No.	Remark
086		131131090	SLEEVE 19	1				
087		908005205	H.L. SOCKET HEAD BOLT M5X20	2			Y08390	
087-1		266476-3	H.L. SOCKET HEAD BOLT M5X20	2	O	Y08390		
088		131131050	SUCTION HOSE	1				
089		131131160	AIR HOSE COMPLETE	1				
	D10		INC. 90-93					
090		131131030	AIR HOSE	1				
091		131179020	REED VALVE	1				
092		131179010	VALVE STOPPER	1				
093		908004085	H.L. SOCKET HEAD BOLT M4X8	1			Y08390	
093-1		266985-2	H.L. SOCKET HEAD BOLT M4X8	1	O	Y08390		
094		913455164	H.L. TAPPING SCREW 5.5X16	4			Y08390	
094-1		266478-9	H.L. TAPPING SCREW 5.5X16	4	O	Y08390		
095A		131115020	PS-550 MODEL NO. LABEL	1				
095-1B		131115020	PS-550 MODEL NO. LABEL	1				
096		131160100	RECOIL STARTER ASSEMBLY (RED)	1				
	D10		INC. 146-155					
097		266421-8	TAPPING SCREW 3X10	1				
098		456377-5	AIR DUCT	1				
099		920308024	HEX. NUT M8X1 (FINE THREAD)	1			Y08051	
099-1		264022-6	HEX. NUT M8X1	1	O	Y08051		
100		926208001	SPRING WASHER 8	1			Y08052	
100-1		267822-3	SPRING WASHER 8	1	O	Y08052		
101		181141105	FLYWHEEL CPL.	1			Y08239	
	D10		INC. 158				Y08239	
101-1		143331-5	FLYWHEEL COMPLETE	1	O	Y08239	DH946	
	D10		INC. 158			Y08239	DH946	
101-2		141P19-7	FLYWHEEL COMPLETE	1	<	DH946		
	D10		INC. 158			DH946		
102		131131200	CYLINDER PISTON SET	1				
	D10		INC. 103,127					
103		131132100	PISTON COMPLETE	1				
	D10		INC. 104,156,157					
104		131132030	PISTON PIN	1				
106		131118600	HOOD SET	1				
	D10		INC. 107					
107		965402360	RUBBER BUFFER	1			Y08531	
107-1		424878-1	BUFFER	1	O	Y08531		
108		131213050	HAND GUARD GUIDE	1				
109		913455164	H.L. TAPPING SCREW 5.5X16	1			Y08390	
109-1		266478-9	H.L. TAPPING SCREW 5.5X16	1	O	Y08390		
110		326676-8	BUSH 10	1				
111		131174090	COOLING PLATE	1				
112		395174120	MUFFLER GASKET	1			Y08224	
112-1		346876-4	MUFFLER GASKET	1	O	Y08224		
113		131174100	MUFFLER COMPLETE	1				
114		908005165	FILLISTER HEAD SCREW M5X16	2			Y08390	
114-1		266605-8	H.L. SOCKET HEAD BOLT M5X16	2	O	Y08390		
115		131174040	SPARK ARRESTER	1				
116		914535105	SELF TAPPING SCREW 3.5X9.5	1			Y08430	
116-1		251477-4	SCREW 3.5X9.5	1	O	Y08430		
117		962900156	OIL SEAL	1			Y08241	
117-1		213141-5	OIL SEAL 12	1	O	Y08241		
118		131111100	CRANKCASE MS COMPLETE	1				
	D10		INC. 119,122					
119		960102121	BALL BEARING 6201	1			Y08635	
119-1		211494-6	BALL BEARING 6201	1	O	Y08635		
120		131111060	CRANKCASE GASKET	1				
121		131131020	CYLINDER-BASE GASKET	1			Y08740	
121-1		131131021	CYLINDER-BASE GASKET	1	O	Y08740		
122		936430160	PIN 3X16	2			Y08221	
122-1		258038-1	CLAMPING PIN	2	O	Y08221		
123		962210111	NEEDLE CAGE	1			Y08271	
123-1		212164-0	NEEDLE CAGE	1	O	Y08271		
124		131120100	CRANKSHAFT COMPLETE	1			Y08447	

A:
B:

Interchange
O : Yes
X : No
< : the new part can be substituted for the current.
> : the current part can be substituted for the new.
S : Interchangeable as a set.

DE	GERMANY
-----------	----------------

PS550 / PETROL CHAIN SAW

Item	Sub	Parts No.	Parts Description	Qty	I/C	E/C No.	Close No.	Remark
124-1		131120101	CRANKSHAFT COMPLETE	1	O	Y08447		
125		960102152	BALL BEARING 6202	1			Y08258	
125-1		211154-0	BALL BEARING 6202	1	O	Y08258		
126		131111111	CRANKCASE CS COMPLETE	1				
	D10		INC. 125					
127		936430160	PIN 3X16	2			Y08221	
127-1		258038-1	CLAMPING PIN	2	O	Y08221		
128		908705165	HL SOCKET HEAD BOLT M5X16	3				
129		962900160	OIL SEAL 20	1				
130		326658-0	SLEEVE 15	1				
131		908006205	H.L. SOCKET HEAD BOLT M6X20	1			Y08164	
131-1		266479-7	H.L. SOCKET HEAD BOLT M6X20	1	O	Y08164		
132		143754-7	DAMPING SPRING ASSEMBLY	1				
133		130118070	STEELCLIP	3			Y08659	
133-1		347071-9	CLAMP	3	O	Y08659		
134		424806-6	INTAKE MANIFOLD DAMPER	2				
135		313212-9	HAND GUARD GUIDE	1				
136		181213060	COMPRESSION SPRING 3	1			Y08198	
136-1		234093-7	COMPRESSION SPRING 3	1	O	Y08198		
137		456613-9	SPACER	1				
139		181111230	RUBBER BUFFER	1				
140		914105656	H.L. SOCKET HEAD BOLT M5X65	4				
141		170175010	AIR VALVE COMPLETE	1			Y08288	
	D10		INC. 16,17				Y08288	
141-1		195762-4	AIR VALVE SET	1	O	Y08288		
	D10		INC. 16,17				Y08288	
142		131111080	HEAT PROTECTION FOIL	1				
143		327008-2	SLEEVE 5	2				
144		908605505	H.L SOCKET HEAD BOLT M5X50	1			Y08390	
144-1		266941-2	H.L. SOCKET HEAD BOLT M5X50	1	O	Y08390		
145		905708215	BOLT	2				
146		928405000	SPRING WASHER 5	1			Y08082	
146-1		267821-5	SPRING WASHER 5	1	O	Y08082		
147		181164010	STARTER GRIP	1			Y08558	
147-1		452458-3	STARTER GRIP	1	O	Y08558		
148		131160160	STARTER HOUSING COMPLETE	1				
149		131118040	AIR GUIDE PLATE	1				
150		131164020	STARTER ROPE D=3.5 L=1030	1				
151		181163050	REWIND SPRING IN HOUSING	1			Y08428	
151-1		140587-1	REWIND SPRING COMPLETE	1	O	Y08428		
152		181162020	CABLE DRUM	1			Y08560	
152-1		452224-8	CABLE DRUM	1	O	Y08560		
153		181163080	SPRING EASY-START	1			Y08429	
153-1		234193-3	SPRING EASY START	1	O	Y08429		
154		181163090	STARTER WHEEL	1			Y08562	
154-1		452227-2	DRIVER EASY START	1	O	Y08562		
155		181163095	STEPPED TAPPING SCREW 5X16.5	1			Y08430	
155-1		266616-3	SCREW	1	O	Y08430		
156		181132080	PISTON RING 45MM	1				
157		315132140	SPRING RING	2			Y08429	
157-1		234390-1	CIRCLIP 11	2	O	Y08429		
158		181166100	STARTER RATCHET CP(2PCS EACH)	2				
162		181224090	FLAT WASHER 10	1			Y07763	
162-1		181224090	FLAT WASHER 10	1	O	Y07763		
163A		181224040	RIM SPROCKET .325" SM7-7	1				
163B		026224010	RIM SPROCKET 3/8" SM7-7	1				
164		181114202	TANK CAP CPL.	1			Y08212	
	C10	963229036	PACKING RING	1			Y08212	
164-1		168507-3	TANK CAP COMPLETE	1	O	Y08212		
	C10	213080-9	O RING 29.5	1	O	Y08212		
165		935930280	CYLINDRICAL PIN 3X28	2			Y08222	
165-1		268335-7	PIN 3	2	O	Y08222		
166		131110150	ENGINE HOUSING ASSEMBLY(REDF)	1				
	D10		INC. 142,145					
167		810449-4	CAUTION LABEL	1			C5811	

A:
B:

Interchange
O : Yes
X : No
< : the new part can be substituted for the current.
> : the current part can be substituted for the new.
S : Interchangeable as a set.

