



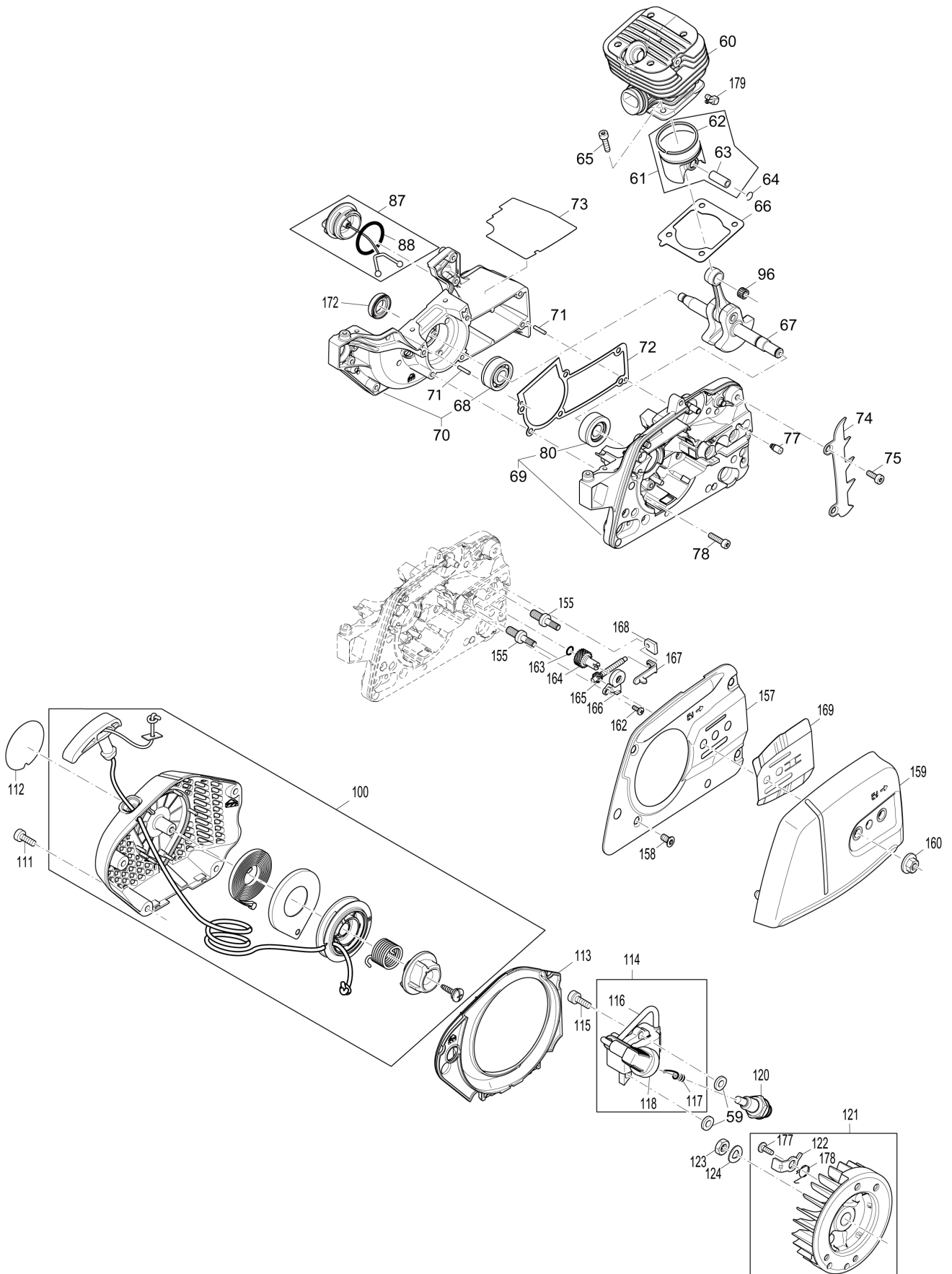
DE

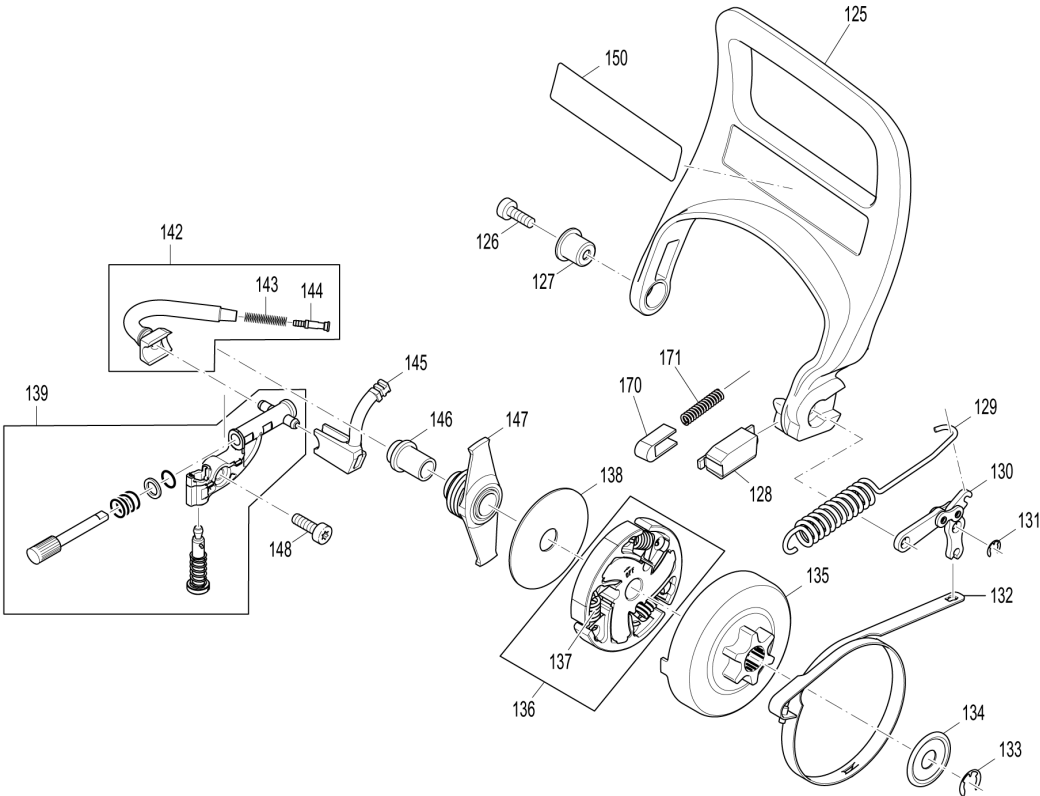
GERMANY

Diagram / Parts List

PS420SC

PETROL CHAIN SAW





DE	GERMANY
-----------	----------------

PS420SC / PETROL CHAIN SAW

Item	Sub	Parts No.	Parts Description	Qty	I/C	E/C No.	Close No.	Remark
001		143340-4	FUEL TANK WELDED	1				
002		456143-0	GRIP OUTER SHELL	1				
003		266478-9	H.L.TAPPING SCREW 5.5X16	1				
004		456142-2	CATCH LEVER	1				
005		456141-4	THROTTLE LEVER	1				
006		231866-9	TORSION SPRING 10	1				
007		195762-4	AIR VALVE SET	1				
008		424456-7	FUEL LINE	1				
009		213586-7	O RING 11.5	1				
010		424756-5	TUBE 2.5-118	1				
011		424757-3	TUBE 3.0-93	1				
012		168823-3	TANK CAP COMPLETE	1				
	D10		INC. 13					
013		213080-9	O RING 29.5	1				
014		163447-0	FUEL FILTER	1			B3537	
014-1		163447-0	FUEL FILTER	1	O	B3537		
015		852C39-5	PS-420 SC NAME PLATE	1				
016		456140-6	TUBULAR HANDLE	1				
017		456150-3	SIDE COVER DOLMAR RED	1				
018		234189-4	COMPRESSION SPRING 12	4				
019		266605-8	H.L. SOCKET HEAD BOLT M5X16	4				
020		266478-9	H.L.TAPPING SCREW 5.5X16	3				
021		266478-9	H.L.TAPPING SCREW 5.5X16	2				
022		266478-9	H.L.TAPPING SCREW 5.5X16	2				
023		266478-9	H.L.TAPPING SCREW 5.5X16	2				
024		346517-2	CUP WASHER 6	1				
025		456135-9	INTAKE MANIFOLD	1			C9431	
025-1		459832-6	INTAKE MANIFOLD	1	O	C9431		
026		123452-9	AIR FILTER CPL.NYLON	1				
027		456169-2	CARBURETOR BOTTOM	1				
028		266605-8	H.L. SOCKET HEAD BOLT M5X16	1				
029		266605-8	H.L. SOCKET HEAD BOLT M5X16	1				
030		346926-5	CONTACT SPRING	1			B9787	
030-1		347357-1	CONTACT SPRING	1	<	B9787		
031		456139-1	CHOKE LEVER	1				
032		632F41-0	SHORT-CIRCUIT CABLE	1				
033		424759-9	ISOLATING TUBE 6-30	1				
034		143330-7	THROTTLE LINKAGE	1				
036		266478-9	H.L.TAPPING SCREW 5.5X16	1				
037		266478-9	H.L.TAPPING SCREW 5.5X16	1				
038		251478-2	H.L. SOCKET HEAD BOLT M4X40	2			B6491	
038-1		266604-0	H.L. SOCKET HEAD BOLT M4X40	2	O	B6491		
041		168398-2	PRIMER PUMP	1				
042		424754-9	TUBE 2.5-55	1				
043		424755-7	TUBE 2.5-93	1				
044		346413-4	BUSH 17	1				
045		424753-1	INTAKE HOSE	1				
046		326675-0	CONNECTING LINK	1			B4675	
046-1		325939-9	CONNECTING LINK	1	O	B4675		
048		266605-8	H.L. SOCKET HEAD BOLT M5X16	2				
049		266612-1	H.L. SOCKET HEAD BOLT M5X10	2				
050		266943-8	H.L. SOCKET HEAD BOLT M5X40	1			B6491	
050-1		266606-6	H.L. SOCKET HEAD BOLT M5X40	1	O	B6491		
052		352027-9	SPARK ARRESTER SCREEN	1				
054		161363-0	MUFFLER COMPLETE	1				
	D10		INC. 52					
055		346304-9	GASKET	1				
056		213085-9	O-RING 20	1				
057		424752-3	PACKING RING	1				
059		451462-9	ISOLATING WASHER	2				
060		319338-5	CYLINDER D=42	1			B7399	
060-1		144710-0	CYLINDER COMPLETE	1	X	B7399	C6111	
	D10		INC. 179			B7399	C6111	
060-2		140L37-8	CYLINDER COMPLETE	1	S	C6111		
	D10		INC. 179			C6111		

D:PS420SC(N)
E:PS420SC(N)
F:PS420SC(N)
G:PS420SC(N)

Interchange
O : Yes
X : No
< : the new part can be substituted for the current.
> : the current part can be substituted for the new.
S : Interchangeable as a set.

DE	GERMANY
-----------	----------------

PS420SC / PETROL CHAIN SAW

Item	Sub	Parts No.	Parts Description	Qty	I/C	E/C No.	Close No.	Remark
061		143332-3	PISTON 42 CPL.	1				
	D10		INC. 62,63					
062		257383-1	PISTON RING 42	1				
063		268339-9	PISTON PIN 9	1				
064		232302-8	CIRCRIP 9	2				
065		266960-8	H.L. SOCKET HEAD BOLT M5X20	4				
066		346925-7	CYLINDER BASE GASKET	1				
067		143329-2	CRANKSHAFT CPL.	1			C6111	
067-1		140H65-9	CRANKSHAFT COMPLETE	1	S	C6111		
068		211494-6	BALL BEARING 6201	1			C2572	
068-1		211341-1	BALL BEARING 6201	1	O	C2572		
069		143334-9	CRANKCASE CS COMPLETE RED	1			C2572	
	D10		INC. 71,77,80				C2572	
069-1		144395-2	CRANKCASE CS COMPLETE RED	1	S	C2572		
	D10		INC. 71,77,80			C2572		
070		143336-5	CRANKCASE MS COMPLETE RED	1			C2572	
	D10		INC. 68				C2572	
070-1		144396-0	CRANKCASE MS COMPLETE RED	1	S	C2572		
	D10		INC. 68			C2572		
071		258038-1	CLAMPING PIN	2			C2572	
071-1		951063-8	SPRING PIN 3-16	2	O	C2572		
072		346924-9	CRANK CASE GASKET	1				
073		346928-1	HEAT PROTECTION FOIL	1				
074		346301-5	SPIKE BAR	1				
075		266605-8	H.L. SOCKET HEAD BOLT M5X16	2				
076		456159-5	HOOD	1				
077		168504-9	VENT VALVE	1				
078		266960-8	H.L. SOCKET HEAD BOLT M5X20	6				
079		452018-1	FUEL NIPPLE	1				
080		219024-7	DEEP GROOVE BALL BEARING	1				
087		168823-3	TANK CAP COMPLETE	1				
	D10		INC. 88					
088		213080-9	O RING 29.5	1				
089		161368-0	HOOD COMPLETE BLACK	1				
	D10		INC. 91,92,95					
091		346929-9	PROTECTION FILM HOOD	1				
092		456157-9	SHUTTER PLATE	1				
093		456138-3	GUIDE	1				
094		266605-8	H.L. SOCKET HEAD BOLT M5X16	3				
095		816917-5	INDICATION LABEL	1				
096		212093-7	NEEDLE CAGE 912	1				
100		161366-4	STARTER COMPLETE RED	1				
111		266605-8	H.L. SOCKET HEAD BOLT M5X16	4				
112		807A58-4	PS-420C MODEL NO. LABEL	1				
113		456137-5	AIR GUIDE PLATE	1				
114		161357-5	IGNITION COIL COMPLETE	1			DB428	
	D10		INC. 116,117,118				DB428	
114-1		161357-5	IGNITION COIL COMPLETE	1	O	DB428		
	D10		INC. 116,117,118			DB428		
115		266472-1	TORX SOCKET HEAD BOLT M5X20	2			Y07495	
115-1		266472-1	TORX SOCKET HEAD BOLT M5X20	2	O	Y07495	D3156	
115-2		265641-1	H.L. SOCKET HEAD BOLT M5X20	2	O	D3156		
116		444042-8	ISOLATING TUBE 6-80	1				
117		234358-7	TERMINAL SPRING	1				
118		424750-7	PLUG CAP	1				
120		168599-2	SPARK PLUG NGK CMR7A-5	1				
121		143331-5	FLYWHEEL COMPLETE	1				
	D10		INC. 122,177,178					
122		346916-8	RATCHET	2				
123		264022-6	HEX. NUT M8X1	1				
124		267822-3	SPRING WASHER 8	1				
125		456136-7	HAND PROTECTION	1				
126		266605-8	H.L. SOCKET HEAD BOLT M5X16	1				
127		326596-6	BUSH	1				
128		450926-0	STOPPER CASE	1				

D:PS420SC(N)
E:PS420SC(N)
F:PS420SC(N)
G:PS420SC(N)

Interchange
O : Yes
X : No
< : the new part can be substituted for the current.
> : the current part can be substituted for the new.
S : Interchangeable as a set.

DE	GERMANY
-----------	----------------

PS420SC / PETROL CHAIN SAW

Item	Sub	Parts No.	Parts Description	Qty	I/C	E/C No.	Close No.	Remark
129		231870-8	TENSION SPRING 10	1				
130		163500-2	LINK PLATE COMPLETE	1				
131		257934-0	STOP RING E-4	1			B6491	
131-1		961011-9	STOP RING E-4	1	O	B6491		
132		346029-5	BRAKE BAND	1				
133		259045-7	STOP RING E-8	1				
134		267820-7	WASHER 29	1				
135		158927-9	CLUTCH DRUM COMPLETE	1			C2618	
135-1		158927-9	CLUTCH DRUM COMPLETE	1	O	C2618		
136		123454-5	CLUTCH ASSEMBLY	1			B4229	
	D10		INC.137				B4229	
	D10		INC. 137				B4229	
136-1		123857-3	CLUTCH ASSEMBLY	1	O	B4229	C9037	
	D10		INC.137			B4229	C9037	
	D10		INC. 137			B4229	C9037	
136-2		127443-2	CLUTCH ASSEMBLY	1	O	C9037		
	D10		INC.137			C9037		
	D10		INC. 137			C9037		
137		231896-0	TENSION SPRING	3			B4229	
	D10		INC. 137				B4229	
	D10		INC. 137				B4229	
137-1		232352-3	TENSION SPRING 6	3	O	B4229	D4267	
	D10		INC. 137			B4229	D4267	
	D10		INC. 137			B4229	D4267	
137-2		232352-3	TENSION SPRING 6	3	O	D4267		
	D10		INC. 137			D4267		
	D10		INC. 137			D4267		
138		267389-1	FLAT WASHER 12	1			D0278	
138-1		253454-2	FLAT WASHER 12	1	O	D0278		
139		161346-0	OIL PUMP COMPLETE	1				
142		168645-1	OIL SUCTION LINE COMPLETE	1				
	D10		INC. 144,143					
143		234207-8	COMPRESSION SPRING 6	1				
144		452666-6	NIPPLE	1			DA680	
144-1		452666-6	NIPPLE	1	O	DA680		
145		424178-9	OIL TUBE	1				
146		325604-0	BUSH	1				
147		450956-1	PUMP DRIVE	1				
148		266605-8	H.L. SOCKET HEAD BOLT M5X16	1				
150		810075-9	CAUTION LABEL	1			C2620	
150-1		817T83-1	CAUTION LABEL	1	<	C2620	C5811	
150-2		818L12-9	CAUTION LABEL	1	<	C5811		
155		266978-9	BOLT	2				
157		346927-3	CHAIN BRAKE COVER	1				
158		266477-1	H.L. C.S. HEAD SCREW M5X12	2				
159		161441-6	SPROCKET GUARD CPL	1			B8043	
159-1		161792-7	SPROCKET GUARD CPL.	1	<	B8043		
160		252145-2	COLLARED HEX NUT M8	2			C0244	
160-1		264055-1	COLLARED HEX. NUT M8	2	O	C0244		
162		251480-5	TAPPING SCREW ST3.5X9.5	1			C2572	
162-1		266484-4	H.L SOCKET HEAD BOLT M5X12	1	S	C2572		
163		213082-5	O-RING 7	1			B6491	
163-1		213594-8	O RING 7	1	O	B6491		
164		226693-7	HELICAL GEAR 18	1			B6491	
164-1		227744-9	HELICAL GEAR 18	1	O	B6491		
165		226692-9	HELICAL GEAR 11	1			B6491	
165-1		227743-1	HELICAL GEAR 11	1	O	B6491		
166		452667-4	GEAR COVER PROFESSIONAL	1				
167		346300-7	TENSION SLIDE	1			B8043	
167-1		347252-5	TENSION SLIDE	1	S	B8043		
168		450929-4	GUIDE PLATE	1			B6491	
168-1		452668-2	CLAMP SCREW BEDDING	1	O	B6491		
169		346518-0	GUIDE PLATE	1				
170		313212-9	HAND GUARD GUIDE	1				
171		234093-7	COMPRESSION SPRING 3	1				

D:PS420SC(N)
E:PS420SC(N)
F:PS420SC(N)
G:PS420SC(N)

Interchange
O : Yes
X : No
< : the new part can be substituted for the current.
> : the current part can be substituted for the new.
S : Interchangeable as a set.

DE	GERMANY
-----------	----------------

PS420SC / PETROL CHAIN SAW

Item	Sub	Parts No.	Parts Description	Qty	I/C	E/C No.	Close No.	Remark
172		213141-5	OIL SEAL 12	1				
173		802K41-6	SOUND 113DB LABEL	1			C6111	
173-1		807U97-4	SOUND 115DB LABEL	1	S	C6111		
177		266626-0	H.L. TAPPING SCREW 5X12	2				
178		232303-6	TORSION SPRING 13	2				
179		325938-1	ANGULAR NIPPLE	1				
180		266977-1	THUMB SCREW	1				
300		161371-1	CARBURETOR DM23B	1			Y07234	
300-1		161371-1	CARBURETOR DM23B	1	O	Y07234		
	C10	ZJ00000077	NOZZLE ASSEMBLY	1		Y07234		
	C12	ZJ00000097	PUMP COVER KIT	1		Y07234		
	C14	ZJ00000020	SCREW (PUMP COVER)	1		Y07234		
	C16	ZJ00000026	SCREW, IDLE MIXTURE	1		Y07234		
	C18	ZJ00000027	SCREW, MAIN MIXTURE	1		Y07234		
	C20	ZJ00000037	STRAINER	1		Y07234		
	C22	ZJ00000073	SPRING	1		Y07234		
	C24	ZJ00000015	THROTTLE SHAFT ASSY	1		Y07234		
	C26	ZJ00000012	SHAFT ASSY, CHOKE	1		Y07234		
	C28	ZJ00000030	VALVE, THROTTLE	1		Y07234		
	C30	ZJ00000001	SCREW	2		Y07234		
	C32	ZJ00000036	PLUG, ACC POCKET	1		Y07234		
	C34	ZJ00000098	THROTTLE LEVER SCREEN	1		Y07234		
	C36	ZJ00000022	LEVER, THROTTLE	1		Y07234		
	C38	ZJ00000023	SCREW	1		Y07234		
	C40	ZJ00000021	COLLAR	1		Y07234		
	C42	ZJ00000028	COVER, METERING	1		Y07234		
	C44	ZJ00000014	SCREW (WITH SERRATION)	2		Y07234		
	C46	ZJ00000033	WASHER	1		Y07234		
	C48	ZJ00000031	LEVER, CHOKE	1		Y07234		
	C50	ZJ00000099	CHOKE LEVER	1		Y07234		
	C52	ZJ00000017	E-RING	1		Y07234		
	C54	ZJ00000024	VALVE, CHOKE	1		Y07234		
	C56	ZJ00000005	PLUNGER KIT	1		Y07234		
	C58	ZJ00000032	SPRING, CHOKE RETURN	1		Y07234		
	C60	ZJ00000040	SPRING, THROTTLE RETURN	1		Y07234		
	D10		INC. 301-310			Y07234		
301		ZJ00000003	STRAINER	1		Y07234		
302		ZJ00000008	PIN	1		Y07234		
303		ZJ00000078	SPRING, METERING LEVER	1		Y07234		
304		ZJ00000006	LEVER	1		Y07234		
305		ZJ00000007	VALVE, INLET NEEDLE	1		Y07234		
306		ZJ00000009	SCREW (METERING LEVER PIN)	1		Y07234		
307		ZJ00000079	METERING CHAMBER GASKET	1		Y07234		
308		ZJ00000013	DIAPHRAGM ASS'Y, METERING	1		Y07234		
309		ZJ00000029	DIAPHRAGM, PUMP	1		Y07234		
310		ZJ00000016	GASKET, PUMP	1		Y07234		
311		ZJ00000081	REBUILT KIT	1		Y07234		
	D10		INC. 301-306,312			Y07234		
312		ZJ00000082	GASKET&DIAPHRAGM KIT	1		Y07234		
	D10		INC. 307-310			Y07234		
313		347438-1	COOLING PLATE	1	S	C6111		
314		183M69-8	NYLON FILTER SET BLACK	1		Y07949	C9431	
314-1		183M92-3	NYLON FILTER SET BLACK	1	O	C9431		
A01D		161419-9	GUIDE BAR 15	1			D1788	
A01E		161418-1	GUIDE BAR 18	1			D1788	
A01F		161418-1	GUIDE BAR 18	1			D1788	
A01G		161419-9	GUIDE BAR 15	1			D1788	
A01-1D		161419-9	GUIDE BAR 15	1	O	D1788		
A01-1E		161418-1	GUIDE BAR 18	1	O	D1788		
A01-1F		161418-1	GUIDE BAR 18	1	O	D1788		
A01-1G		161419-9	GUIDE BAR 15	1	O	D1788		
A02		452669-0	CHAIN PROTECTION COVER 430	1				
A03		197324-4	TOOL KIT	1				
	C10	782025-3	HEXALOBULAR WRENCH 27	1				
	C20	782026-1	UNIVERSAL WRENCH 13/16	1				

D:PS420SC(N)
E:PS420SC(N)
F:PS420SC(N)
G:PS420SC(N)

Interchange
O : Yes
X : No
< : the new part can be substituted for the current.
> : the current part can be substituted for the new.
S : Interchangeable as a set.

