



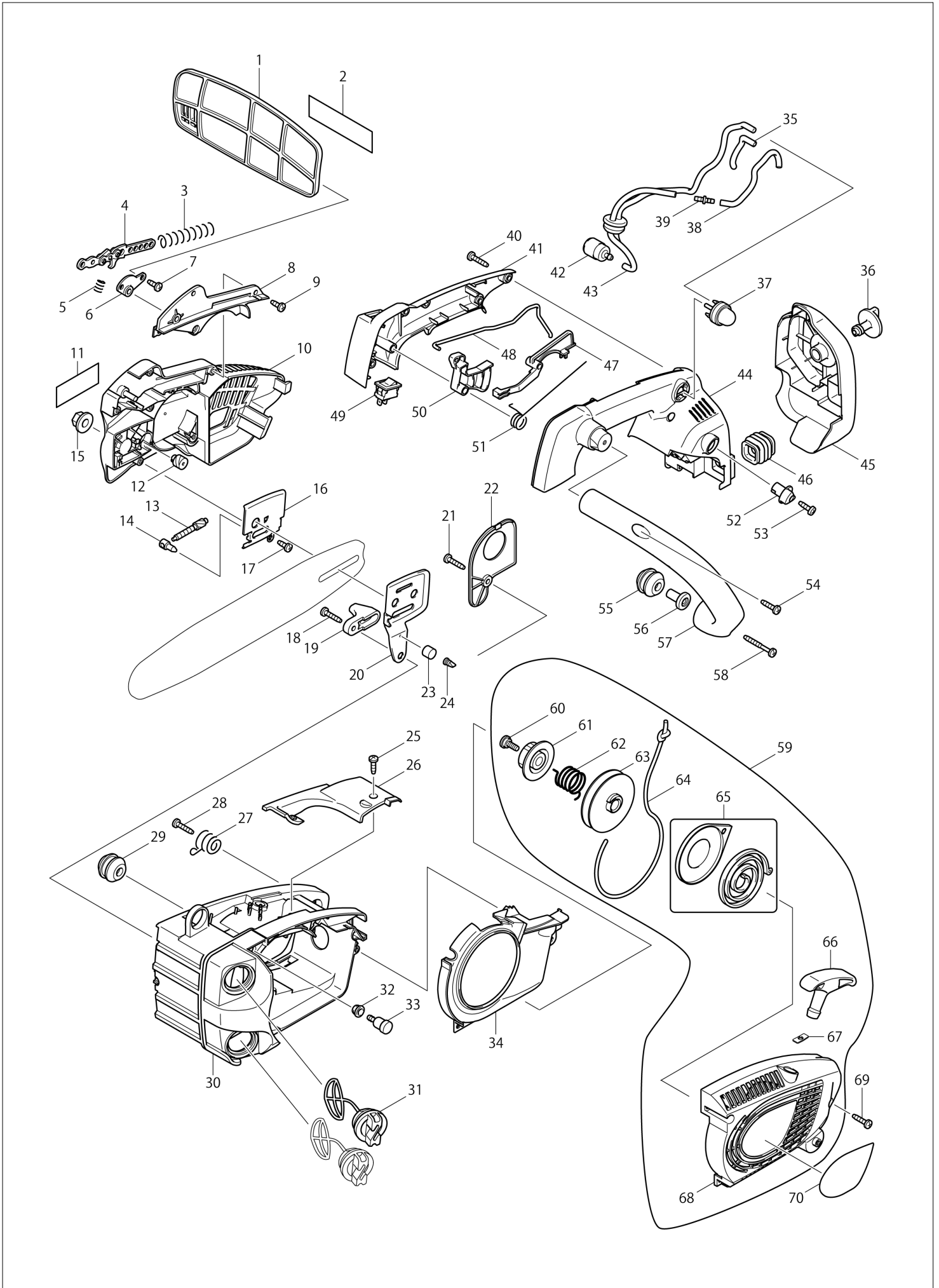
DE	GERMANY
----	---------

Diagram / Parts List

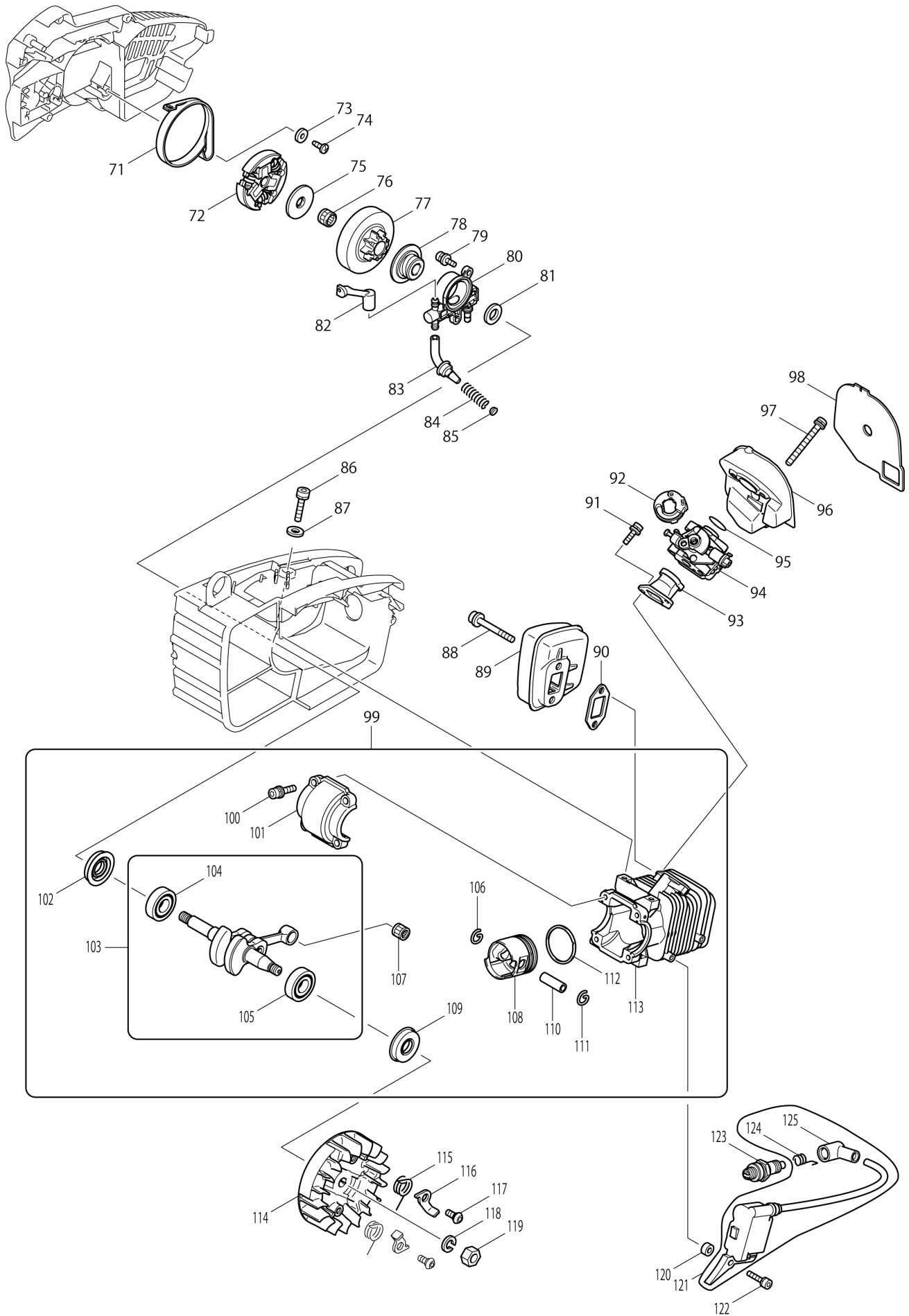
PS-220TH

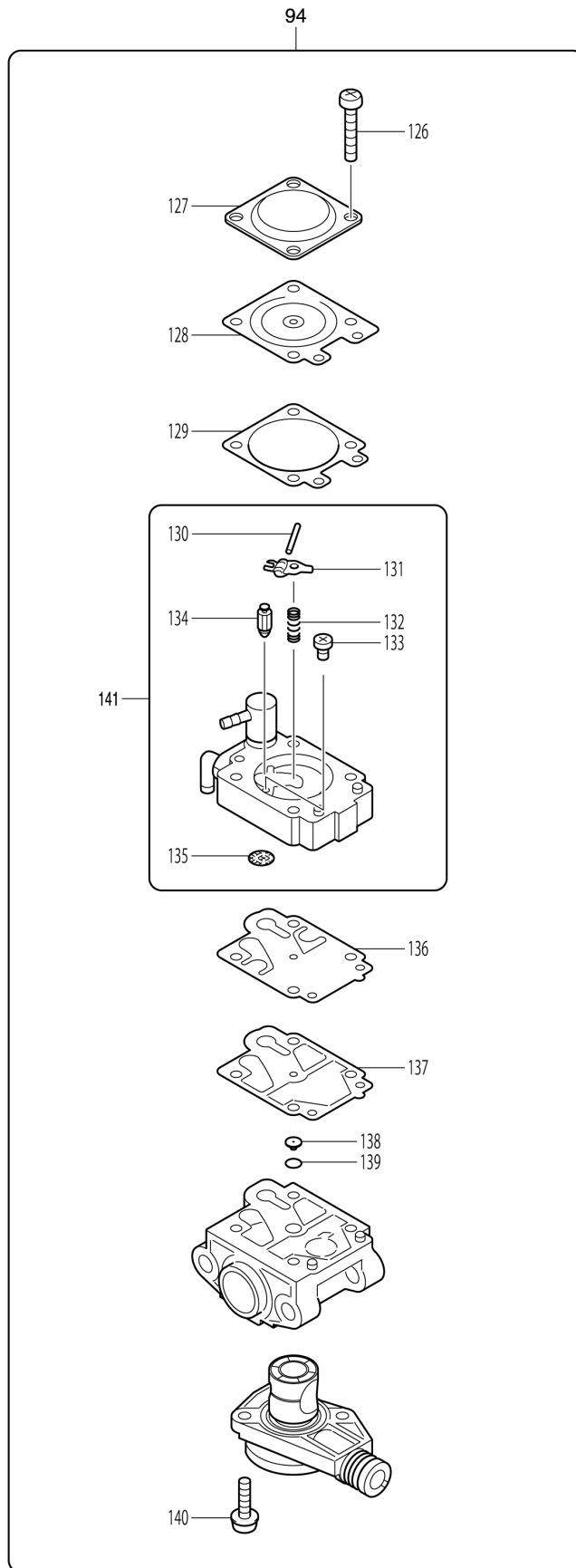
ENGINE CHAIN SAW 250MM

(DE) PS-220TH / ENGINE CHAIN SAW 250MM



(DE) PS-220TH / ENGINE CHAIN SAW 250MM





DE	GERMANY
-----------	----------------

PS-220TH / ENGINE CHAIN SAW 250MM

Item	Sub	Parts No.	Parts Description	Qty	I/C	E/C No.	Close No.	Remark
001		154650-4	FRONT HAND GUARD COMPLETE	1				
	D10		INC. 2					
002		810075-9	CAUTION LABEL	1				
003		233175-2	COMPRESSION SPRING 9	1				
004		163448-8	LINKPLATE COMPLETE	1				
005		231298-0	COMPRESSION SPRING 6	1				
006		418715-9	HAND GUARD COVER	1				
007		266020-6	TAPPING SCREW 4X12	2				
008		418716-7	SPRING COVER	1				
009		266020-6	TAPPING SCREW 4X12	4				
010		183969-4	SPROCKET COVER SET	1			C7082	
	D10		INC. 11				C7082	
010-1		183M22-4	SPROCKET COVER SET	1	<	C7082		
	D10		INC. 11			C7082		
011		819169-7	DOLMAR LOGO LABEL	1				
012		226590-7	HELICAL GEAR 17	1				
013		226534-7	HELICAL GEAR 8	1				
014		324464-7	ADJUST PIN	1				
015		252145-2	COLLARED HEX NUT M8	1				
016		345452-1	CHAIN SLIDER R	1			76460	
016-1		345653-1	CHAIN SLIDER R	1	<	76460		
017		266020-6	TAPPING SCREW 4X12	1				
018		265995-6	TAPPING SCREW 4X18	1				
019		418710-9	CHAIN CATCHER	1				
020		345451-3	CHAIN SLIDER L	1			76460	
020-1		345652-3	CHAIN SLIDER L	1	<	76460		
021		265995-6	TAPPING SCREW 4X18	1				
022		418707-8	OIL PUMP COVER	1				
023		421877-4	SPONGE 10	1				
024		421298-0	CHECK VALVE	1				
025		266007-8	TAPPING SCREW BIND PT 3X10	2				
026		418701-0	TOP COVER	1				
027		324477-8	DAMPER SPRING	1				
028		265995-6	TAPPING SCREW 4X18	2				
029		421874-0	BUFFER RUBBER	1				
030		153911-9	HOUSING COMPLETE	1				
031		168399-0	TANKCAP COMPLETE	2			B8275	
031-1		168508-1	TANK CAP COMPLETE	2	O	B8275		
	C10	213355-6	O-RING 25	2		B8275		
032		421875-8	GROMMET	1				
033		168396-6	BREATHER	1				
034		418700-2	BUFFLE PLATE	1				
035		422036-3	TUBE 3-70	1				
036		271422-3	KNOB 28	1				
037		168398-2	PRIMER PUMP	1				
038		422037-1	TUBE 3-140	1			80967	
039		418711-7	TUBE JOINT	1			80967	
040		265995-6	TAPPING SCREW 4X18	4				
041		418696-7	TOP HANDLE COVER	1				
042		163447-0	FUEL FILTER	1			B3537	
042-1		163447-0	FUEL FILTER	1	O	B3537		
043		168397-4	TUBE COMPLETE	1			80967	
043-1		168491-2	TUBE COMPLETE	1	S	80967		
044		418695-9	TOP HANDLE	1				
045		418703-6	CLEANER CASE COVER	1				
046		421872-4	AIR DUCT	1				
047		418706-0	LOCKOFF LEVER	1				
048		324468-9	ROD	1				
049		651525-3	SWITCH SLE6A2-GG-31	1				
050		418705-2	THROTTLE LEVER	1			73957	
050-1		419362-9	THROTTLE LEVER	1	<	73957		
051		231672-2	TORSION SPRING 11	1				
052		418708-6	CHOKE LEVER	1				
053		266007-8	TAPPING SCREW BIND PT 3X10	1				
054		265995-6	TAPPING SCREW 4X18	1				

A:PS-220THC(H)
B:PS-220TH(N)

Interchange
O : Yes
X : No
< : the new part can be substituted for the current.
> : the current part can be substituted for the new.
S : Interchangeable as a set.

DE	GERMANY
-----------	----------------

PS-220TH / ENGINE CHAIN SAW 250MM

Item	Sub	Parts No.	Parts Description	Qty	I/C	E/C No.	Close No.	Remark
055		421874-0	BUFFER RUBBER	1				
056		418709-4	BUFFER CAP	1				
057		418704-4	SIDE HANDLE	1				
058		266053-1	TAPPING SCREW 4X35	1				
059		125256-5	RECOILSTARTER ASS'Y	1				
	D10		INC. 60-68					
060		SG00000005	SET SCREW A60701200080	1				
061		SG00000004	CAM PLATE A54308180700	1				
062		SG00000003	DAMPER SPRING A52408180700	1				
063		SG00000001	REEL A54108100300	1				
064		SG00000007	STARTER ROPE A57110860000	1				
065		SG00000002	SPRING ASS'Y A20403720201	1				
066		SG00000008	STARTER KNOB A5720A20000	1				
067		SG00000009	ROPE STOPPER A57302611810	1				
068		163449-6	STARTER CASE COMPLETE	1				
069		265995-6	TAPPING SCREW 4X18	3				
070		861168-5	PS-220TH NAME PLATE	1				
071		345454-7	BRAKE BAND	1				
072		168391-6	CLUTCH COMPLETE	1				
073		267195-4	FLAT WASHER 4	1				
074		266020-6	TAPPING SCREW 4X12	1				
075		267284-5	FLAT WASHER 8	1				
076		212077-5	NEEDLE CAGE	1				
077A		165393-3	CLUTCHDRUM COMPLETE	1				
077B		165405-2	CLUTCHDRUM COMPLETE	1				
078		221422-3	WORM GEAR	1				
079		911118-1	PAN HEAD SCREW M4X12	2				
080		168393-2	OIL PUMP	1				
081		253758-2	FLAT WASHER 10	1				
082		421873-2	CONNECTOR	1				
083		421876-6	OIL TUBE	1				
084		231975-4	SPRING	1				
085		416274-7	CAP	1				
086		922231-0	HEX. SOCKET HEAD BOLT M5X20	4				
087		941101-4	FLAT WASHER 5	4				
088		266354-7	FLANGE SOCKET M5X40	2				
089		168392-4	EXHAUSTMUFFLER COMPLETE	1				
090		418718-3	MUFFLER GASKET	1				
091		922123-3	HEX. SOCKET HEAD BOLT M4X14	2				
092		418717-5	THROTTLE HOLDER	1				
093		421871-6	INSULATOR	1			D4216	
093-1		421950-0	INSULATOR	1	O	D4216		
094		168394-0	CARBURETOR	1				
	D10		INC. 126-140					
095		213221-7	O RING 15	1				
096		418702-8	CLEANER CASE	1				
097		911268-2	PAN HEAD SCREW M5X45	2				
098		443118-8	AIR FILTER	1				
099		125255-7	ENGINE SHORT BLOCK	1				
	D10		INC. 100-103,106-113					
100		922233-6	H.S.H.BOLT M5X20 WITH WR	4				
101		183944-0	CYLINDER SET	1				
	D10		INC. 113					
102		213131-8	OIL SEAL 12	1				
103		153910-1	CRANKSHAFT COMPLETE	1				
	D10		INC. 104,105					
104		210101-8	BALL BEARING 6001	1			96858	
104-1		210113-1	BALL BEARING 6001	1	O	96858		
105		210101-8	BALL BEARING 6001	1			96858	
105-1		210113-1	BALL BEARING 6001	1	O	96858		
106		324529-5	PISTON CLIP	1			96858	
106-1		233976-8	CLIP	1	O	96858		
107		212955-9	NEEDLE CAGE 8X11X10	1				
108		317811-9	PISTON	1				
109		213131-8	OIL SEAL 12	1				

A:PS-220THC(H)
B:PS-220TH(N)

Interchange
O : Yes
X : No
< : the new part can be substituted for the current.
> : the current part can be substituted for the new.
S : Interchangeable as a set.

