



DE

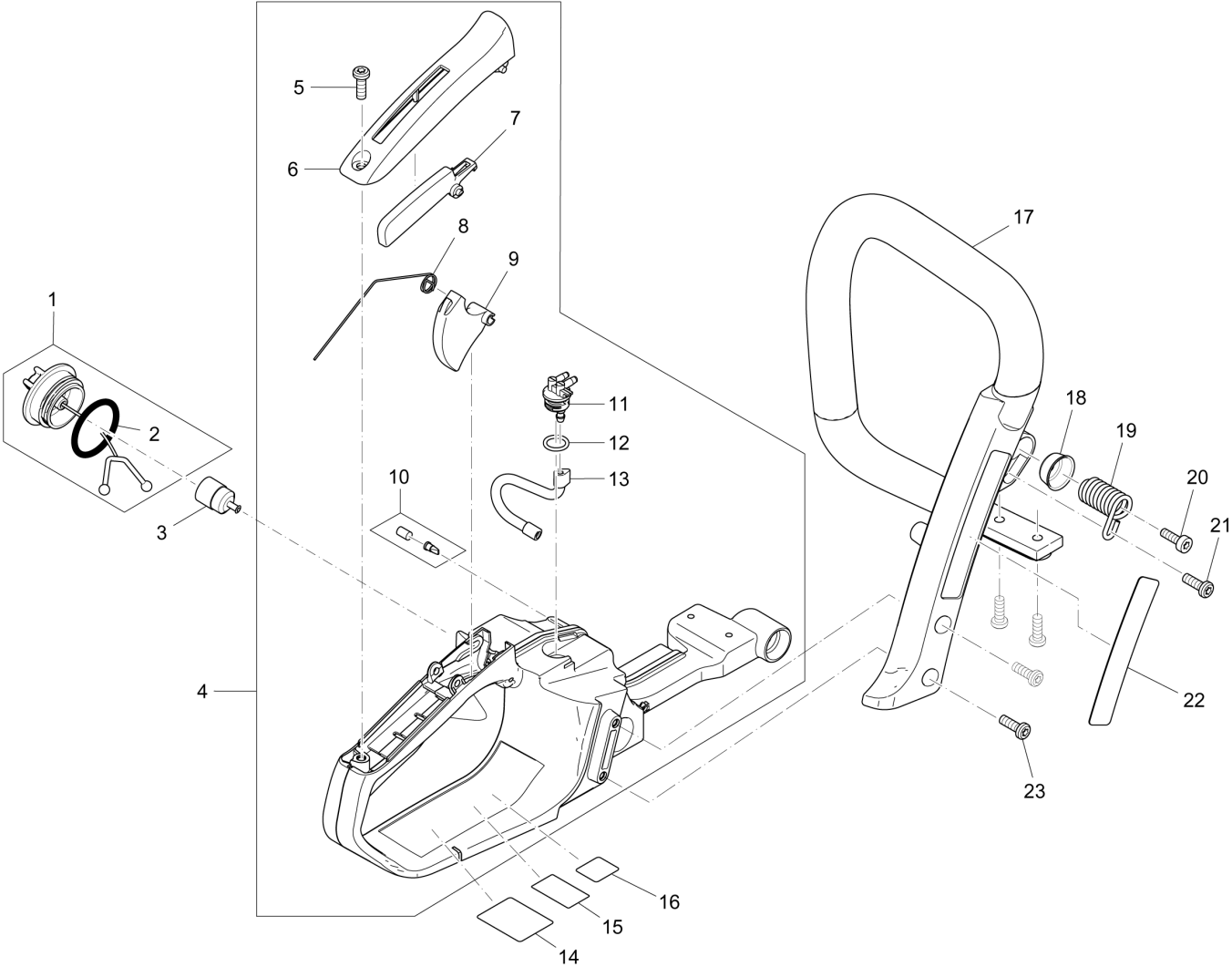
GERMANY

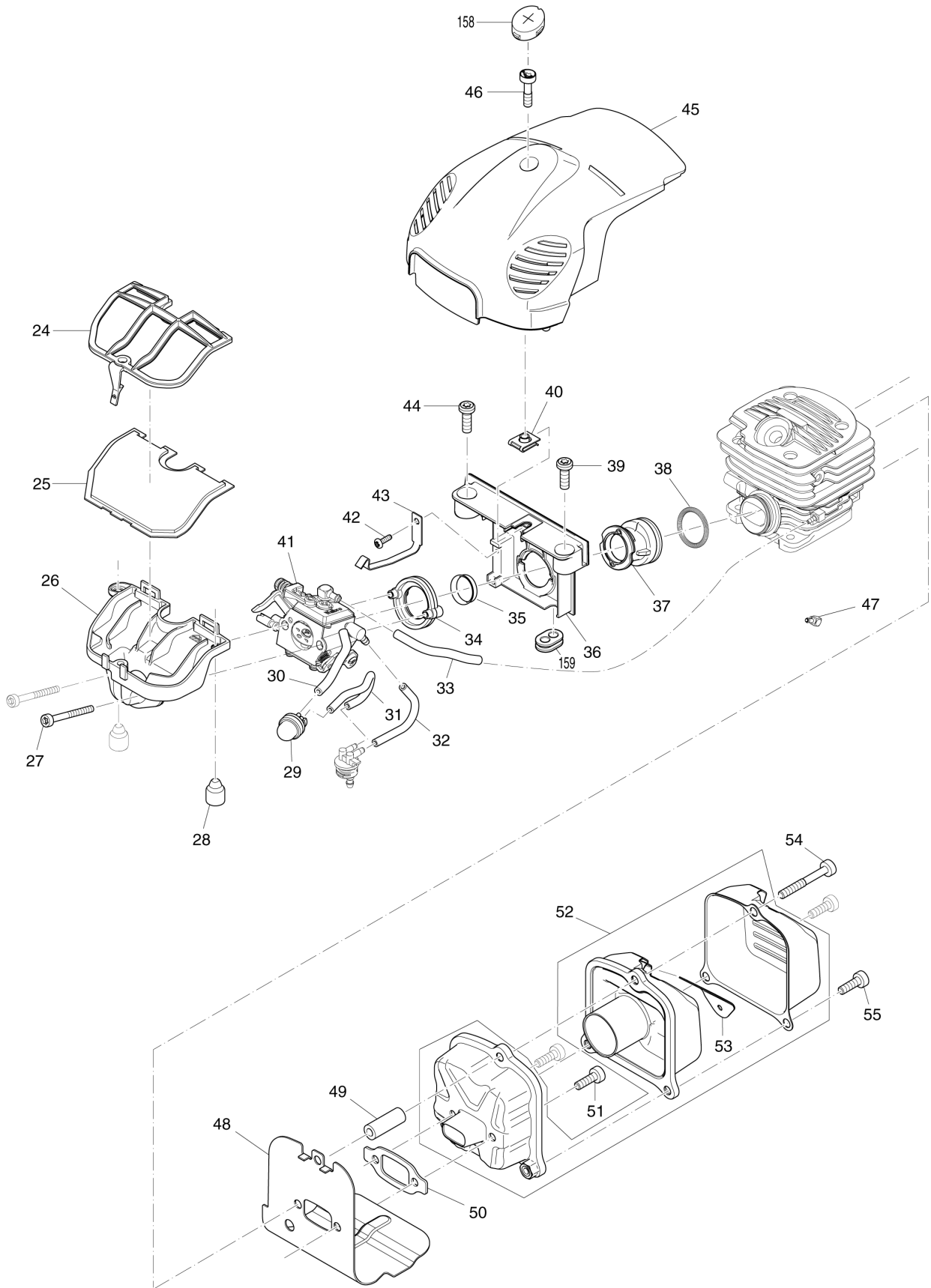
Diagram / Parts List

PS35CTLC

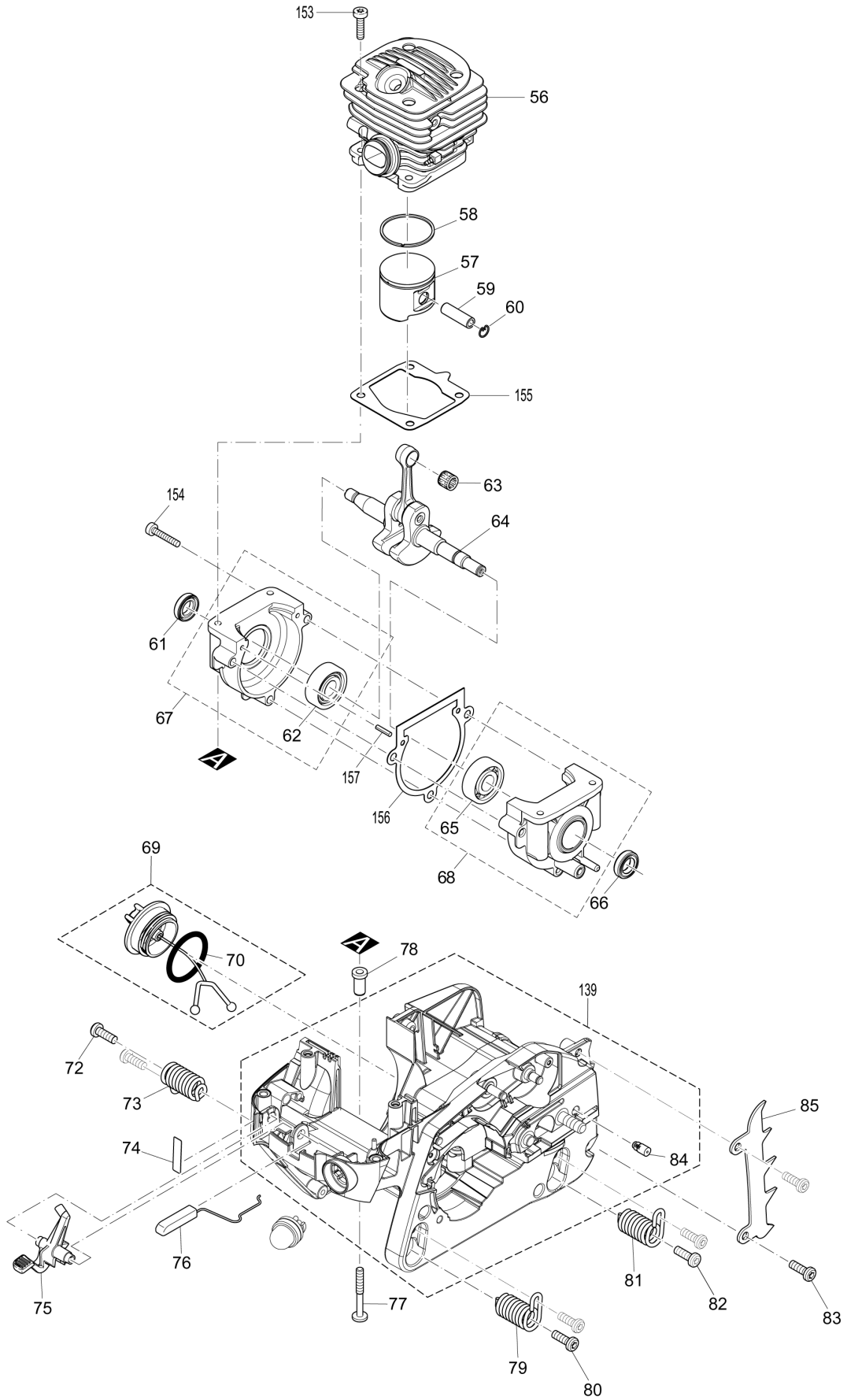
PETROL CHAIN SAW

(DE) PS35CTLG / PETROL CHAIN SAW

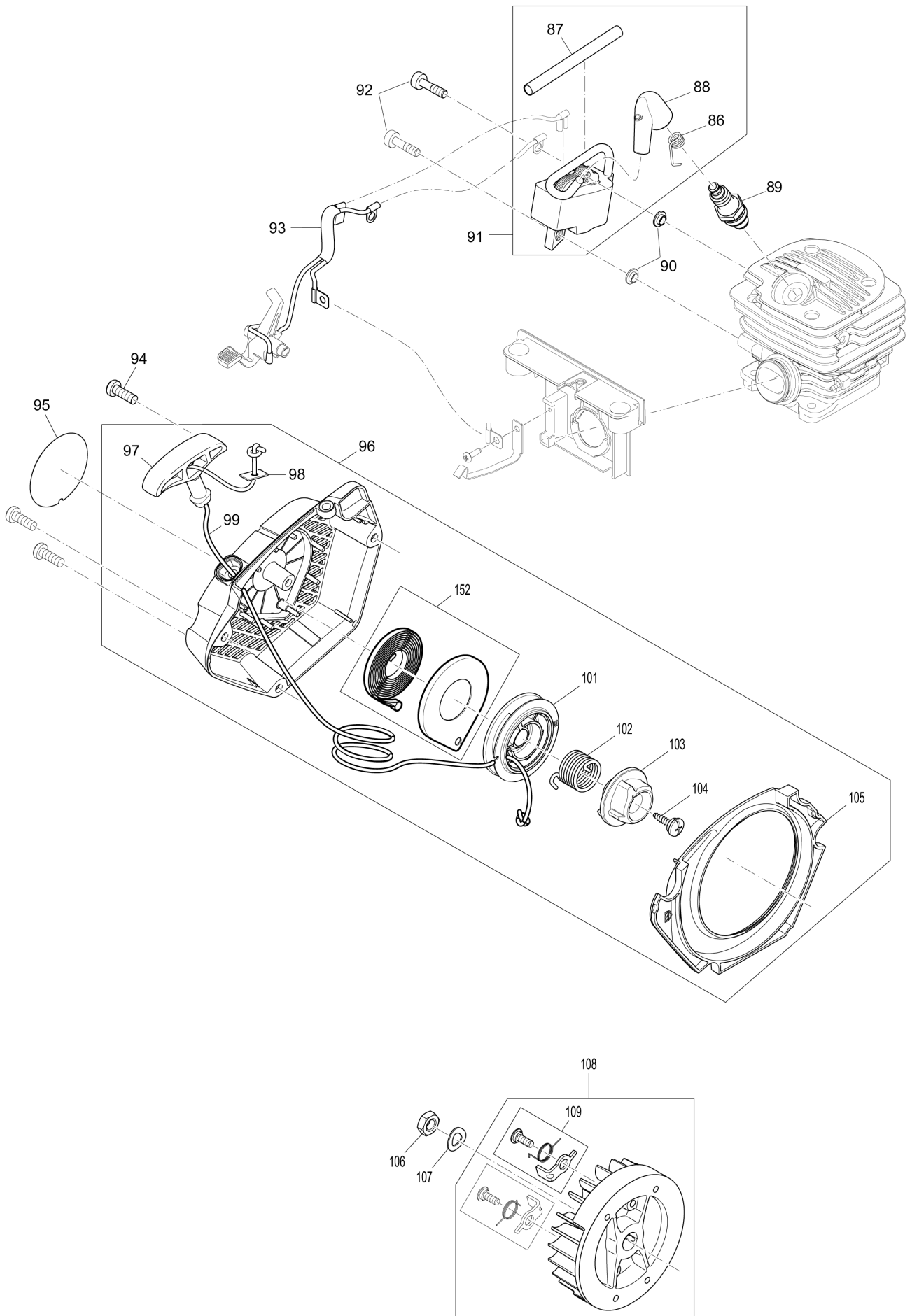




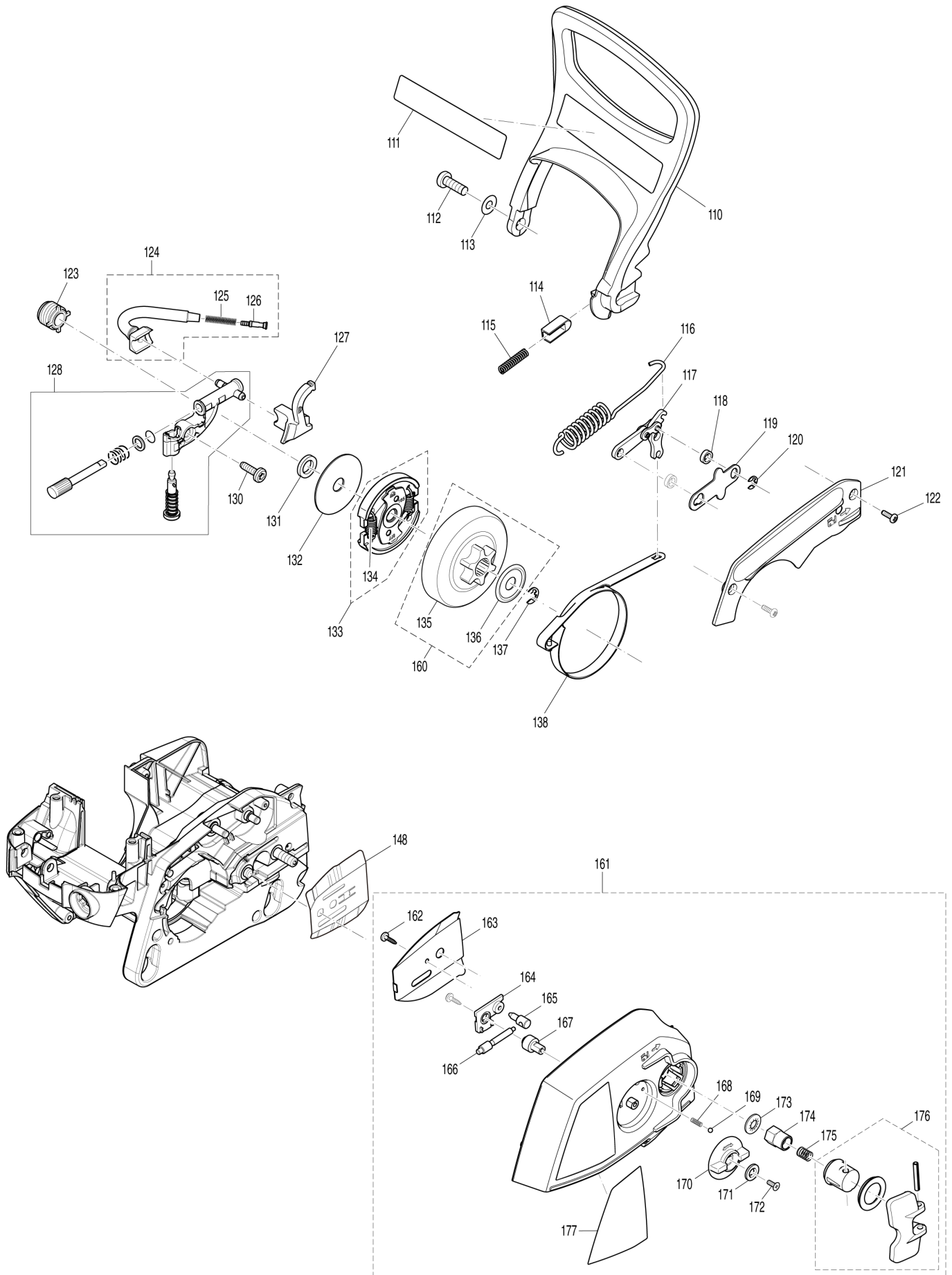
(DE) PS35CTL / PETROL CHAIN SAW



(DE) PS35CTLC / PETROL CHAIN SAW



(DE) PS35CTLC / PETROL CHAIN SAW



DE	GERMANY
-----------	----------------

PS35CTLC / PETROL CHAIN SAW

Item	Sub	Parts No.	Parts Description	Qty	I/C	E/C No.	Close No.	Remark
001		168823-3	TANK CAP COMPLETE	1				
	D10		INC. 2					
002		213080-9	O RING 29.5	1				
003B		163447-0	FUEL FILTER	1			B3537	
003C		163447-0	FUEL FILTER	1			B3537	
003D		163447-0	FUEL FILTER	1			B3537	
003-1B		163447-0	FUEL FILTER	1	O	B3537		
003-1C		163447-0	FUEL FILTER	1	O	B3537		
003-1D		163447-0	FUEL FILTER	1	O	B3537		
003-1E		163447-0	FUEL FILTER	1				
004		195757-7	TANK ASSEMBLY A RED	1				
	D10		INC. 5-13					
005		266651-1	H.L. TAPPING SCREW 5.5X16	1				
006		452021-2	GRIP SHELL	1				
007		452020-4	CATCH LEVER	1				
008		231866-9	TORSION SPRING 10	1				
009		452019-9	THROTTLE LEVER	1				
010		195762-4	AIR VALVE SET	1				
011		452018-1	FUEL NIPPLE	1				
012		213586-7	O RING 11.5	1				
013		424456-7	FUEL LINE	1				
014		850C78-9	PS-35 C TLC NAME PLATE	1				
015		802K43-2	GAS EMISSION APPROVAL LABEL	1			Y07928	
016		802K41-6	SOUND 113DB LABEL	1				
017		452036-9	TUBULAR HANDLE	1				
018		346517-2	CUP WASHER 6	1				
019		234189-4	COMPRESSION SPRING 12	1				
020		266605-8	H.L. SOCKET HEAD BOLT M5X16	1				
021		266651-1	H.L. TAPPING SCREW 5.5X16	1				
022		891899-2	DOLMAR LOGO LABEL	1				
023		266651-1	H.L. TAPPING SCREW 5.5X16	4				
024		452031-9	AIR FILTER COVER	1				
025		423414-0	AIR FILTER	1				
026		452030-1	INTAKE MANIFOLD	1				
027		266604-0	H.L. SOCKET HEAD BOLT M4X40	2				
028		424173-9	DAMPING PLUG	2				
029		168398-2	PRIMER PUMP	1				
030		422067-2	TUBE 2.5-55	1				
031		422065-6	TUBE 2.5-112	1				
032		422068-0	TUBE 3-70	1				
033		422066-4	TUBE 2.5-72	1				
034		318634-8	FLANGE RING	1				
035		346413-4	BUSH 17	1				
036		454874-5	INTERMEDIATE FLANGE	1				
037		424617-9	INTAKE HOSE	1				
038		233971-8	RING SPRING	1				
039		266651-1	H.L. TAPPING SCREW 5.5X16	1				
040		264044-6	SNAP NUT M5	1				
041B		168828-3	CARBURETOR	1			Y07119	
041C		168828-3	CARBURETOR	1			Y07119	
041D		168828-3	CARBURETOR	1			Y07119	
041-1B		168828-3	CARBURETOR	1	O	Y07119	Y07226	
	C02	ZJ00000077	NOZZLE ASSEMBLY	1		Y07119	Y07226	
	C04	ZJ00000003	STRAINER	1		Y07119	Y07226	
	C06	ZJ00000008	PIN	1		Y07119	Y07226	
	C08	ZJ00000078	SPRING, METERING LEVER	1		Y07119	Y07226	
	C10	ZJ00000006	LEVER	1		Y07119	Y07226	
	C12	ZJ00000007	VALVE, INLET NEEDLE	1		Y07119	Y07226	
	C14	ZJ00000009	SCREW (METERING LEVER PIN)	1		Y07119	Y07226	
	C16	ZJ00000079	METERING CHAMBER GASKET	1		Y07119	Y07226	
	C18	ZJ00000013	DIAPHRAGM ASS'Y,METERING	1		Y07119	Y07226	
	C20	ZJ00000029	DIAPHRAGM, PUMP	1		Y07119	Y07226	
	C22	ZJ00000016	GASKET, PUMP	1		Y07119	Y07226	
	C24	ZJ00000004	COVER KIT,PUMP	1		Y07119	Y07226	
	C26	ZJ00000020	SCREW (PUMP COVER)	1		Y07119	Y07226	

B:PS35CTLC(N)
 C:PS35CTLC(N)
 D:PS35CTLC(N)
 E:PS35CTB40X(N)

Interchange
 O : Yes
 X : No
 < : the new part can be substituted for the current.
 > : the current part can be substituted for the new.
 S : Interchangeable as a set.

DE	GERMANY
-----------	----------------

PS35CTLC / PETROL CHAIN SAW

Item	Sub	Parts No.	Parts Description	Qty	I/C	E/C No.	Close No.	Remark
	C28	ZJ00000026	SCREW,IDLE MIXTURE	1		Y07119	Y07226	
	C30	ZJ00000039	SCREW,MAIN MIXTURE	1		Y07119	Y07226	
	C32	ZJ00000035	RETAINER	2		Y07119	Y07226	
	C34	ZJ00000037	STRAINER	1		Y07119	Y07226	
	C36	ZJ00000073	SPRING	1		Y07119	Y07226	
	C38	ZJ00000015	THROTTLE SHAFT ASSY	1		Y07119	Y07226	
	C40	ZJ00000012	SHAFT ASSY,CHOKE	1		Y07119	Y07226	
	C42	ZJ00000080	THROTTLE VALVE	1		Y07119	Y07226	
	C44	ZJ00000001	SCREW	2		Y07119	Y07226	
	C46	ZJ00000036	PLUG,ACC POCKET	1		Y07119	Y07226	
	C48	ZJ00000034	SPRING,THROTTLE RETURN	1		Y07119	Y07226	
	C50	ZJ00000022	LEVER,THROTTLE	1		Y07119	Y07226	
	C52	ZJ00000023	SCREW	2		Y07119	Y07226	
	C54	ZJ00000021	COLLAR	1		Y07119	Y07226	
	C56	ZJ00000028	COVER,METERING	1		Y07119	Y07226	
	C58	ZJ00000014	SCREW (WITH SERRATION)	2		Y07119	Y07226	
	C60	ZJ00000033	WASHER	1		Y07119	Y07226	
	C62	ZJ00000031	LEVER,CHOKE	1		Y07119	Y07226	
	C64	ZJ00000025	LEVER,CHOKE	1		Y07119	Y07226	
	C66	ZJ00000040	SPRING,THROTTLE RETURN	1		Y07119	Y07226	
	C68	ZJ00000017	E-RING	1		Y07119	Y07226	
	C70	ZJ00000024	VALVE,CHOKE	1		Y07119	Y07226	
	C72	ZJ00000005	PLUNGER KIT	1		Y07119	Y07226	
	C74	ZJ00000032	SPRING,CHOKE RETURN	1		Y07119	Y07226	
	C76	ZJ00000081	REBUILT KIT	1		Y07119	Y07226	
	C78	ZJ00000082	GASKET&DIAPHRAGM KIT	1		Y07119	Y07226	
	C80	ZJ00000083	THROTTLE KIT	1		Y07119	Y07185	
	C82	ZJ00000084	CHOKE KIT	1		Y07119	Y07185	
041-1C		168828-3	CARBURETOR	1	O	Y07119	Y07226	
	C02	ZJ00000077	NOZZLE ASSEMBLY	1		Y07119	Y07226	
	C04	ZJ00000003	STRAINER	1		Y07119	Y07226	
	C06	ZJ00000008	PIN	1		Y07119	Y07226	
	C08	ZJ00000078	SPRING, METERING LEVER	1		Y07119	Y07226	
	C10	ZJ00000006	LEVER	1		Y07119	Y07226	
	C12	ZJ00000007	VALVE, INLET NEEDLE	1		Y07119	Y07226	
	C14	ZJ00000009	SCREW (METERING LEVER PIN)	1		Y07119	Y07226	
	C16	ZJ00000079	METERING CHAMBER GASKET	1		Y07119	Y07226	
	C18	ZJ00000013	DIAPHRAGM ASS'Y,METERING	1		Y07119	Y07226	
	C20	ZJ00000029	DIAPHRAGM, PUMP	1		Y07119	Y07226	
	C22	ZJ00000016	GASKET, PUMP	1		Y07119	Y07226	
	C24	ZJ00000004	COVER KIT,PUMP	1		Y07119	Y07226	
	C26	ZJ00000020	SCREW (PUMP COVER)	1		Y07119	Y07226	
	C28	ZJ00000026	SCREW,IDLE MIXTURE	1		Y07119	Y07226	
	C30	ZJ00000039	SCREW,MAIN MIXTURE	1		Y07119	Y07226	
	C32	ZJ00000035	RETAINER	2		Y07119	Y07226	
	C34	ZJ00000037	STRAINER	1		Y07119	Y07226	
	C36	ZJ00000073	SPRING	1		Y07119	Y07226	
	C38	ZJ00000015	THROTTLE SHAFT ASSY	1		Y07119	Y07226	
	C40	ZJ00000012	SHAFT ASSY,CHOKE	1		Y07119	Y07226	
	C42	ZJ00000080	THROTTLE VALVE	1		Y07119	Y07226	
	C44	ZJ00000001	SCREW	2		Y07119	Y07226	
	C46	ZJ00000036	PLUG,ACC POCKET	1		Y07119	Y07226	
	C48	ZJ00000034	SPRING,THROTTLE RETURN	1		Y07119	Y07226	
	C50	ZJ00000022	LEVER,THROTTLE	1		Y07119	Y07226	
	C52	ZJ00000023	SCREW	2		Y07119	Y07226	
	C54	ZJ00000021	COLLAR	1		Y07119	Y07226	
	C56	ZJ00000028	COVER,METERING	1		Y07119	Y07226	
	C58	ZJ00000014	SCREW (WITH SERRATION)	2		Y07119	Y07226	
	C60	ZJ00000033	WASHER	1		Y07119	Y07226	
	C62	ZJ00000031	LEVER,CHOKE	1		Y07119	Y07226	
	C64	ZJ00000025	LEVER,CHOKE	1		Y07119	Y07226	
	C66	ZJ00000040	SPRING,THROTTLE RETURN	1		Y07119	Y07226	
	C68	ZJ00000017	E-RING	1		Y07119	Y07226	
	C70	ZJ00000024	VALVE,CHOKE	1		Y07119	Y07226	
	C72	ZJ00000005	PLUNGER KIT	1		Y07119	Y07226	

B:PS35CTLC(N)
C:PS35CTLC(N)
D:PS35CTLC(N)
E:PS35CTB40X(N)

Interchange
O : Yes
X : No
< : the new part can be substituted for the current.
> : the current part can be substituted for the new.
S : Interchangeable as a set.

DE	GERMANY
-----------	----------------

PS35CTLC / PETROL CHAIN SAW

Item	Sub	Parts No.	Parts Description	Qty	I/C	E/C No.	Close No.	Remark
	C74	ZJ00000032	SPRING,CHOKE RETURN	1		Y07119	Y07226	
	C76	ZJ00000081	REBUILT KIT	1		Y07119	Y07226	
	C78	ZJ00000082	GASKET&DIAPHRAGM KIT	1		Y07119	Y07226	
	C80	ZJ00000083	THROTTLE KIT	1		Y07119	Y07185	
	C82	ZJ00000084	CHOKE KIT	1		Y07119	Y07185	
041-1D		168828-3	CARBURETOR	1	O	Y07119	Y07226	
	C02	ZJ00000077	NOZZLE ASSEMBLY	1		Y07119	Y07226	
	C04	ZJ00000003	STRAINER	1		Y07119	Y07226	
	C06	ZJ00000008	PIN	1		Y07119	Y07226	
	C08	ZJ00000078	SPRING, METERING LEVER	1		Y07119	Y07226	
	C10	ZJ00000006	LEVER	1		Y07119	Y07226	
	C12	ZJ00000007	VALVE, INLET NEEDLE	1		Y07119	Y07226	
	C14	ZJ00000009	SCREW (METERING LEVER PIN)	1		Y07119	Y07226	
	C16	ZJ00000079	METERING CHAMBER GASKET	1		Y07119	Y07226	
	C18	ZJ00000013	DIAPHRAGM ASS'Y,METERING	1		Y07119	Y07226	
	C20	ZJ00000029	DIAPHRAGM, PUMP	1		Y07119	Y07226	
	C22	ZJ00000016	GASKET, PUMP	1		Y07119	Y07226	
	C24	ZJ00000004	COVER KIT,PUMP	1		Y07119	Y07226	
	C26	ZJ00000020	SCREW (PUMP COVER)	1		Y07119	Y07226	
	C28	ZJ00000026	SCREW,IDLE MIXTURE	1		Y07119	Y07226	
	C30	ZJ00000039	SCREW,MAIN MIXTURE	1		Y07119	Y07226	
	C32	ZJ00000035	RETAINER	2		Y07119	Y07226	
	C34	ZJ00000037	STRAINER	1		Y07119	Y07226	
	C36	ZJ00000073	SPRING	1		Y07119	Y07226	
	C38	ZJ00000015	THROTTLE SHAFT ASSY	1		Y07119	Y07226	
	C40	ZJ00000012	SHAFT ASSY,CHOKE	1		Y07119	Y07226	
	C42	ZJ00000080	THROTTLE VALVE	1		Y07119	Y07226	
	C44	ZJ00000001	SCREW	2		Y07119	Y07226	
	C46	ZJ00000036	PLUG,ACC POCKET	1		Y07119	Y07226	
	C48	ZJ00000034	SPRING,THROTTLE RETURN	1		Y07119	Y07226	
	C50	ZJ00000022	LEVER,THROTTLE	1		Y07119	Y07226	
	C52	ZJ00000023	SCREW	2		Y07119	Y07226	
	C54	ZJ00000021	COLLAR	1		Y07119	Y07226	
	C56	ZJ00000028	COVER,METERING	1		Y07119	Y07226	
	C58	ZJ00000014	SCREW (WITH SERRATION)	2		Y07119	Y07226	
	C60	ZJ00000033	WASHER	1		Y07119	Y07226	
	C62	ZJ00000031	LEVER,CHOKE	1		Y07119	Y07226	
	C64	ZJ00000025	LEVER,CHOKE	1		Y07119	Y07226	
	C66	ZJ00000040	SPRING,THROTTLE RETURN	1		Y07119	Y07226	
	C68	ZJ00000017	E-RING	1		Y07119	Y07226	
	C70	ZJ00000024	VALVE,CHOKE	1		Y07119	Y07226	
	C72	ZJ00000005	PLUNGER KIT	1		Y07119	Y07226	
	C74	ZJ00000032	SPRING,CHOKE RETURN	1		Y07119	Y07226	
	C76	ZJ00000081	REBUILT KIT	1		Y07119	Y07226	
	C78	ZJ00000082	GASKET&DIAPHRAGM KIT	1		Y07119	Y07226	
	C80	ZJ00000083	THROTTLE KIT	1		Y07119	Y07185	
	C82	ZJ00000084	CHOKE KIT	1		Y07119	Y07185	
041-2B		168829-1	CARBURETOR	1	X	Y07226		
	C02	ZJ00000077	NOZZLE ASSEMBLY	1		Y07226		
	C04	ZJ00000003	STRAINER	1		Y07226		
	C06	ZJ00000008	PIN	1		Y07226		
	C08	ZJ00000078	SPRING, METERING LEVER	1		Y07226		
	C10	ZJ00000006	LEVER	1		Y07226		
	C12	ZJ00000007	VALVE, INLET NEEDLE	1		Y07226		
	C14	ZJ00000009	SCREW (METERING LEVER PIN)	1		Y07226		
	C16	ZJ00000079	METERING CHAMBER GASKET	1		Y07226		
	C18	ZJ00000013	DIAPHRAGM ASS'Y,METERING	1		Y07226		
	C20	ZJ00000029	DIAPHRAGM, PUMP	1		Y07226		
	C22	ZJ00000016	GASKET, PUMP	1		Y07226		
	C24	ZJ00000004	COVER KIT,PUMP	1		Y07226		
	C26	ZJ00000020	SCREW (PUMP COVER)	1		Y07226		
	C28	ZJ00000026	SCREW,IDLE MIXTURE	1		Y07226		
	C30	ZJ00000027	SCREW,MAIN MIXTURE	1		Y07226		
	C32	ZJ00000035	RETAINER	2		Y07226		
	C34	ZJ00000037	STRAINER	1		Y07226		

B:PS35CTLC(N)
C:PS35CTLC(N)
D:PS35CTLC(N)
E:PS35CTB40X(N)

Interchange
O : Yes
X : No
< : the new part can be substituted for the current.
> : the current part can be substituted for the new.
S : Interchangeable as a set.

DE	GERMANY
-----------	----------------

PS35CTLC / PETROL CHAIN SAW

Item	Sub	Parts No.	Parts Description	Qty	I/C	E/C No.	Close No.	Remark
	C36	ZJ00000073	SPRING	1		Y07226		
	C38	ZJ00000015	THROTTLE SHAFT ASSY	1		Y07226		
	C40	ZJ00000012	SHAFT ASSY,CHOKE	1		Y07226		
	C42	ZJ00000080	THROTTLE VALVE	1		Y07226		
	C44	ZJ00000001	SCREW	2		Y07226		
	C46	ZJ00000036	PLUG,ACC POCKET	1		Y07226		
	C48	ZJ00000034	SPRING,THROTTLE RETURN	1		Y07226		
	C50	ZJ00000022	LEVER,THROTTLE	1		Y07226		
	C52	ZJ00000023	SCREW	2		Y07226		
	C54	ZJ00000021	COLLAR	1		Y07226		
	C56	ZJ00000028	COVER,METERING	1		Y07226		
	C58	ZJ00000014	SCREW (WITH SERRATION)	2		Y07226		
	C60	ZJ00000033	WASHER	1		Y07226		
	C62	ZJ00000031	LEVER,CHOKE	1		Y07226		
	C64	ZJ00000025	LEVER,CHOKE	1		Y07226		
	C66	ZJ00000040	SPRING,THROTTLE RETURN	1		Y07226		
	C68	ZJ00000017	E-RING	1		Y07226		
	C70	ZJ00000024	VALVE,CHOKE	1		Y07226		
	C72	ZJ00000005	PLUNGER KIT	1		Y07226		
	C74	ZJ00000032	SPRING,CHOKE RETURN	1		Y07226		
	C76	ZJ00000081	REBUILT KIT	1		Y07226		
	C78	ZJ00000082	GASKET&DIAPHRAGM KIT	1		Y07226		
041-2C		168829-1	CARBURETOR	1	X	Y07226		
	C02	ZJ00000077	NOZZLE ASSEMBLY	1		Y07226		
	C04	ZJ00000003	STRAINER	1		Y07226		
	C06	ZJ00000008	PIN	1		Y07226		
	C08	ZJ00000078	SPRING, METERING LEVER	1		Y07226		
	C10	ZJ00000006	LEVER	1		Y07226		
	C12	ZJ00000007	VALVE, INLET NEEDLE	1		Y07226		
	C14	ZJ00000009	SCREW (METERING LEVER PIN)	1		Y07226		
	C16	ZJ00000079	METERING CHAMBER GASKET	1		Y07226		
	C18	ZJ00000013	DIAPHRAGM ASS'Y,METERING	1		Y07226		
	C20	ZJ00000029	DIAPHRAGM, PUMP	1		Y07226		
	C22	ZJ00000016	GASKET, PUMP	1		Y07226		
	C24	ZJ00000004	COVER KIT,PUMP	1		Y07226		
	C26	ZJ00000020	SCREW (PUMP COVER)	1		Y07226		
	C28	ZJ00000026	SCREW,IDLE MIXTURE	1		Y07226		
	C30	ZJ00000027	SCREW,MAIN MIXTURE	1		Y07226		
	C32	ZJ00000035	RETAINER	2		Y07226		
	C34	ZJ00000037	STRAINER	1		Y07226		
	C36	ZJ00000073	SPRING	1		Y07226		
	C38	ZJ00000015	THROTTLE SHAFT ASSY	1		Y07226		
	C40	ZJ00000012	SHAFT ASSY,CHOKE	1		Y07226		
	C42	ZJ00000080	THROTTLE VALVE	1		Y07226		
	C44	ZJ00000001	SCREW	2		Y07226		
	C46	ZJ00000036	PLUG,ACC POCKET	1		Y07226		
	C48	ZJ00000034	SPRING,THROTTLE RETURN	1		Y07226		
	C50	ZJ00000022	LEVER,THROTTLE	1		Y07226		
	C52	ZJ00000023	SCREW	2		Y07226		
	C54	ZJ00000021	COLLAR	1		Y07226		
	C56	ZJ00000028	COVER,METERING	1		Y07226		
	C58	ZJ00000014	SCREW (WITH SERRATION)	2		Y07226		
	C60	ZJ00000033	WASHER	1		Y07226		
	C62	ZJ00000031	LEVER,CHOKE	1		Y07226		
	C64	ZJ00000025	LEVER,CHOKE	1		Y07226		
	C66	ZJ00000040	SPRING,THROTTLE RETURN	1		Y07226		
	C68	ZJ00000017	E-RING	1		Y07226		
	C70	ZJ00000024	VALVE,CHOKE	1		Y07226		
	C72	ZJ00000005	PLUNGER KIT	1		Y07226		
	C74	ZJ00000032	SPRING,CHOKE RETURN	1		Y07226		
	C76	ZJ00000081	REBUILT KIT	1		Y07226		
	C78	ZJ00000082	GASKET&DIAPHRAGM KIT	1		Y07226		
041-2D		168829-1	CARBURETOR	1	X	Y07226		
	C02	ZJ00000077	NOZZLE ASSEMBLY	1		Y07226		
	C04	ZJ00000003	STRAINER	1		Y07226		

B:PS35CTLC(N)
C:PS35CTLC(N)
D:PS35CTLC(N)
E:PS35CTB40X(N)

Interchange
O : Yes
X : No
< : the new part can be substituted for the current.
> : the current part can be substituted for the new.
S : Interchangeable as a set.

DE	GERMANY
-----------	----------------

PS35CTLC / PETROL CHAIN SAW

Item	Sub	Parts No.	Parts Description	Qty	I/C	E/C No.	Close No.	Remark
	C06	ZJ00000008	PIN	1		Y07226		
	C08	ZJ00000078	SPRING, METERING LEVER	1		Y07226		
	C10	ZJ00000006	LEVER	1		Y07226		
	C12	ZJ00000007	VALVE, INLET NEEDLE	1		Y07226		
	C14	ZJ00000009	SCREW (METERING LEVER PIN)	1		Y07226		
	C16	ZJ00000079	METERING CHAMBER GASKET	1		Y07226		
	C18	ZJ00000013	DIAPHRAGM ASS'Y,METERING	1		Y07226		
	C20	ZJ00000029	DIAPHRAGM, PUMP	1		Y07226		
	C22	ZJ00000016	GASKET, PUMP	1		Y07226		
	C24	ZJ00000004	COVER KIT,PUMP	1		Y07226		
	C26	ZJ00000020	SCREW (PUMP COVER)	1		Y07226		
	C28	ZJ00000026	SCREW,IDLE MIXTURE	1		Y07226		
	C30	ZJ00000027	SCREW,MAIN MIXTURE	1		Y07226		
	C32	ZJ00000035	RETAINER	2		Y07226		
	C34	ZJ00000037	STRAINER	1		Y07226		
	C36	ZJ00000073	SPRING	1		Y07226		
	C38	ZJ00000015	THROTTLE SHAFT ASSY	1		Y07226		
	C40	ZJ00000012	SHAFT ASSY,CHOKE	1		Y07226		
	C42	ZJ00000080	THROTTLE VALVE	1		Y07226		
	C44	ZJ00000001	SCREW	2		Y07226		
	C46	ZJ00000036	PLUG,ACC POCKET	1		Y07226		
	C48	ZJ00000034	SPRING,THROTTLE RETURN	1		Y07226		
	C50	ZJ00000022	LEVER,THROTTLE	1		Y07226		
	C52	ZJ00000023	SCREW	2		Y07226		
	C54	ZJ00000021	COLLAR	1		Y07226		
	C56	ZJ00000028	COVER,METERING	1		Y07226		
	C58	ZJ00000014	SCREW (WITH SERRATION)	2		Y07226		
	C60	ZJ00000033	WASHER	1		Y07226		
	C62	ZJ00000031	LEVER,CHOKE	1		Y07226		
	C64	ZJ00000025	LEVER,CHOKE	1		Y07226		
	C66	ZJ00000040	SPRING,THROTTLE RETURN	1		Y07226		
	C68	ZJ00000017	E-RING	1		Y07226		
	C70	ZJ00000024	VALVE,CHOKE	1		Y07226		
	C72	ZJ00000005	PLUNGER KIT	1		Y07226		
	C74	ZJ00000032	SPRING,CHOKE RETURN	1		Y07226		
	C76	ZJ00000081	REBUILT KIT	1		Y07226		
	C78	ZJ00000082	GASKET&DIAPHRAGM KIT	1		Y07226		
041-2E		168829-1	CARBURETOR	1				
	C02	ZJ00000077	NOZZLE ASSEMBLY	1				
	C04	ZJ00000003	STRAINER	1				
	C06	ZJ00000008	PIN	1				
	C08	ZJ00000078	SPRING, METERING LEVER	1				
	C10	ZJ00000006	LEVER	1				
	C12	ZJ00000007	VALVE, INLET NEEDLE	1				
	C14	ZJ00000009	SCREW (METERING LEVER PIN)	1				
	C16	ZJ00000079	METERING CHAMBER GASKET	1				
	C18	ZJ00000013	DIAPHRAGM ASS'Y,METERING	1				
	C20	ZJ00000029	DIAPHRAGM, PUMP	1				
	C22	ZJ00000016	GASKET, PUMP	1				
	C24	ZJ00000004	COVER KIT,PUMP	1				
	C26	ZJ00000020	SCREW (PUMP COVER)	1				
	C28	ZJ00000026	SCREW,IDLE MIXTURE	1				
	C30	ZJ00000027	SCREW,MAIN MIXTURE	1				
	C32	ZJ00000035	RETAINER	2				
	C34	ZJ00000037	STRAINER	1				
	C36	ZJ00000073	SPRING	1				
	C38	ZJ00000015	THROTTLE SHAFT ASSY	1				
	C40	ZJ00000012	SHAFT ASSY,CHOKE	1				
	C42	ZJ00000080	THROTTLE VALVE	1				
	C44	ZJ00000001	SCREW	2				
	C46	ZJ00000036	PLUG,ACC POCKET	1				
	C48	ZJ00000034	SPRING,THROTTLE RETURN	1				
	C50	ZJ00000022	LEVER,THROTTLE	1				
	C52	ZJ00000023	SCREW	2				
	C54	ZJ00000021	COLLAR	1				

B:PS35CTLC(N)
C:PS35CTLC(N)
D:PS35CTLC(N)
E:PS35CTB40X(N)

Interchange
O : Yes
X : No
< : the new part can be substituted for the current.
> : the current part can be substituted for the new.
S : Interchangeable as a set.

DE	GERMANY
-----------	----------------

PS35CTLC / PETROL CHAIN SAW

Item	Sub	Parts No.	Parts Description	Qty	I/C	E/C No.	Close No.	Remark
	C56	ZJ00000028	COVER,METERING	1				
	C58	ZJ00000014	SCREW (WITH SERRATION)	2				
	C60	ZJ00000033	WASHER	1				
	C62	ZJ00000031	LEVER,CHOKE	1				
	C64	ZJ00000025	LEVER,CHOKE	1				
	C66	ZJ00000040	SPRING,THROTTLE RETURN	1				
	C68	ZJ00000017	E-RING	1				
	C70	ZJ00000024	VALVE,CHOKE	1				
	C72	ZJ00000005	PLUNGER KIT	1				
	C74	ZJ00000032	SPRING,CHOKE RETURN	1				
	C76	ZJ00000081	REBUILT KIT	1				
	C78	ZJ00000082	GASKET&DIAPHRAGM KIT	1				
042		266421-8	TAPPING SCREW 3X10	1				
043		346290-4	CONTACT SPRING	1				
044		266651-1	H.L. TAPPING SCREW 5.5X16	1				
045		454875-3	HOOD	1				
046		266607-4	H.L. SOCKET HEAD BOLT M5X20	1				
047B		325938-1	ANGULAR NIPPLE	1			A9803	
047C		325938-1	ANGULAR NIPPLE	1			A9803	
047D		325938-1	ANGULAR NIPPLE	1			A9803	
048		346764-5	COOLING PLATE	1				
049		326390-6	CONNECTING LINK	1				
050		346304-9	GASKET	1				
051		266605-8	H.L. SOCKET HEAD BOLT M5X16	2				
052		168830-6	MUFFLER COMPLETE	1				
	D10		INC. 53					
053		346823-5	SPARK ARRESTER	1				
054		266480-2	H.L. SOCKET HEAD BOLT M5X55	1				
055		266605-8	H.L. SOCKET HEAD BOLT M5X16	2				
056B		319073-5	CYLINDER 38	1			A9803	
056C		319073-5	CYLINDER 38	1			A9803	
056D		319073-5	CYLINDER 38	1			A9803	
056-1B		143323-4	CYLINDER COMPLETE	1	<	A9803		
056-1C		143323-4	CYLINDER COMPLETE	1	<	A9803		
056-1D		143323-4	CYLINDER COMPLETE	1	<	A9803		
056-1E		143323-4	CYLINDER COMPLETE	1				
057B		319108-2	PISTON 38	1			A9069	
057C		319108-2	PISTON 38	1			A9069	
057D		319108-2	PISTON 38	1			A9069	
057-1B		197479-5	PISTON SET	1	<	A9069		
	C10	319108-2	PISTON 38	1		A9069		
	D10		INC. 58-60			A9069		
057-1C		197479-5	PISTON SET	1	<	A9069		
	C10	319108-2	PISTON 38	1		A9069		
	D10		INC. 58-60			A9069		
057-1D		197479-5	PISTON SET	1	<	A9069		
	C10	319108-2	PISTON 38	1		A9069		
	D10		INC. 58-60			A9069		
057-1E		197479-5	PISTON SET	1				
	C10	319108-2	PISTON 38	1				
	D10		INC. 58-60					
058		257366-1	PISTON RING 38	1				
059		326395-6	PISTON PIN	1				
060		234323-6	RING SPRING 9	2				
061		213141-5	OIL SEAL 12	1				
062B		211494-6	BALL BEARING 6201	1			C3091	
062C		211494-6	BALL BEARING 6201	1			C3091	
062D		211494-6	BALL BEARING 6201	1			C3091	
062-1B		211341-1	BALL BEARING 6201	1	O	C3091		
062-1C		211341-1	BALL BEARING 6201	1	O	C3091		
062-1D		211341-1	BALL BEARING 6201	1	O	C3091		
062-1E		211341-1	BALL BEARING 6201	1				
063		212093-7	NEEDLE CAGE 912	1				
064B		142417-2	CRANKSHAFT COMPLETE	1			A9803	
064C		142417-2	CRANKSHAFT COMPLETE	1			A9803	

B:PS35CTLC(N)
C:PS35CTLC(N)
D:PS35CTLC(N)
E:PS35CTB40X(N)

Interchange
O : Yes
X : No
< : the new part can be substituted for the current.
> : the current part can be substituted for the new.
S : Interchangeable as a set.

DE	GERMANY
-----------	----------------

PS35CTLC / PETROL CHAIN SAW

Item	Sub	Parts No.	Parts Description	Qty	I/C	E/C No.	Close No.	Remark
064D		142417-2	CRANKSHAFT COMPLETE	1			A9803	
064-1B		123530-5	CRANKCASE ASSEMBLY	1	<	A9803	C3091	
	C10	142417-2	CRANKSHAFT COMPLETE	1		A9803	C3091	
	D10		INC. 61,66-68,154,156,157			A9803	C3091	
064-1C		123530-5	CRANKCASE ASSEMBLY	1	<	A9803	C3091	
	C10	142417-2	CRANKSHAFT COMPLETE	1		A9803	C3091	
	D10		INC. 61,66-68,154,156,157			A9803	C3091	
064-1D		123530-5	CRANKCASE ASSEMBLY	1	<	A9803	C3091	
	C10	142417-2	CRANKSHAFT COMPLETE	1		A9803	C3091	
	D10		INC. 61,66-68,154,156,157			A9803	C3091	
064-2B		127075-5	CRANKCASE ASSEMBLY	1	O		C3091	
	C10	142417-2	CRANKSHAFT COMPLETE	1			C3091	
	D10		INC. 61,66-68,154,156,157				C3091	
064-2C		127075-5	CRANKCASE ASSEMBLY	1	O		C3091	
	C10	142417-2	CRANKSHAFT COMPLETE	1			C3091	
	D10		INC. 61,66-68,154,156,157				C3091	
064-2D		127075-5	CRANKCASE ASSEMBLY	1	O		C3091	
	C10	142417-2	CRANKSHAFT COMPLETE	1			C3091	
	D10		INC. 61,66-68,154,156,157				C3091	
064-2E		127075-5	CRANKCASE ASSEMBLY	1				
	C10	142417-2	CRANKSHAFT COMPLETE	1				
	D10		INC. 61,66-68,154,156,157					
065B		211494-6	BALL BEARING 6201	1			C3091	
065C		211494-6	BALL BEARING 6201	1			C3091	
065D		211494-6	BALL BEARING 6201	1			C3091	
065-1B		211341-1	BALL BEARING 6201	1	O	C3091		
065-1C		211341-1	BALL BEARING 6201	1	O	C3091		
065-1D		211341-1	BALL BEARING 6201	1	O	C3091		
065-1E		211341-1	BALL BEARING 6201	1				
066		213141-5	OIL SEAL 12	1				
067B		126380-7	CRANKCASE MS ASSEMBLY	1			C3091	
	D10		INC. 62				C3091	
067C		126380-7	CRANKCASE MS ASSEMBLY	1			C3091	
	D10		INC. 62				C3091	
067D		126380-7	CRANKCASE MS ASSEMBLY	1			C3091	
	D10		INC. 62				C3091	
067-1B		144357-0	CRANKCASE MS ASSEMBLY	1	S	C3091		
	D10		INC. 62			C3091		
067-1C		144357-0	CRANKCASE MS ASSEMBLY	1	S	C3091		
	D10		INC. 62			C3091		
067-1D		144357-0	CRANKCASE MS ASSEMBLY	1	S	C3091		
	D10		INC. 62			C3091		
067-1E		144357-0	CRANKCASE MS ASSEMBLY	1				
	D10		INC. 62					
068B		126381-5	CRANKCASE KS ASSEMBLY	1			C3091	
	D10		INC. 65				C3091	
068C		126381-5	CRANKCASE KS ASSEMBLY	1			C3091	
	D10		INC. 65				C3091	
068D		126381-5	CRANKCASE KS ASSEMBLY	1			C3091	
	D10		INC. 65				C3091	
068-1B		144356-2	CRANKCASE KS ASSEMBLY	1	S	C3091		
	D10		INC. 65			C3091		
068-1C		144356-2	CRANKCASE KS ASSEMBLY	1	S	C3091		
	D10		INC. 65			C3091		
068-1D		144356-2	CRANKCASE KS ASSEMBLY	1	S	C3091		
	D10		INC. 65			C3091		
068-1E		144356-2	CRANKCASE KS ASSEMBLY	1				
	D10		INC. 65					
069		168823-3	TANK CAP COMPLETE	1				
	D10		INC. 70					
070		213080-9	O RING 29.5	1				
072		266651-1	H.L. TAPPING SCREW 5.5X16	2				
073		234189-4	COMPRESSION SPRING 12	1				
074		816917-5	INDICATION LABEL	1				
075		452025-4	CHOKE LEVER	1				

B:PS35CTLC(N)
C:PS35CTLC(N)
D:PS35CTLC(N)
E:PS35CTB40X(N)

Interchange
O : Yes
X : No
< : the new part can be substituted for the current.
> : the current part can be substituted for the new.
S : Interchangeable as a set.

DE	GERMANY
-----------	----------------

PS35CTLC / PETROL CHAIN SAW

Item	Sub	Parts No.	Parts Description	Qty	I/C	E/C No.	Close No.	Remark
076		452022-0	THROTTLE LINKAGE	1				
077		266608-2	H.L.TAPPING SCREW 5X40	4				
078		326402-5	BUSH 6	4				
079		234189-4	COMPRESSION SPRING 12	1				
080		266651-1	H.L. TAPPING SCREW 5.5X16	2				
081		234189-4	COMPRESSION SPRING 12	1				
082		266651-1	H.L. TAPPING SCREW 5.5X16	2				
083		266651-1	H.L. TAPPING SCREW 5.5X16	2				
084		168504-9	VENT VALVE	1				
085		346301-5	SPIKE BAR	1				
086		326210-4	TERMINAL SPRING	1				
087		444042-8	ISOLATING TUBE 6-80	1				
088		424522-0	PLUG CAP	1				
089		168401-9	SPARK PLUG	1				
090		452670-5	ISOLATING WASHER	2				
091		126270-4	IGNITION COIL ASSEMBLY	1			DB428	
	D10		INC. 86-88				DB428	
091-1		126270-4	IGNITION COIL ASSEMBLY	1	O	DB428		
	D10		INC. 86-88			DB428		
092		266631-7	H.L. SOCKET HEAD BOLT M5X20	2				
093		168601-1	CABLE HARNESS	1				
094		266651-1	H.L. TAPPING SCREW 5.5X16	3				
095		804V50-7	PS-35C TLC MODEL NO. LABEL	1				
096B		168603-7	STARTER COMPLETE	1			A6201	
	D10		INC. 97-99,101-105,152				A6201	
096C		168603-7	STARTER COMPLETE	1			A6201	
	D10		INC. 97-99,101-105,152				A6201	
096D		168603-7	STARTER COMPLETE	1			A6201	
	D10		INC. 97-99,101-105,152				A6201	
096-1B		161327-4	STARTER COMPLETE	1	O	A6201		
	D10		INC. 97-99,101-105,152			A6201		
096-1C		161327-4	STARTER COMPLETE	1	O	A6201		
	D10		INC. 97-99,101-105,152			A6201		
096-1D		161327-4	STARTER COMPLETE	1	O	A6201		
	D10		INC. 97-99,101-105,152			A6201		
096-1E		161327-4	STARTER COMPLETE	1				
	D10		INC. 97-99,101-105,152					
097		453783-5	STARTER GRIP	1				
098		267847-7	SQUARE WASHER 4	1				
099		444038-9	STARTER ROPE	1				
101B		453785-1	REEL	1			A6201	
101C		453785-1	REEL	1			A6201	
101D		453785-1	REEL	1			A6201	
101-1B		455919-2	REEL	1	X	A6201		
101-1C		455919-2	REEL	1	X	A6201		
101-1D		455919-2	REEL	1	X	A6201		
101-1E		455919-2	REEL	1				
102		234253-1	TORSION SPRING 20	1				
103		453786-9	CAM PLATE	1				
104		266777-9	TAPPING SCREW 5X12	1				
105		452026-2	AIR GUIDE PLATE	1				
106		264053-5	HEX. NUT M8X1	1				
107		267822-3	SPRING WASHER 8	1				
108		140480-9	FLYWHEEL COMPLETE	1				
	D10		INC. 109					
109		195761-6	RATCHET SET	2				
110		452032-7	HAND GUARD	1				
111		810449-4	CAUTION LABEL	1			C5811	
111-1		818L12-9	CAUTION LABEL	1	<	C5811		
112		266651-1	H.L. TAPPING SCREW 5.5X16	1				
113		253715-0	FLAT WASHER 6	1				
114		313212-9	HAND GUARD GUIDE	1				
115		234210-9	COMPRESSION SPRING 3	1				
116		231868-5	TENSION SPRING 10	1				
117		163500-2	LINK PLATE COMPLETE	1				

B:PS35CTLC(N)
C:PS35CTLC(N)
D:PS35CTLC(N)
E:PS35CTB40X(N)

Interchange
O : Yes
X : No
< : the new part can be substituted for the current.
> : the current part can be substituted for the new.
S : Interchangeable as a set.

PS35CTLC / PETROL CHAIN SAW

Item	Sub	Parts No.	Parts Description	Qty	I/C	E/C No.	Close No.	Remark
118		325947-0	BUSH 6	2				
119		346299-6	SPACER SHEET METAL	1				
120		961011-9	STOP RING E-4	1				
121B		452033-5	BRAKE COVER	1			B9729	
121C		452033-5	BRAKE COVER	1			B9729	
121D		452033-5	BRAKE COVER	1			B9729	
121-1B		458425-6	BRAKE COVER	1	S	B9729		
121-1C		458425-6	BRAKE COVER	1	S	B9729		
121-1D		458425-6	BRAKE COVER	1	S	B9729		
121-1E		458425-6	BRAKE COVER	1				
122		266421-8	TAPPING SCREW 3X10	2				
123		452035-1	PUMP DRIVE	1				
124		168645-1	OIL SUCTION LINE COMPLETE	1				
	D10		INC. 125,126					
125		234207-8	COMPRESSION SPRING 6	1				
126		452666-6	NIPPLE	1			DA680	
126-1		452666-6	NIPPLE	1	O	DA680		
127		424342-2	OIL PRESSURE LINE	1				
128		161346-0	OIL PUMP COMPLETE	1				
130		266605-8	H.L. SOCKET HEAD BOLT M5X16	1				
131		267430-0	FLAT WASHER 10	1				
132		267431-8	FLAT WASHER 10	1				
133		168607-9	CLUTCH COMPLETE	1				
	D10		INC. 134					
134		231873-2	TENSION SPRING 5	2				
135B		140484-1	CLUTCH DRUM ASSEMBLY	1			B9889	
135C		140484-1	CLUTCH DRUM ASSEMBLY	1			B9889	
135D		140484-1	CLUTCH DRUM ASSEMBLY	1			B9889	
135-1B		140A30-6	CLUTCH DRUM ASSEMBLY	1	<	B9889	C7375	
135-1C		140A30-6	CLUTCH DRUM ASSEMBLY	1	<	B9889	C7375	
135-1D		140A30-6	CLUTCH DRUM ASSEMBLY	1	<	B9889	C7375	
135-1E		140A30-6	CLUTCH DRUM ASSEMBLY	1			C7375	
135-2		140M30-8	CLUTCH DRUM COMPLETE	1	<	C7375		
136		267833-8	CUP WASHER 8	1				
137		259033-4	RETAINING RING E TYPE 6	1				
138B		346298-8	BRAKE BAND	1			B9729	
138C		346298-8	BRAKE BAND	1			B9729	
138D		346298-8	BRAKE BAND	1			B9729	
138-1B		347363-6	BRAKE BAND	1	S	B9729		
138-1C		347363-6	BRAKE BAND	1	S	B9729		
138-1D		347363-6	BRAKE BAND	1	S	B9729		
138-1E		347363-6	BRAKE BAND	1				
139		143550-3	ENGINE HOUSING TLC COMP. RED	1				
148		346518-0	GUIDE PLATE	1				
152		195955-3	REWIND SPRING SET	1				
153		266960-8	H.L. SOCKET HEAD BOLT M5X20	4				
154		266880-6	H.L. SOCKET HEAD BOLT M5X25	3				
155		346760-3	CYLINDER BASE GASKET	1				
156		346761-1	CRANKCASE GASKET	1				
157		951063-8	SPRING PIN 3-16	2				
158		424618-7	PLUG	1				
159		424631-5	SLEEVE	1				
160B		197441-0	CLUTCH DRUM SET	1			B9889	
	D10		INC. 135,136				B9889	
160C		197441-0	CLUTCH DRUM SET	1			B9889	
	D10		INC. 135,136				B9889	
160D		197441-0	CLUTCH DRUM SET	1			B9889	
	D10		INC. 135,136				B9889	
160-1B		199033-1	CLUTCH DRUM SET	1	<	B9889	C7375	
	D10		INC. 135,136			B9889	C7375	
160-1C		199033-1	CLUTCH DRUM SET	1	<	B9889	C7375	
	D10		INC. 135,136			B9889	C7375	
160-1D		199033-1	CLUTCH DRUM SET	1	<	B9889	C7375	
	D10		INC. 135,136			B9889	C7375	
160-1E		199033-1	CLUTCH DRUM SET	1			C7375	

B:PS35CTLC(N)
C:PS35CTLC(N)
D:PS35CTLC(N)
E:PS35CTB40X(N)

Interchange
O : Yes
X : No
< : the new part can be substituted for the current.
> : the current part can be substituted for the new.
S : Interchangeable as a set.

DE	GERMANY
-----------	----------------

PS35CTLC / PETROL CHAIN SAW

Item	Sub	Parts No.	Parts Description	Qty	I/C	E/C No.	Close No.	Remark
	D10		INC. 135,136				C7375	
160-2		191A48-0	CLUTCH DRUM SET	1	<	C7375		
	D10		INC. 135,136			C7375		
161		142782-9	SPROCKET GUARD TLC COMPLETE	1				
	D10		INC. 162-177					
162		266007-8	TAPPING SCREW BIND PT 3X10	2				
163		346309-9	GUIDE PLATE	1			B3527	
163-1		346309-9	GUIDE PLATE	1	<	B3527		
164		417403-5	COVER	1				
165		324068-5	ADJUST PIN	1				
166		226534-7	HELICAL GEAR 8	1				
167		226681-4	HELICAL GEAR 17	1				
168		233033-2	COMPRESSION SPRING 4	1				
169		216008-6	STEEL BALL 4	1				
170		419233-0	DIAL 40	1				
171		253874-0	FLAT WASHER 4	1				
172		915106-0	BINDING HEAD SCREW M4X8	1				
173		267858-2	LOCK WASHER 8	1				
174		264099-1	HEX.NUT M8-13	1				
175		231025-5	COMPRESSION SPRING 8	1				
176		195764-0	WING GRIP SET	1			D0277	
176-1		195764-0	WING GRIP SET	1	O	D0277		
177		892502-8	INDICATION LABEL	1				
A01B		165441-8	GUIDE BAR 14	1			D1788	
A01C		165428-0	GUIDE BAR 16	1			D1788	
A01D		165428-0	GUIDE BAR 16	1			D1788	
A01E		165428-0	GUIDE BAR 16	1			D1788	
A01-1B		165441-8	GUIDE BAR 14	1	O	D1788		
A01-1C		165428-0	GUIDE BAR 16	1	O	D1788		
A01-1D		165428-0	GUIDE BAR 16	1	O	D1788		
A01-1E		165428-0	GUIDE BAR 16	1	O	D1788		
A02B		419561-3	CHAIN PROTECTION COVER 330	1				
A02C		452669-0	CHAIN PROTECTION COVER 430	1				
A02D		452669-0	CHAIN PROTECTION COVER 430	1				
A02E		452669-0	CHAIN PROTECTION COVER 430	1				
A03B		511492752	SAW CHAIN 3/8LP.050" L52 CC D	1				
A03C		528092656	SAW CHAIN 16"	1				
A03D		528092656	SAW CHAIN 16"	1				
A03E		528092656	SAW CHAIN 16"	2				
A04		782026-1	UNIVERSAL WRENCH 13/16	1				
A05		783012-5	SCREWDRIVER	1				
A06E		195092-3	CHAIN OIL SET	1				
A07E		197325-2	OIL SET	1				

<p>B:PS35CTLC(N) C:PS35CTLC(N) D:PS35CTLC(N) E:PS35CTB40X(N)</p>	<p>Interchange O : Yes X : No < : the new part can be substituted for the current. > : the current part can be substituted for the new. S : Interchangeable as a set.</p>
---	--