



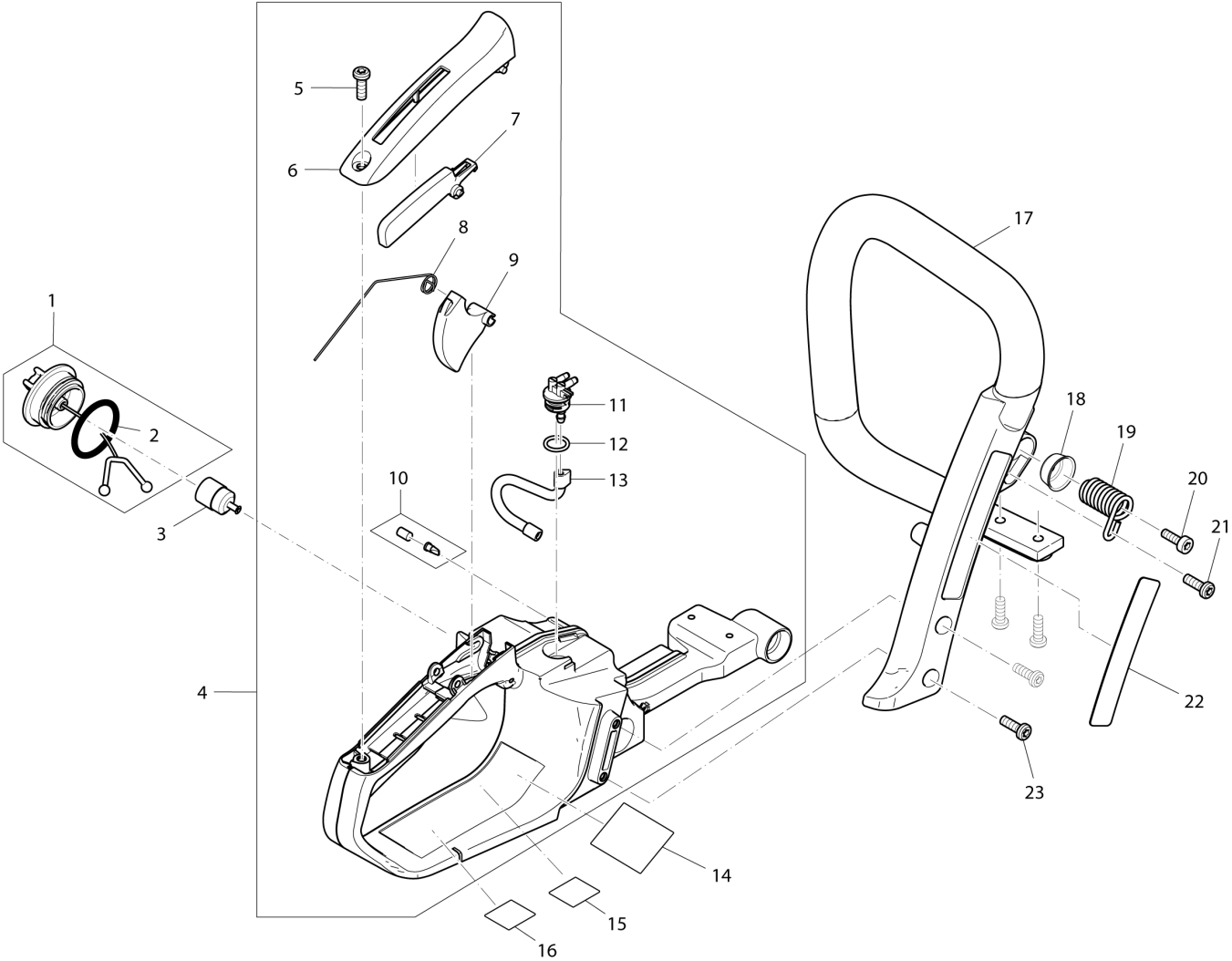
DE

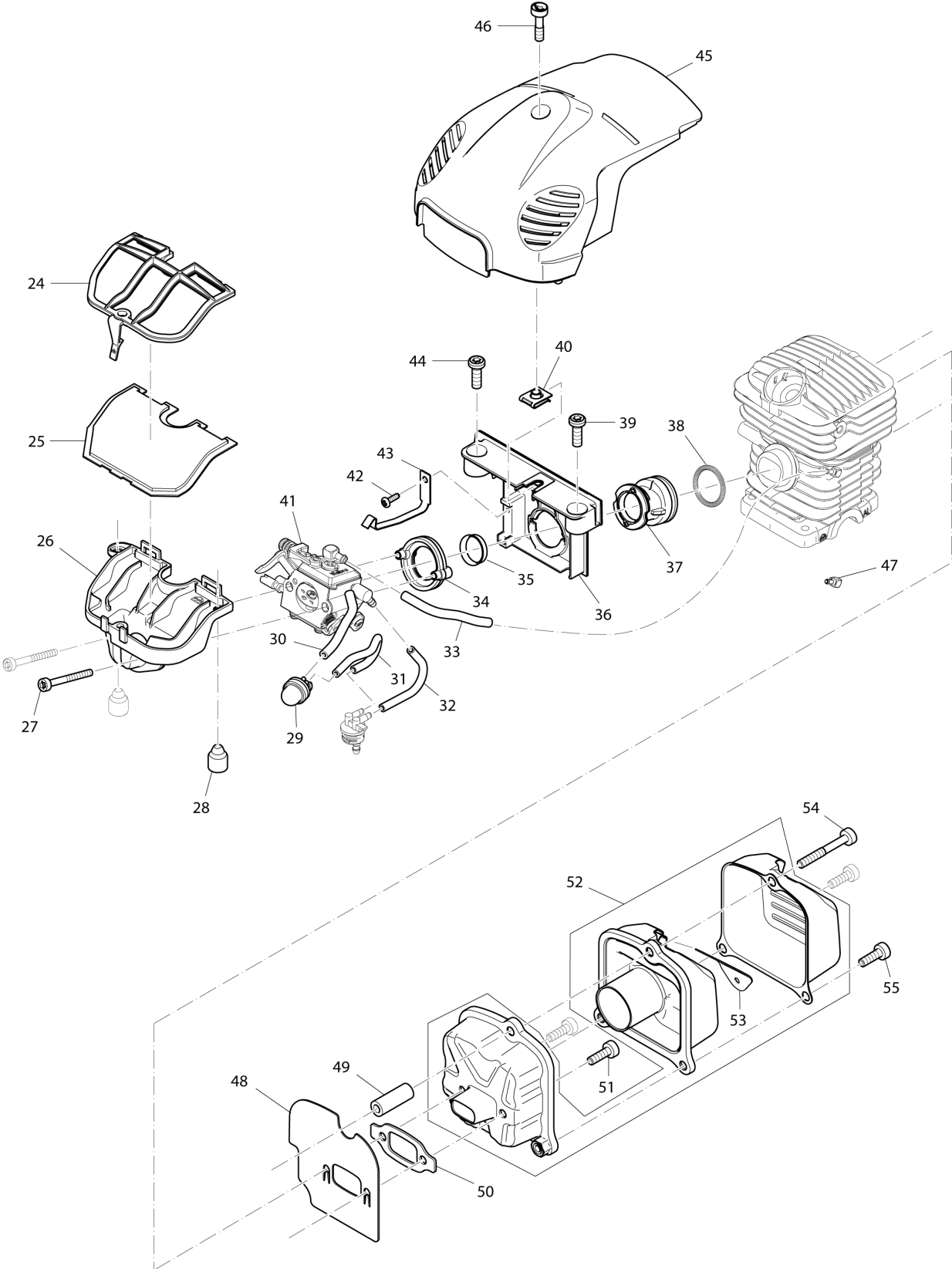
GERMANY

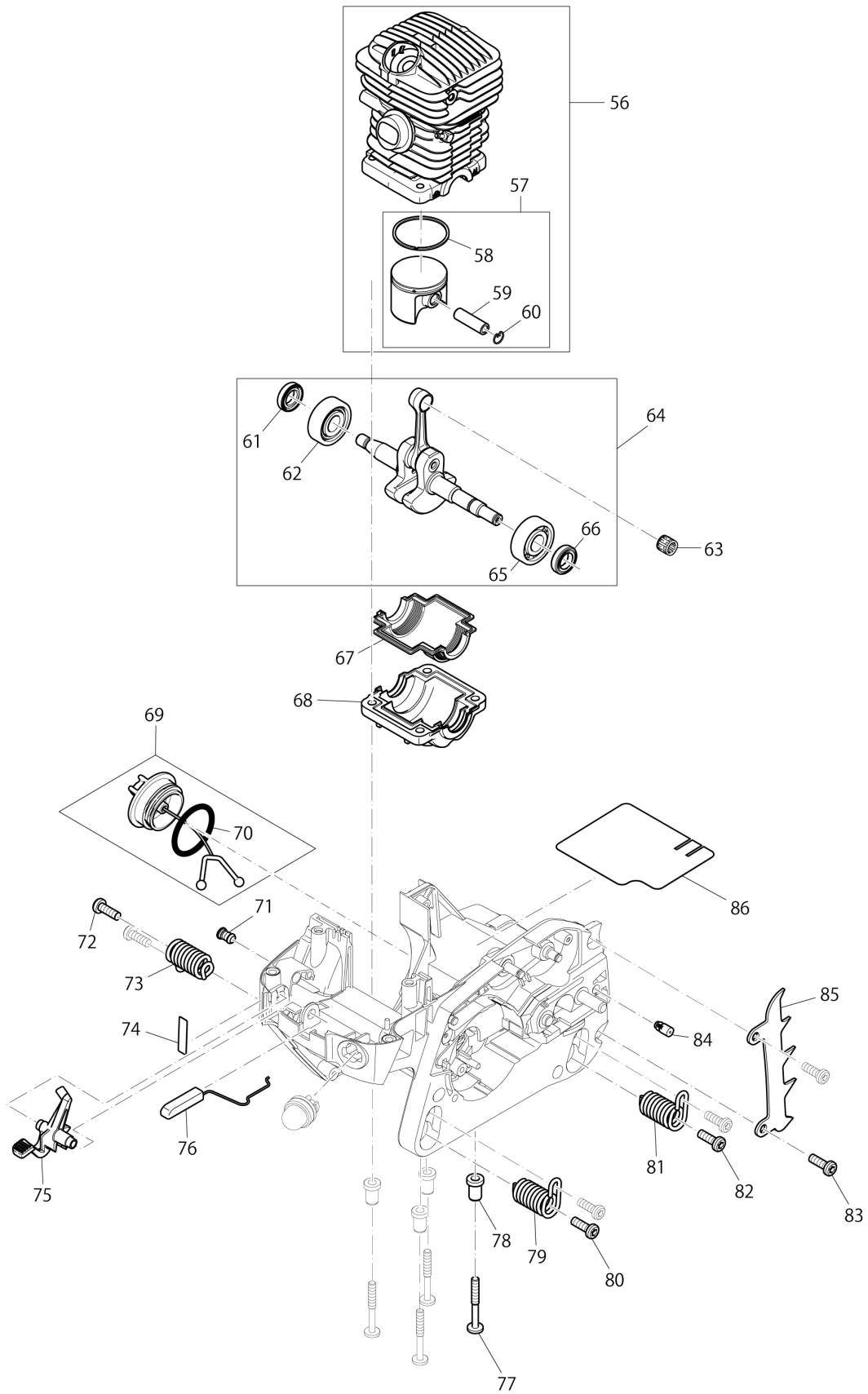
Diagram / Parts List

PS32CTLC

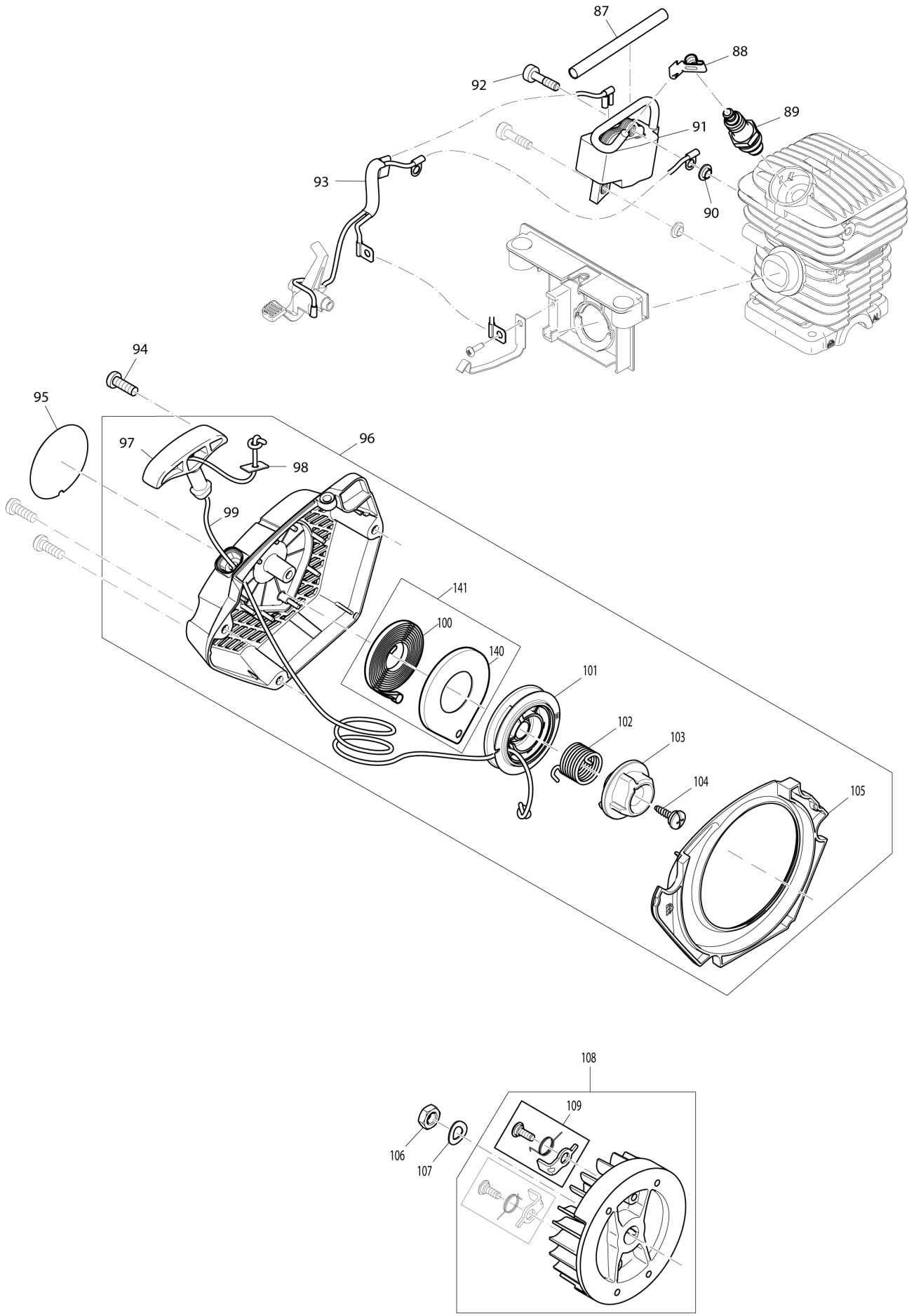
PETROL CHAIN SAW



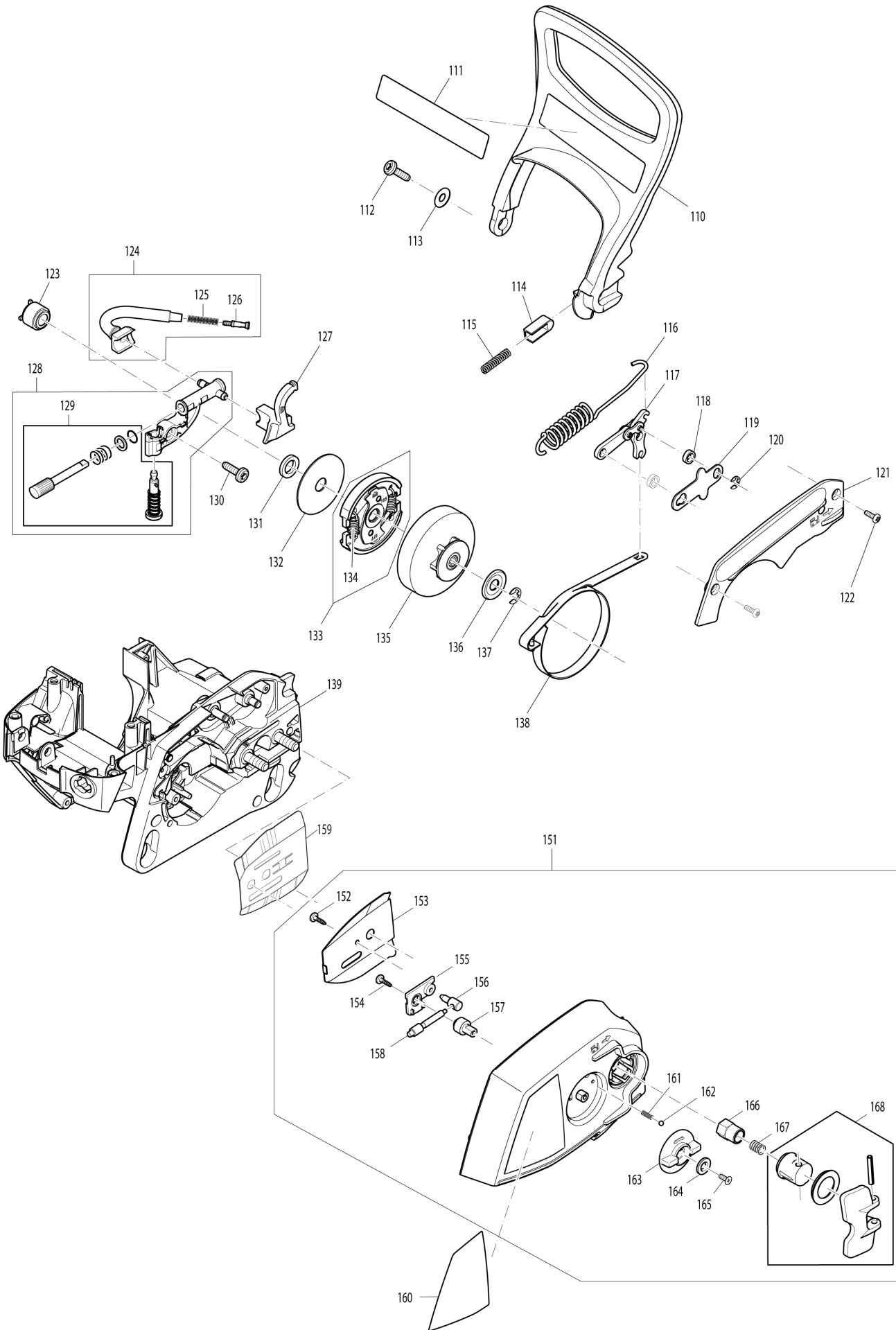




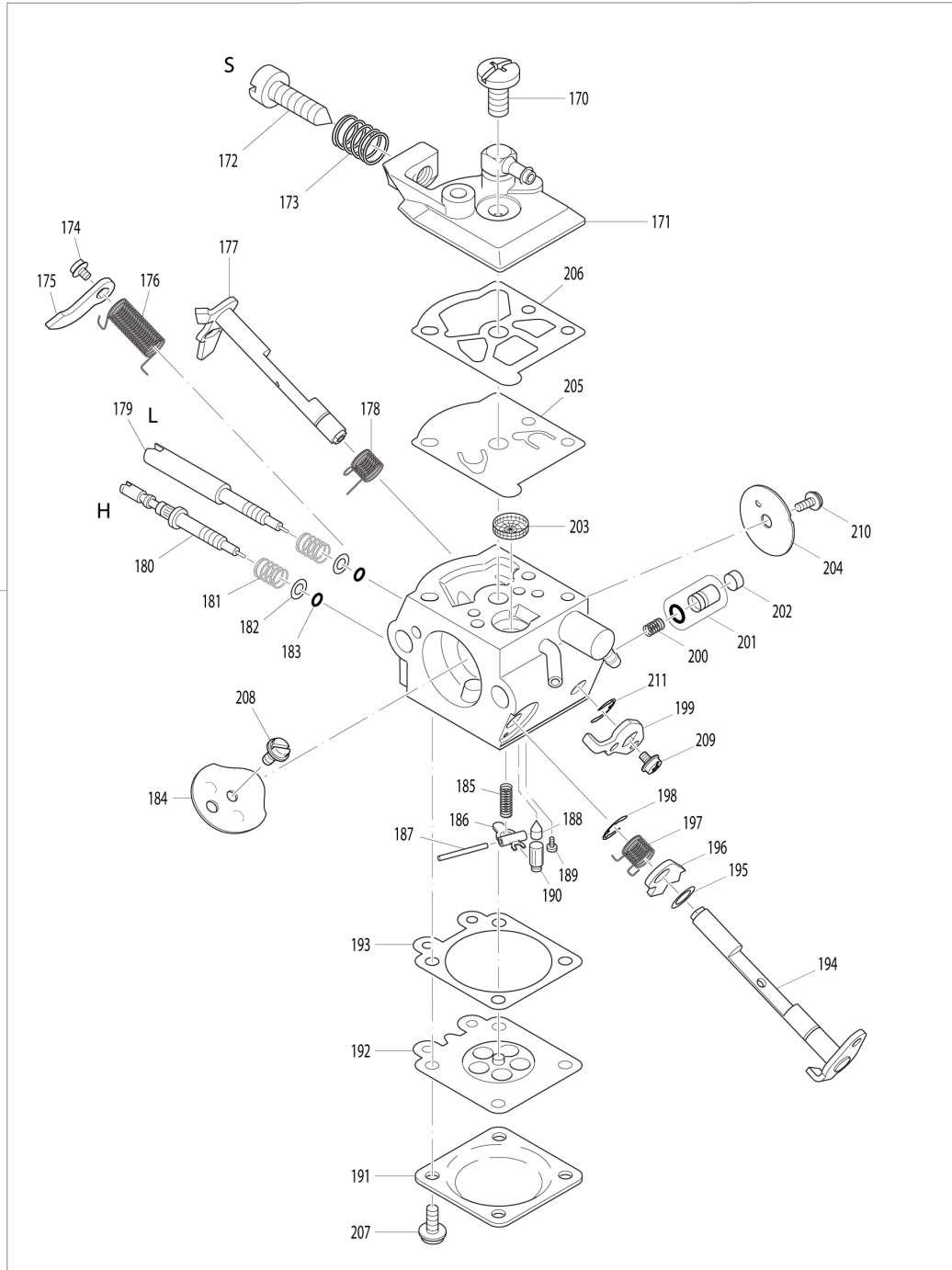
(DE) PS32CTLC / PETROL CHAIN SAW



(DE) PS32CTLG / PETROL CHAIN SAW



41



DE	GERMANY
-----------	----------------

PS32CTLC / PETROL CHAIN SAW

Item	Sub	Parts No.	Parts Description	Qty	I/C	E/C No.	Close No.	Remark
001		168507-3	TANK CAP COMPLETE	1			99471	
	D10		INC. 2				99471	
001-1		168823-3	TANK CAP COMPLETE	1	O	99471		
	D10		INC. 2			99471		
002		213080-9	O RING 29.5	1				
003		163447-0	FUEL FILTER	1			B3537	
003-1		163447-0	FUEL FILTER	1	O	B3537		
004		195757-7	TANK ASSEMBLY A RED	1				
	D10		INC. 5-13					
005		266651-1	H.L. TAPPING SCREW 5.5X16	1				
006		452021-2	GRIP SHELL	1				
007		452020-4	CATCH LEVER	1				
008		231866-9	TORSION SPRING 10	1				
009		452019-9	THROTTLE LEVER	1				
010		195762-4	AIR VALVE SET	1				
011		452018-1	FUEL NIPPLE	1				
012		213586-7	O RING 11.5	1				
013		424456-7	FUEL LINE	1				
014		869092-6	PS-32C TLC NAME PLATE	1				
017		452036-9	TUBULAR HANDLE	1				
018		346517-2	CUP WASHER 6	1				
019		234189-4	COMPRESSION SPRING 12	1				
020		266605-8	H.L. SOCKET HEAD BOLT M5X16	1				
021		266651-1	H.L. TAPPING SCREW 5.5X16	1				
022		891899-2	DOLMAR LOGO LABEL	1				
023		266651-1	H.L. TAPPING SCREW 5.5X16	4				
024		452031-9	AIR FILTER COVER	1				
025		423414-0	AIR FILTER	1				
026		452030-1	INTAKE MANIFOLD	1				
027		266604-0	H.L. SOCKET HEAD BOLT M4X40	2				
028		424173-9	DAMPING PLUG	2				
029		168398-2	PRIMER PUMP	1				
030		422067-2	TUBE 2.5-55	1				
031		422065-6	TUBE 2.5-112	1				
032		422068-0	TUBE 3-70	1				
033		422066-4	TUBE 2.5-72	1				
034		318634-8	FLANGE RING	1				
035		346413-4	BUSH 17	1				
036		452024-6	INTERMEDIATE FLANGE	1				
037		424340-6	INTAKE HOSE	1				
038		233971-8	RING SPRING	1				
039		266651-1	H.L. TAPPING SCREW 5.5X16	1				
040		264044-6	SNAP NUT M5	1				
041		168602-9	CARBURETOR	1			A1874	
	D10		INC. 170-211				A1874	
041-1		168849-5	CARBURETOR	1	O	A1874		
	D10		INC. 170,171,174-180,184-189			A1874		
	D20		INC. 191-210,213-217			A1874		
042		266421-8	TAPPING SCREW 3X10	1				
043		346290-4	CONTACT SPRING	1				
044		266651-1	H.L. TAPPING SCREW 5.5X16	1				
045		452023-8	HOOD	1			C7407	
045-1		452023-8	HOOD	1	O	C7407		
046		266607-4	H.L. SOCKET HEAD BOLT M5X20	1				
047		325938-1	ANGULAR NIPPLE	1			98018	
048		346306-5	COOLING PLATE	1				
049		325939-9	CONNECTING LINK	1				
050		346304-9	GASKET	1				
051		266605-8	H.L. SOCKET HEAD BOLT M5X16	2				
052		168604-5	MUFFLER COMPLETE	1				
	D10		INC. 53					
053		346294-6	SPARK ARRESTER SCREEN	1				
054		266606-6	H.L. SOCKET HEAD BOLT M5X40	1				
055		266605-8	H.L. SOCKET HEAD BOLT M5X16	2				
056		195759-3	CYLINDER PISTON SET	1			98018	

B:PS-32C
C:PS-32C TLC(N
TLC(N)"

Interchange
O : Yes
X : No
< : the new part can be substituted for the current.
> : the current part can be substituted for the new.
S : Interchangeable as a set.

DE	GERMANY
-----------	----------------

PS32CTLC / PETROL CHAIN SAW

Item	Sub	Parts No.	Parts Description	Qty	I/C	E/C No.	Close No.	Remark
	D10		INC. 57				98018	
056-1		196384-3	CYLINDER PISTON SET	1	S	98018		
	C10	142136-0	CYLINDER COMPLETE	1		98018		
	D10		INC. 57			98018		
057		195760-8	PISTON SET	1				
	D10		INC. 58-60					
058		325991-7	PISTON RING 38	1				
059		325992-5	PISTON PIN 8	1				
060		233988-1	RING SPRING 8	1				
061		213582-5	OIL SEAL 12	1			A9612	
061-1		213084-1	OIL SEAL 12	1	S	A9612		
062		211341-1	BALL BEARING 6201	1				
063		212086-4	NEEDLE CAGE 810	1				
064		195956-1	CRANK SHAFT SET	1			A9612	
	D10		INC. 61,62,65,66				A9612	
064-1		197539-3	CRANK SHAFT SET	1	<	A9612		
	D10		INC. 61,62,65,66			A9612		
065		211341-1	BALL BEARING 6201	1				
066		213582-5	OIL SEAL 12	1			A9612	
066-1		213084-1	OIL SEAL 12	1	S	A9612		
067		424339-1	CRANK CASE SEALING	1			C3232	
067-1		424872-3	CRANK CASE SEALING	1	O	C3232		
068		318633-0	CRANKCASE UNDERSIDE	1				
069		168507-3	TANK CAP COMPLETE	1			99471	
	D10		INC. 70				99471	
069-1		168823-3	TANK CAP COMPLETE	1	O	99471		
	D10		INC. 70			99471		
070		213080-9	O RING 29.5	1				
071		452629-2	PLUG	1			96384	
071-1		452727-2	PLUG	1	O	96384	A1874	
072		266651-1	H.L. TAPPING SCREW 5.5X16	2				
073		234189-4	COMPRESSION SPRING 12	1				
074		816917-5	INDICATION LABEL	1				
075		452025-4	CHOKE LEVER	1				
076		452022-0	THROTTLE LINKAGE	1				
077		266608-2	H.L.TAPPING SCREW 5X40	4				
078		325946-2	BUSH 6	4				
079		234189-4	COMPRESSION SPRING 12	1				
080		266651-1	H.L. TAPPING SCREW 5.5X16	2				
081		234189-4	COMPRESSION SPRING 12	1				
082		266651-1	H.L. TAPPING SCREW 5.5X16	2				
083		266651-1	H.L. TAPPING SCREW 5.5X16	2				
084		168504-9	VENT VALVE	1				
085		346301-5	SPIKE BAR	1				
086		346385-3	HEAT PROTECTION FOIL	1				
087		444029-0	ISOLATING TUBE 6-95	1			97296	
087-1		444042-8	ISOLATING TUBE 6-80	1	<	97296		
088		346445-1	SPARK PLUG CONNECTOR	1			97296	
088-1		424522-0	PLUG CAP	1	S	97296		
089		168599-2	SPARK PLUG NGK CMR7A-5	1			94253	
089-1		168401-9	SPARK PLUG	1	O	94253		
090		452670-5	ISOLATING WASHER	2				
091		125808-2	IGNITION COIL ASSEMBLY	1			97296	
	D10		INC. 87,88				97296	
091-1		126270-4	IGNITION COIL ASSEMBLY	1	<	97296	DB428	
	C10	326210-4	TERMINAL SPRING	1		97296	DB428	
	D10		INC. 87,88			97296	DB428	
091-2		126270-4	IGNITION COIL ASSEMBLY	1	O	DB428		
	C10	326210-4	TERMINAL SPRING	1		DB428		
	D10		INC. 87,88			DB428		
092		266631-7	H.L. SOCKET HEAD BOLT M5X20	2				
093		168601-1	CABLE HARNESS	1				
094		266651-1	H.L. TAPPING SCREW 5.5X16	3				
095		819544-7	PS-32 MODEL NO. LABEL	1				
096		168603-7	STARTER COMPLETE	1			A6201	

B:PS-32C
C:PS-32C TLC(N)
TLC(N)"

Interchange
O : Yes
X : No
< : the new part can be substituted for the current.
> : the current part can be substituted for the new.
S : Interchangeable as a set.

DE	GERMANY
-----------	----------------

PS32CTLC / PETROL CHAIN SAW

Item	Sub	Parts No.	Parts Description	Qty	I/C	E/C No.	Close No.	Remark	
	D10		INC. 97-99,101-105,141				A6201		
096-1		161327-4	STARTER COMPLETE	1	O	A6201			
	D10		INC. 97-99,101-105,141			A6201			
097		453783-5	STARTER GRIP	1					
098		267847-7	SQUARE WASHER 4	1					
099		444038-9	STARTER ROPE	1					
100		234252-3	REWIND SPRING	1			Y06570		
101		453785-1	REEL	1			A6201		
101-1		455919-2	REEL	1	X	A6201			
102		234253-1	TORSION SPRING 20	1					
103		453786-9	CAM PLATE	1					
104		266777-9	TAPPING SCREW 5X12	1					
105		452026-2	AIR GUIDE PLATE	1					
106		264053-5	HEX. NUT M8X1	1					
107		267822-3	SPRING WASHER 8	1					
108		140480-9	FLYWHEEL COMPLETE	1					
	D10		INC. 109						
109		195761-6	RATCHET SET	2					
110		452032-7	HAND GUARD	1					
111		810075-9	CAUTION LABEL	1			C2620		
111-1		817T83-1	CAUTION LABEL	1	<	C2620	C5811		
111-2		818L12-9	CAUTION LABEL	1	<	C5811			
112		266627-8	H.L. TAPPING SCREW 4.7X16	1					
113		267066-5	FLAT WASHER 5	1					
114		313212-9	HAND GUARD GUIDE	1					
115		234210-9	COMPRESSION SPRING 3	1					
116		231868-5	TENSION SPRING 10	1					
117		163500-2	LINK PLATE COMPLETE	1					
118		325947-0	BUSH 6	2					
119		346299-6	SPACER SHEET METAL	1					
120		961011-9	STOP RING E-4	1					
121		452033-5	BRAKE COVER	1			B9729		
121-1		458425-6	BRAKE COVER	1	S	B9729			
122		266421-8	TAPPING SCREW 3X10	2					
123		452035-1	PUMP DRIVE	1					
124		168645-1	OIL SUCTION LINE COMPLETE	1					
	D10		INC. 125,126						
125		234207-8	COMPRESSION SPRING 6	1					
126		452666-6	NIPPLE	1			DA680		
126-1		452666-6	NIPPLE	1	O	DA680			
127		424342-2	OIL PRESSURE LINE	1					
128		168503-1	OIL PUMP COMPLETE	1			A6716		
	D10		INC. 129				96388		
128-1		161346-0	OIL PUMP COMPLETE	1	<	A6716			
129		195872-7	OIL PUMP ADJUSTMENT SET	1			96388		
130		266627-8	H.L. TAPPING SCREW 4.7X16	1					
131		267430-0	FLAT WASHER 10	1					
132		267431-8	FLAT WASHER 10	1					
133		168607-9	CLUTCH COMPLETE	1					
	D10		INC. 134						
134		231873-2	TENSION SPRING 5	2					
135		140980-9	CLUTCH DRUM ASSEMBLY	1			A7152		
135-1		140484-1	CLUTCH DRUM ASSEMBLY	1	S	A7152	B9889		
135-2		140A30-6	CLUTCH DRUM ASSEMBLY	1	<	B9889	C7375		
135-3		140M30-8	CLUTCH DRUM COMPLETE	1	<	C7375			
136		267451-2	FLAT WASHER 8	1			A7152		
136-1		267833-8	CUP WASHER 8	1	S	A7152			
137		259033-4	RETAINING RING E TYPE 6	1					
138		346298-8	BRAKE BAND	1			B9729		
138-1		347363-6	BRAKE BAND	1	S	B9729			
139		140481-7	ENGINE HOUSING COMPLETE TLC	1			B9729		
139-1		140A08-9	ENGINE HOUSING COMPLETE TLC	1	<	B9729			
140		453784-3	SPRING CASSETTE	1			Y06570		
141		195955-3	REWIND SPRING SET	1					
	D10		INC. 100,140				Y06570		
B:PS-32C C:PS-32C TLC(N) TLC(N)"							Interchange O : Yes X : No < : the new part can be substituted for the current. > : the current part can be substituted for the new. S : Interchangeable as a set.		

DE	GERMANY
-----------	----------------

PS32CTLC / PETROL CHAIN SAW

Item	Sub	Parts No.	Parts Description	Qty	I/C	E/C No.	Close No.	Remark
151		140505-9	SPROCKET GUARD TLC COMPLETE	1			A8749	
	D10		INC. 152-158,161-168				A8749	
151-1		142782-9	SPROCKET GUARD TLC COMPLETE	1	O	A8749		
	D10		INC. 152-158,160-168,218			A8749		
152		266007-8	TAPPING SCREW BIND PT 3X10	1				
153		346309-9	GUIDE PLATE	1			B3527	
153-1		346309-9	GUIDE PLATE	1	<	B3527		
154		266007-8	TAPPING SCREW BIND PT 3X10	1				
155		417403-5	COVER	1				
156		324068-5	ADJUST PIN	1				
157		226681-4	HELICAL GEAR 17	1				
158		226534-7	HELICAL GEAR 8	1				
159		346518-0	GUIDE PLATE	1				
160		892502-8	INDICATION LABEL	1				
161		233033-2	COMPRESSION SPRING 4	1				
162		216008-6	STEEL BALL 4	1				
163		419233-0	DIAL 40	1				
164		253874-0	FLAT WASHER 4	1				
165		915106-0	BINDING HEAD SCREW M4X8	1				
166		264042-0	HEX. NUT M8-13	1			A8749	
166-1		264099-1	HEX.NUT M8-13	1	S	A8749		
167		231025-5	COMPRESSION SPRING 8	1				
168		195764-0	WING GRIP SET	1			D0277	
168-1		195764-0	WING GRIP SET	1	O	D0277		
170		WJ00096166	SCREW	1			A1874	
170-1		ZJ17004010	SCREW (PUMP COVER)	1	X	A1874	Y06848	
170-2		ZJ00000020	SCREW (PUMP COVER)	1	O	Y06848		
171		WJ00213750	COVER ASSEMBLY-PUMP	1			A1874	
171-1		ZJ0K017704	COVER KIT, PUMP	1	X	A1874	Y06848	
171-2		ZJ00000004	COVER KIT,PUMP	1	O	Y06848		
172		WJ00096369	SCREW-IDLE ADJ.	1			A1874	
173		WJ00098356	SPRING	1			A1874	
174		WJ00096475	SCREW	1			A1874	
174-1		ZJ17103004	SCREW	1	X	A1874	Y06848	
174-2		ZJ00000023	SCREW	1	O	Y06848		
175		WJ00183519	LEVER-CHOKE	1			A1874	
175-1		ZJ00042706	LEVER, CHOKE	1	X	A1874	Y06848	
175-2		ZJ00000025	LEVER,CHOKE	1	O	Y06848		
176		WJ00983585	SPRING	1			A1874	
176-1		ZJ00013113	SPRING,RETURN	1	X	A1874	Y06848	
176-2		ZJ00000040	SPRING,THROTTLE RETURN	1	O	Y06848		
177		WJ00223556	SHAFT ASSEMBLY-THROTTLE	1			A1874	
177-1		ZJ0A011716	SHAFT ASS'Y, THROTTLE	1	X	A1874	Y06848	
177-2		ZJ00000015	THROTTLE SHAFT ASSY	1	O	Y06848		
178		WJ00098494	SPRING	1			A1874	
178-1		ZJ00013039	SPRING, THROTTLE RETURN	1	X	A1874	Y06848	
178-2		ZJ00000034	SPRING,THROTTLE RETURN	1	O	Y06848		
179		WJ01023908	NEEDLE-IDLE	1			A1874	
179-1		ZJ00031706	SCREW, IDLE MIXTURE	1	X	A1874	Y06848	
179-2		ZJ00000026	SCREW,IDLE MIXTURE	1	O	Y06848		
180		WJ01024001	NEEDLE-HIGH SPEED	1			A1874	
180-1		ZJ00030706	SCREW, MAIN MIXTURE	1	X	A1874	Y06848	
180-2		ZJ00000027	SCREW,MAIN MIXTURE	1	O	Y06848		
181		WJ00098404	SPRING	2			A1874	
182		WJ00136152	WASHER	2			A1874	
183		WJ00016105	O RING	2			A1874	
184		WJ00062150	VALVE-CHOKE	1			A1874	
184-1		ZJ00043701	VALVE, CHOKE	1	X	A1874	Y06848	
184-2		ZJ00000024	VALVE,CHOKE	1	O	Y06848		
185		WJ00983270	SPRING	1			A1874	
185-1		ZJ00019009	SPRING, METERING LEVER	1	X	A1874	Y06848	
185-2		ZJ00000010	SPRING, METERING LEVER	1	O	Y06848		
186		WJ00166114	LEVER-METERING	1			A1874	
186-1		ZJ00020012	LEVER, METERING	1	X	A1874	Y06848	
186-2		ZJ00000006	LEVER	1	O	Y06848		

B:PS-32C
C:PS-32C TLC(N
TLC(N)"

Interchange
O : Yes
X : No
< : the new part can be substituted for the current.
> : the current part can be substituted for the new.
S : Interchangeable as a set.

DE	GERMANY
-----------	----------------

PS32CTLC / PETROL CHAIN SAW

Item	Sub	Parts No.	Parts Description	Qty	I/C	E/C No.	Close No.	Remark
187		WJ00014477	METERING LEVER PIN	1			A1874	
187-1		ZJ00021001	PIN	1	X	A1874	Y06848	
187-2		ZJ00000008	PIN	1	O	Y06848		
188		WJ00008282	INLET NEEDLE VALVE	1			A1874	
188-1		ZJ00018004	VALVE, INLET NEEDLE	1	X	A1874	Y06848	
188-2		ZJ00000007	VALVE, INLET NEEDLE	1	O	Y06848		
189		WJ00963226	SCREW	1			A1874	
189-1		ZJ14803006	SCREW	1	X	A1874	Y06848	
189-2		ZJ00000009	SCREW (METERING LEVER PIN)	1	O	Y06848		
190		WJ00088271	PLUG-WELCH	1			A1874	
191		WJ00021158	METERING DIAPHRAGM COVER	1			A1874	
191-1		ZJ00028704	COVER, METERING	1	X	A1874	Y06848	
191-2		ZJ00000028	COVER, METERING	1	O	Y06848		
192		WJ00095613	DIAPHRAGM ASSEMBLY-METERING	1			A1874	
192-1		ZJ0A015049	DIAPHRAGM ASS'Y, METERING	1	X	A1874	Y06848	
192-2		ZJ00000013	DIAPHRAGM ASS'Y, METERING	1	O	Y06848		
193		WJ00092192	GASKET-METERING DIAPHRAGM	1			Y06436	
193-1		442183-4	METERING DIAPHRAGM GASKET	1	O	Y06436	A1874	
193-2		ZJ00016019	GASKET, METERING CHAMBER	1	X	A1874	Y06848	
193-3		ZJ00000011	GASKET, METERING CHAMBER	1	O	Y06848		
194		WJ00223784	SHAFT ASSEMBLY-CHOKE	1			A1874	
194-1		ZJ0A041704	SHAFT ASS'Y, CHOKE	1	X	A1874	Y06848	
194-2		ZJ00000012	SHAFT ASSY, CHOKE	1	O	Y06848		
195		WJ00013690	WASHER	1			A1874	
195-1		ZJ00026037	WASHER	1	X	A1874	Y06848	
195-2		ZJ00000033	WASHER	1	O	Y06848		
196		WJ00016682	LEVER-FAST IDLE	1			A1874	
196-1		ZJ00042703	LEVER, CHOKE	1	X	A1874	Y06848	
196-2		ZJ00000031	LEVER, CHOKE	1	O	Y06848		
197		WJ00983584	SPRING	1			A1874	
197-1		ZJ00013149	SPRING, CHOKE RETURN	1	X	A1874	Y06848	
197-2		ZJ00000032	SPRING, CHOKE RETURN	1	O	Y06848		
198		WJ00001673	RETAINING RING	1			A1874	
198-1		ZJ19510040	E-RING	1	X	A1874	Y06848	
198-2		ZJ00000017	E-RING	1	O	Y06848		
199		WJ00183366	LEVER-THROTTLE	1			A1874	
199-1		ZJ00012705	LEVER, THROTTLE	1	X	A1874	Y06848	
199-2		ZJ00000022	LEVER, THROTTLE	1	O	Y06848		
200		WJ00983164	SPRING	1			A1874	
200-1		ZJ00054057	SPRING	1	X	A1874	Y06848	
200-2		ZJ00000019	SPRING	1	O	Y06848	Y07072	
200-3		ZJ00000073	SPRING	1	O	Y07072		
201		WJ00160511	PISTON ASSEMBLY-ACCELERATOR	1			A1874	
201-1		ZJ0K053049	PLUNGER KIT	1	X	A1874	Y06848	
201-2		ZJ00000005	PLUNGER KIT	1	O	Y06848		
202		WJ00088229	CUP PLUG	1			A1874	
202-1		ZJ00005048	PLUG, ACC POCKET	1	X	A1874	Y06848	
202-2		ZJ00000036	PLUG, ACC POCKET	1	O	Y06848		
203		WJ00014070	INLET SCREEN	1			A1874	
203-1		ZJ00004011	STRAINER	1	X	A1874	Y06848	
203-2		ZJ00000003	STRAINER	1	O	Y06848		
204		WJ00343439	VALVE-THROTTLE	1			A1874	
204-1		ZJ00014040	VALVE, THROTTLE	1	X	A1874	Y06848	
204-2		ZJ00000030	VALVE, THROTTLE	1	O	Y06848		
205		WJ00009589	PUMP DIAPHRAGM	1			A1874	
205-1		ZJ00015050	DIAPHRAGM, PUMP	1	X	A1874	Y06848	
205-2		ZJ00000029	DIAPHRAGM, PUMP	1	O	Y06848		
206		WJ00092225	GASKET-PUMP	1			A1874	
206-1		ZJ00016033	GASKET, PUMP	1	X	A1874	Y06848	
206-2		ZJ00000016	GASKET, PUMP	1	O	Y06848		
207		WJ00096589	SCREW ASSEMBLY	4			A1874	
207-1		ZJ17203006	SCREW (WITH SERRATION)	2	X	A1874	Y06848	
207-2		ZJ00000014	SCREW (WITH SERRATION)	2	O	Y06848		
208		WJ00096475	SCREW	1			A1874	
208-1		ZJ00000001	SCREW	1	X	A1874		

B:PS-32C
C:PS-32C TLC(N)
TLC(N)"

Interchange
O : Yes
X : No
< : the new part can be substituted for the current.
> : the current part can be substituted for the new.
S : Interchangeable as a set.

