



DE

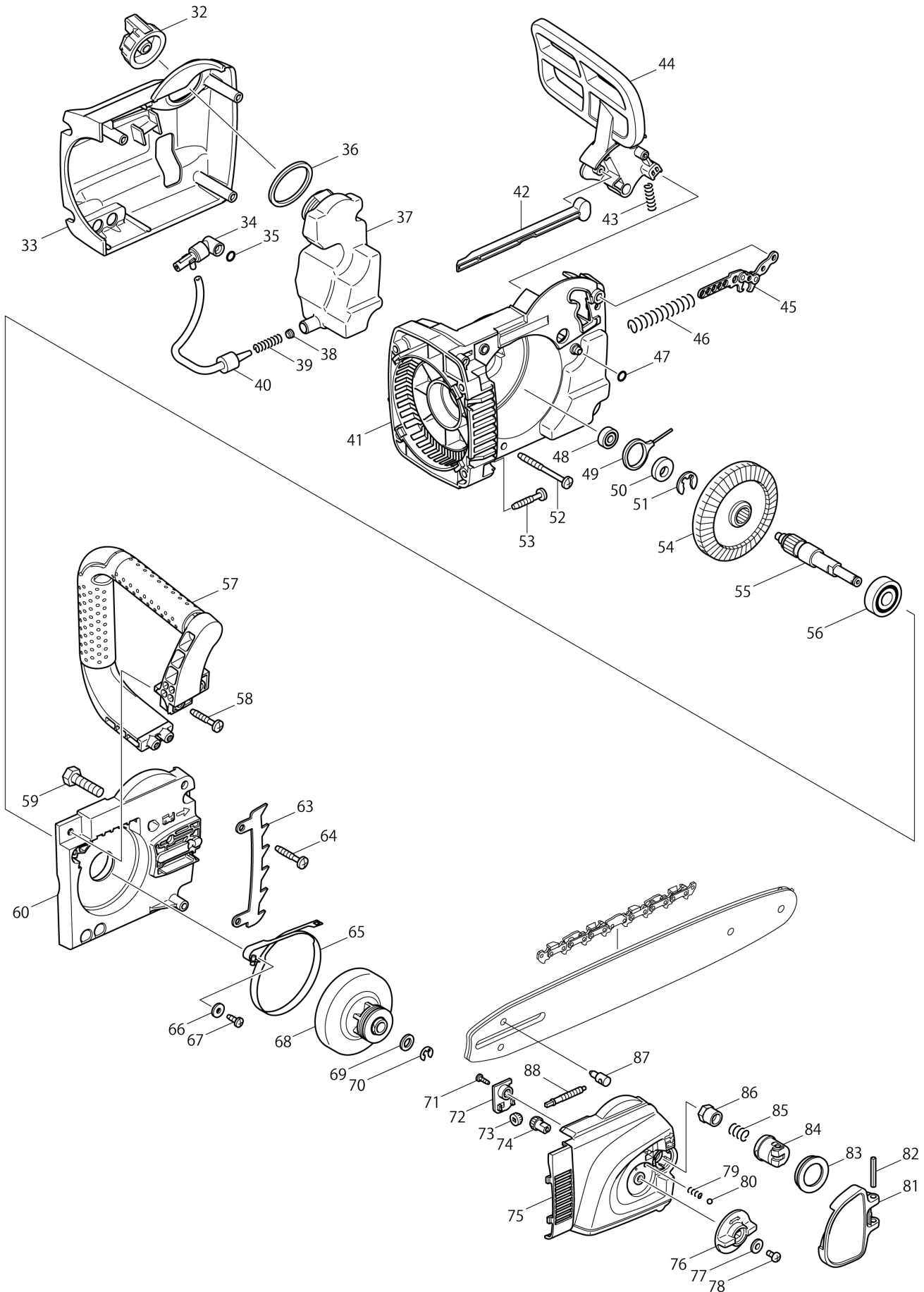
GERMANY

Diagram / Parts List

ES-2140A

CHAIN SAW 400MM

(DE) ES-2140A / CHAIN SAW 400MM



DE	GERMANY
-----------	----------------

ES-2140A / CHAIN SAW 400MM

Item	Sub	Parts No.	Parts Description	Qty	I/C	E/C No.	Close No.	Remark
001		226743-8	STRAIGHT BEVEL GEAR 14	1				
002		419410-4	BAFFLE PLATE	1				
003		211111-8	BALL BEARING 6301LLB	1				
004		240001-8	FAN 80	1				
005		616969-4	ARMATURE 240V	1				
006		681666-1	INSULATION WASHER	1			A1466	
006-1		681666-1	INSULATION WASHER	1	O	A1466		
007		211057-8	BALL BEARING 629ZZ	1				
008		639530-0	FIELD 240V	1				
009		266095-5	TAPPING SCREW 5X55	2				
010		265995-6	TAPPING SCREW 4X18	1				
011		188819-8	HANDLE SET	1				
	C10	810198-3	CAUTION LABEL	1				
	D10		INC. 28					
012		654532-5	TERMINAL BLOCK 1P	1			B4055	
012-1		654475-1	TERMINAL BLOCK	1	<	B4055		
014		650577-1	SWITCH SD-006-BB2AA-AA	1				
015		631719-6	CONTROLLER	1			DL653	
015-1		620M13-9	CONTROLLER	1	<	DL653		
016		682574-9	CORD GUARD 10-90	1				
017		665883-1	POWER SUPPLY CORD 1.0-2-5.0	1				
018		687124-5	STRAIN RELIEF	1				
019		265995-6	TAPPING SCREW 4X18	2				
020		416178-3	LOCK-OFF BUTTON	1				
021		233173-6	COMPRESSION SPRING 4	1				
022		419411-2	SWITCH LEVER	1				
023		645239-4	NOISE SUPPRESSOR	1				
024		651923-1	SWITCH TG70B	1				
025		643650-4	BRUSH HOLDER CAP 6.5-13.5	2			B0305	
025-1		643650-4	BRUSH HOLDER CAP 6.5-13.5	2	O	B0305		
026		181044-0	CARBON BRUSH CB-153	1				
027		154868-7	MOTOR HOUSING COMPLETE	1				
	C10	643653-8	BRUSH HOLDER 6.5-13.5	2			C3359	
	C11	643536-2	BRUSH HOLDER 6.5X13.5	2	<	C3359		
028		188819-8	HANDLE SET	1				
	C10	810198-3	CAUTION LABEL	1				
	D10		INC. 11					
029		265995-6	TAPPING SCREW 4X18	1				
030		265995-6	TAPPING SCREW 4X18	5				
032		154870-0	TANK CAP COMPLETE	1				
033		419412-0	GEAR HOUSING COVER	1				
034		140089-7	OIL PUMP COMPLETE	1			97386	
034-1		142002-1	OIL PUMP COMPLETE	1	<	97386		
035		213039-6	O RING 6	1				
036		421959-2	SPONGE SEAL	1				
037		419407-3	OIL TANK	1				
038		416274-7	CAP	1				
039		231975-4	SPRING	1				
040		421958-4	OIL TUBE	1				
041		419408-1	GEAR HOUSING	1				
042		419413-8	ROD	1				
043		233174-4	COMPRESSION SPRING 6	1				
044		451130-4	FRONT HAND GUARD	1				
045		158044-5	LINK PLATE COMPLETE	1				
046		234005-0	COMPRESSION SPRING 9	1				
047		213039-6	O RING 6	1				
048		211012-0	BALL BEARING 606ZZ	1				
049		450230-7	CRANK	1				
050		417405-1	CAM	1				
051		259034-2	RETAINING RING E TYPE 10	1				
052		266095-5	TAPPING SCREW 5X55	2			A4161	
052-1		266044-2	TAPPING SCREW 5X60	2	S	A4161		
053		266173-1	TAPPING SCREW 5X30	4				
054		226741-2	STRAIGHT BEVEL GEAR 43	1				
055		324662-3	SPINDLE	1				

B:ES-2140A(H)
E:ES-2140A(H)
G:ES-2140AK(H)

Interchange
O : Yes
X : No
< : the new part can be substituted for the current.
> : the current part can be substituted for the new.
S : Interchangeable as a set.

DE	GERMANY
-----------	----------------

ES-2140A / CHAIN SAW 400MM

Item	Sub	Parts No.	Parts Description	Qty	I/C	E/C No.	Close No.	Remark
056		211107-9	BALL BEARING 6201ZZ	1				
057		419409-9	FRONT HANDLE	1			A4161	
057-1		455487-5	FRONT HANDLE	1	S	A4161		
058		266173-1	TAPPING SCREW 5X30	2				
059		921452-1	HEX. BOLT M8X30	1				
060		318013-0	BEARING HOUSING	1				
063		345651-5	SPIKE BUMPER	1				
064		266173-1	TAPPING SCREW 5X30	2				
065		168426-3	BRAKE BAND	1				
066		267195-4	FLAT WASHER 4	1				
067		266026-4	TAPPING SCREW BIND CT 4X12	1				
068		125331-7	BRAKE DRUM ASSEMBLY	1			B5177	
068-1		123886-6	BRAKE DRUM ASSEMBLY	1	O	B5177	B8190	
068-2		125331-7	BRAKE DRUM ASSEMBLY	1	<	B8190		
069		253215-0	FLAT WASHER 8	1				
070		259033-4	RETAINING RING E TYPE 6	1				
071		266007-8	TAPPING SCREW BIND PT 3X10	1				
072		419241-1	COVER	1				
073		227496-2	STRAIGHT BEVEL GEAR 14	1				
074		227495-4	STRAIGHT BEVEL GEAR 14	1				
075		154869-5	SPROCKET COVER COMPLETE	1				
076		419233-0	DIAL 40	1				
077		253874-0	FLAT WASHER 4	1				
078		915106-0	BINDING HEAD SCREW M4X8	1				
079		233033-2	COMPRESSION SPRING 4	1				
080		216008-6	STEEL BALL 4	1				
081		154763-1	LEVER COMPLETE	1				
082		951122-8	SPRING PIN 4-28	1				
083		419271-2	CUP WASHER 20	1			91133	
083-1		453061-3	CUP WASHER 20	1	O	91133		
084		317977-5	LEVER HOLDER	1				
085		231025-5	COMPRESSION SPRING 8	1				
086		252168-0	HEX. NUT M8-13	1				
087		324621-7	ADJUST PIN	1				
088		324620-9	ADJUST SCREW	1				
091		188929-1	OIL PUMP COMPLETE SET	1		Y05551	Y06290	
	D10		INC. 34,35,49			Y05551	Y06290	
091-1		187573-1	OIL PUMP COMPLETE SET	1	<	Y06290		
	D10		INC. 34,35,49			Y06290		
A01		419562-1	CHAIN PROTECTION COVER 430	1			98012	
A01-1		452669-0	CHAIN PROTECTION COVER 430	1	O	98012		
A02		158024-1	HOOK COMPLETE	1				
A03B		165444-2	GUIDE BAR 16	1			D1788	
A03E		165428-0	GUIDE BAR 16	1			D1788	
A03G		165444-2	GUIDE BAR 16	1			D1788	
A03-1B		165444-2	GUIDE BAR 16	1	O	D1788		
A03-1E		165428-0	GUIDE BAR 16	1	O	D1788		
A03-1G		165444-2	GUIDE BAR 16	1	O	D1788		
A04B		837010-2	OIL ABSORBENT SHEET	1				
A04E		837010-2	OIL ABSORBENT SHEET	1				
A04G		195089-2	CHAIN EDGER SET	1				
A05B		528092656	SAW CHAIN 16"	1			Y06296	
A05E		528092656	SAW CHAIN 16"	1			Y06296	
A05G		528092656	SAW CHAIN 16"	2			Y06296	
A05-1B		528092056	SAW CHAIN 16"	1	O	Y06296	Y06518	
A05-1E		528092056	SAW CHAIN 16"	1	O	Y06296	Y06518	
A05-1G		528092056	SAW CHAIN 16"	2	O	Y06296	Y06518	
A05-2B		511492756	SAW CHAIN 3/8LP.050" L56 CC D	1	O	Y06518		
A05-2E		511492756	SAW CHAIN 3/8LP.050" L56 CC D	1	O	Y06518		
A05-2G		511492756	SAW CHAIN 3/8LP.050" L56 CC D	2	O	Y06518		
A06G		195092-3	CHAIN OIL SET	1				
A07G		809822-3	DOLMAR COLLAR LABEL	1			95137	
A08G		823311-4	METAL CASE	1			95137	
A08-1G		823332-6	METAL CASE	1	S	95137		

B:ES-2140A(H)
E:ES-2140A(H)
G:ES-2140AK(H)

Interchange
O : Yes
X : No
< : the new part can be substituted for the current.
> : the current part can be substituted for the new.
S : Interchangeable as a set.