



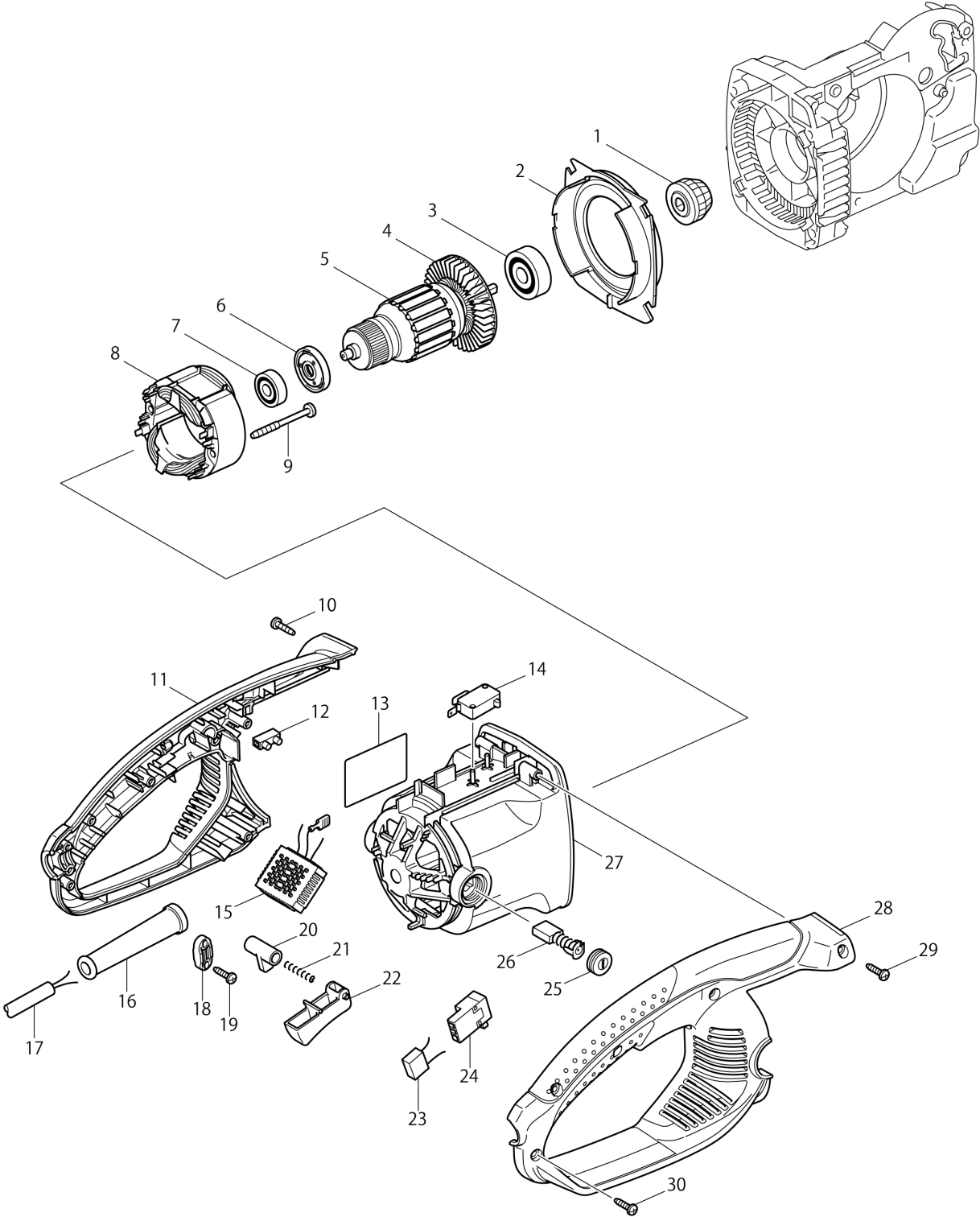
DE

GERMANY

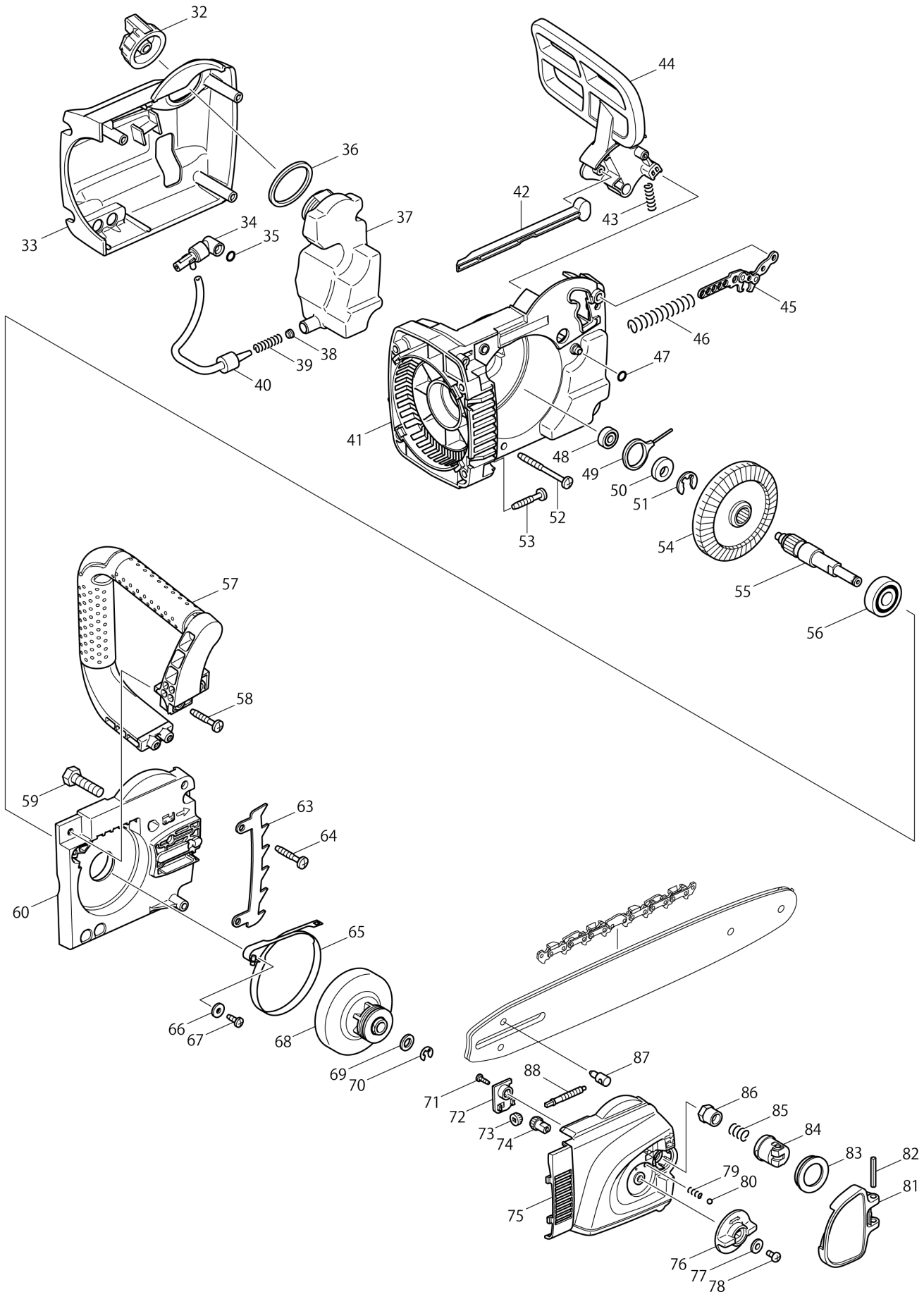
# Diagram / Parts List

**ES-163A**

**CHAIN SAW 350MM**



(DE) ES-163A / CHAIN SAW 350MM



|           |                |
|-----------|----------------|
| <b>DE</b> | <b>GERMANY</b> |
|-----------|----------------|

**ES-163A / CHAIN SAW 350MM**

| Item  | Sub | Parts No. | Parts Description           | Qty | I/C | E/C No. | Close No. | Remark |
|-------|-----|-----------|-----------------------------|-----|-----|---------|-----------|--------|
| 001   |     | 226743-8  | STRAIGHT BEVEL GEAR 14      | 1   |     |         |           |        |
| 002   |     | 419410-4  | BAFFLE PLATE                | 1   |     |         |           |        |
| 003   |     | 211111-8  | BALL BEARING 6301LLB        | 1   |     |         |           |        |
| 004   |     | 240001-8  | FAN 80                      | 1   |     |         |           |        |
| 005   |     | 616969-4  | ARMATURE 240V               | 1   |     |         |           |        |
| 006   |     | 681666-1  | INSULATION WASHER           | 1   |     |         | A1466     |        |
| 006-1 |     | 681666-1  | INSULATION WASHER           | 1   | O   | A1466   |           |        |
| 007   |     | 211057-8  | BALL BEARING 629ZZ          | 1   |     |         |           |        |
| 008   |     | 639530-0  | FIELD 240V                  | 1   |     |         |           |        |
| 009   |     | 266095-5  | TAPPING SCREW 5X55          | 2   |     |         |           |        |
| 010   |     | 265995-6  | TAPPING SCREW 4X18          | 1   |     |         |           |        |
| 011   |     | 188819-8  | HANDLE SET                  | 1   |     |         |           |        |
|       | C10 | 810198-3  | CAUTION LABEL               | 1   |     |         |           |        |
|       | D10 |           | INC. 28                     |     |     |         |           |        |
| 012   |     | 654532-5  | TERMINAL BLOCK 1P           | 1   |     |         | B4055     |        |
| 012-1 |     | 654475-1  | TERMINAL BLOCK              | 1   | <   | B4055   |           |        |
| 014   |     | 650577-1  | SWITCH SD-006-BB2AA-AA      | 1   |     |         |           |        |
| 015   |     | 631719-6  | CONTROLLER                  | 1   |     |         | DL653     |        |
| 015-1 |     | 620M13-9  | CONTROLLER                  | 1   | <   | DL653   |           |        |
| 016   |     | 682574-9  | CORD GUARD 10-90            | 1   |     |         |           |        |
| 017   |     | 665894-6  | POWER SUPPLY CORD 1.0-2-0.5 | 1   |     |         |           |        |
| 018   |     | 687124-5  | STRAIN RELIEF               | 1   |     |         |           |        |
| 019   |     | 265995-6  | TAPPING SCREW 4X18          | 2   |     |         |           |        |
| 020   |     | 416178-3  | LOCK-OFF BUTTON             | 1   |     |         |           |        |
| 021   |     | 233173-6  | COMPRESSION SPRING 4        | 1   |     |         |           |        |
| 022   |     | 419411-2  | SWITCH LEVER                | 1   |     |         |           |        |
| 023   |     | 645239-4  | NOISE SUPPRESSOR            | 1   |     |         |           |        |
| 024   |     | 651923-1  | SWITCH TG70B                | 1   |     |         |           |        |
| 025   |     | 643650-4  | BRUSH HOLDER CAP 6.5-13.5   | 2   |     |         | B0305     |        |
| 025-1 |     | 643650-4  | BRUSH HOLDER CAP 6.5-13.5   | 2   | O   | B0305   |           |        |
| 026   |     | 181044-0  | CARBON BRUSH CB-153         | 1   |     |         |           |        |
| 027   |     | 154868-7  | MOTOR HOUSING COMPLETE      | 1   |     |         |           |        |
|       | C10 | 643653-8  | BRUSH HOLDER 6.5-13.5       | 2   |     |         | C3359     |        |
|       | C11 | 643536-2  | BRUSH HOLDER 6.5X13.5       | 2   | <   | C3359   |           |        |
| 028   |     | 188819-8  | HANDLE SET                  | 1   |     |         |           |        |
|       | C10 | 810198-3  | CAUTION LABEL               | 1   |     |         |           |        |
|       | D10 |           | INC. 11                     |     |     |         |           |        |
| 029   |     | 265995-6  | TAPPING SCREW 4X18          | 1   |     |         |           |        |
| 030   |     | 265995-6  | TAPPING SCREW 4X18          | 5   |     |         |           |        |
| 032   |     | 154870-0  | TANK CAP COMPLETE           | 1   |     |         |           |        |
| 033   |     | 419412-0  | GEAR HOUSING COVER          | 1   |     |         |           |        |
| 034   |     | 140089-7  | OIL PUMP COMPLETE           | 1   |     |         | 97386     |        |
| 034-1 |     | 142002-1  | OIL PUMP COMPLETE           | 1   | <   | 97386   |           |        |
| 035   |     | 213039-6  | O RING 6                    | 1   |     |         |           |        |
| 036   |     | 421959-2  | SPONGE SEAL                 | 1   |     |         |           |        |
| 037   |     | 419407-3  | OIL TANK                    | 1   |     |         |           |        |
| 038   |     | 416274-7  | CAP                         | 1   |     |         |           |        |
| 039   |     | 231975-4  | SPRING                      | 1   |     |         |           |        |
| 040   |     | 421958-4  | OIL TUBE                    | 1   |     |         |           |        |
| 041   |     | 419408-1  | GEAR HOUSING                | 1   |     |         |           |        |
| 042   |     | 419413-8  | ROD                         | 1   |     |         |           |        |
| 043   |     | 233174-4  | COMPRESSION SPRING 6        | 1   |     |         |           |        |
| 044   |     | 451130-4  | FRONT HAND GUARD            | 1   |     |         |           |        |
| 045   |     | 158044-5  | LINK PLATE COMPLETE         | 1   |     |         |           |        |
| 046   |     | 234005-0  | COMPRESSION SPRING 9        | 1   |     |         |           |        |
| 047   |     | 213039-6  | O RING 6                    | 1   |     |         |           |        |
| 048   |     | 211012-0  | BALL BEARING 606ZZ          | 1   |     |         |           |        |
| 049   |     | 450230-7  | CRANK                       | 1   |     |         |           |        |
| 050   |     | 417405-1  | CAM                         | 1   |     |         |           |        |
| 051   |     | 259034-2  | RETAINING RING E TYPE 10    | 1   |     |         |           |        |
| 052   |     | 266095-5  | TAPPING SCREW 5X55          | 2   |     |         | A4161     |        |
| 052-1 |     | 266044-2  | TAPPING SCREW 5X60          | 2   | S   | A4161   |           |        |
| 053   |     | 266173-1  | TAPPING SCREW 5X30          | 4   |     |         |           |        |
| 054   |     | 226741-2  | STRAIGHT BEVEL GEAR 43      | 1   |     |         |           |        |
| 055   |     | 324662-3  | SPINDLE                     | 1   |     |         |           |        |

C:ES-163A(H)  
I:ES-163A(H)

Interchange  
O : Yes  
X : No  
< : the new part can be substituted for the current.  
> : the current part can be substituted for the new.  
S : Interchangeable as a set.

