



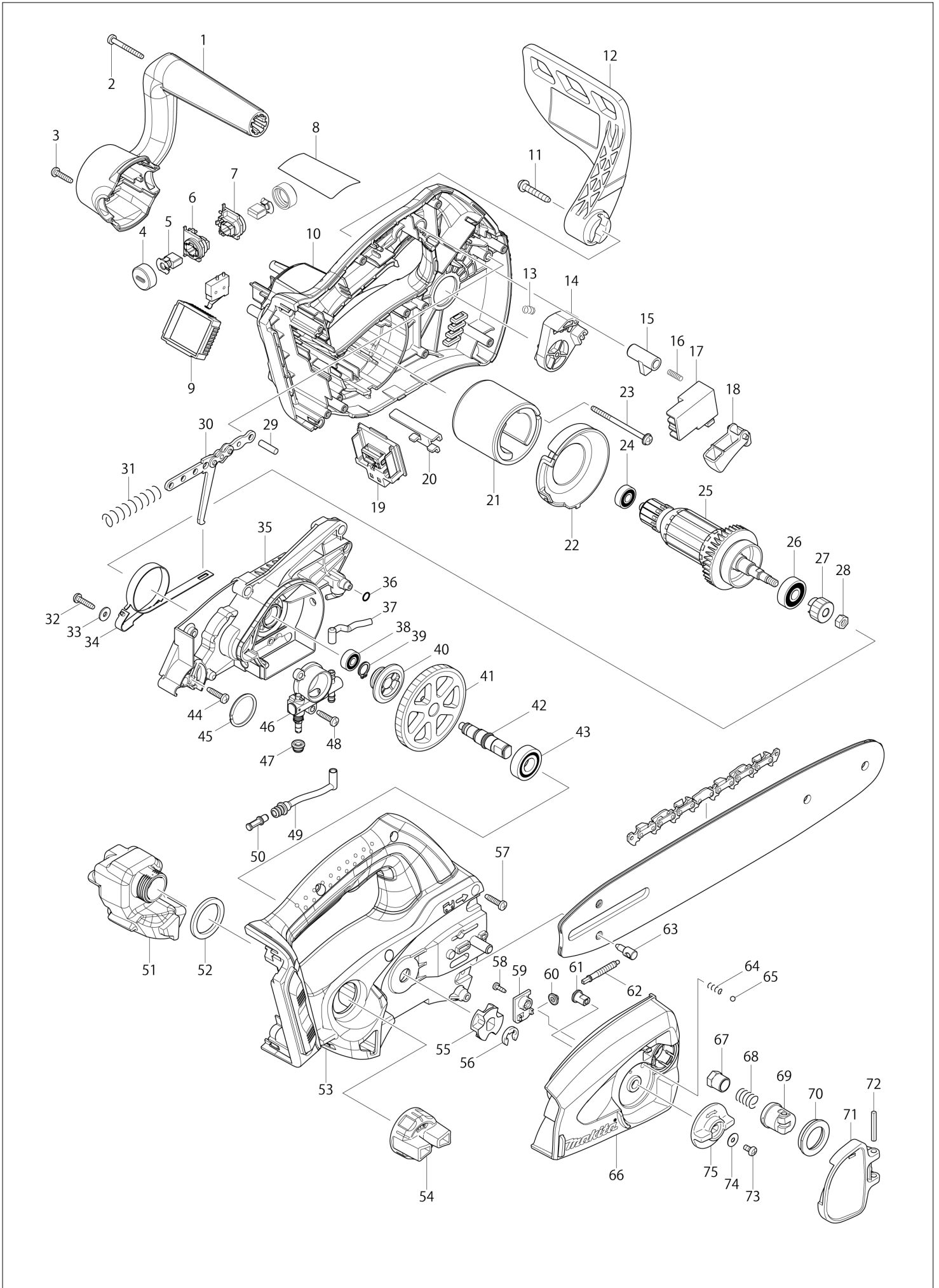
DE	GERMANY
----	---------

# Diagram / Parts List

**AS3626**

**250MM CORDLESS CHAIN SAW**

(DE) AS3626 / 250MM CORDLESS CHAIN SAW



<b>DE</b>	<b>GERMANY</b>
-----------	----------------

### AS3626 / 250MM CORDLESS CHAIN SAW

Item	Sub	Parts No.	Parts Description	Qty	I/C	E/C No.	Close No.	Remark
001		451972-6	FRONT HANDLE	1				
002		266053-1	TAPPING SCREW 4X35	1				
003		265995-6	TAPPING SCREW 4X18	2				
004		643941-3	BRUSH HOLDER CAP	2				
005		194928-3	CARBON BRUSH CB-442	1				
006		643813-2	BRUSH HOLDER	1			92347	
006-1		643891-2	BRUSH HOLDER	1	S	92347		
007		643853-0	BRUSH HOLDER	1			92347	
007-1		643892-0	BRUSH HOLDER	1	S	92347		
008		869619-2	AS-3626 NAME PLATE	1				
009		631971-6	CONTROLLER	1				
010		188911-0	HOUSING SET	1			93875	
	C10	263005-3	RUBBER PIN 6	2			93875	
	D10		INC. 53				93875	
010-1		187489-0	HOUSING SET	1	<	93875		
	C10	263005-3	RUBBER PIN 6	2		93875		
	D10		INC. 53			93875		
011		266173-1	TAPPING SCREW 5X30	1				
012		140494-8	FRONT HAND GUARD COMPLETE	1			93875	
	C10	819515-4	CAUTION LABEL	1			93875	
012-1		141677-3	FRONT HAND GUARD COMPLETE	1	<	93875		
	C10	800A01-2	CAUTION LABEL	1		93875		
013		231298-0	COMPRESSION SPRING 6	1				
014		451973-4	HAND GUARD SUPPORT	1				
015		416178-3	LOCK-OFF BUTTON	1				
016		233173-6	COMPRESSION SPRING 4	1				
017		650631-1	SWITCH	1				
018		450212-9	SWITCH LEVER	1				
019		643849-1	TERMINAL	1				
020		346039-2	SUPPORT PLATE	1				
021		638571-3	YOKE UNIT	1				
022		451970-0	BAFFLE PLATE	1				
023		266292-3	TAPPING SCREW 4X65	2				
024		210062-2	BALL BEARING 607ZZ	1				
025		519268-2	ARMATURE ASS'Y 36V	1				
	D10		INC. 24,26					
026		211092-6	BALL BEARING 629DDW	1				
027		227252-0	SPUR GEAR 16	1				
028		252186-8	HEX. NUT M6	1				
029		256123-4	PIN 5	1				
030		158047-9	LINK PLATE COMPLETE	1				
031		233175-2	COMPRESSION SPRING 9	1				
032		265995-6	TAPPING SCREW 4X18	1			C1478	
032-1		265620-9	TAPPING SCREW FLANGE 4X18	1	S	C1478		
033		267195-4	FLAT WASHER 4	1			C1478	
034		168321-7	BRAKE BAND	1				
035		140488-3	BEARING HOUSING COMPLETE	1				
036		213039-6	O RING 6	1				
037		422058-3	CONNECTOR	1				
038		210028-2	BALL BEARING 606ZZ	1				
039		961006-2	RETAINING RING S-10	1				
040		221422-3	WORM GEAR	1				
041		227251-2	SPUR GEAR 73	1				
042		325931-5	SPINDLE	1				
043		210109-2	BALL BEARING 6001DDW	1			B4446	
043-1		210163-6	BALL BEARING 6001DDW	1	O	B4446		
044		265995-6	TAPPING SCREW 4X18	4				
045		257311-6	RING 28	1				
046		168393-2	OIL PUMP	1				
047		421875-8	GROMMET	1				
048		265995-6	TAPPING SCREW 4X18	2				
049		422057-5	CONNECTOR	1			C3896	
049-1		422313-3	CONNECTOR	1	S	C3896		
050		450437-5	FILTER	1			C3896	
051		451974-2	OIL TANK	1				

P:AS-3626(N)  
Q:AS-3626LG(H)  
R:AS-3626LGE(H)

Interchange  
O : Yes  
X : No  
< : the new part can be substituted for the current.  
> : the current part can be substituted for the new.  
S : Interchangeable as a set.

