



DE	GERMANY
----	---------

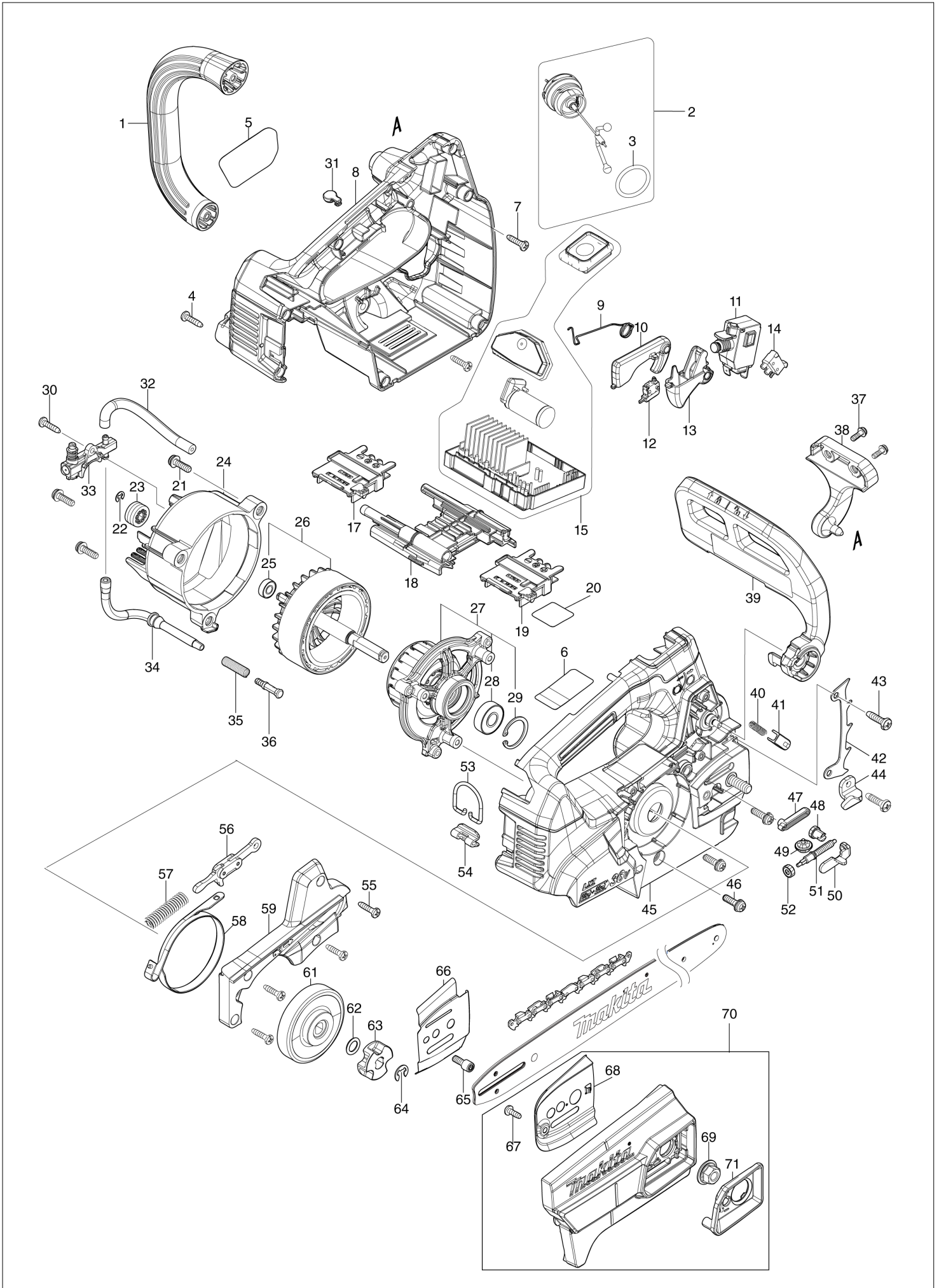
Diagram / Parts List

AS4030

300MM CORDLESS CHAIN SAW



(DE) AS4030 / 300MM CORDLESS CHAIN SAW



DE	GERMANY
-----------	----------------

AS4030 / 300MM CORDLESS CHAIN SAW

Item	Sub	Parts No.	Parts Description	Qty	I/C	E/C No.	Close No.	Remark
001		459275-2	FRONT HANDLE	1				
002		126832-8	TANK CAP ASSEMBLY	1				
	D10		INC. 3					
003		213355-6	O-RING 25	1			D3830	
003-1		213894-6	O-RING 25	1	O	D3830		
004		266326-2	TAPPING SCREW 4X18	9				
005		819S66-1	AS4030 MODEL NO. LABEL	1				
006		856A59-9	AS4030 NAME PLATE	1				
007		266326-2	TAPPING SCREW 4X18	2				
008		183N17-3	HOUSING SET	1				
	C10	263005-3	RUBBER PIN 6	2				
	C20	424170-5	VALVE	1				
	C30	454724-4	SINTER INSERT	1				
	D10		INC. 45					
009		232509-6	TORSION SPRING 10	1				
010		459283-3	CATCH LEVER	1				
011		651365-9	SWITCH C3JW-6BM-P	1				
012		632L49-0	SWITCH UNIT	1				
013		459282-5	SWITCH LEVER	1				
014		632L48-2	SWITCH UNIT	1				
015		140K82-7	CONTROLLER COMPLETE	1			DB936	
	C10	819R38-0	INDICATION LABEL	1			DB936	
	C20	819S81-5	SWITCH LABEL	1			DB936	
015-1		141J62-0	CONTROLLER COMPLETE	1	<	DB936		
	C10	819R38-0	INDICATION LABEL	1		DB936		
	C20	819S81-5	SWITCH LABEL	1		DB936		
017		643874-2	TERMINAL	1				
018		140K81-9	CENTER CASE COMPLETE	1			D3723	
	C10	263005-3	RUBBER PIN 6	2			D3723	
018-1		140V36-0	CENTER CASE COMPLETE	1	<	D3723		
	C10	263005-3	RUBBER PIN 6	2		D3723		
019		643874-2	TERMINAL	1				
020		856A60-4	AS4030 SERIAL NO. LABEL	1				
021		911228-4	PAN HEAD SCREW M5X18	3				
022		961011-9	STOP RING E-4	1				
023		226884-0	WORM GEAR	1				
024		459276-0	MOTOR HOUSING	1				
025		210026-6	BALL BEARING 696ZZ	1				
026		519576-1	ROTOR ASS'Y	1				
	D10		INC. 25					
027		529420-4	STATOR ASS'Y	1			DC599	
	D10		INC. 28,29				DC599	
027-1		520146-1	STATOR ASSY	1	O	DC599		
	D10		INC. 28,29			DC599		
028		210059-1	BALL BEARING 6000DDW	1			DC599	
028-1		210274-7	BALL BEARING 6000DDW	1	O	DC599		
029		962105-3	RETAINING RING R-26	1				
030		266326-2	TAPPING SCREW 4X18	1				
031		422467-6	CAP	1				
032		422451-1	OIL TUBE 3-100	1				
033		142156-4	OIL PUMP COMPLETE	1			D4444	
033-1		142156-4	OIL PUMP COMPLETE	1	O	D4444		
034		422452-9	OIL TUBE 3-130	1				
035		231975-4	SPRING	1				
036		452666-6	NIPPLE	1			DA680	
036-1		452666-6	NIPPLE	1	O	DA680		
037		911118-1	PAN HEAD SCREW M4X12	2				
038		459270-2	FRONT HAND GUARD RETAINER	1				
039		140K79-6	FRONT HAND GUARD COMPLETE	1				
	C10	819S75-0	CAUTION LABEL	1				
040		234210-9	COMPRESSION SPRING 3	1				
041		313212-9	HAND GUARD GUIDE	1				
042		346809-9	SPIKE BUMPER	1				
043		266420-0	TAPPING SCREW 5X20	2				
044		347516-7	CHAIN CATCHER	1				

A:AS4030Z(N)

Interchange
O : Yes
X : No
< : the new part can be substituted for the current.
> : the current part can be substituted for the new.
S : Interchangeable as a set.

