



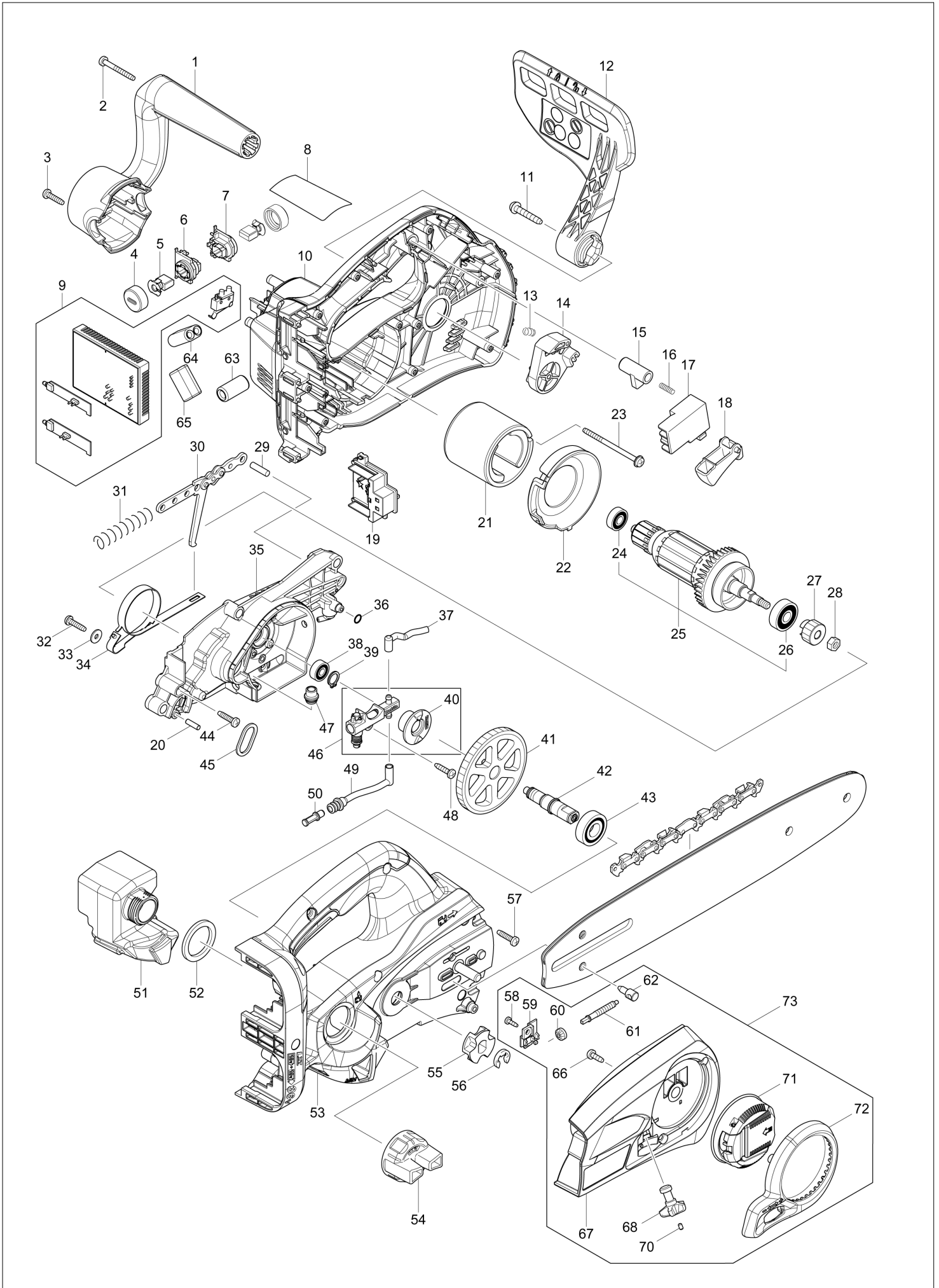
DE	GERMANY
----	---------

Diagram / Parts List

AS3731

300MM CORDLESS CHAIN SAW

(DE) AS3731 / 300MM CORDLESS CHAIN SAW



DE	GERMANY
-----------	----------------

AS3731 / 300MM CORDLESS CHAIN SAW

Item	Sub	Parts No.	Parts Description	Qty	I/C	E/C No.	Close No.	Remark
001		451972-6	FRONT HANDLE	1				
002		266053-1	TAPPING SCREW 4X35	1				
003		265995-6	TAPPING SCREW 4X18	2				
004		643941-3	BRUSH HOLDER CAP	2			Z39174	
004-1		643829-7	HOLDER CAP	2	O	Z39174		
005		194928-3	CARBON BRUSH CB-442	1				
006		644514-5	BRUSH HOLDER	1			Z39174	
006-1		643538-8	BRUSH HOLDER	1	O	Z39174		
007		644513-7	BRUSH HOLDER	1			Z39174	
007-1		643537-0	BRUSH HOLDER	1	O	Z39174		
008		815R35-4	AS-3731 NAME PLATE	1				
009		620275-1	CONTROLLER	1			DB934	
009-1		620G61-2	CONTROLLER	1	<	DB934		
010		187883-6	HOUSING SET	1				
	C10	263005-3	RUBBER PIN 6	4				
	D10		INC. 53					
011		266173-1	TAPPING SCREW 5X30	1				
012		142836-2	FRONT HAND GUARD COMPLETE	1				
	C10	804P18-7	CAUTION LABEL	1				
013		231298-0	COMPRESSION SPRING 6	1				
014		451973-4	HAND GUARD SUPPORT	1				
015		416178-3	LOCK-OFF BUTTON	1			DA686	
015-1		413908-3	LOCK OFF BUTTON	1	<	DA686		
016		233173-6	COMPRESSION SPRING 4	1				
017		650730-9	SWITCH TG72BD-6	1				
018		450212-9	SWITCH LEVER	1				
019		644808-8	TERMINAL	2				
020		256184-4	PIN 4	1				
021		638571-3	YOKE UNIT	1				
022		451970-0	BAFFLE PLATE	1				
023		266292-3	TAPPING SCREW 4X65	2				
024		210062-2	BALL BEARING 607ZZ	1				
025		519268-2	ARMATURE ASS'Y 36V	1				
	D10		INC. 24,26					
026		211092-6	BALL BEARING 629DDW	1				
027		227252-0	SPUR GEAR 16	1				
028		252186-8	HEX. NUT M6	1				
029		256123-4	PIN 5	1				
030		158047-9	LINK PLATE COMPLETE	1				
031		233175-2	COMPRESSION SPRING 9	1				
032		265995-6	TAPPING SCREW 4X18	1			C1478	
032-1		265620-9	TAPPING SCREW FLANGE 4X18	1	S	C1478		
033		267195-4	FLAT WASHER 4	1			C1478	
034		168321-7	BRAKE BAND	1				
035		142573-8	BEARING HOUSING COMPLETE	1				
	C10	263002-9	RUBBER PIN 4	1				
	C20	414377-1	NOZZLE	1				
036		213039-6	O RING 6	1				
037		422058-3	CONNECTOR	1				
038		210028-2	BALL BEARING 606ZZ	1				
039		961006-2	RETAINING RING S-10	1				
040		221427-3	WORM GEAR	1				
041		227251-2	SPUR GEAR 73	1				
042		326417-2	SPINDLE	1				
043		210109-2	BALL BEARING 6001DDW	1			B4446	
043-1		210163-6	BALL BEARING 6001DDW	1	O	B4446		
044		265995-6	TAPPING SCREW 4X18	3				
045		310593-2	HANGER	1				
046A		196419-0	OIL PUMP SET	1			A5303	
	D10		INC. 40				A5303	
046B		196419-0	OIL PUMP SET	1			A5303	
	D10		INC. 40				A5303	
046-1A		142156-4	OIL PUMP COMPLETE	1	<	A5303	D4444	
046-1B		142156-4	OIL PUMP COMPLETE	1	<	A5303	D4444	
046-1D		142156-4	OIL PUMP COMPLETE	1			D4444	

A:AS3731(N)
 B:AS3731LE3(H)
 D:AS3731XE3(H)

Interchange
 O : Yes
 X : No
 < : the new part can be substituted for the current.
 > : the current part can be substituted for the new.
 S : Interchangeable as a set.

