



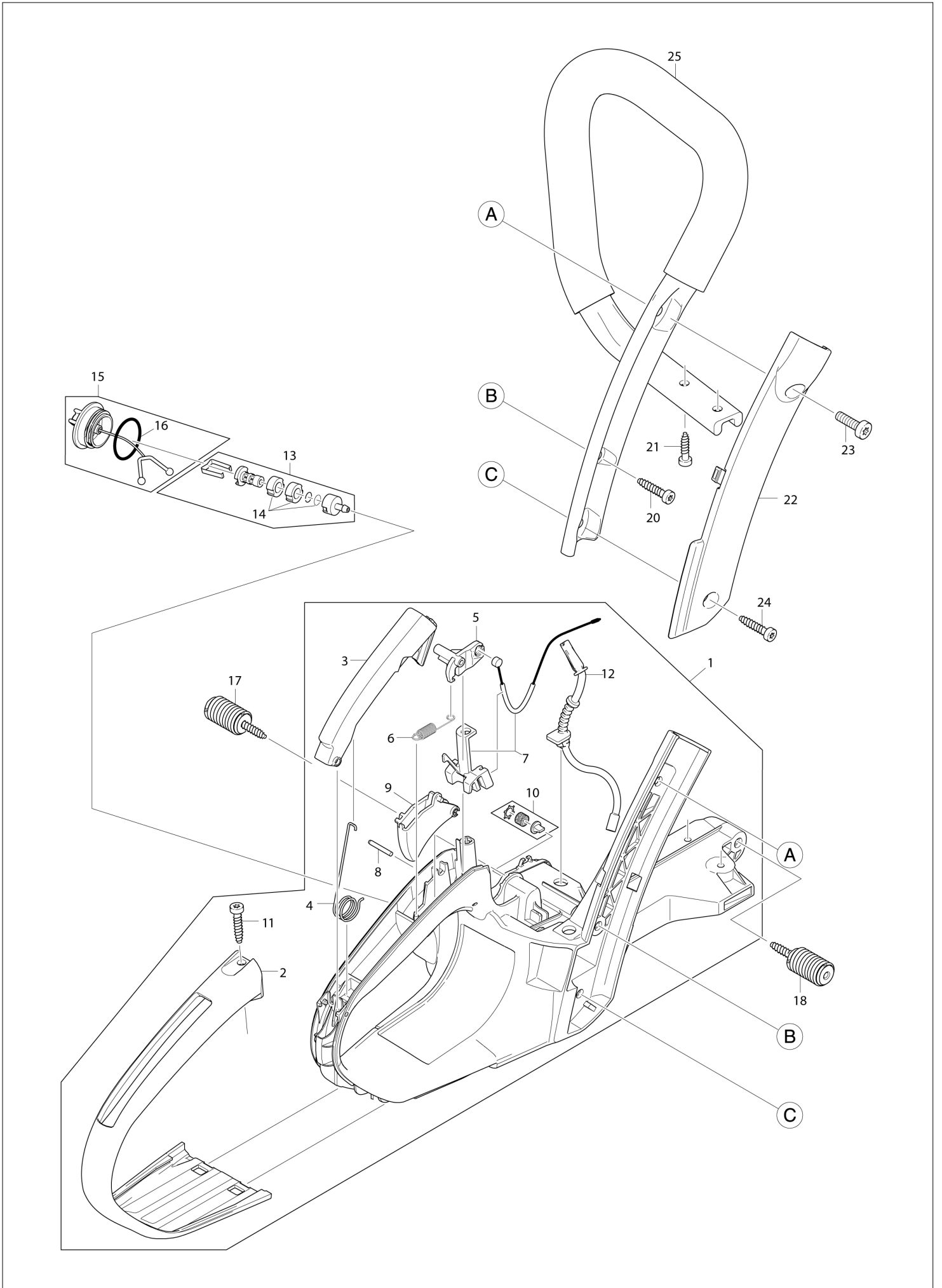
DE

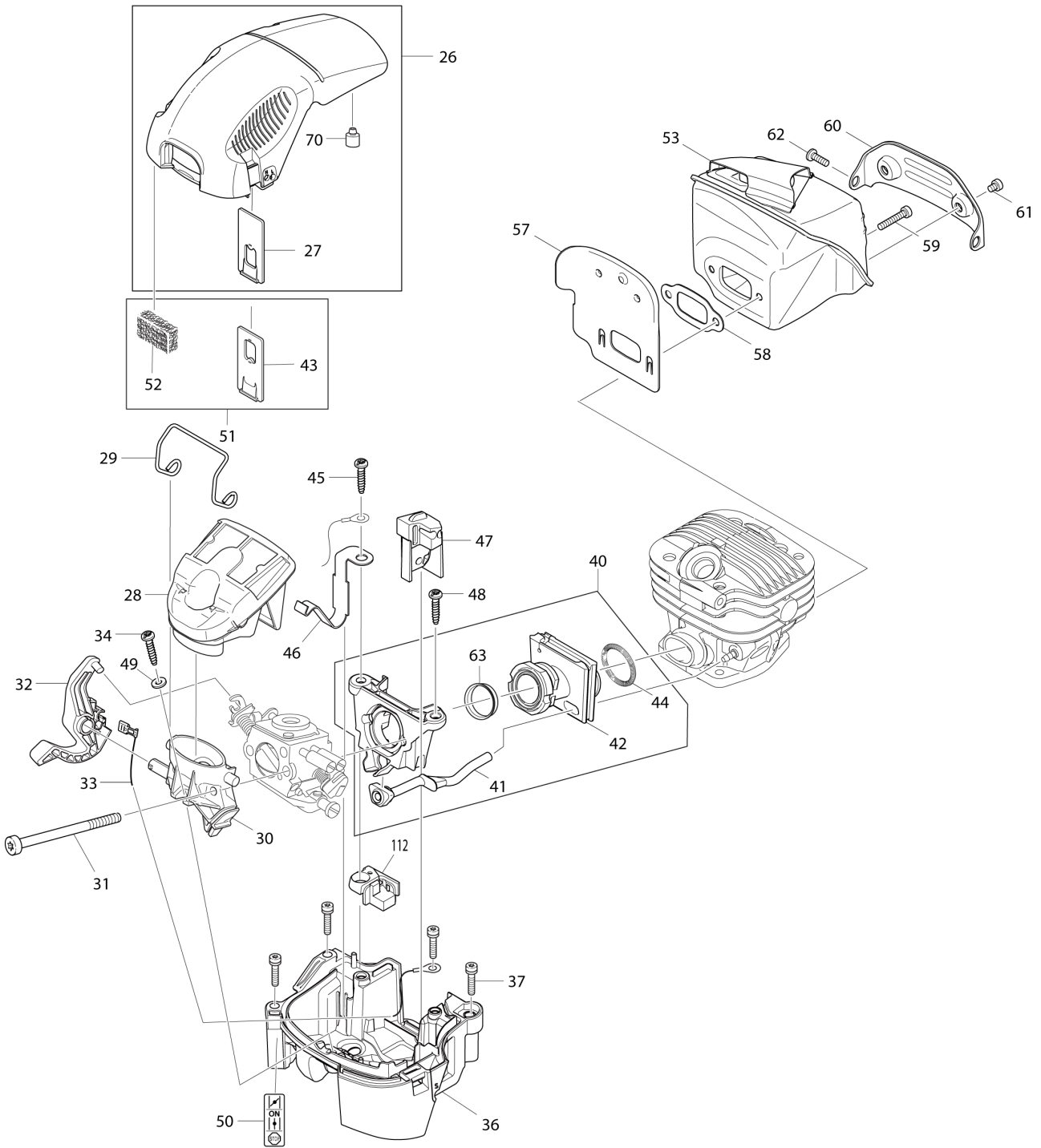
GERMANY

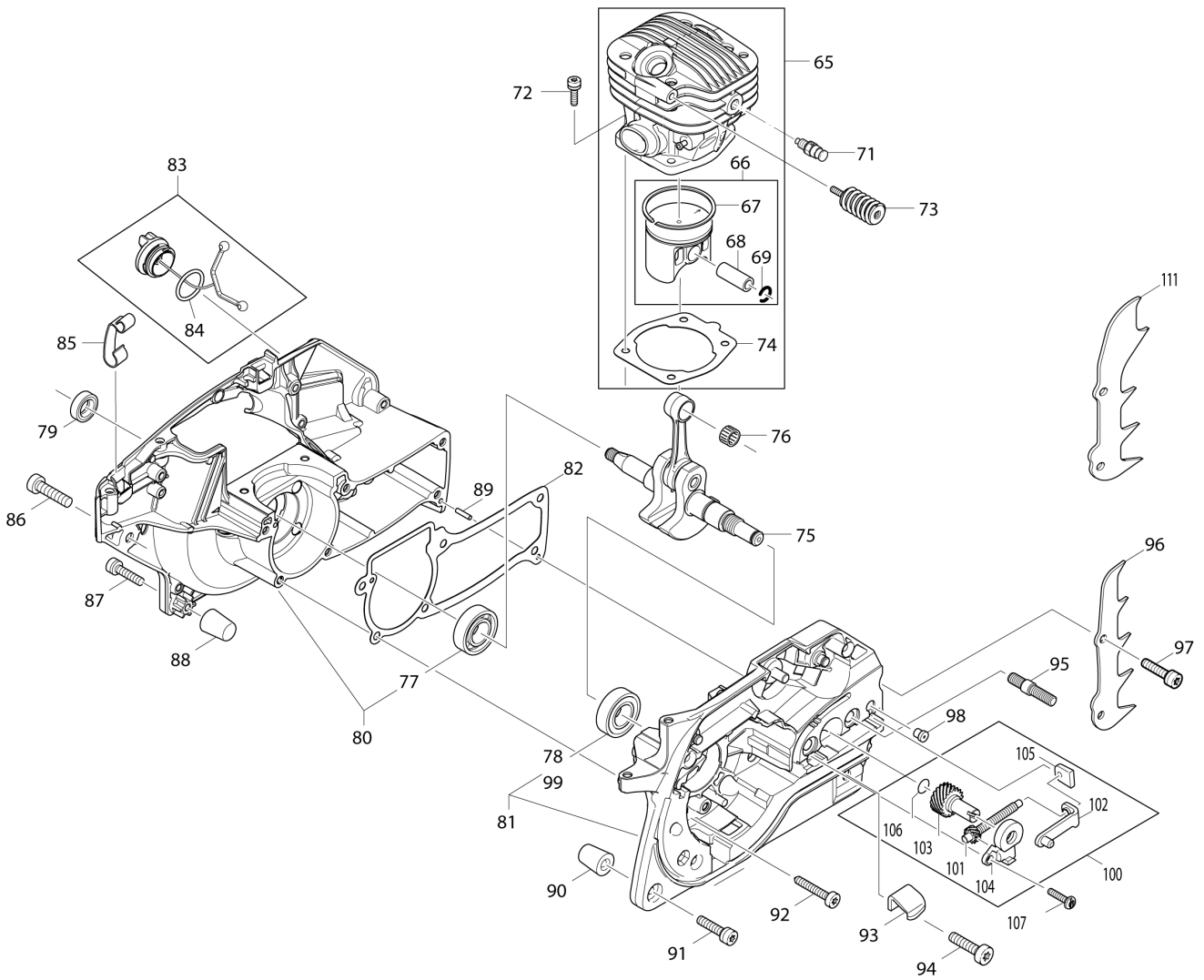
Diagram / Parts List

PS5105H

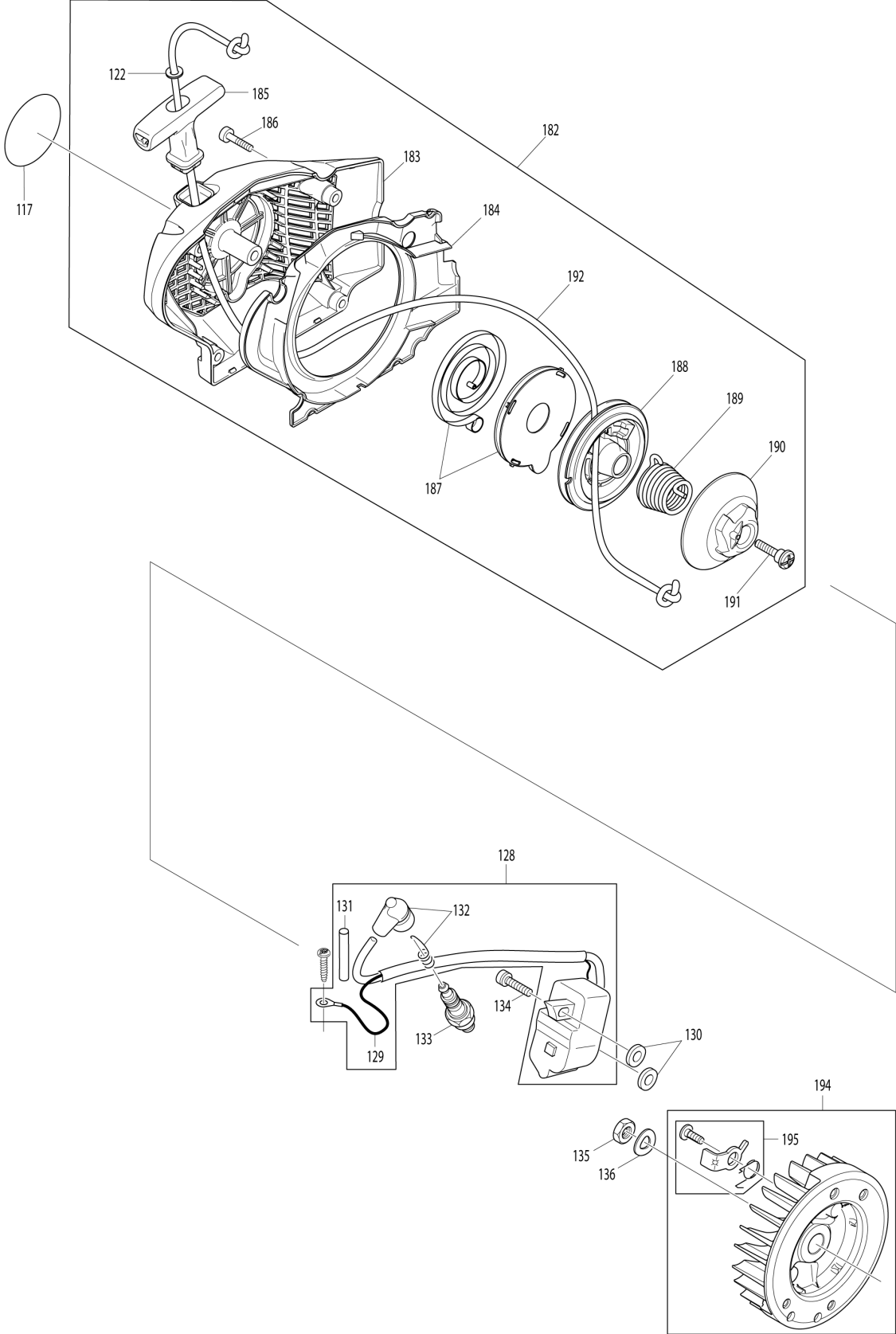
PETROL CHAINSAW

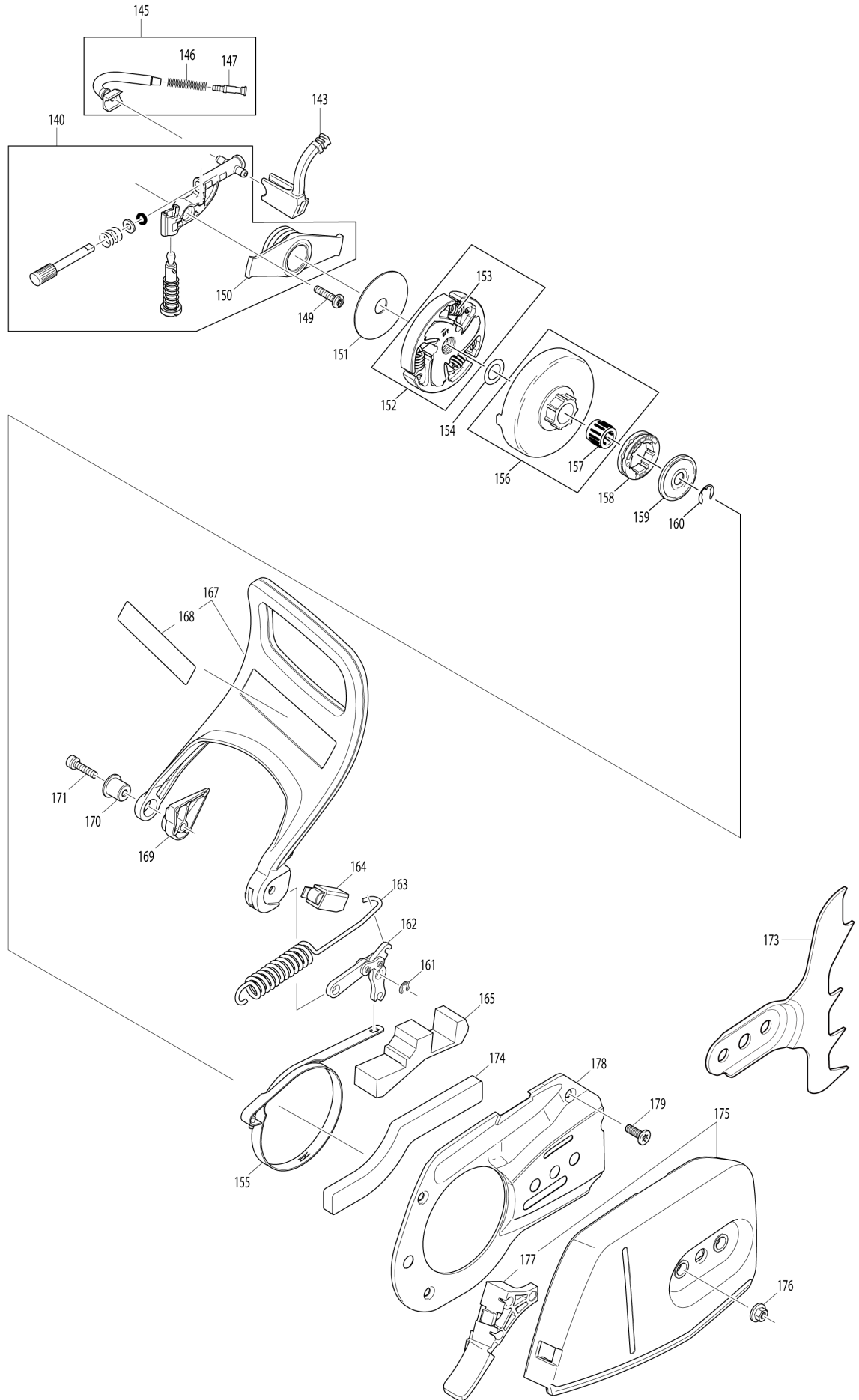


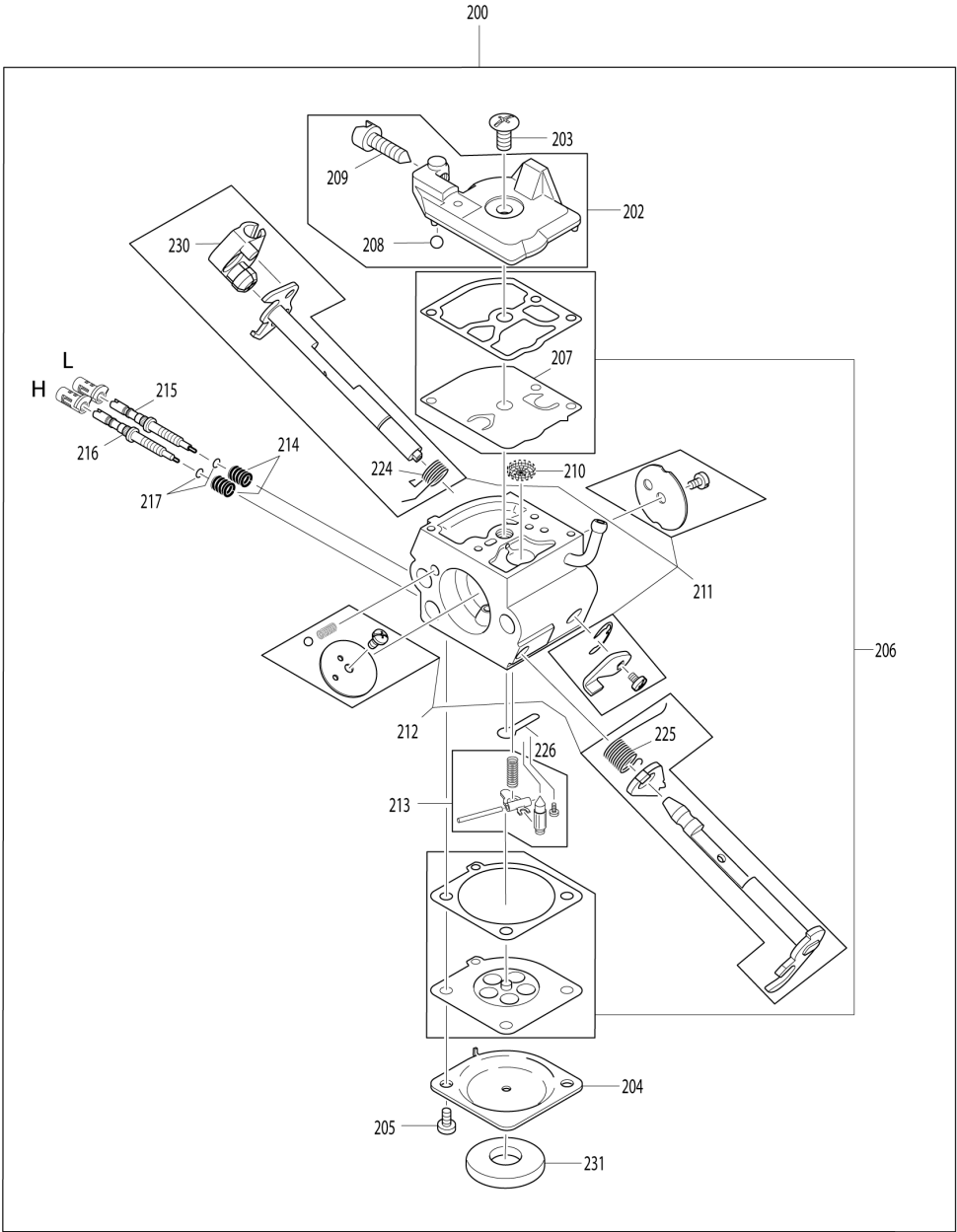


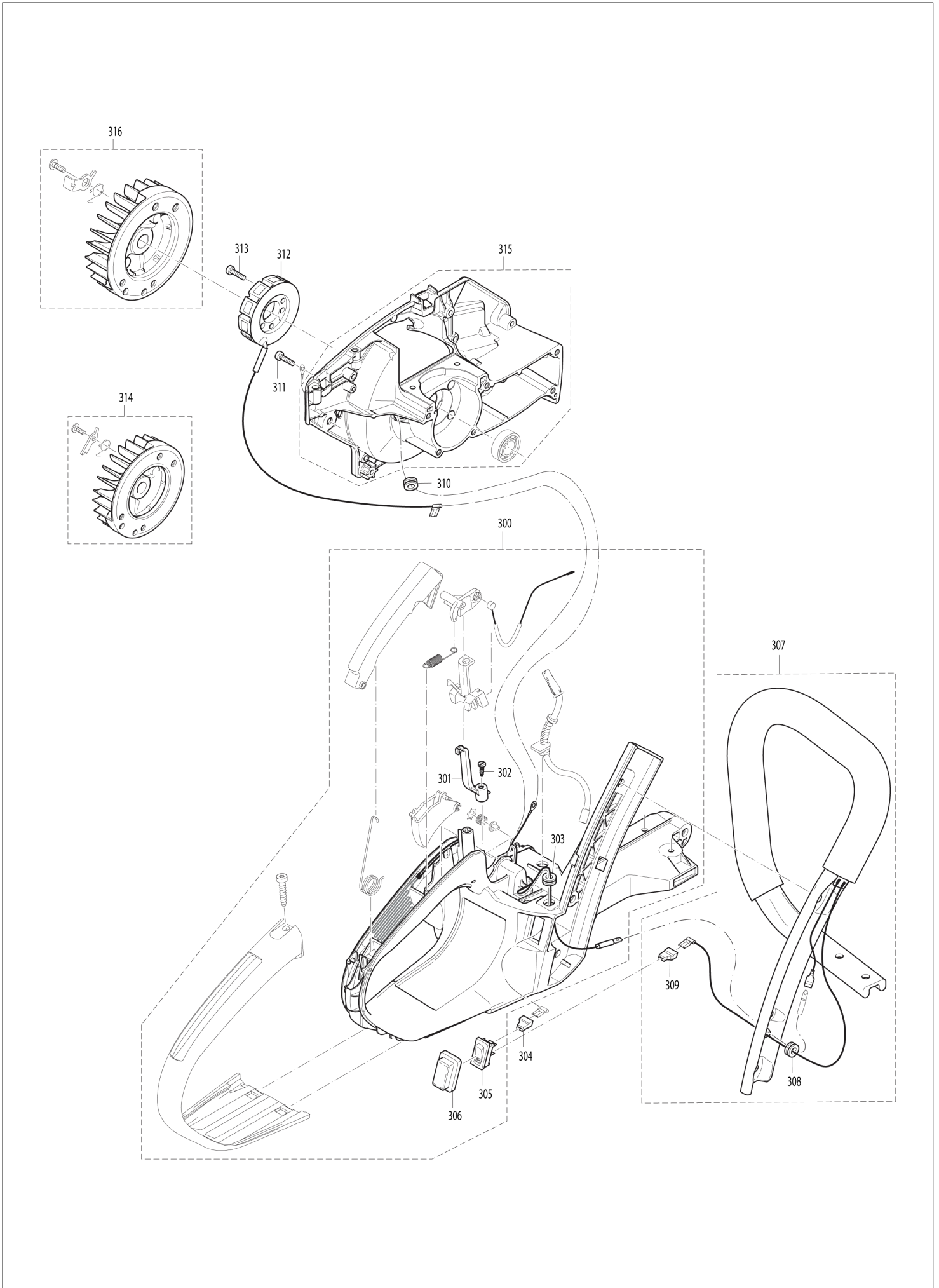


(DE) PS5105H / PETROL CHAINSAW

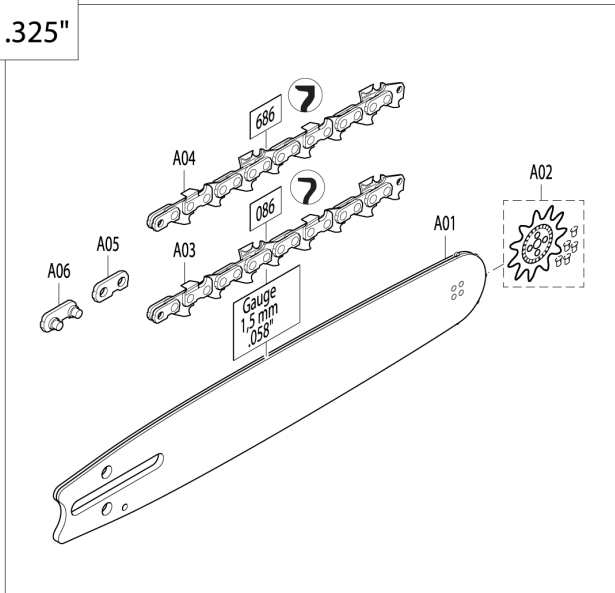




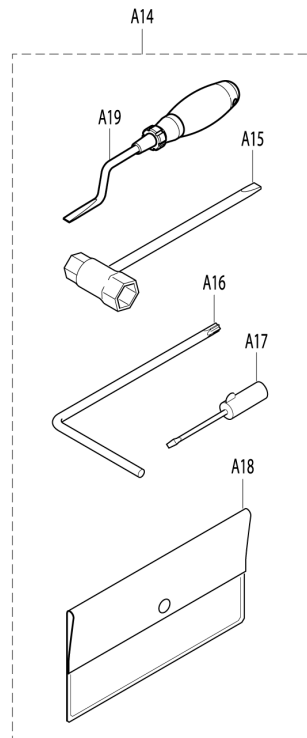
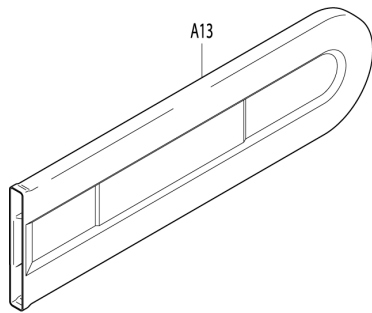
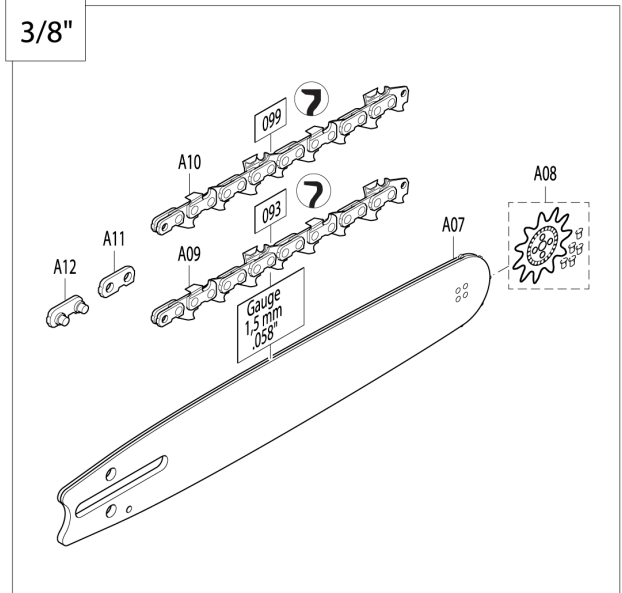




.325"



3/8"



DE	GERMANY
-----------	----------------

PS5105H / PETROL CHAINSAW

Item	Sub	Parts No.	Parts Description	Qty	I/C	E/C No.	Close No.	Remark
002		181117050	GRIP OUTER SHELL	1			Y08229	
002-1		450851-5	GRIP OUTER SHELL	1	O	Y08229		
003		181117132	CATCH LEVER	1				
004		181117031	SPRING	1				
005		181117081	ROCKER	1				
006		181117110	SPRING	1				
007		010117050	MODIFICATION SET	1				
	D10		INC.30					
008		935930240	CYLINDRICAL PIN 3X24	1			Y08222	
008-1		268233-5	PIN 3	1	O	Y08222		
009		181117121	THROTTLE LEVER	1				
010		957114061	AIR VALVE CPL.	1				
011		913455204	H.L.TAPPING SCREW 5.5X20	1			Y07608	
011-1		913455204	H.L.TAPPING SCREW 5.5X20	1	O	Y07608	Y08390	
011-2		266475-5	H.L.TAPPING SCREW 5.5X20	1	O	Y08390		
012		181114065	FUEL LINE	1				
013		010114010	SUCTION HEAD(FUEL)	1			Y08131	
	D10		INC.14				Y08131	
013-1		163499-1	SUCTION HEAD	1	O	Y08131		
	D10		INC.14			Y08131		
014		010114020	REP.KIT, FILTER(FELT ELEMENT)	1			Y08131	
015		181114202	TANK CAP CPL.	1			Y08212	
	D10		INC.16				Y08212	
015-1		168507-3	TANK CAP COMPLETE	1	O	Y08212		
	D10		INC.16			Y08212		
016		963229036	PACKING RING	1			Y08212	
016-1		213080-9	O RING 29.5	1	O	Y08212		
017		181114301	DAMPING SPRING, CPL.	1				
018		181114301	DAMPING SPRING, CPL.	1				
020		913455204	H.L.TAPPING SCREW 5.5X20	1			Y07608	
020-1		913455204	H.L.TAPPING SCREW 5.5X20	1	O	Y07608	Y08390	
020-2		266475-5	H.L.TAPPING SCREW 5.5X20	1	O	Y08390		
021		913455164	H.L. TAPPING SCREW 5.5X16	2			Y08390	
021-1		266478-9	H.L.TAPPING SCREW 5.5X16	2	O	Y08390		
022		181114051	HANDLE COVER DOLMAR RED	1				
023		908006205	H.L. SOCKET HEAD BOLT M6X20	1			Y08164	
023-1		266479-7	H.L. SOCKET HEAD BOLT M6X20	1	O	Y08164		
024		913455204	H.L.TAPPING SCREW 5.5X20	1			Y07608	
024-1		913455204	H.L.TAPPING SCREW 5.5X20	1	O	Y07608	Y08390	
024-2		266475-5	H.L.TAPPING SCREW 5.5X20	1	O	Y08390		
026		181118240	AIR FILTER ELEMENT COVER	1				
027		181118060	ANTI ICING PLATE SUMMER	1				
028		181173090	AIR FILTER ELEMENT NYLON MESH	1				
029		181171050	CLIP FOR AIR FILTER	1			Y08606	
029-1		325593-9	CLIP	1	O	Y08606		
030		010117050	MODIFICATION SET	1				
	D10		INC.7					
031		908505555	H.L. SOCKET HEAD BOLT M5X55	2			Y08390	
031-1		266480-2	H.L. SOCKET HEAD BOLT M5X55	2	O	Y08390		
032		181155020	ENGINE STOP / CHOKE LEVER	1				
033		970311550	EARTH CABLE	1				
034		913455164	H.L. TAPPING SCREW 5.5X16	1			Y08390	
034-1		266478-9	H.L.TAPPING SCREW 5.5X16	1	O	Y08390		
036		181131160	CARBURETOR HOUSING ASSY RED	1				
037		908805205	H.L. SOCKET HEAD BOLT M5X20	4			Y08050	
037-1		266472-1	TORX SOCKET HEAD BOLT M5X20	4	O	Y08050		
040		181171160	INTAKE MANIFOLD SET	1				
	D10		INC.41-42,44,63					
041		181131090	OIL RESISTANT HOSE	1				
042		181131040	INTAKE MANIFOLD	1			Y08741	
042-1		181131041	INTAKE HOSE	1	O	Y08741		
043		181118160	ANTI ICING PLATE WINTER	1				
044		181131070	RING SPRING	1			Y08229	
044-1		233971-8	RING SPRING	1	O	Y08229		
045		913455164	H.L. TAPPING SCREW 5.5X16	1			Y08390	

A:

Interchange
O : Yes
X : No
< : the new part can be substituted for the current.
> : the current part can be substituted for the new.
S : Interchangeable as a set.

DE	GERMANY
-----------	----------------

PS5105H / PETROL CHAINSAW

Item	Sub	Parts No.	Parts Description	Qty	I/C	E/C No.	Close No.	Remark
045-1		266478-9	H.L.TAPPING SCREW 5.5X16	1	O	Y08390		
046		181155060	CONTACT SPRING	1				
047		181155030	ADJUSTING GUIDE	1				
048		913455164	H.L. TAPPING SCREW 5.5X16	1			Y08390	
048-1		266478-9	H.L.TAPPING SCREW 5.5X16	1	O	Y08390		
049		928405000	SPRING WASHER 5	1			Y07608	
049-1		928405000	SPRING WASHER 5	1	O	Y07608	Y08082	
049-2		267821-5	SPRING WASHER 5	1	O	Y08082		
050		980114928	LABEL	1			Y08602	
050-1		816917-5	INDICATION LABEL	1	O	Y08602		
051		957173250	ANTI ICING SET	1				
	D10		INC. 43,52					
052		181173250	ANTI ICING PRE-FILTER	1				
053		181174102	MUFFLER	1				
057		181174062	HEAT INSULATION PLATE	1				
058		181174050	MUFFLER GASKET	1				
059		908005205	H.L. SOCKET HEAD BOLT M5X20	2			Y08390	
059-1		266476-3	H.L. SOCKET HEAD BOLT M5X20	2	O	Y08390		
060		181174091	MUFFLER COVER	1				
061		909005105	H.L. SOCKET HEAD BOLT M5X10	2			Y08390	
061-1		266612-1	H.L. SOCKET HEAD BOLT M5X10	2	O	Y08390		
062		908805205	H.L. SOCKET HEAD BOLT M5X20	1			Y08050	
062-1		266472-1	TORX SOCKET HEAD BOLT M5X20	1	O	Y08050		
063		181131021	INSERT	1			Y07155	
063-1		185131020	INSERT	1	O	Y07155	Y08168	
063-2		346413-4	BUSH 17	1	O	Y08168		
065		181130217	CYLINDER 45 & PISTON SET	1				
	D10		INC. 66,74					
066		181132063	PISTON CPL.	1			Y08020	
	D10		INC. 67-69				Y08020	
066-1		181132064	PISTON, PISTON RING & PIN SET	1	O	Y08020		
	D10		INC. 67-69			Y08020		
067		181132080	PISTON RING 45MM	1				
068		181132090	PISTON PIN	1				
069		181132050	CIRCLIP 10	2			Y08030	
069-1		181132050	CIRCLIP 10	2	O	Y08030		
070		181118070	RUBBER DAMPING PLUG	2			Y08604	
070-1		424173-9	DAMPING PLUG	2	O	Y08604		
072		908805235	H.L. SOCKET HEAD BOLT M5X23	4			Y08390	
072-1		266473-9	H.L. SOCKET HEAD BOLT M5X23	4	O	Y08390		
073		181114401	DAMPING SPRING,CPL.	1				
074		181131132	GASKET	1			Y06609	
074-1		181131133	CYLINDER GASKET	1	O	Y06609	Y07984	
074-2		181131134	CYLINDER GASKET	1	O	Y07984		
075		181120100	CRANKSHAFT CPL.	1				
076		962210033	NEEDLE CAGE	1			Y07103	
076-1		962210103	NEEDLE CAGE	1	O	Y07103		
077		960102159	BALL BAERING 6202	1				
078		960123159	BALL BEARING 6202	1			Y08256	
078-1		211250-4	BALL BEARING 1514	1	O	Y08256		
079		962900156	OIL SEAL	1			Y08241	
079-1		213141-5	OIL SEAL 12	1	O	Y08241		
081		181111142	CRANKCASE ASSY RIGHT RED	1				
	D10		INC. 78,99				Y08317	
	D11		INC. 78			Y08317		
082		181111060	GASKET	1			Y07489	
082-1		181111061	CRANKCASE GASKET	1	<	Y07489		
083		170114100	TANK CAP COMPLETE	1			Y08596	
	D10		INC. 84				Y08596	
083-1		168508-1	TANK CAP COMPLETE	1	O	Y08596		
	D10		INC. 84			Y08596		
084		963225030	O RING	1			Y08637	
084-1		213355-6	O-RING 25	1	O	Y08637		
085		181118050	STEELCLIP	3				
086		908006205	H.L. SOCKET HEAD BOLT M6X20	1			Y08164	

A:

Interchange
O : Yes
X : No
< : the new part can be substituted for the current.
> : the current part can be substituted for the new.
S : Interchangeable as a set.

PS5105H / PETROL CHAINSAW

Item	Sub	Parts No.	Parts Description	Qty	I/C	E/C No.	Close No.	Remark
086-1		266479-7	H.L. SOCKET HEAD BOLT M6X20	1	O	Y08164		
087		908805205	H.L. SOCKET HEAD BOLT M5X20	1			Y08050	
087-1		266472-1	TORX SOCKET HEAD BOLT M5X20	1	O	Y08050		
088		181111230	RUBBER BUFFER	1				
089		936430160	PIN 3X16	2			Y08221	
089-1		258038-1	CLAMPING PIN	2	O	Y08221		
090		181111230	RUBBER BUFFER	1				
091		908805205	H.L. SOCKET HEAD BOLT M5X20	1			Y08050	
091-1		266472-1	TORX SOCKET HEAD BOLT M5X20	1	O	Y08050		
092		908005205	H.L. SOCKET HEAD BOLT M5X20	6			Y08390	
092-1		266476-3	H.L. SOCKET HEAD BOLT M5X20	6	O	Y08390		
093		181111050	CHAIN CATCH	1			Y08669	
093-1		181111051	CHAIN CATCH	1	O	Y08669		
094		908006205	H.L. SOCKET HEAD BOLT M6X20	1			Y08164	
094-1		266479-7	H.L. SOCKET HEAD BOLT M6X20	1	O	Y08164		
095		905808210	GUIDE BAR BOLT M8X21	2				
096		181250011	SPIKE BAR	1				
097		908805205	H.L. SOCKET HEAD BOLT M5X20	2			Y08050	
097-1		266472-1	TORX SOCKET HEAD BOLT M5X20	2	O	Y08050		
098		010245030	VENT VALVE	1			Y08240	
098-1		168504-9	VENT VALVE	1	O	Y08240		
099		962900065	OIL SEAL	1			Y08317	
100		181213300	CHAIN TENSIONER CPL.	1				
	D10		INC. 101-106					
101		181213230	TESIONING SCREW	1			Y08236	
101-1		227743-1	HELICAL GEAR 11	1	O	Y08236		
102		181213240	TENSION SLIDE	1			Y09004	
102-1		181213241	TENSION SLIDE	1	O	Y09004		
103		181213250	ADJUSTING SCREW	1			Y08236	
103-1		227744-9	HELICAL GEAR 18	1	O	Y08236		
104		181213270	TRANSMISSION COVER	1			Y07156	
104-1		185213270	TRANSMISSION COVER	1	O	Y07156	Y08513	
104-2		452667-4	GEAR COVER PROFESSIONAL	1	O	Y08513		
105		181213260	TENSIONING SCREW BEARING	1				
106		963207020	O RING	1				
107		908705125	H.L. SOCKET HEAD BOLT M5X12	1			Y08563	
107-1		266484-4	H.L SOCKET HEAD BOLT M5X12	1	O	Y08563		
112		181131140	RUBBER BUSH	1				
117		980115676	LABEL PS-5105	1				
122		928405000	SPRING WASHER 5	1			Y07608	
122-1		928405000	SPRING WASHER 5	1	O	Y07608	Y08082	
122-2		267821-5	SPRING WASHER 5	1	O	Y08082		
128		181143211	IGNITI.COIL,CPL.BLACK	1			Y06685	
	D10		INC. 129,131-132				Y06685	
128-1		181143212	IGNITION COIL COMPLETE	1	O	Y06685	Y07951	
	D10		INC. 129,131-132			Y06685	Y07951	
128-2		181143213	IGNITION COIL COMPLETE	1	O	Y07951	Y08835	
	D10		INC. 129,131-132			Y07951	Y08835	
128-3		181143214	IGNITION COIL COMPLETE	1	O	Y08835		
	D10		INC. 129,131-132			Y08835		
129		181147050	IGNITION CABLE	1				
130		195143030	ISOLATING WASHER	2			Y07549	
130-1		195143031	ISOLATION WASHER	2	O	Y07549	Y08226	
130-2		451462-9	ISOLATING WASHER	2	O	Y08226		
131		970502110	INSULATING TUBE 6 L=1M	1			Y08396	
131-1		970502120	INSULATING TUBE	1	O	Y08396		
132		957604260	PLUG CAP COMPLETE	1				
133		965603021	SPARK PLUG BPMR7A	1			Y08107	
133-1		168648-5	SPARK PLUG (BPMR7A)	1	O	Y08107		
134		908805205	H.L. SOCKET HEAD BOLT M5X20	2			Y08050	
134-1		266472-1	TORX SOCKET HEAD BOLT M5X20	2	O	Y08050		
135		920308024	HEX. NUT M8X1 (FINE THREAD)	1			Y08051	
135-1		264022-6	HEX. NUT M8X1	1	O	Y08051		
136		926208001	SPRING WASHER 8	1			Y08052	
136-1		267822-3	SPRING WASHER 8	1	O	Y08052		

A:

Interchange
O : Yes
X : No
< : the new part can be substituted for the current.
> : the current part can be substituted for the new.
S : Interchangeable as a set.

DE	GERMANY
-----------	----------------

PS5105H / PETROL CHAINSAW

Item	Sub	Parts No.	Parts Description	Qty	I/C	E/C No.	Close No.	Remark
140		181245251	OIL PUMP CPL.	1				
	D10		INC. 150					
143		181245120	OIL LINE	1			Y08497	
143-1		424178-9	OIL TUBE	1	O	Y08497		
145		181245100	OIL LINE CPL.	1				
	D10		INC. 146-147					
146		021245060	PRESSURE SPRING	1			Y08586	
146-1		231975-4	SPRING	1	O	Y08586		
147		001245020	HOSE STEM	1				
149		908705125	H.L. SOCKET HEAD BOLT M5X12	1			Y08563	
149-1		266484-4	H.L. SOCKET HEAD BOLT M5X12	1	O	Y08563		
150		181245090	PUMP DRIVE	1			Y08243	
150-1		450956-1	PUMP DRIVE	1	O	Y08243		
151		001182042	DISC	1			Y08059	
151-1		267389-1	FLAT WASHER 12	1	O	Y08059		
152		181180200	CLUTCH ASSY.	1			Y08606	
	D10		INC. 153				Y08606	
152-1		168510-4	CLUTCH COMPLETE	1	O	Y08606		
	D10		INC. 153			Y08606		
153		181184010	SPRING	3			Y08586	
153-1		231860-1	TENSION SPRING 7	3	O	Y08586		
154		181224090	FLAT WASHER 10	1			Y07763	
154-1		181224090	FLAT WASHER 10	1	O	Y07763		
155		181213011	BRAKE BAND	1			Y08056	
155-1		346029-5	BRAKE BAND	1	O	Y08056		
156		181223062	CLUTCH DRUM CPL.	1			Y08014	
	D10		INC. 157				Y08014	
156-1		181223200	CLUTCH DRUM COMPLETE	1	O	Y08014	Y08273	
	D10		INC. 157			Y08014	Y08273	
156-2		144765-5	CLUTCH DRUM COMPLETE	1	O	Y08273		
	D10		INC. 157			Y08273		
157		962300009	NEEDLE BEARING	1			Y08273	
157-1		212082-2	NEEDLE BEARING 1012	1	O	Y08273		
158		026224010	RIM SPROCKET 3/8" SM7-7	1				
158A		181224040	RIM SPROCKET .325" SM7-7	1				
159		181224081	WASHER 29	1			Y08058	
159-1		267820-7	WASHER 29	1	O	Y08058		
160		927408000	STOP RING E-8	1			Y08057	
160-1		259045-7	STOP RING E-8	1	O	Y08057		
161		927304000	STOP RING E-4	1			Y08055	
161-1		257934-0	STOP RING E-4	1	O	Y08055		
162		181213100	BRAKING MECHANISM	1			Y08607	
162-1		163500-2	LINK PLATE COMPLETE	1	O	Y08607		
163		181213022	TENSION SPRING	1			Y08586	
163-1		231870-8	TENSION SPRING 10	1	O	Y08586		
164		181213170	HANDGUARD GUIDE,CPL.	1			Y08064	
164-1		450926-0	STOPPER CASE	1	O	Y08064		
165		181213371	FOAM SPONGE	1				
167		181213161	HAND GUARD CPL.	1			Y08495	
167-1		181213162	HAND GUARD CPL.	1	O	Y08495	Y08758	
167-2		181213163	HAND GUARD CPL.	1	O	Y08758		
168		980114237	LABEL	1				
169		181213310	SPACER	1				
170		181213320	BUSHING	1			Y08053	
170-1		325604-0	BUSH	1	O	Y08053		
171		908805205	H.L. SOCKET HEAD BOLT M5X20	1			Y08050	
171-1		266472-1	TORX SOCKET HEAD BOLT M5X20	1	O	Y08050		
174		181213400	FOAM SPONGE	1				
175		957213200	SPROCKET GUARD COMPLETE RED	1				
	D10		INC. 177					
176		923208004	HEX. FLANGE NUT M8(BAR NUT)	2			Y08048	
176-1		252145-2	COLLARED HEX NUT M8	2	O	Y08048		
177		957213220	CHIP GUIDE	1				
178		181213191	COVER	1				
179		908105126	H.L.S. FLAT HEAD BOLT M5X12	3			Y08049	

A:

Interchange
O : Yes
X : No
< : the new part can be substituted for the current.
> : the current part can be substituted for the new.
S : Interchangeable as a set.

PS5105H / PETROL CHAINSAW

Item	Sub	Parts No.	Parts Description	Qty	I/C	E/C No.	Close No.	Remark
179-1		266477-1	H.L. C.S. HEAD SCREW M5X12	3	O	Y08049		
182		181160200	STARTER ASSY. RED	1			Y08595	
	D10		INC. 122,183-192				Y08595	
182-1		123560-6	STARTING DEVICE RED	1	O	Y08595		
	D10		INC. 122,183-192			Y08595		
183		181112060	STARTER HOUSING RED	1			Y08561	
183-1		140732-8	FAN HOUSING COMPLETE	1	O	Y08561		
184		181118120	AIR GUIDE PLATE	1			Y08605	
184-1		456685-4	AIR GUIDE PLATE	1	O	Y08605		
185		181164010	STARTER GRIP	1			Y08558	
185-1		452458-3	STARTER GRIP	1	O	Y08558		
186		908605205	H.L. SOCKET HEAD BOLT M5X20	4			Y08390	
186-1		266942-0	H.L. SOCKET HEAD BOLT M5X20	4	O	Y08390		
187		181163050	REWIND SPRING IN HOUSING	1			Y08428	
187-1		140587-1	REWIND SPRING COMPLETE	1	O	Y08428		
188		181162020	CABLE DRUM	1			Y08560	
188-1		452224-8	CABLE DRUM	1	O	Y08560		
189		181163080	SPRING EASY-START	1			Y08429	
189-1		234193-3	SPRING EASY START	1	O	Y08429		
190		181163090	STARTER WHEEL	1			Y08562	
190-1		452227-2	DRIVER EASY START	1	O	Y08562		
191		181163095	STEPPED TAPPING SCREW 5X16.5	1			Y08430	
191-1		266616-3	SCREW	1	O	Y08430		
192		985000155	STARTER ROPE 3.5MM L=100M	1				
200		181153100	CARBURETOR	1			Y06659	
	D10		INC. 202-206,210-217,226,231				Y06659	
200-1		181153101	CARBURETOR (NON REGULATED)	1	O	Y06659		
	D10		INC. 202-206,210-217,226,231			Y06659		
202		181153030	PUMP COVER	1				
	D10		INC. 208-209					
203		038153360	SCREW	1				
204		181153040	DIAPHRAGM COVER	1				
205		001153020	SCREW	2				
206		181153020	SET DAIPHFRAGM/GASKETS	1				
	D10		INC. 207					
207		181153060	PUMP DIAPHRAGM RUBBER	1				
208		038153210	LOCKING BALL	1				
209		181153070	IDLE STOP SCREW	1				
210		036153040	SCREEN	1				
211		957153090	KIT THROTTLE SHAFT	1				
	D10		INC. 224,230					
212		957153080	KIT CHOKE SHAFT	1				
	D10		INC. 225					
213		957153070	CONTROL PARTS	1				
214		028153480	SPRING	2				
215		181153180	IDLE ADJUSTMENT SCREW	1				
216		181153190	MAIN ADJUSTMENT SCREW	1				
217		181153220	WASHER	2				
224		181153110	SPRING	1				
225		181153160	SPRING	1				
226		181153210	PLUG-WELCH	1				
230		038155012	RETAINING CLIP	1				
231		965402995	GASKET	1				
300		181114164	TANK CPL. RED HANDLE HEAT.	1				
	D10		INC. 301-303,305-306					
301		181148071	CABLE GUIDE	1				
302		915535100	TAPPING SCREW 3.5X9.5	1			Y08063	
302-1		251480-5	TAPPING SCREW ST3.5X9.5	1	O	Y08063		
303		965401011	GROMMET	1				
304		038146030	INSULATING CAP	1				
305		975001230	SWITCH FOR HEATER	1				
306		975001260	SWITCH COVER	1				
307		181310150	FRONT HANDLE ASSY WITH HEATER	1				
	D10		INC. 308-309					
308		965401011	GROMMET	1				

A:

Interchange
 O : Yes
 X : No
 < : the new part can be substituted for the current.
 > : the current part can be substituted for the new.
 S : Interchangeable as a set.

