



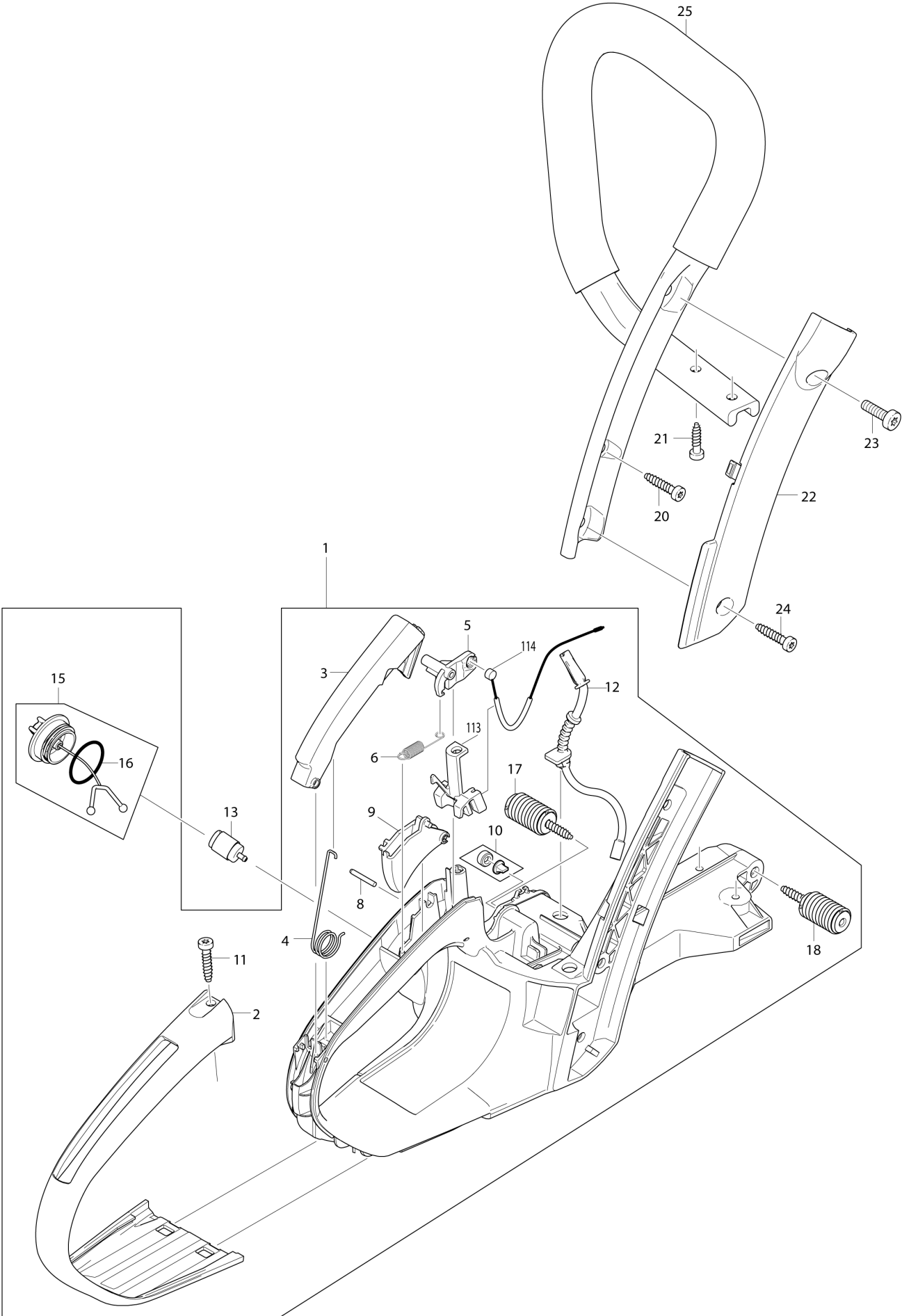
DE

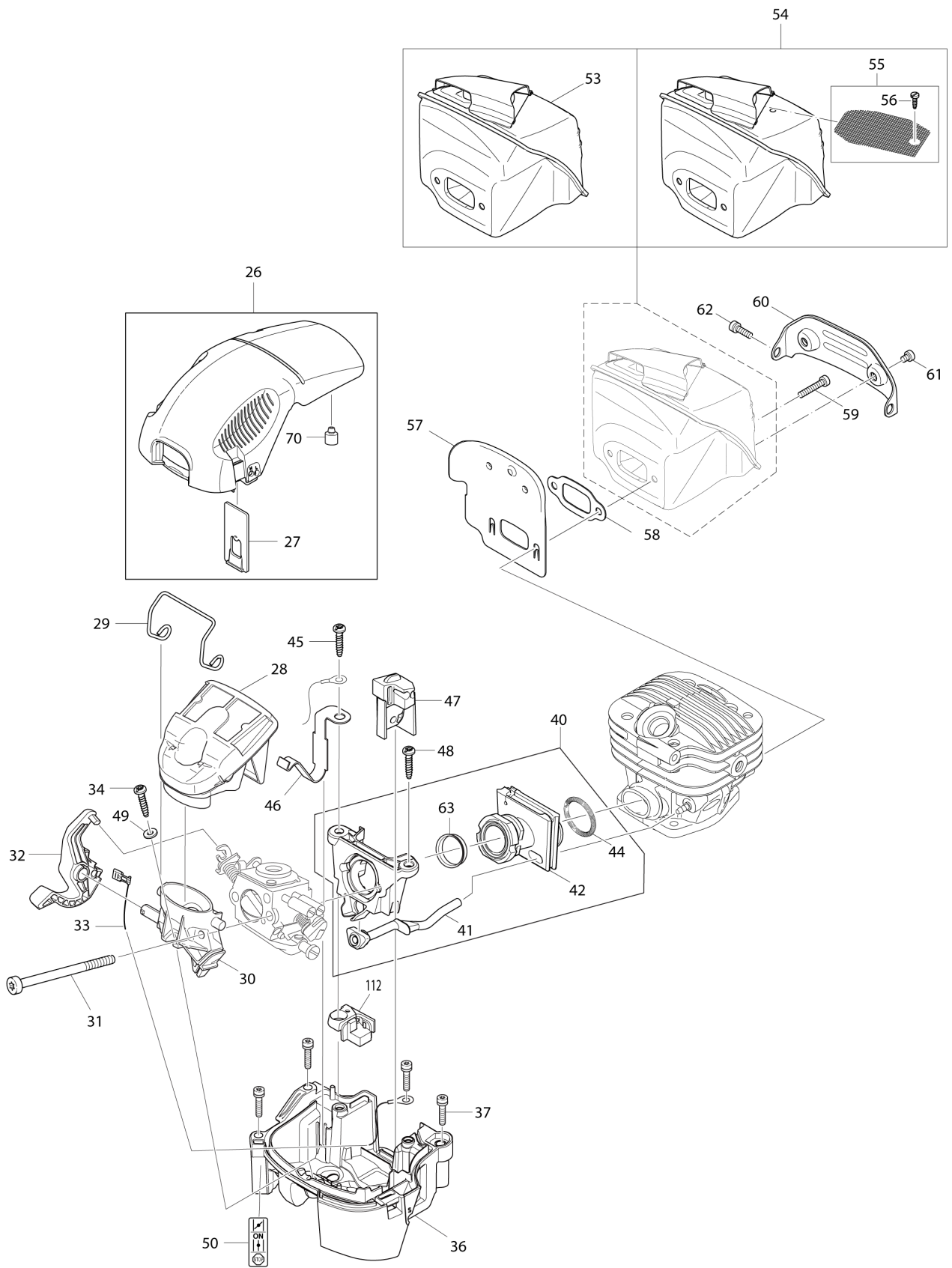
GERMANY

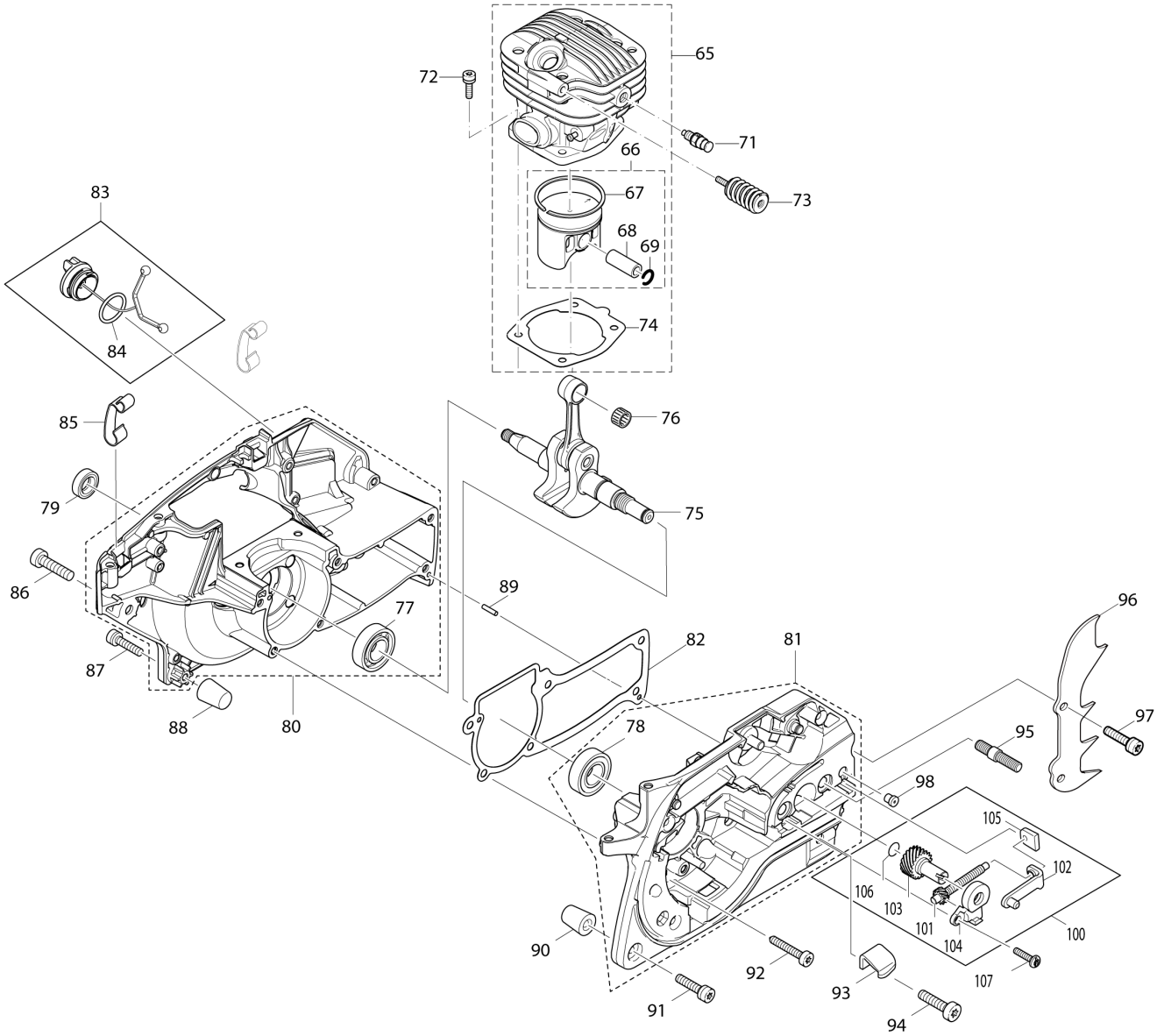
# Diagram / Parts List

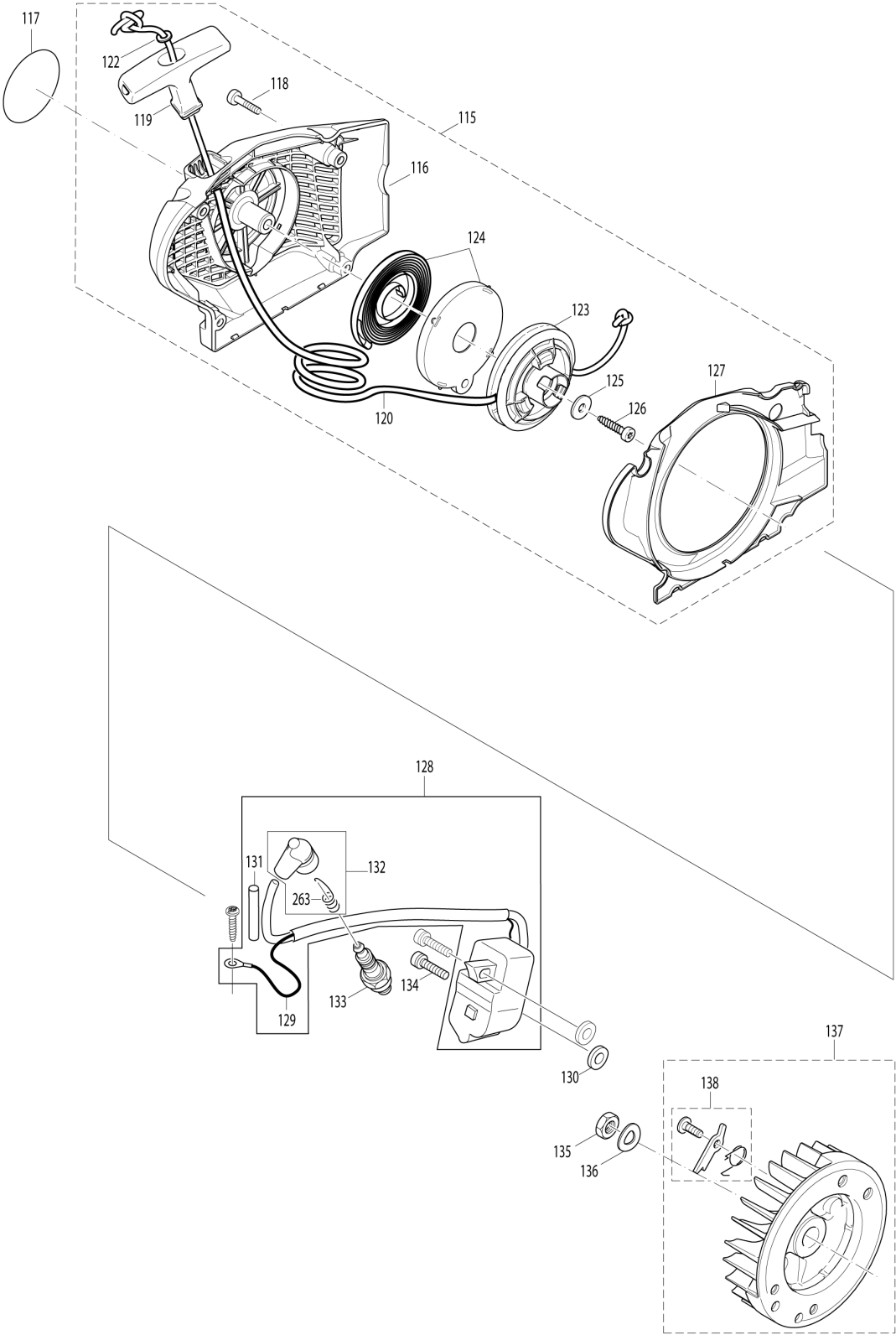
**PS5105D**

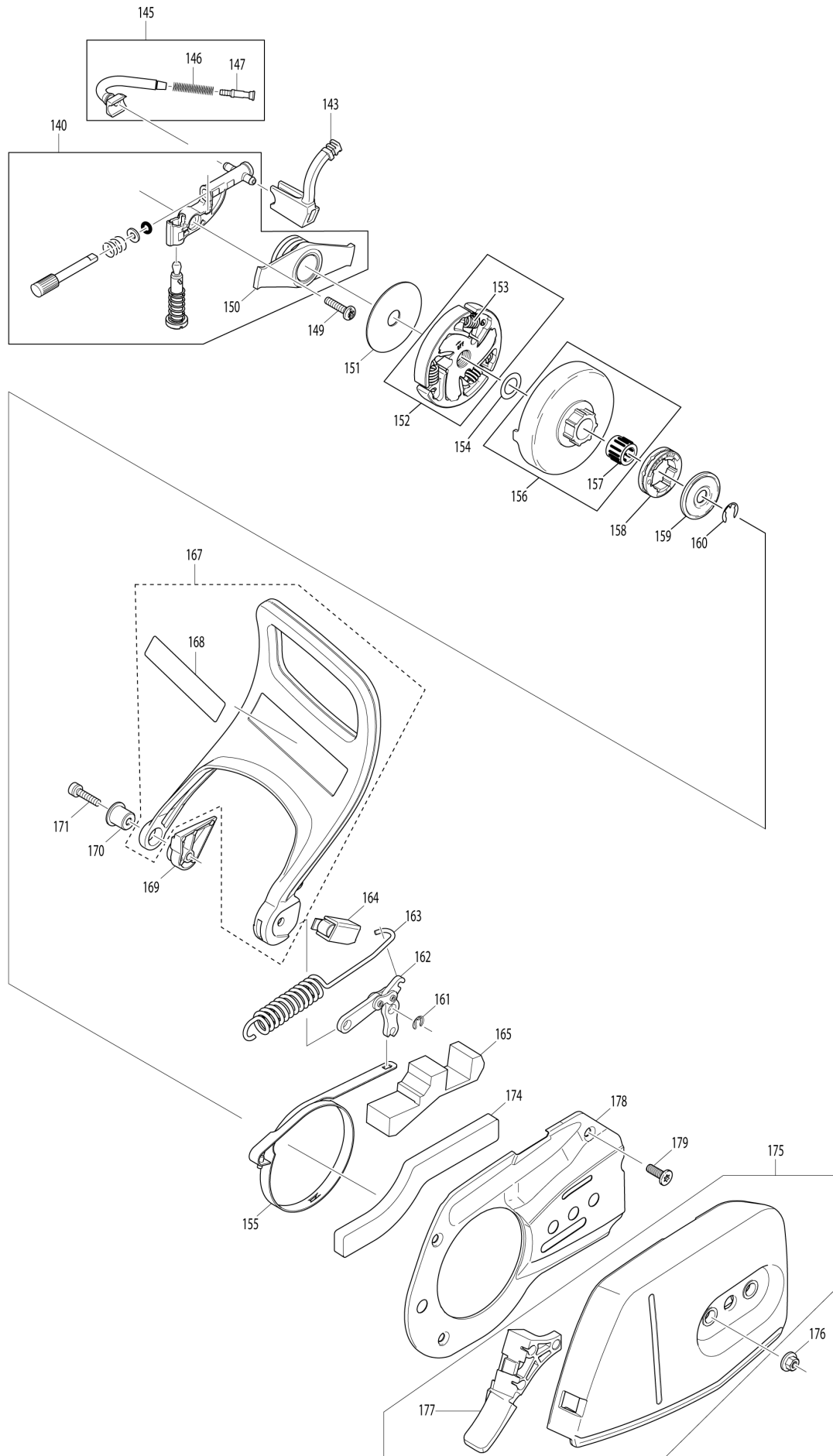
**ENGINE CHAIN SAW**

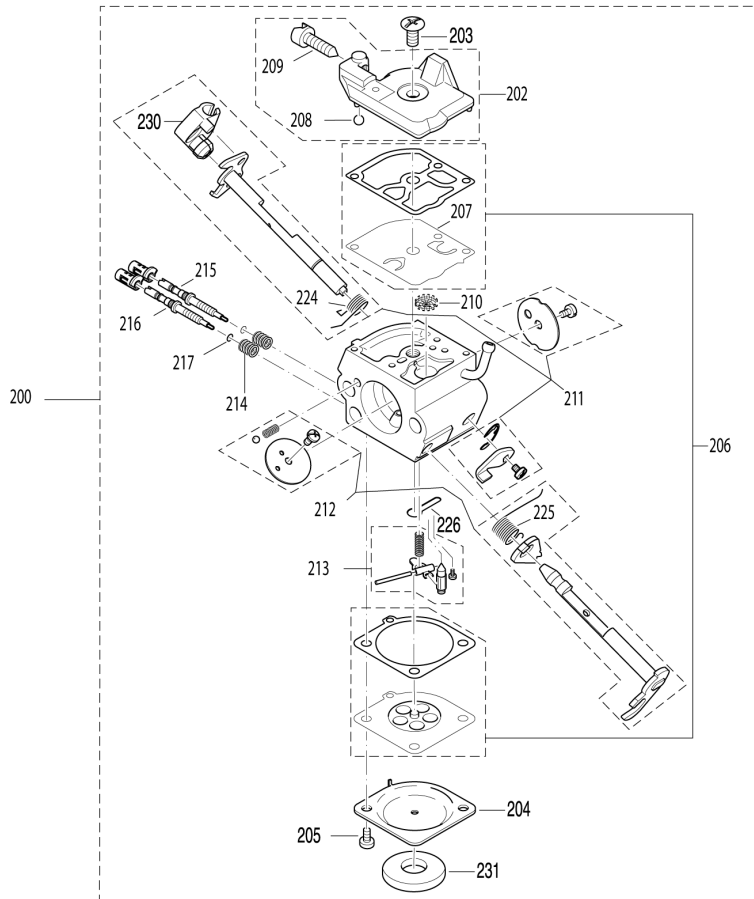
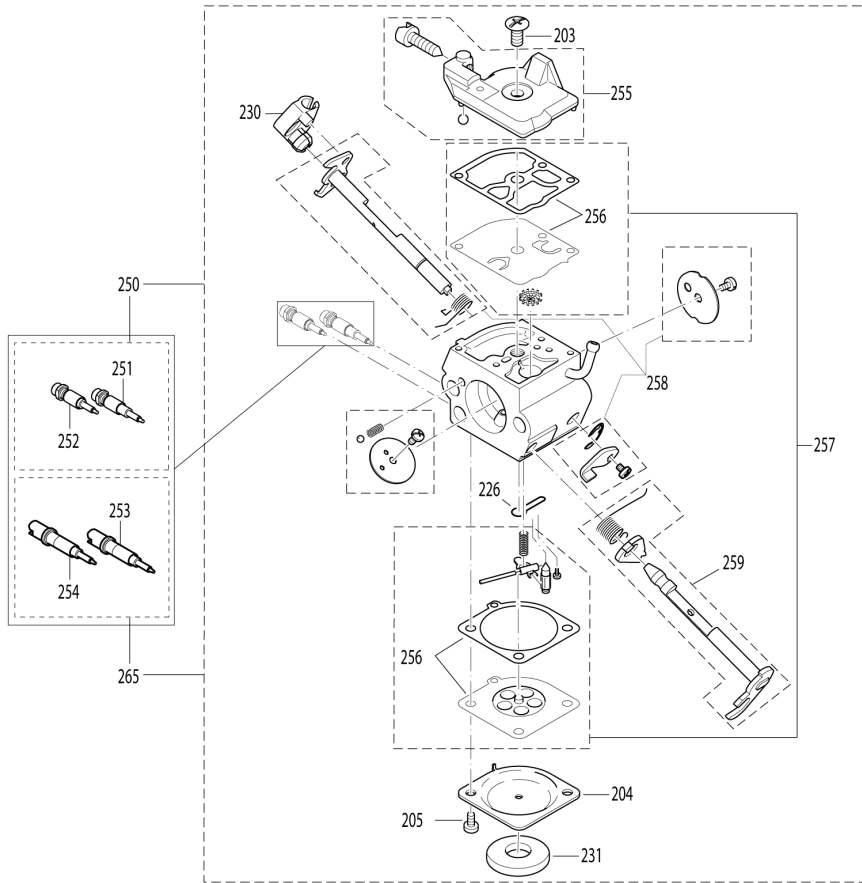












<b>DE</b>	<b>GERMANY</b>
-----------	----------------

### PS5105D / ENGINE CHAIN SAW

Item	Sub	Parts No.	Parts Description	Qty	I/C	E/C No.	Close No.	Remark
001		181114111	FUEL TANK ASSY RED	1				
	D10		INC. 2-6,8-12,15,17,18,113,114					
002		181117050	GRIP OUTER SHELL	1			Y08229	
002-1		450851-5	GRIP OUTER SHELL	1	O	Y08229		
003		181117132	CATCH LEVER	1				
004		181117031	SPRING	1				
005		181117081	ROCKER	1				
006		181117111	SPRING	1				2013-57D
008		935930240	CYLINDRICAL PIN 3X24	1			Y08222	
008-1		268233-5	PIN 3	1	O	Y08222		
009		181117121	THROTTLE LEVER	1				
010		957114061	AIR VALVE CPL.	1				
011		913455204	H.L.TAPPING SCREW 5.5X20	1			Y08390	2010-01D
011-1		266475-5	H.L.TAPPING SCREW 5.5X20	1	O	Y08390		2010-01D
012		181114065	FUEL LINE	1				
013		163499-1	SUCTION HEAD	1				C17013 => 2016
	C10	010114020	REP.KIT, FILTER(FELT ELEMENT)	1				C17013 => 2016
013-1		010114200	FUEL FILTER ASSY	1				C17013 2017 =>
015		181114202	TANK CAP CPL.	1			Y08212	
	D10		INC. 16				Y08212	
015-1		168507-3	TANK CAP COMPLETE	1	O	Y08212		
	D10		INC. 16			Y08212		
016		213080-9	O RING 29.5	1				
017		181114301	DAMPING SPRING, CPL.	1				
018		181114301	DAMPING SPRING, CPL.	1				
020		913455204	H.L.TAPPING SCREW 5.5X20	1			Y08390	2010-01D
020-1		266475-5	H.L.TAPPING SCREW 5.5X20	1	O	Y08390		2010-01D
021		913455164	H.L. TAPPING SCREW 5.5X16	2			Y08390	
021-1		266478-9	H.L.TAPPING SCREW 5.5X16	2	O	Y08390		
022		181114051	HANDLE COVER DOLMAR RED	1				
023		908006205	H.L. SOCKET HEAD BOLT M6X20	1			Y08164	
023-1		266479-7	H.L. SOCKET HEAD BOLT M6X20	1	O	Y08164		
024		913455204	H.L.TAPPING SCREW 5.5X20	1			Y08390	2010-01D
024-1		266475-5	H.L.TAPPING SCREW 5.5X20	1	O	Y08390		2010-01D
025		181310251	FRONT HANDLE ASSY	1				
026		181118240	AIR FILTER ELEMENT COVER	1				2012-36D => 2012-03
	D10		INC. 27,70					2012-36D => 2012-03
026-1		181118241	AIR FILTER ELEMENT COVER	1			Y08892	2012-36D 2012-04 =>
	D10		INC. 27,70				Y08892	2012-36D 2012-04 =>
026-2		181118242	AIR FILTER ELEMENT COVER	1	O	Y08892		2012-36D 2012-04 =>
	D10		INC. 27,70			Y08892		2012-36D 2012-04 =>
027		181118060	ANTI ICING PLATE SUMMER	1			Y07866	
028		181173090	AIR FILTER ELEMENT NYLON MESH	1				2009-17D
028A		181173240	AIR FILTER ELEMENT FINE NYLON	1				2009-17D
028B		181173190	AIR FILTER ELEMENT FLEECE	1				2009-17D
029		325593-9	CLIP	1				
030		181171011	AIR SUCTION PIPE	1				
031		908505555	H.L. SOCKET HEAD BOLT M5X55	2			Y08390	
031-1		266480-2	H.L. SOCKET HEAD BOLT M5X55	2	O	Y08390		
032		181155020	ENGINE STOP / CHOKE LEVER	1				
033		970311550	EARTH CABLE	1				
034		913455164	H.L. TAPPING SCREW 5.5X16	1			Y08390	
034-1		266478-9	H.L.TAPPING SCREW 5.5X16	1	O	Y08390		
036		181131160	CARBURETOR HOUSING ASSY RED	1				2009-08D
037		908805205	H.L. SOCKET HEAD BOLT M5X20	4			Y08050	
037-1		266472-1	TORX SOCKET HEAD BOLT M5X20	4	O	Y08050		
040		181171160	INTAKE MANIFOLD SET	1				2009-08D
	D10		INC. 41,42,44,63					2009-08D
041		181131090	OIL RESISTANT HOSE	1				
042		181131040	INTAKE MANIFOLD	1			Y08741	
042-1		181131041	INTAKE HOSE	1	O	Y08741		
044		181131070	RING SPRING	1			Y08229	
044-1		233971-8	RING SPRING	1	O	Y08229		
045		913455164	H.L. TAPPING SCREW 5.5X16	1			Y08390	
045-1		266478-9	H.L.TAPPING SCREW 5.5X16	1	O	Y08390		

A:  
B:

Interchange  
O : Yes  
X : No  
< : the new part can be substituted for the current.  
> : the current part can be substituted for the new.  
S : Interchangeable as a set.



### PS5105D / ENGINE CHAIN SAW

Item	Sub	Parts No.	Parts Description	Qty	I/C	E/C No.	Close No.	Remark
046		181155060	CONTACT SPRING	1				2009-08D
047		181155030	ADJUSTING GUIDE	1				2012-36D => 2012-03
047-1		181155080	ADJUSTING GUIDE	1				2012-36D 2012-04 =>
048		913455164	H.L. TAPPING SCREW 5.5X16	1			Y08390	
048-1		266478-9	H.L.TAPPING SCREW 5.5X16	1	O	Y08390		
049		928405000	SPRING WASHER 5	1			Y08082	
049-1		267821-5	SPRING WASHER 5	1	O	Y08082		
050		980115961	LABEL	1			Y08602	2014-55D
050-1		816917-5	INDICATION LABEL	1	O	Y08602		2014-55D
053		181174102	MUFFLER	1				
057		181174062	HEAT INSULATION PLATE	1				
058		181174050	MUFFLER GASKET	1				
059		908005205	H.L. SOCKET HEAD BOLT M5X20	2			Y08390	
059-1		266476-3	H.L. SOCKET HEAD BOLT M5X20	2	O	Y08390		
060		181174091	MUFFLER COVER	1				
061		909005105	H.L. SOCKET HEAD BOLT M5X10	2			Y08390	
061-1		266612-1	H.L. SOCKET HEAD BOLT M5X10	2	O	Y08390		
062		908805205	H.L. SOCKET HEAD BOLT M5X20	1			Y08050	
062-1		266472-1	TORX SOCKET HEAD BOLT M5X20	1	O	Y08050		
063		346413-4	BUSH 17	1				
065		181130255	CYLINDER/PISTON SET FOR DECOMP	1				
	D10		INC. 66,74					
066		181132064	PISTON, PISTON RING & PIN SET	1				2011-30D
	D10		INC. 67-69					2011-30D
067		181132080	PISTON RING 45MM	1				
068		181132090	PISTON PIN	1				
069		181132050	CIRCLIP 10	2			Y08030	
069-1		181132050	CIRCLIP 10	2	O	Y08030		
070		181118070	RUBBER DAMPING PLUG	2			Y08604	
070-1		424173-9	DAMPING PLUG	2	O	Y08604		
071		001131150	DECOMPRESSION VALVE VERSION 1	1				
072		908805235	H.L. SOCKET HEAD BOLT M5X23	4			Y08390	
072-1		266473-9	H.L. SOCKET HEAD BOLT M5X23	4	O	Y08390		
073		181114401	DAMPING SPRING,CPL.	1				
074		181131134	CYLINDER GASKET	1				
075		185120200	CRANKSHAFT CPL.	1			Y08237	2010-13D => 2010-02
075-1		143395-9	CRANKSHAFT CPL.	1	O	Y08237		2010-13D => 2010-02
076		962210103	NEEDLE CAGE	1				2013-59D
077		211154-0	BALL BEARING 6202	1				
078		960123159	BALL BEARING 6202	1			Y08256	2014-19
	C10	962900065	OIL SEAL	1			Y08317	2014-19
078-1		211250-4	BALL BEARING 1514	1	O	Y08256		2014-19
079		962900065	OIL SEAL	1			Y08318	
079-1		213141-5	OIL SEAL 12	1	<	Y08318		
080		181111155	CRANKCASE ASSY LEFT RED	1				2009-08D
	D10		INC. 77					2009-08D
081		181111142	CRANKCASE ASSY RIGHT RED	1				
	D10		INC. 78					
082		181111061	CRANKCASE GASKET	1				2014-62D
083		170114100	TANK CAP COMPLETE	1			Y08596	
	D10		INC. 84				Y08596	
083-1		168508-1	TANK CAP COMPLETE	1	O	Y08596		
	D10		INC. 84			Y08596		
084		963225030	O RING	1			Y08637	
084-1		213355-6	O-RING 25	1	O	Y08637		
085		181118050	STEELCLIP	3				
086		908006205	H.L. SOCKET HEAD BOLT M6X20	1			Y08164	
086-1		266479-7	H.L. SOCKET HEAD BOLT M6X20	1	O	Y08164		
087		908805205	H.L. SOCKET HEAD BOLT M5X20	1			Y08050	
087-1		266472-1	TORX SOCKET HEAD BOLT M5X20	1	O	Y08050		
088		181111230	RUBBER BUFFER	1				
089		936430160	PIN 3X16	2			Y08221	
089-1		258038-1	CLAMPING PIN	2	O	Y08221		
090		181111230	RUBBER BUFFER	1				
091		908805205	H.L. SOCKET HEAD BOLT M5X20	1			Y08050	

A:  
B:

Interchange  
O : Yes  
X : No  
< : the new part can be substituted for the current.  
> : the current part can be substituted for the new.  
S : Interchangeable as a set.

### PS5105D / ENGINE CHAIN SAW

Item	Sub	Parts No.	Parts Description	Qty	I/C	E/C No.	Close No.	Remark
091-1		266472-1	TORX SOCKET HEAD BOLT M5X20	1	O	Y08050		
092		908005205	H.L. SOCKET HEAD BOLT M5X20	6			Y08390	
092-1		266476-3	H.L. SOCKET HEAD BOLT M5X20	6	O	Y08390		
093		181111050	CHAIN CATCH	1			Y08669	
093-1		181111051	CHAIN CATCH	1	O	Y08669		
094		908006205	H.L. SOCKET HEAD BOLT M6X20	1			Y08164	
094-1		266479-7	H.L. SOCKET HEAD BOLT M6X20	1	O	Y08164		
095		905808210	GUIDE BAR BOLT M8X21	2				
096		181250011	SPIKE BAR	1				
097		908805205	H.L. SOCKET HEAD BOLT M5X20	2			Y08050	
097-1		266472-1	TORX SOCKET HEAD BOLT M5X20	2	O	Y08050		
098		010245030	VENT VALVE	1			Y08240	
098-1		168504-9	VENT VALVE	1	O	Y08240		
100		181213300	CHAIN TENSIONER CPL.	1				
	D10		INC. 101-106					
101		181213230	TESIONING SCREW	1			Y08236	
101-1		227743-1	HELICAL GEAR 11	1	O	Y08236		
102		181213240	TENSION SLIDE	1			Y09004	
102-1		181213241	TENSION SLIDE	1	O	Y09004		
103		181213250	ADJUSTING SCREW	1			Y08236	
103-1		227744-9	HELICAL GEAR 18	1	O	Y08236		
104		452667-4	GEAR COVER PROFESSIONAL	1				
105		181213260	TENSIONING SCREW BEARING	1				
106		963207020	O RING	1				
107		908705125	H.L. SOCKET HEAD BOLT M5X12	1			Y08563	
107-1		266484-4	H.L SOCKET HEAD BOLT M5X12	1	O	Y08563		
112		181131140	RUBBER BUSH	1				2009-08D
113		181117094	RETAINING CLIP	1				
114		181117041	THROTTLE CONTROL CABLE	1				
115		181160110	STARTER ASSY RED	1				10-37D,10-01D,09-08D => 20
	D10		INC. 116,118-120,122-127					10-37D,10-01D,09-08D => 20
116		181112021	STARTER HOUSING RED	1				2010-01D, 2009-08D
117		980115676	LABEL PS-5105	1				
118		908805205	H.L. SOCKET HEAD BOLT M5X20	4			Y08050	
118-1		266472-1	TORX SOCKET HEAD BOLT M5X20	4	O	Y08050		
119		001161020	STARTER GRIP	1				2010-01D
120		108164020	STARTER ROPE 3.5MM (L=0.98M)	1		Y07867		2010-01D
122		928405000	SPRING WASHER 5	1			Y08082	
122-1		267821-5	SPRING WASHER 5	1	O	Y08082		
123		181162150	CABLE DRUM	1				2010-01D
124		181163020	REWIND SPRING IN HOUSING	1				2010-01D
125		924605510	WASHER 5.5/18X1.6	1				2010-01D
126		913455204	H.L.TAPPING SCREW 5.5X20	1			Y08390	2010-01D
126-1		266475-5	H.L.TAPPING SCREW 5.5X20	1	O	Y08390		2010-01D
127		181118120	AIR GUIDE PLATE	1			Y08605	2010-01D, 2009-08D
127-1		456685-4	AIR GUIDE PLATE	1	O	Y08605		2010-01D, 2009-08D
128		181143210	IGNITION COIL COMPLETE	1				2010-13D => 2010-02
	D10		INC. 129,131,132					2010-13D => 2010-02
129		181147050	IGNITION CABLE	1				
130		195143031	ISOLATION WASHER	2			Y08226	
130-1		451462-9	ISOLATING WASHER	2	O	Y08226		
131		970502110	INSULATING TUBE 6 L=1M	1			Y08396	
131-1		970502120	INSULATING TUBE	1	O	Y08396		
132		957604260	PLUG CAP COMPLETE	1				
	D10		INC.263					
133		168648-5	SPARK PLUG (BPMR7A)	1				
134		908805205	H.L. SOCKET HEAD BOLT M5X20	2			Y08050	
134-1		266472-1	TORX SOCKET HEAD BOLT M5X20	2	O	Y08050		
135		920208024	HEX. NUT M8X1(FINE THREAD)	1			Y08219	
135-1		264107-8	HEXAGONAL NUT M8	1	O	Y08219		
136		926208001	SPRING WASHER 8	1			Y08052	
136-1		267822-3	SPRING WASHER 8	1	O	Y08052		
137		181141104	FLYWHEEL ASSY.	1			Y08239	=> 2009
	D10		INC. 138				Y08239	=> 2009
137-1		143331-5	FLYWHEEL COMPLETE	1	O	Y08239		=> 2009

A:  
B:

Interchange  
O : Yes  
X : No  
< : the new part can be substituted for the current.  
> : the current part can be substituted for the new.  
S : Interchangeable as a set.

### PS5105D / ENGINE CHAIN SAW

Item	Sub	Parts No.	Parts Description	Qty	I/C	E/C No.	Close No.	Remark
	D10		INC. 138			Y08239		=> 2009
138		181166050	STARTER RATCHET CP(2PCS EACH)	1				2010-01D
140		181245251	OIL PUMP CPL.	1				
	D10		INC. 150					
143		181245120	OIL LINE	1			Y08497	
143-1		424178-9	OIL TUBE	1	O	Y08497		
145		144274-4	TUBE COMPLETE	1				
	D10		INC. 146,147					
146		234207-8	COMPRESSION SPRING 6	1				
147		452666-6	NIPPLE	1			DA680	
147-1		452666-6	NIPPLE	1	O	DA680		
149		908705125	H.L. SOCKET HEAD BOLT M5X12	1			Y08563	
149-1		266484-4	H.L SOCKET HEAD BOLT M5X12	1	O	Y08563		
150		181245090	PUMP DRIVE	1			Y08243	
150-1		450956-1	PUMP DRIVE	1	O	Y08243		
151		267389-1	FLAT WASHER 12	1				
152		181180300	CLUTCH ASSY	1			Y08210	2013-49D
	D10		INC. 153				Y08210	2013-49D
152-1		127443-2	CLUTCH ASSEMBLY	1	O	Y08210		2013-49D
	D10		INC. 153			Y08210		2013-49D
153		232352-3	TENSION SPRING 6	3			D4267	
153-1		232352-3	TENSION SPRING 6	3	O	D4267		
154		181224090	FLAT WASHER 10	1				
155		181213011	BRAKE BAND	1			Y08056	
155-1		346029-5	BRAKE BAND	1	O	Y08056		
156		181223200	CLUTCH DRUM COMPLETE	1			Y08273	
	D10		INC. 157				Y08273	
156-1		144765-5	CLUTCH DRUM COMPLETE	1	O	Y08273		
	D10		INC. 157			Y08273		
157		962300009	NEEDLE BEARING	1			Y08273	
157-1		212082-2	NEEDLE BEARING 1012	1	O	Y08273		
158A		181224040	RIM SPROCKET .325" SM7-7	1				
158B		026224010	RIM SPROCKET 3/8" SM7-7	1				
159		181224081	WASHER 29	1			Y08058	
159-1		267820-7	WASHER 29	1	O	Y08058		
160		927408000	STOP RING E-8	1			Y08057	
160-1		259045-7	STOP RING E-8	1	O	Y08057		
161		927304000	STOP RING E-4	1			Y08055	
161-1		257934-0	STOP RING E-4	1	O	Y08055		
162		185213100	BREAK LINK PLATE COMPLETE	1				
163		181213023	TENSION SPRING	1			Y08054	
163-1		231870-8	TENSION SPRING 10	1	O	Y08054		
164		181213170	HANDGUARD GUIDE,CPL.	1			Y08064	
164-1		450926-0	STOPPER CASE	1	O	Y08064		
165		181213371	FOAM SPONGE	1				
167		181213161	HAND GUARD CPL.	1			Y08495	
	D10		INC. 168				Y08495	
167-1		181213162	HAND GUARD CPL.	1	O	Y08495	Y08758	
167-2		181213163	HAND GUARD CPL.	1	O	Y08758		
168		810449-4	CAUTION LABEL	1				
169		181213310	SPACER	1				
170		181213320	BUSHING	1			Y08053	
170-1		325604-0	BUSH	1	O	Y08053		
171		908805205	H.L. SOCKET HEAD BOLT M5X20	1			Y08050	
171-1		266472-1	TORX SOCKET HEAD BOLT M5X20	1	O	Y08050		
174		181213400	FOAM SPONGE	1				
175		957213200	SPROCKET GUARD COMPLETE RED	1				
	D10		INC. 177					
176		923208004	HEX. FLANGE NUT M8(BAR NUT)	2			Y08048	
176-1		252145-2	COLLARED HEX NUT M8	2	O	Y08048		
177		957213220	CHIP GUIDE	1				
178		181213191	COVER	1				
179		908105126	H.L.S. FLAT HEAD BOLT M5X12	3			Y08049	
179-1		266477-1	H.L. C.S. HEAD SCREW M5X12	3	O	Y08049		
200		181153100	CARBURETOR	1				2012-36D => 2012-03

A:  
B:

Interchange  
O : Yes  
X : No  
< : the new part can be substituted for the current.  
> : the current part can be substituted for the new.  
S : Interchangeable as a set.

