

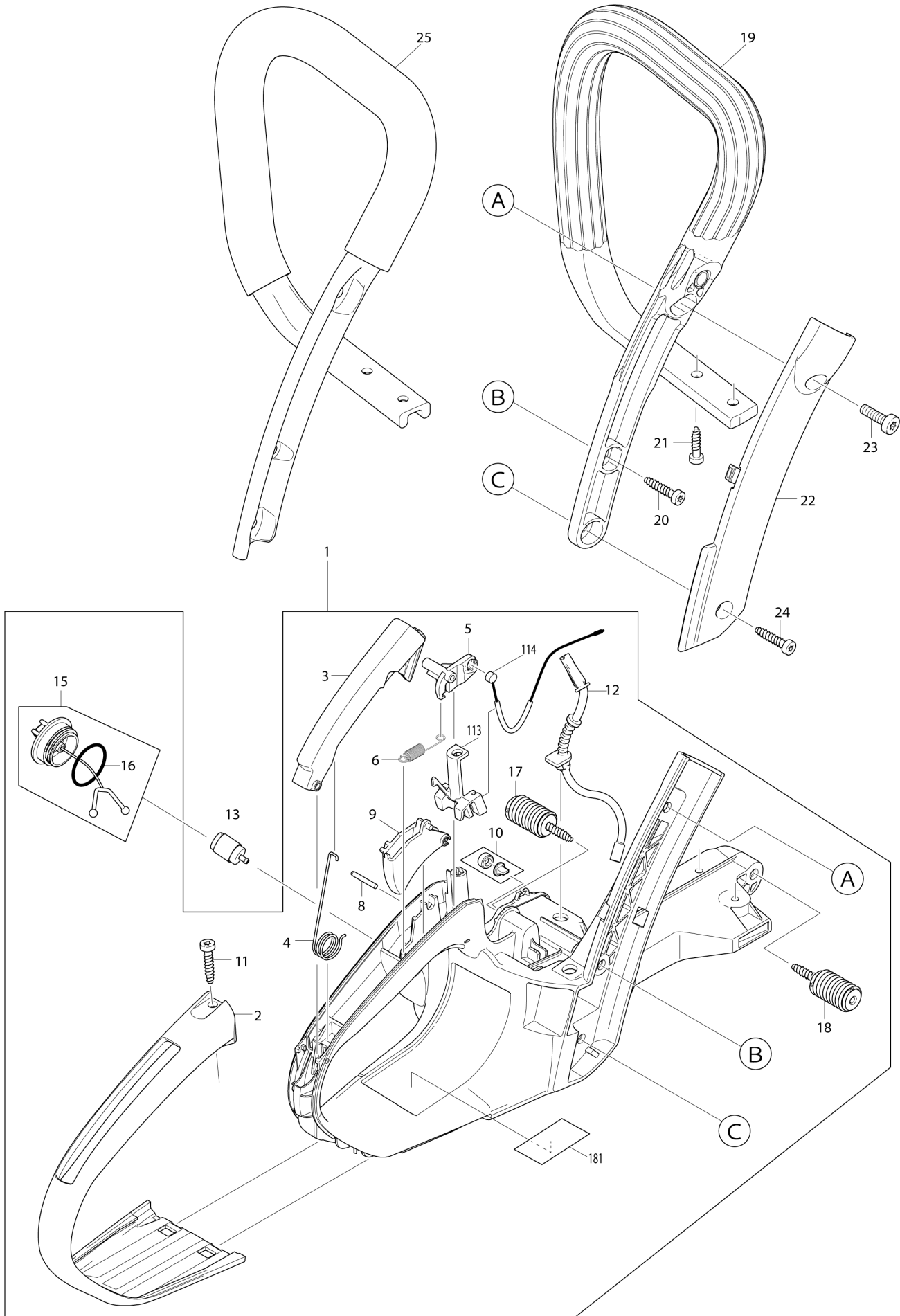


DE	GERMANY
----	---------

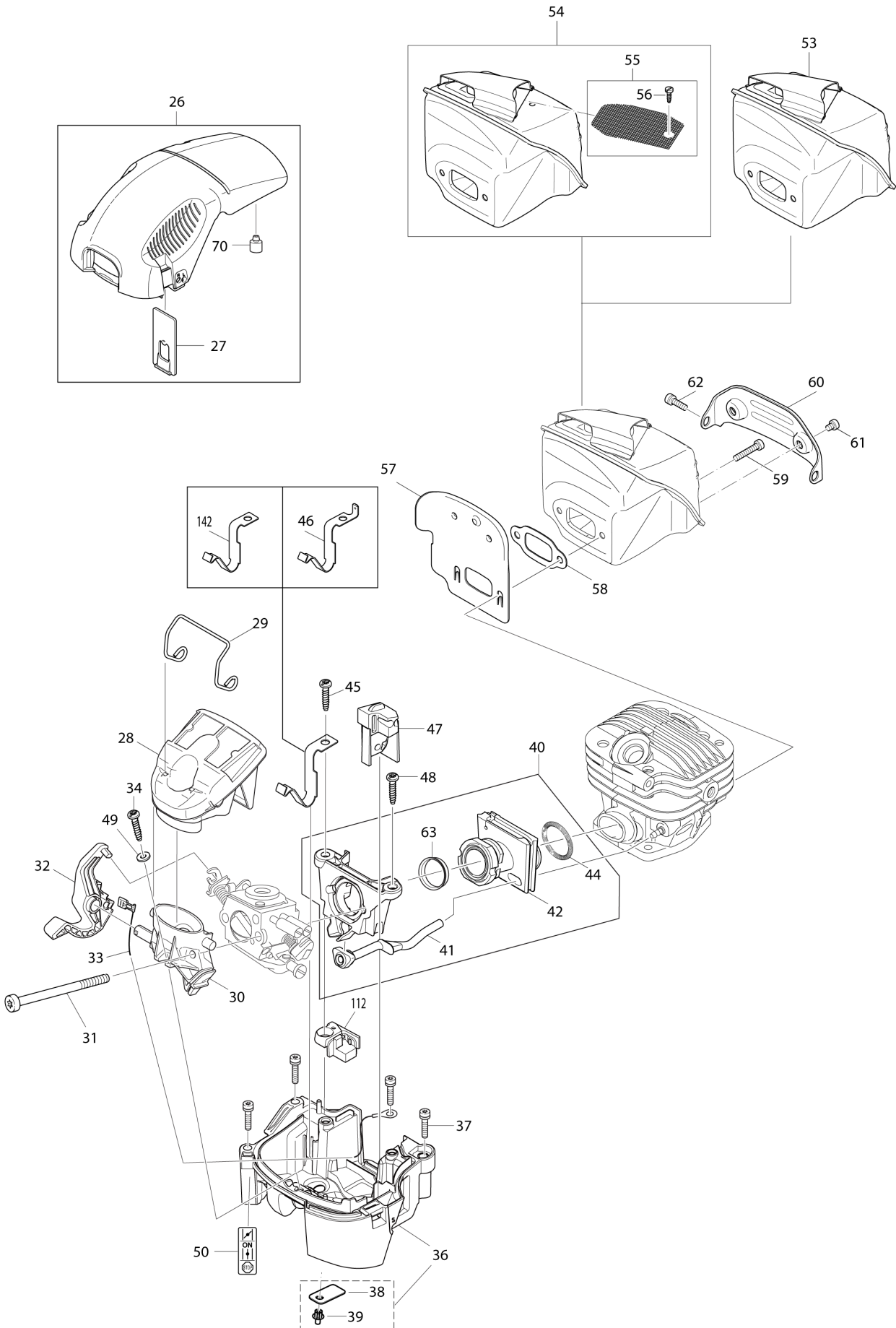
# Diagram / Parts List

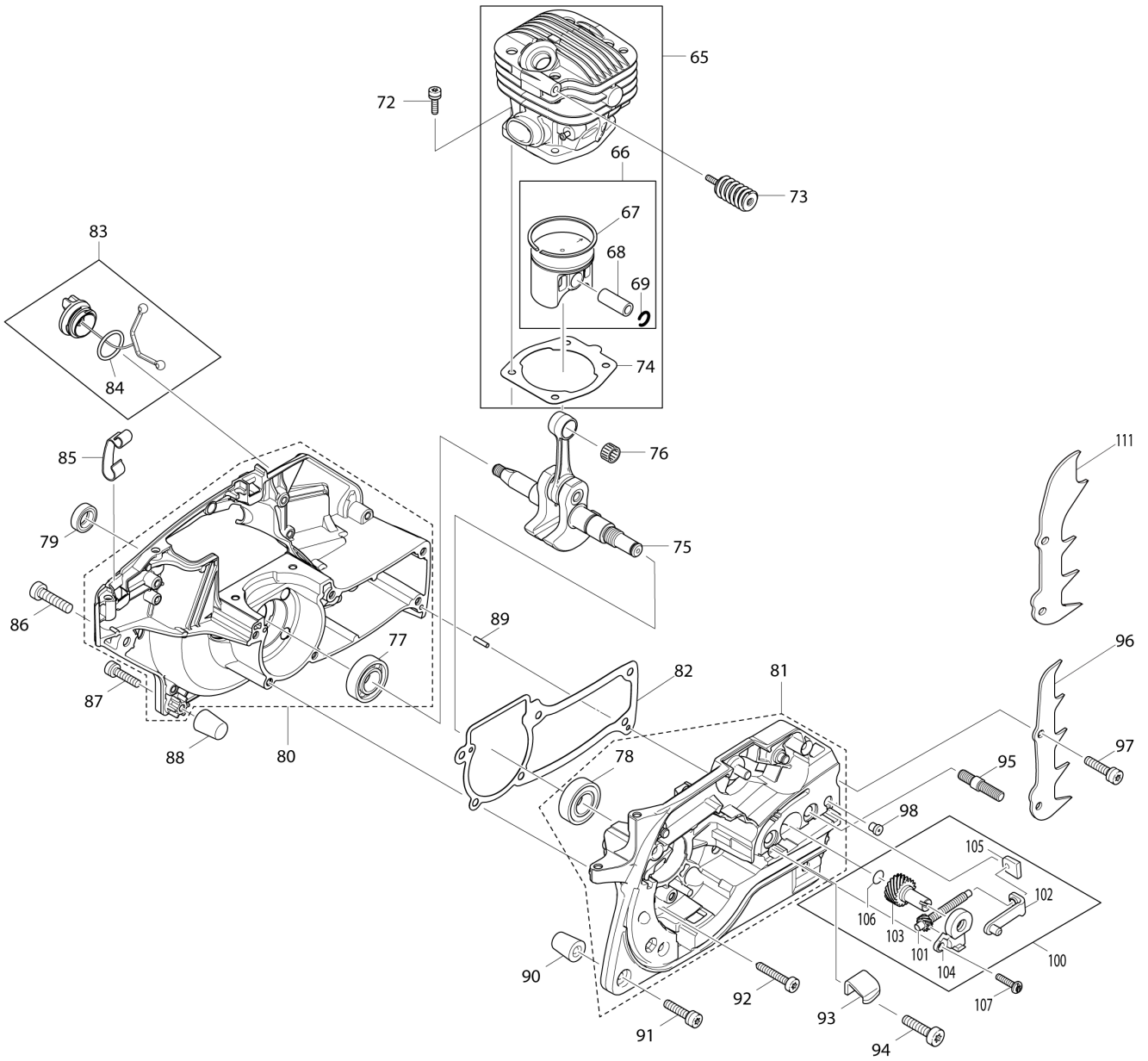
**PS460**

**ENGINE CHAIN SAW**

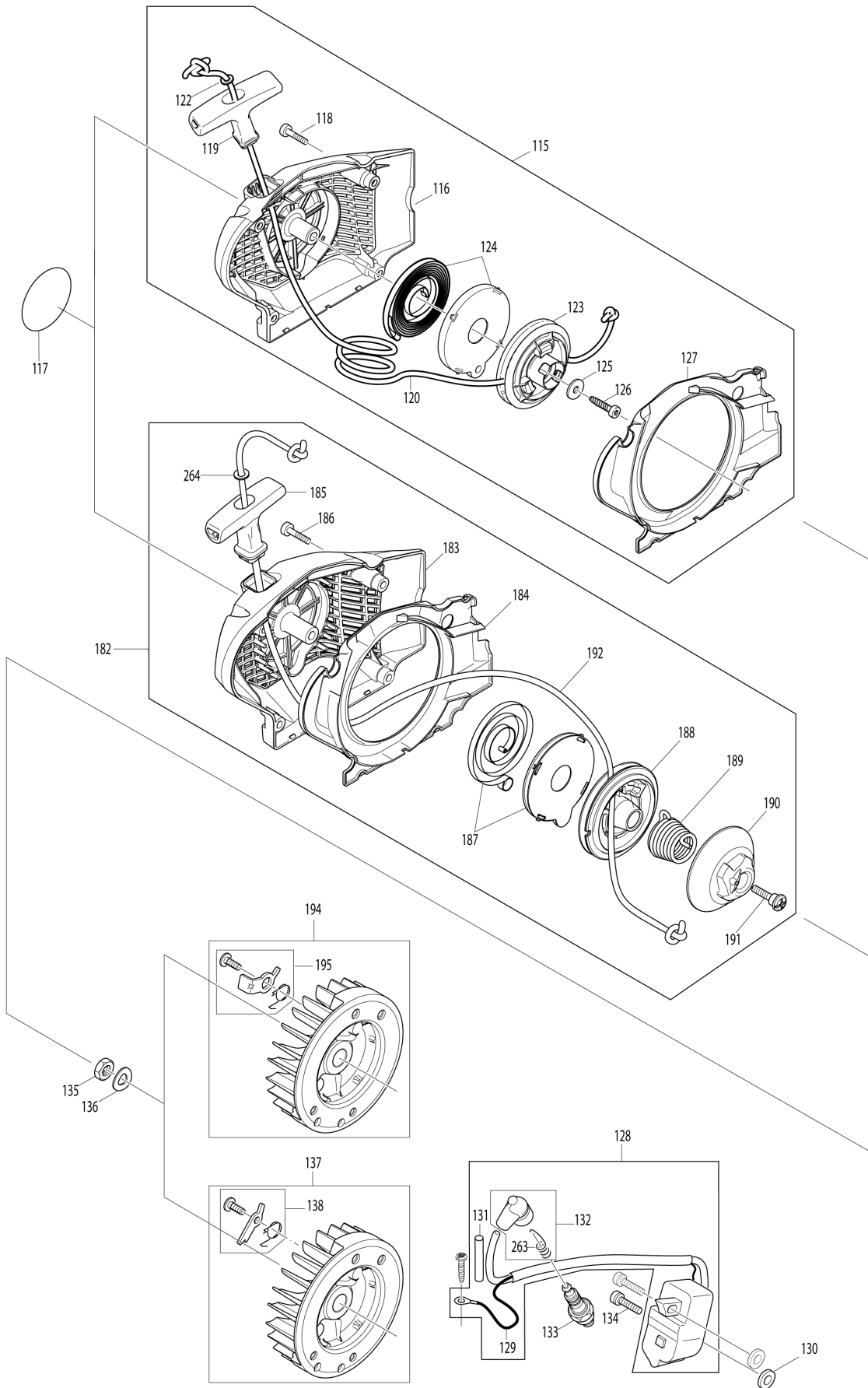


(DE) PS460 / ENGINE CHAIN SAW

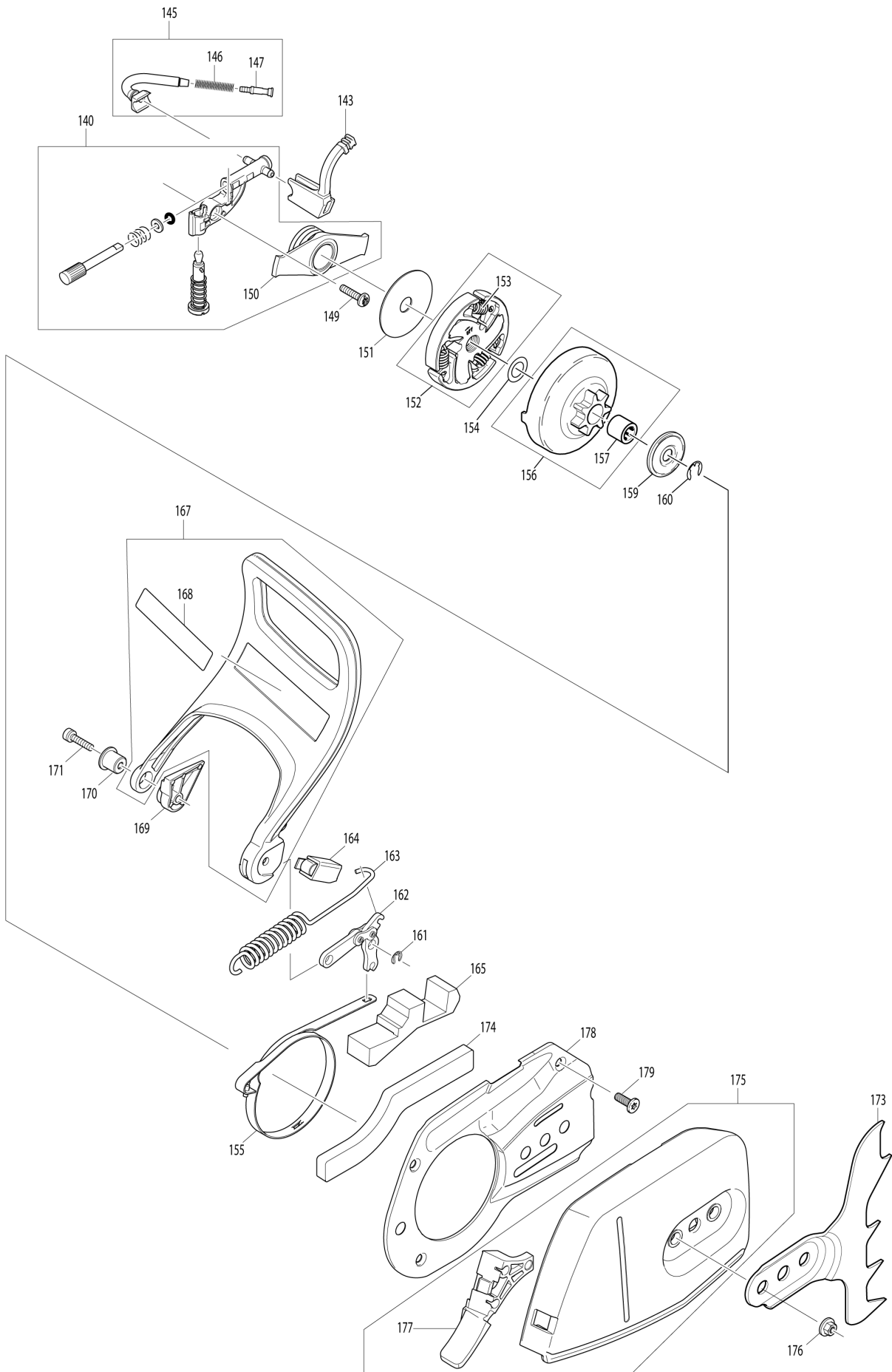




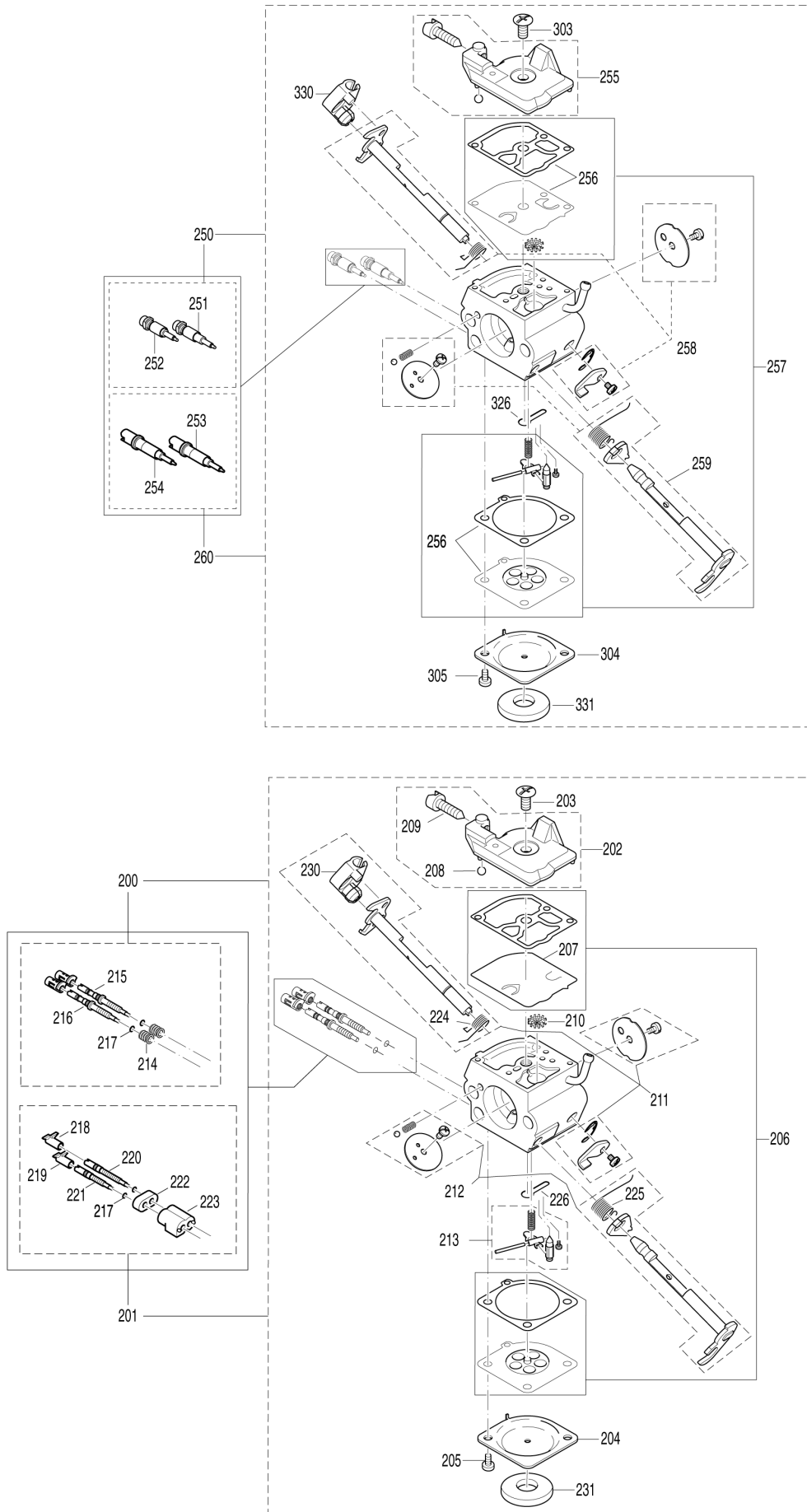
(DE) PS460 / ENGINE CHAIN SAW



(DE) PS460 / ENGINE CHAIN SAW



(DE) PS460 / ENGINE CHAIN SAW



<b>DE</b>	<b>GERMANY</b>
-----------	----------------

### PS460 / ENGINE CHAIN SAW

Item	Sub	Parts No.	Parts Description	Qty	I/C	E/C No.	Close No.	Remark
001		181114111	FUEL TANK ASSY RED	1				2007-07D
	D10		INC. 2-6,8-12,15,17,18					
002		181117050	GRIP OUTER SHELL	1			Y08229	
002-1		450851-5	GRIP OUTER SHELL	1	O	Y08229		
003		181117132	CATCH LEVER	1				
004		181117031	SPRING	1				
005		181117081	ROCKER	1				
006		181117111	SPRING	1				2013-57D
008		935930240	CYLINDRICAL PIN 3X24	1			Y08222	
008-1		268233-5	PIN 3	1	O	Y08222		
009		181117120	THROTTLE LEVER	1				=>2006-08
009-1		181117121	THROTTLE LEVER	1				2007-07D 2006-09=>
010		957114061	AIR VALVE CPL.	1				2008-04D
011		913455204	H.L.TAPPING SCREW 5.5X20	1			Y08390	2010-01D
011-1		266475-5	H.L.TAPPING SCREW 5.5X20	1	O	Y08390		2010-01D
012		181114065	FUEL LINE	1				2008-02D
013		163499-1	SUCTION HEAD	1				C17013
	C10	010114020	REP.KIT, FILTER(FELT ELEMENT)	1				C17013
013-1		010114200	FUEL FILTER ASSY	1				C17013
015		181114202	TANK CAP CPL.	1			Y08212	
	D10		INC. 16				Y08212	
015-1		168507-3	TANK CAP COMPLETE	1	O	Y08212		
	D10		INC. 16			Y08212		
016		213080-9	O RING 29.5	1				
017		181114301	DAMPING SPRING, CPL.	1				
018		181114301	DAMPING SPRING, CPL.	1				
019		181310200	FRONT HANDLE	1				
020		913455204	H.L.TAPPING SCREW 5.5X20	1			Y08390	2010-01D
020-1		266475-5	H.L.TAPPING SCREW 5.5X20	1	O	Y08390		2010-01D
021		913455164	H.L. TAPPING SCREW 5.5X16	2			Y08390	
021-1		266478-9	H.L.TAPPING SCREW 5.5X16	2	O	Y08390		
022		181114051	HANDLE COVER DOLMAR RED	1				
023		908006205	H.L. SOCKET HEAD BOLT M6X20	1			Y08164	
023-1		266479-7	H.L. SOCKET HEAD BOLT M6X20	1	O	Y08164		
024		913455204	H.L.TAPPING SCREW 5.5X20	1			Y08390	2010-01D
024-1		266475-5	H.L.TAPPING SCREW 5.5X20	1	O	Y08390		2010-01D
026		181118261	AIR FILTER ELEMENT COVER	1				2014-36D,2016-51 =>2015
	D10		INC. 27					2014-36D,2016-51 =>2015
026-1		181118241	AIR FILTER ELEMENT COVER	1			Y08892	2016-51 2016=>
	D10		INC. 27,70				Y08892	2016-51 2016=>
026-2		181118242	AIR FILTER ELEMENT COVER	1	O	Y08892		2016-51 2016=>
	D10		INC. 27,70			Y08892		2016-51 2016=>
027		181118060	ANTI ICING PLATE SUMMER	1		Y07841		
028		181173090	AIR FILTER ELEMENT NYLON MESH	1				2009-17D
028A		181173240	AIR FILTER ELEMENT FINE NYLON	1				2009-17D
028B		181173190	AIR FILTER ELEMENT FLEECE	1				2009-17D
029		325593-9	CLIP	1				
030		181171011	AIR SUCTION PIPE	1				
031		908505555	H.L. SOCKET HEAD BOLT M5X55	2			Y08390	
031-1		266480-2	H.L. SOCKET HEAD BOLT M5X55	2	O	Y08390		
032		181155020	ENGINE STOP / CHOKE LEVER	1				2010-01D
032-1		181155070	ENGINE STOP / CHOKE LEVER	1				2010-01D 2010=>
033		970311550	EARTH CABLE	1				2010-01D
033-1		970311580	EARTH CABLE	1				2010-01D 2010=>
034		913455164	H.L. TAPPING SCREW 5.5X16	1			Y08390	
034-1		266478-9	H.L.TAPPING SCREW 5.5X16	1	O	Y08390		
036		181131103	CARBURETOR HOUSING ASSY RED	1				2006-22D,2016-51 =>2015
	D10		INC. 38,39					2006-22D,2016-51 =>2015
036-1		181131160	CARBURETOR HOUSING ASSY RED	1				2016-51 2016=>
037		908805205	H.L. SOCKET HEAD BOLT M5X20	4			Y08050	2007-18D
037-1		266472-1	TORX SOCKET HEAD BOLT M5X20	4	O	Y08050		2007-18D
038		038118110	RUBBER FLAP	1				=>2015
039		938650062	RIVET	1				=>2015
040		181171150	INTAKE MANIFOLD SET	1				2016-51 =>2015
	D10		INC. 41,42,44,63					2016-51 =>2015

A:  
B:

Interchange  
O : Yes  
X : No  
< : the new part can be substituted for the current.  
> : the current part can be substituted for the new.  
S : Interchangeable as a set.



<b>DE</b>	<b>GERMANY</b>
-----------	----------------

### PS460 / ENGINE CHAIN SAW

Item	Sub	Parts No.	Parts Description	Qty	I/C	E/C No.	Close No.	Remark
040-1		181171160	INTAKE MANIFOLD SET	1				2016-51 2016=>
	D10		INC. 41,42,44,63					2016-51 2016=>
041		181131090	OIL RESISTANT HOSE	1				
042		181131040	INTAKE MANIFOLD	1			Y08741	
042-1		181131041	INTAKE HOSE	1	O	Y08741		
044		181131070	RING SPRING	1			Y08229	
044-1		233971-8	RING SPRING	1	O	Y08229		
045		913455164	H.L. TAPPING SCREW 5.5X16	1			Y08390	
045-1		266478-9	H.L.TAPPING SCREW 5.5X16	1	O	Y08390		
046		181155010	CONTACT SPRING	1				2010-01D
047		181155030	ADJUSTING GUIDE	1				2014-36D =>2012-03
047-1		181155080	ADJUSTING GUIDE	1				2014-36D 2012-04=>
048		913455164	H.L. TAPPING SCREW 5.5X16	1			Y08390	
048-1		266478-9	H.L.TAPPING SCREW 5.5X16	1	O	Y08390		
049		928405000	SPRING WASHER 5	1			Y08082	
049-1		267821-5	SPRING WASHER 5	1	O	Y08082		
050		980115961	LABEL	1			Y08602	2014-55D
050-1		816917-5	INDICATION LABEL	1	O	Y08602		2014-55D
053		181174102	MUFFLER	1				2007-08D
057		181174062	HEAT INSULATION PLATE	1				
058		181174050	MUFFLER GASKET	1				
059		908005205	H.L. SOCKET HEAD BOLT M5X20	2			Y08390	2007-18D
059-1		266476-3	H.L. SOCKET HEAD BOLT M5X20	2	O	Y08390		2007-18D
060		181174091	MUFFLER COVER	1				2007-08D
061		908005095	H.L. SOCKET HEAD BOLT M5X9	2			Y08390	
061-1		266474-7	H.L. SOCKET HEAD BOLT M5X9	2	O	Y08390		
062		908805205	H.L. SOCKET HEAD BOLT M5X20	1			Y08050	2007-18D
062-1		266472-1	TORX SOCKET HEAD BOLT M5X20	1	O	Y08050		2007-18D
063		346413-4	BUSH 17	1				
065		179130215	CYLINDER/PISTON SET FOR DECOMP	1				2010-07D,2011-30D
	D10		INC. 66,74					2010-07D,2011-30D
066		181132064	PISTON, PISTON RING & PIN SET	1				2011-30D
	D10		INC. 67-69					2011-30D
067		180132080	PISTON RING 43MM	1				
068		181132090	PISTON PIN	1				
069		181132050	CIRCLIP 10	2			Y08030	
069-1		181132050	CIRCLIP 10	2	O	Y08030		
070		181118070	RUBBER DAMPING PLUG	2			Y08604	2016-51
070-1		424173-9	DAMPING PLUG	2	O	Y08604		2016-51
072		908805235	H.L. SOCKET HEAD BOLT M5X23	4			Y08390	
072-1		266473-9	H.L. SOCKET HEAD BOLT M5X23	4	O	Y08390		
073		181114401	DAMPING SPRING,CPL.	1				
074		181131131	CYLINDER GASKET	1				2010-07D =>2008-02
074-1		181131133	CYLINDER GASKET	1			Y07984	2010-07D 2008-03=>
074-2		181131134	CYLINDER GASKET	1	O	Y07984		2010-07D 2008-03=>
075		181120100	CRANKSHAFT CPL.	1				2010-13D =>2010-02
075-1		185120200	CRANKSHAFT CPL.	1			Y08237	2010-13D,2014-79D 2010-03=>
075-2		143395-9	CRANKSHAFT CPL.	1	O	Y08237		2010-13D,2014-79D 2010-03=>
076		962210103	NEEDLE CAGE	1				2013-59D
077		211154-0	BALL BEARING 6202	1				
078		960123159	BALL BEARING 6202	1			Y08256	2006-10D,2014-19
	C10	962900065	OIL SEAL	1			Y08317	2006-10D,2014-19
078-1		211250-4	BALL BEARING 1514	1	O	Y08256		2006-10D,2014-19
079		962900156	OIL SEAL	1			Y08241	
079-1		213141-5	OIL SEAL 12	1	O	Y08241		
080		179111153	CRANKCASE ASSY LEFT RED	1				07-18D,09-06D,16-51 =>2015
	D10		INC. 77					07-18D,09-06D,16-51 =>2015
080-1		181111155	CRANKCASE ASSY LEFT RED	1				2016-51 2016=>
	D10		INC. 77					2016-51 2016=>
081		179111141	CRANKCASE ASSY RIGHT RED	1				2007-18D,2016-51 =>2015
	D10		INC. 78					2007-18D,2016-51 =>2015
081-1		181111142	CRANKCASE ASSY RIGHT RED	1				2016-51 2016=>
	D10		INC. 78					2016-51 2016=>
082		181111061	CRANKCASE GASKET	1				2014-62D
083		170114100	TANK CAP COMPLETE	1			Y08596	

A:  
B:

Interchange  
O : Yes  
X : No  
< : the new part can be substituted for the current.  
> : the current part can be substituted for the new.  
S : Interchangeable as a set.

<b>DE</b>	<b>GERMANY</b>
-----------	----------------

### PS460 / ENGINE CHAIN SAW

Item	Sub	Parts No.	Parts Description	Qty	I/C	E/C No.	Close No.	Remark
	D10		INC. 84				Y08596	
083-1		168508-1	TANK CAP COMPLETE	1	O	Y08596		
	D10		INC. 84			Y08596		
084		963225030	O RING	1			Y08637	
084-1		213355-6	O-RING 25	1	O	Y08637		
085		181118050	STEELCLIP	3				
086		908006205	H.L. SOCKET HEAD BOLT M6X20	1			Y08164	
086-1		266479-7	H.L. SOCKET HEAD BOLT M6X20	1	O	Y08164		
087		908805205	H.L. SOCKET HEAD BOLT M5X20	1			Y08050	2007-18D
087-1		266472-1	TORX SOCKET HEAD BOLT M5X20	1	O	Y08050		2007-18D
088		181111230	RUBBER BUFFER	1				
089		936430160	PIN 3X16	2			Y08221	
089-1		258038-1	CLAMPING PIN	2	O	Y08221		
090		181111230	RUBBER BUFFER	1				
091		908805205	H.L. SOCKET HEAD BOLT M5X20	1			Y08050	2007-18D
091-1		266472-1	TORX SOCKET HEAD BOLT M5X20	1	O	Y08050		2007-18D
092		908005205	H.L. SOCKET HEAD BOLT M5X20	6			Y08390	2007-18D
092-1		266476-3	H.L. SOCKET HEAD BOLT M5X20	6	O	Y08390		2007-18D
093		181111050	CHAIN CATCH	1			Y08669	
093-1		181111051	CHAIN CATCH	1	O	Y08669		
094		908006205	H.L. SOCKET HEAD BOLT M6X20	1			Y08164	
094-1		266479-7	H.L. SOCKET HEAD BOLT M6X20	1	O	Y08164		
095		905808210	GUIDE BAR BOLT M8X21	2				
096		181250011	SPIKE BAR	1				
097		908805205	H.L. SOCKET HEAD BOLT M5X20	2			Y08050	2007-18D
097-1		266472-1	TORX SOCKET HEAD BOLT M5X20	2	O	Y08050		2007-18D
098		010245030	VENT VALVE	1			Y08240	
098-1		168504-9	VENT VALVE	1	O	Y08240		
100		181213300	CHAIN TENSIONER CPL.	1				
	D10		INC. 101-106					
101		181213230	TENSIONING SCREW	1			Y08236	
101-1		227743-1	HELICAL GEAR 11	1	O	Y08236		
102		181213240	TENSION SLIDE	1			Y09004	
102-1		181213241	TENSION SLIDE	1	O	Y09004		
103		181213250	ADJUSTING SCREW	1			Y08236	
103-1		227744-9	HELICAL GEAR 18	1	O	Y08236		
104		452667-4	GEAR COVER PROFESSIONAL	1				
105		181213260	TENSIONING SCREW BEARING	1				
106		963207020	O RING	1				
107		908705125	H.L. SOCKET HEAD BOLT M5X12	1			Y08563	2007-18D
107-1		266484-4	H.L. SOCKET HEAD BOLT M5X12	1	O	Y08563		2007-18D
112		181131140	RUBBER BUSH	1				2016-51 2016=>
113		181117094	RETAINING CLIP	1				
114		181117041	THROTTLE CONTROL CABLE	1				
115		181160101	STARTER ASSY RED	1				=>2009
	D10		INC. 116,118-120,122-127					=>2009
116		181112021	STARTER HOUSING RED	1				2010-01D
117		980115190	LABEL PS-460	1				
118		908805205	H.L. SOCKET HEAD BOLT M5X20	4				
119		001161020	STARTER GRIP	1				2010-01D
120		108164020	STARTER ROPE 3.5MM (L=0.98M)	1				2010-01D
122		928405000	SPRING WASHER 5	1				
123		181162150	CABLE DRUM	1				2010-01D
124		181163020	REWIND SPRING IN HOUSING	1				2010-01D
125		924605510	WASHER 5.5/18X1.6	1				2010-01D
126		913455204	H.L. TAPPING SCREW 5.5X20	1				2010-01D
127		181118041	AIR GUIDE PLATE	1				2016-51
128		181143204	IGNITION COIL COMPLETE	1				2010-13D =>2010-02
	D10		INC. 129,131,132					2010-13D =>2010-02
128-1		181143206	IGNITION COIL COMPLETE	1				2010-13D,2016-51 2010-03=>
	D10		INC. 129,131,132					2010-13D,2016-51 2010-03=>
128-2		181143212	IGNITION COIL COMPLETE	1			Y07951	2016-51 2016=>
	D10		INC. 129,131,132				Y07951	2016-51 2016=>
128-3		181143213	IGNITION COIL COMPLETE	1	O	Y07951	Y08835	2016-51 2016=>
	D10		INC. 129,131,132			Y07951	Y08835	2016-51 2016=>

A:  
B:

Interchange  
O : Yes  
X : No  
< : the new part can be substituted for the current.  
> : the current part can be substituted for the new.  
S : Interchangeable as a set.

<b>DE</b>	<b>GERMANY</b>
-----------	----------------

### PS460 / ENGINE CHAIN SAW

Item	Sub	Parts No.	Parts Description	Qty	I/C	E/C No.	Close No.	Remark
128-4		181143214	IGNITION COIL COMPLETE	1	O	Y08835		2016-51 2016=>
	D10		INC. 129,131,132			Y08835		2016-51 2016=>
129		181147050	IGNITION CABLE	1				
130		195143031	ISOLATION WASHER	2			Y08226	
130-1		451462-9	ISOLATING WASHER	2	O	Y08226		
131		970502110	INSULATING TUBE 6 L=1M	1			Y08396	
131-1		970502120	INSULATING TUBE	1	O	Y08396		
132		957604260	PLUG CAP COMPLETE	1				
	D10		INC. 263					
133		168648-5	SPARK PLUG (BPMR7A)	1				
134		908805205	H.L. SOCKET HEAD BOLT M5X20	2			Y08050	
134-1		266472-1	TORX SOCKET HEAD BOLT M5X20	2	O	Y08050		
135		920208024	HEX. NUT M8X1(FINE THREAD)	1			Y08219	
135-1		264107-8	HEXAGONAL NUT M8	1	O	Y08219		
136		926208001	SPRING WASHER 8	1			Y08052	
136-1		267822-3	SPRING WASHER 8	1	O	Y08052		
137		181141104	FLYWHEEL ASSY.	1				=>2008-03
	D10		INC. 138					=>2008-03
138		181166050	STARTER RATCHET CP(2PCS EACH)	1				2010-01D
140		181245251	OIL PUMP CPL.	1				
	D10		INC. 150					
142		181155011	CONTACT SPRING	1				2010-01D,2016-51 2010=>
142-1		181155060	CONTACT SPRING	1				2016-51 2016=>
143		181245120	OIL LINE	1			Y08497	
143-1		424178-9	OIL TUBE	1	O	Y08497		
145		144274-4	TUBE COMPLETE	1				
	D10		INC. 146,147					
146		231975-4	SPRING	1				
147		001245020	HOSE STEM	1				
149		908705125	H.L. SOCKET HEAD BOLT M5X12	1			Y08563	2007-18D
149-1		266484-4	H.L SOCKET HEAD BOLT M5X12	1	O	Y08563		2007-18D
150		181245090	PUMP DRIVE	1			Y08243	
150-1		450956-1	PUMP DRIVE	1	O	Y08243		
151		267389-1	FLAT WASHER 12	1				
152		181180300	CLUTCH ASSY	1			Y08210	2013-49D
	D10		INC. 153				Y08210	
152-1		127443-2	CLUTCH ASSEMBLY	1	O	Y08210		2013-49D
	D10		INC. 153			Y08210		
153		232352-3	TENSION SPRING 6	3			D4267	
153-1		232352-3	TENSION SPRING 6	3	O	D4267		
154		181224090	FLAT WASHER 10	1				
155		181213011	BRAKE BAND	1			Y08056	
155-1		346029-5	BRAKE BAND	1	O	Y08056		
156A		181223312	CLUTCH DRUM CPL. .325", Z=7	1			Y08608	
	D10		INC. 157				Y08608	
156B		181223322	CLUTCH DRUM CPL. 3/8", Z=7	1				
156-1A		158927-9	CLUTCH DRUM COMPLETE	1	O	Y08608		
	D10		INC. 157			Y08608		
157		962300009	NEEDLE BEARING	1			Y08270	
157-1		212082-2	NEEDLE BEARING 1012	1	O	Y08270		
159		181224081	WASHER 29	1			Y08058	
159-1		267820-7	WASHER 29	1	O	Y08058		
160		927408000	STOP RING E-8	1			Y08057	
160-1		259045-7	STOP RING E-8	1	O	Y08057		
161		927304000	STOP RING E-4	1			Y08055	
161-1		257934-0	STOP RING E-4	1	O	Y08055		
162		185213100	BREAK LINK PLATE COMPLETE	1				
163		181213023	TENSION SPRING	1			Y08054	
163-1		231870-8	TENSION SPRING 10	1	O	Y08054		
164		181213170	HANDGUARD GUIDE,CPL.	1			Y08064	
164-1		450926-0	STOPPER CASE	1	O	Y08064		
165		181213371	FOAM SPONGE	1				
167		181213161	HAND GUARD CPL.	1			Y08495	
	D10		INC. 168				Y08495	
167-1		181213162	HAND GUARD CPL.	1	O	Y08495	Y08758	

A:  
B:

Interchange  
O : Yes  
X : No  
< : the new part can be substituted for the current.  
> : the current part can be substituted for the new.  
S : Interchangeable as a set.

<b>DE</b>	<b>GERMANY</b>
-----------	----------------

### PS460 / ENGINE CHAIN SAW

Item	Sub	Parts No.	Parts Description	Qty	I/C	E/C No.	Close No.	Remark
167-2		181213163	HAND GUARD CPL.	1	O	Y08758		
168		810449-4	CAUTION LABEL	1				
169		181213310	SPACER	1				
170		181213320	BUSHING	1			Y08053	
170-1		325604-0	BUSH	1	O	Y08053		
171		908805205	H.L. SOCKET HEAD BOLT M5X20	1			Y08050	2007-18D
171-1		266472-1	TORX SOCKET HEAD BOLT M5X20	1	O	Y08050		2007-18D
174		181213400	FOAM SPONGE	1				
175		957213200	SPROCKET GUARD COMPLETE RED	1				
	D10		INC. 177					
176		923208004	HEX. FLANGE NUT M8(BAR NUT)	2			Y08048	
176-1		252145-2	COLLARED HEX NUT M8	2	O	Y08048		
177		957213220	CHIP GUIDE	1				
178		181213191	COVER	1				2007-15D
179		908105126	H.L.S. FLAT HEAD BOLT M5X12	3			Y08049	2007-18D
179-1		266477-1	H.L. C.S. HEAD SCREW M5X12	3	O	Y08049		2007-18D
182		181160155	STARTER ASSY RED	1				2016-51 =>2015
	D10		INC. 183-192,264					2016-51 =>2015
182-1		181160201	STARTER ASSY RED	1			Y08595	2016-51 2016=>
	D10		INC. 183-192,264				Y08595	2016-51 2016=>
182-2		123560-6	STARTING DEVICE RED	1	O	Y08595		2016-51 2016=>
	D10		INC. 183-192,264			Y08595		2016-51 2016=>
183		181112060	STARTER HOUSING RED	1			Y08561	2010-01D
183-1		140732-8	FAN HOUSING COMPLETE	1	O	Y08561		2010-01D
184		181118041	AIR GUIDE PLATE	1				2016-51 =>2015
184-1		181118120	AIR GUIDE PLATE	1			Y08605	2016-51 2016=>
184-2		456685-4	AIR GUIDE PLATE	1	O	Y08605		2016-51 2016=>
185		181164010	STARTER GRIP	1			Y08558	2010-01D
185-1		452458-3	STARTER GRIP	1	O	Y08558		2010-01D
186		266942-0	H.L. SOCKET HEAD BOLT M5X20	4				
187		140587-1	REWIND SPRING COMPLETE	1				2010-01D
188		181162020	CABLE DRUM	1			Y08560	2010-01D
188-1		452224-8	CABLE DRUM	1	O	Y08560		2010-01D
189		234193-3	SPRING EASY START	1				2010-01D
190		181163090	STARTER WHEEL	1			Y08562	2010-01D
190-1		452227-2	DRIVER EASY START	1	O	Y08562		2010-01D
191		181163095	STEPPED TAPPING SCREW 5X16.5	1			Y08430	2010-01D
191-1		266616-3	SCREW	1	O	Y08430		2010-01D
192		108164020	STARTER ROPE 3.5MM (L=0.98M)	1		Y07842		2010-01D
194		143331-5	FLYWHEEL COMPLETE	1				2014-23 2008-04=>
	D10		INC. 195					2014-23 2008-04=>
195		181166100	STARTER RATCHET CP(2PCS EACH)	1				
200		181153100	CARBURETOR	1				2014-36D =>2012-03
	D10		INC. 202-206,210-217,226,231					2014-36D =>2012-03
202		181153030	PUMP COVER	1				2014-36D =>2012-03
	D10		INC. 208,209					2014-36D =>2012-03
203		038153360	SCREW	1				
204		181153040	DIAPHRAGM COVER	1				2014-36D
205		ZJ00000014	SCREW (WITH SERRATION)	2				=>2012-03
206		181153020	SET DAIPHFRAGM/GASKETS	1				2014-36D =>2012-03
	D10		INC. 207					2014-36D =>2012-03
207		181153050	PUMP DIAPHRAGM TEFLON	1		Y07843		2014-36D
208		038153210	LOCKING BALL	1				
209		181153070	IDLE STOP SCREW	1				2014-36D =>2012-03
210		036153040	SCREEN	1				
211		957153090	KIT THROTTLE SHAFT	1				=>2012-03
	D10		INC. 224,230					=>2012-03
212		957153080	KIT CHOKE SHAFT	1				=>2012-03
	D10		INC. 225					=>2012-03
213		957153070	CONTROL PARTS	1				=>2012-03
214		028153480	SPRING	2				=>2012-03
215		181153180	IDLE ADJUSTMENT SCREW	1				2014-36D =>2012-03
216		181153190	MAIN ADJUSTMENT SCREW	1				2014-36D =>2012-03
217		181153220	WASHER	2				2014-36D =>2012-03
224		181153110	SPRING	1				2014-36D

A:  
B:

Interchange  
O : Yes  
X : No  
< : the new part can be substituted for the current.  
> : the current part can be substituted for the new.  
S : Interchangeable as a set.

