



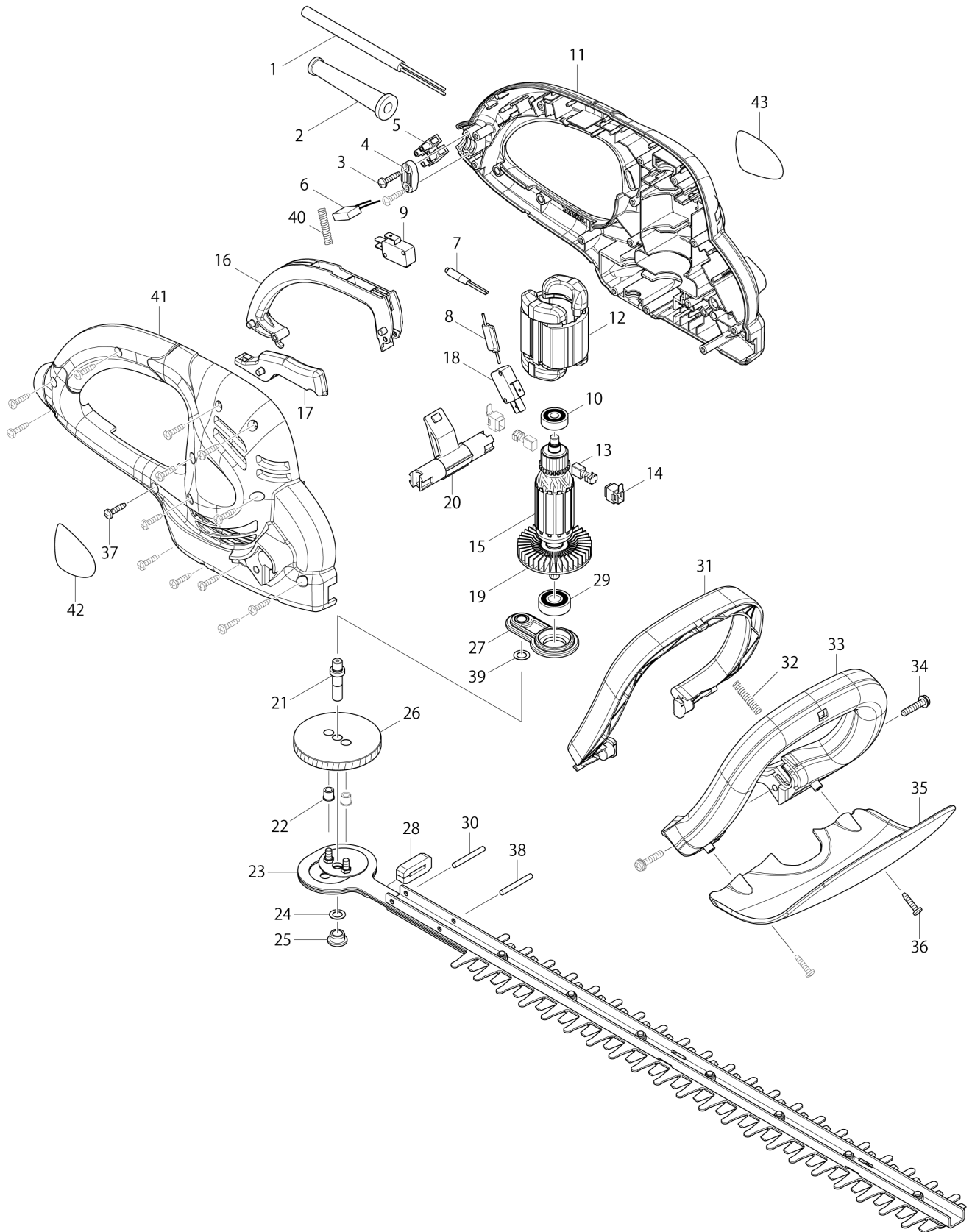
DE	GERMANY
----	---------

# Diagram / Parts List

**HT53**

**520MM HEDGE TRIMMER**

(DE) HT53 / 520MM HEDGE TRIMMER



<b>DE</b>	<b>GERMANY</b>
-----------	----------------

### HT53 / 520MM HEDGE TRIMMER

Item	Sub	Parts No.	Parts Description	Qty	I/C	E/C No.	Close No.	Remark
001		665877-6	POWER SUPPLY CORD 1.0-2-0.3	1			D2570	
001-1		665877-6	POWER SUPPLY CORD 1.0-2-0.3	1	S	D2570		
002		682516-3	CORD GUARD 9.3-85	1				
003		266326-2	TAPPING SCREW 4X18	2				
004		687124-5	STRAIN RELIEF	1				
005		654531-7	TERMINAL BLOCK 2P	1				
006		645200-1	NOISE SUPPRESSOR	1			D2570	
006-1		645089-7	NOISE SUPPRESSOR	1	<	D2570		
007		646056-5	CHOKE COIL	1			D2570	
007-1		646153-7	CHOKE COIL	1	<	D2570		
008		646090-5	CHOKE COIL	1				
009		650642-6	SWITCH	1				
010		210030-5	BALL BEARING 627ZZ	1				
011		187053-7	HOUSING SET	1			D2570	
	C10	931202-6	HEX. NUT M5	2			D2570	
	D10		INC. 41,43				D2570	
011-1		183S10-7	HOUSING SET	1	<	D2570		
	C10	931202-6	HEX. NUT M5	2		D2570		
	D10		INC. 41,43			D2570		
012		621753-4	FIELD 220-240V	1				
013		191962-4	CARBON BRUSH CB-419	1				
014		643923-5	BRUSH HOLDER	2				
015		515824-6	ARMATURE ASS'Y 240V	1				
	D10		INC. 10,19,29					
016		452677-1	SWITCH LEVER A	1				
017		452680-2	SWITCH LEVER C	1				
018		650642-6	SWITCH	1				
019		241850-6	FAN 60	1				
020		452681-0	SWITCH ARM	1				
021		326034-8	SPINDLE	1				
022		262570-9	NYLON SLEEVE 5	2				
023		140827-7	SHEAR BLADE COMPLETE	1				
024		253777-8	FLAT WASHER 8	1				
025		214064-0	PLANE BEARING 8	1				
026		227745-7	HELICAL GEAR 67	1			C3459	
026-1		227745-7	HELICAL GEAR 67	1	O	C3459		
027		140828-5	BEARING BOX COMPLETE	1				
028		423417-4	DUST GUARD	1				
029		211062-5	BALL BEARING 6000ZZ	1				
030		268136-3	PIN 4	1				
031		452679-7	SWITCH LEVER B	1				
032		233156-6	COMPRESSION SPRING 5	1				
033		452682-8	FRONT GRIP	1				
034		911243-8	PAN HEAD SCREW M5X25	2				
035		140829-3	PROTECTOR COMPLETE	1				
036		266326-2	TAPPING SCREW 4X18	2				
037		266326-2	TAPPING SCREW 4X18	14				
038		268136-3	PIN 4	1				
039		253777-8	FLAT WASHER 8	1				
040		233156-6	COMPRESSION SPRING 5	1				
041		187053-7	HOUSING SET	1			D2570	
	C10	931202-6	HEX. NUT M5	2			D2570	
	D10		INC. 11,43				D2570	
041-1		183S10-7	HOUSING SET	1	<	D2570		
	C10	931202-6	HEX. NUT M5	2		D2570		
	D10		INC. 11,43			D2570		
042		869272-4	HT-53 NAME PLATE	1				
043		892655-3	DOLMAR LOGO LABEL	1				
044		645277-6	CAPACITOR	1		D2570		
A01		194678-0	CORD HOLDER COMPLETE SET	1				
A02		158024-1	HOOK COMPLETE	1				
A03		452685-2	BLADE COVER	1				
E03		688131-1	LINE FILTER	1	S	D2570		
F03		195051-7	CHIP RECEIVER ASSEMBLY SET	1		93100		

B:HT-53(H)

Interchange  
 O : Yes  
 X : No  
 < : the new part can be substituted for the current.  
 > : the current part can be substituted for the new.  
 S : Interchangeable as a set.