



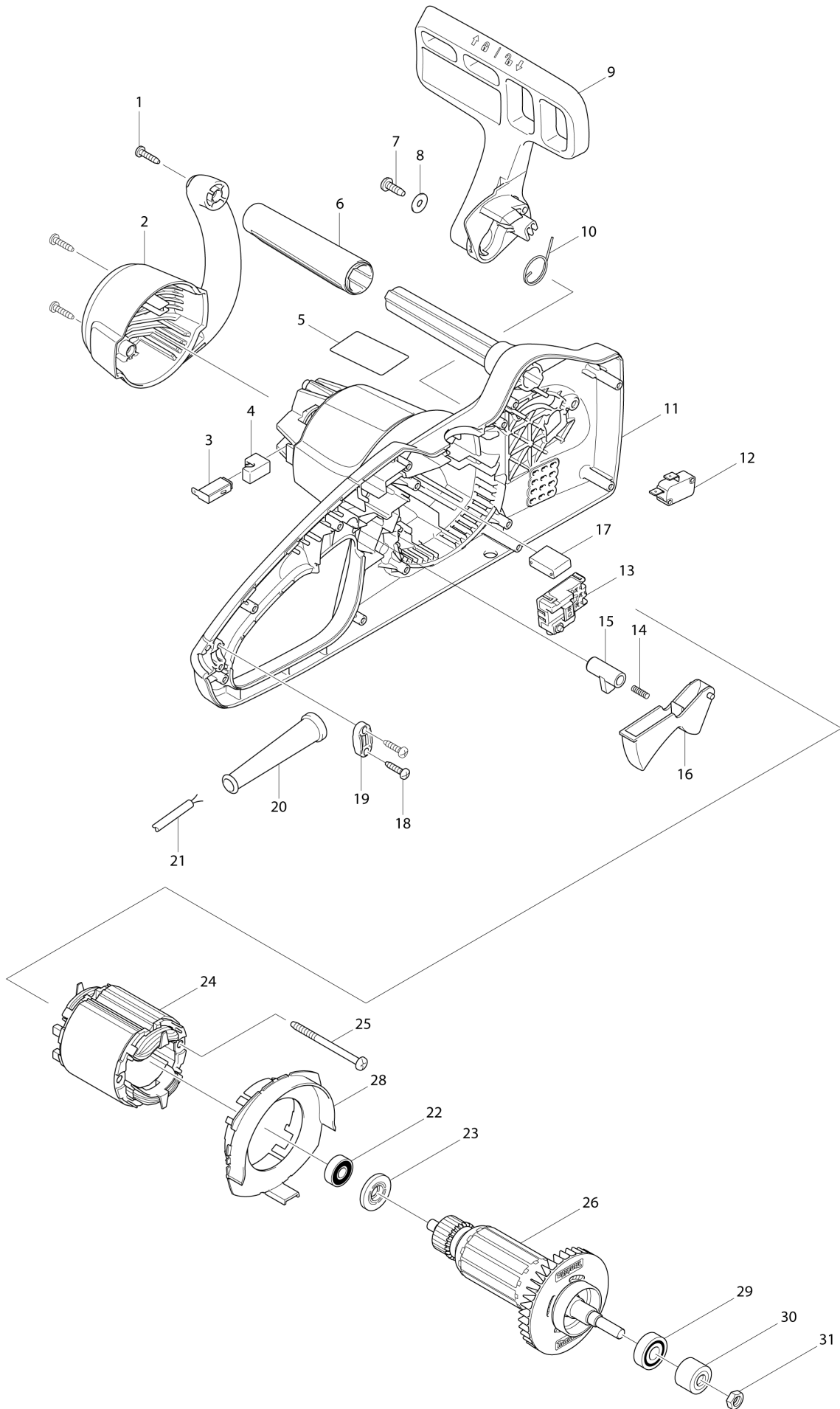
DE	GERMANY
----	---------

# Diagram / Parts List

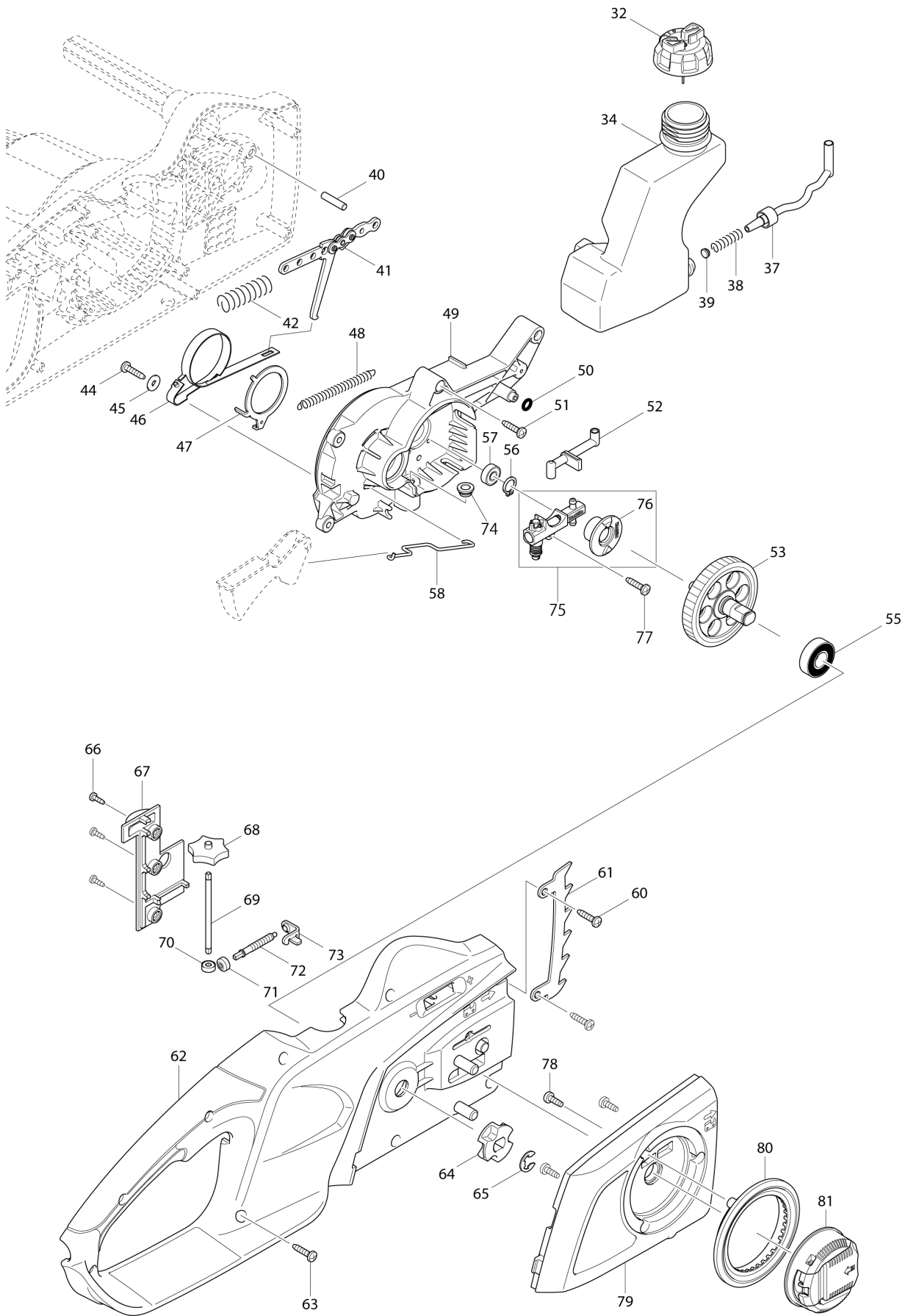
**ES43TLC**

**400MM ELECTRIC CHAIN SAW**

(DE) ES43TLC / 400MM ELECTRIC CHAIN SAW



(DE) ES43TLC / 400MM ELECTRIC CHAIN SAW



<b>DE</b>	<b>GERMANY</b>
-----------	----------------

### ES43TLC / 400MM ELECTRIC CHAIN SAW

Item	Sub	Parts No.	Parts Description	Qty	I/C	E/C No.	Close No.	Remark
001		266326-2	TAPPING SCREW 4X18	3				
002		454725-2	REAR COVER	1				
003		191972-1	CARBON BRUSH CB-132	1				
004		682211-5	RUBBER SLEEVE	2				
005		815A98-8	ES-43 TLC NAME PLATE	1				
006		424600-6	FRONT GRIP	1				
007		266388-0	TAPPING SCREW 5X16	1				
008		253807-5	FLAT WASHER 5	1				
009		142279-8	FRONT HAND GUARD COMPLETE	1				
	C10	802K54-7	INDICATION LABEL	1				
010		231640-5	TORSION SPRING 20	1				
011		187784-8	HOUSING SET	1				
	C10	802G51-9	CAUTION LABEL	1				
	D10		INC. 62					
012		650577-1	SWITCH SD-006-BB2AA-AA	1				
013		650716-3	SWITCH TGC31B	1				
014		233173-6	COMPRESSION SPRING 4	1			D9875	
014-1		233194-8	COMPRESSION SPRING 4	1	O	D9875		
015		416178-3	LOCK-OFF BUTTON	1			DC429	
015-1		413B17-0	LOCK OFF BUTTON	1	<	DC429		
016		455185-1	SWITCH LEVER	1				
017		645149-5	NOISE SUPPRESSOR	1				
018		266326-2	TAPPING SCREW 4X18	2				
019		687124-5	STRAIN RELIEF	1				
020		682540-6	CORD GUARD 9.3-90	1				
021		665876-8	POWER SUPPLY CORD 1.0-2-0.6	1				
022		210029-0	BALL BEARING 608ZZ	1				
023		681644-1	INSULATION WASHER	1				
024B		594538-0	FIELD ASS'Y 220-240V	1			A8421	
	C10	654069-2	RECEPTACLE	2			A8421	
	C20	654208-4	RECEPTACLE	1			A8421	
024-1B		593869-4	FIELD ASS'Y 220-240V	1	O	A8421	DG723	
	C10	654069-2	RECEPTACLE	2		A8421	DG723	
	C20	654208-4	RECEPTACLE	1		A8421	DG723	
024-1C		593869-4	FIELD ASS'Y 220-240V	1			DG723	
	C10	654069-2	RECEPTACLE	2			DG723	
	C20	654208-4	RECEPTACLE	1			DG723	
024-2		590103-3	FIELD ASS'Y 220-240V	1	O	DG723	Z52117	
	C10	654086-2	RECEPTACLE	2		DG723	Z52117	
	C20	654199-9	RECEPTACLE	1		DG723	Z52117	
024-3		593869-4	FIELD ASS'Y 220-240V	1	O	Z52117		
	C10	654069-2	RECEPTACLE	2		Z52117		
	C20	654208-4	RECEPTACLE	1		Z52117		
025		266389-8	TAPPING SCREW 5X70	2				
026		513893-1	ARMATURE ASS'Y 220-240V	1			DD955	
	D10		INC. 22,23,29				DD955	
026-1		511A83-6	ARMATURE ASS'Y 220-240V	1	S	DD955		
	D10		INC. 22,23,29			DD955		
028		419238-0	BAFFLE PLATE	1				
029		211061-7	BALL BEARING 6000LLB	1				
030		227153-2	SPUR GEAR 12	1				
031		931403-6	HEX. NUT M8	1				
032		142282-9	TANK CAP COMPLETE	1				
034		454729-4	OIL TANK	1				
037		424602-2	OIL TUBE	1				
038		231975-4	SPRING	1				
039		416274-7	CAP	1				
040		268238-5	PIN 5	1				
041		158047-9	LINK PLATE COMPLETE	1				
042		233175-2	COMPRESSION SPRING 9	1				
044		266326-2	TAPPING SCREW 4X18	1			C1478	
044-1		265620-9	TAPPING SCREW FLANGE 4X18	1	S	C1478		
045		267195-4	FLAT WASHER 4	1			C1478	
046		168321-7	BRAKE BAND	1				
047		346739-4	BRAKE RING	1				

B:  
C:

Interchange  
O : Yes  
X : No  
< : the new part can be substituted for the current.  
> : the current part can be substituted for the new.  
S : Interchangeable as a set.

